

Engine & Cooling	Fuel	Ignition	Electrical	Running gear	Torque settings	Capacities	Notes & Illustrations
------------------	------	----------	------------	--------------	-----------------	------------	-----------------------



Automotive Technical DATA BOOK

Click on one of the buttons above to view data for this car. To return to this screen and make another choice, click anywhere on the data screen.

MENU

HELP

Engine and cooling system Applause 1.6i CAT 1989 to 1996

Type		HD-E SOHC 16V 77kW
Capacity (cm ³) / number of cylinders		1589 / 4
Compression ratio / pressure	bar	9.5 / ≥13.7
Oil pressure	bar	0.19 [4.4]
Oil temperature	°C	80
Valve clearance - inlet	mm	0.25 H
Valve clearance - exhaust	mm	0.33 H
Firing order		1-3-4-2
No 1 cylinder position		TBE
Thermostat opening temperature	°C	82 to 86
Radiator cap pressure	bar	1.03

Fuel system Applause 1.6i CAT 1989 to 1996

Idle speed - manual [auto]	rpm	800±50 [850±50]
Fast idle speed - manual [auto]	rpm	1400
CO @ idle speed [3000 rpm] - see page VI	%	—
HC @ idle speed [3000 rpm] - see page VI	ppm	≤300
CO ₂ @ idle speed [3000 rpm] - see page VI	%	—
O ₂ @ idle speed [3000 rpm] - see page VI	%	—
Carburettor / fuel injection		Nippon Denso
Type / ref		EFI
Main jet / needle		—
Injection pressure	bar	1.27
Pump pressure	bar	2.1 to 2.5
Octane rating	RON	95[U]

Ignition system Applause 1.6i CAT 1989 to 1996

Type		Electronic
Ignition coil		Nippon Denso
Primary resistance	ohms	1.4 to 1.7
Ballast resistor	ohms	—
Voltage - Tmnl 15(+) to earth	V	12.0
Distributor		Nippon Denso
Points gap (air gap)	mm	[0.20 to 0.40]
Dwell angle	° (%)	—
Condenser capacity	µF	—
Rotation		Anticlockwise
Ignition timing - basic [static	° Crankshaft @ rpm	3±2 BTDC @ 800±50
V = Vacuum NV = No Vacuum		NV
Total ignition advance	° Crankshaft @ rpm	—
	° Crankshaft @ rpm	—
	° Crankshaft @ rpm	—
Centrifugal check.	° Crankshaft @ rpm	0 @ 1300
	° Crankshaft @ rpm	16 @ 3000
	° Crankshaft @ rpm	26 @ 6000
Vacuum range check	mbar	107 to 373
Maximum vacuum advance	° Crankshaft	16
Spark plugs		NGK/Champion
Type		BKR6E-11 / RC9YC4
Electrode gap	mm	1.00 to 1.10

Electrical system Applause 1.6i CAT 1989 to 1996

Battery	V / CC / RC	12 / 36Ah
Alternator voltage / full load current / engine rpm		14.2 to 14.8 / 50 / 3000
Starter motor current / voltage - cranking	A / V	50 / 10.0 to 11.0
- locked	A / V	—

Running gear Applause 1.6i CAT 1989 to 1996

Brakes -		
Front (min. friction material thickness)	mm	1.0
Rear (min. friction material thickness)	mm	1.0

Tyres		
Saloon	Size	185/60x14
Estate / Van	Size	—
Pressure - front / rear - Saloon	bar	1.8 / 1.8
- Estate / Van	bar	—

Front suspension / wheel alignment

Toe-in (+) / Toe-out (-)	mm [°]	+1.0±1.0
Camber		+30'±30'
Castor		+2°55'±30'
King pin inclination		+12°±30'

Rear suspension / wheel alignment

Toe-in (+) / Toe-out (-)	mm [°]	+5.0±2.0
Camber		-40'±35'

Torque wrench settings Applause 1.6i CAT 1989 to 1996

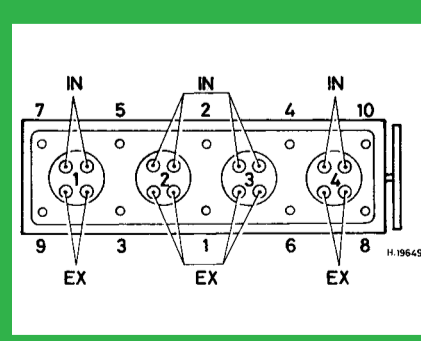
Cylinder head - stage 1	Nm	64
- stage 2	Nm	—
Cylinder head - stage 3	Nm	—
- stage 4	Nm	—
Big-end bearings	Nm	40
Main bearings	Nm	49
Clutch cover	Nm	19
Flywheel [driveplate]	Nm	88
Front hubs	Nm	190
Rear hubs	Nm	WSM
Wheel nuts / bolts	Nm	95
Spark plugs	Nm	18

Capacities Applause 1.6i CAT 1989 to 1996

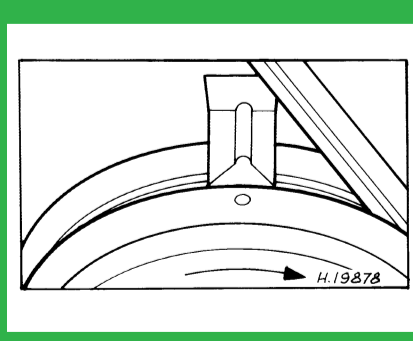
Engine oil & filter	litres	3.5
Gearbox - 4-speed [5-speed]	litres	2.2
Automatic transmission - refill	litres	5.5
Final drive	litres	AT: 1.4
Cooling system	litres	5.1
Fuel tank	litres	50

Notes and Illustrations

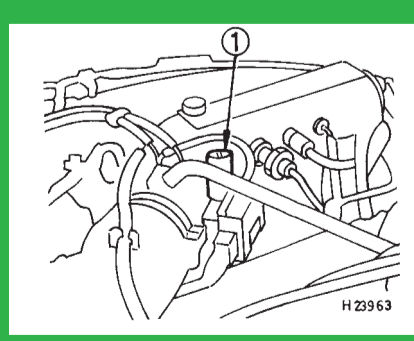
1: Idle speed 2: CO / Mixture



1589 cm³



1589 cm³



EFi, 1589 cm³