

Engine & Cooling	Fuel	Ignition	Electrical	Running gear	Torque settings	Capacities	Notes & Illustrations
------------------	------	----------	------------	--------------	-----------------	------------	-----------------------



Automotive Technical DATA BOOK

Click on one of the buttons above to view data for this car. To return to this screen and make another choice, click anywhere on the data screen.

MENU **HELP**

Engine and cooling system Tipo 1.6 & Selecta 1990 to 1992

Type	159 A3.000 SOHC 62kW	
Capacity (cm ³) / number of cylinders	1581 / 4	
Compression ratio / pressure	bar	9.2±0.5 / _
Oil pressure	bar	[3.4 to 4.9]
Oil temperature	°C	100
Valve clearance - inlet	mm	0.40±0.05
Valve clearance - exhaust	mm	0.50±0.05
Firing order	1-3-4-2	
No 1 cylinder position	TBE	
Thermostat opening temperature	°C	80 to 84
Radiator cap pressure	bar	0.98

Fuel system Tipo 1.6 & Selecta 1990 to 1992

Idle speed - manual [auto]	rpm	850±50 [950±50]
Fast idle speed - manual [auto]	rpm	1300±50
CO @ idle speed [3000 rpm] - see page VI	%	1.0±0.5 [1.25±0.25]
HC @ idle speed [3000 rpm] - see page VI	ppm	≤1200
CO ₂ @ idle speed [3000 rpm] - see page VI	%	_
O ₂ @ idle speed [3000 rpm] - see page VI	%	_
Carburettor / fuel injection	Weber	
Type / ref	32-34 TLDE 23/151 [24/751]	
Main jet / needle	110, 123 [110, 122]	
Injection pressure	bar	_
Pump pressure	bar	0.18
Octane rating	RON	97[E 95 RON]

Ignition system Tipo 1.6 & Selecta 1990 to 1992

Type	Digiplex 2	
Ignition coil	Marelli BAE 504D	
Primary resistance	ohms	0.405 to 0.495
Ballast resistor	ohms	_
Voltage - Tmnl 15(+) to earth	V	_
Distributor	Marelli	
Points gap (air gap)	mm	_
Dwell angle	° (%)	_
Condenser capacity	µF	_
Rotation	_	
Ignition timing - basic [static	° Crankshaft @ rpm	12±1 BTDC @ idle
V = Vacuum NV = No Vacuum	V	
Total ignition advance	° Crankshaft @ rpm	8±2 BTDC @ 500
	° Crankshaft @ rpm	40±2 @ 3000 to 6200
	° Crankshaft @ rpm	_
Centrifugal check.	° Crankshaft @ rpm	Computer control
	° Crankshaft @ rpm	_
	° Crankshaft @ rpm	_
Vacuum range check	mbar	Computer control
Maximum vacuum advance	° Crankshaft	_
Spark plugs	Bosch/Champion	
Type	WR6D / RN9YC	
Electrode gap	mm	0.70 to 0.80

Electrical system Tipo 1.6 & Selecta 1990 to 1992

Battery	V / CC / RC	12 / 185 / 40 or / 200 / 50Ah
Alternator voltage / full load current / engine rpm	14.3 to 14.6 / 55, 90 / 3500	
Starter motor current / voltage - cranking	A / V	200 / 9.8 to 10.0
- locked	A / V	440 / 7.6

Running gear Tipo 1.6 & Selecta 1990 to 1992

Brakes -		
Front (min. friction material thickness)	mm	1.5
Rear (min. friction material thickness)	mm	1.5

Tyres		
Saloon	Size	165/70x13
Estate / Van	Size	_
Pressure - front / rear - Saloon	bar	2.0 / 1.9
- Estate / Van	bar	_

Front suspension / wheel alignment

Toe-in (+) / Toe-out (-)	mm [°]	0±1.0
Camber	+25'±30' N/A	
Castor	+1°40'±30'. PAS: +2°20'±30'	
King pin inclination	_	

Rear suspension / wheel alignment

Toe-in (+) / Toe-out (-)	mm [°]	-1.0±2.0
Camber	-1°±30'	

Torque wrench settings Tipo 1.6 & Selecta 1990 to 1992

Cylinder head - stage 1	Nm	20
- stage 2	Nm	40
Cylinder head - stage 3	Nm	+ 90°
- stage 4	Nm	+ 90°
Big-end bearings	Nm	51
Main bearings	Nm	80
Clutch cover	Nm	M6: 17. M8: 30
Flywheel [driveplate]	Nm	83
Front hubs	Nm	235
Rear hubs	Nm	320
Wheel nuts / bolts	Nm	86
Spark plugs	Nm	25 to 30

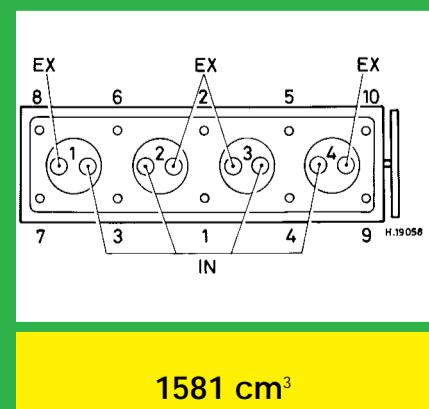
Capacities Tipo 1.6 & Selecta 1990 to 1992

Engine oil & filter	litres	3.8
Gearbox - 4-speed [5-speed]	litres	1.4
Automatic transmission - refill	litres	3.5
Final drive	litres	WT
Cooling system	litres	6.5
Fuel tank	litres	55

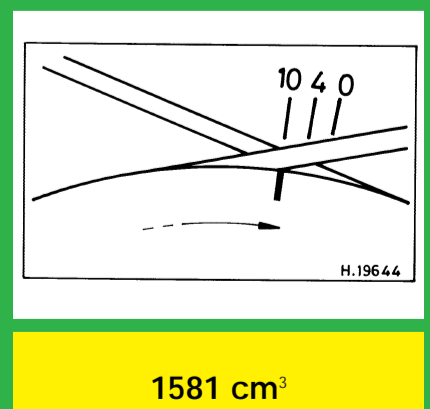
Notes and Illustrations



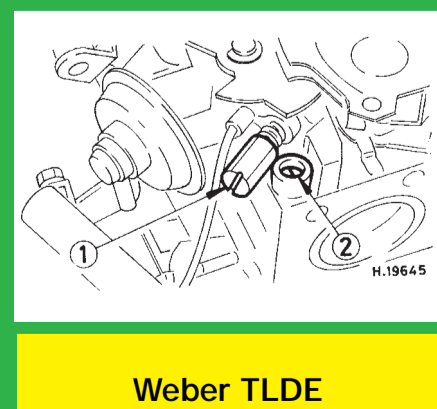
1: Idle speed 2: CO / Mixture



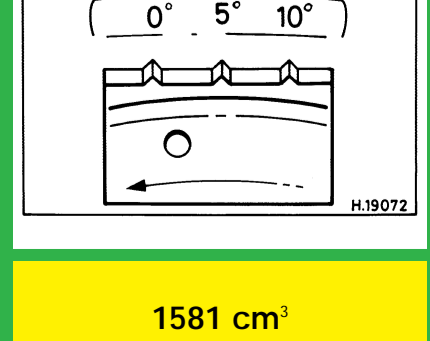
1581 cm³



1581 cm³



Weber TLDE



1581 cm³