

Engine & Cooling	Fuel	Ignition	Electrical	Running gear	Torque settings	Capacities	Notes & Illustrations
------------------	------	----------	------------	--------------	-----------------	------------	-----------------------



Automotive Technical DATA BOOK

Click on one of the buttons above to view data for this car. To return to this screen and make another choice, click anywhere on the data screen.

MENU

HELP

Engine and cooling system Sierra 2.8i 4x4 1987 to 1989

Type		PRT 15.04
Capacity (cm ³) / number of cylinders		2792 / 6
Compression ratio / pressure	bar	9.2 / ≥11.5
Oil pressure	bar	1.0 [2.5]
Oil temperature	°C	80
Valve clearance - inlet	mm	0.35
Valve clearance - exhaust	mm	0.40
Firing order		1-4-2-5-3-6
No 1 cylinder position		FR
Thermostat opening temperature	°C	79 to 83
Radiator cap pressure	bar	1.2 to 1.5

Fuel system Sierra 2.8i 4x4 1987 to 1989

Idle speed - manual [auto]	rpm	900±50
Fast idle speed - manual [auto]	rpm	—
CO @ idle speed [3000 rpm] - see page VI	%	1.25±0.25
HC @ idle speed [3000 rpm] - see page VI	ppm	≤1200
CO ₂ @ idle speed [3000 rpm] - see page VI	%	—
O ₂ @ idle speed [3000 rpm] - see page VI	%	—
Carburettor / fuel injection		Bosch
Type / ref		K-Jetronic
Main jet / needle		—
Injection pressure	bar	3.7 to 4.5
Pump pressure	bar	5.2 to 6.0
Octane rating	RON	97[R]

Ignition system Sierra 2.8i 4x4 1987 to 1989

Type		Electronic
Ignition coil		Bosch, Femsas, Polmot
Primary resistance	ohms	0.72 to 0.88
Ballast resistor	ohms	—
Voltage - Tmnl 15(+) to earth	V	—
Distributor		Bosch
Points gap (air gap)	mm	—
Dwell angle	° (%)	—
Condenser capacity	µF	—
Rotation		Clockwise
Ignition timing - basic [static	° Crankshaft @ rpm	12 BTDC @ idle
V = Vacuum NV = No Vacuum		NV
Total ignition advance	° Crankshaft @ rpm	—
	° Crankshaft @ rpm	—
	° Crankshaft @ rpm	—
Centrifugal check.	° Crankshaft @ rpm	—
	° Crankshaft @ rpm	—
	° Crankshaft @ rpm	—
Vacuum range check	mbar	—
Maximum vacuum advance	° Crankshaft	—
Spark plugs		Motorcraft/Champion
Type		AGR22C / RN7YC
Electrode gap	mm	0.75

Electrical system Sierra 2.8i 4x4 1987 to 1989

Battery	V / CC / RC	12 / 250 / 80
Alternator voltage / full load current / engine rpm		13.5 / _ / 3000
Starter motor current / voltage - cranking	A / V	—
- locked	A / V	—

Running gear Sierra 2.8i 4x4 1987 to 1989

Brakes -		
Front (min. friction material thickness)	mm	1.5
Rear (min. friction material thickness)	mm	1.5

Tyres		
Saloon	Size	195/60x14
Estate / Van	Size	195/60x14
Pressure - front / rear - Saloon	bar	2.0 / 2.0
- Estate / Van	bar	2.0 / 2.0

Front suspension / wheel alignment

Toe-in (+) / Toe-out (-)	mm [°]	0±1.0
Camber		-1°17'±1°. Est: -1°12'±1°
Castor		+2°58'. Est: +2°38'+1°30'-1°
King pin inclination		—

Rear suspension / wheel alignment

Toe-in (+) / Toe-out (-)	mm [°]	—
Camber		—

Torque wrench settings Sierra 2.8i 4x4 1987 to 1989

Cylinder head - stage 1	Nm	39 to 54
- stage 2	Nm	54 to 69
Cylinder head - stage 3	Nm	95 to 115 ¹
- stage 4	Nm	95 to 115 ²
Big-end bearings	Nm	26 to 33
Main bearings	Nm	90 to 104
Clutch cover	Nm	20 to 25
Flywheel [driveplate]	Nm	64 to 70
Front hubs	Nm	205 to 235
Rear hubs	Nm	250 to 290
Wheel nuts / bolts	Nm	70 to 100
Spark plugs	Nm	30 to 40

Capacities Sierra 2.8i 4x4 1987 to 1989

Engine oil & filter	litres	4.7
Gearbox - 4-speed [5-speed]	litres	1.25 ³
Automatic transmission - refill	litres	—
Final drive	litres	Front: 1.0. Rear: ⁴
Cooling system	litres	8.5
Fuel tank	litres	60

Notes and Illustrations

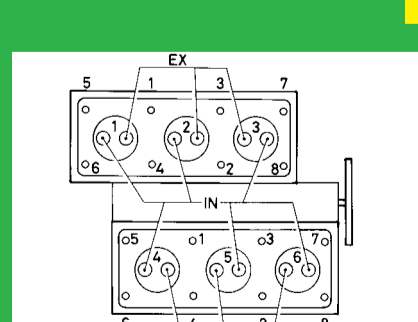
¹Wait 10 to 20 minutes

²Warm engine and retorque to stage 4

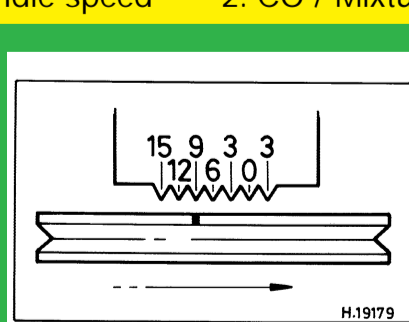
³Transfer box: 0.5

⁴0.9

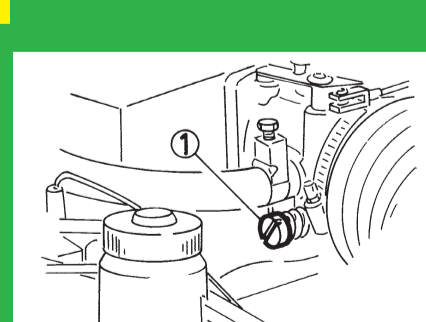
1: Idle speed 2: CO / Mixture



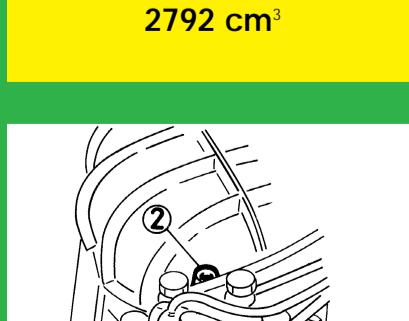
2792 cm³



2792 cm³



K-Jetronic



K-Jetronic