

Engine & Cooling	Fuel	Ignition	Electrical	Running gear	Torque settings	Capacities	Notes & Illustrations
------------------	------	----------	------------	--------------	-----------------	------------	-----------------------



## Automotive Technical DATA BOOK

Click on one of the buttons above to view data for this car. To return to this screen and make another choice, click anywhere on the data screen.

MENU

HELP

### Engine and cooling system V12 & Double 6 & CAT 1989 to 1992

Type		HE V12
Capacity (cm <sup>3</sup> ) / number of cylinders		5345 / 12
Compression ratio / pressure	bar	11.5 / ≥13.8
Oil pressure	bar	1.4
Oil temperature	°C	80
Valve clearance - inlet	mm	0.25 to 0.30
Valve clearance - exhaust	mm	0.25 to 0.30
Firing order		1-12-5-8-3-10-6-7-2-11-4-9
No 1 cylinder position		FR
Thermostat opening temperature	°C	88
Radiator cap pressure	bar	1.0

### Fuel system V12 & Double 6 & CAT 1989 to 1992

Idle speed - manual [auto]	rpm	750±25
Fast idle speed - manual [auto]	rpm	—
CO @ idle speed [3000 rpm] - see page VI	%	≤0.5
HC @ idle speed [3000 rpm] - see page VI	ppm	≤200
CO <sub>2</sub> @ idle speed [3000 rpm] - see page VI	%	—
O <sub>2</sub> @ idle speed [3000 rpm] - see page VI	%	—
Carburettor / fuel injection		Lucas
Type / ref		Digital P
Main jet / needle		—
Injection pressure	bar	2.5
Pump pressure	bar	2.5 to 2.7
Octane rating	RON	95[E 95 RON] <sup>1</sup>

### Ignition system V12 & Double 6 & CAT 1989 to 1992

Type		Electronic
Ignition coil		2xDucellier 2526019
Primary resistance	ohms	0.9 to 1.1
Ballast resistor	ohms	—
Voltage - Tmnl 15(+) to earth	V	—
Distributor		Lucas
Points gap (air gap)	mm	[0.15 to 0.20]
Dwell angle	° (%)	—
Condenser capacity	µF	—
Rotation		Anticlockwise
Ignition timing - basic [static	° Crankshaft @ rpm	18 BTDC @ 3000 [3 ATDC]
V = Vacuum NV = No Vacuum		NV
Total ignition advance	° Crankshaft @ rpm	—
	° Crankshaft @ rpm	—
	° Crankshaft @ rpm	—
Centrifugal check.	° Crankshaft @ rpm	0 @ 900
	° Crankshaft @ rpm	—
	° Crankshaft @ rpm	20 to 24 @ 6200
Vacuum range check	mbar	169 to 508
Maximum vacuum advance	° Crankshaft	12
Spark plugs		NGK/Champion
Type		BR7EF / RS5C
Electrode gap	mm	0.64

### Electrical system V12 & Double 6 & CAT 1989 to 1992

Battery	V / CC / RC	12 / 68Ah
Alternator voltage / full load current / engine rpm		13.8 to 15.0 / _ / 3000
Starter motor current / voltage - cranking	A / V	—
- locked	A / V	940 / 6.5

### Running gear V12 & Double 6 & CAT 1989 to 1992

<b>Brakes -</b>		
Front (min. friction material thickness)	mm	—
Rear (min. friction material thickness)	mm	—

<b>Tyres</b>		
Saloon	Size	205/70x15: 215/70x15
Estate / Van	Size	—
Pressure - front / rear - Saloon	bar	2.1 / 1.8 <sup>2</sup>
- Estate / Van	bar	—

<b>Front suspension / wheel alignment</b>		
Toe-in (+) / Toe-out (-)	mm [°]	0 to +3.2
Camber		-30'±15'
Castor		+3°30'±15'
King pin inclination		+1°30'

<b>Rear suspension / wheel alignment</b>		
Toe-in (+) / Toe-out (-)	mm [°]	0±0.8
Camber		-45'±15'

### Torque wrench settings V12 & Double 6 & CAT 1989 to 1992

Cylinder head - stage 1	Nm	0.438 in. nut: 68
- stage 2	Nm	0.375 in. nut: 38
Cylinder head - stage 3	Nm	—
- stage 4	Nm	—
Big-end bearings	Nm	55
Main bearings	Nm	0.5 in. nut: 83 <sup>3</sup>
Clutch cover	Nm	—
Flywheel [driveplate]	Nm	88
Front hubs	Nm	WSM
Rear hubs	Nm	136 to 163
Wheel nuts / bolts	Nm	88 to 101
Spark plugs	Nm	—

### Capacities V12 & Double 6 & CAT 1989 to 1992

Engine oil & filter	litres	10.0
Gearbox - 4-speed [5-speed]	litres	—
Automatic transmission - refill	litres	9.1
Final drive	litres	1.6
Cooling system	litres	19.8
Fuel tank	litres	2x 45.5

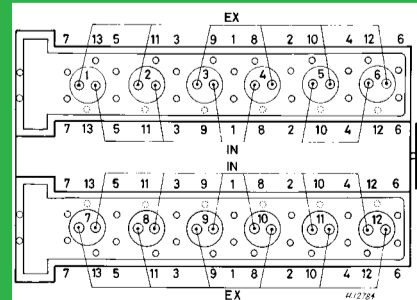
### Notes and Illustrations

<sup>1</sup>CAT: [U]

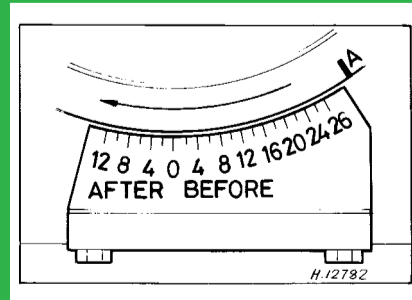
<sup>2</sup>215/70x15: 2.5 / 2.3

<sup>3</sup>0.375 in. nut: 38

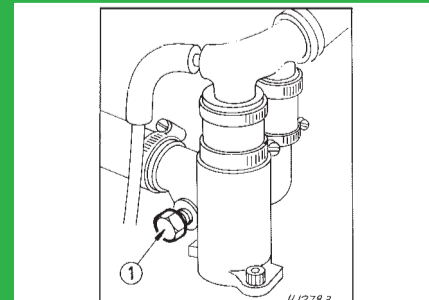
1: Idle speed 2: CO / Mixture



5345 cm<sup>3</sup>



5345 cm<sup>3</sup>



Digital P, V12