

Engine & Cooling	Fuel	Ignition	Electrical	Running gear	Torque settings	Capacities	Notes & Illustrations
------------------	------	----------	------------	--------------	-----------------	------------	-----------------------



Automotive Technical DATA BOOK

Click on one of the buttons above to view data for this car. To return to this screen and make another choice, click anywhere on the data screen.

MENU

HELP

Engine and cooling system Maxima & CAT (J30) 1989 to 1994

Type		VG30E
Capacity (cm ³) / number of cylinders		2960 / 6
Compression ratio / pressure	bar	10.0 / ≥10.7
Oil pressure	bar	[3.6 to 4.5]
Oil temperature	°C	80
Valve clearance - inlet	mm	0: Hyd.
Valve clearance - exhaust	mm	0: Hyd.
Firing order		1-2-3-4-5-6
No 1 cylinder position		FR
Thermostat opening temperature	°C	76.5. CAT: 82
Radiator cap pressure	bar	0.78 to 0.98

Fuel system Maxima & CAT (J30) 1989 to 1994

Idle speed - manual [auto]	rpm	900±50 N/A. A/C: 800±50
Fast idle speed - manual [auto]	rpm	—
CO @ idle speed [3000 rpm] - see page VI	%	≤1.0. CAT: N/A
HC @ idle speed [3000 rpm] - see page VI	ppm	≤1200. CAT: ≤100
CO ₂ @ idle speed [3000 rpm] - see page VI	%	—
O ₂ @ idle speed [3000 rpm] - see page VI	%	—
Carburettor / fuel injection		Nissan
Type / ref		ECCS MPI
Main jet / needle		—
Injection pressure	bar	2.5 @ idle
Pump pressure	bar	3.0 @ idle
Octane rating	RON	95[E 95 RON] ¹

Ignition system Maxima & CAT (J30) 1989 to 1994

Type		Computerized
Ignition coil		—
Primary resistance	ohms	1.0
Ballast resistor	ohms	—
Voltage - Tmnl 15(+) to earth	V	12.0
Distributor		—
Points gap (air gap)	mm	—
Dwell angle	° (%)	—
Condenser capacity	µF	—
Rotation		—
Ignition timing - basic [static	° Crankshaft @ rpm	15±1 BTDC @ 900±50
V = Vacuum NV = No Vacuum		—
Total ignition advance	° Crankshaft @ rpm	—
	° Crankshaft @ rpm	—
	° Crankshaft @ rpm	—
Centrifugal check.	° Crankshaft @ rpm	Computer control
	° Crankshaft @ rpm	—
	° Crankshaft @ rpm	—
Vacuum range check	mbar	Computer control
Maximum vacuum advance	° Crankshaft	—
Spark plugs		NGK/Champion
Type		BKR6ES-11 / RC7YC4
Electrode gap	mm	1.00 to 1.10

Electrical system Maxima & CAT (J30) 1989 to 1994

Battery	V / CC / RC	12 / 50, 65Ah
Alternator voltage / full load current / engine rpm		14.1 to 14.7 / 90 / 2500
Starter motor current / voltage - cranking	A / V	100 / 11.0 (no load)
- locked	A / V	—

Running gear Maxima & CAT (J30) 1989 to 1994

Brakes -		
Front (min. friction material thickness)	mm	2.0
Rear (min. friction material thickness)	mm	1.5

Tyres		
Saloon	Size	205/65x15
Estate / Van	Size	—
Pressure - front / rear - Saloon	bar	2.0 / 2.0
- Estate / Van	bar	—

Front suspension / wheel alignment

Toe-in (+) / Toe-out (-)	mm [°]	+1.0 to 3.0
Camber		-1° to +30' N/A
Castor		+30' to 2° N/A
King pin inclination		+13°35' to 15°5' N/A

Rear suspension / wheel alignment

Toe-in (+) / Toe-out (-)	mm [°]	-3.0 to -1.0
Camber		-1°20' to +10'

Torque wrench settings Maxima & CAT (J30) 1989 to 1994

Cylinder head - stage 1	Nm	29
- stage 2	Nm	59, then loosen bolts
Cylinder head - stage 3	Nm	29
- stage 4	Nm	+ 60 to 65°
Big-end bearings	Nm	15 + 60 to 65°
Main bearings	Nm	90 to 100
Clutch cover	Nm	22 to 29
Flywheel [driveplate]	Nm	83 to 93
Front hubs	Nm	235 to 314
Rear hubs	Nm	186 to 255
Wheel nuts / bolts	Nm	98 to 118
Spark plugs	Nm	20 to 29

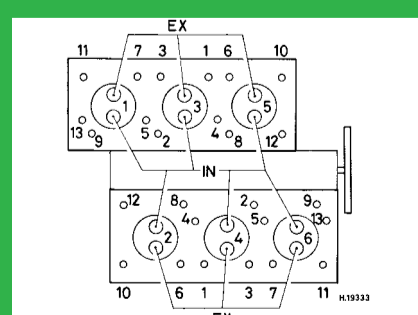
Capacities Maxima & CAT (J30) 1989 to 1994

Engine oil & filter	litres	3.9
Gearbox - 4-speed [5-speed]	litres	4.7
Automatic transmission - refill	litres	7.4
Final drive	litres	—
Cooling system	litres	8.9
Fuel tank	litres	70

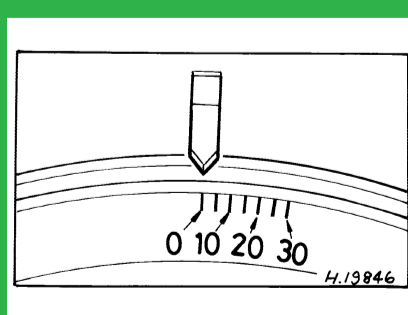
Notes and Illustrations

¹CAT: 95 [U]

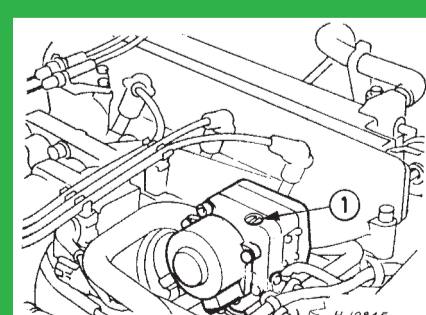
1: Idle speed 2: CO / Mixture



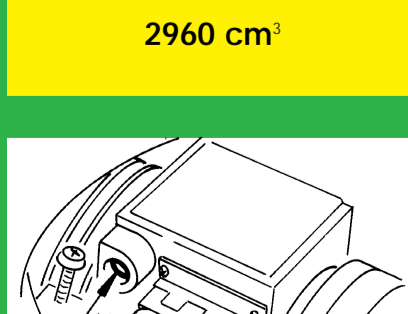
2960 cm³, 12V



2960 cm³



ECCS



ECCS