

Engine & Cooling	Fuel	Ignition	Electrical	Running gear	Torque settings	Capacities	Notes & Illustrations
------------------	------	----------	------------	--------------	-----------------	------------	-----------------------



## Automotive Technical DATA BOOK

Click on one of the buttons above to view data for this car. To return to this screen and make another choice, click anywhere on the data screen.

MENU

HELP

### Engine and cooling system Scimitar/Sabre 1800 Ti & CAT 1986 to 1996

Type	Nissan CA 18ET 101kW	
Capacity (cm <sup>3</sup> ) / number of cylinders	1809 / 4	
Compression ratio / pressure	bar	8.0 / 11.8
Oil pressure	bar	[5.0]
Oil temperature	°C	80
Valve clearance - inlet	mm	0.30 H
Valve clearance - exhaust	mm	0.30 H
Firing order	1-3-4-2	
No 1 cylinder position	TBE	
Thermostat opening temperature	°C	88
Radiator cap pressure	bar	1.0

### Fuel system Scimitar/Sabre 1800 Ti & CAT 1986 to 1996

Idle speed - manual [auto]	rpm	950±100
Fast idle speed - manual [auto]	rpm	—
CO @ idle speed [3000 rpm] - see page VI	%	≤2.0
HC @ idle speed [3000 rpm] - see page VI	ppm	≤1200
CO <sub>2</sub> @ idle speed [3000 rpm] - see page VI	%	—
O <sub>2</sub> @ idle speed [3000 rpm] - see page VI	%	—
Carburettor / fuel injection	Nissan	
Type / ref	L-Jetronic EFI + Turbo	
Main jet / needle	—	
Injection pressure	bar	2.5
Pump pressure	bar	2.9 to 4.4
Octane rating	RON	97[L] <sup>1</sup>

### Ignition system Scimitar/Sabre 1800 Ti & CAT 1986 to 1996

Type	Computerized	
Ignition coil	Hitachi	
Primary resistance	ohms	0.8 to 1.0
Ballast resistor	ohms	—
Voltage - Tmnl 15(+) to earth	V	—
Distributor	Hitachi	
Points gap (air gap)	mm	—
Dwell angle	° (%)	—
Condenser capacity	µF	—
Rotation	Anticlockwise	
Ignition timing - basic [static	° Crankshaft @ rpm	15±2 BTDC @ idle
V = Vacuum NV = No Vacuum	NV	
Total ignition advance	° Crankshaft @ rpm	—
	° Crankshaft @ rpm	—
	° Crankshaft @ rpm	—
Centrifugal check.	° Crankshaft @ rpm	Computer control
	° Crankshaft @ rpm	—
	° Crankshaft @ rpm	—
Vacuum range check	mbar	Computer control
Maximum vacuum advance	° Crankshaft	—
Spark plugs	NGK/Champion	
Type	BCPR6ES11 / RC7YC	
Electrode gap	mm	1.00 to 1.10

### Electrical system Scimitar/Sabre 1800 Ti & CAT 1986 to 1996

Battery	V / CC / RC	12 / 210 / 65
Alternator voltage / full load current / engine rpm	14.4 to 15.0 / 70 / 3000	
Starter motor current / voltage - cranking	A / V	—
- locked	A / V	—

### Running gear Scimitar/Sabre 1800 Ti & CAT 1986 to 1996

<b>Brakes -</b>		
Front (min. friction material thickness)	mm	—
Rear (min. friction material thickness)	mm	—
<b>Tyres</b>		
Saloon	Size	185/60x14
Estate / Van	Size	—
Pressure - front / rear - Saloon	bar	1.7 / 1.7
- Estate / Van	bar	—
<b>Front suspension / wheel alignment</b>		
Toe-in (+) / Toe-out (-)	mm [°]	0 to +1.6
Camber	0 to +1°	
Castor	+4°	
King pin inclination	+8°	
<b>Rear suspension / wheel alignment</b>		
Toe-in (+) / Toe-out (-)	mm [°]	0
Camber	0	

### Torque wrench settings Scimitar/Sabre 1800 Ti & CAT 1986 to 1996

Cylinder head - stage 1	Nm	29
- stage 2	Nm	78, then loosen bolts
Cylinder head - stage 3	Nm	29
- stage 4	Nm	+ 90 to 95°
Big-end bearings	Nm	34
Main bearings	Nm	49
Clutch cover	Nm	26
Flywheel [driveplate]	Nm	103
Front hubs	Nm	—
Rear hubs	Nm	—
Wheel nuts / bolts	Nm	61 to 81
Spark plugs	Nm	25

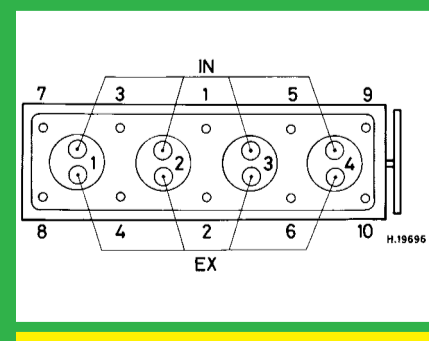
### Capacities Scimitar/Sabre 1800 Ti & CAT 1986 to 1996

Engine oil & filter	litres	4.0
Gearbox - 4-speed [5-speed]	litres	2.1
Automatic transmission - refill	litres	—
Final drive	litres	0.9
Cooling system	litres	8.0
Fuel tank	litres	45.4

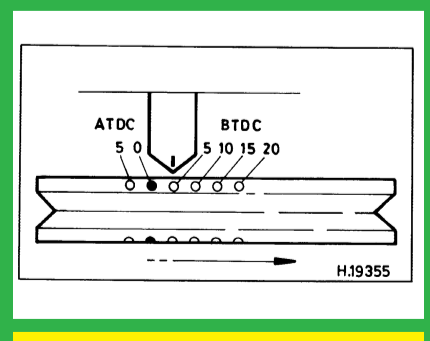
### Notes and Illustrations

<sup>1</sup>CAT: 95 [U]

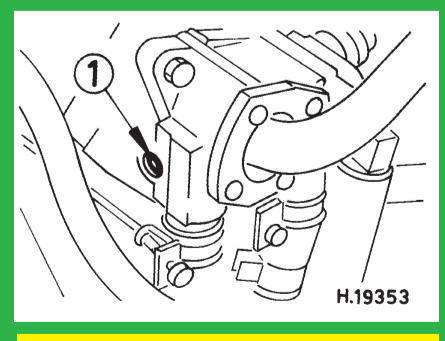
1: Idle speed    2: CO / Mixture



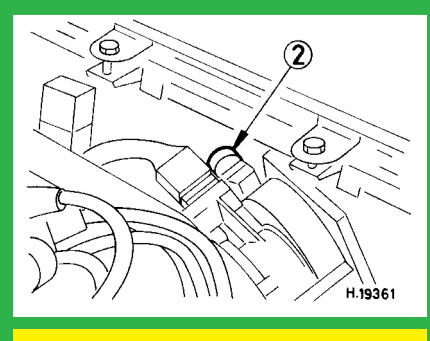
1809 cm<sup>3</sup>



1809 cm<sup>3</sup>



Nissan EFI



Nissan EFI