

19.2.4 Inverter Principles

19.2.4.1 General aspects

Basically, inverters convert direct current (DC) into alternating current (AC) by inversion of the DC polarity in the rhythm of the desired AC frequency (Figure 19.19). The symbol used to describe an inverter is shown in Figure 19.20.

19.2.4.2 Square-wave-type inverters

A simple version of such an inverter is shown in Figure 19.21.

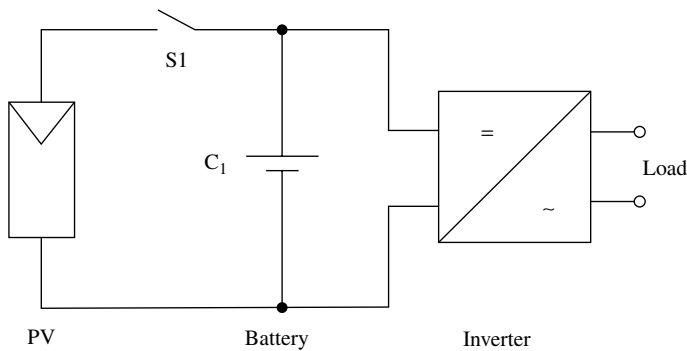


Figure 19.19 Typical configuration for stand-alone AC power supply systems

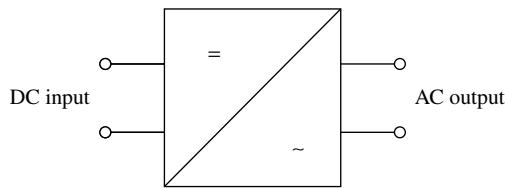


Figure 19.20 Symbol used to describe inverters

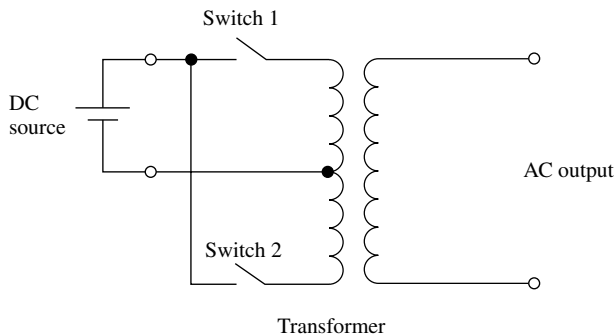


Figure 19.21 Layout of a simple inverter with square-wave AC output