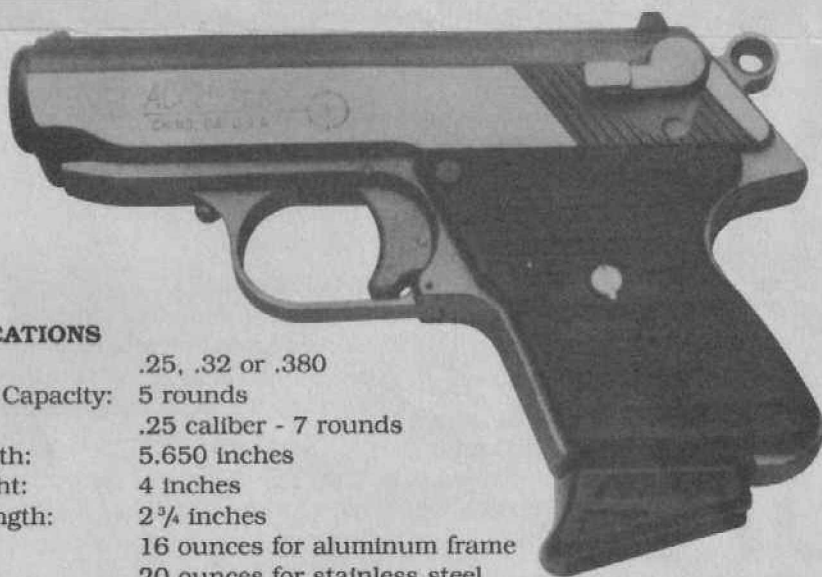


READ THIS MANUAL BEFORE USING THIS FIREARM INSTRUCTION AND SAFETY MANUAL



MODELS AT-25, AT-32, AT-380

This manual should always accompany this firearm and be transferred with it upon change of ownership.



SPECIFICATIONS

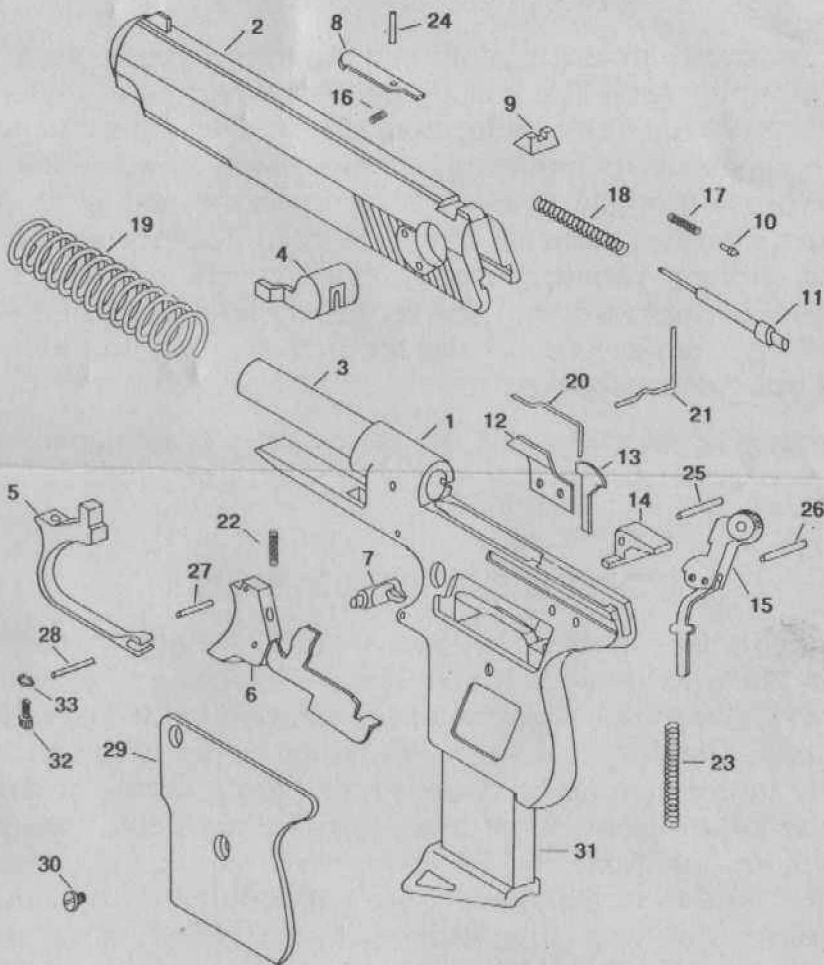
Caliber:	.25, .32 or .380
Magazine Capacity:	5 rounds .25 caliber - 7 rounds
O.A. Length:	5.650 inches
O.A. Height:	4 inches
Barrel Length:	2 $\frac{3}{4}$ inches
Weight:	16 ounces for aluminum frame 20 ounces for stainless steel

SAFETY AND BASIC RULES

Accu-Tek firearms are designed to prevent accidental discharge with the utmost security; however, handling firearms safely is your own personal responsibility. Neglect to follow basic firearms rules can cause serious injury or death to the handler or others. Read and follow these instructions to ensure safe operation of your firearm.

- Always treat every firearm as if it were loaded.
- Never point a firearm at anything you do not intend to shoot.
- Always be sure of your target and what is beyond your target.
- Never place your finger on the trigger until you are ready to shoot.
- Always keep your firearm pointed in a safe direction.
- Never allow your firearm to be used by anyone who has not read this instruction and safety manual.
- Always wear eye and ear protection when shooting.
- Never carry or store your firearm with the hammer in the cocked position.
- Always store your unloaded firearm and ammunition separately, locked if possible, and inaccessible to children and unauthorized persons.

PARTS ILLUSTRATION AND LIST



1	3801	Frame	19	3809	.380 Recoil Spring
2	3802	Slide		3209	.32 Recoil Spring
3	3806	.380 Barrel		2509	.25 Recoil Spring
	3206	.32 Barrel	20	3843	Magazine Catch Spring
	2506	.25 Barrel	21	3833	Sear Spring
4	3839	Manual Safety	22	3815	Trigger Spring
5	3820	Trigger Guard	23	3811	.380 .32 Hammer Spring
6	3846	Trigger Assembly		2511	.25 Hammer Spring
7	3808	Magazine Catch Button	24	3835	Extractor Pin
8	3832	Extractor	25	3822	Sear Pin
9	3818	Rear Sight	26	3824	Hammer Pin
10	3807	Safety Plunger	27	3841	Trigger Pin
11	3805	Firing Pin	28	3844	Trigger Guard Pin
12	3828	Ejector	29	3819	Grips
13	3836	Safety Disconnect Rod	30	3825	Grip Screws
14	3827	Sear	31	3849	.380 Magazine
15	3847	Hammer and Hammer Strut Assembly		3850	.32 Magazine
16	3813	Extractor Spring		3851	.25 Magazine
17	3814	Safety Plunger Spring	32	3852	Trigger Guard Screw
18	3812	Firing Pin Spring	33	3857	Trigger Guard Lock Washer

For current parts price list, send \$2.00 to factory to cover handling charges.

SAFETY:

The safety is located on the left side of the slide. By pushing the safety lever down as far as possible so that the white dot is exposed, thus indicating the "ON" position. This blocks the firing pin from the hammer and disconnects the trigger. By pushing the safety lever fully upward exposing the red dot indicates the "OFF" firing position.

WARNING! Accu-Tek incorporates a well-designed safety device; however never rely completely on any safety mechanism. All mechanical devices are subject to breakage, wear or incorrect maintenance and should never be trusted.

AMMUNITION:

Use only commercially manufactured ammunition and only of the caliber for which your pistol is chambered.

WARNING! The use of non-standard, reloaded or handloaded ammunition voids all warranties. The use of such ammunition can cause damage to the firearm and serious injury to the shooter or to others.

LOADING:

To load the magazine push down the front of the follower with the rim of the cartridge, then slide the round back under the magazine lips. Repeat until magazine is loaded with up to 5 rounds. Note: The .25 caliber is up to 7 rounds.

To unload the magazine, push each cartridge forward until it is no longer held by the magazine lips.

Load your firearm by keeping your finger off the trigger and the safety "ON"! Insert the magazine in the pistol by pushing it upward into the magazine well until it is retained by the magazine catch.

Grip the pistol with your shooting hand, keeping the muzzle pointed in a safe direction. With your other hand, grasp the serrated surfaces at the rear of the slide and pull fully to the rear then release it promptly allowing it to return on its own.

This action will chamber the first cartridge, cock the hammer and the pistol is ready for firing. (If the slide is too difficult to pull back, cock the hammer first. This will enable the slide to be pulled back with less spring pressure.)

UNLOADING:

Slide the safety lever to the "ON" (white dot) position and remove the magazine by pushing the magazine catch button on the top of the left side grip. Keeping the pistol pointing in a safe direction, pull the slide back to eject the cartridge from the chamber. Holding the slide back, look in the chamber to ensure the pistol is empty. To de-cock your pistol, the hammer must be grasped and then lowered carefully as the trigger is pulled.

DISASSEMBLY:

WARNING! Always check to make sure your pistol is unloaded before you begin to disassemble.

Remove the trigger guard screw, then remove the trigger guard, fully retract the slide, lift up and move forward off the frame. Do not allow the hammer to drop forward when the slide is removed, as this may cause damage to internal parts. We suggest that you do not take down this firearm any further than is explained in this manual.

REASSEMBLY:

WARNING! Accu-Tek assumes no liability or responsibility whatsoever for injury, death, or damage to property resulting from incorrect reassembly, removal or altering of any parts in any manner.

With the hammer cocked, replace the slide on the barrel, pull it back fully and push it down on the frame and into the guide rails, then allow the slide to move forward into position. Now replace the trigger guard and secure with trigger guard screw making certain screw is fully seated before firing.

CARE AND CLEANING:

After disassembling, the barrel and chamber should be cleaned with a bore solvent, using a brush if needed. Wipe dry and oil lightly. Use a solvent on cotton swabs or a patch to clean all exposed internal surfaces.

Lubricate all moving parts with a light high quality gun oil. Be sure to lubricate the contact points between the slide and frame, and a few drops on the hammer strut spring. Wipe off any excess oil.

WARNING! Avoid use of solvents on grips or prolonged use on black finished pistols as it may cause damage.

LIFETIME WARRANTY

Accu-Tek warrants to the original retail purchaser that each firearm manufactured by Accu-Tek will be free from defects in material and workmanship. Accu-Tek's obligation under this warranty shall be limited to repairing or replacing, at its option, any firearm or part thereof returned (prepaid) to Accu-Tek and determined by Accu-Tek to be defective in either material or workmanship. Lifetime warranty does not cover springs, plastic parts or black finish. A \$5.00 handling charge must be included with the returned merchandise for shipping and handling. Contact your Dealer for authorization and instructions to return this firearm for repair.

This warranty is voided by the use of reloaded, handloaded, or other non-standard ammunition.

STATEMENT OF LIABILITY

This handgun is classified by the Alcohol, Tobacco and Firearms Division of the Internal Revenue Service, U.S. Treasury Department, as a Firearm or Dangerous weapon and is released by Accu-Tek with the express understanding that Accu-Tek is not responsible and assumes no liability in any manner whatsoever for injury, death, or damage to property resulting from either intentional or accidental discharge of this handgun, or from its function when used for purposes or subjected to treatment for which it was not designed. Accu-Tek will not honor claims involving this firearm which result from any or a combination of any of the following: a) improper, careless or unsafe handling; b) use of the wrong caliber; c) use of ammunition other than original high quality commercially manufactured ammunition in good condition; d) unauthorized adjustments, repairs or alterations; e) corrosion or neglect; f) other influences beyond our direct and immediate control. Accu-Tek will not honor any claim whatsoever by second or any subsequent owner of this firearm. Accu-Tek will not be held liable for any injury or damages to any person resulting from the use of this firearm for any purpose including civil defense, police activity, hunting dangerous game, or combat. This statement of liability supersedes any other statement of liability, whether expressed or implied.

ACCU-TEK

4525 Carter Court • Chino, California 91710
Phone (909) 627-2404 • Fax (909) 627-7817