

INSTRUCTION MANUAL

CZ 550 Medium, Magnum



 CZ
ČESKÁ ZBROJOVKA

Before handling the firearm read this manual carefully and observe the following safety instructions.

Improper and careless handling of the firearm could result in unintentional discharge and could cause injury, death, or damage to property. The same consequences can be caused by any unauthorized modifications or adjustments, corrosion, or use of non-standard or damaged ammunition. In these cases the manufacturer shall not be responsible in any manner whatsoever for the resultant consequences.

Before leaving the factory this firearm was tested, carefully inspected, and packed. CZ cannot accept responsibility for product handling while in transit, or upon leaving the factory. Therefore, please examine this rifle carefully at the time of purchase to ensure that it is unloaded and undamaged.

This instruction manual should always accompany the firearm and that even in the case of its loan or sale.

CONTENTS

SAFETY INSTRUCTIONS	20	Sight Adjustment	27
THE CZ 550 RIFLE DESCRIPTION AND TERMINOLOGY	22	Rifle Scope	27
Main Characteristics of CZ 550 Medium Rifle Versions	23	MAINTENANCE INSTRUCTIONS	28
Main Characteristics of CZ 550 Magnum Rifle Versions	23	Stripping for Cleaning - Disassembly	28
OPERATING INSTRUCTIONS	25	Disassembly of the Bolt	28
Ammunition	25	Cleaning the Rifle	28
Loading of the Rifle	25	Cleaning the Barrel Bore and the Cartridge Chamber	29
Unloading of the Rifle	25	Cleaning of Other Rifle Parts	29
The Safety and its Operation	26	Preserving	29
Cocking Indicator Operation	26	TROUBLESHOOTING, CAUSES AND REMEDIES	30
Set-trigger Operation	26	ILLUSTRATION AND LIST OF PARTS	31
Trigger Adjustment	26	TECHNICAL SPECIFICATIONS	33
		LIST OF ILLUSTRATIONS	34

SAFETY INSTRUCTIONS

Always follow the safety instructions for your safety and the safety of others.

1. Always handle your firearm as if it were loaded.
2. Never point your firearm at anything you do not intend to shoot.
3. Never take anyone's word that a gun is unloaded.
4. Always make sure that your firearm is not loaded before laying it down, or handing it to another person.
5. Always store your rifle unloaded with the striking mechanism released.
6. Never abuse your firearm by using it for any purpose other than shooting.
7. Never leave a loaded firearm unattended.
8. Prior to loading the firearm make sure that barrel bore, chamber, and action are clean and clear of obstructions. Clean a dirtied firearm immediately so that it will function properly and safely.
9. Always use only clean, dry, original high quality commercially manufactured ammunition, which is appropriate to the caliber of your rifle.
10. Never drink alcoholic beverages or take drugs before or during shooting.
11. Always wear safety glasses and ear protection during shooting whenever possible.
12. Always keep the safety on when the rifle is loaded with a cartridge in the chamber, until you are ready to fire. Keep firearm pointed in a safe direction when disengaging the safety.
13. A rifle with an activated set-trigger should be handed with maximum care, as even jolts during handling operations could cause an unintended discharge.
14. Always keep clear and keep others clear of the ejection port.
15. Never squeeze the trigger or put your finger in the trigger guard until you are aiming at a target and ready to shoot.

16. Always be absolutely sure of your target, and the area behind it, before you squeeze the trigger. A bullet could travel through or past your target up to several hundred meters.
17. Never shoot at a hard surface such as rock, or a liquid surface such as water.
18. Never fire your firearm near an animal unless it is trained to accept the noise.
19. Never indulge in "horseplay" while holding your firearm.
20. Failure to fire: always hold the firearm, keeping it pointed towards the target, or a safe open area and wait 30 seconds when the firearm fails to fire. If a hangfire (slow ignition) has occurred, the round will fire within 30 seconds. If the round does not fire, remove the magazine, eject the round and examine the primer; if the firing pin indent on the primer is light, or off center, or non-existent, have the rifle examined by a competent gunsmith.
21. Always make sure your firearm is not loaded before cleaning, storing or travelling.
22. Always keep and store your firearm and ammunition in separate locked receptacles out of reach and sight of children and untrained people.
23. Never alter any parts of your rifle as the safety and proper function of your rifle could be seriously compromised.
24. Always be aware that corrosion, use of damaged ammunition, dropping the rifle on hard surfaces or other "coarse treatment" could cause a damage you may not see. If something like this happens let the firearm to be examined and tested by a competent gunsmith.

THE CZ 550 RIFLE DESCRIPTION AND TERMINOLOGY

The names of basic rifle parts used in this Instruction Manual are presented in Fig. 1. Nomenclatures of all CZ 550 parts are presented in the section *Illustration and List of Parts*.

The CZ 550 is a repeating rifle with a Mauser-type bolt action. The trigger mechanism is of a single set design with an adjustable set-trigger; a single stage trigger is supplied on special order. The trigger is adjustable for pull weight and trigger travel. The safety secures the rifle against unintentional discharge and at the same time blocks the bolt in a closed position. The top of the receiver has milled grooves to accommodate scope mounts. The stock surface is made in a semi-matte polyurethane or Dedecryl lacquered finish. This Instruction Manual covers both Medium and Magnum models. The rifle is produced in several versions. Characteristic features of all versions are:

- A wide assortment of calibers, allowing optimum choice of caliber - according to the particular use of the rifle.
- The CZ 550 is well-balanced and consequently quick and easy to aim.
- Easy mounting of rifle scope.
- Controlling elements, which are simple in operation and easy to reach (bolt handle, set-trigger configuration, safety and bolt catch).
- Completely adjustable trigger mechanism.
- Alternatives with set-trigger or without set-trigger.
- Cocking indicator indicates cocking of the striking mechanism.
- Easy disassembly for cleaning and routine maintenance, which can be carried out without any tools.
- A high degree of accuracy when firing.
- A long service life.
- High functional reliability in all environments, even with ammunitions made by various manufacturers, and with different types of bullets.

Main Characteristics of CZ 550 Medium Rifle Versions

CZ 550 Medium Standard

The stock made of walnut wood with a cheekpiece furnished with checkerings and ventilated rubber buttplate. The stock allows aiming with mechanical sights as well as optical sights.

CZ 550 Medium Lux

The walnut stock with cheekpiece of Bavarian style checkered and supplied with a ventilated rubber buttplate. The stock allows aiming with mechanical sights as well as optical sights.

CZ 550 Medium FS

The classical walnut Full Stock with cheekpiece of Bavarian style, checkered, and supplied with a ventilated rubber buttplate. The stock allows aiming with mechanical sights as well as optical sights.

CZ 550 Medium Battue

The walnut stock checkered and supplied in Lux version or FS. The barrel (length of 520 or 560 mm) is equipped with a ramp rear sight. The firearm is designed for moving game shooting at shorter distances.

Main Characteristics of CZ 550 Magnum Rifle Versions

CZ 550 Magnum Standard

Higher-grade walnut wood stock, without cheekpiece, furnished with checkering and ventilated rubber buttplate. This stock type allows aiming both with open sights and optical device.

CZ 550 Magnum Lux

Higher-grade walnut wood stock, with Bavarian style cheekpiece and furnished with checkering and a ventilated rubber buttplate. This stock type allows aiming both with open sights and optical device.

CZ 550 Magnum Safari

Higher-grade walnut wood stock lacquered with Dedecryl, with Bavarian style cheekpiece and furnished with checkering and Pachmayr rubber buttplate. This stock type allows aiming both with open sights and optical device.

The Survey of Basic CZ 550 Medium and Magnum Rifle Modifications:

Model	Overall Length	Barrel Length	Weight	Magazine Box Capacity			Safety		Trigger		Receiver			Sights		Butt-plate	Stock Finish		Sling Swivels		
				7 mm Rem. Mag.	.300 Win. Mag.	9,3 x 62	Three positions	Two positions	Adjustable trigger	Adjustable set-trigger	Squared	Rounded	Rounded, MRI-shaped	Classical open sights	Battue	Rubber - ventilated	PUR lacquer - semi-mat	Polished	Dedecryl lacquer	20 mm swivels	1" swivels
CZ 550 Medium	mm	mm	kg																		
Standard	1135	600	3,3	3	3	5	●	■	▲	■	■	●	●	■	■	■	●	●	●	■	●
Lux	1135	600	3,3	3	3	5	●	■	▲	■	■	●	●	■	■	■	●	●	●	■	●
FS	1055	520	3,1	-	-	5	●	■		■	■		●	■	■		●	●	■	●	
Battue	1095 1055	560 520	3,2 3,1	3	3	-	●	■		■	■		●	■	■		●	●	■	●	

■ standard equipment ● available on request ▲ alternative equipment

Model	Overall Length	Barrel Length	Weight	Magazine Box Capacity						Safety		Trigger		Receiver	Sights	Butt-plate	Stock Finish		Sling Swivels		
				7 mm Rem. Mag.	300 Win. Mag.	375 H&H Mag.	416 Rem. Mag.	416 Rigby	458 Win. Mag.	Three positions	Two positions	Adjustable trigger	Adjustable set-trigger	Squared	Express sight	Rubber - ventilated	Rubber Pachmayr	PUR lacquer - semi-mat	Polished	Dedecryl lacquer	1" swivels
CZ 550 Magnum	mm	mm	kg																		
Standard	1180	635	4,2	5	5	5	5	3	4	●	■	▲	■	■	■	■	■	●	●	■	●
Lux	1180	635	4,2	5	5	5	5	3	4	●	■	▲	■	■	■	■	■	●	●	■	●
Safari	1180	635	4,2	5	5	5	5	3	4	●	■	▲	■	■	■	■	■	●	●	■	●

■ standard equipment ● available on request ▲ alternative equipment

OPERATING INSTRUCTIONS

Ammunition

Use only factory-manufactured standard ammunition of appropriate caliber, which are in compliance with CIP regulations (International Proof Commission for Firearms and Ammunition) or SAAMI (Sporting Arms and Ammunition Manufacturers' Institute Inc. of the United States). The use of other cartridges could damage the firearm or cause malfunctions or injury to the shooter.

Loading of the Rifle

ALWAYS MAKE SURE THE RIFLE IS POINTED IN A SAFE DIRECTION WHEN LOADING!

Open the bolt by raising the bolt handle and pulling it to the rear to its stop.

Place a cartridge on the follower and press it downward into the magazine box. After releasing the downward pressure, the cartridge is caught by the side walls of the magazine. Place the next cartridge on top of the previous one, and slide in as described above. When the magazine box is loaded, push the bolt vigorously to its forward position and by rotating the bolt handle in a downward movement close the bolt. This procedure inserts the cartridge into the cartridge chamber, and cocks the striker mechanism. The rifle is now ready to fire. If you do not intend to fire immediately, ensure the firearms safety as described further below in the section *Safety and its Operation*.

Unloading of the Rifle

ALWAYS MAKE SURE THE RIFLE IS POINTED IN A SAFE DIRECTION!

- Open the magazine box floorplate (Fig. 2) and drop released cartridges into your hand.
- Move the safety to its "Safety-Off" position in order that the bolt can be opened. If your rifle is fitted with a three-position safety, shift it to its mid-position which allows the bolt operations, but the trigger mechanism remains on safe.
- Open the bolt and check to ensure that the cartridge has been extracted from the chamber and ejected.
- Close the bolt.
- Depress the trigger (dry fire).

The Safety and its Operation

Shift the safety rearward to its "Safety-On" position (Fig. 3) until the red dot is fully covered. This procedure locks the trigger mechanism and the bolt, it is not possible to discharge a cartridge or manipulate the bolt.

If your rifle is fitted with a three-position safety, it has an additional mid-position which permits the opening of the bolt, but the trigger mechanism remains on safe. At this position of the safety, only the white dot is showing.

Cocking Indicator Operation

The cocking indicator is located on the rear face of the bolt sleeve (Fig. 4). If the (striker) firing pin is cocked, the cocking indicator protrudes from the bolt sleeve. This protrusion can be checked both by sight and by touch.

Set-trigger Operation

The set-trigger is activated by pushing it in the forward. For the reason of safety, activate the set-trigger only after the rifle is loaded and shortly before shooting. Do not carry your rifle with an activated set-trigger! If you have activated the set-trigger and you do not follow through with firing, keep your firearm pointed in a safe direction while carefully engaging the safety and then squeeze the trigger. Subsequently unload the rifle in the manner described above.

Trigger Adjustment

Independent of whether there is a mounted set-trigger or not, the trigger mechanism can be adjusted with respect to the trigger pull weight, and the trigger travel, before and after discharge. The adjustment can be performed after taking the barreled action out of the stock by means of the setting screws A (trigger pull), B (trigger travel before) and C (trigger travel after discharge) - see Fig. 5.

If the CZ 550 rifle is fitted with a set-trigger, the adjustment of the set-trigger is carried out by the screw located in front of the trigger (Fig. 6). For safety reasons do not adjust the set-trigger travel as too short, as the rifle with an activated set-trigger is very sensitive to shock, and during handling the rifle could unintentionally discharge. The safety of the set-trigger adjustment can be checked with the rifle unloaded by repeated opening and closing of the bolt combined with moving of the safety to its "ON" and "OFF" positions. The spontaneous release of the trigger must not occur.

Note:

There is a possibility of dismantling the set-trigger from the rifle, without any impairment to the functional properties or adjustment of the conventional trigger.

Sight Adjustment*Model type: Medium - Classical Open Sights*

The elevation and windage correction is carried out after loosening the screws H (horizontal) and V (vertical) by shifting the rear sight blade (Fig. 7). One part displacement changes the point of aim at 100 m distance in vertical by 3 cm and in horizontal direction by 15 cm.

Model type: Medium Battue - Ramp Sights

Elevation correction is by means of folding up or down the rear sight insert, assisted by the adjusting screws (Fig. 8). Loosening of the front screw, followed by tightening of the rear screw changes the point of impact in a downward direction. Loosening of the rear screw, followed by tightening the front screw changes the point of impact in an upward direction. After sighting-in adjustments, it is necessary to tighten both these screws properly.

Model type: Magnum

The rifle is equipped with the so-called "Express sight" with "V" notches on the blades. This sight facilitates quick aiming even at very short distances. The rear sight base features a notch for shooting at 100m distance and folding blades for 200 and 300m distances. Exchanging the front sight for higher or lower sizes ensures elevation correction. Drifting the rear sight in the dovetail, having previously loosened the locking screw (Fig. 9) enables windage correction.

The rifle sights were sighted-in at the plant at a 100 m distance, so the mean point of impact approximately conforms to the point of aim.

Rifle Scope

Mounting of the riflescope and sighting-in of the rifle should be entrusted to a qualified gunsmith's workshop.

MAINTENANCE INSTRUCTIONS

Stripping for Cleaning - Disassembly

1. Remove the magazine. With the magazine box version, open the floorplate and remove the cartridges.
2. Shift the safety to its "SAFETY-OFF" position in order that the bolt can be manipulated.
3. Open the bolt, and after depressing the bolt stop (Fig. 10), pull the bolt rearwards out of the receiver.

Disassembly of the Bolt

BEFORE BOLT DISASSEMBLY CHECK FOR YOURSELF THAT THE CARTRIDGE CHAMBER IS EMPTY.

Cock the firing mechanism by opening the bolt, move it slightly backwards and close it again. Press the disassembly catch (Fig. 4) and keep it depressed, while at the same time open the bolt and move it partially rearwards with the other hand. Unscrew the bolt sleeve together with the firing pin assembly and as already described above pull the rest of the bolt rearwards out of the receiver.

CAUTION:

Do not strip your firearm any further. If you assume that your firearm requires adjustment or repair, entrust this work to a competent gunsmith in a specialized workshop!

Cleaning the Rifle

Clean the rifle

- Each time you use it.
- If you get your rifle wet.
- As soon as possible after shooting.
- At least once a year in a temperate climate.
- As often as once a month in a tropical climate, or other demanding environment.

Cleaning the Barrel Bore and the Cartridge Chamber

If the firearm has not been fired or if only a few cartridges have been fired, clean the barrel bore and cartridge chamber by a clean patch attached to a cleaning rod. Repeat the cleaning, changing patches, until the last patch comes out clean.

When the barrel bore is very dirty, apply a gun cleaning solution using cleaning brush. Let the solvent act for about 10 minutes (this time may vary depending on the solvent agent being used). Then thoroughly scrub out the barrel bore. Subsequently, dry the barrel bore and cartridge chamber with a clean patch and check that all powder residues or fouling have been removed. If necessary, repeat this procedure.

The cleaning rod and the brush must be inserted into the barrel bore from the chamber, to prevent wear or damage to the muzzle. Pass the brush all the way through the barrel bore before reversing the movement. If you try to change directions with the brush in the barrel, the brush could stick.

Cleaning of Other Rifle Parts

Other parts of the rifle can be cleaned with a dry cloth, old toothbrush, copper bristle brush, or a wooden scraper. Preserving oil or paraffin oil can be used for proper cleaning. Never use the agent designed for barrel bore cleaning! These solutions could remain in the joints, and after some time could cause corrosion. Check that cloth particles or brush bristles have not become lodged in any part of the rifle.

The maintenance of the stock can be carried out with a dry cloth or by some furniture-polishing product.

Preserving

When the barrel bore, cartridge chamber, and all accessible parts are clean and dry, wipe these parts with a cloth soaked in gun oil or apply the oil in a spray. Remove all excess oil.

Before shooting always wipe the barrel bore dry. At very low temperatures remove the oil from all accessible parts or apply a lubricant prepared especially for these conditions.

Use thick preserving agents for example, preserving grease only for long-term storage in demanding climate environments, and before any use of the rifle, it must be thoroughly removed from all parts of the firearm.

TROUBLESHOOTING, CAUSES AND REMEDIES

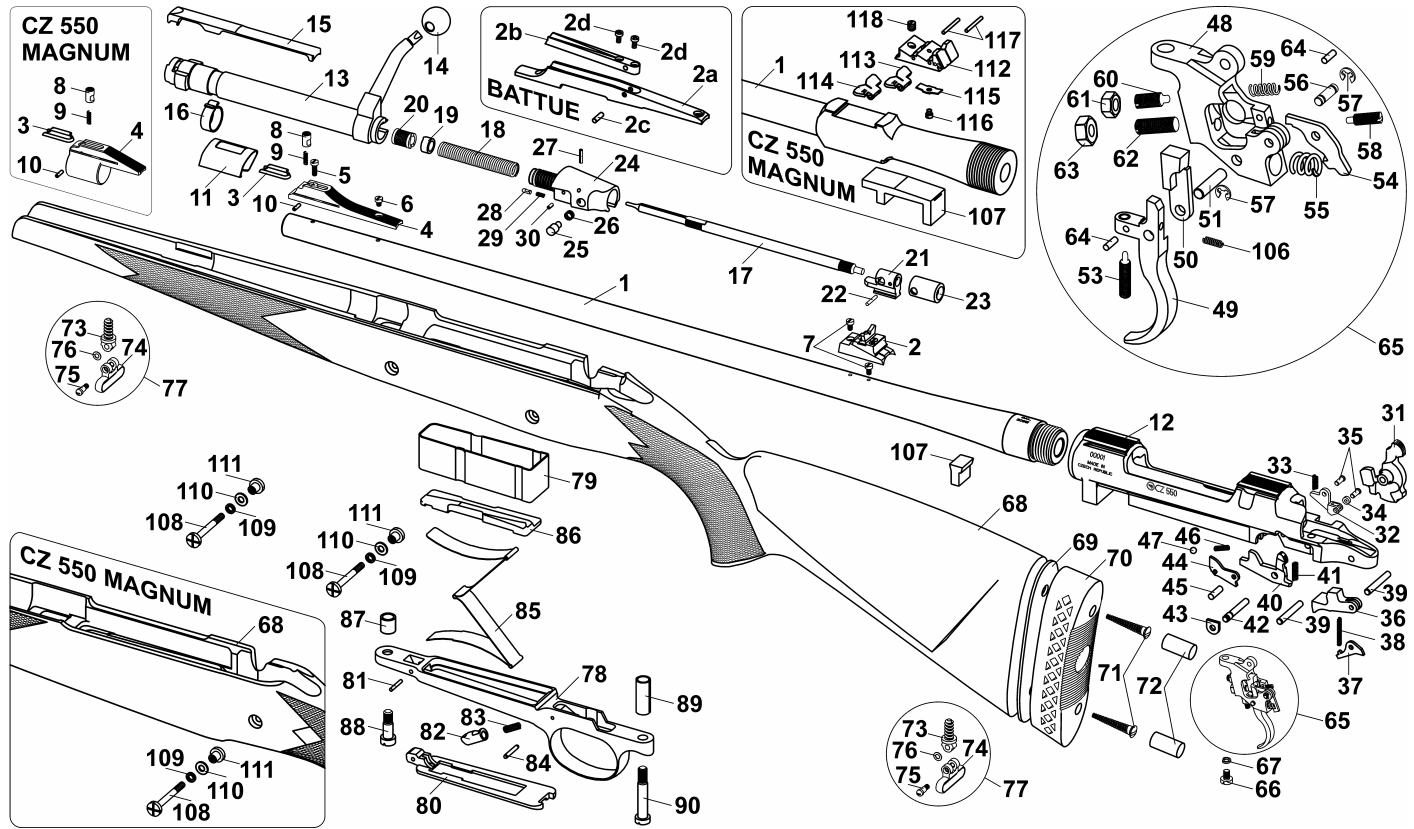
If your firearm is properly used and maintained, malfunctions will rarely occur. However, if such a situation does occur please observe the following instructions.

CAUTION - if a malfunction occurs, the possibility of an unintentional discharge is substantially increased. For this reason, when clearing malfunctions, observe the Safety Instructions already mentioned above. Keep the rifle pointed in a safe direction, do not turn the rifle against your body or anyone else's. Do not place your hands in front of the barrel!

Malfunction	Possible Cause	Remedy
A round has not been fed into the chamber.	Magazine is not fully inserted or is damaged. The rifle or cartridges are fouled (dirty).	Insert magazine properly or change magazine. Clean the rifle and cartridges and wipe them dry or as the case may be slightly lubricate.
Misfire	Defective cartridge. Firing Pin hole fouled (dirty) or improper lubrication agent used during low temperatures conditions.	Follow the Safety Instructions according to point 20. Disassemble and clean the firing pin or use low temperature lubricant.
A shot sounds "weak".	The primer has been activated but no powder load was inside the cartridge case.	Unload the rifle and check that the bullet is not lodged in the barrel. Any subsequent shot could cause damage to the barrel!
The spent case has not been ejected.	Cartridge chamber, extractor or ammunition dirty or unsuitable lubricant in low temperature environment	Clean and wipe the rifle dry or eventually lubricate lightly with a suitable agent. Use clean and new ammunition.

If you cannot clear away any malfunction in the manner described above, entrust the rifle to a competent gunsmith for inspection and repair.

ILLUSTRATION AND LIST OF PARTS



1 Barrel	29 Plunger Spring	56 Pin	81 Floor Plate Pin
2 Rear Sight	30 Plunger Pin	57 Retaining Ring	82 Floor Plate Latch
3 Front Sight	31 Safety	58 Adjusting Screw (B)	83 Spring, Floor Plate Latch
4 Front Sight Base	32 Safety Pawl	59 Spring, Trigger Pull	84 Pin, Floor Plate Latch
5 Front Sight Base Screw 05	33 Safety Pawl Spring	60 Adjusting Screw, Trigger Pull (A)	85 Magazine Box Spring
6 Front Sight Base Screw 03	34 Roller	61 Locking Nut	86 Magazine Follower
7 Rear Sight Base Screw	35 Safety Pawl Pin	62 Adjusting Screw, Trigger Overtravel (C)	87 Front Spacer
8 Front Sight Detent	36 Sear	63 Locking Nut	88 Frame Screw, Front
9 Detent Spring	37 Sear Stop	64 Nylon Pin (2x)	89 Rear Spacer
10 Pin, Front Sight Detent	38 Sear Spring	65 Trigger Mechanism	90 Frame Screw, Rear
11 Front Sight Cover	39 Sear Pin	66 Screw	106 Trigger Spring
12 Receiver	40 Bolt Stop	67 Spring Washer	107 Stay
13 Bolt	41 Bolt Stop Spring	68 Stock	108 Reinforcer Screw *
14 Bolt Handle Knob	42 Safety Pin	69 Butt Plate Spacer	109 Spring Washer *
15 Extractor	43 Retaining Plate	70 Butt Plate	110 Washer *
16 Extractor Collar	44 Ejector	71 Screw, Butt Plate	111 Reinforcer Nut *
17 Firing Pin	45 Ejector Pin	72 Butt Plate Plug	112 Rear Sight Base
18 Firing Pin Spring	46 Ejector Spring	73 Swivel Wood Screw	113 Rear Sight Blade 200m
19 Support, Firing Pin Spring	47 Ball	74 Sling Swivel	114 Rear Sight Blade 300m
20 Nut, Firing Pin Spring	48 Trigger Housing	75 Swivel Screw	115 Rear Sight Spring
21 Cocking Piece	49 Trigger	76 Swivel Screw Washer	116 Rear Sight Spring Screw
22 Pin, Firing Pin Nut	50 Trigger Lever	77 Swivel Assembly	117 Rear Sight Blade Pin
23 Cap	51 Trigger Lever Pin	78 Trigger Guard - Box Version	118 Locking Screw
24 Bolt Sleeve	52 -	79 Box Shell	
25 Disassy Catch	53 Adjusting Screw, Set Trigger	80 Floor Plate	
26 Disassy Catch Spring	54 Set Trigger Lever		
27 Disassy Catch Pin	55 Spring, Set Trigger Lever		
28 Disassy Catch Plunger			

* Medium 2x, Magnum 1x

TECHNICAL SPECIFICATIONS

Model	Medium			Magnum
Version	Standard Lux	FS	Battue	Standard Lux Safari
Calibers	7 mm Rem. Mag. 300 Win. Mag. 9,3 x 62 *	9,3 x 62	7 mm Rem. Mag. 300 Win. Mag. 9,3 x 62 *	7 mm Rem. Mag. 300 Win. Mag. 375 H&H Mag. 416 Rem. Mag. 416 Rigby 458 Win. Mag.
Overall Length [mm]	1135	1055	1095 (1055*)	1180
Barrel Length [mm]	600	520	560 (520*)	635
Sights Radius (Mechanical Sights) [mm]	420	340	380 (340*)	495
Weight (Empty Magazine) [kg]	3,3	3,1	3,2 (3,1*)	4,2
Magazine Box, Capacity [cartridges]	3 (5*)	5	3 (5*)	3 - 5
Trigger Pull, Adjustment Range [N]	12 ÷ 22	12 ÷ 22	12 ÷ 22	12 ÷ 22

LIST OF ILLUSTRATIONS

1. The names of basic parts.
2. Magazine box floor plate opening.
3. The three positions safety in SAFETY-OFF (fire) mode.
4. The close-up of activated cocking indicator and bolt disassembly catch.
5. Trigger adjusting screws (A - trigger pull, B - trigger slack, C - trigger overtravel).
6. Set trigger adjusting screw.
7. Rear sight with fixing screws (H for horizontal, V for vertical shift).
8. Battue - Ramp Sights.
9. "Express sight" with "V" notches on the blades.
10. The bolt stop close-up.

The Company, reserves the right to make any changes it thinks necessary to improve its models or to meet any requirements of manufacturing or commercial nature.

VÝSTRAŽNÍK
COCKING INDICATOR
SIGNALSTIFT

POJISTKA
SAFETY
SICHERUNG

ZÁVĚR
BOLT
VERSCHLUSS

VYTAHOVAČ
EXTRACTOR
AUSZIEHER

LŮŽKO
RECEIVER
LAGER

KLIKA ZÁVĚRU
BOLT HANDLE
VERSCHLUSSSPANNHEBEL

SPOUŠŤ
TRIGGER
ABZUG

ZÁPADKA DŇA SCHRÁNKY
FLOOR PLATE LATCH
FALLE DES KAPSELBODENS

DŇO SCHRÁNKY
FLOOR PLATE
KAPSELBODEN

ZTUŽOVADLO
REINFORCER
STÜTZENSTÜCK

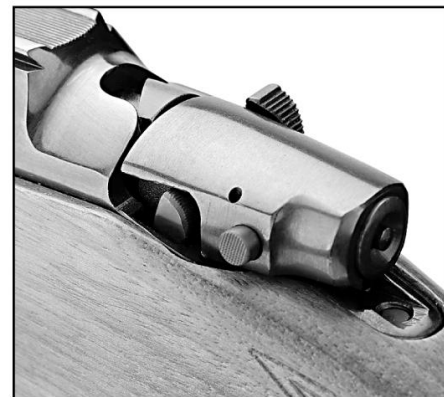
①



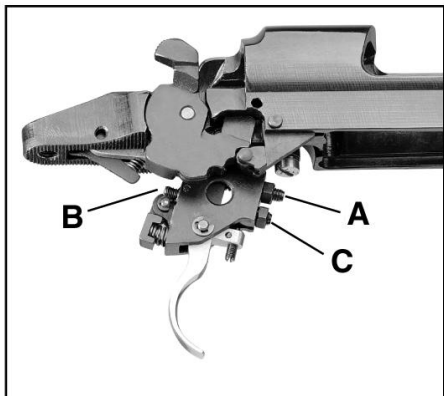
②



③



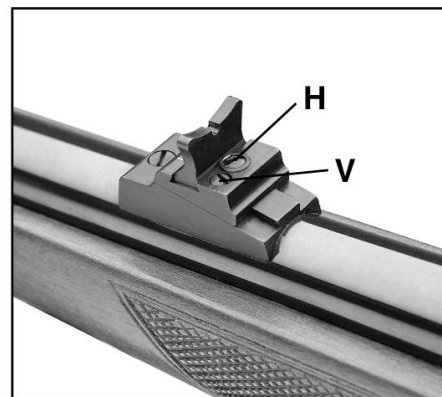
④



⑤



⑥



⑦

⑧



⑨



⑩

