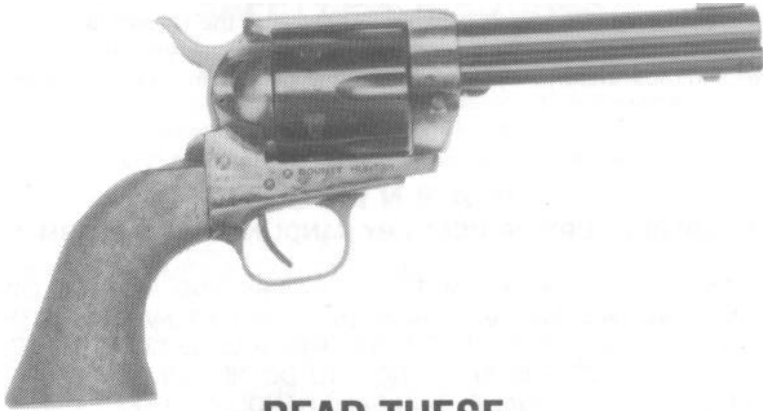




MODEL:
BIG BORE BOUNTY HUNTER

SINGLE ACTION REVOLVER



**READ THESE
INSTRUCTIONS!**

MANUAL FOR:

MODEL NUMBER

Bounty Hunter 357

Bounty Hunter 45

Bounty Hunter 44

BARREL LENGTH

4 1/2" or 7 1/2"

4 1/2" or 7 1/2"

4 1/2" or 7 1/2"

CALIBERS

.357 Mag

.45 Long Colt

.44 Mag

FINISH

B,CA, N

B,CA, N

B,CA, N

CODE:

B=BLUE, C=CASE COLOR, N=NICKEL

GENERAL INFORMATION

Capacity - 6 chambers (load only 5); Safety transfer bar

Sights - fixed ; Grips - European walnut

Weight (average) - 4 1/2" Barrel = 40 oz., 7 1/2" = 44 oz.

Overall Length - 4 1/2" Barrel = 10". 7 1/2" Barrel = 13"

EUROPEAN AMERICAN ARMORY CORP.

3855 North U.S. Highway 1 • Cocoa, Florida 32927

(407) 639-4842

EAA MODEL: BIG BORE BOUNTY HUNTER SINGLE ACTION REVOLVER

FOR YOUR SAFETY AND THE SAFETY OF OTHERS, this owner's manual contains important warnings and safety procedures which must be understood BEFORE using this firearm. Read the entire manual and if you do not understand any part it or the operation of your revolver, stop and seek professional firearms instructions. You can get a copy of this manual from European American Armory Corp. on request.

Record the serial number of your firearm # _____
and a description of it: _____

Make a copy of **this** manual, proof of purchase/sales record for safekeeping in a secure safe or fireproof container. Such proof is necessary if the firearm is stolen or for warranty repair. Before handling any firearm, make sure you know the safety procedures and most importantly, keep the firearm pointed in a safe direction.

W A R N I N G

****YOU RISK INJURY OR DEATH BY HANDLING THIS FIREARM****

BEFORE HANDLING THIS FIREARM, READ, UNDERSTAND AND FOLLOW THE INSTRUCTIONS IN THIS MANUAL. ALWAYS KEEP THIS MANUAL WITH THE FIREARM. IF YOU LEND, GIVE OR SELL THIS FIREARM, BE SURE THE MANUAL GOES WITH IT. IF THERE IS ANYTHING YOU DO NOT UNDERSTAND, SEEK ADVICE FROM SOMEONE QUALIFIED IN SAFE HANDLING OF FIREARMS.

THIS FIREARM SHOULD ALWAYS BE TRANSPORTED UNLOADED IN ITS CASE. DO NOT USE THIS FIREARM FOR QUICK DRAW. DO NOT FAN THE HAMMER AND DO NOT MODIFY OR ALTER ANY PART OF THIS FIREARM.

TYPE OF AMMUNITION TO BE USED

It is suggested that high quality commercially manufactured ammunition be used in this firearm. Some factory ammunition works better than others and you should stick with the brand you find works well in your revolver. Avoid military surplus or hot loaded ammo. The use of reloaded, Super-Vel. +P high pressure or hand loaded ammunition will void the warranty.

NOTICE

REVOLVERS ARE CLASSIFIED AS FIREARMS OR DANGEROUS WEAPONS and are sold by European American Armory Corporation with the specific understanding that we are not responsible in any manner what- so-ever for their safe handling or resale under local laws and regulations.

European American Armory shall not be responsible in any manner whatsoever for malfunctioning of the firearm, for physical injury or for property damage resulting in whole or in part from (1) intentional or negligent discharge, (2) improper or careless handling, (3) unauthorized modifications and/or alteration to the internal/safety mechanisms, (4) defective, improper, high pressure, hand-loaded, or reloaded ammunition, (5) corrosion and/or lack of proper maintenance (6) neglect, or (7) other influences beyond our direct and immediate control. This limitation applies regardless of whether liability is asserted on the basis of contract, negligence or strict liability (including any failure to warn). Under no circumstance shall European American Armory Corporation be liable for incidental or consequential damages, such as loss of use of property, commercial loss and loss of earnings or profits.

SAFETY PROCEDURES

1. We recommend that you get competent firearms instruction in safe handling before using this firearm. Please ask your dealer. All guns are extremely dangerous if carelessly handled or used. Remember that the firearm user is the primary "safety" and to depend on any mechanical devices is to be only half safe.
2. THIS FIREARM WILL FIRE IF A ROUND (CARTRIDGE) IS IN FIRING CHAMBER, THE HAMMER IS FULLY COCKED AND THE TRIGGER IS PULLED.
3. DO NOT LOAD THIS REVOLVER UNTIL YOU UNDERSTAND HOW THIS REVOLVER OPERATES. KEEP this revolver unloaded at all times except when ready to fire and you are sure of your target.
4. ALWAYS carry this revolver in its case and unloaded.
5. NEVER point this revolver at anything that is not your intended target even if this revolver is unloaded. When loading, cleaning, unloading or handling, always be sure the muzzle is pointed in a safe direction and always keep your finger off the trigger.
6. NEVER assume any gun is unloaded. Before handling, check to make sure all the firing chambers are empty. See unloading Instructions and then unload any ammunition. Make sure you know that this or any firearm is fully unloaded before displaying or handling it. When handling any firearm, keep your fingers away from the trigger at all times until you intend to fire.
7. **WARNING:** The actual firearm does not contain any lead; however, it does fire ammunition containing lead or lead compounds known to the State of California to cause cancer, birth defects, reproductive toxicity, and other serious physical injury. Those who discharge a firearm, stand near someone who discharges a firearm or cleans firearms are hereby warned of the dangers presented by lead and lead compounds and should take protective health measures. Avoid exposure to lead while handling and wash your hands after contact. Proper air ventilation is absolutely necessary when shooting indoors.

European American Armory shall not be responsible in any manner whatsoever for malfunctioning of the firearm, for physical injury or for property damage resulting in whole or in part from (1) intentional or negligent discharge, (2) improper or careless handling, (3) unauthorized modifications and/or alteration to the internal/safety mechanisms, (4) defective, improper, high pressure, hand-loaded, or reloaded ammunition, (5) corrosion and/or lack of proper maintenance (6) neglect, or (7) other influences beyond our direct and immediate control. This limitation applies regardless of whether liability is asserted on the basis of contract, negligence or strict liability (including any failure to warn). Under no circumstance shall European American Armory Corporation be liable for incidental or consequential damages, such as loss of use of property, commercial loss and loss of earnings or profits.

SAFETY PROCEDURES

1. We recommend that you get competent firearms instruction in safe handling before using this firearm. Please ask your dealer. All guns are extremely dangerous if carelessly handled or used. Remember that the firearm user is the primary "safety" and to depend on any mechanical devices is to be only half safe.
2. THIS FIREARM WILL FIRE IF A ROUND (CARTRIDGE) IS IN FIRING CHAMBER, THE HAMMER IS FULLY COCKED AND THE TRIGGER IS PULLED.
3. DO NOT LOAD THIS REVOLVER UNTIL YOU UNDERSTAND HOW THIS REVOLVER OPERATES. KEEP this revolver unloaded at all times except when ready to fire and you are sure of your target.
4. ALWAYS carry this revolver in its case and unloaded.
5. NEVER point this revolver at anything that is not your intended target even if this revolver is unloaded. When loading, cleaning, unloading or handling, always be sure the muzzle is pointed in a safe direction and always keep your finger off the trigger.
6. NEVER assume any gun is unloaded. Before handling, check to make sure all the firing chambers are empty. See unloading Instructions and then unload any ammunition. Make sure you know that this or any firearm is fully unloaded before displaying or handling it. When handling any firearm, keep your fingers away from the trigger at all times until you intend to fire.
7. **WARNING:** The actual firearm does not contain any lead; however, it does fire ammunition containing lead or lead compounds known to the State of California to cause cancer, birth defects, reproductive toxicity, and other serious physical injury. Those who discharge a firearm, stand near someone who discharges a firearm or cleans firearms are hereby warned of the dangers presented by lead and lead compounds and should take protective health measures. Avoid exposure to lead while handling and wash your hands after contact. Proper air ventilation is absolutely necessary when shooting indoors.

AMMUNITION WARNING

Old, Hot-loaded and/or re-loaded ammunition may be dangerous. Because of the poor or nonexistent quality control standards among some companies or people who make reloaded ammunition and the dangers of overloads and underloads (squib loads) which may occur, we recommend that only good quality new factory ammunition be fired in our firearms. [If you prepare your own handloads, do NOT exceed recommended pressures in line with those generated by standard factory loads as manu- **factured** by Remington, Winchester, Federal, PMC or other reputable companies.] Do NOT use +P Ammo or High Velocity High Pressure Ammunition (factory or handloaded). Old ammunition may not fire with sufficient force to expel the projectile from the barrel.

WARNINGS -- READING THESE SAFETY RULES WILL SAVE YOUR LIFE OR THE LIFE OF SOMEONE ELSE

Get instructions from a competent firearms instructor before using this or any firearm. Learn from a professional how to handle, load, unload, operate, fire and care for your gun.

NEVER PLAY with your firearm. It is not a toy and can be a very dangerous weapon that can cause serious personal injury or death.

Always keep the gun pointed in a safe direction. Treat every gun as if it is loaded... all the time. NEVER point any firearm (loaded or unloaded) at any person or anything you do not intend to shoot. Always keep your gun unloaded until ready to use and make sure that it is unloaded before cleaning.

Keep your finger OFF the trigger until you are actually aiming at the target and ready to shoot. Learn to rest your finger outside of the trigger guard.

Never rely on a gun's "safety" to protect you from unsafe gun handling. A safety is only a mechanical device, not a substitute for common sense and gun safety procedures.

Never leave a gun unattended or where it could fall and fire.

Store guns and ammunition separately **beyond the reach of children.**

Make sure that they are properly secured so untrained individuals and children will be denied access to your guns and ammo.

Test your gun's operation and safeties only at a shooting range while the firearm is pointed in a safe direction.

Know your target and what is beyond. Ask yourself what your bullet will hit if it misses the target or passes through the intended target. Remember, a fired bullet can travel over a mile (including a ricochet) and is capable of going through walls.

Guns and alcohol or drugs do not mix. Don't take any alcoholic beverages and/or drugs before or during shooting activities.

Never pull a gun toward you by the muzzle. Don't climb a tree, cross a ditch or fence with a loaded gun.

Always empty guns before entering a house, car, truck, boat, RV, camp or any building.

When receiving a gun, always open the loading gate and check to make sure all chambers are unloaded.

NEVER accept anyone's word that a gun is "unloaded" or "empty". You should immediately open the action and check to make sure it is unloaded.

Be careful with ALL ammunition. Even "blank" cartridges are deadly at close range due to the muzzle blast. Make sure your ammunition is in new and in good clean condition. Do NOT oil or grease ammo as this may damage the cartridge primer. Do NOT tamper with or alter the standard factory ammunition.

Keep firearms unloaded when not actually in use. Load the gun only when on the range preparing to fire and unload it before leaving the range.

Never put your hand over the muzzle of a gun.

ALWAYS WEAR protective shooting glasses and hearing protection when using firearms.

Spectators should be at least 10 feet behind and away from the shooter while the shooter is loading, shooting and unloading. Spectators should wear protection for hearing and sight loss and they should avoid distracting those shooting their firearms.

Never carry a handgun in your pocket, purse or tucked in a belt or waistband. Use a revolver case or a proper holster with safety flap or strap.

Never drop your gun. If you do drop it, unload it and check it for proper function before using it again.

Do NOT alter or modify your gun. Don't try to change your gun's trigger pull, because it may affect sear engagement and thereby cause accidental firing.

Do NOT remove any internal safety or safety device on the firearm. Safety mechanisms are designed to protect you from injury or death.

Do maintain and keep your gun clean. Keep in a dry place away from other metals and water. If your gun shows sign of corrosion or improper operation, have it serviced by a competent gunsmith.

Keep the muzzle pointed in a safe direction when loading and unloading your gun. Never point the muzzle at anyone.

Never shoot at hard flat surfaces or water....bullets ricochet.

If a gun fails to fire when the trigger is pulled, keep it pointed down range at the target for 30 seconds. Sometimes slow primer ignition will cause a "hang fire" and the cartridge will go off after a short pause. If it still fails to fire, keep muzzle pointed in safe direction and avoid exposure to the breech, as you attempt to unload your firearm.

Never let water, snow, mud or other material enter the barrel.
Always be sure the barrel is free of any obstruction.

Since many ammunition identifications sound similar, be sure that you use only the correct ammunition for your gun. Do NOT use the wrong size or wrong strength ammunition in your firearm.

Repeated and prolonged exposure to gunfire may cause toxic levels of lead in your body. High levels of lead in the blood may result cancer, impotency, birth defects and other serious physical injury. When shooting indoors, make sure there is proper fresh air ventilation.

Teach children: 1) NOT to touch guns, bullets, cartridges, shells, flares or any explosive device and 2. If they discovery such a dangerous item or weapon, they must immediately report its location to their parents, school teacher and police.

Remember a firearm has the capability of taking your life or the life of someone else. Be careful with your firearm -- an accident is almost always the result of not following basic safety rules.

HOME SAFETY IS PROBABLY YOUR BIGGEST CONCERN. We suggest a gun lock such as Master Gun Locks. They work on most firearms and are available in gun shops and sporting goods departments. For more information write: Master Gun Locks; Master Lock Company, P.O. Box 10367, Milwaukee. WI 53210. You have invested this much in your new firearm, now invest a little more in your family's safety.

USED FIREARMS - If you got your European American Armory firearm as a used gun, BEFORE USING IT you should unload it and check all its functions to be sure it works correctly. Firearms are some times altered to work incorrectly, or parts may be removed, lost or replaced with incorrect parts. First, unload it and check it yourself and then take it to a good gunsmith who knows European American Armory firearms, and have him examine it.

WRITE US concerning any items or circumstances which you don't understand and which might relate to your safety and the operation of your firearm.

W A R N I N G

BEFORE LOADING or firing a revolver, examine the bore and the firing chambers to be certain they are clean and free of any obstruction, Even a heavy coat of oil, grease or water may result in damage to the firearm and injury to the shooter and/or persons near the firearm. A misfire or unusual sound upon firing is a signal to cease firing and to examine the chambers and bore. If there is any obstruction, clear the obstruction and clean the bore and chambers before firing.

HANDLING WARNING

Do not load the revolver until you are ready to use it.

NEVER CARRY ANY REVOLVER WITH THE HAMMER COCKED OR WITH THE TRIGGER HELD TO THE REAR. If the trigger is held to the rear, the gun can fire if the hammer strikes the transfer bar. Note that it need not be a deliberate effort to pull the trigger. Any situation where the trigger attains its rearward position and permits the transfer bar to be interposed between the hammer and the firing pin can cause the cartridge under the firing pin to discharge if the hammer falls or is struck. NEVER DROP OR STRIKE ANY REVOLVER -- COCKED OR UNCOCKED. ALWAYS CARRY AND HANDLE THE REVOLVER IN SUCH A MANNER THAT THE HAMMER WILL NOT BE STRUCK.

1. HANDLING IN GENERAL

This revolver has a transfer bar safety and does not require an unloaded chamber under the hammer; however, it is a good safety practice to keep one chamber empty in the cylinder and the hammer at rest on this empty chamber.

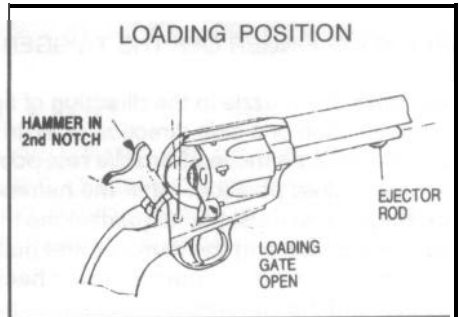
The Big Bore Bounty Hunter has an internal safety device which keeps the hammer from striking the firing pin except when the hammer is in the third position (full cock) and the trigger is pulled completely back. After each shot, the trigger must return to the forward position. If it does not, unload the revolver immediately and do not use until it has been repaired by a competent gunsmith or EAA.

This is a single action revolver and thus, you can not cock the hammer by pulling the trigger. This Big Bore Bounty Hunter single action revolver must be cocked manually for each shot. Always keep your finger off the trigger while handling this firearm. The only time you should pull the trigger, is when firing the revolver or when carefully lowering the hammer. Never force the trigger or hammer to move.

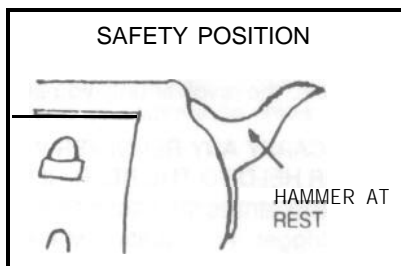
2. HOW TO LOAD AND UNLOAD

MAKE SURE GUN IS POINTED IN A SAFE DIRECTION. Move the hammer to the loading position or 2nd notch. Swing out the cylinder loading gate. Insert the cartridges while progressively revolving the cylinder.

One method of loading your revolver and finishing with an empty chamber lined up with the firing pin, is to load one chamber but not the next one, then load the other four chambers (load one, skip one, load four), close loading gate and pull hammer



all the way back with a smooth stroke. Then **controlling** the hammer very **carefully** with your thumb (WARNING THE GUN COULD FIRE IF THERE IS A LOADED ROUND IN THE CHAMBER UNDER THE HAMMER AND IF THE HAMMER WERE TO SLIP OUT FROM UNDER YOUR THUMB WHILE YOU WERE LOWERING IT) , squeeze the trigger and let the hammer down gently to the rest position.



Always keep the hammer in the rest position except when you intend to shoot. The rest position is when the hammer is against the frame, the trigger is fully forward and the transfer bar is out of the firing position. If you do not understand this procedure, ask your firearms instructor to explain it to you.

EXTRACTION OF EMPTY CASES:

Make sure that all cartridges have been fired. Make sure the gun is pointed in a safe direction. Move the hammer into the 2nd notch. Rotate the gate aside. Press the ejector rod which enters the chamber and expels the cartridge case. Let the ejector thumb piece come back, locate the next chamber before it, and repeat the procedure.

Before closing the gate, make sure that the cylinder is totally unloaded by causing it to perform a full revolution.

Once you have extracted the empty cases and you do not wish to reload the gun, close the loading gate and pull the hammer all the way back with a smooth stroke. Then controlling the hammer very carefully with your thumb, squeeze the trigger and let the hammer down to the rest position. [Always make sure the gun is pointed in a safe direction during any hammer or trigger movement] The rest position is when the hammer is against the frame, the trigger is fully forward and the transfer bar is out of the firing position.

3. HOW TO COCK AND FIRE

KEEP YOUR FINGER OFF THE TRIGGER AND OUT OF THE TRIGGER GUARD

First, point the muzzle in the direction of fire. Secondly, keep your firearm pointed in this direction or a safe direction at all times, In order to fire the revolver, the hammer must be moved from the rest position or from the 2nd notch position, to the fully cocked position. After the hammer is manually cocked (See cocking note next page), you must pull (squeeze) the trigger. The firearm will fire one shot. The sequence of cocking the hammer and pulling the trigger must take place to fire each shot. When the trigger is pulled back, the transfer bar moves up into firing position and the hammer is released so that a cartridge is fired.

WARNING: When cocking the hammer, have a firm hold on the grip with the shooting hand. **DO NOT TOUCH THE TRIGGER WHILE COCKING THE HAMMER. TOUCH THE TRIGGER ONLY WHEN YOU ARE READY TO FIRE.**

COCKING -- Place the fore portion of the thumb firmly on the hammer spur and pull the hammer fully to the rear until it stops. Then, permit the hammer to move very slightly forward until the trigger engages the hammer at full cock.

FIRING -- Once the hammer has been cocked, pressure on the trigger will disengage the trigger from the hammer. The hammer will fall forward against the transfer bar, the transfer bar in turn strikes the firing pin and the firing pin strikes the loaded cartridge in the chamber, causing discharge of a bullet.

CAUTION -- If you have never fired a revolver with Magnum bullets, be aware that .357 Magnum and .44 Magnum cartridges have surprisingly more recoil and a firm grip is necessary. A novice shooter should be aware that the recoil of any handgun causes the muzzle of the gun to flip upward. The shooter need not be apprehensive but must be prepared.

FIRING WARNING

When firing any revolver, be sure all spectators are a safe distance to the rear of the shooter. When fired, all revolvers have "sideblast" or cylinderblast" which is the discharge of hot gas and particles through the clearance gap between the cylinder and the rear of the barrel. These particles of lead, powder grains or lubricants are projected broadly sideways at high speeds and thus, can injure any person who is too close to the revolver. When firing any revolver, always be certain that nothing -- including either of your hands -- is in the path of the hot gas and particles which are discharged from the front and sides of the cylinder. When firing, do not rest your revolver against your hand, legs or body where the muzzle or cylinder sideways blast can hit you. Always keep the side of the revolver away from you or bystanders. Keep people behind and away from you while firing.

When shooting, full eye and ear protection is mandatory at all times. Shooters and spectators must wear shooting glasses and sound suppressor to prevent eye injury and hearing loss. Vision loss and hearing impairment can occur with only one moment of non-protection.

NEVER quick-draw a loaded revolver and never fan the hammer of this revolver. Quick-draws and fanning are dangerous to you and others. They are abusive to the firearm and will void the warranty.

WARNING

ANY BORE OBSTRUCTION, EVEN IF IT IS ONLY PARTLY BLOCKED, MAY CAUSE THE GUN TO BLOW UP IF IT IS FIRED, OR MAY CAUSE DAMAGE TO THE GUN SUCH AS A BULGED BARREL. TO AVOID INJURY OR DEATH TO THE SHOOTER OR BYSTANDERS, CHECK THE BARREL BEFORE SHOOTING OR IF A SHOT DOES NOT SOUND NORMAL.

WARNING

Always keep the muzzle pointed in a safe direction! Never attempt to load or unload any firearm inside a vehicle, building or other confined space (except a properly constructed shooting range). Enclosed areas frequently offer no completely safe direction in which to point the firearm. If an accidental discharge occurs, there is great risk of injury or property damage. Before loading, always clean all, grease and oil from the bore and chamber, and check to be certain that no obstruction is in the barrel. Any foreign matter in the barrel could result in a bulged or burst barrel or other damage to the firearm and could cause serious injury to the shooter or to others.

WARNING

If there is any reason to suspect that a bullet or projectile is obstructing the barrel, immediately unload the firearm (See Unloading Instructions) and check the firing chambers and the bore. It is not sufficient to merely remove the cylinder and look at the rear of the barrel or bore. A bullet may be lodged some distance down the barrel where it can not easily be seen. Check the bore by using a cleaning rod to pass through the barrel. If a bullet is in the bore, **DO NOT ATTEMPT TO SHOOT IT OUT WITH ANOTHER CARTRIDGE, OR BLOW IT OUT WITH A BLANK CARTRIDGE OR A CARTRIDGE FROM WHICH THE BULLET HAS BEEN REMOVED. SUCH TECHNIQUE(S) CAN GENERATE EXCESSIVE PRESSURE, DAMAGE THE FIREARM AND CAUSE SERIOUS PERSONAL INJURY.** If the bullet can be removed with a cleaning rod, clean any unburned powder grains from the bore, chambers & mechanism before resuming shooting. If the bullet can not be dislodged by tapping it with a cleaning rod, take the firearm to a gunsmith.

WARNING (Mechanical Malfunctions)

STOP SHOOTING IMMEDIATELY AND UNLOAD YOUR FIREARM if your firearm develops: a mechanical malfunction; binding or stoppage; spitting powder/gas; a cartridge primer is punctured; a cartridge case is bulged or ruptured; or the sound on firing does not sound quite right. Do **NOT** try one more shot but unload your firearm and take it and the ammunition to a qualified gunsmith or send it back to EAA for examination. Do not assume that the revolver is empty merely because you checked the cylinder. You must also check the bore for any fired bullet jammed inside the barrel.

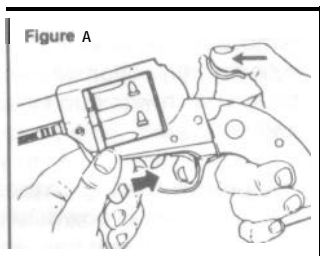
4. HOW TO DECOCK

TO UNCOCK (DECOCK) THE REVOLVER:

If the revolver is cocked and you wish to **uncock** the revolver without firing it, proceed as follows:

USE EXTREME CARE WHEN ATTEMPTING TO DECOCK THE REVOLVER AS THE THUMB SLIPPING DURING THIS PROCESS CAN RESULT IN AN ACCIDENTAL DISCHARGE IF THE TRIGGER IS HELD TO THE REAR.

- 1) Make certain that the revolver is pointing in a safe direction.
2. Make certain both hands are dry and not impeded in any way --- gloves, bandage, cold, etc.
3. Grasp the revolver (if right handed) so that the thumb and forefinger of your left hand are firmly holding the frame, forward of the trigger guard. Thus, your left hand is in full control of the revolver. (See Figure A)



4. Place your right thumb firmly on the hammer spur and with your thumb securely in control of the hammer, squeeze the trigger only enough to permit the hammer to break free of the trigger. At that instant, slowly permit the hammer (STILL SECURE UNDER YOUR THUMB) to move forward to its resting position against the frame.

Practice this important gun handling skill with an unloaded revolver until you have developed the proper control and touch to safely decock your revolver. The key to safe decocking is having the weight of the revolver controlled with one hand, while the thumb and forefinger of the "shooting hand" control the hammer and trigger.

CYLINDER REMOVAL OR REPLACEMENT

WARNING: Never attempt to remove or replace a loaded cylinder.

1. Using previous instructions, move hammer into 2nd notch.
2. Open gate
3. Press base pin release and withdraw base pin.
4. Remove cylinder from gate side of revolver.
5. To replace the cylinder, simply reverse the above procedure. Rotate cylinder in a clockwise direction to ensure that hand is correctly positioned on cylinder ratchet, before replacing base pin. Make sure that when you install the base pin that the base pin release pops out, this will assure you that the base pin has been fully inserted when the release pops out to it's locked position.

CLEANING AND MAINTENANCE OF REVOLVER

1. Materials needed to clean this revolver are: a cleaning rod, cotton bore patches, brass bore brush, powder solvent, a small soft brush and good quality gun oil.
2. After making sure the revolver is unloaded, remove the cylinder from the revolver as discussed previously in this instruction manual.

WARNING: Lead or lead compounds are known to the State of California to cause cancer, birth defects, reproductive toxicity, and other serious physical injury. Those who clean firearms should take protective measures to avoid contact or exposure to such chemicals.

3. Using the bore brush with powder solvent scrub the barrel and chambers to remove any powder and lead residue in the bore. Secondly, swab the bore and cylinder with cotton patches soaked in solvent. Always and lastly, swab with cotton patch with gun oil to coat and protect the bore and chambers from rust and corrosion.
4. Any powder fowling on the cylinder, firing wall, barrel, etc. can be easily cleaned with a brush and powder solvent.
5. All external surfaces should be wiped down with light coat of rust preventative. Avoid using too much oil as dust and/or debris can get trapped in the oil creating a gum that in time will cause misfires.
6. CAUTION in using solvents in gun bore cleaning. Prolonged or excess contact with finish or bluing can damage the gun's finish. Be sure to wipe away all excess solvent and then lubricate with oil.
7. A gun should be cleaned after firing. In addition, external parts should be wiped with an oiled cloth after handling. A light oil is ordinarily all that is necessary in cleaning if the gun has not been fired or fired very little. If a gun is used frequently, it must be cleaned after each firing and regularly serviced by a professional gunsmith. If the gun has been stored, remove all excess oil and/or grease before firing. Always check to be sure that no cleaning patch or other obstruction remains in the bore or chambers before firing.

DANGER — AMMUNITION WARNING

Firearms may be damaged and serious injury or death to the shooter or bystander may result from any condition which contributes to the generation of excessive pressure or uncontrolled release of gas within the firearm. Such adverse conditions can be caused by bore or chamber obstruction, propellant powder overloads or by defective, incorrect or improperly loaded and assembled cartridge components. Even the strongest firearm can be blown up as a result of excessive pressure. It is extremely dangerous to use a cartridge whose pressure is greater than that developed by cartridges loaded to industry standards,

AMMUNITION (CARTRIDGES) NOTICE

We specifically disclaim responsibility for any damage, injury or death occurring in connection with or as the result of the use of European American Armory revolvers of faulty, non-standard, remanufactured, hand loaded or reloaded ammunition, used cartridges or cartridges other than factory cartridges for which the firearm was originally chambered.

LUBRICATION WARNING

Firing a revolver with oil, grease or any other material even partially obstructing the bore may result in damage to the revolver and injury to the shooter and those nearby. Do not spray or apply lubricants directly on ammunition. If the powder charge of a cartridge is affected by the lubricant, it may not be ignited, but the energy from the primer may be sufficient to push the bullet into the bore where it may become lodged. Firing a subsequent bullet into the obstructed bore will damage the revolver and may cause injury to the shooter and those nearby. Use lubricants properly. You are responsible for the proper care and maintenance of your firearm and ammunition.

LIFE TIME LIMITED WARRANTY

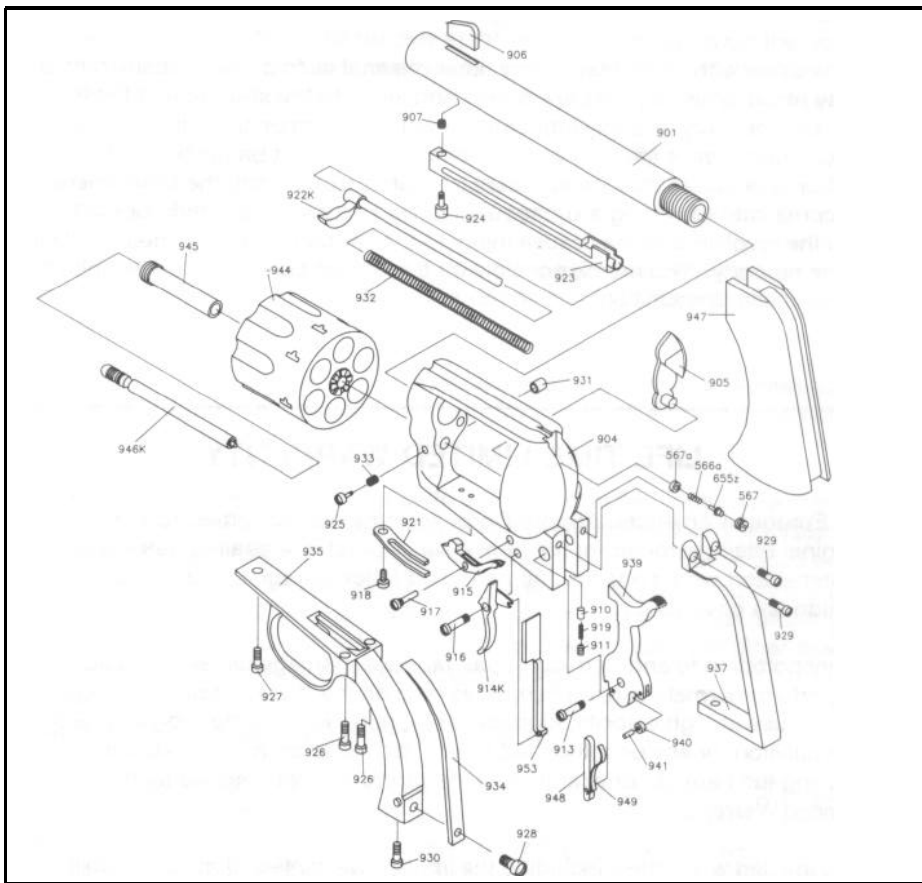
All European American Armory Corp. firearms are warranted to the original retail customer for life from date of purchase against defects in material and workmanship. All parts and labor or replacement at our option are covered.

Transportation to and from our repair facilities, damage caused by failure to perform normal maintenance, sales outside the United States, damage due to use of high velocity, high pressure, reloaded or other nonstandard ammunition, or any unauthorized repair, modification, misuse, abuse, fanning the hammer or alteration of the product is not covered by this Limited Warranty.

Any implied warranties, including the implied warranties of merchantability and fitness for a particular purpose, are limited to one year from date of original retail purchase. Consequential or incidental damages and/or expenses, or any other expenses are not covered by this warranty.

To obtain warranty performance send your firearm with proof of retail purchase, freight prepaid to:

European American Armory Corp.
3855 North U.S. Highway One
Cocoa, Florida 32927



PARTS LIST

- | | |
|----------------------------|--------------------------------|
| 901 BARREL | 926 REAR TRIGGER GUARD SCREW |
| 904 FRAME | 927 FRONT TRIGGER GUARD SCREW |
| 905 GATE | 928 MAIN SPRING SCREW |
| 906 FRONT SIGHT | 929 UPPER BACKSTRAP SCREW |
| 907 EJECTOR TUBE SPACER | 930 LOWER BACKSTRAP SCREW |
| 567A RECOIL PLATE | 931 BASE PIN RELEASE NUT |
| 655Z FIRING PIN | 932 EJECTOR SPRING |
| 910 GATE DETENT | 933 BASE PIN RELEASE SPRING |
| 911 GATE SCREW | 934 MAINSPRING |
| 567 RECOIL CUP | 935 TRIGGER GUARD |
| 913 HAMMER SCREW | 937 BACKSTRAP |
| 914K TRIGGER | 939 HAMMER |
| 915 BOLT & CYLINDER STOP | 940 HAMMER ROLLER |
| 916 TRIGGER SCREW | 941 HAMMER PIN |
| 917 BOLT SCREW | 944 CYLINDER (SPECIFY CALIBER) |
| 918 BOLT SPRING SCREW | 945 BASE PIN BUSHING |
| 919 GATE SPRING | 946K BASE PIN |
| 921 SEAR & BOLT SPRING | 947 SET GRIPS |
| 922K EJECTOR ROD | 948 HAND |
| 923 EJECTOR TUBE | 949 SPRING FOR HAND |
| 924 EJECTOR TUBE SCREW | 953 TRANSFER BAR |
| 925 BASE PIN RELEASE SCREW | |

BARRELS AND/OR FRAMES ARE NOT SOLD SEPARATELY

MANUFACTURER'S WARNING

This firearm was manufactured to properly perform with the original parts as designed. It is your duty to make sure any parts you buy are correctly installed and that neither replacements nor originals are altered or changed. Your gun is a complex tool with many parts that must relate correctly to other parts for safe and accurate operation. Putting a gun together wrong or with modified parts can result in a damaged gun, injury or death to you or others through malfunction. Always let a qualified gunsmith work on your gun or at least, check any work not performed by a gunsmith. Firearms safety is your primary concern.

WARNING

Altering or modifying parts and/or internal safeties is dangerous and will void the warranty. This single action revolver was manufactured to perform properly with the original parts as designed. It is your duty to make sure any parts you buy are made for this firearm and are installed correctly and that neither the replacements nor originals are altered or changed. Your gun is a complex precision tool with many parts that must relate correctly to other parts in order for proper and safe operation. Putting a gun together wrong or with incorrect or modified parts can result in a damaged gun, danger, and injury or death to you and others through malfunction. Always have a qualified gunsmith work on your gun or at least check any work not performed by a gunsmith.

YOUR OWNERS' MANUAL

Always keep this manual with your firearm. Make sure you understand all the warnings, operation instructions and safety procedures. When you lend, give or sell the firearm, be sure this manual goes with it. You can get a copy of this manual from European American Armory on request.

ALL PARTS ORDERS ARE SUBJECT TO A \$10.00 CHARGE FOR SHIPPING AND HANDLING. Please state Model, Caliber, Serial Number, and Finish Color when ordering. For parts, information and service contact: European American Armory Corp., 3855 North U.S. Highway One, Cocoa, Florida 32927
Phone: (407) 639-4842.