

Safety/Slide Lock is located at top of left grip. Sliding safety lever upward, into notch engages safety, exposes letter (S) on grip and places pistol in "SAFE" position.

Sliding safety lever down, out of notch, places pistol in "Firing" position.

Safety is engaged **only** when lever is up in the notch, when lever is out of notch, pistol is in "Firing" position.

LOADING THE PISTOL: After loading your Magazine, insert it into the bottom of the handle and push it into the pistol as far as possible. When fully inserted, the Magazine Catch will hook the Magazine and hold it in its proper position. Take the pistol in one hand with a firm grip, making sure your fingers are not touching the trigger. Point Your Pistol in a Safe Direction and with your other hand firmly grasp the serrated portion of the Slide and pull it as far rearward as it will go. RELEASE THE SLIDE FROM ITS REARMOST POSITION ALLOWING IT TO GO FORWARD ON ITS OWN ACCORD. This procedure places the first cartridge into the chamber and the gun is ready for firing. Subsequent feeding and ejection operations are performed automatically until the last round is fired. At this time the slide will lock open. To disengage the Hold Open - remove empty magazine, then grasp slide at serrated portion and pull backward until you hear an audible click. Releasing the slide will return it to the closed position.

CAUTION: UNLOAD YOUR PISTOL IF YOU DO NOT INTEND TO SHOOT IMMEDIATELY!

UNLOADING WITHOUT FIRING: Always point your pistol in a safe direction before attempting to unload it. To unload unfired cartridges, move the Magazine Catch inward until the Magazine can be pulled from the pistol. **AFTER THE MAGAZINE IS REMOVED, PULL THE SLIDE TO THE REAR TO REMOVE THE CARTRIDGE FROM THE BARREL CHAMBER.** As a safety precaution, always check the Barrel chamber visually by holding the Slide back and looking into the Slide, Chamber, and Magazine cavities.

**ALL FIREARMS ARE DANGEROUS
PLEASE BE CAREFUL**

CAUTIONS:

ALWAYS HANDLE YOUR PISTOL AS IF IT WERE LOADED, SO THAT YOU NEVER FIRE IT ACCIDENTALLY WHEN YOU THINK IT IS UNLOADED.

NEVER POINT YOUR PISTOL AT ANYTHING YOU DO NOT INTEND TO SHOOT SO IF IT FIRES ACCIDENTALLY, INJURY, DEATH, OR DAMAGE TO PROPERTY WILL BE PREVENTED.

NEVER TAKE ANYONE'S WORD THAT A GUN IS UNLOADED; CHECK FOR YOURSELF WITH FINGERS OFF THE TRIGGER AND GUN POINTED IN A SAFE DIRECTION, SO THAT YOU NEVER FIRE THE GUN ACCIDENTALLY WHEN YOU THINK IT IS UNLOADED.

ALWAYS BE SURE BARREL AND ACTION ARE CLEAR OF OBSTRUCTIONS. CLEAN A FOULED PISTOL IMMEDIATELY SO THAT IT WILL FUNCTION CORRECTLY AND SAFELY.

NEVER SQUEEZE THE TRIGGER OR PUT YOUR FINGER IN THE TRIGGER GUARD UNTIL YOU ARE AIMING AT A TARGET AND READY TO SHOOT. THIS WILL PREVENT YOU FIRING THE PISTOL WHEN IT IS POINTING IN AN UNSAFE DIRECTION.

**NEVER PUT YOUR FINGER ON THE TRIGGER WHILE COCKING.
(SEE LOADING THE PISTOL)**

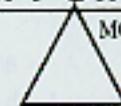
ALWAYS BE ABSOLUTELY SURE OF YOUR TARGET AND THE AREA BEHIND IT BEFORE YOU SQUEEZE THE TRIGGER. A BULLET COULD TRAVEL THROUGH OR PAST YOUR TARGET UP TO 1-1/2 MILES ... IF IN DOUBT, DON'T SHOOT.

NEVER LEAVE A LOADED PISTOL UNATTENDED. SOMEONE, ESPECIALLY A CHILD, MAY FIRE IT AND CAUSE INJURY, DEATH, OR DAMAGE TO PROPERTY.

NEVER USE YOUR PISTOL IF IT FAILS TO FUNCTION PROPERLY, AND NEVER FORCE A JAMMED ACTION, AS A ROUND MAY EXPLODE CAUSING SERIOUS INJURY, POSSIBLE DEATH, OR SEVERE DAMAGE TO YOUR PISTOL.

HI-POINT FIREARMS

MODEL C9-9MM/CF 380-380 A.C.P.



BEEMILLER INC.
1015 SPRINGMILL ROAD
MANSFIELD, OH 44906

PARTS LIST FOR MODEL C9-9MM OR CF 380-380 A.C.P.

- | | |
|-----------------------------|------------------------------------|
| 1. Ejection Pin | 19. Grip Screw (2) |
| 2. Ejection Key | 20. Grip (2) |
| 3. Ejection Spring | 21. Magazine Catch Assembly |
| 4. Slide | 22. 8 Shot Magazine Assembly |
| 5. Firing Pin | 23. Sear Block Spring |
| 6. Firing Pin Spring | 24. Sear Block |
| 7. Firing Pin Spring Cup | 25. Counter Weight Pivot Pin |
| 8. Slide Retainer | 26. Counter Weight |
| 9. Slide Retainer Pin | 27. Magazine Catch Spring |
| 10. Sear Spring | 28. Adjustable Rear Sight Assembly |
| 11. Sear Cam | 29. Elevation Screw |
| 12. Sear Assembly | 30. Sight Pivot Screw |
| 13. Safety | 31. Adjustable Sight Spring |
| 14. Frame | 32. Hold Open Pin |
| 15. Recoil Spring | 33. Hold Open |
| 16. Recoil Spring Guide Rod | 34. Hold Open Spring |
| 17. Trigger Pin | 35. Magazine Lockout |
| 18. Trigger Assembly | 36. Magazine Lockout Spring |

To order extra magazine send money order for \$15.00 per magazine (includes shipping & handling) to: Beemiller Inc., 1015 Springmill Road, Mansfield OH 44906

Visa and MasterCard accepted.

Prices available upon request.

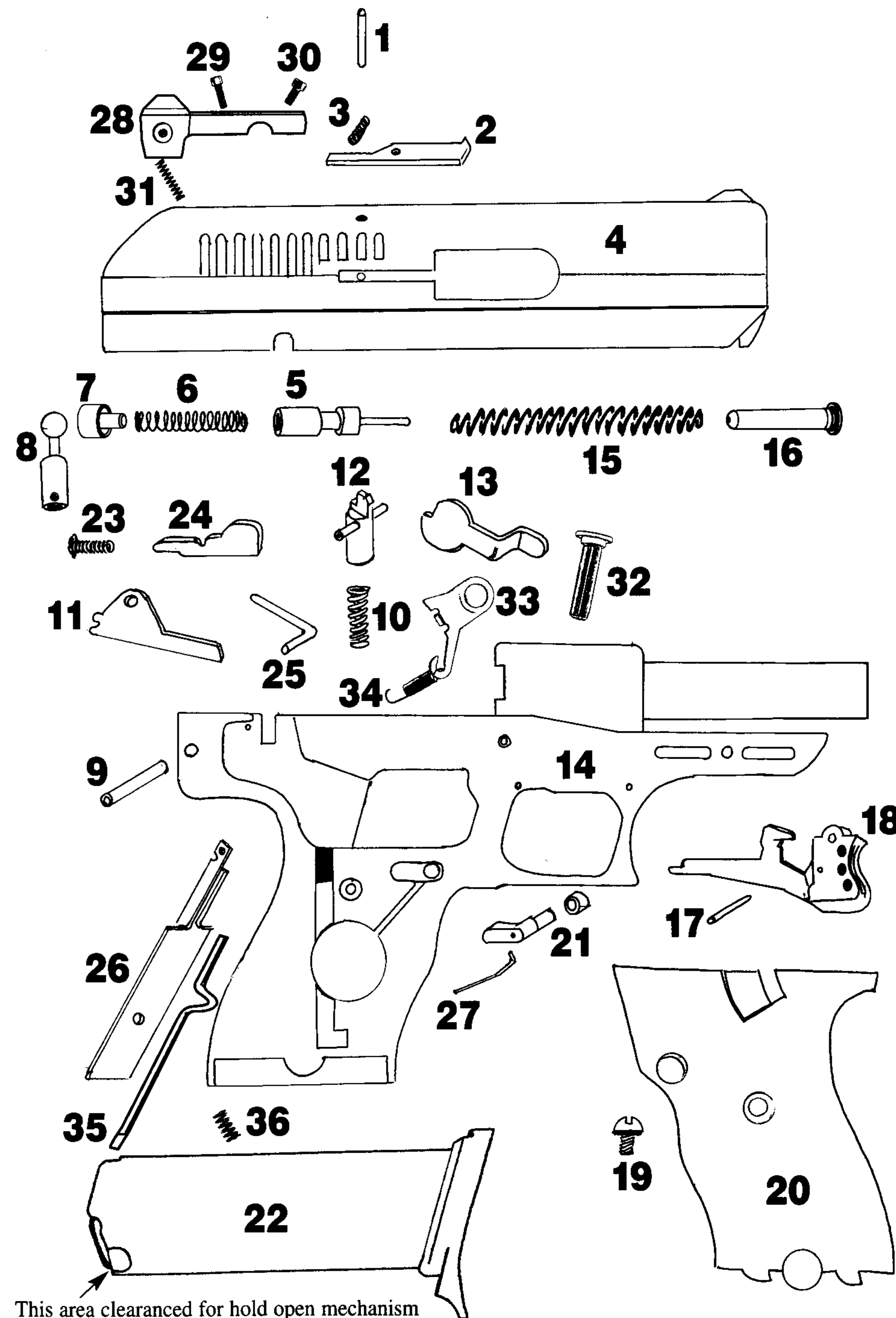
Changes in design may occur from time to time. Always specify the serial number of your pistol with your inquiry.

Care and Use / Maintenance

Slide can be locked open by moving slide to rearmost position and at this time pushing safety lever up into the notch in the slide. Breech, chamber, and barrel inspection and cleaning is easily performed in this position. Barrel should be brushed every 300 - 400 rounds. Complete disassembly and cleaning should be performed at 1500 - 2000 rounds.

DISASSEMBLY

Pistol must be unloaded to perform disassembly. Move slide to rearmost position, exposing slide retainer pin. Using a 1/8" pin punch, remove retainer pin from frame. Lift slide up until it stops. Hold rear of slide up and push forward; this removes slide assembly from frame. Reassemble by reversing disassembly procedure.



ATTENTION: This pistol is equipped with a last round hold open mechanism. Older Hi-Point magazines may not have the proper clearance for this mechanism. Uncleared magazines **WILL DAMAGE** the frame if forced into the pistol.

Rear Sight Windage
Adjustment Screw

Chamber Observation Port



MODEL C9-9MM

- 3 1/2" Barrel
- Polymer or Aluminum Frame
- Lifetime Warranty
- Last Round Hold Open
- Chamber Observation Port
- 1911 Style Magazine Release
- 8 Shot Standard Magazine
- Adjustable 3 Dot Low Profile Sights
- Grip Extension on Magazine
- Magazine Lock-out Safety

PROTECT YOUR EARS AND EYES

Hearing protectors in the form of ear plugs or ear muffs must be worn by the shooter or anyone nearby. As in any exposure to loud sounds, repeated noise from shooting may cause permanent hearing loss.

Shooting glasses or safety glasses must be worn to protect your eyes from all possible burns from powder gas, carbon residue lubricant, metallic particles or similar debris.

CAUTION

For your safety, and that of others, we strongly recommend that you do not store, carry, or handle this, or any other firearm with a cartridge in the barrel until you are ready to shoot. A cartridge from the Magazine supply can be placed in the barrel, ready to shoot, in about the same length of time as required to move the Safety Slide from the "Safe" (S) position to the "Fire" position. Standard magazine capacity is 8 cartridges.

We provide reasonable care in the manufacture of this pistol, but assume no responsibility for its care, handling, and use.

BE CAREFUL!

Thumb Safety



MODEL CF 380-380 A.C.P.

- 3 1/2" Barrel
- Polymer Frame
- Lifetime Warranty
- Last Round Hold Open
- Chamber Observation Port
- 1911 Style Magazine Release
- 8 Shot Standard Magazine
- Adjustable 3 Dot Low Profile Sights
- Grip Extension on Magazine
- Magazine Lock-out Safety

**ALL FIREARMS ARE DANGEROUS
PLEASE BE CAREFUL**

**** NO SAFETY DEVICE REPLACES COMMON SENSE. ****

We strongly advise that you familiarize yourself with all the mechanisms of this gun, or any gun, before putting any ammunition into it. *We also strongly advise that the yellow safety plug we provide be kept in the chamber during transportation or storage of this firearm. A new plug will be provided free of charge upon request.*

SAFETY DEVICES for Models C9-9MM and CF 380-380 A.C.P.

Thumb Safety - Simple rotary design blocks sear movement when engaged.

Magazine Lock-out Safety - When magazine is removed this mechanism blocks trigger linkage.

Last Round Hold Open - Slide locks open after last shot. To release slide, remove magazine or insert loaded magazine, then point in a safe direction, pull slide back with your free hand and release.

Chamber Observation Port - Allows operator to observe chamber cavity without opening slide.

Passive Internal Drop Safeties -

Sear block - a spring loaded plate that falls under the sear pin arm when pistol is dropped on its rear.

Counter weight - a weight that counter acts sear movement when pistol is dropped on its handle.

ATTENTION

This handgun is classified by the A.T.F. Division of the Internal Revenue Service, U.S. Treasury Dept. as a firearm or dangerous weapon and is released by **Hi-Point Firearms, Beemiller Inc.** with the express understanding that **Hi-Point Firearms, Beemiller Inc.** is not responsible and assumes no liability in any manner whatsoever for injury, death, or damage to property resulting from either intentional or accidental discharge of this handgun, or from its function when used for purposes or subjected to treatment for which it was not designed. **Hi-Point Firearms, Beemiller Inc.** will not honor claims involving this firearm which result from any or a combination of any of the following:

- a) Improper, careless, or unsafe handling.
- b) Use of the wrong caliber ammunition.
- c) Use of ammunition, other than original high quality commercially manufactured ammunition, in good condition.
- d) Unauthorized adjustments, repairs, or alterations.
- e) Corrosion or neglect.
- f) Other influences beyond our direct and immediate control.

Hi-Point Firearms, Beemiller Inc. will not honor any claim whatsoever by second or any subsequent owner of this firearm.

Hi-Point Firearms, Beemiller Inc. will not be held liable for any injury or damages to any person resulting from the use of this firearm for any purpose, including civil defense, police activity, hunting dangerous game, or combat.

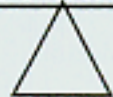
This statement of liability supersedes any other statement of liability, whether expressed or implied.

PROTECT YOUR EARS AND EYES

Hearing protectors in the form of ear plugs or ear muffs must be worn by the shooter or anyone nearby. As in any exposure to loud sounds, repeated noise from shooting may cause permanent hearing loss.

Shooting glasses or safety glasses must be worn to protect your eyes from all possible burns from powder gas, carbon residue lubricant, metallic particles or similar debris.

HI-POINT FIREARMS



by BEEMILLER INC.

1015 Springmill Road • Mansfield, Ohio 44906

(419) 747-9444

STOP!

YOU MUST READ INSTRUCTION SHEET

Always keep it with the pistol. If you lend, give, or sell this pistol, be sure the instruction sheet goes with it. You can get a free instruction sheet from: BEEMILLER INC., 1015 SPRINGMILL ROAD, MANSFIELD, OHIO 44906.

GET INSTRUCTIONS FROM A COMPETENT FIREARM INSTRUCTOR BEFORE USING ANY GUN.

STATEMENT OF LIMITED WARRANTY

The Model C9-9MM or CF 380-380 A.C.P. is warranted to the original retail customer for life from date of original purchase against defects in material and or workmanship. All parts and labor or replacement, at our option, are covered.

Transportation to and from repair facilities, damage caused by failure to perform normal maintenance, sales outside the United States, damage due to the use of high pressure, reloaded or other nonstandard ammunition, or any unauthorized repair, modification, misuse, abuse, or alteration of the product is not covered by this Limited Warranty.

Any implied warranties, including the implied warranties of merchantability and fitness for a particular purpose, are limited to one year from date of original retail purchase. Consequential or incidental damages or expenses, or any other expenses are not covered by this warranty.

TO OBTAIN SERVICE UNDER WARRANTY

Send your firearm to us via Priority Mail or UPS along with a photocopy of your proof of retail purchase freight charges prepaid. Be sure to include a statement as to the reason for return and make sure to include your complete return street address. Ship your product to the following address: BEEMILLER, INC., 1015 SPRINGMILL ROAD, MANSFIELD, OHIO 44906.

FOR FURTHER INFORMATION CONCERNING SHIPPING THROUGH THE U.S. MAIL AND UNITED PARCEL SERVICE, CALL 419-747-9444.

FOR BEST RESULTS USE JACKETED AMMUNITION.