



OWNER'S MANUAL

100 ATR™
BOLT ACTION
CENTERFIRE RIFLE

IMPORTANT "SAFETY WARNINGS" — NOTE THE SYMBOL



THESE SAFETY WARNINGS ARE FOR YOUR PROTECTION AS WELL AS THE SAFETY OF OTHERS. DISREGARDING INFORMATION IN THIS MANUAL MAY RESULT IN SERIOUS INJURY OR DEATH.



Be certain this owner's manual is available for reference and is kept with this firearm if transferred to another party. If the manual is lost or misplaced, contact Mossberg for a free replacement copy.



After performing any work on your firearm such as cleaning, adjustments, disassembly, or installation of any accessory, the firearm should be re-checked for proper functioning before firing live ammunition.



Firearms are complicated mechanisms. Any modification, alteration, or improper fitting of parts may result in a dangerous malfunction, damage to the firearm and injury to the shooter and other persons. The firearm's owner must accept full responsibility for the correct reassembly and functioning of the firearm after any disassembly or replacement of parts.



If you do not understand any of the material in this manual or have any questions, contact Mossberg or a qualified gunsmith directly.



Do not attempt to load or use any firearm until you have read and understood the information contained in its owner's manual. Before handling your firearm, you should learn how it operates and how to maintain it. This includes knowing its basic parts, how the manual safety and other safety features operate, how to safely open and close the action, and how to safely load and unload ammunition from the firearm. Improper use and handling is dangerous and could cause serious injury or death to you or those around you. All users of the firearm must become thoroughly familiar with the instructions in this manual.

O.F. MOSSBERG & SONS, INC.

P.O. BOX 497 • 7 GRASSO AVENUE, NORTH HAVEN, CT 06473
PHONE (203) 230-5300 FAX (203) 230-5420

www.mossberg.com

Safety and safe firearms handling is everyone's responsibility.



As the owner of a firearm, you must undertake the full-time responsibility of safe firearms handling for your own safety and the safety of those around you:

- Keep all firearms and ammunition out of the reach of children.
- Store your firearms and ammunition separately.
- Never store a loaded firearm.
- Never leave a loaded firearm unattended.
- Never transport a loaded firearm in a vehicle.
- Unload your firearm when you have stopped shooting and when you have to climb a tree, fence, cross a slippery surface or have to transport it in a vehicle.
- Do not load your firearm before you are in a place where it is safe to shoot, and keep your finger off the trigger until you are on target and have decided to fire.
- Never shoot at water, rocks or any hard surfaces. Shots may glance off such surfaces and cause injuries.
- Do not use alcohol or drugs before or while handling firearms.
- Do not touch the trigger while the safety button is being engaged or disengaged.



Always point the muzzle of your firearm in a safe direction, regardless of whether the firearm is loaded or unloaded.



Always treat every firearm as if it were loaded. Give your firearm to someone with the action open (bolt fully rearward) and safety lever pulled fully to the rear to the "ON" (SAFE) position, after you verify the firearm is unloaded. Insist on the same procedure when receiving a firearm from someone else. Learn the location of all the safety features of your firearm and how they operate.



Wear eye and ear protection when shooting. Shooting without proper ear protection can cause hearing damage. The use of eye protection during any type of shooting is important to protect your vision.

Due to the heavy recoil of a firearm, maintain an adequate distance between the rear of the scope (if equipped) and your face at all times. Be certain the scope installation does not interfere with access to, or the proper functioning of the safety lever.



WE SPECIFICALLY DISCLAIM ANY RESPONSIBILITY FOR DAMAGE OR INJURY WHATSOEVER OCCURRING IN CONNECTION WITH, OR AS A RESULT OF, THE USE OF FAULTY, OR NON-SAAMI STANDARD, OR "REMANUFACTURED" OR HAND-LOADED (RELOADED) AMMUNITION. ADDITIONALLY, WE DISCLAIM ANY RESPONSIBILITY FOR DAMAGE OR INJURY WHICH RESULTS FROM ANY MODIFICATIONS OR CHANGES THAT ARE NOT A PART OF THE FIREARM AS DELIVERED FROM THE FACTORY.



Learn to clean your firearm thoroughly and make certain no oil, grease, or other materials are blocking the barrel. Obstructions of any kind can cause damage to the firearm, and may result in serious personal injury to the shooter and/or others nearby.



Practice proper firearm maintenance and safety. Make sure all exposed metal surfaces are coated with a thin film of oil, especially after being exposed to damp weather. (See proper section of this manual for cleaning instructions). Do not plug barrel or store in a fabric-lined case which will absorb lubricants from the firearms. Before using after storage, follow complete instructions stated in this manual for familiarization with the firearm. A thorough inspection should be performed before going into the field. Have your firearm periodically checked by a qualified gunsmith.

TABLE OF CONTENTS

	Page
Unpacking Your New Bolt Action Rifle	2
The Mechanical Safety	2
Installing Bolt in Rifle	3
Loading the Rifle	4
Firing the Rifle	6
Unloading the Rifle	6
Removing Bolt from Rifle	7
Cleaning and Lubrication	7
Function Testing	8
Service Instructions	9
Warranty Information	10
Notes	11
Parts List	12
Exploded View	13
<i>The Basic Rules of Safe Firearms Handling</i>	Back Cover

OPERATING INSTRUCTIONS

Read and understand this entire manual and its safety warnings before handling this firearm.

UNPACKING YOUR NEW BOLT ACTION RIFLE

When shipped from the factory the bolt is removed from the action and packed separately in the shipping carton. Before installing the bolt, visually and physically inspect the inside of the barrel and receiver to ensure they are free of any excess oil, grease or any obstructions. Obstructions of any kind can cause damage to the firearm and may result in serious personal injury to the shooter and/or others nearby.

MECHANICAL SAFETY

The mechanical safety lever consists of a knurled lever on the right side of the receiver immediately to the rear of the bolt handle. To put the safety in the "ON" (SAFE) position, move the safety lever fully rearward. For safe firearm handling, learn the feel of the positive "ON" and "OFF" positions of the safety lever. The safety can be activated only when the rifle is cocked or the bolt is fully opened. DO NOT check if the action is cocked by pulling the trigger, check first to insure the rifle is unloaded.



Remember, a firearm's manual safety is a mechanical device which can never replace safe firearm handling practices.



Never rely on any mechanical mechanism or safety device to prevent the dangers of careless handling or pointing a firearm in an unsafe direction.

To put the safety in the "ON" (SAFE) position, move the safety lever fully rearward. The safety lever will now cover the red dot. The red dot is a training aid used to show the direction of the "ON" (SAFE) position and should not be used as an indicator that the safety is "ON" or "OFF" (Fig. 2).

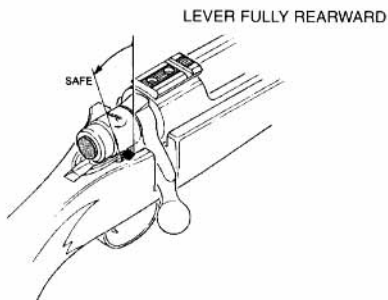


Figure 1

To put the safety in the "OFF" or "FIRE" position, move the safety lever forward.

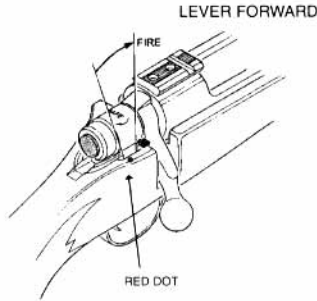


Figure 2

The mechanical safety lever of your Mossberg firearm works directly with the trigger assembly. For this reason, the trigger mechanism is permanently set at the factory. Any attempt to change these factory settings may render the safety inoperative and thus create a hazardous condition that could cause serious injury or death to you or those around you. The trigger and safety mechanisms have been designed to function properly in their original condition. Any changes to those mechanisms are specifically contrary to our instructions and we expressly DO NOT authorize any changes to be made after original manufacture.

TO INSTALL BOLT IN THE RIFLE



Visually and physically check to make certain there is no ammunition in the chamber and magazine. Keep the muzzle pointed in a safe direction at all times.

- A. With the bolt handle pointing up and to the right, align the locking lugs on the bolt with the matching machined cuts in the rear of the receiver.
- B. Push the bolt forward gently into the receiver about one inch, until the bolt-stop snaps into place behind the bolt lugs holding the bolt in place.

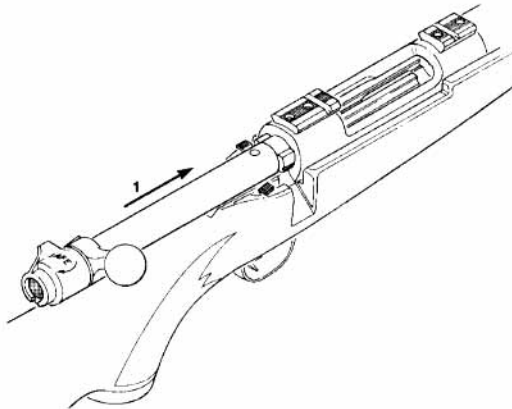
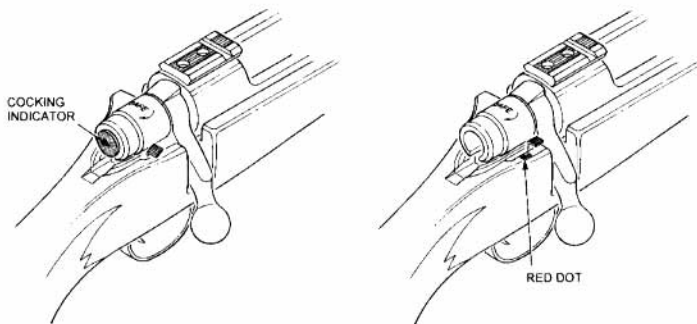


Figure 3

- C. Push the bolt fully forward and rotate the bolt handle clockwise and down to the "closed bolt" position. Observe the end of the bolt. The round flat end of the striker is the cocking indicator. When it is flush with the outside ring of the bolt cap, it indicates the rifle is cocked and will fire if the rifle is loaded (Fig. 4), the safety lever is moved to the "OFF" (FIRE) position, and the trigger is pulled. When the rifle is fired, the cocking indicator will snap forward and be recessed approximately 3/16" from the edge of the bolt cap (Fig. 5).



Figures 4 & 5

The bolt can be operated with the safety lever in either the "ON" (SAFE) or "OFF" (FIRE) position.

LOADING YOUR RIFLE



Before loading, move the safety lever fully rearward to the "ON" (SAFE) position.



Before loading, visually and physically inspect the chamber and bore of the barrel for any obstruction, excessive oil or grease. (The chamber is the rear portion of the barrel which contains the cartridge.) Obstructions of any kind can cause damage to the firearm and may result in serious personal injury to the shooter and/or others nearby.



During loading never allow fingers or any objects to contact the trigger. Keep the muzzle pointed in a safe direction at all times.

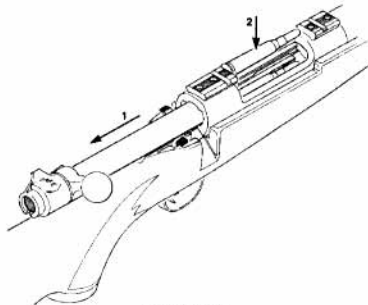


Figure 6



Do not load firearm until ready for use! Unload firearm when shooting has been completed! The safety lever should always be in the "ON" (SAFE) position whether the firearm is loaded or not.



Check to be certain that the correct ammunition has been selected for use. Ensure it is the same caliber and type of cartridge as designated on the left side of the barrel.

The 100 ATR™ has a total capacity of five shots; four in the magazine, one in the chamber.

Move the safety lever fully rearward to the "ON" (SAFE) position. POINT THE MUZZLE IN A SAFE DIRECTION! Lift the bolt handle and pull the bolt to the rear until it stops. Visually and physically check the chamber to make sure it is empty.

LOADING SINGLE CARTRIDGES

You may use your firearm as a single-shot by placing one cartridge at a time directly into the chamber, or on the magazine platform. Keeping the muzzle pointed in a safe direction, push the bolt forward and rotate the bolt handle clockwise to its fully down position. In its forward movement, the bolt will reposition the cartridge from the magazine into the chamber for firing. The firearm is ready for firing as soon as the safety lever is moved forward to the "OFF" (FIRE) position.

LOADING WITHOUT CHAMBERING

If you wish to load the magazine but close the bolt on an empty chamber, press up to (4) cartridges down into the magazine, one at a time. BEFORE closing the bolt, depress the top cartridge in the magazine with your thumb while slowly sliding the bolt forward so that it overrides the top cartridge in the magazine (Fig. 7). Keeping the muzzle pointed in a safe direction, remove your thumb and finish closing the bolt watching to make sure that no cartridge is pushed into the chamber.

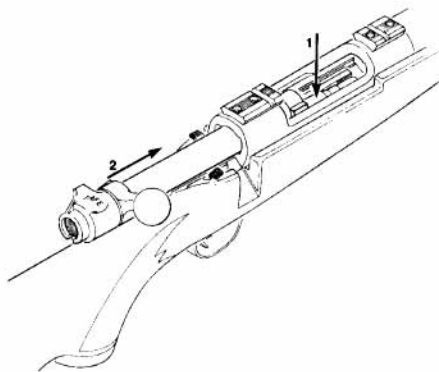


Figure 7

LOADING CHAMBER AND MAGAZINE

If you wish to load the firearm up to its full (5) shot capacity place one (1) cartridge into the chamber of the barrel. Press up to (4) cartridges down into the magazine, one at a time. Before closing the bolt depress the top cartridge in the magazine with

your thumb while slowly sliding the bolt forward so that it overrides the top cartridge in the magazine. Keeping the muzzle pointed in a safe direction remove your thumb and finish closing the bolt. The firearm is ready for firing as soon as the safety lever is moved forward to the "OFF" (FIRE) position and the trigger is pulled.

To minimize the risk of unintended firing, leave the chamber empty and the safety fully rearward in the "ON" (SAFE) position until you are actually prepared to fire. Keep the muzzle pointed in a safe direction at all times and your fingers and any other objects away from the trigger.

FIRING



Discharging firearms in poorly ventilated areas, cleaning firearms, or handling ammunition may result in exposure to lead and/or other substances known to cause birth defects, reproductive harm, and/or other serious physical injury. Have adequate ventilation at all times. Wash hands thoroughly after exposure.

With the firearm pointed in a safe direction and held in the proper firing position, push the safety forward to its "OFF" (FIRE) position. Pulling trigger through its full travel to the rear, will fire the firearm.

After the firearm is fired, raise the bolt handle and pull back as far as it will go. This motion will eject the spent casing.

To feed the next round, push the bolt lever fully forward, then down. The firearm is again ready to fire.



Should the round fail to fire, keep the firearm pointed in a safe direction. Wait a few moments then lift the bolt handle and pull the bolt to the rear to extract and eject the misfired round and segregate from other ammunition. Do not attempt to refire a misfired round.



If at any time during firing, the sound of any given round is noticeably louder or softer than previous rounds fired, **STOP!** Do not load or fire additional rounds until you have safely unloaded your firearm and inspected it for possible damage or obstruction in the chamber or bore. (The bore is the inside surface of the barrel.) Firing the firearm with a bore obstruction can cause damage to the firearm and may result in serious personal injury to the shooter and/or others nearby.

Each brand and type of ammunition can produce different accuracy results. It is best to try as many types and brands of ammunition as possible to determine which performs best in your rifle.

TO UNLOAD

Pull the safety lever fully rearward to the "ON" (SAFE) position (Fig. 1). During unloading, never allow fingers or any other object to contact the trigger. **Keep the muzzle pointed in a safe direction at all times.**

Lift the bolt handle and pull the bolt fully to the rear. This will extract a cartridge or empty shell from the chamber. Move the bolt fully forward and rotate the bolt handle down, then lift the bolt handle and pull fully rearward. Repeat until all remaining cartridges are removed from the magazine and chamber.



After unloading always visually and physically inspect the chamber and magazine to make sure that all of the cartridges have been removed.

TO REMOVE BOLT FROM THE RIFLE

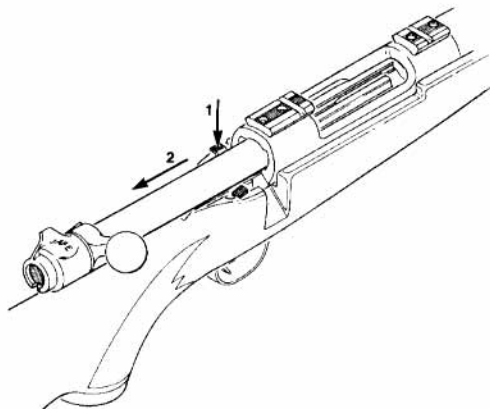


Figure 8



Pull the safety lever fully rearward to the "ON" (SAFE) position (Fig. 1); keep the muzzle pointed in a safe direction at all times; visually and physically inspect the chamber and magazine.

Inspect the chamber and magazine to make sure the firearm is unloaded.

Raise the bolt handle and pull the bolt part way to the rear of the action. Depress the bolt stop at the left rear of the receiver to withdraw the bolt rearward out of the receiver.

CLEANING AND LUBRICATION

With proper maintenance and care, your firearm will provide you with years of dependable service. Your firearm should be inspected and cleaned periodically to insure that it remains in good condition. Clean and lubricate your firearm as soon as possible after use. This is especially important if your firearm has been exposed to moisture. For maximum performance and continued satisfaction with your firearm, periodic cleaning and lubrication are essential. Wear eye protection during cleaning.

Use the instructions and equipment provided with a quality gun cleaning kit.

All metal parts should be cleaned with gun solvent and lightly lubricated with gun oil. Over-lubrication should be avoided. Use only lubricants specifically designed for firearms. Avoid the use of abrasives which may damage the metal finish.

If the firearm is to be stored for a long period of time it should be thoroughly cleaned and oiled. Do not plug barrel or store in a fabric lined case that will absorb lubricant from the gun.

Scrub bore and chamber with solvent and follow with cleaning patches until barrel is clean. A final pass with a lightly oiled patch will provide a protective coating.

The bolt can be removed from the barreled action, and the barreled action can be removed from the stock, but further disassembly should be performed by a certified gunsmith only.



Make sure the barrel and receiver are free of obstructions and excessive lubricant after cleaning. Be sure not to leave cleaning patches or excessive oil or grease in the bore as they can create dangerous obstructions. Obstructions of any kind can cause damage to the firearm and may result in serious personal injury to the shooter and/or others nearby.



Camo guns: Caution should be exercised to avoid exposure of camouflage pattern to solvents and insect repellants.

FUNCTION TESTING



Check your firearm for proper functioning before loading or firing live ammunition.



Pull the safety lever fully rearward to the "ON" (SAFE) position (Fig. 1).



Be sure the firearm is completely unloaded by visually and physically inspecting the chamber and magazine. Keep the firearm pointed in a safe direction at all times.

Open and close the bolt several times to check for free movement of the action assembly.

Close the bolt and leave the safety lever in the "ON" (SAFE) position. Pull the trigger fully rearward. The firing pin should not release.

Remove your finger from the trigger. Move the safety lever fully forward to the "OFF" (FIRE) position. The firing pin should not release.

Leave the safety lever in the "OFF" (FIRE) position. Make certain the firearm is pointed in a safe direction. Pull the trigger rearward. **The firing pin should release.**

When you have completed the function testing, open the action and move the safety lever fully rearward to the "ON" (SAFE) position.



IF YOUR FIREARM DOES NOT PERFORM AS DESCRIBED IN ANY OF THE PREVIOUS STEPS, CONTACT THE FACTORY AUTHORIZED PRODUCT SERVICE CENTER IMMEDIATELY. DO NOT ATTEMPT TO USE THE FIREARM.



Firearms are complicated mechanisms. Any modification, alterations, or improper fitting of parts may result in a dangerous malfunction, damage to the firearm and injury to the shooter and other persons. The firearm's owner must accept full responsibility for the correct reassembly and functioning of the firearm after any disassembly or replacement of parts.

SERVICE INSTRUCTIONS

Should your firearm, or any component of your firearm require service, kindly ship your entire firearm (please do not send components only), via your chosen carrier, postage paid (we do not accept C.O.D. shipments), following these instructions:



- **Make absolutely certain your firearm is unloaded.**
- **Do not send ammunition with your firearm.**
- Remove all accessories from your firearm such as scopes, slings, mounts, etc.
- Ship your firearm in a suitable container, packaging it securely to prevent parts from shifting and/or harm during shipping.
- Include a note with a clear description of the service you wish us to perform, your complete return shipping address (no P.O. boxes please), your daytime telephone number and your e-mail address (if available). It is advisable to place your correspondence inside your shipping container when shipping.

SHIPPING ADDRESS

Product Service Center
Maverick Arms, Inc.
1001 Industrial Blvd.
Eagle Pass, TX 78853

If you have any service related questions, please contact the Product Service Center at (830) 773-9007 or service@mossberg.com

TO ORDER PARTS

To order parts from the Product Service Center, you can fax, phone, mail, or e-mail your order to one of the below numbers/addresses.

Fax Number: (830) 773-5893
Phone Number: (830) 773-9007
E-mail Address: service@mossberg.com
Mailing Address: Product Service Center
Maverick Arms, Inc.
1001 Industrial Blvd.
Eagle Pass, TX 78853
Attn: Order Department

Please provide your name, address, city, state, zip, your daytime phone number and e-mail (if available). The Product Service Center will need the Model #, Serial #, Gauge/Caliber, Finish, Part #, and Part Name. There is a \$7.50 (U.S.) minimum parts order charge. Most major credit cards, money orders, and bank drafts are accepted.

Service outside of the U.S.A.

For Mossberg firearm parts and service requirements outside of the United States, customers are requested to contact the closest Mossberg stocking dealer/distributor.

MOSSBERG WARRANTY

100 ATR™ BOLT ACTION RIFLE

ONE (1) YEAR LIMITED WARRANTY

Limited Warranty: O.F. Mossberg & Sons, Inc. ("Mossberg") warrants to you, the original retail purchaser of a new Mossberg® 100 ATR™ Bolt Action Rifle (the "Mossberg firearm"), that the Mossberg firearm will be free of defects in material or manufacture for a period of one (1) year from the date of your purchase of the new Mossberg firearm (the "Warranty Period") in the United States or Canada. This is the only express warranty on the Mossberg firearm. MOSSBERG MAKES NO OTHER WARRANTIES OF ANY KIND OR CONDITIONS, INCLUDING, BUT NOT LIMITED TO ANY IMPLIED WARRANTY OF MERCHANTABILITY OR FITNESS FOR A PARTICULAR PURPOSE. This Limited Warranty gives you specific legal rights, and you may have other rights that vary from State to State.

Purchaser's Remedy: During the Warranty Period, Mossberg will, at its sole option, (1) repair the Mossberg firearm or any part thereof that, upon examination and testing by Mossberg, does not conform to the Limited Warranty without charge to you for parts or labor, or (2) replace the Mossberg firearm with a new or similar model. THIS REMEDY SHALL BE YOUR EXCLUSIVE AND SOLE REMEDY FOR ANY BREACH OF WARRANTY. MOSSBERG SHALL NOT BE RESPONSIBLE FOR ANY OTHER EXPENSES, LOSSES OR INCONVENIENCE THAT YOU MAY SUSTAIN AS A RESULT OF THE PURCHASE, USE, MALFUNCTION OR DEFECTIVE CONDITION OF THE MOSSBERG FIREARM. Mossberg reserves the right to inspect, examine and/or test the Mossberg firearm to assess any claim made under the Limited Warranty.

EXCLUSIONS: THIS WARRANTY DOES NOT COVER THE COSMETIC APPEARANCE OF THE MOSSBERG FIREARM OR ANY DAMAGE CAUSED BY:

- (1) NORMAL WEAR AND TEAR;
- (2) FAILURE TO PERFORM PROPER CARE AND MAINTENANCE;
- (3) ACCIDENTS, ABUSE OR NEGLIGENCE;
- (4) BARREL OR BORE OBSTRUCTIONS;
- (5) FAILURE TO FOLLOW THE INSTRUCTIONS AND WARNINGS THAT ACCOMPANY THE MOSSBERG FIREARM; OR
- (6) THE USE OF DEFECTIVE, NON-SAAMI STANDARD, REMANUFACTURED, HAND-LOADED, AND/OR RELOADED AMMUNITION.

IN ADDITION, ANY UNAUTHORIZED REPAIRS, ALTERATIONS OR MODIFICATIONS TO THE MOSSBERG FIREARM WILL AUTOMATICALLY VOID THE LIMITED WARRANTY.

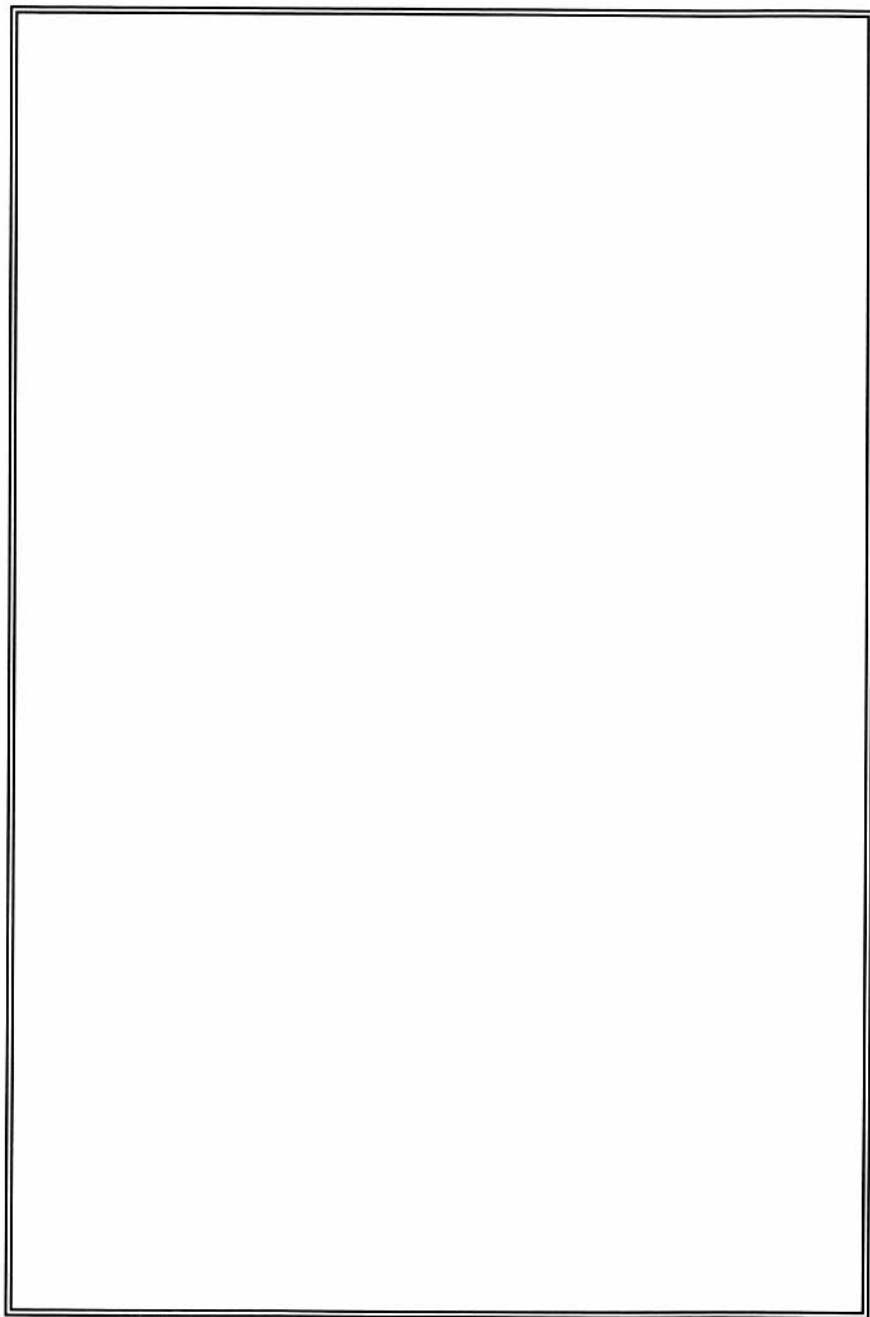
LIMITATION OF DAMAGES: EXCEPT WHERE PROHIBITED BY LAW, MOSSBERG WILL NOT BE LIABLE FOR ANY LOSS OR DAMAGE WHATSOEVER ARISING FROM THE USE OF THIS MOSSBERG FIREARM, WHETHER DIRECT, INDIRECT, SPECIAL, INCIDENTAL, CONSEQUENTIAL OR PUNITIVE, REGARDLESS OF THE LEGAL THEORY ASSERTED, INCLUDING CONTRACT, WARRANTY, NEGLIGENCE, OR STRICT LIABILITY. SOME JURISDICTIONS DO NOT ALLOW LIMITATIONS ON HOW LONG AN IMPLIED WARRANTY LASTS, OR THE EXCLUSION OF INCIDENTAL OR CONSEQUENTIAL DAMAGES, SO THE ABOVE LIMITATIONS MAY NOT APPLY TO YOU.

Warranty Service: To obtain service under this Limited Warranty, you must follow the instructions found in the "Service Instructions" section of the Owner's Manual and return the Mossberg firearm to the authorized Product Service Center. You are responsible for all shipping costs to the Product Service Center. Mossberg will not accept COD shipments of any Mossberg firearm for service. After repair or replacement, the Mossberg firearm or a similar model will be returned to you, return postage paid by Mossberg. If we replace the Mossberg firearm, we will keep the firearm that you returned to Mossberg.

Modification of Warranty: No agent, representative, distributor, or authorized dealer of Mossberg firearms has any authority to modify the terms or conditions of the Limited Warranty in any way. The Limited Warranty may only be modified in writing by an authorized officer of Mossberg.

THIS LIMITED WARRANTY IS EFFECTIVE JANUARY 1, 2004.

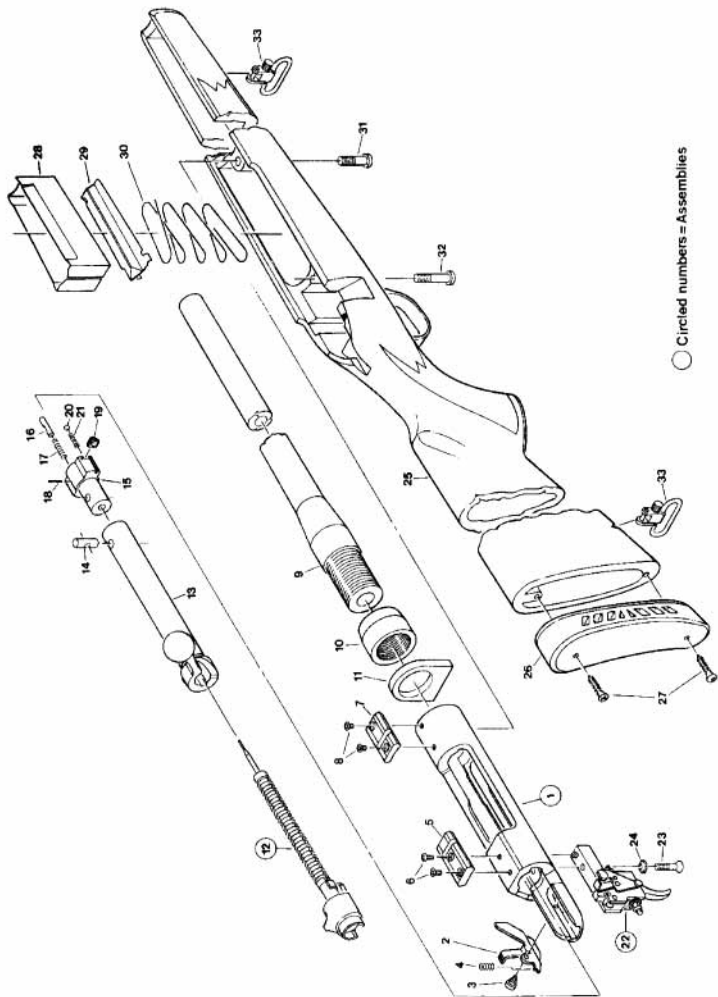
NOTES



100 ATR™ PARTS LIST

ITEM	DESCRIPTION	ITEM	DESCRIPTION
1*	RECEIVER	18	EJECTOR PIN
2	BOLT STOP	19	EXTRACTOR
3	BOLT STOP SCREW	20	EXTRACTOR DETENT BALL
4	BOLT STOP SPRING	21	EXTRACTOR SPRING
5	SCOPE MOUNT, REAR	22*	TRIGGER HOUSING ASSEMBLY
6	SCOPE MOUNT SCREWS, REAR	23*	TRIGGER HOUSING SCREW
7	SCOPE MOUNT FRONT	24*	TRIGGER HOUSING WASHER
8	SCOPE MOUNT SCREWS, FRONT	25	STOCK
9*	BARREL	26	RECOIL PAD
10*	BARREL LOCK NUT	27	RECOIL PAD SCREW
11*	RECOIL LUG	28	MAGAZINE
12	FIRING PIN ASSEMBLY	29	MAGAZINE FOLLOWER
13	BOLT BODY ASSEMBLY	30	MAGAZINE SPRING
14	BOLT HEAD ASSEMBLY PIN	31	FRONT ACTION SCREW
15*	BOLT HEAD	32	REAR ACTION SCREW
16	EJECTOR	33	SWIVELS
17	EJECTOR SPRING		

*Items on parts list are reserved for qualified gunsmiths or the authorized Product Service Center only.



**FIREARMS SAFETY DEPENDS ON YOU.
MAKE NO MISTAKE ABOUT IT!**

From the time an individual picks up a firearm, that individual shooter becomes a part of a system over which he has complete control. He is the only part of the system that can make a gun safe – or unsafe. Hunting and target shooting are among the safest of all sports. This booklet is intended to make them even safer – by re-emphasizing and reaffirming the basics of safe gun handling and storage and by reminding each individual shooter that he or she is the key to firearms safety. You can help meet this responsibility by enrolling in hunter safety or shooting safety courses. You must constantly stress safety when handling firearms, especially to children and non-shooters. Newcomers in particular must be closely supervised when handling firearms with which they may not be acquainted. Don't be timid when it comes to gun safety. If you observe anyone violating any safety precautions, you have an obligation to suggest safer handling practices, such as those in this booklet. Please read these rules carefully and follow the safety procedures outlined. Firearms safety is up to you. Make no mistake about it.

- 1. ALWAYS KEEP THE MUZZLE POINTED IN A SAFE DIRECTION**
- 2. FIREARMS SHOULD BE UNLOADED WHEN NOT ACTUALLY IN USE**
- 3. DON'T RELY ON YOUR GUN'S "SAFETY"**
- 4. BE SURE OF YOUR TARGET AND WHAT'S BEYOND IT**
- 5. USE CORRECT AMMUNITION**
- 6. IF YOUR GUN FAILS TO FIRE WHEN THE TRIGGER IS PULLED, HANDLE WITH CARE**
- 7. ALWAYS WEAR EYE AND EAR PROTECTION WHEN SHOOTING**
- 8. BE SURE THE BARREL IS CLEAR OF OBSTRUCTIONS BEFORE SHOOTING**
- 9. DO NOT ALTER OR MODIFY YOUR GUN, AND HAVE GUNS SERVICED REGULARLY**
- 10. LEARN THE MECHANICAL AND HANDLING CHARACTERISTICS OF THE FIREARM YOU ARE USING**

*Courtesy of
Sporting Arms and Ammunition Manufacturers' Institute, Inc.*