

# Olympic Arms 22-17 Partner

Owner's Manual

Available Rifle Kit



Complete Upper Receiver Kit



624 Old Pacific Hwy SE  
Olympia, WA 98513

• • • • •

Tel (800) 228 - 3471  
Fax (360) 491 - 3447

# Warnings & Operation

*Do not attempt to fire the 22-17 Partner system or use any of its components until you have read and fully understand this owner's manual. This owner's manual is provided to assist with safe performance and enjoyment of your 22-17 Partner system. If there is anything in this manual that you do not understand, or if you have any questions about the safe operation of your new 22-17 Partner system, please call our Customer Service Team at (800) 228 - 3471. Be certain you understand how to use the 22-17 Partner system before you attempt to use it or any of its components.*

**Basic NRA rules for safe gun handling.** (1) Always keep the gun pointed in a safe direction. (2) Always keep your fingers off the trigger until ready to discharge the gun. (3) Always keep the gun unloaded until ready to use. (4) Always treat your gun as if it were loaded and ready to discharge.

- Keep the rifle clear and magazine uninstalled until ready to fire.
- Only use .17 MK2 ammunition with the .17 sleeve.
- Only use .22 LR ammunition with the .22 sleeve.
- Do not use the 22-17 Partner upper receiver without the 22-17 Partner bolt group assembly.

## **About the 22-17 Partner:**

The 22-17 Partner is a conversion system, which allows the use of either .22 LR or .17 MK2 ammunition in a standard AR style rifle. This system is based around the upper receiver. The upper receiver is fitted with a specially made barrel. The barrel has been bored out to accept chambered sleeves. The sleeves are interchangeable with the 22-17 Partner bolt carrier group, which allows the use of multiple types of ammunition in the same rifle. The 22-17 Partner was designed to be cost effective, simple to use, and easy to enjoy.

Using the 22-17 Partner in a manner not described in this owner's manual may: void your warranty, cause damage to your rifle and/or the 22-17 Partner components, cause other property damage, cause injury or death to yourself or other people.

# How To Use The 22-17 Partner

---

There are several steps to installing the 22-17 Partner system before it can be used:

- The 22-17 Partner upper receiver must be installed.
- The proper sleeve must be attached to the 22-17 Partner bolt group.
- The entire bolt group assembly, including sleeve, must be installed into the 22-17 Partner upper receiver.
- The magazine adapter insert must be installed into a standard AR (20) or (30) round magazine.
- The magazine adapter must be loaded with proper ammunition.
- The outer magazine, with insert installed, must be loaded into the rifle.

Only after each of the steps listed above are completed will the 22-17 Partner system be ready for use.

---

## Components Of The 22-17 Partner

---

The 22-17 Partner system includes (1) upper receiver fitted with a 22-17 Partner barrel, (1) magazine adapter insert, (2) barrel sleeves [one of .17 MK2 and one of .22 LR calibers], as well as components for (1) 22-17 Partner bolt group. *Please note that depending on which 22-17 Partner kit you purchased, your kit: may not contain two sleeves, might include a lower receiver.*

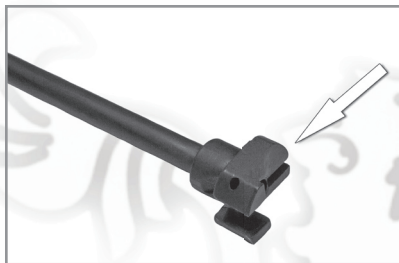


\* (30) Round Magazine Not Included.

# Ammunition

---

Each sleeve made for the 22-17 Partner system is marked with the caliber of ammunition that should be used with that sleeve. The caliber is marked on the face of the port end of the sleeve (see photo). You may need to slide the bolt back to read the markings on the sleeve.



---

## Clearing The Rifle

---

- Put the safety on.
- Point the rifle in a safe direction and remove the magazine. The magazine is removed by operating the magazine release button on the lower receiver and pulling the magazine down and out of the magazine well.
- Pull the charging handle back to its full extent and remove any ammunition that may be inside the chamber.
- With the charging handle still pulled back, visually inspect the chamber to ensure that the rifle is not loaded.

---

## Installing The Upper Receiver

---

The use the 22-17 Partner system, the included upper receiver must be installed on your lower receiver. Begin by clearing your rifle and making sure it is safe to disassemble. Push out the two takedown pins which connect the upper and lower receivers. The current upper receiver should now be disconnected from the lower receiver.

Install the 22-17 Partner upper receiver onto your lower receiver. Align the front takedown pin hole on the 22-17 Partner upper receiver with the front takedown pin on the lower receiver. Connect the two receivers by locking the front takedown pin. Now pivot the rifle to the closed position and lock the rear takedown pin.

# Preparing the Bolt Group Assembly

---

The 22-17 Partner bolt group assembly consists of the bolt group and an attached liner. The bolt group assembly was designed to make the sleeves easily interchangeable.

Check the caliber of the sleeve attached to the bolt group by sliding the bolt back slightly (see photo 2 in “Changing Sleeves” section) and reading the caliber markings on the face of the port end of the sleeve (see photo in “Ammunition” section for location of the caliber markings). If the sleeve attached to the bolt group is not the sleeve for the ammunition you will be firing, then change to the proper caliber sleeve using the directions in the “Changing Sleeves” section. If the proper sleeve is already attached to the bolt group, continue to the “Installing The Bolt Group Assembly” section.

---

## Loading The Magazine Adapter Insert

---

For safety, it is recommended that the magazine adapter insert be installed into the outer magazine before it is loaded with ammunition. The magazine adapter insert used with the 22-17 Partner has a maximum capacity of 10 rounds. The magazine adapter insert is loaded in the standard fashion. Insert one round at a time into the magazine adapter insert. Each round should be loaded rim first.

---

## Loading The Rifle

---

The rifle should not be loaded with a magazine until the proper 22-17 Partner components for the bolt group and liner are completely installed into the upper receiver.

With the magazine adapter insert installed into the outer magazine, push the outer magazine upward into the magazine well of the rifle. Continue to push the magazine into the magazine well until the magazine catch engages and holds the magazine. Then tap upward from the bottom of the magazine to be sure the magazine is seated properly.

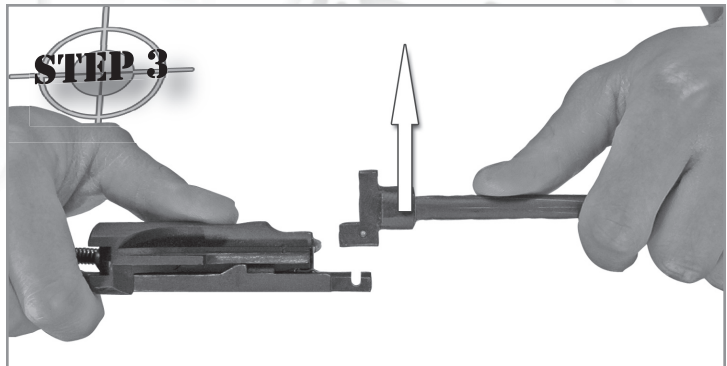
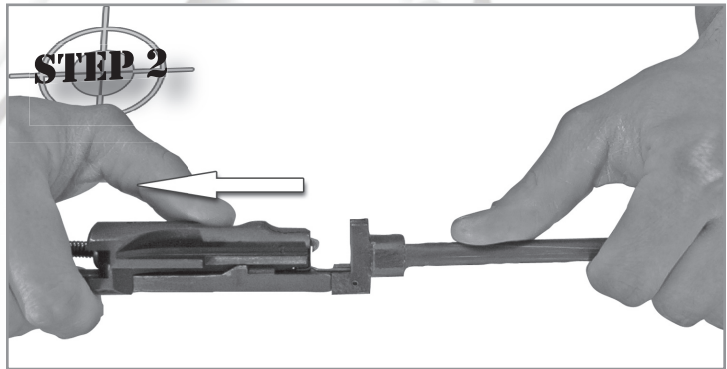
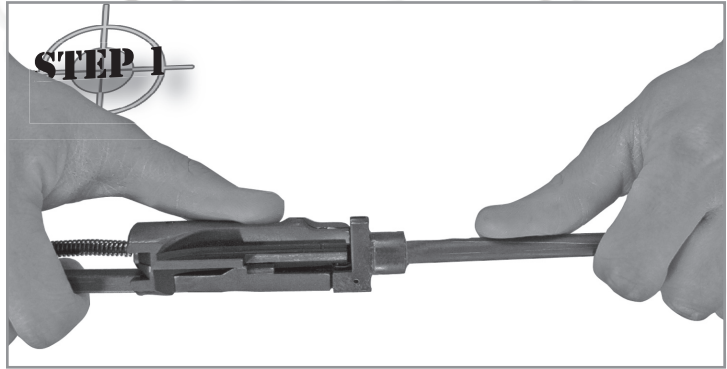
# Changing Sleeves

Hold the bolt group assembly with both hands as shown (see photo 1). Slide the bolt group back with the thumb. Hold the bolt group in this position (see photo 2).

*Warning: do not release the bolt group as this will cause the rail support group, straight pin, spring, and bolt group to disassemble and has the potential to cause injury.*

While holding the bolt group back, unhook the barrel liner from the bolt group assembly as shown (see photo 3).

Then hook the other barrel liner to the guide rail and carefully ease the bolt group forward.

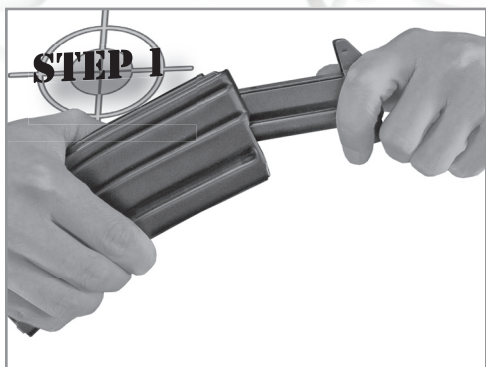


# Installing The Magazine Adapter Insert

The magazine adapter insert is designed to install into a standard AR (20) or (30) round magazine.



Position and depress the magazine adapter insert into the magazine (see photos 1 & 2). Next, tilt the magazine adapter insert on angle. Hook the head of the magazine adapter insert under the magazine lips of the outer magazine (see photo 3). Finally slide the magazine adapter insert all of the way into the outer magazine (see photo 4).



# Installing The Bolt Group Assembly

The 22-17 Partner bolt group assembly, which consists of the bolt group and an attached liner, can only be installed into the 22-17 Partner upper receiver. If the 22-17 Partner upper receiver is not installed, please do so following the directions in the “Installing The Upper Receiver” section. When the 22-17 Partner upper receiver is installed:

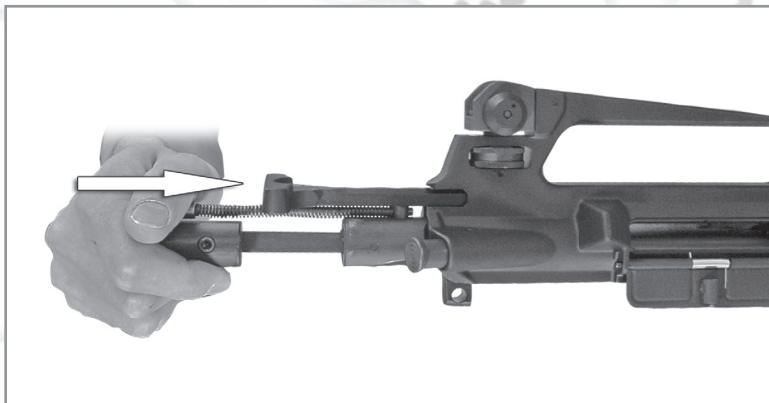


- Be sure the rifle is clear and a magazine is not loaded into the rifle.
- Open the rifle by pushing out the rear takedown pin allowing the upper and lower receivers to pivot via the front takedown pin.
- If a bolt group assembly is already installed in the upper receiver remove it before proceeding. Remove the bolt group assembly by pulling back on the charging handle to partially eject the bolt group assembly. Then pull the bolt group assembly out of the upper receiver by grasping the bolt.
- Insert a prepared 22-17 Partner bolt group assembly into the upper receiver. The sleeve end should be inserted first and will slide all of the

way into the barrel (see photo at left).

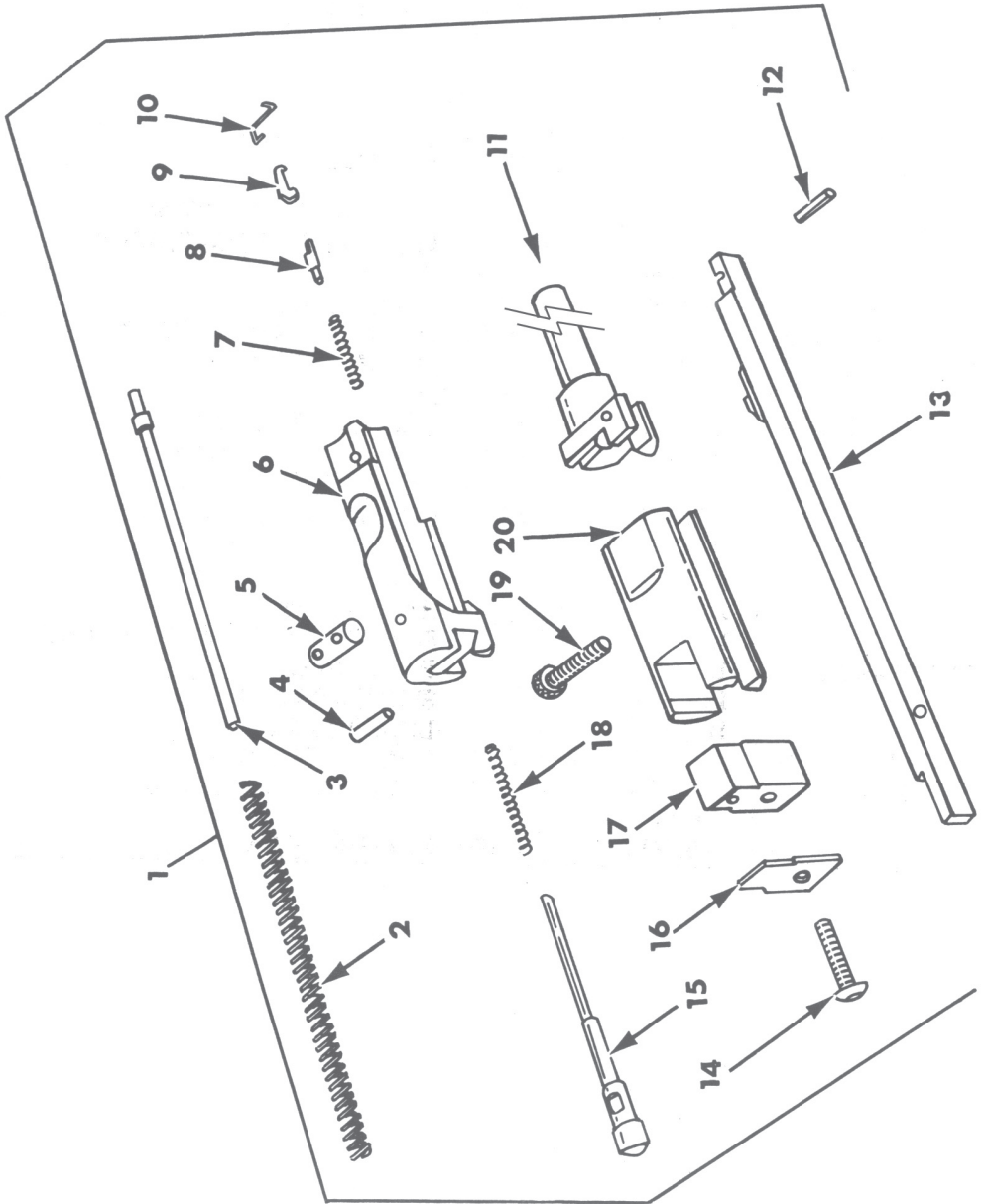


- Retract the charging handle about halfway.
- Align the guide rod and spring of the bolt group assembly so that they are directly underneath the charging handle (see photo).



- Push the 22-17 Partner bolt group assembly the rest of the way into the rifle.
- Push the charging handle in.
- The rear of the 22-17 Partner bolt group should now be flush with the rear of the upper receiver.
- Pivot the rifle to the closed position and lock the rear takedown pin shut.

# 22-17 Partner Bolt Group Schematic



# 22-17 Partner Bolt Group Parts List

The indicated numbers on the schematic correspond to the last digits of the part number in the parts list.

*Note: At the time this manual was printed, pricing for parts was not available. Please call our Customer Service Team to find out if prices are now available.*

Note: Part number PTNR-12 (Pin, Hook) is the cross pin for the head of the barrel liner. The pin is the part that hooks to the slot on the Rail Guide and connects the barrel liner to the bolt group assembly.

<u>Part</u>	<u>Description</u>	<u>Cost</u>
PTNR-1	Bolt Group Assembly .....	N/A
PTNR-2	Spring .....	N/A
PTNR-3	Pin, Straight .....	N/A
PTNR-4	Headless Pin, Straight .....	N/A
PTNR-5	Pin, Straight .....	N/A
PTNR-6	Bolt .....	N/A
PTNR-7	Extractor Spring .....	N/A
PTNR-8	Extractor Plunger .....	N/A
PTNR-9	Extractor .....	N/A
PTNR-10	Cartridge Retainer .....	N/A
PTNR-11	Barrel Liner .....	N/A
PTNR-12	Pin, Hook .....	N/A
PTNR-13	Rail Guide .....	N/A
PTNR-14	Position Spring Retaining Screw ..	N/A
PTNR-15	Firing Pin .....	N/A
PTNR-16	Position Spring .....	N/A
PTNR-17	Lug Support .....	N/A
PTNR-18	Firing Pin Spring .....	N/A
PTNR-19	Socket Head Cap Screw .....	N/A
PTNR-20	Support Rail .....	N/A

# www.olyarms.com

The 22-17 Partner conversion system. Use your AR style rifle to shoot .22 LR and .17 MK2 ammunition. Simply swap the upper receiver, insert the sleeve, load up the mag insert.

