



Savage[®] Arms

The Definition of Accuracy

Safe ownership is your responsibility. Please thoroughly read and understand this manual before loading your firearm.

Keep firearms and ammunition away from children. Lock unloaded firearms and ammunition securely in separate locations.

This manual should always accompany your firearm and be transferred with it upon change of ownership. This is your responsibility and may protect you from future liability.

100 Springdale Road
Westfield, MA 01085

INSTRUCTION MANUAL

MODEL 40

VARMINT HUNTER WITH ACCUTRIGGER™

IMPORTANT! DO NOT ATTEMPT TO LOAD AND SHOOT YOUR RIFLE UNTIL YOU HAVE THOROUGHLY READ THIS INSTRUCTION MANUAL AND ARE FULLY FAMILIAR WITH ITS CONTENTS

For more information, please visit our web site at www.savagearms.com

Congratulations on owning a Savage Arms sporting firearm. You are now part of the Savage Sports Corporation family of quality firearms, which includes Savage Arms, Inc., Savage Arms (Canada), Stevens, and Fox. With reasonable care, your firearm should deliver years of reliable service and perform to our "definition of accuracy".

For your convenience, this INSTRUCTION MANUAL has been divided into 7 sections:

- SECTION 1: *10 Commandments of Shooting Safety*
- SECTION 2: *Basic Functions*
- SECTION 3: *AccuTrigger™ Instructions*
- SECTION 4: *Parts List and Diagram*
- SECTION 5: *Ammunition Bullet Weights*
- SECTION 6: *Rings For Mounting A Scope*
- SECTION 7: *Statement Of Limited Warranty*

SECTION 1

10 COMMANDMENTS OF SHOOTING SAFETY

FOR MORE INFORMATION, PLEASE VISIT OUR WEB SITE AT:
WWW.SAVAGEARMS.COM

(The following excerpts are from SAAMI bulletin #081 1MM 7/97 BP. The entire booklet can be obtained by calling: NATIONAL SHOOTING SPORTS FOUNDATION, 11 MILE HILL ROAD, NEWINGTON, CT 06470; 203-426-4358)

FIREARMS SAFETY DEPENDS ON YOU!

From the time you pick up a firearm, you become part of a system over which you have complete control. You are the only part of the system that can make a gun safe – or unsafe.

You can help meet this responsibility by enrolling in hunter safety or shooter safety courses, if you have not already done so. You must constantly stress safety when handling firearms, especially to children and non-shooters. Develop safe shooting habits and remember, firearms safety is up to you. Make no mistake about it.

ALCOHOL, DRUGS AND GUNS DON'T MIX

1. ALWAYS KEEP THE MUZZLE POINTED IN A SAFE DIRECTION

This is the most basic safety rule. If everyone handled a firearm so carefully that the muzzle never pointed at something they didn't intend to shoot, there would be virtually no firearm accidents. It's as simple as that, and it's up to you.

Never point your gun at anything you do not intend to shoot. A safe direction means a direction in which a bullet cannot possibly strike anyone, taking into account possible ricochets and the fact that bullets can penetrate walls and ceilings. Even when "dry

firing" with an unloaded gun, you should never point the gun at an unintended target.

This is your responsibility, and only you can control it.

2. FIREARMS SHOULD BE UNLOADED WHEN NOT ACTUALLY IN USE

Firearms should be loaded only when you are in the field or on the target range or shooting area, ready to shoot. When not in use, firearms and ammunition should be secured in a safe place, separate from each other. It is your responsibility to prevent children and inexperienced adults from gaining access to firearms or ammunition. A loaded gun has no place in or near a vehicle or building.

Whenever you handle a firearm or hand it to someone, always open the action immediately, and visually check the chamber, receiver and magazine to be certain they do not contain any ammunition. Never assume a gun is unloaded – check for yourself! While in the field, there will be times when common sense and the basic rules of firearms safety will require you to unload your gun for maximum safety. When in doubt, unload your gun!

3. DON'T RELY ON YOUR GUN'S "SAFETY"

Treat every gun as though it can fire at

any time, regardless of pressure on the trigger. The "safety" on any gun is a mechanical device, which, like any such device, can become inoperable at the worst possible time. The safety serves as a supplement to proper gun handling but cannot possibly serve as a substitute for common sense.

Never touch the trigger on a firearm until you actually intend to shoot.

Your firearm is a precision instrument. Regardless of the position of the safety, any bump strong enough to actuate the firing mechanism of a gun can cause it to fire. The only time you can be absolutely certain that a gun cannot fire is when the action is open and it is completely empty. You and the safe gun handling procedures you have learned are your gun's primary safeties.

4. BE SURE OF YOUR TARGET AND WHAT'S BEYOND IT

No one can call a bullet back. Don't shoot unless you know exactly what your bullet is going to strike. Be sure that your bullet will not injure anyone or anything beyond your target. You should keep in mind how far a bullet will travel if it misses your intended target or ricochets in another direction.

Be aware that even a .22 short bullet can travel over 1 1/4 miles and a high velocity

cartridge, such as a 30-06, can project a bullet more than 3 miles. Shotgun pellets can travel 500 yards, and shotgun slugs have a range of over a half-mile.

5. USE CORRECT AMMUNITION

You must assume the serious responsibility of using only the correct ammunition for your firearm. Read and heed all warnings, including those that appear in the gun's instruction manual and on the ammunition boxes. Using improper or incorrect ammunition can destroy a gun and cause serious personal injury. It only takes one cartridge of improper caliber or gauge to wreck your gun, and only a second to check each one as you load it. Be absolutely certain that the ammunition you are using matches the specifications that are contained within the gun's instruction manual and the manufacturer's markings on the firearm barrel.

Hand loaded or reloaded ammunition deviating from pressures generated by factory loads or from competent recommendations specified in reputable hand loading manuals can be dangerous, and can cause severe damage to guns and serious injury to the shooter.

Ammunition that has become very wet or has been submerged in water should be discarded in a safe manner. Do not spray oil or solvents on ammunition or place ammuni-

tion in excessively lubricated firearms.

Form the habit of examining every cartridge you put in your gun. Never use damaged, old or questionable ammunition - the money you save is not worth the risk of possible injury or a ruined gun.

WARNING

DISCHARGING FIREARMS IN POORLY VENTILATED AREAS, CLEANING FIREARMS OR HANDLING AMMUNITION MAY RESULT IN EXPOSURE TO LEAD AND OTHER SUBSTANCES KNOWN TO CAUSE BIRTH DEFECTS, REPRODUCTIVE HARM AND OTHER SERIOUS PHYSICAL INJURY. HAVE ADEQUATE VENTILATION AT ALL TIMES. WASH HANDS THOROUGHLY AFTER EXPOSURE.

6. IF YOUR GUN FAILS TO FIRE WHEN THE TRIGGER IS PULLED, HANDLE WITH CARE!

Occasionally, a loaded gun may not fire when the trigger is pulled. If this occurs, keep the muzzle pointed in a safe direction. Keep your face away from the breech. Then, carefully open the action, unload the firearm and dispose of the cartridge in a safe way.

Any time there is a cartridge in the chamber, your gun is loaded and ready to fire - even if you've tried to shoot and it did not go

off. It could go off at any time, so you must always remember **RULE #1** and **WATCH THAT MUZZLE!**

7. ALWAYS WEAR EYE AND EAR PROTECTION WHEN SHOOTING

All shooters should wear protective shooting glasses and some form of hearing protectors while shooting. Exposure to shooting noise can damage hearing, and adequate vision protection is essential. Wearing eye protection when disassembling and cleaning any gun will also help prevent the possibility of springs, spring tensioned parts, solvents or other agents from contacting your eyes. No target shooter, plinker or hunter should ever be without them.

8. BE SURE THE BARREL IS CLEAR OF OBSTRUCTIONS BEFORE SHOOTING

Before you load your firearm, open the action and be certain that there is no cartridge in the chamber. Then glance through the barrel to be sure it is clear of any obstruction. Even a small bit of mud, snow, excess lubricating oil or grease in the bore can cause dangerously increased pressure, causing the barrel to bulge or even burst when firing, which can cause injury to the shooter and bystanders. Make it a habit to clean the bore with a cleaning rod and patch to wipe away anti-rust compounds in the gun each time immediately before you shoot it. If the noise

or recoil on firing seems weak or doesn't seem quite "right", cease firing immediately and be sure to check that no obstruction or projectile has become lodged in the barrel.

9. DON'T ALTER OR MODIFY YOUR GUN, AND HAVE GUNS SERVICED REGULARLY

Firearms are complicated mechanisms, which are designed by experts to function properly in their original condition. Any alteration or change (other than adjusting the AccuTrigger™) made to a firearm after manufacture can make the gun dangerous and will usually void any factory warranties. Do not jeopardize your safety or the safety of others by altering the trigger, safety or other mechanism of any firearm or allowing unqualified person's to repair or modify a gun.

Your gun is a mechanical device, which will not last forever and is subject to wear. As such, it requires periodic inspection, adjustment and service.

10. LEARN THE MECHANISM AND HANDLING CHARACTERISTICS OF THE FIREARM YOU ARE USING

Not all firearms are the same. Consequently, never handle any firearm without first having thoroughly familiarized yourself with the particular type of firearm you are using, the safe gun handling rules for loading, unloading, carrying and handling that firearm,

and the rules of safe gun handling in general. Locate the firearm's mechanical safety device and get familiar with the feel and "on/off" positions.

You should always read and refer to the instruction manual you received with your gun, or if you have misplaced the manual, simply contact the manufacturer for a free copy.

Having a gun in your possession is a full-time job. You cannot guess; you cannot forget. You must know how to use, handle, and store your firearm safely. Do not use any firearm without having a complete understanding of its particular characteristics and safe use. There is no such thing as a foolproof gun.

SECTION 2

BASIC FUNCTIONS

FOR MORE INFORMATION, PLEASE VISIT OUR WEB SITE AT:
WWW.SAVAGEARMS.COM

CAUTION

PRIOR TO LOADING OR OPERATING, FAMILIARIZE YOURSELF THOROUGHLY WITH THESE OPERATING INSTRUCTIONS AND THE MAIN PARTS OF YOUR FIREARM.

YOUR GUN IS A MECHANICAL DEVICE WHICH WILL NOT LAST FOREVER AND IS SUBJECT TO WEAR. WHEN SOMETHING DOES NOT SOUND, FEEL, OR LOOK RIGHT, SEEK THE ADVICE OF A PROFESSIONAL GUNSMITH IMMEDIATELY. NEVER TAKE A CHANCE.

FAILURE TO OBEY A SAFETY WARNING MAY RESULT IN INJURY TO YOU OR OTHERS.

KNOW HOW TO LOCATE AND OPERATE THE SAFETY MECHANISM.

THE USE OF RELOADS, HANDLOADS, MILITARY SURPLUS, OR ANY OTHER COMMERCIAL/NONCOMMERCIAL AMMUNITION NOT MANUFACTURED TO SAAMI (SPORTING ARMS AND AMMUNITION MANUFACTURERS' INSTITUTE, INC.)/ ANSI (AMERICAN NATIONAL STANDARDS INSTITUTE) SPECIFICATIONS WILL VOID THE WARRANTY.

ALWAYS BE SURE THE FIREARM (ESPECIALLY THE END OF THE BARREL) IS FREE AND CLEAR OF ANY OBSTRUCTIONS THAT MAY RESTRICT (OR SLOW DOWN) THE BULLET FROM LEAVING THE MUZZLE AT ITS NORMAL RATE OF SPEED. THIS INCLUDES SNOW, WATER, BRUSH, SHRUBS, STICKS, LEAVES AND DEBRIS TO NAME A FEW. NEVER PLACE THE END OF A BARREL OR SUBMERGE A FIREARM UNDER WATER, AS THAT WILL CAUSE A SEVERE OBSTRUCTION. RESTRICTING, SLOWING, OR STOPPING THE

BULLET FROM LEAVING THE MUZZLE WILL CREATE AN EXCESSIVE AMOUNT OF PRESSURE TO BUILD UP BEHIND IT AND MAY LEAD TO EXTENSIVE DAMAGE TO THE FIREARM AND PERSONAL INJURY TO THE SHOOTER AND/OR BYSTANDERS. SAFE OPERATION IS YOUR RESPONSIBILITY AND CAN ONLY BE CONTROLLED BY YOU!

KNOW EXACTLY WHERE YOU ARE POINTING THE BARREL OF A FIREARM AND WHY!

SAFETY

The safety on your Savage Arms Model 40 has 2 positions:

- FULL SAFE - With the bolt open, pull safety button towards rear covering the red "dot" (trigger blocked).
- SAFETY OFF - READY TO FIRE. Push safety button forward exposing the red "dot".

FULL SAFE

1. The safety is in the FULL SAFE position when it has been moved fully rearward, covering the red "dot" (See FIGURE 1).
2. The safety should be moved to the FULL SAFE position prior to closing the bolt when loading ammunition.
3. In the FULL SAFE position, the trigger is blocked from moving.



FIGURE 1

CAUTION

WHEN CARRYING A LOADED FIREARM, THE SAFETY MUST ALWAYS BE IN THE FULL SAFE POSITION.

THE ONLY TIME YOU CAN BE ABSOLUTELY CERTAIN THAT A GUN CANNOT FIRE IS WHEN THE ACTION IS OPEN AND IT IS COMPLETELY EMPTY OF AMMUNITION.

SAFETY OFF – READY TO FIRE

1. The safety is in the OFF – READY TO FIRE position when moved fully forward, exposing the red "dot".

NEVER TRANSPORT/CARRY A LOADED FIREARM WITH THE SAFETY OFF.

LOADING

CAUTION

FIREARMS SHOULD BE LOADED ONLY WHEN YOU ARE IN THE FIELD, ON THE TARGET RANGE, OR AT A SHOOTING AREA READY TO SHOOT.

ALWAYS KEEP THE MUZZLE POINTED IN A SAFE DIRECTION.

USE ONLY THE CORRECT AMMUNITION THAT IS STAMPED ON THE SIDE OF THE BARREL.

THOROUGHLY CLEAN THE INSIDE OF THE BARREL AND CHAMBER TO ASSURE THERE ARE NO POSSIBLE OBSTRUCTIONS PRIOR TO LOADING.

THE USE OF RELOADS, HANDLOADS, MILITARY SURPLUS, OR ANY OTHER COMMERCIAL/NONCOMMERCIAL AMMUNITION NOT MANUFACTURED TO SAAMI (SPORTING ARMS AND AMMUNITION MANUFACTURERS' INSTITUTE, INC.)/ ANSI (AMERICAN NATIONAL STANDARDS INSTITUTE) SPECIFICATIONS WILL VOID THE WARRANTY.

KNOW YOUR GUN! IF ANYTHING 'FEELS' OR SOUNDS DIFFERENT WHEN LOADING OR SHOOTING - STOP - AND HAVE A QUALIFIED GUNSMITH TAKE A LOOK! NEVER TAKE A CHANCE WITH SOMETHING THAT YOU ARE UNSURE OF ... ALWAYS ASK A PROFESSIONAL.

SINGLE SHOT



FIGURE 2

1. With the muzzle pointed in a safe direction, lift the bolt handle up and pull fully rearward.
2. Move the safety fully rearward to the FULL SAFE position (SEE FIGURE 1), which will lock the trigger mechanism.
3. Look and feel to be sure the chamber is empty.
4. Insert a cartridge of the correct caliber (as stamped on the side of the barrel) onto the loading platform as shown in FIGURE 2.
5. Move the bolt handle fully forward and down, pushing the cartridge into the chamber.

WHEN THE BOLT IS FULLY CLOSED, A LIVE CARTRIDGE WILL BE IN THE CHAMBER.

ALWAYS KEEP THE MUZZLE POINTED IN A SAFE DIRECTION.

TO FIRE

CAUTION

DO NOT MOVE THE SAFETY FORWARD TO THE SAFETY OFF – READY TO FIRE POSITION UNTIL YOU ARE READY TO SHOOT.

THE ONLY TIME YOU CAN BE ABSOLUTELY CERTAIN THAT A GUN CANNOT FIRE IS WHEN THE ACTION IS OPEN AND IT IS COMPLETELY EMPTY OF AMMUNITION.

NEVER TOUCH THE TRIGGER ON A FIREARM UNTIL YOU ACTUALLY INTEND TO SHOOT.

NEVER POINT YOUR GUN AT ANYTHING YOU DO NOT INTEND TO SHOOT.

1. Keep your finger off the trigger and out of the trigger guard until you are ready to shoot.
2. Always look carefully around to be sure that no one will cross in front of you when you are ready to shoot.
3. *Place the firearm to your shoulder and move the safety forward to the SAFETY OFF – READY TO FIRE position and take aim.*
4. Place your finger in the trigger guard and when you are on target, squeeze the trigger slowly.

NO ONE CAN CALL A BULLET BACK.

5. Pull up and fully rearward on the bolt handle, opening the bolt to extract and eject the fired case.

CAUTION

ALWAYS KEEP THE MUZZLE POINTED IN A SAFE DIRECTION.

LOOK AND FEEL! BE SURE THE CHAMBER AND LOADING PLATFORM ARE COMPLETELY EMPTY — DO NOT ASSUME!

A LOADED GUN HAS NO PLACE IN OR NEAR A CAR, TRUCK OR BUILDING.

CLEANING AND CARE OF YOUR FIREARM

CAUTION

YOUR GUN IS A MECHANICAL DEVICE WHICH WILL NOT LAST FOREVER AND IS SUBJECT TO WEAR. WHEN SOMETHING DOES NOT SOUND, FEEL, OR LOOK RIGHT, SEEK THE ADVICE OF A PROFESSIONAL GUNSMITH IMMEDIATELY. NEVER TAKE A CHANCE!

FAILURE TO PROPERLY MAINTAIN YOUR FIREARM MAY LEAD TO DAMAGE AND/OR SERIOUS INJURY TO THE SHOOTER OR BYSTANDER.

TO REMOVE THE BOLT

ALWAYS KEEP THE MUZZLE POINTED IN A SAFE DIRECTION.

A LOADED GUN HAS NO PLACE IN OR NEAR A CAR, TRUCK OR BUILDING.

1. Lift the bolt handle and pull fully rearward.
2. When the bolt is opened, look and feel to be sure there are no cartridges in either the chamber or loading platform.
3. Pull back on the trigger (see FIGURE 3).
4. Slide the bolt out of the rear of the receiver.
5. Care should be taken not to hit or scratch the stock with the bolt.



FIGURE 3

CAUTION

BOLT ASSEMBLIES ARE SPECIFICALLY MATCHED TO A FIREARM. USING ANY OTHER BOLT ASSEMBLY MAY CAUSE EXTENSIVE DAMAGE TO THE FIREARM AND/OR SERIOUS INJURY TO THE SHOOTER OR BYSTANDER.

DISASSEMBLE ONLY ONE FIREARM AT A TIME TO AVOID INTERCHANGING COMPONENTS.

CLEANING THE BORE

CAUTION

LOOK AND FEEL! BE SURE THE CHAMBER AND LOADING PLATFORM ARE COMPLETELY EMPTY — DO NOT ASSUME!!!

NEVER ATTEMPT TO DISASSEMBLE, CLEAN, OR OIL A LOADED FIREARM!

BE SURE TO READ AND UNDERSTAND ALL OF THE CAUTIONS AND WARNINGS ON ALL SOLVENTS AND CHEMICALS PRIOR TO USE. FOLLOW THE MANUFACTURER'S INSTRUCTIONS FOR BEST CLEANING RESULTS.

1. Prepare an area for cleaning the firearm with a suitable surface, adequate ventilation, correct caliber cleaning rod, brush, patches, powder solvent, and oil.

2. Remove the bolt.
3. Lay the firearm horizontally with the ejection port facing down.

ALWAYS STARTING FROM THE CHAMBER END, PUSH THE CLEANING ROD THROUGH THE BORE AND OUT THE MUZZLE END.

4. Using a small amount of powder solvent on the brush, push the cleaning rod through the barrel several times.
5. Unscrew the brush from the cleaning rod and replace it with a patch tip.
6. Push a new patch through the bore starting from the chamber end and out the muzzle.
7. Repeat step 6 several times.
8. Push a new patch saturated with gun oil through the bore.
9. Push a new dry patch through the bore to remove the excess oil.
10. Before loading ammunition, be sure the firearm functions properly, checking **both positions** of the safety.

CAUTION

A VERY THIN FILM OF OIL IS SUFFICIENT PROTECTION – DO NOT OVER OIL!!!

YOUR GUN IS A MECHANICAL DEVICE WHICH WILL NOT LAST FOREVER AND IS SUBJECT TO WEAR. WHEN SOMETHING DOES NOT SOUND, FEEL, OR LOOK RIGHT, SEEK THE ADVICE OF A PROFESSIONAL GUNSMITH IMMEDIATELY. NEVER TAKE A CHANCE!

FAILURE TO PROPERLY MAINTAIN YOUR FIREARM MAY LEAD TO DAMAGE AND/OR SERIOUS INJURY TO THE SHOOTER OR BYSTANDER.

REMOVING THE STOCK

WITH THE SAFETY IN THE FULL SAFE POSITION, BE SURE THE BOLT IS OPEN AND THERE IS NO LIVE AMMUNITION IN EITHER THE CHAMBER OR LOADING PLATFORM.

THE ONLY TIME YOU CAN BE ABSOLUTELY CERTAIN THAT A GUN CANNOT FIRE IS WHEN THE ACTION IS OPEN AND IT IS COMPLETELY EMPTY OF AMMUNITION.

1. Turn the firearm upside down, with the muzzle pointed away from you.
2. Using a 5/32" Allen wrench, loosen and remove the two screws securing the stock (see FIGURE 4).

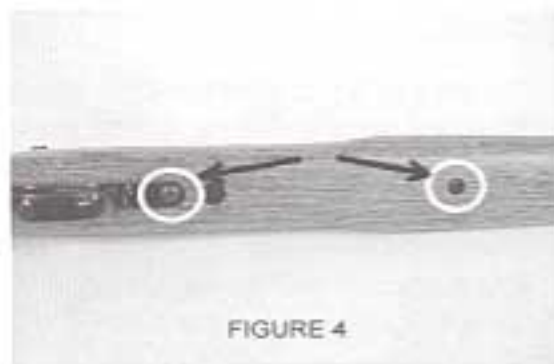


FIGURE 4

PROTECTING METAL SURFACES

1. In order to be able to reach all surfaces, remove the bolt prior to cleaning and oiling.
2. With a soft cloth, remove any foreign matter (i.e. mud, twigs, grass).
3. Apply a thin coat of gun oil on all cleaned metal surfaces. Rubbing may be necessary to remove any signs of rust.
4. Where accessible, clean and lightly oil interior metal surfaces.

CAUTION

DO NOT DISASSEMBLE THE BOLT ASSEMBLY.

CHECK THE BORE CAREFULLY WHEN DONE TO BE SURE THERE ARE NO OBSTRUCTIONS (I.E. PIECES OF CLEANING PATCH, ETC.)

REASSEMBLING THE STOCK

1. Place the action into the stock, resting the butt on a hard surface with the muzzle pointing upward.
2. Replace both screws but do not tighten.
3. With the firearm pointed upward, tighten the top screw first and then the one below (the front of the trigger guard – see FIGURE 4).
4. Cycle the bolt several times to be sure that it functions properly.
5. With the chamber/loading platform empty, the bolt open, and the muzzle pointed in a safe direction, pull the trigger to verify that **both positions of the safety function normally prior to loading with ammunition.**

CAUTION

*AFTER REASSEMBLING THE STOCK, VERIFY THAT THE SAFETY OPERATES CORRECTLY AS DEFINED IN THE INSTRUCTION MANUAL'S - BASIC FUNCTIONS SECTION. **SAFE OWNERSHIP IS YOUR RESPONSIBILITY!***

*WHEN SOMETHING DOES NOT SOUND, FEEL, OR LOOK RIGHT, SEEK THE ADVICE OF A PROFESSIONAL GUNSMITH IMMEDIATELY. **NEVER TAKE A CHANCE!***

SECTION 3

ACCUTRIGGER™ INSTRUCTIONS

FOR MORE INFORMATION, PLEASE VISIT OUR WEB SITE AT:
WWW.SAVAGEARMS.COM

CAUTION

AS WITH ANY OTHER PRECISION MECHANICAL DEVICE, PROPER SERVICE AND MAINTENANCE ARE CRITICAL TO THE PERFORMANCE AND OPERATION OF THE ACCUTRIGGER™.

SAVAGE ARMS OFFERS CERTAIN MODEL FIREARMS WITH AN ACCUTRIGGER™ - SPECIALLY DESIGNED USER ADJUSTABLE TRIGGER. AT THE LOWER SETTINGS, SUCH FIREARMS ARE CONSIDERED TARGET FIREARMS. IT IS THE SOLE RESPONSIBILITY OF THE SHOOTER TO EXERCISE EXTREME CARE WHILE ADJUSTING/HANDLING THESE FIREARMS. SAVAGE ARMS ACCEPTS NO RESPONSIBILITY/ LIABILITY FOR ANY DIRECT AND/OR CONSEQUENTIAL DAMAGE AND/OR INJURY RESULTING FROM THE MISUSE AND/OR MISHANDLING OF A FIREARM.

SAFE OWNERSHIP IS YOUR RESPONSIBILITY. PRIOR TO ADJUSTING THE ACCUTRIGGER™ PLEASE THOROUGHLY READ AND

UNDERSTAND THE INSTRUCTION MANUAL IN ITS ENTIRETY.

WITH SAFETY AS OUR PRIMARY CONCERN, THE ACCUTRIGGER™ DESIGN REQUIRES THE SHOOTER TO PLACE THEIR FINGER SQUARELY OVER THE ACCURELEASE™. PULLING THE TRIGGER FROM THE SIDE OR NOT DIRECTLY REARWARD WILL CAUSE THE SEAR TO DISENGAGE AND BE BLOCKED BY THE ACCURELEASE. ALTHOUGH A 'CLICK' MAY BE HEARD, THE SEAR IS BLOCKED. WHEN THIS HAPPENS, THE BOLT MUST BE RAISED AND LOWERED TO 'RE-COCK' THE FIREARM.

MAKE SURE THE FIREARM IS UNLOADED, THE SAFETY IN THE FULL SAFE POSITION, AND THE BOLT IS OPEN BEFORE REMOVING THE STOCK AND ADJUSTING THE ACCUTRIGGER™.

ACCUTRIGGER™ PULL ADJUSTMENT

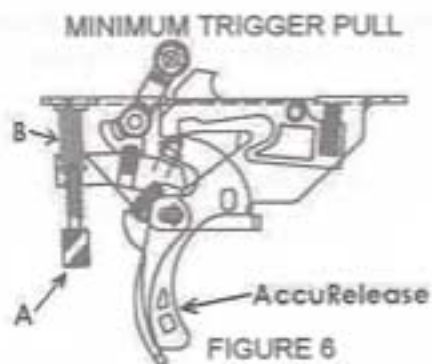
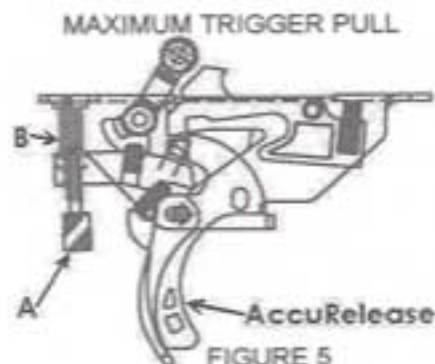
1. Remove the stock (see section REMOVING THE STOCK above). Notice that the trigger return spring (see FIGURE 5 and FIGURE 6 (B)) will protrude below the bottom surface of the trigger.
2. Insert the AccuTrigger™ supplied tool (A) into the bottom of the trigger return spring (B) as shown, to engage the spring-tail with the slot on the tool. Turn the trigger return spring (B) with the trigger adjustment tool (A) as

shown in FIGURE 5 and FIGURE 6.

3. To adjust towards the higher range of pull (approximately 6 pounds), turn the tool clockwise. The maximum trigger pull is at the point where the spring "clicks" when rotated (see FIGURE 5).

4. To adjust for a lower pull (approximately 2 ½ pounds), turn the tool counter-clockwise. The minimum pull is at the point where the large coil sets deep within the trigger and the small coil extends quite a bit below the trigger and you detect resistance (see FIGURE 6).

The spring should not be forced beyond these limits.



5. The AccuRelease™ adds an additional level of safety by stopping the sear if the rifle is accidentally jarred or dropped, assuming the firearm has been properly serviced and maintained.

CAUTION

EXCESSIVE JARRING OR PULLING THE TRIGGER WITHOUT DEPRESSING THE ACCURELEASE™ MAY CAUSE THE SEAR TO MOVE. AS INTENTIONALLY DESIGNED, THE ACCURELEASE™ WILL PREVENT ACCIDENTAL DISCHARGE BY 'LOCKING' THE TRIGGER - WHEN USED PROPERLY, MAINTAINED AND REGULARLY SERVICED. IN THIS EVENT, THE BOLT MUST BE RE-COCKED IN ORDER TO RESET THE SEAR.

WHEN THE SEAR IS BLOCKED BY THE ACCURELEASE™, THE HAMMER IS RESTRAINED WITHIN THE BOLT ASSEMBLY. THE 'CLICK' THAT IS HEARD IS THE ACTUAL

SEAR BEING BLOCKED BY THE ACCURELEASE™ AND NOT THE FIRING PIN BEING RELEASED!

DO NOT MOVE THE SAFETY FORWARD TO THE SAFETY OFF - READY TO FIRE POSITION UNTIL YOU ARE READY TO SHOOT.

KEEP YOUR FINGER OFF THE TRIGGER AND OUT OF THE TRIGGER GUARD UNTIL YOU ARE READY TO SHOOT.

THE ONLY TIME YOU CAN BE ABSOLUTELY CERTAIN THAT A GUN CANNOT FIRE IS WHEN THE ACTION IS OPEN AND IT IS COMPLETELY EMPTY OF AMMUNITION.

SECTION 4

PARTS LIST AND DIAGRAM

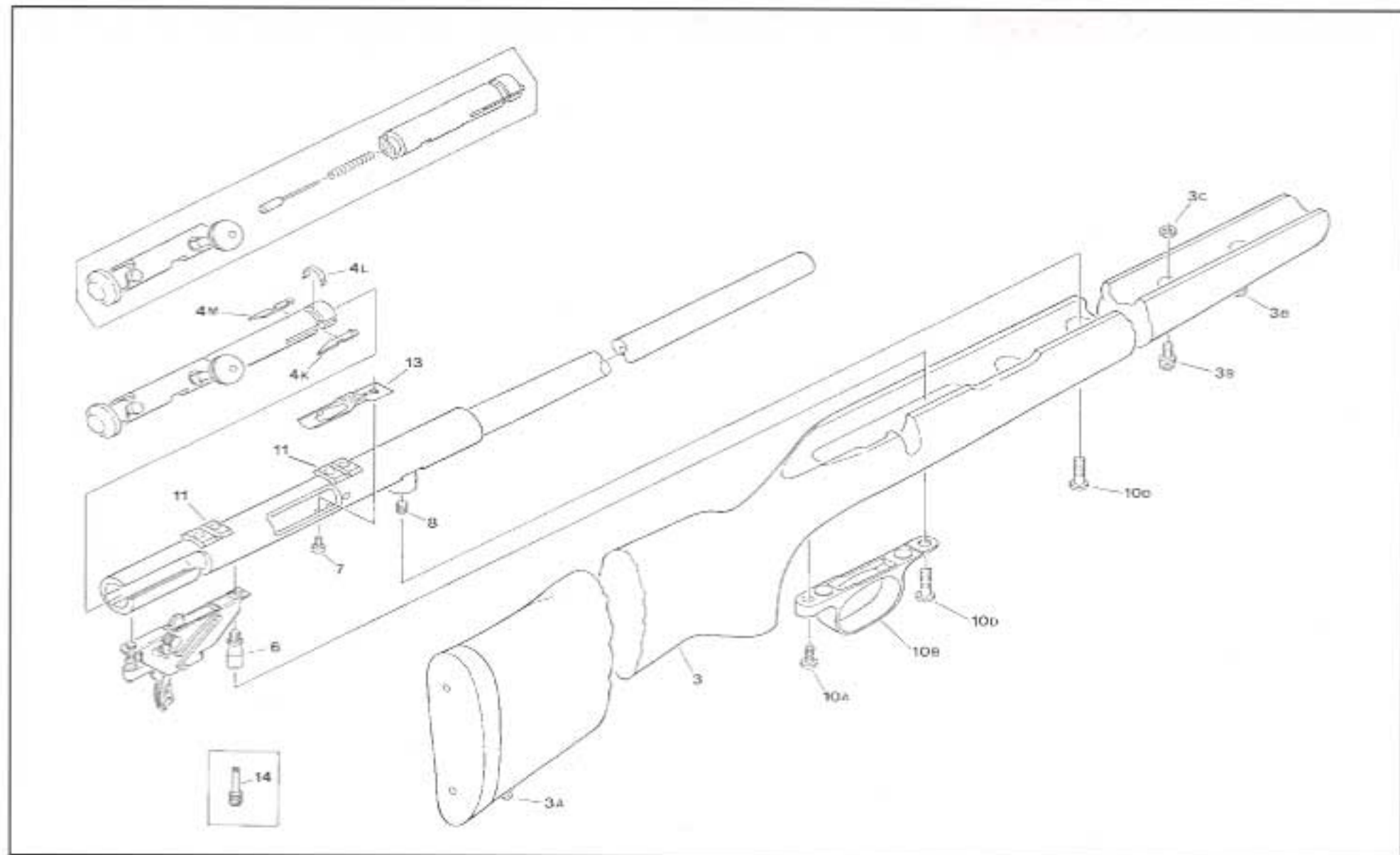
FOR MORE INFORMATION, PLEASE VISIT OUR WEB SITE AT:
WWW.SAVAGEARMS.COM

As a 'customer driven' company, Parts may be ordered directly from Savage Arms [413-568-7001] between the hours of 9:00 and 3:30 (Eastern Standard Time). There is a minimum order and please allow 2 weeks for delivery. Parts denoted with a "*" are restricted to factory installation only. Parts denoted with a "***" can only be sold to an individual possessing a current Federal Firearms License.

Please be advised that some parts may require fitting. Savage Arms bears no responsibility for the function or performance of any firearm that has been repaired or modified by other than Savage Arms' Service Department. As such, Savage Arms accepts no responsibility/liability for any direct and/or consequential damage and/or injury resulting from the use of a firearm repaired or modified by other than the Savage Arms' Service Department.

**MODEL 40 VARMINT HUNTER - ACCUTRIGGER™
BOLT ACTION CENTER FIRE SINGLE FIRE**

| Item # | Description |
|---------------|--------------------------------|
| 3 | Stock Assembly |
| 3 A | Rear Stud Wood Screw |
| 3 B | Front Stud Machine Screw (2) |
| 3 C | Hex Nut (2) |
| 4 K | Extractor RH |
| 4 L | Extractor Spring Clip |
| 4 M | Cartridge Guide |
| 6 | Rear Action Screw Stud |
| 7 | Cap Screw 10-32 X 14 |
| 8 | Recoil Lug Screw |
| 10 A | Rear Trigger Guard Screw |
| 10 B | Trigger Guard |
| 10 D | Action Screw (2) |
| 11 | Scope Base Kwik Site #K-12 (2) |
| 13 | Loading Platform |
| 14 | Tension Adjusting Tool |



SECTION 5

AMMUNITION BULLET WEIGHTS

FOR MORE INFORMATION, PLEASE VISIT OUR WEB SITE AT:
WWW.SAVAGEARMS.COM

Bullet specifications and trajectories are available directly from the ammunition manufacturer.

The following table lists the bullet weights used for 100 yard targeting evaluation at Savage Arms.

Performance may vary based on brand/type of ammunition, individual characteristics of the firearm, and/or shooting conditions.

CAUTION

USE ONLY THE CORRECT AMMUNITION THAT IS STAMPED ON THE SIDE OF THE BARREL.

THE USE OF RELOADS, HANDLOADS, MILITARY SURPLUS, OR ANY OTHER COMMERCIAL / NONCOMMERCIAL AMMUNITION NOT MANUFACTURED TO SAAMI (SPORTING ARMS AND AMMUNITION MANUFACTURERS' INSTITUTE, INC.)/ ANSI (AMERICAN NATIONAL STANDARDS INSTITUTE) SPECIFICATIONS WILL VOID THE WARRANTY.

| Caliber | Bullet Weight (Grains) |
|------------|-------------------------|
| .22 Hornet | 46 grain - Hollow Point |

SECTION 6

SCOPE RINGS/BASES

FOR MORE INFORMATION, PLEASE VISIT OUR WEB SITE AT:
WWW.SAVAGEARMS.COM

RINGS AND BASES FOR MOUNTING A SCOPE

Bases supplied on the firearm at time of shipment are 'Weaver' style. The following Companies manufacture RINGS that may be used with this style base.

The manufacturers listed below should be contacted for specific part numbers and information.

WEAVER MOUNTS
P.O. Box 39
Onalaska, WI 54650
800-635-7656
www.weaver-mounts.com

KWIK-SITE
5555 Treadwell
Wayne, MI 48184
734-326-1500
www.kwiksitecorp.com

B-SQUARE
P.O. Box 11261
Fort Worth, TX 76110
800-433-2909
www.b-square.com

BURRIS
331 East 8th Street
Greeley, CO 80631
970-356-1670
www.burrisoptics.com

MILLETT
16131 Gairland Street
Huntington Beach, CA
800-645-5388
www.millettsgtts.com

LEUPOLD
14400 NW Greenbriar Parkway
Beaverton, OR 97006
503-526-1400
www.leupold.com

SECTION 7

STATEMENT OF LIMITED WARRANTY

FOR MORE INFORMATION, PLEASE VISIT OUR WEB SITE AT:
WWW.SAVAGEARMS.COM

STATEMENT OF LIMITED WARRANTY

Please complete the *WARRANTY REGISTRATION CARD* and return it to Savage Arms within ten (10) days from the date of purchase.

Savage Arms, Inc. must be notified within one (1) year from the date of purchase of any defect in materials or workmanship encountered during normal use.

WHO IS COVERED?

- The original owner (with proof of purchase).

WHAT IS COVERED?

- Any defect in materials or workmanship performed at Savage Arms.

HOW LONG IS THE WARRANTY PERIOD?

- One (1) year from the date of purchase.

WHAT IS NOT COVERED?

PERSONAL INJURY, PROPERTY DAMAGE, AND/OR DAMAGE TO THE FIREARM CAUSED BY:

- Negligence to provide proper care and maintenance.
- Alterations/modifications performed without the written authorization of Savage Arms, Inc. Service Department.
- Normal wear; tear; and/or corrosion.
- Accidental discharge, careless handling, and/or misuse.
- Barrel obstructions.

EXCLUSIONS AND LIMITATIONS:

This *WARRANTY* and the remedies set forth herein are exclusive and take the place of all other expressed or implied *WARRANTIES* (including any implied *WARRANTY* of merchantability or fitness for any particular purpose which are disclaimed). No other representations or claims of any nature shall be binding on or obligate Savage Arms, Inc.

Savage Arms, Inc. excludes any incidental and consequential damages under this warranty. Some states do not allow exclusions or limitations on how long an implied warranty lasts, so the above limitations may not apply to you.

This *WARRANTY* gives you specific legal rights. You may have other rights, which will vary, from state to state.

RETURNING A FIREARM:

For *WARRANTY* claims, proof of purchase must accompany the firearm.

It is a violation of Federal Law to ship a firearm with live ammunition either in the box or in the firearm itself. If received, The Bureau of Alcohol, Tobacco, and Firearms must be notified!

Savage Arms, Inc. is not responsible for the loss or damage to any accessories shipped with the firearm.

If there is a question whether the firearm should be returned or parts could be purchased, please call 1-413-568-7001 between 9:00 am and 3:30 p.m. EST and ask for the Service/Warranty Department.

All firearms are to be sent to Savage Arms at the owner's expense. Warranty repairs will be returned to the owner at Savage Arms, Inc. expense.

1. Pack the firearm in its original box if possible. If a similar box is used, care should be taken to protect the barrel/muzzle from breaking through. Always pack with the assumption that the firearm will undergo rough handling during the transit to Savage Arms.

2. Enclose a brief note including:

- name, address and phone number of sender
- serial number of firearm

- description of the problem you are having
- bullet manufacturer, weight, and type
- any other information which you feel may be helpful.

3. Return to:

**Savage Arms
100 Springdale Road
Westfield, MA 01085
Attn: Service Department**

4. If there will be a charge involved for the repair, a quote will be sent within fourteen (14) working days.

- If there is no response from the quote within (30) days, the firearm will be returned COD (\$20.00 Shipping/Handling).
- Firearms will be repaired typically 3 weeks after receipt of payment in the order they were received.



WARNING

Children are attracted to and can operate firearms that can cause severe injury or death. Prevent child access by always keeping guns locked away and unloaded when not in use. If you keep a loaded firearm where a child obtains and improperly uses it, you may be fined or sent to prison.



ADVERTENCIA

A los niños los atraen las armas de fuego y las pueden hacer funcionar. Ellos pueden causarse lesiones graves y la muerte. Evite que los niños tengan acceso a las armas de fuego guardándolas siempre con llave y descargadas cuando no las esté utilizando. Si usted tiene un arma de fuego cargada en un lugar en que un niño tiene acceso a ella y la usa indebidamente, le pueden dar una multa o enviarlo a la cárcel.



Savage Arms
The Definition of Accuracy

100 Springdale Road
Westfield, MA 01085

www.savagearms.com