

**INSTRUCTION & SAFETY MANUAL**

# **MODEL FIRESTAR PLUS**

**CALIBER 9 mm (9x19)**

**READ CAREFULLY BEFORE USING  
YOUR FIREARM**



## 10 COMMANDMENTS OF FIREARMS SAFETY

- 1 ALWAYS** treat every gun as if it were loaded.
- 2 ALWAYS** be sure the barrel is clear of any obstruction.
- 3 ALWAYS** be sure of your backstop, what lies beyond and the safety of bystanders before you shoot.
- 4 ALWAYS** use clean, dry, original factory-made ammunition of the proper type and caliber for your gun.
- 5 ALWAYS** wear shooting glasses and ear protection when shooting.
- 6 ALWAYS** carry your gun so that you can control the direction of the muzzle if you fall or stumble.
- 7 ALWAYS** leave the safety on until you intend to fire.
- 8 NEVER** leave an unattended gun loaded. Guns and ammunition should be stored separately, locked if possible, beyond the reach of children and careless adults.
- 9 NEVER** allow your firearm to be used by anyone who has not read this Instruction and Safety Manual.
- 10 NEVER, NEVER... EVER...** point any gun, loaded or unloaded, at anything you do not intend to shoot.

## TECHNICAL DESCRIPTION

### OPERATING

Operating principle.....	Semi-automatic with short recoil of barrel.
Firing mechanism.....	Single action
Caliber.....	9x19 mm (Parabellum)

### DIMENSIONS AND WEIGHT

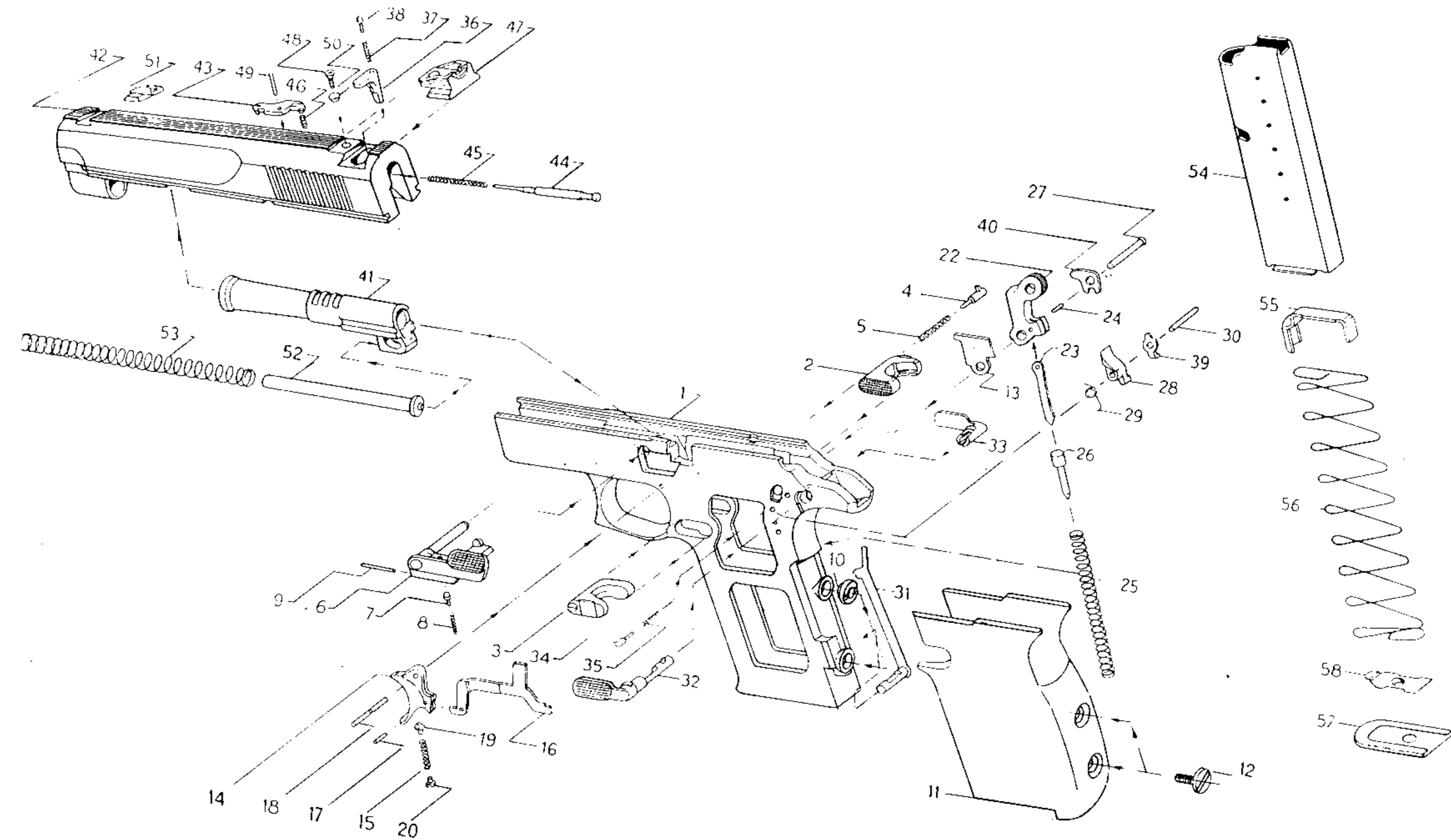
Overall length.....	165 mm. = 6.500 in
Height.....	125 mm. = 4.920 in
Width.....	30 mm. = 1.187 in
Barrel length.....	86 mm. = 3.390 in
Sighting line.....	130 mm. = 5.120 in
Front sight width.....	3.25 mm. = .130 in
Rear sight notch width.....	3.50 mm. = .140 in
Weight of pistol with empty magazine.....	700 grs. = 24.700 oz.
Magazine capacity (standard).....	13 rounds

## FIRESTAR PLUS PARTS LIST

EXPLOSIVE NUMBER	DESCRIPTION
1	Frame
2	Magazine catch body, right.
3	Magazine catch body, left.
4	Magazine catch lock.
5	Magazine catch spring.
6	Slide stop
7	Slide stop plunger
8	Slide stop plunger spring.
9	Slide stop plunger retaining pin
10	Grip fixing inserts
11	Grip.
12	Grip, screws.
13	Ejector
14	Trigger body.
15	Trigger spring.
16	Trigger bar.
17	Trigger bar pin
18	Trigger axis.
19	Trigger axis clip.
20	Trigger plunger

EXPLOSIVE NUMBER	DESCRIPTION
22	Hammer body.
23	Hammer bar.
24	Hammer bar axis.
25	Hammer spring
26	Hammer spring plunger.
27	Hammer axis
28	Sear.
29	Sear spring
30	Sear axis.
31	Magazine safety.
32	Thumb safety.
33	Thumb safety wing.
34	Thumb safety plunger.
35	Thumb safety plunger spring.
36	Firing pin block.
37	Firing pin block spring.
38	Firing pin block spring plunger.
39	Sear pusher.
40	Firing pin block pusher.
41	Barrel.

EXPLOSIVE NUMBER	DESCRIPTION
42	Slide.
43	Extractor.
44	Firing pin.
45	Firing pin spring.
46	Extractor spring.
47	Rear sight.
48	Rear sight screw.
49	Extractor axis.
50	Rear sight screw washer
51	Front sight.
52	Recoil spring guide.
53	Recoil spring.
54	Magazine tube
55	Magazine follower.
56	Magazine follower spring.
57	Magazine floor plate.
58	Magazine floor plate catch.



## OPERATING AND DISASSEMBLY INSTRUCTIONS FOR STAR MOD. FIRESTAR PLUS PISTOL IN CALIBER 9x19 mm

### BASIC SAFETY PRECAUTIONS

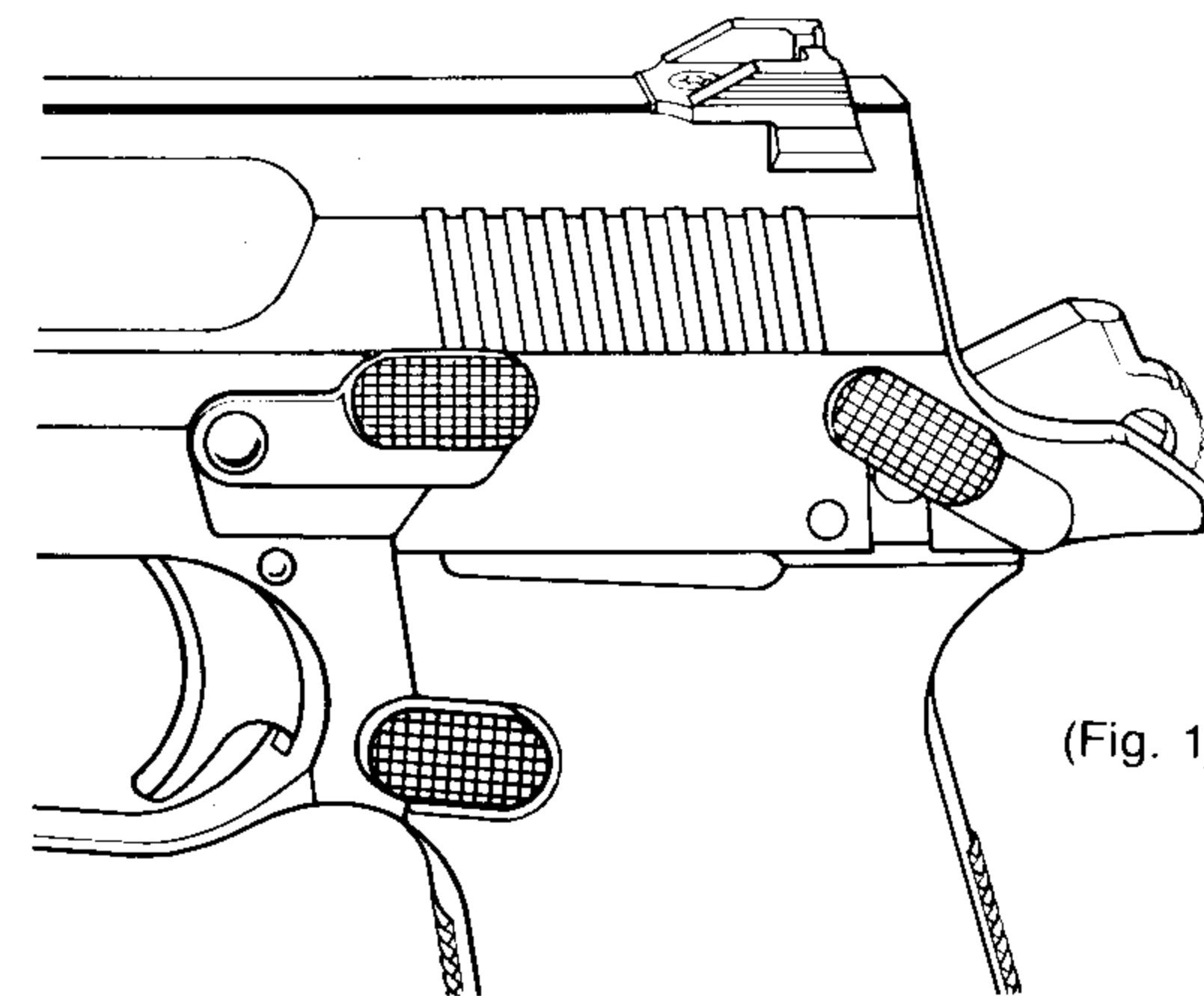
Always treat the pistol as if it were loaded.

Whenever first picking up the pistol, or before handing it to anyone else, carefully check to determine whether it is loaded. Inspect both the magazine and the chamber.

Never point the pistol -even if it is unloaded- at anything you do not wish to shoot.

Whenever handling the pistol, always keep the safety "ON" and your finger away from the trigger until you are ready to fire. Put the safety "ON" immediately after you cease firing, and leave it "ON" while transporting or storing the pistol.

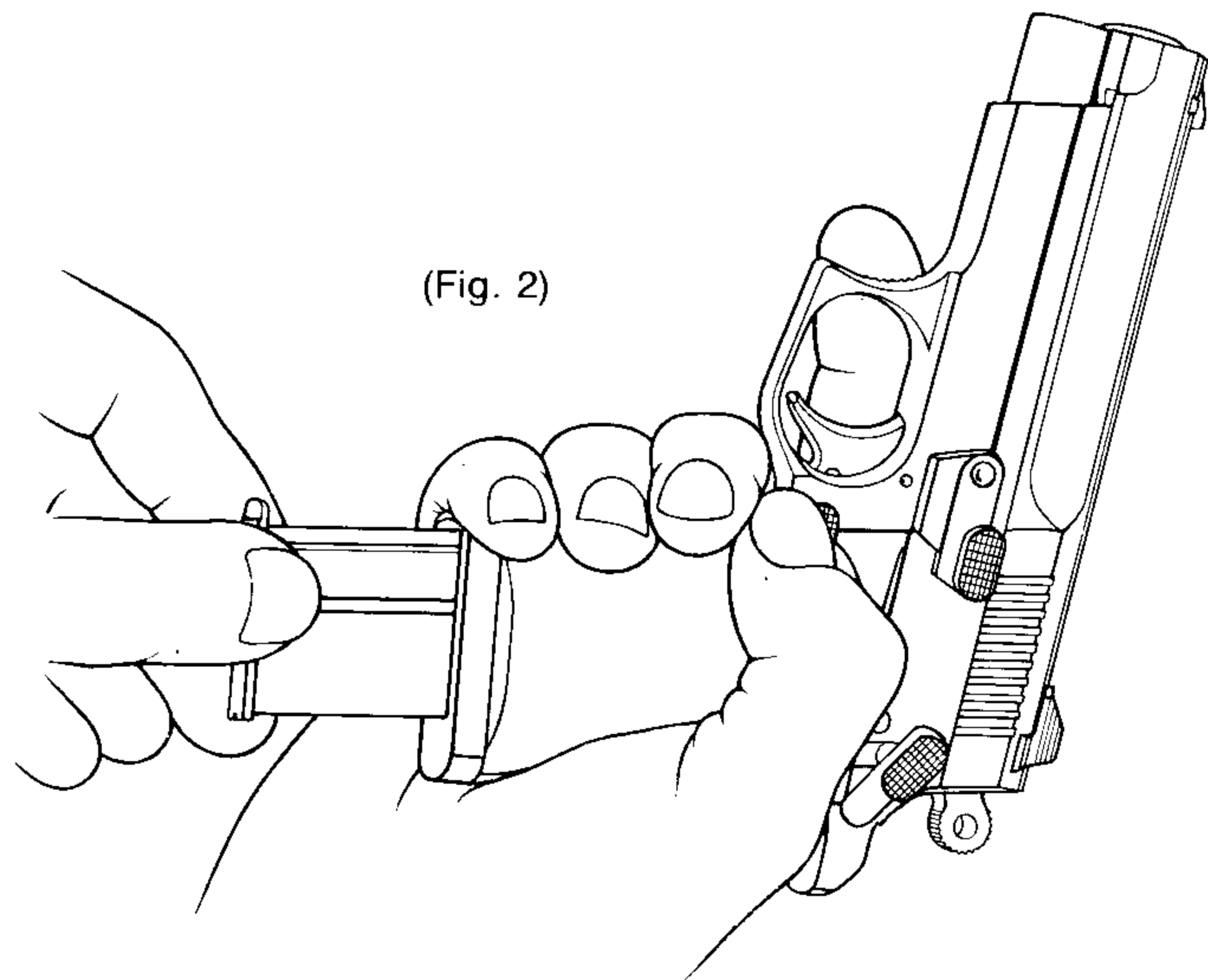
Always keep the muzzle pointed in a safe direction until you are ready to fire. Do not allow any part of your body to get in front of the muzzle.



(Fig. 1)

### TO OPERATE THE THUMB SAFETY

The manual safety is ambidextrous, and consists of two interconnected thumb levers, one on each side of the frame. The safety is "ON" (i.e., in the Safe position) when either lever is pushed upward to cover the red indicator dot on both sides of the frame and expose the white indicator dot. The safety is "OFF" (i.e., in the Fire position) when either lever is pushed down so that the white dots are covered and the red dots are exposed. Always point the muzzle in a safe direction when operating the safety lever.



(Fig. 2)

### TO REMOVE THE MAGAZINE

With the safety "ON" and the muzzle pointed in a safe direction, depress the magazine catch button on the frame behind the trigger guard and withdraw the magazine. When the magazine is removed the trigger is disconnected from the firing mechanism and the pistol cannot be fired by pulling the trigger. When the magazine is again inserted the trigger is reconnected to permit firing.

## SAFETY PRECAUTIONS

Here follow a few safety warnings which we strongly recommend you read and comprehend thoroughly before making first use of your firearm:

### AMMUNITION

**1** Use only high quality, original factory-manufactured ammunition. Do not use cartridges which are dirty, wet, corroded, bent, or damaged. Do not oil cartridges. Do not spray aerosol-type lubricants, preservatives, or cleaners directly onto cartridges or where excess spray may flow into contact with cartridges. Lubricant or other foreign matter on cartridges can cause potentially dangerous ammunition malfunctions. Use only ammunition of the caliber for which your pistol is chambered. The proper caliber is permanently engraved on your pistol; never attempt to use ammunition of any other caliber.

**2** The use of reloaded, 'remanufactured', hand-loaded, or other nonstandard ammunition voids all warranties. Reloading is a science and improperly loaded ammunition can be extremely dangerous. Severe damage to the firearm and serious injury to the shooter or to others may result. Always use ammunition that complies with the industry performance standards established by the Sporting

Arms and Ammunition Manufacturers' Institute, Inc. (SAAMI) of the United States.

**3** If there is any reason to suspect that a bullet is obstructing the barrel, immediately unload the firearm and look **through** the bore. It is not sufficient to merely retract the slide and look in the chamber. A bullet may be lodged some distance down the barrel where it cannot easily be seen. If a bullet is in the bore, **do not attempt to shoot it out with another cartridge, or attempt to blow it out with a blank cartridge from which the bullet has been removed. Such techniques can generate excessive pressure, wreck the firearm, and cause serious personal injury.** If the bullet can be removed with a cleaning rod, clean any unburned powder grains from the bore, chamber, and mechanism before resuming shooting. If the bullet cannot be dislodged by tapping it with a cleaning rod, take the firearm to a gunsmith.

---

## USE OF THE SAFETY

---

**1** Risk of an accident is greatly increased when any pistol, no matter how safely designed, is carried with a cartridge in the chamber. This practice is not recommended and may be justified only in circumstances of clear and present danger, when the pistol may immediately have to be used in self-defense. By far the safest procedure when carrying a loaded pistol is to leave the chamber empty.

**2** If you **must** carry the pistol with a cartridge in the chamber, always use the thumb safety/decocking lever to lower the hammer to the uncocked position. Leave the safety **'on'** until you are ready to shoot and the pistol is pointed at the target!

**3** Always keep your finger off the trigger and point the muzzle in a safe direction when turning the safety lever **'on'** or **'off'**!

**4** When applying the safety, be certain to move it fully into position. A red warning dot is located beside the safety; when the safety is fully **'on'**, the red dot should be completely covered. Remember, **'half-safe'** is **not** safe.

---

## LOADING AND UNLOADING

---

**1** Always keep the muzzle pointed in a safe direction.

**2** Never attempt to load or unload any firearm inside a vehicle, building, or other confined space other than a properly constructed shooting range. Enclosed areas frequently offer no completely safe direction in which to point the firearm; if an accidental discharge occurs, there is great risk of injury or property damage.

**3** Before loading, always clean all grease and oil from the bore and chamber, and check to be certain that no obstruction is in the barrel. Any foreign matter in the barrel could result in a **'bulged'** or burst barrel or other damage to the firearm, and could cause serious injury to the shooter or to others.

**4** Remember to unload the chamber after removing the magazine!

**5** Never assume any gun is empty until you have checked it personally!

**6** Always point the muzzle in a safe direction when manually operating the slide to load the first cartridge from the magazine into the chamber. Malfunctions which allow the pistol to fire without the trigger being pulled when the slide snaps closed are rare but **CAN** happen. Always grip the slide so that your fingers, hand, elbow, and other parts of your body are **BEHIND** the pistol.

---

## AIMING

---

**1** Never point any firearm —loaded or unloaded— at anything you do not intend to shoot. Keep the muzzle pointed in a safe direction and keep your finger off the trigger until you are ready to fire.

**2** Always make certain that your backstop is adequate to stop and contain your bullets. Remember, your bullet can carry for more than one mile. Never shoot at hard surfaces like rock or water; the bullet could ricochet and travel in any direction to strike you or a person or object you cannot see, causing serious injury or property damage.

## FIRING

**1** Never carry about or leave unattended any firearm which is cocked and ready to fire! Accidental firing could result if you fall or drop the firearm, or if the firearm is struck or disturbed by someone or something.

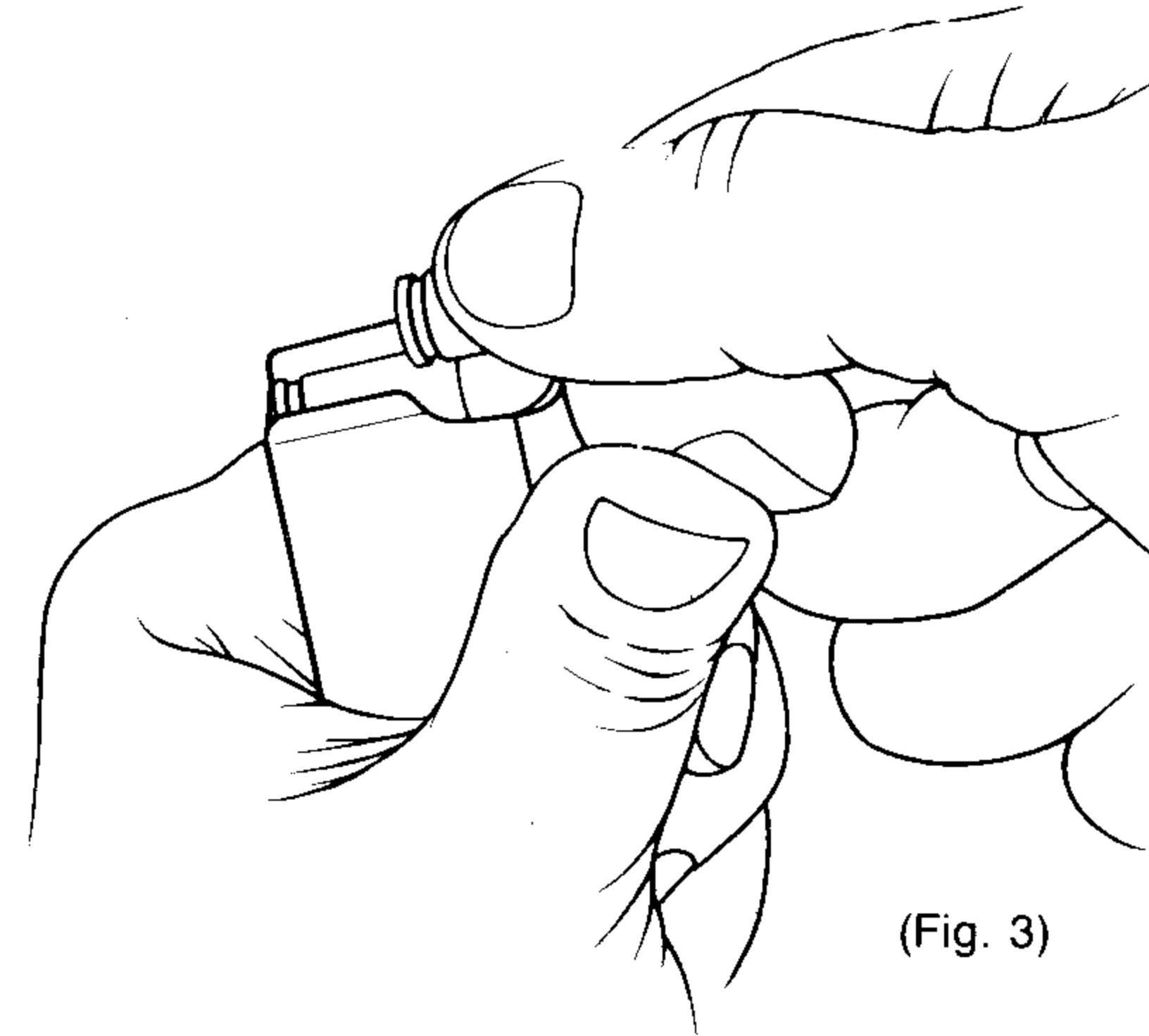
**2** Never fire any pistol with your finger, hand, face, or other part of your body over or adjacent to the ejection port, or in any position where you may be struck by the reciprocating movement of the slide. Failure to heed this warning could result in bodily injury. Both the movement of the slide and the ejection of empty cartridge cases are part of the normal operating cycle of a pistol and pose no safety hazard to the shooter if the pistol is held in a normal grip and fired at arm's length, as intended by its design.

**3** Never allow other persons to stand beside you where they might be struck by an ejected cartridge case. The case is hot and may be ejected with sufficient force to cause a burn or a cut or injure an unprotected eye. Make certain there is a clear, unobstructed path for safe ejection of the fired case. Remember, the case may bounce off a hard object nearby and strike you or another person.

**4** While shooting, should your firearm develop a mechanical malfunction or binding, 'spits' powder gas, or if a cartridge primer is punctured, a cartridge case is bulged or ruptured, or if the report on firing does not sound quite right, **STOP SHOOTING IMMEDIATELY!** It may be dangerous to continue. **UNLOAD THE FIREARM — DO NOT TRY 'JUST ONE MORE SHOT'.** Take the firearm and the ammunition to a gunsmith for examination.

**5** Do not assume that the pistol is empty merely because the slide remains open. A cartridge jammed between the slide and the barrel can also prevent the slide from closing. Always look in the chamber to make sure!

**6** If a jam occurs, clear it as follows. While keeping the muzzle pointed in a safe direction remove the magazine. Pull back the slide and lock it to the rear by pushing up the slide release. The jammed cartridge or case can now be removed by shaking it out or by picking it out with your fingers.



(Fig. 3)

### TO LOAD THE MAGAZINE

Load the magazine by inserting each cartridge in two motions: first **DOWN** to compress the magazine spring, then **REARWARD** to slide the cartridge under the magazine lips. The magazine will hold up to 7/8 cartridges. Holes in the right side of the magazine allow visual confirmation of the number of cartridges inserted. To empty the magazine, push (do not pull) each cartridge forward until it is no longer held by the magazine lips.

**CAUTION:** take care not to bend, distort or pry the magazine lips when loading cartridges. Press down the column of cartridges until the top cartridge can be moved smoothly under the lips. **DO NOT USE EXCESSIVE FORCE;** damaged magazine lips will cause malfunctions.



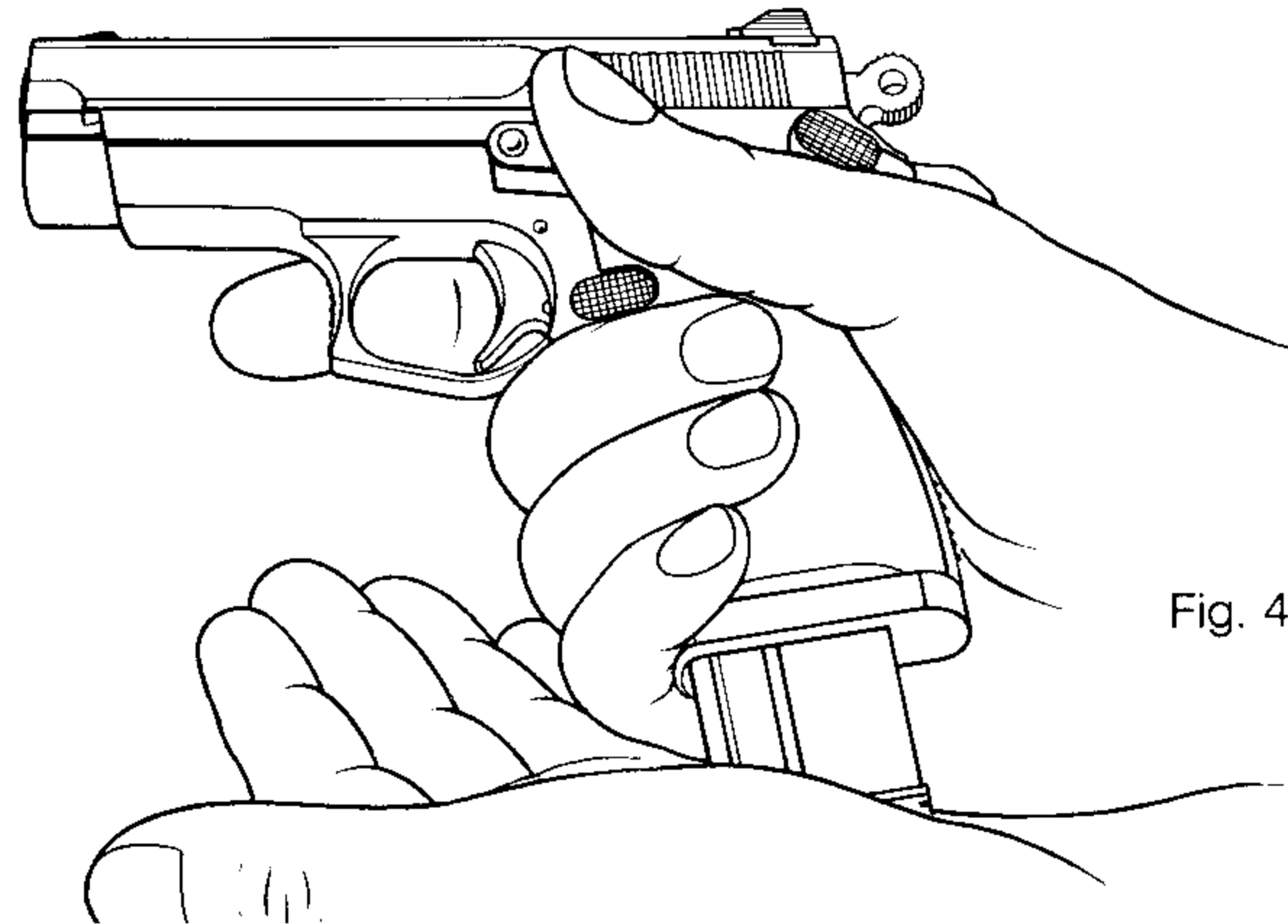


Fig. 4

#### To load the pistol.

With the hammer in uncocked position and the thumb safety wings concealing the red warning dots (this will keep you safe from inadvertently chambering a cartridge), hold the pistol in the shooting hand and with the free hand insert the loaded magazine in its housing in the grip, until it is held in place by the magazine catch.

If you want to chamber the first cartridge, put the thumb safety wings in OFF (firing) position, taking care to keep the index finger away from the trigger, as shown in the figure, and grasping the slide between thumb and index finger of the weak hand at the serrations, pull it fully back and allow the slide to snap forward forced by the recoil spring. The slide will in its forward motion extract the first cartridge from between the magazine lips and chamber it.

The pistol is now loaded, cocked and ready to fire.

#### CAUTION

Take into account that you have now in your hands a loaded and cocked pistol, with the thumb safety in firing condition, ready to be fired by pulling the trigger. Thus, take care to keep from this time your fingers away from the trigger and if you are not going to shoot, put the thumb safety in ON position concealing the red warning dots, as this is the only way to harmlessly handle the pistol.

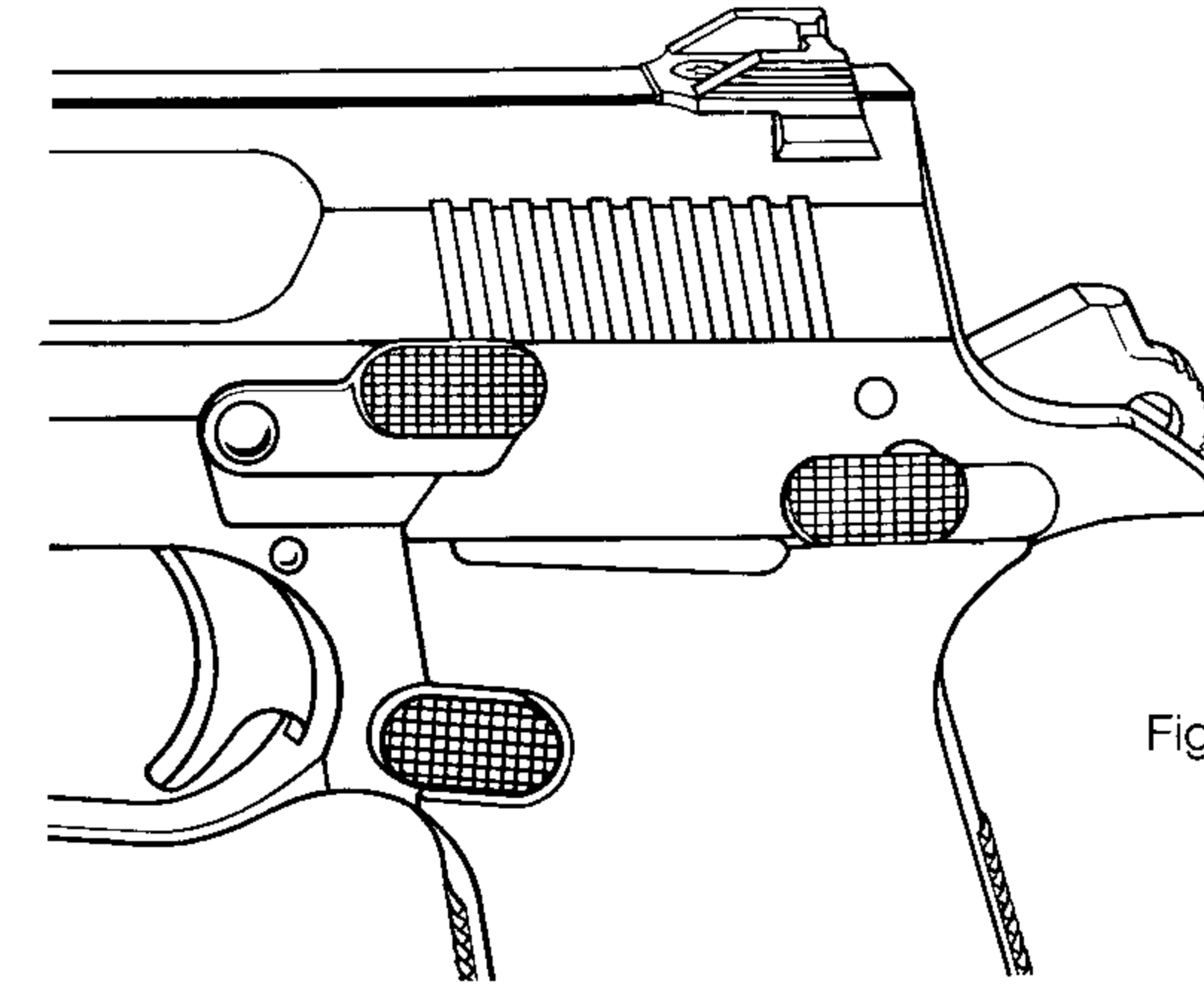
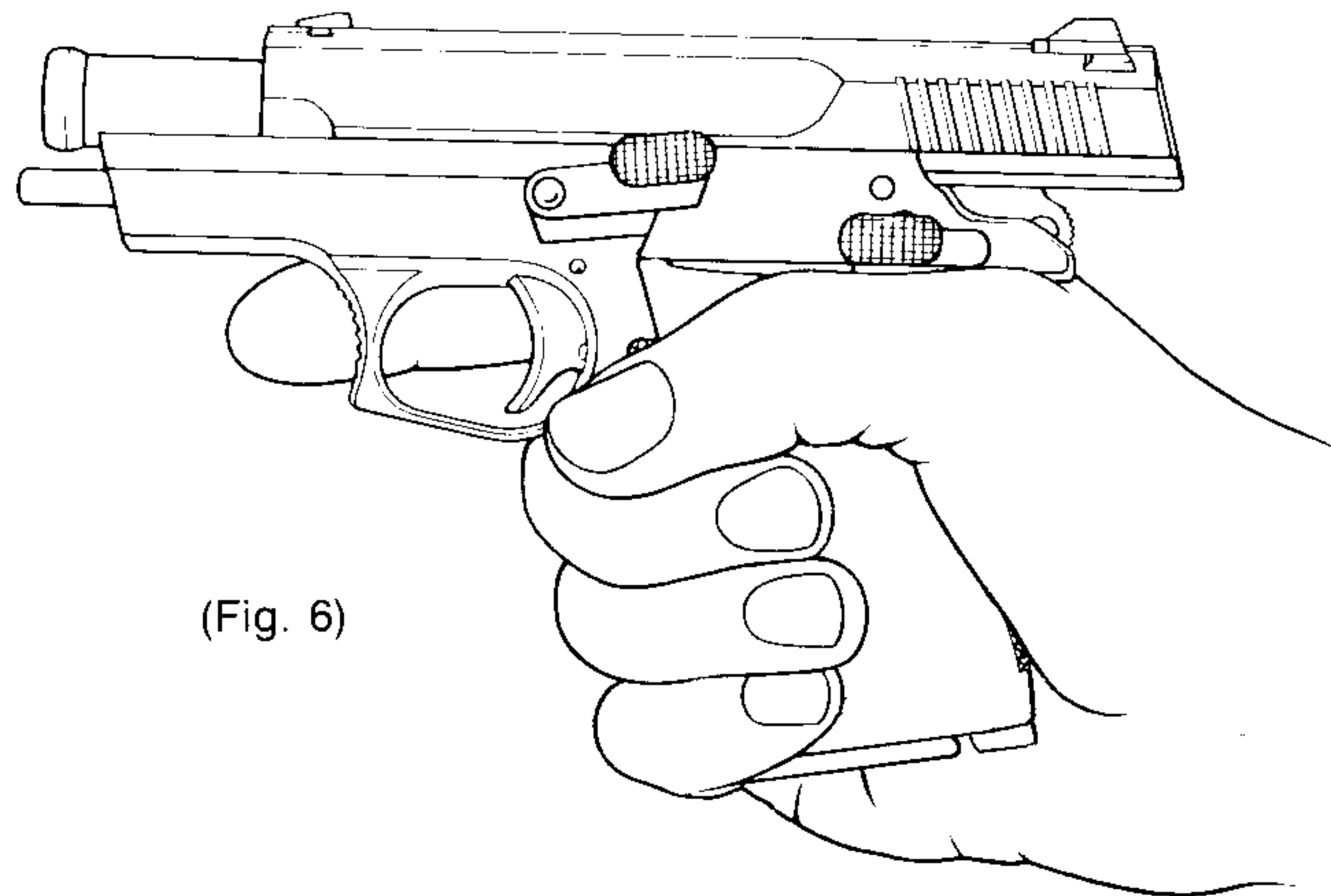


Fig. 5

#### To fire the pistol.

With a cartridge already chambered, thumb safety in OFF (firing) position (red warning dots visible) and the hammer cocked, as shown in the figure, firmly hold the pistol in firing position and squeeze the trigger. The discharge of the fired cartridge forces the slide backwards, extracting the fired cartridge case and cocking the hammer. The subsequent forward movement of the slide, under the pressure of the recoil spring, strips another cartridge from between the magazine lips into the chamber. The pistol is then ready to fire again. This is repeated as rapidly as the trigger is pulled, until the magazine is empty.



(Fig. 6)

#### **FURTHER HANDLING OF THE PISTOL**

When the last shot in the magazine has been fired, the slide will remain open. To resume firing: while keeping the pistol pointed at the target or in a safe direction, insert another loaded magazine and pull down the slide stop lever. The slide will snap closed, chambering the first cartridge. The pistol will once again be loaded, hammer cocked, and ready to fire.

Do not turn away from the target without putting the safety "ON". If firing is discontinued while the pistol is still loaded, keep the muzzle pointed at the target or in a safe direction. Push the safety "ON". First remove the magazine, then pull back the slide smartly to eject the cartridge remaining in the chamber. Visually inspect the chamber to be sure it is empty and unload the magazine.

#### **TO DISASSEMBLE THE PISTOL FOR CLEANING**

First of all, remove magazine and check to ensure that there is no cartridge left in the chamber and remove it if there is.

Cock the hammer by hand and pull slide back until reference line on the left side of the slide is in line with a corresponding line on the frame, at the same time press the index finger of the right hand against the end of the slide stop shaft protruding from the opposite side of the frame (see arrow in Fig. 7) above the trigger guard, until the slide stop is partially extracted. With the thumb and index finger of the left hand grasp the slide stop and pull it out.

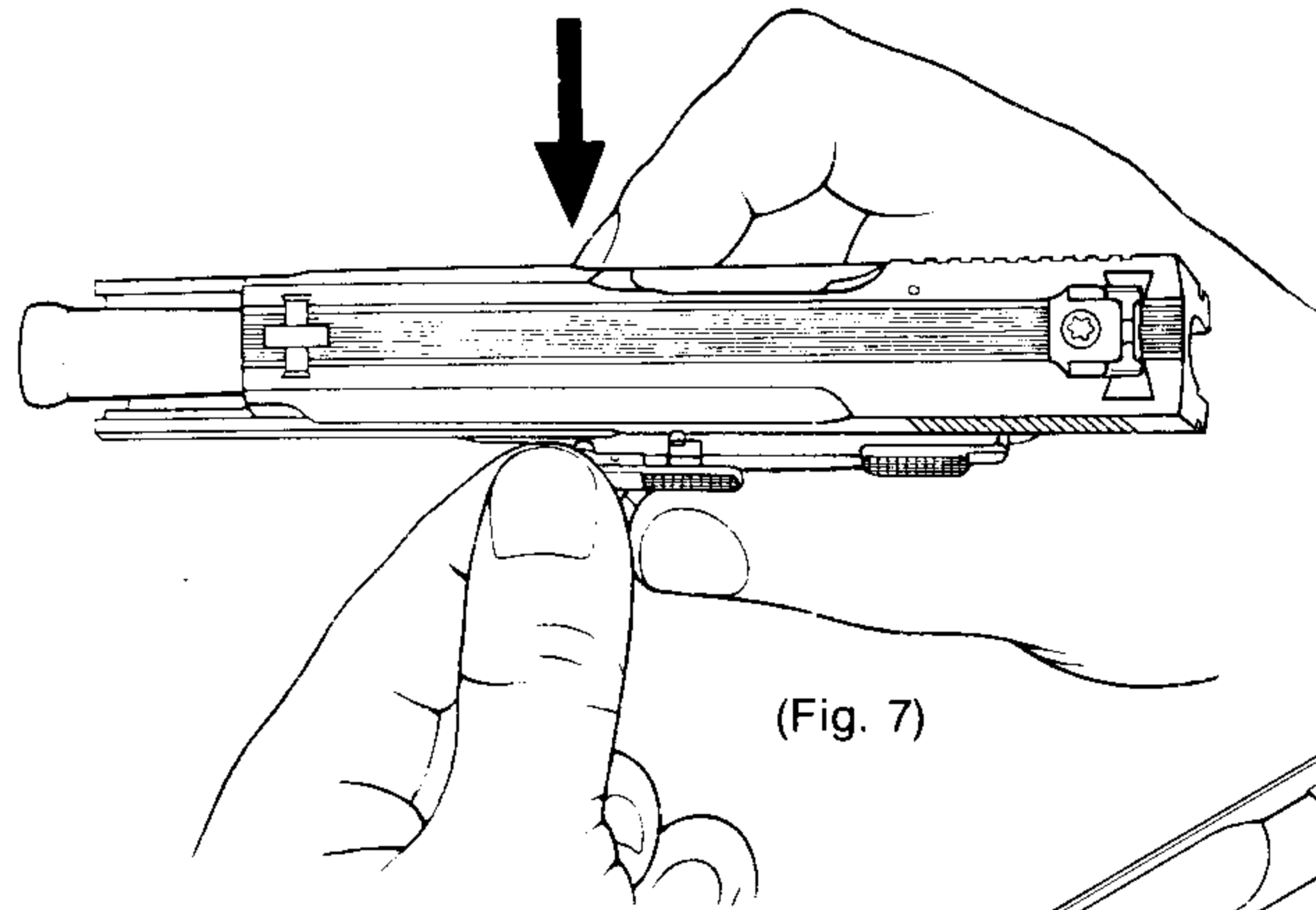
Once the slide stop has been removed, the slide assembly can now be withdrawn by pulling it out and forward from the frame.

The barrel and recoil spring assembly will come out with the slide assembly.

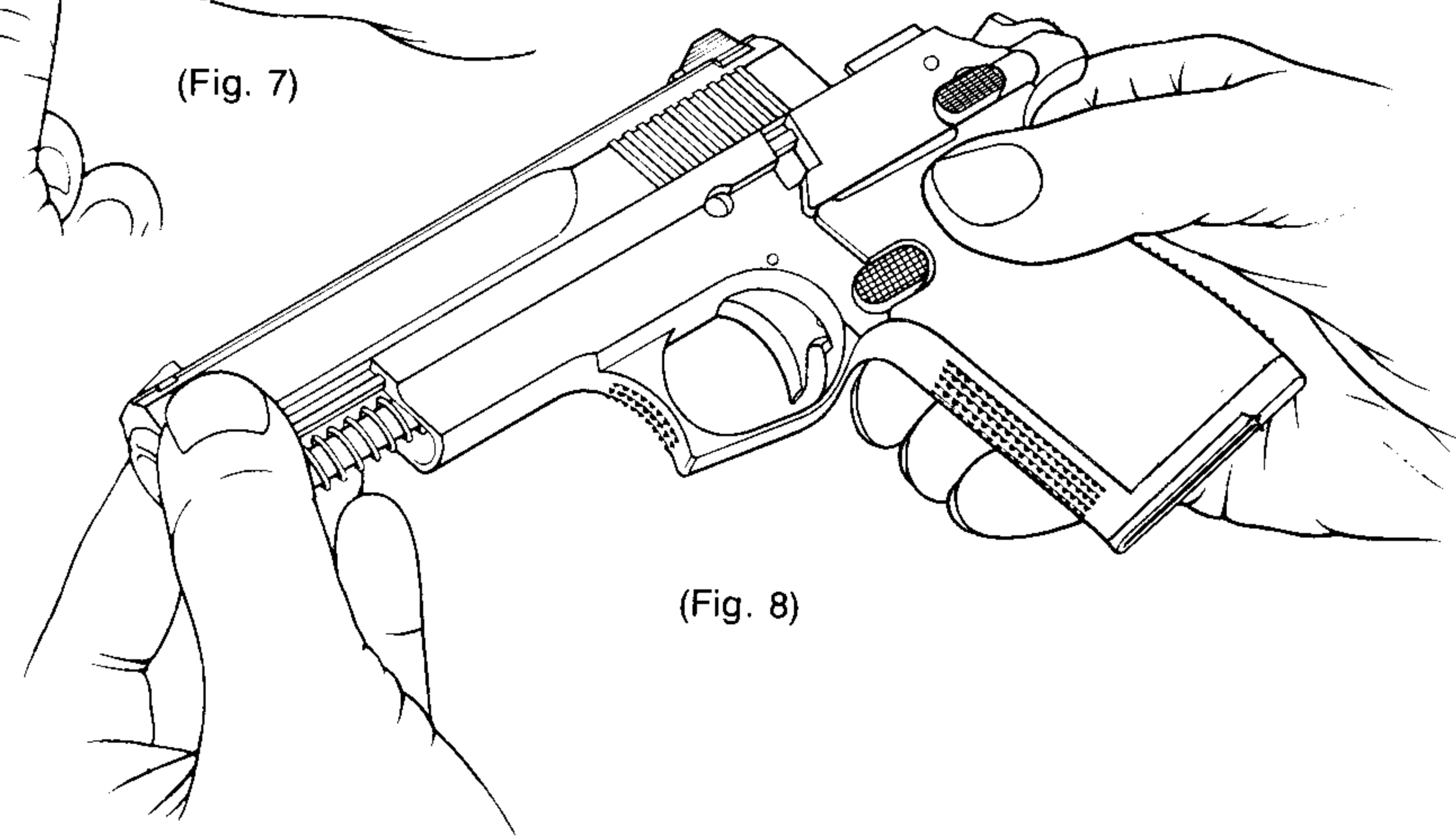
Grasp the rear end of the recoil spring assembly between thumb and index finger of the right hand and pulling it slightly forward to separate its small locking plunger at the rear of the spring guide from the barrel lug face, lift it up and out rearward of the slide.

The barrel is removed from the slide in a similar way as the recoil spring assembly, taking into account that the ring at the muzzle can only pass along the enlarged part of the channel in the proximity of the recoil spring assembly housing.

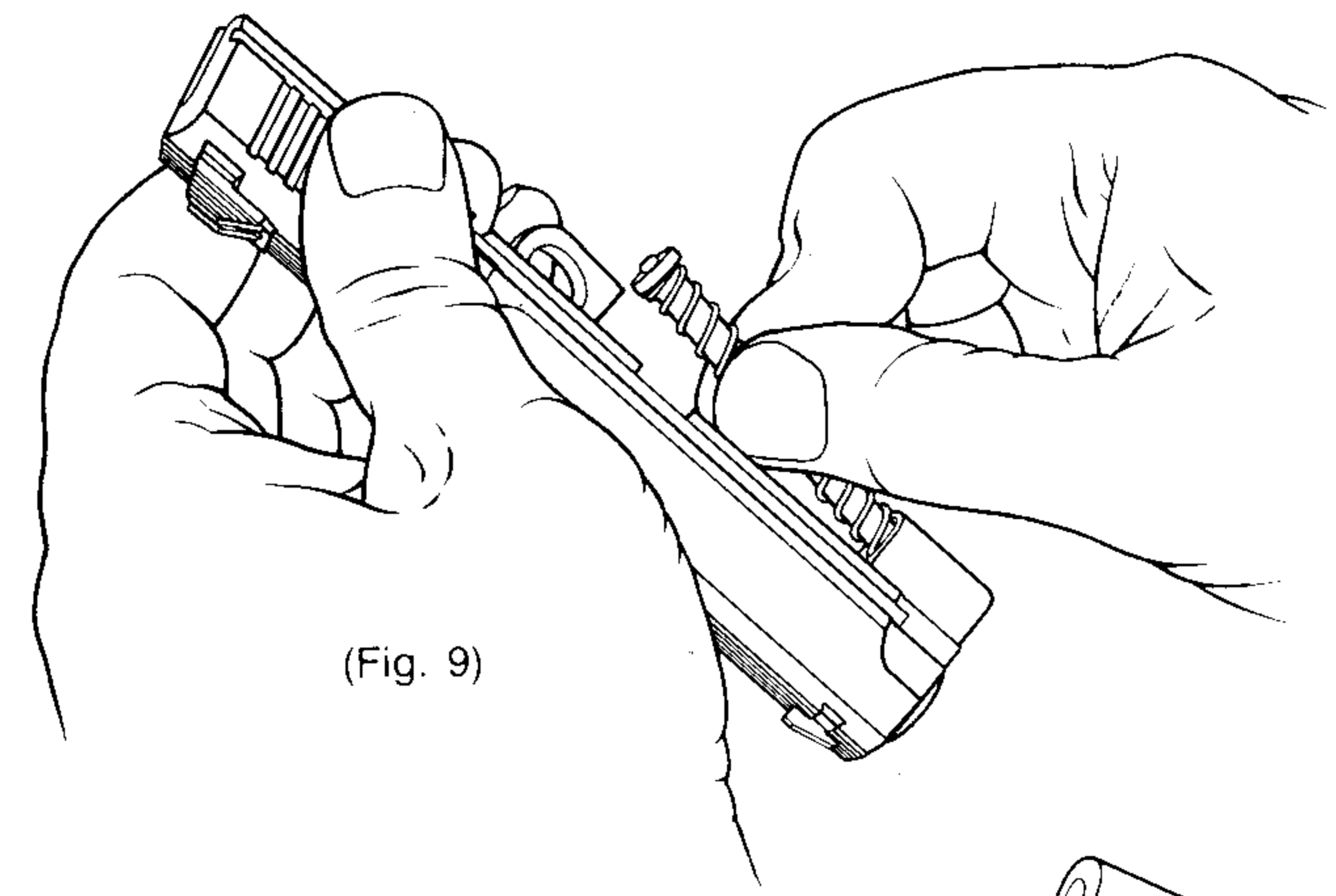
**NO FURTHER DISMOUNTING IS NECESSARY TO PROPERLY CLEAN THE PISTOL.**



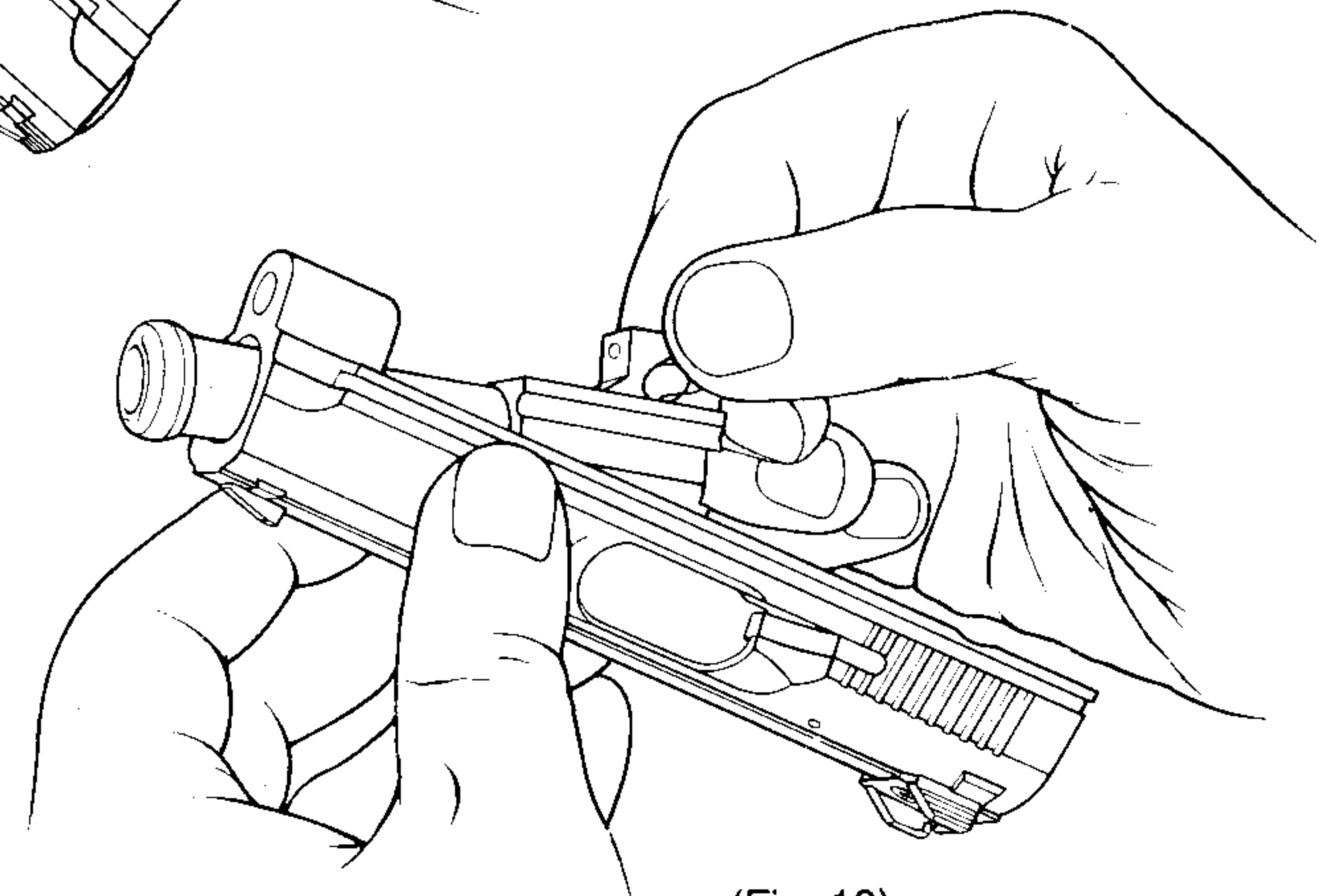
(Fig. 7)



(Fig. 8)



(Fig. 9)



(Fig. 10)

# **STAR BONIFACIO ECHEVERRIA S.A.**

C/ TORREKUA, 3 - P.O. BOX 10  
TELF. (43) 11 73 40  
TELEX 38658 BEIA E - CABLE «STAR»  
FAX (43) 11 15 24  
**20600 EIBAR (GUIPUZCOA) SPAIN**