

# Over And Under Shotgun

---

## Owner's Manual

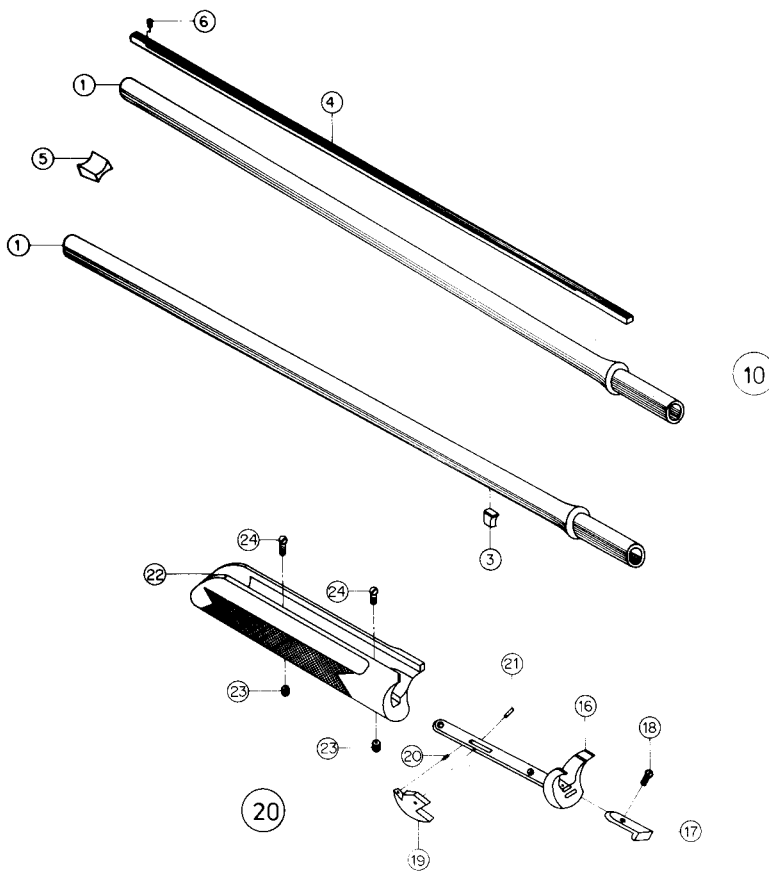
# Condor

Single Trigger - Ejector Model



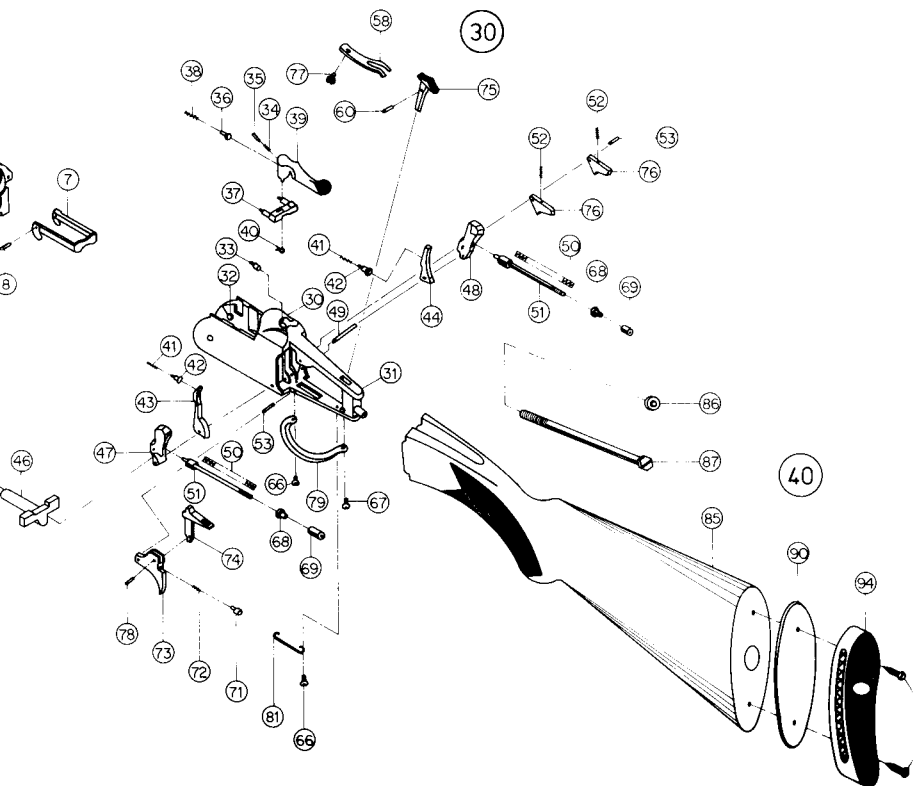
**STOEGER**

P. N.°	Code N.°	Description	Quant.	P. N.°	Code N.°	Description
	HL-12-100	Barrel Assembly	-	21	HL-12-221	Forearm Lock Pin
1	HL-12-101	Barrel	2	22	HL-12-222	Wood Forearm
2	HL-12-102	Barrel Latch	1	23	HL-12-223	Forearm Washer
3	HL-12-103	Forearm Iron Catch	1	24	HL-12-224	Forearm Screw
4	HL-12-104	Top Rib	1		HL-12-300	Frame Assembly
5	HL-12-105	Contour for Barrels Joint	1	30	HL-12-330	Frame
6	HL-12-106	Front Sight	1	31	HL-12-331	Frame Tail
7	HL-12-107	Double Extractor	1	32	HL-12-332	Trunnion Pin
8	HL-12-108	Extractor Fastening Pin	1	33	HL-12-333	Lever Lock Pin
	HL-12-200	Forearm Assembly	-	34	HL-12-334	Top Lever Spring
16	HL-12-216	Forearm Iron	1	35	HL-12-335	Top Lever Pin
17	HL-12-217	Cocking Lever	1	36	HL-12-336	Lever Lock Impeller
18	HL-12-218	Coking Lever Screw	1	37	HL-12-337	Lever Lock Fastener
19	HL-12-219	Forearm Lock	1	38	HL-12-338	Lever Impeller Spring
20	HL-12-220	Forearm Lock Spring	1	39	HL-12-339	Top Lever



Quant.	P. N.°	Code N.°	Description	Quant.	P. N.°	Code N.°	Descr
1	40	HL-12-340	Retainer Pin	1	67	HL-12-367	Trigge
1	41	HL-12-341	Firing Pin Spring	2	68	HL-12-368	Hamr
2	42	HL-12-342	Firing Pin	2	69	HL-12-369	Hamr
2	43	HL-12-343	Top Firing Pin Plunger	1	71	HL-12-371	Equal
	44	HL-12-344	Bottom Firing Pin Plunger	1	72	HL-12-372	Equal
-	46	HL-12-346	Hammer Cocking Cam	1	73	HL-12-373	Trigge
1	47	HL-12-347	Hammer - Left	1	74	HL-12-374	Equal
1	48	HL-12-348	Hammer - Right	1	75	HL-12-375	Safety
2	49	HL-12-349	Hammer Pin	1	76	HL-12-376	Sear.
1	50	HL-12-350	Hammer Spring	2	77	HL-12-377	Safety
1	51	HL-12-351	Hammer Spring Guide	2	78	HL-12-378	Equal
1	52	HL-12-352	Sear Spring	2			
1	53	HL-12-353	Sear and Trigger Pin	2			
1	58	HL-12-358	Safety Spring	1			
1	60	HL-12-360	Safety Fastening Pin	1			
1	66	HL-12-366	Trigger Guard Screw/Trigger Spring	2			

## CONDOR — SINGLE TRIGGER OVER/UNDER EJECTOR MODEL



Description	Quant.	P. N.°	Code N.°	Description	Quant.
Trigger Guard Screw	1	79	HL-12-379	Trigger Guard	1
Trigger Activator Guide	2	81	HL-12-381	Trigger Spring	1
Trigger Imp. Spring Limiter Nut	2				
Trigger Impeller Pin	1		HL-12-400	Stock Assembly	-
Trigger Imp. and Trigger Spring	1	85	HL-12-485	Wood Stock	1
Trigger	1	86	HL-12-486	Stock Bolt Washer	1
Trigger	1	87	HL-12-487	Stock Bolt	1
Safety Catch	1	90	HL-12-490	Butt Plate Spacer	1
	2	94	HL-12-494	Recoil Pad	1
Trigger Activating Spring Screw	1	95	HL-12-495	Butt Plate Screws	2
Trigger Fastening Pin	1				

## CONDOR

### OVER AND UNDER SHOTGUN

**TO ASSEMBLE GUN** — Your shotgun is shipped from the factory with barrel assembly and forearm assembly removed from gun. Before assembling, remove forearm and clean lubrication from metal parts and barrel bores. Rotate top lock lever to right (counter-clockwise) to cam top lock open. Carefully fit barrel assembly into frame. Fit the two small circular cuts on underside of barrel assembly to pivot pins protruding from inside of frame. Hold this engagement and rotate barrel assembly upward until action is closed and top lock latches into place. Carefully place forearm assembly over bottom barrel at a slight angle. Adjust to fit radius on forearm iron to matching radius on front of frame. Press forearm assembly upward to latch into place. Please notice that the lever is slightly loose. This looseness will disappear as the gun adjusts with use.

**SAFETY** — The gun has an automatic safety. By opening the gun for loading or unloading, automatically the safety button moves to the "S" position, which indicates that the gun is locked. If on your gun the safety is mechanical, push the button to the "S" position.

**TO LOAD** — **CAUTION** — Before loading, make sure barrel bores are clean and free of any grease, heavy oil, snow or other obstruction. With safety selector on safe position, rotate top lock lever to right to unlatch top lock. Rotate barrel assembly downward to break (open) action. Place shells into barrel chambers and close and lock action, if required.

**TO UNLOAD** — Rotate top lock lever to right and open action. Shells will be automatically extracted from gun and may be removed by hand, or ejected (if the case).

**TO REMOVE FOREARM IRON ASSEMBLY** — Remove forearm assembly. Unscrew front forearm screw and rear forearm screw. Pull iron from forearm. Slide forearm iron assembly from forearm. Assemble in reverse.

**TO REMOVE FOREARM ASSEMBLY** — Press forearm latch forward. Push front of forearm assembly downward.

**TO REMOVE BARREL ASSEMBLY** — Remove forearm assembly. Open action. Move barrel assembly downward slightly to disengage from pivot pins. Lift upward and remove from frame.

**TO REASSEMBLE STOCK** — If stock has been removed, take special care in reassembly. The stock bolt should be tightened, to torque not exceeding 5 ft. lbs. Overtightening of stock bolt may adversely affect proper functioning of gun.

**CLEANING AND CARE** — Open action. Clean barrel bores with cleaning rod and soft, lightly oiled cloths. If necessary, scrub bores with nitro solvent. Wipe clean and re-oil very lightly.

Should cleaning of parts of forearm iron assembly be required, remove assembly from forearm. Wash assembly in solvent, dry and re-oil sparingly. When using gun in below freezing weather, remove excess oil. If a lubricant is needed use dry graphite or similar non-congealing lubricant, lightly applied. After handling gun, oil wipe all steel parts. Invisible "prints" of moisture can cause rust unless removed. After using in wet weather, always dry and wipe steel parts with oil. Abrupt changes in temperature can also cause wetness due to condensation. Using a quality gun grease, lightly lubricate radius on front of frame where it matches forearm iron, pivot pins and adjacent inside walls of frame where contact, is made with barrel assembly. Keep all other bearing points and polished breech surfaces clean and lightly oiled. Clean top surfaces of frame. Accumulation of dirt or residue in this area may restrict complete closing of action and prevent gun from firing.

**NOTE** — This gun, like all over and under shotguns, is a precision firearm manufactured to close tolerances. With proper handling it will assemble and function correctly. Never use excessive force in opening or closing barrels to the action. Proper closing can be accomplished by holding the forearm with one hand raising the stock assembly with the other hand until it locks.

Any disassembly of the over and under shotgun described in the Gun Owner's Manual is not recommended unless necessary for repair or replacement of worn or damaged parts. Select a qualified gunsmith or return gun to store. When gun is new, it may be noted that the lock lever may not return to a precise center position when action is closed. This assures that provision has been made for gradual adjustment of locking surfaces.

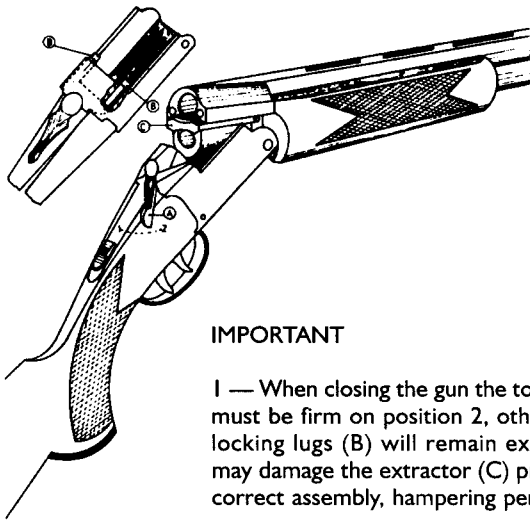
Our firearms are designed, manufactured and proof tested to standard based factory loaded ammunition. Improperly loaded handloads can be dangerous. The manufactures of this — shotguns cannot assume responsibility for damages injury caused by handloads or reloaded ammunition.

This gun has been manufactured to factory specifications and shipped from factory suitable for use. Stoeger does not recommend and is not responsible for alteration or modifications on gun not made by authorized personnel, nor the replacement of worn or damaged parts being those not of our manufacture.

Special care should be taken to insure that gun is not loaded with any size other than marked on gun barrel.

**DO NOT SHOOT STEEL SHOT THROUGH A FULL  
CHOKED BARREL**

Attn: Service Dept.  
Stoeger Industries, Inc.  
901-Eighth Street  
Pocomoke City, MD 21851  
(301) 283-6300



### IMPORTANT

1 — When closing the gun the top lever (A) must be firm on position 2, otherwise the locking lugs (B) will remain exposed and may damage the extractor (C) preventing a correct assembly, hampering performance.