

# WILDEY

45 WIN MAG & 475 WILDEY MAG



## **SURVIVOR** **Instruction Manual** **& Parts Catalog**





## INSTRUCTIONS

### 45 WIN MAG & 475 WILDEY MAG "SURVIVOR" Auto Loading Pistol

**YOUR** — New Wildey "SURVIVOR" patented gas system is an air-hydraulic piston powered by the firing gases through six small holes in the barrel. This piston forces the slide rearward, initiating the operation (cycling) of the pistol.

Opening or closing the gas regulator adjusts the degree of "kick" the piston gives the slide. The smaller the kick, the slower the slide moves; the harder the kick, the faster the slide moves. If the kick is too soft, it is possible for the slide not to reach the full extent of rearward travel. The longer the barrel length, the more sensitive is the gas setting; this is because as the barrel lengthens, the dwell time increases, and the amount of gas represented by each notch on the regulator increases.

Setting the regulator requires knowledge of the cycle; the cycle steps are as follows:

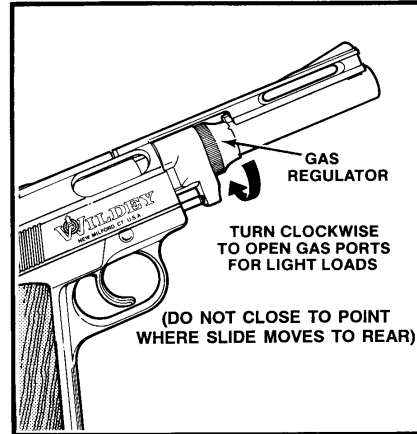
- |                                      |   |  |
|--------------------------------------|---|--|
| Full extent<br>of rearward<br>travel | } | 1. bolt unlocks from battery                   |
|                                      |   | 2. extracts shell                              |
|                                      |   | 3. ejects shell                                |
|                                      |   | 4. cocks hammer                                |
|                                      |   | 5. holds open and stops<br>(if last cartridge) |
|                                      |   | 6. strips next cartridge from magazine         |
|                                      |   | 7. chambers next cartridge                     |
|                                      |   | 8. locks into battery                          |

At this time we will belabor the obvious by saying that a dirty pistol will not work well; and in extreme cases, will not work at all. It would surprise most Wildey owners how many of our customer repairs relate directly to bad or non-existent cleaning habits. When cleaning, pay particular attention to the rails of the frame, the bolt face, the barrel extension, the chamber, and the piston/regulator area.

**In order to set the gas operation for auto-loading capability, we suggest the following method of adjustment.**

- 1 - Insert an empty magazine into the pistol.
- 2 - All firing is then affected by inserting the cartridges into the chamber, one by one, through the ejection opening.
- 3 - Turn the gas regulator clockwise one click at a time firing a round after each adjustment until the slide lock stop engages. Verify this setting by firing a magazine full of cartridges. If any shots result in a short recoil open the gas regulator one more click.

**BEFORE** — loading, unloading, or cleaning the pistol engage the CAM LEVER by depressing it downward until the hammer drops. This will aid in the safe handling of the pistol. The Wildey "SURVIVOR" is designed with a trigger block mechanism to prevent it being fired without a magazine in place.



**TO MAGAZINE LOAD** — insert a magazine in the pistol until the magazine catch engages and locks it in place. PULL the slide to the rear until it stops and then release it. If the slide is being held to the rear by the slide lock stop and is released without being pulled fully to the rear - the bolt will override the cartridge.

#### CAUTION

**BE SURE BARREL IS CLEAR OF ANY OBSTRUCTIONS BEFORE FIRING.**

**TO FIRE** — Push the cam lever up to disengage hammer block. SINGLE action: Cock hammer to the rear most position and squeeze trigger. DOUBLE action: PULL trigger until hammer releases.

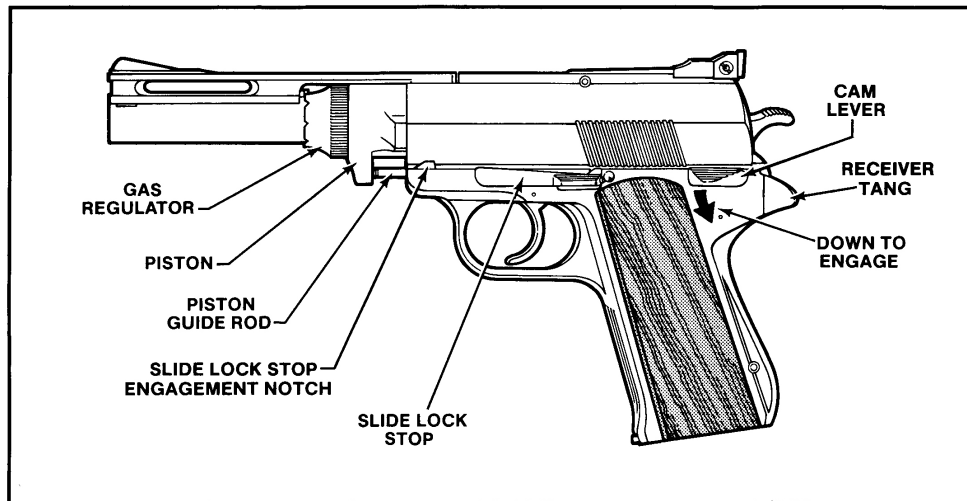
**TO UNLOAD** — In cocked position, depress cam lever to its bottom position. Release magazine catch and pull out magazine. Pull slide to the rear to extract round in chamber holding gun with ejection port down to allow round to be removed.

#### CAUTION

**BEFORE DISASSEMBLY AND/OR CLEANING, BE SURE THE PISTOL IS UNLOADED.**

#### DISASSEMBLY

1. Remove round from chamber and magazine.
2. Pull slide to the rear and engage slide lock stop.



3. Hook right thumb beneath the receiver tang (palm facing away) and use fingers of right hand to retract the slide fully to the rear. Holding that position, remove the slide lock stop by pushing tip protruding from right side of frame. **Do not** let go of the slide while it is under spring pressure. Allow the slide to move slowly forward until spring pressure is relieved.

4. With gun upside down, remove barrel assembly and slide from frame.

5. Withdraw the two recoil springs. Pull the barrel assembly forward as far as it will go, then push barrel assembly down to disengage cam pin from the slide.

**BOLT REMOVAL** — (Caution: All screws are installed with Loctite). After removing barrel assembly, open bolt and pull it to the rear - holding bolt out, depress firing pin - Pull out cam pin (top of bolt) - Release firing pin and pull firing pin and firing pin spring out of bolt. Push out locking pin (to install locking pin, push it into the bolt from the ejection port side). To remove ejector - depress ejector flush with bolt face and push out pindicator. Pull out ejector and ejector spring. (For reassembly - insert ejector spring and ejector. Depress far enough to allow for pindicator insertion. Be sure notch in pindicator faces outer wall of bolt.)

**GAS ASSEMBLY REMOVAL** — Remove piston guide rod and spring from barrel extension. Remove allen screws from top and front of Ventilated Rib - lift rib off - remove rib post (on 8" and 10" models, rear rib post is threaded - to replace be sure front rib post is installed with the recess facing forward). Unscrew gas regulator. Remove with piston as an assembly.

#### REASSEMBLY

1. Starting with the bolt in its rearward position in the barrel extension, insert barrel assembly into the slide while being sure to engage cam pin in cam slot in slide. Insert recoil springs with recoil spring guides in the rear.

2. Holding the slide/barrel assembly upside down, engage frame to slide (be sure barrel extension block is in position - see exploded view). Be sure trigger transfer bar does not interfere with rear of slide. If it does, push it out of the way.

3. Reverse #3 in disassembly to install slide lock stop. "help" slide lock stop plunger into engagement notch.

4. Before using, check pistol for proper function.

**ACTION CLEANING** — An evaporating solvent is recommended. The action will remain clean much longer if lubricants are used sparingly.

**BARREL CLEANING** — Depress cam lever. Pull slide to the rear and lock open with slide lock stop. Clean barrel with evaporating solvents and oil very lightly. Gas ports should be kept clear.

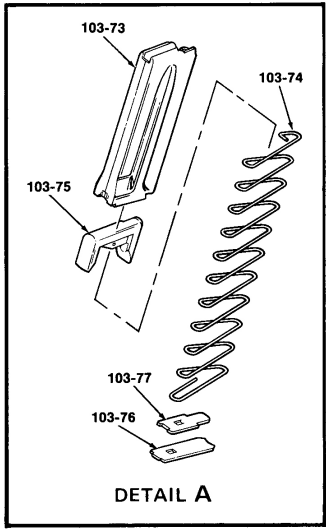
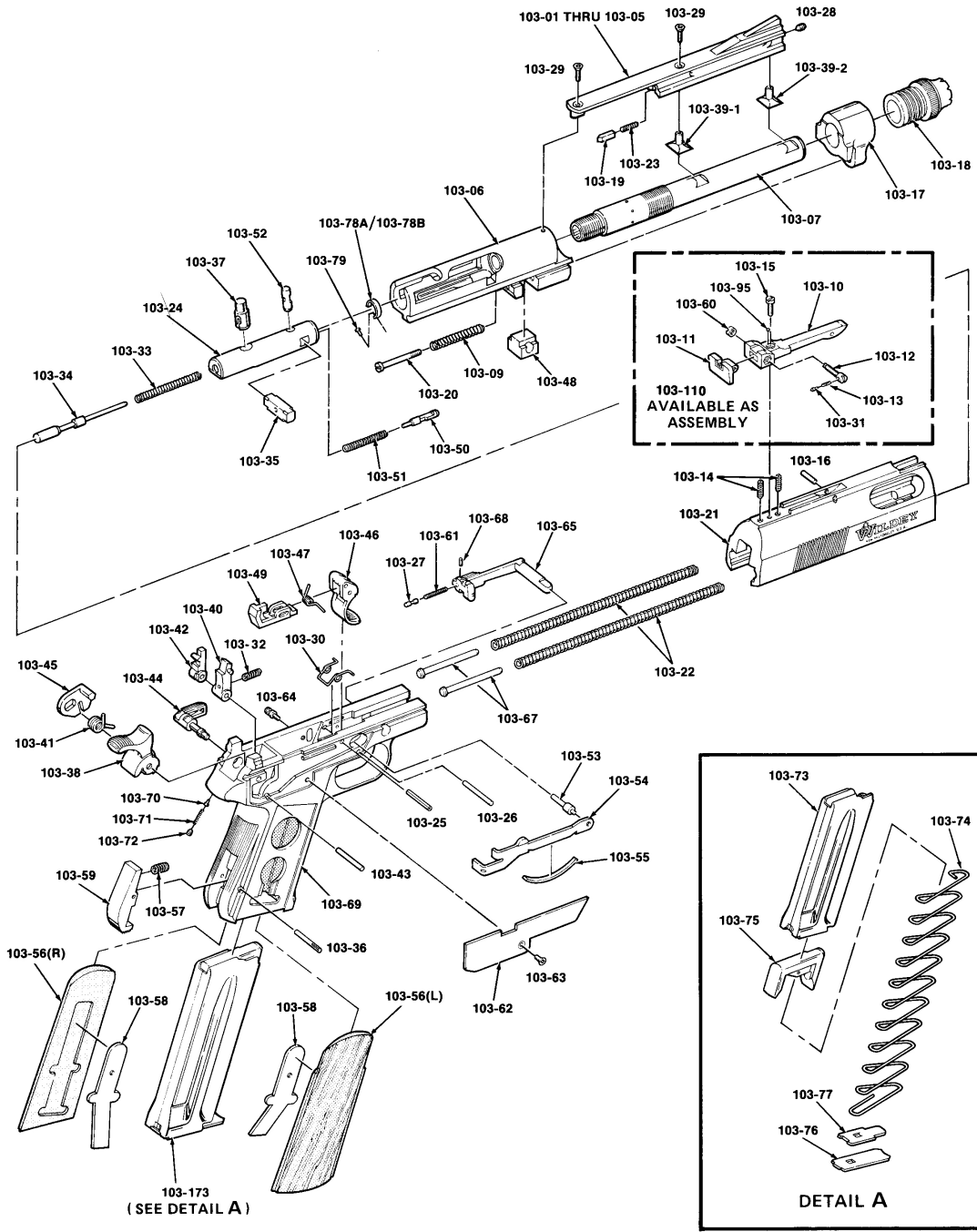
**LUBRICATION** — In normal usage "SURVIVOR" auto requires very little lubrication, particularly in the barrel/piston area. We recommend lubricants with a teflon content. When the pistol is to be fired after being stored, all excess lubrication should be removed.

**HANDLING** — Wipe with lubricant after handling. Exposure to unfavorable climatic conditions require additional care.

**IMPORTANT** — Wildey pistols are designed, manufactured and proof tested to standards based on factory loaded ammunition. **IMPROPERLY** loaded handloads can be dangerous. Wildey cannot assume responsibility for damages or injuries caused by handloaded or reloaded ammunition. This gun has been manufactured to Wildey specification and shipped from the factory suitable for use. Wildey does not recommend and is not responsible for any alteration or modification to the gun not made by Wildey factory personnel, nor the replacement of worn or damaged parts with those not of Wildey manufacture.

**MAINTENANCE** — Gun should be checked periodically by a competent gunsmith to ensure proper inspection and any necessary replacement of worn or damaged parts. (CAUTION: ALL SCREWS ARE INSTALLED WITH LOCTITE)

**WE RECOMMEND** the use of eye and ear protection whenever practical. We hope the pistol lives up to your every expectation and trust you will always remember - **THE ONLY TRUE SAFETY IS YOU.**



### TROUBLE SHOOTING CHART

PROBLEM	CAUSE	NORMAL SOLUTION
Shell fails to extract and/or eject	(Slide did not move fully rearward)	Needs more gas
* Slide fails to hold open after last shot	(Slide did not move fully rearward)	Needs more gas
Bolt fails to strip next cartridge from magazine	(Slide did not move fully rearward)	Needs more gas
* Cartridge jams "noses up"	(Cycle time too slow)	Needs more gas
Cartridge jams straight into base of feed ramp	(Cycle time too fast)	Needs less gas
Cartridge jams into extracted shell on close-down; extracted shell is caught by slide.	(Cycle time too fast) Shell could have slipped out of extractor	Needs less gas
* Slide fails to close-down	(Cycle time too slow) Dirt, lack of lubricant	Needs more gas
Shell jams into chamber or slide backwards	(Cycle time too fast)	Needs less gas

\* These symptoms sometimes occur in extreme cases of too much gas, in which case reduce the gas setting.

### WARRANTY

We hereby guarantee this Wildey Gun No. \_\_\_\_\_ for one year  
from the date of purchase subject to the conditions noted below.

All Wildey's firearms are built to exacting standards of engineering and manufacturing and are rigidly inspected before leaving our factory. They are warranted to be free from defects in material and workmanship under normal use and service for a period of 12 months from the date of purchase. Wildey's obligation is limited to repairing or replacing, F.O.B. New Milford, CT, U.S.A., any part of a Wildey firearm which Wildey's examination discloses to be thus defective.

This warranty is in lieu of all other warranties, expressed or implied. This warranty shall not apply to defects resulting from accidents, alterations or misuse. If in the opinion of Wildey's gunsmiths employed at New Milford, Connecticut - modifications, changes or additions made outside our factory have affected the operation of the weapon to render it faulty, this warranty shall be void if any part not of Wildey's manufacture has been incorporated, or if other than factory loaded ammunition is fired in it.


**WILDEY Inc.**  
 P.O. BOX 475, BROOKFIELD, CT 06804

# PARTS LIST

Part No.	Parts Nomenclature	Price	Part No.	Parts Nomenclature	Price
103-01	Vented Rib 5"	29.95	103-39-2	Rib Post Front	4.25
103-02	Vented Rib 6"	34.99	103-39-1	Rib Post Rear	4.75
103-03	Vented Rib 7"	34.99	103-40	Sear	10.95
103-04	Vented Rib 8"	39.99	103-41	Hammer Spring	2.75
103-05	Vented Rib 10"	39.99	103-42	Hammer Stop	9.95
* 103-06	Barrel Extension	179.95	103-43	Sear & Hammer Stop Pin	1.35
* 103-07-475-7"	Barrel	89.95	103-44	Cam Lever	17.50
* 103-07-475-8"	Barrel	99.95	103-45	Hammer Stop Cam	9.50
* 103-07-475-10"	Barrel	99.95	103-46	Trigger	14.95
* 103-07-45-5"	Barrel	89.95	103-47	Trigger Return Spring	1.85
* 103-07-45-6"	Barrel	89.95	103-48	Barrel Extension Block	8.70
* 103-07-45-7"	Barrel	89.95	103-49	Trigger Block	12.50
* 103-07-45-8"	Barrel	99.95	103-50	Ejector	4.50
* 103-07-45-10"	Barrel	99.95	103-51	Ejector Spring	1.95
103-09	Piston Guide Spring	2.70	103-52	Pindicator	4.90
103-110	Rear Sight Assembly	39.95	103-53	Trigger Connector Pin	3.75
103-10	Rear Sight Base	28.50	103-54	Transfer Bar	4.65
103-11	Rear Sight Blade	8.95	103-55	Transfer Bar Spring	.90
103-12	Windage Screw	1.95	103-56R	Grip, Right	15.95
103-13	Windage Det. Spring	1.35	103-56L	Grip, Left	15.95
103-14	Elevation Spring	1.35	103-57	Magazine Catch Spring	1.95
103-15	Elevation Screw	1.95	103-58	Grip Retainer Springs	1.55
103-16	Rear Sight Pivot Pin	.75	103-59	Magazine Catch	14.95
103-17	Piston	34.95	103-60	Windage Screw Nut	1.95
103-18	Gas Regulator	24.95	103-61	Slide Lock Stop Plunger Spring	1.35
103-19	Gas Regulator Plunger	1.45	103-62	Side Plate	1.95
103-20	Piston Guide	1.95	103-63	Side Plate Screw	.75
103-21	Slide	144.95	103-64	Slide Lock Stop Stud	1.95
103-22	Recoil Springs (2)	2.50	103-65	Slide Lock Stop	19.95
103-23	Gas Regulator Plunger Spring	1.95	103-67	Recoil Spring Guides (2)	1.25
* 103-24	Bolt	49.95	103-68	Slide Lock Stop Pin (Old Style)	.75
103-25	Trigger Block Pin	1.00	* 103-69	Frame	
103-26	Trigger Pivot Pin	1.00	103-70	Detent Plunger	.75
103-27	Slide Lock Stop Plunger	1.95	103-71	Detent Plunger Spring	1.35
103-28	Front Rib Screw	1.00	103-72	Detent Plunger Screw	.75
103-29	Center and Rear Rib Screw	1.25	103-173	Magazine (Specify Cal.)	29.95
103-30	Trigger Block Spring	1.95	103-73	Magazine Body	21.95
103-31	Windage Screw Detent Plunger	1.15	103-74	Magazine Spring	3.95
103-32	Sear Spring	1.35	103-75	Magazine Follower	3.95
103-33	Firing Pin Spring	1.35	103-76	Magazine Bottom Plate	2.75
103-34	Firing Pin	8.95	103-77	Magazine Bottom Plate Lock	2.75
103-35	Lock Bar	6.95	103-78A	Extractor 475, 45 (Rivetless)	5.75
103-36	Magazine Catch Pin	1.35	103-78B	Extractor 475, 45	5.75
103-37	Cam Pin	6.95	103-79	Extractor Rivet (Above)	1.25
103-38	Hammer	25.95	103-95	Elevation Detent Ball	1.00

\*Parts shown with asterisk are not sold separately. Factory installation required.

When ordering, be sure to specify MODEL and SERIAL NO. to avoid getting the wrong parts.

Guns returned for repair will be appraised and will require written approval of costs prior to work being done.

TERMS: FOB, Freight collect COD or Prepaid

PRICES SUBJECT TO CHANGE WITHOUT NOTICE.

REVISION 1990

Illustrations By  
James Baltrukonis  
Wallingford, Connecticut