



Service Manual

Freestanding Cooling

Double Door

WRN 57 HWG8

Model Version	WRN 57 HWG8 8564 679 80000	Page
	Technical data	2
	Spare part list	3
	Exploded view	4 - 7
	Circuit and Wiring diagram	8

Technical data

Dimensions

Height	183.6	cm
Width	74	cm
Depth	70.5	cm

Capacity

Total		
gross	570	l
net	464	l
Cooling		
gross	423	l
net	344	l
Freezing		
gross	147	l
net	120	l

Electrical connection

Voltage	110 - 127	V
Frequency	60	Hz

Refrigerant

Type	R 134 a	
Quantity	160	g

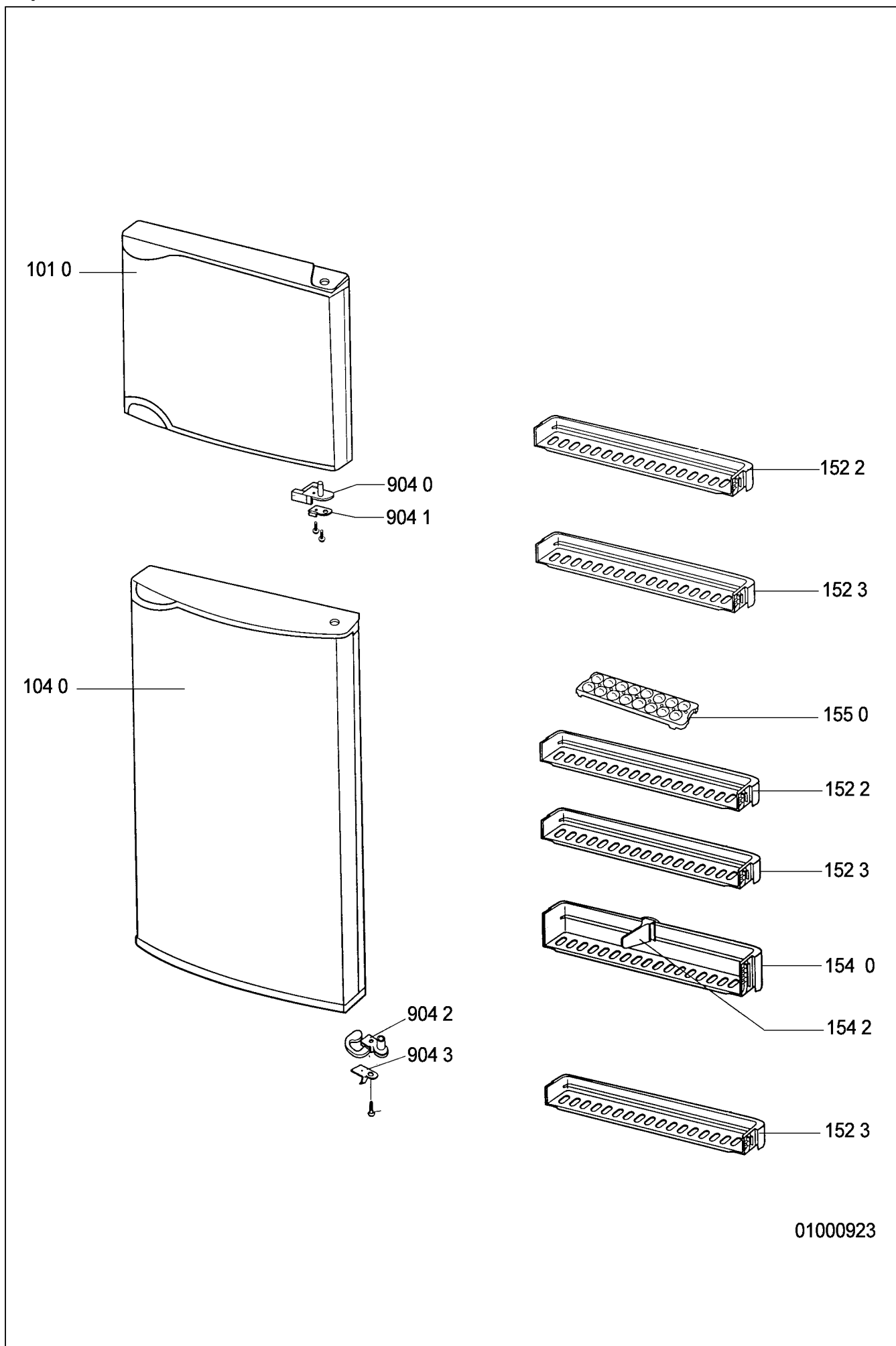
Spare part list

Model WRN 57 HWG8
Service No. 856467980000
Version 856467980000

Pos. No.	12NC Code	Description
011 0	4812 462 18181	Foot
011 1	4812 404 18108	Holder foot
011 2	4812 442 28053	Cover
011 3	4812 404 48657	Support foot
011 4	4812 404 78284	Rivet foot
040 0	4812 417 18827	Hinge upper
040 2	4812 417 18829	Hinge lower
040 3	4812 417 18828	Hinge center
047 0	4812 460 48146	Shim hinge
047 2	4812 462 58009	Cover hinge
047 3	4819 910 00065	Spacer
070 0	4812 442 28054	Trim
101 0	4812 442 28059	Door freezer
102 0	4812 442 28052	Lid
104 0	4812 442 28061	Door ref
152 2	4812 418 28017	Door,dairy
152 3	4812 418 78986	Door,dairy
154 0	4812 418 78987	Bottle shelf
154 2	4812 460 48148	Separator
155 0	4812 418 28018	Tray Egg
156 0	4812 418 48484	Tray Ice
156 1	4812 462 28035	Cover Ice tray
156 2	4812 418 48485	Container Ice
170 0	4819 910 00045	Cover
242 0	4812 418 28016	Tray
242 1	4812 418 48483	Drawer
244 0	4812 418 28015	Tray
244 1	4812 458 38022	Shelf
244 2	4812 458 38023	Shelf
244 3	4812 458 58131	Shelf
249 0	4812 460 48144	Trim
249 1	4812 460 48145	Trim
252 0	4812 440 78304	Housing Thermostat
263 0	4812 462 38072	Slide
263 1	4812 462 38073	Slide
331 0	4812 413 58988	Knob thermostat
402 0	4812 360 38591	Compressor 110V/60Hz
402 1	4812 418 38045	Traverse
402 2	4812 404 48658	Holder Compressor
402 3	4812 535 38079	Rivet
402 4	4812 440 78303	Housing
402 5	4812 462 28036	Cover Compressor
402 6	4812 480 28032	Filter Compressor
402 7	4812 460 48147	Cover Compressor
402 8	4812 418 78985	Tray Compressor
420 0	4812 121 68001	Capacitor 110V/600Hz
440 0	4812 361 38012	Motor,fan 110V/60Hz
440 1	4812 462 28034	Cover Motor
440 2	4812 361 18264	Motor cpl.110V60Hz
441 0	4812 515 38002	Fan
441 1	4819 910 00003	Fan wheel
451 0	4812 361 58141	Heating element 110V/60Hz
480 0	4812 320 28001	Cable
532 0	4819 910 00122	Timer 100V-127V
554 0	4812 271 28412	Thermostat

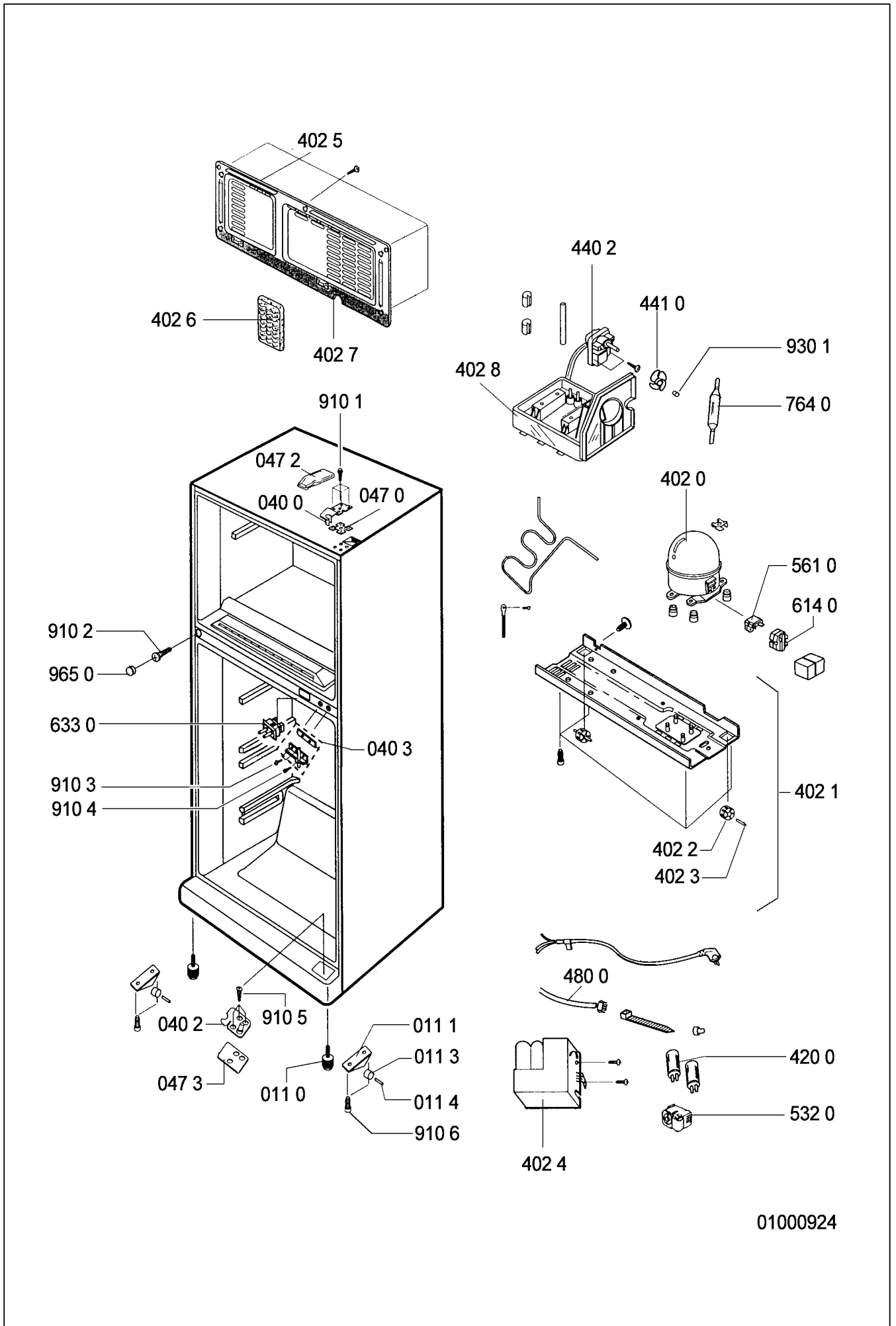
Pos. No.	12NC Code	Description
554 1	4812 492 68141	Lever Thermostat
554 3	4812 462 28025	Cover thermostat
554 4	4812 440 28902	Cabinet thermostat
554 5	4812 462 28027	Housing
554 6	4812 462 28026	Cover
554 7	4812 466 88479	Plate
561 0	4819 910 00117	Protect,motor 115V/60Hz
564 0	4812 282 38032	Thermostat Bimetal
614 0	4812 280 68321	Relay 110V/60Hz
633 0	4812 276 18279	Switch door
651 0	4812 134 18003	Lamp 110V/60Hz
652 0	4812 440 68728	Cover Lamp
652 1	4819 910 00017	Holder,lamp
652 2	4812 255 28003	Holder,lamp
652 3	4812 462 28031	Cover lamp
745 0	4812 511 38108	Evaporator
745 1	4812 462 28032	Cover Evaporator
745 2	4812 462 28033	Cover Evaporator
760 0	4812 462 28024	Cover
760 1	4812 480 28031	Filter
764 0	4812 480 28029	Dryer
904 0	4812 466 48062	Stopper freezer
904 1	4819 910 00156	Stop,door
904 2	4812 466 48063	Stopper Door
904 3	4812 466 48064	Stopper Door
910 0	4812 220 08006	Screw
910 1	4812 220 08001	Screw
910 2	4812 220 08002	Screw
910 3	4812 220 08003	Screw
910 4	4819 910 00163	Screw
910 5	4812 220 08004	Screw
910 6	4812 220 08005	Screw
930 0	4812 530 88008	Spring
930 1	4812 530 88007	Spring Fan
965 0	4812 462 79689	Cap screw
965 1	4812 462 79691	Cap screw
965 4	4819 910 00059	Grommet

Exploded view

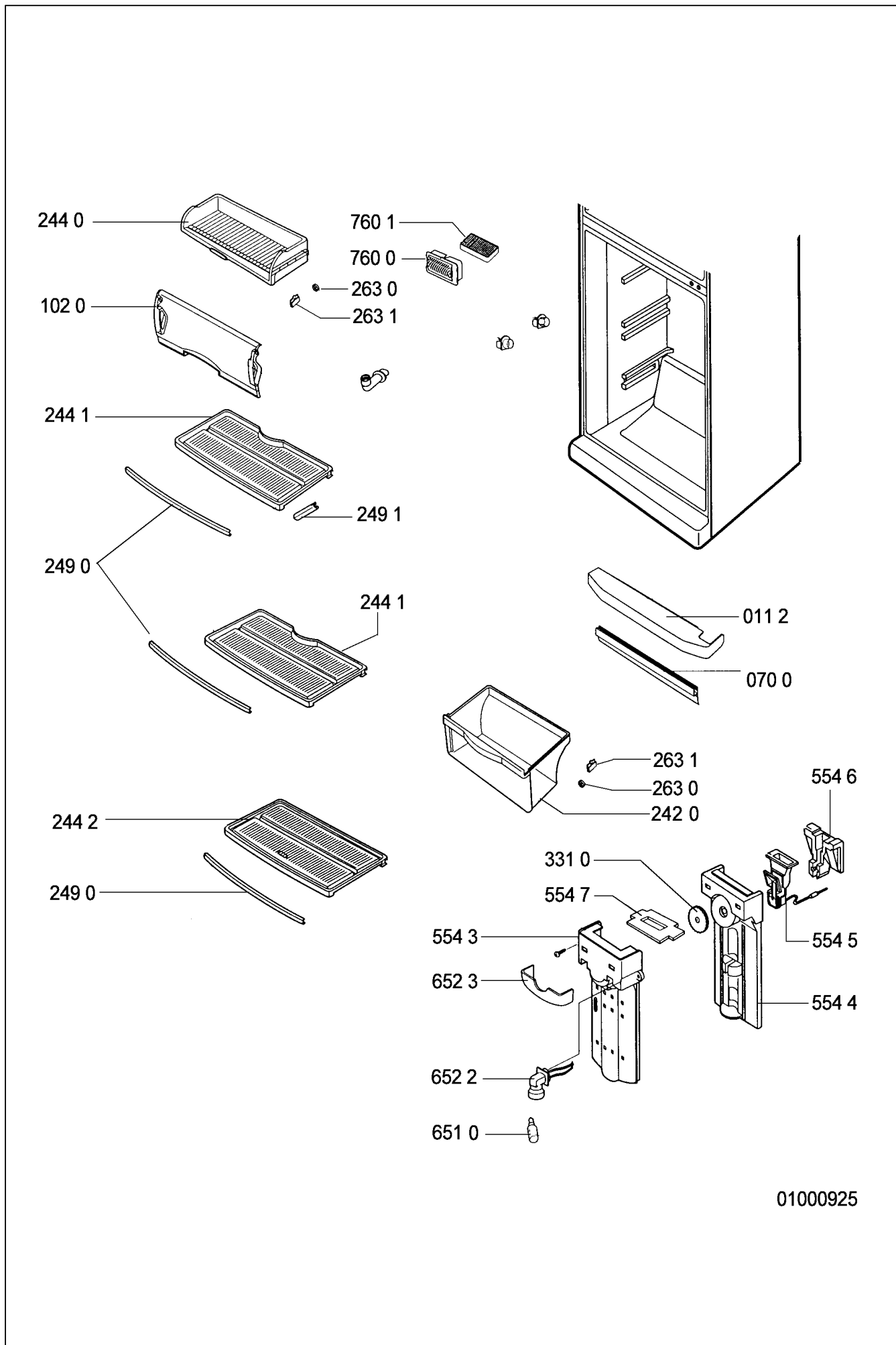


01000923

Exploded view

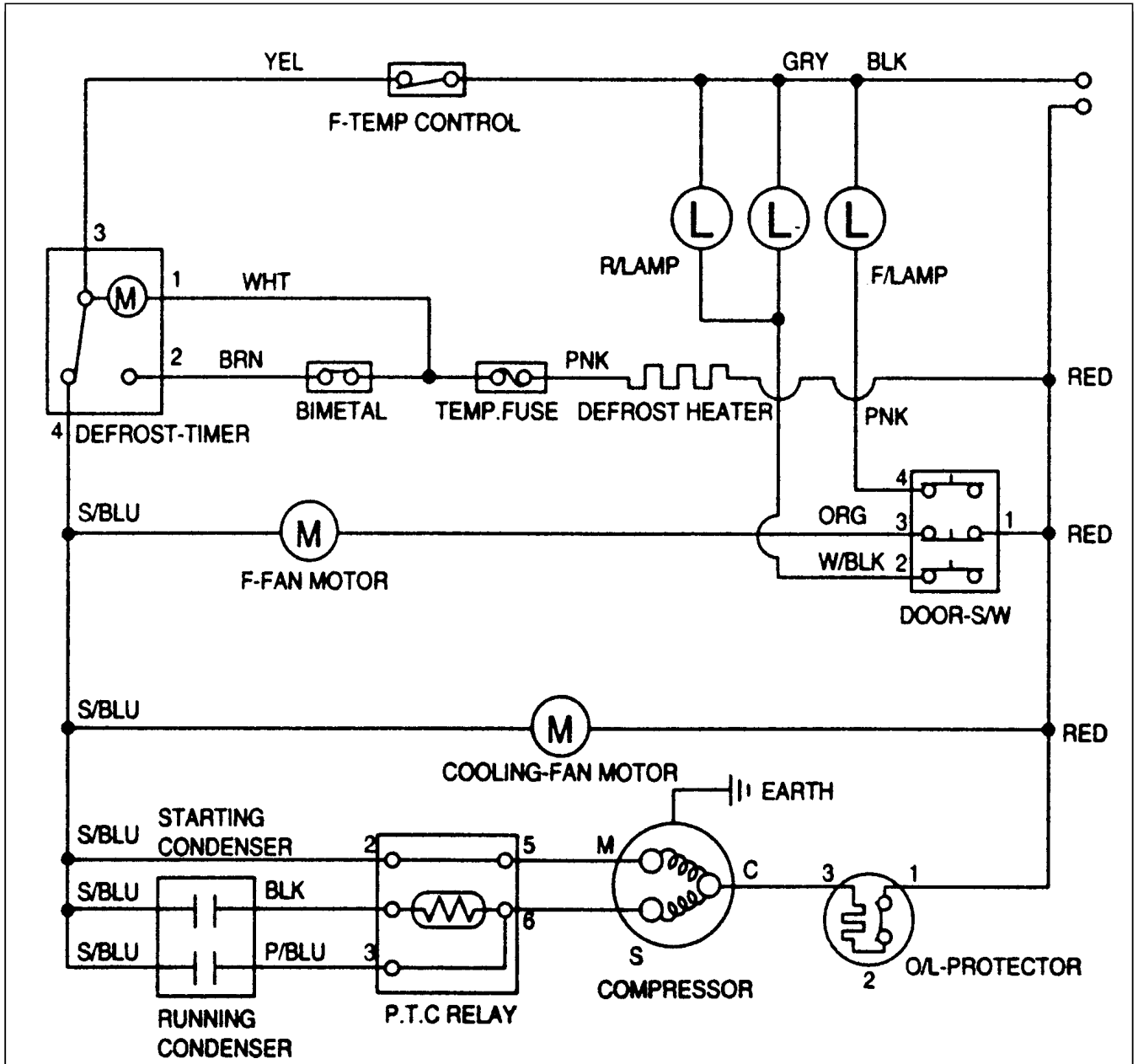


Exploded view



01000925

Circuit and Wiring diagram



- GRY - GRAY
- PNK - PINK
- BRN - BROWN
- WHT - WHITE
- YEL - YELLOW
- RED - RED
- S/BLU - SKY BLUE
- BLU - BLUE
- BLK - BLACK
- W/BLK - WHITE/BLACK
- ORG - ORANGE
- PRP - PURPLE

110-127V/60Hz

4812 711 78064