



**VIVERGY CO.,LTD**

**The High-Tech Filter and Mixer**

## **Vivergy Liquid Mixer**

### **Mixing System Design**

- Process Flow Design-Mixer Operations.
- Tank Design and Baffling Strategies.
- Mixing Trails.
- Mixer Mechanical Design.
- Auxiliary Equipment Specification.
- Reaction Kinetics Analysis.
- Design using both computer Simulation techniques and data base.



### **Top Entry Mixers**



### **Features**

- Impellers Design to suit application
- Motor and Geardrive designed to suit application
- Precision made couplings

**Contact : Vivergy Co.,Ltd.**

22/1, Soi Punna Vithi 29, Sukhumvit 101 Rd., Bangchak, Phrakhanong, Bangkok 10260 Thailand  
Tel: (+662) 730 5702 , Fax: (+662) 730 5701 , E-mail : [floculation@yahoo.com](mailto:floculation@yahoo.com) , [www.vivergy.net](http://www.vivergy.net)



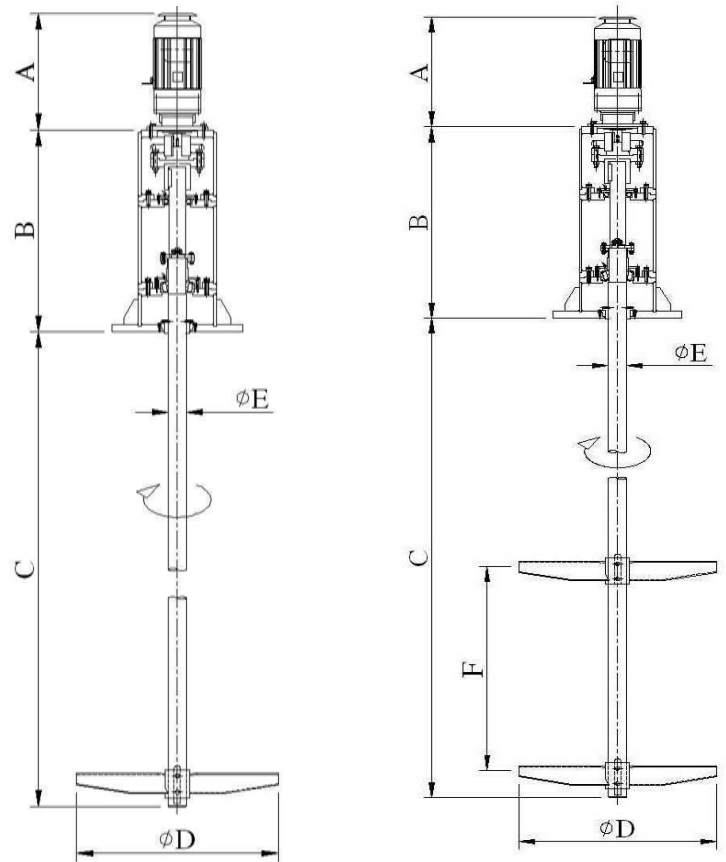


**VIVERGY CO.,LTD**

**The High-Tech Filter and Mixer**

### Applications

- Waste Water Treatment
- Edible Oil Processing
- Inline Mixing
- Paint Mixing
- Grout Mixing
- Dairy Production
- Food Processing
- Petro
- Chemical
- Minerals and Chemical Refining
- Starch Hydration



### Portable Mixer



- Vibration Proof Clamp Arrangements
- Light Weight Design
- 3 phase and Single Phase motors
- Excess Motion Cut-off Systems
- Standard and Customized Designs

Contact : **Vivergy Co.,Ltd.**

22/1, Soi Punna Vithi 29, Sukhumvit 101 Rd., Bangchak, Phrakhanong, Bangkok 10260 Thailand  
Tel: (+662) 730 5702 , Fax: (+662) 730 5701 , E-mail : [floculation@yahoo.com](mailto:floculation@yahoo.com) , [www.vivergy.net](http://www.vivergy.net)





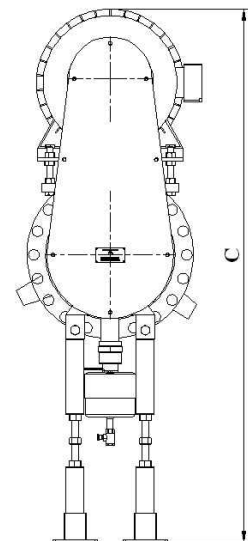
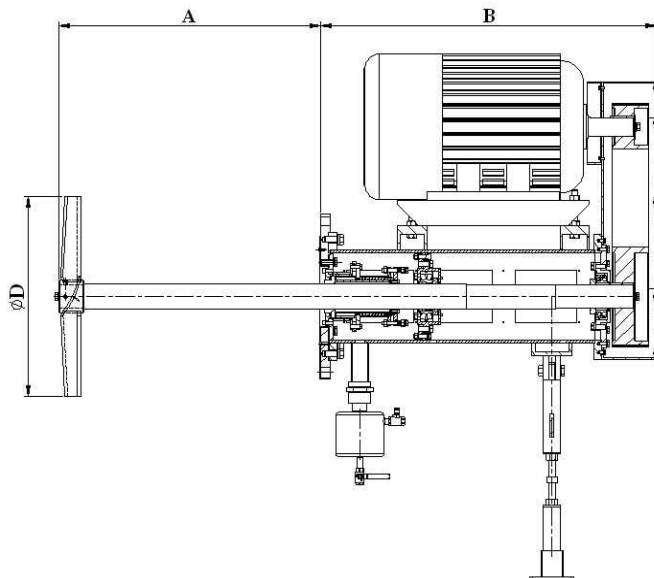
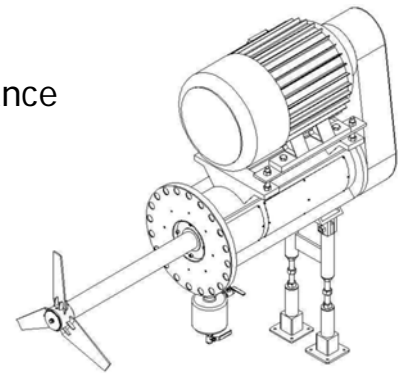
VIVERGY CO.,LTD

The High-Tech Filter and Mixer

**Side Entry Mixer - FX Series Standard Features**



- Storage Tank Solid Suspension
- Seal Isolation device for full tank mixer maintenance
- Seal leak detection system
- Reactor Mixer



Contact : **Vivergy Co.,Ltd.**

22/1, Soi Punna Vithi 29, Sukhumvit 101 Rd., Bangchak, Phrakhanong, Bangkok 10260 Thailand  
Tel: (+662) 730 5702 , Fax: (+662) 730 5701 , E-mail : [floculation@yahoo.com](mailto:floculation@yahoo.com) , [www.vivergy.net](http://www.vivergy.net)





**VIVERGY CO.,LTD**

**The High-Tech Filter and Mixer**

### **High Shear Mixer**

- Ceramic Blunging
- Granular Dissolving
- Emulsifying oil , fats and waxes
- pH Neutralizing and Saponification

### **Pressure Vessel Mixer**

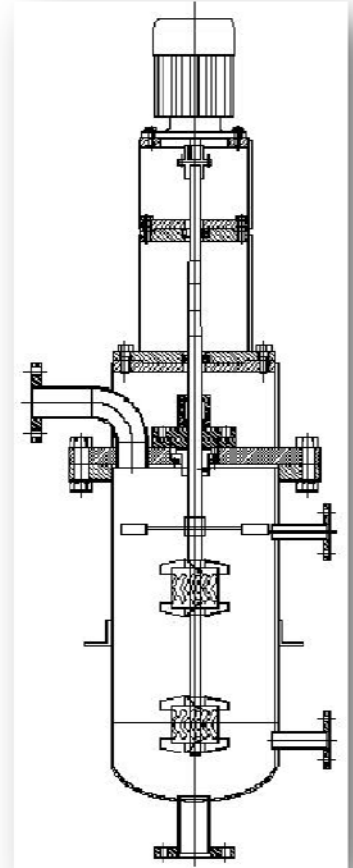
- Shaft seals in excess of 30 bar rating
- Submerged and Non Submerge bearing Design
- Single and Double mechanical seals
- Externally Lubricated sealing systems

### **Mixer Control System**

- Process control for mixing operations
- Tank Farm Mixer control and warning system
- Vavle and Pump Synchronizations

### **High Efficiency Impellers and Retro Fits**

- Mixer Performance Analysis , including Mixer Power Consumption analysis
- Impeller retro fits with low power high flow impellers
- Drive Retro Fits
- Keep and exiting Drive and pedestal and revise Material of wetted parts for new applications



**Contact : Vivergy Co.,Ltd.**

22/1, Soi Punna Vithi 29, Sukhumvit 101 Rd., Bangchak, Phrakhanong, Bangkok 10260 Thailand  
Tel: (+662) 730 5702 , Fax: (+662) 730 5701 , E-mail : [floculation@yahoo.com](mailto:floculation@yahoo.com) , [www.vivergy.net](http://www.vivergy.net)

