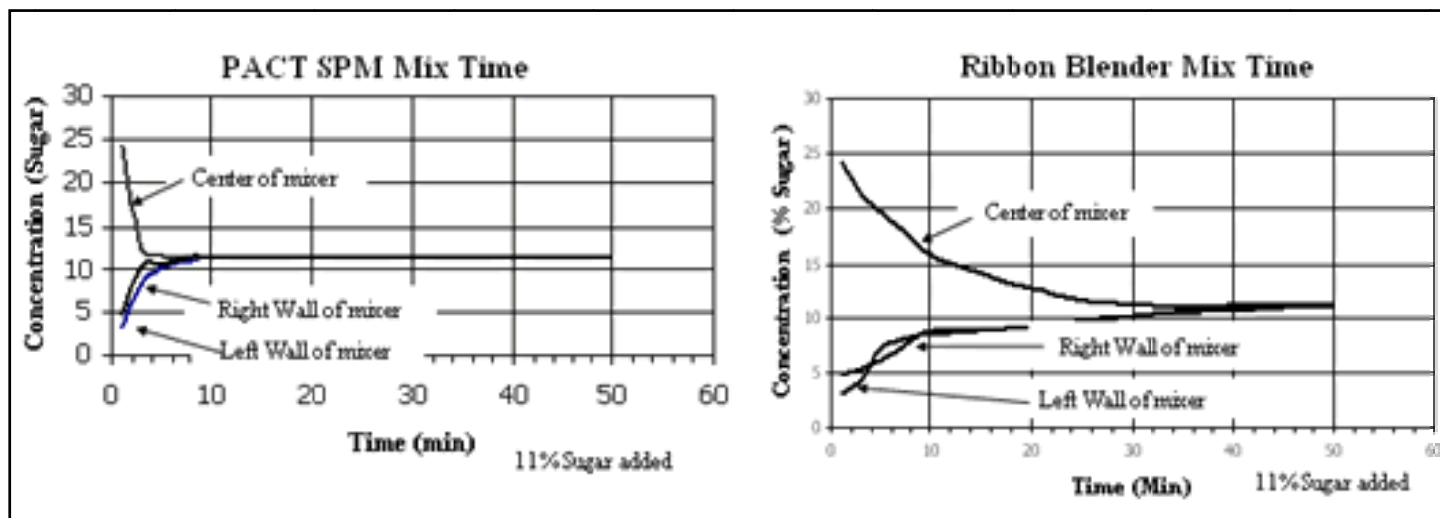




### Vivergy Single Paddle Mixers SPM Series

#### Standard features

- Short Mix Times
- Low temperature build up
- Mixers can start under load
- Bomb Bay Door Discharge systems ensures a quick product discharge and a reduction in segregation
- Seals are air purge packing or mechanical type
- Bearings are fully enclosed with seals
- Standard Drives are Cycloidal. Drive selection of your choice can be applied
- Side Doors can be provided for ease of cleaning and inspection



#### Applications

<b>Pharmaceuticals &amp; sanitary products</b>	Cosmetic dyes, Carrier blending, Soaps, Fillers
<b>Food</b>	Cereals, Mineral Salts, Freeze Dried food, Jelly, Food Dyes, Flavors, Seasonings
<b>Ceramics</b>	Ball clay, Sinters, Pre-Slip Blending
<b>Animal feed</b>	Pre-Mix, Pellet Mixes, Pellet Coating, Vitamins
<b>Petrochemicals/ plastics</b>	Plastic Beads, Resins & Fillers Composites and Solvents

#### Contact : Vivergy Co.,Ltd.

22/1, Soi Punna Vithi 29, Sukhumvit 101 Rd., Bangchak, Phrakhanong, Bangkok 10260 Thailand  
 Tel: (+662) 730 5702 , Fax: (+662) 730 5701 , E-mail : [floculation@yahoo.com](mailto:floculation@yahoo.com) , [www.vivergy.net](http://www.vivergy.net)



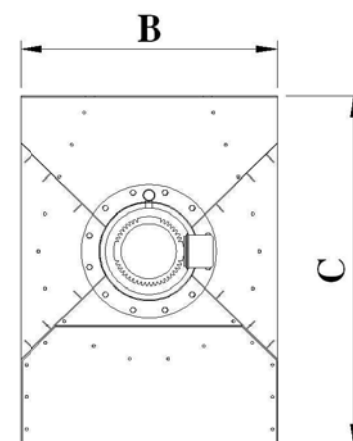
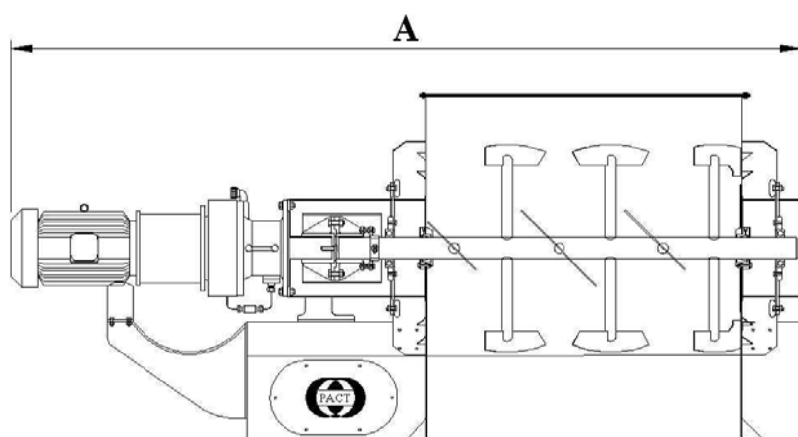


# VIVERGY CO.,LTD

## The High-Tech Filter and Mixer

### SPM Model Table

Model (SPM)	Power Requirement (kW)	Nominal Capacity (L)	Overall Length (m) A	Overall Width (m) B	Overall Height (m) C
30	1.5	30	0.9	0.72	1.1
100	3.7	100	1.7	0.85	1.25
250	5.5	250	2.2	1.04	1.41
500	11	500	2.8	1.38	1.58
1000	22	1000	3.3	1.61	1.82
2000	37	2000	3.8	1.82	2.42
3000	45	3000	4.1	2.22	2.62
5000	55	5000	4.4	2.65	2.85



### Special Options

- High Speed shearers
- Weighing controllers
- Fat Coating equipment
- Vacuum Coating Systems

#### Contact : Vivergy Co.,Ltd.

22/1, Soi Punna Vithi 29, Sukhumvit 101 Rd., Bangchak, Phrakhanong, Bangkok 10260 Thailand  
Tel: (+662) 730 5702 , Fax: (+662) 730 5701 , E-mail : [floculation@yahoo.com](mailto:floculation@yahoo.com) , [www.vivergy.net](http://www.vivergy.net)





**VIVERGY CO.,LTD**

**The High-Tech Filter and Mixer**

### **Materials, Finishes and Coatings**

<b>SUS 304</b>	<b>Carbon Steel</b>
<b>SUS 316</b>	<b>SUS 316 L</b>
<b>Teflon Coating</b>	<b>Hastalloy</b>
<b>Stainless steel with 120 Grit Finish</b>	<b>Stainless steel Glass bead short grade 4 or 8</b>
<b>Carbon Steel with Epoxy Coated</b>	<b>Rubber Coating</b>
<b>Halar Coating</b>	<b>Ceraflake Coating</b>

### **General Specification**

<b>Body</b>	<b>Rolled Body with Flange, Diameter Tolerance within 0.8 mm</b>
<b>Shaft</b>	<b>Shaft Fully machine, Shaft Tolerance <math>\pm</math> 0.05 mm/m</b>
<b>Paddle Set</b>	<b>0.12 Individual Paddles, Main Shaft has accommodation socket for each paddle. End paddles to have scrapers and to be counter flow away from the walls.</b>
<b>Head &amp; End Plate</b>	<b>Head Plate with flanges and Stiffeners</b>
<b>Bomb Bay Doors</b>	<b>Drive to be double pneumatic Discharge type</b>
<b>Head &amp; End Support</b>	<b>Folded Steel Supports with Access hatches for pneumatic piston maintenance</b>
<b>Discharge Shoot</b>	<b>Fully Welded discharge shoot with meeting flange</b>
<b>Coupling &amp; Position clutch</b>	<ul style="list-style-type: none"><li>• Muff type coupling</li><li>• Position Clutch adjustment : <math>\pm</math> 2 mm</li><li>• Position Clutch Fixing: Bolted onto grooved shaft</li></ul>
<b>Bearings</b>	<b>Deep Groove Ball Bearings with Lip Seals</b>
<b>Bearing Support Pedestal</b>	<ul style="list-style-type: none"><li>• Precision Fit Bearing Plate</li><li>• Fully Welded and machined Pedestal Support</li></ul>

**Contact : Vivergy Co.,Ltd.**

22/1, Soi Punna Vithi 29, Sukhumvit 101 Rd., Bangchak, Phrakhanong, Bangkok 10260 Thailand  
Tel: (+662) 730 5702 , Fax: (+662) 730 5701 , E-mail : [floculation@yahoo.com](mailto:floculation@yahoo.com) , [www.vivergy.net](http://www.vivergy.net)





**VIVERGY CO.,LTD**

**The High-Tech Filter and Mixer**

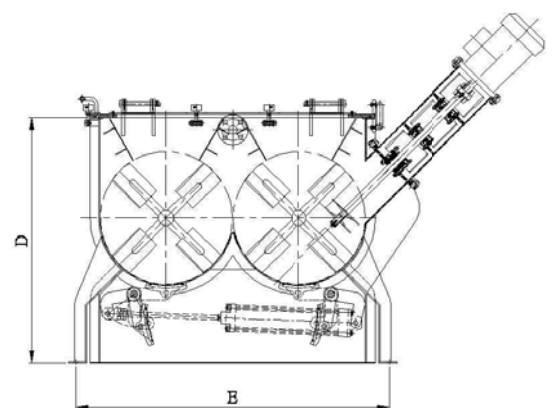
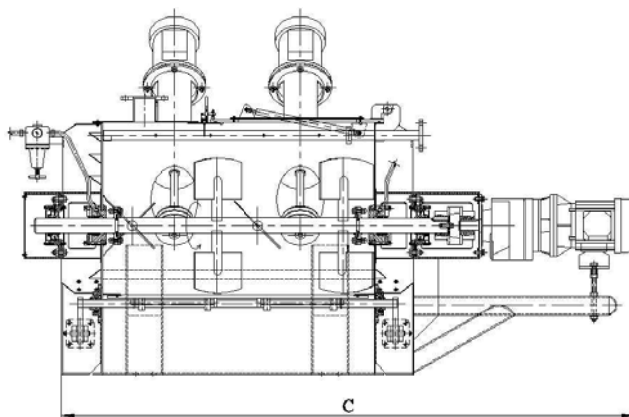
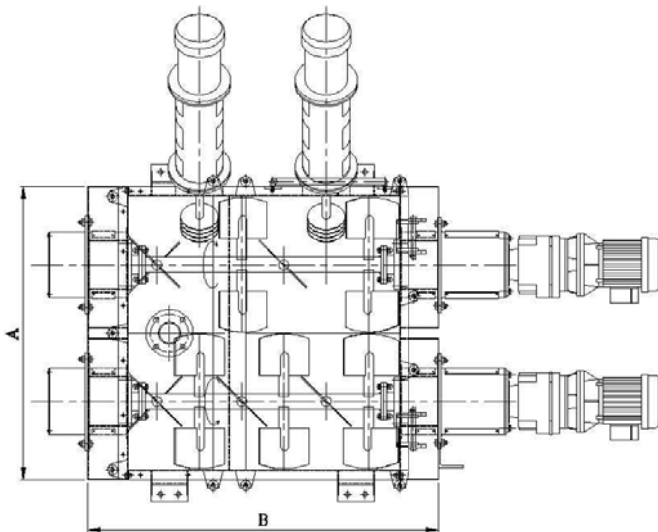
## Double Paddle Mixers - DPM Series Standard Features

### Features

- Reliable Mixing
- Low Shear Mixing
- Fast Mixing

### Applications

- Chemical Powder Mixing
- Tapioca Mixing
- Food Mixing
- Animal Feed



**Contact : Vivergy Co.,Ltd.**

22/1, Soi Punna Vithi 29, Sukhumvit 101 Rd., Bangchak, Phrakhanong, Bangkok 10260 Thailand  
Tel: (+662) 730 5702 , Fax: (+662) 730 5701 , E-mail : [floculation@yahoo.com](mailto:floculation@yahoo.com) , [www.vivergy.net](http://www.vivergy.net)





**VIVERGY CO.,LTD**

**The High-Tech Filter and Mixer**

## Ribbon Mixers

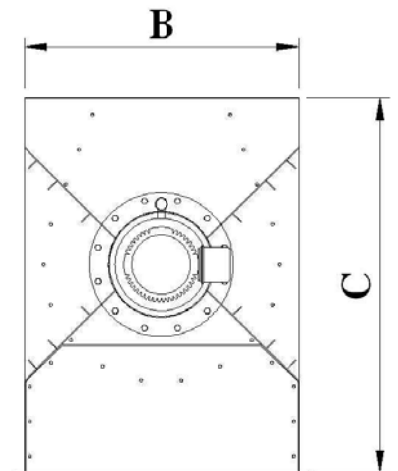
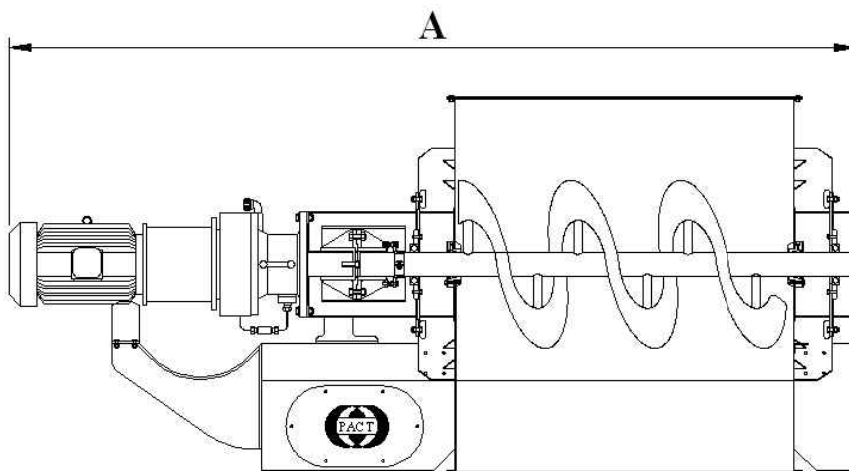


### Features

- Reliable Mixing

### Applications

- Chemical Powder Mixing
- Tapioca Mixing
- Food Mixing



**Contact : Vivergy Co.,Ltd.**

22/1, Soi Punna Vithi 29, Sukhumvit 101 Rd., Bangchak, Phrakhanong, Bangkok 10260 Thailand  
Tel: (+662) 730 5702 , Fax: (+662) 730 5701 , E-mail : [floculation@yahoo.com](mailto:floculation@yahoo.com) , [www.vivergy.net](http://www.vivergy.net)

