

# IBM ThinkPad 120W AC Adapter

User's Guide



**Attention:** Before installing this product, read the ThinkPad System *Safety Booklet*.

**Note:** Before using this information and the product it supports, read the information in Appendix A, "Warranty information", on page A-1, Appendix B, "European Union warranty information", on page B-1 and Appendix C, "Notices", on page C-1.

**First Edition (April 2003)**

© Copyright International Business Machines Corporation 2003. All rights reserved.  
US Government Users Restricted Rights – Use, duplication or disclosure restricted by  
GSA ADP Schedule Contract with IBM Corp.

---

## Preface

This manual contains the product description for installing and using the IBM® ThinkPad® 120 W AC Adapter. The manual is divided into the following parts:

### Installation guide

This guide contains the product description and installation instructions in the following languages:

- English
- French
- German
- Spanish
- Italian
- Brazilian Portuguese
- Czechoslovakian
- Slovak
- Simplified Chinese
- Traditional Chinese
- Japanese

### Appendixes

The appendixes contain help and service information, the product warranties, European Union warranty information, and notices.

**Note:** The illustrations in this manual might be slightly different from your hardware.

---

## Registering your option

Thank you for purchasing this IBM product. Please take a few moments to register your product and provide us with information that will help IBM to better serve you in the future. Your feedback is valuable to us in developing products and services that are important to you, as well as in developing better ways to communicate with you. Register your option on the IBM Web site at

<http://www.ibm.com/pc/register/>

IBM will send you information and updates on your registered product unless you indicate on the Web site questionnaire that you do not want to receive further information.



---

# Contents

<b>Preface</b> . . . . .	<b>iii</b>
Registering your option . . . . .	iii
<b>About the 120W AC Adapter</b> . . . . .	<b>1-1</b>
Supported computers . . . . .	1-1
Connecting the AC adapter . . . . .	1-1
<b>Appendix A. Warranty information</b> . . . . .	<b>A-1</b>
Warranty period . . . . .	A-1
Service and support . . . . .	A-1
Warranty information on the World Wide Web . . . . .	A-1
Online technical support . . . . .	A-1
Telephone technical support . . . . .	A-2
IBM Statement of Limited Warranty Z125-4753-06 8/2000 . . . . .	A-3
Part 1 - General Terms . . . . .	A-3
Part 2 - Country-unique Terms . . . . .	A-6
<b>Appendix B. European Union warranty information</b> . . . . .	<b>B-1</b>
<b>Appendix C. Notices</b> . . . . .	<b>C-1</b>
Trademarks . . . . .	C-2
Federal Communications Commission (FCC) statement . . . . .	C-2



---

## About the 120W AC Adapter

Thank you for purchasing the *120W AC Adapter* (hereafter called the ac adapter option). The ac adapter option supplies power for the computer, and also charges the battery pack installed in the computer.

This option package includes the following components:

- 120W AC Adapter
- This user's guide

---

## Supported computers

The ac adapter option supports the IBM ThinkPad Gx series computer and the ThinkPad Mini-Dock.

The ac adapter option you have just purchased does not support some of the ThinkPad computers that have already been shipped to customers. Before using the ac adapter, make sure it supports your computer.

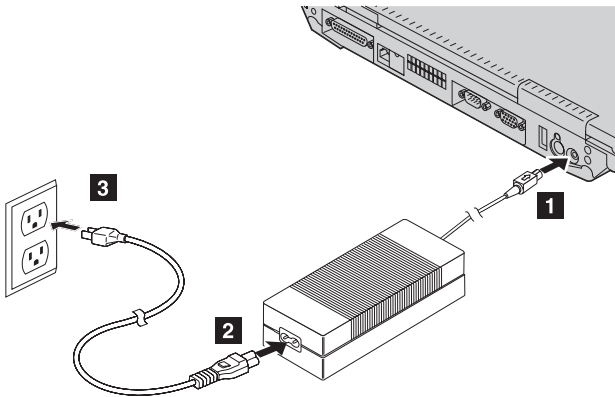
**Note:** For other IBM computers, contact your IBM authorized dealer or IBM marketing representative to determine whether your computer can be used with this ac adapter.

---

## Connecting the AC adapter

When you use the ac adapter option, connect it to your computer as shown.

**Note:** The illustration in this publication might not look exactly like your computer.



---

## Préface

Nous vous remercions d'avoir acheté le *boîtier d'alimentation 120 W* (appelé ci-après "option boîtier d'alimentation"). L'option boîtier d'alimentation fournit non seulement l'alimentation nécessaire à l'ordinateur mais elle peut également charger le bloc de batteries qui y est installé.

Cette option se compose des éléments suivants :

- Un boîtier d'alimentation 120 W
- Le présent Guide d'utilisation

---

## Ordinateurs pris en charge

Le boîtier d'alimentation prend en charge l'ordinateur IBM ThinkPad Gx series et la mini station d'accueil ThinkPad.

L'option dont vous venez de faire l'acquisition n'est pas compatible avec certains ordinateurs ThinkPad déjà livrés aux clients. Avant d'utiliser ce boîtier d'alimentation, assurez-vous qu'il est compatible avec votre ordinateur.

**Remarque :** Pour les autres ordinateurs IBM, adressez-vous à votre revendeur autorisé IBM ou à votre partenaire commercial IBM afin de déterminer si votre ordinateur peut être utilisé avec ce boîtier d'alimentation.

---

## Connexion du boîtier d'alimentation

Connectez le boîtier d'alimentation à votre ordinateur comme indiqué ci-après.

**Remarque :** L'illustration du manuel peut ne pas représenter exactement la partie arrière votre ordinateur.



---

## Informazioni sull'adattatore CA 120W

Grazie per aver acquistato l'*Adattatore CA 120W*. L'adattatore CA fornisce la corrente al computer e consente di caricare la batteria installata sul computer.

Questo pacchetto di opzioni include i seguenti componenti:

- Adattatore CA 120W
- Questa Guida per l'utente

---

## Elaboratori supportati

L'adattatore CA supporta i computer IBM ThinkPad Gx Series e ThinkPad Mini-Dock.

L'adattatore CA acquistato non supporta alcuni computer ThinkPad già spediti ai clienti. Prima di utilizzare questo adattatore, accertarsi che sia supportato dal proprio computer.

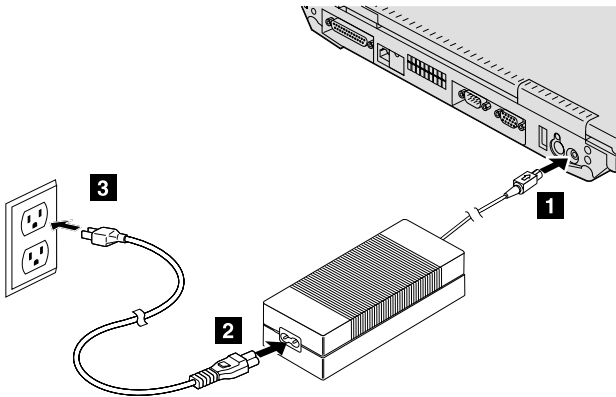
**Nota:** Per gli altri elaboratori IBM, rivolgersi al rivenditore autorizzato IBM o al rappresentante commerciale IBM per stabilire se il proprio computer può essere utilizzato con questo adattatore CA.

---

## Collegamento dell'adattatore CA

Per utilizzare l'adattatore CA, collegarlo al proprio computer come riportato di seguito.

**Nota:** La figura riportata in questa pubblicazione potrebbe non corrispondere esattamente al proprio computer.



---

## Produktinformation zum 120W-Netzteil

Vielen Dank, dass Sie sich für das *120W-Netzteil* (im Folgenden als Zusatznetzteil bezeichnet) entschieden haben. Über das Zusatznetzteil wird der Computer mit Strom versorgt und der im Computer installierte Batteriesatz aufgeladen.

Dieses Zusatzpaket enthält die folgenden Komponenten:

- 120W-Netzteil
- Das vorliegende Benutzerhandbuch

---

## Unterstützte Computer

Das Zusatznetzteil unterstützt den IBM ThinkPad Gx Series-Computer und die ThinkPad-Miniandockstation. Das Zusatznetzteil, das Sie erworben haben, unterstützt einige der bereits an Kunden gelieferten ThinkPads nicht. Vor der Verwendung des Netzteils müssen Sie sicherstellen, dass es Ihren Computer unterstützt.

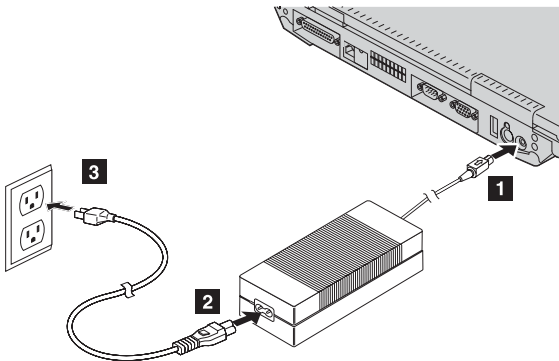
**Anmerkung:** Bei anderen IBM Computern wenden Sie sich an den IBM Vertragshändler oder an den IBM Vertriebsbeauftragten, um festzustellen, ob der Computer zusammen mit diesem Netzteil verwendet werden kann.

---

## Netzteil anschließen

Wenn Sie das Zusatznetzteil verwenden, schließen Sie es wie dargestellt an den Computer an.

**Anmerkung:** Die Abbildung in dieser Publikation weicht möglicherweise geringfügig von Ihrem Computer ab.



---

## Acerca del adaptador de CA a 120 W

Gracias por adquirir el *Adaptador de CA a 120 W* (a partir de ahora se le denominará la opción de adaptador de CA). La opción de adaptador de CA proporciona alimentación al sistema y también carga el paquete de la batería que se encuentra instalada en el sistema.

El paquete de esta opción incluye los componentes siguientes:

- Adaptador de CA a 120 W
- Esta guía del usuario

---

## Sistemas a los que se da soporte

La opción de adaptador de CA da soporte al sistema IBM ThinkPad Serie Gx y al sistema ThinkPad Mini-Dock.

La opción de adaptador de CA que acaba de adquirir no da soporte a algunos de los sistemas ThinkPad que ya se han distribuido a los clientes. Antes de utilizar el adaptador de CA, asegúrese de que su sistema lo puede utilizar.

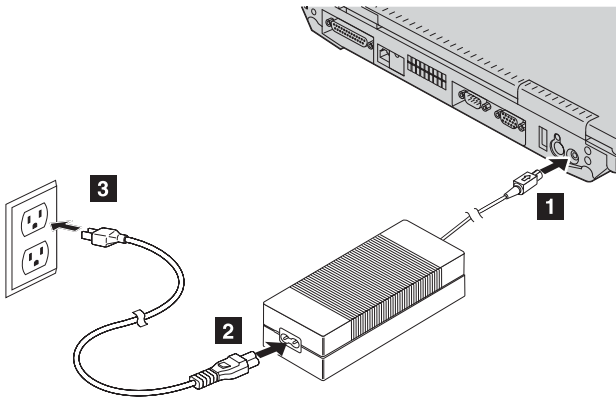
**Nota:** Si desea información sobre otros sistemas de IBM, póngase en contacto con el concesionario autorizado de IBM o con el representante de ventas de IBM para determinar si su sistema se puede utilizar con este adaptador de CA.

---

## Conexión del adaptador de CA

Cuando utilice la opción de adaptador de CA, conéctela al sistema tal como se muestra a continuación.

**Nota:** La ilustración de esta publicación puede que no sea exactamente como la de su sistema.



---

## Sobre o 120W AC Adapter

Obrigado por adquirir o *120W AC Adapter* (chamado daqui em diante de opcional AC Adapter). O opcional AC Adapter fornece energia para o computador e também carrega o pacote de bateria instalado no computador.

Esse pacote de opcionais inclui os componentes a seguir:

- 120W AC Adapter
- Este guia do usuário

---

## Computadores Suportados

O opcional AC Adapter suporta o computador IBM ThinkPad Gx series e o ThinkPad Mini-Dock.

O opcional AC Adapter que você acabou de adquirir não suporta alguns computadores ThinkPad que já foram fornecidos aos clientes. Antes de utilizar o seu AC Adapter, certifique-se de que ele suporta o seu computador.

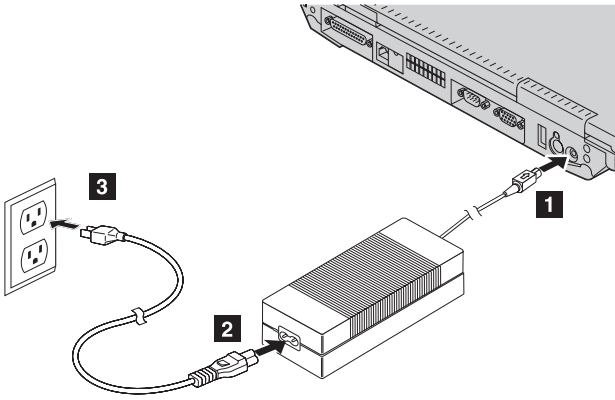
**Nota:** Para outros computadores IBM, entre em contato com o revendedor autorizado IBM ou com o representante de marketing IBM para verificar se o seu computador pode ser utilizado com este AC Adapter.

---

## Conectando o AC Adapter

Quando utilizar o opcional AC Adapter, conecte-o ao computador conforme mostrado.

**Nota:** A ilustração desta publicação pode não ser exatamente igual ao seu computador.



---

## O napájecím zdroji o výkonu 120W

Děkujeme vám, že jste si zakoupili *napájecí zdroj o výkonu 120W* (dále volitelná komponenta napájecí zdroj). Volitelná komponenta napájecí zdroj je zdrojem napájení jednak pro počítač a též slouží pro dobíjení baterie, která je instalována v počítači.

Balení s volitelnou komponentou obsahuje:

- napájecí zdroj o výkonu 120W
- tuto uživatelskou příručku

---

### Podporované počítače

Volitelná komponenta napájecí zdroj podporuje počítače řady IBM ThinkPad Gx a ThinkPad Mini-Dock.

Volitelná komponenta napájecí zdroj, kterou jste si právě zakoupili, nepodporuje některé typy počítačů ThinkPad, které již byli dodány zákazníkům. Dříve, než použijete napájecí zdroj, ujistěte se, že podporuje váš počítač.

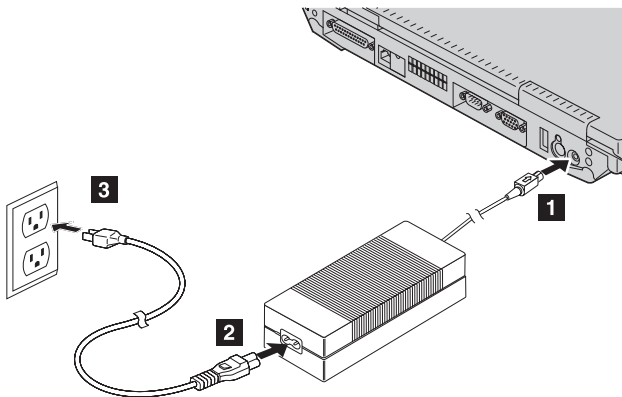
**Poznámka:** Chcete-li zjistit, zda počítač od IBM může používat tento napájecí zdroj, zeptejte se autorizovaného dealera IBM nebo obchodního zástupce IBM.

---

### Připojení napájecího zdroje

Chcete-li používat volitelnou komponentu napájecí zdroj, připojte ji k počítači dle následujícího obrázku.

**Poznámka:** Obrázek v publikaci nemusí vypadat přesně tak, jako váš počítač.



---

## Informácie o 120W AC adaptéri

Ďakujeme za zakúpenie *120W AC Adaptéra* (ďalej nazývaný len AC adaptér). AC adaptér dodáva počítaču energiu a tiež dobíja batérie nainštalované v počítači.

Toto balenie obsahuje nasledujúce komponenty:

- 120W AC Adaptér
- Túto užívateľskú príručku

---

## Podporované počítače

AC adaptér podporuje počítač IBM ThinkPad Gx series a ThinkPad Mini-Dock.

AC adaptér, ktorý ste si práve zakúpili, nepodporuje niektoré počítače ThinkPad, ktoré už boli dodané zákazníkom. Pred použitím AC adaptéra sa presvedčte, či podporuje váš počítač.

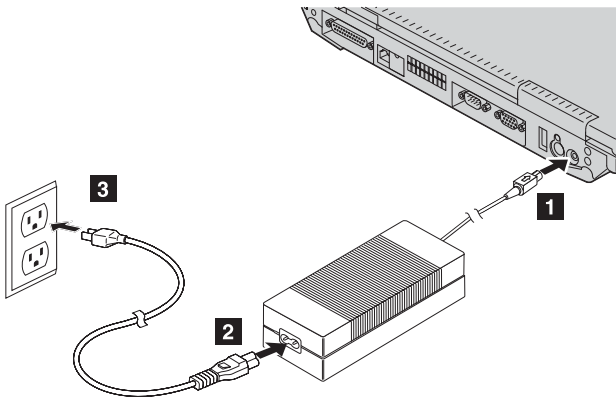
**Poznámka:** V prípade iných počítačov IBM kontaktujte autorizovaného predajcu IBM alebo marketingového zástupcu IBM, ktorý vám zistí, či môže byť váš počítač použitý s týmto AC adaptérom.

---

## Pripojenie AC adaptéra

Keď používate AC adaptér, pripojte ho do počítača podľa nasledujúcej ilustrácie.

**Poznámka:** Ilustrácia v tejto publikácii nemusí vyzerať presne ako váš počítač.





---

## 关于 120W 交流电源适配器

感谢您购买 120W 交流电源适配器（以下称为交流电源适配器选件）。交流电源适配器选件为计算机提供电源，同时也为安装在计算机中的电池充电。

此选件包包含以下一些组件：

- 120W 交流电源适配器
- 本《用户指南》

---

### 支持的计算机

该交流电源适配器选件支持 IBM ThinkPad Gx 系列计算机和“ThinkPad 小型扩展坞”。

您刚购买的交流电源适配器选件不支持某些已经运送给客户的 ThinkPad 计算机。在使用该交流电源适配器之前，请确保其支持您的计算机。

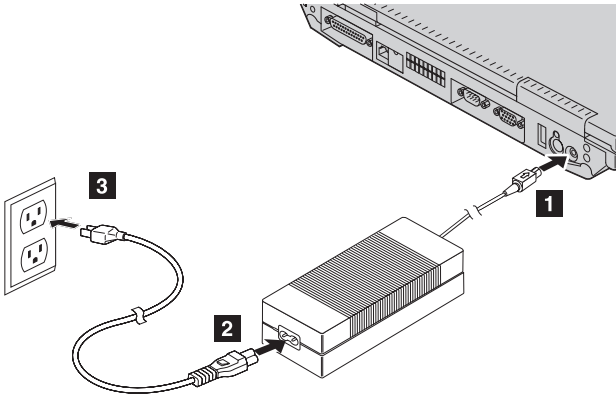
**注：**对于其它 IBM 计算机，请与 IBM 授权经销商或 IBM 销售代表联系以确定您的计算机是否能够和此交流电源适配器一起使用。

---

### 连接交流电源适配器

当使用该交流电源适配器选件时，请将其连接到您的计算机上，如图所示。

**注：**本出版物中的插图可能看上去和您的计算机不是完全相同。



---

## 關於 120W AC 整流器

感謝您選購 120W AC 整流器（以下稱為 AC 整流器選用設備）。AC 整流器選用設備為電腦提供電力，同時也為安裝在電腦中的電池組充電。

此選用設備套件包含了下列元件：

- 120W 「AC 整流器」
- 本使用者手冊

---

## 受支援的電腦

AC 整流器選用設備支援 IBM ThinkPad Gx 系列的電腦和 ThinkPad Mini-Dock。

您所選購的 AC 整流器選用設備並不支援某些先前已出貨給客戶的 ThinkPad 電腦。在使用前，請先確認它可支援您的電腦。

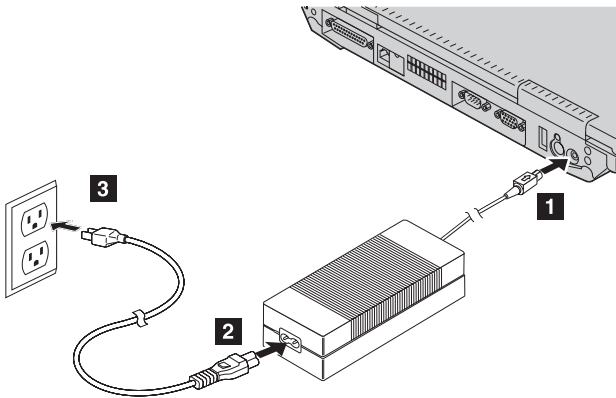
**註：**對於其他系列的 IBM 電腦，請就近聯絡您的 IBM 授權經銷商或 IBM 業務代表，以詢問您的電腦是否可使用此 AC 整流器。

---

## 連接 AC 整流器

當使用 AC 整流器選用設備，請依圖示將其連接到您的電腦。

**註：**在此說明文件圖例中的電腦也許與您的電腦並不完全相同。



---

## 120W AC アダプターについて

120W AC アダプター (これ以降 AC アダプターと呼びます) をご購入いただきありがとうございます。本 AC アダプターは ThinkPad に電力を供給し、内蔵のバッテリー・パックを充電します。

パッケージには、次のものが入っています。

- 120W AC アダプター
- ユーザーズ・ガイド (本書)

---

## サポートされるコンピューター

この AC アダプターは IBM ThinkPad Gx シリーズおよび ThinkPad ミニ・ドックをサポートしています。

ご購入の AC アダプターは、すでに出荷済みの一部の ThinkPad はサポートしていません。本 AC アダプターを使用される前に、AC アダプターがご使用の ThinkPad をサポートしていることをご確認ください。

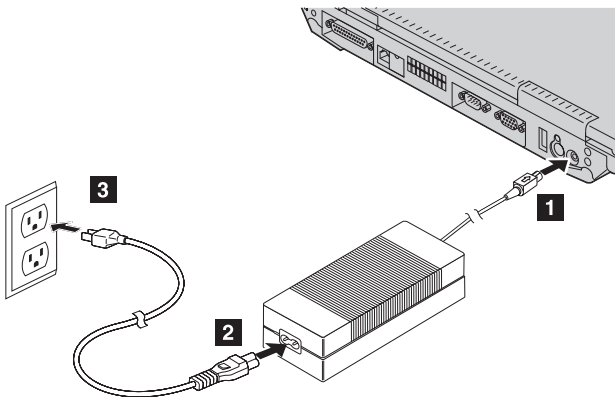
注: 他の IBM ThinkPad で使用かどうかについては、IBM 認定販売店または IBM 営業担当員にお尋ねください。

---

## AC アダプターの接続方法

AC アダプターをご使用の際は、以下に表示される方法で本体に接続してください。

注: このマニュアルの図はご使用の ThinkPad の外観と異なることがあります。





---

## Appendix A. Warranty information

This section contains the warranty period for your product, information about obtaining warranty service and support, and the IBM Statement of Limited Warranty.

---

### Warranty period

Contact your place of purchase for warranty service information.

**Machine** - IBM ThinkPad 120W AC Adapter

Warranty period	Service delivery method
Parts - 1 year, labor - 1 year	Customer carry-in or mail-in

For information on European Union legal rights under applicable national legislation governing the sale of consumer goods, see Appendix B, "European Union warranty information", on page B-1.

---

### Service and support

The following information describes the technical support that is available for your product, during the warranty period or throughout the life of the product. Refer to your IBM Statement of Limited Warranty for a full explanation of IBM warranty terms.

### Warranty information on the World Wide Web

The IBM Machine Warranties Web site at [http://www.ibm.com/servers/support/machine\\_warranties/](http://www.ibm.com/servers/support/machine_warranties/) contains a worldwide overview of the IBM Limited Warranty for IBM Machines, a glossary of terms used in the Statement of Limited Warranty, Frequently Asked Questions (FAQ), and links to Product Support Web pages. The IBM Statement of Limited Warranty is available from this Web site in 29 languages in Portable Document Format (PDF).

### Online technical support

Online technical support is available during the life of your product through the Personal Computing Support Web site at <http://www.ibm.com/pc/support/>.

During the warranty period, assistance for replacement or exchange of defective components is available. In addition, if your IBM option is installed

in an IBM computer, you might be entitled to service at your location. Your technical support representative can help you determine the best alternative.

## Telephone technical support

Installation and configuration support through the IBM HelpCenter® will be withdrawn or made available for a fee, at IBM's discretion, 90 days after the option has been withdrawn from marketing. Additional support offerings, including step-by-step installation assistance, are available for a nominal fee.

To assist the technical support representative, have available as much of the following information as possible:

- Option name
- Option number
- Proof of purchase
- Computer manufacturer, model, serial number (if IBM), and manual
- Exact wording of the error message (if any)
- Description of the problem
- Hardware and software configuration information for your system

If possible, be at your computer. Your technical support representative might want to walk you through the problem during the call.

For the support telephone number and support hours by country, refer to the following table. If the number for your country or region is not listed, contact your IBM reseller or IBM marketing representative. Response time may vary depending on the number and nature of the calls received.

Support 24 hours a day, 7 days a week	
Canada (Toronto only)	416-383-3344
Canada (all other)	1-800-565-3344
U.S.A. and Puerto Rico	1-800-772-2227
All other countries and regions	Go to <a href="http://www.ibm.com/pc/support/">http://www.ibm.com/pc/support/</a> , and click <b>Support Phone List</b> .

---

## IBM Statement of Limited Warranty Z125-4753-06 8/2000

### Part 1 - General Terms

This Statement of Limited Warranty includes Part 1 - General Terms and Part 2 - Country-unique Terms. The terms of Part 2 replace or modify those of Part 1. The warranties provided by IBM in this Statement of Limited Warranty apply only to Machines you purchase for your use, and not for resale, from IBM or your reseller. The term "Machine" means an IBM machine, its features, conversions, upgrades, elements, or accessories, or any combination of them. The term "Machine" does not include any software programs, whether pre-loaded with the Machine, installed subsequently or otherwise. Unless IBM specifies otherwise, the following warranties apply only in the country where you acquire the Machine. Nothing in this Statement of Limited Warranty affects any statutory rights of consumers that cannot be waived or limited by contract. If you have any questions, contact IBM or your reseller.

**The IBM Warranty for Machines:** IBM warrants that each Machine 1) is free from defects in materials and workmanship and 2) conforms to IBM's Official Published Specifications ("Specifications"). The warranty period for a Machine is a specified, fixed period commencing on its Date of Installation. The date on your sales receipt is the Date of Installation unless IBM or your reseller informs you otherwise.

If a Machine does not function as warranted during the warranty period, and IBM or your reseller are unable to either 1) make it do so or 2) replace it with one that is at least functionally equivalent, you may return it to your place of purchase and your money will be refunded.

**Extent of Warranty:** The warranty does not cover the repair or exchange of a Machine resulting from misuse, accident, modification, unsuitable physical or operating environment, improper maintenance by you, or failure caused by a product for which IBM is not responsible. The warranty is voided by removal or alteration of Machine or parts identification labels.

**THESE WARRANTIES ARE YOUR EXCLUSIVE WARRANTIES AND REPLACE ALL OTHER WARRANTIES OR CONDITIONS, EXPRESS OR IMPLIED, INCLUDING, BUT NOT LIMITED TO, THE IMPLIED WARRANTIES OR CONDITIONS OF MERCHANTABILITY AND FITNESS FOR A PARTICULAR PURPOSE. THESE WARRANTIES GIVE YOU SPECIFIC LEGAL RIGHTS AND YOU MAY ALSO HAVE OTHER RIGHTS WHICH VARY FROM JURISDICTION TO JURISDICTION. SOME JURISDICTIONS DO NOT ALLOW THE EXCLUSION OR LIMITATION OF EXPRESS OR IMPLIED WARRANTIES, SO THE ABOVE EXCLUSION OR LIMITATION MAY NOT APPLY TO YOU. IN THAT EVENT, SUCH WARRANTIES ARE LIMITED IN DURATION TO THE WARRANTY PERIOD. NO WARRANTIES APPLY AFTER THAT PERIOD.**

**Items Not Covered by Warranty:** IBM does not warrant uninterrupted or error-free operation of a Machine. Any technical or other support provided for a Machine under warranty, such as assistance via telephone with “how-to” questions and those regarding Machine set-up and installation, will be provided **WITHOUT WARRANTIES OF ANY KIND**.

**Warranty Service:** To obtain warranty service for a Machine, contact IBM or your reseller. If you do not register your Machine with IBM, you may be required to present proof of purchase.

During the warranty period, IBM or your reseller, if approved by IBM to provide warranty service, provides without charge certain types of repair and exchange service to keep Machines in, or restore them to, conformance with their Specifications. IBM or your reseller will inform you of the available types of service for a Machine based on its country of installation. At its discretion, IBM or your reseller will 1) either repair or exchange the failing Machine and 2) provide the service either at your location or a service center. IBM or your reseller will also manage and install selected engineering changes that apply to the Machine.

Some parts of IBM Machines are designated as Customer Replaceable Units (called “CRUs”), e.g., keyboards, memory, or hard disk drives. IBM ships CRUs to you for replacement by you. You must return all defective CRUs to IBM within 30 days of your receipt of the replacement CRU. You are responsible for downloading designated Machine Code and Licensed Internal Code updates from an IBM Internet Web site or from other electronic media, and following the instructions that IBM provides.

When warranty service involves the exchange of a Machine or part, the item IBM or your reseller replaces becomes its property and the replacement becomes yours. You represent that all removed items are genuine and unaltered. The replacement may not be new, but will be in good working order and at least functionally equivalent to the item replaced. The replacement assumes the warranty service status of the replaced item. Many features, conversions, or upgrades involve the removal of parts and their return to IBM. A part that replaces a removed part will assume the warranty service status of the removed part.

Before IBM or your reseller exchanges a Machine or part, you agree to remove all features, parts, options, alterations, and attachments not under warranty service.

You also agree to

1. ensure that the Machine is free of any legal obligations or restrictions that prevent its exchange;



2. obtain authorization from the owner to have IBM or your reseller service a Machine that you do not own; and
3. where applicable, before service is provided:
  - a. follow the problem determination, problem analysis, and service request procedures that IBM or your reseller provides;
  - b. secure all programs, data, and funds contained in a Machine;
  - c. provide IBM or your reseller with sufficient, free, and safe access to your facilities to permit them to fulfill their obligations; and
  - d. inform IBM or your reseller of changes in a Machine's location.

IBM is responsible for loss of, or damage to, your Machine while it is 1) in IBM's possession or 2) in transit in those cases where IBM is responsible for the transportation charges.

Neither IBM nor your reseller is responsible for any of your confidential, proprietary or personal information contained in a Machine which you return to IBM or your reseller for any reason. You should remove all such information from the Machine prior to its return.

**Limitation of Liability:** Circumstances may arise where, because of a default on IBM's part or other liability, you are entitled to recover damages from IBM. In each such instance, regardless of the basis on which you are entitled to claim damages from IBM (including fundamental breach, negligence, misrepresentation, or other contract or tort claim), except for any liability that cannot be waived or limited by applicable laws, IBM is liable for no more than

1. damages for bodily injury (including death) and damage to real property and tangible personal property; and
2. the amount of any other actual direct damages, up to the charges (if recurring, 12 months' charges apply) for the Machine that is subject of the claim. For purposes of this item, the term "Machine" includes Machine Code and Licensed Internal Code.

This limit also applies to IBM's suppliers and your reseller. It is the maximum for which IBM, its suppliers, and your reseller are collectively responsible.

**UNDER NO CIRCUMSTANCES IS IBM LIABLE FOR ANY OF THE FOLLOWING: 1) THIRD-PARTY CLAIMS AGAINST YOU FOR DAMAGES (OTHER THAN THOSE UNDER THE FIRST ITEM LISTED ABOVE); 2) LOSS OF, OR DAMAGE TO, YOUR RECORDS OR DATA; OR 3) SPECIAL, INCIDENTAL, OR INDIRECT DAMAGES OR FOR ANY ECONOMIC CONSEQUENTIAL DAMAGES, LOST PROFITS OR LOST SAVINGS, EVEN IF IBM, ITS SUPPLIERS OR YOUR RESELLER IS INFORMED OF THEIR POSSIBILITY. SOME JURISDICTIONS DO NOT ALLOW THE EXCLUSION OR LIMITATION OF INCIDENTAL OR CONSEQUENTIAL DAMAGES, SO THE ABOVE LIMITATION OR EXCLUSION MAY NOT APPLY TO YOU.**

## Governing Law

**Governing Law:** Both you and IBM consent to the application of the laws of the country in which you acquired the Machine to govern, interpret, and enforce all of your and IBM's rights, duties, and obligations arising from, or relating in any manner to, the subject matter of this Agreement, without regard to conflict of law principles.

## Part 2 - Country-unique Terms

### AMERICAS

#### BRAZIL

**Governing Law:** *The following is added after the first sentence:*

Any litigation arising from this Agreement will be settled exclusively by the court of Rio de Janeiro.

#### NORTH AMERICA

**Warranty Service:** *The following is added to this Section:*

To obtain warranty service from IBM in Canada or the United States, call 1-800-IBM-SERV (426-7378).

#### CANADA

**Governing Law:** *The following replaces "laws of the country in which you acquired the Machine" in the first sentence:*

laws in the Province of Ontario.

#### UNITED STATES

**Governing Law:** *The following replaces "laws of the country in which you acquired the Machine" in the first sentence:*

laws of the State of New York.

### ASIA PACIFIC

#### AUSTRALIA

**The IBM Warranty for Machines:** *The following paragraph is added to this Section:*

The warranties specified in this Section are in addition to any rights you may have under the Trade Practices Act 1974 or other similar legislation and are only limited to the extent permitted by the applicable legislation.

**Limitation of Liability:** *The following is added to this Section:*

Where IBM is in breach of a condition or warranty implied by the Trade Practices Act 1974 or other similar legislation, IBM's liability is limited to the repair or replacement of the goods or the supply of equivalent goods. Where that condition or warranty relates to right to sell, quiet possession or clear title, or the goods are of a kind ordinarily acquired for personal, domestic or household use or consumption, then none of the limitations in this paragraph apply.

**Governing Law:** *The following replaces "laws of the country in which you acquired the Machine" in the first sentence:*

laws of the State or Territory.

## **CAMBODIA, LAOS, AND VIETNAM**

**Governing Law:** *The following replaces "laws of the country in which you acquired the Machine" in the first sentence:*

laws of the State of New York.

*The following is added to this Section:*

Disputes and differences arising out of or in connection with this Agreement shall be finally settled by arbitration which shall be held in Singapore in accordance with the rules of the International Chamber of Commerce (ICC). The arbitrator or arbitrators designated in conformity with those rules shall have the power to rule on their own competence and on the validity of the Agreement to submit to arbitration. The arbitration award shall be final and binding for the parties without appeal and the arbitral award shall be in writing and set forth the findings of fact and the conclusions of law.

All proceedings shall be conducted, including all documents presented in such proceedings, in the English language. The number of arbitrators shall be three, with each side to the dispute being entitled to appoint one arbitrator.

The two arbitrators appointed by the parties shall appoint a third arbitrator before proceeding upon the reference. The third arbitrator shall act as chairman of the proceedings. Vacancies in the post of chairman shall be filled by the president of the ICC. Other vacancies shall be filled by the respective nominating party. Proceedings shall continue from the stage they were at when the vacancy occurred.

If one of the parties refuses or otherwise fails to appoint an arbitrator within 30 days of the date the other party appoints its, the first appointed arbitrator shall be the sole arbitrator, provided that the arbitrator was validly and properly appointed.

The English language version of this Agreement prevails over any other language version.

## HONG KONG AND MACAU

**Governing Law:** *The following replaces “laws of the country in which you acquired the Machine” in the first sentence:*

laws of Hong Kong Special Administrative Region.

## INDIA

**Limitation of Liability:** *The following replaces items 1 and 2 of this Section:*

1. liability for bodily injury (including death) or damage to real property and tangible personal property will be limited to that caused by IBM’s negligence;
2. as to any other actual damage arising in any situation involving nonperformance by IBM pursuant to, or in any way related to the subject of this Statement of Limited Warranty, IBM’s liability will be limited to the charge paid by you for the individual Machine that is the subject of the claim.

## JAPAN

**Governing Law:** *The following sentence is added to this Section:*

Any doubts concerning this Agreement will be initially resolved between us in good faith and in accordance with the principle of mutual trust.

## NEW ZEALAND

**The IBM Warranty for Machines:** *The following paragraph is added to this Section:*

The warranties specified in this Section are in addition to any rights you may have under the Consumer Guarantees Act 1993 or other legislation which cannot be excluded or limited. The Consumer Guarantees Act 1993 will not apply in respect of any goods which IBM provides, if you require the goods for the purposes of a business as defined in that Act.

**Limitation of Liability:** *The following is added to this Section:*

Where Machines are not acquired for the purposes of a business as defined in the Consumer Guarantees Act 1993, the limitations in this Section are subject to the limitations in that Act.

## PEOPLE’S REPUBLIC OF CHINA (PRC)

**Governing Law:** *The following replaces this Section:*

Both you and IBM consent to the application of the laws of the State of New York (except when local law requires otherwise) to govern, interpret, and

enforce all your and IBM's rights, duties, and obligations arising from, or relating in any manner to, the subject matter of this Agreement, without regard to conflict of law principles.

Any disputes arising from or in connection with this Agreement will first be resolved by friendly negotiations, failing which either of us has the right to submit the dispute to the China International Economic and Trade Arbitration Commission in Beijing, the PRC, for arbitration in accordance with its arbitration rules in force at the time. The arbitration tribunal will consist of three arbitrators. The language to be used therein will be English and Chinese. An arbitral award will be final and binding on all the parties, and will be enforceable under the Convention on the Recognition and Enforcement of Foreign Arbitral Awards (1958).

The arbitration fee will be borne by the losing party unless otherwise determined by the arbitral award.

During the course of arbitration, this Agreement will continue to be performed except for the part which the parties are disputing and which is undergoing arbitration.

#### **EUROPE, MIDDLE EAST, AFRICA (EMEA)**

##### ***THE FOLLOWING TERMS APPLY TO ALL EMEA COUNTRIES:***

The terms of this Statement of Limited Warranty apply to Machines purchased from IBM or an IBM reseller.

**Warranty Service:** If you purchase an IBM Machine in Austria, Belgium, Denmark, Estonia, Finland, France, Germany, Greece, Iceland, Ireland, Italy, Latvia, Lithuania, Luxembourg, Netherlands, Norway, Portugal, Spain, Sweden, Switzerland or United Kingdom, you may obtain warranty service for that Machine in any of those countries from either (1) an IBM reseller approved to perform warranty service or (2) from IBM. If you purchase an IBM Personal Computer Machine in Albania, Armenia, Belarus, Bosnia and Herzegovina, Bulgaria, Croatia, Czech Republic, Georgia, Hungary, Kazakhstan, Kirghizia, Federal Republic of Yugoslavia, Former Yugoslav Republic of Macedonia (FYROM), Moldova, Poland, Romania, Russia, Slovak Republic, Slovenia, or Ukraine, you may obtain warranty service for that Machine in any of those countries from either (1) an IBM reseller approved to perform warranty service or (2) from IBM.

If you purchase an IBM Machine in a Middle Eastern or African country, you may obtain warranty service for that Machine from the IBM entity within the country of purchase, if that IBM entity provides warranty service in that country, or from an IBM reseller, approved by IBM to perform warranty service on that Machine in that country. Warranty service in Africa is available within

50 kilometers of an IBM authorized service provider. You are responsible for transportation costs for Machines located outside 50 kilometers of an IBM authorized service provider.

**Governing Law:** The applicable laws that govern, interpret and enforce rights, duties, and obligations of each of us arising from, or relating in any manner to, the subject matter of this Statement, without regard to conflict of laws principles, as well as Country-unique terms and competent court for this Statement are those of the country in which the warranty service is being provided, except that in 1) Albania, Bosnia-Herzegovina, Bulgaria, Croatia, Hungary, Former Yugoslav Republic of Macedonia, Romania, Slovakia, Slovenia, Armenia, Azerbaijan, Belarus, Georgia, Kazakhstan, Kyrgyzstan, Moldova, Russia, Tajikistan, Turkmenistan, Ukraine, and Uzbekistan, the laws of Austria apply; 2) Estonia, Latvia, and Lithuania, the laws of Finland apply; 3) Algeria, Benin, Burkina Faso, Cameroon, Cape Verde, Central African Republic, Chad, Congo, Djibouti, Democratic Republic of Congo, Equatorial Guinea, France, Gabon, Gambia, Guinea, Guinea-Bissau, Ivory Coast, Lebanon, Mali, Mauritania, Morocco, Niger, Senegal, Togo, and Tunisia, this Agreement will be construed and the legal relations between the parties will be determined in accordance with the French laws and all disputes arising out of this Agreement or related to its violation or execution, including summary proceedings, will be settled exclusively by the Commercial Court of Paris; 4) Angola, Bahrain, Botswana, Burundi, Egypt, Eritrea, Ethiopia, Ghana, Jordan, Kenya, Kuwait, Liberia, Malawi, Malta, Mozambique, Nigeria, Oman, Pakistan, Qatar, Rwanda, Sao Tome, Saudi Arabia, Sierra Leone, Somalia, Tanzania, Uganda, United Arab Emirates, United Kingdom, West Bank/Gaza, Yemen, Zambia, and Zimbabwe, this Agreement will be governed by English Law and disputes relating to it will be submitted to the exclusive jurisdiction of the English courts; and 5) in Greece, Israel, Italy, Portugal, and Spain any legal claim arising out of this Statement will be brought before, and finally settled by, the competent court of Athens, Tel Aviv, Milan, Lisbon, and Madrid, respectively.

#### **THE FOLLOWING TERMS APPLY TO THE COUNTRY SPECIFIED:**

##### **AUSTRIA AND GERMANY**

**The IBM Warranty for Machines:** *The following replaces the first sentence of the first paragraph of this Section:*

The warranty for an IBM Machine covers the functionality of the Machine for its normal use and the Machine's conformity to its Specifications.

*The following paragraphs are added to this Section:*

The minimum warranty period for Machines is six months. In case IBM or your reseller is unable to repair an IBM Machine, you can alternatively ask for

a partial refund as far as justified by the reduced value of the unrepaired Machine or ask for a cancellation of the respective agreement for such Machine and get your money refunded.

**Extent of Warranty:** *The second paragraph does not apply.*

**Warranty Service:** *The following is added to this Section:*

During the warranty period, transportation for delivery of the failing Machine to IBM will be at IBM's expense.

**Limitation of Liability:** *The following paragraph is added to this Section:*

The limitations and exclusions specified in the Statement of Limited Warranty will not apply to damages caused by IBM with fraud or gross negligence and for express warranty.

*The following sentence is added to the end of item 2:*

IBM's liability under this item is limited to the violation of essential contractual terms in cases of ordinary negligence.

## EGYPT

**Limitation of Liability:** *The following replaces item 2 in this Section:*

as to any other actual direct damages, IBM's liability will be limited to the total amount you paid for the Machine that is the subject of the claim. For purposes of this item, the term "Machine" includes Machine Code and Licensed Internal Code.

*Applicability of suppliers and resellers (unchanged).*

## FRANCE

**Limitation of Liability:** *The following replaces the second sentence of the first paragraph of this Section:*

In such instances, regardless of the basis on which you are entitled to claim damages from IBM, IBM is liable for no more than: *(items 1 and 2 unchanged).*

## IRELAND

**Extent of Warranty:** *The following is added to this Section:*

Except as expressly provided in these terms and conditions, all statutory conditions, including all warranties implied, but without prejudice to the generality of the foregoing all warranties implied by the Sale of Goods Act 1893 or the Sale of Goods and Supply of Services Act 1980 are hereby excluded.

**Limitation of Liability:** *The following replaces items one and two of the first paragraph of this Section:*

1. death or personal injury or physical damage to your real property solely caused by IBM's negligence; and
2. the amount of any other actual direct damages, up to 125 percent of the charges (if recurring, the 12 months' charges apply) for the Machine that is the subject of the claim or which otherwise gives rise to the claim.

*Applicability of suppliers and resellers (unchanged).*

*The following paragraph is added at the end of this Section:*

IBM's entire liability and your sole remedy, whether in contract or in tort, in respect of any default shall be limited to damages.

## ITALY

**Limitation of Liability:** *The following replaces the second sentence in the first paragraph:*

In each such instance unless otherwise provided by mandatory law, IBM is liable for no more than:

1. *(unchanged)*
2. as to any other actual damage arising in all situations involving nonperformance by IBM pursuant to, or in any way related to the subject matter of this Statement of Warranty, IBM's liability, will be limited to the total amount you paid for the Machine that is the subject of the claim.

*Applicability of suppliers and resellers (unchanged).*

*The following replaces the third paragraph of this Section:*

Unless otherwise provided by mandatory law, IBM and your reseller are not liable for any of the following: *(items 1 and 2 unchanged)* 3) indirect damages, even if IBM or your reseller is informed of their possibility.

## SOUTH AFRICA, NAMIBIA, BOTSWANA, LESOTHO AND SWAZILAND

**Limitation of Liability:** *The following is added to this Section:*

IBM's entire liability to you for actual damages arising in all situations involving nonperformance by IBM in respect of the subject matter of this Statement of Warranty will be limited to the charge paid by you for the individual Machine that is the subject of your claim from IBM.

## UNITED KINGDOM

**Limitation of Liability:** *The following replaces items 1 and 2 of the first paragraph of this Section:*

1. death or personal injury or physical damage to your real property solely caused by IBM's negligence;



2. the amount of any other actual direct damages or loss, up to 125 percent of the charges (if recurring, the 12 months' charges apply) for the Machine that is the subject of the claim or which otherwise gives rise to the claim;

*The following item is added to this paragraph:*

3. breach of IBM's obligations implied by Section 12 of the Sale of Goods Act 1979 or Section 2 of the Supply of Goods and Services Act 1982.

*Applicability of suppliers and resellers (unchanged).*

*The following is added to the end of this Section:*

IBM's entire liability and your sole remedy, whether in contract or in tort, in respect of any default shall be limited to damages.



---

## Appendix B. European Union warranty information

Consumers in the European Union have legal rights under applicable national legislation governing the sale of consumer goods. This legislation may apply to you if you purchased this product as a consumer (that is, as a natural person, and for personal use which is not related to your trade, business or profession). To obtain warranty service under this legislation, you will need to present the proof of purchase to IBM, together with an indication that you are a consumer.

Dans l'Union européenne, les consommateurs disposent de droits selon la loi en vigueur nationale régissant la vente de biens de consommation. Cette loi peut vous être applicable si vous avez acheté ce produit en tant que consommateur (c'est-à-dire, en tant que personne physique, et pour un usage privé qui n'a aucun rapport avec votre commerce, votre métier ou profession). Pour bénéficier du service prévu par la Garantie dans le cadre de cette loi, vous devez présenter la preuve d'achat correspondante à IBM, en lui indiquant que vous êtes un consommateur.

I consumatori dell'Unione Europea sono tutelati dalla legislazione nazionale che regola la vendita dei beni al consumatore. Tale legislazione può essere applicata se il prodotto è stato acquistato da un consumatore (vale a dire, una persona fisica e per uso personale non legato al commercio, all'azienda o alla professione svolta). Per ottenere il servizio di garanzia con questa legislazione, occorre presentare una prova di acquisto alla IBM, insieme con l'indicazione che il richiedente è un consumatore.

In der Europäischen Union haben die Verbraucher nach der geltenden nationalen Gesetzgebung Rechte hinsichtlich des Verbrauchsgüterkaufs. Diese Gesetzgebung kann für Sie gelten, wenn Sie dieses Produkt als Privatkunde erworben haben (d. h. als natürliche Person und für den persönlichen Gebrauch, der nicht mit Ihrem Gewerbe, Ihrem Unternehmen oder Ihrer beruflichen Tätigkeit zusammenhängt). Um unter dieser Gesetzgebung Garantieservice zu erhalten, müssen Sie IBM den Kaufnachweis zusammen mit einem Nachweis dafür, dass Sie Privatkunde sind, vorlegen.

Los consumidores de la Unión europea tienen derechos legales de acuerdo con la legislación nacional aplicable que regula la venta de bienes de consumo. Esta legislación puede aplicarse en su caso si ha adquirido este producto como un consumidor (es decir, como una persona natural y para uso personal que no esté relacionado con su comercio, negocio o profesión). Para obtener servicio de garantía de acuerdo con esta legislación, tendrá que presentar el justificante de compra a IBM, junto con información indicando que es un consumidor.

Na União Europeia, os consumidores gozam de direitos legais nos termos da legislação nacional aplicável que rege a venda de bens de consumo. Esta legislação poderá ser-lhe aplicável caso tenha adquirido este produto na qualidade de consumidor (ou seja, um indivíduo, para utilização pessoal, não relacionada com a sua actividade profissional, comercial ou negócio). Para obter serviço de garantia nos termos desta legislação, terá que apresentar a prova de compra à IBM, em conjunto com a indicação de que adquiriu o produto na qualidade de consumidor.

Forbrugere i EU har via gældende national lovgivning visse rettigheder i forbindelse med salg af forbrugsvarer. Denne lovgivning gælder muligvis for dig, hvis du har anskaffet dette produkt som forbruger, dvs. som fysisk person og til personlig brug og ikke i forbindelse med dit fag, din forretning eller din profession. For at opnå garantiservice i henhold til denne lovgivning skal du vise kvitteringen for købet af produktet til IBM og angive, at du er forbruger.

Klanten in de Europese Unie hebben wettelijke rechten onder toepasselijke landelijke wetgeving die van toepassing is op de verkoop van consumptiegoederen. Deze wetgeving is mogelijk op u van toepassing als u dit product als consument hebt aangeschaft (dat is als natuurlijk persoon en voor persoonlijk gebruik dat niet in verband staat tot uw handel, zaken of beroep). Voor het verkrijgen van garantiservice onder deze wetgeving moet u het bewijs van aankoop kunnen tonen aan IBM, samen met een indicatie dat u een consument bent.

EU-maissa kuluttajilla on kulutustavaroiden myyntiä koskevan paikallisen lainsäädännön mukaiset oikeudet. Tämä lainsäädäntö saattaa koskea teitä, jos olette hankkinut tämän tuotteen kuluttajana (luonnollisena henkilönä kaupankäyntiin, liiketoimintaan tai ammatinharjoittamiseen liittymättömä henkilökohtaiseen käyttöön). Täyttäkää tässä tapauksessa alla olevat tie ja toimittakaa kortti IBM:lle rekisteröintiä varten. IBM käyttää tietoja varmistaakseen, että teille kuuluvat kuluttajan oikeudet toteutuvat.

Konsumenter inom EU har lagliga rättigheter i enlighet med tillämplig lagstiftning i varje land, avseende försäljning av konsumentvaror. Denna lagstiftning kan gälla dig, om du har köpt varan i egenskap av konsument (med konsument avses en fysisk person som köper en vara för personligt bruk, ej relaterat till personens yrkesmässiga verksamhet). Om du vill ha garantiservice i enlighet med denna lagstiftning, måste du visa upp ett inköpsbevis för IBM, tillsammans med något som tyder på att du är

konsument.

Οι καταναλωτές στην Ευρωπαϊκή Ένωση έχουν νόμιμα δικαιώματα βάσει της ισχύουσας εθνικής νομοθεσίας που διέπει την πώληση καταναλωτικών αγαθών. Η νομοθεσία αυτή εφαρμόζεται στην περίπτωση σας εάν αγοράσατε αυτό το προϊόν ως καταναλωτής (δηλαδή ως φυσικό πρόσωπο και για προσωπική χρήση που δεν σχετίζεται με την επιχείρηση ή το επάγγελμά σας). Για να λάβετε υπηρεσίες εγγύησης βάσει της εν λόγω νομοθεσίας, θα πρέπει να προσκομίσετε στην IBM την απόδειξη αγοράς και να δηλώσετε ότι είστε καταναλωτής.



---

## Appendix C. Notices

IBM may not offer the products, services, or features discussed in this document in all countries. Consult your local IBM representative for information on the products and services currently available in your area. Any reference to an IBM product, program, or service is not intended to state or imply that only that IBM product, program, or service may be used. Any functionally equivalent product, program, or service that does not infringe any IBM intellectual property right may be used instead. However, it is the user's responsibility to evaluate and verify the operation of any non-IBM product, program, or service.

IBM may have patents or pending patent applications covering subject matter described in this document. The furnishing of this document does not give you any license to these patents. You can send license inquiries, in writing, to:

*IBM Director of Licensing  
IBM Corporation  
North Castle Drive  
Armonk, NY 10504-1785  
U.S.A.*

INTERNATIONAL BUSINESS MACHINES CORPORATION PROVIDES THIS PUBLICATION "AS IS" WITHOUT WARRANTY OF ANY KIND, EITHER EXPRESS OR IMPLIED, INCLUDING, BUT NOT LIMITED TO, THE IMPLIED WARRANTIES OF NON-INFRINGEMENT, MERCHANTABILITY OR FITNESS FOR A PARTICULAR PURPOSE. Some jurisdictions do not allow disclaimer of express or implied warranties in certain transactions, therefore, this statement may not apply to you.

This information could include technical inaccuracies or typographical errors. Changes are periodically made to the information herein; these changes will be incorporated in new editions of the publication. IBM may make improvements and/or changes in the product(s) and/or the program(s) described in this publication at any time without notice.

The products described in this document are not intended for use in implantation or other life support applications where malfunction may result in injury or death to persons. The information contained in this document does not affect or change IBM product specifications or warranties. Nothing in this document shall operate as an express or implied license or indemnity under the intellectual property rights of IBM or third parties. All information contained in this document was obtained in specific environments and is presented as an illustration. The result obtained in other operating environments may vary.

IBM may use or distribute any of the information you supply in any way it believes appropriate without incurring any obligation to you.

Any references in this publication to non-IBM Web sites are provided for convenience only and do not in any manner serve as an endorsement of those Web sites. The materials at those Web sites are not part of the materials for this IBM product, and use of those Web sites is at your own risk.

Any performance data contained herein was determined in a controlled environment. Therefore, the result obtained in other operating environments may vary significantly. Some measurements may have been made on development-level systems and there is no guarantee that these measurements will be the same on generally available systems. Furthermore, some measurements may have been estimated through extrapolation. Actual results may vary. Users of this document should verify the applicable data for their specific environment.

---

## Trademarks

The following terms are trademarks of International Business Machines Corporation in the United States, other countries, or both:

HelpCenter  
IBM  
IBM logo  
ThinkPad

Other company, product, or service names may be trademarks or service marks of others.

---

## Federal Communications Commission (FCC) statement

IBM ThinkPad 120W AC Adapter

**Note:** This equipment has been tested and found to comply with the limits for a Class B digital device, pursuant to Part 15 of the FCC Rules. These limits are designed to provide reasonable protection against harmful interference in a residential installation. This equipment generates, uses, and can radiate radio frequency energy and, if not installed and used in accordance with the instructions, may cause harmful interference to radio communications. However, there is no guarantee that interference will not occur in a particular installation. If this equipment does cause harmful interference to radio or television reception, which can be determined by turning the equipment off and on, the user is encouraged to try to correct the interference by one or more of the following measures:

- Reorient or relocate the receiving antenna.



- Increase the separation between the equipment and receiver.
- Connect the equipment into an outlet on a circuit different from that to which the receiver is connected.
- Consult an IBM authorized dealer or service representative for help.

Properly shielded and grounded cables and connectors must be used in order to meet FCC emission limits. Proper cables and connectors are available from IBM authorized dealers. IBM is not responsible for any radio or television interference caused by using other than recommended cables and connectors or by unauthorized changes or modifications to this equipment. Unauthorized changes or modifications could void the user's authority to operate the equipment.

This device complies with Part 15 of the FCC Rules. Operation is subject to the following two conditions: (1) this device may not cause harmful interference, and (2) this device must accept any interference received, including interference that may cause undesired operation.

Responsible party:

International Business Machines Corporation  
New Orchard Road  
Armonk, NY 10504  
Telephone: 1-919-543-2193

### **Industry Canada Class B emission compliance statement**

This Class B digital apparatus complies with Canadian ICES-003.

### **Avis de conformité a la réglementation d'Industrie Canada**

Cet appareil numérique de la classe B est conforme à la norme NMB-003 du Canada.

### **Deutsche EMV-Direktive (electromagnetische Verträglichkeit)**

Zulassungsbcheinigung laut dem Deutschen Gesetz über die elektromagnetische Verträglichkeit von Geräten (EMVG) vom 30. August 1995 (bzw. der EMC EG Richtlinie 89/336):

Dieses Gerät ist berechtigt in Übereinstimmung mit dem Deutschen EMVG das EG-Konformitätszeichen - CE - zu führen. Verantwortlich für die Konformitätserklärung nach Paragraph 5 des EMVG ist die:

IBM Deutschland Informationssysteme GmbH, 70548 Stuttgart.

Informationen in Hinsicht EMVG Paragraph 3 Abs. (2) 2:

Das Gerät erfüllt die Schutzanforderungen nach EN 55024:1998 und EN 55022:1998 Klasse B.

EN 55022 Hinweis:

“Wird dieses Gerät in einer industriellen Umgebung betrieben (wie in EN 55022:B festgelegt), dann kann es dabei eventuell gestört werden. In solch einem FA11 ist der Abstand bzw. die Abschirmung zu der industriellen Störquelle zu vergrößern.”

Anmerkung:

Um die Einhaltung des EMVG sicherzustellen sind die Geräte, wie in den IBM Handbüchern angegeben, zu installieren und zu betreiben.

### **European Union - emission directive**

This product is in conformity with the protection requirements of EU Council Directive 89/336/ECC on the approximation of the laws of the Member States relating to electromagnetic compatibility.

IBM can not accept responsibility for any failure to satisfy the protection requirements resulting from a non-recommended modification of the product, including the fitting of non-IBM option cards.

This product has been tested and found to comply with the limits for Class B Information Technology Equipment according to European Standard EN 55022. The limits for Class B equipment were derived for typical residential environments to provide reasonable protection against interference with licensed communication devices.

### **Union Européenne - Directive Conformité électromagnétique**

Ce produit est conforme aux exigences de protection de la Directive 89/336/EEC du Conseil de l'UE sur le rapprochement des lois des États membres en matière de compatibilité électromagnétique.

IBM ne peut accepter aucune responsabilité pour le manquement aux exigences de protection résultant d'une modification non recommandée du produit, y compris l'installation de cartes autres que les cartes IBM.

Ce produit a été testé et il satisfait les conditions de l'équipement informatique de Classe B en vertu de Standard européen EN 55022. Les conditions pour l'équipement de Classe B ont été définies en fonction d'un contexte résidentiel ordinaire afin de fournir une protection raisonnable contre l'interférence d'appareils de communication autorisés.

### **Unione Europea - Directiva EMC (Conformidad electromagnética)**

Este producto satisface los requisitos de protección del Consejo de la UE, Directiva 89/336/CEE en lo que a la legislatura de los Estados Miembros sobre compatibilidad electromagnética se refiere.

IBM no puede aceptar responsabilidad alguna si este producto deja de satisfacer dichos requisitos de protección como resultado de una modificación no recomendada del producto, incluyendo el ajuste de tarjetas de opción que no sean IBM.

Este producto ha sido probado y satisface los límites para Equipos Informáticos Clase B de conformidad con el Estándar Europeo EN 55022. Los límites para los equipos de Clase B se han establecido para entornos residenciales típicos a fin de proporcionar una protección razonable contra las interferencias con dispositivos de comunicación licenciados.

### **Union Europea - Normativa EMC**

Questo prodotto è conforme alle normative di protezione ai sensi della Direttiva del Consiglio dell'Unione Europea 89/336/CEE sull'armonizzazione legislativa degli stati membri in materia di compatibilità elettromagnetica.

IBM non accetta responsabilità alcuna per la mancata conformità alle normative di protezione dovuta a modifiche non consigliate al prodotto, compresa l'installazione di schede e componenti di marca diversa da IBM.

Le prove effettuate sul presente prodotto hanno accertato che esso rientra nei limiti stabiliti per le apparecchiature di informatica Classe B ai sensi della Norma Europea EN 55022. I limiti delle apparecchiature della Classe B sono stati stabiliti al fine di fornire ragionevole protezione da interferenze mediante dispositivi di comunicazione in concessione in ambienti residenziali tipici.

이 기기는 가정용으로 전자파 적합등록을 한 기기로서  
주거지역에서는 물론 모든 지역에서 사용할 수 있습니다.

この装置は、情報処理装置等電波障害自主規制協議会（VCCI）の基準に基づきクラスB情報技術装置です。この装置は、家庭環境で使用することを目的としていますが、この装置がラジオやテレビジョン受信機に近接して使用されると、受信障害を引き起こすことがあります。  
取扱説明書に従って正しい取り扱いをして下さい。





Part Number: 22P9162

Printed in U.S.A.

(1P) P/N: 22P9162

