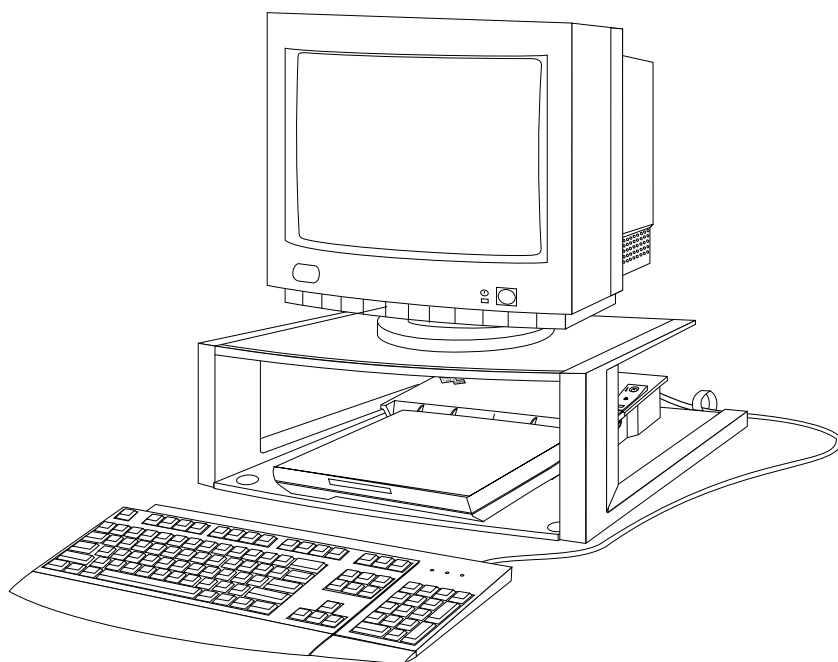
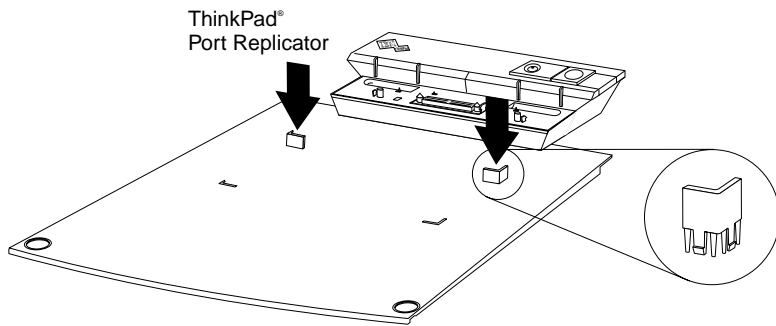
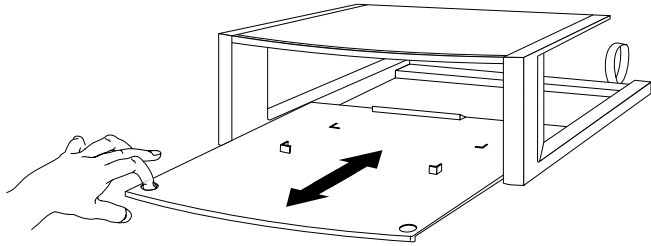
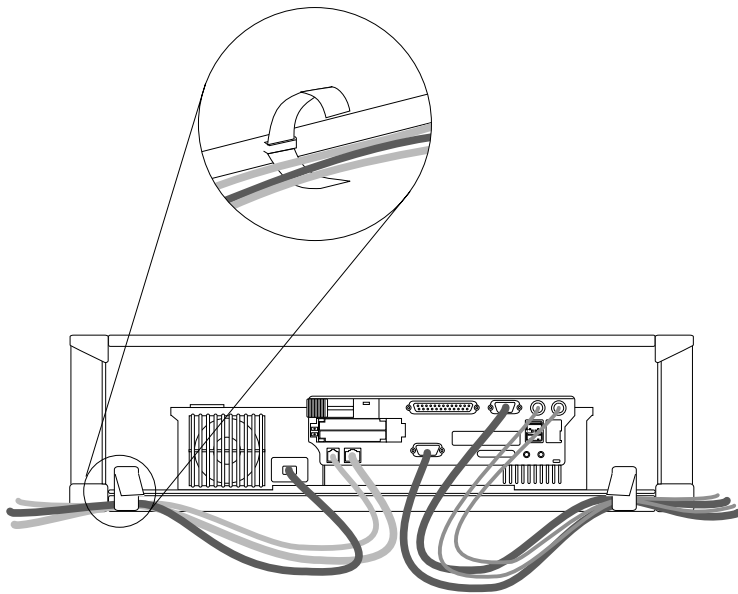
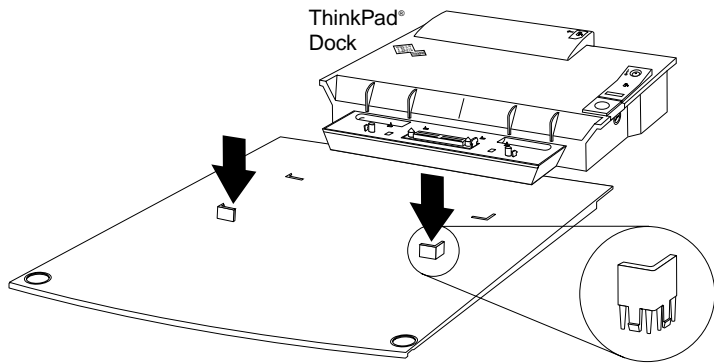


OPTIONS
by IBM

**Installing your ThinkPad®
Monitor Stand 2000**







Leave extra cable length
(as shown) for easy tray slide.

