

IBM FASTT Storage Manager Version  
8.2



# Installation and Support Guide for Novell NetWare





IBM FAStT Storage Manager Version 8.2



# Installation and Support Guide for Novell NetWare

**Note**

Before using this information and the product it supports, be sure to read the general information in Appendix C, "Notices" on page 65.

**Second Edition (April 2002)**

**© Copyright International Business Machines Corporation 2002. All rights reserved.**

US Government Users Restricted Rights – Use, duplication or disclosure restricted by GSA ADP Schedule Contract with IBM Corp.

---

# Contents

<b>Figures</b> . . . . .	vii
<b>Tables</b> . . . . .	ix
<b>About this book</b> . . . . .	xi
How this book is organized. . . . .	xi
Notices used in this book . . . . .	xii
Related publications . . . . .	xii
<b>Chapter 1. Introduction</b> . . . . .	1
New features . . . . .	1
Supported machine types . . . . .	3
Terms to know . . . . .	3
IBM FASTT Storage Manager Version 8.2 software . . . . .	4
Storage Manager 8.2 Client. . . . .	4
Storage Manager 8.2 Agent. . . . .	5
Storage Manager 8.2 Utility. . . . .	5
IBMSAN driver . . . . .	5
IBM FASTT Host Adapter device driver. . . . .	5
Storage subsystem management methods . . . . .	5
Host-agent (in-band) management method . . . . .	5
Direct (out-of-band) management method . . . . .	8
Where to install software components . . . . .	9
Management stations . . . . .	9
Host computers . . . . .	9
Configuration types . . . . .	10
Standard (noncluster) configuration . . . . .	10
Cluster server configuration . . . . .	11
Installation types . . . . .	11
Managing coexisting storage subsystems . . . . .	14
System requirements . . . . .	15
Hardware requirements . . . . .	16
Firmware requirements . . . . .	17
Software requirements . . . . .	17
Operating system requirements . . . . .	18
Number of supported logical drives . . . . .	19
<b>Chapter 2. Preparing for installation</b> . . . . .	21
Storage subsystem management methods. . . . .	22
Reviewing a sample network. . . . .	22
Preparing a network installation. . . . .	24
Naming the storage subsystems . . . . .	24
Identifying the hardware Ethernet MAC address for each controller. . . . .	25
Assigning IP addresses for hosts and controllers . . . . .	27
Setting up the DHCP or BOOTP-compatible server . . . . .	27
Setting up a Windows NT DHCP server. . . . .	28
Setting up a Windows 2000 DHCP server . . . . .	32
Setting up a NetWare DHCP server . . . . .	35
Setting up a UNIX BOOTP server . . . . .	37
Verifying the TCP/IP protocol and setting up the host or DNS table. . . . .	38
<b>Chapter 3. Installing software</b> . . . . .	41
New installation process . . . . .	41

Java Virtual Machine Version 1.3.1 for NetWare 5.1 . . . . .	42
Storage Manager 8.2 Client . . . . .	42
Installing Storage Manager 8.2 Client . . . . .	42
Verifying the Storage Manager 8.2 Client installation . . . . .	43
Storage Manager 8.2 Agent . . . . .	43
Installing Storage Manager 8.2 Agent . . . . .	43
Verifying the Storage Manager 8.2 Agent installation . . . . .	44
Storage Manager 8.2 Utility . . . . .	44
Installing Storage Manager 8.2 Utility. . . . .	44
Verifying the Storage Manager 8.2 Utility installation . . . . .	45
Installing the IBMSAN driver . . . . .	45
Installing the IBM Host Adapter device driver (QL2x00) . . . . .	45
Installing IBM FASiT Management Suite Java . . . . .	45
<b>Chapter 4. Completing the installation . . . . .</b>	<b>47</b>
Performing an initial automatic discovery of storage subsystems. . . . .	47
Adding devices . . . . .	50
Setting up alert notifications . . . . .	50
Naming storage subsystems . . . . .	51
Downloading firmware and NVSRAM. . . . .	51
Downloading firmware . . . . .	51
Downloading NVSRAM . . . . .	52
Creating arrays and logical drives . . . . .	52
Defining the default host type . . . . .	52
Configuring heterogeneous hosts . . . . .	52
Performing other storage-subsystem management tasks . . . . .	53
<b>Chapter 5. Using the storage-management software . . . . .</b>	<b>55</b>
Adding or deleting logical drives . . . . .	55
Creating logical drives . . . . .	55
Deleting logical drives . . . . .	55
Creating a FlashCopy logical drive. . . . .	55
Using the Remote Mirror Option . . . . .	56
Using the Hot Add utility . . . . .	56
Using the SMdevices utility . . . . .	56
Stopping and starting the host-agent software . . . . .	57
Stopping the host-agent software . . . . .	57
Starting the host agent manually . . . . .	58
Uninstalling storage-management software components . . . . .	58
<b>Chapter 6. Novell NetWare operating-system support . . . . .</b>	<b>59</b>
<b>Appendix A. Storage subsystem/controller information record . . . . .</b>	<b>61</b>
<b>Appendix B. Getting help and technical assistance . . . . .</b>	<b>63</b>
Before you call . . . . .	63
Using the documentation . . . . .	63
Getting help and information from the World Wide Web . . . . .	63
Software service and support . . . . .	64
Hardware service and support . . . . .	64
<b>Appendix C. Notices . . . . .</b>	<b>65</b>
Edition notice . . . . .	65
Trademarks . . . . .	66
Important notes. . . . .	66

**Index . . . . . 69**





---

## Figures

1. Host-agent (in-band) managed storage subsystems . . . . .	7
2. Direct (out-of-band) managed storage subsystems . . . . .	9
3. Sample standard (noncluster) configuration . . . . .	10
4. Sample cluster server configuration . . . . .	11
5. Sample coexistence installation . . . . .	15
6. Sample network using direct-managed and host-agent-managed storage subsystems . . . . .	23
7. Locating the Ethernet MAC address for machine type 3542 . . . . .	25
8. Removing the controller-unit bezel (machine types 3552 and 1742) . . . . .	26
9. Replacing the controller-unit bezel (machine types 3552 and 1742) . . . . .	27
10. Create Scope - (Local) window . . . . .	29
11. DHCP Options: Global window . . . . .	30
12. IP Address Array Editor window . . . . .	30
13. Active Leases window . . . . .	31
14. Add Option Type window . . . . .	32
15. New Scope Wizard: IP Address Range window. . . . .	34
16. Enterprise Management window . . . . .	49
17. Subsystem Management window . . . . .	51



---

## Tables

1. Machine type and supported storage-management software . . . . .	3
2. New terminology . . . . .	3
3. Configurations for existing storage subsystems . . . . .	12
4. Hardware requirements for Storage Manager 8.2 software . . . . .	16
5. Installation requirements by software package . . . . .	17
6. Logical drives without the remote mirror option enabled . . . . .	19
7. Logical drives using the remote mirror option . . . . .	19
8. Software component installation sequence in a Novell NetWare 5.1 environment . . . . .	21
9. Software component installation sequence in a Novell NetWare 6.0 . . . . .	21
10. Sample information record . . . . .	24
11. Global options for a Windows NT DHCP server . . . . .	29
12. Required entries for setting up the UNIX BOOTP server . . . . .	38
13. Novell NetWare limitations . . . . .	59
14. Storage subsystem information record and controller information record . . . . .	61



---

## About this book

This book provides information about setting up, installing, configuring, and working with IBM® Fibre Array Storage Technology (FAST) Storage Manager in Novell NetWare 5.1 and 6.0 operating-system environments. This *Installation and Support Guide* is for system administrators. Use this guide to:

- Determine the hardware and software that are required to install the storage-management software.
- Integrate the necessary hardware components into your network.
- Install the FAST Storage Manager software.
- Upgrade controller firmware, if necessary.
- Identify storage-management features that are unique to your specific installation.

---

## How this book is organized

Chapter 1, “Introduction” on page 1 provides an overview of IBM FAST Storage Manager Version 8.2 and describes storage-subsystem management methods, configuration types, types of installations, and installation requirements.

Chapter 2, “Preparing for installation” on page 21 discusses preparing for a network installation including setting up a Microsoft® Dynamic Host Configuration Protocol (DHCP) server, UNIX® Boot Protocol (BOOTP) server, or a NetWare server, and describes other setup tasks.

Chapter 3, “Installing software” on page 41 gives the procedure for installing the software in standard and noncluster server environments.

Chapter 4, “Completing the installation” on page 47 discusses starting the Enterprise Management window, applying NVSRAM configuration scripts, adding devices, and subsystem management tasks.

Chapter 5, “Using the storage-management software” on page 55 provides information about adding and deleting logical drives, using the Hot Add and SMdevices utilities, starting and stopping the host-agent software, and uninstalling Storage Manager components.

Chapter 6, “Novell NetWare operating-system support” on page 59 discusses Novell NetWare operating system limitations.

Appendix A, “Storage subsystem/controller information record” on page 61 provides a data sheet template that you can use to create a controller information record.

Appendix B, “Getting help and technical assistance” on page 63 provides information about how to obtain help, service, or technical assistance.

Appendix C, “Notices” on page 65 provides product notices and trademark information.

---

## Notices used in this book

This book contains the following notices designed to highlight key information:

- **Note:** These notices provide important tips, guidance, or advice.
- **Important:** These notices provide information or advice that might help you avoid inconvenient or problem situations.
- **Attention:** These notices indicate possible damage to programs, devices, or data. An attention notice is placed just before the instruction or situation in which damage could occur.

---

## Related publications

The following publications are available in Adobe Acrobat Portable Document Format (PDF) on the IBM FASTT Storage Manager CD and at <http://www.ibm.com/pc/support/>.

- *IBM FASTT Storage Manager Version 8.2 Installation and Support Guide for Novell NetWare* (this book)
- *IBM FASTT Storage Manager Version 8.2 Installation and Support Guide for Microsoft® Windows NT® and Windows® 2000*
- *IBM FASTT Storage Manager Version 8.2 Installation and Support Guide for Linux®*
- *IBM FASTT Remote Mirror Option Installation and User's Guide*
- *IBM TotalStorage™ FASTT700 Fibre Channel Storage Server Installation Guide*
- *IBM TotalStorage FASTT700 Fibre Channel Storage Server User's Guide*
- *IBM FASTT700 Fibre Channel Cabling Instructions*
- *IBM FASTT FC-2 Host Bus Adapter Installation and User's Guide*
- *IBM FASTT500 RAID Controller Enclosure Unit Installation Guide*
- *IBM FASTT500 RAID Controller Enclosure Unit User's Guide*
- *IBM Netfinity® Fibre Channel Cabling Instructions*
- *IBM FASTT200 and FASTT200 HA Storage Servers Installation and User's Guide*
- *IBM FASTT200 Fibre Channel Cabling Instructions*

The following diagnostic publications might be of interest:

- *IBM FASTT MSJ User's Guide*
- *IBM Fibre Channel Hardware Maintenance Manual*
- *IBM Fibre Channel Problem Determination Guide*
- *IBM Fibre Channel Basic SAN Configuration Setup Guide*

In addition, the following IBM Redbooks™ might be of interest:

- *Fibre Array Storage Technology, A FASTT Introduction*
- *Implementing Netfinity Disk Subsystems: ServeRAID SCSI, Fibre Channel, and SSA*
- *Tuning Netfinity Servers for Performance: Getting the most out of Windows 2000 and Windows NT 4.0*
- *Netfinity Director: Integration and Tools*
- *Netfinity Clustering Planning Guide*

You can download these Redbooks from <http://www.ibm.com/redbooks/>.

---

## Chapter 1. Introduction

This installation and support guide provides information for preparing, installing, configuring, and starting IBM FASTT Storage Manager Version 8.2 in Novell NetWare 5.1 and 6.0 operating system environments.

Before you begin the installation of this product, consult the README.TXT first. Refer to the <http://www.ibm.com/pc/support> IBM Web site for the latest installation and user information about the storage-management software and hardware components.

When you finish the installation process, refer to the following online help systems:

- Enterprise Management window help - Use this online help system to learn more about working with the entire management domain.
- Subsystem Management window help - Use this online help system to learn more about managing individual storage subsystems.

You can access these help systems from within Storage Manager 8.2 Client. From either an Enterprise Management or Subsystem Management window, click **Help** or press F1.

After installing IBM FASTT Storage Manager Version 8.2, consider installing the FASTT Management Suite Java™ (FASTT-MSJ) diagnostic program. You can use this program to verify the status of the Fiber Channel connections before using the storage subsystem. The program and the *IBM FASTT MSJ User's Guide* are located on the *IBM FASTT Storage Manager Version 8.2 CD*.

---

## New features

This section describes the new premium features and standard features that are part of the IBM FASTT Storage Manager Version 8.2 software. Your storage subsystem firmware must be at version 5.2x.xx if you want to use any of the features listed in this section. If your controller firmware is at version 04.x or earlier, you must purchase a firmware upgrade option.

The following two premium features are available after purchasing a premium feature key:

- FlashCopy - FlashCopy is a premium feature that is part of the IBM FASTT Storage Manager 8.2 software and is enabled by purchasing a premium feature key. This feature supports the creation and management of FlashCopy logical drives. A FlashCopy logical drive is a logical point-in-time image of another logical drive, called a base logical drive, in the storage subsystem. A FlashCopy is the logical equivalent of a complete physical copy, but you create it much more quickly and it requires less disk space. Because a FlashCopy is a host addressable logical drive, you can perform backups using the FlashCopy while the base logical drive remains online and user-accessible. In addition, you can write to the FlashCopy logical drive to perform application testing or both scenario development and analysis. The maximum number of FlashCopy logical drives that are allowed is one half of the total logical drives supported by your controller model.
- Remote Mirror Option - The Remote Mirror Option is a premium feature that is part of the IBM FASTT Storage Manager 8.2 software and is enabled by purchasing a premium feature key. The Remote Mirror Option is used for online, real-time replication of data between storage subsystems over a remote distance.

In the event of a disaster or unrecoverable error on one storage subsystem, the Remote Mirror Option enables you to promote a second storage subsystem to take over responsibility for normal input/output (I/O) operations. When the Remote Mirror option is enabled, the maximum number of logical drives per storage subsystem is reduced. For more information, refer to “Number of supported logical drives” on page 19.

In addition to the new premium features, the storage-management software includes the following new standard features:

- Dynamic logical-drive expansion - this feature enables you to increase the capacity of an existing logical drive. You can use the free capacity of a logical drive on an existing array, or add unconfigured capacity (new or unassigned drives) to that array. You can expand a logical drive dynamically without losing access to it, or to any other logical drives.
- 2048 logical drive support - this feature enables you to increase the number of defined logical drives up to 2048 for each storage subsystem. The number of logical drives will depend on your controller model. For more information, refer to “Number of supported logical drives” on page 19.
- Storage Partitioning - this feature gives you support for up to 64 storage partitions. Specifically, there is support for up to two host ports in each host and up to eight ports in each host group (supporting a four-way host group of dual-adapter hosts).
- Script Engine and Command Line Interface (CLI) Language - this feature expands previous version support to include the following:
  - Creating and deleting a FlashCopy logical drive.
  - Setting FlashCopy logical drive attributes.
  - Supporting dynamic logical drive expansion for standard or repository logical drives.
  - Disabling or recreating a FlashCopy.
  - Creating or deleting logical drive-to-LUN mappings.
  - Uploading Read Link Status data from a storage subsystem to a comma delimited file on a management station.
  - Downloading a feature key file to a storage subsystem to enable a premium feature.
- Read Link Status Diagnostic (RLS) - this feature enhances controller diagnostics by enabling you to isolate the source of link problems on a Fibre Channel loop. During communication between devices, RLS error counts are detected within the traffic flow of the loop. Error count information is accumulated over a period of time for every component and device on the loop. The controller sets the baseline automatically; however, a new baseline is set manually through the Read Link Status Diagnostics window.
- Redesigned user interface - this feature supports a more integrated process of creating logical drives and then mapping them to hosts or host groups and logical unit numbers to create storage partitions. The previous Storage Partitions window is now a Mappings View that you can switch to from the Logical/Physical View. In the Subsystem Management window, the Mappings View displays storage partition topology such as the default and defined host groups, hosts, host ports in a tree, and FlashCopy logical drives.
- Controller default IP address - Unless a static IP address is assigned to the controller by the administrator, controllers A and B will automatically be assigned the following IP addresses:
  - Controller A (192.168.128.101)



– Controller B (192.168.128.102)

The subnet mask for the default IP address is 255.255.255.0.

---

## Supported machine types

Table 1 provides a list of machine type and supported storage-management software.

*Table 1. Machine type and supported storage-management software*

Product name	Machine type	Model	Firmware version	Supported storage-management software version
Netfinity® Fibre Channel RAID Controller Unit	3526	1RU 1RX	4.x	7.02, 7.10, 8.0, 8.2
IBM FAST200 Storage Server	3542	1RU 1RX	4.x, 5.2x.xx	7.02, 7.10, 8.0, 8.2
IBM FAST200 High Availability Storage Server	3542	2RU 2RX	4.x, 5.2x.xx	7.02, 7.10, 8.0, 8.2
Netfinity FAST500 RAID Controller Enclosure Unit	3552	1RU 1RX	4.x, 5.00.x, 5.2x.xx	7.02, 7.10, 8.0, 8.2
IBM TotalStorage™ FAST700 Fibre Channel Storage Server	1742	1RU 1RX	5.00.x, 5.2x.xx	8.0, 8.2

**Note:** Storage subsystem firmware must be at version 04.00.02.00 or later to be managed with Storage Manager 8.2.

---

## Terms to know

If you are upgrading from a previous version of the storage-management software, you will find that some of the terms you are familiar with have changed. It is important that you familiarize yourself with the new terminology. Table 2 provides some of the new terminology.

*Table 2. New terminology*

Term used in previous versions	New term
RAID module	Storage subsystem
Drive group	Array
Volume	Logical drive

It is important to understand the distinction between the following two terms when reading this document:

### Management station

A management station is a system that is used to manage the storage subsystem. It can be attached to the storage subsystem in the following ways:

- Through a TCP/IP Ethernet connection to the controllers in the storage subsystem.
- Through a TCP/IP network connection to a host computer with host-agent software installed on it, which in turn is directly attached to the storage subsystem through the Fibre Channel input/output (I/O) path.

### Host computer

A host computer is a system that is directly attached to the storage subsystem through a Fibre Channel I/O path. This system is used to do the following:

- Serve data (typically in the form of files) from the storage subsystem.
- Function as a connection point to the storage subsystem for a remote-management station.

#### Notes:

1. The terms host and host computer are used interchangeably throughout this book.
2. A host computer can also function as a management station.

---

## IBM FAStT Storage Manager Version 8.2 software

Storage Manager Version 8.2 contains the following software components for a Novell NetWare 5.1 environment:

- Java Virtual Machine (JVM) for NetWare
- Storage Manager 8.2 Client (SMclient)
- Storage Manager 8.2 Agent (SMagent)
- Storage Manager 8.2 Utility (SMutil)
- IBM Storage Area Network (IBMSAN) driver
- IBM Host Adapter device driver (QL2x00)
- IBM FAStT Management Suite Java (FAStT MSJagent)<sup>1</sup>

Storage Manager Version 8.2 contains the following software components for a Novell NetWare 6.0 environment:

- Storage Manager 8.2 Client (SMclient)
- Storage Manager 8.2 Agent (SMagent)
- Storage Manager 8.2 Utility (SMutil)
- IBM Storage Area Network (IBMSAN) driver
- IBM Host Adapter device driver (QL2x00)
- IBM FAStT Management Suite Java (FAStT MSJagent)<sup>1</sup>

## Storage Manager 8.2 Client

The Storage Manager 8.2 Client (SMclient) component provides the graphical user interface (GUI) for managing storage subsystems. The SMclient contains two main components:

- **Enterprise Management.** You can use the Enterprise Management component to add, remove, and monitor storage subsystems within the management domain.
- **Subsystem Management.** You can use the Subsystem Management component to manage the components of an individual storage subsystem.

The Event Monitor is a separate program that is bundled with the SMclient. If installed, it monitors storage subsystems whenever the Enterprise Management window is closed. It runs continuously in the background and can send alert notifications in the event of a critical problem.

---

1. Refer to the *IBM FAStT MSJ User's Guide* for installation instructions.

## Storage Manager 8.2 Agent

The Storage Manager 8.2 Agent (SMagent) provides a management connection for the storage manager client to configure and monitor the subsystem through the Fibre Channel I/O path. The agent also provides local or remote access to the client depending on whether the client is installed on the host computer or on a management station over the TCP/IP network.

## Storage Manager 8.2 Utility

The Storage Manager 8.2 Utility (SMutil) registers and maps new logical drives to the operating system. This software package contains the following two components:

- **Hot Add utility.** The Hot Add utility enables you to register newly created logical drives with the operating system. For information on using the Hot Add utility, see “Using the Hot Add utility” on page 56.
- **SMdevices utility.** You can use the SMdevices utility to associate storage subsystem-logical drives with operating system device names. For more information about using SMdevices, see “Using the SMdevices utility” on page 56.

## IBMSAN driver

The IBM Storage Area Network (IBMSAN) driver is used in a Novell NetWare environment to provide multipath I/O support to the storage controller. The IBMSAN driver is a custom device module (CDM) that is installed with the IBM FAStT Host Adapter device driver. In case of a failure along the I/O path, the driver sends the I/O requests through the alternate path and Auto-Volume Transfer (AVT) moves the logical drive within the FAStT Storage Server.

## IBM FAStT Host Adapter device driver

The IBM FAStT Host Adapter device driver (QL2x00) enables your operating system to communicate with the host adapter. The IBM FAStT Host Adapter is a high-performance, direct memory access (DMA), bus-master, host adapter designed for high-end systems. The IBM FAStT Host Adapter supports all Fibre Channel (FC) peripheral devices that support private-loop direct attach (PLDA) and fabric-loop attach (FLA). Refer to the *IBM FAStT FC-2 Host Bus Adapter Installation and User's Guide* and the <http://www.ibm.com/pc/support> IBM Web page for the current README file and latest multipath I/O device drivers.

---

## Storage subsystem management methods

The storage-management software provides two methods for managing storage subsystems: the host-agent managed method and the directly managed method. Depending on your specific storage-subsystem configurations, you can use either or both methods. The management methods you select will determine where you will need to install the software components.

### Host-agent (in-band) management method

When you use the host-agent (in-band) management method, you manage the storage subsystems through the Fibre Channel I/O path to the host. The management information can either be processed in the host or passed to the management station through the network connection, as shown in Figure 1 on page 7.

Managing storage subsystems through the host-agent has the following advantages:

- Ethernet cables do not have to be connected to the controllers.
- A Dynamic Host Configuration Protocol (DHCP)/BOOTP server is not needed to connect the storage subsystems to the network.
- The controller network configuration tasks that are described in Chapter 2, “Preparing for installation” on page 21, do not need to be performed.
- A host name or IP address must only be specified for the host instead of for the individual controllers in a storage subsystem. Storage subsystems that are attached to the host are automatically discovered.
- If the Fibre Channel connection is broken between the host and the subsystem, the subsystem cannot be managed or monitored.

The disadvantage of managing storage subsystems through the host agent is that the host agent requires a special logical drive, called an *access logical drive*, to communicate with the controllers in the storage subsystem. Therefore, you are limited to configuring one fewer logical drive than the maximum number that is allowed by the operating system and the host adapter that you are using.

**Note:** The access logical drive is also referred to as the *Universal Xport Device*.

**Important:** If your host already has the maximum number of logical drives configured, either use the direct-management method or give up a logical drive for use as the access logical drive. For more information, see “Number of supported logical drives” on page 19.

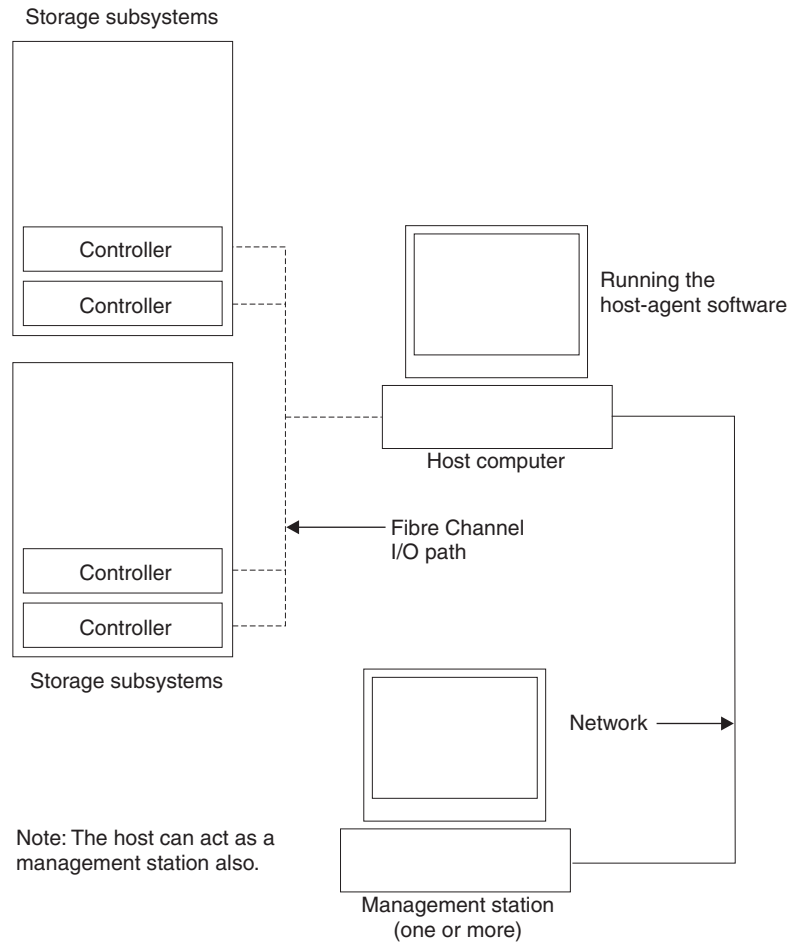


Figure 1. Host-agent (in-band) managed storage subsystems

## Direct (out-of-band) management method

When you use the direct (out-of-band) management method, you manage storage subsystems directly over the network through an Ethernet connection to each controller. To manage the storage subsystem through the Ethernet connections, you must define the static IP address and host name for each controller and attach a cable to the Ethernet connectors on each of the storage subsystem controllers, as shown in Figure 2 on page 9.

**Note:** For more information on setting a static IP address, contact an IBM technical-support representative for Retain Tip #HP17389.

Management of storage subsystems using the direct (out-of-band) management method has the following advantages:

- The Ethernet connections to the controllers enable a management station running the SMclient software to manage storage subsystems that are connected to a host that has any of the operating systems that are supported by Storage Manager 8.2 installed.
- An access-logical drive is not needed to communicate with the controllers. You can configure the maximum number of logical drives that are supported by the operating system and the host adapter that you are using.

- There is a constant management station connection to the subsystem that is not dependent on the host-agent enabled hosts.

Management of storage subsystems using the direct (out-of-band) management method has the following disadvantages:

- Two Ethernet cables are required to connect the storage subsystem controllers to a network.
- When adding devices, you must specify an IP address or host name for each controller.
- A DHCP/BOOTP server and network preparation tasks are required. For a summary of the preparation tasks, see “Preparing a network installation” on page 23.

**Note:** If the storage subsystem controllers have firmware version 05.xx.xx, they have the following default settings:

Controller	IP address	Subnet mask
A	192.168.128.101	255.255.255.0
B	192.168.128.102	255.255.255.0

- Static IP addresses can also be assigned to the controllers. Refer to the IBM support Web site for Retain Tip #H171389 “Unable To Setup Networking Without DHCP/BOOTP”.

If you choose to use the default IP addresses or static TCP/IP address, a DHCP/BOOTP server is not necessary and you do not have to perform the procedure in “Setting up the DHCP or BOOTP-compatible server” on page 27.

Figure 2 shows a system in which storage subsystems are managed using the direct (out-of-band) management method.

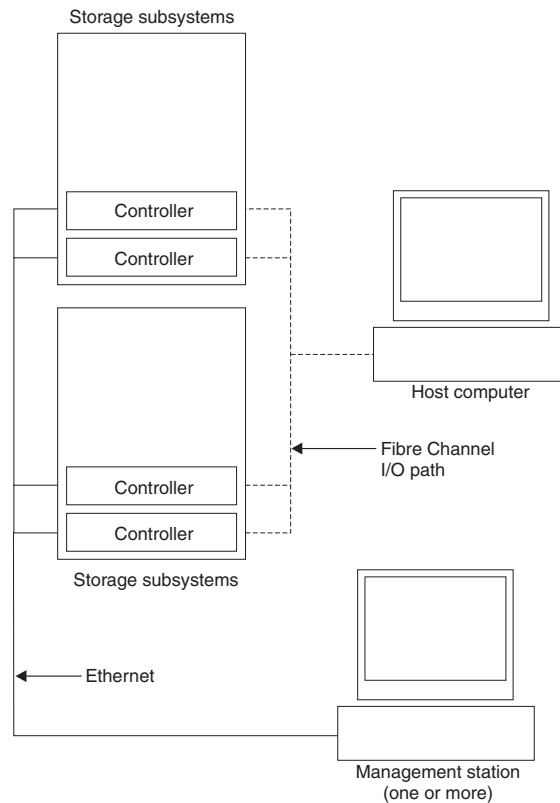


Figure 2. Direct (out-of-band) managed storage subsystems

---

## Where to install software components

How you have decided to manage the storage subsystems will determine where you will need to install the software components.

### Management stations

You must install the following software components on each management station:

- Storage Manager 8.2 Client (SMclient)
- FASiT MSJ

### Host computers

You must install the following software components on each host computer:

- Java Virtual Machine (for NetWare 5.1 only)
- Storage Manager 8.2 Utility (SMutil)
- IBM SAN driver
- IBM Host Adapter device driver (QL2x00)

Depending on how you intend to manage the storage subsystems, you might need to install the following software components:

- Storage Manager 8.2 Agent (SMagent)
- Storage Manager 8.2 Client (SMclient)

The SMagent must be installed on a host computer if you intend to manage the storage subsystems using the host-agent management method.

The SMclient must be installed on a host computer if you intend the host computer to act as a management station. If the host computer is not connected to a network, it must have TCP/IP software installed, and you must assign an IP address to the host.

---

## Configuration types

You can install Storage Manager 8.2 in one of two configurations:

- Standard (noncluster) configuration
- Cluster server configuration

### Standard (noncluster) configuration

Figure 3 shows a sample standard (noncluster) configuration.

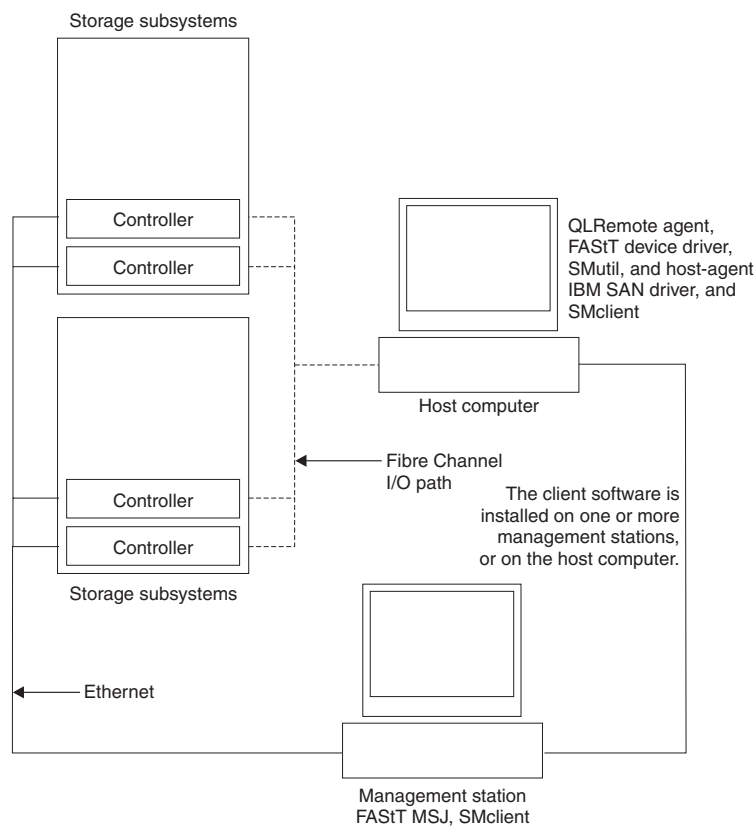


Figure 3. Sample standard (noncluster) configuration



## Cluster server configuration

Figure 4 shows an example of a cluster server configuration.

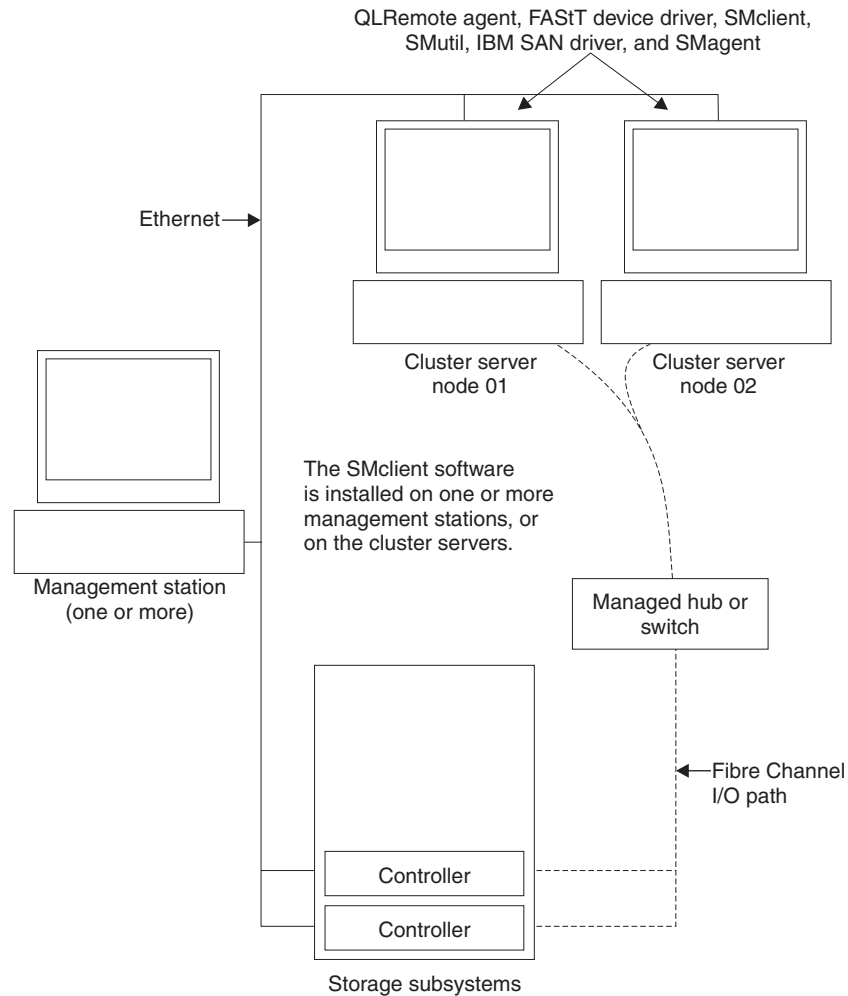


Figure 4. Sample cluster server configuration

---

## Installation types

You can install the storage-management software in two types of hardware environments:

- **New storage subsystem environment.** You are installing the IBM TotalStorage FAST Fibre Channel Storage Server using firmware 5.2x.xx.xx and you will manage storage subsystems by using Storage Manager 8.2.
- **Existing storage subsystem environment.** You are installing the storage-management software in an environment with existing storage subsystems. See Table 3 on page 12 for your installation options in an environment with existing storage subsystems.

Table 3. Configurations for existing storage subsystems

Current environment	Planned environment	Action
(Machine type 3552) Existing storage subsystems with controllers that have firmware versions 04.00.02.xx through 04.01.xx.xx.	Upgrade firmware to version 5.2x.xx.xx.  Manage all storage subsystems by using Storage Manager 8.2.	<ol style="list-style-type: none"> <li>1. Purchase the upgrade option. Contact your IBM service representative for more information.</li> <li>2. Uninstall Storage Manager version 7.x. Refer to “Uninstalling storage-management software components” on page 58 for more information.</li> <li>3. Install Storage Manager 8.2. Refer to “New installation process” on page 41 for more information.</li> <li>4. Discover the storage subsystems. Refer to “Performing an initial automatic discovery of storage subsystems” on page 47 for more information.</li> <li>5. Download firmware and NVSRAM version 5.2x.xx.xx. Refer to “Downloading firmware and NVSRAM” on page 51 for more information.</li> </ol>
(Machine types 3526, 3542, 3552) Existing storage subsystems with controllers that have firmware versions 04.00.02.xx through 04.01.xx.xx.	Retain existing firmware versions.  Manage all storage subsystems by using Storage Manager 8.2.	<ol style="list-style-type: none"> <li>1. Uninstall Storage Manager version 7.x. Refer to “Uninstalling storage-management software components” on page 58 for more information.</li> <li>2. Install Storage Manager 8.2. Refer to “New installation process” on page 41 for more information.</li> <li>3. Discover the storage subsystems. Refer to “Performing an initial automatic discovery of storage subsystems” on page 47 for more information.</li> </ol>
(Machine types 3526, 3552) Existing storage subsystems with controllers that have firmware versions 04.00.xx.xx through 04.00.01.xx.	Upgrade firmware to version 04.00.02.xx or later.  Manage all storage subsystems by using Storage Manager 8.2.	<ol style="list-style-type: none"> <li>1. Uninstall Storage Manager version 7.x. Refer to “Uninstalling storage-management software components” on page 58 for more information.</li> <li>2. Install Storage Manager 8.2. Refer to “New installation process” on page 41 for more information.</li> <li>3. Discover the storage subsystems. Refer to “Performing an initial automatic discovery of storage subsystems” on page 47 for more information.</li> <li>4. Upgrade the firmware to version 4.00.02.xx or later. Go to the IBM Web site; download the firmware and the matching NVSRAM.</li> </ol>

Table 3. Configurations for existing storage subsystems (continued)

Current environment	Planned environment	Action
(Machine types 3526, 3552) Existing storage subsystems with controllers that have firmware versions 04.00.xx.xx through 4.00.01.xx.	Retain existing firmware versions.  Manage existing storage subsystems by using Storage Manager 7.02.	Set up a separate management station with Storage Manager 7.02 installed to manage the storage subsystems with controllers that have back-level firmware.
(Machine type 1742) Existing storage subsystems with controllers that have firmware versions 05.00.xx.xx.	Upgrade firmware to version 5.2x.xx.xx. Manage all storage subsystems by using Storage Manager 8.2.	<ol style="list-style-type: none"> <li>1. Uninstall Storage Manager 8.0. See “Uninstalling storage-management software components” on page 58 for more information.</li> <li>2. Install Storage Manager 8.2. See “Storage Manager 8.2 Client” on page 42 for more information.</li> <li>3. Discover the storage subsystems. See “Performing an initial automatic discovery of storage subsystems” on page 47 for more information.</li> <li>4. Download firmware and NVSRAM version 5.2x.xx.xx. See “Downloading firmware and NVSRAM” on page 51 for more information.</li> </ol>
(Machine type 3542) Existing storage subsystems with controllers that have firmware versions 04.00.02.xx through 04.01.xx.xx.	Upgrade the firmware to version 5.2x.xx.xx. Manage all storage subsystems using Storage Manager 8.2.	<ol style="list-style-type: none"> <li>1. Purchase the upgrade option. Contact your IBM service representative for more information.</li> <li>2. Uninstall Storage Manager 7.xx. See “Uninstalling storage-management software components” on page 58 for more information.</li> <li>3. Install Storage Manager 8.2. See “Storage Manager 8.2 Client” on page 42 for more information.</li> <li>4. Discover the storage subsystems. See “Performing an initial automatic discovery of storage subsystems” on page 47 for more information. Go to the IBM Web site to download the 04.01.02.26 or later firmware and matching NVSRAM. <b>Note:</b> The storage subsystem controllers must be at firmware level 04.01.02.26 or later before downloading firmware level 5.2x.xx and NVSRAM to the controllers.</li> <li>5. Download firmware level 04.01.02.26 or later and its associated NVSRAM. See “Downloading firmware and NVSRAM” on page 51 for more information.</li> <li>6. Download firmware and NVSRAM version 5.2x.xx.xx. See “Downloading firmware and NVSRAM” on page 51 for more information.</li> </ol>

---

## Managing coexisting storage subsystems

Storage subsystems are *coexisting storage subsystems* when the following conditions are met:

- There are multiple storage subsystems with controllers that have different versions of firmware.
- These storage subsystems are attached to the same host.

For example, a coexisting situation exists when you have a new storage subsystem with controllers that have firmware version 5.2x.xx.xx, and it is attached to the same host in one or more of the following configurations:

- A storage subsystem with controllers that have firmware versions 04.00.xx.xx through 04.00.01.xx, which a separate management station managed with Storage Manager 7.02.
- A storage subsystem with controllers that have firmware versions 04.00.02.xx through 04.01.xx.xx, which is managed with Storage Manager 8.2.

**Important:** The common host must have the latest level (8.2) of Storage Manager Agent installed.

Figure 5 shows an example of an environment that includes coexisting storage subsystems.

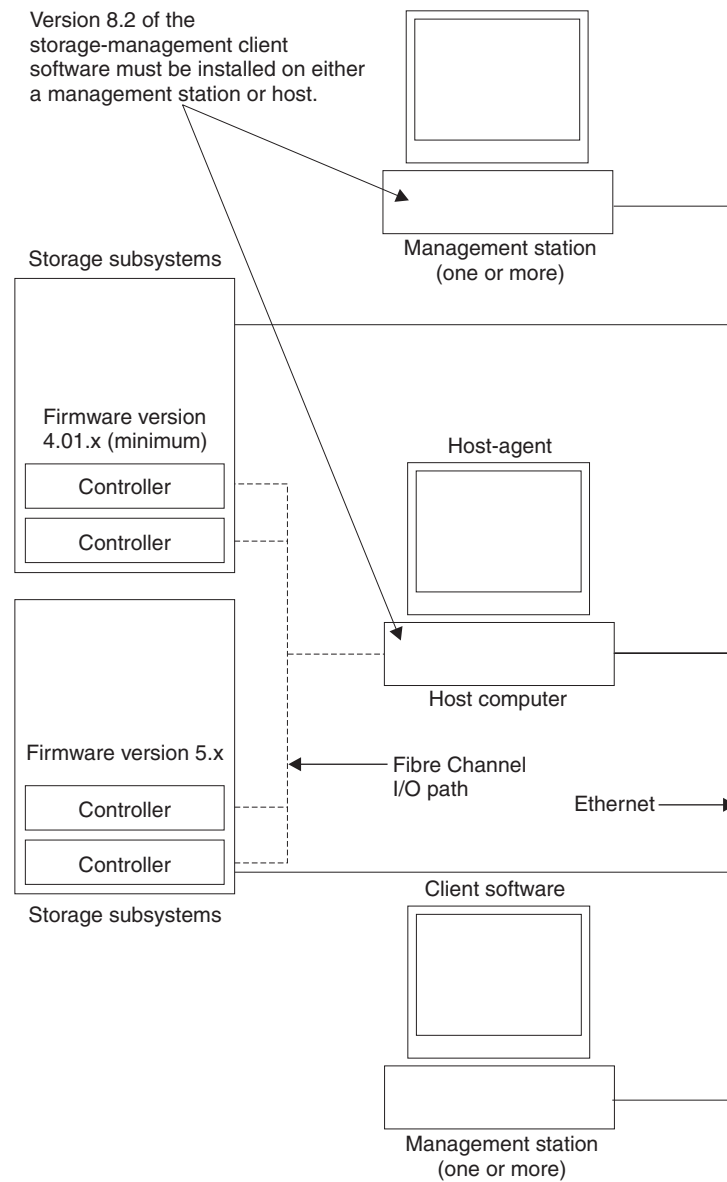


Figure 5. Sample coexistence installation

## System requirements

This section provides detailed information about the hardware, software, and operating system requirements for Storage Manager 8.2.

## Hardware requirements

Table 4 lists the hardware required for installing Storage Manager 8.2.

Table 4. Hardware requirements for Storage Manager 8.2 software

Hardware component	Requirements
<p>A DHCP/BOOTP server (only for direct-managed storage subsystems)</p> <p><b>Note:</b> If the controllers static address or default IP addresses are used, you do not need to setup the DHCP/BOOTP server.</p>	<p>One of the following BOOTP or BOOTP-compatible servers:</p> <ul style="list-style-type: none"> <li>• Microsoft BOOTP-compatible DHCP server for Windows NT</li> <li>• Microsoft BOOTP-compatible DHCP server for Windows 2000</li> <li>• UNIX® BOOTP server</li> <li>• NetWare DHCP server</li> </ul>
<p>Storage subsystems (one or more)</p>	<p>Storage subsystems with controllers running firmware version 04.00.02.xx through 5.2x.xx.xx.</p> <p><b>Note:</b> Read "Installation types" on page 11 for information on managing these storage subsystems when existing storage subsystems are physically connected to the same host that you will connect to the new storage subsystems.</p>
<p>Fibre Channel (FC) host adapters</p>	<p>The following Fibre Channel host adapters were tested with the storage-management software:</p> <ul style="list-style-type: none"> <li>• IBM Netfinity FASiT host adapter (part number: 00N6881)</li> <li>• IBM FASiT FC-2 host bus adapter (part number: 19K1246)</li> </ul> <p>For information on specific host adapter requirements:</p> <ul style="list-style-type: none"> <li>• Refer to the README file in the \Host_Adapter directory on the installation CD.</li> <li>• Read the host adapter documentation.</li> <li>• Refer to the <a href="http://www.ibm.com/pc/support">http://www.ibm.com/pc/support</a> Web site</li> </ul>
<p>Fibre Channel (FC) fabric switches (if needed for the desired configuration)</p>	<p>The following Fibre Channel fabric switches were tested with the storage management software:</p> <ul style="list-style-type: none"> <li>• IBM 8-port Fibre Channel switch (machine type: 2109-S08)</li> <li>• IBM 16-port Fibre Channel switch (machine type: 2109-S16)</li> <li>• IBM 16-port 2 Gbps Fibre Channel switch (machine type: 2019-F16)</li> <li>• IBM 8-port 2 Gbps Fibre Channel switch (machine type: 3534-F08)</li> </ul> <p>For specific Fibre Channel switch setup requirements:</p> <ul style="list-style-type: none"> <li>• Read the switch documentation.</li> <li>• Refer to the <a href="http://www.ibm.com/storage/fcswitch">http://www.ibm.com/storage/fcswitch</a> Web site</li> </ul>
<p>Fibre Channel (FC) managed hub (if needed for the desired configuration)</p>	<p>The following managed hub was tested with the storage management software:</p> <ul style="list-style-type: none"> <li>• IBM Fibre Channel managed hub (machine type: 3534)</li> </ul> <p>For specific Fibre Channel managed hub setup requirements:</p> <ul style="list-style-type: none"> <li>• Read the managed hub documentation.</li> <li>• Refer to the <a href="http://www.ibm.com/storage/fchub">http://www.ibm.com/storage/fchub</a> Web site</li> </ul>

Table 4. Hardware requirements for Storage Manager 8.2 software (continued)

Hardware component	Requirements
Management station (for client software)	<p>Your management station computer will require:</p> <ul style="list-style-type: none"> <li>• Intel® Pentium® or Pentium-equivalent microprocessor (133 MHz or faster)</li> <li>• CD-ROM drive</li> <li>• Mouse or similar pointing device</li> <li>• System memory: <ul style="list-style-type: none"> <li>– For Windows NT 4.0: A minimum of 64 MB (128 MB that are recommended)</li> <li>– For Windows 2000: A minimum of 128 MB (256 MB that are recommended)</li> </ul> </li> <li>• Ethernet network interface adapter</li> <li>• AGP or PCI video adapter (AGP preferred), ISA adapters are not supported</li> <li>• Monitor setting of 1024 x 768 pixels with 64,000 colors. The minimum display setting that is allowed is 800 x 600 pixels with 256 colors.</li> <li>• Hardware-based Windows acceleration: Desktop computers that use system memory for video memory are not preferred for use with the storage-management software.</li> </ul> <p><b>Important:</b> Many PC-based servers are not designed to run graphic-intensive software. If your server has difficulty running the storage-management software smoothly without video artifacts, you might need to upgrade the server video adapter.</p>

**Note:** For more information about host adapters, fabric switches, and managed hubs, consult the ServerProven™ Web site at <http://www.ibm.com/pc/us/compat/>.

## Firmware requirements

To utilize the standard features and the premium features of Storage Manager 8.2, your storage subsystem must contain controllers with firmware version 5.2x.xx.xx. To manage storage subsystems with Storage Manager 8.2, your existing storage subsystems must contain controllers with firmware version 5.2x.xx.xx.

If you want to utilize the Storage Manager 8.2 standard features on machine types 3542 and 3552, you must purchase an optional firmware upgrade. The optional firmware upgrade will bring your firmware versions from 04.00.xx.xx (or later) to 5.2x.xx.xx. In addition, the Storage Manager 8.2 also supports two premium features that must be purchased: FlashCopy and the Remote Mirror Option.

For more information about the firmware upgrade option or FlashCopy and Remote Mirror premium feature options, contact your IBM technical-support representative.

## Software requirements

Table 5 lists the disk space and administrator privileges required for installing the Storage Manager 8.2 software.

Table 5. Installation requirements by software package

Package	Disk space requirement
Storage Manager 8.2 Client (SMclient)	35 MB

Table 5. Installation requirements by software package (continued)

Package	Disk space requirement
Storage Manager 8.2 Agent (SMagent)	1 MB
Storage Manager 8.2 Utility (SMutil)	22 MB
IBM SAN driver	1 MB
IBM FAStT Management Suite Java (FAStT MSJ)	1 MB
IBM HA device driver	1 MB
Java Virtual Machine for NetWare 5.1 <i>only</i>	37MB

---

## Operating system requirements

Each management station, host computer, or cluster node requires one of the following operating systems:

**Management stations.** Install one of the following operating systems:

- Windows NT 4.0 Server with Service Pack 6a
- Windows NT 4.0 Enterprise Edition with Service Pack 6a
- Windows NT 4.0 Workstation with Service Pack 6a
- Windows 2000 Server with Service Pack 2
- Windows 2000 Professional with Service Pack 2
- Windows 2000 Advanced Server with Service Pack 2

**Host computers:**

- Install Novell NetWare 5.1 with Service Pack 2a or later.
- Install Novell NetWare 6.0 with Service Pack 1.

**Cluster nodes:**

- Novell NetWare 5.1 with Service Pack 2 or later.
- Novell NetWare 6.0 with Service Pack 1.



---

## Number of supported logical drives

There is a limit to how many logical unit numbers (LUNs) can access the logical drives on a single storage subsystem. The maximum number of logical drives that a FASiT storage subsystem supported with firmware version 5.2x.xx.xx depends on the model of the FASiT storage subsystem.

Table 6. Logical drives without the remote mirror option enabled

Model Type	Maximum logical drives	Maximum logical drives per storage unit partition	Maximum flashCopy logical drives
3542	512 <sup>1</sup>	32 <sup>5</sup>	256 <sup>2</sup>
3552	512 <sup>1</sup>	32 <sup>5</sup>	256 <sup>2</sup>
1742	2048 <sup>1</sup>	32 <sup>5</sup>	1024 <sup>2</sup>

Table 7. Logical drives using the remote mirror option

Model Type	Maximum logical drives	Maximum logical drives per storage unit partition	Maximum flashCopy logical drives
3542	N / A	N / A	N / A
3552	128 <sup>3,6</sup>	32 <sup>5</sup>	64 <sup>2</sup>
1742	256 <sup>1,4,6</sup>	32 <sup>5</sup>	128 <sup>2</sup>

**Note:** The access logical drive is also referred to as the Universal Xport Device.

<sup>1</sup>When using firmware version 5.xx.xx, the firmware reserves one logical drive for use by the system.

<sup>2</sup> Maximum of four FlashCopy logical drives for each standard logical drive.

<sup>3</sup> Maximum of eight remote mirror pairs.

<sup>4</sup> Maximum of 16 remote mirror pairs.

<sup>5</sup>The host-agent management method uses a special logical drive, called an *access logical drive*, to communicate with the controllers on the storage subsystem. The access-logical drive uses one of the available LUNs. Therefore, managing storage subsystems with the host-agent software limits you to one fewer LUN than the maximum number supported by the operating system and the host adapter.

<sup>6</sup>For firmware version 5.2x.xx.xx, the maximum number of logical drives includes the flash Copy repository logical drives and the remote mirror logical drives, in addition to the standard data logical drives. If the remote mirror option is enabled, two logical drives are reserved for use by the system.



## Chapter 2. Preparing for installation

This chapter provides information to help you plan for the installation of the storage-management software.

Table 8 contains information about the Storage Manager software component installation sequence.

*Table 8. Software component installation sequence in a Novell NetWare 5.1 environment*

<b>System type</b>	<b>Software installation sequence</b>
Management station	<ol style="list-style-type: none"> <li>1. Java Virtual Machine (JVM) for NetWare version 1.3.1.</li> <li>2. Storage Manager 8.2 Client (SMclient).</li> </ol>
Host computer / cluster node	<ol style="list-style-type: none"> <li>1. Storage Manager 8.2 Client (SMclient). <ul style="list-style-type: none"> <li>• Optional component</li> <li>• Necessary if you intend to manage the storage subsystem from the host computer</li> </ul> </li> <li>2. Storage Manager 8.2 Agent (SMagent). <ul style="list-style-type: none"> <li>• Optional component</li> <li>• Necessary if you intend to use the host-agent management method</li> </ul> </li> <li>3. Storage Manager 8.2 Utility (SMutil). <ul style="list-style-type: none"> <li>• Required component</li> <li>• Contains the Hot Add, SMdevices, and SMflashcopyassist utilities</li> </ul> </li> <li>4. IBM Storage Area Network (SAN) driver.</li> <li>5. IBM Host Adapter device driver (QL2x00).</li> </ol>

*Table 9. Software component installation sequence in a Novell NetWare 6.0*

<b>System type</b>	<b>Software installation sequence</b>
Management station	Storage Manager 8.2 Client (SMclient).
Host computer / cluster node	<ol style="list-style-type: none"> <li>1. Storage Manager 8.2 Client (SMclient). <ul style="list-style-type: none"> <li>• Optional component</li> <li>• Necessary if you intend to manage the storage subsystem from the host computer</li> </ul> </li> <li>2. Storage Manager 8.2 Agent (SMagent). <ul style="list-style-type: none"> <li>• Optional component</li> <li>• Necessary if you intend to use the host-agent management method</li> </ul> </li> <li>3. Storage Manager 8.2 Utility (SMutil). <ul style="list-style-type: none"> <li>• Required component</li> <li>• Contains the Hot Add, SMdevices, and SMflashcopyassist utilities</li> </ul> </li> <li>4. IBM Storage Area Network (SAN) driver.</li> <li>5. IBM Host Adapter device driver (QL2x00).</li> </ol>

---

## Storage subsystem management methods

If you have not already done so, see Chapter 1, “Introduction” on page 1 for information about the following two methods for managing storage subsystems:

- **Direct (out-of-band) management:** The storage subsystems are managed through a TCP/IP Ethernet connection to each controller on the storage subsystem.
- **Host-agent (in-band) management:** The storage subsystems are managed through host-agent software that is installed on a host computer connected to the storage subsystem.

You can use one or both methods. However, because many of the preparation tasks for installation depend on which method you use, decide how you want to manage the storage subsystems on your network before you begin.

---

## Reviewing a sample network

Figure 6 on page 23 shows an example of a network containing both a direct-managed storage subsystem (Network A) and a host-agent-managed storage subsystem (Network B).

**Direct-managed storage subsystem:** Network A is a direct-managed storage subsystem. Network A contains the following components:

- DHCP/BOOTP server
- Network Management Station (NMS) for Simple Network Management Protocol (SNMP) traps
- Host that is connected to a storage subsystem through a Fibre Channel I/O path
- Management station connected by Ethernet cable to the storage subsystem controllers

**Host-agent-managed storage subsystem:** Network B is a host-agent-managed storage subsystem. Network B contains the following components:

- Host that is connected to a storage subsystem through a Fibre Channel I/O path
- Management station connected by Ethernet cable to the host computer

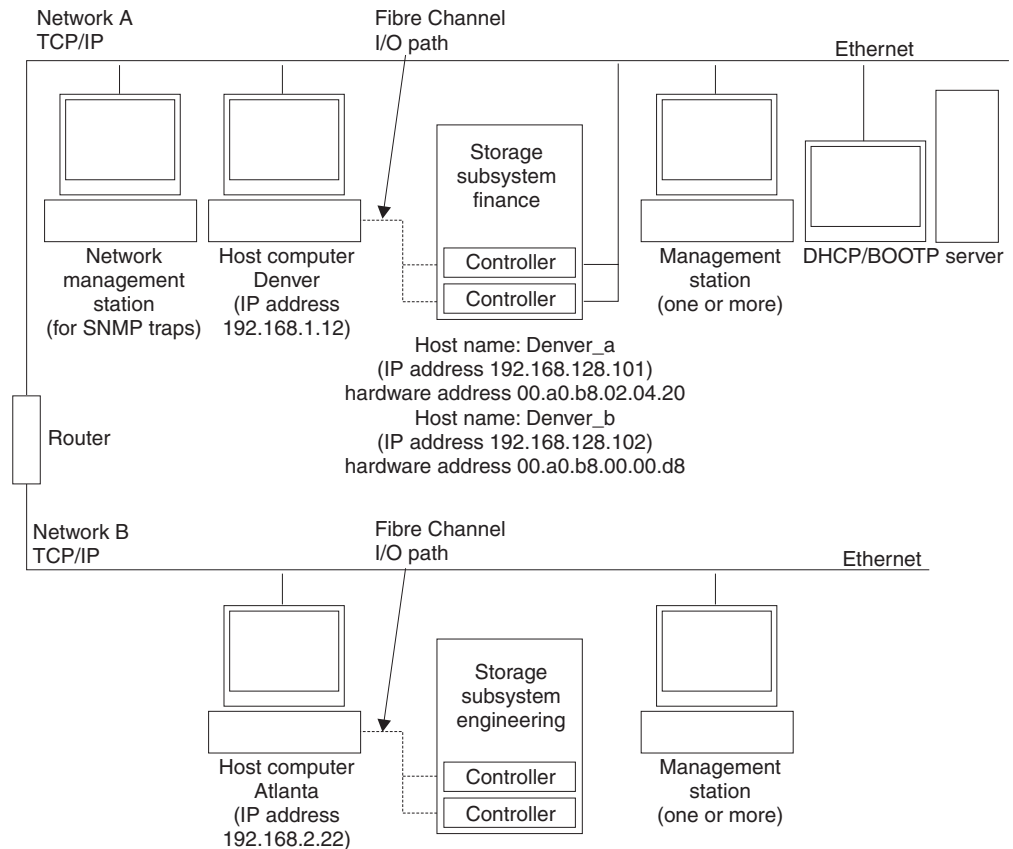


Figure 6. Sample network using direct-managed and host-agent-managed storage subsystems

## Preparing a network installation

To begin installing the storage-management software, ensure that the network components are set up and operating properly, and that you have all the host and controller information needed for the software to operate correctly.

The following list provides a high-level overview of the steps involved in setting up a network installation.

- Step 1. Install all hardware components (host computers, storage subsystems, and cables) that you want to connect to the network. You might need to refer to the installation guides specific to the hardware components.
- Step 2. Establish a naming convention for the storage subsystems connected to the network. Refer to “Naming the storage subsystems” on page 24 for more information.
- Step 3. Record the storage subsystem names and management types in Table 14 on page 61. An example of a completed information record is shown in Table 10 on page 24.

**Note:** Throughout the remaining steps, you will need to return to Table 14 on page 61 to record information such as hardware Ethernet addresses and IP addresses.

Step 4. (For a direct-managed system only) Determine the hardware Ethernet address for each controller in storage subsystems that are connected to the network. Refer to “Identifying the hardware Ethernet MAC address for each controller” on page 25 for more information.

Step 5. Obtain the following information from the network administrator.

For a direct-managed system	The IP addresses of each controller in the storage subsystems
For a host-managed system	The IP address and host name of the host computer on which the host-agent software will run

Refer to “Assigning IP addresses for hosts and controllers” on page 27 for more information. For a direct managed system only, if you are using a default controller IP address, go to step 7.

Step 6. (For a direct-managed system only) Set up the DHCP/BOOTP server to provide network configuration information for a specific controller, however, if you are using a controller static IP address, skip this step.

Step 7. Verify that the TCP/IP software is installed. For more information, see “Verifying the TCP/IP protocol and setting up the host or DNS table” on page 38.

Step 8. (For a direct-managed system only) Verify that the TCP/IP software is installed, and set up the host or Domain Name Server (DNS) table. For more information, see “Verifying the TCP/IP protocol and setting up the host or DNS table” on page 38.

Step 9. Power on the devices connected to the network.

Table 10 shows a sample information record for the network shown in Figure 6 on page 23. This network contains storage subsystems managed using both the direct-management and host-agent-management method.

Table 10. Sample information record

Storage subsystem name	Management type	Controllers—Ethernet and IP addresses, and host name		Host—IP address and host name
		Controller A	Controller B	
Finance	Direct	Hardware Ethernet address = 00a0b8020420	Hardware Ethernet address = 00a0b80000d8	
		IP address = 192.168.128.101	IP address = 192.168.128.102	
		Host = Denver_a	Host = Denver_b	
Engineering	Host agent			IP address = 192.168.2.22
				Host = Atlanta

## Naming the storage subsystems

As you set up your network, decide on a naming convention for the storage subsystems. When you install the storage-management software and start it for the first time, all storage subsystems in the management domain are displayed as <unnamed>. Use the Subsystem Management window to rename the individual storage subsystems.

Consider the following when naming storage subsystems:

- There is a 30-character limit. All leading and trailing spaces are deleted from the name.
- Use a unique, meaningful naming scheme that is easy to understand and remember.
- Avoid arbitrary names or names that might quickly lose their meanings.
- The software displays storage-subsystem names with the prefix Storage Subsystem. Therefore, if you rename a storage subsystem to Engineering, it is displayed as:

Storage Subsystem Engineering

After you decide on a naming scheme, record the storage subsystem names in the information record (Table 14 on page 61).

If you plan to manage your storage subsystem using the direct-management method, go to “Identifying the hardware Ethernet MAC address for each controller”. If you plan to manage your storage subsystem using the host-agent management method, go to “Assigning IP addresses for hosts and controllers” on page 27.

---

## Identifying the hardware Ethernet MAC address for each controller

To manage your storage subsystem using the direct-management method, you need to identify the hardware Ethernet MAC address for each controller.

To identify the hardware Ethernet MAC address for machine type 3542, do the following:

1. Locate the Ethernet MAC address at the back of the unit, under the controller Gigabit Interface Converter (GBIC) ports, as shown in Figure 7. The number will be in the form xx.xx.xx.xx.xx.xx (for example, 00.a0.b8.20.00.d8).
2. Record each Ethernet address in the information record (Table 14 on page 61).

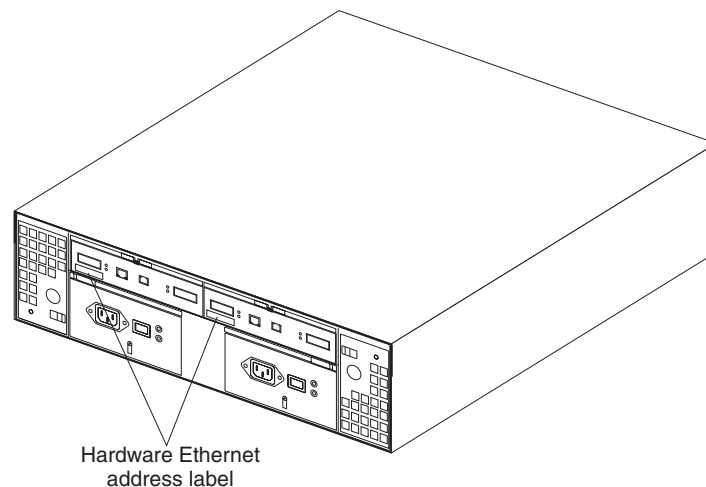


Figure 7. Locating the Ethernet MAC address for machine type 3542

To identify the hardware Ethernet MAC address for machine types 3552 and 1742, do the following:

1. Remove the front bezel from the storage subsystem, as shown in Figure 8. Carefully pull the bottom of the bezel out **1** to release the pins; then, slide the bezel down **2**.

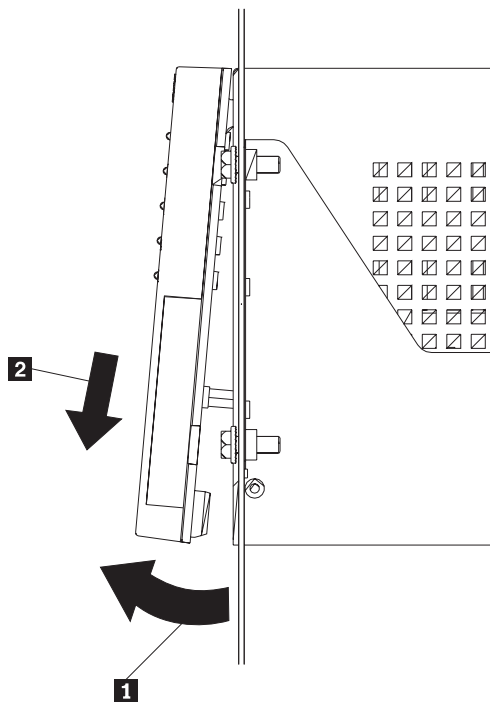


Figure 8. Removing the controller-unit bezel (machine types 3552 and 1742)

2. On the front of each controller, look for a label with the hardware Ethernet MAC address. The number will be in the form xx.xx.xx.xx.xx.xx (for example, 00.a0.b8.20.00.d8).
3. Record each Ethernet address in the information record (Table 14 on page 61).
4. To replace the bezel, slide the top edge under the lip on the chassis **1**; then, push the bezel bottom until the pins snap into the mounting holes **2**, as shown in Figure 9 on page 27.



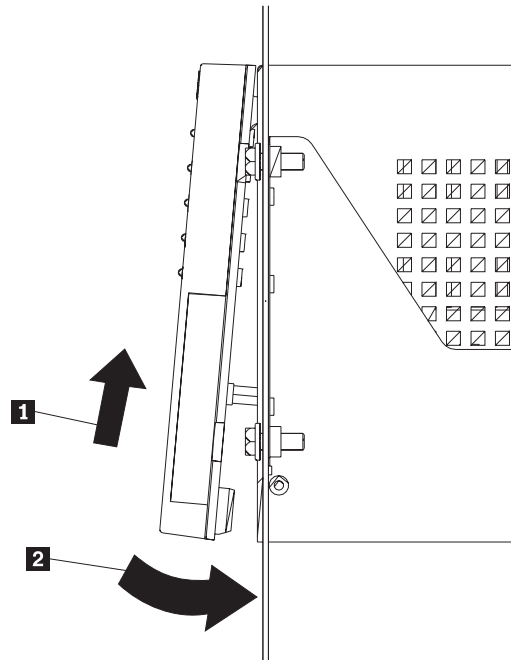


Figure 9. Replacing the controller-unit bezel (machine types 3552 and 1742)

5. Continue with “Assigning IP addresses for hosts and controllers”.

---

## Assigning IP addresses for hosts and controllers

If you plan to manage your storage subsystem using the direct-management method, assign a unique IP address for every controller in all storage subsystems on the network. Record the IP address for each controller in the information record (Table 14 on page 61). Then, go to “Setting up the DHCP or BOOTP-compatible server”.

**Note:** If you want to assign static IP addresses for the controllers, refer to the IBM support Web site for Retain Tip #H171389 “Unable To Setup Networking Without DHCP/BOOTP”. Then, go to “Verifying the TCP/IP protocol and setting up the host or DNS table” on page 38.

If you plan to manage your storage subsystem using the host-agent management method, assign an IP address for each host on which you will instal the host-agent software. Record the IP address for each host in the information record (Table 10 on page 45). Then, go to “Verifying the TCP/IP protocol and setting up the host or DNS table” on page 38.

---

## Setting up the DHCP or BOOTP-compatible server

To directly manage storage subsystems through the Ethernet connection to each controller, you will need to set up a DHCP or BOOTP-compatible server and configure the following options:

- Router/Gateway
- DNS Server
- Hostname
- DNS Domain Name

This section provides instructions for setting up a DHCP server on Windows NT, Windows 2000, and Novell NetWare, as well as instructions for setting up a UNIX BOOT server.

**Note:** The remote management station (RMS) and network management station (NMS) entries used in previous versions of the storage-management software are not required when using Storage Manager 8.2.

## Setting up a Windows NT DHCP server

You must use a version of DHCP that supports BOOTP static addressing. To use a DHCP server, you must have a DHCP Manager installed. If a DHCP Manager is installed on the system, go to “Setting up a DHCP server”. If a DHCP Manager is not installed, use the following installation procedure to install one.

### Installing the DHCP Manager

Use the following procedure to install the DHCP Manager:

1. Click **Start** → **Settings** → **Control Panel**.
2. Click **Network**. The Network window opens.
3. Click **Services**.
4. From the **Services** tab, click **Add**.
5. Click **Microsoft DHCP Server**; then, click **OK**.
6. Specify the path to the Windows NT Install file; then, click **Continue**. A dialogue windows opens, stating that a static IP address is required.
7. Click **OK**. The Network window opens.
8. Click **Protocols**.
9. Click **TCP/IP Protocol**; then, click **Properties**.
10. Verify that the IP address information is correct; then, click **OK**.
11. Continue to “Setting up a DHCP server”.

**Note:** After installing the DHCP Manager, you can refer to its online help for additional information.

### Setting up a DHCP server

Use the following procedure, along with the information you recorded in Table 14 on page 61, to set up a DHCP server.

1. Click **Start** → **Programs** → **Administrative Tools** → **DHCP Manager**. The DHCP Manager window opens.
2. Create a scope. A scope defines a group of controllers that you want to configure using the DHCP server.
  - a. Click **Local Machine**.

- b. Click **Scope** → **Create**. The Create Scope - (Local) window opens.

Figure 10. Create Scope - (Local) window

- c. Type the starting and ending IP addresses of the controllers that you are configuring for the network.  
For example, if you are configuring 50 controllers on a 153.79.144.0 subnet, set the starting address to 153.79.144.1 and the ending address to 153.79.144.50.
- Note:** If each field does not contain at least three characters, press the period (.) key to advance to the next field. If you have only one controller, type its address for both the starting and ending address.
- d. Type the subnet mask (obtained from your network administrator).
- e. Set the Lease Duration to **Unlimited**. This makes the DHCP connection permanent.
- f. Type a scope name and comment.
- g. Click **OK**.
- h. When the scope successfully completes, click **Yes** to activate it. This returns you to the DHCP Manager window.
3. Configure global scope options. Table X shows the global options that need to be set.

Table 11. Global options for a Windows NT DHCP server

Number	Description	Notes
003	Router/Gateway	
006	DNS Server	
012	Host name	Unique for each controller

Table 11. Global options for a Windows NT DHCP server (continued)

Number	Description	Notes
015	DNS domain name	For example, ibm.com

You can apply options to specific controllers later using step 5 on page 31.

- a. Click **DHCP Options** → **Global**. The DHCP Options: Global window opens.

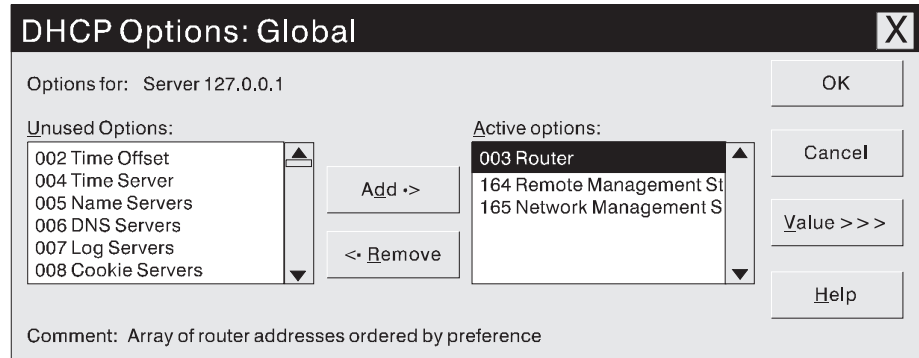


Figure 11. DHCP Options: Global window

- b. To make a global option active, select an item in the Unused Options list; then, click **Add** to move it to the Active options list.

- c. Click **Value** to assign a value to the active option.

If the **Value** field is not available, click **Edit Array**; the Edit Array Editor window opens. Do one of the following:

- If you need to add an IP address, complete the following procedure:
  - 1) Click **Edit Array**. The IP Address Array Editor window opens.

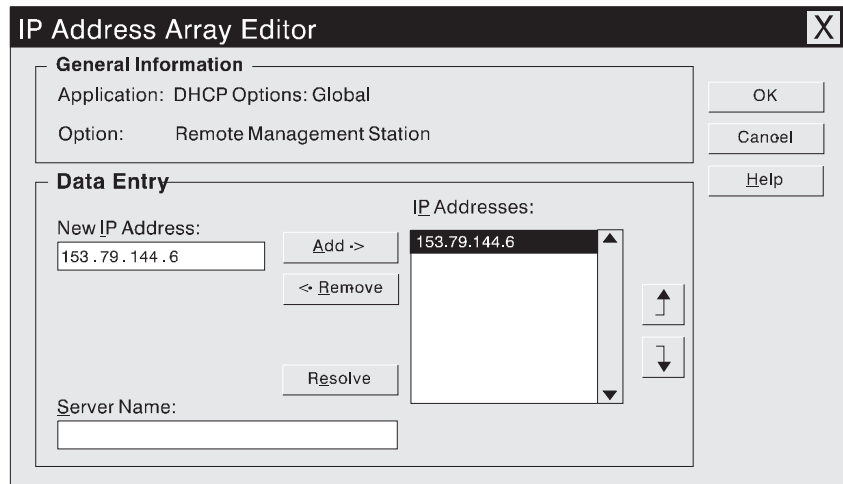


Figure 12. IP Address Array Editor window

- 2) Type a unique IP address for the option that you added.
  - 3) Click **Add** to move the New IP Address to the IP Addresses list.
  - 4) Click **OK**. This returns you to the DHCP Options: Global window.
- If you do not need to add an IP address, click **Cancel**. This returns you to the DHCP Options: Global window.

- d. Repeat step 3b through step 3c until all global options are added.
  - e. When you finish adding the Global Scope Options, click **OK** at the DHCP Options: Global window.
4. Create a reservation for each controller. Use the information record (Table 14 on page 61) to make sure that you include all of the controllers on the network.
    - a. Click **Scope → Add Reservations**.
    - b. In the **IP Address** field, type the IP address for the first controller on your data sheet.
    - c. In the **Unique Identifier** field, type the controller hardware Ethernet address. Do not type decimal points or spaces.
    - d. In the **Client Name** field, type the controller eight-character name.
    - e. Click **Add**.
    - f. Repeat step 4b through step 4e for each controller that is listed on information record (Table 14 on page 61).
    - g. When you finish adding the information for all of the controllers, click **Close**. This returns you to the DHCP Manager window.
  5. Configure controller-specific options. By creating a controller-specific option, you can associate a controller configuration entry with a specific controller.

**Note:** If you set an option as **Global Scope**, it applies to every controller in this group and does not need to be added again.

- a. Click **Scope → Active Leases**. The Active Leases window opens.

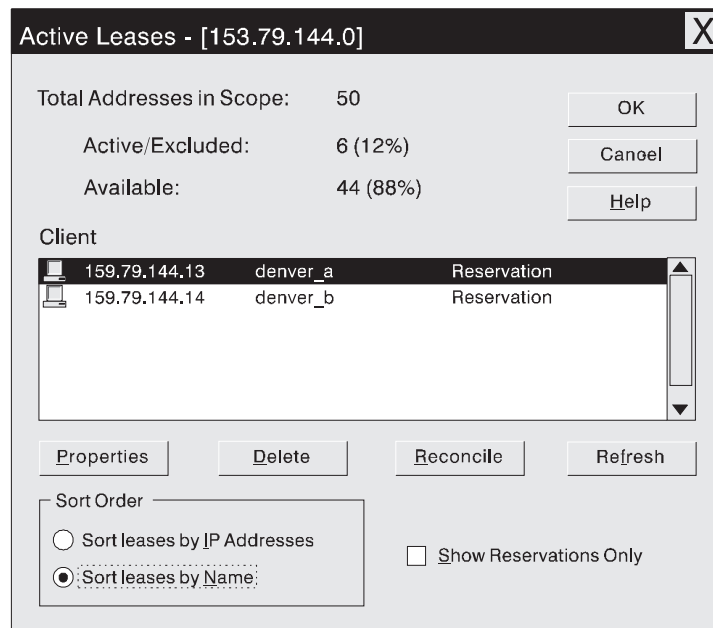


Figure 13. Active Leases window

- b. Select a controller in the list.

- c. Click **Properties**. The Add Option Type window opens. The Unique Identifier is the hardware Ethernet address from step 4c.

Figure 14. Add Option Type window

- d. Click **Options**. The DHCP Options: Reservations window opens.
  - e. Select an option from the Unused Options list, and click **Add** to move it to the Active Options list.
  - f. Click **Value** to assign a value to the active option.
  - g. Type the information for the value of the option. For example, type the host name for the controller from your information record (Table 14 on page 61) in the String field. Click **Edit** if the value that you need to add is an IP address for a router.
  - h. Repeat step 5e through step 5g until you finish adding specific options for this controller.
  - i. Click **OK**. This returns you to the Add Option Type window.
  - j. Click **OK**. This returns you to the Active Leases window.
  - k. Repeat steps 5b on page 31 through step 5j until you finish adding controller-specific options for every controller.
  - l. Click **OK** on the Active Leases window. This returns you to the DHCP Manager window.
6. Do the following to add a network management custom option:
    - a. From the DHCP Manager window, select a scope; then, select **DHCP Options: Defaults**. The DHCP Option: Defaults window opens.
    - b. In the **Name** field, type Network Management Station.
    - c. In the **Data Type** field, select **IP Address**; then, select the **Array** check box.
    - d. In the **Identifier** field, type 165.
    - e. In the **Description** field, type a description of the SNMP servers to which the controllers will send alerts.
    - f. Click **OK**.
  7. Continue with “Verifying the TCP/IP protocol and setting up the host or DNS table” on page 38.

## Setting up a Windows 2000 DHCP server

You must use a version of DHCP that supports BOOTP static addressing. To use a DHCP server, you must have a DHCP Manager installed. If a DHCP Manager is installed on the system, go to “Setting up a DHCP server” on page 33.

## Installing the DHCP Manager

To install the DHCP Manager, do the following:

1. Click **Start** → **Administrative Tools** → **Configure Your Server**. The Configure Your Server window opens.
2. In the left pane, double-click **Networking**; then, click **DHCP**.
3. In the right pane, click **Start**. The Windows Components Wizard starts.
4. In the **Components** field, select **Networking Services**; then, click **Details**.

**Note:** Do not select the check box; you do not want to install all of the Networking Services subcomponents. The Networking Services window opens.

5. In the **Subcomponents of Networking Services** field, select **Dynamic Host Configuration Protocol (DHCP)**.
6. Click **OK**; the Windows Components Wizard window opens.
7. Click **Next** to start the installation process.
8. If prompted, type the full path to the Windows 2000 distribution files and click **Continue**.
9. When the installation has successfully completed, the Configure Your Server Window opens.
10. Click **Next**.
11. Click **Open the DHCP Manager**. The DHCP window opens.
12. Continue with step 2 of “Setting up a DHCP server”.

**Note:** After installing the DHCP Manager, you can refer to its online help for additional information.

## Setting up a DHCP server

Use the following procedure to create a scope and to set up a DHCP server. A scope defines a group of controllers by their IP addresses. You must create and configure a scope so that dynamic IP addresses can be assigned to controllers on your network. Refer to the information record (Table 14 on page 61). Before you begin, read through the instructions to determine what information is required; then, request the information from your network administrator.

1. Click **Start** → **Programs** → **Administrative Tools** → **DHCP**. The DHCP window opens.
2. In the Console tree, right-click the server you want to configure; click **New Scope**. The New Scope Wizard starts.
3. Follow the on-screen instructions to define the scope of IP addresses for TCP/IP clients. You will define the following:
  - a. Scope name and description.

- b. IP address range for the controllers you are configuring and the subnet mask.

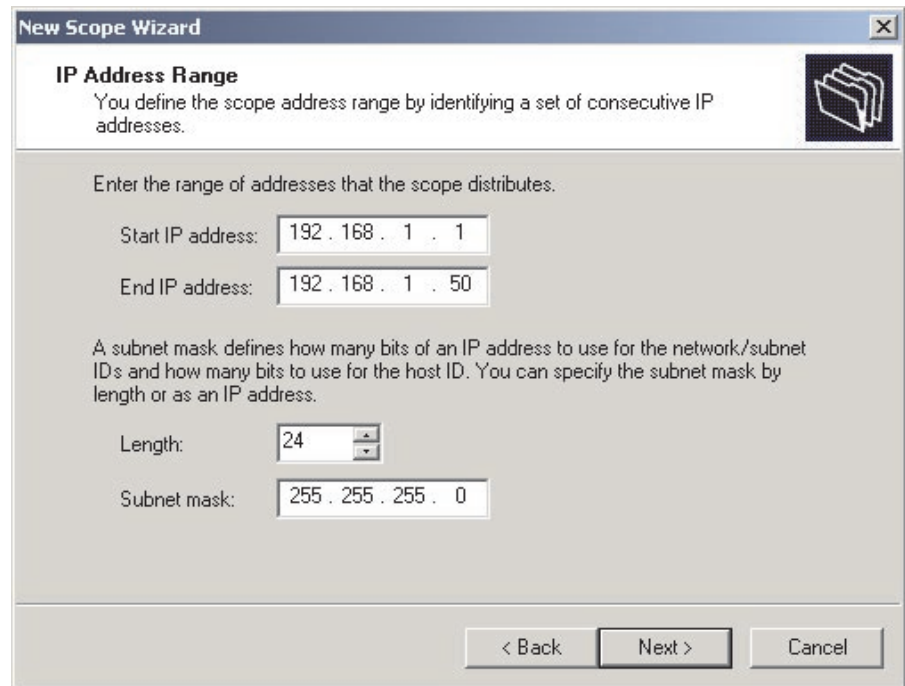


Figure 15. New Scope Wizard: IP Address Range window

- c. IP addresses that you want to exclude from the IP address range.
- d. IP address lease duration.
- e. Common DHCP options:
  - IP address for a router
  - Domain name and DNS servers
4. When you have defined the scope, click **Yes, I want to activate this scope now**. The wizard ends, and the DHCP window appears.
5. In the Console tree, open the scope folder.
6. Right-click **Reservations**; then, select **New Reservations**. The New Reservations window opens.
7. To define the IP address reservation, type the following information:
  - a. Reservation name
  - b. IP address
  - c. Ethernet hardware MAC address
  - d. Description
8. In the **Supported Type** field, select **Both (DHCP and BOOTP)**.
9. Click **Add**.
10. Repeat steps 5 through 9 for each controller in the network.
11. Restart the DHCP server and then restart the storage subsystem so that all modifications are applied.
12. Go to “Verifying the TCP/IP protocol and setting up the host or DNS table” on page 38.



## Setting up a NetWare DHCP server

A NetWare DHCP server automatically assigns IP addresses and other configuration information to clients on request or when the clients are restarted.

To set up a NetWare DHCP server, you must complete the following tasks:

1. Install DNS/DHCP Services, either during or after installing NetWare 5.1 or 6.0.
2. Install the DNS/DHCP Management Console.
3. Create the DHCP server object.
4. Create the subnet address.
5. Create the subnet address range.
6. Create the IP address object.
7. Start the DHCP server.

### Installing NetWare 5.1 or 6.0 with DNS/DHCP Services

This section contains instructions for adding Novell DNS/DHCP services during and after the NetWare installation.

#### ***Adding Novell DNS/DHCP Services during the NetWare 5.1 or 6.0 installation:***

Do the following to add Novell DNS/DHCP Services during the Netware installation:

1. From the Installation Options window, select **Custom**.
2. From the Components window, select the **Novell DNS/DHCP Services** check box.
3. Follow the on-screen instructions to complete the NetWare installation.

#### ***Adding Novell DNS/DHCP Services after the NetWare 5.1 or 6.0 installation:***

Do the following to add Novell DNS/DHCP Services after the Netware installation:

1. Insert the NetWare 5.1 or 6.0 Installation CD into the CD-ROM drive; then, mount the CD as a volume.
2. Load NWCONFIG and select **Product Options**.
3. Select **Install a Product not Listed**.
4. Press F3 and specify the volume name of the CD. The X Server-Graphical Console window opens.
5. In the **Additional Products and Services** dialog box, select the **Novell DNS/DHCP Services** check box.
6. Follow the on-screen instructions to complete installation.

**Note:** Installing the DNS/DHCP Service will extend the Novell Directory Services (NDS) schema and create the following NDS objects:

- DNSDHCP-GROUP Group object
- DNS/DHCP Locator object
- RootServerInfo Zone object

### Installing the DNS/DHCP Management Console

Do the following to install the DNS/DHCP Management Console and NetWare Administrator snap-in files on the client workstation you will use to administer DNS and DHCP:

1. If you have not done so, install the latest version of Novell Client 32 on your workstation.
2. From the workstation, run the SYS:PUBLIC\DNSDHCP\SETUP.EXE program.
3. Install the DNS/DHCP Management Console on the local hard-disk drive.

4. Install the NetWare Administrator snap-in files in the SYS:PUBLIC\WIN32 directory.
5. Restart the workstation.
6. To start the DNS/DHCP Management Console, double-click the shortcut icon on the desktop, enter the NDS Tree NAME, and click **Launch**.

**Note:** You can install the DNS/DHCP Management Console on a workstation, or you can access it from the Tools menu of the NetWare Administrator utility.

### Creating the DHCP server object

Use the DHCP Management Console to create a DHCP server object. A DHCP server object can be created under any of the following objects:

- Organization (O)
- Organization Unit (OU)
- Country (C)
- Locality (L)

Do the following to create a DHCP server object:

1. From the DHCP Management Console, click the **DHCP Service** tab.
2. In the left pane, select **Our Network**.
3. Click **Create**. The Create New DHCP Object window opens.
4. Select **DHCP Server**; then, click **OK**. The Create DHCP Server window opens.
5. Select a server; then, click **Create**. This creates the DHCP server object in NDS, called *DHCP\_servername*.
6. In the DHCP Management Console, locate the icon for the DHCP server object at the bottom of the DHCP Service tab. The server object is displayed with a red line through it. The red line indicates that DHCP server has not started.
7. Continue with "Creating a subnet object".

### Creating a subnet object

You must do the following to create a DHCP subnet object for each of the subnets for which you want to assign addresses:

1. In the DNS/DHCP Management Console, click the **DHCP Service** tab.
2. Select **Our Network** or the **DHCP Server Object**.
3. Click **Create**. The Create New DHCP Object window opens.
4. Select **Subnet**; then, click **OK**. The Create Subnet window opens.
5. For each subnet, type the following information:
  - Subnet name
  - NDS context
  - Subnet address
  - Subnet mask
  - Default DHCP Server
6. Click **Create**. The DHCP subnet object is created and displayed in the DNS/DHCP Management Console.

### Creating subnet address ranges

Do the following to create a subnet address range object:

1. From the DNS/DHCP Management Console, click the **DHCP Service** tab.
2. Select the subnet object under which you want to create the subnet address range object; then, click **Create**. The Create New DHCP Record window opens.

3. Select **Subnet Address Range**; then, click **OK**. The Create New Subnet Address Range window opens.
4. Type the following information for the subnet address range:
  - Subnet address range name
  - Starting address
  - Ending address
5. Click **Create**.
6. Select the **Define Additional Properties** check box; then, set the Range Type to **Dynamic BOOTP and DHCP**.

### Creating IP address objects

Use the DNS/DHCP Management Console to create IP address objects. IP address objects are used for the following purposes:

- To exclude an IP address from assignment
- To assign an IP address manually to a specific host
- To record dynamic IP address leases

Do the following to create an IP address object:

1. From the DNS/DHCP Management Console, click the **DHCP Service** tab.
2. Select the subnet object of the target IP address; then, click **Create**.
3. Select **IP Address**; then, click **OK**. The Create IP Address window opens.
4. In the **IP Address** field, type the IP address for the first controller.
5. In the **Assignment** field, select **Manual**.
6. In the **Client Identifier** field, specify the MAC address.
7. In the **MAC Address** field, enter the hardware Ethernet MAC address for the controller.
8. Select the **Define Additional Properties** check box.
9. In the **Hostname** field, type the eight-character name for the controller.
10. In the Usage field, select **Permanent**.
11. Repeat step 3 through step 10 for each controller.

### Starting the DHCP server

To start the DHCP server, type the following at the DHCP server console:

```
LOAD DHCP SRVR
```

The DHCP server can now respond to client requests and assign IP addresses.

#### Notes:

1. To load the DHCP server automatically each time the server starts, place the DHCP SRVR command in the SYS:\SYSTEM\AUTOEXEC.NCF directory.
2. For additional information about setting up, configuring, or using Novell DNS/DHCP Services, refer to the NetWare 5.1 or 6.0 documentation, located on the Novell Documentation CD or at <http://www.novell.com/documentation> Web site.

## Setting up a UNIX BOOTP server

To use a UNIX BOOTP server, you must set up a BOOTP table. Table 12 on page 38 and the information record (Table 14 on page 61) provide the information needed.

Table 12. Required entries for setting up the UNIX BOOTP server

Entry	Description	Sample format in BOOTP server
Subnet mask	Mask that is used to route packets to defined subnets	dot notation (sm=255.255.255.0)
Router	IP address of the host computer that routes packets to networks	dot notation (gw=192.168.1.1)
Host name for the controller	Host name that is associated with the controller (refer to Table 14 on page 61)	host name (Denver_a)
IP address	IP address of the controller (refer to Table 14 on page 61)	dot notation (ip=192.168.128.101)
Ethernet address	The Ethernet address of the controller hardware (refer to Table 14 on page 61)	hexadecimal notation (ha=00a0b8020420)

To set up a UNIX BOOTP server, do the following:

1. Use a text editor to edit the bootptab file in the /etc directory.

The following is an example of the BOOTP table used to configure the Network A server shown in Figure 6 on page 23:

```
s4.default:\ (common settings)
ht=ether:\
sm=255.255.248.0:\
gw=192.168.1.1:\
hn:
denver_a:\
tc=s4.default:\ (common settings)
ip=192.168.128.101:\
ha=00a0b8020420:
denver_b:\
tc=s4.default:\
ip=192.168.128.102:\
ha=00a0b80000d8:
```

where the s4.default:\ entry denotes settings that are common to all controllers, and the tc=s4.default:\ entry associates this common setting group to a specific controller.

2. If the storage subsystem is running, shut down and then restart the subsystem. This will ensure that the parameters in the BOOTP table take effect.
3. Continue with “Verifying the TCP/IP protocol and setting up the host or DNS table”.

---

## Verifying the TCP/IP protocol and setting up the host or DNS table

Use the following procedure to verify that the TCP/IP protocol software is installed on the management station and to set up the host or DNS table. Make sure that the host names for the controller match the IP addresses for the controllers.

1. Click **Start** → **Settings** → **Control Panel** → **Network** → **Protocols** to verify that the TCP/IP software is installed and configured properly.

**Note:** If the TC/PIP software is not installed properly, install it from the installation CD. Click **Start** → **Settings** → **Control Panel** → **Network** → **Protocols** → **Add** → **Have Disk**.

2. Update either the host table or DNS table to specify a host name to associate with an IP address. If you do not have a DNS, edit the two host tables found in the following directories (your directory will be different if the operating system is not installed on the root).

sys:etc\hosts

To set up the host tables for the controllers connected to Network A (Figure 6 on page 23). Open the hosts file that is located in the \etc\ directory (refer to the example below) and use a text editor to update the host file to create the following IP address and controller name entries. Sample host file:

Mappings of host names and host aliases to IP addresses

```
127.0.0.1    loopback lb local host loopback address
```

Examples from a fictitious network

```
129.47.4.2  ta tahiti ta.some.com loghost
```

```
129.47.6.40  osd-frog
```

```
129.47.6.144 sj-in5 in5
```

```
197.67.172.71 sj-in1 in1
```

3. To manage storage subsystems through a firewall, configure the firewall to open port 2463 to TCP data.



---

## Chapter 3. Installing software

This chapter describes how to install the storage-management software in standard (noncluster) and cluster server configurations in NetWare 5.1 and 6.0 operating system environments.

**Important:** Always check for a README file on any installation media. A README file might contain important information that was not available when the *Installation and Support Guide* was prepared.

---

### New installation process

The Storage Manager 8.2 software components must be installed on both management stations and host computers.

**Management station:** A management station is a system that is used to manage the storage subsystem. It can be attached to the storage subsystem in the following ways:

- Through a TCP/IP Ethernet connection to the controllers in the storage subsystem.
- Through a TCP/IP network connection to a host computer with host-agent software installed on it, which in turn is directly attached to the storage subsystem through the Fibre Channel input/output (I/O) path.

You must install the following Storage Manager 8.2 components:

- Storage Manager 8.2 Client
- Client from IBM FAStT MSJ

**Host computer:** A host computer (or host) is a system that is directly attached to the storage subsystem through a Fibre Channel I/O path.

To install the storage management software in a NetWare 5.1 operating system environment, you *must* install the software on each host computer using the following steps:

1. Install Novell Java Virtual Machine for NetWare version 1.3.1.
2. Install the Storage Manager 8.2 Client.
3. Install the Storage Manager 8.2 Agent.
4. Install the Storage Manager 8.2 Utility.
5. Install the IBM Storage Area Network (SAN) driver.
6. Install the IBM Host Adapter (HA) device driver.
7. Install the Netware Agent component of IBM FAStT Management Suite Java (FAStT MSJ).

To install the storage management software in a NetWare 6.0 operating system environment, you *must* install the software on each host computer using the following steps:

1. Install the Storage Manager 8.2 Client.
2. Install the Storage Manager 8.2 Agent.
3. Install the Storage Manager 8.2 Utility.
4. Install the IBM Storage Area Network (SAN) driver.
5. Install the IBM Host Adapter (HA) device driver.

6. Install the Netware Agent component of IBM FAStT Management Suite Java (FAStT MSJ).

To begin the installation, do one of the following:

- If NetWare 5.1 is installed, begin the installation with “Java Virtual Machine Version 1.3.1 for NetWare 5.1”.
- If NetWare 6.0 is installed, begin the installation with “Storage Manager 8.2 Client”.

---

## Java Virtual Machine Version 1.3.1 for NetWare 5.1

To install Java Virtual Machine (JVM) on management stations, servers, and host computers running NetWare 5.1 *only*, do the following:

1. Be sure you are running NetWare operating system version 5.1 and Support Pack 4.
2. View the Novell Technical Information Document (TID) 2961564. For more information, go to the Novell Web site at <http://www.novell.com/support/>.

---

## Storage Manager 8.2 Client

This section provides instructions for installing Storage Manager 8.2 Client on management stations and host computers.

Before you install the software, make sure that:

- The management station or host computer has at least 60 MB of available disk space.
- All programs are closed.

**Important:** When you install Storage Manager 8.2 Client on a stand-alone host and manage storage subsystems through the Fibre Channel I/O path rather than through the network, you must install the TCP/IP software on the host and assign an IP address to the host.

## Installing Storage Manager 8.2 Client

To install Storage Manager 8.2 Client software package, do the following:

1. Insert the IBM FAStT Storage Manager installation CD into the CD-ROM drive and type:  
`load cdrom`
2. Mount the volume.
3. Click **Novell** → **Install**.
4. Click **Add**, and follow the instructions on the screen.
5. Click the **Directory Tree** button.  
The Directory Tree window opens.
6. Select the CD-ROM volume.
7. Select the \Netware\SMclient folder.
8. Select the program.ni file, and then click **OK**.
9. Click **OK**.  
After the files are copied, the License Agreement window opens.
10. Click **Accept** to continue.  
The copying files message window opens.



11. When the installation is complete, click **Finish**.

## Verifying the Storage Manager 8.2 Client installation

To verify that the Storage Manager 8.2 Client software is installed correctly, do the following:

1. Click **Novell** → **Programs**.
2. Verify that the IBM FAStT Fibre Channel Storage Manager Client appears in the list of programs.

Otherwise, repeat “Installing Storage Manager 8.2 Client” on page 42. If the IBM FAStT Storage Manager Client still does not appear, a failure has occurred. Contact your IBM technical-support representative.

3. If you are installing Storage Manager 8.2 Client on a host computer, go to “Storage Manager 8.2 Agent”. Otherwise, go to Chapter 4, “Completing the installation” on page 47.

---

## Storage Manager 8.2 Agent

The Storage Manager 8.2 Agent software *must* be installed if you want to manage the storage subsystem using the host-agent management method.

Before you install the software, ensure that the following conditions are met:

- The host computer is configured with Novell NetWare 5.1 and Service Pack 4 or Novell NetWare 6.0 and Service Pack 1.
- You have Administrator privileges on the host computer.
- The host computer has at least 20 MB of available disk space.

## Installing Storage Manager 8.2 Agent

To install the Storage Manager 8.2 Agent, do the following:

1. Close all other programs.
2. Insert the IBM FAStT Storage Manager installation CD into the CD-ROM drive and type:  
`load cdrom`
3. Mount the CD volume.
4. Click **Novell** → **Install**.
5. Click **Add**, and follow the instructions on the screen.
6. Click the **Directory Tree** button.  
The Directory Tree window opens.
7. Select the CD-ROM volume.
8. Select the \Netware\SMagent directory.
9. Select the product.ni file, and then click **OK**.
10. Click **OK**.

After the files are copied, the License Agreement window opens.

11. Click **Accept** to continue.

The files are copied.

12. When the installation is complete, click **Finish**.

**Note:** To enable SMagent at server startup, an autoexec.ncf entry can now be made.

## Verifying the Storage Manager 8.2 Agent installation

To verify that the Storage Manager 8.2 Agent software was installed correctly, do the following:

1. Toggle to the Server Console window and at the command prompt, type:

```
SMagent
```

The agent will start and display the following message when UTM LUNs are being scanned:

```
Activating
```

2. Continue with “Storage Manager 8.2 Utility”.

---

## Storage Manager 8.2 Utility

This section provides instructions for installing Storage Manager 8.2 Utility software on host computers. This component contains utilities that will register and map new logical drives to the operating systems.

**Important:** Make sure you have installed the IBM FASTT MSJ QLRemote agent on the same host where you are installing the Storage Manager 8.2 Utility software. For more information, refer to “Installing IBM FASTT Management Suite Java” on page 45.

## Installing Storage Manager 8.2 Utility

To install the Storage Manager 8.2 Utility software on each attached Windows host computer, do the following:

1. Close all programs.
2. Insert the IBM FASTT Storage Manager installation CD into the CD-ROM drive and type:

```
load cdrom
```
3. Mount the CD volume.
4. Click **Novell** → **Install**.
5. Click **Add**, and follow the instructions on the screen.
6. Click the **Directory Tree** button.  
The Directory Tree window opens.
7. Select the CD-ROM drive.
8. Click the \NetWare\SMutil folder, and then, click **Open**.
9. Select the product.ni file, and then, click **Open**.  
The Welcome window opens.
10. Click **Next** to begin the installation.  
After installing the Storage Manager 8.2 Utility software, the Operation Complete window opens. If the system detects the installation of another version of Storage Manager 8.2 Utility, a window opens indicating that the installation will be updated and your personal configuration files will be saved. Click **Yes** to continue.
11. Click **Finish**.
12. Go to “Verifying the Storage Manager 8.2 Utility installation” on page 45.

## Verifying the Storage Manager 8.2 Utility installation

To verify that Storage Manager 8.2 Utility is installed correctly, do the following:

1. Go to the following directory:

*sys:system*

where *installation\_directory* is the directory where you installed the Storage Manager 8.2 Utility.

2. Verify that the directory contains the following files:
  - hot\_add.ncf
  - SMdevices.ncf

If it does not, reinstall the Storage Manager 8.2 Utility using the procedure outlined in “Installing Storage Manager 8.2 Utility” on page 44.

3. Continue with “Installing the IBMSAN driver”.

---

## Installing the IBMSAN driver

The IBM Storage Area Network (SAN) driver is used in a Novell NetWare environment to provide multipath I/O support to the storage server. The IBMSAN driver is a custom driver module (CDM) that is installed with the IBM FASTT Host Adapter driver. In case of a failure along the I/O path, the driver will send the I/O requests through the alternate path and Auto-Volume Transfer (AVT) will move the logical drive within the FASTT Storage Server. Refer to the <http://www.ibm.com/pc/support> IBM Web page for the current README file, SAN driver, and installation instructions.

Continue with “Installing the IBM Host Adapter device driver (QL2x00)”.

---

## Installing the IBM Host Adapter device driver (QL2x00)

The IBM Host Adapter device driver enables the operating system to communicate with the host adapter. The IBM FASTT FC-2 Host Bus Adapter is a high-performance, direct memory access (DMA), bus-master, host adapter designed for high-end systems. The IBM FASTT FC-2 Host Bus Adapter supports all Fibre Channel (FC) peripheral devices that support private-loop direct attach (PLDA) and fabric-loop attach (FLA). Refer to the *IBM Netfinity FASTT Host Adapter Installation and User's Guide* or the *IBM FASTT FC-2 Host Bus Adapter Installation and User's Guide* and the <http://www.ibm.com/pc/support> IBM Web page for the current README file and latest multipath I/O device driver.

Continue with “Installing IBM FASTT Management Suite Java”.

---

## Installing IBM FASTT Management Suite Java

For additional information on installing and using this software, refer to the *IBM FASTT MSJ User's Guide* or online Help.



---

## Chapter 4. Completing the installation

This chapter contains procedures for using Enterprise Management and Subsystem Management to complete the following installation tasks:

1. Perform an initial automatic discovery of storage subsystems.
2. Add devices.
3. Set up alert notifications.
4. Name the storage subsystems.
5. Download firmware and NVSRAM.
6. Create arrays and logical drives.
7. Define the default host type.
8. Configuration of heterogeneous hosts.
9. Perform other storage subsystem tasks.

The Enterprise Management window opens when you start FAST Storage Manager. Use the Enterprise Management window to do the following:

- Add and discover the storage subsystems.
- View of all storage subsystems in your management domain.
- Perform batch storage subsystem management tasks by using the Script Editor.

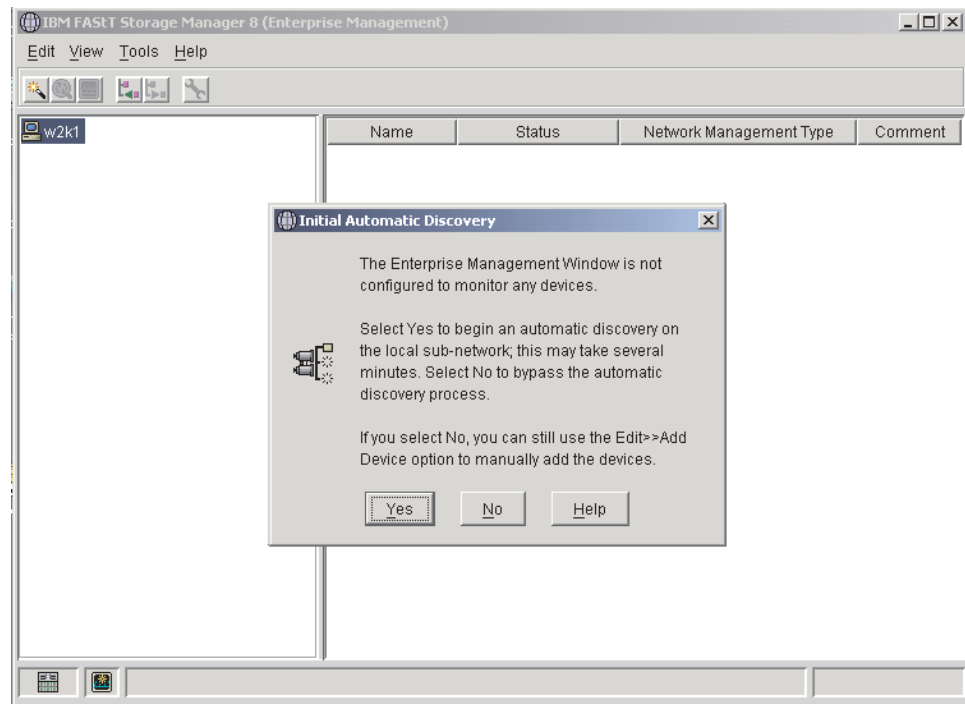
---

### Performing an initial automatic discovery of storage subsystems

To perform an initial automatic discovery of storage subsystems, do the following:

1. If you are using the SMagent, start the SMagent at the Server Console window.  
At the Server Console, type:  
`smagent`
2. From the Xserver Graphical Console, click **Novell** → **Programs**.
3. Click **IBM FAST Storage Manager**.

The client software starts, displaying the Enterprise Management window.



**Note:** The Enterprise Management window might take several minutes to open. No wait cursor (such as a hourglass) is displayed.

4. Click **Yes** to begin an initial automatic discovery of hosts and storage subsystems that are attached to the local subnetwork.  
After the initial automatic discovery is complete, the Enterprise Management window displays all hosts and storage subsystems attached to the local subnetwork.

**Note:** The Enterprise Management window might take up to a minute to refresh after an initial automatic discovery.

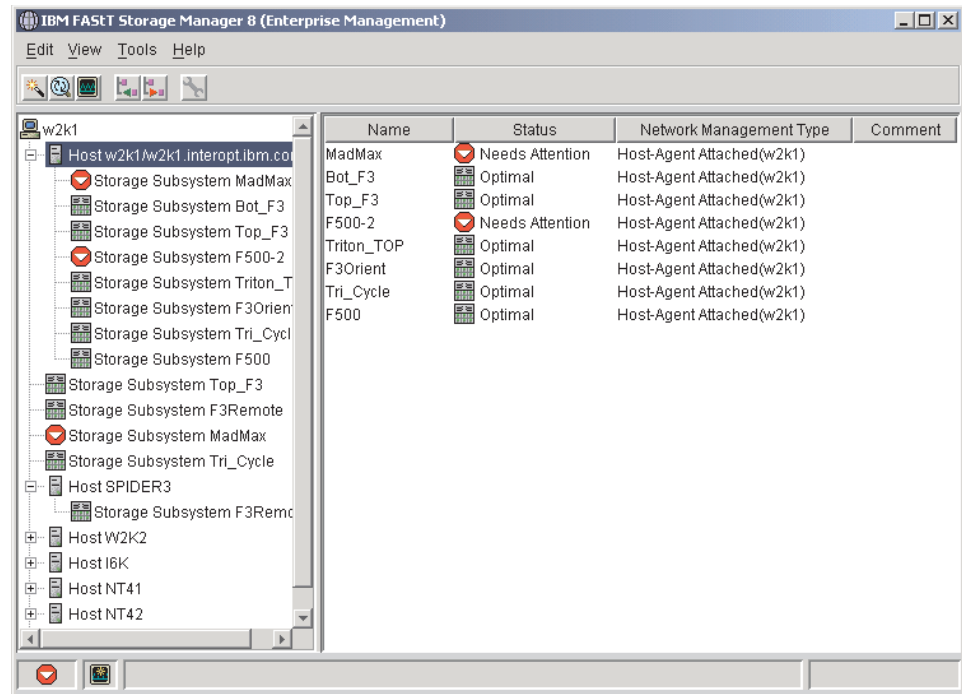


Figure 16. Enterprise Management window

5. Verify that each host and storage subsystem is displayed in the Enterprise Manager window.

If a host or storage subsystem is not displayed, do the following:

- Check the hardware and connections for possible problems (refer to the hardware documentation for specific procedures).
- Refer to the Enterprise Management online help for additional information about discovering storage subsystems.
- Verify that all hosts and storage subsystems are on the local subnetwork. If they are not, use the Add Device option.

**Note:** In certain situations, a storage subsystem might be duplicated in the device tree after an automatic discovery. You can remove a duplicate storage-management icon from the device tree by using the Remove Device option in the Enterprise Management window.

6. Verify that the status of each storage subsystem is Optimal. If a device shows a status of Unresponsive, use the software to remove the device from the management domain and then add it again. Refer to the Enterprise Management window online help for instructions on removing and adding devices.
7. Continue with “Adding devices” on page 50.

---

## Adding devices

You can manually add more hosts or storage subsystems. You can use this option to selectively manage a group of storage subsystems from a Storage Manager 8.2 client. You can also use this option to add additional devices to be managed that were not identified during the Storage Manager 8.2 client initial discovery. For more information about this option, refer to the Enterprise Management window online help.

### Important:

- When you add new storage subsystems to existing storage subsystems in a Storage Area Network (SAN) that are managed through the host-agent software, you must stop and restart the host-agent service. When the host-agent service restarts, the new storage subsystem is detected. For more information, refer to “Stopping and starting the host-agent software” on page 57. Then, go to the Enterprise Management window and click **Tools** → **Rescan** to add the new storage subsystems to the management domain.
- When you add new storage subsystems to existing storage subsystems that are managed using the direct-management method, be sure and specify the IP addresses for both controllers.

Continue with “Setting up alert notifications”.

---

## Setting up alert notifications

After you add devices to the management domain, you can set up alert notification to report critical events on the storage subsystems. The following alert-notification options are available:

- Notification to a designated network management station (NMS) using Simple Network Management Protocol (SNMP) traps.
- Notification to designated e-mail addresses.
- Notification to designated alphanumeric pagers (requires additional software to convert e-mail messages)

**Note:** You can only monitor storage subsystems within the management domain. If you do not install Event Monitor service, the Enterprise Management window must remain open. If you close the window, you will not receive alert notifications from the managed storage subsystems. Refer to the Enterprise Management window online help for additional information.

To set up alert notification to an NMS using SNMP traps, do the following:

1. Insert the *IBM FASTT Storage Manager Version 8.2* CD into the CD-ROM drive on a network management station (NMS). You need to set up the designated management station only once.
2. Copy the SM820.MIB file from the SM8mib directory to the NMS.
3. Follow the steps required by your NMS to compile the management information base (MIB) file. (For details, contact your network administrator or see the documentation specific to the storage management product you are using.)
4. Continue with “Naming storage subsystems” on page 51.



---

## Naming storage subsystems

To name your storage subsystem, do the following:

1. In the Enterprise Management window, select a storage subsystem.
2. Click **Tools** → **Manage Device**. The Subsystem Management window opens, as shown in Figure 17.

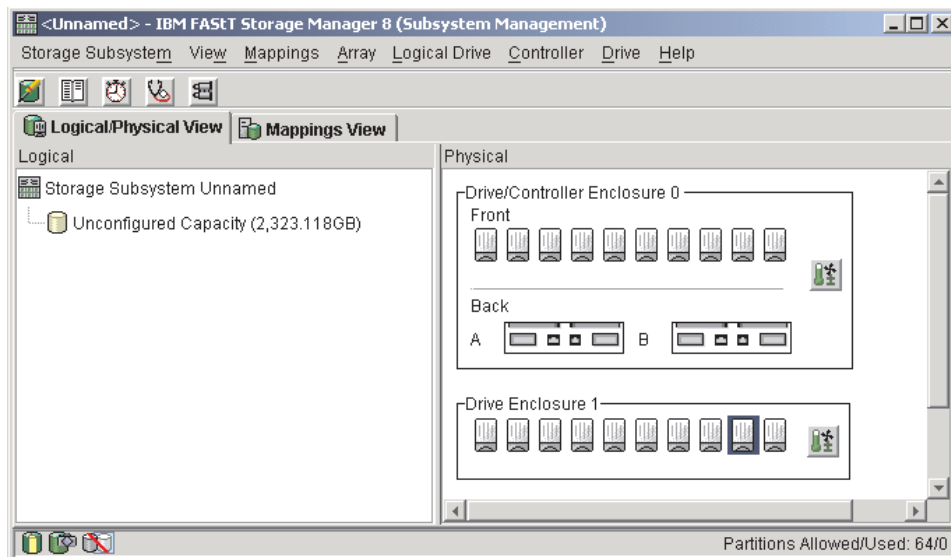


Figure 17. Subsystem Management window

3. Click **Storage Subsystem** → **Rename**. The Rename Storage Subsystem window opens.
4. Type the name of the storage subsystem (refer to Table 14 on page 61); then, click **OK**.
5. Repeat for each unnamed storage subsystem. For more information, refer to the topic on renaming storage subsystems in the Subsystem Management window online help.
6. Continue with “Downloading firmware and NVSRAM”.

---

## Downloading firmware and NVSRAM

This section provides instructions for downloading firmware and NVSRAM. You must download firmware version 5.2x.xx.xx before you download NVSRAM.

### Downloading firmware

To download firmware version 5.2x.xx, do the following:

1. From the Enterprise Management window, select a storage subsystem.
2. Click **Tools** → **Manage Device**. The Subsystem Management window opens.
3. Click **Storage Subsystem** → **Download** → **Firmware**. Follow the instructions that display.
4. Continue with “Downloading NVSRAM” on page 52.

## Downloading NVSRAM

To download NVSRAM, do the following:

1. From the Enterprise Management window, select a storage subsystem.
2. Click **Tools** → **Manage Device**. The Subsystem Management window opens.
3. Click **Storage Subsystem** → **Download** → **NVSRAM**. Follow the on-screen instructions.
4. Continue with “Creating arrays and logical drives”.

---

## Creating arrays and logical drives

A *logical drive* is the basic structure you create to store data on the storage subsystem. The operating system recognizes a logical drive as a single drive. Choose a RAID level to meet application needs for data availability and maximize Fibre Channel I/O performance.

To create arrays and logical drives, do the following:

1. From the Enterprise Management window, select a storage subsystem.
2. Click **Tools** → **Manage Device**. The Subsystem Management window opens.
3. Click the **Logical/Physical View** tab.
4. Click **Logical Drive** → **Create**. The Logical Drive Create wizard starts. Follow the online instructions to create arrays and logical drives.
5. Continue with “Defining the default host type”.

**Note:** (For cluster configurations) If you add or delete logical drives, you must make them known to both node A and node B.

---

## Defining the default host type

Before using the logical drives in a host computer, you must specify the host type. The host type determine how the storage subsystem controllers will work with each particular operating system on the hosts to which it is connected. If all of the host computers connected to the same storage subsystem have the same operating system installed and you do not want to define partitioning, you can define a default host type.

To define a default host type, do the following:

1. Click **Storage subsystem** → **Change** → **Default host-type**. The Default Host-type window opens.
2. From the pull-down menu, select the host type.
3. Click **OK**.

If you have hosts with different operating systems or if you want to define partitions for the hosts, continue with “Configuring heterogeneous hosts”.

---

## Configuring heterogeneous hosts

The heterogeneous hosts feature enables hosts by running different operating systems to access a single storage subsystem. Previous releases of IBM FASTT Storage Manager (versions 7.02 or earlier) required that hosts run the same operating system in order to access a single storage subsystem.

Host computers can run completely different operating systems (for example, Solaris and Windows NT) or variants of the same operating system (for example, Windows NT operating in a cluster environment or Windows NT running in a noncluster environment). When a host type is specified in the Define New Host Port window, the heterogeneous hosts feature enables the controllers in the storage subsystem to tailor their behavior (such as LUN reporting) to the needs of the host.

**Important:** To use the heterogeneous host feature, the following conditions must be met:

- Storage partitioning is enabled.
- During host-port definition, you must set each host type to the appropriate operating system so that the firmware on each controller can respond correctly to the host.

To start the heterogeneous host configuration, do the following:

1. From the Subsystem Management window, click **Configure** → **Storage Partition**.
2. Follow the on-screen instructions.
3. Continue with “Performing other storage-subsystem management tasks”.

**Note:** Partitioning is a premium feature. If you disable partitioning, you *must* contact your IBM technical-support representative to obtain a key to reenable partitioning.

---

## Performing other storage-subsystem management tasks

Other storage-subsystem management tasks you can perform include the following:

- Locating a storage subsystem.
- Viewing a storage subsystem profile.
- To enter or change a storage subsystem password.
- Creation of and management of logical drives and subsystems.
- Using the Performance Monitor.
- Create storage partitions (if applicable).

**Note:** To create storage partitions, you must obtain the worldwide name or port name of each host adapter in every host connected to the storage subsystem.

For more information about these and other storage-subsystem management tasks, refer to the appropriate topics in the Subsystem Management online help.

After installing IBM FASTT Storage Manager Version 8.2, consider installing the FASTT Management Suite Java (FASTT-MSJ) diagnostic program. You can use this program to verify the status of the fiber channel connections before using the storage subsystem. The program and the *IBM FASTT MSJ User's Guide* are located on the *IBM FASTT Storage Manager Version 8.2 CD*.



---

## Chapter 5. Using the storage-management software

This chapter provides information about adding or deleting logical drives, using the Hot Add and SMdevices utilities, starting and stopping the host-agent software, and uninstalling Storage Manager components.

---

### Adding or deleting logical drives

Use the following instructions to add or delete logical drives in a standard (noncluster) configuration.

#### Creating logical drives

When you create new logical drives with the storage-management software, you must add the new logical drives to Novell NetWare. Refer to the Novell NetWare documentation for details about adding a drive. Novell NetWare recognizes each logical drive (not array) as a single drive.

After creating logical drives, run the Hot Add and SMdevices utilities that are provided with the storage-management software. The Hot Add utility adds newly created logical drives to the operating system, and the SMdevices utility identifies logical drives by their associated operating system device names. For information about using these utilities, see “Using the Hot Add utility” on page 56 and “Using the SMdevices utility” on page 56.

#### Deleting logical drives

**Important:** If you have data or logical drives that you want to keep, do not click **Configure** → **Reset Configure**. This will reset the controller unit and delete *all* previously-configured logical drives.

Before deleting logical drives with the storage-management software or using **Configure** → **Reset Configuration**.

Before deleting logical drives with the storage-management software or using **Configure** → **Reset Configuration**, stop all input and output activity to the affected storage subsystem. Then dismount any NetWare volumes that are associated with the logical drives.

---

### Creating a FlashCopy logical drive

A FlashCopy logical drive is a logical point-in-time image of a logical drive, called a base logical drive. A FlashCopy logical drive has the following features:

- It is created quickly and requires less disk space than an actual logical drive.
- It can be assigned a host address, so that you can perform backups by using the FlashCopy logical drive while the base logical drive is online and accessible.
- You can use the FlashCopy logical drive to perform application testing or both scenario development and analysis. This does not effect the actual production environment.
- The maximum number of FlashCopy logical drives allowed is one half of the total logical drives supported by your controller model.

For additional information about the FlashCopy feature and how to manage Flash Copy logical drives, refer to the Storage Manager Subsystem Management online help.

**Note:** FlashCopy is a premium feature. Contact your IBM reseller or IBM marketing representative for more information.

To create a FlashCopy logical drive, do the following:

1. To ensure that you have the accurate point-in-time image of the base logical drive, stop applications and flush cache I/O to the base logical drive.
2. Open the Subsystem Management window. From the Logical View, right-click the base logical drive.
3. Select **Create FlashCopy Logical Drive**. The Create FlashCopy Logical Drive Wizard starts.
4. Follow the on-screen instructions.
5. Refer to the Subsystem Management online help for instructions on how to add the FlashCopy logical drive to the host.

---

## Using the Remote Mirror Option

The Remote Mirror Option is a premium feature. The Remote Mirror Option is used for online, real-time replication of data between storage subsystems over a remote distance. In the event of a disaster or unrecoverable error at one storage subsystem, the Remote Mirror Option enables you to promote a second storage subsystem to take over responsibility for normal input/output (I/O) operations. For more information about this feature, consult the IBM FASTT Remote Mirror Option Installation and User's Guide, or contact your IBM reseller or marketing representative.

---

## Using the Hot Add utility

The Hot Add utility enables you to add new logical drives without restarting the system. The utility registers the new logical drives with the operating system so that you can use `nwconfig` to create partitions, add device names, and so on. The Hot Add utility is part of the Storage Manager 8.2 Utility package.

When you finish creating logical drives on a particular storage subsystem, go to the host that is attached to that storage subsystem, and perform the following steps to use the hot add utility:

1. From the Server Console, type:  
`hot_add`
2. Press Enter.

The new logical drives are available through the Disk Administrator.

---

## Using the SMdevices utility

The Storage Manager 8.2 Utility software package includes a utility called `SMdevices` that you can use to view the storage subsystem logical drive that is associated with a particular operating-system device name. This utility is helpful when you want to create drives, volumes, or a combination of both for the logical drive using the `nwconfig` program.

When you finish creating the logical drives on a particular storage subsystem, go to the host that is attached to that storage subsystem, and perform the following steps to use `SMdevices`:

1. From the Server Console type:  
`SMdevices`

2. Press Enter.

The software displays device identification information. For example, you might see:

```
V596-A3-D0:0[Storage Subsystem MARKETING, Logical Drive DEBIT,  
LUN 0, WWN <600a0b800007545c0000008d3a308b6e>]  
V596-A3-D0:1 [Storage Subsystem MARKETING, Logical Drive DEBIT, LUN 1,  
WWN <600a0b80000756ec000000a93a307d2a>]  
V596-A3-D0:1F [Storage Subsystem MARKETING, Logical Drive Access volume,  
LUN 31, WWN <600a0b800007545c0000009000000000>]  
Where V596-A3-D0:0;
```

The numbers at the beginning of each line comprise the device name. The device name identifies the adapter or device as follows:

**Vendor number** [V596]. A unique number specific to the device vendor.

**Adapter number** [A3]. The instance number of an adapter registered with NWWA. In the example, A3 identifies the first instance of an adapter installed in the server.

**Device number** [D0]. The number of the disk or other device.

**Logical unit number** [0,1,1F]. The LUN identifies individual devices when more than one device is attached to one bus.

Storage Subsystem x = the storage subsystem name

Logical Drive x = the logical drive name

LUN x = the logical unit number associated with the logical drive

WWN x = the worldwide name for the logical drive

---

## Stopping and starting the host-agent software

Use the procedures in the following sections to stop and start the host-agent software installed on the host or cluster node.

**Note:** If an access logical drive is not detected after a restart, the host-agent software will automatically stop running. Restart the host or cluster node so that new host-agent-managed storage subsystems will be discovered.

### Stopping the host-agent software

You must stop the host-agent software if you want to add storage subsystems. When you restart the service, the host-agent software discovers the new storage subsystems and adds them to the management domain.

To stop the host-agent software, do the following:

1. From the system console, press Ctrl+Esc, and then select **System Console**.
2. At the prompt, type:

```
java -show
```

Look for the following line:

```
"devmgr.versioned.agent.AgentServer.....QQQ"
```

Where *QQQ* is the process ID.

3. At the prompt type the following:

```
java -killQQQ
```

Where *QQQ* is the process ID from the java -show command.

4. Press Enter.

## Starting the host agent manually

The host-agent software must be started manually when the system is started or if it is stopped to add storage subsystems.

Use the following procedure to start the host agent manually:

1. From the system console, press Ctrl+Esc, and then select **System Console**.

2. At the prompt, type:

```
smagent
```

3. Press Enter.

The agent will start and display the following message when UTM LUNs are scanned:

```
Activating
```

4. Return to ConsoleOne. Press Ctrl+Esc, and then select **Xserver -- Graphical Console**.

---

## Uninstalling storage-management software components

Use the following procedure to uninstall one or more of the components of Storage Manager 8.0. If you are uninstalling components released with an earlier version of the storage-management software, use the procedure that came with the version of the storage-management software that you are currently running.

1. From the Xserver Graphical Console, click **Novell** → **Install**.

The Add/Remove Programs Properties window opens.

**Note:** The Storage Manager components should be uninstalled in the following order:

- a. Storage Manager 8.0 Agent
  - b. Storage Manager 8.0 Utility
  - c. Storage Manager 8.0 Client
2. Select the component you want to uninstall from the list of programs (for example, IBM FAST Storage Manager 8.0 Client).
  3. Click **Add/Remove**.  
The Confirm File Deletion window opens.
  4. Click **Yes** to start the uninstallation process.
  5. When the uninstallation is completed, click **OK**.



## Chapter 6. Novell NetWare operating-system support

**Important:** Always check for a README file on any installation media. This README file might contain important information that was not available when this *Installation and Support Guide* was prepared.

Table 13 explains the limitations that apply when you use the IBM FASTT Storage Manager Version 8.2 with Novell NetWare.

Table 13. Novell NetWare limitations

Limitation	Workaround
If the SMagent is running on the NetWare server and a fiber-optic cable is pulled or a path failure occurs, the NetWare server might abend.	Stop the SMagent and manage the FASTT using the direct (out-of-band) method of management. See “Stopping the host-agent software” on page 57 and use the procedure for uninstalling the SMagent software.
Clicking a vertical scroll arrow (either up or down) causes the scroll box to move all the way to the opposite end of the scroll bar.	This is a known defect in the Java Runtime Environment. Click the scroll box and slide it until you reach the desired position in the Help window.
Logical drive migration (removing a set of drives that are configured with logical drives from one storage subsystem for insertion into another storage subsystem) is not supported because it could cause loss of configuration.	Call for service.
When you manage storage subsystems through the host-agent software and use the storage-management software to download controller firmware, the download process can take up to 10 minutes to complete.	None.
The controller firmware does not recognize or communicate with a single controller until slot A is populated. This limitation does not apply to storage subsystems that were originally configured with two controllers.	When you configure a new storage subsystem with a single controller, you must place the controller in slot A.
Public loop configurations (managed hubs that are attached to switches) are not supported.	None.
Multipath failover will work only if the storage controllers are in active/active mode.	When you configure the storage subsystem, change both controllers to active status.
When you remove a fan or power supply customer replaceable unit (CRU) from a storage subsystem while the system is running, the storage-management software does not report an error message, and the component is not reported as missing. <b>Note:</b> Fan and power-supply CRU failures are reported.	Replace the missing fan or power-supply CRUs immediately to ensure redundancy. Make sure that the fan or power-supply CRU is properly seated in the controller unit.
Your windows and online Help will display a brownish hash pattern when you run in 256 color mode.	Run the Storage Manager 8.2 application in a higher display mode

Table 13. Novell NetWare limitations (continued)

Limitation	Workaround
When performing a redundancy check (parity scan) from the storage management application, machine type 3542 can take several minutes longer than machine type 3526 and 3552 controller platforms.	None.
When attempting to manage a storage subsystem where the RAID controller unit does not have access to logical drives, Storage Manager will prompt you for a password. This will occur even if no password has been set up. The automatic discovery will locate and identify each storage subsystem as two separate storage subsystems.	Ensure that at least one IBM FAStT EXP500 Expansion Unit with at least one logical drive is properly attached to the IBM FAStT500 RAID Controller Unit in each storage subsystem being managed. The RAID controller unit should not be powered on until the expansion units are attached and powered on. Power off the RAID controller unit, properly attach all expansion units with the drives installed to the RAID controller unit, and power them on; then, power on the RAID controller unit. At this point the storage subsystems can be rediscovered and managed using the FAStT Storage Manager software.
You might not see the maximum number of drives during Automatic Configuration if you are using drives of different capacities.	Use Manual Configuration to select individual drives and select the maximum number of drives allowed.





---

## Appendix B. Getting help and technical assistance

If you need help, service, or technical assistance or just want more information about IBM® products, you will find a wide variety of sources available from IBM to assist you. This appendix contains information about where to go for additional information about IBM and IBM products, what to do if you experience a problem with your xSeries or IntelliStation® system, and whom to call for service, if it is necessary.

---

### Before you call

Before you call, make sure that you have taken these steps to try to solve the problem yourself:

- Check all cables to make sure that they are connected.
- Check the power switches to make sure that the system is turned on.
- Use the troubleshooting information in your system documentation, and use the diagnostic tools that come with your system.
- Go to the IBM Support Web site at <http://www.ibm.com/pc/support/> to check for technical information, hints, tips, and new device drivers.
- Use an IBM discussion forum on the IBM Web site to ask questions.

You can solve many problems without outside assistance by following the troubleshooting procedures that IBM provides in the online help or in the publications that are provided with your system and software. The information that comes with your system also describes the diagnostic tests that you can perform. Most xSeries and IntelliStation systems, operating systems, and programs come with information that contains troubleshooting procedures and explanations of error messages and error codes. If you suspect a software problem, see the information for the operating system or program.

---

### Using the documentation

Information about your IBM xSeries or IntelliStation system and preinstalled software, if any, is available in the documentation that comes with your system. That documentation includes printed books, online books, README files, and help files. See the troubleshooting information in your system documentation for instructions for using the diagnostic programs. The troubleshooting information or the diagnostic programs might tell you that you need additional or updated device drivers or other software. IBM maintains pages on the World Wide Web where you can get the latest technical information and download device drivers and updates. To access these pages, go to <http://www.ibm.com/pc/support/> and follow the instructions. Also, you can order publications through the IBM Publications Ordering System at <http://www.elink.ibm.com/public/applications/publications/cgibin/pbi.cgi>.

---

### Getting help and information from the World Wide Web

On the World Wide Web, the IBM Web site has up-to-date information about IBM xSeries and IntelliStation products, services, and support. The address for IBM xSeries information is <http://www.ibm.com/eserver/xseries/>. The address for IBM IntelliStation information is <http://www.ibm.com/pc/intellistation/>.

You can find service information for your IBM products, including supported options, at <http://www.ibm.com/pc/support/>. If you click **Profile** from the support page, you can create a customized support page. The support page has many sources of information and ways for you to solve problems, including:

- Diagnosing problems, using the IBM Online Assistant
- Downloading the latest device drivers and updates for your products
- Viewing Frequently Asked Questions (FAQ)
- Viewing hints and tips to help you solve problems
- Participating in IBM discussion forums
- Setting up e-mail notification of technical updates about your products

---

## Software service and support

Through IBM Support Line, you can get telephone assistance, for a fee, with usage, configuration, and software problems with xSeries servers, IntelliStation workstations, and appliances. For information about which products are supported by Support Line in your country or region, go to <http://www.ibm.com/services/sl/products/>.

For more information about Support Line and other IBM services, go to <http://www.ibm.com/services/>, or go to <http://www.ibm.com/planetwide/> for support telephone numbers.

---

## Hardware service and support

You can receive hardware service through IBM Integrated Technology Services or through your IBM reseller, if your reseller is authorized by IBM to provide warranty service. Go to <http://www.ibm.com/planetwide/> for support telephone numbers.

In the U.S. and Canada, hardware service and support is available 24 hours a day, 7 days a week. In the U.K., these services are available Monday through Friday, from 9 a.m. to 6 p.m.

---

## Appendix C. Notices

This publication was developed for products and services offered in the U.S.A.

IBM may not offer the products, services, or features discussed in this document in other countries. Consult your local IBM representative for information on the products and services currently available in your area. Any reference to an IBM product, program, or service is not intended to state or imply that only that IBM product, program, or service may be used. Any functionally equivalent product, program, or service that does not infringe any IBM intellectual property right may be used instead. However, it is the user's responsibility to evaluate and verify the operation of any non-IBM product, program, or service.

IBM may have patents or pending patent applications covering subject matter described in this document. The furnishing of this document does not give you any license to these patents. You can send license inquiries, in writing, to:

*IBM Director of Licensing  
IBM Corporation  
North Castle Drive  
Armonk, NY 10504-1785  
U.S.A.*

INTERNATIONAL BUSINESS MACHINES CORPORATION PROVIDES THIS PUBLICATION "AS IS" WITHOUT WARRANTY OF ANY KIND, EITHER EXPRESS OR IMPLIED, INCLUDING, BUT NOT LIMITED TO, THE IMPLIED WARRANTIES OF NON-INFRINGEMENT, MERCHANTABILITY OR FITNESS FOR A PARTICULAR PURPOSE. Some jurisdictions do not allow disclaimer of express or implied warranties in certain transactions, therefore, this statement may not apply to you.

This information could include technical inaccuracies or typographical errors. Changes are periodically made to the information herein; these changes will be incorporated in new editions of the publication. IBM may make improvements and/or changes in the product(s) and/or the program(s) described in this publication at any time without notice.

Any references in this publication to non-IBM Web sites are provided for convenience only and do not in any manner serve as an endorsement of those Web sites. The materials at those Web sites are not part of the materials for this IBM product, and use of those Web sites is at your own risk.

IBM may use or distribute any of the information you supply in any way it believes appropriate without incurring any obligation to you.

---

### Edition notice

**© COPYRIGHT INTERNATIONAL BUSINESS MACHINES CORPORATION, 2001, 2002. All rights reserved.**

Note to U.S. Government Users — Documentation related to restricted rights — Use, duplication or disclosure is subject to restrictions set forth in GSA ADP Schedule Contract with IBM Corp.

---

## Trademarks

The following terms are trademarks of International Business Machines Corporation in the United States, other countries, or both:

e-business logo	Predictive Failure Analysis
FlashCopy	Redbooks
HelpCenter	ServeRAID
IBM	ServerProven
Netfinity	TotalStorage

Lotus, Lotus Notes, and Domino are trademarks of Lotus Development Corporation and/or IBM Corporation in the United States, other countries, or both.

Intel, Celeron, MMX, LANDesk, Pentium, Pentium II Xeon, Pentium III Xeon, and Xeon are trademarks of Intel Corporation in the United States, other countries, or both.

Microsoft, Windows, and Windows NT are trademarks of Microsoft Corporation in the United States, other countries, or both.

UNIX is a registered trademark of The Open Group in the United States and other countries.

Java and all Java-based trademarks and logos are trademarks or registered trademarks of Sun Microsystems, Inc. in the United States, other countries, or both.

Linux is a registered trademark of Linus Torvalds.

Other company, product, or service names may be the trademarks or service marks of others.

---

## Important notes

Processor speeds indicate the internal clock speed of the microprocessor; other factors also affect application performance.

CD-ROM drive speeds list the variable read rate. Actual speeds vary and are often less than the maximum possible.

When referring to processor storage, real and virtual storage, or channel volume, KB stands for approximately 1000 bytes, MB stands for approximately 1 000 000 bytes, and GB stands for approximately 1 000 000 000 bytes.

When referring to hard disk drive capacity or communications volume, MB stands for 1 000 000 bytes, and GB stands for 1 000 000 000 bytes. Total user-accessible capacity may vary depending on operating environments.

Maximum internal hard disk drive capacities assume the replacement of any standard hard disk drives and population of all hard disk drive bays with the largest currently supported drives available from IBM.

Maximum memory may require replacement of the standard memory with an optional memory module.



IBM makes no representation or warranties regarding non-IBM products and services that are ServerProven<sup>®</sup>, including but not limited to the implied warranties of merchantability and fitness for a particular purpose. These products are offered and warranted solely by third parties.

IBM makes no representations or warranties with respect to non-IBM products. Support (if any) for the non-IBM products is provided by the third party, not IBM.

Some software may differ from its retail version (if available), and may not include user manuals or all program functionality.



---

# Index

## A

- access volume
  - defined 6
  - detecting after host restart 57
- adding logical drives 55
- administrator privilege requirements 17
- Auto-Volume Transfer 5

## B

- BOOTP server
  - UNIX 37
- BOOTP table 37

## C

- cluster server configuration 10
- cluster server configuration example 11
- configuration types
  - standard 10
- controller
  - IP address 24
- creating
  - arrays and logical drives 52
  - logical drives 55

## D

- deleting logical drives 55
- device drivers
  - IBM FASTT Host Adapter
    - Linux (QLa2x00) 5
  - IBMSAN 5
- DHCP BOOTP server 22
- DHCP/BOOTP server
  - setting up 33
- downloading firmware 51
- downloading NVSRAM 52

## E

- Enterprise Management window 4
  - alert notifications 50
  - Help 1
  - setting up alert notifications 50
- Ethernet MAC address 25
- existing storage subsystem 11

## F

- fabric switches 16
- FASTT Management Suite Java 1
- FASTT-MSJ 1
- Fibre Channel
  - host adapter 16
  - managed hub 16

- firmware
  - downloading 51

## H

- hardware Ethernet address (pre-installation task) 24
- hardware requirements 16
- heterogeneous hosts
  - defining types 53
  - overview 52
- host adapters 16
- host agent software
  - starting 58
  - stopping 57
- host port, defined 53
- host table
  - pre-installation tasks 24
- host-agent software
  - automatically stops 57
- Hot Add utility 5
- Hot Add utility, using 56

## I

- IBM FASTT Host Adapter device driver
  - QL2x00 4, 45
- IBMSAN driver 5
- installation process
  - standard configuration 10
- installation types
  - hardware environments 11
  - new storage subsystems 11
- IP addresses 24

## L

- logical drives
  - creating 55
  - deleting 55

## M

- MAC address, Ethernet 25
- managed hub 16
- management methods
  - direct (out-of-band) 7
  - host agent (in-band) 5
- management station 16
- multipath I/O support 5

## N

- naming storage subsystems 24, 51
- new storage subsystem installation 11
- notes, important 66

- Novell NetWare
  - automatic discovery of hosts and storage subsystems 48
  - limitations 59
  - software packages, described 4
- NVSRAM, downloading 52

## O

- operating system support 59

## P

- premium feature
  - FlashCopy 55
  - Remote Mirror Option 56
- premium feature key 1, 56
- preparing a network installation
  - network task summary 23
- preparing for installation
  - NetWare 21
- publications, related xii

## R

- related publications xii

## S

- setting up the host or DNS table 38
- Simple Network Management Protocol (SNMP)
  - traps 22
- SM7devices utility 5
- SMclient disk space requirements 17
- SMdevices utility, using 56
- SMutil disk space requirements 18
- software packages
  - components of 4
  - installing Storage Manager 8.2 Client 42
  - installing Storage Manager 8.2 Utility 44
  - installing the host adapter device driver (QL2x00) 45
  - installing the IBMSAN driver 45
    - Storage Manager 8.2 Agent 5
    - Storage Manager 8.2 Client 4
    - Storage Manager 8.2 Utility 5
- software requirements 17
- starting host-agent software 58
- stopping host-agent software 57
- storage management software
  - administrators privilege 17
  - hardware requirements
    - BOOTP server 16
    - fabric switches 16
    - host adapters 16
    - managed hub 16
    - storage subsystem 16
    - UNIX BOOTP server 16
  - installation requirements 15
  - uninstalling components 58

- Storage Manager 7 client 4
- storage subsystem 16
- storage subsystems 16
  - discovery of host-agent managed 57
  - management methods 5
- storage-subsystem management tasks 53
- subsystem controller information record 61
- Subsystem Management 4
  - naming storage subsystems 51
- Subsystem Management window
  - Help 1

## T

- TCP/IP protocol verification 38
- trademarks 66

## U

- uninstalling storage-management software
  - components 58
- Universal Xport device 19
- UNIX BOOTP server 16





Part Number: 02R0651

Printed in U.S.A.

(1P) P/N: 02R0651

