

IBM NetBAY 60A Front-end Power Distribution Unit
Installation Instructions



IBM NetBAY 60A Front-end Power Distribution Unit

Installation Instructions

Note

Before using this information and the product it supports, be sure to read the warranty information in “Warranty information” on page 62 and the notices information in “Notices” on page 73.

Second Edition (January 2003)

The following paragraph does not apply to the United Kingdom or any country where such provisions are inconsistent with local law: INTERNATIONAL BUSINESS MACHINES CORPORATION PROVIDES THIS PUBLICATION “AS IS” WITHOUT WARRANTY OF ANY KIND, EITHER EXPRESS OR IMPLIED, INCLUDING, BUT NOT LIMITED TO, THE IMPLIED WARRANTIES OF MERCHANTABILITY OR FITNESS FOR A PARTICULAR PURPOSE. Some states do not allow disclaimer of express or implied warranties in certain transactions, therefore, this statement may not apply to you.

This publication could include technical inaccuracies or typographical errors. Changes are periodically made to the information herein; these changes will be incorporated in new editions of the publication. IBM may make improvements and/or changes in the product(s) and/or the program(s) described in this publication at any time.

This publication was developed for products and services offered in the United States of America. IBM may not offer the products, services, or features discussed in this document in other countries, and the information is subject to change without notice. Consult your local IBM representative for information on the products, services, and features available in your area.

Requests for technical information about IBM products should be made to your IBM reseller or IBM marketing representative.

© **Copyright International Business Machines Corporation 2003. All rights reserved.**

Note to U.S. Government Users — Documentation related to restricted rights — Use, duplication or disclosure is subject to restrictions set forth in GSA ADP Schedule Contract with IBM Corp.

Contents

Safety information	v
NetBAY 60A Front-end Power Distribution Unit Introduction	1
Tool requirements	2
Installation overview	2
Installing a single device vertically	3
Installing two devices vertically	6
60A Front-end PDU specifications	11
Line cord connectors	11
Power cables	11
Translated safety statements	12
Arabic	12
Brazilian Portuguese	14
(Simplified) Chinese	16
(Traditional Chinese)	17
Croatian	18
Czech	20
Danish	22
Dutch	24
Finnish	25
French	27
German	29
Greek	31
Hebrew	33
Hungarian	35
Italian	37
Japanese	39
Korean	40
Macedonian	42
Norwegian	44
Polish	46
Portuguese	48
Russian	50
Slovakian	52
Slovenian	54
Spanish	56
Swedish	58
Getting help and technical assistance	60
Before you call	60
Using the documentation	60
Getting help and information from the World Wide Web	60
Software service and support	61
Hardware service and support	61
Warranty information	62

Warranty period	62
Problem determination	62
Warranty service and support	63
International Warranty Service	64
Purchasing additional services	64
IBM Statement of Limited Warranty	65
Part 1 - General Terms	65
Part 2 - Country-unique Terms	67
Notices	73
Trademarks	73
Other notices	74

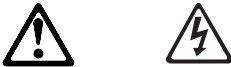
Safety information

Important:

All caution and danger statements in this IBM documentation begin with a number. This number is used to cross reference an English caution or danger statement with translated versions of the caution or danger statement in this section.

For example, if a caution statement begins with a number 1, translations for that caution statement appear in this section under statement 1.

Be sure to read all caution and danger statements before performing any of the instructions.



CAUTION:

To prevent damage to a power device and other connected devices, always connect the power device to an authorized power source for that device. If you connect the power device to an unauthorized power source, the circuit protection in the power device will not protect the power device and other connected devices.

- Do not connect a device authorized only for connection to a single-phase/neutral power source to a similarly rated phase-to-phase power source.
- Do not connect a device authorized only for connection to a phase-to-phase power source to a similarly rated single-phase/neutral power source.
- See the label attached to the power device, and the information that comes with the power device, for a description of the authorized power source for that power device.

WARNING: Handling the cord on this product or cords associated with accessories sold with this product, will expose you to lead, a chemical known to the State of California to cause cancer, and birth defects or other reproductive harm. ***Wash hands after handling.***

ADVERTENCIA: El contacto con el cable de este producto o con cables de accesorios que se venden junto con este producto, pueden exponerle al plomo, un elemento químico que en el estado de California de los Estados Unidos está considerado como un causante de cancer y de defectos congénitos, además de otros riesgos reproductivos. ***Lávese las manos después de usar el producto.***

Statement 1



DANGER

Electrical current from power, telephone, and communication cables is hazardous.

To avoid a shock hazard:

- **Do not connect or disconnect any cables or perform installation, maintenance, or reconfiguration of this product during an electrical storm.**
- **Connect all power cords to a properly wired and grounded electrical outlet.**
- **Connect to properly wired outlets any equipment that will be attached to this product.**
- **When possible, use one hand only to connect or disconnect signal cables.**
- **Never turn on any equipment when there is evidence of fire, water, or structural damage.**
- **Disconnect the attached power cords, telecommunications systems, networks, and modems before you open the device covers, unless instructed otherwise in the installation and configuration procedures.**
- **Connect and disconnect cables as described in the following table when installing, moving, or opening covers on this product or attached devices.**

To Connect:

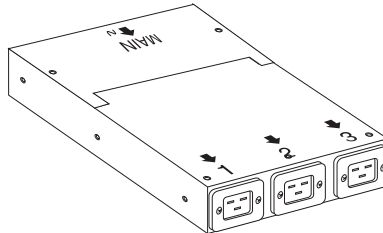
1. Turn everything OFF.
2. First, attach all cables to devices.
3. Attach signal cables to connectors.
4. Attach power cords to outlet.
5. Turn device ON.

To Disconnect:

1. Turn everything OFF.
2. First, remove power cords from outlet.
3. Remove signal cables from connectors.
4. Remove all cables from devices.

NetBAY 60A Front-end Power Distribution Unit Introduction

The IBM® NetBAY™ 60A Front-end Power Distribution Unit is part of the Rack Modular Power Distribution Unit (M/PDU) family and enables you to connect a single-phase dedicated power source to three different single-phase PDUs in the M/PDU family. The 60A Front-end PDU has one power source inlet and three IEC standard power outlets.



Notes:

1. You will have some unused parts depending upon how you install the 60A Front-end PDU.
2. You can install other M/PDU family devices next to your 60A Front-end PDU using the mounting hardware from both devices.

You must install the 60A Front-end PDU vertically in the side of your rack cabinet with the provided mounting hardware. The following parts come with the 60A Front-end PDU:

- One 1P 60A Front-end PDU with a fixed line cord
- Three power cables (for connecting other M/PDU family devices)
- One vertical mounting plate
- One vertical-mounting cable-management bracket
- Miscellaneous hardware kit (for installing the device in a rack cabinet)
- Cable straps
- This documentation

Note: The illustrations in this documentation might differ slightly from your hardware.

Tool requirements

You will need the following tools to install the 60A Front-end PDU:

- A Phillips screwdriver
- A 10-mm nut driver or 10-mm open-end or box wrench

Installation overview

Use the following general steps to install your 60A Front-end PDU:

- 1** Install one or two devices in your rack cabinet:
 - Install a single device vertically in the side of your rack cabinet according to “Installing a single device vertically” on page 3, **OR**
 - Install two devices vertically in the side of your rack cabinet according to “Installing two devices vertically” on page 6.
- 2** Connect line cords and cables as appropriate for your installation.

Installing a single device vertically

Use the following procedure to mount a single 60A Front-end PDU in the side of your rack cabinet:

Note: The mounting holes on the upper and lower side braces in a rack side compartment must be between 48.6 cm (19.1 in.) and 56.9 cm (22.4 in.) apart. If your rack cabinet has movable side braces, refer to your rack documentation for information about relocating your side braces if they are not already spaced for this installation.

Statement 1



DANGER

Electrical current from power, telephone, and communication cables is hazardous.

To avoid a shock hazard:

- **Do not connect or disconnect any cables or perform installation, maintenance, or reconfiguration of this product during an electrical storm.**
- **Connect all power cords to a properly wired and grounded electrical outlet.**
- **Connect to properly wired outlets any equipment that will be attached to this product.**
- **When possible, use one hand only to connect or disconnect signal cables.**
- **Never turn on any equipment when there is evidence of fire, water, or structural damage.**
- **Disconnect the attached power cords, telecommunications systems, networks, and modems before you open the device covers, unless instructed otherwise in the installation and configuration procedures.**
- **Connect and disconnect cables as described in the following table when installing, moving, or opening covers on this product or attached devices.**

To Connect:

1. Turn everything OFF.
2. First, attach all cables to devices.
3. Attach signal cables to connectors.
4. Attach power cords to outlet.
5. Turn device ON.

To Disconnect:

1. Turn everything OFF.
2. First, remove power cords from outlet.
3. Remove signal cables from connectors.
4. Remove all cables from devices.

1. Refer to the documentation that comes with your rack cabinet for additional information.

Note: Removing the rack doors and side panels might make your 60A Front-end PDU installation easier.

2. Install the 60A Front-end PDU on the center of the vertical mounting plate **2** with four M3x5 screws **1** that come with this option. Make sure that the countersink holes in the vertical mounting plate are facing away from the device.

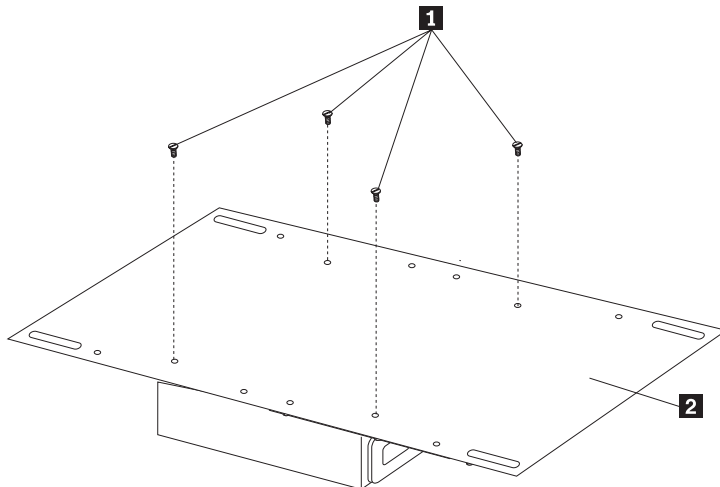


Figure 1. Installing the 60A Front-end PDU on the vertical mounting plate

3. Install the vertical mounting plate in the side of your rack cabinet with four M6 screws and nuts that come with this option. Make sure that the three-connector side of the 60A Front-end PDU is facing up.

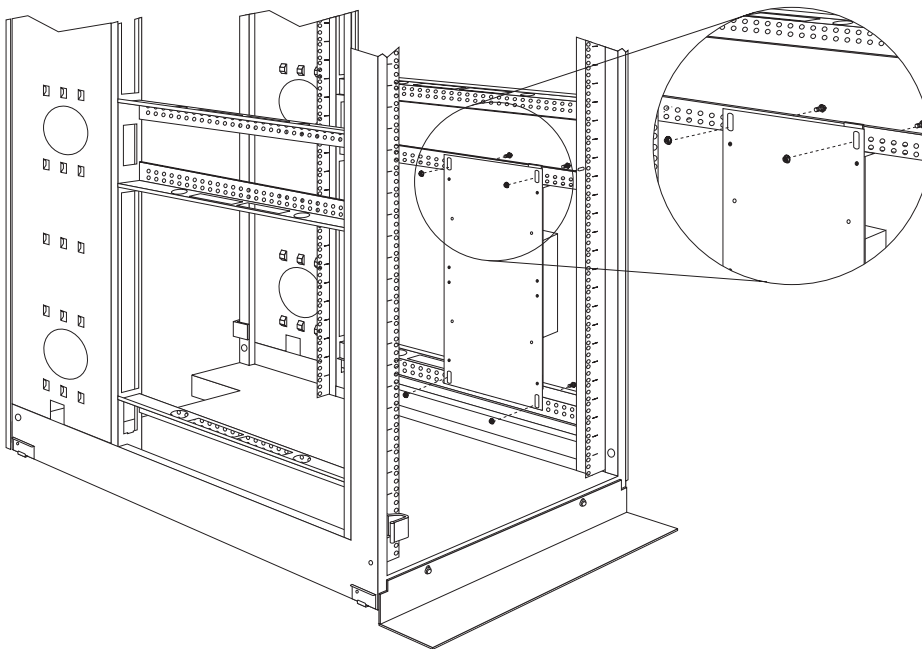


Figure 2. Installing the vertical mounting plate

4. Route the fixed line cord down, towards the rack side braces; then, route the line cord along the side brace towards the back of the rack cabinet and secure it with the cable straps that come with this option.

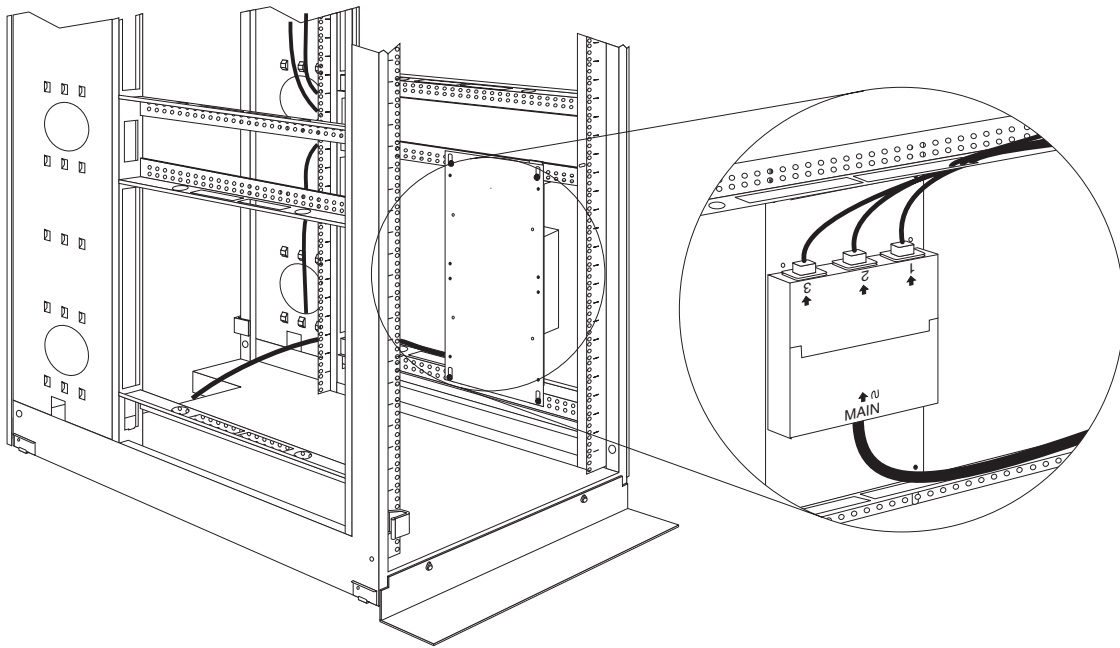


Figure 3. Routing the fixed line cord and power cables

5. Route the line cord towards a dedicated power source. Use the provided cable straps to secure the line cord along the way. Use the openings in your rack cabinet, if you must exit the rack cabinet to connect to your power source.



CAUTION:

To prevent damage to a power device and other connected devices, always connect the power device to an authorized power source for that device. If you connect the power device to an unauthorized power source, the circuit protection in the power device will not protect the power device and other connected devices.

- Do not connect a device authorized only for connection to a single-phase/neutral power source to a similarly rated phase-to-phase power source.
 - Do not connect a device authorized only for connection to a phase-to-phase power source to a similarly rated single-phase/neutral power source.
 - See the label attached to the power device, and the information that comes with the power device, for a description of the authorized power source for that power device.
6. After you connect the line cord to a properly wired and grounded dedicated power source, you can connect up to three other M/PDU family devices to the three power outlets on the 60A Front-end PDU. Route all other power cables neatly, and use the provided cable straps to secure the cables that you plug into the outlets on the 60A Front-end PDU.

Installing two devices vertically

Use the following procedure to mount two 60A Front-end PDUs in the side of your rack cabinet:

Note: The mounting holes on the upper and lower side braces in a rack side compartment must be between 48.6 cm (19.1 in.) and 56.9 cm (22.4 in.) apart. If your rack cabinet has movable side braces, refer to your rack documentation for information about relocating your side braces if they are not already spaced for this installation.

Statement 1



DANGER

Electrical current from power, telephone, and communication cables is hazardous.

To avoid a shock hazard:

- **Do not connect or disconnect any cables or perform installation, maintenance, or reconfiguration of this product during an electrical storm.**
- **Connect all power cords to a properly wired and grounded electrical outlet.**
- **Connect to properly wired outlets any equipment that will be attached to this product.**
- **When possible, use one hand only to connect or disconnect signal cables.**
- **Never turn on any equipment when there is evidence of fire, water, or structural damage.**
- **Disconnect the attached power cords, telecommunications systems, networks, and modems before you open the device covers, unless instructed otherwise in the installation and configuration procedures.**
- **Connect and disconnect cables as described in the following table when installing, moving, or opening covers on this product or attached devices.**

To Connect:

1. Turn everything OFF.
2. First, attach all cables to devices.
3. Attach signal cables to connectors.
4. Attach power cords to outlet.
5. Turn device ON.

To Disconnect:

1. Turn everything OFF.
2. First, remove power cords from outlet.
3. Remove signal cables from connectors.
4. Remove all cables from devices.

1. Refer to the documentation that comes with your rack cabinet for additional information.

Note: Removing the rack doors and side panels might make your 60A Front-end PDU installation easier.

2. Install the 60A Front-end PDU **3** on the vertical mounting plate **2** with four M3x5 screws **1** that come with this option. Make sure that the countersink holes in the vertical mounting plate are facing away from the device.

Note: Align the 60A Front-end PDU to one end or the other of the vertical mounting plate to leave room for a second device.

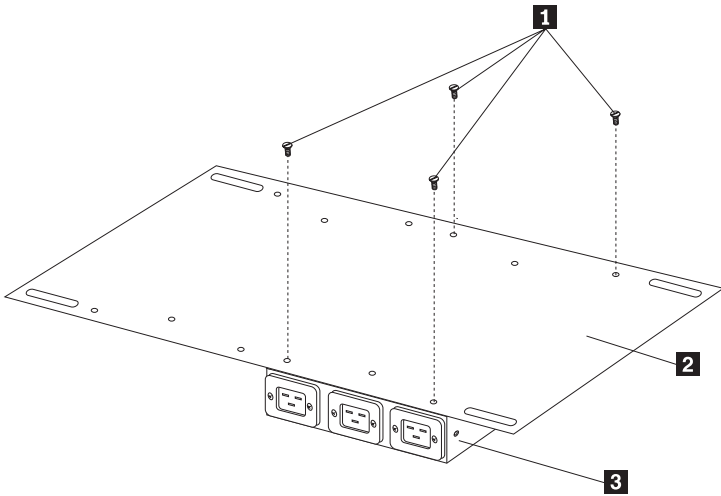


Figure 4. Installing the 60A Front-end PDU on the vertical mounting plate

3. If you have a second M/PDU device to install, install it on the vertical mounting plate with four M3x5 screws that come with the second device.

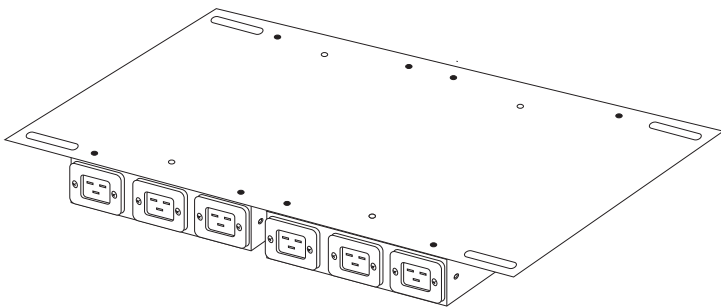


Figure 5. Installing a second 60A Front-end PDU

4. Install the vertical mounting plate **2** in the side of your rack cabinet with four M6 screws and nuts that come with this option. Make sure that the three-connector side of the 60A Front-end PDU is facing the rear of your rack cabinet, and leave room between the vertical mounting plate and the rear EIA mounting flanges for the cable-management bracket **1**.

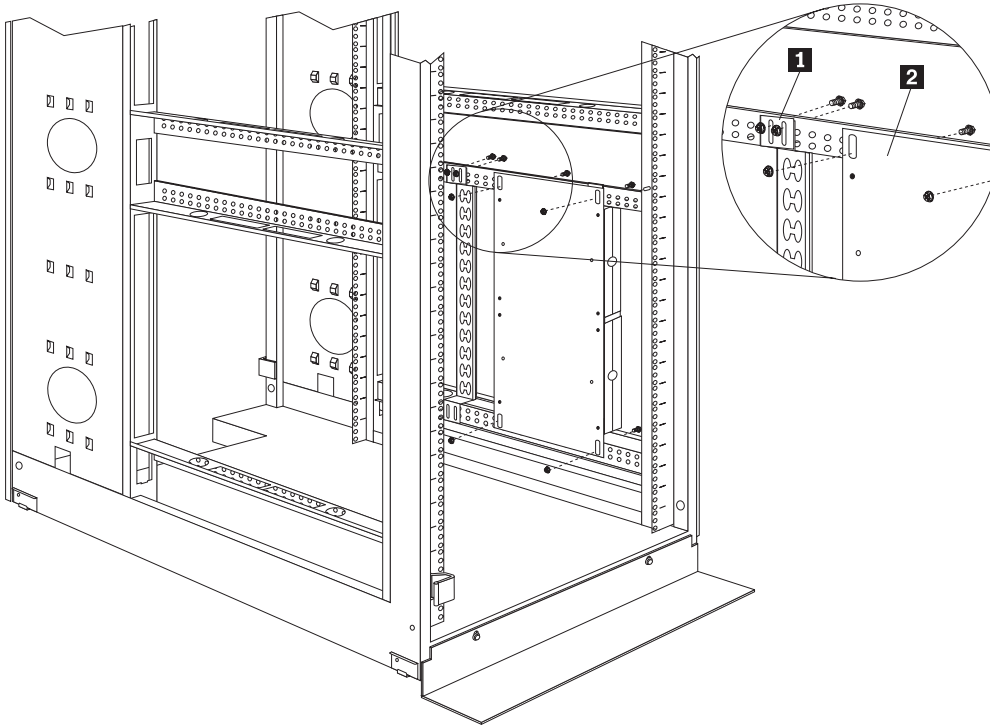


Figure 6. Installing the vertical mounting plate and cable-management bracket

5. Install the cable-management bracket **1** beside the vertical mounting plate with four M6 screws and nuts that come with this option.

6. Route the fixed line cords down, towards the rack side braces; then, route the line cords along the side brace towards the back of the rack cabinet and secure them with the cable straps that come with this option.

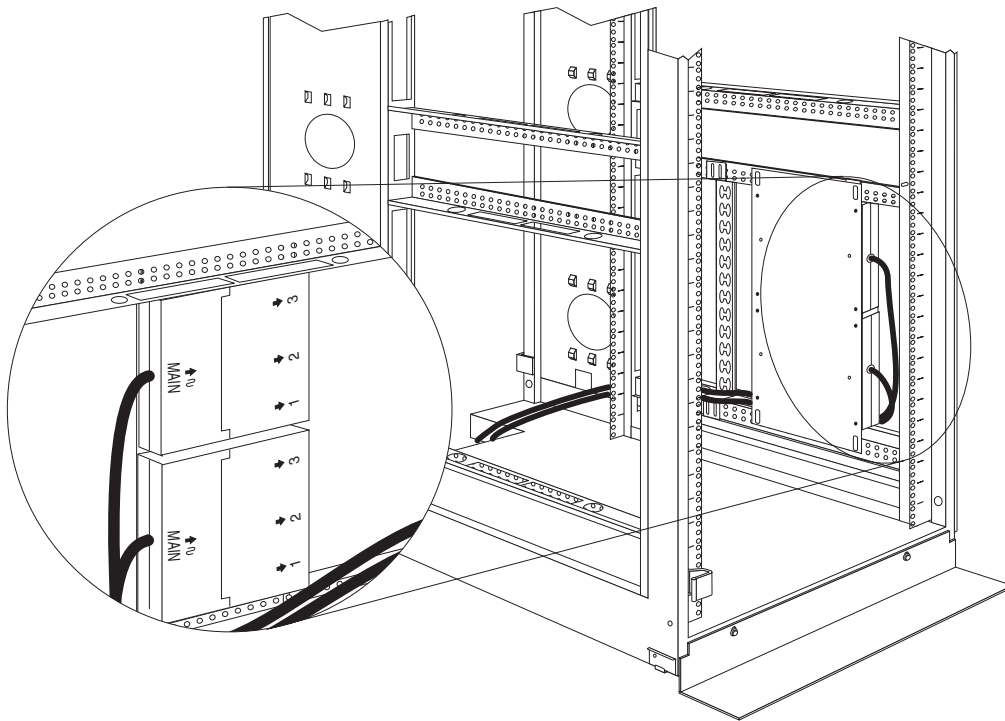


Figure 7. Routing the fixed line cords

7. Route each line cord towards a dedicated power source. Use the provided cable straps to secure the line cords along the way. Use the openings in your rack cabinet, if you must exit the rack cabinet to connect to your power source.



CAUTION:

To prevent damage to a power device and other connected devices, always connect the power device to an authorized power source for that device. If you connect the power device to an unauthorized power source, the circuit protection in the power device will not protect the power device and other connected devices.

- Do not connect a device authorized only for connection to a single-phase/neutral power source to a similarly rated phase-to-phase power source.
 - Do not connect a device authorized only for connection to a phase-to-phase power source to a similarly rated single-phase/neutral power source.
 - See the label attached to the power device, and the information that comes with the power device, for a description of the authorized power source for that power device.
8. After you connect both line cords to properly wired and grounded dedicated power sources, you can connect up to three other M/PDU family devices to the three power outlets on each 60A Front-end PDU. Route all other power cables neatly, and use the cable-management bracket to secure the cables that you plug into the outlets on the 60A Front-end PDU.

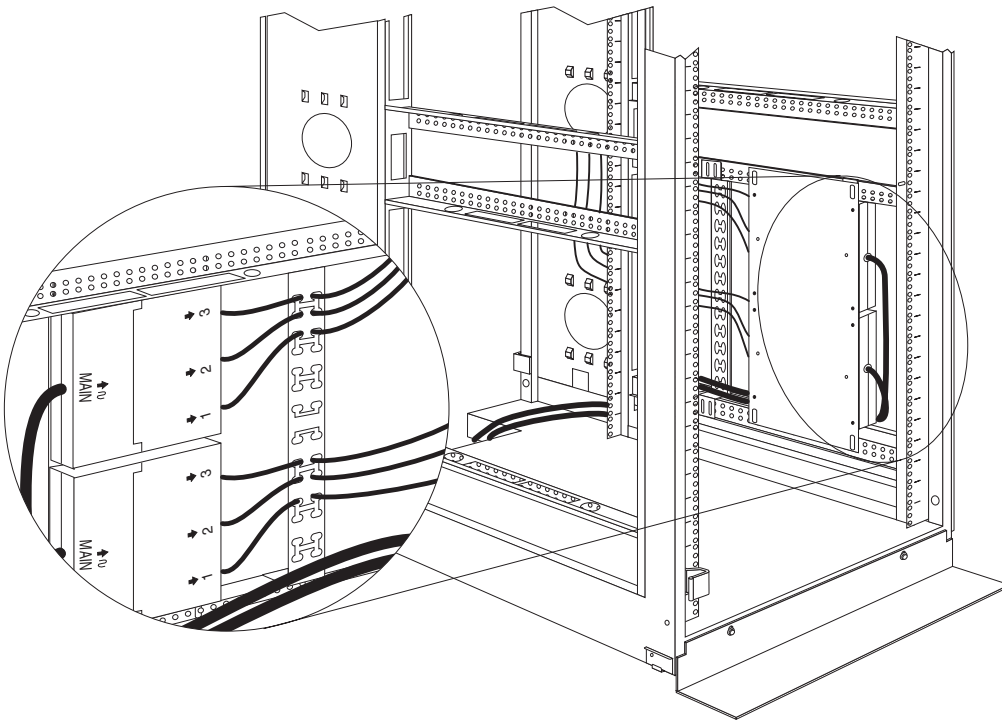


Figure 8. Connecting and routing other power cables to the outlets


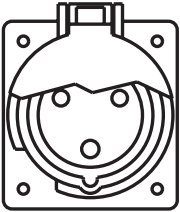
60A Front-end PDU specifications

When connected to a properly wired, grounded, and dedicated power source, the 60A Front-end PDU conforms to UL950, CSA 22.0-950, EN-60950, and IEC-950 standards. The following table contains the product specifications for the 60A Front-end PDU:

Height	43 mm (1.7 in.)
Width	192 mm (7.5 in.)
Depth	221 mm (8.7 in.)
Weight	1.6 kg (3.5 lbs)
Operating temperatures	10°C–35°C (50°F–95°F) at 0–914 m (0–3000 ft) 10°C–32°C (50°F–90°F) at 914–2133 m (3000–7000 ft)
Operating humidity	8–80% (non-condensing)
Rated voltage	200–208 V ac, 60 A, single-phase (North America) 220–240 V ac, 63 A, single-phase (Outside of North America)
Rated frequency	50–60 Hz
Maximum power rating	9000–9900 VA
Power inlet	One fixed line cord rated at either 250 V, 60 A (North America) or 250 V, 63 A (Outside of North America)
Power outlets	Three IEC 320-C19 outlets rated at 16 A (VDE) / 20 A (UL/CSA)

Line cord connectors

You must connect the IEC 309-2P+G plug on the fixed line cord to an IEC 309-2P+G outlet. The following table shows illustrations of the plug and an appropriate Walther outlet for the 60A Front-end PDU.

60A Front-end PDU plug	Walther outlet
	

Power cables

The 60A Front-end PDU comes with three power cables, that you use to connect to other M/PDU family devices, as listed in the following table:

Length	Cable rating	Plug type	Cable part #
1 m (3.3 ft)	250 V, 16 A	IEC 320-C19 to IEC 320-C20	00N7698

Translated safety statements

This section contains translated versions of the safety statements that are in this document.

Arabic

هام:

تبدأ كل عبارات التحذير والخطر الموجودة في *IBM documentation* برقم. يتم استخدام هذا الرقم للإشارة إلى عبارة تحذير أو عبارة خطر باللغة الإنجليزية مع ترجمة هذه العبارة في هذا المقطع.

على سبيل المثال، إذا كانت عبارة التحذير تبدأ برقم ؟، ستظهر ترجمة تلك العبارة في هذا المقطع بنفس الرقم.

تأكد من قراءة كل عبارات التحذير والخطر قبل تنفيذ أي تعليمات.



تحذير:

لتفادي حدوث أي تلف للجهاز الكهربائي وأي أجهزة أخرى متصلة به، قم دائماً بوصل الجهاز بمصدر طاقة مصرح به لهذا الجهاز. إذا قمت بوصل الجهاز الكهربائي بمصدر طاقة غير مصرح به، فإن الجزء الخاص بحماية الدائرة الكهربائية في الجهاز لن يقوم بحماية الجهاز أو أي أجهزة أخرى متصلة به.

• لا تقوم بوصل جهاز مصرح باستخدامه فقط مع مصدر طاقة single-phase/neutral إلى مصدر طاقة مساوي phase-to-phase

• لا تقوم بوصل جهاز مصرح باستخدامه فقط مع مصدر طاقة phase-to-phase إلى مصدر طاقة مساوي single-phase/neutral

• أنظر الشارة المرفقة على الجهاز الكهربائي، والبيانات التي تم إرسالها مع الجهاز الكهربائي، للحصول على وصف لمصدر الطاقة المصرح به للجهاز الكهربائي.



خطر!

<p>يمثل التيار الكهربائي الصادر من كابلات الكهرباء أو التليفون أو الاتصال خطورة شديدة. وتجنب خطورة الصدمات الكهربائية:</p> <p>-لا تقم بفصل أو توصيل أي كابلات أو عمل أي تركيبات أو أعمال صيانة أو اعادة توصيف أي من هذه الأجهزة أثناء سريان التيار الكهربائي.</p> <p>-قم بتوصيل كل الأسلاك الكهربائية بمخرج تم توصيل جميع أسلاكه الكهربائية الأرضية بطريقة صحيحة.</p> <p>-قم بتوصيل الأجهزة بالمخارج الكهربائية التي تم تجهيز أسلاكها بطريقة صحيحة.</p> <p>وإن أمكن، استخدم بدا واحدة في توصيل أو فصل كابلات الإشارة.</p> <p>-لا تقم أبدا بتشغيل أي جهاز يكون به شيء ما يشير إلى وجود حريق أو ماء أو تلف في أجزاءه.</p> <p>-قم بفصل الأسلاك الكهربائية المتصلة وأنظمة الاتصال عن بعد وشبكات الاتصال والموادم قبل فتح أغطية الجهاز، ما لم يكن هناك أي تعليمات بشأن ذلك في إجراءات التوصيف والتركيب.</p> <p>-قم بتوصيل وفصل الكابلات كما هو مشروح في الجدول التالي عند تركيب أو تحريك أو فتح الأغطية الموجودة على هذا الجهاز أو الأجهزة المتصلة.</p>	
<p>للتوصيل:</p> <p>١- يجب إيقاف تشغيل كل الأجهزة.</p> <p>٢- أولاً، قم بإخراج أسلاك الكهرباء من المخارج.</p> <p>٣- قم بإخراج أسلاك الإشارة من المصادر الكهربائية.</p> <p>٤- قم بإخراج كل الأسلاك من الأجهزة.</p>	<p>للتوصيل:</p> <p>١- يجب إيقاف تشغيل كل الأجهزة.</p> <p>٢- أولاً، يجب توصيل كل الأسلاك للأجهزة.</p> <p>٣- يجب توصيل أسلاك الإشارة بالمصادر الكهربائية.</p> <p>٤- قم بتوصيل أسلاك الكهرباء بالمخرج الخاص بالجهاز.</p> <p>٥- قم بتشغيل الجهاز.</p>

Brazilian Portuguese

Importante:

Todas as instruções de cuidado e perigo da *IBM documentation* começam com um número. Este número é utilizado para fazer referência cruzada de uma instrução de cuidado ou perigo no idioma inglês com as versões traduzidas das instruções de cuidado ou perigo encontradas nesta seção.

Por exemplo, se uma instrução de cuidado é iniciada com o número 1, as traduções para aquela instrução de cuidado aparecem nesta seção sob a instrução 1.

Certifique-se de ler todas as instruções de cuidado e perigo antes de executar qualquer operação.



CUIDADO:

Para evitar danos ao dispositivo de alimentação e outros dispositivos conectados, conecte sempre o dispositivo de alimentação a uma fonte de alimentação autorizada para este dispositivo. Se você conectar o dispositivo de alimentação a uma fonte de alimentação não autorizada, o circuito de proteção no dispositivo de alimentação não irá proteger o dispositivo de alimentação e outros dispositivos conectados.

- **Não conecte um dispositivo autorizado somente para conexão para uma fonte de alimentação para fase única/neutra a uma fonte de alimentação fase a fase taxada de forma semelhante.**
- **Não conecte um dispositivo autorizado somente para conexão para uma fonte de alimentação fase a fase a uma fonte de alimentação de fase única/neutra taxada de forma semelhante.**
- **Verifique a etiqueta anexada ao dispositivo de alimentação, e as informações que vêm com o dispositivo de alimentação, para obter uma descrição de fonte de alimentação autorizada para este dispositivo de alimentação.**

- Instrução 1



PERIGO

A corrente elétrica proveniente de cabos de alimentação, de telefone e de comunicações é perigosa.

Para evitar risco de choque:

- **Não conecte ou desconecte cabos e não realize instalação, manutenção ou reconfiguração deste produto durante uma tempestade com raios.**
- **Conecte todos os cabos de alimentação a tomadas elétricas corretamente instaladas e aterradas.**
- **Conecte todos os equipamentos ao qual esse produto será conectado a tomadas corretamente instaladas.**
- **Sempre que possível, utilize apenas uma das mãos para conectar ou desconectar cabos de sinal.**
- **Nunca ligue qualquer equipamento quando existir evidência de danos por fogo, água ou na estrutura.**
- **Desconecte cabos de alimentação, sistemas de telecomunicação, redes e modems antes de abrir as tampas dos dispositivos, a menos que especificado de maneira diferente nos procedimentos de instalação e configuração.**
- **Conecte e desconecte cabos conforme descrito na seguinte tabela, ao instalar ou movimentar este produto ou os dispositivos conectados, ou ao abrir suas tampas.**

Para Conectar:

1. **DESLIGUE** Tudo.
2. Primeiramente, conecte todos os cabos aos dispositivos.
3. Conecte os cabos de sinal aos conectores.
4. Conecte os cabos de alimentação às tomadas.
5. **LIGUE** os dispositivos.

Para Desconectar:

1. **DESLIGUE** Tudo.
2. Primeiramente, remova os cabos de alimentação das tomadas.
3. Remova os cabos de sinal dos conectores.
4. Remova todos os cabos dos dispositivos.

(Simplified) Chinese

重要:

IBM documentation 中的所有提醒和危险条款前都有一个数字标识。该数字是用来交叉引用一个英文的提醒和危险条款及本部分中的与之对应的已翻译成其它文字的提醒和危险条款。

例如，如果一个提醒条款前的数字为 1，则本部分中相应的译文也带有标号 1。

在执行任何指示的操作之前，请确保您已经阅读了全部提醒和危险条款。

声明 1



危险

电源、电话和通信电缆中带有危险电流。

为避免电击:

雷电期间不要拆接电缆或安装、维修及重新配置本产品。

将所有电源线连接至正确布线并已安全接地的电源插座上。

将与本产品连接的所有设备连接至正确布线的插座上。

尽量只使用单手拆接信号电缆。

有水、火及结构损坏迹象时，请勿打开任何设备。

除非在安装配置过程中有明确指示，否则，打开设备机盖前应先断开与电源线、远程通信系统、网络和调制解调器的所有连接。

安装、移动或打开本产品及其附带设备的机盖时，应按下表所述连接和断开电缆。

连接时:

1. 关闭所有设备。
2. 首先将所有电缆连接至设备。
3. 将信号电缆连接至接口。
4. 将电源线连接至插座。

断开连接时:

1. 关闭所有设备。
2. 首先从插座中拔出电源线。
3. 从接口上拔下信号电缆。

(Traditional Chinese)

重要資訊：

IBM documentation 中所有「注意」及「危險」的聲明均以數字開始。此一數字是用來作為交互參考之用，英文「注意」或「危險」聲明可在本節中找到相同內容的「注意」或「危險」聲明的譯文。

例如，有一「危險」聲明以數字 1 開始，則該「危險」聲明的譯文將出現在本節的「聲明」1 中。

執行任何指示之前，請詳讀所有「注意」及「危險」的聲明。

聲明 1



危險

電源、電話及通信電纜上所產生的電流均有危險性。

欲避免電擊危險：

- 在雷雨期間，請勿連接或切斷本產品上的任何電纜線，或安裝、維修及重新架構本產品。
- 請將電源線接至接線及接地正確的電源插座。
- 請將本產品隨附的設備連接至接線正確的插座。
- 儘可能使用單手來連接或切斷信號電纜線。
- 當設備有火燒或泡水的痕跡，或有結構性損害時，請勿開啓該設備的電源。
- 在安裝及架構之時，若非非常熟悉，在開啓裝置蓋子之前，請切斷電源線、電信系統、網路及數據機。
- 在安裝、移動本產品或附加裝置，或開啓其蓋子時，請依照下表中「連接」及「切斷」電纜線的步驟執行。

連接：

1. 關閉所有開關。
2. 先將所有電纜線接上裝置。
3. 將信號電纜接上接頭。
4. 再將電源線接上電源插座。
5. 開啓裝置的電源。

切斷：

1. 關閉所有開關。
2. 先自電源插座拔掉電源線。
3. 拔掉接頭上的所有信號電纜。
4. 再拔掉裝置上的所有電纜線。

Croatian

Važno

Sva napomene upozorenja i opasnosti u ovoj *IBM documentation* knjižnici započinju brojem. Taj se koristi za usporedbu izvornih napomena na engleskom jeziku s prijevodom koji se nalazi u ovome poglavlju..

Na pr. ako napomena upozorenja počinje s brojem 1, prijevod tog teksta se nalazi u ovome poglavlju kao napomena br. 1

Obavezno pročitajte sve napomene upozorenja i opasnosti prije nego započnete s radovima prema ovim uputama.

· Izjava br. 1



OPASNOST

Naponi, prisutni u strujnim, telefonskim i komunikacijskim kablovima su pogibeljni.

Da bi izbjegli strujni udar pridržavajte se slijedećih uputa:

- **ne priključujte ili isključujte kablove i ne izvodite nikakve radove na uređaju za vrijeme nevremena,**
- **energetske kablove priključujte samo na propisno izvedene i uzemljene utičnice,**
- **sva dodatna oprema koja se povezuje s ovim uređajem mora biti priključena na propisno izvedene i uzemljene utičnice,**
- **signalne kablove, po mogućnosti, uključujte i isključujte jednom rukom,**
- **nemojte upotrebljavati uređaje kod kojih su vidljiva oštećenja ili su bili izloženi vatri ili vodi,**
- **prije otvaranja pokrova, odvojite energetske kablove, modeme ili mrežne uređaje i telekomunikacijsku opremu od napajanja, osim ako to nije drugačije predviđeno instalacijskim uputama,**
- **prilikom instalacije, premiještanja ili popravaka ovog uređaja priključujte/isključujte kablove prema uputama u slijedećoj tabeli.**

Uključivanje:

1. Isključite sve uređaje
2. Spojite sve kablove u uređaje
3. Priključite signalne kablove u priključnice
4. Spojite priključne kablove na utičnice
5. Uključite uređaj

Isključivanje:

1. Isključite sve uređaje
2. Izvadite priključne kablove iz utičnica
3. Odvojite signalne kablove od priključnica
4. Odvojite sve kablove iz uređaja

Czech

Pozor:

Všechny bezpečnostní instrukce v této knize začínají číslem. Tato čísla jsou používána pro nalezení odpovídajícího překladu anglické bezpečnostní instrukce v této sekci.

Například pokud bezpečnostní instrukce začíná číslem 1, naleznete odpovídající překlad v této sekci také pod číslem 1.

Ujistěte se, že jste si před začátkem provádění jakékoli instrukce nejdříve přečetli všechny bezpečnostní instrukce.

- Instrukce 1



NEBEZPEČÍ

Elektrický proud v silových, telefonních a komunikačních kabelech je nebezpečný.

Ochrana před úrazem elektrickým proudem:

- **Za bouřky nepřipojujte ani neodpojujte kabely, neprovádějte instalace, údržbu ani rekonfiguraci tohoto produktu.**
- **Všechny napájecí šňůry připojujte pouze k řádně zapojené zásuvce.**
- **Jakékoli zařízení, které bude připojeno k tomuto produktu, smí být zapojeno pouze do řádně zapojené zásuvky.**
- **Signálové kabely připojujte nebo odpojujte, pokud možno, pouze jednou rukou.**
- **Nikdy nezapínejte zařízení, která vykazují známky poškození ohněm, vodou nebo jiná strukturální poškození.**
- **Pokud není v postupech instalace a konfigurace specifikováno jinak, odpojte před sejmutím krytů připojené napájecí šňůry, telekomunikační systémy, sítě a modem.**
- **Při instalaci, přemísťování nebo otvírání krytů tohoto produktu nebo připojených zařízení připojujte a odpojujte kabely způsobem popsáním v následující tabulce.**

Připojení

1. Vypněte všechna zařízení.
2. Nejdříve připojte všechny kabely k zařízení.
3. Zapojte signálové kabely do zásuvek.
4. Zapojte napájecí šňůry do zásuvky.
5. Zapněte zařízení.

Odpojení

1. Vypněte všechna zařízení.
2. Nejdříve odpojte napájecí šňůry ze zásuvky.
3. Odpojte signálové kabely ze zásuvek.
4. Odpojte všechny kabely ze zařízení.

Danish

Vigtigt:

Alle sikkerhedsforskrifter i biblioteket *IBM documentation* begynder med et tal. Dette tal bruges som krydshenvisning fra en engelsk sikkerhedsforskrift mærket CAUTION (Pas på!) eller DANGER (Fare!) til de oversatte forskrifter, der findes i dette afsnit.

Hvis f.eks. en sikkerhedsforskrift mærket Pas på! begynder med tallet 1, er denne en oversættelse af den engelske forskrift nummer 1 i dette afsnit.

Læs alle sikkerhedsforskrifter mærket Pas på! og Fare!, før du følger nogen af instruktionerne.

- Forskrift 1



Fare!

Elektrisk strøm fra telefon-, kommunikations- og netledninger er livsfarlig.

Gør følgende for at undgå elektrisk stød:

- **Tilslut eller afmontér ikke kommunikations- eller teleporte, tilslutningsstik eller netledninger i tordenvejr.**
- **Slut alle netledninger til korrekt jordforbundne stikkontakter.**
- **Slut enhver enhed, der skal forbindes med dette produkt, til korrekt forbundne stikkontakter.**
- **Brug kun én hånd, når du skal tilslutte eller afmontere signalkabler.**
- **Tænd aldrig for udstyr på steder, hvor der er fare for brand eller vand- eller bygningsskader.**
- **Medmindre installations- og konfigurationsvejledningen siger andet, skal du afmontere de tilsluttede netledninger, telekommunikationssystemer, netværk og modemer, inden du åbner enhedernes dæksler.**
- **Tilslut og afmontér kabler som beskrevet i det følgende ved installation eller flytning af produktet eller tilsluttet udstyr eller ved åbning af produktets eller udstyrets dæksler.**

Ved montering:

1. Sluk for alt udstyr.
2. Tilslut alle kabler til udstyret.
3. Tilslut signalkablerne.
4. Sæt netledningerne i stikkontakterne.
5. Tænd.

Ved afmontering:

1. Sluk for alt udstyr.
2. Tag først netledningerne ud af stikkontakterne.
3. Tag signalkablerne ud.
4. Tag alle kabler ud af udstyret.

Dutch

Belangrijk:

Alle waarschuwingen en instructies in deze *IBM documentation* beginnen met een nummer. Dit correspondeert telkens met een vertaling van de desbetreffende waarschuwing of instructie in dit gedeelte.

Als voor de instructie bijvoorbeeld het nummer 1 staat, begint de vertaling van de desbetreffende instructie in dit gedeelte eveneens met het nummer 1.

Lees voordat u een instructie uitvoert, alle waarschuwingen en instructies zorgvuldig.

- Voorschrift 1



GEVAAR

Elektrische stroom van lichtnet-, telefoon- en communicatiekabels is gevaarlijk.

Ter voorkoming van een elektrische schok:

- **Sluit tijdens onweer geen kabels aan en voer geen installatie-, onderhouds- of configuratiewerkzaamheden aan dit product uit.**
- **Sluit alle netsnoeren aan op correct bedrade en geaarde stopcontacten.**
- **Sluit alle apparatuur die met dit product wordt verbonden aan op correct bedrade stopcontacten.**
- **Koppel en ontkoppel signaalkabels indien mogelijk met één hand.**
- **Zet nooit apparatuur aan wanneer u sporen van vuur, water of fysieke beschadigingen ziet.**
- **Ontkoppel de aangesloten netsnoeren, telecommunicatiesystemen, netwerken en modems voordat u kleppen van de apparatuur opent, tenzij anders aangegeven in de installatie- en configuratieprocedures.**
- **Koppel en ontkoppel kabels zoals is aangegeven in de onderstaande tabel bij het installeren, verplaatsen of openen van kleppen van dit product of aangesloten apparatuur.**

Aansluiten:

1. Zet alles UIT.
2. Sluit eerst alle kabels aan op de apparaten.
3. Sluit de signaalkabels aan op de aansluitingen.
4. Steek de stekkers in het stopcontact.
5. Zet het apparaat AAN.

Ontkoppelen:

1. Zet alles UIT.
2. Trek eerst de stekkers uit het stopcontact.
3. Verwijder de signaalkabels uit de aansluitingen.
4. Ontkoppel alle kabels van de apparaten.

Finnish

Tärkeää:

Kaikki *IBM documentation* -kansiossa esiintyvät turvaohjeet on numeroitu. Kaikkien tämän jakson turvaohjeiden alussa on numero, jonka avulla englanninkielistä VAARA-ilmoitusta (DANGER) tai varoitusta (CAUTION) vastaava suomenkielinen turvaohje löytyy kätevästi.

Jos varoitus alkaa esimerkiksi numerolla 1, vastaavalla suomenkielisellä käännöksellä on sama numero, ja se löytyy jäljempänä tästä jaksosta.

Lue kaikki turvaohjeet, ennen kuin aloitat ohjeissa kuvatut toimet.

- Turvaohje 1



VAARA

Sähkö-, puhelin- ja tietoliikennekaapeleissa voi esiintyä vaarallisia jännitteitä.

Noudata seuraavia ohjeita sähköiskun välttämiseksi:

- Ukonilman aikana ei saa tehdä asennustoimia, kytkeä tai irrottaa kaapeleita eikä muutenkaan huoltaa tätä tuotetta tai muuttaa sen kokoonpanoa.
- Kaikki verkkojohdot on kytkettävä oikein asennettuihin ja maadoitettuihin pistorasioihin.
- Laitteet, joihin tämä tuote liitetään, on kytkettävä oikein asennettuihin pistorasioihin.
- Kun kytket tai irrotat kaapeleita, käytä vain toista kättäsi.
- Älä kytke virtaa laitteeseen, jos epäilet tai havaitset kosteus-, palo- tai rakenneaurioita.
- Jos asennus- ja kokoonpanon määrittämissä ei toisin sanota, irrota verkkojohdot ja kytke irti tietoliikennejärjestelmät, verkot sekä modeemit, ennen kuin avaat laitteen kansia.
- Kytke ja irrota kaapelit seuraavassa taulukossa olevien ohjeiden mukaan, kun asennat, siirrät tuotteen tai avaat tuotteen tai siihen liitettyjen laitteiden kansia.

Kytke näin:

1. Katkaise virta kaikista laitteista.
2. Kytke kaikki kaapelit laitteisiin.
3. Kytke liitäntäkaapelit vastakkeisiin.
4. Kytke verkkojohdot pistorasioihin.
5. Kytke virta kaikkiin laitteisiin.

Irrota näin:

1. Katkaise virta kaikista laitteista.
2. Irrota verkkojohdot pistorasioista.
3. Irrota liitäntäkaapelit vastakkeista.
4. Irrota kaapelit kaikista laitteista.

French

Important:

Toutes les consignes Attention et Danger indiquées dans la bibliothèque *IBM documentation* sont précédées d'un numéro. Ce dernier permet de mettre en correspondance la consigne en anglais avec ses versions traduites dans la présente section.

Par exemple, si une consigne de type Attention est précédée du chiffre 1, ses traductions sont également précédées du chiffre 1 dans la présente section.

Prenez connaissance de toutes les consignes de type Attention et Danger avant de procéder aux opérations décrites par les instructions.



ATTENTION:

Pour éviter d'endommager un dispositif d'alimentation ou d'autres dispositifs connectés, raccordez toujours l'alimentation à une source d'alimentation autorisée pour ce dispositif. Un dispositif d'alimentation raccordé à une source d'alimentation non autorisée ne sera pas protégé par le circuit de protection de l'alimentation et aucun des dispositifs raccordés ne sera protégé.

- **Ne raccordez pas un dispositif prévu pour une source d'alimentation monophasée neutre à une source d'alimentation triphasée de même valeur nominale.**
- **Ne raccordez pas un dispositif prévu pour une source d'alimentation triphasée à une source d'alimentation monophasée neutre de même valeur nominale.**
- **Consultez l'étiquette fixée sur le dispositif d'alimentation et la documentation qui l'accompagne afin d'obtenir une description de la source d'alimentation autorisée pour ce dispositif d'alimentation.**

- Notice 1



DANGER

Le courant électrique passant dans les câbles de communication, ou les cordons téléphoniques et d'alimentation peut être dangereux.

Pour éviter tout risque de choc électrique :

- **Ne manipulez aucun câble et n'effectuez aucune opération d'installation, d'entretien ou de reconfiguration de ce produit au cours d'un orage.**
- **Branchez tous les cordons d'alimentation sur un socle de prise de courant correctement câblé et mis à la terre.**
- **Branchez sur des socles de prise de courant correctement câblés tout équipement connecté à ce produit.**
- **Lorsque cela est possible, n'utilisez qu'une seule main pour connecter ou déconnecter les câbles d'interface.**
- **Ne mettez jamais un équipement sous tension en cas d'incendie ou d'inondation, ou en présence de dommages matériels.**
- **Avant de retirer les carters de l'unité, mettez celle-ci hors tension et déconnectez ses cordons d'alimentation, ainsi que les câbles qui la relient aux réseaux, aux systèmes de télécommunication et aux modems (sauf instruction contraire mentionnée dans les procédures d'installation et de configuration).**
- **Lorsque vous installez ou que vous déplacez le présent produit ou des périphériques qui lui sont raccordés, reportez-vous aux instructions ci-dessous pour connecter et déconnecter les différents cordons.**

Connexion :

1. Mettez les unités hors tension.
2. Commencez par brancher tous les cordons sur les unités.
3. Branchez les câbles d'interface sur des connecteurs.
4. Branchez les cordons d'alimentation sur des prises.
5. Mettez les unités sous tension.

Déconnexion :

1. Mettez les unités hors tension.
2. Débranchez les cordons d'alimentation des prises.
3. Débranchez les câbles d'interface des connecteurs.
4. Débranchez tous les câbles des unités.

German

Wichtig:

Alle Sicherheitshinweise in dieser *IBM documentation* beginnen mit einer Nummer. Diese Nummer verweist auf einen englischen Sicherheitshinweis mit den übersetzten Versionen dieses Hinweises in diesem Abschnitt.

Wenn z. B. ein Sicherheitshinweis mit der Nummer 1 beginnt, so erscheint die Übersetzung für diesen Sicherheitshinweis in diesem Abschnitt unter dem Hinweis 1.

Lesen Sie alle Sicherheitshinweise, bevor Sie eine Anweisung ausführen.



ACHTUNG:

Zur Vermeidung von Beschädigungen an einer Netzeinheit und an anderen angeschlossenen Einheiten die Netzeinheit immer an einen für diese Einheit zulässigen Versorgungsstromkreis anschließen. Wenn Sie die Netzeinheit an einen nicht zulässigen Versorgungsstromkreis anschließen, sind die Einheit und andere angeschlossene Einheiten nicht durch die Netzsicherung in der Netzeinheit geschützt.

- Eine Einheit, die nur für den Anschluss an einen einphasigen Versorgungsstromkreis mit Neutralleiter vorgesehen ist, darf nicht an einen Phase-zu-Phase-Versorgungsstromkreis mit ähnlichem Nennstrom angeschlossen werden.
- Eine Einheit, die nur für den Anschluss an einen Phase-zu-Phase-Versorgungsstromkreis vorgesehen ist, darf nicht an einen einphasigen Versorgungsstromkreis mit Neutralleiter mit ähnlichem Nennstrom angeschlossen werden.
- Eine Beschreibung des für diese Einheit zulässigen Versorgungsstromkreises finden Sie auf dem Etikett auf der Netzeinheit und in den Informationen, die im Lieferumfang der Netzeinheit enthalten sind.

- Hinweis 1



VORSICHT

Elektrische Spannungen von Netz-, Telefon- und Datenübertragungsleitungen sind gefährlich.

Aus Sicherheitsgründen:

- **Bei Gewitter an diesem Gerät keine Kabel anschließen oder lösen. Ferner keine Installations-, Wartungs- oder Rekonfigurationsarbeiten durchführen.**
- **Gerät nur an eine Schutzkontaktsteckdose mit ordnungsgemäß geerdetem Schutzkontakt anschließen.**
- **Alle angeschlossenen Geräte ebenfalls an Schutzkontaktsteckdosen mit ordnungsgemäß geerdetem Schutzkontakt anschließen.**
- **Signalkabel möglichst einhändig anschließen oder lösen.**
- **Keine Geräte einschalten, wenn die Gefahr einer Beschädigung durch Feuer, Wasser oder andere Einflüsse besteht.**
- **Die Verbindung zu den angeschlossenen Netzkabeln, Telekommunikationssystemen, Netzwerken und Modems ist vor dem Öffnen des Gehäuses zu unterbrechen. Es sei denn, dies ist in den zugehörigen Installations- und Konfigurationsprozeduren anders angegeben.**
- **Nur nach den nachfolgend aufgeführten Anweisungen arbeiten, die für Installation, Transport oder Öffnen von Gehäusen von Personal Computern oder angeschlossenen Einheiten gelten.**

Kabel anschließen

1. Alle Geräte ausschalten und Netzstecker ziehen.
2. Zuerst alle Kabel an Einheiten anschließen.
3. Signalkabel an Anschlußbuchsen anschließen.
4. Netzstecker an Steckdose anschließen.
5. Gerät einschalten.

Kabel lösen

1. Alle Geräte ausschalten.
2. Zuerst Netzstecker von Steckdose lösen.
3. Signalkabel von Anschlußbuchsen lösen.
4. Alle Kabel von Einheiten lösen.

Greek

Σημαντικό

Όλες οι δηλώσεις προσοχής και κινδύνου στο παρόν εγχειρίδιο *IBM documentation* αρχίζουν με έναν αριθμό. Ο αριθμός αυτός χρησιμοποιείται για την παραπομπή μεταξύ αγγλικών και μεταφρασμένων δηλώσεων προσοχής και κινδύνου που βρίσκονται στην ενότητα αυτή.

Για παράδειγμα, αν μια δήλωση προσοχής αρχίζει με τον αριθμό 1, οι μεταφράσεις για τη συγκεκριμένη δήλωση προσοχής βρίσκονται στην ενότητα αυτή κάτω από τον αριθμό δήλωσης 1.

Βεβαιωθείτε ότι διαβάσατε όλες τις δηλώσεις προσοχής και κινδύνου πριν πραγματοποιήσετε οποιαδήποτε εργασία περιγράφεται στις οδηγίες.

Δήλωση 1



ΚΙΝΔΥΝΟΣ

Το ηλεκτρικό ρεύμα στα καλώδια ρεύματος, τηλεφώνου και επικοινωνίας είναι επικίνδυνο.

Για να αποφύγετε τον κίνδυνο ηλεκτροπληξίας:

- Αποφεύγετε τη σύνδεση ή αποσύνδεση καλωδίων καθώς και την εγκατάσταση, συντήρηση ή αλλαγή διάρθρωσης του προϊόντος κατά τη διάρκεια καταιγίδας.
- Συνδέστε όλα τα καλώδια ρεύματος σε σωστά καλωδιωμένη και γειωμένη ηλεκτρική πρίζα.
- Συνδέστε σε σωστά καλωδιωμένες πρίζες οποιονδήποτε εξοπλισμό πρόκειται να συνδεθεί με το προϊόν.
- Χρησιμοποιήστε μόνο το ένα χέρι, όπου είναι δυνατόν, για τη σύνδεση και αποσύνδεση καλωδίων σήματος.
- Ποτέ μην ανάβετε οποιονδήποτε εξοπλισμό όταν υπάρχουν ενδείξεις ότι υπάρχει πυρκαγιά, νερό ή δομικές ζημιές.
- Αποσυνδέστε τα συνδεδεμένα καλώδια ρεύματος, συστήματα τηλεπικοινωνιών, δίκτυα και modem πριν ανοίξετε τα καλύμματα της συσκευής, εκτός αν αναφέρεται διαφορετικά στις οδηγίες εγκατάστασης και ρύθμισης.
- Συνδέετε και αποσυνδέετε τα καλώδια όπως περιγράφεται στον ακόλουθο πίνακα όταν εγκαθιστάτε ή μεταφέρετε το προϊόν ή συνδεδεμένες με αυτό συσκευές ή όταν ανοίγετε καλύμματα.

Σύνδεση:

1. Κλείστε όλους τους διακόπτες.
2. Συνδέστε πρώτα όλα τα καλώδια στις συσκευές.
3. Συνδέστε τα καλώδια σήματος στις υποδοχές.
4. Συνδέστε τα καλώδια ρεύματος στην πρίζα.
5. Ανάψτε τη συσκευή.

Αποσύνδεση:

1. Κλείστε όλους τους διακόπτες.
2. Αποσυνδέστε πρώτα τα καλώδια ρεύματος από την πρίζα.
3. Αποσυνδέστε τα καλώδια σήματος από τις υποδοχές.
4. Αποσυνδέστε όλα τα καλώδια από τις συσκευές.

חשוב:

כל הודעות הזהירות והסכנה במסמך *IBM documentation* מתחילות במספר. מספר זה משמש להפניה צולבת של הודעת זהירות או סכנה באנגלית עם הגרסאות המתורגמות של ההודעות בחלק זה.

לדוגמה, אם הודעת זהירות מתחילה במספר 1, התרגום של אותה הודעת זהירות מופיע בחלק זה, תחת הודעה 1.

הקפידו לקרוא את כל הודעות הזהירות והסכנה לפני שתבצעו הוראות כלשהן.



זהירות:

כדי למנוע נזק ליחידת כוח וליחידות מחוברות אחרות, יש לחבר את יחידת הכוח רק למקור כוח מאושר עבור אותה יחידה. חיבור יחידת הכוח למקור כוח לא מאושר יגרום לכך שהגנת הנתוך ביחידת הכוח לא תגן על יחידת הכוח והיחידות המחוברות האחרות.

- אין לחבר יחידה המאושרת לחיבור למקור כוח מסוג פאזה-יחידה/אפס אל מקור כוח מסוג פאזה-לפאזה בעל מיפרט דומה.
- אין לחבר יחידה המאושרת לחיבור למקור כוח מסוג פאזה-לפאזה אל מקור כוח מסוג פאזה-יחידה/אפס בעל מיפרט דומה.
- ראו תיאור של מקור הכוח המאושר עבור יחידת הכוח בתוויות המודבקות על יחידת הכוח, ובתיעוד המצורף ליחידת הכוח.



סכנה

זרם חשמלי מכבלי חשמל, טלפון ותקשורת הוא מסוכן.

כדי למנוע סכנת התחשמלות

אל תחברו או תנתקו כבלים ואל תבצעו התקנה, תחזוקה או שינוי תצורה של מוצר זה בזמן סערת ברקים.

חברו את כל כבלי החשמל לשקע חשמלי מחוץ ומוארק כהלכה.

חברו כל ציוד שיתחבר למוצר זה לשקעי חשמל מחוטים כהלכה.

במידת האפשר, השתמשו רק ביד אחת לחיבור או ניתוק כבלי אותות.

לעולם אל תדליקו ציוד כלשהו אם יש עליו סימני שריפה, מים או נזק מבוי.

נתקו את כבלי החשמל, מערכות התקשורת, הרשתות והמודמים המחוברים להתקן לפני פתיחת המכסים שלו, אלא אם נהלי ההתקנה והתצורה מורים אחרת.

חברו ונתקו כבלים כמתואר בטבלה שלהלן כאשר אתם מתקינים, מעבירים או פותחים מכסים במוצר זה או בהתקנים המחוברים אליו.

כדי לחבר:

1. כבו הכל.

2. חברו תחילה את כל הכבלים להתקנים.

3. חברו את כבלי האותות למחברים.

4. חברו את כבלי החשמל לשקע.

5. הדליקו את ההתקן.

כדי לנתק:

1. כבו הכל.

2. נתקו תחילה את כבלי החשמל מהשקע.

3. נתקו את כבלי האותות מהמחברים.

4. נתקו את כל הכבלים מההתקנים.

Hungarian

Az összes figyelmeztető és veszélyismertető üzenet a *IBM documentation* ban egy számmal kezdődik. Ez a szám hivatkozásként használatos az angol figyelmeztető vagy veszélyismertető üzenet, és a lefordított változat között.

Például, ha a figyelmeztetés 1-es sorszámmal kezdődik, a figyelmeztetés fordításai e fejezetben az 1-es ismertető alatt jelennek meg.

Győződjön meg arról, hogy az összes figyelmeztető és veszélyismertető üzenetet elolvasta, mielőtt bármelyik utasítást végrehajtaná.

- 1. ismertető



VESZÉLY

A tápkábelekben, telefonvonalakban és adatátviteli kábelekben folyó áram életveszélyes.

Az áramütés elkerülése érdekében:

- Zivatar idején ne nyúljon a kábelekhez vagy csatlakozásukhoz, és ne végezzen a terméken telepítési, karbantartási vagy beállítási munkákat.
- A tápkábeleket megfelelően bekötött és földelt aljzatokhoz csatlakoztassa.
- A termékhez csatlakozó összes készüléket megfelelően bekötött aljzathoz csatlakoztassa.
- A jelkábelek csatlakoztatását illetve lehúzását lehetőleg egy kézzel végezze.
- Soha ne kapcsoljon be olyan készüléket, mely szemmel láthatóan sérült vagy nedves.
- A készülék fedelének eltávolítása előtt húzza le a csatlakozó tápkábeleket, telekommunikációs rendszereket, hálózatokat és modemeket, kivéve, ha a telepítési és beállítási útmutató eltérő utasítást tartalmaz.
- A készülék, illetve a hozzá csatlakozó eszközök telepítésekor, elmozdításakor vagy fedelük eltávolításakor a következő táblázatban szereplő információk alapján csatlakoztassa vagy húzza le a kábeleket.

Kábelek csatlakoztatásakor:

1. Kapcsoljon mindent KI.
2. Az összes kábelt csatlakoztassa az eszközökhöz.
3. Csatlakoztassa a jelkábeleket.
4. Csatlakoztassa a tápkábelt az aljzathoz.
5. Kapcsoljon mindent BE.

Kábelek lehúzásakor:

1. Kapcsoljon mindent KI.
2. A tápkábelt húzza ki az aljzathoz.
3. Húzza ki a jelkábeleket a csatlakozókból.
4. Húzza le az összes többi kábelt az eszközökről.

Italian

Importante:

Tutti gli avvisi di attenzione e di pericolo riportati nella pubblicazione *IBM documentation* iniziano con un numero. Questo numero viene utilizzato per confrontare avvisi di attenzione o di pericolo in inglese con le versioni tradotte riportate in questa sezione.

Ad esempio, se un avviso di attenzione inizia con il numero 1, la relativa versione tradotta è presente in questa sezione con la stessa numerazione.

Prima di eseguire una qualsiasi istruzione, accertarsi di leggere tutti gli avvisi di attenzione e di pericolo.



ATTENZIONE:

Per evitare danni all'alimentatore e agli altri dispositivi collegati, collegare sempre l'alimentatore ad una sorgente di alimentazione adatta a questo dispositivo. Se si collega l'alimentatore ad una alimentazione non idonea, l'alimentatore e gli altri dispositivi collegati potrebbero non essere protetti dal dispositivo di protezione dell'alimentatore stesso.

- **Non collegare dispositivi adatti solo al collegamento ad alimentazione monofase/neutro ad una fonte di alimentazione di simile voltaggio ma di tipo fase/fase.**
- **Non collegare dispositivi idonei solo al collegamento a fonti di alimentazione di tipo fase/fase a sorgenti di alimentazione monofase/neutro.**
- **Per una descrizione della sorgente di alimentazione adatta all'alimentatore di cui si dispone, fare riferimento all'etichetta apposta sul dispositivo di alimentazione ed alle informazioni fornite con l'alimentatore stesso.**

- Avviso 1



PERICOLO

La corrente elettrica circolante nei cavi di alimentazione, del telefono e di segnale è pericolosa.

Per evitare il pericolo di scosse elettriche:

- **Non collegare o scollegare i cavi, non effettuare l'installazione, la manutenzione o la riconfigurazione di questo prodotto durante i temporali.**
- **Collegare tutti i cavi di alimentazione ad una presa elettrica correttamente cablata e munita di terra di sicurezza.**
- **Collegare qualsiasi apparecchiatura collegata a questo prodotto ad una presa elettrica correttamente cablata e munita di terra di sicurezza.**
- **Quando possibile, collegare o scollegare i cavi di segnale con una sola mano.**
- **Non accendere qualsiasi apparecchiatura in presenza di fuoco, acqua o se sono presenti danni all'apparecchiatura stessa.**
- **Scollegare i cavi di alimentazione, i sistemi di telecomunicazioni, le reti e i modem prima di aprire i coperchi delle unità, se non diversamente indicato nelle procedure di installazione e configurazione.**
- **Collegare e scollegare i cavi come descritto nella seguente tabella quando si effettuano l'installazione, la rimozione o l'apertura dei coperchi di questo prodotto o delle unità collegate.**

Per collegare:

1. **SPEGNERE** tutti i dispositivi.
2. Collegare prima tutti i cavi alle unità.
3. Collegare i cavi di segnale ai connettori.
4. Collegare i cavi di alimentazione alle prese elettriche.
5. **ACCENDERE** le unità.

Per scollegare:

1. **SPEGNERE** tutti i dispositivi.
2. Rimuovere prima i cavi di alimentazione dalle prese elettriche.
3. Rimuovere i cavi di segnale dai connettori.
4. Rimuovere tutti i cavi dalle unità.

Japanese

重要：

IBM documentation ライブラリーにあるすべての注意および危険の記述は数字で始まります。この数字は、英語版の注意および危険の記述と翻訳された注意および危険の記述を相互参照するために使用します。

例えば、もし注意の記述が数字の1で始まっている場合は、その注意の翻訳は、記述 1 の下にあります。

手順を実施する前に、すべての注意：

・記述 1

危険

感電を防止するため、雷の発生時には、いかなるケーブルの取り付けまたは取り外しも行わないでください。また導入、保守、再構成などの作業も行わないでください。

感電を防止するため：

- 電源コードは正しく接地および配線が行われている電源に接続してください。
- 本製品が接続されるすべての装置もまた正しく配線された電源に接続されている必要があります。

できれば、信号ケーブルに取り付けまたは取り外しのときは片方の手のみで行うようにしてください。これにより、電位差がある二つの表面に触ることによる感電を防ぐことができます。

電源コード、電話ケーブル、通信ケーブルからの電流は身体に危険を及ぼします。設置、移動、または製品のカバーを開けたり装置を接続したりするときには、以下のようにケーブルの接続、取り外しを行ってください。

接続するには

1. すべての電源を切る
2. まず、装置にすべてのケーブルを接続する。
3. 次に、通信ケーブルをコネクタに接続する
4. その後、電源コンセントに電源コードを接続する
5. 装置の電源を入れる。

取り外すには

1. すべての電源を切る
2. まず、電源コンセントから電源コードを取り外す
3. 次に、通信ケーブルをコネクタから取り外す。
4. その後、装置からすべてのケーブルを取り外す

Korean

중요:

본 IBM documentation 에 있는 모든 주의 및 위험 경고문은 번호로 시작합니다. 이 번호는 영문 주의 혹은 위험 경고문과 이 절에 나오는 번역된 버전의 주의 혹은 위험 경고문을 상호 참조하는 데 사용됩니다.

예를 들어, 주의 경고문이 번호 1로 시작하면, 번역된 해당 주의 경고문을 본 절의 경고문 1에서 찾아볼 수 있습니다.

모든 지시사항을 수행하기 전에 반드시 모든 주의 및 위험 경고문을 읽으십시오.



주의:

전원 장치와 다른 연결된 장치의 손상을 방지하려면, 전원 장치를 항상 해당 장치에 대해 사용 권한이 부여된 전원으로 연결하십시오. 전원 장치를 권한 부여되지 않은 전원으로 연결하면, 전원 장치의 회로 보호는 전원 장치 및 다른 연결된 장치를 보호하지 않습니다.

- 단극-상/중성 전원의 연결에 대해서만 권한이 부여된 장치를 유사하게 여겨지는 쌍극 전원으로 연결하지 마십시오.
- 쌍극 전원의 연결에 대해서만 권한이 부여된 장치를 유사하게 여겨지는 단극-상/중성 전원으로 연결하지 마십시오.
- 해당 전원 장치와 함께 사용하도록 권한이 부여된 전원 에 대한 설명은 전원 장치에 부착된 라벨과 전원 장치와 함께 제공되는 정보를 참조하십시오.

경고문 1



위험

전원, 전화 및 통신 케이블로부터 흘러 나오는 전류는 위험합니다.

전기 충격을 피하려면:

- 뇌우를 동반할 때는 케이블의 연결이나 철수, 이 제품의 설치, 유지보수 또는 재구성을 하지 마십시오.
- 모든 전원 코드를 적절히 배선 및 접지해야 합니다.
- 이 제품에 연결될 모든 장비를 적절하게 배선된 콘센트에 연결하십시오.
- 가능한 한 신호 케이블을 한 손으로 연결하거나 끊으십시오.
- 화재, 수해 또는 구조상의 손상이 있을 경우 장비를 켜지 마십시오.
- 설치 및 구성 프로시처에 다른 설명이 없는 한, 장치 덮개를 열기 전에 연결된 전원 코드, 원거리 통신 시스템, 네트워크 및 모뎀을 끊어 주십시오.
- 제품 또는 접속된 장치를 설치, 이동 및 덮개를 열 때 다음 설명에 따라 케이블을 연결하거나 끊도록 하십시오.

연결하려면:

1. 모든 스위치를 끕니다.
2. 먼저 모든 케이블을 장치에 연결합니다.
3. 신호 케이블을 커넥터에 연결합니다.
4. 콘센트에 전원 코드를 연결합니다.
5. 장치 스위치를 켭니다.

연결을 끊으려면:

1. 모든 스위치를 끕니다.
2. 먼저 콘센트에서 전원 코드를 뽑습니다.
3. 신호 케이블을 커넥터에서 제거합니다.
4. 장치에서 모든 케이블을 제거합니다.

Macedonian

Важно:

Сите изјави за предупредување и опасност во *IBM documentation* почнуваат со број. Овој број е употребен за поврзување на англиските изјави за предупредување и опасност со преведените верзии на изјавите за предупредување и опасност кои може да се најдат во оваа секција.

На пример, ако изјавата за предупредување почнува со бројот 1, преводот на таа изјава за предупредување се појавува во оваа секција под изјава 1.

Прочитајте ги сите изјави за предупредување и опасност пред да изведете било која инструкција

- Инструкција 1



ОПАСНОСТ

Електричната струја од напонски, телефонски или комуникациски кабли е хазардна.

За да се избегне хазард од електричен удар:

- Не приклучувајте или одвојувајте било каков кабел или пак не вршете инсталација, поправка или реконфигурирање на овој производ кога има молњи.
- Приклучете ги сите кабли за напојување на прописно ожичени и заземјени електрични втичници.
- Било која опрема која ќе биде поврзана на овој продукт, приклучете ја на прописно ожичени втичници.
- Кога е можно, користете само една рака за поврзување или одвојување на сигнални кабли.
- Никогаш не вклучувајте било каква опрема кога е евидентирана штета од оган, вода или структурна штета.
- Одвојте ги сите поврзани кабли за напојување, телекомуникациските системи, мрежи и модеми пред да ги отворите поклопците на уредот, освен ако не е постојат различни инструкции во инсталациските и конфигурациските процедури.
- При инсталација, поместување или отворање на поклопците на овој

За поврзување:

1. Исклучете се.
2. Прво, поврзете ги сите кабли на уредите.
3. Поврзете ги сигналните кабли на конекторите.
4. Поврзете ги каблите за напојување во втичниците.
5. Вклучете го уредот.

За одвојување:

1. Исклучете се.
2. Прво, отстранете ги каблите за напојување од втичниците.
3. Отстранете ги сигналните кабли од конекторите.
4. Отстранете ги сите кабли од уредите.

Norwegian

Viktig:

Alle advarselsmerknader (CAUTION) og faremerknader (DANGER) i *IBM documentation* begynner med et nummer. Dette nummeret brukes som kryssreferanse mellom den engelske advarsels- eller faremerknaden og den oversatte versjonen av merknaden som står i dette avsnittet.

Hvis for eksempel en advarselsmerknad begynner med nummer 1, finner du oversettelsen til denne merknaden i dette avsnittet under merknad nummer 1.

Du må lese alle advarsels- og faremerknadene før du utfører noen av instruksjonene.

- Merknad 1



FARE

Strøm fra elektriske kabler, telefonledninger og kommunikasjonskabler er farlig.

Ta disse forholdsreglene slik at du unngår å få elektrisk støt:

- Ikke koble kabler til eller fra i tordenvær. Du må heller ikke installere, vedlikeholde eller konfigurere dette produktet på nytt i tordenvær.
- Koble alle nettkabler til en forskriftsmessig jordet stikkontakt.
- Koble alt utstyr som skal tilkobles dette produktet, til en forskriftsmessig jordet stikkontakt.
- Bruk bare en hånd så sant det er mulig, når du kobler signalkabler til eller fra.
- Slå aldri på noe utstyr når det er tegn til brann-, vann- eller konstruksjonsskader.
- Koble fra nettkabler, telekommunikasjonssystemer, nettverk og modem før du åpner dekslene til enheten, med mindre du får beskjed om noe annet i installerings- og konfigureringsprosedyren.
- Koble kabler til og fra slik det er beskrevet nedenfor, når du installerer, flytter eller åpner deksler på dette produktet eller tilkoblede enheter.

Koble til:

1. Slå AV alle enheter.
2. Koble alle kablene til enhetene.
3. Plugg signalkablene inn i kontaktene.
4. Sett nettkablene inn i stikkontaktene.
5. Slå PÅ enheten.

Koble fra:

1. Slå AV alle enheter.
2. Trekk ut nettkablene fra stikkontaktene.
3. Trekk ut signalkablene fra kontaktene.
4. Trekk ut alle kablene fra enhetene.

Polish

Ważne:

Wszystkie uwagi o niebezpieczeństwie i ostrzeżenia przed niebezpieczeństwem w książce *IBM documentation* rozpoczynają się numerem. Numer ten jest używany do porównania angielskiej wersji uwag i ostrzeżeń z ich tłumaczeniem znajdującym się w tej części.

Na przykład, jeśli uwaga zaczyna się numerem 1, to w tej części znajduje się jej tłumaczenie zaczynające się też numerem 1.

Należy przeczytać wszystkie uwagi i ostrzeżenia przed wykonaniem jakiegokolwiek instrukcji.



NIEBEZPIECZEŃSTWO

Napięcie elektryczne pochodzące z kabli zasilających, telefonicznych i sygnałowych może być niebezpieczne.

Aby uniknąć porażenia prądem elektrycznym:

- Nie należy łączyć ani rozłączać żadnych kabli, wykonywać instalacji, obsługi technicznej czy rekonfiguracji podczas burzy.
- Kable zasilające muszą być podłączone do poprawnie zainstalowanego i uziemionego gniazdka elektrycznego.
- Każdy element, dołączany do tego produktu musi być również podłączony do poprawnie zainstalowanego gniazdka elektrycznego.
- Jeśli to możliwe, podczas łączenia i rozłączania kabli sygnałowych należy używać tylko jednej ręki.
- Nie wolno włączać urządzenia jeśli istnieje zagrożenie pożarowe, wodne lub uszkodzenia konstrukcji.
- Jeśli nie ma osobnych instrukcji zawartych w procedurach instalacji i konfiguracji, należy odłączyć kable zasilające, systemy komunikacyjne, sieci i modemy przed otwarciem obudowy urządzenia.
- Podczas instalowania, przemieszczania lub otwierania pokryw tego urządzenia oraz urządzeń do niego dołączonych, kable należy łączyć i rozłączać według poniższych zaleceń.

Łączenie	Rozłączanie
1. Wyłącz wszystkie urządzenia.	1. Wyłącz wszystkie urządzenia.
2. Dołącz wszystkie kable do urządzeń.	2. Odłącz kabel zasilający z gniazda.
3. Dołącz kable sygnałowe do gniazd sygnałowych.	3. Odłącz przewody sygnałowe.
4. Dołącz kabel zasilający do gniazda.	4. Odłącz wszystkie kable od urządzeń.
5. Włącz urządzenie.	

Portuguese

Importante: Todas as notas de cuidado e de perigo, incluídas nesta *IBM documentation*, começam por um número. Este número é utilizado para, a partir de uma nota de cuidado ou perigo, em Inglês, identificar a respectiva tradução, nesta secção.

Por exemplo, se uma nota de cuidado começa pelo número 1, a respectiva tradução é apresentada, nesta secção, identificada como nota número 1.

Não deixe de ler todas as notas de cuidado e perigo, antes de executar qualquer das instruções.

- Nota 1



PERIGO

A corrente eléctrica em cabos de alimentação, de telefone e de comunicações pode ser perigosa.

Para evitar o risco de choques eléctricos:

- **Não ligue nem desligue quaisquer cabos nem execute tarefas de instalação, manutenção ou reconfiguração deste produto, durante uma tempestade eléctrica.**
- **Conecte todos os cabos de alimentação a tomadas eléctricas correctamente ligadas e com a devida ligação à terra.**
- **Conecte qualquer equipamento que venha a ser ligado a este produto a tomadas eléctricas correctamente ligadas.**
- **Sempre que possível, utilize apenas uma das mãos para ligar ou desligar cabos de sinal.**
- **Nunca ligue qualquer equipamento se observar indícios de fogo, água ou danos estruturais.**
- **Antes de abrir as tampas do dispositivo, desligue-o e desconecte os cabos de alimentação, sistemas de telecomunicações, redes e modems a ele ligados, a menos que receba instruções em contrário nos procedimentos de instalação e de configuração.**
- **Ligue e desligue os cabos seguindo as instruções apresentadas na tabela seguinte, ao instalar, deslocar ou abrir as tampas deste produto ou dispositivos a ele ligados.**

Para Ligar:

1. Desligue tudo.
2. Primeiro, ligue todos os cabos aos dispositivos.
3. Ligue os cabos de sinal aos respectivos conectores.
4. Ligue os cabos de alimentação à(s) tomada(s).
5. Ligue os interruptores dos dispositivos.

Para Desligar:

1. Desligue tudo.
2. Primeiro, desligue os cabos de alimentação da(s) tomada(s).
3. Desligue os cabos de sinal dos respectivos conectores.
4. Desligue todos os cabos dos dispositivos.

Russian

Важное замечание:

В книге *IBM Documentation* все замечания, помеченные словами "Внимание" ("Caution") и "Опасно" ("Danger"), пронумерованы. По номеру замечания вы сможете найти в этом разделе его перевод на другие языки.

Так, если вам нужен перевод замечания с заголовком "Caution" под номером 1, то вам следует искать в этом разделе замечание с заголовком "Внимание" тоже под номером 1.

Перед тем как выполнять какие-либо инструкции, обязательно прочтите все замечания, помеченные в этой книге словами "Внимание" ("Caution") и "Опасно" ("Danger").

· Положение 1



ОПАСНО

Существует опасность поражения электрическим током от силовых, телефонных и коммуникационных кабелей.

Чтобы избежать поражения током:

- Не присоединяйте и не отсоединяйте кабели, а также не производите установку, обслуживание или переконфигурирование данного продукта во время грозы.
- Присоединяйте шнуры питания к розеткам с правильной подводкой и заземлением.
- Оборудование, присоединяемое к данному продукту, следует включать в розетки с правильной подводкой.
- По мере возможности, при отсоединении или присоединении сигнальных кабелей старайтесь действовать одной рукой.
- Ни в коем случае не включайте оборудование при признаках возгорания, затопления или конструктивных повреждений.
- Перед тем как открывать крышки устройства, отсоединяйте шнуры питания, телекоммуникационные системы, сети и модемы (если только в инструкциях по установке и конфигурированию не указано иное).
- Устанавливая или перемещая продукт либо присоединенные к нему устройства, а также открывая их крышки, отсоединяйте и присоединяйте кабели так, как описано в приведенной ниже таблице.

При подсоединении:

1. ВЫКЛЮЧИТЕ все.
2. Присоедините все кабели к устройствам.
3. Вставьте сигнальные кабели в разъемы.
4. Вставьте шнуры питания в розетки.
5. ВКЛЮЧИТЕ устройство.

При отсоединении:

1. ВЫКЛЮЧИТЕ все.
2. Выньте шнуры питания из розеток.
3. Выньте сигнальные кабели из разъемов.
4. Отсоедините все кабели от устройств.

Slovakian

Dôležité:

Všetky výstrahy a nebezpečenstvá v tejto IBM dokumentácii začínajú číslom. Toto číslo sa používa na porovnanie Vyhlásenia o výstrahách a nebezpečenstvách v Anglickej verzii s prekladanými Vyhláseniami o výstrahách a nebezpečenstve uvedenými v tejto časti.

Napríklad, ak výstražné vyhlásenie začína číslom 1, preklady pre toto výstražné vyhlásenie sa nachádzajú v tejto časti pod vyhlásením 1.

Pred uskutočnením inštrukcií si prečítajte všetky vyhlásenia o výstrahách a nebezpečenstvách.

• Príkaz 1



NEBEZPEČENSTVO

Elektrický prúd zo zdroja, telefónu a komunikačných káblov je nebezpečný.

Vyhnúť sa nebezpečenstvu úrazu elektrickým prúdom:

- **Nespájajte alebo nerozpájajte žiadne káble resp. neprevádzajte inštaláciu, údržbu alebo rekonfiguráciu tohto výrobku počas elektrickej búrky.**
- **Zapájajte všetky napájacie šnúry do riadne zavedenej a uzemnenej elektrickej rozvodnej zásuvky.**
- **Akkoľvek prípojné zariadenie k tomuto výrobku pripájajte do riadne zavedených rozvodných zásuviek.**
- **Pri zapájaní alebo rozpájaní káblov na prenos dát použite len jednu ruku, ak je to možné.**
- **Nikdy nezapínajte žiadne zariadenie v prípade príznaku poškodenia požiarom, vodou alebo v prípade štruktúrneho poškodenia.**
- **Ak nie je inak určené v inštalačnom a konfiguračnom postupe, predtým ako otvoríte kryty zariadenia, rozpojte prípojné sieťové šnúry, telekomunikačné systémy, siete a modemy.**
- **Keď inštalujete, presúvate alebo otvárate kryty na tomto výrobku alebo prípojných zariadeniach, zapájajte a rozpájajte šnúry tak, ako je opísané v nasledujúcom prehľade**

Pripojiť:

1. Všetko vypnite.
2. Po prvé, pripojte všetky šnúry k zariadeniu.
3. Pripojte káble na prenos dát do svoriek.
4. Pripojte sieťové šnúry do rozvodnej zásuvky.
5. Zapnite zariadenie.

Rozpojiť:

1. Všetko vypnite.
2. Po prvé, vytiahnite sieťové šnúry z rozvodnej zásuvky.
3. Vytiahnite káble na prevod dát zo svoriek.
4. Vytiahnite všetky šnúry zo zariadení.

Slovenian

Važno:

Vse navedbe svaril in nevarnosti v tej *IBM documentation* se začenjajo s številko. To številko uporabljamo za navzkrižno povezavo angleške navedbe svarila ali nevarnosti s prevedenimi verzijami navedbe svarila ali nevarnosti v tem poglavju.

Na primer, če se navedba svarila začinja s številko 1, se prevodi za to navedbo svarila pojavijo v tem poglavju pod navedbo 1.

Obvezno preberite vse navedbe svaril in nevarnosti, preden začnete izvajati katerokoli navodilo.

· Navedba 1



NEVARNOST

Električni tok v napajalnih, telefonskih in komunikacijskih kablih je nevaren.

Da bi se izognili nevarnosti el. udara:

- **Ne priključujte oz. izključujte kablov, ne izvajajte namestitve, vzdrževanja ali rekonfiguracije tega proizvoda med nevihto z grmenjem.**
- **Vse napajalne vrvice priključite na pravilno ožičeno in ozemljeno električno vtičnico.**
- **Priključite na pravilno ožičene vtičnice vso opremo, ki bo povezana s tem proizvodom.**
- **Kadar je to možno, za priklop oz. odklop signalnih kablov uporabite samo eno roko.**
- **Nikoli ne vključujte nobene opreme, kadar na njej opazite ogenj, vodo ali fizične poškodbe.**
- **Preden odprete pokrove naprave izklopite priključene napajalne vrvice, telekomunikacijske sisteme, omrežja in modeme, razen če v postopkih za namestitev in konfiguriranje ni drugačnih navodil.**
- **Kadar nameščate, premikate ali odpirate pokrove na tem proizvodu oz. priključenih napravah, priklopite in odklopite kable kot je opisano v naslednji tabeli.**

Za priklop:

1. Izključite vse.
2. Najprej priključite vse kable na napravo.
3. Vtaknite signalne kable v konektorje.
4. Vtaknite napajalno vrstico v vtičnico.
5. Vključite napravo.

Za odklop:

1. Izključite vse.
2. Najprej iztaknite napajalno vrstico iz vtičnice.
3. Odstranite signalne kable iz konektorjev.
4. Odstranite vse kable iz naprave.

Spanish

Importante:

Todas las declaraciones de precaución de esta *IBM documentation* empiezan con un número. Dicho número se emplea para establecer una referencia cruzada de una declaración de precaución o peligro en inglés con las versiones traducidas que de dichas declaraciones pueden encontrarse en esta sección.

Por ejemplo, si una declaración de peligro empieza con el número 1, las traducciones de esta declaración de precaución aparecen en esta sección bajo Declaración 1.

Lea atentamente todas las declaraciones de precaución y peligro antes de llevar a cabo cualquier operación.



PRECAUIÓN:

Conecte siempre el dispositivo a una fuente de alimentación aprobada para dicho dispositivo con el fin de evitar posibles daños al dispositivo o a otros aparatos eléctricos que tenga conectados. Si se enchufa el dispositivo a una fuente no aprobada, la protección del circuito del dispositivo no podrá proteger el dispositivo ni otros aparatos eléctricos conectados.

- **Los dispositivos aprobados solamente para conectarse a fuentes de alimentación monofásicas/neutrales no se deben conectar a fuentes de alimentación de fase a fase con una clasificación similar.**
- **Los dispositivos aprobados solamente para conectarse a fuentes de alimentación de fase a fase no se deben conectar a fuentes de alimentación monofásicas/neutrales con una clasificación similar.**
- **Consulte la etiqueta y la información que vienen con el dispositivo para informarse del tipo de fuente de alimentación aprobada para dicho dispositivo.**

- Declaración 1



PELIGRO

La corriente eléctrica de los cables telefónicos, de alimentación y de comunicaciones es perjudicial.

Para evitar una descarga eléctrica:

- **No conecte ni desconecte ningún cable ni realice las operaciones de instalación, mantenimiento o reconfiguración de este producto durante una tormenta.**
- **Conecte cada cable de alimentación a una toma de alimentación eléctrica con conexión a tierra y cableado correctos.**
- **Conecte a tomas de alimentación con un cableado correcto cualquier equipo que vaya a estar conectado a este producto.**
- **Si es posible, utilice una sola mano cuando conecte o desconecte los cables de señal.**
- **No encienda nunca un equipo cuando haya riesgos de incendio, de inundación o de daños estructurales.**
- **Desconecte los cables de alimentación, sistemas de telecomunicaciones, redes y módems conectados antes de abrir las cubiertas del dispositivo a menos que se indique lo contrario en los procedimientos de instalación y configuración.**
- **Conecte y desconecte los cables tal como se describe en la tabla siguiente cuando desee realizar una operación de instalación, de traslado o de apertura de las cubiertas para este producto o para los dispositivos conectados.**

Para la conexión:

1. APÁGUELO todo.
2. En primer lugar, conecte los cables a los dispositivos.
3. Conecte los cables de señal a los conectores.
4. Conecte cada cable de alimentación a la toma de alimentación.
5. ENCIENDA el dispositivo.

Para la desconexión:

1. APÁGUELO todo.
2. En primer lugar, retire cada cable de alimentación de la toma de alimentación.
3. Retire los cables de señal de los conectores.
4. Retire los cables de los dispositivos.

Swedish

Viktigt:

Alla varningsmeddelanden i *IBM documentation* inleds med ett nummer. Med hjälp av numret kan du leta reda på en översättning av varningsmeddelandet i det här avsnittet.

Om ett varningsmeddelande t.ex. har nummer 1 hittar du översättningen av det som nummer 1 i det här avsnittet.

Läs alla varningsmeddelanden innan du börjar utföra några åtgärder.

- Varningsmeddelande 1



FARA

Elektrisk ström från eluttag, telefon- och kommunikationskablar kan vara farlig.

Undvika elektriska stötar:

- Undvik elektriska stötar genom att inte ansluta eller koppla bort kablar och inte heller genomföra installationer, underhåll eller omkonfigurering av den här produkten under åskväder.
- Anslut alla nätkablar till jordade eluttag.
- Anslut all utrustning som ska kopplas till den här produkten till jordade eluttag.
- Använd om möjligt bara en hand när du ansluter eller kopplar bort signalkablar.
- Slå aldrig på strömmen till utrustningen om det finns tecken på brand- eller vattenskador eller andra skador.
- Koppla bort nätkablar, telekommunikations- och nätverksutrustning och modem innan du öppnar någon av enhetens kåpor, såvida det inte uttryckligen står i installations- eller konfigureringsanvisningarna att du ska göra på annat sätt.
- Du undviker att skadas av stötar genom att ansluta och koppla loss kablar enligt anvisningarna nedan när du installerar, flyttar eller öppnar kåpan på den här produkten eller anslutna enheter.

Ansluta

1. Slå av strömmen.
2. Anslut först alla kablar till utrustningen.
3. Anslut signalkablarna till uttagen.
4. Anslut nätkablarna till eluttag.
5. Slå på strömmen.

Koppla ur

1. Slå av strömmen.
2. Dra först ut nätkabeln ur vägguttaget.
3. Dra ut signalkablarna ur uttagen.
4. Lossa alla kablar från utrustningen.

Getting help and technical assistance

If you need help, service, or technical assistance or just want more information about IBM products, you will find a wide variety of sources available from IBM to assist you. This section contains information about where to go for additional information about IBM and IBM products, what to do if you experience a problem with your xSeries™ or IntelliStation® system, and whom to call for service, if it is necessary.

Before you call

Before you call, make sure that you have taken these steps to try to solve the problem yourself:

- Check all cables to make sure that they are connected.
- Check the power switches to make sure that the system is turned on.
- Use the troubleshooting information in your system documentation, and use the diagnostic tools that come with your system.
- Go to the IBM Support Web site at <http://www.ibm.com/pc/support/> to check for technical information, hints, tips, and new device drivers.
- Use an IBM discussion forum on the IBM Web site to ask questions.

You can solve many problems without outside assistance by following the troubleshooting procedures that IBM provides in the online help or in the publications that are provided with your system and software. The information that comes with your system also describes the diagnostic tests that you can perform. Most xSeries and IntelliStation systems, operating systems, and programs come with information that contains troubleshooting procedures and explanations of error messages and error codes. If you suspect a software problem, see the information for the operating system or program.

Using the documentation

Information about your IBM xSeries or IntelliStation system and preinstalled software, if any, is available in the documentation that comes with your system. That documentation includes printed books, online books, README files, and help files. See the troubleshooting information in your system documentation for instructions for using the diagnostic programs. The troubleshooting information or the diagnostic programs might tell you that you need additional or updated device drivers or other software. IBM maintains pages on the World Wide Web where you can get the latest technical information and download device drivers and updates. To access these pages, go to <http://www.ibm.com/pc/support/> and follow the instructions. Also, you can order publications through the IBM Publications Ordering System at <http://www.elink.ibmink.ibm.com/public/applications/publications/cgibin/pbi.cgi>.

Getting help and information from the World Wide Web

On the World Wide Web, the IBM Web site has up-to-date information about IBM xSeries and IntelliStation products, services, and support. The address for IBM xSeries information is <http://www.ibm.com/eserver/xseries/>. The address for IBM IntelliStation information is <http://www.ibm.com/pc/intellistation/>.

You can find service information for your IBM products, including supported options, at <http://www.ibm.com/pc/support/>. If you click **Profile** from the support page, you can create a customized support page. The support page has many sources of information and ways for you to solve problems, including:

- Diagnosing problems, using the IBM Online Assistant
- Downloading the latest device drivers and updates for your products
- Viewing Frequently Asked Questions (FAQ)
- Viewing hints and tips to help you solve problems
- Participating in IBM discussion forums
- Setting up e-mail notification of technical updates about your products

Software service and support

Through IBM Support Line, you can get telephone assistance, for a fee, with usage, configuration, and software problems with xSeries servers, IntelliStation workstations, and appliances. For information about which products are supported by Support Line in your country or region, go to <http://www.ibm.com/services/sl/products/>.

For more information about Support Line and other IBM services, go to <http://www.ibm.com/services/>, or go to <http://www.ibm.com/planetwide/> for support telephone numbers.

Hardware service and support

You can receive hardware service through IBM Integrated Technology Services or through your IBM reseller, if your reseller is authorized by IBM to provide warranty service. Go to <http://www.ibm.com/planetwide/> for support telephone numbers.

In the U.S. and Canada, hardware service and support is available 24 hours a day, 7 days a week. In the U.K., these services are available Monday through Friday, from 9 a.m. to 6 p.m.

Warranty information

This section contains the warranty period for your product and the service and support that are provided by your warranty.

Warranty period

The warranty period varies by machine type and country or region.

Contact your place of purchase for warranty service information. Some IBM Machines are eligible for on-site warranty service depending on the country or region where service is performed.

Prior to on-site warranty service, you are required to go through problem determination with an IBM service specialist call center technician.

A warranty period of 3 years on parts and 1 year on labor means that IBM will provide warranty service without charge for:

1. parts and labor during the first year of the warranty period
2. parts only, on an exchange basis, in the second and third years of the warranty period. IBM will charge you for any labor it provides in performance of the repair or replacement.

The IBM Machine Warranties Web site at http://www.ibm.com/servers/support/machine_warranties/ contains a worldwide overview of the IBM Statement of Limited Warranty for IBM Machines, a glossary of terms used in the Statement of Limited Warranty, Frequently Asked Questions (FAQ), and links to Product Support Web pages. The IBM Statement of Limited Warranty is available from this Web site in 29 languages in Portable Document Format (PDF).

Machine - IBM NetBAY 60A Front-end Power Distribution Unit

Warranty period - One Year

Problem determination

Prior to on-site warranty service, you are required to go through problem determination with an IBM service specialist call center technician. The service specialist will run diagnostic tests on the hardware and check the software.

Running diagnostics

The IBM service specialist will help you determine whether your equipment is functioning as specified. It might be necessary to isolate the failing xSeries, Netfinity, or IntelliStation system; IBM component; or both from any active production environment to run diagnostics and perform defect-isolation programs. You are responsible for making the system, IBM component, or both available for running diagnostics and defect-isolation programs.

Checking software

The IBM service specialist will help you ensure that the correct BIOS code, firmware, device drivers, and other supporting IBM software are installed and correctly configured. It might be necessary to manually gather information about the relevant software levels or run IBM-approved utility programs to gather this information. It might be necessary to isolate the failing system from any active production environment to gather this information. You are responsible, with assistance from the service specialist, for gathering this information. The IBM Statement of Limited Warranty does not include on-site assistance with this activity.

Warranty service and support

With the original purchase of an IBM xSeries or IntelliStation system, you have access to extensive support. During the IBM Machine warranty period, you may call IBM or your reseller for problem-determination assistance under the terms of the IBM Statement of Limited Warranty.

The following services are available during the warranty period:

- **Problem determination** - Trained personnel are available to assist you with determining if you have a hardware problem and deciding what action is necessary to fix the problem.
- **IBM hardware repair** - If the problem is determined to be caused by IBM hardware under warranty, trained service personnel are available to provide the applicable level of service, either on-site or at an IBM service center as determined by IBM.
- **Engineering Change management** - Occasionally, there might be changes that are required after a product has been shipped from IBM. In those instances, IBM will make Engineering Changes (ECs) available that apply to your hardware.
- **Customer replaceable units (CRUs)** - Some parts of IBM xSeries and IntelliStation systems are designated as customer replaceable units. IBM ships CRUs to you for replacement by you. CRUs include keyboards, monitors, memory, diskette drives, hard disk drives, and mice (this list is not inclusive of all CRUs).

The following items are not covered under warranty service:

- Replacement or use of non-IBM parts. All IBM parts contain a 7-character identification in the format IBM FRU XXXXXXX.
- Identification of software problem sources.
- Installation of customer replaceable units (CRUs).
- Installation and configuration of BIOS code, firmware, or device drivers that are designated as customer installable.

See the IBM Statement of Limited Warranty for a full explanation of IBM warranty terms. Be sure to retain your proof of purchase to obtain warranty service.

Please have the following information ready when you call:

- The machine type and model of your IBM hardware product (if available)
- Serial numbers of your IBM hardware products
- A description of the problem
- The exact wording of any error messages
- Hardware and software configuration information

International Warranty Service

If you travel with your xSeries or IntelliStation system or relocate it to a country or region where your system is sold and serviced by IBM or IBM resellers authorized to perform warranty service, International Warranty Service (IWS) is available during the warranty period. Eligible IBM systems are identified by their four-digit machine types.

You can obtain IWS through the service delivery method (such as depot, carry-in, or on-site) provided in the servicing country or region. Service methods and procedures vary by country or region, and some service or parts might not be available in all countries and regions. Service centers in certain countries or regions might not be able to service all models of a particular machine type. In addition, some countries or regions might have fees and restrictions that apply at the time of service.

To determine whether your system is eligible for IWS, go to <http://www.ibm.com/pc/support/> and click **Warranty lookup**.

Purchasing additional services

During and after the warranty period, you can purchase additional services, such as support for IBM and non-IBM hardware, operating system, and application programs; network setup and configuration; upgraded or extended hardware repair services; and custom installations. Service availability and service name might vary by country or region.

For more information about these services, contact your IBM marketing representative.

IBM Statement of Limited Warranty

Z125-4753-06 8/2000

Part 1 - General Terms

This Statement of Limited Warranty includes Part 1 - General Terms and Part 2 - Country-unique Terms. The terms of Part 2 replace or modify those of Part 1. The warranties provided by IBM in this Statement of Limited Warranty apply only to Machines you purchase for your use, and not for resale, from IBM or your reseller. The term "Machine" means an IBM machine, its features, conversions, upgrades, elements, or accessories, or any combination of them. The term "Machine" does not include any software programs, whether pre-loaded with the Machine, installed subsequently or otherwise. Unless IBM specifies otherwise, the following warranties apply only in the country where you acquire the Machine. Nothing in this Statement of Limited Warranty affects any statutory rights of consumers that cannot be waived or limited by contract. If you have any questions, contact IBM or your reseller.

The IBM Warranty for Machines

IBM warrants that each Machine 1) is free from defects in materials and workmanship and 2) conforms to IBM's Official Published Specifications ("Specifications"). The warranty period for a Machine is a specified, fixed period commencing on its Date of Installation. The date on your sales receipt is the Date of Installation unless IBM or your reseller informs you otherwise.

If a Machine does not function as warranted during the warranty period, and IBM or your reseller are unable to either 1) make it do so or 2) replace it with one that is at least functionally equivalent, you may return it to your place of purchase and your money will be refunded.

Extent of Warranty

The warranty does not cover the repair or exchange of a Machine resulting from misuse, accident, modification, unsuitable physical or operating environment, improper maintenance by you, or failure caused by a product for which IBM is not responsible. The warranty is voided by removal or alteration of Machine or parts identification labels.

THESE WARRANTIES ARE YOUR EXCLUSIVE WARRANTIES AND REPLACE ALL OTHER WARRANTIES OR CONDITIONS, EXPRESS OR IMPLIED, INCLUDING, BUT NOT LIMITED TO, THE IMPLIED WARRANTIES OR CONDITIONS OF MERCHANTABILITY AND FITNESS FOR A PARTICULAR PURPOSE. THESE WARRANTIES GIVE YOU SPECIFIC LEGAL RIGHTS AND YOU MAY ALSO HAVE OTHER RIGHTS WHICH VARY FROM JURISDICTION TO JURISDICTION. SOME JURISDICTIONS DO NOT ALLOW THE EXCLUSION OR LIMITATION OF EXPRESS OR IMPLIED WARRANTIES, SO THE ABOVE EXCLUSION OR LIMITATION MAY NOT APPLY TO YOU. IN THAT EVENT, SUCH WARRANTIES ARE LIMITED IN DURATION TO THE WARRANTY PERIOD. NO WARRANTIES APPLY AFTER THAT PERIOD.

Items Not Covered by Warranty

IBM does not warrant uninterrupted or error-free operation of a Machine.

Any technical or other support provided for a Machine under warranty, such as assistance via telephone with "how-to" questions and those regarding Machine set-up and installation, will be provided **WITHOUT WARRANTIES OF ANY KIND.**

Warranty Service

To obtain warranty service for a Machine, contact IBM or your reseller. If you do not register your Machine with IBM, you may be required to present proof of purchase.

During the warranty period, IBM or your reseller, if approved by IBM to provide warranty service, provides without charge certain types of repair and exchange service to keep Machines in, or restore them to, conformance with their Specifications. IBM or your reseller will inform you of the available types of service for a Machine based on its country of installation. At its discretion, IBM or your reseller will 1) either repair or exchange the failing Machine and 2) provide the service either at your location or a service center. IBM or your reseller will also manage and install selected engineering changes that apply to the Machine.

Some parts of IBM Machines are designated as Customer Replaceable Units (called "CRUs"), e.g., keyboards, memory, or hard disk drives. IBM ships CRUs to you for replacement by you. You must return all defective CRUs to IBM within 30 days of your receipt of the replacement CRU. You are responsible for downloading designated Machine Code and Licensed Internal Code updates from an IBM Internet Web site or from other electronic media, and following the instructions that IBM provides.

When warranty service involves the exchange of a Machine or part, the item IBM or your reseller replaces becomes its property and the replacement becomes yours. You represent that all removed items are genuine and unaltered. The replacement may not be new, but will be in good working order and at least functionally equivalent to the item replaced. The replacement assumes the warranty service status of the replaced item. Many features, conversions, or upgrades involve the removal of parts and their return to IBM. A part that replaces a removed part will assume the warranty service status of the removed part.

Before IBM or your reseller exchanges a Machine or part, you agree to remove all features, parts, options, alterations, and attachments not under warranty service.

You also agree to

1. ensure that the Machine is free of any legal obligations or restrictions that prevent its exchange;
2. obtain authorization from the owner to have IBM or your reseller service a Machine that you do not own; and
3. where applicable, before service is provided:
 - a. follow the problem determination, problem analysis, and service request procedures that IBM or your reseller provides;
 - b. secure all programs, data, and funds contained in a Machine;
 - c. provide IBM or your reseller with sufficient, free, and safe access to your facilities to permit them to fulfill their obligations; and
 - d. inform IBM or your reseller of changes in a Machine's location.

IBM is responsible for loss of, or damage to, your Machine while it is 1) in IBM's possession or 2) in transit in those cases where IBM is responsible for the transportation charges.

Neither IBM nor your reseller is responsible for any of your confidential, proprietary or personal information contained in a Machine which you return to IBM or your reseller for any reason. You should remove all such information from the Machine prior to its return.

Limitation of Liability

Circumstances may arise where, because of a default on IBM's part or other liability, you are entitled to recover damages from IBM. In each such instance, regardless of the basis on which you are entitled to claim damages from IBM (including fundamental breach, negligence, misrepresentation, or other contract or tort claim), except for any liability that cannot be waived or limited by applicable laws, IBM is liable for no more than

1. damages for bodily injury (including death) and damage to real property and tangible personal property; and
2. the amount of any other actual direct damages, up to the charges (if recurring, 12 months' charges apply) for the Machine that is subject of the claim. For purposes of this item, the term "Machine" includes Machine Code and Licensed Internal Code.

This limit also applies to IBM's suppliers and your reseller. It is the maximum for which IBM, its suppliers, and your reseller are collectively responsible.

UNDER NO CIRCUMSTANCES IS IBM LIABLE FOR ANY OF THE FOLLOWING: 1) THIRD-PARTY CLAIMS AGAINST YOU FOR DAMAGES (OTHER THAN THOSE UNDER THE FIRST ITEM LISTED ABOVE); 2) LOSS OF, OR DAMAGE TO, YOUR RECORDS OR DATA; OR 3) SPECIAL, INCIDENTAL, OR INDIRECT DAMAGES OR FOR ANY ECONOMIC CONSEQUENTIAL DAMAGES, LOST PROFITS OR LOST SAVINGS, EVEN IF IBM, ITS SUPPLIERS OR YOUR RESELLER IS INFORMED OF THEIR POSSIBILITY. SOME JURISDICTIONS DO NOT ALLOW THE EXCLUSION OR LIMITATION OF INCIDENTAL OR CONSEQUENTIAL DAMAGES, SO THE ABOVE LIMITATION OR EXCLUSION MAY NOT APPLY TO YOU.

Governing Law

Both you and IBM consent to the application of the laws of the country in which you acquired the Machine to govern, interpret, and enforce all of your and IBM's rights, duties, and obligations arising from, or relating in any manner to, the subject matter of this Agreement, without regard to conflict of law principles.

Part 2 - Country-unique Terms

AMERICAS

BRAZIL

Governing Law: *The following is added after the first sentence:*

Any litigation arising from this Agreement will be settled exclusively by the court of Rio de Janeiro.

NORTH AMERICA

Warranty Service: *The following is added to this Section:*

To obtain warranty service from IBM in Canada or the United States, call 1-800-IBM-SERV (426-7378).

CANADA

Governing Law: *The following replaces "laws of the country in which you acquired the Machine" in the first sentence:*

laws in the Province of Ontario.

UNITED STATES

Governing Law: *The following replaces "laws of the country in which you acquired the Machine" in the first sentence:*

laws of the State of New York.

ASIA PACIFIC

AUSTRALIA

The IBM Warranty for Machines: *The following paragraph is added to this Section:*

The warranties specified in this Section are in addition to any rights you may have under the Trade Practices Act 1974 or other similar legislation and are only limited to the extent permitted by the applicable legislation.

Limitation of Liability: *The following is added to this Section:*

Where IBM is in breach of a condition or warranty implied by the Trade Practices Act 1974 or other similar legislation, IBM's liability is limited to the repair or replacement of the goods or the supply of equivalent goods. Where that condition or warranty relates to right to sell, quiet possession or clear title, or the goods are of a kind ordinarily acquired for personal, domestic or household use or consumption, then none of the limitations in this paragraph apply.

Governing Law: *The following replaces "laws of the country in which you acquired the Machine" in the first sentence:*

laws of the State or Territory.

CAMBODIA, LAOS, AND VIETNAM

Governing Law: *The following replaces "laws of the country in which you acquired the Machine" in the first sentence:*

laws of the State of New York.

The following is added to this Section:

Disputes and differences arising out of or in connection with this Agreement shall be finally settled by arbitration which shall be held in Singapore in accordance with the rules of the International Chamber of Commerce (ICC). The arbitrator or arbitrators designated in conformity with those rules shall have the power to rule on their own competence and on the validity of the Agreement to submit to arbitration. The arbitration award shall be final and binding for the parties without appeal and the arbitral award shall be in writing and set forth the findings of fact and the conclusions of law.

All proceedings shall be conducted, including all documents presented in such proceedings, in the English language. The number of arbitrators shall be three, with each side to the dispute being entitled to appoint one arbitrator.

The two arbitrators appointed by the parties shall appoint a third arbitrator before proceeding upon the reference. The third arbitrator shall act as chairman of the proceedings. Vacancies in the post of chairman shall be filled by the president of the ICC. Other vacancies shall be filled by the respective nominating party. Proceedings shall continue from the stage they were at when the vacancy occurred.

If one of the parties refuses or otherwise fails to appoint an arbitrator within 30 days of the date the other party appoints its, the first appointed arbitrator shall be the sole arbitrator, provided that the arbitrator was validly and properly appointed.

The English language version of this Agreement prevails over any other language version.

HONG KONG AND MACAU

Governing Law: *The following replaces "laws of the country in which you acquired the Machine" in the first sentence:*

laws of Hong Kong Special Administrative Region.

INDIA

Limitation of Liability: *The following replaces items 1 and 2 of this Section:*

1. liability for bodily injury (including death) or damage to real property and tangible personal property will be limited to that caused by IBM's negligence;
2. as to any other actual damage arising in any situation involving nonperformance by IBM pursuant to, or in any way related to the subject of this Statement of Limited Warranty, IBM's liability will be limited to the charge paid by you for the individual Machine that is the subject of the claim.

JAPAN

Governing Law: *The following sentence is added to this Section:*

Any doubts concerning this Agreement will be initially resolved between us in good faith and in accordance with the principle of mutual trust.

NEW ZEALAND

The IBM Warranty for Machines: *The following paragraph is added to this Section:*

The warranties specified in this Section are in addition to any rights you may have under the Consumer Guarantees Act 1993 or other legislation which cannot be excluded or limited. The Consumer Guarantees Act 1993 will not apply in respect of any goods which IBM provides, if you require the goods for the purposes of a business as defined in that Act.

Limitation of Liability: *The following is added to this Section:*

Where Machines are not acquired for the purposes of a business as defined in the Consumer Guarantees Act 1993, the limitations in this Section are subject to the limitations in that Act.

PEOPLE'S REPUBLIC OF CHINA (PRC)

Governing Law: *The following replaces this Section:*

Both you and IBM consent to the application of the laws of the State of New York (except when local law requires otherwise) to govern, interpret, and enforce all your and IBM's rights, duties, and obligations arising from, or relating in any manner to, the subject matter of this Agreement, without regard to conflict of law principles.

Any disputes arising from or in connection with this Agreement will first be resolved by friendly negotiations, failing which either of us has the right to submit the dispute to the China International Economic and Trade Arbitration Commission in Beijing, the PRC, for arbitration in accordance with its arbitration rules in force at the time. The arbitration tribunal will consist of three arbitrators. The language to be used therein will be English and Chinese. An arbitral award will be final and binding on all the parties, and will be enforceable under the Convention on the Recognition and Enforcement of Foreign Arbitral Awards (1958).

The arbitration fee will be borne by the losing party unless otherwise determined by the arbitral award.

During the course of arbitration, this Agreement will continue to be performed except for the part which the parties are disputing and which is undergoing arbitration.

EUROPE, MIDDLE EAST, AFRICA (EMEA)

THE FOLLOWING TERMS APPLY TO ALL EMEA COUNTRIES:

The terms of this Statement of Limited Warranty apply to Machines purchased from IBM or an IBM reseller.

Warranty Service:

If you purchase an IBM Machine in Austria, Belgium, Denmark, Estonia, Finland, France, Germany, Greece, Iceland, Ireland, Italy, Latvia, Lithuania, Luxembourg, Netherlands, Norway, Portugal, Spain,

Sweden, Switzerland or United Kingdom, you may obtain warranty service for that Machine in any of those countries from either (1) an IBM reseller approved to perform warranty service or (2) from IBM. If you purchase an IBM Personal Computer Machine in Albania, Armenia, Belarus, Bosnia and Herzegovina, Bulgaria, Croatia, Czech Republic, Georgia, Hungary, Kazakhstan, Kirghizia, Federal Republic of Yugoslavia, Former Yugoslav Republic of Macedonia (FYROM), Moldova, Poland, Romania, Russia, Slovak Republic, Slovenia, or Ukraine, you may obtain warranty service for that Machine in any of those countries from either (1) an IBM reseller approved to perform warranty service or (2) from IBM.

If you purchase an IBM Machine in a Middle Eastern or African country, you may obtain warranty service for that Machine from the IBM entity within the country of purchase, if that IBM entity provides warranty service in that country, or from an IBM reseller, approved by IBM to perform warranty service on that Machine in that country. Warranty service in Africa is available within 50 kilometers of an IBM authorized service provider. You are responsible for transportation costs for Machines located outside 50 kilometers of an IBM authorized service provider.

Governing Law:

The applicable laws that govern, interpret and enforce rights, duties, and obligations of each of us arising from, or relating in any manner to, the subject matter of this Statement, without regard to conflict of laws principles, as well as Country-unique terms and competent court for this Statement are those of the country in which the warranty service is being provided, except that in 1) Albania, Bosnia-Herzegovina, Bulgaria, Croatia, Hungary, Former Yugoslav Republic of Macedonia, Romania, Slovakia, Slovenia, Armenia, Azerbaijan, Belarus, Georgia, Kazakhstan, Kyrgyzstan, Moldova, Russia, Tajikistan, Turkmenistan, Ukraine, and Uzbekistan, the laws of Austria apply; 2) Estonia, Latvia, and Lithuania, the laws of Finland apply; 3) Algeria, Benin, Burkina Faso, Cameroon, Cape Verde, Central African Republic, Chad, Congo, Djibouti, Democratic Republic of Congo, Equatorial Guinea, France, Gabon, Gambia, Guinea, Guinea-Bissau, Ivory Coast, Lebanon, Mali, Mauritania, Morocco, Niger, Senegal, Togo, and Tunisia, this Agreement will be construed and the legal relations between the parties will be determined in accordance with the French laws and all disputes arising out of this Agreement or related to its violation or execution, including summary proceedings, will be settled exclusively by the Commercial Court of Paris; 4) Angola, Bahrain, Botswana, Burundi, Egypt, Eritrea, Ethiopia, Ghana, Jordan, Kenya, Kuwait, Liberia, Malawi, Malta, Mozambique, Nigeria, Oman, Pakistan, Qatar, Rwanda, Sao Tome, Saudi Arabia, Sierra Leone, Somalia, Tanzania, Uganda, United Arab Emirates, United Kingdom, West Bank/Gaza, Yemen, Zambia, and Zimbabwe, this Agreement will be governed by English Law and disputes relating to it will be submitted to the exclusive jurisdiction of the English courts; and 5) in Greece, Israel, Italy, Portugal, and Spain any legal claim arising out of this Statement will be brought before, and finally settled by, the competent court of Athens, Tel Aviv, Milan, Lisbon, and Madrid, respectively.

THE FOLLOWING TERMS APPLY TO THE COUNTRY SPECIFIED:

AUSTRIA AND GERMANY

The IBM Warranty for Machines: *The following replaces the first sentence of the first paragraph of this Section:*

The warranty for an IBM Machine covers the functionality of the Machine for its normal use and the Machine's conformity to its Specifications.

The following paragraphs are added to this Section:

The minimum warranty period for Machines is six months. In case IBM or your reseller is unable to repair an IBM Machine, you can alternatively ask for a partial refund as far as justified by the reduced value of the unrepaired Machine or ask for a cancellation of the respective agreement for such Machine and get your money refunded.

Extent of Warranty: *The second paragraph does not apply.*

Warranty Service: *The following is added to this Section:*

During the warranty period, transportation for delivery of the failing Machine to IBM will be at IBM's expense.

Limitation of Liability: *The following paragraph is added to this Section:*

The limitations and exclusions specified in the Statement of Limited Warranty will not apply to damages caused by IBM with fraud or gross negligence and for express warranty.

The following sentence is added to the end of item 2:

IBM's liability under this item is limited to the violation of essential contractual terms in cases of ordinary negligence.

EGYPT

Limitation of Liability: *The following replaces item 2 in this Section:*

as to any other actual direct damages, IBM's liability will be limited to the total amount you paid for the Machine that is the subject of the claim. For purposes of this item, the term "Machine" includes Machine Code and Licensed Internal Code.

Applicability of suppliers and resellers (unchanged).

FRANCE

Limitation of Liability: *The following replaces the second sentence of the first paragraph of this Section:*

In such instances, regardless of the basis on which you are entitled to claim damages from IBM, IBM is liable for no more than: *(items 1 and 2 unchanged).*

IRELAND

Extent of Warranty: *The following is added to this Section:*

Except as expressly provided in these terms and conditions, all statutory conditions, including all warranties implied, but without prejudice to the generality of the foregoing all warranties implied by the Sale of Goods Act 1893 or the Sale of Goods and Supply of Services Act 1980 are hereby excluded.

Limitation of Liability: *The following replaces items one and two of the first paragraph of this Section:*

1. death or personal injury or physical damage to your real property solely caused by IBM's negligence; and
2. the amount of any other actual direct damages, up to 125 percent of the charges (if recurring, the 12 months' charges apply) for the Machine that is the subject of the claim or which otherwise gives rise to the claim.

Applicability of suppliers and resellers (unchanged).

The following paragraph is added at the end of this Section:

IBM's entire liability and your sole remedy, whether in contract or in tort, in respect of any default shall be limited to damages.

ITALY

Limitation of Liability: *The following replaces the second sentence in the first paragraph:*

In each such instance unless otherwise provided by mandatory law, IBM is liable for no more than:

1. *(unchanged)*

2. as to any other actual damage arising in all situations involving nonperformance by IBM pursuant to, or in any way related to the subject matter of this Statement of Warranty, IBM's liability, will be limited to the total amount you paid for the Machine that is the subject of the claim.

Applicability of suppliers and resellers (unchanged).

The following replaces the third paragraph of this Section:

Unless otherwise provided by mandatory law, IBM and your reseller are not liable for any of the following: *(items 1 and 2 unchanged)* 3) indirect damages, even if IBM or your reseller is informed of their possibility.

SOUTH AFRICA, NAMIBIA, BOTSWANA, LESOTHO AND SWAZILAND

Limitation of Liability: *The following is added to this Section:*

IBM's entire liability to you for actual damages arising in all situations involving nonperformance by IBM in respect of the subject matter of this Statement of Warranty will be limited to the charge paid by you for the individual Machine that is the subject of your claim from IBM.

UNITED KINGDOM

Limitation of Liability: *The following replaces items 1 and 2 of the first paragraph of this Section:*

1. death or personal injury or physical damage to your real property solely caused by IBM's negligence;
2. the amount of any other actual direct damages or loss, up to 125 percent of the charges (if recurring, the 12 months' charges apply) for the Machine that is the subject of the claim or which otherwise gives rise to the claim;

The following item is added to this paragraph:

3. breach of IBM's obligations implied by Section 12 of the Sale of Goods Act 1979 or Section 2 of the Supply of Goods and Services Act 1982.

Applicability of suppliers and resellers (unchanged).

The following is added to the end of this Section:

IBM's entire liability and your sole remedy, whether in contract or in tort, in respect of any default shall be limited to damages.

Notices

IBM may not offer the products, services, or features discussed in this document in other countries. Consult your local IBM representative for information on the products and services currently available in your area. Any reference to an IBM product, program, or service is not intended to state or imply that only that IBM product, program, or service may be used. Any functionally equivalent product, program, or service that does not infringe any IBM intellectual property right may be used instead. However, it is the user's responsibility to evaluate and verify the operation of any non-IBM product, program, or service.

IBM may have patents or pending patent applications covering subject matter described in this document. The furnishing of this document does not give you any license to these patents. You can send license inquiries, in writing, to:

*IBM Director of Licensing
IBM Corporation
North Castle Drive
Armonk, NY 10504-1785
U.S.A.*

INTERNATIONAL BUSINESS MACHINES CORPORATION PROVIDES THIS PUBLICATION "AS IS" WITHOUT WARRANTY OF ANY KIND, EITHER EXPRESS OR IMPLIED, INCLUDING, BUT NOT LIMITED TO, THE IMPLIED WARRANTIES OF NON-INFRINGEMENT, MERCHANTABILITY OR FITNESS FOR A PARTICULAR PURPOSE. Some jurisdictions do not allow disclaimer of express or implied warranties in certain transactions; therefore, this statement may not apply to you.

This information could include technical inaccuracies or typographical errors. Changes are periodically made to the information herein; these changes will be incorporated in new editions of the publication. IBM may make improvements and/or changes in the product(s) and/or the program(s) described in this publication at any time without notice.

Any references in this information to non-IBM Web sites are provided for convenience only and do not in any manner serve as an endorsement of those Web sites. The materials at those Web sites are not part of the materials for this IBM product and use of those Web sites is at your own risk.

IBM may use or distribute any of the information you supply in any way it believes appropriate without incurring any obligation to you.

Trademarks

The following terms are trademarks of International Business Machines Corporation in the United States, other countries, or both:

IBM
NetBAY

Other company, product, or service names may be trademarks or service marks of others.

Other notices

Australia and New Zealand Class A statement

Attention: This is a Class A product. In a domestic environment this product may cause radio interference in which case the user may be required to take adequate measures.

European Union EMC Directive conformance statement

This product is in conformity with the protection requirements of EU Council Directive 89/336/EEC on the approximation of the laws of the Member States relating to electromagnetic compatibility. IBM cannot accept responsibility for any failure to satisfy the protection requirements resulting from a nonrecommended modification of the product, including the fitting of non-IBM option cards.

This product has been tested and found to comply with the limits for Class A Information Technology Equipment according to CISPR 22/European Standard EN 55022. The Limits for Class A equipment were derived for commercial and industrial environments to provide reasonable protection against interference with licensed communication equipment.

Attention: This is a Class A product. In a domestic environment this product may cause radio interference in which case the user may be required to take adequate measures. **Taiwan electronic emission statement**

警告使用者：
這是甲類的資訊產品，在居住的環境中使用時，可能會造成射頻干擾，在這種情形下，使用者會被要求採取某些適當的對策。



Part Number: 02R2749

Printed in U.S.A.

02R2749

