

Server stabilization information

This *Technical Update* contains important information about improving the stability of your server when you add components.

If your server is a redundant power-supply model, use the stabilizer feet to support the weight of the server. The procedure that you use will depend on the type of feet that are currently on the server. When you rotate or add the stabilizer feet, this increases the floor space that is needed on each side of the server.

If the feet on your server look like the one in the following illustration, complete the following steps.

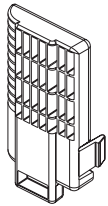


Figure 1.

1. Review the safety information in the server documentation.
2. Lay the server on its side and remove the feet from the server with a flat-blade screwdriver by carefully pushing in on the tab of each foot as shown in Figure 2; then, reinstall them as indicated in the next step.
3. Swap the feet on the left side of the server with the feet on the right side of the server. Make sure that the longer end of each foot points outward and extends beyond the edge of the server chassis as shown in the following illustration.

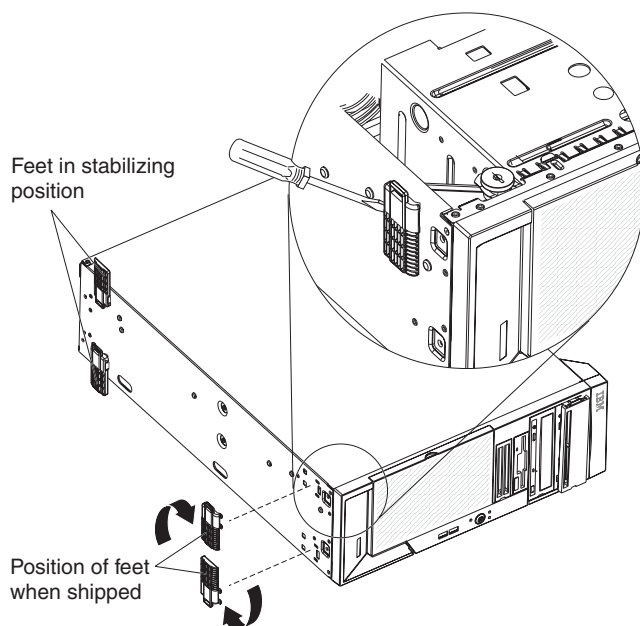


Figure 2.

If the feet on your server look like the one in the following illustration, complete the following steps.

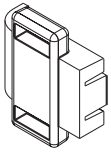


Figure 3.

1. Contact your IBM service representative to obtain the new stabilizer feet free of charge; then, complete steps 2 through 4 to install the new stabilizer feet once you receive them.
2. Review the safety information in the server documentation.
3. Lay the server on its side and remove the current feet from the server with a flat-blade screwdriver by carefully pushing in on the tab of each foot as shown in Figure 2.
4. Install the new stabilizer feet so that the longer end of each foot extends beyond the edge of the server chassis as shown in Figure 2.

Store this document with your server documentation for future reference.

First Edition (September 2004)

Part Number: 24R8435

Printed in the U.S.A.

IBM, @server, and xSeries are trademarks of the IBM Corporation in the United States, other countries, or both.

© Copyright International Business Machines Corporation 2004. All rights reserved.

US Government Users Restricted Rights – Use, duplication or disclosure restricted by GSA ADP Schedule Contract with IBM Corp.

(1P) P/N: 24R8435

