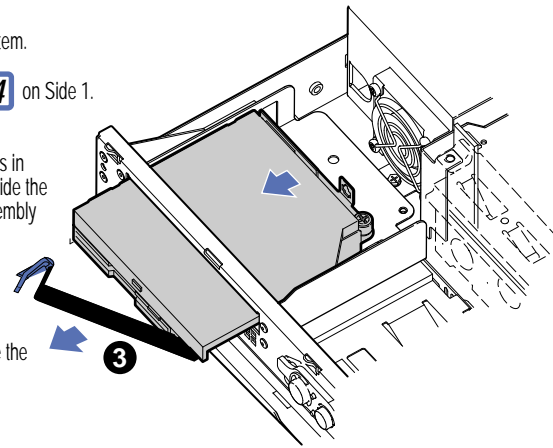


10 Replacing a Peripheral Drive

Note: The Peripheral Drive supports either a slim-line Floppy Drive or a slim-line CD-ROM Drive.

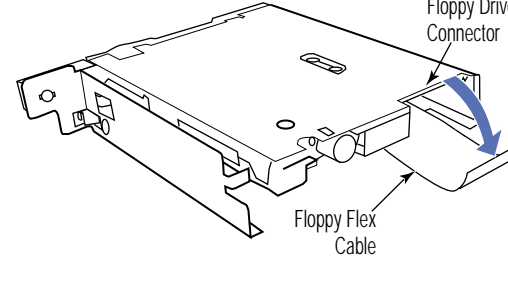
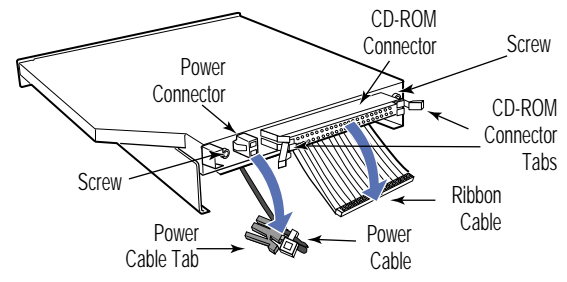
A Remove the Peripheral Drive Carrier Assembly

- 1 Disconnect power from system.
- 2 Remove the Bezel. See 4 on Side 1.
- 3 To remove the Peripheral Bay Carrier Assembly, press in the blue latch handle and slide the Peripheral Bay Carrier Assembly outward.
- 4 To install the Peripheral Bay Carrier Assembly, slide the Peripheral Bay Carrier Assembly into the Chassis. Replace the Bezel.



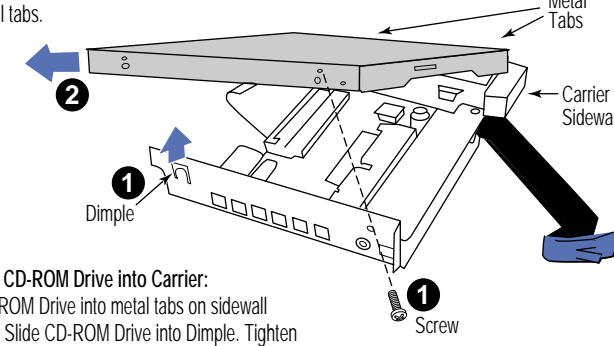
B Disconnect CD-ROM / Floppy Drive Cables and Remove Interface Board

- To Disconnect CD-ROM Drive Cables:**
- 1 Disengage tabs on CD-ROM Connector. Disconnect ribbon cable. Press in tab on Power Cable to disconnect Power Cable. Loosen two screws on interface board to remove interface board from CD-ROM drive.
- To Connect CD-ROM Drive Cables:**
- 2 Tighten two screws to secure interface board to CD-ROM drive. Connect ribbon cable to CD-ROM Connector. Engage tabs to secure ribbon cable. Connect Power Cable to Power Connector.
- To Disconnect Floppy Drive Cables:**
- 1 Carefully disengage cap on Floppy Drive Connector to prevent damage to cap. Disconnect floppy drive cable from Floppy Drive Connector.
- To Connect Floppy Drive Cables:**
- 2 Disengage cap on Floppy Drive Connector. Connect floppy flex cable to Floppy Drive Connector. Snap cap to lock Floppy Drive Connector.

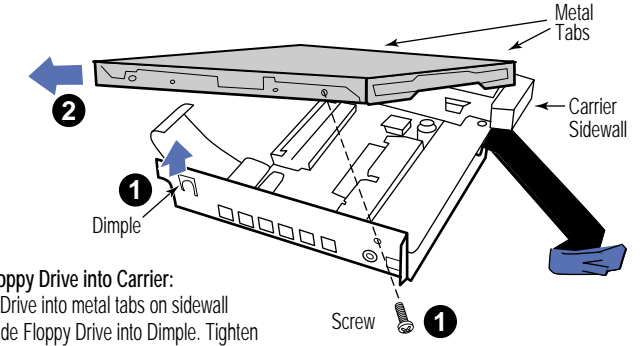


C Remove the CD-ROM Drive or Floppy Drive from Carrier

- To Remove CD-ROM Drive From Carrier:**
- 1 Remove small screw securing CD-ROM Drive to Carrier. Pull CD-ROM Drive upward to release from dimple.
 - 2 Pull CD-ROM drive in direction shown to release from metal tabs.
- To Install CD-ROM Drive into Carrier:**
- 3 Slide CD-ROM Drive into metal tabs on sidewall of Carrier. Slide CD-ROM Drive into Dimple. Tighten screw to secure CD-ROM Drive to Carrier.



- To Remove Floppy Drive From Carrier:**
- 1 Remove screw securing Floppy Drive to Carrier. Pull Floppy Drive upward to release from dimple.
 - 2 Pull Floppy Drive in direction shown to release from metal tabs.
- To Install Floppy Drive into Carrier:**
- 3 Slide Floppy Drive into metal tabs on sidewall of Carrier. Slide Floppy Drive into Dimple. Tighten screw to secure Floppy Drive to Carrier.



Server System Cabling Diagram

System Components

- 1 Power Supply
- 2 SCSI Hard Disk Drive
- 3 CD-ROM/Floppy Board
- 4 Front Panel IO Board
- 5 Fan Array Assembly
- 6 Server Board

Cabling for CD-ROM

- 1 Cabling for CD-ROM

Cabling for Floppy

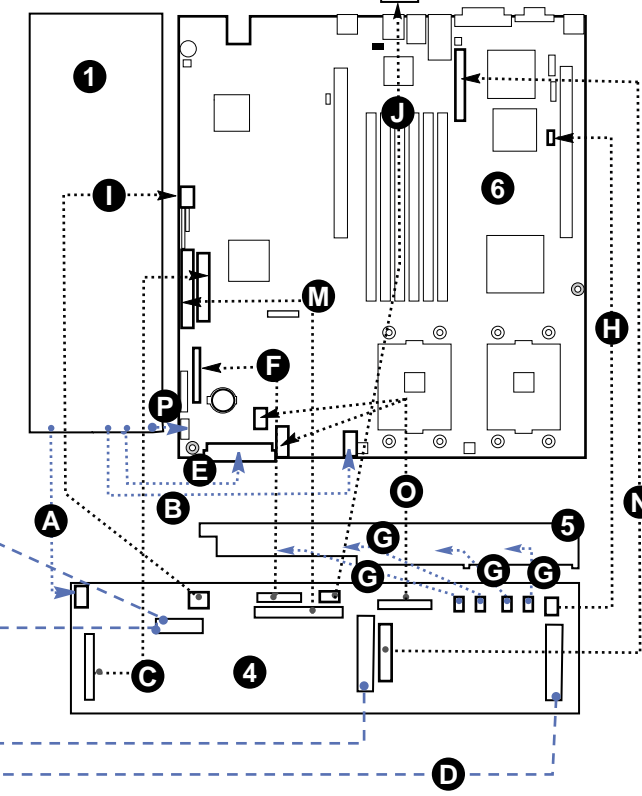
- 1 Cabling for Floppy

Hard Disk 2

- 1 Hard Disk 2

Hard Disk 1

- 1 Hard Disk 1

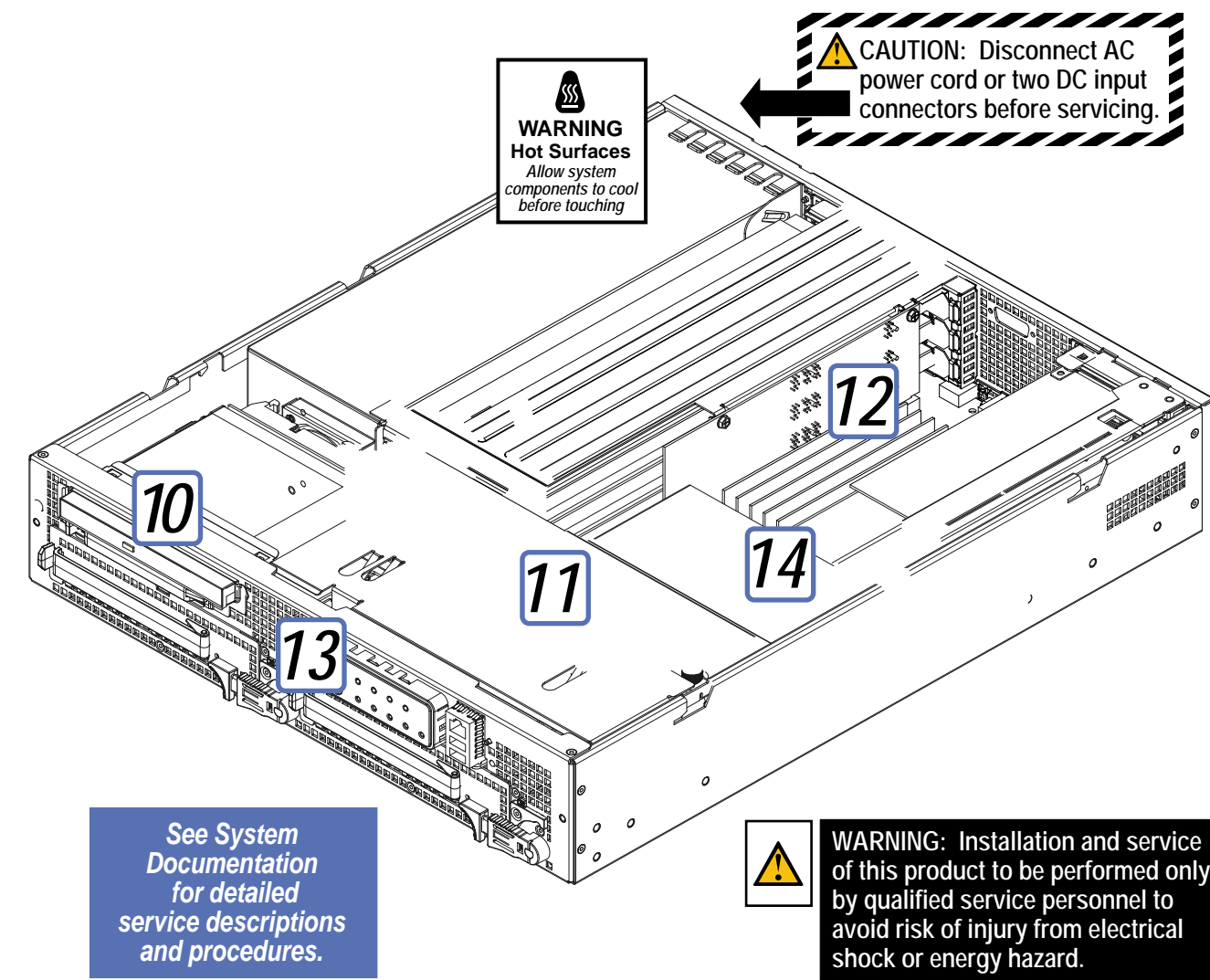


Connections

- A Power Supply to Front IO Panel Power Connector
- B Power Supply to server board Auxiliary Power Connector
- C Front IO Panel Floppy Connector to server board Floppy Connector
- D Front IO Panel SCSI Connector to Hard Disk Drive(s)
- E Power Supply to server board Primary Power Connector
- F Front IO Panel Connector to Server Board
- G Front IO Panel System Fan Connector to Fan Power Connector
- H Front IO Panel I2C Connector to server board IPMB Connector
- I Front IO Panel USB Connector to server board USB Connector
- J Front IO Panel Alarms Connector to chassis Alarms Connector
- K Front IO Panel Blind Mate Receptacle to CD-ROM Connector
- L Front IO Panel Blind Mate Receptacle to Floppy Connector
- M Front IO Panel IDE Connector to server board IDE Connector
- N Front IO Panel SCSI Connector to server board SCSI Connector
- O Front IO Panel Fan Connector to server board Fan Connectors
- P Power Supply to server board Sig Power Connector

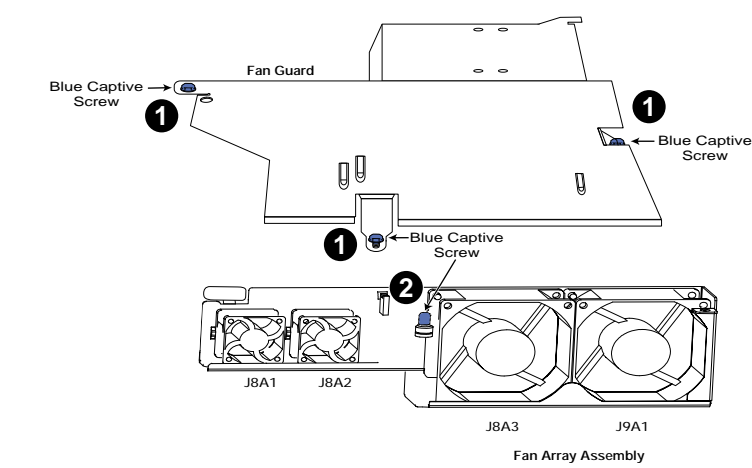
Legend
 Data Cable
 Power Cable
 - - - - - Power and Data Cable

CAUTION: See product documentation for detailed service instructions. Observe normal ESD precautions when installing components. See product documentation for detailed ESD procedures.



See System Documentation for detailed service descriptions and procedures.

11 Replacing the Fan Array Assembly



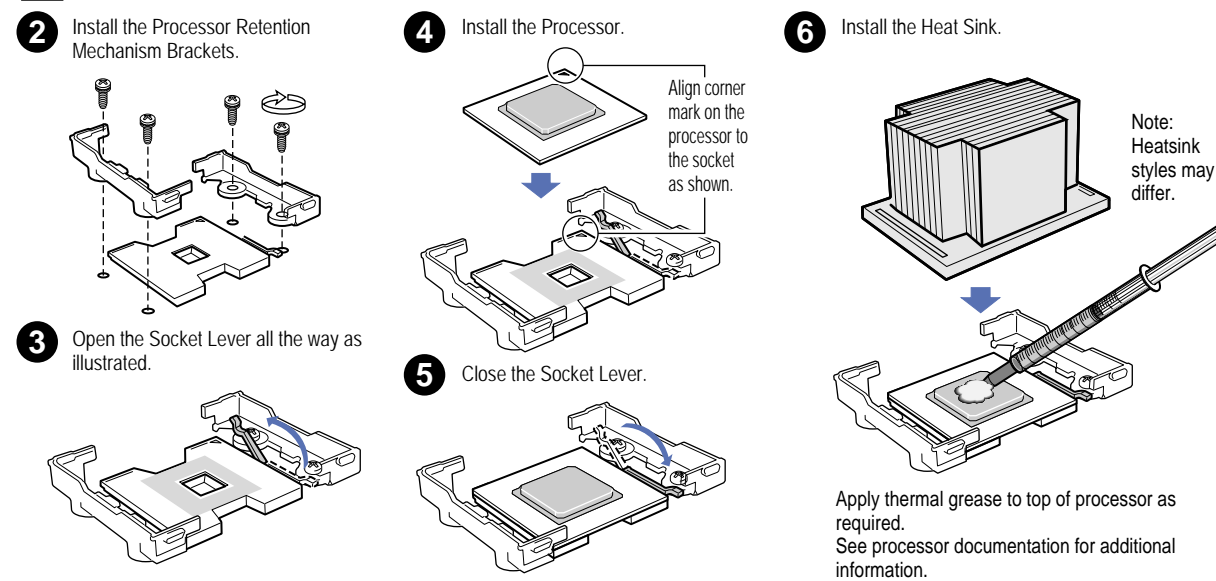
- 1 To Remove Fan Guard: Loosen the three blue captive screws securing the Fan Guard to the System and lift straight up.
 - 2 To Remove Fan Array Assembly: Squeeze the latch on each of the four fan power cables to disconnect each fan cable from the Front Panel IO Board. Loosen the one blue captive screw on the Fan Array Assembly. Remove the Fan Array Assembly by lifting straight up from the chassis.
- To Replace Fan Guard:** Position Fan Guard over holes for the three blue captive screws. Tighten all three captive screws.
- To Replace Fan Array Assembly:** Position Fan Array Assembly in chassis. Tighten the blue captive screw. Reconnect the four fan power cables to the Front Panel IO Board, taking care to reconnect each cable to the correct connector.
- CAUTION:** When installing a new Fan Array Assembly, make sure that airflow is toward the Server Board. Note that each fan has an airflow directional arrow.

14 Servicing a Processor

- Notes and Cautions:**
- 1 If only ONE processor is to be used, it must be installed in Processor Socket 1.
 - 2 Do not mix processors of different types or frequencies.
 - 3 When unpacking a processor, hold by the edges only to avoid touching the pins.
 - 4 This server board has "zero-insertion force" sockets. If processor does not drop easily into socket holes, make sure lever is in the full-open position.

A Installing a Processor

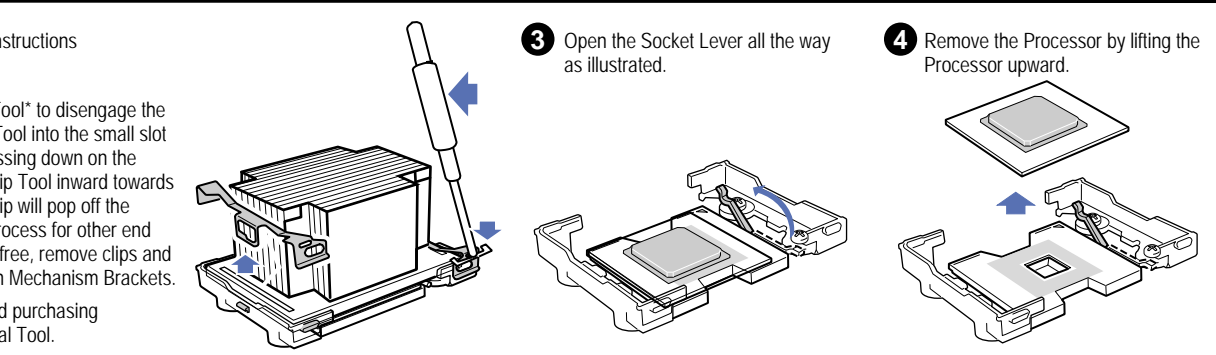
- 1 Remove the Fan Guard. See 17 for instructions on removing the Fan Guard.
- 2 Install the Processor Retention Mechanism Brackets.
- 3 Open the Socket Lever all the way as illustrated.
- 4 Install the Processor. Align corner mark on the processor to the socket as shown.
- 5 Close the Socket Lever.
- 6 Install the Heat Sink. Note: Heatsink styles may differ.
- 7 Attach the Heat Sink. Apply thermal grease to top of processor as required. See processor documentation for additional information.



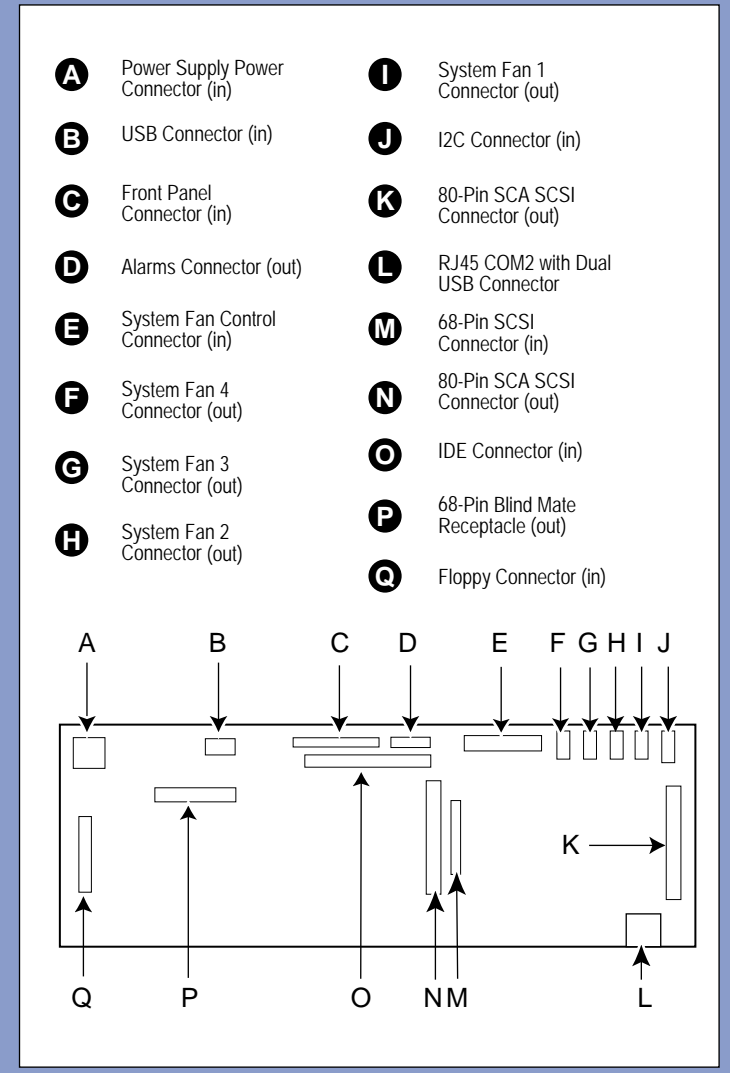
- 1 Align the heat sink with the RM brackets and place the heat sink on the processor.
 - 2 Position the retention clip over the plastic tab and engage the clip end-slot over the plastic tab.
 - 3 Press downward on the RM clip ends until they engage the plastic tabs.
 - 4 Repeat steps 1-3 for the second heat sink RM.
- Position both clips as shown. Make sure tab engages slot in heatsink base.
- Slide clip in direction shown. Note location of center plastic tab.
- Press downward on retention clip end to engage side plastic tab.
- Snap other end as shown.

B Removing a Processor

- 1 Remove the Fan Guard. See 17 for instructions on removing the Fan Guard.
 - 2 Use the Heat Sink Clip Attach/Removal Tool to disengage the retention clips. Insert the Heat Sink Clip Tool into the small slot on the end of the retention clip. While pressing down on the Heat Sink Clip Tool, pull the Heat Sink Clip Tool inward towards the Heat Sink. The end of the retention clip will pop off the Retention Mechanism Bracket. Repeat process for other end of retention clip. Once retention clips are free, remove clips and lift the Heat Sink upward off the Retention Mechanism Brackets.
 - 3 Open the Socket Lever all the way as illustrated.
 - 4 Remove the Processor by lifting the Processor upward.
- *See the System Documentation for ordering and purchasing information on the Heat Sink Clip Attach/Removal Tool.



13 Front Panel IO Board Component Layout



12 Server Board Component Layout

