

Application Guide



Alteon OS™ 21.0

Layer 2-7 GbE Switch Module
for IBM BladeCenter

Part Number: 24R9742, March 2006

NORTEL
NETWORKS™

4655 Great America Parkway
Santa Clara, CA 95054
www.nortelnetworks.com
Reference: 215654-D

Copyright 2004 Nortel Networks, Inc., 4655 Great America Parkway, Santa Clara, California 95054, USA. All rights reserved. Part Number: 24R9742.

This document is protected by copyright and distributed under licenses restricting its use, copying, distribution, and decompilation. No part of this document may be reproduced in any form by any means without prior written authorization of Nortel Networks, Inc. Documentation is provided “as is” without warranty of any kind, either express or implied, including any kind of implied or express warranty of non-infringement or the implied warranties of merchantability or fitness for a particular purpose.

U.S. Government End Users: This document is provided with a “commercial item” as defined by FAR 2.101 (Oct 1995) and contains “commercial technical data” and “commercial software documentation” as those terms are used in FAR 12.211-12.212 (Oct 1995). Government End Users are authorized to use this documentation only in accordance with those rights and restrictions set forth herein, consistent with FAR 12.211- 12.212 (Oct 1995), DFARS 227.7202 (JUN 1995) and DFARS 252.227-7015 (Nov 1995).

Nortel Networks, Inc. reserves the right to change any products described herein at any time, and without notice. Nortel Networks, Inc. assumes no responsibility or liability arising from the use of products described herein, except as expressly agreed to in writing by Nortel Networks, Inc. The use and purchase of this product does not convey a license under any patent rights, trademark rights, or any other intellectual property rights of Nortel Networks, Inc.

Alteon OS and ACEswitch are trademarks of Nortel Networks, Inc. in the United States and certain other countries. Cisco® and EtherChannel® are registered trademarks of Cisco Systems, Inc. in the United States and certain other countries. Check Point® and FireWall-1® are trademarks or registered trademarks of Check Point Software Technologies Ltd. Any other trademarks appearing in this manual are owned by their respective companies.

Originated in the U.S.A.

Contents

Preface 19

- Who Should Use This Guide 19
- What You'll Find in This Guide 19
- Typographic Conventions 21
- How to Get Help 22

Part 1: Basic Switching 23

Chapter 1: Accessing the Switch 25

- Management module setup 26
 - Factory-Default vs. MM assigned IP Addresses 26
 - Default Gateway 27
 - Configure management module for switch access 27
- Using Telnet 29
 - Connect to the Switch via SSH 30
 - BOOTP Relay Agent 30
- Using the Browser-Based Interface 31
 - Configuring BBI Access via HTTP 32
 - Configuring BBI Access via HTTPS 32
- Using SNMP 33
- Using the Console Port 35
- Securing Access to the Switch 36
 - Setting Allowable Source IP Address Ranges 37
 - RADIUS Authentication and Authorization 38
 - TACACS+ Authentication 42
 - Secure Shell and Secure Copy 48

- End User Access Control 55
 - Considerations for Configuring End User Accounts 55
 - Strong Passwords 55
 - User Access Control Menu 56
 - Listing Current Users 58
 - Logging into an End User Account 58

Chapter 2: VLANs 59

- Overview 60
- VLANs and Port VLAN ID Numbers 60
 - VLAN Numbers 60
 - PVID Numbers 61
- VLAN Tagging 62
- VLAN Topologies and Design Considerations 66
 - VLAN configuration rules 67
 - Example 1: Multiple VLANs with Tagging Adapters 67
- VLANs and Default Gateways 69
 - Segregating VLAN Traffic 69
 - Configuring the Local Network 71
 - Configuring Gateways per VLAN 71

Chapter 3: Ports and Trunking 75

- Overview 76
 - Statistical Load Distribution 77
 - Built-In Fault Tolerance 77
 - Before you configure static trunks 77
 - Trunk group configuration rules 78
- Port Trunking Example 79
- Configurable Trunk Hash Algorithm 81
- Link Aggregation Control Protocol 82
 - Configuring LACP 84

Chapter 4: Spanning Tree Group 85

- Overview 86
- Bridge Protocol Data Units (BPDUs) 87
 - Determining the Path for Forwarding BPDUs 87
- Spanning Tree Group configuration guidelines 88

Multiple Spanning Trees	90
Default Spanning Tree configuration	90
Why Do We Need Multiple Spanning Trees?	91
Switch-Centric Spanning Tree Group	91
VLAN Participation in Spanning Tree Groups	92
Configuring Multiple Spanning Tree Groups	93
Port Fast Forwarding	94
Configuring Port Fast Forwarding	94
Fast Uplink Convergence	95
Configuration Guidelines	95
Configuring Fast Uplink Convergence	95

Part 2: IP Routing 97

Chapter 5: Basic IP Routing 99

IP Routing Benefits	100
Routing Between IP Subnets	100
Example of Subnet Routing	103
Defining IP Address Ranges for the Local Route Cache	107
Configuring Static Multicast Routes	108
Dynamic Host Configuration Protocol	108
DHCP Relay Agent	109
DHCP Relay Agent Configuration	110

Chapter 6: Routing Information Protocol 111

Distance Vector Protocol	111
Stability	111
Routing Updates	112

Chapter 7: IGMP Snooping 113

Overview	114
FastLeave	115
IGMP Filtering	115
Static Multicast Router	116
IGMP Snooping Configuration Example	117

Chapter 8: Border Gateway Protocol 121

Internal Routing Versus External Routing	122
--	-----

- Forming BGP Peer Routers 123
- What is a Route Map? 123
 - Incoming and Outgoing Route Maps 124
 - Precedence 125
 - Configuration Overview 125
- Aggregating Routes 127
- Redistributing Routes 127
- BGP Attributes 128
 - Local Preference Attribute 128
 - Metric (Multi-Exit Discriminator) Attribute 128
- Selecting Route Paths in BGP 129
- BGP Failover Configuration 130
- Default Redistribution and Route Aggregation Example 133

Chapter 9: OSPF 135

- OSPF Overview 136
 - Equal Cost Multipath Routing Support 136
 - Types of OSPF Areas 136
 - Types of OSPF Routing Devices 138
 - Neighbors and Adjacencies 139
 - The Link-State Database 139
 - The Shortest Path First Tree 140
 - Internal Versus External Routing 140
- OSPF Implementation in Alteon OS 141
 - Configurable Parameters 141
 - Defining Areas 142
 - Interface Cost 144
 - Electing the Designated Router and Backup 144
 - Summarizing Routes 144
 - Default Routes 145
 - Virtual Links 146
 - Router ID 147
 - Authentication 147
 - Host Routes for Load Balancing 150
 - OSPF Features Not Supported in This Release 151

OSPF Configuration Examples	151
Example 1: Simple OSPF Domain	152
Example 2: Virtual Links	154
Example 3: Summarizing Routes	158
Example 4: Host Routes	161
Verifying OSPF Configuration	167

Part 3: Application Switching Fundamentals 169

Chapter 10: Server Load Balancing 171

Understanding Server Load Balancing	172
Identifying Your Network Needs	172
How Server Load Balancing Works	173
Implementing Basic Server Load Balancing	175
Network Topology Requirements	176
Configuring Server Load Balancing	177
Additional Server Load Balancing Options	182
Extending SLB Topologies	190
Proxy IP Addresses	190
Mapping Ports	193
Direct Server Interaction	196
Delayed Binding	200
Session Initiation Protocol Server Load Balancing	203
SIP Processing on the Switch	203
Configuring SIP Server Load Balancing	204
Workload Manager Support	207

Chapter 11: Global Server Load Balancing 209

DSSP version 1 vs. version 2	209
GSLB Overview	210
Benefits	210
How GSLB Works	211
GSLB Enhancements	213
GSLB Metrics	213
Metric preferences	216
Rules	216

- Configuring Basic GSLB 217
 - Basic GSLB Requirements 218
 - Example GSLB Topology 218
- Configuring a Standalone GSLB Domain 231
 - GSLB Topology with a Standalone GSLB Site 231
- Configuring GSLB with Rules 235
 - Configuring Time-Based Rules 236
 - Using the Availability Metric in a Rule 238
- Configuring GSLB Network Preference 239
- Configuring GSLB with Proxy IP for Non-HTTP Redirects 242
 - How Proxy IP Works 244
 - Configuring Proxy IP Addresses 245
- GSLB DNS Persistence 246
- Using Border Gateway Protocol for GSLB 246
- Verifying GSLB Operation 247

Chapter 12: Filtering 249

- Overview 250
 - Filtering Benefits 250
 - Filtering Criteria 250
 - Filtering Actions 252
 - Stacking Filters 252
 - Overlapping Filters 253
 - The Default Filter 253
 - VLAN-based Filtering 255
 - Optimizing Filter Performance 257
 - Filter Logs 257
 - IP Address Ranges 259
 - Cache-Enabled versus Cache-Disabled Filters 259
- TCP Rate Limiting 260
 - Configuring TCP Rate Limiting Filters 261
- Tunable Hash for Filter Redirection 265
- Filter-based Security 266
- Network Address Translation 272
 - Static NAT 272
 - Dynamic NAT 275
 - FTP Client NAT 277
- Matching TCP Flags 279

Matching ICMP Message Types 284

Chapter 13: Application Redirection 287

Overview 288

Cache Redirection Environment 288

Additional Application Redirection Options 289

IP Proxy Addresses for NAT 295

Excluding Noncacheable Sites 297

Chapter 14: Health Checking 299

Real Server Health Checks 301

Link Health Checks 302

Configuring the Switch for Link Health Checks 302

TCP Health Checks 303

ICMP Health Checks 303

Script-Based Health Checks 304

Configuring the Switch for Script-Based Health Checks 304

Script Format 305

Scripting Guidelines 306

Script Configuration Examples 306

Application-Specific Health Checks 308

HTTP Health Checks 309

UDP-Based DNS Health Checks 311

FTP Server Health Checks 312

POP3 Server Health Checks 313

SMTP Server Health Checks 314

IMAP Server Health Checks 315

NNTP Server Health Checks 316

RADIUS Server Health Checks 317

HTTPS/SSL Server Health Checks 318

WAP Gateway Health Checks 318

LDAP Health Checks 321

Windows Terminal Server Health Checks 322

ARP Health Checks 323

Failure Types 324

Service Failure 324

Server Failure 324

Chapter 15: High Availability 325

Layer 2 Trunk Failover	326
VLAN Monitor	326
Setting the Failover Limit	327
L2 Failover with Other Features	327
Configuration Guidelines	327
L2 Failover Configurations	328
Configuring Trunk Failover	331
VRRP Overview	332
VRRP Components	332
VRRP Operation	335
Selecting the Master VRRP Router	335
Failover Methods	337
Active-Standby Redundancy	338
Active-Active Redundancy	339
Hot-Standby Redundancy	340
Alteon OS extensions to VRRP	343
Virtual Server Routers	343
Tracking VRRP Router Priority	343
Virtual Router Deployment Considerations	346
Synchronizing Switch Configurations	346
Synchronizing Active/Active Failover	347
Assigning VRRP Virtual Router ID	348
Configuring the Switch for Tracking	348
High Availability Configurations	350
Active-Standby Virtual Server Router Configuration	350
Active-Active VIR and VSR Overview	352
Active-Active Server Load Balancing Configuration	353
Hot-Standby Configuration	361
Four-switch configuration	368
Inter-Chassis Redundancy Link	372
Layer 2 Trunk Failover with VRRP	376

Part 4: Advanced Switching 381

Chapter 16: Content Intelligent Switching 383

Overview 384

Parsing Content 385

HTTP Header Inspection 385

Buffering Content with Multiple Frames 386

Content Intelligent Server Load Balancing 387

URL-Based Server Load Balancing 387

Virtual Hosting 392

Cookie-Based Preferential Load Balancing 395

Browser-Smart Load Balancing 398

URL Hashing for Server Load Balancing 399

Header Hash Load Balancing 401

DNS Load Balancing 402

Content Intelligent Cache Redirection 405

URL-Based Cache Redirection 406

HTTP Header-Based Cache Redirection 415

Browser-Based Cache Redirection 416

URL Hashing for Cache Redirection 417

Exclusionary String Matching for Real Servers 421

Configuring for Exclusionary URL String Matching 421

Regular Expression Matching 423

Standard Regular Expression Characters 423

Configuring Regular Expressions 424

Content Precedence Lookup 425

Requirements 426

Using the *or* and *and* Operators 426

Assigning Multiple Strings 427

Layer 7 Deny Filters 428

Chapter 17: Persistence 431

Overview of Persistence 432

Using Source IP Address 432

Using Cookies 433

Using SSL Session ID 433

- Cookie-Based Persistence 434
 - Permanent and Temporary Cookies 435
 - Cookie Formats 435
 - Cookie Properties 436
 - Client Browsers that Do Not Accept Cookies 436
 - Cookie Modes of Operation 437
 - Configuring Cookie-Based Persistence 441
- Server-Side Multi-Response Cookie Search 447
- SSL Session ID-Based Persistence 448
 - How SSL Session ID-Based Persistence Works 448
- Windows Terminal Server Load Balancing and Persistence 450

Appendix A: Troubleshooting 453

- Monitoring Ports 454
 - Port Mirroring behavior 455
 - Configuring Port Mirroring 455
- Filtering the Session Dump 457

Appendix B: Radius Server Configuration Notes 459

Glossary 461

Index 465

Figures



Figure 1-1:	Switch management on the BladeCenter management module	28
Figure 1-2:	BOOTP Relay Agent Configuration	30
Figure 2-1:	Default VLAN settings	63
Figure 2-2:	Port-based VLAN assignment	64
Figure 2-3:	802.1Q tagging (after port-based VLAN assignment)	65
Figure 2-4:	802.1Q tag assignment	65
Figure 2-5:	802.1Q tagging (after 802.1Q tag assignment)	66
Figure 2-6:	Example 1: Multiple VLANs with VLAN-Tagged Gigabit Adapters	67
Figure 2-7:	Default Gateways per VLAN	69
Figure 3-1:	Port Trunk Group	76
Figure 3-2:	Port Trunk Group Configuration Example	79
Figure 4-1:	Using Multiple Instances of Spanning Tree Group	91
Figure 4-2:	Implementing Multiple Spanning Tree Groups	92
Figure 5-1:	The Router Legacy Network	101
Figure 5-2:	Switch-Based Routing Topology	102
Figure 5-3:	DHCP Relay Agent Configuration	110
Figure 8-1:	iBGP and eBGP	122
Figure 8-2:	Distributing Network Filters in Access Lists and Route Maps	124
Figure 8-3:	BGP Failover Configuration Example	130
Figure 8-4:	Route Aggregation and Default Route Redistribution	133
Figure 9-1:	OSPF Area Types	137
Figure 9-2:	OSPF Domain and an Autonomous System	138
Figure 9-3:	Injecting Default Routes	145
Figure 9-4:	OSPF Authentication	148
Figure 9-5:	A Simple OSPF Domain	152
Figure 9-6:	Configuring a Virtual Link	154
Figure 9-7:	Summarizing Routes	158
Figure 9-8:	Configuring OSPF Host Routes	161
Figure 10-1:	Traditional Versus SLB Network Configurations	173
Figure 10-2:	Web Hosting Configuration Without SLB	175
Figure 10-3:	Web Hosting with SLB Solutions	175
Figure 10-4:	Example Network for Client/Server Port Configuration	177
Figure 10-5:	Basic Virtual Port to Real Port Mapping Configuration	194
Figure 10-6:	Mapped and Nonmapped Server Access	199

- Figure 10-7: DoS SYN Attacks without Delayed Binding 200
- Figure 10-8: Repelling DoS SYN Attacks With Delayed Binding 201
- Figure 10-9: Session Initiation Protocol Load Balancing 204
- Figure 11-1: DNS Resolution with Global Server Load Balancing 211
- Figure 11-2: GSLB Topology Example 1 218
- Figure 11-3: GSLB Topology Example 2—with Standalone GSLB 231
- Figure 11-4: Configuring Client Proximity Table 240
- Figure 11-5: HTTP and Non-HTTP Redirects 243
- Figure 11-6: POP3 Request Fulfilled via IP Proxy 244
- Figure 12-1: Assigning Filters According to Range of Coverage 252
- Figure 12-2: Assigning Filters to Overlapping Ranges 253
- Figure 12-3: Assigning a Default Filter 253
- Figure 12-4: VLAN-based Filtering 255
- Figure 12-5: Configuring Clients with Different Rates 261
- Figure 12-6: Limiting User Access to Server 264
- Figure 12-7: Security Topology Example 266
- Figure 12-8: Static Network Address Translation 273
- Figure 12-9: Dynamic Network Address Translation 275
- Figure 12-10: Active FTP for Dynamic NAT 277
- Figure 12-11: TCP ACK Matching Network 280
- Figure 13-1: Traditional Network Without Cache Redirection 288
- Figure 13-2: Network with Cache Redirection 289
- Figure 15-1: Basic Layer 2 Failover 328
- Figure 15-2: Two trunks, each in a different Failover Trigger 329
- Figure 15-3: Two trunks, one Failover Trigger 330
- Figure 15-4: A VRRP Router 334
- Figure 15-5: VRRP Router in Active-Standby Configuration 336
- Figure 15-6: A Non-VRRP, Hot-standby Configuration 337
- Figure 15-7: Active-Standby Redundancy 338
- Figure 15-8: Active-Active Redundancy 339
- Figure 15-9: Hot-Standby Redundancy 340
- Figure 15-10: Active-Standby High-Availability Configuration 350
- Figure 15-11: Active-Active High-Availability Configuration 353
- Figure 15-12: Hot-Standby Configuration 362
- Figure 15-13: Four GbESM Active-Active-Active-Active example 369
- Figure 15-14: Active-Active Inter-Chassis Redundancy Link example 373
- Figure 15-15: Active-Active Configuration with L2 Trunk Failover 377
- Figure 16-1: Content Intelligent Load Balancing Example 384
- Figure 16-2: URL-Based Server Load Balancing 388
- Figure 16-3: Balancing Nontransparent Caches 399
- Figure 16-4: Load Balancing DNS Queries 402

Figure 16-5:	URL-Based Cache Redirection	408
Figure 16-6:	URL Hashing for Application Redirection	419
Figure 16-7:	Content Precedence Lookup Protectors Example	426
Figure 16-8:	Content Precedence Lookup Multiple Strings Example	427
Figure 16-9:	Configuring Layer 7 Deny Filter	429
Figure 17-1:	Cookie-Based Persistence: How It Works	434
Figure 17-2:	Insert Cookie Mode	438
Figure 17-3:	Passive Cookie Mode	439
Figure 17-4:	Rewrite Cookie Mode	440
Figure 17-5:	SSL Session ID-Based Persistence	449

Tables

Table 1-1:	GbESM IP addresses, based on switch-module bay numbers	26
Table 1-2:	User Access Levels	41
Table 1-3:	Alteon OS-proprietary Attributes for Radius	42
Table 1-4:	Default TACACS+ Authorization Levels	44
Table 1-5:	Alternate TACACS+ Authorization Levels	44
Table 2-1:	Route Cache Example	70
Table 3-1:	Actor vs. Partner LACP configuration	83
Table 4-1:	Ports, Trunk Groups, and VLANs	86
Table 4-2:	Ports, Trunk Groups, and VLANs	90
Table 5-1:	Subnet Routing Example: IP Address Assignments	103
Table 5-2:	Subnet Routing Example: IP Interface Assignments	103
Table 5-3:	Subnet Routing Example: Optional VLAN Ports	105
Table 5-4:	Local Routing Cache Address Ranges	107
Table 10-1:	Web Host Example: Real Server IP Addresses	178
Table 10-2:	Web Host Example: Port Usage	180
Table 10-3:	Well-Known Application Ports	182
Table 10-4:	Proxy IP addresses on GbE Switch Module	191
Table 10-5:	Proxy Example: Port Usage	192
Table 11-1:	GSLB Example: San Jose Real Server IP Addresses	221
Table 11-2:	GSLB Example: San Jose GbESM Port Usage	222
Table 11-3:	Denver Real Server IP Addresses	227
Table 11-4:	Web Host Example: Port Usage	228
Table 11-5:	HTTP Versus Non-HTTP Redirects	243
Table 12-1:	Well-Known Protocol Types	251
Table 12-2:	Filtering IP Address Ranges	259
Table 12-3:	Web Cache Example: Real Server IP Addresses	267
Table 12-4:	TCP Flags	279
Table 12-5:	ICMP Message Types	284
Table 13-1:	Cache Redirection Example: Real Server IP Addresses	290
Table 15-1:	Active-Standby Configuration	336
Table 15-2:	VRRP Tracking Parameters	344
Table 16-1:	Standard Regular Expression Special Characters	423
Table 16-2:	Real Server Content	428
Table 17-1:	Comparison Among the Three Cookie Modes	437

Preface

The *Alteon OS 21.0 Application Guide* describes how to configure and use the Alteon OS software on the Layer 2-7 GbE Switch Module for IBM BladeCenter. For documentation on installing the switch physically, see the *Installation Guide* for your GbE Switch Module (GbESM).

Who Should Use This Guide

This *Application Guide* is intended for network installers and system administrators engaged in configuring and maintaining a network. The administrator should be familiar with Ethernet concepts, IP addressing, Spanning Tree Protocol, and SNMP configuration parameters.

What You'll Find in This Guide

This guide will help you plan, implement, and administer Alteon OS software. Where possible, each section provides feature overviews, usage examples, and configuration instructions.

Part 1: Basic Switching

- **Chapter 1, “Accessing the Switch,”** describes how to access the GbE Switch Module to configure, view information and run statistics on the switch. This chapter also discusses different methods to manage the switch for remote administrators using specific IP addresses, RADIUS authentication, Secure Shell (SSH), and Secure Copy (SCP).
- **Chapter 2, “VLANs,”** describes how to configure Virtual Local Area Networks (VLANs) for creating separate network segments, including how to use VLAN tagging for devices that use multiple VLANs. This chapter also describes how Jumbo frames can be used to ease server processing overhead.
- **Chapter 3, “Ports and Trunking,”** describes how to group multiple physical ports together to aggregate the bandwidth between large-scale network devices.
- **Chapter 4, “Spanning Tree Group,”** discusses how Spanning Trees configure the network so that the switch uses the most efficient path when multiple paths exist.

Part 2: IP Routing

- [Chapter 5, “Basic IP Routing,”](#) describes how to configure the GbE Switch Module for IP routing using IP subnets, and DHCP Relay.
- [Chapter 6, “Routing Information Protocol,”](#) describes how the Alteon OS software implements standard RIP for exchanging TCP/IP route information with other routers.
- [Chapter 7, “IGMP Snooping,”](#) describes how the Alteon OS software implements IGMP Snooping to handle multicast traffic efficiently.
- [Chapter 8, “Border Gateway Protocol,”](#) describes BGP concepts and BGP features supported in Alteon OS.
- [Chapter 9, “OSPF,”](#) describes OSPF concepts, how OSPF is implemented in Alteon OS, and four examples of how to configure your switch for OSPF support.

Part 3: Application Switching Fundamentals

- [Chapter 10, “Server Load Balancing,”](#) describes how to configure the GbE Switch Module to balance network traffic among a pool of available servers for more efficient, robust, and scalable network services.
- [Chapter 11, “Global Server Load Balancing,”](#) describes configuring Server Load Balancing across multiple geographic sites.
- [Chapter 12, “Filtering,”](#) describes how to configure and optimize network traffic filters for security and Network Address Translation.
- [Chapter 13, “Application Redirection,”](#) describes how to use filters for redirecting traffic to such network streamlining devices as caches.
- [Chapter 14, “Health Checking,”](#) describes how to configure the GbE Switch Module to recognize the availability of the various network resources used with the various load-balancing and application redirection features.
- [Chapter 15, “High Availability,”](#) describes how to use the Virtual Router Redundancy Protocol (VRRP) to ensure that network resources remain available if one GbE Switch Module is removed for service.

Part 4: Advanced Switching

- [Chapter 16, “Content Intelligent Switching,”](#) describes how to perform load balancing and application redirection based on Layer 7 packet content information (such as URL, HTTP Header, browser type, and cookies).
- [Chapter 17, “Persistence,”](#) describes how to ensure that all connections from a specific client session reach the same server. Persistence can be based on cookies or SSL session ID.

- Appendix A, “Troubleshooting,” discusses two tools for troubleshooting your switch—monitoring ports and filtering session dumps.

Typographic Conventions

The following table describes the typographic styles used in this book.

Table 1 Typographic Conventions

Typeface or Symbol	Meaning	Example
AaBbCc123	This type is used for names of commands, files, and directories used within the text. It also depicts on-screen computer output and prompts.	View the <code>readme.txt</code> file. Main#
AaBbCc123	This bold type appears in command examples. It shows text that must be typed in exactly as shown.	Main# sys
<AaBbCc123>	This italicized type appears in command examples as a parameter placeholder. Replace the indicated text with the appropriate real name or value when using the command. Do not type the brackets. This also shows book titles, special terms, or words to be emphasized.	To establish a Telnet session, enter: host# telnet <IP address> Read your <i>User's Guide</i> thoroughly.
[]	Command items shown inside brackets are optional and can be used or excluded as the situation demands. Do not type the brackets.	host# ls [-a]

How to Get Help

If you need help, service, or technical assistance, see the "Getting help and technical assistance" appendix in the Nortel Networks *Layer 2-7 GbE Switch Module for IBM BladeCenter Installation Guide* on the IBM *BladeCenter Documentation CD*.

Part 1: Basic Switching

This section discusses basic Layer 1—2 switching functions. This includes how to access and manage the switch:

- Accessing the switch
- VLANs
- Port Trunking
- Spanning Tree Protocol



CHAPTER 1

Accessing the Switch

The Alteon OS software provides means for accessing, configuring, and viewing information and statistics about the GbE Switch Module. This chapter discusses different methods of accessing the switch and ways to secure the switch for remote administrators:

- “Management module setup” on page 26
- “Using Telnet” on page 29
- “Using the Browser-Based Interface” on page 31
- “Using SNMP” on page 33
- “Using the Console Port” on page 35
- “Securing Access to the Switch” on page 36
 - “Setting Allowable Source IP Address Ranges” on page 37
 - “RADIUS Authentication and Authorization” on page 38
 - “TACACS+ Authentication” on page 42
 - “Secure Shell and Secure Copy” on page 48
- “End User Access Control” on page 55

Management module setup

The BladeCenter GbE Switch Module is an integral subsystem within the overall BladeCenter system. The BladeCenter chassis includes a management module as the central element for overall chassis management and control.

You can use the 100-Mbps Ethernet port on the management module to configure and manage the GbE Switch Module. The GbE Switch Module communicates with the management module through its internal port 15 (MGT1) and port 16 (MGT2), which you can access through the 100 Mbps Ethernet port on the management module. The factory default settings will *only* permit management and control access to the switch module through the 10/100 Mbps Ethernet port on the management module. You can use the four external 10/100/1000 Mbps Ethernet ports on the switch module for management and control of the switch by selecting this mode as an option through the management module configuration utility program (see the applicable *BladeCenter Installation and User's Guide* publications on the IBM *BladeCenter Documentation* CD for more information).

Factory-Default vs. MM assigned IP Addresses

Each GbE Switch Module must be assigned its own Internet Protocol address, which is used for communication with an SNMP network manager or other transmission control protocol/Internet Protocol (TCP/IP) applications (for example, BootP or TFTP). The factory-default IP address is 10.90.90.9x, where x corresponds to the number of the bay into which the GbE Switch Module is installed. For additional information, see the *Installation Guide*). The management module assigns an IP address of 192.168.70.1xx, where xx corresponds to the number of the bay into which each GbE Switch Module is installed, as shown in the following table:

Table 1-1 GbESM IP addresses, based on switch-module bay numbers

Bay number	Factory-default IP address	IP address assigned by MM
Bay 1	10.90.90.91	192.168.70.127
Bay 2	10.90.90.92	192.168.70.128
Bay 3	10.90.90.94	192.168.70.129
Bay 4	10.90.90.97	192.168.70.130

NOTE – Switch Modules installed in Bay 1 and Bay 2 connect to server NICs 1 and 2, respectively. However, Windows operating systems show that Switch Modules installed in Bay 3 and Bay 4 connect to server NICs 4 and 3, respectively.

Default Gateway

The default Gateway IP address determines where packets with a destination address outside the current subnet should be sent. Usually, the default Gateway is a router or host acting as an IP gateway to handle connections to other subnets of other TCP/IP networks. If you want to access the GbE Switch Module from outside your local network, use the management module to assign a default Gateway address to the GbE Switch Module. Choose **I/O Module Tasks > Configuration** from the navigation pane on the left, and enter a default Gateway address (for example, 192.168.70.125). Click **Save**.

Configure management module for switch access

Complete the following initial configuration steps:

1. **Connect the Ethernet port of the management module to a 10/100 Mbps network (with access to a management station) or directly to a management station.**
2. **Access and log on to the management module, as described in the *BladeCenter Management Module User's Guide* on the *IBM BladeCenter Documentation CD*. The management module provides the appropriate IP addresses for network access (see the applicable *BladeCenter Installation and User's Guide* publications on the *IBM BladeCenter Documentation CD* for more information).**
3. **Select Configuration on the I/O Module Tasks menu on the left side of the BladeCenter management module window. See [Figure 1-1](#).**

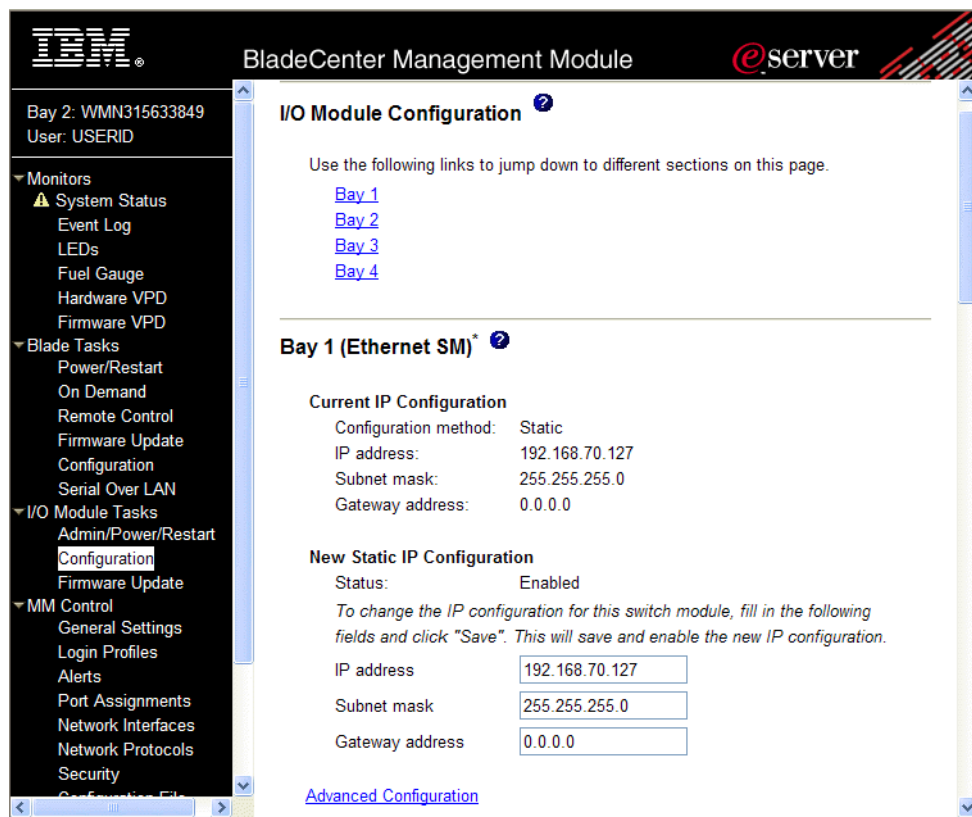


Figure 1-1 Switch management on the BladeCenter management module

4. You can use the default IP addresses provided by the management module, or you can assign a new IP address to the switch module through the management module. You can assign this IP address through one of the following methods:
 - Manually through the BladeCenter management module.
 - Automatically through the IBM Director Configuration Wizard

NOTE – If you change the IP address of the GbE Switch Module, make sure that the switch module and the management module both reside on the same subnet. Both management module ports (Ethernet 0 and Ethernet 1) must reside on the same subnet.

5. Enable the following features in the management module:

- External Ports (**I/O Module Tasks > Admin/Power/Restart > Advance Setup**)
- External management over all ports (**Configuration > Advanced Configuration**)
This setting is required if you want to access the management network through the external ports on the GbE Switch Module.

The default value is **Disabled** for both features. If these features are not already enabled, change the value to **Enabled**, then **Save**.

NOTE – In **Advanced Configuration > Advanced Setup**, enable “Preserve new IP configuration on all switch resets,” to retain the switch’s IP interface when you restore factory defaults. This setting preserves the management port’s IP address in the management module’s memory, so you maintain connectivity to the management module after a reset.

You can now start a Telnet session, Browser-Based Interface (Web) session, or a Secure Shell session to the GbE Switch Module.

Using Telnet

Use the management module to access the GbE Switch Module through Telnet. Choose **I/O Module Tasks > Configuration** from the navigation pane on the left. Select a bay number and click **Advanced Configuration > Start Telnet/Web Session > Start Telnet Session**. A Telnet window opens a connection to the Switch Module (requires Java 1.4 Plug-in).

Once that you have configured the GbE Switch Module with an IP address and gateway, you can access the switch from any workstation connected to the management network. Telnet access provides the same options for user and administrator access as those available through the management module, minus certain telnet and management commands.

To establish a Telnet connection with the switch, you can run the Telnet program on your workstation and issue the Telnet command, followed by the switch IP address:

```
telnet <switch IP address>
```

Connect to the Switch via SSH

The SSH (Secure Shell) protocol enables you to securely log into another computer over a network to execute commands remotely. As a secure alternative to using Telnet to manage switch configuration, SSH ensures that all data sent over the network is encrypted and secure. For more information, see “[Secure Shell and Secure Copy](#)” on page 48. For more information on the command-line interface (CLI), see the *Alteon OS Command Reference*.

BOOTP Relay Agent

The GbE Switch Module can function as a Bootstrap Protocol relay agent, enabling the switch to forward a client request for an IP address up to two BOOTP servers with IP addresses that have been configured on the switch.

When a switch receives a BOOTP request from a BOOTP client requesting an IP address, the switch acts as a proxy for the client. The request is then forwarded as a UDP Unicast MAC layer message to two BOOTP servers whose IP addresses are configured on the switch. The servers respond to the switch with a Unicast reply that contains the default gateway and IP address for the client. The switch then forwards this reply back to the client.

Figure 1-2 figure shows a basic BOOTP network example.

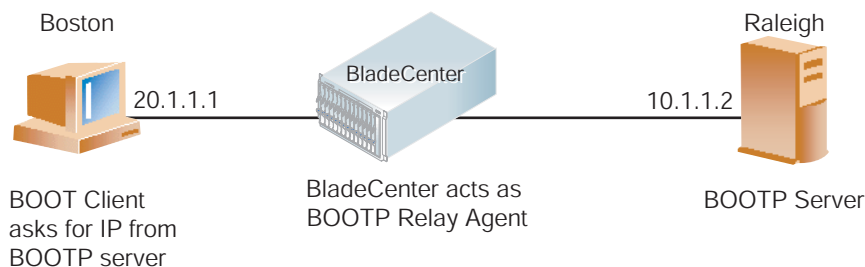


Figure 1-2 BOOTP Relay Agent Configuration

The use of two servers provide failover redundancy. The client request is forwarded to both BOOTP servers configured on the switch. However, no health checking is supported.

Configuring the BOOTP Relay Agent

To enable the GbE Switch Module to be the BOOTP forwarder, you need to configure the BOOTP server IP addresses on the switch, and enable BOOTP relay on the interface(s) on which the BOOTP requests are received.

Generally, you should configure the command on the switch IP interface that is closest to the client, so that the BOOTP server knows from which IP subnet the newly allocated IP address should come.

Use the following commands to configure the switch as a BOOTP relay agent:

```
>> # /cfg/l3/bootp
>> Bootstrap Protocol Relay# addr <IP-address>(IP address of BOOTP server)
>> Bootstrap Protocol Relay# addr2<IP-address>(IP address of 2nd BOOTP server)
>> Bootstrap Protocol Relay# on (Globally turn BOOTP relay on)
>> Bootstrap Protocol Relay# off (Globally turn BOOTP relay off)
>> Bootstrap Protocol Relay# cur (Display current configuration)
```

Use the following command to enable the Relay functionality on an IP interface:

```
>> # /cfg/l3/if <interface number>/relay ena
```

Using the Browser-Based Interface

Use the management module to access the GbE Switch Module through a Web session. Choose **I/O Module Tasks > Configuration** from the navigation pane on the left. Select a bay number and click **Advanced Configuration > Start Telnet/Web Session > Start Web Session**. A browser window opens a connection to the Switch Module (requires Java 1.4 Plug-in).

The Browser-based Interface (BBI) provides access to the common configuration, management and operation features of the GbE Switch Module through your Web browser. For more information, refer to the *BBI Quick Guide*.

By default, BBI access is enabled on the switch (`/cfg/sys/access/http ena`).

To establish a BBI connection with the switch, you can run a browser on your workstation and point it to the IP address of the Switch Module.

The BBI is organized at a high level as follows:

- **Configuration** – this section provides access to the configuration elements for the entire switch:
 - **Switch** – this menu provides access to the switch configuration elements.
 - **Spanning Tree Groups** – add and configure the switch spanning tree groups and the various configuration elements associated with them.

- ❑ **Virtual LANs** – add and configure the VLANs for the switch which includes selecting the participating ports and associated Spanning Tree Group.
- ❑ **RMON** – configure remote monitoring functions.
- ❑ **IP Routing** – configure all of the IP related information.
- ❑ **L4 Switching** – configure layer 4 information, including server load-balancing features and filters
- ❑ **Layer 7 Resource Definition** – configure layer 7 resources
- ❑ **Virtual Routing** – configure Virtual Router Redundancy Protocol
- **Statistics** – this section provides access to the switch statistics and state information.
- **Dashboard** – the Dashboard displays settings and operating status of a variety of switch features.

Configuring BBI Access via HTTP

To enable BBI access via HTTP, use the following command:

```
/cfg/sys/access/http ena
```

To change the HTTP web server port from the default port 80, use the following command:

```
/cfg/sys/access/wport <x>
```

To access the GbESM via the Browser-Based Interface, open a Web browser window and type in the URL using the IP interface address of the GbESM, such as `http://10.10.10.1`.

Configuring BBI Access via HTTPS

The BBI can also be accessed through a secure HTTPS connection over the management module interface or the console port.

To enable BBI Access via HTTPS, use the following command:

```
/cfg/sys/access/https/https ena
```

To change the HTTPS Web server port number from the default port 443, use the following command:

```
/cfg/sys/access/https/port <x>
```


Accessing the BBI via HTTPS requires that you generate a certificate to be used during the key exchange. A default certificate is created the first time HTTPS is enabled, but you can create a new certificate defining the information you want to be used in the various fields.

```
>> /cfg/sys/access/https/generate
Country Name (2 letter code) [  ]: <country code>
State or Province Name (full name) []: <state>
Locality Name (eg, city) []: <city>
Organization Name (eg, company) []: <company>
Organizational Unit Name (eg, section) []: <org. unit>
Common Name (eg, YOUR name) []: <name>
Email (eg, email address) []: <email address>
Confirm generating certificate? [y/n]: y
Generating certificate. Please wait (approx 30 seconds)
restarting SSL agent
```

The certificate can be saved to flash for use if the GbESM is rebooted by using the apply and save commands.

When a client (e.g. web browser) connects to the GbESM, the client is asked to accept the certificate and can verify that the fields are what the client expected. Once BBI access is granted to the client, you can use the BBI.

Using SNMP

The switch software provides Simple Network Management Protocol (SNMP) v1.0 support for access through any network management software, such as IBM Director or HP-OpenView.

SNMP is enabled by default. To change the setting, use the `/cfg/sys/access/snmp` command, and choose SNMP access as (disabled, read-only, or read-write) [d/r/w].

To access the SNMP agent on the GbE Switch Module, the read and write community strings on the SNMP manager should be configured to match those on the switch. The default read community string on the switch is `public` and the default write community string is `private`.

The read and write community strings on the switch can be changed using the following commands on the CLI:

```
>> /cfg/sys/ssnmp/rcomm
```

and

```
>> /cfg/sys/ssnmp/wcomm
```

The SNMP manager should be able to reach the management interface, or any one of the IP interfaces on the switch.

For the SNMP manager to receive the traps sent out by the SNMP agent on the switch, the trap host on the switch should be configured with the following command:

```
/cfg/sys/ssnmp/<trap1/trap2>
```

Alteon OS supports the following standard MIBs on the GbE Switch Module:

- RFC 1155, Structure and identification of management information for TCP/IP-based internets. M.T. Rose, K. McCloghrie. May-01-1990.
- RFC 1157, Simple Network Management Protocol (SNMP). J.D. Case, M. Fedor, M.L. Schoffstall, C. Davin. May-01-1990.
- RFC 1212, Concise MIB definitions. M.T. Rose, K. McCloghrie. Mar-01-1991.
- RFC 1213, Management Information Base for Network Management of TCP/IP-based internets: MIB-II. K. McCloghrie, M.T. Rose. Mar-01-1991.
- RFC 1493, Definitions of Managed Objects for Bridges. E. Decker, P. Langille, A. Rijssinghani, K. McCloghrie. July 1993.
- RFC 1573, Evolution of the Interfaces Group of MIB-II. K. McCloghrie, F. Kastenholz. January 1994.
- RFC 1643, Definitions of Managed Objects for the Ethernet-like Interface Types. F. Kastenholz. July 1994.
- RFC 2037, Entity MIB using SMIV2. K. McCloghrie, A. Bierman. October 1996. (Partial Support)

For more information on using SNMP, see the *Alteon OS Command Reference*.

Using the Console Port

The RS-232 console port allows you to connect directly to the GbESM from a computer or terminal. The console port provides an alternative path to manage and configure the switch. The console connection functions the same as an Ethernet connection for remote access to the command-line interface (CLI).

To establish a console (DCE) connection, connect an 8-pin DIN to DB9 serial console cable (26K6541) between the GbESM console port and an ASCII terminal or a computer running ASCII terminal emulation software that is set to the following values:

Baud Rate: 9600

Data Bits: 8

Parity: None

Stop Bits: 1

Flow Control: None

Emulate: VT100

Securing Access to the Switch

Secure switch management is needed for environments that perform significant management functions across the Internet. The following are some of the functions for secured management:

- Limiting management users to a specific IP address range. See [“Setting Allowable Source IP Address Ranges” on page 37](#)
- Authentication and authorization of remote administrators: see [“RADIUS Authentication and Authorization” on page 38](#)
- Encryption of management information exchanged between the remote administrator and the switch: see [“Secure Shell and Secure Copy” on page 48](#)

The following topics are addressed in this section:

- [“Setting Allowable Source IP Address Ranges” on page 37](#)
- [“RADIUS Authentication and Authorization” on page 38](#)
- [“TACACS+ Authentication” on page 42](#)
- [“Secure Shell and Secure Copy” on page 48](#)

Setting Allowable Source IP Address Ranges

To limit access to the switch without having to configure filters for each switch port, you can set a source IP address (or range) that will be allowed to connect to the switch IP interface through Telnet, SSH, SNMP, or the Alteon OS Browser-Based Interface (BBI). This will also help to prevent spoofing or attacks on the switch's TCP/IP stack.

When an IP packet reaches the switch, the source IP address is checked against the range of addresses defined by the management network and mask, (`mnet` and `mmask`). If the source IP address of the host or hosts are within this range, they are allowed to attempt to log in. Any packet addressed to a switch IP interface with a source IP address outside this range is discarded.

Configuring an IP Address Range for the Management Network

Configure Management network IP address and mask from the System menu in the Command Line Interface (CLI).

```
>> Main# /cfg/sys/access/mnet 192.192.192.0
Current management network:      0.0.0.0
New pending management network: 192.192.192.0
>> System Access# mmask 255.255.255.128
Current management netmask:     0.0.0.0
New pending management netmask: 255.255.255.128
```

In this example, the management network is set to 192.192.192.0 and management mask is set to 255.255.255.128. This defines the following range of allowed IP addresses: 192.192.192.1 to 192.192.192.126. The following source IP addresses are granted or not granted access to the switch:

- A host with a source IP address of 192.192.192.21 falls within the defined range and would be allowed to access the switch.

NOTE – A host with a source IP address of 192.192.192.192 falls outside the defined range and is not granted access. To make this source IP address valid, you would need to shift the host to an IP address within the valid range specified by the `mnet` and `mmask` or modify the `mnet` to be 192.192.192.128 and the `mmask` to be 255.255.255.128. This would put the 192.192.192.192 host within the valid range allowed by the `mnet` and `mmask` (192.192.192.129-254).

RADIUS Authentication and Authorization

Alteon OS supports the RADIUS (Remote Authentication Dial-in User Service) method to authenticate and authorize remote administrators for managing the switch. This method is based on a client/server model. The Remote Access Server (RAS)—the switch—is a client to the back-end database server. A remote user (the remote administrator) interacts only with the RAS, not the back-end server and database.

RADIUS authentication consists of the following components:

- A protocol with a frame format that utilizes UDP over IP (based on RFC 2138 and 2866)
- A centralized server that stores all the user authorization information
- A client, in this case, the switch

The GbE Switch Module—acting as the RADIUS client—communicates to the RADIUS server to authenticate and authorize a remote administrator using the protocol definitions specified in RFC 2138 and 2866. Transactions between the client and the RADIUS server are authenticated using a shared key that is not sent over the network. In addition, the remote administrator passwords are sent encrypted between the RADIUS client (the switch) and the back-end RADIUS server.

How Radius Authentication Works

1. **Remote administrator connects to the switch and provides user name and password.**
2. **Using Authentication/Authorization protocol, the switch sends request to authentication server.**
3. **Authentication server checks the request against the user ID database.**
4. **Using RADIUS protocol, the authentication server instructs the switch to grant or deny administrative access.**

Configuring RADIUS on the Switch

Use the following procedure to configure Radius authentication on your GbE Switch Module. For more information, see [Appendix B, “Radius Server Configuration Notes.”](#)

1. Turn RADIUS authentication on, then configure the Primary and Secondary RADIUS servers.

```
>> Main# /cfg/sys/radius                               (Select the RADIUS Server menu)
>> RADIUS Server# on                                   (Turn RADIUS on)
Current status: OFF
New status:      ON
>> RADIUS Server# prsrv 10.10.1.1                     (Enter primary server IP)
Current primary RADIUS server:      0.0.0.0
New pending primary RADIUS server: 10.10.1.1
>> RADIUS Server# secsrv 10.10.1.2                   (Enter secondary server IP)
Current secondary RADIUS server:     0.0.0.0
New pending secondary RADIUS server: 10.10.1.2
```

2. Configure the RADIUS secret.

```
>> RADIUS Server# secret
Enter new RADIUS secret: <1-32 character secret>
```



CAUTION—If you configure the RADIUS secret using any method other than through the console port or management module, the secret may be transmitted over the network as clear text.

3. If desired, you may change the default TCP port number used to listen to RADIUS.

The well-known port for RADIUS is 1645.

```
>> RADIUS Server# port
Current RADIUS port: 1645
Enter new RADIUS port [1500-3000]: <port number>
```

4. Configure the number retry attempts for contacting the RADIUS server, and the timeout period.

```
>> RADIUS Server# retries
Current RADIUS server retries: 3
Enter new RADIUS server retries [1-3]: < server retries>
>> RADIUS Server# time
Current RADIUS server timeout: 3
Enter new RADIUS server timeout [1-10]: 10 (Enter the timeout period in minutes)
```

RADIUS Authentication Features in Alteon OS

Alteon OS supports the following Radius authentication features:

- Supports Radius client on the switch, based on the protocol definitions in RFC 2138 and RFC 2866.
- Allows RADIUS secret password up to 32 bytes and less than 16 octets.
- Supports *secondary authentication server* so that when the primary authentication server is unreachable, the switch can send client authentication requests to the secondary authentication server. Use the `/cfg/sys/radius/cur` command to show the currently active RADIUS authentication server.
- Supports user-configurable RADIUS server retry and time-out values:
 - Time-out value = 1-10 seconds
 - Retries = 1-3

The switch will time out if it does not receive a response from the RADIUS server in 1-3 retries. The switch will also automatically retry connecting to the RADIUS server before it declares the server down.

- Supports user-configurable RADIUS application port. The default is 1645/UDP-based on RFC 2138. Port 1812 is also supported.
- Allows network administrator to define privileges for one or more specific users to access the switch at the RADIUS user database.
- SecurID is supported if the RADIUS server can do an ACE/Server client proxy. The password is the PIN number, plus the token code of the SecurID card.

Switch User Accounts

The user accounts listed in [Table 1-2](#) can be defined in the RADIUS server dictionary file.

Table 1-2 User Access Levels

User Account	Description and Tasks Performed	Password
User	The User has no direct responsibility for switch management. He/she can view all switch status information and statistics but cannot make any configuration changes to the switch.	user
SLB Operator	The SLB Operator manages content servers and other Internet services and their loads. In addition to being able to view all switch information and statistics, the SLB Operator can enable/disable servers using the SLB operation menu.	slboper
Layer 4 Operator	The Layer 4 Operator manages traffic on the lines leading to the shared Internet services. This user currently has the same access level as the SLB operator. This level is reserved for future use, to provide access to operational commands for operators managing traffic on the line leading to the shared Internet services.	l4oper
Operator	The Operator manages all functions of the switch. In addition to SLB Operator functions, the Operator can reset ports or the entire switch.	oper
SLB Administrator	The SLB Administrator configures and manages content servers and other Internet services and their loads. In addition to SLB Operator functions, the SLB Administrator can configure parameters on the SLB menus, with the exception of not being able to configure filters or bandwidth management.	slbadmin
Layer 4 Administrator	The Layer 4 Administrator configures and manages traffic on the lines leading to the shared Internet services. In addition to SLB Administrator functions, the Layer 4 Administrator can configure all parameters on the SLB menus, including filters and bandwidth management.	l4admin
Administrator	The super-user Administrator has complete access to all menus, information, and configuration commands on the switch, including the ability to change both the user and administrator passwords.	admin

RADIUS Attributes for Alteon OS User Privileges

When the user logs in, the switch authenticates his/her level of access by sending the RADIUS access request, that is, the client authentication request, to the RADIUS authentication server.

If the remote user is successfully authenticated by the authentication server, the switch will verify the *privileges* of the remote user and authorize the appropriate access. The administrator has an option to allow *backdoor* access via Telnet (`/cfg/sys/radius/telnet`). The default is `disable` for Telnet access. The administrator also can enable *secure backdoor* (`/cfg/sys/radius/secbd`), to allow access if both the primary and the secondary TACACS+ servers fail to respond.

NOTE – To obtain the RADIUS backdoor password for your GbESM, contact your IBM Service and Support line.

All user privileges, other than those assigned to the User and the Administrator, have to be defined in the RADIUS dictionary. Radius attribute 1, which is built into all Radius servers, defines the User. Radius attribute 6 defines the Administrator. The file name of the dictionary is RADIUS vendor-dependent. The following Radius attributes are defined for Alteon OS user privileges levels:

Table 1-3 Alteon OS-proprietary Attributes for Radius

User Name/Access	User-Service-Type	Value
User	<i>Vendor-supplied</i>	255
SLB Operator	<i>Vendor-supplied</i>	254
Layer 4 Operator	<i>Vendor-supplied</i>	253
Operator	<i>Vendor-supplied</i>	252
SLB Administrator	<i>Vendor-supplied</i>	251
Layer 4 Administrator	<i>Vendor-supplied</i>	250

TACACS+ Authentication

Alteon OS supports authentication and authorization with networks using the Cisco Systems TACACS+ protocol. The GbE Switch Module functions as the Network Access Server (NAS) by interacting with the remote client and initiating authentication and authorization sessions with the TACACS+ access server. The remote user is defined as someone requiring management access to the GbE Switch Module either through a data or management port.

TACACS+ offers the following advantages over RADIUS:

- TACACS+ uses TCP-based connection-oriented transport; whereas RADIUS is UDP-based. TCP offers a connection-oriented transport, while UDP offers best-effort delivery. RADIUS requires additional programmable variables such as re-transmit attempts and time-outs to compensate for best-effort transport, but it lacks the level of built-in support that a TCP transport offers.
- TACACS+ offers full packet encryption whereas RADIUS offers password-only encryption in authentication requests.
- TACACS+ separates authentication, authorization and accounting.

How TACACS+ Authentication Works

TACACS+ works much in the same way as RADIUS authentication as described on [page 38](#).

1. **Remote administrator connects to the switch and provides user name and password.**
2. **Using Authentication/Authorization protocol, the switch sends request to authentication server.**
3. **Authentication server checks the request against the user ID database.**
4. **Using TACACS+ protocol, the authentication server instructs the switch to grant or deny administrative access.**

If additional authorization checking is needed, the switch checks with a TACACS+ server to determine if the user is granted permission to use a particular command.

TACACS+ Authentication Features in Alteon OS

Authentication is the action of determining the identity of a user, and is generally done when the user first attempts to log in to a device or gain access to its services. Alteon OS supports ASCII inbound login to the device. Alteon OS does not support PAP, CHAP and ARAP login methods, and one-time password authentication.

Authorization

Authorization is the action of determining a user's privileges on the device, and usually takes place after authentication.

The default mapping between TACACS+ authorization levels and Alteon OS management access levels is shown in [Table 1-4](#). The authorization levels must be defined on the TACACS+ server.

Table 1-4 Default TACACS+ Authorization Levels

Alteon OS User Access Level	TACACS+ level
user	0
slboper	1
l4oper	2
oper	3
slbadmin	4
l4admin	5
admin	6

Alternate mapping between TACACS+ authorization levels and Alteon OS management access levels is shown in [Table 1-5](#). Use the command `/cfg/sys/tacacs/cmap ena` to use the alternate TACACS+ authorization levels.

Table 1-5 Alternate TACACS+ Authorization Levels

Alteon OS User Access Level	TACACS+ level
user	0 - 1
slboper	2 - 3
l4oper	4 - 5
oper	6 - 8
slbadmin	9 - 11
l4admin	12 - 13
admin	14 - 15

If the remote user is successfully authenticated by the authentication server, the switch will verify the *privileges* of the remote user and authorize the appropriate access. The administrator has an option to allow *backdoor* access via Telnet (`/cfg/sys/tacacs/telnet`). The default is `disable` for Telnet access. The administrator also can enable *secure backdoor* (`/cfg/sys/tacacs/secbd`), to allow access if both the primary and the secondary TACACS+ servers fail to respond.

NOTE – To obtain the TACACS+ backdoor password for your GbESM, contact your IBM Service and Support line.

Accounting

Accounting is the action of recording a user's activities on the device for the purposes of billing and/or security. It follows the authentication and authorization actions. If the authentication and authorization is not performed via TACACS+, there are no TACACS+ accounting messages sent out.

You can use TACACS+ to record and track software logins, configuration changes, and interactive commands.

The GbE Switch Module supports the following TACACS+ accounting attributes:

- protocol (console/telnet/ssh/http)
- start_time
- stop_time
- elapsed_time
- disc-cause

NOTE – When using the Browser-Based Interface, the TACACS+ Accounting Stop records are sent only if the **Quit** button on the browser is clicked.

Command Authorization and Logging

When TACACS+ Command Authorization is enabled (`/cfg/sys/tacacs/cauth ena`), Alteon OS configuration commands are sent to the TACACS+ server for authorization. When TACACS+ Command Logging is enabled (`/cfg/sys/tacacs/clog ena`), Alteon OS configuration commands are logged on the TACACS+ server.

The following examples illustrate the format of Alteon OS commands sent to the TACACS+ server:

```

authorization request, cmd=cfgtree, cmd-arg=/cfg/l3/if
accounting request, cmd=/cfg/l3/if, cmd-arg=1
authorization request, cmd=cfgtree, cmd-arg=/cfg/l3/if/ena
accounting request, cmd=/cfg/l3/if/ena
authorization request, cmd=cfgtree, cmd-arg=/cfg/l3/if/addr
accounting request, cmd=/cfg/l3/if/addr, cmd-arg=10.90.90.91

authorization request, cmd=apply
accounting request, cmd=apply

```

The following rules apply to TACACS+ command authorization and logging:

- Only commands from a Console, Telnet, or SSH connection are sent for authorization and logging. SNMP, BBI, or file-copy commands (for example, TFTP or sync) are not sent.
- Only leaf-level commands are sent for authorization and logging. For example, /cfg is not sent, but /cfg/l3/tacacs/cauth is sent.
- The full path of each command is sent for authorization and logging. For example, /cfg/sys/tacacs/cauth.
- Command arguments are not sent for authorization. For /cauth ena, only /cauth is authorized. The command and its first argument are logged, if issued on the same line.
- Only executed commands are logged.
- Invalid commands are checked by Alteon OS, and are not sent for authorization or logging.
- Authorization is performed on each leaf-level command separately. If the user issues multiple commands at once, each command is sent separately as a full path.
- Only the following global commands are sent for authorization and logging:
 - apply
 - diff
 - ping
 - revert
 - save
 - telnet
 - traceroute

TACACS+ Password Change

Alteon OS 21.0 supports TACACS+ password change. When enabled, users can change their passwords after successful TACACS+ authorization. Use the `/cfg/sys/tacacs/chpass` to enable or disable this feature.

Use the following commands to change the password for the primary and secondary TACACS+ servers:

```
>> # /cfg/sys/tacacs/passch_p          (Change primary TACACS+ password)
>> # /cfg/sys/tacacs/passch_s          (Change secondary TACACS+ password)
```

Configuring TACACS+ Authentication on the Switch

1. Turn TACACS+ authentication on, then configure the Primary and Secondary TACACS+ servers.

```
>> Main# /cfg/sys/tacacs          (Select the TACACS+ Server menu)
>> TACACS+ Server# on             (Turn TACACS+ on)
Current status: OFF
New status:      ON
>> TACACS+ Server# prsrv 10.10.1.1 (Enter primary server IP)
Current primary TACACS+ server:    0.0.0.0
New pending primary TACACS+ server: 10.10.1.1
>> TACACS+ Server# secsrv 10.10.1.2 (Enter secondary server IP)
Current secondary TACACS+ server:   0.0.0.0
New pending secondary TACACS+ server: 10.10.1.2
```

2. Configure the TACACS+ secret and second secret.

```
>> TACACS+ Server# secret
Enter new TACACS+ secret: <1-32 character secret>
>> TACACS+ Server# secret2
Enter new TACACS+ second secret: <1-32 character secret>
```



CAUTION—If you configure the TACACS+ secret using any method other than a direct console connection or through a secure management module connection, the secret may be transmitted over the network as clear text.

3. If desired, you may change the default TCP port number used to listen to TACACS+.

The well-known port for TACACS+ is 49.

```
>> TACACS+ Server# port
Current TACACS+ port: 49
Enter new TACACS+ port [1-65000]: <port number>
```

4. **Configure the number retry attempts for contacting the TACACS+ server, and the timeout period.**

```
>> TACACS+ Server# retries
Current TACACS+ server retries: 3
Enter new TACACS+ server retries [1-3]: <server retries>
>> TACACS+ Server# time
Current TACACS+ server timeout: 5
Enter new TACACS+ server timeout [4-15]: 10(Enter the timeout period in minutes)
```

5. **Apply and save the configuration.**

Secure Shell and Secure Copy

Secure Shell (SSH) and Secure Copy (SCP) use secure tunnels to encrypt and secure messages between a remote administrator and the switch. Telnet does not provide this level of security. The Telnet method of managing an GbE Switch Module does not provide a secure connection.

SSH is a protocol that enables remote administrators to log securely into the GbE Switch Module over a network to execute management commands.

SCP is typically used to copy files securely from one machine to another. SCP uses SSH for encryption of data on the network. On a GbE Switch Module, SCP is used to download and upload the switch configuration via secure channels.

The benefits of using SSH and SCP are listed below:

- Authentication of remote administrators
- Identifying the administrator using Name/Password
- Authorization of remote administrators
- Determining the permitted actions and customizing service for individual administrators
- Encryption of management messages
- Encrypting messages between the remote administrator and switch
- Secure copy support

The Alteon OS implementation of SSH supports both versions 1.5 and 2.0. and supports SSH clients version 1.5—2.x. The following SSH clients have been tested:

- SSH 1.2.23 and SSH 1.2.27 for Linux (freeware)
- SecureCRT 3.0.2 and SecureCRT 3.0.3 for Windows NT (Van Dyke Technologies, Inc.)
- F-Secure SSH 1.1 for Windows (Data Fellows)
- Putty SSH
- Cygwin OpenSSH
- Mac X OpenSSH
- Solaris 8 OpenSSH
- AxeSSH SSHPro
- SSH Communications Vandyke SSH A
- F-Secure

Configuring SSH/SCP features on the switch

Before you can use SSH commands, use the following commands to turn on SSH/SCP. SSH and SCP are disabled by default.

To enable or disable the SSH feature:

Begin a Telnet session from the management module and enter the following commands:

```
>> # /cfg/sys/access/sshd/on           (Turn SSH on)
Current status: OFF
New status: ON

>> # /cfg/sys/access/sshd/off         (Turn SSH off)
Current status: ON
New status: OFF
```

To enable or disable SCP apply and save:

Enter the following commands from the switch CLI to enable the SCP `putcfg_apply` and `putcfg_apply_save` commands:

```
>> # /cfg/sys/access/sshd/ena           (Enable SCP apply and save)
SSHD# apply                             (Apply the changes to start generating RSA
                                         host and server keys)

RSA host key generation starts
.....
RSA host key generation completes (lasts 212549 ms)
RSA host key is being saved to Flash ROM, please don't reboot
the box immediately.
RSA server key generation starts
.....
RSA server key generation completes (lasts 75503 ms)
RSA server key is being saved to Flash ROM, please don't reboot
the box immediately.
-----
Apply complete; don't forget to "save" updated configuration.

>> # /cfg/sys/access/sshd/dis           (Disable SSH/SCP apply and save)
```

Configuring the SCP Administrator Password

To configure the `scpadm` (SCP Administrator) password, first connect to the switch via the management module. For security reasons, the `scpadm` password may only be configured when connected through the management module.

To configure the password, enter the following command via the CLI. At factory default settings, the current SCP administrator password is `admin`.

```
>> /cfg/sys/access/sshd/scpadm
Changing SCP-only Administrator password; validation required...
Enter current administrator password: <password>
Enter new SCP-only administrator password: <new password>
Re-enter new SCP-only administrator password: <new password>
New SCP-only administrator password accepted.
```

Using SSH and SCP Client Commands

This section shows the format for using some client commands. The examples below use 205.178.15.157 as the IP address of a sample switch.

To log in to the switch:

Syntax:

```
ssh <switch IP address> or ssh -l <login-name> <switch IP address>
```

Example:

```
>> # ssh 205.178.15.157  
>> # ssh -l <login-name> 205.178.15.157 (Login to the switch)
```

To download the switch configuration using SCP:

Syntax:

```
scp <switch IP address>:getcfg <local filename>
```

Example:

```
>> # scp 205.178.15.157:getcfg ad4.cfg
```

To upload the configuration to the switch:

Syntax:

```
scp <local filename> <switch IP address>:putcfg
```

Example:

```
>> # scp ad4.cfg 205.178.15.157:putcfg
```

To apply and save the configuration

The `apply` and `save` commands are still needed after the last command (`scp ad4.cfg 205.178.15.157:putcfg`). Or, instead, you can use the following commands:

```
>> # scp ad4.cfg 205.178.15.157:putcfg_apply
>> # scp ad4.cfg 205.178.15.157:putcfg_apply_save
```

- The `diff` command is automatically executed at the end of `putcfg` to notify the remote client of the difference between the new and the current configurations.
- `putcfg_apply` runs the `apply` command after the `putcfg` is done.
- `putcfg_apply_save` saves the new configuration to the flash after `putcfg_apply` is done.
- The `putcfg_apply` and `putcfg_apply_save` commands are provided because extra `apply` and `save` commands are usually required after a `putcfg`; however, an SCP session is not in an interactive mode at all.

SSH and SCP Encryption of Management Messages

The following encryption and authentication methods are supported for SSH and SCP:

Server Host Authentication:	Client RSA authenticates the switch at the beginning of every connection
Key Exchange:	RSA
Encryption:	3DES-CBC, DES
User Authentication:	Local password authentication, RADIUS, SecurID (via RADIUS, TACACS+, for SSH only—does not apply to SCP)

Generating RSA Host and Server Keys for SSH Access

To support the SSH server feature, two sets of RSA keys (host and server keys) are required. The host key is 1024 bits and is used to identify the GbE Switch Module. The server key is 768 bits and is used to make it impossible to decipher a captured session by breaking into the GbE Switch Module at a later time.

When the SSH server is first enabled and applied, the switch automatically generates the RSA host and server keys and is stored in the FLASH memory.

NOTE – To configure RSA host and server keys, first connect to the GbE Switch Module through the console port or management module (commands are not available via external Telnet connection), and enter the following commands to generate them manually.

```
>> # /cfg/sys/access/sshd/hkeygen      (Generates the host key)
>> # /cfg/sys/access/sshd/skeygen      (Generates the server key)
```

These two commands take effect immediately without the need of an `apply` command.

When the switch reboots, it will retrieve the host and server keys from the FLASH memory. If these two keys are not available in the flash and if the SSH server feature is enabled, the switch automatically generates them during the system reboot. This process may take several minutes to complete.

The switch can also automatically regenerate the RSA server key. To set the interval of RSA server key autogeneration, use this command:

```
>> # /cfg/sys/access/sshd/intrval <number of hours (0-24)>
```

A value of 0 (zero) denotes that RSA server key autogeneration is disabled. When greater than 0, the switch will autogenerate the RSA server key every specified interval; however, RSA server key generation is skipped if the switch is busy doing other key or cipher generation when the timer expires.

NOTE – The switch will perform only one session of key/cipher generation at a time. Thus, an SSH/SCP client will not be able to log in if the switch is performing key generation at that time, or if another client has logged in immediately prior. Also, key generation will fail if an SSH/SCP client is logging in at that time.

SSH/SCP Integration with Radius Authentication

SSH/SCP is integrated with RADIUS authentication. After the RADIUS server is enabled on the switch, all subsequent SSH authentication requests will be redirected to the specified RADIUS servers for authentication. The redirection is transparent to the SSH clients.

SSH/SCP Integration with TACACS+ Authentication

SSH/SCP is integrated with TACACS+ authentication. After the TACACS+ server is enabled on the switch, all subsequent SSH authentication requests are redirected to the specified TACACS+ servers for authentication. The redirection is transparent to the SSH clients.

SecurID Support

SSH/SCP can also work with SecurID, a token card-based authentication method. The use of SecurID requires the interactive mode during login, which is not provided by the SSH connection.

NOTE – There is no SNMP or Browser-Based Interface (BBI) support for SecurID because the SecurID server, ACE, is a one-time password authentication and requires an interactive session.

Using SecurID with SSH

Using SecurID with SSH involves the following tasks.

- To log in using SSH, use a special username, “ace,” to bypass the SSH authentication.
- After an SSH connection is established, you are prompted to enter the username and password (the SecurID authentication is being performed now).
- Provide your username and the token in your SecurID card as a regular Telnet user.

Using SecurID with SCP

Using SecurID with SCP can be accomplished in two ways:

- Using a RADIUS server to store an administrator password.
You can configure a regular administrator with a fixed password in the RADIUS server if it can be supported. A regular administrator with a fixed password in the RADIUS server can perform both SSH and SCP with no additional authentication required.
- Using an SCP-only administrator password.
Use the command, `/cfg/sys/access/sshd/scpadm` to bypass the checking of SecurID.
An SCP-only administrator’s password is typically used when SecurID is used. For example, it can be used in an automation program (in which the tokens of SecurID are not available) to back up (download) the switch configurations each day.

NOTE – The SCP-only administrator’s password must be different from the regular administrator’s password. If the two passwords are the same, the administrator using that password will not be allowed to log in as an SSH user because the switch will recognize him as the SCP-only administrator. The switch will only allow the administrator access to SCP commands.

End User Access Control

Alteon OS allows an administrator to define end user accounts that permit end users to operationally act on their own real servers via the switch CLI commands. Once end user accounts are configured and enabled, the switch will require username/password authentication.

For example, an administrator can assign a user to manage real servers 1 and 2 only. The user can then log into the switch and perform operational commands (effective only until the next switch reboot), to enable or disable the real servers, or change passwords on the real servers.

Considerations for Configuring End User Accounts

- Only one user ID can be assigned to a real server resource to enable or disable a real server. Consequently, a single end user may be assigned the maximum number of real servers that can be configured on the switch, to the exclusion of any other users.
- A maximum of 10 user IDs are supported on the switch.
- The administrator must ensure that all real and backup servers or groups belonging to a virtual service are owned by the same end user ID. The switch will not automatically validate configurations. The criterion for displaying virtual service information for end users will be based on the validation of ownership of the first real server in the group for a given virtual server port.
- Alteon OS 21.0 supports end user support for Console and Telnet access to the switch. As a result, only very limited access will be granted to the Primary Administrator under the BBI/SSH1 mode of access.
- If RADIUS authentication is used, the user password on the Radius server will override the user password on the GbE Switch Module. Also note that the password change command on the switch ONLY modifies the use switch password and has no effect on the user password on the Radius server. Radius authentication and user password cannot be used concurrently to access the switch.
- Passwords can be up to 128 characters in length for TACACS, RADIUS, Telnet, SSH, Console, and Web access.

Strong Passwords

The administrator can require use of Strong Passwords for users to access the GbESM. Strong Passwords enhance security because they make password guessing more difficult.

The following rules apply when Strong Passwords are enabled:

- Each passwords must be 8 to 14 characters
- Within the first 8 characters, the password:
 - must have at least one number or one symbol
 - must have both upper and lower case letters
 - cannot be the same as any four previously used passwords

The following are examples of strong passwords:

- 1234AbcXyz
- Super+User
- Exo1cet2

The administrator can choose the number of days allowed before each password expires. When a strong password expires, the user is allowed to log in one last time (last time) to change the password. A warning provides advance notice for users to change the password.

Use the Strong Password menu to configure Strong Passwords.

```
>> # /cfg/sys/access/user/strongpw
```

User Access Control Menu

The end user access control menu is located in the System access menu.

```
>> # /cfg/sys/access/user
```

Setting up User IDs

Up to 10 user IDs can be configured in the User ID menu.

```
>> # /cfg/sys/access/user/uid 1
```


Defining User Names and Passwords

Use the User ID menu to define user names and passwords.

```
>> User ID 1 # name user1                                (Assign name to user ID 1)
Current user name:
New user name:      user1
>> User ID 1 # passwd                                    (Assign password to user ID 1)
Changing user password; validation required:
Enter current admin password: <current administrator password>
Enter new user1 password: <new user password>
Re-enter new user1 password: <new user password>
New user1 password accepted.
```

Defining a User's Access Level

The end user is by default assigned to the user access level (also known as class of service, or CoS). CoS for all user accounts have global access to all resources except for User CoS, which has access to view resources that the user owns only. For more information, see [Table 1-2 “User Access Levels” on page 41](#).

To change the user's level, enter the class of service `cos` command, and select one of the following options:

```
>> User ID 1 # cos <user/slboper/l4oper/oper/slbadmin/l4admin/admin>
```

Assigning One or More Real Servers to the End User

A single end user may be assigned up to 64 real servers. Once assigned, the real server cannot be assigned to any other user.

```
>> User ID 1 # add
Enter real server number: (1-64) 23
```

Validating a User's Configuration

```
User ID 2 # cur
  name jane      , dis, cos user      , password valid, offline
  real servers:
    23: 0.0.0.0, disabled, name , weight 1, timeout 20 mins, max-
con 200000
    24: 0.0.0.0, disabled, name , weight 1, timeout 20 mins, max-
con 200000
```

Enabling or Disabling a User

An end user account must be enabled before the switch will recognize and permit login under the account. Once enabled, the switch will require any user to enter both username and password.

```
>> # /cfg/sys/access/user/uid <#>/ena
>> # /cfg/sys/access/user/uid <#>/dis
```

Listing Current Users

The `cur` command displays defined user accounts and whether or not each user is currently logged into the switch.

```
# /cfg/sys/access/user/cur

Usernames:
  user      - Enabled
  slboper   - Disabled
  l4oper    - Disabled
  oper      - Disabled
  slbadmin  - Disabled
  l4admin   - Disabled
  admin     - Always Enabled

Current User ID table:
  1: name jane      , ena, cos user      , password valid, online
    real servers:
      1: 10.10.10.211, disabled, name , weight 1, timeout 10 mins,
maxcon 200000
      2: 10.10.10.212, enabled, name , weight 1, timeout 10 mins,
maxcon 200000
  2: name john      , ena, cos user      , password valid, online
    real servers:
      3: 10.10.10.213, enabled, name , weight 1, timeout 10 mins, maxcon
200000
```

Logging into an End User Account

Once an end user account is configured and enabled, the user can login to the switch username/password combination. The level of switch access is determined by the CoS established for the end user account.



CHAPTER 2

VLANs

This chapter describes network design and topology considerations for using Virtual Local Area Networks (VLANs). VLANs are commonly used to split up groups of network users into manageable broadcast domains, to create logical segmentation of workgroups, and to enforce security policies among logical segments. The following topics are discussed in this chapter:

- “VLANs and Port VLAN ID Numbers” on page 60
- “VLAN Tagging” on page 62
- “VLAN Topologies and Design Considerations” on page 66

This section discusses how you can logically connect users and segments to a host that supports many logical segments or subnets by using the flexibility of the multiple VLAN system.

- “VLANs and Default Gateways” on page 69

NOTE – Basic VLANs can be configured during initial switch configuration (see “Using the Setup Utility” in the *Alteon OS Command Reference*). More comprehensive VLAN configuration can be done from the Command Line Interface (see “VLAN Configuration” as well as “Port Configuration” in the *Alteon OS Command Reference*).

Overview

Setting up virtual LANs (VLANs) is a way to segment networks to increase network flexibility without changing the physical network topology. With network segmentation, each switch port connects to a segment that is a single broadcast domain. When a switch port is configured to be a member of a VLAN, it is added to a group of ports (workgroup) that belong to one broadcast domain.

Ports are grouped into broadcast domains by assigning them to the same VLAN. Frames received in one VLAN can only be forwarded within that VLAN, and multicast, broadcast, and unknown unicast frames are flooded only to ports in the same VLAN. The GbE Switch Module supports jumbo frames, up to 9,216 bytes.

VLANs and Port VLAN ID Numbers

VLAN Numbers

Alteon OS supports up to 1024 VLANs per switch. Even though the maximum number of VLANs supported at any given time is 1024, each can be identified with any number between 1 and 4095. VLAN 1 is the default VLAN for the external ports and the internal blade ports. VLAN 4095 is used by the management network, which includes the management ports and (by default) the internal blade ports. This configuration allows Serial over LAN (SoL) management, a feature available on certain server blades.

Viewing VLANs

- VLAN information menu:

```
>> Main# info/12/vlan
```

VLAN	Name	Status	Jumbo	Ports
1	Default VLAN	ena	n	EXT1 EXT4 INT1-INT14
2	VLAN 2	ena	n	EXT2 EXT3
4095	Mgmt Vlan	ena	n	MGT1 MGT2

NOTE – The sample screens that appear in this document might differ slightly from the screens displayed by your system. Screen content varies based on the type of BladeCenter unit that you are using and the firmware versions and options that are installed.

PVID Numbers

Each port in the switch has a configurable default VLAN number, known as its *PVID*. By default, the PVID for all non-management ports is set to 1, which correlates to the default VLAN ID. The PVID for each port can be configured to any VLAN number between 1 and 4094.

Viewing and Configuring PVIDs

Use the following CLI commands to view PVIDs:

- Port information:

```
>> /info/port
```

Alias	Port	Tag	FAST	RMON	PVID	NAME	VLAN(s)
INT1	1	y	n	d	1	INT1	1 4095
INT2	2	y	n	d	1	INT2	1 4095
INT3	3	y	n	d	1	INT3	1 4095
INT4	4	y	n	d	1	INT4	1 4095
INT5	5	y	n	d	1	INT5	1 4095
INT6	6	y	n	d	1	INT6	1 4095
INT7	7	y	n	d	1	INT7	1 4095
INT8	8	y	n	d	1	INT8	1 4095
INT9	9	y	n	d	1	INT9	1 4095
INT10	10	y	n	d	1	INT10	1 4095
INT11	11	y	n	d	1	INT11	1 4095
INT12	12	y	n	d	1	INT12	1 4095
INT13	13	y	n	d	1	INT13	1 4095
INT14	14	y	n	d	1	INT14	1 4095
MGT1	15	y	n	d	4095	MGT1	4095
MGT2	16	y	n	d	4095	MGT2	4095
EXT1	17	n	n	d	1	EXT1	1
EXT2	18	n	n	d	1	EXT2	1
EXT3	19	n	n	d	1	EXT3	1
EXT4	20	n	n	d	1	EXT4	1

NOTE – The sample screens that appear in this document might differ slightly from the screens displayed by your system. Screen content varies based on the type of BladeCenter unit that you are using and the firmware versions and options that are installed.

■ Port Configuration:

```
>> /cfg/port INT7/pvid 7
Current port VLAN ID: 1
New pending port VLAN ID: 7

>> Port INT7#
```

Each port on the switch can belong to one or more VLANs, and each VLAN can have any number of switch ports in its membership. Any port that belongs to multiple VLANs, however, must have VLAN *tagging* enabled (see “VLAN Tagging” on page 62).

VLAN Tagging

Alteon OS software supports 802.1Q VLAN *tagging*, providing standards-based VLAN support for Ethernet systems.

Tagging places the VLAN identifier in the frame header of a packet, allowing each port to belong to multiple VLANs. When you add a port to multiple VLANs, you must also enable tagging on that port.

Since tagging fundamentally changes the format of frames transmitted on a tagged port, you must carefully plan network designs to prevent tagged frames from being transmitted to devices that do not support 802.1Q VLAN tags, or devices where tagging is not enabled.

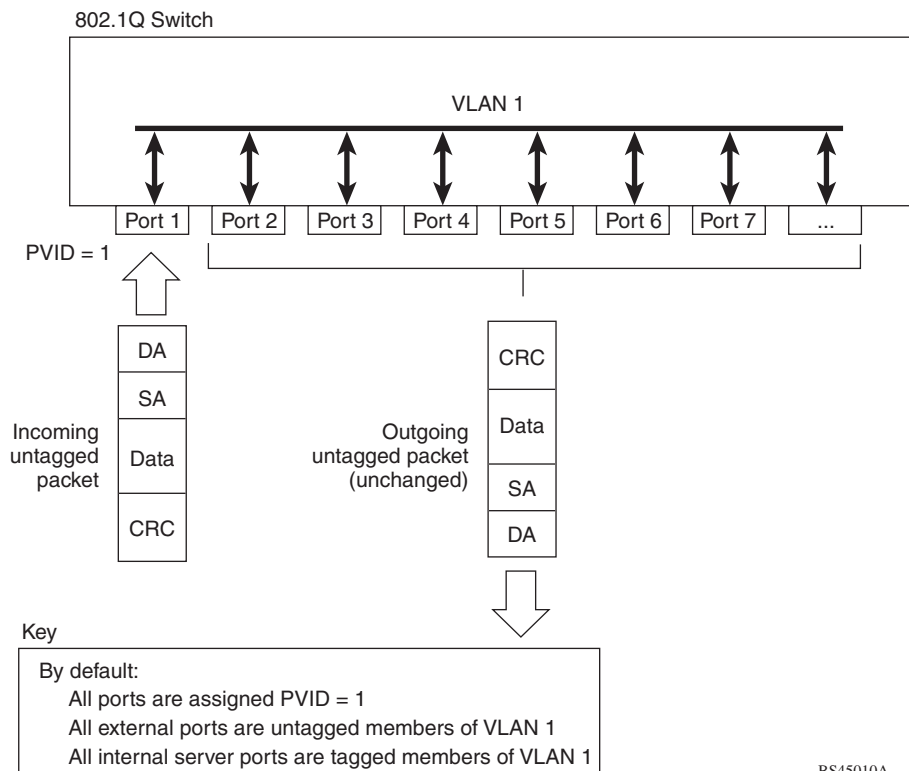
Important terms used with the 802.1Q tagging feature are:

- VLAN identifier (VID)—the 12-bit portion of the VLAN tag in the frame header that identifies an explicit VLAN.
- Port VLAN identifier (PVID)—a classification mechanism that associates a port with a specific VLAN. For example, a port with a PVID of 3 (PVID =3) assigns all untagged frames received on this port to VLAN 3. Any untagged frames received by the switch are classified with the PVID of the receiving port.
- Tagged frame—a frame that carries VLAN tagging information in the header. This VLAN tagging information is a 32-bit field (VLAN tag) in the frame header that identifies the frame as belonging to a specific VLAN. Untagged frames are marked (tagged) with this classification as they leave the switch through a port that is configured as a tagged port.
- Untagged frame—a frame that does not carry any VLAN tagging information in the frame header.

- **Untagged member**—a port that has been configured as an untagged member of a specific VLAN. When an untagged frame exits the switch through an untagged member port, the frame header remains unchanged. When a tagged frame exits the switch through an untagged member port, the tag is stripped and the tagged frame is changed to an untagged frame.
- **Tagged member**—a port that has been configured as a tagged member of a specific VLAN. When an untagged frame exits the switch through a tagged member port, the frame header is modified to include the 32-bit tag associated with the PVID. When a tagged frame exits the switch through a tagged member port, the frame header remains unchanged.

NOTE – If a 802.1Q tagged frame is received by a port that has VLAN-tagging disabled, then the frame is dropped at the ingress port.

Figure 2-1 Default VLAN settings



BS45010A

NOTE – The port numbers specified in these illustrations may not directly correspond to the physical port configuration of your switch model.

When a VLAN is configured, ports are added as members of the VLAN, and the ports are defined as either *tagged* or *untagged* (see [Figure 2-2](#) through [Figure 2-5](#)).

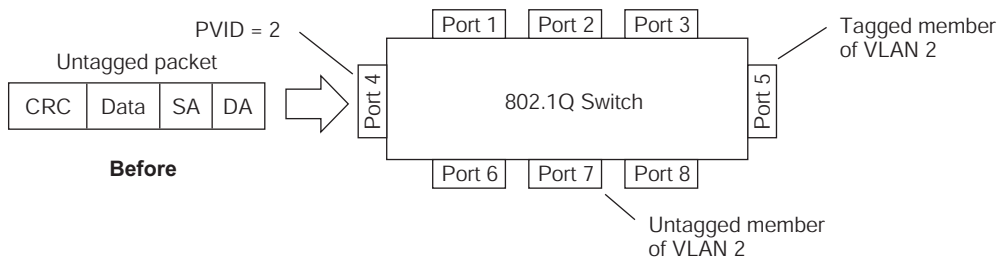
In [Figure 2-1](#), untagged incoming packets are assigned directly to VLAN 2 (PVID = 2). Port 5 is configured as a *tagged* member of VLAN 2, and port 7 is configured as an *untagged* member of VLAN 2.

The default configuration settings for GbE Switch Modules have all external ports set as untagged members of VLAN 1, with all non-management ports configured as PVID = 1. In the default configuration example shown in [Figure 2-1 on page 63](#), all incoming packets are assigned to VLAN 1 by the default port VLAN identifier (PVID = 1).

[Figure 2-2](#) through [Figure 2-5](#) illustrate generic examples of VLAN tagging.

NOTE – The port assignments in the following figures are not meant to match the GbE Switch Module.

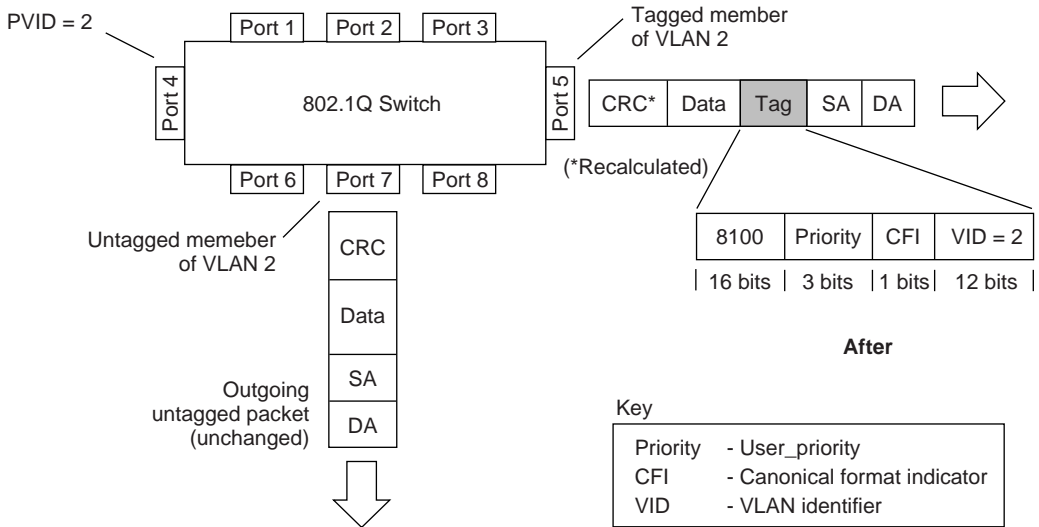
Figure 2-2 Port-based VLAN assignment



BS45011A

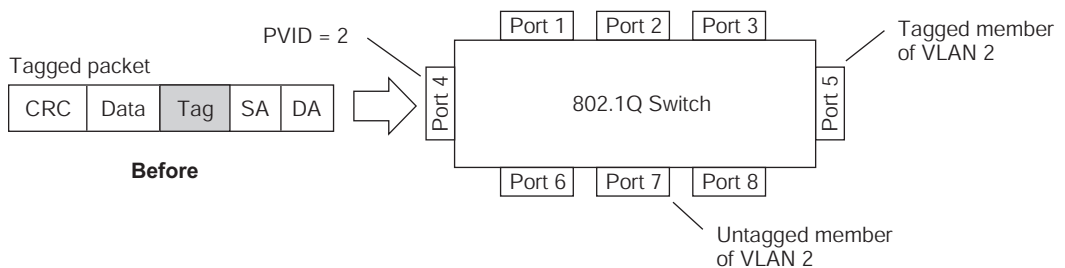
As shown in [Figure 2-3](#), the untagged packet is marked (tagged) as it leaves the switch through port 5, which is configured as a tagged member of VLAN 2. The untagged packet remains unchanged as it leaves the switch through port 7, which is configured as an untagged member of VLAN 2.

Figure 2-3 802.1Q tagging (after port-based VLAN assignment)



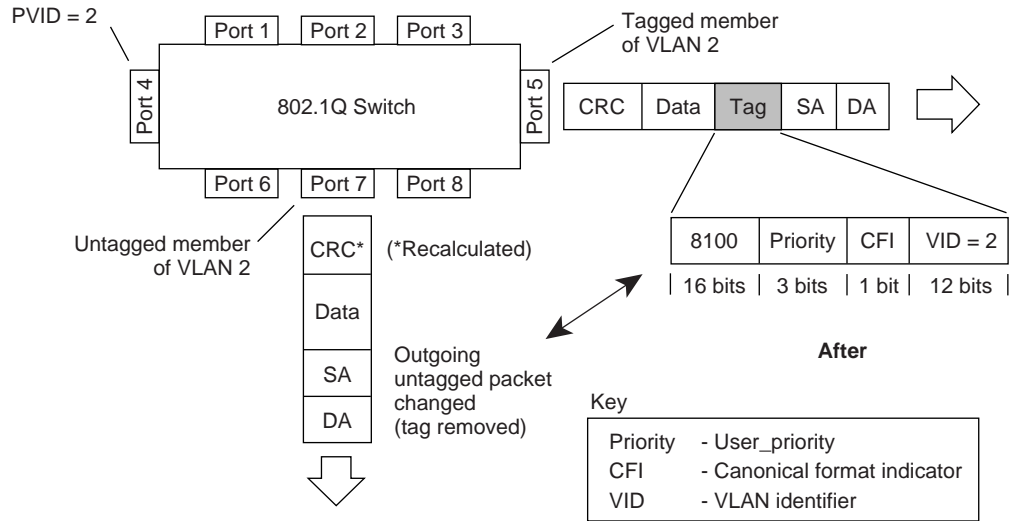
In [Figure 2-4](#), tagged incoming packets are assigned directly to VLAN 2 because of the tag assignment in the packet. Port 5 is configured as a *tagged* member of VLAN 2, and port 7 is configured as an *untagged* member of VLAN 2.

Figure 2-4 802.1Q tag assignment



As shown in Figure 2-5, the tagged packet remains unchanged as it leaves the switch through port 5, which is configured as a tagged member of VLAN 2. However, the tagged packet is stripped (untagged) as it leaves the switch through port 7, which is configured as an untagged member of VLAN 2.

Figure 2-5 802.1Q tagging (after 802.1Q tag assignment)



BS45014A

NOTE – Set the configuration to factory default (`/boot/conf factory`) to reset all non-management ports to VLAN 1.

VLAN Topologies and Design Considerations

- By default, the Alteon OS software is configured so that tagging is disabled on all external ports, and enabled for all internal ports.
- By default, the Alteon OS software is configured so that all internal ports are members of VLAN 1. These ports are also members of VLAN 4095 (the management VLAN), to allow Serial over LAN (SoL) management, a feature of certain server blades.
- By default, the Alteon OS software is configured so that the management ports are members of VLAN 4095 (the management VLAN).

- If configuring Spanning Tree Groups (STG), note that Spanning Tree Groups 2-32 may contain only one VLAN.

VLAN configuration rules

VLANs operate according to specific configuration rules. When creating VLANs, consider the following rules that determine how the configured VLAN reacts in any network topology:

- All ports involved in trunking and port mirroring must have the same VLAN configuration. If a port is on a trunk with a mirroring port, the VLAN configuration cannot be changed. For more information trunk groups, see [“Port Trunking Example” on page 79](#).
- All ports that are involved in port mirroring must have memberships in the same VLANs. If a port is configured for port mirroring, the port’s VLAN membership cannot be changed. For more information on configuring port mirroring, see [“Monitoring Ports” on page 454](#).
- Note that only Spanning Tree Group 1 can contain multiple VLANs. Spanning Tree Groups 2-32 each can contain only one VLAN.

Example 1: Multiple VLANs with Tagging Adapters

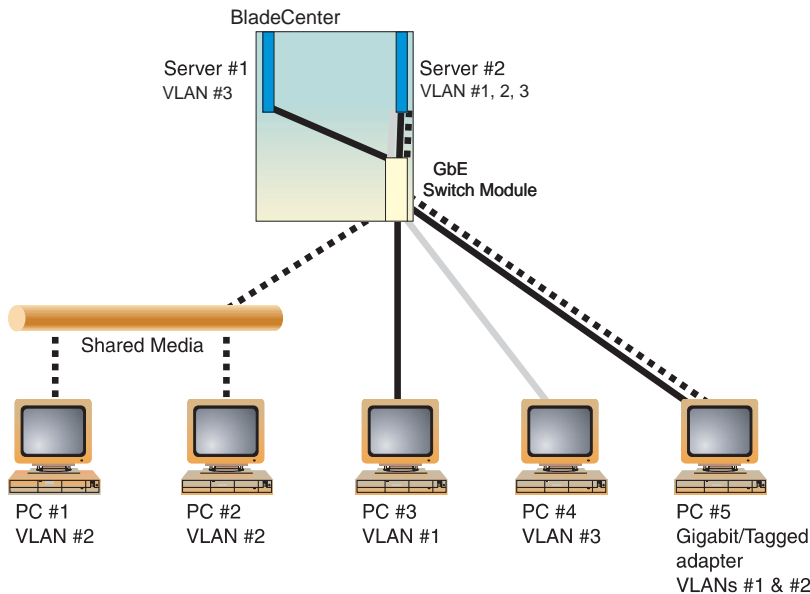


Figure 2-6 Example 1: Multiple VLANs with VLAN-Tagged Gigabit Adapters

The features of this VLAN are described below:

Component	Description
GbE Switch Module	This switch is configured for three VLANs that represent three different IP subnets. Two servers and five clients are attached to the switch.
Server #1	This server is a member of VLAN 3 and has presence in only one IP subnet. The associated internal switch port is only a member of VLAN 3, so tagging is disabled.
Server #2	This high-use server needs to be accessed from all VLANs and IP subnets. The server has a VLAN-tagging adapter installed with VLAN tagging turned on. The adapter is attached to one of the internal switch ports, that is a member of VLANs 1, 2, and 3, and has tagging enabled. Because of the VLAN tagging capabilities of both the adapter and the switch, the server is able to communicate on all three IP subnets in this network. Broadcast separation between all three VLANs and subnets, however, is maintained.
PCs #1 and #2	These PCs are attached to a shared media hub that is then connected to the switch. They belong to VLAN 2 and are logically in the same IP subnet as Server 2 and PC 5. The associated external switch port has tagging disabled.
PC #3	A member of VLAN 1, this PC can only communicate with Server 2 and PC 5. The associated external switch port has tagging disabled.
PC #4	A member of VLAN 3, this PC can only communicate with Server 1 and Server 2. The associated external switch port has tagging disabled.
PC #5	A member of both VLAN 1 and VLAN 2, this PC has a VLAN-tagging Gigabit Ethernet adapter installed. It can communicate with Server 2 and PC 3 via VLAN 1, and to Server 2, PC 1 and PC 2 via VLAN 2. The associated external switch port is a member of VLAN 1 and VLAN 2, and has tagging enabled.

NOTE – VLAN tagging is required only on ports that are connected to other GbE Switch Modules or on ports that connect to tag-capable end-stations, such as servers with VLAN-tagging adapters.

VLANs and Default Gateways

Alteon OS allows you to assign different gateways for each VLAN. You can effectively map multiple customers to specific gateways on a single switch. The benefits of segregating customers to different default gateways are:

- Resource optimization
- Enhanced customer segmentation
- Improved service differentiation

Segregating VLAN Traffic

Deploy this feature in an environment where you want to segregate VLAN traffic to a configured default gateway. In [Figure 2-7](#), VLANs 2 and 3 have different routing requirements. VLAN 2 is required to route traffic through default gateway 5 and VLAN 3 is required to route traffic through default gateway 6.

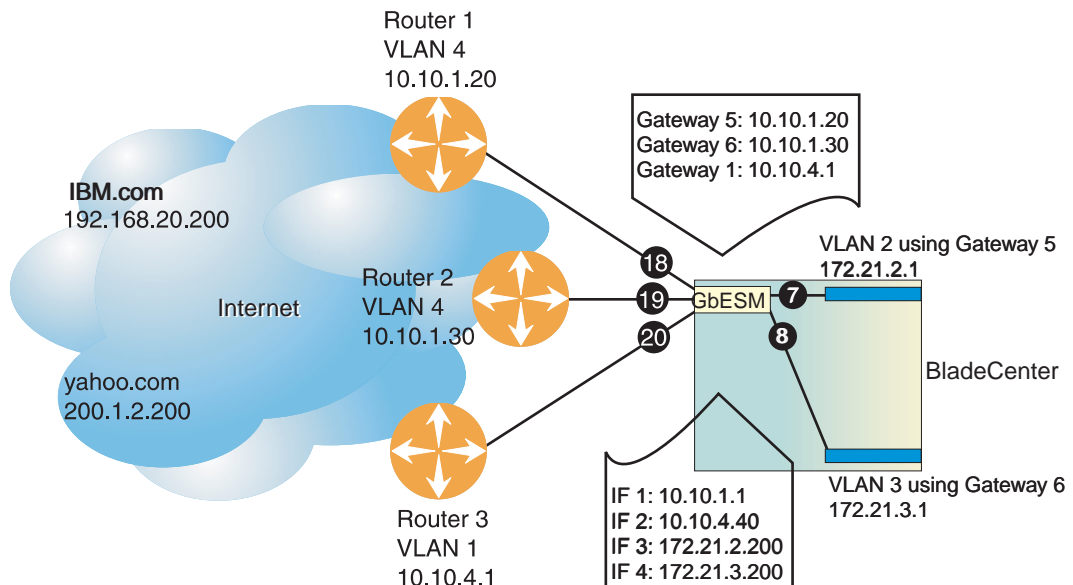


Figure 2-7 Default Gateways per VLAN

You can configure up to 254 gateways with one gateway per VLAN with values starting from 5 through 254. If the gateways per VLAN fail, then traffic is directed to default gateways 1 through 4. Default gateways 1 through 4 are used for load balancing session requests and as backup when a specific gateway that has been assigned to a VLAN is down.

In the example shown in [Figure 2-7](#), if gateways 5 or 6 fail, then traffic is directed to default gateway 1, which is configured with IP address 10.10.4.1. If default gateways 1 through 4 are not configured on the switch, then packets from VLAN 2 and VLAN 3 are discarded.

The route cache table on the switch records each session request by mapping the destination IP address with the MAC address of the default gateway. The command `/info/13/arp/dump` on the switch command line will display the entries in the route cache similar to those shown in [Table 2-1](#). The destination IP addresses (see the last two rows) are associated with the MAC addresses of the gateways.

Table 2-1 Route Cache Example

Destination IP address	Flags	MAC address	VLAN	Port	Referenced SPs
10.10.1.1	P	00:60:cf:46:48:60	4		1-2
10.10.1.20		00:60:cf:44:cd:a0	4	2 (Gig)	empty
10.10.1.30		00:60:cf:42:3b:40	4	3 (Gig)	empty
10.10.4.1		00:60:cf:42:77:e0	1	4 (Gig)	empty
10.10.4.40	P	00:60:cf:46:48:60	1		1-2
172.21.2.27		00:50:da:17:c8:05	2	7	1
172.21.2.200	P	00:60:cf:46:48:60	2		1-2
172.21.3.14		00:c0:4f:09:3e:56	3	8	2
172.21.3.200	P	00:60:cf:46:48:60	3		1-2
192.168.20.200	R	00:60:cf:44:cd:a0	4	5	1-2
200.1.2.200	R	00:60:cf:42:3b:40	4	6	1-2

As shown in [Table 2-1](#), traffic from VLAN 2 uses gateway 5 to access destination IP address 192.168.20.200. If traffic from VLAN 3 requests the same destination address, then traffic is routed via gateway 5 instead of gateway 6, because 192.168.20.200 in the route cache is mapped to gateway 5. If the requested route is not in the route cache, then the switch reads the routing table. If the requested route is not in the routing table, then the switch looks at the configured default gateway.

Configuring the Local Network

To completely segregate VLAN traffic to its own default gateway, you can configure the local network addresses of the VLAN. This will ensure that all traffic from VLAN 2 is forwarded to gateway 5 and all traffic from VLAN 3 is forwarded to gateway 6.

Typically, the switch routes traffic based on the routes in the routing table. The routing table will contain an entry of the configured local network with the default gateway. The route cache will not contain the route entry. This configuration provides a more secure environment, but affects performance if the routing table is close to its maximum capacity.

Configuring Gateways per VLAN

Follow this procedure to configure the example shown in [Figure 2-7 on page 69](#):

1. Assign an IP address for each router and client workstation.
2. Assign an IP interface for each subnet attached to the switch.

```

>> /cfg/l3/if 1                                     (Select IP interface 1 for gateway 5 &
                                                    6 subnet)
>> IP Interface 1# addr 10.10.1.1                  (Assign IP address for interface 1)
>> IP Interface 1# mask 255.255.255.0            (Assign mask for IF 1)
>> IP Interface 1# vlan 4                          (Assign VLAN 4 to IF 1)
>> IP Interface 1# ../if 2                         (Select IP interface 2 for gateway 1)
>> IP Interface 2# addr 10.10.4.40                 (Assign IP address for interface 2)
>> IP Interface 2# mask 255.255.255.0            (Assign mask for IF 2)
>> IP Interface 2# vlan 1                          (Assign VLAN 1 to IF 2)
>> IP Interface 2# ../if 3                         (Select IP interface 3 for VLAN 2
                                                    subnet)
>> IP Interface 3# addr 172.21.2.200              (Assign IP address for interface 3)
>> IP Interface 3# mask 255.255.255.0            (Assign mask for IF 3)
>> IP Interface 3# vlan 2                          (Assign VLAN 2 to IF 3)
>> IP Interface 3# ../if 4                         (Select IP interface 4 for VLAN 3)
                                                    subnet)
>> IP Interface 4# addr 172.21.3.200              (Assign IP address for interface 4)
>> IP Interface 4# mask 255.255.255.0            (Assign mask for IF 4)
>> IP Interface 4# vlan 3                          (Assign VLAN 3 to IF 4)

```

3. Configure the default gateways.

Configuring gateways 5 and 6 for VLANs 2 and 3 respectively. Configure default gateway 1 for load balancing session requests and as backup when gateways 5 and 6 fail.

```
>> /cfg/13/gw 5                               (Select gateway 5)
>> Default gateway 5# addr 10.10.1.20         (Assign IP address for gateway 5)
>> Default gateway 5# ../gw 6                 (Select default gateway 6)
>> Default gateway 6# addr 10.10.1.30         (Assign IP address for gateway 6)
>> Default gateway 6# ../gw 1                 (Select default gateway 1)
>> Default gateway 1# addr 10.10.4.1         (Assign IP address for gateway 1)
```

NOTE – The IP address for default gateways 1 to 4 must be unique. IP addresses for default gateways 5 to 254 can be set to the same IP address as the other gateways (including default gateway 1 to 4). For example, you can configure two default gateways with the same IP address for two different VLANs.

4. Add the VLANs to the gateways and enable them.

```
>> /cfg/13/gw 5                               (Select gateway 5)
>> Default gateway 5# vlan 2                   (Add VLAN 2 for default gateway 5)
>> Default gateway 5# ena                       (Enable gateway 5)
>> Default gateway 5# ../gw 6                 (Select gateway 6)
>> Default gateway 6# vlan 3                   (Add VLAN 3 for default gateway 6)
>> Default gateway 6# ena                       (Enable gateway 6)
>> Default gateway 6# ../gw 1                 (Select default gateway 1)
>> Default gateway 1# ena                       (Enable gateway 1 for all VLAN s)
```

5. Apply and verify your configuration.

```
>> Default gateway 1# ../cur                    (View current IP settings)
```

Examine the results under the gateway section. If any settings are incorrect, make the appropriate changes.

6. (Optional) Configure the local networks to ensure that the VLANs use the configured default gateways.

```
>> Layer 3# frwd/local                                (Select the local network Menu)
>> IP Forwarding# add 10.10.0.0                        (Specify the network for routers 1, 2,
& 3)
>> IP Forwarding# mask 255.255.0.0                    (Add the mask for the routers)
>> IP Forwarding# add 172.21.2.0                      (Specify the network for VLAN 2)
>> IP Forwarding# mask 255.255.255.0                 (Add the mask for VLAN 2 network)
>> IP Forwarding# add 172.21.3.0                      (Specify the network for VLAN 3)
>> IP Forwarding# mask 255.255.255.0                 (Add the mask for VLAN 3)
```

7. Apply and save your new configuration changes.

```
>> IP Forwarding# apply
>> IP Forwarding# save
```




CHAPTER 3

Ports and Trunking

Trunk groups can provide super-bandwidth, multi-link connections between GbE Switch Modules or other trunk-capable devices. A trunk group is a group of ports that act together, combining their bandwidth to create a single, larger virtual link. This chapter provides configuration background and examples for trunking multiple ports together:

- [“Overview”](#) on this page
- [“Port Trunking Example”](#) on page 79
- [“Configurable Trunk Hash Algorithm”](#) on page 81
- [“Link Aggregation Control Protocol”](#) on page 82

Overview

When using port trunk groups between two switches, as shown in [Figure 3-1](#), you can create a virtual link between the switches operating up to 4 Gig per second, depending on how many physical ports are combined. Each GbESM supports up to 13 trunk groups, consisting of one to four ports in each group. Both internal (INT1-INT14) and external ports (EXT1-EXT4) can become members of a trunk group.

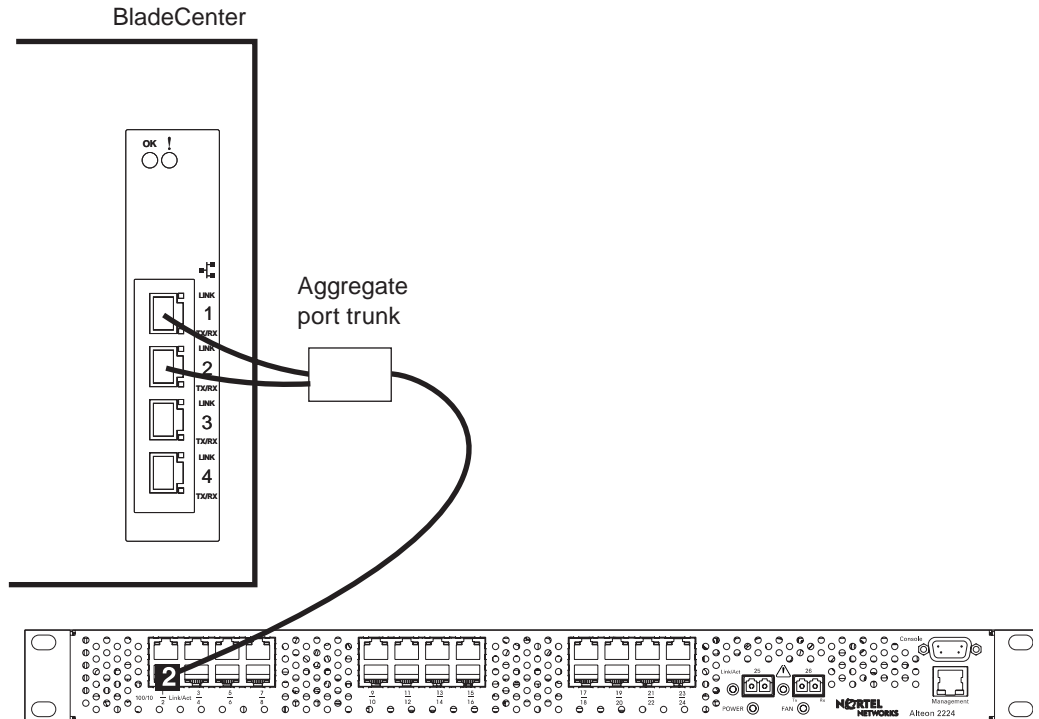


Figure 3-1 Port Trunk Group

Trunk groups are also useful for connecting a GbE Switch Module to third-party devices that support link aggregation, such as Cisco routers and switches with EtherChannel technology (*not* ISL trunking technology) and Sun's Quad Fast Ethernet Adapter. Nortel Networks trunk group technology is compatible with these devices when they are configured manually.

Statistical Load Distribution

Network traffic is statistically distributed between the ports in a trunk group. The Alteon OS-powered switch uses the Layer 2 MAC address information present in each transmitted frame for determining load distribution.

Each packet's particular combination of source and destination MAC addresses results in selecting one line in the trunk group for data transmission. If there are enough Layer 2 devices feeding the trunk lines, then traffic distribution becomes relatively even.

Built-In Fault Tolerance

Since each trunk group is comprised of multiple physical links, the trunk group is inherently fault tolerant. As long as one connection between the switches is available, the trunk remains active.

Statistical load balancing is maintained whenever a port in a trunk group is lost or returned to service.

Before you configure static trunks

When you create and enable a static trunk, the trunk members (switch ports) take on certain settings necessary for correct operation of the trunking feature.

Before you configure your trunk, you must consider these settings, along with specific configuration rules, as follows:

1. **Read the configuration rules provided in the section, “[Trunk group configuration rules](#)” on page 78.”**
2. **Determine which switch ports (up to four) are to become *trunk members* (the specific ports making up the trunk).**

Ensure that the chosen switch ports are set to `enabled`, using the `/cfg/port` command.

Trunk member ports must have the same VLAN configuration.

3. **Consider how the existing spanning tree will react to the new trunk configuration. See [Chapter 4, “Spanning Tree Group”](#) for spanning tree group configuration guidelines.**
4. **Consider how existing VLANs will be affected by the addition of a trunk.**

Trunk group configuration rules

The trunking feature operates according to specific configuration rules. When creating trunks, consider the following rules that determine how a trunk group reacts in any network topology:

- All trunks must originate from one device, and lead to one destination device. For example, you cannot combine a link from Server 1 and a link from Server 2, into one trunk group.
- Any physical switch port can belong to only one trunk group.
- Trunking from third-party devices must comply with Cisco® EtherChannel® technology.
- All trunk member ports must be assigned to the same VLAN configuration before the trunk can be enabled.
- If you change the VLAN settings of any trunk member, you cannot apply the change until you change the VLAN settings of all trunk members.
- When an active port is configured in a trunk, the port becomes a *trunk member* when you enable the trunk using the `/cfg/l2/trunk/ena` command. The spanning tree parameters for the port then change to reflect the new trunk settings.
- All trunk members must be in the same Spanning Tree Group (STG) and can belong to only one Spanning Tree Group (STG). However if all ports are *tagged*, then all trunk ports can belong to multiple STGs.
- If you change the Spanning Tree participation of any trunk member to enabled or disabled, the Spanning Tree participation of all members of that trunk changes similarly.
- When a trunk is enabled, the trunk Spanning Tree participation setting takes precedence over that of any trunk member.
- You cannot configure a trunk member as a monitor port in a port-mirroring configuration.
- Trunks cannot be monitored by a monitor port; however, trunk members can be monitored.
- To guarantee proper trunking behavior, all ports in static trunks must be configured for full-duplex mode (`cfg/port x/gig/mode full`).

Port Trunking Example

In the example below, three ports are trunked between two switches.

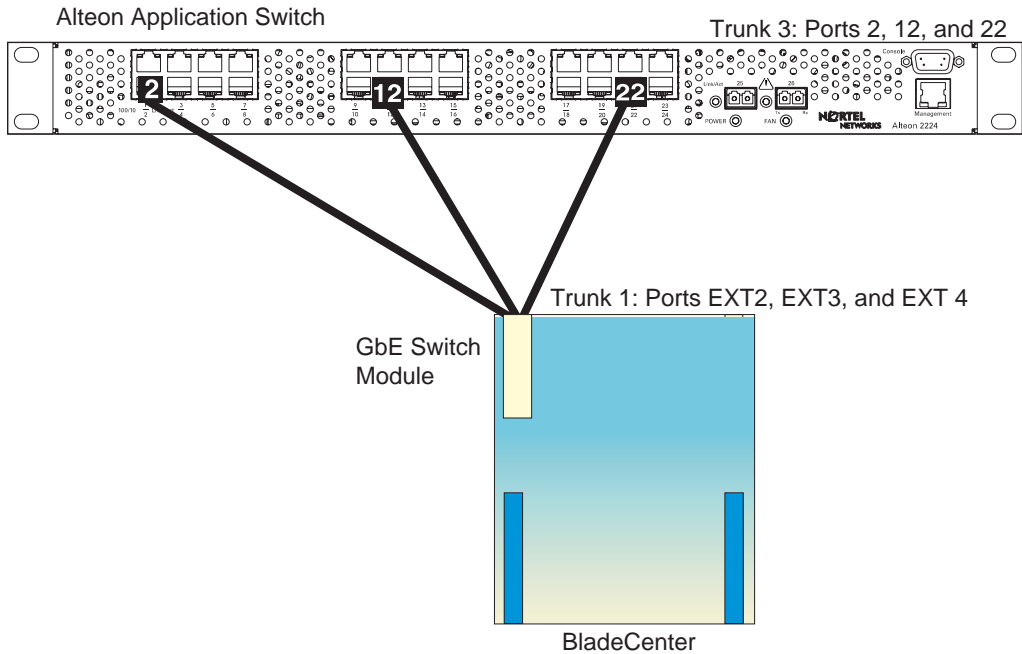


Figure 3-2 Port Trunk Group Configuration Example

Prior to configuring each switch in the above example, you must connect to the appropriate switch's Command Line Interface (CLI) as the administrator.

NOTE – For details about accessing and using any of the menu commands described in this example, see the *Alteon OS Command Reference*.

1. Connect the switch ports that will be involved in the trunk group.
2. Follow these steps on the GbESM:

- (a) Define a trunk group.

```
>> # /cfg/12/trunk 1           (Select trunk group 1)
>> Trunk group 1# add EXT2     (Add port EXT2 to trunk group 1)
>> Trunk group 1# add EXT3     (Add port EXT3 to trunk group 1)
>> Trunk group 1# add EXT4     (Add port EXT4 to trunk group 1)
>> Trunk group 1# ena         (Enable trunk group 1)
```

- (b) Apply and verify the configuration.

```
>> Trunk group 1# apply        (Make your changes active)
>> Trunk group 1# cur         (View current trunking configuration)
```

Examine the resulting information. If any settings are incorrect, make appropriate changes.

- (c) Save your new configuration changes.

```
>> Trunk group 1# save        (Save for restore after reboot)
```

3. Repeat the process on the other switch.

```
>> # /cfg/12/trunk 3           (Select trunk group 3)
>> Trunk group 3# add 2        (Add port 2 to trunk group 3)
>> Trunk group 3# add 12       (Add port 12 to trunk group 3)
>> Trunk group 3# add 22       (Add port 22 to trunk group 3)
>> Trunk group 3# ena         (Enable trunk group 3)
>> Trunk group 3# apply        (Make your changes active)
>> Trunk group 3# cur         (View current trunking configuration)
>> Trunk group 3# save        (Save for restore after reboot)
```

Trunk group 1 (on the GbESM) is now connected to trunk group 3 (on Alteon Application Switch).

NOTE – In this example, a GbE Switch Module and an application switch are used. If a third-party device supporting link aggregation is used (such as Cisco routers and switches with EtherChannel technology or Sun's Quad Fast Ethernet Adapter), trunk groups on the third-party device should be configured manually. Connection problems could arise when using automatic trunk group negotiation on the third-party device.

4. Examine the trunking information on each switch.

```
>> /info/12/trunk
```

(View trunking information)

Information about each port in each configured trunk group is displayed. Make sure that trunk groups consist of the expected ports and that each port is in the expected state.

The following restrictions apply:

- Any physical switch port can belong to only one trunk group.
- Up to four ports can belong to the same trunk group.
- Best performance is achieved when all ports in any given trunk group are configured for the same speed.
- Trunking from third-party devices must comply with Cisco® EtherChannel® technology.

Configurable Trunk Hash Algorithm

This feature allows you to configure the particular parameters for the GbESM Trunk Hash algorithm instead of having to utilize the defaults. You can configure new default behavior for Layer 2 traffic and Layer 3 traffic using the CLI menu **cfg/12/thash**. You can select a minimum of one or a maximum of two parameters to create one of the following configurations:

- Source IP (SIP)
- Destination IP (DIP)
- Source MAC (SMAC)
- Destination MAC (DMAC)
- Source IP (SIP) + Destination IP (DIP)
- Source MAC (SMAC) + Destination MAC (DMAC)
- Source MAC (SMAC) + Source IP (SIP)
- Source MAC (SMAC) + Destination IP (DIP)

Link Aggregation Control Protocol

Link Aggregation Control Protocol (LACP) is an IEEE 802.3ad standard for grouping several physical ports into one logical port (known as a dynamic trunk group or Link Aggregation group) with any device that supports the standard. Please refer to IEEE 802.3ad-2002 for a full description of the standard.

The 802.3ad standard allows standard Ethernet links to form a single Layer 2 link using the Link Aggregation Control Protocol (LACP). Link aggregation is a method of grouping physical link segments of the same media type and speed in full duplex, and treating them as if they were part of a single, logical link segment. If a link in a LACP trunk group fails, traffic is reasigned dynamically to the remaining link/s of the dynamic trunk group.

NOTE – LACP implementation in Alteon OS 21.0 does not support the Churn machine, an option used to detect if the port is operable within a bounded time period between the actor and the partner. Only the Market Responder is implemented, and there is no marker protocol generator.

A port's Link Aggregation Identifier (LAG ID) determines how the port can be aggregated. The Link Aggregation ID (LAG ID) is constructed mainly from the *system ID* and the port's *admin key*, as follows:

System ID is an integer value based on the switch's MAC address and the system priority assigned in the CLI.

Admin key

A port's Admin key is an integer value (1 - 65535) that you can configure in the CLI. Each GbESM port that participates in the same LACP trunk group must have the same *admin key* value. The Admin key is *local significant*, which means the partner switch does not need to use the same Admin key value.

For example, consider two switches, an Actor (the GbESM) and a Partner (another switch), as shown in [Table 3-1](#).

Table 3-1 Actor vs. Partner LACP configuration

Actor Switch	Partner Switch 1	Partner Switch 2
Port EXT1 (admin key = 100)	Port 1 (admin key = 50)	
Port EXT2 (admin key = 100)	Port 2 (admin key = 50)	
Port EXT3 (admin key = 200)		Port 3 (admin key = 60)
Port EXT4 (admin key = 200)		Port 4 (admin key = 60)

In the configuration shown in [Table 3-1](#), Actor switch ports EXT1 and EXT2 aggregate to form an LACP trunk group with Partner switch ports 1 and 2. At the same time, Actor switch ports EXT3 and EXT4 form a different LACP trunk group with a different partner.

LACP automatically determines which member links can be aggregated and then aggregates them. It provides for the controlled addition and removal of physical links for the link aggregation.

Each port in the GbESM can have one of the following LACP modes.

- off (default)
The user can configure this port in to a regular static trunk group.
- active
The port is capable of forming an LACP trunk. This port sends LACPDU packets to partner system ports.
- passive
The port is capable of forming an LACP trunk. This port only responds to the LACPDU packets sent from an LACP *active* port.

Each active LACP port transmits LACP data units (LACPDUs), while each passive LACP port listens for LACPDUs. During LACP negotiation, the admin key value is exchanged. The LACP trunk group is enabled as long as the information matches at both ends of the link. If the admin key value changes for a port at either end of the link, that port's association with the LACP trunk group is lost.

When the system is initialized, all ports by default are in LACP *off* mode and are assigned unique *admin keys*. To make a group of ports aggregatable, you assign them all the same *admin key*. You must set the port's LACP mode to *active* to activate LACP negotiation. You can set other port's LACP mode to *passive*, to reduce the amount of LACPDU traffic at the initial trunk-forming stage.

Use the `/info/12/trunk` command or the `/info/12/lacp/dump` command to check whether the ports are trunked.

Configuring LACP

Use the following procedure to configure LACP for port EXT1 and port EXT2 to participate in link aggregation.

1. Set the LACP mode on port EXT1.

```
>> # /cfg/12/lacp/port EXT1           (Select port EXT1)
>> LACP port EXT1# mode active        (Set port EXT1 to LACP active mode)
```

2. Define the admin key on port EXT1. Only ports with the same admin key can form a LACP trunk group.

```
>> LACP port EXT1# adminkey 100       (Set port EXT1 adminkey to 100)
Current LACP port adminkey:          17
New pending LACP port adminkey:     100
```

3. Set the LACP mode on port EXT2.

```
>> # /cfg/12/lacp/port EXT2           (Select port EXT2)
>> LACP port EXT2# mode active        (Set port EXT2 to LACP active mode)
```

4. Define the admin key on port EXT2.

```
>> LACP port EXT2# adminkey 100       (Set port EXT2 adminkey to 100)
Current LACP port adminkey:          18
New pending LACP port adminkey:     100
```

5. Apply and verify the configuration.

```
>> LACP port EXT2# apply               (Make your changes active)
>> LACP port EXT2# cur                 (View current trunking configuration)
```

6. Save your new configuration changes.

```
>> LACP port EXT2# save                (Save for restore after reboot)
```



CHAPTER 4

Spanning Tree Group

When multiple paths exist on a network, Spanning Tree Group (STG) configures the network so that a switch uses only the most efficient path. The following topics are discussed in this chapter:

- “Overview” on page 86
- “Bridge Protocol Data Units (BPDUs)” on page 87
- “Multiple Spanning Trees” on page 90

Overview

Spanning Tree Group (STG) detects and eliminates logical loops in a bridged or switched network. STG forces redundant data paths into a standby (blocked) state. When multiple paths exist, Spanning Tree configures the network so that a switch uses only the most efficient path. If that path fails, Spanning Tree automatically sets up another active path on the network to sustain network operations.

The relationship between port, trunk groups, VLANs, and Spanning Trees is shown in [Table 4-1](#).

Table 4-1 Ports, Trunk Groups, and VLANs

Switch Element	Belongs to
Port	Trunk group or One or more VLANs
Trunk group	One or more VLANs
VLAN	One Spanning Tree group

NOTE – Due to Spanning Tree’s sequence of listening, learning, and forwarding or blocking, lengthy delays may occur.

You can use Port Fast Forwarding (`/cfg/port x/fastfwd/ena`) to permit a port that participates in Spanning Tree to bypass the Listening and Learning states and enter directly into the Forwarding state. While in the Forwarding state, the port listens to the BPDUs to learn if there is a loop and, if dictated by normal STG behavior (following priorities, etc), the port transitions into the Blocking state. This feature permits the GbE Switch Module to interoperate well within Rapid Spanning Tree networks.

Bridge Protocol Data Units (BPDUs)

To create a Spanning Tree, the switch generates a configuration Bridge Protocol Data Unit (BPDU), which it then forwards out of its ports. All switches in the Layer 2 network participating in the Spanning Tree gather information about other switches in the network through an exchange of BPDUs.

A BPDU is a 64-byte packet that is sent out at a configurable interval, which is typically set for two seconds. The BPDU is used to establish a path, much like a “hello” packet in IP routing. BPDUs contain information about the transmitting bridge and its ports, including bridge and MAC addresses, bridge priority, port priority, and path cost. If the ports are tagged, each port sends out a special BPDU containing the tagged information.

The generic action of a switch on receiving a BPDU is to compare the received BPDU to its own BPDU that it will transmit. If the received BPDU is better than its own BPDU, it will replace its BPDU with the received BPDU. Then, the switch adds its own bridge ID number and increments the path cost of the BPDU. The switch uses this information to block any necessary ports.

Determining the Path for Forwarding BPDUs

When determining which port to use for forwarding and which port to block, the GbE Switch Module uses information in the BPDU, including each bridge priority ID. A technique based on the “lowest root cost” is then computed to determine the most efficient path for forwarding.

Bridge Priority

The bridge priority parameter controls which bridge on the network is the STG root bridge. To make one switch the root bridge, configure the bridge priority lower than all other switches and bridges on your network. The lower the value, the higher the bridge priority. The bridge priority is configured using the `/cfg/l2/stg x/brg/prior` command in the CLI.

Port Priority

The port priority helps determine which bridge port becomes the designated port. In a network topology that has multiple bridge ports connected to a single segment, the port with the lowest port priority becomes the designated port for the segment. The port priority is configured using the `/cfg/l2/stg x/port x/prior` command in the CLI.

Port Path Cost

The port path cost assigns lower values to high-bandwidth ports, such as Gigabit Ethernet, to encourage their use. The cost of a port also depends on whether the port operates at full-duplex (lower cost) or half-duplex (higher cost). For example, if a 100-Mbps (Fast Ethernet) link has a “cost” of 10 in half-duplex mode, it will have a cost of 5 in full-duplex mode. The objective is to use the fastest links so that the route with the lowest cost is chosen. A value of 0 indicates that the default cost will be computed for an auto-negotiated link speed.

Spanning Tree Group configuration guidelines

This section provides important information on configuring Spanning Tree Groups (STGs):

Adding a VLAN to a Spanning Tree Group

- If no VLANs exist beyond the default VLAN 1 see [“Creating a VLAN” on page 88](#) for information on adding ports to VLANs.
- Add the VLAN to the STG using the `/cfg/12/stg <stg-#>/add <vlan-number>` command.

NOTE – To ensure proper operation with switches that use Cisco Per VLAN Spanning Tree (PVST+), you must either:
create a separate STG for each VLAN, or
manually add all associated VLANs into a single STG.

Creating a VLAN

When you create a VLAN, that VLAN automatically belongs to STG 1, the default STG. If you want the VLAN in another STG, you must move the VLAN by assigning it to another STG.

Move a newly created VLAN to an existing STG by following this order:

- Create the VLAN
- Add the VLAN to an existing STG
- You cannot delete or move VLAN 1 from STG 1.

VLANs must be contained *within* a single STG; a VLAN cannot span multiple STGs. By confining VLANs within a single STG, you avoid problems with spanning tree blocking ports and causing a loss of connectivity within the VLAN. When a VLAN spans multiple switches, the VLAN must be within the same Spanning Tree Group (have the same STG ID) across all the switches.

- If ports are tagged, all trunked ports can belong to multiple STGs.
- A port that is not a member of any VLAN cannot be added to any STG. The port must be added to a VLAN, and that VLAN added to the desired STG.

Rules for VLAN Tagged ports

- Tagged ports can belong to more than one STG, but untagged ports can belong to only one STG.
- When a tagged port belongs to more than one STG, the egress BPDUs are tagged to distinguish the BPDUs of one STG from those of another STG.
- An untagged port cannot span multiple STGs.

Adding and removing ports from STGs

- When you add a port to a VLAN that belongs to an STG, the port is also added to the STG. However, if the port you are adding is an untagged port and is already a member of an STG, that port will not be added to an additional STG because an untagged port cannot belong to more than one STG.

For example, assume that VLAN 1 belongs to STG 1. You add an untagged port, port 1, that does not belong to any STG to VLAN 1, and port 1 will become part of STG 1.

If you add *untagged* port 5 (which is a member to STG 2) to STG 1, the switch will prompt you to change the PVID from 2 to 1:

```
"Port 5 is an UNTAGGED port and its current PVID is 2.
Confirm changing PVID from 2 to 1 [y/n]:" y
```

- When you remove a port from VLAN that belongs to an STG, that port will also be removed from the STG. However, if that port belongs to another VLAN in the same STG, the port remains in the STG.

As an example, assume that port 1 belongs to VLAN 1, and VLAN 1 belongs to STG 1. When you remove port 1 from VLAN 1, port 1 is also removed from STG 1.

However, if port 1 belongs to both VLAN 1 and VLAN 2 and both VLANs belong to STG 1, removing port 1 from VLAN 1 does not remove port 1 from STG 1 because VLAN 2 is still a member of STG 1.

- An STG cannot be deleted, only disabled. If you disable the STG while it still contains VLAN members, Spanning Tree will be off on all ports belonging to that VLAN.

The relationship between port, trunk groups, VLANs, and Spanning Trees is shown in [Table 4-1](#).

Table 4-2 Ports, Trunk Groups, and VLANs

Switch Element	Belongs to
Port	Trunk group or One or more VLANs
Trunk group	One or more VLANs
VLAN (non-default)	One Spanning Tree group

Multiple Spanning Trees

Each GbE Switch Module supports a maximum of 32 Spanning Tree Groups (STGs). Multiple STGs provide multiple data paths, which can be used for load-balancing and redundancy.

You enable load balancing between two GbE Switch Modules using multiple STGs by configuring each path with a different VLAN and then assigning each VLAN to a separate STG. Each STG is independent. Each STG sends its own Bridge Protocol Data Units (BPDUs), and each STG must be independently configured.

The STG, or bridge group, forms a loop-free topology that includes one or more virtual LANs (VLANs). The switch supports 32 STGs running simultaneously. The default STG 1 may contain an unlimited number of VLANs. All other STGs 2-32 may contain one VLAN each.

Default Spanning Tree configuration

In the default configuration, a single STG with the ID of 1 includes all non-management ports on the switch. It is called the default STG. Although ports can be added to or deleted from the default STG, the default STG (STG 1) itself cannot be deleted from the system. Also you cannot delete the default VLAN (VLAN 1) from STG 1.

All other STGs, except the default STG and the management STG (32), are empty and VLANs must be added by the user. However, you cannot assign ports directly to an STG. Add ports to a VLAN and add the VLAN to the STG. Each STG is enabled by default, and assigned an ID number from 2 to 32.

Why Do We Need Multiple Spanning Trees?

Figure 4-1 shows a simple example of why we need multiple Spanning Trees. Two VLANs, VLAN 1 and VLAN 100 exist between application switch A and GbE Switch Module B. If you have a single Spanning Tree Group, the switches see an apparent loop, and one VLAN may become blocked, affecting connectivity, even though no actual loop exists.

If VLAN 1 and VLAN 100 belong to different Spanning Tree Groups, then the two instances of Spanning Tree separate the topology without forming a loop. Both VLANs can forward packets between the switches without losing connectivity.

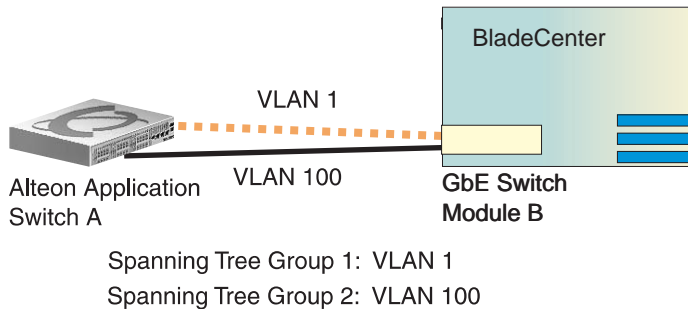


Figure 4-1 Using Multiple Instances of Spanning Tree Group

Switch-Centric Spanning Tree Group

In Figure 4-2 on page 92, VLAN 2 is shared by application switch A and GbE Switch Module B on ports 8 and 17 respectively. Application Switch A identifies VLAN 2 in Spanning Tree Group 2 and GbE Switch Module B identifies VLAN 2 in Spanning Tree Group 1. Spanning Tree Group is switch-centric—it is used to identify the VLANs participating in the Spanning Tree Groups. The Spanning Tree Group ID is not transmitted in the BPDU. Each Spanning Tree decision is based on the configuration of that switch.

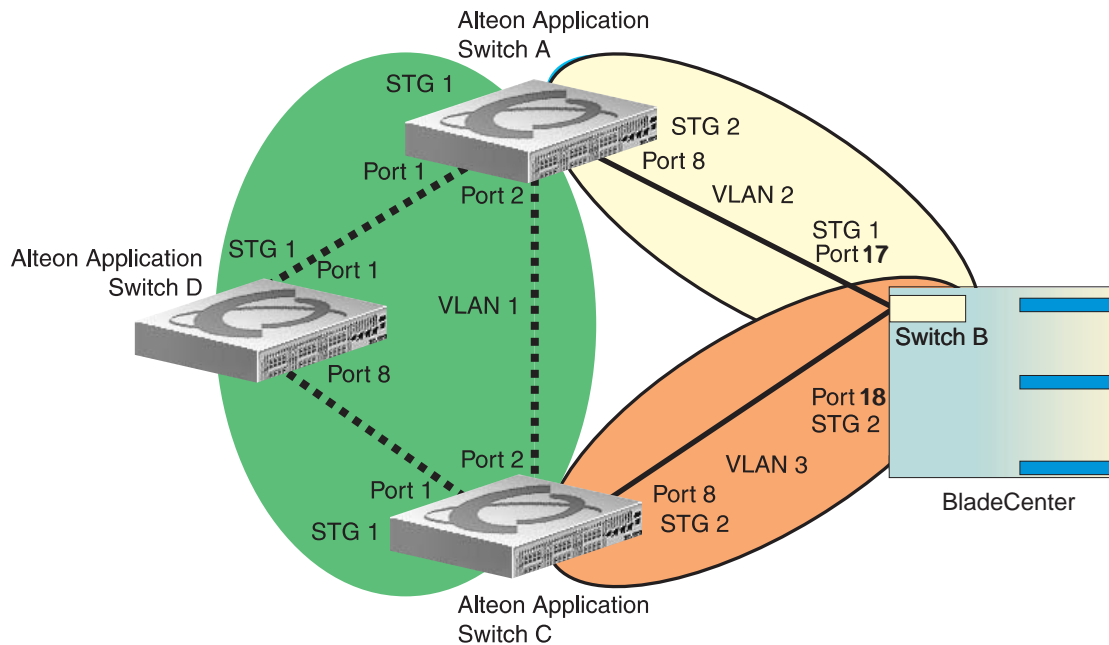


Figure 4-2 Implementing Multiple Spanning Tree Groups

VLAN Participation in Spanning Tree Groups

The VLAN participation for each Spanning Tree Group in [Figure 4-2 on page 92](#) is discussed in the following sections:

■ VLAN 1 Participation

If application switch A is the root bridge, then application switch A will transmit the BPDU for VLAN 1 on ports 1 and 2. Application switch C receives the BPDU on its port 2 and application switch D receives the BPDU on its port 1. Application switch D will block port 8 or application switch C will block port 1 depending on the information provided in the BPDU.

■ VLAN 2 Participation

Application switch A, the root bridge generates another BPDU for Spanning Tree Group 2 and forwards it out from port 8. GbE Switch Module B receives this BPDU on its port 1. Port 1 on GbE Switch Module B is on VLAN 2, Spanning Tree Group 1. Because switch B has no additional ports participating in Spanning Tree Group 1, this BPDU is not be forwarded to any additional ports and application switch A remains the designated root.

■ VLAN 3 Participation

For VLAN 3 you can have GbE Switch Module B or application switch C to be the root bridge. If switch B is the root bridge for VLAN 3, Spanning Tree Group 2, then switch B transmits the BPDU out from port 2. Application switch C receives this BPDU on port 8 and is identified as participating in VLAN 3, Spanning Tree Group 2. Since application switch C has no additional ports participating in Spanning Tree Group 2, this BPDU is not forwarded to any additional ports and GbE Switch Module B remains the designated root.

Configuring Multiple Spanning Tree Groups

This configuration shows how to configure the three instances of Spanning Tree Groups on the switches A, B, C, and D illustrated in [Figure 4-2 on page 92](#).

By default Spanning Trees 2-15 are empty, and Spanning Tree Group 1 contains all configured VLANs until individual VLANs are explicitly assigned to other Spanning Tree Groups. You can have only one VLAN per Spanning Tree Group except for Spanning Tree Group 1.

1. Configure the following on application switch A:

Add port 8 to VLAN 2 and define Spanning Tree Group 2 for VLAN 2.

```
>> # /cfg/12/vlan2                (Select VLAN 2 menu)
>> VLAN 2# add 8                  (Add port 8)
>> VLAN 2# ../stg 2              (Select Spanning Tree Group 2)
>> Spanning Tree Group 2# add 2   (Add VLAN 2)
```

VLAN 2 is automatically removed from Spanning Tree Group 1.

2. Configure the following on GbE Switch Module B:

Add port 1 to VLAN 2, port 2 to VLAN 3 and define Spanning Tree Groups 2 for VLAN 3.

```
>> # /cfg/12/vlan2                (Select VLAN 2 menu)
>> VLAN 2# add 17                 (Add port 17)
>> VLAN 2# ../vlan3              (Select VLAN 3 menu)
>> VLAN 3# add 18                 (Add port 18)
>> VLAN 3# ../stg 2              (Select Spanning Tree Group 2)
>> Spanning Tree Group 2# add 3   (Add VLAN 3)
```

VLAN 3 is automatically removed from Spanning Tree Group 1, and VLAN 2 remains in Spanning Tree Group 1 by default.

NOTE – Each instance of Spanning Tree Group is enabled by default.

3. Configure the following on application switch C:

Add port 8 to VLAN 3 and define Spanning Tree Group 3 for VLAN 3.

>> # /cfg/12/vlan3	<i>(Select VLAN 3 menu)</i>
>> VLAN 3# add 8	<i>(Add port 8)</i>
>> VLAN 3# ../stg 2	<i>(Select Spanning Tree Group 2)</i>
>> Spanning Tree Group 2# add 3	<i>(Add VLAN 3)</i>

VLAN 3 is automatically removed from Spanning Tree Group 1 and by default VLAN 2 remains in Spanning Tree Group 1.

NOTE – Application Switch D does not require any special configuration for multiple Spanning Trees, because it is configured for the default Spanning Tree Group (STG 1) only.

Port Fast Forwarding

Port Fast Forwarding permits a port that participates in Spanning Tree to bypass the Listening and Learning states and enter directly into the Forwarding state. While in the Forwarding state, the port listens to the BPDUs to learn if there is a loop and, if dictated by normal STG behavior (following priorities, etc.), the port transitions into the Blocking state.

This feature permits the GbE Switch Module to interoperate well within Rapid Spanning Tree (RSTP) networks.

Configuring Port Fast Forwarding

Use the following CLI commands to enable Port Fast Forwarding on an external port.

>> # /cfg/port ext1	<i>(Select port EXT 1)</i>
>> Port EXT1# fastfwd ena	<i>(Enable Port Fast Forwarding)</i>
>> Port EXT1# apply	<i>(Make your changes active)</i>
>> Port EXT1# save	<i>(Save for restore after reboot)</i>

Fast Uplink Convergence

Fast Uplink Convergence enables the GbESM to quickly recover from the failure of the primary link or trunk group in a Layer 2 network using Spanning Tree Protocol. Normal recovery can take as long as 50 seconds, while the backup link transitions from Blocking to Listening to Learning and then Forwarding states. With Fast Uplink Convergence enabled, the GbESM immediately places the secondary path into Forwarding state, and sends multicasts of addresses in the forwarding database (FDB) and ARP table over the secondary link so that upstream switches can learn the new path.

Configuration Guidelines

When you enable Fast Uplink Convergence, Alteon OS automatically makes the following configuration changes:

- Increases the STG priority of the GbESM so that it does not become the root switch.
- Increases the cost of all of the external ports by 3000, across all VLANs and Spanning Tree Groups. This ensures that traffic never flows through the GbESM to get to another switch unless there is no other path.

These changes are reversed if the feature is disabled.

Configuring Fast Uplink Convergence

Use the following CLI commands to enable Fast Uplink Convergence on an external port.

```
>> # /cfg/l2/upfast ena           (Enable Fast Uplink convergence)
>> Layer 2# apply                 (Make your changes active)
>> Layer 2# save                   (Save for restore after reboot)
```


Part 2: IP Routing

This section discusses Layer 3 switching functions. In addition to switching traffic at near line rates, the application switch can perform multi-protocol routing. This section discusses basic routing and advanced routing protocols:

- Basic Routing
- Routing Information Protocol (RIP) 1
- IGMP Snooping
- Border Gateway Protocol (BGP)
- Open Shortest Path First (OSPF)



CHAPTER 5

Basic IP Routing

This chapter provides configuration background and examples for using the GbE Switch Module to perform IP routing functions. The following topics are addressed in this chapter:

- “IP Routing Benefits” on page 100
- “Routing Between IP Subnets” on page 100
- “Example of Subnet Routing” on page 103
- “Defining IP Address Ranges for the Local Route Cache” on page 107
- “Configuring Static Multicast Routes” on page 108
- “Dynamic Host Configuration Protocol” on page 108

IP Routing Benefits

The GbE Switch Module uses a combination of configurable IP switch interfaces and IP routing options. The switch IP routing capabilities provide the following benefits:

- Connects the server IP subnets to the rest of the backbone network.
- Performs server load balancing (using both Layer 3 and Layer 4 switching in combination) to server subnets that are separate from backbone subnets.
- Provides another means to invisibly introduce Jumbo frame technology into the server-switched network by automatically fragmenting UDP Jumbo frames when routing to non-Jumbo frame VLANs or subnets.
- Provides the ability to route IP traffic between multiple Virtual Local Area Networks (VLANs) configured on the switch.

Routing Between IP Subnets

The physical layout of most corporate networks has evolved over time. Classic hub/router topologies have given way to faster switched topologies, particularly now that switches are increasingly intelligent. GbE Switch Modules are intelligent and fast enough to perform routing functions on a par with wire speed Layer 2 switching.

The combination of faster routing and switching in a single device provides another service—it allows you to build versatile topologies that account for legacy configurations.

For example, consider the following topology migration:

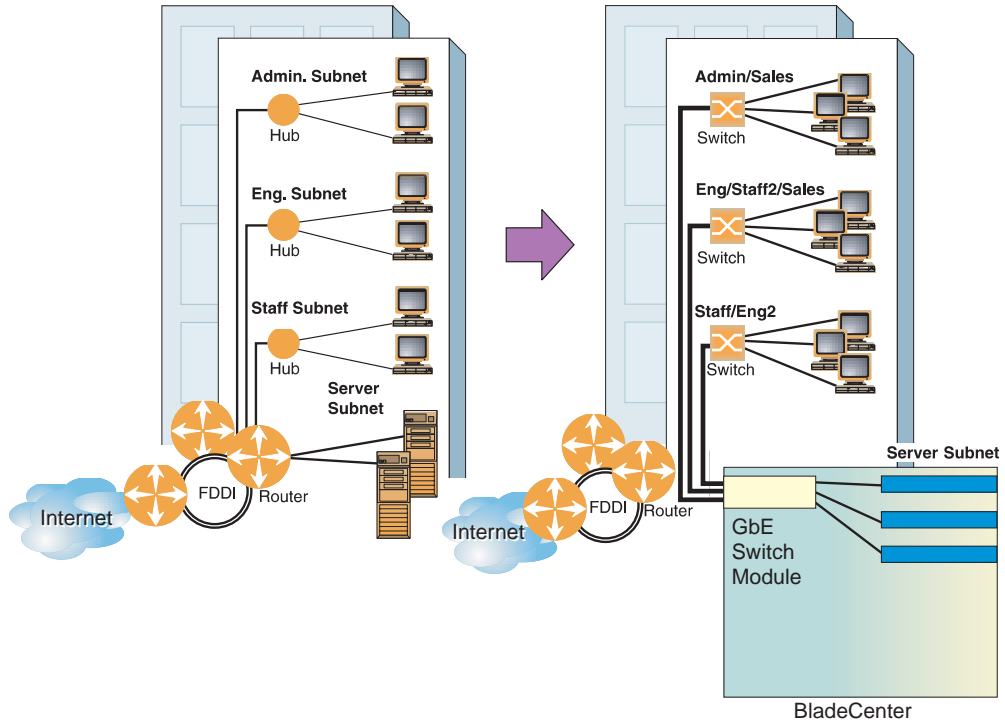


Figure 5-1 The Router Legacy Network

In this example, a corporate campus has migrated from a router-centric topology to a faster, more powerful, switch-based topology. As is often the case, the legacy of network growth and redesign has left the system with a mix of illogically distributed subnets.

This is a situation that switching alone cannot cure. Instead, the router is flooded with cross-subnet communication. This compromises efficiency in two ways:

- Routers can be slower than switches. The cross-subnet side trip from the switch to the router and back again adds two hops for the data, slowing throughput considerably.
- Traffic to the router increases, increasing congestion.

Even if every end-station could be moved to better logical subnets (a daunting task), competition for access to common server pools on different subnets still burdens the routers.

This problem is solved by using GbE Switch Modules with built-in IP routing capabilities. Cross-subnet LAN traffic can now be routed within the switches with wire speed Layer 2 switching performance. This not only eases the load on the router but saves the network administrators from reconfiguring each and every end-station with new IP addresses.

Take a closer look at the BladeCenter's GbE Switch Module in the following configuration example:

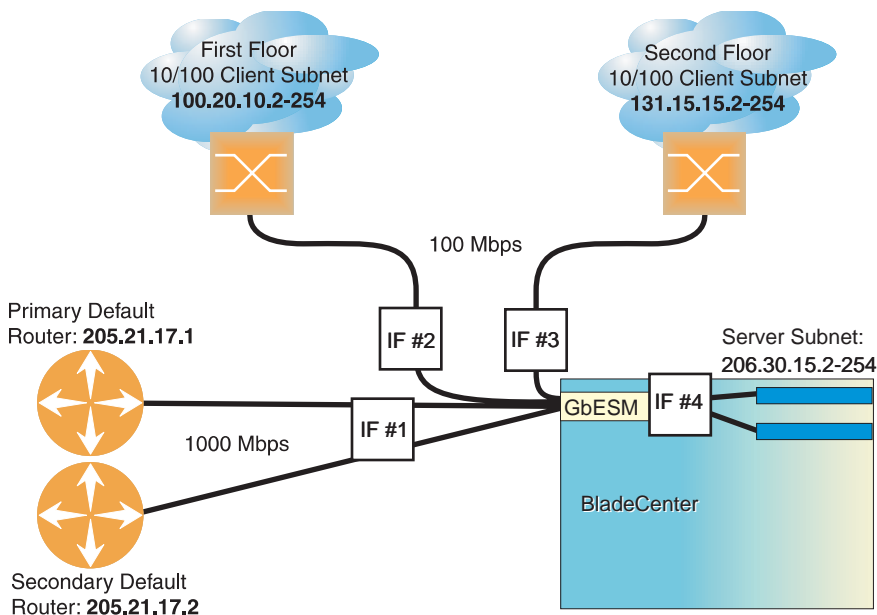


Figure 5-2 Switch-Based Routing Topology

The GbE Switch Module connects the Gigabit Ethernet and Fast Ethernet trunks from various switched subnets throughout one building. Common servers are placed on another subnet attached to the switch. A primary and backup router are attached to the switch on yet another subnet.

Without Layer 3 IP routing on the switch, cross-subnet communication is relayed to the default gateway (in this case, the router) for the next level of routing intelligence. The router fills in the necessary address information and sends the data back to the switch, which then relays the packet to the proper destination subnet using Layer 2 switching.

With Layer 3 IP routing in place on the GbE Switch Module, routing between different IP subnets can be accomplished entirely within the switch. This leaves the routers free to handle inbound and outbound traffic for this group of subnets.

To make implementation even easier, UDP Jumbo frame traffic is automatically fragmented to regular Ethernet frame sizes when routing to non-Jumbo frame VLANs or subnets. This automatic frame conversion allows servers to communicate using Jumbo frames, all transparently to the user.

Example of Subnet Routing

Prior to configuring, you must be connected to the switch Command Line Interface (CLI) as the administrator.

NOTE – For details about accessing and using any of the menu commands described in this example, see the *Alteon OS Command Reference*.

1. **Assign an IP address (or document the existing one) for each real server, router, and client workstation.**

In the example topology in [Figure 5-2 on page 102](#), the following IP addresses are used:

Table 5-1 Subnet Routing Example: IP Address Assignments

Subnet	Devices	IP Addresses
1	Primary and Secondary Default Routers	205.21.17.1 and 205.21.17.2
2	First Floor Client Workstations	100.20.10.2-254
3	Second Floor Client Workstations	131.15.15.2-254
4	Common Servers	206.30.15.2-254

2. **Assign an IP interface for each subnet attached to the switch.**

Since there are four IP subnets connected to the switch, four IP interfaces are needed:

Table 5-2 Subnet Routing Example: IP Interface Assignments

Interface	Devices	IP Interface Address
IF 1	Primary and Secondary Default Routers	205.21.17.3
IF 2	First Floor Client Workstations	100.20.10.1
IF 3	Second Floor Client Workstations	131.15.15.1
IF 4	Common Servers	206.30.15.1

IP interfaces are configured using the following commands at the CLI:

```
>> # /cfg/l3/if 1 (Select IP interface 1)
>> IP Interface 1# addr 205.21.17.3 (Assign IP address for the interface)
>> IP Interface 1# ena (Enable IP interface 1)
>> IP Interface 1# ../if 2 (Select IP interface 2)
>> IP Interface 2# addr 100.20.10.1 (Assign IP address for the interface)
>> IP Interface 2# ena (Enable IP interface 2)
>> IP Interface 2# ../if 3 (Select IP interface 3)
>> IP Interface 3# addr 131.15.15.1 (Assign IP address for the interface)
>> IP Interface 3# ena (Enable IP interface 3)
>> IP Interface 3# ../if 4 (Select IP interface 4)
>> IP Interface 4# addr 206.30.15.1 (Assign IP address for the interface)
>> IP Interface 4# ena (Enable IP interface 5)
```

3. Set each server and workstation's default gateway to the appropriate switch IP interface (the one in the same subnet as the server or workstation).
4. Configure the default gateways to the routers' addresses.

Configuring the default gateways allows the switch to send outbound traffic to the routers:

```
>> IP Interface 5# ../gw 1 (Select primary default gateway)
>> Default gateway 1# addr 205.21.17.1 (Assign IP address for primary router)
>> Default gateway 1# ena (Enable primary default gateway)
>> Default gateway 1# ../gw 2 (Select secondary default gateway)
>> Default gateway 2# addr 205.21.17.2 (Assign address for secondary router)
>> Default gateway 2# ena (Enable secondary default gateway)
```

5. Enable, apply, and verify the configuration.

```
>> Default gateway 2# ../fwrdd (Select the IP Forwarding Menu)
>> IP Forwarding# on (Turn IP forwarding on)
>> IP Forwarding# apply (Make your changes active)
>> IP Forwarding# /cfg/l3/cur (View current IP settings)
```

Examine the resulting information. If any settings are incorrect, make the appropriate changes.

6. Save your new configuration changes.

```
>> IP# save (Save for restore after reboot)
```


Using VLANs to Segregate Broadcast Domains

In the previous example, devices that share a common IP network are all in the same broadcast domain. If you want to limit the broadcasts on your network, you could use VLANs to create distinct broadcast domains. For example, as shown in the following procedure, you could create one VLAN for the client trunks, one for the routers, and one for the servers.

In this example, you are adding to the previous configuration.

1. Determine which switch ports and IP interfaces belong to which VLANs.

The following table adds port and VLAN information:

Table 5-3 Subnet Routing Example: Optional VLAN Ports

VLAN	Devices	IP Interface	Switch Port	VLAN #
1	First Floor Client Workstations	2	EXT1	1
	Second Floor Client Workstations	3	EXT2	1
2	Primary Default Router	1	EXT3	2
	Secondary Default Router	1	EXT4	2
3	Common Servers 1	4	INT5	3
	Common Servers 2	4	INT6	3

2. Add the switch ports to their respective VLANs.

The VLANs shown in [Table 5-3](#) are configured as follows:

```
>> # /cfg/12/vlan 1                               (Select VLAN 1)
>> VLAN 1# add port EXT1                          (Add port for 1st floor to VLAN 1)
>> VLAN 1# add port EXT2                          (Add port for 2nd floor to VLAN 1)
>> VLAN 1# ena                                    (Enable VLAN 1)
>> VLAN 1# ../VLAN 2                              (Select VLAN 2)
>> VLAN 2# add port EXT3                          (Add port for default router 1)
>> VLAN 2# add port EXT4                          (Add port for default router 2)
>> VLAN 2# ena                                    (Enable VLAN 2)
>> VLAN 2# ../VLAN 3                              (Add port for default router 3)
>> VLAN 3# add port INT5                          (Select VLAN 3)
>> VLAN 3# add port INT6                          (Select port for common server 1)
>> VLAN 3# ena                                    (Enable VLAN 3)
```

Each time you add a port to a VLAN, you may get the following prompt:

```
Port 4 is an untagged port and its current PVID is 1.
Confirm changing PVID from 1 to 2 [y/n]?
```

Enter **y** to set the default Port VLAN ID (PVID) for the port.

3. Add each IP interface to the appropriate VLAN.

Now that the ports are separated into three VLANs, the IP interface for each subnet must be placed in the appropriate VLAN. From [Table 5-3 on page 105](#), the settings are made as follows:

```
>> VLAN 3# /cfg/13/if 1                (Select IP interface 1 for def. routers)
>> IP Interface 1# vlan 2              (Set to VLAN 2)
>> IP Interface 1# ../if 2             (Select IP interface 2 for first floor)
>> IP Interface 2# vlan 1              (Set to VLAN 1)
>> IP Interface 2# ../if 3             (Select IP interface 3 for second floor)
>> IP Interface 3# vlan 1              (Set to VLAN 1)
>> IP Interface 3# ../if 4             (Select IP interface 4 for servers)
>> IP Interface 4# vlan 3              (Set to VLAN 3)
```

4. Apply and verify the configuration.

```
>> IP Interface 5# apply                (Make your changes active)
>> IP Interface 5# /info/vlan           (View current VLAN information)
>> Information# port                   (View current port information)
```

Examine the resulting information. If any settings are incorrect, make the appropriate changes.

5. Save your new configuration changes.

```
>> Information# save                    (Save for restore after reboot)
```

Defining IP Address Ranges for the Local Route Cache

A local route cache lets you use switch resources more efficiently. The local network address and local network mask parameters (accessed via the `/cfg/l3/frwd/local/add` command) define a range of addresses that will be cached on the switch. The *local network address* is used to define the base IP address in the range that will be cached. The *local network mask* is applied to produce the range. To determine if a route should be added to the memory cache, the destination address is masked (bit-wise AND) with the local network mask and checked against the local network address.

By default, the local network address and local network mask are both set to 0.0.0.0. This produces a range that includes all Internet addresses for route caching: 0.0.0.0 through 255.255.255.255.

To limit the route cache to your local hosts, you could configure the parameters as shown in the following example:

Table 5-4 Local Routing Cache Address Ranges

Local Host Address Range	Local Network Address	Local Network Mask
0.0.0.0 - 127.255.255.255	0.0.0.0	128.0.0.0
128.0.0.0 - 128.255.255.255	128.0.0.0	128.0.0.0 or 255.0.0.0
205.32.0.0 - 205.32.255.255	205.32.0.0	255.255.0.0

NOTE – Static routes must be configured within the configured range. All other addresses that fall outside the defined range are forwarded to the default gateway.

Configuring Static Multicast Routes

Static Multicast Routing routes multicast packets to multicast groups. Static Multicast Routing is independent of any unicast routing protocol and source-specific information contained in IPMC packets.

You can configure a list of ports/trunks on a VLAN for a multicast group address as hosts or primary or backup M routers. All subsequent IPMC data packets for that multicast group are routed to these ports.

Static Multicast routes overrides dynamic/IGMP learned groups. If dynamic groups exist for a statically configured multicast route entry with same IPMC destination, the groups are purged.

Use the command `/cfg/l3/mroute` to configure static multicast routes on the GbESM.

Dynamic Host Configuration Protocol

Dynamic Host Configuration Protocol (DHCP) is a transport protocol that provides a framework for automatically assigning IP addresses and configuration information to other IP hosts or clients in a large TCP/IP network. Without DHCP, the IP address must be entered manually for each network device. DHCP allows a network administrator to distribute IP addresses from a central point and automatically send a new IP address when a device is connected to a different place in the network.

DHCP is an extension of another network IP management protocol, Bootstrap Protocol (BOOTP), with an additional capability of being able to dynamically allocate reusable network addresses and configuration parameters for client operation.

Built on the client/server model, DHCP allows hosts or clients on an IP network to obtain their configurations from a DHCP server, thereby reducing network administration. The most significant configuration the client receives from the server is its required IP address; (other optional parameters include the “generic” file name to be booted, the address of the default gateway, and so forth).

Nortel Networks DHCP relay agent eliminates the need to have DHCP/BOOTP servers on every subnet. It allows the administrator to reduce the number of DHCP servers deployed on the network and to centralize them. Without the DHCP relay agent, there must be at least one DHCP server deployed at each subnet that has hosts needing to perform the DHCP request.

DHCP Relay Agent

DHCP is described in RFC 2131, and the DHCP relay agent supported on GbE Switch Modules is described in RFC 1542. DHCP uses UDP as its transport protocol. The client sends messages to the server on port 67 and the server sends messages to the client on port 68.

DHCP defines the methods through which clients can be assigned an IP address for a finite lease period and allowing reassignment of the IP address to another client later. Additionally, DHCP provides the mechanism for a client to gather other IP configuration parameters it needs to operate in the TCP/IP network.

In the DHCP environment, the GbE Switch Module acts as a relay agent. The DHCP relay feature (`/cfg/13/bootp`) enables the switch to forward a client request for an IP address to two BOOTP servers with IP addresses that have been configured on the switch.

When a switch receives a UDP broadcast on port 67 from a DHCP client requesting an IP address, the switch acts as a proxy for the client, replacing the client source IP (SIP) and destination IP (DIP) addresses. The request is then forwarded as a UDP Unicast MAC layer message to two BOOTP servers whose IP addresses are configured on the switch. The servers respond as a UDP Unicast message back to the switch, with the default gateway and IP address for the client. The destination IP address in the server response represents the interface address on the switch that received the client request. This interface address tells the switch on which VLAN to send the server response to the client.

DHCP Relay Agent Configuration

To enable the GbE Switch Module to be the BOOTP forwarder, you need to configure the DHCP/BOOTP server IP addresses on the switch. Generally, you should configure the command on the switch IP interface closest to the client so that the DHCP server knows from which IP subnet the newly allocated IP address should come.

The following figure shows a basic DHCP network example:

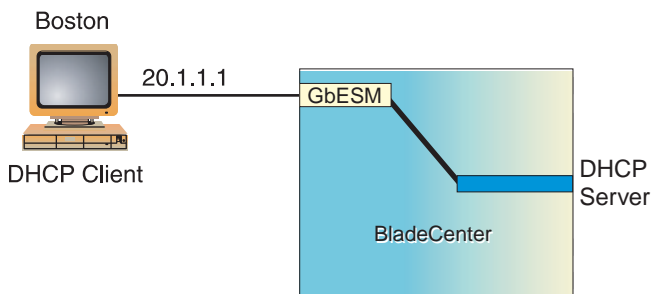


Figure 5-3 DHCP Relay Agent Configuration

In GbE Switch Module implementation, there is no need for primary or secondary servers. The client request is forwarded to the BOOTP servers configured on the switch. The use of two servers provide failover redundancy. However, no health checking is supported.

Use the following commands to configure the switch as a DHCP relay agent:

```
>> # /cfg/13/bootp
>> Bootstrap Protocol Relay# addr           (Set IP address of BOOTP server)
>> Bootstrap Protocol Relay# addr2        (Set IP address of 2nd BOOTP server)
>> Bootstrap Protocol Relay# on           (Globally turn BOOTP relay on)
>> Bootstrap Protocol Relay# off          (Globally turn BOOTP relay off)
>> Bootstrap Protocol Relay# cur          (Display current configuration)
```

Additionally, DHCP Relay functionality can be assigned on a per interface basis. Use the following command to enable the Relay functionality:

```
>> # /cfg/13/if <interface number>/relay ena
```



CHAPTER 6

Routing Information Protocol

In a routed environment, routers communicate with one another to keep track of available routes. Routers can learn about available routes dynamically using the Routing Information Protocol (RIP). The Alteon OS software implements standard RIP for exchanging TCP/IP route information with other routers.

Distance Vector Protocol

RIP is known as a distance vector protocol. The vector is the network number and next hop, and the distance is the cost associated with the network number. RIP identifies network reachability based on cost, and cost is defined as hop count. One hop is considered to be the distance from one switch to the next which is typically 1. This cost or hop count is known as the metric.

When a switch receives a routing update that contains a new or changed destination network entry, the switch adds 1 to the metric value indicated in the update and enters the network in the routing table. The IP address of the sender is used as the next hop.

Stability

RIP version 1 was distributed in the early years of the Internet and advertised default class address without subnet masking. RIP is stable, widely supported, and easy to configure. Use RIP in stub networks and in small autonomous systems that do not have many redundant paths.

RIP includes a number of other stability features that are common to many routing protocols. For example, RIP implements the split horizon and holddown mechanisms to prevent incorrect routing information from being propagated.

RIP prevents routing loops from continuing indefinitely by implementing a limit on the number of hops allowed in a path from the source to a destination. The maximum number of hops in a path is 15. The network destination network is considered unreachable if increasing the metric value by 1 causes the metric to be 16 (that is infinity). This limits the maximum diameter of a RIP network to less than 16 hops.

Routing Updates

RIP sends routing-update messages at regular intervals and when the network topology changes. RIP uses broadcast User Datagram Protocol (UDP) data packets to exchange routing information. Each router “advertises” routing information by sending a routing information update every 30 seconds. If a router does not receive an update from another router within 90 seconds, it marks the routes served by the non-updating router as being unusable. If no update is received within 240 seconds, the router removes all routing table entries for the non-updating router.

When a router receives a routing update that includes changes to an entry, it updates its routing table to reflect the new route. The metric value for the path is increased by 1, and the sender is indicated as the next hop. RIP routers maintain only the best route (the route with the lowest metric value) to a destination.

For more information see The Configuration Menu, Routing Information Protocol Configuration (`/cfg/13/rip1`) in the *Alteon OS Command Reference*.



CHAPTER 7

IGMP Snooping

IGMP Snooping allows the switch to forward multicast traffic only to those ports that request it. IGMP Snooping prevents multicast traffic from being flooded to all ports. The switch learns which server hosts are interested in receiving multicast traffic, and forwards it only to ports connected to those servers.

The following topics are discussed in this chapter:

- “Overview” on page 114
- “FastLeave” on page 115
- “Static Multicast Router” on page 116
- “IGMP Snooping Configuration Example” on page 117

Overview

Internet Group Management Protocol (IGMP) is used by IP Multicast routers to learn about the existence of host group members on their directly attached subnet (see RFC 2236). The IP Multicast routers get this information by broadcasting IGMP Membership Queries and listening for IP hosts reporting their host group memberships. This process is used to set up a client/server relationship between an IP Multicast source that provides the data streams and the clients that want to receive the data.

IGMP Snooping conserves bandwidth. With IGMP Snooping, the switch learns which ports are interested in receiving multicast data, and forwards multicast data only to those ports. In this way, other ports are not burdened with unwanted multicast traffic.

IGMP Snooping operates on a VLAN by VLAN basis. Interested ports in a given VLAN receive multicast traffic, and uninterested ports in the same VLAN do not. Up to eight VLANs can participate in IGMP Snooping.

The GbESM currently supports snooping for IGMP version 1 and version 2.

The switch can sense IGMP Membership Reports from attached clients and act as a proxy to set up a dedicated path between the requesting host and a local IP Multicast router. After the pathway is established, the switch blocks the IP Multicast stream from flowing through any port that does not connect to a host member, thus conserving bandwidth.

The client-server path is set up as follows:

- An IP Multicast Router (MRouter) sends *Membership Queries* to the switch, which forwards them to all ports in a given VLAN.
- Hosts that want to receive the multicast data stream send *Membership Reports* to the switch, which sends a proxy Membership Report to the MRouter.
- The switch sets up a path between the MRouter and the host, and blocks all other ports from receiving the multicast.
- Periodically, the MRouter sends Membership Queries to ensure that the host wants to continue receiving the multicast. If a host fails to respond with a Membership Report, the MRouter stops sending the multicast to that path.
- The host can send a *Leave* report to the switch, which sends a proxy Leave report to the MRouter. The multicast path is terminated immediately.

FastLeave

In normal operation, when the switch with IGMP Snooping enabled receives an IGMPv2 leave message, it sends a Group-Specific Query to determine if any other devices in the same group (and on the same port) are still interested in the specified multicast group traffic. The switch removes the affiliated port from that particular group, if the following conditions apply:

- If the switch does not receive an IGMP Membership Report within the query-response-interval.
- If no multicast routers have been learnt on that port.

With FastLeave enabled on the VLAN, a port can be removed immediately from the port list of the group entry when the IGMP Leave message is received, unless a multicast router was learnt on the port.

Enable FastLeave only on VLANs that have only one host connected to each physical port.

IGMP Filtering

With IGMP Filtering, you can allow or deny a port to send and receive multicast traffic to certain multicast groups. Unauthorized users are restricted from streaming multicast traffic across the network.

If access to a multicast group is denied, IGMP Membership Reports from the port are dropped, and the port is not allowed to receive IP multicast traffic from that group. If access to the multicast group is allowed, Membership Reports from the port are forwarded for normal processing.

To configure IGMP Filtering, you must globally enable IGMP filtering, define an IGMP filter, assign the filter to a port, and enable IGMP Filtering on the port. To define an IGMP filter, you must configure a range of IP multicast groups, choose whether the filter will allow or deny multicast traffic for groups within the range, and enable the filter.

Configuring the Range

Each IGMP Filter allows you to set a start and end point that defines the range of IP addresses upon which the filter takes action. Each IP address in the range must be between 224.0.1.0 and 239.255.255.255. If you choose **any** as the start point, then the filter acts upon all addresses between 224.0.0.0 and the address entered as the end point. If you enter **any** as the end point, then the filter acts upon all addresses between the address entered as the start point and 239.255.255.255.

Configuring the Action

Each IGMP filter can allow or deny IP multicasts to the range of IP addresses configured. If you configure the filter to deny IP multicasts, then IGMP Membership Reports from multicast groups within the range are dropped. You can configure a secondary filter to allow IP multicasts to a small range of addresses within a larger range that a primary filter is configured to deny. The two filters work together to allow IP multicasts to a small subset of addresses within the larger range of addresses.

Static Multicast Router

A static multicast router (MRouter) can be configured for a particular port on a particular VLAN. A static MRouter does not have to be learned through IGMP Snooping.

A total of 16 static MRouters can be configured on the GbESM. Both internal and external ports can accept a static MRouter.

When you configure a static MRouter on a VLAN, it replaces any dynamic MRouters learnt through IGMP Snooping.

IGMP Snooping Configuration Example

This section provides steps to configure IGMP Snooping on the GbESM, using the Command-Line Interface (CLI).

Configure IGMP Snooping

1. Configure port and VLAN membership on the switch.
2. Add VLANs to IGMP Snooping and enable the feature.

```
>># /cfg/13/igmp/snoop                (Select IGMP Snoop menu)
>> IGMP Snoop# add 1                  (Add VLAN 1 to IGMP snooping)
>> IGMP Snoop# ena                    (Enable IGMP Snooping)
```

3. View dynamic IGMP information.

```
>># /info/13/igmp                      (Select IGMP information menu)
>> IGMP Multicast Group# dump          (Show IGMP Group information)

>> IGMP Multicast# dump
Note: Local groups (224.0.0.x) are not snooped and will not appear.
  Group          VLAN    Port    Version    Expires
  -----
  238.1.0.0      1       EXT1    V2         4:17
  238.1.0.4      1       EXT1    V2         4:18

>># /info/13/igmp/mrouter              (Select MRouter information menu)
>> Mrouter# dump                       (Show IGMP Group information)

>> IGMP Multicast Router# dump
VLAN      Port          Version    Expires    Max Query Resp. Time
-----
  1        EXT4          V2         static     unknown
```

These commands display information about IGMP Groups and MRouters learnt through IGMP Snooping.

Configure IGMP Filtering

1. Enable IGMP Filtering on the switch.

```
>># /cfg/13/igmp/igmpflt (Select IGMP Filtering menu)
>> IGMP Filter# ena (Enable IGMP Filtering)
Current status: disabled
New status: enabled
```

2. Define an IGMP filter.

```
>># /cfg/13/igmp/igmpflt (Select IGMP Filtering menu)
>>IGMP Filter# filter 1 (Select Filter 1 Definition menu)
>>IGMP Filter 1 Definition# range 224.0.1.0 (Enter first IP address of the range)
Current multicast address2: any
Enter new multicast address2 or any: 226.0.0.0 (Enter second IP address)
Current multicast address1: any
New pending multicast address1: 224.0.1.0
Current multicast address2: any
New pending multicast address2: 226.0.0.0
>>IGMP Filter 1 Definition# action deny (Deny multicast traffic)
>>IGMP Filter 1 Definition# ena (Enable the filter)
```

3. Assign the IGMP filter to a port.

```
>># /cfg/13/igmp/igmpflt (Select IGMP Filtering menu)
>>IGMP Filter# port EXT6 (Select port EXT6)
>>IGMP Port EXT6# filt ena (Enable IGMP Filtering on the port)
Current port EXT6 filtering: disabled
New port EXT6 filtering: enabled
>>IGMP Port EXT6# add 1 (Add IGMP Filter 1 to the port)
>>IGMP Port EXT6# apply (Make your changes active)
```

Configure a Static Multicast Router

1. Configure a port to which the static Multicast Router is connected, and enter the appropriate VLAN.

```
>># /cfg/13/igmp/mrouter (Select IGMP MRouter menu)
>> Static Multicast Router# add EXT4 (Add port EXT4 as Static MRouter port)
Enter VLAN number: (1-4095) 1 (Enter the VLAN number)
Enter the version number of mrouter [1|2]: 2 (Enter the IGMP version number)
```

2. Apply, verify, and save the configuration.

```
>> Static Multicast Router# apply           (Apply the configuration)
>> Static Multicast Router# cur            (View the configuration)
>> Static Multicast Router# save          (Save the configuration)
```

Configure a Static Multicast Router

1. Configure a port to which the static Multicast Router is connected, and enter the appropriate VLAN.

```
>># /cfg/13/igmp/mrouter                       (Select IGMP MRouter menu)
>> Static Multicast Router# add EXT4        (Add port EXT4 as Static MRouter port)
Enter VLAN number: (1-4095) 1                (Enter the VLAN number)
Enter the version number of mrouter [1|2]: 2 (Enter the IGMP version number)
```

2. Apply, verify, and save the configuration.

```
>> Static Multicast Router# apply           (Apply the configuration)
>> Static Multicast Router# cur            (View the configuration)
>> Static Multicast Router# save          (Save the configuration)
```




CHAPTER 8

Border Gateway Protocol

Border Gateway Protocol (BGP) is an Internet protocol that enables routers on a network to share and advertise routing information with each other about the segments of the IP address space they can access within their network and with routers on external networks. BGP allows you to decide what is the “best” route for a packet to take from your network to a destination on another network rather than simply setting a default route from your border router(s) to your upstream provider(s). BGP is defined in RFC 1771.

GbE Switch Modules can advertise their IP interfaces and virtual server IP addresses using BGP and take BGP feeds from as many as 16 BGP router peers. This allows more resilience and flexibility in balancing traffic from the Internet.

The following sections are discussed in this section:

- [“Internal Routing Versus External Routing” on page 122](#)
- [“Forming BGP Peer Routers” on page 123](#)
- [“What is a Route Map?” on page 123](#)
- [“Aggregating Routes” on page 127](#)
- [“Redistributing Routes” on page 127](#)
- [“BGP Attributes” on page 128](#)
- [“Selecting Route Paths in BGP” on page 129](#)
- [“BGP Failover Configuration” on page 130](#)
- [“Default Redistribution and Route Aggregation Example” on page 133](#)

Internal Routing Versus External Routing

To ensure effective processing of network traffic, every router on your network needs to know how to send a packet (directly or indirectly) to any other location/destination in your network. This is referred to as *internal routing* and can be done with static routes or using active, internal dynamic routing protocols, such as RIP, RIPv2, and OSPF.

Static routes, however have lower precedence than dynamic routing protocols. If the destination route is not in the route cache, then the packets are forwarded to the default gateway which may be incorrect if a dynamic routing protocol is enabled.

It is also useful to tell routers outside your network (upstream providers or *peers*) about the routes you can access in your network. External networks (those outside your own) that are under the same administrative control are referred to as *autonomous systems* (AS). Sharing of routing information between autonomous systems is known as *external routing*.

External BGP (eBGP) is used to exchange routes between different autonomous systems whereas internal BGP (iBGP) is used to exchange routes within the same autonomous system. An iBGP is a type of internal routing protocol you can use to do active routing inside your network. It also carries AS path information, which is important when you are an ISP or doing BGP transit.

NOTE – The iBGP peers must be part of a fully meshed network, as shown in Figure 8-1.

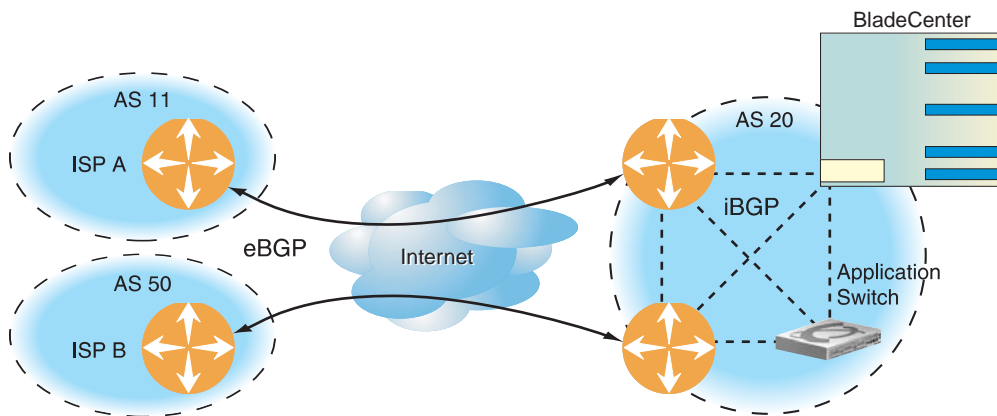


Figure 8-1 iBGP and eBGP

Typically, an AS has one or more *border routers*—peer routers that exchange routes with other ASs—and an internal routing scheme that enables routers in that AS to reach every other router and destination within that AS. When you *advertise* routes to border routers on other autonomous systems, you are effectively committing to carry data to the IP space represented in the route being advertised. For example, if you advertise 192.204.4.0/24, you are declaring that if another router sends you data destined for any address in 192.204.4.0/24, you know how to carry that data to its destination.

Forming BGP Peer Routers

Two BGP routers become peers or neighbors once you establish a TCP connection between them. For each new route, if a peer is interested in that route (for example, if a peer would like to receive your static routes and the new route is static), an update message is sent to that peer containing the new route. For each route removed from the route table, if the route has already been sent to a peer, an update message containing the route to withdraw is sent to that peer.

For each Internet host, you must be able to send a packet to that host, and that host has to have a path back to you. This means that whoever provides Internet connectivity to that host must have a path to you. Ultimately, this means that they must “hear a route” which covers the section of the IP space you are using; otherwise, you will not have connectivity to the host in question.

What is a Route Map?

A route map is used to control and modify routing information. Route maps define conditions for redistributing routes from one routing protocol to another or controlling routing information when injecting it in and out of BGP. Route maps are used by OSPF only for redistributing routes. For example, a route map is used to set a preference value for a specific route from a peer router and another preference value for all other routes learned via the same peer router. For example, the following command is used to define a route map:

```
>> # /cfg/13/rmap 1
```

(Select a route map)

A route map allows you to match attributes, such as metric, network address, and AS number. It also allows users to overwrite the local preference metric and to append the AS number in the AS route. See “[BGP Failover Configuration](#)” on page 130.

Alteon OS allows you to configure 32 route maps. Each route map can have up to eight access lists. Each access list consists of a network filter. A network filter defines an IP address and subnet mask of the network that you want to include in the filter. [Figure 8-2](#) illustrates the relationship between route maps, access lists and network filters.

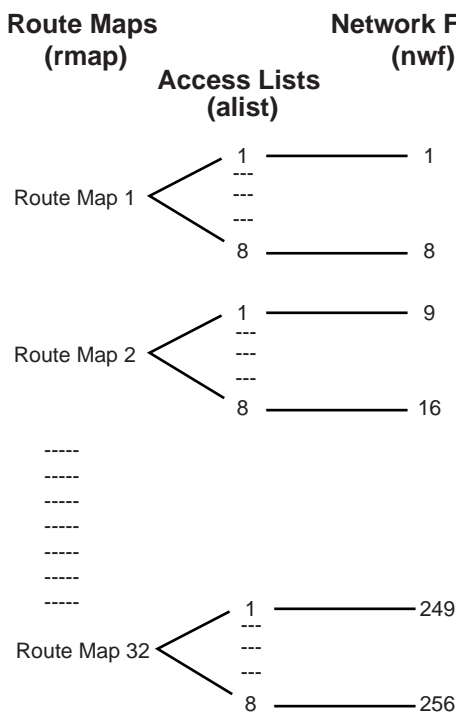


Figure 8-2 Distributing Network Filters in Access Lists and Route Maps

Incoming and Outgoing Route Maps

You can have two types of route maps: incoming and outgoing. A BGP peer router can be configured to support up to eight route maps in the incoming route map list and outgoing route map list.

If a route map is not configured in the incoming route map list, the router imports all BGP updates. If a route map is configured in the incoming route map list, the router ignores all unmatched incoming updates.

Route maps in an outgoing route map list behave similar to route maps in an incoming route map list. If a route map is not configured in the outgoing route map list, all routes are advertised or permitted. If a route map is configured in the outgoing route map list, matched routes are advertised and unmatched routes are ignored.

Precedence

You can set a priority to a route map by specifying a precedence value with the following command:

```
>> /cfg/13/rmap/pre (Specify a precedence)
```

The smaller the value the higher the precedence. If two route maps have the same precedence value, the smaller number has higher precedence.

Configuration Overview

To configure route maps, you need to do the following:

1. Define network filter.

```
>> # /cfg/13/nwf 1 (Specify a network filter number)
>> IP Network Filter 1# addr <IP address> (Specify network address)
>> IP Network Filter 1# mask <IP mask> (Specify network mask)
>> IP Network Filter 1# ena (Enable network filter)
```

Enter a filter number from 1 to 256. Specify the IP address and subnet mask of the network that you want to match. Enable the network filter. You can distribute up to 256 network filters among 32 route maps each containing 8 access lists.

2. (Optional) Define the criteria for the access list and enable it.

Specify the access list and associate the network filter number configured in Step 1.

```
>> # /cfg/13/rmap 1 (Specify a route map number)
>> IP Route Map 1# alist 1 (Specify the access list number)
>> IP Access List 1# nwf 1 (Specify the network filter number)
>> IP Access List 1# metric (Define a metric)
>> IP Access List 1# action deny (Specify action for the access list)
>> IP Access List 1# ena (Enable the access list)
```

Steps 2 and 3 are optional, depending on the criteria that you want to match. In Step 2, the network filter number is used to match the subnets defined in the network filter. In Step 3, the autonomous system number is used to match the subnets. Or, you can use both (Step 2 and Step 3) criteria: access list (network filter) and access path (AS filter) to configure the route maps.

3. (Optional) Configure the attributes in the AS filter menu.

```
>> # cfg/13/rmap 1/aspath 1           (Specify the attributes in the filter)
>> AS Filter 1# as 1                 (Specify the AS number)
>> AS Filter 1# action deny          (Specify the action for the filter)
>> AS Filter 1# ena                  (Enable the AS filter)
```

4. Set up the BGP attributes.

If you want to overwrite the attributes that the peer router is sending, then define the following BGP attributes:

- Specify the AS numbers that you want to prepend to a matched route and the local preference for the matched route.
- Specify the metric [Multi Exit Discriminator (MED)] for the matched route.

```
>> # cfg/13/rmap 1                   (Specify a route map number)
>> IP Route Map 1# ap                 (Specify the AS numbers to prepend)
>> IP Route Map 1# lp                 (Specify the local preference)
>> IP Route Map 1# met                (Specify the metric)
```

5. Enable the route map.

```
>> # cfg/13/rmap 1/en                 (Enable the route map)
```

6. Assign the route map to a peer router.

Select the peer router and then add the route map to the incoming route map list,

```
>> # cfg/13/bgp/peer 1/addi          (Add to the incoming route map)
```

or to the outgoing route map list.

```
>> # cfg/13/bgp/peer 1/addo          (Add to the outgoing route map)
```

Aggregating Routes

Aggregation is the process of combining several different routes in such a way that a single route can be advertised, which minimizes the size of the routing table. You can configure aggregate routes in BGP either by redistributing an aggregate route into BGP or by creating an aggregate entry in the BGP routing table.

When a subnet is redistributed from an Interior Gateway Protocol (IGP) into BGP, only the network route is injected into the BGP table. By default, this automatic summarization is disabled. To define the route to aggregate, use the following commands:

>> # cfg/13/bgp	<i>(Specify BGP)</i>
>> Border Gateway Protocol# aggr 1	<i>(Specify aggregate list number)</i>
>> BGP aggr 1 # addr	<i>(Enter aggregation network address)</i>
>> BGP aggr 1 # mask	<i>(Enter aggregation network mask)</i>
>> BGP aggr 1 # ena	<i>(Enable aggregation)</i>

An example of creating a BGP aggregate route is shown in [“Default Redistribution and Route Aggregation Example”](#) on page 133.

Redistributing Routes

In addition to running multiple routing protocols simultaneously, Alteon OS software can redistribute information from one routing protocol to another. For example, you can instruct the switch to use BGP to readvertise static routes. This applies to all of the IP-based routing protocols.

You can also conditionally control the redistribution of routes between routing domains by defining a method known as route maps between the two domains. For more information on route maps, see [“What is a Route Map?”](#) on page 123. Redistributing routes is another way of providing policy control over whether to export OSPF routes, fixed routes, static routes, and virtual IP address routes. Default routes can be configured using the following methods:

- Import
- Originate

The router sends a default route to peers even though it does not have any default routes in its routing table.

- **Redistribute**

Default routes are either configured through the default gateway or learned via other protocols and redistributed to peer routers. If the default routes are from the default gateway, enable the static routes because default routes from the default gateway are static routes. Similarly, if the routes are learned from another routing protocol, make sure you enable that protocol for redistribution.

- **None**

BGP Attributes

The following two BGP attributes are discussed in this section: Local preference and metric (Multi-Exit Discriminator).

Local Preference Attribute

When there are multiple paths to the same destination, the local preference attribute indicates the preferred path. The path with the higher preference is preferred (the default value of the local preference attribute is 100). Unlike the weight attribute, which is only relevant to the local router, the local preference attribute is part of the routing update and is exchanged among routers in the same AS.

The local preference attribute can be set in one of two ways:

- **`/cfg/13/bgp/pref`**

This command uses the BGP default local preference method, affecting the outbound direction only.

- **`/cfg/13/rmap/lp`**

This command uses the route map local preference method, which affects both inbound and outbound directions.

Metric (Multi-Exit Discriminator) Attribute

This attribute is a hint to external neighbors about the preferred path into an AS when there are multiple entry points. A lower metric value is preferred over a higher metric value. The default value of the metric attribute is 0.

Unlike local preference, the metric attribute is exchanged between ASs; however, a metric attribute that comes into an AS does not leave the AS.

When an update enters the AS with a certain metric value, that value is used for decision making within the AS. When BGP sends that update to another AS, the metric is reset to 0.

Unless otherwise specified, the router compares metric attributes for paths from external neighbors that are in the same AS.

Selecting Route Paths in BGP

BGP selects only one path as the best path. It does not rely on metrics attributes to determine the best path. When the same network is learned via more than one BGP peer, BGP uses its policy for selecting the best route to that network. The BGP implementation on the GbE Switch Module uses the following criteria to select a path when the same route is received from multiple peers.

- 1. Local fixed and static routes are preferred over learned routes.**
- 2. With iBGP peers, routes with higher local preference values are selected.**
- 3. In the case of multiple routes of equal preference, the route with lower AS path weight is selected.**

AS path weight = 128 x AS path length (number of autonomous systems transversed).

- 4. In the case of equal weight and routes learned from peers that reside in the same AS, the lower metric is selected.**

NOTE – A route with a metric is preferred over a route without a metric.

- 5. The lower cost to the next hop of routes is selected.**
- 6. In the case of equal cost, the eBGP route is preferred over iBGP.**
- 7. If all routes are from eBGP, the route with the lower router ID is selected.**

When the path is selected, BGP puts the selected path in its routing table and propagates the path to its neighbors.

BGP Failover Configuration

Use the following example to create redundant default gateways for a GbE Switch Module at a Web Host/ISP site, eliminating the possibility, should one gateway go down, that requests will be forwarded to an upstream router unknown to the switch.

As shown in [Figure 8-3](#), the switch is connected to ISP 1 and ISP 2. The customer negotiates with both ISPs to allow the switch to use their peer routers as default gateways. The ISP peer routers will then need to announce themselves as default gateways to the GbE Switch Module.

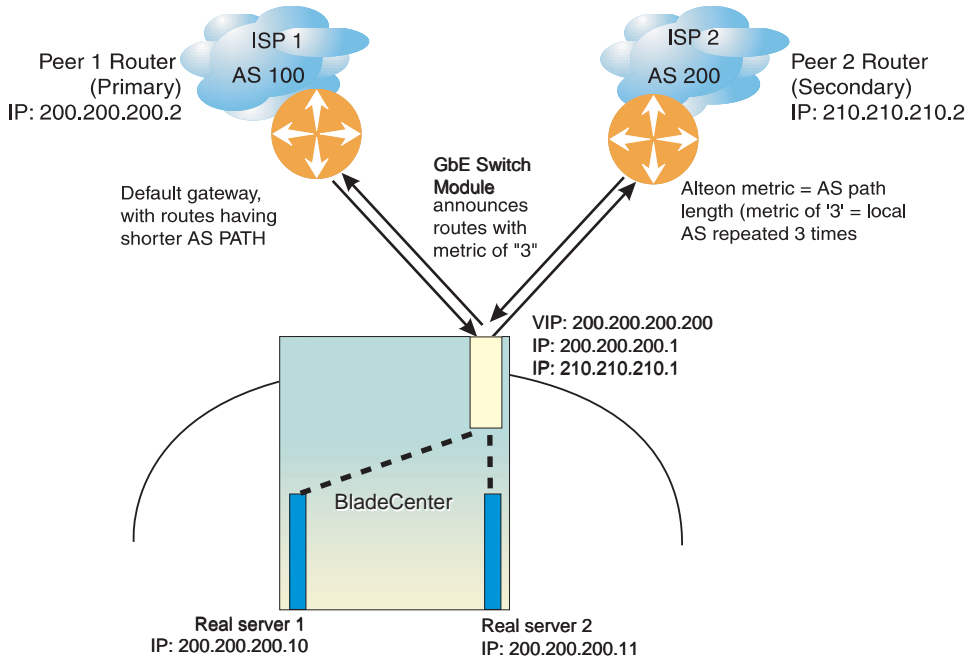


Figure 8-3 BGP Failover Configuration Example

On the GbE Switch Module, one peer router (the secondary one) is configured with a longer AS path than the other, so that the peer with the shorter AS path will be seen by the switch as the primary default gateway. ISP 2, the secondary peer, is configured with a metric of "3," thereby appearing to the switch to be three router *hops* away.

1. Configure the switch as you normally would for Server Load Balancing (SLB).

- Assign an IP address to each of the real servers in the server pool.
- Define each real server.
- Define a real server group.
- Define a virtual server.
- Define the port configuration.

For more information about SLB configuration, refer to [Chapter 10, “Server Load Balancing.”](#)

2. Define the VLANs.

For simplicity, both default gateways are configured in the same VLAN in this example. The gateways could be in the same VLAN or different VLANs.

```
>> # /cfg/12/vlan 1                               (Select VLAN 1)
>> vlan 1# add <port number>                       (Add a port to the VLAN membership)
```

3. Define the IP interfaces.

The switch will need an IP interface for each default gateway to which it will be connected. Each interface will need to be placed in the appropriate VLAN. These interfaces will be used as the primary and secondary default gateways for the switch.

```
>> IP# metric strict                               (Set metric for default gateway)
>> IP# if 1                                         (Select default gateway interface 1)
>> IP Interface 1# ena                             (Enable switch interface 1)
>> IP Interface 1# addr 200.200.200.1              (Configure IP address of interface 1)
>> IP Interface 1# mask 255.255.255.0             (Configure IP subnet address mask)
>> IP Interface 1# ../ip/if 2                     (Select default gateway interface 2)
>> IP Interface 2# ena                             (Enable switch interface 2)
>> IP Interface 2# addr 210.210.210.1              (Configure IP address of interface 2)
>> IP Interface 2# mask 255.255.255.0             (Configure IP subnet address mask)
```

4. Enable IP forwarding.

IP forwarding is enabled by default and is used for VLAN-to-VLAN (non-BGP) routing. Make sure IP forwarding is enabled if the default gateways are on different subnets or if the switch is connected to different subnets and those subnets need to communicate through the switch (which they almost always do).

```
>> /cfg/13/frwd on                                (Enable IP forwarding)
```

NOTE – To help eliminate the possibility for a Denial of Service (DoS) attack, the forwarding of directed broadcasts is disabled by default.

5. Configure BGP peer router 1 and 2.

Peer 1 is the primary gateway router. Peer 2 is configured with a metric of “3.” The `metric` option is key to ensuring gateway traffic is directed to Peer 1, as it will make Peer 2 appear to be three router hops away from the switch. Thus, the switch should never use it unless Peer 1 goes down.

>> # /cfg/13/bgp/peer 1	<i>(Select BGP peer router 1)</i>
>> BGP Peer 1# ena	<i>(Enable this peer configuration)</i>
>> BGP Peer 1# addr 200.200.200.2	<i>(Set IP address for peer router 1)</i>
>> BGP Peer 1# if 200.200.200.1	<i>(Set IP interface for peer router 1)</i>
>> BGP Peer 1# ras 100	<i>(Set remote AS number)</i>
>> BGP Peer 1# ../peer 2	<i>(Select BGP peer router 2)</i>
>> BGP Peer 2# ena	<i>(Enable this peer configuration)</i>
>> BGP Peer 2# addr 210.210.210.2	<i>(Set IP address for peer router 2)</i>
>> BGP Peer 2# if 210.210.210.1	<i>(Set IP interface for peer router 2)</i>
>> BGP Peer 2# ras 200	<i>(Set remote AS number)</i>
>> BGP Peer 2# metric 3	<i>(Set AS path length to 3 router hops)</i>

The `metric` command in the peer menu tells the GbE Switch Module to create an AS path of “3” when advertising via BGP.

6. On the switch, apply and save your configuration changes.

>> BGP Peer 2# apply	<i>(Make your changes active)</i>
>> save	<i>(Save for restore after reboot)</i>

Default Redistribution and Route Aggregation Example

This example shows you how to configure the switch to redistribute information from one routing protocol to another and create an aggregate route entry in the BGP routing table to minimize the size of the routing table.

As illustrated in [Figure 8-4](#), you have two peer routers: an internal and an external peer router. Configure the GbE Switch Module to redistribute the default routes from AS 200 to AS 135. At the same time, configure for route aggregation to allow you to condense the number of routes traversing from AS 135 to AS 200.

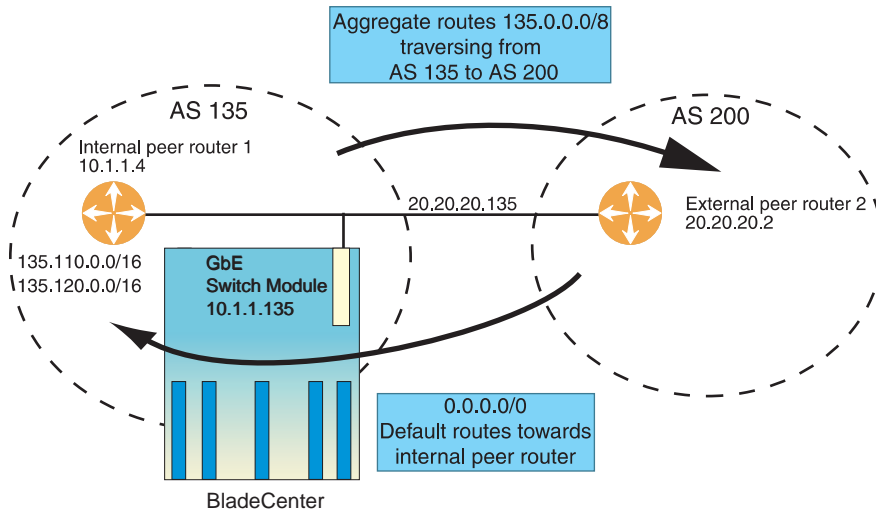


Figure 8-4 Route Aggregation and Default Route Redistribution

1. **Configure the IP interface.**
2. **Configure the AS number (AS 135) and router ID number (10.1.1.135).**

```
>> # /cfg/13/bgp                                     (Select BGP menu)
>> Border Gateway Protocol# as 135                  (Specify an AS number)
>> Border Gateway Protocol# .. rtrid 0.0.0.1       (Specify a router ID number)
```

3. Configure internal peer router 1 and external peer router 2.

>> # /cfg/13/bgp/peer 1	<i>(Select internal peer router 1)</i>
>> BGP Peer 1# ena	<i>(Enable this peer configuration)</i>
>> BGP Peer 1# addr 10.1.1.4	<i>(Set IP address for peer router 1)</i>
>> BGP Peer 1# ras 135	<i>(Set remote AS number)</i>
>> BGP Peer 1# ../peer 2	<i>(Select external peer router 2)</i>
>> BGP Peer 2# ena	<i>(Enable this peer configuration)</i>
>> BGP Peer 2# addr 20.20.20.2	<i>(Set IP address for peer router 2)</i>
>> BGP Peer 2# ras 200	<i>(Set remote AS number)</i>

4. Configure redistribution for Peer 1.

>> # /cfg/13/bgp/peer 1/redist	<i>(Select redistribute)</i>
>> BGP Peer 1# default redistribute	<i>(Set default to redistribute)</i>
>> BGP Peer 1# fixed ena	<i>(Enable fixed routes)</i>

5. Configure aggregation policy control.

Configure the routes that you want aggregated.

>> # /cfg/13/bgp/aggr 1	<i>(Set aggregation number)</i>
>> BGP aggr 1# addr 135.0.0.0	<i>(Add IP address to aggregate 1)</i>
>> BGP Peer 1# mask 255.0.0.0	<i>(Add IP mask to aggregate 1)</i>

CHAPTER 9

OSPF



Alteon OS supports the Open Shortest Path First (OSPF) routing protocol. The Alteon OS implementation conforms to the OSPF version 2 specifications detailed in Internet RFC 1583. The following sections discuss OSPF support for the GbE Switch Module:

- [“OSPF Overview” on page 136](#). This section provides information on OSPF concepts, such as types of OSPF areas, types of routing devices, neighbors, adjacencies, link state database, authentication, and internal versus external routing.
- [“OSPF Implementation in Alteon OS” on page 141](#). This section describes how OSPF is implemented in Alteon OS, such as configuration parameters, electing the designated router, summarizing routes, defining route maps and so forth.
- [“OSPF Configuration Examples” on page 151](#). This section provides step-by-step instructions on configuring four different configuration examples:
 - Creating a simple OSPF domain
 - Creating virtual links
 - Summarizing routes
 - Creating host routes

OSPF Overview

OSPF is designed for routing traffic within a single IP domain called an Autonomous System (AS). The AS can be divided into smaller logical units known as *areas*.

All routing devices maintain link information in their own Link State Database (LSDB). The LSDB for all routing devices within an area is identical but is not exchanged between different areas. Only routing updates are exchanged between areas, thereby significantly reducing the overhead for maintaining routing information on a large, dynamic network.

The following sections describe key OSPF concepts.

Equal Cost Multipath Routing Support

Equal-cost multipath (ECMP) is a routing technique for routing packets along multiple paths of equal cost. The routing table contains multiple next-hops for any given destination. The router load balances packets along the multiple next-hops. The GbESM supports ECMP, and there are no CLI additions or changes.

Types of OSPF Areas

An AS can be broken into logical units known as *areas*. In any AS with multiple areas, one area must be designated as area 0, known as the *backbone*. The backbone acts as the central OSPF area. All other areas in the AS must be connected to the backbone. Areas inject summary routing information into the backbone, which then distributes it to other areas as needed.

As shown in [Figure 9-1](#), OSPF defines the following types of areas:

- **Stub Area**—an area that is connected to only one other area. External route information is not distributed into stub areas.
- **Not-So-Stubby-Area (NSSA)**—similar to a stub area with additional capabilities. Routes originating from within the NSSA can be propagated to adjacent transit and backbone areas. External routes from outside the AS can be advertised within the NSSA but are not distributed into other areas.

- **Transit Area**—an area that allows area summary information to be exchanged between routing devices. The backbone (area 0), any area that contains a virtual link to connect two areas, and any area that is not a stub area or an NSSA are considered transit areas.

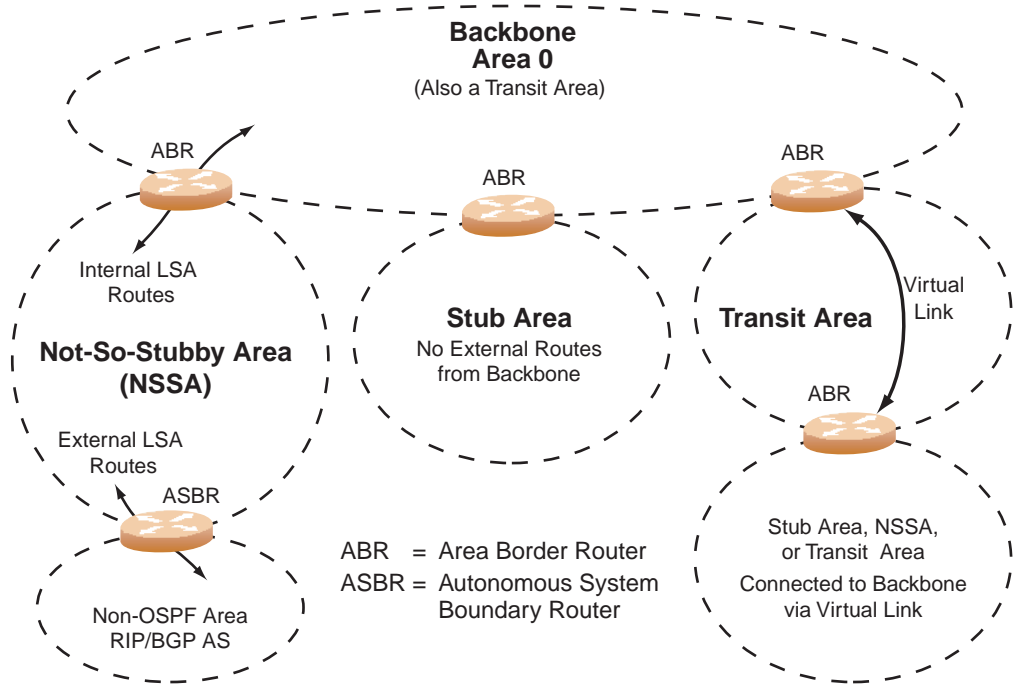


Figure 9-1 OSPF Area Types

Types of OSPF Routing Devices

As shown in [Figure 9-2](#), OSPF uses the following types of routing devices:

- Internal Router (IR)—a router that has all of its interfaces within the same area. IRs maintain LSDBs identical to those of other routing devices within the local area.
- Area Border Router (ABR)—a router that has interfaces in multiple areas. ABRs maintain one LSDB for each connected area and disseminate routing information between areas.
- Autonomous System Boundary Router (ASBR)—a router that acts as a gateway between the OSPF domain and non-OSPF domains, such as RIP, BGP, and static routes.

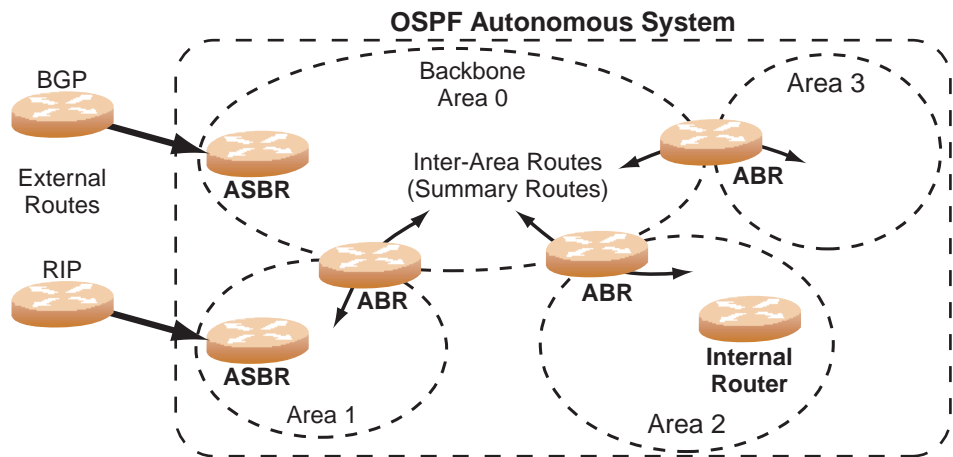


Figure 9-2 OSPF Domain and an Autonomous System

Neighbors and Adjacencies

In areas with two or more routing devices, *neighbors* and *adjacencies* are formed.

Neighbors are routing devices that maintain information about each others' health. To establish neighbor relationships, routing devices periodically send hello packets on each of their interfaces. All routing devices that share a common network segment, appear in the same area, and have the same health parameters (hello and dead intervals) and authentication parameters respond to each other's hello packets and become neighbors. Neighbors continue to send periodic hello packets to advertise their health to neighbors. In turn, they listen to hello packets to determine the health of their neighbors and to establish contact with new neighbors.

The hello process is used for electing one of the neighbors as the area's Designated Router (DR) and one as the area's Backup Designated Router (BDR). The DR is adjacent to all other neighbors and acts as the central contact for database exchanges. Each neighbor sends its database information to the DR, which relays the information to the other neighbors.

The BDR is adjacent to all other neighbors (including the DR). Each neighbor sends its database information to the BDR just as with the DR, but the BDR merely stores this data and does not distribute it. If the DR fails, the BDR will take over the task of distributing database information to the other neighbors.

The Link-State Database

OSPF is a link-state routing protocol. A *link* represents an interface (or routable path) from the routing device. By establishing an adjacency with the DR, each routing device in an OSPF area maintains an identical Link-State Database (LSDB) describing the network topology for its area.

Each routing device transmits a Link-State Advertisement (LSA) on each of its interfaces. LSAs are entered into the LSDB of each routing device. OSPF uses *flooding* to distribute LSAs between routing devices.

When LSAs result in changes to the routing device's LSDB, the routing device forwards the changes to the adjacent neighbors (the DR and BDR) for distribution to the other neighbors.

OSPF routing updates occur only when changes occur, instead of periodically. For each new route, if an adjacency is interested in that route (for example, if configured to receive static routes and the new route is indeed static), an update message containing the new route is sent to the adjacency. For each route removed from the route table, if the route has already been sent to an adjacency, an update message containing the route to withdraw is sent.

The Shortest Path First Tree

The routing devices use a link-state algorithm (Dijkstra's algorithm) to calculate the shortest path to all known destinations, based on the cumulative *cost* required to reach the destination.

The cost of an individual interface in OSPF is an indication of the overhead required to send packets across it. The cost is inversely proportional to the bandwidth of the interface. A lower cost indicates a higher bandwidth.

Internal Versus External Routing

To ensure effective processing of network traffic, every routing device on your network needs to know how to send a packet (directly or indirectly) to any other location/destination in your network. This is referred to as *internal routing* and can be done with static routes or using active internal routing protocols, such as OSPF, RIP, or RIPv2.

It is also useful to tell routers outside your network (upstream providers or *peers*) about the routes you have access to in your network. Sharing of routing information between autonomous systems is known as *external routing*.

Typically, an AS will have one or more border routers (peer routers that exchange routes with other OSPF networks) as well as an internal routing system enabling every router in that AS to reach every other router and destination within that AS.

When a routing device *advertises* routes to boundary routers on other autonomous systems, it is effectively committing to carry data to the IP space represented in the route being advertised. For example, if the routing device advertises 192.204.4.0/24, it is declaring that if another router sends data destined for any address in the 192.204.4.0/24 range, it will carry that data to its destination.

OSPF Implementation in Alteon OS

Alteon OS supports a single instance of OSPF and up to 4 K routes on the network. The following sections describe OSPF implementation in Alteon OS:

- “Configurable Parameters” on page 141
- “Defining Areas” on page 142
- “Interface Cost” on page 144
- “Electing the Designated Router and Backup” on page 144
- “Summarizing Routes” on page 144
- “Default Routes” on page 145
- “Virtual Links” on page 146
- “Router ID” on page 147
- “Authentication” on page 147
- “Host Routes for Load Balancing” on page 150

Configurable Parameters

In Alteon OS, OSPF parameters can be configured through the Command Line Interface (CLI), Browser-Based Interface (BBI) for GbE Switch Modules, or through SNMP. For more information, see [Chapter 1, “Accessing the Switch.”](#)

The CLI supports the following parameters: interface output cost, interface priority, dead and hello intervals, retransmission interval, and interface transmit delay.

In addition to the above parameters, you can also specify the following:

- Shortest Path First (SPF) interval—Time interval between successive calculations of the shortest path tree using the Dijkstra’s algorithm.
- Stub area metric—A stub area can be configured to send a numeric metric value such that all routes received via that stub area carry the configured metric to potentially influence routing decisions.
- Default routes—Default routes with weight metrics can be manually injected into transit areas. This helps establish a preferred route when multiple routing devices exist between two areas. It also helps route traffic to external networks.

Defining Areas

If you are configuring multiple areas in your OSPF domain, one of the areas must be designated as area 0, known as the *backbone*. The backbone is the central OSPF area and is usually physically connected to all other areas. The areas inject routing information into the backbone which, in turn, disseminates the information into other areas.

Since the backbone connects the areas in your network, it must be a contiguous area. If the backbone is partitioned (possibly as a result of joining separate OSPF networks), parts of the AS will be unreachable, and you will need to configure *virtual links* to reconnect the partitioned areas (see “[Virtual Links](#)” on page 146).

Up to three OSPF areas can be connected to the GbE Switch Module with Alteon OS software. To configure an area, the OSPF number must be defined and then attached to a network interface on the switch. The full process is explained in the following sections.

An OSPF area is defined by assigning *two* pieces of information—an *area index* and an *area ID*. The command to define an OSPF area is as follows:

```
>> # /cfg/13/ospf/aindex <area index>/areaid <n.n.n.n>
```

NOTE – The `aindex` option above is an arbitrary index used only on the switch and does not represent the actual OSPF area number. The actual OSPF area number is defined in the `areaid` portion of the command as explained in the following sections.

Assigning the Area Index

The `aindex <area index>` option is actually just an arbitrary index (0-2) used only by the GbE Switch Module. This index does not necessarily represent the OSPF area number, though for configuration simplicity, it should where possible.

For example, both of the following sets of commands define OSPF area 0 (the backbone) and area 1 because that information is held in the area ID portion of the command. However, the first set of commands is easier to maintain because the arbitrary area indexes agree with the area IDs:

- Area index and area ID agree

```
/cfg/13/ospf/aindex 0/areaid 0.0.0.0 (Use index 0 to set area 0 in ID octet format)
```

```
/cfg/13/ospf/aindex 1/areaid 0.0.0.1 (Use index 1 to set area 1 in ID octet format)
```

- Area index set to an arbitrary value

```
/cfg/13/ospf/aindex 1/areaid 0.0.0.0 (Use index 1 to set area 0 in ID octet format)
```

```
/cfg/13/ospf/aindex 2/areaid 0.0.0.1 (Use index 2 to set area 1 in ID octet format)
```

Using the Area ID to Assign the OSPF Area Number

The OSPF area number is defined in the `areaid <IP address>` option. The octet format is used in order to be compatible with two different systems of notation used by other OSPF network vendors. There are two valid ways to designate an area ID:

- Placing the area number in the last octet (0.0.0.*n*)

Most common OSPF vendors express the area ID number as a single number. For example, the Cisco IOS-based router command “network 1.1.1.0 0.0.0.255 area 1” defines the area number simply as “area 1.” On the GbE Switch Module, using the last octet in the area ID, “area 1” is equivalent to “areaid 0.0.0.1”.

- Multi-octet (*IP address*)

Some OSPF vendors express the area ID number in multi-octet format. For example, “area 2.2.2.2” represents OSPF area 2 and can be specified directly on the GbE Switch Module as “areaid 2.2.2.2”.

NOTE – Although both types of area ID formats are supported, be sure that the area IDs are in the same format throughout an area.

Attaching an Area to a Network

Once an OSPF area has been defined, it must be associated with a network. To attach the area to a network, you must assign the OSPF area index to an IP interface that participates in the area. The format for the command is as follows:

```
>> # /cfg/l3/ospf/if <interface number>/aindex <area index>
```

For example, the following commands could be used to configure IP interface 14 for a presence on the 10.10.10.1/24 network, to define OSPF area 1, and to attach the area to the network:

```
>> # /cfg/l3/if 14 (Select menu for IP interface 14)
>> IP Interface 14# addr 10.10.10.1 (Define IP address on backbone network)
>> IP Interface 14# mask 255.255.255.0 (Define IP mask on backbone)
>> IP Interface 14# ena (Enable IP interface 14)
>> IP Interface 14# ../ospf/aindex 1 (Select menu for area index 1)
>> OSPF Area (index) 1 # areaid 0.0.0.1 (Define area ID as OSPF area 1)
>> OSPF Area (index) 1 # ena (Enable area index 1)
>> OSPF Area (index) 1 # ../if 14 (Select OSPF menu for interface 14)
>> OSPF Interface 14# aindex 1 (Attach area to network on interface 14)
>> OSPF Interface 14# enable (Enable interface 14 for area index 1)
```

Interface Cost

The OSPF link-state algorithm (Dijkstra's algorithm) places each routing device at the root of a tree and determines the cumulative *cost* required to reach each destination. Usually, the cost is inversely proportional to the bandwidth of the interface. Low cost indicates high bandwidth. You can manually enter the cost for the output route with the following command:

```
>> # /cfg/l3/ospf/if <OSPF interface number>/cost <cost value (1-65535)>
```

Electing the Designated Router and Backup

In any area with more than two routing devices, a Designated Router (DR) is elected as the central contact for database exchanges among neighbors, and a Backup Designated Router (BDR) is elected in case the DR fails.

DR and BDR elections are made through the hello process. The election can be influenced by assigning a priority value to the OSPF interfaces on the GbE Switch Module. The command is as follows:

```
>> # /cfg/l3/ospf/if <OSPF interface number>/prio <priority value (0-127)>
```

A priority value of 127 is the highest, and 1 is the lowest. A priority value of 0 specifies that the interface cannot be used as a DR or BDR. In case of a tie, the routing device with the lowest router ID wins.

Summarizing Routes

Route summarization condenses routing information. Without summarization, each routing device in an OSPF network would retain a route to every subnet in the network. With summarization, routing devices can reduce some sets of routes to a single advertisement, reducing both the load on the routing device and the perceived complexity of the network. The importance of route summarization increases with network size.

Summary routes can be defined for up to 16 IP address ranges using the following command:

```
>> # /cfg/l3/ospf/range <range number>/addr <IP address>/mask  
<mask>
```

where *<range number>* is a number 1 to 16, *<IP address>* is the base IP address for the range, and *<mask>* is the IP address mask for the range. For a detailed configuration example, see [“Example 3: Summarizing Routes”](#) on page 158.

Default Routes

When an OSPF routing device encounters traffic for a destination address it does not recognize, it forwards that traffic along the *default route*. Typically, the default route leads upstream toward the backbone until it reaches the intended area or an external router.

Each GbE Switch Module acting as an ABR automatically inserts a default route into each attached area. In simple OSPF stub areas or NSSAs with only one ABR leading upstream (see Area 1 in [Figure 9-3](#)), any traffic for IP address destinations outside the area is forwarded to the switch's IP interface, and then into the connected transit area (usually the backbone). Since this is automatic, no further configuration is required for such areas.

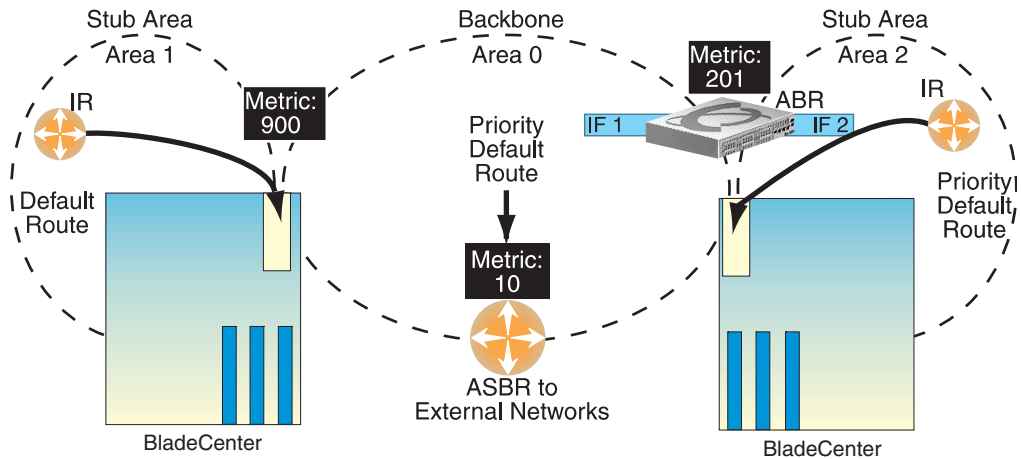


Figure 9-3 Injecting Default Routes

In more complex OSPF areas with multiple ABRs or ASBRs (such as area 0 and area 2 in [Figure 9-3](#)), there are multiple routes leading from the area. In such areas, traffic for unrecognized destinations cannot tell which route leads upstream without further configuration.

To resolve the situation and select one default route among multiple choices in an area, you can manually configure a metric value on each ABR. The metric assigns a priority to the ABR for its selection as the priority default route in an area. The following command is used for setting the metric value:

```
>> # /cfg/l3/ospf/default <metric value> <metric type (1 or 2)>
```

where *<metric value>* sets the priority for choosing this switch for default route. The value *none* sets no default and 1 sets the highest priority for default route. Metric type determines the method for influencing routing decisions for external routes.

To clear a default route metric from the switch, use the following command:

```
>> # /cfg/l3/ospf/default none
```

Virtual Links

Usually, all areas in an OSPF AS are physically connected to the backbone. In some cases where this is not possible, you can use a *virtual link*. Virtual links are created to connect one area to the backbone through another non-backbone area (see [Figure 9-1 on page 137](#)).

The area which contains a virtual link must be a transit area and have full routing information. Virtual links cannot be configured inside a stub area or NSSA. The area type must be defined as `transit` using the following command:

```
>> # /cfg/l3/ospf/aindex <area index>/type transit
```

The virtual link must be configured on the routing devices at each endpoint of the virtual link, though they may traverse multiple routing devices. To configure a GbE Switch Module as one endpoint of a virtual link, use the following command:

```
>> # /cfg/l3/ospf/virt <link number>/aindex <area index>/nbr <router ID>
```

where *<link number>* is a value between 1 and 3, *<area index>* is the OSPF area index of the transit area, and *<router ID>* is the IP address of the virtual neighbor (nbr), the routing device at the target endpoint. Another router ID is needed when configuring a virtual link in the other direction. To provide the GbE Switch Module with a router ID, see the following section [Router ID](#).

For a detailed configuration example on Virtual Links, see [“Example 2: Virtual Links” on page 154](#).

Router ID

Routing devices in OSPF areas are identified by a router ID. The router ID is expressed in IP address format. The IP address of the router ID is not required to be included in any IP interface range or in any OSPF area.

The router ID can be configured in one of the following two ways:

- Dynamically—OSPF protocol configures the lowest IP interface IP address as the router ID. This is the default.
- Statically—Use the following command to manually configure the router ID:

```
>> # /cfg/13/rtrid <IP address>
```

- To modify the router ID from static to dynamic, set the router ID to 0.0.0.0, save the configuration, and reboot the GbE Switch Module. To view the router ID, enter:

```
>> # /info/13/ospf/gen
```

Authentication

OSPF protocol exchanges can be authenticated so that only trusted routing devices can participate. This ensures less processing on routing devices that are not listening to OSPF packets.

OSPF allows packet authentication and uses IP multicast when sending and receiving packets. Routers participate in routing domains based on predefined passwords. Alteon OS supports simple password (type 1 plain text passwords) and MD5 cryptographic authentication. This type of authentication allows a password to be configured per area.

Figure 9-4 shows authentication configured for area 0 with the password test. Simple authentication is also configured for the virtual link between area 2 and area 0. Area 1 is not configured for OSPF authentication.

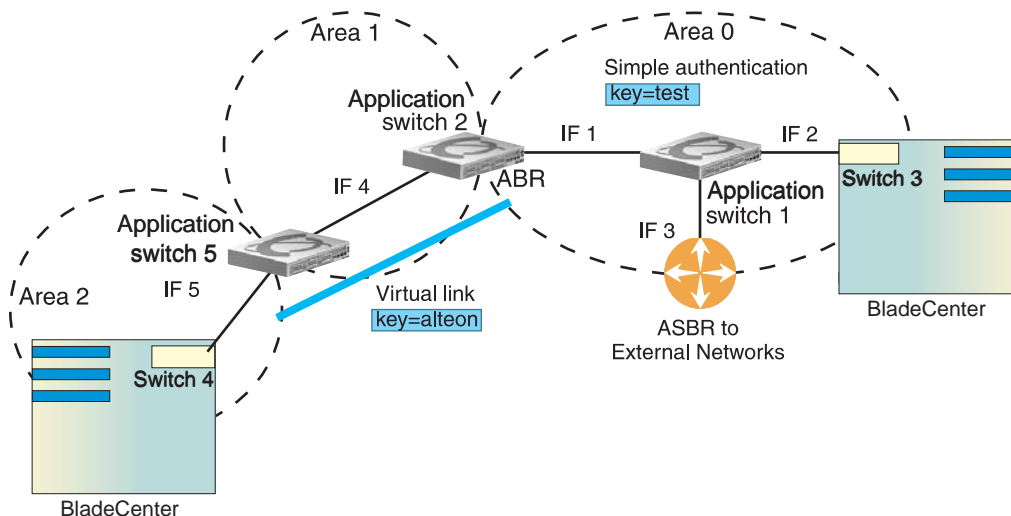


Figure 9-4 OSPF Authentication

To configure simple plain text OSPF passwords on the switches shown in Figure 9-4 use the following commands:

1. **Enable OSPF authentication for Area 0 on switches 1, 2, and 3.**

```
>> # /cfg/l3/ospf/aindex 0/auth password
                                     (Turn on OSPF password authentication)
```

2. **Configure a simple text password up to eight characters for each OSPF IP interface in Area 0 on switches 1, 2, and 3.**

```
>> # /cfg/l3/ospf/if 1
>> OSPF Interface 1 # key test
>> OSPF Interface 1 # ../if 2
>> OSPF Interface 2 # key test
>> OSPF Interface 1 # ../if 3
>> OSPF Interface 3 # key test
```

3. Enable OSPF authentication for Area 2 on switch 4.

```
>> # /cfg/l3/ospf/aindex 2/auth password
                                     (Turn on OSPF password authentication)
```

4. Configure a simple text password up to eight characters for the virtual link between Area 2 and Area 0 on switches 2 and 4.

```
>> # /cfg/l3/ospf/virt 1/key alteon
```

Use the following commands to configure MD5 authentication on the switches shown in [Figure 9-4](#):

1. Enable OSPF MD5 authentication for Area 0 on switches 1, 2, and 3.

```
>> # /cfg/l3/ospf/aindex 0/auth md5      (Turn on MD5 authentication)
```

2. Configure MD5 key ID for Area 0 on switches 1, 2, and 3.

```
>> # /cfg/l3/ospf/md5key 1/key test
```

3. Assign MD5 key ID to OSPF interfaces on switches 1, 2, and 3.

```
>> # /cfg/l3/ospf/if 1
>> OSPF Interface 1 # mdkey 1
>> OSPF Interface 1 # ../if 2
>> OSPF Interface 2 # mdkey 1
>> OSPF Interface 1 # ../if 3
>> OSPF Interface 3 # mdkey 1
```

4. Enable OSPF MD5 authentication for Area 2 on switch 4.

```
>> # /cfg/l3/ospf/aindex 2/auth md5
```

5. Configure MD5 key for the virtual link between Area 2 and Area 0 on switches 2 and 4.

```
>> # /cfg/l3/ospf/md5key 2/key alteon
```

6. Assign MD5 key ID to OSPF virtual link on switches 2 and 4.

```
>> # /cfg/13/ospf/virt 1/mdkey 2
```

Host Routes for Load Balancing

Alteon OS implementation of OSPF includes host routes. Host routes are used for advertising network device IP addresses to external networks, accomplishing the following goals:

- Server Load Balancing (SLB) within OSPF

Host routes advertise virtual server IP addresses to external networks. This allows standard SLB between the GbE Switch Module and the server pools in an OSPF environment. For more information on SLB, see [Chapter 10, “Server Load Balancing”](#) and your *Alteon OS Command Reference*.

- ABR Load Sharing

As a second form of load balancing, host routes can be used for dividing OSPF traffic among multiple ABRs. To accomplish this, each switch provides identical services but advertises a host route for a different virtual server IP address to the external network. If each virtual server IP address serves a different and equal portion of the external world, incoming traffic from the upstream router should be split evenly among ABRs.

- ABR Failover

Complementing ABR load sharing, identical host routes can be configured on each ABR. These host routes can be given different costs so that a different ABR is selected as the preferred route for each virtual server and the others are available as backups for failover purposes.

If redundant routes via multiple routing processes (such as OSPF, RIP, BGP, or static routes) exist on your network, the switch defaults to the OSPF-derived route.

For a configuration example, see [“Example 4: Host Routes”](#) on page 161.

OSPF Features Not Supported in This Release

The following OSPF features are not supported in this release:

- Summarizing external routes
- Filtering OSPF routes
- Configuring equal cost route load balancing
- Using OSPF to forward multicast routes
- Configuring OSPF on non-broadcast multi-access networks (such as frame relay, X.25, and ATM)

OSPF Configuration Examples

A summary of the basic steps for configuring OSPF on the GbE Switch Module is listed here. Detailed instructions for each of the steps is covered in the following sections:

1. Configure IP interfaces.

One IP interface is required for each desired network (range of IP addresses) being assigned to an OSPF area on the switch.

2. (Optional) Configure the router ID.

The router ID is required only when configuring virtual links on the switch.

3. Enable OSPF on the switch.

4. Define the OSPF areas.

5. Configure OSPF interface parameters.

IP interfaces are used for attaching networks to the various areas.

6. (Optional) Configure route summarization between OSPF areas.

7. (Optional) Configure virtual links.

8. (Optional) Configure host routes.

Example 1: Simple OSPF Domain

In this example, two OSPF areas are defined—one area is the backbone and the other is a stub area. A stub area does not allow advertisements of external routes, thus reducing the size of the database. Instead, a default summary route of IP address 0.0.0.0 is automatically inserted into the stub area. Any traffic for IP address destinations outside the stub area will be forwarded to the stub area's IP interface, and then into the backbone.

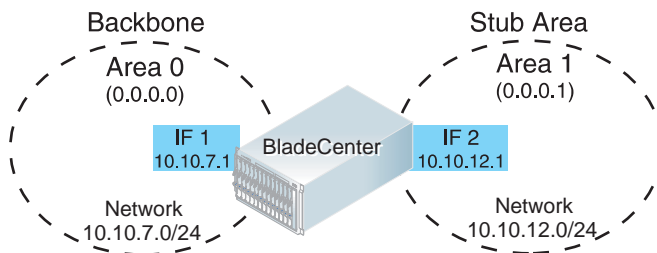


Figure 9-5 A Simple OSPF Domain

Follow this procedure to configure OSPF support as shown in [Figure 9-5](#):

1. Configure IP interfaces on each network that will be attached to OSPF areas.

In this example, two IP interfaces are needed: one for the backbone network on 10.10.7.0/24 and one for the stub area network on 10.10.12.0/24.

```
>> # /cfg/13/if 1                                     (Select menu for IP interface 1)
>> IP Interface 1 # addr 10.10.7.1                   (Set IP address on backbone network)
>> IP Interface 1 # mask 255.255.255.0              (Set IP mask on backbone network)
>> IP Interface 1 # enable                            (Enable IP interface 1)
>> IP Interface 1 # ../if 2                           (Select menu for IP interface 2)
>> IP Interface 2 # addr 10.10.12.1                  (Set IP address on stub area network)
>> IP Interface 2 # mask 255.255.255.0              (Set IP mask on stub area network)
>> IP Interface 2 # enable                            (Enable IP interface 2)
```

2. Enable OSPF.

```
>> IP Interface 2 # /cfg/13/ospf/on                  (Enable OSPF on the switch)
```


3. Define the backbone.

The backbone is always configured as a transit area using `areaid 0.0.0.0`.

```
>> Open Shortest Path First # aindex 0      (Select menu for area index 0)
>> OSPF Area (index) 0 # areaid 0.0.0.0    (Set the ID for backbone area 0)
>> OSPF Area (index) 0 # type transit      (Define backbone as transit type)
>> OSPF Area (index) 0 # enable          (Enable the area)
```

4. Define the stub area.

```
>> OSPF Area (index) 0 # ../aindex 1      (Select menu for area index 1)
>> OSPF Area (index) 1 # areaid 0.0.0.1    (Set the area ID for OSPF area 1)
>> OSPF Area (index) 1 # type stub        (Define area as stub type)
>> OSPF Area (index) 1 # enable          (Enable the area)
```

5. Attach the network interface to the backbone.

```
>> OSPF Area 1 # ../if 1                  (Select OSPF menu for IP interface 1)
>> OSPF Interface 1 # aindex 0            (Attach network to backbone index)
>> OSPF Interface 1 # enable              (Enable the backbone interface)
```

6. Attach the network interface to the stub area.

```
>> OSPF Interface 1 # ../if 2            (Select OSPF menu for IP interface 2)
>> OSPF Interface 2 # aindex 1            (Attach network to stub area index)
>> OSPF Interface 2 # enable              (Enable the stub area interface)
```

7. Apply and save the configuration changes.

```
>> OSPF Interface 2 # apply                (Global command to apply all changes)
>> OSPF Interface 2 # save                 (Global command to save all changes)
```

Example 2: Virtual Links

In the example shown in Figure 9-6, area 2 is not physically connected to the backbone as is usually required. Instead, area 2 will be connected to the backbone via a virtual link through area 1. The virtual link must be configured at each endpoint.

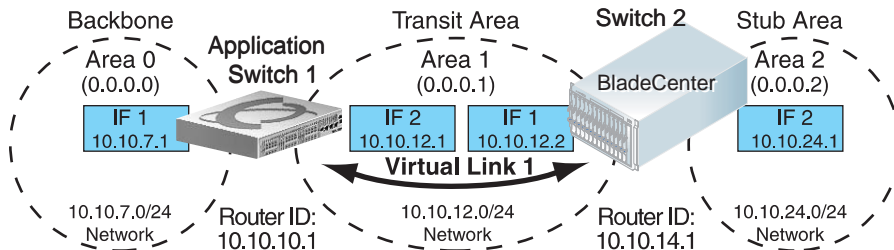


Figure 9-6 Configuring a Virtual Link

Configuring OSPF for a Virtual Link on Switch #1

1. Configure IP interfaces on each network that will be attached to the switch.

In this example, two IP interfaces are needed on Switch #1: one for the backbone network on 10.10.7.0/24 and one for the transit area network on 10.10.12.0/24.

```
>> # /cfg/13/if 1                                     (Select menu for IP interface 1)
>> IP Interface 1 # addr 10.10.7.1                   (Set IP address on backbone network)
>> IP Interface 1 # mask 255.255.255.0              (Set IP mask on backbone network)
>> IP Interface 1 # enable                            (Enable IP interface 1)
>> IP Interface 1 # ../if 2                           (Select menu for IP interface 2)
>> IP Interface 2 # addr 10.10.12.1                  (Set IP address on transit area network)
>> IP Interface 2 # mask 255.255.255.0              (Set IP mask on transit area network)
>> IP Interface 2 # enable                            (Enable interface 2)
```

2. Configure the router ID.

A router ID is required when configuring virtual links. Later, when configuring the other end of the virtual link on Switch 2, the router ID specified here will be used as the target virtual neighbor (nbr) address.

```
>> IP Interface 2 # /cfg/13/rtrid 10.10.10.1        (Set static router ID on switch 1)
```

3. Enable OSPF.

```
>> IP # /cfg/13/ospf/on                             (Enable OSPF on switch 1)
```

4. Define the backbone.

```
>> Open Shortest Path First # aindex 0      (Select menu for area index 0)
>> OSPF Area (index) 0 # areaid 0.0.0.0    (Set the area ID for backbone area 0)
>> OSPF Area (index) 0 # type transit      (Define backbone as transit type)
>> OSPF Area (index) 0 # enable          (Enable the area)
```

5. Define the transit area.

The area that contains the virtual link must be configured as a transit area.

```
>> OSPF Area (index) 0 # ../aindex 1      (Select menu for area index 1)
>> OSPF Area (index) 1 # areaid 0.0.0.1    (Set the area ID for OSPF area 1)
>> OSPF Area (index) 1 # type transit      (Define area as transit type)
>> OSPF Area (index) 1 # enable          (Enable the area)
```

6. Attach the network interface to the backbone.

```
>> OSPF Area (index) 1 # ../if 1          (Select OSPF menu for IP interface 1)
>> OSPF Interface 1 # aindex 0           (Attach network to backbone index)
>> OSPF Interface 1 # enable            (Enable the backbone interface)
```

7. Attach the network interface to the transit area.

```
>> OSPF Interface 1 # ../if 2            (Select OSPF menu for IP interface 2)
>> OSPF Interface 2 # aindex 1           (Attach network to transit area index)
>> OSPF Interface 2 # enable            (Enable the transit area interface)
```

8. Configure the virtual link.

The nbr router ID configured in this step must be the same as the router ID that will be configured for Switch #2 in [Step 2 on page 156](#).

```
>> OSPF Interface 2 # ../virt 1          (Specify a virtual link number)
>> OSPF Virtual Link 1 # aindex 1        (Specify the transit area for the virtual link)
>> OSPF Virtual Link 1 # nbr 10.10.14.1  (Specify the router ID of the recipient)
>> OSPF Virtual Link 1 # enable          (Enable the virtual link)
```

9. Apply and save the configuration changes.

```
>> OSPF Interface 2 # apply              (Global command to apply all changes)
>> OSPF Interface 2 # save              (Global command to save all changes)
```

Configuring OSPF for a Virtual Link on Switch #2

1. Configure IP interfaces on each network that will be attached to OSPF areas.

Two IP interfaces are needed on Switch #2: one for the transit area network on 10.10.12.0/24 and one for the stub area network on 10.10.24.0/24.

```
>> # /cfg/l3/if 1 (Select menu for IP interface 1)
>> IP Interface 1 # addr 10.10.12.2 (Set IP address on transit area network)
>> IP Interface 1 # mask 255.255.255.0 (Set IP mask on transit area network)
>> IP Interface 1 # enable (Enable IP interface 1)
>> IP Interface 1 # ../if 2 (Select menu for IP interface 2)
>> IP Interface 2 # addr 10.10.24.1 (Set IP address on stub area network)
>> IP Interface 2 # mask 255.255.255.0 (Set IP mask on stub area network)
>> IP Interface 2 # enable (Enable IP interface 2)
```

2. Configure the router ID.

A router ID is required when configuring virtual links. This router ID should be the same one specified as the target virtual neighbor (nbr) on switch 1 in [Step 8 on page 155](#).

```
>> IP Interface 2 # /cfg/l3/rtrid 10.10.14.1 (Set static router ID on switch 2)
```

3. Enable OSPF.

```
>> IP# /cfg/l3/ospf/on (Enable OSPF on switch 2)
```

4. Define the backbone.

This version of Alteon OS requires that a backbone index be configured on the non-backbone end of the virtual link as follows:

```
>> Open Shortest Path First # aindex 0 (Select the menu for area index 0)
>> OSPF Area (index) 0 # areaid 0.0.0.0 (Set the area ID for OSPF area 0)
>> OSPF Area (index) 0 # enable (Enable the area)
```

5. Define the transit area.

```
>> OSPF Area (index) 0 # ../aindex 1 (Select menu for area index 1)
>> OSPF Area (index) 1 # areaid 0.0.0.1 (Set the area ID for OSPF area 1)
>> OSPF Area (index) 1 # type transit (Define area as transit type)
>> OSPF Area (index) 1 # enable (Enable the area)
```

6. Define the stub area.

```
>> OSPF Area (index) 1 # ../aindex 2           (Select the menu for area index 2)
>> OSPF Area (index) 2 # areaid 0.0.0.2        (Set the area ID for OSPF area 2)
>> OSPF Area (index) 2 # type stub             (Define area as stub type)
>> OSPF Area (index) 2 # enable               (Enable the area)
```

7. Attach the network interface to the backbone.

```
>> OSPF Area (index) 2 # ../if 1              (Select OSPF menu for IP interface 1)
>> OSPF Interface 1 # aindex 1                (Attach network to transit area index)
>> OSPF Interface 1 # enable                  (Enable the transit area interface)
```

8. Attach the network interface to the transit area.

```
>> OSPF Interface 1 # ../if 2                (Select OSPF menu for IP interface 2)
>> OSPF Interface 2 # aindex 2                (Attach network to stub area index)
>> OSPF Interface 2 # enable                  (Enable the stub area interface)
```

9. Configure the virtual link.

The nbr router ID configured in this step must be the same as the router ID that was configured for switch #1 in [Step 2 on page 154](#).

```
>> OSPF Interface 2 # ../virt 1              (Specify a virtual link number)
>> OSPF Virtual Link 1 # aindex 1            (Specify the transit area for the virtual link)
>> OSPF Virtual Link 1 # nbr 10.10.10.1      (Specify the router ID of the recipient)
>> OSPF Virtual Link 1 # enable              (Enable the virtual link)
```

10. Apply and save the configuration changes.

```
>> OSPF Interface 2 # apply                   (Global command to apply all changes)
>> OSPF Interface 2 # save                     (Global command to save all changes)
```

Other Virtual Link Options

- You can use redundant paths by configuring multiple virtual links.
- Only the endpoints of the virtual link are configured. The virtual link path may traverse multiple routers in an area as long as there is a routable path between the endpoints.

Example 3: Summarizing Routes

By default, ABRs advertise all the network addresses from one area into another area. Route summarization can be used for consolidating advertised addresses and reducing the perceived complexity of the network.

If the network IP addresses in an area are assigned to a contiguous subnet range, you can configure the ABR to advertise a single summary route that includes all the individual IP addresses within the area.

The following example shows one summary route from area 1 (stub area) injected into area 0 (the backbone). The summary route consists of all IP addresses from 36.128.192.0 through 36.128.254.255 except for the routes in the range 36.128.200.0 through 36.128.200.255.

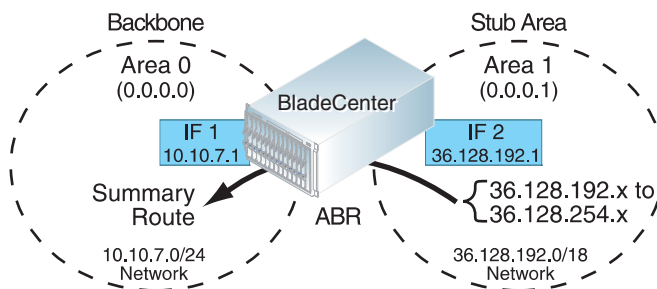


Figure 9-7 Summarizing Routes

NOTE – You can specify a range of addresses to *prevent* advertising by using the `hide` option. In this example, routes in the range 36.128.200.0 through 36.128.200.255 are kept private.

Follow this procedure to configure OSPF support as shown in [Figure 9-7](#):

1. Configure IP interfaces for each network which will be attached to OSPF areas.

```
>> # /cfg/l3/if 1 (Select menu for IP interface 1)
>> IP Interface 1 # addr 10.10.7.1 (Set IP address on backbone network)
>> IP Interface 1 # mask 255.255.255.0 (Set IP mask on backbone network)
>> IP Interface 1 # ena (Enable IP interface 1)
>> IP Interface 1 # ../if 2 (Select menu for IP interface 2)
>> IP Interface 2 # addr 36.128.192.1 (Set IP address on stub area network)
>> IP Interface 2 # mask 255.255.192.0 (Set IP mask on stub area network)
>> IP Interface 2 # ena (Enable IP interface 2)
```

2. Enable OSPF.

```
>> IP Interface 2 # /cfg/l3/ospf/on (Enable OSPF on the switch)
```

3. Define the backbone.

```
>> Open Shortest Path First # aindex 0 (Select menu for area index 0)
>> OSPF Area (index) 0 # areaid 0.0.0.0 (Set the ID for backbone area 0)
>> OSPF Area (index) 0 # type transit (Define backbone as transit type)
>> OSPF Area (index) 0 # enable (Enable the area)
```

4. Define the stub area.

```
>> OSPF Area (index) 0 # ../aindex 1 (Select menu for area index 1)
>> OSPF Area (index) 1 # areaid 0.0.0.1 (Set the area ID for OSPF area 1)
>> OSPF Area (index) 1 # type stub (Define area as stub type)
>> OSPF Area (index) 1 # enable (Enable the area)
```

5. Attach the network interface to the backbone.

```
>> OSPF Area (index) 1 # ../if 1 (Select OSPF menu for IP interface 1)
>> OSPF Interface 1 # aindex 0 (Attach network to backbone index)
>> OSPF Interface 1 # enable (Enable the backbone interface)
```

6. Attach the network interface to the stub area.

```
>> OSPF Interface 1 # ../if 2 (Select OSPF menu for IP interface 2)
>> OSPF Interface 2 # aindex 1 (Attach network to stub area index)
>> OSPF Interface 2 # enable (Enable the stub area interface)
```

7. Configure route summarization by specifying the starting address and mask of the range of addresses to be summarized.

```
>> OSPF Interface 2 # ../range 1           (Select menu for summary range)
>> OSPF Summary Range 1 # addr 36.128.192.0 (Set base IP address of summary range)
>> OSPF Summary Range 1 # mask 255.255.192.0 (Set mask address for summary range)
>> OSPF Summary Range 1 # aindex 0         (Inject summary route into backbone)
>> OSPF Summary Range 1 # enable          (Enable summary range)
```

8. Use the hide command to prevent a range of addresses from advertising to the backbone.

```
>> OSPF Interface 2 # ../range 2           (Select menu for summary range)
>> OSPF Summary Range 2 # addr 36.128.200.0 (Set base IP address)
>> OSPF Summary Range 2 # mask 255.255.255.0 (Set mask address)
>> OSPF Summary Range 2 # hide enable      (Hide the range of addresses)
```

9. Apply and save the configuration changes.

```
>> OSPF Summary Range 2 # apply           (Global command to apply all changes)
>> OSPF Summary Range 2 # save           (Global command to save all changes)
```


Example 4: Host Routes

The Alteon OS implementation of OSPF includes host routes. Host routes are used for advertising network device IP addresses to external networks and allows for Server Load Balancing (SLB) within OSPF. It also makes ABR load sharing and failover possible.

Consider the example network in [Figure 9-8](#). Both GbE Switch Modules have access to servers with identical content and are configured with the same virtual server IP addresses: 10.10.10.1 and 10.10.10.2. Switch #1 is given a host route with a low cost for virtual server 10.10.10.1 and another host route with a high cost for virtual server 10.10.10.2. Switch #2 is configured with the same hosts but with the costs reversed; one host route has a high cost for virtual server 10.10.10.1 and another has a low cost for virtual server 10.10.10.2.

All four host routes are injected into the upstream router and advertised externally. Traffic comes in for both virtual server IP addresses (10.10.10.1 and 10.10.10.2). The upstream router sees that both addresses exist on both switches and uses the host route with the lowest cost for each. Traffic for 10.10.10.1 goes to switch #1 because its host route has the lowest cost for that address. Traffic for 10.10.10.2 goes to switch #2 because its host route has the lowest cost. This effectively shares the load among ABRs. Both switches then use standard server load balancing to distribute traffic among available real servers.

In addition, if one of the switches were to fail, the upstream routing device would forward the traffic to the ABR whose host route has the next lowest cost. In this example, the remaining switch would assume the entire load for both virtual servers.

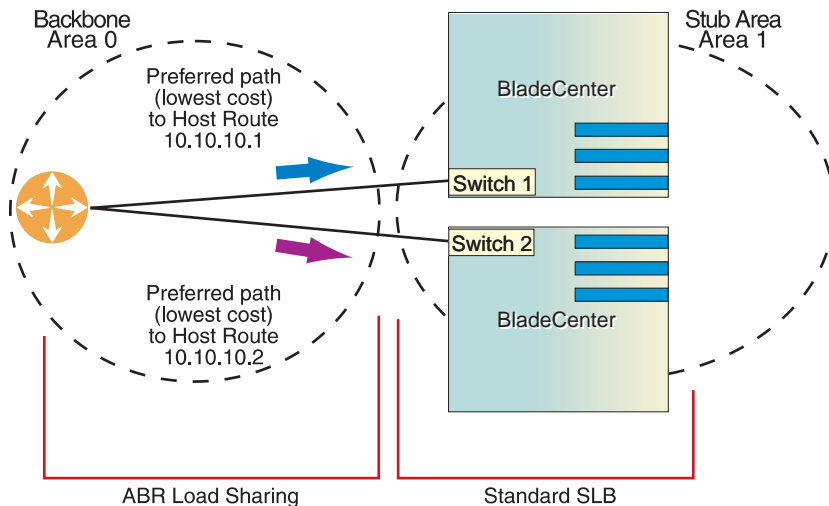


Figure 9-8 Configuring OSPF Host Routes

Configuring OSPF for Host Routes on GbE Switch Module #1

1. Configure IP interfaces for each network that will be attached to OSPF areas.

```
>> Virtual server 1 # /cfg/l3/if 1           (Select menu for IP interface 1)
>> IP Interface 1 # addr 10.10.10.5       (Set IP address on backbone network)
>> IP Interface 1 # enable                (Enable IP interface 1)
>> IP Interface 1 # ../if 2              (Select menu for IP interface 2)
>> IP Interface 2 # addr 100.100.100.40  (Set IP address on stub area network)
>> IP Interface 2 # enable                (Enable IP interface 2)
```

2. Configure basic SLB parameters.

Switch 1 is connected to two real servers. Each real server is given an IP address and is placed in the same real server group.

```
>> # /cfg/slb/real 1                       (Select menu for real server 1)
>> Real server 1 # rip 100.100.100.25     (Set the IP address for real server 1)
>> Real server 1 # ena                     (Enable the real server)
>> Real server 1 # ../real 2              (Select menu for real server 2)
>> Real server 2 # rip 100.100.100.26     (Set the IP address for real server 2)
>> Real server 2 # ena                     (Enable the real server)
>> Real server 2 # ../group 1             (Select menu for real server group 1)
>> Real server group 1 # add 1            (Add real server 1 to group)
>> Real server group 1 # add 2            (Add real server 2 to group)
>> Real server group 1 # enable           (Enable the group)
>> Real server group 1 # ../on            (Turn SLB on)
```

3. Configure client and server processing on specific ports.

```
>> Layer 4# port EXT4                      (Select switch port EXT4)
>> SLB Port EXT4 # client ena              (Enable client processing)
>> SLB Port EXT4 # ../port INT5           (Select switch Port INT5)
>> SLB Port INT5 # server ena             (Enable server processing)
```

4. Enable direct access mode.

```
>> Layer 4 Port INT5# ../adv                (Select the SLB advance menu)
>> Layer 4 Advanced# direct ena            (Enable DAM)
>> Layer 4 Advanced# ..                    (Return to the SLB menu)
```

5. Configure the primary virtual server.

Switch # 1 will be preferred for virtual server 10.10.10.1.

```
>> Layer 4 # virt 1 (Select menu for virtual server 1)
>> Virtual server 1 # vip 10.10.10.1 (Set the IP address for virtual server 1)
>> Virtual server 1 # ena (Enable the virtual server)
>> Virtual server 1 # service http (Select menu for service on virtual server)
>> Virtual server 1 http service # group 1 (Use real server group 1 for http service)
```

6. Configure the backup virtual server.

Switch # 1 will act as a backup for virtual server 10.10.10.2. Both virtual servers in this example are configured with the same real server group and provide identical services.

```
>> Virtual server 2 http service # /cfg/slb/virt 2 (Select menu for virtual server 2)
>> Virtual server 1 # vip 10.10.10.2 (Set the IP address for virtual server 2)
>> Virtual server 1 # ena (Enable the virtual server)
>> Virtual server 1 # service http (Select menu for service on virtual server)
>> Virtual server 1 # group 1 (Use real server group 1 for http service)
```

7. Enable OSPF on switch 1.

```
>> IP Interface 2 # ../ospf/on (Enable OSPF on switch 1)
```

8. Define the backbone.

```
>> Open Shortest Path First # aindex 0 (Select menu for area index 0)
>> OSPF Area (index) 0 # areaid 0.0.0.0 (Set the ID for backbone area 0)
>> OSPF Area (index) 0 # type transit (Define backbone as transit type)
>> OSPF Area (index) 0 # enable (Enable the area)
```

9. Define the stub area.

```
>> OSPF Area (index) 0 # ../aindex 1 (Select menu for area index 1)
>> OSPF Area (index) 1 # areaid 0.0.0.1 (Set the ID for stub area 1)
>> OSPF Area (index) 1 # type stub (Define area as stub type)
>> OSPF Area (index) 1 # enable (Enable the area)
```

10. Attach the network interface to the backbone.

```
>> OSPF Area (index) 1 # ../if 1           (Select OSPF menu for IP interface 1)
>> OSPF Interface 1 # aindex 0           (Attach network to backbone index)
>> OSPF Interface 1 # enable             (Enable the backbone interface)
```

11. Attach the network interface to the stub area.

```
>> OSPF Interface 1 # ../if 2           (Select OSPF menu for IP interface 2)
>> OSPF Interface 2 # aindex 1           (Attach network to stub area index)
>> OSPF Interface 2 # enable             (Enable the stub area interface)
```

12. Configure host routes.

One host route is needed for each virtual server on GbE Switch Module 1. Since virtual server 10.10.10.1 is preferred for switch 1, its host route has a low cost. Because virtual server 10.10.10.2 is used as a backup in case switch 2 fails, its host route has a high cost.

NOTE – You do not need to enable redistribution (`cfg/13/ospf/redist`) if you configure virtual server routes as host routes.

```
>> OSPF Interface 2 # ../host 1           (Select menu for host route 1)
>> OSPF Host Entry 1 # addr 10.10.10.1   (Set IP address same as virtual server 1)
>> OSPF Host Entry 1 # aindex 0           (Inject host route into backbone area)
>> OSPF Host Entry 1 # cost 1             (Set low cost for preferred path)
>> OSPF Host Entry 1 # enable             (Enable the host route)
>> OSPF Host Entry 1 # ../host 2           (Select menu for host route 2)
>> OSPF Host Entry 2 # addr 10.10.10.2   (Set IP address same as virtual server 2)
>> OSPF Host Entry 2 # aindex 0           (Inject host route into backbone area)
>> OSPF Host Entry 2 # cost 100           (Set high cost for use as backup path)
>> OSPF Host Entry 2 # enable             (Enable the host route)
```

NOTE – When a service goes down, the corresponding host route is removed from advertising.

13. Apply and save the configuration changes.

```
>> OSPF Host Entry 2 # apply             (Global command to apply all changes)
>> OSPF Host Entry 2 # save              (Global command to save all changes)
```

Configuring OSPF for Host Routes on GbE Switch Module 2

1. Configure basic SLB parameters.

Switch 2 is connected to two real servers. Each real server is given an IP address and is placed in the same real server group.

```
>> # /cfg/slb/real 1                (Select menu for real server 1)
>> Real server 1 # rip 100.100.100.27 (Set the IP address for real server 1)
>> Real server 1 # enable            (Enable the real server)
>> Real server 1 # ../real 2        (Select menu for real server 2)
>> Real server 2 # rip 100.100.100.28 (Set the IP address for real server 2)
>> Real server 2 # enable            (Enable the real server)
>> Real server 2 # ../group 1       (Select menu for real server group 1)
>> Real server group 1 # add 1      (Add real server 1 to group)
>> Real server group 1 # add 2      (Add real server 2 to group)
>> Real server group 1 # enable     (Enable the group)
>> Real server group 1 # ../on      (Turn SLB on)
```

2. Configure the virtual server parameters.

The same virtual servers are configured as on switch 1.

```
>> Layer 4 # virt 1                  (Select menu for virtual server 1)
>> Virtual server 1 # vip 10.10.10.1 (Set the IP address for virtual server 1)
>> Virtual server 1 # enable         (Enable the virtual server)
>> Virtual server 1 # service http   (Select menu for service on virtual server)
>> Virtual server 1 http service # group 1 (Use real server group 1 for http service)
>> Virtual server 2 http service # /cfg/slb/virt 2 (Select menu for virtual server 2)
>> Virtual server 1 # vip 10.10.10.2 (Set the IP address for virtual server 2)
>> Virtual server 1 # enable         (Enable the virtual server)
>> Virtual server 1 # service http   (Select menu for service on virtual server)
>> Virtual server 1 # group 1       (Use real server group 1 for http service)
```

3. Configure IP interfaces for each network that will be attached to OSPF areas.

```
>> Virtual server 1 # /cfg/l3/if 1   (Select menu for IP Interface 1)
>> IP Interface 1 # addr 10.10.10.6 (Set IP address on backbone network)
>> IP Interface 1 # enable          (Enable IP interface 1)
>> IP Interface 1 # ../if 2        (Select menu for IP Interface 2)
>> IP Interface 2 # addr 100.100.100.41 (Set IP address on stub area network)
>> IP Interface 2 # enable         (Enable IP interface 2)
```

4. Enable OSPF on switch #2.

```
>> IP Interface 2 # ../ospf/on (Enable OSPF on switch #2)
```

5. Define the backbone.

```
>> Open Shortest Path First # aindex 0 (Select menu for area index 0)
>> OSPF Area (index) 0 # areaid 0.0.0.0 (Set the ID for backbone area 0)
>> OSPF Area (index) 0 # type transit (Define backbone as transit type)
>> OSPF Area (index) 0 # enable (Enable the area)
```

6. Define the stub area.

```
>> OSPF Area (index) 0 # ../aindex 1 (Select menu for area index 1)
>> OSPF Area (index) 1 # areaid 0.0.0.1 (Set the ID for stub area 1)
>> OSPF Area (index) 1 # type stub (Define area as stub type)
>> OSPF Area (index) 1 # enable (Enable the area)
```

7. Attach the network interface to the backbone.

```
>> OSPF Area (index) 1 # ../if 1 (Select OSPF menu for IP interface 1)
>> OSPF Interface 1 # aindex 0 (Attach network to backbone index)
>> OSPF Interface 1 # enable (Enable the backbone interface)
```

8. Attach the network interface to the stub area.

```
>> OSPF Interface 1 # ../if 2 (Select OSPF menu for IP interface 2)
>> OSPF Interface 2 # aindex 1 (Attach network to stub area index)
>> OSPF Interface 2 # enable (Enable the stub area interface)
```

9. Configure host routes.

Host routes are configured just like those on switch 1, except their costs are *reversed*. Since virtual server 10.10.10.2 is preferred for switch 2, its host route has been given a low cost. Because virtual server 10.10.10.1 is used as a backup in case switch 1 fails, its host route has been given a high cost.

```
>> OSPF Interface 2 # ../host 1           (Select menu for host route 1)
>> OSPF Host Entry 1 # addr 10.10.10.1   (Set IP address same as virtual server 1)
>> OSPF Host Entry 1 # aindex 0          (Inject host route into backbone area)
>> OSPF Host Entry 1 # cost 100          (Set high cost for use as backup path)
>> OSPF Host Entry 1 # enable            (Enable the host route)
>> OSPF Host Entry 1 # ../host 2         (Select menu for host route 2)
>> OSPF Host Entry 2 # addr 10.10.10.2   (Set IP address same as virtual server 2)
>> OSPF Host Entry 2 # aindex 0          (Inject host route into backbone area)
>> OSPF Host Entry 2 # cost 1            (Set low cost for primary path)
>> OSPF Host Entry 2 # enable            (Enable the host route)
```

10. Apply and save the configuration changes.

```
>> OSPF Host Entry 2 # apply             (Global command to apply all changes)
>> OSPF Host Entry 2 # save              (Global command to save all changes)
```

Verifying OSPF Configuration

Use the following commands to verify the OSPF configuration on your switch:

- /info/l3/ospf/general
- /info/l3/ospf/nbr
- /info/l3/ospf/dbase/dbsum
- /info/l3/ospf/route
- /stats/l3/route

Refer to the *Alteon OS Command Reference* for information on the above commands.

Part 3: Application Switching Fundamentals

Internet traffic consists of myriad services and applications which use the Internet Protocol (IP) for data delivery. IP, however, is not optimized for all the various applications. Application switching goes beyond IP and makes intelligent switching decisions based on the application and its data. This sections details the following fundamental switching features:

- Server Load Balancing
- Filtering
- Application Redirection
- Health Checking
- High Availability



CHAPTER 10

Server Load Balancing

Server Load Balancing (SLB) allows you to configure the GbE Switch Module to balance user session traffic among a pool of available servers that provide shared services. The following sections in this chapter describe how to configure and use SLB:

- [“Understanding Server Load Balancing” on page 172](#). This section discusses the benefits of server load balancing and how it works.
- [“Implementing Basic Server Load Balancing” on page 175](#). This section discusses how implementing SLB provides reliability, performance, and ease of maintenance on your network.
 - [“Network Topology Requirements” on page 176](#). This section provides key requirements to consider before deploying server load balancing.
 - [“Configuring Server Load Balancing” on page 177](#).
 - [“Additional Server Load Balancing Options” on page 182](#).
- [“Extending SLB Topologies” on page 190](#). This section discusses proxy IP addresses, mapping a virtual port to real ports, monitoring real server ports, and delayed binding.
- [“Session Initiation Protocol Server Load Balancing” on page 203](#).
- [“Workload Manager Support” on page 207](#).

For additional information on SLB commands, see your *Alteon OS Command Reference*.

Understanding Server Load Balancing

SLB benefits your network in a number of ways:

- **Increased efficiency for server utilization and network bandwidth**

With SLB, your GbE Switch Module is aware of the shared services provided by your server pool and can then balance user session traffic among the available servers. Important session traffic gets through more easily, reducing user competition for connections on overutilized servers. For even greater control, traffic is distributed according to a variety of user-selectable rules.
- **Increased reliability of services to users**

If any server in a server pool fails, the remaining servers continue to provide access to vital applications and data. The failed server can be brought back up without interrupting access to services.
- **Increased scalability of services**

As users are added and the server pool's capabilities are saturated, new servers can be added to the pool transparently.

Identifying Your Network Needs

SLB may be the right option for addressing these vital network concerns:

- A single server no longer meets the demand for its particular application.
- The connection from your LAN to your server overloads the server's capacity.
- Your NT and LINUX servers hold critical application data and must remain available even in the event of a server failure.
- Your Web site is being used as a way to do business and for taking orders from customers. It must not become overloaded or unavailable.
- You want to use multiple servers or hot-standby servers for maximum server uptime.
- You must be able to scale your applications to meet client and LAN request capacity.
- You can't afford to continue using an inferior load-balancing technique, such as DNS round robin or a software-only system.

How Server Load Balancing Works

In an average network that employs multiple servers without server load balancing, each server usually specializes in providing one or two unique services. If one of these servers provides access to applications or data that is in high demand, it can become overutilized. Placing this kind of strain on a server can decrease the performance of the entire network as user requests are rejected by the server and then resubmitted by the user stations. Ironically, over-utilization of key servers often happens in networks where other servers are actually available.

The solution to getting the most from your servers is SLB. With this software feature, the switch is aware of the services provided by each server. The switch can direct user session traffic to an appropriate server, based on a variety of load-balancing algorithms.

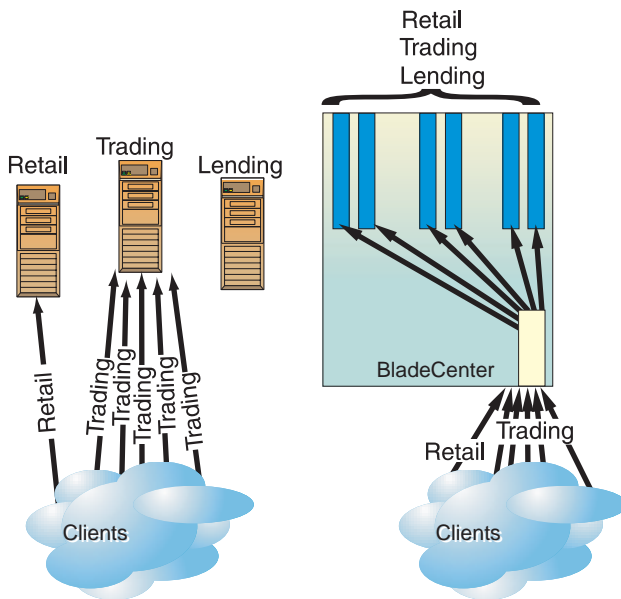


Figure 10-1 Traditional Versus SLB Network Configurations

To provide load balancing for any particular type of service, each server in the pool must have access to identical content, either directly (duplicated on each server) or through a back-end network (mounting the same file system or database server).

The GbE Switch Module, with SLB software, acts as a front-end to the servers, interpreting user session requests and distributing them among the available servers. Load balancing in Alteon OS can be done in the following ways:

- Virtual server-based load balancing

This is the traditional load balancing method. The switch is configured to act as a virtual server and is given a virtual server IP address (or range of addresses) for each collection of services it will distribute. There can be as many as 64 virtual servers on the switch, each distributing up to four different services (up to a total of 256 services).

Each virtual server is assigned a list of the IP addresses (or range of addresses) of the real servers in the pool where its services reside. When the user stations request connections to a service, they will communicate with a virtual server on the switch. When the switch receives the request, it binds the session to the IP address of the best available real server and remaps the fields in each frame from virtual addresses to real addresses.

HTTP, IP, FTP, RTSP, IDS, and static session WAP are examples of some of the services that use virtual servers for load balancing.

- Filtered-based load balancing

A filter allows you to control the types of traffic permitted through the switch. Filters are configured to allow, deny, or redirect traffic according to the IP address, protocol, or Layer 4 port criteria. In filtered-based load balancing, a filter is used to redirect traffic to a real server group. If the group is configured with more than one real server entry, redirected traffic is load balanced among the available real servers in the group.

Firewalls, WAP with RADIUS snooping, IDS, and WAN links use redirection filters to load balance traffic.

- Content-based load balancing

Content-based load balancing uses Layer 7 application data (such as URL, cookies, and Host Headers) to make intelligent load balancing decisions.

URL-based load balancing, browser-smart load balancing, and cookie-based preferential load balancing are a few examples of content-based load balancing.

Implementing Basic Server Load Balancing

Consider a situation where customer Web sites are being hosted by a popular Web hosting company and/or Internet Service Provider (ISP). The Web content is relatively static and is kept on a single NFS server for easy administration. As the customer base increases, the number of simultaneous Web connection requests also increases.

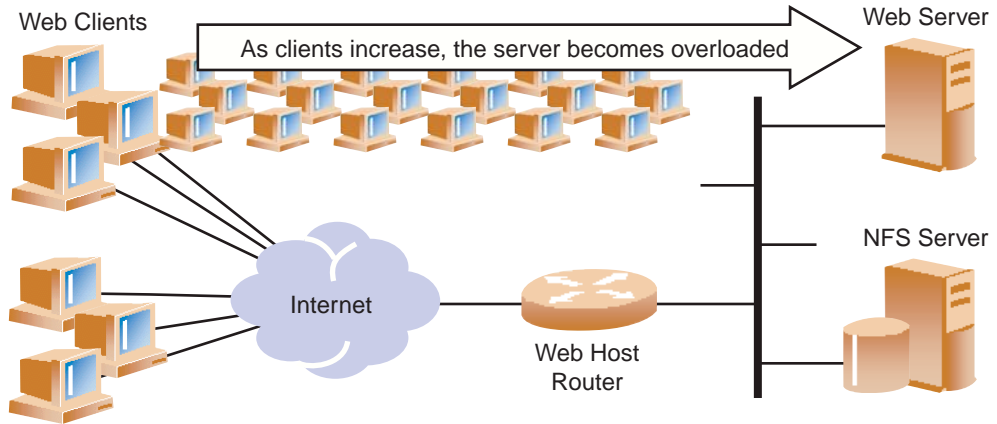


Figure 10-2 Web Hosting Configuration Without SLB

Such a company has three primary needs:

- Increased server availability
- Server performance scalable to match new customer demands
- Easy administration of network and servers

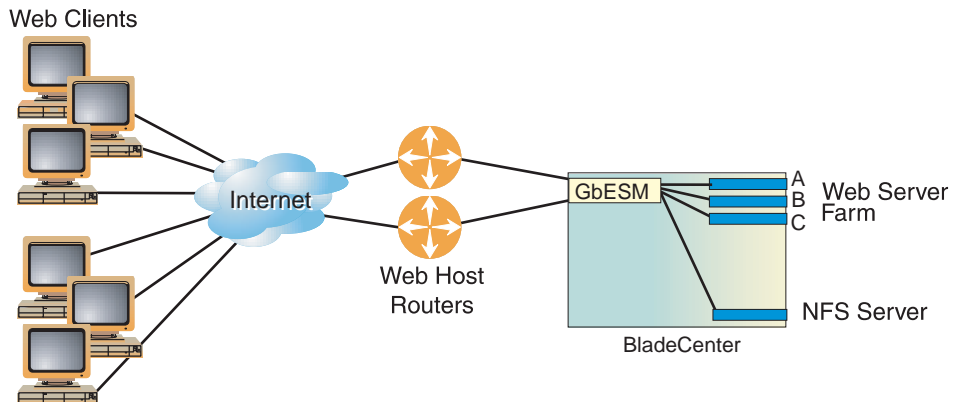


Figure 10-3 Web Hosting with SLB Solutions

All the issues can be addressed by adding an GbE Switch Module with SLB software.

- Reliability is increased by providing multiple paths from the clients to the GbE Switch Module and by accessing a pool of servers with identical content. If one server fails, the others can take up the additional load.
- Performance is improved by balancing the Web request load across multiple servers. More servers can be added at any time to increase processing power.
- For ease of maintenance, servers can be added or removed dynamically, without interrupting shared services.

Network Topology Requirements

When deploying SLB, there are a few key aspects to consider:

- Identical content must be available to each server in the same pool. Either of these methods can be used:
 - Static applications and data are duplicated on each real server in the pool.
 - Each real server in the pool has access to the same data through use of a shared file system or back-end database server.
- Some services require that a series of client requests go to the same real server so that session-specific state data can be retained between connections. Services of this nature include Web search results, multi-page forms that the user fills in, or custom Web-based applications typically created using `cgi-bin` scripts. Connections for these types of services must be configured as *persistent* (see [Chapter 17, “Persistence”](#)) or must use the `minmisses` or `hash` metrics (see [“Metrics for Real Server Groups” on page 185](#)).
- Clients and servers can be connected through the same switch port. Each port in use on the switch can be configured to process client requests, server traffic, or both. You can enable or disable processing on a port independently for each type of Layer 4 traffic.
 - Layer 4 client processing: Ports that are configured to process client request traffic provide address translation from the virtual server IP to the real server IP address.
 - Layer 4 server processing: Ports that are configured to process server responses to client requests provide address translation from the real server IP address to the virtual server IP address. These ports require real servers to be connected to the GbE Switch Module directly.

NOTE – Switch ports configured for Layer 4 client/server processing can simultaneously provide Layer 2 switching and IP routing functions.

Consider the following network topology:

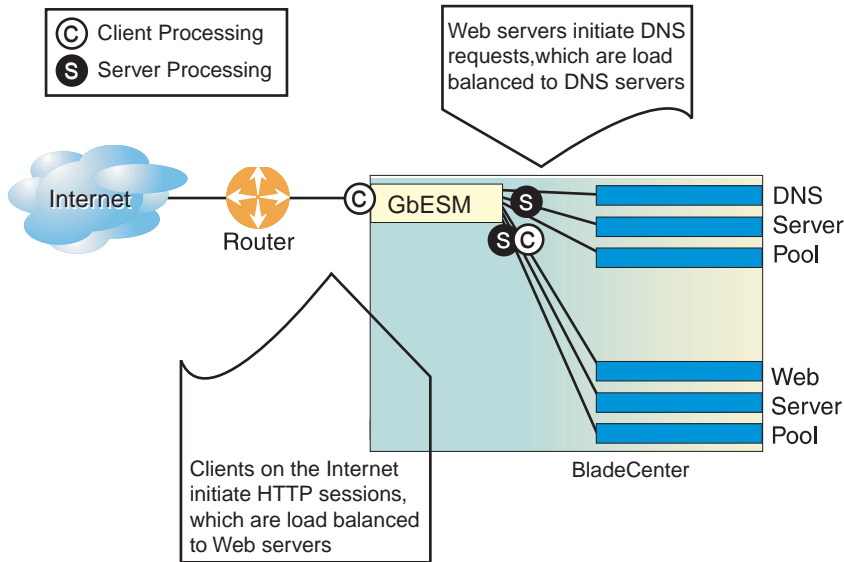


Figure 10-4 Example Network for Client/Server Port Configuration

In [Figure 10-4](#), the switch load balances traffic to a Web server pool and to a Domain Name System (DNS) server pool. The switch port connected to the Web server pool (port 11) is asked to perform both server and client processing.

Configuring Server Load Balancing

This section describes the steps for configuring an SLB Web hosting solution. In the following procedure, many of the SLB options are left to their default values. See [“Additional Server Load Balancing Options”](#) on page 182 for more options. Before you start configuring, you must be connected to the switch CLI as the administrator.

NOTE – For details about any of the menu commands described in this example, see your *Alteon OS Command Reference*.

1. Assign an IP address to each of the real servers in the server pool.

The real servers in any given real server group must have an IP route to the switch that performs the SLB functions. This IP routing is most easily accomplished by placing the switches and servers on the same IP subnet, although advanced routing techniques can be used as long as they do not violate the topology rules outlined in [“Network Topology Requirements”](#) on page 176.

For this example, the three hosts (real servers) have been given the following IP addresses on the same IP subnet:

Table 10-1 Web Host Example: Real Server IP Addresses

Real Server	IP address
Server A	200.200.200.2
Server B	200.200.200.3
Server C	200.200.200.4

NOTE – An `imask` option can be used to define a range of IP addresses for real and virtual servers (see “IP Address Ranges Using `imask`” on page 183).

2. Define an IP interface on the switch.

The switch must have an IP route to all of the real servers that receive switching services. For SLB, the switch uses this path to determine the level of TCP/IP reach of the real servers.

To configure an IP interface for this example, enter these commands from the CLI:

```
>> # /cfg/13/if 1                               (Select IP interface 1)
>> IP Interface 1# addr 200.200.200.100         (Assign IP address for the interface)
>> IP Interface 1# ena                           (Enable IP interface 1)
```

NOTE – The IP interface and the real servers must belong to the same VLAN, if they are in the same subnet. This example assumes that all ports and IP interfaces use default VLAN 1, requiring no special VLAN configuration for the ports or IP interface.

3. Define each real server.

For each real server, you must assign a real server number, specify its actual IP address, and enable the real server. For example:

```
>> IP Interface 1# /cfg/slb/real 1      (Server A is real server 1)
>> Real server 1# rip 200.200.200.2   (Assign Server A IP address)
>> Real server 1# ena                  (Enable real server 1)
>> Real server 1# ../real 2           (Server B is real server 2)
>> Real server 2# rip 200.200.200.3   (Assign Server B IP address)
>> Real server 2# ena                  (Enable real server 2)
>> Real server 2# ../real 3           (Server C is real server 3)
>> Real server 3# rip 200.200.200.4   (Assign Server C IP address)
>> Real server 3# ena                  (Enable real server 3)
```

4. Define a real server group and add the three real servers to the service group.

```
>> Real server 3# /cfg/slb/group 1     (Select real server group 1)
>> Real server group 1# add 1          (Add real server 1 to group 1)
>> Real server group 1# add 2          (Add real server 2 to group 1)
>> Real server group 1# add 3          (Add real server 3 to group 1)
```

5. Define a virtual server.

All client requests will be addressed to a virtual server IP address on a virtual server defined on the switch. Clients acquire the virtual server IP address through normal DNS resolution. In this example, HTTP is configured as the only service running on this virtual server, and this service is associated with the real server group. For example:

```
>> Real server group 1# /cfg/slb/virt 1 (Select virtual server 1)
>> Virtual server 1# vip 200.200.200.1 (Assign a virtual server IP address)
>> Virtual server 1# ena                 (Enable the virtual server)
>> Virtual server 1# service http        (Select the HTTP service menu)
>> Virtual server 1 http Service# group 1 (Associate virtual port to real group)
```

NOTE – This configuration is not limited to HTTP Web service. Other TCP/IP services can be configured in a similar fashion. For a list of other well-known services and ports, see “Well-Known Application Ports” on page 182. To configure multiple services, see “Configuring Multiple Services” on page 184.

6. Define the port settings.

In this example, the following ports are being used on the GbE Switch Module:

Table 10-2 Web Host Example: Port Usage

Port	Host	L4 Processing
INT5	Server A serves SLB requests.	Server
INT6	Server B serves SLB requests.	Server
INT7	Server C serves SLB requests.	Server
INT8	Back-end NFS server provides centralized content for all three real servers. This port does not require switching features.	None
EXT1	Client router connects the switch to the Internet where client requests originate.	Client

The ports are configured as follows:

```
>> Virtual server 1# /cfg/slb/port INT5      (Select physical switch port INT5)
>> SLB port INT5# server ena                (Enable server processing)
>> SLB port INT5# ../port INT6              (Select physical switch port INT6)
>> SLB port INT6# server ena                (Enable server processing)
>> SLB port INT6# ../port INT7              (Select physical switch port INT7)
>> SLB port INT7# server ena                (Enable server processing)
>> SLB port INT7# ../port EXT1              (Select physical switch port EXT1)
>> SLB port EXT1# client ena                (Enable client processing)
```

7. Enable, apply, and verify the configuration.

```
>> SLB port 2# /cfg/slb                      (Select the SLB Menu)
>> Layer 4# on                               (Turn Server Load Balancing on)
>> Layer 4# apply                            (Make your changes active)
>> Layer 4# cur                              (View current settings)
```

Examine the resulting information. If any settings are incorrect, make the appropriate changes.

8. Save your new configuration changes.

```
>> Layer 4# save                             (Save for restore after reboot)
```

NOTE – You must apply any changes in order for them to take effect, and you must save changes if you wish them to remain in effect after switch reboot.

9. Check the SLB information.

```
>> Layer 4# /info/slb/dump (View SLB information)
```

Check that all SLB parameters are working according to expectation. If necessary, make any appropriate configuration changes and then check the information again.

Additional Server Load Balancing Options

In the previous section (“Configuring Server Load Balancing” on page 177), many of the SLB options are left to their default values. The following configuration options can be used to customize SLB on your GbE Switch Module:

- “Supported Services and Applications” on page 182
- “Disabling and Enabling Real Servers” on page 183
- “IP Address Ranges Using imask” on page 183
- “Health Checks for Real Servers” on page 184
- “Configuring Multiple Services” on page 184
- “Metrics for Real Server Groups” on page 185
- “Weights for Real Servers” on page 188
- “Connection Time-outs for Real Servers” on page 188
- “Maximum Connections for Real Servers” on page 188
- “Backup/Overflow Servers” on page 189

Supported Services and Applications

Each virtual server can be configured to support up to four services, limited to a total of 256 services per switch. Using the `/cfg/slb/virt <virtual server number>/service` option, the following TCP/UDP applications can be specified:

NOTE – The service number specified on the switch must match the service specified on the server.

Table 10-3 Well-Known Application Ports

Number	TCP/UDP Application	Number	TCP/UDP Application	Number	TCP/UDP Application
20	ftp-data	79	finger	179	bgp
21	ftp	80	http	194	irc
22	ssh	109	pop2	220	imap3
23	telnet	110	pop3	389	ldap
25	smtp	111	sunrpc	443	https
37	time	119	nntp	520	rip
42	name	123	ntp	554	rtsp
43	whois	143	imap	1645, 1812	Radius
49	TACACS+	144	news	1813	Radius Accounting
53	domain	161	snmp	1985	hsrp
69	tftp	162	snmptrap		
70	gopher				

NOTE – Load balancing some applications (such as FTP and RTSP) require special configuration.

Disabling and Enabling Real Servers

If you need to reboot a server, make sure that new sessions are not sent to the real server and that old sessions are not discarded. When the session count reaches zero, you may shut down the server. Use the following command to disable real servers:

```
>> # /oper/slb/dis <real server number>
```

When maintenance is complete, use the following command to enable the real server:

```
>> # /oper/slb/ena <real server number>
```

IP Address Ranges Using imask

The `imask` option lets you define a range of IP addresses for the real and virtual servers configured under SLB. By default, the `imask` setting is `255.255.255.255`, which means that each real and virtual server represents a single IP address. An `imask` setting of `255.255.255.0` would mean that each real and virtual server represents 256 IP addresses. Consider the following example:

- A virtual server is configured with an IP address of `172.16.10.1`.
- Real servers `172.16.20.1` and `172.16.30.1` are assigned to service the virtual server.
- The `imask` is set to `255.255.255.0`.

If the client request was sent to virtual server IP address `172.16.10.45`, the unmasked portion of the address (`0.0.0.45`) gets mapped directly to whichever real server IP address is selected by the SLB algorithm. Thus, the request would be sent to either `172.16.20.45` or `172.16.30.45`.

Health Checks for Real Servers

Determining health for each real server is a necessary function for SLB. By default for TCP services, the switch checks health by opening a TCP connection to each service port configured as part of each service. For more information, see [“Configuring Multiple Services” on page 184](#). For UDP services, the switch pings servers to determine their status.

The switch checks each service on each real server every two seconds. If the real server is busy processing connections, it may not respond to a health check. By default, if a service does not respond to four consecutive health checks, the switch declares the service unavailable. As shown below, the health check interval and the number of retries can be changed:

```

>> # /cfg/slb/real <real server number>           (Select the real server)
>> Real server# inter 4                            (Check real server every 4 seconds)
>> Real server# retry 6                            (Declare down after 6 checks fail)
```

For more complex health-checking strategies, see [Chapter 14, “Health Checking.”](#)

Configuring Multiple Services

When you configure multiple services in the same group, their health checks will be dependent on each other. If a real server fails a health check for a service, then the status of the real server for the second service appears as “blocked.”

Independent Services. If you are configuring two independent services such as FTP and SMTP—where the real server failure on one service does not affect other services that the real server supports, then configure two groups with the same real servers, but with different services. If a real server configured for both FTP and SMTP fails FTP, the real server is still available for SMTP. This allows the services to act independently even though they are using the same real servers.

Dependent Services. If you are configuring two dependent services such as HTTP and HTTPS—where the real server failure on one service blocks the real server for other services, then configure a single group with multiple services. If a real server configured for both HTTP and HTTPS fails for the HTTP service, then the server is blocked from supporting any HTTPS requests. The switch will block HTTPS requests, (even though HTTPS has not failed) until the HTTP service becomes available again. This helps in troubleshooting so you know which service has failed.

Metrics for Real Server Groups

Metrics are used for selecting which real server in a group will receive the next client connection. The available metrics `minmisses` (minimum misses), `hash`, `leastconns` (least connections), `roundrobin`, `bandwidth`, and `response` (response time) are explained in detail below. The default metric is `leastconns`.

To change a real server group metric to `minmisses`, for example, enter:

```
>> # /cfg/slb/group <group number>           (Select the real server group)
>> Real server group# metric minmisses       (Use minmisses metric)
```

Minimum Misses

The `minmisses` metric is optimized for application redirection. It uses IP address information in the client request to select a server. When selecting a server, the switch calculates a value for each available real server based on the relevant IP address information. The server with highest value is assigned the connection. This metric attempts to minimize the disruption of persistence when servers are removed from service. This metric should be used only when persistence is a must.

By default the `minmiss` algorithm uses the upper 24-bits of the source IP address to calculate the real server that the traffic should be sent to when the `minmiss` metric is selected. In Alteon OS 21.0 you can select all the 32-bits of the source IP address to hash to the real server.

The source or destination IP address information used depends on the application:

- For application redirection, the client destination IP address is used. All requests for a specific IP destination address are sent to the same server. This metric is particularly useful in caching applications, helping to maximize successful cache hits. Best statistical load balancing is achieved when the IP address destinations of load-balanced frames are spread across a broad range of IP subnets.
- For SLB, the client source IP address and real server IP address are used. All requests from a specific client are sent to the same server. This metric is useful for applications where client information must be retained on the server between sessions. With this metric, server load becomes most evenly balanced as the number of active clients with different source or destination addresses increases.

To select all 32-bits of the source IP address, use the command, `/cfg/slb/group x/mhash 32`. This 32-bit hash is most useful in the wireless world.

The `minmisses` metric cannot be used for firewall load balancing, since the real server IP addresses used in calculating the score for this metric are different on each side of the firewall.

Hash

The hash metric uses IP address information in the client request to select a server. The specific IP address information used depends on the application:

- For Application Redirection, the client destination IP address is used. All requests for a specific IP destination address will be sent to the same server. This is particularly useful for maximizing successful cache hits.
- For SLB, the client source IP address is used. All requests from a specific client will be sent to the same server. This option is useful for applications where client information must be retained between sessions.
- For FWLB, both the source and destination IP addresses are used to ensure that the two unidirectional flows of a given session are redirected to the same firewall.

When selecting a server, a mathematical *hash* of the relevant IP address information is used as an index into the list of currently available servers. Any given IP address information will always have the same hash result, providing natural persistence, as long as the server list is stable. However, if a server is added to or leaves the mix, then a different server might be assigned to a subsequent session with the same IP address information even though the original server is still available. Open connections are not cleared.

NOTE – The hash metric provides more distributed load balancing than *minmisses* at any given instant. It should be used if the statistical load balancing achieved using *minmisses* is not as optimal as desired. If the load balancing statistics with *minmisses* indicate that one server is processing significantly more requests over time than other servers, consider using the hash metric.

Least Connections

With the *leastconns* metric, the number of connections currently open on each real server is measured in real time. The server with the fewest current connections is considered to be the best choice for the next client connection request.

This option is the most self-regulating, with the fastest servers typically getting the most connections over time.

Round Robin

With the *roundrobin* metric, new connections are issued to each server in turn; that is, the first real server in the group gets the first connection, the second real server gets the next connection, followed by the third real server, and so on. When all the real servers in this group have received at least one connection, the issuing process starts over with the first real server.

Response Time

The response metric uses real server response time to assign sessions to servers. The response time between the servers and the switch is used as the weighting factor. The switch monitors and records the amount of time it takes for each real server to reply to a health check to adjust the real server weights. The weights are adjusted so they are inversely proportional to a moving average of response time. In such a scenario, a server with half the response time as another server will receive a weight twice as large.

NOTE – The effects of the response weighting apply directly to the real servers and are not necessarily confined to the real server group. When response time-metered real servers are also used in other real server groups that use the `leastconns` or `roundrobin` metrics, the response weights are applied on top of the `leastconns` or `roundrobin` calculations for the affected real servers. Since the response weight changes dynamically, this can produce fluctuations in traffic distribution for the real server groups that use the `leastconns` or `roundrobin` metrics.

Bandwidth

The bandwidth metric uses real server octet counts to assign sessions to a server. The switch monitors the number of octets sent between the server and the switch. Then, the real server weights are adjusted so they are inversely proportional to the number of octets that the real server processes during the last interval.

Servers that process more octets are considered to have less available bandwidth than servers that have processed fewer octets. For example, the server that processes half the amount of octets over the last interval receives twice the weight of the other servers. The higher the bandwidth used, the smaller the weight assigned to the server. Based on this weighting, the subsequent requests go to the server with the highest amount of free bandwidth. These weights are automatically assigned.

The bandwidth metric requires identical servers with identical connections.

NOTE – The effects of the bandwidth weighting apply directly to the real servers and are not necessarily confined to the real server group. When bandwidth-metered real servers are also used in other real server groups that use the `leastconns` or `roundrobin` metrics, the bandwidth weights are applied on top of the `leastconns` or `round-robin` calculations for the affected real servers. Since the bandwidth weight changes dynamically, this can produce fluctuations in traffic distribution for the real server groups that use the `leastconns` or `roundrobin` metrics.

Weights for Real Servers

Weights can be assigned to each real server. These weights can bias load balancing to give the fastest real servers a larger share of connections. Weight is specified as a number from 1 to 48. Each increment increases the number of connections the real server gets. By default, each real server is given a weight setting of 1. A setting of 10 would assign the server roughly 10 times the number of connections as a server with a weight of 1. To set weights, enter the following commands:

```
>> # /cfg/slb/real <real server number>           (Select the real server)
>> Real server# weight 10                          (10 times the number of connections)
```

NOTE – Weights are not applied when using the `hash` or `minmisses` metrics.

Connection Time-outs for Real Servers

In some cases, open TCP/IP sessions might not be closed properly (for example, the switch receives the SYN for the session, but no FIN is sent). If a session is inactive for 10 minutes (the default), it is removed from the session table in the switch. To change the time-out period, enter the following:

```
>> # /cfg/slb/real <real server number>           (Select the real server)
>> Real server# tmout 4                            (Specify an even numbered interval)
```

The example above would change the time-out period of all connections on the designated real server to four minutes.

Maximum Connections for Real Servers

You can set the number of open connections each real server is allowed to handle for SLB. To set the connection limit, enter the following:

```
>> # /cfg/slb/real <real server number>           (Select the real server)
>> Real server# maxcon 1600                        (Allow 1600 connections maximum)
```

Values average from approximately 500 HTTP connections for slower servers to 1500 for quicker, multiprocessor servers. The appropriate value also depends on the duration of each session and how much CPU capacity is occupied by processing each session. Connections that use a lot of Java or CGI scripts for forms or searches require more server resources and thus a lower `maxcon` limit. You may wish to use a performance benchmark tool to determine how many connections your real servers can handle.

When a server reaches its `maxcon` limit, the switch no longer sends new connections to the server. When the server drops back below the `maxcon` limit, new sessions are again allowed.

Backup/Overflow Servers

A real server can backup other real servers and can handle overflow traffic when the maximum connection limit is reached. Each backup real server must be assigned a real server number and real server IP address. It must then be enabled. Finally, the backup server must be assigned to each real server that it will back up. The following defines real server 4 as a backup for real servers 1 and 2:

```
>> # /cfg/slb/real 4           (Select real server 4 as backup)
>> Real server 4# rip 200.200.200.5 (Assign backup IP address)
>> Real server 4# ena         (Enable real server 4)
>> Real server 4# /cfg/slb/real 1 (Select real server 1)
>> Real server 1# backup 4      (Real server 4 is backup for 1)
>> Real server 1# /cfg/slb/real 2 (Select real server 2)
>> Real server 2# backup 4      (Real server 4 is backup for 2)
```

In a similar fashion, a backup/overflow server can be assigned to a real server group. If all real servers in a real server group fail or overflow, the backup comes online.

```
>> # /cfg/slb/group <real server group number> (Select real server group)
>> Real server group# backup r4 (Assign real server 4 as backup)
```

Real server groups can also use another real server group for backup/overflow:

```
>> # /cfg/slb/group <real server group number> (Select real server group)
>> Real server group# backup g2 (Assign real server group 2 as backup)
```

Extending SLB Topologies

For standard SLB, all client-to-server requests to a particular virtual server and all related server-to-client responses must pass through the same GbE Switch Module. In complex network topologies, routers and other devices can create alternate paths around the GbE Switch Module (GbESM) managing SLB functions. Under such conditions, the GbESM with Alteon OS provides the following solutions:

- [Proxy IP Addresses](#)
- [Mapping Ports](#)
- [Direct Server Interaction](#)
- [Delayed Binding](#)

Proxy IP Addresses

In complex network topologies, SLB functions can be managed using a proxy IP address on the client switch ports.

When the client requests services from the switch's virtual server, the client sends its own IP address for use as a return address. If a proxy IP address is configured for the client port on the switch, the switch replaces the client's source IP address with the switch's own proxy IP address before sending the request to the real server. This creates the illusion that the switch originated the request.

The real server uses the switch's proxy IP address as the destination address for any response. SLB traffic is forced to return through the proper switch, regardless of alternate paths. Once the switch receives the proxied data, it puts the original client IP address into the destination address and sends the packet to the client. This process is transparent to the client.

NOTE – Because requests appear to come from the switch proxy IP address rather than the client source IP address, the network administrator should be aware of this behavior during debugging and statistics collection.

The proxy IP address can also be used for direct access to the real servers (see [“Direct Server Interaction”](#) on page 196).

Proxy IP Address and VMA

With VMA enabled, the concept of a global session table exists on the GbE Switch Module. To identify which processor should process responses to proxied requests, a unique proxy IP address must be configured. If VMA is disabled, refer to [Table 10-4](#) to configure the corresponding proxy IP for the port and enable proxy.

Table 10-4 show the different ports sharing proxy IP addresses. For example, port numbers 1, 3, 5 and port 19 share proxy IP address 1. Alteon OS requires you to configure two proxy IP addresses. The unused proxy IP address can be disabled using the command `/cfg/slb/port x/proxy dis`.

Table 10-4 Proxy IP addresses on GbE Switch Module

Proxy IP addresses	Gig port numbers
Proxy IP address 1	Odd-numbered ports
Proxy IP address 2	Even-numbered ports

Frames ingressing a port that has proxy option enabled (`/cfg/slb/port x/proxy ena`) are processed using one of the configured proxy IP addresses. The source IP address determines which proxy IP address to use. The client source address is substituted with the proxy IP address of the port processing the request. If proxy is disabled, then the client IP address is not replaced with a proxy IP address.

```
>> # /cfg/slb/pip/pip1 10.10.10.10           (Configure a proxy IP address)
>> # /cfg/slb/port EXT1/proxy ena           (Enable proxy on port EXT1)
>> # /cfg/slb/port INT1/proxy dis          (Disable proxy on port INT1)
>> # /cfg/slb/port INT2/proxy dis          (Disable proxy on port INT2)
>> # /cfg/slb/port INT3/proxy dis          (Disable proxy on port INT3)
>> # /cfg/slb/port INT4/proxy dis          (Disable proxy on port INT4)
and so on....
```

The following procedure can be used for configuring proxy IP addresses:

1. Disable server processing on affected switch ports.

When implementing proxies, switch ports can be reconfigured to disable server processing. Referring to the [Table 10-2 on page 180](#), the following revised port conditions are used:

Table 10-5 Proxy Example: Port Usage

Port	Host	L4 Processing
INT5	Server A	None
INT6	Server B	None
INT7	Server C	None
INT8	Back-end NFS server provides centralized content for all three real servers. This port does not require switching features.	None
EXT1	Client router connects the switch to the Internet where all client requests originate.	Client

The following commands are used to disable server processing on ports 5-7:

```
>> # /cfg/slb/port INT5           (Select switch port INT5)
>> SLB port INT5# server dis      (Disable server processing)
>> SLB port INT5# ../port INT6    (Select switch port INT6)
>> SLB port INT6# server dis      (Disable server processing)
>> SLB port INT6# ../port INT7    (Select switch port INT7)
>> SLB port INT7# server dis      (Disable server processing)
```

2. Configure a unique proxy address and enable proxy for the client ports.

Configure a unique proxy IP address and enable proxy on the *client* ports:

```
>> SLB port INT7# ../pip           (Select proxy IP menu)
>> Proxy IP Address# pip1 200.200.200.68 (Set proxy IP address)
>> # /cfg/slb/port EXT1/proxy ena    (Select network port and enable proxy)
>> SLB port EXT1# ../port EXT2      (Select network port EXT2)
>> SLB port EXT2# proxy ena         (Enable proxy)
```

The proxies are transparent to the user.

3. (optional) If the Virtual Matrix Architecture (VMA) feature is enabled, configure all proxy IP addresses.

VMA is normally enabled on the switch. In addition to enhanced resource management, VMA eliminates many of the restrictions found in earlier versions of the Alteon OS. VMA does require, that you configure two unique proxy IP addresses.

The following commands can be used for configuring the additional proxy IP address:

```
>> SLB port 2# ../pip (Select the proxy IP address menu)
>> Proxy IP Address# pip2 200.200.200.69 (Set proxy IP address)
```

For information on using the VMA commands, see the *Alteon OS Command Reference (/cfg/slb/adv/matrix)* for more information.

4. Apply and save your changes.

NOTE – Remember that you must apply any changes in order for them to take effect, and you must save them if you wish them to remain in effect after switch reboot. Also, the `/info/slb` command is useful for checking the state of Server Load Balancing operations.

Mapping Ports

A GbE Switch Module allows you to hide the identity of a port for security by mapping a virtual server port to a different real server port.

Mapping a Virtual Server Port to a Real Server Port

In addition to providing direct real server access in some situations (see “[Mapping Ports](#)” on [page 198](#)), mapping is required when administrators choose to execute their real server processes on different ports than the well-known TCP/UDP ports. Otherwise, virtual server ports are mapped directly to real server ports by default and require no mapping configuration.

Port mapping is configured from the Virtual Server Services menu. For example, to map the virtual server TCP/UDP port 80 to real server TCP/UDP port 8004, you could enter the following:

```
>> # /cfg/slb/virt 1/service 80 (Select virtual server port 80)
>> Virtual Server 1 http Service# rport 8004 (Map to real port 8004)
```

NOTE – If filtering is enabled, a proxy IP address is configured, or URL parsing is enabled on any switch port, then port mapping is supported with Direct Access Mode (DAM). For information about DAM, refer to “[Using Direct Access Mode](#)” on [page 196](#).

Mapping a Single Virtual Server Port to Multiple Real Server Ports

To take advantage of multi-CPU or multi-process servers, Alteon OS can be configured to map a single virtual port to multiple real ports. This capability allows the site managers, for example, to differentiate users of a service by using multiple service ports to process client requests.

A GbE Switch Module supports up to 16 real ports per server when multiple `rports` are enabled. This feature allows the network administrator to configure up to 16 real ports for a single service port. This feature is supported in Layer 4 and Layer 7 and in cookie-based and SSL persistence switching environments.

When multiple real ports on each real server are mapped to a virtual port, the GbE Switch Module treats the real server IP address/port mapping combination as a distinct real server.

NOTE – For each real server, you can only configure one service with multiple real ports.

Consider the following network:

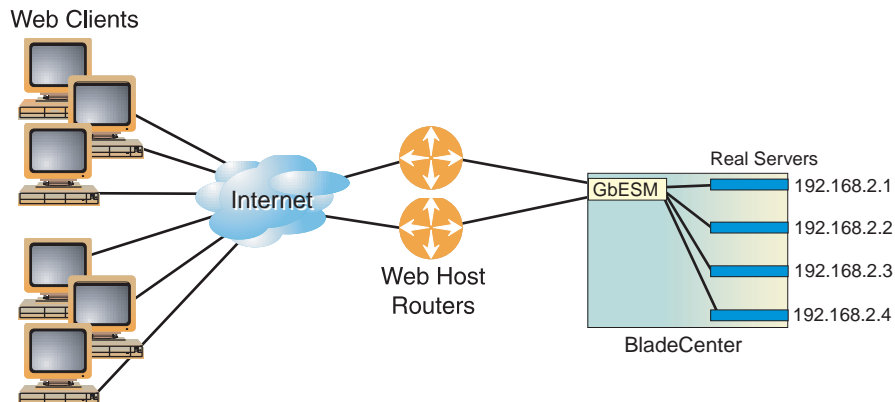


Figure 10-5 Basic Virtual Port to Real Port Mapping Configuration

Domain Name	virtual server IP address	Ports Activated	Port Mapping	Real Server IP Address
www.right.com	192.168.2.100	80 (HTTP)	8001 (rport 1)	192.168.2.1 (RIP 1)
			8002 (rport 2)	192.168.2.2 (RIP 2)
				192.168.2.3 (RIP 3)
				192.168.2.4 (RIP 4)

In this example, four real servers are used to support a single service (HTTP). Clients access this service through a virtual server with IP address 192.168.2.100 on virtual port 80. Since each real server uses two ports (8001 and 8002) for HTTP services, the logical real servers are:

- 192.168.2.1/8001
- 192.168.2.1/8002
- 192.168.2.2/8001
- 192.168.2.2/8002
- 192.168.2.3/8001
- 192.168.2.3/8002
- 192.168.2.4/8001
- 192.168.2.4/8002

Load Balancing Metric

For each service, a real server is selected using the configured load balancing metric (`hash`, `leastconns`, `minmisses`, or `roundrobin`). To ensure even distribution, once an available server is selected, the switch will use the `roundrobin` metric to choose a real port to receive the incoming connection.

If the algorithm is `leastconns`, the switch sends the incoming connections to the logical real server (real server IP address/port combination) with the least number of connections.

The `/cfg/slb/virt` command defines the real server TCP or UDP port assigned to a service. By default, this is the same as the virtual port (service virtual port). If `rport` is configured to be different from the virtual port defined in `/cfg/slb/virt <virtual server number>/service <virtual port>`, the switch maps the virtual port to the real port.

NOTE – To use the single virtual port to multiple `rport` feature, configure this real server port option to be a value of 0. However, note that you *cannot* configure multiple services with multiple `rports` in the same server if the multiple `rport` feature is enabled.

Configuring Multiple Service Ports

Two commands, `addport` and `remport`, under the real server menu allow users to add or remove multiple service ports associated with a particular server. (A service port is a TCP or UDP port number.) For example: **`addport 8001`** and **`remport 8001`**.

1. Configure the real servers.

```
>> # /cfg/slb/real 1/rip 192.168.2.1/ena
>> # ../real 2/rip 192.168.2.2/ena
>> # ../real 3/rip 192.168.2.3/ena
>> # ../real 4/rip 192.168.2.4/ena
```

2. Add all four servers to a group.

```
>> # /cfg/slb/group 1
>> Real server Group 1# add 1
>> Real server Group 1# add 2
>> Real server Group 1# add 3
>> Real server Group 1# add 4
```

3. Configure a virtual server IP address.

```
>> # /cfg/slb/virt 1/vip 192.168.2.100/ena
```

4. Turn on multiple rport for Port 80.

```
>> # /cfg/slb/virt 1/service 80/rport 0
```

5. Add the ports to which the Web server listens.

```
>> # /cfg/slb/real 1/addport 8001 (Add port 8001 to real server 1)
>> # addport 8002 (Add port 8002 to real server 1)
>> # ../real 2/addport 8001 (Add port 8001 to real server 2)
>> # addport 8002 (Add port 8002 to real server 2)
>> # ../real 3/addport 8001 (Add port 8001 to real server 3)
>> # addport 8002 (Add port 8002 to real server 3)
>> # ../real 4/addport 8001 (Add port 8001 to real server 4)
>> # addport 8002 (Add port 8002 to real server 4)
```

Direct Server Interaction

Direct access to real servers can be provided in the following ways:

- [Using Direct Access Mode](#)
- [Assigning Multiple IP Addresses](#)
- [Using Proxy IP Addresses](#)
- [Mapping Ports](#)
- [Monitoring Real Servers](#)

Using Direct Access Mode

When Direct Access Mode (DAM) (`/cfg/slb/adv/direct`) is enabled on a switch, any client can communicate with any real server's load-balanced service. Also, with DAM enabled, any number of virtual services can be configured to load balance a real service.

Traffic sent directly to real server IP addresses is excluded from load-balancing decisions. The same clients may also communicate to the virtual server IP address for load-balanced requests.

NOTE – When DAM is enabled on a switch, port mapping and default gateway load balancing is supported only when filtering is enabled, a proxy IP address is configured, or URL parsing is enabled on any switch port.

Assigning Multiple IP Addresses

One way to provide both SLB access and direct access to a real server is to assign multiple IP addresses to the real server. For example, one IP address could be established exclusively for SLB and another could be used for direct access needs.

Using Proxy IP Addresses

Proxy IP addresses are used primarily to eliminate SLB topology restrictions in complex networks (see “[Proxy IP Addresses](#)” on page 190). Proxy IP addresses can also provide direct access to real servers.

If the switch is configured with proxy IP addresses and the client port is enabled for proxy, the client can access each real server directly using the real server’s IP address. The switch port must be connected to the real server and client processing must be disabled (see the `server` and `client` options under the `/cfg/slb/port` command in your *Alteon OS Command Reference*).

SLB is still accessed using the virtual server IP address.

Mapping Ports

When SLB is used without proxy IP addresses and without DAM, the GbE Switch Module must process the server-to-client responses. If a client were to access the real server IP address and port directly, bypassing client processing, the server-to-client response could be mishandled by SLB processing as it returns through the GbE Switch Module, with the real server IP address getting remapped back to the virtual server IP address on the GbE Switch Module.

First, two port processes must be executed on the real server. One real server port will handle the direct traffic, and the other will handle SLB traffic. Then, the virtual server port on the GbE Switch Module must be mapped to the proper real server port.

In [Figure 10-6](#), clients can access SLB services through well-known TCP port 80 at the virtual server's IP address. The GbE Switch Module behaving like a virtual server is mapped to TCP port 8000 on the real server. For direct access that bypasses the virtual server and SLB, clients can specify well-known TCP port 80 as the real server's IP address.

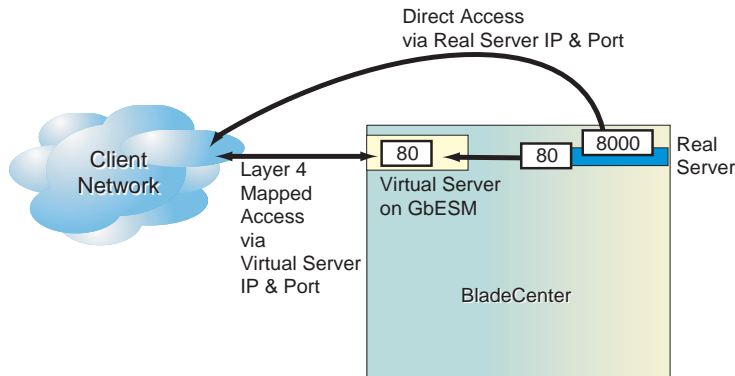


Figure 10-6 Mapped and Nonmapped Server Access

NOTE – Port mapping is supported with DAM when filtering is enabled, a proxy IP address is configured, or URL parsing is enabled on any switch port.

For more information on how to map a virtual server port to a real server port, see [“Mapping Ports”](#) on page 193.

Monitoring Real Servers

Typically, the management network is used by network administrators to monitor real servers and services. By configuring the `mnet` and `mmask` options of the SLB Configuration Menu (`/cfg/slb/adv`), you can access the real services being load balanced.

NOTE – Clients on the management network do not have access to SLB services and cannot access the virtual services being load balanced.

The `mnet` and `mmask` options are described below:

- `mnet`: If defined, management traffic with this source IP address is allowed direct (non-SLB) access to the real servers. Only specify an IP address in dotted decimal notation. A range of IP addresses is produced when used with the `mmask` option.
- `mmask`: This IP address mask is used with `mnet` to select management traffic that is allowed direct real server access only.

Delayed Binding

The delayed binding feature on the switch prevents SYN Denial-of-Service (DoS) attacks on the server. DoS occurs when the server or switch is denied servicing the client because it is saturated with invalid traffic.

Typically, a three-way handshake occurs before a client connects to a server. The client sends out a synchronization (SYN) request to the server. The server allocates an area to process the client requests, and acknowledges the client by sending a SYN ACK. The client then acknowledges the SYN ACK by sending an acknowledgement (ACK) back to the server, thus completing the three-way handshake.

Figure 10-7 on page 200 illustrates a classic type of SYN DoS attack. If the client does not acknowledge the server's SYN ACK with a data request (REQ) and, instead, sends another SYN request, the server gets saturated with SYN requests. As a result, all of the servers resources are consumed and it can no longer service legitimate client requests.

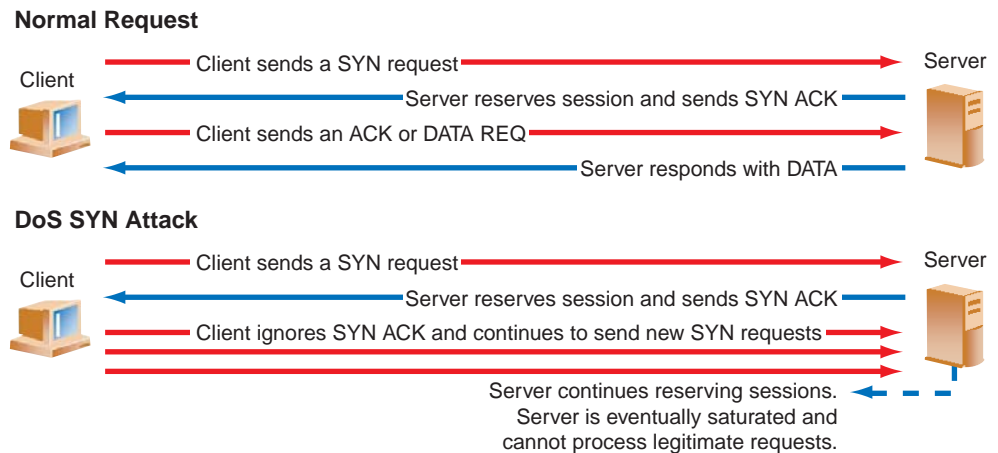
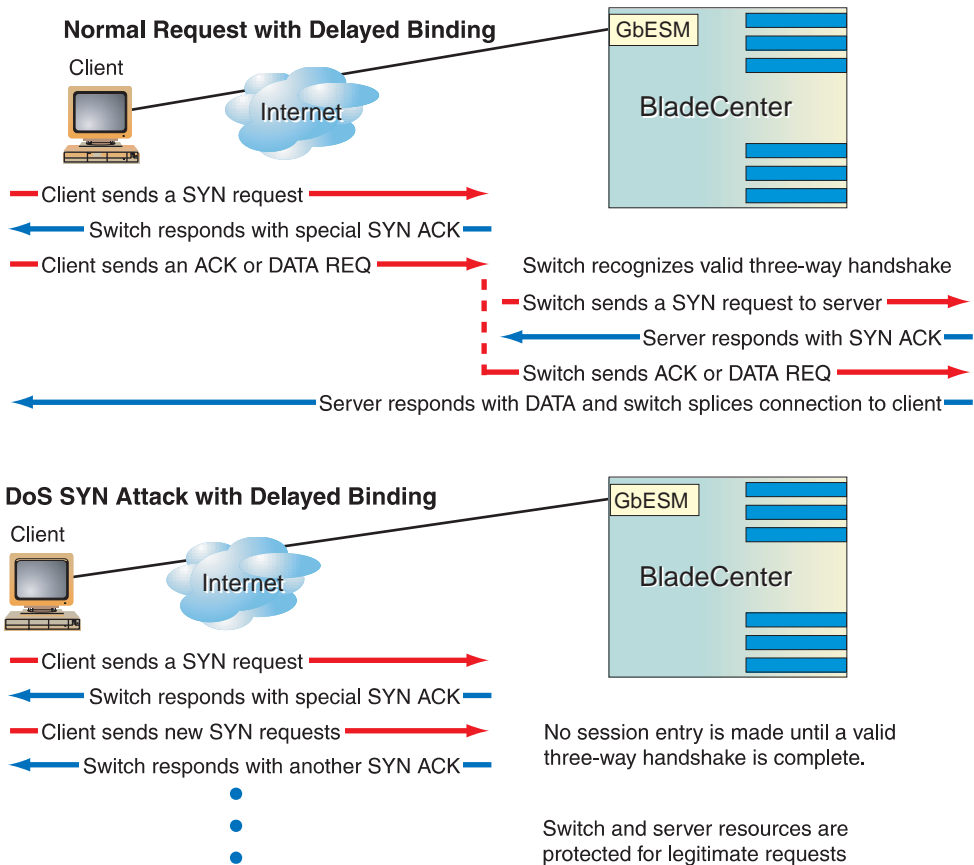


Figure 10-7 DoS SYN Attacks without Delayed Binding

Using a GbE Switch Module with delayed binding, as illustrated in Figure 10-8 on page 201, the GbE Switch Module intercepts the client SYN request before it reaches the server. The GbE Switch Module responds to the client with a SYN ACK that contains embedded client information. The GbE Switch Module does not allocate a session until a valid SYN ACK is received from the client or the three-way handshake is complete.



Web Clients

Figure 10-8 Repelling DoS SYN Attacks With Delayed Binding

Once the GbE Switch Module receives a valid ACK or DATA REQ from the client, the GbE Switch Module sends a SYN request to the server on behalf of the client, waits for the server to respond with a SYN ACK, and then forwards the clients DATA REQ to the server. Basically, the GbE Switch Module delays binding the client session to the server until the proper handshakes are complete.

Thus, with delayed binding, two independent TCP connections span a session: one from the client to the GbE Switch Module and the second from the switch to the selected server. The switch temporarily terminates each TCP connection until content has been received, thus preventing the server from being inundated with SYN requests.

NOTE – Delayed binding is automatically enabled when content intelligent switching features are used. However, if you are not parsing content, you must explicitly enable delayed binding if desired.

Configuring Delayed Binding

To configure your switch for delayed binding, use the following command:

```
>> # /cfg/slb/virt <virtual server number> /service <service type> /dbind
```

NOTE – Enable delayed binding without configuring any HTTP SLB processing or persistent binding types.

To configure delayed binding for cache redirection, see [“Delayed Binding for Cache Redirection”](#) on page 294.

Detecting SYN Attacks

In Alteon OS, SYN attack detection is enabled by default, whenever delayed binding is enabled. SYN attack detection:

- Provides a way to track half open connections
- Activates a trap notifying that the configured threshold is exceeded
- Monitors DoS attacks and proactively signals alarm
- Provides enhanced security
- Improves visibility and protection for DoS attacks

The probability of a SYN attack is higher if excessive half-open sessions are being generated on the GbE Switch Module. Half-open sessions show an incomplete three-way handshake between the server and the client. You can view the total number of half-open sessions from the `/stat/slb/layer7/maint` menu.

To detect SYN attacks, the GbE Switch Module keeps track of the number of new half-open sessions for a set period of time. If the value exceeds the threshold, then a syslog message and an SNMP trap are generated.

You can change the default parameters for detecting SYN attacks in the `/cfg/slb/adv/synatk` menu. You can specify how frequently you want to check for SYN attacks, from 2 seconds to a minute and modify the default threshold representing the number of new half-open sessions per second.

Session Initiation Protocol Server Load Balancing

Session Initiation Protocol (SIP) is an application-level control (signaling) protocol for Internet multimedia conferencing, telephony, event notification, and instant messaging. The protocol initiates call setup, routing, authentication and other feature messages to endpoints within an IP domain.

Session Initiation Protocol (SIP) is used to locate users (where the caller and called parties are located), determine user capability (what type of protocol TCP, UDP, and other capabilities the user can support), user availability, call setup (how to create the call), and call handling (how to keep the call up, and how to bring down the call).

This feature load balances SIP proxy servers such as Nortel MCS (Multimedia Communications Server). Alteon OS 21.0 supports UDP-based SIP server load balancing only.

Session Initiation Protocol (SIP) load balancing is designed for Nortel MCS 1.0, but this feature can function with any SIP servers that use shared or clustered databases, such as CommuniGate Pro. All SIP servers must share signaling data (registration, invites, etc.).

SIP Processing on the Switch

Session Initiation Protocol (SIP) processing provides the capability to scan and hash calls based on a SIP Call-ID header to a SIP server. The Call-ID uniquely identifies a specific SIP session. Future messages from the same Call-ID is switched to the same SIP server. This involves stateful inspection of SIP messages.

Session Initiation Protocol (SIP) is a text based protocol with header lines preceding the content. Like HTTP, the first header line has the method specification followed by other header lines that specify other parameters like Call-ID etc.

Configuring SIP Server Load Balancing

Figure 10-9 illustrates an Nortel Application Switch performing UDP-based Session Initiation Protocol (SIP) server load balancing. In this example, three SIP proxy servers are configured in a Real Server Group 100. The application switch is configured for SIP service (port 5060) for virtual server 40.40.40.100.

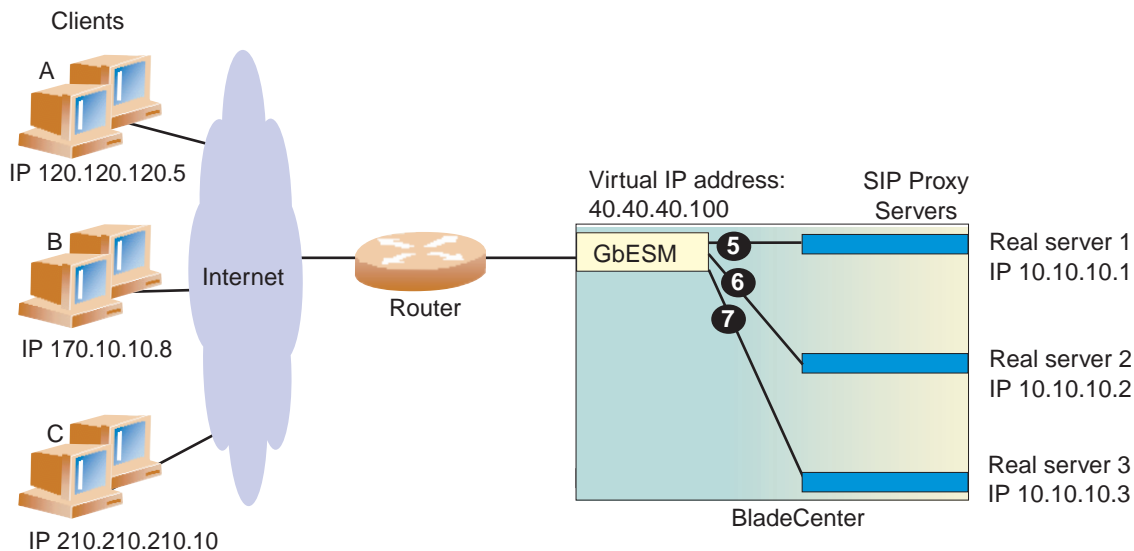


Figure 10-9 Session Initiation Protocol Load Balancing

Follow this procedure to configure the topology illustrated in [Figure 10-9 on page 204](#):

1. **At the Nortel Application Switch, before you start configuring SIP load balancing:**
 - Connect each SIP proxy server to the application switch
 - Configure the IP addresses on all devices connected to the application switch
 - Configure the IP interfaces on the application switch
 - Enable Virtual Matrix Architecture (VMA)
 - Enable Direct Access Mode (DAM)
 - Disable proxy IP addressing
2. Enable server load balancing.

```
>> # /cfg/slb/on
```

3. Configure IP addresses for the SIP proxy servers.

```
>> # /cfg/slb/real 1/rip 10.10.10.1      (Define address for MCS 1)
>> Real server 1# ena                  (Enable real server 1)
>> # /cfg/slb/real 2/rip 10.10.10.2    (Define address for MCS 2)
>> Real server 2# ena                  (Enable real server 2)
>> # /cfg/slb/real 3/rip 10.10.10.3    (Define address for MCS 3)
>> Real server 3# ena                  (Enable real server 3)
```

4. Create a group to load balance the MCS servers.

```
>> # /cfg/slb/group 100                (Define a group)
>>Real Server Group 100# add 1         (Add real server 1)
>>Real Server Group 100# add 2         (Add real server 2)
>>Real Server Group 100# add 3         (Add real server 3)
```

5. Define the group metric for the server group.

Because SIP load balancing is done based on Call-ID, minmisses metric only is supported to ensure persistency.

```
>>Real Server Group 100# metric minmiss (Set the metric to minmisses)
```

6. Define the health check for the group.

Configure SIP PING request health check which is specifically developed for SIP-enabled servers.

```
>>Real Server Group 100# health sip    (Set the health check to sip)
```

7. Configure a virtual server for Layer 4 SIP load balancing.

```
>> # /cfg/slb/virt 1                    (Select virtual server 1)
>>Virtual Server 1# vip 40.40.40.100   (Set IP address for the virtual server)
>>Virtual Server 1# virt ena           (Enable virtual server)
```

8. Configure the SIP service 5060 for virtual server 1.

```
>> # /cfg/slb/virt 1/service 5060      (Add the SIP service for virt 1)
```

9. Enable SIP server load balancing.

```
>>Virtual Server 1 sip Service # sip ena (Enable SIP for virtual server 1)
```

10. Enable DAM.

```
>>Virtual Server 1 sip Service # direct ena(Enable DAM)
```

11. Enable UDP load balancing.

```
>>Virtual Server 1 sip Service # udp ena (Enable UDP load balancing)
```

12. Increase the timeout for idle sessions.

SIP sessions are quite long and data may be flowing while the signalling path is idle. Because the switch resides in the signalling path, it is recommended to increase the Real server session timeout value to 30 minutes (default value is 10 minutes).

```
>> # /cfg/slb/real 1/tmout 30 (Increase Real 1 session timeout)
>> # /cfg/slb/real 2/tmout 30 (Increase Real 2 session timeout)
>> # /cfg/slb/real 3/tmout 30 (Increase Real 3 session timeout)
```

When the call terminates with a BYE command, the application switch releases the session entry immediately.

13. Enable server and client processing at the port level.

```
>> # /cfg/slb/port ext1 (Select the client port)
>>SLB port EXT1# client ena (Enable client processing)
>>SLB port EXT1# /cfg/slb/port int5 (Select the server port)
>>SLB port INT5# server ena (Enable server processing)
>>SLB port INT5# /cfg/slb/port int6 (Select the server port)
>>SLB port INT6# server ena (Enable server processing)
>>SLB port INT6# /cfg/slb/port int7 (Select the server port)
>>SLB port INT7# server ena (Enable server processing)
```

14. Apply and save your changes.

```
>> SLB Port INT7# apply
>> SLB Port INT7# save
```

Workload Manager Support

Alteon OS 21.0 supports the Server/Application State Protocol (SASP) used by the Enterprise Workload Management (WLM).

The Workload Manager feature is used to monitor server resources and provide additional input on load balancing decisions. The Workload Manager takes into account a server's CPU, storage capacity, and network traffic in any final weighting decisions. The Workload Manager uses an implementation of the SASP protocol to perform this task.

The WLM software developed by IBM allows you to specify end-to-end performance goals for distributed requests. WLM runs on an entity responsible for reporting or managing a group of members. This entity is known as the Domain Manager (DM). DM recommends a weight for each application/server in the group. This weight recommendation is based on the business importance, topology and ability of the system to meet its business goals. This recommended weights helps the application switch make intelligent server load balancing decisions.

Alteon OS 21.0 also supports WLM in the redirect filter environment.

The SASP protocol enables the application switch to

- receive traffic weight recommendations from DM
- register members of the application switch with DM
- enable GWM to propose new group members to the application switch

How the Application Switch works with the DM

The application switch initiates a TCP connection with the GWM for all the configured IP address and port numbers. After establishing the connection, the application switch registers various WLM-configured groups of real servers with the GWM.

In case of application load balancing, the representation of a member is the real servers's IP address and the application's port and protocol. When the members are registered, the GWM starts monitoring and computes the weight. The DM periodically sends the weights for all the registered groups.

When a real server is disabled/enabled operationally the switch sends a request to temporarily remove the server from the weight calculation.

Configuring WLM Support

Before you start configuring for WLM support, make sure you have configured the following on the switch for all the groups and real servers participating in dynamic weights with Work-Load Managers (WLM):

- switch name (/cfg/sys/ssnmp/name)
- group name (/cfg/slb/group #/name)
- real server names (/cfg/slb/real #/name)

You can configure up to 16 Work Load Managers (WLM).

1. Configure the IP address and the TCP port number to connect to the WLM.

```
>> Main# /cfg/slb/wlm 11
>> Workload Manager 1# addr 10.10.10.10      (IP address of the WLM)
>> Workload Manager 1# port 10              (TCP port to connect to the WLM)
```

2. Assign the WLM number to the server/application group.

```
>> Main# /cfg/slb/group 2
>> Real Server Group 1# wlm 11
>> Default gateway 1# apply
```

If the WLM number is not specified, then this group is not registered with the WLM. As a result, dynamic weights are not used for this group.

3. Specify if WLM should use data or management port.

```
>> Main# /cfg/slb/mgmt
>> Management Port# wlm mgmt
```

4. Apply and save the configuration.

```
>> Management Port# apply
>> Management Port# save
```




CHAPTER 11

Global Server Load Balancing

This chapter provides information for configuring Global Server Load Balancing (GSLB) across multiple geographic sites. The following topics are covered:

- “GSLB Overview” on page 210
- “GSLB Enhancements” on page 213
- “Configuring Basic GSLB” on page 217
- “Configuring a Standalone GSLB Domain” on page 231
- “Configuring GSLB with Rules” on page 235
- “Configuring GSLB Network Preference” on page 239
- “Configuring GSLB with Proxy IP for Non-HTTP Redirects” on page 242
- “Using Border Gateway Protocol for GSLB” on page 246
- “Verifying GSLB Operation” on page 247

DSSP version 1 vs. version 2

Distributed Site Selection Protocol (DSSP) is a proprietary protocol that resides above TCP. It enables sending and receiving remote site updates. DSSP version 2 is used in Alteon OS 21.0, and supports server response time, CPU utilization, session availability, and session utilization in the remote site updates. (For more information on the site selection metrics, see “[GSLB Metrics](#)” on page 213.)

If you are using a GbE Switch Module for the first time starting with Alteon OS 21.0, then you should start any GSLB by first setting DSSP to version 2. The command to change to DSSP version 2 is `/cfg/slb/gslb/version 2`.

GSLB Overview

GSLB allows balancing server traffic load across multiple physical sites. The Alteon OS GSLB implementation takes into account an individual site's health, response time, and geographic location to smoothly integrate the resources of the dispersed server sites for complete global performance.

Benefits

GSLB meets the following demands for distributed network services:

- High content availability is achieved through distributed content and distributed decision making. If one site becomes disabled, the others become aware of it and take up the load.
- There is no latency during client connection set up. Instant site hand-off decisions can be made by any distributed switch.
- The best performing sites receive a majority of traffic over a given period of time but are not overwhelmed.
- Switches at different sites regularly exchange information through the Distributed Site State Protocol (DSSP), and can trigger exchanges when any site's health status changes. This ensures that each active site has valid state knowledge and statistics. DSSP v1.0 and DSSP v2.0 are supported.
- GSLB implementation takes geography as well as network topology into account.
- Creative control is given to the network administrator or Webmaster to build and control content by user, location, target application, and more.
- GSLB is easy to deploy, manage, and scale. Switch configuration is straightforward. There are no complex system topologies involving routers, protocols, and so forth.
- Flexible design options are provided.
- All IP protocols are supported.

How GSLB Works

A GSLB device performs or initiates a global server selection to direct client traffic to the best server for a given domain during the initial client connection.

GSLB is based on the Domain Name System (DNS) and proximity by source IP address. In the example in [Figure 11-1](#), a client is using a Web browser to view the Web site for the Example Corporation at “www.example.com.” The Example Corporation has two Web sites: one in San Jose, and one in Denver, each with identical content and available services. Both Web sites have an Nortel Application Switch configured for GSLB, with domain name set to “www.gslb.example.com.” These switches are also configured as the Authoritative Name Servers for “www.example.com.” On the company master DNS server, the configuration is to delegate “www.example.com” to “www.gslb.example.com.”

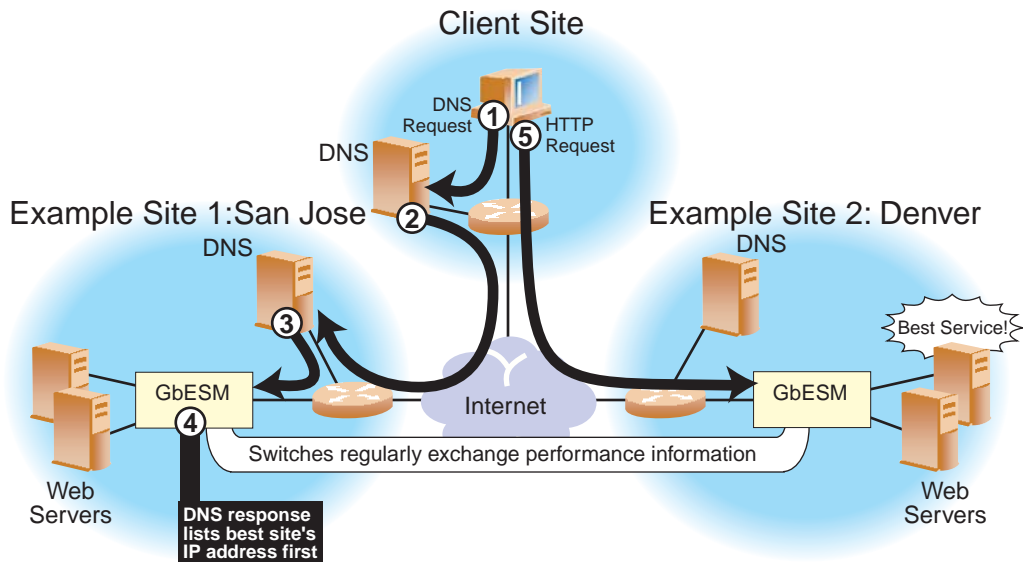


Figure 11-1 DNS Resolution with Global Server Load Balancing

The DNS resolution for GSLB is described in detail in the following procedure:

1. The client Web browser requests the “www.example.com” IP address from the local DNS.
2. The client’s DNS asks its upstream DNS, which in turn asks the next, and so on, until the address is resolved.

Eventually, the request reaches an upstream DNS server that has the IP address information available or the request reaches one of the Example, Inc. DNS servers.

- 3. The Example Inc.'s San Jose DNS tells the local DNS to query the Nortel Application Switch with GSLB software as the authoritative name server for "www.example.com."**
- 4. The San Jose switch responds to the DNS request, listing the IP address with the current best service.**

Each switch with GSLB software is capable of responding to the client's name resolution request. Since each switch regularly checks and communicates health and performance information with its peers, either switch can determine which site(s) are best able to serve the client's Web access needs. It can respond with a list of IP addresses for the Example Inc.'s distributed sites, which are prioritized by performance, geography, and other criteria.

In this case, the San Jose switch knows that Example Inc. Denver currently provides better service, and lists Example Inc. Denver's virtual server IP address first when responding to the DNS request.

- 5. The client connects to Example Inc. Denver for the best service.**

The client's Web browser will use the IP address information obtained from the DNS request to open a connection to the best available site. The IP addresses represent virtual servers at any site, which are locally load balanced according to regular SLB configuration.

If the site serving the client HTTP content suddenly experiences a failure (no healthy real servers) or becomes overloaded with traffic (all real servers reach their maximum connection limit), the switch issues an HTTP Redirect and transparently causes the client to connect to another peer site.

The end result is that the client gets quick, reliable service with no latency and no special client-side configuration.

GSLB Enhancements

GSLB has been enhanced with the following new features in Alteon OS 21.0.

- **Distributed Site Selection Protocol version 2**—DSSP version 2 can be configured to send updates over TCP ports besides port 80, and can handle additional parameter exchanges as described in [“DSSP version 1 vs. version 2” on page 209](#). DSSP is a proprietary protocol residing above TCP.
- **Network Preference Table**—supports multiple servers. The network preference table can be used for HTTP redirect GSLB.
- **Rule and metric preference per virtual server/domain**—each virtual server/domain can use different rules, listing different metric preferences, supporting load balancing vs multiple site high availability.
- **New static and load site selection metrics for rule-based processing**—several new metrics have been added for rule-based processing, as described in [“GSLB Metrics” on page 213](#).
- **Prioritization and weighting of GSLB metrics**—selection of GSLB metrics can be prioritized by configuring a GSLB rule, as described in [“Configuring GSLB with Rules” on page 235](#).

GSLB Metrics

This section describes all GSLB metrics. The (New) items are newly introduced as of Alteon OS 21.0. All metrics can be prioritized for selection order, and can be weighted on per site basis.

For details on the configuration parameters of GSLB metrics, see the `/cfg/slb/gslb/rule` menu and the command descriptions in the *Alteon OS 21.0 Command Reference*.

- **Session utilization capacity threshold (New)**—This metric causes the GSLB-enabled switch to not select the server when the session utilization of the server goes above the threshold. The session utilization is the percentage of sessions used over total sessions that results in normalized sessions between servers. When the server is not available, the session utilization is 100%. This is a threshold metric and it overwrites all other metrics. This metric requires remote site updates.

- CPU utilization capacity threshold (new)—This metric causes the GSLB-enabled switch to not select the server when the CPU utilization of the site with the server goes above the threshold. CPU utilization is the highest CPU utilization for periods of up to 64 seconds among SPs. This is a threshold metric and overwrites all other metrics. This metric requires remote site updates.
- Session available capacity threshold—This metric does not select the server when the number of available sessions on the server falls below the threshold. When the server is not available, the session available is 0. This is a threshold metric and it overwrites all other metrics. This metric requires remote site updates.
- Geographical preference—This metric causes the GSLB-enabled switch to select the server based on the same IANA region of the source IP address and the server IP address. This metric does not require remote site updates. The command, `/info/slb/gslb/geo` can be used to obtain a list of the IP address ranges that are mapped to each region. The regions are as follows:
 - North America
 - South America
 - Europe
 - Caribbean
 - Pacific Rim
 - Sub-Sahara
 - Japan
- Network preference (client proximity)—This metric selects the server based on the preferred network of the source IP address. This metric does not require remote site updates.
- Weighted least connections (new)—This metric selects the server based on which server has the lowest session utilization. Session utilization is the percentage of sessions used over total sessions, which results in normalized sessions between servers. A server whose session utilization is 100% is considered unavailable. This metric requires remote site updates.
- Weighted response time—This metric selects the server based on the lowest response time in milliseconds from an SLB health check of the servers. This metric requires SLB health checks and remote site updates.
- Weighted round robin (new)—This metric selects the server based on round robin of the servers.
- Weighted random (new)—This metric selects the server based on uniform random distribution of the servers.

- **Availability (new)**—This metric selects the same server while the server is still available. If the same server is not available, this metric selects the next server based on a ranking of the local virtual server and remote real server in a list from the highest (48) to the lowest (1) ranking. Multiple servers can have the same priority. This metric allows servers to be grouped based on priorities, or into primary and secondary groups. This metric requires SLB health checks and remote site updates.
- **Quality of service (new)**—This metric selects the server based on combination of the lowest session utilization and the lowest response time of the SLB health check of the servers. This metric requires SLB health checks and remote site updates.
- **Minmisses (new)** —This metric selects the same server based on the hash of source IP address and domain name. The hash calculation uses all the servers that are configured for the domain irrespective of the state of the server. When the server selected is not available, minmisses selects the next available server.
- **Hashing (new)**—This metric selects the same server based on the hash of source IP address and domain name. The hash calculation uses only the servers that are available for the domain. The server selected may be affected when a server become available or not available since the hash calculation uses only the servers that are available.
- **DNS local**—This metric selects the local virtual server only when the local virtual server is available. This metric applies to DNS-based GSLB only.
- **DNS always**—This metric selects the local virtual server even though the local virtual server is not available. This metric applies to DNS-based GSLB only.
- **Remote**—This metric selects the remote real servers only.

Metric preferences

This metric allows the GSLB selection to use multiple metrics from a metric preference list. The GSLB selection starts with the first metric in the list. The GSLB selection goes to the next metric when no server is selected, or more than the required servers is selected. The GSLB selection stops when the metric results at least one and no more than the required servers, or after the last metric in the list is reached. For DNS direct-based GSLB, the DNS response can be configured to return up to 10 required servers. For HTTP redirects based GSLB, the required server is one.

The following metrics can be selected from the metric preference list.

- Geographical preference
- Network preference
- Least connections
- Response time
- Round robin
- Random
- Availability
- Quality of service
- Minmisses
- Hashing
- DNS local
- DNS always
- Remote

Rules

A rule allows the GSLB selection to use a different GSLB site selection metric preference list, and rules can be set based on the time of day. Each domain has one or more rules. Each rule has a metric preference list. The GSLB selection selects the first rule that matches for the domain and starts with the first metric in the metric preference list of the rule. For more information, see [“Configuring GSLB with Rules” on page 235](#).

Configuring Basic GSLB

Configuring GSLB is simply an extension of the configuration procedure for SLB. The process is summarized as follows:

- Use the administrator login to connect to the switch you want to configure.
- Activate the GSLB software key. See the *Alteon OS Command Reference* for details.
- Configure the switch at each site with basic attributes.
 - Configure the switch IP interface.
 - Configure the default gateways.
- Configure the switch at each site to act as the DNS server for each service that is hosted on its virtual servers. Also, configure the master DNS server to recognize the switch as the authoritative DNS server for the hosted services.
- Configure the switch at each site for local SLB.
 - Define each local real server.
 - Group local real servers into real server groups.
 - Define the local virtual server with its IP address, services, and real server groups.
 - Define the switch port states.
 - Enable SLB.
- Finally, configure each switch so that it recognizes its remote peers.
 - Configure a remote real server entry on each switch for each remote service. This is the virtual server IP address that is configured on the remote peer.
 - Add the remote real server entry to an appropriate real server group.
 - Enable GSLB.

Basic GSLB Requirements

The following is required prior to configuration:

- You must be connected to the switch Command Line Interface (CLI) as the administrator.
- The optional GSLB software key must be activated
- Server Load Balancing must be enabled.

Example GSLB Topology

Consider the following example network:

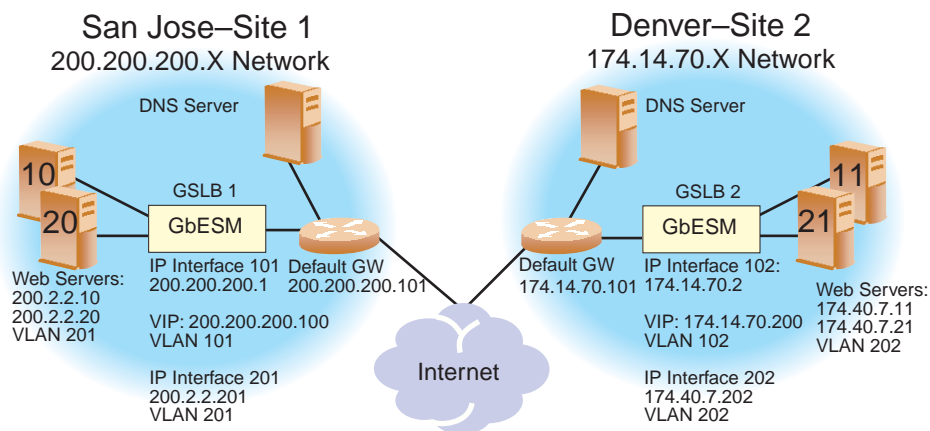


Figure 11-2 GSLB Topology Example 1

In the following examples, many of the options are left to their default values. See [“Additional Server Load Balancing Options”](#) on page 182 for more options.

NOTE – For details about any of the processes or menu commands described in this example, see the *Alteon OS Command Reference*.

Task 1: Configure the Basics at the San Jose Site

1. **If using the Browser-Based Interface (BBI) for managing the San Jose switch, change its service port.**

By default, GSLB listens on service port 80 for HTTP redirection. By default, the Alteon OS Browser-Based Interface (BBI) also uses port 80. Both services cannot use the same port. If the BBI is enabled (see the `/cfg/sys/access/http` command in the *Alteon OS Command Reference*), configure it to use a different port.

For example, enter the following command to change the BBI port to 8080:

```
>> # /cfg/sys/wport 8080 (Set service port 8080 for BBI)
```

2. **Configure a VLAN for the Internet traffic.**

```
>> # /cfg/12/vlan 101/name internet (VLAN 101 for Internet)
>> VLAN 101# add ext2/ena (Add port EXT2 to VLAN 101)
Port EXT2 is an UNTAGGED port and its current PVID is 1.
Confirm changing PVID from 1 to 101 [y/n]: y
Current ports for VLAN 101:      empty
Pending new ports for VLAN 101:  EXT2
Current status: disabled
New status:      enabled
```

3. **Configure another VLAN for local server traffic, and add server ports to this VLAN.**

```
>> # /cfg/12/vlan 201/name servers (VLAN 201 for local servers)
>> VLAN 201# add int4/ena (Add port INT4 to VLAN 201)
Port INT4 is an UNTAGGED port and its current PVID is 1.
Confirm changing PVID from 1 to 201 [y/n]: y
Current ports for VLAN 201:      empty
Pending new ports for VLAN 201:  INT4
Current status: disabled
New status:      enabled
>> VLAN 201# add int3/ena (Add port INT3 to VLAN 201)
Port INT3 is an UNTAGGED port and its current PVID is 1.
Confirm changing PVID from 1 to 201 [y/n]: y
Current ports for VLAN 201:      empty
Pending new ports for VLAN 201:  INT3 INT4
```

4. Define an IP interface to the local real servers.

```
>> # /cfg/l3/if 201 (Select IP interface 201)
>> IP Interface 201# addr 200.2.2.201 (Assign IP address for the interface)
>> IP Interface 201# mask 255.255.255.0 (Assign network mask)
>> IP Interface 201# vlan 201 (Assign interface to VLAN 201)
>> IP Interface 201# ena (Enable IP interface 201)
```

5. Define an IP interface to the Internet.

The switch IP interface responds when asked to resolve client DNS requests.

```
>> # /cfg/l3/if 101 (Select IP interface 101)
>> IP Interface 101# addr 200.200.200.1 (Assign IP address for the interface)
>> IP Interface 101# mask 255.255.255.0 (Assign network mask)
>> IP Interface 101# vlan 101 (Assign interface to VLAN 101)
>> IP Interface 101# ena (Enable IP interface 101)
```

6. Define the default gateway.

The router at the edge of the site acts as the default gateway to the Internet. The default gateway address should be on the same subnet as the IP interface 101, which points to the Internet. To configure the default gateway for this example, enter these commands from the CLI:

```
>> IP Interface 101# /cfg/l3/gw 1 (Select default gateway 1)
>> Default gateway 1# addr 200.200.200.101 (Assign IP address for the gateway)
>> Default gateway 1# ena (Enable default gateway 1)
```

7. Apply and save the configuration.

```
>> # apply
>> # save
```

8. Configure the master DNS server to recognize the local GSLB switch as the authoritative name server for the hosted services.

Determine the domain name that will be distributed to both sites and the host name for each distributed service. In this example, the San Jose DNS server is configured to recognize 200.200.200.1 (the IP interface of the San Jose GSLB switch) as the authoritative name server for “www.gslb.example.com.”

Task 2: Configure the San Jose Switch for Standard SLB

1. Assign an IP address to each of the real servers in the local San Jose server pool.

The real servers in any real server group must have an IP route to the switch that will perform the SLB functions. This is most easily accomplished by placing the switches and servers on the same IP subnet, although advanced routing techniques can be used as long as they do not violate the topology rules outlined in [“Network Topology Requirements”](#) on page 176.

For this example, the host real servers have IP addresses on the same IP subnet:

Table 11-1 GSLB Example: San Jose Real Server IP Addresses

Real Server	IP address
Server 10	200.2.2.10
Server 20	200.2.2.20

2. Define each local real server.

For each local real server, you must assign a real server number, specify its actual IP address, and enable the real server. For example:

```
>> Default gateway 1# /cfg/slb/real 10      (Configure Real Server 10)
>> Real server 10# rip 200.2.2.10         (Assign IP address to server 10)
>> Real server 10# ena                     (Enable real server 10)
>> Real server 10# /cfg/slb/real 20       (Configure Real Server 20)
>> Real server 20# rip 200.2.2.20         (Assign IP address to server 20)
>> Real server 20# ena                     (Enable real server 20)
```

3. On the San Jose switch, define a real server group.

Combine the real servers into one service group and set the necessary health checking parameters. In this example, HTTP health checking is used to ensure that Web content is being served. If the `index.html` file is not accessible on a real server during health checks, the real server will be marked as down.

```
>> Real server 2# /cfg/slb/group 1         (Select real server group 1)
>> Real server group 1# add 10             (Add real server 10 to group 1)
>> Real server group 1# add 20             (Add real server 20 to group 1)
>> Real server group 1# health http        (Use HTTP for health checks)
>> Real server group 1# content index.html (Set URL content for health checks)
```

4. On the San Jose switch, define a virtual server.

All client requests will be addressed to a virtual server IP address defined on the switch. Clients acquire the virtual server IP address through normal DNS resolution. HTTP uses well-known TCP port 80. In this example, HTTP is configured as the only service running on this virtual server IP address and, is associated with the real server group. For example:

```
>> Real server group 1# /cfg/slb/virt 1      (Select virtual server 1)
>> Virtual server 1# vip 200.200.200.100   (Assign a virtual server IP address)
>> Virtual Server 1# service 80
>> Virtual server 1 http Service# group 1 (Associate virtual port to real group)
>> Virtual server 1 http Service# /cfg/slb/virt 1 ena(Enable virtual
server)
```

NOTE – This configuration is not limited to HTTP services. For a list of other well-known TCP/IP services and ports, see [Table 10-3 on page 182](#).

5. On the San Jose switch, define the type of Layer 4 traffic processing each port must support.

In this example, the following ports are being used on the GbESM:

Table 11-2 GSLB Example: San Jose GbESM Port Usage

Port	Host	Layer 4 Processing
4	Server 10	Server
3	Server 20	Server
2	Default Gateway Router. This connects the switch to the Internet where all client requests originate.	Client

The ports are configured as follows:

```
>> Virtual server 1# /cfg/slb/port INT4      (Select physical switch port INT4)
>> SLB port 4# server ena                    (Enable server processing on port)
>> SLB port 4# /cfg/slb/port INT3          (Select physical switch port INT3)
>> SLB port 3# server ena                    (Enable server processing on port)
>> SLB port 3# /cfg/slb/port EXT2          (Select physical switch port EXT2)
>> SLB port 2# client ena                    (Enable client processing on port)
```

6. On the San Jose switch, enable SLB.

```
>> SLB port 6# /cfg/slb/on
```

Task 3: Configure the San Jose Site for GSLB

1. On the San Jose switch, turn on GSLB.

```
>> Virtual server 1# /cfg/slb/gslb/on
```

2. Enable DSSP version 2 to send out remote site updates.

Enable DSSP version 2.

```
>> # /cfg/slb/gslb/version 2 (Enable DSSP version 2 updates)
```

3. On the San Jose switch, define each remote site.

When you start configuring at the San Jose site, San Jose is local and Denver is remote. Add and enable the remote switch's Internet-facing IP interface address. In this example, there is only one remote site: Denver, with an IP interface address of 74.14.70.2. The following commands are used:

```
>> # /cfg/slb/gslb/site 2 (Select remote site 2)
>> Remote site 2# name site_2 (Name remote site 2)
>> Remote site 2# prima 174.14.70.2 (Define remote interface)
>> Remote site 2# ena (Enable remote site 1)
```

Each additional remote site would be configured in the same manner. You can enable up to 64 remote sites.

4. On the San Jose switch, assign each remote distributed service to a local virtual server.

Configure the local San Jose site to recognize the services offered at the remote Denver site. To do this, configure one real server entry on the San Jose switch for each virtual server located at each remote site. Since there is only one remote site (Denver) with only one virtual server, only one more local real server entry is needed at the San Jose site.

The new real server entry is configured with the remote virtual server IP address, i.e. Switch 2's vip address, rather than the usual IP address of a local physical server. Do not confuse this value with the IP interface address on the remote switch.

Also, the *remote* parameter is enabled, and the real server entry is added to the real server group under the local virtual server for the intended service. Finally, since the real server health checks are performed across the Internet, the health-checking interval should be increased to

30 or 60 seconds to avoid generating excess traffic. The health check interval should also depend on the number of remote sites. The more remote sites you have, the larger the time interval should be. For example:

```
>> # /cfg/slb/real 2                (Create an entry for real server 2)
>> Real server 2# rip 174.14.70.200 (Set remote virtual server IP address)
>> Real server 3# remote enable     (Define the real server as remote)
>> Real server 3# inter 30          (Set a higher health check interval)
>> Real server 3# ena               (Enable the real server entry)
>> Real server 3# /cfg/slb/group 1  (Select appropriate real server group)
>> Real server group 1# add 2       (Add real server 2 to the group 1)
```

NOTE – Take care to note where each configured value originates, or this step can result in improper configuration.

5. On the San Jose switch, define the domain name and host name for each service hosted on each virtual server.

In this example, the domain name for the Example Inc. is “gslb.example.com,” and the host name for the only service (HTTP) is “www.” These values are configured as follows:

```
>> Real server group 1# /cfg/slb/virt 1 (Select virtual server 1)
>> Virtual server 1# dname gslb.example.com (Define domain name)
>> Virtual server 1# service 80/hname www (Define HTTP host name)
```

To define other services (such as FTP), make additional hostname entries.

6. Apply and verify the configuration.

```
>> Global SLB# apply                (Make your changes active)
>> Global SLB# cur                  (View current GSLB settings)
>> Global SLB# /cfg/slb/cur        (View current SLB settings)
```

Examine the resulting information. If any settings are incorrect, make and apply any appropriate changes, and then check again.

7. Save your new configuration changes.

```
>> Layer 4# save                    (Save for restore after reboot)
```


Task 4: Configure the Basics at the Denver Site

Following the same procedure described for San Jose (see [“Example GSLB Topology” on page 218](#)), configure the Denver site as follows:

1. **If using the Browser-Based Interface (BBI) for managing the San Jose switch, change its service port.**

By default, GSLB listens on service port 80 for HTTP redirection. By default, the Alteon OS Browser-Based Interface (BBI) also uses port 80. Both services cannot use the same port. If the BBI is enabled (see the `/cfg/sys/access/http` command in the *Alteon OS Command Reference*), configure it to use a different port.

For example, enter the following command to change the BBI port to 8080:

```
>> # /cfg/sys/wport 8080 (Set service port 8080 for BBI)
```

2. **Configure a VLAN for the Internet traffic.**

```
>> # /cfg/l2/vlan 102/name internet (VLAN 102 for Internet)
>> VLAN 102# add ext2/ena (Add port EXT2 to VLAN 102 and
enable)
Port EXT2 is an UNTAGGED port and its current PVID is 1.
Confirm changing PVID from 1 to 102 [y/n]: y
Current ports for VLAN 102: empty
Pending new ports for VLAN 102: EXT2
Current status: disabled
New status: enabled
```

3. **Configure a VLAN for local server traffic, and add server ports to this VLAN.**

```
>> # /cfg/l2/vlan 202/name servers (VLAN 202 for local servers)
>> VLAN 202# add int11/ena (Add port INT11 to vlan 202)
Port INT11 is an UNTAGGED port and its current PVID is 1.
Confirm changing PVID from 1 to 202 [y/n]: y
Current ports for VLAN 202: empty
Pending new ports for VLAN 202: 11
Current status: disabled
New status: enabled
>> VLAN 202# add int12/ena (Add port INT12 to VLAN 201)
Port INT12 is an UNTAGGED port and its current PVID is 1.
Confirm changing PVID from 1 to 202 [y/n]: y
Current ports for VLAN 202: empty
Pending new ports for VLAN 202: INT11 INT12
```

4. Define an IP interface to the local real servers.

```
>> # /cfg/l3/if 202 (Select IP interface 202)
>> IP Interface 202# addr 174.40.7.202 (Assign IP address for the interface)
>> IP Interface 202# mask 255.255.255.0 (Assign network mask)
>> IP Interface 202# vlan 202 (Assign interface to VLAN 202)
>> IP Interface 202# ena (Enable IP interface 202)
```

5. Define an IP interface to the Internet.

```
>> # /cfg/l3/if 102 (Select IP interface 102)
>> IP Interface 102# addr 174.14.70.2 (Assign IP address for the interface)
>> IP Interface 102# mask 255.255.255.0 (Assign network mask)
>> IP Interface 102# vlan 102 (Assign interface to VLAN 102)
>> IP Interface 102# ena (Enable IP interface 102)
```

6. Define the default gateway.

```
>> IP Interface 102# /cfg/l3/gw 1 (Select default gateway 1)
>> Default gateway 1# addr 174.14.70.101 (Assign IP address for the gateway)
>> Default gateway 1# ena (Enable default gateway 1)
```

7. Apply and save the configuration.

```
>> # apply
>> # save
```

8. Configure the local DNS server to recognize the local GSLB switch as the authoritative name server for the hosted services.

Determine the domain name that will be distributed to both sites and the host name for each distributed service. In this example, the Denver DNS server is configured to recognize 174.14.70.2 (the IP interface of the Denver GSLB switch, configured with the domain name “www.gslb.example.com”) as the authoritative name server for “www.example.com.”

Task 5: Configure the Denver Switch for Standard SLB

1. Assign an IP address to each of the real servers in the local Denver server pool.

Table 11-3 Denver Real Server IP Addresses

Real Server	IP address
Server 11	174.14.7.11
Server 21	174.14.7.21

2. On the Denver switch, define each local real server.

```
>> Default gateway 1# /cfg/slb/real 11 (Server C is real server 1)
>> Real server 11# rip 174.14.7.11 (Assign IP address for Server 11)
>> Real server 11# ena (Enable real server 11)
>> Real server 11# /cfg/slb/real 21 (Server D is real server 21)
>> Real server 21# rip 174.14.7.21 (Assign IP address for Server 21)
>> Real server 21# ena (Enable real server 21)
```

3. On the Denver switch, define a real server group.

```
>> Real server 2# /cfg/slb/group 1 (Select real server group 1)
>> Real server group 1# add 11 (Add real server 11 to group 1)
>> Real server group 1# add 21 (Add real server 21 to group 1)
>> Real server group 1# health http (Use HTTP for health checks)
>> Real server group 1# content index.html (Set URL content for health checks)
```

4. On the Denver switch, define a virtual server.

```
>> Real server group 1# /cfg/slb/virt 1 (Select virtual server 1)
>> Virtual server 1# vip 174.14.70.200 (Assign IP address)
>> Virtual server 1# service http (Select the HTTP service menu)
>> Virtual server 1 http service# group 1 (Associate virtual port to real group)
>> Virtual server 1 http service# /cfg/slb/virt 1/ena (Enable the virtual server)
```

5. On the Denver switch, define the type of Layer 4 processing each port must support.

In this example, the following ports are being used on the GbESM:

Table 11-4 Web Host Example: Port Usage

Port	Host	Layer 4 Processing
11	Server 11	Server
12	Server 12	Server
2	Default Gateway Router. This connects the switch to the Internet where all client requests originate.	Client

The ports are configured as follows:

```
>> # /cfg/slb/port int11 (Select physical switch port INT11)
>> SLB port 11# server ena (Enable server processing on port)
>> SLB port 11# /cfg/slb/port int12 (Select physical switch port INT12)
>> SLB port 12# server ena (Enable server processing on port)
>> SLB port 12# /cfg/slb/port ext2 (Select physical switch port EXT2)
>> SLB port 2# client ena (Enable client processing on port)
```

6. On the Denver switch, enable SLB.

```
>> # /cfg/slb/on
```

Task 6: Configure the Denver Site for GSLB

Following the same procedure described for San Jose (see “[Task 3: Configure the San Jose Site for GSLB](#)” on page 223), configure the Denver site as follows:

1. On the Denver switch, turn on GSLB.

```
>> Virtual server 1# /cfg/slb/gslb/on
```

2. Enable DSSP version 2 to send out remote site updates.

Enable DSSP version 2.

```
>> # /cfg/slb/gslb/version 2 (Enable DSSP version 2 updates)
```

3. On the Denver switch, define each remote site.

When you start configuring at the Denver site, Denver is local and San Jose is remote. Add and enable the remote switch’s IP address interface. In this example, there is only one remote site: San Jose, with an IP interface address of 200.200.200.1. The following commands are used:

```
>> # /cfg/slb/gslb/site 1 (Select remote site 1)
>> Remote site 1# prima 200.200.200.1 (Define remote IP interface address)
>> Remote site 1# ena (Enable remote site 1)
```

Each additional remote site would be configured in the same manner. You can enable up to 64 remote sites.

4. On the Denver switch, assign each remote distributed service to a local virtual server.

In this step, the local Denver site is configured to recognize the services offered at the remote San Jose site. As before, configure one real server entry on the Denver switch for each virtual server located at each remote site. Since there is only one remote site (San Jose) with only one virtual server, only one more local real server entry is needed at the Denver site.

The new real server entry is configured with the IP address of the remote virtual server, rather than the usual IP address of a local physical server. Do not confuse this value with the IP interface address on the remote switch.

Also, the *remote* parameter is enabled, and the real server entry is added to the real server group under the local virtual server for the intended service. Finally, since the real server health checks are headed across the Internet, the health-checking interval should be increased to 30 or 60 seconds to avoid generating excess traffic. The more remote sites you have, the larger the time interval should be.

For example:

```
>> Remote site 1# /cfg/slb/real 1           (Create an entry for real server 1)
>> Real server 1# rip 200.200.200.100      (Set remote virtual server IP address)
>> Real server 1# remote enable           (Define the real server as remote)
>> Real server 1# inter 30                (Set a high health check interval)
>> Real server 1# ena                     (Enable the real server entry)
>> Real server 1# /cfg/slb/group 1        (Select appropriate. real server group)
>> Real server group 1# add 1             (Add real server 1 to group 1)
```

NOTE – Take care to note where each configured value originates or this step can result in improper configuration.

5. On the Denver switch, define the domain name and host name for each service hosted on each virtual server.

These will be the same as for the San Jose switch: the domain name is “gslb.example.com,” and the host name for the HTTP service is “www.” These values are configured as follows:

```
>> Real server group 1# /cfg/slb/virt 1    (Select virtual server 1)
>> Virtual server 1# dname gslb.example.com (Define domain name)
>> Virtual server 1# service 80           (Select HTTP for virtual server)
>> Virtual server 1 http# hname www       (Define HTTP hostname)
```

6. Apply and verify the configuration.

```
>> Global SLB# apply                       (Make your changes active)
>> Global SLB# cur                         (View current GSLB settings)
>> Global SLB# /cfg/slb/cur               (View current SLB settings)
```

Examine the resulting information. If any settings are incorrect, make and apply any appropriate changes, and then check again.

7. Save your new configuration changes.

```
>> Layer 4# save                           (Save for restore after reboot)
```

Configuring a Standalone GSLB Domain

An GbE Switch Module can serve as a *standalone* GSLB device, which means that it can perform GSLB health checking and site selection to other sites, without supporting SLB to local real servers.

The remote sites can be other sites configured with an GbE Switch Module running GSLB, an GbE Switch Module running only SLB, or even a site that uses another vendor's load balancers.

A GbE Switch Module running GSLB can operate in standalone mode as long as it uses site selection metrics that do not require remote site updates.

GSLB Topology with a Standalone GSLB Site

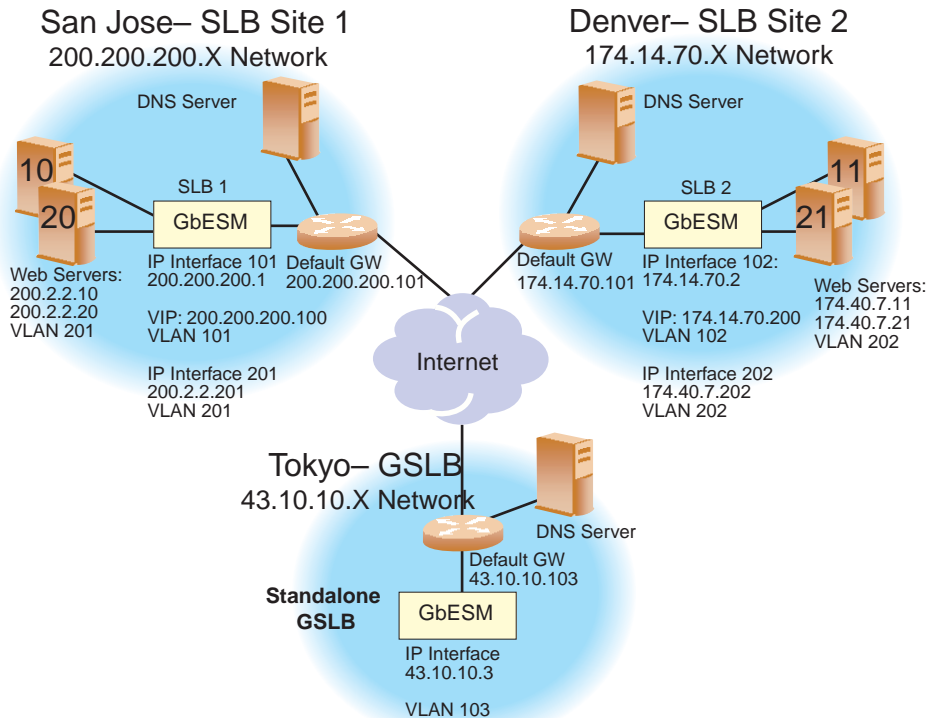


Figure 11-3 GSLB Topology Example 2—with Standalone GSLB

Task 1: Configure the Basics at the Tokyo Site

Following a similar procedure as described in “Configuring Basic GSLB” on page 217, configure a third site—Tokyo—in Standalone mode.

Remember that in Standalone mode, the GbE Switch Module does not require SLB configuration of local real servers.

1. Configure a VLAN for the Internet traffic.

```
>> # /cfg/12/vlan 103/name internet           (VLAN 102 for Internet)
>> VLAN 103# add ext3                       (Add port EXT3 to VLAN 103)
Port EXT3 is an UNTAGGED port and its current PVID is 1.
Confirm changing PVID from 1 to 103 [y/n]: y
Current ports for VLAN 103:      empty
Pending new ports for VLAN 103: EXT3
Current status: disabled
New status:      enabled
```

2. Define an IP interface to the Internet.

```
>> # /cfg/13/if 103                         (Select IP interface 103)
>> IP Interface 103# addr 43.10.10.3       (Assign IP address for the interface)
>> IP Interface 103# mask 255.255.255.0   (Assign network mask)
>> IP Interface 103# ena                   (Enable IP interface 103)
>> IP Interface 103# vlan 103              (Assign interface to VLAN 103)
```

3. Define the default gateway.

```
>> IP Interface 103# /cfg/13/gw 1          (Select default gateway 1)
>> Default gateway 1# addr 43.10.10.103   (Assign IP address for the gateway)
>> Default gateway 1# ena                  (Enable default gateway 1)
```

4. Apply and save the configuration.

```
>> # apply
>> # save
```

5. Configure the local DNS server to recognize the local GSLB switch as the authoritative name server for the hosted services.

Determine the domain name that will be distributed to both sites and the host name for each distributed service. In this example, the Tokyo DNS server is configured to recognize 43.10.10.3 (the IP interface of the Tokyo GSLB switch) as the authoritative name server for “www.gslb.example.com.”

Task 2: Configure the Tokyo Site for GSLB

Following the similar procedure described for San Jose (see “[Task 3: Configure the San Jose Site for GSLB](#)” on page 223), configure the Tokyo site as follows:

1. On the Tokyo switch, turn on SLB and GSLB.

```
>> # /cfg/slb                               (Select the SLB Menu)
>> SLB# on                                   (Activate SLB for the switch)
>> # /cfg/slb/gslb                           (Select the GSLB Menu)
>> Global SLB# on                             (Activate GSLB for the switch)
```

2. On the Tokyo switch, assign each remote distributed service to a local virtual server.

In this step, the local site, Tokyo, is configured to recognize the services offered at the remote San Jose and Denver sites. As before, configure one real server entry on the Tokyo switch for each virtual server located at each remote site.

The new real server entry is configured with the IP address of the remote virtual server, rather than the usual IP address of a local physical server. Do not confuse this value with the IP interface address on the remote switch.

```
>> # /cfg/slb/real 1                         (Create an entry for San Jose)
>> Real server 1# ena                         (Enable the real server entry)
>> Real server 1# name San_Jose               (Set a name for the real server entry)
>> Real server 1# rip 200.200.200.100        (Set remote vip address of San Jose)
>> Real server 1# remote enable               (Define the real server as remote)
>> # /cfg/slb/real 2                         (Create an entry for Denver)
>> Real server 2# ena                         (Enable the real server entry)
>> Real server 2# name Denver                 (Set a name for the real server entry)
>> Real server 2# rip 74.14.70.200           (Set remote vip address for Denver)
>> Real server 2# remote enable               (Define the real server as remote)
```

NOTE – Take care to note where each configured value originates, or this step can result in improper configuration.

3. Define a network that will match and accept all incoming traffic for the other sites.

```

>> # /cfg/gslb/net 1 (Create an entry for the new network)
>> Network 1# ena (Enable the new network)
>> Network 1# sip 0.0.0.0 (Define a source IP address match)
>> Network 1# mask 0.0.0.0 (Define a network mask match)
>> Network 1# addressal 1 (Add the San Jose site to the network)
>> Network 1# addressal 2 (Add the Denver site to the network)

```

4. Define a new rule that will make the new network active.

```

>> # /cfg/slb/gslb/rule 1/ena (Enable the new rule)
>> Rule 1# dname gslb.example.com (Define a domain name)
>> Rule 1# metric 1/gmetric network (Define the metric this rule will use)
>> Rule 1# metric 1/addnet 1 (Add network to the rule metric)

```

5. Apply and verify the configuration.

```

>> Virtual Server 2 http Service# apply (Make your changes active)
>> Global SLB# cur (View current GSLB settings)
>> Global SLB# /cfg/slb/cur (View current SLB settings)

```

Examine the resulting information. If any settings are incorrect, make and apply any appropriate changes, and then check again.

6. Save your new configuration changes.

```

>> Layer 4# save (Save for restore after reboot)

```

NOTE – Configuration for the Tokyo site is now complete.

Configuring GSLB with Rules

GSLB rules can be configured on a per-domain basis to allow dynamic site selection based on time of day for a given domain. The criteria for domain rules are as follows:

- Each domain has one or more rules.
- Each rule has a metric preference list.
- The site selection selects the first rule that matches for the domain and starts with the first metric in the metric preference list of the rule.

Up to 128 rules can be configured, with up to eight metrics per rule. The site selection metric sequence in the default Rule 1 is as follows:

1. Network Preference

The first metric in rule 1 is set to “Network Preference,” which selects the server based on the preferred network of the source IP address for a given domain. If preferred networks are not configured, this metric is not used in the default rule. For more information on configuring preferred networks, see [“Configuring GSLB Network Preference” on page 239](#).

2. None

The second metric in rule 1 is set to “None” in order to allow you to configure the `local` or `availability` metric here. The local server or the server with the highest availability is selected before any subsequent metric is used to select other servers.

3. Geographical preference

The third metric in rule 1 is set to “Geographical Preference” so that the IANA-defined geographical region based on the client source IP is used to redirect the request to the client’s region.

4. Least connections

5. Round robin

“Round robin” or random should be the last metric defined in a rule, because they always return a value if there is at least one functional site.

6. None

7. None

8. None

The last metric in rule 1 should be configured as `dnsalways` so that the GSLB selection selects at least the local virtual server when all servers are not available. In this case, metric 6 can be configured with DNS always.

Configuring Time-Based Rules

Task 1: Configure the first time-based rule

Using the base configuration “[Configuring Basic GSLB](#)” on page 217, you can define a new time-based rule for certain networks, as follows:

1. **Disable the default rule 1, in order to ensure that the time based rule is processed first.**

```
>> # /cfg/slb/gslb/rule 1/dis (Disable rule 1)
```

2. **Configure the networks to be added to the GSLB rule.**

```
>> # /cfg/slb/gslb/net 43/sip 43.0.0.0/mask 255.0.0.0/addvirt 1/ena
>> # /cfg/slb/gslb/net 55/sip 55.0.0.0/mask 255.0.0.0/addreal 10/ena
>> # /cfg/slb/gslb/net 56/sip 56.0.0.0/mask 255.0.0.0/addreal 10/ena
```

3. **Configure a new rule.**

```
>> # /cfg/slb/gslb/rule 2 (Select rule 2)
```

4. **Specify a start and end time for this rule to be applied.**

```
>> Rule 2# start 7 00/end 18 00/ena (From 7am until 6PM)
>> Rule 2# ena (Enable the rule)
```

5. **Specify the GSLB metrics to be used to select a site if a server is not selected at first.**

Since network metric is the first metric, make sure to add the configured networks to metric 1.

```
>> # /cfg/slb/gslb/rule 2/metric 1/gmetric network
>> # /cfg/slb/gslb/rule 2/metric 1/addnet 43/addnet 55/addnet 56
```

6. **Specify the other preferred GSLB metrics.**

```
>> # /cfg/slb/gslb/rule 2/metric 2/gmetric geographical
>> # /cfg/slb/gslb/rule 2/metric 3/gmetric roundrobin
```

Task 2: Configure the second time-based rule

Using the steps in “[Task 1: Configure the first time-based rule](#)” on [page 236](#), configure another rule with the following parameters.

```
>> # /cfg/slb/gslb/net 48/sip 48.0.0.0/mask 240.0.0.0/addreal 2/en
>> # /cfg/slb/gslb/rule 4/start 18 00/end 7 00/ena
>> # /cfg/slb/gslb/rule 4/metric 1/gmetric network/addnet 48
>> # /cfg/slb/gslb/rule 4/metric 2/gmetric geographical
>> # /cfg/slb/gslb/rule 4/metric 3/gmetric random
```

7. Add the rule to the configured virtual server. Using the basic GSLB example, add the following command to the virtual server configuration steps on [page 224](#) on [page 230](#).

```
>> # /cfg/slb/virt 1/addrule 2/addrule 4 (Add rules 2 and 4 to the virtual server/domain)
```

8. Apply and save the configuration.

```
>> Rule 2 Metric 4# apply
>> Rule 2 Metric 4# save
```

Using the Availability Metric in a Rule

The availability metric selects the next server in a priority list when any capacity thresholds of the previous servers has been reached.

1. **Set the availability metric for metric 2 in rule 1.**

```
>> # /cfg/slb/gslb/rule 1/metric 2/gmetric availability
```

2. **Set the Availability values for the real/virt servers. For example:**

```
>> Rule 1# /cfg/slb/virt 1/avail 11      (Set avail. weight for virt. server)
>> Rule 1# /cfg/slb/real 10/avail 22    (Set avail. weight for real server)
>> Rule 1# /cfg/slb/real 11/avail 33    (Set avail. weight for real server)
```

3. **Apply and save the configuration.**

```
>> Rule 1 Metric 4# apply
>> Rule 1 Metric 4# save
```

Configuring GSLB Network Preference

Alteon OS software allows clients to select GSLB sites based on where the client is located. This is implemented by configuring network preference. Network preference selects the server based on the preferred network of the source IP address for a given domain. The preferred network contains a subset of the servers for the domain.

The following example, illustrated in [Figure 11-4 on page 240](#), shows how to create rules based on client network preference. Two client networks, A and B, are configured in the network preference rule on the master switch at Site 4. Client A with a subnet address of 205.178.13.0 is configured with a network preference rule for preferred Sites 1 and 3. Client B, with a subnet address of 204.165.0.0, is configured a network preference rule for preferred Sites 2 and 4.

Client A, with a source IP address of 205.178.13.10, initiates a request that is sent to the local DNS server. The local DNS server is configured to forward requests to the DNS server at Site 4. The GbESM at Site 4 looks up its network preference and finds Client A prefers to connect to Sites 1 or 3. Similarly, Client B's requests are always forwarded to Sites 2 or 4.

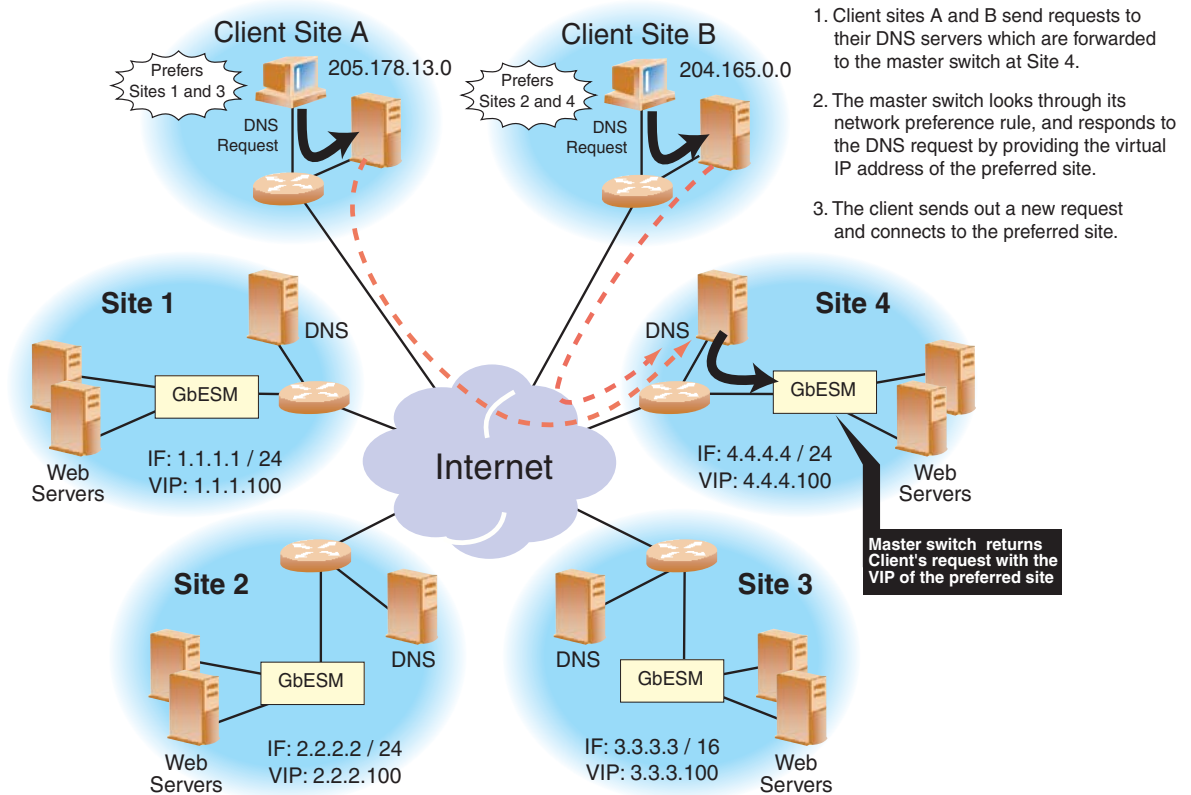


Figure 11-4 Configuring Client Proximity Table

NOTE – Alteon OS allows you to configure up to 128 preferred client networks. Each network can contain up to 64 real servers.

Use the following commands to configure network preferences on the GbESM at Site 4:

```

>> # /cfg/slb/gslb/net 1/                               (Select Network 1)
>> Network 1# sip 205.178.13.0                          (Assign source address for Client A)
>> Network 1# mask 255.255.255.0                       (Assign the mask for Client A)
>> Network 1# addreal 1/addreal 3                       (Add real servers 1 and 3)
>> # /cfg/slb/gslb/net 2/                               (Select Network 2)
>> Network 2# sip 204.165.0.0                          (Assign source address for Client B)
>> Network 2# mask 255.255.0.0                         (Assign the mask for Client B)
>> Network 2# addreal 2                                 (Add real server 2)
>> Network 2# addvir 4                                  (Select preferred Site 4)
>> # /cfg/slb/gslb/rule 1/metric 1                     (Select metric 1-network preference)
>> Rule 1 Metric 2# addnet 1/addnet 2                  (Add Network 1 and Network 2)

```

Using this configuration, the DNS request for “nortelnetworks.com” from client IP 205.178.13.0 will receive a DNS response with only the virtual server IP address of Site 1, if Site 1 has less load than Site 3.

Configuring GSLB with Proxy IP for Non-HTTP Redirects

Typically, client requests for HTTP applications are automatically redirected to the location with the best response and least load for the requested content. The HTTP protocol has a built-in redirection function that allows requests to be redirected to an alternate site. However, if a client requests a non-HTTP application such as FTP, POP3, or SMTP, then the lack of a redirection function in these applications requires that a proxy IP address be configured on the client port. The client port will initiate a redirect only if resources are unavailable at the first site.

NOTE – This feature should be used as a method of last resort for GSLB implementations in topologies where the remote servers are usually virtual server IP addresses in other application switches.

Figure 11-5 illustrates the packet-flow of HTTP and non-HTTP redirects in a GSLB environment. Table 11-5 explains the packet-flow process in detail. In this example, the HTTP or non-HTTP request from the client reaches Site 2, but Site 2 has no available services.

Table 11-5 HTTP Versus Non-HTTP Redirects

	Site 2 GbESM	Site 1 GbESM
HTTP application (built-in redirection)	1a Client HTTP request reaches Site 2. Resources are unavailable at Site 2. Site 2 sends an HTTP redirect to Client with Site 1's virtual server IP address.	2a. Client resends request to Site 1. Resources are available at Site 1.
Non-HTTP application (no redirection)	1b. Client non-HTTP request reaches Site 2. Resources are unavailable at Site 2. Site 2 sends a request to Site 1 with Site 2's proxy IP address as the source IP address and the virtual server IP address of Site 1 as the destination IP address.	2b. Site 1 processes the client proxy IP request. Resources are available at Site 1. Site 1 returns request to proxy IP port on Site 2.

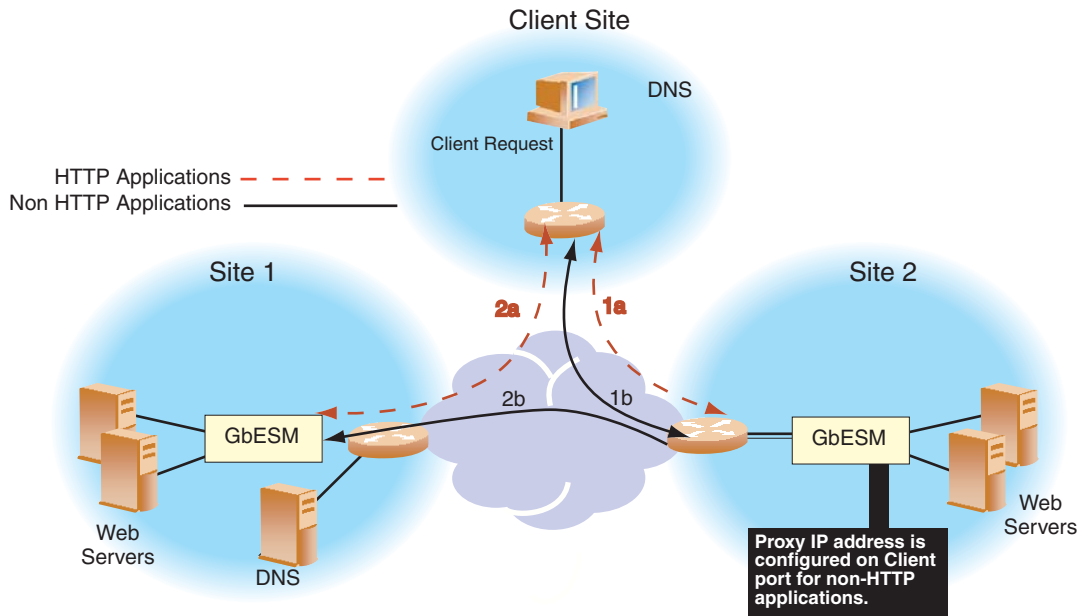


Figure 11-5 HTTP and Non-HTTP Redirects

How Proxy IP Works

Figure 11-6 shows examples of two GSLB sites deployed in San Jose and Denver. The applications being load balanced are HTTP and POP3. Any request that cannot be serviced locally is sent to the peer site. HTTP requests are sent to the peer site using HTTP Redirect. Any other application request will be sent to the peer site using the proxy IP feature.

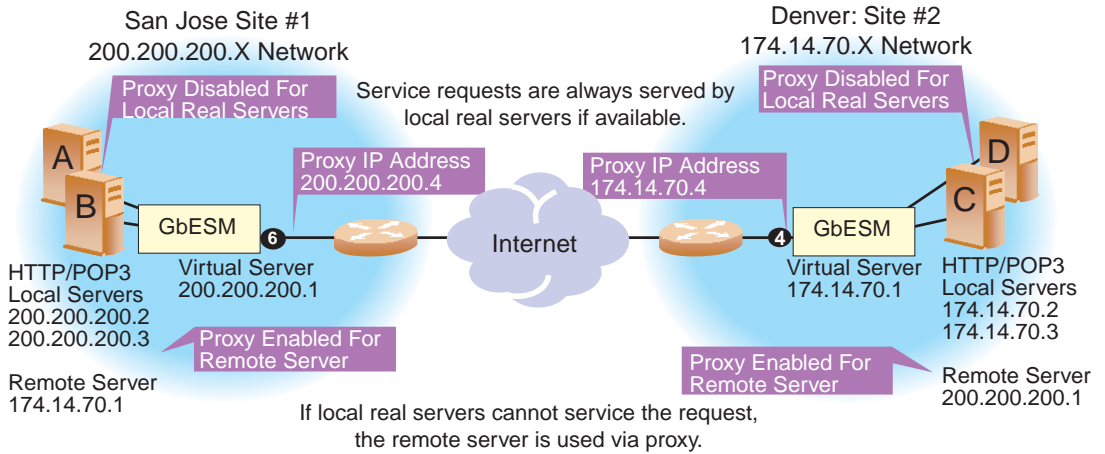


Figure 11-6 POP3 Request Fulfilled via IP Proxy

The following procedure explains the three-way handshake between the two sites and the client for a non-HTTP application (POP3).

1. A user POP3 TCP SYN request is received by the virtual server at Site 2. The switch at that site determines that there are no local resources to handle the request.
2. The Site 2 switch rewrites the request such that it now contains a client proxy IP address as the source IP address, and the virtual server IP address at Site 1 as the destination IP address.
3. The switch at Site 1 receives the POP3 TCP SYN request to its virtual server. The request looks like a normal SYN frame, so it performs normal local load-balancing.
4. Internally at Site 1, the switch and the real servers exchange information. The TCP SYN ACK from Site 1's local real server is sent back to the IP address specified by the proxy IP address.
5. The Site 1 switch sends the TCP SYN ACK frame to Site 2, with Site 1's virtual server IP address as the source IP address, and Site 2's proxy IP address as the destination IP address.

6. The switch at Site 1 receives the frame and translates it, using Site 1's virtual server IP address as the source IP address and the client's IP address as the destination IP address.

This cycle continues for the remaining frames to transmit all the client's mail, until a FIN frame is received.

Configuring Proxy IP Addresses

The switch at Site 1 in San Jose is configured with switch port 6 connecting to the default gateway and real server 3 represents the remote server in Denver.

The following commands are used at Site 1 in San Jose to configure the proxy IP address for the remote server in Denver:

```
>> # /cfg/slb/pip                               (Select proxy IP address menu)
>> Proxy IP address# type port                  (Use port-based proxy IP)
>> Proxy IP address# add 200.200.200.4        (Set unique proxy IP address)
>> # /cfg/slb/port 6/proxy enable              (Enable proxy on the port)
>> Proxy IP address /cfg/slb/real 1/proxy dis (Disable local real server proxy)
>> Real server 1# /cfg/slb/real 2/proxy dis (Disable proxy for local server)
>> Real server 2# /cfg/slb/real 3/proxy ena (Enable proxy for remote server)
>> Real server 3# apply                          (Apply configuration changes)
>> Real server 3# save                           (Save configuration changes)
```

For more information on proxy IP address, see [“Proxy IP Addresses” on page 190](#).

If you want to configure proxy IP addresses on Site 2, the following commands are issued on the Denver switch:

```
>> # /cfg/slb/pip                               (Select proxy IP address menu)
>> Proxy IP address# type port                  (Use port-based proxy IP)
>> Proxy IP address# add 174.14.70.4         (Set unique proxy IP address)
>> # /cfg/slb/port 4/proxy enable              (Enable proxy on the port)
>> Proxy IP address# /cfg/slb/real 1/proxy dis (Disable local real server proxy)
>> Real server 1# /cfg/slb/real 2/proxy dis (Disable local real server proxy)
>> Real server 2# /cfg/slb/real 3/proxy ena (Enable proxy for remote server)
>> Real server 3# apply                          (Apply configuration changes)
>> Real server 3# save                           (Save configuration changes)
```

GSLB DNS Persistence

GSLB DNS Persistence selects a server based on previously cached source IP addresses. This caching only allows up to two servers for each source IP address in the cache. Cache entries can then be forwarded to other remote sites for addition to their caches. After the timeout is reached for the cached entry, it is deleted from the cache. Remote sites are not informed to delete the cache entry when the local site does.

Using Border Gateway Protocol for GSLB

Border Gateway Protocol (BGP)-based GSLB utilizes the Internet's routing protocols to localize content delivery to the most efficient and consistent site. This is done by using a shared IP block that co-exists in each Internet Service Provider's (ISP's) network and is then advertised, using BGP, throughout the Internet.

Because of the way IP routing works, BGP-based GSLB allows for the routing protocols to route DNS requests to the closest location, which then returns IP addresses of that particular site, locking in the requests to that site. In effect, the Internet is making the decision of the best location for you, avoiding the need for advanced GSLB.

Some corporations use more than one ISP as a way to increase the reliability and bandwidth of their Internet connection. Enterprises with more than one ISP are referred to as being *multi-homed*. Instead of multi-homing a network to several other networks, BGP-based GSLB enables you to multi-home a particular piece of content (DNS information) to the Internet by distributing the IP blocks that contain that content to several sites.

When using DNS to select the site, a single packet is used to make the decision so that the request will not be split to different locations. Through the response to the DNS packet, a client is locked in to a particular site, resulting in efficient, consistent service that cannot be achieved when the content itself is shared.

For example, in multi-homing, you can connect a data center to three different Internet providers and have one DNS server that has the IP address 1.1.1.1. In this case, all requests can be received via any given feed but are funneled to the same server on the local network. In BGP-based GSLB, the DNS server (with the IP address 1.1.1.1) is duplicated and placed local to the *peering point* instead of having a local network direct traffic to one server.

When a particular DNS server receives a request for a record (in this case, the GbESM), it returns with the IP address of a virtual server at the same site. This can be achieved using the `local` option (`/cfg/slb/gslb/rule 1/metric 2/gmetric local`) in the GSLB configuration. If one site is saturated, then the switch will failover and deliver the IP address of a more available site.

For more information on configuring your switch to support BGP routing, see [“Border Gateway Protocol” on page 121](#).

Verifying GSLB Operation

- Use your browser to request the configured service (`www.gslb.example.com` in the previous example).
- Examine the `/info/slb` and `/info/slb/gslb` information on each switch.
- Check to see that all SLB and GSLB parameters are working according to expectation. If necessary, make any appropriate configuration changes and then check the information again.
- Examine the `/stats/slb` and `/stats/slb/gslb` statistics on each switch.

CHAPTER 12

Filtering

This chapter provides a conceptual overview of filters and includes configuration examples showing how filters can be used for network security and Network Address Translation (NAT). The following topics are discussed in this chapter:

- **“Overview” on page 250.** This section describes the benefits and filtering criteria to allow for extensive filtering at the IP and TCP/UDP levels.
 - **“Filtering Benefits” on page 250**
 - **“Filtering Criteria” on page 250**
 - **“Stacking Filters” on page 252**
 - **“Overlapping Filters” on page 253**
 - **“The Default Filter” on page 253**
 - **“VLAN-based Filtering” on page 255**
 - **“Optimizing Filter Performance” on page 257**
 - **“Filter Logs” on page 257**
 - **“IP Address Ranges” on page 259**
 - **“Cache-Enabled versus Cache-Disabled Filters” on page 259**
- **“TCP Rate Limiting” on page 260.** This section explains how TCP rate limiting allows you to monitor the number of new TCP connections within a configurable time window.
- **“Tunable Hash for Filter Redirection” on page 265** allows you to select any hash parameter for filter redirection.
- **“Filter-based Security” on page 266.** This section provides an example of configuring filters for providing the best security.
- **“Network Address Translation” on page 272.** This section provides two examples: Internal client access to the Internet and external client access to the server.
- **“Matching TCP Flags” on page 279** and **“Matching ICMP Message Types” on page 284.** Describes the ACK filter criteria which provides greater filtering flexibility and lists ICMP message types that can be filtered respectively.

Overview

GbE Switch Modules are used to deliver content efficiently and secure your servers from unauthorized intrusion, probing, and Denial-of-Service (DoS) attacks. Alteon OS includes extensive filtering capabilities at the IP and TCP/UDP levels.

Filtering Benefits

Layer 3 (IP) and Layer 4 (TCP port) filtering give the network administrator a powerful tool with the following benefits:

- Increased security for server networks

Filters can be configured to allow or deny traffic according to various IP address, protocol, and Layer 4 port criteria. You can also secure your switch from further virus attacks by allowing you to configure the switch with a list of potential offending string patterns. For more information, see [“Layer 7 Deny Filters” on page 428](#).

This gives the administrator control over the types of traffic permitted through the switch. Any filter can be optionally configured to generate system log messages for increased security visibility.

- Used to map the source or destination IP addresses and ports

Generic Network Address Translation (NAT) can be used to map the source or destination IP addresses and the ports of private network traffic to or from advertised network IP addresses and ports.

Filtering Criteria

Up to 1024 filters can be configured on the GbE Switch Module. Descriptive names can be used to define filters. Each filter can be set to allow, deny, redirect, or translate traffic based on any combination of the following filter options:

- sip: source IP address or range (see [“IP Address Ranges” on page 259](#))
- dip: destination IP address or range (dip and dmask)
- proto: protocol number or name as shown in [Table 12-1 on page 251](#).

Table 12-1 Well-Known Protocol Types

Number	Protocol Name
1	icmp
2	igmp
6	tcp
17	udp
89	ospf
112	vrrp

- **sport**: TCP/UDP application or source port as shown in [Table 10-3 on page 182](#), or source port range (such as 31000-33000)

NOTE – The service number specified on the switch must match the service specified on the server.

- **dport**: TCP/UDP application or destination port as shown in [Table 10-3 on page 182](#), or destination port range (such as 31000-33000)
- **invert**: reverse the filter logic in order to activate the filter whenever the specified conditions are *not* met.
- Advanced filtering options such as TCP flags ([page 279](#)) or ICMP message types ([page 284](#)) are also available.

Using these filter criteria, you could create a single filter that blocks external Telnet traffic to your main server except from a trusted IP address. Another filter could warn you if FTP access is attempted from a specific IP address. Another filter could redirect all incoming e-mail traffic to a server where it can be analyzed for spam. The options are nearly endless.

Filtering Actions

A filtering action (`/cfg/slb/filt/action`) instructs the filter what to do once the filtering criteria are matched.

- **allow**—Allow the frame to pass (by default).
- **deny**—Discard frames that fit this filter’s profile. This can be used for building basic security profiles.
- **redir**—Redirect frames that fit this filter’s profile, such as for web cache redirection. In addition, Layer 4 processing must be activated using the `/cfg/slb/on` command).
- **nat**—Perform generic Network Address Translation (NAT). This can be used to map the source or destination IP address and port information of a private network scheme to/from the advertised network IP address and ports. This is used in conjunction with the `nat` option (mentioned in this table) and can also be combined with proxies.
- **goto**—Allows the user to specify a target filter ID that the filter search should jump to when a match occurs. The “goto” action causes filter processing to jump to a designated filter, effectively skipping over a block of filter IDs. Filter searching will then continue from the designated filter ID. To specify the new filter to goto, use the `/cfg/slb/filt/adv/goto` command.

Stacking Filters

Stacking filters are assigned and enabled on a per-port basis. Each filter can be used by itself or in combination with any other filter on any given switch port. The filters are numbered 1 through 1024 on GbE Switch Modules. When multiple filters are stacked together on a port, the filter’s number determines its order of precedence: the filter with the lowest number is checked first. When traffic is encountered at the switch port, if the filter matches, its configured action takes place and the rest of the filters are ignored. If the filter criteria do not match, the next filter is tried.

As long as the filters do not overlap, you can improve filter performance by making sure that the most heavily utilized filters are applied first. For example, consider a filter system where the Internet is divided according to destination IP address:

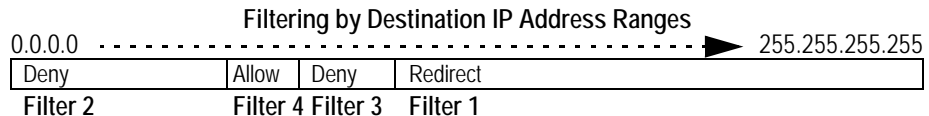


Figure 12-1 Assigning Filters According to Range of Coverage

Assuming that traffic is distributed evenly across the Internet, the largest area would be the most utilized and is assigned to Filter 1. The smallest area is assigned to Filter 4.

Overlapping Filters

Filters are permitted to overlap, although special care should be taken to ensure the proper order of precedence. When overlapping filters are present, the more specific filters (those that target fewer addresses or ports) should be applied before the generalized filters.

Example:

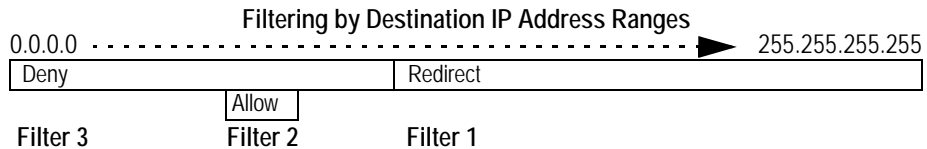


Figure 12-2 Assigning Filters to Overlapping Ranges

In this example, Filter 2 must be processed prior to Filter 3. If Filter 3 was permitted to take precedence, Filter 2 could never be triggered.

The Default Filter

Before filtering can be enabled on any given port, a default filter should be configured. This filter handles any traffic not covered by any other filter. All the criteria in the default filter must be set to the full range possible (any). For example:

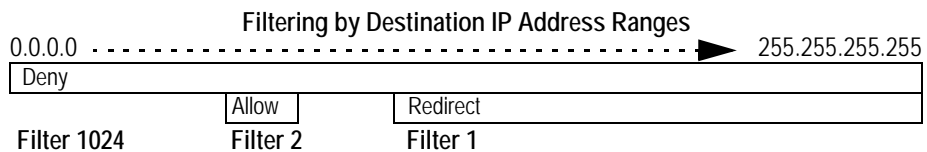


Figure 12-3 Assigning a Default Filter

In this example, the default filter is defined as Filter 1024 in order to give it the lowest order of precedence. All matching criteria in Filter 1024 are set to the any state. If no other filter acts on the traffic, Filter 1024 processes it, denying and logging unwanted traffic.

```

>> # /cfg/slb/filt 1024                                (Select the default filter)
>> Filter 1024# sip any                                (From any source IP addresses)
>> Filter 1024# dip any                                (To any destination IP addresses)
>> Filter 1024# proto any                              (For any protocols)
>> Filter 1024# action deny                            (Deny matching traffic)
>> Filter 1024# name deny unwanted traffic            (Provide a descriptive name for the
                                                         filter)
>> Filter 1024# ena                                    (Enable the default filter)
>> Filter 1024# adv                                    (Select the advanced menu)
>> Filter 1024 Advanced# log enable                   (Log matching traffic to syslog)

```

Default filters are recommended (but not required) when configuring filters for IP traffic control and redirection. Using default filters can increase session performance but takes some of the session binding resources. If you experience an unacceptable number of binding failures, as shown in the Server Load Balancing Maintenance Statistics (`/stats/slb/maint`), you may wish to remove some of the default filters.

VLAN-based Filtering

Filters are applied per switch, per port, or per VLAN. VLAN-based filtering allows a single switch to provide differentiated services for multiple customers, groups, or departments. For example, you can define separate filters for Customers A and B on the same switch on two different VLANs. If VLANs are assigned based on data traffic, for example, ingress traffic on VLAN 1, egress traffic on VLAN 2, and management traffic on VLAN 3, filters can be applied accordingly to the different VLANs.

In the following example shown in [Figure 12-4](#), Filter 2 is configured to allow local clients on VLAN 20 to browse the Web, and Filter 3 is configured to allow local clients on VLAN 30 to Telnet anywhere outside the local intranet. Filter 1024 is configured to deny ingress traffic from VLAN 70.

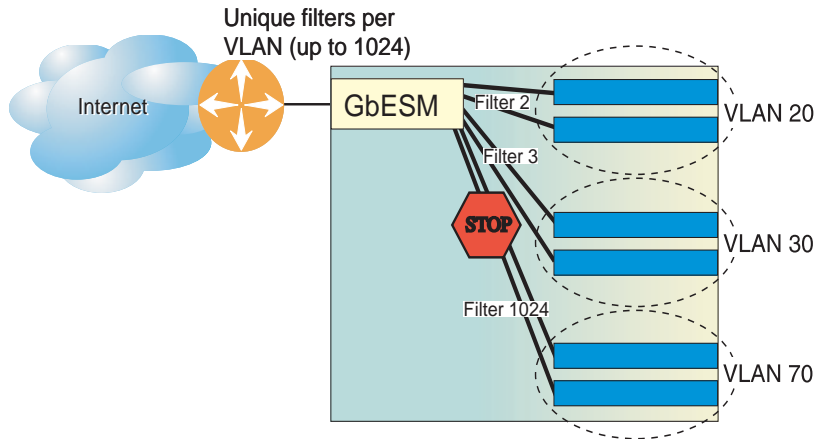


Figure 12-4 VLAN-based Filtering

Configuring VLAN-based Filtering

1. **Configure filter 2 to allow local clients to browse the Web and then assign VLAN 20 to the filter.**

The filter must recognize and allow TCP traffic from VLAN 20 to reach the local client destination IP addresses if originating from any HTTP source port:

```
>> # /cfg/slb/filt 2                (Select the menu for Filter 2)
>> Filter 2# sip any                (From any source IP address)
>> Filter 2# dip 205.177.15.0      (To base local network dest. address)
>> Filter 2# dmask 255.255.255.0  (For entire subnet range)
>> Filter 2# proto tcp              (For TCP protocol traffic)
>> Filter 2# sport http             (From any source HTTP port)
>> Filter 2# dport any              (To any destination port)
>> Filter 2# action allow           (Allow matching traffic to pass)
>> Filter 2# vlan 20                (Assign VLAN 20 to Filter 2)
>> Filter 2# ena                    (Enable the filter)
```

All clients from other VLANs will be ignored.

2. **Configure filter 3 to allow local clients to Telnet anywhere outside the local intranet and then assign VLAN 30 to the filter.**

The filter must recognize and allow TCP traffic to reach the local client destination IP addresses if originating from a Telnet source port:

```
>> # /cfg/slb/filt 3                (Select the menu for Filter 3)
>> Filter 3# sip any                (From any source IP address)
>> Filter 3# dip 205.177.15.0      (To base local network dest. address)
>> Filter 3# dmask 255.255.255.0  (For entire subnet range)
>> Filter 3# proto tcp              (For TCP protocol traffic)
>> Filter 3# sport telnet           (From a Telnet port)
>> Filter 3# dport any              (To any destination port)
>> Filter 3# action allow           (Allow matching traffic to pass)
>> Filter 3# name allow clients to telnet (Provide a descriptive name for the filter)
>> Filter 3# vlan 30                (Assign VLAN 30 to Filter 3)
>> Filter 3# ena                    (Enable the filter)
```


3. Configure Filter 1024 to deny traffic and then assign VLAN 70 to the filter.

As a result, ingress traffic from VLAN 70 is denied entry to the switch.

```

>> # /cfg/slb/filt 1024                (Select the menu for Filter 1024)
>> Filter 1024# sip any                (From any source IP address)
>> Filter 1024# dip 205.177.15.0      (To base local network dest. address)
>> Filter 1024# dmask 255.255.255.0  (For entire subnet range)
>> Filter 1024# proto tcp             (For TCP protocol traffic)
>> Filter 1024# sport http            (From a Telnet port)
>> Filter 1024# dport any             (To any destination port)
>> Filter 1024# action deny           (Allow matching traffic to pass)
>> Filter 1024# vlan 70               (Assign VLAN 70 to Filter 1024)
>> Filter 1024# ena                   (Enable the filter)

```

Optimizing Filter Performance

Filter efficiency can be increased by placing filters that are used most often near the beginning of the filtering list.

It is a recommended practice to number filters in small increments (5, 10, 15, 20, etc.) to make it easier to insert filters into the list at a later time. However, as the number of filters increases, you can improve performance by minimizing the increment between filters. For example, filters numbered 2, 4, 6, and 8 are more efficient than filters numbered 20, 40, 60, and 80. Peak processing efficiency is achieved when filters are numbered sequentially beginning with 1.

Filter Logs

To provide enhanced troubleshooting and session inspection capability, packet source and destination IP addresses are included in filter log messages. Filter log messages are generated when a Layer 3/Layer 4 filter is triggered and has logging enabled. The messages are output to the management module, system host log (`syslog`), and the Web-based interface message window.

Example: A network administrator has noticed a significant number of ICMP frames on one portion of the network and wants to determine the specific sources of the ICMP messages. The administrator uses the Command Line Interface (CLI) to create and apply the following filter:

```

>> # /cfg/slb/filt 15                (Select filter 15)
>> Filter 15# sip any                (From any source IP address)
>> Filter 15# dip any                (To any destination IP address)
>> Filter 15# action allow           (Allows matching traffic to pass)
>> Filter 15# name allow matching traffic (Provide a descriptive name for the
filter)
>> Filter 15# proto icmp             (For the ICMP protocol)
>> Filter 15# ena                    (Enable the filter)
>> Filter 15# adv/log enable         (Log matching traffic to syslog)
>> Filter 15 Advanced# /cfg/slb/port 7 (Select a switch port to filter)
>> SLB port 7# add 15                (Add the filter to the switch port)
>> SLB port 7# filt ena              (Enable filtering on the switch port)
>> SLB port 7# apply                  (Apply the configuration changes)
>> SLB port 7# save                  (Save the configuration changes)

```

When applied to one or more switch ports, this simple filter rule will produce log messages that show when the filter is triggered, and what the IP source and destination addresses were for the ICMP frames traversing those ports.

Example: Filter log message output is shown below, displaying the filter number, port, source IP address, and destination IP address:

```
slb: filter 15 fired on port INT7, 206.118.93.110 -> 20.10.1.10
```

IP Address Ranges

You can specify a range of IP addresses for filtering both the source and/or destination IP address for traffic. When a range of IP addresses is needed, the source IP (`sip`) address or destination IP (`dip`) address defines the base IP address in the desired range. The source mask (`smask`) or destination mask (`dmask`) is the mask that is applied to produce the range.

For example, to determine if a client request's destination IP address should be redirected to the cache servers attached to a particular switch, the destination IP address is masked (bit-wise AND) with the `dmask` and then compared to the destination IP address.

As another example, the switch could be configured with two filters so that each would handle traffic filtering for one half of the Internet. To do this, you could define the following parameters:

Table 12-2 Filtering IP Address Ranges

Filter	Internet Address Range	dip	dmask
1	0.0.0.0 - 127.255.255.255	0.0.0.0	128.0.0.0
2	128.0.0.0 - 255.255.255.255	128.0.0.0	128.0.0.0

Cache-Enabled versus Cache-Disabled Filters

To improve efficiency, by default, the GbE Switch Module performs filter processing only on the first frame in each session. Subsequent frames in the session are assumed to match the same criteria and are automatically treated in the same way as the initial frame. These filters create a session entry in the switch and are known as *cache-enabled*.

Some types of filtering (TCP flag and ICMP message type filtering) require each frame in the session to be filtered separately. These filters are known as *cache-disabled*.

All filters are cache-enabled by default. To change the status of a filter, use the following commands:

```
>> # /cfg/slb/filt <filter number>/adv      (Select the advanced filter menu)
>> Filter 1 Advanced # cache ena|dis      (Enable or disable filter caching)
```

NOTE – Cache-enabled filters should not be applied to the same ports as cache-disabled filters. Otherwise, the cache-disabled filters could potentially be bypassed for frames matching the cache-enabled criteria.

TCP Rate Limiting

Alteon OS allows you to prevent a client or a group of clients from claiming all the TCP resources on the servers. This is done by monitoring the rate of incoming TCP connection requests to a virtual IP address and limiting the client requests with a known set of IP addresses.

The TCP rate limit is defined as the maximum number of TCP connection requests within a configured *time window*. The switch monitors the number of new TCP connections and when it exceeds the configured limit, any new TCP connection request is blocked. When this occurs, the client is said to be *held down*. The client is held down for a specified duration of time, after which new TCP connection requests from the client are allowed to pass through again.

NOTE – Both, time window and hold duration are the same for all TCP rate filters.

[Figure 12-5 on page 261](#) shows four clients configured for TCP rate limits based on source IP address. Clients 1 and 4 have the same TCP rate limit of 10 connections per second. Client 2 has a TCP rate limit of 20 connections per second. Client 3 has a TCP rate limit of 30 connections per second.

When the rate of new TCP connections from clients 1, 2, 3, and 4 reach the configured threshold, any new connection request from the client is blocked for a pre-determined amount of time. If the client's IP address and the configured filter do not match, then the default filter is applied.

In [Figure 12-5](#), the default filter 1024 configured for *Any* is applied for all other connection requests.

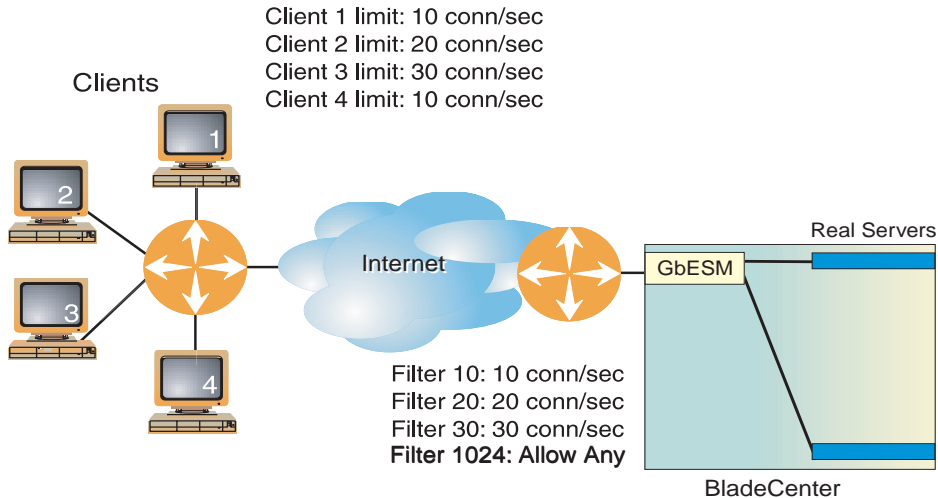


Figure 12-5 Configuring Clients with Different Rates

Configuring TCP Rate Limiting Filters

TCP rate limiting can be configured for all filter types (*allow*, *redir*, *SIP*, and *DIP*) and parameters. You can specify the source IP address and mask options in the filter configuration menu to monitor a client or a group of clients. The destination IP address and mask options are used to monitor connections to a virtual IP address or a group of virtual IP addresses.

Basic TCP Rate Limiting Filter

The following example shows how to configure TCP rate limiting for Filter 10 in [Figure 12-5](#).

- 1. Enable TCP rate limiting for the filter.**

```
>> # /cfg/slb/filt 10/adv/tcp
>> TCP Advanced menu # tcplim ena           (Enable TCP rate limiting)
```

- 2. Configure maximum number of TCP connections.**

```
>> TCP Advanced menu # maxcon 3           (Set the max. number of connections)
```

The `maxcon` value is specified in units of 10. The value of 3 indicates a total of 30 TCP connections.

3. Set the `timewin` parameter and calculate the total time window in seconds.

```
>> # /cfg/slb/adv/timewin 3 (Set the time window)
```

The total time window is a multiple of `fastage` (for information on `fastage`, see the Configuration chapter in the *Alteon OS Command Reference*). The total time window is calculated with the following equation:

$$\text{Total Time window} = \text{timewin} \times \text{fastage}$$

If the default value for `fastage` is 1 second, then the configured total time window is 3 seconds.

NOTE – From Step 2 and 3, the TCP rate limit defined as the maximum number of connections over a specified time window is 30 TCP connections for every 3 seconds (or 10 TCP connections per second).

For a small site, 30 TCP connections per second provides a good indication if your site is being attacked. The default is 100 TCP connections per second. For larger sites, TCP rate limit greater than 2550 connection per second indicates the possibility that your switch is under attack.

4. Set the `holddur` parameter and calculate the hold down time in minutes.

```
>> # /cfg/slb/adv/holddur 2 (Set the hold duration)
```

The hold down time is a multiple of `slowage` (for information on `slowage`, see the Configuration chapter in the *Alteon OS Command Reference*). The hold down time is calculated with the following equation:

$$\text{Hold down time} = \text{holddur} \times \text{slowage}$$

If `slowage` is set to the default value of 0 (2 minutes), then the configured value for hold down time is

$$\text{Hold down time} = 2 \times 2 = 4 \text{ minutes}$$

If a client exceeds the TCP rate limit, then the client is not allowed to make any new TCP connections for 4 minutes. The following two configuration examples illustrate how to use TCP rate limiting to limit user access based on source IP address and virtual IP address.

TCP Rate Limiting Filter Based on Source IP Address

This example shows how to define a filter that limits clients with IP address 30.30.30.x to 150 TCP connections per second. Once a user exceeds that limit, they are not allowed any new TCP connections for 10 minutes.

Configure the following on the switch:

```

>> # /cfg/slb/filt 100/ena           (Enable the filter)
>> Filter 100 # sip 30.30.30.0      (Specify the source IP address)
>> Filter 100 # smask 255.255.255.0 (Specify the source IP address mask)
>> Filter 100 # adv/tcp             (Select the advanced filter menu)
>> TCP advanced# tcplim en          (Enable TCP rate limiting)
>> TCP advanced# maxconn 150        (Specify the maximum connections)
>> TCP advanced# /cfg/slb/adv       (Select the Layer 4 advanced menu)
>> Layer 4 Advanced # timewin 1     (Set the time window for the session)
>> Layer 4 Advanced # holddur 5     (Set the hold duration for the session)

```

Fastage and slowage are set at their default values:

Fastage = 0 (1 sec) slowage = 0 (2 minutes).

Time window = timewin x fastage = 1 x 1 second = 1 second

Hold down time = holddur x slowage = 5 x 2 minutes = 10 minutes

Max rate = maxcon/time window = 150 connections/1 second = 150 connections/second

Any client with source IP address equal to 30.30.30.x is allowed to make 150 new TCP connections per second to any single destination. When the rate limit of 150 is met, the hold down time takes effect and the client is not allowed to make any new TCP connections to the same destination for 10 minutes.

TCP Rate Limiting Filter Based on Virtual Server IP Address

This example defines a filter that limits clients to 100 TCP connections per second to a specific destination (VIP 10.10.10.100). Once a client exceeds that limit, the client is not allowed to make any new TCP connection request to that destination for 40 minutes. Figure 12-6 shows how to use this feature to limit client access to a specific destination.

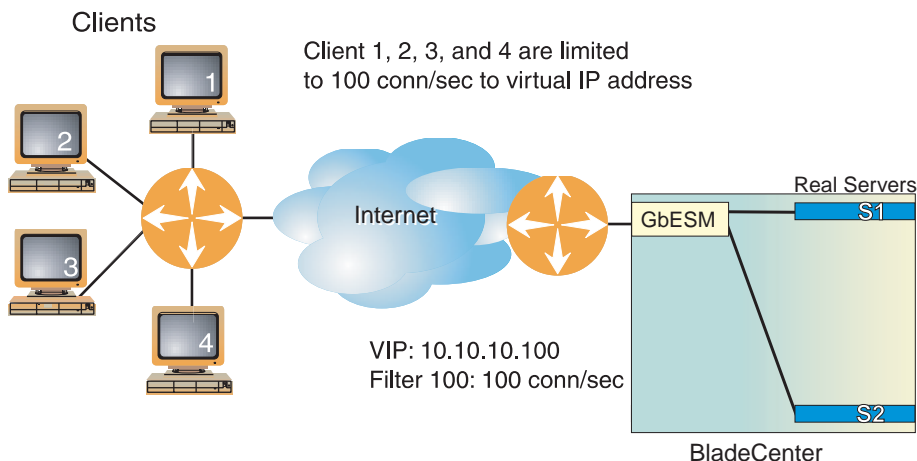


Figure 12-6 Limiting User Access to Server

Configure the following on the switch:

```
>> # /cfg/slb/filt 100/ena (Enable the filter)
>> Filter 100 # dip 10.10.10.100/dmask 255.255.255.0 (Specify the virtual server IP address)
>> Filter 100# adv/tcp (Select the advanced filter menu)
>> TCP advanced# tcplim en (Enable TCP rate limiting)
>> TCP advanced# maxconn 20 (Specify the maximum connections)
>> TCP advanced# /cfg/slb/adv (Select the Layer 4 advanced menu)
>> Layer 4 Advanced # timewin 1 (Set the time window for the session)
>> Layer 4 Advanced # holddur 5 (Set the hold duration for the session)
```

Fastage and slowage are set to 2 seconds and 8 minutes as follows:

```
/cfg/slb/adv/fastage 1 (Fastage is set to 2 seconds)
/cfg/slb/adv/slowage 2 (Slowage is set to 8 minutes)
```

time window = timewin x fastage = 1 x 2 seconds = 2 seconds

hold down time = holddur x slowage = 5 x 8 minutes = 40 minutes

max rate = maxcon/time window = 200 connections/2 seconds = 100 connections/second

All clients are limited to 100 new TCP connections/second to the server. If a client exceeds this rate, then the client is not allowed to make any new TCP connections to the server for 40 minutes.

NOTE – All SLB sessions on the switch are affected when you make changes to the `fastage` or `slowage` parameters.

Tunable Hash for Filter Redirection

Alteon OS allows you to choose a number of options when using the hash parameter for filter redirection. Hashing can be based on source IP address, destination IP address, both, or source IP address and source port. For example:

1. Configure hashing based on source IP address:

>> # /cfg/slb/filt 10/ena	(Enable the filter)
>> Filter 10 # action redir	(Specify the redir action)
>> Filter 10 # proto tcp	(Specify the protocol)
>> Filter 10 # group 1	(Specify the group of real servers)
>> Filter 10 # rport 3128	(Specify the redirection port)
>> Filter 10 # vlan any	(Specify the VLAN)
>> Filter 10 # adv	(Select the advanced filter menu)
>> TCP advanced menu # thash sip	(Select source IP address for hashing)

Hashing on the 24-bit source IP address ensures that client requests access the same cache.

2. Set the metric for the real server group to `minmisses` or `hash`.

The source IP address is passed to the real server group for either of the two metrics.

>> # /cfg/slb/group 1	(Select the group of real servers)
>> Real server group 1 # metric minmiss	(Set the metric to minmiss or hash)

NOTE – If firewall load balancing is enabled on the switch, the firewall load balancing filter which hashes on source and destination IP addresses will override the tunable hash filter.

Filter-based Security

This section provides an example of configuring filters for providing the best security. It is recommended that you configure filters to deny all traffic except for those services that you specifically wish to allow. Consider the following sample network:

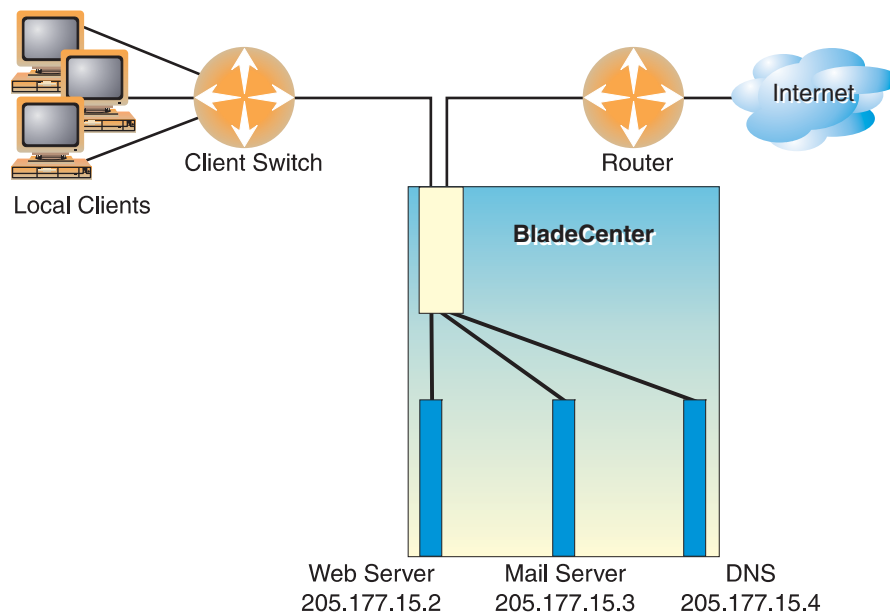


Figure 12-7 Security Topology Example

In this example, the network is made of local clients on a collector switch, a Web server, a mail server, a domain name server, and a connection to the Internet. All the local devices are on the same subnet.

In this example, the administrator wishes to install basic security filters to allow only the following traffic:

- External HTTP access to the local Web server
- External SMTP (mail) access to the local mail server
- Local clients browsing the World Wide Web
- Local clients using Telnet to access sites outside the intranet
- DNS traffic

All other traffic is denied and logged by the default filter.

NOTE – Since IP address and port information can be manipulated by external sources, filtering does not replace the necessity for a well-constructed network firewall.

Configuring a Filter-Based Security Solution

Before you begin, you must be connected to the switch CLI as the administrator.

In this example, all filters are applied only to the switch port that connects to the Internet. If intranet restrictions are required, filters can be placed on switch ports connecting to local devices.

Also, filtering is not limited to the few protocols and TCP or UDP applications shown in this example. See [Table 10-3 on page 182](#) for a list of well-known applications ports and [Table 12-1 on page 251](#) for a list of supported protocols.

1. Assign an IP address to each of the network devices.

For this example, the network devices have the following IP addresses on the same IP subnet:

Table 12-3 Web Cache Example: Real Server IP Addresses

Network Device	IP address
Local Subnet	205.177.15.0 - 205.177.15.255
Web Server	205.177.15.2
Mail Server	205.177.15.3
Domain Name Server	205.177.15.4

2. At the GbE Switch Module, create a default filter to deny and log unwanted traffic.

The default filter is defined as Filter 1024 in order to give it the lowest order of precedence:

```
>> # /cfg/slb/filt 1024           (Select the default filter)
>> Filter 1024# sip any          (From any source IP addresses)
>> Filter 1024# dip any          (To any destination IP addresses)
>> Filter 1024# proto any        (For any protocols)
>> Filter 1024# action deny      (Deny matching traffic)
>> Filter 1024# name deny unwanted traffic (Provide a descriptive name for the
                                     filter)
>> Filter 1024# ena              (Enable the default filter)
>> Filter 1024# adv/log enable   (Log matching traffic to syslog)
```

NOTE – Because the `proto` parameter is *not* `tcp` or `udp`, the source port (`sport`) and destination port (`dport`) values are ignored and may be excluded from the filter configuration.

3. Create a filter that will allow external HTTP requests to reach the Web server.

The filter must recognize and allow TCP traffic with the Web server's destination IP address and HTTP destination port:

```
>> Filter 1024# ../filt 1           (Select the menu for filter 1)
>> Filter 1# sip any                (From any source IP address)
>> Filter 1# dip 205.177.15.2      (To Web server dest. IP address)
>> Filter 1# dmask 255.255.255.255 (Set mask for exact dest. address)
>> Filter 1# proto tcp             (For TCP protocol traffic)
>> Filter 1# sport any             (From any source port)
>> Filter 1# dport http            (To an HTTP destination port)
>> Filter 1# action allow          (Allow matching traffic to pass)
>> Filter 1# name allow matching traffic (Provide a descriptive name for the filter)
>> Filter 1# ena                  (Enable the filter)
```

4. Create a pair of filters to allow incoming and outgoing mail to and from the mail server.

Filter 2 allows incoming mail to reach the mail server, and Filter 3 allows outgoing mail to reach the Internet:

```
>> Filter 1# ../filt 2           (Select the menu for filter 2)
>> Filter 2# sip any            (From any source IP address)
>> Filter 2# dip 205.177.15.3  (To mail server dest. IP address)
>> Filter 2# dmask 255.255.255.255 (Set mask for exact dest. address)
>> Filter 2# proto tcp         (For TCP protocol traffic)
>> Filter 2# sport any         (From any source port)
>> Filter 2# dport smtp        (To a SMTP destination port)
>> Filter 2# action allow      (Allow matching traffic to pass)
>> Filter 2# ena              (Enable the filter)
>> Filter 2# ../filt 3        (Select the menu for filter 3)
>> Filter 3# sip 205.177.15.3  (From mail server source IP address)
>> Filter 3# smask 255.255.255.255 (Set mask for exact source address)
>> Filter 3# dip any           (To any destination IP address)
>> Filter 3# proto tcp         (For TCP protocol traffic)
>> Filter 3# sport smtp        (From a SMTP port)
>> Filter 3# dport any         (To any destination port)
>> Filter 3# action allow      (Allow matching traffic to pass)
>> Filter 3# ena              (Enable the filter)
```

5. Create a filter that will allow local clients to browse the Web.

The filter must recognize and allow TCP traffic to reach the local client destination IP addresses if traffic originates from any HTTP source port:

```
>> Filter 3# ../filt 4                (Select the menu for Filter 4)
>> Filter 4# sip any                  (From any source IP address)
>> Filter 4# dip 205.177.15.0        (To base local network dest. address)
>> Filter 4# dmask 255.255.255.0    (For entire subnet range)
>> Filter 4# proto tcp               (For TCP protocol traffic)
>> Filter 4# sport http              (From any source HTTP port)
>> Filter 4# dport any               (To any destination port)
>> Filter 4# action allow            (Allow matching traffic to pass)
>> Filter 4# name allow clients Web browse (Provide a descriptive name for the
                                        filter)
>> Filter 4# ena                    (Enable the filter)
```

6. Create a filter that will allow local clients to Telnet anywhere outside the local intranet.

The filter must recognize and allow TCP traffic to reach the local client destination IP addresses if originating from a Telnet source port:

```
>> Filter 4# ../filt 5                (Select the menu for Filter 5)
>> Filter 5# sip any                  (From any source IP address)
>> Filter 5# dip 205.177.15.0        (To base local network dest. address)
>> Filter 5# dmask 255.255.255.0    (For entire subnet range)
>> Filter 5# proto tcp               (For TCP protocol traffic)
>> Filter 5# sport telnet            (From a Telnet port)
>> Filter 5# dport any               (To any destination port)
>> Filter 5# action allow            (Allow matching traffic to pass)
>> Filter 5# ena                    (Enable the filter)
```

7. Create a series of filters to allow Domain Name System (DNS) traffic.

DNS traffic requires four filters; one pair is needed for UDP traffic (incoming and outgoing) and another pair for TCP traffic (incoming and outgoing).

For UDP:

```

>> Filter 5# ../filt 6                (Select the menu for Filter 6)
>> Filter 6# sip any                  (From any source IP address)
>> Filter 6# dip 205.177.15.4         (To local DNS Server)
>> Filter 6# dmask 255.255.255.255   (Set mask for exact dest. address)
>> Filter 6# proto udp                (For UDP protocol traffic)
>> Filter 6# sport any                (From any source port)
>> Filter 6# dport domain             (To any DNS destination port)
>> Filter 6# action allow             (Allow matching traffic to pass)
>> Filter 6# ena                      (Enable the filter)
>> Filter 6# ../filt 7                (Select the menu for Filter 7)
>> Filter 7# sip 205.177.15.4         (From local DNS Server)
>> Filter 7# smask 255.255.255.255   (Set mask for exact source address)
>> Filter 7# dip any                  (To any destination IP address)
>> Filter 7# proto udp                (For UDP protocol traffic)
>> Filter 7# sport domain             (From a DNS source port)
>> Filter 7# dport any                (To any destination port)
>> Filter 7# action allow             (Allow matching traffic to pass)
>> Filter 7# ena                      (Enable the filter)

```

Similarly, for TCP:

```

>> Filter 7# ../filt 8                (Select the menu for Filter 8)
>> Filter 8# sip any                  (From any source IP address)
>> Filter 8# dip 205.177.15.4         (To local DNS Server)
>> Filter 8# dmask 255.255.255.255   (Set mask for exact dest. address)
>> Filter 8# proto tcp                (For TCP protocol traffic)
>> Filter 8# sport any                (From any source port)
>> Filter 8# dport domain             (To any DNS destination port)
>> Filter 8# action allow             (Allow matching traffic to pass)
>> Filter 8# ena                      (Enable the filter)
>> Filter 8# ../filt 9                (Select the menu for Filter 9)
>> Filter 9# sip 205.177.15.4         (From local DNS Server)
>> Filter 9# smask 255.255.255.255   (Set mask for exact source address)
>> Filter 9# dip any                  (To any destination IP address)
>> Filter 9# proto tcp                (For TCP protocol traffic)
>> Filter 9# sport domain             (From a DNS source port)
>> Filter 9# dport any                (To any destination port)
>> Filter 9# action allow             (Allow matching traffic to pass)
>> Filter 9# ena                      (Enable the filter)

```

8. Assign the filters to the switch port that connects to the Internet.

```
>> Filter 9# ../port EXT1           (Select the SLB port 1 to the Internet)
>> SLB Port EXT1# add 1-9          (Add filters 1-9 to port EXT1)
>> SLB Port EXT1# add 1024        (Add the default filter to port EXT1)
>> SLB Port EXT1# filt enable     (Enable filtering for port EXT1)
```

Alteon OS allows you to add and remove a contiguous block of filters with a single command.

9. Apply and verify the configuration.

```
>> SLB Port EXT1# apply           (Make your changes active)
>> SLB Port EXT1# cur            (View current settings)
```

Examine the resulting information. If any settings are incorrect, make appropriate changes.

10. Save your new configuration changes.

```
>> SLB Port EXT1# save           (Save for restore after reboot)
```

11. Check the server load balancing information.

```
>> SLB Port EXT1# /info/slb/dump (View SLB information)
```

Check that all SLB parameters are working according to expectation. If necessary, make any appropriate configuration changes and then check the information again.

NOTE – Changes to filters on a given port do not take effect until the port's session information is updated (every two minutes or so). To make filter changes take effect immediately, clear the session binding table for the port (see the `/oper/slb/clear` command in the *Alteon OS Command Reference*).

Network Address Translation

Network Address Translation (NAT) is an Internet standard that enables a GbE Switch Module to use one set of IP addresses for internal traffic and a second set of addresses for external traffic. GbE Switch Modules use filters to implement NAT.

NAT serves two main purposes:

- Provides a type of firewall by hiding internal IP addresses and increases network security.
- Enables a company to use more internal IP addresses. Since they're used internally only, there's no possibility of conflict with public IP addresses used by other companies and organizations.

In the following NAT examples, a company has configured its internal network with *private* IP addresses. A private network is one that is isolated from the global Internet and is, therefore, free from the usual restrictions requiring the use of registered, globally unique IP addresses.

With NAT, private networks are not required to remain isolated. NAT capabilities within the switch allow internal, private network IP addresses to be translated to valid, publicly advertised IP addresses and back again. NAT can be configured in one of the following two ways:

- Static NAT provides a method for direct mapping of one predefined IP address (such as a publicly available IP address) to another (such as a private IP address)
- Dynamic NAT provides a method for mapping multiple IP addresses (such as a group of internal clients) to a single IP address (to conserve publicly advertised IP addresses)

Static NAT

The static NAT (non-proxy) example requires two filters: one for the external client-side switch port, and one for the internal, server-side switch port. The client-side filter translates incoming requests for the publicly advertised server IP address to the server's internal private network address. The filter for the server-side switch port reverses the process, translating the server's private address information to a valid public address.

In this example, clients on the Internet require access to servers on the private network:

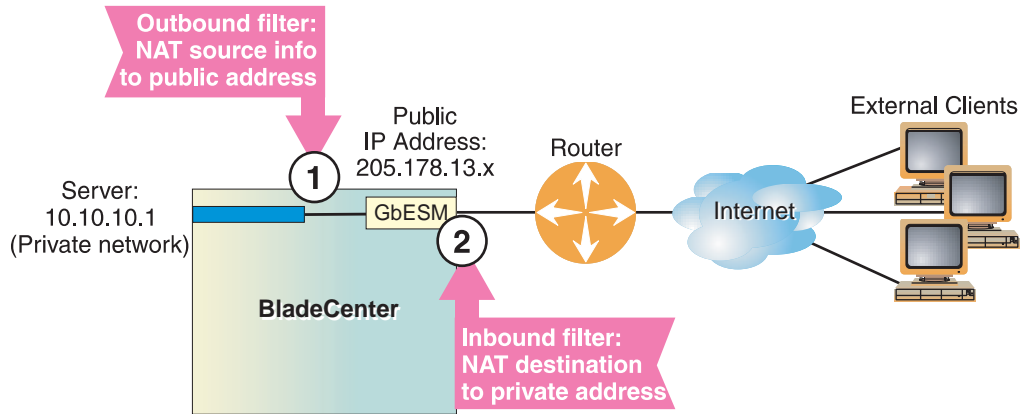


Figure 12-8 Static Network Address Translation

Configuring Static NAT

```

>> # /cfg/slb/filt 10                               (Select the menu for outbound filter)
>> Filter 10# action nat                             (Perform NAT on matching traffic)
>> Filter 10# nat source                             (Translate source information)
>> Filter 10# sip 10.10.10.0                         (From the clients private IP address)
>> Filter 10# smask 255.255.255.0                   (For the entire private subnet range)
>> Filter 10# dip 205.178.13.0                       (To the public network address)
>> Filter 10# dmask 255.255.255.0                   (For the same subnet range)
>> Filter 10# ena                                    (Enable the filter)
>> Filter 10# adv/proxy disable                       (Override any proxy IP settings)
>> Filter 10 Advanced# /cfg/slb/filt 11             (Select the menu for inbound filter)
>> Filter 11# action nat                             (Use the same settings as outbound)
>> Filter 11# nat dest                               (Reverse the translation direction)
>> Filter 11# sip 10.10.10.0                         (Use the same settings as outbound)
>> Filter 11# smask 255.255.255.0                   (Use the same settings as outbound)
>> Filter 11# dip 205.178.13.0                       (Use the same settings as outbound)
>> Filter 11# dmask 255.255.255.0                   (Use the same settings as outbound)
>> Filter 11# ena                                    (Enable the filter)
>> Filter 11# adv/proxy disable                       (Override any proxy IP settings)
>> Filter 11 Advanced# /cfg/slb/port INT5           (Select server-side port)
>> SLB port INT5# add 10                             (Add the outbound filter)
>> SLB port INT5# filt enable                         (Enable filtering on port INT5)
>> SLB port INT5# ../port EXT1                       (Select the client-side port)
>> SLB port EXT1# add 11                             (Add the inbound filter)
>> SLB port EXT1# filt enable                         (Enable filtering on port EXT1)
>> SLB port EXT1# apply                              (Apply configuration changes)
>> SLB port EXT1# save                               (Save configuration changes)

```

Note the following important points about this configuration:

- Within each filter, the smask and dmask values are identical.
- All parameters for both filters are identical except for the NAT direction. For Filter 10, nat source is used. For Filter 11, nat dest is used.
- Filters for static (non-proxy) NAT should take precedence over dynamic NAT filters (following example). Static filters should be given lower filter numbers.

Dynamic NAT

Dynamic NAT is a many-to-one solution: multiple clients on the private subnet take advantage of a single external IP address, thus conserving valid IP addresses. In this example, clients on the internal private network require TCP/UDP access to the Internet:

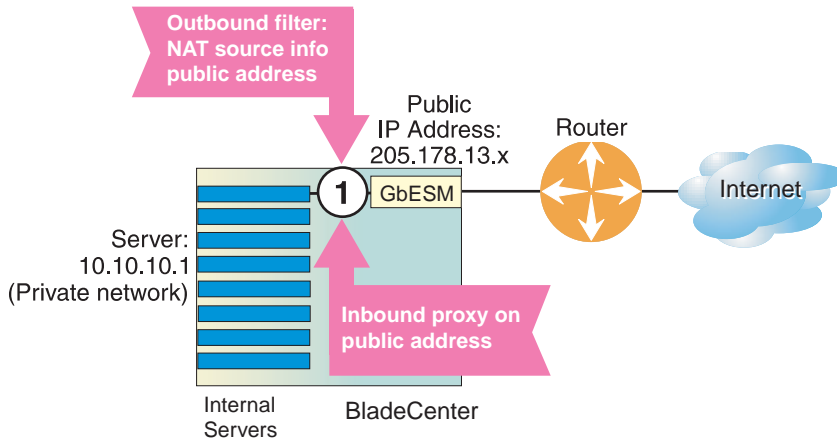


Figure 12-9 Dynamic Network Address Translation

You may directly connect the clients to the switch if the total number of clients is less than or equal to the switch ports.

NOTE – Dynamic NAT can also be used to support ICMP traffic for PING.

This example requires a NAT filter to be configured on the switch port that is connected to the internal clients. When the NAT filter is triggered by outbound client traffic, the internal private IP address information on the outbound packets is translated to a valid, publicly advertised IP address on the switch. In addition, the public IP address must be configured as a proxy IP address on the switch port that is connected to the internal clients. The proxy performs the reverse translation, restoring the private network addresses on inbound packets.

Configuring Dynamic NAT

>> # /cfg/slb/filt 14	(Select the menu for client filter)
>> Filter 14# invert ena	(Invert the filter logic)
>> Filter 14# dip 10.10.10.0	(If the destination is not private)
>> Filter 14# dmask 255.255.255.0	(For the entire private subnet range)
>> Filter 14# sip any	(From any source IP address)
>> Filter 14# action nat	(Perform NAT on matching traffic)
>> Filter 14# nat source	(Translate source information)
>> Filter 14# ena	(Enable the filter)
>> Filter 14# adv/proxy enable	(Allow proxy IP translation)
>> Filter 14 Advanced# cfg/slb/pip	(Select the proxy IP address menu)
>> Proxy IP Address# pip1 205.178.17.12	(Set proxy IP address)
>> Proxy IP Address# ../port INT1	(Select SLB port INT1)
>> SLB port INT1# add 14	(Add the filter to port INT1)
>> SLB port INT1# filt enable	(Enable filtering on port INT1)
>> SLB port INT1# proxy ena	(Enable proxies on this port)
>> SLB port INT1# apply	(Apply configuration changes)
>> SLB port INT1# save	(Save configuration changes)

For more information on proxy IP address, see [“Proxy IP Addresses” on page 190](#).

NOTE – The `invert` option in this example filter makes this specific configuration easier but is not a requirement for dynamic NAT.

NOTE – Dynamic NAT solutions apply only to TCP/UDP traffic. Also, filters for dynamic NAT should be given a higher numbers than any static NAT filters (see [“Static NAT” on page 272](#)).

FTP Client NAT

GbE Switch Modules provide NAT services to many clients with private IP addresses. In Alteon OS, an FTP enhancement provides the capability to perform true FTP NAT for dynamic NAT.

Because of the way FTP works in active mode, a client sends information on the control channel, information that reveals their private IP address, out to the Internet. However, the switch filter only performs NAT translation on the TCP/IP header portion of the frame, preventing a client with a private IP address from doing active FTP.

The switch can monitor the control channel and replace the client's private IP address with a proxy IP address defined on the switch. When a client in active FTP mode sends a `port` command to a remote FTP server, the switch will look into the data part of the frame and modify the `port` command as follows:

- The real server (client) IP address will be replaced by a public proxy IP address. If VMA is enabled, two proxy IP addresses are used instead of a single one.
- The real server (client) port will be replaced with a proxy port.

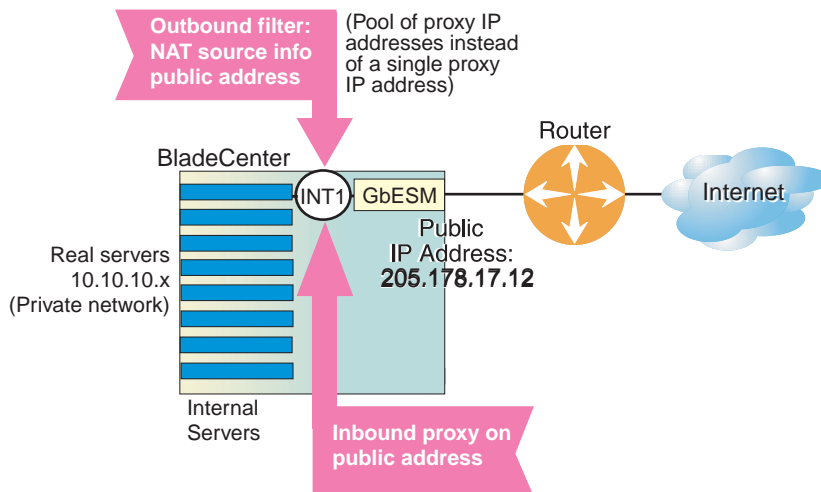


Figure 12-10 Active FTP for Dynamic NAT

You may directly connect the real servers to the switch if the total number of servers is less than or equal to the switch ports.

Configuring Active FTP Client NAT

NOTE – The passive mode does not need this feature.

1. Make sure that a proxy IP address is enabled on the filter port.
2. Make sure that a source NAT filter is set up for the port:

```

>> # /cfg/slb/filt 14                                     (Select the menu for client filter)
>> Filter 14# invert ena                                 (Invert the filter logic)
>> Filter 14# dip 10.10.10.0                             (If the destination is not private)
>> Filter 14# dmask 255.255.255.0                       (For the entire private subnet range)
>> Filter 14# sip any                                    (From any source IP address)
>> Filter 14# action nat                                 (Perform NAT on matching traffic)
>> Filter 14# nat source                                 (Translate source information)
>> Filter 14# ena                                       (Enable the filter)
>> Filter 14# adv/proxy enable                           (Allow proxy IP translation)
>> Filter 14 Advanced# cfg/slb/pip                      (Select the proxy IP address menu)
>> Proxy IP Address# pip1 205.178.17.12                (Set proxy IP address)
>> Proxy IP Address# ../port INT1                      (Select SLB port INT1)
>> SLB port INT1# add 14                                (Add the filter to port INT1)
>> SLB port INT1# filt enable                           (Enable filtering on port INT1)
>> SLB port INT1# proxy ena                             (Enable proxies on this port)
>> SLB port INT1# apply                                 (Apply configuration changes)
>> SLB port INT1# save                                  (Save configuration changes)

```

For more information on proxy IP address, see [“Proxy IP Addresses” on page 190](#).

3. Enable active FTP NAT using the following command:

```

>> # /cfg/slb/filt <filter number>/adv/layer7/ftpa ena

```

4. Apply and save the switch configuration.

Matching TCP Flags

Alteon OS supports packet filtering based on any of the following TCP flags.

Table 12-4 TCP Flags

Flag	Description
URG	Urgent
ACK	Acknowledgement
PSH	Push
RST	Reset
SYN	Synchronize
FIN	Finish

Any filter may be set to match against more than one TCP flag at the same time. If there is more than one flag enabled, the flags are applied with a logical AND operator. For example, by setting the switch to filter SYN and ACK, the switch filters all SYN-ACK frames.

NOTE – TCP flag filters must be cache-disabled. Exercise caution when applying cache-enabled and cache-disabled filters to the same switch port. For more information, see [“Cache-Enabled versus Cache-Disabled Filters”](#) on page 259.

Configuring the TCP Flag Filter

NOTE – By default, all TCP filter options are disabled. TCP flags will *not* be inspected unless one or more TCP options are enabled.

Consider the following network:

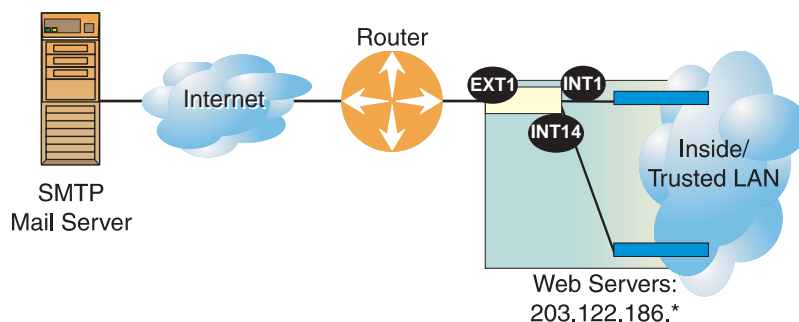


Figure 12-11 TCP ACK Matching Network

In this network, the Web servers inside the LAN must be able to transfer mail to any SMTP-based mail server out on the Internet. At the same time, you want to prevent access to the LAN from the Internet, except for HTTP.

SMTP traffic uses well-known TCP Port 25. The Web servers will originate TCP sessions to the SMTP server using TCP destination Port 25, and the SMTP server will acknowledge each TCP session and data transfer using TCP source Port 25.

Creating a filter with the ACK flag closes one potential security hole. Without the filter, the switch would permit a TCP SYN connection request to reach any listening TCP destination port on the Web servers inside the LAN, as long as it originated from TCP source Port 25. The server would listen to the TCP SYN, allocate buffer space for the connection, and reply to the connect request. In some SYN attack scenarios, this could cause the server's buffer space to fill, crashing the server or at least making it unavailable.

A filter with the ACK flag enabled prevents external devices from beginning a TCP connection (with a TCP SYN) from TCP source Port 25. The switch drops any frames that have the ACK flag turned off.

The following filters are required:

1. **An allow filter for TCP traffic from LAN that allows the Web servers to pass SMTP requests to the Internet.**

```
>> # /cfg/slb/filt 10                (Select a filter for trusted SMTP requests)
>> Filter 10# sip 203.122.186.0      (From the Web servers' source IP address)
>> Filter 10# smask 255.255.255.0    (For the entire subnet range)
>> Filter 10# sport any              (From any source port)
>> Filter 10# proto tcp              (For TCP traffic)
>> Filter 10# dip any                (To any destination IP address)
>> Filter 10# dport smtp             (To well-known destination SMTP port)
>> Filter 10# action allow           (Allow matching traffic to pass)
>> Filter 10# ena                   (Enable the filter)
```

2. **A filter that allows SMTP traffic from the Internet to pass through the switch *only* if the destination is one of the Web servers, and the frame is an acknowledgment (SYN-ACK) of a TCP session.**

```
>> Filter 10# ../filt 15             (Select a filter for Internet SMTP ACKs)
>> Filter 15# sip any                (From any source IP address)
>> Filter 15# sport smtp             (From well-known source SMTP port)
>> Filter 15# proto tcp              (For TCP traffic)
>> Filter 15# dip 203.122.186.0      (To the Web servers' IP address)
>> Filter 15# dmask 255.255.255.0    (To the entire subnet range)
>> Filter 15# dport any              (To any destination port)
>> Filter 15# action allow           (Allow matching traffic to pass)
>> Filter 15# ena                   (Enable the filter)
>> Filter 15# adv/tcp                (Select the advanced TCP menu)
>> TCP Advanced# ack ena             (Match acknowledgments only)
>> TCP Advanced# syn ena             (Match acknowledgments only)
```

3. A filter that allows SMTP traffic from the Internet to pass through the switch *only* if the destination is one of the Web servers, and the frame is an acknowledgment (ACK-PSH) of a TCP session.

```
>> Filter 15# ../filt 16                (Select a filter for Internet SMTP ACKs)
>> Filter 16# sip any                   (From any source IP address)
>> Filter 16# sport smtp                (From well-known source SMTP port)
>> Filter 16# proto tcp                 (For TCP traffic)
>> Filter 16# dip 203.122.186.0        (To the Web servers' IP address)
>> Filter 16# dmask 255.255.255.0      (To the entire subnet range)
>> Filter 16# dport any                 (To any destination port)
>> Filter 16# action allow              (Allow matching traffic to pass)
>> Filter 16# ena                       (Enable the filter)
>> Filter 16# adv/tcp                  (Select the advanced TCP menu)
>> TCP Advanced# ack ena               (Match acknowledgments only)
>> TCP Advanced# psh ena               (Match acknowledgments only)
```

4. A filter that allows trusted HTTP traffic from the Internet to pass through the switch to the Web servers.

```
>> Filter 16 Advanced# /cfg/slb/filt 17 (Select a filter for incoming HTTP traffic)
>> Filter 17# sip any                   (From any source IP address)
>> Filter 17# sport http                (From well-known source HTTP port)
>> Filter 17# proto tcp                 (For TCP traffic)
>> Filter 17# dip 203.122.186.0        (To the Web servers' IP address)
>> Filter 17# dmask 255.255.255.0      (To the entire subnet range)
>> Filter 17# dport http                (To well-known destination HTTP port)
>> Filter 17# action allow              (Allow matching traffic to pass)
>> Filter 17# ena                       (Enable the filter)
```

5. A filter that allows HTTP responses from the Web servers to pass through the switch to the Internet.

```
>> Filter 17# ../filt 18                (Select a filter for outgoing HTTP traffic)
>> Filter 18# sip 203.122.186.0        (From the Web servers' source IP address)
>> Filter 18# smask 255.255.255.0      (From the entire subnet range)
>> Filter 18# sport http                (From well-known source HTTP port)
>> Filter 18# proto tcp                 (For TCP traffic)
>> Filter 18# dip any                   (To any destination IP address)
>> Filter 18# dport http                (To well-known destination HTTP port)
>> Filter 18# action allow              (Allow matching traffic to pass)
>> Filter 18# ena                       (Enable the filter)
```

6. A default filter is required to deny all other traffic.

```

>> Filter 18# ../filt 1024                (Select a default filter)
>> Filter 1024# sip any                    (From any source IP address)
>> Filter 1024# dip any                    (To any destination IP address)
>> Filter 1024# action deny                (Block matching traffic)
>> Filter 1024# name deny matching traffic (Provide a descriptive name for the
                                           filter)
>> Filter 1024# ena                        (Enable the filter)

```

7. Apply the filters to the appropriate switch ports.

```

>> Filter 1024# ../port EXT1              (Select the Internet-side port)
>> SLB port EXT1# add 15                   (Add the SMTP ACK filter to the port)
>> SLB port EXT1# add 16                   (Add the incoming HTTP filter)
>> SLB port EXT1# add 17                   (Add the incoming HTTP filter)
>> SLB port EXT1# add 1024                 (Add the default filter to the port)
>> SLB port EXT1# filt ena                 (Enable filtering on the port)
>> SLB port EXT1# ../port 2                (Select the first Web server port)
>> SLB port INT5# add 10                   (Add the outgoing SMTP filter to the port)
>> SLB port INT5# add 18                   (Add the outgoing HTTP filter to the port)
>> SLB port INT5# add 1024                 (Add the default filter to the port)
>> SLB port INT5# filt ena                 (Enable filtering on the port)
>> SLB port INT5# ../port 3                (Select the other Web server port)
>> SLB port INT6# add 10                   (Add the outgoing SMTP filter to the port)
>> SLB port INT6# add 18                   (Add the outgoing HTTP filter to the port)
>> SLB port INT6# add 1024                 (Add the default filter to the port)
>> SLB port INT6# filt ena                 (Enable filtering on the port)
>> SLB port INT6# apply                    (Apply the configuration changes)
>> SLB port INT6# save                     (Save the configuration changes)

```

Matching ICMP Message Types

Internet Control Message Protocol (ICMP) is used for reporting TCP/IP processing errors. There are numerous types of ICMP messages, as shown in [Table 12-5](#). Although ICMP packets can be filtered using the `proto icmp` option, by default, the switch ignores the ICMP message type when matching a packet to a filter. To perform filtering based on specific ICMP message types, ICMP message type filtering must be enabled.

Alteon OS software supports filtering on the following ICMP message types:

Table 12-5 ICMP Message Types

Type #	Message Type	Description
0	echorep	ICMP echo reply
3	destun	ICMP destination unreachable
4	quench	ICMP source quench
5	redir	ICMP redirect
8	echoreq	ICMP echo request
9	rtradv	ICMP router advertisement
10	rtrsol	ICMP router solicitation
11	timex	ICMP time exceeded
12	param	ICMP parameter problem
13	timereq	ICMP timestamp request
14	timerep	ICMP timestamp reply
15	inforeq	ICMP information request
16	inforep	ICMP information reply
17	maskreq	ICMP address mask request
18	maskrep	ICMP address mask reply

The command to enable or disable ICMP message type filtering is entered from the Advanced Filtering menu as follows:

```
>> # /cfg/slb/filt <filter number>/adv  
>> Filter 1 Advanced# icmp <message type/number/any|list>
```

For any given filter, only one ICMP message type can be set at any one time. The `any` option disables ICMP message type filtering. The `list` option displays a list of the available ICMP message types that can be entered.

NOTE – ICMP message type filters must be cache-disabled. Exercise caution when applying cache-enabled and cache-disabled filters to the same switch port. For more information, see [“Cache-Enabled versus Cache-Disabled Filters”](#) on page 259.



CHAPTER 13

Application Redirection

Application Redirection improves network bandwidth and provides unique network solutions. Filters can be created to redirect traffic to cache and application servers improving speed of access to repeated client access to common Web or application content and free valuable network bandwidth.

The following topics are discussed in this chapter:

- [“Overview” on page 288](#). Application redirection helps reduce the traffic congestion during peak loads by accessing locally cached information. This section also discusses how performance is improved by balancing cached requests across multiple servers.
- [“Cache Redirection Configuration Example” on page 290](#). This section provides a step-by-step procedure on how to intercept all Internet bound HTTP requests (on default TCP port 80) and redirect them to the cache servers.
- [“IP Proxy Addresses for NAT” on page 295](#). This section discusses the benefits of transparent proxies when used with application redirection.
- [“Excluding Noncacheable Sites” on page 297](#). This section describes how to filter out applications that keep real-time session information from being redirected to cache servers.

Overview

Most of the information downloaded from the Internet is not unique, as clients will often access the Web page many times for additional information or to explore other links. Duplicate information also gets requested as the components that make up Internet data at a particular Web site (pictures, buttons, frames, text, and so on) are reloaded from page to page. When you consider this scenario in the context of many clients, it becomes apparent that redundant requests can consume a considerable amount of your available bandwidth to the Internet.

Application redirection can help reduce the traffic congestion during peak loads. When Application redirection filters are properly configured for the Alteon OS-powered switch, outbound client requests for Internet data are intercepted and redirected to a group of application or cache servers on your network. The servers duplicate and store inbound Internet data that has been requested by your clients. If the servers recognize a client's outbound request as one that can be filled with cached information, the servers supply the information rather than send the request across the Internet.

In addition to increasing the efficiency of your network, accessing locally cached information can be much faster than requesting the same information across the Internet.

Cache Redirection Environment

Consider a network where client HTTP requests begin to regularly overload the Internet router.

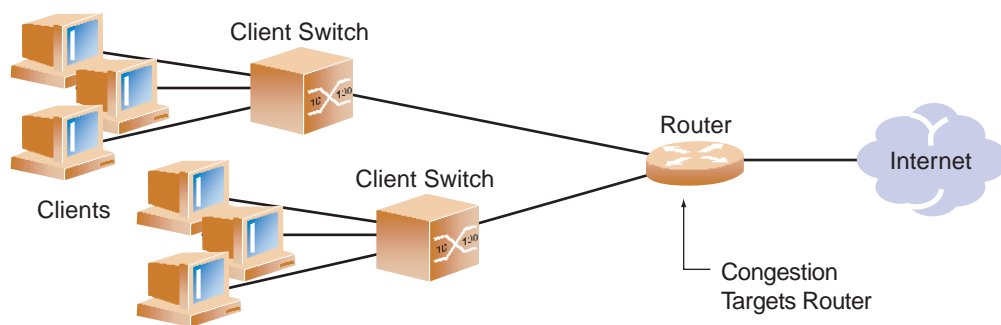


Figure 13-1 Traditional Network Without Cache Redirection

The network needs a solution that addresses the following key concerns:

- The solution must be readily scalable
- The administrator should not need to reconfigure all the clients' browsers to use proxy servers.

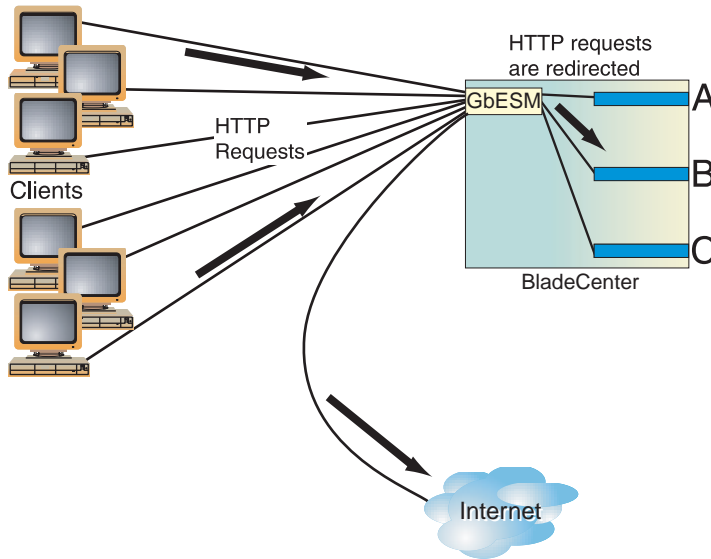


Figure 13-2 Network with Cache Redirection

If you have more clients than switch ports, then connect the clients to a layer 2 switch.

Adding a GbE Switch Module with Layer 4 software addresses these issues:

- Cache servers can be added or removed dynamically without interrupting services.
- Performance is improved by balancing the cached request load across multiple servers. More servers can be added at any time to increase processing power.
- The proxy is transparent to the client.
- Frames that are not associated with HTTP requests are normally passed to the router.

Additional Application Redirection Options

Application redirection can be used in combination with other Layer 4 options, such as load balancing metrics, health checks, real server group backups, and more. See [“Additional Server Load Balancing Options”](#) on page 182 for details.

Cache Redirection Configuration Example

The following is required prior to configuration:

- You must connect to the GbE Switch Module Command Line Interface (CLI) as the administrator.
- Layer 4 (SLB) software must be enabled.

NOTE – For details about the procedures above, and about any of the menu commands described in this example, see the *Alteon OS Command Reference*.

In this example, a GbE Switch Module is placed between the clients and the border gateway to the Internet. The switch will be configured to intercept all Internet bound HTTP requests (on default TCP port 80), and redirect them to the cache servers. The switch will distribute HTTP requests equally to the cache servers based on the destination IP address of the requests. If the cache servers do not have the requested information, then the cache servers behave like the client and forwards the request out to the internet.

Also, filters are not limited to the few protocols and TCP or UDP applications shown in this example. See [Table 10-3 on page 182](#) for a list of well-known applications ports and [Table 12-1 on page 251](#) for a list of supported protocols.

1. Assign an IP address to each of the cache servers.

Similar to server load balancing, the cache real servers are assigned an IP address and placed into a real server group. The real servers must be in the same VLAN and must have an IP route to the switch that will perform the cache redirection. In addition, the path from the switch to the real servers must not contain a router. The router would stop HTTP requests from reaching the cache servers and, instead, direct them back out to the Internet.

More complex network topologies can be used if configuring IP proxy addresses (see [“IP Proxy Addresses for NAT” on page 295](#)).

For this example, the three cache real servers have the following IP addresses on the same IP subnet:

Table 13-1 Cache Redirection Example: Real Server IP Addresses

Cache Server	IP address
Server A	200.200.200.2
Server B	200.200.200.3
Server C	200.200.200.4

2. **Install transparent cache software on all three cache servers.**
3. **Define an IP interface on the switch.**

The switch must have an IP interface on the same subnet as the three cache servers because, by default, the switch only remaps destination MAC addresses.

To configure an IP interface for this example, enter this command from the CLI:

```
>> # /cfg/l3/if 1                (Select IP interface 1)
>> IP Interface 1# addr 200.200.200.100 (Assign IP address for the interface)
>> IP Interface 1# ena           (Enable IP interface 1)
```

NOTE – The IP interface and the real servers must be in the same subnet. This example assumes that all ports and IP interfaces use default VLAN 1, requiring no special VLAN configuration for the ports or IP interface.

4. **Define each real server on the switch.**

For each cache real server, you must assign a real server number, specify its actual IP address, and enable the real server. For example:

```
>> ip# /cfg/slb/real 1           (Server A is real server 1)
>> Real server 1# rip 200.200.200.2 (Assign Server A IP address)
>> Real server 1# ena           (Enable real server 1)
>> Real server 1# ../real 2      (Server B is real server 2)
>> Real server 2# rip 200.200.200.3 (Assign Server B IP address)
>> Real server 2# ena           (Enable real server 2)
>> Real server 2# ../real 3      (Server C is real server 3)
>> Real server 3# rip 200.200.200.4 (Assign Server C IP address)
>> Real server 3# ena           (Enable real server 3)
```

5. **Define a real server group.**

This places the three cache real servers into one service group:

```
>> Real server 3# ../group 1     (Select real server group 1)
>> Real server group 1# add 1    (Add real server 1 to group 1)
>> Real server group 1# add 2    (Add real server 2 to group 1)
>> Real server group 1# add 3    (Add real server 3 to group 1)
```

6. Set the real server group metric to `minmisses`.

This setting helps minimize cache misses in the event real servers fail or are taken out of service:

```
>> Real server group 1# metric minmisses (Metric for minimum cache misses.)
```

7. Verify that server processing is disabled on the ports supporting application redirection.

NOTE – Do not use the “server” setting on a port with Application Redirection enabled. Server processing is used only with server load balancing. To disable server processing on the port, use the commands on the `/cfg/slb/port` menu, as described in the *Alteon OS Command Reference*.

8. Create a filter that will intercept and redirect all client HTTP requests.

The filter must be able to intercept all TCP traffic for the HTTP destination port and must redirect it to the proper port on the real server group:

```
>> SLB port 2# /cfg/slb/filt 2 (Select the menu for Filter 2)
>> Filter 2# sip any (From any source IP addresses)
>> Filter 2# dip any (To any destination IP addresses)
>> Filter 2# proto tcp (For TCP protocol traffic)
>> Filter 2# sport any (From any source port)
>> Filter 2# dport http (To an HTTP destination port)
>> Filter 2# action redir (Set the action for redirection)
>> Filter 2# rport http (Set the redirection port)
>> Filter 2# group 1 (Select real server group 1)
>> Filter 2# ena (Enable the filter)
```

The `rport` (redirection) parameter must be configured whenever TCP/UDP protocol traffic is redirected. The `rport` parameter defines the real server TCP or UDP port to which redirected traffic will be sent. The port defined by the `rport` parameter is used when performing Layer 4 health checks of TCP services.

Also, if NAT and proxy addresses are used on the switch (see [Step 3 on page 291](#)), the `rport` parameter must be configured for all application redirection filters. Take care to use the proper port designation with `rport`: if the transparent proxy operation resides on the host, the well-known port 80 (or HTTP) is probably required. If the transparent proxy occurs on the switch, make sure to use the service port required by the specific software package.

See “[IP Proxy Addresses for NAT](#)” on [page 295](#) for more information on IP proxy addresses.

9. Create a default filter.

In this case, the default filter will allow all noncached traffic to proceed normally:

```
>> Filter 2# ../filt 1024           (Select the default filter)
>> Filter 1024# sip any             (From any source IP addresses)
>> Filter 1024# dip any             (To any destination IP addresses)
>> Filter 1024# proto any           (For any protocols)
>> Filter 1024# action allow        (Set the action to allow traffic)
>> Filter 1024# ena                 (Enable the default filter)
```

NOTE – When the `proto` parameter is not TCP or UDP, then `sport` and `dport` are ignored.

10. Assign the filters to the client ports.

Assuming that the redirected clients are connected to physical switch ports 19 and 20, both ports are configured to use the previously created filters as follows:

```
>> Filter 1024# ../port EXT3        (Select the client port EXT3)
>> SLB Port EXT3# add 2             (Add filter 2 to port EXT3)
>> SLB Port EXT3# add 1024         (Add the default filter to port EXT3)
>> SLB Port EXT3# filt enable       (Enable filtering for port EXT3)
>> SLB Port EXT3# ../port EXT4      (Select the client port EXT4)
>> SLB Port EXT4# add 2             (Add filter 2 to port EXT4)
>> SLB Port EXT4# add 1024         (Add the default filter to port EXT4)
>> SLB Port EXT4# filt enable       (Enable filtering for port EXT4)
```

11. Activate layer 4 services. Apply, and verify the configuration.

```
>> SLB Port EXT4# /cfg/slb          (Select Server Load Balancing Menu)
>> Layer 4# on                      (Activate Layer 4 software services)
>> Layer 4# apply                   (Make your changes active)
>> Layer 4# cur                     (View current settings)
```

NOTE – SLB must be turned on in order for application redirection to work properly. The `on` command is valid only if the optional Layer 4 software is enabled on your switch (see “Activating Optional Software” in the *Alteon OS Command Reference*).

12. Examine the resulting information from the `cur` command. If any settings are incorrect, make appropriate changes.

13. Save your new configuration changes.

```
>> Layer 4# save (Save for restore after reboot)
```

14. Check the SLB information.

```
>> Layer 4# /info/slb (View SLB information)
```

Check that all SLB parameters are working according to expectation. If necessary, make any appropriate configuration changes and then check the information again.

NOTE – Changes to filters on a given port only effect new sessions. To make filter changes take effect immediately, clear the session binding table for the port (see the `/oper/slb/clear` command in the *Alteon OS Command Reference*).

Delayed Binding for Cache Redirection

To configure delayed binding on your switch for cache redirection only, use the following command:

```
>> # /cfg/slb/filt <filter number>/adv/urlp ena
```

For more conceptual information on delayed binding, see [“Delayed Binding” on page 200](#).

IP Proxy Addresses for NAT

Transparent proxies provide the benefits listed below when used with application redirection. Application redirection is automatically enabled when a filter with the `redir` action is applied on a port.

- With proxy IP addresses configured on ports that use redirection filters, the switch can redirect client requests to servers located on any subnet.
- The switch can perform transparent substitution for all source and destination addresses, including destination port remapping. This provides support for comprehensive, fully-transparent proxies. No additional client configuration is needed.

The following procedure can be used for configuring proxy IP addresses:

1. Configure proxy IP addresses and enable proxy for the client ports.

Each of the ports using redirection filters require proxy IP addresses. If Virtual Matrix Architecture (VMA) is enabled, you must configure both proxy IP addresses. If VMA is disabled, only the client port with filters require proxy IP addresses.

In this example, VMA is enabled, so configure two proxy IP addresses:

```
>> SLB port EXT3# /cfg/slb/pip                (Select proxy IP address menu)
>> Proxy IP Address# pip1 200.200.200.68    (Set proxy IP address)
>> Proxy IP Address# pip2 200.200.200.69    (Set proxy IP address)
>> Proxy IP Address# ../port EXT1           (Select port EXT1)
>> SLB port EXT1# proxy ena                 (Enable proxy port EXT1)
>> SLB port EXT1# ../port EXT2             (Select port EXT2)
>> SLB port EXT2# proxy ena                 (Enable proxy port EXT2)
>> SLB port EXT2# ../port EXT3             (Select port EXT3)
>> SLB port EXT3# proxy ena                 (Enable proxy port EXT3)
>> SLB port EXT3# ../port EXT4             (Select port EXT4)
>> SLB port EXT4# proxy ena                 (Enable proxy port EXT4)
```

2. Configure the application redirection filters.

Once proxy IP addresses are established, configure each application redirection filter (Filter 2 in our example) with the real server TCP or UDP port to which redirected traffic will be sent. In this case, the requests are mapped to a different destination port (8080). You must also enable proxies on the real servers:

```
>> # /cfg/slb/filt 2                               (Select the menu for Filter 2)
>> Filter 2# rport 8080                             (Set proxy redirection port)
>> Filter 2# ../real 1/proxy enable                 (Enable proxy on real servers)
>> Real server 1# ../real 2/proxy enable            (Enable proxy on real servers)
>> Real server 2# ../real 3/proxy enable            (Enable proxy on real servers)
```

NOTE – This configuration is not limited to HTTP (Web) service. Other TCP/IP services can be configured in a similar fashion. For example, if this had been a DNS redirect, `rport` would be sent to well-known port 53 (or the service port you want to remap to). For a list of other well-known services and ports, see the [Table 10-3 on page 182](#).

3. **Apply and save your changes.**
4. **Check server statistics to verify that traffic has been redirected based on filtering criteria:**

```
>> # /info/slb/group <group number>/filt <filter number>
```


Excluding Noncacheable Sites

Some sites provide content that is not well suited for redirection to cache servers. Such sites might provide browser-based games or applications that keep real-time session information or authenticate by client IP address.

To prevent such sites from being redirected to cache servers, create a filter that allows this specific traffic to pass normally through the switch. This filter must have a higher precedence (a lower filter number) than the application redirection filter.

For example, if you want to prevent a popular Web-based game site on subnet 200.10.10.* from being redirected, you could add the following to the previous example configuration:

```

>> # /cfg/slb/filt 1                               (Select the menu for filter 1)
>> Filter 1# dip 200.10.10.0                       (To the site's destination IP address)
>> Filter 1# dmask 255.255.255.0                 (For entire subnet range)
>> Filter 1# sip any                               (From any source IP address)
>> Filter 1# proto tcp                             (For TCP traffic)
>> Filter 1# dport http                            (To an HTTP destination port)
>> Filter 1# sport any                             (From any source port)
>> Filter 1# action allow                          (Allow matching traffic to pass)
>> Filter 1# ena                                   (Enable the filter)
>> Filter 1# ../port EXT3                         (Select SLB port EXT3)
>> SLB port EXT3# add 1                            (Add the filter to port EXT3)
>> SLB port EXT3# ../port EXT4                    (Select SLB port EXT4)
>> SLB port EXT4# add 1                            (Add the filter to port EXT4)
>> SLB port EXT4# apply                            (Apply configuration changes)
>> SLB port EXT4# save                             (Save configuration changes)

```




CHAPTER 14

Health Checking

Health checking allows you to verify content accessibility in large Web sites. As content grows and information is distributed across different server farms, flexible, customizable content health checks are critical to ensure end-to-end availability.

The following Alteon OS health-checking topics are described in this chapter.

- [“Real Server Health Checks” on page 301](#). This section explains the switch’s default health check, which checks the status of each service on each real server every two seconds.
- [“Link Health Checks” on page 302](#). This section describes how to perform Layer 1 health checking on an Intrusion Detection Server (IDS).
- [“TCP Health Checks” on page 303](#). TCP health checks help verify the TCP applications that cannot be scripted.
- [“ICMP Health Checks” on page 303](#). This section explains how ICMP health checks are used for UDP services.
- [“Script-Based Health Checks” on page 304](#). This section describes how to configure the switch to send a series of health-check requests to real servers or real server groups and monitor the responses.
- Application-based health checks:
 - [“HTTP Health Checks” on page 309](#). This section provides examples of HTTP-based health checks using hostnames.
 - [“UDP-Based DNS Health Checks” on page 311](#). This section explains the functionality of the DNS Health Checks using UDP packets.
 - [“FTP Server Health Checks” on page 312](#). This section describes how the File Transfer Protocol (FTP) server is used to perform health checks and explains how to configure the switch to perform FTP health checks.
 - [“POP3 Server Health Checks” on page 313](#). This section explains how to use Post Office Protocol Version 3 (POP3) mail server to perform health checks between a client system and a mail server and how to configure the switch for POP3 health checks.

- [“SMTP Server Health Checks” on page 314](#). This section explains how to use Simple Mail Transfer Protocol (SMTP) mail server to perform health checks between a client system and a mail server and how to configure the switch for SMTP health checks.
- [“IMAP Server Health Checks” on page 315](#). This section describes how the mail server Internet Message Access Protocol (IMAP) protocol is used to perform health checks between a client system and a mail server.
- [“NNTP Server Health Checks” on page 316](#). This section explains how to use Network News Transfer Protocol (NNTP) server to perform health checks between a client system and a mail server and how to configure the switch for NNTP health checks
- [“RADIUS Server Health Checks” on page 317](#). This section explains how the RADIUS protocol is used to authenticate dial-up users to Remote Access Servers (RASs).
- [“HTTPS/SSL Server Health Checks” on page 318](#). This section explains how the switch queries the health of the SSL servers by sending an SSL client “Hello” packet and then verifies the contents of the server’s “Hello” response.
- [“WAP Gateway Health Checks” on page 318](#). This section discusses how the switch provides a connectionless WSP health check for WAP gateways.
- [“LDAP Health Checks” on page 321](#). This section describes how to configure the switch to perform Lightweight Directory Access Protocol (LDAP) health checks for the switch to determine whether or not the LDAP server is running.
- [“Windows Terminal Server Health Checks” on page 322](#). This section describes how to configure the switch to perform Windows Terminal Server health checks.
- [“ARP Health Checks” on page 323](#). This section describes how to perform health checks on Intrusion Detection Servers (IDS) that do not have full TCP/IP stack support.
- [“Failure Types” on page 324](#). This section explains the *service failed* and *server failed* states.

Real Server Health Checks

GbE Switch Modules running Server Load Balancing (SLB) monitor the servers in the real server group and the load-balanced application(s) running on them. If a switch detects that a server or application has failed, it will not direct any new connection requests to that server. When a service fails, a GbE Switch Module can remove the individual service from the load-balancing algorithm without affecting other services provided by that server.

By default, the switch checks the status of each service on each real server every two seconds. Sometimes, the real server may be too busy processing connections to respond to health checks. If a service does not respond to four consecutive health checks, the switch, by default, declares the service unavailable. You can modify both the health check interval and the number of retries.

```
>> # /cfg/slb/real <real server number>           (Select the real server)
>> Real server# inter 4                            (Check real server every 4 seconds)
>> Real server# retry 6                            (If 6 consecutive health checks fail,
                                                    declare real server down)
```

NOTE – Health checks are performed sequentially when used in conjunction with a virtual server configured with multiple services and groups. As a result, the actual health-check interval could vary significantly from the value set for it using the `inter` parameter.

Link Health Checks

Link health checks are performed at the Layer 1 (physical) level, and are used on servers that do not respond to any other type of health check. Intrusion Detection Servers (IDSs) fall into this category.

The server is considered to be *up* when the link (connection) is present, and *down* when the link is absent. Many IDSs have two physical interfaces. One is used to detect intrusions, and the other is used to generate logging. The first interface detects intrusions but it does not have TCP/IP stack. So it is not possible to perform any health check other than Layer 1 health checking on the IDS. As long as the physical link between the switch and the IDS is up, it indicates the IDS is alive.

To perform this health check, a link option has been added to the real server group health command. The real server number is used to determine which port the server is connected to. For example, real server 1 is assumed to be connected to port 1. The valid IDS real server numbers are from 1 to 26 when health check is in use.

Configuring the Switch for Link Health Checks

Configure the switch to verify if the IDS server is alive by performing the following tasks:

1. **Select the health check menu for real server group 1.**

```
>> # /cfg/slb/group 1
```

2. **Set the health check type to link for real server group 1.**

```
>> # Real server group 1# health  
Current health check type: tcp  
Enter health check type: link
```

3. **Apply and save your configuration.**

```
>> # Real server group 1# apply  
>> # Real server group 1# save
```

TCP Health Checks

TCP health checks are useful in verifying user-specific TCP applications that cannot be scripted.

Session switches monitor the health of servers and applications by sending Layer 4 connection requests (TCP SYN packets) for each load-balanced TCP service to each server in the server group on a regular basis. The rate at which these connection requests are sent is a user-configurable parameter. These connection requests identify both failed servers and failed services on a healthy server. When a connection request succeeds, the session switch quickly closes the connection by sending a TCP FIN (finished) packet.

NOTE – TCP health check is a default health check after you have configured the switch for a particular service.

ICMP Health Checks

Configure the switch with ICMP health check to verify if the real server is alive. The Layer 3 echo - echo reply health check is used for UDP services or when ICMP health checks are configured.

1. **Select the health check menu for group 1.**

```
>> # /cfg/slb/group 1
```

2. **Set the health check type to ICMP for group 1.**

```
>> # Real server group 1# health icmp
```

3. **Apply and save your configuration.**

```
>> # Real server group 1# apply
```

Script-Based Health Checks

The “send/expect” script-based health checks dynamically verify application and content availability using scripts. These scripts execute a sequence of tests to verify application and content availability.

Configuring the Switch for Script-Based Health Checks

You can configure the switch to send a series of health check requests to real servers or real server groups and monitor the responses. ASCII-based scripts can be used to verify application and content availability.

NOTE – Only TCP services can be health checked, since UDP protocols are usually not ASCII based.

The benefits of using script-based health checks are listed below:

- Ability to send multiple commands
- Check for any return string
- Test availability of different applications
- Test availability of multiple domains or Web sites

Alteon OS supports the following capacity for a single switch:

- 1024 bytes per script
- 16 scripts per switch
- approximately 10 to 15 health check statements (HTTP `get` and `expect` strings)

A simple command line interface controls the addition and deletion of ASCII commands to each script. New commands are added and removed from the end of the script. Commands exist to open a connection to a specific TCP port, send an ASCII request to the server, expect an ASCII string, and close a connection. The string configured with an `expect` command is searched for in each response packet. If it is not seen anywhere in any response packet before the real server health check interval expires, the server does not pass the `expect` step and fails the health check. A script can contain any number of these commands, up to the allowable number of characters that a script supports.

NOTE – Health check scripts can only be set up via the command line interface, but once entered, can be assigned as the health-check method using SNMP or the Browser-Based Interface (BBI).

Script Format

The general format for health-check scripts is shown below:

```
open application_port (e.g., 80 for HTTP, 23 for Telnet, etc.)
send request1
expect response1
send request2
expect response2
send request3
expect response3
close
```

NOTE – If you are doing HTTP 1.1 pipelining, you need to individually open and close each response in the script.

- Each script should start with the command **open port** <protocol port number>. The next line can be either a **send** or **expect**.
- The first word is the method. This is usually **get**; however, HTTP supports several other commands, including **put** and **head**. The second word indicates the content desired, or request-URI, and the third word represents the version of the protocol used by the client.

If you supplied HTTP/1.1 for the protocol version, you would also have to add in the following line: `Host : www.hostname.com`

Example: `GET /index.html HTTP/1.1` (press Enter key)
`Host : www.hostname.com` (press Enter key twice)

This is known as a host header. It is important to include because most Web sites now require it for proper processing. Host headers were optional in HTTP/1.0 but are required when you use HTTP/1.1+.

- In order to tell the application server you have finished entering header information, a blank line of input is needed after all headers. At this point, the URL will be processed and the results returned to you.

NOTE – If you make an error, enter `rem` to remove the last typed script line entered. If you need to remove more than one line, enter `rem` for each line that needs to be removed.

- The switch provides the “\” prompt, which is one enter key stroke. When using the **send** command, note what happens when you type the **send** command with the command string. When you type **send**, press enter and allow the switch to format the command string (that is, \ versus \).

Scripting Guidelines

- Use generic result codes that are standard and defined by the RFC, as applicable. This helps ensure that if the server software changes, the servers won't start failing unexpectedly.
- Search only for the smallest and most concise piece of information possible. Each script cannot exceed 1K in size, so use the space wisely.
- Avoid tasks that may take a long time to perform or the health check will fail. For example, avoid tasks that exceed the interval for load balancing.

Script Configuration Examples

Script Example 1: A Basic Health Check

Configure the switch to check a series of Web pages (HTML or dynamic CGI scripts) before it declares a real server is available to receive requests.

NOTE – If you are using the CLI to create a health check script, you must use quotes (“”) to indicate the beginning and end of each command string.

```

/cfg/slb/group x/health script1/content none
/cfg/slb/advhc/script1

open 80
send "GET /index.html HTTP/1.1\r\nHOST:www.hostname.com\r\n\r\n"
expect "HTTP/1.1 200"
close
open 80
send "GET /script.cgi HTTP/1.1\r\nHOST:www.hostname.com\r\n\r\n"
expect "HTTP/1.1 200"
close
open 443
...
close

```

NOTE – When you are using the command line interface to enter the `send` string as an argument to the `send` command, you must type two “\”s before an “n” or “r.” If you are instead prompted for the line, that is, the text string is entered after hitting <return>, then only one “\” is needed before the “n” or “r.”

Verifying Script-Based Health Checks

If a script fails, the expect line in the script that is not succeeding is displayed under the `/info/slb/real <real server number>` command:

```
>> # /info/slb/real 1
1: 205.178.13.225, 00:00:00:00:00:00, vlan 1, port 0, health 4, FAILED
real ports:
script 1, DOWN, current
send GET / HTTP/1.0\r\n\r\n
expect HTTP/1.0 200
```

The server is not responding to the `get` with the expect string.

When the script succeeds in determining the health of a real server, the following information is displayed:

```
>> # /info/slb/real 1
1: 205.178.13.223, 00:00:5e:00:01:24, vlan 1, port INT2, health 4, up
real ports:
script 1, up, current
```

Application-Specific Health Checks

Application-specific health checks include the following applications:

- “HTTP Health Checks” on page 309
- “UDP-Based DNS Health Checks” on page 311
- “FTP Server Health Checks” on page 312
- “POP3 Server Health Checks” on page 313
- “SMTP Server Health Checks” on page 314
- “IMAP Server Health Checks” on page 315
- “NNTP Server Health Checks” on page 316
- “RADIUS Server Health Checks” on page 317
- “HTTPS/SSL Server Health Checks” on page 318
- “WAP Gateway Health Checks” on page 318
 - “WSP Content Health Checks” on page 319
 - “WTLS Health Checks” on page 320
- “LDAP Health Checks” on page 321

HTTP Health Checks

HTTP-based health checks can include the hostname for `HOST:` headers. The `HOST:` header and health check URL are constructed from the following components:

Item	Option	Configured Under	Max. Length
Virtual server hostname	<code>hname</code>	<code>/cfg/slb/virt/service</code>	9 characters
Domain name	<code>dname</code>	<code>/cfg/slb/virt</code>	35 characters
Server group health check field	<code>content</code>	<code>/cfg/slb/group</code>	34 characters

If the `HOST:` header is required, an `HTTP/1.1 GET` will occur. Otherwise, an `HTTP/1.0 GET` will occur. HTTP health check is successful if you get a return code of 200.

Example 1:

```
hname    = everest
dname    = websystems.com
content  = index.html
```

Health check is performed using:

```
GET /index.html HTTP/1.1
Host: everest.websystems.com
```

NOTE – If the `content` is not specified, the health check will revert back to TCP on the port that is being load balanced.

Example 2:

```
hname    = (none)
dname    = raleighduram.cityguru.com
content  = /page/gen/?_template=websystems
```

Health check is performed using:

```
GET /page/gen/?_template=websystems HTTP/1.1
Host: raleighduram.cityguru.com
```

Example 3:

```
hname    = (none)
dname    = jansus
content  = index.html
```

Health check is performed using:

```
GET /index.html HTTP/1.1
Host: jansus
```

Example 4:

```
hname    = (none)
dname    = (none)
content  = index.html
```

Health check is performed using:

```
GET /index.html HTTP/1.0 (since no HTTP HOST: header is required)
```

Example 5:

```
hname    = (none)
dname    = (none)
content  = //everest/index.html
```

Health check is performed using:

```
GET /index.html HTTP/1.1
Host: everest
```

Configuring the Switch for HTTP Health Checks

Perform the following on the switch to configure the switch for HTTP health checks:

1. Select the real server group.

```
>> # /cfg/slb/group 1 (Select a real server group)
```

2. Set the health check type to FTP for the real server group.

```
>> # /cfg/slb/group 1/health http
```

3. Configure the health check content.

```
>> # /cfg/slb/group 1/content <filename>
```

4. Apply and save your configuration.

```
>> # Real server group 1# apply
>> # Real server group 1# save
```

UDP-Based DNS Health Checks

Alteon OS supports UDP-based health checks along with TCP health checks, and performs load-balancing based on TCP and UDP protocols.

DNS servers can be based on both TCP and UDP protocols. With UDP-based DNS health checks enabled, you can send TCP-based queries to one real server group and UDP-based queries to another real server group.

The health check may be performed by sending a UDP-based query (for example, for `www.nortelnetworks.com`), and watching for the server's reply. The domain name to be queried may be modified by specifying the `content` command if you need to change the domain name.

Configuring the Switch for UDP-based Health Checks

Configure the switch to verify if the DNS server is alive.

1. **Select the real server group.**

```
>> # /cfg/slb/group 1
```

2. **Set the health check type to UDP for the real server group.**

```
>> # Real server group 1# health udpdns
```

3. **Set the content to domain name.**

```
>> # Real server group 1# content <filename>|//<host><filename>|none
```

4. **Apply and save your configuration.**

```
>> # Real server group 1# apply
>> # Real server group 1# save
```

NOTE – If no host name is configured, the health check is performed by sending a UDP-based query from a dummy host and watching for the server's reply. The reply, even though negative (for example, "Server not found" since the query is from a dummy host), serves the purpose of a health check, nonetheless.

FTP Server Health Checks

The Internet File Transfer Protocol (FTP) provides facilities for transferring files to and from remote computer systems. Usually the user transferring a file needs authority to login and access files on the remote system. This protocol is documented in RFC 1123.

In normal Internet operation, the FTP server listens on the well-known port number 21 for control connection requests. The client sends a control message which indicates the port number on which the client is prepared to accept an incoming data connection request.

When a transfer is being set up, it is always initiated by the client. However, either the client or the server may be the sender of data. Along with transferring user requested files, the data transfer mechanism is also used for transferring directory listings from server to client.

NOTE – To configure the switch for FTP health checks, the FTP server must accept anonymous user.

Configuring the Switch for FTP Health Checks

Create any file name from an FTP server under FTP server directory, for example, .txt, .exe, .bin and so forth.

To configure the switch for FTP health checks:

1. **Select the real server group.**

```
>> # /cfg/slb/group 1 (Select a real server group)
```

2. **Set the health check type to FTP for the real server group.**

```
>> # /cfg/slb/group 1/health ftp
```

3. **Configure the health check content.**

```
>> # /cfg/slb/group 1/content <filename>
```

4. **Apply and save your configuration.**

```
>> # Real server group 1# apply
>> # Real server group 1# save
```


POP3 Server Health Checks

The Post Office Protocol - Version 3 (POP3) is intended to permit a workstation to dynamically access a maildrop on a server host. The POP3 protocol is used to allow a workstation to retrieve mail that the server is holding for it. This protocol is documented in RFC 1939.

When the user on a client host wants to enter a message into the transport system, it establishes an SMTP connection to its relay host and sends all mail to it.

Initially, the server host starts the POP3 service by listening on TCP port 110. When a client host wants to make use of the service, it establishes a TCP connection with the server host.

Configuring the Switch for POP3 Health Checks

To support health checking on the UNIX POP3 server, the network administrator must configure a *username:password* value in the switch, using the `content` option on the SLB real server `group` menu (`/cfg/slb/group`)

To configure the switch for POP3 health checks:

1. **Select the real server group.**

```
>> # /cfg/slb/group 1 (Select a real server group)
```

2. **Set the health check type to POP3 for the real server group..**

```
>> # /cfg/slb/group 1/health pop3
```

3. **Configure the health check content.**

```
>> # /cfg/slb/group 1/content <username>:<password>
```

4. **Apply and save your configuration.**

```
>> # Real server group 1# apply
>> # Real server group 1# save
```

SMTP Server Health Checks

Simple Mail Transfer Protocol is a protocol to transfer e-mail messages between servers reliably and efficiently. This protocol traditionally operates over TCP port 25 and is documented in RFC 821. Most e-mail systems that send mail over the Internet use SMTP to send messages from one server to another; the messages can then be retrieved with an e-mail client using either POP or IMAP.

Configuring the Switch for SMTP Health Checks

To support SMTP health checking, the network administrator must configure a *username:password* value in the switch, using the `content` option on the SLB real server group menu (`/cfg/slb/group`)

To configure the switch for SMTP health checks:

1. **Select the health check menu for the real server group.**

```
>> # /cfg/slb/group 1 (Select a real server group)
```

2. **Set the health check type to SMTP for the real server group..**

```
>> # /cfg/slb/group 1/health smtp
```

3. **Configure the health check content.**

```
>> # /cfg/slb/group 1/content <username>
```

4. **Apply and save your configuration.**

```
>> # Real server group 1# apply  
>> # Real server group 1# save
```

IMAP Server Health Checks

Internet Message Access Protocol (IMAP) is a mail server protocol used between a client system and a mail server that allows a user to retrieve and manipulate mail messages. IMAP is not used for mail transfers between mail servers. IMAP servers listen to TCP port 143.

Configuring the Switch for IMAP Health Check

To support IMAP health checking, the network administrator must configure a *username:password* value in the switch, using the `content` option on the SLB Real Server Group Menu (`/cfg/slb/group`).

To configure the switch for IMAP health checks:

1. **Select the health check menu for the real server group.**

```
>> # /cfg/slb/group 1 (Select a real server group)
```

2. **Set the health check type to IMAP for the real server group..**

```
>> # /cfg/slb/group 1/health imap
```

3. **Configure the health check content.**

```
>> # /cfg/slb/group 1/content <username>:<password>
```

The `content` option specifies the *username:password* value that the server tries to match in its user database. In addition to verifying the user name and password, the database may specify the client(s) or port(s) the user is allowed to access.

4. **Apply and save your configuration.**

```
>> # Real server group 1# apply
>> # Real server group 1# save
```

NNTP Server Health Checks

Net News Transfer Protocol (NNTP) is a TCP/IP protocol based upon text strings sent bidirectionally over 7 bit ASCII TCP channels, and listens to port 119. It is used to transfer articles between servers as well as to read and post articles. NNTP specifies a protocol for the distribution, inquiry, retrieval, and posting of news articles using a reliable stream-based transmission of news among the ARPA-Internet community. NNTP is designed so that news articles are stored in a central database allowing a subscriber to select only those items he wishes to read.

NNTP is documented in RFC977. Articles are transmitted in the form specified by RFC1036.

Configuring the Switch for NNTP Health Checks

To configure the switch for NNTP health checks:

1. **Select the real server group.**

```
>> # /cfg/slb/group 1 (Select a real server group)
```

2. **Set the health check type to NNTP for the real server group.**

```
>> # /cfg/slb/group 1/health nntp
```

3. **Configure the health check content.**

```
>> # /cfg/slb/group 1/content <nntp newsgroup name>
```

Create nntp directory from MS Windows Option Pack4.

4. **Apply and save your configuration.**

```
>> # Real server group 1# apply
>> # Real server group 1# save
```

RADIUS Server Health Checks

The Remote Authentication Dial-In User Service (RADIUS) protocol is used to authenticate dial-up users to Remote Access Servers (RASs) and the client application they will use during the dial-up connection.

- RADIUS Content Health Check Enhancements
 - Include the switch IP as the Network-attached storage (NAS) IP parameter in the RADIUS content health check
 - RADIUS health check using the configured real server port (`rport`)
 - Variable-length RADIUS secret password. Supports less than 16 octets and up to 32 octets
- The `secret` value is a field of up to 32 alphanumeric characters used by the switch to encrypt a password during the RSA Message Digest Algorithm (MD5) and by the RADIUS server to decrypt the password during verification.
- The `content` option specifies the `username:password` value that the server tries to match in its user database. In addition to verifying the user name and password, the database may specify the client(s) or port(s) the user is allowed to access.

NOTE – Network-attached storage (NAS) is hard disk storage that is set up with its own network address rather than being attached to the department computer that is serving applications to a network's workstation users. By removing storage access and its management from the department server, both application programming and files can be served faster because they are not competing for the same processor resources. The network-attached storage device is attached to a local area network (typically, an Ethernet network) and assigned an IP address. File requests are mapped by the main server to the NAS file server.

Configuring the Switch for RADIUS Server Content Health Checks

The GbE Switch Module will provide the NAS IP parameter while performing RADIUS content health checks. The switch uses the IP address of the IP interface that is on the same subnet as the RADIUS server or the default gateway as the NAS IP.

The RADIUS health check is performed using the configured real server port (`rport`). To configure RADIUS health checks, use the `/cfg/slb/virt <#>/service` menu.

Configuring the Switch for RADIUS Secret and Password

RADIUS is stateless and uses UDP as its transport protocol. To support RADIUS health checking, the network administrator must configure two parameters on the switch:

- the `/cfg/slb/secret` value
- the `content` parameter with a `username:password` value.

```

>> # /cfg/slb/group <real server group number>    (Select the real server group)
>> # health radius                                (Specify the type of health checking)
>> # content <username>:<password>                (Specify the RADIUS username:password value)
>> # /cfg/slb/advhc/secret <RADIUS-coded value> (Enter up to 32 alphanumeric characters used to encrypt and decrypt password)
```

HTTPS/SSL Server Health Checks

The `sslh` health check option on the Real Server Group Menu (`/cfg/slb/group <#>`) allows the switch to query the health of the SSL servers by sending an SSL client “Hello” packet and then verify the contents of the server’s “Hello” response. SSL health check is performed using the real server port configured, that is, the `port`.

The SSL enhanced health check behavior is summarized below:

- The switch sends a SSL “Hello” packet to the SSL server.
- If it is up and running, the SSL server responds with the “Server Hello” message.
- The switch verifies fields in the response and marks the service “Up” if the fields are OK.

During the handshake, the user and server exchange security certificates, negotiate an encryption and compression method, and establish a session ID for each session.

WAP Gateway Health Checks

Wireless Application protocol (WAP) carries Internet traffic to mobile devices and allows Web services to be delivered to mobile phones and handsets. The translation from HTTP/HTML to WAP/WML (Wireless Markup Language) is implemented by servers known as WAP gateways on the land-based part of the network. WAP devices can communicate in two ways:

- Wireless Session Protocol (WSP) content health checks, the unencrypted mode of sending WML traffic (similar to HTTPS).
- Wireless Transport Layer Security (WTLS) health checks, an encrypted mode of sending WML traffic (similar to HTTP).

WSP Content Health Checks

Wireless Session Protocol content health checks can be configured in two modes: connectionless and connection-oriented. Connectionless WSP runs on UDP/IP protocol, port 9200. Therefore, GbE Switch Modules can be used to load balance the gateways in this mode of operation.

Alteon OS provides a content-based health check mechanism where customized WSP packets can be sent to the gateways, and the switch can verify the expected response, in a manner similar to scriptable health checks.

The content of the WSP/UDP packet that is sent to the gateway can be configured as a hexadecimal string, which is encapsulated in a UDP packet and shipped to the server. Hence, this byte string should include all applicable WSP headers.

The content that the switch expects to receive from the gateway is also specified in the form of hexadecimal byte string. The switch matches each byte of this string with the received content.

If there is a mismatch of even a single byte on the received content, the gateway fails the health check. The user can also configure an offset for the received WSP packet: a byte index to the WSP response content from where the byte match can be performed.

Configuring the Switch for WSP Content Health Checks

1. **Select the WAP Health Check Menu.**

```
>> # /cfg/slb/advhc/waphc
```

2. **Use the `sndcnt` command to enter the content to be sent to the WSP gateway.**

```
>> WAP Health Check# sndcnt
Current Send content:
Enter new Send content: 01 42 15 68 74 74 70 3a 2f 77 77 77 2e 6e 6f
6b 61 6d 00 .
```

3. **Enter the content that the switch expects to receive from the WSP gateway.**

```
>> WAP Health Check# rcvcnt
Current Receive content:
Enter new Receive content: 01 04 60 0e 03 94
```

NOTE – A maximum of 255 bytes of input are allowed on the switch command line. You may remove spaces in between the numbers to save space on the command line. For example, type **010203040506** instead of **01 02 03 04 05 06**.

4. Enter the WSP port.

```
>> WAP Health Check# wspport 9200
```

5. Set the offset value.

```
>> WAP Health Check# offset 0
```

6. Because WAP gateways are UDP-based and operate on a UDP port, configure UDP service in the virtual server menu.

```
>> # /cfg/slb/virt 1
>> Virtual Server 1# service (Configure virtual service 1)
Enter virtual port: 9200 (On the default WSP port)
>> Virtual Server 1 9200 Service# group 1 (Set the real server group number)
>> Virtual Server 1 9200 Service# udp ena (Enable UDP load balancing)
>> Virtual Server 1 9200 Service# apply (Apply the configuration)
```

7. Enable WSP health checks for group 1.

```
>> # /cfg/slb/group 1 (Select the Real Server Group 1 menu)
>> Real server group 1# health wsp (Set the health check type)
```

8. Apply and save the configuration.

```
>> Real server group 1# apply
```

WTLS Health Checks

Wireless Transport Layer Security (WTLS) can be configured to use ports 9202 and 9203 in connectionless and connection oriented modes respectively.

The WTLS health check feature provides a WTLS Hello based health check for connection-oriented WTLS traffic on port 9203. The switch sends a new WTLS Client Hello to the WAP gateway, and checks to see if it receives a valid WTLS Server Hello back from the WAP Gateway.

Configuring the Switch for WTLS Health Checks

1. Select the group with the WAP gateway.

```
>> Main# /cfg/slb/group 1 (Select the Real Server Group 1 menu)
```

2. Use the `sndcnt` command to enter the content to be sent to the WSP gateway.

```
>> Real server group 1# health wtls
```

3. Select a port number other than 9203, if you want to change the port number on which your gateway is listening to WTLS traffic.

```
>> Main# /cfg/slb/advhc/waphc
>> WAP Health Check Menu # wtlsprt 10203
```

4. Apply and save your configuration.

```
>> WSP Health Check# apply
```

LDAP Health Checks

Lightweight Directory Access Protocol (LDAP) health checks enable the switch to determine whether the LDAP server is alive or not. LDAP versions 2 and 3 are described in RFC 1777 and RFC 2251.

The LDAP health check process consists of three LDAP messages over one TCP connection:

- **Bind request:** The switch first creates a TCP connection to the LDAP server on port 339, which is the default port. After the connection is established, the switch initiates an LDAP protocol session by sending an anonymous bind request to the server.
- **Bind response:** On receiving the bind request, the server sends a bind response to the switch. If the result code indicates that the server is alive, the switch marks the server as up. Otherwise, the switch marks the server as down even if the switch did this because the server did not respond within the timeout window.
- **Unbind request:** If the server is alive, the switch sends a request to unbind the server. This request does not require a response. It is necessary to send an unbind request as the LDAP server may crash if too many protocol sessions are active.

If the server is up, the switch closes the TCP connection after sending the unbind request. If the server is down, the connection is torn down after the bind response, if one arrives. The connection will also be torn down if it crosses the timeout limit, irrespective of the server's condition.

Configuring the Switch for LDAP Health Checks

Configure the switch to verify if the LDAP server is alive.

1. **Select the health check menu for the real server group.**

```
>> # /cfg/slb/group 1
```

2. **Set the health check type to LDAP for the real server group.**

```
>> # Real server group 1# health ldap
```

3. **Apply and save your configuration.**

```
>> # Real server group 1# apply
>> # Real server group 1# save
```

Determining the Version of LDAP

1. **Select the Advanced Menu.**

```
>> # Real server group 1# /cfg/slb/advhc
```

2. **Set the version of LDAP. The default version is 2.**

```
>> # # Real server group 1# ldapver <2 | 3>(Select the desired LDAP version)
```

3. **Apply and save your configuration.**

```
>> LDAP Health Check# apply
>> LDAP Health Check# save
```

Windows Terminal Server Health Checks

Application health checking can be performed on Windows Terminal Servers, similar to LDAP health checking. The WTS protocol (RDP) is a binary protocol so scripted health checks cannot be used in this instance. Therefore, this health check only entails the checking of server availability on TCP port 3389.

To enable WTS health checking on a real server group, use the following command:

```
>> Main# /cfg/slb/group <Group Number>/health wts
```

ARP Health Checks

Address Resolution Protocol (ARP) is the TCP/IP protocol that resides within the Internet layer. ARP resolves a physical address from an IP address. ARP queries machines on the local network for their physical addresses. ARP also maintains IP to physical address pairs in its cache memory. In any IP communication, the ARP cache is consulted to see if the IP address of the computer or the router is present in the ARP cache. Then the corresponding physical address is used to send a packet.

In the switch, this feature allows the user to health check the Intrusion Detection Server (IDS) by sending an ARP query. The health check consists of the following sequence of actions:

1. **Accessing the ARP table.**
2. **Looking for the session entry in the ARP table. If the entry exists in the table, that means the real server is up, otherwise the health check has failed.**
3. **If the entry is present, then check the timestamp to find out if the last used time is greater than the ARP health check interval. If it is, then delete the query, as this means that the health check has failed.**
4. **Send another ARP request and repeat the above process until the timestamp shows the last used time smaller than the ARP health check interval.**

Configuring the Switch for ARP Health Checks

1. **Select the SLB group from the health check menu.**

```
>> /cfg/slb/group 1
```

2. **Select the type of health check to use.**

```
>> Real server group 1# health arp
```

3. **Enable ARP health checks for group 1.**

```
>> Real server group 1# arp
```

4. **Apply and save your configuration.**

```
>> Real server group 1# apply
```

Failure Types

Service Failure

If a certain number of connection requests for a particular service fail, the session switch places the service into the *service failed* state. While in this state, no new connection requests are sent to the server for this service; however, if graceful real server failure is enabled (`/cfg/slb/adv/grace ena`), state information about existing sessions is maintained and traffic associated with existing sessions continues to be sent to the server. Connection requests to, and traffic associated with, other load-balanced services continue to be processed by the server.

Example: A real server is configured to support HTTP and FTP within two real server groups. If a session switch detects an HTTP service failure on the real server, it removes that real server group from the load-balancing algorithm for HTTP but keeps the real server in the mix for FTP. Removing only the failed service from load balancing allows users access to all healthy servers supporting a given service.

When a service on a server is in the *service failed* state, the session switch sends Layer 4 connection requests for the failed service to the server. When the session switch has successfully established a connection to the failed service, the service is restored to the load-balancing algorithm.

Server Failure

If all load-balanced services supported on a server fail to respond to switch connection requests within the specified number of attempts, then the server is placed in the *server failed* state. While in this state, no new connection requests are sent to the server; however, if graceful real server failure is enabled (`/cfg/slb/adv/grace ena`), state information about existing sessions is maintained and traffic associated with existing sessions continues to be sent to the server.

NOTE – All load-balanced services on a server must fail before the switch places the server in the *server failed* state.

The server is brought back into service as soon as the first service is proven to be healthy. Additional services are brought online as they are subsequently proven to be healthy.



CHAPTER 15

High Availability

GbE Switch Modules support high-availability network topologies through an enhanced implementation of the Virtual Router Redundancy Protocol (VRRP).

The following topics are discussed in this chapter:

- [“Layer 2 Trunk Failover” on page 326](#). This section discusses trunk failover without using VRRP.
- [“VRRP Overview” on page 332](#). This section discusses VRRP operation and Alteon OS redundancy configurations.
- [“Failover Methods” on page 337](#). This section describes the three modes of high availability.
- [“Alteon OS extensions to VRRP” on page 343](#). This section describes VRRP enhancements implemented in Alteon OS.
- [“Virtual Router Deployment Considerations” on page 346](#). This section describes issues to consider when deploying virtual routers.
- [“High Availability Configurations” on page 350](#). This section discusses a few of the more useful and easily deployed redundant configurations.
 - [“Active-Standby Virtual Server Router Configuration” on page 350](#)
 - [“Active-Active VIR and VSR Overview” on page 352](#)
 - [“Active-Active Server Load Balancing Configuration” on page 353](#)
 - [“Hot-Standby Configuration” on page 361](#)
 - [“Four-switch configuration” on page 368](#)
 - [“Layer 2 Trunk Failover with VRRP” on page 376](#)

Layer 2 Trunk Failover

The primary application for Layer 2 Failover is to support Network Adapter Teaming. With Network Adapter Teaming, the NICs on each server all share the same IP address, and are configured into a team. One NIC is the primary link, and the other is a standby link. For more details, refer to “Configuring Teaming” in the Broadcom NetXtreme™ Gigabit Ethernet Adapter User Guide (<http://www-306.ibm.com/pc/support/site.wss/MIGR-43152.html>).

NOTE – Only two links per server blade can be used for Layer 2 Trunk Failover (one primary and one backup). Network Adapter Teaming allows only one backup NIC for each server blade.

Layer 2 Failover can be enabled on any trunk group in the GbE Switch Module, including LACP trunks. Trunks can be added to failover trigger groups such that if some (or all) of the links fail in a trigger, the switch disables all internal ports in the switch (unless VLAN Monitor is turned on). When the internal ports are disabled, it causes the NIC team on the affected server blades to failover from the primary to the backup NIC. This process is called a failover event.

When the appropriate number of links in a trigger group return to service, the switch enables the internal ports. This causes the NIC team on the affected server blades to fail back to the primary switch (unless Auto-Fallback is disabled on the NIC team). The backup switch processes traffic until the primary switch’s internal links come up, which takes up to five seconds.

VLAN Monitor

The VLAN Monitor allows L2 Failover to discern different VLANs. With VLAN Monitor turned on:

- If enough links in a trigger go down (see “[Setting the Failover Limit](#)” on page 327), the switch disables all internal ports that reside in the same VLAN membership as the trunk(s) in the trigger.
- When enough links in the trigger return to service, the switch enables the internal ports that reside in the same VLAN membership as the trunk(s) in the trigger.

If you turn off the VLAN Monitor (`/cfg/failovr/vlan/off`), only one failover trigger is allowed. When a link failure occurs on the trigger, the switch disables all internal server-blade ports.

Setting the Failover Limit

The failover limit lets you specify the minimum number of operational links required within each trigger before the trigger initiates a failover event. For example, if the limit is four (`/cfg/l2/failovr/trigger x/limit 4`), a failover event occurs when the number of operational links in the trigger is four or fewer. When you set the limit to zero, the switch triggers a failover event only when no links in the trigger are operational.

L2 Failover with Other Features

L2 Failover works together with Link Aggregation Control Protocol (LACP) and with Spanning Tree Protocol (STP), as described below.

LACP

Link Aggregation Control Protocol allows the switch to form dynamic trunks.

You can use the *admin key* to add LACP trunks to a failover trigger. When you add an *admin key* to a trigger (`/cfg/failovr/trigger x/amon/addkey`), any LACP trunk with that *admin key* becomes a member of the trigger.

Spanning Tree Protocol

If Spanning Tree Protocol (STP) is enabled on the ports in a failover trigger, the switch monitors the port STP state rather than the link state. A port failure results when STP is not in a Forwarding state (that is, Listening, Learning, Blocking, or No Link). The switch automatically disables the appropriate internal ports, based on the VLAN monitor.

When the switch determines that ports in the trigger are in STP Forwarding state, then it automatically enables the appropriate internal ports, based on the VLAN monitor. The switch *fails back* to normal operation.

Configuration Guidelines

This section provides important information about configuring L2 Failover:

- A failover trigger can monitor multiple static trunks or a single LACP key, but not both.
- With VLAN Monitor on, the following additional guidelines apply:
 - All external ports in all trunks that are added to a single failover trigger must have the same VLAN membership and have the same PVID.
 - Each failover trigger must operate on a different VLAN membership.
 - Multiple failover triggers cannot operate on the same internal port.

L2 Failover Configurations

Figure 15-1 is a simple example of Layer 2 Failover. One GbESM is the primary, and the other is used as a backup. In this example, all external ports on the primary GbESM belong to a single trunk group, with Layer 2 Failover enabled, and Failover Limit set to 2. If two or fewer links in trigger 1 remain active, the switch temporarily disables all internal server-blade ports that reside in VLAN 1. This action causes a failover event on Server 1 and Server 2.

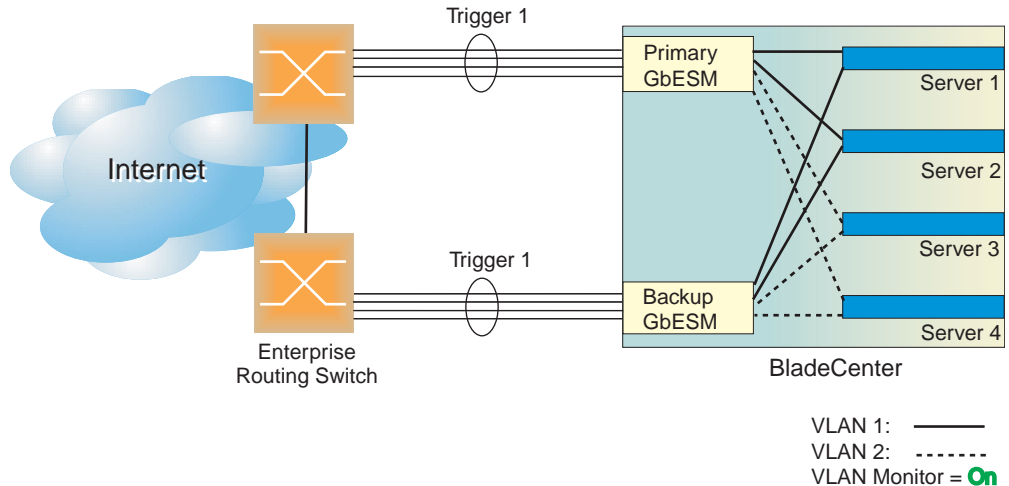


Figure 15-1 Basic Layer 2 Failover

Figure 15-2 shows a configuration with two trunks, each in a different Failover Trigger. GbESM 1 is the primary switch for Server 1 and Server 2. GbESM 2 is the primary switch for Server 3 and Server 4. VLAN Monitor is turned on. STP is turned off.

If all links go down in trigger 1, GbESM 1 disables all internal ports that reside in VLAN 1. If all links in trigger 2 go down, GbESM 1 disables all internal ports that reside in VLAN 2.

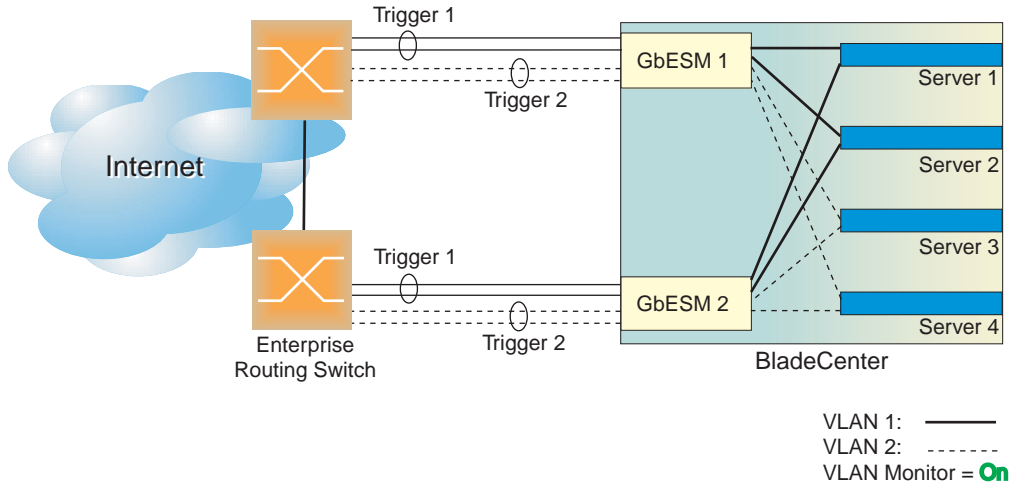


Figure 15-2 Two trunks, each in a different Failover Trigger

Figure 15-3 shows a configuration with two trunks. VLAN Monitor is turned off, so only one Failover Trigger is configured on each switch. GbESM 1 is the primary switch for Server 1 and Server 2. GbESM 2 is the primary switch for Server 3 and Server 4. STP is turned off.

If all links in trigger 1 go down, GbESM 1 disables all internal links to server blades.

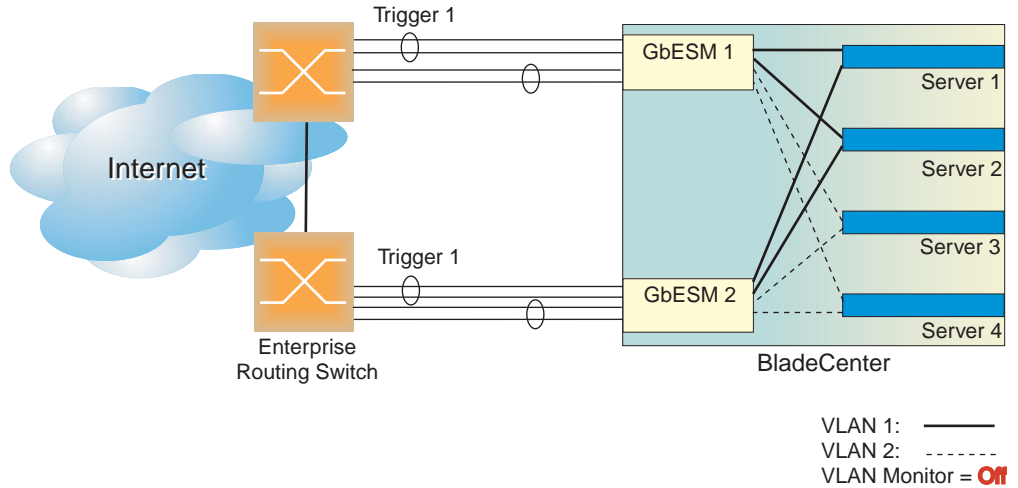


Figure 15-3 Two trunks, one Failover Trigger

Configuring Trunk Failover

The following procedure pertains to example 1, as shown in [Figure 15-1](#).

1. **Configure Network Adapter Teaming on the servers.**
2. **Define a trunk group on the GbESM.**

```
>> # /cfg/l2/trunk 1           (Select trunk group 1)
>> Trunk group 1# add EXT1     (Add port EXT1 to trunk group 1)
>> Trunk group 1# add EXT2     (Add port EXT2 to trunk group 1)
>> Trunk group 1# add EXT3     (Add port EXT3 to trunk group 1)
>> Trunk group 1# add EXT4     (Add port EXT4 to trunk group 1)
>> Trunk group 1# ena         (Enable trunk group 1)
```

3. **Configure Failover parameters.**

```
>> # /cfg/failovr/on           (Turn Failover on)
>> Failover# trigger 1        (Select trigger group 1)
>> Trigger 1# ena             (Enable trigger group 1)
>> Trigger 1# limit 2         (Set Failover limit to 2 links)
>> Trigger 1# amon            (Select Auto Monitor menu)
>> Auto Monitor# addtrnk 1    (Add trunk group 1)
```

4. **Apply and verify the configuration.**

```
>> Auto Monitor# apply         (Make your changes active)
>> Auto Monitor# cur           (View current trunking configuration)
```

5. **Save your new configuration changes.**

```
>> Auto Monitor# save          (Save for restore after reboot)
```

VRRP Overview

In a high-availability network topology, no device can create a single point-of-failure for the network or force a single point-of-failure to any other part of the network. This means that your network will remain in service despite the failure of any single device. To achieve this usually requires redundancy for all vital network components.

VRRP enables redundant router configurations within a LAN, providing alternate router paths for a host to eliminate single points-of-failure within a network. Each participating VRRP-capable routing device is configured with the same virtual router IP address and ID number. One of the virtual routers is elected as the master, based on a number of priority criteria, and assumes control of the shared virtual router IP address. If the master fails, one of the backup virtual routers will take control of the virtual router IP address and actively process traffic addressed to it.

VRRP Components

Each physical router running VRRP is known as a *VRRP router*.

Virtual Router

Two or more VRRP routers can be configured to form a *virtual router* (RFC 2338). Each VRRP router may participate in one or more virtual routers. Each virtual router consists of a user-configured *virtual router identifier* (VRID) and an IP address.

Virtual Router MAC Address

The VRID is used to build the *virtual router MAC Address*. The five highest-order octets of the virtual router MAC Address are the standard MAC prefix (00-00-5E-00-01) defined in RFC 2338. The VRID is used to form the lowest-order octet.

Owners and Renters

Only one of the VRRP routers in a virtual router may be configured as the IP address owner. This router has the virtual router's IP address as its real interface address. This router responds to packets addressed to the virtual router's IP address for ICMP pings, TCP connections, and so on.

There is no requirement for any VRRP router to be the IP address owner. Most VRRP installations choose not to implement an IP address owner. For the purposes of this chapter, VRRP routers that are not the IP address owner are called *renters*.

Master and Backup Virtual Router

Within each virtual router, one VRRP router is selected to be the virtual router master. See [“Selecting the Master VRRP Router” on page 335](#) for an explanation of the selection process.

NOTE – If the IP address owner is available, it will always become the virtual router master.

The virtual router master forwards packets sent to the virtual router. It also responds to Address Resolution Protocol (ARP) requests sent to the virtual router's IP address. Finally, the virtual router master sends out periodic advertisements to let other VRRP routers know it is alive and its priority.

Within a virtual router, the VRRP routers not selected to be the master are known as virtual router backups. Should the virtual router master fail, one of the virtual router backups becomes the master and assumes its responsibilities.

Virtual Interface Router

At Layer 3, a Virtual Interface Router (VIR) allows two VRRP routers to share an IP interface across the routers. VIRs provide a single Destination IP (DIP) for upstream routers to reach various destination networks, and provide a virtual default Gateway.

NOTE – Every VIR must be assigned to an IP interface, and every IP interface must be assigned to a VLAN. If no port in a VLAN has link up, the IP interface of that VLAN is down, and if the IP interface of a VIR is down, that VIR goes into INIT state.

Virtual Server Router

Alteon OS supports *virtual server routers*, which extend the benefits of VRRP to virtual server IP addresses that are used to perform SLB.

Virtual server routers operate for virtual server IP addresses in much the same manner as Virtual Interface Routers operate for IP interfaces. A master is negotiated via a bidding process, during which information about each VRRP router's priority is exchanged. Only the master can process packets that are destined for the virtual server IP address and respond to ARP requests.

One difference between *virtual server routers* and *virtual interface routers* is that a virtual server router cannot be an *IP address owner*. All virtual server routers are *renters*.

All virtual routers, whether virtual server routers or virtual interface routers, operate independently of one another; that is, their priority assignments, advertisements, and master negotiations are separate. For example, when you configure a VRRP router's priority in a virtual server router, you are not affecting that VRRP router's priority in any virtual interface router or

any other virtual server router of which it is a part. However, because of the requirement that MAC addresses be unique on a LAN, VRIDs must be unique among all virtual routers, whether virtual interface routers or virtual server routers.

The GbE Switch Modules in [Figure 15-4](#) have been configured as VRRP routers. Together, they form a *virtual router*.

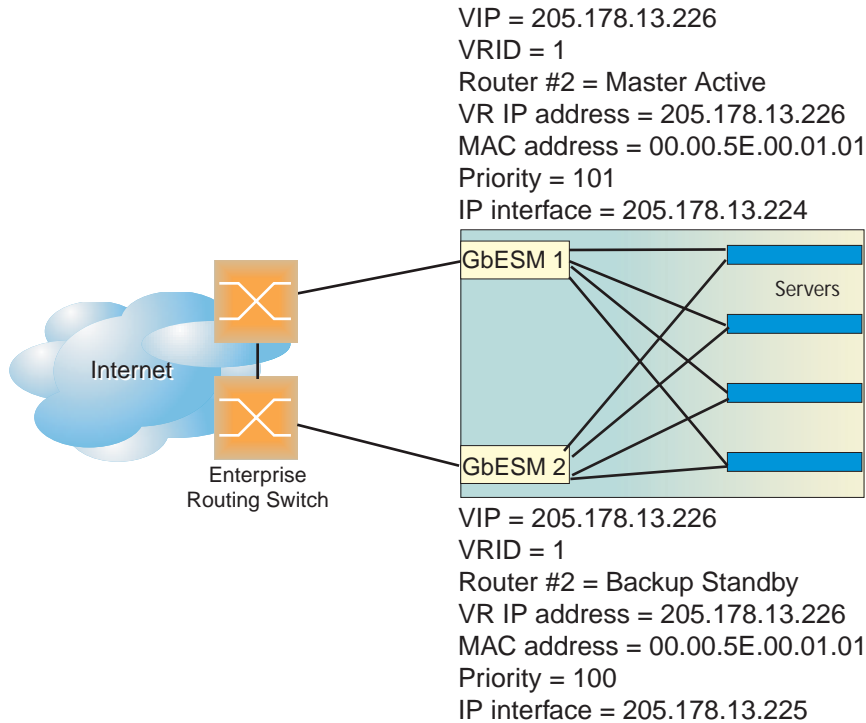


Figure 15-4 A VRRP Router

GbE Switch Module 1 in [Figure 15-4](#) has a higher priority and, therefore, becomes the virtual router master. GbE Switch Module 2 is a virtual router backup.

The virtual server router has been assigned a VRID = 1. Therefore, both of the VRRP routers have a MAC address = 00-00-5E-00-01-01.

VRRP Operation

Only the virtual router master responds to ARP requests. Therefore, the upstream routers only forward packets destined to the Virtual IP (VIP) to the Virtual Server Router master. The master also responds to ICMP ping requests. The backup does not forward any traffic on behalf of the virtual server router nor does it respond to ARP requests.

If the master is not available, the backup becomes the master and takes over responsibility for packet forwarding and responding to ARP requests.

Selecting the Master VRRP Router

Each VRRP router is configured with a priority between 1–254. A bidding process determines which VRRP router is or becomes the master—the VRRP router with the highest priority.

The master periodically sends advertisements to an IP multicast address. As long as the backups receive these advertisements, they remain in the backup state. If a backup does not receive an advertisement for three advertisement intervals, it initiates a bidding process to determine which VRRP router has the highest priority and takes over as master.

If, at any time, a backup determines that it has higher priority than the current master does, it can preempt the master and become the master itself, unless configured not to do so. In preemption, the backup assumes the role of master and begins to send its own advertisements. The current master sees that the backup has higher priority and will stop functioning as the master.

A backup router can stop receiving advertisements for one of two reasons—the master can be down, or all communications links between the master and the backup can be down. If the master has failed, it is clearly desirable for the backup (or one of the backups, if there is more than one) to become the master.

NOTE – If the master is healthy but communication between the master and the backup has failed, there will then be two masters within the virtual router. To prevent this from happening, configure redundant links to be used between the switches that form a virtual router.

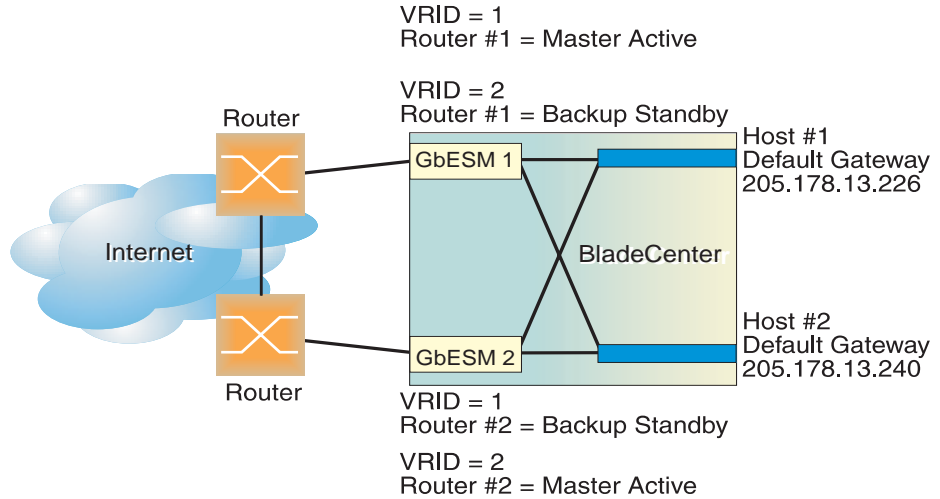


Figure 15-5 VRRP Router in Active-Standby Configuration

Table 15-1 Active-Standby Configuration

	VRID = 1	VRID = 2
Switch 1	Router #1 = Master-Active VR IP address = 205.178.13.226 MAC address = 00.00.5E.00.01.01 Priority = 255 IP interface = 205.178.13.226	Router #1 = Backup-Standby VR IP address = 205.178.13.240 MAC address = 00.00.5E.00.01.02 Priority = 100 IP interface = 205.178.13.239
Switch 2	Router #2 = Backup-Standby VR IP address = 205.178.13.226 MAC address = 00.00.5E.00.01.01 Priority = 100 IP interface = 205.178.13.225	Router #1 = Master-Active VR IP address = 205.178.13.240 MAC address = 00.00.5E.00.01.02 Priority = 255 IP interface = 205.178.13.240

Failover Methods

With service availability becoming a major concern on the Internet, service providers are increasingly deploying Internet traffic control devices, such as application switches, in redundant configurations. Traditionally, these configurations have been *hot-standby* configurations, where one switch is active and the other is in a standby mode. A non-VRRP hot-standby configuration is shown in the figure below:

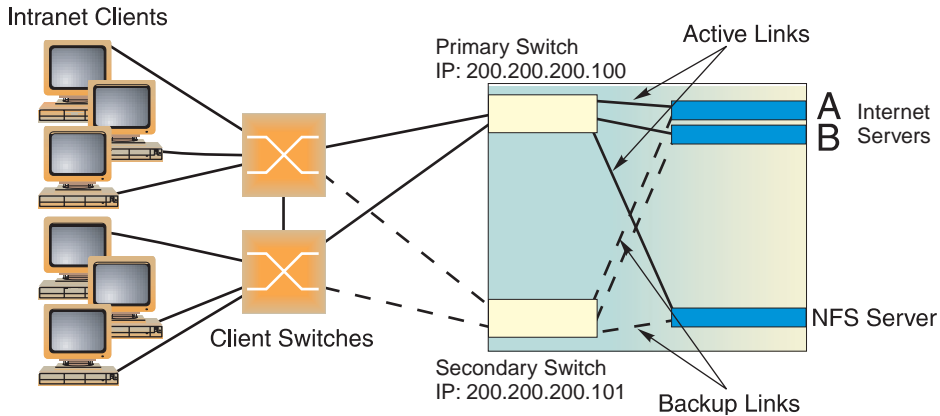


Figure 15-6 A Non-VRRP, Hot-standby Configuration

While hot-standby configurations increase site availability by removing single points-of-failure, service providers increasingly view them as an inefficient use of network resources because one functional application switch sits by idly until a failure calls it into action. Service providers now demand that vendors' equipment support redundant configurations where all devices can process traffic when they are healthy, increasing site throughput and decreasing user response times when no device has failed.

Alteon OS high availability configurations are based on VRRP. The Alteon OS implementation of VRRP includes proprietary extensions to accommodate Layer 4 through Layer 7 application switching features.

The Alteon OS implementation of VRRP supports three modes of high availability:

- **Active-Standby**—based on standard VRRP, as defined in RFC 2338
- **Active-Active**—based on proprietary Alteon OS extensions to VRRP
- **Hot-Standby**—supports Server Load Balancing when you have configured Network Adapter Teaming on your server blades

Active-Standby Redundancy

In an active-standby configuration, shown in [Figure 15-7](#), two switches are used. Both switches support active traffic but are configured so that they do not simultaneously support the same service. Each switch is active for its own set of services, such as IP routing interfaces or load-balancing virtual server IP addresses, and acts as a standby for other services on the other switch. If either switch fails, the remaining switch takes over processing for all services. The standby switch may forward Layer 2 and Layer 3 traffic, as appropriate.

For a configuration example, see [“Active-Standby Virtual Server Router Configuration”](#) on [page 350](#).

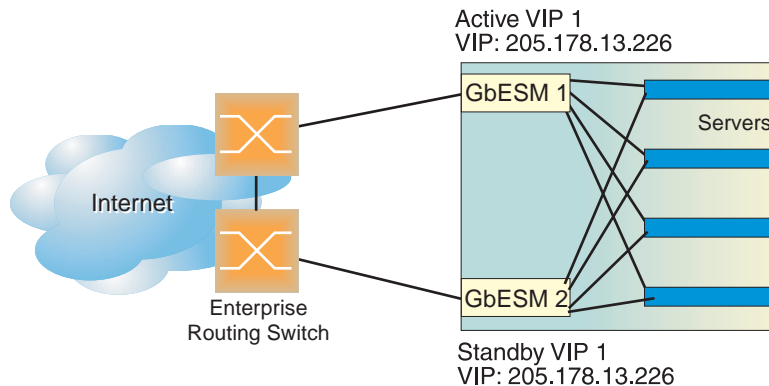


Figure 15-7 Active-Standby Redundancy

Active-Active Redundancy

In an active-active configuration, two switches provide redundancy for each other, with both active at the same time on different VIPs.

Alteon OS has extended VRRP to include virtual servers, allowing full active/active redundancy between its Layer 4 switches. In an active-active configuration, shown in [Figure 15-8](#), both switches can actively process traffic for given IP routing interfaces or load-balancing virtual servers (VIPs).

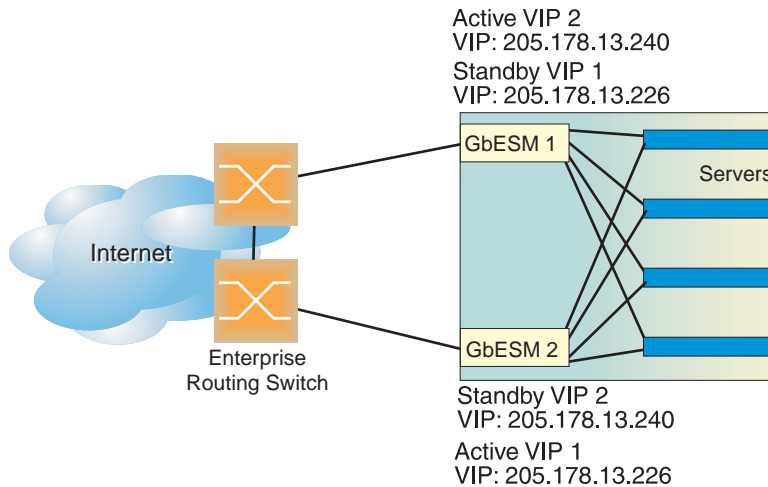


Figure 15-8 Active-Active Redundancy

In the example above, one switch is the master for VIP 1, but is the standby for VIP 2. The other switch is the master for VIP 2, but is the standby for VIP 1. Therefore, both switches are actively processing traffic simultaneously.

For configuration examples, see [“Active-Active VIR and VSR Overview”](#) on page 352 and [“Active-Active Server Load Balancing Configuration”](#) on page 353.

Hot-Standby Redundancy

In a VRRP-based hot-standby configuration, a Spanning Tree Group (STG) is not needed to eliminate bridge loops. Disabling Spanning Tree speeds up failover when a switch fails. The standby switch blocks all ports configured as standby ports, whereas the master switch enables these same ports. Consequently, on a given switch, all virtual routers are either master or standby; they cannot change state individually.

To provide as much flexibility as possible, hot-standby is now based on VRRP. In a hot-standby configuration, two or more switches provide redundancy for each other. One switch is elected *master* and actively processes Layer 4 traffic. The other switches (the standbys) assume the master role should the master fail.

There are three components to the VRRP-based, hot-standby model:

- the virtual router group (this page)
- additional Layer 4 port states ([page 268](#))
- configuration synchronization options ([page 269](#))

The hot-standby model is shown in [Figure 15-9](#).

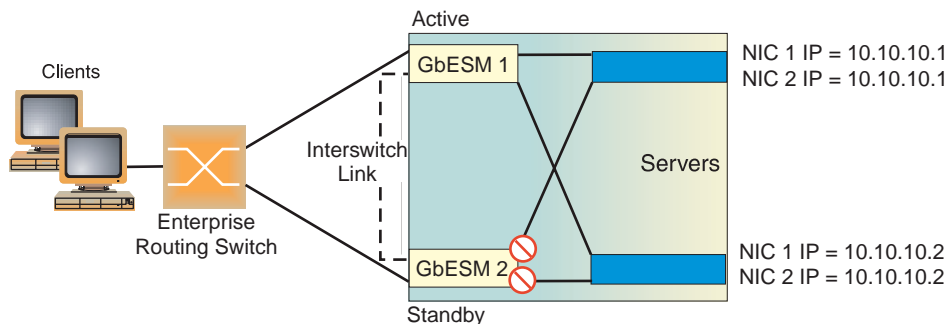


Figure 15-9 Hot-Standby Redundancy

Virtual Router Group

The virtual router group ties all virtual routers on the switch together as a single entity. By definition, hot-standby requires that all virtual routers failover as a group, and not individually. As members of a group, all virtual routers on the switch (and therefore the switch itself), are in either a master or standby state.

The virtual router group cannot be used for active-active configurations or any other configuration that require shared interfaces.

A VRRP group has the following characteristics:

- When enabled, all virtual routers behave as one entity, and all group settings override any individual virtual router settings.
- All individual virtual routers, once the VRRP group is enabled, assume the group's tracking and priority.
- When one member of a VRRP group fails, the priority of the group decreases, and the state of the entire switch changes from Master to Standby.

If a switch is in the standby state, Layer 4 processing is still enabled. If a virtual server is not a virtual router, the standby switch can still process traffic addressed to that virtual server IP address. Filtering is also still functional. Only traffic addressed to virtual server routers is not processed.

Each VRRP advertisement can include up to 128 addresses. All virtual routers are advertised within the same packet, conserving processing and buffering resources.

Hot-Standby and Interswitch Port States

The second part of the solution involves introducing two additional Layer 4 port states, hot-standby and interswitch:

- Links that attach to the standby switch must be configured as hot-standby using `/cfg/slb/port x/hotstan`.
- Links that are used by VRRP to deliver updates are configured as `intersw`, or interswitch links (not to be confused with Cisco's ISL). The command to configure one or more ports as interswitch links is `/cfg/slb/port <port number> /intersw`.

The hot-standby switch listens to the master's VRRP updates. After an interval period has expired without receiving a update, the standby switch takes over. Enabling hot-standby on a switch port allows the hot-standby algorithm to control the forwarding state of the port. If a switch is master, the forwarding states of the hot-standby ports are enabled. If a switch is standby, the hot-standby ports are disabled from forwarding or receiving traffic.

NOTE – The VRRP hot-standby approach does *not* support single-link failover. If one hot-standby port loses link, the entire switch must become master to eliminate loss of connectivity.

The forwarding states of non-hot-standby ports are not controlled via the hot-standby algorithm, allowing the additional ports on the switches to provide added port density. The client ports on both switches should be able to process or forward traffic to the master switch.

The inter-switch port state is only a place holder. Its presence forces the user to configure a inter-switch link when hot-standby is globally enabled and prohibits the inter-switch link from also being a hot-standby link for VRRP advertisements. These advertisements must be able to reach the standby switch.

NOTE – Nortel Networks recommends that you use a dedicated interswitch link. However, you can use the interswitch link to connect to an upstream switch, and process traffic. Because the ports in the interswitch link are not directly connected, traffic congestion could slow communication of VRRP status between the switches.

Synchronizing Configurations

The final piece in configuring a high-availability solution includes the addition of synchronization options to simplify the manual configuration. Configuration options have been added to refine what is synchronized, to whom, and to disable synchronizing certain configurations. These options include proxy IP addresses, Layer 4 port configuration, filter configuration, real servers, and virtual router priorities.

Also, a peer menu (`cfg/slb/sync/peer`) has been added to allow the user to configure the IP addresses of the switches that should be synchronized. This provides added synchronization validation but does not require the users to enter the IP address of the redundant switch for each synchronization.

For more information on synchronizing configurations between two switches, see [“Synchronizing Switch Configurations” on page 346](#).

For a configuration example, see [“Hot-Standby Configuration” on page 361](#).

Alteon OS extensions to VRRP

This section describes the following VRRP enhancements that are implemented in Alteon OS:

- [Virtual Server Routers](#)
- [Tracking VRRP Router Priority](#)

Virtual Server Routers

Alteon OS supports *virtual server routers*, which extend the benefits of VRRP to virtual server IP addresses that are used to perform SLB.

Virtual server routers operate for virtual server IP addresses in much the same manner as Virtual Interface Routers operate for IP interfaces. A master is negotiated via a bidding process, during which information about each VRRP router's priority is exchanged. Only the master can process packets that are destined for the virtual server IP address and respond to ARP requests.

One difference between *virtual server routers* and *virtual interface routers* is that a virtual server router cannot be an *IP address owner*. All virtual server routers are *renters*.

All virtual routers, whether virtual server routers or virtual interface routers, operate independently of one another; that is, their priority assignments, advertisements, and master negotiations are separate. For example, when you configure a VRRP router's priority in a virtual server router, you are not affecting that VRRP router's priority in any virtual interface router or any other virtual server router of which it is a part. However, because of the requirement that MAC addresses be unique on a LAN, VRIDs must be unique among all virtual routers, whether virtual interface routers or virtual server routers.

Tracking VRRP Router Priority

Alteon OS supports a tracking function that dynamically modifies the priority of a VRRP router, based on its current state. The objective of tracking is to have, whenever possible, the master bidding processes for various virtual routers in a LAN converge on the same switch. Tracking ensures that the selected switch is the one that offers optimal network performance. For tracking to have any effect on virtual router operation, preemption must be enabled.

NOTE – Tracking only affects active-standby configurations. It does not have any effect on active-active configurations.

Alteon OS can track the attributes listed in [Table 15-2](#):

Table 15-2 VRRP Tracking Parameters

Parameter	Description
Number of virtual routers in master mode on the switch <code>/cfg/13/vrrp/track/vr</code>	Useful for ensuring that traffic for any particular client/server pair is handled by the same switch, increasing routing and load-balancing efficiency. This parameter influences the VRRP router's priority in both virtual interface routers and virtual server routers.
Number of IP interfaces on the switch that are active ("up") <code>/cfg/13/vrrp/track/ifs</code>	Helps elect the virtual routers with the most available routes as the master. (An IP interface is considered active when there is at least one active port on the same VLAN.) This parameter influences the VRRP router's priority in both virtual interface routers and virtual server routers.
Number of active ports on the same VLAN <code>/cfg/13/vrrp/track/ports</code>	Helps elect the virtual routers with the most available ports as the master. This parameter influences the VRRP router's priority in both virtual interface routers and virtual server routers. Note: In a Hot-Standby configuration, only external ports are tracked.
Number of physical switch ports that have active Layer 4 processing on the switch <code>/cfg/13/vrrp/track/l4pts</code>	Helps elect the main Layer 4 switch as the master. This parameter influences the VRRP router's priority in both virtual interface routers and virtual server routers. Note: In a Hot-Standby configuration, only external ports are tracked.
Number of healthy real servers behind the virtual server IP address that is the same as the IP address of the virtual server router on the switch <code>/cfg/13/vrrp/track/reals</code>	Helps elect the switch with the largest server pool as the master, increasing Layer 4 efficiency. This parameter influences the VRRP router's priority in virtual server routers only.

Table 15-2 VRRP Tracking Parameters

Parameter	Description
In networks where the Hot-standby Router Protocol (HSRP) is used for establishing router failover, the number of Layer 4 client-only ports that receive HSRP advertisements <code>/cfg/13/vrrp/track/hsrp</code>	Helps elect the switch closest to the master HSRP router as the master, optimizing routing efficiency. This parameter influences the VRRP router's priority in both virtual interface routers and virtual server routers. Note: In a Hot-Standby configuration, HSRP is not tracked.
Tracking HSRV on VLAN <code>/cfg/13/vrrp/track/hsrv</code>	Hot-Standby router on VLAN (HSRV) is used in VLAN-tagged environments. Enable this option to increment only that VRRP instance that is on the same VLAN as the tagged HSRP master-flagged packet. The default value for this command is disabled. Note: In a Hot-Standby configuration, HSRV is not tracked.

Each tracked parameter has a user-configurable weight associated with it. As the count associated with each tracked item increases (or decreases), so does the VRRP router's priority, subject to the weighting associated with each tracked item. If the priority level of a standby is greater than that of the current master, then the standby can assume the role of the master.

See [“Configuring the Switch for Tracking” on page 348](#) for an example on how to configure the switch for tracking VRRP priority.

Virtual Router Deployment Considerations

Review the following issues described in this section to prevent network problems when deploying virtual routers:

- [Synchronizing Active/Active Failover](#)
- [Assigning VRRP Virtual Router ID](#)
- [Configuring the Switch for Tracking](#)
- [Synchronizing Switch Configurations](#)

Synchronizing Switch Configurations

As noted above, each VRRP-capable switch is autonomous. Switches in a virtual router need not be identically configured. As a result, configurations cannot be synchronized automatically.

For user convenience, it is possible to synchronize a configuration from one VRRP-capable switch to another using the `/oper/slb/sync` command. However, care must be taken when using this command to avoid unexpected results. All server load balancing, port configurations, filter configurations, and VRRP parameters can be synchronized using the `/oper/slb/synch` command.

NOTE – Before you synchronize the configuration between two switches, a peer must be configured on each switch. Switches being synchronized must use the same administrator password.

Configure the two switches as peers to each other. From Switch 1, configure Switch 2 as a peer and specify its IP address as follows:

<code>>> Main # /cfg/slb/sync</code>	<i>(Select the synchronization menu)</i>
<code>>> Config Synchronization # peer 1</code>	<i>(Select a peer)</i>
<code>>> Peer Switch 1 # addr <IP address></code>	<i>(Assign switch 2 IP address)</i>
<code>>> Peer Switch 1 # enable</code>	<i>(Enable peer switch)</i>
<code>>> Peer Switch 1 # apply</code>	<i>(Make your changes active)</i>
<code>>> Peer Switch 1 # save</code>	<i>(Save for restore after reboot)</i>

Similarly, from Switch 2, configure Switch 1 as a peer and specify its IP address as follows:

>> Main # /cfg/slb/sync	<i>(Select the synchronization menu)</i>
>> Config Synchronization # peer 1	<i>(Select a peer)</i>
>> Peer Switch 1 # addr <IP address>	<i>(Assign switch 1 IP address)</i>
>> Peer Switch 1 # enable	<i>(Enable peer switch)</i>
>> Peer Switch 1 # apply	<i>(Make your changes active)</i>
>> Peer Switch 1 # save	<i>(Save for restore after reboot)</i>

Port specific parameters, such as what filters are applied and enabled on what ports, are part of what is pushed by the `/oper/slb/synch` command. Thus, if the `/oper/slb/synch` command is used, it is highly recommended that the hardware configurations and network connections of all switches in the virtual router be identical; that is, each switch should be the same model, have the same line cards in the same slots (if modular) and have the same ports connected to the same external network devices. Otherwise, unexpected results may occur when the `/oper/slb/synch` command attempts to configure a non-existent port or applies an inappropriate configuration to a port.

Synchronizing Active/Active Failover

With VRRP and active/active failover, the primary and secondary switches do not require identical configurations and port topology. Each switch can be configured individually with different port topology, SLB, and filters. If you would rather force two active/active switches to use identical settings, you can synchronize their configuration using the following command:

```
>> Main# /oper/slb/sync
```

The `sync` command copies the following settings to the switch at the specified IP interface address:

- VRRP settings
- SLB settings (including port settings)
- Filter settings (including filter port settings)
- Proxy IP settings

If you perform the `sync` command, you should check the configuration on the target switch to ensure that the settings are correct.

For more information on synchronizing configurations between two switches, see [“Synchronizing Switch Configurations” on page 346](#).

Assigning VRRP Virtual Router ID

During the software upgrade process, VRRP virtual router IDs will be automatically assigned if failover is enabled on the switch. When configuring virtual routers at any point after upgrade, virtual router ID numbers (`/cfg/13/vrrp/vr #/vrid`) must be assigned. The virtual router ID may be configured as any number between 1 and 255.

Configuring the Switch for Tracking

Tracking configuration largely depends on user preferences and network environment. Consider the configuration shown in [Figure 15-10 on page 350](#). Assume the following behavior on the network:

- Switch 1 is the master router upon initialization.
- If switch 1 is the master and it has one fewer active servers than switch 2, then switch 1 remains the master.
This behavior is preferred because running one server down is less disruptive than bringing a new master online and severing all active connections in the process.
- If switch 1 is the master and it has two or more active servers fewer than switch 2, then switch 2 becomes the master.
- If switch 2 is the master, it remains the master even if servers are restored on switch 1 such that it has one fewer or an equal number of servers.
- If switch 2 is the master and it has one active server fewer than switch 1, then switch 1 becomes the master.

The user can implement this behavior by configuring the switch for tracking as follows:

- 1. Set the priority for switch 1 to the default value of 100.**
- 2. Set the priority for switch 2 to 96.**
- 3. On both switches, enable tracking based on the number of virtual routers in master mode on the switch and set the value = 5.**
- 4. On both switches, enable tracking based on the number of healthy real servers behind the VIP address. The VIP address is the same as the IP address of the virtual server router on the switch. Set the value = 6.**

Initially, switch 1 ([Figure 15-10 on page 350](#)) will have a priority of 100 (base value) + 5 (initially it is the master) + 24 (4 active real servers * 6 per real server) = 129.

Switch 2 will have a priority of 96 (base value) + 24 (4 active real servers * 6 per real server) = 120.

If a server attached to switch 1 fails, then switch 1's priority will be reduced by 6 to 123. Since 123 is greater than 120 (switch 2's priority), switch 1 will remain the master.

If a second server attached to switch 1 fails, then switch 1's priority will be reduced by 6 more to 117. Since 117 is less than 120 (switch 2's priority), then switch 2 will become the Master. At this point, switch 1's priority will fall by 5 more and switch 2's will rise by 5 because the switches are tracking how many masters they are running. So, switch 1's priority will settle out at 112 and switch 2's priority at 125.

When both servers are restored to switch 1, that switch's priority will rise by 12 (2 healthy real servers * 6 per healthy server) to 124. Since 124 is less than 125, switch 2 will remain the master.

If, at this point, a server fails on switch 2, its priority will fall by 6 to 119. Since 119 is less than 124, switch 1 will become the Master. Its priority will settle out at 129 (since it's now the master) while switch 2's priority will drop by 5 more to 114.

You can see from this example that the user's goals were met by the configured tracking parameters.

NOTE – There is no shortcut to setting tracking parameters. The goals must first be set and the outcomes of various configurations and scenarios analyzed to find settings that meet the goals.

High Availability Configurations

GbE Switch Modules offer flexibility in implementing redundant configurations. This section discusses a few of the more useful and easily deployed configurations:

- “Active-Standby Virtual Server Router Configuration” on page 350
- “Active-Active VIR and VSR Overview” on page 352
- “Active-Active Server Load Balancing Configuration” on page 353
- “Hot-Standby Configuration” on page 361
- “Four-switch configuration” on page 368
- “Inter-Chassis Redundancy Link” on page 372
- “Layer 2 Trunk Failover with VRRP” on page 376

Active-Standby Virtual Server Router Configuration

Figure 15-10 shows an example configuration where two GbE Switch Modules are used as VRRP routers in an active-standby configuration, implementing a virtual server router. In this configuration, when both switches are healthy, only the master responds to packets sent to the virtual server IP address.

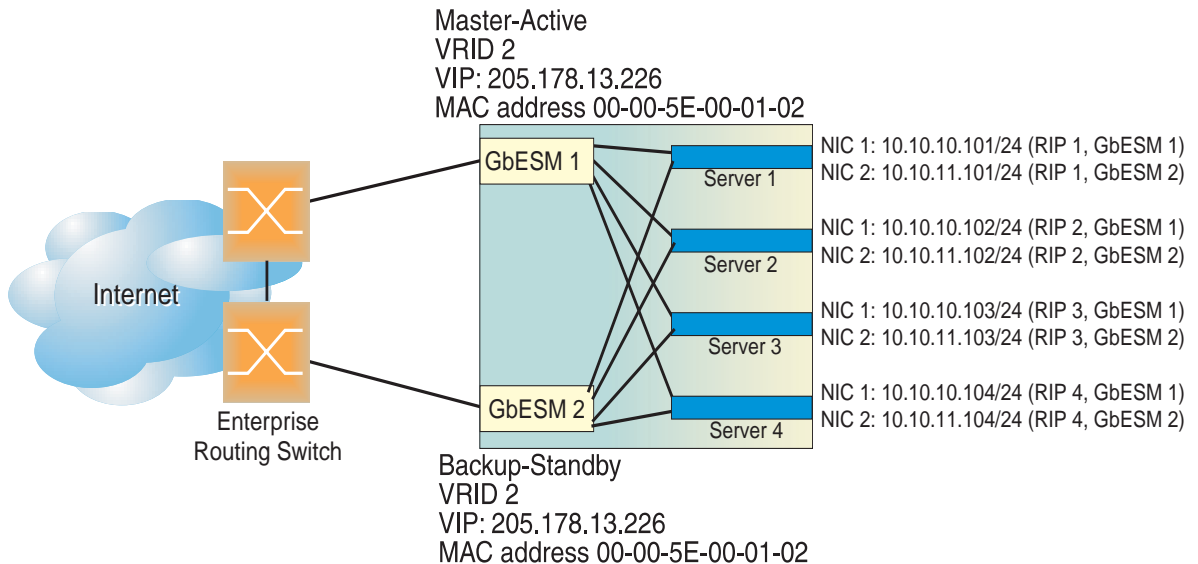


Figure 15-10 Active-Standby High-Availability Configuration

Although this example shows only two switches, there is no limit on the number of switches used in a redundant configuration. It is possible to implement an active-standby configuration across all the VRRP-capable switches in a LAN.

Each VRRP-capable switch in an active-standby configuration is autonomous. Switches in a virtual router need not be identically configured.

To implement the active-standby example, perform the following switch configuration:

1. Configure the appropriate Layer 2 and Layer 3 parameters on both switches.

This includes any required VLANs, IP interfaces, default gateways, and so on. If IP interfaces are configured, none should use the virtual server IP address described in Step 4.

2. Define all filters required for your network configuration.

Filters may be configured on one switch and synchronized with settings on the other switch (see [Step 5](#) below).

3. Configure all required SLB parameters on GbESM 1.

For the purposes of this example, assume that switch 1 in [Figure 15-10](#) is configured in this step. Required Layer 4 parameters include a VIP = 205.178.13.226 and one real server group with four real servers, RIP1 = 10.10.10.101, RIP2 = 10.10.10.102, RIP3 = 10.10.10.103, and RIP4 = 10.10.10.104.

4. Configure the VRRP parameters on GbESM 1.

This configuration includes VRID = 2, VIP = 205.178.13.226 and the priority. Enable tracking and set the parameters appropriately (refer to [“Configuring the Switch for Tracking”](#) on page 348).

5. Synchronize the SLB and VRRP configurations by synchronizing the configuration from GbESM 1 to GbESM 2.

Use the `/oper/slb/sync` command (see [“Synchronizing Switch Configurations”](#) on page 346).

6. Change the real servers in the GbESM 2 configuration to RIP = 10.10.11.101, RIP = 10.10.11.102, RIP =10.10.11.103, and RIP = 10.10.11.104.

Adjust GbESM 2's priority (see [“Configuring the Switch for Tracking”](#) on page 348).

In this example, with GbESM 1 as the master, if a link between GbESM 1 and a server fails, the server will fail health checks and be taken out of the load-balancing algorithm. If tracking is enabled and is configured to take into account the number of healthy real servers for the Virtual Router's VIP address, GbESM 1's priority will be reduced. If it is reduced to a value lower than GbESM 2's priority, then GbESM 2 will assume the role of master. In this case, all active connections serviced by GbESM 1's virtual server IP address are severed.

If the link between GbESM 1 and its Internet router fails, the protocol used to distribute traffic between the routers, for example, Open Shortest Path First (OSPF), will reroute traffic to the other router. GbESM 2 (standby) will act as a Layer 2/3 switch and forward all traffic destined to the virtual server IP address to GbESM 1.

If the entire GbESM 1 (master) fails, the protocol used to distribute traffic between the routers, such as OSPF, will reroute traffic to GbESM 2. GbESM 2 (standby) detects that the master has failed because it will stop receiving advertisements. The standby then assumes the master's responsibility of responding to ARP requests and issuing advertisements.

Active-Active VIR and VSR Overview

There is no limit on the number of switches used in a high availability configuration. It is possible to implement an active-active configuration and perform load sharing between all of the VRRP-capable switches in a LAN.

In an Active-Active configuration, when both switches are healthy, the load balanced packets are sent to the virtual server IP address, resulting in higher capacity and performance than when the switches are used in an Active-Standby configuration.

The switch on which a frame enters the virtual server router is the one that processes that frame. The ingress switch is determined by external factors, such as routing and STG settings.

NOTE – Each VRRP-capable switch is autonomous. There is no requirement that the switches in a virtual router be identically configured. Different switch models with different numbers of ports and different enabled services may be used in a virtual router.

In this configuration, if a link between a switch and a server fails, the server will fail health checks and its backup (attached to the other switch) is brought online. If a link between a switch and its Internet router fails, the protocol used to distribute traffic between the routers (for example, OSPF) will reroute traffic to the other router. Since all traffic now enters the virtual server router on one switch, that switch processes all incoming connections.

If an entire master switch fails, the standby switch detects this failure because it stops receiving advertisements. The standby assumes the master's responsibility of responding to ARP requests and issuing advertisements.

Be cautious before setting the maximum connections (`maxconn`) metric in this configuration. The `maxcon` number is not shared between switches. Therefore, if a server is used for normal operation by one switch and is activated simultaneously as a backup by the other switch, the total number of possible connections to that server is the sum of the maximum connection limits defined for it on both switches.

Active-Active Server Load Balancing Configuration

Figure 15-11 two GbE Switch Modules are used as VRRP routers in an active-active configuration implementing a virtual server router. As noted earlier, this is the preferred redundant configuration.

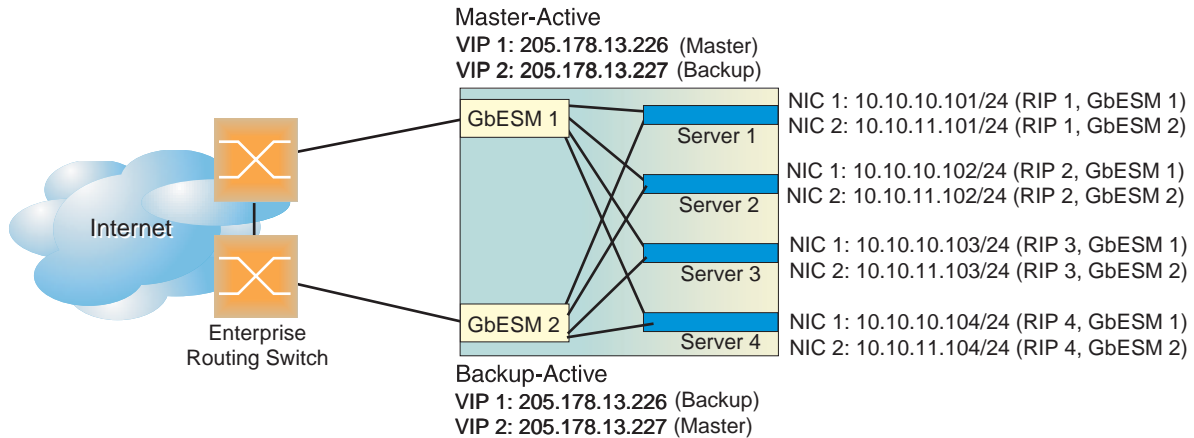


Figure 15-11 Active-Active High-Availability Configuration

In this example, you set up four virtual servers, each load balancing two servers, and providing one service (for example, HTTP) per virtual server.

You are load balancing HTTP and FTP. Each protocol is load balanced via a different virtual server. You could load balance all of these services on one VIP, but in this example, two distinct virtual servers are used to illustrate the benefits of active/active failover. Set up one switch, dump out the configuration script (also called a text dump), edit it, and dump the edited configuration into the peer switch.

In this configuration, each GbE Switch Module has a common external subnet, that contains the VIPs and the default gateway.

Each GbESM has its unique internal subnet, connecting to one of the server NICs. Therefore, each server contains a NIC connected to each GbESM on its own unique subnet. In this case, NIC 1 contains an IP on 10.10.10.x subnet, with a default gateway of 10.10.10.1 (real server interface on GbESM 1). NIC 2 contains an IP on 10.10.11.x subnet with a default gateway of 10.10.11.2 (real server interface on GbESM 2).

NOTE – Configuring the switch for active-active failover should take no longer than 15 minutes to complete. You can use either the Alteon OS Browser-Based Interface (BBI) or the Command Line Interface (CLI) for configuration.

Task 1: Configure Layer 2 and Layer 3 Parameters on GbESM 1

1. Define the VLANs.

In this configuration, set up one additional VLAN, for communication with the outside world (the ports connected to the upstream switches, toward the routers).

```

/cfg/12/vlan 2                               (Select VLAN 2)
>> vlan 2 # add EXT2                         (Add a port to the VLAN membership)
Port EXT2 is an UNTAGGED port and its current PVID is 1.
Confirm changing PVID from 1 to 2 [y/n]: y
>> vlan 2 # ena                               (Enable VLAN 2)

```

2. Define the IP interfaces.

The switch needs an IP interface for each subnet to which it is connected, so it can communicate with devices attached to it. Each interface must be placed in the appropriate VLAN. In our example, Interface 1 is in VLAN 1, Interface 2 is in VLAN 2.

To configure the internal IP interface for this example, enter the following commands from the CLI:

```

/cfg/13/if 1                                 (Select IP interface 1)
>> IP Interface 1 # mask 255.255.255.0      (Assign subnet mask for the interface)
>> IP Interface 1 # addr 10.10.10.1         (Assign IP address for the interface)
>> IP Interface 1 # vlan 1                  (Assign VLAN for the interface)
>> IP Interface 1 # ena                     (Enable IP interface 1)

```

Repeat the commands for the external interface listed below:

- IF 2—205.178.13.1 (VLAN 2)

NOTE – On GbE Switch Modules, you are permitted to configure more than one subnet per VLAN.

3. Define the gateway.

Check with your administrator for the specific IP address to use for the gateway. To configure the gateway, enter the following commands from the CLI:

```
/cfg/l3/gw 1
>> Default gateway 1 # addr 205.178.13.3 (Assign IP address for the gateway)
>> Default gateway 1 # ena (Enable the gateway)
```

4. Disable Spanning Tree.

```
/cfg/l2/stg 1 (Select the STG Group number)
>> Spanning Tree Group 1# off (Disable STG)
>> Spanning Tree Group 1# apply (Make your changes active)
```

5. Enable IP forwarding.

IP forwarding is enabled by default. Make sure IP forwarding is enabled if the virtual server IP addresses and real server IP addresses are on different subnets, or if the switch is connected to different subnets and those subnets need to communicate through the switch.

If you are in doubt as to whether or not to enable IP forwarding, enable it. In this example, the virtual server IP addresses and real server IP addresses are on different subnets, so enable this feature using the following command:

```
>> Main# /cfg/l3/frwd/on (Enable IP forwarding)
```

Task 2: Configure SLB on GbESM 1

1. Define the Real Servers.

The real server IP addresses are defined and put into four groups, depending on the service they are running. For each real server, you must assign a real server number, specify its actual IP address, and enable the real server.

For example:

```
/cfg/slb/real 1 (Define real server 1)
>> Real server 1 # rip 10.10.10.101 (Assign an IP address)
>> Real server 1 # ena (Enable real server 1)
```

Repeat this sequence of commands for the following real servers:

- RIP 2—10.10.10.102/24
- RIP 3—10.10.10.103/24
- RIP 4—10.10.10.104/24

2. Define the real server groups, adding the appropriate real servers.

This combines the three real servers into one service group:

```

/cfg/slb/group 1                                (Select real server group 1)
>> Real server group 1# add 1                   (Add real server 1 to group 1)
>> Real server group 1# add 2                   (Add real server 2 to group 1)
>> Real server group 1# add 3                   (Add real server 3 to group 1)
>> Real server group 1# add 4                   (Add real server 4 to group 1)
```

Repeat this sequence of commands for the following real server group:

- Group 2—Add RIP 1 through 4

3. Define the virtual servers.

After defining the virtual server IP addresses and associating them with a real server group number, you must tell the switch which IP ports/services/sockets you want to load balance on each VIP. You can specify the service by either the port number, service name, or socket number.

```

/cfg/slb/virt 1                                (Select virtual server 1)
>> Virtual server 1 # vip 205.178.13.226      (Assign a virtual server IP address)
>> Virtual Server 1 # service 80               (Assign HTTP service port 80)
>> Virtual server 1 http Service # group 1    (Associate virtual port to real group)
>> Virtual server 1 http Service # ../ena     (Enable the virtual server)
```

Repeat this sequence of commands for the following virtual servers:

- VIP 2—205.178.13.227 will load balance FTP ports 20 and 21 to Group 2

4. Define the client and server port states.

Defining a client port state tells that port to watch for any frames destined for the VIP and to load balance them if they are destined for a load-balanced service. Defining a server port state tells the port to do the remapping (NAT) of the real server IP address back to the virtual server IP address. Note the following:

- The ports connected to the upstream switches (the ones connected to the routers) will need to be in the client port state.

Configure the ports, using the following sequence of commands:

```

/cfg/slb/port EXT2                               (Select physical switch port EXT2)
>> SLB port EXT2 # client ena                   (Enable client processing)
>> SLB port EXT2 # ../port INT1                (Select physical switch port INT1)
>> SLB port INT1 # server ena                  (Enable server processing)
>> SLB port INT1 # ../port INT2                (Select physical switch port INT2)
>> SLB port INT2 # server ena                  (Enable server processing)
>> SLB port INT2 # ../port INT3                (Select physical switch port INT3)
>> SLB port INT3 # server ena                  (Enable server processing)
>> SLB port INT3 # ../port INT4                (Select physical switch port INT4)
>> SLB port INT4 # server ena                  (Enable server processing)

```

Task 3: Configure Virtual Router Redundancy on GbESM 1

1. Configure virtual routers 1 and 2.

These virtual routers will have the same IP addresses as the virtual server IP addresses. This is what tells the switch that these are virtual service routers (VSRs).

Configure a virtual router using the following sequence of commands:

```

/cfg/l3/vrrp/vr 1                               (Select virtual router 1)
>> Virtual router 1 vrid 1                      (Set virtual router ID)
>> Virtual router 1 addr 205.178.13.226        (Assign virtual router IP address)
>> Virtual router 1 if 2                       (Assign virtual router interface)
>> Virtual router 1 ena                        (Enable virtual router 1)

```

Repeat this sequence of commands for the following virtual router 2:

- VR 2 - VRID 2 - IF 2 (associate with IP interface #2)—Address 205.178.13.227

2. Set the rerter priority for each virtual router.

Since you want GbESM 1 to be the master router, you need to bump the default virtual router priorities (which are 100 to 101 on virtual routers 1-2) to force GbESM 1 to be the master for virtual router 1.

Use the following sequence of commands:

```

/cfg/l3/vrrp/vr 1                               (Select virtual router 1)
>> Virtual router 1 prio 101                   (Set virtual router priority)

```

NOTE – Since you want GbESM 1 to be the backup router for VIP 2, leave the priorities for virtual router 2 at the default of 100.

3. Configure priority tracking parameters for each virtual router.

For this example, the best parameter(s) on which to track is Layer 4 ports (l4pts).

Use the following commands:

```
/cfg/13/vrrp/vr 1/track
>> VRRP Virtual Router 1 Priority Tracking# l4pts ena
```

This command sets the priority tracking parameter for virtual router 1, electing the virtual router with the most available ports as the master router. Repeat this command for virtual router 2:

- VR 2 - Track l4pts

4. Apply and save your changes.

```
>> VRRP Virtual Router 1 Priority Tracking# apply(Make your changes active)
>> VRRP Virtual Router 1 Priority Tracking# save(Save for restore after reboot)
```

GbESM 1 configuration is complete.

Task 4: Configure Layer 2 and Layer 3 Parameters on GbESM 2

1. Define the VLANs.

In this configuration, set up one additional VLAN, for communication with the outside world (the ports connected to the upstream switches, toward the routers).

```
/cfg/12/vlan 2 (Select VLAN 2)
>> vlan 2 # add EXT2 (Add a port to the VLAN membership)
Port EXT2 is an UNTAGGED port and its current PVID is 1.
Confirm changing PVID from 1 to 2 [y/n]: y
>> vlan 2 # ena (Enable VLAN 2)
```

2. Define the IP interfaces.

The switch needs an IP interface for each subnet to which it is connected, so it can communicate with devices attached to it. Each interface must be placed in the appropriate VLAN. In our example, Interface 1 is in VLAN 1, Interface 2 is in VLAN 2.

NOTE – On GbE Switch Modules, you may configure more than one subnet per VLAN.

To configure the IP interfaces for this example, enter the following commands from the CLI:

```

/cfg/l3/if 1                               (Select IP interface 1)
>> IP Interface 1 # mask 255.255.255.0    (Assign subnet mask for the interface)
>> IP Interface 1 # addr 10.10.10.2       (Assign IP address for the interface)
>> IP Interface 1 # vlan 1                (Assign VLAN for the interface)
>> IP Interface 1 # ena                    (Enable IP interface 1)

```

Repeat the commands for the interface listed below:

■ IF 2—205.178.13.2 (VLAN 2)

3. Define the gateway.

Check with your administrator for the specific IP address to use for the gateway. To configure the gateway, enter the following commands from the CLI:

```

/cfg/l3/gw 1                               (Select IP interface 1)
>> Default gateway 1 # addr 205.178.13.3  (Assign IP address for the gateway)
>> Default gateway 1 # ena                 (Enable the gateway)

```

4. Disable Spanning Tree.

```

/cfg/l2/stg 1                               (Select the STG Group number)
>> Spanning Tree Group 1# off              (Disable STG)

```

5. Enable IP forwarding.

IP forwarding is enabled by default. Make sure IP forwarding is enabled if the virtual server IP addresses and real server IP addresses are on different subnets, or if the switch is connected to different subnets and those subnets need to communicate through the switch.

If you are in doubt as to whether or not to enable IP forwarding, enable it. In this example, the virtual server IP addresses and real server IP addresses are on different subnets, so enable this feature using the following command:

```

/cfg/l3/frwd/on                             (Enable IP forwarding)
>> IP Forwarding# apply                     (Make your changes active)
>> IP Forwarding# save                      (Save for restore after reboot)

```

Task 2: Synchronize VRRP and Define the Real Servers

1. Synchronize the SLB and VRRP configurations by synchronizing the configuration from GbESM 1 to GbESM 2, using the “no reals” option.

For more information about synchronization, command, see [“Synchronizing Switch Configurations” on page 346](#). Use the following commands on GbESM 1 to set it as a peer switch for synchronization:

```

/cfg/slb/sync                               (Select the synchronization menu)
>> Config Synchronization # peer 1          (Select a peer)
>> Peer Switch 1 # addr 205.178.13.2       (Assign switch 2 IP address)
>> Peer Switch 1 # enable                  (Enable peer switch)
>> Peer Switch 1 # apply                   (Make your changes active)
>> Peer Switch 1 # save                     (Save for restore after reboot)

```

Use the following commands on GbESM 2 to set up synchronization with the peer switch:

```

/cfg/slb/sync                               (Select the synchronization menu)
>> Config Synchronization # peer 1          (Select a peer)
>> Peer Switch 1 # addr 205.178.13.1       (Assign switch 1 IP address)
>> Peer Switch 1 # enable                  (Enable peer switch)
>> Peer Switch 1 # apply                   (Make your changes active)
>> Peer Switch 1 # save                     (Save for restore after reboot)

```

On GbESM 1, synchronize the VRRP, SLB, real server, and filter settings to GbESM 2.

```

/oper/slb/sync

NOTE: Use the "/c/slb/sync" menu to configure omitting sections of
      the configuration.

Synchronizing VRRP, FILT, PORT, REAL and SLB configuration
to 205.178.13.2

Confirm synchronizing the configuration to 205.178.13.2 [y/n]:y

```

2. Define the Real Servers.

The real server IP addresses are defined and put into four groups, depending on the service they are running. For each real server, you must assign a real server number, specify its actual IP address, and enable the real server.

For example:

<code>/cfg/slb/real 1</code>	<i>(Define real server 1)</i>
<code>>> Real server 1 # rip 10.10.11.101</code>	<i>(Assign an IP address)</i>
<code>>> Real server 1 # ena</code>	<i>(Enable real server 1)</i>

Repeat this sequence of commands for the following real servers:

- RIP 2—10.10.11.102/24
- RIP 3—10.10.11.103/24
- RIP 4—10.10.11.104/24

Task 3: Set Virtual Router Priorities

1. Set the rerter priority for each virtual router.

Since you want GbESM 2 to be the master router for VIP 2, you need to bump the default virtual router priorities to force GbESM 2 to be the master for virtual router 2.

Use the following sequence of commands:

<code>/cfg/l3/vrrp/vr 2</code>	<i>(Select virtual router 2)</i>
<code>>> Virtual router 2# prio 101</code>	<i>(Set virtual router priority)</i>

Set the priority of Virtual Router 1 to 100, so it becomes the backup for VIP 1:

<code>/cfg/l3/vrrp/vr 1</code>	<i>(Select virtual router 1)</i>
<code>>> Virtual router 1# prio 100</code>	<i>(Set virtual router priority)</i>
<code>>> Virtual router 1# apply</code>	<i>(Make your changes active)</i>
<code>>> Virtual router 1# save</code>	<i>(Save for restore after reboot)</i>

GbESM 2 configuration is complete.

Hot-Standby Configuration

The primary application for VRRP-based Hot-Standby is to support Server Load Balancing when you have configured Network Adapter Teaming on your server blades. With Network Adapter Teaming, the NICs on each server share the same IP address, and are configured into a team. One NIC is the primary link, and the others are backup links. For more details, refer to “Configuring Teaming” in the Broadcom NetXtreme™ Gigabit Ethernet Adapter User Guide (<http://www-306.ibm.com/pc/support/site.wss/MIGR-43152.html>).

A hot-standby configuration allows all processes to failover to a standby switch if any type of failure should occur. All Virtual Interface Routers (VIRs) and all Virtual Service Routers (VSRs) are bundled into one Virtual Router group, and then they failover together. When there is a failure that causes the VRRP Master to failover to the Standby, then the original primary switch temporarily disables the internal server links, which, in turn, causes the NIC teams to failover as well.

NOTE – When using hot-standby redundancy, peer switches should have an equal number of connected ports.

The key to Hot-Standby is that the *interswitch link* (the link between switches) does not participate in Spanning Tree, so there are no loops in the topology (see [Figure 15-12](#)). Therefore, Spanning Tree is not required, and the switch will have failover times similar to standard VRRP. In complex networks, Spanning Tree convergence time can be much higher than 45-50 seconds.

If Hot-Standby is implemented in a looped environment, the hot-standby feature automatically disables the hot-standby ports on the VRRP Standby. If the Master switch should failover to the Standby switch, it would change the hot-standby ports from *disabled* to *forwarding*, without relying on Spanning Tree or manual intervention. Therefore, Spanning Tree must be disabled.

[Figure 15-12](#) illustrates a common Hot-Standby implementation on a single blade server. Notice that the BladeCenter server NICs are configured into a team that shares the same IP address across both NICs. Because only one link can be active at a time, the hot-standby feature controls the NIC failover by having the Standby switch disable its internal ports (holding down the server links).

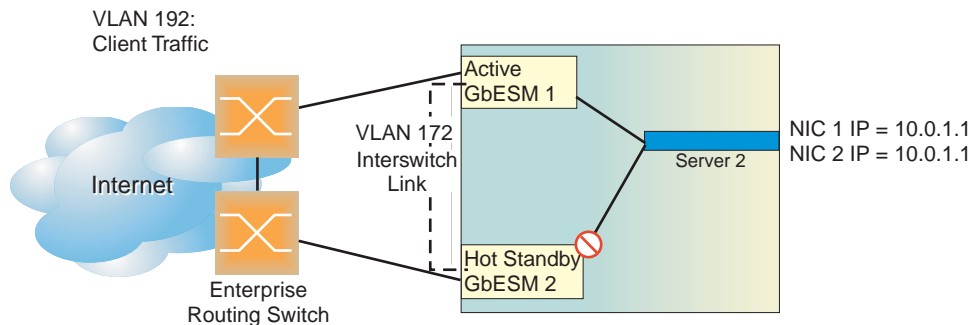


Figure 15-12 Hot-Standby Configuration

Task 1: Configure Layer 2 and Layer 3 Parameters on Switch 1

This example assumes you have already configured SLB parameters.

1. On GbESM 1, configure the external ports into their respective VLANs as shown in [Figure 15-12](#).

```

/cfg/l2/vlan 1
>> VLAN 1# ena
>> VLAN 1# name servers                (Name VLAN 1 for server traffic)
>> Port EXT4# /cfg/l2/vlan 192          (VLAN 192 is for client traffic)
>> VLAN 192# ena                        (Enable the VLAN)
>> VLAN 192# name clients              (Optional: assign name)
>> VLAN 192# def EXT1 EXT2 EXT3        (Add the external ports this VLAN)
>> VLAN 192# /cfg/l2/vlan 172          (VLAN 172 is for the Interswitch Link)
>> VLAN 172# ena
>> VLAN 172# name ISL                  (Optional: assign name)
>> VLAN 172# def EXT4                  (Add port EXT4 to this VLAN)

```

2. Trunk the external ports that you configured for the client VLAN.

```

/cfg/l2/trunk 1                                (Select Trunk Group 1)
>> Trunk group 1# ena                   (Enable the Trunk Group)
>> Trunk group 1# add EXT1              (Add the external ports to the trunk)
>> Trunk group 1# add EXT2
>> Trunk group 1# add EXT3

```

3. Turn off Spanning Tree.

```

/cfg/l2/stg 1/off                             (Disable STG group)
>> Spanning Tree Group 1# apply        (Make your changes active)
>> Spanning Tree Group 1# save        (Save for restore after reboot)

```

4. Configure the IP interfaces for each VLAN.

```

/cfg/l3/if 1 (IP Interface 1: Blade Servers)
>> IP Interface 1# ena (Enable this interface)
>> IP Interface 1# addr 10.0.1.251
>> IP Interface 1# mask 255.255.255.0
>> IP Interface 1# broad 10.0.1.255
>> IP Interface 1# /cfg/l3/if 2 (IP Interface 2: Client traffic)
>> IP Interface 2# ena
>> IP Interface 2# addr 192.168.1.251
>> IP Interface 2# vlan 192
>> IP Interface 2# /cfg/l3/if 3 (IP Interface 3: Interswitch Link)
>> IP Interface 3# ena
>> IP Interface 3# addr 172.16.2.251
>> IP Interface 3# vlan 172

```

Task 2: Configure Virtual Router Redundancy

1. Configure virtual routers for the server, client, and Interswitch Link traffic.

```

/cfg/l3/vrrp/vr 1 (Virtual router for server)
>> VRRP Virtual Router 1# ena
>> VRRP Virtual Router 1# vrid 1
>> VRRP Virtual Router 1# if 1
>> VRRP Virtual Router 1# addr 10.0.1.250
/cfg/l3/vrrp/vr 2 (Virtual router for client)
>> VRRP Virtual Router 2# ena
>> VRRP Virtual Router 2# vrid 2
>> VRRP Virtual Router 2# if 2
>> VRRP Virtual Router 2# addr 192.168.1.250
/cfg/l3/vrrp/vr 3 (Virtual router for ISL)
>> VRRP Virtual Router 3# ena
>> VRRP Virtual Router 3# vrid 3
>> VRRP Virtual Router 3# if 3
>> VRRP Virtual Router 3# addr 172.16.2.250

```

2. From the VRRP menu, enable VRRP group mode; then enable hot-standby.

```

/cfg/l3/vrrp/on (Enable VRRP)
>> VRRP# hotstan ena (Enable hot-standby)
>> VRRP# group ena (Enable VR group)
>> VRRP# apply (Make your changes active)
>> VRRP# save (Save for restore after reboot)

```

3. Set VRRP tracking for the Interswitch Link ports.

If a link on one of the connected ports goes down, the switch will decrease in VRRP priority and the standby switch will take over as the master.

```

/cfg/l3/vrrp/group/ena
>> VRRP Virtual Router Group# vrid 1
>> VRRP Virtual Router Group# prio 101
>> VRRP Virtual Router Group# track
>> VRRP Virtual Router Group# ports ena

```

4. Setup the peer switch (GbESM 2) that will receive synchronization of the Layer 4 configuration.

Make sure to disable synchronization of VRRP priorities; the peer switch will assume its own priority based on the VRRP election process and should not acquire the VRRP priority from the Master switch's configuration. If you will be configuring real servers for VRRP hot-standby, make sure to enable synchronization of real server configuration as well.

```

/cfg/slb/sync/prios d (Do not synchronize VRRP priorities
to the peer switch)
>> Config Synchronization# peer 1/ena (Enable the synchron. peer switch)
>> Peer Switch 1# addr 172.16.2.252 (Set IP address of switch 2)
>> Peer Switch 1# /cfg/slb/synch/reals ena (Synchronize real server config to the
peer switch)

```

5. From the SLB menu, enable a hot-standby link on the Layer 4 ports; then enable inter-switch link on the crosslink.

```

/cfg/slb/port INT2
>> SLB port INT2# hotstan ena
>> SLB port INT2# /cfg/slb/port EXT4
>> SLB port EXT4# intersw ena

```

6. Apply and save the changes to the configuration.

```

>> SLB port EXT4# apply
>> SLB port EXT4# save

```

Task 3: Configure GbESM 2

Use the following procedure to dump the configuration script (text dump) from GbESM 1:

1. **Begin a Telnet session from the BladeCenter management module.**
2. **Dump the switch configuration using the following command:**

```
/cfg/dump
```

A script will be dumped out.

3. **Copy and paste the entire contents of the script to a text file.**

The first and last lines of the file should show the following:

```
script start "Nortel Networks Layer2-7 GbE Switch Module" 4 /**** DO
NOT EDIT THIS LINE!                               (File must begin with this line)
:                                                  (All config. commands appear here)
:
script end /**** DO NOT EDIT THIS LINE!          (File must end with this line)
```

4. **Edit the text file that you just created as follows:**

Change all the IP interface addresses for GbESM 2; otherwise, you will have duplicate IP addresses in the network. In this example, change the last octet in all the IP interfaces from .251 to .252.

```
(Example from configuration script:)
/c/l3/if 1
  addr 10.0.1.252
```

- Change the synchronization peer switch to use the IP address of GbESM 1. In this example, change the last octet from .252 (denoting GbESM 2), to .251 (GbESM 1).

```
(Example from configuration script:)
/c/slb/sync/peer 1
  ena
  addr 172.16.2.251
```

5. **Save the changes to the text file as “Customer Name” GbESM 2 and load it onto a TFTP server.**

Begin a Telnet session for the second switch. Any configuration on it needs to be deleted by resetting it to factory settings, using the following command:

```
>> Main# /boot/conf factory/reset
```

You can tell if the switch is at factory default when you log on because the switch prompts you if you want to use the step-by-step configuration process. When it does, respond: "No."

6. From the CLI, download the configuration script into the switch from the TFTP server using the following command:

```
/cfg/gtcfg <tftp-server-addr> <cfg-filename>
```

Task 4: Synchronize Layer 4 Parameters from GbESM 1 to GbESM 2

1. On GbESM 1, synchronize the VRRP, SLB, real server, and filter settings to the other switch (same ports).

Switches peering with each other should have an equal number of ports.

```
/oper/slb/sync
```

NOTE: Use the "/c/slb/sync" menu to configure omitting sections of the configuration.

```
Synchronizing VRRP, FILT, PORT, REAL and SLB configuration
to 172.16.2.252
```

```
Confirm synchronizing the configuration to 172.16.2.252 [y/n]:y
```

2. On GbESM 2, apply and save the configuration changes.

Four-switch configuration

The IBM BladeCenter chassis supports the use of up to four GbE Switch Modules simultaneously. Combined with VRRP, this provides a massively redundant, highly available solution. With a single VIP, the four switches can be configured to provide Active-Standby-Standby-Standby redundancy. As your application requirements scale, so does your solution. If you have two VIPs, you have an Active-Active, Standby-Standby solution.

This four-switch solution scales all the way to become a full Active-Active-Active-Active solution that provides load-sharing across all of the switch modules. The key is to configure the same VSRs on each of the GbE Switch Modules.

[Figure 15-13 on page 369](#) displays the four-switch configuration, using a four-VIP example. Each GbE Switch Module is the master of a different VIP, and is the standby for the other VIPs. For example, GbE SM 1 master for VIP 1 and standby for VIP 2-4, while GbESM 2 is master for VIP 3 and standby for VIP 1, VIP 2, and VIP 4.

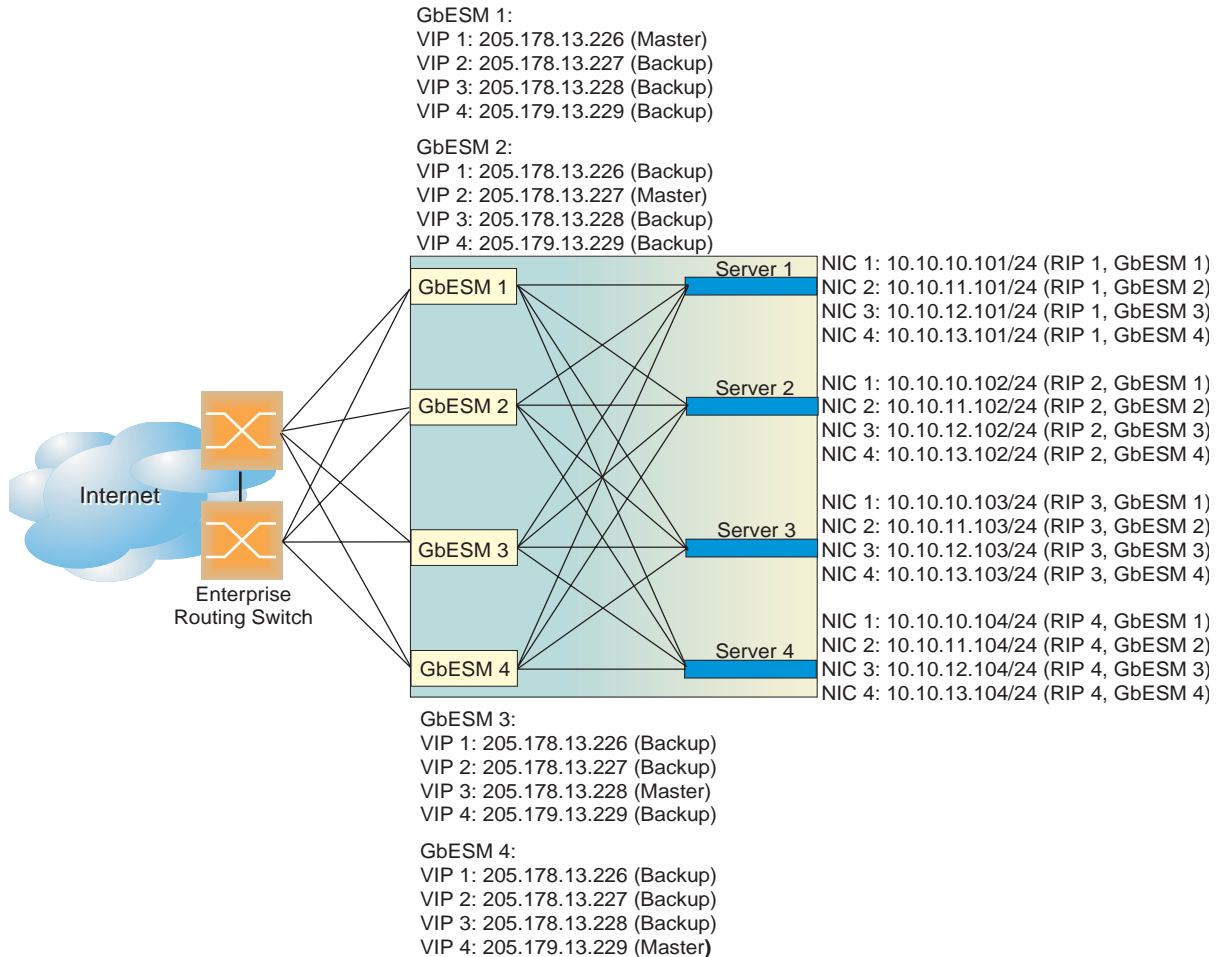


Figure 15-13 Four GbESM Active-Active-Active-Active example

Configuring BladeCenter with four switches

1. Configure the appropriate Layer 2 and Layer 3 parameters on the switches.

This configuration includes any required VLANs, IP interfaces, default gateways, and so on. If IP interfaces are configured, none of them should use the VIP address described in Step 4.

2. Define all filters required for your network configuration.

Filters may be configured on one switch and synchronized with the settings on the other switches (see [Step 5](#), below).

3. Configure all required SLB parameters on one of the switches.

a. Create real servers:

```
>> Main # /cfg/slb/real 1/ena/rip 10.10.10.101(Create real server 1)
>> Main # /cfg/slb/real 2/ena/rip 10.10.10.102(Create real server 2)
>> Main # /cfg/slb/real 3/ena/rip 10.10.10.103(Create real server 3)
>> Main # /cfg/slb/real 4/ena/rip 10.10.10.104(Create real server 4)
```

NOTE – Note: On switches 2-4, use the real IP addresses as shown in Figure 15-13 on page 369.

b. Create SLB Groups.

```
>> Main # /cfg/slb/group 1/add 1/add 2/add 3/add 4(Create group 1)
>> Main # /cfg/slb/group 2/add 1/add 2/add 3/add 4(Create group 2)
>> Main # /cfg/slb/group 3/add 1/add 2/add 3/add 4(Create group 3)
>> Main # /cfg/slb/group 4/add 1/add 2/add 3/add 4(Create group 4)
```

c. Create the virtual IP addresses.

```
>> Main # /cfg/slb/virt 1/ena/vip 205.178.13.226/ser 80/gr 1(VIP 1)
>> Main # /cfg/slb/virt 2/ena/vip 205.178.13.227/ser 80/gr 2(VIP 2)
>> Main # /cfg/slb/virt 3/ena/vip 205.178.13.228/ser 80/gr 3(VIP 3)
>> Main # /cfg/slb/virt 4/ena/vip 205.178.13.229/ser 80/gr 4(VIP 4)
```

4. Configure the VRRP parameters on the switch.

```
>> Main # /cfg/l3/vrrp/vr 1/ena/vrid 1/addr 205.178.13.226(VRID 1)
>> Main # /cfg/l3/vrrp/vr 2/ena/vrid 2/addr 205.178.13.227(VRID 2)
>> Main # /cfg/l3/vrrp/vr 3/ena/vrid 3/addr 205.178.13.228(VRID 3)
>> Main # /cfg/l3/vrrp/vr 4/ena/vrid 4/addr 205.178.13.229(VRID 4)
>> VRRP Virtual Router 4# apply (Make your changes active)
>> VRRP Virtual Router 4# save (Save for restore after reboot)
```

5. Create real servers on switch 2 and sync using the “no reals” option.

```
>> Main # /cfg/slb/real 1/ena/rip 10.10.11.101(Create real server 1)
>> Main # /cfg/slb/real 2/ena/rip 10.10.11.102(Create real server 2)
>> Main # /cfg/slb/real 3/ena/rip 10.10.11.103(Create real server 3)
>> Main # /cfg/slb/real 4/ena/rip 10.10.11.104(Create real server 4)

>> Main # /oper/slb/sync
```

6. Create real servers on switch 3 and sync using the “no reals” option.

```
>> Main # /cfg/slb/real 1/ena/rip 10.10.12.101(Create real server 1)
>> Main # /cfg/slb/real 2/ena/rip 10.10.12.102(Create real server 2)
>> Main # /cfg/slb/real 3/ena/rip 10.10.12.103(Create real server 3)
>> Main # /cfg/slb/real 4/ena/rip 10.10.12.104(Create real server 4)

>> Main # /oper/slb/sync
```

7. Create real servers on switch 4 and sync using the “no reals” option.

```
>> Main # /cfg/slb/real 1/ena/rip 10.10.13.101(Create real server 1)
>> Main # /cfg/slb/real 2/ena/rip 10.10.13.102(Create real server 2)
>> Main # /cfg/slb/real 3/ena/rip 10.10.13.103(Create real server 3)
>> Main # /cfg/slb/real 4/ena/rip 10.10.13.104(Create real server 4)

>> Main # /oper/slb/sync
```

Inter-Chassis Redundancy Link

The Inter-Chassis Redundancy Link (ICRL) feature allows you to design and build a massively scalable computing grid by providing Application High Availability across multiple BladeCenter chassis. ICRL automates the application fail-over from a failed chassis to a standby chassis. ICRL is enabled by default on the GbE Switch Module.

Multiple ICRL configurations are supported. Two or more BladeCenter chassis with one GbESM each can be configured for Active-Standby redundancy, where one chassis is processing the Virtual Server traffic. If you have multiple VIPs, you can utilize an Active-Active configuration, to provide load-sharing across both chassis.

To scale your computing grid, install a second GbE Switch Module to each of your BladeCenter chassis and configure the Virtual Servers for which you wish to provide failover. This provides High Availability within the chassis as well across multiple chassis. This topology can be scaled further by adding additional BladeCenters (equipped with GbE Switch Modules) to the design. The key is to configure the same VSR on each of the GbE Switch Modules.

[Figure 15-14 on page 373](#) displays the optimal configuration using a four VIP example. Each GbE Switch Module is the master for a different VIP, and is the standby for each of the others. For example, Chassis 1 GbESM 1 is master for VIP1 and standby for VIP2-4, while Chassis 2 GbESM 1 is master for VIP3 and standby for VIPs 1, 2 and 4. This provides full application availability for any type of failure - application failure, server OS failure, server blade failure, Switch Module failure and chassis failure.

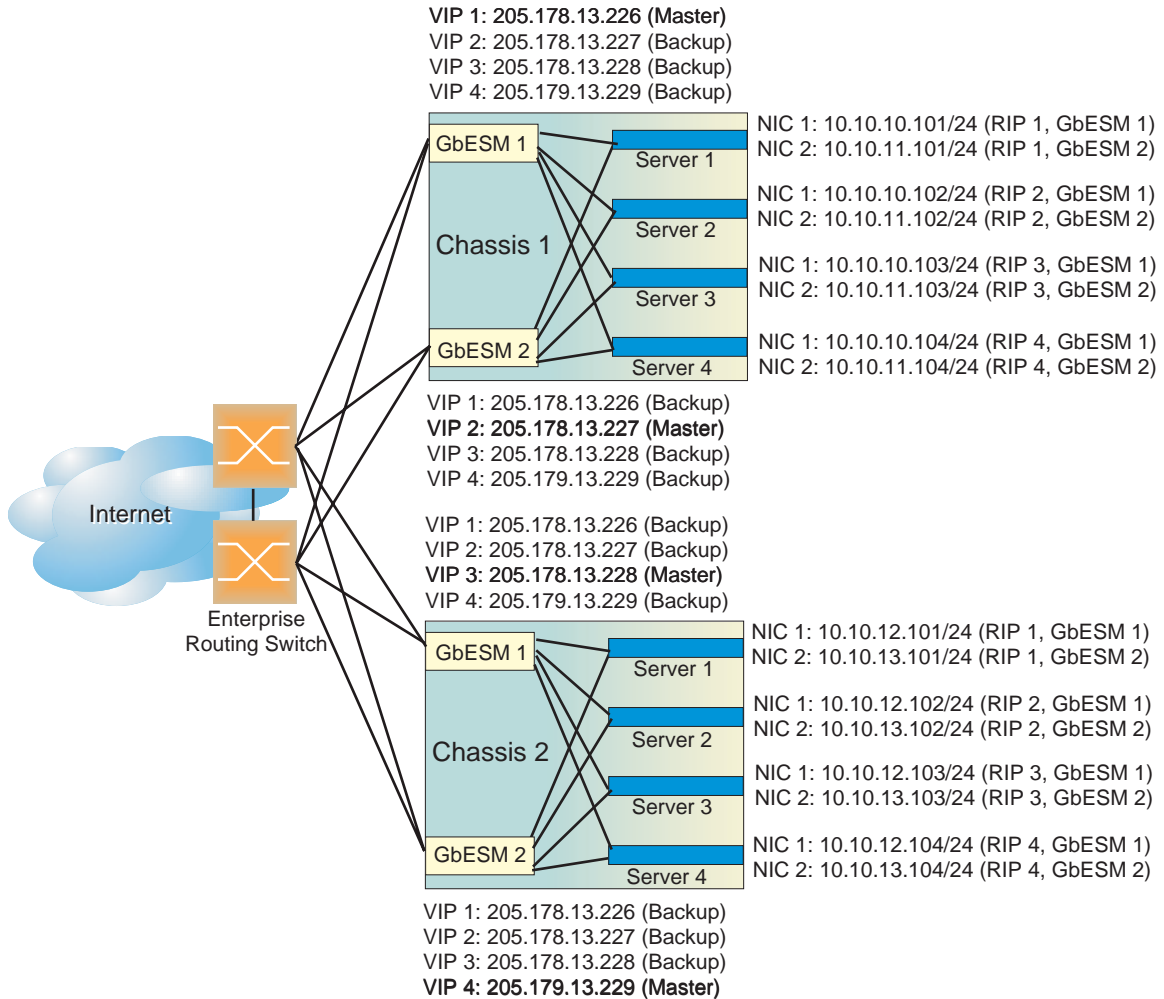


Figure 15-14 Active-Active Inter-Chassis Redundancy Link example

To implement the example shown in [Figure 15-14](#), configure the switches as follows:

Task 1: Configuring BladeCenter Chassis 1

1. Configure the appropriate Layer 2 and Layer 3 parameters on both switches in chassis 1.

This configuration includes any required VLANs, IP interfaces, default gateways, and so on. If IP interfaces are configured, none of them should use the VIP address described in Step 4.

2. Define all filters required for your network configuration.

Filters may be configured on one switch and synchronized with the settings on the other switch (see Step 5, below).

3. Configure all required SLB parameters on one of the switches.

For the purposes of this example, assume that switch 1 in chassis 1 (see [Figure 15-14 on page 373](#)) is configured in this step. Required Layer 4 parameters include four virtual IPs (VIP 1 = 205.178.13.226, VIP 2 = 205.178.13.227, VIP3 = 205.178.13.228, VIP 4 = 205.178.13.229) and one real server group with four real servers, RIP1 = 10.10.10.101, RIP2 = 10.10.10.102, RIP3 = 10.10.10.103, and RIP4 = 10.10.10.104.

RIP1 = 10.10.11.101 should be configured as a backup server to RIP1 = 10.10.10.101.

RIP2 = 10.10.11.102 should be configured as a backup server to RIP2 = 10.10.10.102

RIP3 = 10.10.11.103 should be configured as a backup server to RIP3 = 10.10.10.103

RIP4 = 10.10.11.104 should be configured as a backup server to RIP4 = 10.10.10.104

NOTE – In this configuration, each server's backup is attached to the other switch. This ensures that operation will continue if all of the servers attached to a switch fail.

4. Configure the VRRP parameters on the switch.

Configure VIP 1 address = 205.178.13.226, VRID 1

VIP 2 address =205.178.13.227, VRID 2

VIP 3 address=205.178.13.228, VRID 3

VIP 4 address=205.178.13.228, VRID 4

5. Synchronize the SLB and VRRP configurations in chassis 1 by pushing the configuration from switch 1 to switch 2.

Use the `/oper/slb/sync` command.

Task 2: Configuring BladeCenter Chassis 2**1. Configure the appropriate Layer 2 and Layer 3 parameters on both switches in chassis 1.**

This configuration includes any required VLANs, IP interfaces, default gateways, and so on. If IP interfaces are configured, none of them should use the VIP address described in Step 4.

2. Define all filters required for your network configuration.

Filters may be configured on one switch and synchronized with the settings on the other switch (see Step 5, below).

3. Configure all required SLB parameters on one of the switches.

For the purposes of this example, assume that switch 1 in chassis 1 (see [Figure 15-14 on page 373](#)) is configured in this step. Required Layer 4 parameters include four virtual IPs (VIP 1 = 205.178.13.226, VIP 2 = 205.178.13.227, VIP3 = 205.178.13.228, VIP 4 = 205.178.13.229) and one real server group with four real servers, RIP1 = 10.10.12.101, RIP2 = 10.10.12.102, RIP3 = 10.10.12.103, and RIP4 = 10.10.12.104.

RIP1 = 10.10.13.101 should be configured as a backup server to RIP1 = 10.10.12.101.

RIP2 = 10.10.13.102 should be configured as a backup server to RIP2 = 10.10.12.102

RIP3 = 10.10.13.103 should be configured as a backup server to RIP3 = 10.10.12.103

RIP4 = 10.10.13.104 should be configured as a backup server to RIP4 = 10.10.12.104

NOTE – In this configuration, each server's backup is attached to the other switch. This ensures that operation will continue if all of the servers attached to a switch fail.

4. Configure the VRRP parameters on the switch.

Configure VIP 1 address = 205.178.13.226, VRID 1

VIP 2 address = 205.178.13.227, VRID 2

VIP 3 address = 205.178.13.228, VRID 3

VIP 4 address = 205.178.13.228, VRID 4

5. Synchronize the SLB and VRRP configurations in chassis 1 by pushing the configuration from switch 1 to switch 2.

Use the `/oper/slb/sync` command.

Layer 2 Trunk Failover with VRRP

You can combine Layer 2 Trunk Failover with VRRP, which allows you to scale High Availability to multiple levels:

- NIC failover within a chassis
- Virtual Server Routers across multiple BladeCenter chassis

When the VRRP Trunk Failover command (`/cfg/13/vrrp/trnkfo`) is enabled, you can configure Layer 2 Trunk Failover when VRRP is enabled.

NOTE – When Layer 2 Trunk Failover is enabled, you cannot enable VRRP Hot Standby.

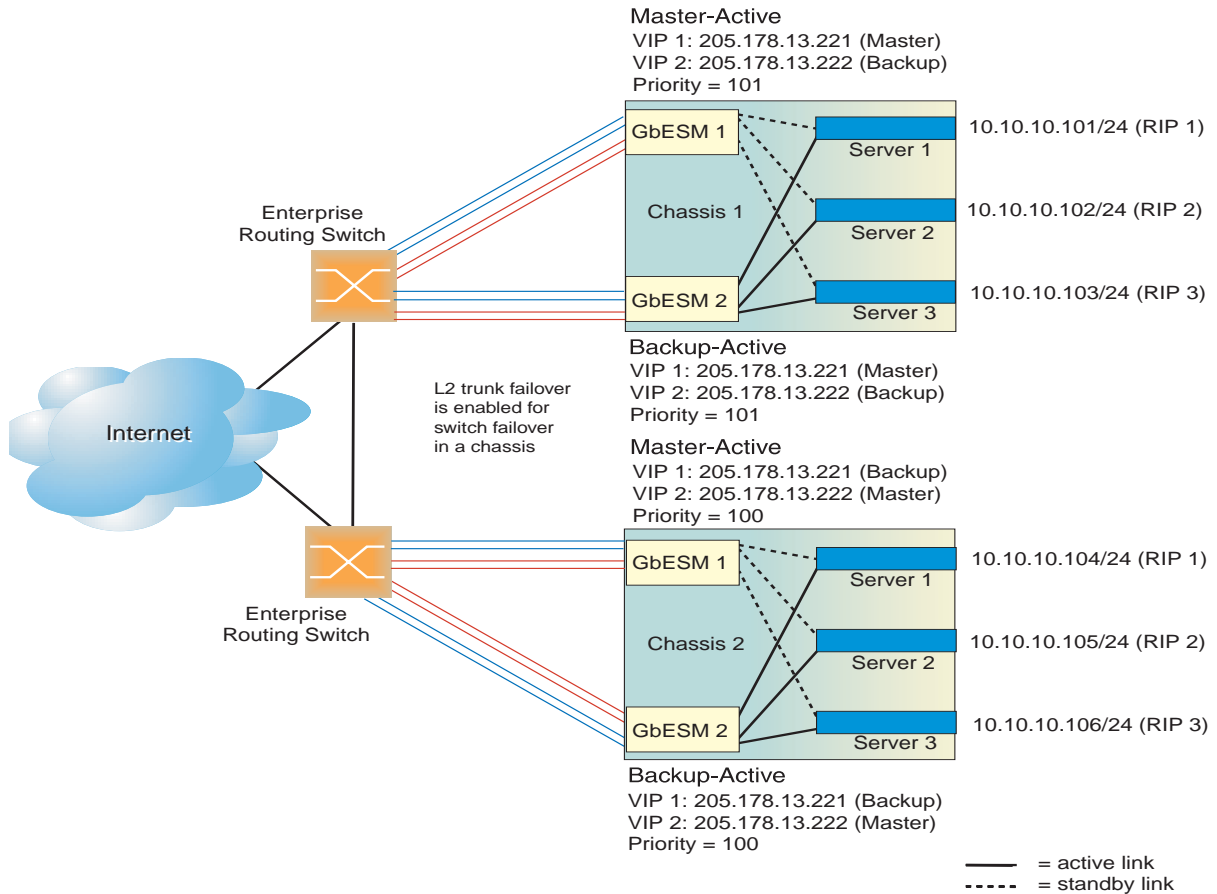


Figure 15-15 Active-Active Configuration with L2 Trunk Failover

In this configuration, you set up virtual servers similar to the configuration described in [“Active-Active Server Load Balancing Configuration”](#) on page 353. Then you configure Layer 2 Trunk Failover similar to the configuration described in [“Layer 2 Trunk Failover”](#) on page 326.

For example, Chassis 1 is the Master for HTTP service, and Backup for FTP service. Chassis 2 is the Master for FTP service, and Backup for HTTP service. Within each chassis, GbESM 2 is the Backup for GbESM 1. All ingress traffic flows to GbESM 1.

Failover Scenarios

Within a chassis, if all links to GbESM 1 fail, then the server NICs failover to GbESM 2.

There are three possible failover scenarios between the BladeCenter chassis:

- A chassis shuts down.
- All uplinks between both GbESMs in a chassis and the Layer 2 switch fail.
- A server blade within a chassis is removed.

In the first two scenarios, the switches in chassis 2 stop receiving VRRP advertisements from chassis 1. One of the GbESMs in chassis 2 is elected to become the Master for VIP 1.

If a server blade is removed from chassis 1, the priority of the switches in chassis 1 changes from 107 (101 + 6) to 105 (101 + 4). Since the priority of the switches in chassis 2 is 106 (100 + 6), one of them is elected to become the Master for VIP 1.

Task 1: Configuring BladeCenter Chassis 1

1. Configure the appropriate Layer 2 and Layer 3 parameters on both switches in chassis 1.

This configuration includes any required VLANs, IP interfaces, default gateways, and Layer 2 Trunk Failover. If IP interfaces are configured, none of them should use the VIP address described in Step 4.

2. Define all filters required for your network configuration.

Filters may be configured on one switch and synchronized with the settings on the other switch (see Step 5, below).

3. Configure all required SLB parameters on GbESM 1.

For the purposes of this example, assume that GbESM 1 in chassis 1 (see [Figure 15-15 on page 377](#)) is configured in this step. Required Layer 4 parameters include two virtual IPs:

(VIP 1 = 205.178.13.221, VIP 2 = 205.178.13.222),

and one real server group with three real servers:

RIP1 = 10.10.10.101, RIP2 = 10.10.10.102, RIP3 = 10.10.10.103

NOTE – In this configuration, NIC Teaming is configured to ensure that failover occurs when the active NIC fails.

4. Configure the VRRP parameters on GbESM 1.

Configure VIP 1 address = 205.178.13.221, VRID 1

VIP 2 address = 205.178.13.222, VRID 2

Priority = 101

VRRP Trunk Failover enabled

5. **Synchronize the SLB and VRRP configurations in chassis 1 by pushing the configuration from GbESM 1 to GbESM 2.**

Use the `/oper/slb/sync` command, with real servers enabled and priority disabled.

Task 2: Configuring BladeCenter Chassis 2

1. **Configure the appropriate Layer 2 and Layer 3 parameters on both switches in chassis 1.**

This configuration includes any required VLANs, IP interfaces, default gateways, and Layer 2 Trunk Failover. If IP interfaces are configured, none of them should use the VIP address described in Step 4.

2. **Define all filters required for your network configuration.**

Filters may be configured on one switch and synchronized with the settings on the other switch (see Step 5, below).

3. **Configure all required SLB parameters on GbESM 1.**

For the purposes of this example, assume that GbESM 1 in chassis 1 (see [Figure 15-15 on page 377](#)) is configured in this step. Required Layer 4 parameters include two virtual IPs: (VIP 1 = 205.178.13.221, VIP 2 = 205.178.13.221), and one real server group with three real servers:
RIP1 = 10.10.12.101, RIP2 = 10.10.12.102, RIP3 = 10.10.12.103

NOTE – In this configuration, NIC Teaming is configured to ensure that failover occurs when the active NIC fails.

4. **Configure the VRRP parameters on GbESM 1.**

Configure VIP 1 address = 205.178.13.221, VRID 1
VIP 2 address =205.178.13.222, VRID 2
Priority = 100
VRRP Trunk Failover enabled

5. **Synchronize the SLB and VRRP configurations in chassis 1 by pushing the configuration from GbESM 1 to GbESM 2.**

Use the `/oper/slb/sync` command, with real servers enabled and priority disabled.

6. **Change the VRRP rener priority of GbESM 2 to 101.**

Part 4: Advanced Switching

Alteon OS can parse requests and classify flows using URLs, host tags, and cookies so that each request can be isolated and treated intelligently. This section describes the following advanced switching applications:

- Content Intelligent Switching
- Persistence



CHAPTER 16

Content Intelligent Switching

This chapter discusses advanced load balancing solutions utilizing Layer 7 content switching. Inspecting HTTP headers, examining content identifiers such as URLs and cookies, and parsing content requests are discussed in the following topics:

- “Overview” on page 384
- “Content Intelligent Server Load Balancing” on page 387
- “Content Intelligent Cache Redirection” on page 405
- “Exclusionary String Matching for Real Servers” on page 421
- “Regular Expression Matching” on page 423
- “Content Precedence Lookup” on page 425
- “Layer 7 Deny Filters” on page 428

NOTE – For all content-intelligent switching features enable Direct Access Mode (DAM) or configure proxy IP addresses.

Overview

GbE Switch Modules perform content intelligent switching by processing numerous tasks for each incoming session, including connection setup, traffic parsing, applying server selection algorithms, splicing connections and translating session addresses, metering and controlling server bandwidth usage, processing traffic filters, collecting statistics, and so on. [Figure 16-1](#) illustrates the process of content intelligent switching in the GbE Switch Module.

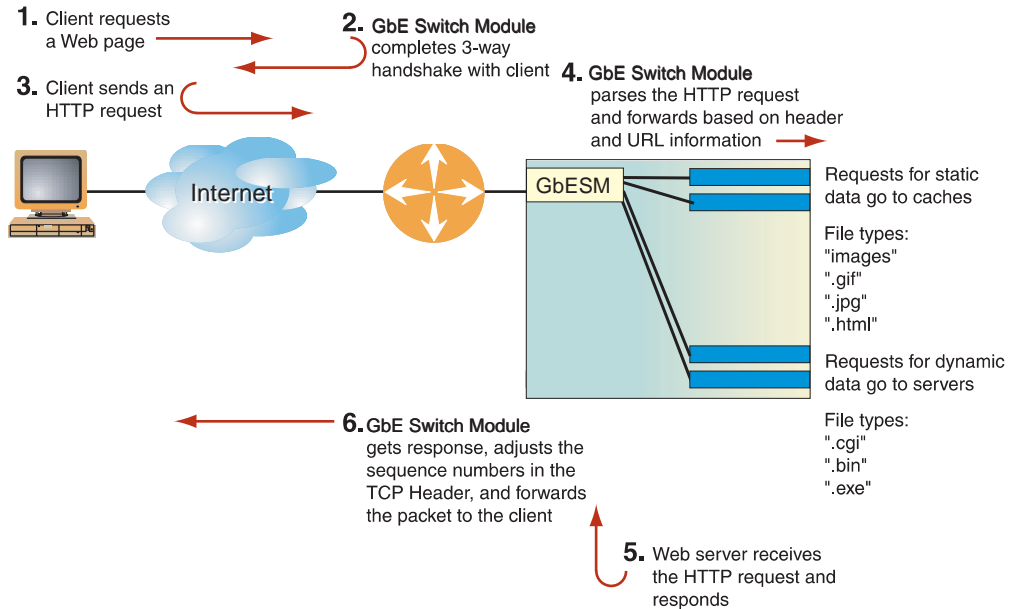


Figure 16-1 Content Intelligent Load Balancing Example

Parsing Content

Examining session content places heavier demands upon the switch than examining TCP/IP headers for the following reasons:

- Content is non-deterministic. Content identifiers such as URLs and cookies can be of varying lengths and can appear at unpredictable locations within a request. Scanning session traffic for a specific string is far more processor-intensive than looking at a known location in a session for a specific number of bytes.
- To parse a content request, the switch must temporarily terminate the TCP connection from the client. This temporary termination is called a *delayed binding*. While the connection is suspended, the switch acknowledges the client connection on behalf of the server, buffers and examines the client request, and finally opens a connection to an appropriate server based on the requested content.

For more information on delayed binding, see [“Delayed Binding” on page 200](#).

- Delayed binding causes two independent TCP connections to span a Web session: one from the client to the switch and the second from the switch to the selected server. The switch must modify the TCP header, including performing TCP sequence number translation and recalculating checksums on every packet that travels between the client and the server, for the duration of the session. This function, known as *TCP connection splicing*, heavily tasks a switch, particularly when the switch must process thousands of these sessions simultaneously.
- In addition to real-time traffic and connection processing, a content intelligent switch must monitor servers to ensure that requests are forwarded to the best-performing and healthiest servers. This monitoring involves more than simple ICMP or TCP connection tests, as servers can continue to process network protocols while failing to retrieve content.
- If content is segregated in different servers or server farms, the switch must provide a flexible, user-customizable mechanism allowing a relevant set of application and content tests to be applied to each server or server farm.

In addition to implementing content intelligent switching, the switch periodically performs background functions such as updating network topology, measuring server performance, and health checking for servers, applications, and server sites.

HTTP Header Inspection

Content intelligent switching is performed by inspecting HTTP headers. HTTP headers include additional information about requests and responses. The HTTP 1.1 specification defines a total of 46 headers. For cache redirection, at any given time one HTTP header is supported globally for the entire switch.

HTTP headers can be general, request, response, or entity headers. General headers may exist in both requests and responses. Requests and response headers are specific only to requests and responses, respectively. Entity headers describe the content of the request body or the content of the response body.

Each HTTP header field consists of a name, followed immediately by a colon (:), a single space character, and the field value. Field names are case-insensitive. Header fields can be extended over multiple lines by preceding each extra line with at least one space.

Some customer applications of HTTP header inspection are listed below:

- Redirection based on domain name
- Cachability based on domain name
- Virtual hosting
- Redirection based on browser type
- Cookie-based preferential redirection

Buffering Content with Multiple Frames

To handle the overall length of HTTP headers, including request headers containing multiple cookies, and the Maximum Segment Size (MSS) of dial-up connections, Alteon OS software provides the following support:

- HTTP GET Request Headers

NOTE – In addition to the URL path, which generally is less than 300 bytes, the HTTP GET requests also include general headers and request headers.

- Parsing GET requests to match URL path and HTTP header beyond the first frame while performing delayed binding
- Processing multiple frames from a single HTTP GET request, using a TCP stack on the switch
- HTTP Cookie Request Headers

Buffering a maximum of 4500 bytes for a single GET request across multiple frames. A single GET request can include multiple cookies.

Content Intelligent Server Load Balancing

Alteon OS allows you to load balance HTTP requests based on different HTTP header information, such as “Cookie:” header for persistent load balancing, “Host:” header for virtual hosting, or “User-Agent” for browser-smart load balancing.

- [URL-Based Server Load Balancing](#) on this page
- [“Virtual Hosting”](#) on page 392
- [“Cookie-Based Preferential Load Balancing”](#) on page 395
- [“URL Hashing for Server Load Balancing”](#) on page 399
- [“Header Hash Load Balancing”](#) on page 401
- [“DNS Load Balancing”](#) on page 402

URL-Based Server Load Balancing

URL-based SLB allows you to optimize resource access and server performance. Content dispersion can be optimized by making load-balancing decisions on the entire path and filename of each URL.

NOTE – Both HTTP 1.0 and HTTP 1.1 requests are supported.

For URL matching you can configure up to 512 strings comprised of 40 bytes each. Each URL request is then examined against the URL strings defined for each real server. URL requests are load balanced among multiple servers matching the URL, according to the load balancing metric configured for the real server group (`leastConns` is the default).

In [Figure 16-2](#), the following criteria are specified for content load balancing:

- Requests with “.cgi” in the URL are forwarded to real servers 3 and 4.
- Requests with the string “images” in the URL are sent to real servers 1 and 2.
- Requests with URLs starting with “/product:” are sent to real servers 2, 3, and 5.

Requests containing URLs with anything else are sent to real servers 1, 2, 3, and 4. These servers have been defined with the “any” string.

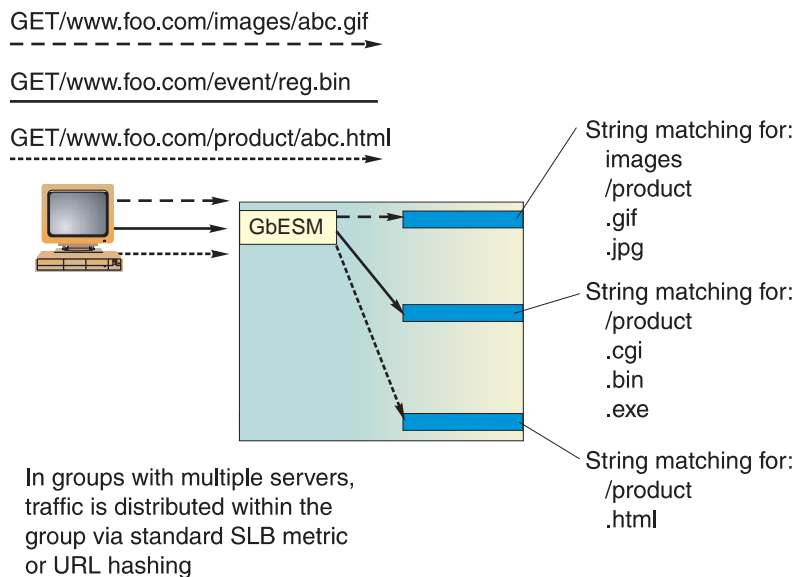


Figure 16-2 URL-Based Server Load Balancing

Configuring URL-Based Server Load Balancing

To configure URL-based SLB, perform the following steps:

- 1. Before you can configure URL-based load balancing, ensure that the switch has already been configured for basic SLB with the following tasks:**

NOTE – When URL-based SLB is used in an active/active redundant setup, use a proxy IP address instead of Direct Access Mode (DAM) to enable the URL parsing feature.

- Assign an IP address to each of the real servers in the server pool.
- Define an IP interface on the switch.
- Define each real server.
- Define a real server group and set up health checks for the group.
- Define a virtual server on virtual port 80 (HTTP), and assign the real server group to service it.
- Enable SLB on the switch.
- Enable client processing on the port connected to the clients.

For information on how to configure your network for SLB, see [“Server Load Balancing”](#) on page 171.

2. Define the string(s) to be used for URL load balancing.

```
>> # /cfg/slb/layer7/slb/add|rem <string>
```

- **add:** Add string or a path.
- **rem:** Remove string or a path.

A default string “any” indicates that the particular server can handle all URL or cache requests. Refer to the following examples given below:

Example 1: String with the Forward Slash (/)

A string that starts with a forward slash (/), such as “/images,” indicates that the server will process requests that start out with the “/images” string only.

For example, with the “/images” string, the server will handle these requests:

```
/images/product/b.gif
/images/company/a.gif
/images/testing/c.jpg
```

The server will *not* handle these requests:

```
/company/images/b.gif
/product/images/c.gif
/testing/images/a.gif
```

Example 2: String without the Forward Slash (/)

A string that does not start out with a forward slash (/) indicates that the server will process any requests that contain the defined string. For example, with the “images” string, the server will process these requests:

```
/images/product/b.gif
/images/company/a.gif
/images/testing/c.jpg
/company/images/b.gif
/product/images/c.gif
/testing/images/a.gif
```

Example 3: String with the Forward Slash (/) Only

If a server is configured with the load balance string (/) only, it will only handle requests to the root directory. For example, the server will handle any files in the `root` directory:

```
/
/index.htm
/default.asp
/index.shtm
```

3. **Apply and save your configuration changes.**
4. **Identify the defined string IDs.**

```
>> # /cfg/slb/layer7/slb/cur
```

For easy configuration and identification, each defined string is assigned an ID number, as shown in the following example:

ID	SLB String
1	any
2	.gif
3	/sales
4	/xitami
5	/manual
6	.jpg

5. **Configure one or more real servers to support URL-based load balancing.**
6. Add the defined string(s) to the real server using the following command:

```
>> # /cfg/slb/real 2/layer7/addlb <ID>
```

where *ID* is the identification number of the defined string.

NOTE – If you don't add a defined string (or add the defined string “any”) the server will handle any request.

A server can have multiple defined strings. For example:

- “/images”
- “/sales”
- “.gif”

With these defined strings, this particular server can handle requests that start with “/images” or “/sales” and any requests that contain “.gif”.

7. **Enable SLB on the switch.**

```
>> # /cfg/slb/on (Turn SLB on)
```

8. Enable DAM on the switch or configure proxy IP addresses and enable proxy on the client port.

DAM and proxy IPs allow you to perform port mapping for URL load balancing.

■ Enable DAM

```
>> # /cfg/slb/adv/direct ena
```

■ Configure a proxy IP address and enable proxy on the client port

```
>> # /cfg/slb/adv/direct dis
>> # /cfg/slb/pip
>> Proxy IP Address# pip1 12.12.12.12
>> # /cfg/slb/port 2/proxy ena
```

For more information on proxy IP addresses, see [“Proxy IP Addresses” on page 190](#).

9. Enable URL-based SLB on the virtual server(s).

```
>> # /cfg/slb/virt <virtual server number>/service 80/httpslb urlslb
```

Statistics for URL-Based Server Load Balancing

To show the number of hits to the SLB or cache server, use this command:

```
>> # /stats/slb/layer7/str
```

Sample Statistics:

ID	SLB String	Hits
1	any	73881
2	.gif	0
3	/sales	0
4	/xitami	162102
5	/manual	0
6	.jpg	0

Virtual Hosting

Alteon OS allows individuals and companies to have a presence on the Internet in the form of a dedicated Web site address. For example, you can have a “www.site-a.com” and “www.site-b.com” instead of “www.hostsite.com/site-a” and “www.hostsite.com/site-b.”

Service providers, on the other hand, do not want to deplete the pool of unique IP addresses by dedicating an individual IP address for each home page they host. By supporting an extension in HTTP 1.1 to include the host header, Alteon OS enables service providers to create a single virtual server IP address to host multiple Web sites per customer, each with their own host name.

NOTE – For SLB, one HTTP header is supported per virtual server.

The following list provides more detail on virtual hosting with configuration information.

- An HTTP/1.0 request sent to an origin server (*not* a proxy server) is a partial URL instead of a full URL.

An example of the request that the origin server would see as follows:

```
GET /products/2224/ HTTP/1.0
User-agent: Mozilla/3.0
Accept: text/html, image/gif, image/jpeg
```

The GET request does not include the host name. From the TCP/IP headers, the origin server knows the requests host name, port number, and protocol.

- With the extension to HTTP/1.1 to include the HTTP HOST: header, the above request to retrieve the URL “/www.nortelnetworks.com/ products/2224” would look like this:

```
GET /products/2224/ HTTP/1.1
Host: www.nortelnetworks.com
User-agent: Mozilla/3.0
Accept: text/html, image/gif, image/jpeg
```

The Host: header carries the hostname used to generate the IP address of the site.

- Based on the Host: header, the switch will forward the request to servers representing different customers’ Web sites.
- The network administrator needs to define a domain name as part of the 128 supported URL strings.
- The switch performs string matching; that is, the string “nortelnetworks.com” or “www.nortelnetworks.com” will match “www.nortelnetworks.com.”

Virtual Hosting Configuration Overview

The sequence of events for configuring virtual hosting based on HTTP Host: headers is described below:

- 1. The network administrator defines a domain name as part of the 128 supported URL strings.**

Both domain names “www.company-a.com” and “www.company-b.com” resolve to the same IP address. In this example, the IP address is for a virtual server on the switch.

- 2. “www.company-a.com” and “www.company-b.com” are defined as URL strings.**

- 3. Server Group 1 is configured with Servers 1 through 8.**

Servers 1 through 4 belong to “www.company-a.com” and Servers 5 through 8 belong to “www.company-b.com.”

- 4. The network administrator assigns string “www.company-a.com” to Servers 1 through 4 and string “www.company-b.com” to Servers 5 through 8.**

- 5. The switch inspects the HTTP host header in requests received from the client.**

- If the host header is “www.company-a.com,” the switch directs requests to one of the Servers 1 through 4.
- If the host header is “www.company-b.com,” the switch directs requests to one of the Servers 5 through 8.

Configuring the “Host” Header for Virtual Hosting

To support virtual hosting, configure the switch for Host header-based load balancing with the following procedure:

1. Before you can configure host header-based server load balancing, ensure that the switch has already been configured for basic SLB:

- Assign an IP address to each of the real servers in the server pool.
- Define an IP interface on the switch.
- Define each real server.
- Assign servers to real server groups.
- Define virtual servers and services.

For information on how to configure your network for server load balancing, see “[Server Load Balancing](#)” on page 171.

2. Turn on URL parsing for the virtual server for virtual hosting.

```
>> # /cfg/slb/virt 1                               (Select the virtual IP for host
                                                    header-based SLB)
>> Virtual Server 1 # service 80                   (Select the HTTP service)
>> Virtual Server 1 http Service # httpslb host
```

3. Define the host names.

```
>> # /cfg/slb/layer7/slb/add "www.customer1.com"
>> Server Loadbalance Resource# add "www.customer2.com"
>> Server Loadbalance Resource# add "www.customer3.com"
```

4. Configure the real server(s) to handle the appropriate load balancing string(s).

To add a defined string:

```
>> # /cfg/slb/real 2                               (Select the real server)
>> Real Server 2 # Layer7
>> Real Server 2 Layer 7 Commands # addlb <ID>(Specify the string ID)
```

where *ID* is the identification number of the defined string.

NOTE – If you don’t add a defined string (or add the defined string “any”), the server will handle any request.

Cookie-Based Preferential Load Balancing

Cookies can be used to provide preferential services for customers, ensuring that certain users are offered better access to resources than other users when site resources are scarce. For example, a Web server could authenticate a user via a password and then set cookies to identify them as “Gold,” “Silver,” or “Bronze” customers. Using cookies, you can distinguish individuals or groups of users and place them into groups or communities that get redirected to better resources and receive better services than all other users.

NOTE – Cookie-based persistent load balancing is described in [Chapter 17, “Persistence.”](#)

Cookie-based preferential services enable the following support:

- Redirect higher priority users to a larger server or server group.
- Identify a user group and redirect them to a particular server.
- Serve content based on user identity.
- Prioritize access to scarce resources on a Web site.
- Provide better services to repeat customers, based on access count.

Clients that receive preferential service can be distinguished from other users by one of the following methods:

- **Individual User**

Specific individual user could be distinguished by IP address, login authentication, or permanent HTTP cookie.

- **User Communities**

Some set of users, such as “Premium Users” for service providers who pay higher membership fees than “Normal Users” could be identified by source address range, login authentication, or permanent HTTP cookie.

- **Applications**

Users could be identified by the specific application they are using. For example, priority can be given to HTTPS traffic that is performing credit card transactions versus HTTP browsing traffic.

- **Content**

Users could be identified by the specific content they are accessing.

Based on one or more of the criteria above, you can load balance requests to different server groups.

Configuring Cookie-Based Preferential Load Balancing

To configure cookie-based preferential load balancing, perform the following procedure.

1. **Before you can configure header-based load balancing, ensure that the switch has already been configured for basic SLB with the following tasks:**
 - Assign an IP address to each of the real servers in the server pool.
 - Define an IP interface on the switch.
 - Define each real server.
 - Assign servers to real server groups.
 - Define virtual servers and services.

For information on how to configure your network for SLB, see [Chapter 10, “Server Load Balancing”](#).

2. **Turn on URL parsing for the virtual server.**

```

>> # /cfg/slb/virt 1
>> Virtual Server 1 # service 80
>> Virtual Server 1 http Service # httpslb cookie
Enter Cookie Name: sid
Enter the starting point of the Cookie value [1-64]: 1
Enter the number of bytes to extract [1-64]: 6
Look for Cookie in URI [e|d]: d
```

where

sid = cookie name

1 = offset (the starting position of the value to be used for hashing)

6 = length (the number of bytes in the cookie value)

d = looks for the cookie in the cookie header instead of the URI (disables searching for cookie in the URI)

3. **Define the cookie values.**

```

>> # /cfg/slb/layer7/slb/add "Gold"
>> # add "Silver"
>> # add "Bronze"
```

Since a session cookie does not exist in the first request of an HTTP session, a default server or “any” server is needed to assign cookies to a “None” cookie HTTP request.

Example:

- Real Server 1: “Gold” handles gold requests.
- Real Server 2: “Silver” handles silver request.
- Real Server 3: “Bronze” handles bronze request.
- Real Server 4: “any” handles any request that does not have a cookie or matching cookie.

With servers defined to handle the requests listed above, here is what happens:

- Request 1 comes in with no cookie; it is forwarded to Real Server 4 to get cookie assigned.
- Request 2 comes in with “Gold” cookie; it will be forwarded to Real Server 1.
- Request 3 comes in with “Silver” cookie; it will be forwarded to Real Server 2.
- Request 4 comes in with “Bronze” cookie; it will be forwarded to Real Server 3.
- Request 5 comes in with “Titanium” cookie; it will be forwarded to Real Server 4, since it does not have an exact cookie match (matches with “any” configured at Real Server 4).

4. Configure the real server(s) to handle the appropriate load balance string(s).

To add a defined string:

```
>> # /cfg/slb/real 2/layer7/addlb <ID>
```

where *ID* is the identification number of the defined string.

NOTE – If you don't add a defined string (or add the defined string “any”), the server will handle any request.

5. Enable DAM on the switch or configure proxy IP addresses and enable proxy on the client port.

To use cookie-based preferential load balancing without DAM, you must configure proxy IP addresses.

Enable proxy load balancing on the port used for cookie-based preferential load balancing. If Virtual Matrix Architecture (VMA) is enabled on the switch, you can choose to configure the remaining ports with proxy IP disabled.

Browser-Smart Load Balancing

HTTP requests can be directed to different servers based on browser type by inspecting the “User-Agent” header. For example,

```
GET /products/2224/ HTTP/1.0
User-agent: Mozilla/3.0
Accept: text/html, image/gif, image/jpeg
```

To allow the switch to perform browser-smart load balancing, perform the following procedure.

1. **Before you can configure browser-based load balancing, ensure that the switch has already been configured for basic SLB with the following tasks:**
 - Assign an IP address to each of the real servers in the server pool.
 - Define an IP interface on the switch.
 - Define each real server.
 - Assign servers to real server groups.
 - Define virtual servers and services.
2. **Turn on URL parsing for the virtual server for “User-Agent:” header.**

```
>> # /cfg/slb/virt 1/service 80/httpslb browser
```

3. **Define the host names.**

```
>> # /cfg/slb/layer7/slb/add "Mozilla"
>> Server Loadbalance Resource# add "Internet Explorer"
>> Server Loadbalance Resource# add "Netscape"
```

4. **Configure the real server(s) to handle the appropriate load balancing string(s).**

NOTE – If you don't add a defined string (or add the defined string “any”), the server will handle any request.

Use the following command to add a defined string:

```
>> # /cfg/slb/real 2/layer7/addlb <ID>
```

where *ID* is the identification number of the defined string.

URL Hashing for Server Load Balancing

By default, hashing algorithms use the IP source address and/or IP destination address (depending on the application area) to determine content location. The default hashing algorithm for SLB is the IP source address. By enabling URL hashing, requests going to the same page of an origin server are redirected to the same real server or cache server.

Load Balancing of Nontransparent Caches

You can deploy a cluster of non-transparent caches and use the virtual server to load balance requests to the cache servers. The client's browser is configured to send Web requests to a non-transparent cache (the IP address of the configured virtual server).

If hash is selected as the load-balancing algorithm, the switch hashes the source IP address to select the server for SLB. Under this condition, the switch may not send requests for the same origin server to the same proxy cache server. For example, requests made from a client to "http://www.nortelnetworks.com/products" from different clients may get sent to different caches.

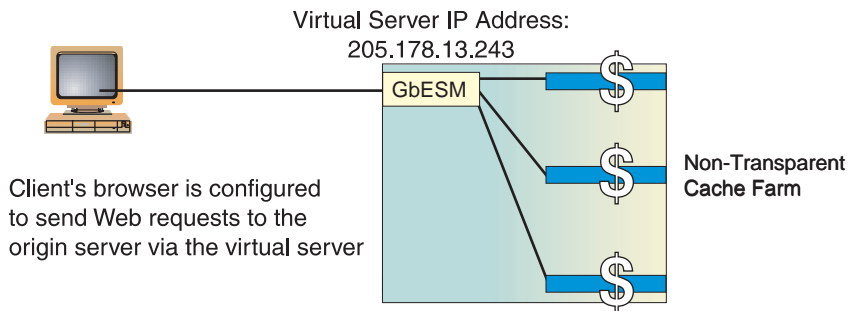


Figure 16-3 Balancing Nontransparent Caches

Configuring URL Hashing

You can direct the same URL request to the same cache or proxy server by using a virtual server IP address to load balance proxy requests. By configuring `hash` or `minmisses` as the metric, the switch uses the number of bytes in the URI to calculate the hash key.

If the host field exists and the switch is configured to look into the Host: header, the switch uses the Host: header field to calculate the hash key.

To configure URL hashing, perform the following procedure:

1. **Before you can configure URL hashing, ensure that the switch has already been configured for basic SLB with the following tasks:**
 - Assign an IP address to each of the real servers in the server pool.
 - Define an IP interface on the switch.
 - Define each real server.
 - Assign servers to real server groups.
 - Define virtual servers and services.
 - Configure load-balancing algorithm for hash or minmiss.
 - Enable SLB.

For information on how to configure your network for SLB, see [Chapter 10, “Server Load Balancing.”](#)
 - Define server port and client port.
2. **Enable URL hashing.**

```
>> # /cfg/slb/virt 1
>> Virtual Server 1 # service 80
>> Virtual Server 1 http Service # httpslb urlhash
Enter new hash length [1-255]: 25
```

Hashing is based on the URL, including the HTTP Host: header (if present), up to a maximum of 255 bytes.

3. **Set the metric for the real server group to minmisses or hash.**

```
>> # /cfg/slb/group 1/metric <hash/minmisses>
```


Header Hash Load Balancing

Alteon OS allows you to hash on *any* selected HTTP header. To configure the GbE Switch Module for load balancing based on header hash, perform the following procedure:

1. Ensure that the switch has already been configured for basic SLB:

- Assign an IP address to each of the real servers in the server pool.
- Define an IP interface on the switch.
- Define each real server.
- Assign servers to real server groups.
- Define virtual servers and services.

For information on how to configure your network for SLB, see [Chapter 10, “Server Load Balancing.”](#)

2. Enable header hashing.

```
>> # /cfg/slb/virt 1
>> Virtual Server 1 # service 80
>> Virtual Server 1 http Service # httpslb headerhash
Select Operation: none
Enter new HTTP header name: User-agent
Enter new hash length [1-255]: 25
```

3. Set the metric for the real server group to minmisses or hash.

```
>> # /cfg/slb/group 1/metric <hash/minmisses>
```

DNS Load Balancing

The Internet name registry has become so large that a single server cannot keep track of all the entries. This is resolved by splitting the registry and saving it on different servers.

If you have large DNS server farms, Alteon OS allows you to load balance traffic based on DNS names. To load balance DNS names, the host name is extracted from the query, processed by the regular expressions engine, and the request is sent to the appropriate real server.

For example, [Figure 16-4](#) shows a DNS server farm load balancing DNS queries based on DNS names. Requests with DNS names beginning with A through G are sent to Server 1; DNS names beginning with H through M are sent to Server 2; DNS names beginning with N through T are sent to Server 3; DNS names beginning with U through Z are sent to Server 4.

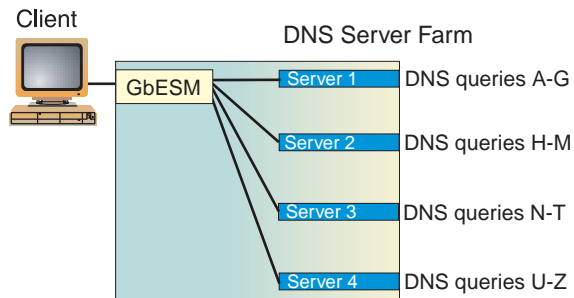


Figure 16-4 Load Balancing DNS Queries

To configure the switch for DNS load balancing, perform the following procedure:

1. Before you can configure DNS load balancing, ensure that the switch has already been configured for basic SLB with the following tasks:

- Assign an IP address to each of the real servers in the server pool.
- Define an IP interface on the switch.
- Define each real server (DNS server address).
- Assign servers to real server groups.
- Define virtual servers and services.
- Enable SLB.

For information on how to configure your network for SLB, see [Chapter 10, “Server Load Balancing.”](#)

- Define server port and client port.

2. Enable DNS load balancing.

```
>> # /cfg/slb/virt 1                               (Select the virtual server)
>> Virtual Server 1 # service 53                   (Select the DNS service)
>> Virtual Server 1 DNS Service # dnsslb ena      (Enable DNS SLB)
```

3. Enable delayed binding.

```
>> Virtual Server 1 DNS Service# dbind ena
```

4. Define the host names.

```
>> # /cfg/slb/layer7/slb/add www.[abcdefg]*.com
>> Server Loadbalance Resource# add www.[hijklm]*.com
>> Server Loadbalance Resource# add www.[nopqrst]*.com
>> Server Loadbalance Resource# add www.[uvwxyz]*.com
```

5. Apply and save your configuration changes.

6. Identify the defined string IDs.

```
>> # /cfg/slb/layer7/slb/cur
```

For easy configuration and identification, each defined string has an ID attached, as shown in the following example:

ID	SLB String
1	any, cont 1024
2	www.[abcdefg]*.com, cont 1024
3	www.[hijklm]*.com, cont 1024
4	www.[nopqrst]*.com, cont 1024
5	www.[uvwxyz]*.com, cont 1024

7. Add the defined string IDs to the real server using the following command:

```
>> # /cfg/slb/real 1/layer7/addlb 2
>> # /cfg/slb/real 2/layer7/addlb 3
>> # /cfg/slb/real 3/layer7/addlb 4
```

NOTE – If you don't add a defined string (or add the defined string “any”) the server will handle any request.

Content Intelligent Cache Redirection

Alteon OS allows you to redirect cache requests based on different HTTP header information, such as “Host:” header or “User-Agent” for browser-smart load balancing. For more information on layer 4 cache redirection, see [Chapter 13, “Application Redirection.”](#)

The No Cache/Cache Control for cache redirection feature in Alteon OS allows you to off load the processing of non-cacheable content from cache servers by sending only appropriate requests to the cache server farm. When a Cache-Control header is present in a HTTP 1.1 request, it indicates a client's special request with respect to caching, such as to guarantee up-to-date data from the origin server. If this feature (Cache-Control: no cache directive) is enabled, HTTP 1.1 GET requests are forwarded directly to the origin servers.

NOTE – The term *origin server* refers to the server originally specified in the request.

The HTTP 1.0 `Pragma: no-cache` header is equivalent to the HTTP 1.1 `Cache-Control` header. By enabling the `Pragma: no-cache` header, requests are forwarded to the origin server.

NOTE – For cache redirection, at any given time one HTTP header is supported globally for the entire switch.

This section discusses the following types of cache redirection:

- “URL-Based Cache Redirection” on page 406
- “HTTP Header-Based Cache Redirection” on page 415
- “Browser-Based Cache Redirection” on page 416
- “URL Hashing for Cache Redirection” on page 417

URL-Based Cache Redirection

URL parsing for cache redirection operates in a manner similar to URL-based server load balancing except that in cache redirection a virtual server on the switch is the target of all IP/HTTP requests. For information on URL-based server load balancing, see [“URL-Based Server Load Balancing”](#) on page 387.

By separating static and dynamic content requests via URL parsing, Alteon OS enables you to send requests with specific URLs or URL strings to designated cache servers. The URL-based cache redirection option allows you to off load overhead processing from the cache servers by only sending appropriate requests to the cache server farm.

NOTE – Both HTTP 1.0 and HTTP 1.1 requests are supported.

Each request is examined and handled as described below:

- If the request is a non-GET request such as HEAD, POST, PUT, or HTTP with cookies, it is not sent to the cache.
- If the request is an ASP or CGI request or a dynamically generated page, it is not sent to the cache.
- If the request contains a Cookie, it can optionally bypass the cache.

Examples of matching string expressions are:

- /product
Any URL that starts with “/product,” including any information in the “/product” directory
- product
Any URL that has the string “product”

Some of the common noncacheable items that you can configure the switch to add to, delete, or modify are:

- Dynamic content files:
 - Common gateway interface files (.cgi)
 - cold fusion files (.cfm), ASP files (.asp)
 - BIN directory
 - CGI-BIN directory
 - SHTML (scripted html)
 - Microsoft HTML extension files (.htx)
 - executable files (.exe)
- Dynamic URL parameters: +, !, %, =, &

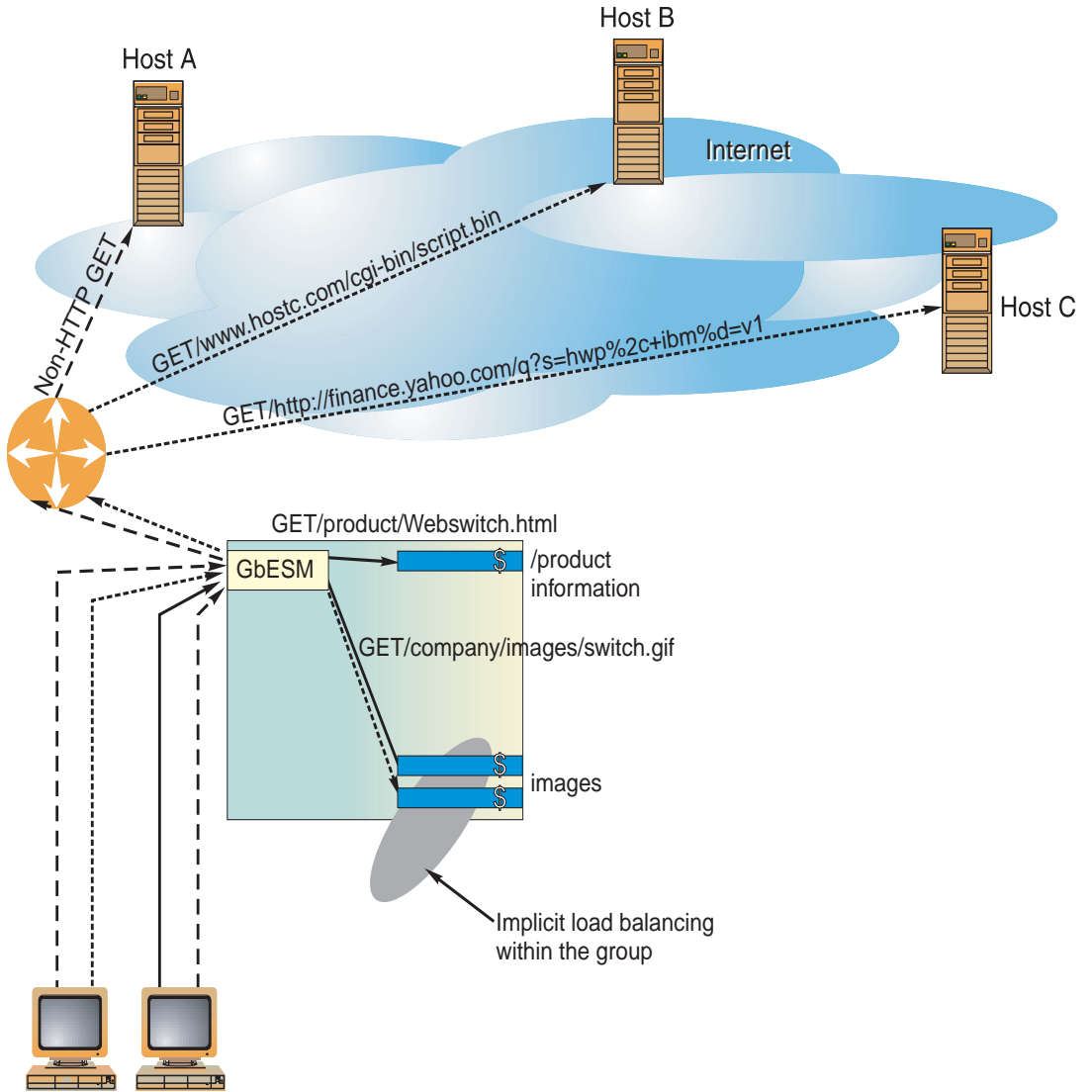


Figure 16-5 URL-Based Cache Redirection

Requests matching the URL are load balanced among the multiple servers, depending on the metric specified for the real server group (least conns is the default).

Network Address Translation Options

URL-based cache redirection supports three types of Network Address Translation (NAT): No NAT, Half NAT, and Full NAT.

■ No NAT

In this NAT method, the traffic is redirected to the cache with the destination MAC address of the virtual server replaced by the MAC address of the cache. The destination IP address remains unchanged, and no modifications are made to the IP address or the MAC address of the source or origin server. This works well for transparent cache servers, which process traffic destined to their MAC address but use the IP address of some other device.

■ Half NAT

In this most commonly used NAT method, the destination IP address is replaced by the IP address of the cache, and the destination MAC address is replaced by the MAC address of the cache. Both the IP address and the MAC address of the source remain unchanged.

■ Full NAT

In this NAT method, the source IP address and the source MAC address are replaced by the IP address and MAC address of the cache. This method works well for proxy cache servers.

Configuring URL-Based Cache Redirection

To configure URL-based cache redirection, perform the following steps:

1. Before you can configure URL-based cache redirection, configure the switch for basic Server Load Balancing (SLB) with the following tasks:

- Assign an IP address to each of the real servers in the server pool.
- Define an IP interface on the switch.
- Define each real server.

For information on how to configure your network for SLB, see [“Server Load Balancing” on page 171](#).

2. Configure the switch to support basic cache redirection.

For information on cache redirection, refer to [“Application Redirection” on page 287](#).

3. Configure the parameters and file extensions that bypass cache redirection.

- a) Add or remove string IDs that should *not* be cacheable.

```
>> # /cfg/slb/filt 1/adv/addstr|remstr <ID>
>> # /cfg/slb/layer7/slb/add|remove <strings>
```

- b) Enable/disable ALLOW for non-GETS (such as HEAD, POST, and PUT) to the origin server, as described below.

```
>> # /cfg/slb/layer7/redirect/urlal ena|dis
```

- Ena: The switch allows all non-GET requests to the origin server.
- Dis: The switch compares all requests against the expression table to determine whether the request should be redirected to a cache server or the origin server.

- c) Enable/disable cache redirection of requests that contain “cookie:” in the HTTP header.

```
>> # /cfg/slb/layer7/redirect/cookie ena|dis
```

- Ena: The switch redirects all requests that contain “cookie:” in the HTTP header to the origin server.
- Dis: The switch compares the URL against the expression table to determine whether the request should be redirected to a cache server or the origin server.

- d) Enable/disable cache redirection of requests that contain “Cache-control:no cache” in the HTTP 1.1 header or “Pragma:no cache” in the HTTP 1.0 header to the origin server.

```
>> # /cfg/slb/layer7/redirect/nocache ena|dis
```

- Ena: The switch redirects all requests that contain Cache-control: no cache in the HTTP 1.1 header or Pragma: no cache in the HTTP 1.0 header to the origin server.
- Dis: The switch compares the URL against the expression table to determine whether the request should be redirected to a cache server or the origin server.

4. Define the string(s) to be used for cache SLB. Refer to the parameters listed below:

```
>> # /cfg/slb/layer7/slb/add|rem <string>
```

- add: Add a string or a path.
- rem: Remove string or a path.

A default string “any” indicates that the particular server can handle all URL or cache requests. Refer to the following examples:

Example 1: String Starting with the Forwardslash (/)

A string that starts with a forwardslash (/), such as “ /images,” indicates that the server will process requests that start out with the “ /images” string only.

For example, with the “ /images” string, the server will handle these requests:

```
/images/product/b.gif
/images/company/a.gif
/images/testing/c.jpg
```

The server will *not* handle these requests:

```
/company/images/b.gif
/product/images/c.gif
/testing/images/a.gif
```

Example 2: String without the Forwardslash (/)

A string that does not start out with a forwardslash (/) indicates that the server will process any requests that contain the defined string. For example, with the “images” string, the server will process these requests:

```
/images/product/b.gif
/images/company/a.gif
/images/testing/c.jpg
/company/images/b.gif
/product/images/c.gif
/testing/images/a.gif
```

Example 3: String with the Forwardslash (/) Only

If a server is configured with the load balance string (/) only, it will only handle requests to the root directory. For example, the server will handle any files in the ROOT directory:

```
/
/index.htm
/default.asp
/index.shtm
```

5. Apply and save your configuration changes.
6. Identify the defined string IDs.

```
>> # /cfg/slb/layer7/slb/cur
```

For easy configuration and identification, each defined string has an ID attached, as shown in the following example:

ID	SLB String
1	any
2	.gif
3	/sales
4	/xitami
5	/manual
6	.jpg

7. Configure the real server(s) to support cache redirection.

NOTE – If you don't add a defined string (or add the defined string “any”), the server will handle any request.

Add the defined string(s) to the real servers:

```
>> # /cfg/slb/real 2/layer7/addlb <ID>
```

where *ID* is the identification number of the defined string.

The server can have multiple defined strings. For example: “/images”, “/sales”, “.gif”

With these defined strings, the server can handle requests that begin with “/images” or “/sales” and any requests that contain “.gif”.

8. Define a real server group and add real servers to the group.

The following configuration combines three real servers into a group:

```
>> # /cfg/slb/group 1 (Select real server group 1)
>> Real server group 1# add 1 (Add real server 1 to group 1)
>> Real server group 1# add 2 (Add real server 2 to group 1)
>> Real server group 1# add 3 (Add real server 3 to group 1)
```

9. Configure a filter to support basic cache redirection.

The filter must be able to intercept all TCP traffic for the HTTP destination port and must redirect it to the proper port in the real server group:

```
>> # /cfg/slb/filt <filter number>           (Select the menu for Filter #x)
>> Filter <filter number># sip any           (From any source IP addresses)
>> Filter <filter number># dip any           (To any destination IP addresses)
>> Filter <filter number># proto tcp         (For TCP protocol traffic)
>> Filter <filter number># sport any         (From any source port)
>> Filter <filter number># dport http        (To an HTTP destination port)
>> Filter <filter number># action redir      (Set the action for redirection)
>> Filter <filter number># rport http        (Set the redirection port)
>> Filter <filter number># group 1          (Select real server group 1)
>> Filter <filter number># ena              (Enable the filter)
```

10. Enable URL-based cache redirection on the same filter.

```
>> # /cfg/slb/filt <filter number>/adv/urlp ena
```

11. Select the appropriate NAT option.

The three NAT options are listed below. For more information about each option, see “[Network Address Translation Options](#)” on page 409.

- No NAT option:

```
>> # /cfg/slb/filter <filter number>/adv/proxy dis
```

- Half NAT option:

```
>> # /cfg/slb/filter <filter number>/adv/proxy ena
```

- Full NAT option:

```
>> # /cfg/slb/pip
>> Proxy IP Address# pip1 12.12.12.12      (Configure proxy IP address)
>> # /cfg/slb/filt <filter number>
>> Filter <filter number># rport 3128      (Specify redirection port)
>> Filter <filter number># adv              (Select the advance menu)
>> Filter <filter number> Advanced# proxy ena(Enable proxy IP address)
```

For more information on proxy IP addresses, see “[Proxy IP Addresses](#)” on page 190.

12. Create a default filter for noncached traffic on the switch.

```

>> # /cfg/slb/filt <filter number>           (Select the default filter)
>> Filter <filter number># sip any           (From any source IP addresses)
>> Filter <filter number># dip any           (To any destination IP addresses)
>> Filter <filter number># proto any         (For any protocol traffic)
>> Filter <filter number># action allow      (Set the action to allow traffic)
>> Filter <filter number># ena               (Enable the default filter)
>> Filter <filter number># port <port number> (Assign the default filter to a port)

```

NOTE – When the `proto` parameter is not `tcp` or `udp`, then `sport` and `dport` are ignored.

13. Turn on filtering for the port.

```

>> SLB <port number># filt ena

```

14. Add the filters to the client port.

```

>> SLB <port number># add <filter number>

```

15. Enable Direct Access Mode (DAM) on the switch.

```

>> SLB <port number># ../adv
>> Layer 4 Advanced# direct ena

```

16. Enable, apply, and verify the configuration.

```

>> # /cfg/slb           (Select the SLB Menu)
>> # on                 (Turn SLB on)
>> # apply              (Make your changes active)
>> # cur                (View current settings)

```

Viewing Statistics for URL-Based Cache Redirection

To show the number of hits to the cache server or origin server, use this command:

```

>> # /stats/slb/layer7/redir
Total URL based Web cache redirection stats:
Total cache server hits:           73942
Total origin server hits:          2244
Total none-GETs hits:              53467
Total 'Cookie: ' hits:             729
Total no-cache hits:               43

```

HTTP Header-Based Cache Redirection

To configure the switch for cache direction based on the “Host:” header, use the following procedure:

1. Configure basic SLB.

Before you can configure header-based cache redirection, ensure that the switch has already been configured for basic SLB (see “[Server Load Balancing](#)” on page 171) with the following tasks:

- Assign an IP address to each of the real servers in the server pool.
- Define an IP interface on the switch.
- Define each real server.
- Assign servers to real server groups.
- Define virtual servers and services.

2. Turn on URL parsing for the filter.

```
>> # /cfg/slb/filt 1/adv/urlp ena
```

3. Enable header load balancing for the Host: header.

```
>> # /cfg/slb/layer7/redirect/header ena host
```

4. Define the host names.

```
>> # /cfg/slb/layer7/slb/add ".com"
>> Server Load Balance Resource# add ".org"
>> Server Load Balance Resource# add ".net"
```

5. Apply and save your configuration changes.

6. Identify the string ID numbers with this command.

```
>> # /cfg/slb/layer7/slb/cur
```

Each defined string has an associated ID number.

ID	SLB String
1	any
2	.com
3	.org
4	.net

7. Configure the real server(s) to handle the appropriate load balance string(s).

Add the defined string IDs to the real servers:

```
>> # /cfg/slb/real 2/layer7/addlb <ID>
```

where ID is the identification number of the defined string.

NOTE – If you don't add a defined string (or add ID=1), the server will handle any request.

Browser-Based Cache Redirection

Browser-based cache redirection uses the `User-agent` header. To configure browser-based cache redirection, perform the following procedure.

1. Before you can configure header-based cache redirection, ensure that the switch is already configured for basic SLB with the following tasks:

- Assign an IP address to each of the real servers in the server pool.
- Define an IP interface on the switch.
- Define each real server.
- Assign servers to real server groups.
- Define virtual servers and services.

2. Turn on URL parsing for the filter.

```
>> # /cfg/slb/filt 1/adv/urlp enable
```

3. Enable header load balancing for “User-Agent:” header.

```
>> # /cfg/slb/layer7/redirect/header enable useragent
```

4. Define the host names.

```
>> # /cfg/slb/layer7/slb/add "Mozilla"
>> Server Load Balance Resource# add "Internet Explorer"
>> Server Load Balance Resource# add "Netscape"
```

5. Apply and save your configuration changes.

6. Identify the string ID numbers with this command.

```
>> # /cfg/slb/layer7/slb/cur
```

Each defined string has an ID number.

Number of entries: four

ID	SLB String
1	any
2	Mozilla
3	Internet Explorer
4	Netscape

7. Add the defined string IDs to configure the real server(s) to handle the appropriate load balance string(s).

```
>> # /cfg/slb/real 2/layer7/addlb <ID>
```

where ID is the identification number of the defined string.

NOTE – If you don't add a defined string (or add the ID 1), the server will handle any request.

URL Hashing for Cache Redirection

By default, hashing algorithms use the source IP address and/or destination IP address (depending on the application area) to determine content location. For example, firewall load balancing uses both source and destination IP addresses, cache redirection uses only the destination IP address, and SLB uses only the source IP address.

Hashing is based on the URL, including the HTTP Host header (if present), up to a maximum of 255 bytes. You can optimize “cache hits” by using the hashing algorithm to redirect client requests going to the same page of an origin server to a specific cache server.

For example the switch could use the string “nortelnetworks.com/products/2224/” for hashing the following request:

```
GET http://products/2224/ HTTP/1.0
HOST:www.nortelnetworks.com
```

To configure the switch for cache redirection based on a hash key, use the following procedure:

1. Configure basic SLB.

Before you can configure header-based cache redirection, ensure that the switch has already been configured for basic SLB (see “[Server Load Balancing](#)” on page 171) with the following tasks:

- Assign an IP address to each of the real servers in the server pool.
- Define an IP interface on the switch.
- Define each real server.
- Assign servers to real server groups.
- Define virtual servers and services.
- Configure the load-balancing algorithm to `hash` or `minmiss`.

2. Turn on URL parsing for the filter.

```
>> # /cfg/slb/filt 1/adv/urlp ena
```

3. Enable hash to direct a cacheable URL request to a specific cache server.

By default, the host header field is used to calculate the hash key and URL hashing is disabled.

- **hash ena:** Enables hashing based on the URL and the host header if it is present. Specify the length of the URL to hash into the cache server.

```
>> # /cfg/slb/layer7/redirect/hash ena
Enter new hash length [1-255]: 24
```

- **hash disable:** Disables hashing based on the URL. Instead, the host header field to calculate the hash key.

If the host header field does not exist in the HTTP header, then the switch uses the source IP address as the hash key.

Example 1: Hashing on the URL

In this example, URL hashing is enabled. If the Host field does not exist, the specified length of the URL is used to hash into the cache server as shown in [Figure 16-6 on page 419](#). If the Host field exists, the specified length of both the Host field and the URL is used to hash into the cache server. The same URL request goes to the same cache server as shown below:

- Client 1 request `http://www.nortelnetworks.com/sales/index.htm` is directed to cache server 1.
- Client 2 request `http://www.nortelnetworks.com/sales/index.htm` is directed to cache server 1.
- Client 3 request `http://www.nortelnetworks.com/sales/index.htm` is directed to cache server 1.

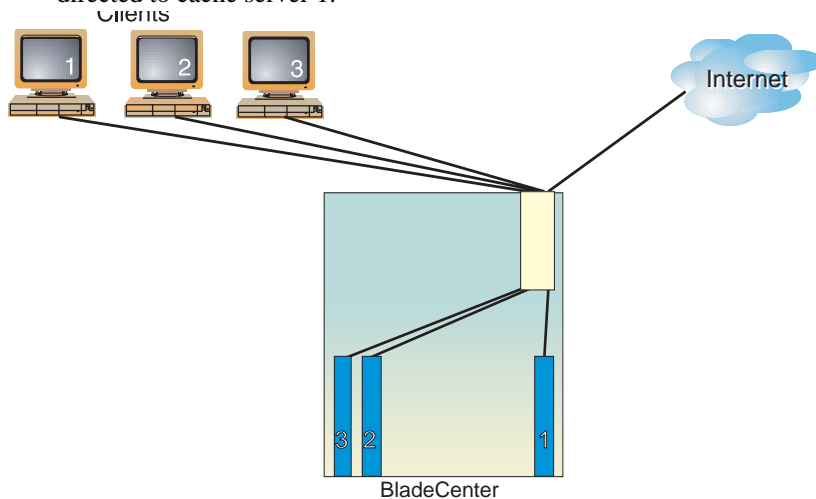


Figure 16-6 URL Hashing for Application Redirection

Example 2: Hashing on the Host Header Field Only

In this example, URL hashing is disabled. If you use the Host header field to calculate the hash key, the same URL request goes to the same cache server:

- Client 1 request `http://www.nortelnetworks.com` is directed to cache server 1.
- Client 2 request `http://www.nortelnetworks.com` is directed to cache server 1.
- Client 3 request `http://www.nortelnetworks.com` is directed to cache server 1.

Example 3: Hashing on the Source IP address

In this example, URL hashing is disabled. Because the host header field does not exist in the HTTP header, the source IP address is used as the hash key and requests from clients 1, 2, and 3 are directed to three different cache servers as shown below.

- Client 1 request `http://www.nortelnetworks.com` is directed to cache server 1.
- Client 2 request `http://www.nortelnetworks.com` is directed to cache server 2.
- Client 3 request `http://www.nortelnetworks.com` is directed to cache server 3.

Exclusionary String Matching for Real Servers

URL-based SLB and application redirection can match or exclude up to 128 strings. Examples of strings are as follows:

- “/product,” matches URLs that starts with /product.
- “product,” matches URLs that have the string “product” anywhere in the URL.

You can assign one or more strings to each real server. When more than one URL string is assigned to a real server, requests matching any string are redirected to that real server. There is also a special string known as “any” that matches all content.

Alteon OS also supports *exclusionary* string matching. Using this option, you can define a server to accept any requests regardless of the URL, *except* requests with a specific string.

NOTE – Once exclusionary string matching is enabled, clients cannot access the URL strings that are added to that real server. This means you cannot configure a dedicated server to receive a certain string and, at the same time, have it exclude other URL strings. The exclusionary feature is enabled per server, not per string.

For example, the following strings are assigned to a real server:

```
string 1 = cgi
string 2 = NOT cgi/form_A
string 3 = NOT cgi/form_B
```

As a result, all cgi scripts are matched except form_A and form_B.

Configuring for Exclusionary URL String Matching

This configuration example shows you how to configure a server to handle any requests *except* requests that contain the string “test” *or* requests that start with “/images” *or* “/product”.

To configure exclusionary URL string matching, perform the following procedure:

1. **Before you can configure URL string matching, ensure that the switch has already been configured for basic SLB:**
 - Assign an IP address to each of the real servers in the server pool.
 - Define an IP interface on the switch.
 - Define each real server.
 - Assign servers to real server groups.
 - Define virtual servers and services.
 - Enable SLB.

For information on how to configure your network for server load balancing, see [Chapter 10, “Server Load Balancing.”](#)

2. **Add the load balancing strings (for example `test`, `/images`, and `/product`) to the real server.**

```
>> # /cfg/slb/layer7/slb/add test
>> Server Loadbalance Resource# add "/images"
>> Server Loadbalance Resource# add "/product"
```

3. **Apply and save the configuration.**

4. **Identify the IDs of the defined strings.**

```
>> Server Loadbalance Resource# cur
```

ID	SLB String
1	any
2	test
3	/images
4	/product

5. **Assign the URL string ID to the real server.**

```
>> Real Server 1 Layer 7 commands# addlb 2
>> Real Server 1 Layer 7 commands# addlb 3
>> Real Server 1 Layer 7 commands# addlb 4
```

6. **Enable the exclusionary string matching option.**

```
>> Real Server 1 Layer 7 commands# exclude enable
```

If you configured a string “any” and enabled the exclusion option, the server will not handle any requests. This has the same effect as disabling the server.

Regular Expression Matching

Regular expressions are used to describe patterns for string matching. They enable you to match the exact string, such as URLs, host names, or IP addresses. It is a powerful and effective way to express complex rules for Layer 7 string matching. Both Layer 7 HTTP SLB and cache redirection can use regular expressions as a resource. Configuring for regular expressions can enhance content-based switching in the following areas:

- HTTP header matching
- URL matching

Standard Regular Expression Characters

The following is a list of standard regular expression special characters that are supported in Alteon OS:

Table 16-1 Standard Regular Expression Special Characters

Construction	Description
*	Matches any string of zero or more characters
.	Matches any single character
+	Matches one or more occurrences of the pattern it follows
?	Matches zero or one occurrences of its followed pattern
\$	Matches the end of a line
\	Escape the following special character
[abc]	Matches any of the single character inside the bracket
[^abc]	Matches any single character except those inside the bracket

Use the following rules to describe patterns for string matching:

- Supports one layer of parenthesis.
- Supports only single “\$” (match at end of line) which must appear at the end of the string. For example, “abc\$*def” is not supported.
- Size of the user input string must be 40 characters or less.

- Size of the regular expression structure after compilation cannot exceed 43 bytes for load balancing strings and 23 bytes for cache redirection. The size of regular expression after compilation varies, based on regular expression characters used in the user input string.
- Use “/” at the beginning of the regular expression. Otherwise a regular expression will have “*” prefixed to it automatically. For example, “html/*\.htm” appears as “*html/*\.htm”.
- Incorrectly or ambiguously formatted regular expressions are rejected instantly. For example:
 - where a “+” or “?” follows a special character like the “*”
 - A single “+” or “?” sign
 - Unbalanced brackets and parenthesis

Configuring Regular Expressions

The regular expression feature is applicable to both path strings used for URL-based server load balancing, and expression strings used for URL-based application redirection. Configure regular expressions at the following CLI prompts:

```
/cfg/slb/layer7/slb/add
```

or

```
/cfg/slb/layer7/slb/redirect/add
```

As a result, both HTTP SLB and application redirection can use regular expression as the resource.

NOTE – The more complex the structure of the string, the longer it will take for the server to load balance the incoming packets.

Content Precedence Lookup

The Layer 7 Precedence Lookup feature in Alteon OS allows you to give precedence to one Layer 7 parameter over another and selectively decide which parameter should be analyzed first.

The Content Precedence Lookup feature allows you to combine up to two Layer 7 load balancing mechanisms. You can specify which types of Layer 7 content to examine, the order in which they are examined, and a logical operator (and/or) for their evaluation.

The following Layer 7 content types can be specified:

- URL SLB
- HTTP Host
- Cookie
- Browsers (User agent)
- URL hash
- Header hash

Using the above content types with the *and* and *or* operators, the switch is configured to refine HTTP-based server load balancing multiple times on a single client HTTP request in order to bind it to an appropriate server. Typically, when you combine two content types with an operator (and/or), URL hash and Header hash are used in combination with Host, Cookie, or Browser content types. For example, the following types of load balancing can be configured using the Content Precedence Lookup feature:

- Virtual host and/or URL-based load balancing
- Cookie persistence and URL-based load balancing
- Cookie load balancing and/or URL-based load balancing
- Cookie persistence and HTTP SLB together in the same service
- Multiple HTTP SLB process type on the same service

NOTE – Cookie persistence can also be combined with the Layer 7 content types. For more information on cookie persistence, see [Chapter 17, “Persistence.”](#)

For example, the Content Precedence Lookup feature can be used in the following scenarios:

- If the client request is sent without a cookie and if no HTTP SLB is configured, then the switch binds the request to the real server using normal SLB.
- If the client request is sent without a cookie, but HTTP SLB is configured on the switch, then the request is bound to real server based on HTTP SLB.
- If the client request is sent with a cookie, and a real server associated to the cookie is found in the local session table, then the request will stay bound to that real server.

Requirements

- Enable Direct Access Mode (DAM), or configure proxy IP address if DAM is disabled.
- Enable delayed binding.

Using the *or* and *and* Operators

Figure 16-7 shows a network with real servers 1 and 3 configured for URL SLB and real servers 2 and 3 configured for HTTP Host SLB.

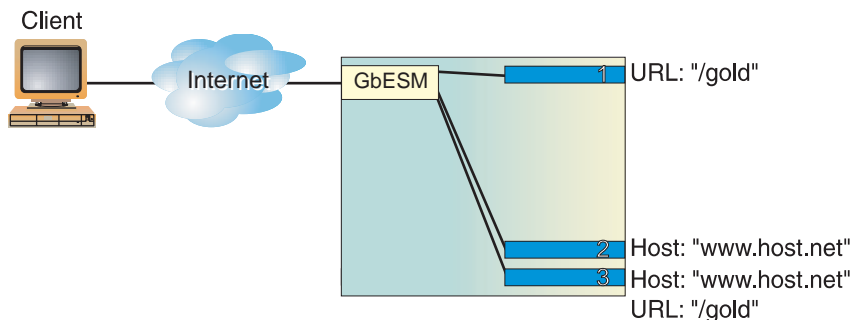


Figure 16-7 Content Precedence Lookup Protectors Example

If the Content Precedence Lookup feature is configured with the *or* and *and* operators, the request from the client is as follows:

- HTTP Host *or* URL SLB

The HTTP Host header takes precedence because it is specified first. If there is no Host Header information and because *or* is the operator, the URL string is examined next.

- If a request from a client contains no Host Header but has a URL string (such as “/gold”), the request is load balanced among Server 1 or Server 3.
- If a request from a client contains a Host Header, then the request is load balanced among Server 2 and Server 3. The URL string is ignored because the HTTP Host was specified and matched first.

■ HTTP Host *and* URL SLB

The HTTP Host header takes precedence because it is specified first. Because *and* is the operator, both a Host Header and URL string are required. If either is not available, the request is dropped.

- If a request from a client contains a URL string (such as “/gold”) but not a Host Header, it is not served by any real server.
- If a request from a client contains a URL string (such as “/gold”) and Host Header, it is served only by real server 3.

Assigning Multiple Strings

Figure 16-8 shows an example of a company providing content for two large customers: Customers A and B. Customer A uses `www.a.com` as their domain name, and Customer B uses `www.b.com`.

The company has a limited number of public IP addresses and wishes to assign them on a very conservative basis. As a result, the company implements virtual hosting by advertising a single virtual server IP address that includes both customers' Web sites. Additionally, the hosting company assigns only one service (HTTP port 80) to support the virtual server.

The virtual hosting company wishes to maintain the flexibility to allow different types of content to be placed on different servers. To make most efficient use of their server resources, they separate their servers into two groups, using their fastest servers to process dynamic content (such as `.cgi` files) and their slower servers to process all static content (such as `.jpg` files).

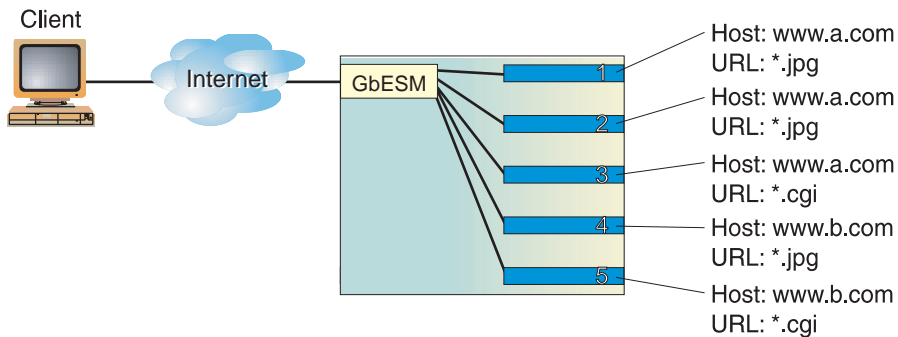


Figure 16-8 Content Precedence Lookup Multiple Strings Example

To configure content precedence lookup for the example in [Figure 16-8](#), the hosting company groups all the real servers into one real server group even though different servers provide services for different customers and different types of content. In this case, the servers are set up for the following purpose:

Table 16-2 Real Server Content

Server	Customer	Content
Server 1	Customer A	Static .jpg files
Server 2	Customer A	Static .jpg files
Server 3	Customer A	Dynamic .cgi files
Server 4	Customer B	Static .jpg files
Server 5	Customer B	Dynamic .cgi files

When a client request is received with `www.a.com` in the Host Header and `.jpg` in the URL, the request will be load balanced between Server 1 and Server 2.

To accomplish this configuration, you must assign multiple strings (a Host Header string and a URL string) for each real server.

Layer 7 Deny Filters

Alteon OS allows you to secure your switch from virus attacks by configuring the switch with a list of potential offending string patterns (HTTP URL request). The switch examines the HTTP content of the incoming client request for the matching string pattern. If the matching virus pattern is found, then the packet is dropped and a reset frame is sent to the offending client. SYSLOG messages and SNMP traps are generated warning operators of a possible attack.

A layer 7 deny filter is basically a deny filter except that the deny action is delayed until HTTP content is examined to see if the packet should be denied.

Figure 16-9 shows an incoming client request with a virus string. The switch is configured for Layer 7 deny filter, so it blocks the incoming packet with the virus string and prevents it from entering the network.

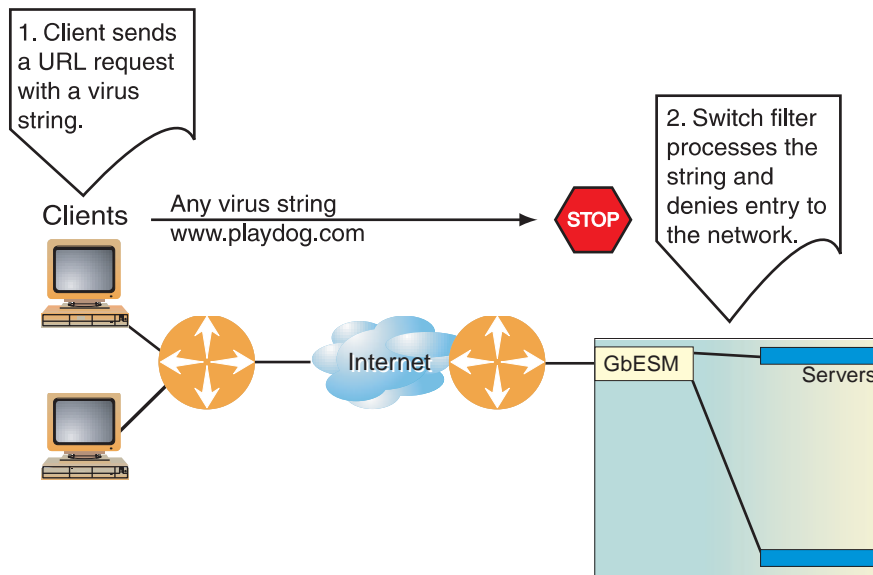


Figure 16-9 Configuring Layer 7 Deny Filter

Configuring a Layer 7 Deny Filter

1. Before you can configure Layer 7 deny filter, ensure that the switch has already been configured for basic switch functions:

- Assign an IP address to each of the real servers in the server pool.
- Define an IP interface on the switch.

For information on how to configure your network for the above tasks, see [Chapter 10, “Server Load Balancing.”](#)

2. Define the virus string patterns or offending HTTP URL request to be blocked.

```
>> # /cfg/slb/layer7/slb/add ida (Define the code red virus string)
>> Server Loadbalance resource# add %c1%9c (Define the code blue virus string)
>> Server Loadbalance resource# add %c0%af (Define the code blue virus string)
>> Server Loadbalance resource# add playdog.com (Define the offending URL request)
```

3. Apply and save the configuration.

4. Identify the IDs of the defined strings.

```
>> Server Loadbalance resource# cur
```

Number of entries: four

ID	SLB String
1	ida
2	%c1%9c
3	%c0%af
4	playdog.com

5. Assign the URL string ID from Step 4 to the filter.

```
>> Filter 1 Advanced L7deny# addstr 1      (Add the code red virus string)
>> Filter 1 Advanced L7deny# addstr 2      (Add the code blue virus string)
>> Filter 1 Advanced L7deny# addstr 3      (Add the code blue virus string)
>> Filter 1 Advanced L7deny# addstr 4      (Add the offending URL request)
```

6. Select the filter and enable the filter action to deny.

```
>> # /cfg/slb/filt 1                        (Select the filter)
>> Filter 1 # action deny                   (Set the filter action to deny)
```

7. Enable the Layer 7 deny option.

```
>> Filter 1 Advanced# l7deny ena           (Enable the Layer 7 deny filter)
```

8. Apply and save the configuration.**9. Apply the filter to the client port.**

If the incoming client requests are on port 3, then add the filter to the port.

```
>> # /cfg/slb/port 3                        (Select the client port)
>> SLB Port 3# filt ena                     (Enable filtering on the port)
>> SLB Port 3# add 1                         (Add the Layer 7 filter to the port)
```



CHAPTER 17

Persistence

The Alteon OS persistence feature ensures that all connections from a specific client session reach the same real server, even when Server Load Balancing (SLB) is used.

The following topics are addressed in this chapter:

- [“Overview of Persistence” on page 432](#). This section gives an overview of persistence and the different types of persistence methods implemented in Alteon OS.
- [“Cookie-Based Persistence” on page 434](#). The use of cookie persistence provides a mechanism for inserting a unique key for each client of a virtual server. This feature is only used in nonsecure socket layer (non-SSL) connections. This section discusses in detail how persistence is maintained between a client and a real server using different types of cookies.
- [“Server-Side Multi-Response Cookie Search” on page 447](#). This section explains how to configure the switch to look through multiple HTTP responses from the server to achieve cookie-based persistence.
- [“SSL Session ID-Based Persistence” on page 448](#). This section explains how an application server and client communicate over an encrypted HTTP session.
- [“Windows Terminal Server Load Balancing and Persistence” on page 450](#). This section explains how to configure load balancing and persistence for Windows Terminal Services

Overview of Persistence

In a typical SLB environment, traffic comes from various client networks across the Internet to the virtual server IP address on the GbE Switch Module. The switch then load balances this traffic among the available real servers.

In any authenticated Web-based application, it is necessary to provide a persistent connection between a client and the content server to which it is connected. Because HTTP does not carry any state information for these applications, it is important for the browser to be mapped to the same real server for each HTTP request until the transaction is complete. This ensures that the client traffic is not load balanced mid-session to a different real server, forcing the user to restart the entire transaction.

Persistence-based SLB enables the network administrator to configure the network to redirect requests from a client to the same real server that initially handled the request. Persistence is an important consideration for administrators of e-commerce Web sites, where a server may have data associated with a specific user that is not dynamically shared with other servers at the site.

In Alteon OS, persistence can be based on the following characteristics: source IP address, cookies, and Secure Sockets Layer (SSL) session ID.

Using Source IP Address

Until recently, the only way to achieve TCP/IP session persistence was to use the source IP address as the key identifier. There are two major conditions which cause problems when session persistence is based on a packet's IP source address:

- **Many clients sharing the same source IP address (proxied clients):** Proxied clients appear to the switch as a single source IP address and do not take advantage of SLB on the switch. When many individual clients behind a firewall use the same proxied source IP address, requests are directed to the same server, without the benefit of load balancing the traffic across multiple servers. Persistence is supported without the capability of effectively distributing traffic load.

Also, persistence is broken if you have multiple proxy servers behind the switch performing SLB. The switch changes the client's address to different proxy addresses as attempts are made to load balance client requests.

- **Single client sharing a pool of source IP addresses:** When individual clients share a pool of source IP addresses, persistence for any given request cannot be assured. Although each source IP address is directed to a specific server, the source IP address itself is randomly selected, thereby making it impossible to predict which server will receive the request. SLB is supported, but without persistence for any given client.

Using Cookies

Cookies are strings passed via HTTP from servers to browsers. Based on the mode of operation, cookies are inserted by either the switch or the server. After a client receives a cookie, a server can poll that cookie with a GET command, which allows the querying server to positively identify the client as the one that received the cookie earlier.

The cookie-based persistence feature solves the proxy server problem and gives better load distribution at the server site. In the switch, cookies are used to route client traffic back to the same physical server to maintain session persistence.

Using SSL Session ID

The SSL session ID is effective only when the server is running SSL transactions. Because of the heavy processing load required to maintain SSL connections most network configurations use SSL only when it is necessary. Persistence based on SSL Session ID ensures completion of complex transactions in proxy server environments. However, this type of persistence does not scale on servers because of their computational requirements.

Cookie-Based Persistence

Cookies are a mechanism for maintaining state between clients and servers. When the server receives a client request, the server issues a *cookie*, or token, to the client, which the client then sends to the server on all subsequent requests. Using cookies, the server does not require authentication, the client IP address, or any other time-consuming mechanism to determine that the user is the same user that sent the original request.

In the simplest case, the cookie may be just a “customer ID” assigned to the user. It may be a token of trust, allowing the user to skip authentication while his or her cookie is valid. It may also be a key that associates the user with additional state data that is kept on the server, such as a shopping cart and its contents. In a more complex application, the cookie may be encoded so that it actually contains more data than just a single key or an identification number. The cookie may contain the user’s preferences for a site that allows their pages to be customized.

5. Cookie stored on client machine

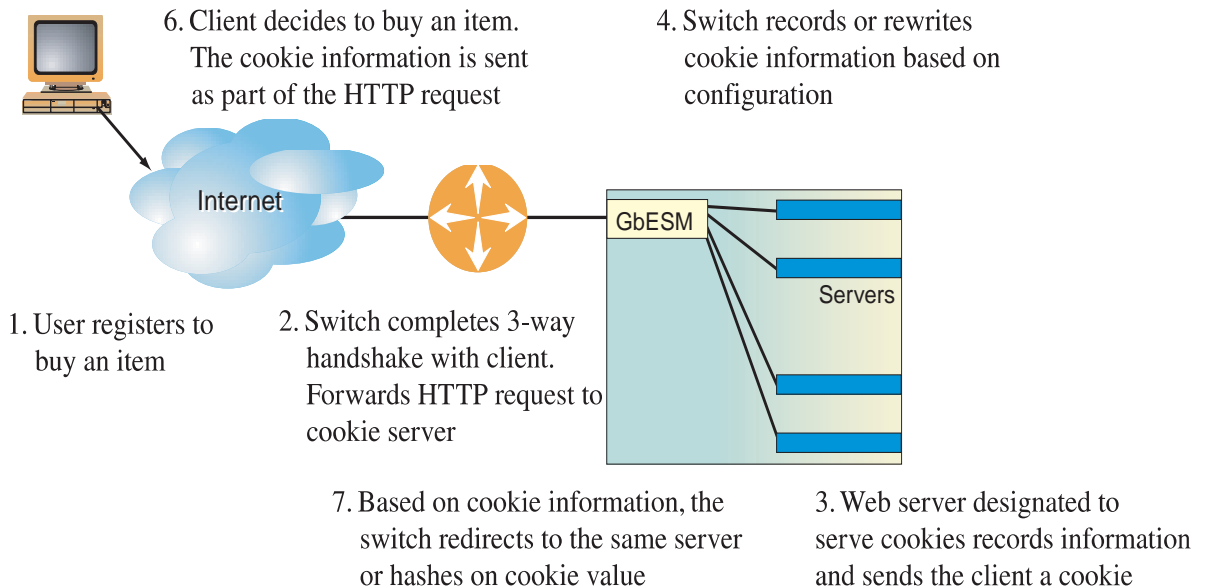


Figure 17-1 Cookie-Based Persistence: How It Works

The following topics discussing cookie-based persistence are detailed in this section:

- “Permanent and Temporary Cookies” on page 435
- “Cookie Formats” on page 435
- “Cookie Properties” on page 436
- “Client Browsers that Do Not Accept Cookies” on page 436
- “Cookie Modes of Operation” on page 437
- “Configuring Cookie-Based Persistence” on page 441

Permanent and Temporary Cookies

Cookies can either be permanent or temporary. A *permanent cookie* is stored on the client's browser, as part of the response from a Web site's server. It will be sent by the browser when the client makes subsequent requests to the same site, even after the browser has been shut down. A *temporary cookie* is only valid for the current browser session. Similar to a SSL Session-based ID, the temporary cookie expires when you shut down the browser. Based on RFC 2109, any cookie without an expiration date is a temporary cookie.

Cookie Formats

A cookie can be defined in the HTTP header (the recommended method) or placed in the URL for hashing. The cookie is defined as a “Name=Value” pair and can appear along with other parameters and cookies. For example, the cookie “SessionID=1234” can be represented in one of the following ways:

- In the HTTP Header

```
Cookie: SesssionID=1234
Cookie: ASP_SESSIONID=POIUHKJHLKHD
Cookie: name=john_smith
```

The second cookie represents an Active Server Page (ASP) session ID. The third cookie represents an application-specific cookie that records the name of the client.

- Within the URL

```
http://www.mysite.com/reservations/SessionID=1234
```

Cookie Properties

Cookies are configured on the switch by defining the following properties:

- Cookie names of up to 20 bytes
- The offset of the cookie value within the cookie string
For security, the real cookie value can be embedded somewhere within a longer string. The offset directs the switch to the starting point of the real cookie value within the longer cookie string.
- Length of the cookie value
This defines the number of bytes to extract for the cookie value within a longer cookie string.
- Whether to find the cookie value in the HTTP header (the default) or the URL
- Cookie values of up to 64 bytes for hashing
Hashing on cookie values is used only with the passive cookie mode (“[Passive Cookie Mode](#)” on page 439), using a temporary cookie. The switch mathematically calculates the cookie value using a hash algorithm to determine which real server should receive the request.
- An asterisk (*) in cookie names for wildcards
For example, Cookie name = ASPsession*

Client Browsers that Do Not Accept Cookies

Under normal conditions, most browsers are configured to accept cookies. However, if a client browser is not configured to accept cookies, you must use hash as the load-balancing metric to maintain session persistence.

With cookie-based persistence enabled, session persistence for browsers that do not accept cookies will be based on the source IP address. However, individual client requests coming from a proxy firewall will appear to be coming from the same source IP address. Therefore, the requests will be directed to a single server, resulting in traffic being concentrated on a single real server instead of load balanced across the available real servers.

Cookie Modes of Operation

Alteon OS supports the following modes of operation for cookie-based session persistence: *insert*, *passive*, and *rewrite* mode. The following table shows the differences among the modes:

Table 17-1 Comparison Among the Three Cookie Modes

Cookie Mode	Configuration Required	Cookie Location	Uses Switch Session Entry
Insert Cookie	Switch only	HTTP Header	No
Passive Cookie	Server and Switch	HTTP Header or URL	Yes
Rewrite Cookie	Server and Switch	HTTP Header	No

Each of the modes are explained in detail in the following sections.

Insert Cookie Mode

In the insert cookie mode, the switch generates the cookie value on behalf of the server. Because no cookies are configured at the server, the need to install cookie server software on each real server is eliminated.

In this mode, the client sends a request to visit the Web site. The switch performs load balancing and selects a real server. The real server responds without a cookie. The switch inserts a cookie and forwards the new request with the cookie to the client.

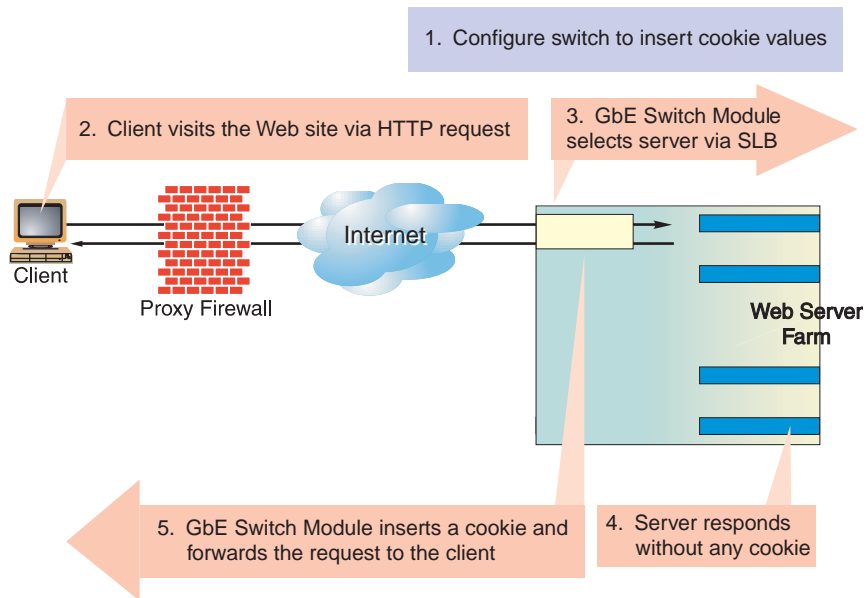


Figure 17-2 Insert Cookie Mode

Passive Cookie Mode

In Passive Cookie mode, when the client first makes a request, the switch selects the server based on the load-balancing metric. The real server embeds a cookie in its response to the client. The switch records the cookie value and matches it in subsequent requests from the same client.

NOTE – The passive cookie mode is recommended for temporary cookies. However, you can use this mode for permanent cookies if the server is embedding an IP address.

The following figure shows passive cookie mode operation:

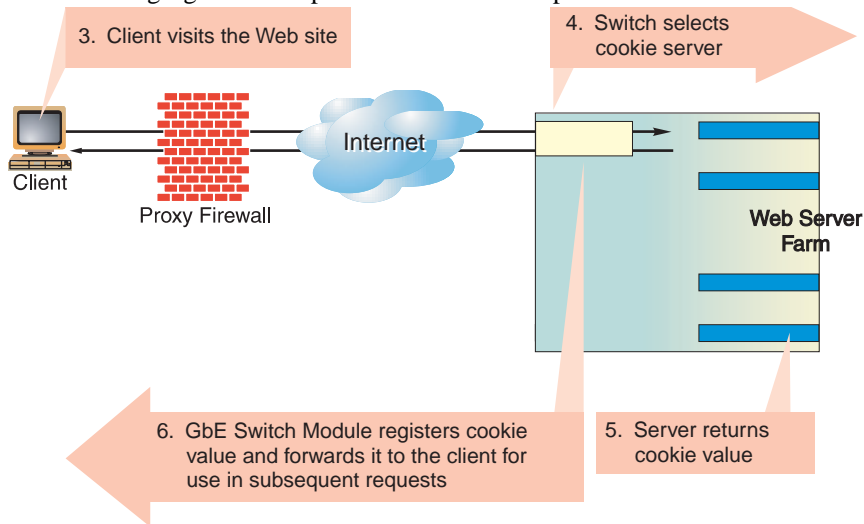


Figure 17-3 Passive Cookie Mode

Subsequent requests from Client 1 with the same cookie value will be sent to the same real server (RIP 1 in this example).

Rewrite Cookie Mode

In rewrite cookie mode, the switch generates the cookie value on behalf of the server, eliminating the need for the server to generate cookies for each client.

Instead, the server is configured to return a special persistence cookie which the switch is configured to recognize. The switch then intercepts this persistence cookie and rewrites the value to include server-specific information before sending it on to the client. Subsequent requests from the same client with the same cookie value are sent to the same real server.

Rewrite cookie mode requires at least eight bytes in the cookie header. An additional eight bytes must be reserved if you are using cookie-based persistence with Global Server Load Balancing (GSLB).

NOTE – Rewrite cookie mode only works for cookies defined in the HTTP header, not cookies defined in the URL.

Example: The following figure shows rewrite cookie mode operation:

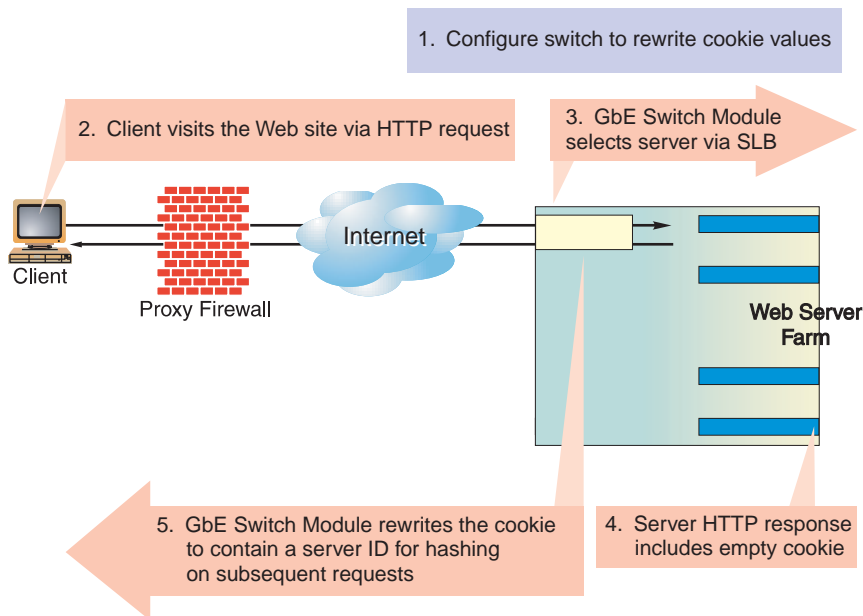


Figure 17-4 Rewrite Cookie Mode

NOTE – When the switch rewrites the value of the cookie, the rewritten value represents the responding server; that is, the value can be used for hashing into a real server ID or it can be the real server IP address. The rewritten cookie value is encoded.

Configuring Cookie-Based Persistence

1. **Before you can configure cookie-based persistence, you need to configure the switch for basic SLB. This includes the following tasks:**

- Assign an IP address to each of the real servers in the server pool.
- Define an IP interface on the switch.
- Configure each real server with its IP address, name, weight, and so forth.
- Assign servers to real server groups.
- Define virtual servers and services.

For information see [“Server Load Balancing”](#) on page 171.

2. **Either enable Direct Access Mode (DAM), or disable DAM and specify proxy IP address(es) on the client port(s).**

- Enable DAM for the switch.

```
>> # /cfg/slb/adv/direct ena (Enable Direct Access Mode on switch)
```

- Disable DAM and specify proxy IP address(es) on the client port(s).

```
>> # /cfg/slb/adv/direct disable (Disable DAM on the switch)
>> # /cfg/slb/port 1 (Select network port 1)
>> # pip 200.200.200.68 (Set proxy IP address for port 1)
```

3. **If proxy IP addresses are used, make sure server processing is disabled on the server port.**

```
>> # /cfg/slb/port 1 (Select switch port 1)
>> # server dis (Disable server processing on port 1)
```

4. Select the appropriate load-balancing metric for the real server group.

```
>> # /cfg/slb/group 2/metric hash (Select hash as server group metric)
```

- If embedding an IP address in the cookie, select `roundrobin` or `leastconns` as the metric.
- If you are *not* embedding the IP address in the cookie, select `hash` as the metric in conjunction with a cookie assignment server.

While you may experience traffic concentration using the `hash` metric with a cookie assignment server, using a `hash` metric without a cookie assignment server will cause traffic concentration on your real servers.

5. Enable cookie-based persistence on the virtual server service.

In this example, cookie-based persistence is enabled for service 80 (HTTP).

```
>> # /cfg/slb/virt 1/service 80/pbind
Current persistent binding mode: disabled
Enter cookie|sslid|disable persistence mode: cookie
```

Once you specify `cookie` as the mode of persistence, you will be prompted for the following parameters:

```
Enter insert|passive|rewrite cookie persistence mode [i/p/r]: p
Enter cookie name: CookieSession1
Enter starting point of cookie value [1-64]: 1
Enter number of bytes to extract [0-64]: 8
Look for cookie in URI [e|d]: d
Set multiple response count [1-16]: 1
```

- Cookie-based persistence mode: `insert`, `passive` or `rewrite`
- Cookie name
- Starting point of the cookie value
- Number of bytes to be extracted
- Look for cookie in the URI [`e` | `d`]

If you want to look for cookie name/value pair in the URI, enter `e` to enable this option. To look for the cookie in the HTTP header, enter `d` to disable this option.

- Set multiple response count

This parameter is set for passive mode only. Typically, the switch searches the first HTTP response packet from the server and, if a persistence cookie is found, sets up a persistent connection between the server and the client. While this approach works for most servers, some customers with complex server configurations might send the persistence cookie a few responses later. In order to achieve cookie-based persistence in such cases, Alteon OS allows the network administrator to configure the switch to look through multiple HTTP responses from the server. The switch looks for the persistence cookie in the specified number of responses (each of them can be multi-frame) from the server.

Setting Expiration Timer for Insert Cookie

If you configure for insert cookie persistence mode, then you will be prompted for cookie expiration timer. The expiration timer specifies a date string that defines the valid life time of that cookie. The expiration timer for insert cookie can be of the following types:

- Absolute timer

The syntax for the absolute timer is `MM/dd/yy[@hh:mm]`. The date and time is based on RFC 822, RFC 850, RFC 1036, and RFC 1123, with the variations that the only legal time zone is GMT. Once the expiration date is met, the cookie is not stored or given out. For example,

```
Enter cookie expiration: 12/31/01@11:59
Current persistent binding for http: disabled
New persistent binding for http: cookie
New cookie persistence mode: insert
Inserted cookie expires on Mon 12/31/01 at 11:59
```

- Relative timer

This timer defines the elapsed time from when the cookie was created. The syntax for the relative timer is `days[:hours[:minutes]]`. For example,

```
Enter cookie expiration: 32:25:61
Current persistent binding for http: disabled
New persistent binding for http: cookie
New cookie persistence mode: insert
Inserted cookie expires after 33 days 2 hours 1 minutes
```

NOTE – If the cookie expiration timer is not specified, the cookie will expire when the user's session ends.

Example 1: Setting the Cookie Location

In this example, the client request has two different cookies labeled “UID.” One exists in the HTTP header and the other appears in the URI:

```
GET /product/switch/UID=12345678;ck=1234...  
Host: www.nortelnetworks.com  
Cookie: UID=87654321
```

- Look for the cookie in the HTTP header

```
>> # /cfg/slb/virt 1/service 80/pbind cookie passive UID 1 8 dis
```

The last parameter in this command answers the “Look for cookie in URI?” prompt. If you set this parameter to disable, the switch will use UID=87654321 as the cookie.

- Look for the cookie in the URI

```
>> # /cfg/slb/virt 1/service 80/pbind cookie passive UID 1 8 ena
```

The last “Look for cookie in URI?” parameter is set to enable. Therefore the switch will use UID=12345678 as the cookie.

Example 2: Parsing the Cookie

This example shows three configurations where the switch uses the hashing key or wild cards to determine which part of the cookie value should be used for determining the real server. For example, the value of the cookie is defined as follows:

```
Cookie: sid=0123456789abcdef; name1=value1;...
```

- Select the entire value of the `sid` cookie as a hashing key for selecting the real server:

```
>> # /cfg/slb/virt 1/service 80/pbind cookie passive sid 1 16 dis
```

This command directs the switch to use the `sid` cookie, starting with the first byte in the value and using the full 16 bytes.

- Select a specific portion of the `sid` cookie as a hashing key for selecting the real server:

```
>> # /cfg/slb/virt 1/service 80/pbind cookie passive sid 8 4 dis
```

This command directs the switch to use the `sid` cookie, starting with the eight byte in the value and using only four bytes. This uses `789a` as a hashing key.

- Using wildcards for selecting cookie names:

```
>> # /cfg/slb/virt 1/service 80/pbind cookie passive
    ASPSESSIONID* 1 16 dis
```

With this configuration, the switch will look for a cookie name that starts with `ASPSESSIONID`. `ASPSESSIONID123`, `ASPSESSIONID456`, and `ASPSESSIONID789` will all be seen by the switch as the same cookie name. If more than one cookie matches, only the first one will be used.

Example 3: Using Passive Cookie Mode

If you are using passive cookie mode, the switch examines the server's `Set-Cookie:` value and directs all subsequent connections to the server that assigned the cookie.

For example, if Server 1 sets the cookie as "`Set-Cookie: sid=12345678`," then all traffic from a particular client with cookie `sid=12345678` will be directed to Server 1.

The following command is used on the switch:

```
>> # /cfg/slb/virt 1/service 80/pbind cookie passive sid 1 8 dis
```

Example 4: Using Rewrite Cookie Mode

- Rewrite server cookie with the encrypted real server IP address:

In cookie rewrite mode, if the cookie length parameter is configured to be eight bytes, the switch will rewrite the placeholder cookie value with the encrypted real server IP address.

```
>> # /cfg/slb/virt 1/service 80/pbind cookie rewrite sid 1 8 dis
```

If the server is configured to include a placeholder cookie, such as follows:

```
Set-Cookie: sid=altheonpersistence;
```

then the switch will rewrite the first eight bytes of the cookie to include the server's encrypted IP address:

```
Set-Cookie: sid=cdb20f04rsistence;
```

All subsequent traffic from a specific client with this cookie will be directed to the same real server.

- Rewrite server cookie with the encrypted real server IP address and virtual server IP address:

If the cookie length is configured to be 16 bytes, the switch will rewrite the cookie value with the encrypted real server IP address and virtual server IP address.

```
>> # /cfg/slb/virt 1/service 80/pbind cookie rewrite sid 1 16 dis
```

If the server is configured to include a placeholder cookie, as follows:

```
Set-Cookie: sid=altheonwebcookies;
```

then the switch will rewrite the first 16 bytes of the cookie to include the encrypted real server IP address and virtual server IP address:

```
Set-Cookie: sid=cdb20f04cdb20f0a;
```

All subsequent traffic from a specific client to the particular virtual server IP address with this cookie will be directed to the same real server.

Server-Side Multi-Response Cookie Search

Cookie-based persistence requires the switch to search the HTTP response packet from the server and, if a persistence cookie is found, sets up a persistence connection between the server and the client. The switch looks through the first HTTP response from the server. While this approach works for most servers, some customers with complex server configurations might send the persistence cookie a few responses later. In order to achieve cookie-based persistence in such cases, Alteon OS allows the network administrator to configure the switch to look through multiple HTTP responses from the server.

In Alteon OS, the network administrator can modify a response counter to a value from 1-16. The switch will look for the persistence cookie in this number of responses (each of them can be multi-frame) from the server.

Configuring Server-Side Multi-Response Cookie Search

Configure the server-side multi-response cookie search by using the following command:

```
>> # /cfg/slb/virt <virtual server>/service <virtual port number>/rcount
Current Cookie search response count:
Enter new Cookie search response count [1-16]:
```

SSL Session ID-Based Persistence

SSL is a set of protocols built on top of TCP/IP that allows an application server and client to communicate over an encrypted HTTP session, providing authentication, non-repudiation, and security. The SSL protocol *handshake* is performed using clear (unencrypted) text. The content data is then encrypted (using an algorithm exchanged during the handshake) prior to being transmitted.

Using the SSL session ID, the switch forwards the client request to the same real server to which it was bound during the last session. Because SSL protocol allows many TCP connections to use the same session ID from the same client to a server, key exchange needs to be done only when the session ID expires. This reduces server overhead and provides a mechanism, even when the client IP address changes, to send all sessions to the same real server.

NOTE – The destination port number to monitor for SSL traffic is user-configurable.

How SSL Session ID-Based Persistence Works

- All SSL sessions that present the same session ID (32 random bytes chosen by the SSL server) will be directed to the same real server.

NOTE – The SSL session ID can only be read by the switch after the TCP three-way handshake. In order to make a forwarding decision, the switch must terminate the TCP connection to examine the request.

- New sessions are sent to the real server based on the metric selected (hash, roundrobin, leastconns, minmisses, response, and bandwidth).
- If no session ID is presented by the client, the switch picks a real server based on the metric for the real server group and waits until a connection is established with the real server and a session ID is received.
- The session ID is stored in a session hash table. Subsequent connections with the same session ID are sent to the same real server. This binding is preserved even if the server changes the session ID mid-stream. A change of session ID in the SSL protocol will cause a full three-way handshake to occur.
- Session IDs are kept on the switch until an idle time equal to the configured server timeout (a default of 10 minutes) for the selected real server has expired.

Figure 17-5 illustrates persistence based on SSL session ID as follows:

1. An SSL Hello handshake occurs between Client 1 and Server 1 via the switch.
2. An SSL session ID is assigned to Client 1 by Server 1.
3. The switch records the SSL session ID.
4. The switch selects a real server based on the existing SLB settings.

As a result, subsequent connections from Client 1 with the same SSL session ID are directed to Server 1.

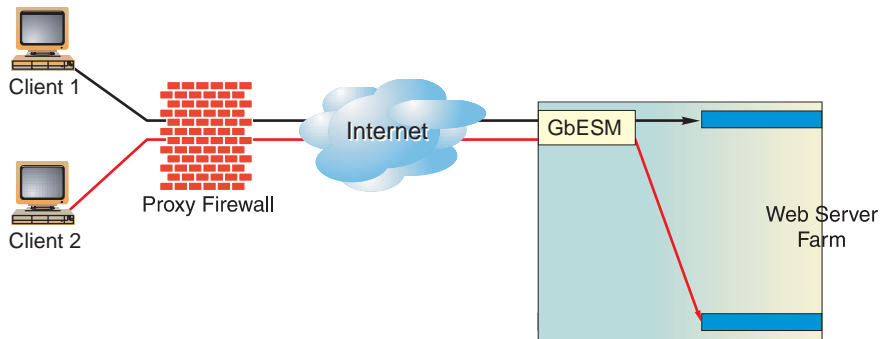


Figure 17-5 SSL Session ID-Based Persistence

5. Client 2 appears to the switch to have the same source IP address as Client 1 because they share the same proxy firewall.

However, the switch does not automatically direct Client 2 traffic to Server 1 based on the source IP address. Instead an SSL session ID for the new traffic is assigned. Based on SLB settings, the connection from Client 2 is spliced to Server 3.

As a result, subsequent connections from Client 2 with the same SSL session ID are directed to Server 3.

Configuring SSL Session ID-Based Persistence

To configure session ID-based persistence for a real server, perform the following steps:

1. Configure real servers and services for basic SLB, as indicated below:

- Define each real server and assign an IP address to each real server in the server pool.
- Define a real server group and set up health checks for the group.
- Define a virtual server on the virtual port for HTTPS (for example, port 443) and assign a real server group to service it.
- Enable SLB on the switch.
- Enable client processing on the port connected to the client.

For information on how to configure your network for SLB, see [“Server Load Balancing” on page 171](#)

2. If a proxy IP address is not configured on the client port, enable DAM for real servers.

```
>> # /cfg/slb/adv/direct ena
```

3. Select session ID-based persistence as the persistent binding option for the virtual port.

```
>> # /cfg/slb/virt <virtual server number>/service <virtual port> pbind sslid
```

4. Enable client processing on the client port.

```
>> # /cfg/slb/port <port number>/client ena
```

Windows Terminal Server Load Balancing and Persistence

Windows Terminal Services refer to a set of technologies that allow Windows users to run Windows-based applications remotely on a computer running the Windows Terminal Server application. Alteon OS 21.0 includes load balancing and persistence options aimed specifically at Windows Terminal Services.

In a load-balanced environment, a group of terminal servers have incoming session connections distributed in a balanced manner across the servers in the group. The Windows session director is used to keeping a list of sessions indexed by user name. This allows a user to reconnect to a disconnected user session.

Configuring Windows Terminal Server Load Balancing and Persistence

To configure this feature, follow this procedure:

1. **Access the Windows Terminal Server menu.**

```
>> Main# /cfg/slb/virt <virtual server number>/service 3389/wts
```

2. **Enable the Windows Terminal Server feature.**

```
>> WTS Load Balancing# ena
```

3. **(Optional) Enable the WTS userhash.**

If the dedicated session director does not exist to relate users to disconnected sessions, it is advised that the userhash functionality be enabled to perform this task.

```
>> WTS Load Balancing# userhash enable
```




APPENDIX A

Troubleshooting

This section discusses some tools to help you troubleshoot common problems on the GbE Switch Module:

- [“Monitoring Ports” on page 454](#)
- [“Filtering the Session Dump” on page 457](#)

Monitoring Ports

The port mirroring feature in the Alteon OS allows you to attach a sniffer to a monitoring port that is configured to receive a copy of all packets that are forwarded from the mirrored port. Alteon OS enables you to mirror port traffic for all layers (Layer 2 - 7). Port mirroring can be used as a troubleshooting tool or to enhance the security of your network. For example, an IDS server can be connected to the monitor port to detect intruders attacking the network.

As shown in [Figure A-1](#), port 3 is monitoring *ingress* traffic (traffic entering the switch) on port 1 and *egress* traffic (traffic leaving the switch) on port 2. You can attach a device to port 3 to monitor the traffic on ports 1 and 2.

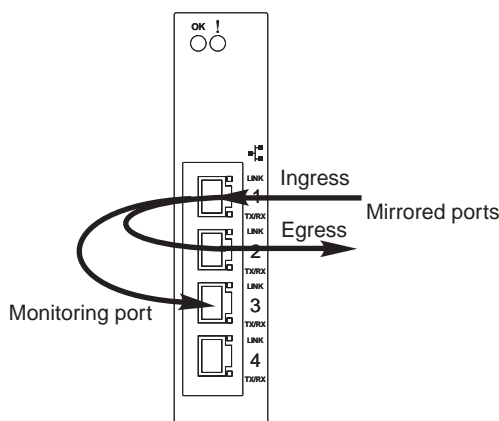


Figure A-1 Monitoring Ports

[Figure A-1](#) shows two mirrored ports monitored by a single port. Similarly, you can have a single or groups of

- one mirrored port to one monitored port
- more than two mirrored ports to one monitored port

Alteon OS does not support a single port being monitored by multiple ports.

Ingress and egress traffic is duplicated and sent to the monitor port after processing.

NOTE – The GbESM cannot mirror LACPDU packets.

NOTE – Traffic on VLAN 4095 is not mirrored to the external ports.

Port Mirroring behavior

This section describes the composition of monitored packets in the GbE Switch Module, based on the configuration of the ports.

- Same VLAN as Mirrored Port
 - Both ports tagged: Tagged packet with VID of the VLAN to which the ports belong
 - Mirrored port tagged, Monitoring port untagged: Untagged packet
 - Mirrored port untagged, Monitoring port tagged: Tagged packet with VID of the VLAN to which both ports belong
 - Both ports untagged: Untagged packet
- Different VLAN from Mirrored Port
 - Both ports tagged: Tagged packet with VID of mirrored port
 - Mirrored port tagged, Monitoring port untagged: Tagged packet with VID of mirrored port
 - Mirrored port untagged, Monitoring port tagged: Tagged packet with VID of mirrored port
 - Both ports untagged: Tagged packet with VID of mirrored port

NOTE – When the monitoring port belongs to a different VLAN, all mirrored packets have an 802.1Q tag field with the VID of the VLAN to which the mirrored port belongs. The VID included in the tag field depends on which port is monitored.

For example, assume a packet traverses from port EXT1 (VLAN 1) to EXT2 (VLAN 2), and is monitored on port EXT3. When you monitor EXT1, the packet's tag includes the VID of VLAN1. When you monitor EXT2, the packet's tag includes the VID of VLAN 2.

Configuring Port Mirroring

To configure port mirroring for the example shown in [Figure A-1](#),

1. **Specify the monitoring port.**

```
>> # /cfg/pmirr/monport EXT3
```

(Select port EXT3 for monitoring)

2. Select the ports that you want to mirror.

```

>> Port EXT3 # add EXT1                                (Select port EXT1 to mirror)
>> Enter port mirror direction [in, out, or both]: in
                                                    (Monitor ingress traffic on port EXT1)
>> Port EXT3 # add EXT2                                (Select port EXT2 to mirror)
>> Enter port mirror direction [in, out, or both]: out
                                                    (Monitor egress traffic on port EXT2)

```

3. Enable port mirroring.

```

>> # /cfg/pmirr/mirr ena                                (Enable port mirroring)

```

4. Apply and save the configuration.

```

>> PortMirroring# apply                                (Apply the configuration)
>> PortMirroring# save                                (Save the configuration)

```

5. View the current configuration.

```

>> PortMirroring# cur                                (Display the current settings)
Port mirroring is enabled
Monitoring Ports      Mirrored Ports
INT1                  none
INT2                  none
INT3                  none
INT4                  none
INT5                  none
-----
EXT1                  none
EXT2                  none
EXT3                  (EXT1, in) (EXT2, out)
EXT4                  none

```


Filtering the Session Dump

Typically, session dumps are long and unwieldy. Alteon OS however, provides a tool to filter session dumps based on any of the following attributes:

- Client IP address
- Source port
- Destination IP address
- Destination port
- Proxy IP address
- Proxy port
- Matching filter
- Matching flag
- Ingress port
- Real IP address
- SP

Only one attribute can be used at a time to filter the session dump. For example, to filter a session dump based on client IP address 10.10.10.1, use the following command:

```
>> # /info/slb/sess/cip 10.10.10.1
Printing Sessions for SP 1
1,01: 10.10.10.1 137, 205.178.13.100 137 ALLOW age 2 f:100 E
1,01: 10.10.10.1 2592, 172.21.31.100 http -> 14291 10.20.1.2 http age 0
1,01: 10.10.10.1 2593, 172.21.31.100 http -> 14292 10.20.1.3 http age 0
1,01: 10.10.10.1 2594, 172.21.31.100 http -> 14307 10.20.1.2 http age 0
1,01: 10.10.10.1 2595, 172.21.31.100 http -> 14308 10.20.1.3 http age 0
1,01: 10.10.10.1 2596, 172.21.31.100 http -> 14309 10.20.1.4 http age 0
1,01: 10.10.10.1 2597, 172.21.31.100 http -> 14310 10.20.1.3 http age 0
1,01: 10.10.10.1 2598, 172.21.31.100 http -> 14311 10.20.1.4 http age 0
1,01: 10.10.10.1 2599, 172.21.31.100 http -> 14339 10.20.1.3 http age 0
1,01: 10.10.10.1 2600, 172.21.31.100 http -> 14340 10.20.1.4 http age 0
1,01: 10.10.10.1 2601, 172.21.31.100 http -> 14367 10.20.1.3 http age 0
1,01: 10.10.10.1 2602, 172.21.31.100 http -> 14384 10.20.1.2 http age 10
1,01: 10.10.10.1 2603, 172.21.31.100 http -> 14385 10.20.1.3 http age 10
1,01: 10.10.10.1 2604, 172.21.31.100 http -> 14414 10.20.1.2 http age 10

>> Session Table Information#
```

Because VMA is enabled, the command displayed all sessions for client IP address 10.10.10.1 on SP 1. The sessions hash on source IP address and destination IP address.

APPENDIX B

Radius Server Configuration Notes

Use the following information to modify your RADIUS configuration files for the Nortel Networks BaySecure Access Control RADIUS server, to provide authentication for users of the GbE Switch Module.

1. Create a dictionary file called `alteon.dct`, with the following content:

```
#####
# alteon.dct - RADLINX Alteon dictionary
#
# (See README.DCT for more details on the format of this file)
#####
#
# Use the Radius specification attributes in lieu of the
# RADLINX Alteon ones
#
@radius.dct

#
# Define additional RADLINX Alteon parameters
# (add RADLINX Alteon specific attributes below)

ATTRIBUTE   Radlinx-Vendor-Specific  26  [vid=648 data=string]  R

#####
# alteon.dct - RADLINX Alteon dictionary
#####
#Define Alteon GbESM Layer 2 & Layer 3 dictionary
#@radius.dct

@alteon.dct
    VALUE      Service-Type      user          255
    VALUE      Service-Type      slboper      254
    VALUE      Service-Type      l4oper       253
    VALUE      Service-Type      oper         252
    VALUE      Service-Type      slbadmin     251
    VALUE      Service-Type      l4admin      250
#####
```

2. Open the `dictiona.dcm` file, and add the following line (as in the example):

■ `@alteon.dct`

```
#####
# dictiona.dcm
#####
# Generic Radius

@radius.dct

#
# Specific Implementations (vendor specific)
#
@pprt1213.dct
@acc.dct
@accessbd.dct
@alteon.dct
.
.
.
#####
# dictiona.dcm
#####
```

3. Open the vendor file (`vendor.ini`), and add the following data to the Vendor-Product identification list:

```
vendor-product      = Alteon Blade-server module
dictionary          = alteon
ignore-ports        = no
help-id             = 0
```

Glossary



DIP (Destination IP Address)	The destination IP address of a frame.
Dport (Destination Port)	The destination port (application socket: for example, http-80/https-443/DNS-53)
NAT (Network Address Translation)	Any time an IP address is changed from one source IP or destination IP address to another address, network address translation can be said to have taken place. In general, half NAT is when the destination IP or source IP address is changed from one address to another. Full NAT is when both addresses are changed from one address to another. No NAT is when neither source nor destination IP addresses are translated. Virtual server-based load balancing uses half NAT by design, because it translates the destination IP address from the Virtual Server IP address, to that of one of the real servers.
Preemption	In VRRP, preemption will cause a Virtual Router that has a lower priority to go into backup should a peer Virtual Router start advertising with a higher priority.
Priority	In VRRP, the value given to a Virtual Router to determine its ranking with its peer(s). Minimum value is 1 and maximum value is 254. Default is 100. A higher number will win out for master designation.
Proto (Protocol)	The protocol of a frame. Can be any value represented by a 8-bit value in the IP header adherent to the IP specification (for example, TCP, UDP, OSPF, ICMP, and so on.)
Real Server Group	A group of real servers that are associated with a Virtual Server IP address, or a filter.
Redirection or Filter-Based Load Balancing	A type of load balancing that operates differently from virtual server-based load balancing. With this type of load balancing, requests are transparently intercepted and “redirected” to a server group. “Transparently” means that requests are not specifically destined for a Virtual Server IP address that the switch owns. Instead, a filter is configured in the switch. This filter intercepts traffic based on certain IP header criteria and load balances it. Filters can be configured to filter on the SIP/Range (via netmask), DIP/Range (via netmask), Protocol, SPort/Range or DPort/Range. The action on a filter can be Allow, Deny, Redirect to a Server Group, or NAT (translation of either the source IP or destination IP address). In redirection-based load balancing, the destination IP address is not translated to that of one of the real servers. Therefore, redirection-based load balancing is designed to load balance devices that normally operate transparently in your network—such as a firewall, spam filter, or transparent Web cache.
RIP (Real Server)	Real Server IP Address. An IP addresses that the switch load balances to when requests are made to a Virtual Server IP address (VIP).

SIP (Source IP Address)	The source IP address of a frame.
SPort (Source Port)	The source port (application socket: for example, HTTP-80/HTTPS-443/DNS-53).
Tracking	<p>In VRRP, a method to increase the priority of a virtual router and thus master designation (with preemption enabled). Tracking can be very valuable in an active/active configuration.</p> <p>You can track the following:</p> <ul style="list-style-type: none"> ■ Vrs: Virtual Routers in Master Mode (increments priority by 2 for each) ■ Ifs: Active IP interfaces on the Web switch (increments priority by 2 for each) ■ Ports: Active ports on the same VLAN (increments priority by 2 for each) ■ l4pts: Active Layer 4 Ports, client or server designation (increments priority by 2 for each) ■ reals: healthy real servers (increments by 2 for each healthy real server) ■ hsrp: HSRP announcements heard on a client designated port (increments by 10 for each)
VIP (Virtual Server IP Address)	An IP address that the switch owns and uses to load balance particular service requests (like HTTP) to other servers.
VIR (Virtual Interface Router)	A VRRP address that is an IP interface address shared between two or more virtual routers.
Virtual Router	A shared address between two devices utilizing VRRP, as defined in RFC 2338. One virtual router is associated with an IP interface. This is one of the IP interfaces that the switch is assigned. All IP interfaces on the GbE Switch Modules must be in a VLAN. If there is more than one VLAN defined on the Web switch, then the VRRP broadcasts will only be sent out on the VLAN of which the associated IP interface is a member.
Virtual Server Load Balancing	<p>Classic load balancing. Requests destined for a Virtual Server IP address (VIP), which is owned by the switch, are load balanced to a real server contained in the group associated with the VIP. Network address translation is done back and forth, by the switch, as requests come and go.</p> <p>Frames come to the switch destined for the VIP. The switch then replaces the VIP and with one of the real server IP addresses (RIP's), updates the relevant checksums, and forwards the frame to the server for which it is now destined. This process of replacing the destination IP (VIP) with one of the real server addresses is called half NAT. If the frames were not half NAT'ed to the address of one of the RIPs, a server would receive the frame that was destined for its MAC address, forcing the packet up to Layer 3. The server would then drop the frame, since the packet would contain the destination IP of the VIP and not that of the server (RIP).</p>
VRID (Virtual Router Identifier)	In VRRP, a value between 1 and 255 that is used by each virtual router to create its MAC address and identify its peer for which it is sharing this VRRP address. The VRRP MAC address as defined in the RFC is 00-00-5E-00-01- <code>{VRID}</code> . If you have a VRRP address that two switches are sharing, then the VRID number needs to be identical on both switches so each virtual router on each switch knows whom to share with.

VRRP (Virtual Router Redundancy Protocol)

A protocol that acts very similarly to Cisco's proprietary HSRP address sharing protocol. The reason for both of these protocols is so devices have a next hop or default gateway that is always available. Two or more devices sharing an IP interface are either advertising or listening for advertisements. These advertisements are sent via a broadcast message to an address such as 224.0.0.18.

With VRRP, one switch is considered the master and the other the backup. The master is always advertising via the broadcasts. The backup switch is always listening for the broadcasts. Should the master stop advertising, the backup will take over ownership of the VRRP IP and MAC addresses as defined by the specification. The switch announces this change in ownership to the devices around it by way of a Gratuitous ARP, and advertisements. If the backup switch didn't do the Gratuitous ARP the Layer 2 devices attached to the switch would not know that the MAC address had moved in the network. For a more detailed description, refer to RFC 2338.

VSR (Virtual Server Router)

A VRRP address that is a shared Virtual Server IP address. VSR is Alteon OS proprietary extension to the VRRP specification. The switches must be able to share Virtual Server IP addresses, as well as IP interfaces. If they didn't, the two switches would fight for ownership of the Virtual Server IP address, and the ARP tables in the devices around them would have two ARP entries with the same IP address but different MAC addresses.

Index

Symbols

[] 21

Numerics

80 (port) 219, 225
802.1Q VLAN tagging 62

A

accessing the switch
 defining source IP addresses 37
 RADIUS authentication 38
 security 36
 using the Browser-based Interface 31
active cookie mode 440
active-active redundancy 339
 Server Load Balancing 353
 synchronization 347
active-standby redundancy 338
 configuration 350
administrator account 41
aggregating routes 127
 example 133
allow (filtering) 174, 250
application health checking 309
application ports 182
application redirection 252, 287
 client IP address authentication 297
 example with NAT 292
 games and real-time applications 297
 non-cacheable sites 297
 non-HTTP redirects for GSLB 242
 proxies 289, 292 to 295
 rport 292, 296
 See cache redirection
 topologies 290
 Web-cache redirection example 288 to 297

authenticating, in OSPF 147
authoritative name servers 211
autonomous systems (AS) 140

B

backup servers 189
bandwidth metric 187
BBI
 See Browser-Based Interface 141
Border Gateway Protocol (BGP) 121
 attributes 128
 failover configuration 130
 route aggregation 127
 route maps 123
 selecting route paths 129
 use with GSLB 246
Bridge Protocol Data Unit (BPDU) 87
broadcast domains 59, 105
Browser-Based Interface 141, 219, 225, 304

C

cache redirection
 browser-based 416
 delayed binding 294
 example 290
 HTTP header-based 415
 layer 7 traffic 405
 See application redirection
 servers 288 to 290, 291
 URL hashing 417
 URL-based 406
CGI-bin scripts 176, 188
Cisco EtherChannel 78, 81
client traffic processing 176
command conventions 21
Command Line Interface 141

configuration rules	
port mirroring	78
spanning tree	78
Trunking	78
VLANs	78
configuring	
BGP failover	130
cache redirection	290
cookie-based persistence	441
default filter	254
delayed binding	202
dynamic NAT	275
filter-based security	267
IP routing	103
multiple services	184
multi-response cookie search	447
OSPF	151
port trunking	80
proxy IP addresses	192
server load balancing	177
spanning tree groups	93
static NAT	274
TCP rate limiting filters	261
tunable hash for filter redirection	265
VLAN-based filters	255
connection time-out	188
content intelligent	
cache redirection	405
server load balancing	387
cookie	
active	440
different types	437
expiration timer	443
header	435
insert mode	437
names	436
passive mode	439
permanent	435
temporary	435
values	436
cookie-based persistence	434
D	
default gateway	102
configuration example ...	72, 104, 220, 226, 232
VLAN-based	69
default password	41
default route	
OSPF	145
delayed binding	200 to 202, 385
cache redirection	294
deny (filtering)	174, 250
detecting SYN attacks	202
dip (destination IP address for filtering)	259
disabling real servers	183
Distributed Site State Protocol (DSSP)	210
dmask	
destination mask for filtering	259
Domain Name System (DNS)	
filtering	266, 269
Global SLB (diagram)	211
load balancing, layer 7	402
round robin	172
dport (filtering option)	268, 293
DSSP. <i>See</i> Distributed Site State Protocol.	
dynamic NAT	275
E	
End user access control	
configuring	55
EtherChannel	76
as used with port trunking	78, 81
expiration timer, insert cookie	443
external routing	122, 140
F	
failed server protection, SLB	172
failover	
overview	337
fault tolerance	
port trunking	77
Server Load Balancing	176
filter redirection	
tunable hash	265

IP address		
conservation.....	272	
filter ranges.....	259	
local route cache ranges.....	107	
private.....	272	
proxies	190, 289, 292 to 295	
real server groups	179, 221, 356, 412	
real servers	174, 177, 221	
routing example.....	71, 103	
SLB real servers	179	
virtual servers.....	174, 179, 222	
IP interfaces		
configuration example.....	178, 220, 226, 232	
example configuration.....	71, 103, 106	
IP proxies		
for application redirection	295	
for Global Server Load Balancing.....	242	
for Server Load Balancing	190	
<i>See also</i> proxies, proxy IP address (PIP).		
IP routing	176	
cross-subnet example	100	
default gateway configuration	72, 104	
IP interface configuration	71, 103, 106	
IP subnets	101	
network diagram.....	101	
subnet configuration example.....	103	
switch-based topology	102	
IP subnets	102	
routing	101, 102	
VLANs	59	
ISL Trunking	76	
J		
jumbo frames		
fragmenting to normal size.....	100, 103	
routing	100, 103	
L		
LACP	82	
Layer 4		
administrator account	41	
cache redirection	290	
server load balancing	177	
Layer 7		
cache redirection.....	405	
deny filter	429	
precedence lookup	425	
regular expression matching	423	
server load balancing.....	387	
string matching	421	
least connections (SLB Real Server metric).....	186	
leastconn metric	186	
Link Aggregation Control Protocol	82	
lmask (local route cache parameter)	107	
lnet (local route cache parameter).....	107	
load balancing		
DNS.....	402	
layer 7 traffic.....	387	
SIP traffic	203	
local route cache address range	107	
local route cache parameters		
lmask	107	
lnet.....	107	
log		
filtering option.....	250	
log (filtering option)	266	
logical segment. <i>See</i> IP subnets.		
LSAs.....	139	
M		
management module	26	
Management Processor (MP)		
use in switch security.....	37	
manual style conventions	21	
mapping ports	296	
mapping virtual ports to real ports	193	
matching TCP flags	279	
maxcons limit.....	188, 189	
maximum connections	188, 189	
metrics		
real server groups.....	185	
MIBs, SNMP	35	
minimum misses (SLB real server metric).....	185	
minmiss metric	185	
mirroring ports	454	
monitoring ports	454	
monitoring real servers.....	199	
multi-homing	246	
multi-links between switches		
using port trunking	75	
multiple services, configuring	184	

multiple spanning tree groups 91

N

name servers, Global SLB configuration example. 211
 Network Address Translation (NAT)..... 292
 configuration example 272 to 274
 filter action 252
 filter example 276
 proxy 276
 static example..... 272
 network management..... 33
 network performance
 statistics, with use of proxy addresses 190
 NFS server..... 175
 non cacheable sites in application redirection 297
 none (port processing mode) example..... 180
 non-HTTP redirects for GSLB 242

O

OSPF

 area types..... 136
 authentication 147
 configuration examples..... 152 to 167
 default route 145
 external routes 151
 filtering criteria 251
 host routes 150
 link state database 139
 neighbors 139
 overview..... 136
 redistributing routes 123, 127
 route maps 123, 125
 route summarization..... 144
 router ID..... 147
 virtual link 146
 outgoing route maps 124
 overflow servers 189

P

password

 administrator account 41
 default 41
 L4 administrator account 41
 user account 41

persistence

 cookie-based 434
 multi-reponse cookie search 447
 SSL session ID-based 448 to 450

persistent

 bindings 176

PIP. *See* proxies, proxy IP address.

POP3 242

port 80 219, 225

port mapping 296

port mirroring 454

 configuration rules 78

port processing mode

 none 180

 server 176, 180

port states 222

Port Trunking 77

port trunking 77

 configuration example 79

 description 81

 EtherChannel 76

 fault tolerance 77

ports

 for services 182

 monitoring 454

 physical. *See* switch ports.

 SLB configuration example 180

private IP address 272

private network..... 272

protocol types..... 251

proxies..... 190, 289 to ??, 295

 configuration example 276

 NAT 275

proxy IP address (PIP)..... 190, 198, 295

proxy servers 289

PVID (port VLAN ID) 61

R

RADIUS

 authentication 38

 health checks 317

 port 1812 and 1645..... 182

 port 1813 182

 server parameters 317

 SSH/SCP 53

real server groups

 configuration example 221, 356, 412

real servers	
backup/overflow servers	189
configuration example	221
connection timeouts	188
disable/enable	183
health checks	309
maximum connections	188
monitoring	199
SLB configuration example	179
weights	188
redirect (HTTP)	212
redirecting filters	
tunable hash	265
redirecting non-HTTP applications	242
redirection. <i>See</i> application redirection	
redistributing routes	123, 127, 133
redundancy	
active-active	339
active-standby	338
hot-standby	340
remote (Global SLB real server property)	223
response metric	187
RIP (Routing Information Protocol)	
advertisements	112
distance vector protocol	111
hop count	111
metric	111
routing table	112
TCP/IP route information	20, 111
UDP	112
version 1	111
roundrobin	
SLB Real Server metric	186
route aggregation	127, 133
route cache, sample	70
route maps	123
configuring	125
incoming and outgoing	124
route paths in BGP	129
Router ID	
OSPF	147
routers	72, 101, 104
border	140
peer	140
port trunking	76
switch-based routing topology	102
using redirection to reduce Internet congestion	287
web-cache redirection example	288
routes, advertising	140
routing	122
internal and external	140
Routing Information Protocol. <i>See</i> RIP	
rport (filtering)	292, 296
RSA keys	52
S	
scalability, service	172
script-based health checks	304 to 307
searching for cookie	443
searching for cookies	443
SecurID	54
security	
allowable SIP addresses	37
filter-based	266
filtering	250, 266
firewalls	267
from viruses	250
layer 7 deny filter	428
port mirroring	454
private networks	272
RADIUS authentication	38
switch management	37
VLANs	59
segmentation. <i>See</i> IP subnets.	
segments. <i>See</i> IP subnets.	
server (port processing mode) example	180
server failure	324

Server Load Balancing	
across subnets.....	100
active-active redundancy	353
backup servers.....	189
complex network topologies.....	190
configuration example	175, 190
distributed sites.....	210
DNS.....	402
failed server protection	172
fault tolerance.....	176
health checks.....	309
IDS.....	203
maximum connections.....	188
metrics	185
overflow servers	189
overview.....	173
persistent bindings	176
port processing modes	176, 180
proxies	190
proxy IP addresses	198
real server group.....	179, 356, 412
real server IP address (RIP).....	174
remote sites.....	210
topology considerations	176
virtual IP address (VIP)	174
virtual servers.....	174, 179
weights.....	188
server pool.....	172
server port processing	176
service failure	324
service ports.....	182
session dumps	457
Session Initiation Protocol (SIP)	203
setting multiple response count	443
shared services	172
SIP (source IP address for filtering).....	259
smask	
source mask for filtering	259
SMTP	242
SNMP	33, 141
assign health check	304
HP-OpenView.....	33
MIBS	35
spanning tree	
configuration rules	78
Spanning-Tree Protocol	
multiple instances	91
spoofing, prevention of	37
sport (filtering option).....	268, 293
SSH	
RSA host and server keys.....	52
SSH/SCP	
configuring.....	49
static NAT	272
statistical load distribution	77
summarizing routes.....	144
switch failover.....	337
switch management	
security	37
switch ports VLANs membership.....	62
syslog	
messages.....	250
T	
TACACS+	42
tagging. <i>See</i> VLANs tagging.	
TCP.....	251, 269, 270
health checking using	184
port 80.....	199
TCP flags.....	279
TCP/UDP port numbers	193
technical terms	
port VLAN identifier (PVID).....	62
tagged frame.....	62
tagged member	63
untagged frame	62
untagged member.....	63
VLAN identifier (VID)	62
Telnet	266
text conventions.....	21
thash.....	81
timeouts for real server connections	188
transparent proxies.....	190, 289, 292 to 295
troubleshooting.....	457
Trunk Hash algorithm	81
Trunking	
configuration rules	78
tunable hashing.....	265
typographic conventions.....	21
U	
UDP.....	251, 269, 270
jumbo frame traffic fragmentation.....	103
RIP.....	112
server status using	184
user account	41

Using proxy IP	
GSLB	242

V

virtual interface router (VIR)	332
virtual IP address (VIP)	174
virtual link, OSPF	146
Virtual Local Area Networks. <i>See</i> VLANs.	
virtual port mapping to multiple real ports	194 to 196
virtual router	
ID numbering	348
virtual router group	340
Virtual Router Redundancy Protocol	
tracking	343
virtual server router	343
virtual servers	174
configuration example	179
IP address	179, 222
virus attacks, preventing	428
VLAN-based filtering	255
VLANs	
broadcast domains	59, 105
configuration rules	78
default PVID	61
example showing multiple VLANs	67
filtering	255
gateway, default	69
ID numbers	60
IP interface configuration	106
multiple spanning trees	86
multiple VLANs	62
port members	62
PVID	61
routing	105
security	59
Spanning-Tree Protocol	86
tagging	62 to 68
topologies	66
VLAN #1 (default)	178, 291
VRRP (Virtual Router Redundancy Protocol)	
active-active redundancy	339
active-standby redundancy	338
hot-standby redundancy	340
inter-switch port states	341
overview	332, 343
synchronization	347
synchronizing configurations	341
virtual interface router	332
virtual router ID numbering	348
virtual server router	343
vrid	332

W

WAP	
WSP content health check	319
WTLS health check	320
Web cache redirection	
<i>See</i> application redirection	
Web hosting	175
weights	188
World Wide Web, client security for browsing	266
WSP health check	319
WSP health checks	318 to 320
WTLS health check	320