



Rack Installation Instructions

Review the documentation that comes with your rack for safety and cabling information. When installing your storage subsystem in a rack, consider the following:

- Two or more people are required to install the device in a rack. To enable only one person to lift it, and to reduce the weight of the unit for easier installation, remove all components and filler panels from the storage subsystem.
- Make sure that the room air temperature is below 35°C (95°F).
- Do not block any air vents; usually, 15 cm (6 in.) of air space in the rear and 5 cm (2 in.) in the front provides proper airflow.
- Do not leave open spaces above or below devices installed in a rack. To help prevent damage to device components, always install a blank filler panel to cover the open space and to help ensure proper air circulation.
- Remove the rack doors and side panels to provide easier access during installation.
- Plan the device installation starting at the bottom of the rack.
- Install the heaviest device in the bottom of the rack.
- Do not extend more than one device out of the rack at the same time.
- Connect all power cords to properly wired and grounded electrical outlets.
- Take precaution to prevent overloading the power outlets when you install multiple devices in a rack.



Use safe practices when lifting.



≥18 kg (39.7 lb)



≥32 kg (70.5 lb)



≥55 kg (121.2 lb)



Do not place any object weighing more than 50 kg (110 lb) on top of rack-mounted devices.



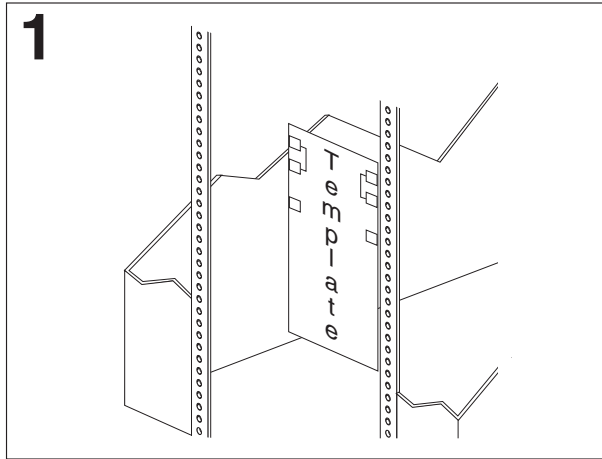
≥50 kg (110 lb)

You will need a flat-blade and a Phillips screwdriver during the installation. The following is a list of items that come with your rack installation kit. If any items are missing or damaged, contact your place of purchase.

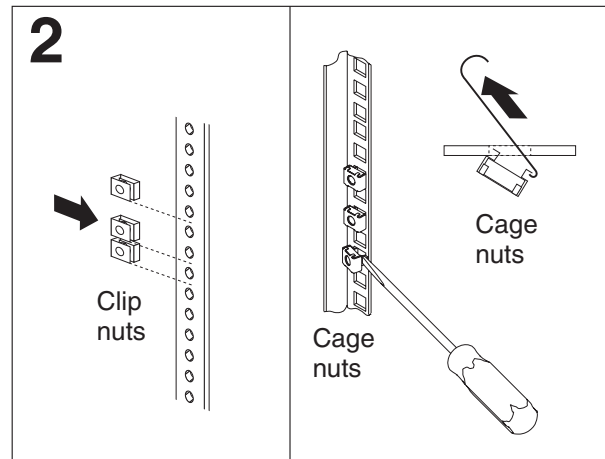
- Cage nuts (10)
- Clip nuts (10)
- M6 hex screws (10)
- Rail assembly, right (1)
- Rail assembly, left (1)

Note: Refer to your storage subsystem documentation for handling guidelines before removing any static-sensitive devices.

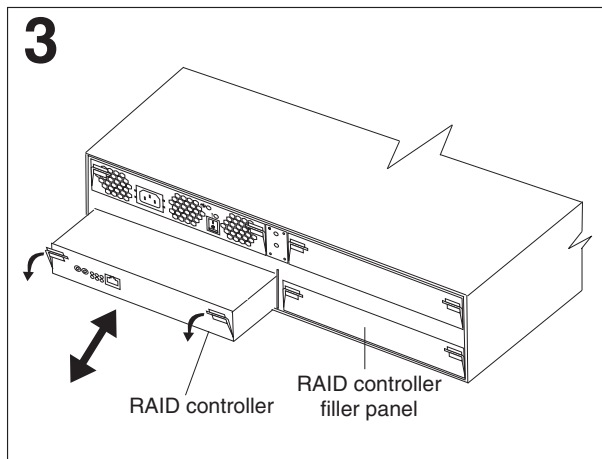
Important: If any components (power supply, controller, hard disk drive, any filler panel) are installed, the storage subsystem requires two or more persons to lift it (see the weight limits on the first page of this document). To enable only one person to lift it, and to reduce the weight of the unit for easier installation, remove all components and filler panels from the storage subsystem. Steps 3, 4, and 5 describe how to remove components.



Use the attached rack-mounting template to locate the holes on the front and rear rack-mounting flanges. Ignore the word “bezel” on the template.



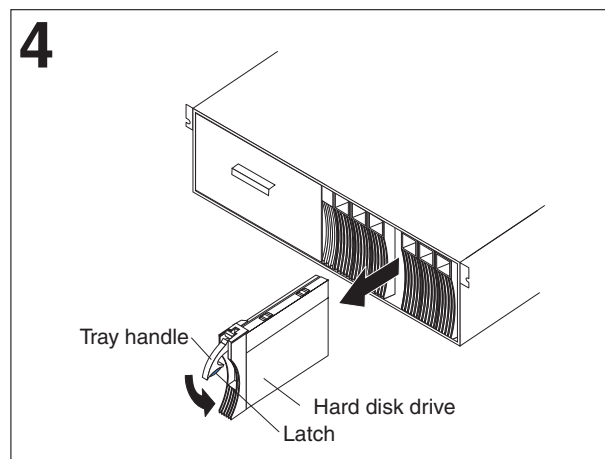
Install cage nuts or clip nuts as required for your rack. Use a flat-blade screwdriver to install cage nuts.



To remove a component on the rear (RAID controller, power-supply-with-fan unit, or filler panel):

1. While squeezing together the latch and lever that are on each side of the component, press down on the orange area on each latch. The component will slide out of the bay a short distance.
2. Grasp both latches and pull the component out of the bay.

Repeat this step for the other components on the rear; then, set all components aside for later installation.

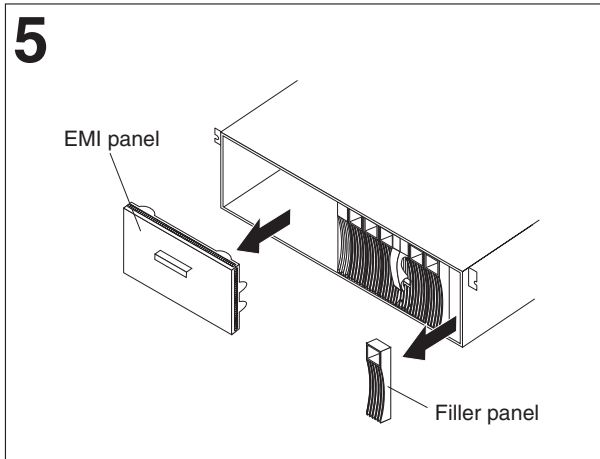


To remove a hard disk drive, press the latch and pull up the handle; then, carefully pull the drive from the storage subsystem.

Notes:

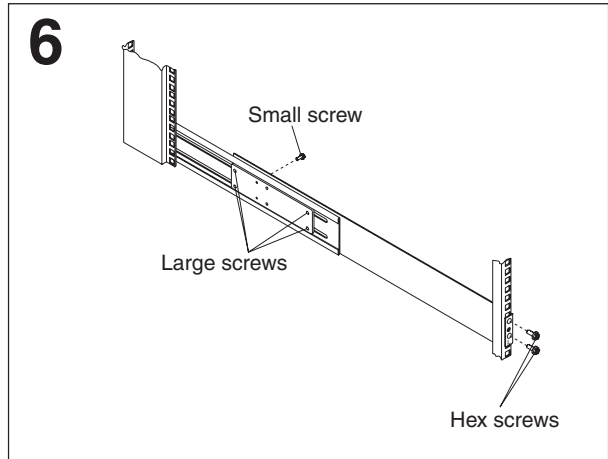
1. Before you remove any hard disk drives, make sure that you mark their location so that you can reinstall them in the same location.
2. Handle hard disk drives gently and do not stack them. Follow all precautions for static-sensitive devices.

Repeat this step for all hard disk drives.

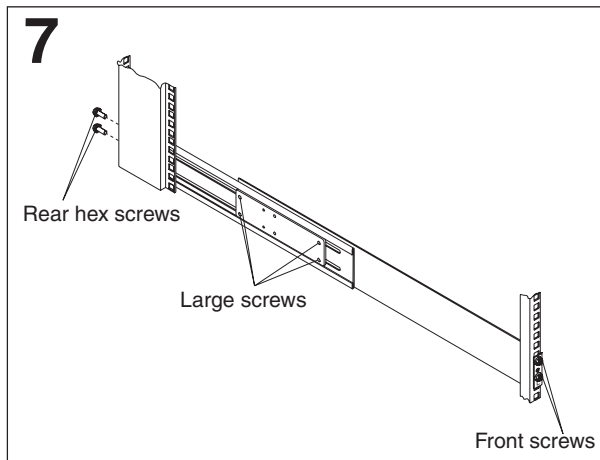


Remove the filler panels from the remaining hard disk drive bays. If a blank panel covers all seven hard disk drive bays on one side of the storage subsystem, grasp the handle and pull to remove the panel.

If the bezel is installed on the storage subsystem, remove it now. See the *IBM TotalStorage DS300 and DS400 Installation and User's Guide* for instructions.

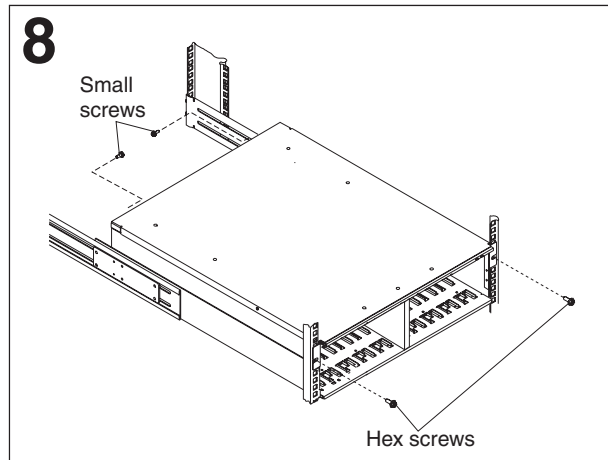


On the rail marked **L**, remove and save the small screw; then, loosen the four large screws. Hold the rail against the outside of the left rack mounting flange and loosely insert the front M6 hex screws.



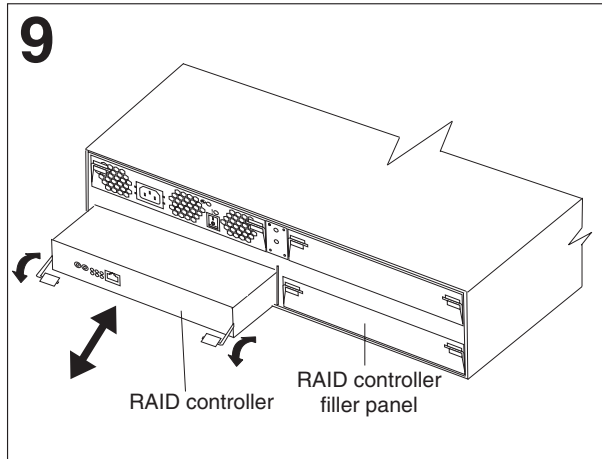
Extend the rail outside of the rear rack mounting flange; then, install and tighten both rear M6 hex screws.

Repeat steps 6 and 7 for the rail marked **R** on the right side of the rack.



Slide the storage subsystem all the way into the rack; then, secure the front of the storage subsystem with two M6 hex screws.

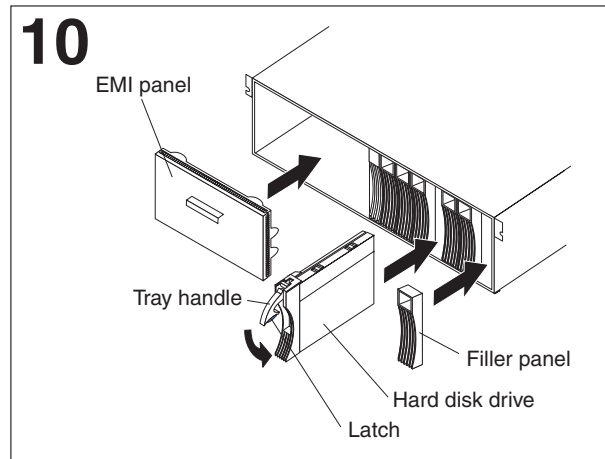
Secure the rear of the storage subsystem by inserting the two small screws (removed in steps 6 and 7) in the slotted hole on each side at the rear of the chassis.



To install a component on the rear (RAID controller, power-supply-with-fan unit, or filler panel):

1. Make sure the lever on each side of the component is down as far as it will go; then, push the component into the bay until it meets resistance (about 6 mm (0.25 in.) from the end of the chassis).
2. While squeezing together the latch and lever, push both latches up as far as they will go. The component automatically slides the rest of the way into the bay.

Repeat this step for the other components on the rear.



Install the hard disk drives and filler panels you removed in steps 4 and 5.

Notes:

1. Make sure that the hard disk drive handle is fully open before you install the drive.
2. Be sure to install the drives and filler panels in the same bays that you removed them from.

Install the bezel. See the *IBM TotalStorage DS300 and DS400 Installation and User's Guide* for instructions.

See your external storage subsystem documentation to complete your installation. Store this information with your storage subsystem documentation for future use.

First Edition (September 2004)

Printed in the U.S.A.

IBM and TotalStorage are trademarks of the International Business Machines Corporation in the United States, other countries, or both.

© Copyright International Business Machines Corporation 2004. All rights reserved.

US Government Users Restricted Rights – Use, duplication or disclosure restricted by GSA ADP Schedule Contract with IBM Corp.

(1P) P/N: 25K8167

