

IBM @server BladeCenter Optical Pass-thru
Module



Installation Guide

IBM @server BladeCenter Optical Pass-thru
Module



Installation Guide

Note:

Before using this information and the product it supports, read the general information in Appendix B, "IBM Statement of Limited Warranty Z125-4753-08 04/2004," on page 37 and Appendix C, "Notices," on page 61.

Second Edition (December 2004)

© Copyright International Business Machines Corporation 2003, 2004. All rights reserved.

US Government Users Restricted Rights – Use, duplication or disclosure restricted by GSA ADP Schedule Contract with IBM Corp.

Contents

Safety	v
Chapter 1. Introducing the IBM @server BladeCenter Optical Pass-thru Module	1
Related documentation	2
Features and specifications.	4
Inventory Checklist	4
Notices and statements used in this book.	5
Major components of the BladeCenter Optical Pass-thru Module	6
Chapter 2. Installing and removing a BladeCenter Optical Pass-thru Module	9
I/O module interface requirements	10
Blade server Ethernet controller enumeration	12
Installation guidelines	13
System reliability considerations	13
Handling static-sensitive devices	14
Installing a BladeCenter Optical Pass-thru Module	16
Removing a BladeCenter Optical Pass-thru Module	21
Chapter 3. Information LEDs and external ports	23
Front panel	23
Information LEDs	26
Chapter 4. Completing the installation	29
Cable connection	30
Connecting to the BladeServer Optical Pass-thru Module	31
Connecting to network infrastructure.	32
Configuring the Optical Pass-thru Module	32
Updating I/O module firmware	33
Troubleshooting	33
Appendix A. Getting help and technical assistance	35
Before you call	35
Using the documentation.	35
Getting help and information from the World Wide Web	36
Software service and support	36
Hardware service and support	36
Appendix B. IBM Statement of Limited Warranty Z125-4753-08 04/2004	37
Part 1 - General Terms.	37
Part 2 - Country-unique Terms	41

Part 3 - Warranty Information	56
Appendix C. Notices	61
Edition notice	62
Trademarks	62
Important notes	63
Product recycling and disposal	64
Electronic emission notices	64
Federal Communications Commission (FCC) statement.	64
Industry Canada Class A emission compliance statement	65
Australia and New Zealand Class A statement	65
United Kingdom telecommunications safety requirement	65
European Union EMC Directive conformance statement	65
Taiwanese Class A warning statement	66
Chinese Class A warning statement	66
Japanese Voluntary Control Council for Interference (VCCI) statement	66
Index	67

Safety

Before installing this product, read the Safety Information.

قبل تركيب هذا المنتج، يجب قراءة الملاحظات الأمنية

Antes de instalar este produto, leia as Informações de Segurança.

在安装本产品之前，请仔细阅读 **Safety Information**
(安全信息)。

安裝本產品之前，請先閱讀「安全資訊」。

Prije instalacije ovog produkta obavezno pročitajte Sigurnosne Upute.

Před instalací tohoto produktu si přečtěte příručku bezpečnostních instrukcí.

Læs sikkerhedsforskrifterne, før du installerer dette produkt.

Lees voordat u dit product installeert eerst de veiligheidsvoorschriften.

Ennen kuin asennat tämän tuotteen, lue turvaohjeet kohdasta Safety Information.

Avant d'installer ce produit, lisez les consignes de sécurité.

Vor der Installation dieses Produkts die Sicherheitshinweise lesen.

Πριν εγκαταστήσετε το προϊόν αυτό, διαβάστε τις πληροφορίες ασφάλειας (safety information).

לפני שתתקינו מוצר זה, קראו את הוראות הבטיחות.

A termék telepítése előtt olvassa el a Biztonsági előírásokat!

Prima di installare questo prodotto, leggere le Informazioni sulla Sicurezza.

製品の設置の前に、安全情報をお読みください。

본 제품을 설치하기 전에 안전 정보를 읽으십시오.

Пред да се инсталира овој продукт, прочитајте информацијата за безбедност.

Les sikkerhetsinformasjonen (Safety Information) før du installerer dette produktet.

Przed zainstalowaniem tego produktu, należy zapoznać się z książką "Informacje dotyczące bezpieczeństwa" (Safety Information).

Antes de instalar este produto, leia as Informações sobre Segurança.

Перед установкой продукта прочтите инструкции по технике безопасности.

Pred inštaláciou tohto zariadenia si pečítajte Bezpečnostné predpisy.

Pred namestitvijo tega proizvoda preberite Varnostne informacije.

Antes de instalar este producto, lea la información de seguridad.

Läs säkerhetsinformationen innan du installerar den här produkten.

Important:

All caution and danger statements in this documentation begin with a number. This number is used to cross reference an English caution or danger statement with translated versions of the caution or danger statement in the *IBM Safety Information* book.

For example, if a caution statement begins with a number 1, translations for that caution statement appear in the *IBM Safety Information* book under statement 1.

Be sure to read all caution and danger statements in this documentation before performing the instructions. Read any additional safety information that comes with your server or optional device before you install the device.

Statement 1:



DANGER

Electrical current from power, telephone, and communication cables is hazardous.

To avoid a shock hazard:

- Do not connect or disconnect any cables or perform installation, maintenance, or reconfiguration of this product during an electrical storm.
- Connect all power cords to a properly wired and grounded electrical outlet.
- Connect to properly wired outlets any equipment that will be attached to this product.
- When possible, use one hand only to connect or disconnect signal cables.
- Never turn on any equipment when there is evidence of fire, water, or structural damage.
- Disconnect the attached power cords, telecommunications systems, networks, and modems before you open the device covers, unless instructed otherwise in the installation and configuration procedures.
- Connect and disconnect cables as described in the following table when installing, moving, or opening covers on this product or attached devices.

To Connect:

1. Turn everything OFF.
2. First, attach all cables to devices.
3. Attach signal cables to connectors.
4. Attach power cords to outlet.
5. Turn device ON.

To Disconnect:

1. Turn everything OFF.
2. First, remove power cords from outlet.
3. Remove signal cables from connectors.
4. Remove all cables from devices.

Statement 2:



CAUTION:

When replacing the lithium battery, use only IBM Part Number 33F8354 or an equivalent type battery recommended by the manufacturer. If your system has a module containing a lithium battery, replace it only with the same module type made by the same manufacturer. The battery contains lithium and can explode if not properly used, handled, or disposed of.

Do not:

- **Throw or immerse into water**
- **Heat to more than 100°C (212°F)**
- **Repair or disassemble**

Dispose of the battery as required by local ordinances or regulations.

Statement 4:



≥ 18 kg (39.7 lb)



≥ 32 kg (70.5 lb)



≥ 55 kg (121.2 lb)

CAUTION:

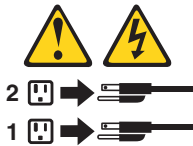
Use safe practices when lifting.

Statement 5:



CAUTION:

The power control button on the device and the power switch on the power supply do not turn off the electrical current supplied to the device. The device also might have more than one power cord. To remove all electrical current from the device, ensure that all power cords are disconnected from the power source.



Statement 6:



CAUTION:

If you install a strain-relief bracket option over the end of the power cord that is connected to the device, you must connect the other end of the power cord to an easily accessible power source.

Statement 8:



CAUTION:

Never remove the cover on a power supply or any part that has the following label attached.



Hazardous voltage, current, and energy levels are present inside any component that has this label attached. There are no serviceable parts inside these components. If you suspect a problem with one of these parts, contact a service technician.

Statement 13:



DANGER

Overloading a branch circuit is potentially a fire hazard and a shock hazard under certain conditions. To avoid these hazards, ensure that your system electrical requirements do not exceed branch circuit protection requirements. Refer to the information that is provided with your device for electrical specifications.

WARNING: Handling the cord on this product or cords associated with accessories sold with this product, will expose you to lead, a chemical known to the State of California to cause cancer, and birth defects or other reproductive harm. *Wash hands after handling.*

ADVERTENCIA: El contacto con el cable de este producto o con cables de accesorios que se venden junto con este producto, pueden exponerle al plomo, un elemento químico que en el estado de California de los Estados Unidos está considerado como un causante de cancer y de defectos congénitos, además de otros riesgos reproductivos. *Lávese las manos después de usar el producto.*

Statement 25:



CAUTION:

This product contains a Class 1M laser. Do not view directly with optical instruments.

Chapter 1. Introducing the IBM @server BladeCenter Optical Pass-thru Module

This *Installation Guide* for the IBM® @server BladeCenter™ Optical Pass-thru Module contains information about:

- Installing your Optical Pass-thru Module
- Connecting the Optical Pass-thru Module to your existing network infrastructure

For installation details, see Chapter 2, “Installing and removing a BladeCenter Optical Pass-thru Module,” on page 9. For additional information, see the instructions in your BladeCenter® documentation.

A BladeCenter unit, such as the IBM @server BladeCenter Type 8677 or the IBM @server BladeCenter T Types 8720 and 8730, supports installation of up to four I/O modules that enable it to communicate with your external resources. Several types of I/O modules are available, each specifically designed to communicate with a specific environment. The IBM @server BladeCenter Optical Pass-thru Module is one of the types of I/O modules that can be installed in a BladeCenter unit. The Optical Pass-thru Module provides an unconfigured network connection that enables the blade servers in the BladeCenter unit to connect to an existing network infrastructure. No configuration of the Optical Pass-thru Module is required.

Notes:

1. In this document, the term *BladeCenter unit* refers to any IBM @server BladeCenter, BladeCenter T, or other BladeCenter-class chassis model, except where specifically indicated otherwise.
2. Some models of BladeCenter units support only two I/O modules, in I/O module bay 1 and bay 2. See the documentation that comes with each BladeCenter unit for information about the number and type of I/O modules supported.

Blade servers communicate with the Optical Pass-thru Module using their integrated Ethernet controllers or through an optional blade server I/O expansion card. Ethernet controllers integrated on the blade server system board are connected to I/O-module bay 1 and bay 2. The I/O expansion cards are connected to I/O-module bay 3 and bay 4.

Performance, reliability, and expansion capabilities were key considerations in the design of your Optical Pass-thru Module. These design features make it possible for you to customize the system hardware to meet your needs today, while providing flexible expansion capabilities for the future.

You can obtain up-to-date information about your IBM @server BladeCenter Optical Pass-thru Module and other IBM server products at <http://www.ibm.com/eserver/xseries/>.

The product name and serial number are located on the identification label on the side of the Optical Pass-thru Module. You will need this information when you register your Optical Pass-thru Module with IBM. See “Major components of the BladeCenter Optical Pass-thru Module” on page 6 for an illustration that shows the location of the identification label.

Note: The illustrations in this document might differ slightly from your hardware.

Related documentation

This *Installation Guide* contains detailed installation and setup instructions for the IBM @server BladeCenter Optical Pass-thru Module. This document also provides general information about your Optical Pass-thru Module, including information about features and how to get help.

The following related documentation is provided with your BladeCenter unit and blade server:

- *Rack Installation Instructions*

This document contains the instructions to install your BladeCenter unit in a rack.

- BladeCenter unit *Installation and User's Guide*

This document is provided in PDF on the IBM BladeCenter unit *Documentation CD*. It provides general information about the BladeCenter unit, including:

- Information about features
- How to set up, cable, and start your BladeCenter unit
- How to install options in your BladeCenter unit
- How to configure your BladeCenter unit
- How to perform basic troubleshooting of your BladeCenter unit
- How to get help

- IBM @server BladeCenter blade server *Installation and User's Guides*

Each type of blade server has a customized *Installation and User's Guide*. These documents are provided in PDF on the IBM BladeCenter unit or option *Documentation* CD. They provide general information about your blade server, including:

- Information about features
 - How to set up and start your blade server
 - How to install options in your blade server
 - How to configure your blade server
 - How to install an operating system on your blade server
 - How to perform basic troubleshooting of your blade server
 - How to get help
- *Safety Information*
This document is in PDF on the IBM BladeCenter unit or option *Documentation* CD. It contains translated caution and danger statements. Each caution and danger statement that appears in the documentation has a number that you can use to locate the corresponding statement in your language in the *Safety Information* book.
 - *Hardware Maintenance Manual and Troubleshooting Guides*
These documents are in PDF on the IBM BladeCenter unit *Documentation* CD. They contain information to help you solve problems yourself, and they contain information for service technicians.

Depending on your blade server model, additional documentation might be included on the IBM BladeCenter unit or option *Documentation* CD.

In addition to reviewing the documents in this library, be sure to go to <http://www.ibm.com/eserver/bladecenter/> to review the *IBM BladeCenter Planning and Installation Guide* for information to help you prepare for system installation and configuration.

Features and specifications

This section provides a summary of the features and specifications for your IBM @server BladeCenter Optical Pass-thru Module.

The IBM @server BladeCenter Optical Pass-thru Module features include:

- Ports
 - Four external optical ports for making connections to network infrastructure. Each port provides connections for up to four bi-directional optical channels.
 - Fourteen internal full-duplex ports, one connected to each of the blade servers
- Status and failure LEDs

Information LEDs on the front panel indicate I/O module and port status and faults.
- Cables:
 - Up to four optical pass-thru module cables (not included) can be connected to the Optical Pass-thru Module.
 - The optical pass-thru module cable are terminated with industry-standard duplex connectors
 - Optical couplers enable cables to be extended up to 1000 meters
 - Adapters are available to convert SC connectors to LC connectors

Inventory Checklist

Verify that the shipping carton contains the following items:

- One IBM @server BladeCenter Optical Pass-thru Module
- *IBM @server BladeCenter Optical Pass-thru Module Installation Guide*

If any of these items are missing or damaged, contact your local reseller for replacement.

Notices and statements used in this book

The caution and danger statements that appear in this book are also in the multilingual *Safety Information Book* on the IBM BladeCenter unit or option *Documentation CD*. Each statement is numbered for reference to the corresponding statement in the *Safety Information Book*.

The following notices and statements are used in this book:

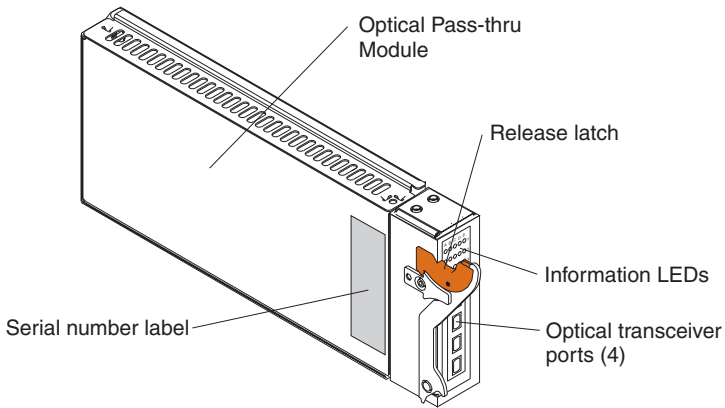
- **Note:** These notices provide important tips, guidance, or advice.
- **Important:** These notices provide information or advice that might help you avoid inconvenient or problem situations.
- **Attention:** These notices indicate possible damage to programs, devices, or data. An attention notice is placed just before the instruction or situation in which damage could occur.
- **Caution:** These statements indicate situations that can be potentially hazardous to you. A caution statement is placed just before the description of a potentially hazardous procedure step or situation.
- **Danger:** These statements indicate situations that can be potentially lethal or extremely hazardous to you. A danger statement is placed just before the description of a potentially lethal or extremely hazardous procedure step or situation.

Major components of the BladeCenter Optical Pass-thru Module

The following illustrations show the major components of your Optical Pass-thru Module.

Note: The illustrations in this document might differ slightly from your hardware.

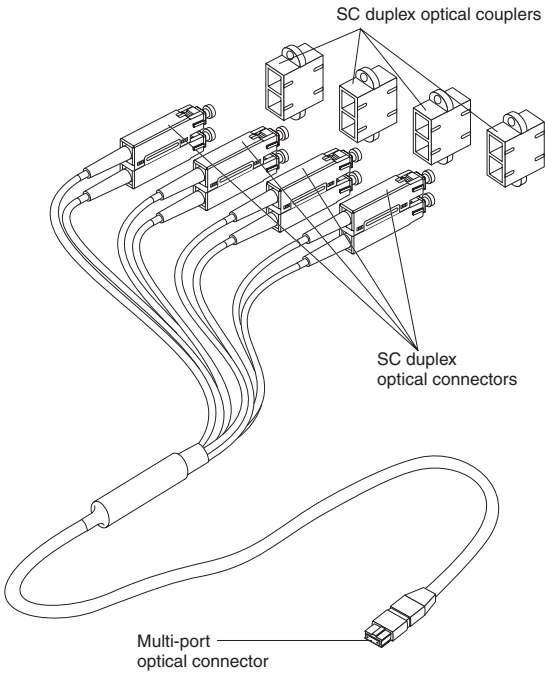
Optical Pass-thru Module:



For more information about the components of the front panel, see Chapter 3, "Information LEDs and external ports," on page 23.

Optical Pass-thru Module Cables:

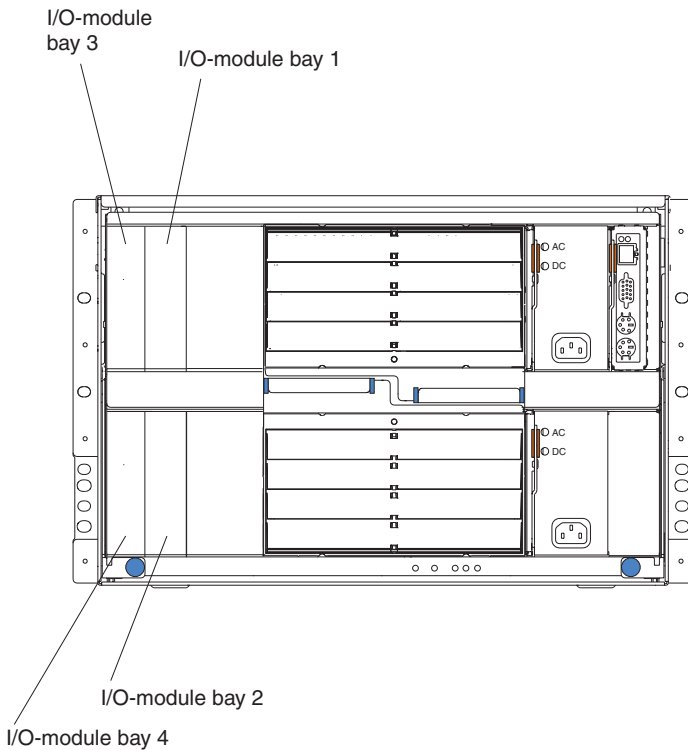
Up to four optical pass-thru module cables can be connected to the Optical Pass-thru Module. Each cable comes with optical couplers (attached) that enable cables to be extended up to 1000 meters. A sample IBM @server BladeCenter Optical Pass-thru Module SC Cable is shown below. No optical pass-thru module cables come with the Optical Pass-thru Module. Optical pass-thru module cables and other optional components for your Optical Pass-thru Module are listed at <http://www.ibm.com/eserver/xseries/>.



Chapter 2. Installing and removing a BladeCenter Optical Pass-thru Module

The following illustration shows the BladeCenter I/O-module bay locations.

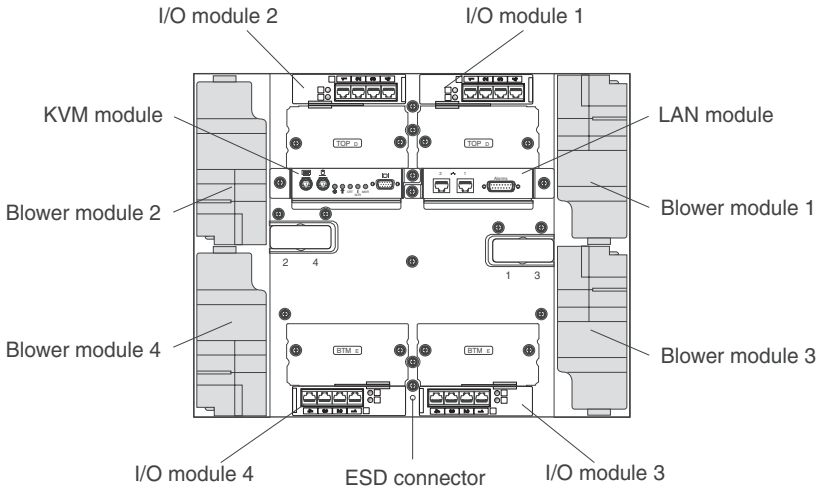
Note: The illustrations in this document might differ slightly from your hardware.



Attention: To maintain proper system cooling and performance, each module bay must contain either a module or a filler module; each blade bay must contain either a blade server, expansion unit, or a filler blade.

The following illustration shows the BladeCenter T I/O module locations.

Note: The illustrations in this document might differ slightly from your hardware.



Attention: To maintain proper system cooling and performance, each module bay must contain either a module or a filler module; each blade bay must contain either a blade server, expansion unit, or a filler blade.

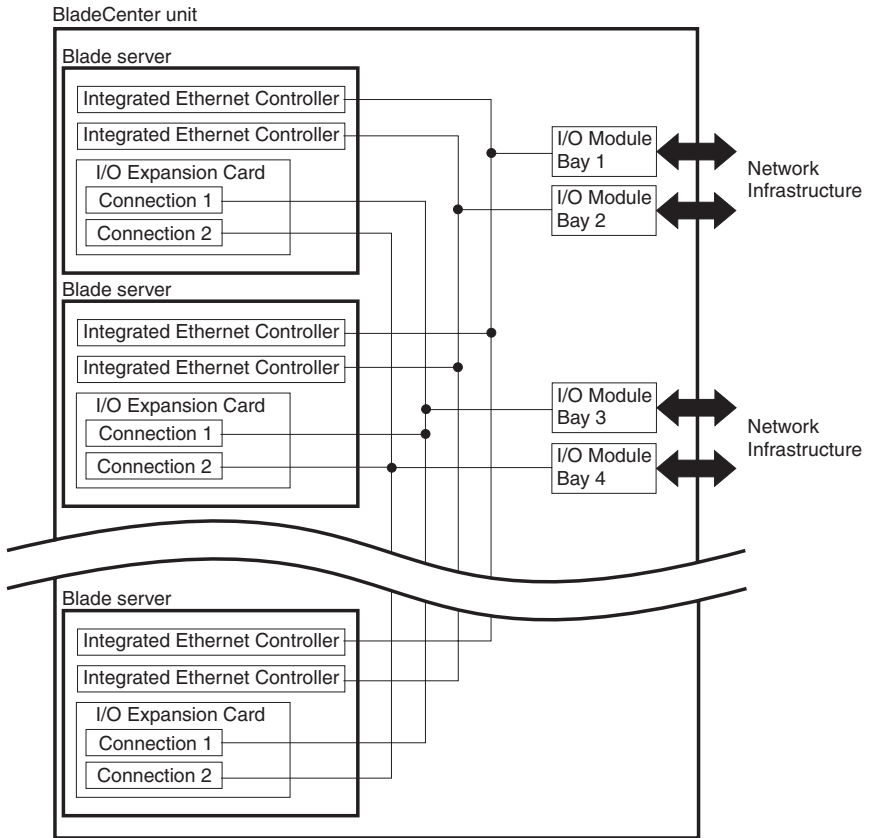
I/O module interface requirements

Your BladeCenter unit has two or four I/O-module bays and supports a minimum of one hot-swap I/O module in I/O-module bay 1 or bay 2. Several types of I/O modules are available to meet specific network requirements. Each of the I/O modules must support the blade server interface it connects to. Go to <http://www.ibm.com/eserver/xseries/> for a list of options available for your BladeCenter unit.

The blade server integrated Ethernet controllers support connection with the Ethernet switch modules and pass-thru modules. The I/O module in I/O-module bay 1 provides a network connection to one of the Ethernet controllers in all the blade servers in the BladeCenter unit. To provide a network connection for the second Ethernet controller in each blade server, install an I/O module in I/O-module bay 2.

In BladeCenter units that support four I/O modules, if you install an I/O expansion card on any blade server, you must install a hot-swap I/O module that supports the interface type used in I/O-module bay 3 to obtain connection 1 for the I/O expansion card. To provide connection 2 for the I/O expansion

card, install an I/O module that supports the interface type used in I/O-module bay 4. The I/O modules in I/O-module bay 3 and bay 4 provide connections to all the I/O expansion cards in the BladeCenter unit.



Important: In a BladeCenter unit that supports four I/O modules, the I/O modules in I/O-module bays 3 and 4 must both be of the same type and must both support the I/O expansion card network-interface type. For example, if you add an Ethernet expansion card to a blade server, the modules in I/O-module bays 3 and 4 on the BladeCenter unit must both be the same and of a type compatible with the Ethernet expansion card. All other I/O expansion cards installed on other blade servers in the BladeCenter unit must also be compatible with these I/O modules. In this example, you could then install two Ethernet switch modules or two pass-thru modules. Because pass-thru modules are compatible with a variety of I/O expansion cards, installing two pass-thru modules would enable use of several different types of compatible I/O expansion cards within the same BladeCenter unit.

For additional information, see the *Installation and User's Guide* for your BladeCenter unit on the IBM BladeCenter unit *Documentation CD*.

Blade server Ethernet controller enumeration

The enumeration of the Ethernet controllers in a blade server is operating-system dependent. You can configure the blade server Ethernet-controller designations by modifying your operating-system settings.

The routing of an Ethernet controller to a particular I/O-module bay depends on the type of blade server. You can find out which Ethernet controller is routed to which I/O-module bay by using the following test:

1. Install only one Ethernet switch module or pass-thru module, in I/O-module bay 1.
2. Make sure the ports on the Ethernet switch module or pass-thru module are enabled (**I/O Module Tasks** → **Management** → **Advanced Management** in the management module Web-based user interface).
3. Enable only one of the Ethernet controllers on the blade server. Make a note of the designation that the blade server operating system has for the controller.
4. Ping an external computer on the network connected to the I/O module. If you can ping the external computer, the Ethernet controller that you enabled is associated with the I/O module in I/O-module bay 1. The other Ethernet controller in the blade server is associated with the I/O module in I/O-module bay 2.

If the Ethernet controller that is associated with I/O-module bay 1 does not have the designation that you want, modify the blade-server operating-system settings to change the Ethernet-controller designations.

In a BladeCenter unit that supports four I/O modules, if you have installed an I/O expansion card on a blade server, communications from the option are routed to I/O-module bays 3 and 4. You can verify which controller on the card is routed to which I/O-module bay by performing the same test, using a controller on the I/O expansion card and a compatible Ethernet switch module or pass-thru module in I/O bay 3 or 4.

Installation guidelines

Before you begin to install the Optical Pass-thru Module in your BladeCenter unit, read the following information:

- Become familiar with the safety and handling guidelines specified under “Safety” on page v and “Handling static-sensitive devices” on page 14, and read the safety statements in the BladeCenter unit documentation.
- The orange color on components and labels in your BladeCenter unit identifies hot-swap or hot-plug components. You can install or remove hot-swap modules while the BladeCenter unit is running. For complete details about installing or removing a hot-swap or hot-plug component, see the detailed information in this chapter.
- The blue color on components and labels identifies touch points where you can grip a component, move a latch, and so on.
- You do not need to turn off the BladeCenter unit to install or replace any of the hot-swap modules on the rear of the BladeCenter unit.
- For a list of supported options for your BladeCenter unit, go to <http://www.ibm.com/pc/us/compat/>.

System reliability considerations

Attention: To help ensure proper cooling, performance, and system reliability, make sure that:

- Each of the module bays on the rear of the BladeCenter unit has either a module or filler module installed.
- A removed hot-swap module is replaced with an identical module or filler module within 1 minute of removal.
- Cables for the optional modules are routed according to the illustrations and instructions in this document.

Handling static-sensitive devices

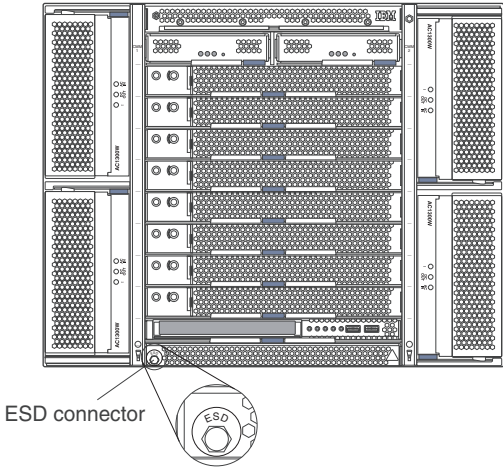
Attention: Static electricity can damage electronic devices and your BladeCenter unit. To avoid damage, keep static-sensitive devices in their static-protective packages until you are ready to install them.

To reduce the possibility of electrostatic discharge, observe the following precautions:

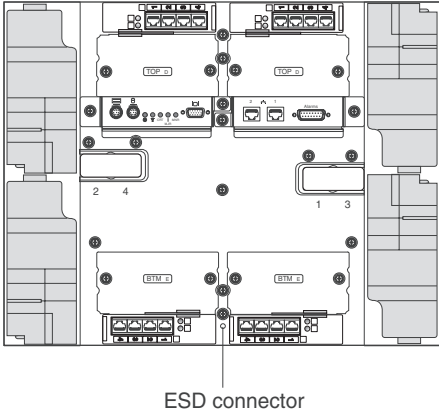
- Limit your movement. Movement can cause static electricity to build up around you.
- Handle the device carefully, holding it by its edges or its frame.
- Do not touch solder joints, pins, or exposed printed circuitry.
- Do not leave the device where others can handle and possibly damage the device.
- While the device is still in its static-protective package, touch it to any *unpainted* metal surface of the BladeCenter unit chassis or any *unpainted* metal surface on any other grounded component in the rack you are installing the device in for at least 2 seconds. (This drains static electricity from the package and from your body.)
- Remove the device from its package and install it directly into your BladeCenter unit without setting it down. If it is necessary to set the device down, place it in its static-protective package. Do not place the device on your BladeCenter chassis or on a metal table.
- Take additional care when handling devices during cold weather because heating reduces indoor humidity and increases static electricity.
- On a BladeCenter T unit, use an ESD wrist strap and the ESD connectors. Electrostatic discharge (ESD) is the release of stored static electricity that can damage electric circuits. Static electricity is often stored in your body and discharged when you come in contact with an object with a different potential. The ESD wrist strap safely channels the electricity from your body to a proper ground (the BladeCenter T unit).

Use an ESD wrist strap whenever you are working on a BladeCenter T unit, especially when you are handling modules, options, and blade servers. To work properly, the wrist strap must have a good contact at both ends (touching your skin at one end and connected to the ESD connector on the front or back of the BladeCenter T unit).

Location of ESD connector (front of BladeCenter T unit)



Location of ESD connector (rear of BladeCenter T unit)



Installing a BladeCenter Optical Pass-thru Module

Statement 25:



CAUTION:

This product contains a Class 1M laser. Do not view directly with optical instruments.

Statement 8:



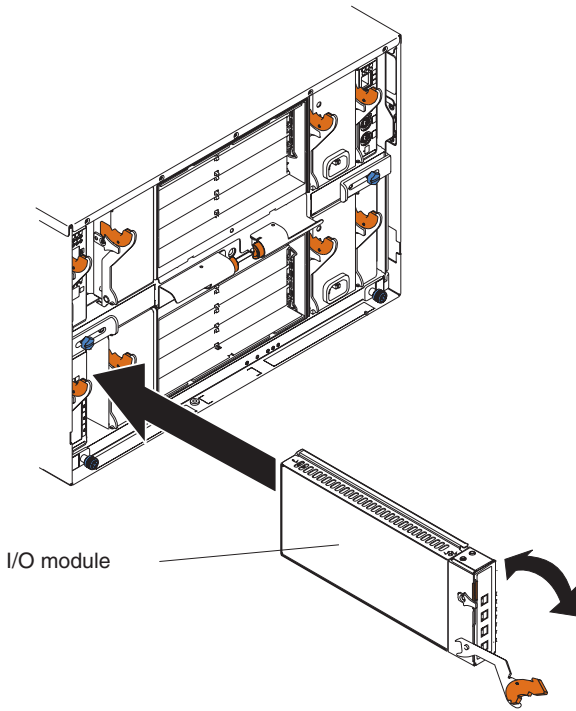
CAUTION:

Never remove the cover on a power supply or any part that has the following label attached.

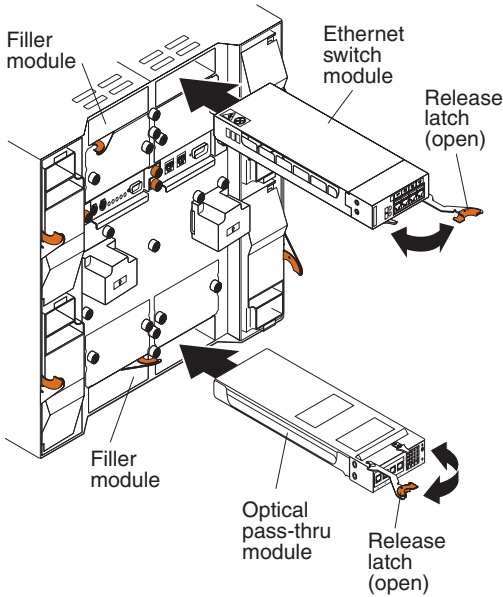


Hazardous voltage, current, and energy levels are present inside any component that has this label attached. There are no serviceable parts inside these components. If you suspect a problem with one of these parts, contact a service technician.

The following illustration shows how to install an Optical Pass-thru Module in an I/O module bay in the rear of an IBM @server BladeCenter Type 8677 or similar BladeCenter unit.



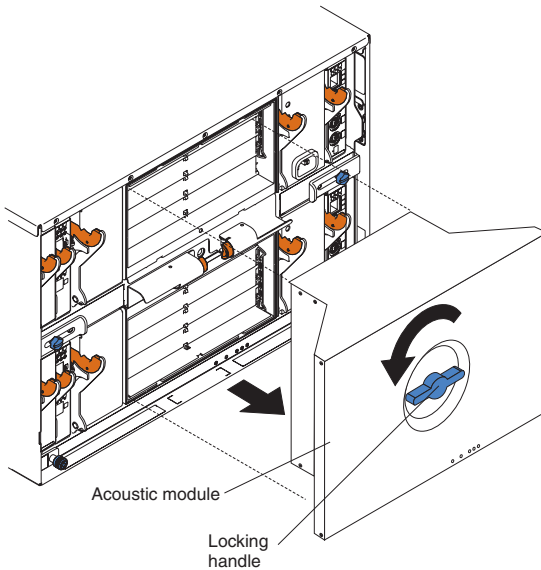
The following illustration shows how to install an Optical Pass-thru Module in an I/O module bay in the rear of an IBM @server BladeCenter T Type 8720 or 8730 or similar BladeCenter unit.



Complete the following steps to install an Optical Pass-thru Module:

1. Make sure you are using the latest versions of device drivers, firmware, and BIOS for your blade server and management module. Go to the IBM Support Web site, <http://www.ibm.com/pc/support/> for the latest information about upgrading the device drivers, firmware, and BIOS for BladeCenter components. The latest instructions are in the documentation that comes with the updates.
2. Review the information in “Safety” on page v and “Installation guidelines” on page 13 through “Handling static-sensitive devices” on page 14.

3. If the BladeCenter unit is an IBM @server BladeCenter Type 8677 unit, remove the acoustic attenuation module, if one is installed, from the rear of the unit.



4. Select an I/O-module bay in which to install the Optical Pass-thru Module, in accordance with the instructions in "I/O module interface requirements" on page 10.
5. Remove the filler module from the selected bay. Store the filler module for future use.
6. If you have not already done so, touch the static-protective package that contains the Optical Pass-thru Module to any *unpainted* metal surface of the BladeCenter unit chassis or any *unpainted* metal surface on any other grounded rack component for at least two seconds.
7. Remove the Optical Pass-thru Module from its static-protective package.
8. Ensure that the release latch on the Optical Pass-thru Module is in the open position (perpendicular to the module).
9. Slide the Optical Pass-thru Module into the appropriate I/O-module bay until it stops.
10. Push the release latch on the front of the Optical Pass-thru Module to the closed position.

11. Make sure that the LEDs on the Optical Pass-thru Module indicate that it is operating properly. (See “Information LEDs” on page 26 for LED locations.) Verify that:
 - The green power LED is lit.
 - The amber Optical Pass-thru Module error LED is off.If LED conditions are not as specified, see “Troubleshooting” on page 33.
12. If you have other modules to install, do so now; otherwise, go to step 13.
13. Attach any cables required by the Optical Pass-thru Module. See Chapter 4, “Completing the installation,” on page 29 for instructions. For the location of the connectors on the BladeCenter unit, see the *Installation and User’s Guide* for your BladeCenter unit on the IBM BladeCenter unit Documentation CD.
14. Replace the acoustic attenuation module, if you removed it in step 3 on page 19.
15. Make sure the ports on the Optical Pass-thru Module are enabled (**I/O Module Tasks** → **Management** → **Advanced Management** in the management module Web-based user interface).

Removing a BladeCenter Optical Pass-thru Module

Statement 8:



CAUTION:

Never remove the cover on a power supply or any part that has the following label attached.



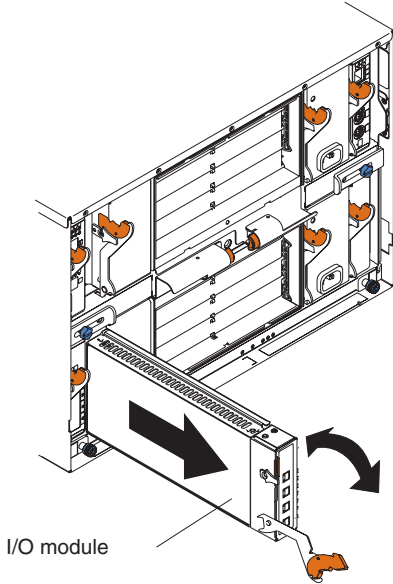
Hazardous voltage, current, and energy levels are present inside any component that has this label attached. There are no serviceable parts inside these components. If you suspect a problem with one of these parts, contact a service technician.

Complete the following steps to remove an Optical Pass-thru Module:

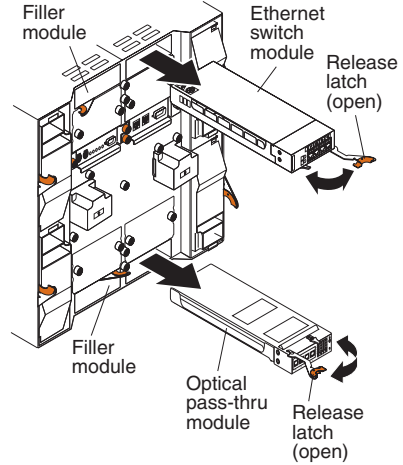
1. If the BladeCenter unit is an IBM @server BladeCenter Type 8677 unit, remove the acoustic attenuation module, if installed, from the rear of the unit (see step 3 on page 19 for location).
2. Disconnect any cables from the selected Optical Pass-thru Module.

3. Pull the release latch to the open position. The module moves out of the bay approximately 0.64 cm (0.25 inch).

BladeCenter Type 8677 unit



BladeCenter T unit



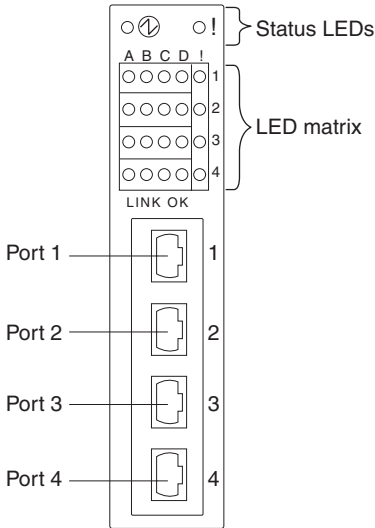
4. Slide the Optical Pass-thru Module out of the bay and set it aside.
5. Place either another I/O module or a filler module in the bay within 1 minute.
6. If you placed another Optical Pass-thru Module in the bay, reconnect any cables that you disconnected in step 2.
7. Replace the acoustic attenuation module option, if you removed it in step 1.

Chapter 3. Information LEDs and external ports

This chapter describes the information LEDs (also known as indicators) on the IBM @server BladeCenter Optical Pass-thru Module and identifies the Optical Pass-thru Module external ports.

Front panel

The front panel of the Optical Pass-thru Module has status LEDs, an LED matrix, and four external optical interface ports, as shown in the following illustration. Each interface port supports up to four-channels of bi-directional communication, for a total of 14 external communication channels (two channels on port 4 are not used).



The Optical Pass-thru Module contains:

- LEDs that display the status of the Optical Pass-thru Module and its network connections (see “Information LEDs” on page 26).
- Four external bi-directional interface ports. The optical pass-thru module cable that connects to each port on the Optical Pass-thru Module provides four channel pairs of optical connectors for connecting to your existing network infrastructure. Table 1 on page 24 shows how each blade server bay is assigned to an optical pass-thru module cable connector-pair (as shown in the illustration on page 25).
- Fourteen internal ports, one connected to each of the blade servers.

Table 1. Blade server bay to port and cable assignments in BladeCenter Type 8677 unit

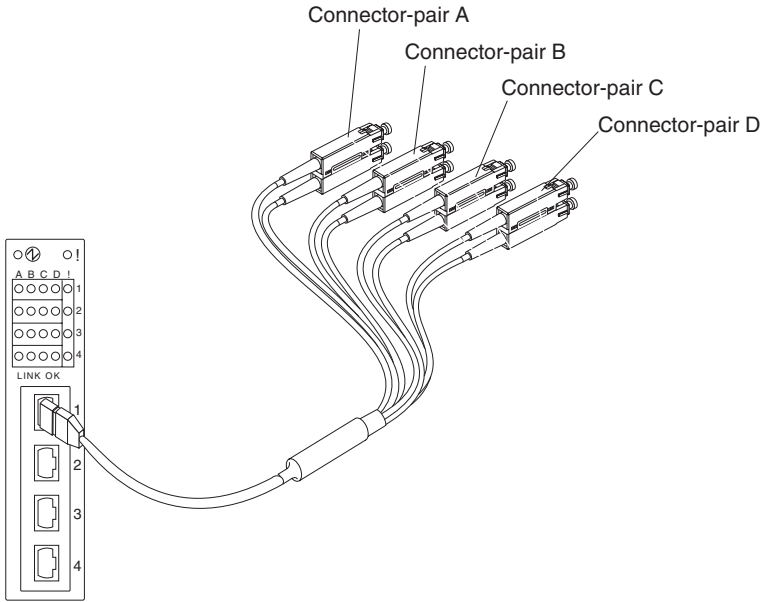
Blade server bay	Optical Pass-thru Module external port	Optical pass-thru module cable connector-pair
1	Port 1 (transceiver 1)	A
2	Port 1 (transceiver 1)	B
3	Port 1 (transceiver 1)	C
4	Port 1 (transceiver 1)	D
5	Port 2 (transceiver 2)	A
6	Port 2 (transceiver 2)	B
7	Port 2 (transceiver 2)	C
8	Port 2 (transceiver 2)	D
9	Port 3 (transceiver 3)	A
10	Port 3 (transceiver 3)	B
11	Port 3 (transceiver 3)	C
12	Port 3 (transceiver 3)	D
13	Port 4 (transceiver 4)	A
14	Port 4 (transceiver 4)	B

Table 2. Blade server bay to port and cable assignments in BladeCenter T unit

Blade server bay	Optical Pass-thru Module external port	Optical pass-thru module cable connector-pair
1	Port 1 (transceiver 1)	A
2	Port 1 (transceiver 1)	B
3	Port 1 (transceiver 1)	C
4	Port 1 (transceiver 1)	D
5	Port 2 (transceiver 2)	A
6	Port 2 (transceiver 2)	B
7	Port 2 (transceiver 2)	C
8	Port 2 (transceiver 2)	D

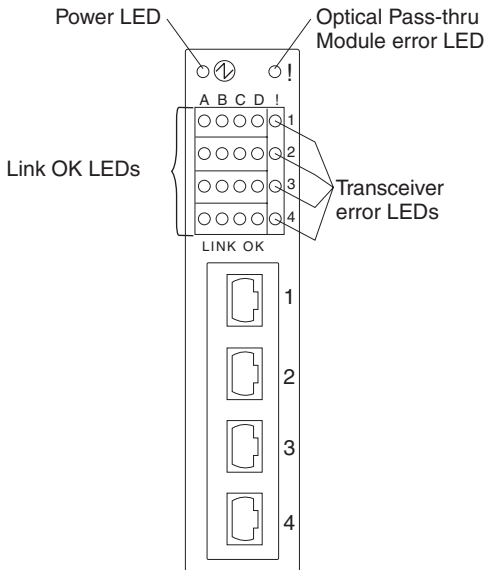
Notes:

1. Optical pass-thru module cable connector-pairs are marked as A, B, C, and D to indicate their channel number.
2. The C and D connector-pairs for Optical Pass-thru Module port 4 are not used.



Information LEDs

There are two sets of LEDs on the Optical Pass-thru Module front panel. The first row of LEDs at the top of the I/O module represent I/O module status and include the power LED and the ! (Optical Pass-thru Module error) LED. The second set of LEDs are grouped in an LED matrix that indicates the link status for each optical port channel and optical port failures. The following illustration shows the LEDs on the Optical Pass-thru Module. A description of each LED follows the illustration.



Notes:

1. The illustrations in this document might differ slightly from your hardware.
2. An amber LED is lit when an error or event has occurred. To identify the error or event, check the other LEDs on the Optical Pass-thru Module.
3. An LED test occurs whenever the I/O module is turned on. All LEDs are lit and remain lit for approximately 5 seconds and then return to a normal state.

Power LED

This green LED is at the top of the I/O module on the front panel. When this LED is lit, it indicates that the I/O module has passed the POST and is operational.

! (Optical Pass-thru Module error) LED

This amber LED is at the top of the I/O module on the front panel. This LED indicates that the I/O module has an error. If the I/O module fails the POST, this error LED is lit.

Link OK LEDs

There are sixteen green Link OK LEDs on the left side of the LED matrix on the front panel. Each of these LEDs indicates that there is a valid connection to a device on that port channel and that both ends of this connection are successfully communicating using compatible network protocols. (See Chapter 4, “Completing the installation,” on page 29 for information about supported networking environments.) The Link OK LEDs are arranged in a way that identifies each port channel (LED columns A, B, C, and D) and the transceiver (LED rows 1, 2, 3, and 4) that is associated with it.

! (transceiver error) LEDs

There are four amber transceiver error LEDs on the right side of the LED matrix on the front panel. Each of these LEDs indicates that one of the Optical Pass-thru Module transceivers has a fault. If the Optical Pass-thru Module fails the POST, one or more of these fault LEDs might be lit.

Chapter 4. Completing the installation

This chapter provides instructions for connecting the IBM @server BladeCenter Optical Pass-thru Module to your existing network infrastructure.

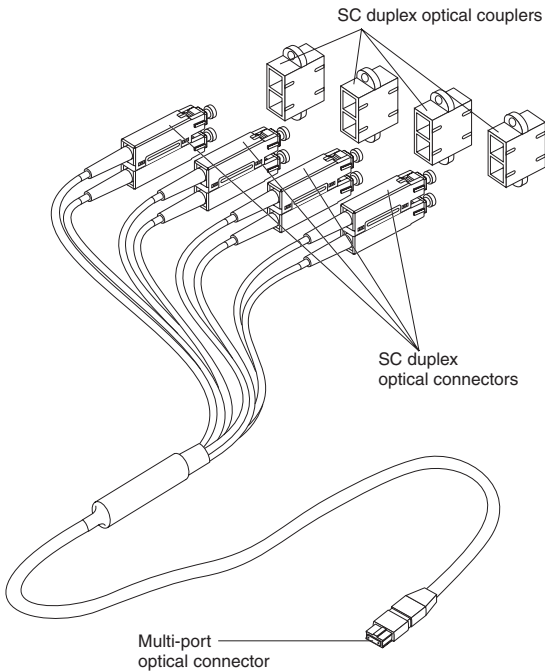
The module automatically configures itself to operate in several networking environments. No manual configuration or special device drivers are needed. Supported networking environments include:

- 1x/2x multi-mode fibre channel (requires installation of an optional fibre channel expansion card in one or more blade servers with IBM @server BladeCenter Optical Pass-thru Modules installed in I/O-module bay 3 and bay 4 of a BladeCenter unit that supports four I/O modules)
- Gigabit Ethernet (fiber optic)
- Myrinet (requires installation of an optional Myrinet Cluster Expansion Card for IBM @server BladeCenter in one or more blade servers with an IBM @server BladeCenter Optical Pass-thru Module installed in I/O-module bay 4 of a BladeCenter unit that supports four I/O modules)

See the documentation for your existing network infrastructure for configuration information.

Cable connection

The BladeCenter Optical Pass-thru Module is connected to existing network infrastructure using fiber-optic cables. These cables do not come with the Optical Pass-thru module and must be ordered separately. Optical couplers come attached to each BladeCenter Optical Pass-thru Module Cable that allow these cables to be extended up to 1000 meters. SC-to-LC adapters are also available. A sample IBM @server BladeCenter Optical Pass-thru Module SC Cable is shown below



The fiber-optic cable connectors that are attached to your network infrastructure are numbered to identify their port channel. See Table 1 on page 24 for blade-server-to-port mapping information.

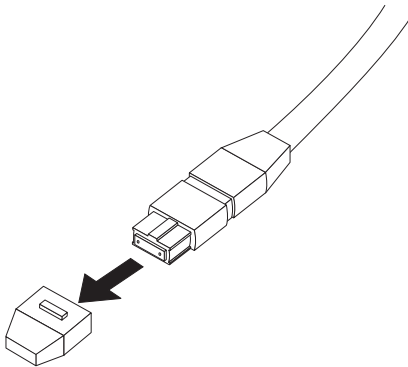
Attention: To avoid damage to your fiber-optic cable, follow these guidelines:

- Use care when routing the cable along a folding cable-management arm.
- For devices on slide rails, leave enough slack in the cable so that it does not bend to a radius less than 38 mm (1.5 in.) when extended or become pinched when retracted.
- Route the cable away from places where it can be damaged by other devices in the rack cabinet.
- Do not use plastic cable ties in place of cable straps.
- Do not overtighten the cable straps or bend the cables to a radius less than 38 mm (1.5 in.).
- Do not put excess weight on the cable at the connection point. Be sure that the cable is well supported.

Connecting to the BladeServer Optical Pass-thru Module

The end of the optical pass-thru module cable with one connector is attached to one of the port connectors on the BladeCenter Optical Pass-thru Module. Complete the following steps to connect an optical pass-thru module cable to the Optical Pass-thru Module:

1. Grasp the protective cap on its sides; then, pull the cap to remove it from the optical cable connector. Save the protective cap for future use.



Note: You might need to remove a protective cap from the port connector of the Optical Pass-thru Module before you can plug the cable into it.

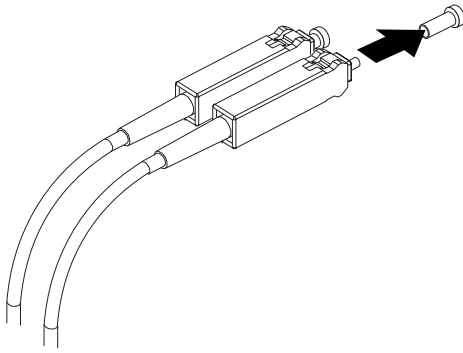
2. Orient the cable connector so that the cable connector key aligns with the key in the port connector of the Optical Pass-thru Module; then, insert the cable connector in the port connector.
3. Press the optical cable connector forward until it clicks and locks in place.

To disconnect the cable, release the lock before removing the cable from the port. Be sure to cover the cable end with its protective cap.

Connecting to network infrastructure

The end of the Optical Pass-thru Module Cable with four duplex SC connectors is connected to your network infrastructure. Each duplex connector provides a transmit-and-receive pair for one of the four bi-directional channels supported by the cable. (See Table 1 on page 24 for blade-server-bay-to-SC-connector mapping.) Complete the following steps to connect one of the Optical Pass-thru Module SC Cable channels to your network infrastructure:

1. Remove the protective caps from both SC connectors of a cable pair. Save the protective caps for future use.



Note: You might need to remove a protective cap from the port connectors of your infrastructure before you can plug the cables into them.

2. Orient the cable connectors with the port connectors of your infrastructure, making sure that the cable connector keys align with the keys in the port connectors; then, insert the cable connectors in the port connectors.
3. Press forward on the connector shells to lock the connectors in place.

To disconnect the cable, pull firmly on both connector shells to remove the cables from the ports. Be sure to cover the cable ends with their protective caps.

Configuring the Optical Pass-thru Module

The Optical Pass-thru Module provides an unconfigured network connection and requires no configuration to communicate with network resources. See the BladeCenter unit *Management Module User's Guide* for general information on managing BladeCenter I/O modules.

Updating I/O module firmware

Go to the IBM Support Web site, <http://www.ibm.com/pc/support/> for the latest information about upgrading the firmware for your I/O module. The latest instructions are in the documentation that comes with the update.

Troubleshooting

If you are having a problem, use the following information to help you determine the cause of the problem and the action to take. Additional troubleshooting and debugging procedures are available in the *Hardware Maintenance Manual and Troubleshooting Guide* for your BladeCenter unit on the IBM BladeCenter unit *Documentation CD*.

Make sure that you are using the latest versions of device drivers, firmware, and BIOS code for your blade server and management module. If these items are obsolete, the BladeCenter unit might not recognize the I/O module and might not turn it on. Go to the IBM Support Web site, <http://www.ibm.com/pc/support/> for the latest information about upgrading the device drivers, firmware, and BIOS code for BladeCenter unit components. The latest instructions are in the documentation that come with the updates.

To determine whether your installation problem is caused by the hardware, perform the following tasks:

- Verify that the I/O module is installed correctly.
- Verify that all peripheral devices connected to the I/O module are turned on, operating properly, and are properly connected.
- Verify that the blade servers and I/O expansion cards using the I/O modules are installed correctly in the BladeCenter unit.

To determine whether your installation problem is caused by the system configuration, check the I/O module settings using the management module web-based interface. See the BladeCenter unit *Management Module User's Guide* on the IBM BladeCenter unit or option *Documentation CD* for general information on managing BladeCenter I/O modules.

If you still have a system configuration problem, see the documentation that comes with your IBM BladeCenter unit, or contact your IBM technical-support representative.

Appendix A. Getting help and technical assistance

If you need help, service, or technical assistance or just want more information about IBM products, you will find a wide variety of sources available from IBM to assist you. This appendix contains information about where to go for additional information about IBM and IBM products, what to do if you experience a problem with your @server or IntelliStation® system, and whom to call for service, if it is necessary.

Before you call

Before you call, make sure that you have taken these steps to try to solve the problem yourself:

- Check all cables to make sure that they are connected.
- Check the power switches to make sure that the system is turned on.
- Use the troubleshooting information in your system documentation, and use the diagnostic tools that come with your system. Information about diagnostic tools is in the *Hardware Maintenance Manual and Troubleshooting Guide* or *Problem Determination Guide* on the *IBM xSeries Documentation CD* or *IBM BladeCenter Documentation CD* or in the *IntelliStation Hardware Maintenance Manual* at the IBM support Web site.
- Go to the IBM support Web site at <http://www.ibm.com/pc/support/> to check for technical information, hints, tips, and new device drivers or to submit a request for information.

You can solve many problems without outside assistance by following the troubleshooting procedures that IBM provides in the online help or in the publications that are provided with your system and software. The information that comes with your system also describes the diagnostic tests that you can perform. Most @server and IntelliStation systems, operating systems, and programs come with information that contains troubleshooting procedures and explanations of error messages and error codes. If you suspect a software problem, see the information for the operating system or program.

Using the documentation

Information about your IBM @server or IntelliStation system and preinstalled software, if any, is available in the documentation that comes with your system. That documentation includes printed books, online books, readme files, and help files. See the troubleshooting information in your system documentation for instructions for using the diagnostic programs. The troubleshooting information or the diagnostic programs might tell you that you need additional or updated device drivers or other software. IBM maintains

pages on the World Wide Web where you can get the latest technical information and download device drivers and updates. To access these pages, go to <http://www.ibm.com/pc/support/> and follow the instructions. Also, some publications are available through the IBM Publications Ordering System at <http://www.elink.ibm.com/public/applications/publications/cgibin/pbi.cgi>.

Getting help and information from the World Wide Web

On the World Wide Web, the IBM Web site has up-to-date information about IBM @server and IntelliStation products, services, and support. The address for IBM xSeries and BladeCenter information is <http://www.ibm.com/eserver/xseries/>. The address for IBM IntelliStation information is <http://www.ibm.com/pc/us/intellistation/>.

You can find service information for your IBM products, including supported options, at <http://www.ibm.com/pc/support/>.

Software service and support

Through IBM Support Line, you can get telephone assistance, for a fee, with usage, configuration, and software problems with xSeries servers, BladeCenter products, IntelliStation workstations, and appliances. For information about which products are supported by Support Line in your country or region, see <http://www.ibm.com/services/sl/products/>.

For more information about Support Line and other IBM services, see <http://www.ibm.com/services/>, or see <http://www.ibm.com/planetwide/> for support telephone numbers. In the U.S. and Canada, call 1-800-IBM-SERV (1-800-426-7378).

Hardware service and support

You can receive hardware service through IBM Services or through your IBM reseller, if your reseller is authorized by IBM to provide warranty service. See <http://www.ibm.com/planetwide/> for support telephone numbers, or in the U.S. and Canada, call 1-800-IBM-SERV (1-800-426-7378).

In the U.S. and Canada, hardware service and support is available 24 hours a day, 7 days a week. In the U.K., these services are available Monday through Friday, from 9 a.m. to 6 p.m.

Appendix B. IBM Statement of Limited Warranty Z125-4753-08 04/2004

Part 1 - General Terms

Part 1 - General Terms

*This Statement of Limited Warranty includes Part 1 - General Terms, Part 2 - Country-unique Terms, and Part 3 - Warranty Information. The terms of Part 2 replace or modify those of Part 1. The warranties provided by IBM in this Statement of Limited Warranty apply only to Machines you purchase for your use, and not for resale. The term "Machine" means an IBM machine, its features, conversions, upgrades, elements, or accessories, or any combination of them. The term "Machine" does not include any software programs, whether pre-loaded with the Machine, installed subsequently or otherwise. **Nothing in this Statement of Limited Warranty affects any statutory rights of consumers that cannot be waived or limited by contract.***

What this Warranty Covers

IBM warrants that each Machine 1) is free from defects in materials and workmanship and 2) conforms to IBM's Official Published Specifications ("Specifications") which are available on request. The warranty period for the Machine starts on the original Date of Installation and is specified in Part 3 - Warranty Information. The date on your invoice or sales receipt is the Date of Installation unless IBM or your reseller informs you otherwise. Many features, conversions, or upgrades involve the removal of parts and their return to IBM. A part that replaces a removed part will assume the warranty service status of the removed part. Unless IBM specifies otherwise, these warranties apply only in the country or region in which you purchased the Machine.

THESE WARRANTIES ARE YOUR EXCLUSIVE WARRANTIES AND REPLACE ALL OTHER WARRANTIES OR CONDITIONS, EXPRESS OR IMPLIED, INCLUDING, BUT NOT LIMITED TO, THE IMPLIED WARRANTIES OR CONDITIONS OF MERCHANTABILITY AND FITNESS FOR A PARTICULAR PURPOSE. SOME STATES OR JURISDICTIONS DO NOT ALLOW THE EXCLUSION OF EXPRESS OR IMPLIED WARRANTIES, SO THE ABOVE EXCLUSION MAY NOT APPLY TO YOU. IN THAT EVENT, SUCH WARRANTIES ARE LIMITED IN DURATION TO THE WARRANTY PERIOD. NO WARRANTIES APPLY AFTER THAT PERIOD. SOME STATES OR JURISDICTIONS DO NOT ALLOW LIMITATIONS ON HOW LONG AN IMPLIED WARRANTY LASTS, SO THE ABOVE LIMITATION MAY NOT APPLY TO YOU.

What this Warranty Does not Cover

This warranty does not cover the following:

- any software programs, whether pre-loaded or shipped with the Machine, or installed subsequently;
- failure resulting from misuse (including but not limited to use of any Machine capacity or capability, other than that authorized by IBM in writing), accident, modification, unsuitable physical or operating environment, or improper maintenance by you;
- failure caused by a product for which IBM is not responsible; and
- any non-IBM products, including those that IBM may procure and provide with or integrate into an IBM Machine at your request.

The warranty is voided by removal or alteration of identification labels on the Machine or its parts.

IBM does not warrant uninterrupted or error-free operation of a Machine.

Any technical or other support provided for a Machine under warranty, such as assistance with “how-to” questions and those regarding Machine set-up and installation, is provided **WITHOUT WARRANTIES OF ANY KIND**.

How to Obtain Warranty Service

If the Machine does not function as warranted during the warranty period, contact IBM or your reseller to obtain warranty service. If you do not register the Machine with IBM, you may be required to present proof of purchase as evidence of your entitlement to warranty service.

What IBM Will Do to Correct Problems

When you contact IBM for service, you must follow the problem determination and resolution procedures that IBM specifies. An initial diagnosis of your problem can be made either by a technician over the telephone or electronically by access to an IBM website.

The type of warranty service applicable to your Machine is specified in Part 3 - Warranty Information.

You are responsible for downloading and installing designated Machine Code (microcode, basic input/output system code (called “BIOS”), utility programs, device drivers, and diagnostics delivered with an IBM Machine) and other software updates from an IBM Internet Web site or from other electronic media, and following the instructions that IBM provides.

If your problem can be resolved with a Customer Replaceable Unit (“CRU”) (e.g., keyboard, mouse, speaker, memory, hard disk drive), IBM will ship the CRU to you for you to install.

If the Machine does not function as warranted during the warranty period and your problem cannot be resolved over the telephone or electronically, through your application of Machine Code or software updates, or with a CRU, IBM or your reseller, if approved by IBM to provide warranty service, will either, at its discretion, 1) repair it to make it function as warranted, or 2) replace it with one that is at least functionally equivalent. If IBM is unable to do either, you may return the Machine to your place of purchase and your money will be refunded.

IBM or your reseller will also manage and install selected engineering changes that apply to the Machine.

Exchange of a Machine or Part

When the warranty service involves the exchange of a Machine or part, the item IBM or your reseller replaces becomes its property and the replacement becomes yours. You represent that all removed items are genuine and unaltered. The replacement may not be new, but will be in good working order and at least functionally equivalent to the item replaced. The replacement assumes the warranty service status of the replaced item.

Your Additional Responsibilities

Before IBM or your reseller exchanges a Machine or part, you agree to remove all features, parts, options, alterations, and attachments not under warranty service.

You also agree to:

1. ensure that the Machine is free of any legal obligations or restrictions that prevent its exchange;
2. obtain authorization from the owner to have IBM or your reseller service a Machine that you do not own; and
3. where applicable, before service is provided:
 - a. follow the service request procedures that IBM or your reseller provides;
 - b. backup or secure all programs, data, and funds contained in the Machine;
 - c. provide IBM or your reseller with sufficient, free, and safe access to your facilities to permit IBM to fulfill its obligations; and
 - d. inform IBM or your reseller of changes in the Machine's location.
4. (a) ensure all information about identified or identifiable individuals (Personal Data) is deleted from the Machine (to the extent technically possible), (b) allow IBM, your reseller or an IBM supplier to process on your behalf any remaining Personal Data as IBM or your reseller considers necessary to fulfill its obligations under this Statement of Limited Warranty (which may include shipping the Machine for such processing to other IBM

service locations around the world), and (c) ensure that such processing complies with any laws applicable to such Personal Data.

Limitation of Liability

IBM is responsible for loss of, or damage to, your Machine only while it is 1) in IBM’s possession or 2) in transit in those cases where IBM is responsible for the transportation charges.

Neither IBM nor your reseller are responsible for any of your confidential, proprietary or personal information contained in a Machine which you return to IBM for any reason. You should remove all such information from the Machine prior to its return.

Circumstances may arise where, because of a default on IBM’s part or other liability, you are entitled to recover damages from IBM. In each such instance, regardless of the basis on which you are entitled to claim damages from IBM (including fundamental breach, negligence, misrepresentation, or other contract or tort claim), except for any liability that cannot be waived or limited by applicable laws, IBM is liable for no more than

1. damages for bodily injury (including death) and damage to real property and tangible personal property; and
2. the amount of any other actual direct damages, up to the charges (if recurring, 12 months’ charges apply) for the Machine that is subject of the claim. For purposes of this item, the term “Machine” includes Machine Code and Licensed Internal Code (“LIC”).

This limit also applies to IBM’s suppliers and your reseller. It is the maximum for which IBM, its suppliers, and your reseller are collectively responsible.

UNDER NO CIRCUMSTANCES IS IBM, ITS SUPPLIERS OR RESELLERS LIABLE FOR ANY OF THE FOLLOWING EVEN IF INFORMED OF THEIR POSSIBILITY: 1) THIRD PARTY CLAIMS AGAINST YOU FOR DAMAGES (OTHER THAN THOSE UNDER THE FIRST ITEM LISTED ABOVE); 2) LOSS OF, OR DAMAGE TO, DATA; 3) SPECIAL, INCIDENTAL, OR INDIRECT DAMAGES OR FOR ANY ECONOMIC CONSEQUENTIAL DAMAGES; OR 4) LOST PROFITS, BUSINESS REVENUE, GOODWILL OR ANTICIPATED SAVINGS. SOME STATES OR JURISDICTIONS DO NOT ALLOW THE EXCLUSION OR LIMITATION OF INCIDENTAL OR CONSEQUENTIAL DAMAGES, SO THE ABOVE LIMITATION OR EXCLUSION MAY NOT APPLY TO YOU. SOME STATES OR JURISDICTIONS DO NOT ALLOW LIMITATIONS ON HOW LONG AN IMPLIED WARRANTY LASTS, SO THE ABOVE LIMITATION MAY NOT APPLY TO YOU.

Governing Law

Both you and IBM consent to the application of the laws of the country in which you acquired the Machine to govern, interpret, and enforce all of your and IBM's rights, duties, and obligations arising from, or relating in any manner to, the subject matter of this Statement of Limited Warranty, without regard to conflict of law principles.

THESE WARRANTIES GIVE YOU SPECIFIC LEGAL RIGHTS AND YOU MAY ALSO HAVE OTHER RIGHTS WHICH VARY FROM STATE TO STATE OR JURISDICTION TO JURISDICTION.

Jurisdiction

All of our rights, duties, and obligations are subject to the courts of the country in which you acquired the Machine.

Part 2 - Country-unique Terms

AMERICAS

ARGENTINA

Jurisdiction: *The following is added after the first sentence:*

Any litigation arising from this Statement of Limited Warranty will be settled exclusively by the Ordinary Commercial Court of the city of Buenos Aires.

BOLIVIA

Jurisdiction: *The following is added after the first sentence:*

Any litigation arising from this Statement of Limited Warranty will be settled exclusively by the courts of the city of La Paz.

BRAZIL

Jurisdiction: *The following is added after the first sentence:*

Any litigation arising from this Statement of Limited Warranty will be settled exclusively by the court of Rio de Janeiro, RJ.

CHILE

Jurisdiction: *The following is added after the first sentence:*

Any litigation arising from this Statement of Limited Warranty will be settled exclusively by the Civil Courts of Justice of Santiago.

COLOMBIA

Jurisdiction: *The following is added after the first sentence:*

Any litigation arising from this Statement of Limited Warranty will be settled exclusively by the Judges of the Republic of Colombia.

EQUADOR

Jurisdiction: *The following is added after the first sentence:*

Any litigation arising from this Statement of Limited Warranty will be settled exclusively by the Judges of Quito.

MEXICO

Jurisdiction: *The following is added after the first sentence:*

Any litigation arising from this Statement of Limited Warranty will be settled exclusively by the Federal Courts of Mexico City, Federal District.

PARAGUAY

Jurisdiction: *The following is added after the first sentence:*

Any litigation arising from this Statement of Limited Warranty will be settled exclusively by the courts of the city of Asuncion.

PERU

Limitation of Liability: *The following is added at the end of this section:*

In accordance with Article 1328 of the Peruvian Civil Code the limitations and exclusions specified in this section will not apply to damages caused by IBM's willful misconduct ("dolo") or gross negligence ("culpa inexcusable").

URUGUAY

Jurisdiction: *The following is added after the first sentence:*

Any litigation arising from this Statement of Limited Warranty will be settled exclusively by the City of Montevideo Court's Jurisdiction.

VENEZUELA

Jurisdiction: *The following is added after the first sentence:*

Any litigation arising from this Statement of Limited Warranty will be settled exclusively by the Courts of the Metropolitan Area Of the City of Caracas.

NORTH AMERICA

How to Obtain Warranty Service: *The following is added to this Section:*

To obtain warranty service from IBM in Canada or the United States, call 1-800-IBM-SERV (426-7378).

CANADA

Limitation of Liability: *The following replaces item 1 of this section:*

1. damages for bodily injury (including death) or physical harm to real property and tangible personal property caused by IBM's negligence; and

Governing Law: *The following replaces "laws of the country in which you acquired the Machine" in the first sentence:*

laws in the Province of Ontario.

UNITED STATES

Governing Law: *The following replaces "laws of the country in which you acquired the Machine" in the first sentence:*

laws of the State of New York.

ASIA PACIFIC

AUSTRALIA

What this Warranty Covers: *The following paragraph is added to this section:*

The warranties specified in this Section are in addition to any rights you may have under the Trade Practices Act 1974 or other similar legislation and are only limited to the extent permitted by the applicable legislation.

Limitation of Liability: *The following is added to this section:*

Where IBM is in breach of a condition or warranty implied by the Trade Practices Act 1974 or other similar legislation, IBM's liability is limited to the repair or replacement of the goods or the supply of equivalent goods. Where that condition or warranty relates to right to sell, quiet possession or clear title, or the goods are of a kind ordinarily acquired for personal, domestic or household use or consumption, then none of the limitations in this paragraph apply.

Governing Law: *The following replaces “laws of the country in which you acquired the Machine” in the first sentence:*
laws of the State or Territory.

CAMBODIA AND LAOS

Governing Law: *The following replaces “laws of the country in which you acquired the Machine” in the first sentence:*
laws of the State of New York, United States of America.

CAMBODIA, INDONESIA, AND LAOS

Arbitration: *The following is added under this heading:*
Disputes arising out of or in connection with this Statement of Limited Warranty shall be finally settled by arbitration which shall be held in Singapore in accordance with the Arbitration Rules of Singapore International Arbitration Center (“SIAC Rules”) then in effect. The arbitration award shall be final and binding for the parties without appeal and shall be in writing and set forth the findings of fact and the conclusions of law.

The number of arbitrators shall be three, with each side to the dispute being entitled to appoint one arbitrator. The two arbitrators appointed by the parties shall appoint a third arbitrator who shall act as chairman of the proceedings. Vacancies in the post of chairman shall be filled by the president of the SIAC. Other vacancies shall be filled by the respective nominating party. Proceedings shall continue from the stage they were at when the vacancy occurred.

If one of the parties refuses or otherwise fails to appoint an arbitrator within 30 days of the date the other party appoints its, the first appointed arbitrator shall be the sole arbitrator, provided that the arbitrator was validly and properly appointed.

All proceedings shall be conducted, including all documents presented in such proceedings, in the English language. The English language version of this Statement of Limited Warranty prevails over any other language version.

HONG KONG S.A.R. OF CHINA AND MACAU S.A.R. OF CHINA

Governing Law: *The following replaces “laws of the country in which you acquired the Machine” in the first sentence:*
laws of Hong Kong Special Administrative Region of China.

INDIA

Limitation of Liability: *The following replaces items 1 and 2 of this section:*

1. liability for bodily injury (including death) or damage to real property and tangible personal property will be limited to that caused by IBM's negligence; and
2. as to any other actual damage arising in any situation involving nonperformance by IBM pursuant to, or in any way related to the subject of this Statement of Limited Warranty, the charge paid by you for the individual Machine that is the subject of the claim. For purposes of this item, the term "Machine" includes Machine Code and Licensed Internal Code ("LIC").

Arbitration: *The following is added under this heading:*

Disputes arising out of or in connection with this Statement of Limited Warranty shall be finally settled by arbitration which shall be held in Bangalore, India in accordance with the laws of India then in effect. The arbitration award shall be final and binding for the parties without appeal and shall be in writing and set forth the findings of fact and the conclusions of law.

The number of arbitrators shall be three, with each side to the dispute being entitled to appoint one arbitrator. The two arbitrators appointed by the parties shall appoint a third arbitrator who shall act as chairman of the proceedings. Vacancies in the post of chairman shall be filled by the president of the Bar Council of India. Other vacancies shall be filled by the respective nominating party. Proceedings shall continue from the stage they were at when the vacancy occurred.

If one of the parties refuses or otherwise fails to appoint an arbitrator within 30 days of the date the other party appoints its, the first appointed arbitrator shall be the sole arbitrator, provided that the arbitrator was validly and properly appointed.

All proceedings shall be conducted, including all documents presented in such proceedings, in the English language. The English language version of this Statement of Limited Warranty prevails over any other language version.

JAPAN

Governing Law: *The following sentence is added to this section:*

Any doubts concerning this Statement of Limited Warranty will be initially resolved between us in good faith and in accordance with the principle of mutual trust.

MALAYSIA

Limitation of Liability: *The word "SPECIAL" in item 3 of the fifth paragraph is deleted.*

NEW ZEALAND

What this Warranty Covers: *The following paragraph is added to this section:*

The warranties specified in this section are in addition to any rights you may have under the Consumer Guarantees Act 1993 or other legislation which cannot be excluded or limited. The Consumer Guarantees Act 1993 will not apply in respect of any goods which IBM provides, if you require the goods for the purposes of a business as defined in that Act.

Limitation of Liability: *The following is added to this section:*

Where Machines are not acquired for the purposes of a business as defined in the Consumer Guarantees Act 1993, the limitations in this section are subject to the limitations in that Act.

PEOPLE'S REPUBLIC OF CHINA (PRC)

Governing Law: *The following replaces "laws of the country in which you acquired the Machine" in the first sentence:*

laws of the State of New York, United States of America (except when local law requires otherwise).

PHILIPPINES

Limitation of Liability: *Item 3 in the fifth paragraph is replaced by the following:*

SPECIAL (INCLUDING NOMINAL AND EXEMPLARY DAMAGES), MORAL, INCIDENTAL, OR INDIRECT DAMAGES FOR ANY ECONOMIC CONSEQUENTIAL DAMAGES; OR

Arbitration: *The following is added under this heading:*

Disputes arising out of or in connection with this Statement of Limited Warranty shall be finally settled by arbitration which shall be held in Metro Manila, Philippines in accordance with the laws of the Philippines then in effect. The arbitration award shall be final and binding for the parties without appeal and shall be in writing and set forth the findings of fact and the conclusions of law.

The number of arbitrators shall be three, with each side to the dispute being entitled to appoint one arbitrator. The two arbitrators appointed by the parties shall appoint a third arbitrator who shall act as chairman of the proceedings. Vacancies in the post of chairman shall be filled by the president of the Philippine Dispute Resolution Center, Inc. Other vacancies shall be filled by the respective nominating party. Proceedings shall continue from the stage they were at when the vacancy occurred.

If one of the parties refuses or otherwise fails to appoint an arbitrator within 30 days of the date the other party appoints its, the first appointed arbitrator shall be the sole arbitrator, provided that the arbitrator was validly and properly appointed.

All proceedings shall be conducted, including all documents presented in such proceedings, in the English language. The English language version of this Statement of Limited Warranty prevails over any other language version.

SINGAPORE

Limitation of Liability: *The words "SPECIAL" and "ECONOMIC" in item 3 in the fifth paragraph are deleted.*

EUROPE, MIDDLE EAST, AFRICA (EMEA)

THE FOLLOWING TERMS APPLY TO ALL EMEA COUNTRIES:

The terms of this Statement of Limited Warranty apply to Machines purchased from IBM or an IBM reseller.

How to Obtain Warranty Service:

*Add the following paragraph in **Western Europe** (Andorra, Austria, Belgium, Cyprus, Czech Republic, Denmark, Estonia, Finland, France, Germany, Greece, Hungary, Iceland, Ireland, Italy, Latvia, Liechtenstein, Lithuania, Luxembourg, Malta, Monaco, Netherlands, Norway, Poland, Portugal, San Marino, Slovakia, Slovenia, Spain, Sweden, Switzerland, United Kingdom, Vatican State, and any country subsequently added to the European Union, as from the date of accession):*

The warranty for Machines acquired in Western Europe shall be valid and applicable in all Western Europe countries provided the Machines have been announced and made available in such countries.

If you purchase a Machine in one of the Western European countries, as defined above, you may obtain warranty service for that Machine in any of those countries from either (1) an IBM reseller approved to perform warranty service or (2) from IBM, provided the Machine has been announced and made available by IBM in the country in which you wish to obtain service.

If you purchased a Personal Computer Machine in Albania, Armenia, Belarus, Bosnia and Herzegovina, Bulgaria, Croatia, Czech Republic, Georgia, Hungary, Kazakhstan, Kyrgyzstan, Federal Republic of Yugoslavia, Former Yugoslav Republic of Macedonia (FYROM), Moldova, Poland, Romania, Russia, Slovak Republic, Slovenia, or Ukraine, you may obtain warranty service for that Machine in any of those countries from either (1) an IBM reseller approved to perform warranty service or (2) from IBM.

If you purchase a Machine in a Middle Eastern or African country, you may obtain warranty service for that Machine from the IBM entity within the country of purchase, if that IBM entity provides warranty service in that country, or from an IBM reseller, approved by IBM to perform warranty service on that Machine in that country. Warranty service in Africa is available within 50 kilometers of an IBM approved service provider. You are responsible for transportation costs for Machines located outside 50 kilometers of an IBM approved service provider.

Governing Law:

The phrase “the laws of the country in which you acquired the Machine” is replaced by:

1) “the laws of Austria” in **Albania, Armenia, Azerbaijan, Belarus, Bosnia-Herzegovina, Bulgaria, Croatia, Georgia, Hungary, Kazakhstan, Kyrgyzstan, FYR Macedonia, Moldova, Poland, Romania, Russia, Slovakia, Slovenia, Tajikistan, Turkmenistan, Ukraine, Uzbekistan, and FR Yugoslavia;** 2) “the laws of France” in **Algeria, Benin, Burkina Faso, Cameroon, Cape Verde, Central African Republic, Chad, Comoros, Congo Republic, Djibouti, Democratic Republic of Congo, Equatorial Guinea, French Guiana, French Polynesia, Gabon, Gambia, Guinea, Guinea-Bissau, Ivory Coast, Lebanon, Madagascar, Mali, Mauritania, Mauritius, Mayotte, Morocco, New Caledonia, Niger, Reunion, Senegal, Seychelles, Togo, Tunisia, Vanuatu, and Wallis & Futuna;** 3) “the laws of Finland” in **Estonia, Latvia, and Lithuania;** 4) “the laws of England” in **Angola, Bahrain, Botswana, Burundi, Egypt, Eritrea, Ethiopia, Ghana, Jordan, Kenya, Kuwait, Liberia, Malawi, Malta, Mozambique, Nigeria, Oman, Pakistan, Qatar, Rwanda, Sao Tome, Saudi Arabia, Sierra Leone, Somalia, Tanzania, Uganda, United Arab Emirates, the United Kingdom, West Bank/Gaza, Yemen, Zambia, and Zimbabwe;** and 5) “the laws of South Africa” in **South Africa, Namibia, Lesotho and Swaziland.**

Jurisdiction: *The following exceptions are added to this section:*

1) In **Austria** the choice of jurisdiction for all disputes arising out of this Statement of Limited Warranty and relating thereto, including its existence, will be the competent court of law in Vienna, Austria (Inner-City); 2) in **Angola, Bahrain, Botswana, Burundi, Egypt, Eritrea, Ethiopia, Ghana, Jordan, Kenya, Kuwait, Liberia, Malawi, Malta, Mozambique, Nigeria, Oman, Pakistan, Qatar, Rwanda, Sao Tome, Saudi Arabia, Sierra Leone, Somalia, Tanzania, Uganda, United Arab Emirates, West Bank/Gaza, Yemen, Zambia, and Zimbabwe** all disputes arising out of this Statement of Limited Warranty or related to its execution, including summary proceedings, will be submitted to the exclusive jurisdiction of the English courts; 3) in **Belgium and Luxembourg**, all disputes arising out of this Statement of Limited Warranty or related to its interpretation or its execution, the law, and the courts of the

capital city, of the country of your registered office and/or commercial site location only are competent; 4) **in France, Algeria, Benin, Burkina Faso, Cameroon, Cape Verde, Central African Republic, Chad, Comoros, Congo Republic, Djibouti, Democratic Republic of Congo, Equatorial Guinea, French Guiana, French Polynesia, Gabon, Gambia, Guinea, Guinea-Bissau, Ivory Coast, Lebanon, Madagascar, Mali, Mauritania, Mauritius, Mayotte, Morocco, New Caledonia, Niger, Reunion, Senegal, Seychelles, Togo, Tunisia, Vanuatu, and Wallis & Futuna** all disputes arising out of this Statement of Limited Warranty or related to its violation or execution, including summary proceedings, will be settled exclusively by the Commercial Court of Paris; 5) **in Russia**, all disputes arising out of or in relation to the interpretation, the violation, the termination, the nullity of the execution of this Statement of Limited Warranty shall be settled by Arbitration Court of Moscow; 6) **in South Africa, Namibia, Lesotho and Swaziland**, both of us agree to submit all disputes relating to this Statement of Limited Warranty to the jurisdiction of the High Court in Johannesburg; 7) **in Turkey** all disputes arising out of or in connection with this Statement of Limited Warranty shall be resolved by the Istanbul Central (Sultanahmet) Courts and Execution Directorates of Istanbul, the Republic of Turkey; 8) in each of the following specified countries, any legal claim arising out of this Statement of Limited Warranty will be brought before, and settled exclusively by, the competent court of a) Athens for **Greece**, b) Tel Aviv-Jaffa for **Israel**, c) Milan for **Italy**, d) Lisbon for **Portugal**, and e) Madrid for **Spain**; and 9) **in the United Kingdom**, both of us agree to submit all disputes relating to this Statement of Limited Warranty to the jurisdiction of the English courts.

Arbitration: *The following is added under this heading:*

In Albania, Armenia, Azerbaijan, Belarus, Bosnia-Herzegovina, Bulgaria, Croatia, Georgia, Hungary, Kazakhstan, Kyrgyzstan, FYR Macedonia, Moldova, Poland, Romania, Russia, Slovakia, Slovenia, Tajikistan, Turkmenistan, Ukraine, Uzbekistan, and FR Yugoslavia all disputes arising out of this Statement of Limited Warranty or related to its violation, termination or nullity will be finally settled under the Rules of Arbitration and Conciliation of the International Arbitral Center of the Federal Economic Chamber in Vienna (Vienna Rules) by three arbitrators appointed in accordance with these rules. The arbitration will be held in Vienna, Austria, and the official language of the proceedings will be English. The decision of the arbitrators will be final and binding upon both parties. Therefore, pursuant to paragraph 598 (2) of the Austrian Code of Civil Procedure, the parties expressly waive the application of paragraph 595 (1) figure 7 of the Code. IBM may, however, institute proceedings in a competent court in the country of installation.

In Estonia, Latvia and Lithuania all disputes arising in connection with this Statement of Limited Warranty will be finally settled in arbitration that will be held in Helsinki, Finland in accordance with the arbitration laws of Finland then in effect. Each party will appoint one arbitrator. The arbitrators will then

jointly appoint the chairman. If arbitrators cannot agree on the chairman, then the Central Chamber of Commerce in Helsinki will appoint the chairman.

EUROPEAN UNION (EU)

THE FOLLOWING TERMS APPLY TO ALL EU COUNTRIES:

The warranty for Machines acquired in EU countries is valid and applicable in all EU countries provided the Machines have been announced and made available in such countries.

How to Obtain Warranty Service: *The following is added to this section:*

To obtain warranty service from IBM in EU countries, see the telephone listing in Part 3 - Warranty Information.

You may contact IBM at the following address:

IBM Warranty & Service Quality Dept.
PO Box 30
Spango Valley
Greenock
Scotland PA16 0AH

CONSUMERS

Consumers have legal rights under applicable national legislation governing the sale of consumer goods. Such rights are not affected by the warranties provided in this Statement of Limited Warranty.

AUSTRIA, DENMARK, FINLAND, GREECE, ITALY, NETHERLANDS, NORWAY, PORTUGAL, SPAIN, SWEDEN AND SWITZERLAND

Limitation of Liability: *The following replaces the terms of this section in its entirety:*

Except as otherwise provided by mandatory law:

1. IBM's liability for any damages and losses that may arise as a consequence of the fulfillment of its obligations under or in connection with this Statement of Limited Warranty or due to any other cause related to this Statement of Limited Warranty is limited to the compensation of only those damages and losses proved and actually arising as an immediate and direct consequence of the non-fulfillment of such obligations (if IBM is at fault) or of such cause, for a maximum amount equal to the charges you paid for the Machine. For purposes of this item, the term "Machine" includes Machine Code and Licensed Internal Code ("LIC").

The above limitation shall not apply to damages for bodily injuries (including death) and damages to real property and tangible personal property for which IBM is legally liable.

2. **UNDER NO CIRCUMSTANCES IS IBM, ITS SUPPLIERS OR RESELLERS LIABLE FOR ANY OF THE FOLLOWING, EVEN IF INFORMED OF THEIR POSSIBILITY: 1) LOSS OF, OR DAMAGE TO, DATA; 2) INCIDENTAL OR INDIRECT DAMAGES, OR FOR ANY ECONOMIC CONSEQUENTIAL DAMAGES; 3) LOST PROFITS, EVEN IF THEY ARISE AS AN IMMEDIATE CONSEQUENCE OF THE EVENT THAT GENERATED THE DAMAGES; OR 4) LOSS OF BUSINESS, REVENUE, GOODWILL, OR ANTICIPATED SAVINGS.**

FRANCE AND BELGIUM

Limitation of Liability: *The following replaces the terms of this section in its entirety:*

Except as otherwise provided by mandatory law:

1. IBM's liability for any damages and losses that may arise as a consequence of the fulfillment of its obligations under or in connection with this Statement of Limited Warranty is limited to the compensation of only those damages and losses proved and actually arising as an immediate and direct consequence of the non-fulfillment of such obligations (if IBM is at fault), for a maximum amount equal to the charges you paid for the Machine that has caused the damages. For purposes of this item, the term "Machine" includes Machine Code and Licensed Internal Code ("LIC").

The above limitation shall not apply to damages for bodily injuries (including death) and damages to real property and tangible personal property for which IBM is legally liable.

2. **UNDER NO CIRCUMSTANCES IS IBM, ITS SUPPLIERS OR RESELLERS LIABLE FOR ANY OF THE FOLLOWING, EVEN IF INFORMED OF THEIR POSSIBILITY: 1) LOSS OF, OR DAMAGE TO, DATA; 2) INCIDENTAL OR INDIRECT DAMAGES, OR FOR ANY ECONOMIC CONSEQUENTIAL DAMAGES; 3) LOST PROFITS, EVEN IF THEY ARISE AS AN IMMEDIATE CONSEQUENCE OF THE EVENT THAT GENERATED THE DAMAGES; OR 4) LOSS OF BUSINESS, REVENUE, GOODWILL, OR ANTICIPATED SAVINGS.**

THE FOLLOWING TERMS APPLY TO THE COUNTRY SPECIFIED:

AUSTRIA

The provisions of this Statement of Limited Warranty replace any applicable statutory warranties.

What this Warranty Covers: *The following replaces the first sentence of the first paragraph of this section:*

The warranty for an IBM Machine covers the functionality of the Machine for its normal use and the Machine's conformity to its Specifications.

The following paragraphs are added to this section:

The limitation period for consumers in action for breach of warranty is the statutory period as a minimum. In case IBM or your reseller is unable to repair an IBM Machine, you can alternatively ask for a partial refund as far as justified by the reduced value of the unrepaired Machine or ask for a cancellation of the respective agreement for such Machine and get your money refunded.

The second paragraph does not apply.

What IBM Will Do to Correct Problems: *The following is added to this section:*

During the warranty period, IBM will reimburse you for the transportation charges for the delivery of the failing Machine to IBM.

Limitation of Liability: *The following paragraph is added to this section:*

The limitations and exclusions specified in the Statement of Limited Warranty will not apply to damages caused by IBM with fraud or gross negligence and for express warranty.

The following sentence is added to the end of item 2:

IBM's liability under this item is limited to the violation of essential contractual terms in cases of ordinary negligence.

EGYPT

Limitation of Liability: *The following replaces item 2 in this section:*

as to any other actual direct damages, IBM's liability will be limited to the total amount you paid for the Machine that is the subject of the claim. For purposes of this item, the term "Machine" includes Machine Code and Licensed Internal Code ("LIC").

Applicability of suppliers and resellers (unchanged).

FRANCE

Limitation of Liability: *The following replaces the second sentence of the first paragraph of this section:*

In such instances, regardless of the basis on which you are entitled to claim damages from IBM, IBM is liable for no more than: (items 1 and 2 unchanged).

GERMANY

What this Warranty Covers: *The following replaces the first sentence of the first paragraph of this section:*

The warranty for an IBM Machine covers the functionality of the Machine for its normal use and the Machine's conformity to its Specifications.

The following paragraphs are added to this section:

The minimum warranty period for Machines is twelve months. In case IBM or your reseller is unable to repair an IBM Machine, you can alternatively ask for a partial refund as far as justified by the reduced value of the unrepaired Machine or ask for a cancellation of the respective agreement for such Machine and get your money refunded.

The second paragraph does not apply.

What IBM Will Do to Correct Problems: *The following is added to this section:*

During the warranty period, transportation for delivery of the failing Machine to IBM will be at IBM's expense.

Limitation of Liability: *The following paragraph is added to this section:*

The limitations and exclusions specified in the Statement of Limited Warranty will not apply to damages caused by IBM with fraud or gross negligence and for express warranty.

The following sentence is added to the end of item 2:

IBM's liability under this item is limited to the violation of essential contractual terms in cases of ordinary negligence.

HUNGARY

Limitation of Liability: *The following is added at the end of this section:*

The limitation and exclusion specified herein shall not apply to liability for a breach of contract damaging life, physical well-being, or health that has been caused intentionally, by gross negligence, or by a criminal act.

The parties accept the limitations of liability as valid provisions and state that the Section 314.(2) of the Hungarian Civil Code applies as the acquisition price as well as other advantages arising out of the present Statement of Limited Warranty balance this limitation of liability.

IRELAND

What this Warranty Covers: *The following is added to this section:*

Except as expressly provided in these terms and conditions, all statutory conditions, including all warranties implied, but without prejudice to the generality of the foregoing all warranties implied by the Sale of Goods Act 1893 or the Sale of Goods and Supply of Services Act 1980 are hereby excluded.

Limitation of Liability: *The following replaces the terms of this section in its entirety:*

For the purposes of this section, a “Default” means any act, statement, omission, or negligence on the part of IBM in connection with, or in relation to, the subject matter of this Statement of Limited Warranty in respect of which IBM is legally liable to you, whether in contract or tort. A number of Defaults which together result in, or contribute to, substantially the same loss or damage will be treated as one Default occurring on the date of occurrence of the last such Default.

Circumstances may arise where, because of a Default, you are entitled to recover damages from IBM.

This section sets out the extent of IBM’s liability and your sole remedy.

1. IBM will accept unlimited liability for death or personal injury caused by the negligence of IBM.
2. Subject always to the **Items for Which IBM is Not Liable** below, IBM will accept unlimited liability for physical damage to your tangible property resulting from the negligence of IBM.
3. Except as provided in items 1 and 2 above, IBM’s entire liability for actual damages for any one Default will not in any event exceed the greater of 1) EUR 125,000, or 2) 125% of the amount you paid for the Machine directly relating to the Default.

Items for Which IBM is Not Liable

Save with respect to any liability referred to in item 1 above, under no circumstances is IBM, its suppliers or resellers liable for any of the following, even if IBM or they were informed of the possibility of such losses:

1. loss of, or damage to, data;
2. special, indirect, or consequential loss; or

3. loss of profits, business, revenue, goodwill, or anticipated savings.

SLOVAKIA

Limitation of Liability: *The following is added to the end of the last paragraph:*

The limitations apply to the extent they are not prohibited under §§ 373-386 of the Slovak Commercial Code.

SOUTH AFRICA, NAMIBIA, BOTSWANA, LESOTHO AND SWAZILAND

Limitation of Liability: *The following is added to this section:*

IBM's entire liability to you for actual damages arising in all situations involving nonperformance by IBM in respect of the subject matter of this Statement of Warranty will be limited to the charge paid by you for the individual Machine that is the subject of your claim from IBM.

UNITED KINGDOM

Limitation of Liability: *The following replaces the terms of this section in its entirety:*

For the purposes of this section, a "Default" means any act, statement, omission, or negligence on the part of IBM in connection with, or in relation to, the subject matter of this Statement of Limited Warranty in respect of which IBM is legally liable to you, whether in contract or tort. A number of Defaults which together result in, or contribute to, substantially the same loss or damage will be treated as one Default.

Circumstances may arise where, because of a Default, you are entitled to recover damages from IBM.

This section sets out the extent of IBM's liability and your sole remedy.

1. IBM will accept unlimited liability for:
 - a. death or personal injury caused by the negligence of IBM; and
 - b. any breach of its obligations implied by Section 12 of the Sale of Goods Act 1979 or Section 2 of the Supply of Goods and Services Act 1982, or any statutory modification or re-enactment of either such Section.
2. IBM will accept unlimited liability, subject always to the **Items for Which IBM is Not Liable** below, for physical damage to your tangible property resulting from the negligence of IBM.
3. IBM's entire liability for actual damages for any one Default will not in any event, except as provided in items 1 and 2 above, exceed the greater of 1) Pounds Sterling 75,000, or 2) 125% of the total purchase price payable or the charges for the Machine directly relating to the Default.

These limits also apply to IBM's suppliers and resellers. They state the maximum for which IBM and such suppliers and resellers are collectively responsible.

Items for Which IBM is Not Liable

Save with respect to any liability referred to in item 1 above, under no circumstances is IBM or any of its suppliers or resellers liable for any of the following, even if IBM or they were informed of the possibility of such losses:

1. loss of, or damage to, data;
2. special, indirect, or consequential loss; or
3. loss of profits, business, revenue, goodwill, or anticipated savings.

Part 3 - Warranty Information

This Part 3 provides information regarding the warranty applicable to your Machine, including the warranty period and type of warranty service IBM provides.

Warranty Period

The warranty period may vary by country or region and is specified in the table below.

Note: "Region" means either Hong Kong or Macau Special Administrative Region of China.

A warranty period of 3 years on parts and 1 year on labor means that IBM provides warranty service without charge for:

1. parts and labor during the first year of the warranty period; and
2. parts only, on an exchange basis, in the second and third years of the warranty period. IBM will charge you for any labor provided in performance of the repair or replacement(s) in the second and third year of the warranty period.

Machine - IBM @server BladeCenter Optical Pass-thru Module

Country or Region of Purchase	Warranty Period	Type of Warranty Service*
Worldwide	Parts - 3 years, labor - 3 years	1
* See " <u>Types of Warranty Service</u> " for the legend and explanations of warranty-service types.		

Types of Warranty Service

If required, IBM provides repair or exchange service depending on the type of warranty service specified for your Machine in the above table and as described below. Warranty service may be provided by your reseller if approved by IBM to perform warranty service. Scheduling of service will depend upon the time of your call and is subject to parts availability. Service levels are response time objectives and are not guaranteed. The specified level of warranty service may not be available in all worldwide locations, additional charges may apply outside IBM's normal service area, contact your local IBM representative or your reseller for country and location specific information.

1. Customer Replaceable Unit ("CRU") Service

IBM provides replacement CRUs to you for you to install. CRU information and replacement instructions are shipped with your Machine and are available from IBM at any time on your request. Installation of Tier 1 CRUs is your responsibility. If IBM installs a Tier 1 CRU at your request, you will be charged for the installation. You may install a Tier 2 CRU yourself or request IBM to install it, at no additional charge, under the type of warranty service designated for your Machine. IBM specifies in the materials shipped with a replacement CRU whether a defective CRU must be returned to IBM. When return is required, 1) return instructions and a container are shipped with the replacement CRU, and 2) you may be charged for the replacement CRU if IBM does not receive the defective CRU within 30 days of your receipt of the replacement.

2. On-site Service

IBM or your reseller will either repair or exchange the failing Machine at your location and verify its operation. You must provide suitable working area to allow disassembly and reassembly of the IBM Machine. The area must be clean, well lit and suitable for the purpose. For some Machines, certain repairs may require sending the Machine to an IBM service center.

3. Courier or Depot Service*

You will disconnect the failing Machine for collection arranged by IBM. IBM will provide you with a shipping container for you to return your Machine to a designated service center. A courier will pick up your Machine and deliver it to the designated service center. Following its repair or exchange, IBM will arrange the return delivery of the Machine to your location. You are responsible for its installation and verification.

4. Customer Carry-In or Mail-In Service

You will deliver or mail as IBM specifies (prepaid unless IBM specifies otherwise) the failing Machine suitably packaged to a location IBM designates. After IBM has repaired or exchanged the Machine, IBM will make it available for your collection or, for Mail-in Service, IBM will return it to you at IBM's expense, unless IBM specifies otherwise. You are responsible for the subsequent installation and verification of the Machine.

5. CRU and On-site Service

This type of Warranty Service is a combination of Type 1 and Type 2 (see above).

6. CRU and Courier or Depot Service

This type of Warranty Service is a combination of Type 1 and Type 3 (see above).

7. CRU and Customer Carry-In or Mail-In Service

This type of Warranty Service is a combination of Type 1 and Type 4 (see above).

When a 5, 6 or 7 type of warranty service is listed, IBM will determine which type of warranty service is appropriate for the repair.

* This type of service is called ThinkPad® EasyServ or EasyServ in some countries.

The IBM Machine Warranty World Wide Web site at http://www.ibm.com/servers/support/machine_warranties/ provides a worldwide overview of IBM's Limited Warranty for Machines, a Glossary of IBM definitions, Frequently Asked Questions (FAQs) and Support by Product (Machine) with links to Product Support pages. **The IBM Statement of Limited Warranty is also available on this site in 29 languages.**

To obtain warranty service contact IBM or your IBM reseller. In Canada or the United States, call 1-800-IBM-SERV (426-7378). In the EU countries, see the telephone numbers below.

EU Country Telephone List

Phone numbers are subject to change without notice. For the warranty service contact telephone number in a country subsequently added to the EU and not yet reflected in the list below, contact IBM in that country or visit the website above for a current telephone listing.

Austria -- +43-1-24592-5901	Latvia -- +386-61-1796-699
Belgium -- +32-70-23-3392	Lithuania -- +386-61-1796-699
Cyprus -- +357-22-841100	Luxembourg -- +352-298-977-5063
Czech Republic -- +420-2-7213-1316	Malta -- +356-23-4175
Denmark -- +45-4520-8200	Netherlands -- +31-20-514-5770
Estonia -- +386-61-1796-699	Poland -- +48-22-878-6999
Finland -- +358-8001-4260	Portugal -- +351-21-892-7147
France -- +33-238-557-450	Slovakia -- +421-2-4954-1217
Germany -- +49-1805-253553	Slovenia -- +386-1-4796-699

Greece -- +30-210-680-1700	Spain -- +34-91-714-7983
Hungary -- +36-1-382-5720	Sweden -- +46-8-477-4420
Ireland -- +353-1-815-4000	United Kingdom -- +44-1475-555-055
Italy -- +39-800-820-094	

Appendix C. Notices

This information was developed for products and services offered in the U.S.A.

IBM may not offer the products, services, or features discussed in this document in other countries. Consult your local IBM representative for information on the products and services currently available in your area. Any reference to an IBM product, program, or service is not intended to state or imply that only that IBM product, program, or service may be used. Any functionally equivalent product, program, or service that does not infringe any IBM intellectual property right may be used instead. However, it is the user's responsibility to evaluate and verify the operation of any non-IBM product, program, or service.

IBM may have patents or pending patent applications covering subject matter described in this document. The furnishing of this document does not give you any license to these patents. You can send license inquiries, in writing, to:

*IBM Director of Licensing
IBM Corporation
North Castle Drive
Armonk, NY 10504-1785
U.S.A.*

INTERNATIONAL BUSINESS MACHINES CORPORATION PROVIDES THIS PUBLICATION "AS IS" WITHOUT WARRANTY OF ANY KIND, EITHER EXPRESS OR IMPLIED, INCLUDING, BUT NOT LIMITED TO, THE IMPLIED WARRANTIES OF NON-INFRINGEMENT, MERCHANTABILITY OR FITNESS FOR A PARTICULAR PURPOSE. Some states do not allow disclaimer of express or implied warranties in certain transactions, therefore, this statement may not apply to you.

This information could include technical inaccuracies or typographical errors. Changes are periodically made to the information herein; these changes will be incorporated in new editions of the publication. IBM may make improvements and/or changes in the product(s) and/or the program(s) described in this publication at any time without notice.

Any references in this information to non-IBM Web sites are provided for convenience only and do not in any manner serve as an endorsement of those Web sites. The materials at those Web sites are not part of the materials for this IBM product, and use of those Web sites is at your own risk.

IBM may use or distribute any of the information you supply in any way it believes appropriate without incurring any obligation to you.

Edition notice

© Copyright International Business Machines Corporation 2003, 2004. All rights reserved.

U.S. Government Users Restricted Rights — Use, duplication, or disclosure restricted by GSA ADP Schedule Contract with IBM Corp.

Trademarks

The following terms are trademarks of International Business Machines Corporation in the United States, other countries, or both:

Active Memory	PS/2
Active PCI	ServeRAID
Active PCI-X	ServerGuide
Alert on LAN	ServerProven
C2T Interconnect	TechConnect
Chipkill	ThinkPad
EtherJet	Tivoli
e-business logo	Tivoli Enterprise
@server	Update Connector
FlashCopy	Wake on LAN
IBM	XA-32
IntelliStation	XA-64
NetBAY	X-Architecture
Netfinity	XceL4
NetView	XpandOnDemand
OS/2 WARP	xSeries
Predictive Failure Analysis	

Lotus, Lotus Notes, SmartSuite, and Domino are trademarks of Lotus Development Corporation and/or IBM Corporation in the United States, other countries, or both.

ActionMedia, LANDesk, MMX, Pentium, and ProShare are trademarks of Intel Corporation in the United States, other countries, or both.

Microsoft, Windows, and Windows NT are trademarks of Microsoft Corporation in the United States, other countries, or both.

UNIX is a registered trademark of The Open Group in the United States and other countries.

Java and all Java-based trademarks and logos are trademarks or registered trademarks of Sun Microsystems, Inc. in the United States, other countries, or both.

Other company, product, or service names may be trademarks or service marks of others.

Important notes

Processor speeds indicate the internal clock speed of the microprocessor; other factors also affect application performance.

CD-ROM drive speeds list the variable read rate. Actual speeds vary and are often less than the maximum possible.

When referring to processor storage, real and virtual storage, or channel volume, KB stands for approximately 1000 bytes, MB stands for approximately 1 000 000 bytes, and GB stands for approximately 1 000 000 000 bytes.

When referring to hard disk drive capacity or communications volume, MB stands for 1 000 000 bytes, and GB stands for 1 000 000 000 bytes. Total user-accessible capacity may vary depending on operating environments.

Maximum internal hard disk drive capacities assume the replacement of any standard hard disk drives and population of all hard disk drive bays with the largest currently supported drives available from IBM.

Maximum memory may require replacement of the standard memory with an optional memory module.

IBM makes no representation or warranties regarding non-IBM products and services that are ServerProven[®], including but not limited to the implied warranties of merchantability and fitness for a particular purpose. These products are offered and warranted solely by third parties.

IBM makes no representations or warranties with respect to non-IBM products. Support (if any) for the non-IBM products is provided by the third party, not IBM.

Some software may differ from its retail version (if available), and may not include user manuals or all program functionality.

Product recycling and disposal

This unit contains materials such as circuit boards, cables, electromagnetic compatibility gaskets, and connectors which may contain lead and copper/beryllium alloys that require special handling and disposal at end of life. Before this unit is disposed of, these materials must be removed and recycled or discarded according to applicable regulations. IBM offers product-return programs in several countries. For country-specific instructions, refer to the following Web site:
<http://www.ibm.com/ibm/environment/products/prp.shtml>.

This product may contain a sealed lead acid, nickel cadmium, nickel metal hydride, lithium, or lithium ion battery. Consult your user manual or service manual for specific battery information. The battery must be recycled or disposed of properly. Recycling facilities may not be available in your area. For information on disposal of batteries, contact your local waste disposal facility.

In the United States, IBM has established a collection process for reuse, recycling, or proper disposal of used IBM sealed lead acid, nickel cadmium, nickel metal hydride, and battery packs from IBM equipment. For information on proper disposal of these batteries, contact IBM at 1-800-426-4333. Have the IBM part number listed on the battery available prior to your call.

Electronic emission notices

Federal Communications Commission (FCC) statement

Note: This equipment has been tested and found to comply with the limits for a Class A digital device, pursuant to Part 15 of the FCC Rules. These limits are designed to provide reasonable protection against harmful interference when the equipment is operated in a commercial environment. This equipment generates, uses, and can radiate radio frequency energy and, if not installed and used in accordance with the instruction manual, may cause harmful interference to radio communications. Operation of this equipment in a residential area is likely to cause harmful interference, in which case the user will be required to correct the interference at his own expense.

Properly shielded and grounded cables and connectors must be used in order to meet FCC emission limits. Properly shielded and grounded cables and connectors must be used in order to meet FCC emission limits. IBM is not responsible for any radio or television interference caused by using other than recommended cables and connectors or by using other than recommended cables and connectors or by unauthorized changes or modifications to this equipment. Unauthorized changes or modifications could void the user's authority to operate the equipment.

This device complies with Part 15 of the FCC Rules. Operation is subject to the following two conditions: (1) this device may not cause harmful interference, and (2) this device must accept any interference received, including interference that may cause undesired operation.

Industry Canada Class A emission compliance statement

This Class A digital apparatus complies with Canadian ICES-003.

Avis de conformité à la réglementation d'Industrie Canada

Cet appareil numérique de la classe A est conforme à la norme NMB-003 du Canada.

Australia and New Zealand Class A statement

Attention: This is a Class A product. In a domestic environment this product may cause radio interference in which case the user may be required to take adequate measures.

United Kingdom telecommunications safety requirement

Notice to Customers

This apparatus is approved under approval number NS/G/1234/J/100003 for indirect connection to public telecommunication systems in the United Kingdom.

European Union EMC Directive conformance statement

This product is in conformity with the protection requirements of EU Council Directive 89/336/EEC on the approximation of the laws of the Member States relating to electromagnetic compatibility. IBM cannot accept responsibility for any failure to satisfy the protection requirements resulting from a nonrecommended modification of the product, including the fitting of non-IBM option cards.

This product has been tested and found to comply with the limits for Class A Information Technology Equipment according to CISPR 22/European Standard EN 55022. The limits for Class A equipment were derived for commercial and industrial environments to provide reasonable protection against interference with licensed communication equipment.

Attention: This is a Class A product. In a domestic environment this product may cause radio interference in which case the user may be required to take adequate measures.

Taiwanese Class A warning statement

警告使用者：
這是甲類的資訊產品，在居住的環境中使用時，可能會造成射頻干擾，在這種情況下，使用者會被要求採取某些適當的對策。

Chinese Class A warning statement

聲 明
此為 A 級產品。在生活環境中，該產品可能會造成無線電干擾。在這種情況下，可能需要用戶對其干擾採取切实可行的措施。

Japanese Voluntary Control Council for Interference (VCCI) statement

この装置は、情報処理装置等電波障害自主規制協議会（VCCI）の基準に基づくクラスA情報技術装置です。この装置を家庭環境で使用すると電波妨害を引き起こすことがあります。この場合には使用者が適切な対策を講ずるよう要求されることがあります。

Index

B

- bay locations 9
- blade server port assignment 24

C

- cables
 - optical 4
- Class A electronic emission notice 64
- compatible options Web site 13
- components
 - major 6
- configuration problems 33
- controller enumeration 12

D

- data transmission rates 4

E

- electronic emission Class A notice 64
- Ethernet
 - controller enumeration 12
 - interface requirements 10
- external components 23

F

- FCC Class A notice 64
- features 4
- firmware upgrade 33
- front panel 23

G

- general requirements 4

H

- handling static-sensitive devices 14
- hardware problems 33

I

- I/O module
 - LEDs 26
- I/O module fault LED 27
- identification labels 6
- indicators 26
- installation
 - guidelines 13
 - illustration 17, 18
 - procedure 18
 - requirements 10, 11
- installing
 - I/O module 17, 18
 - options 13
- introduction 1

L

- labels 6
- LEDs 4
 - front view 26
 - I/O module fault 27
 - Link OK 27
 - power 26
 - transceiver error 27
- Link OK LED 27
- location
 - LEDs 23
 - ports 23
 - serial number 6

M

- major components 6
- management module port assignment 25, 26

N

- notes, important 63
- notices
 - electronic emission 64
 - FCC, Class A 64
 - used in this book 5

O

- optical cables 4
- options
 - installing 13
 - Web site 13

P

- port assignment 24, 25, 26
- port locations 4, 23
- port specifications 4
- power LED 26

R

- removing
 - I/O module 21

S

- serial number 6
- specifications
 - data transmission 4
 - ports 4
 - technical 4
- static electricity 14
- static-sensitive devices, handling 14
- supported options Web site 13
- system reliability 13

T

- technical specifications 4
- trademarks 62
- transceiver error LED 27
- transmission rates 4
- troubleshooting
 - hardware 33
 - installation problems 33
 - system configuration problems 33

U

- United States electronic emission Class A notice 64
- United States FCC Class A notice 64
- upgrade firmware 33

W

- Web site
 - IBM products 2, 7
 - supported options 13
- World Wide Web 2, 7



Part Number: 25R4619

Printed in USA

(1P) P/N: 25R4619

