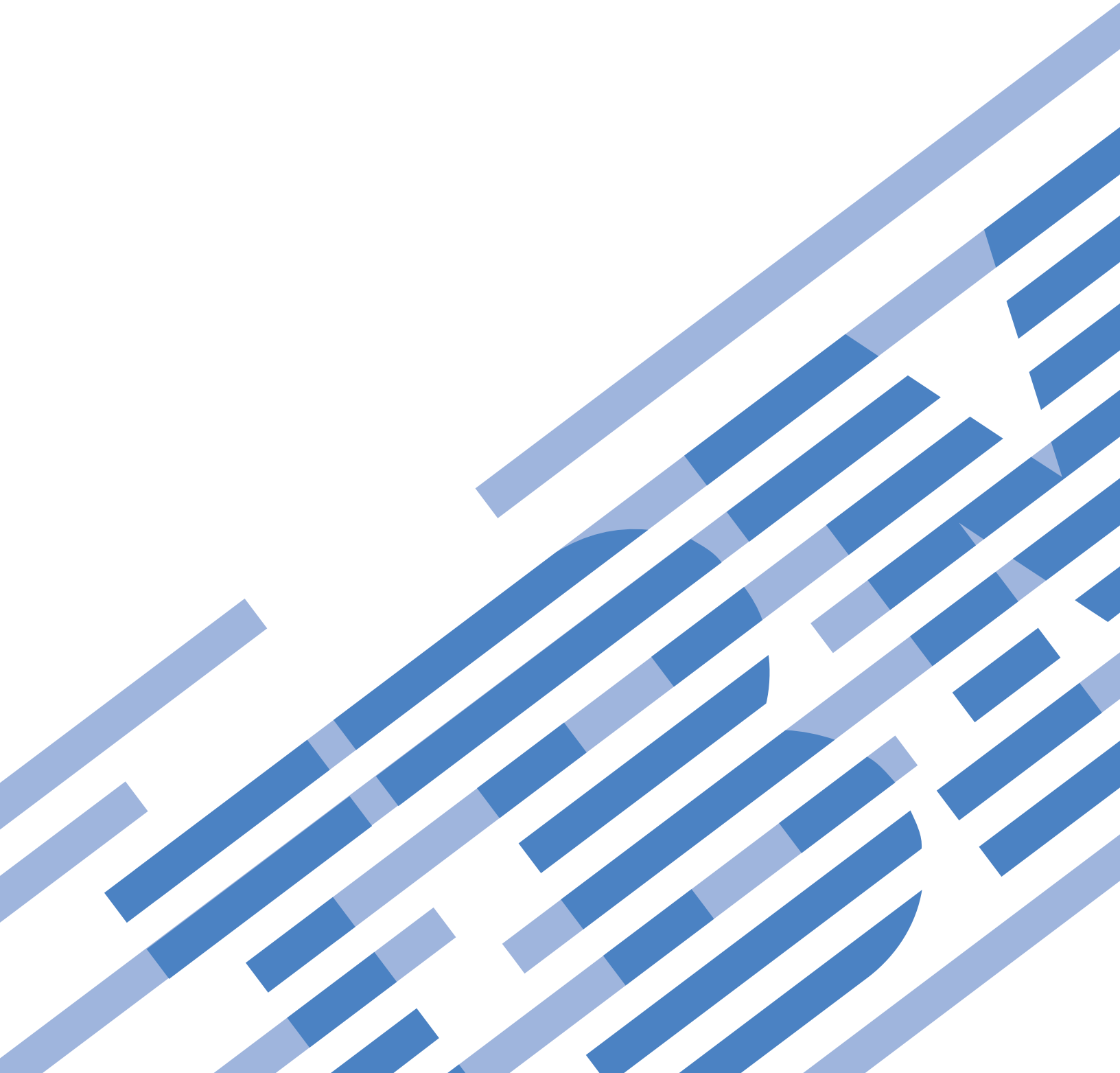




IBM System x3250 Types 4364 and 4365
User's Guide





IBM System x3250 Types 4364 and 4365
User's Guide

Note:

Before using this information and the product it supports, be sure to read the general information in “Notices,” on page 49, and the *Warranty and Support Information* document on the IBM *System x Documentation* CD.

Second Edition (October 2006)

© Copyright International Business Machines Corporation 2006. All rights reserved.

US Government Users Restricted Rights – Use, duplication or disclosure restricted by GSA ADP Schedule Contract with IBM Corp.

Contents

Safety	v
Chapter 1. The System x3250 Types 4364 and 4365 server	1
Related documentation	1
Notices and statements in this document	2
Features and specifications	3
What your server offers	4
Reliability, availability, and serviceability features	5
IBM Director	5
The UpdateXpress program	6
Server controls, LEDs, and power	7
Front view	7
Rear view	8
Server power features	9
Chapter 2. Installing optional devices	11
Server components	11
System-board internal connectors	12
System-board switches and jumpers	13
System-board external connectors	14
System-board LEDs	15
System-board optional-device connectors	16
Installation guidelines	16
System reliability guidelines	17
Handling static-sensitive devices	18
Removing the cover	18
Installing an adapter	19
Installing a Remote Supervisor Adapter II SlimLine	21
Installing a hard disk drive	23
Installing a simple-swap Serial ATA hard disk drive	23
Installing a hot-swap hard disk drive	24
Installing a new CD or DVD drive	25
Installing a memory module	26
Installing a SATA RAID kit	28
Completing the installation	31
Installing the cover	31
Connecting the cables	31
Updating the server configuration	32
Chapter 3. Configuring the server	35
Using the ServerGuide Setup and Installation CD	35
ServerGuide features	36
Setup and configuration overview	36
Typical operating-system installation	37
Installing your operating system without using ServerGuide	37
Using the Configuration/Setup Utility program	37
Starting the Configuration/Setup Utility program	38
Configuration/Setup Utility menu choices	38
Passwords	41
Using the LSI Logic Configuration Utility program	43
Starting the LSI Logic Configuration Utility program	43
Configuring the controller and devices	43
Using the baseboard management controller	44

Installing the SMBridge management utility program	44
Using the baseboard management controller utility programs	46
Configuring the Gigabit Ethernet controllers	47
Updating IBM Director	47
Appendix. Notices	49
Trademarks	49
Important notes.	50
Product recycling and disposal	51
Battery return program	52
Electronic emission notices	53
Federal Communications Commission (FCC) statement	53
Industry Canada Class A emission compliance statement	53
Australia and New Zealand Class A statement	53
United Kingdom telecommunications safety requirement.	53
European Union EMC Directive conformance statement.	54
Taiwanese Class A warning statement	54
Chinese Class A warning statement	54
Japanese Voluntary Control Council for Interference (VCCI) statement	54
Index	55

Safety

Before installing this product, read the Safety Information.

قبل تركيب هذا المنتج، يجب قراءة الملاحظات الأمنية

Antes de instalar este produto, leia as Informações de Segurança.

在安装本产品之前，请仔细阅读 **Safety Information** (安全信息)。

安裝本產品之前，請先閱讀「安全資訊」。

Prije instalacije ovog produkta obavezno pročitajte Sigurnosne Upute.

Před instalací tohoto produktu si přečtěte příručku bezpečnostních instrukcí.

Læs sikkerhedsforskrifterne, før du installerer dette produkt.

Lees voordat u dit product installeert eerst de veiligheidsvoorschriften.

Ennen kuin asennat tämän tuotteen, lue turvaohjeet kohdasta Safety Information.

Avant d'installer ce produit, lisez les consignes de sécurité.

Vor der Installation dieses Produkts die Sicherheitshinweise lesen.

Πριν εγκαταστήσετε το προϊόν αυτό, διαβάστε τις πληροφορίες ασφαλείας (safety information).

לפני שתתקינו מוצר זה, קראו את הוראות הבטיחות.

A termék telepítése előtt olvassa el a Biztonsági előírásokat!

Prima di installare questo prodotto, leggere le Informazioni sulla Sicurezza.

製品の設置の前に、安全情報をお読みください。

본 제품을 설치하기 전에 안전 정보를 읽으십시오.

Пред да се инсталира овој продукт, прочитајте информацијата за безбедност.

Les sikkerhetsinformasjonen (Safety Information) før du installerer dette produktet.

Przed zainstalowaniem tego produktu, należy zapoznać się z książką "Informacje dotyczące bezpieczeństwa" (Safety Information).

Antes de instalar este produto, leia as Informações sobre Segurança.

Перед установкой продукта прочтите инструкции по технике безопасности.

Pred inštaláciou tohto zariadenia si pečítajte Bezpečnostné predpisy.

Pred namestitvijo tega proizvoda preberite Varnostne informacije.

Antes de instalar este producto, lea la información de seguridad.

Läs säkerhetsinformationen innan du installerar den här produkten.

Important:

Each caution and danger statement in this document is labeled with a number. This number is used to cross reference an English-language caution or danger statement with translated versions of the caution or danger statement in the *Safety Information* document.

For example, if a caution statement is labeled “Statement 1”, translations for that caution statement are in the *Safety Information* document under “Statement 1”.

Be sure to read all caution and danger statements in this document before you perform the procedures. Read any additional safety information that comes with the server or optional device before you install the device.

Statement 1:



DANGER

Electrical current from power, telephone, and communication cables is hazardous.

To avoid a shock hazard:

- **Do not connect or disconnect any cables or perform installation, maintenance, or reconfiguration of this product during an electrical storm.**
- **Connect all power cords to a properly wired and grounded electrical outlet.**
- **Connect to properly wired outlets any equipment that will be attached to this product.**
- **When possible, use one hand only to connect or disconnect signal cables.**
- **Never turn on any equipment when there is evidence of fire, water, or structural damage.**
- **Disconnect the attached power cords, telecommunications systems, networks, and modems before you open the device covers, unless instructed otherwise in the installation and configuration procedures.**
- **Connect and disconnect cables as described in the following table when installing, moving, or opening covers on this product or attached devices.**

To Connect:

1. Turn everything OFF.
2. First, attach all cables to devices.
3. Attach signal cables to connectors.
4. Attach power cords to outlet.
5. Turn device ON.

To Disconnect:

1. Turn everything OFF.
2. First, remove power cords from outlet.
3. Remove signal cables from connectors.
4. Remove all cables from devices.

Statement 2:



CAUTION:

When replacing the lithium battery, use only IBM® Part Number 33F8354 or an equivalent type battery recommended by the manufacturer. If your system has a module containing a lithium battery, replace it only with the same module type made by the same manufacturer. The battery contains lithium and can explode if not properly used, handled, or disposed of.

Do not:

- **Throw or immerse into water**
- **Heat to more than 100°C (212°F)**
- **Repair or disassemble**

Dispose of the battery as required by local ordinances or regulations.

Statement 3:



CAUTION:

When laser products (such as CD-ROMs, DVD drives, fiber optic devices, or transmitters) are installed, note the following:

- Do not remove the covers. Removing the covers of the laser product could result in exposure to hazardous laser radiation. There are no serviceable parts inside the device.
- Use of controls or adjustments or performance of procedures other than those specified herein might result in hazardous radiation exposure.



DANGER

Some laser products contain an embedded Class 3A or Class 3B laser diode. Note the following.

Laser radiation when open. Do not stare into the beam, do not view directly with optical instruments, and avoid direct exposure to the beam.



Class 1 Laser Product
Laser Klasse 1
Laser Klass 1
Luokan 1 Laserlaite
Appareil À Laser de Classe 1

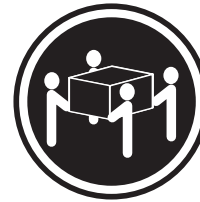
Statement 4:



≥ 18 kg (39.7 lb)



≥ 32 kg (70.5 lb)



≥ 55 kg (121.2 lb)

CAUTION:

Use safe practices when lifting.

Statement 5:



CAUTION:

The power control button on the device and the power switch on the power supply do not turn off the electrical current supplied to the device. The device also might have more than one power cord. To remove all electrical current from the device, ensure that all power cords are disconnected from the power source.



Statement 8:



CAUTION:

Never remove the cover on a power supply or any part that has the following label attached.



Hazardous voltage, current, and energy levels are present inside any component that has this label attached. There are no serviceable parts inside these components. If you suspect a problem with one of these parts, contact a service technician.

Statement 26:



CAUTION:

Do not place any object on top of rack-mounted devices.



This server is suitable for use on an IT power-distribution system whose maximum phase-to-phase voltage is 240 V under any distribution fault condition.

Chapter 1. The System x3250 Types 4364 and 4365 server

The IBM System x3250 Type 4364 and Type 4365 server is a 1-U-high server that is ideally suited for networking environments that require superior microprocessor performance, efficient memory management, and flexibility.

Performance, ease of use, reliability, and expansion capabilities were key considerations in the design of the server. These design features make it possible for you to customize the system hardware to meet your needs today and provide flexible expansion capabilities for the future.

The server comes with a limited warranty. For information about the terms of the warranty and getting service and assistance, see the *Warranty and Support Information* document.

The server contains IBM X-Architecture technologies, which help increase performance and reliability. For more information, see “What your server offers” on page 4 and “Reliability, availability, and serviceability features” on page 5.

You can obtain up-to-date information about the server and other IBM server products at <http://www.ibm.com/systems/x/>.

Related documentation

This *User's Guide* contains general information about the server, including how to install supported optional devices and how to configure the server. The following documentation also comes with the server:

- *Installation Guide*

This printed document contains instructions for setting up the server and basic instructions for installing some optional devices.

- *Warranty and Support Information*

This document is in Portable Document Format (PDF) on the *System x™ Documentation* CD. It contains information about the terms of the warranty and getting service and assistance.

- *Safety Information*

This document is in PDF on the IBM *System x Documentation* CD. It contains translated caution and danger statements. Each caution and danger statement that appears in the documentation has a number that you can use to locate the corresponding statement in your language in the *Safety Information* document.

- *Rack Installation Instructions*

This printed document contains instructions for installing the server in a rack.

- *Problem Determination and Service Guide*

This document is in PDF on the IBM *System x Documentation* CD. It contains information to help you solve problems yourself, and it contains information for service technicians.

Depending on the server model, additional documentation might be included on the IBM *System x Documentation* CD.

The System x and xSeries® Tools Center is an online information center that contains information about tools for updating, managing, and deploying firmware,

device drivers, and operating systems. The System x and xSeries Tools Center is at <http://publib.boulder.ibm.com/infocenter/toolsctr/v1r0/index.jsp>.

The server might have features that are not described in the documentation that comes with the server. The documentation might be updated occasionally to include information about those features, or technical updates might be available to provide additional information that is not included in the server documentation. These updates are available from the IBM Web site. To check for updated documentation and technical updates, complete the following steps.

Note: Changes are made periodically to the IBM Web site. The actual procedure might vary slightly from what is described in this document.

1. Go to <http://www.ibm.com/servers/eserver/support/xseries/index.html>.
2. From the **Hardware** list, select **System x3250** and click **Go**.
3. Click the **Install and use** tab.
4. Click **Product documentation**.

Notices and statements in this document

The caution and danger statements in this document are also in the multilingual *Safety Information* document, which is on the IBM *System x Documentation* CD. Each statement is numbered for reference to the corresponding statement in the *Safety Information* document.

The following notices and statements are used in this document:

- **Note:** These notices provide important tips, guidance, or advice.
- **Important:** These notices provide information or advice that might help you avoid inconvenient or problem situations.
- **Attention:** These notices indicate potential damage to programs, devices, or data. An attention notice is placed just before the instruction or situation in which damage could occur.
- **Caution:** These statements indicate situations that can be potentially hazardous to you. A caution statement is placed just before the description of a potentially hazardous procedure step or situation.
- **Danger:** These statements indicate situations that can be potentially lethal or extremely hazardous to you. A danger statement is placed just before the description of a potentially lethal or extremely hazardous procedure step or situation.

Features and specifications

The following information is a summary of the features and specifications of the server. Depending on the server model, some features might not be available, or some specifications might not apply.

Racks are marked in vertical increments of 4.45 cm (1.75 inches). Each increment is referred to as a unit, or “U.” A 1-U-high device is 1.75 inches tall.

Table 1. Features and specifications

<p>Microprocessor: One Intel® LGA 775 Xeon 3000 series, Pentium® D, or Celeron D, depending on the server model Note: Use the Configuration/Setup Utility program to determine the size of the L2 cache, speed of the microprocessor, and speed of the front-side bus.</p> <p>Memory:</p> <ul style="list-style-type: none"> • Minimum: One or two 512 MB DIMMs, depending on the server model • Maximum: 8 GB • Type: PC2-5300, 667 MHz, ECC, DDR II unbuffered SDRAM DIMMs only • Slots: Four dual inline • Supports 512 MB, 1 GB, and 2 GB DIMMs <p>Drives: Ultrabay Enhanced: CD or CD/DVD</p> <p>Expansion bays: One of the following configurations:</p> <ul style="list-style-type: none"> • Two 3.5-inch slim-high bays for hard disk drives. <ul style="list-style-type: none"> – Hot-swap models: Supports maximum of two serial-attached SCSI (SAS) drives or two serial ATA (SATA) drives. – Simple-swap models: Supports maximum of two SATA drives • Four 2.5-inch small form-factor (SFF) hot-swap bays for hard disk drives. Supports a maximum of four 2.5-inch SAS drives. <p>Expansion slots: Two PCI Express x8 slots, one low-profile and one 3/4-length full height</p> <p>Video controller:</p> <ul style="list-style-type: none"> • ATI ES1000 video on system board • 16 MB DDR video memory 	<p>Power supply: 351 watt (110 or 220 V ac auto-sensing)</p> <p>Size:</p> <ul style="list-style-type: none"> • Height: 43 mm (1.75 inches, 1 U) • Depth: 559 mm (22 inches) • Width: 440 mm (17.32 inches) • Maximum weight: 12.7 kg (28 lb) depending on your configuration <p>Integrated functions:</p> <ul style="list-style-type: none"> • Two Broadcom NetXtreme™ GB Ethernet controllers on the system board with Wake on LAN® support • Serial port • Four USB ports (two on front and two on rear of server) • Keyboard port • Mouse port • Systems-management port if an optional Remote Supervisor Adapter II SlimLine is installed <p>Hard disk controllers:</p> <ul style="list-style-type: none"> • Serial ATA (SATA) controller (simple-swap SATA models) • Serial-attached SCSI (SAS) controller with integrated RAID (hot-swap SAS/SATA models) <p>Environment:</p> <ul style="list-style-type: none"> • Air temperature: <ul style="list-style-type: none"> – Server on: 10° to 35°C (50.0° to 95.0°F); altitude: 0 to 914.4 m (3000 ft) – Server on: 10° to 32°C (50.0° to 89.6°F); altitude: 914.4 m (3000 ft) to 2133 m (6998.0 ft) – Server off: 10° to 43°C (50.0° to 109.4°F); maximum altitude: 2133 m (6998.0 ft) – Shipping: -40° to 60°C (-40° to 140°F); maximum altitude: 2133 m (6998.0 ft) • Humidity: <ul style="list-style-type: none"> – Server on: 8% to 80% – Server off: 8% to 80% 	<p>Acoustical noise emissions:</p> <ul style="list-style-type: none"> • Sound power, idling: 6.5 bel maximum • Sound power, operating: 6.5 bel maximum <p>Heat output: Approximate heat output in British thermal units (Btu) per hour:</p> <ul style="list-style-type: none"> • Minimum configuration: 341 Btu per hour (100 watts) • Maximum configuration: 1024 Btu per hour (300 watts) <p>Electrical input:</p> <ul style="list-style-type: none"> • Sine-wave input (47 - 63 Hz) required • Input voltage low range: <ul style="list-style-type: none"> – Minimum: 100 V ac – Maximum: 127 V ac • Input voltage high range: <ul style="list-style-type: none"> – Minimum: 200 V ac – Maximum: 240 V ac • Approximate input kilovolt-amperes (kVA): <ul style="list-style-type: none"> – Minimum: 0.102 kVA – Maximum: 0.55 kVA <p>Notes:</p> <ol style="list-style-type: none"> 1. Power consumption and heat output vary depending on the number and type of optional features that are installed and the power-management optional features that are in use. 2. These levels were measured in controlled acoustical environments according to the procedures that are specified by the American National Standards Institute (ANSI) S12.10 and ISO 7779 and are reported in accordance with ISO 9296. Actual sound-pressure levels in a given location might exceed the average stated values because of room reflections and other nearby noise sources. The declared sound-power levels indicate an upper limit, below which a large number of computers will operate.
--	--	---

What your server offers

The server uses the following features and technologies:

- **Baseboard management controller**

The baseboard management controller provides basic service-processor environmental monitoring functions. If an environmental condition exceeds a threshold or if a system component fails, the baseboard management controller lights LEDs to help you diagnose the problem. Critical errors are also included in the error log.

Note: In messages and documentation, the term service processor refers to the baseboard management controller or the optional Remote Supervisor Adapter II SlimLine.

- **IBM Director**

IBM Director is a workgroup-hardware-management tool that you can use to centrally manage servers. For more information, see the IBM Director documentation on the *IBM Director CD*.

- **IBM Enterprise X-Architecture technology**

IBM X-Architecture technology combines proven, innovative IBM designs to make your x86-processor-based server powerful, scalable, and reliable. For more information, see <http://www.ibm.com/servers/eserver/xseries/xarchitecture/enterprise/index.html>.

- **Large system-memory capacity**

The server supports up to 8 GB of system memory. The memory controller supports error correcting code (ECC) for up to four industry-standard PC2-5300, 667 MHz, ECC, double-data-rate (DDR) II unbuffered synchronous dynamic random access memory (SDRAM) dual inline memory modules (DIMMs).

- **IBM ServerGuide Setup and Installation CD**

The *ServerGuide Setup and Installation CD* that comes with the server provides programs to help you set up the server and install a Windows operating system. The ServerGuide program detects installed optional hardware devices and provides the correct configuration programs and device drivers. For more information about the *ServerGuide Setup and Installation CD*, see “Using the ServerGuide Setup and Installation CD” on page 35.

- **Integrated network support**

The server comes with two integrated Broadcom Gigabit controllers, which support connection to a 10 Mbps, 100 Mbps, or 1000 Mbps network. For more information, see “Configuring the Gigabit Ethernet controllers” on page 47.

- **Large data-storage capacity**

The server supports up to two 25.4 mm (1-inch) slim-high, 3.5-inch hard disk drives (Serial Advanced Technology Attachment (SATA) or serial-attached SCSI (SAS), depending on server model), or up to four 63.5 mm (2.5-inch) hard disk drives (SAS), depending on server model.

- **ServeRAID™ support**

The hot-swap models of this server contain an internal SAS controller that supports level 0 and level 1 redundant array of independent disks (RAID) configurations. The server also supports some ServeRAID adapters and other optional devices to create RAID configurations. For a list of supported ServeRAID devices for the server, see <http://www.ibm.com/servers/eserver/serverproven/compat/us/>.

- **Systems-management capabilities**

The server supports an optional IBM Remote Supervisor Adapter II SlimLine. When this adapter is used with the integrated baseboard management controller that comes with the server, you can manage the functions of the server locally and remotely. The Remote Supervisor Adapter II SlimLine also provides system monitoring, event recording, and dial-out alert capability.

Reliability, availability, and serviceability features

Three important server design features are reliability, availability, and serviceability (RAS). The RAS features help to ensure the integrity of the data that is stored in the server, the availability of the server when you need it, and the ease with which you can diagnose and repair problems.

The server has the following RAS features:

- Advanced Configuration and Power Interface (ACPI)
- Advanced Desktop Management Interface (DMI) features
- Intelligent Platform Management Interface (IPMI) 1.5 support that provides secure remote power on/power off and seven standard alerts for components such as fans, voltage, and thermals
- Automatic restart after power failure
- Auto-restart initial program load (IPL)
- Boot-block recovery
- Built-in, menu-driven configuration and setup programs
- Cooling fans with speed-sensing capability
- Customer-upgradeable basic input/output system (BIOS) code
- ECC memory
- Error codes and messages
- Menu-driven diagnostic programs on CD
- Monitoring support for temperature, voltage, and fan speed
- Parity checking on the SAS bus and PCI bus
- Power-on self-test (POST)
- Read-only memory (ROM) checksums
- SDRAM with serial presence detect (SPD)
- Server management
- Standby voltage for systems management features and monitoring
- System error log
- Vital product data (VPD); includes information stored in nonvolatile memory for easier remote viewing
- Wake on LAN

IBM Director

With IBM Director, a network administrator can perform the following tasks:

- View the hardware configuration of remote systems, in detail
- Monitor the usage and performance of critical components, such as microprocessors, disks, and memory

- Centrally manage individual or large groups of IBM and non-IBM x86-based servers, desktop computers, workstations, and notebook computers on a variety of platforms

IBM Director provides a comprehensive entry-level workgroup hardware manager. It includes the following key features:

- Advanced self-management capabilities for maximum system availability
- Multiple operating-system platform support, including Microsoft® Windows® 2000 Server, Windows Server 2003, Windows XP Professional, AIX, i5/OS, Red Hat Linux, SUSE Linux, VMware, and Novell NetWare. For a complete list of operating systems that support IBM Director, see the IBM Director Compatibility Document. This document is in Portable Document Format (PDF) at <http://www.ibm.com/pc/support/site.wss/document.do?Indocid=MIGR-61788>. It is updated every 6 to 8 weeks.
- Support for IBM and non-IBM servers, desktop computers, workstations, and notebook computers
- Support for systems-management industry standards
- Integration into leading workgroup and enterprise systems-management environments
- Ease of use, training, and setup

IBM Director also provides an extensible platform that supports advanced server tools that are designed to reduce the total cost of managing and supporting networked systems. By deploying IBM Director, you can achieve reductions in ownership costs through the following benefits:

- Reduced downtime
- Increased productivity of IT personnel and users
- Reduced service and support costs

For more information about IBM Director, see the documentation on the *IBM Director* CD that comes with the server, the IBM Director Information Center at http://publib.boulder.ibm.com/infocenter/eserver/v1r2/topic/dirinfo/fqm0_main.html, and the IBM System x and xSeries Systems Management Web page at http://www.ibm.com/servers/eserver/xseries/systems_management/, which presents an overview of IBM Systems Management and IBM Director.

The UpdateXpress program

The UpdateXpress program is available for most System x servers and optional devices. It detects supported and installed device drivers and firmware in the server and installs available updates. You can download the UpdateXpress program from the Web at no additional cost, or you can purchase it on a CD. To download the program or purchase the CD, go to http://www.ibm.com/servers/eserver/xseries/systems_management/ibm_director/extensions/xpress.html. Additional information about UpdateXpress is available from the System x and xSeries Tools Center at <http://publib.boulder.ibm.com/infocenter/toolsctr/v1r0/index.jsp>.

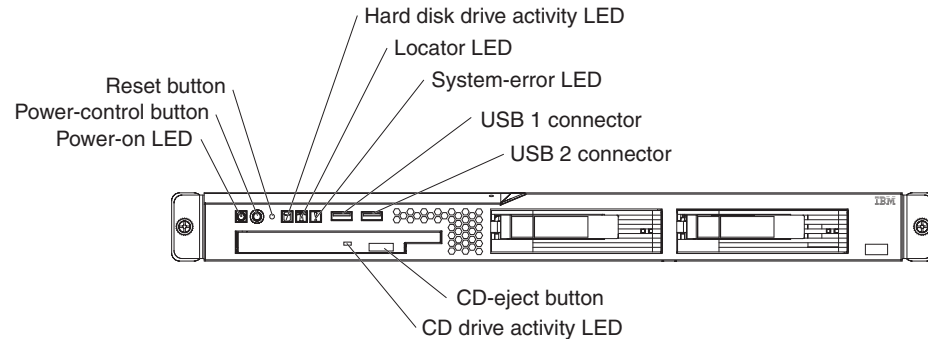
Server controls, LEDs, and power

This section describes the controls and light-emitting diodes (LEDs) and how to turn the server on and off.

Note: The illustrations in this document show the 3.5-inch hard disk drive models, unless specifically indicated otherwise.

Front view

The following illustration shows the controls, light-emitting diodes (LEDs), and connectors on the front of the server.



Power-on LED: When this LED is lit and not flashing, it indicates that the server is turned on. When this LED is flashing, it indicates that the server is turned off and still connected to an ac power source. When this LED is off, it indicates that ac power is not present, or the power supply or the LED itself has failed.

Note: If this LED is off, it does not mean that there is no electrical power in the server. The LED might be burned out. To remove all electrical power from the server, you must disconnect the power cord from the electrical outlet.

Power-control button: Press this button to turn the server on and off manually. A power-control-button shield comes installed around the button to prevent the server from being turned off accidentally. You can remove this disk-shaped shield if you prefer.

Reset button: Press this button to reset the server and run the power-on self-test (POST). You might have to use a pen or the end of a straightened paper clip to press the button.

Hard disk drive activity LED: When this LED is flashing, it indicates that a hard disk drive is in use.

Locator LED: This LED can be lit remotely by the system administrator to aid in visually locating the server. You can use IBM Director to light this LED remotely.

System-error LED: When this LED is lit, it indicates that a system error has occurred. An LED on the system board might also be lit to help isolate the error. Detailed troubleshooting information is in the *Problem Determination and Service Guide* that is on the IBM *System x Documentation CD*.

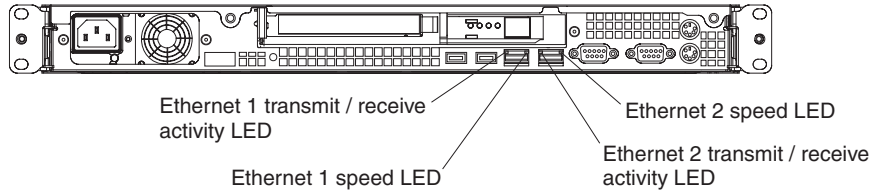
USB connectors: Connect a USB device to either of these connectors.

CD-eject button: Press this button to release a CD from the CD drive.

CD drive activity LED: When this LED is lit, it indicates that the CD drive is in use.

Rear view

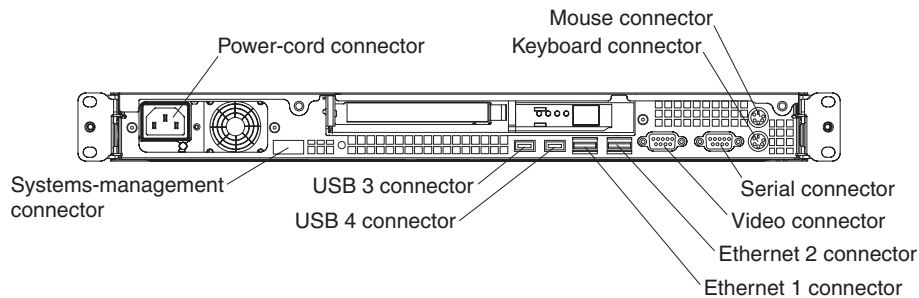
The following illustration shows the LEDs on the rear of the server.



Ethernet transmit/receive activity LED: This LED is on each Ethernet connector. When this LED is lit, it indicates that there is activity between the server and the network.

Ethernet speed LED: This LED is on each Ethernet connector. When this LED is lit, it indicates that the Ethernet network speed is 1 Gbps. When this LED is off, it indicates that the Ethernet network speed is 10 Mbps or 100 Mbps.

The following illustration shows the connectors on the rear of the server.



Power-cord connector: Connect the power cord to this connector.

Keyboard connector: Connect a PS/2 keyboard to this connector.

Mouse connector: Connect a mouse or other PS/2 device to this connector.

Serial connector: Connect a 9-pin serial device to this connector.

Video connector: Connect a monitor to this connector.

Ethernet connector: Use either of these connectors to connect the server to a network.

USB connector: Connect a USB device to either of these connectors.

Systems-management connector: Connect the server to a network for systems-management information control. This connector is active only if you have installed a Remote Supervisor Adapter II SlimLine, and it is used only by the Remote Supervisor Adapter II SlimLine.

Server power features

When the server is connected to an ac power source but is not turned on, the operating system does not run, and all core logic except for the service processor is shut down; however, the server can respond to requests from the service processor (the baseboard management controller), such as a remote request to turn on the server.

Turning on the server

Approximately 20 seconds after the server is connected to ac power, the power-control button becomes active, and one or more fans might start running to provide cooling while the server is connected to power. You can turn on the server and start the operating system by pressing the power-control button.

The server can also be turned on in any of the following ways:

- If a power failure occurs while the server is turned on, the server will restart automatically when power is restored.
- If your operating system supports the systems-management software for an optional Remote Supervisor Adapter II SlimLine, the systems-management software can turn on the server.
- If your operating system supports the Wake on LAN feature, the Wake on LAN feature can turn on the server.

Note: When 4 GB or more of memory (physical or logical) is installed, some memory is reserved for various system resources and is unavailable to the operating system. The amount of memory that is reserved for system resources depends on the operating system, the configuration of the server, and the configured PCI optional devices.

Turning off the server

When you turn off the server and leave it connected to ac power, the server can respond to requests from the service processor, such as a remote request to turn on the server. While the server remains connected to ac power, one or more fans might continue to run. To remove all power from the server, you must disconnect it from the power source.

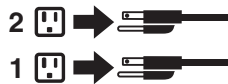
Some operating systems require an orderly shutdown before you turn off the server. See your operating-system documentation for information about shutting down the operating system.

Statement 5:



CAUTION:

The power control button on the device and the power switch on the power supply do not turn off the electrical current supplied to the device. The device also might have more than one power cord. To remove all electrical current from the device, ensure that all power cords are disconnected from the power source.



The server can be turned off in any of the following ways:

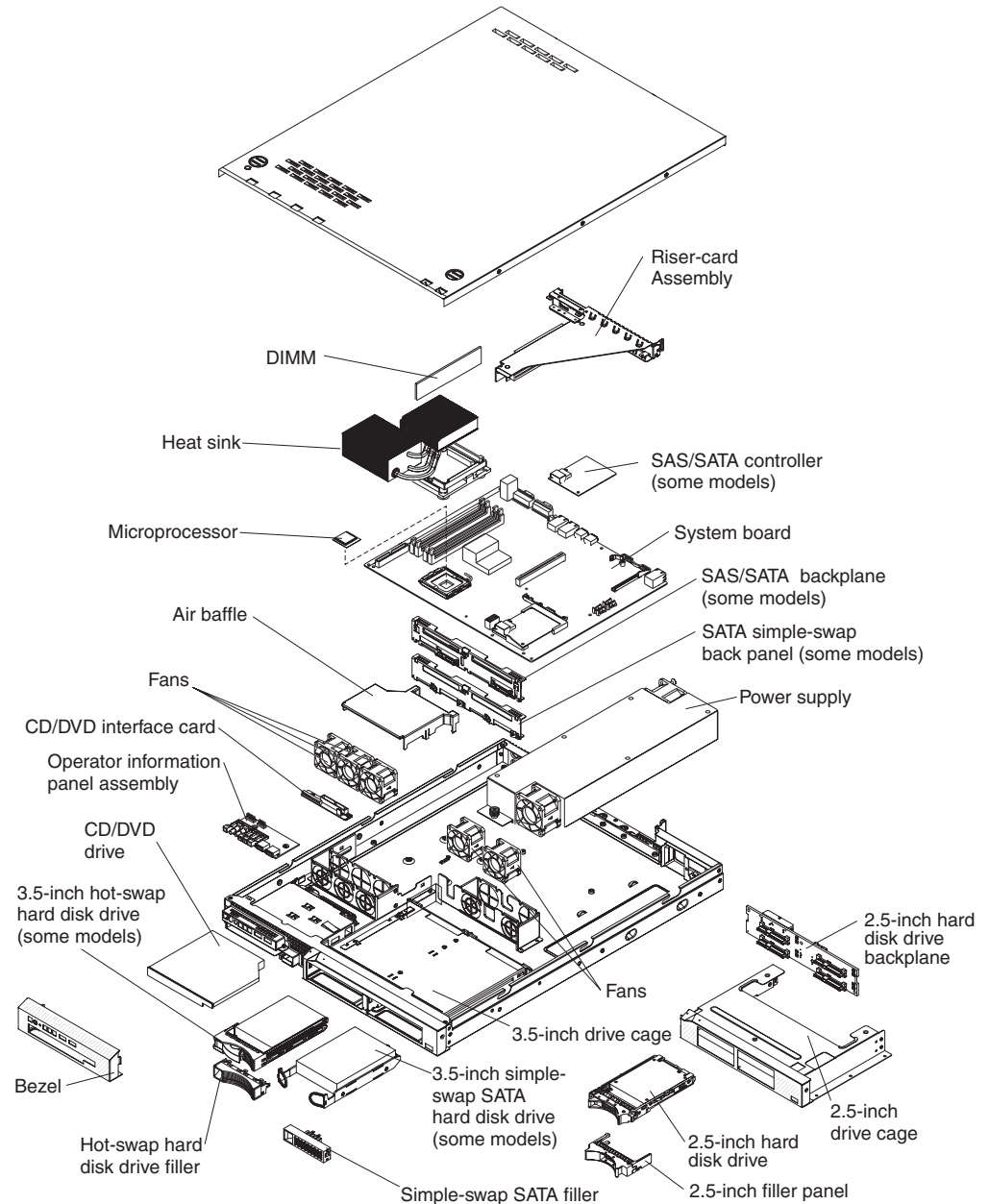
- You can turn off the server from the operating system, if your operating system supports this feature. After an orderly shutdown of the operating system, the server will be turned off automatically.
- You can press the power-control button to start an orderly shutdown of the operating system and turn off the server, if your operating system supports this feature.
- If the operating system stops functioning, you can press and hold the power-control button for more than 4 seconds to turn off the server.
- If an optional Remote Supervisor Adapter II SlimLine is installed in the server, the server can be turned off from the Remote Supervisor Adapter II SlimLine user interface.
- The integrated systems-management processor (mini-BMC) can turn off the server as an automatic response to a critical system failure.
- You can turn off the server through a request from the service processor.

Chapter 2. Installing optional devices

This chapter provides detailed instructions for installing optional hardware devices in the server.

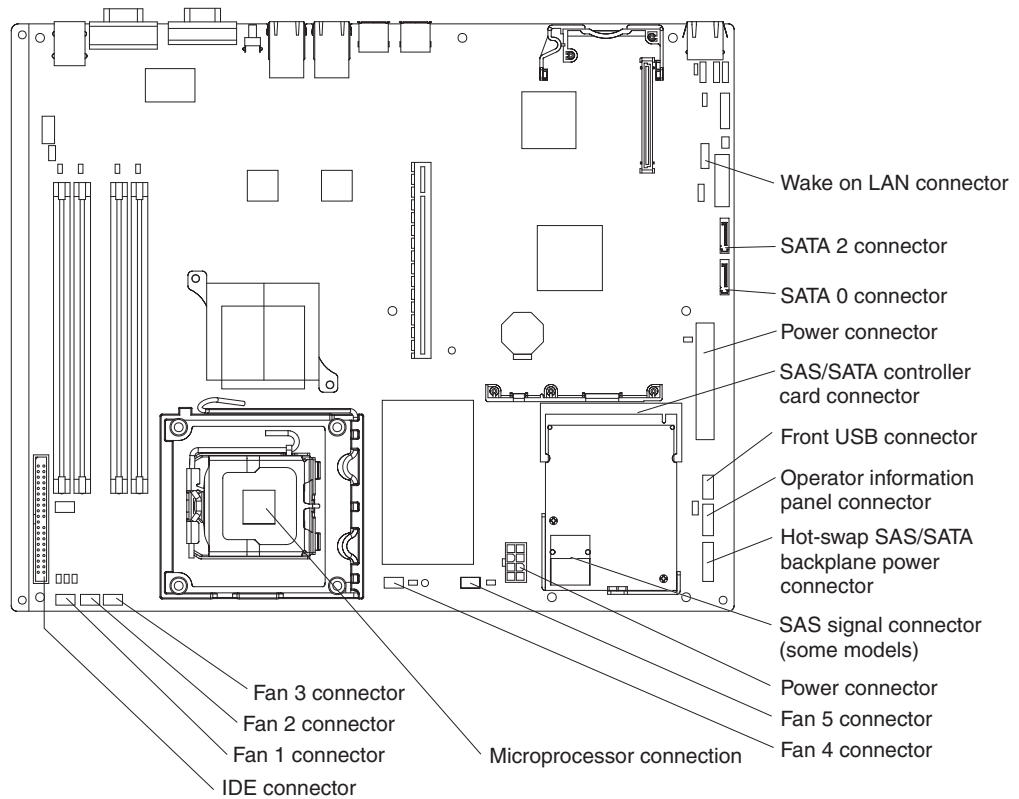
Server components

The following illustration shows the major components in the server. The illustrations in this document might differ slightly from your hardware.



System-board internal connectors

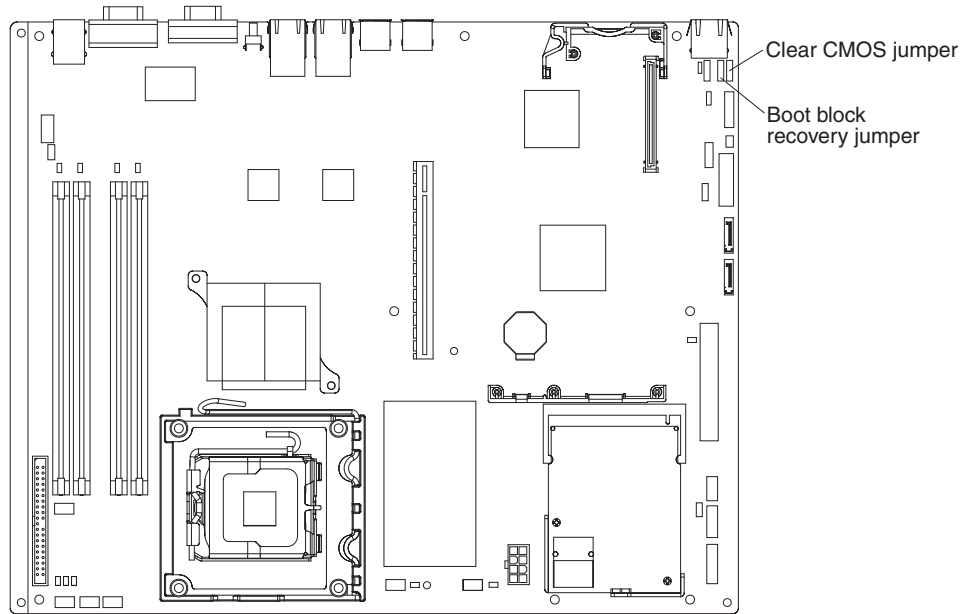
The following illustration shows the internal connectors on the system board.



Important: Use only a supported IBM SAS/SATA controller in the SAS/SATA controller card connector. For a list of supported optional devices for the server, see <http://www.ibm.com/servers/eserver/serverproven/compat/us/>

System-board switches and jumpers

The following illustration shows the switches and jumpers on the system board.



The following illustration identifies the pins on a jumper and shows the location of pin 1.

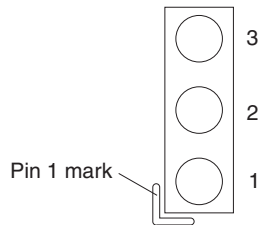
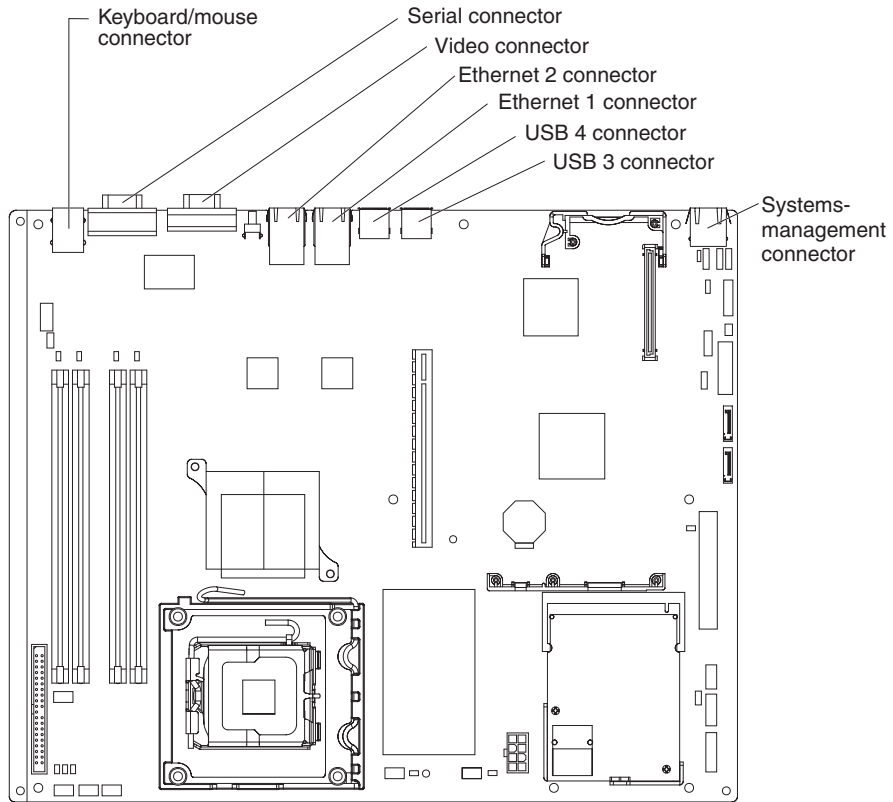


Table 2. Switch and jumper settings

Component	Settings
CMOS jumper (JP3)	<ul style="list-style-type: none"> • Pins 1 and 2: Keep CMOS data (default) • Pins 2 and 3: Clear the CMOS data, which clears the power-on password and administrator password
Boot block jumper (JP4)	<ul style="list-style-type: none"> • Pins 1 and 2: Normal (default) • Pins 2 and 3: Boot from boot block

System-board external connectors

The following illustration shows the external connectors on the system board.



System-board LEDs

The following illustration shows the light-emitting diodes (LEDs) on the system board.

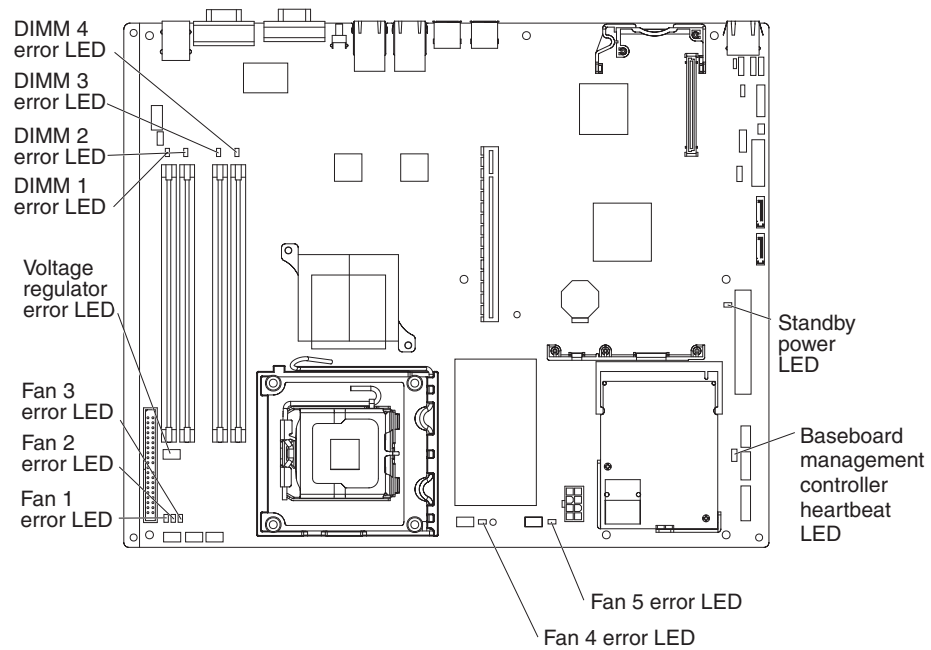
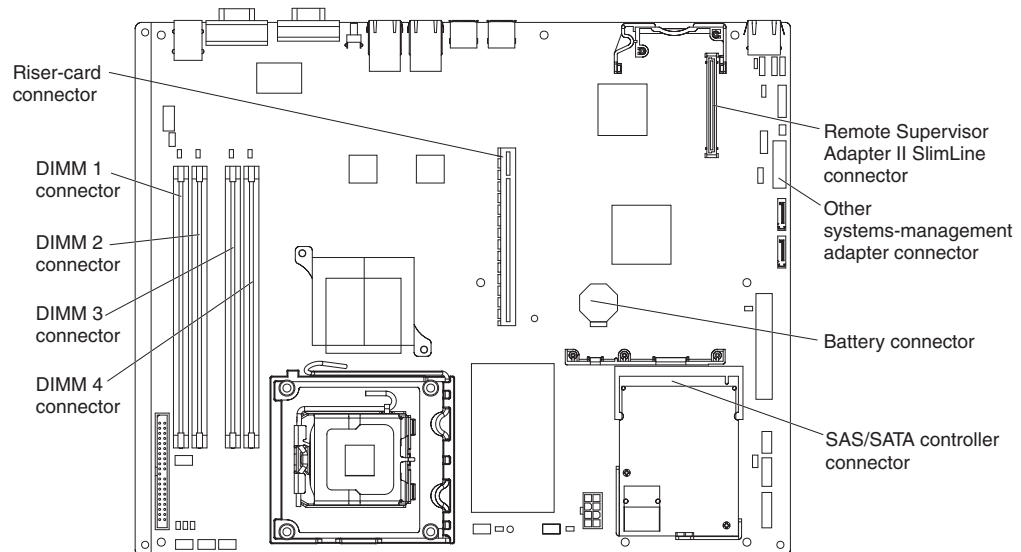


Table 3. System-board LEDs

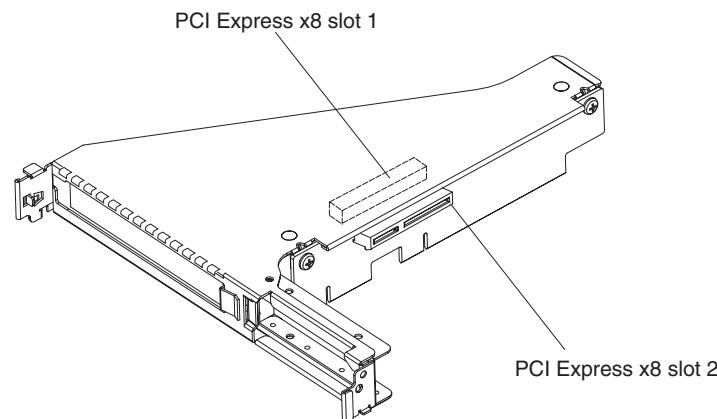
LED	Description
Error LEDs	When one of these LEDs is lit, it indicates that the associated component has failed.
Baseboard management controller heartbeat LED	This LED flashes to indicate that the mini-BMC is functioning normally.
Standby power LED	When this LED is lit, it indicates that the server is connected to ac power.

System-board optional-device connectors

The following illustration shows the connectors for user-installable optional devices.



The following illustration shows the location of the PCI Express slots on the riser-card assembly.



Installation guidelines

Before you install optional devices, read the following information:

- Read the safety information that begins on page v and the guidelines in “Handling static-sensitive devices” on page 18. This information will help you work safely.
- When you install your new server, take the opportunity to download and apply the most recent firmware updates. This step will help to ensure that any known issues are addressed and that your server is ready to function at maximum levels of performance. To download firmware updates for your server, go to <http://www.ibm.com/servers/eserver/support/xseries/index.html>, select **System x3250** from the **Hardware** list, click **Go**, and then click the **Download** tab. For additional information about tools for updating, managing, and deploying firmware, see the System x and xSeries Tools Center at <http://publib.boulder.ibm.com/infocenter/toolctr/v1r0/index.jsp>.

- Before you install optional hardware devices, make sure that the server is working correctly. Start the server, and make sure that the operating system starts, if an operating system is installed, or that a 19990305 error code is displayed, indicating that an operating system was not found but the server is otherwise working correctly. If the server is not working correctly, see “Diagnostics” in the *Problem Determination and Service Guide* for diagnostic information.
- Observe good housekeeping in the area where you are working. Place removed covers and other parts in a safe place.
- If you must start the server while the cover is removed, make sure that no one is near the server and that no tools or other objects have been left inside the server.
- Do not attempt to lift an object that you think is too heavy for you. If you have to lift a heavy object, observe the following precautions:
 - Make sure that you can stand safely without slipping.
 - Distribute the weight of the object equally between your feet.
 - Use a slow lifting force. Never move suddenly or twist when you lift a heavy object.
 - To avoid straining the muscles in your back, lift by standing or by pushing up with your leg muscles.
- Make sure that you have an adequate number of properly grounded electrical outlets for the server, monitor, and other devices.
- Back up all important data before you make changes to disk drives.
- Have a small flat-blade screwdriver available.
- You do not have to turn off the server to install or replace hot-plug Universal Serial Bus (USB) devices.
- Blue on a component indicates touch points, where you can grip the component to remove it from or install it in the server, open or close a latch, and so on.
- Orange on a component or an orange label on or near a component indicates that the component can be hot-swapped, which means that if the server and operating system support hot-swap capability, you can remove or install the component while the server is running. (Orange can also indicate touch points on hot-swap components.) See the instructions for removing or installing a specific hot-swap component for any additional procedures that you might have to perform before you remove or install the component.
- When you are finished working on the server, reinstall all safety shields, guards, labels, and ground wires.
- For a list of supported optional devices for the server, see <http://www.ibm.com/servers/eserver/serverproven/compat/us/>.

System reliability guidelines

To help ensure proper system cooling and system reliability, make sure that the following requirements are met:

- Each of the drive bays has a drive or a filler panel and electromagnetic compatibility (EMC) shield installed in it.
- If the server has redundant power, each of the power-supply bays has a power supply installed in it.
- There is adequate space around the server to allow the server cooling system to work properly. Leave approximately 50 mm (2.0 in.) of open space around the front and rear of the server. Do not place objects in front of the fans. For proper cooling and airflow, replace the server cover before turning on the server.

Operating the server for extended periods of time (more than 30 minutes) with the server cover removed might damage server components.

- You have followed the cabling instructions that come with optional adapters.
- You have replaced a failed fan within 48 hours.
- You have replaced a hot-swap drive within 2 minutes of removal.

Handling static-sensitive devices

Attention: Static electricity can damage the server and other electronic devices. To avoid damage, keep static-sensitive devices in their static-protective packages until you are ready to install them.

To reduce the possibility of damage from electrostatic discharge, observe the following precautions:

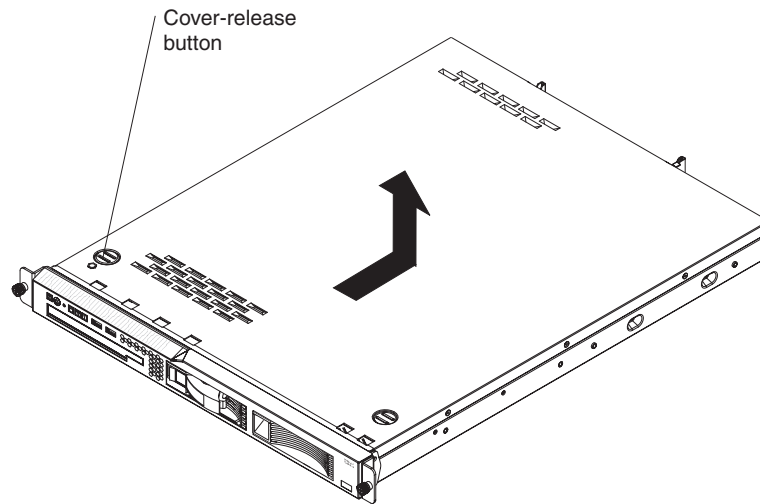
- Limit your movement. Movement can cause static electricity to build up around you.
- The use of a grounding system is recommended but is not required. For example, wear an electrostatic-discharge wrist strap, if one is available.
- Handle the device carefully, holding it by its edges or its frame.
- Do not touch solder joints, pins, or exposed circuitry.
- Do not leave the device where others can handle and damage it.
- While the device is still in its static-protective package, touch it to an unpainted metal part of the server for at least 2 seconds. This drains static electricity from the package and from your body.
- Remove the device from its package and install it directly into the server without setting down the device. If it is necessary to set down the device, put it back into its static-protective package. Do not place the device on the server cover or on a metal surface.
- Take additional care when you handle devices during cold weather. Heating reduces indoor humidity and increases static electricity.

Removing the cover

To remove the cover, complete the following steps:

1. Read the safety information that begins on page v and “Installation guidelines” on page 16.
2. Turn off the server and all attached devices (see “Turning off the server” on page 9).
3. Disconnect all external cables and power cords.

4. Remove the server from the rack and place it on a flat, static-protective surface.



5. Press the cover-release button.
6. Slide the cover back approximately 1.27 cm (0.5 inches); then, lift it off the server.

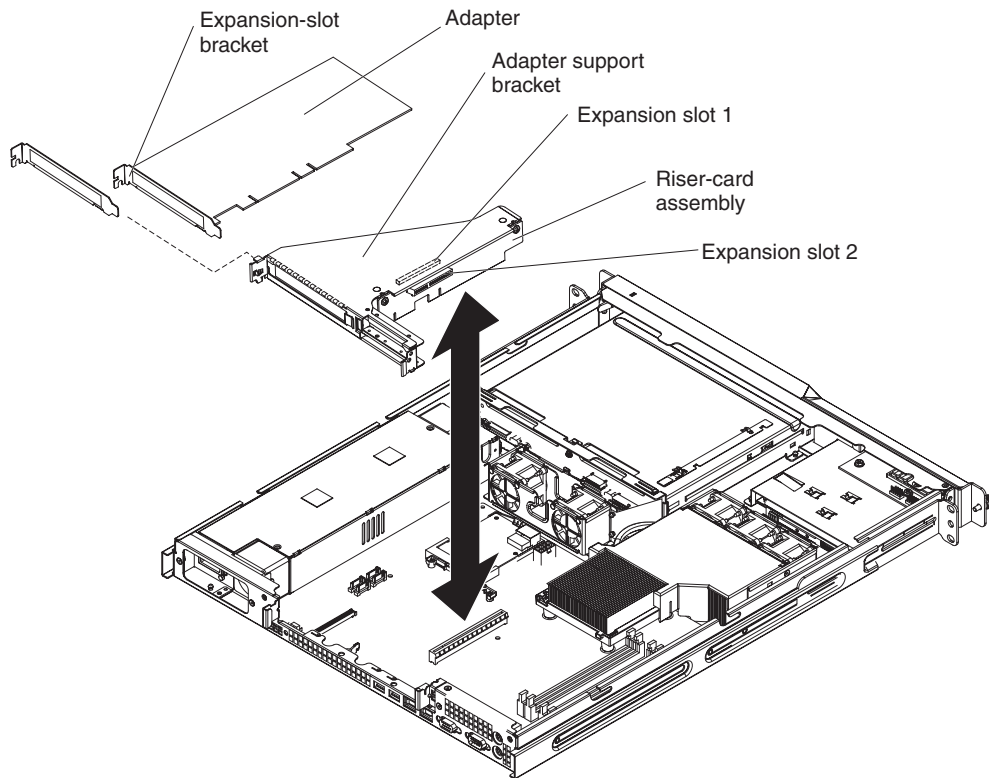
Attention: For proper cooling and airflow, replace the cover before you turn on the server. Operating the server for extended periods of time (more than 30 minutes) with the cover removed might damage server components.

Installing an adapter

The following notes describe the types of adapters that the server supports and other information that you must consider when you install an adapter:

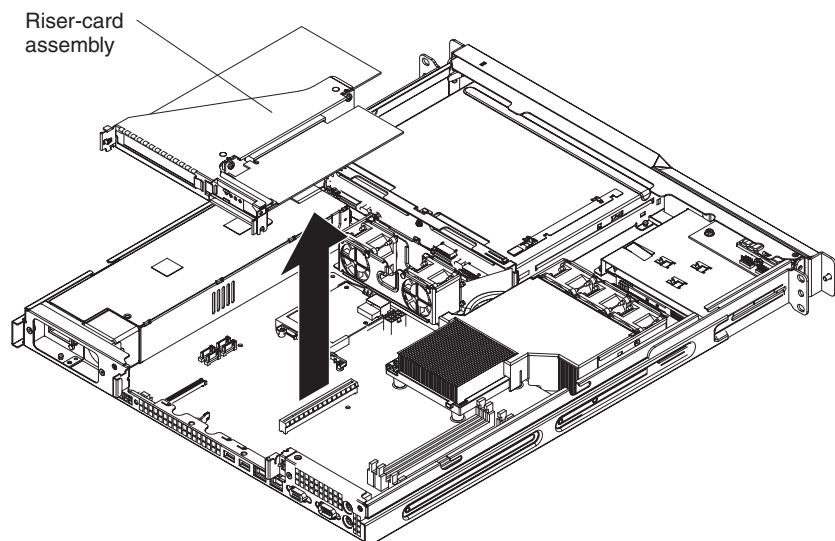
- Locate the documentation that comes with the adapter and follow those instructions in addition to the instructions in this section. If you have to change switch settings or jumper settings on the adapter, follow the instructions that come with the adapter.
- The adapter slots are on the riser-card assembly. You must first remove the riser-card assembly to access the adapter slots.
- The two PCI Express slots on the riser-card assembly support PCI Express x8 1.0a adapters.
- You can install one full-height three-quarter-length adapter in expansion slot 1 and one low-profile half-length adapter in expansion slot 2.
- An optional Remote Supervisor Adapter II SlimLine can be installed only in the dedicated connector on the system board (see “System-board optional-device connectors” on page 16 for the location of the connector). To install the Remote Supervisor Adapter II SlimLine, see “Installing a Remote Supervisor Adapter II SlimLine” on page 21.
- Because of mechanical interference, when an optional Remote Supervisor Adapter II SlimLine is installed in the server, you cannot install an adapter in expansion slot 1.
- The server uses a rotational interrupt technique to configure PCI Express adapters so that you can install PCI Express adapters that do not support sharing of interrupts.
- An optional IBM SAS HBA Controller adapter enables you to connect external storage devices, such as SAS or SATA hard disk drives or tape drives, to a simple-swap SATA model server.

- The server scans the PCI slots to assign system resources. The scan sequence is related to the startup sequence. If you have not changed the default startup sequence, the server scans the PCI slots in the following order: the integrated Ethernet controllers 1 and 2; then, the drives connected to the SAS/SATA controller; then, the PCI Express slots 1 and 2.



To install an adapter, complete the following steps:

1. Read the safety information that begins on page v and “Installation guidelines” on page 16.
2. Turn off the server and peripheral devices, and disconnect the power cord and all external cables.
3. Remove the cover (see “Removing the cover” on page 18).



4. Grasp the riser-card assembly at the rear edge and lift to remove it from the server. Place the riser-card assembly on a flat, static-protective surface.
5. Remove the expansion-slot cover from the slot that you intend to use.
Attention: PCI expansion-slot covers must be installed on all vacant slots. This maintains the electronic emissions characteristics of the server and ensures proper cooling of server components.
6. Touch the static-protective package that contains the adapter to any unpainted metal surface on the server. Then, remove the adapter from the static-protective package. Avoid touching the components and gold-edge connectors on the adapter.
7. Place the adapter, component side up, on a flat, static-protective surface and set any jumpers or switches as described by the adapter manufacturer, if necessary.
8. To install the adapter in the riser-card assembly, carefully grasp the adapter by its top edge or upper corners, and align it with the expansion slot; then, press the adapter *firmly* into the expansion slot.
9. Follow the cabling instructions, if any, that come with the adapter.
10. Carefully align the riser-card assembly with the guides on the rear of the server and with the riser-card connectors on the system board; then, press down on the assembly. Make sure that the riser-card assembly is fully seated in the riser-card connector on the system board.

If you have other devices to install or remove, do so now. Otherwise, go to “Completing the installation” on page 31.

Installing a Remote Supervisor Adapter II SlimLine

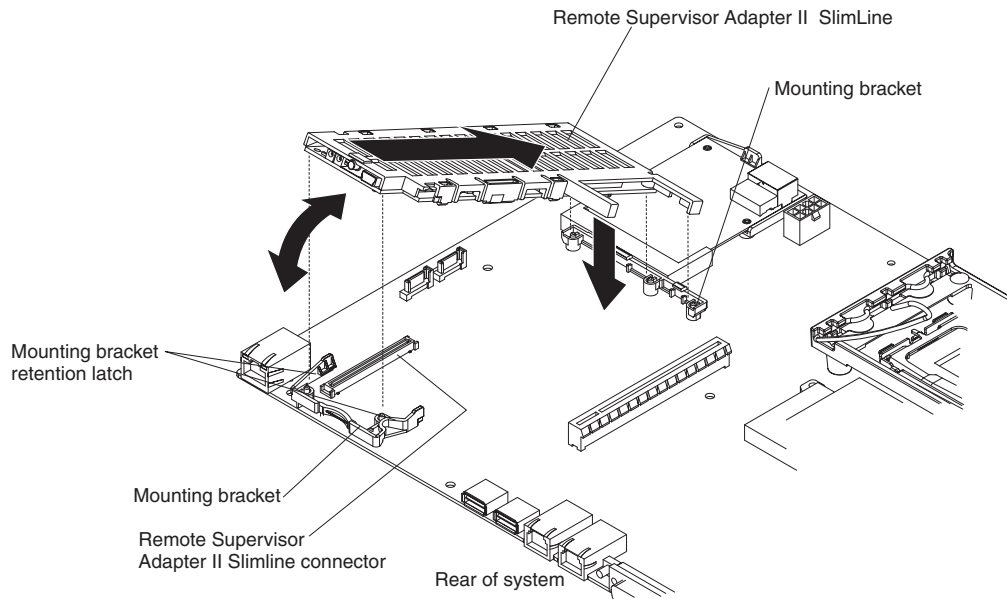
Install an optional Remote Supervisor Adapter II SlimLine in the Remote Supervisor Adapter II SlimLine connector on the system board. See the illustration in “System-board optional-device connectors” on page 16 for the location of the connector. After the Remote Supervisor Adapter II SlimLine is installed, the systems-management port on the rear of the server is active.

Because of mechanical interference, when the Remote Supervisor Adapter II SlimLine is installed, you cannot install an adapter in expansion slot 1.

Notes:

1. When you start the server for the first time after you install a Remote Supervisor Adapter II SlimLine, the startup process will take several minutes longer than a typical startup.
2. Earlier versions of the Remote Supervisor Adapter II SlimLine might not work in this server. See <http://www.ibm.com/servers/eserver/serverproven/compat/us/> for the supported Remote Supervisor Adapter II SlimLine versions.

To install a Remote Supervisor Adapter II SlimLine, complete the following steps.



1. Read the safety information that begins on page v and “Installation guidelines” on page 16.
2. Turn off the server and peripheral devices and disconnect all power cords and external cables (see “Turning off the server” on page 9); then, remove the cover (see “Removing the cover” on page 18).
3. Grasp the riser-card assembly at the rear edge and lift to remove it from the server. Place the riser-card assembly on a flat, static-protective surface.
4. Put the protective plastic cover on the Remote Supervisor Adapter II SlimLine.
5. Turn the Remote Supervisor Adapter II SlimLine so that the keys on the connector align correctly with the connector on the system board.
6. At a downward angle, insert the free end of the adapter under the tab on the mounting bracket, aligning the holes in the adapter with the posts on the mounting bracket. Rotate the rear of the adapter into the rear mounting bracket, aligning the holes in the adapter with the posts on the rear mounting bracket.
7. Press the Remote Supervisor Adapter II SlimLine firmly into the connector and make sure that all tabs on both mounting brackets secure the adapter in place.

Attention: Incomplete insertion might cause damage to the server or the adapter.
8. If an adapter is installed in expansion slot 1 on the riser-card assembly, remove it.
9. Carefully align the riser-card assembly with the guides on the rear of the server and with the riser-card connectors on the system board; then, press down on the assembly. Make sure that the riser-card assembly is fully seated in the riser-card connectors on the system board.

See the documentation that comes with the Remote Supervisor Adapter II SlimLine for information about installing the firmware and configuring the adapter. Create a backup copy of the configuration so that if you have to replace the adapter in the future, you can restore the configuration.

If you have other devices to install or remove, do so now. Otherwise, go to “Completing the installation” on page 31.

Installing a hard disk drive

Locate the documentation that comes with the hard disk drive and follow those instructions in addition to the instructions in this chapter.

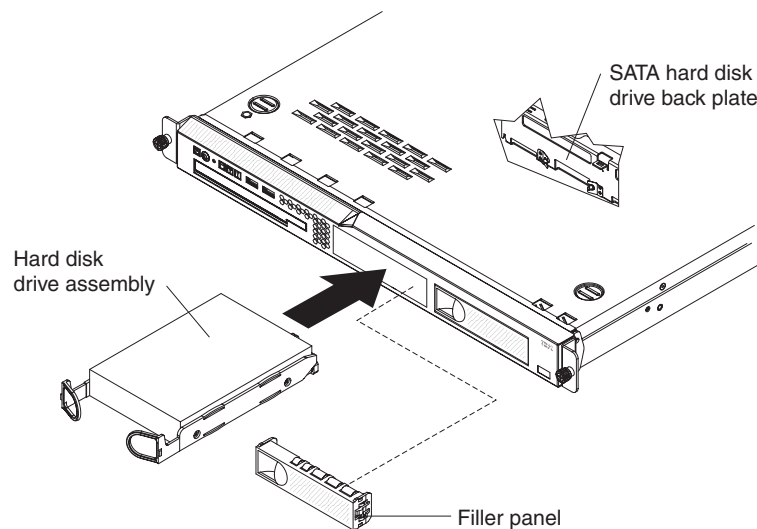
Attention: To avoid damage to the hard disk drive connectors, make sure that the cover is in place and fully closed whenever you install or remove a hard disk drive.

Installing a simple-swap Serial ATA hard disk drive

Attention: Simple-swap hard disk drives are not hot-swappable. Disconnect all power from the server before you remove or install a simple-swap hard disk drive.

To install a simple-swap Serial ATA hard disk drive, complete the following steps.

Note: If you have only one hard disk drive, install it in the left drive bay.



Attention: To avoid damage to the hard disk drive connectors, make sure that the cover is in place and fully closed whenever you install or remove a hard disk drive.

1. Read the safety information that begins on page v and “Installation guidelines” on page 16.
2. Make sure that the server cover is in place and fully closed.
3. Turn off the server and peripheral devices, and disconnect the power cord and all external cables.
4. Remove the filler panel from the bay.
5. Pull the loops of the drive tray toward each other, and slide the drive into the server until the drive connects to the back plate.
6. Release the loops of the drive tray.
7. Insert the filler panel into the bay to cover the drive.

If you have other devices to install, do so now. Otherwise, go to “Completing the installation” on page 31.

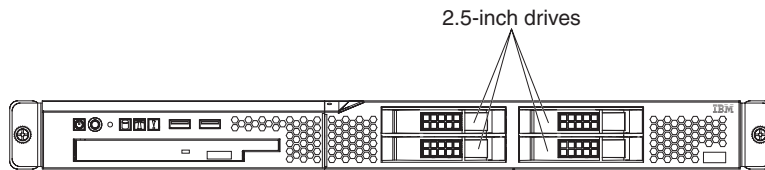
Note: If a RAID controller or adapter is installed, you might have to reconfigure the disk arrays after you install hard disk drives. See your RAID controller or adapter documentation.

To remove a simple-swap SATA drive from the bay, complete the following steps:

1. Read the safety information that begins on page v and “Installation guidelines” on page 16.
2. Turn off the server and peripheral devices, and disconnect the power cord and all external cables.
3. Remove the filler panel from the bay.
4. Pull the loops of the drive tray toward each other and pull the tray out of the bay.

Installing a hot-swap hard disk drive

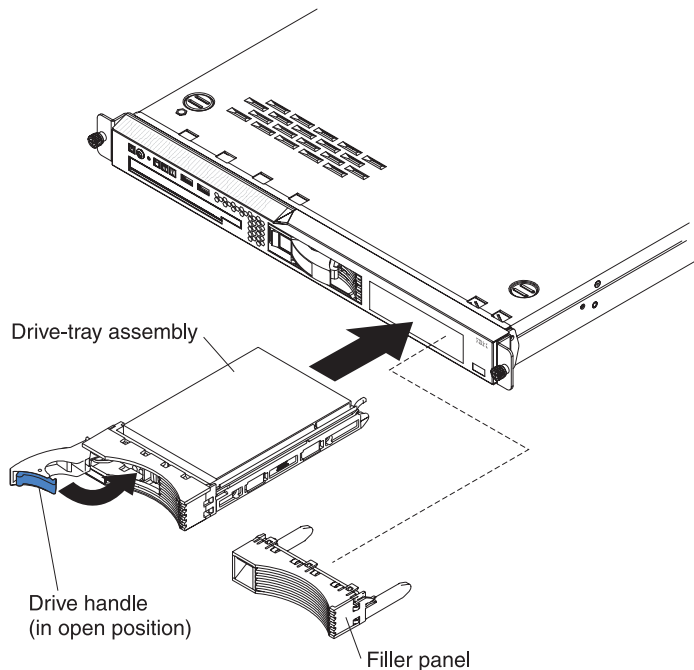
The 3.5-inch drive hot-swap server models support either two SAS 3.5-inch hard disk drives or two SATA 3.5-inch hard disk drives. The 2.5-inch drive hot-swap server models support four 2.5-inch SAS hard disk drives.



The installation procedure is the same for any of these drives. The illustrations in this procedure show 3.5-inch SAS drives.

To install a hot-swap hard disk drive, complete the following steps.

Note: If you have only one hard disk drive, install it in the left or upper-left drive bay.



Attention: To avoid damage to the hard disk drive connectors, make sure that the cover is in place and fully closed whenever you install or remove a hard disk drive.

1. Read the safety information that begins on page v and “Installation guidelines” on page 16.
2. Make sure that the server cover is in place and fully closed.

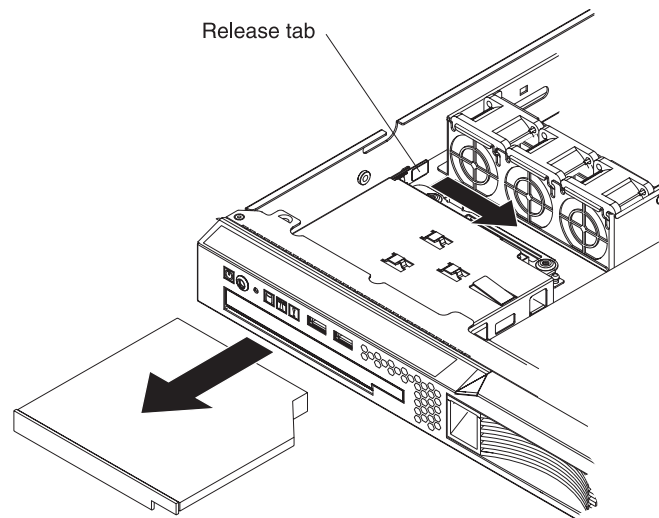
3. Remove the filler panel from the bay.
Attention: To maintain proper system cooling, do not operate the server for more than 10 minutes without either a drive or filler panel installed in each bay.
4. Install the hard disk drive in the hot-swap bay:
 - a. Make sure that the tray handle is open (that is, perpendicular to the front of the drive).
 - b. Align the drive assembly with the guide rails in the bay.
 - c. Gently push the drive assembly into the bay until the drive stops.
 - d. Push the tray handle to the closed (locked) position.
 - e. Check the hard disk drive status LED to make sure that the hard disk drive is operating correctly. If the amber hard disk drive status LED for a drive is lit continuously, that drive is faulty and must be replaced. If the green hard disk drive activity LED is flashing, the drive is being accessed.

If you have other devices to install, do so now. Otherwise, go to “Completing the installation” on page 31.

Installing a new CD or DVD drive

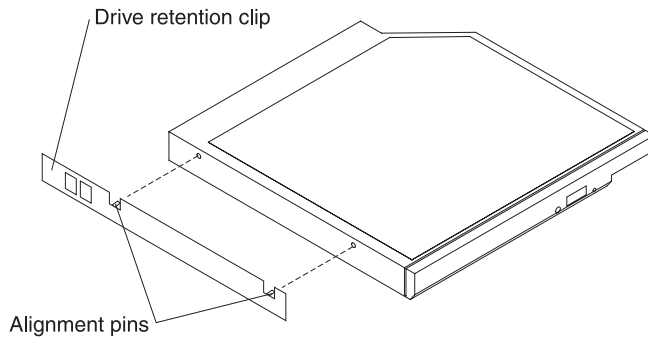
The server comes with a CD or CD/DVD drive installed. You can remove the drive and install a different one. See the ServerProven[®] list at <http://www.ibm.com/servers/eserver/serverproven/compat/us/> for a list of CD or CD/DVD drives you can use with the server.

To remove a CD or CD/DVD drive, complete the following steps.



1. Read the safety information that begins on page v and “Installation guidelines” on page 16.
2. Turn off the server and peripheral devices, and disconnect the power cords and all external cables. Remove the cover (see “Removing the cover” on page 18).
3. Press the release tab (the rear of the drive-retention clip) toward the drive to release the clip; then, while pressing the tab, pull the drive out of the bay.

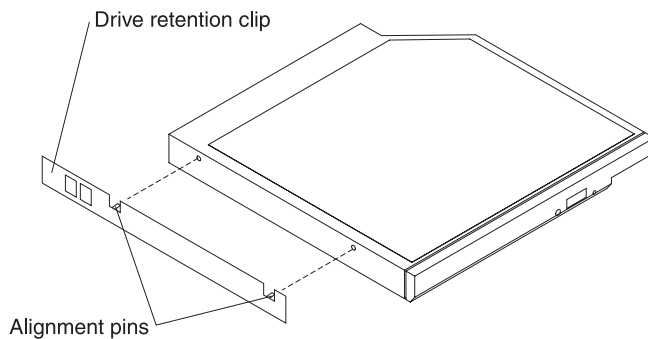
Note: You might have to push the right-rear corner of the drive toward the front of the server to move the drive initially.



4. Remove the retention clip from the drive and save it for future use.

To install a CD or DVD drive, complete the following steps:

1. Read the safety information that begins on page v and “Installation guidelines” on page 16.
2. Make sure that the server and peripheral devices are turned off and that the power cords and all external cables are disconnected. Remove the cover (see “Removing the cover” on page 18).
3. Follow the instructions that come with the drive to set any jumpers or switches.



4. Attach the drive retention clip to the side of the drive.
5. Slide the drive into the CD/DVD drive bay until the drive clicks into place.

If you have other devices to install or remove, do so now. Otherwise, go to “Completing the installation” on page 31.

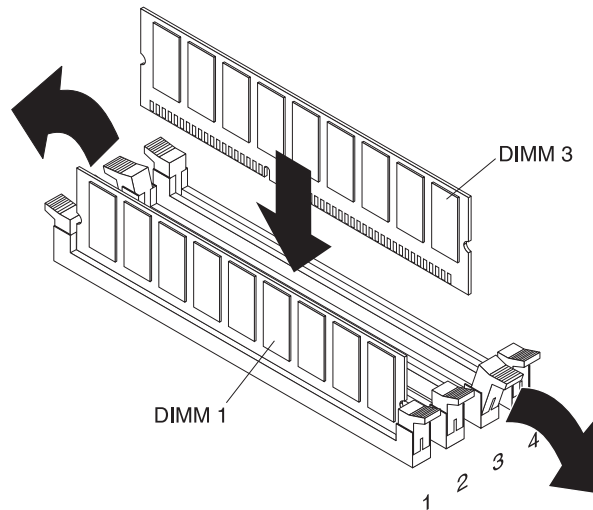
Installing a memory module

The following notes describe the types of dual inline memory modules (DIMMs) that the server supports and other information that you must consider when you install DIMMs:

- The server supports 512 MB, 1 GB, and 2 GB DIMMs, for a maximum of 8 GB of system memory. See <http://www.ibm.com/servers/eserver/serverproven/compat/us/> for a list of memory modules that you can use with the server.
- The amount of usable memory will be reduced depending on the system configuration. A certain amount of memory must be reserved for system resources. Use the system summary in the Configuration/Setup Utility program to view the total amount of installed memory and the amount of configured memory (see “Using the Configuration/Setup Utility program” on page 37).
- The server comes with one 512 MB DIMM installed in DIMM connector 1. Some models come with a second 512 MB DIMM installed in DIMM connector 3. If one DIMM is installed, when you install an additional DIMM, you must install it in

DIMM connector 3, and it must be the same size, speed, type, and technology as the DIMM that is installed in DIMM connector 1. You can mix compatible DIMMs from various manufacturers. The third and fourth DIMMs must be installed as a pair, in DIMM connectors 2 and 4.

- If you install a pair of DIMMs in DIMM connectors 2 and 4, they do not have to be the same size, speed, type, and technology as the DIMMs that are installed in DIMM connectors 1 and 3. However, the size, speed, type, and technology of the DIMMs that you install in DIMM connectors 2 and 4 must match each other.
- Install only double-data-rate II (DDR II), PC2-5300, unbuffered synchronous dynamic random-access memory (SDRAM) with error correcting code (ECC) DIMMs. These DIMMs must be compatible with the latest PC2-5300 SDRAM unbuffered DIMM specification.
- If you install a pair of 2 GB DIMMs and a pair of other-size DIMMs, the 2 GB DIMMs must be installed as the first pair (in DIMM connectors 1 and 3).
- When you restart the server after you add or remove a DIMM, a message is displayed indicating that the memory configuration has changed.



To remove a DIMM, complete the following steps:

1. Read the safety information that begins on page v and “Installation guidelines” on page 16.
2. Turn off the server and peripheral devices, and disconnect the power cord and all external cables. Remove the cover (see “Removing the cover” on page 18).
Attention: To avoid breaking the retaining clips or damaging the DIMM connectors, open and close the clips gently.
3. Open the retaining clip on each end of the DIMM connector.
4. Lift the DIMM out of the connector.

To install a DIMM, complete the following steps:

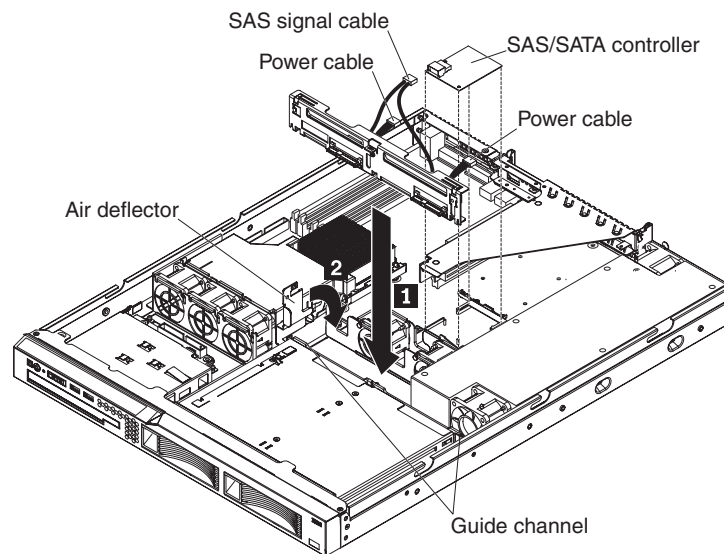
1. Read the safety information that begins on page v and “Installation guidelines” on page 16.
2. Turn off the server and peripheral devices, and disconnect the power cord and all external cables. Remove the cover (see “Removing the cover” on page 18).
Attention: To avoid breaking the retaining clips or damaging the DIMM connectors, open and close the clips gently.
3. Open the retaining clip on each end of the DIMM connector.

4. Touch the static-protective package that contains the DIMM to any unpainted metal surface on the server. Then, remove the DIMM from the package.
5. Turn the DIMM so that the DIMM keys align correctly with the slot.
6. Insert the DIMM into the connector by aligning the edges of the DIMM with the slots at the ends of the DIMM connector. Firmly press the DIMM straight down into the connector by applying pressure on both ends of the DIMM simultaneously. The retaining clips snap into the locked position when the DIMM is firmly seated in the connector. If there is a gap between the DIMM and the retaining clips, the DIMM has not been correctly inserted; open the retaining clips, remove the DIMM, and then reinsert it.

If you have other devices to install or remove, do so now. Otherwise, go to “Completing the installation” on page 31.

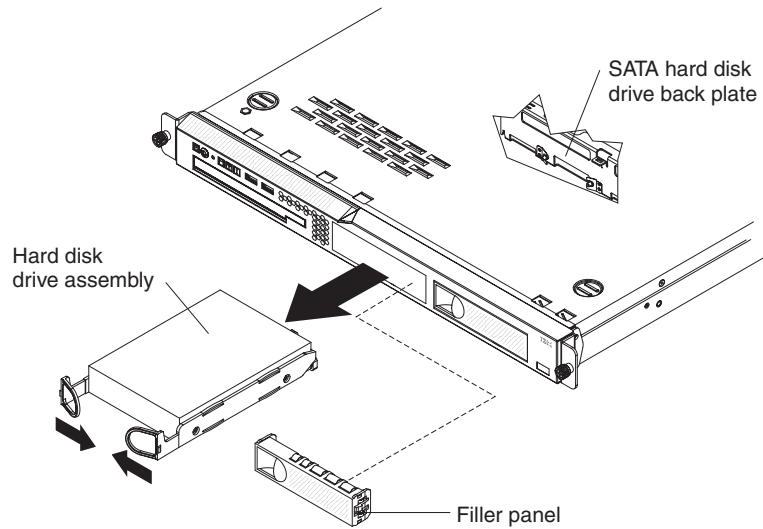
Installing a SATA RAID kit

The SATA RAID kit provides level 0 and level 1 RAID support for 3.5-inch simple-swap SATA drives.

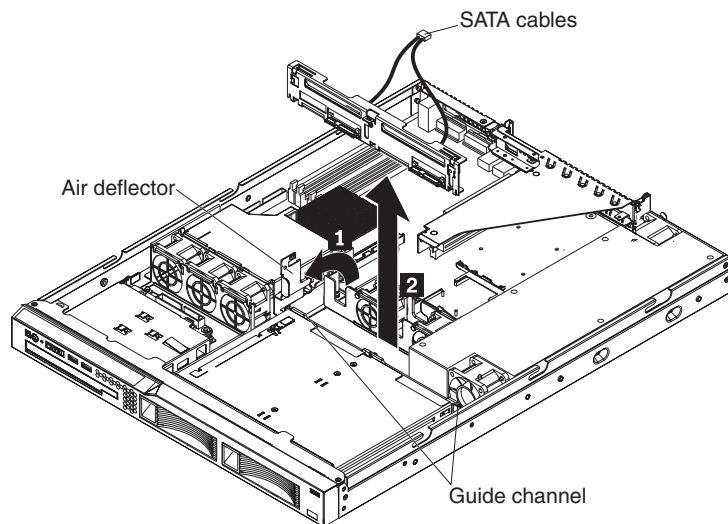


To install the SATA RAID kit, complete the following steps:

1. Read the safety information that begins on page v and “Installation guidelines” on page 16.
2. Turn off the server and peripheral devices, and disconnect the power cord and all external cables.
3. Remove the server from the rack and place it on a flat, static-protective surface.
4. Remove the cover (see “Removing the cover” on page 18).



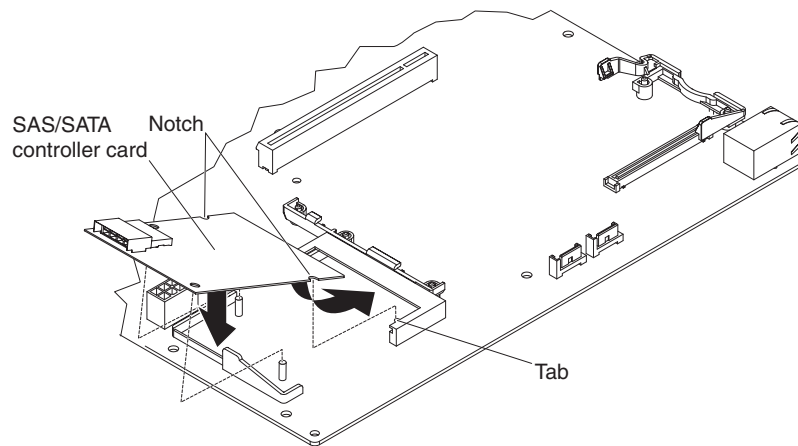
5. Pull the hard disk drives out of the server slightly to disengage them from the back plate or remove the drives completely (see page 24 for instructions).
6. Disconnect the SATA cables from the system board (see “System-board internal connectors” on page 12 for the location of the SATA connectors).



7. Remove the SATA back plate from the server:
 - a. Rotate (lift) the air deflector out of the way.
 - b. Lift the back plate out of the server slightly; then, disconnect the power cables and remove the back plate.
8. Install the SAS/SATA controller.

Note: If you have installed an adapter in expansion slot 1, you might have to remove the riser-card assembly before you can install the SAS/SATA controller. See “Installing an adapter” on page 19 for instructions to remove the riser-card assembly.

- a. Grasp the edges of the SAS/SATA controller.



- b. Gently insert the controller card into the SAS/SATA controller card connector on the system board (see the illustration on page “System-board internal connectors” on page 12 for the location of the connector) while you align the holes in the card with the two plastic alignment pins on the system board.
 - c. Press the controller card firmly onto the alignment pins until the card clicks into place. Make sure that the top of each alignment pin has expanded to hold the controller card securely in place.
 - d. Push the controller card toward the rear of the server, fully into the connector, until the side tabs on the connector rest in the side notches of the controller card.
9. Install the SATA RAID kit back plate:
 - a. Make sure that the air deflector is in the open position.
 - b. Connect the power supply cables to the power cables on the SATA RAID kit back plate.
 - c. Slide the back plate into the card guides, making sure that any nearby wires or cables are not trapped or pinched.
 - d. Press firmly until the back plate is fully seated.
 - e. Rotate the air deflector into place, making certain that no cables are pinched beneath it, and press it down firmly.
 - f. Connect the back plate cable to the signal connector on the SAS/SATA controller.
10. Connect the cable from the back plate to the signal connector on the SAS/SATA controller.
11. If you removed the riser-card assembly, reinstall it now. See “Installing an adapter” on page 19 for instructions.
12. Install the cover (see “Installing the cover” on page 31).
13. Insert the hard disk drives that you removed in step 5 on page 29 fully into the bays (see “Installing a simple-swap Serial ATA hard disk drive” on page 23 for instructions).

If you have other devices to install or remove, do so now. Otherwise, go to “Completing the installation” on page 31.

Completing the installation

To complete the installation, complete the following steps:

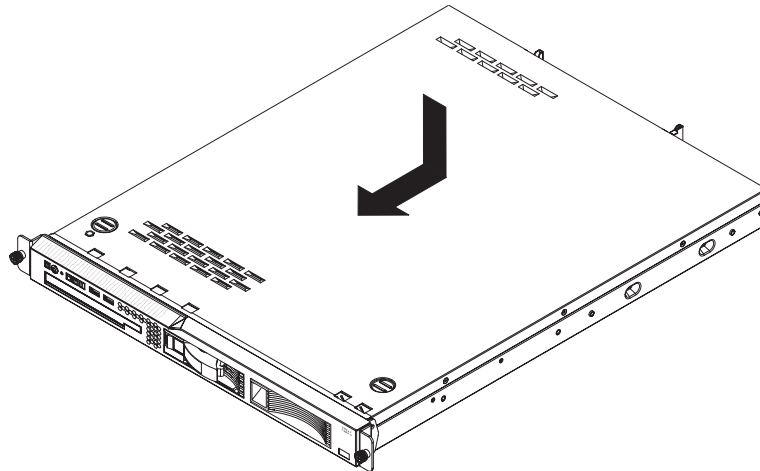
1. Reinstall the cover. See “Installing the cover” for more information.
2. Install the server in the rack cabinet. See the *Rack Installation Instructions* that come with the server for detailed information about how to install the server in a rack cabinet.

Attention:

- Install the server only in a rack cabinet that has perforated doors.
 - Do not leave open space above or below an installed server in the rack cabinet. To help prevent damage to server components, always install a filler panel to cover the open space and to help ensure proper air circulation. See the documentation that comes with the rack cabinet for more information.
3. Connect the cables and power cords. For more information, see “Connecting the cables.”
 4. Update the server configuration. See “Updating the server configuration” on page 32 for more information.

Installing the cover

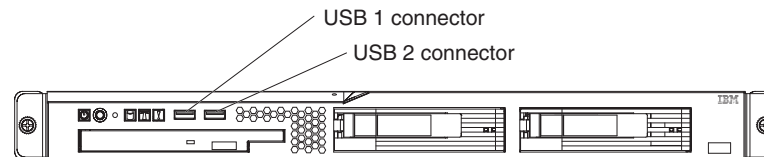
To install the cover, place it into position and slide it forward.



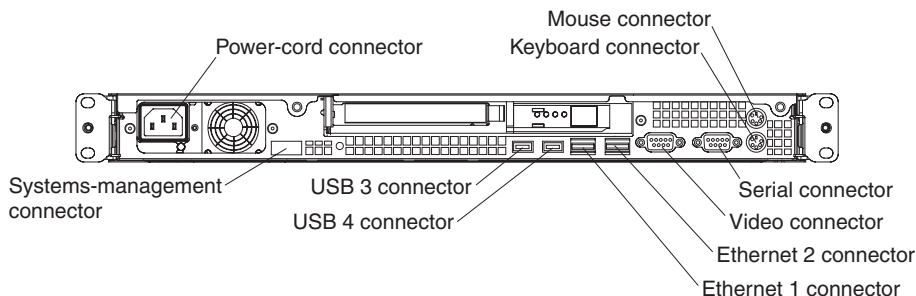
Connecting the cables

The following illustrations show the locations of the input and output connectors on the front and rear of the server.

Front



Rear



You must turn off the server before you connect or disconnect cables.

See the documentation that comes with any external devices for additional cabling instructions. It might be easier for you to route cables before you connect the devices to the server.

Cable identifiers are printed on the cables that come with the server and devices. Use these identifiers to connect the cables to the correct connectors.

If the server comes with an installed operating system, see the documentation that comes with the operating system for additional cabling instructions.

There is one keyboard connector on the back of the server. Use this connector to connect the server to a keyboard or optional console switch. You can also connect a USB keyboard to the server by using one of the USB connectors. After you install a USB keyboard, you might have to use the Configuration/Setup Utility program to enable keyboardless operation and prevent the POST error message 301 from being displayed during startup. For information about how to connect a USB keyboard to the server, see the documentation that comes with the keyboard. If the server cables and connector panel have color-coded connectors, match the color of each cable end with the color of the connector. For example, match a blue cable end to a blue connector on the panel, a red cable end to a red connector, and so on.

Updating the server configuration

When you start the server for the first time after you add or remove an internal optional device or external SAS device, you might receive a message that the configuration has changed. The Configuration/Setup Utility program starts automatically so that you can save the new configuration settings. For more information, see Chapter 3, “Configuring the server,” on page 35.

Some optional devices have device drivers that you must install. For information about installing device drivers, see the documentation that comes with each device.

If the server has a RAID configuration that uses the SAS/SATA controller with integrated RAID (hot-swap SATA or SAS models only) and you have installed or removed a hard disk drive, you might have to reconfigure the disk arrays.

If the server has an optional RAID adapter and you have installed or removed a hard disk drive, see the documentation that comes with the RAID adapter for information about reconfiguring the disk arrays.

For information about configuring an integrated Gigabit Ethernet controller, see “Configuring the Gigabit Ethernet controllers” on page 47.

Chapter 3. Configuring the server

The following configuration programs and capabilities come with the server:

- **IBM ServerGuide Setup and Installation CD**

The ServerGuide™ program provides software-setup tools and installation tools that are designed for the server. Use this CD during the installation of the server to configure basic hardware features and to simplify the installation of your operating system. For information about using this CD, see “Using the ServerGuide Setup and Installation CD.”

- **Configuration/Setup Utility program**

The Configuration/Setup Utility program is part of the basic input/output system (BIOS). Use it to configure serial port assignments, change interrupt request (IRQ) settings, change the startup-device sequence, set the date and time, and set passwords. For information about using this program, see “Using the Configuration/Setup Utility program” on page 37.

- **LSI Logic Configuration Utility program**

Use the LSI Logic Configuration Utility program to configure devices that are attached to the SAS/SATA controller. For information about using this program, see “Using the LSI Logic Configuration Utility program” on page 43.

Important: If the server is a simple-swap SATA model and you have installed an optional SATA RAID Kit, you can use the LSI Logic Configuration Utility program to configure the simple-swap SATA hard disk drives.

- **Baseboard management controller utility programs**

Use these programs to configure the baseboard management controller, to update the firmware and sensor data record/field replaceable unit (SDR/FRU) data, and to remotely manage a network. For information about using these programs, see “Using the baseboard management controller” on page 44.

- **Ethernet controller configuration**

For information about configuring the Ethernet controllers, see “Configuring the Gigabit Ethernet controllers” on page 47.

- **IBM Director**

IBM Director is a workgroup-hardware-management tool that you can use to centrally manage System x servers. If you plan to use IBM Director to manage the server, you must check for the latest applicable IBM Director updates and interim fixes. For information about updating IBM Director, see “Updating IBM Director” on page 47. For more information about IBM Director, see the IBM Director documentation on the *IBM Director* CD that comes with the server.

Using the ServerGuide Setup and Installation CD

The *ServerGuide Setup and Installation* CD contains a setup and installation program that is designed for your server. The ServerGuide program detects the server model and optional hardware devices that are installed and uses that information during setup to configure the hardware. The ServerGuide program simplifies operating-system installations by providing updated device drivers and, in some cases, installing them automatically.

If a later version of the ServerGuide program is available, you can download a free image of the *ServerGuide Setup and Installation* CD, or you can purchase the CD. To download the image, go to the IBM ServerGuide Web page at <http://www.ibm.com/pc/qtechinfo/MIGR-4ZKPPT.html>. To purchase the latest

ServerGuide Setup and Installation CD, go to the ServerGuide fulfillment Web site at http://www.ibm.com/servers/eserver/xseries/systems_management/serverguide/sub.html.

The ServerGuide program has the following features:

- An easy-to-use interface
- Diskette-free setup, and configuration programs that are based on detected hardware
- ServeRAID Manager program, which configures your ServeRAID adapter or SAS/SATA controller with RAID capabilities
- Device drivers that are provided for the server model and detected hardware
- Operating-system partition size and file-system type that are selectable during setup

ServerGuide features

Features and functions can vary slightly with different versions of the ServerGuide program. To learn more about the version that you have, start the *ServerGuide Setup and Installation* CD and view the online overview. Not all features are supported on all server models.

The ServerGuide program requires a supported IBM server with an enabled startable (bootable) CD drive. In addition to the *ServerGuide Setup and Installation* CD, you must have your operating-system CD to install the operating system.

The ServerGuide program performs the following tasks:

- Sets system date and time
- Detects the SAS RAID adapter, controller, or integrated SAS/SATA controller with RAID capabilities and runs the SAS RAID configuration program
- Checks the microcode (firmware) levels of a ServeRAID adapter and determines whether a later level is available from the CD
- Detects installed optional hardware devices and provides updated device drivers for most adapters and devices
- Provides diskette-free installation for supported Windows operating systems
- Includes an online readme file with links to tips for your hardware and operating-system installation

Setup and configuration overview

When you use the *ServerGuide Setup and Installation* CD, you do not need setup diskettes. You can use the CD to configure any supported IBM server model. The setup program provides a list of tasks that are required to set up your server model. On a server with a SAS/SATA controller with RAID capabilities, you can run the LSI Logic Configuration Utility program to create logical drives.

Note: Features and functions can vary slightly with different versions of the ServerGuide program.

When you start the *ServerGuide Setup and Installation* CD, the program prompts you to complete the following tasks:

- Select your language.
- Select your keyboard layout and country.
- View the overview to learn about ServerGuide features.
- View the readme file to review installation tips for your operating system and adapter.

- Start the operating-system installation. You will need your operating-system CD.

Typical operating-system installation

The ServerGuide program can reduce the time it takes to install an operating system. It provides the device drivers that are required for your hardware and for the operating system that you are installing. This section describes a typical ServerGuide operating-system installation.

Note: Features and functions can vary slightly with different versions of the ServerGuide program.

1. After you have completed the setup process, the operating-system installation program starts. (You will need your operating-system CD to complete the installation.)
2. The ServerGuide program stores information about the server model, service processor, hard disk drive controllers, and network adapters. Then, the program checks the CD for newer device drivers. This information is stored and then passed to the operating-system installation program.
3. The ServerGuide program presents operating-system partition options that are based on your operating-system selection and the installed hard disk drives.
4. The ServerGuide program prompts you to insert your operating-system CD and restart the server. At this point, the installation program for the operating system takes control to complete the installation.

Installing your operating system without using ServerGuide

If you have already configured the server hardware and you are not using the ServerGuide program to install your operating system, complete the following steps to download the latest operating-system installation instructions from the IBM Web site.

Note: Changes are made periodically to the IBM Web site. The actual procedure might vary slightly from what is described in this document.

1. Go to <http://www.ibm.com/servers/eserver/support/xseries/index.html>.
2. From the **Hardware** list, select **System x3250** and click **Go**.
3. Click the **Install and use** tab.
4. Click **Product documentation**.
5. Select the installation instructions for your operating system.

Using the Configuration/Setup Utility program

Use the Configuration/Setup Utility program to perform the following tasks:

- View configuration information
- View and change assignments for devices and I/O ports
- Set the date and time
- Set and change passwords
- View and change the startup characteristics of the server and the order of startup devices (startup-drive sequence)
- View and change settings for advanced hardware features
- View and clear the error logs
- Change interrupt request (IRQ) settings
- Resolve configuration conflicts

Starting the Configuration/Setup Utility program

To start the Configuration/Setup Utility program, complete the following steps:

1. Turn on the server.
2. When the prompt Press F1 for Configuration/Setup is displayed, press F1. If you have set both a power-on password and an administrator password, you must type the administrator password to access the full Configuration/Setup Utility menu. If you do not type the administrator password, a limited Configuration/Setup Utility menu is available.
3. Select settings to view or change.

Configuration/Setup Utility menu choices

The following choices are on the Configuration/Setup Utility main menu. Depending on the version of the BIOS code, some menu choices might differ slightly from these descriptions.

- **System Summary**

Select this choice to view configuration information, including the type, speed, and cache size of the microprocessor and the amount of installed memory. When you make configuration changes through other choices in the Configuration/Setup Utility program, the changes are reflected in the system summary; you cannot change settings directly in the system summary.

This choice is on the full and limited Configuration/Setup Utility menu.

- **System Information**

Select this choice to view information about the server, such as the machine type and model of the server, the serial number, the system UUID, the system board identifier, and the revision level or issue date of the BIOS code. When you make changes through other choices in the Configuration/Setup Utility program, some of those changes are reflected in the system information; you cannot change settings directly in the system information.

This choice is on the full Configuration/Setup Utility menu only.

- **Devices and I/O Ports**

Select this choice to view or change assignments for devices and input/output (I/O) ports, to configure remote console redirection, and to enable or disable integrated Ethernet controllers and all standard ports (such as serial and USB). If you disable a device, it cannot be configured, and the operating system will not be able to detect it (this is equivalent to disconnecting the device). If you disable the integrated Ethernet controllers and no Ethernet adapter is installed, the server will have no Ethernet capability.

This choice is on the full Configuration/Setup Utility menu only.

- **Date and Time**

Select this choice to set the date and time in the server, in 24-hour format (*hour:minute:second*).

This choice is on the full Configuration/Setup Utility menu only.

- **System Security**

Select this choice to set passwords. For more information about passwords, see “Passwords” on page 41.

This choice is on the full Configuration/Setup Utility menu only.

- **Administrator Password**

Select this choice to set or change an administrator password. An administrator password is intended to be used by a system administrator; it limits access to the full Configuration/Setup Utility menu. If an administrator password is set, the full Configuration/Setup Utility menu is available only if you type the administrator password at the password prompt. For more information, see “Administrator password” on page 42.

- **Power-on Password**

Select this choice to set or change a power-on password. For more information, see “Power-on password” on page 41.

- **Startup Options**

Select this choice to view or change the startup options, such as the startup sequence and the keyboard NumLock state. Changes in the startup options take effect when you restart the server.

The startup sequence specifies the order in which the server checks devices to find a boot record. The server starts from the first boot record that it finds. For example, you can define a startup sequence that checks for a CD or DVD in the CD or DVD drive, then checks the hard disk drive, and then checks a network adapter. If the server has Wake on LAN hardware and software and the operating system supports Wake on LAN functions, you can specify a startup sequence for the Wake on LAN functions.

If you have not changed the default startup sequence, the server starts the devices in the following order: the CD or DVD drive; then, the USB diskette drive, USB memory key, USB CD drive, or USB hard disk drive, if you have installed any in the server; then, the hard disk drives that are connected to the system board; then, the drives connected to the SAS/SATA controller; then, the integrated Ethernet controllers 1 and 2; then, the PCI Express slots 1 and 2.

This choice is on the full Configuration/Setup Utility menu only.

- **Advanced Setup**

Select this choice to change settings for advanced hardware features.

Important: The server might malfunction if these choices are incorrectly configured. Follow the instructions on the screen carefully.

This choice is on the full Configuration/Setup Utility menu only.

- **CPU Options**

Select this choice to enable or disable core multiprocessing, C1 enhanced mode, and the execute-disable bit.

- **PCI Bus Control**

Select this choice to view the system resources that are used by installed PCI devices.

- **IPMI**

Select this choice to change intelligent platform management interface (IPMI) settings for the mini-BMC controller.

- **IPMI Specification Version**

This is a nonselectable menu item that displays the IPMI version.

- **BMC Hardware/Firmware Version**

This is a nonselectable menu item that displays the BMC firmware version.

- **Clear System Event Log**

Enable or disable clearing the system-event log at the next system startup, which occurs when you save the settings and exit the Configuration/Setup Utility program. **Disable** is the default setting.

- **Existing Event Log number**
This is a nonselectable menu item that displays the number of entries in the system-event log.
- **BIOS POST Watchdog**
Enable or disable the mini-BMC POST watchdog. **Disable** is the default setting.
- **POST Watchdog Timeout**
Set the mini-BMC POST watchdog timeout value. **5 minutes** is the default setting.
- **System Event Log**
Select this choice to view the mini-BMC system-event log, which contains all system-error messages that have been generated. Use the arrow keys to move between pages in the log. Run the diagnostic programs to get more information about error codes that occur. See the *Problem Determination and Service Guide* on the IBM System x Documentation CD for instructions. Select **Clear System Event Log** to clear the mini-BMC system-event log.

Important: If the system-error LED on the front of the server is lit but there are no other error indications, clear the system-event log. This log does not clear itself, and if it begins to fill up, the system-error LED will be lit. Also, after you complete a repair or correct an error, clear the system-event log to turn off the system-error LED on the front of the server.
- **LAN Settings**
Select this choice to view the mini-BMC MAC address, IP address, subnet mask, and gateway address.
- **RSA II Settings**
This choice is displayed only when a Remote Supervisor Adapter II SlimLine is installed in the server.

Select this choice to view the IP address and DHCP settings for the Remote Supervisor Adaptor II SlimLine, and to view or change the DHCP control, static IP address, and operating system USB selections for the Remote Supervisor Adaptor II SlimLine.
- **Error Logs**
Select this choice to view or clear error logs.
 - **POST Error Log**
Select this choice to view the three most recent error codes and messages that the system generated during POST.
 - **System Event/Error Log**
Select this choice to view the complete log of POST error messages. If an optional IBM Remote Supervisor Adapter II SlimLine is installed, the log also contains system-event messages. Use the arrow keys to move between pages in the log.

Run the diagnostic programs to get more information about error codes that occur. See the *Problem Determination and Service Guide* on the IBM System x Documentation CD for instructions.

To clear the system-event/error log, press Enter while you are viewing a log entry.
- **Save Settings**
Select this choice to save the changes that you have made in the settings.

- **Restore Settings**

Select this choice to cancel the changes that you have made in the settings and restore the previous settings.

- **Load Default Settings**

Select this choice to cancel the changes that you have made in the settings and restore the factory settings.

- **Exit Setup**

Select this choice to exit from the Configuration/Setup Utility program. If you have not saved the changes that you have made in the settings, you are asked whether you want to save the changes or exit without saving them.

Passwords

From the **System Security** choice, you can set, change, and delete a power-on password and an administrator password. The **System Security** choice is on the full Configuration/Setup Utility menu only.

If you set only a power-on password, you must type the power-on password to complete the system startup; you have access to the full Configuration/Setup Utility menu.

An administrator password is intended to be used by a system administrator; it limits access to the full Configuration/Setup Utility menu. If you set only an administrator password, you do not have to type a password to complete the system startup, but you must type the administrator password to access the Configuration/Setup Utility menu.

If you set a power-on password for a user and an administrator password for a system administrator, you can type either password to complete the system startup. A system administrator who types the administrator password has access to the full Configuration/Setup Utility menu; the system administrator can give the user authority to set, change, and delete the power-on password. A user who types the power-on password has access to only the limited Configuration/Setup Utility menu; the user can set, change, and delete the power-on password, if the system administrator has given the user that authority.

Power-on password

If a power-on password is set, when you turn on the server, the system startup will not be completed until you type the power-on password. You can use any combination of up to seven characters (A – Z, a – z, and 0 – 9) for the password.

If a power-on password is set, you can enable the Unattended Start mode, in which the keyboard and mouse remain locked but the operating system can start. You can unlock the keyboard and mouse by typing the power-on password.

If you forget the power-on password, you can regain access to the server in any of the following ways:

- If an administrator password is set, type the administrator password at the password prompt (see “Administrator password” on page 42). Start the Configuration/Setup Utility program and reset the power-on password.
- Remove the battery from the server and then reinstall it. For instructions for removing the battery, see the *Problem Determination and Service Guide* on the IBM System x Documentation CD.

- Change the position of the clear CMOS jumper on the system board to bypass the power-on password check. See “Resetting passwords” for additional information.

Attention: Before you change any switch settings or move any jumpers, turn off the server; then, disconnect all power cords and external cables. See the safety information that begins on page v. Do not change settings or move jumpers on any system-board switch or jumper block that is not shown in this document.

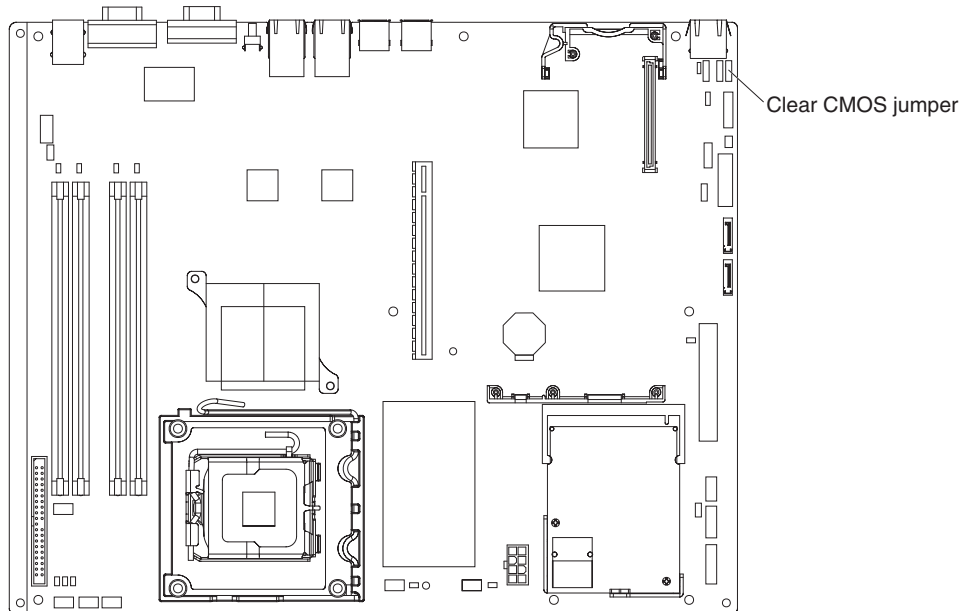
Administrator password

If an administrator password is set, you must type the administrator password for access to the full Configuration/Setup Utility menu. You can use any combination of up to seven characters (A – Z, a – z, and 0 – 9) for the password.

If you forget the administrator password, you can reset it after you change the position of the clear CMOS jumper. See “Resetting passwords” for additional information.

Resetting passwords

If you forget the power-on password or administrator password, you can move the clear-CMOS jumper block on the system board to pins 2 and 3, to clear CMOS memory and bypass the power-on or administrator password check. The jumper location is shown in the following illustration.



To clear CMOS and reset the passwords, complete the following steps.

Note: All configuration settings will be cleared by this action; you might have to configure the settings again.

1. Review the safety information that begins on page v.
2. Turn off the server and peripheral devices and disconnect all power cords and external cables.
3. Remove the server from the rack and place it on a flat, static-protective surface.
4. Remove the cover. See “Removing the cover” on page 18 for instructions.
5. Remove the riser-card assembly. See “Installing an adapter” on page 19 for instructions.

6. Move the clear-CMOS jumper from pins 1 and 2 to pins 2 and 3 and leave it there for at least 5 seconds; then, move the clear-CMOS jumper back to pins 1 and 2.
7. Reinstall the riser-card assembly and cover.
8. Replace the server in the rack and connect the server to a keyboard, monitor, and mouse; then, connect the server to a power source.
9. Turn on the server. You can now start the Configuration/Setup Utility program and either delete the old password or set a new power-on or administrator password.

Using the LSI Logic Configuration Utility program

Use the LSI Logic Configuration Utility program to configure hot-swap hard disk drives that are connected to the SAS/SATA controller.

Important: If the server is a simple-swap SATA model and you have installed an optional SATA RAID Kit, you can use the LSI Logic Configuration Utility program to configure the simple-swap SATA hard disk drives.

Starting the LSI Logic Configuration Utility program

To start the LSI Logic Configuration Utility program, complete the following steps:

1. Turn on the server.
2. When the prompt Press CTRL-C to start LSI Logic Configuration Utility... is displayed, press Ctrl+C. If you have set an administrator password, you are prompted to type the password.
3. Use the arrow keys to select the adapter (SAS controller) for which you want to change settings. Use the Help function to see instructions and available actions for this screen.
4. To change the settings of the selected items, follow the instructions on the screen.
5. Press Enter to save your changes.

Configuring the controller and devices

To configure a SAS controller and attached devices, select the controller from the initial LSI Logic Configuration Utility program screen; then, press Enter. You can view and change settings for the following items for the selected controller:

Boot Support

Specify the type of boot support that will be in effect (disabled, BIOS only, OS only, or both BIOS and OS)

RAID Properties

Create a RAID array from the displayed choices

SAS Topology

View information about the devices directly attached to the selected SAS controller, and which devices make up RAID arrays. Format and verify an attached device.

Advanced Adapter Properties

View the SAS properties and change the following items for the selected controller:

- Global properties
- Cylinder head sector (CHS) mapping

- Advanced device properties, such as I/O timeouts and LUNs to scan
- Spinup properties
- PHY properties

Using the baseboard management controller

The mini-baseboard management controller provides basic environmental monitoring for the server. If environmental conditions exceed thresholds or if system components fail, the baseboard management controller lights LEDs to help you diagnose the problem and also records the error in the mini-BMC system-event log.

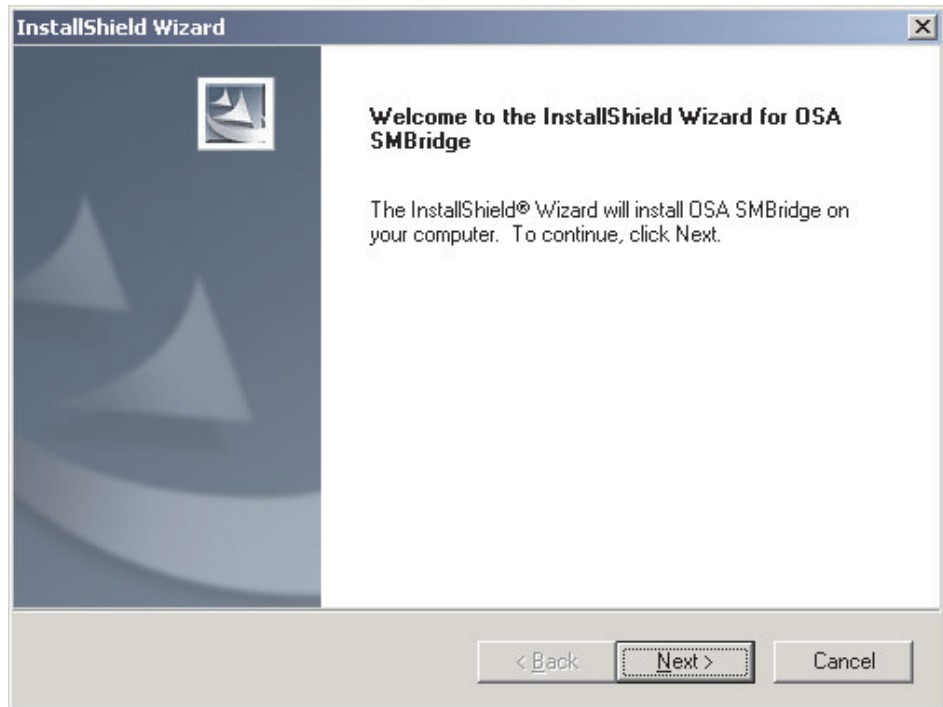
Important: If the system-error LED on the front of the server is lit but there are no other error indications, clear the system-event log and the system event/error log (see “Using the Configuration/Setup Utility program” on page 37). These logs do not clear themselves, and if either of them begins to fill up, the system-error LED will be lit. Also, after you complete a repair or correct an error, clear the system-event log to turn off the system-error LED on the front of the server.

The baseboard management controller also provides the command-line interface (IPMI Shell) remote server management capabilities through the Avocent SMBridge management utility program. The command-line interface provides direct access to server management functions through the IPMI 1.5 protocol. Use the command-line interface to issue commands to control the server power, view system information, and identify the server. You can also save one or more commands as a text file and run the file as a script.

Installing the SMBridge management utility program

To install the SMBridge management utility program on a server running a Windows operating system, complete the following steps:

1. Go to <http://www.ibm.com/servers/eserver/support/xseries/index.html> and download the utility program and create the BMC Management Utility CD.
2. Insert the BMC Management Utility CD into the drive. The InstallShield wizard starts, and a window similar to that shown in the following illustration opens.



3. Follow the prompts to complete the installation.

The installation program prompts you for a TCP/IP port number and an IP address. Specify an IP address, if you want to limit the connection requests that will be accepted by the utility program. To accept connections from any server, type `INADDR_ANY` as the IP address. Also specify the port number that the utility program will use. These values will be recorded in the `smbridge.cfg` file for the automatic startup of the utility program.

To install the Avocent SMBridge management utility program on a server running a Linux operating system, complete the following steps. You must be logged in as a root user to perform these procedures.

1. Go to <http://www.ibm.com/servers/eserver/support/xseries/index.html> and download the management utility program and create the BMC Management Utility CD.
2. Insert the BMC Management Utility CD into the drive.
3. Type `mount/mnt/cdrom`.
4. Locate the directory where the installation RPM package is located and type `cd/mnt/cdrom`.
5. Type the following command to run the RPM package and start the installation:

```
rpm -ivh smbridge-2.0-xx.rpm
```

where `xx` is the release level being installed.

6. Follow the prompts to complete the installation. When the installation is complete, the utility copies files to the following directories:
`/etc/init.d/SMBridge`
`/etc/smbridge.cfg`
`/usr/sbin/smbridged`
`/var/log/smbridge/LICENSE`

The utility starts automatically when the server is started. You can also locate the `/ect/init.d` directory to start the utility and use the following commands to manage the utility:

```
smbridge status
smbridge start
smbridge stop
smbridge restart
```

Note: For more information about the SMBridge management utility program, see “Using the SMBridge management utility program.”

Using the baseboard management controller utility programs

Use the baseboard management controller utility programs to configure the baseboard management controller, download firmware updates and SDR/FRU updates, and remotely manage a network.

Using the baseboard management controller configuration utility program

Use the baseboard management controller configuration utility program to view or change the baseboard management controller configuration settings. You can also use the utility program to save the configuration to a file for use on multiple servers.

Go to <http://www.ibm.com/servers/eserver/support/xseries/index.html> to download the utility program. Run the utility program to create a configuration utility diskette.

Complete the following steps to start the baseboard management controller configuration utility program:

1. Insert the configuration utility diskette into the diskette drive and restart the server.
2. From a command-line prompt, type `bmc_cfg` and press Enter.
3. Follow the instructions on the screen.

Using the baseboard management controller firmware update utility program

Use the baseboard management controller firmware update utility program to download a baseboard management controller firmware update or a SDR/FRU update. The firmware update utility program updates the baseboard management controller firmware or SDR/FRU data only and does not affect any device drivers.

Go to <http://www.ibm.com/servers/eserver/support/xseries/index.html> to download the utility program. Run the utility program to create a firmware update diskette.

Important: To ensure proper server operation, be sure to update the server baseboard management controller firmware before you update the BIOS code.

To update the firmware, if the Linux or Windows operating-system update package is available from the World Wide Web and you have obtained the applicable update package, follow the instructions that come with the update package.

Using the SMBridge management utility program

Use the SMBridge management utility program to remotely manage and configure a network. The utility program provides the CLI (command-line interface) remote management capabilities.

Use CLI mode to remotely perform power-management and system identification control functions over a LAN interface from a command-line interface. Use CLI mode also to remotely view the system-event log.

Use the following commands in CLI mode:

- **connect**
Connect to the LAN. Type `connect -ip ip_address -u username -p password`.
- **identify**
Control the system-locator LED on the front of the server.
- **power**
Turn the server on and off remotely.
- **reboot**
Force the server to restart.
- **sel**
Perform operations with the system-event log.
- **sysinfo**
Display general system information that is related to the server and the baseboard management controller.

Configuring the Gigabit Ethernet controllers

The Ethernet controllers are integrated on the system board. They provide an interface for connecting to a 10 Mbps, 100 Mbps, or 1 Gbps network and provide full-duplex (FDX) capability, which enables simultaneous transmission and reception of data on the network. If the Ethernet ports in the server support auto-negotiation, the controllers detect the data-transfer rate (10BASE-T, 100BASE-TX, or 1000BASE-T) and duplex mode (full-duplex or half-duplex) of the network and automatically operate at that rate and mode.

You do not have to set any jumpers or configure the controllers. However, you must install a device driver to enable the operating system to address the controllers. For device drivers and information about configuring the Ethernet controllers, see the *Broadcom NetXtreme Gigabit Ethernet Software* CD that comes with the server. To find updated information about configuring the controllers, complete the following steps.

Note: Changes are made periodically to the IBM Web site. The actual procedure might vary slightly from what is described in this document.

1. Go to <http://www.ibm.com/servers/eserver/support/xseries/index.html>.
2. From the **Hardware** list, select **System x3250** and click **Go**.
3. Click the **Install and use** tab.
4. Click **Product documentation**.

Updating IBM Director

If you plan to use IBM Director to manage the server, you must check for the latest applicable IBM Director updates and interim fixes.

To install the IBM Director updates and any other applicable updates and interim fixes, complete the following steps.

Note: Changes are made periodically to the IBM Web site. The actual procedure might vary slightly from what is described in this document.

1. Check for the latest version of IBM Director:
 - a. Go to http://www.ibm.com/servers/eserver/xseries/systems_management/xseries_sm/dwnl.html.
 - b. If the drop-down list shows a newer version of IBM Director than what comes with the server, follow the instructions on the Web page to download the latest version.
2. Install IBM Director.
3. Download and install any applicable updates or interim fixes for the server:
 - a. Go to <http://www.ibm.com/servers/eserver/support/xseries/index.html>.
 - b. From the **Hardware** list, select **System x3250** and click **Go**.
 - c. Click the **Download** tab.
 - d. Select any applicable update or interim fix that you want to download.
 - e. Click the link for the executable (.exe) file to download the file, and follow the instructions in the readme file to install the update or interim fix.
4. Repeat steps 3d and 3e for any additional updates or interim fixes that you want to install.

Appendix. Notices

This information was developed for products and services offered in the U.S.A.

IBM may not offer the products, services, or features discussed in this document in other countries. Consult your local IBM representative for information on the products and services currently available in your area. Any reference to an IBM product, program, or service is not intended to state or imply that only that IBM product, program, or service may be used. Any functionally equivalent product, program, or service that does not infringe any IBM intellectual property right may be used instead. However, it is the user's responsibility to evaluate and verify the operation of any non-IBM product, program, or service.

IBM may have patents or pending patent applications covering subject matter described in this document. The furnishing of this document does not give you any license to these patents. You can send license inquiries, in writing, to:

*IBM Director of Licensing
IBM Corporation
North Castle Drive
Armonk, NY 10504-1785
U.S.A.*

INTERNATIONAL BUSINESS MACHINES CORPORATION PROVIDES THIS PUBLICATION "AS IS" WITHOUT WARRANTY OF ANY KIND, EITHER EXPRESS OR IMPLIED, INCLUDING, BUT NOT LIMITED TO, THE IMPLIED WARRANTIES OF NON-INFRINGEMENT, MERCHANTABILITY OR FITNESS FOR A PARTICULAR PURPOSE. Some states do not allow disclaimer of express or implied warranties in certain transactions, therefore, this statement may not apply to you.

This information could include technical inaccuracies or typographical errors. Changes are periodically made to the information herein; these changes will be incorporated in new editions of the publication. IBM may make improvements and/or changes in the product(s) and/or the program(s) described in this publication at any time without notice.

Any references in this information to non-IBM Web sites are provided for convenience only and do not in any manner serve as an endorsement of those Web sites. The materials at those Web sites are not part of the materials for this IBM product, and use of those Web sites is at your own risk.

IBM may use or distribute any of the information you supply in any way it believes appropriate without incurring any obligation to you.

Trademarks

The following terms are trademarks of International Business Machines Corporation in the United States, other countries, or both:

Active Memory	IBM	TechConnect
Active PCI	IBM (logo)	Tivoli
Active PCI-X	IntelliStation	Tivoli Enterprise
AIX	NetBAY	Update Connector
Alert on LAN	Netfinity	Wake on LAN

BladeCenter	Predictive Failure Analysis	XA-32
Chipkill	ServeRAID	XA-64
e-business logo	ServerGuide	X-Architecture
@server	ServerProven	XpandOnDemand
FlashCopy	System x	xSeries
i5/OS		

Intel, Intel Xeon, Itanium, and Pentium are trademarks or registered trademarks of Intel Corporation or its subsidiaries in the United States and other countries.

Microsoft, Windows, and Windows NT are trademarks of Microsoft Corporation in the United States, other countries, or both.

UNIX is a registered trademark of The Open Group in the United States and other countries.

Java and all Java-based trademarks and logos are trademarks of Sun Microsystems, Inc. in the United States, other countries, or both.

Adaptec and HostRAID are trademarks of Adaptec, Inc., in the United States, other countries, or both.

Linux is a trademark of Linus Torvalds in the United States, other countries, or both.

Red Hat, the Red Hat “Shadow Man” logo, and all Red Hat-based trademarks and logos are trademarks or registered trademarks of Red Hat, Inc., in the United States and other countries.

Other company, product, or service names may be trademarks or service marks of others.

Important notes

Processor speeds indicate the internal clock speed of the microprocessor; other factors also affect application performance.

CD drive speeds list the variable read rate. Actual speeds vary and are often less than the maximum possible.

When referring to processor storage, real and virtual storage, or channel volume, KB stands for approximately 1000 bytes, MB stands for approximately 1 000 000 bytes, and GB stands for approximately 1 000 000 000 bytes.

When referring to hard disk drive capacity or communications volume, MB stands for 1 000 000 bytes, and GB stands for 1 000 000 000 bytes. Total user-accessible capacity may vary depending on operating environments.

Maximum internal hard disk drive capacities assume the replacement of any standard hard disk drives and population of all hard disk drive bays with the largest currently supported drives available from IBM.

Maximum memory may require replacement of the standard memory with an optional memory module.

IBM makes no representation or warranties regarding non-IBM products and services that are ServerProven, including but not limited to the implied warranties of merchantability and fitness for a particular purpose. These products are offered and warranted solely by third parties.

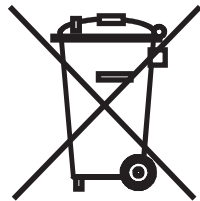
IBM makes no representations or warranties with respect to non-IBM products. Support (if any) for the non-IBM products is provided by the third party, not IBM.

Some software may differ from its retail version (if available), and may not include user manuals or all program functionality.

Product recycling and disposal

This unit must be recycled or discarded according to applicable local and national regulations. IBM encourages owners of information technology (IT) equipment to responsibly recycle their equipment when it is no longer needed. IBM offers a variety of product return programs and services in several countries to assist equipment owners in recycling their IT products. Information on IBM product recycling offerings can be found on IBM's Internet site at <http://www.ibm.com/ibm/environment/products/prp.shtml>.

Esta unidad debe reciclarse o desecharse de acuerdo con lo establecido en la normativa nacional o local aplicable. IBM recomienda a los propietarios de equipos de tecnología de la información (TI) que reciclen responsablemente sus equipos cuando éstos ya no les sean útiles. IBM dispone de una serie de programas y servicios de devolución de productos en varios países, a fin de ayudar a los propietarios de equipos a reciclar sus productos de TI. Se puede encontrar información sobre las ofertas de reciclado de productos de IBM en el sitio web de IBM <http://www.ibm.com/ibm/environment/products/prp.shtml>.



Notice: This mark applies only to countries within the European Union (EU) and Norway.

This appliance is labeled in accordance with European Directive 2002/96/EC concerning waste electrical and electronic equipment (WEEE). The Directive determines the framework for the return and recycling of used appliances as applicable throughout the European Union. This label is applied to various products to indicate that the product is not to be thrown away, but rather reclaimed upon end of life per this Directive.

注意: このマークは EU 諸国およびノルウェーにおいてのみ適用されます。

この機器には、EU 諸国に対する廃電気電子機器指令 2002/96/EC(WEEE) のラベルが貼られています。この指令は、EU 諸国に適用する使用済み機器の回収とリサイクルの骨子を定めています。このラベルは、使用済みになった時に指令に従って適正な処理をする必要があることを知らせるために種々の製品に貼られています。

Remarque : Cette marque s'applique uniquement aux pays de l'Union Européenne et à la Norvège.

L'étiquette du système respecte la Directive européenne 2002/96/EC en matière de Déchets des Equipements Electriques et Electroniques (DEEE), qui détermine les dispositions de retour et de recyclage applicables aux systèmes utilisés à travers l'Union européenne. Conformément à la directive, ladite étiquette précise que le produit sur lequel elle est apposée ne doit pas être jeté mais être récupéré en fin de vie.

In accordance with the European WEEE Directive, electrical and electronic equipment (EEE) is to be collected separately and to be reused, recycled, or recovered at end of life. Users of EEE with the WEEE marking per Annex IV of the WEEE Directive, as shown above, must not dispose of end of life EEE as unsorted municipal waste, but use the collection framework available to customers for the return, recycling, and recovery of WEEE. Customer participation is important to minimize any potential effects of EEE on the environment and human health due to the potential presence of hazardous substances in EEE. For proper collection and treatment, contact your local IBM representative.

Battery return program

This product may contain a sealed lead acid, nickel cadmium, nickel metal hydride, lithium, or lithium ion battery. Consult your user manual or service manual for specific battery information. The battery must be recycled or disposed of properly. Recycling facilities may not be available in your area. For information on disposal of batteries outside the United States, go to <http://www.ibm.com/ibm/environment/products/batteryrecycle.shtml> or contact your local waste disposal facility.

In the United States, IBM has established a return process for reuse, recycling, or proper disposal of used IBM sealed lead acid, nickel cadmium, nickel metal hydride, and battery packs from IBM equipment. For information on proper disposal of these batteries, contact IBM at 1-800-426-4333. Have the IBM part number listed on the battery available prior to your call.

For Taiwan: Please recycle batteries.



For the European Union:



For California: Perchlorate material – special handling may apply. See <http://www.dtsc.ca.gov/hazardouswaste/perchlorate/>.

The foregoing notice is provided in accordance with California Code of Regulations Title 22, Division 4.5 Chapter 33. Best Management Practices for Perchlorate Materials. This product/part may include a lithium manganese dioxide battery which contains a perchlorate substance.

Electronic emission notices

Federal Communications Commission (FCC) statement

Note: This equipment has been tested and found to comply with the limits for a Class A digital device, pursuant to Part 15 of the FCC Rules. These limits are designed to provide reasonable protection against harmful interference when the equipment is operated in a commercial environment. This equipment generates, uses, and can radiate radio frequency energy and, if not installed and used in accordance with the instruction manual, may cause harmful interference to radio communications. Operation of this equipment in a residential area is likely to cause harmful interference, in which case the user will be required to correct the interference at his own expense.

Properly shielded and grounded cables and connectors must be used in order to meet FCC emission limits. IBM is not responsible for any radio or television interference caused by using other than recommended cables and connectors or by unauthorized changes or modifications to this equipment. Unauthorized changes or modifications could void the user's authority to operate the equipment.

This device complies with Part 15 of the FCC Rules. Operation is subject to the following two conditions: (1) this device may not cause harmful interference, and (2) this device must accept any interference received, including interference that may cause undesired operation.

Industry Canada Class A emission compliance statement

This Class A digital apparatus complies with Canadian ICES-003.

Avis de conformité à la réglementation d'Industrie Canada

Cet appareil numérique de la classe A est conforme à la norme NMB-003 du Canada.

Australia and New Zealand Class A statement

Attention: This is a Class A product. In a domestic environment this product may cause radio interference in which case the user may be required to take adequate measures.

United Kingdom telecommunications safety requirement

Notice to Customers

This apparatus is approved under approval number NS/G/1234/J/100003 for indirect connection to public telecommunication systems in the United Kingdom.

European Union EMC Directive conformance statement

This product is in conformity with the protection requirements of EU Council Directive 89/336/EEC on the approximation of the laws of the Member States relating to electromagnetic compatibility. IBM cannot accept responsibility for any failure to satisfy the protection requirements resulting from a nonrecommended modification of the product, including the fitting of non-IBM option cards.

This product has been tested and found to comply with the limits for Class A Information Technology Equipment according to CISPR 22/European Standard EN 55022. The limits for Class A equipment were derived for commercial and industrial environments to provide reasonable protection against interference with licensed communication equipment.

Attention: This is a Class A product. In a domestic environment this product may cause radio interference in which case the user may be required to take adequate measures.

Taiwanese Class A warning statement

警告使用者：
這是甲類的資訊產品，在居住的環境中使用時，可能會造成射頻干擾，在這種情況下，使用者會被要求採取某些適當的對策。

Chinese Class A warning statement

聲 明
此為 A 級產品。在生活環境中，該產品可能會造成無線電干擾。在這種情況下，可能需要用戶對其干擾採取切實可行的措施。

Japanese Voluntary Control Council for Interference (VCCI) statement

この装置は、情報処理装置等電波障害自主規制協議会（VCCI）の基準に基づくクラスA情報技術装置です。この装置を家庭環境で使用すると電波妨害を引き起こすことがあります。この場合には使用者が適切な対策を講ずるよう要求されることがあります。

Index

A

- adapter
 - installing 19
 - PCI Express bus 19
- administrator password 39, 42
- attention notices 2

B

- baseboard management controller utility programs 46
- bays 3
- bypassing an unknown password 41, 42

C

- caution statements 2
- CD drive
 - See CD/DVD drive
- CD-eject button 7
- CD/DVD drive
 - activity LED 8
 - replacing 25
 - specification 3
- Class A electronic emission notice 53
- command-line interface
 - commands
 - connect 47
 - identify 47
 - power 47
 - reboot 47
 - sel 47
 - sysinfo 47
 - using 47
- configuration
 - Configuration/Setup Utility 38
 - with ServerGuide 36
- Configuration/Setup Utility program 38
- configuring
 - hot-swap SAS or SATA devices 43
 - SAS/SATA controller 43
- connectors 8
 - external 14
 - front 31
 - internal 12
 - optional device, on system board 16
 - rear 32
- controller
 - Ethernet
 - configuring 47
 - network support 4
 - type 3
 - hard disk drive 3
 - SAS 3
 - SATA 3
 - video 3
- cover
 - installing 31

- cover (*continued*)
 - removing 18

D

- danger statements 2
- device drivers 6
- DIMMs
 - installing 27
 - removing 27
 - supported 3
- drives 3, 4
- DVD drive
 - See CD/DVD drive

E

- electrical input 3
- electronic emission Class A notice 53
- environment 3
- Ethernet
 - connector 8
 - controller 4
 - type 3
 - speed indicator 8
 - speed LED 8
 - transmit/receive activity LED 8
- expansion bays 3
- expansion slots 3

F

- FCC Class A notice 53
- features 3
 - and specifications 3
 - RAS 5
 - ServerGuide 36
- firmware code, updating 46
- forgotten password, bypassing 41, 42

H

- hard disk drive
 - activity LED 7
 - hot-swap SATA 24
 - installing 23
 - removing 24
 - SAS 24
 - SCSI
 - See SAS
 - simple-swap SATA 23
- heat output 3
- humidity 3

I

- IBM Director 4, 5, 47
- important notices 2
- installation order, memory modules 27
- installing
 - adapter 19
 - cover 31
 - DIMMs 26
 - hard disk drive 23
 - memory modules 26
 - SATA RAID kit 28
- integrated
 - baseboard management controller utility
 - programs 46
 - controllers 3
 - functions 3
- internal connectors 12

J

- jumper, clear CMOS (password override) 42
- jumpers 13

K

- keyboard connector 8

L

- LED
 - cd drive activity 8
 - Ethernet speed 8
 - Ethernet transmit/receive activity 8
 - hard disk drive activity 7
 - locator 7
 - power-on 7
 - system error 7
- LEDs
 - front 7
 - rear 8
- local area network (LAN) 4
- locator LED 7

M

- memory
 - capacity 4
 - specifications 3
- memory module
 - order of installation 27
 - specifications 27
- microprocessor
 - type 3
- mouse connector 8

N

- noise emissions 3
- NOS installation
 - with ServerGuide 37

- NOS installation (*continued*)
 - without ServerGuide 37
- notes 2
- notes, important 50
- notices
 - electronic emission 53
 - FCC, Class A 53
- notices and statements 2

O

- online publications 2
- optical drive
 - See CD/DVD drive
- order of installation, memory modules 27

P

- password
 - administrator 42
 - clear CMOS jumper 42
 - override 42
 - power-on 41
 - resetting 42
- power
 - requirement 3
 - supply 3
- power-control
 - button 7
 - button shield 7
- power-cord connector 8
- power-on LED 7
- power-on password 39
- publications 1

R

- RAS features 5
- reset button 7
- resetting passwords 42
- riser card
 - connector location 12
 - location 21
 - slots 16

S

- SAS
 - hot-swap drives 3
 - hot-swap models 3
- SATA
 - hot-swap 3
 - simple-swap 3
- serial connector 8
- ServeRAID 4
- ServerGuide
 - CD 4
 - features 36
 - NOS installation 37
 - setup 36

ServerGuide (*continued*)
 using 35
setting clear CMOS (password override) jumper 42
simple-swap Serial ATA hard disk drive 23, 24
size 3
slot locations
 adapter 16
 PCI Express 16
slots 3
SMBridge management utility program 44
 installing 44
specifications 3
standby 5, 15
Standby mode 9
statements and notices 2
supervisor password
 See administrator password
switches and jumpers 13
system board
 internal connectors 12
 jumper blocks 13
 LEDs 15
 optional-device connectors 16
 switches and jumpers 13
system-error LED 7
 and system-event log 40
system-event log
 about 40
 clearing 40
systems management 5
systems-management connector 8

T

temperature 3
trademarks 49
turning off the server 9
turning on the server 9

U

United States electronic emission Class A notice 53
United States FCC Class A notice 53
unknown password, bypassing 41, 42
UpdateXpress 6
updating the firmware code 46
USB connector 7, 8
user password 41
 See power-on password
using
 baseboard management controller utility
 programs 46
 command-line interface 47
utility program
 baseboard management 44
 Configuration/Setup 38
 LSI Logic Configuration Utility program 43
 SAS configuration 43
 SMBridge management 44

V

video connector 8
video controller 3

W

weight 3



Part Number: 42C4987

Printed in USA

(1P) P/N: 42C4987

