

xSeries Server



# 100/200 GB HH LTO Internal Tape Drive

## User's Guide

**Important:**

Please carefully review the information in Appendix A, "Maintenance" and Appendix B, "Tape handling," as periodic maintenance (cleaning, firmware updates, etc.) is not covered by the IBM warranty. Repairs or exchanges resulting from improper maintenance may result in billable service charges.



xSeries Server



# 100/200 GB HH LTO Internal Tape Drive

## User's Guide

**Note:** Before using this information and the product is supports, be sure to read the information under Appendix F, "IBM Statement of Limited Warranty - Z125-4753-07 - 11/2002," Appendix F, "IBM Statement of Limited Warranty - Z125-4753-07 - 11/2002," and Appendix G, "Notices."

**Second Edition (June 2003)**

**© Copyright International Business Machines Corporation 2003. All rights reserved.**

US Government Users Restricted Rights – Use, duplication or disclosure restricted by GSA ADP Schedule Contract with IBM Corp.

---

# Contents

<b>Safety</b> . . . . .	<b>v</b>	<b>Appendix B. Tape handling</b> . . . . .	<b>B-1</b>
<b>About this book.</b> . . . . .	<b>vii</b>	Tape handling and storage . . . . .	B-1
<b>Installation and user's guide</b> . . . . .	<b>1-1</b>	Environmental issue . . . . .	B-1
Installation requirements. . . . .	1-1	Tape drive cleaning . . . . .	B-1
Installing the drive. . . . .	1-1	<b>Appendix C. Product specifications</b> . . . . .	<b>C-1</b>
Step 1. Preparing for installation . . . . .	1-2	<b>Appendix D. Problem solving</b> . . . . .	<b>D-1</b>
Step 2. Selecting a SCSI ID . . . . .	1-2	Fault diagnosis. . . . .	D-1
Step 3. Setting the SCSI ID . . . . .	1-2	Troubleshooting . . . . .	D-1
Step 4. Mounting the drive . . . . .	1-3	Post-installation troubleshooting . . . . .	D-2
Step 5. Attaching cables . . . . .	1-4	<b>Appendix E. Service and Support.</b> . . . .	<b>E-1</b>
Step 6. Completing the installation . . . . .	1-4	Online technical support. . . . .	E-1
Step 7. Turning on the device . . . . .	1-5	Telephone technical support . . . . .	E-1
Step 8. Updating the configuration . . . . .	1-5	<b>Appendix F. IBM Statement of Limited</b>	
Step 9. Installing backup and restore software . . . . .	1-5	<b>Warranty - Z125-4753-07 - 11/2002.</b> . . . .	<b>F-1</b>
Using the drive . . . . .	1-5	<u>Part 2 - Country-unique Terms</u> . . . . .	F-4
LED indicators . . . . .	1-5	<u>Part 3 - Warranty Information</u> . . . . .	F-15
Loading tape cartridges . . . . .	1-6	<b>Appendix G. Notices</b> . . . . .	<b>G-1</b>
Unloading tape cartridges . . . . .	1-9	Trademarks . . . . .	G-2
Using cleaning cartridges . . . . .	1-9	Electronic emissions notices . . . . .	G-2
Setting write-protection on the cartridge . . . . .	1-10	Federal Communications Commission (FCC)	
Resetting the drive . . . . .	1-10	statement . . . . .	G-2
Packing the drive for shipping . . . . .	1-10		
<b>Appendix A. Maintenance</b> . . . . .	<b>A-1</b>		
Caring for tape cartridges . . . . .	A-1		
Cleaning cartridges . . . . .	A-1		



---

## Safety

Before installing this product, read the Safety Information.

مج، يجب قراءة دات السلامة

Antes de instalar este produto, leia as Informações de Segurança.

在安装本产品之前，请仔细阅读 **Safety Information**  
(安全信息)。

Prije instalacije ovog produkta obavezno pročitajte Sigurnosne Upute.

Před instalací tohoto produktu si přečtěte příručku bezpečnostních instrukcí.

Læs sikkerhedsforskrifterne, før du installerer dette produkt.

Ennen kuin asennat tämän tuotteen, lue turvaohjeet kohdasta Safety Information.

Avant d'installer ce produit, lisez les consignes de sécurité.

Vor der Installation dieses Produkts die Sicherheitshinweise lesen.

Πριν εγκαταστήσετε το προϊόν αυτό, διαβάστε τις πληροφορίες ασφάλειας  
(safety information).

לפני שתתקינו מוצר זה, קראו את הוראות הבטיחות.

A termék telepítése előtt olvassa el a Biztonsági előírásokat!

Prima di installare questo prodotto, leggere le Informazioni sulla Sicurezza.

製品の設置の前に、安全情報をお読みください。

본 제품을 설치하기 전에 안전 정보를 읽으십시오.

Пред да се инсталира овој продукт, прочитајте информацијата за безбедност.

Lees voordat u dit product installeert eerst de veiligheidsvoorschriften.

Les sikkerhetsinformasjonen (Safety Information) før du installerer dette produktet.

Przed zainstalowaniem tego produktu, należy zapoznać się  
z książką "Informacje dotyczące bezpieczeństwa" (Safety Information).

Antes de instalar este produto, leia as Informações sobre Segurança.

Перед установкой продукта прочтите инструкции по  
технике безопасности.

Pred inštaláciou tohto zariadenia si prečítajte Bezpečnostné predpisy.

Pred namestitvijo tega proizvoda preberite Varnostne informacije.

Antes de instalar este producto lea la información de seguridad.

Läs säkerhetsinformationen innan du installerar den här produkten.

安裝本產品之前，請先閱讀「安全資訊」。



---

## About this book

This user's guide provides information on the IBM® 100/200 GB HH LTO Internal Tape Drive.

The "Installation and user's guide" section contains the product description, installation, and operating instructions in the following languages:

- English
- French
- German
- Italian
- Japanese
- Korean
- Simplified Chinese
- Spanish
- Traditional Chinese

The appendixes in this user's guide contain information on maintenance, tape handling, specifications, problem-solving, service and support, the warranty, and notices.

Be sure to retain your proof of purchase. It might be required for warranty service.

**Note:** The illustrations in this manual might be slightly different from your hardware.



---

## Installation and user's guide

The IBM 100/200 GB<sup>1</sup> HH LTO Internal Tape Drive is a fast/wide Ultra2 (low voltage differential) SCSI tape drive for backing up and restoring data and archiving files. These files can include multimedia, imaging, transaction processing, large databases, and other storage-intensive applications. Each tape cartridge can store up to 100 GB of data (uncompressed), or up to 200 GB of data (compressed), assuming a 2:1 compression ratio.

In addition to this book, the option package contains:

- IBM 100/200 GB HH LTO Internal Tape Drive
- Quick Start Guide
- Mounting screws
- SCSI jumpers (may be pre-installed on the drive)
- Cleaning cartridge
- Device drivers (on the *Documentation CD*)
- Mounting bracket
- SCSI cable

Contact your place of purchase if an item is missing or damaged. Be sure to retain your proof of purchase and packing material. They might be required to receive warranty service.

---

## Installation requirements

To install this drive, you must have the following:

- A dedicated low voltage differential (Ultra2) SCSI host adaptor.
- Documentation for your computer, SCSI bus adapter, or external enclosure
- An Ultra2 LVD active terminator
- Phillips and flat blade screwdrivers for the mounting screws, and for opening your computer
- Flat-nose pliers (optional) to install and remove jumpers
- An available 5.25-inch half high drive bay
- Supported operating system, Windows<sup>®</sup>, Netware, or Linux
- Supported backup software (Veritas Backup Exec, CA Brightstor, etc.)

---

## Installing the drive

The IBM 100/200 GB HH LTO Internal Tape Drive can be installed in several types of IBM xSeries<sup>®</sup> servers. For a list of supported servers, go to <http://www.pc.ibm.com/compat> and click on "Tape Backup Units." Instructions for installing the tape drive are included in your server documentation.

If you cannot find your server documentation, follow these general steps to install the tape drive.

---

1. GB equals approximately 1 000 000 000 bytes.

## Step 1. Preparing for installation

To prepare for installation, complete the following procedure:

1. Touch a known grounded surface to discharge static electricity from your body and ensure that the work area is free from conditions that could cause ESD.
2. Turn off all devices attached to the computer in which you plan to install the drive, then turn off the computer.
3. Disconnect all power cables.
4. Remove the drive bay's cover plate according to the system manufacturer's instructions.
5. Before opening the static-protective bag containing the tape drive, touch the bag to an unpainted metal surface on the computer for at least two seconds. Remove the drive from the static-protective bag. If you must put the drive down, place the drive on the static-protective bag. Do not touch any exposed components of the tape drive. Instead, handle it carefully by the edges.

**Attention:** Tape drives are sensitive to static electricity discharge. The drive is wrapped in a static-protective bag to prevent damage.

The tape drive complies with industry-standard, 5.25-inch half-high form factor mounting requirements and can be mounted either horizontally or vertically, but not upside down.

## Step 2. Selecting a SCSI ID

Each device on a SCSI bus must have a unique SCSI ID. You can select a SCSI ID from 0 to 15 for the tape drive. The SCSI ID must be supported by your SCSI adapter. Refer to your SCSI adapter documentation for the range and the relative priority of the IDs supported. The tape drive is shipped with the SCSI ID preset to 3.

Follow these guidelines to select a SCSI ID:

- Assign the tape drive to one of the higher priority IDs available (0–6).
- Assign the lower priority ID numbers (8-15) to those devices that are most often used or are faster than other devices in the chain.
- Do not assign an ID of 7, because this is usually used as the SCSI adapter ID.
- Depending on your computer, there are several ways to view your current SCSI ID settings:

For many IBM computers, press F1 during the startup after the memory check completes. Other adapters show SCSI settings when you press Ctrl A. Check the documentation that comes with your computer or SCSI adapter for information on how to view configuration information.

- Use SCSI adapter utility programs, if available.
- Inspect the installed SCSI devices to see how the jumpers that determine the IDs are set.

## Step 3. Setting the SCSI ID

To set the SCSI ID, complete the following procedure. Refer to Figure 1-1 on page 1-3.

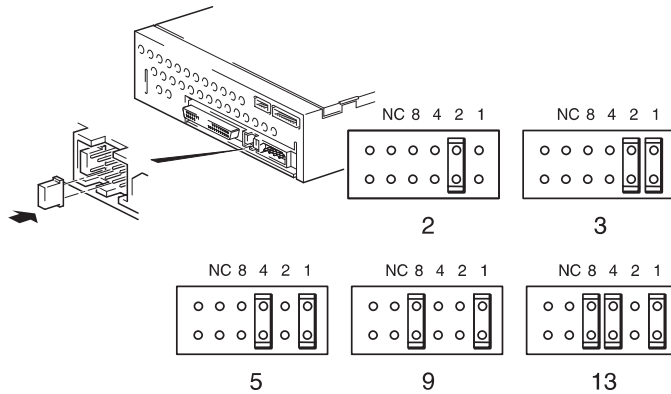


Figure 1-1. Setting the SCSI ID

**Note:**

1. When setting the SCSI ID, use the jumpers that come with the tape drive.
2. If your enclosure uses a remote SCSI ID switch, remove the jumpers from the jumper pins on the tape drive and connect the remote switch.

1. Locate the SCSI ID connector.
2. Decide on the SCSI ID number you want before you attach the SCSI bus cable to the host. Make sure that the ID number you want is not already being used by another device.
3. Find the jumper pin setting that corresponds to the SCSI ID number you choose; then place jumper pins on the SCSI ID blocks. You can use a pair of flat-nose pliers to place the jumpers on the jumper pins.

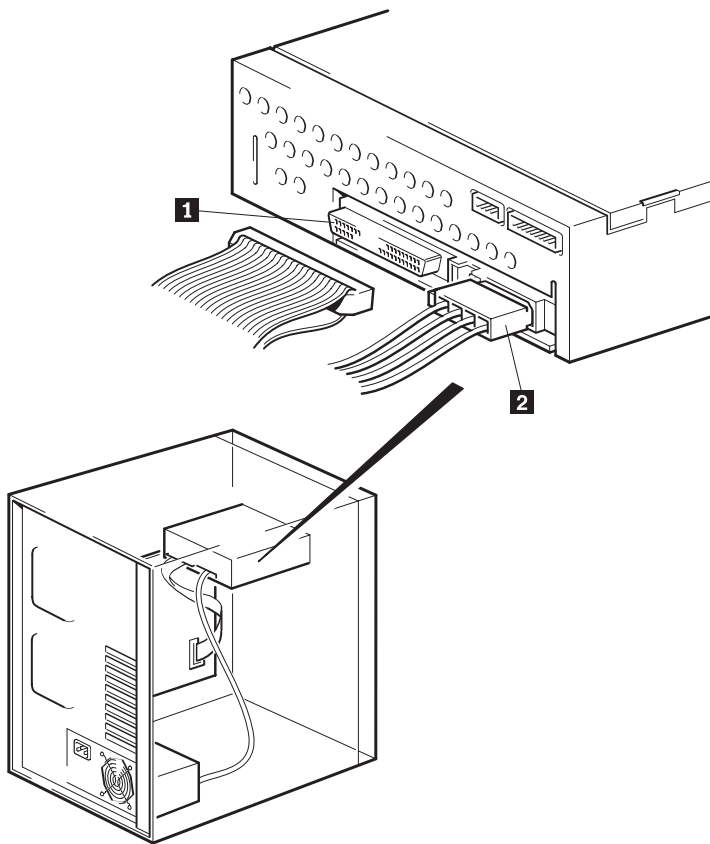
## Step 4. Mounting the drive

Mount the tape drive; then attach the SCSI and power cables to it. If there is insufficient working space to attach the connectors after mounting the drive, attach the cables first. To mount the drive, follow these steps:

1. Locate an available 5.25-inch bay or space in your computer to mount the tape drive. Remove the cover plate from the bay selected. Place the drive horizontally or vertically.
2. Depending on the type of server, install the drive directly, or install the mounting bracket on the drive first, then slide the drive into the server.
3. Align the drive-bay screw holes with the threaded holes in the drive housing. When you mount the tape drive, follow these guidelines:
  - Ensure that no objects such as screw heads, cables, or adjacent devices are pressing against the frame.
  - Ensure that nothing blocks the ventilation slots on the bottom and rear of the tape drive.
4. Insert a screw through each of the drive-bay holes into the threaded holes in the drive and tighten the screws with a screwdriver. Use only the screws that come with the tape drive. Other screws might be too long and cause electrical shorts.

## Step 5. Attaching cables

When attaching the cables, refer to Figure 1-2.



- 1 SCSI cable connector
- 2 Power connector

Figure 1-2. Attaching cables

To attach the SCSI and power cables to the tape drive:

1. Use the single drop SCSI cable included with your drive. This cable is already terminated. Attach the non-terminated end to your system SCSI host adaptor.
2. Attach the terminated end of the cable to the tape drive 68-pin SCSI connector. The SCSI cable connector at the end of the SCSI cable will attach to the drive only one way. Do not force the cable onto the drive.

**Attention:** Do not force the power cable into the tape drive power connector. If the power cable is upside down and you force the connection, you might damage the drive.

3. Connect the power cable connector to the four-pin connector 2 on the tape drive as shown in the illustration. If all the power cables are in use, purchase a dc Y-splitter cable, which is available at most electronics stores, and split a connection to make a connection available for the tape drive.

## Step 6. Completing the installation

Check your work before closing the computer.

1. Be sure that the power and SCSI connectors are securely attached. Be sure that the cables are neatly routed.
2. Replace the computer cover and secure it in place. Reconnect the power cords and cables.

## Step 7. Turning on the device

Turn on all attached devices; then turn on your computer. The tape drive performs a power-on self-test (POST) and then performs a drive reset.

## Step 8. Updating the configuration

For most computers, the configuration-setup utility program automatically recognizes the new tape drive. However, you might have to provide information about your system changes after you restart your computer.

Ensure that the appropriate advanced SCSI programming interface (ASPI) device drivers are installed to support the tape drive. Device drivers are usually provided with the SCSI adapter.

If your computer does not recognize the tape drive after startup or if you receive startup errors, run the configuration-setup utility program as described in the documentation that comes with your computer.

## Step 9. Installing backup and restore software

The tape drive is used for backing up and restoring data. Consequently, to use the drive, you must install an appropriate backup and restore application for your computer operating system. Use the instruction below that best fits your situation:

- If you are using your own software, follow the directions that come with your software.
- If you are using the hardware installation support that your operating system provides, and the operating system requests a device driver, insert the *Documentation CD* and look in the "device driver" folder. If the required device driver is not included on the *Documentation CD*, you can go to [www-3.ibm.com/pc/support](http://www-3.ibm.com/pc/support) and search for "59P6740" for a list of new and updated drivers.

---

## Using the drive

This section provides information on loading and unloading tape cartridges, drive LEDs, setting write-protection, resetting the drive, and packing the drive for shipping.

**Attention:** For best results, use only IBM recommended data and cleaning cartridges. A current list of IBM recommended media can be found by going to [www-3.ibm.com/pc/support](http://www-3.ibm.com/pc/support) and searching for "MIGR-39931".

## LED indicators

The following table describes the LED (light emitting diode) indicators on the front panel of the drive.

Table 1-1. Front panel LEDs

LED	State	Operating conditions
Ready (top light, green)	On; steady	The drive is ready for use. It is powered up but not doing anything.
	On; flashing	The drive is busy. For example, it is carrying out Write, Read, Self Test or firmware download.
	Off	The drive power is off or there was a failure during self-test.
Drive Error (second light, amber)	Off	No fault has been detected.
	On; flashing	The drive has suffered an unrecoverable hardware failure. A power cycle or a successful tape load will turn off the LED, but if the hardware fault is still present it will come on again if the same operation is performed.
Tape Error (third light, amber)	Off	No fault has been detected.
	On; flashing	The tape currently in the drive is faulty. This LED could come on for a number of reasons, but they all relate to the tape being in error in some way, such as unreadable cartridge memory or unsupported tape. Do not use the cartridge; replace it. The LED will go out when a tape load is started.
Use Cleaning Cartridge (bottom light, amber)	On; steady	A cleaning cartridge is being used. The Ready light will also flash.
	On; flashing	The drive needs cleaning. The light will continue to flash if the drive is power cycled, and will only go out after a supported cleaning tape has been used.
	Off	The drive does not require cleaning.

**Note:** LEDs during firmware download operation.

- If a corrupt or incompatible image is download for firmware upgrade then the Ready, Drive and Tape Error LEDs will flash until a tape load is started.
- If a valid image is downloaded, the ready LED will flash briefly, will be steady for about half a minute, and then will flash until the drive resets itself. During this time **DO NOT RESET OR POWER CYCLE THE DRIVE.**

## Loading tape cartridges

To load a tape cartridge, perform the following steps:

1. Make sure the tape drive is turned on.
2. Make sure the write-protection switch on the tape cartridge is properly set. For more information, see “Setting write-protection on the cartridge” on page 1-10.
3. Grasp the tape cartridge so that the write-protect switch faces you.
4. Slide the tape cartridge into the tape load compartment.



**Note:**

If the tape cartridge is already in the unload position (partially ejected) and you want to reload it, remove the cartridge and then load it again.

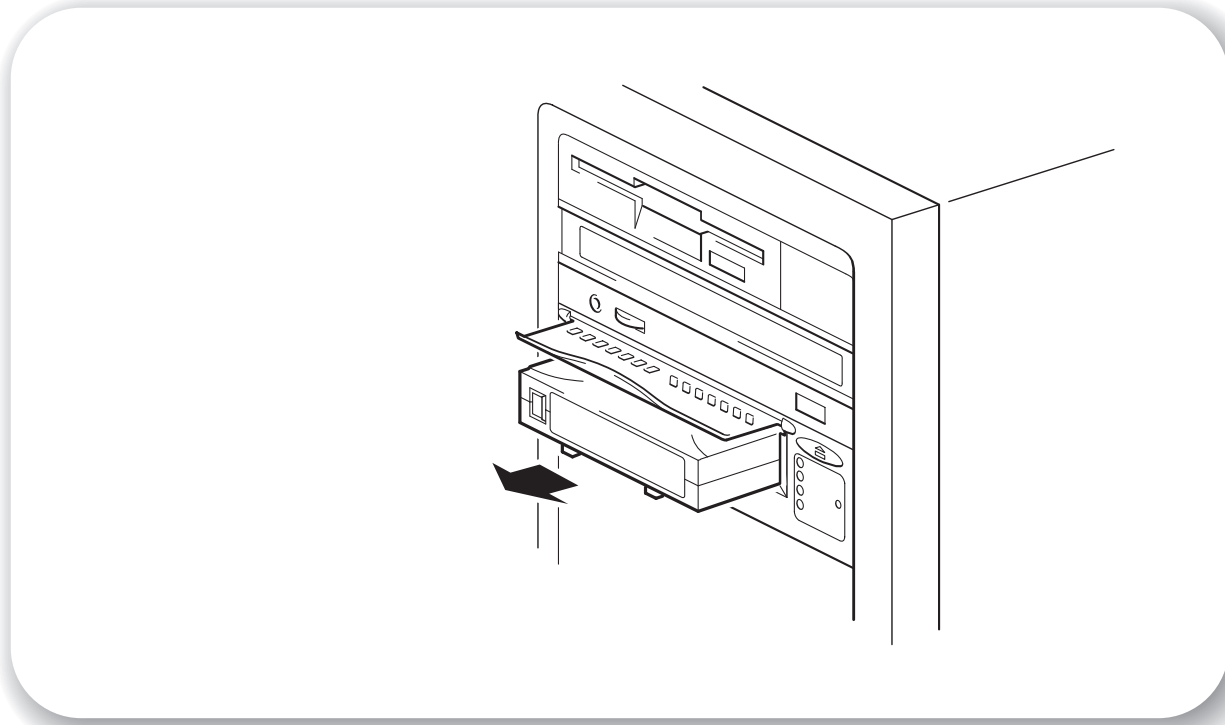
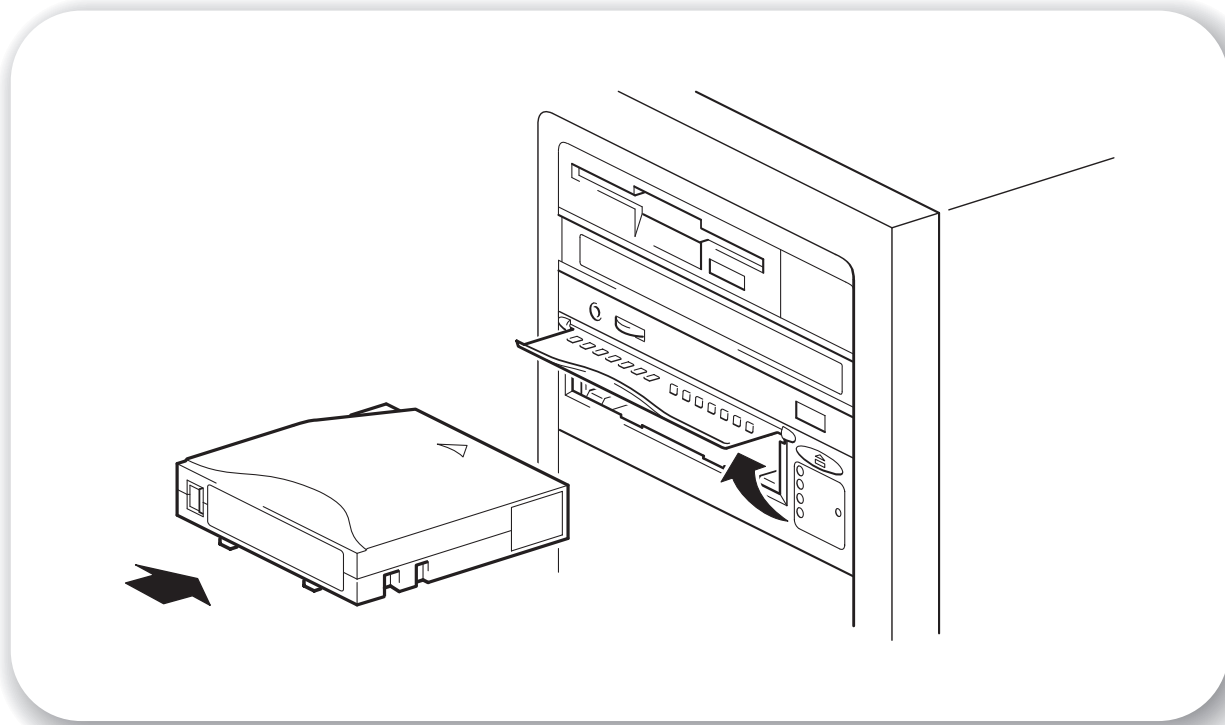


Figure 1-3. Loading and unloading tape cartridges

## Unloading tape cartridges

To unload a tape cartridge, perform the following steps.

1. Make sure that the 100/200 GB HH LTO Internal Tape Drive is turned on.
2. Press the Unload button. The drive rewinds the tape and places the tape cartridge in the unload position. The status light will flash green while the tape rewinds, and go out before the cartridge reaches the unload position.
3. After the tape cartridge has reached the unload position, grasp the cartridge and remove it.

## Using cleaning cartridges

Clean the tape drive whenever the Cleaning LED status light comes on or a system I/O error related to the device occurs.

**Attention:** For best results, use only IBM recommended cartridges. A current list of IBM recommended media can be found by going to [www-3.ibm.com/pc/support](http://www-3.ibm.com/pc/support) and searching for "MIGR-39931".

To clean the tape drive:

1. Make sure that the power is on.
2. If a tape cartridge is in the tape drive, eject and remove the cartridge.
3. Grasp the cleaning cartridge by the outer edges, with the window side up and the write-protect switch facing you.
4. Slide the cartridge into the opening on the front of the tape drive until the loading mechanism pulls the cartridge into the drive and the drive door closes.

After the cleaning cartridge has been inserted, the remainder of the cleaning process is automatic. The tape drive will do the following:

1. Loads the cleaning cartridge into the tape drive.
2. Cleans the drive by moving the cleaning tape forward for approximately 30 seconds.
3. Unloads the cleaning cartridge when the cleaning operation is complete.
4. Indicates a successful cleaning operation by turning off the Cleaning LED (if the Cleaning LED was on prior to the cleaning process).
5. If the cleaning operation completes but the Cleaning LED remains on, repeat the cleaning procedure with a new cleaning cartridge. If the LED still remains on, contact your authorized service representative.

To determine how many times a cleaning cartridge may be used, check the information printed on the cartridge. If you attempt to use a depleted cleaning cartridge, the tape drive automatically detects the error and ejects the cartridge, without turning off the cleaning LED, if already on.

## Setting write-protection on the cartridge

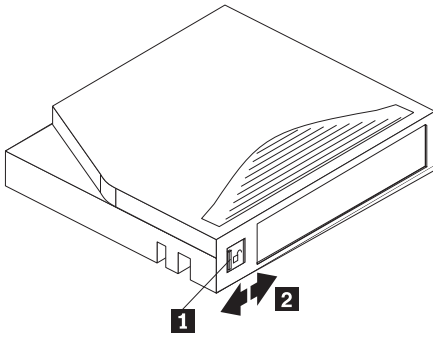


Figure 1-4. Setting write-protection

The front of the cartridge has an orange write-protect indicator **1** and a write-protect switch **2** to prevent accidental erasure. Slide the switch to the left to write-enable or to the right to write-protect. You can change the write-protect switch before or after inserting the tape. If you change the write-protect switch while the tape is inserted, there is a delay of a few seconds before the Write Protect indicator on the tape drive changes.

---

## Resetting the drive

The reset procedure rewinds the tape and clears the buffer of previous tape drive commands and data. To reset the tape drive, press the Unload button, or turn the computer off and back on again.

If you reset the tape drive while a cartridge is loaded, the tape rewinds to the beginning. The reset might take as long as two minutes if the tape is positioned near the end. After the drive has been reset, tape operation starts from the beginning of the data cartridge. After resetting the drive, restart your backup tape software.

---

## Packing the drive for shipping

If you are shipping the tape drive to another location or returning it for repair, pack the tape drive in its original shipping container and packing materials.

**Attention:** To avoid damaging the tape drive, use the original shipping materials when you ship it. Your proof of purchase might be required to receive warranty service. If you are returning the tape drive for service, remove and keep all cartridges, cables, and terminators.

---

## Appendix A. Maintenance

You need to perform regular maintenance on your 100/200 GB HH LTO Internal Tape Drive. This section explains how to care for the tape cartridges and how to clean the drive head.

---

### Caring for tape cartridges

The following points are guidelines for storing and using the cartridges:

- Do not open the tape access door of the cartridge or touch the tape itself.
- Keep your cartridges away from sources of electromagnetic fields, such as telephones, dictation equipment, mechanical or printing calculators, motors, and bulk erasers. Do not place the cartridges on the computer monitor or on the base unit of the computer.
- Keep cartridges away from direct sunlight and heat sources, such as radiators or warm air ducts.
- Keep cartridges free of moisture. Do not wet or submerge cartridges in any liquid.
- Do not expose cartridges to temperature extremes.
- Retensioning is the winding and rewinding of a tape cartridge. This action restores the proper tape tension to the media. Retension tape cartridges that have not been used for more than a month before restoring or backing up data. It is recommended that you retension regularly used data cartridge once per week. Instructions for performing a manual tape retensioning are available in your backup application user's guide.
- Make sure you are using supported data and cleaning cartridges.

---

### Cleaning cartridges

**Attention:**

Be sure to use IBM recommended cleaning cartridges, as other cleaning cartridges have not been tested by IBM. For the most current list of IBM recommended media, please visit <http://www.ibm.com/support/us> and search for "MIGR-39931."

A cleaning cartridge is supplied with each tape drive and should only be used when the amber 'Use Cleaning Cartridge' LED is flashing. Insert the cleaning cartridge and the drive will carry out its cleaning cycle and eject the cartridge on completion (which can take up to 5 minutes). During the cleaning cycle the amber 'Use Cleaning Cartridge' LED will be on solidly and the green 'Ready' LED will flash.

Each cleaning cartridge can be used up to 15 times. If the cleaning cartridge is ejected immediately with the 'Tape Error' LED on, it has expired. New cleaning cartridges are available from your supplier.



---

## Appendix B. Tape handling

This section describes how to properly handle your tape cartridges to reduce wear on the 100/200 GB HH LTO Internal Tape Drive.

---

### Tape handling and storage

Most tape is supplied in a sealed cartridge. Tape is provided this way so that the tape will remain in a clean environment. Opening the cartridge allows dirt and airborne particles to enter and then become a source of contamination. The cartridge must only be opened by the tape drive and not by an operator. The tape is also held under proper tension inside the cartridge. If the cartridge is dropped, this tension is relaxed. Inserting a dropped cartridge into a tape drive can often cause a misload that results in a jam. The jam ruins the tape and can cause physical damage if the cartridge is not removed properly. When you store tapes, place them into their protective containers and store them on their ends. Store the tapes in a clean, dry area at normal room temperature and away from magnetic fields.

---

### Environmental issue

The operating environment might adversely affect tape drive operation. The tape drive is designed to operate in a clean environment. When tape is installed in a tape drive, the clearance between the heads and the tape is measured in microns. Even particles of smoke are larger than the space available between the tape and the heads. Other environmental factors that adversely affect tape drive operation are dirt, dust, fibers, and airborne particles.

---

### Tape drive cleaning

Even if the operating environment is clean, dirt might build up on the heads of any tape drive. Every time tape motion occurs, some of the media surface comes off on the heads. Over time, this material builds up, causing the tape head clearance to increase. The increased tape head clearance produces reading and writing errors. Most tape drives today have a built-in cleaning indicator to notify you when the tape needs cleaning.





---

## Appendix C. Product specifications

This appendix includes the produce specifications and requirements.

<i>Physical specifications</i>	
Height (with bezel)	82.5 mm (3.25 in)
Width (with bezel)	146 mm (5.75 in)
Length (with bezel)	203 mm (8 in)
Weight	1.9 Kg. (4.21 lbs)

<i>Input voltages</i>	
Standard +5 V dc and +12 V dc $\pm$ 5%	

<i>Maximum sustained data-transfer rates</i>	
Uncompressed data	7.5 MB/s

<i>Power</i>		
+5 V ( $\pm$ 5%)	6.3 a (max)	5.2 a (typ)
+12 V ( $\pm$ 5%)	2.6 a (max)	2.75 a (typ)

<i>Operating environment</i>	
Tape path temperature range	+10° C to +35° C (+50° F to +95° F)
Relative humidity	20% to 80%, noncondensing
Wet bulb	26° C (78° F) maximum
Altitude	0 to 4000 m (0 to 15 000 ft)
Temperature gradient	< 10° C per hour
Humidity gradient	10% per hour
Airflow	0.17 cubic m per minute

<i>SCSI cable specifications</i>	
Connector	68-pin male, shielded, AMP 786090-7



---

## Appendix D. Problem solving

Computer problems can be caused by hardware, software, or user error. You might be able to use the information in this section to solve problems yourself, or gather helpful information you can pass on to a service technician.

---

### Fault diagnosis

If an error occurs with the tape drive, follow these steps to eliminate possible causes.

<b>Note:</b> After each step, retry the backup operation. If the backup still fails, go on to the next step.
--

- Make sure you are using recommended media.
- Clean the tape drive.
- Retension the data cartridge.
- Replace the data cartridge.
- Go to the IBM support Web site at <http://www.ibm.com/pc/support>.

---

### Troubleshooting

The first step in problem-solving is establishing whether the problem lies with the cartridge, the drive the host computer and its connections, the backup software or with the way the system is being operated. If none of the following advice helps you solve the problem, contact your supplier.

- *The software does not recognize the tape drive*

Take the following actions:

1. Check for proper termination of the SCSI device chain. The SCSI device chain must be terminated at both ends.
2. Check for conflicting SCSI ID settings. Each SCSI ID must be unique on the SCSI device chain.
3. Ensure that the appropriate Advanced SCSI Programming Interface (ASPI) device drivers are installed to support the tape drive. ASPI device drivers usually come with the SCSI host adapter. For more information on the device drivers, see the documentation that came with your SCSI host adapter or your computer system.

#### *The computer does not restart after installation*

Possible reason	Recommended action
You have connected the tape drive to an existing SCSI bus that has other devices connected to it and the SCSI address of your drive is identical to the address used by another device.	Make sure that each device on the SCSI bus has a unique ID.  We recommend that the tape drive is connected to a dedicated host bus adapter. Do not connect the drive to a disk RAID controller as this is not supported.
You have installed an additional SCSI host bus adapter and its resources are clashing with an existing adapter.	Remove the new host bus adapter and check the server documentation.

Possible reason	Recommended action
You have disconnected the power or SCSI cable from the computer's start disk during the drive installation process.	Check that the cables to all devices are firmly connected.

*The computer starts but does not recognize the tape drive*

Possible reason	Recommended action
The power or SCSI cable is not connected properly.	Check that the cables to the tape drive are firmly connected. Ensure that the SCSI cable is LVD-compliant and that it does not have any bent pins. Replace, if necessary.
The SCSI bus is not terminated correctly.	Check that the SCSI bus is actively terminated. (Refer to the documentation for your SCSI controller and any other SCSI devices you may have).
The tape drive's SCSI ID address is not unique	Make sure that each device connected to the SCSI controller has a unique SCSI ID. Remember that 7 is normally reserved for the host bus adapter.

*The application does not recognize the tape drive*

Possible reason	Recommended action
The application does not support the tape drive.	Refer to your manufacturer's World Wide Web site for details of backup applications that support the tape drive. Load any service packs as necessary.
Some applications require drivers to be loaded.	Check that the correct SCSI and tape drive drivers are installed. Consult the backup application's installation notes for details.

*The drive does not work*

Possible reason	Recommended action
If the drive does not power up, the power cable may not be connected to the drive properly.	Make sure that the power cable is firmly connected. Try another power connector. If the power supply is present and all LEDs remain off, try the reset button to power cycle the drive. If this fails, call for assistance.
If the self-test fails, there may be a hardware or firmware failure.	If there is a cartridge in the drive, remove it. Power down the drive and power it up again. If the self-test still fails, call for assistance.

---

## Post-installation troubleshooting

Remember that the system recognizes devices during start-up. If you swap or connect a product when your system is running, you will need to restart the system. Restarting the system will reset devices and will often resolve problems. If is good practice to restart every time you add a driver or install firmware.

## Understanding LEDs:

Your tape drive has four LEDs (light emitting diodes) on the front panel, which indicate drive status. These LEDs provide useful troubleshooting information.

The tape drive performs a power-on self-test whenever power is applied or the drive is reset. The test takes about 5 seconds.

The green 'Ready' light and the three orange lights for the other LEDs flash briefly and then go out.

The green 'Ready' LED flashes and then remains on if self-test passes.

If the self-test fails, the 'Drive Error' and 'Tape Error' LEDs flash, while the 'Ready' and 'Use Cleaning Cartridge' LEDs are off. This continues until the drive is reset.

Use the following table to interpret the LED sequences and the appropriate action to take.

Symptom	Action
Drive fails to execute power-on self-test. LEDs remain off.	Check power is being supplied to the drive. Try another power connector.  If the power supply is present and all LEDs remain off, call for service.
Drive fails to execute power-on self-test. The 'Drive Error' and 'Tape Error' LEDs flash, while the 'Ready' and 'Use Cleaning Cartridge' LEDs are off.	Unload the tape cartridge. Power cycle or reset the drive. Use something thin, like the end of a paperclip to press the Reset button on the front of the tape drive.  If the condition clears, load a new tape and discard the 'suspect' tape cartridge.  If the error condition reappears, call for service.
The 'Use Cleaning Tape' LED is flashing	The drive requires cleaning. Load the cleaning cartridge.
The cleaning cartridge is ejected immediately after loading and the 'Tape Error' LED is flashing	Make sure that you are using a cleaning cartridge that has been used less than 15 times.
The 'Drive Error' LED is flashing	The drive mechanism has detected an error. Power cycle or reset the drive.  If the condition clears load a new tape. If the 'Drive Error' LED remains on, call for service.
The 'Tape Error' LED is flashing	Unload the tape cartridge. Load a new cartridge.  If the 'Tape Error' LED is now off, discard the 'suspect' tape cartridge.  If it is still on, call for service.
The tape is ejected immediately and the 'Tape Error' LED is flashing, or the 'Drive Error' LED flashes on unloading tape	The tape cartridge memory (CM) may be faulty. Write-protect the cartridge by sliding the red switch on the tape cartridge. The tape can be loaded and the data read. Once the data is recovered, the cartridge must be discarded.



---

## Appendix E. Service and Support

The following information describes the technical support that is available for your product, during the warranty period or throughout the life of the product. Refer to your IBM Statement of Limited Warranty for a full explanation of IBM warranty terms.

---

### Online technical support

Online technical support is available during the life of your product through the Personal Computing Support Web site at [www-3.ibm.com/pc/support/site.wss/](http://www-3.ibm.com/pc/support/site.wss/).

During the warranty period, assistance for replacement or exchange of defective components is available. In addition, if your IBM option is installed in an IBM computer, you might be entitled to service at your location. Your technical support representative can help you determine the best alternative.

---

### Telephone technical support

Installation and configuration support through the IBM HelpCenter<sup>®</sup> will be withdrawn or made available for a fee, at IBM's discretion, 90 days after the option has been withdrawn from marketing. Additional support offerings, including step-by-step installation assistance, are available for a nominal fee.

To assist the technical support representative, have available as much of the following information as possible:

- Option name
- Option number
- Proof of purchase
- Computer manufacturer, model, serial number (if IBM), and manual
- Exact wording of the error message (if any)
- Description of the problem
- Hardware and software configuration information for your system

If possible, be at your computer. Your technical support representative might want to walk you through the problem during the call.

For the support telephone number and support hours by country, refer to the following table. If the number for your country or region is not listed, contact your IBM reseller or IBM marketing representative. Response time may vary depending on the number and nature of the calls received.

Phone numbers are subject to change without notice. For the latest phone number list, go to [www-3.ibm.com/pc/support/site.wss/](http://www-3.ibm.com/pc/support/site.wss/) and click **Support Phone List**.

Country or Region	Telephone Number	Country or Region	Telephone Number
Argentina	0800-666-0011	Malaysia	03-7727-7800
Australia	1300-130-426	Mexico	001-866-434-2080
Austria	01-24592-5901	Netherlands	020-514-5770

Country or Region	Telephone Number	Country or Region	Telephone Number
Belgium	Dutch 02-210-9820 French 02-210-9800	New Zealand	0800-446-149
Bolivia	0800-0189	Norway	66 81 11 00
Brazil	55-11-3889-8986	Peru	0-800-50-866
Canada	1-800-565-3344 Toronto 416-383-3344	Philippines	632-995-2225
Chile	800-224-488	Portugal	21-791 51 47
China (PRC)	800-810-1818	Russia	095-940-2000
China (Hong Kong S.A.R.)	852-2825-7799	Singapore	1800-840-9911
Columbia	980-912-3021	Spain	91-662 49 16
Denmark	45 20 82 00	Sweden	08-477 4420
Ecuador	1-800-426911 (option #4)	Switzerland	058-333-09-00
Finland	09-459 69 60	Taiwan	886-2-2725-9799
France	02 38 55 74 50	Thailand	66-2-273-4000
Germany	07032-1549 201	Turkey	00-800-446-32-041
Indonesia	021-523-8535	United Kingdom	0-1475-555 055
Ireland	01-815-9202	United States	1-800-426-7378
Italy	02-7031-6101	Uruguay	000-411-005-6649
Japan	Consumer customers 0120-887-870  Business customers 0120-887-874	Venezuela	0-800-100-2011
Luxembourg	298-977 5063	Vietnam	848-8295-160



---

## Appendix F. IBM Statement of Limited Warranty - Z125-4753-07 - 11/2002

### Part 1 - General Terms

*This Statement of Limited Warranty includes Part 1 - General Terms, Part 2 - Country-unique Terms, and Part 3 - Warranty Information. The terms of Part 2 replace or modify those of Part 1. The warranties provided by IBM in this Statement of Limited Warranty apply only to Machines you purchase for your use, and not for resale. The term "Machine" means an IBM machine, its features, conversions, upgrades, elements, or accessories, or any combination of them. The term "Machine" does not include any software programs, whether pre-loaded with the Machine, installed subsequently or otherwise. Nothing in this Statement of Limited Warranty affects any statutory rights of consumers that cannot be waived or limited by contract.*

### What this Warranty Covers

IBM warrants that each Machine 1) is free from defects in materials and workmanship and 2) conforms to IBM's Official Published Specifications ("Specifications") which are available on request. The warranty period for the Machine starts on the original Date of Installation and is specified in Part 3 - Warranty Information. The date on your invoice or sales receipt is the Date of Installation unless IBM or your reseller informs you otherwise. Many features, conversions, or upgrades involve the removal of parts and their return to IBM. A part that replaces a removed part will assume the warranty service status of the removed part. Unless IBM specifies otherwise, these warranties apply only in the country or region in which you purchased the Machine.

**THESE WARRANTIES ARE YOUR EXCLUSIVE WARRANTIES AND REPLACE ALL OTHER WARRANTIES OR CONDITIONS, EXPRESS OR IMPLIED, INCLUDING, BUT NOT LIMITED TO, THE IMPLIED WARRANTIES OR CONDITIONS OF MERCHANTABILITY AND FITNESS FOR A PARTICULAR PURPOSE. SOME STATES OR JURISDICTIONS DO NOT ALLOW THE EXCLUSION OF EXPRESS OR IMPLIED WARRANTIES, SO THE ABOVE EXCLUSION MAY NOT APPLY TO YOU. IN THAT EVENT, SUCH WARRANTIES ARE LIMITED IN DURATION TO THE WARRANTY PERIOD. NO WARRANTIES APPLY AFTER THAT PERIOD. SOME STATES OR JURISDICTIONS DO NOT ALLOW LIMITATIONS ON HOW LONG AN IMPLIED WARRANTY LASTS, SO THE ABOVE LIMITATION MAY NOT APPLY TO YOU.**

### What this Warranty Does not Cover

This warranty does not cover the following:

- any software programs, whether pre-loaded or shipped with the Machine, or installed subsequently;
- failure resulting from misuse (including but not limited to use of any Machine capacity or capability, other than that authorized by IBM in writing), accident, modification, unsuitable physical or operating environment, or improper maintenance by you;
- failure caused by a product for which IBM is not responsible; and

- any non-IBM products, including those that IBM may procure and provide with or integrate into an IBM Machine at your request.

The warranty is voided by removal or alteration of identification labels on the Machine or its parts.

IBM does not warrant uninterrupted or error-free operation of a Machine.

Any technical or other support provided for a Machine under warranty, such as assistance via telephone with "how-to" questions and those regarding Machine set-up and installation, is provided **WITHOUT WARRANTIES OF ANY KIND**.

### **How to Obtain Warranty Service**

If the Machine does not function as warranted during the warranty period, contact IBM or your reseller to obtain warranty service. If you do not register the Machine with IBM, you may be required to present proof of purchase as evidence of your entitlement to warranty service.

### **What IBM Will Do to Correct Problems**

When you call for service, you must follow the problem determination and resolution procedures that IBM specifies. A technician will attempt to make an initial diagnosis of your problem and help you resolve it over the telephone.

The type of warranty service applicable to your Machine is specified in Part 3 - Warranty Information.

You are responsible for downloading and installing designated Machine Code (microcode, basic input/output system code (called "BIOS"), utility programs, device drivers, and diagnostics delivered with an IBM Machine ) and other software updates from an IBM Internet Web site or from other electronic media, and following the instructions that IBM provides.

If your problem can be resolved with a Customer Replaceable Unit ("CRU") (e.g., keyboard, mouse, speaker, memory, hard disk drive and other easily replaceable parts), IBM will ship these parts to you for replacement by you.

If the Machine does not function as warranted during the warranty period and your problem cannot be resolved over the telephone, through your application of Machine Code or software updates, or with a CRU, IBM or your reseller, if approved by IBM to provide warranty service, will either, at its discretion, 1) repair it to make it function as warranted, or 2) replace it with one that is at least functionally equivalent. If IBM is unable to do either, you may return the Machine to your place of purchase and your money will be refunded.

IBM or your reseller will also manage and install selected engineering changes that apply to the Machine.

### **Exchange of a Machine or Part**

When the warranty service involves the exchange of a Machine or part, the item IBM or your reseller replaces becomes its property and the replacement becomes yours. You represent that all removed items are genuine and unaltered. The replacement may not be new, but will be in good working order and at least

functionally equivalent to the item replaced. The replacement assumes the warranty service status of the replaced item.

### **Your Additional Responsibilities**

Before IBM or your reseller exchanges a Machine or part, you agree to remove all features, parts, options, alterations, and attachments not under warranty service.

You also agree to:

1. ensure that the Machine is free of any legal obligations or restrictions that prevent its exchange;
2. obtain authorization from the owner to have IBM or your reseller service a Machine that you do not own; and
3. where applicable, before service is provided:
  - a. follow the service request procedures that IBM or your reseller provides;
  - b. backup or secure all programs, data, and funds contained in the Machine;
  - c. IBM or your reseller with sufficient, free, and safe access to your facilities to permit IBM to fulfill its obligations; and
  - d. inform IBM or your reseller of changes in the Machine's location.
4. (a) ensure all information about identified or identifiable individuals (Personal Data) is deleted from the Machine (to the extent technically possible), (b) allow IBM, your reseller or an IBM supplier to process on your behalf any remaining Personal Data as IBM or your reseller considers necessary to fulfill its obligations under this Statement of Limited Warranty (which may include shipping the Machine for such processing to other IBM service locations around the world), and (c) ensure that such processing complies with any laws applicable to such Personal Data.

### **Limitation of Liability**

IBM is responsible for loss of, or damage to, your Machine only while it is 1) in IBM's possession or 2) in transit in those cases where IBM is responsible for the transportation charges.

Neither IBM nor your reseller are responsible for any of your confidential, proprietary or personal information contained in a Machine which you return to IBM for any reason. You should remove all such information from the Machine prior to its return.

Circumstances may arise where, because of a default on IBM's part or other liability, you are entitled to recover damages from IBM. In each such instance, regardless of the basis on which you are entitled to claim damages from IBM (including fundamental breach, negligence, misrepresentation, or other contract or tort claim), except for any liability that cannot be waived or limited by applicable laws, IBM is liable for no more than

1. damages for bodily injury (including death) and damage to real property and tangible personal property; and
2. the amount of any other actual direct damages, up to the charges (if recurring, 12 months' charges apply) for the Machine that is subject of the claim. For purposes of this item, the term "Machine" includes Machine Code and Licensed Internal Code ("LIC").

This limit also applies to IBM's suppliers and your reseller. It is the maximum for which IBM, its suppliers, and your reseller are collectively responsible.

**UNDER NO CIRCUMSTANCES IS IBM, ITS SUPPLIERS OR RESELLERS LIABLE FOR ANY OF THE FOLLOWING EVEN IF INFORMED OF THEIR POSSIBILITY: 1) THIRD PARTY CLAIMS AGAINST YOU FOR DAMAGES (OTHER THAN THOSE UNDER THE FIRST ITEM LISTED ABOVE); 2) LOSS OF, OR DAMAGE TO, DATA; 3) SPECIAL, INCIDENTAL, OR INDIRECT DAMAGES OR FOR ANY ECONOMIC CONSEQUENTIAL DAMAGES; OR 4) LOST PROFITS, BUSINESS REVENUE, GOODWILL OR ANTICIPATED SAVINGS. SOME STATES OR JURISDICTIONS DO NOT ALLOW THE EXCLUSION OR LIMITATION OF INCIDENTAL OR CONSEQUENTIAL DAMAGES, SO THE ABOVE LIMITATION OR EXCLUSION MAY NOT APPLY TO YOU. SOME STATES OR JURISDICTIONS DO NOT ALLOW LIMITATIONS ON HOW LONG AN IMPLIED WARRANTY LASTS, SO THE ABOVE LIMITATION MAY NOT APPLY TO YOU.**

### Governing Law

Both you and IBM consent to the application of the laws of the country in which you acquired the Machine to govern, interpret, and enforce all of your and IBM's rights, duties, and obligations arising from, or relating in any manner to, the subject matter of this Statement of Limited Warranty, without regard to conflict of law principles.

**THESE WARRANTIES GIVE YOU SPECIFIC LEGAL RIGHTS AND YOU MAY ALSO HAVE OTHER RIGHTS WHICH VARY FROM STATE TO STATE OR JURISDICTION TO JURISDICTION.**

### Jurisdiction

All of our rights, duties, and obligations are subject to the courts of the country in which you acquired the Machine.

---

## **Part 2 - Country-unique Terms**

### AMERICAS

#### ARGENTINA

**Governing Law:** *The following is added after the first sentence:*

Any litigation arising from this Statement of Limited Warranty will be settled exclusively by the Ordinary Commercial Court of the city of Buenos Aires.

#### BRAZIL

**Governing Law:** *The following is added after the first sentence:*

Any litigation arising from this Statement of Limited Warranty will be settled exclusively by the court of Rio de Janeiro, RJ.

#### Peru

**Limitation of Liability:** *The following is added at the end of this section:*

In accordance with Article 1328 of the Peruvian Civil Code the limitations and exclusions specified in this section will not apply to damages caused by IBM's willful misconduct ("dolo") or gross negligence ("culpa inexcusable").

#### NORTH AMERICA

**How to Obtain Warranty Service:** *The following is added to this Section:*  
To obtain warranty service from IBM in Canada or the United States, call 1-800-IBM-SERV (426-7378).

#### CANADA

**Limitation of Liability:** *The following replaces item 1 of this section:*

1. damages for bodily injury (including death) or physical harm to real property and tangible personal property caused by IBM's negligence; and

**Governing Law:** *The following replaces "laws of the country in which you acquired the Machine" in the first sentence:*  
laws in the Province of Ontario.

#### UNITED STATES

**Governing Law:** *The following replaces "laws of the country in which you acquired the Machine" in the first sentence:*  
laws of the State of New York.

#### ASIA PACIFIC

#### AUSTRALIA

**What this Warranty Covers:** *The following paragraph is added to this Section:*  
The warranties specified in this Section are in addition to any rights you may have under the Trade Practices Act 1974 or other similar legislation and are only limited to the extent permitted by the applicable legislation.

**Limitation of Liability:** *The following is added to this Section:*  
Where IBM is in breach of a condition or warranty implied by the Trade Practices Act 1974 or other similar legislation, IBM's liability is limited to the repair or replacement of the goods or the supply of equivalent goods. Where that condition or warranty relates to right to sell, quiet possession or clear title, or the goods are of a kind ordinarily acquired for personal, domestic or household use or consumption, then none of the limitations in this paragraph apply.

**Governing Law:** *The following replaces "laws of the country in which you acquired the Machine" in the first sentence:*  
laws of the State or Territory.

#### CAMBODIA, LAOS, AND VIETNAM

**Governing Law:** *The following replaces "laws of the country in which you acquired the Machine" in the first sentence:*  
laws of the State of New York, United States of America.

#### CAMBODIA, INDONESIA, LAOS, AND VIETNAM

*Arbitration: The following is added under this heading:*

Disputes arising out of or in connection with this Statement of Limited Warranty shall be finally settled by arbitration which shall be held in Singapore in accordance with the Arbitration Rules of Singapore International Arbitration Center ("SIAC Rules") then in effect. The arbitration award shall be final and binding for the parties without appeal and shall be in writing and set forth the findings of fact and the conclusions of law.

The number of arbitrators shall be three, with each side to the dispute being entitled to appoint one arbitrator. The two arbitrators appointed by the parties shall appoint a third arbitrator who shall act as chairman of the proceedings. Vacancies in the post of chairman shall be filled by the president of the SIAC. Other vacancies shall be filled by the respective nominating party. Proceedings shall continue from the stage they were at when the vacancy occurred.

If one of the parties refuses or otherwise fails to appoint an arbitrator within 30 days of the date the other party appoints its, the first appointed arbitrator shall be the sole arbitrator, provided that the arbitrator was validly and properly appointed.

All proceedings shall be conducted, including all documents presented in such proceedings, in the English language. The English language version of this Statement of Limited Warranty prevails over any other language version.

#### **HONG KONG S.A.R. OF CHINA AND MACAU S.A.R. OF CHINA**

**Governing Law:** *The following replaces "laws of the country in which you acquired the Machine" in the first sentence:*

laws of Hong Kong Special Administrative Region of China.

#### **INDIA**

**Limitation of Liability:** *The following replaces items 1 and 2 of this Section:*

1. liability for bodily injury (including death) or damage to real property and tangible personal property will be limited to that caused by IBM's negligence; and
2. as to any other actual damage arising in any situation involving nonperformance by IBM pursuant to, or in any way related to the subject of this Statement of Limited Warranty, , the charge paid by you for the individual Machine that is the subject of the claim. For purposes of this item, the term "Machine" includes Machine Code and Licensed Internal Code ("LIC").

**Arbitration:** *The following is added under this heading :*

Disputes arising out of or in connection with this Statement of Limited Warranty shall be finally settled by arbitration which shall be held in Bangalore, India in accordance with the laws of India then in effect. The arbitration award shall be final and binding for the parties without appeal and shall be in writing and set forth the findings of fact and the conclusions of law.

The number of arbitrators shall be three, with each side to the dispute being entitled to appoint one arbitrator. The two arbitrators appointed by the parties shall appoint a third arbitrator who shall act as chairman of the proceedings. Vacancies in the post of chairman shall be filled by the president of the Bar Council of India. Other vacancies shall be filled by the respective nominating party. Proceedings shall continue from the stage they were at when the vacancy occurred.

If one of the parties refuses or otherwise fails to appoint an arbitrator within 30 days of the date the other party appoints its, the first appointed arbitrator shall be the sole arbitrator, provided that the arbitrator was validly and properly appointed.

All proceedings shall be conducted, including all documents presented in such proceedings, in the English language. The English language version of this Statement of Limited Warranty prevails over any other language version.

## JAPAN

**Governing Law:** *The following sentence is added to this section:*

Any doubts concerning this Statement of Limited Warranty will be initially resolved between us in good faith and in accordance with the principle of mutual trust.

## MALAYSIA

**Limitation of Liability:** *The word "SPECIAL" in item 3 of the fifth paragraph is deleted.*

## NEW ZEALAND

**What this Warranty Covers:** *The following paragraph is added to this section:*

The warranties specified in this section are in addition to any rights you may have under the Consumer Guarantees Act 1993 or other legislation which cannot be excluded or limited. The Consumer Guarantees Act 1993 will not apply in respect of any goods which IBM provides, if you require the goods for the purposes of a business as defined in that Act.

**Limitation of Liability:** *The following is added to this section:*

Where Machines are not acquired for the purposes of a business as defined in the Consumer Guarantees Act 1993, the limitations in this section are subject to the limitations in that Act.

## PEOPLE'S REPUBLIC OF CHINA (PRC)

**Governing Law:** *The following replaces "laws of the country in which you acquired the Machine" in the first sentence:*

laws of the State of New York, United States of America (except when local law requires otherwise).

## PHILIPPINES

**Limitation of Liability:** *Item 3 in the fifth paragraph is replaced by the following:*

**SPECIAL (INCLUDING NOMINAL AND EXEMPLARY DAMAGES), MORAL, INCIDENTAL, OR INDIRECT DAMAGES FOR ANY ECONOMIC CONSEQUENTIAL DAMAGES; OR**

**Arbitration:** The following is added under this heading

Disputes arising out of or in connection with this Statement of Limited Warranty shall be finally settled by arbitration which shall be held in Metro Manila, Philippines in accordance with the laws of the Philippines then in effect. The



arbitration award shall be final and binding for the parties without appeal and shall be in writing and set forth the findings of fact and the conclusions of law.

The number of arbitrators shall be three, with each side to the dispute being entitled to appoint one arbitrator. The two arbitrators appointed by the parties shall appoint a third arbitrator who shall act as chairman of the proceedings. Vacancies in the post of chairman shall be filled by the president of the Philippine Dispute Resolution Center, Inc.. Other vacancies shall be filled by the respective nominating party. Proceedings shall continue from the stage they were at when the vacancy occurred.

If one of the parties refuses or otherwise fails to appoint an arbitrator within 30 days of the date the other party appoints its, the first appointed arbitrator shall be the sole arbitrator, provided that the arbitrator was validly and properly appointed.

All proceedings shall be conducted, including all documents presented in such proceedings, in the English language. The English language version of this Statement of Limited Warranty prevails over any other language version.

## **SINGAPORE**

**Limitation of Liability:** The words "SPECIAL" and "ECONOMIC" in item 3 in the fifth paragraph are deleted.

## **EUROPE, MIDDLE EAST, AFRICA (EMEA)**

### ***THE FOLLOWING TERMS APPLY TO ALL EMEA COUNTRIES:***

The terms of this Statement of Limited Warranty apply to Machines purchased from IBM or an IBM reseller.

**Hot to Obtain Warranty Service:** If you purchase a Machine in Austria, Belgium, Cyprus, Denmark, Estonia, Finland, France, Germany, Greece, Iceland, Ireland, Italy, Latvia, Liechtenstein, Lithuania, Luxembourg, Monaco, Netherlands, Norway, Portugal, Spain, San Marino, Sweden, Switzerland, United Kingdom or Vatican State, you may obtain warranty service for that Machine in any of those countries from either (1) an IBM reseller approved to perform warranty service or (2) from IBM, provided the Machine has been announced and made available by IBM in the country in which you wish to obtain service. If you purchased a Personal Computer Machine in Albania, Armenia, Belarus, Bosnia and Herzegovina, Bulgaria, Croatia, Czech Republic, Georgia, Hungary, Kazakhstan, Kyrgyzstan, Federal Republic of Yugoslavia, Former Yugoslav Republic of Macedonia (FYROM), Moldova, Poland, Romania, Russia, Slovak Republic, Slovenia, or Ukraine, you may obtain warranty service for that Machine in any of those countries from either (1) an IBM reseller approved to perform warranty service or (2) from IBM.

If you purchase a Machine in a Middle Eastern or African country, you may obtain warranty service for that Machine from the IBM entity within the country of purchase, if that IBM entity provides warranty service in that country, or from an IBM reseller, approved by IBM to perform warranty service on that Machine in that country. Warranty service in Africa is available within 50 kilometers of an IBM approved service provider. You are responsible for transportation costs for Machines located outside 50 kilometers of an IBM approved service provider.



*Add the following paragraph in **Western Europe** (Austria, Belgium, Cyprus, Denmark, Finland, France, Germany, Greece, Iceland, Ireland, Italy, Liechtenstein, Luxembourg, Monaco, Netherlands, Norway, Portugal, Spain, San Marino, Sweden, Switzerland, United Kingdom, Vatican State):*

The warranty for Machines acquired in Western Europe shall be valid and applicable in all Western Europe countries provided the Machines have been announced and made available in such countries.

**Governing Law:**

*The phrase "the laws of the country in which you acquired the Machine" is replaced by:*

1) "the laws of Austria" in **Albania, Armenia, Azerbaijan, Belarus, Bosnia-Herzegovina, Bulgaria, Croatia, Georgia, Hungary, Kazakhstan, Kyrgyzstan, FYR Macedonia, Moldova, Poland, Romania, Russia, Slovakia, Slovenia, Tajikistan, Turkmenistan, Ukraine, Uzbekistan, and FR Yugoslavia;** 2) "the laws of France" in **Algeria, Benin, Burkina Faso, Cameroon, Cape Verde, Central African Republic, Chad, Comoros, Congo Republic, Djibouti, Democratic Republic of Congo, Equatorial Guinea, French Guiana, French Polynesia, Gabon, Gambia, Guinea, Guinea-Bissau, Ivory Coast, Lebanon, Madagascar, Mali, Mauritania, Mauritius, Mayotte, Morocco, New Caledonia, Niger, Reunion, Senegal, Seychelles, Togo, Tunisia, Vanuatu, and Wallis & Futuna;** 3) "the laws of Finland" in **Estonia, Latvia, and Lithuania;** 4) "the laws of England" in **Angola, Bahrain, Botswana, Burundi, Egypt, Eritrea, Ethiopia, Ghana, Jordan, Kenya, Kuwait, Liberia, Malawi, Malta, Mozambique, Nigeria, Oman, Pakistan, Qatar, Rwanda, Sao Tome, Saudi Arabia, Sierra Leone, Somalia, Tanzania, Uganda, United Arab Emirates, the United Kingdom, West Bank/Gaza, Yemen, Zambia, and Zimbabwe;** and 5) "the laws of South Africa" in **South Africa, Namibia, Lesotho and Swaziland.**

**Jurisdiction:** *The following exceptions are added to this section:*

1) In **Austria** the choice of jurisdiction for all disputes arising out of this Statement of Limited Warranty and relating thereto, including its existence, will be the competent court of law in Vienna, Austria (Inner-City); 2) in **Angola, Bahrain, Botswana, Burundi, Egypt, Eritrea, Ethiopia, Ghana, Jordan, Kenya, Kuwait, Liberia, Malawi, Malta, Mozambique, Nigeria, Oman, Pakistan, Qatar, Rwanda, Sao Tome, Saudi Arabia, Sierra Leone, Somalia, Tanzania, Uganda, United Arab Emirates, West Bank/Gaza, Yemen, Zambia, and Zimbabwe** all disputes arising out of this Statement of Limited Warranty or related to its execution, including summary proceedings, will be submitted to the exclusive jurisdiction of the English courts; 3) in **Belgium and Luxembourg**, all disputes arising out of this Statement of Limited Warranty or related to its interpretation or its execution, the law, and the courts of the capital city, of the country of your registered office and/or commercial site location only are competent; 4) in **France, Algeria, Benin, Burkina Faso, Cameroon, Cape Verde, Central African Republic, Chad, Comoros, Congo Republic, Djibouti, Democratic Republic of Congo, Equatorial Guinea, French Guiana, French Polynesia, Gabon, Gambia, Guinea, Guinea-Bissau, Ivory Coast, Lebanon, Madagascar, Mali, Mauritania, Mauritius, Mayotte, Morocco, New Caledonia, Niger, Reunion, Senegal, Seychelles, Togo, Tunisia, Vanuatu, and Wallis & Futuna** all disputes arising out of this Statement of Limited Warranty or related to its violation or execution, including summary proceedings, will be settled exclusively by the Commercial Court of Paris; 5) in **Russia**, all disputes arising out of or in relation to the interpretation, the violation, the termination, the

nullity of the execution of this Statement of Limited Warranty shall be settled by Arbitration Court of Moscow; 6) **in South Africa, Namibia, Lesotho and Swaziland**, both of us agree to submit all disputes relating to this Statement of Limited Warranty to the jurisdiction of the High Court in Johannesburg; 7) **in Turkey** all disputes arising out of or in connection with this Statement of Limited Warranty shall be resolved by the Istanbul Central (Sultanahmet) Courts and Execution Directorates of Istanbul, the Republic of Turkey; 8) in each of the following specified countries, any legal claim arising out of this Statement of Limited Warranty will be brought before, and settled exclusively by, the competent court of a) Athens for **Greece**, b) Tel Aviv-Jaffa for **Israel**, c) Milan for **Italy**, d) Lisbon for **Portugal**, and e) Madrid for **Spain**; and 9) **in the United Kingdom**, both of us agree to submit all disputes relating to this Statement of Limited Warranty to the jurisdiction of the English courts.

**Arbitration:** *The following is added under this heading:*

**In Albania, Armenia, Azerbaijan, Belarus, Bosnia-Herzegovina, Bulgaria, Croatia, Georgia, Hungary, Kazakhstan, Kyrgyzstan, FYR Macedonia, Moldova, Poland, Romania, Russia, Slovakia, Slovenia, Tajikistan, Turkmenistan, Ukraine, Uzbekistan, and FR Yugoslavia** all disputes arising out of this Statement of Limited Warranty or related to its violation, termination or nullity will be finally settled under the Rules of Arbitration and Conciliation of the International Arbitral Center of the Federal Economic Chamber in Vienna (Vienna Rules) by three arbitrators appointed in accordance with these rules. The arbitration will be held in Vienna, Austria, and the official language of the proceedings will be English. The decision of the arbitrators will be final and binding upon both parties. Therefore, pursuant to paragraph 598 (2) of the Austrian Code of Civil Procedure, the parties expressly waive the application of paragraph 595 (1) figure 7 of the Code. IBM may, however, institute proceedings in a competent court in the country of installation.

**In Estonia, Latvia and Lithuania** all disputes arising in connection with this Statement of Limited Warranty will be finally settled in arbitration that will be held in Helsinki, Finland in accordance with the arbitration laws of Finland then in effect. Each party will appoint one arbitrator. The arbitrators will then jointly appoint the chairman. If arbitrators cannot agree on the chairman, then the Central Chamber of Commerce in Helsinki will appoint the chairman.

#### **EUROPEAN UNION (EU)**

##### ***THE FOLLOWING TERMS APPLY TO ALL EU COUNTRIES:***

Consumers have legal rights under applicable national legislation governing the sale of consumer goods. Such rights are not affected by the warranties provided in this Statement of Limited Warranty.

**How to Obtain Warranty Service:** *The following is added to this section:*

To obtain warranty service from IBM in EU countries, see the telephone listing in Part 3 - Warranty Information.

You may contact IBM at the following address:

IBM Warranty & Service Quality Dept.

PO Box 30

Spango Valley

Greenock

Scotland PA 16 OAH

**AUSTRIA, DENMARK, FINLAND, GREECE, ITALY, NETHERLANDS,  
PORTUGAL, SPAIN, SWEDEN AND SWITZERLAND**

**Limitation of Liability:** *The following replaces the terms of this section in its entirety:*

Except as otherwise provided by mandatory law:

1. IBM's liability for any damages and losses that may arise as a consequence of the fulfillment of its obligations under or in connection with this Statement of Limited Warranty or due to any other cause related to this Statement of Limited Warranty is limited to the compensation of only those damages and losses proved and actually arising as an immediate and direct consequence of the non-fulfillment of such obligations (if IBM is at fault) or of such cause, for a maximum amount equal to the charges you paid for the Machine. For purposes of this item, the term "Machine" includes Machine Code and Licensed Internal Code ("LIC").

The above limitation shall not apply to damages for bodily injuries (including death) and damages to real property and tangible personal property for which IBM is legally liable.

2. **UNDER NO CIRCUMSTANCES IS IBM, ITS SUPPLIERS OR RESELLERS LIABLE FOR ANY OF THE FOLLOWING, EVEN IF INFORMED OF THEIR POSSIBILITY: 1) LOSS OF, OR DAMAGE TO, DATA; 2) INCIDENTAL OR INDIRECT DAMAGES, OR FOR ANY ECONOMIC CONSEQUENTIAL DAMAGES; 3) LOST PROFITS, EVEN IF THEY ARISE AS AN IMMEDIATE CONSEQUENCE OF THE EVENT THAT GENERATED THE DAMAGES; OR 4) LOSS OF BUSINESS, REVENUE, GOODWILL, OR ANTICIPATED SAVINGS.**

**FRANCE AND BELGIUM**

**Limitation of Liability:** *The following replaces the terms of this section in its entirety:*

Except as otherwise provided by mandatory law:

1. IBM's liability for any damages and losses that may arise as a consequence of the fulfillment of its obligations under or in connection with this Statement of Limited Warranty is limited to the compensation of only those damages and losses proved and actually arising as an immediate and direct consequence of the non-fulfillment of such obligations (if IBM is at fault), for a maximum amount equal to the charges you paid for the Machine that has caused the damages. For purposes of this item, the term "Machine" includes Machine Code and Licensed Internal Code ("LIC").

The above limitation shall not apply to damages for bodily injuries (including death) and damages to real property and tangible personal property for which IBM is legally liable.

2. **UNDER NO CIRCUMSTANCES IS IBM, ITS SUPPLIERS OR RESELLERS LIABLE FOR ANY OF THE FOLLOWING, EVEN IF INFORMED OF THEIR POSSIBILITY: 1) LOSS OF, OR DAMAGE TO, DATA; 2) INCIDENTAL OR INDIRECT DAMAGES, OR FOR ANY ECONOMIC CONSEQUENTIAL DAMAGES; 3) LOST PROFITS, EVEN IF THEY ARISE AS AN IMMEDIATE**

CONSEQUENCE OF THE EVENT THAT GENERATED THE DAMAGES;  
OR 4) LOSS OF BUSINESS, REVENUE, GOODWILL, OR ANTICIPATED  
SAVINGS.

THE FOLLOWING TERMS APPLY TO THE COUNTRY SPECIFIED:

#### AUSTRIA

**What this Warranty Covers:** *The following replaces the first sentence of the first paragraph of this section:*

The warranty for an IBM Machine covers the functionality of the Machine for its normal use and the Machine's conformity to its Specifications.

*The following paragraphs are added to this Section:*

The minimum warranty period for Machines is 12 months from the date of delivery. . The limitation period for consumers in action for breach of warranty is the statutory period as a minimum. In case IBM or your reseller is unable to repair an IBM Machine, you can alternatively ask for a partial refund as far as justified by the reduced value of the unrepaired Machine or ask for a cancellation of the respective agreement for such Machine and get your money refunded.

*The second paragraph does not apply.*

**What IBM Will Do to Correct Problems:** *The following is added to this section:*

During the warranty period, transportation for delivery of the failing Machine to IBM will be at IBM's expense.

**Limitation of Liability:** *The following paragraph is added to this section:*

The limitations and exclusions specified in the Statement of Limited Warranty will not apply to damages caused by IBM with fraud or gross negligence and for express warranty.

*The following sentence is added to the end of item 2:*

IBM's liability under this item is limited to the violation of essential contractual terms in cases of ordinary negligence.

#### EGYPT

**Limitation of Liability:** *The following replaces item 2 in this section:*

as to any other actual direct damages, IBM's liability will be limited to the total amount you paid for the Machine that is the subject of the claim. For purposes of this item, the term "Machine" includes Machine Code and Licensed Internal Code (LIC).

*Applicability of suppliers and resellers (unchanged).*

#### FRANCE

**Limitation of Liability:** *The following replaces the second sentence of the first paragraph of this section:*

In such instances, regardless of the basis on which you are entitled to claim damages from IBM, IBM is liable for no more than: *(items 1 and 2 unchanged).*

## GERMANY

**What this Warranty Covers:** *The following replaces the first sentence of the first paragraph of this section:*

The warranty for an IBM Machine covers the functionality of the Machine for its normal use and the Machine's conformity to its Specifications.

*The following paragraphs are added to this section:*

The minimum warranty period for Machines is twelve months. In case IBM or your reseller is unable to repair an IBM Machine, you can alternatively ask for a partial refund as far as justified by the reduced value of the unrepaired Machine or ask for a cancellation of the respective agreement for such Machine and get your money refunded.

*The second paragraph does not apply.*

**What IBM Will Do to Correct Problems:** *The following is added to this section:*

During the warranty period, transportation for delivery of the failing Machine to IBM will be at IBM's expense.

**Limitation of Liability:** *The following paragraph is added to this section:*

The limitations and exclusions specified in the Statement of Limited Warranty will not apply to damages caused by IBM with fraud or gross negligence and for express warranty.

*The following sentence is added to the end of item 2:*

IBM's liability under this item is limited to the violation of essential contractual terms in cases of ordinary negligence.

## HUNGARY

**Limitation of Liability:** *The following is added at the end of this section:*

The limitation and exclusion specified herein shall not apply to liability for a breach of contract damaging life, physical well-being, or health that has been caused intentionally, by gross negligence, or by a criminal act.

The parties accept the limitations of liability as valid provisions and state that the Section 314.(2) of the Hungarian Civil Code applies as the acquisition price as well as other advantages arising out of the present Statement of Limited Warranty balance this limitation of liability.

## IRELAND

**What this Warranty Covers:** *The following is added to this section:*

Except as expressly provided in these terms and conditions, all statutory conditions, including all warranties implied, but without prejudice to the generality of the foregoing all warranties implied by the Sale of Goods Act 1893 or the Sale of Goods and Supply of Services Act 1980 are hereby excluded.

**Limitation of Liability:** *The following replaces the terms of this section in its entirety:*

For the purposes of this section, a "Default" means any act, statement, omission, or negligence on the part of IBM in connection with, or in relation to, the subject matter of this Statement of Limited Warranty in respect of which IBM is legally liable to you, whether in contract or tort. A number of Defaults which together result in, or contribute to, substantially the same loss or damage will be treated as one Default occurring on the date of occurrence of the last such Default.

Circumstances may arise where, because of a Default, you are entitled to recover damages from IBM.

This section sets out the extent of IBM's liability and your sole remedy.

1. IBM will accept unlimited liability for death or personal injury caused by the negligence of IBM.
2. Subject always to the Items for Which IBM is Not Liable below, IBM will accept unlimited liability for physical damage to your tangible property resulting from the negligence of IBM.
3. Except as provided in items 1 and 2 above, IBM's entire liability for actual damages for any one Default will not in any event exceed the greater of 1) EUR 125,000, or 2) 125% of the amount you paid for the Machine directly relating to the Default.

#### **Items for Which IBM is Not Liable**

Save with respect to any liability referred to in item 1 above, under no circumstances is IBM, its suppliers or resellers liable for any of the following, even if IBM or they were informed of the possibility of such losses:

1. loss of, or damage to, data;
2. special, indirect, or consequential loss; or
3. loss of profits, business, revenue, goodwill, or anticipated savings.

#### **SLOVAKIA**

**Limitation of Liability:** *The following is added to the end of the last paragraph:*

The limitations apply to the extent they are not prohibited under §§ 373-386 of the Slovak Commercial Code.

#### **SOUTH AFRICA, NAMIBIA, BOTSWANA, LESOTHO AND SWAZILAND**

**Limitation of Liability:** *The following is added to this section:*

IBM's entire liability to you for actual damages arising in all situations involving nonperformance by IBM in respect of the subject matter of this Statement of Warranty will be limited to the charge paid by you for the individual Machine that is the subject of your claim from IBM.

#### **UNITED KINGDOM**

**Limitation of Liability:** *The following replaces the terms of this section in its entirety:*

For the purposes of this section, a "Default" means any act, statement, omission, or negligence on the part of IBM in connection with, or in relation to, the subject matter of this Statement of Limited Warranty in respect of which IBM is legally



liable to you, whether in contract or tort. A number of Defaults which together result in, or contribute to, substantially the same loss or damage will be treated as one Default.

Circumstances may arise where, because of a Default, you are entitled to recover damages from IBM.

This section sets out the extent of IBM's liability and your sole remedy.

1. IBM will accept unlimited liability for:
  - a. death or personal injury caused by the negligence of IBM; and
  - b. any breach of its obligations implied by Section 12 of the Sale of Goods Act 1979 or Section 2 of the Supply of Goods and Services Act 1982, or any statutory modification or re-enactment of either such Section.
2. IBM will accept unlimited liability, subject always to the Items for Which IBM is Not Liable below, for physical damage to your tangible property resulting from the negligence of IBM.
3. IBM's entire liability for actual damages for any one Default will not in any event, except as provided in items 1 and 2 above, exceed the greater of 1) Pounds Sterling 75,000, or 2) 125% of the total purchase price payable or the charges for the Machine directly relating to the Default.

These limits also apply to IBM's suppliers and resellers. They state the maximum for which IBM and such suppliers and resellers are collectively responsible.

#### **Items for Which IBM is Not Liable**

Save with respect to any liability referred to in item 1 above, under no circumstances is IBM or any of its suppliers or resellers liable for any of the following, even if IBM or they were informed of the possibility of such losses:

1. loss of, or damage to, data;
2. special, indirect, or consequential loss; or
3. loss of profits, business, revenue, goodwill, or anticipated savings.

---

## **Part 3 - Warranty Information**

This Part 3 provides information regarding the warranty applicable to your Machine, including the warranty period and type of warranty service IBM provides.

### **Warranty Period**

The warranty period may vary by country or region and is specified in the table below. NOTE: "Region" means either Hong Kong or Macau Special Administrative Region of China.

#### **100/200 GB HH LTO Internal Tape Drive**

<b>Country or Region of Purchase</b>	<b>Warranty Period</b>	<b>Type of Warranty Service</b>
Worldwide	3 years	1, 4

Your drive comes with a 3-year customer carry-in warranty, unless the drive is installed in a supported IBM server or enclosure, at which point it would pick up the warranty terms of the server or enclosure.

### **Types of Warranty Service**

If required, IBM provides repair or exchange service depending on the type of warranty service specified for your Machine in the above table and as described below. Warranty service may be provided by your reseller if approved by IBM to perform warranty service. Scheduling of service will depend upon the time of your call and is subject to parts availability. Service levels are response time objectives and are not guaranteed. The specified level of warranty service may not be available in all worldwide locations, additional charges may apply outside IBM's normal service area, contact your local IBM representative or your reseller for country and location specific information.

#### **1. Customer Replaceable Unit ("CRU") Service**

IBM will ship CRU parts to you for your replacement. If IBM instructs you to return the replaced CRU, you are responsible for returning it to IBM in accordance with IBM's instructions. If you do not return the defective CRU, if IBM so instructs, within 30 days of your receipt of the replacement CRU, IBM may charge you for the replacement.

#### **2. On-site Service**

IBM or your reseller will either repair or exchange the failing Machine at your location and verify its operation. You must provide suitable working area to allow disassembly and reassembly of the IBM Machine. The area must be clean, well lit and suitable for the purpose. **For some Machines, certain repairs may require sending the Machine to an IBM service center.**

#### **3. Courier or Depot Service<sup>1</sup>**

You will disconnect the failing Machine for collection arranged by IBM. IBM will provide you with a shipping container for you to return your Machine to a designated service center. A courier will pick up your Machine and deliver it to the designated service center. Following its repair or exchange, IBM will arrange the return delivery of the Machine to your location. You are responsible for its installation and verification.

#### **4. Customer Carry-In or Mail-In Service**

You will deliver or mail as IBM specifies (prepaid unless IBM specifies otherwise) the failing Machine suitably packaged to a location IBM designates. After IBM has repaired or exchanged the Machine, IBM will make it available for your collection or, for Mail-in Service, IBM will return it to you at IBM's expense, unless IBM specifies otherwise. You are responsible for the subsequent installation and verification of the Machine.

The IBM Machine Warranty worldwide web site at [http://www.ibm.com/servers/support/machine\\_warranties/](http://www.ibm.com/servers/support/machine_warranties/) provides a worldwide overview of IBM's Limited Warranty for Machines, a Glossary of IBM

---

1. This type of service is called ThinkPad® EasyServ or EasyServ in some countries.



definitions, Frequently Asked Questions (FAQs) and Support by Product (Machine) with links to Product Support pages. **The IBM Statement of Limited Warranty is also available on this site in 29 languages.**

To obtain warranty service contact IBM or your IBM reseller. In Canada or the United States, call 1-800-IBM-SERV (426-7378). For other countries, see the telephone numbers below.

Phone numbers are subject to change without notice. For the latest phone number list, go to [www-3.ibm.com/pc/support/site.wss/](http://www-3.ibm.com/pc/support/site.wss/) and click **Support Phone List**.

Country or Region	Telephone Number	Country or Region	Telephone Number
Argentina	0800-666-0011	Malaysia	03-7727-7800
Australia	1300-130-426	Mexico	001-866-434-2080
Austria	01-24592-5901	Netherlands	020-514-5770
Belgium	Dutch 02-210-9820 French 02-210-9800	New Zealand	0800-446-149
Bolivia	0800-0189	Norway	66 81 11 00
Brazil	55-11-3889-8986	Peru	0-800-50-866
Canada	1-800-565-3344 Toronto 416-383-3344	Philippines	632-995-2225
Chile	800-224-488	Portugal	21-791 51 47
China (PRC)	800-810-1818	Russia	095-940-2000
China (Hong Kong S.A.R.)	852-2825-7799	Singapore	1800-840-9911
Columbia	980-912-3021	Spain	91-662 49 16
Denmark	45 20 82 00	Sweden	08-477 4420
Ecuador	1-800-426911 (option #4)	Switzerland	058-333-09-00
Finland	09-459 69 60	Taiwan	886-2-2725-9799
France	02 38 55 74 50	Thailand	66-2-273-4000
Germany	07032-1549 201	Turkey	00-800-446-32-041
Indonesia	021-523-8535	United Kingdom	0-1475-555 055
Ireland	01-815-9202	United States	1-800-426-7378
Italy	02-7031-6101	Uruguay	000-411-005-6649
Japan	Consumer customers 0120-887-870  Business customers 0120-887-874	Venezuela	0-800-100-2011
Luxembourg	298-977 5063	Vietnam	848-8295-160



---

## Appendix G. Notices

IBM may not offer the products, services, or features discussed in this document in all countries. Consult your local IBM representative for information on the products and services currently available in your area. Any reference to an IBM product, program, or service is not intended to state or imply that only that IBM product, program, or service may be used. Any functionally equivalent product, program, or service that does not infringe any IBM intellectual property right may be used instead. However, it is the user's responsibility to evaluate and verify the operation of any non-IBM product, program, or service.

IBM may have patents or pending patent applications covering subject matter described in this document. The furnishing of this document does not give you any license to these patents. You can send license inquiries, in writing, to:

*IBM Director of Licensing  
IBM Corporation  
North Castle Drive  
Armonk, NY 10504-1785  
U.S.A.*

INTERNATIONAL BUSINESS MACHINES CORPORATION PROVIDES THIS PUBLICATION "AS IS" WITHOUT WARRANTY OF ANY KIND, EITHER EXPRESS OR IMPLIED, INCLUDING, BUT NOT LIMITED TO, THE IMPLIED WARRANTIES OF NON-INFRINGEMENT, MERCHANTABILITY OR FITNESS FOR A PARTICULAR PURPOSE. Some jurisdictions do not allow disclaimer of express or implied warranties in certain transactions, therefore, this statement may not apply to you.

This information could include technical inaccuracies or typographical errors. Changes are periodically made to the information herein; these changes will be incorporated in new editions of the publication. IBM may make improvements and/or changes in the product(s) and/or the program(s) described in this publication at any time without notice.

The products described in this document are not intended for use in implantation or other life support applications where malfunction may result in injury or death to persons. The information contained in this document does not affect or change IBM product specifications or warranties. Nothing in this document shall operate as an express or implied license or indemnity under the intellectual property rights of IBM or third parties. All information contained in this document was obtained in specific environments and is presented as an illustration. The result obtained in other operating environments may vary.

IBM may use or distribute any of the information you supply in any way it believes appropriate without incurring any obligation to you.

Any references in this publication to non-IBM Web sites are provided for convenience only and do not in any manner serve as an endorsement of those Web sites. The materials at those Web sites are not part of the materials for this IBM product, and use of those Web sites is at your own risk.

Any performance data contained herein was determined in a controlled environment. Therefore, the result obtained in other operating environments may

vary significantly. Some measurements may have been made on development-level systems and there is no guarantee that these measurements will be the same on generally available systems. Furthermore, some measurements may have been estimated through extrapolation. Actual results may vary. Users of this document should verify the applicable data for their specific environment.

---

## Trademarks

The following terms are trademarks of International Business Machines Corporation in the United States, other countries, or both:

IBM  
IBM logo  
HelpCenter  
ThinkPad  
xSeries

Windows is a trademark of Microsoft Corporation in the United States, other countries, or both.

Other company, product, or service names may be trademarks or service marks of others.

---

## Electronic emissions notices

100/200 GB HH LTO Internal Tape Drive

### Federal Communications Commission (FCC) statement

**Note:** This equipment has been tested and found to comply with the limits for a Class B digital device, pursuant to Part 15 of the FCC Rules. These limits are designed to provide reasonable protection against harmful interference in a residential installation. This equipment generates, uses, and can radiate radio frequency energy and, if not installed and used in accordance with the instructions, may cause harmful interference to radio communications. However, there is no guarantee that interference will not occur in a particular installation. If this equipment does cause harmful interference to radio or television reception, which can be determined by turning the equipment off and on, the user is encouraged to try to correct the interference by one or more of the following measures:

- Reorient or relocate the receiving antenna.
- Increase the separation between the equipment and receiver.
- Connect the equipment into an outlet on a circuit different from that to which the receiver is connected.
- Consult an IBM authorized dealer or service representative for help.

Properly shielded and grounded cables and connectors must be used in order to meet FCC emission limits. Proper cables and connectors are available from IBM authorized dealers. IBM is not responsible for any radio or television interference caused by using other than recommended cables and connectors or by unauthorized changes or modifications to this equipment. Unauthorized changes or modifications could void the user's authority to operate the equipment.

This device complies with Part 15 of the FCC Rules. Operation is subject to the following two conditions: (1) this device may not cause harmful interference, and (2) this device must accept any interference received, including interference that may cause undesired operation.

Responsible party:  
International Business Machines Corporation  
New Orchard Road  
Armonk, NY 10504  
Telephone: 1-919-543-2193



Tested To Comply  
With FCC Standards

FOR HOME OR OFFICE USE

### **Industry Canada Class B emission compliance statement**

This Class B digital apparatus complies with Canadian ICES-003.

### **Avis de conformité a la réglementation d'Industrie Canada**

Cet appareil numérique de la classe B est conforme à la norme NMB-003 du Canada.

### **Deutsche EMV-Direktive (electromagnetische Verträglichkeit)**

Zulassungbescheinigung laut dem Deutschen Gesetz über die elektromagnetische Verträglichkeit von Geräten (EMVG) vom 30. August 1995 (bzw. der EMC EG Richtlinie 89/336):

Dieses Gerät ist berechtigt in Übereinstimmung mit dem Deutschen EMVG das EG-Konformitätszeichen - CE - zu führen. Verantwortlich für die Konformitätserklärung nach Paragraph 5 des EMVG ist die:

IBM Deutschland Informationssysteme GmbH, 70548 Stuttgart.

Informationen in Hinsicht EMVG Paragraph 3 Abs. (2) 2:

Das Gerät erfüllt die Schutzanforderungen nach EN 55024:1998 und EN 55022:1998 Klasse B.
--

EN 55022 Hinweis:

“Wird dieses Gerät in einer industriellen Umgebung betrieben (wie in EN 55022:B festgelegt), dann kann es dabei eventuell gestört werden. In solch einem Fall ist der Abstand bzw. die Abschirmung zu der industriellen Störquelle zu vergrößern.”

Anmerkung:

Um die Einhaltung des EMVG sicherzustellen sind die Geräte, wie in den IBM Handbüchern angegeben, zu installieren und zu betreiben.

### **European Union - emission directive**

This product is in conformity with the protection requirements of EU Council Directive 89/336/ECC on the approximation of the laws of the Member States relating to electromagnetic compatibility.

IBM can not accept responsibility for any failure to satisfy the protection requirements resulting from a non-recommended modification of the product, including the fitting of non-IBM option cards.

This product has been tested and found to comply with the limits for Class B Information Technology Equipment according to European Standard EN 55022. The limits for Class B equipment were derived for typical residential environments to provide reasonable protection against interference with licensed communication devices.

#### **Union Européenne - Directive Conformité électromagnétique**

Ce produit est conforme aux exigences de protection de la Directive 89/336/EEC du Conseil de l'UE sur le rapprochement des lois des États membres en matière de compatibilité électromagnétique.

IBM ne peut accepter aucune responsabilité pour le manquement aux exigences de protection résultant d'une modification non recommandée du produit, y compris l'installation de cartes autres que les cartes IBM.

Ce produit a été testé et il satisfait les conditions de l'équipement informatique de Classe B en vertu de Standard européen EN 55022. Les conditions pour l'équipement de Classe B ont été définies en fonction d'un contexte résidentiel ordinaire afin de fournir une protection raisonnable contre l'interférence d'appareils de communication autorisés.

#### **Unione Europea - Directiva EMC (Conformidad electromagnética)**

Este producto satisface los requisitos de protección del Consejo de la UE, Directiva 89/336/CEE en lo que a la legislatura de los Estados Miembros sobre compatibilidad electromagnética se refiere.

IBM no puede aceptar responsabilidad alguna si este producto deja de satisfacer dichos requisitos de protección como resultado de una modificación no recomendada del producto, incluyendo el ajuste de tarjetas de opción que no sean IBM.

Este producto ha sido probado y satisface los límites para Equipos Informáticos Clase B de conformidad con el Estándar Europeo EN 55022. Los límites para los equipos de Clase B se han establecido para entornos residenciales típicos a fin de proporcionar una protección razonable contra las interferencias con dispositivos de comunicación licenciados.

#### **Union Europea - Normativa EMC**

Questo prodotto è conforme alle normative di protezione ai sensi della Direttiva del Consiglio dell'Unione Europea 89/336/CEE sull'armonizzazione legislativa degli stati membri in materia di compatibilità elettromagnetica.

IBM non accetta responsabilità alcuna per la mancata conformità alle normative di protezione dovuta a modifiche non consigliate al prodotto, compresa l'installazione di schede e componenti di marca diversa da IBM.

Le prove effettuate sul presente prodotto hanno accertato che esso rientra nei limiti stabiliti per le apparecchiature di informatica Classe B ai sensi della Norma Europea EN 55022. I limiti delle apparecchiature della Classe B sono stati stabiliti

al fine di fornire ragionevole protezione da interferenze mediante dispositivi di comunicazione in concessione in ambienti residenziali tipici.

이 기기는 가정용으로 전자파 적합등록을 한 기기로서  
주거지역에서는 물론 모든 지역에서 사용할 수 있습니다.

この装置は、情報処理装置等電波障害自主規制協議会（VCCI）の基準に基づくクラスB情報技術装置です。この装置は、家庭環境で使用することを目的としていますが、この装置がラジオやテレビジョン受信機に近接して使用されると、受信障害を引き起こすことがあります。  
取扱説明書に従って正しい取り扱いをして下さい。

Japanese statement of compliance for products less than or equal to 20 A per phase

高調波ガイドライン適合品









Part Number: 59P6740

Printed in USA

(1P) P/N: 59P6740

