

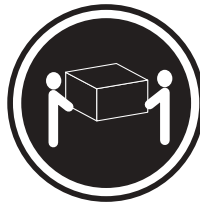
IBM TotalStorage™ FASt600 Rack Mounting Instructions

Before you install the IBM TotalStorage FASt600 storage server in the rack, ensure that the following conditions are met:

- Review the documentation that comes with your rack cabinet.
- Maintain 15 cm (6 in.) of clearance around your controller unit for air circulation.
- Ensure that the room air temperature is below 35°C (95°F).
- Plan the controller unit installation starting from the bottom of the rack.
- Remove the rack doors and side panels to provide easier access during installation.
- Position the template to the rack so that the edges of the template do not overlap any other devices.
- Connect all power cords to electrical outlets that are properly wired and grounded.
- Take precautions to prevent overloading the electrical outlets when you install multiple devices in a rack.



Use safe practices when lifting.



≥18 kg (37 lbs)

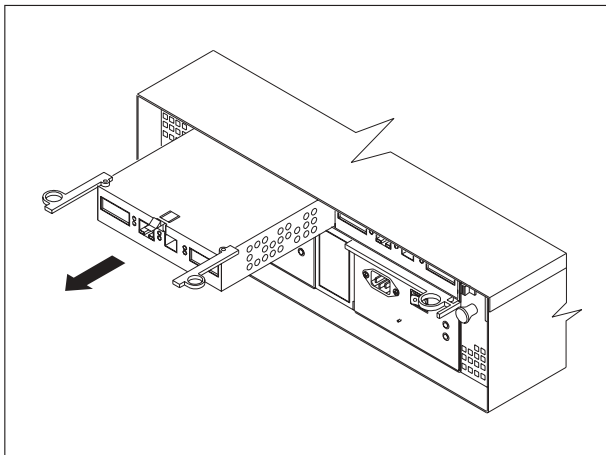


≥32 kg (70.5 lbs)

You will need a flat-blade and a Phillips screwdriver during the installation. The following items come with your controller unit. If any items are missing or damaged, contact your place of purchase.

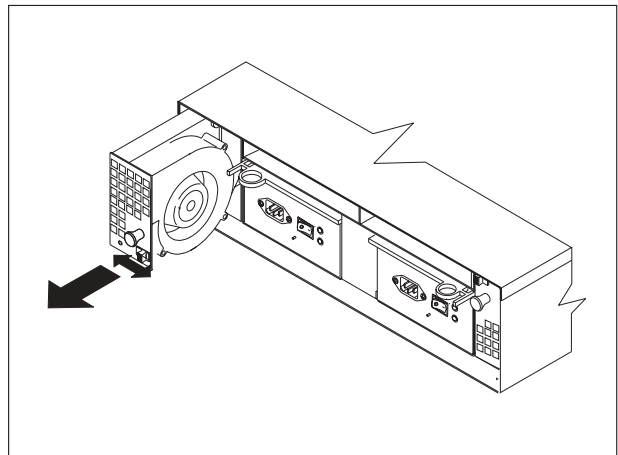
- Cage nuts (10)
- Clip nuts (10)
- Black M6 hex screws (10)
- Side rails (2)

1



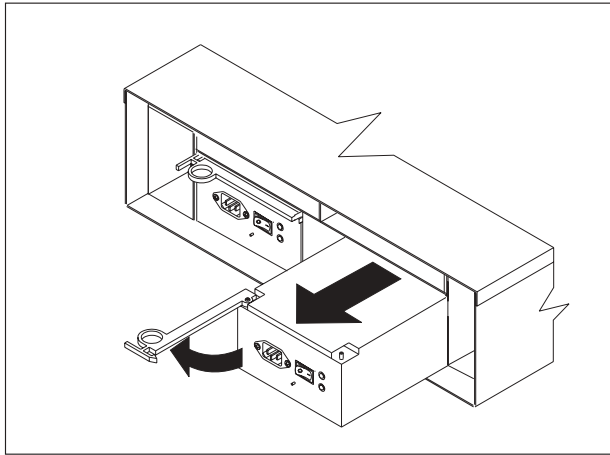
Remove the RAID controller by pushing down on the latch that is centered on the controller. Grasp the pull-rings on the levers and pull them to remove the RAID controller. Set it aside for later installation. If you have a second RAID controller, repeat this step for the second controller.

2



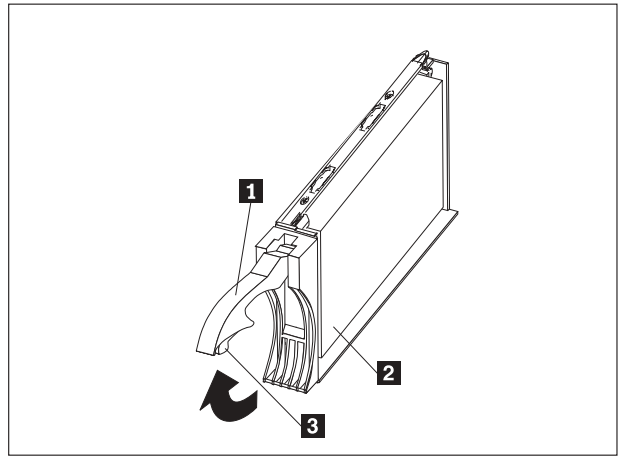
Remove the hot-swap fan by sliding the latch on the fan to unlock it. Pull the handle and remove the fan from the storage server. Repeat this step for the other fan and set both fans aside for later installation.

3



Remove the power supply by grasping the pull-ring on the power supply lever and squeezing it to release. Pull the lever fully open and remove the power supply from the storage server. Repeat this step for the other power supply and set both power supplies aside for later installation.

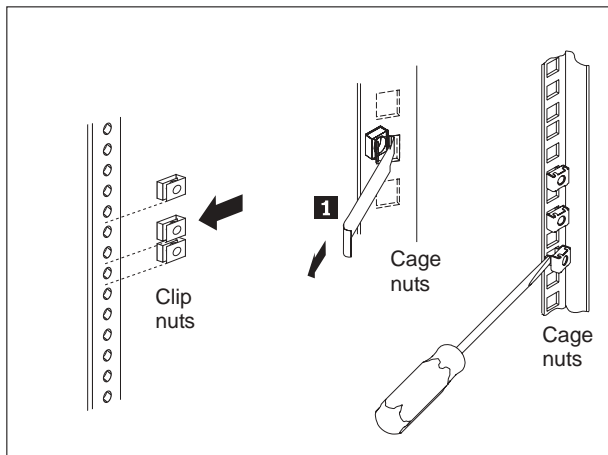
4



Note: Before you remove any hard disk drives, make sure that you mark their location so that you can reinstall them in the same location.

Remove the hard disk drive **2** by pressing the blue latch **3** and pulling the handle **1** upwards. Carefully pull the drive from the storage server. Repeat this step for all hard disk drives.

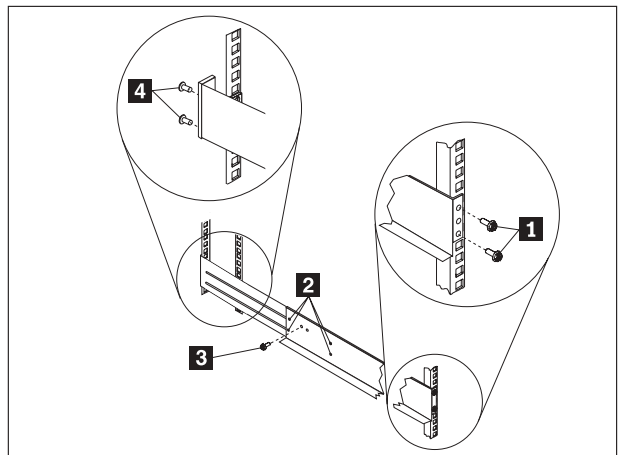
5



Using the attached template and stickers, mark the appropriate holes on your rack in the locations indicated by the arrows on the template. Install the clip nuts or cage nuts as required for your rack cabinet.

Note: Use the cage-nut-insertion tool **1** or a flat-blade screwdriver to install cage nuts.

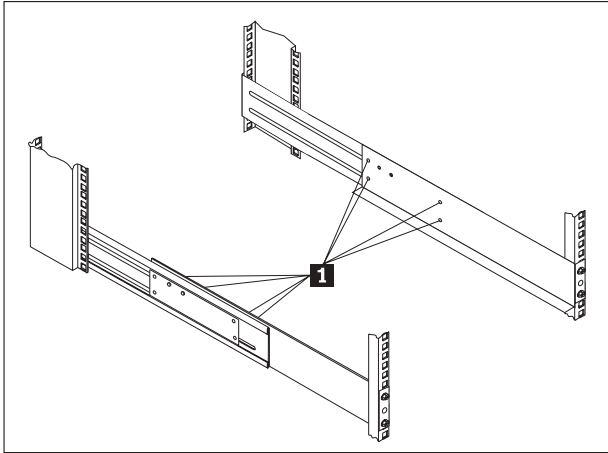
6



On the rail marked **R**, remove the 6-32 in. screw **3** and loosen the four screws **2**. Hold the front of the rail against the outside of the right rack-mounting-flange and loosely install two M6 screws **1**.

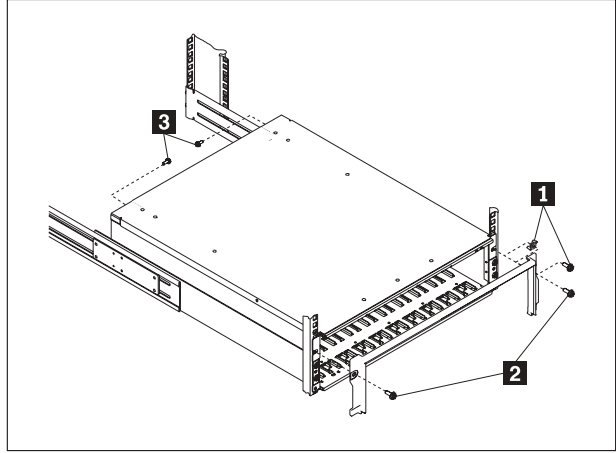
Extend the rear of the rail outside of the rear rack-mounting-flange. Install and tighten two M6 screws **4**. Tighten the front screws **1**. Repeat this procedure for the other rail.

7



Tighten the rail adjustment screws **1** on both rails.

8



Remove the white screws and nuts **1** from the storage server bezel. Slide the storage server into the rack. Align the bezel locator pins and attach the bezel with two M6 screws **2**. Install and tighten the 6-32 in. screws **3**.

Reverse step 1 through step 4 to reinstall the components that you removed; then, see your storage server documentation to complete your installation. Store these instructions with your storage server documentation for future use.



PN 24P8125
Printed in U.S.A.