



# IntelliStation Z Pro

Type 6223

## Installation Guide

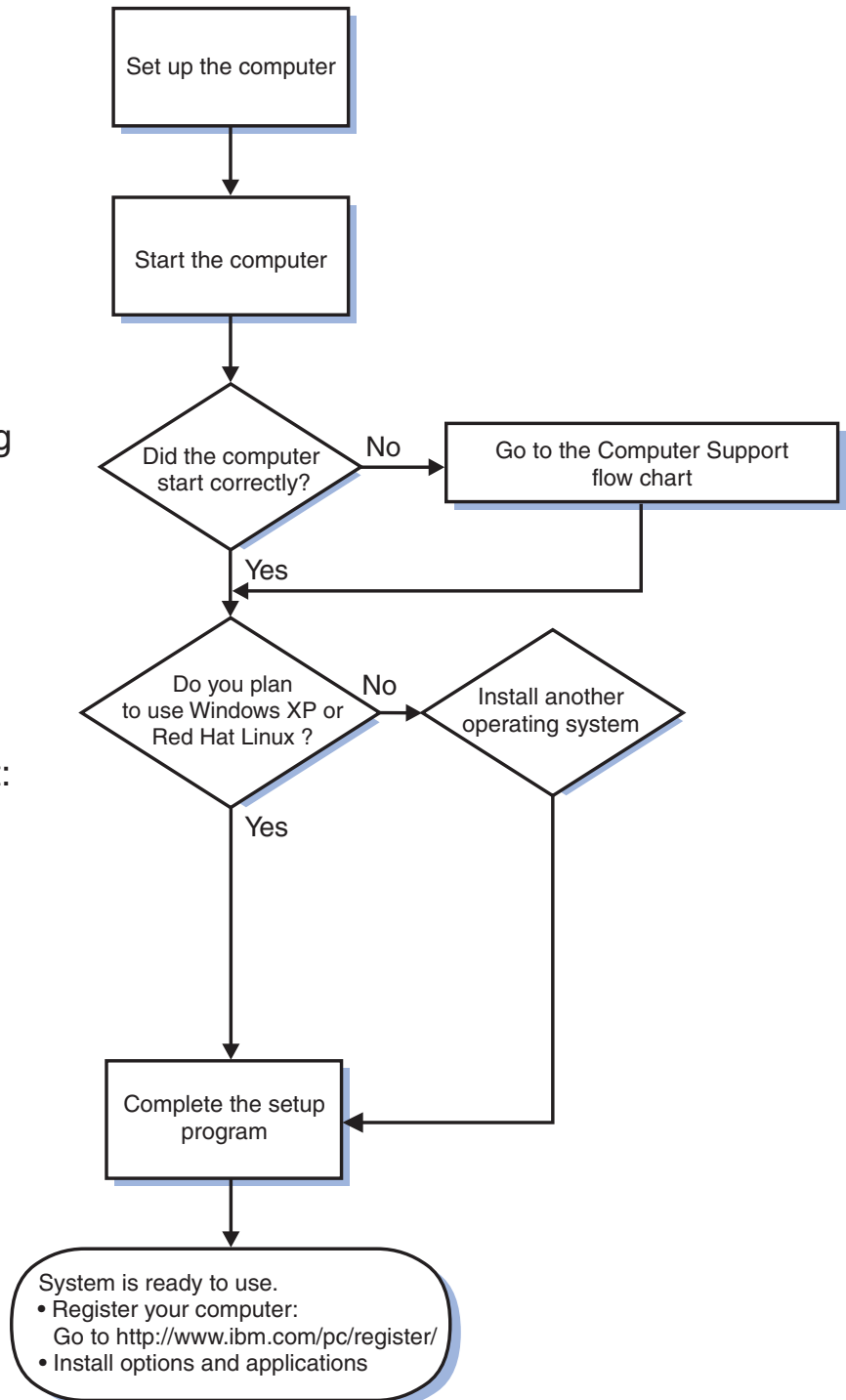
### Welcome...

Thank you for buying an IBM IntelliStation Z Pro computer.

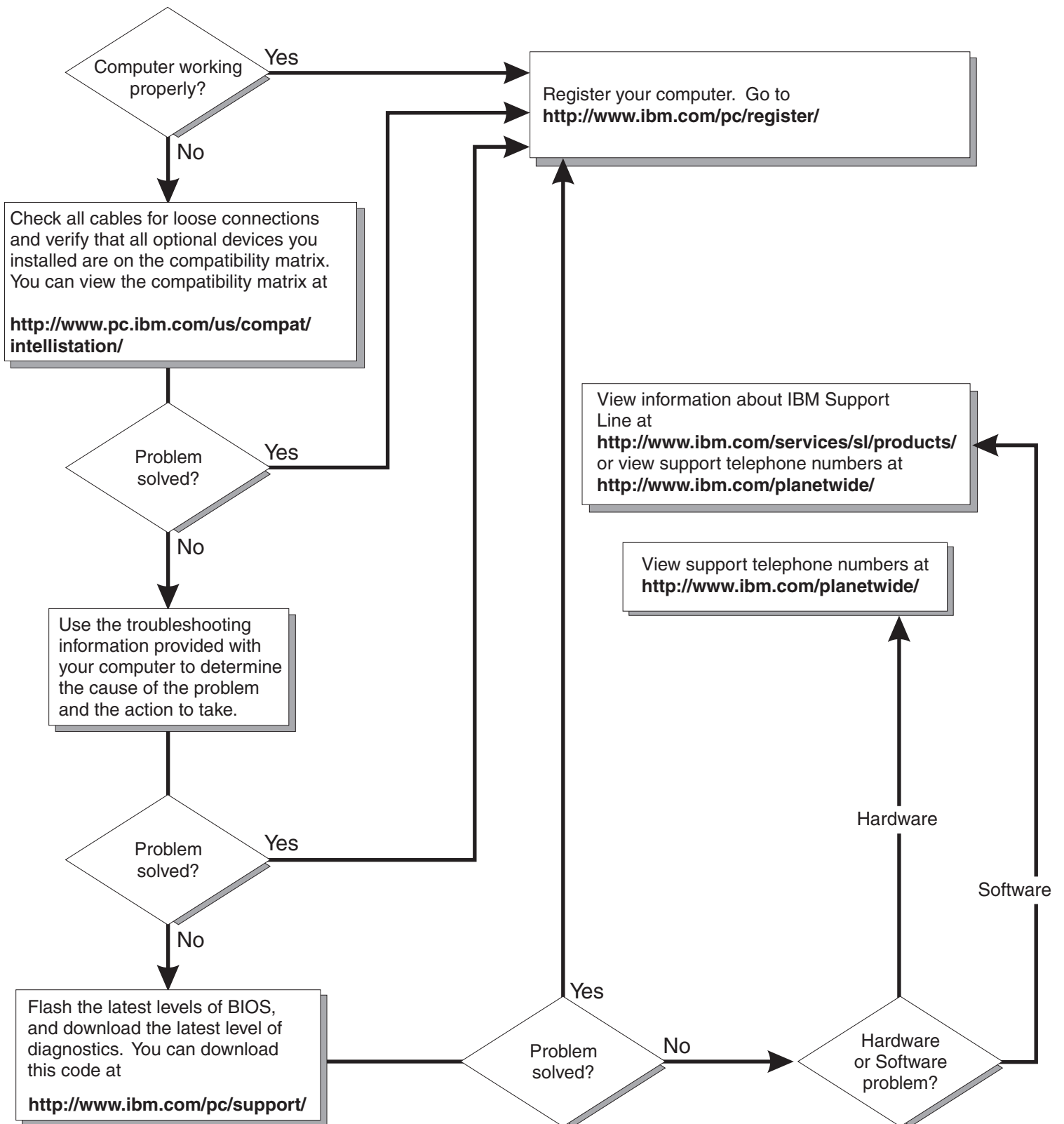
This *Installation Guide* contains information for setting up, installing options, and configuring your computer.

This book also contains information for every day use, and solving problems.

You can find the most current information about your computer on the IBM Web site at: <http://www.ibm.com/pc/support/>



# Computer Support



IntelliStation Z Pro  
Type 6223



# Installation Guide

**Note:**

Before using this information and the product it supports, read the general information in Appendix B, "IBM Statement of Limited Warranty Z125-4753-07 11/2002," on page 69 and Appendix C, "Notices," on page 85.

**First Edition (September 2004)**

**© Copyright International Business Machines Corporation 2004. All rights reserved.**

US Government Users Restricted Rights – Use, duplication or disclosure restricted by GSA ADP Schedule Contract with IBM Corp.

---

# Contents

<b>Safety</b> . . . . .	v
<b>Chapter 1. Introduction</b> . . . . .	1
The IBM IntelliStation Documentation CD . . . . .	3
Hardware and software requirements . . . . .	3
Using the Documentation Browser . . . . .	3
Related documentation . . . . .	4
Notices and statements used in this document. . . . .	5
Inventory checklist . . . . .	5
Features and specifications . . . . .	6
Controls, LEDs, and connectors . . . . .	7
<b>Chapter 2. Installing the hardware</b> . . . . .	9
Selecting a location for your computer. . . . .	9
Arranging your workspace . . . . .	9
Comfort . . . . .	9
Glare and lighting . . . . .	9
Air circulation . . . . .	10
Electrical outlets and cable lengths . . . . .	10
Installing options . . . . .	10
Installation guidelines . . . . .	10
Major components of your computer . . . . .	12
System-board option connectors . . . . .	13
System-board internal connectors . . . . .	14
System-board external connectors . . . . .	15
Removing the side cover . . . . .	16
Removing the bezel . . . . .	17
Installing an adapter . . . . .	18
Cabling an optional SCSI adapter . . . . .	21
Installing a drive . . . . .	22
Installing memory modules . . . . .	32
Installing a second microprocessor . . . . .	35
Installing a security rope clip . . . . .	39
Replacing the bezel . . . . .	40
Replacing the side cover . . . . .	41
Completing the installation. . . . .	41
Cabling the computer . . . . .	41
Turning on the computer . . . . .	42
Running the operating-system setup program . . . . .	43
Turning off the computer . . . . .	44
<b>Chapter 3. Installing software</b> . . . . .	47
Viewing the license agreement . . . . .	47
Using the built-in configuration programs . . . . .	47
Starting the Configuration/Setup Utility program . . . . .	48
Starting the Boot Menu program . . . . .	48
Enabling the Broadcom NetXtreme Gigabit Ethernet Boot Agent . . . . .	49
Using the Adaptec HostRAID configuration programs . . . . .	49
Using ServeRAID Manager . . . . .	52
Configuring the controller . . . . .	52
Viewing the configuration . . . . .	53
Configuring the Gigabit Ethernet controller . . . . .	54
Starting the SCSISelect utility program (some models) . . . . .	54

<b>Chapter 4. Completing the installation</b>	55
Recording important numbers	55
Registering your computer.	55
Creating an emergency recovery-repair diskette in Windows	55
Creating an IBM Enhanced Diagnostics Diskette in Windows	56
<b>Chapter 5. Solving problems</b>	59
Diagnostic tools overview	59
Power-on self-test (POST).	60
POST beep codes	60
POST error messages	60
Troubleshooting charts	61
CD-ROM drive problems	61
Diskette drive problems.	62
Hard disk drive problems	62
Keyboard, mouse, or pointing-device problems	62
Memory problems	63
Microprocessor problems	63
Monitor problems	63
Power problems	64
System-board error LEDs	65
Product Recovery program	65
<b>Appendix A. Getting help and technical assistance</b>	67
Before you call	67
Using the documentation	67
Getting help and information from the World Wide Web	68
Software service and support	68
Hardware service and support	68
<b>Appendix B. IBM Statement of Limited Warranty Z125-4753-07 11/2002</b>	69
Part 1 - General Terms	69
Part 2 - Country-unique Terms	72
Part 3 - Warranty Information	83
<b>Appendix C. Notices</b>	85
Edition notice	85
Trademarks	86
Important notes.	87
Product recycling and disposal	88
Battery return program	88
Electronic emission notices	88
Federal Communications Commission (FCC) statement	88
Industry Canada Class A emission compliance statement	89
Australia and New Zealand Class A statement	89
United Kingdom telecommunications safety requirement.	89
European Union EMC Directive conformance statement.	89
Taiwanese Class A warning statement	90
Chinese Class A warning statement	90
Japanese Voluntary Control Council for Interference (VCCI) statement	90
Power cords	90
<b>Index</b>	93

## Safety

Before installing this product, read the Safety Information.

قبل تركيب هذا المنتج، يجب قراءة الملاحظات الأمنية

Antes de instalar este produto, leia as Informações de Segurança.

在安装本产品之前，请仔细阅读 **Safety Information** (安全信息)。

安裝本產品之前，請先閱讀「安全資訊」。

Prije instalacije ovog produkta obavezno pročitajte Sigurnosne Upute.

Před instalací tohoto produktu si přečtěte příručku bezpečnostních instrukcí.

Læs sikkerhedsforskrifterne, før du installerer dette produkt.

Lees voordat u dit product installeert eerst de veiligheidsvoorschriften.

Ennen kuin asennat tämän tuotteen, lue turvaohjeet kohdasta Safety Information.

Avant d'installer ce produit, lisez les consignes de sécurité.

Vor der Installation dieses Produkts die Sicherheitshinweise lesen.

Πριν εγκαταστήσετε το προϊόν αυτό, διαβάστε τις πληροφορίες ασφάλειας (safety information).

לפני שתתקינו מוצר זה, קראו את הוראות הבטיחות.

A termék telepítése előtt olvassa el a Biztonsági előírásokat!

Prima di installare questo prodotto, leggere le Informazioni sulla Sicurezza.

製品の設置の前に、安全情報をお読みください。

본 제품을 설치하기 전에 안전 정보를 읽으십시오.

Пред да се инсталира овој продукт, прочитајте информацијата за безбедност.

Les sikkerhetsinformasjonen (Safety Information) før du installerer dette produktet.

Przed zainstalowaniem tego produktu, należy zapoznać się z książką "Informacje dotyczące bezpieczeństwa" (Safety Information).

Antes de instalar este produto, leia as Informações sobre Segurança.

Перед установкой продукта прочтите инструкции по технике безопасности.

Pred inštaláciou tohto zariadenia si pečítajte Bezpečnostné predpisy.

Pred namestitvijo tega proizvoda preberite Varnostne informacije.

Antes de instalar este producto, lea la información de seguridad.

Läs säkerhetsinformationen innan du installerar den här produkten.

**Statement 1:**



**DANGER**

**Electrical current from power, telephone, and communication cables is hazardous.**

**To avoid a shock hazard:**

- **Do not connect or disconnect any cables or perform installation, maintenance, or reconfiguration of this product during an electrical storm.**
- **Connect all power cords to a properly wired and grounded electrical outlet.**
- **Connect to properly wired outlets any equipment that will be attached to this product.**
- **When possible, use one hand only to connect or disconnect signal cables.**
- **Never turn on any equipment when there is evidence of fire, water, or structural damage.**
- **Disconnect the attached power cords, telecommunications systems, networks, and modems before you open the device covers, unless instructed otherwise in the installation and configuration procedures.**
- **Connect and disconnect cables as described in the following table when installing, moving, or opening covers on this product or attached devices.**

**To Connect:**

1. Turn everything OFF.
2. First, attach all cables to devices.
3. Attach signal cables to connectors.
4. Attach power cords to outlet.
5. Turn device ON.

**To Disconnect:**

1. Turn everything OFF.
2. First, remove power cords from outlet.
3. Remove signal cables from connectors.
4. Remove all cables from devices.



**Statement 2:**



**CAUTION:**

When replacing the lithium battery, use only IBM Part Number 33F8354 or an equivalent type battery recommended by the manufacturer. If your system has a module containing a lithium battery, replace it only with the same module type made by the same manufacturer. The battery contains lithium and can explode if not properly used, handled, or disposed of.

*Do not:*

- Throw or immerse into water
- Heat to more than 100°C (212°F)
- Repair or disassemble

Dispose of the battery as required by local ordinances or regulations.

**Statement 3:**



**CAUTION:**

When laser products (such as CD-ROMs, DVD drives, fiber optic devices, or transmitters) are installed, note the following:

- Do not remove the covers. Removing the cover of the laser product could result in exposure to hazardous laser radiation. There are no serviceable parts inside the device.
- Use of controls or adjustments or performance of procedures other than those specified herein might result in hazardous radiation exposure.

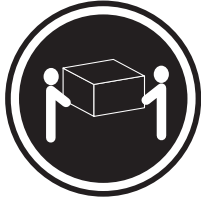


**DANGER**

Some laser products contain an embedded Class 3A or Class 3B laser diode. Note the following.

Laser radiation when open. Do not stare into the beam, do not view directly with optical instruments, and avoid direct exposure to the beam.

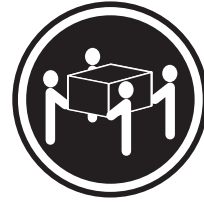
**Statement 4:**



≥ 18 kg (39.7 lb)



≥ 32 kg (70.5 lb)



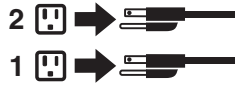
≥ 55 kg (121.2 lb)

**CAUTION:**  
Use safe practices when lifting.

**Statement 5:**



**CAUTION:**  
The power control button on the device and the power switch on the power supply do not turn off the electrical current supplied to the device. The device also might have more than one power cord. To remove all electrical current from the device, ensure that all power cords are disconnected from the power source.



Statement 8:



**CAUTION:**

Never remove the cover on a power supply or any part that has the following label attached.



Hazardous voltage, current, and energy levels are present inside any component that has this label attached. There are no serviceable parts inside these components. If you suspect a problem with one of these parts, contact a service technician.

Statement 23



**CAUTION:**

Do not place any object weighing more than 50 kg (110 lb) on top of rack-mounted devices.



>50 kg (110 lb)

**WARNING:** Handling the cord on this product or cords associated with accessories sold with this product, will expose you to lead, a chemical known to the State of California to cause cancer, and birth defects or other reproductive harm. **Wash hands after handling.**

**ADVERTENCIA:** El contacto con el cable de este producto o con cables de accesorios que se venden junto con este producto, pueden exponerle al plomo, un elemento químico que en el estado de California de los Estados Unidos está considerado como un causante de cancer y de defectos congénitos, además de otros riesgos reproductivos. **Lávese las manos después de usar el producto.**

**Important:**

All caution and danger statements in this documentation begin with a number. This number is used to cross reference an English caution or danger statement with translated versions of the caution or danger statement in the *IBM Safety Information* document.

For example, if a caution statement begins with a number 1, translations for that caution statement appear in the *IBM Safety Information* document under statement 1.

Be sure to read all caution and danger statements in this documentation before performing the instructions. Read any additional safety information that comes with your computer or optional device before you install the device.

---

## Chapter 1. Introduction

This *Installation Guide* contains instructions for setting up your IBM® IntelliStation® Z Pro Type 6223 computer and basic instructions for installing some options. More detailed instructions for installing options are in the *User's Guide* on the IBM *IntelliStation Documentation CD*, which comes with your computer. This document contains information about:

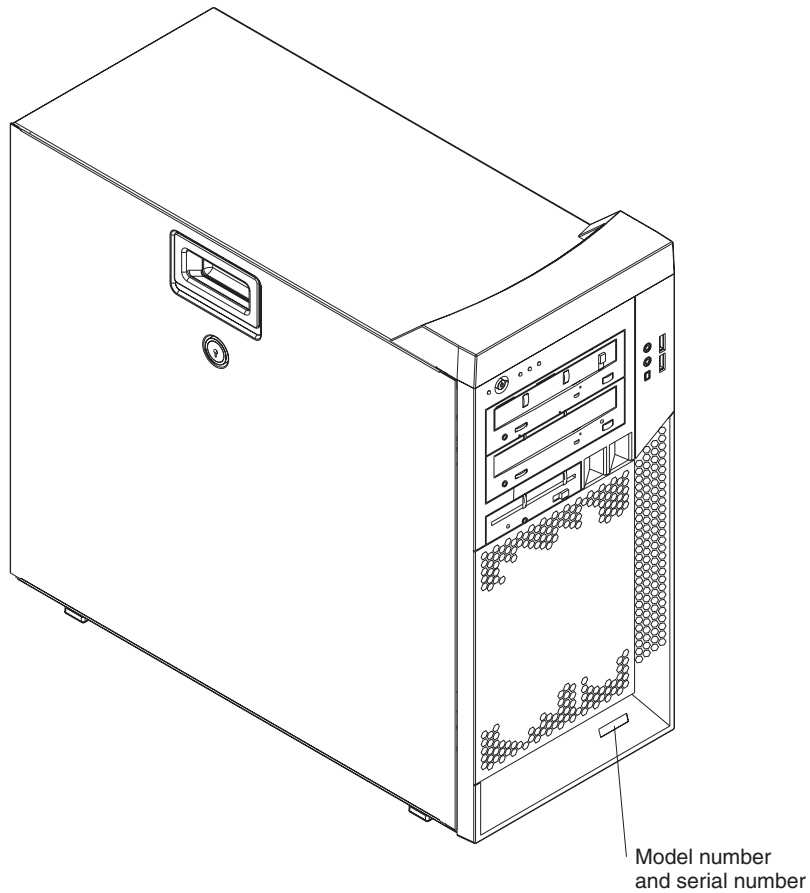
- Setting up and cabling your computer
- Starting and configuring your computer
- Setting up your operating system

You can obtain up-to-date information about your computer and other IBM computer products at <http://www.ibm.com/pc/intellistation/>.

Packaged with this *Installation Guide* is the *Device Drivers CD*, which contains device drivers and hardware-specific support software.

The IBM *IntelliStation Documentation CD* is also included. This CD provides detailed information about your computer (see “The IBM IntelliStation Documentation CD” on page 3 for more detailed information).

The computer model and serial numbers are on the label on the lower-right front of the bezel, as shown in the following illustration. You will need these numbers to register your computer with IBM. The illustrations in this document might differ slightly from your hardware.



**Note:** Your computer keys cannot be duplicated by locksmiths. If you lose them, order replacement keys from the key manufacturer. The key serial number and the telephone number of the manufacturer are on a tag attached to the keys.

If you plan to install your Z Pro Type 6223 computer in a rack, you must purchase a *Tower-to-Rack Conversion Kit*. For a list of supported options for your computer, go to <http://www.ibm.com/pc/>; then, select your country and navigate to the list of options for your computer.

Your computer comes with Microsoft Windows<sup>®1</sup> XP Professional or Red Hat Enterprise Linux WS (Workstation) preinstalled (depending on your model). To install another operating system, follow the instructions in the documentation that comes with the operating system and any updates. Then, follow the instructions in the readme file on the *Device Drivers* CD to install the support software.

**Note:** If you install another operating system, you might need additional software or device drivers. Some preinstalled device drivers are available on the *Device Drivers* CD. If you experience problems with the device drivers installed from this CD, you can obtain the latest device drivers from <http://www.ibm.com/pc/support/>.

Before installing any operating system, make sure that you obtain the latest updates for that operating system. Contact the operating system manufacturer or, if applicable, check the manufacturer's Web site to obtain the updates.

---

1. The Microsoft<sup>®</sup> Certificate of Authenticity is your assurance that the Windows software in your computer is legally licensed from Microsoft Corporation.

Additional information about operating systems is posted periodically at <http://www.ibm.com/pc/support/>.

---

## The IBM IntelliStation Documentation CD

The IBM *IntelliStation Documentation* CD contains documentation for your computer in Portable Document Format (PDF) and includes the IBM Documentation Browser to help you find information quickly.

### Hardware and software requirements

The IBM *IntelliStation Documentation* CD requires the following minimum hardware and software:

- Microsoft Windows NT 4.0 (with Service Pack 3 or later), Windows 98, Windows 2000, or Red Hat Linux.
- 100 MHz microprocessor.
- 32 MB of RAM.
- Adobe Acrobat Reader 3.0 (or later) or xpdf, which comes with Linux operating systems. Acrobat Reader software is included on the CD, and you can install it when you run the Documentation Browser.

### Using the Documentation Browser

Use the Documentation Browser to browse the contents of the CD, read brief descriptions of the documents, and view documents using Adobe Acrobat Reader or xpdf. The Documentation Browser automatically detects the regional settings in use in your system and displays the documents in the language for that region (if available). If a document is not available in the language for that region, the English version is displayed.

Use one of the following procedures to start the Documentation Browser:

- If Autostart is enabled, insert the CD into your CD-ROM drive. The Documentation Browser starts automatically.
- If Autostart is disabled or is not enabled for all users, use one of the following procedures:

- If you are using a Windows operating system, insert the CD into your CD-ROM drive and click **Start --> Run**. In the **Open** field, type  
`e:\win32.bat`

where *e* is the drive letter of the CD-ROM drive, and click **OK**.

- If you are using Red Hat Linux, insert the CD into your CD-ROM drive; then, type the following command from the `/mnt/cdrom` directory:

```
sh runlinux.sh
```

Select your computer from the **Product** menu. The **Available Topics** list displays all the documents for your computer. Some documents might be in folders. A plus sign (+) indicates each folder or document that has additional documents under it. Click the plus sign to display the additional documents.

When you select a document, a description of the document appears under **Topic Description**. To select more than one document, press and hold the Ctrl key while you select the documents. Click **View Book** to view the selected document or documents in Acrobat Reader or xpdf. If you selected more than one document, all the selected documents are opened in Acrobat Reader or xpdf.

To search all the documents, type a word or word string in the **Search** field and click **Search**. The documents in which the word or word string appears are listed in order of the most occurrences. Click a document to view it, and press Ctrl+F to use the Acrobat search function or Alt+F to use the xpdf search function within the document.

Click **Help** for detailed information about using the Documentation Browser.

---

## Related documentation

This *Installation Guide* provides general information about your computer, including information about features, how to configure the computer, and how to get help. In addition to this *Installation Guide*, the following documentation comes with your computer.

- *User's Guide*

This document is in Portable Document Format (PDF) on the IBM *IntelliStation Documentation* CD. It contains detailed information about your computer and how to use and configure the functions of the computer.

- *Safety Information*

This document is in PDF on the IBM *IntelliStation Documentation* CD. It contains translated caution and danger statements. Each caution and danger statement that appears in the documentation has a number that you can use to locate the corresponding statement in your language in the *Safety Information* document.

- *Adaptec SCSI documentation*

This document is in PDF on the *Device Drivers* CD. It contains information and instructions for installing and configuring small computer system interface (SCSI) device drivers and devices.

- Readme files on the *Device Drivers* CD

Several readme files on the CD contain information about preinstalled device drivers. Other readme files on the CD contain information about the various adapters and devices that might be installed in or attached to your computer.

- IBM *IntelliStation Documentation* CD

This CD contains all of the IBM IntelliStation Z Pro Type 6223 documents in Portable Document Format (PDF).

The *Hardware Maintenance Manual*, which is in PDF format, is at <http://www.ibm.com/pc/support/>. It contains information for trained service technicians.

Depending on your computer model, additional documentation might be included on the IBM *IntelliStation Documentation* CD.

Your computer might have features that are not described in the documentation that you received with the computer. The documentation might be updated occasionally to include information about those features, or technical updates might be available to provide additional information that is not included in your computer documentation. These updates are available from the IBM Web site. Complete the following steps to check for updated documentation and technical updates:

1. Go to <http://www.ibm.com/pc/support/>.
2. In the **Learn** section, click **Online publications**.
3. On the "Online publications" page, in the **Brand** field, select **IntelliStation**.
4. In the **Family** field, select **IntelliStation Z Pro**.



5. Click **Continue**.

---

## Notices and statements used in this document

The caution and danger statements used in this document also appear in the multilingual *Safety Information* document, which is on the IBM *IntelliStation Documentation* CD. Each statement is numbered for reference to the corresponding statement in the *Safety Information* document.

The following notices and statements are used in this document:

- **Notes:** These notices provide important tips, guidance, or advice.
- **Important:** These notices provide information that might help you avoid inconvenient or problem situations.
- **Attention:** These notices indicate possible damage to programs, devices, or data. An attention notice is placed just before the instruction or situation in which damage could occur.
- **Caution:** These statements indicate situations that can be potentially hazardous to you. A caution statement is placed just before the description of a potentially hazardous procedure step or situation.
- **Danger:** These statements indicate situations that can be potentially lethal or extremely hazardous to you. A danger statement is placed just before the description of a potentially lethal or extremely hazardous procedure step or situation.

---

## Inventory checklist

Take an inventory of items as you unpack them to make sure that you have all of the components. If any items are missing or damaged, contact your place of purchase. The following items come with your IBM IntelliStation Z Pro Type 6223 computer:

- One keyboard
- One mouse
- One power cord (9-ft line cord)
- One or two digital-to-analog video converters (some models)
- One *Device Drivers* CD
- One IBM *IntelliStation Documentation* CD
- This *Installation Guide*

If you are missing an item, contact your place of purchase.

## Features and specifications

The following table provides a summary of the features and specifications of your IntelliStation Z Pro Type 6223 computer. Depending on your model, some features might not be available, or some specifications might not apply.

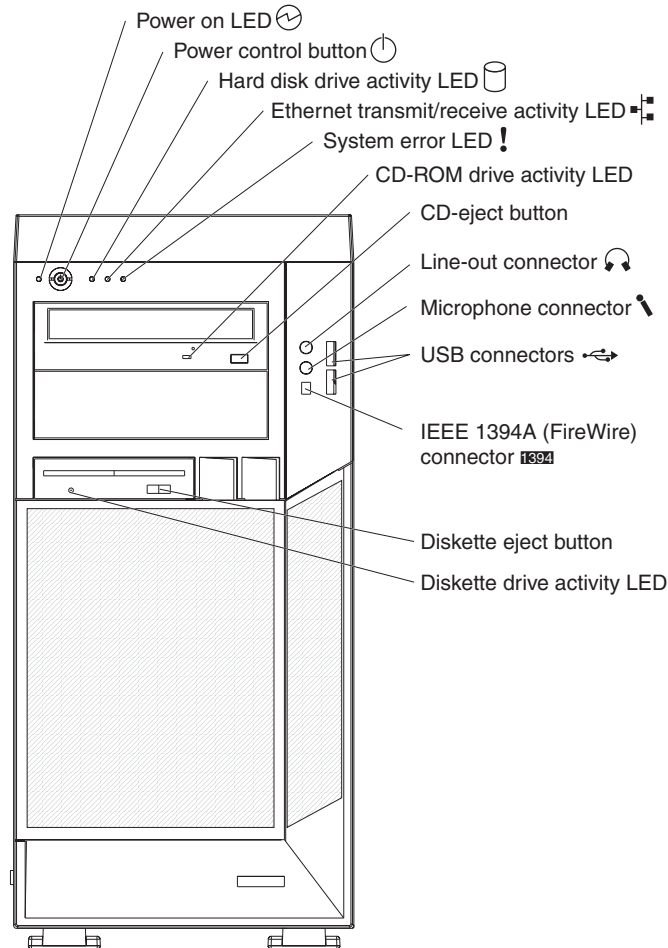
Table 1. Features and specifications

<p><b>Microprocessor:</b></p> <ul style="list-style-type: none"> <li>• Supports up to two Intel® Xeon microprocessors</li> <li>• 1 MB Level-2 cache</li> <li>• 800 MHz front-side bus (FSB)</li> </ul> <p><b>Memory:</b></p> <ul style="list-style-type: none"> <li>• Minimum: 512 MB</li> <li>• Maximum: 8 GB (depending on your configuration)</li> <li>• Type: PC2-3200 double-data-rate 2 (DDR2) registered</li> <li>• Connectors: six dual inline memory module (DIMM) connectors</li> </ul> <p><b>Internal Drives:</b></p> <ul style="list-style-type: none"> <li>• Hard disk drive: SCSI or Serial ATA (SATA)</li> <li>• One of the following optical drives: <ul style="list-style-type: none"> <li>– CD-ROM: IDE</li> <li>– DVD/CD-RW combo: IDE</li> <li>– CD-RW: IDE</li> </ul> </li> </ul> <p><b>Expansion bays:</b></p> <ul style="list-style-type: none"> <li>• Three slim-high 3.5-inch drive bays (one hard disk drive installed in some models)</li> <li>• Two half-high 5.25-inch bays (optical drive installed in one bay)</li> <li>• One slim-high 3.5-inch removable-media or hard disk drive bay</li> </ul> <p><b>PCI expansion slots:</b></p> <ul style="list-style-type: none"> <li>• Two 33 MHz/32-bit PCI, 5.0 V signaling</li> <li>• Two 100 MHz/64-bit PCI-X slots, 3.3 V signaling</li> <li>• One 133 MHz/64-bit PCI-X slot, 3.3 V signaling</li> <li>• One PCI Express x16 slot</li> </ul> <p><b>Power supply:</b></p> <p>One 530 watts (115-230 V ac)</p> <p><b>Cooling:</b></p> <p>Four speed-controlled fans</p>	<p><b>Integrated functions:</b></p> <ul style="list-style-type: none"> <li>• Broadcom 5721 10/100/1000 Ethernet controller with RJ-45 Ethernet connector</li> <li>• Integrated RAID capability</li> <li>• Integrated SCSI controller with two Ultra320 SCSI ports (one internal, one optional external)</li> <li>• Two serial ports</li> <li>• One parallel port</li> <li>• Dual port Serial ATA controller</li> <li>• Two IEEE 1394A (FireWire) ports (four-pin on front, six-pin on rear)</li> <li>• Six Universal Serial Bus (USB) 2.0 ports (two on front and four on rear)</li> <li>• Keyboard port</li> <li>• Mouse port</li> <li>• Audio ports <ul style="list-style-type: none"> <li>– Line out (front and rear)</li> <li>– Mic (front and rear)</li> <li>– Line in (rear only)</li> </ul> </li> <li>• ATA-100 single-channel IDE controller</li> </ul> <p><b>Video adapter:</b> (depending on your model)</p> <ul style="list-style-type: none"> <li>• NVIDIA Quadro NVS 280 (DMS-59), PCI Express x16, with 64 MB DDR synchronous dynamic random access memory (SDRAM) video memory and dual analog connectors (or dual digital monitor capability with the purchase of an additional pigtail cable)</li> <li>• NVIDIA Quadro FX 1300 (DVI-I), PCI Express x16, with 128 MB DDR SDRAM video memory with dual DVI-I connectors</li> <li>• NVIDIA Quadro FX 3400 (DVI-I), PCI Express x16, with 256 MB GDDR3 SDRAM video memory with dual DVI-I connectors</li> </ul> <p><b>Electrical input:</b></p> <ul style="list-style-type: none"> <li>• Sine-wave input (50 or 60 Hz) required</li> <li>• Input voltage and frequency ranges automatically selected</li> <li>• Input voltage low range: <ul style="list-style-type: none"> <li>– Minimum: 90 V ac</li> <li>– Maximum: 137 V ac</li> </ul> </li> <li>• Input voltage high range: <ul style="list-style-type: none"> <li>– Minimum: 180 V ac</li> <li>– Maximum: 265 V ac</li> </ul> </li> <li>• Input kilovolt-amperes (kVA) approximately: <ul style="list-style-type: none"> <li>– Minimum: 0.24 kVA</li> <li>– Maximum: 0.86 kVA</li> </ul> </li> </ul>	<p><b>Heat output:</b></p> <p>Approximate heat output in British thermal units (Btu) per hour:</p> <ul style="list-style-type: none"> <li>• Minimum configuration: 787 Btu (230 watts)</li> <li>• Maximum configuration: 2780 Btu (815 watts)</li> </ul> <p><b>Environment:</b></p> <ul style="list-style-type: none"> <li>• Air temperature: <ul style="list-style-type: none"> <li>– Computer on: 10° to 35°C (50° to 95°F). Altitude: 0 to 2134 m (7000 ft)</li> <li>– Computer off: -40° to +60°C (-40° to 140°F). Maximum altitude: 2133 m (7000 ft)</li> </ul> </li> <li>• Humidity (operating and storage): 8% to 80%</li> </ul> <p><b>Acoustical noise emissions:</b></p> <ul style="list-style-type: none"> <li>• Sound power, idle: 5.0 bel</li> <li>• Sound power, operating: 5.3 bel</li> </ul> <p><b>Size:</b></p> <ul style="list-style-type: none"> <li>• Height: 469.9 mm (18.5 in.)</li> <li>• Depth: 495.3 mm (19.5 in.)</li> <li>• Width: 215.9 mm (8.5 in.)</li> <li>• Weight: 16.2 kg (36 lb) to 22.6 kg (50 lb) depending upon configuration</li> </ul> <p><b>Notes:</b></p> <ol style="list-style-type: none"> <li>1. Power consumption and heat output vary depending on the number and type of optional features installed and the power-management optional features in use.</li> <li>2. These levels were measured in controlled acoustical environments according to the procedures specified by the American National Standards Institute (ANSI) S12.10 and ISO 7779 and are reported in accordance with ISO 9296. Actual sound-pressure levels in a given location might exceed the average values stated because of room reflections and other nearby noise sources. The declared sound-power levels indicate an upper limit, below which a large number of computers will operate.</li> </ol>
---	--	---

---

## Controls, LEDs, and connectors

This section identifies the controls, LEDs, and front connectors on the IntelliStation Z Pro Type 6223 computer. See “Cabling the computer” on page 41 for an illustration of the connectors on the rear of the computer.



### Power-on LED

When this LED is lit and not flashing, it indicates that the computer is turned on. When this LED is flashing, it indicates that the computer is off and still connected to an ac power source (standby mode).

### Power-control button

Press this button to turn the computer on or off.

### Hard disk drive activity LED

When this LED is lit, it indicates that the hard disk drive is in use.

### Ethernet transmit/receive activity LED

When this LED is flickering, it indicates that there is activity between the computer and the network. There are two of these LEDs, one on the front and one on the rear of the computer.

### Ethernet link status LED

When this LED is lit, it indicates that there is an active connection on the Ethernet port. This LED is located on the rear of the computer.

**System-error LED**

When this amber LED is lit, it indicates that a system error has occurred. An LED on the system board is also lit to help isolate the error.

**CD-ROM drive activity LED**

When this LED is lit, it indicates that the CD-ROM drive is in use.

**CD-eject button**

Press this button to insert a CD into or remove a CD from the CD-ROM drive.

**Line out connector (green)**

Use this connector to send audio signals from the computer to external devices, such as speakers with built-in amplifiers, headphones, multimedia keyboards, or the audio line-in jack on a stereo system.

**Mic connector (pink)**

Use this connector to connect a microphone to your computer when you want to record voices or other sounds on the hard disk. You can also use this connector (and a microphone) with speech recognition software.

**USB connectors**

Use these connectors to connect USB devices to your computer, using redundant Plug and Play technology.

**IEEE 1394A (FireWire) connectors**

Use these connectors (four-pin on the front and six-pin on the rear) to connect FireWire devices, such as digital video cameras and external hard disk drives.

**Diskette-eject button**

Press this button to release a diskette from the diskette drive.

**Diskette drive activity LED**

When this LED is lit, it indicates that the diskette drive is in use.

---

## Chapter 2. Installing the hardware

This chapter provides instructions for installing or replacing options in your computer. For a list of supported options for your computer, go to <http://www.ibm.com/pc/>; then, select your country and navigate to the list of options for your computer. For more detailed installation information, see the *User's Guide* on the IBM *IntelliStation Documentation CD*.

---

### Selecting a location for your computer

Make sure that you have an adequate number of properly grounded electrical outlets for the computer, monitor, and any other devices. Select a location for the computer where it will remain dry. Leave approximately 50 mm (2 in.) of space around the computer for proper air circulation. For information about arranging your computer and ease of use, see the following sections.

---

### Arranging your workspace

To get the most from your computer, arrange both the equipment you use and your work area to suit your needs and the kind of work you do. Your comfort is of foremost importance, but light sources, air circulation, and the location of electrical outlets can also affect the way you arrange your workspace.

### Comfort

The following guidelines will help you decide what working position suits you best.

Choose a comfortable chair to reduce fatigue from sitting in the same position for long periods. The backrest and seat should adjust independently and provide good support. The seat should have a curved front to relieve pressure on the thighs. Adjust the seat so that your thighs are parallel to the floor and your feet are either flat on the floor, or on a footrest.

When using the keyboard, keep your forearms parallel to the floor and your wrists in a neutral, comfortable position. Try to keep a light touch on the keyboard, and your hands and fingers relaxed. Change the angle of the keyboard for maximum comfort by adjusting the position of the keyboard feet.

Adjust the monitor so that the top of the screen is at, or slightly below, eye level. Place the monitor at a comfortable viewing distance, usually 51 to 61 cm (20 to 24 in.), and position it so that you can view it without having to twist your body.

### Glare and lighting

Position the monitor to minimize glare and reflections from overhead lights, windows, and other light sources. Place the monitor at right angles to light sources whenever possible. Reduce overhead lighting, if necessary, by turning off lights or using lower wattage bulbs. If you install the monitor near a window, use curtains or blinds to block the sunlight. You might have to adjust the Brightness and Contrast controls on the monitor as the lighting changes throughout the day.

Where it is impossible to avoid reflections or to adjust the lighting, place an antiglare filter over the screen. However, these filters might affect the clarity of the screen image; try them only after you have exhausted other methods of reducing glare.

Dust compounds problems associated with glare. Clean your monitor screen periodically using a soft cloth moistened with a nonabrasive, liquid glass cleaner.

## Air circulation

Your computer and monitor produce heat. The computer fan pulls in fresh air and forces out hot air. The monitor lets hot air escape through vents. Blocking the air vents can cause overheating, possibly resulting in malfunction or damage. Place the computer and monitor so that nothing blocks the air vents; usually 50 mm (2 in.) of air space is sufficient. Also, make sure the vented air is not blowing on someone else.

## Electrical outlets and cable lengths

The location of electrical outlets and the length of device power cords and cables might determine the final placement of your computer.

When arranging your work space:

- Avoid the use of extension cords. Whenever possible, plug the computer power cord directly into an electrical outlet.
- Keep power cords and cables neatly routed away from walkways and other areas where they might be accidentally dislodged.

For more information about power cords, see “Power cords” on page 90.

---

## Installing options

This section provides instructions for installing and replacing hardware options in your computer. These instructions are intended for users who are experienced with setting up IBM computer hardware. If you need more detailed instructions, see the *User's Guide* on the IBM *IntelliStation Documentation CD*. For a list of supported options for your computer, go to <http://www.ibm.com/pc/>; then, select your country and navigate to the list of options for your computer.

If you have no options to install, continue with “Cabling the computer” on page 41.

## Installation guidelines

Before you begin installing options in your computer, read the following information:

- Read the safety information beginning on page v and the guidelines in “Handling static-sensitive devices” on page 11. This information will help you work safely with your computer and options.
- Make sure that you have an adequate number of properly grounded electrical outlets for your computer, monitor, and other devices that you will connect to the computer.
- Back up all important data before you make changes to disk drives.
- Have a small flat-blade screwdriver available.
- When you need to access the inside of the computer to install options, you might find it easier to lay the computer on its side.
- Blue on a component indicates touch points, where you can grip the component to remove it from or install it in the computer, open or close a latch, and so on.

### System reliability considerations

To help ensure proper system cooling and system reliability, make sure that:

- Each of the drive bays has a drive or a filler panel and electromagnetic compatibility (EMC) shield installed.
- There is adequate space around the computer to allow the computer cooling system to work properly. Leave approximately 50 mm (2 in.) of open space around the front and rear of the computer. Do not place objects in front of the fans. For proper cooling and airflow, replace the computer cover before turning on the computer. Operating the computer for extended periods of time (over 30 minutes) with the computer cover removed might damage computer components.
- You have followed the cabling instructions that come with optional adapters.
- You have replaced a failed fan as soon as possible.

### **Handling static-sensitive devices**

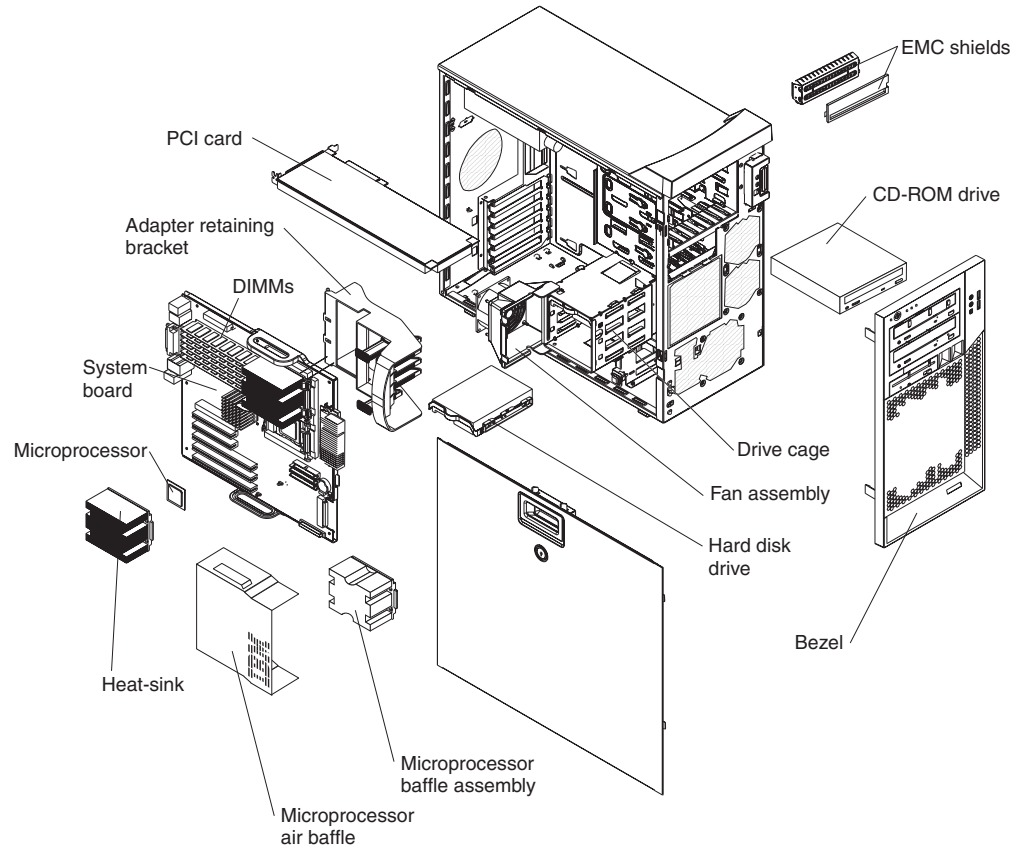
**Attention:** Static electricity can damage electronic devices and your computer. To avoid damage, keep static-sensitive devices in their static-protective packages until you are ready to install them.

To reduce the possibility of damage from electrostatic discharge, observe the following precautions:

- Limit your movement. Movement can cause static electricity to build up around you.
- Handle the device carefully, holding it by its edges or its frame.
- Do not touch solder joints, pins, or exposed printed circuitry.
- Do not leave the device where others can handle and damage it.
- While the device is still in its static-protective package, touch it to an unpainted metal part of the system unit for at least 2 seconds. This drains static electricity from the package and from your body.
- Remove the device from its package and install it directly into the computer without setting down the device. If it is necessary to set down the device, put it back into its static-protective package. Do not place the device on your computer cover or on a metal surface.
- Take additional care when handling devices during cold weather. Heating reduces indoor humidity and increases static electricity.

# Major components of your computer

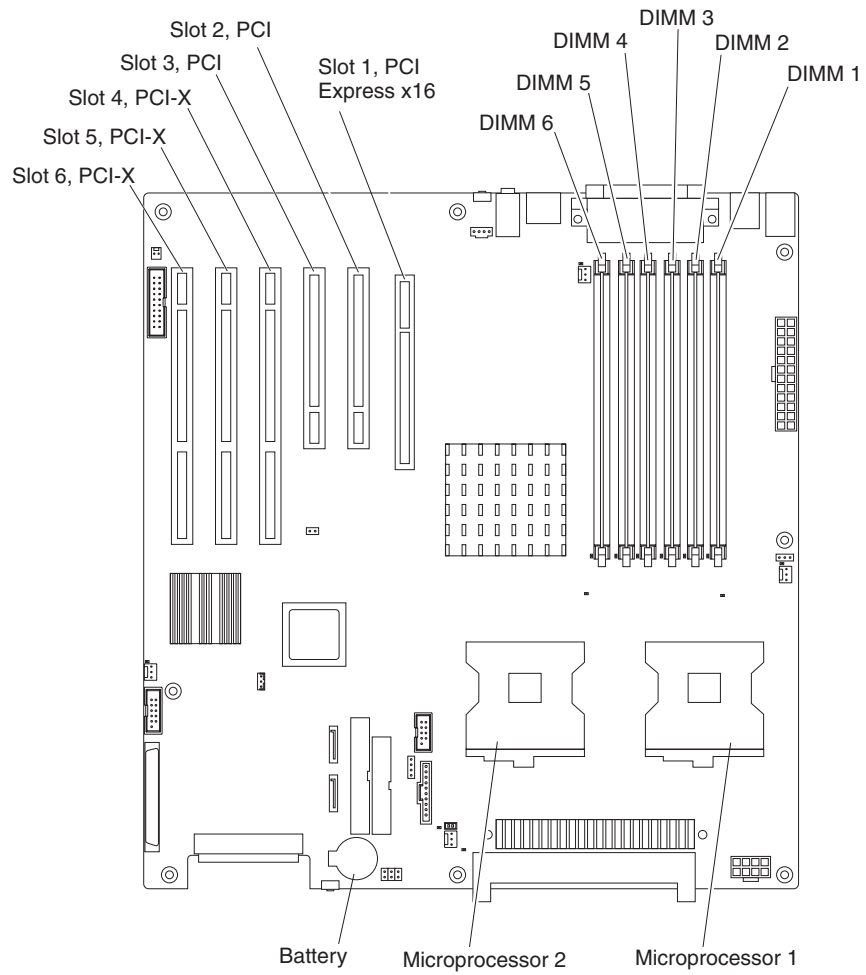
The following illustration shows the major components in the Z Pro Type 6223 computer.





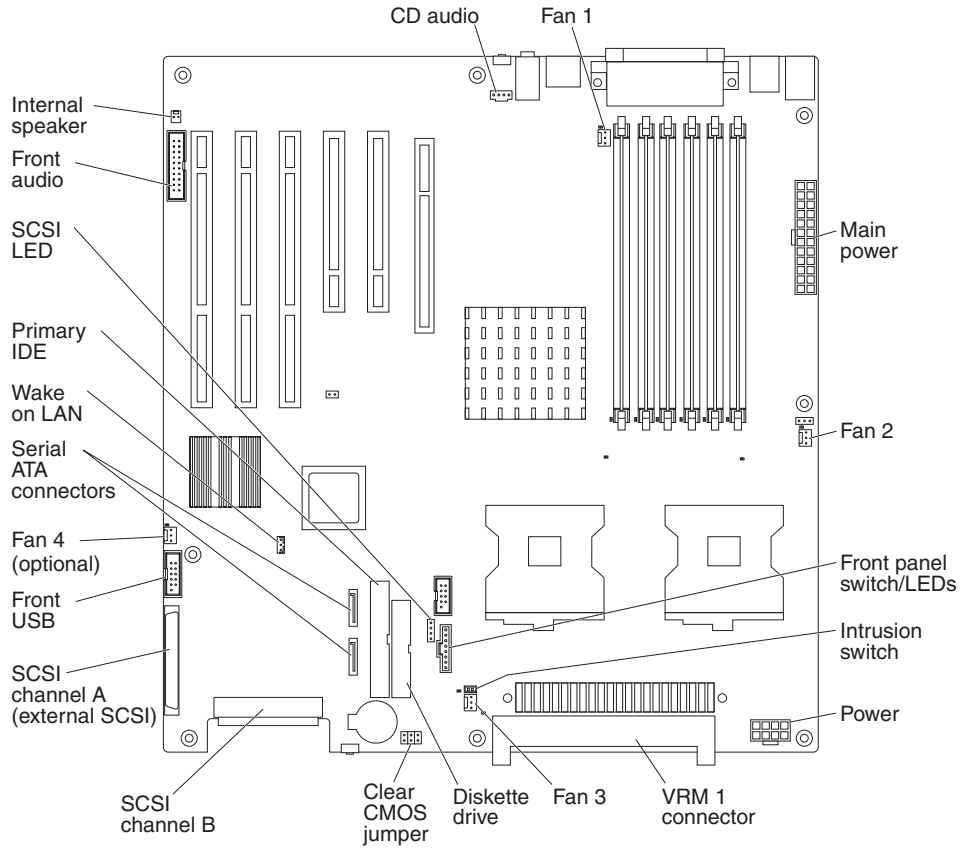
## System-board option connectors

The following illustration shows the system-board connectors for user-installable options.



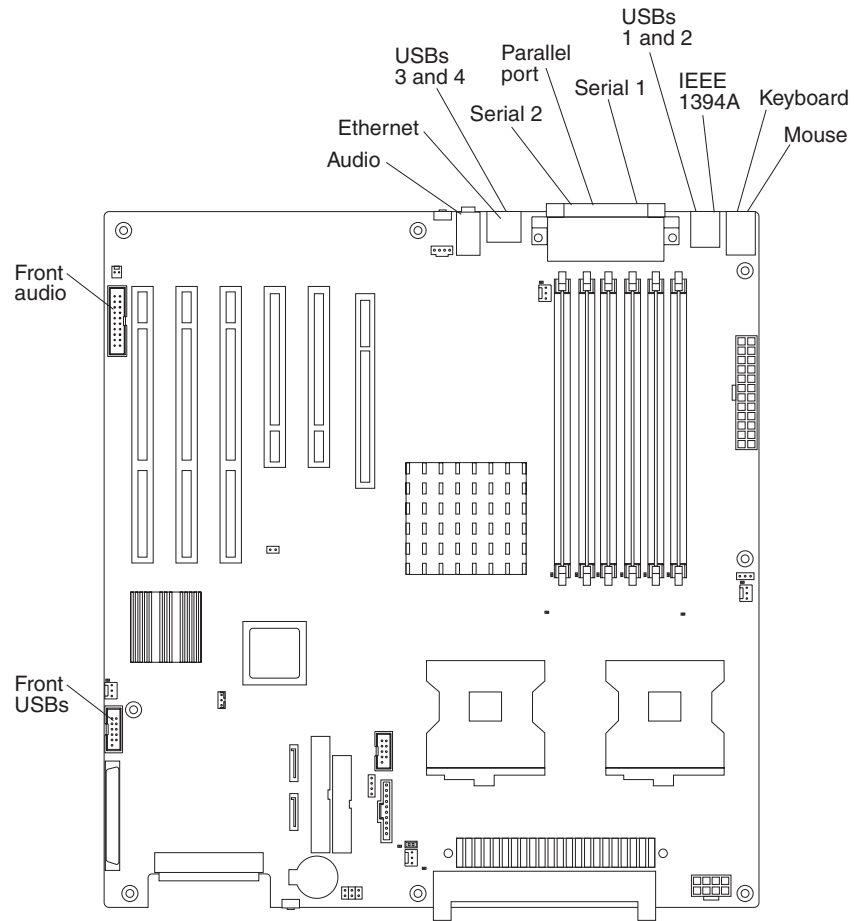
# System-board internal connectors

The following illustration shows the internal connectors on the system board.



## System-board external connectors

The following illustration shows the external input/output connectors on the system board.

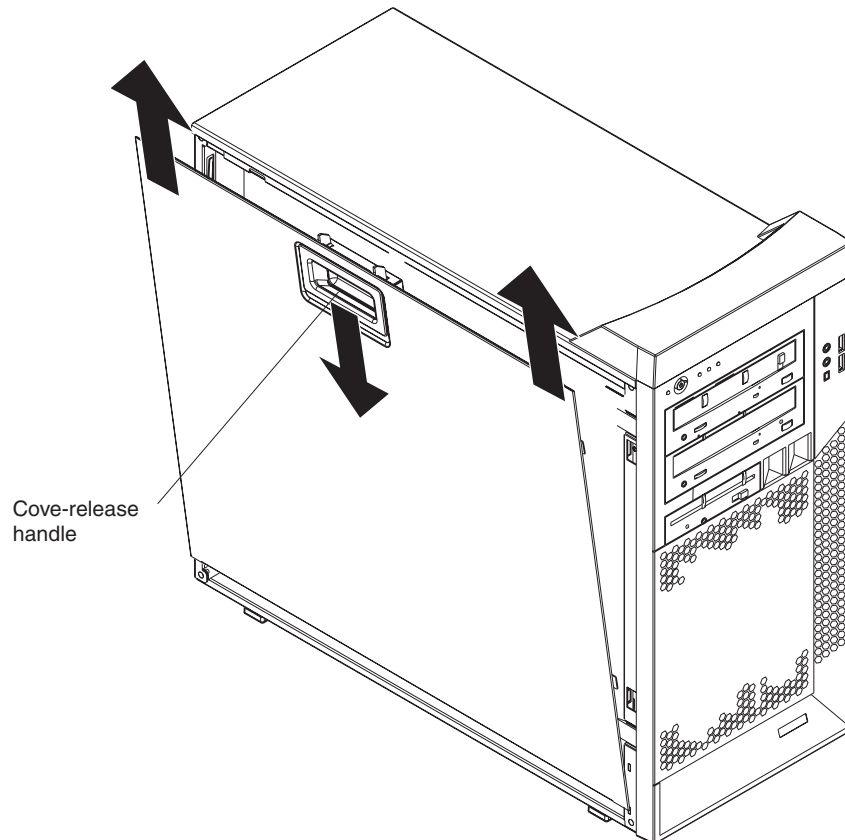


## Removing the side cover

To remove the cover, you might find it easier to lay the computer on its side.

Complete the following steps to remove the side cover of the computer:

1. Review the “Installation guidelines” on page 10.
2. Turn off the computer and all attached devices (see “Turning off the computer” on page 44); then, disconnect all power cords and external cables.
3. Pull down on the cover-release handle; then, pull the cover straight up and lift the side cover off the computer and set it aside.



To replace the side cover, see “Replacing the side cover” on page 41.

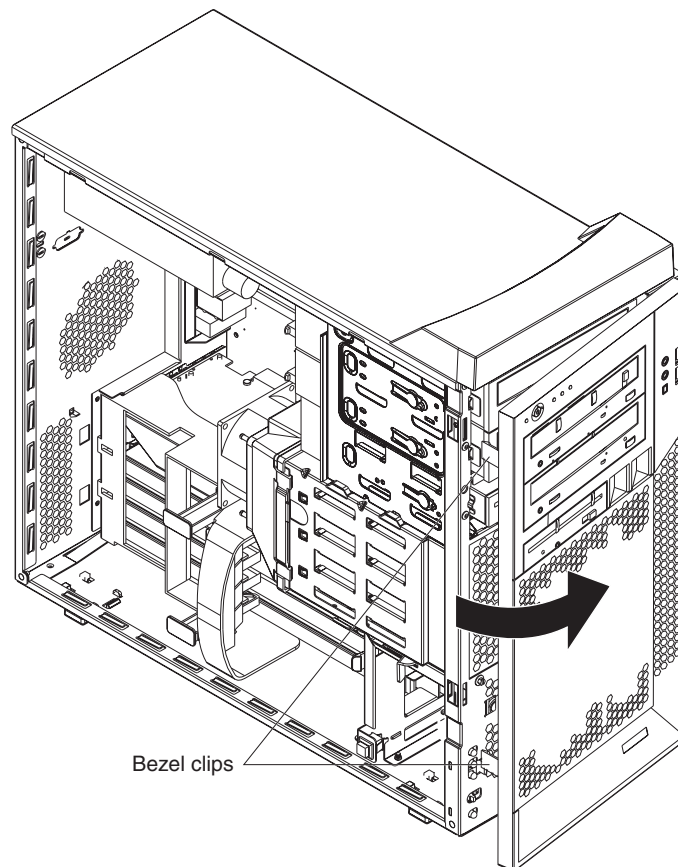
**Attention:** For proper cooling and airflow, replace the side cover before turning on the computer. Operating the computer with the cover removed might damage computer components.

## Removing the bezel

When working with some devices, such as additional optical drives, you must first remove the bezel to access the device. To install or remove options, you might find it easier to lay the computer on its side.

Complete the following steps to remove the bezel:

1. Unlock the side-cover lock.
2. Remove the side cover (see “Removing the side cover” on page 16).
3. Locate the two bezel clips that are securing the bezel to the computer chassis. Gently lift and hold the bezel clips up and at the same time, rotate the bezel outward to disengage it from the side tabs; then, set the bezel aside.



For instructions for replacing the bezel, see “Replacing the bezel” on page 40.

## Installing an adapter

The following notes describe the types of adapters that your computer supports and other information that you must consider when installing an adapter. See “System-board option connectors” on page 13 for an illustration of the adapter slot locations.

- Read the documentation that comes with your operating system.
- Locate the documentation that comes with the adapter and follow those instructions in addition to the instructions in this chapter. If you need to change the switch or jumper settings on your adapter, follow the instructions that come with the adapter.
- Your computer comes with adapter connectors or *slots*. The video adapter is installed in the PCI Express x16 slot (slot 1). You can install up to five additional adapters in your computer in PCI slots 2 and 3, and PCI-X slots 4, 5, and 6.
- You can install full-length adapters in PCI slot 3, and PCI-X slots 4, 5, and 6. However, a full-length adapter will not fit in PCI slot 2 and is not supported. None of the expansion slots are hot-plug slots.
- Your computer supports 5.0 V signaling and universal PCI 32-bit/33 MHz adapters in PCI slots 2 and 3.
- Your computer supports 3.3 V signaling and universal PCI-X 64-bit/133 MHz adapters in PCI-X slot 4.
- Your computer supports 3.3 V signaling and universal PCI-X 64-bit/100 MHz adapters in PCI-X slot 5 and 6.
- Your computer uses a rotational interrupt technique to configure PCI adapters, which means that you can install a variety of PCI adapters that currently do not support sharing of PCI interrupts.
- If you install an optional ServeRAID 6i+ adapter, it must be installed in PCI-X slot 5.
- If you install an optional RAID adapter in your computer, you must reinstall the operating system and applications that came preinstalled on your computer.
- The system scans the PCI Express x16 slot (slot 1), PCI expansion slots 2 and 3, and PCI-X expansion slots 4 through 6 to assign system resources. Then, it starts the PCI devices in the following order, if you have not changed the default startup sequence: PCI Express x16 slot (slot 1), system-board integrated drive electronics (IDE), Serial ATA (SATA), or small computer system interface (SCSI) devices (including optional ServeRAID-6i+ controller), and then PCI-X slots 4 through 6.
- For a list of supported options for your computer, go to <http://www.ibm.com/pc/>; then, select your country and navigate to the list of options for your computer.

Complete the following steps to install an adapter in your computer:

1. Read the safety information beginning on page v and the guidelines in “Handling static-sensitive devices” on page 11.
2. Turn off the computer and all attached devices (see “Turning off the computer” on page 44); then, disconnect all external cables and power cords.
3. Remove the side cover (see “Removing the side cover” on page 16).
4. Determine the slot in which you want to install the adapter. Review the instructions that come with the adapter for any requirements, restrictions, or cabling instructions. It might be easier to route any cables before you install the adapter.

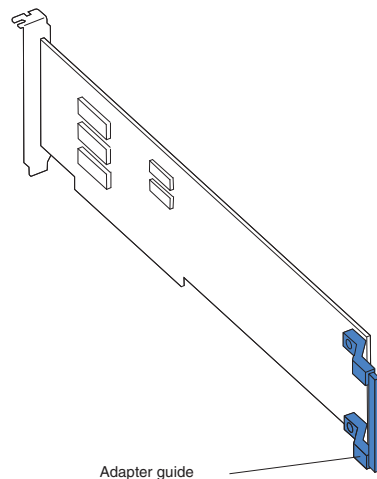
5. For full-length adapters, rotate the rear adapter-retention bracket to the open (unlocked) position (you might have to first remove any adapters that might be in the way). Press down on the bottom tab of the front adapter-retention bracket to release it (the tab is inside the fan compartment that is next to the front adapter-retention bracket). If you are installing a smaller adapter, rotate only the rear adapter-retention bracket.
6. Remove the expansion-slot cover. From the rear of the computer, press on the slot cover. Grasp it and pull it out of the expansion slot. Store it in a safe place for future use.

**Attention:** Expansion-slot covers must be installed on all empty slots. This maintains the electronic emissions standards of the computer and ensures proper ventilation of computer components.

7. Follow the instructions that come with the adapter to set jumpers or switches, if any.

**Attention:** Avoid touching the components and gold-edge connectors on the adapter.

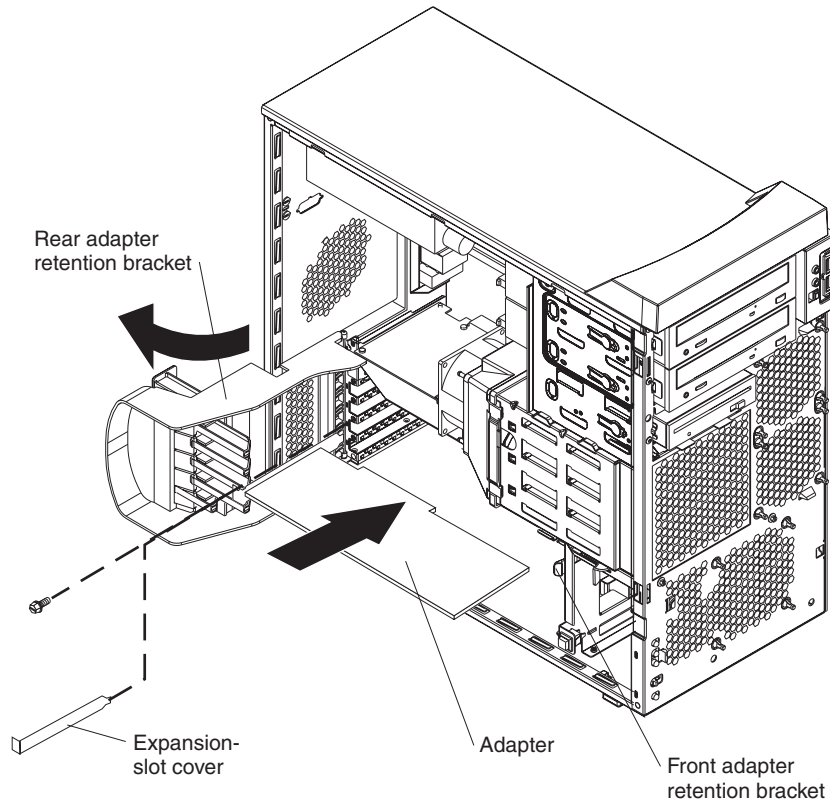
8. If you are installing a full-length adapter, remove the blue adapter guide (if any) from the end of the adapter.



**Attention:** Be certain that the adapter is correctly seated in the expansion slot before you turn on the computer. Incomplete installation of an adapter might damage the system board or the adapter.

- Carefully grasp the adapter by the top edge or upper corners and move the adapter directly from the static-protective package to adapter slot (avoid touching the components and gold-edge connectors on the adapter). Align the adapter with the expansion slot guides; then, press the adapter *firmly* into the expansion slot.

**Attention:** Make sure that the adapter is correctly seated in the expansion slot before you turn on the computer. Incomplete installation of an adapter might damage the system board or the adapter.



- Connect required cables to the adapter. Route cables so that they do not block the flow of air from the fans. If you are installing an optional SCSI adapter, see “Cabling an optional SCSI adapter” on page 21 for additional information.
- If you have another adapter to install, repeat steps 4 through 10.
- If you have installed a full-length adapter, press down on the top tab of the front adapter-retention bracket to lock it in place (the tab is inside the fan compartment that is next to the front adapter-retention bracket).

**Note:** If any adapter in your computer is large or has heavy cables attached to it, you can secure the adapter with a screw. Insert one backup expansion-slot screw (the screws are stored directly above the front adapter-retention bracket) through the top of each adapter bracket into the screw hole and secure the adapter before proceeding to the next step.

- If you have other options to install, do so now; otherwise, replace the side cover (see “Replacing the side cover” on page 41), reconnect the external cables and power cords, and turn on the computer. Then, go to “Completing the installation” on page 41.



## Cabling an optional SCSI adapter

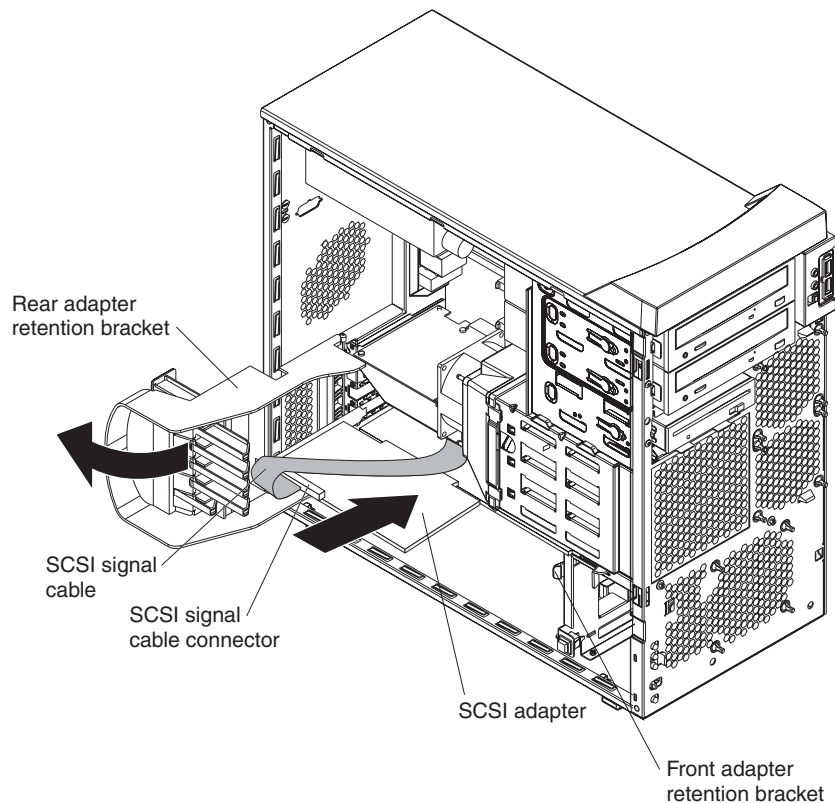
You can install an optional SCSI adapter in your computer to control the internal hard disk drives and provide additional RAID capabilities. With a SCSI adapter installed, you can configure the internal hard disk drives into disk arrays. You can also cable a SCSI adapter to external hard disk drives. See your SCSI adapter option documentation for complete instructions for installing a SCSI adapter in your computer and for additional information about SCSI adapters.

### Notes:

1. The SCSI cables that are used by the integrated SCSI controller cannot be used with an optional SCSI adapter.
2. If you install a ServeRAID 6i+ adapter, it must be installed in slot 5; no cabling is required for this adapter.

Complete the following steps to cable an optional SCSI adapter:

1. Install the SCSI adapter (see “Installing an adapter” on page 18).
2. Connect the SCSI-signal cable to the adapter and one or more of the signal cable connectors to the rear of the SCSI devices.
3. Connect the SCSI-activity-indicator cable to the adapter and to the SCSI-LED connector on the system board. See “System-board internal connectors” on page 14 for the location of the SCSI-LED connector.



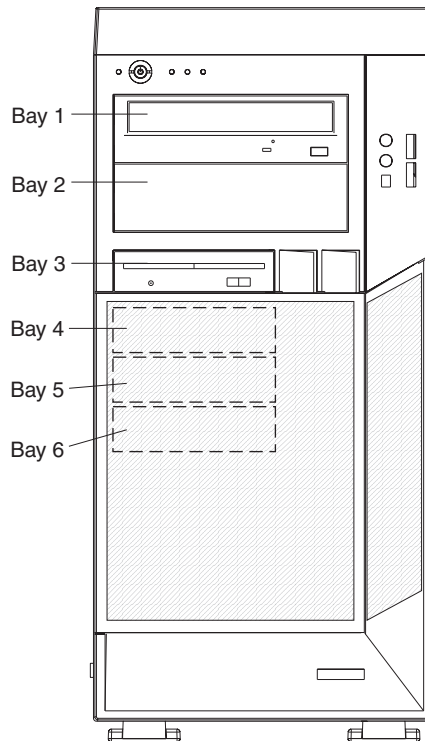
4. Complete the installation of the optional SCSI adapter.

## Installing a drive

Depending on your computer model, one or more of the following drives might be installed in your computer:

- Diskette drive (optional)
- Hard disk drive
- CD-ROM, CD-RW, or DVD/CD-RW combo drive

Your Z Pro Type 6223 computer comes with an IDE CD-ROM drive in bay 1 and a hard disk drive in bay 6.



The following notes describe the types of drives that your computer supports and other information that you must consider when installing drives:

- Make sure that you have all the cables and other equipment specified in the documentation that comes with the drive.
- Select the bay in which you want to install the drive.
- Check the instructions that come with the drive to see whether you need to set any switches or jumpers on the drive. If you are installing a SCSI device, be sure to set the SCSI ID for that device.
- You can install removable-media drives in bays 1, 2, and 3 only. Tape drives, diskette drives, CD-ROM, DVD/CD-RW, and DVD-ROM drives are examples of removable-media drives.
- You can install a 3.5-in. slim-high or 5.25-in. half-high removable-media drive, such as a tape backup drive, in bay 2.

- You can install a diskette drive or a 3.5-in slim-high hard disk drive in bay 3.
- To install a 3.5-in. drive in a 5.25-in. bay, you must use the 5.25-in. conversion kit.
- Your computer supports only one diskette drive: either a diskette drive in bay 3 or a USB drive connected to the USB connector on the front of the computer.
- Two Serial ATA hard disk drive connectors are on the system board.
- If you install SCSI hard disk drives and SATA hard disk drives in the same computer, note the following HostRAID considerations for hard disk drives:
  - You can enable HostRAID on only one subsystem (SCSI or SATA).
  - If HostRAID is enabled on a subsystem, you can install boot hard disk drives on that subsystem only.

If you fail to observe these restrictions, the computer will usually disable the BIOS for the last subsystem that was loaded, which typically is SCSI.

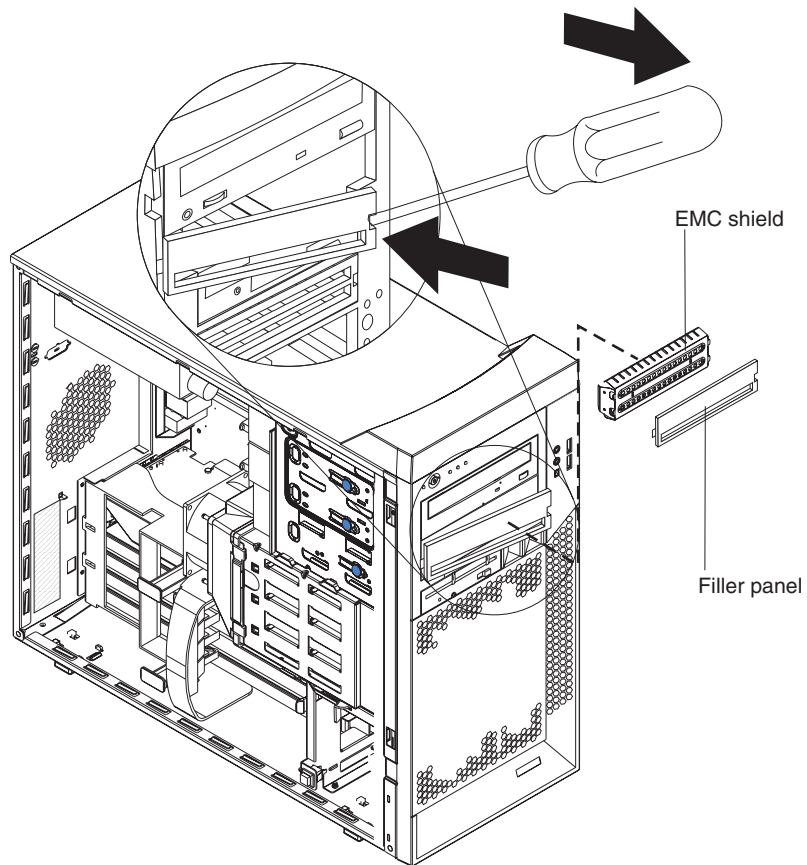
For more information about HostRAID, see “Using the Adaptec HostRAID configuration programs” on page 49.
- The electromagnetic interference (EMI) integrity and cooling of the computer are protected by having all bays, PCI, and PCI-X slots covered or occupied. When you install a drive, PCI adapter, or PCI-X adapter, save the EMC shield and filler panel from the bay or the adapter slot cover in the event you later remove the drive or adapter.
- For a complete list of supported options for your computer, go to <http://www.ibm.com/pc/>; then, select your country and navigate to the list of options for your computer.

### **Installing a drive in bay 2 or 3**

Complete the following steps to install a drive in bay 2 or 3:

1. Read the safety information beginning on page v and “Installation guidelines” on page 10.
2. Turn off the computer and peripheral devices, and disconnect the power cords and all external cables.
3. Remove the side cover (see “Removing the side cover” on page 16).
4. Remove the bezel (see “Removing the bezel” on page 17).

5. Use a screwdriver to pry the filler panel and EMC shield away from the computer.



**Note:** If you are installing a drive that contains a laser, observe the following safety precaution.

### Statement 3



#### CAUTION:

When laser products (such as CD-ROMs, DVD drives, fiber optic devices, or transmitters) are installed, note the following:

- Do not remove the covers. Removing the covers of the laser product could result in exposure to hazardous laser radiation. There are no serviceable parts inside the device.
- Use of controls or adjustments or performance of procedures other than those specified herein might result in hazardous radiation exposure.



#### Danger

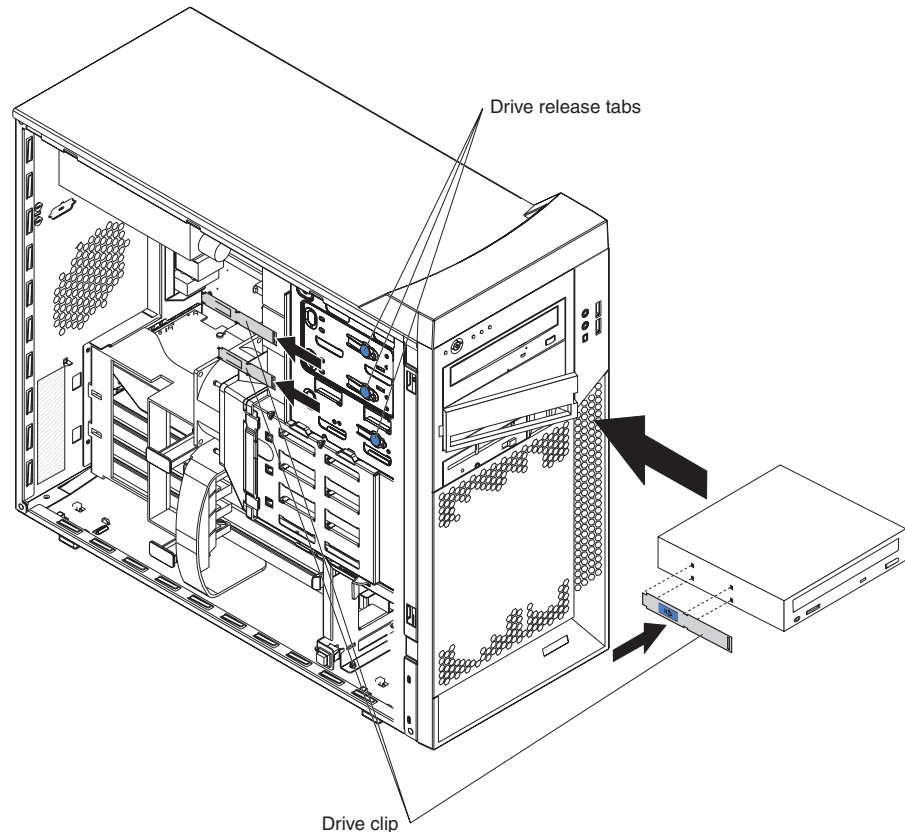
Some laser products contain an embedded Class 3A or Class 3B laser diode. Note the following. Laser radiation when open. Do not stare into the beam, do not view directly with optical instruments, and avoid direct exposure to the beam.

Class 1 Laser Product  
Laser Klasse 1  
Laser Klass 1  
Luokan 1 Laserlaite  
Appareil À Laser de Classe 1

6. Touch the static-protective package containing the drive to any unpainted metal surface on the computer; then, remove the drive from the package and place it on a static-protective surface.
7. Set any jumpers or switches on the drive according to the documentation that comes with the drive.

**Note:** You might find it easier to install the new drive from the front and then attach the cables.

8. To install a drive in bay 2, complete the following steps:
  - a. Remove the large drive clip attached to the side of bay 2 of the drive cage for bays 1, 2, and 3 (see the figure below). Slide the drive clip to the left to disengage it from the drive cage; then, snap the drive clip into the screw holes on the side of the drive.



- b. If you are installing a 5.25-in. drive in bay 2, slide the drive into the drive bay until it snaps in place. If you are installing a 3.5-in. drive in bay 2, you must attach the 5.25-in. conversion kit, which you can order from IBM, to the 3.5-in. drive.
    - c. Continue with step 10.
9. To install a drive in bay 3, use one of the following procedures:

**Note:** Only a 3.5-in. device can be installed in bay 3.

- If you are installing an external media device in bay 3, complete the following steps:
  - a. Remove the small drive clip that is attached to the side of bay 3 of the drive cage for bays 1, 2, and 3 (see the figure above). Slide the drive clip to the left to disengage it from the drive cage; then, snap the drive clip into the screw holes on the side of the drive.
  - b. Slide the drive into the drive bay until it snaps in place.
  - c. Continue with step 10.
- If you are installing a hard disk drive in bay 3, complete the following steps:
  - a. Push the drive into the drive bay from the rear of the drive cage; then, use the two screws to attach the drive to the drive cage.
  - b. Continue with step 10.

10. Determine whether the drive is an IDE or SCSI device; then, connect one end of the applicable signal cable into the back of the drive and make sure that the other end of this cable is connected into the applicable IDE or SCSI connector on the system board.
11. Route the signal cable so that it does not block the airflow to the rear of the drives or over the microprocessor and memory.
12. If you have another drive to install or remove, do so now.
13. Connect the power cable to the back of the drive. The connectors are keyed and can be inserted only one way.
14. If you have other options to install or remove, do so now; otherwise, replace the bezel (see “Replacing the bezel” on page 40), and then go to “Completing the installation” on page 41.

### **Installing a SCSI or SATA drive in bay 4, 5, or 6**

Some models come with non-hot-swap SCSI hard disk drives or Serial ATA (SATA) hard disk drives. Before you install a hard disk drive in bays 4, 5, and 6, read the following information:

- Read the documentation that comes with the drive for cabling instructions.
- Route the cable before you install the drive. Do not block the airflow from the fans.
- You can install up to four SCSI hard disk drives in your computer (SCSI models only).
- Your computer supports up to two Serial ATA hard disk drives.

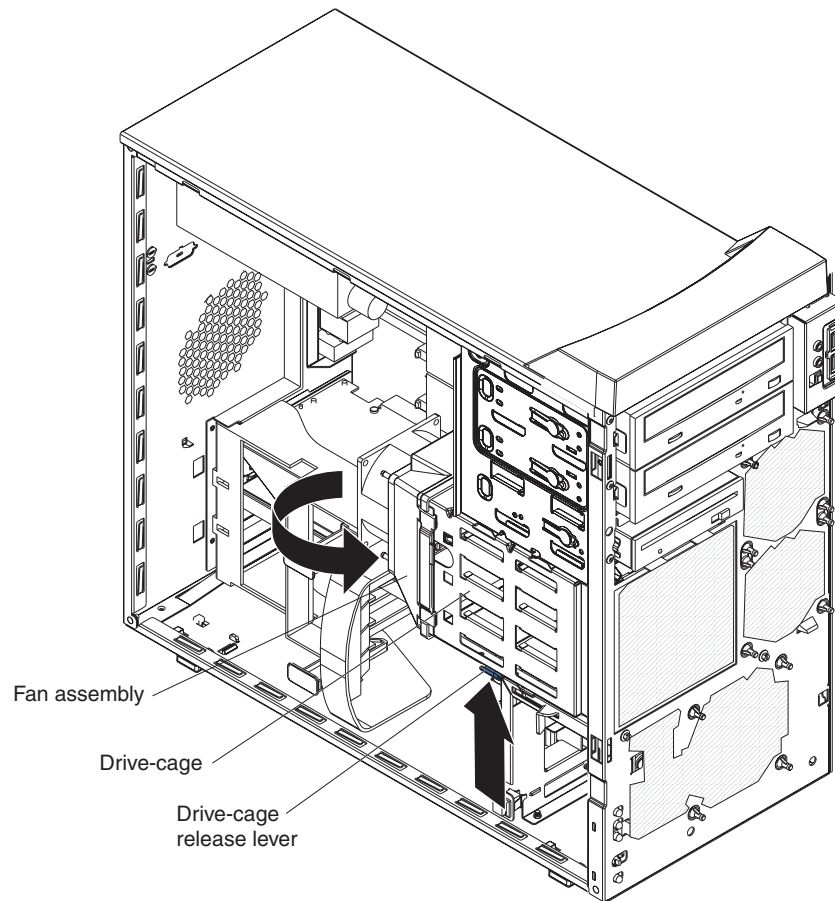
**Note:** Your computer can support a third and fourth SATA drive if you install an optional ServeRAID-7t S-ATA controller. In addition, if you install the optional ServeRAID-7t S-ATA controller to add a third and fourth drive, all four SATA drives must then be connected to the ServeRAID-7t S-ATA controller instead of the system board. See the optional ServeRAID-7t S-ATA controller documentation for cabling instructions.

If you purchase a new SATA hard drive, you will also need to purchase a signal cable for it. IBM SATA hard drive option comes with a signal cable.

- Install hard disk drives in this sequence: bay 4, bay 5, bay 6, and then bay 3. See “Installing a drive in bay 2 or 3” on page 23 for information about how to install a hard disk drive in bay 3.

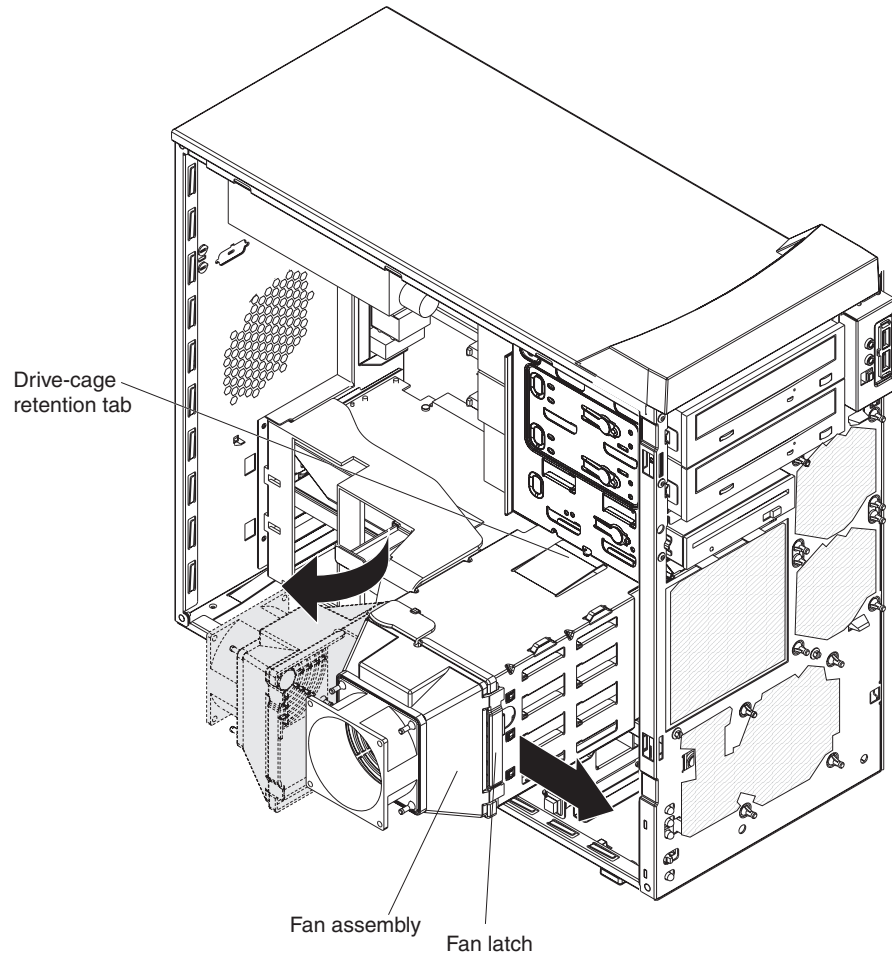
Complete the following steps to install a SCSI or Serial ATA (SATA) hard disk drive:

1. Read the safety information beginning on page v and the “Installation guidelines” on page 10.
2. Turn off the computer and peripheral devices and disconnect all external cables and power cords.
3. Unlock the side cover.
4. Remove the side cover (see “Removing the side cover” on page 16).
5. Disconnect the fan connector for the fan that is attached to the back of the drive cage from the system board.
6. Press in on the drive-cage release lever and rotate the drive cage all the way out of the computer until it locks into place over the drive-cage retention tab. The open ends of the drive slots and installed drives will face you.



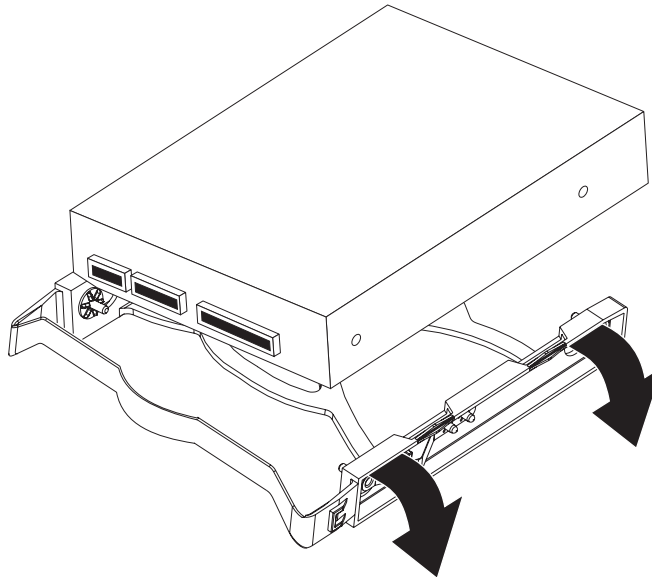


7. Grasp the fan latch on the fan assembly that is over the drive cage and pull it outward to disengage it from the drive cage and rotate it to the side.



8. If your computer has preinstalled hard disk drives in the drive cage, disconnect the power and signal cables from the rear of the drives.
9. Remove the empty drive tray from the drive bay in which you want to install the drive.
10. Touch the static-protective package containing the drive to any unpainted metal surface on the computer; then, remove the drive from the package and place it on a static-protective surface.
11. Set any jumpers or switches on the drive according to the documentation that comes with the drive.

12. Attach the new drive to the drive tray. Place the drive on the drive tray and align the holes on the drive with the mounting pins on the drive tray. Gently pull both sides of the drive tray outward and insert the mounting pins into the holes on the drive.



13. Align the drive assembly with the guide rails in the bay (make sure that the connector end of the drive is facing you).
14. Gently slide the drive assembly into the drive bay until the drive snaps into place.
15. Determine whether the new drive is a Serial ATA or SCSI device; then, connect one end of the applicable signal cable into the back of the drive and the other end of this cable into the applicable Serial ATA or SCSI connector on the system board. See “Power and signal cables for internal drives” for additional information about cabling drives and “System-board internal connectors” on page 14 for the location of the Serial ATA and SCSI connectors on the system board. If there are open connectors on the cables connecting existing Serial ATA or SCSI drives, you can use these cables to connect the new drive.
16. Route the signal cable so that it does not block the airflow to the rear of the drives or over any microprocessor.
17. Connect the power cables to the back of the drives. The connectors are keyed and can be inserted only one way.
18. Push the drive cage outward, and press in on the drive-cage release tab; then, rotate the drive cage back into the computer.
19. Reconnect the connector for the fan that is attached to the back of the drive cage to the system board.
20. If you have other options to install or remove, do so now. Otherwise, see “Completing the installation” on page 41..

### **Power and signal cables for internal drives**

Your computer uses cables to connect IDE, Serial ATA, and SCSI devices to the power supply and to the system board. (See “System-board internal connectors” on page 14 for the location of system-board connectors.) Review the following information before connecting power and signal cables to internal drives:

- The drives that are preinstalled in your computer come with power and signal cables attached. If you replace any drives, remember which cable is attached to which drive, or label the cables.
- When you install a drive, make sure that one of the signal-cable connectors is connected to the drive and that the connector at the other end of the signal cable is connected to the system board.
- The computer has one IDE bus, which is primary.
- If you have only one IDE device on a cable, it must be set as a master device.

The following cables are provided:

- **Power cables:** Four-wire power cables connect the drives to the power supply. At the end of these cables are plastic connectors that attach to different drives; these connectors vary in size. With Serial ATA drives, you can use either a four-wire power cable or a five-wire Serial ATA power cable, but do not use both at the same time (use one or the other).
- **Signal cables:** Signal cables typically are flat cables, also called ribbon cables, that connect IDE, Serial ATA, SCSI, and diskette drives to the system board. Two or three types of signal cables come with your computer:
  - **IDE:** The wider IDE signal cable has three connectors. One of these connectors is attached to the drive, one is a spare, and the third is attached to the primary or secondary IDE connector on the system board. The spare connector can be used to connect additional IDE drives to your computer.

**Note:** The optical drive is attached to an ATA 100 signal cable. ATA 100 signal cables are color-coded. The blue connector is connected to the system board. The black connector is connected to the master IDE device. The gray middle connector is connected to the subordinate IDE device.

- **Serial ATA:** The narrower, black signal cable has two connectors. One is connected to the SATA drive, and the other is connected to the connector on the system board. Each SATA drive comes with a cable. If you install an additional SATA drive, you will need an additional cable.
- **SCSI:** The following cables can be used to attach SCSI devices to the integrated SCSI controller on the system board:
  - An Ultra320 twisted ribbon cable connects the internal Ultra320 SCSI hard disk drive to the SCSI connector on the system board. This cable has four additional connectors for attaching more internal SCSI devices.
  - A round SCSI cable connects external SCSI devices to the integrated SCSI controller on the system board. For more information about connecting SCSI devices, see the SCSI documentation.

## Installing memory modules

The following notes describe the types of dual inline memory modules (DIMMs) that the computer supports and other information that you must consider when installing DIMMs:

- The computer comes with either two 256 MB or two 512 MB memory DIMMs installed in DIMM 1 and DIMM 2 memory connectors. The second pair of DIMMs must be installed in DIMM 3 and DIMM 4 memory connectors and the third pair in DIMM 5 and DIMM 6 memory connectors.
- DIMMs must be installed in matched pairs. The DIMMs in each pair must be the same size, speed, type, and technology as each other but do not have to match the other pairs. You can mix compatible DIMMs from various manufacturers.
- Install only 1.8 V, 184-pin, double-data-rate 2 (DDR2), PC2-3200, registered, synchronous dynamic random-access memory (SDRAM) with error correcting code (ECC), dual inline memory modules (DIMMs). These DIMMs must be compatible with the latest PC2-3200 SDRAM buffered DIMM specification. For a list of supported options for your computer, go to <http://www.ibm.com/pc/>; then, select your country and navigate to the list of options for your computer.
- The DIMM-installation sequence is based on single-rank, double-rank, and mixing single-rank and double-rank memory DIMMs. *Single-rank* DIMMs are 256 MB, 512 MB, and 1 GB memory modules. *Double-rank* DIMMs are 2 GB memory modules. The following table lists the DIMM-installation sequence for the computer maximum memory capacity using mixed single-rank and double-rank DIMMs.

### Notes:

1. Do not install four, 2 GB double-rank DIMMs for the computer maximum capacity (8 GB) configuration, the computer does not support it.
2. You can install pairs of 256 MB, 512 MB, 1 GB, and 2 GB DIMMs in the computer, but for the computer maximum capacity, you must use the DIMM-sequence in the table below.
3. You can install any combination of DIMM pairs in the computer, however, you can install only two, 2 GB double-rank DIMMs in the computer and they must go in DIMM connectors 1 and 2. Do not install 2 GB double-rank DIMMs in any connectors other than DIMM connectors 1 and 2.
4. If you order memory DIMMs from IBM, the variable *2R* in the description indicates that the DIMM is a double-rank 2 GB DIMM.

Table 2. Maximum memory capacity (8 GB) and installation sequence mixing single-rank and double-rank DIMMs

DIMM pair	DIMM connectors	DIMM size	Rank
First pair	1, 2	2 GB	Double-rank
Second pair	3, 4	1 GB	Single-rank
Third pair	5, 6	1 GB	Single-rank

- The system board contains six DIMM connectors and supports two-way memory interleaving when the DIMMs are installed in pairs and functioning properly. If one DIMM in the pair fails, the computer runs in single-channel mode (non-interleaving). A failed DIMM must be replaced as soon as possible; otherwise, the computer will not start (boot).
- The DIMM options that are available for the computer are 256 MB, 512 MB, 1 GB, and 2 GB memory modules. The computer supports a minimum of 512 MB and a maximum of 8 MB (when using 2 GB double-rank DIMMs) of system memory.

**Important:** Although the computer supports a maximum of 8 GB of system memory, the Microsoft Windows operating systems recognize and support a maximum of 4 GB of system memory.

- The memory controller in the computer provides Chipkill™ memory protection if the DIMMs are 1 GB or larger, or if the computer is populated with 512 MB x4 DIMMs. Chipkill memory protection is a technology that protects the computer from a single chip failure on a DIMM.
- The amount of usable memory is reduced depending on the system configuration. A certain amount of memory must be reserved for system resources. The BIOS displays the total amount of installed memory and the amount of configured memory.

Complete the following steps to install DIMMs:

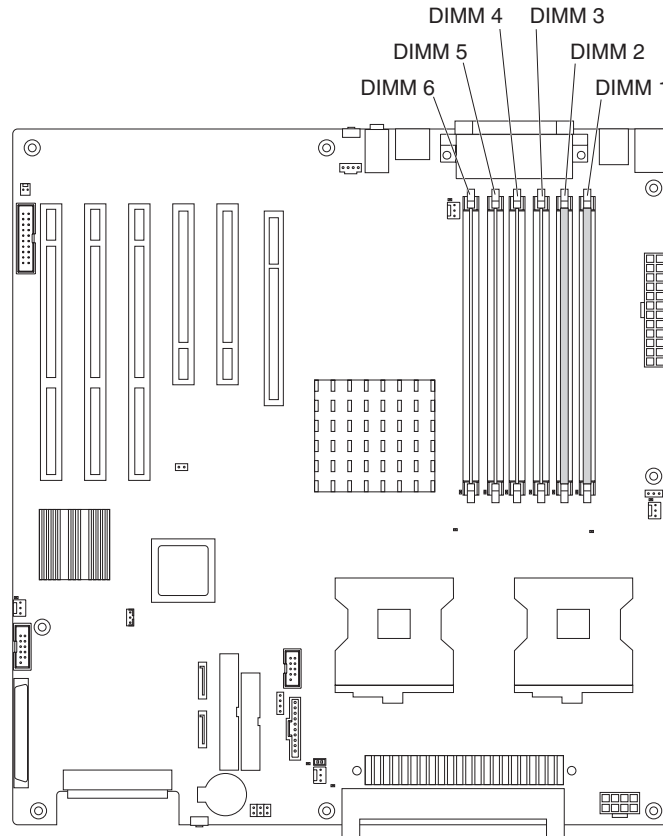
1. Read the safety information beginning on page v, and “Handling static-sensitive devices” on page 11.
2. Turn off the computer and all attached devices (see “Turning off the computer” on page 44); then, disconnect all power cords and external cables.
3. Remove the side cover (see “Removing the side cover” on page 16).
4. Locate the DIMM connectors on the system board. Determine the connectors into which you will install the DIMMs. See Table 2 on page 32 for additional information on DIMM-installation sequences.

*Table 3. DIMM installation sequence*

<b>DIMM pair</b>	<b>DIMM connectors</b>
First pair	1, 2
Second pair	3, 4
Third pair	5, 6

5. Gently open the retaining clip, if necessary, remove any existing DIMM.
6. Touch the static-protective package containing the DIMM to any unpainted metal surface on the computer. Then, remove the new DIMM from the package.
7. Gently open the retaining clip on each end of the DIMM slot. Turn the DIMM so that the pins align correctly with the connector.

8. Insert the DIMM into the connector. Firmly press the DIMM straight down into the connector by applying pressure on both ends of the DIMM simultaneously. The retaining clips snap into the locked position when the DIMM is firmly seated in the connector. If there is a gap between the DIMM and the retaining clips, the DIMM has not been correctly installed. Open the retaining clips, remove the DIMM, and then reinsert it.



9. If you have other options to install or remove, do so now. Otherwise, go to “Completing the installation” on page 41.

## Installing a second microprocessor

Your computer comes with one microprocessor installed on the system board. Your computer supports up to two microprocessors. With two microprocessors, your computer can operate as a symmetric multiprocessing (SMP) computer. With SMP, certain operating systems and application programs can distribute the processing load among the microprocessors.

**Note:** When installing microprocessor options, lay the computer on its side.

The following notes describe information that you must consider when installing an additional microprocessor in your computer:

- Read the documentation that comes with the microprocessor to determine whether you need to update the computer basic input/output system (BIOS) code. The most current level of BIOS code for the computer is available from <http://www.ibm.com/pc/support/>.
- (Optional) Obtain an SMP-capable operating system. For a list of supported operating systems, go to <http://www.ibm.com/pc/us/compat/>.
- To ensure proper computer operation, use microprocessors that have the same cache size and type, and the same clock speed. Microprocessor internal and external clock frequencies must be identical. You can use the Configuration/Setup Utility program in your computer to determine the specific type of microprocessor on your system board.

**Important:** The first microprocessor must always be installed in the Microprocessor 1 socket.

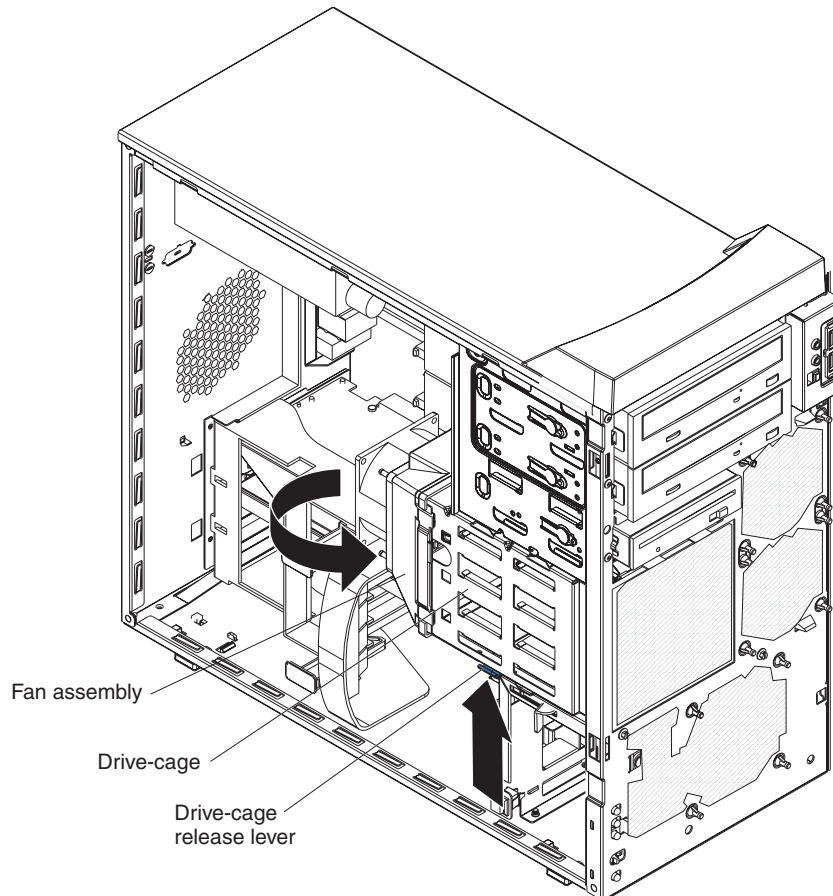
- The microprocessor speeds are automatically set for this computer; therefore, you do not need to set any microprocessor frequency-selection jumpers or switches.
- Terminator cards are not required for empty microprocessor sockets. However, for airflow, an empty microprocessor socket must contain a microprocessor baffle.
- If you need to replace a microprocessor, call for service.
- For additional illustrations of the system-board components, see “System-board option connectors” on page 13.
- To order additional microprocessor options, contact your IBM marketing representative or authorized reseller.
- For a list of supported microprocessor options for your computer, go to <http://www.ibm.com/pc/>; then, select your country and navigate to the list of options for your computer

The Microsoft Windows XP operating system that comes preinstalled on your computer automatically configures itself when an additional microprocessor is installed. Other operating systems might have to be manually configured to support an additional microprocessor. See the *User's Guide* on the IBM *IntelliStation Documentation* CD for instructions.

Complete the following steps to install an additional microprocessor:

1. Read the safety information beginning on page v and the guidelines in “Handling static-sensitive devices” on page 11.
2. Turn off the computer and all attached devices. (See “Turning off the computer” on page 44.)

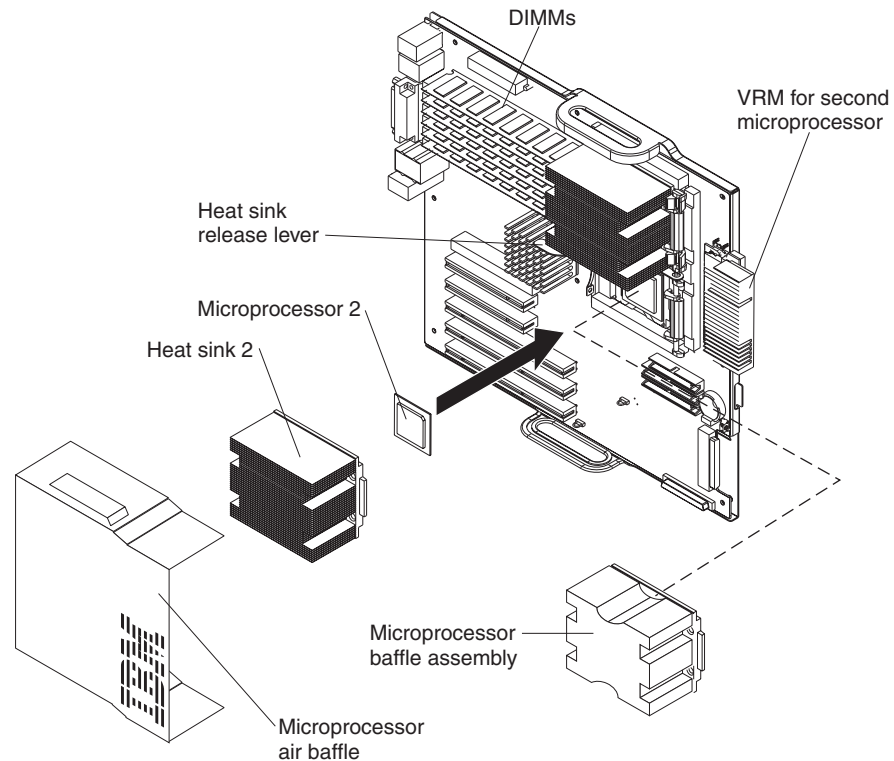
3. Disconnect all external cables and power cords; then, remove the side cover (see “Removing the side cover” on page 16).
4. Remove the side cover (see “Removing the side cover” on page 16).
5. Disconnect the fan connector for the fan that is attached to the back of the drive cage from the system board.
6. Press in on the drive-cage release lever and rotate the drive cage all the way out of the computer until it locks into place over the drive-cage retention tab. The open ends of the drive slots and installed drives will face you.



7. Move or disconnect any cables that might be in the way so you can remove the microprocessors' air baffle.



8. Remove the air baffle for the microprocessors by pulling it outward and lifting it out of the computer.

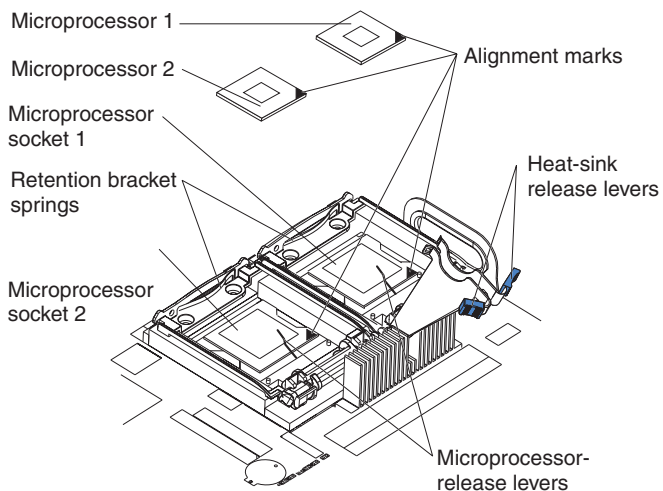


9. Locate the second microprocessor socket (Microprocessor 2) on the system board.
10. Remove the microprocessor baffle assembly from the second microprocessor socket.
  - a. Press down on the blue touch point of the heat-sink release lever and rotate the lever all the way out until it stops.
  - b. Grasp the front of the microprocessor baffle assembly and tilt it up while pulling the rear flange out of the heat-sink retention module; then, lift it out of the computer and store it in a safe place.
11. If the second microprocessor socket is covered with protective film or a label, peel and remove the film or label.
12. Install the microprocessor:
  - a. Touch the static-protective package containing the new microprocessor to any *unpainted* metal surface on the computer; then, remove the microprocessor from the package.
  - b. Rotate the locking lever on the microprocessor socket from its closed and locked position until it stops or clicks in the fully open position (approximately 135°).

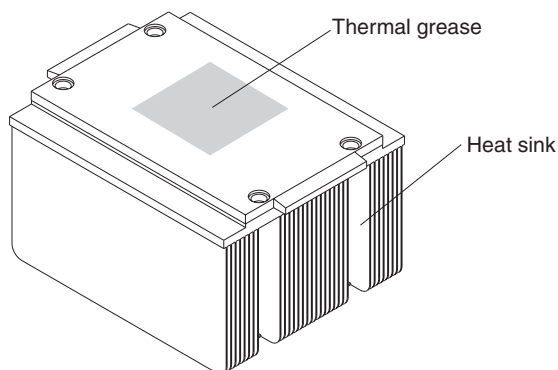
**Attention:** You must ensure that the locking lever on the microprocessor socket is in the fully open position before you insert the microprocessor in the socket. Failure to do so might result in permanent damage to the microprocessor, microprocessor socket, and system board.
  - c. Position the microprocessor over the microprocessor socket. Align the triangle on the corner of the microprocessor with the triangle on the corner of the socket and carefully press the microprocessor into the socket.

**Attention:**

- 1) Do not use excessive force when pressing the microprocessor into the socket.
- 2) Make sure that the microprocessor is oriented and aligned correctly with pin number 1 in the socket before you try to close the lever. The following illustration shows the alignment marks for both microprocessors and sockets.



- d. Carefully close the lever to secure the microprocessor in the socket.
13. Install the heat sink on the microprocessor.



- a. Remove the plastic cover from the bottom of the heat sink.  
**Attention:** Do not set the heat sink down after you remove the plastic cover, and do not touch the thermal grease on the bottom of the heat sink. Touching the thermal grease will contaminate it. If the thermal grease on the microprocessor or heat sink becomes contaminated, contact your service technician.
- b. Align the heat sink (grease side down) over the microprocessor and retention bracket.
- c. Slide the rear flange of the heat sink rearward into the opening beneath the retention-bracket spring.
- d. Press down firmly on the front of the heat sink until it is seated correctly.
- e. Secure the heat sink to the microprocessor by rotating the heat-sink release lever to the closed position and hooking it underneath the tab on the microprocessor socket.
- f. Insert the voltage regulator module (VRM) into the VRM connector.

14. Replace the air baffle for the microprocessors. Slant the front of the air baffle for the microprocessors downward at an angle while moving it forward; then, rotate the rear of the air baffle down until it snaps into place (it will become stationary).
15. Rotate the drive cage back into the computer and reconnect the fan connector on the fan assembly on the drive cage to the system board.
16. If you have other options to install or remove, do so now. Otherwise, then, go to “Completing the installation” on page 41.

## Installing a security rope clip

To help prevent hardware theft, you can add a security rope clip and cable to your computer. After you add the security cable, make sure that it does not interfere with other cables that are connected to the computer.

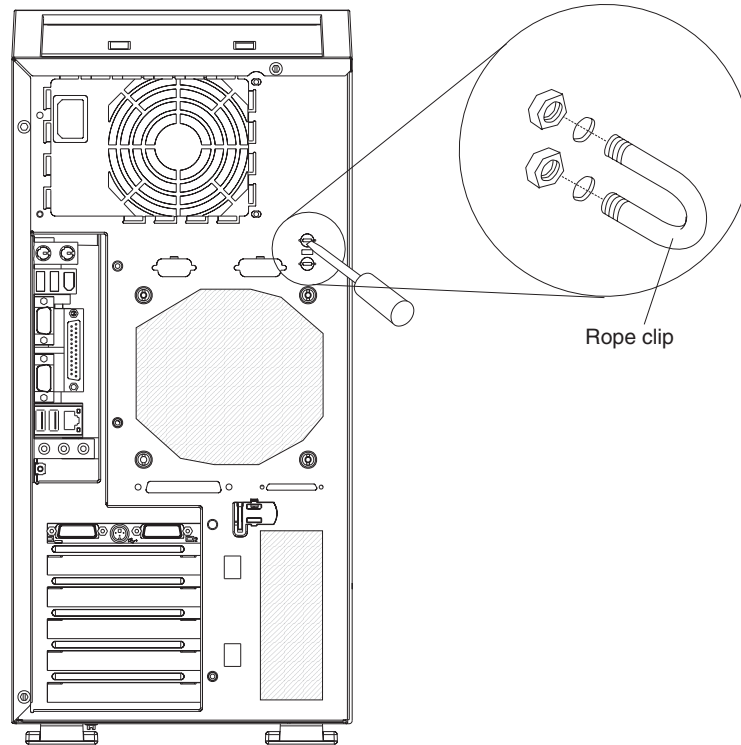
Before you begin, obtain the following items:

- A flat-blade screwdriver
- An adjustable wrench
- A 19-mm (0.75-in.) rope clip or wire rope (similar to National Manufacturing number 3230, stock number 176-735)
- Threaded nuts that fit the rope clip
- A security cable
- A lock, such as a combination lock or padlock

Complete the following steps to install a rope clip:

1. Turn off the computer and all attached devices.
2. Disconnect all external cables and power cords; then, remove the side cover (see “Removing the side cover” on page 16).
3. Use a screwdriver to remove the two metal knockouts.
4. Insert the rope clip through the rear panel; then, attach and tighten the nuts.

5. Thread the cable through the rope clip and around an object that is not part of or permanently secured to the building structure or foundation, and from which the cable cannot be removed. Fasten the cable ends together with a lock. After you add the security cable, be certain it does not interfere with other cables that are connected to the computer.



6. If you have other options to install or remove, do so now; otherwise, go to “Completing the installation” on page 41.

## Replacing the bezel

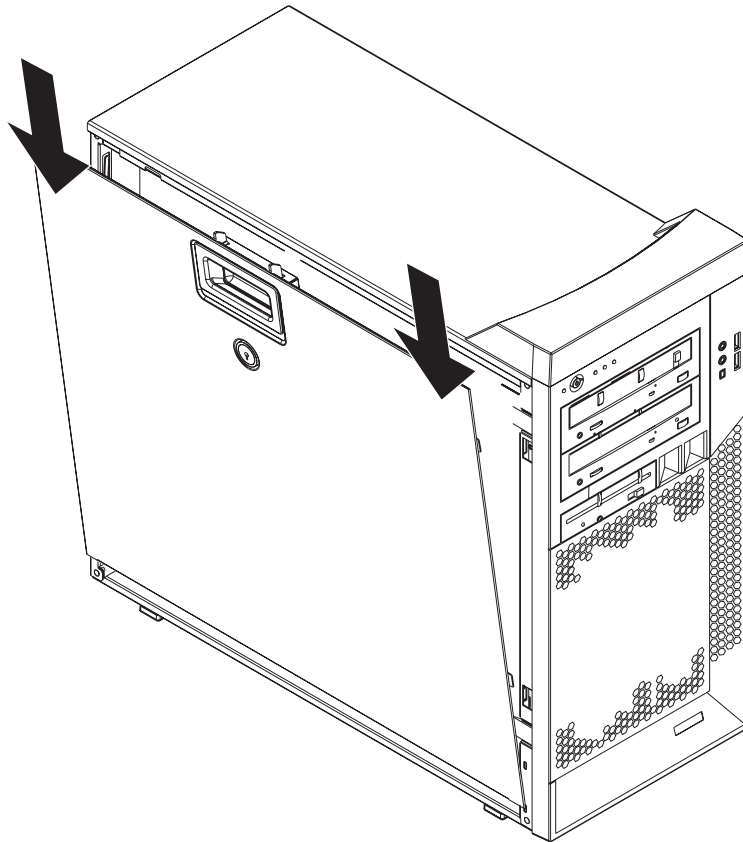
Complete the following steps to replace the bezel:

1. Insert the tabs on the side of the bezel into the matching holes on the computer chassis.
2. Push the bezel toward the computer until the tabs and bezel clips snap into place.

## Replacing the side cover

Complete the following steps to replace the side cover.

1. Before installing the cover, check that all cables, adapters, and other components are installed and seated correctly and that you have cleared all work tools from inside the computer.
2. Install the side cover by placing it into position on the computer. Make sure that the lip on the bottom of the cover rests inside the ledge on the bottom of the chassis before rotating the cover toward the computer. Press down on the cover until it snaps in place.



3. Reconnect the external cables and power cords to the computer.
4. Turn on the attached devices; then, turn on the computer.

---

## Completing the installation

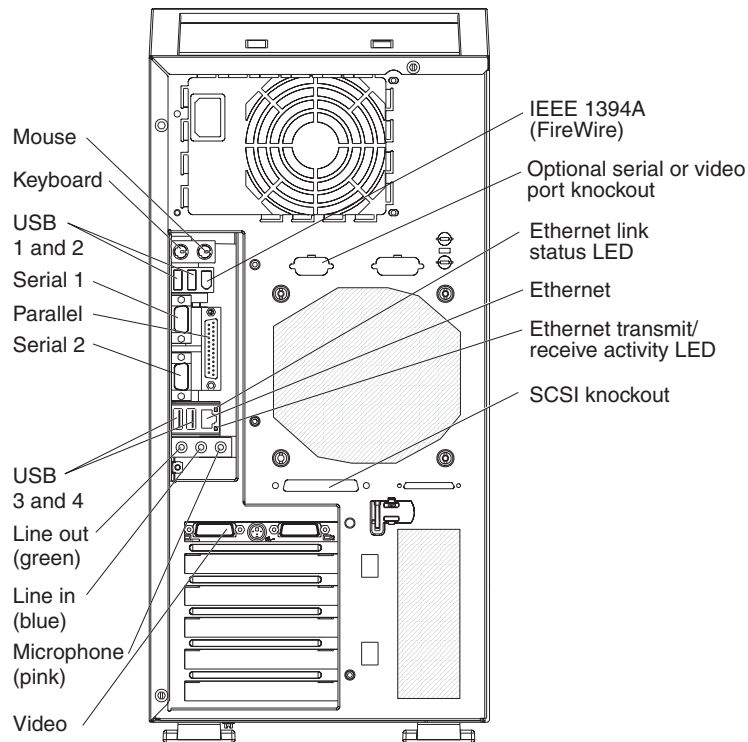
To complete your installation, reinstall the bezel if you removed it, connect all the cables and, for certain options, run the Configuration/Setup Utility program. Follow the instructions in this section.

## Cabling the computer

If your computer cables and connector panel have color-coded connections, match the color of each cable end with the color of the connector. For example, match a blue cable end with a blue panel connector, a red cable end with a red connector, and so on.

**Attention:** To prevent damage to equipment, connect the power cord last.

The following illustration shows the input/output (I/O) connectors on the rear of the computer.



Depending on the video adapter that is installed in your computer and the monitor that you want to use, you might have to use special video cables that convert signals or provide an additional connection point for dual-monitor capability. See the *User's Guide* on the IBM *IntelliStation Documentation* CD and the documentation that comes with your monitor for additional information.

## Turning on the computer

**Note:** When you connect the power cord to the computer and an ac power source, the power-supply fan will run and continue to run when the computer is in standby mode to provide cooling to the power supply.

When the computer is connected to an ac power source but is not turned on, the operating system does not run, and all core logic is shut down; however, the computer can respond to requests to turn on the computer. The power-on LED flashes to indicate that the computer is connected to an ac power source but is not turned on.

### Notes:

1. Turn on all external devices, such as the monitor, before turning on the computer.
2. The power-on LED on the front of the computer is lit when the computer is on and while it is being turned on.

Approximately 20 seconds after the computer is connected to ac power, the power-control button becomes active, and you can turn on the computer and start the operating system by pressing the power-control button. The computer can also be turned on any of the following ways:

- If a power failure occurs while the computer is turned on, the computer will restart automatically when power is restored.
- When you connect the computer to power for the first time, the Wake on LAN<sup>®</sup> feature can turn on the computer. If the computer was previously turned on, it must be turned off correctly for the Wake on LAN feature to turn on the computer.

## Running the operating-system setup program

If you are starting your computer for the first time, the setup program runs automatically when you start the computer. The program will prompt you to make choices or type information. If you need more information than is provided in this *Installation Guide*, see your operating-system manual.

### **Important:**

1. After turning on your computer for the first time, you must complete the operating system setup procedure before turning off your computer; otherwise, unexpected results might occur.
2. The setup program might be slightly different from the one described in your operating-system manual. Some choices do not appear because they are preset.
3. During the setup procedure, you must indicate that you accept the license agreement.
4. For Windows operating systems, the registration information will already be displayed in the registration field. If the Product ID number is not already displayed, you must type it. The Product ID number is on a label attached to the computer.

You will need the following information to complete the setup program in Windows operating systems:

- The documentation that comes with your computer.
- Network information from your network administrator, if your computer is being connected to a network.
- The printer model and port, if a printer is attached directly to your computer.

After the setup procedure is completed and the computer restarts, the desktop opens, and the computer is ready for use.

---

## Turning off the computer

**Note:** When you connect the power cord to the computer and an ac power source, the power-supply fan will run and continue to run when the computer is in standby mode to provide cooling to the power supply.

When you turn off the computer and leave it connected to ac power, the computer can respond to requests, such as a remote request to turn on the computer. To remove all power from the computer, you must disconnect it from the power source.

Some operating systems require an orderly shutdown before you turn off the computer. See your operating-system documentation for information about shutting down the operating system.



**Statement 5:**



**CAUTION:**

The power control button on the device and the power switch on the power supply do not turn off the electrical current supplied to the device. The device also might have more than one power cord. To remove all electrical current from the device, ensure that all power cords are disconnected from the power source.



The computer can be turned off in any of the following ways:

- You can turn off the computer through the operating system. If this feature is supported by your operating system, it will turn off the computer after performing an orderly shutdown of the operating system.

If you are using the preinstalled Microsoft Windows XP operating system, complete the following steps to shut down the operating system and computer:

1. Save and close all files that you are working with.
2. Close all open applications.
3. Click **Start**.
4. Click **Turn Off Computer**; then, click **Turn Off** to confirm.

If you are using the preinstalled Red Hat Linux operating system, complete the following steps to shut down the operating system and computer:

1. Save and close all files with which you are working.
  2. Close all open applications.
  3. Click **Red Hat Linux Main Menu Button** → **Logout** → **Shutdown**.
  4. Click **OK** to confirm.
- You can press the power-control button on the front of the computer. It will turn off the computer after performing an orderly shutdown of the operating system, if this feature is supported by your operating system.

**Note:** After turning off the computer, wait at least 5 seconds before you press the power-control button to turn on the computer again.

- You can press and hold the power-control button for more than 4 seconds to cause an immediate shutdown of the computer. You can use this feature to turn off the computer if the operating system stops functioning.



---

## Chapter 3. Installing software

This chapter describes how to install and configure software for your IBM IntelliStation Z Pro Type 6223 computer.

---

### Viewing the license agreement

The IBM *International License Agreement for Non-Warranted Programs* is viewable from the Access IBM folder. Use of your computer signifies acceptance of this agreement.

Complete the following steps to view the license agreement in Windows XP:

1. From the Windows XP desktop, click **Start** → **All Programs** → **Access IBM**.
2. Select **IBM License Agreement**.

For Red Hat Linux, when you start the computer, the License Agreement window opens. To accept the terms of the agreement, click **I Agree**. You can also view the license agreement by clicking the **IBM License Agreement** icon on your desktop.

---

### Using the built-in configuration programs

The following configuration programs are available to configure your computer:

- **Configuration/Setup Utility program**

The Configuration/Setup Utility program is part of the basic input/output system (BIOS) code in your computer. You can use this program to configure serial- and parallel-connector assignments, change interrupt request (IRQ) settings, change the drive startup sequence, set the date and time, and set passwords, and set the chassis-intrusion detector. For more information on how to start this utility, see “Starting the Configuration/Setup Utility program” on page 48. For detailed information, see the *User's Guide*.

- **Boot Menu program**

The Boot Menu program is part of the BIOS code in your computer. Use it to temporarily assign a device to be first in the startup sequence, overriding the startup sequence that is set in the Configuration/Setup Utility program. For information on how to start the Boot Menu, see “Starting the Boot Menu program” on page 48.

- **Broadcom NetXtreme Gigabit Ethernet Boot Agent**

The Broadcom NetXtreme Gigabit Ethernet Boot Agent is part of the BIOS code in your computer. You can use it to configure the network as a startable device, and you can customize where the network startup option appears in your startup sequence. You enable and disable the Broadcom NetXtreme Gigabit Ethernet Boot Agent from the Configuration/Setup Utility program. For information, see “Enabling the Broadcom NetXtreme Gigabit Ethernet Boot Agent” on page 49.

- **Adaptec® HostRAID™ configuration programs**

- **Adaptec RAID Configuration Utility programs (for Serial ATA RAID)**

Use the Array Configuration Utility within the Adaptec RAID Configuration Utility programs to configure the integrated Serial ATA (SATA) controller with integrated RAID and the devices that are attached to it. For more information about using these utility programs, see “Using the Adaptec RAID Configuration Utility programs (for Serial ATA RAID)” on page 50.

- **SCSISelect Utility program (for SCSI RAID)**

Use the SCSI HostRAID feature of the SCSISelect Utility program to configure the integrated SCSI controller with integrated RAID and the devices that are attached to it. For more information about using this utility program, see “Using the SCSISelect Utility program (for SCSI RAID)” on page 51.

- **ServeRAID Manager**

ServeRAID™ Manager is available as a stand-alone program and as an IBM Director extension. If a ServeRAID controller is installed in your computer, use ServeRAID Manager to define and configure your disk-array subsystem *before* you install your operating system. For information about using this program, see “Using ServeRAID Manager” on page 52.

- **Ethernet controller configuration**

To configure the integrated Gigabit Ethernet controller, see “Configuring the Gigabit Ethernet controller” on page 54.

- **SCSISelect Utility program (some models)**

If your computer has a SCSI adapter installed, you can configure the devices that are connected to the optional SCSI adapter. Use this program to change default values, resolve configuration conflicts, and perform a low-level format on a SCSI hard disk drive. For information about how to start this utility, see “Starting the SCSISelect utility program (some models)” on page 54.

**Note:** See the *User's Guide* on the IBM *IntelliStation Documentation* CD for detailed instructions for using the configuration programs.

The following sections provide the instructions for starting the utility programs.

## Starting the Configuration/Setup Utility program

Complete the following steps to start the Configuration/Setup Utility program:

**Note:** When you use your computer for the first time, you might want to use the Configuration/Setup Utility menu choice **Load Default Settings** to reset the Configuration/Setup Utility menu choices to the factory default settings, in case they were changed before you received the computer. Otherwise, some choices might not appear in the list of menu choices.

1. Turn on the computer and watch the monitor screen. If the computer is already on when you start this procedure, you must shut down the operating system, turn off the computer, wait a few seconds until all in-use LEDs are turned off, and restart the computer.
2. When the message Press F1 for Configuration/Setup appears on the screen during startup, press F1. (This prompt appears on the screen for only a few seconds. You must press F1 quickly.) If you have set both a user password and an administrator password, you must type the administrator password to access the full Configuration/Setup Utility menu.
3. Follow the instructions on the screen.

## Starting the Boot Menu program

The Boot Menu program is a built-in, menu-driven configuration utility program that you can use to temporarily redefine the first startup device without changing settings in the Configuration/Setup Utility program.

Complete the following steps to start the Boot Menu program:

1. Turn off the computer.
2. Restart the computer.

3. Press F12.
4. Select the startup device.

The next time the computer is started, it returns to the startup sequence that is set in the Configuration/Setup Utility program.

## Enabling the Broadcom NetXtreme Gigabit Ethernet Boot Agent

The Broadcom NetXtreme Gigabit Ethernet Boot Agent is part of the BIOS code in your computer. You can use it to configure the network as a startable device, and you can customize where the network startup option appears in your startup sequence. You enable and disable the Broadcom NetXtreme Gigabit Ethernet Boot Agent from the Configuration/Setup Utility program.

Complete the following steps to enable the Broadcom NetXtreme Gigabit Ethernet boot agent:

1. From the Configuration/Setup Utility main menu, select **Devices and I/O Ports** and press Enter.
2. Select **System Board Ethernet PXE/DHCP** and use the Right Arrow (→) key to set it to **Enabled**.
3. Select **Save Settings** and press Enter.

## Using the Adaptec HostRAID configuration programs

Use the Adaptec RAID Configuration Utility programs and SCSISelect Utility (also referred to as IBM ServeRAID-7e) to add RAID level-0 and level-1 functionality to the integrated Serial ATA controller and the integrated SCSI controller. RAID level-0 is striping where the drives are seen as a single volume and increases performance and RAID level-1 is mirroring where the contents of one drive are copied to the other drive to increase hard drive availability. Be sure to use these programs as described in this document. Use these programs to:

- Configure a redundant array of independent disks (RAID) array
- View or change your RAID configuration and associated devices

Consider the following information when using the Adaptec RAID Configuration Utility programs and SCSISelect Utility program to configure and manage arrays:

- The integrated SCSI controller with integrated SCSI RAID (in SCSI models) and the integrated Serial ATA controller (in SATA models) with integrated SATA RAID supports RAID levels 0 and 1 with the option of having a hot-spare drive. Installing an optional ServeRAID controller provides additional RAID levels.
- Hard disk drive capacities affect how you create arrays. Drives in an array can have different capacities, but the RAID controller treats them as if they all have the capacity of the smallest hard disk drive.
- To help ensure signal quality, do not mix drives with different speeds and data rates.
- To update the firmware and BIOS code for an optional ServeRAID controller, you must use the IBM *ServeRAID Support* CD that comes with the ServeRAID option.
- If you install a different type of RAID adapter in the computer, use the configuration method described in the instructions that come with that adapter to view or change SCSI settings for attached devices.

## Using the Adaptec RAID Configuration Utility programs (for Serial ATA RAID)

Use the Array Configuration Utility within the Adaptec RAID Configuration Utility programs to add RAID level-0 and level-1 functionality to the integrated Serial ATA (SATA) controller. This utility is part of the BIOS code in your computer. For additional information about using the Adaptec RAID Configuration Utility programs, see the documentation on the IBM *ServeRAID-7e (Adaptec HostRAID) Support CD*. If this CD did not come with your computer, you can download it from <http://www.ibm.com/pc/support/>.

The integrated Serial ATA RAID feature (SATA HostRAID) comes disabled by default. You must enable it and install the device drivers before you can use it. The SATA RAID feature configuration utilities, device drivers, and information are available on the IBM *ServeRAID-7e (Adaptec HostRAID) Support CD*.

**Enabling the Serial ATA HostRAID feature:** Complete the following steps to enable the SATA RAID feature:

1. Turn on the computer.
2. When the prompt Press F1 for Configuration/Setup appears, press F1. If you have set a supervisor password, you are prompted to type the password.
3. Select **Devices and I/O Ports**.
4. Scroll down and select **SATA RAID Enable**.
5. Select **Enabled**.
6. Press Esc; then, select **Yes** to save the changes.

**Using the Serial ATA HostRAID feature:** The instructions in this section are for using the Array Configuration Utility program to access and perform an initial RAID level-1 configuration. If you install a different type of RAID adapter in the computer, use the configuration method described in the instructions that come with that adapter to view or change settings for the attached devices.

See the documentation on the IBM *ServeRAID-7e (Adaptec HostRAID) Support CD* for additional information about using the Array Configuration Utility program to create, configure, and manage arrays.

**Configuring the controller:** Complete the following steps to use the Array Configuration Utility program to configure a RAID level-1 array on your computer.

1. Turn on the computer.
2. When the prompt Press <CTRL><A> for Adaptec RAID Configuration Utility appears, press Ctrl+A.
3. Select **Array Configuration Utility (ACU)**.
4. Select **Create Array**.
5. From the list of ready drives, select the two drives that you want to group into the array.
6. When asked to select the RAID level, select **RAID-1**.
7. (Optional) Type an identifier for the array.
8. When asked for the array build method, select **Quick Int**.
9. Follow the instructions on the screen to complete the configuration, and select **Done** to exit.
10. Restart the computer.

*Viewing the configuration:* Complete the following steps to view information about the Serial ATA controller:

1. Start the Array Configuration Utility.
2. From the Array Configuration Utility screen, select **Manage Arrays**.
3. Select an array and press Enter.
4. Press Esc to exit the program.

### **Using the SCSISelect Utility program (for SCSI RAID)**

Use the SCSISelect Utility program to add RAID level-0 and level-1 functionality to the integrated SCSI controller. This utility is part of the BIOS code in your computer.

The integrated SCSI RAID feature (SCSI HostRAID) comes disabled by default. You must enable it and install the device drivers before you can use it. The SCSI RAID configuration utilities, device drivers, and information are available on the IBM *ServeRAID-7e (Adaptec HostRAID) Support CD*. If this CD did not come with your computer, you can download it from <http://www.ibm.com/pc/support/>.

**Enabling the SCSI HostRAID feature:** Complete the following steps to enable the SCSI RAID feature:

1. Turn on the computer.
2. When the prompt Press <CTRL><A> for SCSISelect Utility appears, press Ctrl+A. If you have set a supervisor password, you are prompted to type the password.
3. Use the arrow keys to select the channel for which you want to change settings, and press Enter.
4. Select **Configure/View SCSI Controller Setting**; then, select **HostRAID**.
5. Select **Enabled**.
6. Press Esc; then, select **Yes** to save the changes.

**Using the SCSI HostRAID feature:** The instructions in this section describe how to access the SCSI RAID feature from the SCSISelect Utility program and perform an initial RAID level-1 configuration. If you install a different type of RAID adapter in the computer, use the configuration method described in the instructions that come with that adapter to view or change SCSI settings for attached devices.

See the documentation on the IBM *ServeRAID-7e (Adaptec HostRAID) Support CD* for additional information about how to use the SCSI HostRAID feature.

*Configuring the controller:* Complete the following steps to use the SCSI HostRAID feature to configure a RAID level-1 array:

1. From the SCSISelect main menu, select **Configure/View HostRAID Settings**.
2. From the list of ready drives, type C to create an array.
3. When asked to select the RAID type, select **RAID-1**.
4. From the list of ready drives, select the two drives that you want to group into the array.
5. Select **Create new RAID-1**.
6. Type an identifier for the array.
7. Select **Yes** to create the array.
8. Press Esc to exit the utility.
9. Restart the computer.

*Viewing the configuration:* You can use the SCSISelect Utility program to view information about the SCSI controller. From the list of available arrays, select an array and press Enter. Press Esc to exit the utility.

---

## Using ServeRAID Manager

Use the ServeRAID Manager program to:

- Configure arrays
- View your RAID configuration and associated devices
- Monitor operation of your RAID controllers

To perform some tasks, you can run ServeRAID Manager as an installed program. However, to configure the SCSI controller and perform an initial RAID configuration on your computer, you must run ServeRAID Manager in a Startable-CD mode, as described in the instructions in this section. If you install a RAID adapter in your computer, use the configuration method described in the instructions that come with the adapter to view or change SCSI settings for attached devices.

See the ServeRAID documentation on the **IBM ServeRAID Support** CD or additional information about RAID technology and instructions for using ServeRAID Manager to configure your SCSI controller. Additional information about ServeRAID Manager is also available from the **Help** menu. For information about a specific object in the ServeRAID Manager tree, select the object and click **Actions** → **Hints and tips**.

## Configuring the controller

By running ServeRAID Manager in Startable CD mode, you can configure the controller before you install your operating system. The information in this section assumes that you are running ServeRAID Manager in Startable CD mode.

To run the ServeRAID Manager program in startable-CD mode, turn on the computer; then, insert the *IBM ServeRAID Support* CD into the CD-ROM drive. If the ServeRAID Manager program detects an unconfigured controller and ready drives, the program automatically starts the Configuration wizard.

In the Configuration wizard, you can select express configuration or custom configuration. Express configuration automatically configures the controller by grouping the first two physical drives in the ServeRAID Manager tree into an array and creating a RAID level-1 logical drive. If you select custom configuration, you can select the two physical drives that you want to group into an array and create a hot-spare drive.

### Using express configuration

Complete the following steps to use express configuration:

1. In the ServeRAID Manager tree, click the controller that you want to configure.
2. From the toolbar, click **Create**.
3. Click **Express configuration**.
4. Click **Next**. The “Configuration summary” window opens.
5. Review the information that is displayed in the “Configuration summary” window. To change the configuration, click **Modify arrays** or **Modify logical drives**.



**Note:** Some operating systems have size limitations for logical drives. Before you save the configuration, verify that the size of the logical drive is appropriate for your operating system.

6. Click **Apply**; then, click **Yes** when asked if you want to apply the new configuration. The configuration is saved in the controller and in the physical drives.
7. Exit from the ServeRAID Manager program and remove the CD from the CD-ROM drive.
8. Restart the computer.

### Using custom configuration

Complete the following steps to use custom configuration:

1. In the ServeRAID Manager tree, click the controller that you want to configure.
2. From the toolbar, click **Create**.
3. Click **Custom configuration**.
4. Click **Next**. The “Create arrays” window opens.
5. Click the applicable tab in the right pane; then, from the list of ready drives, select the two drives you want to move to the array.
6. Click the icon to add the drives to the array.
7. Complete the following steps if you want to configure a hot-spare drive:
  - a. Click the **Spares** tab.
  - b. Select the physical drive you want to designate as the hot-spare drive; then, click the icon to add the drive.
8. Click **Next**. The “Configuration summary” window opens.
9. Review the information that is displayed in the “Configuration summary” window. To change the configuration, click **Back**.
10. Click **Apply**; then, click **Yes** when asked if you want to apply the new configuration. The configuration is saved in the controller and in the physical drives.
11. Exit from the ServeRAID Manager program, and remove the CD from the CD-ROM drive.
12. Restart the computer.

### Viewing the configuration

You can use ServeRAID Manager to view information about RAID controllers and the RAID subsystem (such as arrays, logical drives, hot-spare drives, and physical drives). When you click an object in the ServeRAID Manager tree, information about that object appears in the right pane. To display a list of available actions for an object, click the object and click **Actions**.

To display available actions for an item, click the item in the ServeRAID Manager tree and click **Actions**.

---

## Configuring the Gigabit Ethernet controller

The Ethernet controller is integrated on the system board. It provides an interface for connecting to a 10-Mbps, 100-Mbps, or 1-Gbps network and provides full duplex (FDX) capability, which enables simultaneous transmission and reception of data on the network. If the Ethernet port in the computer supports auto-negotiation, the controller detects the data-transfer rate (10BASE-T, 100BASE-TX, or 1000BASE-T) and duplex mode (full-duplex or half-duplex) of the network and automatically operates at that rate and mode.

You do not have to set any jumpers or configure the controller. However, you must install a device driver when you install different operating system to enable the operating system to address the controller. For device drivers and information about configuring the Gigabit Ethernet controller, go to <http://www.ibm.com/pc/support/>.

---

## Starting the SCSISelect utility program (some models)

Complete the following steps to start the SCSISelect utility program:

1. Turn on the computer.
2. When the <<< Press <CTRL><A> for SCSISelect Utility! >>> prompt appears, press Ctrl+A. If you have set an administrator password, you are prompted to type the password.
3. Use the arrow keys to make your selection.
4. When the prompt Would you like to configure the SCSI controller or run the SCSI disk utility? appears, make your selection and press Enter.
5. Use the arrow keys to make your selection.
6. Follow the instructions on the screen to change the settings of the selected items; then, press Enter.

---

## Chapter 4. Completing the installation

This chapter provides information to help you register your computer, record important information, and back up your application programs.

---

### Recording important numbers

Record information about your computer in the following table. You will need this information when you register your computer with IBM.

<b>Product name</b>	IBM IntelliStation Z Pro
<b>Machine type</b>	6223
<b>Model number</b>	_____
<b>Serial number</b>	_____
<b>Key serial number</b>	_____
<b>Key manufacturer</b>	_____
<b>Key phone number</b>	_____

---

### Registering your computer

Registering your computer helps IBM provide better service to you. When IBM receives your registration information, the information is placed into a central technical support database. If you need technical assistance, the technical-support representative will have information about your computer. In addition, comments about your computer are reviewed by a team dedicated to customer satisfaction and are taken into consideration in making improvements to IBM computers.

Use one of the following methods to register your computer in Windows:

- From the Windows XP desktop, click **Start → All Programs → IBM Registration** and then follow the instructions. If you do not have access to the Internet, you can use the registration program that starts from the IBM Registration folder to print your registration information and provide your mailing address to IBM for future assistance.
- Register your computer at <http://www.ibm.com/pc/register/>.

For Red Hat Linux, click the **Register PC** icon on the desktop to register your computer on the World Wide Web.

---

### Creating an emergency recovery-repair diskette in Windows

**Note:** To create and use a diskette, you must add a diskette drive to your computer. To enable a USB diskette drive, follow these steps:

1. Enable the **Legacy USB Support** option under the **Startup Option** menu choice in the Configuration/Setup Utility program.
2. Set your removable media device as the first startup device.
3. Select the removable media device you want to boot from and move it to the top of the Removable Devices list.

At your earliest opportunity, create a recovery-repair diskette and an IBM Enhanced Diagnostics diskette, and store them in a safe place. In the unlikely event that the computer becomes unusable, you can use the recovery-repair diskette to access

the Product Recovery program. For more information about using this diskette, see the *User's Guide* on the IBM *IntelliStation Documentation CD*.

You can use one of the following methods to create a recovery-repair diskette In Windows:

- Create a diskette from the c:\ibmtools directory
- Create a diskette from the Product Recovery program partition

Complete the following steps to create a recovery-repair diskette from the c:\ibmtools directory:

1. Start the computer and operating system.
2. Use Windows Explorer to display the directory structure of the hard disk.
3. Open the c:\ibmtools folder.
4. Double-click **rrdisk.bat** and follow the instructions on the screen.

Complete the following steps to create a recovery-repair diskette from the Product Recovery program on the hard drive partition:

1. Shut down the operating system and turn off the computer.
2. Wait for at least 5 seconds; then, press and hold the F11 key while you restart the computer. When a menu appears, release the F11 key.
3. Use one of the following procedures:
  - If a menu is displayed in which you can select an operating system, use the arrow keys to select the operating system that is currently installed, press Enter, and then continue with the next step.
  - If an operating system menu is not displayed, continue with the next step.
4. From the Product Recovery Main menu, use the arrow keys to select **System utilities**, and then press Enter.
5. Use the arrow keys to select **Create a Recovery Repair diskette**, and then press Enter.
6. Follow the instructions on the screen.

See “Creating an IBM Enhanced Diagnostics Diskette in Windows” for information about how to create an IBM Enhanced Diagnostics diskette.

---

## Creating an IBM Enhanced Diagnostics Diskette in Windows

**Note:** To create and use a diskette, you must add a diskette drive to your computer. To enable a USB diskette drive, follow these steps:

1. Enable the **Legacy USB Support** option under the **Startup Option** menu choice in the Configuration/Setup Utility program.
2. Set your removable media device as the first startup device.
3. Select the removable media device you want to boot from and move it to the top of the Removable Devices list.

The *IBM Enhanced Diagnostics* diskette is a self-starting diagnostics diskette that you can use to test hardware components in your computer. Use one of the following methods to create a startable IBM Enhanced Diagnostics diskette.

Complete the following steps to create an IBM Enhanced Diagnostics diskette from the Product Recovery program on the hard drive partition:

1. Restart the computer and watch the monitor.

2. When the message To start the Product Recovery Program, Press F11 appears, quickly Press F11.
3. Select **System utilities**.
4. Select **Create IBM Enhanced Diagnostics Diskette**.
5. Follow the instructions on the screen.

Complete the following steps to create an IBM Enhanced Diagnostics diskette from the World Wide Web:

1. Go to <http://www.ibm.com>.
2. Click **Support & downloads**.
3. Click **Search technical support**.
4. In the **Enter keyword(s)** field, type `diagnostics 6223`, and click **Submit**.
5. From the "Search results" page, click the Enhanced Diagnostics item for your computer.
6. On the next page, click the executable file for the Enhanced Diagnostics code to download it (be sure to download the file to a hard disk directory and not to a diskette). You can click the text file to display the readme file.
7. At a command prompt, change to the directory where the file was downloaded.
8. Insert a blank, high-density diskette into the diskette drive.
9. Type `filename a:` where *filename* is the name of the file you downloaded and *a* is the drive letter of the diskette drive; then, press Enter.

The downloaded file is self-extracting and is copied to the diskette. When the copy is completed, store the diskette in a safe place.

For more information about using the IBM Enhanced Diagnostics program, see the *User's Guide* on the IBM *IntelliStation Documentation CD*.



---

## Chapter 5. Solving problems

This section provides basic troubleshooting information to help you diagnose and solve some problems that might occur with your computer.

If you cannot diagnose and correct the problem using the information in this section, see Appendix A, “Getting help and technical assistance,” on page 67 and “Solving problems” in the *User’s Guide* on the IBM *IntelliStation Documentation* CD.

---

### Diagnostic tools overview

The following tools are available to help you diagnose and solve hardware-related problems:

- **POST beep codes and error messages**

The power-on self-test (POST) indicates the detection of a problem. See “Power-on self-test (POST)” on page 60 and “POST error messages” on page 60 for information. For detailed information, see POST Error Log in Advanced Setup in “Configuration/Setup Utility menu choices” in the *User’s Guide*.

- **Diagnostic programs and error messages**

The diagnostic programs are provided on a hidden partition on the hard disk. These programs test the major components of your computer.

**Note:** See “Solving problems” in the *User’s Guide* on the IBM *IntelliStation Documentation* CD for information about the diagnostic programs.

- **Troubleshooting charts**

These charts list problem symptoms and steps to correct the problems. See the “Troubleshooting charts” on page 61 for information.

- **System-board error LEDs**

An LED on the system board might also be lit to help isolate an error indicated by the system error LED on the front of the computer. See the “System-board error LEDs” on page 65 for more information.

---

## Power-on self-test (POST)

When you turn on the computer, the power-on self-test (POST) performs a series of tests to check the operation of system components and some of the installed options.

If POST finishes without detecting any problems, the first window of your operating system or application program opens.

If POST detects a problem, more than one beep sounds and an error message appears on the screen.

### Notes:

1. If you have set a user password, you must type the password and press Enter, when prompted, before the operating system will start.
2. A single problem might cause several error messages. When this occurs, work to correct the cause of the first error message. After you correct the cause of the first error message, the other error messages usually will be resolved the next time you run the test.

## POST beep codes

Use the following beep code descriptions to help diagnose and solve problems that are detected during startup:

### No beeps

If no beep occurs after the computer completes POST, call for service.

### Continuous beep

The startup (boot) microprocessor has failed, or the system board or speaker subsystem might contain a failing component. If the computer continues through POST with no errors, call for service. If no video appears, the startup processor has failed.

### Beep codes for specific failures

Beep codes indicating specific system problems are listed in the *User's Guide* on the IBM *IntelliStation Documentation* CD.

## POST error messages

The following table provides an abbreviated list of the POST error messages that might appear during startup.

**Note:** See the *User's Guide* on the IBM *IntelliStation Documentation* CD for more information about the POST error messages.

POST message	Failing device or problem found	Suggested action
162	Change in device configuration	Make sure that the optional devices are turned on and installed correctly.
163	Time of day has not been set	Set the date and time.
164	Change in memory configuration	Make sure that the memory is installed correctly; then, restart the computer and run the Configuration/Setup Utility program.
201	Change in memory configuration	Make sure that your memory is fully seated and installed correctly.



POST message	Failing device or problem found	Suggested action
289	Failing DIMM was disabled	Make sure that the memory is correct for your computer and that it is installed correctly.
301 303	Keyboard and keyboard controller	Make sure that the keyboard cable is connected and nothing is resting on the keyboard keys.
1162	Serial port configuration error	Start the Configuration/Setup Utility program and make sure that the IRQ and I/O port assignments that are needed by the serial port are available.
2462	Video adapter and memory	Call for service.

---

## Troubleshooting charts

### Notes:

1. See "Solving problems" in the *User's Guide* on the IBM *IntelliStation Documentation* CD for more troubleshooting charts.
2. If you cannot find the problem in the troubleshooting chart, run the diagnostic programs. If you have run the diagnostic test programs, or if running the tests does not detect the problem, call for service.

## CD-ROM drive problems

Symptom	Suggested action
CD-ROM drive is not recognized.	<p>Make sure that:</p> <ul style="list-style-type: none"> <li>• The IDE channel to which the CD-ROM drive is attached (primary or secondary) is enabled in the Configuration/Setup Utility program.</li> <li>• All cables and jumpers are installed correctly.</li> <li>• The correct device driver is installed for the CD-ROM drive.</li> </ul> <p>If the problem remains, call for service.</p>
A CD is not working correctly.	<p>Clean the CD.</p> <p>If the problem remains, call for service.</p>
The CD-ROM drive tray is not working.	<ol style="list-style-type: none"> <li>1. Make sure that the computer is turned on.</li> <li>2. If the CD-ROM tray still does not work, insert the end of a straightened paper clip into the manual tray-release opening.</li> </ol> <p>If the problem remains, call for service.</p>

## Diskette drive problems

Symptom	Suggested action
The diskette drive activity LED stays lit, or the computer bypasses the diskette drive.	<ul style="list-style-type: none"> <li>• If there is a diskette in the drive, make sure that:               <ul style="list-style-type: none"> <li>– The diskette drive is enabled in the Configuration/Setup Utility program.</li> <li>– The diskette is good and not damaged. (Try another diskette if you have one.)</li> <li>– The diskette is inserted correctly in the drive.</li> <li>– The diskette contains the necessary files to start the computer.</li> <li>– The software program is working correctly.</li> <li>– The cable is installed correctly (in the correct orientation).</li> </ul> </li> <li>• To prevent diskette drive read/write errors, make sure that the distance between the monitor and the diskette drive is at least 76 mm (3 in.).</li> </ul> <p>If the problem remains, call for service.</p>

## Hard disk drive problems

Symptom	Suggested action
Not all drives are recognized by the hard disk drive diagnostic test (the Fixed Disk test).	<ol style="list-style-type: none"> <li>1. Remove the first drive that is not recognized and try the hard disk drive diagnostic test again.</li> <li>2. If the remaining drives are recognized, replace the drive that you removed with a new one.</li> </ol> <p>If the problem remains, call for service.</p>
The computer stops responding during the hard disk drive diagnostic test.	<ol style="list-style-type: none"> <li>1. Remove the hard disk drive that was being tested when the computer stopped responding and try the diagnostic test again.</li> <li>2. If the hard disk drive diagnostic test runs successfully, replace the drive that you removed with a new one.</li> </ol> <p>If the problem remains, call for service.</p>

## Keyboard, mouse, or pointing-device problems

Symptom	Suggested action
All or some keys on the keyboard do not work.	<ul style="list-style-type: none"> <li>• Make sure that the keyboard cable is securely connected to the system and that the keyboard and mouse cables are not reversed.</li> <li>• Make sure that the computer and the monitor are turned on.</li> <li>• Try using another keyboard.</li> </ul> <p>If the problem remains, call for service.</p>
The mouse or pointing device does not work.	<ul style="list-style-type: none"> <li>• Make sure that the mouse or pointing-device cable is securely connected and that the keyboard and mouse cables are not reversed.</li> <li>• Make sure that the mouse device drivers are installed correctly.</li> <li>• Make sure that the computer and the monitor are turned on.</li> <li>• Try using another mouse or pointing device.</li> </ul> <p>If the problem remains, call for service.</p>

## Memory problems

Symptom	Suggested action
The amount of system memory displayed is less than the amount of physical memory installed.	<ul style="list-style-type: none"><li>• Make sure that:<ul style="list-style-type: none"><li>– The DIMMs are seated correctly.</li><li>– You have installed the correct type of memory.</li><li>– If you changed the memory, you updated the memory configuration with the Configuration/Setup Utility program.</li><li>– All banks of memory are enabled. The computer might have automatically disabled a memory bank when it detected a problem, or a memory bank could have been manually disabled.</li></ul></li><li>• Check POST error log for error message 289:<ul style="list-style-type: none"><li>– If the DIMM was disabled by a system-management interrupt (SMI), replace the DIMM.</li><li>– If the DIMM was disabled by the user or by POST, run the Configuration/Setup Utility program and enable the DIMM.</li></ul></li></ul> <p>If the problem remains, call for service.</p>

## Microprocessor problems

Symptom	Suggested action
The computer emits a continuous tone during POST.	The startup (boot) microprocessor is not working correctly. Call for service.

## Monitor problems

Symptom	Suggested action
The screen is blank.	<p>Make sure that:</p> <ul style="list-style-type: none"><li>• The computer power cord is connected to the computer and a working electrical outlet.</li><li>• The monitor cables are connected correctly.</li><li>• The monitor is turned on and the brightness and contrast controls are adjusted correctly.</li></ul> <p>If the problem remains, call for service.</p>
Only the cursor appears.	Call for service.
The monitor works when you turn on the computer, but the screen goes blank when you start some application programs.	<p>Make sure that:</p> <ul style="list-style-type: none"><li>• The application program is not setting a display mode higher than the capability of the monitor.</li><li>• The primary monitor cable is connected to the video connector.</li><li>• You have installed the necessary device drivers for the application programs.</li></ul> <p>If the problem remains, call for service.</p>

Symptom	Suggested action
The monitor has screen jitter, or the screen image is wavy, unreadable, rolling, or distorted.	<p>If the monitor self-tests show that the monitor is working correctly, consider the location of the monitor. Magnetic fields around other devices (such as transformers, appliances, fluorescent lights, and other monitors) can cause screen jitter or wavy, unreadable, rolling, or distorted screen images. If this happens, complete the following steps:</p> <ol style="list-style-type: none"> <li>1. Turn off the monitor.</li> </ol> <p><b>Attention:</b> Moving a color monitor while it is turned on might cause screen discoloration.</p> <ol style="list-style-type: none"> <li>2. Move the device and the monitor at least 300 mm (12 in.) apart, and turn on the monitor.</li> </ol> <p><b>Notes:</b></p> <ol style="list-style-type: none"> <li>1. If you have attached a diskette drive to the computer, make sure that the distance between the monitor and diskette drive is at least 75 mm (3 in.) to prevent diskette drive read/write errors.</li> <li>2. Non-IBM monitor cables might cause unpredictable problems.</li> <li>3. An enhanced monitor cable with additional shielding is available for the 9521 and 9527 monitors. For information about the enhanced monitor cable, contact your IBM marketing representative or authorized reseller.</li> </ol> <p>If the problem remains, call for service.</p>
Wrong characters appear on the screen.	<p>If the wrong language is displayed, update the BIOS code with the correct language.</p> <p>If the problem remains, call for service.</p>

## Power problems

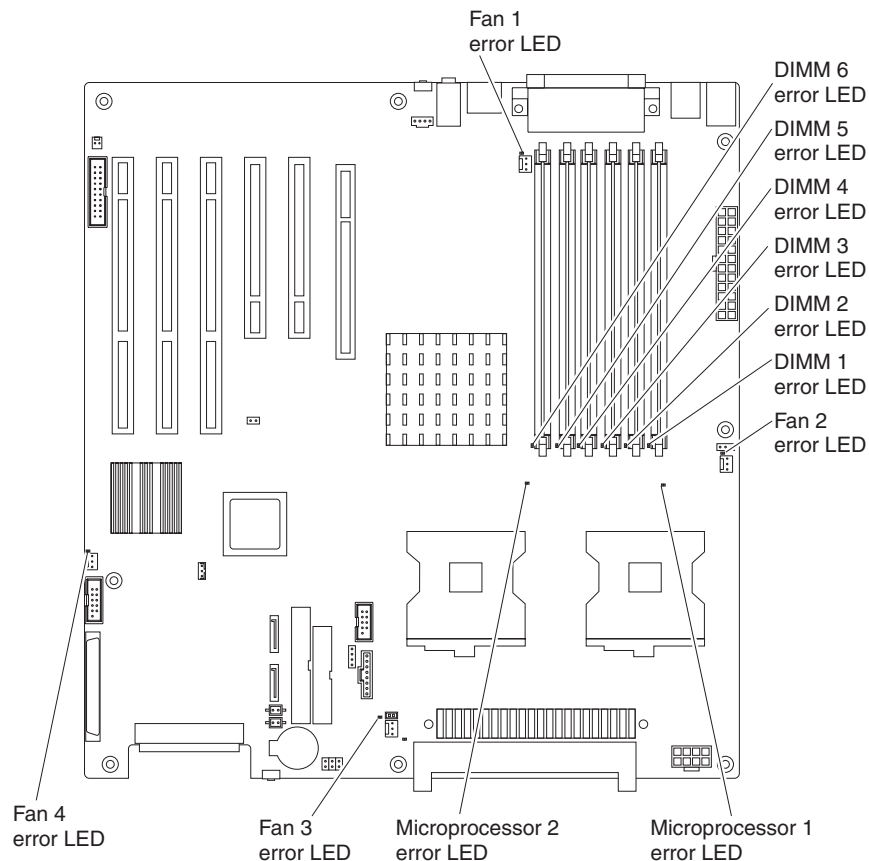
Symptom	Suggested action
The power-control button does not work, and the reset button, if supported, does work.	Call for service.
The computer does not turn on.	<ul style="list-style-type: none"> <li>• Make sure that the power cords are correctly connected to the computer.</li> <li>• Make sure that the electrical outlet functions correctly.</li> <li>• Make sure that the type of memory installed is correct.</li> <li>• If you just installed an option, remove it, and restart the computer. If the computer now turns on, you might have installed more options than the power supply supports.</li> </ul> <p>If the problem remains, call for service.</p>
The computer does not turn off.	<p>Determine whether you are using an ACPI or non-ACPI operating system. If you are using a non-ACPI operating system, complete the following steps:</p> <ol style="list-style-type: none"> <li>1. Press Ctrl+Alt+Delete.</li> <li>2. Turn off the computer by holding the power-control button for 4 seconds.</li> <li>3. If the computer fails during POST and the power-control button does not work, remove the ac power cord.</li> </ol> <p>If the problem remains or if you are using an ACPI operating system, call for service.</p>

---

## System-board error LEDs

The following illustration shows the location of the LEDs on the system board. You might need to refer to this illustration when solving problems with the computer.

Each error LED is lit to indicate a problem with a specific component. After a problem is corrected, its LED will not be lit the next time the computer is restarted; if the problem remains, the LED will be lit again. See “Solving problems” in the *User’s Guide* on the IBM *IntelliStation Documentation CD* for additional information.



---

## Product Recovery program

The Product Recovery program is on a hidden partition of the hard disk. The Product Recovery program runs independently of the operating system and reinstalls your operating system and preinstalled software.

If your hard disk drive, including the partition that contains the Product Recovery program, becomes damaged or if you replace the hard disk drive, contact IBM to order the *IBM Product Recovery CD* to recover your preinstalled operating system, application programs, and device drivers. See Appendix A, “Getting help and technical assistance,” on page 67 for details.



---

## Appendix A. Getting help and technical assistance

If you need help, service, or technical assistance or just want more information about IBM products, you will find a wide variety of sources available from IBM to assist you. This appendix contains information about where to go for additional information about IBM and IBM products, what to do if you experience a problem with your xSeries or IntelliStation system, and whom to call for service, if it is necessary.

---

### Before you call

Before you call, make sure that you have taken these steps to try to solve the problem yourself:

- Check all cables to make sure that they are connected.
- Check the power switches to make sure that the system is turned on.
- Use the troubleshooting information in your system documentation, and use the diagnostic tools that come with your system. Information about diagnostic tools is in the *Hardware Maintenance Manual and Troubleshooting Guide* on the IBM *xSeries Documentation* CD or in the *IntelliStation Hardware Maintenance Manual* at the IBM Support Web site.
- Go to the IBM Support Web site at <http://www.ibm.com/pc/support/> to check for technical information, hints, tips, and new device drivers or to submit a request for information.

You can solve many problems without outside assistance by following the troubleshooting procedures that IBM provides in the online help or in the publications that are provided with your system and software. The information that comes with your system also describes the diagnostic tests that you can perform. Most xSeries and IntelliStation systems, operating systems, and programs come with information that contains troubleshooting procedures and explanations of error messages and error codes. If you suspect a software problem, see the information for the operating system or program.

---

### Using the documentation

Information about your IBM xSeries or IntelliStation system and preinstalled software, if any, is available in the documentation that comes with your system. That documentation includes printed books, online books, readme files, and help files. See the troubleshooting information in your system documentation for instructions for using the diagnostic programs. The troubleshooting information or the diagnostic programs might tell you that you need additional or updated device drivers or other software. IBM maintains pages on the World Wide Web where you can get the latest technical information and download device drivers and updates. To access these pages, go to <http://www.ibm.com/pc/support/> and follow the instructions. Also, you can order publications through the IBM Publications Ordering System at <http://www.elink.ibm.com/public/applications/publications/cgibin/pbi.cgi>.

---

## Getting help and information from the World Wide Web

On the World Wide Web, the IBM Web site has up-to-date information about IBM xSeries and IntelliStation products, services, and support. The address for IBM xSeries information is <http://www.ibm.com/eserver/xseries/>. The address for IBM IntelliStation information is <http://www.ibm.com/pc/intellistation/>.

You can find service information for your IBM products, including supported options, at <http://www.ibm.com/pc/support/>.

---

## Software service and support

Through IBM Support Line, you can get telephone assistance, for a fee, with usage, configuration, and software problems with xSeries servers, IntelliStation workstations, and appliances. For information about which products are supported by Support Line in your country or region, go to <http://www.ibm.com/services/sl/products/>.

For more information about Support Line and other IBM services, go to <http://www.ibm.com/services/>, or go to <http://www.ibm.com/planetwide/> for support telephone numbers. In the U.S. and Canada, call 1-800-IBM-SERV (1-800-426-7378).

---

## Hardware service and support

You can receive hardware service through IBM Services or through your IBM reseller, if your reseller is authorized by IBM to provide warranty service. Go to <http://www.ibm.com/planetwide/> for support telephone numbers, or in the U.S. and Canada, call 1-800-IBM-SERV (1-800-426-7378).

In the U.S. and Canada, hardware service and support is available 24 hours a day, 7 days a week. In the U.K., these services are available Monday through Friday, from 9 a.m. to 6 p.m.



---

# Appendix B. IBM Statement of Limited Warranty Z125-4753-07 11/2002

---

## Part 1 - General Terms

### Part 1 - General Terms

*This Statement of Limited Warranty includes Part 1 - General Terms, Part 2 - Country-unique Terms, and Part 3 - Warranty Information. The terms of Part 2 replace or modify those of Part 1. The warranties provided by IBM in this Statement of Limited Warranty apply only to Machines you purchase for your use, and not for resale. The term "Machine" means an IBM machine, its features, conversions, upgrades, elements, or accessories, or any combination of them. The term "Machine" does not include any software programs, whether pre-loaded with the Machine, installed subsequently or otherwise. **Nothing in this Statement of Limited Warranty affects any statutory rights of consumers that cannot be waived or limited by contract.***

### What this Warranty Covers

IBM warrants that each Machine 1) is free from defects in materials and workmanship and 2) conforms to IBM's Official Published Specifications ("Specifications") which are available on request. The warranty period for the Machine starts on the original Date of Installation and is specified in Part 3 - Warranty Information. The date on your invoice or sales receipt is the Date of Installation unless IBM or your reseller informs you otherwise. Many features, conversions, or upgrades involve the removal of parts and their return to IBM. A part that replaces a removed part will assume the warranty service status of the removed part. Unless IBM specifies otherwise, these warranties apply only in the country or region in which you purchased the Machine.

**THESE WARRANTIES ARE YOUR EXCLUSIVE WARRANTIES AND REPLACE ALL OTHER WARRANTIES OR CONDITIONS, EXPRESS OR IMPLIED, INCLUDING, BUT NOT LIMITED TO, THE IMPLIED WARRANTIES OR CONDITIONS OF MERCHANTABILITY AND FITNESS FOR A PARTICULAR PURPOSE. SOME STATES OR JURISDICTIONS DO NOT ALLOW THE EXCLUSION OF EXPRESS OR IMPLIED WARRANTIES, SO THE ABOVE EXCLUSION MAY NOT APPLY TO YOU. IN THAT EVENT, SUCH WARRANTIES ARE LIMITED IN DURATION TO THE WARRANTY PERIOD. NO WARRANTIES APPLY AFTER THAT PERIOD. SOME STATES OR JURISDICTIONS DO NOT ALLOW LIMITATIONS ON HOW LONG AN IMPLIED WARRANTY LASTS, SO THE ABOVE LIMITATION MAY NOT APPLY TO YOU.**

### What this Warranty Does not Cover

This warranty does not cover the following:

- any software programs, whether pre-loaded or shipped with the Machine, or installed subsequently;
- failure resulting from misuse (including but not limited to use of any Machine capacity or capability, other than that authorized by IBM in writing), accident, modification, unsuitable physical or operating environment, or improper maintenance by you;
- failure caused by a product for which IBM is not responsible; and
- any non-IBM products, including those that IBM may procure and provide with or integrate into an IBM Machine at your request.

The warranty is voided by removal or alteration of identification labels on the Machine or its parts.

IBM does not warrant uninterrupted or error-free operation of a Machine.

Any technical or other support provided for a Machine under warranty, such as assistance via telephone with “how-to” questions and those regarding Machine set-up and installation, is provided **WITHOUT WARRANTIES OF ANY KIND**.

### **How to Obtain Warranty Service**

If the Machine does not function as warranted during the warranty period, contact IBM or your reseller to obtain warranty service. If you do not register the Machine with IBM, you may be required to present proof of purchase as evidence of your entitlement to warranty service.

### **What IBM Will Do to Correct Problems**

When you call for service, you must follow the problem determination and resolution procedures that IBM specifies. A technician will attempt to make an initial diagnosis of your problem and help you resolve it over the telephone.

The type of warranty service applicable to your Machine is specified in Part 3 - Warranty Information.

You are responsible for downloading and installing designated Machine Code (microcode, basic input/output system code (called “BIOS”), utility programs, device drivers, and diagnostics delivered with an IBM Machine) and other software updates from an IBM Internet Web site or from other electronic media, and following the instructions that IBM provides.

If your problem can be resolved with a Customer Replaceable Unit (“CRU”) (e.g., keyboard, mouse, speaker, memory, hard disk drive and other easily replaceable parts), IBM will ship these parts to you for replacement by you.

If the Machine does not function as warranted during the warranty period and your problem cannot be resolved over the telephone, through your application of Machine Code or software updates, or with a CRU, IBM or your reseller, if approved by IBM to provide warranty service, will either, at its discretion, 1) repair it to make it function as warranted, or 2) replace it with one that is at least functionally equivalent. If IBM is unable to do either, you may return the Machine to your place of purchase and your money will be refunded.

IBM or your reseller will also manage and install selected engineering changes that apply to the Machine.

### **Exchange of a Machine or Part**

When the warranty service involves the exchange of a Machine or part, the item IBM or your reseller replaces becomes its property and the replacement becomes yours. You represent that all removed items are genuine and unaltered. The replacement may not be new, but will be in good working order and at least functionally equivalent to the item replaced. The replacement assumes the warranty service status of the replaced item.

### **Your Additional Responsibilities**

Before IBM or your reseller exchanges a Machine or part, you agree to remove all features, parts, options, alterations, and attachments not under warranty service.

You also agree to:

1. ensure that the Machine is free of any legal obligations or restrictions that prevent its exchange;
2. obtain authorization from the owner to have IBM or your reseller service a Machine that you do not own; and
3. where applicable, before service is provided:
  - a. follow the service request procedures that IBM or your reseller provides;
  - b. backup or secure all programs, data, and funds contained in the Machine;
  - c. provide IBM or your reseller with sufficient, free, and safe access to your facilities to permit IBM to fulfill its obligations; and
  - d. inform IBM or your reseller of changes in the Machine's location.
4. (a) ensure all information about identified or identifiable individuals (Personal Data) is deleted from the Machine (to the extent technically possible), (b) allow IBM, your reseller or an IBM supplier to process on your behalf any remaining Personal Data as IBM or your reseller considers necessary to fulfill its obligations under this Statement of Limited Warranty (which may include shipping the Machine for such processing to other IBM service locations around the world), and (c) ensure that such processing complies with any laws applicable to such Personal Data.

#### **Limitation of Liability**

IBM is responsible for loss of, or damage to, your Machine only while it is 1) in IBM's possession or 2) in transit in those cases where IBM is responsible for the transportation charges.

Neither IBM nor your reseller are responsible for any of your confidential, proprietary or personal information contained in a Machine which you return to IBM for any reason. You should remove all such information from the Machine prior to its return.

Circumstances may arise where, because of a default on IBM's part or other liability, you are entitled to recover damages from IBM. In each such instance, regardless of the basis on which you are entitled to claim damages from IBM (including fundamental breach, negligence, misrepresentation, or other contract or tort claim), except for any liability that cannot be waived or limited by applicable laws, IBM is liable for no more than

1. damages for bodily injury (including death) and damage to real property and tangible personal property; and
2. the amount of any other actual direct damages, up to the charges (if recurring, 12 months' charges apply) for the Machine that is subject of the claim. For purposes of this item, the term "Machine" includes Machine Code and Licensed Internal Code ("LIC").

This limit also applies to IBM's suppliers and your reseller. It is the maximum for which IBM, its suppliers, and your reseller are collectively responsible.

**UNDER NO CIRCUMSTANCES IS IBM, ITS SUPPLIERS OR RESELLERS LIABLE FOR ANY OF THE FOLLOWING EVEN IF INFORMED OF THEIR POSSIBILITY: 1) THIRD PARTY CLAIMS AGAINST YOU FOR DAMAGES (OTHER THAN THOSE UNDER THE FIRST ITEM LISTED ABOVE); 2) LOSS OF, OR DAMAGE TO, DATA; 3) SPECIAL, INCIDENTAL, OR INDIRECT DAMAGES OR FOR ANY ECONOMIC CONSEQUENTIAL DAMAGES; OR 4) LOST**

**PROFITS, BUSINESS REVENUE, GOODWILL OR ANTICIPATED SAVINGS. SOME STATES OR JURISDICTIONS DO NOT ALLOW THE EXCLUSION OR LIMITATION OF INCIDENTAL OR CONSEQUENTIAL DAMAGES, SO THE ABOVE LIMITATION OR EXCLUSION MAY NOT APPLY TO YOU. SOME STATES OR JURISDICTIONS DO NOT ALLOW LIMITATIONS ON HOW LONG AN IMPLIED WARRANTY LASTS, SO THE ABOVE LIMITATION MAY NOT APPLY TO YOU.**

### **Governing Law**

Both you and IBM consent to the application of the laws of the country in which you acquired the Machine to govern, interpret, and enforce all of your and IBM's rights, duties, and obligations arising from, or relating in any manner to, the subject matter of this Statement of Limited Warranty, without regard to conflict of law principles.

**THESE WARRANTIES GIVE YOU SPECIFIC LEGAL RIGHTS AND YOU MAY ALSO HAVE OTHER RIGHTS WHICH VARY FROM STATE TO STATE OR JURISDICTION TO JURISDICTION.**

### **Jurisdiction**

All of our rights, duties, and obligations are subject to the courts of the country in which you acquired the Machine.

---

## **Part 2 - Country-unique Terms**

### **AMERICAS**

#### **ARGENTINA**

**Governing Law:** *The following is added after the first sentence:*

Any litigation arising from this Statement of Limited Warranty will be settled exclusively by the Ordinary Commercial Court of the city of Buenos Aires.

#### **BRAZIL**

**Governing Law:** *The following is added after the first sentence:*

Any litigation arising from this Statement of Limited Warranty will be settled exclusively by the court of Rio de Janeiro, RJ.

#### **PERU**

**Limitation of Liability:** *The following is added at the end of this section:*

In accordance with Article 1328 of the Peruvian Civil Code the limitations and exclusions specified in this section will not apply to damages caused by IBM's willful misconduct ("dolo") or gross negligence ("culpa inexcusable").

### **NORTH AMERICA**

**How to Obtain Warranty Service:** *The following is added to this Section:*

To obtain warranty service from IBM in Canada or the United States, call 1-800-IBM-SERV (426-7378).

#### **CANADA**

**Limitation of Liability:** *The following replaces item 1 of this section:*

1. damages for bodily injury (including death) or physical harm to real property and tangible personal property caused by IBM's negligence; and

**Governing Law:** *The following replaces "laws of the country in which you acquired the Machine" in the first sentence:*

laws in the Province of Ontario.

## **UNITED STATES**

**Governing Law:** *The following replaces "laws of the country in which you acquired the Machine" in the first sentence:*

laws of the State of New York.

## **ASIA PACIFIC**

### **AUSTRALIA**

**What this Warranty Covers:** *The following paragraph is added to this section:*

The warranties specified in this Section are in addition to any rights you may have under the Trade Practices Act 1974 or other similar legislation and are only limited to the extent permitted by the applicable legislation.

**Limitation of Liability:** *The following is added to this section:*

Where IBM is in breach of a condition or warranty implied by the Trade Practices Act 1974 or other similar legislation, IBM's liability is limited to the repair or replacement of the goods or the supply of equivalent goods. Where that condition or warranty relates to right to sell, quiet possession or clear title, or the goods are of a kind ordinarily acquired for personal, domestic or household use or consumption, then none of the limitations in this paragraph apply.

**Governing Law:** *The following replaces "laws of the country in which you acquired the Machine" in the first sentence:*

laws of the State or Territory.

### **CAMBODIA, LAOS, AND VIETNAM**

**Governing Law:** *The following replaces "laws of the country in which you acquired the Machine" in the first sentence:*

laws of the State of New York, United States of America.

### **CAMBODIA, INDONESIA, LAOS, AND VIETNAM**

**Arbitration:** *The following is added under this heading:*

Disputes arising out of or in connection with this Statement of Limited Warranty shall be finally settled by arbitration which shall be held in Singapore in accordance with the Arbitration Rules of Singapore International Arbitration Center ("SIAC Rules") then in effect. The arbitration award shall be final and binding for the parties without appeal and shall be in writing and set forth the findings of fact and the conclusions of law.

The number of arbitrators shall be three, with each side to the dispute being entitled to appoint one arbitrator. The two arbitrators appointed by the parties shall appoint a third arbitrator who shall act as chairman of the proceedings. Vacancies in the post of chairman shall be filled by the president of the SIAC. Other vacancies shall

be filled by the respective nominating party. Proceedings shall continue from the stage they were at when the vacancy occurred.

If one of the parties refuses or otherwise fails to appoint an arbitrator within 30 days of the date the other party appoints its, the first appointed arbitrator shall be the sole arbitrator, provided that the arbitrator was validly and properly appointed.

All proceedings shall be conducted, including all documents presented in such proceedings, in the English language. The English language version of this Statement of Limited Warranty prevails over any other language version.

## **HONG KONG S.A.R. OF CHINA AND MACAU S.A.R. OF CHINA**

**Governing Law:** *The following replaces “laws of the country in which you acquired the Machine” in the first sentence:*

laws of Hong Kong Special Administrative Region of China.

## **INDIA**

**Limitation of Liability:** *The following replaces items 1 and 2 of this section:*

1. liability for bodily injury (including death) or damage to real property and tangible personal property will be limited to that caused by IBM's negligence; and
2. as to any other actual damage arising in any situation involving nonperformance by IBM pursuant to, or in any way related to the subject of this Statement of Limited Warranty, the charge paid by you for the individual Machine that is the subject of the claim. For purposes of this item, the term “Machine” includes Machine Code and Licensed Internal Code (“LIC”).

**Arbitration:** *The following is added under this heading:*

Disputes arising out of or in connection with this Statement of Limited Warranty shall be finally settled by arbitration which shall be held in Bangalore, India in accordance with the laws of India then in effect. The arbitration award shall be final and binding for the parties without appeal and shall be in writing and set forth the findings of fact and the conclusions of law.

The number of arbitrators shall be three, with each side to the dispute being entitled to appoint one arbitrator. The two arbitrators appointed by the parties shall appoint a third arbitrator who shall act as chairman of the proceedings. Vacancies in the post of chairman shall be filled by the president of the Bar Council of India. Other vacancies shall be filled by the respective nominating party. Proceedings shall continue from the stage they were at when the vacancy occurred.

If one of the parties refuses or otherwise fails to appoint an arbitrator within 30 days of the date the other party appoints its, the first appointed arbitrator shall be the sole arbitrator, provided that the arbitrator was validly and properly appointed.

All proceedings shall be conducted, including all documents presented in such proceedings, in the English language. The English language version of this Statement of Limited Warranty prevails over any other language version.

## **JAPAN**

**Governing Law:** *The following sentence is added to this section:*

Any doubts concerning this Statement of Limited Warranty will be initially resolved between us in good faith and in accordance with the principle of mutual trust.

## **MALAYSIA**

**Limitation of Liability:** *The word “SPECIAL” in item 3 of the fifth paragraph is deleted.*

## **NEW ZEALAND**

**What this Warranty Covers:** *The following paragraph is added to this section:*

The warranties specified in this section are in addition to any rights you may have under the Consumer Guarantees Act 1993 or other legislation which cannot be excluded or limited. The Consumer Guarantees Act 1993 will not apply in respect of any goods which IBM provides, if you require the goods for the purposes of a business as defined in that Act.

**Limitation of Liability:** *The following is added to this section:*

Where Machines are not acquired for the purposes of a business as defined in the Consumer Guarantees Act 1993, the limitations in this section are subject to the limitations in that Act.

## **PEOPLE’S REPUBLIC OF CHINA (PRC)**

**Governing Law:** *The following replaces “laws of the country in which you acquired the Machine” in the first sentence:*

laws of the State of New York, United States of America (except when local law requires otherwise).

## **PHILIPPINES**

**Limitation of Liability:** *Item 3 in the fifth paragraph is replaced by the following:*

**SPECIAL (INCLUDING NOMINAL AND EXEMPLARY DAMAGES), MORAL, INCIDENTAL, OR INDIRECT DAMAGES FOR ANY ECONOMIC CONSEQUENTIAL DAMAGES; OR**

**Arbitration:** *The following is added under this heading:*

Disputes arising out of or in connection with this Statement of Limited Warranty shall be finally settled by arbitration which shall be held in Metro Manila, Philippines in accordance with the laws of the Philippines then in effect. The arbitration award shall be final and binding for the parties without appeal and shall be in writing and set forth the findings of fact and the conclusions of law.

The number of arbitrators shall be three, with each side to the dispute being entitled to appoint one arbitrator. The two arbitrators appointed by the parties shall appoint a third arbitrator who shall act as chairman of the proceedings. Vacancies in the post of chairman shall be filled by the president of the Philippine Dispute Resolution Center, Inc. Other vacancies shall be filled by the respective nominating party. Proceedings shall continue from the stage they were at when the vacancy occurred.

If one of the parties refuses or otherwise fails to appoint an arbitrator within 30 days of the date the other party appoints its, the first appointed arbitrator shall be the sole arbitrator, provided that the arbitrator was validly and properly appointed.

All proceedings shall be conducted, including all documents presented in such proceedings, in the English language. The English language version of this Statement of Limited Warranty prevails over any other language version.

## **SINGAPORE**

**Limitation of Liability:** *The words “SPECIAL” and “ECONOMIC” in item 3 in the fifth paragraph are deleted.*

## **EUROPE, MIDDLE EAST, AFRICA (EMEA)**

### ***THE FOLLOWING TERMS APPLY TO ALL EMEA COUNTRIES:***

The terms of this Statement of Limited Warranty apply to Machines purchased from IBM or an IBM reseller.

**Hot to Obtain Warranty Service:** If you purchase a Machine in Austria, Belgium, Cyprus, Denmark, Estonia, Finland, France, Germany, Greece, Iceland, Ireland, Italy, Latvia, Liechtenstein, Lithuania, Luxembourg, Monaco, Netherlands, Norway, Portugal, Spain, San Marino, Sweden, Switzerland, United Kingdom or Vatican State, you may obtain warranty service for that Machine in any of those countries from either (1) an IBM reseller approved to perform warranty service or (2) from IBM, provided the Machine has been announced and made available by IBM in the country in which you wish to obtain service. If you purchased a Personal Computer Machine in Albania, Armenia, Belarus, Bosnia and Herzegovina, Bulgaria, Croatia, Czech Republic, Georgia, Hungary, Kazakhstan, Kyrgyzstan, Federal Republic of Yugoslavia, Former Yugoslav Republic of Macedonia (FYROM), Moldova, Poland, Romania, Russia, Slovak Republic, Slovenia, or Ukraine, you may obtain warranty service for that Machine in any of those countries from either (1) an IBM reseller approved to perform warranty service or (2) from IBM.

If you purchase a Machine in a Middle Eastern or African country, you may obtain warranty service for that Machine from the IBM entity within the country of purchase, if that IBM entity provides warranty service in that country, or from an IBM reseller, approved by IBM to perform warranty service on that Machine in that country. Warranty service in Africa is available within 50 kilometers of an IBM approved service provider. You are responsible for transportation costs for Machines located outside 50 kilometers of an IBM approved service provider.

*Add the following paragraph in **Western Europe** (Austria, Belgium, Cyprus, Denmark, Finland, France, Germany, Greece, Iceland, Ireland, Italy, Liechtenstein, Luxembourg, Monaco, Netherlands, Norway, Portugal, Spain, San Marino, Sweden, Switzerland, United Kingdom, Vatican State):*

The warranty for Machines acquired in Western Europe shall be valid and applicable in all Western Europe countries provided the Machines have been announced and made available in such countries.

### **Governing Law:**

*The phrase “the laws of the country in which you acquired the Machine” is replaced by:*

1) “the laws of Austria” in **Albania, Armenia, Azerbaijan, Belarus, Bosnia-Herzegovina, Bulgaria, Croatia, Georgia, Hungary, Kazakhstan, Kyrgyzstan, FYR Macedonia, Moldova, Poland, Romania, Russia, Slovakia, Slovenia, Tajikistan, Turkmenistan, Ukraine, Uzbekistan, and FR Yugoslavia;** 2)



“the laws of France” in **Algeria, Benin, Burkina Faso, Cameroon, Cape Verde, Central African Republic, Chad, Comoros, Congo Republic, Djibouti, Democratic Republic of Congo, Equatorial Guinea, French Guiana, French Polynesia, Gabon, Gambia, Guinea, Guinea-Bissau, Ivory Coast, Lebanon, Madagascar, Mali, Mauritania, Mauritius, Mayotte, Morocco, New Caledonia, Niger, Reunion, Senegal, Seychelles, Togo, Tunisia, Vanuatu, and Wallis & Futuna**; 3) “the laws of Finland” in **Estonia, Latvia, and Lithuania**; 4) “the laws of England” in **Angola, Bahrain, Botswana, Burundi, Egypt, Eritrea, Ethiopia, Ghana, Jordan, Kenya, Kuwait, Liberia, Malawi, Malta, Mozambique, Nigeria, Oman, Pakistan, Qatar, Rwanda, Sao Tome, Saudi Arabia, Sierra Leone, Somalia, Tanzania, Uganda, United Arab Emirates, the United Kingdom, West Bank/Gaza, Yemen, Zambia, and Zimbabwe**; and 5) “the laws of South Africa” in **South Africa, Namibia, Lesotho and Swaziland**.

**Jurisdiction:** *The following exceptions are added to this section:*

1) **In Austria** the choice of jurisdiction for all disputes arising out of this Statement of Limited Warranty and relating thereto, including its existence, will be the competent court of law in Vienna, Austria (Inner-City); 2) **in Angola, Bahrain, Botswana, Burundi, Egypt, Eritrea, Ethiopia, Ghana, Jordan, Kenya, Kuwait, Liberia, Malawi, Malta, Mozambique, Nigeria, Oman, Pakistan, Qatar, Rwanda, Sao Tome, Saudi Arabia, Sierra Leone, Somalia, Tanzania, Uganda, United Arab Emirates, West Bank/Gaza, Yemen, Zambia, and Zimbabwe** all disputes arising out of this Statement of Limited Warranty or related to its execution, including summary proceedings, will be submitted to the exclusive jurisdiction of the English courts; 3) in **Belgium and Luxembourg**, all disputes arising out of this Statement of Limited Warranty or related to its interpretation or its execution, the law, and the courts of the capital city, of the country of your registered office and/or commercial site location only are competent; 4) **in France, Algeria, Benin, Burkina Faso, Cameroon, Cape Verde, Central African Republic, Chad, Comoros, Congo Republic, Djibouti, Democratic Republic of Congo, Equatorial Guinea, French Guiana, French Polynesia, Gabon, Gambia, Guinea, Guinea-Bissau, Ivory Coast, Lebanon, Madagascar, Mali, Mauritania, Mauritius, Mayotte, Morocco, New Caledonia, Niger, Reunion, Senegal, Seychelles, Togo, Tunisia, Vanuatu, and Wallis & Futuna** all disputes arising out of this Statement of Limited Warranty or related to its violation or execution, including summary proceedings, will be settled exclusively by the Commercial Court of Paris; 5) **in Russia**, all disputes arising out of or in relation to the interpretation, the violation, the termination, the nullity of the execution of this Statement of Limited Warranty shall be settled by Arbitration Court of Moscow; 6) **in South Africa, Namibia, Lesotho and Swaziland**, both of us agree to submit all disputes relating to this Statement of Limited Warranty to the jurisdiction of the High Court in Johannesburg; 7) **in Turkey** all disputes arising out of or in connection with this Statement of Limited Warranty shall be resolved by the Istanbul Central (Sultanahmet) Courts and Execution Directorates of Istanbul, the Republic of Turkey; 8) in each of the following specified countries, any legal claim arising out of this Statement of Limited Warranty will be brought before, and settled exclusively by, the competent court of a) Athens for **Greece**, b) Tel Aviv-Jaffa for **Israel**, c) Milan for **Italy**, d) Lisbon for **Portugal**, and e) Madrid for **Spain**; and 9) **in the United Kingdom**, both of us agree to submit all disputes relating to this Statement of Limited Warranty to the jurisdiction of the English courts.

**Arbitration:** *The following is added under this heading:*

**In Albania, Armenia, Azerbaijan, Belarus, Bosnia-Herzegovina, Bulgaria, Croatia, Georgia, Hungary, Kazakhstan, Kyrgyzstan, FYR Macedonia, Moldova,**

**Poland, Romania, Russia, Slovakia, Slovenia, Tajikistan, Turkmenistan, Ukraine, Uzbekistan, and FR Yugoslavia** all disputes arising out of this Statement of Limited Warranty or related to its violation, termination or nullity will be finally settled under the Rules of Arbitration and Conciliation of the International Arbitral Center of the Federal Economic Chamber in Vienna (Vienna Rules) by three arbitrators appointed in accordance with these rules. The arbitration will be held in Vienna, Austria, and the official language of the proceedings will be English. The decision of the arbitrators will be final and binding upon both parties. Therefore, pursuant to paragraph 598 (2) of the Austrian Code of Civil Procedure, the parties expressly waive the application of paragraph 595 (1) figure 7 of the Code. IBM may, however, institute proceedings in a competent court in the country of installation.

**In Estonia, Latvia and Lithuania** all disputes arising in connection with this Statement of Limited Warranty will be finally settled in arbitration that will be held in Helsinki, Finland in accordance with the arbitration laws of Finland then in effect. Each party will appoint one arbitrator. The arbitrators will then jointly appoint the chairman. If arbitrators cannot agree on the chairman, then the Central Chamber of Commerce in Helsinki will appoint the chairman.

## **EUROPEAN UNION (EU)**

### ***THE FOLLOWING TERMS APPLY TO ALL EU COUNTRIES:***

Consumers have legal rights under applicable national legislation governing the sale of consumer goods. Such rights are not affected by the warranties provided in this Statement of Limited Warranty.

**How to Obtain Warranty Service:** *The following is added to this section:*

To obtain warranty service from IBM in EU countries, see the telephone listing in Part 3 - Warranty Information.

You may contact IBM at the following address:

IBM Warranty & Service Quality Dept.  
PO Box 30  
Spango Valley  
Greenock  
Scotland PA16 0AH

## **AUSTRIA, DENMARK, FINLAND, GREECE, ITALY, NETHERLANDS, PORTUGAL, SPAIN, SWEDEN AND SWITZERLAND**

**Limitation of Liability:** *The following replaces the terms of this section in its entirety:*

Except as otherwise provided by mandatory law:

1. IBM's liability for any damages and losses that may arise as a consequence of the fulfillment of its obligations under or in connection with this Statement of Limited Warranty or due to any other cause related to this Statement of Limited Warranty is limited to the compensation of only those damages and losses proved and actually arising as an immediate and direct consequence of the non-fulfillment of such obligations (if IBM is at fault) or of such cause, for a maximum amount equal to the charges you paid for the Machine. For purposes of this item, the term "Machine" includes Machine Code and Licensed Internal Code ("LIC").

The above limitation shall not apply to damages for bodily injuries (including death) and damages to real property and tangible personal property for which IBM is legally liable.

2. **UNDER NO CIRCUMSTANCES IS IBM, ITS SUPPLIERS OR RESELLERS LIABLE FOR ANY OF THE FOLLOWING, EVEN IF INFORMED OF THEIR POSSIBILITY: 1) LOSS OF, OR DAMAGE TO, DATA; 2) INCIDENTAL OR INDIRECT DAMAGES, OR FOR ANY ECONOMIC CONSEQUENTIAL DAMAGES; 3) LOST PROFITS, EVEN IF THEY ARISE AS AN IMMEDIATE CONSEQUENCE OF THE EVENT THAT GENERATED THE DAMAGES; OR 4) LOSS OF BUSINESS, REVENUE, GOODWILL, OR ANTICIPATED SAVINGS.**

## **FRANCE AND BELGIUM**

**Limitation of Liability:** *The following replaces the terms of this section in its entirety:*

Except as otherwise provided by mandatory law:

1. IBM's liability for any damages and losses that may arise as a consequence of the fulfillment of its obligations under or in connection with this Statement of Limited Warranty is limited to the compensation of only those damages and losses proved and actually arising as an immediate and direct consequence of the non-fulfillment of such obligations (if IBM is at fault), for a maximum amount equal to the charges you paid for the Machine that has caused the damages. For purposes of this item, the term "Machine" includes Machine Code and Licensed Internal Code ("LIC").

The above limitation shall not apply to damages for bodily injuries (including death) and damages to real property and tangible personal property for which IBM is legally liable.

2. **UNDER NO CIRCUMSTANCES IS IBM, ITS SUPPLIERS OR RESELLERS LIABLE FOR ANY OF THE FOLLOWING, EVEN IF INFORMED OF THEIR POSSIBILITY: 1) LOSS OF, OR DAMAGE TO, DATA; 2) INCIDENTAL OR INDIRECT DAMAGES, OR FOR ANY ECONOMIC CONSEQUENTIAL DAMAGES; 3) LOST PROFITS, EVEN IF THEY ARISE AS AN IMMEDIATE CONSEQUENCE OF THE EVENT THAT GENERATED THE DAMAGES; OR 4) LOSS OF BUSINESS, REVENUE, GOODWILL, OR ANTICIPATED SAVINGS.**

## **THE FOLLOWING TERMS APPLY TO THE COUNTRY SPECIFIED:**

### **AUSTRIA**

**What this Warranty Covers:** *The following replaces the first sentence of the first paragraph of this section:*

The warranty for an IBM Machine covers the functionality of the Machine for its normal use and the Machine's conformity to its Specifications.

*The following paragraphs are added to this section:*

The warranty period for Machines is 12 months from the date of delivery. The limitation period for consumers in action for breach of warranty is the statutory period as a minimum. In case IBM or your reseller is unable to repair an IBM Machine, you can alternatively ask for a partial refund as far as justified by the reduced value of the unrepaired Machine or ask for a cancellation of the respective agreement for such Machine and get your money refunded.

*The second paragraph does not apply.*

**What IBM Will Do to Correct Problems:** *The following is added to this section:*

During the warranty period, transportation for delivery of the failing Machine to IBM will be at IBM's expense.

**Limitation of Liability:** *The following paragraph is added to this section:*

The limitations and exclusions specified in the Statement of Limited Warranty will not apply to damages caused by IBM with fraud or gross negligence and for express warranty.

*The following sentence is added to the end of item 2:*

IBM's liability under this item is limited to the violation of essential contractual terms in cases of ordinary negligence.

## **EGYPT**

**Limitation of Liability:** *The following replaces item 2 in this section:*

as to any other actual direct damages, IBM's liability will be limited to the total amount you paid for the Machine that is the subject of the claim. For purposes of this item, the term "Machine" includes Machine Code and Licensed Internal Code ("LIC").

*Applicability of suppliers and resellers (unchanged).*

## **FRANCE**

**Limitation of Liability:** *The following replaces the second sentence of the first paragraph of this section:*

In such instances, regardless of the basis on which you are entitled to claim damages from IBM, IBM is liable for no more than: (items 1 and 2 unchanged).

## **GERMANY**

**What this Warranty Covers:** *The following replaces the first sentence of the first paragraph of this section:*

The warranty for an IBM Machine covers the functionality of the Machine for its normal use and the Machine's conformity to its Specifications.

*The following paragraphs are added to this section:*

The minimum warranty period for Machines is twelve months. In case IBM or your reseller is unable to repair an IBM Machine, you can alternatively ask for a partial refund as far as justified by the reduced value of the unrepaired Machine or ask for a cancellation of the respective agreement for such Machine and get your money refunded.

*The second paragraph does not apply.*

**What IBM Will Do to Correct Problems:** *The following is added to this section:*

During the warranty period, transportation for delivery of the failing Machine to IBM will be at IBM's expense.

**Limitation of Liability:** *The following paragraph is added to this section:*

The limitations and exclusions specified in the Statement of Limited Warranty will not apply to damages caused by IBM with fraud or gross negligence and for express warranty.

*The following sentence is added to the end of item 2:*

IBM's liability under this item is limited to the violation of essential contractual terms in cases of ordinary negligence.

## **HUNGARY**

**Limitation of Liability:** *The following is added at the end of this section:*

The limitation and exclusion specified herein shall not apply to liability for a breach of contract damaging life, physical well-being, or health that has been caused intentionally, by gross negligence, or by a criminal act.

The parties accept the limitations of liability as valid provisions and state that the Section 314.(2) of the Hungarian Civil Code applies as the acquisition price as well as other advantages arising out of the present Statement of Limited Warranty balance this limitation of liability.

## **IRELAND**

**What this Warranty Covers:** *The following is added to this section:*

Except as expressly provided in these terms and conditions, all statutory conditions, including all warranties implied, but without prejudice to the generality of the foregoing all warranties implied by the Sale of Goods Act 1893 or the Sale of Goods and Supply of Services Act 1980 are hereby excluded.

**Limitation of Liability:** *The following replaces the terms of this section in its entirety:*

For the purposes of this section, a "Default" means any act, statement, omission, or negligence on the part of IBM in connection with, or in relation to, the subject matter of this Statement of Limited Warranty in respect of which IBM is legally liable to you, whether in contract or tort. A number of Defaults which together result in, or contribute to, substantially the same loss or damage will be treated as one Default occurring on the date of occurrence of the last such Default.

Circumstances may arise where, because of a Default, you are entitled to recover damages from IBM.

This section sets out the extent of IBM's liability and your sole remedy.

1. IBM will accept unlimited liability for death or personal injury caused by the negligence of IBM.
2. Subject always to the **Items for Which IBM is Not Liable** below, IBM will accept unlimited liability for physical damage to your tangible property resulting from the negligence of IBM.

3. Except as provided in items 1 and 2 above, IBM's entire liability for actual damages for any one Default will not in any event exceed the greater of 1) EUR 125,000, or 2) 125% of the amount you paid for the Machine directly relating to the Default.

#### **Items for Which IBM is Not Liable**

Save with respect to any liability referred to in item 1 above, under no circumstances is IBM, its suppliers or resellers liable for any of the following, even if IBM or they were informed of the possibility of such losses:

1. loss of, or damage to, data;
2. special, indirect, or consequential loss; or
3. loss of profits, business, revenue, goodwill, or anticipated savings.

#### **SLOVAKIA**

**Limitation of Liability:** *The following is added to the end of the last paragraph:*

The limitations apply to the extent they are not prohibited under §§ 373-386 of the Slovak Commercial Code.

#### **SOUTH AFRICA, NAMIBIA, BOTSWANA, LESOTHO AND SWAZILAND**

**Limitation of Liability:** *The following is added to this section:*

IBM's entire liability to you for actual damages arising in all situations involving nonperformance by IBM in respect of the subject matter of this Statement of Warranty will be limited to the charge paid by you for the individual Machine that is the subject of your claim from IBM.

#### **UNITED KINGDOM**

**Limitation of Liability:** *The following replaces the terms of this section in its entirety:*

For the purposes of this section, a "Default" means any act, statement, omission, or negligence on the part of IBM in connection with, or in relation to, the subject matter of this Statement of Limited Warranty in respect of which IBM is legally liable to you, whether in contract or tort. A number of Defaults which together result in, or contribute to, substantially the same loss or damage will be treated as one Default.

Circumstances may arise where, because of a Default, you are entitled to recover damages from IBM.

This section sets out the extent of IBM's liability and your sole remedy.

1. IBM will accept unlimited liability for:
  - a. death or personal injury caused by the negligence of IBM; and
  - b. any breach of its obligations implied by Section 12 of the Sale of Goods Act 1979 or Section 2 of the Supply of Goods and Services Act 1982, or any statutory modification or re-enactment of either such Section.
2. IBM will accept unlimited liability, subject always to the **Items for Which IBM is Not Liable** below, for physical damage to your tangible property resulting from the negligence of IBM.
3. IBM's entire liability for actual damages for any one Default will not in any event, except as provided in items 1 and 2 above, exceed the greater of 1) Pounds

Sterling 75,000, or 2) 125% of the total purchase price payable or the charges for the Machine directly relating to the Default.

These limits also apply to IBM's suppliers and resellers. They state the maximum for which IBM and such suppliers and resellers are collectively responsible.

### Items for Which IBM is Not Liable

Save with respect to any liability referred to in item 1 above, under no circumstances is IBM or any of its suppliers or resellers liable for any of the following, even if IBM or they were informed of the possibility of such losses:

1. loss of, or damage to, data;
2. special, indirect, or consequential loss; or
3. loss of profits, business, revenue, goodwill, or anticipated savings.

---

## Part 3 - Warranty Information

This Part 3 provides information regarding the warranty applicable to your Machine, including the warranty period and type of warranty service IBM provides.

### Warranty Period

The warranty period may vary by country or region and is specified in the table below.

**Note:** "Region" means either Hong Kong or Macau Special Administrative Region of China.

### Machine - IBM IntelliStation Z Pro Type 6223

Country or Region of Purchase	Warranty Period	Type of Warranty Service*
Worldwide	3 years	1 and 2
* See " <u>Types of Warranty Service</u> " for the legend and explanations of warranty-service types.		

A warranty period of 3 years on parts and 1 year on labor means that IBM provides warranty service without charge for:

1. parts and labor during the first year of the warranty period; and
2. parts only, on an exchange basis, in the second and third years of the warranty period. IBM will charge you for any labor provided in performance of the repair or replacement(s) in the second and third year of the warranty period.

### Types of Warranty Service

If required, IBM provides repair or exchange service depending on the type of warranty service specified for your Machine in the above table and as described below. Warranty service may be provided by your reseller if approved by IBM to perform warranty service. Scheduling of service will depend upon the time of your call and is subject to parts availability. Service levels are response time objectives and are not guaranteed. The specified level of warranty service may not be available in all worldwide locations, additional charges may apply outside IBM's normal service area, contact your local IBM representative or your reseller for country and location specific information.

#### 1. **Customer Replaceable Unit ("CRU") Service**

IBM will ship CRU parts to you for your replacement. If IBM instructs you to return the replaced CRU, you are responsible for returning it to IBM in accordance with IBM's instructions. If you do not return the defective CRU, if IBM so instructs, within 30 days of your receipt of the replacement CRU, IBM may charge you for the replacement.

2. **On-site Service**

IBM or your reseller will either repair or exchange the failing Machine at your location and verify its operation. You must provide suitable working area to allow disassembly and reassembly of the IBM Machine. The area must be clean, well lit and suitable for the purpose. **For some Machines, certain repairs may require sending the Machine to an IBM service center.**

3. **Courier or Depot Service\***

You will disconnect the failing Machine for collection arranged by IBM. IBM will provide you with a shipping container for you to return your Machine to a designated service center. A courier will pick up your Machine and deliver it to the designated service center. Following its repair or exchange, IBM will arrange the return delivery of the Machine to your location. You are responsible for its installation and verification.

4. **Customer Carry-In or Mail-In Service**

You will deliver or mail as IBM specifies (prepaid unless IBM specifies otherwise) the failing Machine suitably packaged to a location IBM designates. After IBM has repaired or exchanged the Machine, IBM will make it available for your collection or, for Mail-in Service, IBM will return it to you at IBM's expense, unless IBM specifies otherwise. You are responsible for the subsequent installation and verification of the Machine.

\* This type of service is called ThinkPad® EasyServ or EasyServ in some countries.

The IBM Machine Warranty World Wide Web site at [http://www.ibm.com/servers/support/machine\\_warranties/](http://www.ibm.com/servers/support/machine_warranties/) provides a worldwide overview of IBM Limited Warranty for Machines, a Glossary of IBM definitions, Frequently Asked Questions (FAQs) and Support by Product (Machine) with links to Product Support pages. **The IBM Statement of Limited Warranty is also available on this site in 29 languages.**

To obtain warranty service contact IBM or your IBM reseller. In Canada or the United States, call 1-800-IBM-SERV (426-7378). In the EU countries, see the telephone numbers below.

**EU Country Telephone List**

Phone numbers are subject to change without notice.

Austria -- 43-1-24592-5901	Italy -- 39-02-482-9202
Belgium -- 02-718-4339	Luxembourg -- 352-360385-1
Denmark -- 4520-8200	Netherlands -- 020-514-5770
Finland -- 358-9-4591	Portugal -- 351-21-7915-147
France -- 0238-557-450	Spain -- 34-91-662-4916
Germany -- 07032-15-4920	Sweden -- 46-8-477-4420
Greece -- 30-210-688-1220	United Kingdom -- 01475-555-055
Ireland -- 353-1-815-4000	



---

## Appendix C. Notices

This information was developed for products and services offered in the U.S.A.

IBM may not offer the products, services, or features discussed in this document in other countries. Consult your local IBM representative for information on the products and services currently available in your area. Any reference to an IBM product, program, or service is not intended to state or imply that only that IBM product, program, or service may be used. Any functionally equivalent product, program, or service that does not infringe any IBM intellectual property right may be used instead. However, it is the user's responsibility to evaluate and verify the operation of any non-IBM product, program, or service.

IBM may have patents or pending patent applications covering subject matter described in this document. The furnishing of this document does not give you any license to these patents. You can send license inquiries, in writing, to:

*IBM Director of Licensing  
IBM Corporation  
North Castle Drive  
Armonk, NY 10504-1785  
U.S.A.*

INTERNATIONAL BUSINESS MACHINES CORPORATION PROVIDES THIS PUBLICATION "AS IS" WITHOUT WARRANTY OF ANY KIND, EITHER EXPRESS OR IMPLIED, INCLUDING, BUT NOT LIMITED TO, THE IMPLIED WARRANTIES OF NON-INFRINGEMENT, MERCHANTABILITY OR FITNESS FOR A PARTICULAR PURPOSE. Some states do not allow disclaimer of express or implied warranties in certain transactions, therefore, this statement may not apply to you.

This information could include technical inaccuracies or typographical errors. Changes are periodically made to the information herein; these changes will be incorporated in new editions of the publication. IBM may make improvements and/or changes in the product(s) and/or the program(s) described in this publication at any time without notice.

Any references in this information to non-IBM Web sites are provided for convenience only and do not in any manner serve as an endorsement of those Web sites. The materials at those Web sites are not part of the materials for this IBM product, and use of those Web sites is at your own risk.

IBM may use or distribute any of the information you supply in any way it believes appropriate without incurring any obligation to you.

---

### Edition notice

**© Copyright International Business Machines Corporation 2004. All rights reserved.**

U.S. Government Users Restricted Rights — Use, duplication, or disclosure restricted by GSA ADP Schedule Contract with IBM Corp.

---

## Trademarks

The following terms are trademarks of International Business Machines Corporation in the United States, other countries, or both:

Active Memory	Predictive Failure Analysis
Active PCI	PS/2
Active PCI-X	ServeRAID
Alert on LAN	ServerGuide
BladeCenter	ServerProven
C2T Interconnect	TechConnect
Chipkill	ThinkPad
EtherJet	Tivoli
e-business logo	Tivoli Enterprise
@server	Update Connector
FlashCopy	Wake on LAN
IBM	XA-32
IBM (logo)	XA-64
IntelliStation	X-Architecture
NetBAY	Xcel4
Netfinity	XpandOnDemand
NetView	xSeries
OS/2 WARP	

Intel, MMX, and Pentium are trademarks of Intel Corporation in the United States, other countries, or both.

Microsoft, Windows, and Windows NT are trademarks of Microsoft Corporation in the United States, other countries, or both.

UNIX is a registered trademark of The Open Group in the United States and other countries.

Java and all Java-based trademarks and logos are trademarks or registered trademarks of Sun Microsystems, Inc. in the United States, other countries, or both.

Adaptec and HostRAID are trademarks of Adaptec, Inc., in the United States, other countries, or both.

Linux is a trademark of Linus Torvalds in the United States, other countries, or both.

Red Hat, the Red Hat "Shadow Man" logo, and all Red Hat-based trademarks and logos are trademarks or registered trademarks of Red Hat, Inc., in the United States and other countries.

Other company, product, or service names may be trademarks or service marks of others.

---

## Important notes

Processor speeds indicate the internal clock speed of the microprocessor; other factors also affect application performance.

CD-ROM drive speeds list the variable read rate. Actual speeds vary and are often less than the maximum possible.

When referring to processor storage, real and virtual storage, or channel volume, KB stands for approximately 1000 bytes, MB stands for approximately 1 000 000 bytes, and GB stands for approximately 1 000 000 000 bytes.

When referring to hard disk drive capacity or communications volume, MB stands for 1 000 000 bytes, and GB stands for 1 000 000 000 bytes. Total user-accessible capacity may vary depending on operating environments.

Maximum internal hard disk drive capacities assume the replacement of any standard hard disk drives and population of all hard disk drive bays with the largest currently supported drives available from IBM.

Maximum memory may require replacement of the standard memory with an optional memory module.

IBM makes no representation or warranties regarding non-IBM products and services that are ServerProven<sup>®</sup>, including but not limited to the implied warranties of merchantability and fitness for a particular purpose. These products are offered and warranted solely by third parties.

IBM makes no representations or warranties with respect to non-IBM products. Support (if any) for the non-IBM products is provided by the third party, not IBM.

Some software may differ from its retail version (if available), and may not include user manuals or all program functionality.

---

## Product recycling and disposal

This unit contains materials such as circuit boards, cables, electromagnetic compatibility gaskets, and connectors which may contain lead and copper/beryllium alloys that require special handling and disposal at end of life. Before this unit is disposed of, these materials must be removed and recycled or discarded according to applicable regulations. IBM offers product-return programs in several countries. Information on product recycling offerings can be found on IBM's Internet site at <http://www.ibm.com/ibm/environment/products/prp.shtml>.

---

## Battery return program

This product may contain a sealed lead acid, nickel cadmium, nickel metal hydride, lithium, or lithium ion battery. Consult your user manual or service manual for specific battery information. The battery must be recycled or disposed of properly. Recycling facilities may not be available in your area. For information on disposal of batteries outside the United States, go to <http://www.ibm.com/ibm/environment/products/batteryrecycle.shtml> or contact your local waste disposal facility.

In the United States, IBM has established a collection process for reuse, recycling, or proper disposal of used IBM sealed lead acid, nickel cadmium, nickel metal hydride, and battery packs from IBM equipment. For information on proper disposal of these batteries, contact IBM at 1-800-426-4333. Have the IBM part number listed on the battery available prior to your call.

In the Netherlands, the following applies.



---

## Electronic emission notices

### Federal Communications Commission (FCC) statement

**Note:** This equipment has been tested and found to comply with the limits for a Class A digital device, pursuant to Part 15 of the FCC Rules. These limits are designed to provide reasonable protection against harmful interference when the equipment is operated in a commercial environment. This equipment generates, uses, and can radiate radio frequency energy and, if not installed and used in accordance with the instruction manual, may cause harmful interference to radio communications. Operation of this equipment in a residential area is likely to cause harmful interference, in which case the user will be required to correct the interference at his own expense.

Properly shielded and grounded cables and connectors must be used in order to meet FCC emission limits. IBM is not responsible for any radio or television interference caused by using other than recommended cables and connectors or by unauthorized changes or modifications to this equipment. Unauthorized changes or modifications could void the user's authority to operate the equipment.

This device complies with Part 15 of the FCC Rules. Operation is subject to the following two conditions: (1) this device may not cause harmful interference, and (2) this device must accept any interference received, including interference that may cause undesired operation.

## **Industry Canada Class A emission compliance statement**

This Class A digital apparatus complies with Canadian ICES-003.

### **Avis de conformité à la réglementation d'Industrie Canada**

Cet appareil numérique de la classe A est conforme à la norme NMB-003 du Canada.

## **Australia and New Zealand Class A statement**

**Attention:** This is a Class A product. In a domestic environment this product may cause radio interference in which case the user may be required to take adequate measures.

## **United Kingdom telecommunications safety requirement**

### **Notice to Customers**

This apparatus is approved under approval number NS/G/1234/J/100003 for indirect connection to public telecommunication systems in the United Kingdom.

## **European Union EMC Directive conformance statement**

This product is in conformity with the protection requirements of EU Council Directive 89/336/EEC on the approximation of the laws of the Member States relating to electromagnetic compatibility. IBM cannot accept responsibility for any failure to satisfy the protection requirements resulting from a nonrecommended modification of the product, including the fitting of non-IBM option cards.

This product has been tested and found to comply with the limits for Class A Information Technology Equipment according to CISPR 22/European Standard EN 55022. The limits for Class A equipment were derived for commercial and industrial environments to provide reasonable protection against interference with licensed communication equipment.

**Attention:** This is a Class A product. In a domestic environment this product may cause radio interference in which case the user may be required to take adequate measures.

## Taiwanese Class A warning statement

警告使用者：  
這是甲類的資訊產品，在  
居住的環境中使用時，可  
能會造成射頻干擾，在這  
種情況下，使用者會被要  
求採取某些適當的對策。

## Chinese Class A warning statement

聲 明  
此為 A 級產品。在生活環境中，  
該產品可能會造成無線電干擾。  
在這種情況下，可能需要用戶對其  
干擾採取切实可行的措施。

## Japanese Voluntary Control Council for Interference (VCCI) statement

この装置は、情報処理装置等電波障害自主規制協議会（VCCI）の基準に  
基づくクラスA情報技術装置です。この装置を家庭環境で使用すると電波妨害を  
引き起こすことがあります。この場合には使用者が適切な対策を講ずるよう要求  
されることがあります。

---

## Power cords

For your safety, IBM provides a power cord with a grounded attachment plug to use with this IBM product. To avoid electrical shock, always use the power cord and plug with a properly grounded outlet.

IBM power cords used in the United States and Canada are listed by Underwriter's Laboratories (UL) and certified by the Canadian Standards Association (CSA).

For units intended to be operated at 115 volts: Use a UL-listed and CSA-certified cord set consisting of a minimum 18 AWG, Type SVT or SJT, three-conductor cord, a maximum of 15 feet in length and a parallel blade, grounding-type attachment plug rated 15 amperes, 125 volts.

For units intended to be operated at 230 volts (U.S. use): Use a UL-listed and CSA-certified cord set consisting of a minimum 18 AWG, Type SVT or SJT, three-conductor cord, a maximum of 15 feet in length and a tandem blade, grounding-type attachment plug rated 15 amperes, 250 volts.

For units intended to be operated at 230 volts (outside the U.S.): Use a cord set with a grounding-type attachment plug. The cord set should have the appropriate safety approvals for the country in which the equipment will be installed.

IBM power cords for a specific country or region are usually available only in that country or region.

<b>IBM power cord part number</b>	<b>Used in these countries and regions</b>
02K0546	China
13F9940	Australia, Fiji, Kiribati, Nauru, New Zealand, Papua New Guinea
13F9979	Afghanistan, Albania, Algeria, Andorra, Angola, Armenia, Austria, Azerbaijan, Belarus, Belgium, Benin, Bosnia and Herzegovina, Bulgaria, Burkina Faso, Burundi, Cambodia, Cameroon, Cape Verde, Central African Republic, Chad, Comoros, Congo (Democratic Republic of), Congo (Republic of), Cote D'Ivoire (Ivory Coast), Croatia (Republic of), Czech Republic, Dahomey, Djibouti, Egypt, Equatorial Guinea, Eritrea, Estonia, Ethiopia, Finland, France, French Guyana, French Polynesia, Germany, Greece, Guadeloupe, Guinea, Guinea Bissau, Hungary, Iceland, Indonesia, Iran, Kazakhstan, Kyrgyzstan, Laos (People's Democratic Republic of), Latvia, Lebanon, Lithuania, Luxembourg, Macedonia (former Yugoslav Republic of), Madagascar, Mali, Martinique, Mauritania, Mauritius, Mayotte, Moldova (Republic of), Monaco, Mongolia, Morocco, Mozambique, Netherlands, New Caledonia, Niger, Norway, Poland, Portugal, Reunion, Romania, Russian Federation, Rwanda, Sao Tome and Principe, Saudi Arabia, Senegal, Serbia, Slovakia, Slovenia (Republic of), Somalia, Spain, Suriname, Sweden, Syrian Arab Republic, Tajikistan, Tahiti, Togo, Tunisia, Turkey, Turkmenistan, Ukraine, Upper Volta, Uzbekistan, Vanuatu, Vietnam, Wallis and Futuna, Yugoslavia (Federal Republic of), Zaire
13F9997	Denmark
14F0015	Bangladesh, Lesotho, Macao, Maldives, Namibia, Nepal, Pakistan, Samoa, South Africa, Sri Lanka, Swaziland, Uganda
14F0033	Abu Dhabi, Bahrain, Botswana, Brunei Darussalam, Channel Islands, China (Hong Kong S.A.R.), Cyprus, Dominica, Gambia, Ghana, Grenada, Iraq, Ireland, Jordan, Kenya, Kuwait, Liberia, Malawi, Malaysia, Malta, Myanmar (Burma), Nigeria, Oman, Polynesia, Qatar, Saint Kitts and Nevis, Saint Lucia, Saint Vincent and the Grenadines, Seychelles, Sierra Leone, Singapore, Sudan, Tanzania (United Republic of), Trinidad and Tobago, United Arab Emirates (Dubai), United Kingdom, Yemen, Zambia, Zimbabwe
14F0051	Liechtenstein, Switzerland
14F0069	Chile, Italy, Libyan Arab Jamahiriya
14F0087	Israel
1838574	Antigua and Barbuda, Aruba, Bahamas, Barbados, Belize, Bermuda, Bolivia, Brazil, Caicos Islands, Canada, Cayman Islands, Costa Rica, Colombia, Cuba, Dominican Republic, Ecuador, El Salvador, Guam, Guatemala, Haiti, Honduras, Jamaica, Japan, Mexico, Micronesia (Federal States of), Netherlands Antilles, Nicaragua, Panama, Peru, Philippines, Taiwan, United States of America, Venezuela
24P6858	Korea (Democratic People's Republic of), Korea (Republic of)
34G0232	Japan

<b>IBM power cord part number</b>	<b>Used in these countries and regions</b>
36L8880	Argentina, Paraguay, Uruguay
49P2078	India
49P2110	Brazil
6952300	Antigua and Barbuda, Aruba, Bahamas, Barbados, Belize, Bermuda, Bolivia, Caicos Islands, Canada, Cayman Islands, Colombia, Costa Rica, Cuba, Dominican Republic, Ecuador, El Salvador, Guam, Guatemala, Haiti, Honduras, Jamaica, Mexico, Micronesia (Federal States of), Netherlands Antilles, Nicaragua, Panama, Peru, Philippines, Saudi Arabia, Thailand, Taiwan, United States of America, Venezuela



---

# Index

## A

- acoustical noise emissions 6
- Adaptec RAID Configuration Utility, using 50
- adapter
  - considerations for 18
  - PCI bus 18
  - PCI or PCI-X 18
  - SCSI 21
- Array Configuration Utility
  - using to access RAID configuration 49
  - using to configure the SATA controller 50

## B

- bays, filler panel 24
- beep codes 60
- bezel
  - removing 17
  - replacing 40
- Boot Menu 47
  - using 48
- Broadcom NetXtreme Gigabit Ethernet Boot Agent
  - enabling 49
  - general 47

## C

- cables
  - internal drives 30
  - length 10
  - power 30
  - signal 30
- cabling
  - connectors on rear of computer 41
  - SCSI adapter 21
  - SCSI drives 30
  - Serial ATA drives 30
- CD-ROM drive
  - eject button 8
  - installing 22
- CD-ROM problems 61
- Class A electronic emission notice 88
- components
  - location of 12
  - system 12
- computer
  - cabling 41
  - configuring 47
  - location 9
  - model number 1
  - serial number 1
  - turning off 44
  - turning on 42
- computer keys, request replacement 2
- configuration
  - custom 53
  - express 52

- configuration (*continued*)
  - fine-tuning 53
  - ServeRAID programs 48
  - summary window 53
  - the Ethernet controller 54
- configuration programs
  - Adaptec RAID Configuration Utility programs 47
  - Broadcom NetXtreme Gigabit Ethernet Boot Agent 47
  - Configuration/Setup Utility program 48, 50
  - general 47
  - SCSISelect Utility program 47
- Configuration/Setup Utility program 48
- configuring
  - the computer 47
  - the controller using ServeRAID Manager 52
  - the Ethernet controller 54
- connectors
  - on rear 42
  - Serial ATA 23
- controller
  - SCSI 21
    - configure 51
    - configuring 51
  - Serial ATA
    - configuring 50
    - using the SCSISelect Utility to configure 51
- controls and indicators 7
- cooling 6, 10
- cover
  - removing 16
  - replacing 41
- custom configuration 53

## D

- data rate, Ethernet controller 54
- diagnostic tools 59
- diagnostics
  - downloading 57
- DIMM connector
  - installing memory 33
- DIMM retaining clips 33
- diskette
  - IBM Enhanced Diagnostics 56
  - recovery repair 55
- diskette drive
  - activity LED 8
  - installing 22, 23
- diskette drive problem 62
- diskette eject button 8
- documentation CD 1, 3
- drive
  - bay filler panel 24
  - installation 23, 27
- drives, installing 22

## E

- eject button
  - diskette 8
- electrical input 6
- electronic emission Class A notice 88
- emergency recovery diskette, creating 55
- enabling
  - Broadcom NetXtreme Gigabit Ethernet Boot Agent 49
  - the SCSI HostRAID feature 51
  - the Serial ATA RAID feature 50
- environment 6
- error LEDs 65
- Ethernet
  - high performance modes 54
  - integrated on system board 54
  - modes 54
  - teaming 54
- Ethernet controller configuration 48
- Ethernet controller, configuring 54
- express configuration 52
- external connectors 15

## F

- FCC Class A notice 88
- feature
  - SATA RAID
    - enabling 50
  - SCSI RAID
    - enabling 51
- features and specifications 6
- filler panel 24

## H

- hard disk drive
  - installing 22
- hardware, major components 12
- heat output 6
- HostRAID considerations 23
- HostRAID feature for SATA
  - enabling 50
  - using to configure the integrated SATA controller 50
- HostRAID feature for SCSI
  - enabling 51
  - using to configure the SCSI controller 51

## I

- information, related publications 4
- input/output connectors
  - front 7
  - rear 42
- installation sequence, memory modules 32
- installing
  - bezel 40
  - drives in bays 4, 5, or 6 27
  - internal drives 22
  - memory modules 32

- installing (*continued*)
  - microprocessor 35
  - options 9
  - security rope clip 39
- integrated Serial ATA controller, configuring 50
- internal
  - connector 14
  - drive bays 22
  - drives, installing 22

## K

- keyboard problems 62

## L

- LEDs
  - activity 7, 8
  - system board error 65
- license agreement 47

## M

- memory
  - installing 32
  - modules 33
  - problems 63
- memory module
  - sequence of installation 32
  - specifications 6
- microprocessor
  - heat sink 38
  - installing 35
  - specifications 6
- modes, Ethernet 54
- mouse problems 62

## N

- notes, important 87
- notices
  - electronic emission 88
  - FCC, Class A 88
- Notices used 5

## O

- operating system
  - preinstalled 2
  - recovering 65
- operating system setup program, running 43
- optical drive 31
- options, installing 9

## P

- PCI adapters 18
- PCI expansion slots 6
- pointing device problems 62
- POST (power-on self-test) 60

- power cords 90
- power supply specifications 6
- power-control button 7
- power-on LED 7
- power-on self-test (POST) beep codes 59
- problems
  - CD-ROM drive 61
  - diskette drive 62
  - keyboard 62
  - memory 63
  - mouse 62
  - pointing device 62
  - power 64
  - troubleshooting 59
- Product Recovery program
  - using 65

## R

- recovering the operating system 65
- recovery repair diskette, creating 55
- registering your computer
  - in Red Hat Linux 55
  - in Windows 55
- reliability, system 10
- removable media drives, installing 22
- removing
  - bezel 17
  - cover 16
- replacing
  - bezel 40
  - cover 41
- retaining clips, DIMM 33
- rope clip, installing for security 39

## S

- safety information
  - laser 25
- SATA HostRAID feature
  - configuring 50
  - enabling 50
- SCSI controller
  - cabling 21
  - configuring 51
- SCSI HostRAID feature
  - enabling 51
  - using to configure the SCSI controller 51
- SCSISelect Utility program
  - starting (some models) 54
  - using to configure the SCSI controller 51
- security, rope clip 39
- sequence of installation, memory modules 32
- ServeRAID Manager 53
  - Configuration wizard 52
  - description 52
  - overview 52
  - startable-CD mode 52
  - using 52
- ServeRAID programs 48
- size 6

- startable-CD mode 52
- starting
  - Adaptec RAID Configuration Utility program 50
  - SCSISelect Utility program 51
  - SCSISelect Utility program (some models) 54
  - the computer 43
- static electricity 11
- static sensitive devices, handling 11
- system board
  - internal connectors 14
  - option connectors 13
- system reliability 10
- system specifications 6
- system-board error LEDs 59, 65

## T

- tape drive, installing 22
- thermal material, heat sink 38
- trademarks 86
- troubleshooting 59
- turning off the computer 44
- turning on the computer 42, 43

## U

- United States electronic emission Class A notice 88
- United States FCC Class A notice 88
- using
  - Adaptec RAID Configuration Utility 50
  - Boot Menu program 48
  - SCSI HostRAID to configure the controller 51
  - ServeRAID Manager 52
  - the Adaptec HostRAID configuration programs 49
  - the Product Recovery program 65
  - the SATA HostRAID feature 50
  - the SCSI HostRAID feature 51
  - the SCSISelect Utility 51
- utility program
  - Configuration/Setup 50
  - SCSISelect 54
  - ServeRAID Manager 52

## V

- video controller 6

## W

- weight 6







Part Number: 88P8971

Printed in USA

(1P) P/N: 88P8971

