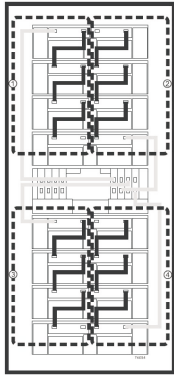
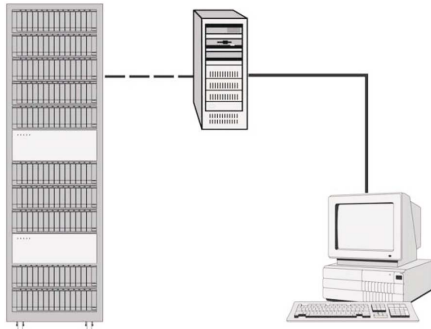


### 3. Cable the Storage Area Network



Fibre Channel Cabling Diagram

Complete the Fibre Channel (FC) cable connections between the host servers, the Fibre Channel Host Bus Adapters (HBAs), the FASTt Storage Servers, and the FASTt Expansion Unit. Use the appropriate cabling instructions for your storage server and expansion unit.



Storage Area Network

You can connect the FASTt Storage Servers to your host servers, either directly or indirectly, through a SAN network of FC switches. For information on planning your configuration, see the appropriate FASTt Storage Manager installation and support guide for your operating system. This document includes examples and procedures to help you define and implement the SAN by supplying information on fabric topology, path redundancy, and in-band and out-of-band management configurations.



After the storage management software is installed, if you have a question about any of these tasks, use the FASTt Storage Manager online help system.

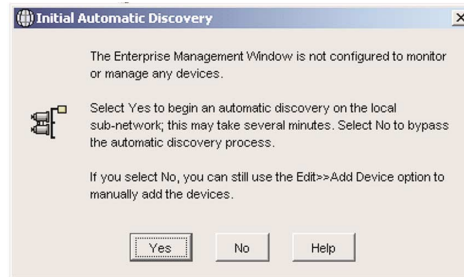


### 4. Install the software

Designate the host that is to serve as the management workstation. Only one installation of the storage manager is needed to manage FASTt storage controllers in your enterprise.

Install the storage management software, HBA drivers, and failover device drivers (if applicable) using the IBM TotalStorage FASTt Storage Manager installation CD, the README file for your operating system, and the appropriate FASTt Storage Manager installation and support guide for your host operating system.

After installation is completed, launch the storage management software to discover the hosts and storage subsystem automatically. For assistance, use the online help provided with the client.



Initial Automatic Discovery Dialogue Box

Finally, perform the following basic setup tasks, as described in the installation and support guide for your host operating system:

1. Create a host group.
2. Create and map logical drives.
3. On the host server, either run the hot\_add SM utility program or reboot the server to recognize the newly created and mapped logical drives.
4. Format logical drives to prepare for data storage.
5. Take a profile of the subsystem and store it on the machine that serves as a management workstation (the one on which the client was installed). **Do not** store the profile on one of the Logical Unit Numbers (LUNs) just created on the FASTt subsystem. Update the profile every time a change is made to the storage subsystem.

© Copyright International Business Machines Corporation 2004.  
All rights reserved. US Government Users Restricted Rights –  
Use, duplication or disclosure restricted by GSA ADP Schedule  
Contract with IBM Corp.

GC26-7662-00



## IBM TotalStorage FASTt Storage Server and Storage Expansion Unit



## Quick Start Guide

## Before You Begin

Before you begin the installation procedure, unpack the carton and verify that your shipment contains all the required components. **Be sure to read the safety guide first, and review the other documentation provided with your shipment, before attempting to install any components.**

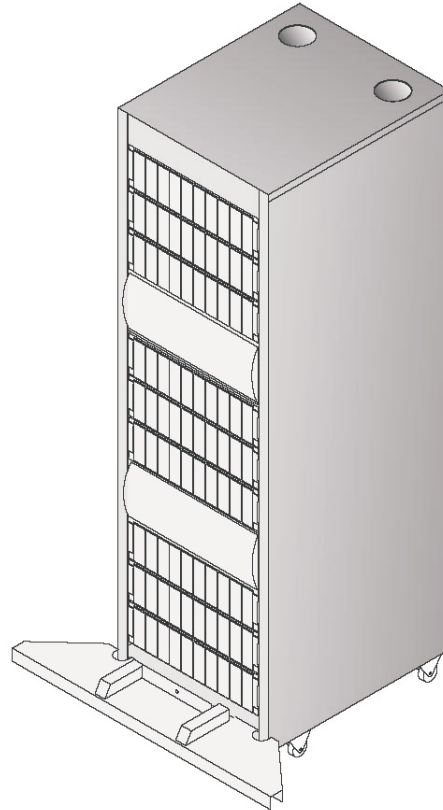
A printed copy of the installation, user's, and maintenance guide for the packaged unit is included with your shipment. All other related FASTT documentation can be found on the installation CD that you received with your IBM TotalStorage FASTT Storage Server or Storage Expansion unit. Links to the IBM FASTT documentation can be also found on the Internet at <http://www.ibm.com/servers/storage/fastt>.

For additional device driver and configuration information on host bus adapters, fabric switches, and other third-party equipment, refer to one of the following: the README; the appropriate FASTT storage server installation, user's, and maintenance guides; or, your third-party equipment documentation.

Check the README or release notes for your product for restrictions or procedure changes.

## Cabinet and Rackmount Module Installation Overview

### 1. Prepare the site and install the cabinet

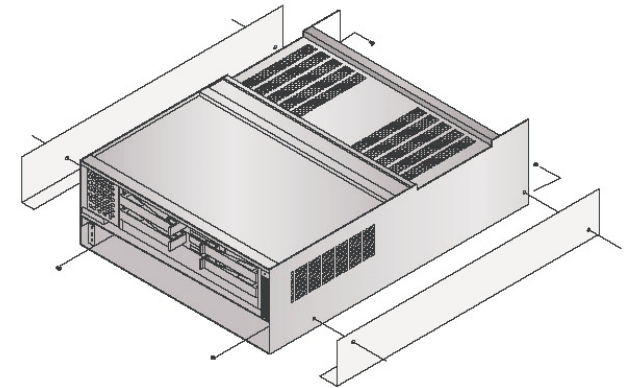


Rack Cabinet

Prepare the site to meet all area, environmental, power, and site requirements as described in the appropriate FASTT installation, user's, and maintenance guide for your storage server or storage expansion unit. For example, when planning your site, be sure to allow for adequate cooling and airflow. To optimize protection against power loss, plan for at least two separate power supply circuits.

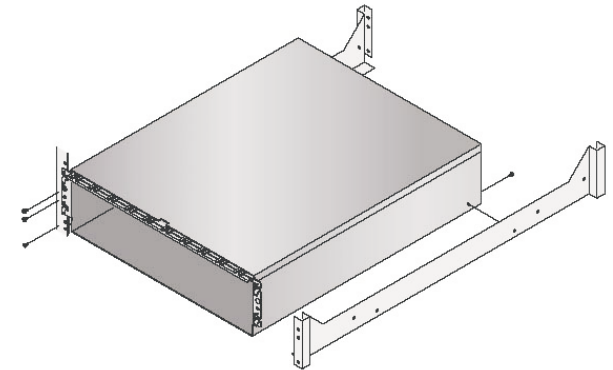
Set up the rack using the instructions provided in the appropriate FASTT installation, user's, and maintenance guide. (Note that, for some FASTT storage servers, a separate rack mounting instructions document exists.) Be sure to follow all recommended safety and ESD precautions.

### 2. Install the rackmount modules



FASTT Storage Server

Install the storage server using the appropriate installation, user's, and maintenance guide for your FASTT storage server.



Expansion Unit

If you have an expansion unit, install it using the appropriate installation, user's, and maintenance guide for your FASTT storage expansion unit.

When making power connections, connect the dual power supply units into *two* separate circuits. Make sure that each circuit has adequate power to support the units. See the appropriate FASTT installation, user's, and maintenance guide for power-on and power-off sequence requirements.