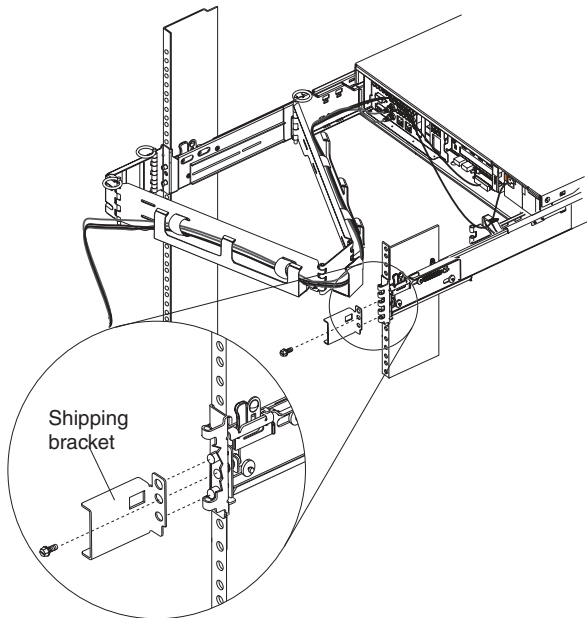




Important information about your xSeries 345 server

This document provides additional information about your IBM® xSeries™ 345 server. Store this document with your server documentation.

Important: The two shipping brackets must be installed if you ship the rack cabinet after you install the server.



Install a shipping bracket over the slide-rail pins at the rear of the slide rail and insert and tighten one M6 screw. Do the same for the other slide rail. See the *Rack Installation Instructions* publication that comes with your server for complete rack installation and removal instructions.

First Edition (April 2003)

IBM and xSeries are trademarks of the IBM Corporation in the United States, other countries, or both.

© Copyright International Business Machines Corporation 2003. All rights reserved.

US Government Users Restricted Rights – Use, duplication or disclosure restricted by GSA ADP Schedule Contract with IBM Corp.

(1P) P/N: 90P4004

