

## Hardware Maintenance Manual

Types 8099, 8110, 8111, 8112, 8113, 8114

Types 8115, 8116, 8153, 8154, 8155, 8156

Types 8157, 8158, 8159, 8160, 8161, 8162

Types 8163, 8165, 8166, 8167, 8168, 8169

Types 8170, 8211, 8212, 8213, 8214, 8215

Types 9210, 9211



**ThinkCentre**

# Hardware Maintenance Manual

**Note:** Before using this information and the product it supports, be sure to read the information under "Notices," on page 523.

**Tenth Edition (June 2007)**

**© Copyright Lenovo 2005.**

**Portions © Copyright International Business Machines Corporation 2005.**

**All rights reserved.**

LENOVO products, data, computer software, and services have been developed exclusively at private expense and are sold to governmental entities as commercial items as defined by 48 C.F.R. 2.101 with limited and restricted rights to use, reproduction and disclosure.

LIMITED AND RESTRICTED RIGHTS NOTICE: If products, data, computer software, or services are delivered pursuant a General Services Administration "GSA" contract, use, reproduction, or disclosure is subject to restrictions set forth in Contract No. GS-35F-05925.



---

# Contents

## Chapter 1. About this manual . . . . . 1

Important Safety Information . . . . .	1
Strategy for replacing FRUs for CTO, CMV, and GAV products . . . . .	2
Product definition . . . . .	2
FRU Identification for CTO, CMV, and GAV products . . . . .	2
Important information about replacing RoHS compliant FRUs . . . . .	3

## Chapter 2. Safety information . . . . . 5

General safety . . . . .	5
Electrical safety . . . . .	5
Safety inspection guide . . . . .	7
Handling electrostatic discharge-sensitive devices . . . . .	8
Grounding requirements . . . . .	8
Safety notices (multi-lingual translations) . . . . .	9

## Chapter 3. General information . . . . . 39

Additional information resources . . . . .	39
Physical specifications . . . . .	39
Types 8099, 8116, 8155, 8156, 8157, 8158, 8159, 8160, 8215, 9210, and 9211 . . . . .	40
Types 8110, 8112, 8113, 8114, 8115, 8153, 8166, 8167, 8168, 8169, and 8170 . . . . .	41
Types 8111, 8154, 8161, 8162, 8163, 8165, 8211, 8212, 8213, and 8214 . . . . .	42

## Chapter 4. General Checkout . . . . . 43

Problem determination tips . . . . .	44
--------------------------------------	----

## Chapter 5. Diagnostics using PC-Doctor for DOS . . . . . 47

Starting PC-Doctor from the Rescue and Recovery workspace . . . . .	47
Starting PC-Doctor from a diagnostic diskette or CD-ROM . . . . .	48
Diagnostics program download . . . . .	48
Navigating through the diagnostics programs . . . . .	48
Running diagnostics tests . . . . .	48
Test selection . . . . .	49
Test results . . . . .	49
Fixed disk advanced test (FDAT) . . . . .	49
Quick and Full erase - hard drive . . . . .	51
Viewing the test log . . . . .	52

## Chapter 6. Using the Setup Utility . . . . . 53

Starting the Setup Utility program . . . . .	53
Viewing and changing settings . . . . .	53
Exiting from the Setup Utility program . . . . .	53
Using passwords . . . . .	53
Password considerations . . . . .	54
User Password . . . . .	54
Administrator Password . . . . .	54

IDE Drive User Password . . . . .	54
IDE Drive Master Password . . . . .	54
Setting, changing, and deleting a password . . . . .	55
Using Security Profile by Device . . . . .	55
Selecting a startup device . . . . .	56
Selecting a temporary startup device . . . . .	56
Changing the startup device sequence . . . . .	56
Advanced settings . . . . .	56

## Chapter 7. Symptom-to-FRU Index . . . . . 57

Hard disk drive boot error . . . . .	57
Power Supply Errors . . . . .	57
Diagnostic error codes . . . . .	59
Beep symptoms . . . . .	80
No-beep symptoms . . . . .	82
POST error codes . . . . .	83
Miscellaneous error messages . . . . .	86
Undetermined problems . . . . .	88

## Chapter 8. FRU lists . . . . . 89

Machine Type 8099 . . . . .	90
Machine Type 8110 . . . . .	109
Machine Type 8111 . . . . .	125
Machine Type 8112 . . . . .	141
Machine Type 8113 . . . . .	155
Machine Type 8114 . . . . .	182
Machine Type 8115 . . . . .	199
Machine Type 8116 . . . . .	213
Machine Type 8153 . . . . .	228
Machine Type 8154 . . . . .	236
Machine Type 8155 . . . . .	244
Machine Type 8156 . . . . .	253
Machine Type 8157 . . . . .	261
Machine Type 8158 . . . . .	270
Machine Type 8159 . . . . .	280
Machine Type 8160 . . . . .	288
Machine Type 8161 . . . . .	297
Machine Type 8162 . . . . .	305
Machine Type 8163 . . . . .	313
Machine Type 8164 . . . . .	321
Machine Type 8165 . . . . .	329
Machine Type 8166 . . . . .	337
Machine Type 8167 . . . . .	343
Machine Type 8168 . . . . .	350
Machine Type 8169 . . . . .	361
Machine Type 8170 . . . . .	368
Machine Type 8211 . . . . .	375
Machine Type 8212 . . . . .	390
Machine Type 8213 . . . . .	419
Machine Type 8214 . . . . .	438
Machine Type 8215 . . . . .	454
Machine Type 9210 . . . . .	481
Machine Type 9211 . . . . .	500

## Chapter 9. Additional Service

### Information . . . . . 517

Security features . . . . .	517
Hardware controlled Passwords . . . . .	517
Operating system password . . . . .	517
Vital product data . . . . .	517
Management Information Format (MIF) . . . . .	517
BIOS levels . . . . .	518
Flash update procedures. . . . .	518
Updating (flashing) BIOS from a diskette or CD-ROM . . . . .	518
Updating (flashing) BIOS from your operating system . . . . .	518

Recovering from a POST/BIOS update failure . . . . .	519
Power management . . . . .	520
Automatic configuration and power interface (ACPI) BIOS. . . . .	520
Automatic Power-On features . . . . .	520
Recovering software using the Rescue and Recovery program. . . . .	521
Starting the Rescue and Recovery workspace . . . . .	521

### Appendix. Notices . . . . . 523

Television output notice . . . . .	524
Trademarks . . . . .	524

---

## Chapter 1. About this manual

This manual contains service and reference information for ThinkCentre® computers listed on the cover. It is intended only for trained servicers who are familiar with Lenovo computer products.

Before servicing a Lenovo product, be sure to read the Safety Information. See Chapter 2, "Safety information," on page 5.

The Symptom-to-FRU Index and Additional Service Information chapters are not specific to any machine type and are applicable to all ThinkCentre computers.

This manual includes a complete FRU part number listing for each machine type and model listed on the cover. If you have internet access, FRU part numbers are also available at:

<http://www.lenovo.com/support>

This manual does not include procedures for replacing FRUs. For FRU replacement procedures, refer to the *Hardware Replacement Guide* for the appropriate machine type. The *Hardware Replacement Guide* is available at:

<http://www.lenovo.com/support>

---

## Important Safety Information

Be sure to read all caution and danger statements in this book before performing any of the instructions.

Veillez lire toutes les consignes de type DANGER et ATTENTION du présent document avant d'exécuter les instructions.

Lesen Sie unbedingt alle Hinweise vom Typ "ACHTUNG" oder "VORSICHT" in dieser Dokumentation, bevor Sie irgendwelche Vorgänge durchführen

Leggere le istruzioni introdotte da ATTENZIONE e PERICOLO presenti nel manuale prima di eseguire una qualsiasi delle istruzioni

Certifique-se de ler todas as instruções de cuidado e perigo neste manual antes de executar qualquer uma das instruções

Es importante que lea todas las declaraciones de precaución y de peligro de este manual antes de seguir las instrucciones.

تأكد من قراءة كل التحذيرات الموجودة في هذا الكتاب قبل اتباع هذه التعليمات .

执行任何说明之前，请确保已阅读本书中的所有警告和危险声明。

執行任何指示前，請確實閱讀本書中的所有警告及危險聲明。

ודאו שקראתם את כל הודעות האזהרה והסכנה במסמך זה לפני שתבצעו פעולה כלשהי.

---

## Strategy for replacing FRUs for CTO, CMV, and GAV products

### Product definition

#### Dynamic Configure To Order (CTO)

This provides the ability for a customer to configure a Lenovo solution from an eSite, and have this configuration sent to fulfillment, where it is built and shipped directly to the customer. The machine label, PC Entitlement Warehouse (PEW), eSupport, and the HMM will include these products as the 4-digit machine type (MT) and 3-digit model, where model = 'CTO' (Example: 8129-CTO).

#### Custom Model Variant (CMV)

This is a unique configuration that has been negotiated between Lenovo and the customer. A unique 4-digit MT and 3-digit model is provided to the customer to place orders (Example: 8129-W15). A CMV is a special bid offering. Therefore, it is NOT generally announced.

- The machine type model (MTM) portion of the machine label is the 4-digit MT and 3-digit model, where model = 'CTO' (Example: 8129-CTO). The PRODUCT ID portion of the machine label is the 4-digit MT and 3-digit CMV model (Example: 8129-W15).
- The PEW record is the 4-digit MT and 3-digit model, where model = 'CTO' (Example: 8129-CTO).
- eSupport will show both the CTO and CMV machine type models (Example: 8129-CTO and 8129-W15 will be found on the eSupport site.)
- The HMM will have the 4-digit MT and 3-digit CTO model only (Example: 8129-CTO). Again, CMVs are custom models and are not found in the HMM.

#### General Announce Variant (GAV)

This is a standard model (fixed configuration). GAVs are announced and offered to all customers. The MTM portion of the machine label is a 4-digit MT and 3-digit model, where model = a "fixed model number", not 'CTO' (Example: 8129-F1U). Also, PEW, eSupport, and the HMM will list these products under the same fixed model number.

### FRU Identification for CTO, CMV, and GAV products

There are three information resources to identify which FRUs are used to support CTO, CMV, and GAV products. These sources are PEW, eSupport, and the HMM.

#### Using PEW

- PEW is the primary source for identifying FRU part numbers and FRU descriptions for the key commodities for CTO, CMV and GAV products at a MT - serial number level. An example of key commodities are hard disk drives, system boards, microprocessors, Liquid Crystal Displays (LCDs), and memory.
- Remember, All CTO and CMV products are loaded in PEW under the 4-digit MT and 3-digit model, where model = 'CTO' (Example: 8129-CTO). GAVs are loaded in PEW under the 4-digit MT and 3-digit model, where model = a "fixed model number", not 'CTO' (Example: 8129-F1U).
- PEW can be accessed as follows:
  1. Point your browser to <http://w3-3.ibm.com/pc/entitle>.
  2. Under PEW Home, click **Machine Lookup**.

3. Under Machine Lookup, click **Warranty Information**.
4. Under Warranty Information, type the MT and Serial number and click **Submit**.

The list of key commodities is returned in the PEW record under Component Information.

- **Business Partners** using Eclaim will access PEW when performing Entitlement Lookup. Business Partners will enter Loc ID, MT and Serial, and the key commodities will be returned in the Eclaim record under System Details.
- Authorized Lenovo Business Partners can access Eclaim at the following Web site:  
<http://wca.eclaim.com>

## Using eSupport

### For Key Commodities (Examples - hard disk drive, system board, microprocessor, LCD, and memory)

- eSupport can be used to view the list of key commodities built in a particular machine serial (this is the same record found in PEW).
- eSupport can be accessed at the following Web site:  
<http://www.lenovo.com/support>
- To view the key commodities:
  1. Click **Parts information**.
  2. Under Parts information, click **Parts lookup**.
  3. Under Parts lookup, type the model type and serial number; then click **Continue**.

The key commodities are returned in the eSupport record under Parts shipped with your system.

### For the remaining FRUs (the complete list of FRUs at the MT Model level)

- eSupport can be used to view the complete list of FRUs for a machine type and model.
- To view the complete list of FRUs for a machine type:
  1. Point your browser to <http://www.lenovo.com/support>.
  2. Type the machine type (Example: 8129) in the Use Quick Path field; then click **Go**.
  3. Under Browse by product, click **Continue**.
  4. Under Important information, click **Parts information**.
  5. In the Refine results field, select **Service parts**; then click the entry for your machine type.

The list of service parts by description, with applicable machine type model and FRU part number is displayed.

## Using the HMM

- Use the HMM as a back-up to PEW and eSupport to view the complete list of FRU part numbers at the MT Model level.

---

## Important information about replacing RoHS compliant FRUs

RoHS, The Restriction of Hazardous Substances in Electrical and Electronic Equipment Directive (2002/95/EC) is a European Union legal requirement affecting the global electronics industry. RoHS requirements must be implemented on Lenovo products placed on the market after June 2006. Products on the market before June 2006 are not required to have RoHS compliant parts.

**So, if the parts are not compliant originally, replacement parts can also be noncompliant, but in all cases, if the parts are compliant, the replacement parts must also be compliant.**

Lenovo plans to transition to RoHS compliance well before the implementation date and expects its suppliers to be ready to support Lenovo's requirements and schedule. Products sold in 2005, will contain some RoHS compliant FRUs. The following statement pertains to these products and any product Lenovo produces containing RoHS compliant parts.

RoHS compliant ThinkCentre parts have unique FRU part numbers. Before or after June, 2006, failed RoHS compliant parts must always be replaced using RoHS compliant FRUs, so only the FRUs identified as compliant in the system HMM or direct substitutions for those FRUs can be used.

Products marketed before June 2006		Products marketed after June 2006	
Current or original part	Replacement FRU	Current or original part	Replacement FRU
Non-RoHS	Can be Non-RoHS	Must be RoHS	Must be RoHS
Non-RoHS	Can be RoHS		
Non-RoHS	Can sub to RoHS		
RoHS	Must be RoHS		

**Note:** A direct substitution is a part with a different FRU part number that is automatically shipped by the distribution center at the time of order.

Related Web URLs are:

- Lenovo information for Suppliers website:  
<http://www-03.ibm.com/procurement/proweb.nsf/ContentDocsByTitle/United+States~Information+for+suppliers>
- RoHS Directive:  
[http://europa.eu.int/eur-lex/pri/en/oj/dat/2003/l\\_037/l\\_03720030213en00190023.pdf](http://europa.eu.int/eur-lex/pri/en/oj/dat/2003/l_037/l_03720030213en00190023.pdf)
- California Senate Bills 20, 50:  
<http://www.ciwmb.ca.gov/HHW/Events/AnnualConf/2004/presentation/MPaparian.pdf>

---

## Chapter 2. Safety information

This chapter contains the safety information that you need to be familiar with before servicing a computer.

---

### General safety

Follow these rules to ensure general safety:

- Observe good housekeeping in the area of the machines during and after maintenance.
- When lifting any heavy object:
  1. Ensure you can stand safely without slipping.
  2. Distribute the weight of the object equally between your feet.
  3. Use a slow lifting force. Never move suddenly or twist when you attempt to lift.
  4. Lift by standing or by pushing up with your leg muscles; this action removes the strain from the muscles in your back. *Do not attempt to lift any objects that weigh more than 16 kg (35 lb) or objects that you think are too heavy for you.*
- Do not perform any action that causes hazards to the customer, or that makes the equipment unsafe.
- Before you start the machine, ensure that other service representatives and the customer's personnel are not in a hazardous position.
- Place removed covers and other parts in a safe place, away from all personnel, while you are servicing the machine.
- Keep your tool case away from walk areas so that other people will not trip over it.
- Do not wear loose clothing that can be trapped in the moving parts of a machine. Ensure that your sleeves are fastened or rolled up above your elbows. If your hair is long, fasten it.
- Insert the ends of your necktie or scarf inside clothing or fasten it with a nonconductive clip, approximately 8 centimeters (3 inches) from the end.
- Do not wear jewelry, chains, metal-frame eyeglasses, or metal fasteners for your clothing.

**Remember:** Metal objects are good electrical conductors.
- Wear safety glasses when you are: hammering, drilling soldering, cutting wire, attaching springs, using solvents, or working in any other conditions that might be hazardous to your eyes.
- After service, reinstall all safety shields, guards, labels, and ground wires. Replace any safety device that is worn or defective.
- Reinstall all covers correctly before returning the machine to the customer.

---

### Electrical safety



**CAUTION:**

Electrical current from power, telephone, and communication cables can be hazardous. To avoid personal injury or equipment damage, disconnect the attached power cords, telecommunication systems, networks, and modems before you open the server/workstation covers, unless instructed otherwise in the installation and configuration procedures.

Observe the following rules when working on electrical equipment.

**Important:** Use only approved tools and test equipment. Some hand tools have handles covered with a soft material that does not insulate you when working with live electrical currents.

Many customers have, near their equipment, rubber floor mats that contain small conductive fibers to decrease electrostatic discharges. Do not use this type of mat to protect yourself from electrical shock.

- Find the room emergency power-off (EPO) switch, disconnecting switch, or electrical outlet. If an electrical accident occurs, you can then operate the switch or unplug the power cord quickly.
- Do not work alone under hazardous conditions or near equipment that has hazardous voltages.
- Disconnect all power before:
  - Performing a mechanical inspection
  - Working near power supplies
  - Removing or installing main units
- Before you start to work on the machine, unplug the power cord. If you cannot unplug it, ask the customer to power-off the wall box that supplies power to the machine and to lock the wall box in the off position.
- If you need to work on a machine that has exposed electrical circuits, observe the following precautions:
  - Ensure that another person, familiar with the power-off controls, is near you.  
**Remember:** Another person must be there to switch off the power, if necessary.
  - Use only one hand when working with powered-on electrical equipment; keep the other hand in your pocket or behind your back.  
**Remember:** There must be a complete circuit to cause electrical shock. By observing the above rule, you may prevent a current from passing through your body.
  - When using testers, set the controls correctly and use the approved probe leads and accessories for that tester.
  - Stand on suitable rubber mats (obtained locally, if necessary) to insulate you from grounds such as metal floor strips and machine frames.

Observe the special safety precautions when you work with very high voltages; these instructions are in the safety sections of maintenance information. Use extreme care when measuring high voltages.

- Regularly inspect and maintain your electrical hand tools for safe operational condition.
- Do not use worn or broken tools and testers.
- *Never assume* that power has been disconnected from a circuit. First, *check* that it has been powered-off.



- Always look carefully for possible hazards in your work area. Examples of these hazards are moist floors, nongrounded power extension cables, power surges, and missing safety grounds.
- Do not touch live electrical circuits with the reflective surface of a plastic dental mirror. The surface is conductive; such touching can cause personal injury and machine damage.
- Do not service the following parts with the power on when they are removed from their normal operating places in a machine:
  - Power supply units
  - Pumps
  - Blowers and fans
  - Motor generators
 and similar units. (This practice ensures correct grounding of the units.)
- If an electrical accident occurs:
  - Use caution; do not become a victim yourself.
  - Switch off power.
  - Send another person to get medical aid.

---

## Safety inspection guide

The intent of this inspection guide is to assist you in identifying potentially unsafe conditions on these products. Each machine, as it was designed and built, had required safety items installed to protect users and service personnel from injury. This guide addresses only those items. However, good judgment should be used to identify potential safety hazards due to attachment of features or options not covered by this inspection guide.

If any unsafe conditions are present, you must determine how serious the apparent hazard could be and whether you can continue without first correcting the problem.

Consider these conditions and the safety hazards they present:

- Electrical hazards, especially primary power (primary voltage on the frame can cause serious or fatal electrical shock).
- Explosive hazards, such as a damaged CRT face or bulging capacitor
- Mechanical hazards, such as loose or missing hardware

The guide consists of a series of steps presented in a checklist. Begin the checks with the power off, and the power cord disconnected.

Checklist:

1. Check exterior covers for damage (loose, broken, or sharp edges).
2. Power-off the computer. Disconnect the power cord.
3. Check the power cord for:
  - a. A third-wire ground connector in good condition. Use a meter to measure third-wire ground continuity for 0.1 ohm or less between the external ground pin and frame ground.
  - b. The power cord should be the appropriate type as specified in the parts listings.
  - c. Insulation must not be frayed or worn.
4. Remove the cover.

5. Check for any obvious alterations. Use good judgment as to the safety of any alterations.
6. Check inside the unit for any obvious unsafe conditions, such as metal filings, contamination, water or other liquids, or signs of fire or smoke damage.
7. Check for worn, frayed, or pinched cables.
8. Check that the power-supply cover fasteners (screws or rivets) have not been removed or tampered with.

---

## Handling electrostatic discharge-sensitive devices

Any computer part containing transistors or integrated circuits (ICs) should be considered sensitive to electrostatic discharge (ESD). ESD damage can occur when there is a difference in charge between objects. Protect against ESD damage by equalizing the charge so that the machine, the part, the work mat, and the person handling the part are all at the same charge.

### Notes:

1. Use product-specific ESD procedures when they exceed the requirements noted here.
2. Make sure that the ESD protective devices you use have been certified (ISO 9000) as fully effective.

When handling ESD-sensitive parts:

- Keep the parts in protective packages until they are inserted into the product.
- Avoid contact with other people.
- Wear a grounded wrist strap against your skin to eliminate static on your body.
- Prevent the part from touching your clothing. Most clothing is insulative and retains a charge even when you are wearing a wrist strap.
- Use the black side of a grounded work mat to provide a static-free work surface. The mat is especially useful when handling ESD-sensitive devices.
- Select a grounding system, such as those listed below, to provide protection that meets the specific service requirement.

**Note:** The use of a grounding system is desirable but not required to protect against ESD damage.

- Attach the ESD ground clip to any frame ground, ground braid, or green-wire ground.
- Use an ESD common ground or reference point when working on a double-insulated or battery-operated system. You can use coax or connector-outside shells on these systems.
- Use the round ground-prong of the ac plug on ac-operated computers.

---

## Grounding requirements

Electrical grounding of the computer is required for operator safety and correct system function. Proper grounding of the electrical outlet can be verified by a certified electrician.

---

## Safety notices (multi-lingual translations)

The caution and danger safety notices in this section are provided in the following languages:

- English
- Arabic
- Brazilian/Portuguese
- Chinese (simplified)
- Chinese (traditional)
- French
- German
- Hebrew
- Italian
- Korean
- Spanish



### DANGER

Electrical current from power, telephone and communication cables is hazardous.

To avoid a shock hazard:

- **Do not connect or disconnect any cables or perform installation, maintenance, or reconfiguration of this product during an electrical storm.**
- **Connect all power cords to a properly wired and grounded electrical outlet.**
- **Connect to properly wired outlets any equipment that will be attached to this product.**
- **When possible, use one hand only to connect or disconnect signal cables.**
- **Never turn on any equipment when there is evidence of fire, water, or structural damage.**
- **Disconnect the attached power cords, telecommunications systems, networks, and modems before you open the device covers, unless instructed otherwise in the installation and configuration procedures.**
- **Connect and disconnect cables as described in the following table when installing, moving, or opening covers on this product or attached devices.**

To Connect	To Disconnect
<ol style="list-style-type: none"><li>1. Turn everything OFF.</li><li>2. First, attach all cables to devices.</li><li>3. Attach signal cables to connectors.</li><li>4. Attach power cords to outlet.</li><li>5. Turn device ON.</li></ol>	<ol style="list-style-type: none"><li>1. Turn everything OFF.</li><li>2. First, remove power cords from outlet.</li><li>3. Remove signal cables from connectors.</li><li>4. Remove all cables from devices.</li></ol>



**CAUTION:**

When replacing the lithium battery, use only Part Number 33F8354 or an equivalent type battery recommended by the manufacturer. If your system has a module containing a lithium battery, replace it only with the same module type made by the same manufacturer. The battery contains lithium and can explode if not properly used, handled, or disposed of.

*Do not:*

- Throw or immerse into water
- Heat to more than 100°C (212°F)
- Repair or disassemble

Dispose of the battery as required by local ordinances or regulations.



**CAUTION:**

When laser products (such as CD-ROMs, DVD-ROM drives, fiber optic devices, or transmitters) are installed, note the following:

- Do not remove the covers. Removing the covers of the laser product could result in exposure to hazardous laser radiation. There are no serviceable parts inside the device.
- Use of controls or adjustments or performance of procedures other than those specified herein might result in hazardous radiation exposure.



**DANGER:** Some laser products contain an embedded Class 3A or Class 3B laser diode. Note the following:

Laser radiation when open. Do not stare into the beam, do not view directly with optical instruments, and avoid direct exposure to the beam.



≥18 kg (37 lbs)



≥32 kg (70.5 lbs)



≥55 kg (121.2 lbs)

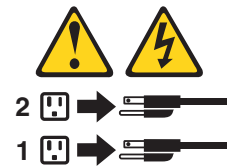
**CAUTION:**

Use safe practices when lifting.



**CAUTION:**

The power control button on the device and the power switch on the power supply do not turn off the electrical current supplied to the device. The device also might have more than one power cord. To remove all electrical current from the device, ensure that all power cords are disconnected from the power source.





## خطر

التيار الكهربى الموجود بمصدر الطاقة أو أجهزة التليفون أو أسلاك الاتصالات يشكل خطورة.

لتفادي مخاطر الصدمات الكهربائية:

لا تحاول توصيل أو فصل أي أسلاك أو القيام بعمليات تركيب أو صيانة أو إعادة توصيف لهذا المنتج أثناء وجود عاصفة كهربائية.

يجب توصيل كل أسلاك الكهرباء في مخارج كهرباء ذات توصيلات أسلاك وتوصيلات أرضية صحيحة  
يجب توصيل أي جهاز سيتم الحاقه بهذا المنتج في مخارج كهرباء ذات توصيلات أسلاك صحيحة.

وإن أمكن يجب استخدام يد واحدة فقط في توصيل أو فصل أسلاك الإشارة.

لا تحاول تشغيل أي جهاز إذا كان هناك أثر لحرق أو مياه أو تلف بالمكونات

يجب فصل أسلاك الكهرباء وأنظمة الاتصالات وشبكات الاتصال وأجهزة المودم الملحقة قبل فتح أغطية الجهاز، ما لم يتم طلب خلاف ذلك في التعليمات الخاصة بالتركيب والتوصيف.

قم بتوصيل وفصل الأسلاك كما هو موضح في الجدول التالي وذلك عند القيام بعمليات التركيب أو النقل أو فتح أغطية هذا المنتج أو الأجهزة الملحقة.

### للتوصيل:

قم بإيقاف كل شيء.

أولاً، قم بتوصيل كل الأسلاك بالأجهزة.

قم بتوصيل أسلاك الإشارة في لموصلات.

قم بتوصيل أسلاك الكهرباء في المخارج.

قم بتشغيل الجهاز.

### للفصل:

قم بإيقاف كل شيء.

أولاً، قم بفصل كل أسلاك الكهرباء من المخرج.

قم بفصل أسلاك الإشارة من الموصلات.

قم بفصل كل الأسلاك من الأجهزة.



تنبيه :

عند استبدال البطارية الليثيوم، استخدم فقط رقم الجزء الخاص **Part Number 33F8354** أو نوع آخر يكون على نفس مستوى الكفاءة يحدده لك المصنع.  
إذا كان النظام الخاص يستخدم معه بطارية ليثيوم قم باستبدالها بنفس النوع الذي تم صناعته من خلال نفس المصنع. تحتوي البطارية على مادة الليثيوم ويمكن أن تنفجر في حالة عدم استخدامها أو التعامل معها بطريقة صحيحة أو عند التخلص منها بطريقة خطأ.

لا تقم بـ:

- الفاء البطارية أو غمرها في الماء
- تسخينها أعلى من ١٠٠ درجة مئوية و(٢١٢ ° فهرنهايت)
- بتصليحها أو فكها

تخلص من البطارية طبقاً للقانون أو النظام المحلي .



تنبيه :

أثناء تركيب منتجات ليزر (مثل CD-ROMs أو وحدة تشغيل DVD أو أجهزة Fiber Optic أو وحدات الإرسال) يجب مراعاة الآتي:

لا تنزع الأغطية. قد ينتج عن نزع أغطية منتج الليزر انفجار أشعة الليزر شديدة الخطورة.  
لا يوجد أجزاء يمكن تغييرها داخل الجهاز. قد ينتج عن استخدام تحكيمات أو تعديلات أو عمل أي تصرفات أخرى تخالف ما هو محدد هنا إلى انفجار أشعة شديدة الخطورة.



خطر

تحتوي بعض منتجات الليزر على الفئة دايود ليزر مدمج من الفئة **Class 3A** أو **Class 3B**. يجب مراعاة الآتي .

أشعة الليزر عند الفتح. لا تحدد إلى الإشعاع و لا تنظر إليه مباشرة بواسطة أي أجهزة مرئية وتجنب التعرض المباشر للإشعاع .



≥18 kg (37 lbs)



≥32 kg (70.5 lbs)



≥55 kg (121.2 lbs)



تنبيه :  
يجب استخدام ممارسات آمنة عند الرفع



تنبيه :

لا يقرم زر التحكم في التشغيل الموجود على الجهاز والمفتاح الكهربائي الموجود على لوحة التحكم بإيقاف التيار الكهربائي المار بالجهاز. قد يكون للجهاز أكثر من سلك كهربائي واحد. لايقاف التيار الكهربائي المار بالجهاز، تأكد من فصل جميع أسلاك الكهرباء من مصدر الكهرباء .







## PERIGO

A corrente elétrica proveniente de cabos de alimentação, de telefone e de comunicações é perigosa.

Para evitar risco de choque elétrico:

- Não conecte nem desconecte nenhum cabo ou execute instalação, manutenção ou reconfiguração deste produto durante uma tempestade com raios.
- Conecte todos os cabos de alimentação a tomadas elétricas corretamente instaladas e aterradas.
- Todo equipamento que for conectado a este produto deve ser conectado a tomadas corretamente instaladas.
- Quando possível, utilize apenas uma das mãos para conectar ou desconectar cabos de sinal.
- Nunca ligue nenhum equipamento quando houver evidência de fogo, água ou danos estruturais.
- Antes de abrir tampas de dispositivos, desconecte cabos de alimentação, sistemas de telecomunicação, redes e modems conectados, a menos que especificado de maneira diferente nos procedimentos de instalação e configuração.
- Conecte e desconecte os cabos conforme descrito na tabela apresentada a seguir ao instalar, mover ou abrir tampas deste produto ou de dispositivos conectados.

Para Conectar:	Para Desconectar:
<ol style="list-style-type: none"><li>1. DESLIGUE Tudo.</li><li>2. Primeiramente, conecte todos os cabos aos dispositivos.</li><li>3. Conecte os cabos de sinal aos conectores.</li><li>4. Conecte os cabos de alimentação às tomadas.</li><li>5. LIGUE os dispositivos.</li></ol>	<ol style="list-style-type: none"><li>1. DESLIGUE Tudo.</li><li>2. Primeiramente, remova os cabos de alimentação das tomadas.</li><li>3. Remova os cabos de sinal dos conectores.</li><li>4. Remova todos os cabos dos dispositivos.</li></ol>



#### **CUIDADO:**

Ao substituir a bateria de lítio, utilize apenas uma bateria com Número de Peça 33F8354 ou um tipo de bateria equivalente recomendado pelo Se o seu sistema possui um módulo com uma bateria de lítio, substitua-o apenas por um módulo do mesmo tipo e do mesmo fabricante. A bateria contém lítio e pode explodir se não for utilizada, manuseada ou descartada de maneira correta.

Não:

- Jogue ou coloque na água
- Aqueça a mais de 100°C (212°F)
- Conserte nem desmonte

Descarte a bateria conforme requerido pelas leis ou regulamentos locais.



#### **PRECAUCIÓN:**

Quando produtos a laser (como unidades de CD-ROMs, unidades de DVD-ROM, dispositivos de fibra ótica ou transmissores) estiverem instalados, observe o seguinte:

- Não remova as tampas. A remoção das tampas de um produto a laser pode resultar em exposição prejudicial à radiação de laser. Não existem peças que podem ser consertadas no interior do dispositivo.
- A utilização de controles ou ajustes ou a execução de procedimentos diferentes dos especificados aqui pode resultar em exposição prejudicial à radiação.

#### **PERIGO**

Alguns produtos a laser contêm diodo de laser integrado da Classe 3A ou da Classe 3B. Observe o seguinte:

Radiação a laser quando aberto. Não olhe diretamente para o feixe a olho nu ou com instrumentos ópticos e evite exposição direta ao feixe.



≥18 kg (37 lbs)



≥32 kg (70.5 lbs)



≥55 kg (121.2 lbs)

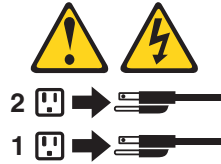
#### **CUIDADO:**

Utilize procedimentos de segurança para levantar equipamentos.



**CUIDADO:**

O botão de controle de alimentação do dispositivo e o botão para ligar/desligar da fonte de alimentação não desligam a corrente elétrica fornecida ao dispositivo. O dispositivo também pode ter mais de um cabo de alimentação. Para remover toda a corrente elétrica do dispositivo, assegure que todos os cabos de alimentação estejam desconectados da fonte de alimentação.





#### 危险

电源、电话和通信电缆中的电流是危险的。

为避免电击危险：

- 请勿在雷电期间连接或断开任何电缆的连接，或者对本产品进行安装、维护或重新配置。
- 将所有电源线连接到正确连线和妥善接地的电源插座。
- 将所有要连接到该产品的设备连接到正确连线的插座。
- 如果可能，请仅使用一只手来连接或断开信号电缆的连接。
- 切勿在有火、水、结构损坏迹象的情况下开启任何设备。
- 在打开设备外盖之前请断开已连接的电源线、远程通信系统、网络和调制解调器，除非在安装和配置过程中另有说明。
- 当安装、移动或打开该产品或连接设备的外盖时，请按照下表所述来连接或断开电缆的连接。

要连接	要断开连接
<ol style="list-style-type: none"><li>1. 切断所有电源。</li><li>2. 首先将所有电缆连接到设备。</li><li>3. 将信号电缆连接到接口。</li><li>4. 将电源线连接到插座。</li><li>5. 开启设备。</li></ol>	<ol style="list-style-type: none"><li>1. 切断所有电源。</li><li>2. 首先从插座上拔出电源线。</li><li>3. 从接口上拔出信号电缆。</li><li>4. 从设备上拔出所有电缆。</li></ol>



**警告：**  
更换锂电池时，请仅使用部件号为 33F8354 的电池或制造商推荐的同类电池。如果您的系统有包含锂电池的模块，请仅使用同一制造商生产的相同模块类型来替换该模块。该电池中含有锂，如果使用、操作或处理不当，可能会发生爆炸。

切勿：

- 投入或浸入水中
- 加热到 100 °C (212 °F) 以上
- 维修或拆卸

请按照当地法令或条例的要求处理电池。



警告：  
安装激光产品（例如 CD-ROM、DVD-ROM 驱动器、光纤设备或发射设备）时，  
请注意以下声明：

- 请勿卸下外盖。卸下激光产品的外盖可能导致遭受激光辐射的危险。该设备内没有可维修的部件。
- 如果不按照此处指定的过程进行控制、调整或操作，则有可能导致遭受辐射的危险。



危险

某些激光产品包含嵌入式 3A 类或 3B 类激光二极管。请注意以下声明：

打开后有激光辐射。请勿注视光束，请勿直接用光学仪器查看，并请避免直接暴露在光束中。



≥18 千克 (37 磅)



≥32 千克 (70.5 磅)



≥55 千克 (121.2 磅)

警告：  
抬起时请采取安全措施。



警告：  
设备上的电源控制按钮和电源上的电源开关不会切断供给该设备的电流。该设备还可能有多条电源线。要切断该设备的所有电流，请确保所有电源线都与电源断开连接。





#### 危險

電源、電話及通訊纜線上的電流都具有危險性。

若要避免觸電危險：

- 請勿在雷雨期間，連接或拔除纜線、執行安裝、維護或重新配置本產品。
- 將所有電源線連接到正確配線及接地的電源插座。
- 任何與本產品連接的設備都必須連接到配線妥當的電源插座。
- 請盡可能用單手連接或拔除信號線。
- 發生火災、水災或結構損害時，絕對不要開啟任何設備。
- 除非在安裝及配置程序中另有指示，否則在開啟裝置機蓋之前，請拔掉連接的電源線、電信系統、網路及數據機。
- 安裝、移動或開啟本產品或附屬裝置的機蓋時，請遵循下列說明連接及拔掉纜線。

連線	切斷連線
<ol style="list-style-type: none"> <li>1. 關閉所有開關。</li> <li>2. 首先，連接所有接線到裝置。</li> <li>3. 連接信號線到接頭。</li> <li>4. 連接電源線到插座。</li> <li>5. 開啟裝置。</li> </ol>	<ol style="list-style-type: none"> <li>1. 關閉所有開關。</li> <li>2. 首先，拔掉插座上的電源線。</li> <li>3. 拔掉接頭上的信號線。</li> <li>4. 拔掉裝置上所有接線。</li> </ol>



#### 警告：

更換鋰電池時，請僅使用產品編號 **33F8354** 或製造商所建議的同類型電池。  
 如果您的系統中含有鋰電池模組，請僅使用同一家製造商所生產的相同模組進行更換。  
 如果未以正確方式使用、處理或棄置含鋰的電池，會有爆炸的危險。

請勿：

- 沾溼或浸入水中
  - 置於 **100C (212F)** 以上的高溫環境
  - 修理或拆開
- 請按照各地區有關廢棄電池的法令和規定處理舊電池。



#### 警告：

- 請勿移除機蓋。移除雷射產品的機蓋，可能會導致暴露在危險的雷射輻射中。裝置內部並無可自行維修的零件。
- 利用或執行非本文中所指定的控制、調整及執行程序，可能會導致危險的輻射外洩。



#### 危險

部分雷射產品含有內嵌式 **Class 3A** 或 **Class 3B** 雷射二極體。請注意下列事項：  
 在開啟光碟機時，會發生雷射輻射。請勿直視光束或用光學儀器直接檢視，並避免直接暴露在光束中。



≥ 18 公斤 (37 磅)



≥ 32 公斤 (70.5 磅)



≥ 55 公斤 (121.2 磅)

警告：  
搬運時請注意安全。



警告：  
裝置上的電源控制按鈕及電源供應器上的電源開關，無法關閉裝置所產生的電流。  
該裝置可能有多條電源線。若要除去裝置流出的所有電流，請確認已切斷所有電源線的電源。





## DANGER

Le courant électrique provenant de l'alimentation, du téléphone et des câbles de transmission peut présenter un danger.

Pour éviter tout risque de choc électrique :

- Ne manipulez aucun câble et n'effectuez aucune opération d'installation, d'entretien ou de reconfiguration de ce produit au cours d'un orage.
- Branchez tous les cordons d'alimentation sur un socle de prise de courant correctement câblé et mis à la terre.
- Branchez sur des socles de prise de courant correctement câblés tout équipement connecté à ce produit.
- Lorsque cela est possible, n'utilisez qu'une seule main pour connecter ou déconnecter les câbles d'interface.
- Ne mettez jamais un équipement sous tension en cas d'incendie ou d'inondation, ou en présence de dommages matériels.
- Avant de retirer les carters de l'unité, mettez celle-ci hors tension et déconnectez ses cordons d'alimentation, ainsi que les câbles qui la relient aux réseaux, aux systèmes de télécommunication et aux modems (sauf instruction contraire mentionnée dans les procédures d'installation et de configuration).
- Lorsque vous installez, que vous déplacez, ou que vous manipulez le présent produit ou des périphériques qui lui sont raccordés, reportez-vous aux instructions ci-dessous pour connecter et déconnecter les différents cordons.

Connexion	Déconnexion
<ol style="list-style-type: none"><li>1. Mettez les unités HORS TENSION.</li><li>2. Commencez par brancher tous les cordons sur les unités.</li><li>3. Branchez les câbles d'interface sur des connecteurs.</li><li>4. Branchez les cordons d'alimentation sur des prises.</li><li>5. Mettez les unités SOUS TENSION.</li></ol>	<ol style="list-style-type: none"><li>1. Mettez les unités HORS TENSION.</li><li>2. Débranchez les cordons d'alimentation des prises.</li><li>3. Débranchez les câbles d'interface des connecteurs.</li><li>4. Débranchez tous les câbles des unités.</li></ol>





**ATTENTION:**

Remplacer la pile au lithium usagée par une pile de référence identique exclusivement, (référence 33F8354), ou suivre les instructions du fabricant qui en définit les équivalences. Si votre système est doté d'un module contenant une pile au lithium, vous devez le remplacer uniquement par un module identique, produit par le même fabricant. La pile contient du lithium et peut exploser en cas de mauvaise utilisation, de mauvaise manipulation ou de mise au rebut inappropriée.

Ne pas :

- la jeter à l'eau,
- l'exposer à des températures supérieures à 100°C,
- chercher à la réparer ou à la démonter.

Ne pas mettre la pile à la poubelle. Pour la mise au rebut, se reporter à la réglementation en vigueur.



**ATTENTION:**

Si des produits à laser (tels que des unités de CD-ROM, de DVD-ROM, des unités à fibres optiques, ou des émetteurs) sont installés, prenez connaissance des informations suivantes :

- Ne retirez pas le carter. En ouvrant l'unité de CD-ROM ou de DVD-ROM, vous vous exposez au rayonnement dangereux du laser. Aucune pièce de l'unité n'est réparable.
- Pour éviter tout risque d'exposition au rayon laser, respectez les consignes de réglage et d'utilisation des commandes, ainsi que les procédures décrites dans le présent manuel.



**DANGER**

Certains produits à laser contiennent une diode à laser intégrée de classe 3A ou 3B. Prenez connaissance des informations suivantes:

Rayonnement laser lorsque le carter est ouvert. Evitez toute exposition directe au rayon laser. Evitez de regarder fixement le faisceau ou de l'observer à l'aide d'instruments optiques.



≥18 kg (37 lbs)



≥32 kg (70.5 lbs)



≥55 kg (121.2 lbs)

**ATTENTION:**

Soulevez la machine avec précaution.



**ATTENTION:**

L'interrupteur de contrôle d'alimentation de l'unité et l'interrupteur dubloc d'alimentation ne coupent pas le courant électrique alimentant l'unité. En outre, le système peut être équipé de plusieurs cordons d'alimentation. Pour mettre l'unité hors tension, vous devez déconnecter tous les cordons de la source d'alimentation.





## VORSICHT

An Netz-, Telefon- und Datenleitungen können gefährliche Spannungen anliegen.

### Aus Sicherheitsgründen:

- Bei Gewitter an diesem Gerät keine Kabel anschließen oder lösen. Ferner keine Installations-, Wartungs- oder Rekonfigurationsarbeiten durchführen.
- Gerät nur an eine Schutzkontaktsteckdose mit ordnungsgemäß geerdetem Schutzkontakt anschließen.
- Alle angeschlossenen Geräte ebenfalls an Schutzkontaktsteckdosen mit ordnungsgemäß geerdetem Schutzkontakt anschließen.
- Die Signalkabel nach Möglichkeit einhändig anschließen oder lösen, um einen Stromschlag durch Berühren von Oberflächen mit unterschiedlichem elektrischem Potenzial zu vermeiden.
- Geräte niemals einschalten, wenn Hinweise auf Feuer, Wasser oder Gebäudeschäden vorliegen.
- Die Verbindung zu den angeschlossenen Netzkabeln, Telekommunikationssystemen, Netzwerken und Modems ist vor dem Öffnen des Gehäuses zu unterbrechen, sofern in den Installations- und Konfigurationsprozeduren keine anders lautenden Anweisungen enthalten sind.
- Zum Installieren, Transportieren und Öffnen der Abdeckungen des Computers oder der angeschlossenen Einheiten die Kabel gemäß der folgenden Tabelle anschließen und abziehen.

Zum Anschließen der Kabel gehen Sie wie folgt vor	Zum Abziehen der Kabel gehen Sie wie folgt vor
<ol style="list-style-type: none"> <li>1. Schalten Sie alle Einheiten AUS.</li> <li>2. Schließen Sie erst alle Kabel an die Einheiten an.</li> <li>3. Schließen Sie die Signalkabel an die Buchsen an.</li> <li>4. Schließen Sie die Netzkabel an die Steckdose an.</li> <li>5. Schalten Sie die Einheit EIN.</li> </ol>	<ol style="list-style-type: none"> <li>1. Schalten Sie alle Einheiten AUS.</li> <li>2. Ziehen Sie zuerst alle Netzkabel aus den Netzsteckdosen.</li> <li>3. Ziehen Sie die Signalkabel aus den Buchsen.</li> <li>4. Ziehen Sie alle Kabel von den Einheiten ab.</li> </ol>



#### **CAUTION:**

Eine verbrauchte Lithiumbatterie nur durch eine Batterie mit der Teilenummer 33F8354 oder eine gleichwertige, vom Hersteller empfohlene Batterie ersetzen. Enthält das System ein Modul mit einer Lithiumbatterie, dieses nur durch ein Modul desselben Typs und von demselben Hersteller ersetzen. Die Batterie enthält Lithium und kann bei unsachgemäßer Verwendung, Handhabung oder Entsorgung explodieren.

Die Batterie nicht:

- mit Wasser in Berührung bringen.
- über 100 C erhitzen.
- reparieren oder zerlegen.

Die örtlichen Bestimmungen für die Entsorgung von Sondermüll beachten.



#### **ACHTUNG:**

**Bei der Installation von Lasergeräten (wie CD-ROM-Laufwerken, DVD-aufwerken, Einheiten mit Lichtwellenleitertechnik oder Sendern) Folgendes beachten:**

- Die Abdeckungen nicht entfernen. Durch Entfernen der Abdeckungen des Lasergeräts können gefährliche Laserstrahlungen freigesetzt werden. Das Gerät enthält keine zu wartenden Teile.
- Werden Steuerelemente, Einstellungen oder Durchführungen von Prozeduren anders als hier angegeben verwendet, kann gefährliche Laserstrahlung auftreten.



#### **VORSICHT**

**Einige Lasergeräte enthalten eine Laserdiode der Klasse 3A oder 3B. Beachten Sie Folgendes:**

**Laserstrahlung bei geöffneter Verkleidung. Nicht in den Strahl blicken. Keine Lupen oder Spiegel verwenden. Strahlungsbereich meiden.**



≥18 kg



≥32 kg



≥55 kg

**ACHTUNG:**

Arbeitsschutzrichtlinien beim Anheben der Maschine beachten.



**ACHTUNG:**

Mit dem Netzschalter an der Einheit und am Netzteil wird die Stromversorgung für die Einheit nicht unterbrochen. Die Einheit kann auch mit mehreren Netzkabeln ausgestattet sein. Um die Stromversorgung für die Einheit vollständig zu unterbrechen, müssen alle zum Gerät führenden Netzkabel vom Netz getrennt werden.





#### סכנה

זרם חשמלי המועבר בכבלי חשמל, טלפון ותקשורת הוא מסוכן.

כדי להימנע מסכנת התחשמלות:

- אל תחברו או תנתקו כבלים, ואל תבצעו פעולת התקנה, תחזוקה או שינוי תצורה במוצר זה במהלך סופת ברקים.
- חברו את כל כבלי החשמל לשקע חשמל מחווט ומוארק כהלכה.
- חברו כל ציוד שיחובר למוצר זה לשקעי חשמל מחוטים כהלכה.
- במידת האפשר, השתמשו ביד אחת בלבד לחיבור או לניתוק של כבלי אותות.
- לעולם אל תפעילו ציוד כלשהו כאשר יש עדות לנזק מבני או לנזק כתוצאה מאש או ממים.
- נתקו את כבלי החשמל, מערכות התקשורת, התקני הרשת והמודמים המחוברים לפני פתיחת כיסויי ההתקן, אלא אם הליכי ההתקנה וקביעת התצורה מורים אחרת.
- בעת התקנה, העברה או פתיחת כיסויים במוצר זה או בהתקנים המחוברים, חברו ונתקו את הכבלים כמתואר בטבלה שלהלן.

כדי לחבר	כדי לנתק
1. כבו הכל.	1. כבו הכל.
2. ראשית, חברו את כל הכבלים להתקנים.	2. ראשית, נתקו את כבלי החשמל מהשקעים.
3. חברו את כבלי האותות למחברים.	3. נתקו את כבלי האותות מהמחברים.
4. חברו את כבלי החשמל לשקעים.	4. הסירו את כל הכבלים מההתקנים.
5. הפעילו את ההתקן.	



זהירות:

בעת החלפת סוללת הליתיום, השתמשו רק בסוללה בעלת מק"ט 33F8354 או בסוג תואם שהומלץ על ידי היצרן. אם המערכת כוללת מודול המכיל סוללת ליתיום, החליפו אותו רק במודול מאותו סוג ומתוצרת אותו יצרן. הסוללה מכילה ליתיום, ועלולה להתפוצץ אם לא משתמשים ומטפלים בה או משליכים אותה כראוי.

לעולם:

- אל תטבלו במים

- אל תחממו לטמפרטורה הגבוהה מ-100°C (212°F)

- אל תתקנו או תפרקו

השליכו את הסוללה כנדרש לפי התקנות והחוקים המקומיים.



זהירות:

בעת התקנת מוצרי לייזר (כגון כונני תקליטורים ו-DVD, התקני סיב אופטי או משדרים), שימו לב לאזהרות הבאות:

- אל תסירו את הכיסויים. הסרת הכיסויים של מוצר הלייזר עלולה לגרום לחשיפה לקרינת לייזר מסוכנת. אין חלקים ברי טיפול בתוך ההתקן.

- שינויים, שימוש בבקרות או ביצוע הליכים אחרים מאלה המתוארים כאן, עלולים לגרום לחשיפה לקרינה מסוכנת.



סכנה

מוצרי לייזר מסוימים מכילים דיודת לייזר מסוג Class 3A או Class 3B. שימו לב לאזהרה הבאה:

כאשר הוא פתוח, המוצר פולט קרינת לייזר. אל תביטו ישירות בקרן, אל תביטו ישירות בעזרת ציוד אופטי, והימנעו מחשיפה לקרן.



≤ 18 ק"ג (37 ליב')



≤ 32 ק"ג (70.5 ליב')

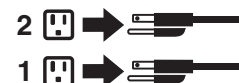


≤ 55 ק"ג (121.2 ליב')

זהירות:  
השתמשו בהליכים  
הנאותים בעת  
הרמת הציוד.



זהירות:  
לחצן ההפעלה של ההתקן ומתג ההפעלה של ספק החשמל אינם מפסיקים את זרם החשמל המסופק להתקן.  
בנוסף, ההתקן עשוי לכלול יותר מכבל חשמל אחד. כדי לסלק את כל הזרם החשמלי מההתקן,  
דאו שכל כבלי החשמל מנותקים ממקור החשמל.







## PERICOLO

La corrente elettrica proveniente dai cavi di alimentazione, del telefono e di comunicazione può essere pericolosa.

**Per evitare il rischio di scosse elettriche:**

- **Non collegare o scollegare qualsiasi cavo oppure effettuare l'installazione, la manutenzione o la riconfigurazione del prodotto durante un temporale.**
- **Collegare tutti i fili elettrici a una presa di alimentazione correttamente cablata e dotata di messa a terra.**
- **Collegare alle prese elettriche appropriate tutte le apparecchiature che verranno utilizzate per questo prodotto.**
- **Se possibile, utilizzare solo una mano per collegare o scollegare i cavi di segnale.**
- **Non accendere assolutamente apparecchiature in presenza di incendi, perdite d'acqua o danno strutturale.**
- **Scollegare i cavi di alimentazione, i sistemi di telecomunicazione, le reti e il modem prima di aprire i coperchi del dispositivo, salvo istruzioni contrarie relative alle procedure di installazione e configurazione.**
- **Collegare e scollegare i cavi come descritto nella seguente tabella quando vengono effettuate operazioni di installazione, spostamento o apertura dei coperchi di questo prodotto o delle unità collegate.**

Per collegarsi	Per scollegarsi
1. <b>SPEGNERE</b> le apparecchiature.	1. <b>SPEGNERE</b> le apparecchiature.
2. Innanzitutto, collegare tutti i cavi alle unità.	2. Innanzitutto, rimuovere i cavi di alimentazione dalla presa.
3. Collegare i cavi di segnale ai connettori.	3. Rimuovere i cavi di segnale dai connettori.
4. Collegare i cavi di alimentazione alla presa.	4. Rimuovere tutti i cavi dalle unità.
5. Accendere l'unità.	



#### ATTENZIONE:

Quando si sostituisce la batteria al litio, utilizzare solo il Numero parte 33F8354 o un tipo di batteria equivalente consigliato dal produttore. Se sul sistema è presente un modulo che contiene una batteria al litio, sostituirlo solo con un tipo di modulo dello stesso tipo della stessa casa di produzione. La batteria contiene litio e può esplodere se usata, maneggiata o smaltita in modo non corretto.

*Non:*

- Gettare o immergere la batteria nell'acqua
- Riscaldarla ad una temperatura superiore ai 100 gradi C (212 gradi F)
- Smontarla, ricaricarla o tentare di ripararla

Le batterie usate vanno smaltite in accordo alla normativa in vigore (DPR 915/82 e successive disposizioni e disposizioni locali).



#### ATTENZIONE:

Quando vengono installati prodotti laser (quali CD-ROM, unità DVD-ROM, unità a fibre ottiche o trasmettenti), tener presente quanto segue:

- Non rimuovere gli sportelli. L'apertura di un'unità laser può determinare l'esposizione a radiazioni laser pericolose. All'interno dell'unità non vi sono parti su cui effettuare l'assistenza tecnica.
- L'utilizzo di controlli, regolazioni o l'esecuzione di procedure non descritti nel presente manuale possono provocare l'esposizione a radiazioni pericolose.



#### PERICOLO

Alcune unità laser contengono un diodo laser di Classe 3A o Classe 3B. Tener presente quanto segue:

Aperto l'unità vengono emesse radiazioni laser. Non fissare il fascio, non guardarlo direttamente con strumenti ottici ed evitare l'esposizione al fascio.



≥18 kg



≥32 kg



≥55 kg

**ATTENZIONE:**

**Prestare attenzione nel sollevare l'apparecchiatura.**



**ATTENZIONE:**

**Il pulsante di controllo dell'alimentazione presente sull'unità e l'interruttore dell'alimentatore non disattivano l'alimentazione corrente fornita all'unità. E' possibile che l'unità disponga di più cavi di alimentazione. Per disattivare l'alimentazione dall'unità, accertarsi che tutti i cavi di alimentazione siano scollegati dalla fonte di alimentazione.**





**위험**

전원, 전화, 통신 케이블의 전류는 위험합니다.

감전의 위험을 피하려면 다음과 같이 하십시오.

- 번개가 치는 날에는 케이블을 연결 또는 분리하거나 본 제품을 설치, 보수, 재구성하지 마십시오.
- 모든 전원 코드는 올바르게 접지된 전기 콘센트에 연결하십시오.
- 본 제품에 연결될 장치는 올바르게 배선된 콘센트에 연결하십시오.
- 신호 케이블을 연결 또는 분리할 때 가능하면 한 손만을 사용하십시오.
- 불 또는 물로 인한 손상이나 구조적인 손상이 있을 경우 장치의 전원을 절대 켜지 마십시오.
- 설치 및 구성 과정에 별도의 지시 사항이 없는 경우, 장치의 덮개를 열기 전에 연결된 전원 코드, 원격 통신 시스템, 네트워크, 모뎀을 분리하십시오.
- 본 제품이나 연결된 장치를 설치, 이동하거나 덮개를 열 때 다음 표와 같은 순서로 케이블을 연결하거나 분리하십시오.

연결할 때:	분리할 때:
<ol style="list-style-type: none"> <li>1. 모든 장치의 전원을 끄십시오.</li> <li>2. 먼저 모든 케이블을 장치에 연결하십시오.</li> <li>3. 커넥터에 신호 케이블을 연결하십시오.</li> <li>4. 콘센트에 전원 코드를 연결하십시오.</li> <li>5. 장치의 전원을 켜십시오.</li> </ol>	<ol style="list-style-type: none"> <li>1. 모든 장치의 전원을 끄십시오.</li> <li>2. 먼저 콘센트에서 전원 코드를 분리하십시오.</li> <li>3. 커넥터에서 신호 케이블을 분리하십시오.</li> <li>4. 장치에서 모든 케이블을 분리하십시오.</li> </ol>



**주의:**

배터리를 교환할 때는 Part Number 33F8354 또는 제조업체에서 지정한 동일한 종류의 제품을 사용하십시오. 사용자의 시스템이 리튬 배터리를 포함하는 모듈일 경우, 동일한 제조업체에서 동일한 모듈 유형으로 생산된 제품으로 교체하십시오. 배터리에는 리튬이 함유되어 있어 잘못 사용, 취급 또는 폐기할 경우 폭발의 위험이 있습니다.

사고를 방지하려면 다음 사항을 준수하십시오.

- 배터리를 물 속에 던지거나 침수시키지 마십시오.
- 100℃(212°F) 이상 가열하지 마십시오.
- 수리하거나 분해하지 마십시오.

배터리를 폐기할 때는 법령 또는 회사의 안전 수칙에 따라 폐기하십시오.



**주의:**

CD-ROM, DVD-ROM 장치, 광섬유 장치 또는 송신 장치와 같은 레이저 제품을 설치할 때, 다음과 같은 취급 주의사항을 참고하십시오.

- 덮개를 열지 마십시오. 덮개를 열면 레이저 복사 에너지에 노출될 위험이 있습니다. 장치 내부에는 사용자가 조정하거나 수리할 수 있는 부품이 없습니다.
- 규정된 것 이외의 절차 수행, 제어 조정 등의 행위로 인해 해로운 레이저 복사에 노출될 수 있습니다.



**위험**

일부 장비에는 임베디드 클래스 3A 또는 클래스 3B 레이저 다이오드가 있습니다. 다음 주의사항에 유의하십시오.

드라이브가 열리면 레이저 복사 에너지가 방출됩니다. 광선이 눈에 직접 쏘이지 않도록 하십시오. 나안 또는 광학 기구를 착용한 상태에서 광선을 직접 바라보지 않도록 하십시오.



≥ 18 kg (37 lbs)



≥ 32 kg (70.5 lbs)



≥ 55 kg (121.2 lbs)

**주의:**

제품을 들어 올릴 때 안전 규제를 따르십시오.



**주의:**

장치의 전원 제어 버튼 및 전원 공급 장치의 전원 스위치를 사용하여 장치에 공급되는 전기를 차단하지 마십시오. 장치는 둘 이상의 코드를 가지고 있을 수 있습니다. 장치에서 모든 전원을 차단하려면 콘센트에서 코드가 모두 분리되어 있는지 확인하십시오.





## PELIGRO

La corriente eléctrica procedente de cables de alimentación, teléfonos y cables de comunicación puede ser peligrosa.

Para evitar el riesgo de descarga eléctrica:

- No conecte ni desconecte los cables ni realice ninguna tarea de instalación, mantenimiento o reconfiguración de este producto durante una tormenta eléctrica.
- Conecte todos los cables de alimentación a tomas de corriente debidamente cableadas y conectadas a tierra.
- Cualquier equipo que se conecte a este producto también debe conectarse a tomas de corriente debidamente cableadas.
- Siempre que sea posible, utilice una sola mano para conectar o desconectar los cables de señal.
- No encienda nunca un equipo cuando hay señales de fuego, agua o daños estructurales.
- Desconecte los cables de alimentación, los sistemas de telecomunicaciones, las redes y los módems conectados antes de abrir las cubiertas de los dispositivos, a menos que se indique lo contrario en los procedimientos de instalación y configuración.
- Conecte y desconecte los cables, como se describe en la tabla siguiente, cuando instale, mueva o abra las cubiertas de este producto o de los dispositivos conectados.

Para conectar	Para desconectar
<ol style="list-style-type: none"><li>1. APÁGUELO todo.</li><li>2. En primer lugar, conecte todos los cables a los dispositivos.</li><li>3. Conecte los cables de señal a los conectores.</li><li>4. Enchufe los cables de alimentación a las tomas de corriente.</li><li>5. Encienda el dispositivo.</li></ol>	<ol style="list-style-type: none"><li>1. APÁGUELO todo.</li><li>2. En primer lugar, desenchufe los cables de alimentación de las tomas de corriente.</li><li>3. Desconecte los cables de señal de los conectores.</li><li>4. Desconecte todos los cables de los dispositivos.</li></ol>



#### PRECAUCIÓN:

Cuando sustituya una batería de litio, utilice solamente una batería número de pieza 33F8354 u otra de tipo equivalente recomendada por el fabricante. Si su sistema dispone de un módulo que contiene una batería de litio, reemplácelo sólo con el mismo tipo de módulo, del mismo fabricante. La batería contiene litio y puede explotar si no se utiliza, manipula o desecha correctamente.

*No debe:*

- Arrojarla al agua o sumergirla en ella
- Exponerla a temperaturas superiores a 100°C (212°F)
- Repararla o desmontarla

Deshágase de la batería según especifiquen las leyes o normas locales.



#### PRECAUCIÓN:

Cuando haya productos láser (como unidades de CD-ROM, unidades de DVD, dispositivos de fibra óptica o transmisores) instalados, tenga en cuenta lo siguiente:

- No quite las cubiertas. Si quita las cubiertas del producto láser, podría quedar expuesto a radiación láser peligrosa. Dentro del dispositivo no existe ninguna pieza que requiera servicio técnico.
- Si usa controles o ajustes o realiza procedimientos que no sean los especificados aquí, podría exponerse a radiaciones peligrosas.



#### PELIGRO

Algunos productos láser tienen incorporado un diodo láser de clase 3A o clase 3B. Tenga en cuenta lo siguiente:

Cuando se abre, queda expuesto a radiación láser. No mire directamente al rayo láser, ni siquiera con instrumentos ópticos, y evite exponerse directamente al rayo láser.



≥18 kg



≥32 kg



≥55 kg

**PRECAUCIÓN:**

Adopte procedimientos seguros al levantar el equipo.



**PRECAUCIÓN:**

El botón de control de alimentación del dispositivo y el interruptor de alimentación de la fuente de alimentación no desconectan la corriente eléctrica suministrada al dispositivo. Además, el dispositivo podría tener más de un cable de alimentación. Para suprimir toda la corriente eléctrica del dispositivo, asegúrese de que todos los cables de alimentación estén desconectados de la toma de corriente.





---

## Chapter 3. General information

This chapter provides general information that applies to all machine types supported by this publication.

This computer has either the Access IBM® program or the ThinkVantage™ Productivity Center program that was preloaded at the time of manufacture. These programs provide additional information to help solve problems and provide links to more information about the computer. Look on the desktop for the associated icons.

---

### Additional information resources

If you have Internet access, the most up-to-date information for your computer is available from the World Wide Web.

You can find the following information:

- CRU removal and installation instructions
- Publications
- Troubleshooting information
- Parts information
- Downloads and drivers
- Links to other useful sources of information

To access this information, point your browser to <http://www.lenovo.com/support/>.

---

### Physical specifications

This section details the physical specifications for each computer Type.

## Types 8099, 8116, 8155, 8156, 8157, 8158, 8159, 8160, 8215, 9210, and 9211

This section lists the physical specifications.

<p><b>Dimensions</b></p> <p>Width: 310 mm (12.2 in.)</p> <p>Height: 85 mm (3.35 in.)</p> <p>Depth: 358 mm (14.1 in.)</p> <p><b>Weight</b></p> <p>Minimum configuration as shipped: 7.3 kg (16 lbs)</p> <p>Maximum configuration: 8.5 kg (18.7 lbs)</p> <p><b>Environment</b></p> <p>Air temperature:</p> <p>Operating at 0 - 3000 ft (914.4 m): 10° to 35°C (50° to 95°F)</p> <p>Operating at 3000 ft - 7000 ft (2134 m): 10° to 32°C (50° to 89.6°F)</p> <p>Non-operating: 10° to 43°C (50° to 110°F)</p> <p>Humidity:</p> <p>Operating: 8% to 80%</p> <p>Non-operating: 8% to 80%</p> <p>Transit: 8% to 90%</p> <p>Maximum altitude: 7000 ft (2133.6 m)</p> <p><b>Electrical input</b></p> <p>Input voltage:</p> <p>Low range:</p> <p>Minimum: 100 V ac</p> <p>Maximum: 127 V ac</p> <p>Input frequency: 50/60 Hz</p> <p>Voltage switch setting: 115 V ac</p> <p>High range:</p> <p>Minimum: 200 V ac</p> <p>Maximum: 240V ac</p> <p>Input frequency: 50/60 Hz</p> <p>Voltage switch setting: 230 V ac</p> <p>Input kilovolt-amperes (kVA) (approximate):</p> <p>Minimum configuration as shipped: 0.09 kVA</p> <p>Maximum configuration: 0.23 kVA</p>	<p><b>Heat output</b> (approximate) in British thermal units (Btu) per hour:</p> <p>Minimum configuration: 256 Btu/hr (75 watts)</p> <p>Maximum configuration: 768 Btu/hr (225 watts)</p> <p><b>Airflow</b></p> <p>Approximately 16 cubic feet (0.45 cubic meters) per minute</p> <p><b>Acoustical noise-emission values</b></p> <p><b>Note:</b> In this computer, fan speed is controlled by temperature, configuration, and software. Actual noise-emission values might be different from the stated values depending on the number of fans and the speed of the fans.</p> <p>Average sound-pressure levels:</p> <p>At operator position (0.5 meters):</p> <p>Idle: 29 dBA</p> <p>Operating: 34 dBA</p> <p>At bystander position - 1 meter (3.3 ft):</p> <p>Idle: 26 dBA</p> <p>Operating: 29 dBA</p> <p>Declared (upper limit) sound-power levels:</p> <p>Idle: 4.0 bels</p> <p>Operating: 4.3 bels</p> <p><b>Note:</b> These levels were measured in controlled acoustical environments according to the procedures specified by the American National Standards Institute (ANSI) S12.10 and ISO 7779 and are reported in accordance with ISO 9296. Actual sound-pressure levels in a given location might exceed the average values stated because of room reflections and other nearby noise sources. The declared sound-power levels indicate an upper limit, below which a large number of computers will operate.</p>
----------------------------------------------------------------------------------------------------------------------------------------------------------------------------------------------------------------------------------------------------------------------------------------------------------------------------------------------------------------------------------------------------------------------------------------------------------------------------------------------------------------------------------------------------------------------------------------------------------------------------------------------------------------------------------------------------------------------------------------------------------------------------------------------------------------------------------------------------------------------------------------------------------------------------------------------------------------------------------------------------------------------------------------------------------------------------------------------------------------------------------------------------------	---------------------------------------------------------------------------------------------------------------------------------------------------------------------------------------------------------------------------------------------------------------------------------------------------------------------------------------------------------------------------------------------------------------------------------------------------------------------------------------------------------------------------------------------------------------------------------------------------------------------------------------------------------------------------------------------------------------------------------------------------------------------------------------------------------------------------------------------------------------------------------------------------------------------------------------------------------------------------------------------------------------------------------------------------------------------------------------------------------------------------------------------------------------------------------------------------------------------------------------------------------------------------------------------------------------------------------------------------------------------------------------------------------------------------------

# Types 8110, 8112, 8113, 8114, 8115, 8153, 8166, 8167, 8168, 8169, and 8170

This section lists the physical specifications.

<p><b>Dimensions</b></p> <p>Height: 432 mm (17.0 in.)  Width: 178 mm (7.0 in.)  Depth: 450 mm (17.7 in.)</p> <p><b>Weight</b></p> <p>Minimum configuration: 10.5 kg (23 lb)  Maximum configuration: 13.5 kg (30 lb)</p> <p><b>Environment</b></p> <p>Air temperature:</p> <p>System on: 10° to 35°C (50° to 95° F)  System off: 10° to 60°C (50° to 140° F)</p> <p>Maximum altitude: 914 m (3000 ft)  <b>Note:</b> The maximum altitude, 914 m (3000 ft), is the maximum altitude at which the specified air temperatures apply. At higher altitudes, the maximum air temperatures are lower than those specified.</p> <p>Humidity:</p> <p>System on: 10% to 80%  System off: 10% to 90%</p> <p><b>Electrical input</b></p> <p>Input voltage:</p> <p>Low range:</p> <p>Minimum: 100 V ac  Maximum: 127 V ac  Input frequency: 50/60 Hz  Voltage switch setting: 115 V ac</p> <p>High range:</p> <p>Minimum: 200 V ac  Maximum: 240 V ac  Input frequency: 50/60 Hz  Voltage switch setting: 230 V ac</p> <p>Input kilovolt-amperes (kVA) (approximate):</p> <p>Minimum configuration as shipped: 0.09 kVA  Maximum configuration: 0.32 kVA</p> <p><b>Note:</b> Power consumption and heat output vary depending on the number and type of optional features installed and the power-management optional features in use.</p>	<p><b>Heat output</b> (approximate) in British thermal units (Btu) per hour:</p> <p>Minimum configuration: 256 Btu/hr (75 watts)  Maximum configuration: 1058 Btu/hr (310 watts)</p> <p><b>Airflow</b></p> <p>Approximately 1.13 cubic meters per minute (40 cubic feet per minute) maximum</p> <p><b>Acoustical noise-emission values</b></p> <p>Average sound-pressure levels:</p> <p>At operator position:</p> <p>Idle: 29 dBA  Operating: 33 dBA</p> <p>At bystander position - 1 meter (3.3 ft):</p> <p>Idle: 25 dBA  Operating: 30 dBA</p> <p>Declared (upper limit) sound-power levels:</p> <p>Idle: 4.0 bels  Operating: 4.3 bels</p> <p><b>Note:</b> These levels were measured in controlled acoustical environments according to the procedures specified by the American National Standards Institute (ANSI) S12.10 and ISO 7779 and are reported in accordance with ISO 9296. Actual sound-pressure levels in a given location might exceed the average values stated because of room reflections and other nearby noise sources. The declared sound-power levels indicate an upper limit, below which a large number of computers will operate.</p>
----------------------------------------------------------------------------------------------------------------------------------------------------------------------------------------------------------------------------------------------------------------------------------------------------------------------------------------------------------------------------------------------------------------------------------------------------------------------------------------------------------------------------------------------------------------------------------------------------------------------------------------------------------------------------------------------------------------------------------------------------------------------------------------------------------------------------------------------------------------------------------------------------------------------------------------------------------------------------------------------------------------------------------------------------------------------------------------------------------------------------------------------------------------------------------------------------------------------------------------------------------------------------------------------------------------------------------------------------------------------------------	-----------------------------------------------------------------------------------------------------------------------------------------------------------------------------------------------------------------------------------------------------------------------------------------------------------------------------------------------------------------------------------------------------------------------------------------------------------------------------------------------------------------------------------------------------------------------------------------------------------------------------------------------------------------------------------------------------------------------------------------------------------------------------------------------------------------------------------------------------------------------------------------------------------------------------------------------------------------------------------------------------------------------------------------------------------------------------------------------------------------------------------------------------------------------------------

# Types 8111, 8154, 8161, 8162, 8163, 8165, 8211, 8212, 8213, and 8214

This section lists the physical specifications.

<p><b>Dimensions</b></p> <p>Height: 107.9 mm (4.2 in.)</p> <p>Width: 350 mm (13.8 in.)</p> <p>Depth: 385 mm (15.2 in.)</p> <p><b>Weight</b></p> <p>Minimum configuration: 8.4 kg (18.5 lb)</p> <p>Maximum configuration: 10.0 kg (22.0 lb)</p> <p><b>Environment</b></p> <p>Air temperature:</p> <p>System on: 10° to 35°C (50° to 95° F)</p> <p>System off: 10° to 43°C (50° to 110° F)</p> <p>Maximum altitude: 2133.6 m (7000 ft)</p> <p><b>Note:</b> The maximum altitude, is the maximum altitude at which the specified air temperatures apply. At higher altitudes, the maximum air temperatures are lower than those specified.</p> <p>Humidity:</p> <p>System on: 10% to 80%</p> <p>System off: 10% to 80%</p> <p>Transit: 10% to 90%</p> <p><b>Electrical input</b></p> <p>Input voltage:</p> <p>Low range:</p> <p>Minimum: 100 V ac</p> <p>Maximum: 127 V ac</p> <p>Input frequency: 50/60 Hz</p> <p>Voltage switch setting: 115 V ac</p> <p>High range:</p> <p>Minimum: 200 V ac</p> <p>Maximum: 240 V ac</p> <p>Input frequency: 50/60 Hz</p> <p>Voltage switch setting: 230 V ac</p> <p>Input kilovolt-amperes (kVA) (approximate):</p> <p>Minimum configuration as shipped: 0.09 kVA</p> <p>Maximum configuration: 0.23 kVA</p> <p><b>Note:</b> Power consumption and heat output vary depending on the number and type of optional features installed and the power-management optional features in use.</p>	<p><b>Heat output</b> (approximate) in British thermal units (Btu) per hour:</p> <p>Minimum configuration: 256 Btu/hr (75 watts)</p> <p>Maximum configuration: 768 Btu/hr (225 watts)</p> <p><b>Airflow</b></p> <p>Approximately 0.85 cubic meters per minute (30 cubic feet per minute) maximum</p> <p><b>Acoustical noise-emission values</b></p> <p>Average sound-pressure levels:</p> <p>At operator position:</p> <p>Idle: 29 dBA</p> <p>Operating: 34 dBA</p> <p>At bystander position - 1 meter (3.3 ft):</p> <p>Idle: 26 dBA</p> <p>Operating: 30 dBA</p> <p>Declared (upper limit) sound-power levels:</p> <p>Idle: 4.0 bels</p> <p>Operating: 4.3 bels</p> <p><b>Note:</b> These levels were measured in controlled acoustical environments according to the procedures specified by the American National Standards Institute (ANSI) S12.10 and ISO 7779 and are reported in accordance with ISO 9296. Actual sound-pressure levels in a given location might exceed the average values stated because of room reflections and other nearby noise sources. The declared sound-power levels indicate an upper limit, below which a large number of computers will operate.</p>
------------------------------------------------------------------------------------------------------------------------------------------------------------------------------------------------------------------------------------------------------------------------------------------------------------------------------------------------------------------------------------------------------------------------------------------------------------------------------------------------------------------------------------------------------------------------------------------------------------------------------------------------------------------------------------------------------------------------------------------------------------------------------------------------------------------------------------------------------------------------------------------------------------------------------------------------------------------------------------------------------------------------------------------------------------------------------------------------------------------------------------------------------------------------------------------------------------------------------------------------------------------------------------------------------------------------------------------------------------------------------------------------------------------------------	------------------------------------------------------------------------------------------------------------------------------------------------------------------------------------------------------------------------------------------------------------------------------------------------------------------------------------------------------------------------------------------------------------------------------------------------------------------------------------------------------------------------------------------------------------------------------------------------------------------------------------------------------------------------------------------------------------------------------------------------------------------------------------------------------------------------------------------------------------------------------------------------------------------------------------------------------------------------------------------------------------------------------------------------------------------------------------------------------------------------------------------------------------------------------------------

---

## Chapter 4. General Checkout

### Attention

The drives in the computer you are servicing might have been rearranged or the drive startup sequence changed. Be extremely careful during write operations such as copying, saving, or formatting. Data or programs can be overwritten if you select an incorrect drive.

General error messages appear if a problem or conflict is found by an application program, the operating system, or both. For an explanation of these messages, refer to the information supplied with that software package.

### Notes:

- The default is for this computer to boot up in quiet mode (no beep, no memory count and checkpoint code display) when no errors are detected by POST.
- To enable beep, memory count, and checkpoint code display when a successful POST occurs, do the following:
  1. Start the Setup Utility program. See “Starting the Setup Utility program” on page 53.
  2. Select **Start Options**.
  3. Set **Power-On Self-Test** to **Enhanced**.
- Before replacing any FRUs, ensure that the latest level of BIOS is installed on the system. A down-level BIOS might cause false errors and unnecessary replacement of the system board. For more information on how to determine and obtain the latest level BIOS, see “BIOS levels” on page 518.

Use the following procedure to help determine the cause of the problem:

1. Power-off the computer and all external devices.
2. Check all cables and power cords.
3. Set all display controls to the middle position.
4. Power-on all external devices.
5. Power-on the computer.
  - Look for displayed error codes
  - Listen for beep codes
  - Look for readable instructions or a main menu on the display.If you **did not** receive the correct response, proceed to step 6.  
If you **do** receive the correct response, proceed to step 8 on page 44.
6. Look at the following conditions and follow the instructions:
  - If you hear beep codes during POST, go to “Beep symptoms” on page 80.
  - If the computer displays a POST error, go to “POST error codes” on page 83.
  - If the computer hangs and no error is displayed, continue at step 7.
7. There are three LEDs to help you determine if the power supply and system board are working correctly. A power button LED is located on the front of the computer and two diagnostic LEDs are located on the power supply at the rear of the computer.
  - a. Disconnect the power cord from the electrical outlet.
  - b. Reconnect the power cord to a working electrical outlet.
  - c. Press the power button.

d. Observe the LEDs and refer to the following table.

Power LED	Green diagnostic LED	Yellow diagnostic LED	Action
ON	ON	OFF	This is the normal condition of the LEDs when the power is OK.
OFF	OFF	OFF	Make sure the power cord is attached to a working electrical outlet.  If the electrical outlet is OK, replace the power supply.
OFF (after the power button has been pressed)	ON	OFF	Replace the system board
ON	ON	ON	Replace the power supply

If the Diagnostic LEDs are in the normal condition and the problem persists, replace the system board and the microprocessor, one at a time, until the computer works correctly.

8. Run the Diagnostic programs. See Chapter 5, "Diagnostics using PC-Doctor for DOS," on page 47.
  - If you receive an error, replace the part that the diagnostic program calls out or go to "Diagnostic error codes" on page 59.
  - If the test stops and you cannot continue, replace the last device tested.

---

## Problem determination tips

Due to the variety of hardware and software combinations that can be encountered, use the following information to assist you in problem determination. If possible, have this information available when requesting assistance from Service Support and Engineering functions.

- Machine type and model
- Processor or hard disk upgrades
- Failure symptom
  - Do diagnostics indicate a failure?
  - What, when, where, single, or multiple systems?
  - Is the failure repeatable?
  - Has this configuration ever worked?
  - If it has been working, what changes were made prior to it failing?
  - Is this the original reported failure?
- Diagnostics version
  - Type and version level
- Hardware configuration
  - Print (print screen) configuration currently in use
  - BIOS level
- Operating system software
  - Type and version level

**Note:** To eliminate confusion, identical systems are considered identical only if they:

1. Are the exact machine type and models
2. Have the same BIOS level
3. Have the same adapters/attachments in the same locations
4. Have the same address jumpers/terminators/cabling
5. Have the same software versions and levels
6. Have the same Diagnostics Diskette (version)
7. Have the same configuration options set in the system
8. Have the same setup for the operation system control files

Comparing the configuration and software set-up between "working and non-working" systems will often lead to problem resolution.





---

## Chapter 5. Diagnostics using PC-Doctor for DOS

Diagnostics are provided by the PC-Doctor program for DOS. These include a full range of diagnostic utilities to determine the operating condition of the computer's hardware components.

You can run diagnostics from the Rescue and Recovery™ workspace or you can create a bootable diagnostic diskette from the Rescue and Recovery workspace. Alternatively, you can download either a diskette image or a startable CD-ROM image (.iso file) from the Customer Support Web site and run diagnostics using them.

The latest version of the diagnostics program is available from <http://www.lenovo.com/support> on the World Wide Web. Type your machine type into the **Use Quick path** field and click **Go** to find the downloadable files that are specific to the computer. See "Diagnostics program download" on page 48.

Diagnostic error messages appear when a test program finds a problem with a hardware option. For the test programs to properly determine if a test *Passed*, *Failed* or *Aborted*, the test programs check the error-return code at test completion. See "Diagnostic error codes" on page 59.

If an installed device is not recognized by the diagnostics program, that device might be defective.

---

### Starting PC-Doctor from the Rescue and Recovery workspace

This procedure describes how to start PC-Doctor from the Rescue and Recovery workspace.

1. If your computer is already on when you start this procedure, shut down the operating system and turn off the computer.
2. To launch the Rescue and Recovery workspace, repeatedly press the F11 key as you turn on the computer.

**Note:** If a user password or an administrator password has been set, the Rescue and Recovery workspace is not displayed until you type the password.

3. When the Rescue and Recovery workspace is displayed, look for "Troubleshoot" on the left side of the screen. Click **Diagnose hardware**.

**Notes:**

- a. Additional diagnostic information is available from the Rescue and Recovery workspace, such as a diagnostic overview. Refer to the Rescue and Recovery help system for details.
- b. After selecting Diagnose hardware, make sure the computer is restarted using the restart button on the Rescue and Recovery workspace. Do not use the power switch to start the reboot.
- c. You can also create a set of diagnostic disks from the Rescue and Recovery workspace by clicking **Create diagnostic disks** from the Rescue and Recovery menu.

---

## Starting PC-Doctor from a diagnostic diskette or CD-ROM

**Note:** If your computer has no internal diskette drive, an external USB diskette drive is required when using the diagnostic diskette.

1. If your computer is already on when you start this procedure, shut down the operating system and turn off the computer.
2. Insert the diskette or CD-ROM in the appropriate drive.
3. Turn on the computer.

**Note:** If the PC-Doctor program fails to start, make sure that the startup device sequence is configured to allow startup from the diskette or CD-ROM drive. See "Selecting a startup device" on page 56.

---

## Diagnostics program download

If you have access to the internet, you can download a diskette image or a startable CD-ROM image (.iso file) of the diagnostics.

To download the latest diagnostics program from the WWW, do the following:

- Go to <http://www.lenovo.com/support>.
- Type the machine type in the "Use Quick Path" field and click **Go**.
- Click **Downloads and drivers** and scroll down to locate the Enhanced diagnostics.

---

## Navigating through the diagnostics programs

Use the cursor movement keys to navigate within the menus.

- The **Enter** key is used to select a menu item.
- The **Esc** key is used to back up to the previous menu.
- For online help select **F1**.

---

## Running diagnostics tests

There are four ways to run the diagnostic tests.

- Using the cursor movement keys, highlight **Run Normal Test** or **Run Quick Test** from the Diagnostics menu and then press **Enter**.

This automatically runs a pre-defined group of tests from each test category. **Run Normal Test** runs a more extensive set of tests than does **Run Quick Test** and takes longer to complete.

- Press **F5** to automatically run all selected tests in all categories. See "Test selection" on page 49.
- From within a test category, press **Ctrl-Enter** to automatically run only the selected tests in that category. See "Test selection" on page 49.
- Using the cursor movement keys, highlight a single test within a test category, and then press **Enter**. This runs only that test.

Press **Esc** at any time to stop the testing process.

Test results (N/A, PASSED, FAILED, ABORTED) are displayed in the field beside the test description and in the test log. See "Viewing the test log" on page 52.

## Test selection

To select one or more tests, use the following procedure.

1. Open the corresponding test category.
2. Using the cursor movement keys, highlight the desired test.
3. Press the space bar.  
A selected test is marked by >>. Pressing the space bar again de-selects a test and removes the >>.
4. Repeat steps 2 and 3 above to select all desired tests.

## Test results

Diagnostics test results produce the following error code format:

Function Code	Failure Type	DeviceID	Date	ChkDigits	Text
---------------	--------------	----------	------	-----------	------

- **Function Code:**  
Represents the feature or function within the PC.
- **Failure Type:**  
Represents the type of error encountered.
- **DeviceID:**  
Contains the component's unit-ID which corresponds to either a fixed disk drive, removable media drive, serial or parallel port, processor, specific RIMM, or a device on the PCI bus.
- **Date:**  
Contains the date when the diagnostic test was run. The date is retrieved from CMOS and displayed using the YYYYMMDD format.
- **ChkDigits:**  
Contains a 2-digit check-digit value to ensure the following:
  - Diagnostics were run on the specified date.
  - Diagnostics were run on the specified computer.
  - The diagnostic error code is recorded correctly.
- **Text:**  
Description of the error.

**Note:** See "Diagnostic error codes" on page 59 for error code listings.

## Fixed disk advanced test (FDAT)

PC-Doctor Fixed-Disk<sup>1</sup> Advanced Test module (FDAT) is a full-featured highly configurable fixed-disk test suite. The configurable capabilities of FDAT allow users to enable or disable specific tests, enable or disable testing features, control the test log detail, alter testing parameters, and so on. FDAT tests for and reports most commonly found errors on a fixed-disk drive and is able to test up to 128 SCSI and 4 IDE drives (up to 132 total drives).

Drive information is gathered through FDAT's enumeration of available devices and user specific configuration parameters located in the FDAT.INI. FDAT uses information supplied by these features to indicate specifically what devices are

---

1. The terms fixed disk and hard disk are used interchangeably.

available for test, what tests are available for the device, device properties, and so on. To change testing parameters, you modify the FDAT.INI file in PC Doctor for DOS.

FDAT consists of the following subtests and features.

**Fixed-Disk Tests:**

- *Seek Tests:* - checks the physical operation of the drive head.
  - Linear Seek
  - Random Seek
  - Min-Max Seek
  - Butterfly Seek
- *Verify Tests:* - checks the integrity of the data present on the media.
  - Linear Verify
  - Random Verify
- *Surface Scan Tests:* - checks the drive media for defects.
  - Surface Scan (Linear)
  - Surface Scan (Aggressive) - this is disabled for normal customer use.
  - Surface Scan (Random)
- Self-monitoring, Analysis and Reporting Technology (SMART) - checks the SMART functionality for drives that support SMART.
  - Start SMART Self-Test

**Other Test Features:**

- *Write-Splice Repair* - detects and corrects Error Correction Code errors during Verify tests.
- *Auto Spin Down* - a gradual spin down of the drive platters to avoid damaging the media.
- *Manufacturer Log* - an in-depth manufacturer supported log of errors on the drive.

**Multitasking:**

To allow simultaneous testing of multiple hard drives whenever possible, the FDAT module is written as a set of multitasking functions. Each drive under test can run the same test or run a different test at the same time. Each subtest is written to handle a single test pass and all test variables are kept track of in a structure unique for each drive.

However, when testing IDE drives, FDAT will not perform simultaneous testing of IDE drives that are attached to the same IDE cable. For example, if FDAT is testing four IDE drives on a PC, it will perform simultaneous testing on drives 1 and 3 first (master drives), then perform tests on 2 and 4 (slave drives). FDAT will also perform simultaneous testing on a master and slave that are on separate IDE cables, but will not perform simultaneous tests on a master and slave on the same IDE cable. This generally increases the amount of time needed to test multiple IDE drives.

Another limitation of FDAT'S multitasking capability is the use of Ultra DMA (UDMA). Only one drive at a time can access the UDMA channel and the UDMA

channel buffer must be kept high in order to maintain a speed advantage over other data transfer modes. In order to use the UDMA channel during testing, users must disable the multitasking feature.

#### **Destructive versus non-destructive testing:**

Most of the tests found in FDAT are non-destructive. This means that PC-Doctor program will preserve any data that is present on the tested media prior to beginning any destructive operations (such as write operations). However, users can run certain tests in destructive mode (i.e. surface scan tests). Destructive tests will speed up testing because FDAT does not preserve the data on the media prior to the test beginning. Unlike non-destructive tests, any data present on the media prior to the test beginning is lost.

FDAT allows for enabling or disabling destructive tests, as well as specifying a range of destructive and non-destructive sectors on the tested drive. This is done through the configuration of the FDAT.INI. If destructive and non-destructive ranges somehow overlap, then the overlapped area is considered non-destructive. For example, if users specify both destructive and non-destructive ranges as the same, then the entire drive is tested as non-destructive.

### **Quick and Full erase - hard drive**

The diagnostics program offers two hard drive format utilities:

- Quick Erase Hard Drive
- Full Erase Hard Drive

The Quick Erase Hard Drive provides a DOS utility that performs the following:

- Destroys the Master Boot Record (MBR) on the hard drive.
- Destroys all copies of the FAT Table on all partitions (both the master and backup).
- Destroys the partition table.
- Provides messages that warn the user that this is a non-recoverable process.

The Full Erase Hard Drive provides a DOS utility that performs the following:

- Performs all the steps in Quick Erase.
- Provides a DOS utility that writes random data to all sectors of the hard drive.
- Provides an estimate of time to completion along with a visual representation of completion status.
- Provides messages that warn the user about non-recoverable process.

<b>Important:</b> Make sure that all data is backed up before using the Quick or Full Erase functions.
--------------------------------------------------------------------------------------------------------

To select the Quick Erase or Full Erase Hard Drive utility, use the following procedure:

1. Select the UTILITY option on the toolbar and press **Enter**.
2. Select either the QUICK ERASE or FULL ERASE HARD DISK option and follow the instructions.

---

## Viewing the test log

Errors reported by the diagnostic test will be displayed by the program as a failed test.

To view details of a failure or to view a list of test results, use the following procedure from any test category screen:

1. Press **F3** to activate the log file.
2. Press **F3** again to save the file to diskette or press **F2** to print the file.

---

## Chapter 6. Using the Setup Utility

The Setup Utility program is stored in the electrically erasable programmable read-only memory (EEPROM) of the computer. The Setup Utility program is used to view and change the configuration settings of the computer, regardless of which operating system you are using. However, the operating-system settings might override any similar settings in the Setup Utility program.

---

### Starting the Setup Utility program

To start the Setup Utility program, do the following:

1. If your computer is already on when you start this procedure, shut down the operating system and turn off the computer.
2. Repeatedly press the F1 key as you turn on the computer.

**Notes:**

- a. If a password has been set, the Setup Utility program menu is not displayed until you type your password. See “Using passwords” for more information.
- b. BIOS settings cannot be changed without the correct password.
- c. The Setup Utility might start automatically when the power-on self-test (POST) detects that hardware has been removed or new hardware has been installed in your computer.

---

### Viewing and changing settings

The Setup Utility program menu lists items that identify system configuration topics.

When working with the Setup Utility program menu, you must use the keyboard. The keys used to perform various tasks are displayed at the bottom of each screen.

---

### Exiting from the Setup Utility program

When you finish viewing or changing settings, press Esc to return to the Setup Utility program menu (you might have to press Esc several times). If you want to save the new settings, press F10.

---

### Using passwords

By using the Setup Utility program, you can set passwords to prevent unauthorized persons from gaining access to your computer and data. The types of passwords used are:

- User Password
- Administrator Password
- IDE Drive User Password (some computers)
- IDE Drive Master Password (some computers)

You do not have to set any passwords to use your computer. However, if you decide to set any passwords, read the following sections.

## Password considerations

If you are setting any of the various types of passwords on your computer, you should read and understand the following information:

- If you type an incorrect password, you will see an error message. If you type an incorrect password three consecutive times, you must turn the computer off and start again.
- If you set both a User Password and an IDE Drive User Password to the same string, you will be prompted for the password only once when you turn on your computer.
- Do not move an internal IDE hard disk drive to another computer if an IDE Drive User Password has been set unless that computer also supports the IDE Drive User Password.
- If your computer is connected to a local area network (LAN), Wake on LAN will not work unless both a User Password and an IDE Drive User Password are set using the same password.

## User Password

When a User Password is set, the user is prompted to type a valid password each time the computer is turned on. The computer cannot be used until a valid password is typed from the keyboard.

## Administrator Password

Setting an Administrator Password deters unauthorized persons from changing configuration settings. If you are responsible for maintaining the settings of several computers, you might want to set an Administrator Password.

After you set an Administrator Password, a password prompt is displayed each time you try to access the Setup Utility program.

If both the user and administrator passwords are set, you can type either password. However, to change any configuration settings, you must use your administrator password.

## IDE Drive User Password

The IDE Drive User Password, used on some computers, is used to protect the data on the IDE hard disk drive(s). When this password is set, you are prompted to type a valid password before any hard disk drive can be used. This prompt is displayed each time you turn on your computer. If your computer has multiple hard disk drives, they all must use the same password.

### Attention

If an IDE Drive User Password is set but the IDE Drive Master Password is not set, there is no recovery in the event that the IDE Drive User Password is lost or forgotten. The hard disk drive must be replaced. See "IDE Drive Master Password."

## IDE Drive Master Password

The IDE Drive Master Password, used on some computers, is used to recover use of the hard disk drive in the event that the IDE Drive User Password is lost or forgotten. Only the person who knows the IDE Drive Master password can reset the IDE Drive User Password.



**Attention**

Make sure that the IDE Drive Master password is stored in a safe place. If both the IDE Drive User password and the IDE Drive Master password are lost or forgotten, the IDE hard disk drive must be replaced.

If both the IDE Drive User Password and the IDE Drive Master Password are to be set, the IDE Drive Master Password must be set before setting the IDE Drive User Password.

## Setting, changing, and deleting a password

To set, change, or delete a password, do the following:

**Note:** A password can be any combination of up to seven characters (A- Z, a-z, and 0-9).

1. Start the Setup Utility program (see “Starting the Setup Utility program” on page 53).
2. From the Setup Utility program menu, select **Security**.
3. Select **Set Passwords**. Read the information displayed on the right side of the screen.

---

## Using Security Profile by Device

Security Profile by Device is used to enable or disable user access to the following devices:

<b>IDE controller</b>	When this feature is set to <b>Disable</b> , all devices connected to the IDE controller (such as hard disk drives or the CD-ROM drive) are disabled and will not be displayed in the system configuration.
<b>Diskette Drive Access</b>	When this feature is set to <b>Disable</b> , the diskette drive cannot be accessed.
<b>Diskette Write Protect</b>	When this feature is set to <b>Enable</b> , all diskettes are treated as if they are write-protected.

To set Security Profile by Device, do the following:

1. Start the Setup Utility program (see “Starting the Setup Utility program” on page 53).
2. From the Setup Utility program menu, select **Security**.
3. Select **Security Profile by Device**.
4. Select the desired devices and settings and press Enter.
5. Return to the Setup Utility program menu, select **Exit**, and then **Save Settings** or **Save and exit the Setup Utility**.

**Note:** If you do not want to save the settings, select **Exit the Setup Utility without saving**.

---

## Selecting a startup device

If the computer does not start up (boot) from a device such as the CD-ROM, diskette, or hard disk as expected, use one of the following procedures to select a startup device.

### Selecting a temporary startup device

Use this procedure to startup from any boot device.

**Note:** Not all CDs, hard disks, and diskettes are startable (bootable).

1. If your computer is already on when you start this procedure, shut down the operating system and turn off the computer.
2. To open the Startup Device Menu, repeatedly press the F12 key as you turn on the computer.

**Note:** Selecting a startup device from this list does not permanently change the startup sequence; it is valid for one boot cycle only.

### Changing the startup device sequence

To view or permanently change the configured startup device sequence, do the following:

1. Start the Setup Utility program (see “Starting the Setup Utility program” on page 53).
2. Select **Startup**.
3. Select **Startup Sequence**. See the information displayed on the right side of the screen.
4. Select the devices for the Primary Startup Sequence, the Automatic Startup Sequence, and the Error Startup Sequence.
5. Select **Exit** from the Setup Utility menu and then **Save Settings** or **Save and exit the Setup Utility**.

If you have changed these settings and want to return to the default settings, select **Load Default Settings** on the Exit menu.

---

## Advanced settings

On some computer models the Advanced settings menu includes a setting to Enable/Disable HyperThreading. This feature works only with HyperThreading-aware operating systems such as Microsoft® Windows® XP. The default setting for HyperThreading is Enabled. However, if you select **Set Defaults** and are using an operating system other than Windows XP, the computer performance might be degraded. Therefore, you should always set HyperThreading to Disabled unless you are sure your operating system supports HyperThreading.

---

## Chapter 7. Symptom-to-FRU Index

The Symptom-to-FRU index lists error symptoms and possible causes. The most likely cause is listed first. Always begin with Chapter 4, "General Checkout," on page 43. This index can also be used to help you decide which FRUs to have available when servicing a computer. If you are unable to correct the problem using this index, go to "Undetermined problems" on page 88.

**Notes:**

- If you have both an error message and an incorrect audio response, diagnose the error message first.
- If you cannot run the diagnostic tests or you get a diagnostic error code when running a test, but did receive a POST error message, diagnose the POST error message first.
- If you did not receive any error message, look for a description of your error symptoms in the first part of this index.
- Check the hard disk drive jumper settings before you replace a hard disk drive.

---

### Hard disk drive boot error

A hard disk drive boot error (error codes 1962 and I999030X) can have the following causes.

Error	FRU/Action
The start-up drive is not in the boot sequence in configuration.	Check the configuration and ensure the start-up drive is in the boot sequence.
No operating system installed on the boot drive.	Install an operating system on the boot drive.
The boot sector on the start-up drive is corrupted.	The drive must be formatted, do the following: <ol style="list-style-type: none"><li>1. Attempt to back-up the data on the failing hard disk drive.</li><li>2. Using the operating systems programs, format the hard disk drive.</li></ol>
The drive is defective.	Replace the hard disk drive.

---

### Power Supply Errors

If you suspect a power problem, use the following procedures.

Check/Verify	FRU/Action
Check the following for proper installation. <ul style="list-style-type: none"><li>• Power Cord</li><li>• On/Off Switch connector</li><li>• On/Off Switch Power Supply connector</li><li>• System Board Power Supply connectors</li><li>• Microprocessor(s) connection</li></ul>	Reseat connectors
Check the power cord for continuity.	Power Cord
Check the power-on switch for continuity.	Power-on Switch

1. Turn off the computer and disconnect all external devices.
2. Power-on the computer.
3. There are three LEDs to help you determine if the power supply and system board are working correctly. The power button LED is located on the front of the computer and the two diagnostic LEDs are located on the power supply at the rear of the computer. After pressing the power button, observe the LEDs and refer to the following table:

Power LED	Green diagnostic LED	Yellow diagnostic LED	Action
ON	ON	OFF	This is the normal condition of the LEDs when the power is OK.
OFF	OFF	OFF	<ul style="list-style-type: none"> <li>• Make sure the power cord is attached to a working electrical outlet.</li> <li>• Check the power cord for continuity.</li> <li>• If the problem persists, replace the power supply.</li> </ul>
OFF (after the power button has been pressed)	ON	OFF	Replace the system board
ON	ON	ON	Replace the power supply

If the Diagnostic LEDs are in the normal condition and the problem persists, replace the system board and the microprocessor, one at a time, until the computer works correctly.

## Diagnostic error codes

Refer to the following diagnostic error codes when using the diagnostic tests. See “Running diagnostics tests” on page 48 for the specific type for information about the Diagnostic programs.

In the following index, X can represent any number.

Diagnostic Error Code	FRU/Action
<b>000-000-XXX</b> BIOS Test Passed	<b>No action</b>
<b>000-002-XXX</b> BIOS Timeout	<ol style="list-style-type: none"> <li>1. <b>Flash the system. See “Flash update procedures” on page 518</b></li> <li>2. System board</li> </ol>
<b>000-024-XXX</b> BIOS Addressing test failure	<ol style="list-style-type: none"> <li>1. <b>Flash the system. See “Flash update procedures” on page 518</b></li> <li>2. System board</li> </ol>
<b>000-025-XXX</b> BIOS Checksum Value error	<ol style="list-style-type: none"> <li>1. <b>Flash the system. See “Flash update procedures” on page 518</b></li> <li>2. Boot block</li> <li>3. System board</li> </ol>
<b>000-026-XXX</b> FLASH data error	<ol style="list-style-type: none"> <li>1. <b>Flash the system. See “Flash update procedures” on page 518</b></li> <li>2. Boot block</li> <li>3. System board</li> </ol>
<b>000-027-XXX</b> BIOS Configuration/Setup error	<ol style="list-style-type: none"> <li>1. <b>Run Setup</b></li> <li>2. Flash the system. See “Flash update procedures” on page 518</li> <li>3. Boot block</li> <li>4. System board</li> </ol>
<b>000-034-XXX</b> BIOS Buffer Allocation failure	<ol style="list-style-type: none"> <li>1. <b>Reboot the system</b></li> <li>2. Flash the system. See “Flash update procedures” on page 518</li> <li>3. Run memory test</li> <li>4. System board</li> </ol>
<b>000-035-XXX</b> BIOS Reset Condition detected	<ol style="list-style-type: none"> <li>1. <b>Flash the system. See “Flash update procedures” on page 518</b></li> <li>2. System board</li> </ol>
<b>000-036-XXX</b> BIOS Register error	<ol style="list-style-type: none"> <li>1. <b>Flash the system. See “Flash update procedures” on page 518</b></li> <li>2. Boot block</li> <li>3. System board</li> </ol>
<b>000-038-XXX</b> BIOS Extension failure	<ol style="list-style-type: none"> <li>1. <b>Flash the system. See “Flash update procedures” on page 518</b></li> <li>2. Adapter card</li> <li>3. System board</li> </ol>

<b>Diagnostic Error Code</b>	<b>FRU/Action</b>
<b>000-039-XXX</b> BIOS DMI data error	<ol style="list-style-type: none"> <li>1. <b>Flash the system. See “Flash update procedures” on page 518</b></li> <li>2. System board</li> </ol>
<b>000-195-XXX</b> BIOS Test aborted by user	<b>Information only</b> Re-start the test, if necessary
<b>000-196-XXX</b> BIOS test halt, error threshold exceeded	<ol style="list-style-type: none"> <li>1. <b>Press F3 to review the log file</b></li> <li>2. Re-start the test to reset the log file</li> </ol>
<b>000-197-XXX</b> BIOS test warning	<ol style="list-style-type: none"> <li>1. <b>Make sure the component that is called out is connected and/or enabled. See Chapter 6, “Using the Setup Utility,” on page 53</b></li> <li>2. Re-run test</li> <li>3. Replace the component that is called out in warning statement</li> <li>4. Replace the component under test</li> </ol>
<b>000-198-XXX</b> BIOS test aborted	<ol style="list-style-type: none"> <li>1. <b>Make sure the component that is called out is connected and/or enabled. See Chapter 6, “Using the Setup Utility,” on page 53</b></li> <li>2. Flash the system and retest. See “Flash update procedures” on page 518</li> <li>3. Go to “Undetermined problems” on page 88</li> </ol>
<b>000-199-XXX</b> BIOS test failed, cause unknown	<ol style="list-style-type: none"> <li>1. Go to “Undetermined problems” on page 88</li> <li>2. Flash the system and re-test</li> <li>3. Replace component under function test</li> </ol>
<b>000-250-XXX</b> BIOS APM failure	<ol style="list-style-type: none"> <li>1. <b>Flash the system. See “Flash update procedures” on page 518</b></li> <li>2. System board</li> </ol>
<b>000-270-XXX</b> BIOS ACPI failure	<ol style="list-style-type: none"> <li>1. <b>Flash the system. See “Flash update procedures” on page 518</b></li> <li>2. System board</li> </ol>
<b>001-000-XXX</b> System Test Passed	<b>No action</b>
<b>001-00X-XXX</b> System Error	<b>System board</b>
<b>001-01X-XXX</b> System Error	<b>System board</b>
<b>001-024-XXX</b> System Addressing test failure	<b>System board</b>
<b>001-025-XXX</b> System Checksum Value error	<ol style="list-style-type: none"> <li>1. <b>Flash the system. See “Flash update procedures” on page 518</b></li> <li>2. System board</li> </ol>
<b>001-026-XXX</b> System FLASH data error	<ol style="list-style-type: none"> <li>1. <b>Flash the system. See “Flash update procedures” on page 518</b></li> <li>2. System board</li> </ol>

<b>Diagnostic Error Code</b>	<b>FRU/Action</b>
<b>001-027-XXX</b> System Configuration/Setup error	<ol style="list-style-type: none"> <li><b>1. Run Setup</b></li> <li>Flash the system. See “Flash update procedures” on page 518</li> <li>System board</li> </ol>
<b>001-032-XXX</b> System Device Controller failure	<b>System board</b>
<b>001-034-XXX</b> System Device Buffer Allocation failure	<ol style="list-style-type: none"> <li><b>1. Reboot the system</b></li> <li>Flash the system. See “Flash update procedures” on page 518</li> <li>Run memory test</li> <li>System board</li> </ol>
<b>001-035-XXX</b> System Device Reset condition detected	<b>System board</b>
<b>001-036-XXX</b> System Register error	<b>System board</b>
<b>001-038-XXX</b> System Extension failure	<ol style="list-style-type: none"> <li><b>1. Adapter card</b></li> <li>System board</li> </ol>
<b>001-039-XXX</b> System DMI data structure error	<ol style="list-style-type: none"> <li><b>1. Flash the system. See “Flash update procedures” on page 518</b></li> <li>System board</li> </ol>
<b>001-040-XXX</b> System IRQ failure	<ol style="list-style-type: none"> <li><b>1. Power-off/on system and re-test</b></li> <li>System board</li> </ol>
<b>001-041-XXX</b> System DMA failure	<ol style="list-style-type: none"> <li><b>1. Power-off/on system and re-test</b></li> <li>System board</li> </ol>
<b>001-195-XXX</b> System Test aborted by user	<b>Information only</b> Re-start the test, if necessary
<b>001-196-XXX</b> System test halt, error threshold exceeded	<ol style="list-style-type: none"> <li><b>1. Press F3 to review the log file</b></li> <li>Re-start the test to reset the log file</li> </ol>
<b>001-197-XXX</b> System test warning	<ol style="list-style-type: none"> <li><b>1. Make sure the component that is called out is connected and/or enabled. See Chapter 6, “Using the Setup Utility,” on page 53</b></li> <li>Re-run test</li> <li>Replace the component that is called out in warning statement</li> <li>Replace the component under test</li> </ol>
<b>001-198-XXX</b> System test aborted	<ol style="list-style-type: none"> <li><b>1. If a component is called out, make sure it is connected and/or enabled. See Chapter 6, “Using the Setup Utility,” on page 53</b></li> <li>Flash the system and retest. See “Flash update procedures” on page 518</li> <li>Go to “Undetermined problems” on page 88</li> </ol>

<b>Diagnostic Error Code</b>	<b>FRU/Action</b>
<b>001-199-XXX</b> System test failed, cause unknown	<ol style="list-style-type: none"> <li>1. Go to "Undetermined problems" on page 88</li> <li>2. Flash the system and re-test</li> <li>3. Replace component under function test</li> </ol>
<b>001-250-XXX</b> System ECC error	<b>System board</b>
<b>001-254-XXX</b> <b>001-255-XXX</b> <b>001-256-XXX</b> <b>001-257-XXX</b> System DMA error	<b>System board</b>
<b>001-260-XXX</b> <b>001-264-XXX</b> System IRQ error	<b>System board</b>
<b>001-268-XXX</b> System IRQ1 failure	<ol style="list-style-type: none"> <li>1. <b>Device on IRQ1</b></li> <li>2. System board</li> </ol>
<b>001-269-XXX</b> System IRQ2 failure	<ol style="list-style-type: none"> <li>1. <b>Device on IRQ2</b></li> <li>2. System board</li> </ol>
<b>001-270-XXX</b> System IRQ3 failure	<ol style="list-style-type: none"> <li>1. <b>Device on IRQ3</b></li> <li>2. System board</li> </ol>
<b>001-271-XXX</b> System IRQ4 failure	<ol style="list-style-type: none"> <li>1. <b>Device on IRQ4</b></li> <li>2. System board</li> </ol>
<b>001-272-XXX</b> System IRQ5 failure	<ol style="list-style-type: none"> <li>1. <b>Device on IRQ5</b></li> <li>2. System board</li> </ol>
<b>001-273-XXX</b> System IRQ6 (diskette drive) failure	<ol style="list-style-type: none"> <li>1. <b>Diskette Cable</b></li> <li>2. Diskette drive</li> <li>3. System board</li> </ol>
<b>001-274-XXX</b> System IRQ7 failure	<ol style="list-style-type: none"> <li>1. <b>Device on IRQ7</b></li> <li>2. System board</li> </ol>
<b>001-275-XXX</b> System IRQ8 failure	<ol style="list-style-type: none"> <li>1. <b>Device on IRQ8</b></li> <li>2. System board</li> </ol>
<b>001-276-XXX</b> System IRQ9 failure	<ol style="list-style-type: none"> <li>1. <b>Device on IRQ9</b></li> <li>2. System board</li> </ol>
<b>001-277-XXX</b> System IRQ10 failure	<ol style="list-style-type: none"> <li>1. <b>Device on IRQ10</b></li> <li>2. System board</li> </ol>
<b>001-278-XXX</b> System IRQ11 failure	<ol style="list-style-type: none"> <li>1. <b>Device on IRQ11</b></li> <li>2. System board</li> </ol>
<b>001-279-XXX</b> System IRQ12 failure	<ol style="list-style-type: none"> <li>1. <b>Device on IRQ12</b></li> <li>2. System board</li> </ol>
<b>001-280-XXX</b> System IRQ13 failure	<ol style="list-style-type: none"> <li>1. <b>Device on IRQ13</b></li> <li>2. System board</li> </ol>



<b>Diagnostic Error Code</b>	<b>FRU/Action</b>
<b>001-281-XXX</b> System IRQ14 (hard disk drive) failure	<ol style="list-style-type: none"> <li>1. <b>Hard disk drive cable</b></li> <li>2. Hard disk drive</li> <li>3. System board</li> </ol>
<b>001-282-XXX</b> System IRQ15 failure	<ol style="list-style-type: none"> <li>1. <b>Device on IRQ15</b></li> <li>2. System board</li> </ol>
<b>001-286-XXX</b> <b>001-287-XXX</b> <b>001-288-XXX</b> System Timer failure	<b>System board</b>
<b>001-292-XXX</b> System CMOS RAM error	<ol style="list-style-type: none"> <li>1. <b>Run Setup and re-test</b></li> <li>2. System board</li> </ol>
<b>001-293-XXX</b> System CMOS Battery	<ol style="list-style-type: none"> <li>1. <b>Battery</b></li> <li>2. System board</li> </ol>
<b>001-298-XXX</b> System RTC date/time update failure	<ol style="list-style-type: none"> <li>1. <b>Flash the system. See “Flash update procedures” on page 518</b></li> <li>2. System board</li> </ol>
<b>001-299-XXX</b> System RTC periodic interrupt failure	<b>System board</b>
<b>001-300-XXX</b> System RTC Alarm failure	<b>System board</b>
<b>001-301-XXX</b> System RTC Century byte error	<ol style="list-style-type: none"> <li>1. <b>Flash the system. See “Flash update procedures” on page 518</b></li> <li>2. System board</li> </ol>
<b>005-000-XXX</b> Video Test Passed	<b>No action</b>
<b>005-00X-XXX</b> Video error	<ol style="list-style-type: none"> <li>1. <b>Video card, if installed</b></li> <li>2. System board</li> </ol>
<b>005-010-XXX</b> <b>005-011-XXX</b> <b>005-012-XXX</b> <b>005-013-XXX</b> Video Signal failure	<ol style="list-style-type: none"> <li>1. <b>Video card, if installed</b></li> <li>2. System board</li> </ol>
<b>005-016-XXX</b> Video Simple Pattern test failure	<ol style="list-style-type: none"> <li>1. <b>Video Ram</b></li> <li>2. Video card, if installed</li> <li>3. System board</li> </ol>
<b>005-024-XXX</b> Video Addressing test failure	<ol style="list-style-type: none"> <li>1. <b>Video card, if installed</b></li> <li>2. System board</li> </ol>
<b>005-025-XXX</b> Video Checksum Value error	<ol style="list-style-type: none"> <li>1. <b>Video card, if installed</b></li> <li>2. System board</li> </ol>
<b>005-027-XXX</b> Video Configuration/Setup error	<ol style="list-style-type: none"> <li>1. <b>Run Setup</b></li> <li>2. Video drivers update</li> <li>3. Video card, if installed</li> <li>4. System board</li> </ol>

Diagnostic Error Code	FRU/Action
005-031-XXX Video Device Cable failure	<ol style="list-style-type: none"> <li>1. <b>Video cable</b></li> <li>2. Monitor</li> <li>3. Video card, if installed</li> <li>4. System board</li> </ol>
005-032-XXX Video Device Controller failure	<ol style="list-style-type: none"> <li>1. <b>Video card, if installed</b></li> <li>2. System board</li> </ol>
005-036-XXX Video Register error	<ol style="list-style-type: none"> <li>1. <b>Video card, if installed</b></li> <li>2. System board</li> </ol>
005-038-XXX System BIOS extension failure	<ol style="list-style-type: none"> <li>1. <b>Video card, if installed</b></li> <li>2. System board</li> </ol>
005-040-XXX Video IRQ failure	<ol style="list-style-type: none"> <li>1. <b>Video card, if installed</b></li> <li>2. System board</li> </ol>
005-195-XXX Video Test aborted by user	<p><b>Information only</b> Re-start the test, if necessary</p>
005-196-XXX Video test halt, error threshold exceeded	<ol style="list-style-type: none"> <li>1. <b>Press F3 to review the log file</b></li> <li>2. Re-start the test to reset the log file</li> </ol>
005-197-XXX Video test warning	<ol style="list-style-type: none"> <li>1. <b>Make sure the component that is called out is connected and/or enabled. See Chapter 6, "Using the Setup Utility," on page 53</b></li> <li>2. Re-run test</li> <li>3. Replace the component called out in warning statement</li> <li>4. Replace the component under test</li> </ol>
005-198-XXX Video test aborted	<ol style="list-style-type: none"> <li>1. <b>If a component is called out, make sure it is connected and/or enabled. See Chapter 6, "Using the Setup Utility," on page 53</b></li> <li>2. Flash the system and re-test. See "Flash update procedures" on page 518</li> <li>3. Go to "Undetermined problems" on page 88</li> </ol>
005-199-XXX Video test failed, cause unknown	<ol style="list-style-type: none"> <li>1. Go to "Undetermined problems" on page 88</li> <li>2. Flash the system and re-test. See "Flash update procedures" on page 518</li> <li>3. Replace component under function test</li> </ol>
005-2XX-XXX 005-3XX-XXX Video subsystem error	<ol style="list-style-type: none"> <li>1. <b>Video card, if installed</b></li> <li>2. System board</li> </ol>
006-000-XXX Diskette interface Test Passed	<b>No action</b>
006-0XX-XXX Diskette interface error	<ol style="list-style-type: none"> <li>1. <b>Diskette drive Cable</b></li> <li>2. Diskette drive</li> <li>3. System board</li> </ol>

<b>Diagnostic Error Code</b>	<b>FRU/Action</b>
<b>006-195-XXX</b> Diskette interface Test aborted by user	<b>Information only</b> Re-start the test, if necessary
<b>006-196-XXX</b> Diskette interface test halt, error threshold exceeded	<ol style="list-style-type: none"> <li>1. <b>Press F3 to review the log file</b></li> <li>2. Re-start the test to reset the log file</li> </ol>
<b>006-197-XXX</b> Diskette interface test warning	<ol style="list-style-type: none"> <li>1. <b>If a component is called out, make sure it is connected and/or enabled</b></li> <li>2. Re-run test</li> <li>3. Replace the component that is called out in warning statement</li> <li>4. Replace the component under test</li> </ol>
<b>006-198-XXX</b> Diskette interface test aborted	<ol style="list-style-type: none"> <li>1. <b>If a component is called out, make sure it is connected and/or enabled</b></li> <li>2. Flash the system and re-test. See "Flash update procedures" on page 518</li> <li>3. Go to "Undetermined problems" on page 88</li> </ol>
<b>006-199-XXX</b> Diskette interface test failed, cause unknown	<ol style="list-style-type: none"> <li>1. Go to "Undetermined problems" on page 88</li> <li>2. Flash the system and re-test</li> <li>3. Replace component under function test</li> </ol>
<b>006-25X-XXX</b> Diskette interface Error	<ol style="list-style-type: none"> <li>1. <b>Diskette drive cable</b></li> <li>2. Diskette drive</li> <li>3. System board</li> </ol>
<b>011-000-XXX</b> Serial port Interface Test Passed	<b>No action</b>
<b>011-001-XXX</b> Serial port Presence	<ol style="list-style-type: none"> <li>1. <b>Remove external serial device, if present</b></li> <li>2. Run setup, enable port</li> <li>3. System board</li> </ol>
<b>011-002-XXX</b> <b>011-003-XXX</b> Serial port Timeout/Parity error	<b>System board</b>
<b>011-013-XXX</b> <b>011-014-XXX</b> Serial port Control Signal/Loopback test failure	<b>System board</b>
<b>011-015-XXX</b> Serial port External Loopback failure	<ol style="list-style-type: none"> <li>1. <b>Wrap plug</b></li> <li>2. System board</li> </ol>
<b>011-027-XXX</b> Serial port Configuration/Setup error	<ol style="list-style-type: none"> <li>1. <b>Run Setup, enable port</b></li> <li>2. Flash the system. See "Flash update procedures" on page 518</li> <li>3. System board</li> </ol>
<b>011-03X-XXX</b> <b>011-04X-XXX</b> Serial port failure	<b>System board</b>

Diagnostic Error Code	FRU/Action
<b>011-195-XXX</b> Serial port Test aborted by user	<b>Information only</b> Re-start the test, if necessary
<b>011-196-XXX</b> Serial port test halt, error threshold exceeded	<ol style="list-style-type: none"> <li>1. <b>Press F3 to review the log file</b></li> <li>2. Re-start the test to reset the log file</li> </ol>
<b>011-197-XXX</b> Serial port test warning	<ol style="list-style-type: none"> <li>1. <b>Make sure the component that is called out is connected and/or enabled. See Chapter 6, "Using the Setup Utility," on page 53</b></li> <li>2. Re-run test</li> <li>3. Replace the component that is called out in warning statement</li> <li>4. Replace the component under test</li> </ol>
<b>011-198-XXX</b> Serial port test aborted	<ol style="list-style-type: none"> <li>1. <b>If a component is called out, make sure it is connected and/or enabled. See Chapter 6, "Using the Setup Utility," on page 53</b></li> <li>2. Flash the system and re-test. See "Flash update procedures" on page 518</li> <li>3. Go to "Undetermined problems" on page 88</li> </ol>
<b>011-199-XXX</b> Serial port test failed, cause unknown	<ol style="list-style-type: none"> <li>1. Go to "Undetermined problems" on page 88</li> <li>2. Flash the system and re-test. See "Flash update procedures" on page 518</li> <li>3. Replace component under function test</li> </ol>
<b>011-2XX-XXX</b> Serial port signal failure	<ol style="list-style-type: none"> <li>1. <b>External serial device</b></li> <li>2. System board</li> </ol>
<b>014-000-XXX</b> Parallel port Interface Test Passed	<b>No action</b>
<b>014-001-XXX</b> Parallel port Presence	<ol style="list-style-type: none"> <li>1. <b>Remove external parallel device, if present</b></li> <li>2. Run setup, enable port</li> <li>3. System board</li> </ol>
<b>014-002-XXX</b> <b>014-003-XXX</b> Parallel port Timeout/Parity error	<b>System board</b>
<b>014-013-XXX</b> <b>014-014-XXX</b> Parallel port Control Signal/Loopback test failure	<b>System board</b>
<b>014-015-XXX</b> Parallel port External Loopback failure	<ol style="list-style-type: none"> <li>1. <b>Wrap plug</b></li> <li>2. System board</li> </ol>
<b>014-027-XXX</b> Parallel port Configuration/Setup error	<ol style="list-style-type: none"> <li>1. <b>Run Setup, enable port</b></li> <li>2. Flash the system. See "Flash update procedures" on page 518</li> <li>3. System board</li> </ol>

Diagnostic Error Code	FRU/Action
014-03X-XXX 014-04X-XXX Parallel port failure	System board
014-195-XXX Parallel port Test aborted by user	Information only Re-start the test, if necessary
014-196-XXX Parallel port test halt, error threshold exceeded	<ol style="list-style-type: none"> <li>1. Press F3 to review the log file</li> <li>2. Re-start the test to reset the log file</li> </ol>
014-197-XXX Parallel port test warning	<ol style="list-style-type: none"> <li>1. Make sure the component that is called out is connected and/or enabled. See Chapter 6, "Using the Setup Utility," on page 53</li> <li>2. Re-run test</li> <li>3. Replace the component that is called out in warning statement</li> <li>4. Replace the component under test</li> </ol>
014-198-XXX Parallel port test aborted	<ol style="list-style-type: none"> <li>1. If a component is called out, make sure it is connected and/or enabled</li> <li>2. Flash the system and re-test. See "Flash update procedures" on page 518</li> <li>3. Go to "Undetermined problems" on page 88</li> </ol>
014-199-XXX Parallel port test failed, cause unknown	<ol style="list-style-type: none"> <li>1. Go to "Undetermined problems" on page 88</li> <li>2. Flash the system and re-test. See "Flash update procedures" on page 518</li> <li>3. Replace component under function test</li> </ol>
014-2XX-XXX 014-3XX-XXX Parallel port failure	<ol style="list-style-type: none"> <li>1. External parallel device</li> <li>2. System board</li> </ol>
015-000-XXX USB port Interface Test Passed	No action
015-001-XXX USB port Presence	<ol style="list-style-type: none"> <li>1. Remove USB device(s) and re-test</li> <li>2. System board</li> </ol>
015-002-XXX USB port Timeout	<ol style="list-style-type: none"> <li>1. Remove USB device(s) and re-test</li> <li>2. System board</li> </ol>
015-015-XXX USB port External Loopback failure	<ol style="list-style-type: none"> <li>1. Remove USB device(s) and re-test</li> <li>2. System board</li> </ol>
015-027-XXX USB port Configuration/Setup error	<ol style="list-style-type: none"> <li>1. Flash the system. See "Flash update procedures" on page 518</li> <li>2. System board</li> </ol>
015-032-XXX USB port Device Controller failure	System board

Diagnostic Error Code	FRU/Action
<b>015-034-XXX</b> USB port buffer allocation failure	<ol style="list-style-type: none"> <li>1. <b>Reboot the system</b></li> <li>2. Flash the system and re-test. See "Flash update procedures" on page 518</li> <li>3. Run memory test</li> <li>4. System board</li> </ol>
<b>015-035-XXX</b> USB port Reset condition detected	<ol style="list-style-type: none"> <li>1. <b>Remove USB device(s) and re-test</b></li> <li>2. System board</li> </ol>
<b>015-036-XXX</b> USB port Register error	<b>System board</b>
<b>015-040-XXX</b> USB port IRQ failure	<ol style="list-style-type: none"> <li>1. <b>Run setup and check for conflicts</b></li> <li>2. Flash the system. See "Flash update procedures" on page 518</li> <li>3. System board</li> </ol>
<b>015-195-XXX</b> USB port Test aborted by user	<b>Information only</b> Re-start the test, if necessary
<b>015-196-XXX</b> USB port test halt, error threshold exceeded	<ol style="list-style-type: none"> <li>1. <b>Press F3 to review the log file</b></li> <li>2. Re-start the test to reset the log file</li> </ol>
<b>015-197-XXX</b> USB port test warning	<ol style="list-style-type: none"> <li>1. <b>Make sure the component that is called out is connected and/or enabled. See Chapter 6, "Using the Setup Utility," on page 53</b></li> <li>2. Re-run test</li> <li>3. Replace the component that is called out in warning statement</li> <li>4. Replace the component under test</li> </ol>
<b>015-198-XXX</b> USB port test aborted	<ol style="list-style-type: none"> <li>1. <b>If a component is called out, make sure it is connected and/or enabled. See Chapter 6, "Using the Setup Utility," on page 53</b></li> <li>2. Flash the system and re-test. See "Flash update procedures" on page 518</li> <li>3. Go to "Undetermined problems" on page 88</li> </ol>
<b>015-199-XXX</b> USB port test failed, cause unknown	<ol style="list-style-type: none"> <li>1. Go to "Undetermined problems" on page 88</li> <li>2. Flash the system and re-test. See "Flash update procedures" on page 518</li> <li>3. Replace component under function test</li> </ol>
<b>018-000-XXX</b> PCI Card Test Passed	<b>No action</b>
<b>018-0XX-XXX</b> PCI Card Failure	<ol style="list-style-type: none"> <li>1. <b>Riser card, if installed</b></li> <li>2. System board</li> </ol>
<b>018-195-XXX</b> PCI Card Test aborted by user	<ol style="list-style-type: none"> <li>1. <b>PCI card</b></li> <li>2. <b>Information only</b> Re-start the test, if necessary</li> </ol>

Diagnostic Error Code	FRU/Action
<b>018-196-XXX</b> PCI Card test halt, error threshold exceeded	<ol style="list-style-type: none"> <li>1. Press F3 to review the log file</li> <li>2. Re-start the test to reset the log file</li> </ol>
<b>018-197-XXX</b> PCI Card test warning	<ol style="list-style-type: none"> <li>1. Make sure the component that is called out is connected and/or enabled. See Chapter 6, "Using the Setup Utility," on page 53</li> <li>2. Re-run test</li> <li>3. Replace the component that is called out in warning statement</li> <li>4. Replace the component under test</li> </ol>
<b>018-198-XXX</b> PCI Card test aborted	<ol style="list-style-type: none"> <li>1. If a component is called out, make sure it is connected and/or enabled. See Chapter 6, "Using the Setup Utility," on page 53</li> <li>2. Flash the system and re-test. See "Flash update procedures" on page 518</li> <li>3. Go to "Undetermined problems" on page 88</li> </ol>
<b>018-199-XXX</b> PCI Card test failed, cause unknown	<ol style="list-style-type: none"> <li>1. Go to "Undetermined problems" on page 88</li> <li>2. Flash the system and re-test. See "Flash update procedures" on page 518</li> <li>3. Replace component under function test</li> </ol>
<b>018-250-XXX</b> PCI Card Services error	<ol style="list-style-type: none"> <li>1. PCI card</li> <li>2. Riser card, if installed</li> <li>3. System board</li> </ol>
<b>020-000-XXX</b> PCI Interface Test Passed	<b>No action</b>
<b>020-0XX-XXX</b> PCI Interface error	<ol style="list-style-type: none"> <li>1. PCI card</li> <li>2. Riser card, if installed</li> <li>3. System board</li> </ol>
<b>020-195-XXX</b> PCI Test aborted by user	<b>Information only</b> Re-start the test, if necessary
<b>020-196-XXX</b> PCI test halt, error threshold exceeded	<ol style="list-style-type: none"> <li>1. Press F3 to review the log file</li> <li>2. Re-start the test to reset the log file</li> </ol>
<b>020-197-XXX</b> PCI test warning	<ol style="list-style-type: none"> <li>1. Make sure the component that is called out is connected and/or enabled. See Chapter 6, "Using the Setup Utility," on page 53</li> <li>2. Re-run test</li> <li>3. Replace the component that is called out in warning statement</li> <li>4. Replace the component under test</li> </ol>

Diagnostic Error Code	FRU/Action
020-198-XXX PCI test aborted	<ol style="list-style-type: none"> <li>1. <b>If a component is called out, make sure it is connected and/or enabled. See Chapter 6, "Using the Setup Utility," on page 53</b></li> <li>2. Flash the system and re-test. See "Flash update procedures" on page 518</li> <li>3. Go to "Undetermined problems" on page 88</li> </ol>
020-199-XXX PCI test failed, cause unknown	<ol style="list-style-type: none"> <li>1. Go to "Undetermined problems" on page 88</li> <li>2. Flash the system and re-test. See "Flash update procedures" on page 518</li> <li>3. Replace component under function test</li> </ol>
020-262-XXX PCI system error	<ol style="list-style-type: none"> <li>1. PCI card</li> <li>2. Riser card, if installed</li> <li>3. System board</li> </ol>
025-000-XXX IDE interface Test Passed	<b>No action</b>
025-00X-XXX 025-01X-XXX IDE interface failure	<ol style="list-style-type: none"> <li>1. <b>IDE signal cable</b></li> <li>2. Check power supply voltages</li> <li>3. Reseat IDE signal cable</li> <li>4. IDE device</li> <li>5. System board</li> </ol>
025-027-XXX IDE interface Configuration/Setup error	<ol style="list-style-type: none"> <li>1. <b>IDE signal cable</b></li> <li>2. Flash the system. See "Flash update procedures" on page 518</li> <li>3. Reseat IDE signal cable</li> <li>4. IDE device</li> <li>5. System board</li> </ol>
025-02X-XXX 025-03X-XXX 025-04X-XXX IDE Interface failure	<ol style="list-style-type: none"> <li>1. <b>IDE signal cable</b></li> <li>2. Check power supply</li> <li>3. Reseat IDE signal cable</li> <li>4. IDE device</li> <li>5. System board</li> </ol>
025-195-XXX IDE interface Test aborted by user	<b>Information only</b> Re-start the test, if necessary
025-196-XXX IDE interface test halt, error threshold exceeded	<ol style="list-style-type: none"> <li>1. <b>Press F3 to review the log file</b></li> <li>2. Re-start the test to reset the log file</li> </ol>
025-197-XXX IDE interface test warning	<ol style="list-style-type: none"> <li>1. <b>Make sure the component that is called out is connected and/or enabled. See Chapter 6, "Using the Setup Utility," on page 53</b></li> <li>2. Re-run test</li> <li>3. Replace the component that is called out in warning statement</li> <li>4. Replace the component under test</li> </ol>



Diagnostic Error Code	FRU/Action
<b>025-198-XXX</b> IDE interface test aborted	<ol style="list-style-type: none"> <li>1. <b>If a component is called out, make sure it is connected and/or enabled. See Chapter 6, "Using the Setup Utility," on page 53</b></li> <li>2. Flash the system and re-test. See "Flash update procedures" on page 518</li> <li>3. Go to "Undetermined problems" on page 88</li> </ol>
<b>025-199-XXX</b> IDE interface test failed, cause unknown	<ol style="list-style-type: none"> <li>1. Go to "Undetermined problems" on page 88</li> <li>2. Flash the system and re-test. See "Flash update procedures" on page 518</li> <li>3. Replace component under function test</li> </ol>
<b>030-000-XXX</b> SCSI interface Test Passed	<b>No action</b>
<b>030-00X-XXX</b> <b>030-01X-XXX</b> SCSI interface failure	<ol style="list-style-type: none"> <li>1. <b>SCSI signal cable</b></li> <li>2. Check power supply</li> <li>3. SCSI device</li> <li>4. SCSI adapter card, if installed</li> <li>5. System board</li> </ol>
<b>030-027-XXX</b> SCSI interface Configuration/Setup error	<ol style="list-style-type: none"> <li>1. <b>SCSI signal cable</b></li> <li>2. Flash the system. See "Flash update procedures" on page 518</li> <li>3. SCSI device</li> <li>4. SCSI adapter card, if installed</li> <li>5. System board</li> </ol>
<b>030-03X-XXX</b> <b>030-04X-XXX</b> SCSI interface error	<ol style="list-style-type: none"> <li>1. <b>SCSI signal cable</b></li> <li>2. Check power supply</li> <li>3. SCSI device</li> <li>4. SCSI adapter card, if installed</li> <li>5. System board</li> </ol>
<b>030-195-XXX</b> SCSI interface Test aborted by user	<b>Information only</b> Re-start the test, if necessary
<b>030-196-XXX</b> SCSI interface test halt, error threshold exceeded	<ol style="list-style-type: none"> <li>1. <b>Press F3 to review the log file</b></li> <li>2. Re-start the test to reset the log file</li> </ol>
<b>030-197-XXX</b> SCSI interface test warning	<ol style="list-style-type: none"> <li>1. <b>Make sure the component that is called out is connected and/or enabled. See Chapter 6, "Using the Setup Utility," on page 53</b></li> <li>2. Re-run test</li> <li>3. Replace the component that is called out in warning statement</li> <li>4. Replace the component under test</li> </ol>

Diagnostic Error Code	FRU/Action
<b>030-198-XXX</b> SCSI interface test aborted	<ol style="list-style-type: none"> <li>1. <b>If a component is called out, make sure it is connected and/or enabled. See Chapter 6, "Using the Setup Utility," on page 53</b></li> <li>2. Flash the system and re-test. See "Flash update procedures" on page 518</li> <li>3. Go to "Undetermined problems" on page 88</li> </ol>
<b>030-199-XXX</b> SCSI interface test failed, cause unknown	<ol style="list-style-type: none"> <li>1. Go to "Undetermined problems" on page 88</li> <li>2. Flash the system and re-test. See "Flash update procedures" on page 518</li> <li>3. Replace component under function test</li> </ol>
<b>035-000-XXX</b> RAID interface Test Passed	<b>No action</b>
<b>035-0XX-XXX</b> RAID interface Failure	<ol style="list-style-type: none"> <li>1. <b>RAID signal cable</b></li> <li>2. RAID device</li> <li>3. RAID adapter card, if installed</li> <li>4. System board</li> </ol>
<b>035-195-XXX</b> RAID interface Test aborted by user	<b>Information only</b> Re-start the test, if necessary
<b>035-196-XXX</b> RAID interface test halt, error threshold exceeded	<ol style="list-style-type: none"> <li>1. <b>Press F3 to review the log file</b></li> <li>2. Re-start the test to reset the log file</li> </ol>
<b>035-197-XXX</b> RAID interface test warning	<ol style="list-style-type: none"> <li>1. <b>Make sure the component that is called out is connected and/or enabled. See Chapter 6, "Using the Setup Utility," on page 53</b></li> <li>2. Re-run test</li> <li>3. Replace the component that is called out in warning statement</li> <li>4. Replace the component under test</li> </ol>
<b>035-198-XXX</b> RAID interface test aborted	<ol style="list-style-type: none"> <li>1. <b>If a component is called out, make sure it is connected and/or enabled. See Chapter 6, "Using the Setup Utility," on page 53</b></li> <li>2. Flash the system and re-test. See "Flash update procedures" on page 518</li> <li>3. Go to "Undetermined problems" on page 88</li> </ol>
<b>035-199-XXX</b> RAID interface test failed, cause unknown	<ol style="list-style-type: none"> <li>1. See "Undetermined problems" on page 88</li> <li>2. Flash the system and re-test. See "Flash update procedures" on page 518</li> <li>3. Replace component under function test</li> </ol>
<b>071-000-XXX</b> Audio port Interface Test Passed	<b>No action</b>

Diagnostic Error Code	FRU/Action
071-00X-XXX 071-01X-XXX 071-02X-XXX Audio port error	<ol style="list-style-type: none"> <li>1. <b>Run Setup</b></li> <li>2. Flash the system. See "Flash update procedures" on page 518</li> <li>3. System board</li> </ol>
071-03X-XXX Audio port failure	<ol style="list-style-type: none"> <li>1. <b>Speakers</b></li> <li>2. Microphone</li> <li>3. Audio card, if installed</li> <li>4. System board</li> </ol>
071-04X-XXX Audio port failure	<ol style="list-style-type: none"> <li>1. <b>Run Setup</b></li> <li>2. Audio card, if installed</li> <li>3. System board</li> </ol>
071-195-XXX Audio port Test aborted by user	<p><b>Information only</b> Re-start the test, if necessary</p>
071-196-XXX Audio port test halt, error threshold exceeded	<ol style="list-style-type: none"> <li>1. <b>Press F3 to review the log file</b></li> <li>2. Re-start the test to reset the log file</li> </ol>
071-197-XXX Audio port test warning	<ol style="list-style-type: none"> <li>1. <b>Make sure the component that is called out is connected and/or enabled. See Chapter 6, "Using the Setup Utility," on page 53</b></li> <li>2. Re-run test</li> <li>3. Replace the component that is called out in warning statement</li> <li>4. Replace the component under test</li> </ol>
071-198-XXX Audio port test aborted	<ol style="list-style-type: none"> <li>1. <b>If a component is called out, make sure it is connected and/or enabled. See Chapter 6, "Using the Setup Utility," on page 53</b></li> <li>2. Flash the system and re-test. See "Flash update procedures" on page 518</li> <li>3. Go to "Undetermined problems" on page 88</li> </ol>
071-199-XXX Audio port test failed, cause unknown	<ol style="list-style-type: none"> <li>1. See "Undetermined problems" on page 88</li> <li>2. Flash the system and re-test. See "Flash update procedures" on page 518</li> <li>3. Replace component under function test</li> </ol>
071-25X-XXX Audio port failure	<ol style="list-style-type: none"> <li>1. <b>Speakers</b></li> <li>2. Audio card, if installed</li> <li>3. System board</li> </ol>
080-000-XXX Game Port interface Test Passed	<b>No action</b>
080-XXX-XXX Game Port interface Error	<ol style="list-style-type: none"> <li>1. <b>Remove the game port device and re-test the system</b></li> </ol>
080-195-XXX Game Port interface Test aborted by user	<p><b>Information only</b> Re-start the test, if necessary</p>

Diagnostic Error Code	FRU/Action
<b>080-196-XXX</b> Game Port interface test halt, error threshold exceeded	<ol style="list-style-type: none"> <li>1. <b>Press F3 to review the log file</b></li> <li>2. Re-start the test to reset the log file</li> </ol>
<b>080-197-XXX</b> Game Port interface test warning	<ol style="list-style-type: none"> <li>1. <b>Make sure the component that is called out is connected and/or enabled. See Chapter 6, "Using the Setup Utility," on page 53</b></li> <li>2. Re-run test</li> <li>3. Replace the component that is called out in warning statement</li> <li>4. Replace the component under test</li> </ol>
<b>080-198-XXX</b> Game Port interface test aborted	<ol style="list-style-type: none"> <li>1. <b>If a component is called out, make sure it is connected and/or enabled. See Chapter 6, "Using the Setup Utility," on page 53</b></li> <li>2. Flash the system and re-test. See "Flash update procedures" on page 518</li> <li>3. Go to "Undetermined problems" on page 88</li> </ol>
<b>080-199-XXX</b> Game Port interface test failed, cause unknown	<ol style="list-style-type: none"> <li>1. See "Undetermined problems" on page 88</li> <li>2. Flash the system and re-test. See "Flash update procedures" on page 518</li> <li>3. Replace component under function test</li> </ol>
<b>086-000-XXX</b> Mouse Port interface Test Passed	<b>No action</b>
<b>086-001-XXX</b> Mouse Port interface Presence	<ol style="list-style-type: none"> <li>1. <b>Mouse</b></li> <li>2. System board</li> </ol>
<b>086-032-XXX</b> Mouse Port interface Device controller failure	<ol style="list-style-type: none"> <li>1. <b>Mouse</b></li> <li>2. System board</li> </ol>
<b>086-035-XXX</b> Mouse Port interface Reset	<ol style="list-style-type: none"> <li>1. <b>Mouse</b></li> <li>2. System board</li> </ol>
<b>086-040-XXX</b> Mouse Port interface IRQ failure	<ol style="list-style-type: none"> <li>1. <b>Run Setup</b></li> <li>2. Mouse</li> <li>3. System board</li> </ol>
<b>086-195-XXX</b> Mouse Port interface Test aborted by user	<b>Information only</b> Re-start the test, if necessary
<b>086-196-XXX</b> Mouse Port interface test halt, error threshold exceeded	<ol style="list-style-type: none"> <li>1. <b>Press F3 to review the log file</b></li> <li>2. Re-start the test to reset the log file</li> </ol>

Diagnostic Error Code	FRU/Action
086-197-XXX Mouse Port interface test warning	<ol style="list-style-type: none"> <li>1. <b>Make sure the component that is called out is connected and/or enabled. See Chapter 6, "Using the Setup Utility," on page 53</b></li> <li>2. Re-run test</li> <li>3. Replace the component that is called out in warning statement</li> <li>4. Replace the component under test</li> </ol>
086-198-XXX Mouse Port interface test aborted	<ol style="list-style-type: none"> <li>1. <b>If a component is called out, make sure it is connected and/or enabled. See Chapter 6, "Using the Setup Utility," on page 53</b></li> <li>2. Flash the system and re-test. See "Flash update procedures" on page 518</li> <li>3. Go to "Undetermined problems" on page 88</li> </ol>
086-199-XXX Mouse Port interface test failed, cause unknown	<ol style="list-style-type: none"> <li>1. See "Undetermined problems" on page 88</li> <li>2. Flash the system and re-test. See "Flash update procedures" on page 518</li> <li>3. Replace component under function test</li> </ol>
089-000-XXX Microprocessor Test Passed	<b>No action</b>
089-XXX-XXX Microprocessor failure	<ol style="list-style-type: none"> <li>1. <b>Microprocessor(s)</b></li> <li>2. System board</li> </ol>
089-195-XXX Microprocessor Test aborted by user	<b>Information only</b> Re-start the test, if necessary
089-196-XXX Microprocessor test halt, error threshold exceeded	<ol style="list-style-type: none"> <li>1. <b>Press F3 to review the log file</b></li> <li>2. Re-start the test to reset the log file</li> </ol>
089-197-XXX Microprocessor test warning	<ol style="list-style-type: none"> <li>1. <b>Make sure the component that is called out is connected and/or enabled. See Chapter 6, "Using the Setup Utility," on page 53</b></li> <li>2. Re-run test</li> <li>3. Replace the component that is called out in warning statement</li> <li>4. Replace the component under test</li> </ol>
089-198-XXX Microprocessor test aborted	<ol style="list-style-type: none"> <li>1. <b>Flash the system. See "Flash update procedures" on page 518</b></li> <li>2. Go to "Undetermined problems" on page 88</li> </ol>
089-199-XXX Microprocessor test failed, cause unknown	<ol style="list-style-type: none"> <li>1. See "Undetermined problems" on page 88</li> <li>2. Flash the system and re-test. See "Flash update procedures" on page 518</li> <li>3. Replace component under function test</li> </ol>
170-000-XXX Voltage Sensor(s) Test Passed	<b>No action</b>

Diagnostic Error Code	FRU/Action
<b>170-0XX-XXX</b> Voltage Sensor(s) failure	<ol style="list-style-type: none"> <li>1. <b>Flash system</b></li> <li>2. System board</li> </ol>
<b>170-195-XXX</b> Voltage Sensor(s) Test aborted by user	<p><b>Information only</b> Re-start the test, if necessary</p>
<b>170-196-XXX</b> Voltage Sensor(s) test halt, error threshold exceeded	<ol style="list-style-type: none"> <li>1. <b>Press F3 to review the log file</b></li> <li>2. Re-start the test to reset the log file</li> </ol>
<b>170-197-XXX</b> Voltage Sensor(s) test warning	<ol style="list-style-type: none"> <li>1. <b>Make sure the component that is called out is connected and/or enabled. See Chapter 6, "Using the Setup Utility," on page 53</b></li> <li>2. Re-run test</li> <li>3. Replace the component that is called out in warning statement</li> <li>4. Replace the component under test</li> </ol>
<b>170-198-XXX</b> Voltage Sensor(s) test aborted	<ol style="list-style-type: none"> <li>1. <b>If a component is called out, make sure it is connected and/or enabled. See Chapter 6, "Using the Setup Utility," on page 53</b></li> <li>2. Flash the system and re-test. See "Flash update procedures" on page 518</li> <li>3. Go to "Undetermined problems" on page 88</li> </ol>
<b>170-199-XXX</b> Voltage Sensor(s) test failed, cause unknown	<ol style="list-style-type: none"> <li>1. <b>See "Undetermined problems" on page 88</b></li> <li>2. Flash the system and re-test. See "Flash update procedures" on page 518</li> <li>3. Replace component under function test</li> </ol>
<b>170-250-XXX</b> <b>170-251-XXX</b> Voltage Sensor(s) Voltage limit error	<ol style="list-style-type: none"> <li>1. <b>Power supply</b></li> <li>2. System board</li> </ol>
<b>170-254-XXX</b> Voltage Sensor(s) Voltage Regulator Module error	<ol style="list-style-type: none"> <li>1. <b>Voltage Regulator Module (VRM)</b></li> <li>2. Microprocessor</li> <li>3. System board</li> </ol>
<b>175-000-XXX</b> Thermal Sensor(s) Test Passed	<b>No action</b>
<b>175-0XX-XXX</b> Thermal Sensor(s) failure	<ol style="list-style-type: none"> <li>1. <b>Flash system</b></li> <li>2. System board</li> </ol>
<b>175-195-XXX</b> Thermal Sensor(s) Test aborted by user	<p><b>Information only</b> Re-start the test, if necessary</p>
<b>175-196-XXX</b> Thermal Sensor(s) test halt, error threshold exceeded	<ol style="list-style-type: none"> <li>1. <b>Press F3 to review the log file</b></li> <li>2. Re-start the test to reset the log file</li> </ol>

Diagnostic Error Code	FRU/Action
175-197-XXX Thermal Sensor(s) test warning	<ol style="list-style-type: none"> <li>1. <b>Make sure the component that is called out is connected and/or enabled. See Chapter 6, "Using the Setup Utility," on page 53</b></li> <li>2. Re-run test</li> <li>3. Replace the component that is called out in warning statement</li> <li>4. Replace the component under test</li> </ol>
175-198-XXX Thermal Sensor(s) test aborted	<ol style="list-style-type: none"> <li>1. <b>If a component is called out, make sure it is connected and/or enabled</b></li> <li>2. Flash the system and re-test. See "Flash update procedures" on page 518</li> <li>3. Go to "Undetermined problems" on page 88</li> </ol>
175-199-XXX Thermal Sensor(s) test failed, cause unknown	<ol style="list-style-type: none"> <li>1. <b>See "Undetermined problems" on page 88</b></li> <li>2. Flash the system and re-test. See "Flash update procedures" on page 518</li> <li>3. Replace component under function test</li> </ol>
175-250-XXX 175-251-XXX Thermal Sensor(s) limit error	<ol style="list-style-type: none"> <li>1. <b>Check fans</b></li> <li>2. Check Power supply voltages</li> <li>3. Microprocessor</li> <li>4. System board</li> </ol>
185-000-XXX Asset Security Test Passed	<b>No action</b>
185-XXX-XXX Asset Security failure	<ol style="list-style-type: none"> <li>1. <b>Flash system</b></li> <li>2. System board</li> </ol>
185-278-XXX Asset Security Chassis Intrusion	<ol style="list-style-type: none"> <li>1. <b>Assure Asset Security Enabled</b></li> <li>2. C2 Cover Switch</li> <li>3. System board</li> </ol>
201-000-XXX System Memory Test Passed	<b>No action</b>
201-XXX-XXX System Memory error	<ol style="list-style-type: none"> <li>1. <b>Replace the memory module called out by the test</b></li> <li>2. System board</li> </ol>
202-000-XXX System Cache Test Passed	<b>No action</b>
202-XXX-XXX System Cache error	<ol style="list-style-type: none"> <li>1. <b>Cache, if removable</b></li> <li>2. System board</li> <li>3. Microprocessor</li> </ol>
206-000-XXX Diskette Drive Test Passed	<b>No action</b>
206-XXX-XXX Diskette Drive error	<ol style="list-style-type: none"> <li>1. <b>Diskette Drive Cable</b></li> <li>2. Check power supply voltages</li> <li>3. Diskette drive</li> <li>4. System board</li> </ol>

<b>Diagnostic Error Code</b>	<b>FRU/Action</b>
<b>215-000-XXX</b> CD-ROM Drive Test Passed	<b>No action</b>
<b>215-XXX-XXX</b> CD-ROM Drive error	<ol style="list-style-type: none"> <li>1. <b>CD-ROM Drive Cable</b></li> <li>2. Check power supply voltages</li> <li>3. CD-ROM drive</li> <li>4. System board</li> </ol>
<b>217-000-XXX</b> Hard Disk Drive Test Passed	<b>No action</b>
<b>217-25X-XXX</b> <b>217-26X-XXX</b> Hard Disk Drive (IDE) error	<ol style="list-style-type: none"> <li>1. <b>Hard Disk Drive Cable</b></li> <li>2. Check power supply voltages</li> <li>3. Reseat the hard disk drive cable</li> <li>4. Hard Disk drive (IDE)</li> <li>5. System board</li> </ol>
<b>217-28X-XXX</b> <b>217-29X-XXX</b> Hard Disk Drive (SCSI) error	<ol style="list-style-type: none"> <li>1. <b>Hard Disk Drive Cable</b></li> <li>2. Check power supply voltages</li> <li>3. Reseat the hard disk drive cable</li> <li>4. Hard Disk drive (SCSI)</li> <li>5. SCSI adapter card</li> <li>6. System board</li> </ol>
<b>220-000-XXX</b> Hi-Capacity Cartridge Drive Test Passed	<b>No action</b>
<b>220-XXX-XXX</b> Hi-Capacity Cartridge Drive error	<ol style="list-style-type: none"> <li>1. <b>Remove the Hi-Capacity Cartridge Drive and re-test the system</b></li> </ol>
<b>301-XXX-XXX</b> Keyboard error	<ol style="list-style-type: none"> <li>1. <b>Keyboard</b></li> <li>2. Check and test mouse</li> <li>3. System board</li> </ol>
<b>301-000-XXX</b> Keyboard Test Passed	<b>No action</b>
<b>302-000-XXX</b> Mouse Test Passed	<b>No action</b>
<b>302-XXX-XXX</b> Mouse error	<ol style="list-style-type: none"> <li>1. <b>Mouse</b></li> <li>2. Check and test Keyboard</li> <li>3. System board</li> </ol>
<b>303-000-XXX</b> Joystick Test Passed	<b>No action</b>
<b>303-XXX-XXX</b> Joystick error	<b>Remove the Joystick and re-test the system</b>
<b>305-000-XXX</b> Monitor DDC Test Passed	<b>No action</b>
<b>305-250-XXX</b> Monitor DDC self test failure	<ol style="list-style-type: none"> <li>1. <b>Run Setup to enable DDC</b></li> <li>2. Cable</li> <li>3. Monitor</li> <li>4. Video card</li> <li>5. System board</li> </ol>



<b>Diagnostic Error Code</b>	<b>FRU/Action</b>
415-000-XXX Modem Test Passed	No action
415-XXX-XXX Modem error	Remove the Modem and re-test the system

## Beep symptoms

Beep symptoms are short tones or a series of short tones separated by pauses (intervals without sound). See the following examples.

Beeps	Description
1-2-X	<ul style="list-style-type: none"> <li>• One beep</li> <li>• A pause (or break)</li> <li>• Two beeps</li> <li>• A pause (or break)</li> <li>• Any number of breaks</li> </ul>
4	Four continuous beeps

Use the following table to diagnose beep symptoms.

Beep Symptom	FRU/Action
1-1-3 CMOS read-write error	<ol style="list-style-type: none"> <li>1. Run Setup</li> <li>2. System Board</li> </ol>
1-2-2-3 ROM BIOS check error	System board
1-2-1 Programmable Interval Timer failed	System board
1-2-2 DMA Initialization failed	System board
1-2-3 DMA page register write/read failed	System board
1-2-4 RAM refresh verification failed	<ol style="list-style-type: none"> <li>1. Memory module</li> <li>2. System Board</li> </ol>
1-3-3-1 1st 64K RAM test failed	<ol style="list-style-type: none"> <li>1. Memory module</li> <li>2. System Board</li> </ol>
1-3-2 1st 64K RAM parity test failed	<ol style="list-style-type: none"> <li>1. Memory module</li> <li>2. Processor</li> <li>3. System Board</li> </ol>
2-2-3-1 Interrupt vector loading test failed	System board
2-1-1 Secondary DMA register failed	System board
2-1-2 Primary DMA register failed	System board
2-1-3 Primary interrupt mask register failed	System board
2-1-4 Secondary interrupt mask register failed	System board
2-2-1 Interrupt vector loading failed	System board
1-3-1-3 Keyboard controller failed	<ol style="list-style-type: none"> <li>1. System Board</li> <li>2. Keyboard</li> </ol>
2-2-3 CMOS power failure and checksum checks failed	<ol style="list-style-type: none"> <li>1. Battery</li> <li>2. System Board</li> </ol>

<b>Beep Symptom</b>	<b>FRU/Action</b>
2-2-4 CMOS configuration info validation failed	1. <b>Battery</b> 2. System Board
2-3-1 Screen initialization failed	1. <b>Jumper on J28</b> 2. System Board
2-3-2 Screen memory failed	<b>System board</b>
2-3-3 Screen retrace failed	<b>System board</b>
1-2 Search for video ROM failed	<b>System board</b>
All other beep code sequences	<b>System board</b>
Continuous beep	<b>System Board</b>
Repeating short beeps	1. <b>Keyboard stuck key</b> 2. Keyboard Cable 3. System Board

---

## No-beep symptoms

Symptom/Error	FRU/Action
No beep during POST but computer works correctly.	<b>System board</b>
No beep during POST.	<ol style="list-style-type: none"><li>1. See “Undetermined problems” on page 88.</li><li>2. System Board</li><li>3. Memory Module</li><li>4. Any Adapter or Device</li><li>5. Riser Card</li><li>6. Power Cord</li><li>7. Power Supply</li></ol>

## POST error codes

Each time you power-on the system, it performs a series of tests that check the operation of the system and some options. This series of tests is called the *Power-On Self-Test*, or *POST*. POST does the following operations.

- Checks some basic system-board operations
- Checks the memory operation
- Starts the video operation
- Verifies that the diskette drive is working
- Verifies that the hard disk drive is working

If the POST finishes without detecting any problems, a single beep sounds and the first screen of the operating system or application program appears.

If the POST detects a problem, an error message appears on the screen. A single problem can cause several error messages to appear. When you correct the cause of the first error message, the other error messages probably will not appear on the screen the next time you turn on the system.

In the following index, X can represent any number.

POST Error Code	FRU/Action
<b>162</b> Configuration error	Select the default settings in BIOS. See Chapter 6, "Using the Setup Utility," on page 53.
<b>164</b> Memory Size Error	<ol style="list-style-type: none"><li>1. Run the Extended Memory Diagnostic tests</li><li>2. Replace memory modules</li></ol>
<b>166</b> Boot Block Check Sum Error	<ol style="list-style-type: none"><li>1. Perform a flash update to update the BIOS level</li><li>2. System board</li></ol>
<b>167</b> No Processor BIOS update found	<ol style="list-style-type: none"><li>1. Run Setup. Check Stepping level for the BIOS level needed, then perform the flash update.</li><li>2. Replace the microprocessor</li></ol>
<b>175</b> Primary Copy of Secure Data is damaged	<ol style="list-style-type: none"><li>1. Run Setup and select default settings</li><li>2. System board</li></ol>
<b>176</b> The System has been tampered with	<ol style="list-style-type: none"><li>1. Covers were removed from the computer</li></ol>
<b>179</b> Boot Integrity Services Segment Error	<ol style="list-style-type: none"><li>1. Perform a flash update to update the BIOS level</li><li>2. System board</li></ol>
<b>184</b> Asset Control Antenna not detected	<ol style="list-style-type: none"><li>1. Make sure Asset Care and Asset ID™ are enabled in Configuration/Setup</li><li>2. RFID Antenna</li><li>3. Replace system board</li></ol>
<b>186</b> Security Hardware Control Logic Error	If problem persists, replace the system board
<b>190</b> System Security: Invalid Remote Change Requested	If problem persists, replace the system board

<b>POST Error Code</b>	<b>FRU/Action</b>
<b>191</b> System Security: Embedded Security hardware Reset	If problem persists, replace the system board
<b>192</b> System Security: Embedded Security hardware tamper detected	If problem persists, replace the system board
<b>193</b> System Security: Embedded Security hardware Removed	If problem persists, replace the system board
<b>194</b> System Security: Asset ID Antenna has been Removed	If problem persists, replace the system board
<b>195</b> System Security: Asset ID Antenna has been installed	If problem persists, replace the system board
<b>196</b> System Tampered Cleared	If problem persists, replace the system board
<b>201</b> Memory error	<ol style="list-style-type: none"> <li>1. Run Enhanced Diagnostics Memory Test</li> <li>2. Memory module</li> <li>3. System board</li> </ol>
<b>210</b> Keyboard stuck key error	<ol style="list-style-type: none"> <li>1. Check for stuck keys</li> <li>2. Replace the keyboard</li> </ol>
<b>211</b> Keyboard error	<ol style="list-style-type: none"> <li>1. Make sure keyboard is connected correctly</li> <li>2. Check for stuck keys</li> <li>3. Replace the keyboard</li> </ol>
<b>212</b> Keyboard controller error	<ol style="list-style-type: none"> <li>1. Replace the keyboard</li> <li>2. If problem persists, replace the system board</li> </ol>
<b>250</b> Battery is dead	<ol style="list-style-type: none"> <li>1. Replace the battery and run Setup</li> <li>2. If problem persists, replace the system board</li> </ol>
<b>270</b> Real time clock error	<ol style="list-style-type: none"> <li>1. Run Setup and set date and time</li> <li>2. If problem persists, replace the system board</li> </ol>
<b>271</b> Date and time out of range	<ol style="list-style-type: none"> <li>1. Run Setup and set date and time</li> <li>2. If problem persists, replace the system board</li> </ol>
<b>662</b> Configuration Change has occurred	Diskette drive configuration error or wrong diskette drive type; run Setup.
<b>1762</b> Configuration Change has occurred	<ol style="list-style-type: none"> <li>1. Run Setup and verify hard disk drive settings.</li> <li>2. Run hard disk drive diagnostics.</li> <li>3. Replace hard disk drive</li> </ol>
<b>1800</b> PCI/PnP Error! No Hardware Interrupt Available	<ol style="list-style-type: none"> <li>1. Run Setup and verify PCI/ISA configuration settings.</li> <li>2. Run diagnostics.</li> <li>3. Replace PCI Adapter</li> </ol>

<b>POST Error Code</b>	<b>FRU/Action</b>
<b>1801</b> PCI/PnP Error! No Space Available to Shadow ROM	<ol style="list-style-type: none"> <li>1. Run Setup and verify PCI/ISA configuration settings.</li> <li>2. Run diagnostics.</li> <li>3. Replace PCI Adapter</li> </ol>
<b>1802</b> PCI/PnP Error! Not Enough I/O Space Available	<ol style="list-style-type: none"> <li>1. Run Setup and verify PCI/ISA configuration settings.</li> <li>2. Run diagnostics.</li> <li>3. Replace PCI Adapter</li> </ol>
<b>1803</b> PCI/PnP Error! Not Enough Memory Space Available	<ol style="list-style-type: none"> <li>1. Run Setup and verify PCI/ISA configuration settings.</li> <li>2. Run diagnostics.</li> <li>3. Replace PCI Adapter</li> </ol>
<b>1804</b> PCI/PnP Error! Not Enough Real Memory Space Available	<ol style="list-style-type: none"> <li>1. Run Setup and verify PCI/ISA configuration settings.</li> <li>2. Run diagnostics.</li> <li>3. Replace PCI Adapter</li> </ol>
<b>1805</b> PCI/PnP Error! Adapter ROM Checksum Error	<ol style="list-style-type: none"> <li>1. Run Setup and verify PCI/ISA configuration settings.</li> <li>2. Run diagnostics.</li> <li>3. Replace PCI Adapter</li> </ol>
<b>1962</b> No operating system found	Press F1 to repeat boot sequence.
<b>5962</b> An IDE device (other than hard drive) configuration error	<ol style="list-style-type: none"> <li>1. Run Setup.</li> <li>2. CD-ROM Drive</li> <li>3. CD-ROM Adapter</li> <li>4. Zip or other ATAPI device</li> <li>5. Replace system Board</li> <li>6. Replace riser card if applicable</li> </ol>
<b>8603, 8604</b> Pointing Device Error	<ol style="list-style-type: none"> <li>1. Replace pointing device (mouse)</li> <li>2. if problem persists, replace the system board</li> </ol>

## Miscellaneous error messages

Message/Symptom	FRU/Action
CMOS Backup Battery inaccurate	<ol style="list-style-type: none"> <li>1. <b>CMOS Backup Battery</b> (see Chapter 2, "Safety information," on page 5)</li> <li>2. System Board</li> </ol>
Changing colors	<b>Display/Monitor</b>
Computer will <i>not</i> power-off. See "Power Supply Errors" on page 57.	<ol style="list-style-type: none"> <li>1. <b>Power Switch</b></li> <li>2. System Board</li> <li>3. Riser card</li> </ol>
Computer will <i>not</i> RPL from server	<ol style="list-style-type: none"> <li>1. <b>Ensure that network is in startup sequence as first device or first device after diskette</b></li> <li>2. Ensure that network adapter is enabled for RPL</li> <li>3. Network adapter (Advise network administrator of new MAC address)</li> </ol>
Computer will <i>not</i> perform a Wake On LAN <sup>®</sup> (if applicable)	<ol style="list-style-type: none"> <li>1. <b>Check power supply and signal cable connections to network adapter</b></li> <li>2. Ensure that the operating system settings are set to enable Wake on LAN<sup>®</sup></li> <li>3. Ensure Wake On LAN feature is enabled in Setup/Configuration (see "Starting the Setup Utility program" on page 53)</li> <li>4. Ensure network administrator is using correct MAC address</li> <li>5. Ensure no interrupt or I/O address conflicts</li> <li>6. Network adapter (advise network administrator of new MAC address)</li> </ol>
Dead computer. See "Power Supply Errors" on page 57.	<ol style="list-style-type: none"> <li>1. <b>Power Supply</b></li> <li>2. System Board</li> <li>3. Riser card</li> </ol>
Diskette drive in-use light remains on or does not light when drive is active.	<ol style="list-style-type: none"> <li>1. <b>Diskette Drive</b></li> <li>2. System Board</li> <li>3. Diskette Drive Cable</li> <li>4. Riser card</li> </ol>
Flashing cursor with an otherwise blank display.	<ol style="list-style-type: none"> <li>1. <b>System Board</b></li> <li>2. Primary Hard Disk Drive</li> <li>3. Hard Disk Drive Cable</li> <li>4. Riser card</li> </ol>
Incorrect memory size during POST	<ol style="list-style-type: none"> <li>1. <b>Run the Memory tests</b></li> <li>2. Memory Module</li> <li>3. System Board</li> </ol>



Message/Symptom	FRU/Action
"Insert a Diskette" icon appears with a known-good diagnostics diskette in the first 3.5-inch diskette drive.	<ol style="list-style-type: none"> <li>1. <b>System Board</b></li> <li>2. Diskette Drive Cable</li> <li>3. Riser card</li> <li>4. Network Adapter</li> </ol>
Intensity or color varies from left to right of characters and color bars	<ol style="list-style-type: none"> <li>1. <b>Display</b></li> <li>2. System Board</li> </ol>
No power or fan not running	1. <b>See "Power Supply Errors" on page 57.</b>
Non-system disk or disk error-type message with a known-good diagnostic diskette.	<ol style="list-style-type: none"> <li>1. <b>Diskette Drive</b></li> <li>2. System Board</li> <li>3. Diskette Drive Cable</li> <li>4. Riser card</li> </ol>
Other display symptoms not listed above (including blank or illegible display)	<ol style="list-style-type: none"> <li>1. <b>Display</b></li> <li>2. System Board</li> </ol>
Power-on indicator or hard disk drive in-use light not on, but computer works correctly	<ol style="list-style-type: none"> <li>1. <b>Power Supply</b></li> <li>2. System Board</li> <li>3. LED Cables</li> </ol>
Printer problems	1. <b>Printer</b>
Program loads from the hard disk with a known-good diagnostics diskette in the first 3.5-inch diskette drive	<ol style="list-style-type: none"> <li>1. <b>Run Setup</b></li> <li>2. Diskette Drive</li> <li>3. Diskette Drive Cable</li> <li>4. System Board</li> <li>5. Riser card</li> <li>6. Power Supply</li> </ol>
RPL computer cannot access programs from its own hard disk.	<ol style="list-style-type: none"> <li>1. <b>If network administrator is using LCCM Hybrid RPL, check startup sequence:</b> <ol style="list-style-type: none"> <li>a. <b>First device - network</b></li> <li>b. <b>Second device - hard disk</b></li> </ol> </li> <li>2. Hard disk drive</li> </ol>
RPL computer does not RPL from server	<ol style="list-style-type: none"> <li>1. <b>Check startup sequence</b></li> <li>2. Check the network adapter LED status</li> </ol>
Serial or parallel port device failure (system board port)	<ol style="list-style-type: none"> <li>1. <b>External Device Self-Test OK?</b></li> <li>2. External Device</li> <li>3. Cable</li> <li>4. System Board</li> </ol>
Serial or parallel port device failure (adapter port)	<ol style="list-style-type: none"> <li>1. <b>External Device Self-Test OK?</b></li> <li>2. External Device</li> <li>3. Cable</li> <li>4. Alternate Adapter</li> <li>5. System Board</li> </ol>

Message/Symptom	FRU/Action
Some or all keys on the keyboard do not work	<ol style="list-style-type: none"> <li>1. <b>Keyboard</b></li> <li>2. Keyboard Cable</li> <li>3. System Board</li> </ol>

---

## Undetermined problems

Check the power supply voltages (see “Power Supply Errors” on page 57). If the voltages are correct, return here and continue with the following steps.

1. Power-off the computer.
2. Remove or disconnect the following components (if installed) one at a time.
  - a. External devices (modem, printer, or mouse)
  - b. Any adapters
  - c. Riser card
  - d. Memory modules
  - e. Extended video memory
  - f. External Cache
  - g. External Cache RAM
  - h. Hard disk drive
  - i. Diskette drive
3. Power-on the computer to re-test the system.
4. Repeat steps 1 through 3 until you find the failing device or adapter.

If all devices and adapters have been removed, and the problem continues, replace the system board.

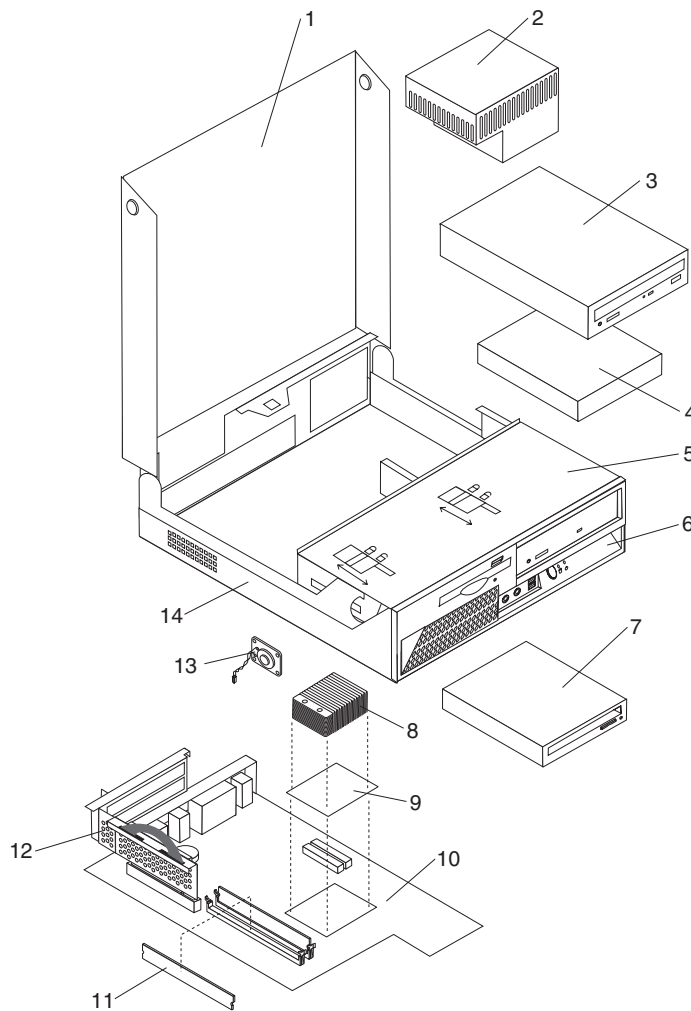
---

## Chapter 8. FRU lists

This section lists field replaceable units (FRUs) for all machine types.

**Note:** A CRU (Customer Replaceable Unit) is identified by a single asterisk (\*) or two asterisks (\*\*) in the CRU column. An N in the CRU Column means that the part is not a CRU. A single asterisk (\*) means that the part is a Tier 1 CRU; two asterisks (\*\*) mean that the part is a Tier 2 CRU.

# Machine Type 8099



Item #	8099 FRUs	FRU#	CRU
1	Cover, Kensington Lock (all models EXCEPT J1J J2J J3J J4J K1J K2J K3J K4J)	26K1263	**
2	Power Supply (225 Watt) (models CTO B1A B1T B2K B3K B4G 21J 22K 23K 24K 31J 32J 33J 34K D1K E1K F1K A1K B8K BBK BCK D3K D5K D6K E5K E6K E7A E7T E8K A2J A3J 13J 14J 15J 16J D2K D2R A4J BDK H1A H1T J1J J2J J3J J4J K1J K2J K3J K4J A5J A6J A7K A8K AAJ ACJ ADJ AEJ BEK BFK BGK BHK 26J 27J 28K 29K 2AA 2AT 43A 43T 44J D7K D8K D9K DAK G1J G2J G3K G4K G5K G6K G7A G7T 91K 92K 93K 94K 95J 96J 97J 98J 53J)	24R2584	**
2	Power Supply (225 Watt) China Version (models CTO B1Q B5S B5P B5Y B6S B6P B6Y B7S B7P B7Y 25S 25P 25Y 35S 35P 35Y D2S D2P D2Y E2S E2P E2Y E3S E3P E3Y F2S F2P F2Y 11S 11P 11Y 12S 12P 12Y B9V BAV D4V E4V E7Q H1Q A9S A9P A9Y ABS ABP ABY 2AQ 41S 41P 41Y 42S 42P 42Y 45S 45P 45Y 46S 46P 46Y 47S 47P 47Y 48S 48P 48Y G1Q G3Q G7Q G8S G8P G8Y G9S G9P G9Y 51S 51P 51Y 52S 52P 52Y 53Q 63S 63P 63Y 64S 64P 64Y)	24R2587	**
3	CD-ROM Drive 48X (models CTO B1A B1Q B1T B2K 21J 22K 31J A1K BBK D3K A2J 13J 15J A4J H1A H1Q H1T J1J J2J K1J K2J A5J A8K A9S A9P A9Y AAJ ABS ABP ABY ACJ ADJ BFK BHK 26J 28K 2AA 2AQ 2AT 41S 41P 41Y 43A 43T 45S 45P 45Y 46S 46P 46Y 47S 47P 47Y D7K D9K G1Q G1J G3Q G3K G5K G8S G8P G8Y 91K 93K 95J 96J 51S 51P 51Y 63S 63P 63Y)	40Y8929	*

Item #	8099 FRUs	FRU#	CRU
3	CD-ROM Drive 48X (models CTO B1A B1Q B1T B2K 21J 22K 31J A1K BBK D3K A2J 13J 15J A4J H1A H1Q H1T J1J J2J K1J K2J A5J A8K A9S A9P A9Y AAJ ABS ABP ABY ACJ ADJ BFK BHK 26J 28K 2AA 2AQ 2AT 41S 41P 41Y 43A 43T 45S 45P 45Y 46S 46P 46Y 47S 47P 47Y D7K D9K G1Q G1J G3Q G3K G5K G8S G8P G8Y 91K 93K 95J 96J 51S 51P 51Y 63S 63P 63Y)	40Y8807	*
3	CD-ROM Drive 48X (models CTO B1A B1Q B1T B2K 21J 22K 31J A1K BBK D3K A2J 13J 15J A4J H1A H1Q H1T J1J J2J K1J K2J A5J A8K A9S A9P A9Y AAJ ABS ABP ABY ACJ ADJ BFK BHK 26J 28K 2AA 2AQ 2AT 41S 41P 41Y 43A 43T 45S 45P 45Y 46S 46P 46Y 47S 47P 47Y D7K D9K G1Q G1J G3Q G3K G5K G8S G8P G8Y 91K 93K 95J 96J 51S 51P 51Y 63S 63P 63Y)	40Y8955	*
3	CD-ROM Drive 48X (models A1K BBK D3K A4J H1A H1Q H1T J1J J2J K1J K2J A5J A8K A9S A9P A9Y AAJ ABS ABP ABY ACJ ADJ BFK BHK 26J 28K 2AA 2AQ 2AT 41S 41P 41Y 43A 43T 45S 45P 45Y 46S 46P 46Y 47S 47P 47Y D7K D9K G1Q G1J G3Q G3K G5K G8S G8P G8Y 91K 93K 95J 96J 51S 51P 51Y 63S 63P 63Y)	40Y8953	*
3	CD-ROM Drive 48X (models A1K BBK D3K A4J H1A H1Q H1T J1J J2J K1J K2J A5J A8K A9S A9P A9Y AAJ ABS ABP ABY ACJ ADJ BFK BHK 26J 28K 2AA 2AQ 2AT 41S 41P 41Y 43A 43T 45S 45P 45Y 46S 46P 46Y 47S 47P 47Y D7K D9K G1Q G1J G3Q G3K G5K G8S G8P G8Y 91K 93K 95J 96J 51S 51P 51Y 63S 63P 63Y)	41N3539	*
3	CD-ROM Drive 48X (models A1K BBK D3K A4J H1A H1Q H1T J1J J2J K1J K2J A5J A8K A9S A9P A9Y AAJ ABS ABP ABY ACJ ADJ BFK BHK 26J 28K 2AA 2AQ 2AT 41S 41P 41Y 43A 43T 45S 45P 45Y 46S 46P 46Y 47S 47P 47Y D7K D9K G1Q G1J G3Q G3K G5K G8S G8P G8Y 91K 93K 95J 96J 51S 51P 51Y 63S 63P 63Y)	41N3540	*
3	CD-ROM Drive 48X (models A1K BBK D3K A4J H1A H1Q H1T J1J J2J K1J K2J A5J A8K A9S A9P A9Y AAJ ABS ABP ABY ACJ ADJ BFK BHK 26J 28K 2AA 2AQ 2AT 41S 41P 41Y 43A 43T 45S 45P 45Y 46S 46P 46Y 47S 47P 47Y D7K D9K G1Q G1J G3Q G3K G5K G8S G8P G8Y 91K 93K 95J 96J 51S 51P 51Y 63S 63P 63Y)	41N3541	*
3	DVD-ROM 16X/48X - Black (models CTO B4G B9V BAV D4V E4V)	40Y8931	*
3	DVD-ROM 16X/48X - Black (models CTO B4G B9V BAV D4V E4V)	40Y8933	*
3	DVD-ROM 16X/48X - Black (models CTO B4G B9V BAV D4V E4V)	40Y8957	*
3	DVD-ROM 16X/48X - Black (models CTO B4G B9V BAV D4V E4V)	41X3544	*
3	DVD-ROM 16X/48X - Black (models CTO B4G B9V BAV D4V E4V)	41X3545	*
3	DVD-ROM 16X/48X - Black (models CTO B4G B9V BAV D4V E4V)	41X3546	*
3	CD-RW/DVD-ROM Combo Drive 48X/32X/48X/16X Max (models CTO B3K 23K 24K 32J 34K D1K E1K F1K B5S B5P B5Y B6S B6P B6Y 25S 25P 25Y 35S 35P 35Y D2S D2P D2Y E2S E2P E2Y E3S E3P E3Y F2S F2P F2Y 11S 11P 11Y 12S 12P 12Y B8K BCK D5K D6K E5K E6K E7A E7Q E7T E8K A3J 14J 16J D2K D2R BDK J3J J4J K3J K4J A6J A7K AEJ BEK BCK 27J 29K 42S 42P 42Y 44J 48S 48P 48Y D8K DAK G2J G4K G6K G7A G7Q G7T G9S G9P G9Y 92K 94K 97J 98J 52S 52P 52Y 53Q 53J 64S 64P 64Y)	40Y8919	*
3	CD-RW/DVD-ROM Combo Drive 48X/32X/48X/16X Max (models CTO B3K 23K 24K 32J 34K D1K E1K F1K B5S B5P B5Y B6S B6P B6Y 25S 25P 25Y 35S 35P 35Y D2S D2P D2Y E2S E2P E2Y E3S E3P E3Y F2S F2P F2Y 11S 11P 11Y 12S 12P 12Y B8K BCK D5K D6K E5K E6K E7A E7Q E7T E8K A3J 14J 16J D2K D2R BDK J3J J4J K3J K4J A6J A7K AEJ BEK BCK 27J 29K 42S 42P 42Y 44J 48S 48P 48Y D8K DAK G2J G4K G6K G7A G7Q G7T G9S G9P G9Y 92K 94K 97J 98J 52S 52P 52Y 53Q 53J 64S 64P 64Y)	40Y8941	*

Item #	8099 FRUs	FRU#	CRU
3	CD-RW/DVD-ROM Combo Drive 48X/32X/48X/16X Max (models CTO B3K 23K 24K 32J 34K D1K E1K F1K B5S B5P B5Y B6S B6P B6Y 25S 25P 25Y 35S 35P 35Y D2S D2P D2Y E2S E2P E2Y E3S E3P E3Y F2S F2P F2Y 11S 11P 11Y 12S 12P 12Y B8K BCK D5K D6K E5K E6K E7A E7Q E7T E8K A3J 14J 16J D2K D2R BDK J3J J4J K3J K4J A6J A7K AEJ BEK BGK 27J 29K 42S 42P 42Y 44J 48S 48P 48Y D8K DAK G2J G4K G6K G7A G7Q G7T G9S G9P G9Y 92K 94K 97J 98J 52S 52P 52Y 53Q 53J 64S 64P 64Y)	41X3547	*
3	CD-RW/DVD-ROM Combo Drive 48X/32X/48X/16X Max (models CTO B3K 23K 24K 32J 34K D1K E1K F1K B5S B5P B5Y B6S B6P B6Y 25S 25P 25Y 35S 35P 35Y D2S D2P D2Y E2S E2P E2Y E3S E3P E3Y F2S F2P F2Y 11S 11P 11Y 12S 12P 12Y B8K BCK D5K D6K E5K E6K E7A E7Q E7T E8K A3J 14J 16J D2K D2R BDK J3J J4J K3J K4J A6J A7K AEJ BEK BGK 27J 29K 42S 42P 42Y 44J 48S 48P 48Y D8K DAK G2J G4K G6K G7A G7Q G7T G9S G9P G9Y 92K 94K 97J 98J 52S 52P 52Y 53Q 53J 64S 64P 64Y)	41X7992	*
3	Multi-Burner Plus (models CTO 33J)	40Y8909	*
3	Multi-Burner Plus (models CTO)	41X3550	*
4	Hard Disk Drive 40GB 7200 rpm Serial ATA (models CTO A2J A3J 13J 14J 15J 16J AAJ ACJ)	71P7312	*
4	Hard Disk Drive 40GB 7200 rpm Serial ATA (models CTO A2J A3J 13J 14J 15J 16J A4J AAJ ACJ)	40Y8760	*
4	Hard Disk Drive 40GB 7200 rpm Serial ATA (models CTO A2J A3J 13J 14J 15J 16J A4J AAJ ACJ)	40Y9033	*
4	Hard Disk Drive 80GB 7200 rpm Serial ATA (models CTO B1A B1Q B1T B2K B3K B4G 21J 22K 23K 31J 32J 33J B5S B5P B5Y B6S B6P B6Y B7S B7P B7Y 25S 25P 25Y 35S 35P 35Y 11S 11P 11Y 12S 12P 12Y A1K B8K B9V BAV BBK D3K D4V E4V H1A H1Q H1T J1J J2J J3J J4J K1J K2J K3J K4J A5J A6J A7K A8K A9S A9P A9Y ABS ABP ABY ADJ AEJ BFK 26J 27J 28K 2AA 2AQ 2AT 41S 41P 41Y 42S 42P 42Y 43A 43T 44J 45S 45P 45Y 46S 46P 46Y 47S 47P 47Y 48S 48P 48Y D7K G1Q G1J G2J G3Q G3K G7A G7Q G7T G8S G8P G8Y G9S G9P G9Y 91K 95J 96J 97J 98J 51S 51P 51Y 53Q 53J 63S 63P 63Y)	71P7293	*
4	Hard Disk Drive 80GB 7200 rpm Serial ATA (models CTO B1A B1Q B1T B2K B3K B4G 21J 22K 23K 31J 32J 33J B5S B5P B5Y B6S B6P B6Y B7S B7P B7Y 25S 25P 25Y 35S 35P 35Y 11S 11P 11Y 12S 12P 12Y A1K B8K B9V BAV BBK D3K D4V E4V H1A H1Q H1T J1J J2J J3J J4J K1J K2J K3J K4J A5J A6J A7K A8K A9S A9P A9Y ABS ABP ABY ADJ AEJ BFK 26J 27J 28K 2AA 2AQ 2AT 41S 41P 41Y 42S 42P 42Y 43A 43T 44J 45S 45P 45Y 46S 46P 46Y 47S 47P 47Y 48S 48P 48Y D7K G1Q G1J G2J G3Q G3K G7A G7Q G7T G8S G8P G8Y G9S G9P G9Y 91K 95J 96J 97J 98J 51S 51P 51Y 53Q 53J 63S 63P 63Y)	40Y8761	*
4	Hard Disk Drive 80GB 7200 rpm Serial ATA (models CTO B1A B1Q B1T B2K B3K B4G 21J 22K 23K 31J 32J 33J B5S B5P B5Y B6S B6P B6Y B7S B7P B7Y 25S 25P 25Y 35S 35P 35Y 11S 11P 11Y 12S 12P 12Y A1K B8K B9V BAV BBK D3K D4V E4V H1A H1Q H1T J1J J2J J3J J4J K1J K2J K3J K4J A5J A6J A7K A8K A9S A9P A9Y ABS ABP ABY ADJ AEJ BFK 26J 27J 28K 2AA 2AQ 2AT 41S 41P 41Y 42S 42P 42Y 43A 43T 44J 45S 45P 45Y 46S 46P 46Y 47S 47P 47Y 48S 48P 48Y D7K G1Q G1J G2J G3Q G3K G7A G7Q G7T G8S G8P G8Y G9S G9P G9Y 91K 95J 96J 97J 98J 51S 51P 51Y 53Q 53J 63S 63P 63Y)	40Y9034	*
4	Hard Disk Drive 80GB 7200 rpm Serial ATA (models CTO)	TBD	*
4	Hard Disk Drive 160GB 7200 rpm Serial ATA (models CTO 24K 34K D1K E1K F1K D2S D2P D2Y E2S E2P E2Y E3S E3P E3Y F2S F2P F2Y BCK D5K D6K E5K E6K E7A E7Q E7T D2K D2R BDK BEK BGK BHK 29K D8K D9K G4K G5K 92K 93K 52S 52P 52Y 64S 64P 64Y)	71P7297	*

Item #	8099 FRUs	FRU#	CRU
4	Hard Disk Drive 160GB 7200 rpm Serial ATA (models CTO 24K 34K D1K E1K F1K D2S D2P D2Y E2S E2P E2Y E3S E3P E3Y F2S F2P F2Y BCK D5K D6K E5K E6K E7A E7Q E7T D2K D2R BDK BEK BGK BHK 29K D8K D9K G4K G5K 92K 93K 52S 52P 52Y 64S 64P 64Y)	40Y8762	*
4	Hard Disk Drive 250GB 7200 rpm Serial ATA (models CTO E8K DAK G6K 94K)	40Y8763	*
5	Rotating bay assembly (all models)	03R0285	**
6	Bezel Plastic Kit (all models)	26K1214	*
7	Slim Diskette Drive (without cable and bezel) (models CTO B1A B1Q B1T B2K B3K B4G 21J 22K 23K 24K 31J 32J 33J 34K D1K E1K F1K B5S B5P B5Y B6S B6P B6Y B7S B7P B7Y 25S 25P 25Y 35S 35P 35Y D2S D2P D2Y E2S E2P E2Y E3S E3P E3Y F2S F2P F2Y 11S 11P 11Y 12S 12P 12Y A2J A3J 13J 14J 15J 16J D2K D2R A4J H1A H1Q H1T J1J J2J J3J J4J K1J K2J K3J K4J A5J A6J A9S A9P A9Y AAJ ABS ABP ABY ACJ ADJ AEJ 26J 27J 2AA 2AQ 2AT 41S 41P 41Y 43A 43T 44J 45S 45P 45Y 46S 46P 46Y 47S 47P 47Y G1Q G1J G2J G6K G7A G7Q G7T 95J 96J 97J 98J 98J 51S 51P 51Y 53Q 53J 63S 63P 63Y)	40Y9109	*
7	Slim Diskette Drive (without cable and bezel) (models CTO B1A B1Q B1T B2K B3K B4G 21J 22K 23K 24K 31J 32J 33J 34K D1K E1K F1K B5S B5P B5Y B6S B6P B6Y B7S B7P B7Y 25S 25P 25Y 35S 35P 35Y D2S D2P D2Y E2S E2P E2Y E3S E3P E3Y F2S F2P F2Y 11S 11P 11Y 12S 12P 12Y A2J A3J 13J 14J 15J 16J D2K D2R A4J H1A H1Q H1T J1J J2J J3J J4J K1J K2J K3J K4J A5J A6J A9S A9P A9Y AAJ ABS ABP ABY ACJ ADJ AEJ 26J 27J 2AA 2AQ 2AT 41S 41P 41Y 43A 43T 44J 45S 45P 45Y 46S 46P 46Y 47S 47P 47Y G1Q G1J G2J G6K G7A G7Q G7T 95J 96J 97J 98J 98J 51S 51P 51Y 53Q 53J 63S 63P 63Y)	40Y9111	*
8	Retention module, Toolless heat sink (all models)	26K1281	*
9	Microprocessor, 2.53GHZ Celeron Prescott P4 (533FSB, 256KB) (models CTO)	39J7004	**
9	Microprocessor, 2.66 GHZ Celeron Prescott P4 (533FSB, 256KB) (models CTO A2J A3J A4J)	39J7005	**
9	Microprocessor, 2.8 GHZ Celeron Prescott P4 (533FSB, 256KB) (models CTO B7S B7P B7Y A1K A5J A6J A7K A8K A9S A9P A9Y AAJ)	39J7006	**
9	Microprocessor, 2.93 GHZ Celeron Prescott P4 (533FSB, 256KB) (models CTO B1A B1Q B1T B2K B6S B6P B6Y B8K B9V)	39J7007	**
9	Microprocessor, 3.06 GHZ Celeron Prescott P4 (533FSB, 256KB) (models CTO B3K B4G B5S B5P B5Y BAV BBK BCK ABS ABP ABY ACJ ADJ AEJ)	39J7008	**
9	Microprocessor, 3.2 GHZ Celeron Prescott P4 (533FSB, 256KB) (models CTO)	39J9695	**
9	Microprocessor, 3.33 GHZ Celeron Prescott (533FSB, 256KB) (models CTO BDK)	41T1132	**
9	Microprocessor, 3.2 GHZ Celeron Cedar Mill (533FSB, 512KB) (models CTO BEK BFK)	41T4966	**
9	Microprocessor, 3.33 GHZ Celeron Cedar Mill (533FSB, 512KB) (models CTO BGK BHK)	41T4968	**
9	Microprocessor, 3.46 GHZ Celeron Cedar Mill (533FSB, 512KB) (models CTO)	41T8989	**
9	Microprocessor, 2.93 GHZ Prescott P4 (533FSB, 1MB) (models CTO)	39J9621	**
9	Microprocessor, 2.66 GHZ Prescott P4 (533FSB, 1MB) (models CTO 11S 11P 11Y)	41D0684	**
9	Microprocessor, 2.93 GHZ Prescott P4 (533FSB, 1MB) (models CTO 12S 12P 12Y)	41D0686	**
9	Microprocessor, 3.06 GHZ Prescott P4 (533FSB, 1MB) (models CTO 13J 14J 15J 16J)	41D0688	**
9	Microprocessor, 2.8 GHZ Prescott P4 (800FSB, 1MB) (models CTO 26J 27J 28K 29K 2AA 2AQ 2AT)	39J7009	**
9	Microprocessor, 3.06 GHZ Prescott P4 (533FSB, 1MB) (models CTO 41S 41P 41Y 42S 42P 42Y 43A 43T 44J)	41T4104	**

Item #	8099 FRUs	FRU#	CRU
9	Microprocessor, 3.0 GHZ Prescott P4 (800FSB, 1MB) (models CTO 21J 22K 23K 24K 25S 25P 25Y 45S 45P 45Y 46S 46P 46Y)	39J7010	**
9	Microprocessor, 3.2 GHZ Prescott P4 (800FSB, 1MB) (models CTO 31J 32J 33J 34K 35S 35P 35Y 47S 47P 47Y 48S 48P 48Y)	39J7011	**
9	Microprocessor, 3.4 GHZ Prescott P4 (800FSB, 1MB) (models CTO)	39J7012	**
9	Microprocessor, 2.8 GHZ Prescott P4 (800FSB, 2MB) (models CTO)	41X2412	**
9	Microprocessor, 3.0 GHZ Prescott P4 (800FSB, 2MB) (models CTO D1K D2S D2P D2Y D3K D4V D5K D6K D2K D2R)	39J7013	**
9	Microprocessor, 3.2 GHZ Prescott P4 (800FSB, 2MB) (models CTO E1K E2S E2P E2Y E3S E3P E3Y E4V E5K E6K E7A E7Q E7T E8K)	39J7014	**
9	Microprocessor, 3.4 GHZ Prescott P4 (800FSB, 2MB) (models CTO F1K F2S F2P F2Y)	39J7015	**
9	Microprocessor, 2.8 GHZ Smithfield P4 (800FSB, 1MB) (models CTO G1Q G1J G2J G3Q G3K G4K G5K G6K G7A G7Q G7T G8S G8P G8Y G9S G9P G9Y)	39J8468	**
9	Microprocessor, 3.0 GHZ Cedar Mill P4 (800MHz FSB, 2MB Cache) (models CTO)	41D5054	**
9	Microprocessor, 3.0 GHZ Cedar Mill P4 (800MHz FSB, 2MB Cache) (models CTO D7K D8K D9K DAK)	41D5042	**
9	Microprocessor, 3.2 GHZ Cedar Mill P4 (800MHz FSB, 2MB Cache) (models CTO)	41D5056	**
9	Microprocessor, 3.2 GHZ Cedar Mill P4 (800MHz FSB, 2MB Cache) (models CTO)	41D5044	**
9	Microprocessor, 3.4 GHZ Cedar Mill P4 (800MHz FSB, 2MB Cache) (models CTO)	41D5058	**
9	Microprocessor, 3.4 GHZ Cedar Mill P4 (800MHz FSB, 2MB Cache) (models CTO)	41D5046	**
9	Microprocessor, 3.6 GHZ Cedar Mill P4 (800MHz FSB, 2MB Cache) (models CTO H1A H1Q H1T)	41D5060	**
9	Microprocessor, 3.6 GHZ Cedar Mill P4 (800MHz FSB, 2MB Cache) (models CTO H1A H1Q H1T)	41D5048	**
9	Microprocessor, 2.8GHz Presler , Pentium-D (800MHz FSB, 2MBx2 Cache) (models CTO)	41X7775	**
9	Microprocessor, 2.8 GHz Presler P4 (800MHz FSB, 2MBx2 Cache) (models CTO J1J J2J J3J J4J)	41D5050	**
9	Microprocessor, 3.0GHz Presler , Pentium-D (800MHz FSB, 2MBx2 Cache) (models CTO 63S 63P 63Y 64S 64P 64Y)	41X2413	**
9	Microprocessor, 3.0 GHz Presler P4 (800MHz FSB, 2MBx2 Cache) (models CTO K1J K2J K3J K4J 91K 92K 93K 94K 95J 96J 97J 98J)	41D5052	**
9	Microprocessor, 3.2GHz Presler , Pentium-D (800MHz FSB, 2MBx2 Cache) (models CTO)	41X8050	**
9	Microprocessor, 3.2GHz Presler , Pentium-D (800MHz FSB, 2MBx2 Cache) (models CTO)	41X4230	**
9	Microprocessor, 3.4 GHZ Presler , Pentium-D (800MHz FSB, 2MBx2 Cache) (models CTO 51S 51P 51Y 52S 52P 52Y 53Q 53J)	41X7776	**
9	Microprocessor, 3.4 GHZ Presler , Pentium-D (800MHz FSB, 2MBx2 Cache) (models CTO)	41X4232	**
9	Microprocessor, 3.6 GHZ Presler , Pentium-D (800MHz FSB, 2MBx2 Cache) (models CTO)	41X8990	**



Item #	8099 FRUs	FRU#	CRU
10	System Board, Trinidad DDR2 SFF Planar v3.3--subbed from 41X1063 (models G1Q G1J G2J G3Q G3K G4K G5K G6K G8S G8P G8Y G9S G9P G9Y 91K 92K 93K 94K 51S 51P 51Y 52S 52P 52Y 63S 63P 63Y 64S 64P 64Y CTO B1A B1Q B1T B2K B3K B4G 21J 22K 23K 24K 31J 32J 33J 34K D1K E1K F1K B5S B5P B5Y B6S B6P B6Y B7S B7P B7Y 25S 25P 25Y 35S 35P 35Y D2S D2P D2Y E2S E2P E2Y E3S E3P E3Y F2S F2P F2Y 11S 11P 11Y 12S 12P 12Y A1K B8K B9V BAV BBK BCK D3K D4V D5K D6K E4V E5K E6K E7A E7Q E7T E8K A2J A3J 13J 14J 15J 16J D2K D2R A4J BDK A5J A6J A7K A8K A9S A9P A9Y AAJ ABS ABP ABY ACJ ADJ AEJ BEK BFK BGK BHK 26J 27J 28K 29K 41S 41P 41Y 42S 42P 42Y 44J 45S 45P 45Y 46S 46P 46Y 47S 47P 47Y 48S 48P 48Y D7K D8K D9K DAK)	43C9120	**
10	System Board, Trinidad DDR2 SFF Planar v3.3--subbed from 41X1064 (models CTO H1A H1Q H1T J1J J2J J3J J4J K1J K2J K3J K4J 2AA 2AQ 2AT 43A 43T G7A G7Q G7T 95J 96J 97J 98J 53Q 53J)	43C9122	**
10	System Board, Trinidad DDR2 SFF Planar v3.3--subbed from 42Y3333 (models CTO)	43C9121	**
10	System Board, Trinidad DDR2 SFF Planar v3.3--subbed from 41X1063 and 43C9120 (models G1Q G1J G2J G3Q G3K G4K G5K G6K G8S G8P G8Y G9S G9P G9Y 91K 92K 93K 94K 51S 51P 51Y 52S 52P 52Y 63S 63P 63Y 64S 64P 64Y CTO B1A B1Q B1T B2K B3K B4G 21J 22K 23K 24K 31J 32J 33J 34K D1K E1K F1K B5S B5P B5Y B6S B6P B6Y B7S B7P B7Y 25S 25P 25Y 35S 35P 35Y D2S D2P D2Y E2S E2P E2Y E3S E3P E3Y F2S F2P F2Y 11S 11P 11Y 12S 12P 12Y A1K B8K B9V BAV BBK BCK D3K D4V D5K D6K E4V E5K E6K E7A E7Q E7T E8K A2J A3J 13J 14J 15J 16J D2K D2R A4J BDK A5J A6J A7K A8K A9S A9P A9Y AAJ ABS ABP ABY ACJ ADJ AEJ BEK BFK BGK BHK 26J 27J 28K 29K 41S 41P 41Y 42S 42P 42Y 44J 45S 45P 45Y 46S 46P 46Y 47S 47P 47Y 48S 48P 48Y D7K D8K D9K DAK)	43C7119	**
10	System Board, Trinidad DDR2 SFF Planar v3.3--subbed from 41X1064 and 43C9122 (models CTO H1A H1Q H1T J1J J2J J3J J4J K1J K2J K3J K4J 2AA 2AQ 2AT 43A 43T G7A G7Q G7T 95J 96J 97J 98J 53Q 53J)	43C7121	**
10	System Board, Trinidad DDR2 SFF Planar v3.3--subbed from 42Y3333 and 43C9121 (models CTO)	43C7120	**
11	256MB DDR2 SDRAM NP Memory (PC 4200) (models CTO B1A B1Q B1T B2K B3K B4G 22K 23K B5S B5P B5Y B6S B6P B6Y B7S B7P B7Y 25S 25P 25Y 11S 11P 11Y 12S 12P 12Y B9V BAV A2J A3J 13J 14J A4J H1A H1Q H1T A9S A9P A9Y AAJ ABS ABP ABY ACJ 2AA 2AQ 2AT 41S 41P 41Y 43A 43T 45S 45P 45Y 47S 47P 47Y)	30R5120	*
11	512MB DDR2 SDRAM NP Memory (PC 4200) (models CTO 21J 24K 31J 32J 33J 34K D1K E1K F1K 35S 35P 35Y D2S D2P D2Y E2S E2P E2Y E3S E3P E3Y F2S F2P F2Y A1K B8K BBK BCK D3K D4V D5K D6K E4V E5K E6K E7A E7Q E7T E8K 15J 16J D2K D2R BDK J1J J2J J3J J4J K1J K2J K3J K4J A5J A6J ADJ AEJ 26J 27J 42S 42P 42Y 44J 46S 46P 46Y 48S 48P 48Y G1Q G1J G2J G7A G7Q G7T G8S G8P G8Y G9S G9P G9Y 95J 96J 97J 98J 51S 51P 51Y 52S 52P 52Y 63S 63P 63Y 64S 64P 64Y)	30R5121	*
11	1GB DDR2 SDRAM NP Memory (PC 4200) (models CTO)	30R5122	*
11	2GB DDR2 SDRAM NP Memory (PC 4200) (models CTO)	30R5123	*
11	256MB DDR2 SDRAM NP Memory (PC 5300) (models CTO)	30R5124	*
11	512MB DDR2 SDRAM NP Memory (PC 5300) (models CTO A7K A8K BEK BFK BGK BHK 28K 29K D7K D8K G3Q G3K G4K G5K 91K 92K 53Q 53J)	30R5125	*
11	1GB DDR2 SDRAM NP Memory (PC 5300) (models CTO D9K DAK G6K 93K 94K)	30R5126	*
11	2GB DDR2 SDRAM NP Memory (PC 5300) (models CTO)	30R5127	*
12	Riser card assembly (all models)	41A7730	*
13	Speaker/cable assembly (all models)	39K5012	*
14	Chassis (all models)	26K1262	**

The FRUs listed in the following table are not illustrated.

8099 FRUs	FRU#	CRU
Tool less hard disk drive tray (all models)	03R0302	*
System board tray (all models)	26K1213	*
Cable, 2 Drop Hard Disk Drive and Optical - ATA 100 (all models)	26K1246	*
Internal Plastic Kit (does not include tl hardfile tray) (all models)	03R0289	*
Cable, Optical (1 Drop) ATA 100 (all models)	26K1244	*
Cable, SATA Device (all models)	39K5026	*
C2 Cable (Squall) (all models)	39K5022	*
Cable, power switch/LED (all models)	26K1242	*
Cable, Diskette Drive (all models)	26K1248	*
System board I/O Shield Kit for all system boards (all models)	41A7703	*
Fan assembly (all models)	26K1253	*
Battery (all models)	33F8354	*
Universal Adapter Bracket 5.25 to 3.5-inch (all models)	32P4743	*
Retention module, tool less heat sink (all models)	26K1281	*

8099 Keyboard (Preferred Pro Fullsize, PS/2, stealth Black)	FRU#	CRU
US English (models CTO-U CTO-G B1A B1Q B4G D2R H1A H1Q 2AA 2AQ 43A G1Q G3Q G7A G7Q 53Q)	89P8300	*
Arabic (models CTO-G B4G)	89P8301	*
Belgian/French (models CTO-G B4G)	89P8302	*
Belgian/UK (models CTO-G B4G)	89P8303	*
Brazilian/Portuguese (models CTO-L B5P B6P B7P 25P 35P D2P E2P F2P 11P 12P A9P ABP 41P 42P 45P 46P 47P 48P G8P G9P 51P 52P 63P 64P)	89P8304	*
Bulgarian (models CTO-G B4G)	89P8305	*
Chinese/US (models B9V BAV D4V E4V)	89P8306	*
Czech (models CTO-G B4G)	89P8307	*
Danish (models CTO-G B4G)	89P8308	*
Dutch (models CTO-G B4G)	89P8309	*
French (models CTO-G B4G)	89P8310	*
French Canadian 445 (models CTO-U)	89P8311	*
French Canadian 58 (models CTO-U)	89P8312	*
German (models CTO-G B4G)	89P8313	*
Greek (models CTO-G B4G)	89P8314	*
Hebrew (models CTO-G B4G)	89P8315	*
Hungarian (models CTO-G B4G)	89P8316	*
Iceland (models CTO-G B4G)	89P8317	*
Italian (models CTO-G B4G)	89P8319	*
Japanese (models 21J 31J 32J 33J A2J A3J 13J 14J 15J 16J A4J J1J J2J J3J J4J K1J K2J K3J K4J A5J A6J AAJ ACJ ADJ AEJ 26J 27J 44J G1J G2J 95J 96J 97J 98J 53J)	89P8320	*

<b>8099 Keyboard (Preferred Pro Fullsize, PS/2, stealth Black)</b>	<b>FRU#</b>	<b>CRU</b>
Korean (models B2K B3K 22K 23K 24K 34K A1K B8K BBK BCK D3K D5K D6K E5K E6K E8K D2K BDK A7K A8K BEK BFK BGK BHK 28K 29K D7K D8K D9K DAK G3K G4K G5K G6K 91K 92K 93K 94K)	89P8321	*
LA Spanish (models CTO-L B5S B5Y B6S B6Y B7S B7Y 25S 25Y 35S 35Y D2S D2Y E2S E2Y F2S F2Y 11S 11Y 12S 12Y A9S A9Y ABS ABY 41S 41Y 42S 42Y 45S 45Y 46S 46Y 47S 47Y 48S 48Y G8S G8Y G9S G9Y 51S 51Y 52S 52Y 63S 63Y 64S 64Y)	89P8322	*
Norwegian (models CTO-G B4G)	89P8323	*
Polish (models CTO-G B4G)	89P8324	*
Portuguese (models CTO-G B4G)	89P8325	*
Romanian (models CTO-G B4G)	89P8326	*
Russian (models CTO-G B4G)	89P8327	*
Russian/Cyrillic (models CTO-G B4G)	89P8328	*
Serbian/Cyrillic (models CTO-G B4G)	89P8329	*
Slovak (models CTO-G B4G)	89P8330	*
Spanish (models CTO-G B4G)	89P8331	*
Swedish/Finn (models CTO-G B4G)	89P8332	*
Swiss F/G (models CTO-G B4G)	89P8333	*
Thailand (models CTO-A B1T H1T 2AT 43T G7T)	89P8334	*
Turkish 179 (models CTO-G B4G)	89P8336	*
UK English (models CTO-G B4G)	89P8337	*
US Euro (models CTO-G B4G)	89P8338	*
Yugoslav/Latin (models CTO-G B4G)	89P8339	*

<b>8099 Keyboard (PS2 Preferred Pro)</b>	<b>FRU#</b>	<b>CRU</b>
US English (models CTO-U CTO-G B1A B1Q B4G D2R H1A H1Q 2AA 2AQ 43A G1Q G3Q G7A G7Q 53Q)	41A5039	*
Arabic (models CTO-G B4G)	41A5040	*
Arabic/French (models CTO-G B4G)	41A5041	*
Belgian/French (models CTO-G B4G)	41A5042	*
Belgian/UK (models CTO-G B4G)	41A5043	*
Brazil/Portuguese (models CTO-L B5P B6P B7P 25P 35P D2P E2P F2P 11P 12P A9P ABP 41P 42P 45P 46P 47P 48P G8P G9P 51P 52P 63P 64P)	41A5044	*
Bulgarian (models CTO-G B4G)	41A5045	*
Hong Kong/Taiwan (models B9V BAV D4V E4V)	41A5046	*
Czech (models CTO-G B4G)	41A5047	*
Danish (models CTO-G B4G)	41A5048	*
Dutch (models CTO-G B4G)	41A5049	*
French (models CTO-G B4G)	41A5050	*
French Canadian 445 (models CTO-U)	41A5051	*
French Canadian 58 (models CTO-U)	41A5052	*
German (models CTO-G B4G)	41A5053	*
Greek (models CTO-G B4G)	41A5054	*

8099 Keyboard (PS2 Preferred Pro)	FRU#	CRU
Hebrew (models CTO-G B4G)	41A5055	*
Hungarian (models CTO-G B4G)	41A5056	*
Iceland (models CTO-G B4G)	41A5057	*
Italian (models CTO-G B4G)	41A5058	*
Japanese (models 21J 31J 32J 33J A2J A3J 13J 14J 15J 16J A4J J1J J2J J3J J4J K1J K2J K3J K4J A5J A6J AAJ ACJ ADJ AEJ 26J 27J 44J G1J G2J 95J 96J 97J 98J 53J)	41A5059	*
Korean (models B2K B3K 22K 23K 24K 34K A1K B8K BBK BCK D3K D5K D6K E5K E6K E8K D2K BDK A7K A8K BEK BFK BGK BHK 28K 29K D7K D8K D9K DAK G3K G4K G5K G6K 91K 92K 93K 94K)	41A5060	*
LA Spanish (models CTO-L B5S B5Y B6S B6Y B7S B7Y 25S 25Y 35S 35Y D2S D2Y E2S E2Y F2S F2Y 11S 11Y 12S 12Y A9S A9Y ABS ABY 41S 41Y 42S 42Y 45S 45Y 46S 46Y 47S 47Y 48S 48Y G8S G8Y G9S G9Y 51S 51Y 52S 52Y 63S 63Y 64S 64Y)	41A5061	*
Norwegian (models CTO-G B4G)	41A5062	*
Polish (models CTO-G B4G)	41A5063	*
Portuguese (models CTO-G B4G)	41A5064	*
Romanian (models CTO-G B4G)	41A5065	*
Russian/Cyrilic (models CTO-G B4G)	41A5066	*
Serbian/Cyrilic (models CTO-G B4G)	41A5067	*
Slovak (models CTO-G B4G)	41A5068	*
Spanish (models CTO-G B4G)	41A5069	*
Swedish/Finn (models CTO-G B4G)	41A5070	*
Swiss F/G (models CTO-G B4G)	41A5071	*
Thailand (models CTO-A B1T H1T 2AT 43T G7T)	41A5072	*
Turkish 440 (models CTO-G B4G)	41A5073	*
Turkish 179 (models CTO-G B4G)	41A5074	*
UK English (models CTO-G B4G)	41A5075	*
US Euro (models CTO-G B4G)	41A5076	*
Slovenian (models CTO-G B4G)	41A5077	*

8099 Keyboard (Productivity, USB)	FRU#	CRU
US English (models CTO-U CTO-G E7A E7Q)	89P8800	*
Arabic (models CTO-G)	89P8801	*
Arabic/French (models CTO-G)	89P8802	*
Belgian/French (models CTO-G)	89P8803	*
Belgian/UK (models CTO-G)	89P8804	*
Brazil/Portuguese (models CTO-L)	89P8805	*
Bulgarian (models CTO-G)	89P8806	*
Czech (models CTO-G)	89P8808	*
Danish (models CTO-G)	89P8809	*
Dutch (models CTO-G)	89P8810	*
French (models CTO-G)	89P8811	*
French Canadian (models CTO-U)	89P8812	*

8099 Keyboard (Productivity, USB)	FRU#	CRU
French Canadian (models CTO-U)	89P8813	*
German (models CTO-G)	89P8814	*
Greek (models CTO-G)	89P8815	*
Hebrew (models CTO-G)	89P8816	*
Hungarian (models CTO-G)	89P8817	*
Iceland (models CTO-G)	89P8818	*
Italian 141 (models CTO-G)	89P8819	*
LA/Spanish (models CTO-L)	89P8822	*
Norwegian (models CTO-G)	89P8823	*
Polish (models CTO-G)	89P8824	*
Portuguese (models CTO-G)	89P8825	*
Romanian (models CTO-G)	89P8826	*
Romanian (models CTO-G)	89P8827	*
Russian/Cyrillic (models CTO-G)	89P8828	*
Serbian/Cyrillic (models CTO-G)	89P8829	*
Slovak (models CTO-G)	89P8830	*
Spanish (models CTO-G)	89P8831	*
Swedish/Finn (models CTO-G)	89P8832	*
Swiss F/G (models CTO-G)	89P8833	*
Thailand (models CTO-A E7T)	89P8834	*
Turkish 440 (models CTO-G)	89P8835	*
Turkish 179 (models CTO-G)	89P8836	*
UK English (models CTO-G)	89P8837	*
US Euro (models CTO-G)	89P8838	*
Yugoslav/Latin (models CTO-G)	89P8839	*

8099 Keyboard (with fingerprint reader)	FRU#	CRU
US English (models CTO-U CTO-G)	89P9000	*
Arabic (models CTO-G)	89P9001	*
Belgian/French (models CTO-G)	89P9003	*
Belgian/UK (models CTO-G)	89P9004	*
Brazilian Portuguese (models CTO-L E3P)	89P9005	*
Bulgarian (models CTO-G)	89P9006	*
Czech (models CTO-G)	89P9008	*
Danish (models CTO-G)	89P9009	*
Dutch (models CTO-G)	89P9010	*
French (models CTO-G)	89P9011	*
French Canadian 445 (models CTO-U)	89P9012	*
French Canadian 58 (models CTO-U)	89P9013	*
German (models CTO-G)	89P9014	*
Greek (models CTO-G)	89P9015	*

<b>8099 Keyboard (with fingerprint reader)</b>	<b>FRU#</b>	<b>CRU</b>
Hebrew (models CTO-G)	89P9016	*
Hungarian (models CTO-G)	89P9017	*
Iceland (models CTO-G)	89P9018	*
Italian 141 (models CTO-G)	89P9019	*
Korean (models D1K E1K F1K)	89P9021	*
LA Spanish (models CTO-L E3S E3Y)	89P9022	*
Norwegian (models CTO-G)	89P9023	*
Polish (models CTO-G)	89P9024	*
Portuguese (models CTO-G)	89P9025	*
Romanian (models CTO-G)	89P9026	*
Romanian (models CTO-G)	89P9027	*
Russian/Cyrillic (models CTO-G)	89P9028	*
Serbian/Cyrillic (models CTO-G)	89P9029	*
Slovak (models CTO-G)	89P9030	*
Spanish (models CTO-G)	89P9031	*
Swedish/Finn (models CTO-G)	89P9032	*
Swiss F/G (models CTO-G)	89P9033	*
Thailand (models CTO-A)	89P9034	*
Turkish 440 (models CTO-G)	89P9035	*
Turkish 179 (models CTO-G)	89P9036	*
UK English (models CTO-G)	89P9037	*
US Euro (models CTO-G)	89P9038	*
Yugoslav/Latin (models CTO-G)	89P9039	*

<b>8099 Keyboard (Fingerprint reader USB)</b>	<b>FRU#</b>	<b>CRU</b>
US English (models CTO-U CTO-G)	41A5248	*
Arabic (models CTO-G)	41A5249	*
Arabic/French (models CTO-G)	41A5250	*
Belgian/French (models CTO-G)	41A5251	*
Belgian/UK (models CTO-G)	41A5252	*
Brazilian (models CTO-L E3P)	41A5253	*
Bulgarian (models CTO-G)	41A5254	*
Chinese/US (models CTO-G)	41A5255	*
Czech (models CTO-G)	41A5256	*
Danish (models CTO-G)	41A5257	*
Dutch (models CTO-G)	41A5258	*
French (models CTO-G)	41A5259	*
French Canadian 445 (models CTO-U)	41A5260	*
French Canadian 58 (models CTO-U)	41A5261	*
German (models CTO-G)	41A5262	*
Greek (models CTO-G)	41A5263	*

<b>8099 Keyboard (Fingerprint reader USB)</b>	<b>FRU#</b>	<b>CRU</b>
Hebrew (models CTO-G)	41A5265	*
Hungarian (models CTO-G)	41A5266	*
Iceland (models CTO-G)	41A5267	*
Italian (models CTO-G)	41A5268	*
Korean (models D1K E1K F1K)	41A5270	*
LA Spanish (models CTO-L E3S E3Y)	41A5271	*
Norwegian (models CTO-G)	41A5272	*
Polish (models CTO-G)	41A5273	*
Portuguese (models CTO-G)	41A5274	*
Romanian 446 (models CTO-G)	41A5275	*
Romanian 96 (models CTO-G)	41A5276	*
Russian/Cy (models CTO-G)	41A5277	*
Serbian/Cyrillic (models CTO-G)	41A5278	*
Slovak (models CTO-G)	41A5279	*
Spanish (models CTO-G)	41A5280	*
Swedish/Finn (models CTO-G)	41A5281	*
Swiss F/G (models CTO-G)	41A5282	*
Thailand (models CTO-A)	41A5283	*
Turkish 440 (models CTO-G)	41A5284	*
Turkish 179 (models CTO-G)	41A5285	*
UK English (models CTO-G)	41A5286	*
US Euro (models CTO-G)	41A5287	*
Slovenian (models CTO-G)	41A5288	*

<b>8099 Keyboard (Lenovo, USB Enhanced Performance)</b>	<b>FRU#</b>	<b>CRU</b>
US English (models CTO-U CTO-G E7A E7Q)	41A4961	*
Arabic (models CTO-G)	41A4962	*
Arabic/French (models CTO-G)	41A4963	*
Belgian/French (models CTO-G)	41A4964	*
Belgian/UK (models CTO-G)	41A4965	*
Brazilian (models CTO-L)	41A4966	*
Bulgarian (models CTO-G)	41A4967	*
Czech (models CTO-G)	41A4969	*
Danish (models CTO-G)	41A4970	*
Dutch (models CTO-G)	41A4971	*
French (models CTO-G)	41A4972	*
French Canadian 445 (models CTO-U)	41A4973	*
French Canadian 58 (models CTO-U)	41A4974	*
German (models CTO-G)	41A4975	*
Greek (models CTO-G)	41A4976	*
Hebrew (models CTO-G)	41A4977	*



<b>8099 Keyboard (Lenovo, USB Enhanced Performance)</b>	<b>FRU#</b>	<b>CRU</b>
Hungarian (models CTO-G)	41A4978	*
Iceland (models CTO-G)	41A4979	*
Italian (models CTO-G)	41A4980	*
LA Spanish (models CTO-L)	41A4983	*
Norwegian (models CTO-G)	41A4984	*
Polish (models CTO-G)	41A4985	*
Portuguese (models CTO-G)	41A4986	*
Romanian (models CTO-G)	41A4987	*
Russian/Cy (models CTO-G)	41A4988	*
Serbian/Cyrillic (models CTO-G)	41A4989	*
Slovak (models CTO-G)	41A4990	*
Spanish (models CTO-G)	41A4991	*
Swedish/Finn (models CTO-G)	41A4992	*
Swiss F/G (models CTO-G)	41A4993	*
Thailand (models CTO-A E7T)	41A4994	*
Turkish 440 (models CTO-G)	41A4995	*
Turkish 179 (models CTO-G)	41A4996	*
UK English (models CTO-G)	41A4997	*
US Euro (models CTO-G)	41A4998	*
Slovenian (models CTO-G)	41A4999	*

<b>8099 IBM Keyboard (USB Preferred - without hub)</b>	<b>FRU#</b>	<b>CRU</b>
US English (models CTO-U CTO-G)	89P9040	*
Arabic (models CTO-G)	89P9041	*
Arabic/French (models CTO-G)	89P9058	*
Belgian/French (models CTO-G)	89P9042	*
Belgian/UK (models CTO-G)	89P9043	*
Brazilian (models CTO-L)	89P9044	*
Bulgarian (models CTO-G)	89P9045	*
Czech (models CTO-G)	89P9047	*
Danish (models CTO-G)	89P9048	*
Dutch (models CTO-G)	89P9049	*
French (models CTO-G)	89P9050	*
French Canadian (models CTO-U)	89P9051	*
French Canadian (models CTO-U)	89P9052	*
German (models CTO-G)	89P9053	*
Greek (models CTO-G)	89P9054	*
Greek/US (models CTO-G)	41A4948	*
Hebrew (models CTO-G)	89P9055	*
Hungarian (models CTO-G)	89P056	*
Iceland (models CTO-G)	89P9057	*



<b>8099 IBM Keyboard (USB Preferred - without hub)</b>	<b>FRU#</b>	<b>CRU</b>
Italy (models CTO-G)	89P9059	*
LA Spanish (models CTO-L)	89P9062	*
Norwegian (models CTO-G)	89P9063	*
Polish (models CTO-G)	89P9064	*
Portuguese (models CTO-G)	89P9065	*
Romanian 096 (models CTO-G)	89P9067	*
Romanian 446 (models CTO-G)	89P9066	*
Russian/Cyrillic (models CTO-G)	89P9068	*
Serbian/Cyrillic (models CTO-G)	89P9069	*
Slovak (models CTO-G)	89P9070	*
Spanish (models CTO-G)	89P9072	*
Swedish/Finn (models CTO-G)	89P9073	*
Swiss (models CTO-G)	89P9074	*
Thailand (models CTO-A)	89P9075	*
Turkish 440 (models CTO-G)	89P9076	*
Turkish 179 (models CTO-G)	89P9077	*
UK English (models CTO-G)	89P9078	*
US Euro (models CTO-G)	89P9079	*
Slovenian (models CTO-G)	89P9071	*

<b>8099 Lenovo Keyboard (USB Preferred - without hub)</b>	<b>FRU#</b>	<b>CRU</b>
US English (models CTO-U CTO-G)	41A5289	*
Arabic (models CTO-G)	41A5290	*
Arabic/French (models CTO-G)	41A5291	*
Belgian/French (models CTO-G)	41A5292	*
Belgian/UK (models CTO-G)	41A5293	*
Bulgarian (models CTO-G)	41A5295	*
Czech (models CTO-G)	41A5297	*
Danish (models CTO-G)	41A5298	*
Dutch (models CTO-G)	41A5299	*
French (models CTO-G)	41A5300	*
German (models CTO-G)	41A5303	*
Greek (models CTO-G)	41A5304	*
Greek/US (models CTO-G)	41A5305	*
Hebrew (models CTO-G)	41A5306	*
Hungarian (models CTO-G)	41A5307	*
Iceland (models CTO-G)	41A5308	*
Italian 141 (models CTO-G)	41A5309	*
LA Spanish (models CTO-L)	41A5312	*
Norwegian (models CTO-G)	41A5313	*
Polish (models CTO-G)	41A5314	*

<b>8099 Lenovo Keyboard (USB Preferred - without hub)</b>	<b>FRU#</b>	<b>CRU</b>
Portuguese (models CTO-G)	41A5315	*
Romanian 096 (models CTO-G)	41A5317	*
Romanian 446 (models CTO-G)	41A5316	*
Russian/Cyrillic (models CTO-G)	41A5318	*
Serbian/Cyrillic (models CTO-G)	41A5319	*
Slovak (models CTO-G)	41A5320	*
Spanish (models CTO-G)	41A5321	*
Swedish/Finn (models CTO-G)	41A5322	*
Swiss (models CTO-G)	41A5323	*
Thailand (models CTO-A)	41A5324	*
Turkish 440 (models CTO-G)	41A5325	*
Turkish 179 (models CTO-G)	41A5326	*
UK English (models CTO-G)	41A5327	*
US Euro (models CTO-G)	41A5328	*
Slovenian (models CTO-G)	41A5329	*

<b>8099 Lenovo Keyboard (Wireless, Enhanced)</b>	<b>FRU#</b>	<b>CRU</b>
US English/Chinese/US (models CTO-U CTO-G)	41A5219	*
Belgian/French (models CTO-U CTO-G)	41A5220	*
Belgian/UK (models CTO-G)	41A5221	*
Czech (models CTO-G)	41A5223	*
Danish (models CTO-G)	41A5224	*
Dutch (models CTO-G)	41A5225	*
French (models CTO-G)	41A5226	*
French Canadian (models CTO-U)	41A5227	*
French Canadian (models CTO-U)	41A5228	*
German (models CTO-G)	41A5229	*
Greek (models CTO-G)	41A5230	*
Hungarian (models CTO-G)	41A5232	*
Iceland (models CTO-G)	41A5233	*
Italy (models CTO-G)	41A5234	*
Norwegian (models CTO-G)	41A5236	*
Polish (models CTO-G)	41A5237	*
Portuguese (models CTO-G)	41A5238	*
Slovak (models CTO-G)	41A5239	*
Spanish (models CTO-G)	41A5240	*
Swedish/Finn (models CTO-G)	41A5241	*
Swiss (models CTO-G)	41A5242	*
UK English (models CTO-G)	41A5243	*
US Euro (models CTO-G)	41A5244	*

<b>8099 Keyboard (Enhanced Performance, Wireless)</b>	<b>FRU#</b>	<b>CRU</b>
US English/Chinese/US (models CTO-U CTO-G)	89P8730	*
Belgian/French (models CTO-G)	89P8731	*
Belgian/UK (models CTO-G)	89P8732	*
Czech (models CTO-G)	89P8734	*
Danish (models CTO-G)	89P8735	*
Dutch (models CTO-G)	89P8736	*
French (models CTO-G)	89P8737	*
French Canadian (models CTO-U)	89P8738	*
French Canadian (models CTO-U)	89P8739	*
German (models CTO-G)	89P8740	*
Greek (models CTO-G)	89P8741	*
Hungarian (models CTO-G)	89P8742	*
Iceland (models CTO-G)	89P8743	*
Italy (models CTO-G)	89P8744	*
Norwegian (models CTO-G)	89P8746	*
Polish (models CTO-G)	89P8747	*
Portuguese (models CTO-G)	89P8748	*
Slovak (models CTO-G)	89P8749	*
Spanish (models CTO-G)	89P8751	*
Swedish/Finn (models CTO-G)	89P8752	*
Swiss (models CTO-G)	89P8753	*
UK English (models CTO-G)	89P8754	*
US Euro (models CTO-G)	89P8755	*
Wireless tranceiver dongle (models CTO)	89P8757	*

<b>8099 mice</b>	<b>FRU#</b>	<b>CRU</b>
Mouse, Scrollpoint Optical, USB (all models)	41A4933	*
Mouse, optical wheelmouse, USB (models CTO)	41A4935	*
Mouse, PS/2 wheelmouse (Black) (models CTO)	41A4917	*
Mouse, optical wheelmouse (400DPI, USB) (models CTO)	41U3013	*
Mouse, Scrollpoint Optical, (800DPI, USB (all models)	41U3019	*
Mouse, wheelmouse PS/2 models CTO)	TBD	*

<b>8099 Adapters and miscellaneous FRU</b>	<b>FRU#</b>	<b>CRU</b>
Soft Modem V.90/V.44 (models CTO B5S B5P B5Y B6S B6P B6Y B7S B7P B7Y 25S 25P 25Y 35S 35P 35Y D2S D2P D2Y E2S E2P E2Y E3S E3P E3Y F2S F2P F2Y 11S 11P 11Y 12S 12P 12Y D2K D2R)	29R9729	*
128MB DDR ATI Radeon x300SE (DMS59 connector) (models CTO)	39J9635	*
128MB DDR ATI RADEON X700 PRO VGA, DVI-I, TV-Out PCI-e BTX (models CTO)	39J6203	*
PCI-E DVI-DConnection Adapter (ADD 2-R) (Full Height) (models CTO)	39J9334	*
IEEE 1394 Adapter - Firewire (models CTO)	41D2781	*

8099 Adapters and miscellaneous FRU	FRU#	CRU
1394 Internal cable (models CTO)	39M0478	*
Speakers, Jazz Infinity Active T1 (Black) (models CTO B2K B3K 22K 23K 24K 34K D1K E1K F1K B5S B5P B5Y B6S B6P B6Y B7S B7P B7Y 25S 25P 25Y 35S 35P 35Y D2S D2P D2Y E2S E2P E2Y E3S E3P E3Y F2S F2P F2Y 11S 11P 11Y 12S 12P 12Y D2K D2R)	89P8588	*
Speaker Power brick - US, Canada, LA (low voltage), Taiwan, Phillipines, Thailand (models CTO-U CTO-L CTO-A B5S B5Y B6S B6Y B7S B7Y 25S 25Y 35S 35Y D2S D2Y E2S E2Y E3S E3Y F2S F2Y 11S 11Y 12S 12Y)	10K2587	*
Speaker Power brick - UK, Hong Kong (British version), ASEAN (models CTO-A)	25P5703	*
Speaker Power brick - Europe and LA (models CTO-G CTO-L)	25P5704	*
Speaker Power brick (newer 2 prong) - China, Thailand, Phillipines (models CTO-A)	10K2597	*
Speaker Power brick - ANZ (models CTO-A)	25P5705	*
Speaker Power brick - Brazil (models CTO-L B5P B6P B7P 25P 35P D2P E2P E3P F2P 11P 12P)	25P5706	*
Speaker Power brick - India, South Africa (models CTO-A CTO-G)	32P3181	*
Speaker Power brick - Argentina (models CTO-L B5S B5Y B6S B6Y B7S B7Y 25S 25Y 35S 35Y D2S D2Y E2S E2Y E3S E3Y F2S F2Y 11S 11Y 12S 12Y)	01R2253	*
Speaker Power brick - Korea (models B2K B3K 22K 23K 24K 34K D1K E1K F1K D2K D2R)	88P7687	*
Speaker Power brick (models CTO)	89P8571	*
RJ11 connector adapter (Spain, Ireland) (All "G" models)	60H6043	*
RJ11 connector adapter (Austria) (All "G" models)	60H6045	*
RJ11 connector adapter (Belgium) (All "G" models)	60H6046	*
RJ11 connector adapter (Denmark) (All "G" models)	60H6047	*
RJ11 connector adapter (Norway, Finland) (All "G" models)	60H6048	*
RJ11 connector adapter (France) (All "G" models)	60H6049	*
RJ11 connector adapter (Germany) (All "G" models)	60H6050	*
RJ11 connector adapter (UK, NZ, HK) (All "G", "M", "B", "H" models)	60H6051	*
RJ11 connector adapter (Italy) (All "G" models)	60H6052	*
RJ11 connector adapter (Netherlands) (All "G" models)	60H6053	*
RJ11 connector adapter (Sweden) (All "G" models)	60H6054	*
RJ11 connector adapter (Switzerland) (All "G" models)	60H6055	*
Dongle Cable - DMS59 to dual VGA (All models)	41D2399	*

8099 Power Cords	FRU#	CRU
Power cord - US (models CTO-U B1A B1T B5S B6S B7S 25S 35S D2S E2S E3S F2S 11S 12S E7A E7T H1A H1T A9S ABS 2AA 2AT 41S 42S 43A 43T 45S 46S 47S 48S G7A G7T G8S G9S 51S 52S 63S 64S)	39M5080	*
Power cord - Japan (models 21J 31J 32J 33J A2J A3J 13J 14J 15J 16J A4J J1J J2J J3J J4J K1J K2J K3J K4J A5J A6J AAJ ACJ ADJ AEJ 26J 27J 44J G1J G2J 95J 96J 97J 98J 53J)	39M5193	*
Power cord - Brazil (models CTO-L B5P B6P B7P 25P 35P D2P E2P E3P F2P 11P 12P A9P ABP 41P 42P 45P 46P 47P 48P G8P G9P 51P 52P 63P 64P)	39M5232	*
Power cord - LA High Volt (APU) (models CTO-L B5Y B6Y B7Y 25Y 35Y D2Y E2Y E3Y F2Y 11Y 12Y A9Y ABY 41Y 42Y 45Y 46Y 47Y 48Y G8Y G9Y 51Y 52Y 63Y 64Y)	39M5067	*
Power cord - Australia/New Zealand (models CTO-A)	39M5102	*

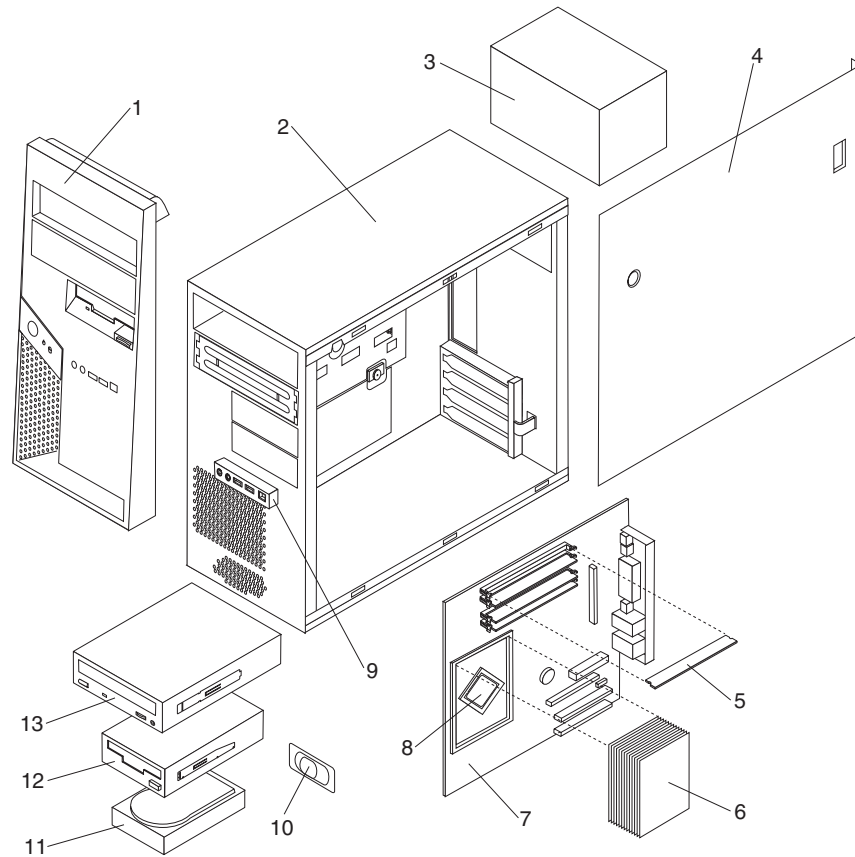
8099 Power Cords	FRU#	CRU
Power cord - Korea (models B2K B3K 22K 23K 24K 34K D1K E1K F1K A1K B8K BBK BCK D3K D5K D6K E5K E6K E8K D2K D2R BDK A7K A8K BEK BFK BGK BHK 28K 29K D7K D8K D9K DAK G3K G4K G5K G6K 91K 92K 93K 94K)	39M5212	*
Power cord - Hong Kong (models CTO-A)	39M5151	*
Power cord - UK, Ireland, Singapore, Malaysia, Brunei (models CTO-G CTO-A B1A B4G E7A H1A 2AA 43A G7A)	39M5150	*
Power cord - Taiwan (models B9V BAV D4V E4V)	39M5246	*
Power cord - Italy (models CTO-G B4G B5S B5Y B6S B6Y B7S B7Y 25S 25Y 35S 35Y D2S D2Y E2S E2Y E3S E3Y F2S F2Y 11S 11Y 12S 12Y A9S A9Y ABS ABY 41S 41Y 42S 42Y 45S 45Y 46S 46Y 47S 47Y 48S 48Y G8S G8Y G9S G9Y 51S 51Y 52S 52Y 63S 63Y 64S 64Y)	39M5164	*
Power cord - G models (models CTO-G B1A B4G E7A H1A 2AA 43A G7A)	39M5122	*
Power cord - Denmark (models CTO-G B4G)	39M5129	*
Power cord - Switzerland (models CTO-G B4G)	39M5157	*
Power cord - Israel (models CTO-G B4G)	39M5171	*
Power cord - South Africa (models CTO-G B1A B4G E7A H1A 2AA 43A G7A)	39M5143	*
Power cord - India (models CTO-A B1Q E7Q H1Q 2AQ G1Q G3Q G7Q 53Q)	41R3175	*

8099 Windows XP Home Recovery CDs	FRU #	CRU
US/UK/AP/TH (models E7A E7Q E7T D2R G3Q)	41D1584	*
SP/LA (models B5S B5Y B6S B6Y B7S B7Y 25S 25Y 35S 35Y D2S D2Y E2S E2Y E3S E3Y F2S F2Y 11S 11Y 12S 12Y)	41T3242	*
BR (models B5P B6P B7P 25P 35P D2P E2P E3P F2P 11P 12P)	41T3244	*
Korean (models B2K B3K 22K 23K 24K 34K D1K E1K A1K B8K BBK BCK D3K D5K E5K E8K D2K BDK A7K A8K BEK BFK BGK BHK 28K 29K D7K D8K D9K DAK G3K G4K G5K G6K 91K 92K 93K 94K)	41W2624	*

8099 Windows XP Pro Recovery CDs	FRU#	CRU
US/UK/AP/TH (models B1A B1Q B1T B4G H1A H1Q H1T 2AA 2AQ 2AT 43A 43T G1Q G7A G7Q G7T 53Q)	41T1577	*
FR/CF (models B4G)	41T3198	*
GR (models B4G)	41T3199	*
SP/LA (models B4G A9S A9Y ABS ABY 41S 41Y 42S 42Y 45S 45Y 46S 46Y 47S 47Y 48S 48Y G8S G8Y G9S G9Y 51S 51Y 52S 52Y 63S 63Y 64S 64Y)	41T3200	*
IT (models B4G)	41T3201	*
BR (models A9P ABP 41P 42P 45P 46P 47P 48P G8P G9P 51P 52P 63P 64P)	41T3202	*
SV (models B4G)	41T3203	*
DK (models B4G)	41T3204	*
FI (models B4G)	41T4264	*
NO (models B4G)	39J9646	*
NL (models B4G)	41T4266	*
HE (models B4G)	41T4267	*
PL (models B4G)	41T4268	*
CZ (models B4G)	41T4269	*
AE (models B4G)	41T4270	*

8099 Windows XP Pro Recovery CDs	FRU#	CRU
RU (models B4G)	41T4271	*
RU English (models B4G)	41T4835	*
TR (models B4G)	41T4836	*
HU (models B4G)	41T4837	*
PO (models B4G)	41T4838	*
GK (models B4G)	41T4839	*
SL (models B4G)	41T4840	*
Taiwan-TC (models B9V BAV D4V E4V)	41W2603	*
Korea (models F1K D6K E6K)	41W2589	*
Japanese (models 21J 31J 32J 33J A2J A3J 13J 14J 15J 16J A4J J1J J2J J3J J4J K1J K2J K3J K4J A5J A6J AAJ ACJ ADJ AEJ 26J 27J 44J G1J G2J 95J 96J 97J 98J 53J)	41W2617	*
Multilingual 1 (models CTO-G B4G)	41T3282	*
Multilingual 2 (models CTO-G B4G)	41T4280	*

# Machine Type 8110



Item #	8110 FRUs	FRU#	CRU
1	Bezel Asm (all models)	41A7807	*
2	Chassis Asm (all models)	41A7808	N
3	Power supply, 310 W, standard (models CTO A1J A2J A3J B1A B1T B2K B3K B4K B5K B6G 21K 22K 23K 31J 32J 33J 34K 35K 41K D1K E1K F1K A5K B8K BAK BBK D3K D4K D5K D6K E3K E4K E5A E5T E6K E7K F2K F3K H1A H1T H2K K1K K2K A6K A7K BCK BDK BEK BFK 24K 25K D7K D8K D9K DAK DBK G1K G2K G3K G4K G5K 91K 92K 93K 94K 95K)	24R2596	**
3	Power supply, 310 W (models CTO-A CTO-L B1Q A2S A2P A2Y B1S B1P B1Y B3S B3P B3Y B4S B4P B4Y B5S B5P B5Y 22S 22P 22Y 32S 32P 32Y 35S 35P 35Y 41S 41P 41Y D1S D1P D1Y E1S E1P E1Y F1S F1P F1Y A4V B7V B9V D2V E2V E5Q H1Q A8S A8P A8Y A9S A9P A9Y 26S 26P 26Y 27S 27P 27Y 28S 28P 28Y 29S 29P 29Y 36S 36P 36Y 37S 37P 37Y G6S G6P G6Y G7S G7P G7Y 81S 81P 81Y 82S 82P 82Y 53S 53P 53Y 54S 54P 54Y)	24R2598	**
4	Cover (all models)	39M0465	*
5	Memory module, 256MB, DDR2 SDRAM, NP (PC 4200) (models CTO A1J A2J A3J B1A B1Q B1T B2K B3K B4K B5K B6G 21K 22K 23K 34K 35K 41K A2S A2P A2Y B1S B1P B1Y B3S B3P B3Y B4S B4P B4Y B5S B5P B5Y 22S 22P 22Y 35S 35P 35Y 41S 41P 41Y A4V B7V B9V D2V E2V H1A H1Q H1T A6K A9S A9P A9Y 26S 26P 26Y 28S 28P 28Y 36S 36P 36Y)	30R5120	*

Item #	8110 FRUs	FRU#	CRU
5	Memory module, 512MB, DDR2 SDRAM, NP (PC 4200) (models CTO 31J 32J 33J D1K E1K F1K 32S 32P 32Y D1S D1P D1Y E1S E1P E1Y F1S F1P F1Y A5K B8K BAK BBK D3K D4K D5K D6K E3K E4K E5A E5Q E5T E6K E7K F2K F3K H2K K1K 27S 27P 27Y 29S 29P 29Y 37S 37P 37Y G6S G6P G6Y G7S G7P G7Y 81S 81P 81Y 82S 82P 82Y 53S 53P 53Y 54S 54P 54Y)	30R5121	*
5	Memory module, 1GB, DDR2 SDRAM, NP (PC 4200) (models CTO K2K)	30R5122	*
5	Memory module, 2GB, DDR2 SDRAM, NP (PC 4200) (models CTO)	30R5123	*
5	Memory module, 256MB, DDR2 SDRAM, NP (PC 5300) (models CTO)	30R5124	*
5	Memory module, 512MB, DDR2 SDRAM, NP (PC 5300) (models CTO A6K A7K BCK BDK BEK BFK 24K 25K D7K D8K D9K G1K G2K G3K G4K 91K 92K 93K)	30R5125	*
5	Memory module, 1GB, DDR2 SDRAM, NP (PC 5300) (models CTO DAK DBK G5K 94K 95K)	30R5126	*
5	Memory module, 2GB, DDR2 SDRAM, NP (PC 5300) (models CTO)	30R5127	*
6	Heat sink (all models)	39M0538	**
7	System board, Jamaica DDR2 BTX Planar v3.3 (Cedermill /Presler Enabled Version)-- subbed from 41X0436 (models G1K G2K G3K G4K G5K G6S G6P G6Y G7S G7P G7Y 91K 92K 93K 94K 95K 81S 81P 81Y 82S 82P 82Y 53S 53P 53Y 54S 54P 54Y CTO A1J A2J A3J B1A B1Q B1T B2K B3K B4K B5K B6G 21K 22K 23K 31J 32J 33J 34K 35K 41K D1K E1K F1K A2S A2P A2Y B1S B1P B1Y B3S B3P B3Y B4S B4P B4Y B5S B5P B5Y 22S 22P 22Y 32S 32P 32Y 35S 35P 35Y 41S 41P 41Y D1S D1P D1Y E1S E1P E1Y F1S F1P F1Y A4V A5K B7V B8K B9V BAK BBK D2V D3K D4K D5K D6K E2V E3K E4K E5A E5Q E5T E6K E7K F2K F3K H2K K1K K2K A6K A7K A8S A8P A8Y A9S A9P A9Y BCK BDK BEK BFK 24K 25K 26S 26P 26Y 27S 27P 27Y 28S 28P 28Y 29S 29P 29Y 36S 36P 36Y 37S 37P 37Y D7K D8K D9K DAK DBK)	43C9123	N
7	System board, Jamaica DDR2 BTX Planar v3.3 (Cedermill /Presler Enabled Version) subbed from 41X0438 (models CTO H1A H1Q H1T)	43C9124	N
7	System board, Jamaica DDR2 BTX Planar v3.3 (Cedermill /Presler Enabled Version) --subbed from 41X0436 and 43C9123 (models G1K G2K G3K G4K G5K G6S G6P G6Y G7S G7P G7Y 91K 92K 93K 94K 95K 81S 81P 81Y 82S 82P 82Y 53S 53P 53Y 54S 54P 54Y CTO A1J A2J A3J B1A B1Q B1T B2K B3K B4K B5K B6G 21K 22K 23K 31J 32J 33J 34K 35K 41K D1K E1K F1K A2S A2P A2Y B1S B1P B1Y B3S B3P B3Y B4S B4P B4Y B5S B5P B5Y 22S 22P 22Y 32S 32P 32Y 35S 35P 35Y 41S 41P 41Y D1S D1P D1Y E1S E1P E1Y F1S F1P F1Y A4V A5K B7V B8K B9V BAK BBK D2V D3K D4K D5K D6K E2V E3K E4K E5A E5Q E5T E6K E7K F2K F3K H2K K1K K2K A6K A7K A8S A8P A8Y A9S A9P A9Y BCK BDK BEK BFK 24K 25K 26S 26P 26Y 27S 27P 27Y 28S 28P 28Y 29S 29P 29Y 36S 36P 36Y 37S 37P 37Y D7K D8K D9K DAK DBK)	43C7122	N
7	System board, Jamaica DDR2 BTX Planar v3.3 (Cedermill /Presler Enabled Version)-- subbed from 41X0438 and 43C9124 (models CTO H1A H1Q H1T)	43C7123	N
8	Microprocessor, Celeron 2.53GHz, 533 FSB, 256KB L2 (models CTO)	39J7016	**
8	Microprocessor, Celeron 2.66GHz, 533 FSB, 256KB L2 (models CTO)	39J7017	**
8	Microprocessor, Celeron 2.80GHz, 533 FSB, 256KB L2 (models CTO A1J A2J A3J A2S A2P A2Y A4V A5K A6K A7K A8S A8P A8Y)	39J7018	**
8	Microprocessor, Celeron 2.93GHz, 533 FSB, 256KB L2 (models CTO B1A B1Q B1T B2K B3K B1S B1P B1Y B3S B3P B3Y B7V B8K)	39J7019	**
8	Microprocessor, Celeron 3.06GHz, 533 FSB, 256KB L2 (models CTO B4K B5K B6G B4S B4P B4Y B5S B5P B5Y B9V BAK BBK A9S A9P A9Y)	39J7020	**
8	Microprocessor, Celeron 3.20GHz, 533 FSB, 256KB L2 (models CTO)	39J9696	**
8	Microprocessor, Celeron 3.3GHz, 533 FSB, 256KB L2 (models CTO)	41T1134	**



Item #	8110 FRUs	FRU#	CRU
8	Microprocessor, Celeron 3.2GHz, Cedar Mill, 533 FSB, 512KB L2 (models CTO BCK BDK)	41T4966	**
8	Microprocessor, Celeron 3.33GHz, Cedar Mill, 533 FSB, 512KB L2 (models CTO BEK BFK)	41T4968	**
8	Microprocessor, Celeron 3.46GHz, Cedar Mill, 533 FSB, 512KB L2 (models CTO)	41X8991	**
8	Microprocessor, Pentium 4 2.93GHz, 533 FSB, 1MB L2 (models CTO)	39J9625	**
8	Microprocessor, Pentium 4 2.66GHz, 533 FSB, 1MB L2 (models CTO)	41D0690	**
8	Microprocessor, Pentium 4 2.93GHz, 533 FSB, 1MB L2 (models CTO)	41D0692	**
8	Microprocessor, Pentium 4 2.93GHz, 533 FSB, 1MB L2 (models CTO)	41T4103	**
8	Microprocessor, Pentium 4 3.06GHz, 533 FSB, 1MB L2 (models CTO)	41D0694	**
8	Microprocessor, Pentium 4 2.8GHz, 800 FSB, 1MB L2 (models CTO 24K 25K)	39J7021	**
8	Microprocessor, Pentium 4 3.06GHz, 533 FSB, 1MB L2 (models CTO 26S 26P 26Y 27S 27P 27Y)	41T4104	**
8	Microprocessor, Pentium 4 3.0GHz, 800 FSB, 1MB L2 (models CTO 21K 22K 23K 22S 22P 22Y 28S 28P 28Y 29S 29P 29Y)	39J7022	**
8	Microprocessor, Pentium 4 3.2GHz, 800 FSB, 1MB L2 (models CTO 31J 32J 33J 34K 35K 32S 32P 32Y 35S 35P 35Y 36S 36P 36Y 37S 37P 37Y)	39J7023	**
8	Microprocessor, Pentium 4 3.4GHz, 800 FSB, 1MB L2 (models CTO 41K 41S 41P 41Y)	39J7024	**
8	Microprocessor, Pentium 4 3.0GHz, 800 FSB, 2MB L2 (models CTO D1K D1S D1P D1Y D2V D3K D4K D5K D6K)	39J7025	**
8	Microprocessor, Pentium 4 3.2GHz, 800 FSB, 2MB L2 (models CTO E1K E1S E1P E1Y E2V E3K E4K E5A E5Q E5T E6K E7K)	39J7026	**
8	Microprocessor, Pentium 4 3.4GHz, 800 FSB, 2MB L2 (models CTO F1K F1S F1P F1Y F2K F3K)	39J7027	**
8	Microprocessor, Smithfield Pentium 4 2.8.4GHz, 800 FSB, 1MB L2 (models CTO G1K G2K G3K G4K G5K G6S G6P G6Y G7S G7P G7Y)	39J8469	**
8	Microprocessor, 3.0 GHz Cedar Mill P4 (800MHz FSB, 2MB Cache) (models CTO D7K D8K D9K DAK DBK)	41D5054	**
8	Microprocessor, 3.2 GHz Cedar Mill P4 (800MHz FSB, 2MB Cache) (models CTO)	41D5056	**
8	Microprocessor, 3.4 GHz Cedar Mill P4 (800MHz FSB, 2MB Cache) (models CTO)	41D5058	**
8	Microprocessor, 3.6 GHz Cedar Mill P4 (800MHz FSB, 2MB Cache) (models CTO H1A H1Q H1T H2K)	41D5060	**
8	Microprocessor, 2.8 GHz Presler P4 (800MHz FSB, 2MBx2 Cache) (models CTO)	41D5062	**
8	Microprocessor, 2.8 GHz Presler P4 (800MHz FSB, 2MBx2 Cache) (models CTO)	41X7775	**
8	Microprocessor, 3.0GHz Presler, Pentium-D (800MHz FSB, 2MBx2 Cache) (models CTO 53S 53P 53Y 54S 54P 54Y)	41X2413	**
8	Microprocessor, 3.0 GHz Presler P4 (800MHz FSB, 2MBx2 Cache) (models CTO K1K K2K 91K 92K 93K 94K 95K)	41D5064	**
8	Microprocessor, 3.2 GHz Presler P4 (800MHz FSB, 2MBx2 Cache) (models CTO)	41X8050	**
8	Microprocessor, 3.2 GHz Presler P4 (800MHz FSB, 2MBx2 Cache) (models CTO)	41X4230	**
8	Microprocessor, 3.4 GHz Presler P4 (800MHz FSB, 2MBx2 Cache) (models CTO 81S 81P 81Y 82S 82P 82Y)	41X7776	**
8	Microprocessor, 3.4 GHz Presler P4 (800MHz FSB, 2MBx2 Cache) (models CTO)	41X4232	**
8	Microprocessor, 3.6 GHz Presler P4 (800MHz FSB, 2MBx2 Cache) (models CTO)	41X8992	**

Item #	8110 FRUs	FRU#	CRU
9	Front panel card Asm (all models)	26K1183	**
10	Speaker Asm, Soldered Terminals (all models)	39P5023	**
11	Hard disk drive, 40GB, 7200RPM, Serial ATA (models CTO)	40Y8760	**
11	Hard disk drive, 40GB, 7200RPM, Serial ATA (models CTO)	40Y9033	**
11	Hard disk drive, 40GB, 7200RPM, Serial ATA (models CTO)	71P7312	**
11	Hard disk drive, 80GB, 7200RPM, Serial ATA (models CTO A1J A2J A3J B1A B1Q B1T B2K B3K B4K B5K B6G 21K 22K 31J 32J 33J 34K A2S A2P A2Y B1S B1P B1Y B3S B3P B3Y B4S B4P B4Y B5S B5P B5Y 22S 22P 22Y 32S 32P 32Y A4V A5K B7V B8K B9V BAK D2V D3K D4K E2V H1A H1Q H1T A6K A7K A8S A8P A8Y A9S A9P A9Y BDK 24K 26S 26P 26Y 27S 27P 27Y 28S 28P 28Y 29S 29P 29Y 36S 36P 36Y 37S 37P 37Y D7K G1K G6S G6P G6Y G7S G7P G7Y 91K 81S 81P 81Y 53S 53P 53Y)	40Y8761	**
11	Hard disk drive, 80GB, 7200RPM, Serial ATA (models CTO A1J A2J A3J B1A B1Q B1T B2K B3K B4K B5K B6G 21K 22K 31J 32J 33J 34K A2S A2P A2Y B1S B1P B1Y B3S B3P B3Y B4S B4P B4Y B5S B5P B5Y 22S 22P 22Y 32S 32P 32Y)	71P7293	**
11	Hard disk drive, 80GB, 7200RPM, Serial ATA (models CTO A1J A2J A3J B1A B1Q B1T B2K B3K B4K B5K B6G 21K 22K 31J 32J 33J 34K A2S A2P A2Y B1S B1P B1Y B3S B3P B3Y B4S B4P B4Y B5S B5P B5Y 22S 22P 22Y 32S 32P 32Y A4V A5K B7V B8K B9V BAK D2V D3K D4K E2V H1A H1Q H1T A6K A7K A8S A8P A8Y A9S A9P A9Y BDK 24K 26S 26P 26Y 27S 27P 27Y 28S 28P 28Y 29S 29P 29Y 36S 36P 36Y 37S 37P 37Y D7K G1K G6S G6P G6Y G7S G7P G7Y 91K 81S 81P 81Y 53S 53P 53Y)	40Y9034	**
11	Hard disk drive, 160GB, 7200RPM, Serial ATA (models CTO 23K 35K 41K D1K E1K F1K 35S 35P 35Y 41S 41P 41Y D1S D1P D1Y E1S E1P E1Y F1S F1P F1Y BBK D5K D6K E3K E4K E5A E5Q E5T E7K F2K H2K K1K BCK BEK BFK 25K D8K D9K DAK G2K G3K G4K 92K 93K 94K 82S 82P 82Y 54S 54P 54Y)	40Y8762	**
11	Hard disk drive, 160GB, 7200RPM, Serial ATA (models CTO 23K 35K 41K D1K E1K F1K 35S 35P 35Y 41S 41P 41Y D1S D1P D1Y E1S E1P E1Y F1S F1P F1Y)	71P7297	**
11	Hard disk drive, 160GB, 7200RPM, Serial ATA (models CTO 23K 35K 41K D1K E1K F1K 35S 35P 35Y 41S 41P 41Y D1S D1P D1Y E1S E1P E1Y F1S F1P F1Y BBK D5K D6K E3K E4K E5A E5Q E5T E7K F2K H2K K1K BCK BEK BFK 25K D8K D9K DAK G2K G3K G4K 92K 93K 94K 82S 82P 82Y 54S 54P 54Y)	40Y9035	**
11	Hard disk drive, 250GB, 7200RPM, Serial ATA (models CTO E6K F3K K2K DBK G5K 95K)	40Y8763	**
11	Hard disk drive, 250GB, 7200RPM, Serial ATA (models CTO)	40Y9036	**
11	Hard disk drive, 250GB, 7200RPM, Serial ATA (models CTO)	40Y8757	**
12	Diskette drive, 1.44MB, 3-mode, w/o bezel (models CTO A1J A2J A3J B1A B1Q B1T B2K B3K B4K B5K B6G 21K 22K 23K 31J 32J 33J 34K 35K 41K D1K E1K F1K A2S A2P A2Y B1S B1P B1Y B3S B3P B3Y B4S B4P B4Y B5S B5P B5Y 22S 22P 22Y 32S 32P 32Y 35S 35P 35Y 41S 41P 41Y D1S D1P D1Y E1S E1P E1Y F1S F1P F1Y D4K D6K E4K E7K F2K F3K H1A H1Q H1T A8S A8P A8Y A9S A9P A9Y 26S 26P 26Y 28S 28P 28Y 29S 29P 29Y 36S 36P 36Y G6S G6P G6Y 81S 81P 81Y 53S 53P 53Y)	40Y9107	*
12	Diskette drive, 1.44MB, 3-mode, w/o bezel (models CTO A1J A2J A3J B1A B1Q B1T B2K B3K B4K B5K B6G 21K 22K 23K 31J 32J 33J 34K 35K 41K D1K E1K F1K A2S A2P A2Y B1S B1P B1Y B3S B3P B3Y B4S B4P B4Y B5S B5P B5Y 22S 22P 22Y 32S 32P 32Y 35S 35P 35Y 41S 41P 41Y D1S D1P D1Y E1S E1P E1Y F1S F1P F1Y D4K D6K E4K E7K F2K F3K H1A H1Q H1T A8S A8P A8Y A9S A9P A9Y 26S 26P 26Y 28S 28P 28Y 29S 29P 29Y 36S 36P 36Y G6S G6P G6Y 81S 81P 81Y 53S 53P 53Y)	40Y9105	*
12	Diskette drive, 1.44MB, 3-mode, w/o bezel (models CTO A1J A2J A3J B1A B1Q B1T B2K B3K B4K B5K B6G 21K 22K 23K 31J 32J 33J 34K 35K 41K D1K E1K F1K A2S A2P A2Y B1S B1P B1Y B3S B3P B3Y B4S B4P B4Y B5S B5P B5Y 22S 22P 22Y 32S 32P 32Y 35S 35P 35Y 41S 41P 41Y D1S D1P D1Y E1S E1P E1Y F1S F1P F1Y D4K D6K E4K E7K F2K F3K H1A H1Q H1T A8S A8P A8Y A9S A9P A9Y 26S 26P 26Y 28S 28P 28Y 29S 29P 29Y 36S 36P 36Y G6S G6P G6Y 81S 81P 81Y 53S 53P 53Y)	40Y9113	*

Item #	8110 FRUs	FRU#	CRU
13	CD-ROM drive 48X (models CTO A3J B1A B1Q B1T B2K B4K 21K 33J B1S B1P B1Y A5K BAK D3K H1A H1Q H1T A7K A8S A8P A8Y A9S A9P A9Y BDK BFK 24K 26S 26P 26Y 28S 28P 28Y 29S 29P 29Y 36S 36P 36Y D7K DAK G1K G4K G6S G6P G6Y 91K 94K 81S 81P 81Y 53S 53P 53Y)	40Y8929	*
13	CD-ROM drive 48X (models A5K BAK D3K H1A H1Q H1T A7K A8S A8P A8Y A9S A9P A9Y BDK BFK 24K 26S 26P 26Y 28S 28P 28Y 29S 29P 29Y 36S 36P 36Y D7K DAK G1K G4K G6S G6P G6Y 91K 94K 81S 81P 81Y 53S 53P 53Y)	40Y8807	*
13	CD-ROM drive 48X (models A5K BAK D3K H1A H1Q H1T A7K A8S A8P A8Y A9S A9P A9Y BDK BFK 24K 26S 26P 26Y 28S 28P 28Y 29S 29P 29Y 36S 36P 36Y D7K DAK G1K G4K G6S G6P G6Y 91K 94K 81S 81P 81Y 53S 53P 53Y)	40Y8955	*
13	CD-ROM drive 48X (models A5K BAK D3K H1A H1Q H1T A7K A8S A8P A8Y A9S A9P A9Y BDK BFK 24K 26S 26P 26Y 28S 28P 28Y 29S 29P 29Y 36S 36P 36Y D7K DAK G1K G4K G6S G6P G6Y 91K 94K 81S 81P 81Y 53S 53P 53Y)	40Y8953	*
13	CD-ROM drive 48X (models A5K BAK D3K H1A H1Q H1T A7K A8S A8P A8Y A9S A9P A9Y BDK BFK 24K 26S 26P 26Y 28S 28P 28Y 29S 29P 29Y 36S 36P 36Y D7K DAK G1K G4K G6S G6P G6Y 91K 94K 81S 81P 81Y 53S 53P 53Y)	41N3539	*
13	CD-ROM drive 48X (models A5K BAK D3K H1A H1Q H1T A7K A8S A8P A8Y A9S A9P A9Y BDK BFK 24K 26S 26P 26Y 28S 28P 28Y 29S 29P 29Y 36S 36P 36Y D7K DAK G1K G4K G6S G6P G6Y 91K 94K 81S 81P 81Y 53S 53P 53Y)	41N3540	*
13	CD-ROM drive 48X (models A5K BAK D3K H1A H1Q H1T A7K A8S A8P A8Y A9S A9P A9Y BDK BFK 24K 26S 26P 26Y 28S 28P 28Y 29S 29P 29Y 36S 36P 36Y D7K DAK G1K G4K G6S G6P G6Y 91K 94K 81S 81P 81Y 53S 53P 53Y)	41N3541	*
13	DVD-ROM (16X/48X) - black (models CTO B6G A4V B7V B9V D2V E2V)	40Y8931	*
13	DVD-ROM (16X/48X) - black (models CTO B6G A4V B7V B9V D2V E2V)	40Y8933	*
13	DVD-ROM (16X/48X) - black (models CTO B6G A4V B7V B9V D2V E2V)	40Y8957	*
13	DVD-ROM (16X/48X) - black (models CTO B6G A4V B7V B9V D2V E2V)	41X3544	*
13	DVD-ROM (16X/48X) - black (models CTO B6G A4V B7V B9V D2V E2V)	41X3545	*
13	DVD-ROM (16X/48X) - black (models CTO B6G A4V B7V B9V D2V E2V)	41X3546	*
13	CD-RW/DVD-ROM Combo drive (48X/32X/48X/16X Max) (models CTO A2J B3K B5K 22K 23K 32J 34K 35K 41K D1K E1K F1K A2S A2P A2Y B3S B3P B3Y B5S B5P B5Y 22S 22P 22Y 32S 32P 32Y 35S 35P 35Y 41S 41P 41Y D1S D1P D1Y E1S E1P E1Y F1S F1P F1Y B8K BBK D4K D5K D6K E3K E4K E5A E5Q E5T E6K E7K F2K F3K H2K K1K K2K A6K BCK BEK 25K 27S 27P 27Y 37S 37P 37Y D8K D9K DBK G2K G3K G5K G7S G7P G7Y 92K 93K 95K 82S 82P 82Y 54S 54P 54Y)	40Y8919	*
13	CD-RW/DVD-ROM Combo drive (48X/32X/48X/16X Max) (models CTO A2J B3K B5K 22K 23K 32J 34K 35K 41K D1K E1K F1K A2S A2P A2Y B3S B3P B3Y B5S B5P B5Y 22S 22P 22Y 32S 32P 32Y 35S 35P 35Y 41S 41P 41Y D1S D1P D1Y E1S E1P E1Y F1S F1P F1Y B8K BBK D4K D5K D6K E3K E4K E5A E5Q E5T E6K E7K F2K F3K H2K K1K K2K A6K BCK BEK 25K 27S 27P 27Y 37S 37P 37Y D8K D9K DBK G2K G3K G5K G7S G7P G7Y 92K 93K 95K 82S 82P 82Y 54S 54P 54Y)	40Y8941	*
13	CD-RW/DVD-ROM Combo drive (48X/32X/48X/16X) (models CTO A2J B3K B5K 22K 23K 32J 34K 35K 41K D1K E1K F1K A2S A2P A2Y B3S B3P B3Y B5S B5P B5Y 22S 22P 22Y 32S 32P 32Y 35S 35P 35Y 41S 41P 41Y D1S D1P D1Y E1S E1P E1Y F1S F1P F1Y B8K BBK D4K D5K D6K E3K E4K E5A E5Q E5T E6K E7K F2K F3K H2K K1K K2K A6K BCK BEK 25K 27P 27Y 37S 37P 37Y D8K D9K DBK G2K G3K G5K G7S G7P G7Y 92K 93K 95K 82S 82P 82Y 54S 54P 54Y)	41X3547	*
13	CD-RW/DVD-ROM Combo drive (48X/32X/48X/16X) (models CTO A2J B3K B5K 22K 23K 32J 34K 35K 41K D1K E1K F1K A2S A2P A2Y B3S B3P B3Y B5S B5P B5Y 22S 22P 22Y 32S 32P 32Y 35S 35P 35Y 41S 41P 41Y D1S D1P D1Y E1S E1P E1Y F1S F1P F1Y B8K BBK D4K D5K D6K E3K E4K E5A E5Q E5T E6K E7K F2K F3K H2K K1K K2K A6K BCK BEK 25K 27S 27P 27Y 37S 37P 37Y D8K D9K DBK G2K G3K G5K G7S G7P G7Y 92K 93K 95K 82S 82P 82Y 54S 54P 54Y)	41X7992	*

Item #	8110 FRUs	FRU#	CRU
13	Multiburner Plus (models CTO A1J 31J)	40Y8909	*
13	Multiburner Plus (models CTO)	41X3550	*

The FRUs listed in the following table are not illustrated.

8110 FRUs	FRU#	CRU
Cable, C2 Switch (all models)	39M0458	*
Shield, 5.25 EMC (all models)	39M0460	*
Cable, SATA (18-inch RoHs) (all models)	26K1186	*
Hard disk drive mounting bracket (all models)	39M0461	*
Cable, serial (all models)	39K5021	*
EMC shield, diskette drive (all models)	39M0464	*
Cable, diskette drive (RoHs) (all models)	26K1184	*
Diskette drive Bezel ASM,BLK (all models)	41A7806	*
Fan duct Asm (all models)	39M0470	*
Power switch/LED Asm (all models)	39M0471	**
Device retaining clips (all models)	39M0473	**
Shield, system board (all models)	39M0476	N
Miscellaneous hardware kit (all models)	39M0477	**
Cable, 1394 panel mount (all models)	39M0478	**
Heat sink Retention Module kit (all models)	39K5046	N
Cable, 2 Drop IDE (all models)	39M0516	*
Hard Disk Drive Tray w/screws (all models)	39M0491	**
Miscellaneous screw kit (all models)	41R2477	**
Universal Adapter Bracket 5.25 to 3.5-inch (all models)	32P4743	*
Battery, 3.0V (all models)	33F8354	*

8110 Keyboard (Preferred Pro, Fullsize, PS/2,Stealth Black)	FRU#	CRU
US English (models CTO-U CTO-G B1A B1Q B6G H1A H1Q)	89P8300	*
Arabic (models CTO-G B6G)	89P8301	*
Belgian/French (models CTO-G B6G)	89P8302	*
Belgian/UK (models CTO-G B6G)	89P8303	*
Brazil/Portugese (models CTO-L A2P B1P B3P B4P B5P 22P 32P 35P 41P A8P A9P 26P 27P 28P 29P 36P 37P G6P G7P 81P 82P 53P 54P)	89P8304	*
Bulgarian (models CTO-G B6G)	89P8305	*
Chinese/US (models A4V B7V B9V D2V E2V)	89P8306	*
Czech (models CTO-G B6G)	89P8307	*
Danish (models CTO-G B6G)	89P8308	*
Dutch (models CTO-G B6G)	89P8309	*
French (models CTO-G B6G)	89P8310	*
French Canadian 445 (models CTO-U)	89P8311	*

<b>8110 Keyboard (Preferred Pro, Fullsize, PS/2,Stealth Black)</b>	<b>FRU#</b>	<b>CRU</b>
French Canadian 58 (models CTO-U)	89P8312	*
German (models CTO-G B6G)	89P8313	*
Greek (models CTO-G B6G)	89P8314	*
Hebrew (models CTO-G B6G)	89P8315	*
Hungarian (models CTO-G B6G)	89P8316	*
Iceland (models CTO-G B6G)	89P8317	*
Italian 141 (models CTO-G B6G)	89P8318	*
Italian 142 (models CTO-G B6G)	89P8319	*
Japanese (models A1J A2J A3J 31J 32J 33J)	89P8320	*
Korean (models B2K B3K B4K B5K 21K 22K 23K 34K 35K 41K A5K B8K BAK BBK D3K D4K D5K D6K E3K E4K E6K E7K F2K F3K H2K K1K K2K A6K A7K BCK BDK BEK BFK 24K 25K D7K D8K D9K DAK DBK G1K G2K G3K G4K G5K 91K 92K 93K 94K 95K)	89P8321	*
LA Spanish (models CTO-L A2S A2Y B1S B1Y B3S B3Y B4S B4Y B5S B5Y 22S 22Y 32S 32Y 35S 35Y 41S 41Y A8S A8Y A9S A9Y 26S 26Y 27S 27Y 28S 28Y 29S 29Y 36S 36Y 37S 37Y G6S G6Y G7S G7Y 81S 81Y 82S 82Y 53S 53Y 54S 54Y)	89P8322	*
Norwegian (models CTO-G B6G)	89P8323	*
Polish (models CTO-G B6G)	89P8324	*
Portuguese (models CTO-G B6G)	89P8325	*
Romanian (models CTO-G B6G)	89P8326	*
Russian/Cyrillic (models CTO-G B6G)	89P8328	*
Serbian/Cyrillic (models CTO-G B6G)	89P8329	*
Slovak (models CTO-G B6G)	89P8330	*
Spanish (models CTO-G B6G)	89P8331	*
Swedish/Finn (models CTO-G B6G)	89P8332	*
Swiss F/G (models CTO-G B6G)	89P8333	*
Thailand (models CTO-A B1T H1T)	89P8334	*
Turkish 440 (models CTO-G B6G)	89P8335	*
Turkish 179 (models CTO-G B6G)	89P8336	*
UK English (models CTO-G B6G)	89P8337	*
US Euro (models CTO-G B6G)	89P8338	*
Yugoslav/Latin (models CTO-G B6G)	89P8339	*

<b>8110 Keyboard (PS2 Preferred Pro)</b>	<b>FRU#</b>	<b>CRU</b>
US English (models CTO-U CTO-G B1A B1Q B6G H1A H1Q)	41A5039	*
Arabic (models CTO-G B6G)	41A5040	*
Belgian/French (models CTO-G B6G)	41A5042	*
Belgian/UK (models CTO-G B6G)	41A5043	*
Brazil/Portuguese (models CTO-L A2P B1P B3P B4P B5P 22P 32P 35P 41P A8P A9P 26P 27P 28P 29P 36P 37P G6P G7P 81P 82P 53P 54P)	41A5044	*
Bulgarian (models CTO-G B6G)	41A5045	*
Hong Kong/Taiwan (models A4V B7V B9V D2V E2V)	41A5046	*
Czech (models CTO-G B6G)	41A5047	*

<b>8110 Keyboard (PS2 Preferred Pro)</b>	<b>FRU#</b>	<b>CRU</b>
Danish (models CTO-G B6G)	41A5048	*
Dutch (models CTO-G B6G)	41A5049	*
French (models CTO-G B6G)	41A5050	*
French Canadian 445 (models CTO-U)	41A5051	*
French Canadian 58 (models CTO-U)	41A5052	*
German (models CTO-G B6G)	41A5053	*
Greek (models CTO-G B6G)	41A5054	*
Hebrew (models CTO-G B6G)	41A5055	*
Hungarian (models CTO-G B6G)	41A5056	*
Iceland (models CTO-G B6G)	41A5057	*
Italian (models CTO-G B6G)	41A5058	*
Japanese (models A1J A2J A3J 31J 32J 33J)	41A5059	*
Korean (models B2K B3K B4K B5K 21K 22K 23K 34K 35K 41K A5K B8K BAK BBK D3K D4K D5K D6K E3K E4K E6K E7K F2K F3K H2K K1K K2K A6K A7K BCK BDK BEK BFK 24K 25K D7K D8K D9K DAK DBK G1K G2K G3K G4K G5K 91K 92K 93K 94K 95K)	41A5060	*
LA Spanish (models CTO-L A2S A2Y B1S B1Y B3S B3Y B4S B4Y B5S B5Y 22S 22Y 32S 32Y 35S 35Y 41S 41Y A8S A8Y A9S A9Y 26S 26Y 27S 27Y 28S 28Y 29S 29Y 36S 36Y 37S 37Y G6S G6Y G7S G7Y 81S 81Y 82S 82Y 53S 53Y 54S 54Y)	41A5061	*
Norwegian (models CTO-G B6G)	41A5062	*
Polish (models CTO-G B6G)	41A5063	*
Portuguese (models CTO-G B6G)	41A5064	*
Romanian (models CTO-G B6G)	41A5065	*
Russian/Cyrilic (models CTO-G B6G)	41A5066	*
Serbian/Cyrilic (models CTO-G B6G)	41A5067	*
Slovak (models CTO-G B6G)	41A5068	*
Spanish (models CTO-G B6G)	41A5069	*
Swedish/Finn (models CTO-G B6G)	41A5070	*
Swiss F/G (models CTO-G B6G)	41A5071	*
Thailand (models CTO-A B1T H1T)	41A5072	*
UK English (models CTO-G B6G)	41A5075	*
US Euro (models CTO-G B6G)	41A5076	*
Slovenian (models CTO-G B6G)	41A5077	*

<b>8110 IBM Keyboard (USB Preferred - without hub)</b>	<b>FRU#</b>	<b>CRU</b>
US English (models CTO-U CTO-G)	89P9040	*
Arabic (models CTO-G)	89P9041	*
Arabic/French (models CTO-G)	89P9058	*
Belgian/French (models CTO-G)	89P9042	*
Belgian/UK (models CTO-G)	89P9043	*
Brazilian (models CTO-L)	89P9044	*
Bulgarian (models CTO-G)	89P9045	*
Czech (models CTO-G)	89P9047	*



<b>8110 IBM Keyboard (USB Preferred - without hub)</b>	<b>FRU#</b>	<b>CRU</b>
Danish (models CTO-G)	89P9048	*
Dutch (models CTO-G)	89P9049	*
French (models CTO-G)	89P9050	*
French Canadian (models CTO-U)	89P9051	*
French Canadian (models CTO-U)	89P9052	*
German (models CTO-G)	89P9053	*
Greek (models CTO-G)	89P9054	*
Greek/US (models CTO-G)	41A4948	*
Hebrew (models CTO-G)	89P9055	*
Hungarian (models CTO-G)	89P056	*
Iceland (models CTO-G)	89P9057	*
Italy (models CTO-G)	89P9059	*
LA Spanish (models CTO-L)	89P9062	*
Norwegian (models CTO-G)	89P9063	*
Polish (models CTO-G)	89P9064	*
Portuguese (models CTO-G)	89P9065	*
Romanian 096 (models CTO-G)	89P9067	*
Romanian 446 (models CTO-G)	89P9066	*
Russian/Cyrillic (models CTO-G)	89P9068	*
Serbian/Cyrillic (models CTO-G)	89P9069	*
Slovak (models CTO-G)	89P9070	*
Spanish (models CTO-G)	89P9072	*
Swedish/Finn (models CTO-G)	89P9073	*
Swiss (models CTO-G)	89P9074	*
Thailand (models CTO-A)	89P9075	*
Turkish 440 (models CTO-G)	89P9076	*
Turkish 179 (models CTO-G)	89P9077	*
UK English (models CTO-G)	89P9078	*
US Euro (models CTO-G)	89P9079	*
Slovenian (models CTO-G)	89P9071	*

<b>8110 Lenovo Keyboard (USB Preferred - without hub)</b>	<b>FRU#</b>	<b>CRU</b>
US English (models CTO-U CTO-G)	41A5289	*
Arabic (models CTO-G)	41A5290	*
Arabic/French (models CTO-G)	41A5291	*
Belgian/French (models CTO-G)	41A5292	*
Belgian/UK (models CTO-G)	41A5293	*
Brazilian (models CTO-L)	41A5294	*
Bulgarian (models CTO-G)	41A5295	*
Czech (models CTO-G)	41A5297	*
Danish (models CTO-G)	41A5298	*

<b>8110 Lenovo Keyboard (USB Preferred - without hub)</b>	<b>FRU#</b>	<b>CRU</b>
Dutch (models CTO-G)	41A5299	*
French (models CTO-G)	41A5300	*
French Canadian 445 (models CTO-U)	41A5301	*
French Canadian 58 (models CTO-U)	41A5302	*
German (models CTO-G)	41A5303	*
Greek (models CTO-G)	41A5304	*
Greek/US (models CTO-G)	41A5305	*
Hebrew (models CTO-G)	41A5306	*
Hungarian (models CTO-G)	41A5307	*
Iceland (models CTO-G)	41A5308	*
Italian 141 (models CTO-G)	41A5309	*
LA Spanish (models CTO-L)	41A5312	*
Norwegian (models CTO-G)	41A5313	*
Polish (models CTO-G)	41A5314	*
Portuguese (models CTO-G)	41A5315	*
Romanian 096 (models CTO-G)	41A5317	*
Romanian 446 (models CTO-G)	41A5316	*
Russian/Cyrillic (models CTO-G)	41A5318	*
Serbian/Cyrillic (models CTO-G)	41A5319	*
Slovak (models CTO-G)	41A5320	*
Spanish (models CTO-G)	41A5321	*
Swedish/Finn (models CTO-G)	41A5322	*
Swiss (models CTO-G)	41A5323	*
Thailand (models CTO-A)	41A5324	*
Turkish 440 (models CTO-G)	41A5325	*
Turkish 179 (models CTO-G)	41A5326	*
UK English (models CTO-G)	41A5327	*
US Euro (models CTO-G)	41A5328	*
Slovenian (models CTO-G)	41A5329	*

<b>8110 Keyboards (Productivity, USB)</b>	<b>FRU#</b>	<b>CRU</b>
US English (models E5A E5Q)	89P8800	*
Thailand (models E5T)	89P8834	*

<b>8110 Keyboard (Lenovo, USB Enhanced Performance)</b>	<b>FRU#</b>	<b>CRU</b>
US English (models E5A E5Q)	41A4961	*
Thailand (models E5T)	41A4994	*

<b>8110 Keyboards (with fingerprint reader)</b>	<b>FRU#</b>	<b>CRU</b>
US English (models CTO-U CTO-G)	89P9000	*
Arabic (models CTO-G)	89P9001	*



<b>8110 Keyboards (with fingerprint reader)</b>	<b>FRU#</b>	<b>CRU</b>
Arabic/French (models CTO-G)	89P9002	*
Belgian/French (models CTO-G)	89P9003	*
Belgian/UK (models CTO-G)	89P9004	*
Brazilian Portuguese (models CTO-L D1P E1P F1P)	89P9005	*
Bulgarian (models CTO-G)	89P9006	*
Czech (models CTO-G)	89P9008	*
Danish (models CTO-G)	89P9009	*
Dutch (models CTO-G)	89P9010	*
French (models CTO-G)	89P9011	*
French Canadian 445 (models CTO-U)	89P9012	*
French Canadian 58 (models CTO-U)	89P9013	*
German (models CTO-G)	89P9014	*
Greek (models CTO-G)	89P9015	*
Hebrew (models CTO-G)	89P9016	*
Hungarian (models CTO-G)	89P9017	*
Iceland (models CTO-G)	89P9018	*
Italian 141 (models CTO-G)	89P9019	*
Korean (models D1K E1K F1K)	89P9021	*
LA Spanish (models CTO-L D1S D1Y E1S E1Y F1S F1Y)	89P9022	*
Norwegian (models CTO-G)	89P9023	*
Polish (models CTO-G)	89P9024	*
Portuguese (models CTO-G)	89P9025	*
Romanian (models CTO-G)	89P9026	*
Romanian (models CTO-G)	89P9027	*
Russian/Cyrillic (models CTO-G)	89P9028	*
Serbian/Cyrillic (models CTO-G)	89P9029	*
Slovak (models CTO-G)	89P9030	*
Spanish (models CTO-G)	89P9031	*
Swedish/Finn (models CTO-G)	89P9032	*
Swiss F/G (models CTO-G)	89P9033	*
Thailand (models CTO-A)	89P9034	*
Turkish 440 (models CTO-G)	89P9035	*
Turkish 179 (models CTO-G)	89P9036	*
UK English (models CTO-G)	89P9037	*
US Euro (models CTO-G)	89P9038	*
Yugoslav/Latin (models CTO-G)	89P9039	*

<b>8110 Keyboard (Fingerprint reader USB)</b>	<b>FRU#</b>	<b>CRU</b>
US English (models CTO-U CTO-G)	41A5248	*
Arabic (models CTO-G)	41A5249	*
Arabic/French (models CTO-G)	41A5250	*

<b>8110 Keyboard (Fingerprint reader USB)</b>	<b>FRU#</b>	<b>CRU</b>
Belgian/French (models CTO-G)	41A5251	*
Belgian/UK (models CTO-G)	41A5252	*
Brazilian (models CTO-L D1P E1P F1P)	41A5253	*
Bulgarian (models CTO-G)	41A5254	*
Chinese/US (models CTO-G)	41A5255	*
Czech (models CTO-G)	41A5256	*
Danish (models CTO-G)	41A5257	*
Dutch (models CTO-G)	41A5258	*
French (models CTO-G)	41A5259	*
French Canadian 445 (models CTO-U)	41A5260	*
French Canadian 58 (models CTO-U)	41A5261	*
German (models CTO-G)	41A5262	*
Greek (models CTO-G)	41A5263	*
Hebrew (models CTO-G)	41A5265	*
Hungarian (models CTO-G)	41A5266	*
Iceland (models CTO-G)	41A5267	*
Italian (models CTO-G)	41A5268	*
Korean (models D1K E1K F1K)	41A5270	*
LA Spanish (models CTO-L D1S D1Y E1S E1Y F1S F1Y)	41A5271	*
Norwegian (models CTO-G)	41A5272	*
Polish (models CTO-G)	41A5273	*
Portuguese (models CTO-G)	41A5274	*
Romanian 446 (models CTO-G)	41A5275	*
Romanian 96 (models CTO-G)	41A5276	*
Russian/Cy (models CTO-G)	41A5277	*
Serbian/Cyrillic (models CTO-G)	41A5278	*
Slovak (models CTO-G)	41A5279	*
Spanish (models CTO-G)	41A5280	*
Swedish/Finn (models CTO-G)	41A5281	*
Swiss F/G (models CTO-G)	41A5282	*
Thailand (models CTO-A)	41A5283	*
Turkish 440 (models CTO-G)	41A5284	*
Turkish 179 (models CTO-G)	41A5285	*
UK English (models CTO-G)	41A5286	*
US Euro (models CTO-G)	41A5287	*
Slovenian (models CTO-G)	41A5288	*

<b>8110 Lenovo Keyboard (Wireless, Enhanced)</b>	<b>FRU#</b>	<b>CRU</b>
US English/Chinese/US (models CTO-U CTO-G)	41A5219	*
Belgian/French (models CTO-U CTO-G)	41A5220	*
Belgian/UK (models CTO-G)	41A5221	*

<b>8110 Lenovo Keyboard (Wireless, Enhanced)</b>	<b>FRU#</b>	<b>CRU</b>
Czech (models CTO-G)	41A5223	*
Danish (models CTO-G)	41A5224	*
Dutch (models CTO-G)	41A5225	*
French (models CTO-G)	41A5226	*
French Canadian (models CTO-U)	41A5227	*
French Canadian (models CTO-U)	41A5228	*
German (models CTO-G)	41A5229	*
Greek (models CTO-G)	41A5230	*
Hungarian (models CTO-G)	41A5232	*
Iceland (models CTO-G)	41A5233	*
Italy (models CTO-G)	41A5234	*
Norwegian (models CTO-G)	41A5236	*
Polish (models CTO-G)	41A5237	*
Portuguese (models CTO-G)	41A5238	*
Slovak (models CTO-G)	41A5239	*
Spanish (models CTO-G)	41A5240	*
Swedish/Finn (models CTO-G)	41A5241	*
Swiss (models CTO-G)	41A5242	*
UK English (models CTO-G)	41A5243	*
US Euro (models CTO-G)	41A5244	*

<b>8110 Keyboard (Enhanced Performance, Wireless)</b>	<b>FRU#</b>	<b>CRU</b>
US English/Chinese/US (models CTO-U CTO-G)	89P8730	*
Belgian/French (models CTO-G)	89P8731	*
Belgian/UK (models CTO-G)	89P8732	*
Czech (models CTO-G)	89P8734	*
Danish (models CTO-G)	89P8735	*
Dutch (models CTO-G)	89P8736	*
French (models CTO-G)	89P8737	*
French Canadian (models CTO-U)	89P8738	*
French Canadian (models CTO-U)	89P8739	*
German (models CTO-G)	89P8740	*
Greek (models CTO-G)	89P8741	*
Hungarian (models CTO-G)	89P8742	*
Iceland (models CTO-G)	89P8743	*
Italy (models CTO-G)	89P8744	*
Norwegian (models CTO-G)	89P8746	*
Polish (models CTO-G)	89P8747	*
Portuguese (models CTO-G)	89P8748	*
Slovak (models CTO-G)	89P8749	*
Spanish (models CTO-G)	89P8751	*

<b>8110 Keyboard (Enhanced Performance, Wireless)</b>	<b>FRU#</b>	<b>CRU</b>
Swedish/Finn (models CTO-G)	89P8752	*
Swiss (models CTO-G)	89P8753	*
UK English (models CTO-G)	89P8754	*
US Euro (models CTO-G)	89P8755	*
Wireless tranceiver dongle (models CTO)	89P8757	*

<b>8110 mice</b>	<b>FRU#</b>	<b>CRU</b>
Mouse, Scrollpoint Optical, USB (all models)	41A4933	*
Mouse, optical wheelmouse, USB (models CTO)	41A4935	*
Mouse, PS/2 wheelmouse (Black) (models CTO)	41A4917	*
Mouse, optical wheelmouse (400DPI, USB) (models CTO)	41U3013	*
Mouse, Scrollpoint Optical, (800DPI, USB) (all models)	41U3019	*
Mouse, wheelmouse PS/2 models CTO)	41R0018	*

<b>8110 Adapters and miscellaneous FRU</b>	<b>FRU#</b>	<b>CRU</b>
Soft Modem V.90/V.44 (models CTO E5A E5Q E5T)	29R9729	*
128MB DDR ATI Radeon x300SE (DMS59 connector) (models CTO D4K D6K E4K E5A E5Q E5T E7K F2K F3K K2K D9K G3K 92K)	39J9635	*
128MB DDR ATI RADEON X700 PRO VGA, DVI-I, TV-Out PCI-e BTX (models CTO E1K F1K E1S E1P E1Y F1S F1P F1Y)	39J6203	*
PCI-E DVI-D Connection Adapter (ADD 2-R) (Full Height) (models CTO)	39J9334	*
IEEE 1394 Adapter - Firewire (models CTO)	41D2781	*
1394 Internal cable (models CTO)	39M0478	*
Speakers, Jazz Infinity Active T1 (Black) (models CTO B2K B3K B4K B5K 21K 22K 23K 34K 35K 41K D1K E1K F1K B3S B3P B3Y B4S B4P B4Y B5S B5P B5Y 22S 22P 22Y 35S 35P 35Y 41S 41P 41Y D1S D1P D1Y E1S E1P E1Y F1S F1P F1Y)	89P8588	*
Speaker Power brick - US, Canada, LA (low voltage), Taiwan, Phillipines, Thailand (models CTO-U CTO-L CTO-A B3S B3Y B4S B4Y B5S B5Y 22S 22Y 35S 35Y 41S 41Y D1S D1Y E1S E1Y F1S F1Y)	10K2587	*
Speaker Brick - LA (high voltage) (models CTO-L)	10K2591	*
Speaker Power brick - UK, Hong Kong (British version), ASEAN (models CTO-A)	25P5703	*
Speaker Power brick - Europe (models CTO-G CTO-L)	25P5704	*
Speaker Power brick (newer 2 prong) - China, Thailand, Phillipines (models CTO-A)	10K2597	*
Speaker Power brick - ANZ (models CTO-A)	25P5705	*
Speaker Power brick - Brazil (models CTO-L B3P B4P B5P 22P 35P 41P D1P E1P F1P)	25P5706	*
Speaker Power brick - India, South Africa (models CTO-A CTO-G)	32P3181	*
Speaker Power brick - Argentina (models CTO-L B3S B3Y B4S B4Y B5S B5Y 22S 22Y 35S 35Y 41S 41Y D1S D1Y E1S E1Y F1S F1Y)	01R2253	*
Speaker Power brick - Korea (models B2K B3K B4K B5K 21K 22K 23K 34K 35K 41K D1K E1K F1K)	88P7687	*
Speaker Power brick - US, Canada, LA low voltage, ASEAN (models CTO)	89P8571	*
RJ11 connector adapter (Spain, Ireland) (All "G" models)	60H6043	*
RJ11 connector adapter (Austria) (All "G" models)	60H6045	*

8110 Adapters and miscellaneous FRU	FRU#	CRU
RJ11 connector adapter (Belgium) (All "G" models)	60H6046	*
RJ11 connector adapter (Denmark) (All "G" models)	60H6047	*
RJ11 connector adapter (Norway, Finland) (All "G" models)	60H6048	*
RJ11 connector adapter (France) (All "G" models)	60H6049	*
RJ11 connector adapter (Germany) (All "G" models)	60H6050	*
RJ11 connector adapter (UK, NZ, HK) (All "G", "M", "B", "H" models)	60H6051	*
RJ11 connector adapter (Italy) (All "G" models)	60H6052	*
RJ11 connector adapter (Netherlands) (All "G" models)	60H6053	*
RJ11 connector adapter (Sweden) (All "G" models)	60H6054	*
RJ11 connector adapter (Switzerland) (All "G" models)	60H6055	*
Dongle Cable - DMS59 to dual VGA (All models)	41D2399	*

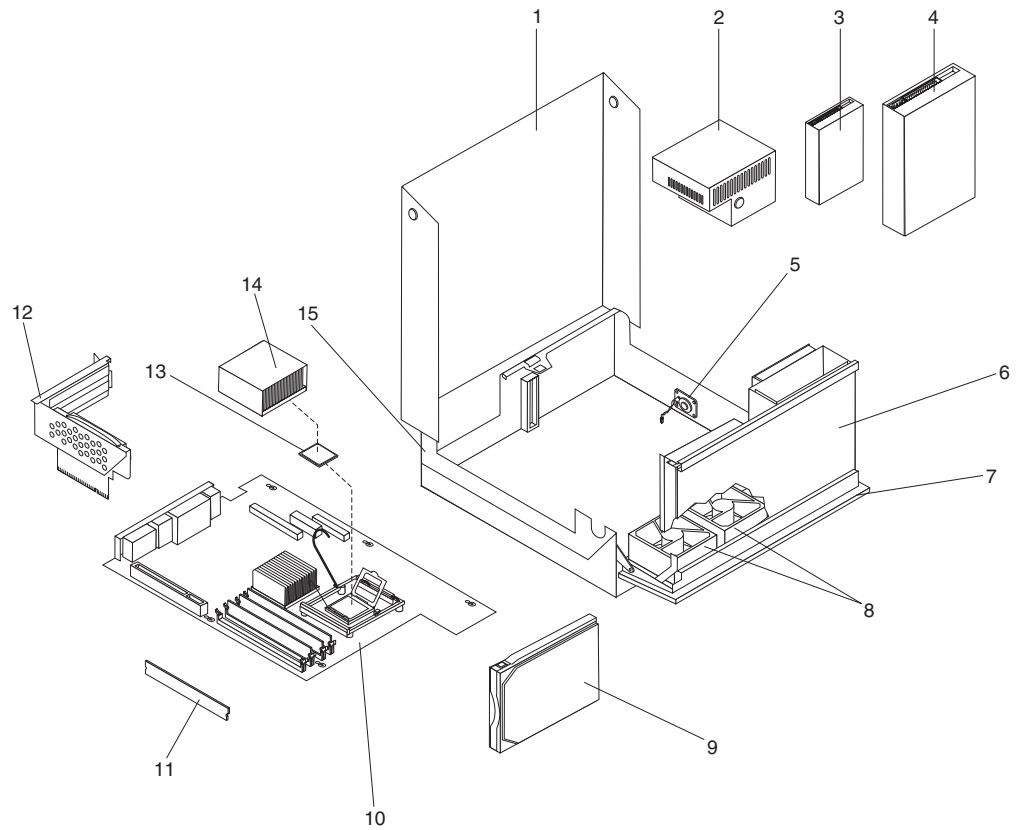
8110 Power Cords	FRU#	CRU
Power cord - US (models CTO-U B1A B1T A2S B1S B3S B4S B5S 22S 32S 35S 41S D1S E1S F1S E5A E5T H1A H1T A8S A9S 26S 27S 28S 29S 36S 37S G6S G7S 81S 82S 53S 54S)	39M5080	*
Power cord - Japan (models A1J A2J A3J 31J 32J 33J)	39M5193	*
Power cord - Brazil (models CTO-L A2P B1P B3P B4P B5P 22P 32P 35P 41P D1P E1P F1P A8P A9P 26P 27P 28P 29P 36P 37P G6P G7P 81P 82P 53P 54P)	39M5232	*
Power cord - LA High Volt (APU) (models CTO-L A2Y B1Y B3Y B4Y B5Y 22Y 32Y 35Y 41Y D1Y E1Y F1Y A8Y A9Y 26Y 27Y 28Y 29Y 36Y 37Y G6Y G7Y 81Y 82Y 53Y 54Y)	39M5067	*
Power cord - Australia/New Zealand (models CTO-A)	39M5102	*
Power cord - Korea (models B2K B3K B4K B5K 21K 22K 23K 34K 35K 41K D1K E1K F1K A5K B8K BAK BBK D3K D4K D5K D6K E3K E4K E6K E7K F2K F3K H2K K1K K2K A6K A7K BCK BDK BEK BFK 24K 25K D7K D8K D9K DAK DBK G1K G2K G3K G4K G5K 91K 92K 93K 94K 95K)	39M5212	*
Power cord - Hong Kong (models CTO-A)	39M5151	*
Power cord - UK, Ireland, Singapore, Malaysia, Brunei (models CTO-G CTO-A B1A B6G E5A H1A)	39M5150	*
Power cord - Taiwan (models A4V B7V B9V D2V E2V)	39M5246	*
Power cord - Italy (models CTO-G B6G A2S A2Y B1S B1Y B3S B3Y B4S B4Y B5S B5Y 22S 22Y 32S 32Y 35S 35Y 41S 41Y D1S D1Y E1S E1Y F1S F1Y A8S A8Y A9S A9Y 26S 26Y 27S 27Y 28S 28Y 29S 29Y 36S 36Y 37S 37Y G6S G6Y G7S G7Y 81S 81Y 82S 82Y 53S 53Y 54S 54Y)	39M5164	*
Power cord - G models (models CTO-G B1A B6G E5A H1A)	39M5122	*
Power cord - Denmark (models CTO-G B6G)	39M5129	*
Power cord - Switzerland (models CTO-G B6G)	39M5157	*
Power cord - Israel (models CTO-G B6G)	39M5171	*
Power cord - South Africa (models CTO-G B1A B6G E5A H1A)	39M5143	*
Power cord - India (models CTO-A B1Q E5Q H1Q)	41R3175	*

8110 Windows XP Home Recovery CDs	FRU #	CRU
US/UK/AP/TH (models E5A E5Q E5T)	41T1584	*
SP/LA (models B3S B3Y B4S B4Y B5S B5Y 22S 22Y 35S 35Y 41S 41Y D1S D1Y E1S E1Y)	41T3242	*
BR (models B3P B4P B5P 22P 35P 41P D1P E1P)	41T3202	*

8110 Windows XP Home Recovery CDs	FRU #	CRU
Korean (models B2K B3K B4K B5K 21K 22K 23K 34K 35K 41K D1K E1K A5K B8K BAK BBK D3K D4K D5K D6K E3K E4K E6K E7K F2K F3K H2K K1K K2K A6K A7K BCK BDK BEK BFK 24K 25K D7K D8K D9K DAK DBK G1K G2K G3K G4K G5K 91K 92K 93K 94K 95K)	41W2624	*

8110 Windows XP Pro Recovery CDs	FRU#	CRU
US/UK/AP/TH (models B1A B1Q B1T B6G H1A H1Q H1T)	41T1577	*
FR/CF (models B6G)	41T3198	*
GR (models B6G)	41T3199	*
SP/LA (models B6G A2S A2Y B1S B1Y 32S 32Y F1S F1Y A8S A8Y A9S A9Y 26S 26Y 27S 27Y 28S 28Y 29S 29Y 36S 36Y 37S 37Y G6S G6Y G7S G7Y 81S 81Y 82S 82Y 53S 53Y 54S 54Y)	41T3200	*
IT (models B6G)	41T3201	*
BR (models F1P A8P A9P 26P 27P 28P 29P 36P 37P G6P G7P 81P 82P 53P 54P)	41T3202	*
SV (models B6G)	41T3203	*
DK (models B6G)	41T3204	*
FI (models B6G)	41T4264	*
NO (models B6G)	39J9646	*
NL (models B6G)	41T4266	*
HE (models B6G)	41T4267	*
PL (models B6G)	41T4268	*
CZ (models B6G)	41T4269	*
AE (models B6G)	41T4270	*
RU (models B6G)	41T4271	*
TR (models B6G)	41T4836	*
HU (models B6G)	41T4837	*
PO (models B6G)	41T4838	*
GK (models B6G)	41T4839	*
SL (models B6G)	41T4840	*
Taiwan-TC (models A4V B7V B9V D2V E2V)	41W2603	*
Korea (models F1K)	41W2589	*
Multilingual 1 (models CTO-G B6G)	41T3282	*
Multilingual 2 (models CTO-G B6G)	41T4280	*

# Machine Type 8111



Item #	8111 FRUs	FRU#	CRU
1	Cover (all models)	39M0581	**
2	Power Supply (225 Watt) (models CTO A1J A2J A3J A4A A4T A5K A6G A6M 11K 12J 13J 14J B1K B2K B3K D1K D2K D3K E1K E2K E3A E3T E4K A7K H1A H1T H2K K1K K2K A8K A9K B4K B5K B6K B7K 21K 22K D4K D5K D6K D7K D8K G1K G2K G3K G4K G5K G6K G9K 91K 92K 93K 94K 95K 31K 32K)	24R2625	**
2	Power Supply - China (225 Watt) (models CTO-A CTO-L A4Q E3Q H1Q G1Q G9Q)	24R2627	**
3	Diskette drive, 3.5" 1.44MB 3-mode (w/o bezel) (models CTO A1J A2J A3J A4A A4Q A4T A5K A6G A6M 11K 12J 13J 14J H1A H1Q H1T)	40Y9107	*
3	Diskette drive, 3.5" 1.44MB 3-mode (w/o bezel) (models CTO A1J A2J A3J A4A A4Q A4T A5K A6G A6M 11K 12J 13J 14J H1A H1Q H1T)	40Y9105	*
3	Diskette drive, 3.5" 1.44MB 3-mode (w/o bezel) (models CTO A1J A2J A3J A4A A4Q A4T A5K A6G A6M 11K 12J 13J 14J H1A H1Q H1T)	40Y9113	*
4	CD-ROM Drive 48X (models CTO A3J A4A A4Q A4T A5K 14J B2K D1K A7K H1A H1Q H1T A9K B5K B7K 21K D4K D7K G1Q G1K G4K 91K 94K)	40Y8929	*
4	CD-ROM Drive 48X (models B2K D1K A7K H1A H1Q H1T A9K B5K B7K 21K D4K D7K G1Q G1K G4K 91K 94K)	40Y8807	*
4	CD-ROM Drive 48X (models B2K D1K A7K H1A H1Q H1T A9K B5K B7K 21K D4K D7K G1Q G1K G4K 91K 94K)	40Y8955	*
4	CD-ROM Drive 48X (models B2K D1K A7K H1A H1Q H1T A9K B5K B7K 21K D4K D7K G1Q G1K G4K 91K 94K)	40Y8953	*



Item #	8111 FRUs	FRU#	CRU
4	CD-ROM Drive 48X (models B2K D1K A7K H1A H1Q H1T A9K B5K B7K 21K D4K D7K G1Q G1K G4K 91K 94K)	41N3539	*
4	CD-ROM Drive 48X (models B2K D1K A7K H1A H1Q H1T A9K B5K B7K 21K D4K D7K G1Q G1K G4K 91K 94K)	41N3540	*
4	CD-ROM Drive 48X (models B2K D1K A7K H1A H1Q H1T A9K B5K B7K 21K D4K D7K G1Q G1K G4K 91K 94K)	41N3541	*
4	DVD-ROM Drive (16X/48X) (models CTO A6G A6M)	40Y8931	*
4	DVD-ROM Drive (16X/48X) (models CTO A6G A6M)	40Y8933	*
4	DVD-ROM Drive (16X/48X) (models CTO A6G A6M)	40Y8957	*
4	DVD-ROM Drive (16X/48X) (models CTO A6G A6M)	41X3544	*
4	DVD-ROM Drive (16X/48X) (models CTO A6G A6M)	41X3545	*
4	DVD-ROM Drive (16X/48X) (models CTO A6G A6M)	41X3546	*
4	CD-RW/DVD-ROM Combo Drive 48X/32X/48X/16X Max (models CTO A2J 11K 13J B1K B3K D2K D3K E1K E2K E3A E3Q E3T E4K)	40Y8781	*
4	CD-RW/DVD-ROM Combo Drive 48X/32X/48X/16X Max (models CTO A2J 11K 13J B1K B3K D2K D3K E1K E2K E3A E3Q E3T E4K H2K K1K K2K A8K B4K B6K 22K D5K D6K D8K G2K G3K G5K G6K G9Q G9K 92K 93K 95K 31K)	40Y8919	*
4	CD-RW/DVD-ROM Combo Drive 48X/32X/48X/16X Max (models CTO A2J 11K 13J B1K B3K D2K D3K E1K E2K E3A E3Q E3T E4K H2K K1K K2K A8K B4K B6K 22K D5K D6K D8K G2K G3K G5K G6K G9Q G9K 92K 93K 95K 31K)	40Y8941	*
4	CD-RW/DVD-ROM Combo Drive 48X/32X/48X/16X (models CTO A2J 11K 13J B1K B3K D2K D3K E1K E2K E3A E3Q E3T E4K H2K K1K K2K A8K B4K B6K 22K D5K D6K D8K G2K G3K G5K G6K G9Q G9K 92K 93K 95K 31K)	41X3547	*
4	CD-RW/DVD-ROM Combo Drive 48X/32X/48X/16X (models CTO A2J 11K 13J B1K B3K D2K D3K E1K E2K E3A E3Q E3T E4K H2K K1K K2K A8K B4K B6K 22K D5K D6K D8K G2K G3K G5K G6K G9Q G9K 92K 93K 95K 31K)	41X7992	*
4	Multi-Burner (models CTO A1J 12J 32K)	40Y8909	*
4	Multi-Burner (models CTO)	41X3550	*
5	Speaker/cable assembly (all models)	39K5012	*
6	Rotating cage assembly (all models)	39M0583	**
7	Bezel Kit (all models)	39M0579	*
8	Front fan and bracket assembly (all models)	39M0585	**
9	Hard Disk Drive 40GB 7200 rpm Serial ATA (models CTO)	40Y8760	*
9	Hard Disk Drive 40GB 7200 rpm Serial ATA (models CTO)	40Y9033	*
9	Hard Disk Drive 40GB 7200 rpm Serial ATA (models CTO)	71P7312	*
9	Hard Disk Drive 80GB 7200 rpm Serial ATA (models CTO A1J A2J A3J A4A A4Q A4T A5K A6G A6M 11K 12J 13J 14J B1K B2K D1K A7K H1A H1Q H1T A8K A9K B5K 21K D4K G1Q G1K G6K G9Q G9K 91K)	40Y8761	*
9	Hard Disk Drive 80GB 7200 rpm Serial ATA (models CTO A1J A2J A3J A4A A4Q A4T A5K A6G A6M 11K 12J 13J 14J B1K B2K D1K A7K H1A H1Q H1T A8K A9K B5K 21K D4K G1Q G1K G6K G9Q G9K 91K)	40Y9034	*
9	Hard Disk Drive 80GB 7200 rpm Serial ATA (models CTO A1J A2J A3J A4A A4Q A4T A5K A6G A6M 11K 12J 13J 14J B1K B2K D1K A7K H1A H1Q H1T A8K A9K B5K 21K D4K G1Q G1K G6K G9Q G9K 91K)	41X2500	*
9	Hard Disk Drive 80GB 7200 rpm Serial ATA (models CTO A1J A2J A3J A4A A4Q A4T A5K A6G A6M 11K 12J 13J 14J)	71P7293	*



Item #	8111 FRUs	FRU#	CRU
9	Hard Disk Drive 160GB 7200 rpm Serial ATA (models CTO B3K D2K D3K E1K E2K E3A E3Q E3T H2K K1K B4K B6K B7K 22K D5K D6K D7K G2K G3K G4K 92K 93K 94K)	71P7297	*
9	Hard Disk Drive 160GB 7200 rpm Serial ATA (models CTO B3K D2K D3K E1K E2K E3A E3Q E3T H2K K1K B4K B6K B7K 22K D5K D6K D7K G2K G3K G4K 92K 93K 94K)	40Y9035	*
9	Hard Disk Drive 160GB 7200 rpm Serial ATA (models CTO B3K D2K D3K E1K E2K E3A E3Q E3T H2K K1K B4K B6K B7K 22K D5K D6K D7K G2K G3K G4K 92K 93K 94K)	40Y8762	*
9	Hard Disk Drive 250GB 7200 rpm Serial ATA (models CTO E4K K2K D8K G5K 95K 31K 32K)	40Y8763	*
9	Hard Disk Drive 250GB 7200 rpm Serial ATA (models CTO E4K K2K D8K G5K 95K 31K 32K)	40Y9036	*
9	Hard Disk Drive 250GB 7200 rpm Serial ATA (models CTO E4K K2K D8K G5K 95K 31K 32K)	40Y8757	*
10	System Board, Margarita DDR2 Desktop Planar v3.3 --subbed from 41X0921 (models CTO A1J A2J A3J A4A A4Q A4T A5K A6G A6M 11K 12J 13J 14J B1K B2K B3K D1K D2K D3K E1K E2K E3A E3Q E3T E4K A7K H2K K1K K2K A8K A9K B4K B5K B6K B7K 21K 22K D4K D5K D6K D7K D8K G1Q G1K G2K G3K G4K G5K G6K G9Q G9K 91K 92K 93K 94K 95K 31K 32K)	43C9125	**
10	System Board, Margarita DDR2 Desktop Planar v3.3--subbed from 41X092 (models CTO H1A H1Q H1T)	43C9126	**
10	System Board, Margarita DDR2 Desktop Planar v3.3 --subbed from 41X0921and 43C9125 (models CTO A1J A2J A3J A4A A4Q A4T A5K A6G A6M 11K 12J 13J 14J B1K B2K B3K D1K D2K D3K E1K E2K E3A E3Q E3T E4K A7K H2K K1K K2K A8K A9K B4K B5K B6K B7K 21K 22K D4K D5K D6K D7K D8K G1Q G1K G2K G3K G4K G5K G6K G9Q G9K 91K 92K 93K 94K 95K 31K 32K)	43C7124	**
10	System Board, Margarita DDR2 Desktop Planar v3.3--subbed from 41X0922 and 43C9126 (models CTO H1A H1Q H1T)	43C7125	**
11	256MB DDR2 SDRAM NP Memory (PC 4200) (models CTO A1J A2J A3J A4A A4Q A4T A5K A6G A6M 11K H1A H1Q H1T)	30R5120	*
11	512MB DDR2 SDRAM NP Memory (PC 4200) (models CTO 12J 13J 14J B1K B2K B3K D1K D2K D3K E1K E2K E3A E3Q E3T E4K A7K H2K K1K)	30R5121	*
11	1GB DDR2 SDRAM NP Memory (PC 4200) (models CTO K2K)	30R5122	*
11	2GB DDR2 SDRAM NP Memory (PC 4200) (models CTO)	30R5123	*
11	256MB DDR2 SDRAM NP Memory (PC 5300) (models CTO)	30R5124	*
11	512MB DDR2 SDRAM NP Memory (PC 5300) (models CTO A8K A9K B4K B5K B6K B7K 21K 22K D4K D5K D6K G1Q G1K G2K G3K G4K G6K G9Q G9K 91K 92K 93K)	30R5125	*
11	1GB DDR2 SDRAM NP Memory (PC 5300) (models CTO D7K D8K G5K 94K 95K 31K 32K)	30R5126	*
12	Riser card and bracket assembly (all models)	39M0587	*
13	Microprocessor, 2.53GHZ Celeron Prescott P4 (533FSB, 256KB) (models CTO)	39J8470	**
13	Microprocessor, 2.66 GHZ Celeron Prescott P4 (533FSB, 256KB) (models CTO)	39J8471	**
13	Microprocessor, 2.8 GHZ Celeron Prescott P4 (533FSB, 256KB) (models CTO A1J A2J A3J A7K A8K A9K)	39J8472	**
13	Microprocessor, 2.93 GHZ Celeron Prescott P4 (533FSB, 256KB) (models CTO A4A A4Q A4T B1K)	39J8473	**

Item #	8111 FRUs	FRU#	CRU
13	Microprocessor, 3.06 GHZ Celeron Prescott P4 (533FSB, 256KB) (models CTO A5K A6G A6M B2K B3K)	39J8474	**
13	Microprocessor, 3.20 GHZ Celeron Prescott P4 (533FSB, 256KB) (models CTO)	39J9697	**
13	Microprocessor, 3.33 GHZ Celeron Prescott P4 (533FSB, 256KB) (models CTO)	41T1136	**
13	Microprocessor, 3.20 GHZ Celeron Cedar Mill (533FSB, 512KB) (models CTO B4K B5K)	41T4966	**
13	Microprocessor, 3.33 GHZ Celeron Cedar Mill (533FSB, 512KB) (models CTO B6K B7K)	41T4968	**
13	Microprocessor, 3.46 GHZ Celeron Cedar Mill (533FSB, 512KB) (models CTO)	41X8983	**
13	Microprocessor, 2.93 GHZ Prescott P4 (533FSB, 1MB) (models CTO)	39J9629	**
13	Microprocessor, 2.66 GHZ Prescott P4 (533FSB, 1MB) (models CTO)	41D0696	**
13	Microprocessor, 2.93 GHZ Prescott P4 (533FSB, 1MB) (models CTO)	41D0698	**
13	Microprocessor, 2.93 GHZ Prescott P4 (533FSB, 1MB) (models CTO)	41T4103	**
13	Microprocessor, 3.06 GHZ Prescott P4 (533FSB, 1MB) (models CTO)	41D0700	**
13	Microprocessor, 2.8 GHZ Prescott P4 (800FSB, 1MB) (models CTO 21K 22K)	39J8475	**
13	Microprocessor, 3.0 GHZ Prescott P4 (800FSB, 1MB) (models CTO 11K)	39J8476	**
13	Microprocessor, 3.2 GHZ Prescott P4 (800FSB, 1MB) (models CTO 12J 13J 14J)	39J8477	**
13	Microprocessor, 3.4 GHZ Prescott P4 (800FSB, 1MB) (models CTO)	39J8478	**
13	Microprocessor, 3.0 GHZ Prescott P4 (800FSB, 2MB) (models CTO D1K D2K D3K)	39J8480	**
13	Microprocessor, 3.2 GHZ Prescott P4 (800FSB, 2MB) (models CTO E1K E2K E3A E3Q E3T E4K)	39J8481	**
13	Microprocessor, 3.4 GHZ Prescott P4 (800FSB, 2MB) (models CTO)	39J8482	**
13	Microprocessor, 2.8GHz Smithfield P4 820 (800FSB, 1MB) (models CTO G1Q G1K G2K G3K G4K G5K G6K)	39J8468	**
13	Microprocessor, 2.8 GHZ Smithfield P4 (800FSB, 1MB) (models CTO)	39J8479	**
13	Microprocessor, 3.0 GHZ Cedar Mill P4 (800MHz FSB, 2MB Cache) B0-Value (models CTO D4K D5K D6K D7K D8K)	41D5042	**
13	Microprocessor, 3.0 GHZ Cedar Mill P4 (800MHz FSB, 2MB Cache) B0-Value (models CTO)	41D5066	**
13	Microprocessor, 3.2GHz Cedar Mill P4 (800MHz FSB, 2MB Cache) B0-Value (models CTO)	41D5068	**
13	Microprocessor, 3.4 GHZ Cedar Mill P4 (800MHz FSB, 2MB Cache) (models CTO)	41D5070	**
13	Microprocessor, 3.6 GHZ Cedar Mill P4 (800MHz FSB, 2MB Cache) (models CTO H1A H1Q H1T H2K)	41D5072	**
13	Microprocessor, Pentium-D 2.8GHz Presler (800MHz FSB, 2MBx2 Cache) (models CTO G9Q G9K)	41X7775	**
13	Microprocessor, 2.8 GHz Presler P4 (800MHz FSB, 2MBx2 Cache) (models CTO)	41D5074	**
13	Microprocessor, Pentium-D 3.0GHz Presler (800MHz FSB, 2MBx2 Cache) (models CTO)	41X2413	**
13	Microprocessor, 3.0 GHZ Presler P4 (800MHz FSB, 2MBx2 Cache) (models CTO K1K K2K 91K 92K 93K 94K 95K)	41D5076	**
13	Microprocessor, Pentium-D 3.2GHz Presler (800MHz FSB, 2MBx2 Cache) (models CTO)	41X8050	**
13	Microprocessor, Pentium-D 3.2GHz Presler (800MHz FSB, 2MBx2 Cache) (models CTO)	41X4230	**

Item #	8111 FRUs	FRU#	CRU
13	Microprocessor, Pentium-D 3.4GHz Presler (800MHz FSB, 2MBx2 Cache) (models CTO 31K 32K)	41X7776	**
13	Microprocessor, Pentium-D 3.4GHz Presler (800MHz FSB, 2MBx2 Cache) (models CTO)	41X4232	**
13	Microprocessor, Pentium-D 3.6GHz Presler (800MHz FSB, 2MBx2 Cache) (models CTO)	41X8994	**
14	Heat Sink and Retention Module kit (all models)	39M0586	**
15	Chassis (all models)	39M0582	**

The FRUs listed in the following table are not illustrated.

8111 FRUs	FRU#	CRU
Hard disk drive bracket assembly (all models)	39M0578	*
Power switch/LED cable assembly (all models)	39M0580	**
SATA cable assembly (all models)	39K0526	*
Optical cable, 1 drop (all models)	39M0584	*
Intrusion switch cable (all models)	39K0522	*
Miscellaneous parts kit (all models)	39M0588	*
Vertical stand (all models)	39M0589	*
Bezel assembly, optical rotating (all models)	39M0592	**
EMC Shield kit (diskette drive and optical bays) (all models)	41N5325	**
EMC Shield, system board (all models)	41N5326	**
Diskette drive cable assembly (all models)	41N8269	**
Universal Adapter Bracket 5.25 to 3.5-inch (all models)	32P4743	*
Bezel kit (all models)	41R2926	*
Battery (all models)	33F8354	*

8111 Keyboards (Preferred Pro Fullsize, PS/2, stealth Black)	FRU#	CRU
US English (models CTO-U CTO-G A4A A4Q A6G A6M H1A H1Q)	89P8300	*
Arabic (models CTO-G A6G)	89P8301	*
Belgian/French (models CTO-G A6G)	89P8302	*
Belgian/UK (models CTO-G A6G)	89P8303	*
Brazilian/Portuguese (models CTO-L)	89P8304	*
Bulgarian (models CTO-G A6G)	89P8305	*
Czech (models CTO-G A6G)	89P8307	*
Danish (models CTO-G A6G)	89P8308	*
Dutch (models CTO-G A6G)	89P8309	*
French (models CTO-G A6G)	89P8310	*
French Canadian 445 (models CTO-U)	89P8311	*
French Canadian 58 (models CTO-U)	89P8312	*
German (models CTO-G A6G)	89P8313	*
Greek (models CTO-G A6G)	89P8314	*

<b>8111 Keyboards (Preferred Pro Fullsize, PS/2, stealth Black)</b>	<b>FRU#</b>	<b>CRU</b>
Hebrew (models CTO-G A6G)	89P8315	*
Hungarian (models CTO-G A6G)	89P8316	*
Iceland (models CTO-G A6G)	89P8317	*
Italian (models CTO-G A6G)	89P8319	*
Japanese (models A1J A2J A3J 12J 13J 14J)	89P8320	*
Korean (models A5K 11K B1K B2K B3K D1K D2K D3K E1K E2K E4K A7K H2K K1K K2K A8K A9K B4K B5K B6K B7K 21K 22K D4K D5K D6K D7K D8K G1K G2K G3K G4K G5K G6K G9K 91K 92K 93K 94K 95K 31K 32K)	89P8321	*
LA Spanish (models CTO-L)	89P8322	*
Norwegian (models CTO-G A6G)	89P8323	*
Polish (models CTO-G A6G)	89P8324	*
Portuguese (models CTO-G A6G)	89P8325	*
Romanian (models CTO-G A6G)	89P8326	*
Russian (models CTO-G A6G)	89P8327	*
Russian/Cyrillic (models CTO-G A6G)	89P8328	*
Serbian/Cyrillic (models CTO-G A6G)	89P8329	*
Slovak (models CTO-G A6G)	89P8330	*
Spanish (models CTO-G A6G)	89P8331	*
Swedish/Finn (models CTO-G A6G)	89P8332	*
Swiss F/G (models CTO-G A6G)	89P8333	*
Thailand (models CTO-A A4T H1T)	89P8334	*
Turkish 179 (models CTO-G A6G)	89P8336	*
UK English (models CTO-G A6G)	89P8337	*
US Euro (models CTO-G A6G)	89P8338	*
Yugoslav/Latin (models CTO-G A6G)	89P8339	*

<b>8111 Keyboard (PS2 Preferred Pro)</b>	<b>FRU#</b>	<b>CRU</b>
US English (models CTO-U CTO-G A4A A4Q A6G A6M H1A H1Q G1Q G9Q)	41A5039	*
Arabic (models CTO-G A6G)	41A5040	*
Belgian/French (models CTO-G A6G)	41A5042	*
Belgian/UK (models CTO-G A6G)	41A5043	*
Brazil/Portuguese (models CTO-L)	41A5044	*
Bulgarian (models CTO-G A6G)	41A5045	*
Czech (models CTO-G A6G)	41A5047	*
Danish (models CTO-G A6G)	41A5048	*
Dutch (models CTO-G A6G)	41A5049	*
French (models CTO-G A6G)	41A5050	*
French Canadian 445 (models CTO-U)	41A5051	*
French Canadian 58 (models CTO-U)	41A5052	*
German (models CTO-G A6G)	41A5053	*
Greek (models CTO-G A6G)	41A5054	*

<b>8111 Keyboard (PS2 Preferred Pro)</b>	<b>FRU#</b>	<b>CRU</b>
Hebrew (models CTO-G A6G)	41A5055	*
Hungarian (models CTO-G A6G)	41A5056	*
Iceland (models CTO-G A6G)	41A5057	*
Italian (models CTO-G A6G)	41A5058	*
Japanese (models A1J A2J A3J 12J 13J 14J)	41A5059	*
Korean (models A5K 11K B1K B2K B3K D1K D2K D3K E1K E2K E4K A7K H2K K1K K2K A8K A9K B4K B5K B6K B7K 21K 22K D4K D5K D6K D7K D8K G1K G2K G3K G4K G5K G6K G9K 91K 92K 93K 94K 95K 31K 32K)	41A5060	*
LA Spanish (models CTO-L)	41A5061	*
Norwegian (models CTO-G A6G)	41A5062	*
Polish (models CTO-G A6G)	41A5063	*
Portuguese (models CTO-G A6G)	41A5064	*
Romanian (models CTO-G A6G)	41A5065	*
Russian/Cyrilic (models CTO-G A6G)	41A5066	*
Serbian/Cyrilic (models CTO-G A6G)	41A5067	*
Slovak (models CTO-G A6G)	41A5068	*
Spanish (models CTO-G A6G)	41A5069	*
Swedish/Finn (models CTO-G A6G)	41A5070	*
Swiss F/G (models CTO-G A6G)	41A5071	*
Thailand (models CTO-A A4T H1T)	41A5072	*
UK English (models CTO-G A6G)	41A5075	*
US Euro (models CTO-G A6G)	41A5076	*
Slovenian (models CTO-G A6G)	41A5077	*

<b>8111 IBM Keyboard (USB Preferred - without hub)</b>	<b>FRU#</b>	<b>CRU</b>
US English (models CTO-U CTO-G)	89P9040	*
Arabic (models CTO-G)	89P9041	*
Arabic/French (models CTO-G)	89P9058	*
Belgian/French (models CTO-G)	89P9042	*
Belgian/UK (models CTO-G)	89P9043	*
Brazilian (models CTO-L)	89P9044	*
Bulgarian (models CTO-G)	89P9045	*
Czech (models CTO-G)	89P9047	*
Danish (models CTO-G)	89P9048	*
Dutch (models CTO-G)	89P9049	*
French (models CTO-G)	89P9050	*
French Canadian (models CTO-U)	89P9051	*
French Canadian (models CTO-U)	89P9052	*
German (models CTO-G)	89P9053	*
Greek (models CTO-G)	89P9054	*
Greek/US (models CTO-G)	41A4948	*

<b>8111 IBM Keyboard (USB Preferred - without hub)</b>	<b>FRU#</b>	<b>CRU</b>
Hebrew (models CTO-G)	89P9055	*
Hungarian (models CTO-G)	89P056	*
Iceland (models CTO-G)	89P9057	*
Italy (models CTO-G)	89P9059	*
LA Spanish (models CTO-L)	89P9062	*
Norwegian (models CTO-G)	89P9063	*
Polish (models CTO-G)	89P9064	*
Portuguese (models CTO-G)	89P9065	*
Romanian 096 (models CTO-G)	89P9067	*
Romanian 446 (models CTO-G)	89P9066	*
Russian/Cyrillic (models CTO-G)	89P9068	*
Serbian/Cyrillic (models CTO-G)	89P9069	*
Slovak (models CTO-G)	89P9070	*
Spanish (models CTO-G)	89P9072	*
Swedish/Finn (models CTO-G)	89P9073	*
Swiss (models CTO-G)	89P9074	*
Thailand (models CTO-A)	89P9075	*
Turkish 440 (models CTO-G)	89P9076	*
Turkish 179 (models CTO-G)	89P9077	*
UK English (models CTO-G)	89P9078	*
US Euro (models CTO-G)	89P9079	*
Slovenian (models CTO-G)	89P9071	*

<b>8111 Lenovo Keyboard (USB Preferred - without hub)</b>	<b>FRU#</b>	<b>CRU</b>
US English (models CTO-U CTO-G)	41A5289	*
Arabic (models CTO-G)	41A5290	*
Arabic/French (models CTO-G)	41A5291	*
Belgian/French (models CTO-G)	41A5292	*
Belgian/UK (models CTO-G)	41A5293	*
Brazilian (models CTO-L)	41A5294	*
Bulgarian (models CTO-G)	41A5295	*
Czech (models CTO-G)	41A5297	*
Danish (models CTO-G)	41A5298	*
Dutch (models CTO-G)	41A5299	*
French (models CTO-G)	41A5300	*
French Canadian 445 (models CTO-U)	41A5301	*
French Canadian 58 (models CTO-U)	41A5302	*
German (models CTO-G)	41A5303	*
Greek (models CTO-G)	41A5304	*
Greek/US (models CTO-G)	41A5305	*
Hebrew (models CTO-G)	41A5306	*

<b>8111 Lenovo Keyboard (USB Preferred - without hub)</b>	<b>FRU#</b>	<b>CRU</b>
Hungarian (models CTO-G)	41A5307	*
Iceland (models CTO-G)	41A5308	*
Italian 141 (models CTO-G)	41A5309	*
LA Spanish (models CTO-L)	41A5312	*
Norwegian (models CTO-G)	41A5313	*
Polish (models CTO-G)	41A5314	*
Portuguese (models CTO-G)	41A5315	*
Romanian 096 (models CTO-G)	41A5317	*
Romanian 446 (models CTO-G)	41A5316	*
Russian/Cyrillic (models CTO-G)	41A5318	*
Serbian/Cyrillic (models CTO-G)	41A5319	*
Slovak (models CTO-G)	41A5320	*
Spanish (models CTO-G)	41A5321	*
Swedish/Finn (models CTO-G)	41A5322	*
Swiss (models CTO-G)	41A5323	*
Thailand (models CTO-A)	41A5324	*
Turkish 440 (models CTO-G)	41A5325	*
Turkish 179 (models CTO-G)	41A5326	*
UK English (models CTO-G)	41A5327	*
US Euro (models CTO-G)	41A5328	*
Slovenian (models CTO-G)	41A5329	*

<b>8111 Keyboards (Productivity, USB)</b>	<b>FRU#</b>	<b>CRU</b>
US English (models CTO-U CTO-G E3A E3Q)	89P8800	*
Arabic (models CTO-G)	89P8801	*
Arabic/French (models CTO-G)	89P8802	*
Belgian/French (models CTO-G)	89P8803	*
Belgian/UK (models CTO-G)	89P8804	*
Brazil/Portuguese (models CTO-L)	89P8805	*
Bulgarian (models CTO-G)	89P8806	*
Czech (models CTO-G)	89P8808	*
Danish (models CTO-G)	89P8809	*
Dutch (models CTO-G)	89P8810	*
French (models CTO-G)	89P8811	*
French Canadian (models CTO-U)	89P8812	*
French Canadian (models CTO-U)	89P8813	*
German (models CTO-G)	89P8814	*
Greek (models CTO-G)	89P8815	*
Hebrew (models CTO-G)	89P8816	*
Hungarian (models CTO-G)	89P8817	*
Iceland (models CTO-G)	89P8818	*



<b>8111 Keyboards (Productivity, USB)</b>	<b>FRU#</b>	<b>CRU</b>
Italian 141 (models CTO-G)	89P8819	*
LA/Spanish (models CTO-L)	89P8822	*
Norwegian (models CTO-G)	89P8823	*
Polish (models CTO-G)	89P8824	*
Portuguese (models CTO-G)	89P8825	*
Romanian (models CTO-G)	89P8826	*
Romanian (models CTO-G)	89P8827	*
Russian/Cyrillic (models CTO-G)	89P8828	*
Serbian/Cyrillic (models CTO-G)	89P8829	*
Slovak (models CTO-G)	89P8830	*
Spanish (models CTO-G)	89P8831	*
Swedish/Finn (models CTO-G)	89P8832	*
Swiss F/G (models CTO-G)	89P8833	*
Thailand (models CTO-A E3T)	89P8834	*
Turkish 440 (models CTO-G)	89P8835	*
Turkish 179 (models CTO-G)	89P8836	*
UK English (models CTO-G)	89P8837	*
US Euro (models CTO-G)	89P8838	*
Yugoslav/Latin (models CTO-G)	89P8839	*

<b>8111 Keyboard (Lenovo, USB Enhanced Performance)</b>	<b>FRU#</b>	<b>CRU</b>
US English (models CTO-U CTO-G E3A E3Q)	41A4961	*
Arabic (models CTO-G)	41A4962	*
Arabic/French (models CTO-G)	41A4963	*
Belgian/French (models CTO-G)	41A4964	*
Belgian/UK (models CTO-G)	41A4965	*
Brazilian (models CTO-L)	41A4966	*
Bulgarian (models CTO-G)	41A4967	*
Czech (models CTO-G)	41A4969	*
Danish (models CTO-G)	41A4970	*
Dutch (models CTO-G)	41A4971	*
French (models CTO-G)	41A4972	*
French Canadian 445 (models CTO-U)	41A4973	*
French Canadian 58 (models CTO-U)	41A4974	*
German (models CTO-G)	41A4975	*
Greek (models CTO-G)	41A4976	*
Hebrew (models CTO-G)	41A4977	*
Hungarian (models CTO-G)	41A4978	*
Iceland (models CTO-G)	41A4979	*
Italian (models CTO-G)	41A4980	*
LA Spanish (models CTO-L)	41A4983	*



<b>8111 Keyboard (Lenovo, USB Enhanced Performance)</b>	<b>FRU#</b>	<b>CRU</b>
Norwegian (models CTO-G)	41A4984	*
Polish (models CTO-G)	41A4985	*
Portuguese (models CTO-G)	41A4986	*
Romanian (models CTO-G)	41A4987	*
Russian/Cy (models CTO-G)	41A4988	*
Serbian/Cyrillic (models CTO-G)	41A4989	*
Slovak (models CTO-G)	41A4990	*
Spanish (models CTO-G)	41A4991	*
Swedish/Finn (models CTO-G)	41A4992	*
Swiss F/G (models CTO-G)	41A4993	*
Thailand (models CTO-A E3T)	41A4994	*
Turkish 440 (models CTO-G)	41A4995	*
Turkish 179 (models CTO-G)	41A4996	*
UK English (models CTO-G)	41A4997	*
US Euro (models CTO-G)	41A4998	*
Slovenian (models CTO-G)	41A4999	*

<b>8111 Keyboards (with fingerprint reader)</b>	<b>FRU#</b>	<b>CRU</b>
US English (models CTO-U CTO-G)	89P9000	*
Arabic (models CTO-G)	89P9001	*
Belgian/French (models CTO-G)	89P9003	*
Belgian/UK (models CTO-G)	89P9004	*
Brazilian Portuguese (models CTO-L)	89P9005	*
Bulgarian (models CTO-G)	89P9006	*
Czech (models CTO-G)	89P9008	*
Danish (models CTO-G)	89P9009	*
Dutch (models CTO-G)	89P9010	*
French (models CTO-G)	89P9011	*
French Canadian 445 (models CTO-U)	89P9012	*
French Canadian 58 (models CTO-U)	89P9013	*
German (models CTO-G)	89P9014	*
Greek (models CTO-G)	89P9015	*
Hebrew (models CTO-G)	89P9016	*
Hungarian (models CTO-G)	89P9017	*
Iceland (models CTO-G)	89P9018	*
Italian 141 (models CTO-G)	89P9019	*
Korean (models D1K E1K F1K)	89P9021	*
LA Spanish (models CTO-L E3S E3Y)	89P9022	*
Norwegian (models CTO-G)	89P9023	*
Polish (models CTO-G)	89P9024	*
Portuguese (models CTO-G)	89P9025	*

<b>8111 Keyboards (with fingerprint reader)</b>	<b>FRU#</b>	<b>CRU</b>
Romanian (models CTO-G)	89P9026	*
Romanian (models CTO-G)	89P9027	*
Russian/Cyrillic (models CTO-G)	89P9028	*
Serbian/Cyrillic (models CTO-G)	89P9029	*
Slovak (models CTO-G)	89P9030	*
Spanish (models CTO-G)	89P9031	*
Swedish/Finn (models CTO-G)	89P9032	*
Swiss F/G (models CTO-G)	89P9033	*
Thailand (models CTO-A)	89P9034	*
Turkish 440 (models CTO-G)	89P9035	*
Turkish 179 (models CTO-G)	89P9036	*
UK English (models CTO-G)	89P9037	*
US Euro (models CTO-G)	89P9038	*
Yugoslav/Latin (models CTO-G)	89P9039	*

<b>8111 Keyboard (Fingerprint reader USB)</b>	<b>FRU#</b>	<b>CRU</b>
US English (models CTO-U CTO-G)	41A5248	*
Arabic (models CTO-G)	41A5249	*
Arabic/French (models CTO-G)	41A5250	*
Belgian/French (models CTO-G)	41A5251	*
Belgian/UK (models CTO-G)	41A5252	*
Brazilian (models CTO-L)	41A5253	*
Bulgarian (models CTO-G)	41A5254	*
Chinese/US (models CTO-G)	41A5255	*
Czech (models CTO-G)	41A5256	*
Danish (models CTO-G)	41A5257	*
Dutch (models CTO-G)	41A5258	*
French (models CTO-G)	41A5259	*
French Canadian 445 (models CTO-U)	41A5260	*
French Canadian 58 (models CTO-U)	41A5261	*
German (models CTO-G)	41A5262	*
Greek (models CTO-G)	41A5263	*
Hebrew (models CTO-G)	41A5265	*
Hungarian (models CTO-G)	41A5266	*
Iceland (models CTO-G)	41A5267	*
Italian (models CTO-G)	41A5268	*
LA Spanish (models CTO-L)	41A5271	*
Norwegian (models CTO-G)	41A5272	*
Polish (models CTO-G)	41A5273	*
Portuguese (models CTO-G)	41A5274	*
Romanian 446 (models CTO-G)	41A5275	*

<b>8111 Keyboard (Fingerprint reader USB)</b>	<b>FRU#</b>	<b>CRU</b>
Romanian 96 (models CTO-G)	41A5276	*
Russian/Cy (models CTO-G)	41A5277	*
Serbian/Cyrillic (models CTO-G)	41A5278	*
Slovak (models CTO-G)	41A5279	*
Spanish (models CTO-G)	41A5280	*
Swedish/Finn (models CTO-G)	41A5281	*
Swiss F/G (models CTO-G)	41A5282	*
Thailand (models CTO-A)	41A5283	*
Turkish 440 (models CTO-G)	41A5284	*
Turkish 179 (models CTO-G)	41A5285	*
UK English (models CTO-G)	41A5286	*
US Euro (models CTO-G)	41A5287	*
Slovenian (models CTO-G)	41A5288	*

<b>8111 Keyboard (Enhanced Performance, Wireless)</b>	<b>FRU#</b>	<b>CRU</b>
US English (models CTO-U CTO-G)	89P8730	*
Belgian/French (models CTO-G)	89P8731	*
Belgian/UK (models CTO-G)	89P8732	*
Czech (models CTO-G)	89P8734	*
Danish (models CTO-G)	89P8735	*
Dutch (models CTO-G)	89P8736	*
French (models CTO-G)	89P8737	*
French Canadian 445 (models CTO-U)	89P8738	*
French Canadian 58 (models CTO-U)	89P8739	*
German (models CTO-G)	89P8740	*
Greek (models CTO-G)	89P8741	*
Hungarian (models CTO-G)	89P8742	*
Iceland (models CTO-G)	89P8743	*
Italian 141 (models CTO-G)	89P8744	*
Norwegian (models CTO-G)	89P8746	*
Polish (models CTO-G)	89P8747	*
Portuguese (models CTO-G)	89P8748	*
Slovak (models CTO-G)	89P8749	*
Spanish (models CTO-G)	89P8751	*
Swedish/Finn (models CTO-G)	89P8752	*
Swiss F/G (models CTO-G)	89P8753	*
UK English (models CTO-G)	89P8754	*
US Euro (models CTO-G)	89P8755	*
Wireless transceiver dongle (models CTO)	89P8757	*

<b>8111 Lenovo Keyboard (Wireless, Enhanced)</b>	<b>FRU#</b>	<b>CRU</b>
US English/Chinese/US (models CTO-U CTO-G)	41A5219	*
Belgian/French (models CTO-U CTO-G)	41A5220	*
Belgian/UK (models CTO-G)	41A5221	*
Czech (models CTO-G)	41A5223	*
Danish (models CTO-G)	41A5224	*
Dutch (models CTO-G)	41A5225	*
French (models CTO-G)	41A5226	*
French Canadian (models CTO-U)	41A5227	*
French Canadian (models CTO-U)	41A5228	*
German (models CTO-G)	41A5229	*
Greek (models CTO-G)	41A5230	*
Hungarian (models CTO-G)	41A5232	*
Iceland (models CTO-G)	41A5233	*
Italy (models CTO-G)	41A5234	*
Norwegian (models CTO-G)	41A5236	*
Polish (models CTO-G)	41A5237	*
Portuguese (models CTO-G)	41A5238	*
Slovak (models CTO-G)	41A5239	*
Spanish (models CTO-G)	41A5240	*
Swedish/Finn (models CTO-G)	41A5241	*
Swiss (models CTO-G)	41A5242	*
UK English (models CTO-G)	41A5243	*
US Euro (models CTO-G)	41A5244	*

<b>8111 mice</b>	<b>FRU#</b>	<b>CRU</b>
Mouse, Scrollpoint Optical, USB (all models)	41A4933	*
Mouse, optical wheelmouse, USB (models CTO)	41A4935	*
Mouse, PS/2 wheelmouse (Black) (models CTO)	41A4917	*
Mouse, optical wheelmouse (400DPI, USB) (models CTO)	41U3013	*
Mouse, Scrollpoint Optical, (800DPI, USB (all models)	41U3019	*
Mouse, wheelmouse PS/2 models CTO)	41R0018	*

<b>8111 Adapters and miscellaneous FRUs</b>	<b>FRU#</b>	<b>CRU</b>
Soft modem V.90/V.44 (models CTO)	29R9729	*
128MB DDR ATI Radeon x300SE (DMS59 connector) (models CTO E3A E3Q E3T K2K D6K G3K 92K)	39J9635	*
128MB DDR ATI RADEON X700 PRO VGA, DVI-I, TV-Out PCI-e BTX (models CTO)	39J6203	*
PCI-E DVI-DConnection Adapter (ADD 2-R) (Full Height) (models CTO)	39J9334	*
1394 Firewire PCI LP (ATX) (models CTO)	41D2781	*
Speakers, Jazz Infinity Active T1 (Black) (models CTO A5K 11K)	89P8588	*

8111 Adapters and miscellaneous FRUs	FRU#	CRU
Speaker Power brick - US, Canada, LA (low voltage), Taiwan, Phillipines, Thailand (models CTO-U CTO-L CTO-A)	10K2587	*
Speaker Power brick - UK, Hong Kong (British version), ASEAN (models CTO-A)	25P5703	*
Speaker Power brick - Europe and LA (models CTO-G CTO-L)	25P5704	*
Speaker Power brick (newer 2 prong) - China, Thailand, Phillipines (models CTO-A)	10K2597	*
Speaker Power brick - ANZ (models CTO-A)	25P5705	*
Speaker Power brick - Brazil (models CTO-L)	25P5706	*
Speaker Power brick - India, South Africa (models CTO-A CTO-G)	32P3181	*
Speaker Power brick - Argentina (models CTO-L)	01R2253	*
Speaker Power brick - Korea (models A5K 11K)	88P7687	*
Speaker Power brick (models CTO)	89P8571	*
RJ11 connector adapter (Spain, Ireland) (All "G" models)	60H6043	*
RJ11 connector adapter (Austria) (All "G" models)	60H6045	*
RJ11 connector adapter (Belgium) (All "G" models)	60H6046	*
RJ11 connector adapter (Denmark) (All "G" models)	60H6047	*
RJ11 connector adapter (Norway, Finland) (All "G" models)	60H6048	*
RJ11 connector adapter (France) (All "G" models)	60H6049	*
RJ11 connector adapter (Germany) (All "G" models)	60H6050	*
RJ11 connector adapter (UK, NZ, HK) (All "G", "M", "B", "H" models)	60H6051	*
RJ11 connector adapter (Italy) (All "G" models)	60H6052	*
RJ11 connector adapter (Netherlands) (All "G" models)	60H6053	*
RJ11 connector adapter (Sweden) (All "G" models)	60H6054	*
RJ11 connector adapter (Switzerland) (All "G" models)	60H6055	*
Dongle Cable - DMS59 to dual VGA (All models)	41D2399	*

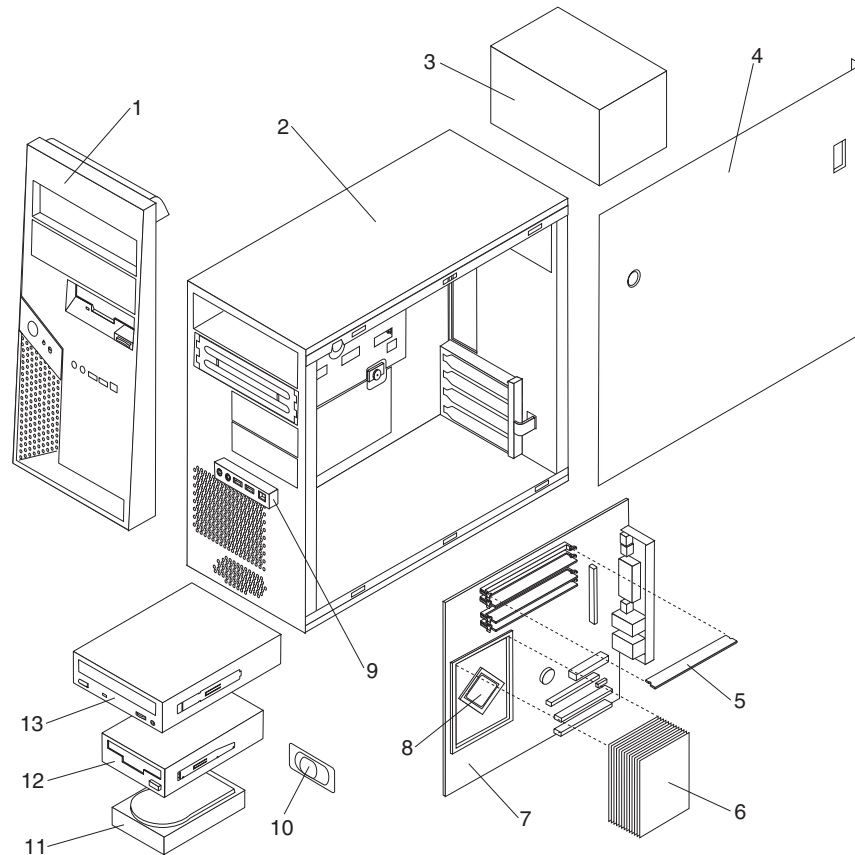
8111 Power Cords	FRU#	CRU
Power cord - US (models CTO-U A4A A4T E3A E3T H1A H1T)	39M5080	*
Power cord - Japan (models A1J A2J A3J 12J 13J 14J)	39M5193	*
Power cord - Brazil (models CTO-L)	39M5232	*
Power cord - LA High Volt (APU) (models CTO-L)	39M5067	*
Power cord - Australia/New Zealand (models CTO-A A6M)	39M5102	*
Power cord - Korea (models A5K 11K B1K B2K B3K D1K D2K D3K E1K E2K E4K A7K H2K K1K K2K A8K A9K B4K B5K B6K B7K 21K 22K D4K D5K D6K D7K D8K G1K G2K G3K G4K G5K G6K G9K 91K 92K 93K 94K 95K 31K 32K)	39M5212	*
Power cord - Hong Kong (models CTO-A)	39M5151	*
Power cord - UK, Ireland, Singapore, Malaysia, Brunei (models CTO-G CTO-A A4A A6G E3A H1A)	39M5150	*
Power cord - Italy (models CTO-G A6G)	39M5164	*
Power cord - G models (models CTO-G A4A A6G E3A H1A)	39M5122	*
Power cord - Denmark (models CTO-G A6G)	39M5129	*
Power cord - Switzerland (models CTO-G A6G)	39M5157	*
Power cord - Israel (models CTO-G A6G)	39M5171	*

8111 Power Cords	FRU#	CRU
Power cord - South Africa (models CTO-G A4A A6G A6M E3A H1A)	39M5143	*
Power cord - India (models CTO-A A4Q E3Q H1Q G1Q G9Q)	41R3175	*

8111 Windows XP Home Recovery CDs	FRU #	CRU
US/UK/AP/TH (models E3A E3Q E3T G1Q G9Q)	41D1584	*
Korean (models A5K 11K B1K B2K B3K D1K D2K E1K E4K A7K H2K K1K K2K A8K A9K B4K B5K B6K B7K 21K 22K D4K D5K D6K D7K D8K G1K G2K G3K G4K G5K G6K G9K 91K 92K 93K 94K 95K 31K 32K)	41W2624	*

8111 Windows XP Pro Recovery CDs	FRU#	CRU
US/UK/AP/TH (models A4A A4Q A4T A6G A6M E3A E3Q E3T H1A H1Q H1T)	41T1577	*
FR/CF (models A6G)	41T3198	*
GR (models A6G)	41T3199	*
SP/LA (models A6G)	41T3200	*
IT (models A6G)	41T3201	*
Korea (models D3K)	39J9649	*
SV (models A6G)	41T3203	*
DK (models A6G)	41T3204	*
FI (models A6G)	41T4264	*
NO (models A6G)	39J9646	*
NL (models A6G)	41T4266	*
HE (models A6G)	41T4267	*
PL (models A6G)	41T4268	*
CZ (models A6G)	41T4269	*
AE (models A6G)	41T4270	*
RU (models A6G)	41T4271	*
TR (models A6G)	41T4836	*
HU (models A6G)	41T4837	*
PO (models A6G)	41T4838	*
GK (models A6G)	41T4839	*
SL (models A6G)	41T4840	*
Japanese (models A3J 12J 13J 14J)	41W2617	*
Multilingual 1 (models A6G)	41T3282	*
Multilingual 2 (models A6G)	41T4280	*

# Machine Type 8112



Item #	8112 FRUs	FRU#	CRU
1	Bezel Asm (all models)	41A7807	*
2	Chassis Asm (all models)	41A7808	N
3	Power supply, 310 W, standard (models CTO 22A 22T 32A 32T E2A E2T F1A F1T F2A F2T H1A H1T H2A H2T J1A J1T K1A K1T 24A 24T G1A G1T)	24R2596	**
3	Power supply, 310 W (models CTO-A CTO-L 21Q 22Q 23C 23B 23H 23V 31C 31B 31H 31V 32A 32Q 32T 22S 22P 22Y 32S 32P 32Y 34Q 35Q 36Q 37Q 39Q 3AQ 3BQ 3CQ A1V B1V B2V D1V E1V E2Q F1Q F2Q H1Q H2Q J1Q K1Q 24Q G1Q)	24R2598	**
4	Cover (all models)	39M0465	*
5	Memory module, 256MB, DDR2 SDRAM, NP (PC 4200) (models CTO 21Q 22A 22Q 22T 23C 23B 23H 23V 31C 31B 31H 31V 32A 32Q 32T 22S 22P 22Y 32S 32P 32Y 34Q 35Q 36Q 37Q A1V B1V B2V D1V E1V H1A H1Q H1T J1A J1Q J1T 24A 24Q 24T)	30R5120	*
5	Memory module, 512MB, DDR2 SDRAM, NP (PC 4200) (models CTO 33Q 39Q 3AQ 3BQ 3CQ E2A E2Q E2T F1A F1Q F1T F2A F2Q F2T H2A H2Q H2T K1A K1Q K1T G1A G1Q G1T)	30R5121	*
5	Memory module, 1GB, DDR2 SDRAM, NP (PC 4200) (models CTO)	30R5122	*
5	Memory module, 2GB, DDR2 SDRAM, NP (PC 4200) (models CTO)	30R5123	*
5	Memory module, 256MB, DDR2 SDRAM, NP (PC 5300) (models CTO)	30R5124	*
5	Memory module, 512MB, DDR2 SDRAM, NP (PC 5300) (models CTO)	30R5125	*
5	Memory module, 1GB, DDR2 SDRAM, NP (PC 5300) (models CTO)	30R5126	*



Item #	8112 FRUs	FRU#	CRU
6	Heat sink (all models)	39M0538	**
7	System board, Jamaica DDR2 BTX Planar v3.3 (Cedermill /Presler Enabled Version)-- subbed from 41X0436 (models CTO 21Q 22A 22Q 22T 23C 23B 23H 23V 31C 31B 31H 31V 32A 32Q 32T 33Q 22S 22P 22Y 32S 32P 32Y 34Q 35Q 36Q 37Q 39Q 3AQ 3BQ 3CQ A1V B1V B2V D1V E1V E2A E2Q E2T F1A F1Q F1T F2A F2Q F2T)	43C9123	N
7	System board, Jamaica DDR2 BTX Planar v3.3 (Cedermill /Presler Enabled Version) subbed from 41X0438 (models CTO H1A H1Q H1T H2A H2Q H2T J1A J1Q J1T K1A K1Q K1T 24A 24Q 24T G1A G1Q G1T)	43C9124	N
7	System board, Jamaica DDR2 BTX Planar v3.3 (Cedermill /Presler Enabled Version) --subbed from 41X0436 and 43C9123 (models CTO 21Q 22A 22Q 22T 23C 23B 23H 23V 31C 31B 31H 31V 32A 32Q 32T 33Q 22S 22P 22Y 32S 32P 32Y 34Q 35Q 36Q 37Q 39Q 3AQ 3BQ 3CQ A1V B1V B2V D1V E1V E2A E2Q E2T F1A F1Q F1T F2A F2Q F2T)	43C7122	N
7	System board, Jamaica DDR2 BTX Planar v3.3 (Cedermill /Presler Enabled Version)-- subbed from 41X0438 and 43C9124 (models CTO H1A H1Q H1T H2A H2Q H2T J1A J1Q J1T K1A K1Q K1T 24A 24Q 24T G1A G1Q G1T)	43C7123	N
8	Microprocessor, Celeron 2.53GHz, 533 FSB, 256KB L2 (models CTO)	39J7016	**
8	Microprocessor, Celeron 2.66GHz, 533 FSB, 256KB L2 (models CTO)	39J7017	**
8	Microprocessor, Celeron 2.80GHz, 533 FSB, 256KB L2 (models CTO A1V)	39J7018	**
8	Microprocessor, Celeron 2.93GHz, 533 FSB, 256KB L2 (models CTO B1V)	39J7019	**
8	Microprocessor, Celeron 3.06GHz, 533 FSB, 256KB L2 (models CTO B2V)	39J7020	**
8	Microprocessor, Celeron 3.20GHz, 533 FSB, 256KB L2 (models CTO)	39J9696	**
8	Microprocessor, 3.33 GHZ Celeron Prescott (533FSB, 256KB) (models CTO)	41T1134	**
8	Microprocessor, 3.2 GHZ Celeron Cedar Mill (533FSB, 512KB) (models CTO)	41T4966	**
8	Microprocessor, 3.33 GHZ Celeron Cedar Mill (533FSB, 512KB) (models CTO)	41T4968	**
8	Microprocessor, 3.46 GHZ Celeron Cedar Mill (533FSB, 512KB) (models CTO)	41X8991	**
8	Microprocessor, Pentium 4 2.93GHz, 533 FSB, 1MB L2 (models CTO)	39J9625	**
8	Microprocessor, Pentium 4 2.66GHz, 533 FSB, 1MB L2 (models CTO)	41D0690	**
8	Microprocessor, Pentium 4 2.93GHz, 533 FSB, 1MB L2 (models CTO)	41D0692	**
8	Microprocessor, Pentium 4 2.93GHz, 533 FSB, 1MB L2 (models CTO)	41T4103	**
8	Microprocessor, Pentium 4 3.06GHz, 533 FSB, 1MB L2 (models CTO)	41D0694	**
8	Microprocessor, Pentium 4 2.8GHz, 800 FSB, 1MB L2 (models CTO 24A 24Q 24T)	39J7021	**
8	Microprocessor, Pentium 4 3.0GHz, 800 FSB, 1MB L2 (models CTO 21Q 22A 22Q 22T 23C 23B 23H 23V 22S 22P 22Y)	39J7022	**
8	Microprocessor, Pentium 4 3.2GHz, 800 FSB, 1MB L2 (models CTO 31C 31B 31H 31V 32A 32Q 32T 33Q 32S 32P 32Y 34Q 35Q 36Q 37Q 39Q 3AQ 3BQ 3CQ)	39J7023	**
8	Microprocessor, Pentium 4 3.4GHz, 800 FSB, 1MB L2 (models CTO)	39J7024	**
8	Microprocessor, Pentium 4 3.0GHz, 800 FSB, 2MB L2 (models CTO D1V)	39J7025	**
8	Microprocessor, Pentium 4 3.2GHz, 800 FSB, 2MB L2 (models CTO E1V E2A E2Q E2T)	39J7026	**
8	Microprocessor, Pentium 4 3.4GHz, 800 FSB, 2MB L2 (models CTO F1A F1Q F1T F2A F2Q F2T)	39J7027	**
8	Microprocessor, Smithfield Pentium 4 2.8.4GHz, 800 FSB, 1MB L2 (models CTO G1A G1Q G1T)	39J8469	**
8	Microprocessor, 3.0 GHZ Cedar Mill P4 (800MHz FSB, 2MB Cache) (models CTO)	41D5054	**



Item #	8112 FRUs	FRU#	CRU
8	Microprocessor, 3.2 GHZ Cedar Mill P4 (800MHz FSB, 2MB Cache) (models CTO)	41D5056	**
8	Microprocessor, 3.4 GHZ Cedar Mill P4 (800MHz FSB, 2MB Cache) (models CTO)	41D5058	**
8	Microprocessor, 3.6 GHZ Cedar Mill P4 (800MHz FSB, 2MB Cache) (models CTO H1A H1Q H1T H2A H2Q H2T)	41D5060	**
8	Microprocessor, 2.8 GHZ Presler P4 (800MHz FSB, 2MBx2 Cache) (models CTO J1A J1Q J1T)	41D5062	**
8	Microprocessor, Pentium-D 2.8GHz Presler (800MHz FSB, 2MBx2 Cache) (models CTO)	41X7775	**
8	Microprocessor, 3.0 GHZ Presler P4 (800MHz FSB, 2MBx2 Cache) (models CTO K1A K1Q K1T)	41D5064	**
8	Microprocessor, Pentium-D 3.2GHz Presler (800MHz FSB, 2MBx2 Cache) (models CTO)	41X8050	**
8	Microprocessor, Pentium-D 3.2GHz Presler (800MHz FSB, 2MBx2 Cache) (models CTO)	41X4230	**
8	Microprocessor, Pentium-D 3.4GHz Presler (800MHz FSB, 2MBx2 Cache) (models CTO 81S 81P 81Y 82S 82P 82Y)	41X7776	**
8	Microprocessor, Pentium-D 3.4GHz Presler (800MHz FSB, 2MBx2 Cache) (models CTO)	41X4232	**
8	Microprocessor, Pentium-D 3.6GHz Presler (800MHz FSB, 2MBx2 Cache) (models CTO)	41X8992	**
9	Front panel card Asm (all models)	26K1183	**
10	Speaker Asm, Soldered Terminals (all models)	39P5023	**
11	Hard disk drive, 40GB, 7200RPM, Serial ATA (models CTO 34Q)	40Y8760	**
11	Hard disk drive, 40GB, 7200RPM, Serial ATA (models CTO 34Q)	40Y9033	**
11	Hard disk drive, 40GB, 7200RPM, Serial ATA (models CTO 34Q)	71P7312	**
11	Hard disk drive, 80GB, 7200RPM, Serial ATA (models CTO 21Q 22A 22Q 22T 23C 23B 23H 23V 31C 31B 31H 31V 32A 32Q 32T 33Q 22S 22P 22Y 32S 32P 32Y 35Q 36Q 37Q 39Q 3AQ 3BQ 3CQ A1V B1V B2V D1V E1V E2A E2Q E2T F1A F1Q F1T F2A F2Q H1A H1Q H1T H2A H2Q H2T J1A J1Q J1T K1A K1Q K1T 24A 24Q 24T G1A G1Q G1T)	40Y8761	**
11	Hard Disk Drive 80GB 7200 rpm Serial ATA (models CTO 21Q 22A 22Q 22T 23C 23B 23H 23V 31C 31B 31H 31V 32A 32Q 32T 33Q 22S 22P 22Y 32S 32P 32Y 35Q 36Q 37Q 39Q 3AQ 3BQ 3CQ A1V B1V B2V D1V E1V E2A E2Q E2T F1A F1Q F1T F2A F2Q H1A H1Q H1T H2A H2Q H2T J1A J1Q J1T K1A K1Q K1T 24A 24Q 24T G1A G1Q G1T)	40Y9034	*
11	Hard disk drive, 80GB, 7200RPM, Serial ATA (models CTO 21Q 22A 22Q 22T 23C 23B 23H 23V 31C 31B 31H 31V 32A 32Q 32T 33Q 22S 22P 22Y 32S 32P 32Y 35Q 36Q 37Q 39Q 3AQ 3BQ 3CQ)	71P7293	**
11	Hard disk drive, 160GB, 7200RPM, Serial ATA - Lenovo (models CTO F2T)	40Y9035	**
11	Hard disk drive, 160GB, 7200RPM, Serial ATA (models CTO F2T)	71P7297	**
11	Hard disk drive, 160GB, 7200RPM, Serial ATA (models CTO F2T)	40Y8762	**
11	Hard disk drive, 250GB, 7200RPM, Serial ATA (models CTO)	40Y8763	**
11	Hard disk drive, 250GB, 7200RPM, Serial ATA - Lenovo (models CTO)	40Y9036	**
11	Hard disk drive, 250GB, 7200RPM, Serial ATA (models CTO)	40Y8757	**

Item #	8112 FRUs	FRU#	CRU
12	Diskette drive, 1.44MB, 3-mode, w/o bezel (models CTO 22A 22Q 22T 23C 23B 23H 23V 31C 31B 31H 31V 32A 32Q 32T 22S 22P 22Y 32S 32P 32Y 34Q 35Q 36Q 37Q 39Q 3AQ 3BQ 3CQ H1A H1Q H1T H2A H2Q H2T J1A J1Q J1T K1A K1Q K1T 24A 24Q 24T G1A G1Q G1T)	40Y9107	*
12	Diskette drive, 1.44MB, 3-mode, w/o bezel (models CTO 22A 22Q 22T 23C 23B 23H 23V 31C 31B 31H 31V 32A 32Q 32T 22S 22P 22Y 32S 32P 32Y 34Q 35Q 36Q 37Q 39Q 3AQ 3BQ 3CQ H1A H1Q H1T H2A H2Q H2T J1A J1Q J1T K1A K1Q K1T 24A 24Q 24T G1A G1Q G1T)	40Y9105	*
12	Diskette drive, 1.44MB, 3-mode, w/o bezel (models CTO 22A 22Q 22T 23C 23B 23H 23V 31C 31B 31H 31V 32A 32Q 32T 22S 22P 22Y 32S 32P 32Y 34Q 35Q 36Q 37Q 39Q 3AQ 3BQ 3CQ H1A H1Q H1T H2A H2Q H2T J1A J1Q J1T K1A K1Q K1T 24A 24Q 24T G1A G1Q G1T)	40Y9113	*
13	CD-ROM drive 48X (models CTO 21Q 22A 22Q 22T 32A 32Q 32T 22S 22P 22Y 32S 32P 32Y 35Q 39Q 3AQ E2A E2Q E2T F1A F1Q F1T H1A H1Q H1T 24A 24Q 24T)	40Y8929	*
13	CD-ROM drive 48X (models E2A E2Q E2T F1A F1Q F1T H1A H1Q H1T 24A 24Q 24T)	40Y8807	*
13	CD-ROM drive 48X (models E2A E2Q E2T F1A F1Q F1T H1A H1Q H1T 24A 24Q 24T)	40Y8955	*
13	CD-ROM drive 48X (models E2A E2Q E2T F1A F1Q F1T H1A H1Q H1T 24A 24Q 24T)	40Y8953	*
13	CD-ROM drive 48X (models E2A E2Q E2T F1A F1Q F1T H1A H1Q H1T 24A 24Q 24T)	41N3539	*
13	CD-ROM drive 48X (models E2A E2Q E2T F1A F1Q F1T H1A H1Q H1T 24A 24Q 24T)	41N3540	*
13	CD-ROM drive 48X (models E2A E2Q E2T F1A F1Q F1T H1A H1Q H1T 24A 24Q 24T)	41N3541	*
13	DVD-ROM (16X/48X) - black (models CTO 23C 23B 23H 23V 31C 31B 31H 31V 33Q 3BQ A1V B1V B2V D1V E1V)	40Y8931	*
13	DVD-ROM (16X/48X) - black (models CTO 23C 23B 23H 23V 31C 31B 31H 31V 33Q 3BQ A1V B1V B2V D1V E1V)	40Y8933	*
13	DVD-ROM (16X/48X) - black (models CTO 23C 23B 23H 23V 31C 31B 31H 31V 33Q 3BQ A1V B1V B2V D1V E1V)	40Y8957	*
13	DVD-ROM (16X/48X) - black (models CTO 23C 23B 23H 23V 31C 31B 31H 31V 33Q 3BQ A1V B1V B2V D1V E1V )	41X3544	*
13	DVD-ROM (16X/48X) - black (models CTO 23C 23B 23H 23V 31C 31B 31H 31V 33Q 3BQ A1V B1V B2V D1V E1V)	41X3545	*
13	DVD-ROM (16X/48X) - black (models CTO 23C 23B 23H 23V 31C 31B 31H 31V 33Q 3BQ A1V B1V B2V D1V E1V)	41X3546	*
13	CD-RW/DVD-ROM Combo drive (48X/32X/48X/16X Max) (models CTO F2A F2Q F2T K1A K1Q K1T G1A G1Q G1T)	40Y8919	*
13	CD-RW/DVD-ROM Combo drive (48X/32X/48X/16X Max) (models CTO F2A F2Q F2T K1A K1Q K1T G1A G1Q G1T)	40Y8941	*
13	CD-RW/DVD-ROM Combo drive (48X/32X/48X/16X) (models CTO F2A F2Q F2T K1A K1Q K1T G1A G1Q G1T)	41X3547	*
13	CD-RW/DVD-ROM Combo drive (48X/32X/48X/16X) (models CTO F2A F2Q F2T K1A K1Q K1T G1A G1Q G1T)	41X7992	*
13	Multiburner Plus (models CTO)	40Y8909	*
13	Multiburner Plus (models CTO)	41X3550	*

The FRUs listed in the following table are not illustrated.

8112 FRUs	FRU#	CRU
Cable, C2 Switch (models CTO 21Q 22A 22Q 22T 32A 32Q 32T 33Q 22S 22P 22Y 32S 32P 32Y 34Q 35Q 36Q 37Q 39Q 3AQ 3BQ 3CQ A1V B1V B2V D1V E1V E2A E2Q E2T F1A F1Q FIT F2A F2Q F2T 24A 24Q 24T G1A G1Q G1T)	39M0458	*
Shield, 5.25 EMC (all models)	39M0460	*
Cable, SATA (18-inch RoHs) (all models)	26K1186	*
Hard disk drive mounting bracket (all models)	39M0461	*
Cable, serial (all models)	39K5021	*
EMC shield, diskette drive (all models)	39M0464	*
Cable, diskette drive (RoHs) (all models)	26K1184	*
Diskette drive Bezel ASM,BLK (all models)	41A7806	*
Fan duct Asm (all models)	39M0470	*
Power switch/LED Asm (all models)	39M0471	**
Device retaining clips (all models)	39M0473	**
Shield, system board (all models)	39M0476	N
Miscellaneous hardware kit (all models)	39M0477	**
Cable, 1394 panel mount (all models)	39M0478	**
Heat sink Retention Module kit (all models)	39K5046	N
Cable, 2 Drop IDE (all models)	39M0516	*
Hard Disk Drive Tray w/screws (all models)	39M0491	**
Miscellaneous screw kit (all models)	41R2477	**
Universal Adapter Bracket 5.25 to 3.5-inch (all models)	32P4743	*
Battery, 3.0V (all models)	33F8354	*

8112 Keyboard (Preferred Pro, Fullsize, PS/2, Stealth Black)	FRU#	CRU
US English (models CTO-U CTO-G 21Q 22A 22Q 23C 23H 31C 31H 32A 32Q 33Q 34Q 35Q 36Q 37Q 39Q 3AQ 3BQ 3CQ H1A H1Q H2A H2Q J1A J1Q K1A K1Q 24A 24Q G1A G1Q)	89P8300	*
Arabic (models CTO-G)	89P8301	*
Belgian/French (models CTO-G)	89P8302	*
Belgian/UK (models CTO-G)	89P8303	*
Brazil/Portugese (models CTO-L 22P 32P)	89P8304	*
Bulgarian (models CTO-G)	89P8305	*
Chinese/US (models 23B 23V 31B 31V A1V B1V B2V D1V E1V)	89P8306	*
Czech (models CTO-G)	89P8307	*
Danish (models CTO-G)	89P8308	*
Dutch (models CTO-G)	89P8309	*
French (models CTO-G)	89P8310	*
French Canadian 445 (models CTO-U)	89P8311	*
French Canadian 58 (models CTO-U)	89P8312	*
German (models CTO-G)	89P8313	*
Greek (models CTO-G)	89P8314	*

<b>8112 Keyboard (Preferred Pro, Fullsize, PS/2, Stealth Black)</b>	<b>FRU#</b>	<b>CRU</b>
Hebrew (models CTO-G)	89P8315	*
Hungarian (models CTO-G)	89P8316	*
Iceland (models CTO-G)	89P8317	*
Italian 141 (models CTO-G)	89P8318	*
Italian 142 (models CTO-G)	89P8319	*
Japanese (models CTO-G)	89P8320	*
Korean (models CTO-G)	89P8321	*
LA Spanish (models CTO-L 22S 22Y 32S 32Y)	89P8322	*
Norwegian (models CTO-G)	89P8323	*
Polish (models CTO-G)	89P8324	*
Portuguese (models CTO-G)	89P8325	*
Romanian (models CTO-G)	89P8326	*
Russian/Cyrillic (models CTO-G)	89P8328	*
Serbian/Cyrillic (models CTO-G)	89P8329	*
Slovak (models CTO-G)	89P8330	*
Spanish (models CTO-G)	89P8331	*
Swedish/Finn (models CTO-G)	89P8332	*
Swiss F/G (models CTO-G)	89P8333	*
Thailand (models CTO-A 22T 32T H1T H2T J1T K1T 24T G1T)	89P8334	*
Turkish 440 (models CTO-G)	89P8335	*
Turkish 179 (models CTO-G)	89P8336	*
UK English (models CTO-G)	89P8337	*
US Euro (models CTO-G)	89P8338	*
Yugoslav/Latin (models CTO-G)	89P8339	*

<b>8112 Keyboard (PS2 Preferred Pro)</b>	<b>FRU#</b>	<b>CRU</b>
US English (models CTO-U CTO-G 21Q 22A 22Q 23C 23H 31C 31H 32A 32Q 33Q 34Q 35Q 36Q 37Q 39Q 3AQ 3BQ 3CQ H1A H1Q H2A H2Q J1A J1Q K1A K1Q 24A 24Q G1A G1Q)	41A5039	*
Arabic (models CTO-G)	41A5040	*
Belgian/French (models CTO-G)	41A5042	*
Belgian/UK (models CTO-G)	41A5043	*
Brazil/Portuguese (models CTO-L 22P 32P)	41A5044	*
Bulgarian (models CTO-G)	41A5045	*
Hong Kong/Taiwan (models 23B 23V 31B 31V A1V B1V B2V D1V E1V)	41A5046	*
Czech (models CTO-G)	41A5047	*
Danish (models CTO-G)	41A5048	*
Dutch (models CTO-G)	41A5049	*
French (models CTO-G)	41A5050	*
French Canadian 445 (models CTO-U)	41A5051	*
French Canadian 58 (models CTO-U)	41A5052	*
German (models CTO-G)	41A5053	*

<b>8112 Keyboard (PS2 Preferred Pro)</b>	<b>FRU#</b>	<b>CRU</b>
Greek (models CTO-G)	41A5054	*
Hebrew (models CTO-G)	41A5055	*
Hungarian (models CTO-G)	41A5056	*
Iceland (models CTO-G)	41A5057	*
Italian (models CTO-G)	41A5058	*
LA Spanish (models CTO-L 22S 22Y 32S 32Y)	41A5061	*
Norwegian (models CTO-G)	41A5062	*
Polish (models CTO-G)	41A5063	*
Portuguese (models CTO-G)	41A5064	*
Romanian (models CTO-G)	41A5065	*
Russian/Cyrilic (models CTO-G)	41A5066	*
Serbian/Cyrilic (models CTO-G)	41A5067	*
Slovak (models CTO-G)	41A5068	*
Spanish (models CTO-G)	41A5069	*
Swedish/Finn (models CTO-G)	41A5070	*
Swiss F/G (models CTO-G)	41A5071	*
Thailand (models CTO-A 22T 32T H1T H2T J1T K1T 24T G1T)	41A5072	*
UK English (models CTO-G)	41A5075	*
US Euro (models CTO-G)	41A5076	*
Slovenian (models CTO-G)	41A5077	*

<b>8112 IBM Keyboard (USB Preferred - without hub)</b>	<b>FRU#</b>	<b>CRU</b>
US English (models CTO-U CTO-G)	89P9040	*
Arabic (models CTO-G)	89P9041	*
Arabic/French (models CTO-G)	89P9058	*
Belgian/French (models CTO-G)	89P9042	*
Belgian/UK (models CTO-G)	89P9043	*
Brazilian (models CTO-L)	89P9044	*
Bulgarian (models CTO-G)	89P9045	*
Czech (models CTO-G)	89P9047	*
Danish (models CTO-G)	89P9048	*
Dutch (models CTO-G)	89P9049	*
French (models CTO-G)	89P9050	*
French Canadian (models CTO-U)	89P9051	*
French Canadian (models CTO-U)	89P9052	*
German (models CTO-G)	89P9053	*
Greek (models CTO-G)	89P9054	*
Greek/US (models CTO-G)	41A4948	*
Hebrew (models CTO-G)	89P9055	*
Hungarian (models CTO-G)	89P056	*
Iceland (models CTO-G)	89P9057	*

<b>8112 IBM Keyboard (USB Preferred - without hub)</b>	<b>FRU#</b>	<b>CRU</b>
Italy (models CTO-G)	89P9059	*
LA Spanish (models CTO-L)	89P9062	*
Norwegian (models CTO-G)	89P9063	*
Polish (models CTO-G)	89P9064	*
Portuguese (models CTO-G)	89P9065	*
Romanian 096 (models CTO-G)	89P9067	*
Romanian 446 (models CTO-G)	89P9066	*
Russian/Cyrillic (models CTO-G)	89P9068	*
Serbian/Cyrillic (models CTO-G)	89P9069	*
Slovak (models CTO-G)	89P9070	*
Spanish (models CTO-G)	89P9072	*
Swedish/Finn (models CTO-G)	89P9073	*
Swiss (models CTO-G)	89P9074	*
Thailand (models CTO-A)	89P9075	*
Turkish 440 (models CTO-G)	89P9076	*
Turkish 179 (models CTO-G)	89P9077	*
UK English (models CTO-G)	89P9078	*
US Euro (models CTO-G)	89P9079	*
Slovenian (models CTO-G)	89P9071	*

<b>8112 Lenovo Keyboard (USB Preferred - without hub)</b>	<b>FRU#</b>	<b>CRU</b>
US English (models CTO-U CTO-G)	41A5289	*
Arabic (models CTO-G)	41A5290	*
Arabic/French (models CTO-G)	41A5291	*
Belgian/French (models CTO-G)	41A5292	*
Belgian/UK (models CTO-G)	41A5293	*
Brazilian (models CTO-L)	41A5294	*
Bulgarian (models CTO-G)	41A5295	*
Czech (models CTO-G)	41A5297	*
Danish (models CTO-G)	41A5298	*
Dutch (models CTO-G)	41A5299	*
French (models CTO-G)	41A5300	*
French Canadian 445 (models CTO-U)	41A5301	*
French Canadian 58 (models CTO-U)	41A5302	*
German (models CTO-G)	41A5303	*
Greek (models CTO-G)	41A5304	*
Greek/US (models CTO-G)	41A5305	*
Hebrew (models CTO-G)	41A5306	*
Hungarian (models CTO-G)	41A5307	*
Iceland (models CTO-G)	41A5308	*
Italian 141 (models CTO-G)	41A5309	*

<b>8112 Lenovo Keyboard (USB Preferred - without hub)</b>	<b>FRU#</b>	<b>CRU</b>
LA Spanish (models CTO-L)	41A5312	*
Norwegian (models CTO-G)	41A5313	*
Polish (models CTO-G)	41A5314	*
Portuguese (models CTO-G)	41A5315	*
Romanian 096 (models CTO-G)	41A5317	*
Romanian 446 (models CTO-G)	41A5316	*
Russian/Cyrillic (models CTO-G)	41A5318	*
Serbian/Cyrillic (models CTO-G)	41A5319	*
Slovak (models CTO-G)	41A5320	*
Spanish (models CTO-G)	41A5321	*
Swedish/Finn (models CTO-G)	41A5322	*
Swiss (models CTO-G)	41A5323	*
Thailand (models CTO-A)	41A5324	*
Turkish 440 (models CTO-G)	41A5325	*
Turkish 179 (models CTO-G)	41A5326	*
UK English (models CTO-G)	41A5327	*
US Euro (models CTO-G)	41A5328	*
Slovenian (models CTO-G)	41A5329	*

<b>8112 Keyboards (Productivity, USB)</b>	<b>FRU#</b>	<b>CRU</b>
US English (models E2A E2Q F1A F1Q F2A F2Q)	89P8800	*
Thailand (models E2T F1T F2T)	89P8834	*

<b>8112 Keyboard (Lenovo, USB Enhanced Performance)</b>	<b>FRU#</b>	<b>CRU</b>
US English (models E2A E2Q F1A F1Q F2A F2Q)	41A4961	*
Thailand (models E2T F1T F2T)	41A4994	*

<b>8112 Keyboards (with fingerprint reader)</b>	<b>FRU#</b>	<b>CRU</b>
US English (models CTO-U CTO-G)	89P9000	*
Arabic (models CTO-G)	89P9001	*
Belgian/French (models CTO-G)	89P9003	*
Belgian/UK (models CTO-G)	89P9004	*
Brazilian Portuguese (models CTO-L)	89P9005	*
Bulgarian (models CTO-G)	89P9006	*
Czech (models CTO-G)	89P9008	*
Danish (models CTO-G)	89P9009	*
Dutch (models CTO-G)	89P9010	*
French (models CTO-G)	89P9011	*
French Canadian 445 (models CTO-U)	89P9012	*
French Canadian 58 (models CTO-U)	89P9013	*
German (models CTO-G)	89P9014	*



<b>8112 Keyboards (with fingerprint reader)</b>	<b>FRU#</b>	<b>CRU</b>
Greek (models CTO-G)	89P9015	*
Hebrew (models CTO-G)	89P9016	*
Hungarian (models CTO-G)	89P9017	*
Iceland (models CTO-G)	89P9018	*
Italian 141 (models CTO-G)	89P9019	*
LA Spanish (models CTO-L)	89P9022	*
Norwegian (models CTO-G)	89P9023	*
Polish (models CTO-G)	89P9024	*
Portuguese (models CTO-G)	89P9025	*
Romanian (models CTO-G)	89P9026	*
Romanian (models CTO-G)	89P9027	*
Russian/Cyrillic (models CTO-G)	89P9028	*
Serbian/Cyrillic (models CTO-G)	89P9029	*
Slovak (models CTO-G)	89P9030	*
Spanish (models CTO-G)	89P9031	*
Swedish/Finn (models CTO-G)	89P9032	*
Swiss F/G (models CTO-G)	89P9033	*
Thailand (models CTO-A)	89P9034	*
Turkish 440 (models CTO-G)	89P9035	*
Turkish 179 (models CTO-G)	89P9036	*
UK English (models CTO-G)	89P9037	*
US Euro (models CTO-G)	89P9038	*
Yugoslav/Latin (models CTO-G)	89P9039	*

<b>8112 Keyboard (Fingerprint reader USB)</b>	<b>FRU#</b>	<b>CRU</b>
US English (models CTO-U CTO-G)	41A5248	*
Arabic (models CTO-G)	41A5249	*
Arabic/French (models CTO-G)	41A5250	*
Belgian/French (models CTO-G)	41A5251	*
Belgian/UK (models CTO-G)	41A5252	*
Brazilian (models CTO-L)	41A5253	*
Bulgarian (models CTO-G)	41A5254	*
Chinese/US (models CTO-G)	41A5255	*
Czech (models CTO-G)	41A5256	*
Danish (models CTO-G)	41A5257	*
Dutch (models CTO-G)	41A5258	*
French (models CTO-G)	41A5259	*
French Canadian 445 (models CTO-U)	41A5260	*
French Canadian 58 (models CTO-U)	41A5261	*
German (models CTO-G)	41A5262	*
Greek (models CTO-G)	41A5263	*



<b>8112 Keyboard (Fingerprint reader USB)</b>	<b>FRU#</b>	<b>CRU</b>
Hebrew (models CTO-G)	41A5265	*
Hungarian (models CTO-G)	41A5266	*
Iceland (models CTO-G)	41A5267	*
Italian (models CTO-G)	41A5268	*
LA Spanish (models CTO-L)	41A5271	*
Norwegian (models CTO-G)	41A5272	*
Polish (models CTO-G)	41A5273	*
Portuguese (models CTO-G)	41A5274	*
Romanian 446 (models CTO-G)	41A5275	*
Romanian 96 (models CTO-G)	41A5276	*
Russian/Cy (models CTO-G)	41A5277	*
Serbian/Cyrillic (models CTO-G)	41A5278	*
Slovak (models CTO-G)	41A5279	*
Spanish (models CTO-G)	41A5280	*
Swedish/Finn (models CTO-G)	41A5281	*
Swiss F/G (models CTO-G)	41A5282	*
Thailand (models CTO-A)	41A5283	*
Turkish 440 (models CTO-G)	41A5284	*
Turkish 179 (models CTO-G)	41A5285	*
UK English (models CTO-G)	41A5286	*
US Euro (models CTO-G)	41A5287	*
Slovenian (models CTO-G)	41A5288	*

<b>8112 Lenovo Keyboard (Wireless, Enhanced)</b>	<b>FRU#</b>	<b>CRU</b>
US English/Chinese/US (models CTO-U CTO-G)	41A5219	*
Belgian/French (models CTO-U CTO-G)	41A5220	*
Belgian/UK (models CTO-G)	41A5221	*
Czech (models CTO-G)	41A5223	*
Danish (models CTO-G)	41A5224	*
Dutch (models CTO-G)	41A5225	*
French (models CTO-G)	41A5226	*
French Canadian (models CTO-U)	41A5227	*
French Canadian (models CTO-U)	41A5228	*
German (models CTO-G)	41A5229	*
Greek (models CTO-G)	41A5230	*
Hungarian (models CTO-G)	41A5232	*
Iceland (models CTO-G)	41A5233	*
Italy (models CTO-G)	41A5234	*
Norwegian (models CTO-G)	41A5236	*
Polish (models CTO-G)	41A5237	*
Portuguese (models CTO-G)	41A5238	*

<b>8112 Lenovo Keyboard (Wireless, Enhanced)</b>	<b>FRU#</b>	<b>CRU</b>
Slovak (models CTO-G)	41A5239	*
Spanish (models CTO-G)	41A5240	*
Swedish/Finn (models CTO-G)	41A5241	*
Swiss (models CTO-G)	41A5242	*
UK English (models CTO-G)	41A5243	*
US Euro (models CTO-G)	41A5244	*

<b>8112 Keyboard (Enhanced Performance, Wireless)</b>	<b>FRU#</b>	<b>CRU</b>
US English (models CTO-U CTO-G)	89P8730	*
Belgian/French (models CTO-G)	89P8731	*
Belgian/UK (models CTO-G)	89P8732	*
Czech (models CTO-G)	89P8734	*
Danish (models CTO-G)	89P8735	*
Dutch (models CTO-G)	89P8736	*
French (models CTO-G)	89P8737	*
French Canadian 445 (models CTO-U)	89P8738	*
French Canadian 58 (models CTO-U)	89P8739	*
German (models CTO-G)	89P8740	*
Greek (models CTO-G)	89P8741	*
Hungarian (models CTO-G)	89P8742	*
Iceland (models CTO-G)	89P8743	*
Italian 141 (models CTO-G)	89P8744	*
Norwegian (models CTO-G)	89P8746	*
Polish (models CTO-G)	89P8747	*
Portuguese (models CTO-G)	89P8748	*
Slovak (models CTO-G)	89P8749	*
Spanish (models CTO-G)	89P8751	*
Swedish/Finn (models CTO-G)	89P8752	*
Swiss F/G (models CTO-G)	89P8753	*
UK English (models CTO-G)	89P8754	*
US Euro (models CTO-G)	89P8755	*
Wireless transceiver dongle (models CTO)	89P8757	*

<b>8112 mice</b>	<b>FRU#</b>	<b>CRU</b>
Mouse, Scrollpoint Optical, USB (all models)	41A4933	*
Mouse, optical wheelmouse, USB (models CTO)	41A4935	*
Mouse, PS/2 wheelmouse (Black) (models CTO)	41A4917	*
Mouse, optical wheelmouse (400DPI, USB) (models CTO)	41U3013	*
Mouse, Scrollpoint Optical, (800DPI, USB) (all models)	41U3019	*
Mouse, wheelmouse PS/2 models CTO)	41R0018	*

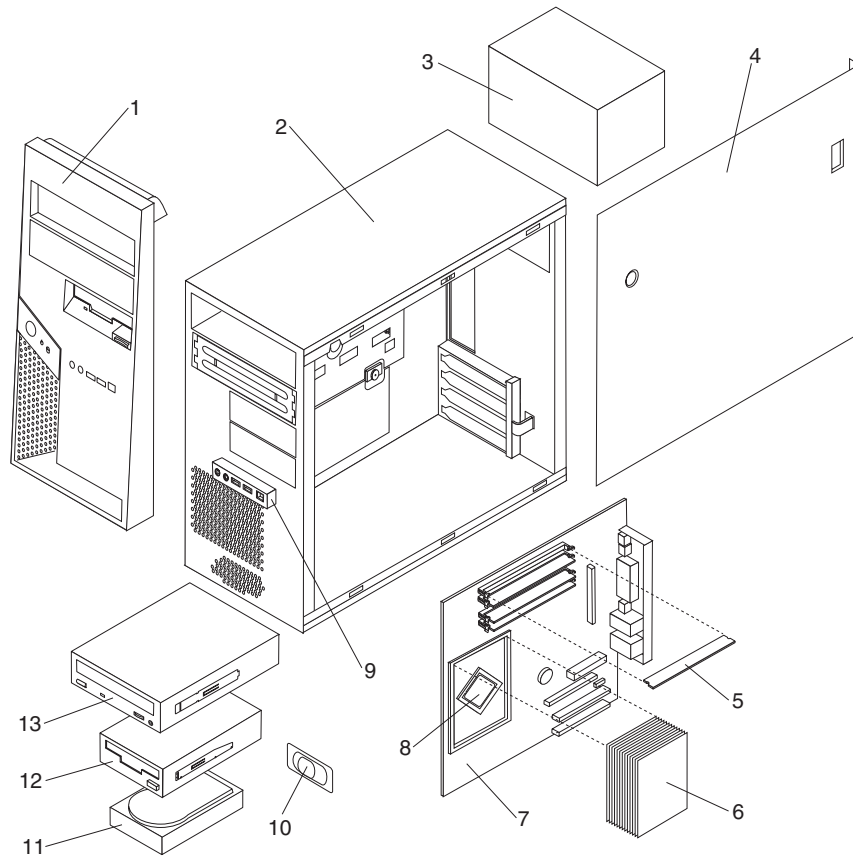
8112 Adapters and miscellaneous FRU	FRU#	CRU
Soft Modem V.90/V.44 (models CTO)	29R9729	*
128MB DDR ATI Radeon x300SE (DMS59 connector) (models CTO)	39J9635	*
128MB DDR ATI RADEON X700 PRO VGA, DVI-I, TV-Out PCI-e BTX (models CTO)	39J6203	*
PCI-E DVI-DConnection Adapter (ADD 2-R) (Full Height) (models CTO)	39J9334	*
IEEE 1394 Adapter - Firewire (models CTO)	41D2781	*
1394 Internal cable (models CTO)	39M0478	*
Speakers, Jazz Infinity Active T1 (Black) (models CTO)	89P8588	*
Speaker Power brick - US, Canada, LA (low voltage), Taiwan, Phillipines, Thailand (models CTO-U CTO-L CTO-A)	10K2587	*
Speaker Brick - LA (high voltage) (models CTO-L)	25P2591	*
Speaker Power brick - UK, Hong Kong (British version), ASEAN (models CTO-A)	25P5703	*
Speaker Power brick - Europe (models CTO-G CTO-L)	25P5704	*
Speaker Power brick (newer 2 prong) - China, Thailand, Phillipines (models CTO-A)	10K2597	*
Speaker Power brick - ANZ (models CTO-A)	25P5705	*
Speaker Power brick - Brazil (models CTO-L)	25P5706	*
Speaker Power brick - India, South Africa (models CTO-A CTO-G)	32P3181	*
Speaker Power brick - Argentina (models CTO-L)	01R2253	*
Speaker Power brick - US, Canada, LA low voltage, ASEAN (models CTO)	89P8571	*
RJ11 connector adapter (Spain, Ireland) (All "G" models)	60H6043	*
RJ11 connector adapter (Austria) (All "G" models)	60H6045	*
RJ11 connector adapter (Belgium) (All "G" models)	60H6046	*
RJ11 connector adapter (Denmark) (All "G" models)	60H6047	*
RJ11 connector adapter (Norway, Finland) (All "G" models)	60H6048	*
RJ11 connector adapter (France) (All "G" models)	60H6049	*
RJ11 connector adapter (Germany) (All "G" models)	60H6050	*
RJ11 connector adapter (UK, NZ, HK) (All "G", "M", "B", "H" models)	60H6051	*
RJ11 connector adapter (Italy) (All "G" models)	60H6052	*
RJ11 connector adapter (Netherlands) (All "G" models)	60H6053	*
RJ11 connector adapter (Sweden) (All "G" models)	60H6054	*
RJ11 connector adapter (Switzerland) (All "G" models)	60H6055	*
Dongle Cable - DMS59 to dual VGA (All models)	41D2399	*

8112 Power Cords	FRU#	CRU
Power cord - US (models CTO-U 22A 22T 32A 32T 22S 32S E2A E2T F1A F1T F2A F2T H1A H1T H2A H2T J1A J1T K1A K1T 24A 24T G1A G1T)	39M5080	*
Power cord - China (models 23C 31C)	39M5205	*
Power cord - Brazil (models CTO-L 22P 32P)	39M5232	*
Power cord - LA High Volt (APU) (models CTO-L 22Y 32Y)	39M5067	*
Power cord - Australia/New Zealand (models CTO-A)	39M5102	*
Power cord - Hong Kong (models CTO-A 23B 23H 31B 31H)	39M5151	*
Power cord - UK, Ireland, Singapore, Malaysia, Brunei (models CTO-G CTO-A 22A 32A E2A F1A F2A H1A H2A J1A K1A 24A G1A)	39M5150	*

8112 Power Cords	FRU#	CRU
Power cord - Taiwan (models 23V 31V A1V B1V B2V D1V E1V)	39M5246	*
Power cord - Italy (models CTO-G 22S 22Y 32S 32Y)	39M5164	*
Power cord - G models (models CTO-G 22A 32A E2A F1A F2A H1A H2A J1A K1A 24A G1A)	39M5122	*
Power cord - Denmark (models CTO-G)	39M5129	*
Power cord - Switzerland (models CTO-G)	39M5157	*
Power cord - Israel (models CTO-G)	39M5171	*
Power cord - South Africa (models CTO-G 22A 32A E2A F1A F2A H1A H2A J1A K1A 24A G1A)	39M5143	*
Power cord - India (models CTO-A 21Q 22Q 32Q 33Q 34Q 35Q 36Q 37Q 39Q 3AQ 3BQ 3CQ E2Q F1Q F2Q H1Q H2Q J1Q K1Q 24Q G1Q)	41R3175	*

8112 Windows XP Pro Recovery CDs	FRU#	CRU
US/UK/AP/TH (models 22A 22Q 22T 23H 31H 32A 32Q 32T 33Q 37Q 39Q 3BQ 3CQ E2A E2Q E2T F1A F1Q F1T F2A F2Q F2T H1A H1Q H1T H2A H2Q H2T J1A J1Q J1T K1A K1Q K1T 24A 24Q 24T G1A G1Q G1T)	41T1577	*
SP/LA (models 22S 22Y 32S 32Y)	41T3200	*
BR (models 32P)	41T3202	*
Simplified Chinese (models 23C 31C)	41W2596	*
Taiwan - TC (models 23V 31V A1V B1V B2V D1V E1V)	41W2603	*
Hong Kong - TC (models 23B 31B)	41W2610	*
Multilingual 1 (models CTO-G)	41T3282	*
Multilingual 2 (models CTO-G)	41T4280	*

# Machine Type 8113



Item #	8113 FRUs	FRU#	CRU
1	Bezel Asm (all models)	41A7807	*
2	Chassis Asm (all models)	41A7808	N
3	Power supply, 310 W, standard (models 91K 92K 95U 95F 95G 96U 96F 96G 97U 97F 97G 98U 98F 98G 99U 99F 99G 9EG CEU CFU CGU CHU CJU JDU JDF JEU JEF 5BU 5CU 67U 68U 67U 9FU JCG 13U 13F 14U 15U 15F D8U D8F D9K DAK E9U E9F E9G E9M E9A E9T E9K E9R E9E E9J EBU EBF ECA ECT EDU EDF EEK EFK FCU FCF FDA FDT FEU FEF FFA FFT DCU DCF DDU DDF DEU DEF EGU EGF EHU EHF EJU EJF EKV H1A H1T H2A H2T H3U H3F H4U H4F H5K H6U H6F J1A J1T J3U J3F K1A K1T K3U K3F K4U K4F CBU CCU CDU DFU ELU FGU D5U D5F 2AU 2AF 2BU 2BF 2CU 2CF 2DA 2DT 2EK 51A 51T 57U 57F 57G 58U 58F 58G 62U 62F 62G 63U 63F 63G DGK DHK DJK DKK G3U G3F G4K G5K G6A G6T G7U G7F G7G GAG J5G CTO A1U A1F A2U A2F B1K B2U B2F B3K 21U 21F 22U 22F 23U 23F 24U 24F 25A 25T 26K 31U 31F 32U 32F 33U 33F 34U 34F 35U 35F 35G 35M 35A 35T 35K 35R 35E 35J 36U 36J 37A 37T 38A 38T 41U 41F 42U 42F 43U 43F 44U 44F 45U 45F 45G 45M 45A 45T 45K 45R 45E 45J 46U 46F D1U D1F E1U E1F F1U F1F C1U C2U C3U C4U C5U C6U C7U C8U C9U CAU 28U 28F 28G 28M 28A 28T 28K 28R 28E 28J D3U E7U E8U E8F F4U F5U F5F F6G F8U F9G FAU FAF FBU 11U 11F 12U 12F D6U D6F D6G D6M D6A D6T D6K D6R D6E D6J D1G D1M D1A D1T D1K D1R D1E D1J)	24R2596	**

Item #	8113 FRUs	FRU#	CRU
3	Power supply, 310 W (models D7V E9S E9P E9L E9D E9Y E9Q E9C E9B E9H E9V EAV ECQ FDQ FFQ 16S 16P 16Y 17S 17P 17Y DBS DBP DBY DCS DCP DCY EGS EGP EGY H1Q H2Q H3S H3P H3Y H6S H6P H6Y J1Q J2S J2P J2Y J4S J4P J4Y K2S K2P K2Y K4S K4P K4Y K5Q 19S 19P 19Y 1AS 1AP 1AY 18S 18P 18Y 29S 29P 29Y 2DQ 52B 52H 53S 53P 53Y 54S 54P 54Y 55S 55P 55Y 56S 56P 56Y 59B 59H 5AC 5AB 5AH 64S 64P 64Y 65S 65P 65Y 66B 66H 61S 61P 61Y DLC DLB DLH G1S G1P G1Y G2S G2P G2Y G6Q G8S G8P G8Y G9C 93C 93B 93H 94C 94B 94H 9AS 9AP 9AY 9BS 9BP 9BY 9CS 9CP 9CY 9DC 9DB 9DH J CTO-A CTO-L 25Q 35S 35P 35L 35Q 35C 35B 35H 35V 37Q 38Q 45S 45P 45L 45Q 45C 45B 45H 45V D2C D2B D2H D2V E2C E2B E2H E2V E3C E3B E3H E3V F2C F2B F2H F2V F3C F3B F3H F3V A3S A3P A3Y A4S A4P A4Y B4S B4P B4Y B5S B5P B5Y 27S 27P 27Y 28S 28P 28L 28Q 28C 28B 28H 28V 39S 39P 39Y 3AS 3AP 3AY 47S 47P 47Y D4S D4P D4Y E5S E5P E5Y E6S E6P E6Y F7S F7P F7Y 28D 28Y 35D 35Y D1D D1Y D6S D6P D6L D6D D6Y D6Q D6C D6B D6H D6V D1S D1P D1L D1Q D1C D1B D1H D1V)	24R2598	**
4	Cover (all models)	39M0465	*
5	Memory module, 256MB, DDR2 SDRAM, NP (PC 4200) (models CTO A1U A1F B1K B2U B3K 25A 25Q 25T 26K 37A 37Q 37T 38A 38Q 38T D2C D2B D2H D2V E2C E2B E2H E2V E3C E3B E3H E3V F2C F2B F2H F2V F3C F3B F3H F3V A4S A4P A4Y B4S B4P B4Y B5S B5P B5Y 27S 27P 27Y 39S 39P 39Y 3AS 3AP 3AY 47S 47P 47Y D3U D4S D4P D4Y E5S E5P E5Y E6S E6P E6Y F6G F7S F7P F7Y F9G D7V EAV 16S 16P 16Y 17S 17P 17Y DBS DBP DBY H1A H1Q H1T J1A J1Q J1T 19S 19P 19Y 1AS 1AP 1AY 18S 18P 18Y 29S 29P 29Y 2DA 2DQ 2DT 51A 51T 53S 53P 53Y 55S 55P 55Y 64S 64P 64Y)	30R5120	*
5	Memory module, 512MB, DDR2 SDRAM, NP (PC 4200) (models 52B 52H 54S 54P 54Y 56S 56P 56Y 57U 57F 57G 58U 58F 58G 59B 59H 5AC 5AB 5AH 62U 62F 62G 65S 65P 65Y 66B 66H 61S 61P 61Y DLC DLB DLH G1S G1P G1Y G2S G2P G2Y G3U G3F G6A G6Q G6T G7U G7F G7G G8S G8P G8Y G9C GAG J5G 93C 93B 93H 94C 94B 94H 95U 95F 95G 96U 96F 96G 98U 98F 98G 99U 99F 99G 9AS 9AP 9AY 9BS 9BP 9BY 9DC 9DB 9DH 9EG JDU JDF 5BU 5CU 67U 67U 9FU J9S J9P J9Y JAS JAP JAY JBC JBB JBH JCG D6U D6F D6S D6P D6L D6D D6Y D6G D6M D6A D6Q D6T D6C D6B D6H D6V D6K D6R D6E D6J D1S D1P D1L D1G D1M D1A D1Q D1T D1C D1B D1H D1V D1K D1R D1E D1J 13U 13F 14U 15U 15F D8U D8F D9K DAK E9U E9F E9S E9P E9L E9D E9Y E9G E9M E9A E9Q E9T E9C E9B E9H E9V E9K E9R E9E E9J EBU EBF ECA ECQ ECT EDU EDF EEK EFK FCU FCF FDA FDQ FDT FEU FEF FFA FFQ FFT DCU DCF DCS DCP DCY H2A H2Q H2T H3U H3F H3S H3P H3Y H4U H4F H5K J2S J2P J2Y J3U J3F J4S J4P J4Y K1A K1T K2S K2P K2Y K3U K3F K5Q DFU ELU FGU D5U D5F 2AU 2AF 2BU 2BF 2CU 2CF CTO A2U A2F B2U B2F 21U 21F 22U 22F 23U 23F 24U 24F 31U 31F 32U 32F 33U 33F 34U 34F 35U 35F 35S 35P 35L 35G 35M 35A 35Q 35T 35C 35B 35H 35V 35K 35R 35E 35J 36U 36J 41U 41F 42U 42F 43U 43F 44U 44F 45U 45F 45S 45P 45L 45G 45M 45A 45Q 45T 45C 45B 45H 45V 45K 45E 45J 46U 46F D1U D1F E1U E1F F1U F1F A3S A3P A3Y 28U 28F 28S 28P 28L 28G 28M 28A 28Q 28T 28C 28B 28H 28V 28K 28R 28E 28J E7U E8U E8F F4U F5U F5F F8U FAU FAF FBU 11U 11F 12U 12F 28D 28Y 35D 35Y D1D D1Y)	30R5121	*
5	Memory module, 1GB, DDR2 SDRAM, NP (PC 4200) (models CTO DDU DDF DEU DEF EGU EGF EGS EGP EGY EHU EHF EJU EJF H6U H6F H6S H6P H6Y K4U K4F K4S K4P K4Y 63U 63F 63G 97U 97F 97G 9CS 9CP 9CY JEU JEF 68U 9GU 9GF 9GS 9GP 9GL 9GD 9GY 9GG 9GM 9GA 9GQ 9GT 9GC 9GB 9GH 9GV 9GK 9GR 9GE 9GJ)	30R5122	*
5	Memory module, 2GB, DDR2 SDRAM, NP (PC 4200) (models CTO)	30R5123	*
5	Memory module, 256MB, DDR2 SDRAM, NP (PC 5300) (models CTO)	30R5124	*
5	Memory module, 512MB, DDR2 SDRAM, NP (PC 5300) (models CTO 2EK DGK DJK G4K G5K 91K)	30R5125	*
5	Memory module, 1GB, DDR2 SDRAM, NP (PC 5300) (models CTO DHK DKK 92K)	30R5126	*

Item #	8113 FRUs	FRU#	CRU
6	Heat sink (all models)	39M0538	**
7	System board, Jamaica DDR2 BTX Planar v3.3 (Cedermill /Presler Enabled Version)-- subbed from 41X0436 (models 99U 99F 99G 9AS 9AP 9AY 9BS 9BP 9BY 9CS 9CP 9CY 9DC 9DB 9DH 9EG CEU CFU CGU CHU CJU JDU JDF JEU JEF 5BU 5CU 67U 68U G7U 9FU 9JS 9JP 9JY JAS JAP JAY JBC JBB JBH JCG 19S 19P 19Y 1AS 1AP 1AY 18S 18P 18Y 29S 29P 29Y 2AU 2AF 2BU 2BF 2CU 2CF 2DA 2DQ 2DT 2EK 52B 52H 53S 53P 53Y 54S 54P 54Y 55S 55P 55Y 56S 56P 56Y 57U 57F 57G 58U 58F 58G 59B 59H 5AC 5AB 5AH 62U 62F 62G 63U 63F 63G 64S 64P 64Y 65S 65P 65Y 66B 66H 61S 61P 61Y DCU DFU DGK DHK DJK DKK DLC DLB DLH EGU EJU EKU ELU FGU H3U H4U H6U G1S G1P G1Y G2S G2P G2Y G3U G3F G4K G5K G7U G7F G7G G8S G8P G8Y G9C GAG J5G J3U K3U K4U 91K 92K 93C 93B 93H 94C 94B 94H 96U 96F 96G 97U 97F 97G 98U 98F 98G CTO A1U A1F A2U A2F B1K B2U B2F B3K 21U 21F 22U 22F 23U 23F 24U 24F 25A 25Q 25T 26K 31U 31F 32U 32F 33U 33F 34U 34F 35U 35F 35S 35P 35L 35G 35M 35A 35Q 35T 35C 35B 35H 35V 35K 35R 35E 35J 36U 36J 37A 37Q 37T 38A 38Q 38T 41U 41F 42U 42F 43U 43F 44U 44F 45U 45F 45S 45P 45L 45G 45M 45A 45Q 45T 45C 45B 45H 45V 45K 45R 45E 45J 46U 46F D1U D1F D2C D2B D2H D2V E1U E1F E2C E2B E2H E2V E3C E3B E3H E3V F1U F1F F2C F2B F2H F2V F3C F3B F3H F3V C1U C2U C3U C4U C5U C6U C7U C8U C9U CAU A3S A3P A3Y A4S A4P A4Y B4S B4P B4Y B5S B5P B5Y 27S 27P 27Y 28U 28F 28S 28P 28L 28G 28M 28A 28Q 28T 28C 28B 28H 28V 28K 28R 28E 28J 39S 39P 39Y 3AS 3AP 3AY 47S 47P 47Y D3U D4S D4P D4Y E5S E5P E5Y E6S E6P E6Y E7U E8U E8F F4U F5U F5F F6G F7S F7P F7Y F8U F9G FAU FAF FBU 11U 11F 12U 12F 28D 28Y 35D 35Y D1D D1Y D1S D1P D1L D1G D1M D1A D1Q D1T D1C D1B D1H D1V D1K D1R D1E D1J 13U 13F 14U 15U 15F D7V D8U D8F D9K DAK E9U E9F E9S E9P E9L E9D E9Y E9G E9M E9A E9Q E9T E9C E9B E9H E9V E9K E9R E9E E9J EAV EBU EBF ECA ECQ ECT EDU EDF EEK EFK FCU FCF FDA FDQ FDT FEU FEF FFA FFQ FFT 16S 16P 16Y 17S 17P 17Y DBS DBP DBY DCU DCF DCS DCP DCY DDU DDF DEU DEF EGU EGF EGS EGP EGY EHU EHF EJU EJF EKU EKF H3U H3F H3S H3P H3Y H4U H4F H5K H6U H6F H6S H6P H6Y J2S J2P J2Y J3U J3F J4S J4P J4Y K2S K2P K2Y K3U K3F K4U K4F K4S K4P K4Y CBU CCU CDU DFU ELU FGU D5U D5F)	43C9123	N
7	System board, Jamaica DDR2 BTX Planar v3.3 (Cedermill /Presler Enabled Version) subbed from 41X0438 (models CTO D6U D6F D6S D6P D6L D6D D6Y D6G D6M D6A D6Q D6T D6C D6B D6H D6V D6K D6R D6E D6J H1A H1Q H1T H2A H2Q H2T J1A J1Q J1T K1A K1T K5Q 2DA 2DQ 2DT 51A 51T G6A G6Q G6T 95U 95F 95G)	43C9124	N



Item #	8113 FRUs	FRU#	CRU
7	System board, Jamaica DDR2 BTX Planar v3.3 (Cedermill /Presler Enabled Version) --subbed from 41X0436 and 43C9123 (models 99U 99F 99G 9AS 9AP 9AY 9BS 9BP 9BY 9CS 9CP 9CY 9DC 9DB 9DH 9EG CEU CFU CGU CHU CJU JDU JDF JEU JEF 5BU 5CU 67U 68U 67U 9FU 9S 9P 9Y JAS JAP JAY JBC JBB JBH JCG 19S 19P 19Y 1AS 1AP 1AY 18S 18P 18Y 29S 29P 29Y 2AU 2AF 2BU 2BF 2CU 2CF 2DA 2DQ 2DT 2EK 52B 52H 53S 53P 53Y 54S 54P 54Y 55S 55P 55Y 56S 56P 56Y 57U 57F 57G 58U 58F 58G 59B 59H 5AC 5AB 5AH 62U 62F 62G 63U 63F 63G 64S 64P 64Y 65S 65P 65Y 66B 66H 61S 61P 61Y DCU DFU DGK DHK DJK DKK DLC DLB DLH EGU EJU EKU ELU FGU H3U H4U H6U G1S G1P G1Y G2S G2P G2Y G3U G3F G4K G5K G7U G7F G7G G8S G8P G8Y G9C GAG J5G J3U K3U K4U 91K 92K 93C 93B 93H 94C 94B 94H 96U 96F 96G 97U 97F 97G 98U 98F 98G CTO A1U A1F A2U A2F B1K B2U B2F B3K 21U 21F 22U 22F 23U 23F 24U 24F 25A 25Q 25T 26K 31U 31F 32U 32F 33U 33F 34U 34F 35U 35F 35S 35P 35L 35G 35M 35A 35Q 35T 35C 35B 35H 35V 35K 35R 35E 35J 36U 36J 37A 37Q 37T 38A 38Q 38T 41U 41F 42U 42F 43U 43F 44U 44F 45U 45F 45S 45P 45L 45G 45M 45A 45Q 45T 45C 45B 45H 45V 45K 45R 45E 45J 46U 46F D1U D1F D2C D2B D2H D2V E1U E1F E2C E2B E2H E2V E3C E3B E3H E3V F1U F1F F2C F2B F2H F2V F3C F3B F3H F3V C1U C2U C3U C4U C5U C6U C7U C8U C9U CAU A3S A3P A3Y A4S A4P A4Y B4S B4P B4Y B5S B5P B5Y 27S 27P 27Y 28U 28F 28S 28P 28L 28G 28M 28A 28Q 28T 28C 28B 28H 28V 28K 28R 28E 28J 39S 39P 39Y 3AS 3AP 3AY 47S 47P 47Y D3U D4S D4P D4Y E5S E5P E5Y E6S E6P E6Y E7U E8U E8F F4U F5U F5F F6G F7S F7P F7Y F8U F9G FAU FAF FBU 11U 11F 12U 12F 28D 28Y 35D 35Y D1D D1Y D1S D1P D1L D1G D1M D1A D1Q D1T D1C D1B D1H D1V D1K D1R D1E D1J 13U 13F 14U 15U 15F D7V D8U D8F D9K DAK E9U E9F E9S E9P E9L E9D E9Y E9G E9M E9A E9Q E9T E9C E9B E9H E9V E9K E9R E9E E9J EAV EBU EBF ECA ECQ ECT EDU EDF EEK EFK FCU FCF FDA FDQ FDT FEU FEF FFA FFQ FFT 16S 16P 16Y 17S 17P 17Y DBS DBP DBY DCU DCF DCS DCP DCY DDU DDF DEU DEF EGU EGF EGS EGP EGY EHU EHF EJU EJP EKV EKF H3U H3F H3S H3P H3Y H4U H4F H5K H6U H6F H6S H6P H6Y J2S J2P J2Y J3U J3F J4S J4P J4Y K2S K2P K2Y K3U K3F K4U K4F K4S K4P K4Y CBU CCU CDU DFU ELU FGU D5U D5F)	43C7122	N
7	System board, Jamaica DDR2 BTX Planar v3.3 (Cedermill /Presler Enabled Version)-- subbed from 41X0438 and 43C9124 (models CTO D6U D6F D6S D6P D6L D6D D6Y D6G D6M D6A D6Q D6T D6C D6B D6H D6V D6K D6R D6E D6J H1A H1Q H1T H2A H2Q H2T J1A J1Q J1T K1A K1T K5Q 2DA 2DQ 2DT 51A 51T G6A G6Q G6T 95U 95F 95G)	43C7123	N
8	Microprocessor, Celeron 2.53GHz, 533 FSB, 256KB L2 (models CTO)	39J7016	**
8	Microprocessor, Celeron 2.66GHz, 533 FSB, 256KB L2 (models CTO A1U A1F C1U A3S A3P A3Y)	39J7017	**
8	Microprocessor, Celeron 2.80GHz, 533 FSB, 256KB L2 (models CTO A2U A2F C2U A4S A4P A4Y 19S 19P 19Y)	39J7018	**
8	Microprocessor, Celeron 2.93GHz, 533 FSB, 256KB L2 (models CTO B1K C3U B4S B4P B4Y)	39J7019	**
8	Microprocessor, Celeron 3.06GHz, 533 FSB, 256KB L2 (models CTO B2U B2F B3K C4U B5S B5P B5Y 1AS 1AP 1AY)	39J7020	**
8	Microprocessor, Celeron 3.20GHz, 533 FSB, 256KB L2 (models CTO)	39J9696	**
8	Microprocessor, 3.33 GHZ Celeron Prescott (533FSB, 256KB) (models CTO)	41T1134	**
8	Microprocessor, 3.2 GHZ Celeron Cedar Mill (533FSB, 512KB) (models CTO)	41T4966	**
8	Microprocessor, 3.33 GHZ Celeron Cedar Mill (533FSB, 512KB) (models CTO)	41T4968	**
8	Microprocessor, 3.46 GHZ Celeron Cedar Mill (533FSB, 512KB) (models CTO)	41X8991	**
8	Microprocessor, Pentium 4 2.93GHz, 533 FSB, 1MB L2 (models CTO)	39J9625	**
8	Microprocessor, Pentium 4 2.66GHz, 533 FSB, 1MB L2 (models CTO 18S 18P 18Y CEU)	41D0690	**



Item #	8113 FRUs	FRU#	CRU
8	Microprocessor, Pentium 4 2.93GHz, 533 FSB, 1MB L2 (models CTO 11U 11F 12U 12F)	41D0692	**
8	Microprocessor, Pentium 4 2.93GHz, 533 FSB, 1MB L2 (models CTO)	41T4103	**
8	Microprocessor, Pentium 4 3.06GHz, 533 FSB, 1MB L2 (models CTO 13U 13F 14U 15U 15F 16S 16P 16Y 17S 17P 17Y)	41D0694	**
8	Microprocessor, Pentium 4 2.8GHz, 800 FSB, 1MB L2 (models CTO 29S 29P 29Y 2AU 2AF 2BU 2BF 2CU 2CF 2DA 2DQ 2DT 2EK CFU)	39J7021	**
8	Microprocessor, Pentium 4 3.06GHz, 533 FSB, 1MB L2 (models CTO 51A 51T 52B 52H 53S 53P 53Y 54S 54P 54Y)	41T4104	**
8	Microprocessor, Pentium 4 3.0GHz, 800 FSB, 1MB L2 (models CTO 21U 21F 22U 22F 23U 23F 24U 24F 25A 25Q 25T 26K C5U 27S 27P 27Y 28U 28F 28S 28P 28L 28G 28M 28A 28Q 28T 28C 28B 28H 28V 28K 28R 28E 28J 28D 28Y 55S 55P 55Y 56S 56P 56Y 57U 57F 57G 58U 58F 58G 59B 59H 5AC 5AB 5AH 5BU 5CU)	39J7022	**
8	Microprocessor, Pentium 4 3.2GHz, 800 FSB, 1MB L2 (models CTO 31U 31F 32U 32F 33U 33F 34U 34F 35U 35F 35S 35P 35L 35G 35M 35A 35Q 35T 35C 35B 35H 35V 35K 35R 35E 35J 36U 36J 37A 37Q 37T 38A 38Q 38T C6U 39S 39P 39Y 3AS 3AP 3AY 35D 35Y 62U 62F 62G 63U 63F 63G 64S 64P 64Y 65S 65P 65Y 66B 66H CJU 67U 68U)	39J7023	**
8	Microprocessor, Pentium 4 3.4GHz, 800 FSB, 1MB L2 (models CTO 41U 41F 42U 42F 43U 43F 44U 44F 45U 45F 45S 45P 45L 45G 45M 45A 45Q 45T 45C 45B 45H 45V 45K 45R 45E 45J 46U 46F C7U 47S 47P 47Y)	39J7024	**
8	Microprocessor, Pentium 4 2.8GHz, 800 FSB, 2MB L2 (models CTO 61S 61P 61Y CGU)	41X2412	**
8	Microprocessor, Pentium 4 3.0GHz, 800 FSB, 2MB L2 (models CTO D1U D1F D2C D2B D2H D2V C8U D3U D4S D4P D4Y D1D D1Y D6U D6F D6S D6P D6L D6D D6Y D6G D6M D6A D6Q D6T D6C D6B D6H D6V D6K D6R D6E D6J D1S D1P D1L D1G D1M D1A D1Q D1T D1C D1B D1H D1V D1K D1R D1E D1J D7V D8U D8F D9K DAK DBS DBP DBY DCU DCF DCS DCP DCY DDU DDF DEU DEF DFU D5U D5F DGK DHK)	39J7025	**
8	Microprocessor, Pentium 4 3.2GHz, 800 FSB, 2MB L2 (models CTO E1U E1F E2C E2B E2H E2V E3C E3B E3H E3V C9U E5S E5P E5Y E6S E6P E6Y E7U E8U E8F E9U E9F E9S E9P E9L E9D E9Y E9G E9M E9A E9Q E9T E9C E9B E9H E9V E9K E9R E9E E9J EAV EBU EBF ECA ECQ ECT EDU EDF EEK EFK EGU EGF EGS EGP EGY EHU EHF EJU EJF EKU EKF ELU)	39J7026	**
8	Microprocessor, Pentium 4 3.4GHz, 800 FSB, 2MB L2 (models CTO F1U F1F F2C F2B F2H F2V F3C F3B F3H F3V CAU F4U F5U F5F F6G FCU FCF FDA FDQ FDT FEU FEF FFA FFQ FFT FGU)	39J7027	**
8	Microprocessor, Smithfield Pentium 4 2.8.4GHz, 800 FSB, 1MB L2 (models CTO F7S F7P F7Y F8U F9G FAU FAF FBU G1S G1P G1Y G2S G2P G2Y G3U G3F G4K G5K G6A G6Q G6T G7U G7F G7G G8S G8P G8Y G9C GAG 820 G7U)	39J8469	**
8	Microprocessor, 3.0 GHZ Cedar Mill P4 (800MHz FSB, 2MB Cache) (models CTO DJK DKK DLC DLB DLH)	41D5054	**
8	Microprocessor, 3.2 GHZ Cedar Mill P4 (800MHz FSB, 2MB Cache) (models CTO)	41D5056	**
8	Microprocessor, 3.4 GHZ Cedar Mill P4 (800MHz FSB, 2MB Cache) (models CTO)	41D5058	**
8	Microprocessor, 3.6 GHZ Cedar Mill P4 (800MHz FSB, 2MB Cache) (models CTO H3U H3F H3S H3P H3Y H4U H4F H5K H6U H6F H6S H6P H6Y CBU)	41D5060	**
8	Microprocessor, 2.8 GHz Presler P4 (800MHz FSB, 2MBx2 Cache) (models CTO J5G)	41X7775	**
8	Microprocessor, 2.8 GHz Presler P4 (800MHz FSB, 2MBx2 Cache) (models CTO J2S J2P J2Y J3U J3F J4S J4P J4Y CCU)	41D5062	**

Item #	8113 FRUs	FRU#	CRU
8	Microprocessor, 3.0GHz Presler, Pentium-D (800MHz FSB, 2MBx2 Cache) (models CTO JDU JDF JEU JEF J9S J9P J9Y JAS JAP JAY JBC JBB JBH JCG)	41X2413	**
8	Microprocessor, 3.0 GHZ Presler P4 (800MHz FSB, 2MBx2 Cache) (models CTO K2S K2P K2Y K3U K3F K4U K4F K4S K4P K4Y CDU 91K 92K 93C 93B 93H)	41D5064	**
8	Microprocessor, 3.4 GHZ Presler P4 (800MHz FSB, 2MBx2 Cache) (models CTO 95U 95F 95G 96U 96F 96G 97U 97F 97G 98U 98F 98G 99U 99F 99G 9AS 9AP 9AY 9BS 9BP 9BY 9CS 9CP 9CY 9DC 9DB 9DH 9EG 9FU 9GU 9GF 9GS 9GP 9GL 9GD 9GY 9GG 9GM 9GA 9GQ 9GT 9GC 9GB 9GH 9GV 9GK 9GR 9GE 9GJ)	41X7776	**
8	Microprocessor, 3.2 GHz Presler P4 (800MHz FSB, 2MBx2 Cache) (models CTO)	41X8050	**
8	Microprocessor, 3.2 GHz Presler P4 (800MHz FSB, 2MBx2 Cache) (models CTO)	41X4230	**
8	Microprocessor, 3.4 GHZ Presler P4 (800MHz FSB, 2MBx2 Cache) (models CTO)	41X4232	**
8	Microprocessor, 3.6 GHZ Presler P4 (800MHz FSB, 2MBx2 Cache) (models CTO)	41X8992	**
9	Front panel card Asm (all models)	26K1183	**
10	Speaker Asm, Soldered Terminals (all models)	39P5023	**
11	Hard disk drive, 40GB, 7200RPM, Serial ATA (models CTO A1U A1F A2U A2F B2U B2F 21U 21F 31U 31F 41U 41F 11U 11F 13U 13F 14U D8U D8F EBU EBF FCU FCF)	40Y8760	**
11	Hard disk drive, 40GB, 7200RPM, Serial ATA (models CTO A1U A1F A2U A2F B2U B2F 21U 21F 31U 31F 41U 41F 11U 11F 13U 13F 14U D8U D8F EBU EBF FCU FCF)	40Y9033	**
11	Hard disk drive, 40GB, 7200RPM, Serial ATA (models CTO A1U A1F A2U A2F B2U B2F 21U 21F 31U 31F 41U 41F 11U 11F)	71P7312	**
11	Hard disk drive, 80GB, 7200RPM, Serial ATA (models CTO B1K B3K 22U 22F 23U 23F 24U 24F 25A 25Q 25T 26K 32U 32F 33U 33F 34U 34F 35U 35F 35S 35P 35L 35G 35M 35A 35Q 35T 35C 35B 35H 35V 35K 35R 35E 35J 36U 36J 37A 37Q 37T 38A 38Q 38T 42U 42F 43U 43F 44U 44F 45U 45F 45S 45P 45L 45G 45M 45A 45Q 45T 45C 45B 45H 45V 45K 45R 45E 45J 46U 46F D1U D1F D2C D2B D2H D2V E1U E1F E2C E2B E2H E2V F1U F1F 12U 12F 28D 28Y 35D 35Y D1D D1Y D5U D5F A3S A3P A3Y A4S A4P A4Y B4S B4P B4Y B5S B5P B5Y 27S 27P 27Y 28U 28F 28S 28P 28L 28G 28M 28A 28Q 28T 28C 28B 28H 28V 28K 28R 28E 28J 39S 39P 39Y 3AS 3AP 3AY 47S 47P 47Y D3U D4S D4P D4Y E5S E5P E5Y E6S E6P E6Y E7U E8U E8F F4U F5U F5F F6G F7S F7P F7Y F8U F9G FAU FAF FBU 9GU 9GF 9GS 9GP 9GL 9GD 9GY 9GG 9GM 9GA 9GQ 9GT 9GC 9GB 9GH 9GV 9GK 9GR 9GE 9GJ)	71P7293	**

Item #	8113 FRUs	FRU#	CRU
11	Hard disk drive, 80GB, 7200RPM, Serial ATA (models JDU JDF JEU JEF 5BU 5CU 67U 68U G7U J9S J9P J9Y JBC JBB JBH 19S 19P 19Y 1AS 1AP 1AY 18S 18P 18Y 29S 29P 29Y 2AU 2AF 2BU 2BF 2CU 2CF 2DA 2DQ 2DT 51A 51T 52B 52H 53S 53P 53Y 54S 54P 54Y 55S 55P 55Y 56S 56P 56Y 57U 57F 57G 58U 58F 58G 59B 59H 5AC 5AB 5AH 62U 62F 62G 63U 63F 63G 64S 64P 64Y 65S 65P 65Y 66B 66H 61S 61P 61Y DKK DLC DLB DLH G1S G1P G1Y G2S G2P G2Y G3U G3F G5K G6A G6Q G6T G7U G7F G7G G8S G8P G8Y G9C GAG 92K 93C 93B 93H 94C 94B 94H 95U 95F 95G 96U 96F 96G 97U 97F 97G 98U 98F 98G 9AS 9AP 9AY 9DC 9DB 9DH 15U 15F D7V E9U E9F E9S E9P E9L E9D E9Y E9G E9M E9A E9Q E9T E9C E9B E9H E9V E9K E9R E9E E9J EAV ECA ECQ ECT EDU EDF FDA FDQ FDT FEU FEF 16S 16P 16Y 17S 17P 17Y DBS DBP DBY DCU DCF DCS DCP DCY DDU DDF DEU DEF EGU EGF EGS EGP EGY EHU EHF H1A H1Q H1T H2A H2Q H2T H3U H3F H3S H3P H3Y H4U H4F H6U H6F H6S H6P H6Y J1A J1Q J1T J2S J2P J2Y J3U J3F J4S J4P J4Y K1A K1T K2S K2P K2Y K3U K3F K4U K4F K4S K4P K4Y K5Q DFU ELU D5U D5F CTO B1K B3K 22U 22F 23U 23F 24U 24F 25A 25Q 25T 26K 32U 32F 33U 33F 34U 34F 35U 35F 35S 35P 35L 35G 35M 35A 35Q 35T 35C 35B 35H 35V 35K 35R 35E 35J 36U 36J 37A 37Q 37T 38A 38Q 38T 42U 42F 43U 43F 44U 44F 45U 45F 45S 45P 45L 45G 45M 45A 45Q 45T 45C 45B 45H 45V 45K 45R 45E 45J 46U 46F D1U D1F D2C D2B D2H D2V E1U E1F E2C E2B E2H E2V F1U F1F 12U 12F 28D 28Y 35D 35Y D1D D1Y D6U D6F D6S D6P D6L D6D D6Y D6G D6M D6A D6Q D6T D6C D6B D6H D6V D6K D6R D6E D6J A3S A3P A3Y A4S A4P A4Y B4S B4P B4Y B5S B5P B5Y 27S 27P 27Y 28U 28F 28S 28P 28L 28G 28M 28A 28Q 28T 28C 28B 28H 28V 28K 28R 28E 28J 39S 39P 39Y 3AS 3AP 3AY 47S 47P 47Y D3U D4S D4P D4Y E5S E5P E5Y E6S E6P E6Y E7U E8U E8F F4U F5U F5F F6G F7S F7P F7Y F8U F9G FAU FAF FBU D1S D1P D1L D1G D1M D1A D1Q D1T D1C D1B D1H D1V D1K D1R D1E D1J 9GU 9GF 9GS 9GP 9GL 9GD 9GY 9GG 9GM 9GA 9GQ 9GT 9GC 9GB 9GH 9GV 9GK 9GR 9GE 9GJ)	40Y8761	**
11	Hard Disk Drive 80GB 7200 rpm Serial ATA (models JDU JDF JEU JEF 5BU 5CU 67U 68U G7U J9S J9P J9Y JBC JBB JBH 19S 19P 19Y 1AS 1AP 1AY 18S 18P 18Y 29S 29P 29Y 2AU 2AF 2BU 2BF 2CU 2CF 2DA 2DQ 2DT 51A 51T 52B 52H 53S 53P 53Y 54S 54P 54Y 55S 55P 55Y 56S 56P 56Y 57U 57F 57G 58U 58F 58G 59B 59H 5AC 5AB 5AH 62U 62F 62G 63U 63F 63G 64S 64P 64Y 65S 65P 65Y 66B 66H 61S 61P 61Y DKK DLC DLB DLH G1S G1P G1Y G2S G2P G2Y G3U G3F G5K G6A G6Q G6T G7U G7F G7G G8S G8P G8Y G9C GAG 92K 93C 93B 93H 94C 94B 94H 95U 95F 95G 96U 96F 96G 97U 97F 97G 98U 98F 98G 9AS 9AP 9AY 9DC 9DB 9DH 15U 15F D7V E9U E9F E9S E9P E9L E9D E9Y E9G E9M E9A E9Q E9T E9C E9B E9H E9V E9K E9R E9E E9J EAV ECA ECQ ECT EDU EDF FDA FDQ FDT FEU FEF 16S 16P 16Y 17S 17P 17Y DBS DBP DBY DCU DCF DCS DCP DCY DDU DDF DEU DEF EGU EGF EGS EGP EGY EHU EHF H1A H1Q H1T H2A H2Q H2T H3U H3F H3S H3P H3Y H4U H4F H6U H6F H6S H6P H6Y J1A J1Q J1T J2S J2P J2Y J3U J3F J4S J4P J4Y K1A K1T K2S K2P K2Y K3U K3F K4U K4F K4S K4P K4Y K5Q DFU ELU D5U D5F CTO B1K B3K 22U 22F 23U 23F 24U 24F 25A 25Q 25T 26K 32U 32F 33U 33F 34U 34F 35U 35F 35S 35P 35L 35G 35M 35A 35Q 35T 35C 35B 35H 35V 35K 35R 35E 35J 36U 36J 37A 37Q 37T 38A 38Q 38T 42U 42F 43U 43F 44U 44F 45U 45F 45S 45P 45L 45G 45M 45A 45Q 45T 45C 45B 45H 45V 45K 45R 45E 45J 46U 46F D1U D1F D2C D2B D2H D2V E1U E1F E2C E2B E2H E2V F1U F1F 12U 12F 28D 28Y 35D 35Y D1D D1Y D6U D6F D6S D6P D6L D6D D6Y D6G D6M D6A D6Q D6T D6C D6B D6H D6V D6K D6R D6E D6J A3S A3P A3Y A4S A4P A4Y B4S B4P B4Y B5S B5P B5Y 27S 27P 27Y 28U 28F 28S 28P 28L 28G 28M 28A 28Q 28T 28C 28B 28H 28V 28K 28R 28E 28J 39S 39P 39Y 3AS 3AP 3AY 47S 47P 47Y D3U D4S D4P D4Y E5S E5P E5Y E6S E6P E6Y E7U E8U E8F F4U F5U F5F F6G F7S F7P F7Y F8U F9G FAU FAF FBU D1S D1P D1L D1G D1M D1A D1Q D1T D1C D1B D1H D1V D1K D1R D1E D1J 9GU 9GF 9GS 9GP 9GL 9GD 9GY 9GG 9GM 9GA 9GQ 9GT 9GC 9GB 9GH 9GV 9GK 9GR 9GE 9GJ)	40Y9034	*
11	Hard disk drive, 160GB, 7200RPM, Serial ATA (models CTO E3C E3B E3H E3V F2C F2B F2H F2V F3C F3B F3H F3V)	71P7297	**

Item #	8113 FRUs	FRU#	CRU
11	Hard disk drive, 160GB, 7200RPM, Serial ATA (models CTO E3C E3B E3H E3V F2C F2B F2H F2V F3C F3B F3H F3V D9K DAK EEK EFK FFA FFQ FFT EJU EJF H5K FGU 2EK DGK DJK G4K 91K 99U 99F 99G 9BS 9BP 9BY 9CS 9CP 9CY 9FU JAS JAP JAY JCG)	40Y8762	**
11	Hard disk drive, 160GB, 7200RPM, Serial ATA (models CTO E3C E3B E3H E3V F2C F2B F2H F2V F3C F3B F3H F3V D9K DAK EEK EFK FFA FFQ FFT EJU EJF H5K FGU 2EK DGK DJK G4K 91K 99U 99F 99G 9BS 9BP 9BY 9CS 9CP 9CY 9FU JAS JAP JAY JCG)	40Y9035	**
11	Hard disk drive, 250GB, 7200RPM, Serial ATA - Lenovo (models CTO 9EG)	40Y9036	**
11	Hard disk drive, 250GB, 7200RPM, Serial ATA - IBM (models CTO 9EG)	40Y8763	**
11	Hard disk drive, 250GB, 7200RPM, Serial ATA (models CTO 9EG)	40Y8757	**
12	Diskette drive, 1.44MB, 3-mode, w/o bezel (models 19S 19P 19Y 1AS 1AP 1AY 18S 18P 18Y 29S 29P 29Y 2DA 2DQ 2DT 2EK 51A 51T 52B 52H 53S 53P 53Y 55S 55P 55Y 56S 56P 56Y 57U 57F 57G 58U 58F 58G 59B 59H 5AC 5AB 5AH 62U 62F 62G 63U 63F 63G 64S 64P 64Y 66B 66H 61S 61P 61Y DGK DHK DJK DKK DLC DLB DLH G1S G1P G1Y G4K G5K G6A G6Q G6T G7U G7F G7G G9C 91K 92K 93C 93B 93H 94C 94B 94H 95U 95F 95G 96U 96F 96G 97U 97F 97G 98U 98F 98G 99U 99F 99G 9AS 9AP 9AY 9DC 9DB 9DH 5BU 5CU 67U 68U 67U 9FU 99S 99P 99Y JBC JBB JBH D6U D6F D6S D6P D6L D6D D6Y D6G D6M D6A D6Q D6T D6C D6B D6H D6V D6K D6R D6E D6J D1S D1P D1L D1G D1M D1A D1Q D1T D1C D1B D1H D1V D1K D1R D1E D1J 14U E9U E9F E9S E9P E9L E9D E9Y E9G E9M E9A E9Q E9T E9C E9B E9H E9V E9K E9R E9E E9J EDU EDF FEU FEF 16S 16P 16Y DCU DCF DCS DCP DCY DDU DDF DEU DEF EGU EGF EGS EGP EGY EHU EHF EJU EKF EKV H1A H1Q H1T H2A H2Q H2T H3U H3F H3S H3P H3Y H4U H4F H6U H6F H6S H6P H6Y J1A J1Q J1T J3U J3F K1A K1T K3U K3F K4U K4F K4S K4P K4Y K5Q DFU ELU FGU D5U D5F CTO A1U A1F A2U A2F B1K B2U B2F B3K 21U 21F 22U 22F 24U 24F 25A 25Q 25T 26K 31U 31F 32U 32F 34U 34F 35U 35F 35S 35P 35L 35G 35M 35A 35Q 35T 35C 35B 35H 35V 35K 35R 35E 35J 36U 36J 37A 37Q 37T 38A 38Q 38T 41U 41F 42U 42F 44U 44F 45U 45F 45S 45P 45L 45G 45M 45A 45Q 45T 45C 45B 45H 45V 45K 45R 45E 45J 46U 46F D1U D1F D2C D2B D2H D2V E1U E1F E2C E2B E2H E2V E3C E3B E3H E3V F1U F1F F2C F2B F2H F2V F3C F3B F3H F3V 11U 11F 12U 12F 28D 28Y 35D 35Y D1D D1Y A3S A3P A3Y A4S A4P A4Y B4S B4P B4Y B5S B5P B5Y 27S 27P 27Y 28U 28F 28S 28P 28L 28G 28M 28A 28Q 28T 28C 28B 28H 28V 28K 28R 28E 28J 39S 39P 39Y 3AS 3AP 3AY 47S 47P 47Y D3U D4S D4P D4Y E5S E5P E5Y E6S E6P E6Y E7U F4U F6G F7S F7P F7Y F8U F9G FBU 9GU 9GF 9GS 9GP 9GL 9GD 9GY 9GG 9GM 9GA 9GQ 9GT 9GC 9GB 9GH 9GV 9GK 9GR 9GE 9GJ)	40Y9107	*

Item #	8113 FRUs	FRU#	CRU
12	Diskette drive, 1.44MB, 3-mode, w/o bezel (models 19S 19P 19Y 1AS 1AP 1AY 18S 18P 18Y 29S 29P 29Y 2DA 2DQ 2DT 2EK 51A 51T 52B 52H 53S 53P 53Y 55S 55P 55Y 56S 56P 56Y 57U 57F 57G 58U 58F 58G 59B 59H 5AC 5AB 5AH 62U 62F 62G 63U 63F 63G 64S 64P 64Y 66B 66H 61S 61P 61Y DGK DHK DJK DKK DLC DLB DLH G1S G1P G1Y G4K G5K G6A G6Q G6T G7U G7F G7G G9C 91K 92K 93C 93B 93H 94C 94B 94H 95U 95F 95G 96U 96F 96G 97U 97F 97G 98U 98F 98G 99U 99F 99G 9AS 9AP 9AY 9DC 9DB 9DH 5BU 5CU 67U 68U 67U 68U 67U 9FU 9FS 99P 99Y JBC JBB JBH D6U D6F D6S D6P D6L D6D D6Y D6G D6M D6A D6Q D6T D6C D6B D6H D6V D6K D6R D6E D6J D1S D1P D1L D1G D1M D1A D1Q D1T D1C D1B D1H D1V D1K D1R D1E D1J 14U E9U E9F E9S E9P E9L E9D E9Y E9G E9M E9A E9Q E9T E9C E9B E9H E9V E9K E9R E9E E9J EDU EDF FEU FEF 16S 16P 16Y DCU DCF DCS DCP DCY DDU DDF DEU DEF EGU EGF EGS EGP EGY EHU EHF EJU EJK EKV H1A H1Q H1T H2A H2Q H2T H3U H3F H3S H3P H3Y H4U H4F H6U H6F H6S H6P H6Y J1A J1Q J1T J3U J3F K1A K1T K3U K3F K4U K4F K4S K4P K4Y K5Q DFU ELU FGU D5U D5F CTO A1U A1F A2U A2F B1K B2U B2F B3K 21U 21F 22U 22F 24U 24F 25A 25Q 25T 26K 31U 31F 32U 32F 34U 34F 35U 35F 35S 35P 35L 35G 35M 35A 35Q 35T 35C 35B 35H 35V 35K 35R 35E 35J 36U 36J 37A 37Q 37T 38A 38Q 38T 41U 41F 42U 42F 44U 44F 45U 45F 45S 45E 45L 45G 45M 45A 45Q 45T 45C 45B 45H 45V 45K 45R 45E 45J 46U 46F D1U D1F D2C D2B D2H D2V E1U E1F E2C E2B E2H E2V E3C E3B E3H E3V F1U F1F F2C F2B F2H F2V F3C F3B F3H F3V 11U 11F 12U 12F 28D 28Y 35D 35Y D1D D1Y A3S A3P A3Y A4S A4P A4Y B4S B4P B4Y B5S B5P B5Y 27S 27P 27Y 28U 28F 28S 28P 28L 28G 28M 28A 28Q 28T 28C 28B 28H 28V 28K 28R 28E 28J 39S 39P 39Y 3AS 3AP 3AY 47S 47P 47Y D3U D4S D4P D4Y E5S E5P E5Y E6S E6P E6Y E7U F4U F6G F7S F7P F7Y F8U F9G FBU 9GU 9GF 9GS 9GP 9GL 9GD 9GY 9GG 9GM 9GA 9GQ 9GT 9GC 9GB 9GH 9GV 9GK 9GR 9GE 9GJ)	40Y9105	*
12	Diskette drive, 1.44MB, 3-mode, w/o bezel (models 19S 19P 19Y 1AS 1AP 1AY 18S 18P 18Y 29S 29P 29Y 2DA 2DQ 2DT 2EK 51A 51T 52B 52H 53S 53P 53Y 55S 55P 55Y 56S 56P 56Y 57U 57F 57G 58U 58F 58G 59B 59H 5AC 5AB 5AH 62U 62F 62G 63U 63F 63G 64S 64P 64Y 66B 66H 61S 61P 61Y DGK DHK DJK DKK DLC DLB DLH G1S G1P G1Y G4K G5K G6A G6Q G6T G7U G7F G7G G9C 91K 92K 93C 93B 93H 94C 94B 94H 95U 95F 95G 96U 96F 96G 97U 97F 97G 98U 98F 98G 99U 99F 99G 9AS 9AP 9AY 9DC 9DB 9DH 5BU 5CU 67U 68U 67U 68U 67U 9FU 9FS 99P 99Y JBC JBB JBH D6U D6F D6S D6P D6L D6D D6Y D6G D6M D6A D6Q D6T D6C D6B D6H D6V D6K D6R D6E D6J D1S D1P D1L D1G D1M D1A D1Q D1T D1C D1B D1H D1V D1K D1R D1E D1J 14U E9U E9F E9S E9P E9L E9D E9Y E9G E9M E9A E9Q E9T E9C E9B E9H E9V E9K E9R E9E E9J EDU EDF FEU FEF 16S 16P 16Y DCU DCF DCS DCP DCY DDU DDF DEU DEF EGU EGF EGS EGP EGY EHU EHF EJU EJK EKV H1A H1Q H1T H2A H2Q H2T H3U H3F H3S H3P H3Y H4U H4F H6U H6F H6S H6P H6Y J1A J1Q J1T J3U J3F K1A K1T K3U K3F K4U K4F K4S K4P K4Y K5Q DFU ELU FGU D5U D5F CTO A1U A1F A2U A2F B1K B2U B2F B3K 21U 21F 22U 22F 24U 24F 25A 25Q 25T 26K 31U 31F 32U 32F 34U 34F 35U 35F 35S 35P 35L 35G 35M 35A 35Q 35T 35C 35B 35H 35V 35K 35R 35E 35J 36U 36J 37A 37Q 37T 38A 38Q 38T 41U 41F 42U 42F 44U 44F 45U 45F 45S 45E 45L 45G 45M 45A 45Q 45T 45C 45B 45H 45V 45K 45R 45E 45J 46U 46F D1U D1F D2C D2B D2H D2V E1U E1F E2C E2B E2H E2V E3C E3B E3H E3V F1U F1F F2C F2B F2H F2V F3C F3B F3H F3V 11U 11F 12U 12F 28D 28Y 35D 35Y D1D D1Y A3S A3P A3Y A4S A4P A4Y B4S B4P B4Y B5S B5P B5Y 27S 27P 27Y 28U 28F 28S 28P 28L 28G 28M 28A 28Q 28T 28C 28B 28H 28V 28K 28R 28E 28J 39S 39P 39Y 3AS 3AP 3AY 47S 47P 47Y D3U D4S D4P D4Y E5S E5P E5Y E6S E6P E6Y E7U F4U F6G F7S F7P F7Y F8U F9G FBU 9GU 9GF 9GS 9GP 9GL 9GD 9GY 9GG 9GM 9GA 9GQ 9GT 9GC 9GB 9GH 9GV 9GK 9GR 9GE 9GJ)	40Y9113	*

Item #	8113 FRUs	FRU#	CRU
13	CD-ROM drive 48X (models 19S 19P 19Y 1AS 1AP 1AY 18S 18P 18Y 29S 29P 29Y 2AU 2AF 2DA 2DQ 2DT 51A 51T 53S 53P 53Y 55S 55P 55Y 56S 56P 56Y 64S 64P 64Y 61S 61P 61Y DHK DKK G1S G1P G1Y G5K 92K 9AS 9AP 9AY J9S J9P J9Y CTO A1U A1F A2U A2F B1K B2U B2F 21U 21F 25A 25Q 25T 31U 31F 37A 37Q 37T 38A 38Q 38T 41U 41F A3S A3P A3Y A4S A4P A4Y B4S B4P B4Y B5S B5P B5Y 27S 27P 27Y 39S 39P 39Y 47S 47P 47Y D4S D4P D4Y E5S E5P E5Y F7S F7P F7Y 11U 11F 13U 13F D8U D8F D9K EBU EBF ECA ECQ ECT EEK FCU FCF FDA FDQ FDT 16S 16P 16Y 17S 17P 17Y DBS DBP DBY DCU DCF DCS DCP DCY H1A H1Q H1T H3U H3F H3S H3P H3Y H5K J2S J2P J2Y K2S K2P K2Y)	40Y8929	*
13	CD-ROM drive 48X (models 19S 19P 19Y 1AS 1AP 1AY 18S 18P 18Y 29S 29P 29Y 2AU 2AF 2DA 2DQ 2DT 51A 51T 53S 53P 53Y 55S 55P 55Y 56S 56P 56Y 64S 64P 64Y 61S 61P 61Y DHK DKK G1S G1P G1Y G5K 92K 9AS 9AP 9AY J9S J9P J9Y 13U 13F D8U D8F D9K EBU EBF ECA ECQ ECT EEK FCU FCF FDA FDQ FDT 16S 16P 16Y 17S 17P 17Y DBS DBP DBY DCU DCF DCS DCP DCY H1A H1Q H1T H3U H3F H3S H3P H3Y H5K J2S J2P J2Y K2S K2P K2Y 19S 19P 19Y 1AS 1AP 1AY 18S 18P 18Y 29S 29P 29Y 2AU 2AF 2DA 2DQ 2DT 51A 51T 53S 53P 53Y 55S 55P 55Y 56S 56P 56Y 64S 64P 64Y 61S 61P 61Y DHK G1S G1P G1Y G5K 92K 9AS 9AP 9AY)	40Y8807	*
13	CD-ROM drive 48X (models 19S 19P 19Y 1AS 1AP 1AY 18S 18P 18Y 29S 29P 29Y 2AU 2AF 2DA 2DQ 2DT 51A 51T 53S 53P 53Y 55S 55P 55Y 56S 56P 56Y 64S 64P 64Y 61S 61P 61Y DHK DKK G1S G1P G1Y G5K 92K 9AS 9AP 9AY J9S J9P J9Y 13U 13F D8U D8F D9K EBU EBF ECA ECQ ECT EEK FCU FCF FDA FDQ FDT 16S 16P 16Y 17S 17P 17Y DBS DBP DBY DCU DCF DCS DCP DCY H1A H1Q H1T H3U H3F H3S H3P H3Y H5K J2S J2P J2Y K2S K2P K2Y 19S 19P 19Y 1AS 1AP 1AY 18S 18P 18Y 29S 29P 29Y 2AU 2AF 2DA 2DQ 2DT 51A 51T 53S 53P 53Y 55S 55P 55Y 56S 56P 56Y 64S 64P 64Y 61S 61P 61Y DHK G1S G1P G1Y G5K 92K 9AS 9AP 9AY)	40Y8955	*
13	CD-ROM drive 48X (models 19S 19P 19Y 1AS 1AP 1AY 18S 18P 18Y 29S 29P 29Y 2AU 2AF 2DA 2DQ 2DT 51A 51T 53S 53P 53Y 55S 55P 55Y 56S 56P 56Y 64S 64P 64Y 61S 61P 61Y DHK DKK G1S G1P G1Y G5K 92K 9AS 9AP 9AY J9S J9P J9Y 13U 13F D8U D8F D9K EBU EBF ECA ECQ ECT EEK FCU FCF FDA FDQ FDT 16S 16P 16Y 17S 17P 17Y DBS DBP DBY DCU DCF DCS DCP DCY H1A H1Q H1T H3U H3F H3S H3P H3Y H5K J2S J2P J2Y K2S K2P K2Y 19S 19P 19Y 1AS 1AP 1AY 18S 18P 18Y 29S 29P 29Y 2AU 2AF 2DA 2DQ 2DT 51A 51T 53S 53P 53Y 55S 55P 55Y 56S 56P 56Y 64S 64P 64Y 61S 61P 61Y DHK G1S G1P G1Y G5K 92K 9AS 9AP 9AY)	40Y8953	*
13	CD-ROM drive 48X (models 19S 19P 19Y 1AS 1AP 1AY 18S 18P 18Y 29S 29P 29Y 2AU 2AF 2DA 2DQ 2DT 51A 51T 53S 53P 53Y 55S 55P 55Y 56S 56P 56Y 64S 64P 64Y 61S 61P 61Y DHK DKK G1S G1P G1Y G5K 92K 9AS 9AP 9AY J9S J9P J9Y 13U 13F D8U D8F D9K EBU EBF ECA ECQ ECT EEK FCU FCF FDA FDQ FDT 16S 16P 16Y 17S 17P 17Y DBS DBP DBY DCU DCF DCS DCP DCY H1A H1Q H1T H3U H3F H3S H3P H3Y H5K J2S J2P J2Y K2S K2P K2Y 19S 19P 19Y 1AS 1AP 1AY 18S 18P 18Y 29S 29P 29Y 2AU 2AF 2DA 2DQ 2DT 51A 51T 53S 53P 53Y 55S 55P 55Y 56S 56P 56Y 64S 64P 64Y 61S 61P 61Y DHK G1S G1P G1Y G5K 92K 9AS 9AP 9AY)	41N3539	*
13	CD-ROM drive 48X (models 19S 19P 19Y 1AS 1AP 1AY 18S 18P 18Y 29S 29P 29Y 2AU 2AF 2DA 2DQ 2DT 51A 51T 53S 53P 53Y 55S 55P 55Y 56S 56P 56Y 64S 64P 64Y 61S 61P 61Y DHK DKK G1S G1P G1Y G5K 92K 9AS 9AP 9AY J9S J9P J9Y 13U 13F D8U D8F D9K EBU EBF ECA ECQ ECT EEK FCU FCF FDA FDQ FDT 16S 16P 16Y 17S 17P 17Y DBS DBP DBY DCU DCF DCS DCP DCY H1A H1Q H1T H3U H3F H3S H3P H3Y H5K J2S J2P J2Y K2S K2P K2Y 19S 19P 19Y 1AS 1AP 1AY 18S 18P 18Y 29S 29P 29Y 2AU 2AF 2DA 2DQ 2DT 51A 51T 53S 53P 53Y 55S 55P 55Y 56S 56P 56Y 64S 64P 64Y 61S 61P 61Y DHK G1S G1P G1Y G5K 92K 9AS 9AP 9AY)	41N3540	*



Item #	8113 FRUs	FRU#	CRU
13	CD-ROM drive 48X (models 19S 19P 19Y 1AS 1AP 1AY 18S 18P 18Y 29S 29P 29Y 2AU 2AF 2DA 2DQ 2DT 51A 51T 53S 53P 53Y 55S 55P 55Y 56S 56P 56Y 64S 64P 64Y 61S 61P 61Y DHK DKK G1S G1P G1Y G5K 92K 9AS 9AP 9AY J9S J9P J9Y 13U 13F D8U D8F D9K EBU EBF ECA ECQ ECT EEK FCU FCF FDA FDQ FDT 16S 16P 16Y 17S 17P 17Y DBS DBP DBY DCU DCF DCS DCP DCY H1A H1Q H1T H3U H3F H3S H3P H3Y H5K J2S J2P J2Y K2S K2P K2Y 19S 19P 19Y 1AS 1AP 1AY 18S 18P 18Y 29S 29P 29Y 2AU 2AF 2DA 2DQ 2DT 51A 51T 53S 53P 53Y 55S 55P 55Y 56S 56P 56Y 64S 64P 64Y 61S 61P 61Y DHK G1S G1P G1Y G5K 92K 9AS 9AP 9AY)	41N3541	*
13	DVD-ROM (16X/48X) - black (models D1S D1P D1L D1G D1M D1A D1Q D1T D1C D1B D1H D1V D1K D1R D1E D1J D7V E9U E9F E9S E9P E9L E9D E9Y E9G E9M E9A E9Q E9T E9C E9B E9H E9V E9K E9R E9E E9J EAV EDU EDF FEU FEF DDU DDF H4U H4F J3U J3F K3U K3F 58U 58F 58G 62U 62F 62G GAG 98U 98F 98G JDU JDF 5CU 67U CTO 24U 24F 34U 34F 35U 35F 35S 35P 35L 35G 35M 35A 35Q 35T 35C 35B 35H 35V 35K 35R 35E 35J 36U 36J 44U 44F 45U 45F 45S 45P 45L 45G 45M 45A 45Q 45T 45C 45B 45H 45V 45K 45R 45E 45J 46U 46F D1U D1F D2C D2B D2H D2V E1U E1F E2C E2B E2H E2V E3C E3B E3H E3V F1U F1F 28U 28F 28S 28P 28L 28G 28M 28A 28Q 28T 28C 28B 28H 28V 28K 28R 28E 28J D3U F6G FBU 12U 12F 28D 28Y 35D 35Y D1D D1Y D6U D6F D6S D6P D6L D6D D6Y D6G D6M D6A D6Q D6T D6C D6B D6H D6V D6K D6R D6E D6J 9GU 9GF 9GS 9GP 9GL 9GD 9GY 9GG 9GM 9GA 9GQ 9GT 9GC 9GB 9GH 9GV 9GK 9GR 9GE 9GJ)	40Y8931	*
13	DVD-ROM (16X/48X) - black (models D1S D1P D1L D1G D1M D1A D1Q D1T D1C D1B D1H D1V D1K D1R D1E D1J D7V E9U E9F E9S E9P E9L E9D E9Y E9G E9M E9A E9Q E9T E9C E9B E9H E9V E9K E9R E9E E9J EAV EDU EDF FEU FEF DDU DDF H4U H4F J3U J3F K3U K3F 58U 58F 58G 62U 62F 62G GAG 98U 98F 98G JDU JDF 5CU 67U CTO 24U 24F 34U 34F 35U 35F 35S 35P 35L 35G 35M 35A 35Q 35T 35C 35B 35H 35V 35K 35R 35E 35J 36U 36J 44U 44F 45U 45F 45S 45P 45L 45G 45M 45A 45Q 45T 45C 45B 45H 45V 45K 45R 45E 45J 46U 46F D1U D1F D2C D2B D2H D2V E1U E1F E2C E2B E2H E2V E3C E3B E3H E3V F1U F1F 28U 28F 28S 28P 28L 28G 28M 28A 28Q 28T 28C 28B 28H 28V 28K 28R 28E 28J D3U F6G FBU 12U 12F 28D 28Y 35D 35Y D1D D1Y D6U D6F D6S D6P D6L D6D D6Y D6G D6M D6A D6Q D6T D6C D6B D6H D6V D6K D6R D6E D6J 9GU 9GF 9GS 9GP 9GL 9GD 9GY 9GG 9GM 9GA 9GQ 9GT 9GC 9GB 9GH 9GV 9GK 9GR 9GE 9GJ)	40Y8933	*
13	DVD-ROM (16X/48X) - black (models D1S D1P D1L D1G D1M D1A D1Q D1T D1C D1B D1H D1V D1K D1R D1E D1J D7V E9U E9F E9S E9P E9L E9D E9Y E9G E9M E9A E9Q E9T E9C E9B E9H E9V E9K E9R E9E E9J EAV EDU EDF FEU FEF DDU DDF H4U H4F J3U J3F K3U K3F 58U 58F 58G 62U 62F 62G GAG 98U 98F 98G JDU JDF 5CU 67U CTO 24U 24F 34U 34F 35U 35F 35S 35P 35L 35G 35M 35A 35Q 35T 35C 35B 35H 35V 35K 35R 35E 35J 36U 36J 44U 44F 45U 45F 45S 45P 45L 45G 45M 45A 45Q 45T 45C 45B 45H 45V 45K 45R 45E 45J 46U 46F D1U D1F D2C D2B D2H D2V E1U E1F E2C E2B E2H E2V E3C E3B E3H E3V F1U F1F 28U 28F 28S 28P 28L 28G 28M 28A 28Q 28T 28C 28B 28H 28V 28K 28R 28E 28J D3U F6G FBU 12U 12F 28D 28Y 35D 35Y D1D D1Y D6U D6F D6S D6P D6L D6D D6Y D6G D6M D6A D6Q D6T D6C D6B D6H D6V D6K D6R D6E D6J 9GU 9GF 9GS 9GP 9GL 9GD 9GY 9GG 9GM 9GA 9GQ 9GT 9GC 9GB 9GH 9GV 9GK 9GR 9GE 9GJ)	40Y8957	*
13	DVD-ROM (16X/48X) - black (models CTO 24U 24F 34U 34F 35U 35F 35S 35P 35L 35G 35M 35A 35Q 35T 35C 35B 35H 35V 35K 35R 35E 35J 36U 36J 44U 44F 45U 45F 45S 45P 45L 45G 45M 45A 45Q 45T 45C 45B 45H 45V 45K 45R 45E 45J 46U 46F D1U D1F D2C D2B D2H D2V E1U E1F E2C E2B E2H E2V E3C E3B E3H E3V F1U F1F 28U 28F 28S 28P 28L 28G 28M 28A 28Q 28T 28C 28B 28H 28V 28K 28R 28E 28J D3U F6G FBU 12U 12F 28D 28Y 35D 35Y D1D D1Y D6U D6F D6S D6P D6L D6D D6Y D6G D6M D6A D6Q D6T D6C D6B D6H D6V D6K D6R D6E D6J 9GU 9GF 9GS 9GP 9GL 9GD 9GY 9GG 9GM 9GA 9GQ 9GT 9GC 9GB 9GH 9GV 9GK 9GR 9GE 9GJ)	41X3544	*

Item #	8113 FRUs	FRU#	CRU
13	DVD-ROM (16X/48X) - black (models CTO 24U 24F 34U 34F 35U 35F 35S 35P 35L 35G 35M 35A 35Q 35T 35C 35B 35H 35V 35K 35R 35E 35J 36U 36J 44U 44F 45U 45F 45S 45P 45L 45G 45M 45A 45Q 45T 45C 45B 45H 45V 45K 45R 45E 45J 46U 46F D1U D1F D2C D2B D2H D2V E1U E1F E2C E2B E2H E2V E3C E3B E3H E3V F1U F1F 28U 28F 28S 28P 28L 28G 28M 28A 28Q 28T 28C 28B 28H 28V 28K 28R 28E 28J D3U F6G FBU 12U 12F 28D 28Y 35D 35Y D1D D1Y D6U D6F D6S D6P D6L D6D D6Y D6G D6M D6A D6Q D6T D6C D6B D6H D6V D6K D6R D6E D6J 9GU 9GF 9GS 9GP 9GL 9GD 9GY 9GG 9GM 9GA 9GQ 9GT 9GC 9GB 9GH 9GV 9GK 9GR 9GE 9GJ)	41X3545	*
13	DVD-ROM (16X/48X) - black (models CTO 24U 24F 34U 34F 35U 35F 35S 35P 35L 35G 35M 35A 35Q 35T 35C 35B 35H 35V 35K 35R 35E 35J 36U 36J 44U 44F 45U 45F 45S 45P 45L 45G 45M 45A 45Q 45T 45C 45B 45H 45V 45K 45R 45E 45J 46U 46F D1U D1F D2C D2B D2H D2V E1U E1F E2C E2B E2H E2V E3C E3B E3H E3V F1U F1F 28U 28F 28S 28P 28L 28G 28M 28A 28Q 28T 28C 28B 28H 28V 28K 28R 28E 28J D3U F6G FBU 12U 12F 28D 28Y 35D 35Y D1D D1Y D6U D6F D6S D6P D6L D6D D6Y D6G D6M D6A D6Q D6T D6C D6B D6H D6V D6K D6R D6E D6J 9GU 9GF 9GS 9GP 9GL 9GD 9GY 9GG 9GM 9GA 9GQ 9GT 9GC 9GB 9GH 9GV 9GK 9GR 9GE 9GJ)	41X3546	*
13	CD-RW/DVD-ROM Combo drive (48X/32X/48X/16X Max) (models 91K 93C 93B 93H 94C 94B 94H 95U 95F 95G 96U 96F 96G 97U 97F 97G 9BS 9BP 9BY 9CS 9CP 9CY 9DC 9DB 9DH JEU JEF 5BU 68U G7U JAS JAP JAY JBC JBB JBH JCG CTO B3K 22U 22F 23U 23F 26K 32U 32F 33U 33F 42U 42F 43U 43F F2C F2B F2H F2V F3C F3B F3H F3V D5U D5F E7U E8U E8F F4U F5U F5F F8U F9G FAU FAF 15U 15F DAK EFK FFA FFQ FFT DEU DEF EGU EGF EGS EGP EGY EHU EHF EKV H6U H6F H6S H6P H6Y J4S J4P J4Y K1A K1T K4U K4F K4S K4P K4Y K5Q DFU ELU D5U D5F 2BU 2BF 2CU 2CF 2EK 52B 52H 54S 54P 54Y 57U 57F 57G 59B 59H 5AC 5AB 5AH 63U 63F 63G 65S 65P 65Y 66B 66H DGK DJK DLC DLB DLH G3U G3F G4K G6A G6Q G6T G7U G7F G7G G8S G8P G8Y G9C J5G)	40Y8919	*
13	CD-RW/DVD-ROM Combo drive (48X/32X/48X/16X Max) (models 91K 93C 93B 93H 94C 94B 94H 95U 95F 95G 96U 96F 96G 97U 97F 97G 9BS 9BP 9BY 9CS 9CP 9CY 9DC 9DB 9DH JEU JEF 5BU 68U G7U JAS JAP JAY JBC JBB JBH JCG CTO B3K 22U 22F 23U 23F 26K 32U 32F 33U 33F 42U 42F 43U 43F F2C F2B F2H F2V F3C F3B F3H F3V D5U D5F E7U E8U E8F F4U F5U F5F F8U F9G FAU FAF 15U 15F DAK EFK FFA FFQ FFT DEU DEF EGU EGF EGS EGP EGY EHU EHF EKV H6U H6F H6S H6P H6Y J4S J4P J4Y K1A K1T K4U K4F K4S K4P K4Y K5Q DFU ELU D5U D5F 2BU 2BF 2CU 2CF 2EK 52B 52H 54S 54P 54Y 57U 57F 57G 59B 59H 5AC 5AB 5AH 63U 63F 63G 65S 65P 65Y 66B 66H DGK DJK DLC DLB DLH G3U G3F G4K G6A G6Q G6T G7U G7F G7G G8S G8P G8Y G9C J5G)	40Y8941	*
13	CD-RW/DVD-ROM Combo drive (48X/32X/48X/16X) (models 91K 93C 93B 93H 94C 94B 94H 95U 95F 95G 96U 96F 96G 97U 97F 97G 9BS 9BP 9BY 9CS 9CP 9CY 9DC 9DB 9DH JEU JEF 5BU 68U G7U JAS JAP JAY JBC JBB JBH JCG CTO B3K 22U 22F 23U 23F 26K 32U 32F 33U 33F 42U 42F 43U 43F F2C F2B F2H F2V F3C F3B F3H F3V D5U D5F E7U E8U E8F F4U F5U F5F F8U F9G FAU FAF 15U 15F DAK EFK FFA FFQ FFT DEU DEF EGU EGF EGS EGP EGY EHU EHF EKV H6U H6F H6S H6P H6Y J4S J4P J4Y K1A K1T K4U K4F K4S K4P K4Y K5Q DFU ELU D5U D5F 2BU 2BF 2CU 2CF 2EK 52B 52H 54S 54P 54Y 57U 57F 57G 59B 59H 5AC 5AB 5AH 63U 63F 63G 65S 65P 65Y 66B 66H DGK DJK DLC DLB DLH G3U G3F G4K G6A G6Q G6T G7U G7F G7G G8S G8P G8Y G9C J5G)	41X3547	*



Item #	8113 FRUs	FRU#	CRU
13	CD-RW/DVD-ROM Combo drive (48X/32X/48X/16X) (models 91K 93C 93B 93H 94C 94B 94H 95U 95F 95G 96U 96F 96G 97U 97F 97G 9BS 9BP 9BY 9CS 9CP 9CY 9DC 9DB 9DH JEU JEF 5BU 68U G7U JAS JAP JAY JBC JBB JBH JCG CTO B3K 22U 22F 23U 23F 26K 32U 32F 33U 33F 42U 42F 43U 43F F2C F2B F2H F2V F3C F3B F3H F3V D5U D5F E7U E8U E8F F4U F5U F5F F8U F9G FAU FAF 15U 15F DAK EFK FFA FFQ FFT DEU DEF EGU EGF EGS EGP EGY EHU EHF EKU EKF H6U H6F H6S H6P H6Y J4S J4P J4Y K1A K1T K4U K4F K4S K4P K4Y K5Q DFU ELU D5U D5F 2BU 2BF 2CU 2CF 2EK 52B 52H 54S 54P 54Y 57U 57F 57G 59B 59H 5AC 5AB 5AH 63U 63F 63G 65S 65P 65Y 66B 66H DGK DJK DLC DLB DLH G3U G3F G4K G6A G6Q G6T G7U G7F G7G G8S G8P G8Y G9C J5G)	41X7992	*
13	Multiburner Plus (models CTO 24U 24F 34U 34F 35U 35F 35S 35P 35L 35G 35M 35A 35Q 35T 35C 35B 35H 35V 35K 35R 35E 35J 36U 36J 44U 44F 45U 45F 45S 45P 45L 45G 45M 45A 45Q 45T 45C 45B 45H 45V 45K 45R 45E 45J 46U 46F D1U D1F D2C D2B D2H D2V E1U E1F E2C E2B E2H E2V E3C E3B E3H E3V F1U F1F 28U 28F 28S 28P 28L 28G 28M 28A 28Q 28T 28C 28B 28H 28V 28K 28R 28E 28J D3U F6G FBU 12U 12F 28D 28Y 35D 35Y D1D D1Y D6U D6F D6S D6P D6L D6D D6Y D6G D6M D6A D6Q D6T D6C D6B D6H D6V D6K D6R D6E D6J )	40Y8909	*
13	Multiburner Plus (models CTO 24U 24F 34U 34F 35U 35F 35S 35P 35L 35G 35M 35A 35Q 35T 35C 35B 35H 35V 35K 35R 35E 35J 36U 36J 44U 44F 45U 45F 45S 45P 45L 45G 45M 45A 45Q 45T 45C 45B 45H 45V 45K 45R 45E 45J 46U 46F D1U D1F D2C D2B D2H D2V E1U E1F E2C E2B E2H E2V E3C E3B E3H E3V F1U F1F 28U 28F 28S 28P 28L 28G 28M 28A 28Q 28T 28C 28B 28H 28V 28K 28R 28E 28J D3U F6G FBU 12U 12F 28D 28Y 35D 35Y D1D D1Y D6U D6F D6S D6P D6L D6D D6Y D6G D6M D6A D6Q D6T D6C D6B D6H D6V D6K D6R D6E D6J )	41X3550	*

The FRUs listed in the following table are not illustrated.

8113 FRUs	FRU#	CRU
Cable, C2 Switch (all models)	39M0458	*
Shield, 5.25 EMC (all models)	39M0460	*
Cable, SATA (18-inch RoHs) (all models)	26K1186	*
Hard disk drive mounting bracket (all models)	39M0461	*
Cable, serial (all models)	39K5021	*
EMC shield, diskette drive (all models)	39M0464	*
Cable, diskette drive (RoHs) (all models)	26K1184	*
Diskette drive Bezel ASM,BLK (all models)	41A7806	*
Fan duct Asm (all models)	39M0470	*
Power switch/LED Asm (all models)	39M0471	**
Device retaining clips (all models)	39M0473	**
Shield, system board (all models)	39M0476	N
Miscellaneous hardware kit (all models)	39M0477	**
Cable, 1394 panel mount (all models)	39M0478	**
Heat sink Retention Module kit (all models)	39K5046	N
Cable, 2 Drop IDE (all models)	39M0516	*
Hard Disk Drive Tray w/screws (all models)	39M0491	**
Miscellaneous screw kit (all models)	41R2477	**
Universal Adapter Bracket 5.25 to 3.5-inch (all models)	32P4743	*
Battery, 3.0V (all models)	33F8354	*

8113 Keyboard (Preferred Pro, Fullsize, PS/2, Stealth Black)	FRU#	CRU
US English (models K1A K3U K4U K5Q DFU ELU FGU D5U 2AU 2BU 2CU 2DA 2DQ 51A 52H 57U 57G 58U 58G 59H 5AC 5AH 62U 62G 63U 63G 66H DLC DLH G3U G6A G6Q G7U G7G G9C GAG J5G 93C 93H 94C 94H 95U 95G 96U 96G 97U 97G 98U 98G 99U 99G 9DC 9DH 9EG JDU JEU 5BU 5CU 67U 68U G7U 9FU JBC JBH JCG CTO-U CTO-G A1U A2U B2U 21U 22U 23U 25A 25Q 31U 32U 33U 34U 35U 35L 35G 35M 35A 35Q 35C 35H 35R 35E 37A 37Q 41U 42U 43U 44U 45U 45L 45G 45M 45A 45Q 45C 45H 45R 45E D1U D2C D2H E1U E2C E2H E3C E3H F1U F2C F2H 28U 28L 28G 28M 28A 28Q 28C 28H 28R 28E D3U E7U E8U F4U F5U F6G F8U F9G FBU 11U 12U D6U D6L D6G D6M D6A D6Q D6C D6H D6R D6E D1L D1G D1M D1A D1Q D1C D1H D1R D1E 13U 14U 15U D8U E9U E9L E9G E9M E9A E9Q E9C E9H E9R E9E EBU FCU DCU DDU DEU EGU EHU EJU EKV H1A H1Q H2A H2Q H3U H4U H6U J1A J1Q J3U 9GU 9GG 9GM 9GA 9GQ 9GH 9GR 9GE)	89P8300	*
Arabic (models CTO-G 35G 45G 28G F6G F9G D6G D1G E9G 57G 58G 62G 63G G7G GAG J5G 95G 96G 97G 98G 99G 9EG JCG 9GG)	89P8301	*
Belgian/French (models CTO-G 35G 45G 28G F6G F9G D6G D1G E9G 57G 58G 62G 63G G7G GAG J5G 95G 96G 97G 98G 99G 9EG 9GG)	89P8302	*
Belgian/UK (models CTO-G 35G 45G 28G F6G F9G D6G D1G E9G 57G 58G 62G 63G G7G GAG J5G 95G 96G 97G 98G 99G 9EG 9GG)	89P8303	*
Brazil/Portugese (models CTO-L 35P 45P A3P A4P B4P B5P 27P 28P 39P 47P D4P E5P F7P D6P D1P E9P 16P 17P DBP DCP EGP H3P H6P J2P J4P K2P K4P 19P 1AP 18P 29P 53P 54P 55P 56P 64P 65P 61P G1P G2P G8P 9AP 9BP 9CP J9P JAP 9GP)	89P8304	*
Bulgarian (models CTO-G 35G 45G 28G F6G F9G D6G D1G E9G 57G 58G 62G 63G G7G GAG J5G 95G 96G 97G 98G 99G 9EG JCG 9GG)	89P8305	*
Chinese/US (models 35B 35V 45B 45V D2B D2V E2B E2V E3B E3V F2B F2V 28B 28V D6B D6V D1B D1V D7V E9B E9V EAV 52B 59B 5AB 66B DLB 93B 94B 9DB JBB 9GB 9GV)	89P8306	*
Czech (models CTO-G 35G 45G 28G F6G F9G D6G D1G E9G 57G 58G 62G 63G G7G GAG J5G 95G 96G 97G 98G 99G 9EG JCG 9GG)	89P8307	*
Danish (models CTO-G 35G 45G 28G F6G F9G D6G D1G E9G 57G 58G 62G 63G G7G GAG J5G 95G 96G 97G 98G 99G 9EG JCG 9GG)	89P8308	*
Dutch (models CTO-G 35G 45G 28G F6G F9G D6G D1G E9G 57G 58G 62G 63G G7G GAG J5G 95G 96G 97G 98G 99G 9EG JCG 9GG)	89P8309	*
French (models CTO-G 35G 45G 28G F6G F9G D6G D1G E9G 57G 58G 62G 63G G7G GAG J5G 95G 96G 97G 98G 99G 9EG JCG 9GG)	89P8310	*
French Canadian 445 (models CTO-U A1F A2F B2F 21F 22F 23F 31F 32F 33F 34F 35F 41F 42F 43F 44F 45F D1F E1F F1F 28F E8F F5F 11F 12F D6F 13F 15F D8F E9F EBF FCF DCF DDF DEF EGF EHF EJF EKF H3F H4F H6F J3F K3F K4F D5F 2AF 2BF 2CF 57F 58F 62F 63F G3F G7F 95F 96F 97F 98F 99F JDF JEF 9GF)	89P8311	*
French Canadian 58 (models CTO-U A1F A2F B2F 21F 22F 23F 31F 32F 33F 34F 35F 41F 42F 43F 44F 45F D1F E1F F1F 28F E8F F5F 11F 12F D6F 13F 15F D8F E9F EBF FCF DCF DDF DEF EGF EHF EJF EKF H3F H4F H6F J3F K3F K4F D5F 2AF 2BF 2CF 57F 58F 62F 63F G3F G7F 95F 96F 97F 98F 99F JDF JEF 9GF)	89P8312	*
German (models CTO-G 35G 45G 28G F6G F9G D6G D1G E9G 57G 58G 62G 63G G7G GAG J5G 95G 96G 97G 98G 99G 9EG JCG 9GG)	89P8313	*
Greek (models CTO-G 35G 45G 28G F6G F9G D6G D1G E9G 57G 58G 62G 63G G7G GAG J5G 95G 96G 97G 98G 99G 9EG JCG 9GG)	89P8314	*
Hebrew (models CTO-G 35G 45G 28G F6G F9G D6G D1G E9G 57G 58G 62G 63G G7G GAG J5G 95G 96G 97G 98G 99G 9EG JCG 9GG)	89P8315	*
Hungarian (models CTO-G 35G 45G 28G F6G F9G D6G D1G E9G 57G 58G 62G 63G G7G GAG J5G 95G 96G 97G 98G 99G 9EG JCG 9GG)	89P8316	*

8113 Keyboard (Preferred Pro, Fullsize, PS/2, Stealth Black)	FRU#	CRU
Iceland (models CTO-G 35G 45G 28G F6G F9G D6G D1G E9G 57G 58G 62G 63G G7G GAG J5G 95G 96G 97G 98G 99G 9EG JCG 9GG)	89P8317	*
Italian 141 (models CTO-G 35G 45G 28G F6G F9G D6G D1G E9G 57G 58G 62G 63G G7G GAG J5G 95G 96G 97G 98G 99G 9EG JCG 9GG)	89P8318	*
Italian 142 (models CTO-G 35G 45G 28G F6G F9G D6G D1G E9G 57G 58G 62G 63G G7G GAG J5G 95G 96G 97G 98G 99G 9EG JCG 9GG)	89P8319	*
Japanese (models 35J 45J 28J D6J D1J E9J 9GL)	89P8320	*
Korean (models B1K B3K 26K 35K 45K 28K D6K D1K D9K DAK E9K EEK EFK H5K 2EK DGK DHK DJK DKK G4K G5K 91K 92K 9KG)	89P8321	*
LA Spanish (models CTO-L 35S 45S A3S A3Y A4S A4Y B4S B4Y B5S B5Y 27S 27Y 28S 39S 39Y 47S 47Y D4S D4Y E5S E5Y F7S F7Y 28D 28Y 35D 35Y D1D D1Y D6S D6D D6Y D1S E9S E9D E9Y 16S 16Y 17S 17Y DBS DBY DCS DCY EGS EGY H3S H3Y H6S H6Y J2S J2Y J4S J4Y K2S K2Y K4S K4Y 19S 19Y 1AS 1AY 18S 18Y 29S 29Y 53S 53Y 54S 54Y 55S 55Y 56S 56Y 64S 64Y 65S 65Y 61S 61Y G1S G1Y G2S G2Y G8S G8Y 9AS 9AY 9BS 9BY 9CS 9CY J9S J9Y JAS JAY 9GS 9GY 9GD)	89P8322	*
Norwegian (models CTO-G 35G 45G 28G F6G F9G D6G D1G E9G 57G 58G 62G 63G G7G GAG J5G 95G 96G 97G 98G 99G 9EG JCG 9GG)	89P8323	*
Polish (models CTO-G 35G 45G 28G F6G F9G D6G D1G E9G 57G 58G 62G 63G G7G GAG J5G 95G 96G 97G 98G 99G 9EG JCG 9GG)	89P8324	*
Portuguese (models CTO-G 35G 45G 28G F6G F9G D6G D1G E9G 57G 58G 62G 63G G7G GAG J5G 95G 96G 97G 98G 99G 9EG JCG 9GG)	89P8325	*
Romanian (models CTO-G 35G 45G 28G F6G F9G D6G D1G E9G 57G 58G 62G 63G G7G GAG J5G 95G 96G 97G 98G 99G 9EG JCG 9GG)	89P8326	*
Russian/Cyrillic (models CTO-G 35G 45G 28G F6G F9G D6G D1G E9G 57G 58G 62G 63G G7G GAG J5G 95G 96G 97G 98G 99G 9EG JCG 9GG)	89P8328	*
Serbian/Cyrillic (models CTO-G 35G 45G 28G F6G F9G D6G D1G E9G 57G 58G 62G 63G G7G GAG J5G 95G 96G 97G 98G 99G 9EG JCG 9GG)	89P8329	*
Slovak (models CTO-G 35G 45G 28G F6G F9G D6G D1G E9G 57G 58G 62G 63G G7G GAG J5G 95G 96G 97G 98G 99G 9EG JCG 9GG)	89P8330	*
Spanish (models CTO-G 35G 45G 28G F6G F9G D6G D1G E9G 57G 58G 62G 63G G7G GAG J5G 95G 96G 97G 98G 99G 9EG JCG 9GG)	89P8331	*
Swedish/Finn (models CTO-G 35G 45G 28G F6G F9G D6G D1G E9G 57G 58G 62G 63G G7G GAG J5G 95G 96G 97G 98G 99G 9EG JCG 9GG)	89P8332	*
Swiss F/G (models CTO-G 35G 45G 28G F6G F9G D6G D1G E9G 57G 58G 62G 63G G7G GAG J5G 95G 96G 97G 98G 99G 9EG JCG 9GG)	89P8333	*
Thailand (models CTO-A 25T 35T 37T 45T 28T D6T D1T E9T H1T H2T J1T K1T 2DT 51T G6T 9GT)	89P8334	*
Turkish 440 (models CTO-G 35G 45G 28G F6G F9G D6G D1G E9G 57G 58G 62G 63G G7G GAG J5G 95G 96G 97G 98G 99G 9EG JCG 9GG)	89P8335	*
Turkish 179 (models CTO-G 35G 45G 28G F6G F9G D6G D1G E9G 57G 58G 62G 63G G7G GAG J5G 95G 96G 97G 98G 99G 9EG JCG 9GG)	89P8336	*
UK English (models CTO-G 35G 45G 28G F6G F9G D6G D1G E9G 57G 58G 62G 63G G7G GAG J5G 95G 96G 97G 98G 99G 9EG JCG 9GG)	89P8337	*
US Euro (models CTO-G 35G 45G 28G F6G F9G D6G D1G E9G 57G 58G 62G 63G G7G GAG J5G 95G 96G 97G 98G 99G 9EG JCG 9GG)	89P8338	*
Yugoslav/Latin (models CTO-G 35G 45G 28G F6G F9G D6G D1G E9G 57G 58G 62G 63G G7G GAG J5G 95G 96G 97G 98G 99G 9EG JCG 9GG)	89P8339	*

8113 Keyboard (PS2 Preferred Pro)	FRU#	CRU
US English (models K1A K3U K4U K5Q DFU ELU FGU D5U 2AU 2BU 2CU 2DA 2DQ 51A 52H 57U 57G 58U 58G 59H 5AC 5AH 62U 62G 63U 63G 66H DLC DLH G3U G6A G6Q G7U G7G G9C GAG J5G 93C 93H 94C 94H 95U 95G 96U 96G 97U 97G 98U 98G 99U 99G 9DC 9DH 9EG JDU JEU 5BU 5CU 67U 68U G7U 9FU JBC JBH JCG CTO-U CTO-G A1U A2U B2U 21U 22U 23U 25A 25Q 31U 32U 33U 34U 35U 35L 35G 35M 35A 35Q 35C 35H 35R 35E 37A 37Q 41U 42U 43U 44U 45U 45L 45G 45M 45A 45Q 45C 45H 45R 45E D1U D2C D2H E1U E2C E2H E3C E3H F1U F2C F2H 28U 28L 28G 28M 28A 28Q 28C 28H 28R 28E D3U E7U E8U F4U F5U F6G F8U F9G FBU 11U 12U D6U D6L D6G D6M D6A D6Q D6C D6H D6R D6E D1L D1G D1M D1A D1Q D1C D1H D1R D1E 13U 14U 15U D8U E9U E9L E9G E9M E9A E9Q E9C E9H E9R E9E EBU FCU DCU DDU DEU EGU EHU EJU EKU H1A H1Q H2A H2Q H3U H4U H6U J1A J1Q J3U 9GU 9GG 9GM 9GA 9GQ 9GH 9GR 9GE)	41A5039	*
Arabic (models CTO-G 35G 45G 28G F6G F9G D6G D1G E9G 57G 58G 62G 63G G7G GAG J5G 95G 96G 97G 98G 99G 9EG JCG 9GG)	41A5040	*
Belgian/French (models CTO-G 35G 45G 28G F6G F9G D6G D1G E9G 57G 58G 62G 63G G7G GAG J5G 95G 96G 97G 98G 99G 9EG JCG 9GG)	41A5042	*
Belgian/UK (models CTO-G 35G 45G 28G F6G F9G D6G D1G E9G 57G 58G 62G 63G G7G GAG J5G 95G 96G 97G 98G 99G 9EG JCG 9GG)	41A5043	*
Brazil/Portuguese (models CTO-L 35P 45P A3P A4P B4P B5P 27P 28P 39P 47P D4P E5P F7P D6P D1P E9P 16P 17P DBP DCP EGP H3P H6P J2P J4P K2P K4P 19P 1AP 18P 29P 53P 54P 55P 56P 64P 65P 61P G1P G2P G8P 9AP 9BP 9CP J9P JAP 9GP)	41A5044	*
Bulgarian (models CTO-G 35G 45G 28G F6G F9G D6G D1G E9G 57G 58G 62G 63G G7G GAG J5G 95G 96G 97G 98G 99G 9EG JCG 9GG)	41A5045	*
Hong Kong/Taiwan (models 35B 35V 45B 45V D2B D2V E2B E2V E3B E3V F2B F2V 28B 28V D6B D6V D1B D1V D7V E9B E9V EAV 52B 59B 5AB 66B DLB 93B 94B 9DB JBB 9GV 9GB 9GG)	41A5046	*
Czech (models CTO-G 35G 45G 28G F6G F9G D6G D1G E9G 57G 58G 62G 63G G7G GAG J5G 95G 96G 97G 98G 99G 9EG JCG 9GG)	41A5047	*
Danish (models CTO-G 35G 45G 28G F6G F9G D6G D1G E9G 57G 58G 62G 63G G7G GAG J5G 95G 96G 97G 98G 99G 9EG JCG 9GG)	41A5048	*
Dutch (models CTO-G 35G 45G 28G F6G F9G D6G D1G E9G 57G 58G 62G 63G G7G GAG J5G 95G 96G 97G 98G 99G 9EG JCG 9GG)	41A5049	*
French (models CTO-G 35G 45G 28G F6G F9G D6G D1G E9G 57G 58G 62G 63G G7G GAG J5G 95G 96G 97G 98G 99G 9EG JCG 9GG)	41A5050	*
French Canadian 445 (models CTO-U A1F A2F B2F 21F 22F 23F 31F 32F 33F 34F 35F 41F 42F 43F 44F 45F D1F E1F F1F 28F E8F F5F 11F 12F D6F 13F 15F D8F E9F EBF FCF DCF DDF DEF EGF EHF EJF EKJ H3F H4F H6F J3F K3F K4F D5F 2AF 2BF 2CF 57F 58F 62F 63F G3F G7F 95F 96F 97F 98F 99F JDF JEF 9GF)	41A5051	*
French Canadian 58 (models CTO-U A1F A2F B2F 21F 22F 23F 31F 32F 33F 34F 35F 41F 42F 43F 44F 45F D1F E1F F1F 28F E8F F5F 11F 12F D6F 13F 15F D8F E9F EBF FCF DCF DDF DEF EGF EHF EJF EKJ H3F H4F H6F J3F K3F K4F D5F 2AF 2BF 2CF 57F 58F 62F 63F G3F G7F 95F 96F 97F 98F 99F JDF JEF 9GF)	41A5052	*
German (models CTO-G 35G 45G 28G F6G F9G D6G D1G E9G 57G 58G 62G 63G G7G GAG J5G 95G 96G 97G 98G 99G 9EG JCG 9GG)	41A5053	*
Greek (models CTO-G 35G 45G 28G F6G F9G D6G D1G E9G 57G 58G 62G 63G G7G GAG J5G 95G 96G 97G 98G 99G 9EG JCG 9GG)	41A5054	*
Hebrew (models CTO-G 35G 45G 28G F6G F9G D6G D1G E9G 57G 58G 62G 63G G7G GAG J5G 95G 96G 97G 98G 99G 9EG JCG 9GG)	41A5055	*
Hungarian (models CTO-G 35G 45G 28G F6G F9G D6G D1G E9G 57G 58G 62G 63G G7G GAG J5G 95G 96G 97G 98G 99G 9EG JCG 9GG)	41A5056	*

<b>8113 Keyboard (PS2 Preferred Pro)</b>	<b>FRU#</b>	<b>CRU</b>
Iceland (models CTO-G 35G 45G 28G F6G F9G D6G D1G E9G 57G 58G 62G 63G G7G GAG J5G 95G 96G 97G 98G 99G 9EG JCG 9GG)	41A5057	*
Italian (models CTO-G 35G 45G 28G F6G F9G D6G D1G E9G 57G 58G 62G 63G G7G GAG J5G 95G 96G 97G 98G 99G 9EG JCG 9GG)	41A5058	*
Japanese (models 35J 45J 28J D6J D1J E9J 9GJ)	41A5059	*
Korean (models B1K B3K 26K 35K 45K 28K D6K D1K D9K DAK E9K EEK EFK H5K 2EK DGK DHK DJK DKK G4K G5K 91K 92K 9GK)	41A5060	*
LA Spanish (models CTO-L 35S 45S A3S A3Y A4S A4Y B4S B4Y B5S B5Y 27S 27Y 28S 39S 39Y 47S 47Y D4S D4Y E5S E5Y F7S F7Y 28D 28Y 35D 35Y D1D D1Y D6S D6D D6Y D1S E9S E9D E9Y 16S 16Y 17S 17Y DBS DBY DCS DCY EGS EGY H3S H3Y H6S H6Y J2S J2Y J4S J4Y K2S K2Y K4S K4Y 19S 19Y 1AS 1AY 18S 18Y 29S 29Y 53S 53Y 54S 54Y 55S 55Y 56S 56Y 64S 64Y 65S 65Y 61S 61Y G1S G1Y G2S G2Y G8S G8Y 9AS 9AY 9BS 9BY 9CS 9CY J9S J9Y JAS JAY 9GS 9GY 9GD)	41A5061	*
Norwegian (models CTO-G 35G 45G 28G F6G F9G D6G D1G E9G 57G 58G 62G 63G G7G GAG J5G 95G 96G 97G 98G 99G 9EG JCG 9GG)	41A5062	*
Polish (models CTO-G 35G 45G 28G F6G F9G D6G D1G E9G 57G 58G 62G 63G G7G GAG J5G 95G 96G 97G 98G 99G 9EG JCG 9GG)	41A5063	*
Portuguese (models CTO-G 35G 45G 28G F6G F9G D6G D1G E9G 57G 58G 62G 63G G7G GAG J5G 95G 96G 97G 98G 99G 9EG JCG 9GG)	41A5064	*
Romanian (models CTO-G 35G 45G 28G F6G F9G D6G D1G E9G 57G 58G 62G 63G G7G GAG J5G 95G 96G 97G 98G 99G 9EG JCG 9GG)	41A5065	*
Russian/Cyrilic (models CTO-G 35G 45G 28G F6G F9G D6G D1G E9G 57G 58G 62G 63G G7G GAG J5G 95G 96G 97G 98G 99G 9EG JCG 9GG)	41A5066	*
Serbian/Cyrilic (models CTO-G 35G 45G 28G F6G F9G D6G D1G E9G 57G 58G 62G 63G G7G GAG J5G 95G 96G 97G 98G 99G 9EG JCG 9GG)	41A5067	*
Slovak (models CTO-G 35G 45G 28G F6G F9G D6G D1G E9G 57G 58G 62G 63G G7G GAG J5G 95G 96G 97G 98G 99G 9EG JCG 9GG)	41A5068	*
Spanish (models CTO-G 35G 45G 28G F6G F9G D6G D1G E9G 57G 58G 62G 63G G7G GAG J5G 95G 96G 97G 98G 99G 9EG JCG 9GG)	41A5069	*
Swedish/Finn (models CTO-G 35G 45G 28G F6G F9G D6G D1G E9G 57G 58G 62G 63G G7G GAG J5G 95G 96G 97G 98G 99G 9EG JCG 9GG)	41A5070	*
Swiss F/G (models CTO-G 35G 45G 28G F6G F9G D6G D1G E9G 57G 58G 62G 63G G7G GAG J5G 95G 96G 97G 98G 99G 9EG JCG 9GG)	41A5071	*
Thailand (models CTO-A 25T 35T 37T 45T 28T D6T D1T E9T H1T H2T J1T K1T 2DT 51T G6T 9GT)	41A5072	*
UK English (models CTO-G 35G 45G 28G F6G F9G D6G D1G E9G 57G 58G 62G 63G G7G GAG J5G 95G 96G 97G 98G 99G 9EG JCG 9GG)	41A5075	*
US Euro (models CTO-G 35G 45G 28G F6G F9G D6G D1G E9G 57G 58G 62G 63G G7G GAG J5G 95G 96G 97G 98G 99G 9EG JCG 9GG)	41A5076	*
Slovenian (models CTO-G 35G 45G 28G F6G F9G D6G D1G E9G 57G 58G 62G 63G G7G GAG J5G 95G 96G 97G 98G 99G 9EG JCG 9GG)	41A5077	*

<b>8113 IBM Keyboard (USB Preferred - without hub)</b>	<b>FRU#</b>	<b>CRU</b>
US English (models CTO-U CTO-G)	89P9040	*
Arabic (models CTO-G)	89P9041	*
Arabic/French (models CTO-G)	89P9058	*
Belgian/French (models CTO-G)	89P9042	*

<b>8113 IBM Keyboard (USB Preferred - without hub)</b>	<b>FRU#</b>	<b>CRU</b>
Belgian/UK (models CTO-G)	89P9043	*
Brazilian (models CTO-L)	89P9044	*
Bulgarian (models CTO-G)	89P9045	*
Czech (models CTO-G)	89P9047	*
Danish (models CTO-G)	89P9048	*
Dutch (models CTO-G)	89P9049	*
French (models CTO-G)	89P9050	*
French Canadian (models CTO-U)	89P9051	*
French Canadian (models CTO-U)	89P9052	*
German (models CTO-G)	89P9053	*
Greek (models CTO-G)	89P9054	*
Greek/US (models CTO-G)	41A4948	*
Hebrew (models CTO-G)	89P9055	*
Hungarian (models CTO-G)	89P056	*
Iceland (models CTO-G)	89P9057	*
Italy (models CTO-G)	89P9059	*
LA Spanish (models CTO-L)	89P9062	*
Norwegian (models CTO-G)	89P9063	*
Polish (models CTO-G)	89P9064	*
Portuguese (models CTO-G)	89P9065	*
Romanian 096 (models CTO-G)	89P9067	*
Romanian 446 (models CTO-G)	89P9066	*
Russian/Cyrillic (models CTO-G)	89P9068	*
Serbian/Cyrillic (models CTO-G)	89P9069	*
Slovak (models CTO-G)	89P9070	*
Spanish (models CTO-G)	89P9072	*
Swedish/Finn (models CTO-G)	89P9073	*
Swiss (models CTO-G)	89P9074	*
Thailand (models CTO-A)	89P9075	*
Turkish 440 (models CTO-G)	89P9076	*
Turkish 179 (models CTO-G)	89P9077	*
UK English (models CTO-G)	89P9078	*
US Euro (models CTO-G)	89P9079	*
Slovenian (models CTO-G)	89P9071	*

<b>8113 Lenovo Keyboard (USB Preferred - without hub)</b>	<b>FRU#</b>	<b>CRU</b>
US English (models CTO-U CTO-G)	41A5289	*
Arabic (models CTO-G)	41A5290	*
Arabic/French (models CTO-G)	41A5291	*
Belgian/French (models CTO-G)	41A5292	*
Belgian/UK (models CTO-G)	41A5293	*



<b>8113 Lenovo Keyboard (USB Preferred - without hub)</b>	<b>FRU#</b>	<b>CRU</b>
Brazilian (models CTO-L)	41A5294	*
Bulgarian (models CTO-G)	41A5295	*
Czech (models CTO-G)	41A5297	*
Danish (models CTO-G)	41A5298	*
Dutch (models CTO-G)	41A5299	*
French (models CTO-G)	41A5300	*
French Canadian 445 (models CTO-U)	41A5301	*
French Canadian 58 (models CTO-U)	41A5302	*
German (models CTO-G)	41A5303	*
Greek (models CTO-G)	41A5304	*
Greek/US (models CTO-G)	41A5305	*
Hebrew (models CTO-G)	41A5306	*
Hungarian (models CTO-G)	41A5307	*
Iceland (models CTO-G)	41A5308	*
Italian 141 (models CTO-G)	41A5309	*
LA Spanish (models CTO-L)	41A5312	*
Norwegian (models CTO-G)	41A5313	*
Polish (models CTO-G)	41A5314	*
Portuguese (models CTO-G)	41A5315	*
Romanian 096 (models CTO-G)	41A5317	*
Romanian 446 (models CTO-G)	41A5316	*
Russian/Cyrillic (models CTO-G)	41A5318	*
Serbian/Cyrillic (models CTO-G)	41A5319	*
Slovak (models CTO-G)	41A5320	*
Spanish (models CTO-G)	41A5321	*
Swedish/Finn (models CTO-G)	41A5322	*
Swiss (models CTO-G)	41A5323	*
Thailand (models CTO-A)	41A5324	*
Turkish 440 (models CTO-G)	41A5325	*
Turkish 179 (models CTO-G)	41A5326	*
UK English (models CTO-G)	41A5327	*
US Euro (models CTO-G)	41A5328	*
Slovenian (models CTO-G)	41A5329	*

<b>8113 Keyboards (Productivity USB)</b>	<b>FRU#</b>	<b>CRU</b>
US English (models ECA ECQ FDA FDQ FFA FFQ)	89P8800	*
Thailand (models ECT FDT FFT)	89P8834	*

<b>8113 Keyboard (Lenovo, USB Enhanced Performance)</b>	<b>FRU#</b>	<b>CRU</b>
US English (models ECA ECQ FDA FDQ FFA FFQ)	41A4961	*
Thailand (models ECT FDT FFT)	41A4994	*

8113 Keyboards (with fingerprint reader)	FRU#	CRU
US English (models CTO-U CTO-G 24U 36U 38A 38Q 46U F3C F3H FAU EDU FEU)	89P9000	*
Arabic (models CTO-G)	89P9001	*
Arabic/French (models CTO-G)	89P9002	*
Belgian/French (models CTO-G)	89P9003	*
Belgian/UK (models CTO-G)	89P9004	*
Brazilian Portuguese (models CTO-L 3AP E6P)	89P9005	*
Bulgarian (models CTO-G)	89P9006	*
Chinese/US (models CTO-G F3B F3V)	89P9007	*
Czech (models CTO-G)	89P9008	*
Danish (models CTO-G)	89P9009	*
Dutch (models CTO-G)	89P9010	*
French (models CTO-G)	89P9011	*
French Canadian 445 (models CTO-U 24F 46F FAF EDF FEF)	89P9012	*
French Canadian 58 (models CTO-U 24F 46F FAF EDF FEF)	89P9013	*
German (models CTO-G)	89P9014	*
Greek (models CTO-G)	89P9015	*
Hebrew (models CTO-G)	89P9016	*
Hungarian (models CTO-G)	89P9017	*
Iceland (models CTO-G)	89P9018	*
Italian 141 (models CTO-G)	89P9019	*
Japanese (models 36J)	89P9020	*
LA Spanish (models CTO-L 3AS 3AY E6S E6Y)	89P9022	*
Norwegian (models CTO-G)	89P9023	*
Polish (models CTO-G)	89P9024	*
Portuguese (models CTO-G)	89P9025	*
Romanian (models CTO-G)	89P9026	*
Romanian (models CTO-G)	89P9027	*
Russian/Cyrillic (models CTO-G)	89P9028	*
Serbian/Cyrillic (models CTO-G)	89P9029	*
Slovak (models CTO-G)	89P9030	*
Spanish (models CTO-G)	89P9031	*
Swedish/Finn (models CTO-G)	89P9032	*
Swiss F/G (models CTO-G)	89P9033	*
Thailand (models CTO-A 38T)	89P9034	*
Turkish 440 (models CTO-G)	89P9035	*
Turkish 179 (models CTO-G)	89P9036	*
UK English (models CTO-G)	89P9037	*
US Euro (models CTO-G)	89P9038	*
Yugoslav/Latin (models CTO-G)	89P9039	*



8113 Keyboard (Fingerprint reader USB)	FRU#	CRU
US English (models CTO-U CTO-G 24U 36U 38A 38Q 46U F3C F3H FAU EDU FEU)	41A5248	*
Arabic (models CTO-G)	41A5249	*
Arabic/French (models CTO-G)	41A5250	*
Belgian/French (models CTO-G)	41A5251	*
Belgian/UK (models CTO-G)	41A5252	*
Brazilian (models CTO-L 3AP E6P)	41A5253	*
Bulgarian (models CTO-G)	41A5254	*
Chinese/US (models CTO-G F3B F3V)	41A5255	*
Czech (models CTO-G)	41A5256	*
Danish (models CTO-G)	41A5257	*
Dutch (models CTO-G)	41A5258	*
French (models CTO-G)	41A5259	*
French Canadian 445 (models CTO-U 24F 46F FAF EDF FEF)	41A5260	*
French Canadian 58 (models CTO-U 24F 46F FAF EDF FEF)	41A5261	*
German (models CTO-G)	41A5262	*
Greek (models CTO-G)	41A5263	*
Hebrew (models CTO-G)	41A5265	*
Hungarian (models CTO-G)	41A5266	*
Iceland (models CTO-G)	41A5267	*
Italian (models CTO-G)	41A5268	*
Japanese (models 36J)	41A5269	*
LA Spanish (models CTO-L 3AS 3AY E6S E6Y)	41A5271	*
Norwegian (models CTO-G)	41A5272	*
Polish (models CTO-G)	41A5273	*
Portuguese (models CTO-G)	41A5274	*
Romanian 446 (models CTO-G)	41A5275	*
Romanian 96 (models CTO-G)	41A5276	*
Russian/Cy (models CTO-G)	41A5277	*
Serbian/Cyrillic (models CTO-G)	41A5278	*
Slovak (models CTO-G)	41A5279	*
Spanish (models CTO-G)	41A5280	*
Swedish/Finn (models CTO-G)	41A5281	*
Swiss F/G (models CTO-G)	41A5282	*
Thailand (models CTO-A 38T)	41A5283	*
Turkish 440 (models CTO-G)	41A5284	*
Turkish 179 (models CTO-G)	41A5285	*
UK English (models CTO-G)	41A5286	*
US Euro (models CTO-G)	41A5287	*
Slovenian (models CTO-G)	41A5288	*

<b>8113 Lenovo Keyboard (Wireless, Enhanced)</b>	<b>FRU#</b>	<b>CRU</b>
US English/Chinese/US (models CTO-U CTO-G)	41A5219	*
Belgian/French (models CTO-U CTO-G)	41A5220	*
Belgian/UK (models CTO-G)	41A5221	*
Czech (models CTO-G)	41A5223	*
Danish (models CTO-G)	41A5224	*
Dutch (models CTO-G)	41A5225	*
French (models CTO-G)	41A5226	*
French Canadian (models CTO-U)	41A5227	*
French Canadian (models CTO-U)	41A5228	*
German (models CTO-G)	41A5229	*
Greek (models CTO-G)	41A5230	*
Hungarian (models CTO-G)	41A5232	*
Iceland (models CTO-G)	41A5233	*
Italy (models CTO-G)	41A5234	*
Norwegian (models CTO-G)	41A5236	*
Polish (models CTO-G)	41A5237	*
Portuguese (models CTO-G)	41A5238	*
Slovak (models CTO-G)	41A5239	*
Spanish (models CTO-G)	41A5240	*
Swedish/Finn (models CTO-G)	41A5241	*
Swiss (models CTO-G)	41A5242	*
UK English (models CTO-G)	41A5243	*
US Euro (models CTO-G)	41A5244	*

<b>8113 Keyboard (Enhanced Performance, Wireless)</b>	<b>FRU#</b>	<b>CRU</b>
US English (models CTO-U CTO-G)	89P8730	*
Belgian/French (models CTO-G)	89P8731	*
Belgian/UK (models CTO-G)	89P8732	*
Czech (models CTO-G)	89P8734	*
Danish (models CTO-G)	89P8735	*
Dutch (models CTO-G)	89P8736	*
French (models CTO-G)	89P8737	*
French Canadian 445 (models CTO-U)	89P8738	*
French Canadian 58 (models CTO-U)	89P8739	*
German (models CTO-G)	89P8740	*
Greek (models CTO-G)	89P8741	*
Hungarian (models CTO-G)	89P8742	*
Iceland (models CTO-G)	89P8743	*
Italian 141 (models CTO-G)	89P8744	*
Norwegian (models CTO-G)	89P8746	*
Polish (models CTO-G)	89P8747	*

<b>8113 Keyboard (Enhanced Performance, Wireless)</b>	<b>FRU#</b>	<b>CRU</b>
Portuguese (models CTO-G)	89P8748	*
Slovak (models CTO-G)	89P8749	*
Spanish (models CTO-G)	89P8751	*
Swedish/Finn (models CTO-G)	89P8752	*
Swiss F/G (models CTO-G)	89P8753	*
UK English (models CTO-G)	89P8754	*
US Euro (models CTO-G)	89P8755	*
Wireless transceiver dongle (models CTO)	89P8757	*

<b>8113 mice</b>	<b>FRU#</b>	<b>CRU</b>
Mouse, Scrollpoint Optical, USB (all models)	41A4933	*
Mouse, optical wheelmouse, USB (models CTO 9GU 9GF 9GS 9GP 9GL 9GD 9GY 9GG 9GM 9GA 9GQ 9GT 9GC 9GB 9GH 9GV 9GK 9GR 9GE 9GJ)	41A4935	*
Mouse, PS/2 wheelmouse (Black) (models CTO)	41A4917	*
Mouse, optical wheelmouse (400DPI, USB) (models CTO 9GU 9GF 9GS 9GP 9GL 9GD 9GY 9GG 9GM 9GA 9GQ 9GT 9GC 9GB 9GH 9GV 9GK 9GR 9GE 9GJ)	41U3013	*
Mouse, Scrollpoint Optical, (800DPI, USB (all models)	41U3019	*
Mouse, wheelmouse PS/2 models CTO)	41R0018	*

<b>8113 Adapters and miscellaneous FRU</b>	<b>FRU#</b>	<b>CRU</b>
Soft Modem V.90/V.44 (models CTO 52B 52H 59B 59H 5AC 5AB 5AH 66B 66H DLC DLB DLH 93C 93B 93H 94C 94B 94H 9DC 9DB 9DH JEU JEF)	29R9729	*
128MB DDR ATI Radeon x300SE (DMS59 connector) (models CTO DAK EFK EJU EJF EKV EKF FGU)	39J9635	*
128MB DDR ATI RADEON X700 PRO VGA, DVI-I, TV-Out PCI-e BTX (models CTO)	39J6203	*
PCI-E DVI-DConnection Adapter (ADD 2-R) (Full Height) (models CTO J5G 9EG JCG)	39J9334	*
1394 Firewire PCI LP (ATX) (Full Height) (models CTO)	41D2781	*
Speakers, Jazz Infinity Active T1 (Black) (models CTO B1K B3K 26K)	89P8588	*
Speaker Power brick - US, Canada, LA (low voltage), Taiwan, Phillipines, Thailand (models CTO-U CTO-L CTO-A)	10K2587	*
Speaker Power brick - UK, Hong Kong (British version), ASEAN (models CTO-A)	25P5703	*
Speaker Power brick - Europe (models CTO-G CTO-L)	25P5704	*
Speaker Power brick (newer 2 prong) - China, Thailand, Phillipines (models CTO-A)	10K2597	*
Speaker Power brick - ANZ (models CTO-A)	25P5705	*
Speaker Power brick - Brazil (models CTO-L)	25P5706	*
Speaker Power brick - India, South Africa (models CTO-A CTO-G)	32P3181	*
Speaker Power brick - Argentina (models CTO-L)	01R2253	*
Speaker Power brick - Korea (models B1K B3K 26K)	88P7687	*
Speaker Power brick - US, Canada, LA low voltage, ASEAN (models CTO)	89P8571	*
RJ11 connector adapter (Spain, Ireland) (All "G" models)	60H6043	*
RJ11 connector adapter (Austria) (All "G" models)	60H6045	*
RJ11 connector adapter (Belgium) (All "G" models)	60H6046	*



8113 Power Cords	FRU#	CRU
Power cord - Italy (models CTO-G 35S 35L 35G 45S 45L 45G A3S A3Y A4S A4Y B4S B4Y B5S B5Y 27S 27Y 28S 28L 28G 39S 39Y 3AS 3AY 47S 47Y D4S D4Y E5S E5Y E6S E6Y F6G F7S F7Y F9G 28Y 35Y D1Y D6S D6L D6Y D6G D1S D1L D1G E9S E9L E9Y E9G 16S 16Y 17S 17Y DBS DBY DCS DCY EGS EGY H3S H3Y H6S H6Y J2S J2Y J4S J4Y K2S K2Y K4S K4Y 19S 19Y 1AS 1AY 18S 18Y 29S 29Y 53S 53Y 54S 54Y 55S 55Y 56S 56Y 57G 58G 62G 63G 64S 64Y 65S 65Y 61S 61Y G1S G1Y G2S G2Y G7G G8S G8Y GAG J5G 95G 96G 97G 98G 99G 9AS 9AY 9BS 9BY 9CS 9CY 9EG J9S J9Y JAS JAY JCG)	39M5164	*
Power cord - G Models (models CTO-G 25A 35G 35A 37A 38A 45G 45A 28G 28A F6G F9G D6G D6A D1G D1A E9G E9A ECA FDA FFA H1A H2A J1A K1A 2DA 51A 57G 58G 62G 63G G6A G7G GAG J5G 95G 96G 97G 98G 99G 9EG JCG)	39M5122	*
Power cord - Denmark (models CTO-G 35G 45G 28G F6G F9G D6G D1G E9G 57G 58G 62G 63G G7G GAG J5G 95G 96G 97G 98G 99G 9EG JCG)	39M5129	*
Power cord - Switzerland (models CTO-G 35G 45G 28G F6G F9G D6G D1G E9G 57G 58G 62G 63G G7G GAG J5G 95G 96G 97G 98G 99G 9EG JCG)	39M5157	*
Power cord - Israel (models CTO-G 35G 45G 28G F6G F9G D6G D1G E9G 57G 58G 62G 63G G7G GAG J5G 95G 96G 97G 98G 99G 9EG JCG)	39M5171	*
Power cord - South Africa (models CTO-G 25A 35G 35M 35A 37A 38A 45G 45M 45A 28G 28M 28A F6G F9G D6G D6M D6A D1G D1M D1A E9G E9M E9A ECA FDA FFA H1A H2A J1A K1A 2DA 51A 57G 58G 62G 63G G6A G7G GAG J5G 95G 96G 97G 98G 99G 9EG JCG)	39M5143	*
Power cord - India (model CTO-A 25Q 35Q 37Q 38Q 45Q 28Q D6Q D1Q E9Q ECQ FDQ FFQ H1Q H2Q J1Q K5Q 2DQ G6Q)	41R3175	*

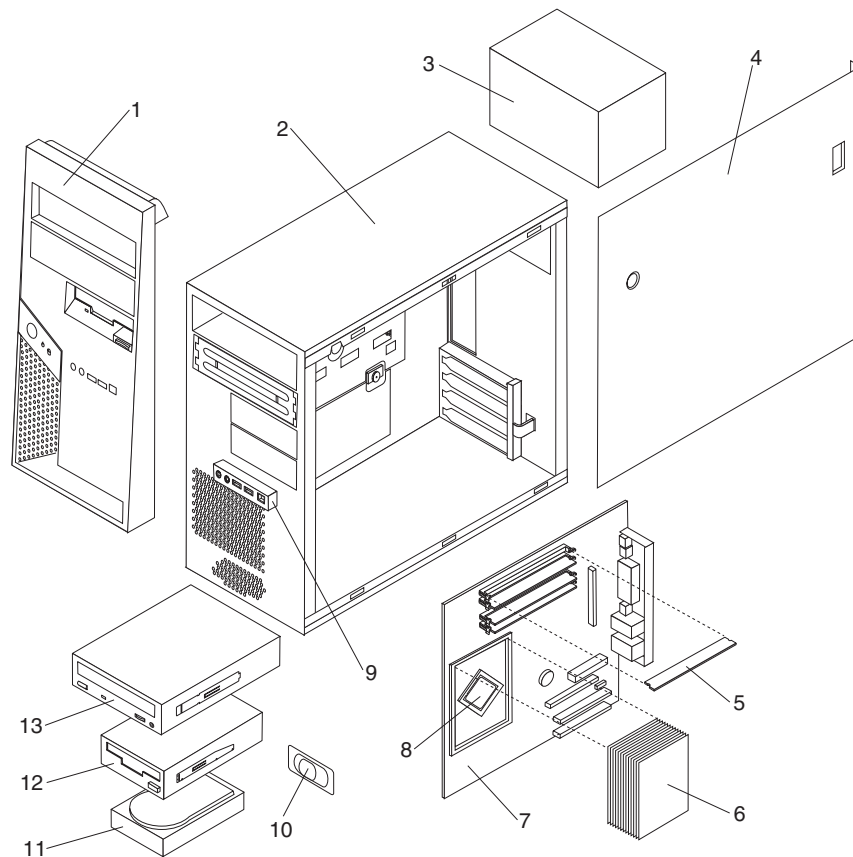
8113 Windows XP Home Recovery CDs	FRU #	CRU
US/UK/AP/TH (models EHU)	41T1584	*
FR/CF (models EHF)	41T3240	*
Korean (models B1K DAK EFK 2EK DGK DJK G4K 91K)	41W2624	*

8113 Windows XP Pro Recovery CDs	FRU#	CRU
US/UK/AP/TH (models 13U 14U 15U D8U E9U E9L E9G E9M E9A E9Q E9T E9H E9R E9E EBU ECA ECQ ECT EDU FCU FDA FDQ FDT FEU FFA FFQ FFT DCU DDU DEU EGU EJU EKU H1A H1Q H1T H2A H2Q H2T H3U H4U H6U J1A J1Q J1T J3U K1A K1T K3U K4U K5Q D5U 2AU 2BU 2CU 2DA 2DQ 2DT 51A 51T 52H 57U 57G 58U 58G 5AH 62U 62G 63U 63G 66H DLH G3U G6A G6Q G6T G7U G7G GAG J5G 93H 94H 95U 95G 96U 96G 97U 97G 98U 98G 99U 99G 9DH 9EG JDU JEU 5BU 5CU 67U 68U G7U 9FU JBH JCG A1U A2U B2U 21U 22U 23U 24U 25A 25Q 25T 31U 32U 33U 34U 35U 35L 35G 35M 35A 35Q 35T 35H 35R 35E 36U 37A 37Q 37T 38A 38Q 38T 41U 42U 43U 44U 45U 45L 45G 45M 45A 45Q 45T 45H 45R 45E 46U D1U D2H E1U E2H E3H F1U F2H F3H C1U C2U C3U C4U C5U C6U C7U C8U C9U CAU 28U 28L 28G 28M 28A 28Q 28T 28H 28R 28E D3U E7U E8U F4U F5U F6G F8U F9G FAU FBU 11U 12U D6U D6L D6G D6M D6A D6Q D6T D6H D6R D6E D1L D1G D1M D1A D1Q D1T D1H D1R D1E DFU ELU FGU 9GU 9GG 9GM 9GA 9GQ 9GH 9GR 9GE)	41T1577	*
FR/CF (models A1F A2F B2F 21F 22F 23F 24F 31F 32F 33F 34F 35F 35G 41F 42F 43F 44F 45F 45G 46F D1F E1F F1F 28F 28G E8F F5F F6G F9G FAF 11F 12F D6F D6G D1G 13F 15F D8F E9F E9G EBF EDF FCF FEF DCF DDF DEF EGF EJF EKJ H3F H4F H6F J3F K3F K4F D5F 2AF 2BF 2CF 57F 57G 58F 58G 62F 62G 63F 63G G3F G7F G7G GAG J5G 95F 95G 96F 96G 97F 97G 98F 98G 99F 99G 9EGJDF JEF JCG 9GF 9GG)	41T3198	*
GR (models 35G 45G 28G F6G F9G D6G D1G E9G 57G 58G 62G 63G G7G GAG J5G 95G 96G 97G 98G 99G 9EG JCG 9GG)	41T3199	*

8113 Windows XP Pro Recovery CDs	FRU#	CRU
SP/LA (models 35S 35G 45S 45G A3S A3Y A4S A4Y B4S B4Y B5S B5Y 27S 27Y 28S 28G 39S 39Y 3AS 3AY 47S 47Y D4S D4Y E5S E5Y E6S E6Y F6G F7S F7Y F9G 28D 28Y 35D 35Y D1D D1Y D6S D6D D6Y D6G D1S D1G E9S E9D E9Y E9G 16S 16Y 17S 17Y DBS DBY DCS DCY EGS EGY H3S H3Y H6S H6Y J2S J2Y J4S J4Y K2S K2Y K4S K4Y 19S 19Y 1AS 1AY 18S 18Y 29S 29Y 53S 53Y 54S 54Y 55S 55Y 56S 56Y 57G 58G 62G 63G 64S 64Y 65S 65Y 61S 61Y G1S G1Y G2S G2Y G7G G8S G8Y GAG J5G 95G 96G 97G 98G 99G 9AS 9AY 9BS 9BY 9CS 9CY 9EG J9S J9Y JAS JAY JCG 9GG 9GS 9GD 9GY 9GG)	41T3200	*
IT (models 35G 45G 28G F6G F9G D6G D1G E9G 57G 58G 62G 63G G7G GAG J5G 95G 96G 97G 98G 99G 9EG JCG 9GG)	41T3201	*
BR (models 35P 45P F7P D6P D1P E9P 16P 17P DBP DCP EGP H3P H6P J2P J4P K2P K4P 19P 1AP 18P 29P 53P 54P 55P 56P 64P 65P 61P G1P G2P G8P 9AP 9BP 9CP J9P JAP 9GP)	41T3202	*
SV (models 35G 45G 28G F6G F9G D6G D1G E9G 57G 58G 62G 63G G7G GAG J5G 95G 96G 97G 98G 99G 9EG JCG 9GG)	41T3203	*
DK (models 35G 45G 28G F6G F9G D6G D1G E9G 57G 58G 62G 63G G7G GAG J5G 95G 96G 97G 98G 99G 9EG JCG 9GG)	41T3204	*
FI (models 35G 45G 28G F6G F9G D6G D1G E9G 57G 58G 62G 63G G7G GAG J5G 95G 96G 97G 98G 99G 9EG JCG 9GG)	41T4264	*
NO (models 35G 45G 28G F6G F9G D6G D1G E9G 57G 58G 62G 63G G7G GAG J5G 95G 96G 97G 98G 99G 9EG JCG 9GG)	39J9646	*
NL (models 35G 45G 28G F6G F9G D6G D1G E9G 57G 58G 62G 63G G7G GAG J5G 95G 96G 97G 98G 99G 9EG JCG 9GG)	41T4266	*
HE (models 35G 45G 28G F6G F9G D6G D1G E9G 57G 58G 62G 63G G7G GAG J5G 95G 96G 97G 98G 99G 9EG JCG 9GG)	41T4267	*
PL (models 35G 45G 28G F6G F9G D6G D1G E9G 57G 58G 62G 63G G7G GAG J5G 95G 96G 97G 98G 99G 9EG JCG 9GG)	41T4268	*
CZ (models 35G 45G 28G F6G F9G D6G D1G E9G 57G 58G 62G 63G G7G GAG J5G 95G 96G 97G 98G 99G 9EG JCG 9GG)	41T4269	*
AE (models 35G 45G 28G F6G F9G D6G D1G E9G 57G 58G 62G 63G G7G GAG J5G 95G 96G 97G 98G 99G 9EG JCG 9GG)	41T4270	*
RU (models 35G 45G 28G F6G F9G D6G D1G E9G 57G 58G 62G 63G G7G GAG J5G 95G 96G 97G 98G 99G 9EG JCG 9GG)	41T4271	*
RU English (models 35G 45G 28G F6G F9G D6K D1K D9K E9K EEK H5K 57G 58G 62G 63G G7G GAG J5G 95G 96G 97G 98G 99G 9EG JCG 9GG)	41T4835	*
TR (models 35G 45G 28G F6G F9G D6G D1G E9G 57G 58G 62G 63G G7G GAG J5G 95G 96G 97G 98G 99G 9EG JCG 9GG)	41T4836	*
HU (models 35G 45G 28G F6G F9G D6G D1G E9G 57G 58G 62G 63G G7G GAG J5G 95G 96G 97G 98G 99G 9EG JCG 9GG)	41T4837	*
PO (models 35G 45G 28G F6G F9G D6G D1G E9G 57G 58G 62G 63G G7G GAG J5G 95G 96G 97G 98G 99G 9EG JCG 9GG)	41T4838	*
GK (models 35G 45G 28G F6G F9G D6G D1G E9G 57G 58G 62G 63G G7G GAG J5G 95G 96G 97G 98G 99G 9EG JCG 9GG)	41T4839	*
SL (models 35G 45G 28G F6G F9G D6G D1G E9G 57G 58G 62G 63G G7G GAG J5G 95G 96G 97G 98G 99G 9EG JCG 9GG)	41T4840	*
Simplified Chinese (models 35C 45C D2C E2C E3C F2C F3C 28C D6C D1C E9C 5AC DLC G9C 93C 94C 9DC JBC 9GC)	41W2596	*
Taiwan - TC (models 35V 45V D2V E2V E3V F2V F3V 28V D6V D1V D7V E9V EAV 9GV)	41W2603	*
Hong Kong - TC (models 35B 45B D2B E2B E3B F2B F3B 28B D6B D1B E9B 52B 5AB 66B DLB 93B 94B 9DB JBB 9GB)	41W2610	*

8113 Windows XP Pro Recovery CDs	FRU#	CRU
Korea (models B3K 26K 35K 45K 28K D6K D1K D9K E9K EEK H5K DHK DKK G5K 92K 9GK)	41W2589	*
Japanese (models 35J 36J 45J 28J D6J D1J E9J 9GJ)	41W2617	*
Multilingual 1 (models 35G 45G 28G F6G F9G D6G D1G E9G 57G 58G 62G 63G G7G GAG J5G 95G 96G 97G 98G 99G 9EG JCG 9GG)	41T3282	*
Multilingual 2 (models 35G 45G 28G F6G F9G D6G D1G E9G 57G 58G 62G 63G G7G GAG J5G 95G 96G 97G 98G 99G 9EG JCG 9GG)	41T4280	*

# Machine Type 8114



Item #	8114 FRUs	FRU#	CRU
1	Bezel Asm (all models)	41A7107	*
2	Chassis Asm (all models)	41A7808	N
3	Power supply, 310 W, standard (models CTO 35U 35F 35G 35M 35A 35T 35K 35R 35E 35J 45U 45F 45G 45M 45A 45T 45K 45R 45E 45J 28M 29U 29F 29M 29A 29T 29K 29R 29E 29J 11M 12M 29G D6U D6F D6G D6M D6A D6T D6K D6R D6E D6J D1U D1F D1G D1M D1A D1T D1K D1R D1E D1J E9U E9F E9G E9M E9A E9T E9K E9R E9E E9J EBM F1M D3M E1M F3M H1M J1M K1M 2AK 2BM 2CM 2DM D4K D5K G1M G2K G3K G4G J2G 91K 92K 81G J3G 82M J3G)	24R2596	**
3	Power supply, 310 W (models CTO-A CTO-L 35S 35P 35L 35Q 35C 35B 35H 35V 45S 45P 45L 45Q 45C 45B 45H 45V 29S 29P 29L 29Q 29C 29B 29H 29V 29D 29Y 35D 35Y 45D 45Y D1D D1Y D6S D6P D6L D6D D6Y D6Q D6C D6B D6H D6V D1S D1P D1L D1Q D1C D1B D1H D1V D2C E9S E9P E9L E9D E9Y E9Q E9C E9B E9H E9V EAC F2C 82Q)	24R2598	**
4	Cover (all models)	39M0465	*
5	Memory module, 256MB, DDR2 SDRAM, NP (PC 4200) (models CTO 11M D2C EAC F2C)	30R5120	*



Item #	8114 FRUs	FRU#	CRU
5	Memory module, 512MB, DDR2 SDRAM, NP (PC 4200) (models CTO 35U 35F 35S 35P 35L 35G 35M 35A 35Q 35T 35C 35B 35H 35V 35K 35R 35E 35J 45U 45F 45S 45P 45L 45G 45M 45A 45Q 45T 45C 45B 45H 45V 45K 45R 45E 45J 29U 29F 29S 29P 29L 29M 29A 29Q 29T 29C 29B 29H 29V 29K 29R 29E 29J 12M 29G 29D 29Y 35D 35Y 45D 45Y D1D D1Y D6U D6F D6S D6P D6L D6D D6Y D6G D6M D6A D6Q D6T D6C D6B D6H D6V D6K D6R D6E D6J D1U D1F D1S D1P D1L D1G D1M D1A D1Q D1T D1C D1B D1H D1V D1K D1R D1E D1J E9U E9F E9S E9P E9L E9D E9Y E9G E9M E9A E9Q E9T E9C E9B E9H E9V E9K E9R E9E E9J EBM F1M G4G J2G 81G J3G)	30R5121	*
5	Memory module, 1GB, DDR2 SDRAM, NP (PC 4200) (models CTO 28M)	30R5122	*
5	Memory module, 2GB, DDR2 SDRAM, NP (PC 4200) (models CTO)	30R5123	*
5	Memory module, 256MB, DDR2 SDRAM, NP (PC 5300) (models CTO)	30R5124	*
5	Memory module, 512MB, DDR2 SDRAM, NP (PC 5300) (models CTO D3M E1M F3M H1M 2AK 2BM 2CM 2DM D4K G1M G2K G3K 91K 82M 82Q)	30R5125	*
5	Memory module, 1GB, DDR2 SDRAM, NP (PC 5300) (models CTO J1M K1M D5K 92K)	30R5126	*
6	Heat sink (all models)	39M0538	**
7	System board, Jamaica DDR2 BTX Planar v3.3 (Cedermill /Presler Enabled Version)-- subbed from 41X0436 (models CTO 35U 35F 35S 35P 35L 35G 35M 35A 35Q 35T 35C 35B 35H 35V 35K 35R 35E 35J 45U 45F 45S 45P 45L 45G 45M 45A 45Q 45T 45C 45B 45H 45V 45K 45R 45E 45J 28M 29U 29F 29S 29P 29L 29M 29A 29Q 29T 29C 29B 29H 29V 29K 29R 29E 29J 11M 12M 29G 29D 29Y 35D 35Y 45D 45Y D1D D1Y D1U D1F D1S D1P D1L D1G D1M D1A D1Q D1T D1C D1B D1H D1V D1K D1R D1E D1J D2C E9U E9F E9S E9P E9L E9D E9Y E9G E9M E9A E9Q E9T E9C E9B E9H E9V E9K E9R E9E E9J EAC F2C 2AK 2DM G1M 82M 82Q 2AK 2CM D4K D5K G2K G3K G4G J2G 91K 92K 81G J3G)	43C9123	N
7	System board, Jamaica DDR2 BTX Planar v3.3 (Cedermill /Presler Enabled Version) subbed from 41X0438 (models CTO D6U D6F D6S D6P D6L D6D D6Y D6G D6M D6A D6Q D6T D6C D6B D6H D6V D6K D6R D6E D6J EBM F1M D3M E1M F3M H1M J1M K1M 2BM 2DM G1M 82M 82Q)	43C9124	N
7	System board, Jamaica DDR2 BTX Planar v3.3 (Cedermill /Presler Enabled Version) --subbed from 41X0436 and 43C9123 (models CTO 35U 35F 35S 35P 35L 35G 35M 35A 35Q 35T 35C 35B 35H 35V 35K 35R 35E 35J 45U 45F 45S 45P 45L 45G 45M 45A 45Q 45T 45C 45B 45H 45V 45K 45R 45E 45J 28M 29U 29F 29S 29P 29L 29M 29A 29Q 29T 29C 29B 29H 29V 29K 29R 29E 29J 11M 12M 29G 29D 29Y 35D 35Y 45D 45Y D1D D1Y D1U D1F D1S D1P D1L D1G D1M D1A D1Q D1T D1C D1B D1H D1V D1K D1R D1E D1J D2C E9U E9F E9S E9P E9L E9D E9Y E9G E9M E9A E9Q E9T E9C E9B E9H E9V E9K E9R E9E E9J EAC F2C 2AK 2DM G1M 82M 82Q 2AK 2CM D4K D5K G2K G3K G4G J2G 91K 92K 81G J3G)	43C7122	N
7	System board, Jamaica DDR2 BTX Planar v3.3 (Cedermill /Presler Enabled Version)-- subbed from 41X0438 and 43C9124 (models CTO D6U D6F D6S D6P D6L D6D D6Y D6G D6M D6A D6Q D6T D6C D6B D6H D6V D6K D6R D6E D6J EBM F1M D3M E1M F3M H1M J1M K1M 2BM 2DM G1M 82M 82Q)	43C7123	N
8	Microprocessor, Celeron 2.53GHz, 533 FSB, 256KB L2 (models CTO)	39J7016	**
8	Microprocessor, Celeron 2.66GHz, 533 FSB, 256KB L2 (models CTO)	39J7017	**
8	Microprocessor, Celeron 2.80GHz, 533 FSB, 256KB L2 (models CTO)	39J7018	**
8	Microprocessor, Celeron 2.93GHz, 533 FSB, 256KB L2 (models CTO)	39J7019	**
8	Microprocessor, Celeron 3.06GHz, 533 FSB, 256KB L2 (models CTO)	39J7020	**
8	Microprocessor, Celeron 3.20GHz, 533 FSB, 256KB L2 (models CTO)	39J9696	**
8	Microprocessor, 3.33 GHZ Celeron Prescott (533FSB, 256KB) (models CTO)	41T1134	**
8	Microprocessor, 3.2 GHZ Celeron Cedar Mill (533FSB, 512KB) (models CTO)	41T4966	**

Item #	8114 FRUs	FRU#	CRU
8	Microprocessor, 3.33 GHZ Celeron Cedar Mill (533FSB, 512KB) (models CTO)	41T4968	**
8	Microprocessor, 3.46 GHZ Celeron Cedar Mill (533FSB, 512KB) (models CTO)	41X8991	**
8	Microprocessor, Pentium 4 2.93GHz, 533 FSB, 1MB L2 (models CTO)	39J9625	**
8	Microprocessor, Pentium 4 2.66GHz, 533 FSB, 1MB L2 (models CTO)	41D0690	**
8	Microprocessor, Pentium 4 2.93GHz, 533 FSB, 1MB L2 (models CTO 11M 12M)	41D0692	**
8	Microprocessor, Pentium 4 2.93GHz, 533 FSB, 1MB L2 (models CTO)	41T4103	**
8	Microprocessor, Pentium 4 3.06GHz, 533 FSB, 1MB L2 (models CTO)	41D0694	**
8	Microprocessor, Pentium 4 2.8GHz, 800 FSB, 1MB L2 (models CTO 2AK 2BM)	39J7021	**
8	Microprocessor, Pentium 4 3.0GHz, 800 FSB, 1MB L2 (models CTO 28M 29U 29F 29S 29P 29L 29M 29A 29Q 29T 29C 29B 29H 29V 29K 29R 29E 29J 29G 29D 29Y 2CM 2DM)	39J7022	**
8	Microprocessor, Pentium 4 3.2GHz, 800 FSB, 1MB L2 (models CTO 35U 35F 35S 35P 35L 35G 35M 35A 35Q 35T 35C 35B 35H 35V 35K 35R 35E 35J 35D 35Y)	39J7023	**
8	Microprocessor, Pentium 4 3.4GHz, 800 FSB, 1MB L2 (models CTO 45U 45F 45S 45P 45L 45G 45M 45A 45Q 45T 45C 45B 45H 45V 45K 45R 45E 45J 45D 45Y)	39J7024	**
8	Microprocessor, Pentium 4 3.0GHz, 800 FSB, 2MB L2 (models CTO D1D D1Y D6U D6F D6S D6P D6L D6D D6Y D6G D6M D6A D6Q D6T D6C D6B D6H D6V D6K D6R D6E D6J D1U D1F D1S D1P D1L D1G D1M D1A D1Q D1T D1C D1B D1H D1V D1K D1R D1E D1J D2C)	39J7025	**
8	Microprocessor, Pentium 4 3.2GHz, 800 FSB, 2MB L2 (models CTO E9U E9F E9S E9P E9L E9D E9Y E9G E9M E9A E9Q E9T E9C E9B E9H E9V E9K E9R E9E E9J EAC EBM)	39J7026	**
8	Microprocessor, Pentium 4 3.4GHz, 800 FSB, 2MB L2 (models CTO F1M F2C)	39J7027	**
8	Microprocessor, Smithfield Pentium 4 2.8.4GHz, 800 FSB, 1MB L2 (models CTO G1M G2K G3K G4G)	39J8469	**
8	Microprocessor, 3.0 GHZ Cedar Mill P4 (800MHz FSB, 2MB Cache) (models CTO D3M D4K D5K)	41D5054	**
8	Microprocessor, 3.2 GHZ Cedar Mill P4 (800MHz FSB, 2MB Cache) (models CTO E1M)	41D5056	**
8	Microprocessor, 3.4 GHZ Cedar Mill P4 (800MHz FSB, 2MB Cache) (models CTO F3M)	41D5058	**
8	Microprocessor, 3.6 GHZ Cedar Mill P4 (800MHz FSB, 2MB Cache) (models CTO H1M)	41D5060	**
8	Microprocessor, 2.8 GHz Presler P4 (800MHz FSB, 2MBx2 Cache) (models CTO J2G)	41X7775	**
8	Microprocessor, 2.8 GHz Presler P4 (800MHz FSB, 2MBx2 Cache) (models J1M)	41D5062	**
8	Microprocessor, 3.0GHz Presler, Pentium-D (800MHz FSB, 2MBx2 Cache) (models CTO J3G)	41X2413	**
8	Microprocessor, 3.0 GHZ Presler P4 (800MHz FSB, 2MBx2 Cache) (models CTO K1M 91K 92K)	41D5064	**
8	Microprocessor, 3.4 GHZ Presler P4 (800MHz FSB, 2MBx2 Cache) (models CTO 81G 82M 82Q)	41X7776	**
8	Microprocessor, 3.2 GHz Presler P4 (800MHz FSB, 2MBx2 Cache) (models CTO)	41X4230	**
8	Microprocessor, 3.2 GHz Presler P4 (800MHz FSB, 2MBx2 Cache) (models CTO)	41X8050	**
8	Microprocessor, 3.4 GHZ Presler P4 (800MHz FSB, 2MBx2 Cache) (models CTO)	41X4232	**
8	Microprocessor, 3.6 GHZ Presler P4 (800MHz FSB, 2MBx2 Cache) (models CTO)	41X8992	**

Item #	8114 FRUs	FRU#	CRU
9	Front panel card Asm (all models)	26K1183	**
10	Speaker Asm, Soldered Terminals (all models)	39P5023	**
11	Hard disk drive, 40GB, 7200RPM, Serial ATA (models CTO)	40Y8760	**
11	Hard disk drive, 40GB, 7200RPM, Serial ATA (models CTO)	40Y9033	**
11	Hard disk drive, 40GB, 7200RPM, Serial ATA (models CTO)	71P7312	**
11	Hard disk drive, 80GB, 7200RPM, Serial ATA (models CTO 35U 35F 35S 35P 35L 35G 35M 35A 35Q 35T 35C 35B 35H 35V 35K 35R 35E 35J 45U 45F 45S 45P 45L 45G 45M 45A 45Q 45T 45C 45B 45H 45V 45K 45R 45E 45J 28M 29U 29F 29S 29P 29L 29M 29A 29Q 29T 29C 29B 29H 29V 29K 29R 29E 29J 11M 12M 29G 29D 29Y 35D 35Y 45D 45Y D1D D1Y)	71P7293	**
11	Hard Disk Drive 80GB 7200 rpm Serial ATA (models CTO 35U 35F 35S 35P 35L 35G 35M 35A 35Q 35T 35C 35B 35H 35V 35K 35R 35E 35J 45U 45F 45S 45P 45L 45G 45M 45A 45Q 45T 45C 45B 45H 45V 45K 45R 45E 45J 28M 29U 29F 29S 29P 29L 29M 29A 29Q 29T 29C 29B 29H 29V 29K 29R 29E 29J 11M 12M 29G 29D 29Y 35D 35Y 45D 45Y D1D D1Y D6U D6F D6S D6P D6L D6D D6Y D6G D6M D6A D6Q D6T D6C D6B D6H D6V D6K D6R D6E D6J D1U D1F D1S D1P D1L D1G D1M D1A D1Q D1T D1C D1B D1H D1V D1K D1R D1E D1J D2C E9U E9F E9S E9P E9L E9D E9Y E9G E9M E9A E9Q E9T E9C E9B E9H E9V E9K E9R E9E E9J EAC EBM)	40Y9034	*
11	Hard disk drive, 80GB, 7200RPM, Serial ATA (models CTO 35U 35F 35S 35P 35L 35G 35M 35A 35Q 35T 35C 35B 35H 35V 35K 35R 35E 35J 45U 45F 45S 45P 45L 45G 45M 45A 45Q 45T 45C 45B 45H 45V 45K 45R 45E 45J 28M 29U 29F 29S 29P 29L 29M 29A 29Q 29T 29C 29B 29H 29V 29K 29R 29E 29J 11M 12M 29G 29D 29Y 35D 35Y 45D 45Y D1D D1Y D6U D6F D6S D6P D6L D6D D6Y D6G D6M D6A D6Q D6T D6C D6B D6H D6V D6K D6R D6E D6J D1U D1F D1S D1P D1L D1G D1M D1A D1Q D1T D1C D1B D1H D1V D1K D1R D1E D1J D2C E9U E9F E9S E9P E9L E9D E9Y E9G E9M E9A E9Q E9T E9C E9B E9H E9V E9K E9R E9E E9J EAC EBM)	40Y8761	**
11	Hard disk drive, 160GB, 7200RPM, Serial ATA (models CTO)	71P7297	**
11	Hard disk drive, 160GB, 7200RPM, Serial ATA (models CTO F2C J1M K1M 2AK D4K G2K J2G 91K J3G)	40Y8762	**
11	Hard disk drive, 160GB, 7200RPM, Serial ATA - Lenovo (models CTO F2C J1M K1M 2AK D4K G2K J2G 91K J3G)	40Y9035	**
11	Hard disk drive, 250GB, 7200RPM, Serial ATA - Lenovo (models CTO 81G)	40Y9036	**
11	Hard disk drive, 250GB, 7200RPM, Serial ATA (models CTO 81G)	40Y8763	**
11	Hard disk drive, 250GB, 7200RPM, Serial ATA (models CTO)	40Y8757	**
12	Diskette drive, 1.44MB, 3-mode, w/o bezel (models CTO 35U 35F 35S 35P 35L 35G 35M 35A 35Q 35T 35C 35B 35H 35V 35K 35R 35E 35J 45U 45F 45S 45P 45L 45G 45M 45A 45Q 45T 45C 45B 45H 45V 45K 45R 45E 45J 29U 29F 29S 29P 29L 29M 29A 29Q 29T 29C 29B 29H 29V 29K 29R 29E 29J 11M 12M 29G 29D 29Y 35D 35Y 45D 45Y D1D D1Y D6U D6F D6S D6P D6L D6D D6Y D6G D6M D6A D6Q D6T D6C D6B D6H D6V D6K D6R D6E D6J D1U D1F D1S D1P D1L D1G D1M D1A D1Q D1T D1C D1B D1H D1V D1K D1R D1E D1J D2C E9U E9F E9S E9P E9L E9D E9Y E9G E9M E9A E9Q E9T E9C E9B E9H E9V E9K E9R E9E E9J EAC F2C 2AK D4K D5K G2K G3K 91K 92K)	40Y9107	*

Item #	8114 FRUs	FRU#	CRU
12	Diskette drive, 1.44MB, 3-mode, w/o bezel (models CTO 35U 35F 35S 35P 35L 35G 35M 35A 35Q 35T 35C 35B 35H 35V 35K 35R 35E 35J 45U 45F 45S 45P 45L 45G 45M 45A 45Q 45T 45C 45B 45H 45V 45K 45R 45E 45J 29U 29F 29S 29P 29L 29M 29A 29Q 29T 29C 29B 29H 29V 29K 29R 29E 29J 11M 12M 29G 29D 29Y 35D 35Y 45D 45Y D1D D1Y D6U D6F D6S D6P D6L D6D D6Y D6G D6M D6A D6Q D6T D6C D6B D6H D6V D6K D6R D6E D6J D1U D1F D1S D1P D1L D1G D1M D1A D1Q D1T D1C D1B D1H D1V D1K D1R D1E D1J D2C E9U E9F E9S E9P E9L E9D E9Y E9G E9M E9A E9Q E9T E9C E9B E9H E9V E9K E9R E9E E9J EAC F2C 2AK D4K D5K G2K G3K 91K 92K)	40Y9105	*
12	Diskette drive, 1.44MB, 3-mode, w/o bezel (models CTO 35U 35F 35S 35P 35L 35G 35M 35A 35Q 35T 35C 35B 35H 35V 35K 35R 35E 35J 45U 45F 45S 45P 45L 45G 45M 45A 45Q 45T 45C 45B 45H 45V 45K 45R 45E 45J 29U 29F 29S 29P 29L 29M 29A 29Q 29T 29C 29B 29H 29V 29K 29R 29E 29J 11M 12M 29G 29D 29Y 35D 35Y 45D 45Y D1D D1Y D6U D6F D6S D6P D6L D6D D6Y D6G D6M D6A D6Q D6T D6C D6B D6H D6V D6K D6R D6E D6J D1U D1F D1S D1P D1L D1G D1M D1A D1Q D1T D1C D1B D1H D1V D1K D1R D1E D1J D2C E9U E9F E9S E9P E9L E9D E9Y E9G E9M E9A E9Q E9T E9C E9B E9H E9V E9K E9R E9E E9J EAC F2C 2AK D4K D5K G2K G3K 91K 92K)	40Y9113	*
13	CD-ROM drive 48X (models CTO 11M D2C D5K G3K 92K)	40Y8929	*
13	CD-ROM drive 48X (models D2C D5K G3K 92K)	40Y8807	*
13	CD-ROM drive 48X (models D2C D5K G3K 92K)	40Y8955	*
13	CD-ROM drive 48X (models D2C D5K G3K 92K)	40Y8953	*
13	CD-ROM drive 48X (models D2C D5K G3K 92K)	41N3539	*
13	CD-ROM drive 48X (models D2C D5K G3K 92K)	41N3540	*
13	CD-ROM drive 48X (models D2C D5K G3K 92K)	41N3541	*
13	DVD-ROM (16X/48X) - black (models D3M E1M F3M H1M J1M K1M 2BM G1M G4G 82M 82Q CTO 35U 35F 35S 35P 35L 35G 35M 35A 35Q 35T 35C 35B 35H 35V 35K 35R 35E 35J 45U 45F 45S 45P 45L 45G 45M 45A 45Q 45T 45C 45B 45H 45V 45K 45R 45E 45J 28M 29U 29F 29S 29P 29L 29M 29A 29Q 29T 29C 29B 29H 29V 29K 29R 29E 29J 29G 29D 29Y 35D 35Y 45D 45Y D1D D1Y D6U D6F D6S D6P D6L D6D D6Y D6G D6M D6A D6Q D6T D6C D6B D6H D6V D6K D6R D6E D6J D1U D1F D1S D1P D1L D1G D1M D1A D1Q D1T D1C D1B D1H D1V D1K D1R D1E D1J E9U E9F E9S E9P E9L E9D E9Y E9G E9M E9A E9Q E9T E9C E9B E9H E9V E9K E9R E9E E9J EAC EBM F1M F2C)	40Y8931	*
13	DVD-ROM (16X/48X) - black (models D3M E1M F3M H1M J1M K1M 2BM G1M G4G 82M 82Q CTO 35U 35F 35S 35P 35L 35G 35M 35A 35Q 35T 35C 35B 35H 35V 35K 35R 35E 35J 45U 45F 45S 45P 45L 45G 45M 45A 45Q 45T 45C 45B 45H 45V 45K 45R 45E 45J 28M 29U 29F 29S 29P 29L 29M 29A 29Q 29T 29C 29B 29H 29V 29K 29R 29E 29J 29G 29D 29Y 35D 35Y 45D 45Y D1D D1Y D6U D6F D6S D6P D6L D6D D6Y D6G D6M D6A D6Q D6T D6C D6B D6H D6V D6K D6R D6E D6J D1U D1F D1S D1P D1L D1G D1M D1A D1Q D1T D1C D1B D1H D1V D1K D1R D1E D1J E9U E9F E9S E9P E9L E9D E9Y E9G E9M E9A E9Q E9T E9C E9B E9H E9V E9K E9R E9E E9J EAC EBM F1M F2C)	40Y8933	*
13	DVD-ROM (16X/48X) - black (models D3M E1M F3M H1M J1M K1M 2BM G1M G4G 82M 82Q CTO 35U 35F 35S 35P 35L 35G 35M 35A 35Q 35T 35C 35B 35H 35V 35K 35R 35E 35J 45U 45F 45S 45P 45L 45G 45M 45A 45Q 45T 45C 45B 45H 45V 45K 45R 45E 45J 28M 29U 29F 29S 29P 29L 29M 29A 29Q 29T 29C 29B 29H 29V 29K 29R 29E 29J 29G 29D 29Y 35D 35Y 45D 45Y D1D D1Y D6U D6F D6S D6P D6L D6D D6Y D6G D6M D6A D6Q D6T D6C D6B D6H D6V D6K D6R D6E D6J D1U D1F D1S D1P D1L D1G D1M D1A D1Q D1T D1C D1B D1H D1V D1K D1R D1E D1J E9U E9F E9S E9P E9L E9D E9Y E9G E9M E9A E9Q E9T E9C E9B E9H E9V E9K E9R E9E E9J EAC EBM F1M F2C)	40Y8957	*

Item #	8114 FRUs	FRU#	CRU
13	DVD-ROM (16X/48X) - black (models D3M E1M F3M H1M J1M K1M 2BM G1M G4G 82M 82Q CTO 35U 35F 35S 35P 35L 35G 35M 35A 35Q 35T 35C 35B 35H 35V 35K 35R 35E 35J 45U 45F 45S 45P 45L 45G 45M 45A 45Q 45T 45C 45B 45H 45V 45K 45R 45E 45J 28M 29U 29F 29S 29P 29L 29M 29A 29Q 29T 29C 29B 29H 29V 29K 29R 29E 29J 29G 29D 29Y 35D 35Y 45D 45Y D1D D1Y D6U D6F D6S D6P D6L D6D D6Y D6G D6M D6A D6Q D6T D6C D6B D6H D6V D6K D6R D6E D6J D1U D1F D1S D1P D1L D1G D1M D1A D1Q D1T D1C D1B D1H D1V D1K D1R D1E D1J E9U E9F E9S E9P E9L E9D E9Y E9G E9M E9A E9Q E9T E9C E9B E9H E9V E9K E9R E9E E9J EAC EBM F1M F2C)	41X3544	*
13	DVD-ROM (16X/48X) - black (models D3M E1M F3M H1M J1M K1M 2BM G1M G4G 82M 82Q CTO 35U 35F 35S 35P 35L 35G 35M 35A 35Q 35T 35C 35B 35H 35V 35K 35R 35E 35J 45U 45F 45S 45P 45L 45G 45M 45A 45Q 45T 45C 45B 45H 45V 45K 45R 45E 45J 28M 29U 29F 29S 29P 29L 29M 29A 29Q 29T 29C 29B 29H 29V 29K 29R 29E 29J 29G 29D 29Y 35D 35Y 45D 45Y D1D D1Y D6U D6F D6S D6P D6L D6D D6Y D6G D6M D6A D6Q D6T D6C D6B D6H D6V D6K D6R D6E D6J D1U D1F D1S D1P D1L D1G D1M D1A D1Q D1T D1C D1B D1H D1V D1K D1R D1E D1J E9U E9F E9S E9P E9L E9D E9Y E9G E9M E9A E9Q E9T E9C E9B E9H E9V E9K E9R E9E E9J EAC EBM F1M F2C)	41X3545	*
13	DVD-ROM (16X/48X) - black (models D3M E1M F3M H1M J1M K1M 2BM G1M G4G 82M 82Q CTO 35U 35F 35S 35P 35L 35G 35M 35A 35Q 35T 35C 35B 35H 35V 35K 35R 35E 35J 45U 45F 45S 45P 45L 45G 45M 45A 45Q 45T 45C 45B 45H 45V 45K 45R 45E 45J 28M 29U 29F 29S 29P 29L 29M 29A 29Q 29T 29C 29B 29H 29V 29K 29R 29E 29J 29G 29D 29Y 35D 35Y 45D 45Y D1D D1Y D6U D6F D6S D6P D6L D6D D6Y D6G D6M D6A D6Q D6T D6C D6B D6H D6V D6K D6R D6E D6J D1U D1F D1S D1P D1L D1G D1M D1A D1Q D1T D1C D1B D1H D1V D1K D1R D1E D1J E9U E9F E9S E9P E9L E9D E9Y E9G E9M E9A E9Q E9T E9C E9B E9H E9V E9K E9R E9E E9J EAC EBM F1M F2C)	41X3546	*
13	CD-RW/DVD-ROM Combo drive (48X/32X/48X/16X Max) (models CTO 2AK 2CM 2DM D4K G2K J2G 91K J3G)	40Y8919	*
13	CD-RW/DVD-ROM Combo drive (48X/32X/48X/16X Max) (models CTO 2AK 2CM 2DM D4K G2K J2G 91K J3G)	40Y8941	*
13	CD-RW/DVD-ROM Combo drive (48X/32X/48X/16X Max) (models CTO 2AK 2CM 2DM D4K G2K J2G 91K J3G)	41X3547	*
13	CD-RW/DVD-ROM Combo drive (48X/32X/48X/16X Max) (models CTO 2AK 2CM 2DM D4K G2K J2G 91K J3G)	41X7992	*
13	Multiburner Plus (models CTO 81G)	40Y8909	*
13	Multiburner Plus (models CTO)	41X3550	*

The FRUs listed in the following table are not illustrated.

8114 FRUs	FRU#	CRU
Cable, C2 Switch (models CTO D2C)	39M0458	*
Shield, 5.25 EMC (all models)	39M0460	*
Cable, SATA (18-inch RoHs) (all models)	26K1186	*
Hard disk drive mounting bracket (all models)	39M0461	*
Cable, serial (all models)	39K5021	*
EMC shield, diskette drive (all models)	39M0464	*
Cable, diskette drive (RoHs) (all models)	26K1184	*
Diskette drive Bezel ASM,BLK (all models)	41A7806	*
Fan duct Asm (all models)	39M0470	*

8114 FRUs	FRU#	CRU
Power switch/LED Asm (all models)	39M0471	**
Device retaining clips (all models)	39M0473	**
Shield, system board (all models)	39M0476	N
Miscellaneous hardware kit (all models)	39M0477	**
Cable, 1394 panel mount (all models)	39M0478	**
Heat sink Retention Module kit (all models)	39K5046	N
Cable, 2 Drop IDE (all models)	39M0516	*
Hard Disk Drive Tray w/screws (all models)	39M0491	**
Miscellaneous screw kit (all models)	41R2477	**
Universal Adapter Bracket 5.25 to 3.5-inch (all models)	32P4743	*
Battery, 3.0V (all models)	33F8354	*

8114 Keyboard (Preferred Pro, Fullsize, PS/2, Stealth black)	FRU#	CRU
US English (models CTO-U CTO-G 35U 35L 35G 35M 35A 35Q 35C 35H 35R 35E 45U 45L 45G 45M 45A 45Q 45C 45H 45R 45E 28M 29U 29L 29M 29A 29Q 29C 29H 29R 29E 11M 12M 29G D6U D6L D6G D6M D6A D6Q D6C D6H D6R D6E D1U D1L D1G D1M D1A D1Q D1C D1H D1R D1E D2C E9U E9L E9G E9M E9A E9Q E9C E9H E9R E9E EAC EBM F1M F2C D3M E1M F3M H1M J1M K1M 2BM 2CM 2DM G1M G4G J2G 81G 82M 82Q J3G)	89P8300	*
Arabic (models CTO-G 35G 45G 29G D6G D1G E9G G4G J2G 81G J3G)	89P8301	*
Belgian/French (models CTO-G 35G 45G 29G D6G D1G E9G G4G J2G 81G J3G)	89P8302	*
Belgian/UK (models CTO-G 35G 45G 29G D6G D1G E9G G4G J2G 81G J3G)	89P8303	*
Brazil/Portugese (models CTO-L 35P 45P 29P D6P D1P E9P)	89P8304	*
Bulgarian (models CTO-G 35G 45G 29G D6G D1G E9G G4G J2G 81G J3G)	89P8305	*
Chinese/US (models 35B 35V 45B 45V 29B 29V D6B D6V D1B D1V E9B E9V)	89P8306	*
Czech (models CTO-G 35G 45G 29G D6G D1G E9G G4G J2G 81G J3G)	89P8307	*
Danish (models CTO-G 35G 45G 29G D6G D1G E9G G4G J2G 81G J3G)	89P8308	*
Dutch (models CTO-G 35G 45G 29G D6G D1G E9G G4G J2G 81G J3G)	89P8309	*
French (models CTO-G 35G 45G 29G D6G D1G E9G G4G J2G 81G J3G)	89P8310	*
French Canadian 445 (models CTO-U 35F 45F 29F D6F D1F E9F)	89P8311	*
French Canadian 58 (models CTO-U 35F 45F 29F D6F D1F E9F)	89P8312	*
German (models CTO-G 35G 45G 29G D6G D1G E9G G4G J2G 81G J3G)	89P8313	*
Greek (models CTO-G 35G 45G 29G D6G D1G E9G G4G J2G 81G J3G)	89P8314	*
Hebrew (models CTO-G 35G 45G 29G D6G D1G E9G G4G J2G 81G J3G)	89P8315	*
Hungarian (models CTO-G 35G 45G 29G D6G D1G E9G G4G J2G 81G J3G)	89P8316	*
Iceland (models CTO-G 35G 45G 29G D6G D1G E9G G4G J2G 81G J3G)	89P8317	*
Italian 141 (models CTO-G 35G 45G 29G D6G D1G E9G G4G J2G 81G J3G)	89P8318	*
Italian 142 (models CTO-G 35G 45G 29G D6G D1G E9G G4G J2G 81G J3G)	89P8319	*
Japanese (models 35J 45J 29J D6J D1J E9J)	89P8320	*
Korean (models 35K 45K 29K D6K D1K E9K 2AK D4K D5K G2K G3K 91K 92K)	89P8321	*
LA Spanish (models CTO-L 35S 45S 29S 29D 29Y 35D 35Y 45D 45Y D1D D1Y D6S D6D D6Y D1S E9S E9D E9Y)	89P8322	*



<b>8114 Keyboard (Preferred Pro, Fullsize, PS/2, Stealth black)</b>	<b>FRU#</b>	<b>CRU</b>
Norwegian (models CTO-G 35G 45G 29G D6G D1G E9G G4G J2G 81G J3G)	89P8323	*
Polish (models CTO-G 35G 45G 29G D6G D1G E9G G4G J2G 81G J3G)	89P8324	*
Portuguese (models CTO-G 35G 45G 29G D6G D1G E9G G4G J2G 81G J3G)	89P8325	*
Romanian (models CTO-G 35G 45G 29G D6G D1G E9G G4G J2G 81G J3G)	89P8326	*
Russian/Cyrillic (models CTO-G 35G 45G 29G D6G D1G E9G G4G J2G 81G J3G)	89P8328	*
Serbian/Cyrillic (models CTO-G 35G 45G 29G D6G D1G E9G G4G J2G 81G J3G)	89P8329	*
Slovak (models CTO-G 35G 45G 29G D6G D1G E9G G4G J2G 81G J3G)	89P8330	*
Spanish (models CTO-G 35G 45G 29G D6G D1G E9G G4G J2G 81G J3G)	89P8331	*
Swedish/Finn (models CTO-G 35G 45G 29G D6G D1G E9G G4G J2G 81G J3G)	89P8332	*
Swiss F/G (models CTO-G 35G 45G 29G D6G D1G E9G G4G J2G 81G J3G)	89P8333	*
Thailand (models CTO-A 35T 45T 29T D6T D1T E9T)	89P8334	*
Turkish 440 (models CTO-G 35G 45G 29G D6G D1G E9G G4G J2G 81G J3G)	89P8335	*
Turkish 179 (models CTO-G 35G 45G 29G D6G D1G E9G G4G J2G 81G J3G)	89P8336	*
UK English (models CTO-G 35G 45G 29G D6G D1G E9G G4G J2G 81G J3G)	89P8337	*
US Euro (models CTO-G 35G 45G 29G D6G D1G E9G G4G J2G 81G J3G)	89P8338	*
Yugoslav/Latin (models CTO-G 35G 45G 29G D6G D1G E9G G4G J2G 81G J3G)	89P8339	*

<b>8114 Keyboard (PS2 Preferred Pro)</b>	<b>FRU#</b>	<b>CRU</b>
US English (models CTO-U CTO-G 35U 35L 35G 35M 35A 35Q 35C 35H 35R 35E 45U 45L 45G 45M 45A 45Q 45C 45H 45R 45E 28M 29U 29L 29M 29A 29Q 29C 29H 29R 29E 11M 12M 29G D6U D6L D6G D6M D6A D6Q D6C D6H D6R D6E D1U D1L D1G D1M D1A D1Q D1C D1H D1R D1E D2C E9U E9L E9G E9M E9A E9Q E9C E9H E9R E9E EAC EBM F1M F2C D3M E1M F3M H1M J1M K1M 2BM 2CM 2DM G1M G4G J2G 81G 82M 82Q J3G)	41A5039	*
Arabic (models CTO-G 35G 45G 29G D6G D1G E9G G4G J2G 81G J3G)	41A5040	*
Belgian/French (models CTO-G 35G 45G 29G D6G D1G E9G G4G J2G 81G J3G)	41A5042	*
Belgian/UK (models CTO-G 35G 45G 29G D6G D1G E9G G4G J2G 81G J3G)	41A5043	*
Brazil/Portuguese (models CTO-L 35P 45P 29P D6P D1P E9P)	41A5044	*
Bulgarian (models CTO-G 35G 45G 29G D6G D1G E9G G4G J2G 81G J3G)	41A5045	*
Hong Kong/Taiwan (models 35B 35V 45B 45V 29B 29V D6B D6V D1B D1V E9B E9V)	41A5046	*
Czech (models CTO-G 35G 45G 29G D6G D1G E9G G4G J2G 81G J3G)	41A5047	*
Danish (models CTO-G 35G 45G 29G D6G D1G E9G G4G J2G 81G J3G)	41A5048	*
Dutch (models CTO-G 35G 45G 29G D6G D1G E9G G4G J2G 81G J3G)	41A5049	*
French (models CTO-G 35G 45G 29G D6G D1G E9G G4G J2G 81G J3G)	41A5050	*
French Canadian 445 (models CTO-U 35F 45F 29F D6F D1F E9F)	41A5051	*
French Canadian 58 (models CTO-U 35F 45F 29F D6F D1F E9F)	41A5052	*
German (models CTO-G 35G 45G 29G D6G D1G E9G G4G J2G 81G J3G)	41A5053	*
Greek (models CTO-G 35G 45G 29G D6G D1G E9G G4G J2G 81G J3G)	41A5054	*
Hebrew (models CTO-G 35G 45G 29G D6G D1G E9G G4G J2G 81G J3G)	41A5055	*
Hungarian (models CTO-G 35G 45G 29G D6G D1G E9G G4G J2G 81G J3G)	41A5056	*
Iceland (models CTO-G 35G 45G 29G D6G D1G E9G G4G J2G 81G J3G)	41A5057	*
Italian (models CTO-G 35G 45G 29G D6G D1G E9G G4G J2G 81G J3G)	41A5058	*

<b>8114 Keyboard (PS2 Preferred Pro)</b>	<b>FRU#</b>	<b>CRU</b>
Japanese (models 35J 45J 29J D6J D1J E9J)	41A5059	*
Korean (models 35K 45K 29K D6K D1K E9K 2AK D4K D5K G2K G3K 91K 92K)	41A5060	*
LA Spanish (models CTO-L 35S 45S 29S 29D 29Y 35D 35Y 45D 45Y D1D D1Y D6S D6D D6Y D1S E9S E9D E9Y)	41A5061	*
Norwegian (models CTO-G 35G 45G 29G D6G D1G E9G G4G J2G 81G J3G)	41A5062	*
Polish (models CTO-G 35G 45G 29G D6G D1G E9G G4G J2G 81G J3G)	41A5063	*
Portuguese (models CTO-G 35G 45G 29G D6G D1G E9G G4G J2G 81G J3G)	41A5064	*
Romanian (models CTO-G 35G 45G 29G D6G D1G E9G G4G J2G 81G J3G)	41A5065	*
Russian/Cyrilic (models CTO-G 35G 45G 29G D6G D1G E9G G4G J2G 81G J3G)	41A5066	*
Serbian/Cyrilic (models CTO-G 35G 45G 29G D6G D1G E9G G4G J2G 81G J3G)	41A5067	*
Slovak (models CTO-G 35G 45G 29G D6G D1G E9G G4G J2G 81G J3G)	41A5068	*
Spanish (models CTO-G 35G 45G 29G D6G D1G E9G G4G J2G 81G J3G)	41A5069	*
Swedish/Finn (models CTO-G 35G 45G 29G D6G D1G E9G G4G J2G 81G J3G)	41A5070	*
Swiss F/G (models CTO-G 35G 45G 29G D6G D1G E9G G4G J2G 81G J3G)	41A5071	*
Thailand (models CTO-A 35T 45T 29T D6T D1T E9T)	41A5072	*
UK English (models CTO-G 35G 45G 29G D6G D1G E9G G4G J2G 81G J3G)	41A5075	*
US Euro (models CTO-G 35G 45G 29G D6G D1G E9G G4G J2G 81G J3G)	41A5076	*
Slovenian (models CTO-G 35G 45G 29G D6G D1G E9G G4G J2G 81G J3G)	41A5077	*

<b>8114 IBM Keyboard (USB Preferred - without hub)</b>	<b>FRU#</b>	<b>CRU</b>
US English (models CTO-U CTO-G)	89P9040	*
Arabic (models CTO-G)	89P9041	*
Arabic/French (models CTO-G)	89P9058	*
Belgian/French (models CTO-G)	89P9042	*
Belgian/UK (models CTO-G)	89P9043	*
Brazilian (models CTO-L)	89P9044	*
Bulgarian (models CTO-G)	89P9045	*
Czech (models CTO-G)	89P9047	*
Danish (models CTO-G)	89P9048	*
Dutch (models CTO-G)	89P9049	*
French (models CTO-G)	89P9050	*
French Canadian (models CTO-U)	89P9051	*
French Canadian (models CTO-U)	89P9052	*
German (models CTO-G)	89P9053	*
Greek (models CTO-G)	89P9054	*
Greek/US (models CTO-G)	41A4948	*
Hebrew (models CTO-G)	89P9055	*
Hungarian (models CTO-G)	89P056	*
Iceland (models CTO-G)	89P9057	*
Italy (models CTO-G)	89P9059	*
LA Spanish (models CTO-L)	89P9062	*



<b>8114 IBM Keyboard (USB Preferred - without hub)</b>	<b>FRU#</b>	<b>CRU</b>
Norwegian (models CTO-G)	89P9063	*
Polish (models CTO-G)	89P9064	*
Portuguese (models CTO-G)	89P9065	*
Romanian 096 (models CTO-G)	89P9067	*
Romanian 446 (models CTO-G)	89P9066	*
Russian/Cyrillic (models CTO-G)	89P9068	*
Serbian/Cyrillic (models CTO-G)	89P9069	*
Slovak (models CTO-G)	89P9070	*
Spanish (models CTO-G)	89P9072	*
Swedish/Finn (models CTO-G)	89P9073	*
Swiss (models CTO-G)	89P9074	*
Thailand (models CTO-A)	89P9075	*
Turkish 440 (models CTO-G)	89P9076	*
Turkish 179 (models CTO-G)	89P9077	*
UK English (models CTO-G)	89P9078	*
US Euro (models CTO-G)	89P9079	*
Slovenian (models CTO-G)	89P9071	*

<b>8114 Lenovo Keyboard (USB Preferred - without hub)</b>	<b>FRU#</b>	<b>CRU</b>
US English (models CTO-U CTO-G)	41A5289	*
Arabic (models CTO-G)	41A5290	*
Arabic/French (models CTO-G)	41A5291	*
Belgian/French (models CTO-G)	41A5292	*
Belgian/UK (models CTO-G)	41A5293	*
Brazilian (models CTO-L)	41A5294	*
Bulgarian (models CTO-G)	41A5295	*
Czech (models CTO-G)	41A5297	*
Danish (models CTO-G)	41A5298	*
Dutch (models CTO-G)	41A5299	*
French (models CTO-G)	41A5300	*
French Canadian 445 (models CTO-U)	41A5301	*
French Canadian 58 (models CTO-U)	41A5302	*
German (models CTO-G)	41A5303	*
Greek (models CTO-G)	41A5304	*
Greek/US (models CTO-G)	41A5305	*
Hebrew (models CTO-G)	41A5306	*
Hungarian (models CTO-G)	41A5307	*
Iceland (models CTO-G)	41A5308	*
Italian 141 (models CTO-G)	41A5309	*
LA Spanish (models CTO-L)	41A5312	*
Norwegian (models CTO-G)	41A5313	*

<b>8114 Lenovo Keyboard (USB Preferred - without hub)</b>	<b>FRU#</b>	<b>CRU</b>
Polish (models CTO-G)	41A5314	*
Portuguese (models CTO-G)	41A5315	*
Romanian 096 (models CTO-G)	41A5317	*
Romanian 446 (models CTO-G)	41A5316	*
Russian/Cyrillic (models CTO-G)	41A5318	*
Serbian/Cyrillic (models CTO-G)	41A5319	*
Slovak (models CTO-G)	41A5320	*
Spanish (models CTO-G)	41A5321	*
Swedish/Finn (models CTO-G)	41A5322	*
Swiss (models CTO-G)	41A5323	*
Thailand (models CTO-A)	41A5324	*
Turkish 440 (models CTO-G)	41A5325	*
Turkish 179 (models CTO-G)	41A5326	*
UK English (models CTO-G)	41A5327	*
US Euro (models CTO-G)	41A5328	*
Slovenian (models CTO-G)	41A5329	*

<b>8114 Keyboards (with fingerprint reader)</b>	<b>FRU#</b>	<b>CRU</b>
US English (models CTO-U CTO-G)	89P9000	*
Arabic (models CTO-G)	89P9001	*
Arabic/French (models CTO-G)	89P9002	*
Belgian/French (models CTO-G)	89P9003	*
Belgian/UK (models CTO-G)	89P9004	*
Brazilian Portuguese (models CTO-L)	89P9005	*
Bulgarian (models CTO-G)	89P9006	*
Chinese/US (models CTO-G)	89P9007	*
Czech (models CTO-G)	89P9008	*
Danish (models CTO-G)	89P9009	*
Dutch (models CTO-G)	89P9010	*
French (models CTO-G)	89P9011	*
French Canadian 445 (models CTO-U)	89P9012	*
French Canadian 58 (models CTO-U)	89P9013	*
German (models CTO-G)	89P9014	*
Greek (models CTO-G)	89P9015	*
Hebrew (models CTO-G)	89P9016	*
Hungarian (models CTO-G)	89P9017	*
Iceland (models CTO-G)	89P9018	*
Italian 141 (models CTO-G)	89P9019	*
LA Spanish (models CTO-L)	89P9022	*
Norwegian (models CTO-G)	89P9023	*
Polish (models CTO-G)	89P9024	*

<b>8114 Keyboards (with fingerprint reader)</b>	<b>FRU#</b>	<b>CRU</b>
Portuguese (models CTO-G)	89P9025	*
Romanian (models CTO-G)	89P9026	*
Romanian (models CTO-G)	89P9027	*
Russian/Cyrillic (models CTO-G)	89P9028	*
Serbian/Cyrillic (models CTO-G)	89P9029	*
Slovak (models CTO-G)	89P9030	*
Spanish (models CTO-G)	89P9031	*
Swedish/Finn (models CTO-G)	89P9032	*
Swiss F/G (models CTO-G)	89P9033	*
Thailand (models CTO-A)	89P9034	*
Turkish 440 (models CTO-G)	89P9035	*
Turkish 179 (models CTO-G)	89P9036	*
UK English (models CTO-G)	89P9037	*
US Euro (models CTO-G)	89P9038	*
Yugoslav/Latin (models CTO-G)	89P9039	*

<b>8114 Keyboard (Fingerprint reader USB)</b>	<b>FRU#</b>	<b>CRU</b>
US English (models CTO-U CTO-G)	41A5248	*
Arabic (models CTO-G)	41A5249	*
Arabic/French (models CTO-G)	41A5250	*
Belgian/French (models CTO-G)	41A5251	*
Belgian/UK (models CTO-G)	41A5252	*
Brazilian (models CTO-L)	41A5253	*
Bulgarian (models CTO-G)	41A5254	*
Chinese/US (models CTO-G)	41A5255	*
Czech (models CTO-G)	41A5256	*
Danish (models CTO-G)	41A5257	*
Dutch (models CTO-G)	41A5258	*
French (models CTO-G)	41A5259	*
French Canadian 445 (models CTO-U)	41A5260	*
French Canadian 58 (models CTO-U)	41A5261	*
German (models CTO-G)	41A5262	*
Greek (models CTO-G)	41A5263	*
Hebrew (models CTO-G)	41A5265	*
Hungarian (models CTO-G)	41A5266	*
Iceland (models CTO-G)	41A5267	*
Italian (models CTO-G)	41A5268	*
LA Spanish (models CTO-L)	41A5271	*
Norwegian (models CTO-G)	41A5272	*
Polish (models CTO-G)	41A5273	*
Portuguese (models CTO-G)	41A5274	*

<b>8114 Keyboard (Fingerprint reader USB)</b>	<b>FRU#</b>	<b>CRU</b>
Romanian 446 (models CTO-G)	41A5275	*
Romanian 96 (models CTO-G)	41A5276	*
Russian/Cy (models CTO-G)	41A5277	*
Serbian/Cyrillic (models CTO-G)	41A5278	*
Slovak (models CTO-G)	41A5279	*
Spanish (models CTO-G)	41A5280	*
Swedish/Finn (models CTO-G)	41A5281	*
Swiss F/G (models CTO-G)	41A5282	*
Thailand (models CTO-A)	41A5283	*
Turkish 440 (models CTO-G)	41A5284	*
Turkish 179 (models CTO-G)	41A5285	*
UK English (models CTO-G)	41A5286	*
US Euro (models CTO-G)	41A5287	*
Slovenian (models CTO-G)	41A5288	*

<b>8114 Lenovo Keyboard (Wireless, Enhanced)</b>	<b>FRU#</b>	<b>CRU</b>
US English/Chinese/US (models CTO-U CTO-G)	41A5219	*
Belgian/French (models CTO-U CTO-G)	41A5220	*
Belgian/UK (models CTO-G)	41A5221	*
Czech (models CTO-G)	41A5223	*
Danish (models CTO-G)	41A5224	*
Dutch (models CTO-G)	41A5225	*
French (models CTO-G)	41A5226	*
French Canadian (models CTO-U)	41A5227	*
French Canadian (models CTO-U)	41A5228	*
German (models CTO-G)	41A5229	*
Greek (models CTO-G)	41A5230	*
Hungarian (models CTO-G)	41A5232	*
Iceland (models CTO-G)	41A5233	*
Italy (models CTO-G)	41A5234	*
Norwegian (models CTO-G)	41A5236	*
Polish (models CTO-G)	41A5237	*
Portuguese (models CTO-G)	41A5238	*
Slovak (models CTO-G)	41A5239	*
Spanish (models CTO-G)	41A5240	*
Swedish/Finn (models CTO-G)	41A5241	*
Swiss (models CTO-G)	41A5242	*
UK English (models CTO-G)	41A5243	*
US Euro (models CTO-G)	41A5244	*

<b>8114 Keyboard (Enhanced Performance, Wireless)</b>	<b>FRU#</b>	<b>CRU</b>
US English (models CTO-U CTO-G)	89P8730	*
Belgian/French (models CTO-G)	89P8731	*
Belgian/UK (models CTO-G)	89P8732	*
Czech (models CTO-G)	89P8734	*
Danish (models CTO-G)	89P8735	*
Dutch (models CTO-G)	89P8736	*
French (models CTO-G)	89P8737	*
French Canadian 445 (models CTO-U)	89P8738	*
French Canadian 58 (models CTO-U)	89P8739	*
German (models CTO-G)	89P8740	*
Greek (models CTO-G)	89P8741	*
Hungarian (models CTO-G)	89P8742	*
Iceland (models CTO-G)	89P8743	*
Italian 141 (models CTO-G)	89P8744	*
Norwegian (models CTO-G)	89P8746	*
Polish (models CTO-G)	89P8747	*
Portuguese (models CTO-G)	89P8748	*
Slovak (models CTO-G)	89P8749	*
Spanish (models CTO-G)	89P8751	*
Swedish/Finn (models CTO-G)	89P8752	*
Swiss F/G (models CTO-G)	89P8753	*
UK English (models CTO-G)	89P8754	*
US Euro (models CTO-G)	89P8755	*
Wireless transceiver dongle (models CTO)	89P8757	*

<b>8114 mice</b>	<b>FRU#</b>	<b>CRU</b>
Mouse, Scrollpoint Optical, USB (all models)	41A4933	*
Mouse, optical wheelmouse, USB (models CTO)	41A4935	*
Mouse, PS/2 wheelmouse (Black) (models CTO)	41A4917	*
Mouse, optical wheelmouse (400DPI, USB) (models CTO)	41U3013	*
Mouse, Scrollpoint Optical, (800DPI, USB (all models)	41U3019	*
Mouse, wheelmouse PS/2 models CTO)	41R0018	*

<b>8114 Adapters and miscellaneous FRU</b>	<b>FRU#</b>	<b>CRU</b>
Soft Modem V.90/V.44 (models CTO)	29R9729	*
128MB DDR ATI Radeon x300SE (DMS59 connector) (models CTO)	39J9635	*
128MB DDR ATI RADEON X700 PRO VGA, DVI-I, TV-Out PCI-e BTX (models CTO)	39J6203	*
PCI-E DVI-DConnection Adapter (ADD 2-R) (Full Height) (models CTO J2G 81G J3G)	39J9334	*
1394 Firewire PCI LP (ATX) (Full Height) (models CTO)	41D2781	*
Speakers, Jazz Infinity Active T1 (Black) (models CTO)	89P8588	*

8114 Adapters and miscellaneous FRU	FRU#	CRU
Speaker Power brick - US, Canada, LA (low voltage), Taiwan, Phillipines, Thailand (models CTO-U CTO-L CTO-A)	10K2587	*
Speaker Power brick - UK, Hong Kong (British version), ASEAN (models CTO-A)	25P5703	*
Speaker Power brick - Europe and LA (models CTO-G CTO-L)	25P5704	*
Speaker Power brick (newer 2 prong) - China, Thailand, Phillipines (models CTO-A)	10K2597	*
Speaker Power brick - ANZ (models CTO-A)	25P5705	*
Speaker Power brick - Brazil (models CTO-L)	25P5706	*
Speaker Power brick - India, South Africa (models CTO-A CTO-G)	32P3181	*
Speaker Power brick - Argentina (models CTO-L)	01R2253	*
Speaker Power brick - US, Canada, LA low voltage, ASEAN (models CTO)	89P8571	*
RJ11 connector adapter (Spain, Ireland) (All "G" models)	60H6043	*
RJ11 connector adapter (Austria) (All "G" models)	60H6045	*
RJ11 connector adapter (Belgium) (All "G" models)	60H6046	*
RJ11 connector adapter (Denmark) (All "G" models)	60H6047	*
RJ11 connector adapter (Norway, Finland) (All "G" models)	60H6048	*
RJ11 connector adapter (France) (All "G" models)	60H6049	*
RJ11 connector adapter (Germany) (All "G" models)	60H6050	*
RJ11 connector adapter (UK, NZ, HK) (All "G", "M", "B", "H" models)	60H6051	*
RJ11 connector adapter (Italy) (All "G" models)	60H6052	*
RJ11 connector adapter (Netherlands) (All "G" models)	60H6053	*
RJ11 connector adapter (Sweden) (All "G" models)	60H6054	*
RJ11 connector adapter (Switzerland) (All "G" models)	60H6055	*
Dongle Cable - DMS59 to dual VGA (All models)	41D2399	*

8114 Power Cords	FRU#	CRU
Power cord - US (models 35U 35F 35S 35L 35A 35T 45U 45F 45S 45L 45A 45T 29U 29F 29S 29L 29A 29T 29D 35D 45D D1D D6U D6F D6S D6L D6D D6A D6T D1U D1F D1S D1L D1A D1T E9U E9F E9S E9L E9D E9A E9T)	39M5080	*
Power cord - China (models 35C 45C 29C D6C D1C D2C E9C EAC F2C)	39M5205	*
Power cord - Japan (models 35E 35J 45E 45J 29E 29J D6E D6J D1E D1J E9E E9J)	39M5193	*
Power cord - Brazil (models 35P 45P 29P D6P D1P E9P)	39M5232	*
Power cord - LA High Volt (APU) (models 35L 45L 29L 29Y 35Y 45Y D1Y D6L D6Y D1L E9L E9Y)	39M5067	*
Power cord - Australia/New Zealand (models 35M 45M 28M 29M 11M 12M D6M D1M E9M EBM F1M D3M E1M F3M H1M J1M K1M 2BM 2CM 2DM G1M 82M)	39M5102	*
Power cord - Korea (models 35K 35R 45K 45R 29K 29R D6K D6R D1K D1R E9K E9R 2AK D4K D5K G2K G3K 91K 92K)	39M5212	*
Power cord - Hong Kong (models 35B 35H 45B 45H 29B 29H D6B D6H D1B D1H E9B E9H)	39M5151	*
Power cord - UK, Ireland, Singapore, Malaysia, Brunei (models 35G 35A 45G 45A 29A 29G D6G D6A D1G D1A E9G E9A G4G J2G 81G J3G)	39M5150	*
Power cord - Taiwan (models 35V 45V 29V D6V D1V E9V)	39M5246	*

8114 Power Cords	FRU#	CRU
Power cord - Italy (models 35S 35L 35G 45S 45L 45G 29S 29L 29G 29Y 35Y 45Y D1Y D6S D6L D6Y D6G D1S D1L D1G E9S E9L E9Y E9G G4G J2G 81G J3G)	39M5164	*
Power cord - G Models (models 35G 35A 45G 45A 29A 29G D6G D6A D1G D1A E9G E9A G4G J2G 81G J3G)	39M5122	*
Power cord - Denmark (models 35G 45G 29G D6G D1G E9G G4G J2G 81G J3G)	39M5129	*
Power cord - Switzerland (models 35G 45G 29G D6G D1G E9G G4G J2G 81G J3G)	39M5157	*
Power cord - Israel (models 35G 45G 29G D6G D1G E9G G4G J2G 81G J3G)	39M5171	*
Power cord - South Africa (models 35G 35M 35A 45G 45M 45A 28M 29M 29A 11M 12M 29G D6G D6M D6A D1G D1M D1A E9G E9M E9A EBM F1M D3M E1M F3M H1M J1M K1M 2BM 2CM 2DM G1M G4G J2G 81G 82M J3G)	39M5143	*
Power cord - India (model 35Q 45Q 29Q D6Q D1Q E9Q 82Q)	41R3175	*

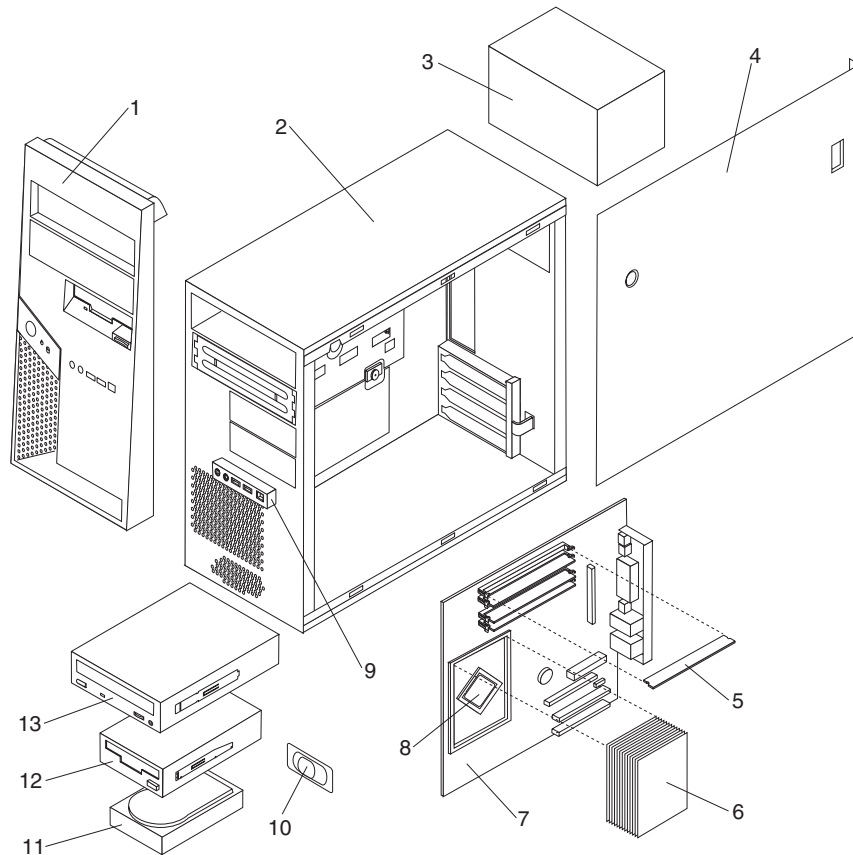
8114 Windows XP Home Recovery CDs	FRU #	CRU
Korean (models 2AK D4K G2K 91K)	41W2624	*

8114 Windows XP Pro Recovery CDs	FRU#	CRU
US/UK/AP/TH (models 35U 35L 35G 35M 35A 35Q 35T 35H 35R 35E 45U 45L 45G 45M 45A 45Q 45T 45H 45R 45E 28M 29U 29L 29M 29A 29Q 29T 29H 29R 29E 11M 12M 29G D6U D6L D6G D6M D6A D6Q D6T D6H D6R D6E D1U D1L D1G D1M D1A D1Q D1T D1H D1R D1E E9U E9L E9G E9M E9A E9Q E9T E9H E9R E9E EBM F1M D3M E1M F3M H1M J1M K1M 2BM 2CM 2DM G1M G4G J2G 81G 82M 82Q J3G)	41T1577	*
FR/CF (models 35F 35G 45F 45G 29F 29G D6F D6G D1F D1G E9F E9G G4G J2G 81G J3G)	41T3198	*
GR (models 35G 45G 29G D6G D1G E9G G4G J2G 81G J3G)	41T3199	*
SP/LA (models 35S 35G 45S 45G 29G 29S 29D 29Y 35D 35Y 45D 45Y D1D D1Y D6S D6D D6Y D6G D1S D1G E9S E9D E9Y E9G G4G J2G 81G J3G)	41T3200	*
IT (models 35G 45G 29G D6G D1G E9G G4G J2G 81G J3G)	41T3201	*
BR (models 35P 45P 29P D6P D1P E9P)	41T3202	*
SV (models 35G 45G 29G D6G D1G E9G G4G J2G 81G J3G)	41T3203	*
DK (models 35G 45G 29G D6G D1G E9G G4G J2G 81G J3G)	41T3204	*
FI (models 35G 45G 29G D6G D1G E9G G4G J2G 81G J3G)	41T4264	*
NO (models 35G 45G 29G D6G D1G E9G G4G J2G 81G J3G)	39J9646	*
NL (models 35G 45G 29G D6G D1G E9G G4G J2G 81G J3G)	41T4266	*
HE (models 35G 45G 29G D6G D1G E9G G4G J2G 81G J3G)	41T4267	*
PL (models 35G 45G 29G D6G D1G E9G G4G J2G 81G J3G)	41T4268	*
CZ (models 35G 45G 29G D6G D1G E9G G4G J2G 81G J3G)	41T4269	*
AE (models 35G 45G 29G D6G D1G E9G G4G J2G 81G J3G)	41T4270	*
RU (models 35G 45G 29G D6G D1G E9G G4G J2G 81G J3G)	41T4271	*
RU English (models 35G 45G 29G D6K D1K E9K)	41T4835	*
TR (models 35G 45G 29G D6G D1G E9G G4G J2G 81G J3G)	41T4836	*
HU (models 35G 45G 29G D6G D1G E9G G4G J2G 81G J3G)	41T4837	*
PO (models 35G 45G 29G D6G D1G E9G G4G J2G 81G J3G)	41T4838	*
GK (models 35G 45G 29G D6G D1G E9G G4G J2G 81G J3G)	41T4839	*
SL (models 35G 45G 29G D6G D1G E9G G4G J2G 81G J3G)	41T4840	*

8114 Windows XP Pro Recovery CDs	FRU#	CRU
Simplified Chinese (models 35C 45C D2C E2C E3C F2C F3C 29C D6C D1C D2C E9C EAC F2C)	41W2596	*
Taiwan - TC (models 35V 45V 29V D6V D1V E9V)	41W2603	*
Hong Kong - TC (models 35B 45B 29B D6B D1B)	41W2610	*
Korea (models 35K 45K 29K D6K D1K E9K D5K G3K 92K)	41W2589	*
Japanese (models 35J 45J 29J D6J D1J E9J)	41W2617	*
Multilingual 1 (models CTO-G 35G 45G 29G D6G D1G E9G G4G J2G 81G J3G)	41T3282	*
Multilingual 2 (models CTO-G 35G 45G 29G D6G D1G E9G G4G J2G 81G J3G)	41T4280	*



# Machine Type 8115



Item #	8115 FRUs	FRU#	CRU
1	Bezel Asm (all models)	41A7807	*
2	Chassis Asm (all models)	41A7808	N
3	Power supply, 310 W, standard (models CTO 45U 45F 45G 45M 45A 45T 45K 45R 45E 45J)	24R2596	**
3	Power supply, 310 W (models CTO-A CTO-L 45S 45P 45L 45Q 45C 45B 45H 45V 45D 45Y)	24R2598	**
4	Cover (all models)	39M0465	*
5	Memory module, 256MB, DDR2 SDRAM, NP (PC 4200) (models CTO)	30R5120	*
5	Memory module, 512MB, DDR2 SDRAM, NP (PC 4200) (models CTO 45U 45F 45S 45P 45L 45G 45M 45A 45Q 45T 45C 45B 45H 45V 45K 45R 45E 45J 45D 45Y)	30R5121	*
5	Memory module, 1GB, DDR2 SDRAM, NP (PC 4200) (models CTO)	30R5122	*
5	Memory module, 2GB, DDR2 SDRAM, NP (PC 4200) (models CTO)	30R5123	*
5	Memory module, 256MB, DDR2 SDRAM, NP (PC 5300) (models CTO)	30R5124	*
5	Memory module, 512MB, DDR2 SDRAM, NP (PC 5300) (models CTO)	30R5125	*
5	Memory module, 1GB, DDR2 SDRAM, NP (PC 5300) (models CTO)	30R5126	*
6	Heat sink (all models)	39M0538	**
7	System board, Jamaica DDR2 BTX Planar v3.3 (Cedermill /Presler Enabled Version)-- subbed from 41X0436 (models CTO 45U 45F 45S 45P 45L 45G 45M 45A 45Q 45T 45C 45B 45H 45V 45K 45R 45E 45J)	43C9123	N

Item #	8115 FRUs	FRU#	CRU
7	System board, Jamaica DDR2 BTX Planar v3.3 (Cedermill /Presler Enabled Version) subbed from 41X0438 (models CTO)	43C9124	N
7	System board, Jamaica DDR2 BTX Planar v3.3 (Cedermill /Presler Enabled Version) --subbed from 41X0436 and 43C9123 (models CTO 45U 45F 45S 45P 45L 45G 45M 45A 45Q 45T 45C 45B 45H 45V 45K 45R 45E 45J)	43C7122	N
7	System board, Jamaica DDR2 BTX Planar v3.3 (Cedermill /Presler Enabled Version)-- subbed from 41X0438 and 43C9124 (models CTO)	43C7123	N
8	Microprocessor, Celeron 2.53GHz, 533 FSB, 256KB L2 (models CTO)	39J7016	**
8	Microprocessor, Celeron 2.66GHz, 533 FSB, 256KB L2 (models CTO)	39J7017	**
8	Microprocessor, Celeron 2.80GHz, 533 FSB, 256KB L2 (models CTO)	39J7018	**
8	Microprocessor, Celeron 2.93GHz, 533 FSB, 256KB L2 (models CTO)	39J7019	**
8	Microprocessor, Celeron 3.06GHz, 533 FSB, 256KB L2 (models CTO)	39J7020	**
8	Microprocessor, Celeron 3.20GHz, 533 FSB, 256KB L2 (models CTO)	39J9696	**
8	Microprocessor, 3.33 GHZ Celeron Prescott (533FSB, 256KB) (models CTO)	41T1134	**
8	Microprocessor, 3.2 GHZ Celeron Cedar Mill (533FSB, 512KB) (models CTO)	41T4966	**
8	Microprocessor, 3.33 GHZ Celeron Cedar Mill (533FSB, 512KB) (models CTO)	41T4968	**
8	Microprocessor, 3.46 GHZ Celeron Cedar Mill (533FSB, 512KB) (models CTO)	41X8991	**
8	Microprocessor, Pentium 4 2.93GHz, 533 FSB, 1MB L2 (models CTO)	39J9625	**
8	Microprocessor, Pentium 4 2.66GHz, 533 FSB, 1MB L2 (models CTO)	41D0690	**
8	Microprocessor, Pentium 4 2.93GHz, 533 FSB, 1MB L2 (models CTO)	41D0692	**
8	Microprocessor, Pentium 4 2.93GHz, 533 FSB, 1MB L2 (models CTO)	41T4103	**
8	Microprocessor, Pentium 4 3.06GHz, 533 FSB, 1MB L2 (models CTO)	41D0694	**
8	Microprocessor, Pentium 4 2.8GHz, 800 FSB, 1MB L2 (models CTO)	39J7021	**
8	Microprocessor, Pentium 4 3.0GHz, 800 FSB, 1MB L2 (models CTO)	39J7022	**
8	Microprocessor, Pentium 4 3.2GHz, 800 FSB, 1MB L2 (models CTO)	39J7023	**
8	Microprocessor, Pentium 4 3.4GHz, 800 FSB, 1MB L2 (models CTO 45U 45F 45S 45P 45L 45G 45M 45A 45Q 45T 45C 45B 45H 45V 45K 45R 45E 45J 45D 45Y)	39J7024	**
8	Microprocessor, Pentium 4 3.0GHz, 800 FSB, 2MB L2 (models CTO)	39J7025	**
8	Microprocessor, Pentium 4 3.2GHz, 800 FSB, 2MB L2 (models CTO)	39J7026	**
8	Microprocessor, Pentium 4 3.4GHz, 800 FSB, 2MB L2 (models CTO)	39J7027	**
8	Microprocessor, Smithfield Pentium 4 2.8.4GHz, 800 FSB, 1MB L2 (models CTO)	39J8469	**
8	Microprocessor, 3.0 GHz Cedar Mill P4 (800MHz FSB, 2MB Cache) (models CTO)	41D5054	**
8	Microprocessor, 3.2 GHz Cedar Mill P4 (800MHz FSB, 2MB Cache) (models CTO)	41D5056	**
8	Microprocessor, 3.4 GHz Cedar Mill P4 (800MHz FSB, 2MB Cache) (models CTO)	41D5058	**
8	Microprocessor, 3.6 GHz Cedar Mill P4 (800MHz FSB, 2MB Cache) (models CTO)	41D5060	**
8	Microprocessor, 2.8 GHz Presler P4 (800MHz FSB, 2MBx2 Cache) (models)	41D5062	**
8	Microprocessor, Pentium-D 2.8GHz Presler (800MHz FSB, 2MBx2 Cache) (models CTO)	41X7775	**
8	Microprocessor, 3.0 GHz Presler P4 (800MHz FSB, 2MBx2 Cache) (models CTO)	41D5064	**
8	Microprocessor, Pentium-D 3.2GHz Presler (800MHz FSB, 2MBx2 Cache) (models CTO)	41X8050	**
8	Microprocessor, Pentium-D 3.2GHz Presler (800MHz FSB, 2MBx2 Cache) (models CTO)	41X4230	**

Item #	8115 FRUs	FRU#	CRU
8	Microprocessor, Pentium-D 3.4GHz Presler (800MHz FSB, 2MBx2 Cache) (models CTO 81S 81P 81Y 82S 82P 82Y)	41X7776	**
8	Microprocessor, Pentium-D 3.4GHz Presler (800MHz FSB, 2MBx2 Cache) (models CTO)	41X4232	**
8	Microprocessor, Pentium-D 3.6GHz Presler (800MHz FSB, 2MBx2 Cache) (models CTO)	41X4232	**
9	Front panel card Asm (all models)	26K1183	**
10	Speaker Asm, Soldered Terminals (models CTO 45U 45F 45S 45P 45L 45G 45M 45A 45Q 45T 45C 45B 45H 45V 45K 45R 45E 45J 45D 45Y)	39P5023	**
11	Hard disk drive, 40GB, 7200RPM, Serial ATA (models CTO)	40Y8760	**
11	Hard disk drive, 40GB, 7200RPM, Serial ATA (models CTO)	40Y9033	**
11	Hard disk drive, 40GB, 7200RPM, Serial ATA (models CTO)	71P7312	**
11	Hard disk drive, 80GB, 7200RPM, Serial ATA (models CTO 45U 45F 45S 45P 45L 45G 45M 45A 45Q 45T 45C 45B 45H 45V 45K 45R 45E 45J)	40Y8761	**
11	Hard disk drive, 80GB, 7200RPM, Serial ATA (models CTO 45U 45F 45S 45P 45L 45G 45M 45A 45Q 45T 45C 45B 45H 45V 45K 45R 45E 45J)	71P7293	**
11	Hard Disk Drive 80GB 7200 rpm Serial ATA (models CTO 45U 45F 45S 45P 45L 45G 45M 45A 45Q 45T 45C 45B 45H 45V 45K 45R 45E 45J)	40Y9034	**
11	Hard disk drive, 160GB, 7200RPM, Serial ATA (models CTO)	40Y8762	**
11	Hard disk drive, 160GB, 7200RPM, Serial ATA (models CTO)	71P7297	**
11	Hard disk drive, 160GB, 7200RPM, Serial ATA (models CTO)	40Y9035	**
11	Hard disk drive, 160GB, 7200RPM, Serial ATA (models CTO)	71P7297	**
11	Hard disk drive, 250GB, 7200RPM, Serial ATA (models CTO)	40Y8763	**
11	Hard disk drive, 250GB, 7200RPM, Serial ATA - Lenovo (models CTO)	40Y9036	**
11	Hard disk drive, 250GB, 7200RPM, Serial ATA (models CTO)	40Y8757	**
12	Diskette drive, 1.44MB, 3-mode, w/o bezel (models CTO 45U 45F 45S 45P 45L 45G 45M 45A 45Q 45T 45C 45B 45H 45V 45K 45R 45E 45J)	40Y9107	*
12	Diskette drive, 1.44MB, 3-mode, w/o bezel (models CTO 45U 45F 45S 45P 45L 45G 45M 45A 45Q 45T 45C 45B 45H 45V 45K 45R 45E 45J)	40Y9105	*
12	Diskette drive, 1.44MB, 3-mode, w/o bezel (models CTO 45U 45F 45S 45P 45L 45G 45M 45A 45Q 45T 45C 45B 45H 45V 45K 45R 45E 45J)	40Y9113	*
13	CD-ROM drive 48X (models CTO)	40Y8807	*
13	CD-ROM drive 48X (models CTO)	40Y8929	*
13	CD-ROM drive 48X (models CTO)	40Y8955	*
13	CD-ROM drive 48X (models CTO)	40Y8953	*
13	CD-ROM drive 48X (models CTO)	41N3539	*
13	CD-ROM drive 48X (models CTO)	41N3540	*
13	CD-ROM drive 48X (models CTO)	41N3541	*
13	DVD-ROM (16X/48X) - black (models CTO 45U 45F 45S 45P 45L 45G 45M 45A 45Q 45T 45C 45B 45H 45V 45K 45R 45E 45J)	40Y8931	*
13	DVD-ROM (16X/48X) - black (models CTO 45U 45F 45S 45P 45L 45G 45M 45A 45Q 45T 45C 45B 45H 45V 45K 45R 45E 45J)	40Y8933	*
13	DVD-ROM (16X/48X) - black (models CTO 45U 45F 45S 45P 45L 45G 45M 45A 45Q 45T 45C 45B 45H 45V 45K 45R 45E 45J)	40Y8957	*

Item #	8115 FRUs	FRU#	CRU
13	DVD-ROM (16X/48X) - black (models CTO 45U 45F 45S 45P 45L 45G 45M 45A 45Q 45T 45C 45B 45H 45V 45K 45R 45E 45J)	41X3544	*
13	DVD-ROM (16X/48X) - black (models CTO 45U 45F 45S 45P 45L 45G 45M 45A 45Q 45T 45C 45B 45H 45V 45K 45R 45E 45J)	41X3545	*
13	DVD-ROM (16X/48X) - black (models CTO 45U 45F 45S 45P 45L 45G 45M 45A 45Q 45T 45C 45B 45H 45V 45K 45R 45E 45J)	41X3546	*
13	CD-RW/DVD-ROM Combo drive (48X/32X/48X/16X Max) (models CTO)	40Y8781	*
13	CD-RW/DVD-ROM Combo drive (48X/32X/48X/16X Max) (models CTO)	40Y8919	*
13	CD-RW/DVD-ROM Combo drive (48X/32X/48X/16X Max) (models CTO)	40Y8903	*
13	CD-RW/DVD-ROM Combo drive (48X/32X/48X/16X Max) (models CTO)	40Y8941	*
13	CD-RW/DVD-ROM Combo drive (48X/32X/48X/16X) (models CTO)	41X3547	*
13	CD-RW/DVD-ROM Combo drive (48X/32X/48X/16X) (models CTO)	41X7992	*
13	Multiburner Plus (models CTO)	41X3550	*
13	Multiburner Plus (models CTO)	40Y8909	*

The FRUs listed in the following table are not illustrated.

8115 FRUs	FRU#	CRU
Cable, C2 Switch (models CTO)	39M0458	*
Shield, 5.25 EMC (all models)	39M0460	*
Cable, SATA (18-inch RoHs) (all models)	26K1186	*
Hard disk drive mounting bracket (all models)	39M0461	*
Cable, serial (all models)	39K5021	*
EMC shield, diskette drive (all models)	39M0464	*
Cable, diskette drive (RoHs) (all models)	26K1184	*
Diskette drive Bezel ASM,BLK (all models)	41A7806	*
Fan duct Asm (all models)	39M0470	*
Power switch/LED Asm (all models)	39M0471	**
Device retaining clips (all models)	39M0473	**
Shield, system board (all models)	39M0476	N
Miscellaneous hardware kit (all models)	39M0477	**
Cable, 1394 panel mount (all models)	39M0478	**
Heat sink Retention Module kit (all models)	39K5046	N
Cable, 2 Drop IDE (all models)	39M0516	*
Hard Disk Drive Tray w/screws (all models)	39M0491	**
Universal Adapter Bracket 5.25 to 3.5-inch (all models)	32P4743	*
Battery, 3.0V (all models)	33F8354	*

8115 Keyboard (Preferred Pro, Fullsize, PS/2, Stealth Black)	FRU#	CRU
US English (models CTO-U CTO-G 45U 45L 45G 45M 45A 45Q 45C 45H 45R 45E)	89P8300	*
Arabic (models CTO-G 45G)	89P8301	*
Belgian/French (models CTO-G 45G)	89P8302	*

<b>8115 Keyboard (Preferred Pro, Fullsize, PS/2, Stealth Black)</b>	<b>FRU#</b>	<b>CRU</b>
Belgian/UK (models CTO-G 45G)	89P8303	*
Brazil/Portugese (models CTO-L 45P)	89P8304	*
Bulgarian (models CTO-G 45G)	89P8305	*
Chinese/US (models 45B 45V)	89P8306	*
Czech (models CTO-G 45G)	89P8307	*
Danish (models CTO-G 45G)	89P8308	*
Dutch (models CTO-G 45G)	89P8309	*
French (models CTO-G 45G)	89P8310	*
French Canadian 445 (models CTO-U 45F)	89P8311	*
French Canadian 58 (models CTO-U 45F)	89P8312	*
German (models CTO-G 45G)	89P8313	*
Greek (models CTO-G 45G)	89P8314	*
Hebrew (models CTO-G 45G)	89P8315	*
Hungarian (models CTO-G 45G)	89P8316	*
Iceland (models CTO-G 45G)	89P8317	*
Italian 141 (models CTO-G 45G)	89P8318	*
Italian 142 (models CTO-G 45G)	89P8319	*
Japanese (models 45J)	89P8320	*
Korean (models 45K)	89P8321	*
LA Spanish (models CTO-L 45S 45D 45Y)	89P8322	*
Norwegian (models CTO-G 45G)	89P8323	*
Polish (models CTO-G 45G)	89P8324	*
Portuguese (models CTO-G 45G)	89P8325	*
Romanian (models CTO-G 45G)	89P8326	*
Russian/Cyrillic (models CTO-G 45G)	89P8328	*
Serbian/Cyrillic (models CTO-G 45G)	89P8329	*
Slovak (models CTO-G 45G)	89P8330	*
Spanish (models CTO-G 45G)	89P8331	*
Swedish/Finn (models CTO-G 45G)	89P8332	*
Swiss F/G (models CTO-G 45G)	89P8333	*
Thailand (models CTO-A 45T)	89P8334	*
Turkish 440 (models CTO-G 45G)	89P8335	*
Turkish 179 (models CTO-G 45G)	89P8336	*
UK English (models CTO-G 45G)	89P8337	*
US Euro (models CTO-G 45G)	89P8338	*
Yugoslav/Latin (models CTO-G 45G)	89P8339	*

<b>8115 Keyboard (PS2 Preferred Pro)</b>	<b>FRU#</b>	<b>CRU</b>
US English (models CTO-U CTO-G 45U 45L 45G 45M 45A 45Q 45C 45H 45R 45E)	41A5039	*
Arabic (models CTO-G 45G)	41A5040	*
Belgian/French (models CTO-G 45G)	41A5042	*

<b>8115 Keyboard (PS2 Preferred Pro)</b>	<b>FRU#</b>	<b>CRU</b>
Belgian/UK (models CTO-G 45G)	41A5043	*
Brazil/Portuguese (models CTO-L 45P)	41A5044	*
Bulgarian (models CTO-G 45G)	41A5045	*
Hong Kong/Taiwan (models 45B 45V)	41A5046	*
Czech (models CTO-G 45G)	41A5047	*
Danish (models CTO-G 45G)	41A5048	*
Dutch (models CTO-G 45G)	41A5049	*
French (models CTO-G 45G)	41A5050	*
French Canadian 445 (models CTO-U 45F)	41A5051	*
French Canadian 58 (models CTO-U 45F)	41A5052	*
German (models CTO-G 45G)	41A5053	*
Greek (models CTO-G 45G)	41A5054	*
Hebrew (models CTO-G 45G)	41A5055	*
Hungarian (models CTO-G 45G)	41A5056	*
Iceland (models CTO-G 45G)	41A5057	*
Italian (models CTO-G 45G)	41A5058	*
Japanese (models 45J)	41A5059	*
Korean (models 45K)	41A5060	*
LA Spanish (models CTO-L 45S)	41A5061	*
Norwegian (models CTO-G 45G)	41A5062	*
Polish (models CTO-G 45G)	41A5063	*
Portuguese (models CTO-G 45G)	41A5064	*
Romanian (models CTO-G 45G)	41A5065	*
Russian/Cyrilic (models CTO-G 45G)	41A5066	*
Serbian/Cyrilic (models CTO-G 45G)	41A5067	*
Slovak (models CTO-G 45G)	41A5068	*
Spanish (models CTO-G 45G)	41A5069	*
Swedish/Finn (models CTO-G 45G)	41A5070	*
Swiss F/G (models CTO-G 45G)	41A5071	*
Thailand (models CTO-A 45T)	41A5072	*
UK English (models CTO-G 45G)	41A5075	*
US Euro (models CTO-G 45G)	41A5076	*
Slovenian (models CTO-G 45G)	41A5077	*

<b>8115 IBM Keyboard (USB Preferred - without hub)</b>	<b>FRU#</b>	<b>CRU</b>
US English (models CTO-U CTO-G)	89P9040	*
Arabic (models CTO-G)	89P9041	*
Arabic/French (models CTO-G)	89P9058	*
Belgian/French (models CTO-G)	89P9042	*
Belgian/UK (models CTO-G)	89P9043	*
Brazilian (models CTO-L)	89P9044	*

<b>8115 IBM Keyboard (USB Preferred - without hub)</b>	<b>FRU#</b>	<b>CRU</b>
Bulgarian (models CTO-G)	89P9045	*
Czech (models CTO-G)	89P9047	*
Danish (models CTO-G)	89P9048	*
Dutch (models CTO-G)	89P9049	*
French (models CTO-G)	89P9050	*
French Canadian (models CTO-U)	89P9051	*
French Canadian (models CTO-U)	89P9052	*
German (models CTO-G)	89P9053	*
Greek (models CTO-G)	89P9054	*
Greek/US (models CTO-G)	41A4948	*
Hebrew (models CTO-G)	89P9055	*
Hungarian (models CTO-G)	89P056	*
Iceland (models CTO-G)	89P9057	*
Italy (models CTO-G)	89P9059	*
LA Spanish (models CTO-L)	89P9062	*
Norwegian (models CTO-G)	89P9063	*
Polish (models CTO-G)	89P9064	*
Portuguese (models CTO-G)	89P9065	*
Romanian 096 (models CTO-G)	89P9067	*
Romanian 446 (models CTO-G)	89P9066	*
Russian/Cyrillic (models CTO-G)	89P9068	*
Serbian/Cyrillic (models CTO-G)	89P9069	*
Slovak (models CTO-G)	89P9070	*
Spanish (models CTO-G)	89P9072	*
Swedish/Finn (models CTO-G)	89P9073	*
Swiss (models CTO-G)	89P9074	*
Thailand (models CTO-A)	89P9075	*
Turkish 440 (models CTO-G)	89P9076	*
Turkish 179 (models CTO-G)	89P9077	*
UK English (models CTO-G)	89P9078	*
US Euro (models CTO-G)	89P9079	*
Slovenian (models CTO-G)	89P9071	*

<b>8115 Lenovo Keyboard (USB Preferred - without hub)</b>	<b>FRU#</b>	<b>CRU</b>
US English (models CTO-U CTO-G)	41A5289	*
Arabic (models CTO-G)	41A5290	*
Arabic/French (models CTO-G)	41A5291	*
Belgian/French (models CTO-G)	41A5292	*
Belgian/UK (models CTO-G)	41A5293	*
Brazilian (models CTO-L)	41A5294	*
Bulgarian (models CTO-G)	41A5295	*



<b>8115 Lenovo Keyboard (USB Preferred - without hub)</b>	<b>FRU#</b>	<b>CRU</b>
Czech (models CTO-G)	41A5297	*
Danish (models CTO-G)	41A5298	*
Dutch (models CTO-G)	41A5299	*
French (models CTO-G)	41A5300	*
French Canadian 445 (models CTO-U)	41A5301	*
French Canadian 58 (models CTO-U)	41A5302	*
German (models CTO-G)	41A5303	*
Greek (models CTO-G)	41A5304	*
Greek/US (models CTO-G)	41A5305	*
Hebrew (models CTO-G)	41A5306	*
Hungarian (models CTO-G)	41A5307	*
Iceland (models CTO-G)	41A5308	*
Italian 141 (models CTO-G)	41A5309	*
LA Spanish (models CTO-L)	41A5312	*
Norwegian (models CTO-G)	41A5313	*
Polish (models CTO-G)	41A5314	*
Portuguese (models CTO-G)	41A5315	*
Romanian 096 (models CTO-G)	41A5317	*
Romanian 446 (models CTO-G)	41A5316	*
Russian/Cyrillic (models CTO-G)	41A5318	*
Serbian/Cyrillic (models CTO-G)	41A5319	*
Slovak (models CTO-G)	41A5320	*
Spanish (models CTO-G)	41A5321	*
Swedish/Finn (models CTO-G)	41A5322	*
Swiss (models CTO-G)	41A5323	*
Thailand (models CTO-A)	41A5324	*
Turkish 440 (models CTO-G)	41A5325	*
Turkish 179 (models CTO-G)	41A5326	*
UK English (models CTO-G)	41A5327	*
US Euro (models CTO-G)	41A5328	*
Slovenian (models CTO-G)	41A5329	*

<b>8115 Keyboards (with fingerprint reader)</b>	<b>FRU#</b>	<b>CRU</b>
US English (models CTO-U CTO-G)	89P9000	*
Arabic (models CTO-G)	89P9001	*
Arabic/French (models CTO-G)	89P9002	*
Belgian/French (models CTO-G)	89P9003	*
Belgian/UK (models CTO-G)	89P9004	*
Brazilian Portuguese (models CTO-L)	89P9005	*
Bulgarian (models CTO-G)	89P9006	*
Czech (models CTO-G)	89P9008	*



<b>8115 Keyboards (with fingerprint reader)</b>	<b>FRU#</b>	<b>CRU</b>
Danish (models CTO-G)	89P9009	*
Dutch (models CTO-G)	89P9010	*
French (models CTO-G)	89P9011	*
French Canadian 445 (models CTO-U)	89P9012	*
French Canadian 58 (models CTO-U)	89P9013	*
German (models CTO-G)	89P9014	*
Greek (models CTO-G)	89P9015	*
Hebrew (models CTO-G)	89P9016	*
Hungarian (models CTO-G)	89P9017	*
Iceland (models CTO-G)	89P9018	*
Italian 141 (models CTO-G)	89P9019	*
LA Spanish (models CTO-L)	89P9022	*
Norwegian (models CTO-G)	89P9023	*
Polish (models CTO-G)	89P9024	*
Portuguese (models CTO-G)	89P9025	*
Romanian (models CTO-G)	89P9026	*
Romanian (models CTO-G)	89P9027	*
Russian/Cyrillic (models CTO-G)	89P9028	*
Serbian/Cyrillic (models CTO-G)	89P9029	*
Slovak (models CTO-G)	89P9030	*
Spanish (models CTO-G)	89P9031	*
Swedish/Finn (models CTO-G)	89P9032	*
Swiss F/G (models CTO-G)	89P9033	*
Thailand (models CTO-A)	89P9034	*
Turkish 440 (models CTO-G)	89P9035	*
Turkish 179 (models CTO-G)	89P9036	*
UK English (models CTO-G)	89P9037	*
US Euro (models CTO-G)	89P9038	*
Yugoslav/Latin (models CTO-G)	89P9039	*

<b>8115 Keyboard (Fingerprint reader USB)</b>	<b>FRU#</b>	<b>CRU</b>
US English (models CTO-U CTO-G)	41A5248	*
Arabic (models CTO-G)	41A5249	*
Arabic/French (models CTO-G)	41A5250	*
Belgian/French (models CTO-G)	41A5251	*
Belgian/UK (models CTO-G)	41A5252	*
Brazilian (models CTO-L)	41A5253	*
Bulgarian (models CTO-G)	41A5254	*
Chinese/US (models CTO-G)	41A5255	*
Czech (models CTO-G)	41A5256	*
Danish (models CTO-G)	41A5257	*

<b>8115 Keyboard (Fingerprint reader USB)</b>	<b>FRU#</b>	<b>CRU</b>
Dutch (models CTO-G)	41A5258	*
French (models CTO-G)	41A5259	*
French Canadian 445 (models CTO-U)	41A5260	*
French Canadian 58 (models CTO-U)	41A5261	*
German (models CTO-G)	41A5262	*
Greek (models CTO-G)	41A5263	*
Hebrew (models CTO-G)	41A5265	*
Hungarian (models CTO-G)	41A5266	*
Iceland (models CTO-G)	41A5267	*
Italian (models CTO-G)	41A5268	*
LA Spanish (models CTO-L)	41A5271	*
Norwegian (models CTO-G)	41A5272	*
Polish (models CTO-G)	41A5273	*
Portuguese (models CTO-G)	41A5274	*
Romanian 446 (models CTO-G)	41A5275	*
Romanian 96 (models CTO-G)	41A5276	*
Russian/Cy (models CTO-G)	41A5277	*
Serbian/Cyrillic (models CTO-G)	41A5278	*
Slovak (models CTO-G)	41A5279	*
Spanish (models CTO-G)	41A5280	*
Swedish/Finn (models CTO-G)	41A5281	*
Swiss F/G (models CTO-G)	41A5282	*
Thailand (models CTO-A)	41A5283	*
Turkish 440 (models CTO-G)	41A5284	*
Turkish 179 (models CTO-G)	41A5285	*
UK English (models CTO-G)	41A5286	*
US Euro (models CTO-G)	41A5287	*
Slovenian (models CTO-G)	41A5288	*

<b>8115 Lenovo Keyboard (Wireless, Enhanced)</b>	<b>FRU#</b>	<b>CRU</b>
US English/Chinese/US (models CTO-U CTO-G)	41A5219	*
Belgian/French (models CTO-U CTO-G)	41A5220	*
Belgian/UK (models CTO-G)	41A5221	*
Czech (models CTO-G)	41A5223	*
Danish (models CTO-G)	41A5224	*
Dutch (models CTO-G)	41A5225	*
French (models CTO-G)	41A5226	*
French Canadian (models CTO-U)	41A5227	*
French Canadian (models CTO-U)	41A5228	*
German (models CTO-G)	41A5229	*
Greek (models CTO-G)	41A5230	*

<b>8115 Lenovo Keyboard (Wireless, Enhanced)</b>	<b>FRU#</b>	<b>CRU</b>
Hungarian (models CTO-G)	41A5232	*
Iceland (models CTO-G)	41A5233	*
Italy (models CTO-G)	41A5234	*
Norwegian (models CTO-G)	41A5236	*
Polish (models CTO-G)	41A5237	*
Portuguese (models CTO-G)	41A5238	*
Slovak (models CTO-G)	41A5239	*
Spanish (models CTO-G)	41A5240	*
Swedish/Finn (models CTO-G)	41A5241	*
Swiss (models CTO-G)	41A5242	*
UK English (models CTO-G)	41A5243	*
US Euro (models CTO-G)	41A5244	*

<b>8115 Keyboard (Enhanced Performance, Wireless)</b>	<b>FRU#</b>	<b>CRU</b>
US English (models CTO-U CTO-G)	89P8730	*
Belgian/French (models CTO-G)	89P8731	*
Belgian/UK (models CTO-G)	89P8732	*
Czech (models CTO-G)	89P8734	*
Danish (models CTO-G)	89P8735	*
Dutch (models CTO-G)	89P8736	*
French (models CTO-G)	89P8737	*
French Canadian 445 (models CTO-U)	89P8738	*
French Canadian 58 (models CTO-U)	89P8739	*
German (models CTO-G)	89P8740	*
Greek (models CTO-G)	89P8741	*
Hungarian (models CTO-G)	89P8742	*
Iceland (models CTO-G)	89P8743	*
Italian 141 (models CTO-G)	89P8744	*
Norwegian (models CTO-G)	89P8746	*
Polish (models CTO-G)	89P8747	*
Portuguese (models CTO-G)	89P8748	*
Slovak (models CTO-G)	89P8749	*
Spanish (models CTO-G)	89P8751	*
Swedish/Finn (models CTO-G)	89P8752	*
Swiss F/G (models CTO-G)	89P8753	*
UK English (models CTO-G)	89P8754	*
US Euro (models CTO-G)	89P8755	*
Wireless transceiver dongle (models CTO)	89P8757	*

8115 mice	FRU#	CRU
Mouse, Scrollpoint Optical, USB (models CTO 45U 45F 45S 45P 45L 45G 45M 45A 45Q 45T 45C 45B 45H 45V 45K 45R 45E 45J)	41A4933	*
Mouse, optical wheelmouse, USB (models CTO)	41A4935	*
Mouse, PS/2 wheelmouse (Black) (models CTO)	41A4917	*
Mouse, optical wheelmouse (400DPI, USB) (models CTO)	41U3013	*
Mouse, Scrollpoint Optical, (800DPI, USB) (models CTO 45U 45F 45S 45P 45L 45G 45M 45A 45Q 45T 45C 45B 45H 45V 45K 45R 45E 45J)	41U3019	*
Mouse, wheelmouse PS/2 models CTO)	41R0018	*

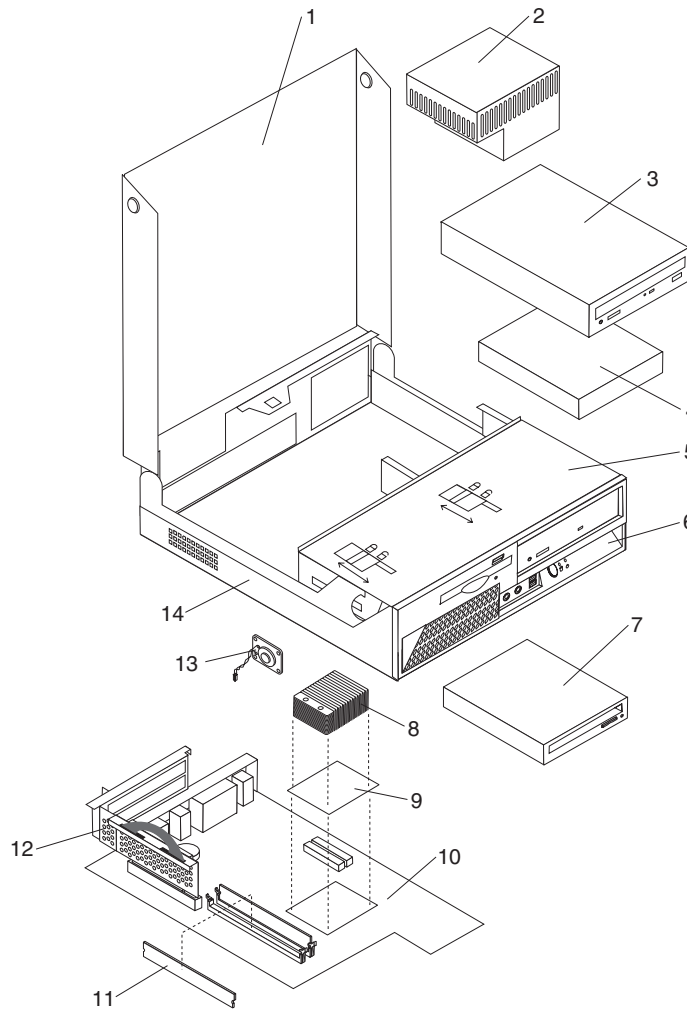
8115 Adapters and miscellaneous FRU	FRU#	CRU
PCI Modem Card (Soft), ATX V.90 (models CTO)	29R9729	*
128MB DDR ATI Radeon x300SE (DMS59 connector) (models CTO)	39J9635	*
128MB DDR ATI RADEON X700 PRO VGA, DVI-I, TV-Out PCI-e BTX (models CTO)	39J6203	*
PCI-E DVI-DConnection Adapter (ADD 2-R) (Full Height) (models CTO)	39J9334	*
IEEE 1394 Adapter - Firewire (models CTO)	41D2781	*
1394 Internal cable (models CTO)	39M0478	*
Speakers, Jazz Infinity Active T1 (Black) (models CTO)	89P8588	*
Speaker Power brick - US, Canada, LA (low voltage), Taiwan, Phillipines, Thailand (models CTO-U CTO-L CTO-A)	10K2587	*
Speaker Power brick - UK, Hong Kong (British version), ASEAN (models CTO-A)	25P5703	*
Speaker Power brick - Europe and LA (models CTO-G CTO-L)	25P5704	*
Speaker Power brick (newer 2 prong) - China, Thailand, Phillipines (models CTO-A)	10K2597	*
Speaker Power brick - ANZ (models CTO-A)	25P5705	*
Speaker Power brick - Brazil (models CTO-L)	25P5706	*
Speaker Power brick - India, South Africa (models CTO-A CTO-G)	32P3181	*
Speaker Power brick - Argentina (models CTO-L)	01R2253	*
Speaker Power brick - US, Canada, LA low voltage, ASEAN (models CTO)	89P8571	*
RJ11 connector adapter (Spain, Ireland) (All "G" models)	60H6043	*
RJ11 connector adapter (Austria) (All "G" models)	60H6045	*
RJ11 connector adapter (Belgium) (All "G" models)	60H6046	*
RJ11 connector adapter (Denmark) (All "G" models)	60H6047	*
RJ11 connector adapter (Norway, Finland) (All "G" models)	60H6048	*
RJ11 connector adapter (France) (All "G" models)	60H6049	*
RJ11 connector adapter (Germany) (All "G" models)	60H6050	*
RJ11 connector adapter (UK, NZ, HK) (All "G", "M", "B", "H" models)	60H6051	*
RJ11 connector adapter (Italy) (All "G" models)	60H6052	*
RJ11 connector adapter (Netherlands) (All "G" models)	60H6053	*
RJ11 connector adapter (Sweden) (All "G" models)	60H6054	*
RJ11 connector adapter (Switzerland) (All "G" models)	60H6055	*
Dongle Cable - DMS59 to dual VGA (All models)	41D2399	*

8115 Power Cords	FRU#	CRU
Power cord - US (models 45U 45F 45S 45L 45A 45T)	39M5080	*
Power cord - China (models 45C)	39M5205	*
Power cord - Japan (models 45E 45J)	39M5193	*
Power cord - Brazil (models 45P)	39M5232	*
Power cord - LA High Volt (APU) (models 45L)	39M5067	*
Power cord - Australia/New Zealand (models 45M)	39M5102	*
Power cord - Korea (models 45K 45R)	39M5212	*
Power cord - Hong Kong (models 45B 45H)	39M5151	*
Power cord - UK, Ireland, Singapore, Malaysia, Brunei (models 45G 45A)	39M5150	*
Power cord - Taiwan (models 45V)	39M5246	*
Power cord - Italy (models 45S 45L 45G)	39M5164	*
Power cord - G Models (models 45G 45A)	39M5122	*
Power cord - Denmark (models 45G)	39M5129	*
Power cord - Switzerland (models 45G)	39M5157	*
Power cord - Israel (models 45G)	39M5171	*
Power cord - South Africa (models 45G 45M 45A)	39M5143	*
Power cord - India (model 45Q)	41R3175	*

8115 Windows XP Pro Recovery CDs	FRU#	CRU
US/UK/AP/TH (models 45U 45L 45G 45M 45A 45Q 45T 45H 45R 45E)	41T1577	*
FR/CF (models 45F 45G)	41T3198	*
GR (models 45G)	41T3199	*
SP/LA (models 45S 45G 45D 45Y)	41T3200	*
IT (models 45G)	41T3201	*
BR (models 45P)	41T3202	*
SV (models 45G)	41T3203	*
DK (models 45G)	41T3204	*
FI (models 45G)	41T4264	*
NO (models 45G)	39J9646	*
NL (models 45G)	41T4266	*
HE (models 45G)	41T4267	*
PL (models 45G)	41T4268	*
CZ (models 45G)	41T4269	*
AE (models 45G)	41T4270	*
RU (models 45G)	41T4271	*
RU English (models 45G)	41T4835	*
TR (models 45G)	41T4836	*
HU (models 45G)	41T4837	*
PO (models 45G)	41T4838	*
GK (models 45G)	41T4839	*
SL (models 45G)	41T4840	*

8115 Windows XP Pro Recovery CDs	FRU#	CRU
Simplified Chinese (models 45C)	41W2596	*
Taiwan - TC (models 45V)	41W2603	*
Hong Kong - TC (models 45B)	41W2610	*
Korea (models 45K)	41W2589	*
Multilingual 1 (models CTO-G 45G)	41T3282	*
Multilingual 2 (models CTO-G 45G)	41T4280	*

# Machine Type 8116



Item #	8116 FRUs	FRU#	CRU
1	Cover, Kensington Lock (all models)	26K1263	**
2	Power Supply (225 Watt) (models CTO 21A 21T 31A 31T E2A E2T F1A F1T F2A F2T H1A H1T H2A H2T J1A J1T J2J J3J J4J J5J K1A K1T K2J K3J K4J K5J 27A 27T 51A 51T G1A G1T)	24R2584	**
2	Power Supply (225 Watt) China Version (models CTO-A CTO-L 21Q 22C 22B 22H 22V 31Q 23Q 24Q 25Q 26Q 32Q 33Q 34Q B1V B2V D1V E1V E2Q F1Q F2Q H1Q H2Q J1Q K1Q 27Q 61V G1Q)	24R2587	**
3	CD-ROM Drive 48X (models CTO 21A 21Q 21T 31A 31Q 31T 25Q 26Q 34Q E2A E2Q E2T F1A F1Q F1T H1A H1Q H1T J2J J3J K2J K3J 27A 27Q 27T 51A 51T)	40Y8929	*
3	CD-ROM Drive 48X (models CTO 21A 21Q 21T 31A 31Q 31T 25Q 26Q 34Q E2A E2Q E2T F1A F1Q F1T H1A H1Q H1T J2J J3J K2J K3J 27A 27Q 27T 51A 51T)	40Y8807	*
3	CD-ROM Drive 48X (models CTO 21A 21Q 21T 31A 31Q 31T 25Q 26Q 34Q E2A E2Q E2T F1A F1Q F1T H1A H1Q H1T J2J J3J K2J K3J 27A 27Q 27T 51A 51T)	40Y8955	*
3	CD-ROM Drive 48X (models E2A E2Q E2T F1A F1Q F1T H1A H1Q H1T J2J J3J K2J K3J 27A 27Q 27T 51A 51T)	40Y8953	*
3	CD-ROM Drive 48X (models E2A E2Q E2T F1A F1Q F1T H1A H1Q H1T J2J J3J K2J K3J 27A 27Q 27T 51A 51T)	41N3539	*

Item #	8116 FRUs	FRU#	CRU
3	CD-ROM Drive 48X (models E2A E2Q E2T F1A F1Q F1T H1A H1Q H1T J2J J3J K2J K3J 27A 27Q 27T 51A 51T)	41N3540	*
3	CD-ROM Drive 48X (models E2A E2Q E2T F1A F1Q F1T H1A H1Q H1T J2J J3J K2J K3J 27A 27Q 27T 51A 51T)	41N3541	*
3	DVD-ROM 16X/48X - Black (models CTO 22C 22B 22H 22V B1V B2V D1V E1V 61V)	40Y8931	*
3	DVD-ROM 16X/48X - Black (models CTO 22C 22B 22H 22V B1V B2V D1V E1V 61V)	40Y8933	*
3	DVD-ROM 16X/48X - Black (models CTO 22C 22B 22H 22V B1V B2V D1V E1V 61V)	40Y8957	*
3	DVD-ROM 16X/48X - Black (models CTO 22C 22B 22H 22V B1V B2V D1V E1V 61V)	41X3544	*
3	DVD-ROM 16X/48X - Black (models CTO 22C 22B 22H 22V B1V B2V D1V E1V 61V)	41X3545	*
3	DVD-ROM 16X/48X - Black (models CTO 22C 22B 22H 22V B1V B2V D1V E1V 61V)	41X3546	*
3	DVD-ROM/CD-RW Combo Drive (48x/32x/48x/16x) (models CTO F2A F2Q F2T J4J J5J K1A K1Q K1T K4J K5J G1A G1Q G1T)	40Y8919	*
3	DVD-ROM/CD-RW Combo Drive (48x/32x/48x/16x) (models CTO F2A F2Q F2T J4J J5J K1A K1Q K1T K4J K5J G1A G1Q G1T)	40Y8941	*
3	DVD-ROM/CD-RW Combo Drive (48x/32x/48x/16x) (models CTO F2A F2Q F2T J4J J5J K1A K1Q K1T K4J K5J G1A G1Q G1T)	40Y3547	*
3	DVD-ROM/CD-RW Combo Drive (48x/32x/48x/16x) (models CTO F2A F2Q F2T J4J J5J K1A K1Q K1T K4J K5J G1A G1Q G1T)	41X7992	*
3	Multi-Burner Plus (models CTO)	41X3550	*
3	Multi-Burner Plus (models CTO)	40Y8909	*
4	Hard Disk Drive 40GB 7200 rpm Serial ATA (models CTO 23Q)	40Y8760	*
4	Hard Disk Drive 40GB 7200 rpm Serial ATA (models CTO 23Q)	40Y9033	*
4	Hard Disk Drive 40GB 7200 rpm Serial ATA (models CTO 23Q)	71P7312	*
4	Hard Disk Drive 80GB 7200 rpm Serial ATA (models CTO 21A 21Q 21T 22C 22B 22H 22V 31A 31Q 31T 24Q 25Q 26Q 32Q 33Q 34Q B1V B2V D1V E1V E2A E2Q E2T F1A F1Q F1T H1A H1Q H1T H2A H2Q H2T J1A J1Q J1T J2J J3J J4J J5J K1A K1Q K1T K2J K3J K4J K5J 27A 27Q 27T 51A 51T 61V G1A G1Q G1T)	40Y8761	*
4	Hard Disk Drive 80GB 7200 rpm Serial ATA (models CTO 21A 21Q 21T 22C 22B 22H 22V 31A 31Q 31T 24Q 25Q 26Q 32Q 33Q 34Q B1V B2V D1V E1V E2A E2Q E2T F1A F1Q F1T H1A H1Q H1T H2A H2Q H2T J1A J1Q J1T J2J J3J J4J J5J K1A K1Q K1T K2J K3J K4J K5J 27A 27Q 27T 51A 51T 61V G1A G1Q G1T)	71P7293	*
4	Hard Disk Drive 80GB 7200 rpm Serial ATA (models CTO 21A 21Q 21T 22C 22B 22H 22V 31A 31Q 31T 24Q 25Q 26Q 32Q 33Q 34Q B1V B2V D1V E1V E2A E2Q E2T F1A F1Q F1T H1A H1Q H1T H2A H2Q H2T J1A J1Q J1T J2J J3J J4J J5J K1A K1Q K1T K2J K3J K4J K5J 27A 27Q 27T 51A 51T 61V G1A G1Q G1T)	40Y9034	*
4	Hard Disk Drive 160GB 7200 rpm Serial ATA (models CTO F2A F2Q F2T)	40Y8762	*
4	Hard Disk Drive 160GB 7200 rpm Serial ATA (models CTO F2A F2Q F2T)	71P7297	*
4	Hard Disk Drive 250GB 7200 rpm Serial ATA (models CTO)	40Y8763	*
5	Rotating bay assembly (all models)	03R0285	*
6	Bezel Plastic Kit (all models)	26K1214	*



Item #	8116 FRUs	FRU#	CRU
7	Slim Diskette Drive (without cable and bezel) (models CTO 21A 21Q 21T 22C 22B 22H 22V 31A 31Q 31T 23Q 24Q 25Q 26Q 32Q 33Q 34Q H1A H1Q H1T H2A H2Q H2T J1A J1Q J1T J2J J3J J4J J5J K1A K1Q K1T K2J K3J K4J K5J 27A 27Q 27T 51A 51T 61V G1A G1Q G1T)	40Y9109	*
7	Slim Diskette Drive (without cable and bezel) (models CTO 21A 21Q 21T 22C 22B 22H 22V 31A 31Q 31T 23Q 24Q 25Q 26Q 32Q 33Q 34Q H1A H1Q H1T H2A H2Q H2T J1A J1Q J1T J2J J3J J4J J5J K1A K1Q K1T K2J K3J K4J K5J 27A 27Q 27T 51A 51T 61V G1A G1Q G1T)	40Y9111	*
8	Retention module, Toolless heat sink (all models)	26K1281	**
9	Microprocessor, 2.53GHZ Celeron Prescott P4 (533FSB, 256KB) (models CTO B1V)	39J7004	**
9	Microprocessor, 2.66 GHZ Celeron Prescott P4 (533FSB, 256KB) (models CTO)	39J7005	**
9	Microprocessor, 2.8 GHZ Celeron Prescott P4 (533FSB, 256KB) (models CTO)	39J7006	**
9	Microprocessor, 2.93 GHZ Celeron Prescott P4 (533FSB, 256KB) (models CTO)	39J7007	**
9	Microprocessor, 3.06 GHZ Celeron Prescott P4 (533FSB, 256KB) (models CTO B2V)	39J7008	**
9	Microprocessor, 3.2 GHZ Celeron Prescott P4 (533FSB, 256KB) (models CTO)	39J9695	**
9	Microprocessor, 3.33 GHZ Celeron Prescott (533FSB, 256KB) (models CTO)	41T1132	**
9	Microprocessor, 3.2 GHZ Celeron Cedar Mill (533FSB, 512KB) (models CTO)	41T4966	**
9	Microprocessor, 3.33 GHZ Celeron Cedar Mill (533FSB, 512KB) (models CTO)	41T4968	**
9	Microprocessor, 3.46 GHZ Celeron Cedar Mill (533FSB, 512KB) (models CTO)	41X8989	**
9	Microprocessor, 2.93 GHZ Prescott P4 (533FSB, 1MB) (models CTO)	39J9621	**
9	Microprocessor, 2.66 GHZ Prescott P4 (533FSB, 1MB) (models CTO)	41D0684	**
9	Microprocessor, 2.93 GHZ Prescott P4 (533FSB, 1MB) (models CTO)	41D0686	**
9	Microprocessor, 3.06 GHZ Prescott P4 (533FSB, 1MB) (models CTO)	41D0688	**
9	Microprocessor, 2.8 GHZ Prescott P4 (800FSB, 1MB) (models CTO 27A 27Q 27T)	39J7009	**
9	Microprocessor, 3.06 GHZ Prescott P4 (533FSB, 1MB) (models CTO 51A 51T)	41T4104	**
9	Microprocessor, 3.0 GHZ Prescott P4 (800FSB, 1MB) (models CTO 21A 21Q 21T 22C 22B 22H 22V 23Q 24Q 25Q 26Q 61V)	39J7010	**
9	Microprocessor, 3.2 GHZ Prescott P4 (800FSB, 1MB) (models CTO 31A 31Q 31T 32Q 33Q 34Q)	39J7011	**
9	Microprocessor, 3.4 GHZ Prescott P4 (800FSB, 1MB) (models CTO)	39J7012	**
9	Microprocessor, 3.0 GHZ Prescott P4 (800FSB, 2MB) (models CTO D1V)	39J7013	**
9	Microprocessor, 3.2 GHZ Prescott P4 (800FSB, 2MB) (models CTO E1V E2A E2Q E2T)	39J7014	**
9	Microprocessor, 3.4 GHZ Prescott P4 (800FSB, 2MB) (models CTO F1A F1Q F1T F2A F2Q F2T)	39J7015	**
9	Microprocessor, 2.8 GHZ Smithfield P4 (800FSB, 1MB) (models CTO G1A G1Q G1T)	39J8468	**
9	Microprocessor, 3.0 GHZ Cedar Mill P4 (800MHz FSB, 2MB Cache) (models CTO)	41D5042	**
9	Microprocessor, 3.2 GHZ Cedar Mill P4 (800MHz FSB, 2MB Cache) (models)	41D5056	**
9	Microprocessor, 3.2 GHZ Cedar Mill P4 (800MHz FSB, 2MB Cache) (models)	41D5044	**
9	Microprocessor, 3.4 GHZ Cedar Mill P4 (800MHz FSB, 2MB Cache) (models)	41D5058	**
9	Microprocessor, 3.4 GHZ Cedar Mill P4 (800MHz FSB, 2MB Cache) (models)	41D5046	**
9	Microprocessor, 3.6 GHZ Cedar Mill P4 (800MHz FSB, 2MB Cache) (models CTO H1A H1Q H1T H2A H2Q H2T)	41D5048	**

Item #	8116 FRUs	FRU#	CRU
9	Microprocessor, 2.8GHz Presler , Pentium-D (800MHz FSB, 2MBx2 Cache) (models CTO)	41X7775	**
9	Microprocessor, 2.8 GHz Presler P4 (800MHz FSB, 2MBx2 Cache) (models CTO J1A J1Q J1T J2J J3J J4J J5J)	41D5050	**
9	Microprocessor, 3.0 GHZ Presler P4 (800MHz FSB, 2MBx2 Cache) (models CTO K1A K1Q K1T K2J K3J K4J K5J)	41D5052	**
9	Microprocessor, 3.2GHz Presler, Pentium-D (800MHz FSB, 2MBx2 Cache) (models CTO)	41X8050	**
9	Microprocessor, 3.2GHz Presler, Pentium-D (800MHz FSB, 2MBx2 Cache) (models CTO)	41X4230	**
9	Microprocessor, 3.4 GHZ Presler, Pentium-D (800MHz FSB, 2MBx2 Cache) (models CTO)	41X7776	**
9	Microprocessor, 3.4 GHZ Presler, Pentium-D (800MHz FSB, 2MBx2 Cache) (models CTO)	41X4232	**
9	Microprocessor, 3.6 GHZ Presler, Pentium-D (800MHz FSB, 2MBx2 Cache) (models CTO)	41X8990	**
10	System Board, Trinidad DDR2 SFF Planar v3.3--subbed from 41X1063 (models CTO 21A 21Q 21T 22C 22B 22H 22V 31A 31Q 31T 23Q 24Q 25Q 26Q 32Q 33Q 34Q B1V B2V D1V E1V E2A E2Q E2T F1A F1Q F1T F2A F2Q F2T)	43C9120	**
10	System Board, Trinidad DDR2 SFF Planar v3.3--subbed from 42Y3333 (models CTO)	43C9121	**
10	System Board, Trinidad DDR2 SFF Planar v3.3--subbed from 41X1064 (models CTO H1A H1Q H1T H2A H2Q H2T J1A J1Q J1T J2J J3J J4J J5J K1A K1Q K1T K2J K3J K4J K5J 27A 27Q 27T 51A 51T 61V G1A G1Q G1T)	43C9122	**
10	System Board, Trinidad DDR2 SFF Planar v3.3--subbed from 41X1063 and 43C9120 (models CTO 21A 21Q 21T 22C 22B 22H 22V 31A 31Q 31T 23Q 24Q 25Q 26Q 32Q 33Q 34Q B1V B2V D1V E1V E2A E2Q E2T F1A F1Q F1T F2A F2Q F2T)	43C7119	**
10	System Board, Trinidad DDR2 SFF Planar v3.3--subbed from 42Y3333 and 43C9121 (models CTO)	43C7120	**
10	System Board, Trinidad DDR2 SFF Planar v3.3--subbed from 41X1064 and 43C9122 (models CTO H1A H1Q H1T H2A H2Q H2T J1A J1Q J1T J2J J3J J4J J5J K1A K1Q K1T K2J K3J K4J K5J 27A 27Q 27T 51A 51T 61V G1A G1Q G1T)	43C7121	**
11	256MB DDR2 SDRAM NP Memory (PC 4200) (models CTO 21A 21Q 21T 22C 22B 22H 22V 31A 31Q 31T 23Q 24Q 32Q 33Q B1V B2V H1A H1Q H1T 27A 27Q 27T 51A 51T 61V)	30R5120	*
11	512MB DDR2 SDRAM NP Memory (PC 4200) (models CTO 25Q 26Q 34Q D1V E1V E2A E2Q E2T F1A F1Q F1T F2A F2Q F2T H2A H2Q H2T J1A J1Q J1T J2J J3J J4J J5J K1A K1Q K1T K2J K3J K4J K5J G1A G1Q G1T)	30R5121	*
11	1GB DDR2 SDRAM NP Memory (PC 4200) (models CTO)	30R5122	*
11	2GB DDR2 SDRAM NP Memory (PC 4200) (models CTO)	30R5123	*
11	256MB DDR2 SDRAM NP Memory (PC 5300) (models CTO)	30R5124	*
11	512MB DDR2 SDRAM NP Memory (PC 5300) (models CTO)	30R5125	*
11	1GB DDR2 SDRAM NP Memory (PC 5300) (models CTO)	30R5126	*
12	Riser card assembly (all models)	41A7730	*
13	Speaker/cable assembly (all models)	39K5012	*
14	Chassis (all models)	26K1262	**

The FRUs listed in the following table are not illustrated.

8116 FRUs	FRU#	CRU
Tool less hard disk drive tray (all models)	03R0302	*
System board tray (all models)	26K1213	*
Cable, 2 Drop Hard Disk Drive and Optical - ATA 100 (all models)	26K1246	*
Internal Plastic Kit (does not include tl hardfile tray) (all models)	03R0289	*
Cable, Optical (1 Drop) ATA 100 (all models)	26K1244	*
Cable, SATA Device (all models)	39K5026	*
C2 Cable (Squall) (all models)	39K5022	*
Cable, power switch/LED (all models)	26K1242	*
Cable, Diskette Drive (all models)	26K1248	*
System board I/O Shield Kit for all system boards (all models)	41A7703	*
Fan assembly (all models)	26K1253	*
Battery (all models)	33F8354	*
Universal Adapter Bracket 5.25 to 3.5-inch (all models)	32P4743	*
Retention module, tool less heat sink (all models)	26K1281	*

8116 Keyboards (Preferred Pro Fullsize, PS/2, Stealth Black)	FRU#	CRU
US English (models CTO-U CTO-G 21A 21Q 22C 22H 31A 31Q 23Q 24Q 25Q 26Q 32Q 33Q 34Q H1A H1Q H2A H2Q J1A J1Q K1A K1Q 27A 27Q 51A G1A G1Q)	89P8300	*
Arabic (models CTO-G)	89P8301	*
Belgian/French (models CTO-G)	89P8302	*
Belgian/UK (models CTO-G)	89P8303	*
Brazil/Portuguese (models CTO-L)	89P8304	*
Bulgarian (models CTO-G)	89P8305	*
Chinese/US (models 22B 22V B1V B2V D1V E1V 61V)	89P8306	*
Czech (models CTO-G)	89P8307	*
Danish (models CTO-G)	89P8308	*
Dutch (models CTO-G)	89P8309	*
French (models CTO-G)	89P8310	*
French Canadian 445 (models CTO-U)	89P8311	*
French Canadian 58 (models CTO-U)	89P8312	*
German (models CTO-G)	89P8313	*
Greek (models CTO-G)	89P8314	*
Hebrew (models CTO-G)	89P8315	*
Hungarian (models CTO-G)	89P8316	*
Iceland (models CTO-G)	89P8317	*
Italian (models CTO-G)	89P8319	*
Japanese (models J2J J3J J4J J5J K2J K3J K4J K5J)	89P8320	*
LA Spanish (models CTO-L)	89P8322	*
Norwegian (models CTO-G)	89P8323	*
Polish (models CTO-G)	89P8324	*
Portuguese (models CTO-G)	89P8325	*

<b>8116 Keyboards (Preferred Pro Fullsize, PS/2, Stealth Black)</b>	<b>FRU#</b>	<b>CRU</b>
Romanian (models CTO-G)	89P8326	*
Russian (models CTO-G)	89P8327	*
Russian/Cyrillic (models CTO-G)	89P8328	*
Serbian/Cyrillic (models CTO-G)	89P8329	*
Slovak (models CTO-G)	89P8330	*
Spanish (models CTO-G)	89P8331	*
Swedish/Finn (models CTO-G)	89P8332	*
Swiss F/G (models CTO-G)	89P8333	*
Thailand (models CTO-A 21T 31T H1T H2T J1T K1T 27T 51T G1T)	89P8334	*
Turkish 179 (models CTO-G)	89P8336	*
UK English (models CTO-G)	89P8337	*
US Euro (models CTO-G)	89P8338	*
Yugoslav/Latin (models CTO-G)	89P8339	*

<b>8116 Keyboard (PS2 Preferred Pro)</b>	<b>FRU#</b>	<b>CRU</b>
US English (models CTO-U CTO-G 21A 21Q 22C 22H 31A 31Q 23Q 24Q 25Q 26Q 32Q 33Q 34Q H1A H1Q H2A H2Q J1A J1Q K1A K1Q 27A 27Q 51A G1A G1Q)	41A5039	*
Arabic (models CTO-G)	41A5040	*
Belgian/French (models CTO-G)	41A5042	*
Belgian/UK (models CTO-G)	41A5043	*
Brazil/Portuguese (models CTO-L)	41A5044	*
Bulgarian (models CTO-G)	41A5045	*
Hong Kong/Taiwan (models 22B 22V B1V B2V D1V E1V 61V)	41A5046	*
Czech (models CTO-G)	41A5047	*
Danish (models CTO-G)	41A5048	*
Dutch (models CTO-G)	41A5049	*
French (models CTO-G)	41A5050	*
French Canadian 445 (models CTO-U)	41A5051	*
French Canadian 58 (models CTO-U)	41A5052	*
German (models CTO-G)	41A5053	*
Greek (models CTO-G)	41A5054	*
Hebrew (models CTO-G)	41A5055	*
Hungarian (models CTO-G)	41A5056	*
Iceland (models CTO-G)	41A5057	*
Italian (models CTO-G)	41A5058	*
Japanese (models J2J J3J J4J J5J K2J K3J K4J K5J)	41A5059	*
LA Spanish (models CTO-L )	41A5061	*
Norwegian (models CTO-G)	41A5062	*
Polish (models CTO-G)	41A5063	*
Portuguese (models CTO-G)	41A5064	*
Romanian (models CTO-G)	41A5065	*

<b>8116 Keyboard (PS2 Preferred Pro)</b>	<b>FRU#</b>	<b>CRU</b>
Russian/Cyrilic (models CTO-G)	41A5066	*
Serbian/Cyrilic (models CTO-G)	41A5067	*
Slovak (models CTO-G)	41A5068	*
Spanish (models CTO-G)	41A5069	*
Swedish/Finn (models CTO-G)	41A5070	*
Swiss F/G (models CTO-G)	41A5071	*
Thailand (models CTO-A 21T 31T H1T H2T J1T K1T 27T 51T G1T)	41A5072	*
UK English (models CTO-G)	41A5075	*
US Euro (models CTO-G)	41A5076	*
Slovenian (models CTO-G)	41A5077	*

<b>8116 IBM Keyboard (USB Preferred - without hub)</b>	<b>FRU#</b>	<b>CRU</b>
US English (models CTO-U CTO-G)	89P9040	*
Arabic (models CTO-G)	89P9041	*
Arabic/French (models CTO-G)	89P9058	*
Belgian/French (models CTO-G)	89P9042	*
Belgian/UK (models CTO-G)	89P9043	*
Brazilian (models CTO-L)	89P9044	*
Bulgarian (models CTO-G)	89P9045	*
Czech (models CTO-G)	89P9047	*
Danish (models CTO-G)	89P9048	*
Dutch (models CTO-G)	89P9049	*
French (models CTO-G)	89P9050	*
French Canadian (models CTO-U)	89P9051	*
French Canadian (models CTO-U)	89P9052	*
German (models CTO-G)	89P9053	*
Greek (models CTO-G)	89P9054	*
Greek/US (models CTO-G)	41A4948	*
Hebrew (models CTO-G)	89P9055	*
Hungarian (models CTO-G)	89P056	*
Iceland (models CTO-G)	89P9057	*
Italy (models CTO-G)	89P9059	*
LA Spanish (models CTO-L)	89P9062	*
Norwegian (models CTO-G)	89P9063	*
Polish (models CTO-G)	89P9064	*
Portuguese (models CTO-G)	89P9065	*
Romanian 096 (models CTO-G)	89P9067	*
Romanian 446 (models CTO-G)	89P9066	*
Russian/Cyrillic (models CTO-G)	89P9068	*
Serbian/Cyrillic (models CTO-G)	89P9069	*
Slovak (models CTO-G)	89P9070	*

<b>8116 IBM Keyboard (USB Preferred - without hub)</b>	<b>FRU#</b>	<b>CRU</b>
Spanish (models CTO-G)	89P9072	*
Swedish/Finn (models CTO-G)	89P9073	*
Swiss (models CTO-G)	89P9074	*
Thailand (models CTO-A)	89P9075	*
Turkish 440 (models CTO-G)	89P9076	*
Turkish 179 (models CTO-G)	89P9077	*
UK English (models CTO-G)	89P9078	*
US Euro (models CTO-G)	89P9079	*
Slovenian (models CTO-G)	89P9071	*

<b>8116 Lenovo Keyboard (USB Preferred - without hub)</b>	<b>FRU#</b>	<b>CRU</b>
US English (models CTO-U CTO-G)	41A5289	*
Arabic (models CTO-G)	41A5290	*
Arabic/French (models CTO-G)	41A5291	*
Belgian/French (models CTO-G)	41A5292	*
Belgian/UK (models CTO-G)	41A5293	*
Brazilian (models CTO-L)	41A5294	*
Bulgarian (models CTO-G)	41A5295	*
Czech (models CTO-G)	41A5297	*
Danish (models CTO-G)	41A5298	*
Dutch (models CTO-G)	41A5299	*
French (models CTO-G)	41A5300	*
French Canadian 445 (models CTO-U)	41A5301	*
French Canadian 58 (models CTO-U)	41A5302	*
German (models CTO-G)	41A5303	*
Greek (models CTO-G)	41A5304	*
Greek/US (models CTO-G)	41A5305	*
Hebrew (models CTO-G)	41A5306	*
Hungarian (models CTO-G)	41A5307	*
Iceland (models CTO-G)	41A5308	*
Italian 141 (models CTO-G)	41A5309	*
LA Spanish (models CTO-L)	41A5312	*
Norwegian (models CTO-G)	41A5313	*
Polish (models CTO-G)	41A5314	*
Portuguese (models CTO-G)	41A5315	*
Romanian 096 (models CTO-G)	41A5317	*
Romanian 446 (models CTO-G)	41A5316	*
Russian/Cyrillic (models CTO-G)	41A5318	*
Serbian/Cyrillic (models CTO-G)	41A5319	*
Slovak (models CTO-G)	41A5320	*
Spanish (models CTO-G)	41A5321	*

<b>8116 Lenovo Keyboard (USB Preferred - without hub)</b>	<b>FRU#</b>	<b>CRU</b>
Swedish/Finn (models CTO-G)	41A5322	*
Swiss (models CTO-G)	41A5323	*
Thailand (models CTO-A)	41A5324	*
Turkish 440 (models CTO-G)	41A5325	*
Turkish 179 (models CTO-G)	41A5326	*
UK English (models CTO-G)	41A5327	*
US Euro (models CTO-G)	41A5328	*
Slovenian (models CTO-G)	41A5329	*

<b>8116 Keyboards (Enhanced performance, USB)</b>	<b>FRU#</b>	<b>CRU</b>
US English (models CTO-U CTO-G E2A E2Q F1A F1Q F2A F2Q)	89P8800	*
Arabic (models CTO-G)	89P8801	*
Arabic/French (models CTO-G)	89P8802	*
Belgian/French (models CTO-G)	89P8803	*
Belgian/UK (models CTO-G)	89P8804	*
Brazil/Portuguese (models CTO-L)	89P8805	*
Bulgarian (models CTO-G)	89P8806	*
Czech (models CTO-G)	89P8808	*
Danish (models CTO-G)	89P8809	*
Dutch (models CTO-G)	89P8810	*
French (models CTO-G)	89P8811	*
French Canadian (models CTO-U)	89P8812	*
French Canadian (models CTO-U)	89P8813	*
German (models CTO-G)	89P8814	*
Greek (models CTO-G)	89P8815	*
Hebrew (models CTO-G)	89P8816	*
Hungarian (models CTO-G)	89P8817	*
Iceland (models CTO-G)	89P8818	*
Italian 141 (models CTO-G)	89P8819	*
LA/Spanish (models CTO-L)	89P8822	*
Norwegian (models CTO-G)	89P8823	*
Polish (models CTO-G)	89P8824	*
Portuguese (models CTO-G)	89P8825	*
Romanian (models CTO-G)	89P8826	*
Romanian (models CTO-G)	89P8827	*
Russian/Cyrillic (models CTO-G)	89P8828	*
Serbian/Cyrillic (models CTO-G)	89P8829	*
Slovak (models CTO-G)	89P8830	*
Spanish (models CTO-G)	89P8831	*
Swedish/Finn (models CTO-G)	89P8832	*
Swiss F/G (models CTO-G)	89P8833	*



<b>8116 Keyboards (Enhanced performance, USB)</b>	<b>FRU#</b>	<b>CRU</b>
Thailand (models CTO-A E2T F1T F2T)	89P8834	*
Turkish 440 (models CTO-G)	89P8835	*
Turkish 179 (models CTO-G)	89P8836	*
UK English (models CTO-G)	89P8837	*
US Euro (models CTO-G)	89P8838	*
Yugoslav/Latin (models CTO-G)	89P8839	*

<b>8116 Keyboard (Lenovo, USB Enhanced Performance)</b>	<b>FRU#</b>	<b>CRU</b>
US English (models CTO-U CTO-G E2A E2Q F1A F1Q F2A F2Q)	41A4961	*
Arabic (models CTO-G)	41A4962	*
Arabic/French (models CTO-G)	41A4963	*
Belgian/French (models CTO-G)	41A4964	*
Belgian/UK (models CTO-G)	41A4965	*
Brazilian (models CTO-L)	41A4966	*
Bulgarian (models CTO-G)	41A4967	*
Czech (models CTO-G)	41A4969	*
Danish (models CTO-G)	41A4970	*
Dutch (models CTO-G)	41A4971	*
French (models CTO-G)	41A4972	*
French Canadian 445 (models CTO-U)	41A4973	*
French Canadian 58 (models CTO-U)	41A4974	*
German (models CTO-G)	41A4975	*
Greek (models CTO-G)	41A4976	*
Hebrew (models CTO-G)	41A4977	*
Hungarian (models CTO-G)	41A4978	*
Iceland (models CTO-G)	41A4979	*
Italian (models CTO-G)	41A4980	*
LA Spanish (models CTO-L)	41A4983	*
Norwegian (models CTO-G)	41A4984	*
Polish (models CTO-G)	41A4985	*
Portuguese (models CTO-G)	41A4986	*
Romanian (models CTO-G)	41A4987	*
Russian/Cy (models CTO-G)	41A4988	*
Serbian/Cyrillic (models CTO-G)	41A4989	*
Slovak (models CTO-G)	41A4990	*
Spanish (models CTO-G)	41A4991	*
Swedish/Finn (models CTO-G)	41A4992	*
Swiss F/G (models CTO-G)	41A4993	*
Thailand (models CTO-A E2T F1T F2T)	41A4994	*
Turkish 440 (models CTO-G)	41A4995	*
Turkish 179 (models CTO-G)	41A4996	*



<b>8116 Keyboard (Lenovo, USB Enhanced Performance)</b>	<b>FRU#</b>	<b>CRU</b>
UK English (models CTO-G)	41A4997	*
US Euro (models CTO-G)	41A4998	*
Slovenian (models CTO-G)	41A4999	*

<b>8116 Keyboards (with fingerprint reader)</b>	<b>FRU#</b>	<b>CRU</b>
US English (models CTO-U CTO-G)	89P9000	*
Arabic (models CTO-G)	89P9001	*
Arabic/French (models CTO-G)	89P9002	*
Belgian/French (models CTO-G)	89P9003	*
Belgian/UK (models CTO-G)	89P9004	*
Brazilian Portuguese (models CTO-L)	89P9005	*
Bulgarian (models CTO-G)	89P9006	*
Czech (models CTO-G)	89P9008	*
Danish (models CTO-G)	89P9009	*
Dutch (models CTO-G)	89P9010	*
French (models CTO-G)	89P9011	*
French Canadian 445 (models CTO-U)	89P9012	*
French Canadian 58 (models CTO-U)	89P9013	*
German (models CTO-G)	89P9014	*
Greek (models CTO-G)	89P9015	*
Hebrew (models CTO-G)	89P9016	*
Hungarian (models CTO-G)	89P9017	*
Iceland (models CTO-G)	89P9018	*
Italian 141 (models CTO-G)	89P9019	*
LA Spanish (models CTO-L)	89P9022	*
Norwegian (models CTO-G)	89P9023	*
Polish (models CTO-G)	89P9024	*
Portuguese (models CTO-G)	89P9025	*
Romanian (models CTO-G)	89P9026	*
Romanian (models CTO-G)	89P9027	*
Russian/Cyrillic (models CTO-G)	89P9028	*
Serbian/Cyrillic (models CTO-G)	89P9029	*
Slovak (models CTO-G)	89P9030	*
Spanish (models CTO-G)	89P9031	*
Swedish/Finn (models CTO-G)	89P9032	*
Swiss F/G (models CTO-G)	89P9033	*
Thailand (models CTO-A)	89P9034	*
Turkish 440 (models CTO-G)	89P9035	*
Turkish 179 (models CTO-G)	89P9036	*
UK English (models CTO-G)	89P9037	*
US Euro (models CTO-G)	89P9038	*

<b>8116 Keyboards (with fingerprint reader)</b>	<b>FRU#</b>	<b>CRU</b>
Yugoslav/Latin (models CTO-G)	89P9039	*

<b>8116 Keyboard (Fingerprint reader USB)</b>	<b>FRU#</b>	<b>CRU</b>
US English (models CTO-U CTO-G)	41A5248	*
Arabic (models CTO-G)	41A5249	*
Arabic/French (models CTO-G)	41A5250	*
Belgian/French (models CTO-G)	41A5251	*
Belgian/UK (models CTO-G)	41A5252	*
Brazilian (models CTO-L)	41A5253	*
Bulgarian (models CTO-G)	41A5254	*
Chinese/US (models CTO-G)	41A5255	*
Czech (models CTO-G)	41A5256	*
Danish (models CTO-G)	41A5257	*
Dutch (models CTO-G)	41A5258	*
French (models CTO-G)	41A5259	*
French Canadian 445 (models CTO-U)	41A5260	*
French Canadian 58 (models CTO-U)	41A5261	*
German (models CTO-G)	41A5262	*
Greek (models CTO-G)	41A5263	*
Hebrew (models CTO-G)	41A5265	*
Hungarian (models CTO-G)	41A5266	*
Iceland (models CTO-G)	41A5267	*
Italian (models CTO-G)	41A5268	*
LA Spanish (models CTO-L)	41A5271	*
Norwegian (models CTO-G)	41A5272	*
Polish (models CTO-G)	41A5273	*
Portuguese (models CTO-G)	41A5274	*
Romanian 446 (models CTO-G)	41A5275	*
Romanian 96 (models CTO-G)	41A5276	*
Russian/Cy (models CTO-G)	41A5277	*
Serbian/Cyrillic (models CTO-G)	41A5278	*
Slovak (models CTO-G)	41A5279	*
Spanish (models CTO-G)	41A5280	*
Swedish/Finn (models CTO-G)	41A5281	*
Swiss F/G (models CTO-G)	41A5282	*
Thailand (models CTO-A)	41A5283	*
Turkish 440 (models CTO-G)	41A5284	*
Turkish 179 (models CTO-G)	41A5285	*
UK English (models CTO-G)	41A5286	*
US Euro (models CTO-G)	41A5287	*
Slovenian (models CTO-G)	41A5288	*

<b>8116 Lenovo Keyboard (Wireless, Enhanced)</b>	<b>FRU#</b>	<b>CRU</b>
US English/Chinese/US (models CTO-U CTO-G)	41A5219	*
Belgian/French (models CTO-U CTO-G)	41A5220	*
Belgian/UK (models CTO-G)	41A5221	*
Czech (models CTO-G)	41A5223	*
Danish (models CTO-G)	41A5224	*
Dutch (models CTO-G)	41A5225	*
French (models CTO-G)	41A5226	*
French Canadian (models CTO-U)	41A5227	*
French Canadian (models CTO-U)	41A5228	*
German (models CTO-G)	41A5229	*
Greek (models CTO-G)	41A5230	*
Hungarian (models CTO-G)	41A5232	*
Iceland (models CTO-G)	41A5233	*
Italy (models CTO-G)	41A5234	*
Norwegian (models CTO-G)	41A5236	*
Polish (models CTO-G)	41A5237	*
Portuguese (models CTO-G)	41A5238	*
Slovak (models CTO-G)	41A5239	*
Spanish (models CTO-G)	41A5240	*
Swedish/Finn (models CTO-G)	41A5241	*
Swiss (models CTO-G)	41A5242	*
UK English (models CTO-G)	41A5243	*
US Euro (models CTO-G)	41A5244	*

<b>8116 Keyboard (Enhanced Performance, Wireless)</b>	<b>FRU#</b>	<b>CRU</b>
US English (models CTO-U CTO-G)	89P8730	*
Belgian/French (models CTO-G)	89P8731	*
Belgian/UK (models CTO-G)	89P8732	*
Czech (models CTO-G)	89P8734	*
Danish (models CTO-G)	89P8735	*
Dutch (models CTO-G)	89P8736	*
French (models CTO-G)	89P8737	*
French Canadian 445 (models CTO-U)	89P8738	*
French Canadian 58 (models CTO-U)	89P8739	*
German (models CTO-G)	89P8740	*
Greek (models CTO-G)	89P8741	*
Hungarian (models CTO-G)	89P8742	*
Iceland (models CTO-G)	89P8743	*
Italian 141 (models CTO-G)	89P8744	*
Norwegian (models CTO-G)	89P8746	*

<b>8116 Keyboard (Enhanced Performance, Wireless)</b>	<b>FRU#</b>	<b>CRU</b>
Polish (models CTO-G)	89P8747	*
Portuguese (models CTO-G)	89P8748	*
Slovak (models CTO-G)	89P8749	*
Spanish (models CTO-G)	89P8751	*
Swedish/Finn (models CTO-G)	89P8752	*
Swiss F/G (models CTO-G)	89P8753	*
UK English (models CTO-G)	89P8754	*
US Euro (models CTO-G)	89P8755	*
Wireless transceiver dongle (models CTO)	89P8757	*

<b>8116 mice</b>	<b>FRU#</b>	<b>CRU</b>
Mouse, Scrollpoint Optical, USB (models CTO 21A 21Q 21T 22C 22B 22H 22V 31A 31Q 31T 23Q 24Q 25Q 26Q 32Q 33Q 34Q B1V B2V D1V E1V E2A E2Q E2T F1A F1Q F1T F2A F2Q F2T H1A H1Q H1T H2A H2Q H2T J1A J1Q J1T J2J J3J J4J J5J K1A K1Q K1T K2J K3J K4J K5J 27A 27Q 27T 51A 51T 61V G1A G1Q G1T)	41A4933	*
Mouse, optical wheelmouse, USB (models CTO)	41A4935	*
Mouse, PS/2 wheelmouse (Black) (models CTO)	41A4917	*
Mouse, optical wheelmouse (400DPI, USB) (models CTO)	41U3013	*
Mouse, Scrollpoint Optical, (800DPI, USB) (models CTO 21A 21Q 21T 22C 22B 22H 22V 31A 31Q 31T 23Q 24Q 25Q 26Q 32Q 33Q 34Q B1V B2V D1V E1V E2A E2Q E2T F1A F1Q F1T F2A F2Q F2T H1A H1Q H1T H2A H2Q H2T J1A J1Q J1T J2J J3J J4J J5J K1A K1Q K1T K2J K3J K4J K5J 27A 27Q 27T 51A 51T 61V G1A G1Q G1T)	41U3019	*
Mouse, wheelmouse PS/2 models CTO)	41R0018	*

<b>8116 Adapters and miscellaneous FRU</b>	<b>FRU#</b>	<b>CRU</b>
Soft Modem V.90/V.44 (models CTO)	29R9729	*
128MB DDR ATI Radeon x300SE (DMS59 connector) (models CTO)	39J9635	*
128MB DDR ATI RADEON X700 PRO VGA, DVI-I, TV-Out PCI-e BTX (models CTO)	39J6203	*
PCI-E DVI-DConnection Adapter (ADD 2-R) (Full Height) (models CTO)	39J9334	*
1394 Firewire PCI LP (ATX) (models CTO)	41D2781	*
1394 Internal cable (models CTO)	39M0478	*
Speakers, Jazz Infinity Active T1 (Black) (models CTO)	89P8588	*
Speaker Power brick - US, Canada, LA (low voltage), Taiwan, Phillipines, Thailand (models CTO-U CTO-L CTO-A)	10K2587	*
Speaker Power brick - UK, Hong Kong (British version), ASEAN (models CTO-A)	25P5703	*
Speaker Power brick - Europe and LA (models CTO-G CTO-L)	25P5704	*
Speaker Power brick (newer 2 prong) - China, Thailand, Phillipines (models CTO-A)	10K2597	*
Speaker Power brick - ANZ (models CTO-A)	25P5705	*
Speaker Power brick - Brazil (models CTO-L)	25P5706	*
Speaker Power brick - India, South Africa (models CTO-A CTO-G)	32P3181	*
Speaker Power brick - Argentina (models CTO-L)	01R2253	*
Speaker Power brick (models CTO)	89P8571	*
RJ11 connector adapter (Spain, Ireland) (All "G" models)	60H6043	*

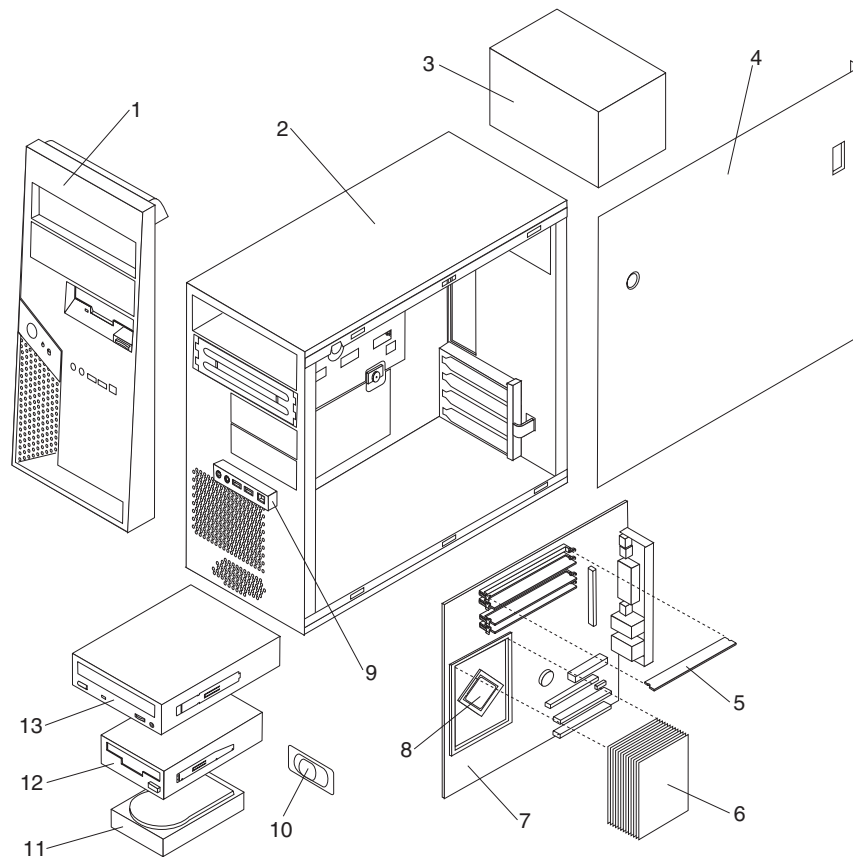
<b>8116 Adapters and miscellaneous FRU</b>	<b>FRU#</b>	<b>CRU</b>
RJ11 connector adapter (Austria) (All "G" models)	60H6045	*
RJ11 connector adapter (Belgium) (All "G" models)	60H6046	*
RJ11 connector adapter (Denmark) (All "G" models)	60H6047	*
RJ11 connector adapter (Norway, Finland) (All "G" models)	60H6048	*
RJ11 connector adapter (France) (All "G" models)	60H6049	*
RJ11 connector adapter (Germany) (All "G" models)	60H6050	*
RJ11 connector adapter (UK, NZ, HK) (All "G", "M", "B", "H" models)	60H6051	*
RJ11 connector adapter (Italy) (All "G" models)	60H6052	*
RJ11 connector adapter (Netherlands) (All "G" models)	60H6053	*
RJ11 connector adapter (Sweden) (All "G" models)	60H6054	*
RJ11 connector adapter (Switzerland) (All "G" models)	60H6055	*
Dongle Cable - DMS59 to dual VGA (All models)	41D2399	*

<b>8116 Power Cords</b>	<b>FRU#</b>	<b>CRU</b>
Power cord - US (models 21A 21T 31A 31T E2A E2T F1A F1T F2A F2T H1A H1T H2A H2T J1A J1T K1A K1T 27A 27T 51A 51T G1A G1T)	39M5080	*
Power cord - China (models 22C)	39M5205	*
Power cord - Japan (models J2J J3J J4J J5J K2J K3J K4J K5J)	39M5193	*
Power cord - Hong Kong (models 22B 22H)	39M5151	*
Power cord - UK, Ireland, Singapore, Malaysia, Brunei (models 21A 31A E2A F1A F2A H1A H2A J1A K1A 27A 51A G1A)	39M5150	*
Power cord - Taiwan (models 22V B1V B2V D1V E1V 61V)	39M5246	*
Power cord - G models (models 21A 31A E2A F1A F2A H1A H2A J1A K1A 27A 51A G1A)	39M5122	*
Power cord - South Africa (models 21A 31A E2A F1A F2A H1A H2A J1A K1A 27A 51A G1A)	39M5143	*
Power cord - India (models 21Q 31Q 23Q 24Q 25Q 26Q 32Q 33Q 34Q E2Q F1Q F2Q H1Q H2Q J1Q K1Q 27Q G1Q)	41R3175	*

<b>8116 Windows XP Home Recovery CDs</b>	<b>FRU #</b>	<b>CRU</b>
US/UK/AP/TH (models 22H)	41D1584	*
Simplified Chinese (models 22C)	41W2631	*
Taiwan - TC (models 22V)	41W2638	*
Hong Kong - TC (models 22B)	41W2645	*

<b>8116 Windows XP Pro Recovery CDs</b>	<b>FRU#</b>	<b>CRU</b>
US/UK/AP/TH (models 21A 21Q 21T 31A 31Q 31T 26Q 32Q 34Q E2A E2Q E2T F1A F1Q F1T F2A F2Q F2T H1A H1Q H1T H2A H2Q H2T J1A J1Q J1T K1A K1Q K1T 27A 27Q 27T 51A 51T G1A G1Q G1T)	41T1577	*
Taiwan - TC (models B1V B2V D1V E1V 61V)	41W2603	*

## Machine Type 8153



Item #	8153 FRUs	FRU#	CRU
1	Bezel Asm (all models)	41A7807	*
2	Chassis Asm (all models)	41A7808	N
3	Power supply, 310 W, standard (models CTO 21U 21F 22U 22F 23U 23F 24U 24F 31U 31F 32U 32F 33U 33F 41U 41F 42U 42F D1U D1F D2U D2F D3U D3F D4M D5M D6M E1U E1F E2U E2F E3U E3F 71G 72G C1U C2U C3U C4U C5U C6U 11M 12U 12F 13M 14U 14F C7U D7M E4M E5M E6M E7M G1M)	24R2596	**
3	Power supply, 310 W (models CTO-A CTO-L 22S 22P 22Y 31S 31P 31Y 41S 41P 41Y D1S D1P D1Y E1S E1P E1Y E2S E2P E2Y)	24R2598	**
4	Cover (all models)	39M0465	*
5	Memory module, 256MB, DDR2 SDRAM, NP (PC 4200) (models CTO 71G 72G 11M)	30R5120	*
5	Memory module, 512MB, DDR2 SDRAM, NP (PC 4200) (models CTO 21U 21F 22U 22F 23U 23F 24U 24F 31U 31F 32U 32F 33U 33F 41U 41F 42U 42F D1U D1F D2U D2F D3U D3F D4M E1U E1F E2U E2F E3U E3F 22S 22P 22Y 31S 31P 31Y 41S 41P 41Y D1S D1P D1Y E1S E1P E1Y E2S E2P E2Y 12U 12F 13M 14U 14F D7M E4M E5M)	30R5121	*
5	Memory module, 1GB, DDR2 SDRAM, NP (PC 4200) (models CTO D5M D6M E6M E7M G1M)	30R5122	*
5	Memory module, 2GB, DDR2 SDRAM, NP (PC 4200) (models CTO)	30R5123	*
5	Memory module, 256MB, DDR2 SDRAM, NP (PC 5300) (models CTO)	30R5124	*
5	Memory module, 512MB, DDR2 SDRAM, NP (PC 5300) (models CTO)	30R5125	*

Item #	8153 FRUs	FRU#	CRU
5	Memory module, 1GB, DDR2 SDRAM, NP (PC 5300) (models CTO)	30R5126	*
5	Memory module, 2GB, DDR2 SDRAM, NP (PC 5300) (models CTO)	30R5127	*
6	Heat sink (All models)	39M0538	**
7	System board, 10/1000 Enet (models CTO 21U 21F 22U 22F 23U 23F 24U 24F 31U 31F 32U 32F 33U 33F 41U 41F 42U 42F D6M 71G 72G C1U C2U C3U 22S 22P 22Y 31S 31P 31Y 41S 41P 41Y 11M 12U 12F 13M 14U 14F C7U G1M)	29R9726	N
7	System board, DDR2 BTX Planar (10/1000, POV down, NON-AMT) (models CTO 21U 21F 22U 22F 23U 23F 24U 24F 31U 31F 32U 32F 33U 33F 41U 41F 42U 42F D1U D1F D2U D2F D3U D3F D4M D5M D6M E1U E1F E2U E2F E3U E3F 71G 72G C1U C2U C3U C4U C5U C6U 22S 22P 22Y 31S 31P 31Y 41S 41P 41Y D1S D1P D1Y E1S E1P E1Y E2S E2P E2Y 11M 12U 12F 13M 14U 14F C7U D7M E4M E5M E6M E7M G1M)	41X0436	N
7	System board, DDR2 BTX Planar (10/1000, POV down, AMT enabled) (models CTO)	29R9727	N
7	System board, DDR2 BTX Planar (10/1000, POV down, AMT enabled) (models CTO)	41X0438	N
8	Microprocessor, Celeron 2.53GHz, 533 FSB, 256KB L2 (models CTO)	39J7016	**
8	Microprocessor, Celeron 2.66GHz, 533 FSB, 256KB L2 (models CTO)	39J7017	**
8	Microprocessor, Celeron 2.80GHz, 533 FSB, 256KB L2 (models CTO)	39J7018	**
8	Microprocessor, Celeron 2.93GHz, 533 FSB, 256KB L2 (models CTO)	39J7019	**
8	Microprocessor, Celeron 3.06GHz, 533 FSB, 256KB L2 (models CTO)	39J7020	**
8	Microprocessor, Celeron 3.20GHz, 533 FSB, 256KB L2 (models CTO)	39J9696	**
8	Microprocessor, 3.33GHz Celeron Prescott 355 (533MHz FSB, 256KB Cache) G1-Value (models CTO)	41T1134	**
8	Microprocessor, Celeron 3.20Ghz Cedar Mill (533MHz FSB, 512KB Cache) B1-Value (models CTO)	41T4966	**
8	Microprocessor, Celeron 3.33Ghz Cedar Mill (533MHz FSB, 512KB Cache) B1-Value (models CTO)	41T4968	**
8	Microprocessor, Pentium 4 2.93GHz, 533 FSB, 1MB L2 (models CTO)	39J9625	**
8	Microprocessor, Pentium 4 2.66GHz, 533 FSB, 1MB L2 (models CTO)	41D0690	**
8	Microprocessor, Pentium 4 2.93GHz, 533 FSB, 1MB L2 (models CTO 11M 12U 12F 13M 14U 14F C7U)	41D0692	**
8	Microprocessor, Pentium 4 3.06GHz, 533 FSB, 1MB L2 (models CTO 72G)	41D0694	**
8	Microprocessor, Pentium 4 2.8GHz, 800 FSB, 1MB L2 (models CTO)	39J7021	**
8	Microprocessor, Pentium 4 3.0GHz, 800 FSB, 1MB L2 (models CTO 21U 21F 22U 22F 23U 23F 24U 24F 71G C1U 22S 22P 22Y)	39J7022	**
8	Microprocessor, Pentium 4 3.2GHz, 800 FSB, 1MB L2 (models CTO 31U 31F 32U 32F 33U 33F C2U 31S 31P 31Y)	39J7023	**
8	Microprocessor, Pentium 4 3.4GHz, 800 FSB, 1MB L2 (models CTO 41U 41F 42U 42F C3U 41S 41P 41Y)	39J7024	**
8	Microprocessor, Pentium 4 3.0GHz, 800 FSB, 2MB L2 (models CTO D1U D1F D2U D2F D3U D3F D4M D5M C4U D1S D1P D1Y)	39J7025	**
8	Microprocessor, Pentium 4 3.2GHz, 800 FSB, 2MB L2 (models CTO E1U E1F E2U E2F E3U E3F C5U E1S E1P E1Y E2S E2P E2Y E4M E5M E6M E7M)	39J7026	**
8	Microprocessor, Pentium 4 3.4GHz, 800 FSB, 2MB L2 (models CTO C6U D7M)	39J7027	**
8	Microprocessor, Smithfield Pentium 4 2.8.4GHz, 800 FSB, 1MB L2 (models CTO D6M G1M)	39J8469	**



Item #	8153 FRUs	FRU#	CRU
8	Microprocessor, 3.0GHz Cedar Mill P4 (800MHz FSB, 2MB Cache) B0-Value (models CTO)	41D5054	**
8	Microprocessor, 3.2 GHz Cedar Mill P4 (800MHz FSB, 2MB Cache) B0-Value (models CTO)	41D5056	**
8	Microprocessor, 3.4 GHz Cedar Mill P4 (800MHz FSB, 2MB Cache) B0-Value (models CTO)	41D5058	**
8	Microprocessor, 3.6 GHz Cedar Mill P4 (800MHz FSB, 2MB Cache) B0-Value (models CTO)	41D5060	**
8	Microprocessor, 2.8GHz Presler P4 (800MHz FSB, 2MBx2 Cache) B0-Value (models CTO)	41D5062	**
8	Microprocessor, 3.0GHz Presler P4 (800MHz FSB, 2MBx2 Cache) B0-Value (models CTO)	41D5064	**
9	Front panel card Asm (all models)	26K1183	**
10	Speaker Asm, Soldered Terminals (models CTO 21U 21F 22U 22F 23U 23F 24U 24F 31U 31F 32U 32F 33U 33F 41U 41F 42U 42F D1U D1F D2U D2F D3U D3F E1U E1F E2U E2F E3U E3F 71G 72G 22S 22P 22Y 31S 31P 31Y 41S 41P 41Y D1S D1P D1Y E1S E1P E1Y E2S E2P E2Y 11M 12U 12F 13M 14U 14F)	39P5023	**
11	Hard disk drive, 40GB, 7200RPM, Serial ATA (models CTO 21U 21F 12U 12F)	40Y8760	**
11	Hard disk drive, 40GB, 7200RPM, Serial ATA (models CTO 21U 21F 12U 12F)	40Y9033	**
11	Hard disk drive, 40GB, 7200RPM, Serial ATA (models CTO 21U 21F 12U 12F)	71P7312	**
11	Hard disk drive, 80GB, 7200RPM, Serial ATA (models CTO 22U 22F 23U 23F 24U 24F 31U 31F 32U 32F 33U 33F 41U 41F 42U 42F D1U D1F D2U D2F D3U D3F E1U E1F E2U E2F E3U E3F 71G 72G 22S 22P 22Y 31S 31P 31Y 41S 41P 41Y D1S D1P D1Y E1S E1P E1Y E2S E2P E2Y 11M 13M 14U 14F)	40Y8761	**
11	Hard disk drive, 80GB, 7200RPM, Serial ATA (models CTO 22U 22F 23U 23F 24U 24F 31U 31F 32U 32F 33U 33F 41U 41F 42U 42F D1U D1F D2U D2F D3U D3F E1U E1F E2U E2F E3U E3F 71G 72G 22S 22P 22Y 31S 31P 31Y 41S 41P 41Y D1S D1P D1Y E1S E1P E1Y E2S E2P E2Y 11M 13M 14U 14F)	71P7293	**
11	Hard disk drive, 160GB, 7200RPM, Serial ATA (models CTO D4M D5M D6M D7M E4M E5M E6M G1M)	40Y8762	**
11	Hard disk drive, 160GB, 7200RPM, Serial ATA (models CTO D4M D5M D6M)	71P7297	**
11	Hard disk drive, 250GB, 7200RPM, Serial ATA (models CTO E7M)	71P7299	**
12	Diskette drive, 1.44MB, 3-mode, w/o bezel (models CTO 21U 21F 22U 22F 23U 23F 31U 31F 32U 32F 41U 41F D1U D1F D2U D2F D4M D5M D6M E1U E1F E2U E2F 71G 72G 22S 22P 22Y 31S 31P 31Y 41S 41P 41Y D1S D1P D1Y E1S E1P E1Y E2S E2P E2Y 11M 12U 12F 13M 14U 14F D7M E4M E5M E6M E7M G1M)	40Y9107	*
12	Diskette drive, 1.44MB, 3-mode, w/o bezel (models CTO 21U 21F 22U 22F 23U 23F 31U 31F 32U 32F 41U 41F D1U D1F D2U D2F D4M D5M D6M E1U E1F E2U E2F 71G 72G 22S 22P 22Y 31S 31P 31Y 41S 41P 41Y D1S D1P D1Y E1S E1P E1Y E2S E2P E2Y 11M 12U 12F 13M 14U 14F D7M E4M E5M E6M E7M G1M)	40Y9105	*
12	Diskette drive, 1.44MB, 3-mode, w/o bezel (models CTO 21U 21F 22U 22F 23U 23F 31U 31F 32U 32F 41U 41F D1U D1F D2U D2F D4M D5M D6M E1U E1F E2U E2F 71G 72G 22S 22P 22Y 31S 31P 31Y 41S 41P 41Y D1S D1P D1Y E1S E1P E1Y E2S E2P E2Y 11M 12U 12F 13M 14U 14F D7M E4M E5M E6M E7M G1M)	40Y9113	*
13	CD-ROM drive 48X (models CTO 21U 21F 22U 22F 31U 31F D1U D1F E1U E1F 22S 22P 22Y 31S 31P 31Y D1S D1P D1Y E1S E1P E1Y 11M 12U 12F)	40Y8925	*
13	CD-ROM drive 48X (models CTO 21U 21F 22U 22F 31U 31F D1U D1F E1U E1F 22S 22P 22Y 31S 31P 31Y D1S D1P D1Y E1S E1P E1Y 11M 12U 12F)	40Y8929	*
13	CD-RW drive (48X/32X/48X) (models CTO 13M)	40Y8901	*



Item #	8153 FRUs	FRU#	CRU
13	CD-RW drive (48X/32X/48X) (models CTO 13M)	40Y8937	*
13	DVD-ROM (16X/48X) - black (models CTO 71G 72G)	40Y8931	*
13	DVD-ROM (16X/48X) - black (models CTO 71G 72G)	40Y8933	*
13	CD-RW/DVD-ROM Combo drive (48X/32X/48X/16X Max) (models CTO 23U 23F 24U 24F 32U 32F 33U 33F 41U 41F 42U 42F D2U D2F D3U D3F E2U E2F E3U E3F 41S 41P 41Y E1S E1P E1Y 14U 14F)	40Y8781	*
13	CD-RW/DVD-ROM Combo drive (48X/32X/48X/16X Max) (models CTO 23U 23F 24U 24F 32U 32F 33U 33F 41U 41F 42U 42F D2U D2F D3U D3F E2U E2F E3U E3F 41S 41P 41Y E1S E1P E1Y 14U 14F)	40Y8919	*
13	CD-RW/DVD-ROM Combo drive (48X/32X/48X/16X Max) (models CTO 23U 23F 24U 24F 32U 32F 33U 33F 41U 41F 42U 42F D2U D2F D3U D3F E2U E2F E3U E3F 41S 41P 41Y E1S E1P E1Y 14U 14F)	40Y8903	*
13	Multiburner Plus (models CTO D4M D5M D6M D7M E4M E5M E6M E7M G1M)	40Y8909	*

The FRUs listed in the following table are not illustrated.

8153 FRUs	FRU#	CRU
Cable, C2 Switch (models CTO)	39M0458	*
Shield, 5.25 EMC (all models)	39M0460	*
Cable, SATA (18-inch RoHs) (all models)	26K1186	*
Hard disk drive mounting bracket (all models)	39M0461	*
Cable, serial (all models)	39K5021	*
EMC shield, diskette drive (all models)	39M0464	*
Cable, diskette drive (RoHs) (all models)	26K1184	*
Fan duct Asm (all models)	39M0470	*
Power switch/LED Asm (all models)	39M0471	**
Device retaining clips (all models)	39M0473	**
Shield, system board (all models)	39M0476	N
Miscellaneous hardware kit (all models)	39M0477	**
Cable, 1394 panel mount (all models)	39M0478	**
Heat sink Retention Module kit (all models)	39K5046	N
Cable, 2 Drop IDE (all models)	39M0516	*
Hard Disk Drive Tray w/screws (all models)	39M0491	**
Universal Adapter Bracket 5.25 to 3.5-inch (all models)	32P4743	*
Miscellaneous Screw Kit (all models)	41R2477	*
Battery, 3.0V (all models)	33F8354	*

8153 Keyboard (Preferred Pro, Fullsize, PS/2, Stealth Black)	FRU#	CRU
US English (models CTO-U CTO-G 22U 24U 31U 33U 42U D1U D3U D4M D5M D6M E1U E3U 71G 72G 11M 12U 13M 14U D7M E4M E5M E6M E7M G1M)	89P8300	*
Arabic (models CTO-G 71G 72G)	89P8301	*
Belgian/French (models CTO-G 71G 72G)	89P8302	*
Belgian/UK (models CTO-G 71G 72G)	89P8303	*

<b>8153 Keyboard (Preferred Pro, Fullsize, PS/2, Stealth Black)</b>	<b>FRU#</b>	<b>CRU</b>
Brazil/Portugese (models CTO-L 22P 31P D1P E1P)	89P8304	*
Bulgarian (models CTO-G 71G 72G)	89P8305	*
Czech (models CTO-G 71G 72G)	89P8307	*
Danish (models CTO-G 71G 72G)	89P8308	*
Dutch (models CTO-G 71G 72G)	89P8309	*
French (models CTO-G 71G 72G)	89P8310	*
French Canadian 445 (models CTO-U 22F 24F 31F 33F 42F D1F D3F E1F E3F 12F 14F)	89P8311	*
French Canadian 58 (models CTO-U 22F 24F 31F 33F 42F D1F D3F E1F E3F 12F 14F)	89P8312	*
German (models CTO-G 71G 72G)	89P8313	*
Greek (models CTO-G 71G 72G)	89P8314	*
Hebrew (models CTO-G 71G 72G)	89P8315	*
Hungarian (models CTO-G 71G 72G)	89P8316	*
Iceland (models CTO-G 71G 72G)	89P8317	*
Italian 141 (models CTO-G 71G 72G)	89P8318	*
Italian 142 (models CTO-G 71G 72G)	89P8319	*
LA Spanish (models CTO-L 22S 22Y 31S 31Y D1S D1Y E1S E1Y)	89P8322	*
Norwegian (models CTO-G 71G 72G)	89P8323	*
Polish (models CTO-G 71G 72G)	89P8324	*
Portuguese (models CTO-G 71G 72G)	89P8325	*
Romanian (models CTO-G 71G 72G)	89P8326	*
Russian/Cyrillic (models CTO-G 71G 72G)	89P8328	*
Serbian/Cyrillic (models CTO-G 71G 72G)	89P8329	*
Slovak (models CTO-G 71G 72G)	89P8330	*
Spanish (models CTO-G 71G 72G)	89P8331	*
Swedish/Finn (models CTO-G 71G 72G)	89P8332	*
Swiss F/G (models CTO-G 71G 72G)	89P8333	*
Thailand (models CTO-A)	89P8334	*
Turkish 440 (models CTO-G 71G 72G)	89P8335	*
Turkish 179 (models CTO-G 71G 72G)	89P8336	*
UK English (models CTO-G 71G 72G)	89P8337	*
US Euro (models CTO-G 71G 72G)	89P8338	*
Yugoslav/Latin (models CTO-G 71G 72G)	89P8339	*

<b>8153 Keyboards (with fingerprint reader)</b>	<b>FRU#</b>	<b>CRU</b>
US English (models CTO-U CTO-G 21U 23U 32U 41U D2U E2U)	89P9000	*
Arabic (models CTO-G)	89P9001	*
Arabic/French (models CTO-G)	89P9002	*
Belgian/French (models CTO-G)	89P9003	*
Belgian/UK (models CTO-G)	89P9004	*
Brazilian Portuguese (models CTO-L 41P E2P)	89P9005	*
Bulgarian (models CTO-G)	89P9006	*

<b>8153 Keyboards (with fingerprint reader)</b>	<b>FRU#</b>	<b>CRU</b>
Czech (models CTO-G)	89P9008	*
Danish (models CTO-G)	89P9009	*
Dutch (models CTO-G)	89P9010	*
French (models CTO-G)	89P9011	*
French Canadian 445 (models CTO-U 21F 23F 32F 41F D2F E2F)	89P9012	*
French Canadian 58 (models CTO-U 21F 23F 32F 41F D2F E2F)	89P9013	*
German (models CTO-G)	89P9014	*
Greek (models CTO-G)	89P9015	*
Hebrew (models CTO-G)	89P9016	*
Hungarian (models CTO-G)	89P9017	*
Iceland (models CTO-G)	89P9018	*
Italian 141 (models CTO-G)	89P9019	*
LA Spanish (models CTO-L 41S 41Y E2S E2Y)	89P9022	*
Norwegian (models CTO-G)	89P9023	*
Polish (models CTO-G)	89P9024	*
Portuguese (models CTO-G)	89P9025	*
Romanian (models CTO-G)	89P9026	*
Romanian (models CTO-G)	89P9027	*
Russian/Cyrillic (models CTO-G)	89P9028	*
Serbian/Cyrillic (models CTO-G)	89P9029	*
Slovak (models CTO-G)	89P9030	*
Spanish (models CTO-G)	89P9031	*
Swedish/Finn (models CTO-G)	89P9032	*
Swiss F/G (models CTO-G)	89P9033	*
Thailand (models CTO-A)	89P9034	*
Turkish 440 (models CTO-G)	89P9035	*
Turkish 179 (models CTO-G)	89P9036	*
UK English (models CTO-G)	89P9037	*
US Euro (models CTO-G)	89P9038	*
Yugoslav/Latin (models CTO-G)	89P9039	*

<b>8153 mice</b>	<b>FRU#</b>	<b>CRU</b>
Mouse, PS/2 - 2-Button (Black) (models CTO)	41A4909	*
Mouse, Scrollpoint Optical, USB (models CTO 21U 21F 22U 22F 23U 23F 24U 24F 31U 31F 32U 32F 33U 33F 41U 41F 42U 42F D1U D1F D2U D2F D3U D3F D4M D5M D6M E1U E1F E2U E2F E3U E3F 71G 72G 22S 22P 22Y 31S 31P 31Y 41S 41P 41Y D1S D1P D1Y E1S E1P E1Y E2S E2P E2Y 11M 12U 12F 13M 14U 14F D7M E4M E5M E6M E7M G1M)	41A4933	*
Mouse, Optical Wheelmouse, USB (models CTO)	41A4935	*

<b>8153 Adapters and miscellaneous FRU</b>	<b>FRU#</b>	<b>CRU</b>
Soft Modem V.90/V.44 (models CTO)	29R9729	*
Nvidia GeForce 6200 P262 w/NV44 (models CTO D5M E5M)	39J6213	*

8153 Adapters and miscellaneous FRU	FRU#	CRU
128MB DDR ATI Radeon x300SE (DMS59 connector) (models CTO D7M E6M E7M G1M)	39J9635	*
128MB DDR ATI RADEON X700 PRO VGA, DVI-I, TV-Out PCI-e BTX (models CTO D6M)	39J6203	*
PCI-E DVI-DConnection Adapter (ADD 2-R) (Full Height) (models CTO)	39J9334	*
1394 Firewire PCI LP (ATX) (models CTO D5M D6M D7M E5M E6M E7M G1M)	41D2781	*
Speakers, Jazz Infinity Active T1 (Black) (models CTO D4M D5M D6M D7M E4M E5M E6M E7M G1M)	89P8588	*
Speaker Power brick - US, Canada, LA (low voltage), Taiwan, Phillipines, Thailand (models CTO-U CTO-L CTO-A)	10K2587	*
Speaker Power brick - UK, Hong Kong (British version), ASEAN (models CTO-A)	25P5703	*
Speaker Power brick - Europe and LA (models CTO-G CTO-L)	25P5704	*
Speaker Power brick (newer 2 prong) - China, Thailand, Phillipines (models CTO-A)	10K2597	*
Speaker Power brick - ANZ (models CTO-A D4M D5M D6M D7M E4M E5M E6M E7M G1M)	25P5705	*
Speaker Power brick - Brazil (models CTO-L)	25P5706	*
Speaker Power brick - India, South Africa (models CTO-A CTO-G)	32P3181	*
Speaker Power brick - Argentina (models CTO-L)	01R2253	*
RJ11 connector adapter (Spain, Ireland) (All "G" models)	60H6043	*
RJ11 connector adapter (Austria) (All "G" models)	60H6045	*
RJ11 connector adapter (Belgium) (All "G" models)	60H6046	*
RJ11 connector adapter (Denmark) (All "G" models)	60H6047	*
RJ11 connector adapter (Norway, Finland) (All "G" models)	60H6048	*
RJ11 connector adapter (France) (All "G" models)	60H6049	*
RJ11 connector adapter (Germany) (All "G" models)	60H6050	*
RJ11 connector adapter (UK, NZ, HK) (All "G", "M", "B", "H" models)	60H6051	*
RJ11 connector adapter (Italy) (All "G" models)	60H6052	*
RJ11 connector adapter (Netherlands) (All "G" models)	60H6053	*
RJ11 connector adapter (Sweden) (All "G" models)	60H6054	*
RJ11 connector adapter (Switzerland) (All "G" models)	60H6055	*

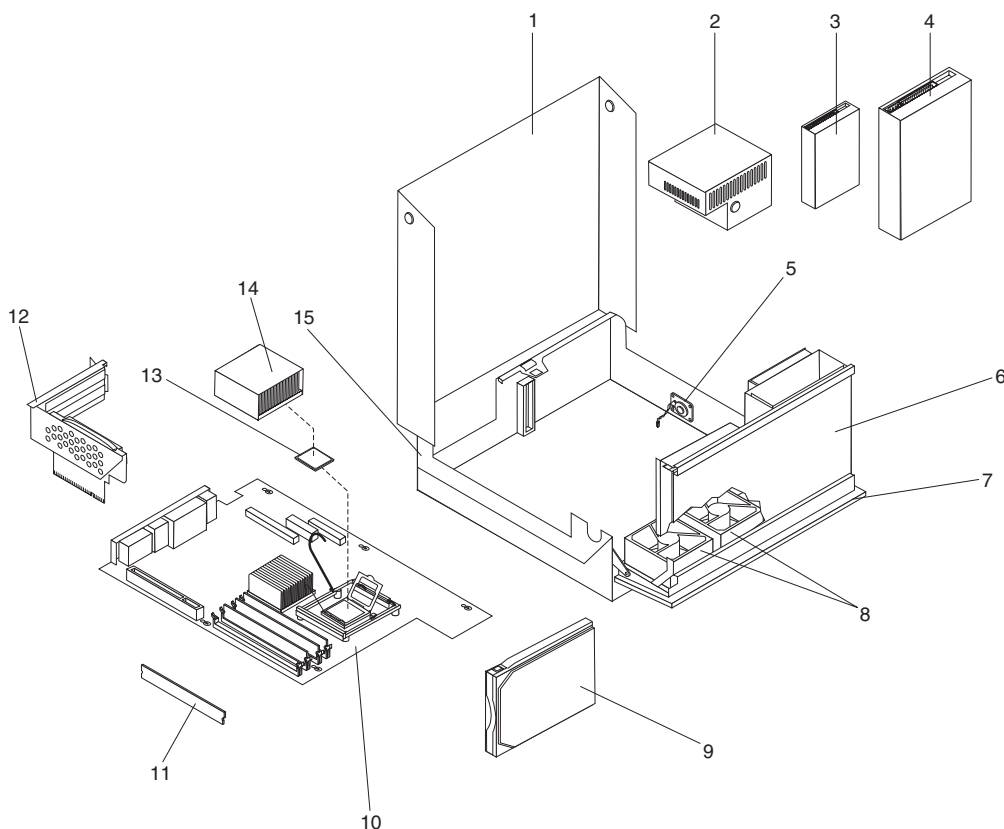
8153 Power Cords	FRU#	CRU
Power cord - US (models 21U 21F 22U 22F 23U 23F 24U 24F 31U 31F 32U 32F 33U 33F 41U 41F 42U 42F D1U D1F D2U D2F D3U D3F E1U E1F E2U E2F E3U E3F C1U C2U C3U C4U C5U C6U 22S 31S 41S D1S E1S E2S 12U 12F 14U 14F C7U)	39M5080	*
Power cord - Brazil (models 22P 31P 41P D1P E1P E2P)	39M5232	*
Power cord - LA High Volt (APU) (models 22Y 31Y 41Y D1Y E1Y E2Y)	39M5067	*
Power cord - Australia/New Zealand (models D4M D5M D6M 11M 13M D7M E4M E5M E6M E7M G1M)	39M5102	*
Power cord - UK, Ireland, Singapore, Malaysia, Brunei (models 71G 72G)	39M5150	*
Power cord - Italy (models 71G 72G 22S 22Y 31S 31Y 41S 41Y D1S D1Y E1S E1Y E2S E2Y)	39M5164	*
Power cord - G models (models 71G 72G)	39M5122	*
Power cord - Denmark (models 71G 72G)	39M5129	*
Power cord - Switzerland (models 71G 72G)	39M5157	*

8153 Power Cords	FRU#	CRU
Power cord - Israel (models 71G 72G)	39M5171	*
Power cord - South Africa (models D4M D5M D6M 71G 72G 11M 13M D7M E4M E5M E6M E7M G1M)	39M5143	*

8153 Windows XP Home Recovery CDs	FRU #	CRU
US/UK/AP/TH (models D4M D5M D6M D7M E4M E5M E6M E7M G1M)	41D1584	*

8153 Windows XP Pro Recovery CDs	FRU#	CRU
US/UK/AP/TH (models 21U 22U 23U 24U 31U 32U 33U 41U 42U D1U D2U D3U E1U E2U E3U 71G 72G 11M 12U 13M 14U)	41T1577	*
FR/CF (models 21F 22F 23F 24F 31F 32F 33F 41F 42F D1F D2F D3F E1F E2F E3F 71G 72G 12F 14F)	41T3198	*
GR (models 71G 72G)	41T3199	*
SP/LA (models 71G 72G 22S 22Y 31S 31Y 41S 41Y D1S D1Y E1S E1Y E2S E2Y)	41T3200	*
IT (models 71G 72G)	41T3201	*
BR (models 22P 31P 41P D1P E1P E2P)	41T3202	*
SV (models 71G 72G)	41T3203	*
DK (models 71G 72G)	41T3204	*
FI (models 71G 72G)	41T4264	*
NO (models 71G 72G)	39J9646	*
NL (models 71G 72G)	41T4266	*
HE (models 71G 72G)	41T4267	*
PL (models 71G 72G)	41T4268	*
CZ (models 71G 72G)	41T4269	*
AE (models 71G 72G)	41T4270	*
RU (models 71G 72G)	41T4271	*
RU English (models 71G 72G)	41T4835	*
TR (models 71G 72G)	41T4836	*
HU (models 71G 72G)	41T4837	*
PO (models 71G 72G)	41T4838	*
GK (models 71G 72G)	41T4839	*
SL (models 71G 72G)	41T4840	*
Multilingual 1 (models CTO-G 71G 72G)	41T3282	*
Multilingual 2 (models CTO-G 71G 72G)	41T4280	*

# Machine Type 8154



Item #	8154 FRUs	FRU#	CRU
1	Cover (all models)	39M0581	**
2	Power Supply (225 Watt) (models CTO 11G)	24R2625	**
2	Power Supply - China (225 Watt) (models CTO-A CTO-L)	24R2627	**
3	Diskette drive, 3.5" 1.44MB 3-mode (w/o bezel) (models CTO 11G)	40Y9107	*
3	Diskette drive, 3.5" 1.44MB 3-mode (w/o bezel) (models CTO 11G)	40Y9105	*
3	Diskette drive, 3.5" 1.44MB 3-mode (w/o bezel) (models CTO 11G)	40Y9113	*
4	CD-ROM Drive 48X (models CTO)	40Y8925	*
4	CD-ROM Drive 48X (models CTO)	40Y8929	*
4	CD-RW Drive (48X/32X/48X) (models CTO)	40Y8901	*
4	CD-RW Drive (48X/32X/48X) (models CTO)	40Y8937	*
4	DVD-ROM Drive (16X/48X) (models CTO 11G)	40Y8931	*
4	DVD-ROM Drive (16X/48X) (models CTO 11G)	40Y8933	*
4	CD-RW/DVD-ROM Combo Drive 48X/32X/48X/16X Max (models CTO)	40Y8781	*
4	CD-RW/DVD-ROM Combo Drive 48X/32X/48X/16X Max (models CTO)	40Y8919	*
4	CD-RW/DVD-ROM Combo Drive 48X/32X/48X/16X Max (models CTO)	40Y8903	*
4	Multi-Burner (models CTO)	40Y8909	*
5	Speaker/cable assembly (models)	39K5012	*
6	Rotating cage assembly (all models)	39M0583	**
7	Bezel Kit (all models)	39M0579	*

Item #	8154 FRUs	FRU#	CRU
7	Bezel Kit (all models)	41R2926	*
8	Front fan and bracket assembly (all models)	39M0585	**
9	Hard Disk Drive 40GB 7200 rpm Serial ATA (models CTO)	40Y8760	*
9	Hard Disk Drive 40GB 7200 rpm Serial ATA (models CTO)	40Y9033	*
9	Hard Disk Drive 40GB 7200 rpm Serial ATA (models CTO)	71P7312	*
9	Hard Disk Drive 80GB 7200 rpm Serial ATA (models CTO 11G)	40Y8761	*
9	Hard Disk Drive 80GB 7200 rpm Serial ATA (models CTO 11G)	71P7293	*
9	Hard Disk Drive 160GB 7200 rpm Serial ATA (models CTO)	40Y8762	*
9	Hard Disk Drive 160GB 7200 rpm Serial ATA (models CTO)	71P7297	*
10	System Board 10/1000 E-net (models CTO 11G)	41X0921	**
10	System Board 10/1000 E-net, POV down, AMT enabled (models CTO)	41X0922	**
11	256MB DDR2 SDRAM NP Memory (PC 4200) (models CTO 11G)	30R5120	*
11	512MB DDR2 SDRAM NP Memory (PC 4200) (models CTO)	30R5121	*
11	1GB DDR2 SDRAM NP Memory (PC 4200) (models CTO)	30R5122	*
11	2GB DDR2 SDRAM NP Memory (PC 4200) (models CTO)	30R5123	*
11	256MB DDR2 SDRAM NP Memory (PC 5300) (models CTO)	30R5124	*
11	512MB DDR2 SDRAM NP Memory (PC 5300) (models CTO)	30R5125	*
11	1GB DDR2 SDRAM NP Memory (PC 5300) (models CTO)	30R5126	*
11	2GB DDR2 SDRAM NP Memory (PC 5300) (models CTO)	30R5127	*
12	Riser card and bracket assembly (all models)	39M0587	*
13	Microprocessor, 2.53GHZ Celeron Prescott P4 (533FSB, 256KB) (models CTO)	39J8470	**
13	Microprocessor, 2.66 GHZ Celeron Prescott P4 (533FSB, 256KB) (models CTO)	39J8471	**
13	Microprocessor, 2.8 GHZ Celeron Prescott P4 (533FSB, 256KB) (models CTO)	39J8472	**
13	Microprocessor, 2.93 GHZ Celeron Prescott P4 (533FSB, 256KB) (models CTO)	39J8473	**
13	Microprocessor, 3.06 GHZ Celeron Prescott P4 (533FSB, 256KB) (models CTO)	39J8474	**
13	Microprocessor, 3.2 GHZ Celeron Prescott P4 (533FSB, 256KB) (models CTO)	39J9697	**
13	Microprocessor, 3.33GHz Celeron Prescott 355 (533MHz FSB, 256KB Cache) G1-Value (models CTO)	41T1136	**
13	Microprocessor, Celeron 3.20Ghz Cedar Mill (533MHz FSB, 512KB Cache) B1-Value (models CTO)	41T4966	**
13	Microprocessor, Celeron 3.33Ghz Cedar Mill (533MHz FSB, 512KB Cache) B1-Value (models CTO)	41T4968	**
13	Microprocessor, 2.93 GHZ Prescott P4 (533FSB, 1MB) (models CTO)	39J9629	**
13	Microprocessor, 2.66 GHZ Prescott P4 (533FSB, 1MB) (models CTO)	41D0696	**
13	Microprocessor, 2.93 GHZ Prescott P4 (533FSB, 1MB) (models CTO)	41D0698	**
13	Microprocessor, 3.06 GHZ Prescott P4 (533FSB, 1MB) (models CTO)	41D0700	**
13	Microprocessor, 2.8 GHZ Prescott P4 (800FSB, 1MB) (models CTO)	39J8475	**
13	Microprocessor, 3.0 GHZ Prescott P4 (800FSB, 1MB) (models CTO 11G)	39J8476	**
13	Microprocessor, 3.2 GHZ Prescott P4 (800FSB, 1MB) (models CTO)	39J8477	**
13	Microprocessor, 3.4 GHZ Prescott P4 (800FSB, 1MB) (models CTO)	39J8478	**
13	Microprocessor, 3.0 GHZ Prescott P4 (800FSB, 2MB) (models CTO)	39J8480	**
13	Microprocessor, 3.2 GHZ Prescott P4 (800FSB, 2MB) (models CTO)	39J8481	**



Item #	8154 FRUs	FRU#	CRU
13	Microprocessor, 3.4 GHZ Prescott P4 (800FSB, 2MB) (models CTO)	39J8482	**
13	Microprocessor, 2.8 GHZ Smithfield P4 (800FSB, 1MB) (models CTO)	39J8479	**
13	Microprocessor, 3.4 GHZ Cedar Mill P4 (800MHz FSB, 2MB Cache) (models CTO)	41D5070	**
13	Microprocessor, 3.6 GHZ Cedar Mill P4 (800MHz FSB, 2MB Cache) (models CTO)	41D5072	**
13	Microprocessor, 2.8 GHZ Presler P4 (800MHz FSB, 2MBx2 Cache) (models CTO)	41D5074	**
13	Microprocessor, 3.0 GHZ Presler P4 (800MHz FSB, 2MBx2 Cache) (models CTO)	41D5076	**
14	Heat Sink and Retention Module kit (all models)	39M0586	**
15	Chassis (all models)	39M0582	**

The FRUs listed in the following table are not illustrated.

8154 FRUs	FRU#	CRU
Hard disk drive bracket assembly (all models)	39M0578	*
Power switch/LED cable assembly (all models)	39M0580	**
SATA cable assembly (all models)	39K0526	*
Optical cable, 1 drop (all models)	39M0584	*
Intrusion switch cable (all models)	39K0522	*
Miscellaneous parts kit (all models)	39M0588	*
Vertical stand (all models)	39M0589	*
Bezel assembly, optical rotating (all models)	39M0592	**
EMC shield kit, diskette drive and optical bays (all models)	41N5325	**
System board EMC Shield (all models)	41N5326	**
Diskette drive cable asm. (all models)	41N8269	**
Universal Adapter Bracket 5.25 to 3.5-inch (all models)	32P4743	*
Battery (all models)	33F8354	*

8154 Adapters and miscellaneous FRUs	FRU#	CRU
PCI Modem Card (Soft), ATX V.90 (models CTO)	22P7943	*
Nvidia GeForce 6200 P262 w/NV44 (models CTO)	39J6213	*
128MB DDR ATI Radeon x300SE (DMS59 connector) (models CTO)	39J9635	*
128MB DDR ATI RADEON X700 PRO VGA, DVI-I, TV-Out PCI-e BTX (models CTO)	39J6203	*
PCI-E DVI-DConnection Adapter (ADD 2-R) (Full Height) (models CTO)	39J9334	*
1394 Firewire PCI LP (ATX) (models CTO)	41D2781	*
Speakers, Jazz Infinity Active T1 (Black) (models CTO)	89P8588	*
Speaker Power brick - US, Canada, LA (low voltage), Taiwan, Phillipines, Thailand (models CTO-U CTO-L CTO-A)	10K2587	*
Speaker Power brick - UK, Hong Kong (British version), ASEAN (models CTO-A)	25P5703	*
Speaker Power brick - Europe and LA (models CTO-G CTO-L)	25P5704	*
Speaker Power brick (newer 2 prong) - China, Thailand, Phillipines (models CTO-A)	10K2597	*
Speaker Power brick - ANZ (models CTO-A)	25P5705	*
Speaker Power brick - Brazil (models CTO-L)	25P5706	*



<b>8154 Adapters and miscellaneous FRUs</b>	<b>FRU#</b>	<b>CRU</b>
Speaker Power brick - India, South Africa (models CTO-A CTO-G)	32P3181	*
Speaker Power brick - Argentina (models CTO-L)	01R2253	*
RJ11 connector adapter (Spain, Ireland) (All "G" models)	60H6043	*
RJ11 connector adapter (Austria) (All "G" models)	60H6045	*
RJ11 connector adapter (Belgium) (All "G" models)	60H6046	*
RJ11 connector adapter (Denmark) (All "G" models)	60H6047	*
RJ11 connector adapter (Norway, Finland) (All "G" models)	60H6048	*
RJ11 connector adapter (France) (All "G" models)	60H6049	*
RJ11 connector adapter (Germany) (All "G" models)	60H6050	*
RJ11 connector adapter (UK, NZ, HK) (All "G", "M", "B", "H" models)	60H6051	*
RJ11 connector adapter (Italy) (All "G" models)	60H6052	*
RJ11 connector adapter (Netherlands) (All "G" models)	60H6053	*
RJ11 connector adapter (Sweden) (All "G" models)	60H6054	*
RJ11 connector adapter (Switzerland) (All "G" models)	60H6055	*

<b>8154 Keyboards (Preferred Pro Fullsize, PS/2, Stealth Black)</b>	<b>FRU#</b>	<b>CRU</b>
US English (models CTO-U CTO-G 11G)	89P8300	*
Arabic (models CTO-G 11G)	89P8301	*
Belgian/French (models CTO-G 11G)	89P8302	*
Belgian/UK (models CTO-G 11G)	89P8303	*
Brazilian/Portuguese (models CTO-L)	89P8304	*
Bulgarian (models CTO-G 11G)	89P8305	*
Czech (models CTO-G 11G)	89P8307	*
Danish (models CTO-G 11G)	89P8308	*
Dutch (models CTO-G 11G)	89P8309	*
French (models CTO-G 11G)	89P8310	*
French Canadian 445 (models CTO-U)	89P8311	*
French Canadian 58 (models CTO-U)	89P8312	*
German (models CTO-G 11G)	89P8313	*
Greek (models CTO-G 11G)	89P8314	*
Hebrew (models CTO-G 11G)	89P8315	*
Hungarian (models CTO-G 11G)	89P8316	*
Iceland (models CTO-G 11G)	89P8317	*
Italian (models CTO-G 11G)	89P8319	*
LA Spanish (models CTO-L)	89P8322	*
Norwegian (models CTO-G 11G)	89P8323	*
Polish (models CTO-G 11G)	89P8324	*
Portuguese (models CTO-G 11G)	89P8325	*
Romanian (models CTO-G 11G)	89P8326	*
Russian (models CTO-G 11G)	89P8327	*
Russian/Cyrillic (models CTO-G 11G)	89P8328	*

<b>8154 Keyboards (Preferred Pro Fullsize, PS/2, Stealth Black)</b>	<b>FRU#</b>	<b>CRU</b>
Serbian/Cyrillic (models CTO-G 11G)	89P8329	*
Slovak (models CTO-G 11G)	89P8330	*
Spanish (models CTO-G 11G)	89P8331	*
Swedish/Finn (models CTO-G 11G)	89P8332	*
Swiss F/G (models CTO-G 11G)	89P8333	*
Thailand (models CTO-A)	89P8334	*
Turkish 179 (models CTO-G 11G)	89P8336	*
UK English (models CTO-G 11G)	89P8337	*
US Euro (models CTO-G 11G)	89P8338	*
Yugoslav/Latin (models CTO-G 11G)	89P8339	*

<b>8154 Keyboards (Productivity, USB)</b>	<b>FRU#</b>	<b>CRU</b>
US English (models CTO-U CTO-G)	89P8800	*
Arabic (models CTO-G)	89P8801	*
Arabic/French (models CTO-G)	89P8802	*
Belgian/French (models CTO-G)	89P8803	*
Belgian/UK (models CTO-G)	89P8804	*
Brazil/Portuguese (models CTO-L)	89P8805	*
Bulgarian (models CTO-G)	89P8806	*
Czech (models CTO-G)	89P8808	*
Danish (models CTO-G)	89P8809	*
Dutch (models CTO-G)	89P8810	*
French (models CTO-G)	89P8811	*
French Canadian (models CTO-U)	89P8812	*
French Canadian (models CTO-U)	89P8813	*
German (models CTO-G)	89P8814	*
Greek (models CTO-G)	89P8815	*
Hebrew (models CTO-G)	89P8816	*
Hungarian (models CTO-G)	89P8817	*
Iceland (models CTO-G)	89P8818	*
Italian 141 (models CTO-G)	89P8819	*
LA/Spanish (models CTO-L)	89P8822	*
Norwegian (models CTO-G)	89P8823	*
Polish (models CTO-G)	89P8824	*
Portuguese (models CTO-G)	89P8825	*
Romanian (models CTO-G)	89P8826	*
Romanian (models CTO-G)	89P8827	*
Russian/Cyrillic (models CTO-G)	89P8828	*
Serbian/Cyrillic (models CTO-G)	89P8829	*
Slovak (models CTO-G)	89P8830	*
Spanish (models CTO-G)	89P8831	*

<b>8154 Keyboards (Productivity, USB)</b>	<b>FRU#</b>	<b>CRU</b>
Swedish/Finn (models CTO-G)	89P8832	*
Swiss F/G (models CTO-G)	89P8833	*
Thailand (models CTO-A)	89P8834	*
Turkish 440 (models CTO-G)	89P8835	*
Turkish 179 (models CTO-G)	89P8836	*
UK English (models CTO-G)	89P8837	*
US Euro (models CTO-G)	89P8838	*
Yugoslav/Latin (models CTO-G)	89P8839	*

<b>8154 Keyboards (with fingerprint reader)</b>	<b>FRU#</b>	<b>CRU</b>
US English (models CTO-U CTO-G)	89P9000	*
Arabic (models CTO-G)	89P9001	*
Belgian/French (models CTO-G)	89P9003	*
Belgian/UK (models CTO-G)	89P9004	*
Brazilian Portuguese (models CTO-L)	89P9005	*
Bulgarian (models CTO-G)	89P9006	*
Czech (models CTO-G)	89P9008	*
Danish (models CTO-G)	89P9009	*
Dutch (models CTO-G)	89P9010	*
French (models CTO-G)	89P9011	*
French Canadian 445 (models CTO-U)	89P9012	*
French Canadian 58 (models CTO-U)	89P9013	*
German (models CTO-G)	89P9014	*
Greek (models CTO-G)	89P9015	*
Hebrew (models CTO-G)	89P9016	*
Hungarian (models CTO-G)	89P9017	*
Iceland (models CTO-G)	89P9018	*
Italian 141 (models CTO-G)	89P9019	*
Korean (models D1K E1K F1K)	89P9021	*
LA Spanish (models CTO-L E3S E3Y)	89P9022	*
Norwegian (models CTO-G)	89P9023	*
Polish (models CTO-G)	89P9024	*
Portuguese (models CTO-G)	89P9025	*
Romanian (models CTO-G)	89P9026	*
Romanian (models CTO-G)	89P9027	*
Russian/Cyrillic (models CTO-G)	89P9028	*
Serbian/Cyrillic (models CTO-G)	89P9029	*
Slovak (models CTO-G)	89P9030	*
Spanish (models CTO-G)	89P9031	*
Swedish/Finn (models CTO-G)	89P9032	*
Swiss F/G (models CTO-G)	89P9033	*

<b>8154 Keyboards (with fingerprint reader)</b>	<b>FRU#</b>	<b>CRU</b>
Thailand (models CTO-A)	89P9034	*
Turkish 440 (models CTO-G)	89P9035	*
Turkish 179 (models CTO-G)	89P9036	*
UK English (models CTO-G)	89P9037	*
US Euro (models CTO-G)	89P9038	*
Yugoslav/Latin (models CTO-G)	89P9039	*

<b>8154 Keyboard (Enhanced Performance, Wireless)</b>	<b>FRU#</b>	<b>CRU</b>
US English (models CTO-U CTO-G)	89P8730	*
Belgian/French (models CTO-G)	89P8731	*
Belgian/UK (models CTO-G)	89P8732	*
Czech (models CTO-G)	89P8734	*
Danish (models CTO-G)	89P8735	*
Dutch (models CTO-G)	89P8736	*
French (models CTO-G)	89P8737	*
French Canadian 445 (models CTO-U)	89P8738	*
French Canadian 58 (models CTO-U)	89P8739	*
German (models CTO-G)	89P8740	*
Greek (models CTO-G)	89P8741	*
Hungarian (models CTO-G)	89P8742	*
Iceland (models CTO-G)	89P8743	*
Italian 141 (models CTO-G)	89P8744	*
Norwegian (models CTO-G)	89P8746	*
Polish (models CTO-G)	89P8747	*
Portuguese (models CTO-G)	89P8748	*
Slovak (models CTO-G)	89P8749	*
Spanish (models CTO-G)	89P8751	*
Swedish/Finn (models CTO-G)	89P8752	*
Swiss F/G (models CTO-G)	89P8753	*
UK English (models CTO-G)	89P8754	*
US Euro (models CTO-G)	89P8755	*
Wireless transceiver dongle (models CTO)	89P8757	*

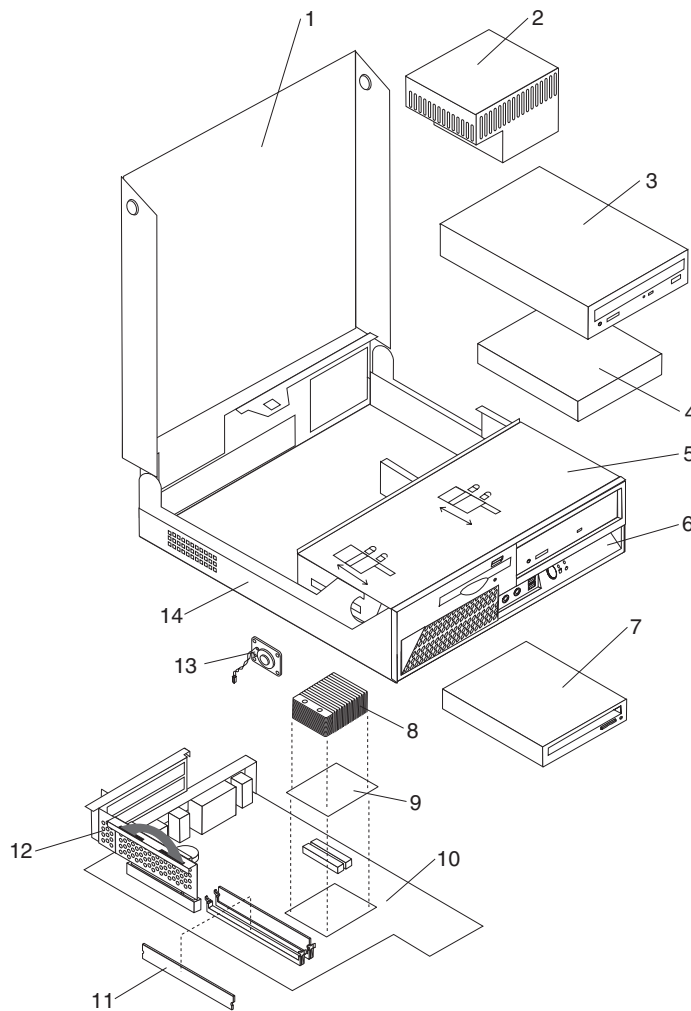
<b>8154 mice</b>	<b>FRU#</b>	<b>CRU</b>
Mouse, PS/2 - 2-Button (Black) (models CTO)	41A4909	*
Mouse, Scrollpoint Optical, USB (models CTO 11G)	41A4933	*
Mouse, Optical Wheelmouse, USB (models CTO)	41A4935	*

<b>8154 Power Cords</b>	<b>FRU#</b>	<b>CRU</b>
Power cord - UK, Ireland, Singapore, Malaysia, Brunei (models 11G)	39M5150	*
Power cord - Italy (models 11G)	39M5164	*

8154 Power Cords	FRU#	CRU
Power cord - G models (models 11G)	39M5122	*
Power cord - Denmark (models 11G)	39M5129	*
Power cord - Switzerland (models 11G)	39M5157	*
Power cord - Israel (models 11G)	39M5171	*
Power cord - South Africa (models 11G)	39M5143	*

8154 Windows XP Pro Recovery CDs	FRU#	CRU
US/UK/AP/TH (models 11G)	41T1577	*
FR/CF (models 11G)	41T3198	*
GR (models 11G)	41T3199	*
SP/LA (models 11G)	41T3200	*
IT (models 11G)	41T3201	*
SV (models 11G)	41T3203	*
DK (models 11G)	41T3204	*
FI (models 11G)	41T4264	*
NO (models 11G)	39J9646	*
NL (models 11G)	41T4266	*
HE (models 11G)	41T4267	*
PL (models 11G)	41T4268	*
CZ (models 11G)	41T4269	*
AE (models 11G)	41T4270	*
RU (models 11G)	41T4271	*
TR (models 11G)	41T4836	*
HU (models 11G)	41T4837	*
PO (models 11G)	41T4838	*
GK (models 11G)	41T4839	*
SL (models 11G)	41T4840	*
Multilingual 1 (models 11G)	41T3282	*
Multilingual 2 (models 11G)	41T4280	*

# Machine Type 8155



Item #	8155 FRUs	FRU#	CRU
1	Cover (all models)	26K1263	**
2	Power Supply (225 Watt) (models CTO 71G)	24R2584	**
2	Power Supply (225 Watt) China Version (models CTO A1S A1P A1Y 11S 11P 11Y 21S 21P 21Y 31S 31P 31Y 41S 41P 41Y)	24R2587	**
3	CD-ROM Drive 48X (models CTO 71G A1S A1P A1Y 11S 11P 11Y 21S 21P 21Y 31S 31P 31Y 41S 41P 41Y)	40Y8925	*
3	CD-ROM Drive 48X (models CTO 71G A1S A1P A1Y 11S 11P 11Y 21S 21P 21Y 31S 31P 31Y 41S 41P 41Y)	40Y8929	*
3	CD-RW Drive (48X/32X/48X) (models CTO)	40Y8901	*
3	CD-RW Drive (48X/32X/48X) (models CTO)	40Y8937	*
3	DVD-ROM 16X/48X - Black (models CTO)	40Y8931	*
3	DVD-ROM 16X/48X - Black (models CTO)	40Y8933	*
3	DVD-ROM/CD-RW Combo Drive (48x/32x/48x/16x) (models CTO)	40Y8781	*
3	DVD-ROM/CD-RW Combo Drive (48x/32x/48x/16x) (models CTO)	40Y8919	*
3	DVD-ROM/CD-RW Combo Drive (48x/32x/48x/16x) (models CTO)	40Y8903	*

Item #	8155 FRUs	FRU#	CRU
3	Multi-Burner Plus (models CTO)	40Y8909	*
4	Hard Disk Drive 40GB 7200 rpm Serial ATA (models CTO)	40Y8760	*
4	Hard Disk Drive 40GB 7200 rpm Serial ATA (models CTO)	40Y9033	*
4	Hard Disk Drive 40GB 7200 rpm Serial ATA (models CTO)	71P7312	*
4	Hard Disk Drive 80GB 7200 rpm Serial ATA (models CTO 71G A1S A1P A1Y 11S 11P 11Y 21S 21P 21Y 31S 31P 31Y 41S 41P 41Y)	40Y8761	*
4	Hard Disk Drive 80GB 7200 rpm Serial ATA (models CTO 71G A1S A1P A1Y 11S 11P 11Y 21S 21P 21Y 31S 31P 31Y 41S 41P 41Y)	71P7293	*
4	Hard Disk Drive 160GB 7200 rpm Serial ATA (models CTO)	40Y8762	*
4	Hard Disk Drive 160GB 7200 rpm Serial ATA (models CTO)	71P7297	*
4	Hard Disk Drive 250GB 7200 rpm Serial ATA (models CTO)	40Y8763	*
5	Rotating bay assembly (all models)	03R0285	*
6	Bezel Plastic Kit (all models)	26K1214	*
7	Slim Diskette Drive (without cable and bezel) (models CTO 71G A1S A1P A1Y 11S 11P 11Y 21S 21P 21Y 31S 31P 31Y 41S 41P 41Y)	40Y9109	*
7	Slim Diskette Drive (without cable and bezel) (models CTO 71G A1S A1P A1Y 11S 11P 11Y 21S 21P 21Y 31S 31P 31Y 41S 41P 41Y)	40Y9111	*
8	Heat Sink, Side Car w/baffle, Lead Free (all models)	26K1258	**
9	Microprocessor, 2.53GHZ Celeron Prescott P4 (533FSB, 256KB) (models CTO)	39J7004	**
9	Microprocessor, 2.66 GHZ Celeron Prescott P4 (533FSB, 256KB) (models CTO)	39J7005	**
9	Microprocessor, 2.8 GHZ Celeron Prescott P4 (533FSB, 256KB) (models CTO)	39J7006	**
9	Microprocessor, 2.93 GHZ Celeron Prescott P4 (533FSB, 256KB) (models CTO A1S A1P A1Y)	39J7007	**
9	Microprocessor, 3.06 GHZ Celeron Prescott P4 (533FSB, 256KB) (models CTO)	39J7008	**
9	Microprocessor, 3.2 GHZ Celeron Prescott P4 (533FSB, 256KB) (models CTO)	39J9695	**
9	Microprocessor, 3.33 GHZ Celeron Prescott (533FSB, 256KB) (models CTO)	41T1132	**
9	Microprocessor, 3.2 GHZ Celeron Cedar Mill (533FSB, 512KB) (models CTO)	41T4966	**
9	Microprocessor, 3.33 GHZ Celeron Cedar Mill (533FSB, 512KB) (models CTO)	41T4968	**
9	Microprocessor, 2.93 GHZ Prescott P4 (533FSB, 1MB) (models CTO)	39J9621	**
9	Microprocessor, 2.66 GHZ Prescott P4 (533FSB, 1MB) (models CTO)	41D0684	**
9	Microprocessor, 2.93 GHZ Prescott P4 (533FSB, 1MB) (models CTO)	41D0686	**
9	Microprocessor, 3.06 GHZ Prescott P4 (533FSB, 1MB) (models CTO)	41D0688	**
9	Microprocessor, 2.8 GHZ Prescott P4 (800FSB, 1MB) (models CTO)	39J7009	**
9	Microprocessor, 3.0 GHZ Prescott P4 (800FSB, 1MB) (models CTO 11S 11P 11Y 71G)	39J7010	**
9	Microprocessor, 3.2 GHZ Prescott P4 (800FSB, 1MB) (models CTO 21S 21P 21Y)	39J7011	**
9	Microprocessor, 3.4 GHZ Prescott P4 (800FSB, 1MB) (models CTO)	39J7012	**
9	Microprocessor, 3.0 GHZ Prescott P4 (800FSB, 2MB) (models CTO 31S 31P 31Y)	39J7013	**
9	Microprocessor, 3.2 GHZ Prescott P4 (800FSB, 2MB) (models CTO 41S 41P 41Y)	39J7014	**
9	Microprocessor, 3.4 GHZ Prescott P4 (800FSB, 2MB) (models CTO)	39J7015	**
9	Microprocessor, 2.8 GHZ Smithfield P4 (800FSB, 1MB) (models CTO)	39J8468	**
9	Microprocessor, 3.0GHz Cedar Mill P4 (800MHz FSB, 2MB Cache) B0-Value (models CTO)	41D5054	**

Item #	8155 FRUs	FRU#	CRU
9	Microprocessor, 3.0 GHZ Cedar Mill P4 (800MHz FSB, 2MB Cache) (models CTO)	41D5042	**
9	Microprocessor, 3.2 GHZ Cedar Mill P4 (800MHz FSB, 2MB Cache) (models CTO)	41D5056	**
9	Microprocessor, 3.2 GHZ Cedar Mill P4 (800MHz FSB, 2MB Cache) (models CTO)	41D5044	**
9	Microprocessor, 3.4 GHZ Cedar Mill P4 (800MHz FSB, 2MB Cache) (models CTO)	41D5058	**
9	Microprocessor, 3.4 GHZ Cedar Mill P4 (800MHz FSB, 2MB Cache) (models CTO)	41D5046	**
9	Microprocessor, 3.6 GHZ Cedar Mill P4 (800MHz FSB, 2MB Cache) (models CTO)	41D5048	**
9	Microprocessor, 2.8 GHZ Presler P4 (800MHz FSB, 2MBx2 Cache) (models CTO)	41D5050	**
9	Microprocessor, 3.0 GHZ Presler P4 (800MHz FSB, 2MBx2 Cache) (models CTO)	41D5052	**
10	System Board 10/1000 Enet (models CTO 71G A1S A1P A1Y 11S 11P 11Y 21S 21P 21Y 31S 31P 31Y 41S 41P 41Y)	29R9724	**
10	System Board 10/1000 Enet, POV down, PCI/x1, PCIe/DVI,AMT enabled (models CTO)	29R9725	**
11	256MB DDR2 SDRAM NP Memory (PC 4200) (models CTO 71G A1S A1P A1Y 11S 11P 11Y 21S 21P 21Y 31S 31P 31Y 41S 41P 41Y)	30R5120	*
11	512MB DDR2 SDRAM NP Memory (PC 4200) (models CTO)	30R5121	*
11	1GB DDR2 SDRAM NP Memory (PC 4200) (models CTO)	30R5122	*
11	2GB DDR2 SDRAM NP Memory (PC 4200) (models CTO)	30R5123	*
11	256MB DDR2 SDRAM NP Memory (PC 5300) (models CTO)	30R5124	*
11	512MB DDR2 SDRAM NP Memory (PC 5300) (models CTO)	30R5125	*
11	1GB DDR2 SDRAM NP Memory (PC 5300) (models CTO)	30R5126	*
12	Riser card assembly (all models)	41A7730	*
13	Speaker/cable assembly (models CTO 71G A1S A1P A1Y 11S 11P 11Y 21S 21P 21Y 31S 31P 31Y 41S 41P 41Y)	39K5012	*
14	Chassis (all models)	26K1262	**

The FRUs listed in the following table are not illustrated.

8155 FRUs	FRU#	CRU
Tool less hard disk drive tray (all models)	03R0302	*
System board tray (all models)	26K1213	*
Lock assembly (Random keyed) (models)	03R0287	*
Internal plastic kit (all models)	03R0289	*
Cable, 2 Drop Hard Disk Drive and Optical - ATA 100 (all models)	26K1246	*
Cable, Optical (1 Drop) ATA 100 (all models)	26K1244	*
Cable, SATA Device (all models)	39K5026	*
C2 Cable (Squall) (models)	39K5022	*
Cable, power switch/LED (all models)	26K1242	*
Cable, Diskette Drive (all models)	26K1248	*
Fan assembly (all models)	26K1253	*
Kensington lock spacer (all models)	41A7702	*
Battery (all models)	33F8354	*
Universal Adapter Bracket 5.25 to 3.5-inch (all models)	32P4743	*



8155 FRUs	FRU#	CRU
Retention module, tool less heat sink (all models)	26K1281	*

8155 Keyboards (Preferred Pro Fullsize, PS/2, Stealth Black)	FRU#	CRU
US English (models CTO-U CTO-G 71G)	89P8300	*
Arabic (models CTO-G 71G)	89P8301	*
Belgian/French (models CTO-G 71G)	89P8302	*
Belgian/UK (models CTO-G 71G)	89P8303	*
Brazil/Portuguese (models CTO-L A1P 11P 21P 31P 41P)	89P8304	*
Bulgarian (models CTO-G 71G)	89P8305	*
Czech (models CTO-G 71G)	89P8307	*
Danish (models CTO-G 71G)	89P8308	*
Dutch (models CTO-G 71G)	89P8309	*
French (models CTO-G 71G)	89P8310	*
French Canadian 445 (models CTO-U)	89P8311	*
French Canadian 58 (models CTO-U)	89P8312	*
German (models CTO-G 71G)	89P8313	*
Greek (models CTO-G 71G)	89P8314	*
Hebrew (models CTO-G 71G)	89P8315	*
Hungarian (models CTO-G 71G)	89P8316	*
Iceland (models CTO-G 71G)	89P8317	*
Italian (models CTO-G 71G)	89P8319	*
LA Spanish (models CTO-L A1S A1Y 11S 11Y 21S 21Y 31S 31Y 41S 41Y)	89P8322	*
Norwegian (models CTO-G 71G)	89P8323	*
Polish (models CTO-G 71G)	89P8324	*
Portuguese (models CTO-G 71G)	89P8325	*
Romanian (models CTO-G 71G)	89P8326	*
Russian (models CTO-G 71G)	89P8327	*
Russian/Cyrillic (models CTO-G 71G)	89P8328	*
Serbian/Cyrillic (models CTO-G 71G)	89P8329	*
Slovak (models CTO-G 71G)	89P8330	*
Spanish (models CTO-G 71G)	89P8331	*
Swedish/Finn (models CTO-G 71G)	89P8332	*
Swiss F/G (models CTO-G 71G)	89P8333	*
Thailand (models CTO-A)	89P8334	*
Turkish 179 (models CTO-G 71G)	89P8336	*
UK English (models CTO-G 71G)	89P8337	*
US Euro (models CTO-G 71G)	89P8338	*
Yugoslav/Latin (models CTO-G 71G)	89P8339	*

8155 Keyboards (Productivity USB)	FRU#	CRU
US English (models CTO-U CTO-G)	89P8800	*

<b>8155 Keyboards (Productivity USB)</b>	<b>FRU#</b>	<b>CRU</b>
Arabic (models CTO-G)	89P8801	*
Arabic/French (models CTO-G)	89P8802	*
Belgian/French (models CTO-G)	89P8803	*
Belgian/UK (models CTO-G)	89P8804	*
Brazil/Portuguese (models CTO-L)	89P8805	*
Bulgarian (models CTO-G)	89P8806	*
Czech (models CTO-G)	89P8808	*
Danish (models CTO-G)	89P8809	*
Dutch (models CTO-G)	89P8810	*
French (models CTO-G)	89P8811	*
French Canadian (models CTO-U)	89P8812	*
French Canadian (models CTO-U)	89P8813	*
German (models CTO-G)	89P8814	*
Greek (models CTO-G)	89P8815	*
Hebrew (models CTO-G)	89P8816	*
Hungarian (models CTO-G)	89P8817	*
Iceland (models CTO-G)	89P8818	*
Italian 141 (models CTO-G)	89P8819	*
LA/Spanish (models CTO-L)	89P8822	*
Norwegian (models CTO-G)	89P8823	*
Polish (models CTO-G)	89P8824	*
Portuguese (models CTO-G)	89P8825	*
Romanian (models CTO-G)	89P8826	*
Romanian (models CTO-G)	89P8827	*
Russian/Cyrillic (models CTO-G)	89P8828	*
Serbian/Cyrillic (models CTO-G)	89P8829	*
Slovak (models CTO-G)	89P8830	*
Spanish (models CTO-G)	89P8831	*
Swedish/Finn (models CTO-G)	89P8832	*
Swiss F/G (models CTO-G)	89P8833	*
Thailand (models CTO-A)	89P8834	*
Turkish 440 (models CTO-G)	89P8835	*
Turkish 179 (models CTO-G)	89P8836	*
UK English (models CTO-G)	89P8837	*
US Euro (models CTO-G)	89P8838	*
Yugoslav/Latin (models CTO-G)	89P8839	*

<b>8155 Keyboards (with fingerprint reader)</b>	<b>FRU#</b>	<b>CRU</b>
US English (models CTO-U CTO-G)	89P9000	*
Arabic (models CTO-G)	89P9001	*
Belgian/French (models CTO-G)	89P9003	*

<b>8155 Keyboards (with fingerprint reader)</b>	<b>FRU#</b>	<b>CRU</b>
Belgian/UK (models CTO-G)	89P9004	*
Brazilian Portuguese (models CTO-L)	89P9005	*
Bulgarian (models CTO-G)	89P9006	*
Czech (models CTO-G)	89P9008	*
Danish (models CTO-G)	89P9009	*
Dutch (models CTO-G)	89P9010	*
French (models CTO-G)	89P9011	*
French Canadian 445 (models CTO-U)	89P9012	*
French Canadian 58 (models CTO-U)	89P9013	*
German (models CTO-G)	89P9014	*
Greek (models CTO-G)	89P9015	*
Hebrew (models CTO-G)	89P9016	*
Hungarian (models CTO-G)	89P9017	*
Iceland (models CTO-G)	89P9018	*
Italian 141 (models CTO-L)	89P9019	*
LA Spanish (models CTO-L)	89P9022	*
Norwegian (models CTO-G)	89P9023	*
Polish (models CTO-G)	89P9024	*
Portuguese (models CTO-G)	89P9025	*
Romanian (models CTO-G)	89P9026	*
Romanian (models CTO-G)	89P9027	*
Russian/Cyrillic (models CTO-G)	89P9028	*
Serbian/Cyrillic (models CTO-G)	89P9029	*
Slovak (models CTO-G)	89P9030	*
Spanish (models CTO-G)	89P9031	*
Swedish/Finn (models CTO-G)	89P9032	*
Swiss F/G (models CTO-G)	89P9033	*
Thailand (models CTO-A)	89P9034	*
Turkish 440 (models CTO-G)	89P9035	*
Turkish 179 (models CTO-G)	89P9036	*
UK English (models CTO-G)	89P9037	*
US Euro (models CTO-G)	89P9038	*
Yugoslav/Latin (models CTO-G)	89P9039	*

<b>8155 Keyboard (Enhanced Performance, Wireless)</b>	<b>FRU#</b>	<b>CRU</b>
US English (models CTO-U CTO-G)	89P8730	*
Belgian/French (models CTO-G)	89P8731	*
Belgian/UK (models CTO-G)	89P8732	*
Czech (models CTO-G)	89P8734	*
Danish (models CTO-G)	89P8735	*
Dutch (models CTO-G)	89P8736	*

<b>8155 Keyboard (Enhanced Performance, Wireless)</b>	<b>FRU#</b>	<b>CRU</b>
French (models CTO-G)	89P8737	*
French Canadian 445 (models CTO-U)	89P8738	*
French Canadian 58 (models CTO-U)	89P8739	*
German (models CTO-G)	89P8740	*
Greek (models CTO-G)	89P8741	*
Hungarian (models CTO-G)	89P8742	*
Iceland (models CTO-G)	89P8743	*
Italian 141 (models CTO-G)	89P8744	*
Norwegian (models CTO-G)	89P8746	*
Polish (models CTO-G)	89P8747	*
Portuguese (models CTO-G)	89P8748	*
Slovak (models CTO-G)	89P8749	*
Spanish (models CTO-G)	89P8751	*
Swedish/Finn (models CTO-G)	89P8752	*
Swiss F/G (models CTO-G)	89P8753	*
UK English (models CTO-G)	89P8754	*
US Euro (models CTO-G)	89P8755	*
Wireless transceiver dongle (models CTO)	89P8757	*

<b>8155 mice</b>	<b>FRU#</b>	<b>CRU</b>
Mouse, PS/2 - 2-Button (Black) (models CTO)	41A4909	*
Mouse, Scrollpoint Optical, USB (models CTO A1S A1P A1Y 11S 11P 11Y 21S 21P 21Y 31S 31P 31Y 41S 41P 41Y 71G)	41A4933	*
Mouse, Optical Wheelmouse, USB (models CTO)	41A4935	*

<b>8155 Adapters and miscellaneous FRU</b>	<b>FRU#</b>	<b>CRU</b>
Soft Modem V.90/V.44 (models CTO)	29R9729	*
Nvidia GeForce 6200 P262 w/NV44 (models CTO)	39J6213	*
128MB DDR ATI Radeon x300SE (DMS59 connector) (models CTO)	39J9635	*
128MB DDR ATI RADEON X700 PRO VGA, DVI-I, TV-Out PCI-e BTX (models CTO)	39J6203	*
PCI-E DVI-DConnection Adapter (ADD 2-R) (Full Height) (models CTO)	39J9334	*
1394 Firewire PCI LP (ATX) (models CTO)	41D2781	*
1394 Internal Cable (models CTO)	39M4478	*
Speakers, Jazz Infinity Active T1 (Black) (models CTO)	89P8588	*
Speaker Power brick - US, Canada, LA (low voltage), Taiwan, Phillipines, Thailand (models CTO-U CTO-L CTO-A)	10K2587	*
Speaker Power brick - UK, Hong Kong (British version), ASEAN (models CTO-A)	25P5703	*
Speaker Power brick - Europe and LA (models CTO-G CTO-L)	25P5704	*
Speaker Power brick (newer 2 prong) - China, Thailand, Phillipines (models CTO-A)	10K2597	*
Speaker Power brick - ANZ (models CTO-A)	25P5705	*
Speaker Power brick - Brazil (models CTO-L)	25P5706	*

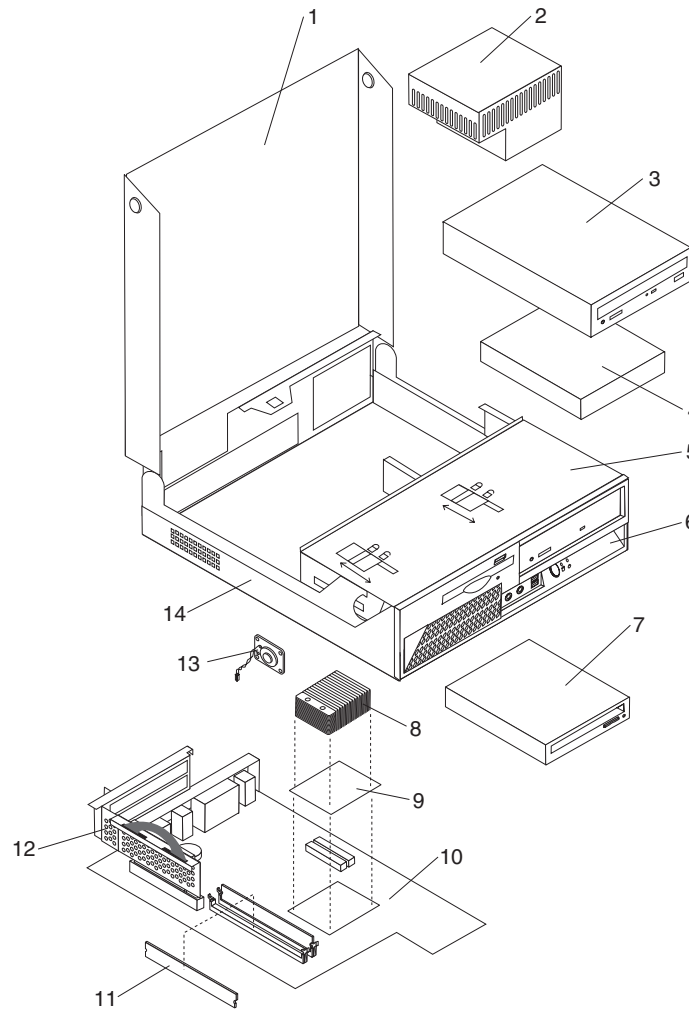
8155 Adapters and miscellaneous FRU	FRU#	CRU
Speaker Power brick - India, South Africa (models CTO-A CTO-G)	32P3181	*
Speaker Power brick - Argentina (models CTO-L)	01R2253	*
RJ11 connector adapter (Spain, Ireland) (All "G" models)	60H6043	*
RJ11 connector adapter (Austria) (All "G" models)	60H6045	*
RJ11 connector adapter (Belgium) (All "G" models)	60H6046	*
RJ11 connector adapter (Denmark) (All "G" models)	60H6047	*
RJ11 connector adapter (Norway, Finland) (All "G" models)	60H6048	*
RJ11 connector adapter (France) (All "G" models)	60H6049	*
RJ11 connector adapter (Germany) (All "G" models)	60H6050	*
RJ11 connector adapter (UK, NZ, HK) (All "G", "M", "B", "H" models)	60H6051	*
RJ11 connector adapter (Italy) (All "G" models)	60H6052	*
RJ11 connector adapter (Netherlands) (All "G" models)	60H6053	*
RJ11 connector adapter (Sweden) (All "G" models)	60H6054	*
RJ11 connector adapter (Switzerland) (All "G" models)	60H6055	*

8155 Power Cords	FRU#	CRU
Power cord - US (models A1S 11S 21S 31S 41S)	39M5080	*
Power cord - Brazil (models A1P 11P 21P 31P 41P)	39M5232	*
Power cord - LA High Volt (APU) (models A1Y 11Y 21Y 31Y 41Y)	39M5067	*
Power cord - UK, Ireland, Singapore, Malaysia, Brunei (models 71G)	39M5150	*
Power cord - Italy (models 71G A1S A1Y 11S 11Y 21S 21Y 31S 31Y 41S 41Y)	39M5164	*
Power cord - G models (models 71G)	39M5122	*
Power cord - Denmark (models 71G)	39M5129	*
Power cord - Switzerland (models 71G)	39M5157	*
Power cord - Israel (models 71G)	39M5171	*
Power cord - South Africa (models 71G)	39M5143	*

8155 Windows XP Pro Recovery CDs	FRU#	CRU
US/UK/AP/TH (models 71G)	41T1577	*
FR/CF (models 71G)	41T3198	*
GR (models 71G)	41T3199	*
SP/LA (models 71G A1S A1Y 11S 11Y 21S 21Y 31S 31Y 41S 41Y)	41T3200	*
IT (models 71G)	41T3201	*
BR (models 41P)	41T3202	*
SV (models 71G)	41T3203	*
DK (models 71G)	41T3204	*
FI (models 71G)	41T4264	*
NO (models 71G)	39J9646	*
NL (models 71G)	41T4266	*
HE (models 71G)	41T4267	*
PL (models 71G)	41T4268	*

8155 Windows XP Pro Recovery CDs	FRU#	CRU
CZ (models 71G)	41T4269	*
AE (models 71G)	41T4270	*
RU (models 71G)	41T4271	*
RU English (models 71G)	41T4835	*
TR (models 71G)	41T4836	*
HU (models 71G)	41T4837	*
PO (models 71G)	41T4838	*
GK (models 71G)	41T4839	*
SL (models 71G)	41T4840	*
Multilingual 1 (models CTO-G 71G)	41T3282	*
Multilingual 2 (models CTO-G 71G)	41T4280	*

# Machine Type 8156



Item #	8156 FRUs	FRU#	CRU
1	Cover (all models)	26K1263	**
2	Power Supply (225 Watt) (models CTO 71G 72G)	24R2584	**
2	Power Supply (225 Watt) China Version (models CTO-A CTO-L)	24R2587	**
3	CD-ROM Drive 48X (models CTO)	40Y8925	*
3	CD-ROM Drive 48X (models CTO)	40Y8929	*
3	CD-RW Drive (48X/32X/48X) (models CTO)	40Y8901	*
3	CD-RW Drive (48X/32X/48X) (models CTO)	40Y8937	*
3	DVD-ROM 16X/48X - Black (models CTO)	40Y8931	*
3	DVD-ROM 16X/48X - Black (models CTO)	40Y8933	*
3	DVD-ROM/CD-RW Combo Drive (48x/32x/48x/16x) (models CTO 71G 72G)	40Y8781	*
3	DVD-ROM/CD-RW Combo Drive (48x/32x/48x/16x) (models CTO 71G 72G)	40Y8919	*
3	DVD-ROM/CD-RW Combo Drive (48x/32x/48x/16x) (models CTO 71G 72G)	40Y8903	*
3	Multi-Burner Plus (models CTO)	40Y8909	*
4	Hard Disk Drive 40GB 7200 rpm Serial ATA (models CTO)	40Y8760	*

Item #	8156 FRUs	FRU#	CRU
4	Hard Disk Drive 40GB 7200 rpm Serial ATA (models CTO)	40Y9033	*
4	Hard Disk Drive 40GB 7200 rpm Serial ATA (models CTO)	71P7312	*
4	Hard Disk Drive 80GB 7200 rpm Serial ATA (models CTO 71G 72G)	40Y8761	*
4	Hard Disk Drive 80GB 7200 rpm Serial ATA (models CTO 71G 72G)	71P7293	*
4	Hard Disk Drive 160GB 7200 rpm Serial ATA (models CTO)	40Y8762	*
4	Hard Disk Drive 160GB 7200 rpm Serial ATA (models CTO)	71P7297	*
4	Hard Disk Drive 250GB 7200 rpm Serial ATA (models CTO)	40Y8763	*
5	Rotating bay assembly (all models)	03R0285	*
6	Bezel Plastic Kit (all models)	26K1214	*
7	Slim Diskette Drive (without cable and bezel) (models CTO 71G 72G)	40Y9109	*
7	Slim Diskette Drive (without cable and bezel) (models CTO 71G 72G)	40Y9111	*
8	Heat Sink, Side Car w/baffle, Lead Free (all models)	26K1258	**
9	Microprocessor, 2.53GHZ Celeron Prescott P4 (533FSB, 256KB) (models CTO)	39J7004	**
9	Microprocessor, 2.66 GHZ Celeron Prescott P4 (533FSB, 256KB) (models CTO)	39J7005	**
9	Microprocessor, 2.8 GHZ Celeron Prescott P4 (533FSB, 256KB) (models CTO)	39J7006	**
9	Microprocessor, 2.93 GHZ Celeron Prescott P4 (533FSB, 256KB) (models CTO)	39J7007	**
9	Microprocessor, 3.06 GHZ Celeron Prescott P4 (533FSB, 256KB) (models CTO)	39J7008	**
9	Microprocessor, 3.2 GHZ Celeron Prescott P4 (533FSB, 256KB) (models CTO)	39J9695	**
9	Microprocessor, 3.33 GHZ Celeron Prescott (533FSB, 256KB) (models CTO BDK)	41T1132	**
9	Microprocessor, 3.2 GHZ Celeron Cedar Mill (533FSB, 512KB) (models CTO)	41T4966	**
9	Microprocessor, 3.33 GHZ Celeron Cedar Mill (533FSB, 512KB) (models CTO)	41T4968	**
9	Microprocessor, 2.93 GHZ Prescott P4 (533FSB, 1MB) (models CTO)	39J9621	**
9	Microprocessor, 2.66 GHZ Prescott P4 (533FSB, 1MB) (models CTO)	41D0684	**
9	Microprocessor, 2.93 GHZ Prescott P4 (533FSB, 1MB) (models CTO)	41D0686	**
9	Microprocessor, 3.06 GHZ Prescott P4 (533FSB, 1MB) (models CTO)	41D0688	**
9	Microprocessor, 2.8 GHZ Prescott P4 (800FSB, 1MB) (models CTO)	39J7009	**
9	Microprocessor, 3.0 GHZ Prescott P4 (800FSB, 1MB) (models CTO)	39J7010	**
9	Microprocessor, 3.2 GHZ Prescott P4 (800FSB, 1MB) (models CTO)	39J7011	**
9	Microprocessor, 3.4 GHZ Prescott P4 (800FSB, 1MB) (models CTO)	39J7012	**
9	Microprocessor, 3.0 GHZ Prescott P4 (800FSB, 2MB) (models CTO 71G)	39J7013	**
9	Microprocessor, 3.2 GHZ Prescott P4 (800FSB, 2MB) (models CTO 72G)	39J7014	**
9	Microprocessor, 3.4 GHZ Prescott P4 (800FSB, 2MB) (models CTO)	39J7015	**
9	Microprocessor, 2.8 GHZ Smithfield P4 (800FSB, 1MB) (models CTO)	39J8468	**
10	System Board 10/1000 (models CTO 71G 72G)	29R9724	**
10	System Board DDR2 SFF Planar (10/1000, POV down, PCI/1x PCIe/DVI, AMT enabled) (models CTO)	29R9725	**
11	256MB DDR2 SDRAM NP Memory (PC 4200) (models CTO)	30R5120	*
11	512MB DDR2 SDRAM NP Memory (PC 4200) (models CTO 71G 72G)	30R5121	*
11	1GB DDR2 SDRAM NP Memory (PC 4200) (models CTO)	30R5122	*
11	2GB DDR2 SDRAM NP Memory (PC 4200) (models CTO)	30R5123	*
11	256MB DDR2 SDRAM NP Memory (PC 5300) (models CTO)	30R5124	*



Item #	8156 FRUs	FRU#	CRU
11	512MB DDR2 SDRAM NP Memory (PC 5300) (models CTO)	30R5125	*
11	1GB DDR2 SDRAM NP Memory (PC 5300) (models CTO)	30R5126	*
12	Riser card assembly (all models)	41A7730	*
13	Speaker/cable assembly (models CTO 71G 72G)	39K5012	*
14	Chassis (all models)	26K1262	**

The FRUs listed in the following table are not illustrated.

8156 FRUs	FRU#	CRU
Tool less hard disk drive tray (all models)	03R0302	*
System board tray (all models)	26K1213	*
Lock assembly (Random keyed) (models)	03R0287	*
Internal plastic kit (all models)	03R0289	*
Cable, 2 Drop Hard Disk Drive and Optical - ATA 100 (all models)	26K1246	*
Cable, Optical (1 Drop) ATA 100 (all models)	26K1244	*
Cable, SATA Device (all models)	39K5026	*
C2 Cable (Squall) (models)	39K5022	*
Cable, power switch/LED (all models)	26K1242	*
Cable, Diskette Drive (all models)	26K1248	*
Fan assembly (all models)	26K1253	*
Kensington lock spacer (all models)	41A7702	*
Battery (all models)	33F8354	*
Universal Adapter Bracket 5.25 to 3.5-inch (all models)	32P4743	*
Retention module, tool less heat sink (all models)	26K1281	*

8156 Keyboards (Preferred Pro Fullsize, PS/2, Stealth Black)	FRU#	CRU
US English (models CTO-U CTO-G 71G 72G)	89P8300	*
Arabic (models CTO-G 71G 72G)	89P8301	*
Belgian/French (models CTO-G 71G 72G)	89P8302	*
Belgian/UK (models CTO-G 71G 72G)	89P8303	*
Brazil/Portuguese (models CTO-L)	89P8304	*
Bulgarian (models CTO-G 71G 72G)	89P8305	*
Czech (models CTO-G 71G 72G)	89P8307	*
Danish (models CTO-G 71G 72G)	89P8308	*
Dutch (models CTO-G 71G 72G)	89P8309	*
French (models CTO-G 71G 72G)	89P8310	*
French Canadian 445 (models CTO-U)	89P8311	*
French Canadian 58 (models CTO-U)	89P8312	*
German (models CTO-G 71G 72G)	89P8313	*
Greek (models CTO-G 71G 72G)	89P8314	*
Hebrew (models CTO-G 71G 72G)	89P8315	*

<b>8156 Keyboards (Preferred Pro Fullsize, PS/2, Stealth Black)</b>	<b>FRU#</b>	<b>CRU</b>
Hungarian (models CTO-G 71G 72G)	89P8316	*
Iceland (models CTO-G 71G 72G)	89P8317	*
Italian (models CTO-G 71G 72G)	89P8319	*
LA Spanish (models CTO-L)	89P8322	*
Norwegian (models CTO-G 71G 72G)	89P8323	*
Polish (models CTO-G 71G 72G)	89P8324	*
Portuguese (models CTO-G 71G 72G)	89P8325	*
Romanian (models CTO-G 71G 72G)	89P8326	*
Russian (models CTO-G 71G 72G)	89P8327	*
Russian/Cyrillic (models CTO-G 71G 72G)	89P8328	*
Serbian/Cyrillic (models CTO-G 71G 72G)	89P8329	*
Slovak (models CTO-G 71G 72G)	89P8330	*
Spanish (models CTO-G 71G 72G)	89P8331	*
Swedish/Finn (models CTO-G 71G 72G)	89P8332	*
Swiss F/G (models CTO-G 71G 72G)	89P8333	*
Thailand (models CTO-A)	89P8334	*
Turkish 179 (models CTO-G 71G 72G)	89P8336	*
UK English (models CTO-G 71G 72G)	89P8337	*
US Euro (models CTO-G 71G 72G)	89P8338	*
Yugoslav/Latin (models CTO-G 71G 72G)	89P8339	*

<b>8156 Keyboards (Productivity USB)</b>	<b>FRU#</b>	<b>CRU</b>
US English (models CTO-U CTO-G)	89P8800	*
Arabic (models CTO-G)	89P8801	*
Arabic/French (models CTO-G)	89P8802	*
Belgian/French (models CTO-G)	89P8803	*
Belgian/UK (models CTO-G)	89P8804	*
Brazil/Portuguese (models CTO-L)	89P8805	*
Bulgarian (models CTO-G)	89P8806	*
Czech (models CTO-G)	89P8808	*
Danish (models CTO-G)	89P8809	*
Dutch (models CTO-G)	89P8810	*
French (models CTO-G)	89P8811	*
French Canadian (models CTO-U)	89P8812	*
French Canadian (models CTO-U)	89P8813	*
German (models CTO-G)	89P8814	*
Greek (models CTO-G)	89P8815	*
Hebrew (models CTO-G)	89P8816	*
Hungarian (models CTO-G)	89P8817	*
Iceland (models CTO-G)	89P8818	*
Italian 141 (models CTO-G)	89P8819	*

<b>8156 Keyboards (Productivity USB)</b>	<b>FRU#</b>	<b>CRU</b>
LA/Spanish (models CTO-L)	89P8822	*
Norwegian (models CTO-G)	89P8823	*
Polish (models CTO-G)	89P8824	*
Portuguese (models CTO-G)	89P8825	*
Romanian (models CTO-G)	89P8826	*
Romanian (models CTO-G)	89P8827	*
Russian/Cyrillic (models CTO-G)	89P8828	*
Serbian/Cyrillic (models CTO-G)	89P8829	*
Slovak (models CTO-G)	89P8830	*
Spanish (models CTO-G)	89P8831	*
Swedish/Finn (models CTO-G)	89P8832	*
Swiss F/G (models CTO-G)	89P8833	*
Thailand (models CTO-A)	89P8834	*
Turkish 440 (models CTO-G)	89P8835	*
Turkish 179 (models CTO-G)	89P8836	*
UK English (models CTO-G)	89P8837	*
US Euro (models CTO-G)	89P8838	*
Yugoslav/Latin (models CTO-G)	89P8839	*

<b>8156 Keyboards (with fingerprint reader)</b>	<b>FRU#</b>	<b>CRU</b>
US English (models CTO-U CTO-G)	89P9000	*
Arabic (models CTO-G)	89P9001	*
Belgian/French (models CTO-G)	89P9003	*
Belgian/UK (models CTO-G)	89P9004	*
Brazilian Portuguese (models CTO-L)	89P9005	*
Bulgarian (models CTO-G)	89P9006	*
Czech (models CTO-G)	89P9008	*
Danish (models CTO-G)	89P9009	*
Dutch (models CTO-G)	89P9010	*
French (models CTO-G)	89P9011	*
French Canadian 445 (models CTO-U)	89P9012	*
French Canadian 58 (models CTO-U)	89P9013	*
German (models CTO-G)	89P9014	*
Greek (models CTO-G)	89P9015	*
Hebrew (models CTO-G)	89P9016	*
Hungarian (models CTO-G)	89P9017	*
Iceland (models CTO-G)	89P9018	*
Italian 141 (models CTO-L)	89P9019	*
LA Spanish (models CTO-L)	89P9022	*
Norwegian (models CTO-G)	89P9023	*
Polish (models CTO-G)	89P9024	*

<b>8156 Keyboards (with fingerprint reader)</b>	<b>FRU#</b>	<b>CRU</b>
Portuguese (models CTO-G)	89P9025	*
Romanian (models CTO-G)	89P9026	*
Romanian (models CTO-G)	89P9027	*
Russian/Cyrillic (models CTO-G)	89P9028	*
Serbian/Cyrillic (models CTO-G)	89P9029	*
Slovak (models CTO-G)	89P9030	*
Spanish (models CTO-G)	89P9031	*
Swedish/Finn (models CTO-G)	89P9032	*
Swiss F/G (models CTO-G)	89P9033	*
Thailand (models CTO-A)	89P9034	*
Turkish 440 (models CTO-G)	89P9035	*
Turkish 179 (models CTO-G)	89P9036	*
UK English (models CTO-G)	89P9037	*
US Euro (models CTO-G)	89P9038	*
Yugoslav/Latin (models CTO-G)	89P9039	*

<b>8156 Keyboard (Enhanced Performance, Wireless)</b>	<b>FRU#</b>	<b>CRU</b>
US English (models CTO-U CTO-G)	89P8730	*
Belgian/French (models CTO-G)	89P8731	*
Belgian/UK (models CTO-G)	89P8732	*
Czech (models CTO-G)	89P8734	*
Danish (models CTO-G)	89P8735	*
Dutch (models CTO-G)	89P8736	*
French (models CTO-G)	89P8737	*
French Canadian 445 (models CTO-U)	89P8738	*
French Canadian 58 (models CTO-U)	89P8739	*
German (models CTO-G)	89P8740	*
Greek (models CTO-G)	89P8741	*
Hungarian (models CTO-G)	89P8742	*
Iceland (models CTO-G)	89P8743	*
Italian 141 (models CTO-G)	89P8744	*
Norwegian (models CTO-G)	89P8746	*
Polish (models CTO-G)	89P8747	*
Portuguese (models CTO-G)	89P8748	*
Slovak (models CTO-G)	89P8749	*
Spanish (models CTO-G)	89P8751	*
Swedish/Finn (models CTO-G)	89P8752	*
Swiss F/G (models CTO-G)	89P8753	*
UK English (models CTO-G)	89P8754	*
US Euro (models CTO-G)	89P8755	*
Wireless transceiver dongle (models CTO)	89P8757	*

8156 mice	FRU#	CRU
Mouse, PS/2 - 2-Button (Black) (models CTO)	41A4909	*
Mouse, Scrollpoint Optical, USB (models CTO)	41A4933	*
Mouse, Optical Wheelmouse, USB (models CTO 71G 72G)	41A4935	*

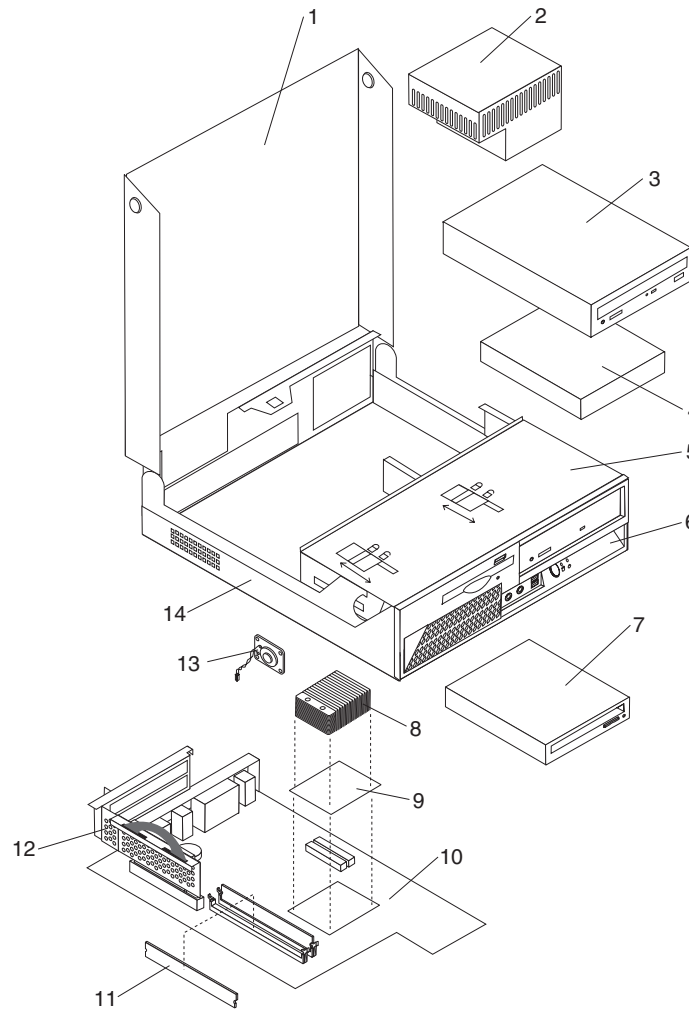
8156 Adapters and miscellaneous FRU	FRU#	CRU
Soft Modem V.90/V.44 (models CTO)	29R9729	*
Nvidia GeForce 6200 P262 w/NV44 (models CTO)	39J6213	*
128MB DDR ATI Radeon x300SE (DMS59 connector) (models CTO)	39J9635	*
128MB DDR ATI RADEON X700 PRO VGA, DVI-I, TV-Out PCI-e BTX (models CTO)	39J6203	*
PCI-E DVI-DConnection Adapter (ADD 2-R) (Full Height) (models CTO 71G 72G)	39J9334	*
IEEE 1394 Adapter - Firewire (models CTO)	41D2781	*
1394 Internal cable (models CTO)	39M0478	*
Speakers, Jazz Infinity Active T1 (Black) (models CTO)	89P8588	*
Speaker Power brick - US, Canada, LA (low voltage), Taiwan, Phillipines, Thailand (models CTO-U CTO-L CTO-A)	10K2587	*
Speaker Power brick - UK, Hong Kong (British version), ASEAN (models CTO-A)	25P5703	*
Speaker Power brick - Europe and LA (models CTO-G CTO-L)	25P5704	*
Speaker Power brick (newer 2 prong) - China, Thailand, Phillipines (models CTO-A)	10K2597	*
Speaker Power brick - ANZ (models CTO-A)	25P5705	*
Speaker Power brick - Brazil (models CTO-L)	25P5706	*
Speaker Power brick - India, South Africa (models CTO-A CTO-G)	32P3181	*
Speaker Power brick - Argentina (models CTO-L)	01R2253	*
RJ11 connector adapter (Spain, Ireland) (All "G" models)	60H6043	*
RJ11 connector adapter (Austria) (All "G" models)	60H6045	*
RJ11 connector adapter (Belgium) (All "G" models)	60H6046	*
RJ11 connector adapter (Denmark) (All "G" models)	60H6047	*
RJ11 connector adapter (Norway, Finland) (All "G" models)	60H6048	*
RJ11 connector adapter (France) (All "G" models)	60H6049	*
RJ11 connector adapter (Germany) (All "G" models)	60H6050	*
RJ11 connector adapter (UK, NZ, HK) (All "G", "M", "B", "H" models)	60H6051	*
RJ11 connector adapter (Italy) (All "G" models)	60H6052	*
RJ11 connector adapter (Netherlands) (All "G" models)	60H6053	*
RJ11 connector adapter (Sweden) (All "G" models)	60H6054	*
RJ11 connector adapter (Switzerland) (All "G" models)	60H6055	*

8156 Power Cords	FRU#	CRU
Power cord - UK, Ireland, Singapore, Malaysia, Brunei (models 71G 72G)	39M5150	*
Power cord - Italy (models 71G 72G)	39M5164	*
Power cord - G models (models 71G 72G)	39M5122	*
Power cord - Denmark (models 71G 72G)	39M5129	*

8156 Power Cords	FRU#	CRU
Power cord - Switzerland (models 71G 72G)	39M5157	*
Power cord - Israel (models 71G 72G)	39M5171	*
Power cord - South Africa (models 71G 72G)	39M5143	*

8156 Windows XP Pro Recovery CDs	FRU#	CRU
US/UK/AP/TH (models 71G 72G)	41T1577	*
FR/CF (models 71G 72G)	41T3198	*
GR (models 71G 72G)	41T3199	*
SP/LA (models 71G 72G)	41T3200	*
IT (models 71G 72G)	41T3201	*
SV (models 71G 72G)	41T3203	*
DK (models 71G 72G)	41T3204	*
FI (models 71G 72G)	41T4264	*
NO (models 71G 72G)	39J9646	*
NL (models 71G 72G)	41T4266	*
HE (models 71G 72G)	41T4267	*
PL (models 71G 72G)	41T4268	*
CZ (models 71G 72G)	41T4269	*
AE (models 71G 72G)	41T4270	*
RU (models 71G 72G)	41T4271	*
RU English (models 71G 72G)	41T4835	*
TR (models 71G 72G)	41T4836	*
HU (models 71G 72G)	41T4837	*
PO (models 71G 72G)	41T4838	*
GK (models 71G 72G)	41T4839	*
SL (models 71G 72G)	41T4840	*
Multilingual 1 (models CTO-G 71G 72G)	41T3282	*
Multilingual 2 (models CTO-G 71G 72G)	41T4280	*

# Machine Type 8157



Item #	8157 FRUs	FRU#	CRU
1	Cover (all models)	26K1263	**
2	Power Supply (225 Watt) (models CTO 71G 72G 73G 74G 12U)	24R2584	**
2	Power Supply (225 Watt) China Version (models CTO-A CTO-L A1S A1P A1Y A2S A2P A2Y 11S 11P 11Y 21S 21P 21Y 31S 31P 31Y 41S 41P 41Y 51S 51P 51Y 61S 61P 61Y)	24R2587	**
3	CD-ROM Drive 48X (models CTO A1S A1P A1Y A2S A2P A2Y 11S 11P 11Y 12U 21S 21P 21Y 31S 31P 31Y 41S 41P 41Y 51S 51P 51Y 61S 61P 61Y)	40Y8925	*
3	CD-ROM Drive 48X (models CTO A1S A1P A1Y A2S A2P A2Y 11S 11P 11Y 12U 21S 21P 21Y 31S 31P 31Y 41S 41P 41Y 51S 51P 51Y 61S 61P 61Y)	40Y8929	*
3	CD-RW Drive (48X/32X/48X) (models CTO)	40Y8901	*
3	CD-RW Drive (48X/32X/48X) (models CTO)	40Y8937	*
3	DVD-ROM 16X/48X - Black (models CTO)	40Y8931	*
3	DVD-ROM 16X/48X - Black (models CTO)	40Y8933	*
3	DVD-ROM/CD-RW Combo Drive (48x/32x/48x/16x) (models CTO 71G 73G)	40Y8781	*
3	DVD-ROM/CD-RW Combo Drive (48x/32x/48x/16x) (models CTO 71G 73G)	40Y8919	*
3	DVD-ROM/CD-RW Combo Drive (48x/32x/48x/16x) (models CTO 71G 73G)	40Y8903	*

Item #	8157 FRUs	FRU#	CRU
3	Multi-Burner Plus (models CTO 72G 74G)	40Y8909	*
4	Hard Disk Drive 40GB 7200 rpm Serial ATA (models CTO)	40Y8760	*
4	Hard Disk Drive 40GB 7200 rpm Serial ATA (models CTO)	71P7312	*
4	Hard Disk Drive 40GB 7200 rpm Serial ATA (models CTO)	40Y9033	*
4	Hard Disk Drive 80GB 7200 rpm Serial ATA (models CTO 71G 73G A1S A1P A1Y A2S A2P A2Y 11S 11P 11Y 12U 21S 21P 21Y 31S 31P 31Y 41S 41P 41Y 51S 51P 51Y 61S 61P 61Y)	40Y8761	*
4	Hard Disk Drive 80GB 7200 rpm Serial ATA (models CTO 71G 73G A1S A1P A1Y A2S A2P A2Y 11S 11P 11Y 12U 21S 21P 21Y 31S 31P 31Y 41S 41P 41Y 51S 51P 51Y 61S 61P 61Y)	71P7293	*
4	Hard Disk Drive 160GB 7200 rpm Serial ATA (models CTO 72G 74G)	40Y8762	*
4	Hard Disk Drive 160GB 7200 rpm Serial ATA (models CTO 72G 74G)	71P7297	*
4	Hard Disk Drive 250GB 7200 rpm Serial ATA (models CTO)	40Y8763	*
5	Rotating bay assembly (all models)	03R0285	*
6	Bezel Plastic Kit (all models)	26K1214	*
7	Slim Diskette Drive (without cable and bezel) (models CTO 71G 72G 73G 74G A1S A1P A1Y A2S A2P A2Y 11S 11P 11Y 12U 21S 21P 21Y 31S 31P 31Y 41S 41P 41Y 51S 51P 51Y 61S 61P 61Y)	40Y9109	*
7	Slim Diskette Drive (without cable and bezel) (models CTO 71G 72G 73G 74G A1S A1P A1Y A2S A2P A2Y 11S 11P 11Y 12U 21S 21P 21Y 31S 31P 31Y 41S 41P 41Y 51S 51P 51Y 61S 61P 61Y)	40Y9111	*
8	Heat Sink, Side Car w/baffle, Lead Free (all models)	26K1258	**
9	Microprocessor, 2.53GHZ Celeron Prescott P4 (533FSB, 256KB) (models CTO)	39J7004	**
9	Microprocessor, 2.66 GHZ Celeron Prescott P4 (533FSB, 256KB) (models CTO)	39J7005	**
9	Microprocessor, 2.8 GHZ Celeron Prescott P4 (533FSB, 256KB) (models CTO)	39J7006	**
9	Microprocessor, 2.93 GHZ Celeron Prescott P4 (533FSB, 256KB) (models CTO A1S A1P A1Y)	39J7007	**
9	Microprocessor, 3.06 GHZ Celeron Prescott P4 (533FSB, 256KB) (models CTO A2S A2P A2Y)	39J7008	**
9	Microprocessor, 3.2 GHZ Celeron Prescott P4 (533FSB, 256KB) (models CTO)	39J9695	**
9	Microprocessor, 3.33 GHZ Celeron Prescott (533FSB, 256KB) (models CTO BDK)	41T1132	**
9	Microprocessor, 3.2 GHZ Celeron Cedar Mill (533FSB, 512KB) (models CTO)	41T4966	**
9	Microprocessor, 3.33 GHZ Celeron Cedar Mill (533FSB, 512KB) (models CTO)	41T4968	**
9	Microprocessor, 2.93 GHZ Prescott P4 (533FSB, 1MB) (models CTO)	39J9621	**
9	Microprocessor, 2.66 GHZ Prescott P4 (533FSB, 1MB) (models CTO)	41D0684	**
9	Microprocessor, 2.93 GHZ Prescott P4 (533FSB, 1MB) (models CTO)	41D0686	**
9	Microprocessor, 3.06 GHZ Prescott P4 (533FSB, 1MB) (models CTO)	41D0688	**
9	Microprocessor, 2.8 GHZ Prescott P4 (800FSB, 1MB) (models CTO)	39J7009	**
9	Microprocessor, 3.0 GHZ Prescott P4 (800FSB, 1MB) (models CTO 11S 11P 11Y 12U)	39J7010	**
9	Microprocessor, 3.2 GHZ Prescott P4 (800FSB, 1MB) (models CTO 21S 21P 21Y)	39J7011	**
9	Microprocessor, 3.4 GHZ Prescott P4 (800FSB, 1MB) (models CTO 31S 31P 31Y)	39J7012	**
9	Microprocessor, 3.0 GHZ Prescott P4 (800FSB, 2MB) (models CTO 71G 72G 41S 41P 41Y)	39J7013	**



Item #	8157 FRUs	FRU#	CRU
9	Microprocessor, 3.2 GHZ Prescott P4 (800FSB, 2MB) (models CTO 73G 74G 51S 51P 51Y)	39J7014	**
9	Microprocessor, 3.4 GHZ Prescott P4 (800FSB, 2MB) (models CTO 61S 61P 61Y)	39J7015	**
9	Microprocessor, 2.8 GHZ Smithfield P4 (800FSB, 1MB) (models CTO)	39J8468	**
9	Microprocessor, 3.0GHz Cedar Mill P4 (800MHz FSB, 2MB Cache) B0-Value (models CTO)	41D5054	**
9	Microprocessor, 3.0 GHZ Cedar Mill P4 (800MHz FSB, 2MB Cache) (models CTO)	41D5042	**
9	Microprocessor, 3.2 GHZ Cedar Mill P4 (800MHz FSB, 2MB Cache) (models CTO)	41D5056	**
9	Microprocessor, 3.2 GHZ Cedar Mill P4 (800MHz FSB, 2MB Cache) (models CTO)	41D5044	**
9	Microprocessor, 3.4 GHZ Cedar Mill P4 (800MHz FSB, 2MB Cache) (models CTO)	41D5058	**
9	Microprocessor, 3.4 GHZ Cedar Mill P4 (800MHz FSB, 2MB Cache) (models CTO)	41D5046	**
9	Microprocessor, 3.6 GHZ Cedar Mill P4 (800MHz FSB, 2MB Cache) (models CTO)	41D5048	**
9	Microprocessor, 2.8 GHZ Presler P4 (800MHz FSB, 2MBx2 Cache) (models CTO)	41D5050	**
9	Microprocessor, 3.0 GHZ Presler P4 (800MHz FSB, 2MBx2 Cache) (models CTO)	41D5052	**
10	System Board 10/1000 (models CTO 71G 72G 73G 74G A1S A1P A1Y A2S A2P A2Y 11S 11P 11Y 12U 21S 21P 21Y 31S 31P 31Y 41S 41P 41Y 51S 51P 51Y 61S 61P 61Y)	29R9724	**
10	System Board DDR2 SFF Planar (10/1000, POV down, PCI/1x PCIe/DVI, AMT enabled) (models CTO)	29R9725	**
11	256MB DDR2 SDRAM NP Memory (PC 4200) (models CTO A1S A1P A1Y A2S A2P A2Y 11S 11P 11Y 21S 21P 21Y 31S 31P 31Y 41S 41P 41Y 51S 51P 51Y 61S 61P 61Y)	30R5120	*
11	512MB DDR2 SDRAM NP Memory (PC 4200) (models CTO 71G 72G 73G 74G 12U)	30R5121	*
11	1GB DDR2 SDRAM NP Memory (PC 4200) (models CTO)	30R5122	*
11	2GB DDR2 SDRAM NP Memory (PC 4200) (models CTO)	30R5123	*
11	256MB DDR2 SDRAM NP Memory (PC 5300) (models CTO)	30R5124	*
11	512MB DDR2 SDRAM NP Memory (PC 5300) (models CTO)	30R5125	*
11	1GB DDR2 SDRAM NP Memory (PC 5300) (models CTO)	30R5126	*
11	2GB DDR2 SDRAM NP Memory (PC 5300) (models CTO)	30R5127	*
12	Riser card assembly (all models)	41A7730	*
13	Speaker/cable assembly (models CTO 71G 72G 73G 74G A1S A1P A1Y A2S A2P A2Y 11S 11P 11Y 12U 21S 21P 21Y 31S 31P 31Y 41S 41P 41Y 51S 51P 51Y 61S 61P 61Y)	39K5012	*
14	Chassis (all models)	26K1262	**

The FRUs listed in the following table are not illustrated.

8157 FRUs	FRU#	CRU
Tool less hard disk drive tray (all models)	03R0302	*
System board tray (all models)	26K1213	*
Lock assembly (Random keyed) (models)	03R0287	*
Internal plastic kit (all models)	03R0289	*
Cable, 2 Drop Hard Disk Drive and Optical - ATA 100 (all models)	26K1246	*

8157 FRUs	FRU#	CRU
Cable, Optical (1 Drop) ATA 100 (all models)	26K1244	*
Cable, SATA Device (all models)	39K5026	*
C2 Cable (Squall) (models)	39K5022	*
Cable, power switch/LED (all models)	26K1242	*
Cable, Diskette Drive (all models)	26K1248	*
Fan assembly (all models)	26K1253	*
Kensington lock spacer (all models)	41A7702	*
Battery (all models)	33F8354	*
Universal Adapter Bracket 5.25 to 3.5-inch (all models)	32P4743	*

8157 Keyboards (Preferred Pro Fullsize,PS/2, Stealth Black)	FRU#	CRU
US English (models CTO-U CTO-G 71G 73G 12U)	89P8300	*
Arabic (models CTO-G 71G 73G)	89P8301	*
Belgian/French (models CTO-G 71G 73G)	89P8302	*
Belgian/UK (models CTO-G 71G 73G)	89P8303	*
Brazil/Portuguese (models CTO-L A1P A2P 11P 21P 31P 41P 51P 61P)	89P8304	*
Bulgarian (models CTO-G 71G 73G)	89P8305	*
Czech (models CTO-G 71G 73G)	89P8307	*
Danish (models CTO-G 71G 73G)	89P8308	*
Dutch (models CTO-G 71G 73G)	89P8309	*
French (models CTO-G 71G 73G)	89P8310	*
French Canadian 445 (models CTO-U)	89P8311	*
French Canadian 58 (models CTO-U)	89P8312	*
German (models CTO-G 71G 73G)	89P8313	*
Greek (models CTO-G 71G 73G)	89P8314	*
Hebrew (models CTO-G 71G 73G)	89P8315	*
Hungarian (models CTO-G 71G 73G)	89P8316	*
Iceland (models CTO-G 71G 73G)	89P8317	*
Italian (models CTO-G 71G 73G)	89P8319	*
LA Spanish (models CTO-L A1S A1Y A2S A2Y 11S 11Y 21S 21Y 31S 31Y 41S 41Y 51S 51Y 61S 61Y)	89P8322	*
Norwegian (models CTO-G 71G 73G)	89P8323	*
Polish (models CTO-G 71G 73G)	89P8324	*
Portuguese (models CTO-G 71G 73G)	89P8325	*
Romanian (models CTO-G 71G 73G)	89P8326	*
Russian (models CTO-G 71G 73G)	89P8327	*
Russian/Cyrillic (models CTO-G 71G 73G)	89P8328	*
Serbian/Cyrillic (models CTO-G 71G 73G)	89P8329	*
Slovak (models CTO-G 71G 73G)	89P8330	*
Spanish (models CTO-G 71G 73G)	89P8331	*
Swedish/Finn (models CTO-G 71G 73G)	89P8332	*

<b>8157 Keyboards (Preferred Pro Fullsize,PS/2, Stealth Black)</b>	<b>FRU#</b>	<b>CRU</b>
Swiss F/G (models CTO-G 71G 73G)	89P8333	*
Thailand (models CTO-A)	89P8334	*
Turkish 179 (models CTO-G 71G 73G)	89P8336	*
UK English (models CTO-G 71G 73G)	89P8337	*
US Euro (models CTO-G 71G 73G)	89P8338	*
Yugoslav/Latin (models CTO-G 71G 73G)	89P8339	*

<b>8157 Keyboards (Productivity USB)</b>	<b>FRU#</b>	<b>CRU</b>
US English (models CTO-U CTO-G)	89P8800	*
Arabic (models CTO-G)	89P8801	*
Arabic/French (models CTO-G)	89P8802	*
Belgian/French (models CTO-G)	89P8803	*
Belgian/UK (models CTO-G)	89P8804	*
Brazil/Portuguese (models CTO-L)	89P8805	*
Bulgarian (models CTO-G)	89P8806	*
Czech (models CTO-G)	89P8808	*
Danish (models CTO-G)	89P8809	*
Dutch (models CTO-G)	89P8810	*
French (models CTO-G)	89P8811	*
French Canadian (models CTO-U)	89P8812	*
French Canadian (models CTO-U)	89P8813	*
German (models CTO-G)	89P8814	*
Greek (models CTO-G)	89P8815	*
Hebrew (models CTO-G)	89P8816	*
Hungarian (models CTO-G)	89P8817	*
Iceland (models CTO-G)	89P8818	*
Italian 141 (models CTO-G)	89P8819	*
LA/Spanish (models CTO-L)	89P8822	*
Norwegian (models CTO-G)	89P8823	*
Polish (models CTO-G)	89P8824	*
Portuguese (models CTO-G)	89P8825	*
Romanian (models CTO-G)	89P8826	*
Romanian (models CTO-G)	89P8827	*
Russian/Cyrillic (models CTO-G)	89P8828	*
Serbian/Cyrillic (models CTO-G)	89P8829	*
Slovak (models CTO-G)	89P8830	*
Spanish (models CTO-G)	89P8831	*
Swedish/Finn (models CTO-G)	89P8832	*
Swiss F/G (models CTO-G)	89P8833	*
Thailand (models CTO-A)	89P8834	*
Turkish 440 (models CTO-G)	89P8835	*

8157 Keyboards (Productivity USB)	FRU#	CRU
Turkish 179 (models CTO-G)	89P8836	*
UK English (models CTO-G)	89P8837	*
US Euro (models CTO-G)	89P8838	*
Yugoslav/Latin (models CTO-G)	89P8839	*

8157 Keyboards (with fingerprint reader)	FRU#	CRU
US English (models CTO-U CTO-G 72G 74G)	89P9000	*
Arabic (models CTO-G 72G 74G)	89P9001	*
Belgian/French (models CTO-G 72G 74G)	89P9003	*
Belgian/UK (models CTO-G 72G 74G)	89P9004	*
Brazilian Portuguese (models CTO-L)	89P9005	*
Bulgarian (models CTO-G 72G 74G)	89P9006	*
Czech (models CTO-G 72G 74G)	89P9008	*
Danish (models CTO-G 72G 74G)	89P9009	*
Dutch (models CTO-G 72G 74G)	89P9010	*
French (models CTO-G 72G 74G)	89P9011	*
French Canadian 445 (models CTO-U)	89P9012	*
French Canadian 58 (models CTO-U)	89P9013	*
German (models CTO-G 72G 74G)	89P9014	*
Greek (models CTO-G 72G 74G)	89P9015	*
Hebrew (models CTO-G 72G 74G)	89P9016	*
Hungarian (models CTO-G 72G 74G)	89P9017	*
Iceland (models CTO-G 72G 74G)	89P9018	*
Italian 141 (models CTO-L)	89P9019	*
LA Spanish (models CTO-L)	89P9022	*
Norwegian (models CTO-G 72G 74G)	89P9023	*
Polish (models CTO-G 72G 74G)	89P9024	*
Portuguese (models CTO-G 72G 74G)	89P9025	*
Romanian (models CTO-G 72G 74G)	89P9026	*
Romanian (models CTO-G 72G 74G)	89P9027	*
Russian/Cyrillic (models CTO-G 72G 74G)	89P9028	*
Serbian/Cyrillic (models CTO-G 72G 74G)	89P9029	*
Slovak (models CTO-G 72G 74G)	89P9030	*
Spanish (models CTO-G 72G 74G)	89P9031	*
Swedish/Finn (models CTO-G 72G 74G)	89P9032	*
Swiss F/G (models CTO-G 72G 74G)	89P9033	*
Thailand (models CTO-A)	89P9034	*
Turkish 440 (models CTO-G 72G 74G)	89P9035	*
Turkish 179 (models CTO-G 72G 74G)	89P9036	*
UK English (models CTO-G 72G 74G)	89P9037	*
US Euro (models CTO-G 72G 74G)	89P9038	*

8157 Keyboards (with fingerprint reader)	FRU#	CRU
Yugoslav/Latin (models CTO-G 72G 74G)	89P9039	*

8157 Keyboard (Enhanced Performance, Wireless)	FRU#	CRU
US English (models CTO-U CTO-G)	89P8730	*
Belgian/French (models CTO-G)	89P8731	*
Belgian/UK (models CTO-G)	89P8732	*
Czech (models CTO-G)	89P8734	*
Danish (models CTO-G)	89P8735	*
Dutch (models CTO-G)	89P8736	*
French (models CTO-G)	89P8737	*
French Canadian 445 (models CTO-U)	89P8738	*
French Canadian 58 (models CTO-U)	89P8739	*
German (models CTO-G)	89P8740	*
Greek (models CTO-G)	89P8741	*
Hungarian (models CTO-G)	89P8742	*
Iceland (models CTO-G)	89P8743	*
Italian 141 (models CTO-G)	89P8744	*
Norwegian (models CTO-G)	89P8746	*
Polish (models CTO-G)	89P8747	*
Portuguese (models CTO-G)	89P8748	*
Slovak (models CTO-G)	89P8749	*
Spanish (models CTO-G)	89P8751	*
Swedish/Finn (models CTO-G)	89P8752	*
Swiss F/G (models CTO-G)	89P8753	*
UK English (models CTO-G)	89P8754	*
US Euro (models CTO-G)	89P8755	*
Wireless transceiver dongle (models CTO)	89P8757	*

8157 mice	FRU#	CRU
Mouse, PS/2 - 2-Button (Black) (models CTO)	41A4909	*
Mouse, Scrollpoint Optical, USB (models CTO)	41A4933	*
Mouse, Optical Wheelmouse, USB (models CTO 71G 72G 73G 74G A1S A1P A1Y A2S A2P A2Y 11S 11P 11Y 12U 21S 21P 21Y 31S 31P 31Y 41S 41P 41Y 51S 51P 51Y 61S 61P 61Y)	41A4935	*

8157 Adapters and miscellaneous FRU	FRU#	CRU
Soft Modem V.90/V.44 (models CTO)	29R9729	*
Nvidia GeForce 6200 P262 w/NV44 (models CTO)	39J6213	*
128MB DDR ATI Radeon x300SE (DMS59 connector) (models CTO)	39J9635	*
128MB DDR ATI RADEON X700 PRO VGA, DVI-I, TV-Out PCI-e BTX (models CTO)	39J6203	*
PCI-E DVI-DConnection Adapter (ADD 2-R) (Full Height) (models CTO 73G 74G)	39J9334	*
IEEE 1394 Adapter - Firewire (models CTO)	41D2781	*

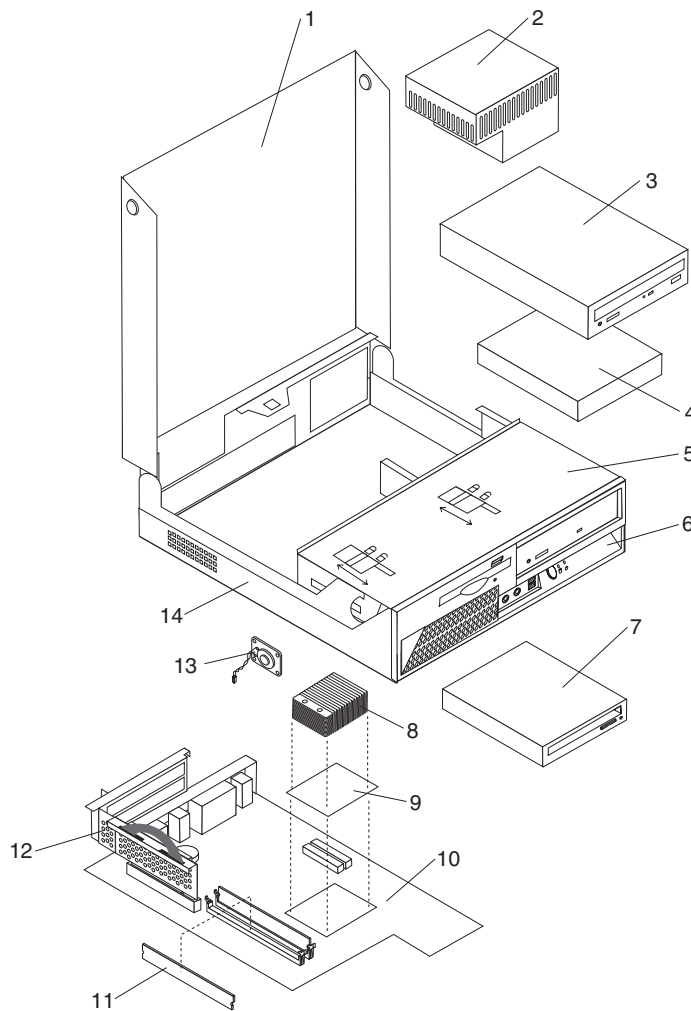
8157 Adapters and miscellaneous FRU	FRU#	CRU
1394 Internal cable (models CTO)	39M0478	*
Speakers, Jazz Infinity Active T1 (Black) (models CTO)	89P8588	*
Speaker Power brick - US, Canada, LA (low voltage), Taiwan, Phillipines, Thailand (models CTO-U CTO-L CTO-A)	10K2587	*
Speaker Power brick - UK, Hong Kong (British version), ASEAN (models CTO-A)	25P5703	*
Speaker Power brick - Europe and LA (models CTO-G CTO-L)	25P5704	*
Speaker Power brick (newer 2 prong) - China, Thailand, Phillipines (models CTO-A)	10K2597	*
Speaker Power brick - ANZ (models CTO-A)	25P5705	*
Speaker Power brick - Brazil (models CTO-L)	25P5706	*
Speaker Power brick - India, South Africa (models CTO-A CTO-G)	32P3181	*
Speaker Power brick - Argentina (models CTO-L)	01R2253	*
RJ11 connector adapter (Spain, Ireland) (All "G" models)	60H6043	*
RJ11 connector adapter (Austria) (All "G" models)	60H6045	*
RJ11 connector adapter (Belgium) (All "G" models)	60H6046	*
RJ11 connector adapter (Denmark) (All "G" models)	60H6047	*
RJ11 connector adapter (Norway, Finland) (All "G" models)	60H6048	*
RJ11 connector adapter (France) (All "G" models)	60H6049	*
RJ11 connector adapter (Germany) (All "G" models)	60H6050	*
RJ11 connector adapter (UK, NZ, HK) (All "G", "M", "B", "H" models)	60H6051	*
RJ11 connector adapter (Italy) (All "G" models)	60H6052	*
RJ11 connector adapter (Netherlands) (All "G" models)	60H6053	*
RJ11 connector adapter (Sweden) (All "G" models)	60H6054	*
RJ11 connector adapter (Switzerland) (All "G" models)	60H6055	*

8157 Power Cords	FRU#	CRU
Power cord - US (models A1S A2S 11S 12U 21S 31S 41S 51S 61S)	39M5080	*
Power cord - Brazil (models A1P A2P 11P 21P 31P 41P 51P 61P)	39M5232	*
Power cord - LA High Volt (APU) (models A1Y A2Y 11Y 21Y 31Y 41Y 51Y 61Y)	39M5067	*
Power cord - UK, Ireland, Singapore, Malaysia, Brunei (models 71G 72G 73G 74G)	39M5150	*
Power cord - Italy (models 71G 72G 73G 74G A1S A1Y A2S A2Y 11S 11Y 21S 21Y 31S 31Y 41S 41Y 51S 51Y 61S 61Y)	39M5164	*
Power cord - G models (models 71G 72G 73G 74G)	39M5122	*
Power cord - Denmark (models 71G 72G 73G 74G)	39M5129	*
Power cord - Switzerland (models 71G 72G 73G 74G)	39M5157	*
Power cord - Israel (models 71G 72G 73G 74G)	39M5171	*
Power cord - South Africa (models 71G 72G 73G 74G)	39M5143	*

8157 Windows XP Pro Recovery CDs	FRU#	CRU
US/UK/AP/TH (models 71G 72G 73G 74G 12U)	41T1577	*
FR/CF (models 71G 72G 73G 74G)	41T3198	*
GR (models 71G 72G 73G 74G)	41T3199	*

8157 Windows XP Pro Recovery CDs	FRU#	CRU
SP/LA (models 71G 72G 73G 74G A1S A1Y A2S A2Y 11S 11Y 21S 21Y 31S 31Y 41S 41Y 51S 51Y 61S 61Y)	41T3200	*
IT (models 71G 72G 73G 74G)	41T3201	*
BR (models A1P A2P 11P 21P 31P 41P 51P 61P)	41T3202	*
SV (models 71G 72G 73G 74G)	41T3203	*
DK (models 71G 72G 73G 74G)	41T3204	*
FI (models 71G 72G 73G 74G)	41T4264	*
NO (models 71G 72G 73G 74G)	39J9646	*
NL (models 71G 72G 73G 74G)	41T4266	*
HE (models 71G 72G 73G 74G)	41T4267	*
PL (models 71G 72G 73G 74G)	41T4268	*
CZ (models 71G 72G 73G 74G)	41T4269	*
AE (models 71G 72G 73G 74G)	41T4270	*
RU (models 71G 72G 73G 74G)	41T4271	*
TR (models 71G 72G 73G 74G)	41T4836	*
HU (models 71G 72G 73G 74G)	41T4837	*
PO (models 71G 72G 73G 74G)	41T4838	*
GK (models 71G 72G 73G 74G)	41T4839	*
SL (models 71G 72G 73G 74G)	41T4840	*
Multilingual 1 (models CTO-G 71G 72G 73G 74G)	41T3282	*
Multilingual 2 (models CTO-G 71G 72G 73G 74G)	41T4280	*

# Machine Type 8158



Item #	8158 FRUs	FRU#	CRU
1	Cover (all models)	26K1263	**
2	Power Supply (225 Watt) (models CTO A1K A2K A3G 21K 22K 23J 24J 25J 26J 27J 28J 29J 2AJ 2BJ 2CJ 2DJ 31J 32J 33J 34J 35J 36J 37J 38J 39J 3AJ 3BJ 41J 42J 43J 44J 45J 46J 47J 48J 49J 4AJ 4BJ D1K E1A E1T E1K F1K A7K A8K AAK D3K E3K E4K ABJ ACJ ADJ AEJ AFJ AGJ AHJ AJJ 11J 12J 13J 14J D5J D6J D7J)	24R2584	**
2	Power Supply (225 Watt) China Version (models CTO-A CTO-L 21B 22B E1Q E1B A4S A4P A4Y A5S A5P A5Y 2ES 2EP 2EY 3CS 3CP 3CY 3DS 3DP 3DY 4CS 4CP 4CY 4DS 4DP 4DY D2S D2P D2Y E2S E2P E2Y F2S F2P F2Y G1S G1P G1Y A6V A9V D4V E5V)	24R2587	**
3	CD-ROM Drive 48X (models CTO A1K 21B 21K 23J 26J 29J 2CJ 31J 34J 37J 3AJ 41J 44J 47J 4AJ A4S A4P A4Y A5S A5P A5Y A7K A8K ABJ ACJ AFJ AGJ 11J 12J 13J D7J)	40Y8929	*
3	CD-ROM Drive 48X (models A7K A8K ABJ ACJ AFJ AGJ 11J 12J 13J D7J)	40Y8807	*
3	CD-ROM Drive 48X (models A7K A8K ABJ ACJ AFJ AGJ 11J 12J 13J D7J)	40Y8955	*
3	CD-RW Drive (48X/32X/48X) (models CTO)	40Y8901	*
3	CD-RW Drive (48X/32X/48X) (models CTO)	40Y8937	*
3	DVD-ROM 16X/48X - Black (models CTO A3G A6V A9V D4V E5V)	40Y8931	*



Item #	8158 FRUs	FRU#	CRU
3	DVD-ROM 16X/48X - Black (models CTO A3G A6V A9V D4V E5V)	40Y8933	*
3	DVD-ROM/CD-RW Combo Drive (48x/32x/48x/16x) (models CTO A2K 22B 22K 24J 27J 2AJ 2DJ 32J 35J 38J 3BJ 42J 45J 48J 4BJ D1K E1A E1Q E1T E1B E1K F1K 2ES 2EP 2EY 3CS 3CP 3CY 3DS 3DP 3DY 4CS 4CP 4CY 4DS 4DP 4DY D2S D2P D2Y E2S E2P E2Y F2S F2P F2Y G1S G1P G1Y AAK D3K E3K ADJ AEJ AHJ AJJ 14J D5J D6J)	40Y8919	*
3	Multi-Burner Plus (models CTO 25J 28J 2BJ 33J 36J 39J 43J 46J 49J E4K)	40Y8909	*
4	Hard Disk Drive 40GB 7200 rpm Serial ATA (models CTO ABJ ACJ ADJ AEJ AFJ AGJ AHJ AJJ)	40Y8760	*
4	Hard Disk Drive 40GB 7200 rpm Serial ATA (models CTO ABJ ACJ ADJ AEJ AFJ AGJ AHJ AJJ)	40Y9033	*
4	Hard Disk Drive 40GB 7200 rpm Serial ATA (models CTO)	71P7312	*
4	Hard Disk Drive 80GB 7200 rpm Serial ATA (models CTO A1K A2K A3G 21B 21K 22B 22K 23J 24J 25J 26J 27J 28J 29J 2AJ 2BJ 2CJ 2DJ 31J 32J 33J 34J 35J 36J 37J 38J 39J 3AJ 3BJ 41J 42J 43J 44J 45J 46J 47J 48J 49J 4AJ 4BJ A4S A4P A4Y A5S A5P A5Y 2ES 2EP 2EY 3CS 3CP 3CY 3DS 3DP 3DY 4CS 4CP 4CY 4DS 4DP 4DY A6V A7K A8K A9V D4V E5V 11J 12J 13J 14J D5J D6J D7J)	40Y8761	*
4	Hard Disk Drive 80GB 7200 rpm Serial ATA (models CTO A1K A2K A3G 21B 21K 22B 22K 23J 24J 25J 26J 27J 28J 29J 2AJ 2BJ 2CJ 2DJ 31J 32J 33J 34J 35J 36J 37J 38J 39J 3AJ 3BJ 41J 42J 43J 44J 45J 46J 47J 48J 49J 4AJ 4BJ A4S A4P A4Y A5S A5P A5Y 2ES 2EP 2EY 3CS 3CP 3CY 3DS 3DP 3DY 4CS 4CP 4CY 4DS 4DP 4DY)	71P7293	*
4	Hard Disk Drive 160GB 7200 rpm Serial ATA (models CTO D1K E1A E1Q E1T E1B E1K F1K D2S D2P D2Y E2S E2P E2Y F2S F2P F2Y G1S G1P G1Y AAK D3K E3K)	40Y8762	*
4	Hard Disk Drive 160GB 7200 rpm Serial ATA (models CTO D1K E1A E1Q E1T E1B E1K F1K D2S D2P D2Y E2S E2P E2Y F2S F2P F2Y G1S G1P G1Y)	71P7297	*
4	Hard Disk Drive 250GB 7200 rpm Serial ATA (models CTO E4K)	71P7299	*
5	Rotating bay assembly (all models)	03R0285	*
6	Bezel Plastic Kit (all models)	26K1214	*
7	Slim Diskette Drive (without cable and bezel) (models CTO A1K A2K A3G 21B 21K 22B 22K 23J 24J 25J 26J 27J 28J 29J 2AJ 2BJ 2CJ 2DJ 31J 32J 33J 34J 35J 36J 37J 38J 39J 3AJ 3BJ 41J 42J 43J 44J 45J 46J 47J 48J 49J 4AJ 4BJ D1K E1A E1Q E1T E1B E1K F1K A4S A4P A4Y A5S A5P A5Y 2ES 2EP 2EY 3CS 3CP 3CY 3DS 3DP 3DY 4CS 4CP 4CY 4DS 4DP 4DY D2S D2P D2Y E2S E2P E2Y F2S F2P F2Y G1S G1P G1Y ABJ ACJ ADJ AEJ AFJ AGJ AHJ AJJ 11J 12J 13J 14J D5J D6J D7J)	40Y9109	*
7	Slim Diskette Drive (without cable and bezel) (models CTO A1K A2K A3G 21B 21K 22B 22K 23J 24J 25J 26J 27J 28J 29J 2AJ 2BJ 2CJ 2DJ 31J 32J 33J 34J 35J 36J 37J 38J 39J 3AJ 3BJ 41J 42J 43J 44J 45J 46J 47J 48J 49J 4AJ 4BJ D1K E1A E1Q E1T E1B E1K F1K A4S A4P A4Y A5S A5P A5Y 2ES 2EP 2EY 3CS 3CP 3CY 3DS 3DP 3DY 4CS 4CP 4CY 4DS 4DP 4DY D2S D2P D2Y E2S E2P E2Y F2S F2P F2Y G1S G1P G1Y ABJ ACJ ADJ AEJ AFJ AGJ AHJ AJJ 11J 12J 13J 14J D5J D6J D7J)	40Y9111	*
8	Heat Sink, Side Car w/baffle, Lead Free (all models)	26K1258	**
9	Microprocessor, 2.53GHZ Celeron Prescott P4 (533FSB, 256KB) (models CTO)	39J7004	**
9	Microprocessor, 2.66 GHZ Celeron Prescott P4 (533FSB, 256KB) (models CTO ABJ ACJ ADJ AEJ AFJ AGJ AHJ AJJ)	39J7005	**
9	Microprocessor, 2.8 GHZ Celeron Prescott P4 (533FSB, 256KB) (models CTO)	39J7006	**
9	Microprocessor, 2.93 GHZ Celeron Prescott P4 (533FSB, 256KB) (models CTO A1K A4S A4P A4Y A6V A7K)	39J7007	**
9	Microprocessor, 3.06 GHZ Celeron Prescott P4 (533FSB, 256KB) (models CTO A2K A3G A5S A5P A5Y A8K A9V AAK)	39J7008	**

Item #	8158 FRUs	FRU#	CRU
9	Microprocessor, 3.2 GHZ Celeron Prescott P4 (533FSB, 256KB) (models CTO)	39J9695	**
9	Microprocessor, 3.33 GHZ Celeron Prescott (533FSB, 256KB) (models CTO BDK)	41T1132	**
9	Microprocessor, 3.2 GHZ Celeron Cedar Mill (533FSB, 512KB) (models CTO)	41T4966	**
9	Microprocessor, 3.33 GHZ Celeron Cedar Mill (533FSB, 512KB) (models CTO)	41T4968	**
9	Microprocessor, 2.93 GHZ Prescott P4 (533FSB, 1MB) (models CTO)	39J9621	**
9	Microprocessor, 2.66 GHZ Prescott P4 (533FSB, 1MB) (models CTO)	41D0684	**
9	Microprocessor, 2.93 GHZ Prescott P4 (533FSB, 1MB) (models CTO 11J 12J 13J 14J)	41D0686	**
9	Microprocessor, 3.06 GHZ Prescott P4 (533FSB, 1MB) (models CTO)	41D0688	**
9	Microprocessor, 2.8 GHZ Prescott P4 (800FSB, 1MB) (models CTO)	39J7009	**
9	Microprocessor, 3.0 GHZ Prescott P4 (800FSB, 1MB) (models CTO 21B 21K 22B 22K 23J 24J 25J 26J 27J 28J 29J 2AJ 2BJ 2CJ 2DJ 2ES 2EP 2EY)	39J7010	**
9	Microprocessor, 3.2 GHZ Prescott P4 (800FSB, 1MB) (models CTO 31J 32J 33J 34J 35J 36J 37J 38J 39J 3AJ 3BJ 3CS 3CP 3CY 3DS 3DP 3DY)	39J7011	**
9	Microprocessor, 3.4 GHZ Prescott P4 (800FSB, 1MB) (models CTO 41J 42J 43J 44J 45J 46J 47J 48J 49J 4AJ 4BJ 4CS 4CP 4CY 4DS 4DP 4DY)	39J7012	**
9	Microprocessor, 3.0 GHZ Prescott P4 (800FSB, 2MB) (models CTO D1K D2S D2P D2Y D3K D4V D5J D6J D7J)	39J7013	**
9	Microprocessor, 3.2 GHZ Prescott P4 (800FSB, 2MB) (models CTO E1A E1Q E1T E1B E1K E2S E2P E2Y E3K E4K E5V)	39J7014	**
9	Microprocessor, 3.4 GHZ Prescott P4 (800FSB, 2MB) (models CTO F1K F2S F2P F2Y)	39J7015	**
9	Microprocessor, 2.8 GHZ Smithfield P4 (800FSB, 1MB) (models CTO G1S G1P G1Y)	39J8468	**
9	Microprocessor, 3.0GHz Cedar Mill P4 (800MHz FSB, 2MB Cache) B0-Value (models CTO)	41D5054	**
9	Microprocessor, 3.0 GHZ Cedar Mill P4 (800MHz FSB, 2MB Cache) (models CTO)	41D5042	**
9	Microprocessor, 3.2 GHZ Cedar Mill P4 (800MHz FSB, 2MB Cache) (models CTO)	41D5056	**
9	Microprocessor, 3.2 GHz Cedar Mill P4 (800MHz FSB, 2MB Cache) (models CTO)	41D5044	**
9	Microprocessor, 3.4 GHZ Cedar Mill P4 (800MHz FSB, 2MB Cache) (models CTO)	41D5058	**
9	Microprocessor, 3.4 GHZ Cedar Mill P4 (800MHz FSB, 2MB Cache) (models CTO)	41D5046	**
9	Microprocessor, 3.6 GHZ Cedar Mill P4 (800MHz FSB, 2MB Cache) (models CTO)	41D5048	**
9	Microprocessor, 2.8 GHZ Presler P4 (800MHz FSB, 2MBx2 Cache) (models CTO)	41D5050	**
9	Microprocessor, 3.0 GHZ Presler P4 (800MHz FSB, 2MBx2 Cache) (models CTO)	41D5052	**
10	System Board 10/1000 (models CTO A1K A2K A3G 21B 21K 22B 22K 23J 24J 25J 26J 27J 28J 29J 2AJ 2BJ 2CJ 2DJ 31J 32J 33J 34J 35J 36J 37J 38J 39J 3AJ 3BJ 41J 42J 43J 44J 45J 46J 47J 48J 49J 4AJ 4BJ D1K E1A E1Q E1T E1B E1K F1K A4S A4P A4Y A5S A5P A5Y 2ES 2EP 2EY 3CS 3CP 3CY 3DS 3DP 3DY 4CS 4CP 4CY 4DS 4DP 4DY D2S D2P D2Y E2S E2P E2Y F2S F2P F2Y G1S G1P G1Y A6V A7K A8K A9V AAK D3K D4V E3K E4K E5V ABJ ACJ ADJ AEJ AFJ AGJ AHJ AJJ 11J 12J 13J 14J D5J D6J D7J)	41X1063	**
10	System Board DDR2 SFF Planar (10/1000, POV down, PCI/1x PCIe/DVI, AMT enabled) (models CTO)	41X1064	**
11	256MB DDR2 SDRAM NP Memory (PC 4200) (models CTO A1K A2K A3G 21B 21K 22B 22K A4S A4P A4Y A5S A5P A5Y 2ES 2EP 2EY A6V A9V ABJ ACJ ADJ AEJ 11J)	30R5120	*

Item #	8158 FRUs	FRU#	CRU
11	512MB DDR2 SDRAM NP Memory (PC 4200) (models CTO 23J 24J 25J 26J 27J 28J 29J 2AJ 2BJ 2CJ 2DJ 31J 32J 33J 34J 35J 36J 37J 38J 39J 3AJ 3BJ 41J 42J 43J 44J 45J 46J 47J 48J 49J 4AJ 4BJ D1K E1A E1Q E1T E1B E1K F1K 3CS 3CP 3CY 3DS 3DP 3DY 4CS 4CP 4CY 4DS 4DP 4DY D2S D2P D2Y E2S E2P E2Y F2S F2P F2Y G1S G1P G1Y D4V E5V AFJ AGJ AHJ AJJ 12J 13J 14J D5J D6J D7J)	30R5121	*
11	1GB DDR2 SDRAM NP Memory (PC 4200) (models CTO)	30R5122	*
11	2GB DDR2 SDRAM NP Memory (PC 4200) (models CTO)	30R5123	*
11	256MB DDR2 SDRAM NP Memory (PC 5300) (models CTO A8K)	30R5124	*
11	512MB DDR2 SDRAM NP Memory (PC 5300) (models CTO A7K AAK D3K E3K E4K)	30R5125	*
11	1GB DDR2 SDRAM NP Memory (PC 5300) (models CTO)	30R5126	*
11	2GB DDR2 SDRAM NP Memory (PC 5300) (models CTO)	30R5127	*
12	Riser card assembly (all models)	41A7730	*
13	Speaker/cable assembly (models CTO A3G 23J 24J 25J 26J 27J 28J 29J 2AJ 2BJ 2CJ 2DJ 31J 32J 33J 34J 35J 36J 37J 38J 39J 3AJ 3BJ 41J 42J 43J 44J 45J 46J 47J 48J 49J 4AJ 4BJ A6V A7K A8K A9V AAK D3K D4V E3K E4K E5V ABJ ACJ ADJ AEJ AFJ AGJ AHJ AJJ 11J 12J 13J 14J D5J D6J D7J)	39K5012	*
14	Chassis (all models)	26K1262	**

The FRUs listed in the following table are not illustrated.

8158 FRUs	FRU#	CRU
Tool less hard disk drive tray (all models)	03R0302	*
System board tray (all models)	26K1213	*
Lock assembly (Random keyed) (models)	03R0287	*
Internal plastic kit (all models)	03R0289	*
Cable, 2 Drop Hard Disk Drive and Optical - ATA 100 (all models)	26K1246	*
Cable, Optical (1 Drop) ATA 100 (all models)	26K1244	*
Cable, SATA Device (all models)	39K5026	*
C2 Cable (Squall) (all models)	39K5022	*
Cable, power switch/LED (all models)	26K1242	*
Cable, Diskette Drive (all models)	26K1248	*
Fan assembly (all models)	26K1253	*
Battery (all models)	33F8354	*
Universal Adapter Bracket 5.25 to 3.5-inch (all models)	32P4743	*
Retention module, tool less heat sink (all models)	26K1281	*

8158 Keyboards (Preferred Pro Fullsize,PS/2, Stealth Black)	FRU#	CRU
US English (models CTO-U CTO-G A3G)	89P8300	*
Arabic (models CTO-G A3G)	89P8301	*
Belgian/French (models CTO-G A3G)	89P8302	*
Belgian/UK (models CTO-G A3G)	89P8303	*
Brazil/Portuguese (models CTO-L A4P A5P 2EP 3DP 4CP D2P E2P F2P G1P)	89P8304	*
Bulgarian (models CTO-G A3G)	89P8305	*

<b>8158 Keyboards (Preferred Pro Fullsize,PS/2, Stealth Black)</b>	<b>FRU#</b>	<b>CRU</b>
Chinese/US (models 21B 22B A6V A9V D4V E5V)	89P8306	*
Czech (models CTO-G A3G)	89P8307	*
Danish (models CTO-G A3G)	89P8308	*
Dutch (models CTO-G A3G)	89P8309	*
French (models CTO-G A3G)	89P8310	*
French Canadian 445 (models CTO-U)	89P8311	*
French Canadian 58 (models CTO-U)	89P8312	*
German (models CTO-G A3G)	89P8313	*
Greek (models CTO-G A3G)	89P8314	*
Hebrew (models CTO-G A3G)	89P8315	*
Hungarian (models CTO-G A3G)	89P8316	*
Iceland (models CTO-G A3G)	89P8317	*
Italian (models CTO-G A3G)	89P8319	*
Japanese (models 2CJ 2DJ 3AJ 3BJ 4AJ 4BJ ABJ ACJ ADJ AEJ AFJ AGJ AHJ AJJ 11J 12J 13J 14J D5J D6J D7J)	89P8320	*
Korean (models A1K A2K 21K 22K)	89P8321	*
LA Spanish (models CTO-L A4S A4Y A5S A5Y 2ES 2EY 3DS 3DY 4CS 4CY D2S D2Y E2S E2Y F2S F2Y G1S G1Y)	89P8322	*
Norwegian (models CTO-G A3G)	89P8323	*
Polish (models CTO-G A3G)	89P8324	*
Portuguese (models CTO-G A3G)	89P8325	*
Romanian (models CTO-G A3G)	89P8326	*
Russian (models CTO-G A3G)	89P8327	*
Russian/Cyrillic (models CTO-G A3G)	89P8328	*
Serbian/Cyrillic (models CTO-G A3G)	89P8329	*
Slovak (models CTO-G A3G)	89P8330	*
Spanish (models CTO-G A3G)	89P8331	*
Swedish/Finn (models CTO-G A3G)	89P8332	*
Swiss F/G (models CTO-G A3G)	89P8333	*
Thailand (models CTO-A)	89P8334	*
Turkish 179 (models CTO-G A3G)	89P8336	*
UK English (models CTO-G A3G)	89P8337	*
US Euro (models CTO-G A3G)	89P8338	*
Yugoslav/Latin (models CTO-G A3G)	89P8339	*

<b>8158 Keyboards (Productivity, USB)</b>	<b>FRU#</b>	<b>CRU</b>
US English (models CTO-U CTO-G)	89P8800	*
Arabic (models CTO-G)	89P8801	*
Arabic/French (models CTO-G)	89P8802	*
Belgian/French (models CTO-G)	89P8803	*
Belgian/UK (models CTO-G)	89P8804	*

<b>8158 Keyboards (Productivity, USB)</b>	<b>FRU#</b>	<b>CRU</b>
Brazil/Portuguese (models CTO-L)	89P8805	*
Bulgarian (models CTO-G)	89P8806	*
Czech (models CTO-G)	89P8808	*
Danish (models CTO-G)	89P8809	*
Dutch (models CTO-G)	89P8810	*
French (models CTO-G)	89P8811	*
French Canadian (models CTO-U)	89P8812	*
French Canadian (models CTO-U)	89P8813	*
German (models CTO-G)	89P8814	*
Greek (models CTO-G)	89P8815	*
Hebrew (models CTO-G)	89P8816	*
Hungarian (models CTO-G)	89P8817	*
Iceland (models CTO-G)	89P8818	*
Italian 141 (models CTO-G)	89P8819	*
Korean (models A7K A8K AAK D3K E3K E4K)	89P8821	*
LA/Spanish (models CTO-L)	89P8822	*
Norwegian (models CTO-G)	89P8823	*
Polish (models CTO-G)	89P8824	*
Portuguese (models CTO-G)	89P8825	*
Romanian (models CTO-G)	89P8826	*
Romanian (models CTO-G)	89P8827	*
Russian/Cyrillic (models CTO-G)	89P8828	*
Serbian/Cyrillic (models CTO-G)	89P8829	*
Slovak (models CTO-G)	89P8830	*
Spanish (models CTO-G)	89P8831	*
Swedish/Finn (models CTO-G)	89P8832	*
Swiss F/G (models CTO-G)	89P8833	*
Thailand (models CTO-A)	89P8834	*
Turkish 440 (models CTO-G)	89P8835	*
Turkish 179 (models CTO-G)	89P8836	*
UK English (models CTO-G)	89P8837	*
US Euro (models CTO-G)	89P8838	*
Yugoslav/Latin (models CTO-G)	89P8839	*

<b>8158 Keyboards (with fingerprint reader)</b>	<b>FRU#</b>	<b>CRU</b>
US English (models CTO-U CTO-G E1A E1Q)	89P9000	*
Arabic (models CTO-G)	89P9001	*
Belgian/French (models CTO-G)	89P9003	*
Belgian/UK (models CTO-G)	89P9004	*
Brazilian Portuguese (models CTO-L 3CP 4DP)	89P9005	*
Bulgarian (models CTO-G)	89P9006	*

<b>8158 Keyboards (with fingerprint reader)</b>	<b>FRU#</b>	<b>CRU</b>
Chinese/US (models E1B)	89P9007	*
Czech (models CTO-G)	89P9008	*
Danish (models CTO-G)	89P9009	*
Dutch (models CTO-G)	89P9010	*
French (models CTO-G)	89P9011	*
French Canadian 445 (models CTO-U)	89P9012	*
French Canadian 58 (models CTO-U)	89P9013	*
German (models CTO-G)	89P9014	*
Greek (models CTO-G)	89P9015	*
Hebrew (models CTO-G)	89P9016	*
Hungarian (models CTO-G)	89P9017	*
Iceland (models CTO-G)	89P9018	*
Italian 141 (models CTO-G)	89P9019	*
Japanese (models 23J 24J 25J 26J 27J 28J 29J 2AJ 2BJ 31J 32J 33J 34J 35J 36J 37J 38J 39J 41J 42J 43J 44J 45J 46J 47J 48J 49J)	89P9020	*
Korean (models D1K E1K F1K)	89P9021	*
LA Spanish (models CTO-L 3CS 3CY 4DS 4DY)	89P9022	*
Norwegian (models CTO-G)	89P9023	*
Polish (models CTO-G)	89P9024	*
Portuguese (models CTO-G)	89P9025	*
Romanian (models CTO-G)	89P9026	*
Romanian (models CTO-G)	89P9027	*
Russian/Cyrillic (models CTO-G)	89P9028	*
Serbian/Cyrillic (models CTO-G)	89P9029	*
Slovak (models CTO-G)	89P9030	*
Spanish (models CTO-G)	89P9031	*
Swedish/Finn (models CTO-G)	89P9032	*
Swiss F/G (models CTO-G)	89P9033	*
Thailand (models CTO-A E1T)	89P9034	*
Turkish 440 (models CTO-G)	89P9035	*
Turkish 179 (models CTO-G)	89P9036	*
UK English (models CTO-G)	89P9037	*
US Euro (models CTO-G)	89P9038	*
Yugoslav/Latin (models CTO-G)	89P9039	*

<b>8158 Keyboard (Enhanced Performance, Wireless)</b>	<b>FRU#</b>	<b>CRU</b>
US English (models CTO-U CTO-G)	89P8730	*
Belgian/French (models CTO-G)	89P8731	*
Belgian/UK (models CTO-G)	89P8732	*
Czech (models CTO-G)	89P8734	*
Danish (models CTO-G)	89P8735	*

<b>8158 Keyboard (Enhanced Performance, Wireless)</b>	<b>FRU#</b>	<b>CRU</b>
Dutch (models CTO-G)	89P8736	*
French (models CTO-G)	89P8737	*
French Canadian 445 (models CTO-U)	89P8738	*
French Canadian 58 (models CTO-U)	89P8739	*
German (models CTO-G)	89P8740	*
Greek (models CTO-G)	89P8741	*
Hungarian (models CTO-G)	89P8742	*
Iceland (models CTO-G)	89P8743	*
Italian 141 (models CTO-G)	89P8744	*
Norwegian (models CTO-G)	89P8746	*
Polish (models CTO-G)	89P8747	*
Portuguese (models CTO-G)	89P8748	*
Slovak (models CTO-G)	89P8749	*
Spanish (models CTO-G)	89P8751	*
Swedish/Finn (models CTO-G)	89P8752	*
Swiss F/G (models CTO-G)	89P8753	*
UK English (models CTO-G)	89P8754	*
US Euro (models CTO-G)	89P8755	*
Wireless transceiver dongle (models CTO)	89P8757	*

<b>8158 mice</b>	<b>FRU#</b>	<b>CRU</b>
Mouse, PS/2 - 2-Button (Black) (models CTO)	41A4909	*
Mouse, Scrollpoint Optical, USB (models CTO A1K A2K A3G 21B 21K 22B 22K 23J 24J 25J 26J 27J 28J 29J 2AJ 2BJ 31J 32J 33J 34J 35J 36J 37J 38J 39J 41J 42J 43J 44J 45J 46J 47J 48J 49J D1K E1A E1Q E1T E1B E1K F1K A4S A4P A4Y A5S A5P A5Y 2ES 2EP 2EY 3CS 3CP 3CY 3DS 3DP 3DY 4CS 4CP 4CY 4DS 4DP 4DY D2S D2P D2Y E2S E2P E2Y F2S F2P F2Y G1S G1P G1Y A6V A7K A8K A9V AAK D3K D4V E3K E4K E5V ABJ ACJ ADJ AEJ AFJ AGJ AHJ AJJ 11J 12J 13J 14J D5J D6J D7J)	41A4933	*
Mouse, Optical Wheelmouse, USB (models CTO 2CJ 2DJ 3AJ 3BJ 4AJ 4BJ)	41A4935	*

<b>8158 Adapters and miscellaneous FRU</b>	<b>FRU#</b>	<b>CRU</b>
Soft Modem V.90/V.44 (models CTO A4S A4P A4Y A5S A5P A5Y 2ES 2EP 2EY 3CS 3CP 3CY 3DS 3DP 3DY 4CS 4CP 4CY D2S D2P D2Y E2S E2P E2Y F2S F2P F2Y G1S G1P G1Y)	29R9729	*
Nvidia GeForce 6200 P262 w/NV44 (models CTO)	39J6213	*
128MB DDR ATI Radeon x300SE (DMS59 connector) (models CTO)	39J9635	*
128MB DDR ATI RADEON X700 PRO VGA, DVI-I, TV-Out PCI-e BTX (models CTO)	39J6203	*
PCI-E DVI-DConnection Adapter (ADD 2-R) (Full Height) (models CTO A3G 29J 2AJ 2BJ 37J 38J 39J 47J 48J 49J)	39J9334	*
IEEE 1394 Adapter - Firewire (models CTO)	41D2781	*
1394 Internal cable (models CTO)	39M0478	*
Speakers, Jazz Infinity Active T1 (Black) (models CTO A1K A2K 21B 21K 22B 22K D1K E1A E1T E1B E1K F1K A4S A4P A4Y A5S A5P A5Y 2ES 2EP 2EY 3CS 3CP 3CY 3DS 3DP 3DY 4CS 4CP 4CY 4DS 4DP 4DY D2S D2P D2Y E2S E2P E2Y F2S F2P F2Y G1S G1P G1Y)	89P8588	*



8158 Adapters and miscellaneous FRU	FRU#	CRU
Speaker Power brick - US, Canada, LA (low voltage), Taiwan, Phillipines, Thailand (models CTO-U CTO-L CTO-A E1T A4S A4Y A5S A5Y 2ES 2EY 3CS 3CY 3DS 3DY 4CS 4CY 4DS 4DY D2S D2Y E2S E2Y F2S F2Y G1S G1Y)	10K2587	*
Speaker Power brick - UK, Hong Kong (British version), ASEAN (models CTO-A)	25P5703	*
Speaker Power brick - Europe and LA (models CTO-G CTO-L)	25P5704	*
Speaker Power brick (newer 2 prong) - China, Thailand, Phillipines (models CTO-A 21B 22B E1B)	10K2597	*
Speaker Power brick - ANZ (models CTO-A E1A)	25P5705	*
Speaker Power brick - Brazil (models CTO-L A4P A5P 2EP 3CP 3DP 4CP 4DP D2P E2P F2P G1P)	25P5706	*
Speaker Power brick - India, South Africa (models CTO-A CTO-G E1Q)	32P3181	*
Speaker Power brick - Argentina (models CTO-L A4S A4Y A5S A5Y 2ES 2EY 3CS 3CY 3DS 3DY 4CS 4CY 4DS 4DY D2S D2Y E2S E2Y F2S F2Y G1S G1Y)	01R2253	*
RJ11 connector adapter (Spain, Ireland) (All "G" models)	60H6043	*
RJ11 connector adapter (Austria) (All "G" models)	60H6045	*
RJ11 connector adapter (Belgium) (All "G" models)	60H6046	*
RJ11 connector adapter (Denmark) (All "G" models)	60H6047	*
RJ11 connector adapter (Norway, Finland) (All "G" models)	60H6048	*
RJ11 connector adapter (France) (All "G" models)	60H6049	*
RJ11 connector adapter (Germany) (All "G" models)	60H6050	*
RJ11 connector adapter (UK, NZ, HK) (All "G", "M", "B", "H" models)	60H6051	*
RJ11 connector adapter (Italy) (All "G" models)	60H6052	*
RJ11 connector adapter (Netherlands) (All "G" models)	60H6053	*
RJ11 connector adapter (Sweden) (All "G" models)	60H6054	*
RJ11 connector adapter (Switzerland) (All "G" models)	60H6055	*

8158 Power Cords	FRU#	CRU
Power cord - US (models E1A E1T A4S A5S 2ES 3CS 3DS 4CS 4DS D2S E2S F2S G1S)	39M5080	*
Power cord - Japan (models 23J 24J 25J 26J 27J 28J 29J 2AJ 2BJ 2CJ 2DJ 31J 32J 33J 34J 35J 36J 37J 38J 39J 3AJ 3BJ 41J 42J 43J 44J 45J 46J 47J 48J 49J 4AJ 4BJ 4CJ 4DJ 4EJ 4FJ 4GJ 4HJ 4J 11J 12J 13J 14J D5J D6J D7J)	39M5193	*
Power cord - Brazil (models A4P A5P 2EP 3CP 3DP 4CP 4DP D2P E2P F2P G1P)	39M5232	*
Power cord - LA High Volt (APU) (models A4Y A5Y 2EY 3CY 3DY 4CY 4DY D2Y E2Y F2Y G1Y)	39M5067	*
Power cord - Korea (models A1K A2K 21K 22K D1K E1K F1K A7K A8K AAK D3K E3K E4K)	39M5212	*
Power cord - Hong Kong (models 21B 22B E1B)	39M5151	*
Power cord - UK, Ireland, Singapore, Malaysia, Brunei (models A3G E1A)	39M5150	*
Power cord - Taiwan (models A6V A9V D4V E5V)	39M5246	*
Power cord - Italy (models A3G A4S A4Y A5S A5Y 2ES 2EY 3CS 3CY 3DS 3DY 4CS 4CY 4DS 4DY D2S D2Y E2S E2Y F2S F2Y G1S G1Y)	39M5164	*
Power cord - G models (models A3G E1A)	39M5122	*
Power cord - Denmark (models A3G)	39M5129	*
Power cord - Switzerland (models A3G)	39M5157	*

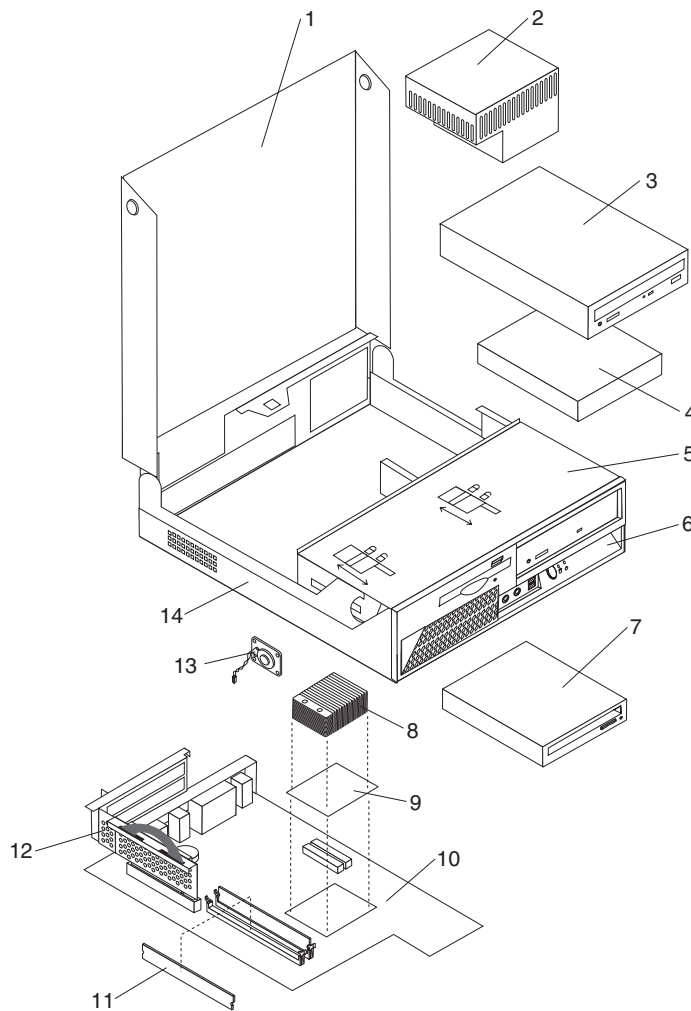


8158 Power Cords	FRU#	CRU
Power cord - Israel (models A3G)	39M5171	*
Power cord - South Africa (models A3G E1A)	39M5143	*
Power cord - India (models E1Q)	41R3175	*

8158 Windows XP Home Recovery CDs	FRU #	CRU
US/UK/AP/TH (models E1A E1Q E1T)	41D1584	*
SP/LA (models A4S A4Y A5S A5Y 2ES 2EY 3CS 3CY 3DS 3DY 4CS 4CY 4DS 4DY D2S D2Y E2S E2Y F2S F2Y G1S G1Y)	41T3242	*
BR (models A4P A5P 2EP 3CP 3DP 4CP 4DP D2P E2P F2P G1P)	41T3202	*
Hong Kong - TC (models E1A E1Q 21B 22B E1BE1T)	41W2645	*
Korea (models A1K A2K 21K 22K D1K E1K A7K A8K AAK D3K E3K E4K)	41W2624	*

8158 Windows XP Pro Recovery CDs	FRU#	CRU
US/UK/AP/TH (models A3G)	41T1577	*
FR/CF (models A3G)	41T3198	*
GR (models A3G)	41T3199	*
SP/LA (models A3G)	41T3200	*
IT (models A3G)	41T3201	*
BR (models A3G)	41T3202	*
SV (models A3G)	41T3203	*
DK (models A3G)	41T3204	*
FI (models A3G)	41T4264	*
NO (models A3G)	39J9646	*
NL (models A3G)	41T4266	*
HE (models A3G)	41T4267	*
PL (models A3G)	41T4268	*
CZ (models A3G)	41T4269	*
AE (models A3G)	41T4270	*
RU (models A3G)	41T4271	*
TR (models A3G)	41T4836	*
HU (models A3G)	41T4837	*
PO (models A3G)	41T4838	*
GK (models A3G)	41T4839	*
SL (models A3G)	41T4840	*
Taiwan-TC (models A6V A9V D4V E5V)	41W2603	*
Korea (models F1K)	41W2589	*
Japanese (models 23J 24J 25J 26J 27J 28J 29J 2AJ 2BJ 2CJ 2DJ 31J 32J 33J 34J 35J 36J 37J 38J 39J 3AJ 3BJ 41J 42J 43J 44J 45J 46J 47J 48J 49J 4AJ 4BJ 4CJ 4DJ 4EJ 4FJ 4GJ 4HJ 4JJ 11J 12J 13J 14J D5J D6J D7J)	41W2617	*
Multilingual 1 (models CTO-G A3G)	41T3282	*
Multilingual 2 (models CTO-G A3G)	41T4280	*

# Machine Type 8159



Item #	8159 FRUs	FRU#	CRU
1	Cover (all models)	26K1263	**
2	Power Supply (225 Watt) (models CTO 41G)	24R2584	**
2	Power Supply (225 Watt) China Version (models CTO-A CTO-L A1V A2V D1V E1V)	24R2587	**
3	CD-ROM Drive 48X (models CTO)	40Y8925	*
3	CD-ROM Drive 48X (models CTO)	40Y8929	*
3	CD-RW Drive (48X/32X/48X) (models CTO)	40Y8901	*
3	CD-RW Drive (48X/32X/48X) (models CTO)	40Y8937	*
3	DVD-ROM 16X/48X - Black (models CTO A1V A2V D1V E1V)	40Y8931	*
3	DVD-ROM 16X/48X - Black (models CTO A1V A2V D1V E1V)	40Y8933	*
3	DVD-ROM/CD-RW Combo Drive (48x/32x/48x/16x) (models CTO 41G)	40Y8781	*
3	DVD-ROM/CD-RW Combo Drive (48x/32x/48x/16x) (models CTO 41G)	40Y8919	*
3	DVD-ROM/CD-RW Combo Drive (48x/32x/48x/16x) (models CTO 41G)	40Y8903	*
3	Multi-Burner Plus (models CTO)	40Y8909	*
4	Hard Disk Drive 40GB 7200 rpm Serial ATA (models CTO)	40Y8760	*

Item #	8159 FRUs	FRU#	CRU
4	Hard Disk Drive 40GB 7200 rpm Serial ATA (models CTO)	40Y9033	*
4	Hard Disk Drive 40GB 7200 rpm Serial ATA (models CTO)	71P7312	*
4	Hard Disk Drive 80GB 7200 rpm Serial ATA (models CTO A1V A2V D1V E1V)	40Y8761	*
4	Hard Disk Drive 80GB 7200 rpm Serial ATA (models CTO)	71P7293	*
4	Hard Disk Drive 160GB 7200 rpm Serial ATA (models CTO 41G)	40Y8762	*
4	Hard Disk Drive 160GB 7200 rpm Serial ATA (models CTO 41G)	71P7297	*
4	Hard Disk Drive 250GB 7200 rpm Serial ATA (models CTO)	71P7299	*
5	Rotating bay assembly (all models)	03R0285	*
6	Bezel Plastic Kit (all models)	26K1214	*
7	Slim Diskette Drive (without cable and bezel) (models CTO 41G)	40Y9109	*
7	Slim Diskette Drive (without cable and bezel) (models CTO 41G)	40Y9111	*
8	Heat Sink, Side Car w/baffle, Lead Free (all models)	26K1258	**
9	Microprocessor, 2.53GHZ Celeron Prescott P4 (533FSB, 256KB) (models CTO)	39J7004	**
9	Microprocessor, 2.66 GHZ Celeron Prescott P4 (533FSB, 256KB) (models CTO)	39J7005	**
9	Microprocessor, 2.8 GHZ Celeron Prescott P4 (533FSB, 256KB) (models CTO)	39J7006	**
9	Microprocessor, 2.93 GHZ Celeron Prescott P4 (533FSB, 256KB) (models CTO A1V)	39J7007	**
9	Microprocessor, 3.06 GHZ Celeron Prescott P4 (533FSB, 256KB) (models CTO A2V)	39J7008	**
9	Microprocessor, 3.2 GHZ Celeron Prescott P4 (533FSB, 256KB) (models CTO)	39J9695	**
9	Microprocessor, 3.33 GHZ Celeron Prescott (533FSB, 256KB) (models CTO)	41T1132	**
9	Microprocessor, 3.2 GHZ Celeron Cedar Mill (533FSB, 512KB) (models CTO)	41T4966	**
9	Microprocessor, 3.33 GHZ Celeron Cedar Mill (533FSB, 512KB) (models CTO)	41T4968	**
9	Microprocessor, 2.93 GHZ Prescott P4 (533FSB, 1MB) (models CTO)	39J9621	**
9	Microprocessor, 2.66 GHZ Prescott P4 (533FSB, 1MB) (models CTO)	41D0684	**
9	Microprocessor, 2.93 GHZ Prescott P4 (533FSB, 1MB) (models CTO)	41D0686	**
9	Microprocessor, 3.06 GHZ Prescott P4 (533FSB, 1MB) (models CTO)	41D0688	**
9	Microprocessor, 2.8 GHZ Prescott P4 (800FSB, 1MB) (models CTO)	39J7009	**
9	Microprocessor, 3.0 GHZ Prescott P4 (800FSB, 1MB) (models CTO)	39J7010	**
9	Microprocessor, 3.2 GHZ Prescott P4 (800FSB, 1MB) (models CTO)	39J7011	**
9	Microprocessor, 3.4 GHZ Prescott P4 (800FSB, 1MB) (models CTO)	39J7012	**
9	Microprocessor, 3.0 GHZ Prescott P4 (800FSB, 2MB) (models CTO D1V)	39J7013	**
9	Microprocessor, 3.2 GHZ Prescott P4 (800FSB, 2MB) (models CTO E1V)	39J7014	**
9	Microprocessor, 3.4 GHZ Prescott P4 (800FSB, 2MB) (models CTO 41G)	39J7015	**
9	Microprocessor, 2.8 GHZ Smithfield P4 (800FSB, 1MB) (models CTO)	39J8468	**
9	Microprocessor, 3.0 GHZ Cedar Mill P4 (800MHz FSB, 2MB Cache) (models CTO)	41D5054	**
9	Microprocessor, 3.0 GHZ Cedar Mill P4 (800MHz FSB, 2MB Cache) (models CTO)	41D5042	**
9	Microprocessor, 3.2 GHz Cedar Mill P4 (800MHz FSB, 2MB Cache) (models CTO)	41D5056	**
9	Microprocessor, 3.2 GHz Cedar Mill P4 (800MHz FSB, 2MB Cache) (models CTO)	41D5044	**
9	Microprocessor, 3.4 GHz Cedar Mill P4 (800MHz FSB, 2MB Cache) (models CTO)	41D5058	**
9	Microprocessor, 3.4 GHz Cedar Mill P4 (800MHz FSB, 2MB Cache) (models CTO)	41D5046	**
9	Microprocessor, 3.6 GHz Cedar Mill P4 (800MHz FSB, 2MB Cache) (models CTO)	41D5048	**
9	Microprocessor, 2.8 GHz Presler P4 (800MHz FSB, 2MBx2 Cache) (models CTO)	41D5050	**

Item #	8159 FRUs	FRU#	CRU
9	Microprocessor, 3.0 GHZ Presler P4 (800MHz FSB, 2MBx2 Cache) (models CTO)	41D5052	**
10	System Board 10/1000 (models CTO 41G A1V A2V D1V E1V)	41X1063	**
10	System Board DDR2 SFF Planar (10/1000, POV down, PCI/1x PCIe/DVI, AMT enabled) (models CTO)	41X1064	**
11	256MB DDR2 SDRAM NP Memory (PC 4200) (models CTO A1V A2V)	30R5120	*
11	512MB DDR2 SDRAM NP Memory (PC 4200) (models CTO 41G D1V E1V)	30R5121	*
11	1GB DDR2 SDRAM NP Memory (PC 4200) (models CTO)	30R5122	*
11	2GB DDR2 SDRAM NP Memory (PC 4200) (models CTO)	30R5123	*
11	256MB DDR2 SDRAM NP Memory (PC 5300) (models CTO)	30R5124	*
11	512MB DDR2 SDRAM NP Memory (PC 5300) (models CTO)	30R5125	*
11	1GB DDR2 SDRAM NP Memory (PC 5300) (models CTO)	30R5126	*
11	2GB DDR2 SDRAM NP Memory (PC 5300) (models CTO)	30R5127	*
12	Riser card assembly (all models)	41A7730	*
13	Speaker/cable assembly (models CTO 41G A1V A2V D1V E1V)	39K5012	*
14	Chassis (all models)	26K1262	**

The FRUs listed in the following table are not illustrated.

8159 FRUs	FRU#	CRU
Tool less hard disk drive tray (all models)	03R0302	*
System board tray (all models)	26K1213	*
Lock assembly (Random keyed) (models)	03R0287	*
Internal plastic kit (all models)	03R0289	*
Cable, 2 Drop Hard Disk Drive and Optical - ATA 100 (all models)	26K1246	*
Cable, Optical (1 Drop) ATA 100 (all models)	26K1244	*
Cable, SATA Device (all models)	39K5026	*
C2 Cable (Squall) (models)	39K5022	*
Cable, power switch/LED (all models)	26K1242	*
Cable, Diskette Drive (all models)	26K1248	*
Fan assembly (all models)	26K1253	*
Kensington lock spacer (all models)	41A7702	*
Battery (all models)	33F8354	*
Universal Adapter Bracket 5.25 to 3.5-inch (all models)	32P4743	*
Retention module, tool less heat sink (all models)	26K1281	*
System board I/O Shield Kit for all system boards (all models)	41A7703	*

8159 Keyboards (Preferred Pro Fullsize,PS/2, Stealth Black)	FRU#	CRU
US English (models CTO-U CTO-G)	89P8300	*
Arabic (models CTO-G)	89P8301	*
Belgian/French (models CTO-G)	89P8302	*
Belgian/UK (models CTO-G)	89P8303	*

<b>8159 Keyboards (Preferred Pro Fullsize,PS/2, Stealth Black)</b>	<b>FRU#</b>	<b>CRU</b>
Brazil/Portuguese (models CTO-L)	89P8304	*
Bulgarian (models CTO-G)	89P8305	*
Chinese/US (models A1V A2V D1V E1V)	89P8306	*
Czech (models CTO-G)	89P8307	*
Danish (models CTO-G)	89P8308	*
Dutch (models CTO-G)	89P8309	*
French (models CTO-G)	89P8310	*
French Canadian 445 (models CTO-U)	89P8311	*
French Canadian 58 (models CTO-U)	89P8312	*
German (models CTO-G)	89P8313	*
Greek (models CTO-G)	89P8314	*
Hebrew (models CTO-G)	89P8315	*
Hungarian (models CTO-G)	89P8316	*
Iceland (models CTO-G)	89P8317	*
Italian (models CTO-G)	89P8319	*
LA Spanish (models CTO-L)	89P8322	*
Norwegian (models CTO-G)	89P8323	*
Polish (models CTO-G)	89P8324	*
Portuguese (models CTO-G)	89P8325	*
Romanian (models CTO-G)	89P8326	*
Russian (models CTO-G)	89P8327	*
Russian/Cyrillic (models CTO-G)	89P8328	*
Serbian/Cyrillic (models CTO-G)	89P8329	*
Slovak (models CTO-G)	89P8330	*
Spanish (models CTO-G)	89P8331	*
Swedish/Finn (models CTO-G)	89P8332	*
Swiss F/G (models CTO-G)	89P8333	*
Thailand (models CTO-A)	89P8334	*
Turkish 179 (models CTO-G)	89P8336	*
UK English (models CTO-G)	89P8337	*
US Euro (models CTO-G)	89P8338	*
Yugoslav/Latin (models CTO-G)	89P8339	*

<b>8159 Keyboards (Productivity USB)</b>	<b>FRU#</b>	<b>CRU</b>
US English (models CTO-U CTO-G)	89P8800	*
Arabic (models CTO-G)	89P8801	*
Arabic/French (models CTO-G)	89P8802	*
Belgian/French (models CTO-G)	89P8803	*
Belgian/UK (models CTO-G)	89P8804	*
Brazil/Portuguese (models CTO-L)	89P8805	*
Bulgarian (models CTO-G)	89P8806	*

<b>8159 Keyboards (Productivity USB)</b>	<b>FRU#</b>	<b>CRU</b>
Czech (models CTO-G)	89P8808	*
Danish (models CTO-G)	89P8809	*
Dutch (models CTO-G)	89P8810	*
French (models CTO-G)	89P8811	*
French Canadian (models CTO-U)	89P8812	*
French Canadian (models CTO-U)	89P8813	*
German (models CTO-G)	89P8814	*
Greek (models CTO-G)	89P8815	*
Hebrew (models CTO-G)	89P8816	*
Hungarian (models CTO-G)	89P8817	*
Iceland (models CTO-G)	89P8818	*
Italian 141 (models CTO-G)	89P8819	*
LA/Spanish (models CTO-L)	89P8822	*
Norwegian (models CTO-G)	89P8823	*
Polish (models CTO-G)	89P8824	*
Portuguese (models CTO-G)	89P8825	*
Romanian (models CTO-G)	89P8826	*
Romanian (models CTO-G)	89P8827	*
Russian/Cyrillic (models CTO-G)	89P8828	*
Serbian/Cyrillic (models CTO-G)	89P8829	*
Slovak (models CTO-G)	89P8830	*
Spanish (models CTO-G)	89P8831	*
Swedish/Finn (models CTO-G)	89P8832	*
Swiss F/G (models CTO-G)	89P8833	*
Thailand (models CTO-A)	89P8834	*
Turkish 440 (models CTO-G)	89P8835	*
Turkish 179 (models CTO-G)	89P8836	*
UK English (models CTO-G)	89P8837	*
US Euro (models CTO-G)	89P8838	*
Yugoslav/Latin (models CTO-G)	89P8839	*

<b>8159 Keyboards (with fingerprint reader)</b>	<b>FRU#</b>	<b>CRU</b>
US English (models CTO-U CTO-G 41G)	89P9000	*
Arabic (models CTO-G 41G)	89P9001	*
Belgian/French (models CTO-G 41G)	89P9003	*
Belgian/UK (models CTO-G 41G)	89P9004	*
Brazilian Portuguese (models CTO-L)	89P9005	*
Bulgarian (models CTO-G 41G)	89P9006	*
Czech (models CTO-G 41G)	89P9008	*
Danish (models CTO-G 41G)	89P9009	*
Dutch (models CTO-G 41G)	89P9010	*

<b>8159 Keyboards (with fingerprint reader)</b>	<b>FRU#</b>	<b>CRU</b>
French (models CTO-G 41G)	89P9011	*
French Canadian 445 (models CTO-U)	89P9012	*
French Canadian 58 (models CTO-U)	89P9013	*
German (models CTO-G 41G)	89P9014	*
Greek (models CTO-G 41G)	89P9015	*
Hebrew (models CTO-G 41G)	89P9016	*
Hungarian (models CTO-G 41G)	89P9017	*
Iceland (models CTO-G 41G)	89P9018	*
Italian 141 (models CTO-G 41G)	89P9019	*
LA Spanish (models CTO-L)	89P9022	*
Norwegian (models CTO-G 41G)	89P9023	*
Polish (models CTO-G 41G)	89P9024	*
Portuguese (models CTO-G 41G)	89P9025	*
Romanian (models CTO-G 41G)	89P9026	*
Romanian (models CTO-G 41G)	89P9027	*
Russian/Cyrillic (models CTO-G 41G)	89P9028	*
Serbian/Cyrillic (models CTO-G 41G)	89P9029	*
Slovak (models CTO-G 41G)	89P9030	*
Spanish (models CTO-G 41G)	89P9031	*
Swedish/Finn (models CTO-G 41G)	89P9032	*
Swiss F/G (models CTO-G 41G)	89P9033	*
Thailand (models CTO-A)	89P9034	*
Turkish 440 (models CTO-G 41G)	89P9035	*
Turkish 179 (models CTO-G 41G)	89P9036	*
UK English (models CTO-G 41G)	89P9037	*
US Euro (models CTO-G 41G)	89P9038	*
Yugoslav/Latin (models CTO-G 41G)	89P9039	*

<b>8159 Keyboard (Enhanced Performance, Wireless)</b>	<b>FRU#</b>	<b>CRU</b>
US English (models CTO-U CTO-G)	89P8730	*
Belgian/French (models CTO-G)	89P8731	*
Belgian/UK (models CTO-G)	89P8732	*
Czech (models CTO-G)	89P8734	*
Danish (models CTO-G)	89P8735	*
Dutch (models CTO-G)	89P8736	*
French (models CTO-G)	89P8737	*
French Canadian 445 (models CTO-U)	89P8738	*
French Canadian 58 (models CTO-U)	89P8739	*
German (models CTO-G)	89P8740	*
Greek (models CTO-G)	89P8741	*
Hungarian (models CTO-G)	89P8742	*



<b>8159 Keyboard (Enhanced Performance, Wireless)</b>	<b>FRU#</b>	<b>CRU</b>
Iceland (models CTO-G)	89P8743	*
Italian 141 (models CTO-G)	89P8744	*
Norwegian (models CTO-G)	89P8746	*
Polish (models CTO-G)	89P8747	*
Portuguese (models CTO-G)	89P8748	*
Slovak (models CTO-G)	89P8749	*
Spanish (models CTO-G)	89P8751	*
Swedish/Finn (models CTO-G)	89P8752	*
Swiss F/G (models CTO-G)	89P8753	*
UK English (models CTO-G)	89P8754	*
US Euro (models CTO-G)	89P8755	*
Wireless transceiver dongle (models CTO)	89P8757	*

<b>8159 mice</b>	<b>FRU#</b>	<b>CRU</b>
Mouse, PS/2 - 2-Button (Black) (models CTO)	41A4909	*
Mouse, Scrollpoint Optical, USB (models CTO A1V A2V D1V E1V)	41A4933	*
Mouse, Optical Wheelmouse, USB (models CTO 41G)	41A4935	*

<b>8159 Adapters and miscellaneous FRU</b>	<b>FRU#</b>	<b>CRU</b>
Soft Modem V.90/V.44 (models CTO)	29R9729	*
Nvidia GeForce 6200 P262 w/NV44 (models CTO)	39J6213	*
128MB DDR ATI RADEON X700 PRO VGA, DVI-I, TV-Out PCI-e BTX (models CTO)	39J6203	*
PCI-E DVI-DConnection Adapter (ADD 2-R) (Full Height) (models CTO 41G)	39J9334	*
1394 Firewire PCI LP (ATX) (models CTO)	41D2781	*
1394 Internal cable (models CTO)	39M0478	*
Speakers, Jazz Infinity Active T1 (Black) (models CTO)	89P8588	*
Speaker Power brick - US, Canada, LA (low voltage), Taiwan, Phillipines, Thailand (models CTO-U CTO-L CTO-A)	10K2587	*
Speaker Power brick - UK, Hong Kong (British version), ASEAN (models CTO-A)	25P5703	*
Speaker Power brick - Europe and LA (models CTO-G CTO-L)	25P5704	*
Speaker Power brick (newer 2 prong) - China, Thailand, Phillipines (models CTO-A)	10K2597	*
Speaker Power brick - ANZ (models CTO-A)	25P5705	*
Speaker Power brick - Brazil (models CTO-L)	25P5706	*
Speaker Power brick - India, South Africa (models CTO-A CTO-G)	32P3181	*
Speaker Power brick - Argentina (models CTO-L)	01R2253	*
RJ11 connector adapter (Spain, Ireland) (All "G" models)	60H6043	*
RJ11 connector adapter (Austria) (All "G" models)	60H6045	*
RJ11 connector adapter (Belgium) (All "G" models)	60H6046	*
RJ11 connector adapter (Denmark) (All "G" models)	60H6047	*
RJ11 connector adapter (Norway, Finland) (All "G" models)	60H6048	*
RJ11 connector adapter (France) (All "G" models)	60H6049	*

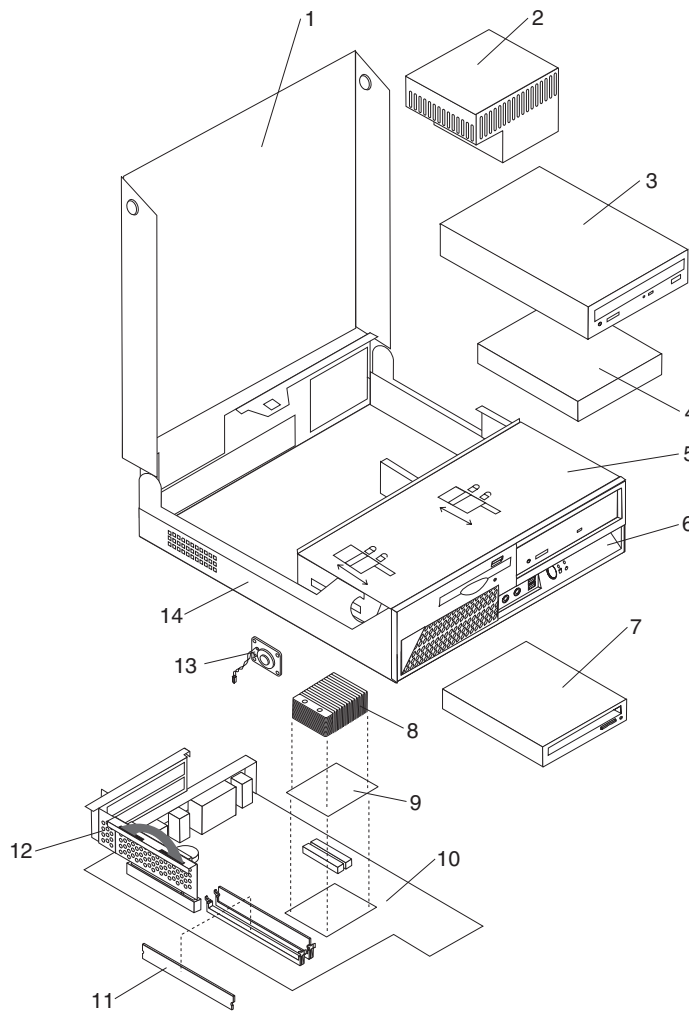


8159 Adapters and miscellaneous FRU	FRU#	CRU
RJ11 connector adapter (Germany) (All "G" models)	60H6050	*
RJ11 connector adapter (UK, NZ, HK) (All "G", "M", "B", "H" models)	60H6051	*
RJ11 connector adapter (Italy) (All "G" models)	60H6052	*
RJ11 connector adapter (Netherlands) (All "G" models)	60H6053	*
RJ11 connector adapter (Sweden) (All "G" models)	60H6054	*
RJ11 connector adapter (Switzerland) (All "G" models)	60H6055	*

8159 Power Cords	FRU#	CRU
Power cord - UK, Ireland, Singapore, Malaysia, Brunei (models 41G)	39M5150	*
Power cord - Taiwan (models A1V A2V D1V E1V)	39M5246	*
Power cord - Italy (models 41G)	39M5164	*
Power cord - G models (models 41G)	39M5122	*
Power cord - Denmark (models 41G)	39M5129	*
Power cord - Switzerland (models 41G)	39M5157	*
Power cord - Israel (models 41G)	39M5171	*
Power cord - South Africa (models 41G)	39M5143	*

8159 Windows XP Pro Recovery CDs	FRU#	CRU
US/UK/AP/TH (models 41G)	41T1577	*
FR/CF (models 41G)	41T3198	*
GR (models 41G)	41T3199	*
SP/LA (models 41G)	41T3200	*
IT (models 41G)	41T3201	*
SV (models 41G)	41T3203	*
DK (models 41G)	41T3204	*
FI (models 41G)	41T4264	*
NO (models 41G)	39J9646	*
NL (models 41G)	41T4266	*
HE (models 41G)	41T4267	*
PL (models 41G)	41T4268	*
CZ (models 41G)	41T4269	*
AE (models 41G)	41T4270	*
RU (models 41G)	41T4271	*
TR (models 41G)	41T4836	*
HU (models 41G)	41T4837	*
PO (models 41G)	41T4838	*
GK (models 41G)	41T4839	*
SL (models 41G)	41T4840	*
Taiwan-TC (models A1V A2V D1V E1V)	41W2603	*
Multilingual 1 (models CTO-G 41G)	41T3282	*
Multilingual 2 (models CTO-G 41G)	41T4280	*

# Machine Type 8160



Item #	8160 FRUs	FRU#	CRU
1	Cover (all models)	26K1263	**
2	Power Supply (225 Watt) (models CTO A1K A2K 21K 41G E1K)	24R2584	**
2	Power Supply (225 Watt) China Version (models CTO-A CTO-L A3S A3P A3Y 22S 22P 22Y 42S 42P 42Y D1V E2V)	24R2587	**
3	CD-ROM Drive 48X (models CTO A1K A3S A3P A3Y 22S 22P 22Y 42S 42P 42Y)	40Y8925	*
3	CD-ROM Drive 48X (models CTO A1K A3S A3P A3Y 22S 22P 22Y 42S 42P 42Y)	40Y8929	*
3	CD-RW Drive (48X/32X/48X) (models CTO)	40Y8901	*
3	CD-RW Drive (48X/32X/48X) (models CTO)	40Y8937	*
3	DVD-ROM 16X/48X - Black (models CTO D1V E2V)	40Y8931	*
3	DVD-ROM 16X/48X - Black (models CTO D1V E2V)	40Y8933	*
3	DVD-ROM/CD-RW Combo Drive (48x/32x/48x/16x) (models CTO A2K 21K E1K)	40Y8781	*
3	DVD-ROM/CD-RW Combo Drive (48x/32x/48x/16x) (models CTO A2K 21K E1K)	40Y8919	*
3	DVD-ROM/CD-RW Combo Drive (48x/32x/48x/16x) (models CTO A2K 21K E1K)	40Y8903	*
3	Multi-Burner Plus (models CTO 41G)	40Y8909	*
4	Hard Disk Drive 40GB 7200 rpm Serial ATA (models CTO)	40Y8760	*

Item #	8160 FRUs	FRU#	CRU
4	Hard Disk Drive 40GB 7200 rpm Serial ATA (models CTO)	40Y9033	*
4	Hard Disk Drive 40GB 7200 rpm Serial ATA (models CTO)	71P7312	*
4	Hard Disk Drive 80GB 7200 rpm Serial ATA (models CTO A1K A2K 21K A3S A3P A3Y 22S 22P 22Y 42S 42P 42Y D1V E2V)	40Y8761	*
4	Hard Disk Drive 80GB 7200 rpm Serial ATA (models CTO A1K A2K 21K A3S A3P A3Y 22S 22P 22Y 42S 42P 42Y)	71P7293	*
4	Hard Disk Drive 160GB 7200 rpm Serial ATA (models CTO 41G E1K)	40Y8762	*
4	Hard Disk Drive 160GB 7200 rpm Serial ATA (models CTO 41G)	71P7297	*
4	Hard Disk Drive 250GB 7200 rpm Serial ATA (models CTO)	71P7299	*
5	Rotating bay assembly (all models)	03R0285	*
6	Bezel Plastic Kit (all models)	26K1214	*
7	Slim Diskette Drive (without cable and bezel) (models CTO CTO A1K A2K 21K 41G A3S A3P A3Y 22S 22P 22Y 42S 42P 42Y)	40Y9109	*
7	Slim Diskette Drive (without cable and bezel) (models CTO CTO A1K A2K 21K 41G A3S A3P A3Y 22S 22P 22Y 42S 42P 42Y)	40Y9111	*
8	Heat Sink, Side Car w/baffle, Lead Free (all models)	26K1258	**
9	Microprocessor, 2.53GHZ Celeron Prescott P4 (533FSB, 256KB) (models CTO)	39J7004	**
9	Microprocessor, 2.66 GHZ Celeron Prescott P4 (533FSB, 256KB) (models CTO)	39J7005	**
9	Microprocessor, 2.8 GHZ Celeron Prescott P4 (533FSB, 256KB) (models CTO)	39J7006	**
9	Microprocessor, 2.93 GHZ Celeron Prescott P4 (533FSB, 256KB) (models CTO A1K A3S A3P A3Y)	39J7007	**
9	Microprocessor, 3.06 GHZ Celeron Prescott P4 (533FSB, 256KB) (models CTO A2K)	39J7008	**
9	Microprocessor, 3.2 GHZ Celeron Prescott P4 (533FSB, 256KB) (models CTO)	39J9695	**
9	Microprocessor, 3.33 GHZ Celeron Prescott (533FSB, 256KB) (models CTO)	41T1132	**
9	Microprocessor, 3.2 GHZ Celeron Cedar Mill (533FSB, 512KB) (models CTO)	41T4966	**
9	Microprocessor, 3.33 GHZ Celeron Cedar Mill (533FSB, 512KB) (models CTO)	41T4968	**
9	Microprocessor, 2.93 GHZ Prescott P4 (533FSB, 1MB) (models CTO)	39J9621	**
9	Microprocessor, 2.66 GHZ Prescott P4 (533FSB, 1MB) (models CTO)	41D0684	**
9	Microprocessor, 2.93 GHZ Prescott P4 (533FSB, 1MB) (models CTO)	41D0686	**
9	Microprocessor, 3.06 GHZ Prescott P4 (533FSB, 1MB) (models CTO)	41D0688	**
9	Microprocessor, 2.8 GHZ Prescott P4 (800FSB, 1MB) (models CTO)	39J7009	**
9	Microprocessor, 3.0 GHZ Prescott P4 (800FSB, 1MB) (models CTO 21K 22S 22P 22Y)	39J7010	**
9	Microprocessor, 3.2 GHZ Prescott P4 (800FSB, 1MB) (models CTO)	39J7011	**
9	Microprocessor, 3.4 GHZ Prescott P4 (800FSB, 1MB) (models CTO)	39J7012	**
9	Microprocessor, 3.0 GHZ Prescott P4 (800FSB, 2MB) (models CTO D1V)	39J7013	**
9	Microprocessor, 3.2 GHZ Prescott P4 (800FSB, 2MB) (models CTO E1K E2V)	39J7014	**
9	Microprocessor, 3.4 GHZ Prescott P4 (800FSB, 2MB) (models CTO 41G 42S 42P 42Y)	39J7015	**
9	Microprocessor, 2.8 GHZ Smithfield P4 (800FSB, 1MB) (models CTO)	39J8468	**
9	Microprocessor, 3.0 GHZ Cedar Mill P4 (800MHz FSB, 2MB Cache) (models CTO)	41D5054	**
9	Microprocessor, 3.0 GHZ Cedar Mill P4 (800MHz FSB, 2MB Cache) (models CTO)	41D5042	**
9	Microprocessor, 3.2 GHZ Cedar Mill P4 (800MHz FSB, 2MB Cache) (models CTO)	41D5056	**

Item #	8160 FRUs	FRU#	CRU
9	Microprocessor, 3.2 GHZ Cedar Mill P4 (800MHz FSB, 2MB Cache) (models CTO)	41D5044	**
9	Microprocessor, 3.4 GHZ Cedar Mill P4 (800MHz FSB, 2MB Cache) (models CTO)	41D5058	**
9	Microprocessor, 3.4 GHZ Cedar Mill P4 (800MHz FSB, 2MB Cache) (models CTO)	41D5046	**
9	Microprocessor, 3.6 GHZ Cedar Mill P4 (800MHz FSB, 2MB Cache) (models CTO)	41D5048	**
9	Microprocessor, 2.8 GHZ Presler P4 (800MHz FSB, 2MBx2 Cache) (models CTO)	41D5050	**
9	Microprocessor, 3.0 GHZ Presler P4 (800MHz FSB, 2MBx2 Cache) (models CTO)	41D5052	**
10	System Board 10/1000 (models CTO A1K A2K 21K 41G A3S A3P A3Y 22S 22P 22Y 42S 42P 42Y D1V E1K E2V)	41X1063	**
10	System Board DDR2 SFF Planar (10/1000, POV down, PCI/1x PCIe/DVI, AMT enabled) (models CTO)	41X1064	**
11	256MB DDR2 SDRAM NP Memory (PC 4200) (models CTO A1K A2K 21K A3S A3P A3Y 22S 22P 22Y 42S 42P 42Y)	30R5120	*
11	512MB DDR2 SDRAM NP Memory (PC 4200) (models CTO 41G D1V E2V)	30R5121	*
11	1GB DDR2 SDRAM NP Memory (PC 4200) (models CTO)	30R5122	*
11	2GB DDR2 SDRAM NP Memory (PC 4200) (models CTO)	30R5123	*
11	256MB DDR2 SDRAM NP Memory (PC 5300) (models CTO)	30R5124	*
11	512MB DDR2 SDRAM NP Memory (PC 5300) (models CTO E1K)	30R5125	*
11	1GB DDR2 SDRAM NP Memory (PC 5300) (models CTO)	30R5126	*
11	2GB DDR2 SDRAM NP Memory (PC 5300) (models CTO)	30R5127	*
12	Riser card assembly (all models)	41A7730	*
13	Speaker/cable assembly (models CTO 41G A3S A3P A3Y D1V E1K E2V)	39K5012	*
14	Chassis (all models)	26K1262	**

The FRUs listed in the following table are not illustrated.

8160 FRUs	FRU#	CRU
Tool less hard disk drive tray (all models)	03R0302	*
System board tray (all models)	26K1213	*
Lock assembly (Random keyed) (models)	03R0287	*
Internal plastic kit (all models)	03R0289	*
Cable, 2 Drop Hard Disk Drive and Optical - ATA 100 (all models)	26K1246	*
Cable, Optical (1 Drop) ATA 100 (all models)	26K1244	*
Cable, SATA Device (all models)	39K5026	*
C2 Cable (Squall) (all models)	39K5022	*
Cable, power switch/LED (all models)	26K1242	*
Cable, Diskette Drive (all models)	26K1248	*
Fan assembly (all models)	26K1253	*
Battery (all models)	33F8354	*
Universal Adapter Bracket 5.25 to 3.5-inch (all models)	32P4743	*
Retention module, tool less heat sink (all models)	26K1281	*
Kensington lock spacer (all models)	41A7702	*
System board I/O Shield Kit for all system boards (all models)	41A7703	*

<b>8160 Keyboards (Preferred Pro Fullsize,PS/2, Stealth Black)</b>	<b>FRU#</b>	<b>CRU</b>
US English (models CTO-U CTO-G)	89P8300	*
Arabic (models CTO-G)	89P8301	*
Belgian/French (models CTO-G)	89P8302	*
Belgian/UK (models CTO-G)	89P8303	*
Brazil/Portuguese (models CTO-L A3P 22P 42P)	89P8304	*
Bulgarian (models CTO-G)	89P8305	*
Chinese/US (models D1V E2V)	89P8306	*
Czech (models CTO-G)	89P8307	*
Danish (models CTO-G)	89P8308	*
Dutch (models CTO-G)	89P8309	*
French (models CTO-G)	89P8310	*
French Canadian 445 (models CTO-U)	89P8311	*
French Canadian 58 (models CTO-U)	89P8312	*
German (models CTO-G)	89P8313	*
Greek (models CTO-G)	89P8314	*
Hebrew (models CTO-G)	89P8315	*
Hungarian (models CTO-G)	89P8316	*
Iceland (models CTO-G)	89P8317	*
Italian (models CTO-G)	89P8319	*
Korean (models A1K A2K 21K)	89P8321	*
LA Spanish (models CTO-L A3S A3Y 22S 22Y 42S 42Y)	89P8322	*
Norwegian (models CTO-G)	89P8323	*
Polish (models CTO-G)	89P8324	*
Portuguese (models CTO-G)	89P8325	*
Romanian (models CTO-G)	89P8326	*
Russian (models CTO-G)	89P8327	*
Russian/Cyrillic (models CTO-G)	89P8328	*
Serbian/Cyrillic (models CTO-G)	89P8329	*
Slovak (models CTO-G)	89P8330	*
Spanish (models CTO-G)	89P8331	*
Swedish/Finn (models CTO-G)	89P8332	*
Swiss F/G (models CTO-G)	89P8333	*
Thailand (models CTO-A)	89P8334	*
Turkish 179 (models CTO-G)	89P8336	*
UK English (models CTO-G)	89P8337	*
US Euro (models CTO-G)	89P8338	*
Yugoslav/Latin (models CTO-G)	89P8339	*

<b>8160 Keyboards (Productivity USB)</b>	<b>FRU#</b>	<b>CRU</b>
US English (models CTO-U CTO-G)	89P8800	*
Arabic (models CTO-G)	89P8801	*

<b>8160 Keyboards (Productivity USB)</b>	<b>FRU#</b>	<b>CRU</b>
Arabic/French (models CTO-G)	89P8802	*
Belgian/French (models CTO-G)	89P8803	*
Belgian/UK (models CTO-G)	89P8804	*
Brazil/Portuguese (models CTO-L)	89P8805	*
Bulgarian (models CTO-G)	89P8806	*
Czech (models CTO-G)	89P8808	*
Danish (models CTO-G)	89P8809	*
Dutch (models CTO-G)	89P8810	*
French (models CTO-G)	89P8811	*
French Canadian (models CTO-U)	89P8812	*
French Canadian (models CTO-U)	89P8813	*
German (models CTO-G)	89P8814	*
Greek (models CTO-G)	89P8815	*
Hebrew (models CTO-G)	89P8816	*
Hungarian (models CTO-G)	89P8817	*
Iceland (models CTO-G)	89P8818	*
Italian 141 (models CTO-G)	89P8819	*
Korean (models E1K)	89P8821	*
LA/Spanish (models CTO-L)	89P8822	*
Norwegian (models CTO-G)	89P8823	*
Polish (models CTO-G)	89P8824	*
Portuguese (models CTO-G)	89P8825	*
Romanian (models CTO-G)	89P8826	*
Romanian (models CTO-G)	89P8827	*
Russian/Cyrillic (models CTO-G)	89P8828	*
Serbian/Cyrillic (models CTO-G)	89P8829	*
Slovak (models CTO-G)	89P8830	*
Spanish (models CTO-G)	89P8831	*
Swedish/Finn (models CTO-G)	89P8832	*
Swiss F/G (models CTO-G)	89P8833	*
Thailand (models CTO-A)	89P8834	*
Turkish 440 (models CTO-G)	89P8835	*
Turkish 179 (models CTO-G)	89P8836	*
UK English (models CTO-G)	89P8837	*
US Euro (models CTO-G)	89P8838	*
Yugoslav/Latin (models CTO-G)	89P8839	*

<b>8160 Keyboards (with fingerprint reader)</b>	<b>FRU#</b>	<b>CRU</b>
US English (models CTO-U CTO-G 41G)	89P9000	*
Arabic (models CTO-G 41G)	89P9001	*
Belgian/French (models CTO-G 41G)	89P9003	*

<b>8160 Keyboards (with fingerprint reader)</b>	<b>FRU#</b>	<b>CRU</b>
Belgian/UK (models CTO-G 41G)	89P9004	*
Brazilian Portuguese (models CTO-L)	89P9005	*
Bulgarian (models CTO-G 41G)	89P9006	*
Czech (models CTO-G 41G)	89P9008	*
Danish (models CTO-G 41G)	89P9009	*
Dutch (models CTO-G 41G)	89P9010	*
French (models CTO-G 41G)	89P9011	*
French Canadian 445 (models CTO-U)	89P9012	*
French Canadian 58 (models CTO-U)	89P9013	*
German (models CTO-G 41G)	89P9014	*
Greek (models CTO-G 41G)	89P9015	*
Hebrew (models CTO-G 41G)	89P9016	*
Hungarian (models CTO-G 41G)	89P9017	*
Iceland (models CTO-G 41G)	89P9018	*
Italian 141 (models CTO-G 41G)	89P9019	*
LA Spanish (models CTO-L)	89P9022	*
Norwegian (models CTO-G 41G)	89P9023	*
Polish (models CTO-G 41G)	89P9024	*
Portuguese (models CTO-G 41G)	89P9025	*
Romanian (models CTO-G 41G)	89P9026	*
Romanian (models CTO-G 41G)	89P9027	*
Russian/Cyrillic (models CTO-G 41G)	89P9028	*
Serbian/Cyrillic (models CTO-G 41G)	89P9029	*
Slovak (models CTO-G 41G)	89P9030	*
Spanish (models CTO-G 41G)	89P9031	*
Swedish/Finn (models CTO-G 41G)	89P9032	*
Swiss F/G (models CTO-G 41G)	89P9033	*
Thailand (models CTO-A)	89P9034	*
Turkish 440 (models CTO-G 41G)	89P9035	*
Turkish 179 (models CTO-G 41G)	89P9036	*
UK English (models CTO-G 41G)	89P9037	*
US Euro (models CTO-G 41G)	89P9038	*
Yugoslav/Latin (models CTO-G 41G)	89P9039	*

<b>8160 Keyboard (Enhanced Performance, Wireless)</b>	<b>FRU#</b>	<b>CRU</b>
US English (models CTO-U CTO-G)	89P8730	*
Belgian/French (models CTO-G)	89P8731	*
Belgian/UK (models CTO-G)	89P8732	*
Czech (models CTO-G)	89P8734	*
Danish (models CTO-G)	89P8735	*
Dutch (models CTO-G)	89P8736	*



<b>8160 Keyboard (Enhanced Performance, Wireless)</b>	<b>FRU#</b>	<b>CRU</b>
French (models CTO-G)	89P8737	*
French Canadian 445 (models CTO-U)	89P8738	*
French Canadian 58 (models CTO-U)	89P8739	*
German (models CTO-G)	89P8740	*
Greek (models CTO-G)	89P8741	*
Hungarian (models CTO-G)	89P8742	*
Iceland (models CTO-G)	89P8743	*
Italian 141 (models CTO-G)	89P8744	*
Norwegian (models CTO-G)	89P8746	*
Polish (models CTO-G)	89P8747	*
Portuguese (models CTO-G)	89P8748	*
Slovak (models CTO-G)	89P8749	*
Spanish (models CTO-G)	89P8751	*
Swedish/Finn (models CTO-G)	89P8752	*
Swiss F/G (models CTO-G)	89P8753	*
UK English (models CTO-G)	89P8754	*
US Euro (models CTO-G)	89P8755	*
Wireless transceiver dongle (models CTO)	89P8757	*

<b>8160 mice</b>	<b>FRU#</b>	<b>CRU</b>
Mouse, PS/2 - 2-Button (Black) (models CTO)	41A4909	*
Mouse, Scrollpoint Optical, USB (models CTO)	41A4933	*
Mouse, Optical Wheelmouse, USB (models CTO A1K A2K 21K 41G A3S A3P A3Y 22S 22P 22Y 42S 42P 42Y D1V E1K E2V)	41A4935	*

<b>8160 Adapters and miscellaneous FRU</b>	<b>FRU#</b>	<b>CRU</b>
Soft Modem V.90/V.44 (models CTO)	29R9729	*
Nvidia GeForce 6200 P262 w/NV44 (models CTO)	39J6213	*
128MB DDR ATI Radeon x300SE (DMS59 connector) (models CTO)	39J9635	*
128MB DDR ATI RADEON X700 PRO VGA, DVI-I, TV-Out PCI-e BTX (models CTO)	39J6203	*
PCI-E DVI-DConnection Adapter (ADD 2-R) (Full Height) (models CTO 41G)	39J9334	*
1394 Firewire PCI LP (ATX) (models CTO)	41D2781	*
1394 Internal cable (models CTO)	39M0478	*
Speakers, Jazz Infinity Active T1 (Black) (models CTO)	89P8588	*
Speakers, Jazz Infinity Active T1 (Black) (models CTO A1K A2K 21K 22S 22P 22Y 42S 42P 42Y)	25P4726	*
Speaker Power brick - US, Canada, LA (low voltage), Taiwan, Phillipines, Thailand (models CTO-U CTO-L CTO-A 22S 22Y 42S 42Y)	10K2587	*
Speaker Power brick - UK, Hong Kong (British version), ASEAN (models CTO-A)	25P5703	*
Speaker Power brick - Europe and LA (models CTO-G CTO-L)	25P5704	*
Speaker Power brick (newer 2 prong) - China, Thailand, Phillipines (models CTO-A)	10K2597	*
Speaker Power brick - ANZ (models CTO-A)	25P5705	*



8160 Adapters and miscellaneous FRU	FRU#	CRU
Speaker Power brick - Brazil (models CTO-L 22P 42P)	25P5706	*
Speaker Power brick - India, South Africa (models CTO-A CTO-G)	32P3181	*
Speaker Power brick - Argentina (models CTO-L 22S 22Y 42S 42Y)	01R2253	*
RJ11 connector adapter (Spain, Ireland) (All "G" models)	60H6043	*
RJ11 connector adapter (Austria) (All "G" models)	60H6045	*
RJ11 connector adapter (Belgium) (All "G" models)	60H6046	*
RJ11 connector adapter (Denmark) (All "G" models)	60H6047	*
RJ11 connector adapter (Norway, Finland) (All "G" models)	60H6048	*
RJ11 connector adapter (France) (All "G" models)	60H6049	*
RJ11 connector adapter (Germany) (All "G" models)	60H6050	*
RJ11 connector adapter (UK, NZ, HK) (All "G", "M", "B", "H" models)	60H6051	*
RJ11 connector adapter (Italy) (All "G" models)	60H6052	*
RJ11 connector adapter (Netherlands) (All "G" models)	60H6053	*
RJ11 connector adapter (Sweden) (All "G" models)	60H6054	*
RJ11 connector adapter (Switzerland) (All "G" models)	60H6055	*

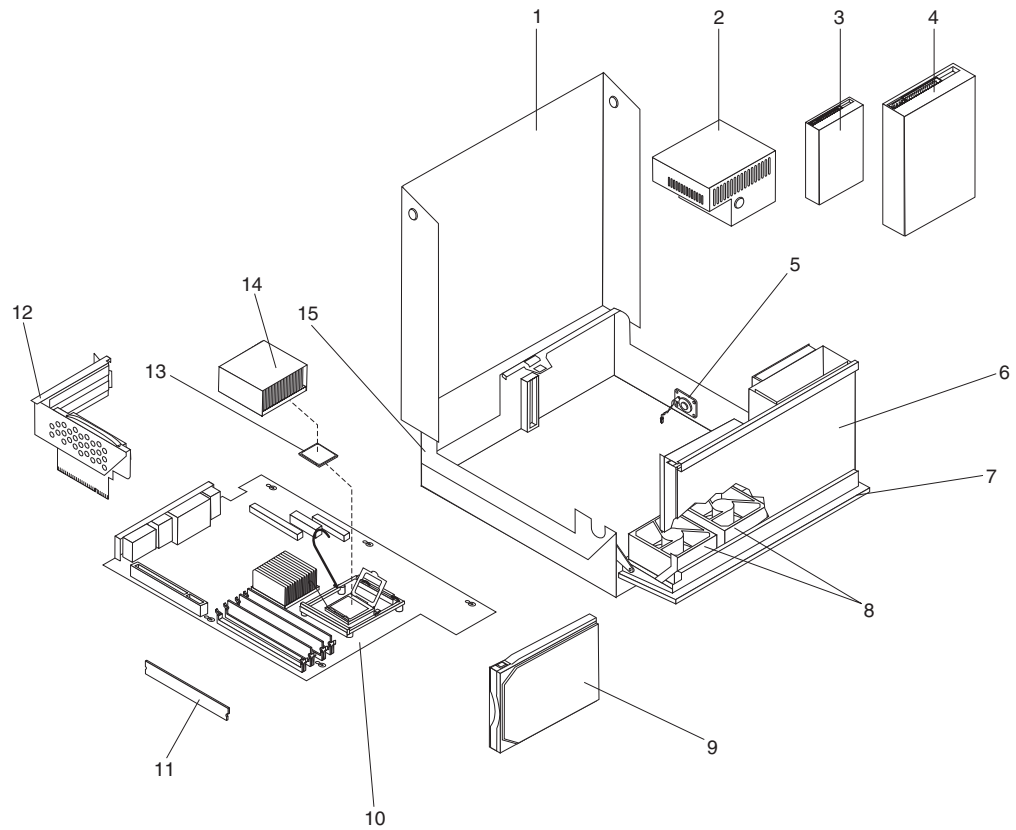
8160 Power Cords	FRU#	CRU
Power cord - US (models A3S 22S 42S)	39M5080	*
Power cord - Brazil (models A3P 22P 42P)	39M5232	*
Power cord - LA High Volt (APU) (models A3Y 22Y 42Y)	39M5067	*
Power cord - Korea (models A1K A2K 21K E1K)	39M5212	*
Power cord - UK, Ireland, Singapore, Malaysia, Brunei (models 41G)	39M5150	*
Power cord - Taiwan (models D1V E2V)	39M5246	*
Power cord - Italy (models 41G A3S A3Y 22S 22Y 42S 42Y)	39M5164	*
Power cord - G models (models 41G)	39M5122	*
Power cord - Denmark (models 41G)	39M5129	*
Power cord - Switzerland (models 41G)	39M5157	*
Power cord - Israel (models 41G)	39M5171	*
Power cord - South Africa (models 41G)	39M5143	*

8160 Windows XP Home Recovery CDs	FRU #	CRU
Korea (models A1K E1K)	41W2624	*

8160 Windows XP Pro Recovery CDs	FRU#	CRU
US/UK/AP/TH (models 41G)	41T1577	*
FR/CF (models 41G)	41T3198	*
GR (models 41G)	41T3199	*
SP/LA (models 41G A3S A3Y 22S 22Y 42S 42Y)	41T3200	*
IT (models 41G)	41T3201	*
BR (models A3P 22P 42P)	41T3202	*
SV (models 41G)	41T3203	*

8160 Windows XP Pro Recovery CDs	FRU#	CRU
DK (models 41G)	41T3204	*
FI (models 41G)	41T4264	*
NO (models 41G)	39J9646	*
NL (models 41G)	41T4266	*
HE (models 41G)	41T4267	*
PL (models 41G)	41T4268	*
CZ (models 41G)	41T4269	*
AE (models 41G)	41T4270	*
RU (models 41G)	41T4271	*
TR (models 41G)	41T4836	*
HU (models 41G)	41T4837	*
PO (models 41G)	41T4838	*
GK (models 41G)	41T4839	*
SL (models 41G)	41T4840	*
Taiwan-TC (models D1V E2V)	41W2603	*
Korea (models A2K 21K)	41W2589	*
Multilingual 1 (models CTO-G 41G)	41T3282	*
Multilingual 2 (models CTO-G 41G)	41T4280	*

# Machine Type 8161



Item #	8161 FRUs	FRU#	CRU
1	Cover (all models)	39M0581	**
2	Power Supply (225 Watt) (models CTO 11G 12G)	24R2625	**
2	Power Supply - China (225 Watt) (models CTO-A CTO-L)	24R2627	**
3	Diskette drive, 3.5" 1.44MB 3-mode (w/o bezel) (models CTO 11G 12G)	76H4091	*
3	Diskette drive, 3.5" 1.44MB 3-mode (w/o bezel) (models CTO 11G 12G)	40Y9107	*
3	Diskette drive, 3.5" 1.44MB 3-mode (w/o bezel) (models CTO 11G 12G)	40Y9105	*
3	Diskette drive, 3.5" 1.44MB 3-mode (w/o bezel) (models CTO 11G 12G)	40Y9113	*
4	CD-ROM Drive 48X (models CTO)	40Y8925	*
4	CD-ROM Drive 48X (models CTO)	40Y8929	*
4	CD-RW Drive (48X/32X/48X) (models CTO)	40Y8901	*
4	CD-RW Drive (48X/32X/48X) (models CTO)	40Y8937	*
4	DVD-ROM Drive (16X/48X) (models CTO)	40Y8931	*
4	DVD-ROM Drive (16X/48X) (models CTO)	40Y8933	*
4	CD-RW/DVD-ROM Combo Drive 48X/32X/48X/16X Max (models CTO 11G 12G)	40Y8781	*
4	CD-RW/DVD-ROM Combo Drive 48X/32X/48X/16X Max (models CTO 11G 12G)	40Y8919	*
4	CD-RW/DVD-ROM Combo Drive 48X/32X/48X/16X Max (models CTO 11G 12G)	40Y8903	*
4	Multi-Burner (models CTO)	40Y8909	*
5	Speaker/cable assembly (models CTO A1J A2J A3J A4A A4Q A4T A6G A6M 12J 13J 14J)	39K5012	*

Item #	8161 FRUs	FRU#	CRU
6	Rotating cage assembly (all models)	39M0583	**
7	Bezel Kit (all models)	39M0579	*
8	Front fan and bracket assembly (all models)	39M0585	**
9	Hard Disk Drive 40GB 7200 rpm Serial ATA (models CTO)	40Y8760	*
9	Hard Disk Drive 40GB 7200 rpm Serial ATA (models CTO)	40Y9033	*
9	Hard Disk Drive 40GB 7200 rpm Serial ATA (models CTO)	71P7312	*
9	Hard Disk Drive 80GB 7200 rpm Serial ATA (models CTO 11G 12G)	40Y8761	*
9	Hard Disk Drive 80GB 7200 rpm Serial ATA (models CTO 11G 12G)	71P7293	*
9	Hard Disk Drive 160GB 7200 rpm Serial ATA (models CTO)	40Y8762	*
9	Hard Disk Drive 160GB 7200 rpm Serial ATA (models CTO)	71P7297	*
9	Hard Disk Drive 250GB 7200 rpm Serial ATA (models CTO)	71P7299	*
10	System Board 10/1000 E-net (models CTO 11G 12G)	41X0921	**
10	System Board DDR2 Planar (10/1000, POV down, AMT enabled) (models CTO)	41X0922	**
11	256MB DDR2 SDRAM NP Memory (PC 4200) (models CTO 11G 12G)	30R5120	*
11	512MB DDR2 SDRAM NP Memory (PC 4200) (models CTO)	30R5121	*
11	1GB DDR2 SDRAM NP Memory (PC 4200) (models CTO)	30R5122	*
11	2GB DDR2 SDRAM NP Memory (PC 4200) (models CTO)	30R5123	*
11	256MB DDR2 SDRAM NP Memory (PC 5300) (models CTO)	30R5124	*
11	512MB DDR2 SDRAM NP Memory (PC 5300) (models CTO)	30R5125	*
11	1GB DDR2 SDRAM NP Memory (PC 5300) (models CTO)	30R5126	*
11	2GB DDR2 SDRAM NP Memory (PC 5300) (models CTO)	30R5127	*
12	Riser card and bracket assembly (all models)	39M0587	*
13	Microprocessor, 2.53GHZ Celeron Prescott P4 (533FSB, 256KB) (models CTO)	39J8470	**
13	Microprocessor, 2.66 GHZ Celeron Prescott P4 (533FSB, 256KB) (models CTO)	39J8471	**
13	Microprocessor, 2.8 GHZ Celeron Prescott P4 (533FSB, 256KB) (models CTO)	39J8472	**
13	Microprocessor, 2.93 GHZ Celeron Prescott P4 (533FSB, 256KB) (models CTO)	39J8473	**
13	Microprocessor, 3.06 GHZ Celeron Prescott P4 (533FSB, 256KB) (models CTO)	39J8474	**
13	Microprocessor, 3.20 GHZ Celeron Prescott P4 (533FSB, 256KB) (models CTO)	39J9697	**
13	Microprocessor, 3.33GHz Celeron Prescott 355 (533MHz FSB, 256KB Cache) G1-Value (models CTO)	41T1136	**
13	Microprocessor, Celeron 3.20Ghz Cedar Mill (533MHz FSB, 512KB Cache) B1-Value (models CTO)	41T4966	**
13	Microprocessor, Celeron 3.33Ghz Cedar Mill (533MHz FSB, 512KB Cache) B1-Value (models CTO)	41T4968	**
13	Microprocessor, 2.93 GHZ Prescott P4 (533FSB, 1MB) (models CTO)	39J9629	**
13	Microprocessor, 2.66 GHZ Prescott P4 (533FSB, 1MB) (models CTO)	41D0696	**
13	Microprocessor, 2.93 GHZ Prescott P4 (533FSB, 1MB) (models CTO)	41D0698	**
13	Microprocessor, 3.06 GHZ Prescott P4 (533FSB, 1MB) (models CTO)	41D0700	**
13	Microprocessor, 2.8 GHZ Prescott P4 (800FSB, 1MB) (models CTO)	39J8475	**
13	Microprocessor, 3.0 GHZ Prescott P4 (800FSB, 1MB) (models CTO 11G)	39J8476	**
13	Microprocessor, 3.2 GHZ Prescott P4 (800FSB, 1MB) (models CTO 12G)	39J8477	**
13	Microprocessor, 3.4 GHZ Prescott P4 (800FSB, 1MB) (models CTO)	39J8478	**

Item #	8161 FRUs	FRU#	CRU
13	Microprocessor, 3.0 GHZ Prescott P4 (800FSB, 2MB) (models CTO)	39J8480	**
13	Microprocessor, 3.2 GHZ Prescott P4 (800FSB, 2MB) (models CTO)	39J8481	**
13	Microprocessor, 3.4 GHZ Prescott P4 (800FSB, 2MB) (models CTO)	39J8482	**
13	Microprocessor, 2.8 GHZ Smithfield P4 (800FSB, 1MB) (models CTO)	39J8479	**
13	Microprocessor, 3.4 GHZ Cedar Mill P4 (800MHz FSB, 2MB Cache) (models CTO)	41D5070	**
13	Microprocessor, 3.6 GHZ Cedar Mill P4 (800MHz FSB, 2MB Cache) (models CTO)	41D5072	**
13	Microprocessor, 2.8 GHZ Presler P4 (800MHz FSB, 2MBx2 Cache) (models CTO)	41D5074	**
13	Microprocessor, 3.0 GHZ Presler P4 (800MHz FSB, 2MBx2 Cache) (models CTO)	41D5076	**
14	Heat Sink and Retention Module kit (all models)	39M0586	**
15	Chassis (all models)	39M0582	**

The FRUs listed in the following table are not illustrated.

8161 FRUs	FRU#	CRU
Hard disk drive bracket assembly (all models)	39M0578	*
Power switch/LED cable assembly (all models)	39M0580	**
SATA cable assembly (all models)	39K0526	*
Optical cable, 1 drop (all models)	39M0584	*
Intrusion switch cable (all models)	39K0522	*
Miscellaneous parts kit (all models)	39M0588	*
Vertical stand (all models)	39M0589	*
Bezel assembly, optical rotating (all models)	39M0592	**
Bezel kit (all models)	41R2926	**
EMC shield kit, diskette drive and optical bays (all models)	41N5325	**
System board EMC Shield (all models)	41N5326	**
Diskette drive cable asm. (all models)	41N8269	**
Universal Adapter Bracket 5.25 to 3.5-inch (all models)	32P4743	*
Battery (all models)	33F8354	*

8161 Keyboards (Preferred Pro Fullsize, PS/2, Stealth Black)	FRU#	CRU
US English (models CTO-U CTO-G 11G 12G)	89P8300	*
Arabic (models CTO-G 11G 12G)	89P8301	*
Belgian/French (models CTO-G 11G 12G)	89P8302	*
Belgian/UK (models CTO-G 11G 12G)	89P8303	*
Brazilian/Portuguese (models CTO-L)	89P8304	*
Bulgarian (models CTO-G 11G 12G)	89P8305	*
Czech (models CTO-G 11G 12G)	89P8307	*
Danish (models CTO-G 11G 12G)	89P8308	*
Dutch (models CTO-G 11G 12G)	89P8309	*
French (models CTO-G 11G 12G)	89P8310	*
French Canadian 445 (models CTO-U)	89P8311	*

<b>8161 Keyboards (Preferred Pro Fullsize, PS/2, Stealth Black)</b>	<b>FRU#</b>	<b>CRU</b>
French Canadian 58 (models CTO-U)	89P8312	*
German (models CTO-G 11G 12G)	89P8313	*
Greek (models CTO-G 11G 12G)	89P8314	*
Hebrew (models CTO-G 11G 12G)	89P8315	*
Hungarian (models CTO-G 11G 12G)	89P8316	*
Iceland (models CTO-G 11G 12G)	89P8317	*
Italian (models CTO-G 11G 12G)	89P8319	*
LA Spanish (models CTO-L)	89P8322	*
Norwegian (models CTO-G 11G 12G)	89P8323	*
Polish (models CTO-G 11G 12G)	89P8324	*
Portuguese (models CTO-G 11G 12G)	89P8325	*
Romanian (models CTO-G 11G 12G)	89P8326	*
Russian (models CTO-G 11G 12G)	89P8327	*
Russian/Cyrillic (models CTO-G 11G 12G)	89P8328	*
Serbian/Cyrillic (models CTO-G 11G 12G)	89P8329	*
Slovak (models CTO-G 11G 12G)	89P8330	*
Spanish (models CTO-G 11G 12G)	89P8331	*
Swedish/Finn (models CTO-G 11G 12G)	89P8332	*
Swiss F/G (models CTO-G 11G 12G)	89P8333	*
Thailand (models CTO-A)	89P8334	*
Turkish 179 (models CTO-G 11G 12G)	89P8336	*
UK English (models CTO-G 11G 12G)	89P8337	*
US Euro (models CTO-G 11G 12G)	89P8338	*
Yugoslav/Latin (models CTO-G 11G 12G)	89P8339	*

<b>8161 Keyboards (Productivity USB)</b>	<b>FRU#</b>	<b>CRU</b>
US English (models CTO-U CTO-G)	89P8800	*
Arabic (models CTO-G)	89P8801	*
Arabic/French (models CTO-G)	89P8802	*
Belgian/French (models CTO-G)	89P8803	*
Belgian/UK (models CTO-G)	89P8804	*
Brazil/Portuguese (models CTO-L)	89P8805	*
Bulgarian (models CTO-G)	89P8806	*
Czech (models CTO-G)	89P8808	*
Danish (models CTO-G)	89P8809	*
Dutch (models CTO-G)	89P8810	*
French (models CTO-G)	89P8811	*
French Canadian (models CTO-U)	89P8812	*
French Canadian (models CTO-U)	89P8813	*
German (models CTO-G)	89P8814	*
Greek (models CTO-G)	89P8815	*

<b>8161 Keyboards (Productivity USB)</b>	<b>FRU#</b>	<b>CRU</b>
Hebrew (models CTO-G)	89P8816	*
Hungarian (models CTO-G)	89P8817	*
Iceland (models CTO-G)	89P8818	*
Italian 141 (models CTO-G)	89P8819	*
LA/Spanish (models CTO-L)	89P8822	*
Norwegian (models CTO-G)	89P8823	*
Polish (models CTO-G)	89P8824	*
Portuguese (models CTO-G)	89P8825	*
Romanian (models CTO-G)	89P8826	*
Romanian (models CTO-G)	89P8827	*
Russian/Cyrillic (models CTO-G)	89P8828	*
Serbian/Cyrillic (models CTO-G)	89P8829	*
Slovak (models CTO-G)	89P8830	*
Spanish (models CTO-G)	89P8831	*
Swedish/Finn (models CTO-G)	89P8832	*
Swiss F/G (models CTO-G)	89P8833	*
Thailand (models CTO-A)	89P8834	*
Turkish 440 (models CTO-G)	89P8835	*
Turkish 179 (models CTO-G)	89P8836	*
UK English (models CTO-G)	89P8837	*
US Euro (models CTO-G)	89P8838	*
Yugoslav/Latin (models CTO-G)	89P8839	*

<b>8161 Keyboards (with fingerprint reader)</b>	<b>FRU#</b>	<b>CRU</b>
US English (models CTO-U CTO-G)	89P9000	*
Arabic (models CTO-G)	89P9001	*
Belgian/French (models CTO-G)	89P9003	*
Belgian/UK (models CTO-G)	89P9004	*
Brazilian Portuguese (models CTO-L)	89P9005	*
Bulgarian (models CTO-G)	89P9006	*
Czech (models CTO-G)	89P9008	*
Danish (models CTO-G)	89P9009	*
Dutch (models CTO-G)	89P9010	*
French (models CTO-G)	89P9011	*
French Canadian 445 (models CTO-U)	89P9012	*
French Canadian 58 (models CTO-U)	89P9013	*
German (models CTO-G)	89P9014	*
Greek (models CTO-G)	89P9015	*
Hebrew (models CTO-G)	89P9016	*
Hungarian (models CTO-G)	89P9017	*
Iceland (models CTO-G)	89P9018	*

<b>8161 Keyboards (with fingerprint reader)</b>	<b>FRU#</b>	<b>CRU</b>
Italian 141 (models CTO-G)	89P9019	*
Korean (models D1K E1K F1K)	89P9021	*
LA Spanish (models CTO-L E3S E3Y)	89P9022	*
Norwegian (models CTO-G)	89P9023	*
Polish (models CTO-G)	89P9024	*
Portuguese (models CTO-G)	89P9025	*
Romanian (models CTO-G)	89P9026	*
Romanian (models CTO-G)	89P9027	*
Russian/Cyrillic (models CTO-G)	89P9028	*
Serbian/Cyrillic (models CTO-G)	89P9029	*
Slovak (models CTO-G)	89P9030	*
Spanish (models CTO-G)	89P9031	*
Swedish/Finn (models CTO-G)	89P9032	*
Swiss F/G (models CTO-G)	89P9033	*
Thailand (models CTO-A)	89P9034	*
Turkish 440 (models CTO-G)	89P9035	*
Turkish 179 (models CTO-G)	89P9036	*
UK English (models CTO-G)	89P9037	*
US Euro (models CTO-G)	89P9038	*
Yugoslav/Latin (models CTO-G)	89P9039	*

<b>8161 Keyboard (Enhanced Performance, Wireless)</b>	<b>FRU#</b>	<b>CRU</b>
US English (models CTO-U CTO-G)	89P8730	*
Belgian/French (models CTO-G)	89P8731	*
Belgian/UK (models CTO-G)	89P8732	*
Czech (models CTO-G)	89P8734	*
Danish (models CTO-G)	89P8735	*
Dutch (models CTO-G)	89P8736	*
French (models CTO-G)	89P8737	*
French Canadian 445 (models CTO-U)	89P8738	*
French Canadian 58 (models CTO-U)	89P8739	*
German (models CTO-G)	89P8740	*
Greek (models CTO-G)	89P8741	*
Hungarian (models CTO-G)	89P8742	*
Iceland (models CTO-G)	89P8743	*
Italian 141 (models CTO-G)	89P8744	*
Norwegian (models CTO-G)	89P8746	*
Polish (models CTO-G)	89P8747	*
Portuguese (models CTO-G)	89P8748	*
Slovak (models CTO-G)	89P8749	*
Spanish (models CTO-G)	89P8751	*



<b>8161 Keyboard (Enhanced Performance, Wireless)</b>	<b>FRU#</b>	<b>CRU</b>
Swedish/Finn (models CTO-G)	89P8752	*
Swiss F/G (models CTO-G)	89P8753	*
UK English (models CTO-G)	89P8754	*
US Euro (models CTO-G)	89P8755	*
Wireless transceiver dongle (models CTO)	89P8757	*

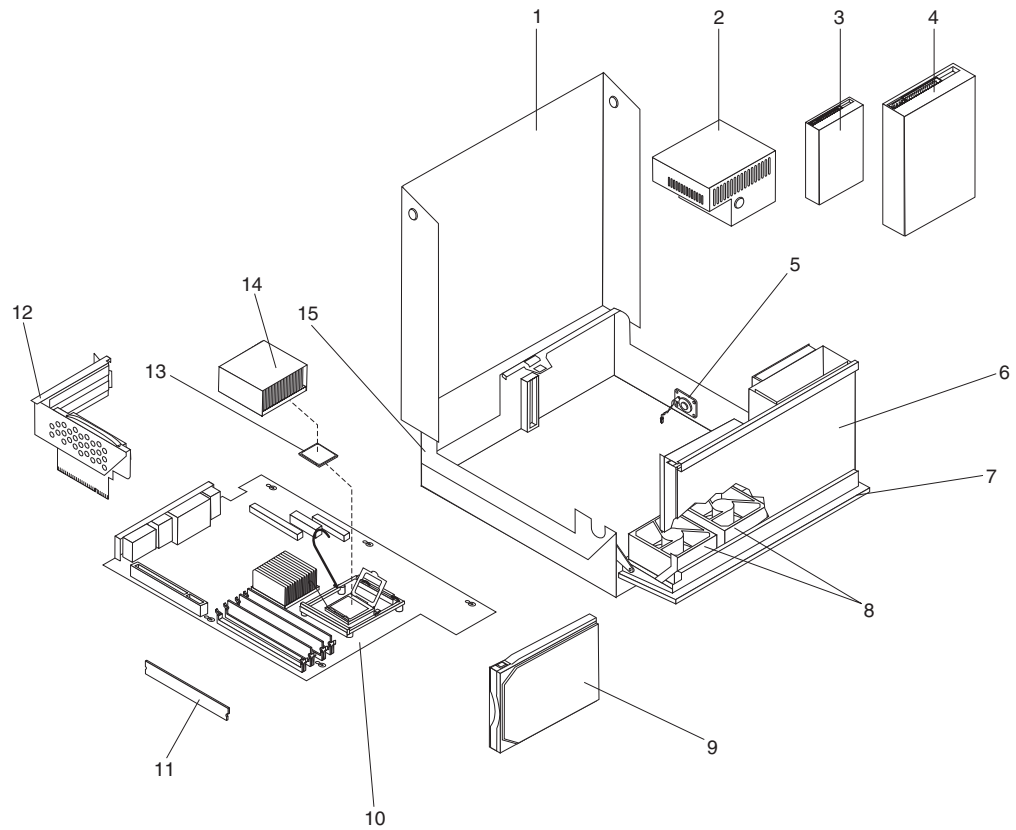
<b>8161 mice</b>	<b>FRU#</b>	<b>CRU</b>
Mouse, PS/2 - 2-Button (Black) (models CTO)	41A4909	*
Mouse, Scrollpoint Optical, USB (models CTO 11G 12G)	41A4933	*
Mouse, Optical Wheelmouse, USB (models CTO)	41A4935	*

<b>8161 Adapters and miscellaneous FRUs</b>	<b>FRU#</b>	<b>CRU</b>
Soft Modem V.90/V.44 (models CTO)	29R9729	*
Nvidia GeForce 6200 P262 w/NV44 (models CTO)	39J6213	*
128MB DDR ATI Radeon x300SE (DMS59 connector) (models CTO)	39J9635	*
128MB DDR ATI RADEON X700 PRO VGA, DVI-I, TV-Out PCI-e BTX (models CTO)	39J6203	*
PCI-E DVI-DConnection Adapter (ADD 2-R) (Full Height) (models CTO 11G 12G)	39J9334	*
1394 Firewire PCI LP (ATX) (models CTO)	41D2781	*
Speakers, Jazz Infinity Active T1 (Black) (models CTO)	89P8588	*
Speaker Power brick - US, Canada, LA (low voltage), Taiwan, Phillipines, Thailand (models CTO-U CTO-L CTO-A)	10K2587	*
Speaker Power brick - UK, Hong Kong (British version), ASEAN (models CTO-A)	25P5703	*
Speaker Power brick - Europe and LA (models CTO-G CTO-L)	25P5704	*
Speaker Power brick (newer 2 prong) - China, Thailand, Phillipines (models CTO-A)	10K2597	*
Speaker Power brick - ANZ (models CTO-A)	25P5705	*
Speaker Power brick - Brazil (models CTO-L)	25P5706	*
Speaker Power brick - India, South Africa (models CTO-A CTO-G)	32P3181	*
Speaker Power brick - Argentina (models CTO-L)	01R2253	*
RJ11 connector adapter (Spain, Ireland) (All "G" models)	60H6043	*
RJ11 connector adapter (Austria) (All "G" models)	60H6045	*
RJ11 connector adapter (Belgium) (All "G" models)	60H6046	*
RJ11 connector adapter (Denmark) (All "G" models)	60H6047	*
RJ11 connector adapter (Norway, Finland) (All "G" models)	60H6048	*
RJ11 connector adapter (France) (All "G" models)	60H6049	*
RJ11 connector adapter (Germany) (All "G" models)	60H6050	*
RJ11 connector adapter (UK, NZ, HK) (All "G", "M", "B", "H" models)	60H6051	*
RJ11 connector adapter (Italy) (All "G" models)	60H6052	*
RJ11 connector adapter (Netherlands) (All "G" models)	60H6053	*
RJ11 connector adapter (Sweden) (All "G" models)	60H6054	*
RJ11 connector adapter (Switzerland) (All "G" models)	60H6055	*

<b>8161 Power Cords</b>	<b>FRU#</b>	<b>CRU</b>
Power cord - UK, Ireland, Singapore, Malaysia, Brunei (models 11G 12G)	39M5150	*
Power cord - Italy (models 11G 12G)	39M5164	*
Power cord - G models (models 11G 12G)	39M5122	*
Power cord - Denmark (models 11G 12G)	39M5129	*
Power cord - Switzerland (models 11G 12G)	39M5157	*
Power cord - Israel (models 11G 12G)	39M5171	*
Power cord - South Africa (models 11G 12G)	39M5143	*

<b>8161 Windows XP Pro Recovery CDs</b>	<b>FRU#</b>	<b>CRU</b>
US/UK/AP/TH (models 11G 12G)	41T1577	*
FR/CF (models 11G 12G)	41T3198	*
GR (models 11G 12G)	41T3199	*
SP/LA (models 11G 12G)	41T3200	*
IT (models 11G 12G)	41T3201	*
SV (models 11G 12G)	41T3203	*
DK (models 11G 12G)	41T3204	*
FI (models 11G 12G)	41T4264	*
NO (models 11G 12G)	39J9646	*
NL (models 11G 12G)	41T4266	*
HE (models 11G 12G)	41T4267	*
PL (models 11G 12G)	41T4268	*
CZ (models 11G 12G)	41T4269	*
AE (models 11G 12G)	41T4270	*
RU (models 11G 12G)	41T4271	*
TR (models 11G 12G)	41T4836	*
HU (models 11G 12G)	41T4837	*
PO (models 11G 12G)	41T4838	*
GK (models 11G 12G)	41T4839	*
SL (models 11G 12G)	41T4840	*
Multilingual 1 (models 11G 12G)	41T3282	*
Multilingual 2 (models 11G 12G)	41T4280	*

# Machine Type 8162



Item #	8162 FRUs	FRU#	CRU
1	Cover (all models)	39M0581	**
2	Power Supply (225 Watt) (models CTO 11G 12G)	24R2625	**
2	Power Supply - China (225 Watt) (models CTO-A CTO-L)	24R2627	**
3	Diskette drive, 3.5" 1.44MB 3-mode (w/o bezel) (models CTO 11G 12G)	76H4091	*
3	Diskette drive, 3.5" 1.44MB 3-mode (w/o bezel) (models CTO 11G 12G)	40Y9107	*
3	Diskette drive, 3.5" 1.44MB 3-mode (w/o bezel) (models CTO 11G 12G)	40Y9105	*
3	Diskette drive, 3.5" 1.44MB 3-mode (w/o bezel) (models CTO 11G 12G)	40Y9113	*
4	CD-ROM Drive 48X (models CTO)	40Y8925	*
4	CD-ROM Drive 48X (models CTO)	40Y8929	*
4	CD-RW Drive (48X/32X/48X) (models CTO)	40Y8901	*
4	CD-RW Drive (48X/32X/48X) (models CTO)	40Y8937	*
4	DVD-ROM Drive (16X/48X) (models CTO)	40Y8931	*
4	DVD-ROM Drive (16X/48X) (models CTO)	40Y8933	*
4	CD-RW/DVD-ROM Combo Drive 48X/32X/48X/16X Max (models CTO 11G 12G)	40Y8781	*
4	CD-RW/DVD-ROM Combo Drive 48X/32X/48X/16X Max (models CTO 11G 12G)	40Y8919	*
4	CD-RW/DVD-ROM Combo Drive 48X/32X/48X/16X Max (models CTO 11G 12G)	40Y8903	*
4	Multi-Burner (models CTO)	40Y8909	*
5	Speaker/cable assembly (models CTO A1J A2J A3J A4A A4Q A4T A6G A6M 12J 13J 14J)	39K5012	*

Item #	8162 FRUs	FRU#	CRU
6	Rotating cage assembly (all models)	39M0583	**
7	Bezel Kit (all models)	39M0579	*
8	Front fan and bracket assembly (all models)	39M0585	**
9	Hard Disk Drive 40GB 7200 rpm Serial ATA (models CTO)	40Y8760	*
9	Hard Disk Drive 40GB 7200 rpm Serial ATA (models CTO)	40Y9033	*
9	Hard Disk Drive 40GB 7200 rpm Serial ATA (models CTO)	71P7312	*
9	Hard Disk Drive 80GB 7200 rpm Serial ATA (models CTO 11G 12G)	40Y8761	*
9	Hard Disk Drive 80GB 7200 rpm Serial ATA (models CTO 11G 12G)	71P7293	*
9	Hard Disk Drive 160GB 7200 rpm Serial ATA (models CTO)	40Y8762	*
9	Hard Disk Drive 160GB 7200 rpm Serial ATA (models CTO)	71P7297	*
9	Hard Disk Drive 250GB 7200 rpm Serial ATA (models CTO)	71P7299	*
10	System Board 10/1000 E-net (models CTO 11G 12G)	41X0921	**
10	System Board DDR2 Planar (10/1000, POV down, AMT enabled) (models CTO)	41X0922	**
11	256MB DDR2 SDRAM NP Memory (PC 4200) (models CTO 11G 12G)	30R5120	*
11	512MB DDR2 SDRAM NP Memory (PC 4200) (models CTO)	30R5121	*
11	1GB DDR2 SDRAM NP Memory (PC 4200) (models CTO)	30R5122	*
11	2GB DDR2 SDRAM NP Memory (PC 4200) (models CTO)	30R5123	*
11	256MB DDR2 SDRAM NP Memory (PC 5300) (models CTO)	30R5124	*
11	512MB DDR2 SDRAM NP Memory (PC 5300) (models CTO)	30R5125	*
11	1GB DDR2 SDRAM NP Memory (PC 5300) (models CTO)	30R5126	*
11	2GB DDR2 SDRAM NP Memory (PC 5300) (models CTO)	30R5127	*
12	Riser card and bracket assembly (all models)	39M0587	*
13	Microprocessor, 2.53GHZ Celeron Prescott P4 (533FSB, 256KB) (models CTO)	39J8470	**
13	Microprocessor, 2.66 GHZ Celeron Prescott P4 (533FSB, 256KB) (models CTO)	39J8471	**
13	Microprocessor, 2.8 GHZ Celeron Prescott P4 (533FSB, 256KB) (models CTO)	39J8472	**
13	Microprocessor, 2.93 GHZ Celeron Prescott P4 (533FSB, 256KB) (models CTO)	39J8473	**
13	Microprocessor, 3.06 GHZ Celeron Prescott P4 (533FSB, 256KB) (models CTO)	39J8474	**
13	Microprocessor, 3.2 GHZ Celeron Prescott P4 (533FSB, 256KB) (models CTO)	39J9697	**
13	Microprocessor, 3.33GHz Celeron Prescott 355 (533MHz FSB, 256KB Cache) G1-Value (models CTO)	41T1136	**
13	Microprocessor, Celeron 3.20Ghz Cedar Mill (533MHz FSB, 512KB Cache) B1-Value (models CTO)	41T4966	**
13	Microprocessor, Celeron 3.33Ghz Cedar Mill (533MHz FSB, 512KB Cache) B1-Value (models CTO)	41T4968	**
13	Microprocessor, 2.93 GHZ Prescott P4 (533FSB, 1MB) (models CTO)	39J9629	**
13	Microprocessor, 2.66 GHZ Prescott P4 (533FSB, 1MB) (models CTO)	41D0696	**
13	Microprocessor, 2.93 GHZ Prescott P4 (533FSB, 1MB) (models CTO)	41D0698	**
13	Microprocessor, 3.06 GHZ Prescott P4 (533FSB, 1MB) (models CTO)	41D0700	**
13	Microprocessor, 2.8 GHZ Prescott P4 (800FSB, 1MB) (models CTO)	39J8475	**
13	Microprocessor, 3.0 GHZ Prescott P4 (800FSB, 1MB) (models CTO 11G)	39J8476	**
13	Microprocessor, 3.2 GHZ Prescott P4 (800FSB, 1MB) (models CTO 12G)	39J8477	**
13	Microprocessor, 3.4 GHZ Prescott P4 (800FSB, 1MB) (models CTO)	39J8478	**

Item #	8162 FRUs	FRU#	CRU
13	Microprocessor, 3.0 GHZ Prescott P4 (800FSB, 2MB) (models CTO)	39J8480	**
13	Microprocessor, 3.2 GHZ Prescott P4 (800FSB, 2MB) (models CTO)	39J8481	**
13	Microprocessor, 3.4 GHZ Prescott P4 (800FSB, 2MB) (models CTO)	39J8482	**
13	Microprocessor, 2.8 GHZ Smithfield P4 (800FSB, 1MB) (models CTO)	39J8479	**
13	Microprocessor, 3.4 GHZ Cedar Mill P4 (800MHz FSB, 2MB Cache) (models CTO)	41D5070	**
13	Microprocessor, 3.6 GHZ Cedar Mill P4 (800MHz FSB, 2MB Cache) (models CTO)	41D5072	**
13	Microprocessor, 2.8 GHZ Presler P4 (800MHz FSB, 2MBx2 Cache) (models CTO)	41D5074	**
13	Microprocessor, 3.0 GHZ Presler P4 (800MHz FSB, 2MBx2 Cache) (models CTO)	41D5076	**
14	Heat Sink and Retention Module kit (all models)	39M0586	**
15	Chassis (all models)	39M0582	**

The FRUs listed in the following table are not illustrated.

8162 FRUs	FRU#	CRU
Hard disk drive bracket assembly (all models)	39M0578	*
Power switch/LED cable assembly (all models)	39M0580	**
SATA cable assembly (all models)	39K0526	*
Optical cable, 1 drop (all models)	39M0584	*
Intrusion switch cable (all models)	39K0522	*
Miscellaneous parts kit (all models)	39M0588	*
Vertical stand (all models)	39M0589	*
Bezel assembly, optical rotating (all models)	39M0592	**
Bezel kit (all models)	41R2926	**
EMC shield kit, diskette drive and optical bays (all models)	41N5325	**
System board EMC Shield (all models)	41N5326	**
Diskette drive cable asm. (all models)	41N8269	**
Universal Adapter Bracket 5.25 to 3.5-inch (all models)	32P4743	*
Battery (all models)	33F8354	*

8162 Keyboards (Preferred Pro Fullsize, PS/2, Stealth Black)	FRU#	CRU
US English (models CTO-U CTO-G 11G 12G)	89P8300	*
Arabic (models CTO-G 11G 12G)	89P8301	*
Belgian/French (models CTO-G 11G 12G)	89P8302	*
Belgian/UK (models CTO-G 11G 12G)	89P8303	*
Brazilian/Portuguese (models CTO-L)	89P8304	*
Bulgarian (models CTO-G 11G 12G)	89P8305	*
Czech (models CTO-G 11G 12G)	89P8307	*
Danish (models CTO-G 11G 12G)	89P8308	*
Dutch (models CTO-G 11G 12G)	89P8309	*
French (models CTO-G 11G 12G)	89P8310	*
French Canadian 445 (models CTO-U)	89P8311	*

<b>8162 Keyboards (Preferred Pro Fullsize, PS/2, Stealth Black)</b>	<b>FRU#</b>	<b>CRU</b>
French Canadian 58 (models CTO-U)	89P8312	*
German (models CTO-G 11G 12G)	89P8313	*
Greek (models CTO-G 11G 12G)	89P8314	*
Hebrew (models CTO-G 11G 12G)	89P8315	*
Hungarian (models CTO-G 11G 12G)	89P8316	*
Iceland (models CTO-G 11G 12G)	89P8317	*
Italian (models CTO-G 11G 12G)	89P8319	*
LA Spanish (models CTO-L)	89P8322	*
Norwegian (models CTO-G 11G 12G)	89P8323	*
Polish (models CTO-G 11G 12G)	89P8324	*
Portuguese (models CTO-G 11G 12G)	89P8325	*
Romanian (models CTO-G 11G 12G)	89P8326	*
Russian (models CTO-G 11G 12G)	89P8327	*
Russian/Cyrillic (models CTO-G 11G 12G)	89P8328	*
Serbian/Cyrillic (models CTO-G 11G 12G)	89P8329	*
Slovak (models CTO-G 11G 12G)	89P8330	*
Spanish (models CTO-G 11G 12G)	89P8331	*
Swedish/Finn (models CTO-G 11G 12G)	89P8332	*
Swiss F/G (models CTO-G 11G 12G)	89P8333	*
Thailand (models CTO-A)	89P8334	*
Turkish 179 (models CTO-G 11G 12G)	89P8336	*
UK English (models CTO-G 11G 12G)	89P8337	*
US Euro (models CTO-G 11G 12G)	89P8338	*
Yugoslav/Latin (models CTO-G 11G 12G)	89P8339	*

<b>8162 Keyboards (Productivity, USB)</b>	<b>FRU#</b>	<b>CRU</b>
US English (models CTO-U CTO-G)	89P8800	*
Arabic (models CTO-G)	89P8801	*
Arabic/French (models CTO-G)	89P8802	*
Belgian/French (models CTO-G)	89P8803	*
Belgian/UK (models CTO-G)	89P8804	*
Brazil/Portuguese (models CTO-L)	89P8805	*
Bulgarian (models CTO-G)	89P8806	*
Czech (models CTO-G)	89P8808	*
Danish (models CTO-G)	89P8809	*
Dutch (models CTO-G)	89P8810	*
French (models CTO-G)	89P8811	*
French Canadian (models CTO-U)	89P8812	*
French Canadian (models CTO-U)	89P8813	*
German (models CTO-G)	89P8814	*
Greek (models CTO-G)	89P8815	*

<b>8162 Keyboards (Productivity, USB)</b>	<b>FRU#</b>	<b>CRU</b>
Hebrew (models CTO-G)	89P8816	*
Hungarian (models CTO-G)	89P8817	*
Iceland (models CTO-G)	89P8818	*
Italian 141 (models CTO-G)	89P8819	*
LA/Spanish (models CTO-L)	89P8822	*
Norwegian (models CTO-G)	89P8823	*
Polish (models CTO-G)	89P8824	*
Portuguese (models CTO-G)	89P8825	*
Romanian (models CTO-G)	89P8826	*
Romanian (models CTO-G)	89P8827	*
Russian/Cyrillic (models CTO-G)	89P8828	*
Serbian/Cyrillic (models CTO-G)	89P8829	*
Slovak (models CTO-G)	89P8830	*
Spanish (models CTO-G)	89P8831	*
Swedish/Finn (models CTO-G)	89P8832	*
Swiss F/G (models CTO-G)	89P8833	*
Thailand (models CTO-A)	89P8834	*
Turkish 440 (models CTO-G)	89P8835	*
Turkish 179 (models CTO-G)	89P8836	*
UK English (models CTO-G)	89P8837	*
US Euro (models CTO-G)	89P8838	*
Yugoslav/Latin (models CTO-G)	89P8839	*

<b>8162 Keyboards (with fingerprint reader)</b>	<b>FRU#</b>	<b>CRU</b>
US English (models CTO-U CTO-G)	89P9000	*
Arabic (models CTO-G)	89P9001	*
Belgian/French (models CTO-G)	89P9003	*
Belgian/UK (models CTO-G)	89P9004	*
Brazilian Portuguese (models CTO-L)	89P9005	*
Bulgarian (models CTO-G)	89P9006	*
Czech (models CTO-G)	89P9008	*
Danish (models CTO-G)	89P9009	*
Dutch (models CTO-G)	89P9010	*
French (models CTO-G)	89P9011	*
French Canadian 445 (models CTO-U)	89P9012	*
French Canadian 58 (models CTO-U)	89P9013	*
German (models CTO-G)	89P9014	*
Greek (models CTO-G)	89P9015	*
Hebrew (models CTO-G)	89P9016	*
Hungarian (models CTO-G)	89P9017	*
Iceland (models CTO-G)	89P9018	*



<b>8162 Keyboards (with fingerprint reader)</b>	<b>FRU#</b>	<b>CRU</b>
Italian 141 (models CTO-G)	89P9019	*
Korean (models D1K E1K F1K)	89P9021	*
LA Spanish (models CTO-L E3S E3Y)	89P9022	*
Norwegian (models CTO-G)	89P9023	*
Polish (models CTO-G)	89P9024	*
Portuguese (models CTO-G)	89P9025	*
Romanian (models CTO-G)	89P9026	*
Romanian (models CTO-G)	89P9027	*
Russian/Cyrillic (models CTO-G)	89P9028	*
Serbian/Cyrillic (models CTO-G)	89P9029	*
Slovak (models CTO-G)	89P9030	*
Spanish (models CTO-G)	89P9031	*
Swedish/Finn (models CTO-G)	89P9032	*
Swiss F/G (models CTO-G)	89P9033	*
Thailand (models CTO-A)	89P9034	*
Turkish 440 (models CTO-G)	89P9035	*
Turkish 179 (models CTO-G)	89P9036	*
UK English (models CTO-G)	89P9037	*
US Euro (models CTO-G)	89P9038	*
Yugoslav/Latin (models CTO-G)	89P9039	*

<b>8162 Keyboard (Enhanced Performance, Wireless)</b>	<b>FRU#</b>	<b>CRU</b>
US English (models CTO-U CTO-G)	89P8730	*
Belgian/French (models CTO-G)	89P8731	*
Belgian/UK (models CTO-G)	89P8732	*
Czech (models CTO-G)	89P8734	*
Danish (models CTO-G)	89P8735	*
Dutch (models CTO-G)	89P8736	*
French (models CTO-G)	89P8737	*
French Canadian 445 (models CTO-U)	89P8738	*
French Canadian 58 (models CTO-U)	89P8739	*
German (models CTO-G)	89P8740	*
Greek (models CTO-G)	89P8741	*
Hungarian (models CTO-G)	89P8742	*
Iceland (models CTO-G)	89P8743	*
Italian 141 (models CTO-G)	89P8744	*
Norwegian (models CTO-G)	89P8746	*
Polish (models CTO-G)	89P8747	*
Portuguese (models CTO-G)	89P8748	*
Slovak (models CTO-G)	89P8749	*
Spanish (models CTO-G)	89P8751	*



<b>8162 Keyboard (Enhanced Performance, Wireless)</b>	<b>FRU#</b>	<b>CRU</b>
Swedish/Finn (models CTO-G)	89P8752	*
Swiss F/G (models CTO-G)	89P8753	*
UK English (models CTO-G)	89P8754	*
US Euro (models CTO-G)	89P8755	*
Wireless transceiver dongle (models CTO)	89P8757	*

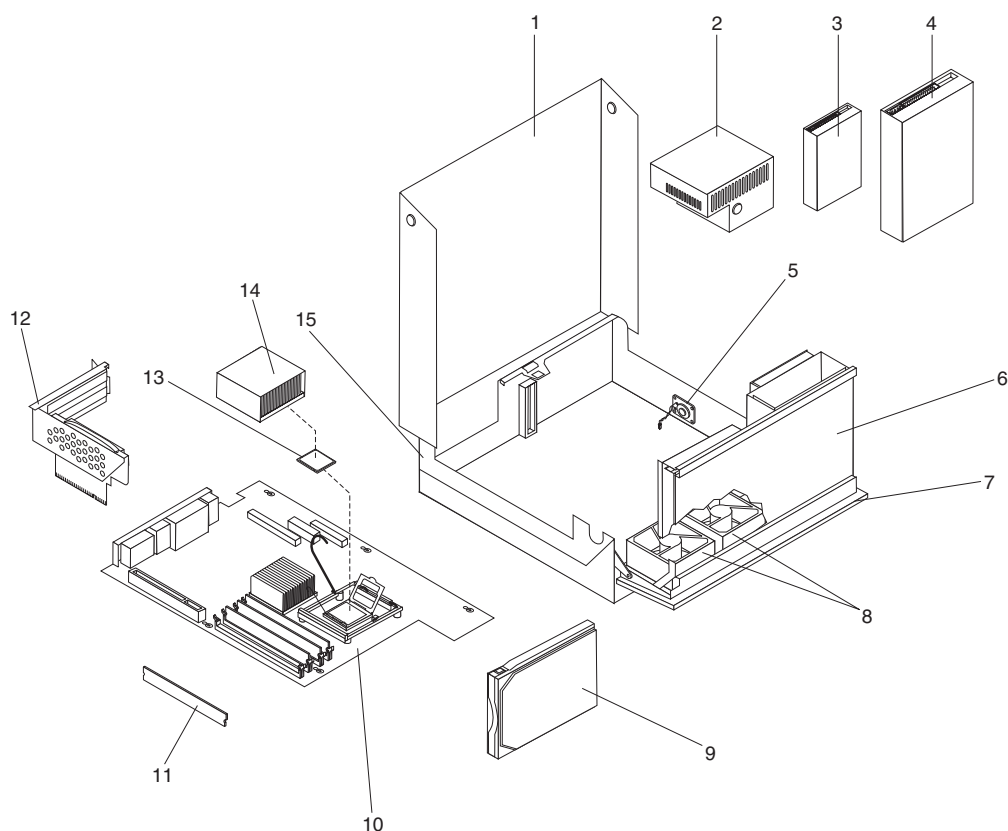
<b>8162 mice</b>	<b>FRU#</b>	<b>CRU</b>
Mouse, PS/2 - 2-Button (Black) (models CTO)	41A4909	*
Mouse, Scrollpoint Optical, USB (models CTO 11G 12G)	41A4933	*
Mouse, Optical Wheelmouse, USB (models CTO)	41A4935	*

<b>8162 Adapters and miscellaneous FRUs</b>	<b>FRU#</b>	<b>CRU</b>
Soft Modem V.90/V.44 (models CTO)	29R9729	*
Nvidia GeForce 6200 P262 w/NV44 (models CTO)	39J6213	*
128MB DDR ATI Radeon x300SE (DMS59 connector) (models CTO)	39J9635	*
128MB DDR ATI RADEON X700 PRO VGA, DVI-I, TV-Out PCI-e BTX (models CTO)	39J6203	*
PCI-E DVI-DConnection Adapter (ADD 2-R) (Full Height) (models CTO 11G 12G)	39J9334	*
1394 Firewire PCI LP (ATX) (models CTO)	41D2781	*
Speakers, Jazz Infinity Active T1 (Black) (models CTO)	25P4726	*
Speaker Power brick - US, Canada, LA (low voltage), Taiwan, Phillipines, Thailand (models CTO-U CTO-L CTO-A)	10K2587	*
Speaker Power brick - UK, Hong Kong (British version), ASEAN (models CTO-A)	25P5703	*
Speaker Power brick - Europe and LA (models CTO-G CTO-L)	25P5704	*
Speaker Power brick (newer 2 prong) - China, Thailand, Phillipines (models CTO-A)	10K2597	*
Speaker Power brick - ANZ (models CTO-A)	25P5705	*
Speaker Power brick - Brazil (models CTO-L)	25P5706	*
Speaker Power brick - India, South Africa (models CTO-A CTO-G)	32P3181	*
Speaker Power brick - Argentina (models CTO-L)	01R2253	*
RJ11 connector adapter (Spain, Ireland) (All "G" models)	60H6043	*
RJ11 connector adapter (Austria) (All "G" models)	60H6045	*
RJ11 connector adapter (Belgium) (All "G" models)	60H6046	*
RJ11 connector adapter (Denmark) (All "G" models)	60H6047	*
RJ11 connector adapter (Norway, Finland) (All "G" models)	60H6048	*
RJ11 connector adapter (France) (All "G" models)	60H6049	*
RJ11 connector adapter (Germany) (All "G" models)	60H6050	*
RJ11 connector adapter (UK, NZ, HK) (All "G", "M", "B", "H" models)	60H6051	*
RJ11 connector adapter (Italy) (All "G" models)	60H6052	*
RJ11 connector adapter (Netherlands) (All "G" models)	60H6053	*
RJ11 connector adapter (Sweden) (All "G" models)	60H6054	*
RJ11 connector adapter (Switzerland) (All "G" models)	60H6055	*

<b>8162 Power Cords</b>	<b>FRU#</b>	<b>CRU</b>
Power cord - UK, Ireland, Singapore, Malaysia, Brunei (models 11G 12G)	39M5150	*
Power cord - Italy (models 11G 12G)	39M5164	*
Power cord - G models (models 11G 12G)	39M5122	*
Power cord - Denmark (models 11G 12G)	39M5129	*
Power cord - Switzerland (models 11G 12G)	39M5157	*
Power cord - Israel (models 11G 12G)	39M5171	*
Power cord - South Africa (models 11G 12G)	39M5143	*

<b>8162 Windows XP Pro Recovery CDs</b>	<b>FRU#</b>	<b>CRU</b>
US/UK/AP/TH (models 11G 12G)	41T1577	*
FR/CF (models 11G 12G)	41T3198	*
GR (models 11G 12G)	41T3199	*
SP/LA (models 11G 12G)	41T3200	*
IT (models 11G 12G)	41T3201	*
SV (models 11G 12G)	41T3203	*
DK (models 11G 12G)	41T3204	*
FI (models 11G 12G)	41T4264	*
NO (models 11G 12G)	39J9646	*
NL (models 11G 12G)	41T4266	*
HE (models 11G 12G)	41T4267	*
PL (models 11G 12G)	41T4268	*
CZ (models 11G 12G)	41T4269	*
AE (models 11G 12G)	41T4270	*
RU (models 11G 12G)	41T4271	*
TR (models 11G 12G)	41T4836	*
HU (models 11G 12G)	41T4837	*
PO (models 11G 12G)	41T4838	*
GK (models 11G 12G)	41T4839	*
SL (models 11G 12G)	41T4840	*
Multilingual 1 (models 11G 12G)	41T3282	*
Multilingual 2 (models 11G 12G)	41T4280	*

## Machine Type 8163



Item #	8163 FRUs	FRU#	CRU
1	Cover (all models)	39M0581	**
2	Power Supply (225 Watt) (models CTO A1K A2G 11K 12U 12F 13U 13F 14U C1U C2U C3U E1K)	24R2625	**
2	Power Supply - China (225 Watt) (models CTO-A CTO-L)	24R2627	**
3	Diskette drive, 3.5" 1.44MB 3-mode (w/o bezel) (models CTO A1K A2G 11K 12U 12F 13U 13F 14U)	76H4091	*
3	Diskette drive, 3.5" 1.44MB 3-mode (w/o bezel) (models CTO A1K A2G 11K 12U 12F 13U 13F 14U)	40Y9107	*
3	Diskette drive, 3.5" 1.44MB 3-mode (w/o bezel) (models CTO A1K A2G 11K 12U 12F 13U 13F 14U)	40Y9105	*
3	Diskette drive, 3.5" 1.44MB 3-mode (w/o bezel) (models CTO A1K A2G 11K 12U 12F 13U 13F 14U)	40Y9113	*
4	CD-ROM Drive 48X (models CTO A1K 12U 12F 13U 13F 14U)	40Y8925	*
4	CD-ROM Drive 48X (models CTO A1K 12U 12F 13U 13F 14U)	40Y8929	*
4	CD-RW Drive (48X/32X/48X) (models CTO)	40Y8901	*
4	CD-RW Drive (48X/32X/48X) (models CTO)	40Y8937	*
4	DVD-ROM Drive (16X/48X) (models CTO A2G)	40Y8931	*
4	DVD-ROM Drive (16X/48X) (models CTO A2G)	40Y8933	*
4	CD-RW/DVD-ROM Combo Drive 48X/32X/48X/16X Max (models CTO 11K E1K)	40Y8781	*
4	CD-RW/DVD-ROM Combo Drive 48X/32X/48X/16X Max (models CTO 11K E1K)	40Y8919	*

Item #	8163 FRUs	FRU#	CRU
4	CD-RW/DVD-ROM Combo Drive 48X/32X/48X/16X Max (models CTO 11K E1K)	40Y8903	*
4	Multi-Burner (models CTO)	40Y8909	*
5	Speaker/cable assembly (models CTO A2G 12U 12F 13U 13F 14U E1K)	39K5012	*
6	Rotating cage assembly (all models)	39M0583	**
7	Bezel Kit (all models)	39M0579	*
8	Front fan and bracket assembly (all models)	39M0585	**
9	Hard Disk Drive 40GB 7200 rpm Serial ATA (models CTO)	40Y8760	*
9	Hard Disk Drive 40GB 7200 rpm Serial ATA (models CTO)	40Y9033	*
9	Hard Disk Drive 40GB 7200 rpm Serial ATA (models CTO)	71P7312	*
9	Hard Disk Drive 80GB 7200 rpm Serial ATA (models CTO A1K A2G 11K 12U 12F 13U 13F 14U)	40Y8761	*
9	Hard Disk Drive 80GB 7200 rpm Serial ATA (models CTO A1K A2G 11K 12U 12F 13U 13F 14U)	71P7293	*
9	Hard Disk Drive 160GB 7200 rpm Serial ATA (models CTO E1K)	40Y8762	*
9	Hard Disk Drive 160GB 7200 rpm Serial ATA (models CTO)	71P7297	*
9	Hard Disk Drive 250GB 7200 rpm Serial ATA (models CTO)	71P7299	*
10	System Board 10/1000- (models CTO A1K A2G 11K 12U 12F 13U 13F 14U C1U C2U C3U E1K)	41X0921	**
10	System Board DDR2 Planar (10/1000, POV down, AMT enabled) (models CTO)	41X0922	**
11	256MB DDR2 SDRAM NP Memory (PC 4200) (models CTO A1K A2G 11K)	30R5120	*
11	512MB DDR2 SDRAM NP Memory (PC 4200) (models CTO 12U 12F 13U 13F 14U)	30R5121	*
11	1GB DDR2 SDRAM NP Memory (PC 4200) (models CTO)	30R5122	*
11	2GB DDR2 SDRAM NP Memory (PC 4200) (models CTO)	30R5123	*
11	256MB DDR2 SDRAM NP Memory (PC 5300) (models CTO)	30R5124	*
11	512MB DDR2 SDRAM NP Memory (PC 5300) (models CTO E1K)	30R5125	*
11	1GB DDR2 SDRAM NP Memory (PC 5300) (models CTO)	30R5126	*
11	2GB DDR2 SDRAM NP Memory (PC 5300) (models CTO)	30R5127	*
12	Riser card and bracket assembly (all models)	39M0587	*
13	Microprocessor, 2.53GHZ Celeron Prescott P4 (533FSB, 256KB) (models CTO)	39J8470	**
13	Microprocessor, 2.66 GHZ Celeron Prescott P4 (533FSB, 256KB) (models CTO)	39J8471	**
13	Microprocessor, 2.8 GHZ Celeron Prescott P4 (533FSB, 256KB) (models CTO)	39J8472	**
13	Microprocessor, 2.93 GHZ Celeron Prescott P4 (533FSB, 256KB) (models CTO)	39J8473	**
13	Microprocessor, 3.06 GHZ Celeron Prescott P4 (533FSB, 256KB) (models CTO A1K A2G)	39J8474	**
13	Microprocessor, 3.2 GHZ Celeron Prescott P4 (533FSB, 256KB) (models CTO)	39J9697	**
13	Microprocessor, 3.33GHz Celeron Prescott 355 (533MHz FSB, 256KB Cache) G1-Value (models CTO)	41T1136	**
13	Microprocessor, Celeron 3.20Ghz Cedar Mill (533MHz FSB, 512KB Cache) B1-Value (models CTO)	41T4966	**
13	Microprocessor, Celeron 3.33Ghz Cedar Mill (533MHz FSB, 512KB Cache) B1-Value (models CTO)	41T4968	**
13	Microprocessor, 2.93 GHZ Prescott P4 (533FSB, 1MB) (models CTO)	39J9629	**
13	Microprocessor, 2.66 GHZ Prescott P4 (533FSB, 1MB) (models CTO)	41D0696	**

Item #	8163 FRUs	FRU#	CRU
13	Microprocessor, 2.93 GHZ Prescott P4 (533FSB, 1MB) (models CTO)	41D0698	**
13	Microprocessor, 3.06 GHZ Prescott P4 (533FSB, 1MB) (models CTO)	41D0700	**
13	Microprocessor, 2.8 GHZ Prescott P4 (800FSB, 1MB) (models CTO)	39J8475	**
13	Microprocessor, 3.0 GHZ Prescott P4 (800FSB, 1MB) (models CTO 11K 12U 12F C1U)	39J8476	**
13	Microprocessor, 3.2 GHZ Prescott P4 (800FSB, 1MB) (models CTO 13U 13F C2U)	39J8477	**
13	Microprocessor, 3.4 GHZ Prescott P4 (800FSB, 1MB) (models CTO 14U C3U)	39J8478	**
13	Microprocessor, 3.0 GHZ Prescott P4 (800FSB, 2MB) (models CTO)	39J8480	**
13	Microprocessor, 3.2 GHZ Prescott P4 (800FSB, 2MB) (models CTO E1K)	39J8481	**
13	Microprocessor, 3.4 GHZ Prescott P4 (800FSB, 2MB) (models CTO)	39J8482	**
13	Microprocessor, 2.8 GHZ Smithfield P4 (800FSB, 1MB) (models CTO)	39J8479	**
13	Microprocessor, 3.4 GHZ Cedar Mill P4 (800MHz FSB, 2MB Cache) (models CTO)	41D5070	**
13	Microprocessor, 3.6 GHZ Cedar Mill P4 (800MHz FSB, 2MB Cache) (models CTO)	41D5072	**
13	Microprocessor, 2.8 GHZ Presler P4 (800MHz FSB, 2MBx2 Cache) (models CTO)	41D5074	**
13	Microprocessor, 3.0 GHZ Presler P4 (800MHz FSB, 2MBx2 Cache) (models CTO)	41D5076	**
14	Heat Sink and Retention Module kit (all models)	39M0586	**
15	Chassis (all models)	39M0582	**

The FRUs listed in the following table are not illustrated.

8163 FRUs	FRU#	CRU
Hard disk drive bracket assembly (all models)	39M0578	*
Power switch/LED cable assembly (all models)	39M0580	**
SATA cable assembly (all models)	39K0526	*
Optical cable, 1 drop (all models)	39M0584	*
Intrusion switch cable (all models)	39K0522	*
Miscellaneous parts kit (all models)	39M0588	*
Vertical stand (all models)	39M0589	*
Bezel assembly, optical rotating (all models)	39M0592	**
Bezel kit (all models)	41R2926	**
EMC shield kit, diskette drive and optical bays (all models)	41N5325	**
System board EMC Shield (all models)	41N5326	**
Diskette drive cable asm. (all models)	41N8269	**
Universal Adapter Bracket 5.25 to 3.5-inch (all models)	32P4743	*
Battery (all models)	33F8354	*

8163 Keyboards (Preferred Pro Fullsize, PS/2, Stealth Black)	FRU#	CRU
US English (models CTO-U CTO-G A2G)	89P8300	*
Arabic (models CTO-G A2G)	89P8301	*
Belgian/French (models CTO-G A2G)	89P8302	*
Belgian/UK (models CTO-G A2G)	89P8303	*

<b>8163 Keyboards (Preferred Pro Fullsize, PS/2, Stealth Black)</b>	<b>FRU#</b>	<b>CRU</b>
Brazilian/Portuguese (models CTO-L)	89P8304	*
Bulgarian (models CTO-G A2G)	89P8305	*
Czech (models CTO-G A2G)	89P8307	*
Danish (models CTO-G A2G)	89P8308	*
Dutch (models CTO-G A2G)	89P8309	*
French (models CTO-G A2G)	89P8310	*
French Canadian 445 (models CTO-U)	89P8311	*
French Canadian 58 (models CTO-U)	89P8312	*
German (models CTO-G A2G)	89P8313	*
Greek (models CTO-G A2G)	89P8314	*
Hebrew (models CTO-G A2G)	89P8315	*
Hungarian (models CTO-G A2G)	89P8316	*
Iceland (models CTO-G A2G)	89P8317	*
Italian (models CTO-G A2G)	89P8319	*
Korean (models A1K 11K E1K)	89P8321	*
LA Spanish (models CTO-L)	89P8322	*
Norwegian (models CTO-G A2G)	89P8323	*
Polish (models CTO-G A2G)	89P8324	*
Portuguese (models CTO-G A2G)	89P8325	*
Romanian (models CTO-G A2G)	89P8326	*
Russian (models CTO-G A2G)	89P8327	*
Russian/Cyrillic (models CTO-G A2G)	89P8328	*
Serbian/Cyrillic (models CTO-G A2G)	89P8329	*
Slovak (models CTO-G A2G)	89P8330	*
Spanish (models CTO-G A2G)	89P8331	*
Swedish/Finn (models CTO-G A2G)	89P8332	*
Swiss F/G (models CTO-G A2G)	89P8333	*
Thailand (models CTO-A)	89P8334	*
Turkish 179 (models CTO-G A2G)	89P8336	*
UK English (models CTO-G A2G)	89P8337	*
US Euro (models CTO-G A2G)	89P8338	*
Yugoslav/Latin (models CTO-G A2G)	89P8339	*

<b>8163 Keyboards (Productivity, USB)</b>	<b>FRU#</b>	<b>CRU</b>
US English (models CTO-U CTO-G)	89P8800	*
Arabic (models CTO-G)	89P8801	*
Arabic/French (models CTO-G)	89P8802	*
Belgian/French (models CTO-G)	89P8803	*
Belgian/UK (models CTO-G)	89P8804	*
Brazil/Portuguese (models CTO-L)	89P8805	*
Bulgarian (models CTO-G)	89P8806	*

<b>8163 Keyboards (Productivity, USB)</b>	<b>FRU#</b>	<b>CRU</b>
Czech (models CTO-G)	89P8808	*
Danish (models CTO-G)	89P8809	*
Dutch (models CTO-G)	89P8810	*
French (models CTO-G)	89P8811	*
French Canadian (models CTO-U)	89P8812	*
French Canadian (models CTO-U)	89P8813	*
German (models CTO-G)	89P8814	*
Greek (models CTO-G)	89P8815	*
Hebrew (models CTO-G)	89P8816	*
Hungarian (models CTO-G)	89P8817	*
Iceland (models CTO-G)	89P8818	*
Italian 141 (models CTO-G)	89P8819	*
Korean (models CTO-L)	89P8821	*
LA/Spanish (models E1K)	89P8822	*
Norwegian (models CTO-G)	89P8823	*
Polish (models CTO-G)	89P8824	*
Portuguese (models CTO-G)	89P8825	*
Romanian (models CTO-G)	89P8826	*
Romanian (models CTO-G)	89P8827	*
Russian/Cyrillic (models CTO-G)	89P8828	*
Serbian/Cyrillic (models CTO-G)	89P8829	*
Slovak (models CTO-G)	89P8830	*
Spanish (models CTO-G)	89P8831	*
Swedish/Finn (models CTO-G)	89P8832	*
Swiss F/G (models CTO-G)	89P8833	*
Thailand (models CTO-A)	89P8834	*
Turkish 440 (models CTO-G)	89P8835	*
Turkish 179 (models CTO-G)	89P8836	*
UK English (models CTO-G)	89P8837	*
US Euro (models CTO-G)	89P8838	*
Yugoslav/Latin (models CTO-G)	89P8839	*

<b>8163 Keyboards (with fingerprint reader)</b>	<b>FRU#</b>	<b>CRU</b>
US English (models CTO-U CTO-G 12U 13U 14U)	89P9000	*
Arabic (models CTO-G)	89P9001	*
Belgian/French (models CTO-G)	89P9003	*
Belgian/UK (models CTO-G)	89P9004	*
Brazilian Portuguese (models CTO-L)	89P9005	*
Bulgarian (models CTO-G)	89P9006	*
Czech (models CTO-G)	89P9008	*
Danish (models CTO-G)	89P9009	*



<b>8163 Keyboards (with fingerprint reader)</b>	<b>FRU#</b>	<b>CRU</b>
Dutch (models CTO-G)	89P9010	*
French (models CTO-G)	89P9011	*
French Canadian 445 (models CTO-U 12F 13F)	89P9012	*
French Canadian 58 (models CTO-U 12F 13F)	89P9013	*
German (models CTO-G)	89P9014	*
Greek (models CTO-G)	89P9015	*
Hebrew (models CTO-G)	89P9016	*
Hungarian (models CTO-G)	89P9017	*
Iceland (models CTO-G)	89P9018	*
Italian 141 (models CTO-G)	89P9019	*
LA Spanish (models CTO-L E3S E3Y)	89P9022	*
Norwegian (models CTO-G)	89P9023	*
Polish (models CTO-G)	89P9024	*
Portuguese (models CTO-G)	89P9025	*
Romanian (models CTO-G)	89P9026	*
Romanian (models CTO-G)	89P9027	*
Russian/Cyrillic (models CTO-G)	89P9028	*
Serbian/Cyrillic (models CTO-G)	89P9029	*
Slovak (models CTO-G)	89P9030	*
Spanish (models CTO-G)	89P9031	*
Swedish/Finn (models CTO-G)	89P9032	*
Swiss F/G (models CTO-G)	89P9033	*
Thailand (models CTO-A)	89P9034	*
Turkish 440 (models CTO-G)	89P9035	*
Turkish 179 (models CTO-G)	89P9036	*
UK English (models CTO-G)	89P9037	*
US Euro (models CTO-G)	89P9038	*
Yugoslav/Latin (models CTO-G)	89P9039	*

<b>8163 Keyboard (Enhanced Performance, Wireless)</b>	<b>FRU#</b>	<b>CRU</b>
US English (models CTO-U CTO-G)	89P8730	*
Belgian/French (models CTO-G)	89P8731	*
Belgian/UK (models CTO-G)	89P8732	*
Czech (models CTO-G)	89P8734	*
Danish (models CTO-G)	89P8735	*
Dutch (models CTO-G)	89P8736	*
French (models CTO-G)	89P8737	*
French Canadian 445 (models CTO-U)	89P8738	*
French Canadian 58 (models CTO-U)	89P8739	*
German (models CTO-G)	89P8740	*
Greek (models CTO-G)	89P8741	*



<b>8163 Keyboard (Enhanced Performance, Wireless)</b>	<b>FRU#</b>	<b>CRU</b>
Hungarian (models CTO-G)	89P8742	*
Iceland (models CTO-G)	89P8743	*
Italian 141 (models CTO-G)	89P8744	*
Norwegian (models CTO-G)	89P8746	*
Polish (models CTO-G)	89P8747	*
Portuguese (models CTO-G)	89P8748	*
Slovak (models CTO-G)	89P8749	*
Spanish (models CTO-G)	89P8751	*
Swedish/Finn (models CTO-G)	89P8752	*
Swiss F/G (models CTO-G)	89P8753	*
UK English (models CTO-G)	89P8754	*
US Euro (models CTO-G)	89P8755	*
Wireless transceiver dongle (models CTO)	89P8757	*

<b>8163 mice</b>	<b>FRU#</b>	<b>CRU</b>
Mouse, PS/2 - 2-Button (Black) (models CTO)	41A4909	*
Mouse, Scrollpoint Optical, USB (models CTO A1K A2G 11K 12U 12F 13U 13F 14U E1K)	41A4933	*
Mouse, Optical Wheelmouse, USB (models CTO)	41A4935	*

<b>8163 Adapters and miscellaneous FRUs</b>	<b>FRU#</b>	<b>CRU</b>
Soft Modem V.90/V.44 (models CTO)	29R9729	*
Nvidia GeForce 6200 P262 w/NV44 (models CTO)	39J6213	*
128MB DDR ATI Radeon x300SE (DMS59 connector) (models CTO E1K)	39J9635	*
128MB DDR ATI RADEON X700 PRO VGA, DVI-I, TV-Out PCI-e BTX (models CTO)	39J6203	*
PCI-E DVI-DConnection Adapter (ADD 2-R) (Full Height) (models CTO A2G)	39J9334	*
1394 Firewire PCI LP (ATX) (models CTO)	41D2781	*
Speakers, Jazz Infinity Active T1 (Black) (models CTO A1K 11K)	89P8588	*
Speaker Power brick - US, Canada, LA (low voltage), Taiwan, Phillipines, Thailand (models CTO-U CTO-L CTO-A)	10K2587	*
Speaker Power brick - UK, Hong Kong (British version), ASEAN (models CTO-A)	25P5703	*
Speaker Power brick - Europe and LA (models CTO-G CTO-L)	25P5704	*
Speaker Power brick (newer 2 prong) - China, Thailand, Phillipines (models CTO-A)	10K2597	*
Speaker Power brick - ANZ (models CTO-A)	25P5705	*
Speaker Power brick - Brazil (models CTO-L)	25P5706	*
Speaker Power brick - India, South Africa (models CTO-A CTO-G)	32P3181	*
Speaker Power brick - Argentina (models CTO-L)	01R2253	*
Speaker Power brick - Korea (models A1K 11K)	88P7687	*
RJ11 connector adapter (Spain, Ireland) (All "G" models)	60H6043	*
RJ11 connector adapter (Austria) (All "G" models)	60H6045	*
RJ11 connector adapter (Belgium) (All "G" models)	60H6046	*
RJ11 connector adapter (Denmark) (All "G" models)	60H6047	*

<b>8163 Adapters and miscellaneous FRUs</b>	<b>FRU#</b>	<b>CRU</b>
RJ11 connector adapter (Norway, Finland) (All "G" models)	60H6048	*
RJ11 connector adapter (France) (All "G" models)	60H6049	*
RJ11 connector adapter (Germany) (All "G" models)	60H6050	*
RJ11 connector adapter (UK, NZ, HK) (All "G", "M", "B", "H" models)	60H6051	*
RJ11 connector adapter (Italy) (All "G" models)	60H6052	*
RJ11 connector adapter (Netherlands) (All "G" models)	60H6053	*
RJ11 connector adapter (Sweden) (All "G" models)	60H6054	*
RJ11 connector adapter (Switzerland) (All "G" models)	60H6055	*

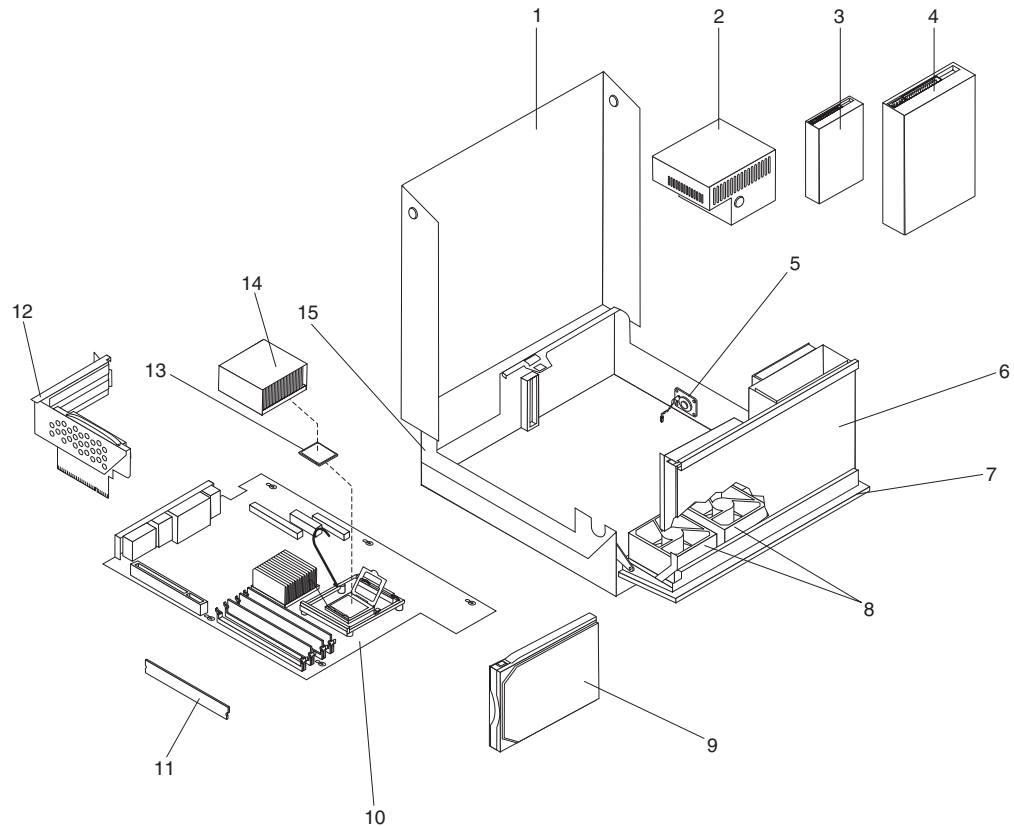
<b>8163 Power Cords</b>	<b>FRU#</b>	<b>CRU</b>
Power cord - US (models 12U 12F 13U 13F 14U C1U C2U C3U)	39M5080	*
Power cord - Korea (models A1K 11K E1K)	39M5212	*
Power cord - UK, Ireland, Singapore, Malaysia, Brunei (models A2G)	39M5150	*
Power cord - Italy (models A2G)	39M5164	*
Power cord - G models (models A2G)	39M5122	*
Power cord - Denmark (models A2G)	39M5129	*
Power cord - Switzerland (models A2G)	39M5157	*
Power cord - Israel (models A2G)	39M5171	*
Power cord - South Africa (models A2G)	39M5143	*

<b>8163 Windows XP Home Recovery CDs</b>	<b>FRU #</b>	<b>CRU</b>
Korea (models A1K 11K E1K)	41W2624	*

<b>8163 Windows XP Pro Recovery CDs</b>	<b>FRU#</b>	<b>CRU</b>
US/UK/AP/TH (models A2G 12U 13U 14U)	41T1577	*
FR/CF (models A2G 12F 13F)	41T3198	*
GR (models A2G)	41T3199	*
SP/LA (models A2G)	41T3200	*
IT (models A2G)	41T3201	*
SV (models A2G)	41T3203	*
DK (models A2G)	41T3204	*
FI (models A2G)	41T4264	*
NO (models A2G)	39J9646	*
NL (models A2G)	41T4266	*
HE (models A2G)	41T4267	*
PL (models A2G)	41T4268	*
CZ (models A2G)	41T4269	*
AE (models A2G)	41T4270	*
RU (models A2G)	41T4271	*
TR (models A2G)	41T4836	*
HU (models A2G)	41T4837	*

8163 Windows XP Pro Recovery CDs	FRU#	CRU
PO (models A2G)	41T4838	*
GK (models A2G)	41T4839	*
SL (models A2G)	41T4840	*
Multilingual 1 (models A2G)	41T3282	*
Multilingual 2 (models A2G)	41T4280	*

## Machine Type 8164



Item #	8164 FRUs	FRU#	CRU
1	Cover (all models)	39M0581	**
2	Power Supply (225 Watt) (models CTO)	24R2625	**
3	Diskette drive, 3.5" 1.44MB 3-mode (w/o bezel) (models)	76H4091	*
3	Diskette drive, 3.5" 1.44MB 3-mode (w/o bezel) (models CTO)	40Y9107	*
3	Diskette drive, 3.5" 1.44MB 3-mode (w/o bezel) (models CTO)	40Y9105	*
3	Diskette drive, 3.5" 1.44MB 3-mode (w/o bezel) (models CTO)	40Y9113	*
4	CD-ROM Drive 48X (models CTO)	40Y8929	*
4	CD-RW Drive (48X/32X/48X) (models CTO)	40Y8901	*
4	CD-RW Drive (48X/32X/48X) (models CTO)	40Y8937	*
4	DVD-ROM Drive (16X/48X) (models CTO)	40Y8931	*
4	DVD-ROM Drive (16X/48X) (models CTO)	40Y8933	*

Item #	8164 FRUs	FRU#	CRU
4	CD-RW/DVD-ROM Combo Drive 48X/32X/48X/16X Max (models CTO)	40Y8919	*
4	Multi-Burner (models CTO)	40Y8909	*
5	Speaker/cable assembly (models CTO)	39K5012	*
6	Rotating cage assembly (all models)	39M0583	**
7	Bezel Kit (all models)	39M0579	*
8	Front fan and bracket assembly (all models)	39M0585	**
9	Hard Disk Drive 40GB 7200 rpm Serial ATA (models CTO)	40Y8760	*
9	Hard Disk Drive 40GB 7200 rpm Serial ATA (models CTO)	40Y9033	*
9	Hard Disk Drive 40GB 7200 rpm Serial ATA (models CTO)	71P7312	*
9	Hard Disk Drive 80GB 7200 rpm Serial ATA (models CTO)	40Y8761	*
9	Hard Disk Drive 80GB 7200 rpm Serial ATA (models CTO)	71P7293	*
9	Hard Disk Drive 160GB 7200 rpm Serial ATA (models CTO)	40Y8762	*
9	Hard Disk Drive 160GB 7200 rpm Serial ATA (models CTO)	71P7297	*
9	Hard Disk Drive 250GB 7200 rpm Serial ATA (models CTO)	40Y8763	*
10	System Board 10/1000 E-net (models CTO)	41X0921	**
10	System Board DDR2 Planar (10/1000, POV down, AMT enabled) (models CTO)	41X0922	**
11	256MB DDR2 SDRAM NP Memory (PC 4200) (models CTO)	30R5120	*
11	512MB DDR2 SDRAM NP Memory (PC 4200) (models CTO)	30R5121	*
11	1GB DDR2 SDRAM NP Memory (PC 4200) (models CTO)	30R5122	*
11	2GB DDR2 SDRAM NP Memory (PC 4200) (models CTO)	30R5123	*
11	256MB DDR2 SDRAM NP Memory (PC 5300) (models CTO)	30R5124	*
11	512MB DDR2 SDRAM NP Memory (PC 5300) (models CTO)	30R5125	*
11	1GB DDR2 SDRAM NP Memory (PC 5300) (models CTO)	30R5126	*
12	Riser card and bracket assembly (all models)	39M0587	*
13	Microprocessor, 2.53GHZ Celeron Prescott P4 (533FSB, 256KB) (models CTO)	39J8470	**
13	Microprocessor, 2.66 GHZ Celeron Prescott P4 (533FSB, 256KB) (models CTO)	39J8471	**
13	Microprocessor, 2.8 GHZ Celeron Prescott P4 (533FSB, 256KB) (models CTO)	39J8472	**
13	Microprocessor, 2.93 GHZ Celeron Prescott P4 (533FSB, 256KB) (models CTO)	39J8473	**
13	Microprocessor, 3.06 GHZ Celeron Prescott P4 (533FSB, 256KB) (models CTO)	39J8474	**
13	Microprocessor, 3.2 GHZ Celeron Prescott P4 (533FSB, 256KB) (models CTO)	39J9697	**
13	Microprocessor, 2.93 GHZ Prescott P4 (533FSB, 1MB) (models CTO)	39J9629	**
13	Microprocessor, 2.66 GHZ Prescott P4 (533FSB, 1MB) (models CTO)	41D0696	**
13	Microprocessor, 2.93 GHZ Prescott P4 (533FSB, 1MB) (models CTO)	41D0698	**
13	Microprocessor, 3.06 GHZ Prescott P4 (533FSB, 1MB) (models CTO)	41D0700	**
13	Microprocessor, 2.8 GHZ Prescott P4 (800FSB, 1MB) (models CTO)	39J8475	**
13	Microprocessor, 3.0 GHZ Prescott P4 (800FSB, 1MB) (models CTO)	39J8476	**
13	Microprocessor, 3.2 GHZ Prescott P4 (800FSB, 1MB) (models CTO)	39J8477	**
13	Microprocessor, 3.4 GHZ Prescott P4 (800FSB, 1MB) (models CTO)	39J8478	**
13	Microprocessor, 3.0 GHZ Prescott P4 (800FSB, 2MB) (models CTO)	39J8480	**
13	Microprocessor, 3.2 GHZ Prescott P4 (800FSB, 2MB) (models CTO)	39J8481	**
13	Microprocessor, 3.4 GHZ Prescott P4 (800FSB, 2MB) (models CTO)	39J8482	**

Item #	8164 FRUs	FRU#	CRU
13	Microprocessor, 2.8 GHZ Smithfield P4 (800FSB, 1MB) (models CTO)	39J8479	**
14	Heat Sink and Retention Module kit (all models)	39M0586	**
15	Chassis (all models)	39M0582	**

The FRUs listed in the following table are not illustrated.

8164 FRUs	FRU#	CRU
Hard disk drive bracket assembly (all models)	39M0578	*
Power switch/LED cable assembly (all models)	39M0580	**
SATA cable assembly (all models)	39K0526	*
Optical cable, 1 drop (all models)	39M0584	*
Intrusion switch cable (all models)	39K0522	*
Miscellaneous parts kit (all models)	39M0588	*
Vertical stand (all models)	39M0589	*
Bezel assembly, optical rotating (all models)	39M0592	**
Bezel kit (all models)	41R2926	**
Universal Adapter Bracket 5.25 to 3.5-inch (all models)	32P4743	*
Battery (all models)	33F8354	*

8164 Keyboards (Preferred Pro Fullsize, PS/2, Stealth Black)	FRU#	CRU
US English (models CTO-U CTO-G)	89P8300	*
Arabic (models CTO-G)	89P8301	*
Belgian/French (models CTO-G)	89P8302	*
Belgian/UK (models CTO-G)	89P8303	*
Brazilian/Portuguese (models CTO-L)	89P8304	*
Bulgarian (models CTO-G)	89P8305	*
Czech (models CTO-G)	89P8307	*
Danish (models CTO-G)	89P8308	*
Dutch (models CTO-G)	89P8309	*
French (models CTO-G)	89P8310	*
French Canadian 445 (models CTO-U)	89P8311	*
French Canadian 58 (models CTO-U)	89P8312	*
German (models CTO-G)	89P8313	*
Greek (models CTO-G)	89P8314	*
Hebrew (models CTO-G)	89P8315	*
Hungarian (models CTO-G)	89P8316	*
Iceland (models CTO-G)	89P8317	*
Italian (models CTO-G)	89P8319	*
LA Spanish (models CTO-L)	89P8322	*
Norwegian (models CTO-G)	89P8323	*
Polish (models CTO-G)	89P8324	*

<b>8164 Keyboards (Preferred Pro Fullsize, PS/2, Stealth Black)</b>	<b>FRU#</b>	<b>CRU</b>
Portuguese (models CTO-G)	89P8325	*
Romanian (models CTO-G)	89P8326	*
Russian (models CTO-G)	89P8327	*
Russian/Cyrillic (models CTO-G)	89P8328	*
Serbian/Cyrillic (models CTO-G)	89P8329	*
Slovak (models CTO-G)	89P8330	*
Spanish (models CTO-G)	89P8331	*
Swedish/Finn (models CTO-G)	89P8332	*
Swiss F/G (models CTO-G)	89P8333	*
Thailand (models CTO-A)	89P8334	*
Turkish 179 (models CTO-G)	89P8336	*
UK English (models CTO-G)	89P8337	*
US Euro (models CTO-G)	89P8338	*
Yugoslav/Latin (models CTO-G)	89P8339	*

<b>8164 Keyboards (Productivity, USB)</b>	<b>FRU#</b>	<b>CRU</b>
US English (models CTO-U CTO-G)	89P8800	*
Arabic (models CTO-G)	89P8801	*
Arabic/French (models CTO-G)	89P8802	*
Belgian/French (models CTO-G)	89P8803	*
Belgian/UK (models CTO-G)	89P8804	*
Brazil/Portuguese (models CTO-L)	89P8805	*
Bulgarian (models CTO-G)	89P8806	*
Czech (models CTO-G)	89P8808	*
Danish (models CTO-G)	89P8809	*
Dutch (models CTO-G)	89P8810	*
French (models CTO-G)	89P8811	*
French Canadian (models CTO-U)	89P8812	*
French Canadian (models CTO-U)	89P8813	*
German (models CTO-G)	89P8814	*
Greek (models CTO-G)	89P8815	*
Hebrew (models CTO-G)	89P8816	*
Hungarian (models CTO-G)	89P8817	*
Iceland (models CTO-G)	89P8818	*
Italian 141 (models CTO-G)	89P8819	*
LA/Spanish (models CTO-L)	89P8822	*
Norwegian (models CTO-G)	89P8823	*
Polish (models CTO-G)	89P8824	*
Portuguese (models CTO-G)	89P8825	*
Romanian (models CTO-G)	89P8826	*
Romanian (models CTO-G)	89P8827	*

<b>8164 Keyboards (Productivity, USB)</b>	<b>FRU#</b>	<b>CRU</b>
Russian/Cyrillic (models CTO-G)	89P8828	*
Serbian/Cyrillic (models CTO-G)	89P8829	*
Slovak (models CTO-G)	89P8830	*
Spanish (models CTO-G)	89P8831	*
Swedish/Finn (models CTO-G)	89P8832	*
Swiss F/G (models CTO-G)	89P8833	*
Thailand (models CTO-A)	89P8834	*
Turkish 440 (models CTO-G)	89P8835	*
Turkish 179 (models CTO-G)	89P8836	*
UK English (models CTO-G)	89P8837	*
US Euro (models CTO-G)	89P8838	*
Yugoslav/Latin (models CTO-G)	89P8839	*

<b>8164 Keyboards (with fingerprint reader)</b>	<b>FRU#</b>	<b>CRU</b>
US English (models CTO-U CTO-G)	89P9000	*
Arabic (models CTO-G)	89P9001	*
Belgian/French (models CTO-G)	89P9003	*
Belgian/UK (models CTO-G)	89P9004	*
Brazilian Portuguese (models CTO-L)	89P9005	*
Bulgarian (models CTO-G)	89P9006	*
Czech (models CTO-G)	89P9008	*
Danish (models CTO-G)	89P9009	*
Dutch (models CTO-G)	89P9010	*
French (models CTO-G)	89P9011	*
French Canadian 445 (models CTO-U)	89P9012	*
French Canadian 58 (models CTO-U)	89P9013	*
German (models CTO-G)	89P9014	*
Greek (models CTO-G)	89P9015	*
Hebrew (models CTO-G)	89P9016	*
Hungarian (models CTO-G)	89P9017	*
Iceland (models CTO-G)	89P9018	*
Italian 141 (models CTO-G)	89P9019	*
LA Spanish (models CTO-L)	89P9022	*
Norwegian (models CTO-G)	89P9023	*
Polish (models CTO-G)	89P9024	*
Portuguese (models CTO-G)	89P9025	*
Romanian (models CTO-G)	89P9026	*
Romanian (models CTO-G)	89P9027	*
Russian/Cyrillic (models CTO-G)	89P9028	*
Serbian/Cyrillic (models CTO-G)	89P9029	*
Slovak (models CTO-G)	89P9030	*

<b>8164 Keyboards (with fingerprint reader)</b>	<b>FRU#</b>	<b>CRU</b>
Spanish (models CTO-G)	89P9031	*
Swedish/Finn (models CTO-G)	89P9032	*
Swiss F/G (models CTO-G)	89P9033	*
Thailand (models CTO-A)	89P9034	*
Turkish 440 (models CTO-G)	89P9035	*
Turkish 179 (models CTO-G)	89P9036	*
UK English (models CTO-G)	89P9037	*
US Euro (models CTO-G)	89P9038	*
Yugoslav/Latin (models CTO-G)	89P9039	*

<b>8164 Keyboard (Enhanced Performance, Wireless)</b>	<b>FRU#</b>	<b>CRU</b>
US English (models CTO-U CTO-G)	89P8730	*
Belgian/French (models CTO-G)	89P8731	*
Belgian/UK (models CTO-G)	89P8732	*
Czech (models CTO-G)	89P8734	*
Danish (models CTO-G)	89P8735	*
Dutch (models CTO-G)	89P8736	*
French (models CTO-G)	89P8737	*
French Canadian 445 (models CTO-U)	89P8738	*
French Canadian 58 (models CTO-U)	89P8739	*
German (models CTO-G)	89P8740	*
Greek (models CTO-G)	89P8741	*
Hungarian (models CTO-G)	89P8742	*
Iceland (models CTO-G)	89P8743	*
Italian 141 (models CTO-G)	89P8744	*
Norwegian (models CTO-G)	89P8746	*
Polish (models CTO-G)	89P8747	*
Portuguese (models CTO-G)	89P8748	*
Slovak (models CTO-G)	89P8749	*
Spanish (models CTO-G)	89P8751	*
Swedish/Finn (models CTO-G)	89P8752	*
Swiss F/G (models CTO-G)	89P8753	*
UK English (models CTO-G)	89P8754	*
US Euro (models CTO-G)	89P8755	*
Wireless transceiver dongle (models CTO)	89P8757	*

<b>8164 mice</b>	<b>FRU#</b>	<b>CRU</b>
Mouse, PS/2 - 2-Button (Black) (models CTO)	41A4909	*
Mouse, Scrollpoint Optical, USB (models CTO)	41A4933	*
Mouse, Optical Wheelmouse, USB (models CTO)	41A4935	*

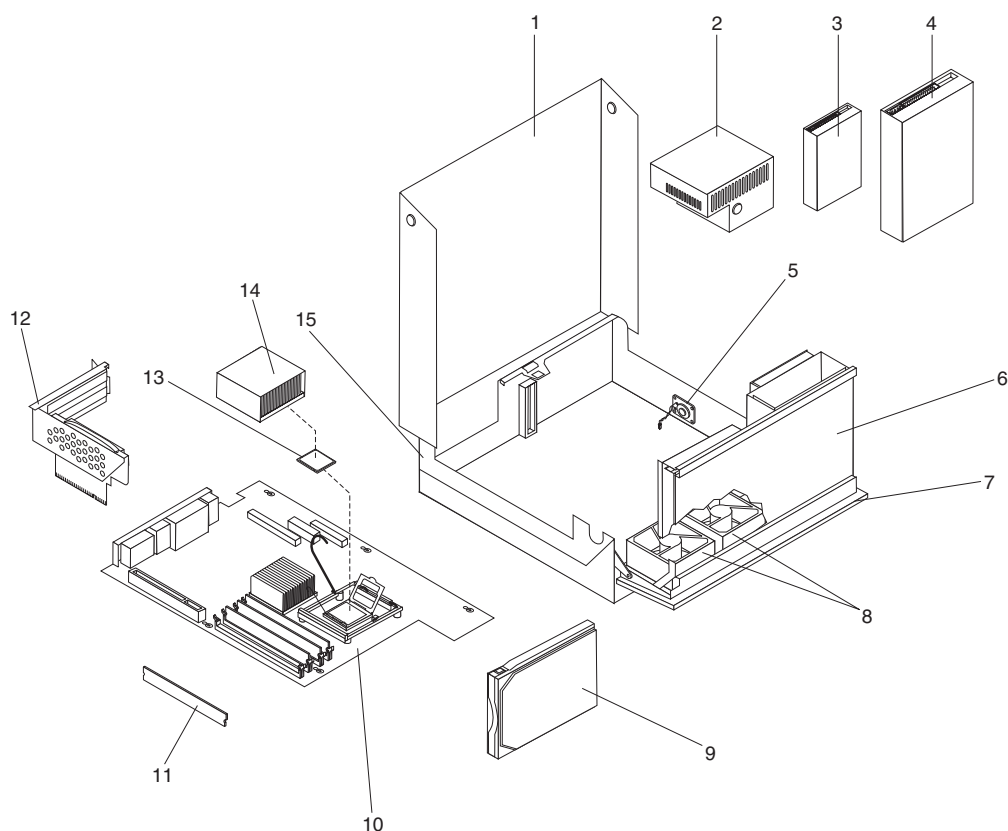


8164 Adapters and miscellaneous FRUs	FRU#	CRU
PCI Modem Card (Soft), ATX V.90 (models CTO)	22P7943	*
Soft Modem V.90/V.44 (models CTO)	29R9729	*
Nvidia GeForce 6200 P262 w/NV44 (models CTO)	39J6213	*
128MB DDR ATI Radeon x300SE (DMS59 connector) (models CTO)	39J9635	*
128MB DDR ATI RADEON X700 PRO VGA, DVI-I, TV-Out PCI-e BTX (models CTO)	39J6203	*
PCI-E DVI-DConnection Adapter (ADD 2-R) (Full Height) (models CTO)	39J9334	*
1394 Firewire PCI LP (ATX) (models CTO)	41D2781	*
Speakers, Jazz Infinity Active T1 (Black) (models CTO)	89P8588	*
Speaker Power brick - US, Canada, LA (low voltage), Taiwan, Phillipines, Thailand (models CTO-U CTO-L CTO-A)	10K2587	*
Speaker Power brick - UK, Hong Kong (British version), ASEAN (models CTO-A)	25P5703	*
Speaker Power brick - Europe and LA (models CTO-G CTO-L)	25P5704	*
Speaker Power brick (newer 2 prong) - China, Thailand, Phillipines (models CTO-A)	10K2597	*
Speaker Power brick - ANZ (models CTO-A)	25P5705	*
Speaker Power brick - Brazil (models CTO-L)	25P5706	*
Speaker Power brick - India, South Africa (models CTO-A CTO-G)	32P3181	*
Speaker Power brick - Argentina (models CTO-L)	01R2253	*
RJ11 connector adapter (Spain, Ireland) (All "G" models)	60H6043	*
RJ11 connector adapter (Austria) (All "G" models)	60H6045	*
RJ11 connector adapter (Belgium) (All "G" models)	60H6046	*
RJ11 connector adapter (Denmark) (All "G" models)	60H6047	*
RJ11 connector adapter (Norway, Finland) (All "G" models)	60H6048	*
RJ11 connector adapter (France) (All "G" models)	60H6049	*
RJ11 connector adapter (Germany) (All "G" models)	60H6050	*
RJ11 connector adapter (UK, NZ, HK) (All "G", "M", "B", "H" models)	60H6051	*
RJ11 connector adapter (Italy) (All "G" models)	60H6052	*
RJ11 connector adapter (Netherlands) (All "G" models)	60H6053	*
RJ11 connector adapter (Sweden) (All "G" models)	60H6054	*
RJ11 connector adapter (Switzerland) (All "G" models)	60H6055	*

8164 Power Cords	FRU#	CRU
Power cord - US (models CTO-U)	6952301	*
Power cord - Brazil (models CTO-L)	49P2109	*
Power cord - LA High Volt (APU) (models CTO-L)	36L8879	*
Power cord - Australia/New Zealand (models CTO-A)	13F9940	*
Power cord - Hong Kong (models CTO-A)	14F0033	*
Power cord - UK, Ireland, Singapore, Malaysia, Brunei (models CTO-G CTO-A)	14F0032	*
Power cord - Latin America (models CTO-L)	1838576	*
Power cord - Italy (models CTO-G)	14F0068	*
Power cord - Denmark (models CTO-G)	13F9996	*
Power cord - Switzerland (models CTO-G)	14F0050	*

8164 Power Cords	FRU#	CRU
Power cord - Israel (models CTO-G)	14F0086	*
Power cord - South Africa (models CTO-G)	14F0014	*
Power cord - India (models CTO-A)	49P2055	*

## Machine Type 8165



Item #	8165 FRUs	FRU#	CRU
1	Cover (all models)	39M0581	**
2	Power Supply (225 Watt) (models CTO A1K 11K 21G D1K)	24R2625	**
2	Power Supply - China (225 Watt) (models CTO-A CTO-L D2V E1V)	24R2627	**
3	Diskette drive, 3.5" 1.44MB 3-mode (w/o bezel) (models CTO A1K 11K 21G)	76H4091	*
3	Diskette drive, 3.5" 1.44MB 3-mode (w/o bezel) (models CTO A1K 11K 21G)	40Y9107	*
3	Diskette drive, 3.5" 1.44MB 3-mode (w/o bezel) (models CTO A1K 11K 21G)	40Y9105	*
3	Diskette drive, 3.5" 1.44MB 3-mode (w/o bezel) (models CTO A1K 11K 21G)	40Y9113	*
4	CD-ROM Drive 48X (models CTO A1K)	40Y8925	*
4	CD-ROM Drive 48X (models CTO A1K)	40Y8929	*
4	CD-RW Drive (48X/32X/48X) (models CTO)	40Y8901	*
4	CD-RW Drive (48X/32X/48X) (models CTO)	40Y8937	*
4	DVD-ROM Drive (16X/48X) (models CTO D2V E1V)	40Y8931	*
4	DVD-ROM Drive (16X/48X) (models CTO D2V E1V)	40Y8933	*
4	CD-RW/DVD-ROM Combo Drive 48X/32X/48X/16X Max (models CTO 11K D1K)	40Y8781	*
4	CD-RW/DVD-ROM Combo Drive 48X/32X/48X/16X Max (models CTO 11K D1K)	40Y8919	*
4	CD-RW/DVD-ROM Combo Drive 48X/32X/48X/16X Max (models CTO 11K D1K)	40Y8903	*
4	Multi-Burner (models CTO 21G)	40Y8909	*
5	Speaker/cable assembly (models CTO A2G 12U 12F 13U 13F 14U D1K D2V E1V)	39K5012	*
6	Rotating cage assembly (all models)	39M0583	**

Item #	8165 FRUs	FRU#	CRU
7	Bezel Kit (all models)	39M0579	*
8	Front fan and bracket assembly (all models)	39M0585	**
9	Hard Disk Drive 40GB 7200 rpm Serial ATA (models CTO)	40Y8760	*
9	Hard Disk Drive 40GB 7200 rpm Serial ATA (models CTO)	40Y9033	*
9	Hard Disk Drive 40GB 7200 rpm Serial ATA (models CTO)	71P7312	*
9	Hard Disk Drive 80GB 7200 rpm Serial ATA (models CTO A1K 11K)	40Y8761	*
9	Hard Disk Drive 80GB 7200 rpm Serial ATA (models CTO A1K 11K)	71P7293	*
9	Hard Disk Drive 160GB 7200 rpm Serial ATA (models CTO 21G D1K D2V E1V)	40Y8762	*
9	Hard Disk Drive 160GB 7200 rpm Serial ATA (models CTO 21G)	71P7297	*
9	Hard Disk Drive 250GB 7200 rpm Serial ATA (models CTO)	71P7299	*
10	System Board 10/1000 E-net (models CTO A1K 11K 21G D1K D2V E1V)	41X0921	**
10	System Board DDR2 Planar (10/1000, POV down, AMT enabled) (models CTO)	39J9448	**
11	256MB DDR2 SDRAM NP Memory (PC 4200) (models CTO A1K 11K 21G)	30R5120	*
11	512MB DDR2 SDRAM NP Memory (PC 4200) (models CTO D2V E1V)	30R5121	*
11	1GB DDR2 SDRAM NP Memory (PC 4200) (models CTO)	30R5122	*
11	2GB DDR2 SDRAM NP Memory (PC 4200) (models CTO)	30R5123	*
11	256MB DDR2 SDRAM NP Memory (PC 5300) (models CTO)	30R5124	*
11	512MB DDR2 SDRAM NP Memory (PC 5300) (models CTO D1K)	30R5125	*
11	1GB DDR2 SDRAM NP Memory (PC 5300) (models CTO)	30R5126	*
11	2GB DDR2 SDRAM NP Memory (PC 5300) (models CTO)	30R5127	*
12	Riser card and bracket assembly (all models)	39M0587	*
13	Microprocessor, 2.53GHZ Celeron Prescott P4 (533FSB, 256KB) (models CTO)	39J8470	**
13	Microprocessor, 2.66 GHZ Celeron Prescott P4 (533FSB, 256KB) (models CTO)	39J8471	**
13	Microprocessor, 2.8 GHZ Celeron Prescott P4 (533FSB, 256KB) (models CTO)	39J8472	**
13	Microprocessor, 2.93 GHZ Celeron Prescott P4 (533FSB, 256KB) (models CTO)	39J8473	**
13	Microprocessor, 3.06 GHZ Celeron Prescott P4 (533FSB, 256KB) (models CTO A1K)	39J8474	**
13	Microprocessor, 3.2 GHZ Celeron Prescott P4 (533FSB, 256KB) (models CTO)	39J9697	**
13	Microprocessor, 3.33GHz Celeron Prescott 355 (533MHz FSB, 256KB Cache) G1-Value (models CTO)	41T1136	**
13	Microprocessor, Celeron 3.20Ghz Cedar Mill (533MHz FSB, 512KB Cache) B1-Value (models CTO)	41T4966	**
13	Microprocessor, Celeron 3.33Ghz Cedar Mill (533MHz FSB, 512KB Cache) B1-Value (models CTO)	41T4968	**
13	Microprocessor, 2.93 GHZ Prescott P4 (533FSB, 1MB) (models CTO)	39J9629	**
13	Microprocessor, 2.66 GHZ Prescott P4 (533FSB, 1MB) (models CTO)	41D0696	**
13	Microprocessor, 2.93 GHZ Prescott P4 (533FSB, 1MB) (models CTO)	41D0698	**
13	Microprocessor, 3.06 GHZ Prescott P4 (533FSB, 1MB) (models CTO)	41D0700	**
13	Microprocessor, 2.8 GHZ Prescott P4 (800FSB, 1MB) (models CTO)	39J8475	**
13	Microprocessor, 3.0 GHZ Prescott P4 (800FSB, 1MB) (models CTO 11K)	39J8476	**
13	Microprocessor, 3.2 GHZ Prescott P4 (800FSB, 1MB) (models CTO)	39J8477	**
13	Microprocessor, 3.4 GHZ Prescott P4 (800FSB, 1MB) (models CTO)	39J8478	**
13	Microprocessor, 3.0 GHZ Prescott P4 (800FSB, 2MB) (models CTO D1K D2V)	39J8480	**

Item #	8165 FRUs	FRU#	CRU
13	Microprocessor, 3.2 GHZ Prescott P4 (800FSB, 2MB) (models CTO E1V)	39J8481	**
13	Microprocessor, 3.4 GHZ Prescott P4 (800FSB, 2MB) (models CTO 21G)	39J8482	**
13	Microprocessor, 2.8 GHZ Smithfield P4 (800FSB, 1MB) (models CTO)	39J8479	**
13	Microprocessor, 3.4 GHZ Cedar Mill P4 (800MHz FSB, 2MB Cache) (models CTO)	41D5070	**
13	Microprocessor, 3.6 GHZ Cedar Mill P4 (800MHz FSB, 2MB Cache) (models CTO)	41D5072	**
13	Microprocessor, 2.8 GHZ Presler P4 (800MHz FSB, 2MBx2 Cache) (models CTO)	41D5074	**
13	Microprocessor, 3.0 GHZ Presler P4 (800MHz FSB, 2MBx2 Cache) (models CTO)	41D5076	**
14	Heat Sink and Retention Module kit (all models)	39M0586	**
15	Chassis (all models)	39M0582	**

The FRUs listed in the following table are not illustrated.

8165 FRUs	FRU#	CRU
Hard disk drive bracket assembly (all models)	39M0578	*
Power switch/LED cable assembly (all models)	39M0580	**
SATA cable assembly (all models)	39K0526	*
Optical cable, 1 drop (all models)	39M0584	*
Intrusion switch cable (all models)	39K0522	*
Miscellaneous parts kit (all models)	39M0588	*
Vertical stand (all models)	39M0589	*
Bezel assembly, optical rotating (all models)	39M0592	**
Bezel kit (all models)	41R2926	**
EMC shield kit, diskette drive and optical bays (all models)	41N5325	**
System board EMC Shield (all models)	41N5326	**
Diskette drive cable asm. (all models)	41N8269	**
Universal Adapter Bracket 5.25 to 3.5-inch (all models)	32P4743	*
Battery (all models)	33F8354	*

8165 Keyboards (Preferred Pro Fullsize, PS/2, Stealth Black)	FRU#	CRU
US English (models CTO-U CTO-G)	89P8300	*
Arabic (models CTO-G)	89P8301	*
Belgian/French (models CTO-G)	89P8302	*
Belgian/UK (models CTO-G)	89P8303	*
Brazilian/Portuguese (models CTO-L)	89P8304	*
Bulgarian (models CTO-G)	89P8305	*
Chinese/US (models D2V E1V)	89P8306	*
Czech (models CTO-G)	89P8307	*
Danish (models CTO-G)	89P8308	*
Dutch (models CTO-G)	89P8309	*
French (models CTO-G)	89P8310	*
French Canadian 445 (models CTO-U)	89P8311	*

<b>8165 Keyboards (Preferred Pro Fullsize, PS/2, Stealth Black)</b>	<b>FRU#</b>	<b>CRU</b>
French Canadian 58 (models CTO-U)	89P8312	*
German (models CTO-G)	89P8313	*
Greek (models CTO-G)	89P8314	*
Hebrew (models CTO-G)	89P8315	*
Hungarian (models CTO-G)	89P8316	*
Iceland (models CTO-G)	89P8317	*
Italian (models CTO-G)	89P8319	*
Korean (models A1K 11K)	89P8321	*
LA Spanish (models CTO-L)	89P8322	*
Norwegian (models CTO-G)	89P8323	*
Polish (models CTO-G)	89P8324	*
Portuguese (models CTO-G)	89P8325	*
Romanian (models CTO-G)	89P8326	*
Russian (models CTO-G)	89P8327	*
Russian/Cyrillic (models CTO-G)	89P8328	*
Serbian/Cyrillic (models CTO-G)	89P8329	*
Slovak (models CTO-G)	89P8330	*
Spanish (models CTO-G)	89P8331	*
Swedish/Finn (models CTO-G)	89P8332	*
Swiss F/G (models CTO-G)	89P8333	*
Thailand (models CTO-A)	89P8334	*
Turkish 179 (models CTO-G)	89P8336	*
UK English (models CTO-G)	89P8337	*
US Euro (models CTO-G)	89P8338	*
Yugoslav/Latin (models CTO-G)	89P8339	*

<b>8165 Keyboards (Productivity, USB)</b>	<b>FRU#</b>	<b>CRU</b>
US English (models CTO-U CTO-G)	89P8800	*
Arabic (models CTO-G)	89P8801	*
Arabic/French (models CTO-G)	89P8802	*
Belgian/French (models CTO-G)	89P8803	*
Belgian/UK (models CTO-G)	89P8804	*
Brazil/Portuguese (models CTO-L)	89P8805	*
Bulgarian (models CTO-G)	89P8806	*
Czech (models CTO-G)	89P8808	*
Danish (models CTO-G)	89P8809	*
Dutch (models CTO-G)	89P8810	*
French (models CTO-G)	89P8811	*
French Canadian (models CTO-U)	89P8812	*
French Canadian (models CTO-U)	89P8813	*
German (models CTO-G)	89P8814	*

<b>8165 Keyboards (Productivity, USB)</b>	<b>FRU#</b>	<b>CRU</b>
Greek (models CTO-G)	89P8815	*
Hebrew (models CTO-G)	89P8816	*
Hungarian (models CTO-G)	89P8817	*
Iceland (models CTO-G)	89P8818	*
Italian 141 (models CTO-G)	89P8819	*
Korean (models D1K)	89P8821	*
LA/Spanish (models CTO-L)	89P8822	*
Norwegian (models CTO-G)	89P8823	*
Polish (models CTO-G)	89P8824	*
Portuguese (models CTO-G)	89P8825	*
Romanian (models CTO-G)	89P8826	*
Romanian (models CTO-G)	89P8827	*
Russian/Cyrillic (models CTO-G)	89P8828	*
Serbian/Cyrillic (models CTO-G)	89P8829	*
Slovak (models CTO-G)	89P8830	*
Spanish (models CTO-G)	89P8831	*
Swedish/Finn (models CTO-G)	89P8832	*
Swiss F/G (models CTO-G)	89P8833	*
Thailand (models CTO-A)	89P8834	*
Turkish 440 (models CTO-G)	89P8835	*
Turkish 179 (models CTO-G)	89P8836	*
UK English (models CTO-G)	89P8837	*
US Euro (models CTO-G)	89P8838	*
Yugoslav/Latin (models CTO-G)	89P8839	*

<b>8165 Keyboards (with fingerprint reader)</b>	<b>FRU#</b>	<b>CRU</b>
US English (models CTO-U CTO-G 21G)	89P9000	*
Arabic (models CTO-G 21G)	89P9001	*
Belgian/French (models CTO-G 21G)	89P9003	*
Belgian/UK (models CTO-G 21G)	89P9004	*
Brazilian Portuguese (models CTO-L)	89P9005	*
Bulgarian (models CTO-G 21G)	89P9006	*
Czech (models CTO-G 21G)	89P9008	*
Danish (models CTO-G 21G)	89P9009	*
Dutch (models CTO-G 21G)	89P9010	*
French (models CTO-G 21G)	89P9011	*
French Canadian 445 (models CTO-U)	89P9012	*
French Canadian 58 (models CTO-U)	89P9013	*
German (models CTO-G 21G)	89P9014	*
Greek (models CTO-G 21G)	89P9015	*
Hebrew (models CTO-G 21G)	89P9016	*

<b>8165 Keyboards (with fingerprint reader)</b>	<b>FRU#</b>	<b>CRU</b>
Hungarian (models CTO-G 21G)	89P9017	*
Iceland (models CTO-G 21G)	89P9018	*
Italian 141 (models CTO-G 21G)	89P9019	*
LA Spanish (models CTO-L)	89P9022	*
Norwegian (models CTO-G 21G)	89P9023	*
Polish (models CTO-G 21G)	89P9024	*
Portuguese (models CTO-G 21G)	89P9025	*
Romanian (models CTO-G 21G)	89P9026	*
Romanian (models CTO-G 21G)	89P9027	*
Russian/Cyrillic (models CTO-G 21G)	89P9028	*
Serbian/Cyrillic (models CTO-G 21G)	89P9029	*
Slovak (models CTO-G 21G)	89P9030	*
Spanish (models CTO-G 21G)	89P9031	*
Swedish/Finn (models CTO-G 21G)	89P9032	*
Swiss F/G (models CTO-G 21G)	89P9033	*
Thailand (models CTO-A)	89P9034	*
Turkish 440 (models CTO-G 21G)	89P9035	*
Turkish 179 (models CTO-G 21G)	89P9036	*
UK English (models CTO-G 21G)	89P9037	*
US Euro (models CTO-G 21G)	89P9038	*
Yugoslav/Latin (models CTO-G 21G)	89P9039	*

<b>8165 Keyboard (Enhanced Performance, Wireless)</b>	<b>FRU#</b>	<b>CRU</b>
US English (models CTO-U CTO-G)	89P8730	*
Belgian/French (models CTO-G)	89P8731	*
Belgian/UK (models CTO-G)	89P8732	*
Czech (models CTO-G)	89P8734	*
Danish (models CTO-G)	89P8735	*
Dutch (models CTO-G)	89P8736	*
French (models CTO-G)	89P8737	*
French Canadian 445 (models CTO-U)	89P8738	*
French Canadian 58 (models CTO-U)	89P8739	*
German (models CTO-G)	89P8740	*
Greek (models CTO-G)	89P8741	*
Hungarian (models CTO-G)	89P8742	*
Iceland (models CTO-G)	89P8743	*
Italian 141 (models CTO-G)	89P8744	*
Norwegian (models CTO-G)	89P8746	*
Polish (models CTO-G)	89P8747	*
Portuguese (models CTO-G)	89P8748	*
Slovak (models CTO-G)	89P8749	*



<b>8165 Keyboard (Enhanced Performance, Wireless)</b>	<b>FRU#</b>	<b>CRU</b>
Spanish (models CTO-G)	89P8751	*
Swedish/Finn (models CTO-G)	89P8752	*
Swiss F/G (models CTO-G)	89P8753	*
UK English (models CTO-G)	89P8754	*
US Euro (models CTO-G)	89P8755	*
Wireless transceiver dongle (models CTO)	89P8757	*

<b>8165 mice</b>	<b>FRU#</b>	<b>CRU</b>
Mouse, PS/2 - 2-Button (Black) (models CTO)	41A4909	*
Mouse, Scrollpoint Optical, USB (models CTO A1K 11K 21G D1K D2V E1V)	41A4933	*
Mouse, Optical Wheelmouse, USB (models CTO)	41A4935	*

<b>8165 Adapters and miscellaneous FRUs</b>	<b>FRU#</b>	<b>CRU</b>
Soft Modem V.90/V.44 (models CTO)	29R9729	*
Nvidia GeForce 6200 P262 w/NV44 (models CTO)	39J6213	*
128MB DDR ATI Radeon x300SE (DMS59 connector) (models CTO 21G D1K)	39J9635	*
128MB DDR ATI RADEON X700 PRO VGA, DVI-I, TV-Out PCI-e BTX (models CTO)	39J6203	*
PCI-E DVI-DConnection Adapter (ADD 2-R) (Full Height) (models CTO)	39J9334	*
1394 Firewire PCI LP (ATX) (models CTO)	41D2781	*
Speakers, Jazz Infinity Active T1 (Black) (models CTO A1K 11K)	89P8588	*
Speaker Power brick - US, Canada, LA (low voltage), Taiwan, Phillipines, Thailand (models CTO-U CTO-L CTO-A)	10K2587	*
Speaker Power brick - UK, Hong Kong (British version), ASEAN (models CTO-A)	25P5703	*
Speaker Power brick - Europe and LA (models CTO-G CTO-L)	25P5704	*
Speaker Power brick (newer 2 prong) - China, Thailand, Phillipines (models CTO-A)	10K2597	*
Speaker Power brick - ANZ (models CTO-A)	25P5705	*
Speaker Power brick - Brazil (models CTO-L)	25P5706	*
Speaker Power brick - India, South Africa (models CTO-A CTO-G)	32P3181	*
Speaker Power brick - Argentina (models CTO-L)	01R2253	*
Speaker Power brick - Korea (models A1K 11K)	88P7687	*
RJ11 connector adapter (Spain, Ireland) (All "G" models)	60H6043	*
RJ11 connector adapter (Austria) (All "G" models)	60H6045	*
RJ11 connector adapter (Belgium) (All "G" models)	60H6046	*
RJ11 connector adapter (Denmark) (All "G" models)	60H6047	*
RJ11 connector adapter (Norway, Finland) (All "G" models)	60H6048	*
RJ11 connector adapter (France) (All "G" models)	60H6049	*
RJ11 connector adapter (Germany) (All "G" models)	60H6050	*
RJ11 connector adapter (UK, NZ, HK) (All "G", "M", "B", "H" models)	60H6051	*
RJ11 connector adapter (Italy) (All "G" models)	60H6052	*
RJ11 connector adapter (Netherlands) (All "G" models)	60H6053	*
RJ11 connector adapter (Sweden) (All "G" models)	60H6054	*

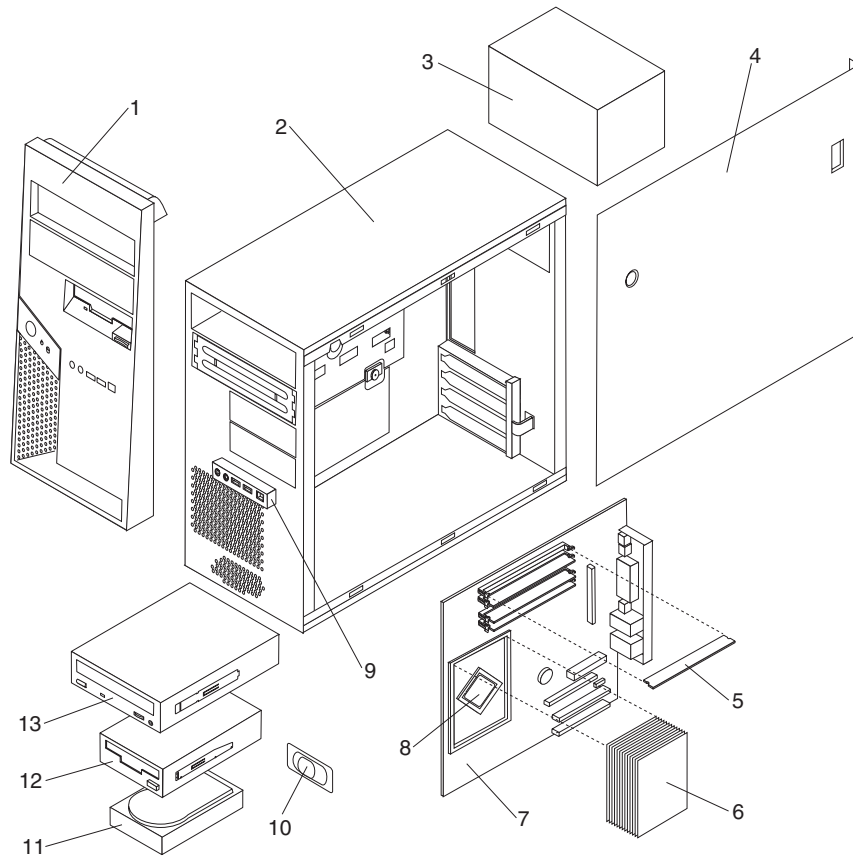
8165 Adapters and miscellaneous FRUs	FRU#	CRU
RJ11 connector adapter (Switzerland) (All "G" models)	60H6055	*

8165 Power Cords	FRU#	CRU
Power cord - Korea (models A1K 11K D1K)	39M5212	*
Power cord - UK, Ireland, Singapore, Malaysia, Brunei (models 21G)	39M5150	*
Power cord - Taiwan (models D2V E1V)	39M5246	*
Power cord - Italy (models 21G)	39M5164	*
Power cord - G models (models 21G)	39M5122	*
Power cord - Denmark (models 21G)	39M5129	*
Power cord - Switzerland (models 21G)	39M5157	*
Power cord - Israel (models 21G)	39M5171	*
Power cord - South Africa (models 21G)	39M5143	*

8165 Windows XP Home Recovery CDs	FRU #	CRU
Korea (models A1K 11K D1K)	41W2624	*

8165 Windows XP Pro Recovery CDs	FRU#	CRU
US/UK/AP/TH (models 21G)	41T1577	*
FR/CF (models 21G)	41T3198	*
GR (models 21G)	41T3199	*
SP/LA (models 21G)	41T3200	*
IT (models 21G)	41T3201	*
SV (models 21G)	41T3203	*
DK (models 21G)	41T3204	*
FI (models 21G)	41T4264	*
NO (models 21G)	39J9646	*
NL (models 21G)	41T4266	*
HE (models 21G)	41T4267	*
PL (models 21G)	41T4268	*
CZ (models 21G)	41T4269	*
AE (models 21G)	41T4270	*
RU (models 21G)	41T4271	*
TR (models 21G)	41T4836	*
HU (models 21G)	41T4837	*
PO (models 21G)	41T4838	*
GK (models 21G)	41T4839	*
SL (models 21G)	41T4840	*
Taiwan-TC (models D2V E1V)	41W2603	*
Multilingual 1 (models 21G)	41T3282	*
Multilingual 2 (models 21G)	41T4280	*

# Machine Type 8166



Item #	8166 FRUs	FRU#	CRU
1	Bezel Asm (all models)	41A7807	*
2	Chassis Asm (all models)	41A7808	N
3	Power supply, 310 W, standard (models CTO 71G 72G)	24R2596	**
3	Power supply, 310 W (models CTO-A CTO-L)	24R2598	**
4	Cover (all models)	39M0465	*
5	Memory module, 256MB, DDR2 SDRAM, NP (PC 4200) (models CTO 71G 72G)	30R5120	*
5	Memory module, 512MB, DDR2 SDRAM, NP (PC 4200) (models CTO)	30R5121	*
5	Memory module, 1GB, DDR2 SDRAM, NP (PC 4200) (models CTO)	30R5122	*
5	Memory module, 2GB, DDR2 SDRAM, NP (PC 4200) (models CTO)	30R5123	*
5	Memory module, 256MB, DDR2 SDRAM, NP (PC 5300) (models CTO)	30R5124	*
5	Memory module, 512MB, DDR2 SDRAM, NP (PC 5300) (models CTO)	30R5125	*
5	Memory module, 1GB, DDR2 SDRAM, NP (PC 5300) (models CTO)	30R5126	*
5	Memory module, 2GB, DDR2 SDRAM, NP (PC 5300) (models CTO)	30R5127	*
6	Heat sink (models 71G 72G)	39M0538	**
7	System board, 10/1000 Enet (models CTO)	29R9726	N
7	System board, DDR2 BTX Planar (10/1000, POV down, NON-AMT) (models CTO 71G 72G)	41X0436	N

Item #	8166 FRUs	FRU#	CRU
7	System board, DDR2 BTX Planar (10/1000, POV down, AMT enabled) (models CTO)	29R9727	N
7	System board, DDR2 BTX Planar (10/1000, POV down, AMT enabled) (models CTO)	41X0438	N
8	Microprocessor, Celeron 2.53GHz, 533 FSB, 256KB L2 (models CTO)	39J7016	**
8	Microprocessor, Celeron 2.66GHz, 533 FSB, 256KB L2 (models CTO)	39J7017	**
8	Microprocessor, Celeron 2.80GHz, 533 FSB, 256KB L2 (models CTO)	39J7018	**
8	Microprocessor, Celeron 2.93GHz, 533 FSB, 256KB L2 (models CTO)	39J7019	**
8	Microprocessor, Celeron 3.06GHz, 533 FSB, 256KB L2 (models CTO)	39J7020	**
8	Microprocessor, Celeron 3.20GHz, 533 FSB, 256KB L2 (models CTO)	39J9696	**
8	Microprocessor, 3.33GHz Celeron Prescott 355 (533MHz FSB, 256KB Cache) G1-Value (models CTO)	41T1134	**
8	Microprocessor, Celeron 3.20Ghz Cedar Mill (533MHz FSB, 512KB Cache) B1-Value (models CTO)	41T4966	**
8	Microprocessor, Celeron 3.33Ghz Cedar Mill (533MHz FSB, 512KB Cache) B1-Value (models CTO)	41T4968	**
8	Microprocessor, Pentium 4 2.93GHz, 533 FSB, 1MB L2 (models CTO)	39J9625	**
8	Microprocessor, Pentium 4 2.66GHz, 533 FSB, 1MB L2 (models CTO)	41D0690	**
8	Microprocessor, Pentium 4 2.93GHz, 533 FSB, 1MB L2 (models CTO)	41D0692	**
8	Microprocessor, Pentium 4 3.06GHz, 533 FSB, 1MB L2 (models CTO)	41D0694	**
8	Microprocessor, Pentium 4 2.8GHz, 800 FSB, 1MB L2 (models CTO)	39J7021	**
8	Microprocessor, Pentium 4 3.0GHz, 800 FSB, 1MB L2 (models CTO)	39J7022	**
8	Microprocessor, Pentium 4 3.2GHz, 800 FSB, 1MB L2 (models CTO)	39J7023	**
8	Microprocessor, Pentium 4 3.4GHz, 800 FSB, 1MB L2 (models CTO)	39J7024	**
8	Microprocessor, Pentium 4 3.0GHz, 800 FSB, 2MB L2 (models CTO 71G)	39J7025	**
8	Microprocessor, Pentium 4 3.2GHz, 800 FSB, 2MB L2 (models CTO 72G)	39J7026	**
8	Microprocessor, Pentium 4 3.4GHz, 800 FSB, 2MB L2 (models CTO)	39J7027	**
8	Microprocessor, Smithfield Pentium 4 2.8.4GHz, 800 FSB, 1MB L2 (models CTO)	39J8469	**
8	Microprocessor, 3.0GHz Cedar Mill P4 (800MHz FSB, 2MB Cache) B0-Value (models CTO)	41D5054	**
8	Microprocessor, 3.2 GHz Cedar Mill P4 (800MHz FSB, 2MB Cache) B0-Value (models CTO)	41D5056	**
8	Microprocessor, 3.4 GHz Cedar Mill P4 (800MHz FSB, 2MB Cache) B0-Value (models CTO)	41D5058	**
8	Microprocessor, 3.6 GHz Cedar Mill P4 (800MHz FSB, 2MB Cache) B0-Value (models CTO)	41D5060	**
8	Microprocessor, 2.8GHz Presler P4 (800MHz FSB, 2MBx2 Cache) B0-Value (models CTO)	41D5062	**
8	Microprocessor, 3.0GHz Presler P4 (800MHz FSB, 2MBx2 Cache) B0-Value (models CTO)	41D5064	**
9	Front panel card Asm (all models)	26K1183	**
10	Speaker Asm, Soldered Terminals (models CTO 71G 72G)	39P5023	**
11	Hard disk drive, 40GB, 7200RPM, Serial ATA (models CTO)	40Y8760	**
11	Hard disk drive, 40GB, 7200RPM, Serial ATA (models CTO)	40Y9033	**

Item #	8166 FRUs	FRU#	CRU
11	Hard disk drive, 40GB, 7200RPM, Serial ATA (models CTO)	71P7312	**
11	Hard disk drive, 80GB, 7200RPM, Serial ATA (models CTO 71G 72G)	40Y8761	**
11	Hard disk drive, 80GB, 7200RPM, Serial ATA (models CTO 71G 72G)	71P7293	**
11	Hard disk drive, 160GB, 7200RPM, Serial ATA (models CTO)	40Y8762	**
11	Hard disk drive, 160GB, 7200RPM, Serial ATA (models CTO)	71P7297	**
11	Hard disk drive, 250GB, 7200RPM, Serial ATA (models CTO)	71P7299	**
12	Diskette drive, 1.44MB, 3-mode, w/o bezel (models CTO 71G 72G)	40Y9107	*
12	Diskette drive, 1.44MB, 3-mode, w/o bezel (models CTO 71G 72G)	76H4091	*
12	Diskette drive, 1.44MB, 3-mode, w/o bezel (models CTO 71G 72G)	40Y9105	*
12	Diskette drive, 1.44MB, 3-mode, w/o bezel (models CTO 71G 72G)	40Y9113	*
13	CD-ROM drive 48X (model CTO)	40Y8929	*
13	CD-RW drive (48X/32X/48X) (models CTO)	40Y8901	*
13	CD-RW drive (48X/32X/48X) (models CTO)	40Y8937	*
13	DVD-ROM (16X/48X) - black (models CTO)	40Y8931	*
13	DVD-ROM (16X/48X) - black (models CTO)	40Y8933	*
13	CD-RW/DVD-ROM Combo drive (48X/32X/48X/16X Max) (models CTO 71G 72G)	40Y8919	*
13	Multiburner Plus (models CTO)	40Y8909	*

The FRUs listed in the following table are not illustrated.

8166 FRUs	FRU#	CRU
Cable, C2 Switch (models CTO)	39M0458	*
Shield, 5.25 EMC (all models)	39M0460	*
Cable, SATA (18-inch RoHs) (all models)	26K1186	*
Hard disk drive mounting bracket (all models)	39M0461	*
Cable, serial (all models)	39K5021	*
EMC shield, diskette drive (all models)	39M0464	*
Cable, diskette drive (RoHs) (all models)	26K1184	*
Fan duct Asm (all models)	39M0470	*
Power switch/LED Asm (all models)	39M0471	**
Device retaining clips (all models)	39M0473	**
Shield, system board (all models)	39M0476	N
Miscellaneous hardware kit (all models)	39M0477	**
Cable, 1394 panel mount (all models)	39M0478	**
Heat sink Retention Module kit (all models)	39K5046	N
Cable, 2 Drop IDE (all models)	39M0516	*
Hard Disk Drive Tray w/screws (all models)	39M0491	**
Universal Adapter Bracket 5.25 to 3.5-inch (all models)	32P4743	*
M3 screw kit (all models)	09N5764	*
Battery, 3.0V (all models)	33F8354	*

<b>8166 Keyboard (Preferred Pro Fullsize, PS/2, Stealth Black)</b>	<b>FRU#</b>	<b>CRU</b>
US English (models CTO-U CTO-G 71G 72G)	89P8300	*
Arabic (models CTO-G 71G 72G)	89P8301	*
Belgian/French (CTO-G 71G 72G)	89P8302	*
Belgian/UK (CTO-G 71G 72G)	89P8303	*
Brazil/Portugese (models CTO-L)	89P8304	*
Bulgarian (CTO-G 71G 72G)	89P8305	*
Czech (CTO-G 71G 72G)	89P8307	*
Danish (CTO-G 71G 72G)	89P8308	*
Dutch (CTO-G 71G 72G)	89P8309	*
French (CTO-G 71G 72G)	89P8310	*
French Canadian 445 (models CTO-U)	89P8311	*
French Canadian 58 (models CTO-U)	89P8312	*
German (CTO-G 71G 72G)	89P8313	*
Greek (CTO-G 71G 72G)	89P8314	*
Hebrew (CTO-G 71G 72G)	89P8315	*
Hungarian (CTO-G 71G 72G)	89P8316	*
Iceland (CTO-G 71G 72G)	89P8317	*
Italian 141 (CTO-G 71G 72G)	89P8318	*
Italian 142 (CTO-G 71G 72G)	89P8319	*
LA Spanish (models CTO-L)	89P8322	*
Norwegian (CTO-G 71G 72G)	89P8323	*
Polish (CTO-G 71G 72G)	89P8324	*
Portuguese (CTO-G 71G 72G)	89P8325	*
Romanian (CTO-G 71G 72G)	89P8326	*
Russian/Cyrillic (CTO-G 71G 72G)	89P8328	*
Serbian/Cyrillic (CTO-G 71G 72G)	89P8329	*
Slovak (CTO-G 71G 72G)	89P8330	*
Spanish (CTO-G 71G 72G)	89P8331	*
Swedish/Finn (CTO-G 71G 72G)	89P8332	*
Swiss F/G (CTO-G 71G 72G)	89P8333	*
Thailand (models CTO-A)	89P8334	*
Turkish 440 (CTO-G 71G 72G)	89P8335	*
Turkish 179 (CTO-G 71G 72G)	89P8336	*
UK English (CTO-G 71G 72G)	89P8337	*
US Euro (CTO-G 71G 72G)	89P8338	*
Yugoslav/Latin (CTO-G 71G 72G)	89P8339	*

<b>8166 mice</b>	<b>FRU#</b>	<b>CRU</b>
Mouse, PS/2 - 2-Button (Black) (models CTO)	41A4909	*
Mouse, Scrollpoint Optical, USB (models CTO 71G 72G)	41A4933	*
Mouse, Optical Wheelmouse, USB (models CTO)	41A4935	*

<b>8166 Adapters and miscellaneous FRU</b>	<b>FRU#</b>	<b>CRU</b>
Soft Modem V.90/V.44 (models CTO)	29R9729	*
Nvidia GeForce 6200 P262 w/NV44 (models CTO)	39J6213	*
128MB DDR ATI Radeon x300SE (DMS59 connector) (models CTO)	39J9635	*
128MB DDR ATI RADEON X700 PRO VGA, DVI-I, TV-Out PCI-e BTX (models CTO)	39J6203	*
PCI-E DVI-DConnection Adapter (ADD 2-R) (Full Height) (models CTO 71G 72G)	39J9334	*
1394 Firewire PCI LP (ATX) (models CTO)	41D2781	*
Speakers, Jazz Infinity Active T1 (Black) (models CTO A1K 11K)	89P8588	*
Speaker Power brick - US, Canada, LA (low voltage), Taiwan, Phillipines, Thailand (models CTO-U CTO-L CTO-A)	10K2587	*
Speaker Power brick - UK, Hong Kong (British version), ASEAN (models CTO-A)	25P5703	*
Speaker Power brick - Europe and LA (models CTO-G CTO-L)	25P5704	*
Speaker Power brick (newer 2 prong) - China, Thailand, Phillipines (models CTO-A)	10K2597	*
Speaker Power brick - ANZ (models CTO-A)	25P5705	*
Speaker Power brick - Brazil (models CTO-L)	25P5706	*
Speaker Power brick - India, South Africa (models CTO-A CTO-G)	32P3181	*
Speaker Power brick - Argentina (models CTO-L)	01R2253	*
RJ11 connector adapter (Spain, Ireland) (All "G" models)	60H6043	*
RJ11 connector adapter (Austria) (All "G" models)	60H6045	*
RJ11 connector adapter (Belgium) (All "G" models)	60H6046	*
RJ11 connector adapter (Denmark) (All "G" models)	60H6047	*
RJ11 connector adapter (Norway, Finland) (All "G" models)	60H6048	*
RJ11 connector adapter (France) (All "G" models)	60H6049	*
RJ11 connector adapter (Germany) (All "G" models)	60H6050	*
RJ11 connector adapter (UK, NZ, HK) (All "G", "M", "B", "H" models)	60H6051	*
RJ11 connector adapter (Italy) (All "G" models)	60H6052	*
RJ11 connector adapter (Netherlands) (All "G" models)	60H6053	*
RJ11 connector adapter (Sweden) (All "G" models)	60H6054	*
RJ11 connector adapter (Switzerland) (All "G" models)	60H6055	*

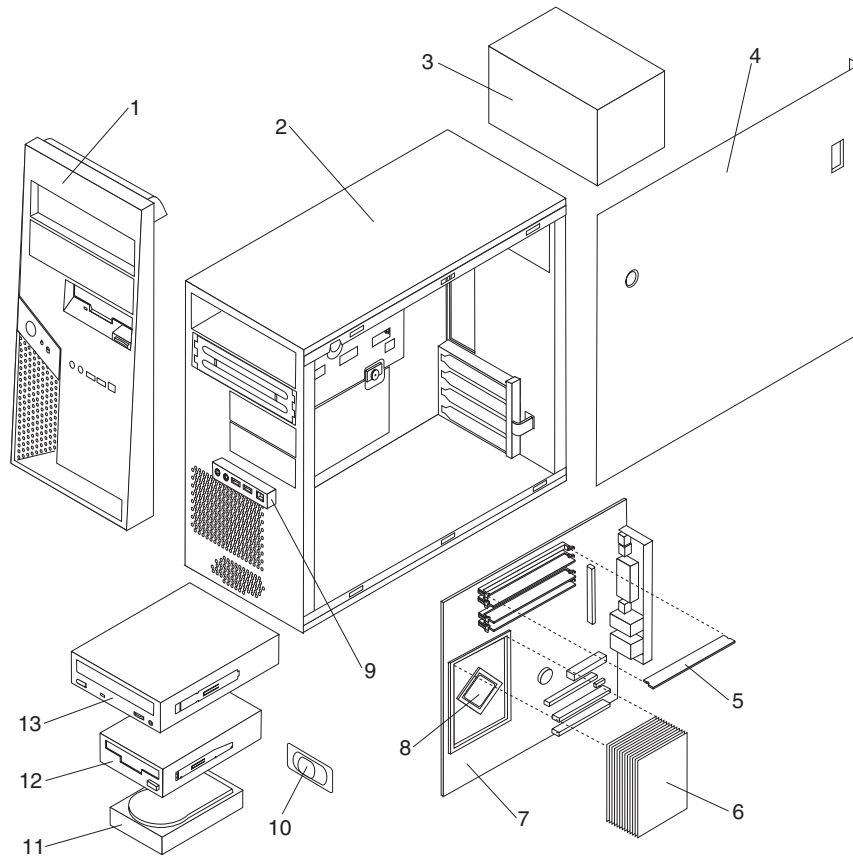
<b>8166 Power Cords</b>	<b>FRU#</b>	<b>CRU</b>
Power cord - UK, Ireland, Singapore, Malaysia, Brunei (models 71G 72G)	39M5150	*
Power cord - Italy (models 71G 72G)	39M5164	*
Power cord - G models (models 71G 72G)	39M5122	*
Power cord - Denmark (models 71G 72G)	39M5129	*
Power cord - Switzerland (models 71G 72G)	39M5157	*
Power cord - Israel (models 71G 72G)	39M5171	*
Power cord - South Africa (models 71G 72G)	39M5143	*

<b>8166 Windows XP Pro Recovery CDs</b>	<b>FRU#</b>	<b>CRU</b>
US/UK/AP/TH (models 71G 72G)	41T1577	*

8166 Windows XP Pro Recovery CDs	FRU#	CRU
FR/CF (models 71G 72G)	41T3198	*
GR (models 71G 72G)	41T3199	*
SP/LA (models 71G 72G)	41T3200	*
IT (models 71G 72G)	41T3201	*
SV (models 71G 72G)	41T3203	*
DK (models 71G 72G)	41T3204	*
FI (models 71G 72G)	41T4264	*
NO (models 71G 72G)	39J9646	*
NL (models 71G 72G)	41T4266	*
HE (models 71G 72G)	41T4267	*
PL (models 71G 72G)	41T4268	*
CZ (models 71G 72G)	41T4269	*
AE (models 71G 72G)	41T4270	*
RU (models 71G 72G)	41T4271	*
RU English (models 71G 72G)	41T4835	*
TR (models 71G 72G)	41T4836	*
HU (models 71G 72G)	41T4837	*
PO (models 71G 72G)	41T4838	*
GK (models 71G 72G)	41T4839	*
SL (models 71G 72G)	41T4840	*
Multilingual 1 (models CTO-G 71G 72G)	41T3282	*
Multilingual 2 (models CTO-G 71G 72G)	41T4280	*



# Machine Type 8167



Item #	8167 FRUs	FRU#	CRU
1	Bezel Asm (all models)	41A7807	*
2	Chassis Asm (all models)	41A7808	N
3	Power supply, 310 W, standard (models CTO 71G 72G 73G 74G 75G 76G 77G 78G)	24R2596	**
3	Power supply, 310 W (models CTO-A CTO-L D1C E1C)	24R2598	**
4	Cover (all models)	39M0465	*
5	Memory module, 256MB, DDR2 SDRAM, NP (PC 4200) (models CTO D1C E1C 71G 72G 73G 74G 75G 76G 77G 78G)	30R5120	*
5	Memory module, 512MB, DDR2 SDRAM, NP (PC 4200) (models CTO)	30R5121	*
5	Memory module, 1GB, DDR2 SDRAM, NP (PC 4200) (models CTO)	30R5122	*
5	Memory module, 2GB, DDR2 SDRAM, NP (PC 4200) (models CTO)	30R5123	*
5	Memory module, 256MB, DDR2 SDRAM, NP (PC 5300) (models CTO)	30R5124	*
5	Memory module, 512MB, DDR2 SDRAM, NP (PC 5300) (models CTO)	30R5125	*
5	Memory module, 1GB, DDR2 SDRAM, NP (PC 5300) (models CTO)	30R5126	*
5	Memory module, 2GB, DDR2 SDRAM, NP (PC 5300) (models CTO)	30R5127	*
6	Heat sink (models All D1C E1C 71G 72G 73G 74G 75G 76G)	39M0538	**
7	System board, 10/1000 Enet (models CTO 77G 78G)	29R9726	N
7	System board, DDR2 BTX Planar (10/1000, POV down, NON-AMT) (models CTO D1C E1C 71G 72G 73G 74G 75G 76G 77G 78G)	41X0436	N

Item #	8167 FRUs	FRU#	CRU
7	System board, DDR2 BTX Planar (10/1000, POV down, AMT enabled) (models CTO)	29R9727	N
7	System board, DDR2 BTX Planar (10/1000, POV down, AMT enabled) (models CTO)	41X0438	N
8	Microprocessor, Celeron 2.53GHz, 533 FSB, 256KB L2 (models CTO)	39J7016	**
8	Microprocessor, Celeron 2.66GHz, 533 FSB, 256KB L2 (models CTO)	39J7017	**
8	Microprocessor, Celeron 2.80GHz, 533 FSB, 256KB L2 (models CTO)	39J7018	**
8	Microprocessor, Celeron 2.93GHz, 533 FSB, 256KB L2 (models CTO)	39J7019	**
8	Microprocessor, Celeron 3.06GHz, 533 FSB, 256KB L2 (models CTO)	39J7020	**
8	Microprocessor, Celeron 3.20GHz, 533 FSB, 256KB L2 (models CTO)	39J9696	**
8	Microprocessor, 3.33GHz Celeron Prescott 355 (533MHz FSB, 256KB Cache) G1-Value (models CTO)	41T1134	**
8	Microprocessor, Celeron 3.20Ghz Cedar Mill (533MHz FSB, 512KB Cache) B1-Value (models CTO)	41T4966	**
8	Microprocessor, Celeron 3.33Ghz Cedar Mill (533MHz FSB, 512KB Cache) B1-Value (models CTO)	41T4968	**
8	Microprocessor, Pentium 4 2.93GHz, 533 FSB, 1MB L2 (models CTO)	39J9625	**
8	Microprocessor, Pentium 4 2.66GHz, 533 FSB, 1MB L2 (models CTO)	41D0690	**
8	Microprocessor, Pentium 4 2.93GHz, 533 FSB, 1MB L2 (models CTO)	41D0692	**
8	Microprocessor, Pentium 4 3.06GHz, 533 FSB, 1MB L2 (models CTO)	41D0694	**
8	Microprocessor, Pentium 4 2.8GHz, 800 FSB, 1MB L2 (models CTO)	39J7021	**
8	Microprocessor, Pentium 4 3.0GHz, 800 FSB, 1MB L2 (models CTO)	39J7022	**
8	Microprocessor, Pentium 4 3.2GHz, 800 FSB, 1MB L2 (models CTO)	39J7023	**
8	Microprocessor, Pentium 4 3.4GHz, 800 FSB, 1MB L2 (models CTO)	39J7024	**
8	Microprocessor, Pentium 4 3.0GHz, 800 FSB, 2MB L2 (models CTO 71G 72G)	39J7025	**
8	Microprocessor, Pentium 4 3.2GHz, 800 FSB, 2MB L2 (models CTO 73G 74G 75G)	39J7026	**
8	Microprocessor, Pentium 4 3.4GHz, 800 FSB, 2MB L2 (models CTO E1C 76G)	39J7027	**
8	Microprocessor, Smithfield Pentium 4 2.8.4GHz, 800 FSB, 1MB L2 (models CTO 77G 78G)	39J8469	**
8	Microprocessor, 3.0GHz Cedar Mill P4 (800MHz FSB, 2MB Cache) B0-Value (models CTO)	41D5054	**
8	Microprocessor, 3.2 GHz Cedar Mill P4 (800MHz FSB, 2MB Cache) B0-Value (models CTO)	41D5056	**
8	Microprocessor, 3.4 GHz Cedar Mill P4 (800MHz FSB, 2MB Cache) B0-Value (models CTO)	41D5058	**
8	Microprocessor, 3.6 GHz Cedar Mill P4 (800MHz FSB, 2MB Cache) B0-Value (models CTO)	41D5060	**
8	Microprocessor, 2.8GHz Presler P4 (800MHz FSB, 2MBx2 Cache) B0-Value (models CTO)	41D5062	**
8	Microprocessor, 3.0GHz Presler P4 (800MHz FSB, 2MBx2 Cache) B0-Value (models CTO)	41D5064	**
9	Front panel card Asm (all models)	26K1183	**
10	Speaker Asm, Soldered Terminals (models CTO 71G 72G 73G 74G 75G 76G 77G 78G)	39P5023	**
11	Hard disk drive, 40GB, 7200RPM, Serial ATA (models CTO)	40Y8760	**

Item #	8167 FRUs	FRU#	CRU
11	Hard disk drive, 40GB, 7200RPM, Serial ATA (models CTO)	40Y9033	**
11	Hard disk drive, 40GB, 7200RPM, Serial ATA (models CTO)	71P7312	**
11	Hard disk drive, 80GB, 7200RPM, Serial ATA (models CTO 71G 72G 73G 74G 77G)	40Y8761	**
11	Hard disk drive, 80GB, 7200RPM, Serial ATA (models CTO 71G 72G 73G 74G 77G)	71P7293	**
11	Hard disk drive, 160GB, 7200RPM, Serial ATA (models CTO D1C E1C 75G 76G 78G)	40Y8762	**
11	Hard disk drive, 160GB, 7200RPM, Serial ATA (models CTO D1C E1C 75G 76G 78G)	71P7297	**
11	Hard disk drive, 250GB, 7200RPM, Serial ATA (models CTO)	71P7299	**
12	Diskette drive, 1.44MB, 3-mode, w/o bezel (models CTO D1C E1C 71G 72G 73G 74G 75G 76G 77G 78G)	40Y9107	*
12	Diskette drive, 1.44MB, 3-mode, w/o bezel (models CTO D1C E1C 71G 72G 73G 74G 75G 76G 77G 78G)	76H4091	*
12	Diskette drive, 1.44MB, 3-mode, w/o bezel (models CTO D1C E1C 71G 72G 73G 74G 75G 76G 77G 78G)	40Y9105	*
12	Diskette drive, 1.44MB, 3-mode, w/o bezel (models CTO D1C E1C 71G 72G 73G 74G 75G 76G 77G 78G)	40Y9113	*
13	CD-ROM drive 48X (models CTO)	40Y8929	*
13	CD-RW drive (48X/32X/48X) (models CTO)	40Y8901	*
13	CD-RW drive (48X/32X/48X) (models CTO)	40Y8937	*
13	DVD-ROM (16X/48X) - black (models CTO)	40Y8931	*
13	DVD-ROM (16X/48X) - black (models CTO)	40Y8933	*
13	CD-RW/DVD-ROM Combo drive (48X/32X/48X/16X Max) (models CTO D1C 71G 73G 77G)	40Y8919	*
13	Multiburner Plus (models CTO E1C 72G 74G 75G 76G 78G)	40Y8909	*

The FRUs listed in the following table are not illustrated.

8167 FRUs	FRU#	CRU
Cable, C2 Switch (models CTO 72G 74G 75G 76G 77G 78G)	39M0458	*
Shield, 5.25 EMC (all models)	39M0460	*
Cable, SATA (18-inch RoHs) (all models)	26K1186	*
Hard disk drive mounting bracket (all models)	39M0461	*
Cable, serial (all models)	39K5021	*
EMC shield, diskette drive (all models)	39M0464	*
Cable, diskette drive (RoHs) (all models)	26K1184	*
Fan duct Asm (all models)	39M0470	*
Power switch/LED Asm (all models)	39M0471	**
Device retaining clips (all models)	39M0473	**
Shield, system board (all models)	39M0476	N
Miscellaneous hardware kit (all models)	39M0477	**
Cable, 1394 panel mount (all models)	39M0478	**
Heat sink Retention Module kit (all models)	39K5046	N

8167 FRUs	FRU#	CRU
Cable, 2 Drop IDE (all models)	39M0516	*
Hard Disk Drive Tray w/screws (all models)	39M0491	**
Universal Adapter Bracket 5.25 to 3.5-inch (all models)	32P4743	*
M3 screw kit (all models)	09N5764	*
Battery, 3.0V (all models)	33F8354	*

8167 Keyboard (Preferred Pro Fullsize, PS/2, Stealth Black)	FRU#	CRU
US English (models CTO-U CTO-G 71G 72G 73G 74G 77G 78G)	89P8300	*
Arabic (models CTO-G 71G 72G 73G 74G 77G 78G)	89P8301	*
Belgian/French (CTO-G 71G 72G 73G 74G 77G 78G)	89P8302	*
Belgian/UK (CTO-G 71G 72G 73G 74G 77G 78G)	89P8303	*
Brazil/Portugese (models CTO-L)	89P8304	*
Bulgarian (CTO-G 71G 72G 73G 74G 77G 78G)	89P8305	*
Czech (CTO-G 71G 72G 73G 74G 77G 78G)	89P8307	*
Danish (CTO-G 71G 72G 73G 74G 77G 78G)	89P8308	*
Dutch (CTO-G 71G 72G 73G 74G 77G 78G)	89P8309	*
French (CTO-G 71G 72G 73G 74G 77G 78G)	89P8310	*
French Canadian 445 (models CTO-U)	89P8311	*
French Canadian 58 (models CTO-U)	89P8312	*
German (CTO-G 71G 72G 73G 74G 77G 78G)	89P8313	*
Greek (CTO-G 71G 72G 73G 74G 77G 78G)	89P8314	*
Hebrew (CTO-G 71G 72G 73G 74G 77G 78G)	89P8315	*
Hungarian (CTO-G 71G 72G 73G 74G 77G 78G)	89P8316	*
Iceland (CTO-G 71G 72G 73G 74G 77G 78G)	89P8317	*
Italian 141 (CTO-G 71G 72G 73G 74G 77G 78G)	89P8318	*
Italian 142 (CTO-G 71G 72G 73G 74G 77G 78G)	89P8319	*
LA Spanish (models CTO-L)	89P8322	*
Norwegian (CTO-G 71G 72G 73G 74G 77G 78G)	89P8323	*
Polish (CTO-G 71G 72G 73G 74G 77G 78G)	89P8324	*
Portuguese (CTO-G 71G 72G 73G 74G 77G 78G)	89P8325	*
Romanian (CTO-G 71G 72G 73G 74G 77G 78G)	89P8326	*
Russian/Cyrillic (CTO-G 71G 72G 73G 74G 77G 78G)	89P8328	*
Serbian/Cyrillic (CTO-G 71G 72G 73G 74G 77G 78G)	89P8329	*
Slovak (CTO-G 71G 72G 73G 74G 77G 78G)	89P8330	*
Spanish (CTO-G 71G 72G 73G 74G 77G 78G)	89P8331	*
Swedish/Finn (CTO-G 71G 72G 73G 74G 77G 78G)	89P8332	*
Swiss F/G (CTO-G 71G 72G 73G 74G 77G 78G)	89P8333	*
Thailand (models CTO-A)	89P8334	*
Turkish 440 (CTO-G 71G 72G 73G 74G 77G 78G)	89P8335	*
Turkish 179 (CTO-G 71G 72G 73G 74G 77G 78G)	89P8336	*
UK English (CTO-G 71G 72G 73G 74G 77G 78G)	89P8337	*

<b>8167 Keyboard (Preferred Pro Fullsize, PS/2, Stealth Black)</b>	<b>FRU#</b>	<b>CRU</b>
US Euro (CTO-G 71G 72G 73G 74G 77G 78G)	89P8338	*
Yugoslav/Latin (CTO-G 71G 72G 73G 74G 77G 78G)	89P8339	*

<b>8167 Keyboards (Productivity USB)</b>	<b>FRU#</b>	<b>CRU</b>
US English (models D1C E1C)	89P8800	*

<b>8167 Keyboards (with fingerprint reader)</b>	<b>FRU#</b>	<b>CRU</b>
US English (models CTO-U CTO-G 75G 76G)	89P9000	*
Arabic (models CTO-G 75G 76G)	89P9001	*
Arabic/French (models CTO-G 75G 76G)	89P9002	*
Belgian/French (models CTO-G 75G 76G)	89P9003	*
Belgian/UK (models CTO-G 75G 76G)	89P9004	*
Brazilian Portuguese (models CTO-L)	89P9005	*
Bulgarian (models CTO-G 75G 76G)	89P9006	*
Chinese/US (models CTO-G)	89P9007	*
Czech (models CTO-G 75G 76G)	89P9008	*
Danish (models CTO-G 75G 76G)	89P9009	*
Dutch (models CTO-G 75G 76G)	89P9010	*
French (models CTO-G 75G 76G)	89P9011	*
French Canadian 445 (models CTO-U)	89P9012	*
French Canadian 58 (models CTO-U)	89P9013	*
German (models CTO-G 75G 76G)	89P9014	*
Greek (models CTO-G 75G 76G)	89P9015	*
Hebrew (models CTO-G 75G 76G)	89P9016	*
Hungarian (models CTO-G 75G 76G)	89P9017	*
Iceland (models CTO-G 75G 76G)	89P9018	*
Italian 141 (models CTO-G 75G 76G)	89P9019	*
LA Spanish (models CTO-L)	89P9022	*
Norwegian (models CTO-G 75G 76G)	89P9023	*
Polish (models CTO-G 75G 76G)	89P9024	*
Portuguese (models CTO-G 75G 76G)	89P9025	*
Romanian (models CTO-G 75G 76G)	89P9026	*
Romanian (models CTO-G 75G 76G)	89P9027	*
Russian/Cyrillic (models CTO-G 75G 76G)	89P9028	*
Serbian/Cyrillic (models CTO-G 75G 76G)	89P9029	*
Slovak (models CTO-G 75G 76G)	89P9030	*
Spanish (models CTO-G 75G 76G)	89P9031	*
Swedish/Finn (models CTO-G 75G 76G)	89P9032	*
Swiss F/G (models CTO-G 75G 76G)	89P9033	*
Thailand (models CTO-A)	89P9034	*
Turkish 440 (models CTO-G 75G 76G)	89P9035	*

<b>8167 Keyboards (with fingerprint reader)</b>	<b>FRU#</b>	<b>CRU</b>
Turkish 179 (models CTO-G 75G 76G)	89P9036	*
UK English (models CTO-G 75G 76G)	89P9037	*
US Euro (models CTO-G 75G 76G)	89P9038	*
Yugoslav/Latin (models CTO-G 75G 76G)	89P9039	*

<b>8167 mice</b>	<b>FRU#</b>	<b>CRU</b>
Mouse, PS/2 - 2-Button (Black) (models CTO)	41A4909	*
Mouse, Scrollpoint Optical, USB (models CTO D1C E1C 71G 72G 73G 74G 75G 76G 77G 78G)	41A4933	*
Mouse, Optical Wheelmouse, USB (models CTO)	41A4935	*

<b>8167 Adapters and miscellaneous FRU</b>	<b>FRU#</b>	<b>CRU</b>
Soft Modem V.90/V.44 (models CTO D1C E1C)	29R9729	*
Nvidia GeForce 6200 P262 w/NV44 (models CTO)	39J6213	*
128MB DDR ATI Radeon x300SE (DMS59 connector) (models CTO)	39J9635	*
128MB DDR ATI RADEON X700 PRO VGA, DVI-I, TV-Out PCI-e BTX (models CTO D1C E1C)	39J6203	*
PCI-E DVI-DConnection Adapter (ADD 2-R) (Full Height) (models CTO 71G 72G 73G 74G 75G 76G 77G 78G)	39J9334	*
1394 Firewire PCI LP (ATX) (models CTO D1C E1C)	41D2781	*
Speakers, Jazz Infinity Active T1 (Black) (models CTO D1C E1C)	89P8588	*
Speaker Power brick - US, Canada, LA (low voltage), Taiwan, Phillipines, Thailand (models CTO-U CTO-L CTO-A)	10K2587	*
Speaker Power brick - UK, Hong Kong (British version), ASEAN (models CTO-A)	25P5703	*
Speaker Power brick - Europe and LA (models CTO-G CTO-L)	25P5704	*
Speaker Power brick (newer 2 prong) - China, Thailand, Phillipines (models CTO D1C E1C)	10K2597	*
Speaker Power brick - ANZ (models CTO-A)	25P5705	*
Speaker Power brick - Brazil (models CTO-L)	25P5706	*
Speaker Power brick - India, South Africa (models CTO-A CTO-G)	32P3181	*
Speaker Power brick - Argentina (models CTO-L)	01R2253	*
RJ11 connector adapter (Spain, Ireland) (All "G" models)	60H6043	*
RJ11 connector adapter (Austria) (All "G" models)	60H6045	*
RJ11 connector adapter (Belgium) (All "G" models)	60H6046	*
RJ11 connector adapter (Denmark) (All "G" models)	60H6047	*
RJ11 connector adapter (Norway, Finland) (All "G" models)	60H6048	*
RJ11 connector adapter (France) (All "G" models)	60H6049	*
RJ11 connector adapter (Germany) (All "G" models)	60H6050	*
RJ11 connector adapter (UK, NZ, HK) (All "G", "M", "B", "H" models)	60H6051	*
RJ11 connector adapter (Italy) (All "G" models)	60H6052	*
RJ11 connector adapter (Netherlands) (All "G" models)	60H6053	*
RJ11 connector adapter (Sweden) (All "G" models)	60H6054	*

8167 Adapters and miscellaneous FRU	FRU#	CRU
RJ11 connector adapter (Switzerland) (All "G" models)	60H6055	*

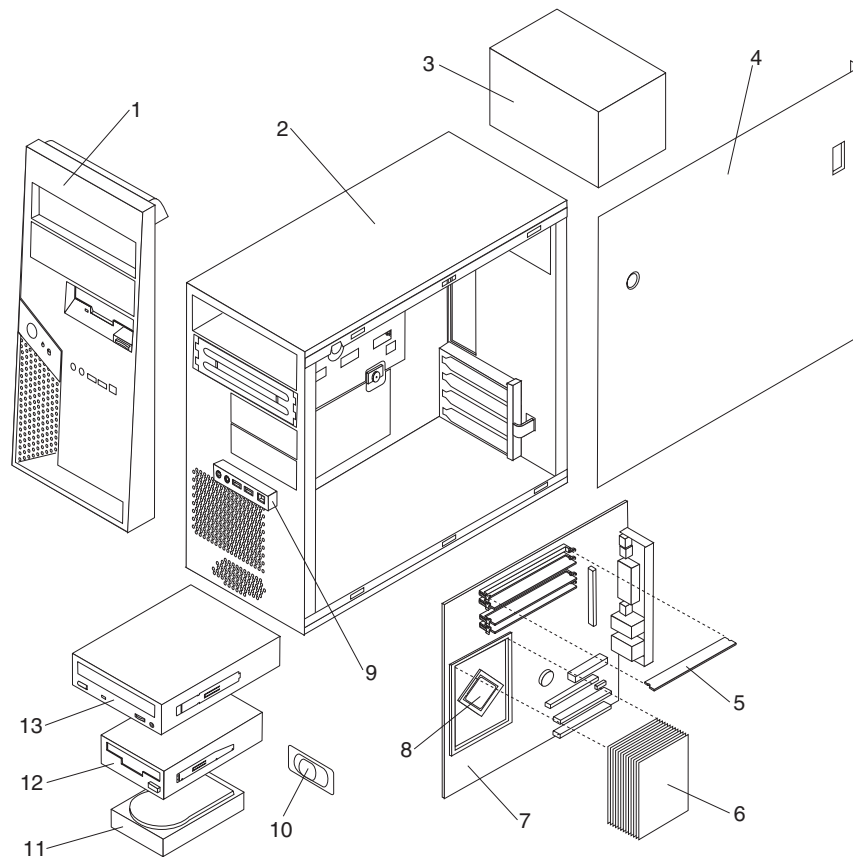
8167 Power Cords	FRU#	CRU
Power cord - China (models D1C E1C)	39M5205	*
Power cord - UK, Ireland, Singapore, Malaysia, Brunei (models 71G 72G 73G 74G 75G 76G 77G 78G)	39M5150	*
Power cord - Italy (models 71G 72G 73G 74G 75G 76G 77G 78G)	39M5164	*
Power cord - G models (models 71G 72G 73G 74G 75G 76G 77G 78G)	39M5122	*
Power cord - Denmark (models 71G 72G 73G 74G 75G 76G 77G 78G)	39M5129	*
Power cord - Switzerland (models 71G 72G 73G 74G 75G 76G 77G 78G)	39M5157	*
Power cord - Israel (models 71G 72G 73G 74G 75G 76G 77G 78G)	39M5171	*
Power cord - South Africa (models 71G 72G 73G 74G 75G 76G 77G 78G)	39M5143	*

8167 Windows XP Home Recovery CDs	FRU #	CRU
Simplified Chinese (models D1C E1C)	41W2631	*

8167 Windows XP Pro Recovery CDs	FRU#	CRU
US/UK/AP/TH (models 71G 72G 73G 74G 75G 76G 77G 78G)	41T1577	*
FR/CF (models 71G 72G 73G 74G 75G 76G 77G 78G)	41T3198	*
GR (models 71G 72G 73G 74G 75G 76G 77G 78G)	41T3199	*
SP/LA (models 71G 72G 73G 74G 75G 76G 77G 78G)	41T3200	*
IT (models 71G 72G 73G 74G 75G 76G 77G 78G)	41T3201	*
SV (models 71G 72G 73G 74G 75G 76G 77G 78G)	41T3203	*
DK (models 71G 72G 73G 74G 75G 76G 77G 78G)	41T3204	*
FI (models 71G 72G 73G 74G 75G 76G 77G 78G)	41T4264	*
NO (models 71G 72G 73G 74G 75G 76G 77G 78G)	39J9646	*
NL (models 71G 72G 73G 74G 75G 76G 77G 78G)	41T4266	*
HE (models 71G 72G 73G 74G 75G 76G 77G 78G)	41T4267	*
PL (models 71G 72G 73G 74G 75G 76G 77G 78G)	41T4268	*
CZ (models 71G 72G 73G 74G 75G 76G 77G 78G)	41T4269	*
AE (models 71G 72G 73G 74G 75G 76G 77G 78G)	41T4270	*
RU (models 71G 72G 73G 74G 75G 76G 77G 78G)	41T4271	*
RU English (models 71G 72G 73G 74G 75G 76G 77G 78G)	41T4835	*
TR (models 71G 72G 73G 74G 75G 76G 77G 78G)	41T4836	*
HU (models 71G 72G 73G 74G 75G 76G 77G 78G)	41T4837	*
PO (models 71G 72G 73G 74G 75G 76G 77G 78G)	41T4838	*
GK (models 71G 72G 73G 74G 75G 76G 77G 78G)	41T4839	*
SL (models 71G 72G 73G 74G 75G 76G 77G 78G)	41T4840	*
Multilingual 1 (models CTO-G 71G 72G 73G 74G 75G 76G 77G 78G)	41T3282	*
Multilingual 2 (models CTO-G 71G 72G 73G 74G 75G 76G 77G 78G)	41T4280	*



# Machine Type 8168



Item #	8168 FRUs	FRU#	CRU
1	Bezel Asm (all models)	41A7807	*
2	Chassis Asm (all models)	41A7808	N
3	Power supply, 310 W, standard (models CTO A1U A1F A2J A3J A4J A5J A6J A7J A8J A9J AAJ ABJ ACJ ADJ AEJ B1J B2J B3J B4J B5J B6J B7K B8J B9J BAJ BBJ BCJ BDJ BEK BFK BGG 21U 21F 22K 23K 24U 24F 25U 25F 26U 26F 27J 28J 29J 2AJ 2BJ 2CJ 2DJ 2EJ 2FK 31K 32U 32F 33U 33F 34U 34F 35K 36K 41U 41F 42K 43K 44U 44F D1U D1F D2K D3M D4M D5M E1U E1F E2A E2T E2K E3K C1U C2U C3U C4U C5U C6U E5U E5F E6U E6F D6U D7U BJK BLK D9K DAK DBM E8K E9M EAM EBK ECM EDM F1K F2K G1M)	24R2596	**
3	Power supply, 310 W (models CTO-A CTO-L E2Q E2B E4V AFV BHV BKV D8V E7V)	24R2598	**
4	Cover (all models)	39M0465	*
5	Memory module, 256MB, DDR2 SDRAM, NP (PC 4200) (models CTO A1U A1F A2J A3J A4J A5J A6J A7J A8J B1J B2J B3J B4J B5J B6J B7K BEK BFK BGG 21U 21F 22K 23K 2FK 31K 35K 36K 42K 43K E4V AFV BHV BKV D8V E7V)	30R5120	*
5	Memory module, 512MB, DDR2 SDRAM, NP (PC 4200) (models CTO A9J AAJ ABJ ACJ ADJ AEJ B8J B9J BAJ BBJ BCJ BDJ 24U 24F 25U 25F 26U 26F 27J 28J 29J 2AJ 2BJ 2CJ 2DJ 2EJ 32U 32F 33U 33F 34U 34F 41U 41F 44U 44F D1U D1F D2K D3M E1U E1F E2A E2Q E2T E2B E2K E3K E5U E5F E6U E6F D6U D7U DBM E9M EAM)	30R5121	*
5	Memory module, 1GB, DDR2 SDRAM, NP (PC 4200) (models CTO D4M D5M ECM EDM G1M)	30R5122	*



Item #	8168 FRUs	FRU#	CRU
5	Memory module, 2GB, DDR2 SDRAM, NP (PC 4200) (models CTO)	30R5123	*
5	Memory module, 256MB, DDR2 SDRAM, NP (PC 5300) (models CTO)	30R5124	*
5	Memory module, 512MB, DDR2 SDRAM, NP (PC 5300) (models CTO BJK BLK D9K DAK E8K EBK F1K F2K)	30R5125	*
5	Memory module, 1GB, DDR2 SDRAM, NP (PC 5300) (models CTO)	30R5126	*
5	Memory module, 2GB, DDR2 SDRAM, NP (PC 5300) (models CTO)	30R5127	*
6	Heat sink (all models)	39M0538	**
7	System board, 10/1000 Enet (models CTO A1U A1F A2J A3J A4J A5J A6J A7J A8J A9J AAJ ABJ ACJ ADJ AEJ B1J B2J B3J B4J B5J B6J B7K B8J B9J BAJ BBJ BCJ BDJ BEK BFK BGG 21U 21F 22K 23K 24U 24F 25U 25F 26U 26F 27J 28J 29J 2AJ 2BJ 2CJ 2DJ 2EJ 2FK 31K 32U 32F 33U 33F 34U 34F 35K 36K 41U 41F 42K 43K 44U 44F C1U C2U C3U C7J C8J CAJ CBJ AFV BHV BJK BKV BLK F1K F2K G1M D5M D6U D7U)	29R9726	N
7	System board, DDR2 BTX Planar (10/1000, POV down, NON-AMT) (models CTO A1U A1F A2J A3J A4J A5J A6J A7J A8J A9J AAJ ABJ ACJ ADJ AEJ B1J B2J B3J B4J B5J B6J B7K B8J B9J BAJ BBJ BCJ BDJ BEK BFK BGG 21U 21F 22K 23K 24U 24F 25U 25F 26U 26F 27J 28J 29J 2AJ 2BJ 2CJ 2DJ 2EJ 2FK 31K 32U 32F 33U 33F 34U 34F 35K 36K 41U 41F 42K 43K 44U 44F D1U D1F D2K D3M D4M D5M E1U E1F E2A E2Q E2T E2B E2K E3K C1U C2U C3U C4U C5U C6U E4V E5U E5F E6U E6F D6U D7U C7J C8J CAJ CBJ CCJ CDJ CEJ AFV BHV BJK BKV BLK D8V D9K DAK DBM E7V E8K E9M EAM EBK ECM EDM F1K F2K G1M)	41X0436	N
7	System board, DDR2 BTX Planar (10/1000, POV down, AMT enabled) (models CTO)	29R9727	N
7	System board, DDR2 BTX Planar (10/1000, POV down, AMT enabled) (models CTO)	41X0438	N
8	Microprocessor, Celeron 2.53GHz, 533 FSB, 256KB L2 (models CTO)	39J7016	**
8	Microprocessor, Celeron 2.66GHz, 533 FSB, 256KB L2 (models CTO)	39J7017	**
8	Microprocessor, Celeron 2.80GHz, 533 FSB, 256KB L2 (models CTO A1U A1F A2J A3J A4J A5J A6J A7J A8J A9J AAJ ABJ ACJ ADJ AEJ AFV)	39J7018	**
8	Microprocessor, Celeron 2.93GHz, 533 FSB, 256KB L2 (models CTO B1J B2J B3J B4J B5J B6J B7K B8J B9J BAJ BBJ BCJ BDJ BKV BLK)	39J7019	**
8	Microprocessor, Celeron 3.06GHz, 533 FSB, 256KB L2 (models CTO BEK BFK BGG)	39J7020	**
8	Microprocessor, Celeron 3.20GHz, 533 FSB, 256KB L2 (models CTO)	39J9696	**
8	Microprocessor, 3.33GHz Celeron Prescott 355 (533MHz FSB, 256KB Cache) G1-Value (models CTO)	41T1134	**
8	Microprocessor, Celeron 3.20Ghz Cedar Mill (533MHz FSB, 512KB Cache) B1-Value (models CTO)	41T4966	**
8	Microprocessor, Celeron 3.33Ghz Cedar Mill (533MHz FSB, 512KB Cache) B1-Value (models CTO)	41T4968	**
8	Microprocessor, Pentium 4 2.93GHz, 533 FSB, 1MB L2 (models CTO)	39J9625	**
8	Microprocessor, Pentium 4 2.66GHz, 533 FSB, 1MB L2 (models CTO)	41D0690	**
8	Microprocessor, Pentium 4 2.93GHz, 533 FSB, 1MB L2 (models CTO)	41D0692	**
8	Microprocessor, Pentium 4 3.06GHz, 533 FSB, 1MB L2 (models CTO)	41D0694	**
8	Microprocessor, Pentium 4 2.8GHz, 800 FSB, 1MB L2 (models CTO C7J)	39J7021	**
8	Microprocessor, Pentium 4 3.0GHz, 800 FSB, 1MB L2 (models CTO 21U 21F 22K 23K 24U 24F 25U 25F 26U 26F 27J 28J 29J 2AJ 2BJ 2CJ 2DJ 2EJ 2FK C1U C8J)	39J7022	**

Item #	8168 FRUs	FRU#	CRU
8	Microprocessor, Pentium 4 3.2GHz, 800 FSB, 1MB L2 (models CTO 31K 32U 32F 33U 33F 34U 34F 35K 36K C2U CAJ)	39J7023	**
8	Microprocessor, Pentium 4 3.4GHz, 800 FSB, 1MB L2 (models CTO 41U 41F 42K 43K 44U 44F C3U CBJ)	39J7024	**
8	Microprocessor, Pentium 4 3.0GHz, 800 FSB, 2MB L2 (models CTO D1U D1F D2K D3M D4M C4U CCJ D8V D9K DAK DBM)	39J7025	**
8	Microprocessor, Pentium 4 3.2GHz, 800 FSB, 2MB L2 (models CTO E1U E1F E2A E2Q E2T E2B E2K C5U E4V E5U E5F CDJ E7V E8K E9M EAM EBK ECM EDM)	39J7026	**
8	Microprocessor, Pentium 4 3.4GHz, 800 FSB, 2MB L2 (models CTO E3K C6U E6U E6F CEJ F1K F2K)	39J7027	**
8	Microprocessor, Smithfield Pentium 4 2.8.4GHz, 800 FSB, 1MB L2 (models CTO D5M D6U D7U G1M)	39J8469	**
8	Microprocessor, 3.0GHz Cedar Mill P4 (800MHz FSB, 2MB Cache) B0-Value (models CTO)	41D5054	**
8	Microprocessor, 3.2 GHz Cedar Mill P4 (800MHz FSB, 2MB Cache) B0-Value (models CTO)	41D5056	**
8	Microprocessor, 3.4 GHz Cedar Mill P4 (800MHz FSB, 2MB Cache) B0-Value (models CTO)	41D5058	**
8	Microprocessor, 3.6 GHz Cedar Mill P4 (800MHz FSB, 2MB Cache) B0-Value (models CTO)	41D5060	**
8	Microprocessor, 2.8GHz Presler P4 (800MHz FSB, 2MBx2 Cache) B0-Value (models CTO)	41D5062	**
8	Microprocessor, 3.0GHz Presler P4 (800MHz FSB, 2MBx2 Cache) B0-Value (models CTO)	41D5064	**
9	Front panel card Asm (all models)	26K1183	**
10	Speaker Asm, Soldered Terminals (models CTO A2J A3J A4J A5J A6J A7J A8J A9J AAJ ABJ ACJ ADJ AEJ B1J B2J B3J B4J B5J B6J B8J B9J BAJ BBJ BCJ BDJ BGG 25U 25F 27J 28J 29J 2AJ 2BJ 2CJ 2DJ 2EJ 32U 32F 33U 33F 34U 41U 41F D1U D1F D3M D4M D5M E1U E1F E4V AFV BHV BJK BKV BLK D8V D9K DAK DBM E7V E8K E9M EAM EBK ECM EDM F1K F2K G1M)	39P5023	**
11	Hard disk drive, 40GB, 7200RPM, Serial ATA (models CTO A1U A1F 24U 24F)	40Y8760	**
11	Hard disk drive, 40GB, 7200RPM, Serial ATA (models CTO A1U A1F 24U 24F)	40Y9033	**
11	Hard disk drive, 40GB, 7200RPM, Serial ATA (models CTO A1U A1F 24U 24F)	71P7312	**
11	Hard disk drive, 80GB, 7200RPM, Serial ATA (models CTO A2J A3J A4J A5J A6J A7J A8J A9J AAJ ABJ ACJ ADJ AEJ B1J B2J B3J B4J B5J B6J B7K B8J B9J BAJ BBJ BCJ BDJ BEK BFK BGG 21U 21F 22K 23K 25U 25F 26U 26F 27J 28J 29J 2AJ 2BJ 2CJ 2DJ 2EJ 31K 32U 32F 33U 33F 34U 34F 41U 41F D1U D1F E1U E1F E4V E5U E5F D6U AFV BHV BJK BKV D8V D9K E7V)	40Y8761	**
11	Hard disk drive, 80GB, 7200RPM, Serial ATA (models CTO A2J A3J A4J A5J A6J A7J A8J A9J AAJ ABJ ACJ ADJ AEJ B1J B2J B3J B4J B5J B6J B7K B8J B9J BAJ BBJ BCJ BDJ BEK BFK BGG 21U 21F 22K 23K 25U 25F 26U 26F 27J 28J 29J 2AJ 2BJ 2CJ 2DJ 2EJ 31K 32U 32F 33U 33F 34U 34F 41U 41F D1U D1F E1U E1F E4V E5U E5F D6U)	71P7293	**
11	Hard disk drive, 160GB, 7200RPM, Serial ATA (models CTO 2FK 35K 36K 42K 43K 44U 44F D2K D3M D4M D5M E2A E2Q E2T E2B E2K E3K BLK DAK DBM E8K E9M EAM ECM F1K G1M)	40Y8762	**
11	Hard disk drive, 160GB, 7200RPM, Serial ATA (models CTO 2FK 35K 36K 42K 43K 44U 44F D2K D3M D4M D5M E2A E2Q E2T E2B E2K E3K)	71P7297	**
11	Hard disk drive, 250GB, 7200RPM, Serial ATA (models CTO EBK EDM F2K)	71P7299	**

Item #	8168 FRUs	FRU#	CRU
12	Diskette drive, 1.44MB, 3-mode, w/o bezel (models CTO A1U A1F A2J A3J A4J A5J A6J A7J A8J A9J AAJ ABJ ACJ ADJ AEJ B1J B2J B3J B4J B5J B6J B7K B8J B9J BAJ BBJ BCJ BDJ BEK BFK BGG 21U 21F 22K 23K 24U 24F 25U 25F 26U 26F 27J 28J 29J 2AJ 2BJ 2CJ 2DJ 2EJ 2FK 31K 32U 32F 33U 33F 34U 34F 35K 36K 41U 41F 42K 43K 44U 44F D1U D1F D2K D3M D4M D5M E1U E1F E2A E2Q E2T E2B E2K E3K E4V E5U E5F E6U E6F D6U D7U)	76H4091	*
12	Diskette drive, 1.44MB, 3-mode, w/o bezel (models CTO A1U A1F A2J A3J A4J A5J A6J A7J A8J A9J AAJ ABJ ACJ ADJ AEJ B1J B2J B3J B4J B5J B6J B7K B8J B9J BAJ BBJ BCJ BDJ BEK BFK BGG 21U 21F 22K 23K 24U 24F 25U 25F 26U 26F 27J 28J 29J 2AJ 2BJ 2CJ 2DJ 2EJ 2FK 31K 32U 32F 33U 33F 34U 34F 35K 36K 41U 41F 42K 43K 44U 44F D1U D1F D2K D3M D4M D5M E1U E1F E2A E2Q E2T E2B E2K E3K E4V E5U E5F E6U E6F D6U D7U)	40Y9107	*
12	Diskette drive, 1.44MB, 3-mode, w/o bezel (models CTO A1U A1F A2J A3J A4J A5J A6J A7J A8J A9J AAJ ABJ ACJ ADJ AEJ B1J B2J B3J B4J B5J B6J B7K B8J B9J BAJ BBJ BCJ BDJ BEK BFK BGG 21U 21F 22K 23K 24U 24F 25U 25F 26U 26F 27J 28J 29J 2AJ 2BJ 2CJ 2DJ 2EJ 2FK 31K 32U 32F 33U 33F 34U 34F 35K 36K 41U 41F 42K 43K 44U 44F D1U D1F D2K D3M D4M D5M E1U E1F E2A E2Q E2T E2B E2K E3K E4V E5U E5F E6U E6F D6U D7U)	40Y9105	*
12	Diskette drive, 1.44MB, 3-mode, w/o bezel (models CTO A1U A1F A2J A3J A4J A5J A6J A7J A8J A9J AAJ ABJ ACJ ADJ AEJ B1J B2J B3J B4J B5J B6J B7K B8J B9J BAJ BBJ BCJ BDJ BEK BFK BGG 21U 21F 22K 23K 24U 24F 25U 25F 26U 26F 27J 28J 29J 2AJ 2BJ 2CJ 2DJ 2EJ 2FK 31K 32U 32F 33U 33F 34U 34F 35K 36K 41U 41F 42K 43K 44U 44F D1U D1F D2K D3M D4M D5M E1U E1F E2A E2Q E2T E2B E2K E3K E4V E5U E5F E6U E6F D6U D7U)	40Y9113	*
13	CD-ROM drive 48X (models CTO A2J B7K BEK 22K 24U 24F 25U 25F 32U 32F E4V)	40Y8929	*
13	CD-RW drive (48X/32X/48X) (models CTO A1U A1F 26U 26F)	40Y8901	*
13	CD-RW drive (48X/32X/48X) (models CTO A1U A1F 26U 26F)	40Y8937	*
13	DVD-ROM (16X/48X) - black (models CTO BGG AFV BHV BKV D8V E7V)	40Y8931	*
13	DVD-ROM (16X/48X) - black (models CTO BGG AFV BHV BKV D8V E7V)	40Y8933	*
13	CD-RW/DVD-ROM Combo drive (48X/32X/48X/16X Max) (models CTO A6J A7J A8J ACJ ADJ AEJ B4J B5J B6J BBJ BCJ BDJ BFK 21U 21F 23K 2AJ 2BJ 2CJ 2DJ 2EJ 2FK 31K 33U 33F 35K 36K 42K 43K D1U D1F D2K E1U E1F E2A E2Q E2T E2B E2K E3K D6U BJK BLK D9K DAK E8K F1K)	40Y8919	*
13	Multiburner Plus (models CTO A3J A4J A5J A9J AAJ ABJ B1J B2J B3J B8J B9J BAJ 27J 28J 29J 34U 34F 41U 41F 44U 44F D3M D4M D5M E5U E5F E6U E6F D7U DBM E9M EAM EBK ECM EDM F2K G1M)	40Y8909	*

The FRUs listed in the following table are not illustrated.

8168 FRUs	FRU#	CRU
Cable, C2 Switch (models CTO AFV BHV BJK BKV BLK D8V D9K DAK E7V E8K EBK F1K F2K)	39M0458	*
Shield, 5.25 EMC (all models)	39M0460	*
Cable, SATA (18-inch RoHs) (all models)	26K1186	*
Hard disk drive mounting bracket (all models)	39M0461	*
Cable, serial (all models)	39K5021	*
EMC shield, diskette drive (all models)	39M0464	*
Cable, diskette drive (RoHs) (all models)	26K1184	*
Fan duct Asm (all models)	39M0470	*

8168 FRUs	FRU#	CRU
Power switch/LED Asm (all models)	39M0471	**
Device retaining clips (all models)	39M0473	**
Shield, system board (all models)	39M0476	N
Miscellaneous hardware kit (all models)	39M0477	**
Cable, 1394 panel mount (all models)	39M0478	**
Heat sink Retention Module kit (all models)	39K5046	N
Cable, 2 Drop IDE (all models)	39M0516	*
Hard Disk Drive Tray w/screws (all models)	39M0491	**
Universal Adapter Bracket 5.25 to 3.5-inch (all models)	32P4743	*
Miscellaneous Screw Kit (all models)	41R2477	*
Battery, 3.0V (all models)	33F8354	*

8168 Keyboard (Preferred Pro Fullsize, PS/2, Stealth Black)	FRU#	CRU
US English (models CTO-U CTO-G BGG 24U 25U 32U D1U D3M D4M D5M D6U DBM E9M EAM ECM EDM G1M)	89P8300	*
Arabic (models CTO-G BGG)	89P8301	*
Belgian/French (models CTO-G BGG)	89P8302	*
Belgian/UK (models CTO-G BGG)	89P8303	*
Brazil/Portugese (models CTO-L)	89P8304	*
Bulgarian (models CTO-G BGG)	89P8305	*
Chinese/US (models AFV BHV BKV D8V E7V)	89P8306	*
Czech (models CTO-G BGG)	89P8307	*
Danish (models CTO-G BGG)	89P8308	*
Dutch (models CTO-G BGG)	89P8309	*
French (models CTO-G BGG)	89P8310	*
French Canadian 445 (models CTO-U 24F 25F 32F D1F)	89P8311	*
French Canadian 58 (models CTO-U 24F 25F 32F D1F)	89P8312	*
German (models CTO-G BGG)	89P8313	*
Greek (models CTO-G BGG)	89P8314	*
Hebrew (models CTO-G BGG)	89P8315	*
Hungarian (models CTO-G BGG)	89P8316	*
Iceland (models CTO-G BGG)	89P8317	*
Italian 141 (models CTO-G BGG)	89P8318	*
Italian 142 (models CTO-G BGG)	89P8319	*
Japanese (models A2J A3J A5J A6J A8J A9J ABJ AEJ B1J B3J B4J B6J B8J BAJ BBJ BDJ 27J 29J 2AJ 2CJ 2DJ 2EJ)	89P8320	*
Korean (models B7K BEK BFK 22K 23K 2FK 31K 35K 42K)	89P8321	*
LA Spanish (models CTO-L)	89P8322	*
Norwegian (models CTO-G BGG)	89P8323	*
Polish (models CTO-G BGG)	89P8324	*
Portuguese (models CTO-G BGG)	89P8325	*

<b>8168 Keyboard (Preferred Pro Fullsize, PS/2, Stealth Black)</b>	<b>FRU#</b>	<b>CRU</b>
Romanian (models CTO-G BGG)	89P8326	*
Russian/Cyrillic (models CTO-G BGG)	89P8328	*
Serbian/Cyrillic (models CTO-G BGG)	89P8329	*
Slovak (models CTO-G BGG)	89P8330	*
Spanish (models CTO-G BGG)	89P8331	*
Swedish/Finn (models CTO-G BGG)	89P8332	*
Swiss F/G (models CTO-G BGG)	89P8333	*
Thailand (models CTO-A)	89P8334	*
Turkish 440 (models CTO-G BGG)	89P8335	*
Turkish 179 (models CTO-G BGG)	89P8336	*
UK English (models CTO-G BGG)	89P8337	*
US Euro (models CTO-G BGG)	89P8338	*
Yugoslav/Latin (models CTO-G BGG)	89P8339	*

<b>8168 Keyboards (Productivity USB)</b>	<b>FRU#</b>	<b>CRU</b>
US English (models CTO-U CTO-G A1U 21U 34U E5U E6U)	89P8800	*
Arabic (models CTO-G)	89P8801	*
Arabic/French (models CTO-G)	89P8802	*
Belgian/French (models CTO-G)	89P8803	*
Belgian/UK (models CTO-G)	89P8804	*
Brazil/Portuguese (models CTO-L)	89P8805	*
Bulgarian (models CTO-G)	89P8806	*
Czech (models CTO-G)	89P8808	*
Danish (models CTO-G)	89P8809	*
Dutch (models CTO-G)	89P8810	*
French (models CTO-U)	89P8811	*
French Canadian (models CTO-U A1F 21F 34F E5F E6F)	89P8812	*
French Canadian (models CTO-U A1F 21F 34F E5F E6F)	89P8813	*
German (models CTO-G)	89P8814	*
Greek (models CTO-G)	89P8815	*
Hebrew (models CTO-G)	89P8816	*
Hungarian (models CTO-G)	89P8817	*
Iceland (models CTO-G)	89P8818	*
Italian 141 (models CTO-G)	89P8819	*
Korean (models BJK BLK D9K DAK E8K EBK F1K F2K)	89P8821	*
LA/Spanish (models CTO-L)	89P8822	*
Norwegian (models CTO-G)	89P8823	*
Polish (models CTO-G)	89P8824	*
Portuguese (models CTO-G)	89P8825	*
Romanian (models CTO-G)	89P8826	*
Romanian (models CTO-G)	89P8827	*

<b>8168 Keyboards (Productivity USB)</b>	<b>FRU#</b>	<b>CRU</b>
Russian/Cyrillic (models CTO-G)	89P8828	*
Serbian/Cyrillic (models CTO-G)	89P8829	*
Slovak (models CTO-G)	89P8830	*
Spanish (models CTO-G)	89P8831	*
Swedish/Finn (models CTO-G)	89P8832	*
Swiss F/G (models CTO-G)	89P8833	*
Thailand (models CTO-A)	89P8834	*
Turkish 440 (models CTO-G)	89P8835	*
Turkish 179 (models CTO-G)	89P8836	*

<b>8168 Keyboards (with fingerprint reader)</b>	<b>FRU#</b>	<b>CRU</b>
US English (models CTO-U CTO-G 26U 33U 41U E1U E2A E2Q D7U)	89P9000	*
Arabic (models CTO-G)	89P9001	*
Arabic/French (models CTO-G)	89P9002	*
Belgian/French (models CTO-G)	89P9003	*
Belgian/UK (models CTO-G)	89P9004	*
Brazilian Portuguese (models CTO-L)	89P9005	*
Bulgarian (models CTO-G)	89P9006	*
Chinese/US (models CTO-G E2B E4V)	89P9007	*
Czech (models CTO-G)	89P9008	*
Danish (models CTO-G)	89P9009	*
Dutch (models CTO-G)	89P9010	*
French (models CTO-G)	89P9011	*
French Canadian 445 (models CTO-U 26F 33F 41F E1F)	89P9012	*
French Canadian 58 (models CTO-U 26F 33F 41F E1F)	89P9013	*
German (models CTO-G)	89P9014	*
Greek (models CTO-G)	89P9015	*
Hebrew (models CTO-G)	89P9016	*
Hungarian (models CTO-G)	89P9017	*
Iceland (models CTO-G)	89P9018	*
Italian 141 (models CTO-G)	89P9019	*
Japanese (models A4J A7J AAJ ADJ B2J B5J B9J BCJ 28J 2BJ)	89P9020	*
Korean (models 36K 43K D2K E2K E3K)	89P9021	*
LA Spanish (models CTO-L)	89P9022	*
Norwegian (models CTO-G)	89P9023	*
Polish (models CTO-G)	89P9024	*
Portuguese (models CTO-G)	89P9025	*
Romanian (models CTO-G)	89P9026	*
Romanian (models CTO-G)	89P9027	*
Russian/Cyrillic (models CTO-G)	89P9028	*
Serbian/Cyrillic (models CTO-G)	89P9029	*

<b>8168 Keyboards (with fingerprint reader)</b>	<b>FRU#</b>	<b>CRU</b>
Slovak (models CTO-G)	89P9030	*
Spanish (models CTO-G)	89P9031	*
Swedish/Finn (models CTO-G)	89P9032	*
Swiss F/G (models CTO-G)	89P9033	*
Thailand (models CTO-A E2T)	89P9034	*
Turkish 440 (models CTO-G)	89P9035	*
Turkish 179 (models CTO-G)	89P9036	*
UK English (models CTO-G)	89P9037	*
US Euro (models CTO-G)	89P9038	*
Yugoslav/Latin (models CTO-G)	89P9039	*

<b>8168 Keyboard (Enhanced Performance, Wireless)</b>	<b>FRU#</b>	<b>CRU</b>
US English (models CTO-U CTO-G 44U)	89P8730	*
Belgian/French (models CTO-G)	89P8731	*
Belgian/UK (models CTO-G)	89P8732	*
Czech (models CTO-G)	89P8734	*
Danish (models CTO-G)	89P8735	*
Dutch (models CTO-G)	89P8736	*
French (models CTO-G)	89P8737	*
French Canadian 445 (models CTO-U 44F)	89P8738	*
French Canadian 58 (models CTO-U 44F)	89P8739	*
German (models CTO-G)	89P8740	*
Greek (models CTO-G)	89P8741	*
Hungarian (models CTO-G)	89P8742	*
Iceland (models CTO-G)	89P8743	*
Italian 141 (models CTO-G)	89P8744	*
Norwegian (models CTO-G)	89P8746	*
Polish (models CTO-G)	89P8747	*
Portuguese (models CTO-G)	89P8748	*
Slovak (models CTO-G)	89P8749	*
Spanish (models CTO-G)	89P8751	*
Swedish/Finn (models CTO-G)	89P8752	*
Swiss F/G (models CTO-G)	89P8753	*
UK English (models CTO-G)	89P8754	*
US Euro (models CTO-G)	89P8755	*
Wireless transceiver dongle (models CTO 44U 44F)	89P8757	*

<b>8168 mice</b>	<b>FRU#</b>	<b>CRU</b>
Mouse, PS/2 - 2-Button (Black) (models CTO)	41A4909	*



8168 mice	FRU#	CRU
Mouse, Scrollpoint Optical, USB (models CTO A1U A1F A2J A3J A4J A5J A6J A7J A8J A9J AAJ ABJ ACJ ADJ AEJ B1J B2J B3J B4J B5J B6J B7K B8J B9J BAJ BBJ BCJ BDJ BEK BFK BGG 21U 21F 22K 23K 24U 24F 25U 25F 26U 26F 27J 28J 29J 2AJ 2BJ 2CJ 2DJ 2EJ 2FK 31K 32U 32F 33U 33F 34U 34F 35K 36K 41U 41F 42K 43K 44U 44F D1U D1F D2K D3M D4M D5M E1U E1F E2A E2Q E2T E2B E2K E3K C1U C2U C3U C4U C5U C6U E4V E5U E5F E6U E6F D6U D7U AFV BHV BJK BKV BLK D8V D9K DAK DBM E7V E8K E9M EAM EBK ECM EDM F1K F2K G1M)	41A4933	*
Mouse, Optical Wheelmouse, USB (models CTO)	41A4935	*

8168 Adapters and miscellaneous FRU	FRU#	CRU
Soft Modem V.90/V.44 (models CTO A1U A1F 21U 21F 24U 24F 26U 26F 32U 32F 34U 34F 41U 41F 44U 44F E5U E5F E6U E6F)	29R9729	*
Nvidia GeForce 6200 P262 w/NV44 (models CTO 2FK 34U 34F 35K 36K 42K 43K D2K D4M E5U E5F EAM)	39J6213	*
128MB DDR ATI Radeon x300SE (DMS59 connector) (models CTO D9K DAK DBM E8K EBK ECM EDM F1K F2K G1M)	39J9635	*
128MB DDR ATI RADEON X700 PRO VGA, DVI-I, TV-Out PCI-e BTX (models CTO A3J A4J A5J A6J A7J A8J A9J AAJ ABJ ACJ ADJ AEJ B1J B2J B3J B4J B5J B6J B8J B9J BAJ BBJ BCJ BDJ 27J 28J 29J 2AJ 2BJ 2CJ 2DJ 2EJ 44F D5M E2A E2Q E2T E2B E2K E3K E6U E6F D6U D7U)	39J6203	*
PCI-E DVI-DConnection Adapter (ADD 2-R) (Full Height) (models CTO BGG)	39J9334	*
1394 Firewire PCI LP (ATX) (models CTO A5J A8J ABJ AEJ B3J B6J BAJ BDJ 2DJ 2EJ D4M D5M D7U)	41D2781	*
Speakers, Jazz Infinity Active T1 (Black) (models CTO A1U A1F B7K BEK BFK 21U 21F 22K 23K 24U 24F 26U 26F 2FK 31K 34U 34F 35K 36K 42K 43K 44U 44F D2K E2A E2Q E2T E2B E2K E3K E5U E5F E6U E6F D6U D7U)	89P8588	*
Speaker Power brick - US, Canada, LA (low voltage), Taiwan, Phillipines, Thailand (models CTO-U CTO-L CTO-A A1U A1F 21U 21F 24U 24F 26U 26F 34U 34F 44U 44F E2T E5U E5F E6U E6F D6U D7U)	10K2587	*
Speaker Power brick - UK, Hong Kong (British version), ASEAN (models CTO-A)	25P5703	*
Speaker Power brick - Europe and LA (models CTO-G CTO-L)	25P5704	*
Speaker Power brick (newer 2 prong) - China, Thailand, Phillipines (models CTO-A E2B)	10K2597	*
Speaker Power brick - ANZ (models CTO-A E2A)	25P5705	*
Speaker Power brick - Brazil (models CTO-L)	25P5706	*
Speaker Power brick - India, South Africa (models CTO-A CTO-G E2Q)	32P3181	*
Speaker Power brick - Argentina (models CTO-L)	01R2253	*
RJ11 connector adapter (Spain, Ireland) (All "G" models)	60H6043	*
RJ11 connector adapter (Austria) (All "G" models)	60H6045	*
RJ11 connector adapter (Belgium) (All "G" models)	60H6046	*
RJ11 connector adapter (Denmark) (All "G" models)	60H6047	*
RJ11 connector adapter (Norway, Finland) (All "G" models)	60H6048	*
RJ11 connector adapter (France) (All "G" models)	60H6049	*
RJ11 connector adapter (Germany) (All "G" models)	60H6050	*
RJ11 connector adapter (UK, NZ, HK) (All "G", "M", "B", "H" models)	60H6051	*
RJ11 connector adapter (Italy) (All "G" models)	60H6052	*
RJ11 connector adapter (Netherlands) (All "G" models)	60H6053	*



8168 Adapters and miscellaneous FRU	FRU#	CRU
RJ11 connector adapter (Sweden) (All "G" models)	60H6054	*
RJ11 connector adapter (Switzerland) (All "G" models)	60H6055	*

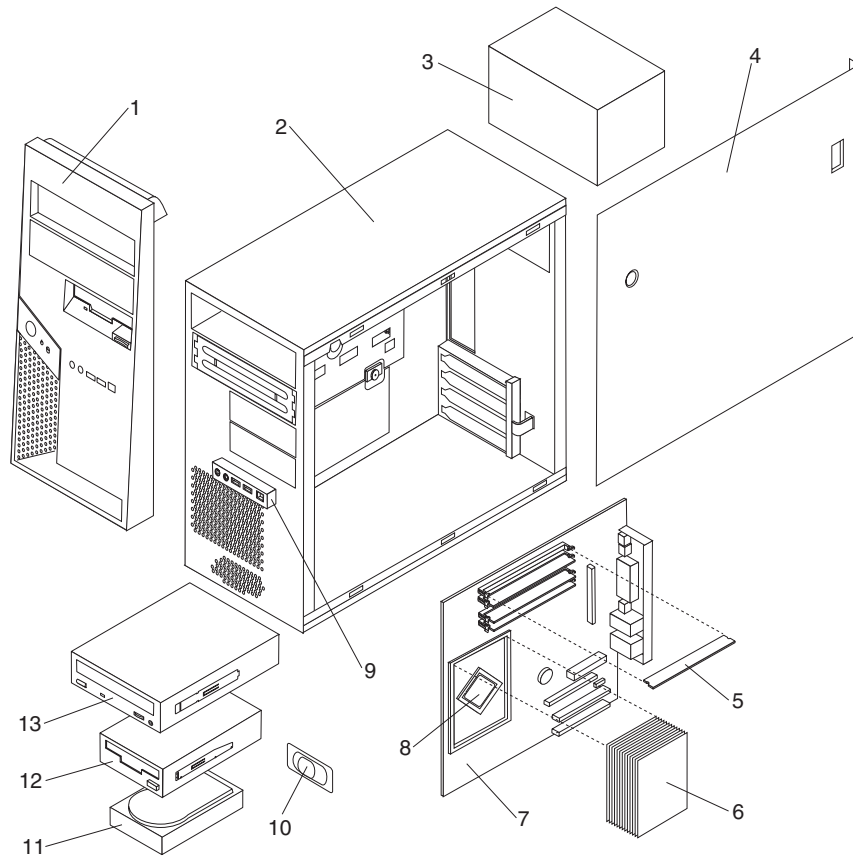
8168 Power Cords	FRU#	CRU
Power cord - US (models A1U A1F 21U 21F 24U 24F 25U 25F 26U 26F 32U 32F 33U 33F 34U 34F 41U 41F 44U 44F D1U D1F E1U E1F E2A E2T C1U C2U C3U C4U C5U C6U E5U E5F E6U E6F D6U D7U)	39M5080	*
Power cord - Japan (models A2J A3J A4J A5J A6J A7J A8J A9J AAJ ABJ ACJ ADJ AEJ B1J B2J B3J B4J B5J B6J B8J B9J BAJ BBJ BCJ BDJ 27J 28J 29J 2AJ 2BJ 2CJ 2DJ 2EJ C7J C8J CAJ CBJ CCJ CDJ CEJ)	39M5193	*
Power cord - Australia/New Zealand (models D3M D4M D5M DBM E9M EAM ECM EDM G1M)	39M5102	*
Power cord - Korea (models B7K BEK BFK 22K 23K 2FK 31K 35K 36K 42K 43K D2K E2K E3K BJK BLK D9K DAK E8K EBK F1K F2K)	39M5212	*
Power cord - Hong Kong (models E2B)	39M5151	*
Power cord - UK, Ireland, Singapore, Malaysia, Brunei (models BGG E2A)	39M5150	*
Power cord - Taiwan (models E4V AFV BHV BKV D8V E7V)	39M5246	*
Power cord - Italy (models BGG)	39M5164	*
Power cord - G models (models BGG E2A)	39M5122	*
Power cord - Denmark (models BGG)	39M5129	*
Power cord - Switzerland (models BGG)	39M5157	*
Power cord - Israel (models BGG)	39M5171	*
Power cord - South Africa (models BGG D3M D4M D5M E2A DBM E9M EAM ECM EDM G1M)	39M5143	*
Power cord - India (models E2Q)	41R3175	*

8168 Windows XP Home Recovery CDs	FRU #	CRU
US/UK/AP/TH (models A1U 21U 24U 26U 32U 34U 44U E2A E2Q E2T E5U E6U)	41D1584	*
FR/CF (models A1F 21F 24F 26F 32F 34F 44F E5F E6F)	41T3240	*
Hong Kong - TC (models E2B)	41W2645	*
Korean (models B7K BEK BFK 22K 23K 2FK 31K 35K 42K D2K E2K BJK BLK D9K DAK E8K EBK F1K F2K)	41W2624	*
Japanese (models A2J A5J A8J ABJ AEJ B3J B6J BAJ BDJ 2DJ 2EJ)	41W2652	*

8168 Windows XP Pro Recovery CDs	FRU#	CRU
US/UK/AP/TH (models BGG 25U 33U 41U D1U D3M D4M D5M E1U D6U D7U DBM E9M EAM ECM EDM G1M)	41T1577	*
FR/CF (models BGG 25F 33F 41F D1F E1F)	41T3198	*
GR (models BGG)	41T3199	*
SP/LA (models BGG)	41T3200	*
IT (models BGG)	41T3201	*
SV (models BGG)	41T3203	*
DK (models BGG)	41T3204	*

8168 Windows XP Pro Recovery CDs	FRU#	CRU
FI (models BGG)	41T4264	*
NO (models BGG)	39J9646	*
NL (models BGG)	41T4266	*
HE (models BGG)	41T4267	*
PL (models BGG)	41T4268	*
CZ (models BGG)	41T4269	*
AE (models BGG)	41T4270	*
RU (models BGG)	41T4271	*
RU English (models BGG)	41T4835	*
TR (models BGG)	41T4836	*
HU (models BGG)	41T4837	*
PO (models BGG)	41T4838	*
GK (models BGG)	41T4839	*
SL (models BGG)	41T4840	*
Taiwan-TC (models E4V AFV BHV BKV D8V E7V)	41W2603	*
Korea (models 36K 43K E3K)	41W2589	*
Multilingual 1 (models CTO-G BGG)	41T3282	*
Multilingual 2 (models CTO-G BGG)	41T4280	*

# Machine Type 8169



Item #	8169 FRUs	FRU#	CRU
1	Bezel Asm (all models)	41A7807	*
2	Chassis Asm (all models)	41A7808	N
3	Power supply, 310 W, standard (models CTO 41G E1A E1T)	24R2596	**
3	Power supply, 310 W (models CTO-A CTO-L E1Q A1V B1V B2V D1V E2V)	24R2598	**
4	Cover (all models)	39M0465	*
5	Memory module, 256MB, DDR2 SDRAM, NP (PC 4200) (models CTO 41G A1V B1V B2V D1V E2V)	30R5120	*
5	Memory module, 512MB, DDR2 SDRAM, NP (PC 4200) (models CTO E1A E1Q E1T)	30R5121	*
5	Memory module, 1GB, DDR2 SDRAM, NP (PC 4200) (models CTO)	30R5122	*
5	Memory module, 2GB, DDR2 SDRAM, NP (PC 4200) (models CTO)	30R5123	*
5	Memory module, 256MB, DDR2 SDRAM, NP (PC 5300) (models CTO)	30R5124	*
5	Memory module, 512MB, DDR2 SDRAM, NP (PC 5300) (models CTO)	30R5125	*
5	Memory module, 1GB, DDR2 SDRAM, NP (PC 5300) (models CTO)	30R5126	*
5	Memory module, 2GB, DDR2 SDRAM, NP (PC 5300) (models CTO)	30R5127	*
6	Heat sink (models 41G E1A E1Q E1T)	39M0538	**
7	System board, 10/1000 Enet (models CTO A1V B1V B2V)	29R9726	N
7	System board, DDR2 BTX Planar (10/1000, POV down, NON-AMT) (models CTO 41G E1A E1Q E1T A1V B1V B2V D1V E2V)	41X0436	N

Item #	8169 FRUs	FRU#	CRU
7	System board, DDR2 BTX Planar (10/1000, POV down, AMT enabled) (models CTO)	29R9727	N
7	System board, DDR2 BTX Planar (10/1000, POV down, AMT enabled) (models CTO)	41X0438	N
8	Microprocessor, Celeron 2.53GHz, 533 FSB, 256KB L2 (models CTO)	39J7016	**
8	Microprocessor, Celeron 2.66GHz, 533 FSB, 256KB L2 (models CTO)	39J7017	**
8	Microprocessor, Celeron 2.80GHz, 533 FSB, 256KB L2 (models CTO A1V)	39J7018	**
8	Microprocessor, Celeron 2.93GHz, 533 FSB, 256KB L2 (models CTO B1V)	39J7019	**
8	Microprocessor, Celeron 3.06GHz, 533 FSB, 256KB L2 (models CTO B2V)	39J7020	**
8	Microprocessor, Celeron 3.20GHz, 533 FSB, 256KB L2 (models CTO)	39J9696	**
8	Microprocessor, 3.33GHz Celeron Prescott 355 (533MHz FSB, 256KB Cache) G1-Value (models CTO)	41T1134	**
8	Microprocessor, Celeron 3.20Ghz Cedar Mill (533MHz FSB, 512KB Cache) B1-Value (models CTO)	41T4966	**
8	Microprocessor, Celeron 3.33Ghz Cedar Mill (533MHz FSB, 512KB Cache) B1-Value (models CTO)	41T4968	**
8	Microprocessor, Pentium 4 2.93GHz, 533 FSB, 1MB L2 (models CTO)	39J9625	**
8	Microprocessor, Pentium 4 2.66GHz, 533 FSB, 1MB L2 (models CTO)	41D0690	**
8	Microprocessor, Pentium 4 2.93GHz, 533 FSB, 1MB L2 (models CTO)	41D0692	**
8	Microprocessor, Pentium 4 3.06GHz, 533 FSB, 1MB L2 (models CTO)	41D0694	**
8	Microprocessor, Pentium 4 2.8GHz, 800 FSB, 1MB L2 (models CTO)	39J7021	**
8	Microprocessor, Pentium 4 3.0GHz, 800 FSB, 1MB L2 (models CTO)	39J7022	**
8	Microprocessor, Pentium 4 3.2GHz, 800 FSB, 1MB L2 (models CTO)	39J7023	**
8	Microprocessor, Pentium 4 3.4GHz, 800 FSB, 1MB L2 (models CTO)	39J7024	**
8	Microprocessor, Pentium 4 3.0GHz, 800 FSB, 2MB L2 (models CTO D1V)	39J7025	**
8	Microprocessor, Pentium 4 3.2GHz, 800 FSB, 2MB L2 (models CTO E1A E1Q E1T E2V)	39J7026	**
8	Microprocessor, Pentium 4 3.4GHz, 800 FSB, 2MB L2 (models CTO 41G)	39J7027	**
8	Microprocessor, Smithfield Pentium 4 2.8.4GHz, 800 FSB, 1MB L2 (models CTO)	39J8469	**
8	Microprocessor, 3.0GHz Cedar Mill P4 (800MHz FSB, 2MB Cache) B0-Value (models CTO)	41D5054	**
8	Microprocessor, 3.2 GHz Cedar Mill P4 (800MHz FSB, 2MB Cache) B0-Value (models CTO)	41D5056	**
8	Microprocessor, 3.4 GHz Cedar Mill P4 (800MHz FSB, 2MB Cache) B0-Value (models CTO)	41D5058	**
8	Microprocessor, 3.6 GHz Cedar Mill P4 (800MHz FSB, 2MB Cache) B0-Value (models CTO)	41D5060	**
8	Microprocessor, 2.8GHz Presler P4 (800MHz FSB, 2MBx2 Cache) B0-Value (models CTO)	41D5062	**
8	Microprocessor, 3.0GHz Presler P4 (800MHz FSB, 2MBx2 Cache) B0-Value (models CTO)	41D5064	**
9	Front panel card Asm (all models)	26K1183	**
10	Speaker Asm, Soldered Terminals (models CTO A1V B1V B2V D1V E2V)	39P5023	**
11	Hard disk drive, 40GB, 7200RPM, Serial ATA (models CTO)	40Y8760	**

Item #	8169 FRUs	FRU#	CRU
11	Hard disk drive, 40GB, 7200RPM, Serial ATA (models CTO)	40Y9033	**
11	Hard disk drive, 40GB, 7200RPM, Serial ATA (models CTO)	71P7312	**
11	Hard disk drive, 80GB, 7200RPM, Serial ATA (models CTO A1V B1V B2V D1V E2V)	40Y8761	**
11	Hard disk drive, 80GB, 7200RPM, Serial ATA (models CTO)	71P7293	**
11	Hard disk drive, 160GB, 7200RPM, Serial ATA (models CTO 41G E1A E1Q E1T)	40Y8762	**
11	Hard disk drive, 160GB, 7200RPM, Serial ATA (models CTO 41G E1A E1Q E1T)	71P7297	**
11	Hard disk drive, 250GB, 7200RPM, Serial ATA (models CTO)	71P7299	**
12	Diskette drive, 1.44MB, 3-mode, w/o bezel (models CTO 41G E1A E1Q E1T)	40Y9107	*
12	Diskette drive, 1.44MB, 3-mode, w/o bezel (models CTO 41G E1A E1Q E1T)	76H4091	*
12	Diskette drive, 1.44MB, 3-mode, w/o bezel (models CTO 41G E1A E1Q E1T)	40Y9105	*
12	Diskette drive, 1.44MB, 3-mode, w/o bezel (models CTO 41G E1A E1Q E1T)	40Y9113	*
13	CD-ROM drive 48X (models CTO)	40Y8925	*
13	CD-ROM drive 48X (models CTO)	40Y8929	*
13	CD-RW drive (48X/32X/48X) (models CTO)	40Y8901	*
13	CD-RW drive (48X/32X/48X) (models CTO)	40Y8937	*
13	DVD-ROM (16X/48X) - black (models CTO A1V B1V B2V D1V E2V)	40Y8931	*
13	DVD-ROM (16X/48X) - black (models CTO A1V B1V B2V D1V E2V)	40Y8933	*
13	CD-RW/DVD-ROM Combo drive (48X/32X/48X/16X Max) (models CTO 41G E1A E1Q E1T)	40Y8781	*
13	CD-RW/DVD-ROM Combo drive (48X/32X/48X/16X Max) (models CTO 41G E1A E1Q E1T)	40Y8919	*
13	CD-RW/DVD-ROM Combo drive (48X/32X/48X/16X Max) (models CTO 41G E1A E1Q E1T)	40Y8903	*
13	Multiburner Plus (models CTO)	40Y8909	*

The FRUs listed in the following table are not illustrated.

8169 FRUs	FRU#	CRU
Cable, C2 Switch (models CTO A1V B1V B2V D1V E2V)	39M0458	*
Shield, 5.25 EMC (all models)	39M0460	*
Cable, SATA (18-inch RoHs) (all models)	26K1186	*
Hard disk drive mounting bracket (all models)	39M0461	*
Cable, serial (all models)	39K5021	*
EMC shield, diskette drive (all models)	39M0464	*
Cable, diskette drive (RoHs) (all models)	26K1184	*
Fan duct Asm (all models)	39M0470	*
Power switch/LED Asm (all models)	39M0471	**
Device retaining clips (all models)	39M0473	**
Shield, system board (all models)	39M0476	N
Miscellaneous hardware kit (all models)	39M0477	**
Cable, 1394 panel mount (all models)	39M0478	**

8169 FRUs	FRU#	CRU
Heat sink Retention Module kit (all models)	39K5046	N
Cable, 2 Drop IDE (all models)	39M0516	*
Hard Disk Drive Tray w/screws (all models)	39M0491	**
Universal Adapter Bracket 5.25 to 3.5-inch (all models)	32P4743	*
Miscellaneous Screw Kit (all models)	41R2477	*
Battery, 3.0V (all models)	33F8354	*

8169 Keyboard (Preferred Pro Fullsize, PS/2, Stealth Black)	FRU#	CRU
US English (models CTO-U CTO-G E1A E1Q)	89P8300	*
Arabic (models CTO-G)	89P8301	*
Belgian/French (models CTO-G)	89P8302	*
Belgian/UK (models CTO-G)	89P8303	*
Brazil/Portugese (models CTO-L)	89P8304	*
Bulgarian (models CTO-G)	89P8305	*
Chinese/US (models A1V B1V B2V D1V E2V)	89P8306	*
Czech (models CTO-G)	89P8307	*
Danish (models CTO-G)	89P8308	*
Dutch (models CTO-G)	89P8309	*
French (models CTO-G)	89P8310	*
French Canadian 445 (models CTO-U)	89P8311	*
French Canadian 58 (models CTO-U)	89P8312	*
German (models CTO-G)	89P8313	*
Greek (models CTO-G)	89P8314	*
Hebrew (models CTO-G)	89P8315	*
Hungarian (models CTO-G)	89P8316	*
Iceland (models CTO-G)	89P8317	*
Italian 141 (models CTO-G)	89P8318	*
Italian 142 (models CTO-G)	89P8319	*
LA Spanish (models CTO-L)	89P8322	*
Norwegian (models CTO-G)	89P8323	*
Polish (models CTO-G)	89P8324	*
Portuguese (models CTO-G)	89P8325	*
Romanian (models CTO-G)	89P8326	*
Russian/Cyrillic (models CTO-G)	89P8328	*
Serbian/Cyrillic (models CTO-G)	89P8329	*
Slovak (models CTO-G)	89P8330	*
Spanish (models CTO-G)	89P8331	*
Swedish/Finn (models CTO-G)	89P8332	*
Swiss F/G (models CTO-G)	89P8333	*
Thailand (models CTO-A E1T)	89P8334	*
Turkish 440 (models CTO-G)	89P8335	*

<b>8169 Keyboard (Preferred Pro Fullsize, PS/2, Stealth Black)</b>	<b>FRU#</b>	<b>CRU</b>
Turkish 179 (models CTO-G)	89P8336	*
UK English (models CTO-G)	89P8337	*
US Euro (models CTO-G)	89P8338	*
Yugoslav/Latin (models CTO-G)	89P8339	*

<b>8169 Keyboards (with fingerprint reader)</b>	<b>FRU#</b>	<b>CRU</b>
US English (models CTO-U CTO-G 41G)	89P9000	*
Arabic (models CTO-G 41G)	89P9001	*
Arabic/French (models CTO-G 41G)	89P9002	*
Belgian/French (models CTO-G 41G)	89P9003	*
Belgian/UK (models CTO-G 41G)	89P9004	*
Brazilian Portuguese (models CTO-L)	89P9005	*
Bulgarian (models CTO-G 41G)	89P9006	*
Czech (models CTO-G 41G)	89P9008	*
Danish (models CTO-G 41G)	89P9009	*
Dutch (models CTO-G 41G)	89P9010	*
French (models CTO-G 41G)	89P9011	*
French Canadian 445 (models CTO-U)	89P9012	*
French Canadian 58 (models CTO-U)	89P9013	*
German (models CTO-G 41G)	89P9014	*
Greek (models CTO-G 41G)	89P9015	*
Hebrew (models CTO-G 41G)	89P9016	*
Hungarian (models CTO-G 41G)	89P9017	*
Iceland (models CTO-G 41G)	89P9018	*
Italian 141 (models CTO-G 41G)	89P9019	*
LA Spanish (models CTO-L)	89P9022	*
Norwegian (models CTO-G 41G)	89P9023	*
Polish (models CTO-G 41G)	89P9024	*
Portuguese (models CTO-G 41G)	89P9025	*
Romanian (models CTO-G 41G)	89P9026	*
Romanian (models CTO-G 41G)	89P9027	*
Russian/Cyrillic (models CTO-G 41G)	89P9028	*
Serbian/Cyrillic (models CTO-G 41G)	89P9029	*
Slovak (models CTO-G 41G)	89P9030	*
Spanish (models CTO-G 41G)	89P9031	*
Swedish/Finn (models CTO-G 41G)	89P9032	*
Swiss F/G (models CTO-G 41G)	89P9033	*
Thailand (models CTO-A)	89P9034	*
Turkish 440 (models CTO-G 41G)	89P9035	*
Turkish 179 (models CTO-G 41G)	89P9036	*
UK English (models CTO-G 41G)	89P9037	*



<b>8169 Keyboards (with fingerprint reader)</b>	<b>FRU#</b>	<b>CRU</b>
US Euro (models CTO-G 41G)	89P9038	*
Yugoslav/Latin (models CTO-G 41G)	89P9039	*

<b>8169 mice</b>	<b>FRU#</b>	<b>CRU</b>
Mouse, PS/2 - 2-Button (Black) (models CTO)	41A4909	*
Mouse, Scrollpoint Optical, USB (models CTO 41G E1A E1Q E1T A1V B1V B2V D1V E2V)	41A4933	*
Mouse, Optical Wheelmouse, USB (models CTO)	41A4935	*

<b>8169 Adapters and miscellaneous FRU</b>	<b>FRU#</b>	<b>CRU</b>
Soft Modem V.90/V.44 (models CTO)	29R9729	*
Nvidia GeForce 6200 P262 w/NV44 (models CTO 41G)	39J6213	*
128MB DDR ATI Radeon x300SE (DMS59 connector) (models CTO)	39J9635	*
128MB DDR ATI RADEON X700 PRO VGA, DVI-I, TV-Out PCI-e BTX (models CTO E1A E1Q E1T)	39J6203	*
PCI-E DVI-DConnection Adapter (ADD 2-R) (Full Height) (models CTO)	39J9334	*
1394 Firewire PCI LP (ATX) (models CTO)	41D2781	*
Speakers, Jazz Infinity Active T1 (Black) (models CTO E1A E1Q E1T)	89P8588	*
Speaker Power brick - US, Canada, LA (low voltage), Taiwan, Phillipines, Thailand (models CTO-U CTO-L CTO-A E1T)	10K2587	*
Speaker Power brick - UK, Hong Kong (British version), ASEAN (models CTO-A)	25P5703	*
Speaker Power brick - Europe and LA (models CTO-G CTO-L)	25P5704	*
Speaker Power brick (newer 2 prong) - China, Thailand, Phillipines (models CTO-A)	10K2597	*
Speaker Power brick - ANZ (models CTO-A E1A)	25P5705	*
Speaker Power brick - Brazil (models CTO-L)	25P5706	*
Speaker Power brick - India, South Africa (models CTO-A CTO-G E1Q)	32P3181	*
Speaker Power brick - Argentina (models CTO-L)	01R2253	*
RJ11 connector adapter (Spain, Ireland) (All "G" models)	60H6043	*
RJ11 connector adapter (Austria) (All "G" models)	60H6045	*
RJ11 connector adapter (Belgium) (All "G" models)	60H6046	*
RJ11 connector adapter (Denmark) (All "G" models)	60H6047	*
RJ11 connector adapter (Norway, Finland) (All "G" models)	60H6048	*
RJ11 connector adapter (France) (All "G" models)	60H6049	*
RJ11 connector adapter (Germany) (All "G" models)	60H6050	*
RJ11 connector adapter (UK, NZ, HK) (All "G", "M", "B", "H" models)	60H6051	*
RJ11 connector adapter (Italy) (All "G" models)	60H6052	*
RJ11 connector adapter (Netherlands) (All "G" models)	60H6053	*
RJ11 connector adapter (Sweden) (All "G" models)	60H6054	*
RJ11 connector adapter (Switzerland) (All "G" models)	60H6055	*

<b>8169 Power Cords</b>	<b>FRU#</b>	<b>CRU</b>
Power cord - US (models E1A E1T)	39M5080	*

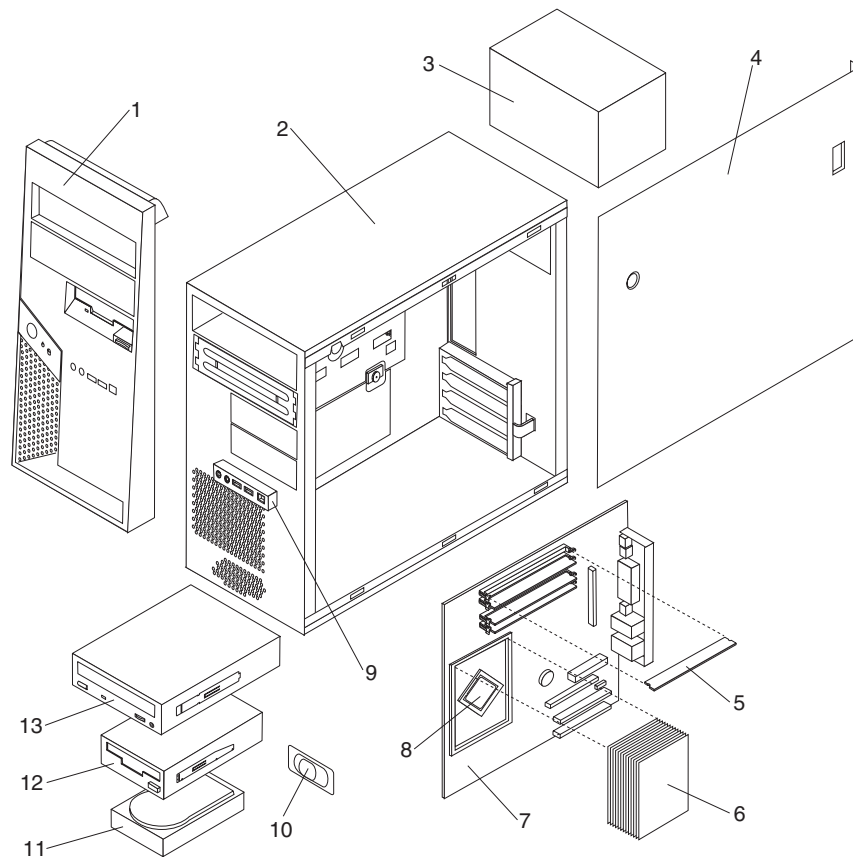


<b>8169 Power Cords</b>	<b>FRU#</b>	<b>CRU</b>
Power cord - UK, Ireland, Singapore, Malaysia, Brunei (models 41G E1A)	39M5150	*
Power cord - Taiwan (models A1V B1V B2V D1V E2V)	39M5246	*
Power cord - Italy (models 41G)	39M5164	*
Power cord - G models (models 41G E1A)	39M5122	*
Power cord - Denmark (models 41G)	39M5129	*
Power cord - Switzerland (models 41G)	39M5157	*
Power cord - Israel (models 41G)	39M5171	*
Power cord - South Africa (models 41G E1A)	39M5143	*
Power cord - India (models E1Q)	41R3175	*

<b>8169 Windows XP Home Recovery CDs</b>	<b>FRU #</b>	<b>CRU</b>
US/UK/AP/TH (models E1A E1Q E1T)	41D1584	*

<b>8169 Windows XP Pro Recovery CDs</b>	<b>FRU#</b>	<b>CRU</b>
US/UK/AP/TH (models 41G)	41T1577	*
FR/CF (models 41G)	41T3198	*
GR (models 41G)	41T3199	*
SP/LA (models 41G)	41T3200	*
IT (models 41G)	41T3201	*
SV (models 41G)	41T3203	*
DK (models 41G)	41T3204	*
FI (models 41G)	41T4264	*
NO (models 41G)	39J9646	*
NL (models 41G)	41T4266	*
HE (models 41G)	41T4267	*
PL (models 41G)	41T4268	*
CZ (models 41G)	41T4269	*
AE (models 41G)	41T4270	*
RU (models 41G)	41T4271	*
RU English (models 41G)	41T4835	*
TR (models 41G)	41T4836	*
HU (models 41G)	41T4837	*
PO (models 41G)	41T4838	*
GK (models 41G)	41T4839	*
SL (models 41G)	41T4840	*
Taiwan-TC (models A1V B1V B2V D1V E2V)	41W2603	*
Multilingual 1 (models CTO-G 41G)	41T3282	*
Multilingual 2 (models CTO-G 41G)	41T4280	*

# Machine Type 8170



Item #	8170 FRUs	FRU#	CRU
1	Bezel Asm (all models)	41A7807	*
2	Chassis Asm (all models)	41A7808	N
3	Power supply, 310 W, standard (models CTO A1K A2K 21K 41G F1K)	24R2596	**
3	Power supply, 310 W (models CTO-A CTO-L D1V E1V)	24R2598	**
4	Cover (all models)	39M0465	*
5	Memory module, 256MB, DDR2 SDRAM, NP (PC 4200) (models CTO A1K A2K 21K 41G D1V E1V)	30R5120	*
5	Memory module, 512MB, DDR2 SDRAM, NP (PC 4200) (models CTO)	30R5121	*
5	Memory module, 1GB, DDR2 SDRAM, NP (PC 4200) (models CTO)	30R5122	*
5	Memory module, 2GB, DDR2 SDRAM, NP (PC 4200) (models CTO)	30R5123	*
5	Memory module, 256MB, DDR2 SDRAM, NP (PC 5300) (models CTO)	30R5124	*
5	Memory module, 512MB, DDR2 SDRAM, NP (PC 5300) (models CTO F1K)	30R5125	*
5	Memory module, 1GB, DDR2 SDRAM, NP (PC 5300) (models CTO)	30R5126	*
5	Memory module, 2GB, DDR2 SDRAM, NP (PC 5300) (models CTO)	30R5127	*
6	Heat sink (models A1K A2K 21K 41G)	39M0538	**
7	System board, 10/1000 Enet (models CTO A1K A2K 21K)	29R9726	N
7	System board, DDR2 BTX Planar (10/1000, POV down, NON-AMT) (models CTO A1K A2K 21K 41G D1V E1V F1K)	41X0436	N

Item #	8170 FRUs	FRU#	CRU
7	System board, DDR2 BTX Planar (10/1000, POV down, AMT enabled) (models CTO)	29R9727	N
7	System board, DDR2 BTX Planar (10/1000, POV down, AMT enabled) (models CTO)	41X0438	N
8	Microprocessor, Celeron 2.53GHz, 533 FSB, 256KB L2 (models CTO)	39J7016	**
8	Microprocessor, Celeron 2.66GHz, 533 FSB, 256KB L2 (models CTO)	39J7017	**
8	Microprocessor, Celeron 2.80GHz, 533 FSB, 256KB L2 (models CTO)	39J7018	**
8	Microprocessor, Celeron 2.93GHz, 533 FSB, 256KB L2 (models CTO A1K)	39J7019	**
8	Microprocessor, Celeron 3.06GHz, 533 FSB, 256KB L2 (models CTO A2K)	39J7020	**
8	Microprocessor, Celeron 3.20GHz, 533 FSB, 256KB L2 (models CTO)	39J9696	**
8	Microprocessor, 3.33GHz Celeron Prescott 355 (533MHz FSB, 256KB Cache) G1-Value (models CTO)	41T1134	**
8	Microprocessor, Celeron 3.20Ghz Cedar Mill (533MHz FSB, 512KB Cache) B1-Value (models CTO)	41T4966	**
8	Microprocessor, Celeron 3.33Ghz Cedar Mill (533MHz FSB, 512KB Cache) B1-Value (models CTO)	41T4968	**
8	Microprocessor, Pentium 4 2.93GHz, 533 FSB, 1MB L2 (models CTO)	39J9625	**
8	Microprocessor, Pentium 4 2.66GHz, 533 FSB, 1MB L2 (models CTO)	41D0690	**
8	Microprocessor, Pentium 4 2.93GHz, 533 FSB, 1MB L2 (models CTO)	41D0692	**
8	Microprocessor, Pentium 4 3.06GHz, 533 FSB, 1MB L2 (models CTO)	41D0694	**
8	Microprocessor, Pentium 4 2.8GHz, 800 FSB, 1MB L2 (models CTO)	39J7021	**
8	Microprocessor, Pentium 4 3.0GHz, 800 FSB, 1MB L2 (models CTO 21K)	39J7022	**
8	Microprocessor, Pentium 4 3.2GHz, 800 FSB, 1MB L2 (models CTO)	39J7023	**
8	Microprocessor, Pentium 4 3.4GHz, 800 FSB, 1MB L2 (models CTO)	39J7024	**
8	Microprocessor, Pentium 4 3.0GHz, 800 FSB, 2MB L2 (models CTO D1V)	39J7025	**
8	Microprocessor, Pentium 4 3.2GHz, 800 FSB, 2MB L2 (models CTO E1V)	39J7026	**
8	Microprocessor, Pentium 4 3.4GHz, 800 FSB, 2MB L2 (models CTO 41G F1K)	39J7027	**
8	Microprocessor, Smithfield Pentium 4 2.8.4GHz, 800 FSB, 1MB L2 (models CTO)	39J8469	**
8	Microprocessor, 3.0GHz Cedar Mill P4 (800MHz FSB, 2MB Cache) B0-Value (models CTO)	41D5054	**
8	Microprocessor, 3.2 GHz Cedar Mill P4 (800MHz FSB, 2MB Cache) B0-Value (models CTO)	41D5056	**
8	Microprocessor, 3.4 GHz Cedar Mill P4 (800MHz FSB, 2MB Cache) B0-Value (models CTO)	41D5058	**
8	Microprocessor, 3.6 GHz Cedar Mill P4 (800MHz FSB, 2MB Cache) B0-Value (models CTO)	41D5060	**
8	Microprocessor, 2.8GHz Presler P4 (800MHz FSB, 2MBx2 Cache) B0-Value (models CTO)	41D5062	**
8	Microprocessor, 3.0GHz Presler P4 (800MHz FSB, 2MBx2 Cache) B0-Value (models CTO)	41D5064	**
9	Front panel card Asm (all models)	26K1183	**
10	Speaker Asm, Soldered Terminals (models CTO 41G D1V E1V F1K)	39P5023	**
11	Hard disk drive, 40GB, 7200RPM, Serial ATA (models CTO)	40Y8760	**
11	Hard disk drive, 40GB, 7200RPM, Serial ATA (models CTO)	40Y9033	**

Item #	8170 FRUs	FRU#	CRU
11	Hard disk drive, 40GB, 7200RPM, Serial ATA (models CTO)	71P7312	**
11	Hard disk drive, 80GB, 7200RPM, Serial ATA (models CTO A1K A2K 21K D1V E1V)	40Y8761	**
11	Hard disk drive, 80GB, 7200RPM, Serial ATA (models CTO A1K A2K 21K)	71P7293	**
11	Hard disk drive, 160GB, 7200RPM, Serial ATA (models CTO 41G F1K)	40Y8762	**
11	Hard disk drive, 160GB, 7200RPM, Serial ATA (models CTO 41G)	71P7297	**
11	Hard disk drive, 250GB, 7200RPM, Serial ATA (models CTO)	71P7299	**
12	Diskette drive, 1.44MB, 3-mode, w/o bezel (models CTO A1K A2K 21K 41G)	40Y9107	*
12	Diskette drive, 1.44MB, 3-mode, w/o bezel (models CTO A1K A2K 21K 41G)	76H4091	*
12	Diskette drive, 1.44MB, 3-mode, w/o bezel (models CTO A1K A2K 21K 41G)	40Y9105	*
12	Diskette drive, 1.44MB, 3-mode, w/o bezel (models CTO A1K A2K 21K 41G)	40Y9113	*
13	CD-ROM drive 48X (models CTO A1K)	40Y8929	*
13	CD-RW drive (48X/32X/48X) (models CTO)	40Y8901	*
13	CD-RW drive (48X/32X/48X) (models CTO)	40Y8937	*
13	DVD-ROM (16X/48X) - black (models CTO D1V E1V)	40Y8931	*
13	DVD-ROM (16X/48X) - black (models CTO D1V E1V)	40Y8933	*
13	CD-RW/DVD-ROM Combo drive (48X/32X/48X/16X Max) (models CTO A2K 21K F1K)	40Y8919	*
13	Multiburner Plus (models CTO 41G)	40Y8909	*

The FRUs listed in the following table are not illustrated.

8170 FRUs	FRU#	CRU
Cable, C2 Switch (models CTO 41G D1V E1V F1K)	39M0458	*
Shield, 5.25 EMC (all models)	39M0460	*
Cable, SATA (18-inch RoHs) (all models)	26K1186	*
Hard disk drive mounting bracket (all models)	39M0461	*
Cable, serial (all models)	39K5021	*
EMC shield, diskette drive (all models)	39M0464	*
Cable, diskette drive (RoHs) (all models)	26K1184	*
Fan duct Asm (all models)	39M0470	*
Power switch/LED Asm (all models)	39M0471	**
Device retaining clips (all models)	39M0473	**
Shield, system board (all models)	39M0476	N
Miscellaneous hardware kit (all models)	39M0477	**
Cable, 1394 panel mount (all models)	39M0478	**
Heat sink Retention Module kit (all models)	39K5046	N
Cable, 2 Drop IDE (all models)	39M0516	*
Hard Disk Drive Tray w/screws (all models)	39M0491	**
Universal Adapter Bracket 5.25 to 3.5-inch (all models)	32P4743	*
Miscellaneous Screw Kit (all models)	41R2477	*
Battery, 3.0V (all models)	33F8354	*

<b>8170 Keyboard (Preferred Pro Fullsize, PS/2, Stealth Black)</b>	<b>FRU#</b>	<b>CRU</b>
US English (models CTO-U CTO-G)	89P8300	*
Arabic (models CTO-G)	89P8301	*
Belgian/French (models CTO-G)	89P8302	*
Belgian/UK (models CTO-G)	89P8303	*
Brazil/Portugese (models CTO-L)	89P8304	*
Bulgarian (models CTO-G)	89P8305	*
Chinese/US (models D1V E1V)	89P8306	*
Czech (models CTO-G)	89P8307	*
Danish (models CTO-G)	89P8308	*
Dutch (models CTO-G)	89P8309	*
French (models CTO-G)	89P8310	*
French Canadian 445 (models CTO-U)	89P8311	*
French Canadian 58 (models CTO-U)	89P8312	*
German (models CTO-G)	89P8313	*
Greek (models CTO-G)	89P8314	*
Hebrew (models CTO-G)	89P8315	*
Hungarian (models CTO-G)	89P8316	*
Iceland (models CTO-G)	89P8317	*
Italian 141 (models CTO-G)	89P8318	*
Italian 142 (models CTO-G)	89P8319	*
Korean (models A1K A2K 21K)	89P8321	*
LA Spanish (models CTO-L)	89P8322	*
Norwegian (models CTO-G)	89P8323	*
Polish (models CTO-G)	89P8324	*
Portuguese (models CTO-G)	89P8325	*
Romanian (models CTO-G)	89P8326	*
Russian/Cyrillic (models CTO-G)	89P8328	*
Serbian/Cyrillic (models CTO-G)	89P8329	*
Slovak (models CTO-G)	89P8330	*
Spanish (models CTO-G)	89P8331	*
Swedish/Finn (models CTO-G)	89P8332	*
Swiss F/G (models CTO-G)	89P8333	*
Turkish 440 (models CTO-G)	89P8335	*
Turkish 179 (models CTO-G)	89P8336	*
UK English (models CTO-G)	89P8337	*
US Euro (models CTO-G)	89P8338	*
Yugoslav/Latin (models CTO-G)	89P8339	*

<b>8170 Keyboards (Productivity USB)</b>	<b>FRU#</b>	<b>CRU</b>
Korean (models F1K)	89P8821	*

<b>8170 Keyboards (with fingerprint reader)</b>	<b>FRU#</b>	<b>CRU</b>
US English (models CTO-U CTO-G 41G)	89P9000	*
Arabic (models CTO-G 41G)	89P9001	*
Arabic/French (models CTO-G 41G)	89P9002	*
Belgian/French (models CTO-G 41G)	89P9003	*
Belgian/UK (models CTO-G 41G)	89P9004	*
Brazilian Portuguese (models CTO-L)	89P9005	*
Bulgarian (models CTO-G 41G)	89P9006	*
Czech (models CTO-G 41G)	89P9008	*
Danish (models CTO-G 41G)	89P9009	*
Dutch (models CTO-G 41G)	89P9010	*
French (models CTO-G 41G)	89P9011	*
French Canadian 445 (models CTO-U)	89P9012	*
French Canadian 58 (models CTO-U)	89P9013	*
German (models CTO-G 41G)	89P9014	*
Greek (models CTO-G 41G)	89P9015	*
Hebrew (models CTO-G 41G)	89P9016	*
Hungarian (models CTO-G 41G)	89P9017	*
Iceland (models CTO-G 41G)	89P9018	*
Italian 141 (models CTO-G 41G)	89P9019	*
LA Spanish (models CTO-L)	89P9022	*
Norwegian (models CTO-G 41G)	89P9023	*
Polish (models CTO-G 41G)	89P9024	*
Portuguese (models CTO-G 41G)	89P9025	*
Romanian (models CTO-G 41G)	89P9026	*
Romanian (models CTO-G 41G)	89P9027	*
Russian/Cyrillic (models CTO-G 41G)	89P9028	*
Serbian/Cyrillic (models CTO-G 41G)	89P9029	*
Slovak (models CTO-G 41G)	89P9030	*
Spanish (models CTO-G 41G)	89P9031	*
Swedish/Finn (models CTO-G 41G)	89P9032	*
Swiss F/G (models CTO-G 41G)	89P9033	*
Thailand (models CTO-A)	89P9034	*
Turkish 440 (models CTO-G 41G)	89P9035	*
Turkish 179 (models CTO-G 41G)	89P9036	*
UK English (models CTO-G 41G)	89P9037	*
US Euro (models CTO-G 41G)	89P9038	*
Yugoslav/Latin (models CTO-G 41G)	89P9039	*

<b>8170 mice</b>	<b>FRU#</b>	<b>CRU</b>
Mouse, PS/2 - 2-Button (Black) (models CTO)	41A4909	*

8170 mice	FRU#	CRU
Mouse, Scrollpoint Optical, USB (models CTO A1K A2K 21K 41G D1V E1V F1K)	41A4933	*
Mouse, Optical Wheelmouse, USB (models CTO)	41A4935	*

8170 Adapters and miscellaneous FRU	FRU#	CRU
Soft Modem V.90/V.44 (models CTO)	29R9729	*
Nvidia GeForce 6200 P262 w/NV44 (models CTO)	39J6213	*
128MB DDR ATI Radeon x300SE (DMS59 connector) (models CTO F1K)	39J9635	*
128MB DDR ATI RADEON X700 PRO VGA, DVI-I, TV-Out PCI-e BTX (models CTO 41G)	39J6203	*
PCI-E DVI-DConnection Adapter (ADD 2-R) (Full Height) (models CTO)	39J9334	*
1394 Firewire PCI LP (ATX) (models CTO)	41D2781	*
Speakers, Jazz Infinity Active T1 (Black) (models CTO A1K A2K 21K)	89P8588	*
Speaker Power brick - US, Canada, LA (low voltage), Taiwan, Phillipines, Thailand (models CTO-U CTO-L CTO-A)	10K2587	*
Speaker Power brick - UK, Hong Kong (British version), ASEAN (models CTO-A)	25P5703	*
Speaker Power brick - Europe and LA (models CTO-G CTO-L)	25P5704	*
Speaker Power brick (newer 2 prong) - China, Thailand, Phillipines (models CTO-A)	10K2597	*
Speaker Power brick - ANZ (models CTO-A)	25P5705	*
Speaker Power brick - Brazil (models CTO-L)	25P5706	*
Speaker Power brick - India, South Africa (models CTO-A CTO-G)	32P3181	*
Speaker Power brick - Argentina (models CTO-L)	01R2253	*
Speaker Power brick - Korea (models A1K A2K 21K)	88P7687	*
RJ11 connector adapter (Spain, Ireland) (All "G" models)	60H6043	*
RJ11 connector adapter (Austria) (All "G" models)	60H6045	*
RJ11 connector adapter (Belgium) (All "G" models)	60H6046	*
RJ11 connector adapter (Denmark) (All "G" models)	60H6047	*
RJ11 connector adapter (Norway, Finland) (All "G" models)	60H6048	*
RJ11 connector adapter (France) (All "G" models)	60H6049	*
RJ11 connector adapter (Germany) (All "G" models)	60H6050	*
RJ11 connector adapter (UK, NZ, HK) (All "G", "M", "B", "H" models)	60H6051	*
RJ11 connector adapter (Italy) (All "G" models)	60H6052	*
RJ11 connector adapter (Netherlands) (All "G" models)	60H6053	*
RJ11 connector adapter (Sweden) (All "G" models)	60H6054	*
RJ11 connector adapter (Switzerland) (All "G" models)	60H6055	*

8170 Power Cords	FRU#	CRU
Power cord - Korea (models A1K A2K 21K F1K)	39M5212	*
Power cord - UK, Ireland, Singapore, Malaysia, Brunei (models 41G)	39M5150	*
Power cord - Taiwan (models D1V E1V)	39M5246	*
Power cord - Italy (models 41G)	39M5164	*
Power cord - G models (models 41G)	39M5122	*
Power cord - Denmark (models 41G)	39M5129	*

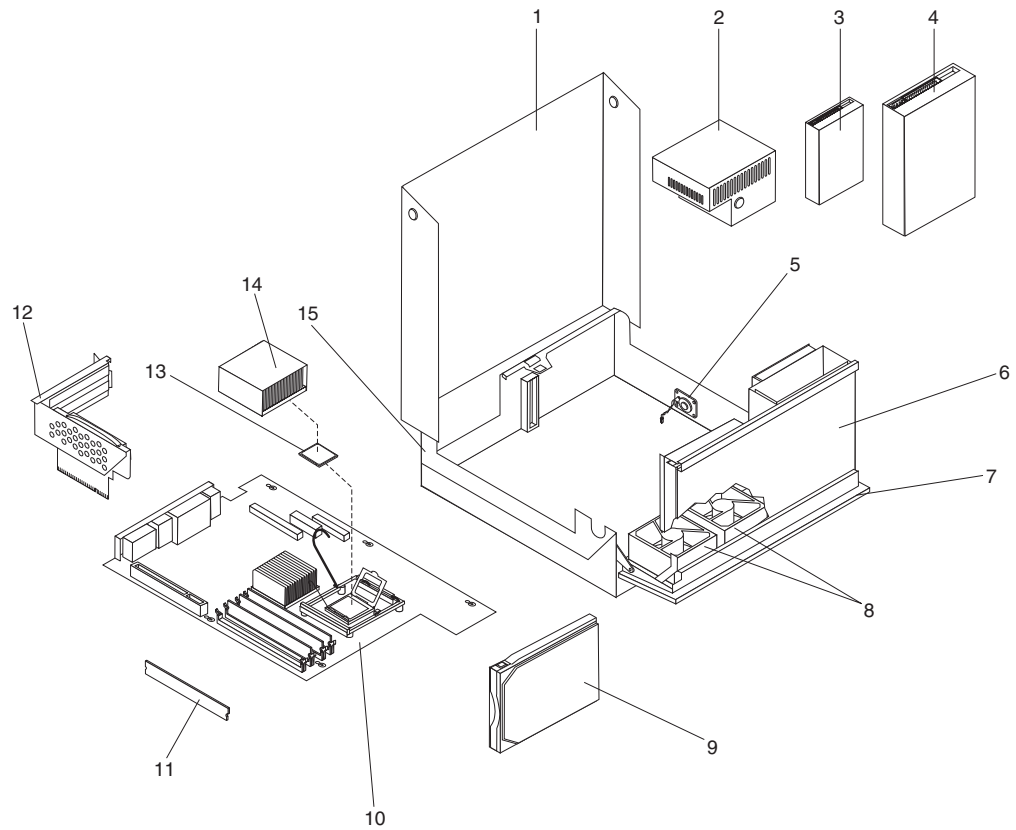
8170 Power Cords	FRU#	CRU
Power cord - Switzerland (models 41G)	39M5157	*
Power cord - Israel (models 41G)	39M5171	*
Power cord - South Africa (models 41G)	39M5143	*

8170 Windows XP Home Recovery CDs	FRU #	CRU
Korean (models A1K F1K)	41W2624	*

8170 Windows XP Pro Recovery CDs	FRU#	CRU
US/UK/AP/TH (models 41G)	41T1577	*
FR/CF (models 41G)	41T3198	*
GR (models 41G)	41T3199	*
SP/LA (models 41G)	41T3200	*
IT (models 41G)	41T3201	*
SV (models 41G)	41T3203	*
DK (models 41G)	41T3204	*
FI (models 41G)	41T4264	*
NO (models 41G)	39J9646	*
NL (models 41G)	41T4266	*
HE (models 41G)	41T4267	*
PL (models 41G)	41T4268	*
CZ (models 41G)	41T4269	*
AE (models 41G)	41T4270	*
RU (models 41G)	41T4271	*
RU English (models 41G)	41T4835	*
TR (models 41G)	41T4836	*
HU (models 41G)	41T4837	*
PO (models 41G)	41T4838	*
GK (models 41G)	41T4839	*
SL (models 41G)	41T4840	*
Taiwan-TC (models D1V E1V)	41W2603	*
Korea (models A2K 21K)	41W2589	*
Multilingual 1 (models CTO-G 41G)	41T3282	*
Multilingual 2 (models CTO-G 41G)	41T4280	*



# Machine Type 8211



Item #	8211 FRUs	FRU#	CRU
1	Cover (all models)	39M0581	**
2	Power Supply (225 Watt) (models CTO 12A 12T 15A 15T E1A E1T F1A F1T F2A F2T H1A H1T H2A H2T J1A J1T K1A K1T 18A 18T G1A G1T)	24R2625	**
2	Power Supply - China (225 Watt) (models CTO-A CTO-L 11Q 12Q 13C 13B 13H 13V 14C 14B 14H 14V 15Q 16Q E1Q F1Q F2Q H1Q H2Q J1Q K1Q G1Q)	24R2627	**
3	Diskette drive, 3.5" 1.44MB 3-mode (w/o bezel) (models CTO 12A 12Q 12T 13C 13B 13H 13V 14C 14B 14H 14V 15A 15Q 15T H1A H1Q H1T H2A H2Q H2T J1A J1Q J1T K1A K1Q K1T 18A 18T G1A G1Q G1T)	40Y9107	*
3	Diskette drive, 3.5" 1.44MB 3-mode (w/o bezel) (models CTO 12A 12Q 12T 13C 13B 13H 13V 14C 14B 14H 14V 15A 15Q 15T H1A H1Q H1T H2A H2Q H2T J1A J1Q J1T K1A K1Q K1T 18A 18T G1A G1Q G1T)	40Y9105	*
3	Diskette drive, 3.5" 1.44MB 3-mode (w/o bezel) (models CTO 12A 12Q 12T 13C 13B 13H 13V 14C 14B 14H 14V 15A 15Q 15T H1A H1Q H1T H2A H2Q H2T J1A J1Q J1T K1A K1Q K1T 18A 18T G1A G1Q G1T)	40Y9113	*
4	CD-ROM Drive 48X (models CTO 11Q 12A 12Q 12T 15A 15Q 15T E1A E1Q E1T F1A F1Q F1T H1A H1Q H1T)	40Y8929	*
4	CD-ROM Drive 48X (models E1A E1Q E1T F1A F1Q F1T H1A H1Q H1T)	40Y8807	*
4	CD-ROM Drive 48X (models E1A E1Q E1T F1A F1Q F1T H1A H1Q H1T)	40Y8955	*
4	CD-ROM Drive 48X (models E1A E1Q E1T F1A F1Q F1T H1A H1Q H1T)	40Y8953	*
4	CD-ROM Drive 48X (models E1A E1Q E1T F1A F1Q F1T H1A H1Q H1T)	41N3539	*
4	CD-ROM Drive 48X (models E1A E1Q E1T F1A F1Q F1T H1A H1Q H1T)	41N3540	*

Item #	8211 FRUs	FRU#	CRU
4	CD-ROM Drive 48X (models E1A E1Q E1T F1A F1Q F1T H1A H1Q H1T)	41N3541	*
4	DVD-ROM Drive (16X/48X) (models CTO 13C 13B 13H 13V 14C 14B 14H 14V 16Q)	40Y8931	*
4	DVD-ROM Drive (16X/48X) (models CTO 13C 13B 13H 13V 14C 14B 14H 14V 16Q)	40Y8933	*
4	DVD-ROM Drive (16X/48X) (models CTO 13C 13B 13H 13V 14C 14B 14H 14V 16Q)	40Y8957	*
4	DVD-ROM Drive (16X/48X) (models CTO 13C 13B 13H 13V 14C 14B 14H 14V 16Q)	41X3544	*
4	DVD-ROM Drive (16X/48X) (models CTO 13C 13B 13H 13V 14C 14B 14H 14V 16Q)	41X3545	*
4	DVD-ROM Drive (16X/48X) (models CTO 13C 13B 13H 13V 14C 14B 14H 14V 16Q)	41X3546	*
4	CD-RW/DVD-ROM Combo Drive 48X/32X/48X/16X Max (models CTO F2A F2Q F2T K1A K1Q K1T 18A 18T G1A G1Q G1T)	40Y8919	*
4	CD-RW/DVD-ROM Combo Drive 48X/32X/48X/16X Max (models CTO F2A F2Q F2T K1A K1Q K1T 18A 18T G1A G1Q G1T)	40Y8781	*
4	CD-RW/DVD-ROM Combo Drive 48X/32X/48X/16X Max (models CTO F2A F2Q F2T K1A K1Q K1T 18A 18T G1A G1Q G1T)	40Y8903	*
4	CD-RW/DVD-ROM Combo Drive 48X/32X/48X/16X Max (models CTO F2A F2Q F2T K1A K1Q K1T 18A 18T G1A G1Q G1T)	40Y8941	*
4	CD-RW/DVD-ROM Combo Drive 48X/32X/48X/16X (models CTO F2A F2Q F2T K1A K1Q K1T 18A 18T G1A G1Q G1T)	41X3547	*
4	CD-RW/DVD-ROM Combo Drive 48X/32X/48X/16X (models CTO F2A F2Q F2T K1A K1Q K1T 18A 18T G1A G1Q G1T)	41X7992	*
4	Multi-Burner (models CTO)	40Y8909	*
4	Multi-Burner (models CTO)	41X3550	*
5	Speaker/cable assembly (models CTO CTO 11Q 12A 12Q 12T 13C 13B 13H 13V 14C 14B 14H 14V 15A 15Q 15T 16Q E1A E1Q E1T F1A F1Q F1T F2A F2Q F2T H1A H1Q H1T H2A H2Q H2T J1A J1Q J1T K1A K1Q K1T)	39K5012	*
6	Rotating cage assembly (all models)	39M0583	**
7	Bezel Kit (all models)	39M0579	*
8	Front fan and bracket assembly (all models)	39M0585	**
9	Hard Disk Drive 40GB 7200 rpm Serial ATA (models CTO)	40Y8760	*
9	Hard Disk Drive 40GB 7200 rpm Serial ATA (models CTO)	40Y9033	*
9	Hard Disk Drive 40GB 7200 rpm Serial ATA (models CTO)	71P7312	*
9	Hard Disk Drive 80GB 7200 rpm Serial ATA (models CTO 11Q 12A 12Q 12T 13C 13B 13H 13V 14C 14B 14H 14V 15A 15Q 15T 16Q E1A E1Q E1T F1A F1Q F1T H1A H1Q H1T H2A H2Q H2T J1A J1Q J1T K1A K1Q K1T 18A 18T G1A G1Q G1T)	40Y8761	*
9	Hard Disk Drive 80GB 7200 rpm Serial ATA (models CTO 11Q 12A 12Q 12T 13C 13B 13H 13V 14C 14B 14H 14V 15A 15Q 15T 16Q E1A E1Q E1T F1A F1Q F1T H1A H1Q H1T H2A H2Q H2T J1A J1Q J1T K1A K1Q K1T 18A 18T G1A G1Q G1T)	40Y9034	**
9	Hard Disk Drive 80GB 7200 rpm Serial ATA (models CTO 11Q 12A 12Q 12T 13C 13B 13H 13V 14C 14B 14H 14V 15A 15Q 15T 16Q E1A E1Q E1T F1A F1Q F1T H1A H1Q H1T H2A H2Q H2T J1A J1Q J1T K1A K1Q K1T 18A 18T G1A G1Q G1T)	41X2500	**
9	Hard Disk Drive 80GB 7200 rpm Serial ATA (models CTO 11Q 12A 12Q 12T 13C 13B 13H 13V 14C 14B 14H 14V 15A 15Q 15T 16Q)	71P7293	*

Item #	8211 FRUs	FRU#	CRU
9	Hard Disk Drive 160GB 7200 rpm Serial ATA (models CTO F2A F2Q F2T)	40Y8762	*
9	Hard Disk Drive 160GB 7200 rpm Serial ATA (models CTO F2A F2Q F2T)	71P7297	*
9	Hard Disk Drive 160GB 7200 rpm Serial ATA (models CTO F2A F2Q F2T)	40Y9035	*
9	Hard Disk Drive 250GB 7200 rpm Serial ATA (models CTO)	40Y8763	*
9	Hard Disk Drive 250GB 7200 rpm Serial ATA (models CTO)	40Y9036	*
9	Hard Disk Drive 250GB 7200 rpm Serial ATA (models CTO)	40Y8757	*
10	System Board, Margarita DDR2 Desktop Planar v3.3 --subbed from 41X0921 (models CTO 11Q 12A 12Q 12T 13C 13B 13H 13V 14C 14B 14H 14V 15A 15Q 15T 16Q E1A E1Q E1T F1A F1Q F1T F2A F2Q F2T H1A H1Q H1T H2A H2Q H2T J1A J1Q J1T K1A K1Q K1T)	43C9125	**
10	System Board, Margarita DDR2 Desktop Planar v3.3--subbed from 41X092 (models CTO H1A H1Q H1T H2A H2Q H2T J1A J1Q J1T K1A K1Q K1T 18A 18T G1A G1Q G1T)	43C9126	**
10	System Board, Margarita DDR2 Desktop Planar v3.3 --subbed from 41X0921and 43C9125 (models CTO 11Q 12A 12Q 12T 13C 13B 13H 13V 14C 14B 14H 14V 15A 15Q 15T 16Q E1A E1Q E1T F1A F1Q F1T F2A F2Q F2T H1A H1Q H1T H2A H2Q H2T J1A J1Q J1T K1A K1Q K1T)	43C7124	**
10	System Board, Margarita DDR2 Desktop Planar v3.3--subbed from 41X0922 and 43C9126 (models CTO H1A H1Q H1T H2A H2Q H2T J1A J1Q J1T K1A K1Q K1T 18A 18T G1A G1Q G1T)	43C7125	**
11	256MB DDR2 SDRAM NP Memory (PC 4200) (models CTO 11Q 12A 12Q 12T 13C 13B 13H 13V 14C 14B 14H 14V 15A 15Q 15T H1A H1Q H1T)	30R5120	*
11	512MB DDR2 SDRAM NP Memory (PC 4200) (models CTO 16Q E1A E1Q E1T F1A F1Q F1T F2A F2Q F2T H2A H2Q H2T J1A J1Q J1T K1A K1Q K1T 18A 18T G1A G1Q G1T)	30R5121	*
11	1GB DDR2 SDRAM NP Memory (PC 4200) (models CTO)	30R5122	*
11	2GB DDR2 SDRAM NP Memory (PC 4200) (models CTO)	30R5123	*
11	256MB DDR2 SDRAM NP Memory (PC 5300) (models CTO)	30R5124	*
11	512MB DDR2 SDRAM NP Memory (PC 5300) (models CTO)	30R5125	*
11	1GB DDR2 SDRAM NP Memory (PC 5300) (models CTO)	30R5126	*
11	2GB DDR2 SDRAM NP Memory (PC 5300) (models CTO)	30R5127	*
12	Riser card and bracket assembly (all models)	39M0587	*
13	Microprocessor, 2.53GHZ Celeron Prescott P4 (533FSB, 256KB) (models CTO)	39J8470	**
13	Microprocessor, 2.66 GHZ Celeron Prescott P4 (533FSB, 256KB) (models CTO)	39J8471	**
13	Microprocessor, 2.8 GHZ Celeron Prescott P4 (533FSB, 256KB) (models CTO)	39J8472	**
13	Microprocessor, 2.93 GHZ Celeron Prescott P4 (533FSB, 256KB) (models CTO)	39J8473	**
13	Microprocessor, 3.06 GHZ Celeron Prescott P4 (533FSB, 256KB) (models CTO)	39J8474	**
13	Microprocessor, 3.2 GHZ Celeron Prescott P4 (533FSB, 256KB) (models CTO)	39J9697	**
13	Microprocessor, 3.33 GHZ Celeron Prescott P4 (533FSB, 256KB) (models CTO)	41T1136	**
13	Microprocessor, 3.20 GHZ Celeron Cedar Mill (533FSB, 512KB) (models CTO)	41T4966	**
13	Microprocessor, 3.33 GHZ Celeron Cedar Mill (533FSB, 512KB) (models CTO)	41T4968	**
13	Microprocessor, 3.46 GHZ Celeron Cedar Mill (533FSB, 512KB) (models CTO)	41X8983	**
13	Microprocessor, 2.93 GHZ Prescott P4 (533FSB, 1MB) (models CTO)	39J9629	**
13	Microprocessor, 2.66 GHZ Prescott P4 (533FSB, 1MB) (models CTO)	41D0696	**
13	Microprocessor, 2.93 GHZ Prescott P4 (533FSB, 1MB) (models CTO)	41D0698	**

Item #	8211 FRUs	FRU#	CRU
13	Microprocessor, 3.06 GHZ Prescott P4 (533FSB, 1MB) (models CTO)	41D0700	**
13	Microprocessor, 2.93 GHZ Prescott P4 (533FSB, 1MB) (models CTO)	41T4103	**
13	Microprocessor, 2.8 GHZ Prescott P4 (800FSB, 1MB) (models CTO)	39J8475	**
13	Microprocessor, 3.0 GHZ Prescott P4 (800FSB, 1MB) (models CTO 11Q 12A 12Q 12T 13C 13B 13H 13V 18A 18T)	39J8476	**
13	Microprocessor, 3.2 GHZ Prescott P4 (800FSB, 1MB) (models CTO 14C 14B 14H 14V 15A 15Q 15T 16Q)	39J8477	**
13	Microprocessor, 3.4 GHZ Prescott P4 (800FSB, 1MB) (models CTO)	39J8478	**
13	Microprocessor, 3.0 GHZ Prescott P4 (800FSB, 2MB) (models CTO)	39J8480	**
13	Microprocessor, 3.2 GHZ Prescott P4 (800FSB, 2MB) (models CTO E1A E1Q E1T)	39J8481	**
13	Microprocessor, 3.4 GHZ Prescott P4 (800FSB, 2MB) (models CTO F1A F1Q F1T F2A F2Q F2T)	39J8482	**
13	Microprocessor, 2.8 GHZ Smithfield P4 (800FSB, 1MB) (models CTO G1A G1Q G1T)	39J8468	**
13	Microprocessor, 2.8GHz Smithfield P4 821 (800FSB, 1MB) (models CTO)	39J8479	**
13	Microprocessor, 3.0 GHZ Cedar Mill P4 (800MHz FSB, 2MB Cache) (models CTO D4K D5K D6K D7K D8K)	41D5042	**
13	Microprocessor, 3.0 GHZ Cedar Mill P4 (800MHz FSB, 2MB Cache) (models CTO)	41D5066	**
13	Microprocessor, 3.2 GHZ Cedar Mill P4 (800MHz FSB, 2MB Cache) (models CTO)	41D5068	**
13	Microprocessor, 3.4 GHZ Cedar Mill P4 (800MHz FSB, 2MB Cache) (models CTO)	41D5070	**
13	Microprocessor, 3.6 GHZ Cedar Mill P4 (800MHz FSB, 2MB Cache) (models CTO H1A H1Q H1T H2A H2Q H2T)	41D5072	**
13	Microprocessor, Pentium-D 2.8GHz Presler (800MHz FSB, 2MBx2 Cache) (models CTO G9Q G9K)	41X7775	**
13	Microprocessor, 2.8 GHz Presler P4 (800MHz FSB, 2MBx2 Cache) (models CTO J1A J1Q J1T)	41D5074	**
13	Microprocessor, Pentium-D 3.0GHz Presler (800MHz FSB, 2MBx2 Cache) (models CTO)	41X2413	**
13	Microprocessor, 3.0 GHZ Presler P4 (800MHz FSB, 2MBx2 Cache) (models CTO K1A K1Q K1T)	41D5076	**
13	Microprocessor, Pentium-D 3.2GHz Presler (800MHz FSB, 2MBx2 Cache) (models CTO)	41X8050	**
13	Microprocessor, Pentium-D 3.2GHz Presler (800MHz FSB, 2MBx2 Cache) (models CTO)	41X4230	**
13	Microprocessor, Pentium-D 3.4GHz Presler (800MHz FSB, 2MBx2 Cache) (models CTO 31K 32K)	41X7776	**
13	Microprocessor, Pentium-D 3.4GHz Presler (800MHz FSB, 2MBx2 Cache) (models CTO)	41X4232	**
13	Microprocessor, Pentium-D 3.6GHz Presler (800MHz FSB, 2MBx2 Cache) (models CTO)	41X8994	**
14	Heat Sink and Retention Module kit (all models)	39M0586	**
15	Chassis (all models)	39M0582	**

The FRUs listed in the following table are not illustrated.

8211 FRUs	FRU#	CRU
Hard disk drive bracket assembly (all models)	39M0578	*
Power switch/LED cable assembly (all models)	39M0580	**
SATA cable assembly (all models)	39K0526	*
Optical cable, 1 drop (all models)	39M0584	*
Intrusion switch cable (all models)	39K0522	*
Miscellaneous parts kit (all models)	39M0588	*
Vertical stand (all models)	39M0589	*
Bezel assembly, optical rotating (all models)	39M0592	**
EMC Shield kit (diskette drive and optical bays) (all models)	41N5325	**
EMC Shield, system board (all models)	41N5326	**
Diskette drive cable assembly (all models)	41N8269	**
Universal Adapter Bracket 5.25 to 3.5-inch (all models)	32P4743	*
Bezel kit (all models)	41R2926	*
Battery (all models)	33F8354	*

8211 Keyboards (Preferred Pro Fullsize, PS/2, Stealth Black)	FRU#	CRU
US English (models CTO-U CTO-G 11Q 12A 12Q 13C 13H 14C 14H 15A 15Q 16Q H1A H1Q H2A H2Q J1A J1Q K1A K1Q 18A G1A G1Q)	89P8300	*
Arabic (models CTO-G)	89P8301	*
Belgian/French (models CTO-G)	89P8302	*
Belgian/UK (models CTO-G)	89P8303	*
Brazilian/Portuguese (models CTO-L)	89P8304	*
Bulgarian (models CTO-G)	89P8305	*
Chinese/US (models 13B 13V 14B 14V)	89P8306	*
Czech (models CTO-G)	89P8307	*
Danish (models CTO-G)	89P8308	*
Dutch (models CTO-G)	89P8309	*
French (models CTO-G)	89P8310	*
French Canadian 445 (models CTO-U)	89P8311	*
French Canadian 58 (models CTO-U)	89P8312	*
German (models CTO-G)	89P8313	*
Greek (models CTO-G)	89P8314	*
Hebrew (models CTO-G)	89P8315	*
Hungarian (models CTO-G)	89P8316	*
Iceland (models CTO-G)	89P8317	*
Italian (models CTO-G 16G)	89P8319	*
LA Spanish (models CTO-L)	89P8322	*
Norwegian (models CTO-G)	89P8323	*
Polish (models CTO-G)	89P8324	*
Portuguese (models CTO-G)	89P8325	*
Romanian (models CTO-G)	89P8326	*

<b>8211 Keyboards (Preferred Pro Fullsize, PS/2, Stealth Black)</b>	<b>FRU#</b>	<b>CRU</b>
Russian (models CTO-G)	89P8327	*
Russian/Cyrillic (models CTO-G)	89P8328	*
Serbian/Cyrillic (models CTO-G)	89P8329	*
Slovak (models CTO-G)	89P8330	*
Spanish (models CTO-G)	89P8331	*
Swedish/Finn (models CTO-G)	89P8332	*
Swiss F/G (models CTO-G)	89P8333	*
Thailand (models CTO-A 12T 15T H1T H2T J1T K1T 18T G1T)	89P8334	*
Turkish 179 (models CTO-G)	89P8336	*
UK English (models CTO-G)	89P8337	*
US Euro (models CTO-G)	89P8338	*
Yugoslav/Latin (models CTO-G)	89P8339	*

<b>8211 Keyboard (PS2 Preferred Pro)</b>	<b>FRU#</b>	<b>CRU</b>
US English (models CTO-U CTO-G 11Q 12A 12Q 13C 13H 14C 14H 15A 15Q 16Q H1A H1Q H2A H2Q J1A J1Q K1A K1Q 18A G1A G1Q)	41A5039	*
Arabic (models CTO-G)	41A5040	*
Belgian/French (models CTO-G)	41A5042	*
Belgian/UK (models CTO-G)	41A5043	*
Brazil/Portuguese (models CTO-L)	41A5044	*
Bulgarian (models CTO-G)	41A5045	*
Hong Kong/Taiwan (models 13B 13V 14B 14V)	41A5046	*
Czech (models CTO-G)	41A5047	*
Danish (models CTO-G)	41A5048	*
Dutch (models CTO-G)	41A5049	*
French (models CTO-G)	41A5050	*
French Canadian 445 (models CTO-U)	41A5051	*
French Canadian 58 (models CTO-U)	41A5052	*
German (models CTO-G)	41A5053	*
Greek (models CTO-G)	41A5054	*
Hebrew (models CTO-G)	41A5055	*
Hungarian (models CTO-G)	41A5056	*
Iceland (models CTO-G)	41A5057	*
Italian (models CTO-G)	41A5058	*
LA Spanish (models CTO-L )	41A5061	*
Norwegian (models CTO-G)	41A5062	*
Polish (models CTO-G)	41A5063	*
Portuguese (models CTO-G)	41A5064	*
Romanian (models CTO-G)	41A5065	*
Russian/Cyrillic (models CTO-G)	41A5066	*
Serbian/Cyrillic (models CTO-G)	41A5067	*

<b>8211 Keyboard (PS2 Preferred Pro)</b>	<b>FRU#</b>	<b>CRU</b>
Slovak (models CTO-G)	41A5068	*
Spanish (models CTO-G)	41A5069	*
Swedish/Finn (models CTO-G)	41A5070	*
Swiss F/G (models CTO-G)	41A5071	*
Thailand (models CTO-A 12T 15T H1T H2T J1T K1T 18T G1T)	41A5072	*
Turkish 179 (models CTO-G)	41A5074	*
UK English (models CTO-G)	41A5075	*
US Euro (models CTO-G)	41A5076	*
Slovenian (models CTO-G)	41A5077	*

<b>8211 IBM Keyboard (USB Preferred - without hub)</b>	<b>FRU#</b>	<b>CRU</b>
US English (models CTO-U CTO-G)	89P9040	*
Arabic (models CTO-G)	89P9041	*
Arabic/French (models CTO-G)	89P9058	*
Belgian/French (models CTO-G)	89P9042	*
Belgian/UK (models CTO-G)	89P9043	*
Brazilian (models CTO-L)	89P9044	*
Bulgarian (models CTO-G)	89P9045	*
Czech (models CTO-G)	89P9047	*
Danish (models CTO-G)	89P9048	*
Dutch (models CTO-G)	89P9049	*
French (models CTO-G)	89P9050	*
French Canadian (models CTO-U)	89P9051	*
French Canadian (models CTO-U)	89P9052	*
German (models CTO-G)	89P9053	*
Greek (models CTO-G)	89P9054	*
Greek/US (models CTO-G)	41A4948	*
Hebrew (models CTO-G)	89P9055	*
Hungarian (models CTO-G)	89P056	*
Iceland (models CTO-G)	89P9057	*
Italy (models CTO-G)	89P9059	*
LA Spanish (models CTO-L)	89P9062	*
Norwegian (models CTO-G)	89P9063	*
Polish (models CTO-G)	89P9064	*
Portuguese (models CTO-G)	89P9065	*
Romanian 096 (models CTO-G)	89P9067	*
Romanian 446 (models CTO-G)	89P9066	*
Russian/Cyrillic (models CTO-G)	89P9068	*
Serbian/Cyrillic (models CTO-G)	89P9069	*
Slovak (models CTO-G)	89P9070	*
Spanish (models CTO-G)	89P9072	*



<b>8211 IBM Keyboard (USB Preferred - without hub)</b>	<b>FRU#</b>	<b>CRU</b>
Swedish/Finn (models CTO-G)	89P9073	*
Swiss (models CTO-G)	89P9074	*
Thailand (models CTO-A)	89P9075	*
Turkish 440 (models CTO-G)	89P9076	*
Turkish 179 (models CTO-G)	89P9077	*
UK English (models CTO-G)	89P9078	*
US Euro (models CTO-G)	89P9079	*
Slovenian (models CTO-G)	89P9071	*

<b>8211 Lenovo Keyboard (USB Preferred - without hub)</b>	<b>FRU#</b>	<b>CRU</b>
US English (models CTO-U CTO-G)	41A5289	*
Arabic (models CTO-G)	41A5290	*
Arabic/French (models CTO-G)	41A5291	*
Belgian/French (models CTO-G)	41A5292	*
Belgian/UK (models CTO-G)	41A5293	*
Brazilian (models CTO-L)	41A5294	*
Bulgarian (models CTO-G)	41A5295	*
Czech (models CTO-G)	41A5297	*
Danish (models CTO-G)	41A5298	*
Dutch (models CTO-G)	41A5299	*
French (models CTO-G)	41A5300	*
French Canadian 445 (models CTO-U)	41A5301	*
French Canadian 58 (models CTO-U)	41A5302	*
German (models CTO-G)	41A5303	*
Greek (models CTO-G)	41A5304	*
Greek/US (models CTO-G)	41A5305	*
Hebrew (models CTO-G)	41A5306	*
Hungarian (models CTO-G)	41A5307	*
Iceland (models CTO-G)	41A5308	*
Italian 141 (models CTO-G)	41A5309	*
LA Spanish (models CTO-L)	41A5312	*
Norwegian (models CTO-G)	41A5313	*
Polish (models CTO-G)	41A5314	*
Portuguese (models CTO-G)	41A5315	*
Romanian 096 (models CTO-G)	41A5317	*
Romanian 446 (models CTO-G)	41A5316	*
Russian/Cyrillic (models CTO-G)	41A5318	*
Serbian/Cyrillic (models CTO-G)	41A5319	*
Slovak (models CTO-G)	41A5320	*
Spanish (models CTO-G)	41A5321	*
Swedish/Finn (models CTO-G)	41A5322	*



<b>8211 Lenovo Keyboard (USB Preferred - without hub)</b>	<b>FRU#</b>	<b>CRU</b>
Swiss (models CTO-G)	41A5323	*
Thailand (models CTO-A)	41A5324	*
Turkish 440 (models CTO-G)	41A5325	*
Turkish 179 (models CTO-G)	41A5326	*
UK English (models CTO-G)	41A5327	*
US Euro (models CTO-G)	41A5328	*
Slovenian (models CTO-G)	41A5329	*

<b>8211 Keyboards (Productivity, USB)</b>	<b>FRU#</b>	<b>CRU</b>
US English (models E1A E1Q F1A F1Q F2A F2Q)	89P8800	*
Arabic (models CTO-G)	89P8801	*
Arabic/French (models CTO-G)	89P8802	*
Belgian/French (models CTO-G)	89P8803	*
Belgian/UK (models CTO-G)	89P8804	*
Brazil/Portuguese (models CTO-L)	89P8805	*
Bulgarian (models CTO-G)	89P8806	*
Czech (models CTO-G)	89P8808	*
Danish (models CTO-G)	89P8809	*
Dutch (models CTO-G)	89P8810	*
French (models CTO-G)	89P8811	*
French Canadian (models CTO-U)	89P8812	*
French Canadian (models CTO-U)	89P8813	*
German (models CTO-G)	89P8814	*
Greek (models CTO-G)	89P8815	*
Hebrew (models CTO-G)	89P8816	*
Hungarian (models CTO-G)	89P8817	*
Iceland (models CTO-G)	89P8818	*
Italian 141 (models CTO-G)	89P8819	*
LA/Spanish (models CTO-L)	89P8822	*
Norwegian (models CTO-G)	89P8823	*
Polish (models CTO-G)	89P8824	*
Portuguese (models CTO-G)	89P8825	*
Romanian (models CTO-G)	89P8826	*
Romanian (models CTO-G)	89P8827	*
Russian/Cyrillic (models CTO-G)	89P8828	*
Serbian/Cyrillic (models CTO-G)	89P8829	*
Slovak (models CTO-G)	89P8830	*
Spanish (models CTO-G)	89P8831	*
Swedish/Finn (models CTO-G)	89P8832	*
Swiss F/G (models CTO-G)	89P8833	*
Thailand (models CTO-A E1T F1T F2T)	89P8834	*

<b>8211 Keyboards (Productivity, USB)</b>	<b>FRU#</b>	<b>CRU</b>
Turkish 440 (models CTO-G)	89P8835	*
Turkish 179 (models CTO-G)	89P8836	*
UK English (models CTO-G)	89P8837	*
US Euro (models CTO-G)	89P8838	*
Yugoslav/Latin (models CTO-G)	89P8839	*

<b>8211 Keyboard (Lenovo, USB Enhanced Performance)</b>	<b>FRU#</b>	<b>CRU</b>
US English (models CTO-U CTO-G E1A E1Q F1A F1Q F2A F2Q)	41A4961	*
Arabic (models CTO-G)	41A4962	*
Arabic/French (models CTO-G)	41A4963	*
Belgian/French (models CTO-G)	41A4964	*
Belgian/UK (models CTO-G)	41A4965	*
Brazilian (models CTO-L)	41A4966	*
Bulgarian (models CTO-G)	41A4967	*
Czech (models CTO-G)	41A4969	*
Danish (models CTO-G)	41A4970	*
Dutch (models CTO-G)	41A4971	*
French (models CTO-G)	41A4972	*
French Canadian 445 (models CTO-U)	41A4973	*
French Canadian 58 (models CTO-U)	41A4974	*
German (models CTO-G)	41A4975	*
Greek (models CTO-G)	41A4976	*
Hebrew (models CTO-G)	41A4977	*
Hungarian (models CTO-G)	41A4978	*
Iceland (models CTO-G)	41A4979	*
Italian (models CTO-G)	41A4980	*
LA Spanish (models CTO-L)	41A4983	*
Norwegian (models CTO-G)	41A4984	*
Polish (models CTO-G)	41A4985	*
Portuguese (models CTO-G)	41A4986	*
Romanian (models CTO-G)	41A4987	*
Russian/Cy (models CTO-G)	41A4988	*
Serbian/Cyrillic (models CTO-G)	41A4989	*
Slovak (models CTO-G)	41A4990	*
Spanish (models CTO-G)	41A4991	*
Swedish/Finn (models CTO-G)	41A4992	*
Swiss F/G (models CTO-G)	41A4993	*
Thailand (models CTO-A E1T F1T F2T)	41A4994	*
Turkish 440 (models CTO-G)	41A4995	*
Turkish 179 (models CTO-G)	41A4996	*
UK English (models CTO-G)	41A4997	*

8211 Keyboard (Lenovo, USB Enhanced Performance)	FRU#	CRU
US Euro (models CTO-G)	41A4998	*
Slovenian (models CTO-G)	41A4999	*

8211 Keyboards (with fingerprint reader)	FRU#	CRU
US English (models CTO-U CTO-G)	89P9000	*
Arabic (models CTO-G)	89P9001	*
Belgian/French (models CTO-G)	89P9003	*
Belgian/UK (models CTO-G)	89P9004	*
Brazilian Portuguese (models CTO-L)	89P9005	*
Bulgarian (models CTO-G)	89P9006	*
Chinese/US (models CTO-G)	89P9007	*
Czech (models CTO-G)	89P9008	*
Danish (models CTO-G)	89P9009	*
Dutch (models CTO-G)	89P9010	*
French (models CTO-G)	89P9011	*
French Canadian 445 (models CTO-U)	89P9012	*
French Canadian 58 (models CTO-U)	89P9013	*
German (models CTO-G)	89P9014	*
Greek (models CTO-G)	89P9015	*
Hebrew (models CTO-G)	89P9016	*
Hungarian (models CTO-G)	89P9017	*
Iceland (models CTO-G)	89P9018	*
Italian 141 (models CTO-G)	89P9019	*
LA Spanish (models CTO-L)	89P9022	*
Norwegian (models CTO-G)	89P9023	*
Polish (models CTO-G)	89P9024	*
Portuguese (models CTO-G)	89P9025	*
Romanian (models CTO-G)	89P9026	*
Romanian (models CTO-G)	89P9027	*
Russian/Cyrillic (models CTO-G)	89P9028	*
Serbian/Cyrillic (models CTO-G)	89P9029	*
Slovak (models CTO-G)	89P9030	*
Spanish (models CTO-G)	89P9031	*
Swedish/Finn (models CTO-G)	89P9032	*
Swiss F/G (models CTO-G)	89P9033	*
Thailand (models CTO-A 1GT)	89P9034	*
Turkish 440 (models CTO-G)	89P9035	*
Turkish 179 (models CTO-G)	89P9036	*
UK English (models CTO-G)	89P9037	*
US Euro (models CTO-G)	89P9038	*
Yugoslav/Latin (models CTO-G)	89P9039	*

8211 Keyboard (Fingerprint reader USB)	FRU#	CRU
US English (models CTO-U CTO-G)	41A5248	*
Arabic (models CTO-G)	41A5249	*
Arabic/French (models CTO-G)	41A5250	*
Belgian/French (models CTO-G)	41A5251	*
Belgian/UK (models CTO-G)	41A5252	*
Brazilian (models CTO-L)	41A5253	*
Bulgarian (models CTO-G)	41A5254	*
Chinese/US (models CTO-G)	41A5255	*
Czech (models CTO-G)	41A5256	*
Danish (models CTO-G)	41A5257	*
Dutch (models CTO-G)	41A5258	*
French (models CTO-G)	41A5259	*
French Canadian 445 (models CTO-U)	41A5260	*
French Canadian 58 (models CTO-U)	41A5261	*
German (models CTO-G)	41A5262	*
Greek (models CTO-G)	41A5263	*
Hebrew (models CTO-G)	41A5265	*
Hungarian (models CTO-G)	41A5266	*
Iceland (models CTO-G)	41A5267	*
Italian (models CTO-G)	41A5268	*
LA Spanish (models CTO-L)	41A5271	*
Norwegian (models CTO-G)	41A5272	*
Polish (models CTO-G)	41A5273	*
Portuguese (models CTO-G)	41A5274	*
Romanian 446 (models CTO-G)	41A5275	*
Romanian 96 (models CTO-G)	41A5276	*
Russian/Cy (models CTO-G)	41A5277	*
Serbian/Cyrillic (models CTO-G)	41A5278	*
Slovak (models CTO-G)	41A5279	*
Spanish (models CTO-G)	41A5280	*
Swedish/Finn (models CTO-G)	41A5281	*
Swiss F/G (models CTO-G)	41A5282	*
Thailand (models CTO-A)	41A5283	*
Turkish 440 (models CTO-G)	41A5284	*
Turkish 179 (models CTO-G)	41A5285	*
UK English (models CTO-G)	41A5286	*
US Euro (models CTO-G)	41A5287	*
Slovenian (models CTO-G)	41A5288	*

<b>8211 Keyboard (Enhanced Performance, Wireless)</b>	<b>FRU#</b>	<b>CRU</b>
US English (models CTO-U CTO-G)	89P8730	*
Belgian/French (models CTO-G)	89P8731	*
Belgian/UK (models CTO-G)	89P8732	*
Czech (models CTO-G)	89P8734	*
Danish (models CTO-G)	89P8735	*
Dutch (models CTO-G)	89P8736	*
French (models CTO-G)	89P8737	*
French Canadian 445 (models CTO-U)	89P8738	*
French Canadian 58 (models CTO-U)	89P8739	*
German (models CTO-G)	89P8740	*
Greek (models CTO-G)	89P8741	*
Hungarian (models CTO-G)	89P8742	*
Iceland (models CTO-G)	89P8743	*
Italian 141 (models CTO-G)	89P8744	*
Norwegian (models CTO-G)	89P8746	*
Polish (models CTO-G)	89P8747	*
Portuguese (models CTO-G)	89P8748	*
Slovak (models CTO-G)	89P8749	*
Spanish (models CTO-G)	89P8751	*
Swedish/Finn (models CTO-G)	89P8752	*
Swiss F/G (models CTO-G)	89P8753	*
UK English (models CTO-G)	89P8754	*
US Euro (models CTO-G)	89P8755	*
Wireless transceiver dongle (models CTO)	89P8757	*

<b>8211 Lenovo Keyboard (Wireless, Enhanced)</b>	<b>FRU#</b>	<b>CRU</b>
US English/Chinese/US (models CTO-U CTO-G)	41A5219	*
Belgian/French (models CTO-U CTO-G)	41A5220	*
Belgian/UK (models CTO-G)	41A5221	*
Czech (models CTO-G)	41A5223	*
Danish (models CTO-G)	41A5224	*
Dutch (models CTO-G)	41A5225	*
French (models CTO-G)	41A5226	*
French Canadian (models CTO-U)	41A5227	*
French Canadian (models CTO-U)	41A5228	*
German (models CTO-G)	41A5229	*
Greek (models CTO-G)	41A5230	*
Hungarian (models CTO-G)	41A5232	*
Iceland (models CTO-G)	41A5233	*
Italy (models CTO-G)	41A5234	*
Norwegian (models CTO-G)	41A5236	*

<b>8211 Lenovo Keyboard (Wireless, Enhanced)</b>	<b>FRU#</b>	<b>CRU</b>
Polish (models CTO-G)	41A5237	*
Portuguese (models CTO-G)	41A5238	*
Slovak (models CTO-G)	41A5239	*
Spanish (models CTO-G)	41A5240	*
Swedish/Finn (models CTO-G)	41A5241	*
Swiss (models CTO-G)	41A5242	*
UK English (models CTO-G)	41A5243	*
US Euro (models CTO-G)	41A5244	*

<b>8211 mice</b>	<b>FRU#</b>	<b>CRU</b>
Mouse, Scrollpoint Optical, USB (all models )	41A4933	*
Mouse, optical wheelmouse, USB (models CTO)	41A4935	*
Mouse, PS/2 wheelmouse (Black) (models CTO)	41A4917	*
Mouse, optical wheelmouse (400DPI, USB) (models CTO)	41U3013	*
Mouse, Scrollpoint Optical, (800DPI, USB) (all models)	41U3019	*
Mouse, Wheelmouse PS/2 (all models)	41R0018	*

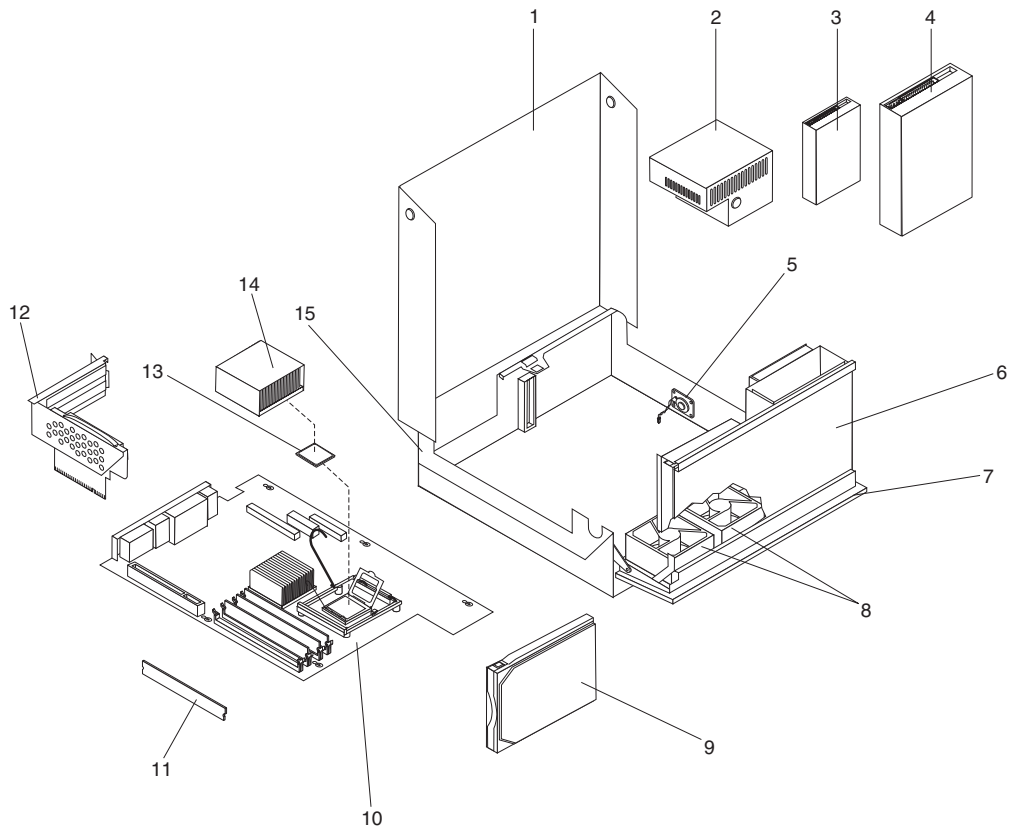
<b>8211 Adapters and miscellaneous FRUs</b>	<b>FRU#</b>	<b>CRU</b>
Soft Modem V.90/V.44 (models CTO)	29R9729	*
128MB DDR ATI Radeon x300SE (DMS59 connector) (models CTO)	39J9635	*
128MB DDR ATI RADEON X700 PRO VGA, DVI-I, TV-Out PCI-e BTX (models CTO)	39J6203	*
PCI-E DVI-DConnection Adapter (ADD 2-R) (Full Height) (models CTO)	39J9334	*
1394 Firewire PCI LP (ATX) (models CTO)	41D2781	*
Speakers, Jazz Infinity Active T1 (Black) (models CTO)	89P8588	*
Speaker Power brick - US, Canada, LA (low voltage), Taiwan, Phillipines, Thailand (models CTO-U CTO-L CTO-A)	10K2587	*
Speaker Power brick - UK, Hong Kong (British version), ASEAN (models CTO-A)	25P5703	*
Speaker Power brick - Europe and LA (models CTO-G CTO-L)	25P5704	*
Speaker Power brick (newer 2 prong) - China, Thailand, Phillipines (models CTO-A)	10K2597	*
Speaker Power brick - ANZ (models CTO-A)	25P5705	*
Speaker Power brick - Brazil (models CTO-L)	25P5706	*
Speaker Power brick - India, South Africa (models CTO-A CTO-G)	32P3181	*
Speaker Power brick - Argentina (models CTO-L)	01R2253	*
Speaker Power brick - US, Canada, LA low voltage, ASEAN (models CTO)	89P8571	*
RJ11 connector adapter (Spain, Ireland) (All "G" models)	60H6043	*
RJ11 connector adapter (Austria) (All "G" models)	60H6045	*
RJ11 connector adapter (Belgium) (All "G" models)	60H6046	*
RJ11 connector adapter (Denmark) (All "G" models)	60H6047	*
RJ11 connector adapter (Norway, Finland) (All "G" models)	60H6048	*
RJ11 connector adapter (France) (All "G" models)	60H6049	*
RJ11 connector adapter (Germany) (All "G" models)	60H6050	*

<b>8211 Adapters and miscellaneous FRUs</b>	<b>FRU#</b>	<b>CRU</b>
RJ11 connector adapter (UK, NZ, HK) (All "G", "M", "B", "H" models)	60H6051	*
RJ11 connector adapter (Italy) (All "G" models)	60H6052	*
RJ11 connector adapter (Netherlands) (All "G" models)	60H6053	*
RJ11 connector adapter (Sweden) (All "G" models)	60H6054	*
RJ11 connector adapter (Switzerland) (All "G" models)	60H6055	*
Dongle Cable - DMS59 to dual VGA (All models)	41D2399	*

<b>8211 Power Cords</b>	<b>FRU#</b>	<b>CRU</b>
Power cord - US (models 12A 12T 15A 15T E1A E1T F1A F1T F2A F2T H1A H1T H2A H2T J1A J1T K1A K1T 18A 18T G1A G1T)	39M5080	*
Power cord - China (models 13C 14C)	39M5205	*
Power cord - Hong Kong (models 13B 13H 14B 14H)	39M5151	*
Power cord - UK, Ireland, Singapore, Malaysia, Brunei (models 12A 15A E1A F1A F2A H1A H2A J1A K1A 18A G1A)	39M5150	*
Power cord - Taiwan (models 13V 14V)	39M5246	*
Power cord - South Africa (models 12A 15A E1A F1A F2A H1A H2A J1A K1A 18A G1A)	39M5143	*
Power cord - India (models 11Q 12Q 15Q 16Q E1Q F1Q F2Q H1Q H2Q J1Q K1Q G1Q)	41R3175	*

<b>8211 Windows XP Pro Recovery CDs</b>	<b>FRU#</b>	<b>CRU</b>
US/UK/AP/TH (models 12A 12Q 12T 13H 14H 15A 15Q 15T 16Q E1A E1Q E1T F1A F1Q F1T F2A F2Q F2T H1A H1Q H1T H2A H2Q H2T J1A J1Q J1T K1A K1Q K1T 18A 18T G1A G1Q G1T)	41T1577	*
Simplified Chinese (models 13C 14C)	41W2596	*
Taiwan-TC (models 13V 14V)	41W2603	*
Hong kong-TC (models 13B 14B)	41W2610	*

# Machine Type 8212



Item #	8212 FRUs	FRU#	CRU
1	Cover (all models)	39M0581	**
2	Power Supply (225 Watt) (models CTO A1U A1F A2U A2F A3U A3F A4K 11U 11F 12U 12F 13U 13F 14U 14F 15U 15F 16U 16F 16G 16M 16A 16T 16K 16R 16E 16J 17A 17T 18K 18R 19U 19F 1AU 1AF 1BU 1BF 1CU 1CF 1DU 1DF 1DG 1DM 1DA 1DT 1DK 1DR 1DE 1DJ 1EU 1EF 1FA 1FT 1GA 1GT 1HU 1HF 1JU 1JF 1KU 1KF 1LU 1LF 1MU 1MF 1MG 1MM 1MA 1MT 1MK 1MR 1ME 1MJ 1NU 1NF 1PG 1QU 1QF 1SU 1SF 1VU 1VF 21U 22U 23U 24U 1QG 1QM 1QA 1QT 1QK 1QR 1QE 1QJ 1YU E1U E2U F1U F2U G1U G2U H1U H1F H1G H1M H1A H1T H1K H1R H1E H1J H9U EBU JBG 85M 85A 85T 85K 85R 85E 85J 86M 86A 86T 86K 86R 8 H8U H8F E9U E9F EAU EAF L1A L1T L2A L2T L4U L4F L5K L6U L6F J1A J1T J3U J3F K1A K1T K3U K3F K4U K4F CCU CDU CEU 29U 29F 2AU 2AF 2BU 2BF 2CK 2DA 2DT 37A 37T 3BU 3CU 3CF 44U 44F 45U 45F HAK HBK G6K G7K G8A G8T G9U G9G GAU GCU GCF 51G 91K 92K 83U 83F 83G 84U 84F 84G 85U 85F 85G 86U 86F 86G 87U 87F 87G 8BG CFU CGU CHU CJU CKU)	24R2625	**



Item #	8212 FRUs	FRU#	CRU
2	Power Supply - China (225 Watt) (models APS APP APY AQS AQP AQY B1S B1P B1Y B2S B2P B2Y 27S 27P 27Y 28S 28P 28Y 2DQ 31B 31H 32S 32P 32Y 33S 33P 33Y 37Q 38B 38H 39S 39P 39Y 3AS 3AP 3AY 41B 41H 42S 42P 42Y 43S 43P 43Y 61S 61P 61Y HCB HCH G4S G4P G4Y G5S G5P G5Y G8Q GBS GBP GBY 93B 93H 81B 81H 82B 82H 88S 88P 88Y 89S 89P 89Y 8AS 8AP 8AY J8B J8H J9S J9P J9Y JAS JAP JAY 85S 85P 85L 85D 85Y 85Q 85C 85B 85H 85V 86S 86P 86L 86D 86Y 86Q 86C 86B 86H 86V CTO-A CTO-L 16S 16P 16L 16D 16Y 16Q 16C 16B 16H 16V 17Q 1DS 1DP 1DL 1DD 1DY 1DQ 1DC 1DB 1DH 1DV 1FQ 1GQ 1MS 1MP 1ML 1MD 1MY 1MQ 1MC 1MB 1MH 1MV 1RC 1RB 1RH 1RV 1TC 1TB 1TH 1TV 1UC 1UB 1UH 1UV 1WC 1WB 1WH 1WV 1XC 1XB 1XH 1XV 1QS 1QP 1QL 1QD 1QY 1QQ 1QC 1QB 1QH 1QV H1S H1P H1L H1D H1Y H1Q H1C H1B H1H H1V H6V E3Q E7S E7P E7L E7D E7Y E7G E7C E7B E7H E7V E8V F3Q F4Q 25S 25P 25Y 26S 26P 26Y H7S H7P H7Y L1Q L2Q L3S L3P L3Y L6S L6P L6Y J1Q J2S J2P J2Y J4S J4P J4Y K1Q K2S K2P K2Y K4S K4P K4Y)	24R2627	**
3	Diskette drive, 3.5" 1.44MB 3-mode (w/o bezel) (models 85S 85P 85L 85D 85Y 85M 85A 85Q 85T 85C 85B 85H 85V 85K 85R 85E 85J 86S 86P 86L 86D 86Y 86M 86A 86Q 86T 86C 86B 86H 86V 86K 86R 86E 86J APS APP APY AQS AQP AQY B1S B1P B1Y B2S B2P B2Y 27S 27P 27Y 28S 28P 28Y 2CK 2DA 2DQ 2DT 31B 31H 32S 32P 32Y 37A 37Q 37T 38B 38H 39S 39P 39Y 3AS 3AP 3AY 3BU 3CU 3CF 41B 41H 42S 42P 42Y 44U 44F 45U 45F 61S 61P 61Y HAK HBK HCB HCH G4S G4P G4Y G6K G7K G8A G8Q G8T GAU GCU GCF 91K 92K 93B 93H 81B 81H 82B 82H 83U 83F 83G 84U 84F 84G 85U 85F 85G 86U 86F 86G 87U 87F 87G 88S 88P 88Y 89S 89P 89Y 8AS 8AP 8AY 8BG J8B J8H J9S J9P J9Y 1UC 1UB 1UH 1UV 1VU 1VF 1WC 1WB 1WH 1WV 1XC 1XB 1XH 1XV 21U 22U 23U 24U 1QS 1QP 1QL 1QD 1QY 1QG 1QM 1QA 1QQ 1QT 1QC 1QB 1QH 1QV 1QK 1QR 1QE 1QJ 1YU E1U E2U F1U F2U G1U G2U H1U H1F H1S H1P H1L H1D H1Y H1G H1M H1A H1Q H1T H1C H1B H1H H1V H1K H1R H1E H1J E7U E7F E7S E7P E7L E7D E7Y E7G E7M E7A E7Q E7T E7C E7B E7H E7V E7K E7R E7E E7J G3U G3F 25S 25P 25Y H8U H8F E9U E9F EAU EAF L1A L1Q L1T L2A L2Q L2T L4U L4F L6U L6F L6S L6P L6Y J1A J1Q J1T J3U J3F K1A K1Q K1T K3U K3F K4U K4F K4S K4P K4Y H9U EBU CTO A1U A1F A2U A2F A3U A3F A4K 12U 12F 13U 13F 15U 15F 16U 16F 16S 16P 16L 16D 16Y 16G 16M 16A 16Q 16T 16C 16B 16H 16V 16K 16R 16E 16J 17A 17Q 17T 18K 18R 19U 19F 1AU 1AF 1DU 1DF 1DS 1DP 1DL 1DD 1DY 1DG 1DM 1DA 1DQ 1DT 1DC 1DB 1DH 1DV 1DK 1DR 1DE 1DJ 1EU 1EF 1FA 1FQ 1FT 1GA 1GQ 1GT 1HU 1HF 1JU 1JF 1KU 1MU 1MF 1MS 1MP 1ML 1MD 1MY 1MG 1MM 1MA 1MQ 1MT 1MC 1MB 1MH 1MV 1MK 1MR 1ME 1MJ 1NU 1NF 1PG 1QU 1QF 1RC 1RB 1RH 1RV 1SU 1SF 1TC 1TB 1TH 1TV)	40Y9107	*

Item #	8212 FRUs	FRU#	CRU
3	Diskette drive, 3.5" 1.44MB 3-mode (w/o bezel) (models 85S 85P 85L 85D 85Y 85M 85A 85Q 85T 85C 85B 85H 85V 85K 85R 85E 85J 86S 86P 86L 86D 86Y 86M 86A 86Q 86T 86C 86B 86H 86V 86K 86R 86E 86J APS APP APY AQS AQP AQY B1S B1P B1Y B2S B2P B2Y 27S 27P 27Y 28S 28P 28Y 2CK 2DA 2DQ 2DT 31B 31H 32S 32P 32Y 37A 37Q 37T 38B 38H 39S 39P 39Y 3AS 3AP 3AY 3BU 3CU 3CF 41B 41H 42S 42P 42Y 44U 44F 45U 45F 61S 61P 61Y HAK HBK HCB HCH G4S G4P G4Y G6K G7K G8A G8Q G8T GAU GCU GCF 91K 92K 93B 93H 81B 81H 82B 82H 83U 83F 83G 84U 84F 84G 85U 85F 85G 86U 86F 86G 87U 87F 87G 88S 88P 88Y 89S 89P 89Y 8AS 8AP 8AY 8BG J8B J8H J9S J9P J9Y 1UC 1UB 1UH 1UV 1VU 1VF 1WC 1WB 1WH 1WV 1XC 1XB 1XH 1XV 21U 22U 23U 24U 1QS 1QP 1QL 1QD 1QY 1QG 1QM 1QA 1QQ 1QT 1QC 1QB 1QH 1QV 1QK 1QR 1QE 1QJ 1YU E1U E2U F1U F2U G1U G2U H1U H1F H1S H1P H1L H1D H1Y H1G H1M H1A H1Q H1T H1C H1B H1H H1V H1K H1R H1E H1J E7U E7F E7S E7P E7L E7D E7Y E7G E7M E7A E7Q E7T E7C E7B E7H E7V E7K E7R E7E E7J G3U G3F 25S 25P 25Y H8U H8F E9U E9F EAU EAF L1A L1Q L1T L2A L2Q L2T L4U L4F L6U L6F L6S L6P L6Y J1A J1Q J1T J3U J3F K1A K1Q K1T K3U K3F K4U K4F K4S K4P K4Y H9U EBU CTO A1U A1F A2U A2F A3U A3F A4K 12U 12F 13U 13F 15U 15F 16U 16F 16S 16P 16L 16D 16Y 16G 16M 16A 16Q 16T 16C 16B 16H 16V 16K 16R 16E 16J 17A 17Q 17T 18K 18R 19U 19F 1AU 1AF 1DU 1DF 1DS 1DP 1DL 1DD 1DY 1DG 1DM 1DA 1DQ 1DT 1DC 1DB 1DH 1DV 1DK 1DR 1DE 1DJ 1EU 1EF 1FA 1FQ 1FT 1GA 1GQ 1GT 1HU 1HF 1JU 1JF 1KU 1MU 1MF 1MS 1MP 1ML 1MD 1MY 1MG 1MM 1MA 1MQ 1MT 1MC 1MB 1MH 1MV 1MK 1MR 1ME 1MJ 1NU 1NF 1PG 1QU 1QF 1RC 1RB 1RH 1RV 1SU 1SF 1TC 1TB 1TH 1TV)	40Y9105	*
3	Diskette drive, 3.5" 1.44MB 3-mode (w/o bezel) (models 85S 85P 85L 85D 85Y 85M 85A 85Q 85T 85C 85B 85H 85V 85K 85R 85E 85J 86S 86P 86L 86D 86Y 86M 86A 86Q 86T 86C 86B 86H 86V 86K 86R 86E 86J APS APP APY AQS AQP AQY B1S B1P B1Y B2S B2P B2Y 27S 27P 27Y 28S 28P 28Y 2CK 2DA 2DQ 2DT 31B 31H 32S 32P 32Y 37A 37Q 37T 38B 38H 39S 39P 39Y 3AS 3AP 3AY 3BU 3CU 3CF 41B 41H 42S 42P 42Y 44U 44F 45U 45F 61S 61P 61Y HAK HBK HCB HCH G4S G4P G4Y G6K G7K G8A G8Q G8T GAU GCU GCF 91K 92K 93B 93H 81B 81H 82B 82H 83U 83F 83G 84U 84F 84G 85U 85F 85G 86U 86F 86G 87U 87F 87G 88S 88P 88Y 89S 89P 89Y 8AS 8AP 8AY 8BG J8B J8H J9S J9P J9Y 1UC 1UB 1UH 1UV 1VU 1VF 1WC 1WB 1WH 1WV 1XC 1XB 1XH 1XV 21U 22U 23U 24U 1QS 1QP 1QL 1QD 1QY 1QG 1QM 1QA 1QQ 1QT 1QC 1QB 1QH 1QV 1QK 1QR 1QE 1QJ 1YU E1U E2U F1U F2U G1U G2U H1U H1F H1S H1P H1L H1D H1Y H1G H1M H1A H1Q H1T H1C H1B H1H H1V H1K H1R H1E H1J E7U E7F E7S E7P E7L E7D E7Y E7G E7M E7A E7Q E7T E7C E7B E7H E7V E7K E7R E7E E7J G3U G3F 25S 25P 25Y H8U H8F E9U E9F EAU EAF L1A L1Q L1T L2A L2Q L2T L4U L4F L6U L6F L6S L6P L6Y J1A J1Q J1T J3U J3F K1A K1Q K1T K3U K3F K4U K4F K4S K4P K4Y H9U EBU CTO A1U A1F A2U A2F A3U A3F A4K 12U 12F 13U 13F 15U 15F 16U 16F 16S 16P 16L 16D 16Y 16G 16M 16A 16Q 16T 16C 16B 16H 16V 16K 16R 16E 16J 17A 17Q 17T 18K 18R 19U 19F 1AU 1AF 1DU 1DF 1DS 1DP 1DL 1DD 1DY 1DG 1DM 1DA 1DQ 1DT 1DC 1DB 1DH 1DV 1DK 1DR 1DE 1DJ 1EU 1EF 1FA 1FQ 1FT 1GA 1GQ 1GT 1HU 1HF 1JU 1JF 1KU 1MU 1MF 1MS 1MP 1ML 1MD 1MY 1MG 1MM 1MA 1MQ 1MT 1MC 1MB 1MH 1MV 1MK 1MR 1ME 1MJ 1NU 1NF 1PG 1QU 1QF 1RC 1RB 1RH 1RV 1SU 1SF 1TC 1TB 1TH 1TV)	40Y9113	*
4	CD-ROM Drive 48X (models CTO A1U A1F A2U A2F A3U A3F A4K 11U 11F 12U 12F 17A 17Q 17T 19U 19F 1FA 1FQ 1FT 1GA 1GQ 1GT 1HU 1HF 21U 23U E1U F1U H2U H2F H4K E3A E3Q E3T E6K F3A F3Q F3T 25S 25P 25Y 26S 26P 26Y H7S H7P H7Y L1A L1Q L1T L3S L3P L3Y L5K J2S J2P J2Y K2S K2P K2Y APS APP APY AQS AQP AQY B1S B1P B1Y B2S B2P B2Y 27S 27P 27Y 28S 28P 28Y 29U 29F 2DA 2DQ 2DT 32S 32P 32Y 39S 39P 39Y 3AS 3AP 3AY 42S 42P 42Y 61S 61P 61Y HBK G4S G4P G4Y G7K 92K 88S 88P 88Y J9S J9P J9Y)	40Y8929	*

Item #	8212 FRUs	FRU#	CRU
4	CD-ROM Drive 48X (models CTO A1U A1F A2U A2F A3U A3F A4K 11U 11F 12U 12F 17A 17Q 17T 19U 19F 1FA 1FQ 1FT 1GA 1GQ 1GT 1HU 1HF 21U 23U E1U F1U H2U H2F H4K E3A E3Q E3T E6K F3A F3Q F3T 25S 25P 25Y 26S 26P 26Y H7S H7P H7Y L1A L1Q L1T L3S L3P L3Y L5K J2S J2P J2Y K2S K2P K2Y APS APP APY AQS AQP AQY B1S B1P B1Y B2S B2P B2Y 27S 27P 27Y 28S 28P 28Y 29U 29F 2DA 2DQ 2DT 32S 32P 32Y 39S 39P 39Y 3AS 3AP 3AY 42S 42P 42Y 61S 61P 61Y HBK G4S G4P G4Y G7K 92K 88S 88P 88Y J9S J9P J9Y)	40Y8807	*
4	CD-ROM Drive 48X (models CTO A1U A1F A2U A2F A3U A3F A4K 11U 11F 12U 12F 17A 17Q 17T 19U 19F 1FA 1FQ 1FT 1GA 1GQ 1GT 1HU 1HF 21U 23U E1U F1U H2U H2F H4K E3A E3Q E3T E6K F3A F3Q F3T 25S 25P 25Y 26S 26P 26Y H7S H7P H7Y L1A L1Q L1T L3S L3P L3Y L5K J2S J2P J2Y K2S K2P K2Y APS APP APY AQS AQP AQY B1S B1P B1Y B2S B2P B2Y 27S 27P 27Y 28S 28P 28Y 29U 29F 2DA 2DQ 2DT 32S 32P 32Y 39S 39P 39Y 3AS 3AP 3AY 42S 42P 42Y 61S 61P 61Y HBK G4S G4P G4Y G7K 92K 88S 88P 88Y J9S J9P J9Y)	40Y8955	*
4	CD-ROM Drive 48X (models H2U H2F H4K E3A E3Q E3T E6K F3A F3Q F3T 25S 25P 25Y 26S 26P 26Y H7S H7P H7Y L1A L1Q L1T L3S L3P L3Y L5K J2S J2P J2Y K2S K2P K2Y APS APP APY AQS AQP AQY B1S B1P B1Y B2S B2P B2Y 27S 27P 27Y 28S 28P 28Y 29U 29F 2DA 2DQ 2DT 32S 32P 32Y 39S 39P 39Y 3AS 3AP 3AY 42S 42P 42Y 61S 61P 61Y HBK G4S G4P G4Y G7K 92K 88S 88P 88Y J9S J9P J9Y)	40Y8953	*
4	CD-ROM Drive 48X (models H2U H2F H4K E3A E3Q E3T E6K F3A F3Q F3T 25S 25P 25Y 26S 26P 26Y H7S H7P H7Y L1A L1Q L1T L3S L3P L3Y L5K J2S J2P J2Y K2S K2P K2Y APS APP APY AQS AQP AQY B1S B1P B1Y B2S B2P B2Y 27S 27P 27Y 28S 28P 28Y 29U 29F 2DA 2DQ 2DT 32S 32P 32Y 39S 39P 39Y 3AS 3AP 3AY 42S 42P 42Y 61S 61P 61Y HBK G4S G4P G4Y G7K 92K 88S 88P 88Y J9S J9P J9Y)	41N3539	*
4	CD-ROM Drive 48X (models H2U H2F H4K E3A E3Q E3T E6K F3A F3Q F3T 25S 25P 25Y 26S 26P 26Y H7S H7P H7Y L1A L1Q L1T L3S L3P L3Y L5K J2S J2P J2Y K2S K2P K2Y APS APP APY AQS AQP AQY B1S B1P B1Y B2S B2P B2Y 27S 27P 27Y 28S 28P 28Y 29U 29F 2DA 2DQ 2DT 32S 32P 32Y 39S 39P 39Y 3AS 3AP 3AY 42S 42P 42Y 61S 61P 61Y HBK G4S G4P G4Y G7K 92K 88S 88P 88Y J9S J9P J9Y)	41N3540	*
4	CD-ROM Drive 48X (models H2U H2F H4K E3A E3Q E3T E6K F3A F3Q F3T 25S 25P 25Y 26S 26P 26Y H7S H7P H7Y L1A L1Q L1T L3S L3P L3Y L5K J2S J2P J2Y K2S K2P K2Y APS APP APY AQS AQP AQY B1S B1P B1Y B2S B2P B2Y 27S 27P 27Y 28S 28P 28Y 29U 29F 2DA 2DQ 2DT 32S 32P 32Y 39S 39P 39Y 3AS 3AP 3AY 42S 42P 42Y 61S 61P 61Y HBK G4S G4P G4Y G7K 92K 88S 88P 88Y J9S J9P J9Y)	41N3541	*
4	DVD-ROM Drive (16X/48X) (models H1U H1F H1S H1P H1L H1D H1Y H1G H1M H1A H1Q H1T H1C H1B H1H H1V H1K H1R H1E H1J H6V E7U E7F E7S E7P E7L E7D E7Y E7G E7M E7A E7Q E7T E7C E7B E7H E7V E7K E7R E7E E7J E8V H8U H8F L4U L4F J3U J3F K3U K3F H9U 3BU 3CU 3CF 44U 44F G9G 86U 86F 86G 87U 87F 87G 86S 86P 86L 86D 86Y 86M 86A 86Q 86T 86C 86B 86H 86V 86K 86R 86E 86J JCU JCF CTO 15U 15F 16U 16F 16S 16P 16L 16D 16Y 16G 16M 16A 16Q 16T 16C 16B 16H 16V 16K 16R 16E 16J 1CU 1CF 1DU 1DF 1DS 1DP 1DL 1DD 1DY 1DG 1DM 1DA 1DQ 1DT 1DC 1DB 1DH 1DV 1DK 1DR 1DE 1DJ 1EU 1EF 1LU 1LF 1MU 1MF 1MS 1MP 1ML 1MD 1MY 1MG 1MM 1MA 1MQ 1MT 1MC 1MB 1MH 1MV 1MK 1MR 1ME 1MJ 1NU 1NF 1PG 1QU 1QF 1RC 1RB 1RH 1RV 1SU 1SF 1TC 1TB 1TH 1TV 1UC 1UB 1UH 1UV 1VU 1VF 22U 24U 1QS 1QP 1QL 1QD 1QY 1QG 1QM 1QA 1QQ 1QT 1QC 1QB 1QH 1QV 1QK 1QR 1QE 1QJ G2U)	40Y8931	*

Item #	8212 FRUs	FRU#	CRU
4	DVD-ROM Drive (16X/48X) (models H1U H1F H1S H1P H1L H1D H1Y H1G H1M H1A H1Q H1T H1C H1B H1H H1V H1K H1R H1E H1J H6V E7U E7F E7S E7P E7L E7D E7Y E7G E7M E7A E7Q E7T E7C E7B E7H E7V E7K E7R E7E E7J E8V H8U H8F L4U L4F J3U J3F K3U K3F H9U 3BU 3CU 3CF 44U 44F G9G 86U 86F 86G 87U 87F 87G 86S 86P 86L 86D 86Y 86M 86A 86Q 86T 86C 86B 86H 86V 86K 86R 86E 86J JCU JCF CTO 15U 15F 16U 16F 16S 16P 16L 16D 16Y 16G 16M 16A 16Q 16T 16C 16B 16H 16V 16K 16R 16E 16J 1CU 1CF 1DU 1DF 1DS 1DP 1DL 1DD 1DY 1DG 1DM 1DA 1DQ 1DT 1DC 1DB 1DH 1DV 1DK 1DR 1DE 1DJ 1EU 1EF 1LU 1LF 1MU 1MF 1MS 1MP 1ML 1MD 1MY 1MG 1MM 1MA 1MQ 1MT 1MC 1MB 1MH 1MV 1MK 1MR 1ME 1MJ 1NU 1NF 1PG 1QU 1QF 1RC 1RB 1RH 1RV 1SU 1SF 1TC 1TB 1TH 1TV 1UC 1UB 1UH 1UV 1VU 1VF 22U 24U 1QS 1QP 1QL 1QD 1QY 1QG 1QM 1QA 1QQ 1QT 1QC 1QB 1QH 1QV 1QK 1QR 1QE 1QJ G2U)	40Y8933	*
4	DVD-ROM Drive (16X/48X) (models H1U H1F H1S H1P H1L H1D H1Y H1G H1M H1A H1Q H1T H1C H1B H1H H1V H1K H1R H1E H1J H6V E7U E7F E7S E7P E7L E7D E7Y E7G E7M E7A E7Q E7T E7C E7B E7H E7V E7K E7R E7E E7J E8V H8U H8F L4U L4F J3U J3F K3U K3F H9U 3BU 3CU 3CF 44U 44F G9G 86U 86F 86G 87U 87F 87G 86S 86P 86L 86D 86Y 86M 86A 86Q 86T 86C 86B 86H 86V 86K 86R 86E 86J JCU JCF CTO 15U 15F 16U 16F 16S 16P 16L 16D 16Y 16G 16M 16A 16Q 16T 16C 16B 16H 16V 16K 16R 16E 16J 1CU 1CF 1DU 1DF 1DS 1DP 1DL 1DD 1DY 1DG 1DM 1DA 1DQ 1DT 1DC 1DB 1DH 1DV 1DK 1DR 1DE 1DJ 1EU 1EF 1LU 1LF 1MU 1MF 1MS 1MP 1ML 1MD 1MY 1MG 1MM 1MA 1MQ 1MT 1MC 1MB 1MH 1MV 1MK 1MR 1ME 1MJ 1NU 1NF 1PG 1QU 1QF 1RC 1RB 1RH 1RV 1SU 1SF 1TC 1TB 1TH 1TV 1UC 1UB 1UH 1UV 1VU 1VF 22U 24U 1QS 1QP 1QL 1QD 1QY 1QG 1QM 1QA 1QQ 1QT 1QC 1QB 1QH 1QV 1QK 1QR 1QE 1QJ G2U)	40Y8957	*
4	DVD-ROM Drive (16X/48X) (models H1U H1F H1S H1P H1L H1D H1Y H1G H1M H1A H1Q H1T H1C H1B H1H H1V H1K H1R H1E H1J H6V E7U E7F E7S E7P E7L E7D E7Y E7G E7M E7A E7Q E7T E7C E7B E7H E7V E7K E7R E7E E7J E8V H8U H8F L4U L4F J3U J3F K3U K3F H9U 3BU 3CU 3CF 44U 44F G9G 86U 86F 86G 87U 87F 87G 86S 86P 86L 86D 86Y 86M 86A 86Q 86T 86C 86B 86H 86V 86K 86R 86E 86J JCU JCF CTO 15U 15F 16U 16F 16S 16P 16L 16D 16Y 16G 16M 16A 16Q 16T 16C 16B 16H 16V 16K 16R 16E 16J 1CU 1CF 1DU 1DF 1DS 1DP 1DL 1DD 1DY 1DG 1DM 1DA 1DQ 1DT 1DC 1DB 1DH 1DV 1DK 1DR 1DE 1DJ 1EU 1EF 1LU 1LF 1MU 1MF 1MS 1MP 1ML 1MD 1MY 1MG 1MM 1MA 1MQ 1MT 1MC 1MB 1MH 1MV 1MK 1MR 1ME 1MJ 1NU 1NF 1PG 1QU 1QF 1RC 1RB 1RH 1RV 1SU 1SF 1TC 1TB 1TH 1TV 1UC 1UB 1UH 1UV 1VU 1VF 22U 24U 1QS 1QP 1QL 1QD 1QY 1QG 1QM 1QA 1QQ 1QT 1QC 1QB 1QH 1QV 1QK 1QR 1QE 1QJ G2U)	41X3544	*
4	DVD-ROM Drive (16X/48X) (models H1U H1F H1S H1P H1L H1D H1Y H1G H1M H1A H1Q H1T H1C H1B H1H H1V H1K H1R H1E H1J H6V E7U E7F E7S E7P E7L E7D E7Y E7G E7M E7A E7Q E7T E7C E7B E7H E7V E7K E7R E7E E7J E8V H8U H8F L4U L4F J3U J3F K3U K3F H9U 3BU 3CU 3CF 44U 44F G9G 86U 86F 86G 87U 87F 87G 86S 86P 86L 86D 86Y 86M 86A 86Q 86T 86C 86B 86H 86V 86K 86R 86E 86J JCU JCF CTO 15U 15F 16U 16F 16S 16P 16L 16D 16Y 16G 16M 16A 16Q 16T 16C 16B 16H 16V 16K 16R 16E 16J 1CU 1CF 1DU 1DF 1DS 1DP 1DL 1DD 1DY 1DG 1DM 1DA 1DQ 1DT 1DC 1DB 1DH 1DV 1DK 1DR 1DE 1DJ 1EU 1EF 1LU 1LF 1MU 1MF 1MS 1MP 1ML 1MD 1MY 1MG 1MM 1MA 1MQ 1MT 1MC 1MB 1MH 1MV 1MK 1MR 1ME 1MJ 1NU 1NF 1PG 1QU 1QF 1RC 1RB 1RH 1RV 1SU 1SF 1TC 1TB 1TH 1TV 1UC 1UB 1UH 1UV 1VU 1VF 22U 24U 1QS 1QP 1QL 1QD 1QY 1QG 1QM 1QA 1QQ 1QT 1QC 1QB 1QH 1QV 1QK 1QR 1QE 1QJ G2U)	41X3545	*

Item #	8212 FRUs	FRU#	CRU
4	DVD-ROM Drive (16X/48X) (models H1U H1F H1S H1P H1L H1D H1Y H1G H1M H1A H1Q H1T H1C H1B H1H H1V H1K H1R H1E H1J H6V E7U E7F E7S E7P E7L E7D E7Y E7G E7M E7A E7Q E7T E7C E7B E7H E7V E7K E7R E7E E7J E8V H8U H8F L4U L4F J3U J3F K3U K3F H9U 3BU 3CU 3CF 44U 44F G9G 86U 86F 86G 87U 87F 87G 86S 86P 86L 86D 86Y 86M 86A 86Q 86T 86C 86B 86H 86V 86K 86R 86E 86J JCU JCF CTO 15U 15F 16U 16F 16S 16P 16L 16D 16Y 16G 16M 16A 16Q 16T 16C 16B 16H 16V 16K 16R 16E 16J 1CU 1CF 1DU 1DF 1DS 1DP 1DL 1DD 1DY 1DG 1DM 1DA 1DQ 1DT 1DC 1DB 1DH 1DV 1DK 1DR 1DE 1DJ 1EU 1EF 1LU 1LF 1MU 1MF 1MS 1MP 1ML 1MD 1MY 1MG 1MM 1MA 1MQ 1MT 1MC 1MB 1MH 1MV 1MK 1MR 1ME 1MJ 1NU 1NF 1PG 1QU 1QF 1RC 1RB 1RH 1RV 1SU 1SF 1TC 1TB 1TH 1TV 1UC 1UB 1UH 1UV 1VU 1VF 22U 24U 1QS 1QP 1QL 1QD 1QY 1QG 1QM 1QA 1QQ 1QT 1QC 1QB 1QH 1QV 1QK 1QR 1QE 1QJ G2U)	41X3546	*
4	CD-RW/DVD-ROM Combo Drive 48X/32X/48X/16X Max (models 85S 85P 85L 85D 85Y 85M 85A 85Q 85T 85C 85B 85H 85V 85K 85R 85E 85J JDU JDF CTO 13U 13F 14U 14F 18K 18R 1AU 1AF 1BU 1BF 1JU 1JF 1KU 1KF 1WC 1WB 1WH 1WV 1XC 1XB 1XH 1XV 1YU E2U F2U G1U H3U H3F H5K E4U E4F E5K F4A F4Q F4T G3U G3F E9U E9F EAU EAF L6U L6F L6S L6P L6Y J4S J4P J4Y K1A K1Q K1T K4U K4F K4S K4P K4Y EBU 2AU 2AF 2BU 2BF 2CK 31B 31H 33S 33P 33Y 37A 37Q 37T 38B 38H 41B 41H 43S 43P 43Y 45U 45F HAK HCB HCH G6K G8A G8Q G8T GAU GBS GBP GBY GCU GCF 51G 91K 93B 93H 81B 81H 82B 82H 84U 84F 84G 85U 85F 85G 89S 89P 89Y 8AS 8AP 8AY J8B J8H JAS JAP JAY JBG)	40Y8919	*
4	CD-RW/DVD-ROM Combo Drive 48X/32X/48X/16X Max (models 85S 85P 85L 85D 85Y 85M 85A 85Q 85T 85C 85B 85H 85V 85K 85R 85E 85J JDU JDF CTO 13U 13F 14U 14F 18K 18R 1AU 1AF 1BU 1BF 1JU 1JF 1KU 1KF 1WC 1WB 1WH 1WV 1XC 1XB 1XH 1XV 1YU E2U F2U G1U H3U H3F H5K E4U E4F E5K F4A F4Q F4T G3U G3F E9U E9F EAU EAF L6U L6F L6S L6P L6Y J4S J4P J4Y K1A K1Q K1T K4U K4F K4S K4P K4Y EBU 2AU 2AF 2BU 2BF 2CK 31B 31H 33S 33P 33Y 37A 37Q 37T 38B 38H 41B 41H 43S 43P 43Y 45U 45F HAK HCB HCH G6K G8A G8Q G8T GAU GBS GBP GBY GCU GCF 51G 91K 93B 93H 81B 81H 82B 82H 84U 84F 84G 85U 85F 85G 89S 89P 89Y 8AS 8AP 8AY J8B J8H JAS JAP JAY JBG)	40Y8903	*
4	CD-RW/DVD-ROM Combo Drive 48X/32X/48X/16X Max (models 85S 85P 85L 85D 85Y 85M 85A 85Q 85T 85C 85B 85H 85V 85K 85R 85E 85J JDU JDF CTO 13U 13F 14U 14F 18K 18R 1AU 1AF 1BU 1BF 1JU 1JF 1KU 1KF 1WC 1WB 1WH 1WV 1XC 1XB 1XH 1XV 1YU E2U F2U G1U H3U H3F H5K E4U E4F E5K F4A F4Q F4T G3U G3F E9U E9F EAU EAF L6U L6F L6S L6P L6Y J4S J4P J4Y K1A K1Q K1T K4U K4F K4S K4P K4Y EBU 2AU 2AF 2BU 2BF 2CK 31B 31H 33S 33P 33Y 37A 37Q 37T 38B 38H 41B 41H 43S 43P 43Y 45U 45F HAK HCB HCH G6K G8A G8Q G8T GAU GBS GBP GBY GCU GCF 51G 91K 93B 93H 81B 81H 82B 82H 84U 84F 84G 85U 85F 85G 89S 89P 89Y 8AS 8AP 8AY J8B J8H JAS JAP JAY JBG)	40Y8941	*
4	CD-RW/DVD-ROM Combo Drive 48X/32X/48X/16X (models 85S 85P 85L 85D 85Y 85M 85A 85Q 85T 85C 85B 85H 85V 85K 85R 85E 85J JDU JDF CTO 13U 13F 14U 14F 18K 18R 1AU 1AF 1BU 1BF 1JU 1JF 1KU 1KF 1WC 1WB 1WH 1WV 1XC 1XB 1XH 1XV 1YU E2U F2U G1U H3U H3F H5K E4U E4F E5K F4A F4Q F4T G3U G3F E9U E9F EAU EAF L6U L6F L6S L6P L6Y J4S J4P J4Y K1A K1Q K1T K4U K4F K4S K4P K4Y EBU 2AU 2AF 2BU 2BF 2CK 31B 31H 33S 33P 33Y 37A 37Q 37T 38B 38H 41B 41H 43S 43P 43Y 45U 45F HAK HCB HCH G6K G8A G8Q G8T GAU GBS GBP GBY GCU GCF 51G 91K 93B 93H 81B 81H 82B 82H 84U 84F 84G 85U 85F 85G 89S 89P 89Y 8AS 8AP 8AY J8B J8H JAS JAP JAY JBG)	41X3547	*

Item #	8212 FRUs	FRU#	CRU
4	CD-RW/DVD-ROM Combo Drive 48X/32X/48X/16X (models 85S 85P 85L 85D 85Y 85M 85A 85Q 85T 85C 85B 85H 85V 85K 85R 85E 85J JDU JDF CTO 13U 13F 14U 14F 18K 18R 1AU 1AF 1BU 1BF 1JU 1JF 1KU 1KF 1WC 1WB 1WH 1WV 1XC 1XB 1XH 1XV 1YU E2U F2U G1U H3U H3F H5K E4U E4F E5K F4A F4Q F4T G3U G3F E9U E9F EAU EAF L6U L6F L6S L6P L6Y J4S J4P J4Y K1A K1Q K1T K4U K4F K4S K4P K4Y EBU 2AU 2AF 2BU 2BF 2CK 31B 31H 33S 33P 33Y 37A 37Q 37T 38B 38H 41B 41H 43S 43P 43Y 45U 45F HAK HCB HCH G6K G8A G8Q G8T GAU GBS GBP GBY GCU GCF 51G 91K 93B 93H 81B 81H 82B 82H 84U 84F 84G 85U 85F 85G 89S 89P 89Y 8AS 8AP 8AY J8B J8H JAS JAP JAY JBG)	41X7992	*
4	Multi-Burner (models CTO 83U 83F 83G 8BG)	40Y8909	*
4	Multi-Burner (models CTO)	41X3550	*
5	Speaker/cable assembly (models 1UC 1UB 1UH 1UV 1VU 1VF 1WC 1WB 1WH 1WV 1XC 1XB 1XH 1XV 21U 22U 23U 24U 1QS 1QP 1QL 1QD 1QY 1QG 1QM 1QA 1QQ 1QT 1QC 1QB 1QH 1QV 1QK 1QR 1QE 1QJ 1YU E1U E2U F1U F2U G1U G2U H1U H1F H1S H1P H1D H1Y H1G H1M H1A H1Q H1T H1C H1B H1H H1V H1K H1R H1E H1J H2U H2F H3U H3F H4K H5K H6V E3A E3Q E3T E4U E4F E5K E6K E7U E7F E7S E7P E7L E7D E7Y E7G E7M E7A E7Q E7T E7C E7B E7H E7V E7K E7R E7E E7J E8V F3A F3Q F3T F4A F4Q F4T G3U G3F 25S 25P 25Y 26S 26P 26Y H7S H7P H7Y H8U H8F E9U E9F EAU EAF L1A L1Q L1T L2A L2Q L2T L3S L3P L3Y L4U L4F L5K L6U L6F L6S L6P L6Y J1A J1Q J1T J2S J2P J2Y J3U J3F J4S J4P J4Y K1A K1Q K1T K2S K2P K2Y K3U K3F K4U K4F K4S K4P K4Y)	39K5012	*
6	Rotating cage assembly (all models)	39M0583	**
7	Bezel Kit (all models)	39M0579	*
8	Front fan and bracket assembly (all models)	39M0585	**
9	Hard Disk Drive 40GB 7200 rpm Serial ATA (models CTO A1U A1F A2U A2F A3U A3F 11U 11F 12U 12F 19U 19F 1HU 1HF 21U 23U E1U F1U H2U H2F)	40Y8760	*
9	Hard Disk Drive 40GB 7200 rpm Serial ATA (models CTO A1U A1F A2U A2F A3U A3F 11U 11F 12U 12F 19U 19F 1HU 1HF 21U 23U E1U F1U H2U H2F)	40Y9033	*
9	Hard Disk Drive 40GB 7200 rpm Serial ATA (models CTO A1U A1F A2U A2F A3U A3F 11U 11F 12U 12F 19U 19F 1HU 1HF 21U 23U E1U F1U)	71P7312	*
9	Hard Disk Drive 80GB 7200 rpm Serial ATA (models CTO A4K 13U 13F 14U 14F 15U 15F 16U 16F 16S 16P 16L 16D 16Y 16G 16M 16A 16Q 16T 16C 16B 16H 16V 16K 16R 16E 16J 17A 17Q 17T 18K 18R 1AU 1AF 1BU 1BF 1CU 1CF 1DU 1DF 1DS 1DP 1DL 1DD 1DY 1DG 1DM 1DA 1DQ 1DT 1DC 1DB 1DH 1DV 1DK 1DR 1DE 1DJ 1EU 1EF 1FA 1FQ 1FT 1GA 1GQ 1GT 1JU 1JF 1KU 1KF 1LU 1LF 1MU 1MF 1MS 1MP 1ML 1MD 1MY 1MG 1MM 1MA 1MQ 1MT 1MC 1MB 1MH 1MV 1MK 1MR 1ME 1MJ 1NU 1NF 1PG 1QU 1QF 1RC 1RB 1RH 1RV 1SU 1SF 1TC 1TB 1TH 1TV 1VU 1VF 22U 24U 1QS 1QP 1QL 1QD 1QY 1QG 1QM 1QA 1QQ 1QT 1QC 1QB 1QH 1QV 1QK)	71P7293	*



Item #	8212 FRUs	FRU#	CRU
9	Hard Disk Drive 80GB 7200 rpm Serial ATA (models 85S 85P 85L 85D 85Y 85M 85A 85Q 85T 85C 85B 85H 85V 85K 85R 85E 85J 86S 86P 86L 86D 86Y 86M 86A 86Q 86T 86C 86B 86H 86V 86K 86R 86E 86J JCU JCF JDU JDF APS APP APY AQS AQP AQY B1S B1P B1Y B2S B2P B2Y 27S 27P 27Y 28S 28P 28Y 29U 29F 2AU 2AF 2BU 2BF 2DA 2DQ 2DT 31B 31H 32S 32P 32Y 33S 33P 33Y 37A 37Q 37T 38B 38H 39S 39P 39Y 3AS 3AP 3AY 3BU 3CU 3CF 41B 41H 42S 42P 42Y 43S 43P 43Y 44U 44F 45U 45F 61S 61P 61Y HBK HCB HCH G4S G4P G4Y G5S G5P G5Y G7K G8A G8Q G8T G9U G9G GAU GBS GBP GBY GCU GCF 92K 93B 93H 81B 81H 82B 82H 84U 84F 84G 85U 85F 85G 86U 86F 86G 87U 87F 87G 88S 88P 88Y J8B J8H J9S J9P J9Y 1QS 1QP 1QL 1QD 1QY 1QG 1QM 1QA 1QQ 1QT 1QC 1QB 1QH 1QV 1Q H1U H1F H1S H1P H1L H1D H1Y H1G H1M H1A H1Q H1T H1C H1B H1H H1V H1K H1R H1E H1J H3U H3F E3A E3Q E3T E4U E4F E7U E7F E7S E7P E7L E7D E7Y E7G E7M E7A E7Q E7T E7C E7B E7H E7V E7K E7R E7E E7J F3A F3Q F3T G3U G3F 25S 25P 25Y 26S 26P 26Y H7S H7P H7Y H8U H8F E9U E9F EAU EAF L1A L1Q L1T L2A L2Q L2T L3S L3P L3Y L4U L4F L6U L6F L6S L6P L6Y J1A J1Q J1T J2S J2P J2Y J3U J3F J4S J4P J4Y K1A K1Q K1T K2S K2P K2Y K3U K3F K4U K4F K4S K4P K4Y H9U EBU CTO A4K 13U 13F 14U 14F 15U 15F 16U 16F 16S 16P 16L 16D 16Y 16G 16M 16A 16Q 16T 16C 16B 16H 16V 16K 16R 16E 16J 17A 17Q 17T 18K 18R 1AU 1AF 1BU 1BF 1CU 1CF 1DU 1DF 1DS 1DP 1DL 1DD 1DY 1DG 1DM 1DA 1DQ 1DT 1DC 1DB 1DH 1DV 1DK 1DR 1DE 1DJ 1EU 1EF 1FA 1FQ 1FT 1GA 1GQ 1GT 1JU 1JF 1KU 1KF 1LU 1LF 1MU 1MF 1MS 1MP 1ML 1MD 1MY 1MG 1MM 1MA 1MQ 1MT 1MC 1MB 1MH 1MV 1MK 1MR 1ME 1MJ 1NU 1NF 1PG 1QU 1QF 1RC 1RB 1RH 1RV 1SU 1SF 1TC 1TB 1TH 1TV 1VU 1VF 22U 24U)	40Y8761	*
9	Hard Disk Drive 80GB 7200 rpm Serial ATA (models 85S 85P 85L 85D 85Y 85M 85A 85Q 85T 85C 85B 85H 85V 85K 85R 85E 85J 86S 86P 86L 86D 86Y 86M 86A 86Q 86T 86C 86B 86H 86V 86K 86R 86E 86J JCU JCF JDU JDF APS APP APY AQS AQP AQY B1S B1P B1Y B2S B2P B2Y 27S 27P 27Y 28S 28P 28Y 29U 29F 2AU 2AF 2BU 2BF 2DA 2DQ 2DT 31B 31H 32S 32P 32Y 33S 33P 33Y 37A 37Q 37T 38B 38H 39S 39P 39Y 3AS 3AP 3AY 3BU 3CU 3CF 41B 41H 42S 42P 42Y 43S 43P 43Y 44U 44F 45U 45F 61S 61P 61Y HBK HCB HCH G4S G4P G4Y G5S G5P G5Y G7K G8A G8Q G8T G9U G9G GAU GBS GBP GBY GCU GCF 92K 93B 93H 81B 81H 82B 82H 84U 84F 84G 85U 85F 85G 86U 86F 86G 87U 87F 87G 88S 88P 88Y J8B J8H J9S J9P J9Y 1QS 1QP 1QL 1QD 1QY 1QG 1QM 1QA 1QQ 1QT 1QC 1QB 1QH 1QV 1Q H1U H1F H1S H1P H1L H1D H1Y H1G H1M H1A H1Q H1T H1C H1B H1H H1V H1K H1R H1E H1J H3U H3F E3A E3Q E3T E4U E4F E7U E7F E7S E7P E7L E7D E7Y E7G E7M E7A E7Q E7T E7C E7B E7H E7V E7K E7R E7E E7J F3A F3Q F3T G3U G3F 25S 25P 25Y 26S 26P 26Y H7S H7P H7Y H8U H8F E9U E9F EAU EAF L1A L1Q L1T L2A L2Q L2T L3S L3P L3Y L4U L4F L6U L6F L6S L6P L6Y J1A J1Q J1T J2S J2P J2Y J3U J3F J4S J4P J4Y K1A K1Q K1T K2S K2P K2Y K3U K3F K4U K4F K4S K4P K4Y H9U EBU CTO A4K 13U 13F 14U 14F 15U 15F 16U 16F 16S 16P 16L 16D 16Y 16G 16M 16A 16Q 16T 16C 16B 16H 16V 16K 16R 16E 16J 17A 17Q 17T 18K 18R 1AU 1AF 1BU 1BF 1CU 1CF 1DU 1DF 1DS 1DP 1DL 1DD 1DY 1DG 1DM 1DA 1DQ 1DT 1DC 1DB 1DH 1DV 1DK 1DR 1DE 1DJ 1EU 1EF 1FA 1FQ 1FT 1GA 1GQ 1GT 1JU 1JF 1KU 1KF 1LU 1LF 1MU 1MF 1MS 1MP 1ML 1MD 1MY 1MG 1MM 1MA 1MQ 1MT 1MC 1MB 1MH 1MV 1MK 1MR 1ME 1MJ 1NU 1NF 1PG 1QU 1QF 1RC 1RB 1RH 1RV 1SU 1SF 1TC 1TB 1TH 1TV 1VU 1VF 22U 24U)	40Y9034	*

Item #	8212 FRUs	FRU#	CRU
9	Hard Disk Drive 80GB 7200 rpm Serial ATA (models 85S 85P 85L 85D 85Y 85M 85A 85Q 85T 85C 85B 85H 85V 85K 85R 85E 85J 86S 86P 86L 86D 86Y 86M 86A 86Q 86T 86C 86B 86H 86V 86K 86R 86E 86J JCU JCF JDU JDF APS APP APY AQS AQP AQY B1S B1P B1Y B2S B2P B2Y 27S 27P 27Y 28S 28P 28Y 29U 29F 2AU 2AF 2BU 2BF 2DA 2DQ 2DT 31B 31H 32S 32P 32Y 33S 33P 33Y 37A 37Q 37T 38B 38H 39S 39P 39Y 3AS 3AP 3AY 3BU 3CU 3CF 41B 41H 42S 42P 42Y 43S 43P 43Y 44U 44F 45U 45F 61S 61P 61Y HBK HCB HCH G4S G4P G4Y G5S G5P G5Y G7K G8A G8Q G8T G9U G9G GAU GBS GBP GBY GCU GCF 92K 93B 93H 81B 81H 82B 82H 84U 84F 84G 85U 85F 85G 86U 86F 86G 87U 87F 87G 88S 88P 88Y J8B J8H J9S J9P J9Y 1QS 1QP 1QL 1QD 1QY 1QG 1QM 1QA 1QQ 1QT 1QC 1QB 1QH 1QV 1Q H1U H1F H1S H1P H1L H1D H1Y H1G H1M H1A H1Q H1T H1C H1B H1H H1V H1K H1R H1E H1J H3U H3F E3A E3Q E3T E4U E4F E7U E7F E7S E7P E7L E7D E7Y E7G E7M E7A E7Q E7T E7C E7B E7H E7V E7K E7R E7E E7J F3A F3Q F3T G3U G3F 25S 25P 25Y 26S 26P 26Y H7S H7P H7Y H8U H8F E9U E9F EAU EAF L1A L1Q L1T L2A L2Q L2T L3S L3P L3Y L4U L4F L6U L6F L6S L6P L6Y J1A J1Q J1T J2S J2P J2Y J3U J3F J4S J4P J4Y K1A K1Q K1T K2S K2P K2Y K3U K3F K4U K4F K4S K4P K4Y H9U EBU CTO A4K 13U 13F 14U 14F 15U 15F 16U 16F 16S 16P 16L 16D 16Y 16G 16M 16A 16Q 16T 16C 16B 16H 16V 16K 16R 16E 16J 17A 17Q 17T 18K 18R 1AU 1AF 1BU 1BF 1CU 1CF 1DU 1DF 1DS 1DP 1DL 1DD 1DY 1DG 1DM 1DA 1DQ 1DT 1DC 1DB 1DH 1DV 1DK 1DR 1DE 1DJ 1EU 1EF 1FA 1FQ 1FT 1GA 1GQ 1GT 1JU 1JF 1KU 1KF 1LU 1LF 1MU 1MF 1MS 1MP 1ML 1MD 1MY 1MG 1MM 1MA 1MQ 1MT 1MC 1MB 1MH 1MV 1MK 1MR 1ME 1MJ 1NU 1NF 1PG 1QU 1QF 1RC 1RB 1RH 1RV 1SU 1SF 1TC 1TB 1TH 1TV 1VU 1VF 22U 24U)	41X2500	*
9	Hard Disk Drive 160GB 7200 rpm Serial ATA (models CTO 1UC 1UB 1UH 1UV 1WC 1WB 1WH 1WV 1XC 1XB 1XH 1XV L5K)	71P7297	*
9	Hard Disk Drive 160GB 7200 rpm Serial ATA (models CTO 1UC 1UB 1UH 1UV 1WC 1WB 1WH 1WV 1XC 1XB 1XH 1XV H4K H5K H6V E5K E6K E8V F4A F4Q F4T 2CK HAK G6K 51G 91K 83U 83F 83G 89U 89F 89G 8AU 8AF 8AG JAS JAP JAY JBG)	40Y8762	*
9	Hard Disk Drive 160GB 7200 rpm Serial ATA (models CTO 1UC 1UB 1UH 1UV 1WC 1WB 1WH 1WV 1XC 1XB 1XH 1XV H4K H5K H6V E5K E6K E8V F4A F4Q F4T 2CK HAK G6K 51G 91K 83U 83F 83G 89U 89F 89G 8AU 8AF 8AG JAS JAP JAY JBG)	40Y9035	*
9	Hard Disk Drive 250GB 7200 rpm Serial ATA (models CTO 8BG)	40Y8763	*
9	Hard Disk Drive 250GB 7200 rpm Serial ATA (models CTO 8BG)	40Y9036	*
9	Hard Disk Drive 250GB 7200 rpm Serial ATA (models CTO 8BG)	40Y8757	*



Item #	8212 FRUs	FRU#	CRU
10	System Board, Margarita DDR2 Desktop Planar v3.3 --subbed from 41X0921 (models J8B J8H J9S J9P J9Y JAS JAP JAY JBG 85S 85P 85L 85D 85Y 85M 85A 85Q 85T 85C 85B 85H 85V 85K 85R 85E 85J JCU JCF JDU JDF APS APP APY AQS AQP AQY B1S B1P B1Y B2S B2P B2Y 27S 27P 27Y 28S 28P 28Y 29U 29F 2AU 2AF 2BU 2BF 2CK 31B 31H 32S 32P 32Y 33S 33P 33Y 38B 38H 39S 39P 39Y 3AS 3AP 3AY 3BU 3CU 3CF 41B 41H 42S 42P 42Y 43S 43P 43Y 44U 44F 45U 45F 61S 61P 61Y HAK HBK HCB HCH G4S G4P G4Y G5S G5P G5Y G6K G7K G9U G9G GAU GBS GBP GBY GCU GCF 51G 91K 92K 93B 93H 81B 81H 82B 82H 83U 83F 83G 85U 85F 85G 87U 87F 87G 88S 88P 88Y 89S 89P 89Y 8AS 8AP 8AY 8BG CFU CGU CHU CJU CKU 1UC 1UB 1UH 1UV 1VU 1VF 1WC 1WB 1WH 1WV 1XC 1XB 1XH 1XV C1U C2U C3U C4U C6U C7U C8U C9U CAU CBU 21U 22U 23U 24U 1QS 1QP 1QL 1QD 1QY 1QG 1QM 1QA 1QQ 1QT 1QC 1QB 1QH 1QV 1QK 1QR 1QE 1QJ 1YU E1U E2U F1U F2U G1U G2U H2U H2F H4K H5K H6V E3A E3Q E3T E5K E6K E7U E7F E7S E7P E7L E7D E7Y E7G E7M E7A E7Q E7T E7C E7B E7H E7V E7K E7R E7E E7J E8V F3A F3Q F3T F4A F4Q F4T G3U G3F 25S 25P 25Y 26S 26P 26Y H7S H7P H7Y H8U H8F E9U E9F EAU EAF L3S L3P L3Y L4U L4F L5K L6U L6F L6S L6P L6Y 25S 25P 25Y 26S 26P 26Y H7S H7P H7Y H8U H8F E9U E9F EAU EAF L3S L3P L3Y L4U L4F L5K L6U L6F L6S L6P L6Y J2S J2P J2Y J3U J3F J4S J4P J4Y K2S K2P K2Y K3U K3F K4U K4F K4S K4P K4Y CCU CDU CEU H9U EBU CTO A1U A1F A2U A2F A3U A3F A4K 11U 11F 12U 12F 13U 13F 14U 14F 15U 15F 16U 16F 16S 16P 16L 16D 16Y 16G 16M 16A 16Q 16T 16C 16B 16H 16V 16K 16R 16E 16J 17A 17Q 17T 18K 18R 19U 19F 1AU 1AF 1BU 1BF 1CU 1CF 1DU 1DF 1DS 1DP 1DL 1DD 1DY 1DG 1DM 1DA 1DQ 1DT 1DC 1DB 1DH 1DV 1DK 1DR 1DE 1DJ 1EU 1EF 1FA 1FQ 1FT 1GA 1GQ 1GT 1HU 1HF 1JU 1JF 1KU 1KF 1LU 1LF 1MU 1MF 1MS 1MP 1ML 1MD 1MY 1MG 1MM 1MA 1MQ 1MT 1MC 1MB 1MH 1MV 1MK 1MR 1ME 1MJ 1NU 1NF 1PG 1QU 1QF 1RC 1RB 1RH 1RV 1SU 1SF 1TC 1TB 1TH 1TV)	43C9125	**
10	System Board, Margarita DDR2 Desktop Planar v3.3--subbed from 41X092 (models CTO H1U H1F H1S H1P H1L H1D H1Y H1G H1M H1A H1Q H1T H1C H1B H1H H1V H1K H1R H1E H1J H3U H3F E4U E4F L1A L1Q L1T L2A L2Q L2T J1A J1Q J1T K1A K1Q K1T 2DA 2DQ 2DT 37A 37Q 37T G8A G8Q G8T 84U 84F 84G 86U 86F 86G 86S 86P 86L 86D 86Y 86M 86A 86Q 86T 86C 86B 86H 86V 86K 86R 86E 86J)	43C9126	**

Item #	8212 FRUs	FRU#	CRU
10	System Board, Margarita DDR2 Desktop Planar v3.3 --subbed from 41X0921and 43C9125 (models J8B J8H J9S J9P J9Y JAS JAP JAY JBG 85S 85P 85L 85D 85Y 85M 85A 85Q 85T 85C 85B 85H 85V 85K 85R 85E 85J JCU JCF JDU JDF APS APP APY AQS AQP AQY B1S B1P B1Y B2S B2P B2Y 27S 27P 27Y 28S 28P 28Y 29U 29F 2AU 2AF 2BU 2BF 2CK 31B 31H 32S 32P 32Y 33S 33P 33Y 38B 38H 39S 39P 39Y 3AS 3AP 3AY 3BU 3CU 3CF 41B 41H 42S 42P 42Y 43S 43P 43Y 44U 44F 45U 45F 61S 61P 61Y HAK HBK HCB HCH G4S G4P G4Y G5S G5P G5Y G6K G7K G9U G9G GAU GBS GBP GBY GCU GCF 51G 91K 92K 93B 93H 81B 81H 82B 82H 83U 83F 83G 85U 85F 85G 87U 87F 87G 88S 88P 88Y 89S 89P 89Y 8AS 8AP 8AY 8BG CFU CGU CHU CJU CKU 1UC 1UB 1UH 1UV 1VU 1VF 1WC 1WB 1WH 1WV 1XC 1XB 1XH 1XV C1U C2U C3U C4U C6U C7U C8U C9U CAU CBU 21U 22U 23U 24U 1QS 1QP 1QL 1QD 1QY 1QG 1QM 1QA 1QQ 1QT 1QC 1QB 1QH 1QV 1QK 1QR 1QE 1QJ 1YU E1U E2U F1U F2U G1U G2U H2U H2F H4K H5K H6V E3A E3Q E3T E5K E6K E7U E7F E7S E7P E7L E7D E7Y E7G E7M E7A E7Q E7T E7C E7B E7H E7V E7K E7R E7E E7J E8V F3A F3Q F3T F4A F4Q F4T G3U G3F 25S 25P 25Y 26S 26P 26Y H7S H7P H7Y H8U H8F E9U E9F EAU EAF L3S L3P L3Y L4U L4F L5K L6U L6F L6S L6P L6Y J2S J2P J2Y J3U J3F J4S J4P J4Y K2S K2P K2Y K3U K3F K4U K4F K4S K4P K4Y CCU CDU CEU H9U EBU CTO A1U A1F A2U A2F A3U A3F A4K 11U 11F 12U 12F 13U 13F 14U 14F 15U 15F 16U 16F 16S 16P 16L 16D 16Y 16G 16M 16A 16Q 16T 16C 16B 16H 16V 16K 16R 16E 16J 17A 17Q 17T 18K 18R 19U 19F 1AU 1AF 1BU 1BF 1CU 1CF 1DU 1DF 1DS 1DP 1DL 1DD 1DY 1DG 1DM 1DA 1DQ 1DT 1DC 1DB 1DH 1DV 1DK 1DR 1DE 1DJ 1EU 1EF 1FA 1FQ 1FT 1GA 1GQ 1GT 1HU 1HF 1JU 1JF 1KU 1KF 1LU 1LF 1MU 1MF 1MS 1MP 1ML 1MD 1MY 1MG 1MM 1MA 1MQ 1MT 1MC 1MB 1MH 1MV 1MK 1MR 1ME 1MJ 1NU 1NF 1PG 1QU 1QF 1RC 1RB 1RH 1RV 1SU 1SF 1TC 1TB 1TH 1TV)	43C7124	**
10	System Board, Margarita DDR2 Desktop Planar v3.3--subbed from 41X0922 and 43C9126 (models CTO H1U H1F H1S H1P H1L H1D H1Y H1G H1M H1A H1Q H1T H1C H1B H1H H1V H1K H1R H1E H1J H3U H3F E4U E4F L1A L1Q L1T L2A L2Q L2T J1A J1Q J1T K1A K1Q K1T 2DA 2DQ 2DT 37A 37Q 37T G8A G8Q G8T 84U 84F 84G 86U 86F 86G 86S 86P 86L 86D 86Y 86M 86A 86Q 86T 86C 86B 86H 86V 86K 86R 86E 86J)	43C7125	**
11	256MB DDR2 SDRAM NP Memory (PC 4200) (models CTO A1U A1F A4K 17A 17Q 17T 18K 18R 1FA 1FQ 1FT 1GA 1GQ 1GT 1PG 1RC 1RB 1RH 1RV 1TC 1TB 1TH 1TV 1UC 1UB 1UH 1UV 1WC 1WB 1WH 1WV 1XC 1XB 1XH 1XV 25S 25P 25Y 26S 26P 26Y H7S H7P H7Y L1A L1Q L1T APS APP APY AQS AQP AQY B1S B1P B1Y B2S B2P B2Y 27S 27P 27Y 28S 28P 28Y 2DA 2DQ 2DT 32S 32P 32Y 39S 39P 39Y 42S 42P 42Y)	30R5120	*

Item #	8212 FRUs	FRU#	CRU
11	512MB DDR2 SDRAM NP Memory (PC 4200) (models 29U 29F 2AU 2AF 2BU 2BF 31B 31H 33S 33P 33Y 37A 37Q 37T 38B 38H 3AS 3AP 3AY 3BU 3CU 3CF 41B 41H 43S 43P 43Y 44U 44F 61S 61P 61Y HCB HCH G4S G4P G4Y G5S G5P G5Y G8A G8Q G8T G9U G9G GAU GBS GBP GBY GCU GCF 51G 93B 93H 81B 81H 82B 82H 83U 83F 83G 84U 84F 84G 86U 86F 86G 87U 87F 87G 88S 88P 88Y 89S 89P 89Y 8BG J8B J8H J9S J9P J9Y JAS JAP JAY JBG 86S 86P 86L 86D 86Y 86M 86A 86Q 86T 86C 86B 86H 86V 86K 86R 86E 86J JCU JCF 21U 22U 23U 24U 1QS 1QP 1QL 1QD 1QY 1QG 1QM 1QA 1QQ 1QT 1QC 1QB 1QH 1QV 1QK 1QR 1QE 1QJ 1YU E1U E2U F1U F2U G1U G2U H1U H1F H1S H1P H1L H1D H1Y H1G H1M H1A H1Q H1T H1C H1B H1H H1V H1K H1R H1E H1J H2U H2F H3U H3F H4K H5K H6V E3A E3Q E3T E4U E4F E5K E6K E7U E7F E7S E7P E7L E7D E7Y E7G E7M E7A E7Q E7T E7C E7B E7H E7V E7K E7R E7E E7J E8V F3A F3Q F3T F4A F4Q F4T G3U G3F L2A L2Q L2T L3S L3P L3Y L4U L4F L5K J1A J1Q J1T J2S J2P J2Y J3U J3F K1A K1Q K1T K2S K2P K2Y K3U K3F H9U EBU CTO A2U A2F A3U A3F 11U 11F 12U 12F 13U 13F 14U 14F 15U 15F 16U 16F 16S 16P 16L 16D 16Y 16G 16M 16A 16Q 16T 16C 16B 16H 16V 16K 16R 16E 16J 19U 19F 1AU 1AF 1BU 1BF 1CU 1CF 1DU 1DF 1DS 1DP 1DL 1DD 1DY 1DG 1DM 1DA 1DQ 1DT 1DC 1DB 1DH 1DV 1DK 1DR 1DE 1DJ 1EU 1EF 1HU 1HF 1JU 1JF 1KU 1KF 1LU 1LF 1MU 1MF 1MS 1MP 1ML 1MY 1MG 1MM 1MA 1MQ 1MT 1MC 1MB 1MH 1MV 1MK 1MR 1ME 1MJ 1NU 1NF 1QU 1QF 1SU 1SF 1VU 1VF)	30R5121	*
11	1GB DDR2 SDRAM NP Memory (PC 4200) (models CTO H8U H8F E9U E9F EAU EAF L6U L6F L6S L6P L6Y J4S J4P J4Y K4U K4F K4S K4P K4Y 45U 45F 85U 85F 85G 8AU 8AF 8AG 85S 85P 85L 85D 85Y 85M 85A 85Q 85T 85C 85B 85H 85V 85K 85R 85E 85J JDU JDF)	30R5122	*
11	2GB DDR2 SDRAM NP Memory (PC 4200) (models CTO)	30R5123	*
11	256MB DDR2 SDRAM NP Memory (PC 5300) (models CTO)	30R5124	*
11	512MB DDR2 SDRAM NP Memory (PC 5300) (models CTO 2CK HAK G6K G7K 91K)	30R5125	*
11	1GB DDR2 SDRAM NP Memory (PC 5300) (models CTO HBK 92K)	30R5126	*
12	Riser card and bracket assembly (all models)	39M0587	*
13	Microprocessor, 2.53GHZ Celeron Prescott P4 (533FSB, 256KB) (models CTO)	39J8470	**
13	Microprocessor, 2.66 GHZ Celeron Prescott P4 (533FSB, 256KB) (models CTO A1U A1F C1U APS APP APY)	39J8471	**
13	Microprocessor, 2.8 GHZ Celeron Prescott P4 (533FSB, 256KB) (models CTO A2U A2F C2U AQS AQP AQY)	39J8472	**
13	Microprocessor, 2.93 GHZ Celeron Prescott P4 (533FSB, 256KB) (models CTO C4U B1S B1P B1Y)	39J8473	**
13	Microprocessor, 3.06 GHZ Celeron Prescott P4 (533FSB, 256KB) (models CTO A3U A3F A4K C3U B2S B2P B2Y)	39J8474	**
13	Microprocessor, 3.2 GHZ Celeron Prescott P4 (533FSB, 256KB) (models CTO)	39J9697	**
13	Microprocessor, 3.33 GHZ Celeron Prescott P4 (533FSB, 256KB) (models CTO)	41T1136	**
13	Microprocessor, 3.20 GHZ Celeron Cedar Mill (533FSB, 512KB) (models CTO)	41T4966	**
13	Microprocessor, 3.33 GHZ Celeron Cedar Mill (533FSB, 512KB) (models CTO)	41T4968	**
13	Microprocessor, 3.46 GHZ Celeron Cedar Mill (533FSB, 512KB) (models CTO)	41X8983	**
13	Microprocessor, 2.93 GHZ Prescott P4 (533FSB, 1MB) (models CTO)	39J9629	**
13	Microprocessor, 2.66 GHZ Prescott P4 (533FSB, 1MB) (models CTO 27S 27P 27Y CFU)	41D0696	**
13	Microprocessor, 2.93 GHZ Prescott P4 (533FSB, 1MB) (models CTO 21U 22U)	41D0698	**
13	Microprocessor, 2.93 GHZ Prescott P4 (533FSB, 1MB) (models CTO)	41T4103	**

Item #	8212 FRUs	FRU#	CRU
13	Microprocessor, 3.06 GHZ Prescott P4 (533FSB, 1MB) (models CTO 23U 24U 25S 25P 25Y 26S 26P 26Y)	41D0700	**
13	Microprocessor, 2.8 GHZ Prescott P4 (800FSB, 1MB) (models CTO 28S 28P 28Y 29U 29F 2AU 2AF 2BU 2BF 2CK 2DA 2DQ 2DT CGU)	39J8475	**
13	Microprocessor, 3.06GHZ Prescott P4 524 (533FSB, 1MB) (models CTO 31B 31H 32S 32P 32Y 33S 33P 33Y)	41T4385	**
13	Microprocessor, 3.0 GHZ Prescott P4 (800FSB, 1MB) (models CTO 11U 11F 12U 12F 13U 13F 14U 14F 15U 15F 16U 16F 16S 16P 16L 16D 16Y 16G 16M 16A 16Q 16T 16C 16B 16H 16V 16K 16R 16E 16J 17A 17Q 17T 18K 18R C6U 37A 37Q 37T 38B 38H 39S 39P 39Y 3AS 3AP 3AY 3BU 3CU 3CF)	39J8476	**
13	Microprocessor, 3.2 GHZ Prescott P4 (800FSB, 1MB) (models CTO 19U 19F 1AU 1AF 1BU 1BF 1CU 1CF 1DU 1DF 1DS 1DP 1DL 1DD 1DY 1DG 1DM 1DA 1DQ 1DT 1DC 1DB 1DH 1DV 1DK 1DR 1DE 1DJ 1EU 1EF 1FA 1FQ 1FT 1GA 1GQ 1GT C7U 41B 41H 42S 42P 42Y 43S 43P 43Y 44U 44F 45U 45F CKU)	39J8477	**
13	Microprocessor, 3.4 GHZ Prescott P4 (800FSB, 1MB) (models CTO 1JU 1JF 1KU 1KF 1LU 1LF 1MU 1MF 1MS 1MP 1ML 1MD 1MY 1MG 1MM 1MA 1MQ 1MT 1MC 1MB 1MH 1MV 1MK 1MR 1ME 1MJ 1NU 1NF 1PG C8U 1HU 1HF)	39J8478	**
13	Microprocessor, 2.8GHZ Prescott P4 620 (800FSB, 2MB) (models CTO 61S 61P 61Y CHU)	41X2412	**
13	Microprocessor, 3.0 GHZ Prescott P4 (800FSB, 2MB) (models CTO 1QU 1QF 1RC 1RB 1RH 1RV C9U 1QS 1QP 1QL 1QD 1QY 1QG 1QM 1QA 1QQ 1QT 1QC 1QB 1QH 1QV 1QK 1QR 1QE 1QJ 1YU H1U H1F H1S H1P H1L H1D H1Y H1G H1M H1A H1Q H1T H1C H1B H1H H1V H1K H1R H1E H1J H2U H2F H3U H3F H4K H5K H6V H7S H7P H7Y H8U H8F H9U)	39J8480	**
13	Microprocessor, 3.0 GHZ Cedar Mill P4 (800MHz FSB, 2MB Cache) B0-Value (models CTO HAK HBK HCB HCH)	41D5066	**
13	Microprocessor, 3.2 GHZ Prescott P4 (800FSB, 2MB) (models CTO 1SU 1SF 1TC 1TB 1TH 1TV 1UC 1UB 1UH 1UV CAU E1U E2U E3A E3Q E3T E4U E4F E5K E6K E7U E7F E7S E7P E7L E7D E7Y E7G E7M E7A E7Q E7T E7C E7B E7H E7V E7K E7R E7E E7J E8V E9U E9F EAU EAF EBU)	39J8481	**
13	Microprocessor, 3.4 GHZ Prescott P4 (800FSB, 2MB) (models CTO 1VU 1VF 1WC 1WB 1WH 1WV 1XC 1XB 1XH 1XV CBU F1U F2U F3A F3Q F3T F4A F4Q F4T)	39J8482	**
13	Microprocessor, 2.8GHz Smithfield P4 821 (800MHz FSB, 1MB) (models CTO G4S G4P G4Y G5S G5P G5Y G6K G7K G9U G9G GAU GBS GBP GBY GCU GCF CJU)	39J8479	**
13	Microprocessor, 3.0 GHZ Cedar Mill P4 (800MHz FSB, 2MB Cache) (models CTO D4K D5K D6K D7K D8K)	41D5042	**
13	Microprocessor, 3.0 GHZ Cedar Mill P4 (800MHz FSB, 2MB Cache) (models CTO)	41D5066	**
13	Microprocessor, 3.2 GHz Cedar Mill P4 (800MHz FSB, 2MB Cache) (models CTO)	41D5068	**
13	Microprocessor, 3.4 GHz Cedar Mill P4 (800MHz FSB, 2MB Cache) (models CTO)	41D5070	**
13	Microprocessor, 3.6 GHz Cedar Mill P4 (800MHz FSB, 2MB Cache) (models CTO L1A L1Q L1T L2A L2Q L2T L3S L3P L3Y L4U L4F L5K L6U L6F L6S L6P L6Y CCU)	41D5072	**
13	Microprocessor, 2.8GHz Presler (800MHz FSB, 2MBx2 Cache) (models CTO 51G JCU JCF JDU JDF)	41X7775	**
13	Microprocessor, 2.8 GHz Presler P4 (800MHz FSB, 2MBx2 Cache) (models CTO J1A J1Q J1T J2S J2P J2Y J3U J3F J4S J4P J4Y CDU)	41D5074	**
13	Microprocessor, 3.0GHz Presler, Pentium-D (800MHz FSB, 2MBx2 Cache) (models CTO J8B J8H J9S J9P J9Y JAS JAP JAY JBG)	41X2413	**

Item #	8212 FRUs	FRU#	CRU
13	Microprocessor, 3.0 GHZ Presler P4 (800MHz FSB, 2MBx2 Cache) (models CTO K1A K1Q K1T K2S K2P K2Y K3U K3F K4U K4F K4S K4P K4Y CEU 91K 92K 93B 93H)	41D5076	**
13	Microprocessor, 3.4 GHZ Presler (800MHz FSB, 2MBx2 Cache) (models CTO 82B 82H 83U 83F 83G 85U 85F 85G 87U 87F 87G 88S 88P 88Y 89S 89P 89Y 8AS 8AP 8AY 8BG 85S 85P 85L 85D 85Y 85M 85A 85Q 85T 85C 85B 85H 85V 85K 85R 85E 85J 86S 86P 86L 86D 86Y 86M 86A 86Q 86T 86C 86B 86H 86V 86K 86R 86E 86J)	41X7776	**
13	Microprocessor, Pentium-D 3.2GHz Presler (800MHz FSB, 2MBx2 Cache) (models CTO)	41X8050	**
13	Microprocessor, Pentium-D 3.2GHz Presler (800MHz FSB, 2MBx2 Cache) (models CTO)	41X4230	**
13	Microprocessor, Pentium-D 3.4GHz Presler (800MHz FSB, 2MBx2 Cache) (models CTO)	41X4232	**
13	Microprocessor, Pentium-D 3.6GHz Presler (800MHz FSB, 2MBx2 Cache) (models CTO)	41X8994	**
14	Heat Sink and Retention Module kit (all models)	39M0586	**
15	Chassis (all models)	39M0582	**

The FRUs listed in the following table are not illustrated.

8212 FRUs	FRU#	CRU
Hard disk drive bracket assembly (all models)	39M0578	*
Power switch/LED cable assembly (all models)	39M0580	**
SATA cable assembly (all models)	39K0526	*
Optical cable, 1 drop (all models)	39M0584	*
Intrusion switch cable (all models)	39K0522	*
Miscellaneous parts kit (all models)	39M0588	*
Vertical stand (all models)	39M0589	*
Bezel assembly, optical rotating (all models)	39M0592	**
Universal Adapter Bracket 5.25 to 3.5-inch (all models)	32P4743	*
EMC Shield kit (diskette drive and optical bays) (all models)	41N5325	**
EMC Shield, system board (all models)	41N5326	**
Diskette drive cable assembly (all models)	41N8269	**
Bezel kit (all models)	41R2926	*
Battery (all models)	33F8354	*

8212 Keyboards (Preferred Pro Fullsize, PS/2, Stealth Black)	FRU#	CRU
US English (models 29U 2AU 2BU 2DA 2DQ 31H 37A 37Q 38H 3BU 3CU 41H 44U 45U HCH G8A G8Q G9U G9G GAU GCU 51G 93H 81H 82H 83U 83G 84U 84G 85U 85G 86U 86G 87U 87G 8BG J8H JBG 85L 85M 85A 85Q 85C 85H 85R 85E 86L 86M 86A 86Q 86C 86H 86R 86E JCU JDU CTO-U CTO-G A1U A2U A3U 11U 12U 13U 14U 16U 16L 16G 16M 16A 16Q 16C 16H 16R 16E 17A 17Q 18R 19U 1AU 1BU 1CU 1DU 1DL 1DG 1DM 1DA 1DQ 1DC 1DH 1DR 1DE 1FA 1FQ 1HU 1JU 1KU 1LU 1MU 1ML 1MG 1MM 1MA 1MQ 1MC 1MH 1MR 1ME 1PG 1QU 1RC 1RH 1SU 1TC 1TH 1UC 1UH 1VU 1WC 1WH 21U 22U 23U 24U 1QL 1QG 1QM 1QA 1QQ 1QC 1QH 1QR 1QE 1YU E1U F1U G1U G2U H1U H1L H1G H1M H1A H1Q H1C H1H H1R H1E H2U H3U E4U E7U E7L E7G E7M E7A E7Q E7C E7H E7R E7E G3U H8U E9U EAU L1A L1Q L2A L2Q L4U L6U J1A J1Q J3U K1A K1Q K3U K4U H9U EBU)	89P8300	*
Arabic (models CTO-G 16G 1DG 1MG 1PG 1QG H1G E7G G9G 51G 83G 84G 85G 86G 87G 8BG JBG)	89P8301	*
Belgian/French (models CTO-G 16G 1DG 1MG 1PG 1QG H1G E7G G9G 51G 83G 84G 85G 86G 87G 8BG JBG)	89P8302	*
Belgian/UK (models CTO-G 16G 1DG 1MG 1PG 1QG H1G E7G G9G 51G 83G 84G 85G 86G 87G 8BG JBG)	89P8303	*
Brazilian/Portuguese (models CTO-L 16P 1DP 1MP 1QP H1P E7P 25P 26P H7P L3P L6P J2P J4P K2P K4P APP AQP B1P B2P 27P 28P 32P 33P 39P 3AP 42P 43P 61P G4P G5P GBP 88P 89P 8AP J9P JAP 85P 86P)	89P8304	*
Bulgarian (models CTO-G 16G 1DG 1MG 1PG 1QG H1G E7G G9G 51G 83G 84G 85G 86G 87G 8BG JBG)	89P8305	*
Chinese/US (models 16B 16V 1DB 1DV 1MB 1MV 1RB 1RV 1TB 1TV 1UB 1UV 1WB 1WV 1QB 1QV H1B H1V H6V E7B E7V E8V 31B 38B 41B HCB 93B 81B 82B J8B 85B 85V 86B 86V)	89P8306	*
Czech (models CTO-G 16G 1DG 1MG 1PG 1QG H1G E7G G9G 51G 83G 84G 85G 86G 87G 8BG JBG)	89P8307	*
Danish (models CTO-G 16G 1DG 1MG 1PG 1QG H1G E7G G9G 51G 83G 84G 85G 86G 87G 8BG JBG)	89P8308	*
Dutch (models CTO-G 16G 1DG 1MG 1PG 1QG H1G E7G G9G 51G 83G 84G 85G 86G 87G 8BG JBG)	89P8309	*
French (models CTO-G 16G 1DG 1MG 1PG 1QG H1G E7G G9G 51G 83G 84G 85G 86G 87G 8BG JBG)	89P8310	*
French Canadian 445 (models CTO-U A1F A2F A3F 11F 12F 13F 14F 16F 19F 1AF 1BF 1CF 1DF 1HF 1JF 1KF 1LF 1MF 1QF 1SF 1VF H1F H2F H3F E4F E7F G3F H8F E9F EAF L4F L6F J3F K3F K4F 29F 2AF 2BF 3CF 44F 45F GCF 83F 84F 85F 86F 87F JCF JDF)	89P8311	*
French Canadian 58 (models CTO-U A1F A2F A3F 11F 12F 13F 14F 16F 19F 1AF 1BF 1CF 1DF 1HF 1JF 1KF 1LF 1MF 1QF 1SF 1VF H1F H2F H3F E4F E7F G3F H8F E9F EAF L4F L6F J3F K3F K4F 29F 2AF 2BF 3CF 44F 45F GCF 83F 84F 85F 86F 87F JCF JDF)	89P8312	*
German (models CTO-G 16G 1DG 1MG 1PG 1QG H1G E7G G9G 51G 83G 84G 85G 86G 87G 8BG JBG)	89P8313	*
Greek (models CTO-G 16G 1DG 1MG 1PG 1QG H1G E7G G9G 51G 83G 84G 85G 86G 87G 8BG JBG)	89P8314	*
Hebrew (models CTO-G 16G 1DG 1MG 1PG 1QG H1G E7G G9G 51G 83G 84G 85G 86G 87G 8BG JBG)	89P8315	*
Hungarian (models CTO-G 16G 1DG 1MG 1PG 1QG H1G E7G G9G 51G 83G 84G 85G 86G 87G 8BG JBG)	89P8316	*
Iceland (models CTO-G 16G 1DG 1MG 1PG 1QG H1G E7G G9G 51G 83G 84G 85G 86G 87G 8BG JBG)	89P8317	*
Italian (models CTO-G 16G 1DG 1MG 1PG 1QG H1G E7G G9G 51G 83G 84G 85G 86G 87G 8BG JBG)	89P8319	*

8212 Keyboards (Preferred Pro Fullsize, PS/2, Stealth Black)	FRU#	CRU
Japanese (models 16J 1DJ 1MJ 1QJ H1J E7J 85J 86J)	89P8320	*
Korean (models A4K 16K 18K 1DK 1MK 1QK H1K H4K H5K E5K E6K E7K L5K 2CK HAK HBK G6K G7K 91K 92K 85K 86K)	89P8321	*
LA Spanish (models CTO-L 16S 16D 16Y 1DS 1DD 1DY 1MS 1MD 1MY 1QS 1QD 1QY H1S H1D H1Y E7S E7D E7Y 25S 25Y 26S 26Y H7S H7Y L3S L3Y L6S L6Y J2S J2Y J4S J4Y K2S K2Y K4S K4Y APS APY AQS AQY B1S B1Y B2S B2Y 27S 27Y 28S 28Y 32S 32Y 33S 33Y 39S 39Y 3AS 3AY 42S 42Y 43S 43Y 61S 61Y G4S G4Y G5S G5Y GBS GBY 88S 88Y 89S 89Y 8AS 8AY J9S J9Y JAS JAY 85S 85D 85Y 86S 86D 86Y)	89P8322	*
Norwegian (models CTO-G 16G 1DG 1MG 1PG 1QG H1G E7G G9G 51G 83G 84G 85G 86G 87G 8BG JBG)	89P8323	*
Polish (models CTO-G 16G 1DG 1MG 1PG 1QG H1G E7G G9G 51G 83G 84G 85G 86G 87G 8BG JBG)	89P8324	*
Portuguese (models CTO-G 16G 1DG 1MG 1PG 1QG H1G E7G G9G 51G 83G 84G 85G 86G 87G 8BG JBG)	89P8325	*
Romanian (models CTO-G 16G 1DG 1MG 1PG 1QG H1G E7G G9G 51G 83G 84G 85G 86G 87G 8BG JBG)	89P8326	*
Russian/Cyrillic (models CTO-G 16G 1DG 1MG 1PG 1QG H1G E7G G9G 51G 83G 84G 85G 86G 87G 8BG JBG)	89P8328	*
Serbian/Cyrillic (models CTO-G 16G 1DG 1MG 1PG 1QG H1G E7G G9G 51G 83G 84G 85G 86G 87G 8BG JBG)	89P8329	*
Slovak (models CTO-G 16G 1DG 1MG 1PG 1QG H1G E7G G9G 51G 83G 84G 85G 86G 87G 8BG JBG)	89P8330	*
Spanish (models CTO-G 16G 1DG 1MG 1PG 1QG H1G E7G G9G 51G 83G 84G 85G 86G 87G 8BG JBG)	89P8331	*
Swedish/Finn (models CTO-G 16G 1DG 1MG 1PG 1QG H1G E7G G9G 51G 83G 84G 85G 86G 87G 8BG JBG)	89P8332	*
Swiss F/G (models CTO-G 16G 1DG 1MG 1PG 1QG H1G E7G G9G 51G 83G 84G 85G 86G 87G 8BG JBG)	89P8333	*
Thailand (models CTO-A 16T 17T 1DT 1FT 1MT 1QT H1T E7T L1T L2T J1T K1T 2DT 37T G8T 85T 86T)	89P8334	*
Turkish 179 (models CTO-G 16G 1DG 1MG 1PG 1QG H1G E7G G9G 51G 83G 84G 85G 86G 87G 8BG JBG)	89P8336	*
UK English (models CTO-G 16G 1DG 1MG 1PG 1QG H1G E7G G9G 51G 83G 84G 85G 86G 87G 8BG JBG)	89P8337	*
US Euro (models CTO-G 16G 1DG 1MG 1PG 1QG H1G E7G G9G 51G 83G 84G 85G 86G 87G 8BG JBG)	89P8338	*
Yugoslav/Latin (models CTO-G 16G 1DG 1MG 1PG 1QG H1G E7G G9G 51G 83G 84G 85G 86G 87G 8BG JBG)	89P8339	*



8212 Keyboard (PS2 Preferred Pro)	FRU#	CRU
US English (models 29U 2AU 2BU 2DA 2DQ 31H 37A 37Q 38H 3BU 3CU 41H 44U 45U HCH G8A G8Q G9U G9G GAU GCU 51G 93H 81H 82H 83U 83G 84U 84G 85U 85G 86U 86G 87U 87G 8BG J8H JBG 85L 85M 85A 85Q 85C 85H 85R 85E 86L 86M 86A 86Q 86C 86H 86R 86E JCU JDU CTO-U CTO-G A1U A2U A3U 11U 12U 13U 14U 16U 16L 16G 16M 16A 16Q 16C 16H 16R 16E 17A 17Q 18R 19U 1AU 1BU 1CU 1DU 1DL 1DG 1DM 1DA 1DQ 1DC 1DH 1DR 1DE 1FA 1FQ 1HU 1JU 1KU 1LU 1MU 1ML 1MG 1MM 1MA 1MQ 1MC 1MH 1MR 1ME 1PG 1QU 1RC 1RH 1SU 1TC 1TH 1UC 1UH 1VU 1WC 1WH 21U 22U 23U 24U 1QL 1QG 1QM 1QA 1QQ 1QC 1QH 1QR 1QE 1YU E1U F1U G1U G2U H1U H1L H1G H1M H1A H1Q H1C H1H H1R H1E H2U H3U E4U E7U E7L E7G E7M E7A E7Q E7C E7H E7R E7E G3U H8U E9U EAU L1A L1Q L2A L2Q L4U L6U J1A J1Q J3U K1A K1Q K3U K4U H9U EBU)	41A5039	*
Arabic (models CTO-G 16G 1DG 1MG 1PG 1QG H1G E7G G9G 51G 83G 84G 85G 86G 87G 8BG JBG)	41A5040	*
Belgian/French (models CTO-G 16G 1DG 1MG 1PG 1QG H1G E7G G9G 51G 83G 84G 85G 86G 87G 8BG JBG)	41A5042	*
Belgian/UK (models CTO-G 16G 1DG 1MG 1PG 1QG H1G E7G G9G 51G 83G 84G 85G 86G 87G 8BG JBG)	41A5043	*
Brazil/Portuguese (models CTO-L 16P 1DP 1MP 1QP H1P E7P 25P 26P H7P L3P L6P J2P J4P K2P K4P APP AQP B1P B2P 27P 28P 32P 33P 39P 3AP 42P 43P 61P G4P G5P GBP 88P 89P 8AP J9P JAP 85P 86P)	41A5044	*
Bulgarian (models CTO-G 16G 1DG 1MG 1PG 1QG H1G E7G G9G 51G 83G 84G 85G 86G 87G 8BG JBG)	41A5045	*
Hong Kong/Taiwan (models 16B 16V 1DB 1DV 1MB 1MV 1RB 1RV 1TB 1TV 1UB 1UV 1WB 1WV 1QB 1QV H1B H1V H6V E7B E7V E8V 31B 38B 41B HCB 93B 81B 82B J8B 85B 85V 86B 86V)	41A5046	*
Czech (models CTO-G 16G 1DG 1MG 1PG 1QG H1G E7G G9G 51G 83G 84G 85G 86G 87G 8BG JBG)	41A5047	*
Danish (models CTO-G 16G 1DG 1MG 1PG 1QG H1G E7G G9G 51G 83G 84G 85G 86G 87G 8BG JBG)	41A5048	*
Dutch (models CTO-G 16G 1DG 1MG 1PG 1QG H1G E7G G9G 51G 83G 84G 85G 86G 87G 8BG JBG)	41A5049	*
French (models CTO-G 16G 1DG 1MG 1PG 1QG H1G E7G G9G 51G 83G 84G 85G 86G 87G 8BG JBG)	41A5050	*
French Canadian 445 (models CTO-U A1F A2F A3F 11F 12F 13F 14F 16F 19F 1AF 1BF 1CF 1DF 1HF 1JF 1KF 1LF 1MF 1QF 1SF 1VF H1F H2F H3F E4F E7F G3F H8F E9F EAF L4F L6F J3F K3F K4F 29F 2AF 2BF 3CF 44F 45F GCF 83F 84F 85F 86F 87F JCF JDF)	41A5051	*
French Canadian 58 (models CTO-U A1F A2F A3F 11F 12F 13F 14F 16F 19F 1AF 1BF 1CF 1DF 1HF 1JF 1KF 1LF 1MF 1QF 1SF 1VF H1F H2F H3F E4F E7F G3F H8F E9F EAF L4F L6F J3F K3F K4F 29F 2AF 2BF 3CF 44F 45F GCF 83F 84F 85F 86F 87F JCF JDF)	41A5052	*
German (models CTO-G 16G 1DG 1MG 1PG 1QG H1G E7G G9G 51G 83G 84G 85G 86G 87G 8BG JBG)	41A5053	*
Greek (models CTO-G 16G 1DG 1MG 1PG 1QG H1G E7G G9G 51G 83G 84G 85G 86G 87G 8BG JBG)	41A5054	*
Hebrew (models CTO-G 16G 1DG 1MG 1PG 1QG H1G E7G G9G 51G 83G 84G 85G 86G 87G 8BG JBG)	41A5055	*
Hungarian (models CTO-G 16G 1DG 1MG 1PG 1QG H1G E7G G9G 51G 83G 84G 85G 86G 87G 8BG JBG)	41A5056	*
Iceland (models CTO-G 16G 1DG 1MG 1PG 1QG H1G E7G G9G 51G 83G 84G 85G 86G 87G 8BG JBG)	41A5057	*
Italian (models CTO-G 16G 1DG 1MG 1PG 1QG H1G E7G G9G 51G 83G 84G 85G 86G 87G 8BG JBG)	41A5058	*



<b>8212 Keyboard (PS2 Preferred Pro)</b>	<b>FRU#</b>	<b>CRU</b>
Japanese (models 16J 1DJ 1MJ 1QJ H1J E7J 85J 86J)	41A5059	*
Korean (models A4K 16K 18K 1DK 1MK 1QK H1K H4K H5K E5K E6K E7K L5K 2CK HAK HBK G6K G7K 91K 92K 85K 86K)	41A5060	*
LA Spanish (models CTO-L 16S 16D 16Y 1DS 1DD 1DY 1MS 1MD 1MY 1QS 1QD 1QY H1S H1D H1Y E7S E7D E7Y 25S 25Y 26S 26Y H7S H7Y L3S L3Y L6S L6Y J2S J2Y J4S J4Y K2S K2Y K4S K4Y APS APY AQS AQY B1S B1Y B2S B2Y 27S 27Y 28S 28Y 32S 32Y 33S 33Y 39S 39Y 3AS 3AY 42S 42Y 43S 43Y 61S 61Y G4S G4Y G5S G5Y GBS GBY 88S 88Y 89S 89Y 8AS 8AY J9S J9Y JAS JAY 85S 85D 85Y 86S 86D 86Y)	41A5061	*
Norwegian (models CTO-G 16G 1DG 1MG 1PG 1QG H1G E7G G9G 51G 83G 84G 85G 86G 87G 8BG JBG)	41A5062	*
Polish (models CTO-G 16G 1DG 1MG 1PG 1QG H1G E7G G9G 51G 83G 84G 85G 86G 87G 8BG JBG)	41A5063	*
Portuguese (models CTO-G 16G 1DG 1MG 1PG 1QG H1G E7G G9G 51G 83G 84G 85G 86G 87G 8BG JBG)	41A5064	*
Romanian (models CTO-G 16G 1DG 1MG 1PG 1QG H1G E7G G9G 51G 83G 84G 85G 86G 87G 8BG JBG)	41A5065	*
Russian/Cyrilic (models CTO-G 16G 1DG 1MG 1PG 1QG H1G E7G G9G 51G 83G 84G 85G 86G 87G 8BG JBG)	41A5066	*
Serbian/Cyrilic (models CTO-G 16G 1DG 1MG 1PG 1QG H1G E7G G9G 51G 83G 84G 85G 86G 87G 8BG JBG)	41A5067	*
Slovak (models CTO-G 16G 1DG 1MG 1PG 1QG H1G E7G G9G 51G 83G 84G 85G 86G 87G 8BG JBG)	41A5068	*
Spanish (models CTO-G 16G 1DG 1MG 1PG 1QG H1G E7G G9G 51G 83G 84G 85G 86G 87G 8BG JBG)	41A5069	*
Swedish/Finn (models CTO-G 16G 1DG 1MG 1PG 1QG H1G E7G G9G 51G 83G 84G 85G 86G 87G 8BG JBG)	41A5070	*
Swiss F/G (models CTO-G 16G 1DG 1MG 1PG 1QG H1G E7G G9G 51G 83G 84G 85G 86G 87G 8BG JBG)	41A5071	*
Thailand (models CTO-A 16T 17T 1DT 1FT 1MT 1QT H1T E7T L1T L2T J1T K1T 2DT 37T G8T 85T 86T)	41A5072	*
Turkish 179 (models CTO-G 16G 1DG 1MG 1PG 1QG H1G E7G G9G 51G 83G 84G 85G 86G 87G 8BG JBG)	41A5074	*
UK English (models CTO-G 16G 1DG 1MG 1PG 1QG H1G E7G G9G 51G 83G 84G 85G 86G 87G 8BG JBG)	41A5075	*
US Euro (models CTO-G 16G 1DG 1MG 1PG 1QG H1G E7G G9G 51G 83G 84G 85G 86G 87G 8BG JBG)	41A5076	*
Slovenian (models CTO-G 16G 1DG 1MG 1PG 1QG H1G E7G G9G 51G 83G 84G 85G 86G 87G 8BG JBG)	41A5077	*

<b>8212 IBM Keyboard (USB Preferred - without hub)</b>	<b>FRU#</b>	<b>CRU</b>
US English (models CTO-U CTO-G)	89P9040	*
Arabic (models CTO-G)	89P9041	*
Arabic/French (models CTO-G)	89P9058	*
Belgian/French (models CTO-G)	89P9042	*
Belgian/UK (models CTO-G)	89P9043	*
Brazilian (models CTO-L)	89P9044	*
Bulgarian (models CTO-G)	89P9045	*

<b>8212 IBM Keyboard (USB Preferred - without hub)</b>	<b>FRU#</b>	<b>CRU</b>
Czech (models CTO-G)	89P9047	*
Danish (models CTO-G)	89P9048	*
Dutch (models CTO-G)	89P9049	*
French (models CTO-G)	89P9050	*
French Canadian (models CTO-U)	89P9051	*
French Canadian (models CTO-U)	89P9052	*
German (models CTO-G)	89P9053	*
Greek (models CTO-G)	89P9054	*
Greek/US (models CTO-G)	41A4948	*
Hebrew (models CTO-G)	89P9055	*
Hungarian (models CTO-G)	89P9056	*
Iceland (models CTO-G)	89P9057	*
Italy (models CTO-G)	89P9059	*
LA Spanish (models CTO-L)	89P9062	*
Norwegian (models CTO-G)	89P9063	*
Polish (models CTO-G)	89P9064	*
Portuguese (models CTO-G)	89P9065	*
Romanian 096 (models CTO-G)	89P9067	*
Romanian 446 (models CTO-G)	89P9066	*
Russian/Cyrillic (models CTO-G)	89P9068	*
Serbian/Cyrillic (models CTO-G)	89P9069	*
Slovak (models CTO-G)	89P9070	*
Spanish (models CTO-G)	89P9072	*
Swedish/Finn (models CTO-G)	89P9073	*
Swiss (models CTO-G)	89P9074	*
Thailand (models CTO-A)	89P9075	*
Turkish 440 (models CTO-G)	89P9076	*
Turkish 179 (models CTO-G)	89P9077	*
UK English (models CTO-G)	89P9078	*
US Euro (models CTO-G)	89P9079	*
Slovenian (models CTO-G)	89P9071	*

<b>8212 Lenovo Keyboard (USB Preferred - without hub)</b>	<b>FRU#</b>	<b>CRU</b>
US English (models CTO-U CTO-G)	41A5289	*
Arabic (models CTO-G)	41A5290	*
Arabic/French (models CTO-G)	41A5291	*
Belgian/French (models CTO-G)	41A5292	*
Belgian/UK (models CTO-G)	41A5293	*
Brazilian (models CTO-L)	41A5294	*
Bulgarian (models CTO-G)	41A5295	*
Czech (models CTO-G)	41A5297	*

<b>8212 Lenovo Keyboard (USB Preferred - without hub)</b>	<b>FRU#</b>	<b>CRU</b>
Danish (models CTO-G)	41A5298	*
Dutch (models CTO-G)	41A5299	*
French (models CTO-G)	41A5300	*
French Canadian 445 (models CTO-U)	41A5301	*
French Canadian 58 (models CTO-U)	41A5302	*
German (models CTO-G)	41A5303	*
Greek (models CTO-G)	41A5304	*
Greek/US (models CTO-G)	41A5305	*
Hebrew (models CTO-G)	41A5306	*
Hungarian (models CTO-G)	41A5307	*
Iceland (models CTO-G)	41A5308	*
Italian 141 (models CTO-G)	41A5309	*
LA Spanish (models CTO-L)	41A5312	*
Norwegian (models CTO-G)	41A5313	*
Polish (models CTO-G)	41A5314	*
Portuguese (models CTO-G)	41A5315	*
Romanian 096 (models CTO-G)	41A5317	*
Romanian 446 (models CTO-G)	41A5316	*
Russian/Cyrillic (models CTO-G)	41A5318	*
Serbian/Cyrillic (models CTO-G)	41A5319	*
Slovak (models CTO-G)	41A5320	*
Spanish (models CTO-G)	41A5321	*
Swedish/Finn (models CTO-G)	41A5322	*
Swiss (models CTO-G)	41A5323	*
Thailand (models CTO-A)	41A5324	*
Turkish 440 (models CTO-G)	41A5325	*
Turkish 179 (models CTO-G)	41A5326	*
UK English (models CTO-G)	41A5327	*
US Euro (models CTO-G)	41A5328	*
Slovenian (models CTO-G)	41A5329	*

<b>8212 Keyboards (Productivity USB)</b>	<b>FRU#</b>	<b>CRU</b>
US English (models CTO-U CTO-G E3A E3Q F3A F3Q F4A F4Q)	89P8800	*
Arabic (models CTO-G)	89P8801	*
Arabic/French (models CTO-G)	89P8802	*
Belgian/French (models CTO-G)	89P8803	*
Belgian/UK (models CTO-G)	89P8804	*
Brazil/Portuguese (models CTO-L)	89P8805	*
Bulgarian (models CTO-G)	89P8806	*
Czech (models CTO-G)	89P8808	*
Danish (models CTO-G)	89P8809	*

<b>8212 Keyboards (Productivity USB)</b>	<b>FRU#</b>	<b>CRU</b>
Dutch (models CTO-G)	89P8810	*
French (models CTO-G)	89P8811	*
French Canadian (models CTO-U)	89P8812	*
French Canadian (models CTO-U)	89P8813	*
German (models CTO-G)	89P8814	*
Greek (models CTO-G)	89P8815	*
Hebrew (models CTO-G)	89P8816	*
Hungarian (models CTO-G)	89P8817	*
Iceland (models CTO-G)	89P8818	*
Italian 141 (models CTO-G)	89P8819	*
LA/Spanish (models CTO-L)	89P8822	*
Norwegian (models CTO-G)	89P8823	*
Polish (models CTO-G)	89P8824	*
Portuguese (models CTO-G)	89P8825	*
Romanian (models CTO-G)	89P8826	*
Romanian (models CTO-G)	89P8827	*
Russian/Cyrillic (models CTO-G)	89P8828	*
Serbian/Cyrillic (models CTO-G)	89P8829	*
Slovak (models CTO-G)	89P8830	*
Spanish (models CTO-G)	89P8831	*
Swedish/Finn (models CTO-G)	89P8832	*
Swiss F/G (models CTO-G)	89P8833	*
Thailand (models CTO-A E3T F3T F4T)	89P8834	*
Turkish 440 (models CTO-G)	89P8835	*
Turkish 179 (models CTO-G)	89P8836	*
UK English (models CTO-G)	89P8837	*
US Euro (models CTO-G)	89P8838	*
Yugoslav/Latin (models CTO-G)	89P8839	*

<b>8212 Keyboard (Lenovo, USB Enhanced Performance)</b>	<b>FRU#</b>	<b>CRU</b>
US English (models CTO-U CTO-G E3A E3Q F3A F3Q F4A F4Q)	41A4961	*
Arabic (models CTO-G)	41A4962	*
Arabic/French (models CTO-G)	41A4963	*
Belgian/French (models CTO-G)	41A4964	*
Belgian/UK (models CTO-G)	41A4965	*
Brazilian (models CTO-L)	41A4966	*
Bulgarian (models CTO-G)	41A4967	*
Czech (models CTO-G)	41A4969	*
Danish (models CTO-G)	41A4970	*
Dutch (models CTO-G)	41A4971	*
French (models CTO-G)	41A4972	*

<b>8212 Keyboard (Lenovo, USB Enhanced Performance)</b>	<b>FRU#</b>	<b>CRU</b>
French Canadian 445 (models CTO-U)	41A4973	*
French Canadian 58 (models CTO-U)	41A4974	*
German (models CTO-G)	41A4975	*
Greek (models CTO-G)	41A4976	*
Hebrew (models CTO-G)	41A4977	*
Hungarian (models CTO-G)	41A4978	*
Iceland (models CTO-G)	41A4979	*
Italian (models CTO-G)	41A4980	*
LA Spanish (models CTO-L)	41A4983	*
Norwegian (models CTO-G)	41A4984	*
Polish (models CTO-G)	41A4985	*
Portuguese (models CTO-G)	41A4986	*
Romanian (models CTO-G)	41A4987	*
Russian/Cy (models CTO-G)	41A4988	*
Serbian/Cyrillic (models CTO-G)	41A4989	*
Slovak (models CTO-G)	41A4990	*
Spanish (models CTO-G)	41A4991	*
Swedish/Finn (models CTO-G)	41A4992	*
Swiss F/G (models CTO-G)	41A4993	*
Thailand (models CTO-A E3T F3T F4T)	41A4994	*
Turkish 440 (models CTO-G)	41A4995	*
Turkish 179 (models CTO-G)	41A4996	*
UK English (models CTO-G)	41A4997	*
US Euro (models CTO-G)	41A4998	*
Slovenian (models CTO-G)	41A4999	*

<b>8212 Keyboards (with fingerprint reader)</b>	<b>FRU#</b>	<b>CRU</b>
US English (models CTO-U CTO-G 15U 1EU 1GA 1GQ 1NU 1XC 1XH E2U F2U)	89P9000	*
Arabic (models CTO-G)	89P9001	*
Belgian/French (models CTO-G)	89P9003	*
Belgian/UK (models CTO-G)	89P9004	*
Brazilian Portuguese (models CTO-L)	89P9005	*
Bulgarian (models CTO-G)	89P9006	*
Chinese/US (models CTO-G 1XB 1XV)	89P9007	*
Czech (models CTO-G)	89P9008	*
Danish (models CTO-G)	89P9009	*
Dutch (models CTO-G)	89P9010	*
French (models CTO-G)	89P9011	*
French Canadian 445 (models CTO-U 15F 1EF 1NF)	89P9012	*
French Canadian 58 (models CTO-U 15F 1EF 1NF)	89P9013	*
German (models CTO-G)	89P9014	*

<b>8212 Keyboards (with fingerprint reader)</b>	<b>FRU#</b>	<b>CRU</b>
Greek (models CTO-G)	89P9015	*
Hebrew (models CTO-G)	89P9016	*
Hungarian (models CTO-G)	89P9017	*
Iceland (models CTO-G)	89P9018	*
Italian 141 (models CTO-G)	89P9019	*
LA Spanish (models CTO-L)	89P9022	*
Norwegian (models CTO-G)	89P9023	*
Polish (models CTO-G)	89P9024	*
Portuguese (models CTO-G)	89P9025	*
Romanian (models CTO-G)	89P9026	*
Romanian (models CTO-G)	89P9027	*
Russian/Cyrillic (models CTO-G)	89P9028	*
Serbian/Cyrillic (models CTO-G)	89P9029	*
Slovak (models CTO-G)	89P9030	*
Spanish (models CTO-G)	89P9031	*
Swedish/Finn (models CTO-G)	89P9032	*
Swiss F/G (models CTO-G)	89P9033	*
Thailand (models CTO-A 1GT)	89P9034	*
Turkish 440 (models CTO-G)	89P9035	*
Turkish 179 (models CTO-G)	89P9036	*
UK English (models CTO-G)	89P9037	*
US Euro (models CTO-G)	89P9038	*
Yugoslav/Latin (models CTO-G)	89P9039	*

<b>8212 Keyboard (Fingerprint reader USB)</b>	<b>FRU#</b>	<b>CRU</b>
US English (models CTO-U CTO-G 15U 1EU 1GA 1GQ 1NU 1XC 1XH E2U F2U)	41A5248	*
Arabic (models CTO-G)	41A5249	*
Arabic/French (models CTO-G)	41A5250	*
Belgian/French (models CTO-G)	41A5251	*
Belgian/UK (models CTO-G)	41A5252	*
Brazilian (models CTO-L)	41A5253	*
Bulgarian (models CTO-G)	41A5254	*
Chinese/US (models CTO-G 1XB 1XV)	41A5255	*
Czech (models CTO-G)	41A5256	*
Danish (models CTO-G)	41A5257	*
Dutch (models CTO-G)	41A5258	*
French (models CTO-G)	41A5259	*
French Canadian 445 (models CTO-U 15F 1EF 1NF)	41A5260	*
French Canadian 58 (models CTO-U 15F 1EF 1NF)	41A5261	*
German (models CTO-G)	41A5262	*
Greek (models CTO-G)	41A5263	*

<b>8212 Keyboard (Fingerprint reader USB)</b>	<b>FRU#</b>	<b>CRU</b>
Hebrew (models CTO-G)	41A5265	*
Hungarian (models CTO-G)	41A5266	*
Iceland (models CTO-G)	41A5267	*
Italian (models CTO-G)	41A5268	*
LA Spanish (models CTO-L)	41A5271	*
Norwegian (models CTO-G)	41A5272	*
Polish (models CTO-G)	41A5273	*
Portuguese (models CTO-G)	41A5274	*
Romanian 446 (models CTO-G)	41A5275	*
Romanian 96 (models CTO-G)	41A5276	*
Russian/Cy (models CTO-G)	41A5277	*
Serbian/Cyrillic (models CTO-G)	41A5278	*
Slovak (models CTO-G)	41A5279	*
Spanish (models CTO-G)	41A5280	*
Swedish/Finn (models CTO-G)	41A5281	*
Swiss F/G (models CTO-G)	41A5282	*
Thailand (models CTO-A 1GT)	41A5283	*
Turkish 440 (models CTO-G)	41A5284	*
Turkish 179 (models CTO-G)	41A5285	*
UK English (models CTO-G)	41A5286	*
US Euro (models CTO-G)	41A5287	*
Slovenian (models CTO-G)	41A5288	*

<b>8212 Keyboard (Enhanced Performance, Wireless)</b>	<b>FRU#</b>	<b>CRU</b>
US English (models CTO-U CTO-G)	89P8730	*
Belgian/French (models CTO-G)	89P8731	*
Belgian/UK (models CTO-G)	89P8732	*
Czech (models CTO-G)	89P8734	*
Danish (models CTO-G)	89P8735	*
Dutch (models CTO-G)	89P8736	*
French (models CTO-G)	89P8737	*
French Canadian 445 (models CTO-U)	89P8738	*
French Canadian 58 (models CTO-U)	89P8739	*
German (models CTO-G)	89P8740	*
Greek (models CTO-G)	89P8741	*
Hungarian (models CTO-G)	89P8742	*
Iceland (models CTO-G)	89P8743	*
Italian 141 (models CTO-G)	89P8744	*
Norwegian (models CTO-G)	89P8746	*
Polish (models CTO-G)	89P8747	*
Portuguese (models CTO-G)	89P8748	*

<b>8212 Keyboard (Enhanced Performance, Wireless)</b>	<b>FRU#</b>	<b>CRU</b>
Slovak (models CTO-G)	89P8749	*
Spanish (models CTO-G)	89P8751	*
Swedish/Finn (models CTO-G)	89P8752	*
Swiss F/G (models CTO-G)	89P8753	*
UK English (models CTO-G)	89P8754	*
US Euro (models CTO-G)	89P8755	*
Wireless transceiver dongle (models CTO)	89P8757	*

<b>8212 Lenovo Keyboard (Wireless, Enhanced)</b>	<b>FRU#</b>	<b>CRU</b>
US English/Chinese/US (models CTO-U CTO-G)	41A5219	*
Belgian/French (models CTO-U CTO-G)	41A5220	*
Belgian/UK (models CTO-G)	41A5221	*
Czech (models CTO-G)	41A5223	*
Danish (models CTO-G)	41A5224	*
Dutch (models CTO-G)	41A5225	*
French (models CTO-G)	41A5226	*
French Canadian (models CTO-U)	41A5227	*
French Canadian (models CTO-U)	41A5228	*
German (models CTO-G)	41A5229	*
Greek (models CTO-G)	41A5230	*
Hungarian (models CTO-G)	41A5232	*
Iceland (models CTO-G)	41A5233	*
Italy (models CTO-G)	41A5234	*
Norwegian (models CTO-G)	41A5236	*
Polish (models CTO-G)	41A5237	*
Portuguese (models CTO-G)	41A5238	*
Slovak (models CTO-G)	41A5239	*
Spanish (models CTO-G)	41A5240	*
Swedish/Finn (models CTO-G)	41A5241	*
Swiss (models CTO-G)	41A5242	*
UK English (models CTO-G)	41A5243	*
US Euro (models CTO-G)	41A5244	*

<b>8212 mice</b>	<b>FRU#</b>	<b>CRU</b>
Mouse, Scrollpoint Optical, USB (all models )	41A4933	*
Mouse, optical wheelmouse, USB (models CTO)	41A4935	*
Mouse, PS/2 wheelmouse (Black) (models CTO)	41A4917	*
Mouse, optical wheelmouse (400DPI, USB) (models CTO)	41U3013	*
Mouse, Scrollpoint Optical, (800DPI, USB (all models)	41U3019	*
Mouse, Wheelmouse PS/2 (all models)	41R0018	*



8212 Adapters and miscellaneous FRUs	FRU#	CRU
Soft Modem V.90/V.44 (models CTO 31B 31H 38B 38H 41B 41H HCB HCH 93B 93H 81B 81H 82B 82H)	29R9729	*
128MB DDR ATI Radeon x300SE (DMS59 connector) (models CTO 1CU 1CF 1LU 1LF H5K E5K)	39J9635	*
128MB DDR ATI RADEON X700 PRO VGA, DVI-I, TV-Out PCI-e BTX (models CTO)	39J6203	*
PCI-E DVI-D Connection Adapter (ADD 2-R) (Full Height) (models CTO 51G 8BU JBG)	39J9334	*
1394 Firewire PCI LP (ATX) (models CTO)	41D2781	*
Speakers, Jazz Infinity Active T1 (Black) (models CTO A4K 18K 18R)	89P8588	*
Speaker Power brick - US, Canada, LA (low voltage), Taiwan, Phillipines, Thailand (models CTO-U CTO-L CTO-A)	10K2587	*
Speaker Power brick - UK, Hong Kong (British version), ASEAN (models CTO-A)	25P5703	*
Speaker Power brick - Europe and LA (models CTO-G CTO-L)	25P5704	*
Speaker Power brick (newer 2 prong) - China, Thailand, Phillipines (models CTO-A)	10K2597	*
Speaker Power brick - ANZ (models CTO-A)	25P5705	*
Speaker Power brick - Brazil (models CTO-L)	25P5706	*
Speaker Power brick - India, South Africa (models CTO-A CTO-G)	32P3181	*
Speaker Power brick - Argentina (models CTO-L)	01R2253	*
Speaker Power brick - Korea (models A4K 18K 18R)	88P7687	*
Speaker Power brick - US, Canada, LA low voltage, ASEAN (models CTO)	89P8571	*
RJ11 connector adapter (Spain, Ireland) (All "G" models)	60H6043	*
RJ11 connector adapter (Austria) (All "G" models)	60H6045	*
RJ11 connector adapter (Belgium) (All "G" models)	60H6046	*
RJ11 connector adapter (Denmark) (All "G" models)	60H6047	*
RJ11 connector adapter (Norway, Finland) (All "G" models)	60H6048	*
RJ11 connector adapter (France) (All "G" models)	60H6049	*
RJ11 connector adapter (Germany) (All "G" models)	60H6050	*
RJ11 connector adapter (UK, NZ, HK) (All "G", "M", "B", "H" models)	60H6051	*
RJ11 connector adapter (Italy) (All "G" models)	60H6052	*
RJ11 connector adapter (Netherlands) (All "G" models)	60H6053	*
RJ11 connector adapter (Sweden) (All "G" models)	60H6054	*
RJ11 connector adapter (Switzerland) (All "G" models)	60H6055	*
Dongle Cable - DMS59 to dual VGA (All models)	41D2399	*

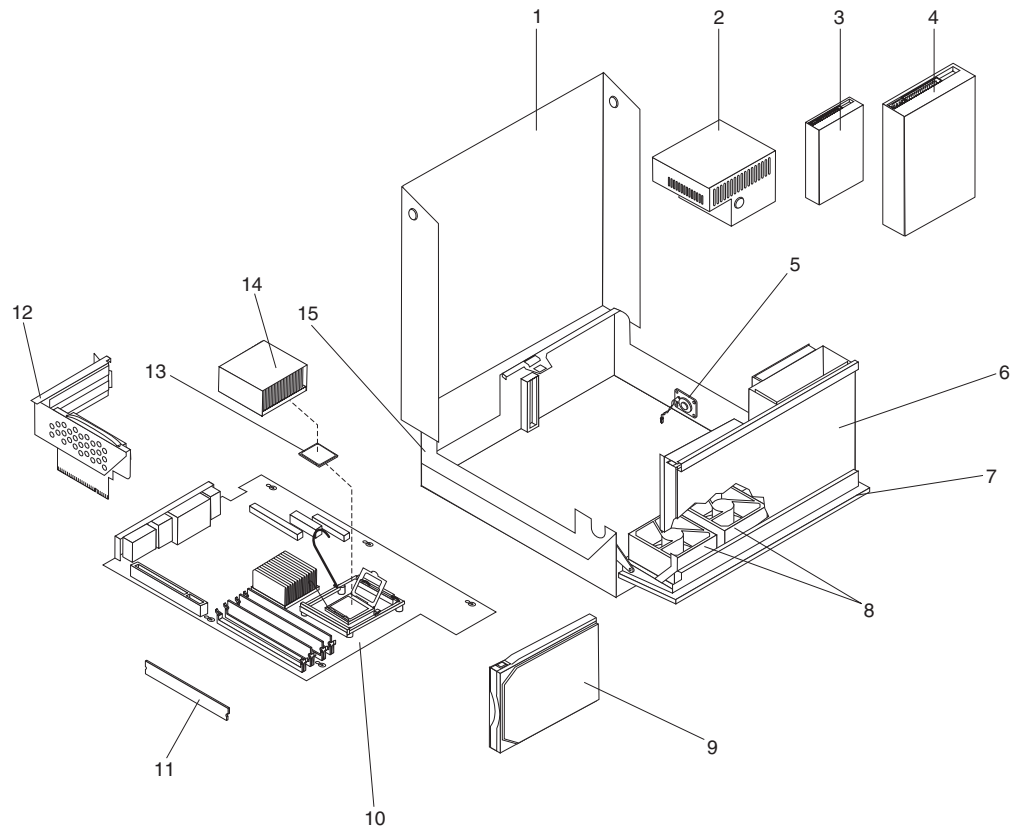
8212 Power Cords	FRU#	CRU
Power cord - US (models APS AQS B1S B2S 27S 28S 29U 29F 2AU 2AF 2BU 2BF 2DA 2DT 32S 33S 37A 37T 39S 3AS 3BU 3CU 3CF 42S 43S 44U 44F 45U 45F 61S G4S G5S G8A G8T G9U GAU GBS GCU GCF 83U 83F 84U 84F 85U 85F 86U 86F 87U 87F 88S 89S 8AS CFU CGU CHU CJU CKU J9S JAS 85S 85L 85D 85A 85T 86S 86L 86D 86A 86T JCU JCF JDU JDF CTO-U A1U A1F A2U A2F A3U A3F 11U 11F 12U 12F 13U 13F 14U 14F 15U 15F 16U 16F 16G 16A 16T 16V 17A 17T 19U 19F 1AU 1AF 1BU 1BF 1CU 1CF 1DU 1DF 1DG 1DA 1DT 1DV 1EU 1EF 1FA 1FT 1GA 1GT 1HU 1HF 1JU 1JF 1KU 1KF 1LU 1LF 1MU 1MF 1MG 1MA 1MT 1MV 1NU 1NF 1PG 1QU 1QF 1RV 1SU 1SF 1TV 1UV 1VU 1VF 1WV 1XV 21U 22U 23U 24U 1QG 1QA 1QT 1QV 1YU E1U E2U F1U F2U G1U G2U H1U H1F H1G H1A H1T H1V H2U H2F H3U H3F H6V E3A E3T E4U E4F E7U E7F E7G E7A E7T E7V E8V F3A F3T F4A F4T G3U G3F H8U H8F E9U E9F EAU EAF H9U EBU L1A L1T L2A L2T L4U L4F L6U L6F J1A J1T J3U J3F K1A K1T K3U K3F K4U K4F CCU CDU CEU)	39M5080	*
Power cord - China (models 16B 16H 1DB 1DH 1MB 1MH 1RB 1RH 1TB 1TH 1UB 1UH 1WB 1WH 1XB 1XH 1QB 1QH H1B H1H E7B E7H 85C 86C)	39M5205	*
Power cord - Japan (models 16E 16J 1DE 1DJ 1ME 1MJ 1QE 1QJ H1E H1J E7E E7J 85E 85J 86E 86J)	39M5193	*
Power cord - Brazil (models CTO-L 16P 1DP 1MP 1QP H1P E7P 25P 26P H7P L3P L6P J2P J4P K2P K4P APP AQP B1P B2P 27P 28P 32P 33P 39P 3AP 42P 43P 61P G4P G5P GBP 88P 89P 8AP J9P JAP 85P 86P)	39M5232	*
Power cord - LA High Volt (APU) (models CTO-L 16Y 1DY 1MY 1QY H1Y E7Y 25Y 26Y H7Y L3Y L6Y J2Y J4Y K2Y K4Y APY AQY B1Y B2Y 27Y 28Y 32Y 33Y 39Y 3AY 42Y 43Y 61Y G4Y G5Y GBY 88Y 89Y 8AY J9Y JAY 85L 85Y 86L 86Y)	39M5067	*
Power cord - Australia/New Zealand (models CTO-A 16M 1DM 1MM 1QM H1M E7M 85M 86M)	39M5102	*
Power cord - Korea (models A4K 16K 16R 18K 18R 1DK 1DR 1MK 1MR 1QK 1QR H1K H1R H4K H5K E5K E6K E7K E7R L5K 2CK HAK HBK G6K G7K 91K 92K 85K 85R 86K 86R)	39M5212	*
Power cord - Hong Kong (models CTO-A 16B 16H 1DB 1DH 1MB 1MH 1RB 1RH 1TB 1TH 1UB 1UH 1WB 1WH 1XB 1XH 1QB 1QH H1B H1H E7B E7H 31B 31H 38B 38H 41B 41H HCB HCH 93B 93H 81B 81H 82B 82H J8B J8H 85B 85H 86B 86H)	39M5151	*
Power cord - UK, Ireland, Singapore, Malaysia, Brunei (models CTO-G CTO-A 16G 1DG 1MG 1PG 1QG H1G E7G 2DA 37A G8A G9G 51G 83G 84G 85G 86G 87G 8BG JBG 85A 86A)	39M5150	*
Power cord - Taiwan (models 16V 1DV 1MV 1RV 1TV 1UV 1WV 1XV 1QV H1V H6V E7V E8V 85V 86V)	39M5246	*
Power cord - Italy (models CTO-G 16G 1DG 1MG 1PG 1QG H1G E7G APS APY AQS AQY B1S B1Y B2S B2Y 27S 27Y 28S 28Y 32S 32Y 33S 33Y 39S 39Y 3AS 3AY 42S 42Y 43S 43Y 61S 61Y G4S G4Y G5S G5Y G9G GBS GBY 51G 83G 84G 85G 86G 87G 88S 88Y 89S 89Y 8AS 8AY 8BG J9S J9Y JAS JAY JBG 85S 85L 85Y 86S 86L 86Y)	39M5164	*
Power cord - G models (models CTO-G 16G 1DG 1MG 1PG 1QG H1G E7G 2DA 37A G8A G9G 51G 83G 84G 85G 86G 87G 8BG JBG 85A 86A)	39M5122	*
Power cord - Denmark (models CTO-G 16G 1DG 1MG 1PG 1QG H1G E7G G9G 51G 83G 84G 85G 86G 87G 8BG JBG)	39M5129	*
Power cord - Switzerland (models CTO-G 16G 1DG 1MG 1PG 1QG H1G E7G G9G 51G 83G 84G 85G 86G 87G 8BG JBG)	39M5157	*
Power cord - Israel (models CTO-G 16G 1DG 1MG 1PG 1QG H1G E7G G9G 51G 83G 84G 85G 86G 87G 8BG JBG)	39M5171	*
Power cord - South Africa (models CTO-G 16G 1DG 1MG 1PG 1QG H1G E7G 2DA 37A G8A G9G 51G 83G 84G 85G 86G 87G 8BG JBG 85M 85A 86M 86A)	39M5143	*
Power cord - India (models CTO-A 16Q 17Q 1DQ 1FQ 1GQ 1MQ 1QQ H1Q E3Q E7Q F3Q F4Q L1Q L2Q J1Q K1Q 2DQ 37Q G8Q 85Q 86Q)	41R3175	*

8212 Windows XP Home Recovery CDs	FRU #	CRU
Us/UK/AP/TH (models 18K 18R EAU)	41T1584	*
FR/CF (models EAF)	41T3240	*
Korean (models A4K H5K E5K G6K 91K)	41W2624	*

8212 Windows XP Pro Recovery CDs	FRU#	CRU
US/UK/AP/TH (models 29U 2AU 2BU 2DA 2DQ 2DT 31H 37A 37Q 37T 38H 3BU 3CU 41H 44U 45U HCH G8A G8Q G8T G9U G9G GAU GCU 51G 93H 81H 82H 83U 83G 84U 84G 85U 85G 86U 86G 87U 87G 8BG J8H JBG 85M 85A 85Q 85T 85H 85R 85E 86M 86A 86Q 86T 86H 86R 86E 85L 86L JCU JDU A1U A2U A3U 11U 12U 13U 14U 15U 16U 16L 16G 16M 16A 16Q 16T 16H 16R 16E 17A 17Q 17T 19U 1AU 1BU 1CU 1DU 1DL 1DG 1DM 1DA 1DQ 1DT 1DH 1DR 1DE 1EU 1FA 1FQ 1FT 1GA 1GQ 1GT 1HU 1JU 1KU 1LU 1MU 1ML 1MG 1MM 1MA 1MQ 1MT 1MH 1MR 1ME 1NU 1PG 1QU 1RH 1SU 1TH 1UH 1VU 1WH 1XH 21U 22U 23U 24U 1QL 1QG 1QM 1QA 1QQ 1QT 1QH 1QR 1QE 1YU E1U E2U F1U F2U G1U G2U H1U H1L H1G H1M H1A H1Q H1T H1H H1R H1E H2U H3U E3A E3Q E3T E4U E7U E7L E7G E7M E7A E7Q E7T E7H E7R E7E F3A F3Q F3T F4A F4Q F4T G3U H8U E9U H9U EBU L1A L1Q L1T L2A L2Q L2T L4U L6U J1A J1Q J1T J3U K1A K1Q K1T K3U K4U)	41T1577	*
FR/CF (models A1F A2F A3F 11F 12F 13F 14F 15F 16F 16G 19F 1AF 1BF 1CF 1DF 1DG 1EF 1HF 1JF 1KF 1LF 1MF 1MG 1NF 1PG 1QF 1SF 1VF 1QG H1F H1G H2F H3F E4F E7F E7G G3F H8F E9F L4F L6F J3F K3F K4F 29F 2AF 2BF 3CF 44F 45F G9G GCF 51G 83F 83G 84F 84G 85F 85G 86F 86G 87F 87G 8BG JBG JCF JDF)	41T3198	*
GR (models 16G 1DG 1MG 1PG 1QG H1G E7G G9G 51G 83G 84G 85G 86G 87G 8BG JBG)	41T3199	*
SP/LA (models 16G 1DG 1MG 1PG 1QS 1QD 1QY 1QG H1S H1D H1Y H1G 1MY E7S E7D E7Y E7G 25S 25Y 26S 26Y H7S H7Y L3S L3Y L6S L6Y J2S J2Y J4S J4Y K2S K2Y K4S K4Y APS APY AQS AQY B1S B1Y B2S B2Y 27S 27Y 28S 28Y 32S 32Y 33S 33Y 39S 39Y 3AS 3AY 42S 42Y 43S 43Y 61S 61Y G4S G4Y G5S G5Y G9G GBS GBY 51G 83G 84G 85G 86G 87G 88S 88Y 89S 89Y 8AS 8AY 8BG JBG J9S J9Y JAS JAY JBG 85S 85D 85Y 86S 86D 86Y)	41T3200	*
IT (models 16G 1DG 1MG 1PG 1QG H1G E7G G9G 51G 83G 84G 85G 86G 87G 8BG JBG JBG)	41T3201	*
BR (models 16G 1DG 1MP 1QP H1P E7P 25P 26P H7P L3P L6P J2P J4P K2P K4P APP AQP B1P B2P 27P 28P 32P 33P 39P 3AP 42P 43P 61P G4P G5P GBP 88P 89P 8AP J9P JAP 85P 86P)	41T3202	*
SV (models 16G 1DG 1MG 1PG 1QG H1G E7G G9G 51G 83G 84G 85G 86G 87G 8BG JBG)	41T3203	*
DK (models 16G 1DG 1MG 1PG 1QG H1G E7G G9G 51G 83G 84G 85G 86G 87G 8BG JBG)	41T3204	*
FI (models 16G 1DG 1MG 1PG 1QG H1G E7G G9G 51G 83G 84G 85G 86G 87G 8BG JBG)	41T4264	*
NO (models 16G 1DG 1MG 1PG 1QG H1G E7G G9G 51G 83G 84G 85G 86G 87G 8BG JBG)	39J9646	*
NL (models 16G 1DG 1MG 1PG 1QG H1G E7G G9G 51G 83G 84G 85G 86G 87G 8BG JBG)	41T4266	*
HE (models 16G 1DG 1MG 1PG 1QG H1G E7G G9G 51G 83G 84G 85G 86G 87G 8BG JBG)	41T4267	*
PL (models 16G 1DG 1MG 1PG 1QG H1G E7G G9G 51G 83G 84G 85G 86G 87G 8BG JBG)	41T4268	*
CZ (models 16G 1DG 1MG 1PG 1QG H1G E7G G9G 51G 83G 84G 85G 86G 87G 8BG JBG)	41T4269	*
AE (models 16G 1DG 1MG 1PG 1QG H1G E7G G9G 51G 83G 84G 85G 86G 87G 8BG JBG)	41T4270	*
RU (models 16G 1DG 1MG 1PG 1QG H1G E7G G9G 51G 83G 84G 85G 86G 87G 8BG JBG)	41T4271	*
RU English (models 16G 1DG 1MG 1PG 1QG H1G E7G G9G 51G 83G 84G 85G 86G 87G 8BG JBG)	41T4835	*
TR (models 16G 1DG 1MG 1PG 1QG H1G E7G G9G 51G 83G 84G 85G 86G 87G 8BG JBG)	41T4836	*
HU (models 16G 1DG 1MG 1PG 1QG H1G E7G G9G 51G 83G 84G 85G 86G 87G 8BG JBG)	41T4837	*

8212 Windows XP Pro Recovery CDs	FRU#	CRU
PO (models 16G 1DG 1MG 1PG 1QG H1G E7G G9G 51G 83G 84G 85G 86G 87G 8BG JBG)	41T4838	*
GK (models 16G 1DG 1MG 1PG 1QG H1G E7G G9G 51G 83G 84G 85G 86G 87G 8BG JBG)	41T4839	*
SL (models 16G 1DG 1MG 1PG 1QG H1G E7G G9G 51G 83G 84G 85G 86G 87G 8BG JBG)	41T4840	*
Simplified Chinese (models 16C 1DC 1MC 1RC 1TC 1UC 1WC 1XC 1QC H1C E7C 85C 86C)	41W2596	*
Taiwan-TC (models 16V 1DV 1MV 1RV 1TV 1UV 1WV 1XV 1QV H1V H6V E7V E8V 85V 86V)	41W2603	*
Hong Kong-TC (models 16B 1DB 1MB 1RB 1TB 1UB 1WB 1XB 1QB H1B E7B 31B 38B 41B HCB 93B 81B 82B J8B 85B 86B)	41W2610	*
Korea (models 16K 1DK 1MK 1QK H1K H4K E6K E7K L5K HBK G7K 92K 85K 86K)	41W2589	*
Japanese (models 16J 1DJ 1MJ 1QJ H1J E7J 85J 86J)	41W2617	*
Multilingual 1 (models 16G 1DG 1MG 1PG 1QG H1G E7G G9G 51G 83G 84G 85G 86G 87G 8BG JBG)	41T3282	*
Multilingual 2 (models 16G 1DG 1MG 1PG 1QG H1G E7G G9G 51G 83G 84G 85G 86G 87G 8BG JBG)	41T4280	*

# Machine Type 8213



Item #	8213 FRUs	FRU#	CRU
1	Cover (all models)	39M0581	**
2	Power Supply (225 Watt) (models CTO A1M A2M 16U 16F 16G 16M 16A 16T 16K 16R 16E 16J 1DU 1DF 1DG 1DM 1DA 1DT 1DK 1DR 1DE 1DJ 1EM 1FM 1GM 1HM 1JM 1MU 1MF 1MG 1MM 1MA 1MT 1MK 1MR 1ME 1MJ H1U H1F H1G H1M H1A H1T H1K H1R H1E H1J E1M E2M E3M E4M E5M E6M D1U D1F D1G D1M D1A D1T D1K D1R D1E D1J E7U E7F E7G E7M E7A E7T E7K E7R E7E E7J E8M E9M EAM EBM ECM EDM F3M D2M D3M D4M D5M D6M D7M D8M EEM EFM EGM EHM EJM EKM ELM F4M L1M J1M K1M 21M 22M 23K 24M D9K DAK G1M G2M G3K G4K G6G J2G 91K 92K 81M 82G J3G)	24R2625	**
2	Power Supply - China (225 Watt) (models CTO-A CTO-L 16S 16P 16L 16D 16Y 16Q 16C 16B 16H 16V 1DS 1DP 1DL 1DD 1DY 1DQ 1DC 1DB 1DH 1DV 1MS 1MP 1ML 1MD 1MY 1MQ 1MC 1MB 1MH 1MV H1S H1P H1L H1D H1Y H1Q H1C H1B H1H H1V D1S D1P D1L D1D D1Y D1Q D1C D1B D1H D1V E7S E7P E7L E7D E7Y E7Q E7C E7B E7H E7V G5Q 81Q)	24R2627	**
3	Diskette drive, 3.5" 1.44MB 3-mode (w/o bezel) (models CTO)	76H4091	*
3	Diskette drive, 3.5" 1.44MB 3-mode (w/o bezel) (models E7U E7F E7S E7P E7L E7D E7Y E7G E7M E7A E7Q E7T E7C E7B E7H E7V E7K E7R E7E E7J 23K D9K DAK G3K G4K 91K 92K CTO A1M A2M 16U 16F 16S 16P 16L 16D 16Y 16G 16M 16A 16Q 16T 16C 16B 16H 16V 16K 16R 16E 16J 1DU 1DF 1DS 1DP 1DL 1DD 1DY 1DG 1DM 1DA 1DQ 1DT 1DC 1DB 1DH 1DV 1DK 1DR 1DE 1DJ 1EM 1FM 1GM 1HM 1JM 1MU 1MF 1MS 1MP 1ML 1MD 1MY 1MG 1MM 1MA 1MQ 1MT 1MC 1MB 1MH 1MV 1MK 1MR 1ME 1MJ H1U H1F H1S H1P H1L H1D H1Y H1G H1M H1A H1Q H1T H1C H1B H1H H1V H1K H1R H1E H1J E1M E2M E3M E4M E5M E6M D1U D1F D1F D1S D1P D1L D1D D1Y D1G D1M D1A D1Q D1T D1C D1B D1H D1V D1K D1R D1E D1J)	40Y9107	*

Item #	8213 FRUs	FRU#	CRU
3	Diskette drive, 3.5" 1.44MB 3-mode (w/o bezel) (models E7U E7F E7S E7P E7L E7D E7Y E7G E7M E7A E7Q E7T E7C E7B E7H E7V E7K E7R E7E E7J 23K D9K DAK G3K G4K 91K 92K CTO A1M A2M 16U 16F 16S 16P 16L 16D 16Y 16G 16M 16A 16Q 16T 16C 16B 16H 16V 16K 16R 16E 16J 1DU 1DF 1DS 1DP 1DL 1DD 1DY 1DG 1DM 1DA 1DQ 1DT 1DC 1DB 1DH 1DV 1DK 1DR 1DE 1DJ 1EM 1FM 1GM 1HM 1JM 1MU 1MF 1MS 1MP 1ML 1MD 1MY 1MG 1MM 1MA 1MQ 1MT 1MC 1MB 1MH 1MV 1MK 1MR 1ME 1MJ H1U H1F H1S H1P H1L H1D H1Y H1G H1M H1A H1Q H1T H1C H1B H1H H1V H1K H1R H1E H1J E1M E2M E3M E4M E5M E6M D1U D1F D1F D1S D1P D1L D1D D1Y D1G D1M D1A D1Q D1T D1C D1B D1H D1V D1K D1R D1E D1J)	40Y9105	*
3	Diskette drive, 3.5" 1.44MB 3-mode (w/o bezel) (models E7U E7F E7S E7P E7L E7D E7Y E7G E7M E7A E7Q E7T E7C E7B E7H E7V E7K E7R E7E E7J 23K D9K DAK G3K G4K 91K 92K CTO A1M A2M 16U 16F 16S 16P 16L 16D 16Y 16G 16M 16A 16Q 16T 16C 16B 16H 16V 16K 16R 16E 16J 1DU 1DF 1DS 1DP 1DL 1DD 1DY 1DG 1DM 1DA 1DQ 1DT 1DC 1DB 1DH 1DV 1DK 1DR 1DE 1DJ 1EM 1FM 1GM 1HM 1JM 1MU 1MF 1MS 1MP 1ML 1MD 1MY 1MG 1MM 1MA 1MQ 1MT 1MC 1MB 1MH 1MV 1MK 1MR 1ME 1MJ H1U H1F H1S H1P H1L H1D H1Y H1G H1M H1A H1Q H1T H1C H1B H1H H1V H1K H1R H1E H1J E1M E2M E3M E4M E5M E6M D1U D1F D1F D1S D1P D1L D1D D1Y D1G D1M D1A D1Q D1T D1C D1B D1H D1V D1K D1R D1E D1J)	40Y9113	*
4	CD-ROM Drive 48X (models CTO A1M A2M 1EM E2M E8M D2M EEM DAK G4K 92K)	40Y8929	*
4	CD-ROM Drive 48X (models E8M D2M EEM DAK G4K 92K)	40Y8807	*
4	CD-ROM Drive 48X (models CTO E8M D2M EEM DAK G4K 92K)	40Y8955	*
4	CD-ROM Drive 48X (models CTO E8M D2M EEM DAK G4K 92K)	40Y8953	*
4	CD-ROM Drive 48X (models CTO E8M D2M EEM DAK G4K 92K)	41N3539	*
4	CD-ROM Drive 48X (models CTO E8M D2M EEM DAK G4K 92K)	41N3540	*
4	CD-ROM Drive 48X (models CTO E8M D2M EEM DAK G4K 92K)	41N3541	*
4	DVD-ROM Drive (16X/48X) (model CTO 16U 16F 16S 16P 16L 16D 16Y 16G 16M 16A 16Q 16T 16C 16B 16H 16V 16K 16R 16E 16J 1DU 1DF 1DS 1DP 1DL 1DD 1DY 1DG 1DM 1DA 1DQ 1DT 1DC 1DB 1DH 1DV 1DK 1DR 1DE 1DJ 1MU 1MF 1MS 1MP 1ML 1MD 1MY 1MG 1MM 1MA 1MQ 1MT 1MC 1MB 1MH 1MV 1MK 1MR 1ME 1MJ H1U H1F H1S H1P H1L H1D H1Y H1G H1M H1A H1Q H1T H1C H1B H1H H1V H1K H1R H1E H1J E1M D1U D1F D1F D1S D1P D1L D1D D1Y D1G D1M D1A D1Q D1T D1C D1B D1H D1V D1K D1R D1E D1J E7U E7F E7S E7P E7L E7D E7Y E7G E7M E7A E7Q E7T E7C E7B E7H E7V E7K E7R E7E E7J ECM F3M D6M D7M)	40Y8931	*
4	DVD-ROM Drive (16X/48X) (model CTO 16U 16F 16S 16P 16L 16D 16Y 16G 16M 16A 16Q 16T 16C 16B 16H 16V 16K 16R 16E 16J 1DU 1DF 1DS 1DP 1DL 1DD 1DY 1DG 1DM 1DA 1DQ 1DT 1DC 1DB 1DH 1DV 1DK 1DR 1DE 1DJ 1MU 1MF 1MS 1MP 1ML 1MD 1MY 1MG 1MM 1MA 1MQ 1MT 1MC 1MB 1MH 1MV 1MK 1MR 1ME 1MJ H1U H1F H1S H1P H1L H1D H1Y H1G H1M H1A H1Q H1T H1C H1B H1H H1V H1K H1R H1E H1J E1M D1U D1F D1F D1S D1P D1L D1D D1Y D1G D1M D1A D1Q D1T D1C D1B D1H D1V D1K D1R D1E D1J E7U E7F E7S E7P E7L E7D E7Y E7G E7M E7A E7Q E7T E7C E7B E7H E7V E7K E7R E7E E7J ECM F3M D6M D7M)	40Y8933	*

Item #	8213 FRUs	FRU#	CRU
4	DVD-ROM Drive (16X/48X) (model CTO 16U 16F 16S 16P 16L 16D 16Y 16G 16M 16A 16Q 16T 16C 16B 16H 16V 16K 16R 16E 16J 1DU 1DF 1DS 1DP 1DL 1DD 1DY 1DG 1DM 1DA 1DQ 1DT 1DC 1DB 1DH 1DV 1DK 1DR 1DE 1DJ 1MU 1MF 1MS 1MP 1ML 1MD 1MY 1MG 1MM 1MA 1MQ 1MT 1MC 1MB 1MH 1MV 1MK 1MR 1ME 1MJ H1U H1F H1S H1P H1L H1D H1Y H1G H1M H1A H1Q H1T H1C H1B H1H H1V H1K H1R H1E H1J E1M D1U D1F D1F D1S D1P D1L D1D D1Y D1G D1M D1A D1Q D1T D1C D1B D1H D1V D1K D1R D1E D1J E7U E7F E7S E7P E7L E7D E7Y E7G E7M E7A E7Q E7T E7C E7B E7H E7V E7K E7R E7E E7J ECM F3M D6M D7M)	40Y8957	*
4	DVD-ROM Drive (16X/48X) (model CTO 16U 16F 16S 16P 16L 16D 16Y 16G 16M 16A 16Q 16T 16C 16B 16H 16V 16K 16R 16E 16J 1DU 1DF 1DS 1DP 1DL 1DD 1DY 1DG 1DM 1DA 1DQ 1DT 1DC 1DB 1DH 1DV 1DK 1DR 1DE 1DJ 1MU 1MF 1MS 1MP 1ML 1MD 1MY 1MG 1MM 1MA 1MQ 1MT 1MC 1MB 1MH 1MV 1MK 1MR 1ME 1MJ H1U H1F H1S H1P H1L H1D H1Y H1G H1M H1A H1Q H1T H1C H1B H1H H1V H1K H1R H1E H1J E1M D1U D1F D1F D1S D1P D1L D1D D1Y D1G D1M D1A D1Q D1T D1C D1B D1H D1V D1K D1R D1E D1J E7U E7F E7S E7P E7L E7D E7Y E7G E7M E7A E7Q E7T E7C E7B E7H E7V E7K E7R E7E E7J ECM F3M D6M D7M)	41X3545	*
4	DVD-ROM Drive (16X/48X) (model CTO 16U 16F 16S 16P 16L 16D 16Y 16G 16M 16A 16Q 16T 16C 16B 16H 16V 16K 16R 16E 16J 1DU 1DF 1DS 1DP 1DL 1DD 1DY 1DG 1DM 1DA 1DQ 1DT 1DC 1DB 1DH 1DV 1DK 1DR 1DE 1DJ 1MU 1MF 1MS 1MP 1ML 1MD 1MY 1MG 1MM 1MA 1MQ 1MT 1MC 1MB 1MH 1MV 1MK 1MR 1ME 1MJ H1U H1F H1S H1P H1L H1D H1Y H1G H1M H1A H1Q H1T H1C H1B H1H H1V H1K H1R H1E H1J E1M D1U D1F D1F D1S D1P D1L D1D D1Y D1G D1M D1A D1Q D1T D1C D1B D1H D1V D1K D1R D1E D1J E7U E7F E7S E7P E7L E7D E7Y E7G E7M E7A E7Q E7T E7C E7B E7H E7V E7K E7R E7E E7J ECM F3M D6M D7M)	41X3546	*
4	CD-RW/DVD-ROM Combo Drive 48X/32X/48X/16X Max (models CTO 1FM 1GM 1HM E3M E4M E5M E9M EAM EBM D3M D4M EFM EGM 22M 23K 24M D9K G2M G3K J2G 91K J3G)	40Y8919	*
4	CD-RW/DVD-ROM Combo Drive 48X/32X/48X/16X Max (models CTO 1FM 1GM 1HM E3M E4M E5M E9M EAM EBM D3M D4M EFM EGM 22M 23K 24M D9K G2M G3K J2G 91K J3G)	40Y8941	*
4	CD-RW/DVD-ROM Combo Drive 48X/32X/48X/16X (models CTO 1FM 1GM 1HM E3M E4M E5M E9M EAM EBM D3M D4M EFM EGM 22M 23K 24M D9K G2M G3K J2G 91K J3G)	41X3547	*
4	CD-RW/DVD-ROM Combo Drive 48X/32X/48X/16X (models CTO 1FM 1GM 1HM E3M E4M E5M E9M EAM EBM D3M D4M EFM EGM 22M 23K 24M D9K G2M G3K J2G 91K J3G)	41X7992	*
4	Multi-Burner (models CTO 1JM E6M EDM D5M D8M EHM ELM 82G)	40Y8909	*
4	Multi-Burner (models CTO 1JM E6M EDM D5M D8M EHM ELM 82G)	41X3550	*
5	Speaker/cable assembly (models CTO A1M A2M 16U 16F 16S 16P 16L 16D 16Y 16G 16M 16A 16Q 16T 16C 16B 16H 16V 16K 16R 16E 16J 1DU 1DF 1DS 1DP 1DL 1DD 1DY 1DG 1DM 1DA 1DQ 1DT 1DC 1DB 1DH 1DV 1DK 1DR 1DE 1DJ 1EM 1FM 1GM 1HM 1JM 1MU 1MF 1MS 1MP 1ML 1MD 1MY 1MG 1MM 1MA 1MQ 1MT 1MC 1MB 1MH 1MV 1MK 1MR 1ME 1MJ H1U H1F H1S H1P H1L H1D H1Y H1G H1M H1A H1Q H1T H1C H1B H1H H1V H1K H1R H1E H1J E1M E2M E3M E4M E5M E6M D1U D1F D1F D1S D1P D1L D1D D1Y D1G D1M D1A D1Q D1T D1C D1B D1H D1V D1K D1R D1E D1J E7U E7F E7S E7P E7L E7D E7Y E7G E7M E7A E7Q E7T E7C E7B E7H E7V E7K E7R E7E E7J ECM F3M D2M D3M D4M D5M D6M D7M D8M EEM EFM EGM EHM EJM EKM ELM F4M L1M J1M K1M)	39K5012	*
6	Rotating cage assembly (all models)	39M0583	**
7	Bezel Kit (all models)	39M0579	*



Item #	8213 FRUs	FRU#	CRU
8	Front fan and bracket assembly (all models)	39M0585	**
9	Hard Disk Drive 40GB 7200 rpm Serial ATA (models CTO)	40Y8760	*
9	Hard Disk Drive 40GB 7200 rpm Serial ATA (models CTO)	40Y9033	*
9	Hard Disk Drive 40GB 7200 rpm Serial ATA (models CTO)	71P7312	*
9	Hard Disk Drive 80GB 7200 rpm Serial ATA (models CTO)	71P7293	*
9	Hard Disk Drive 80GB 7200 rpm Serial ATA (models E7U E7F E7S E7P E7L E7D E7Y E7G E7M E7A E7Q E7T E7C E7B E7H E7V E7K E7R E7E E7J E8M E9M EAM EBM ECM F3M D2M D3M D4M D5M D6M D7M EEM EFM EGM EHM EJM EKM F4M L1M 21M 22M 24M DAK G1M G2M G4K G5Q G6G 92K 81M 81Q CTO A1M A2M 16U 16F 16S 16P 16L 16D 16Y 16G 16M 16A 16Q 16T 16C 16B 16H 16V 16K 16R 16E 16J 1DU 1DF 1DS 1DP 1DL 1DD 1DY 1DG 1DM 1DA 1DQ 1DT 1DC 1DB 1DH 1DV 1DK 1DR 1DE 1DJ 1EM 1FM 1GM 1HM 1MU 1MF 1MS 1MP 1ML 1MD 1MY 1MG 1MM 1MA 1MQ 1MT 1MC 1MB 1MH 1MV 1MK 1MR 1ME 1MJ H1U H1F H1S H1P H1L H1D H1Y H1G H1M H1A H1Q H1T H1C H1B H1H H1V H1K H1R H1E H1J E1M E2M E3M E4M E5M D1U D1F D1F D1S D1P D1L D1D D1Y D1G D1M D1A D1Q D1T D1C D1B D1H D1V D1K D1R D1E D1J)	40Y8761	*
9	Hard Disk Drive 80GB 7200 rpm Serial ATA (models E7U E7F E7S E7P E7L E7D E7Y E7G E7M E7A E7Q E7T E7C E7B E7H E7V E7K E7R E7E E7J E8M E9M EAM EBM ECM F3M D2M D3M D4M D5M D6M D7M EEM EFM EGM EHM EJM EKM F4M L1M 21M 22M 24M DAK G1M G2M G4K G5Q G6G 92K 81M 81Q CTO A1M A2M 16U 16F 16S 16P 16L 16D 16Y 16G 16M 16A 16Q 16T 16C 16B 16H 16V 16K 16R 16E 16J 1DU 1DF 1DS 1DP 1DL 1DD 1DY 1DG 1DM 1DA 1DQ 1DT 1DC 1DB 1DH 1DV 1DK 1DR 1DE 1DJ 1EM 1FM 1GM 1HM 1MU 1MF 1MS 1MP 1ML 1MD 1MY 1MG 1MM 1MA 1MQ 1MT 1MC 1MB 1MH 1MV 1MK 1MR 1ME 1MJ H1U H1F H1S H1P H1L H1D H1Y H1G H1M H1A H1Q H1T H1C H1B H1H H1V H1K H1R H1E H1J E1M E2M E3M E4M E5M D1U D1F D1F D1S D1P D1L D1D D1Y D1G D1M D1A D1Q D1T D1C D1B D1H D1V D1K D1R D1E D1J)	40Y9034	*
9	Hard Disk Drive 80GB 7200 rpm Serial ATA (models E7U E7F E7S E7P E7L E7D E7Y E7G E7M E7A E7Q E7T E7C E7B E7H E7V E7K E7R E7E E7J E8M E9M EAM EBM ECM F3M D2M D3M D4M D5M D6M D7M EEM EFM EGM EHM EJM EKM F4M L1M 21M 22M 24M DAK G1M G2M G4K G5Q G6G 92K 81M 81Q CTO A1M A2M 16U 16F 16S 16P 16L 16D 16Y 16G 16M 16A 16Q 16T 16C 16B 16H 16V 16K 16R 16E 16J 1DU 1DF 1DS 1DP 1DL 1DD 1DY 1DG 1DM 1DA 1DQ 1DT 1DC 1DB 1DH 1DV 1DK 1DR 1DE 1DJ 1EM 1FM 1GM 1HM 1MU 1MF 1MS 1MP 1ML 1MD 1MY 1MG 1MM 1MA 1MQ 1MT 1MC 1MB 1MH 1MV 1MK 1MR 1ME 1MJ H1U H1F H1S H1P H1L H1D H1Y H1G H1M H1A H1Q H1T H1C H1B H1H H1V H1K H1R H1E H1J E1M E2M E3M E4M E5M D1U D1F D1F D1S D1P D1L D1D D1Y D1G D1M D1A D1Q D1T D1C D1B D1H D1V D1K D1R D1E D1J)	41X2500	*
9	Hard Disk Drive 160GB 7200 rpm Serial ATA (models CTO 1JM E6M EDM)	71P7297	*
9	Hard Disk Drive 160GB 7200 rpm Serial ATA (models CTO 1JM E6M EDM)	40Y9035	*
9	Hard Disk Drive 160GB 7200 rpm Serial ATA (models CTO 1JM E6M D8M ELM J1M K1M 23K D9K G3K J2G 91K J3G)	40Y8762	*
9	Hard Disk Drive 250GB 7200 rpm Serial ATA (models CTO 82G)	40Y8763	*
9	Hard Disk Drive 250GB 7200 rpm Serial ATA (models CTO 82G)	40Y9036	*
9	Hard Disk Drive 250GB 7200 rpm Serial ATA (models CTO 82G)	40Y8757	*



Item #	8213 FRUs	FRU#	CRU
10	System Board, Margarita DDR2 Desktop Planar v3.3 --subbed from 41X0921 (models CTO A1M A2M 16U 16F 16S 16P 16L 16D 16Y 16G 16M 16A 16Q 16T 16C 16B 16H 16V 16K 16R 16E 16J 1DU 1DF 1DS 1DP 1DL 1DD 1DY 1DG 1DM 1DA 1DQ 1DT 1DC 1DB 1DH 1DV 1DK 1DR 1DE 1DJ 1EM 1FM 1GM 1HM 1JM 1MU 1MF 1MS 1MP 1ML 1MD 1MY 1MG 1MM 1MA 1MQ 1MT 1MC 1MB 1MH 1MV 1MK 1MR 1ME 1MJ E1M E2M E3M E4M E5M E6M D1U D1F D1F D1S D1P D1L D1D D1Y D1G D1M D1A D1Q D1T D1C D1B D1H D1V D1K D1R D1E D1J E7U E7F E7S E7P E7L E7D E7Y E7G E7M E7A E7Q E7T E7C E7B E7H E7V E7K E7R E7E E7J 23K 24M D9K DAK G3K G4K G5Q G6G J2G 91K 92K 82G)	43C9125	**
10	System Board, Margarita DDR2 Desktop Planar v3.3 --subbed from 41X0921 and 43C9125 (models CTO A1M A2M 16U 16F 16S 16P 16L 16D 16Y 16G 16M 16A 16Q 16T 16C 16B 16H 16V 16K 16R 16E 16J 1DU 1DF 1DS 1DP 1DL 1DD 1DY 1DG 1DM 1DA 1DQ 1DT 1DC 1DB 1DH 1DV 1DK 1DR 1DE 1DJ 1EM 1FM 1GM 1HM 1JM 1MU 1MF 1MS 1MP 1ML 1MD 1MY 1MG 1MM 1MA 1MQ 1MT 1MC 1MB 1MH 1MV 1MK 1MR 1ME 1MJ E1M E2M E3M E4M E5M E6M D1U D1F D1F D1S D1P D1L D1D D1Y D1G D1M D1A D1Q D1T D1C D1B D1H D1V D1K D1R D1E D1J E7U E7F E7S E7P E7L E7D E7Y E7G E7M E7A E7Q E7T E7C E7B E7H E7V E7K E7R E7E E7J 23K 24M D9K DAK G3K G4K G5Q G6G J2G 91K 92K 82G)	43C7124	**
11	256MB DDR2 SDRAM NP Memory (PC 4200) (models CTO)	30R5120	*
11	512MB DDR2 SDRAM NP Memory (PC 4200) (models E7F E7S E7P E7L E7D E7Y E7G E7M E7A E7Q E7T E7C E7B E7H E7V E7K E7R E7E E7J E8M E9M EAM EBM ECM F3M G5Q G6G 82G CTO A1M A2M 16U 16F 16S 16P 16L 16D 16Y 16G 16M 16A 16Q 16T 16C 16B 16H 16V 16K 16R 16E 16J 1DU 1DF 1DS 1DP 1DL 1DD 1DY 1DG 1DM 1DA 1DQ 1DT 1DC 1DB 1DH 1DV 1DK 1DR 1DE 1DJ 1EM 1FM 1GM 1HM 1MU 1MF 1MS 1MP 1ML 1MD 1MY 1MG 1MM 1MA 1MQ 1MT 1MC 1MB 1MH 1MV 1MK 1MR 1ME 1MJ H1U H1F H1S H1P H1L H1D H1Y H1G H1M H1A H1Q H1T H1C H1B H1H H1V H1K H1R H1E H1J E1M E2M E3M E4M E5M D1U D1F D1F D1S D1P D1L D1D D1Y D1G D1M D1A D1Q D1T D1C D1B D1H D1V D1K D1R D1E D1J J3G)	30R5121	*
11	1GB DDR2 SDRAM NP Memory (PC 4200) (models CTO 1JM E6M EDM)	30R5122	*
11	2GB DDR2 SDRAM NP Memory (PC 4200) (models CTO)	30R5123	*
11	256MB DDR2 SDRAM NP Memory (PC 5300) (models CTO)	30R5124	*
11	512MB DDR2 SDRAM NP Memory (PC 5300) (models CTO D2M D3M D4M D5M D6M EEM EFM EGM EHM EJM 21M 22M 23K 24M D9K G1M G2M G3K G4K 91K 81M 81Q)	30R5125	*
11	1GB DDR2 SDRAM NP Memory (PC 5300) (models CTO D7M D8M EKM ELM F4M L1M J1M K1M DAK 92K)	30R5126	*
12	Riser card and bracket assembly (all models)	39M0587	*
13	Microprocessor, 2.53GHZ Celeron Prescott P4 (533FSB, 256KB) (models CTO)	39J8470	**
13	Microprocessor, 2.66 GHZ Celeron Prescott P4 (533FSB, 256KB) (models CTO)	39J8471	**
13	Microprocessor, 2.8 GHZ Celeron Prescott P4 (533FSB, 256KB) (models CTO)	39J8472	**
13	Microprocessor, 2.93 GHZ Celeron Prescott P4 (533FSB, 256KB) (models CTO)	39J8473	**
13	Microprocessor, 3.06 GHZ Celeron Prescott P4 (533FSB, 256KB) (models CTO A1M A2M)	39J8474	**
13	Microprocessor, 3.2 GHZ Celeron Prescott P4 (533FSB, 256KB) (models CTO)	39J9697	**
13	Microprocessor, 3.33 GHZ Celeron Prescott P4 (533FSB, 256KB) (models CTO)	41T1136	**
13	Microprocessor, 3.20 GHZ Celeron Cedar Mill (533FSB, 512KB) (models CTO)	41T4966	**
13	Microprocessor, 3.33 GHZ Celeron Cedar Mill (533FSB, 512KB) (models CTO)	41T4968	**
13	Microprocessor, 3.46 GHZ Celeron Cedar Mill (533FSB, 512KB) (models CTO)	41X8983	**
13	Microprocessor, 2.93 GHZ Prescott P4 (533FSB, 1MB) (models CTO)	39J9629	**

Item #	8213 FRUs	FRU#	CRU
13	Microprocessor, 2.66 GHZ Prescott P4 (533FSB, 1MB) (models CTO)	41D0696	**
13	Microprocessor, 2.93 GHZ Prescott P4 (533FSB, 1MB) (models CTO)	41D0698	**
13	Microprocessor, 2.93 GHZ Prescott P4 (533FSB, 1MB) (models CTO)	41T4103	**
13	Microprocessor, 3.06 GHZ Prescott P4 (533FSB, 1MB) (models CTO)	41D0700	**
13	Microprocessor, 2.8 GHZ Prescott P4 (800FSB, 1MB) (models CTO 21M 22M 23K)	39J8475	**
13	Microprocessor, 3.0 GHZ Prescott P4 (800FSB, 1MB) (models CTO 16U 16F 16S 16P 16L 16D 16Y 16G 16M 16A 16Q 16T 16C 16B 16H 16V 16K 16R 16E 16J 24M)	39J8476	**
13	Microprocessor, 3.2 GHZ Prescott P4 (800FSB, 1MB) (models CTO 1DU 1DF 1DS 1DP 1DL 1DD 1DY 1DG 1DM 1DA 1DQ 1DT 1DC 1DB 1DH 1DV 1DK 1DR 1DE 1DJ 1EM 1FM 1GM 1HM 1JM)	39J8477	**
13	Microprocessor, 3.4 GHZ Prescott P4 (800FSB, 1MB) (models CTO 1MU 1MF 1MS 1MP 1ML 1MD 1MY 1MG 1MM 1MA 1MQ 1MT 1MC 1MB 1MH 1MV 1MK 1MR 1ME 1MJ)	39J8478	**
13	Microprocessor, 3.0 GHZ Prescott P4 (800FSB, 2MB) (models CTO H1U H1F H1S H1P H1L H1D H1Y H1G H1M H1A H1Q H1T H1C H1B H1H H1V H1K H1R H1E H1J D1U D1F D1F D1S D1P D1L D1D D1Y D1G D1M D1A D1Q D1T D1C D1B D1H D1V D1K D1R D1E D1J)	39J8480	**
13	Microprocessor, 3.2 GHZ Prescott P4 (800FSB, 2MB) (models CTO E1M E2M E3M E4M E5M E6M E7U E7F E7S E7P E7L E7D E7Y E7G E7M E7A E7Q E7T E7C E7B E7H E7V E7K E7R E7E E7J E8M E9M EAM EBM ECM EDM)	39J8481	**
13	Microprocessor, 3.4 GHZ Prescott P4 (800FSB, 2MB) (models CTO F3M)	39J8482	**
13	Microprocessor, 2.8 GHZ Smithfield P4 (800FSB, 1MB) (models CTO G1M G2M G3K G4K G5Q G6G)	39J8468	**
13	Microprocessor, 2.8 GHZ Smithfield P4 (800FSB, 1MB) (models CTO)	39J8479	**
13	Microprocessor, 3.0 GHZ Cedar Mill P4 (800MHz FSB, 2MB Cache) (models CTO D2M D3M D4M D5M D6M D7M D8M D9K DAK)	41D5066	**
13	Microprocessor, 3.2 GHz Cedar Mill P4 (800MHz FSB, 2MB Cache) (models CTO EEM EFM EGM EHM EJM EKM ELM)	41D5068	**
13	Microprocessor, 3.4 GHz Cedar Mill P4 (800MHz FSB, 2MB Cache) (models CTO F4M)	41D5070	**
13	Microprocessor, 3.6 GHz Cedar Mill P4 (800MHz FSB, 2MB Cache) (models CTO L1M)	41D5072	**
13	Microprocessor, 2.8 GHz Pentium-D Presler (800MHz FSB, 2MBx2 Cache) (model CTO J2G)	41X7775	**
13	Microprocessor, 2.8 GHz Presler P4 (800MHz FSB, 2MBx2 Cache) (models CTO J1M)	41D5074	**
13	Microprocessor, 3.0GHz Presler, Pentium-D (800MHz FSB, 2MBx2 Cache) (models CTO J3G)	41X2413	**
13	Microprocessor, 3.0 GHz Presler P4 (800MHz FSB, 2MBx2 Cache) (models CTO 91K 92K)	41D5076	**
13	Microprocessor, 3.4 GHz Pentium-D Presler (800MHz FSB, 2MBx2 Cache) (model CTO 81M 81Q 82G)	41X7776	**
13	Microprocessor, 3.2 GHz Pentium-D Presler (800MHz FSB, 2MBx2 Cache) (model CTO)	41X8050	**
13	Microprocessor, 3.2 GHz Pentium-D Presler (800MHz FSB, 2MBx2 Cache) (model CTO)	41X4230	**
13	Microprocessor, 3.4 GHz Pentium-D Presler (800MHz FSB, 2MBx2 Cache) (model CTO)	41X4232	**

Item #	8213 FRUs	FRU#	CRU
13	Microprocessor, 3.6 GHZ Pentium-D Presler (800MHz FSB, 2MBx2 Cache) (model CTO)	41X8994	**
14	Heat Sink and Retention Module kit (all models)	39M0586	**
15	Chassis (all models)	39M0582	**

The FRUs listed in the following table are not illustrated.

8213 FRUs	FRU#	CRU
Hard disk drive bracket assembly (all models)	39M0578	*
Power switch/LED cable assembly (all models)	39M0580	**
SATA cable assembly (all models)	39K0526	*
Optical cable, 1 drop (all models)	39M0584	*
Intrusion switch cable (all models)	39K0522	*
Miscellaneous parts kit (all models)	39M0588	*
Vertical stand (all models)	39M0589	*
Bezel assembly, optical rotating (all models)	39M0592	**
Universal Adapter Bracket 5.25 to 3.5-inch (all models)	32P4743	*
Bezel kit (all models)	41R2926	*
Battery (all models)	33F8354	*

8213 Keyboards (Preferred Pro Fullsize, PS/2, Stealth Black)	FRU#	CRU
US English (models CTO-U CTO-G A1M A2M 16U 16L 16G 16M 16A 16Q 16C 16H 16R 16E 1DU 1DL 1DG 1DM 1DA 1DQ 1DC 1DH 1DR 1DE 1EM 1FM 1GM 1HM 1JM 1MU 1ML 1MG 1MM 1MA 1MQ 1MC 1MH 1MR 1ME H1U H1L H1G H1M H1A H1Q H1C H1H H1R H1E E1M E2M E3M E4M E5M E6M D1U D1L D1G D1M D1A D1Q D1C D1H D1R D1E E7U E7L E7G E7M E7A E7Q E7C E7H E7R E7E E8M E9M EAM EBM ECM EDM F3M D2M D3M D4M D5M D6M D7M D8M EEM EFM EGM EHM EJM EKM ELM F4M L1M J1M K1M 21M 22M 24M G1M G2M G5Q G6G J2G 81M 81Q 82G J3G)	89P8300	*
Arabic (models CTO-G 16G 1DG 1MG H1G D1G E7G G6G J2G 82G J3G)	89P8301	*
Belgian/French (models CTO-G 16G 1DG 1MG H1G D1G E7G G6G J2G 82G J3G)	89P8302	*
Belgian/UK (models CTO-G 16G 1DG 1MG H1G D1G E7G G6G J2G 82G J3G)	89P8303	*
Brazilian/Portuguese (models CTO-L 16P 1DP 1MP H1P D1P E7P)	89P8304	*
Bulgarian (models CTO-G 16G 1DG 1MG H1G D1G E7G G6G J2G 82G J3G)	89P8305	*
Chinese/US (models 16B 16V 1DB 1DV 1MB 1MV H1B H1V D1B D1V E7B E7V)	89P8306	*
Czech (models CTO-G 16G 1DG 1MG H1G D1G E7G G6G J2G 82G J3G)	89P8307	*
Danish (models CTO-G 16G 1DG 1MG H1G D1G E7G G6G J2G 82G J3G)	89P8308	*
Dutch (models CTO-G 16G 1DG 1MG H1G D1G E7G G6G J2G 82G J3G)	89P8309	*
French (models CTO-G 16G 1DG 1MG H1G D1G E7G G6G J2G 82G J3G)	89P8310	*
French Canadian 445 (models CTO-U 16F 1DF 1MF H1F D1F E7F)	89P8311	*
French Canadian 58 (models CTO-U 16F 1DF 1MF H1F D1F E7F)	89P8312	*
German (models CTO-G 16G 1DG 1MG H1G D1G E7G G6G J2G 82G J3G)	89P8313	*
Greek (models CTO-G 16G 1DG 1MG H1G D1G E7G G6G J2G 82G J3G)	89P8314	*
Hebrew (models CTO-G 16G 1DG 1MG H1G D1G E7G G6G J2G 82G J3G)	89P8315	*

<b>8213 Keyboards (Preferred Pro Fullsize, PS/2, Stealth Black)</b>	<b>FRU#</b>	<b>CRU</b>
Hungarian (models CTO-G 16G 1DG 1MG H1G D1G E7G G6G J2G 82G J3G)	89P8316	*
Iceland (models CTO-G 16G 1DG 1MG H1G D1G E7G G6G J2G 82G J3G)	89P8317	*
Italian (models CTO-G 16G 1DG 1MG H1G D1G E7G G6G J2G 82G J3G)	89P8319	*
Japanese (models 16J 1DJ 1MJ H1J D1J E7J)	89P8320	*
Korean (models 16K 1DK 1MK H1K D1K E7K 23K D9K DAK G3K G4K 91K 92K)	89P8321	*
LA Spanish (models CTO-L 16S 16D 16Y 1DS 1DD 1DY 1MS 1MD 1MY H1S H1D H1Y D1S D1D D1Y E7S E7D E7Y)	89P8322	*
Norwegian (models CTO-G 16G 1DG 1MG H1G D1G E7G G6G J2G 82G J3G)	89P8323	*
Polish (models CTO-G 16G 1DG 1MG H1G D1G E7G G6G J2G 82G J3G)	89P8324	*
Portuguese (models CTO-G 16G 1DG 1MG H1G D1G E7G G6G J2G 82G J3G)	89P8325	*
Romanian (models CTO-G 16G 1DG 1MG H1G D1G E7G G6G J2G 82G J3G)	89P8326	*
Russian (models CTO-G 16G 1DG 1MG H1G D1G E7G G6G J2G 82G J3G)	89P8327	*
Russian/Cyrillic (models CTO-G 16G 1DG 1MG H1G D1G E7G G6G J2G 82G J3G)	89P8328	*
Serbian/Cyrillic (models CTO-G 16G 1DG 1MG H1G D1G E7G G6G J2G 82G J3G)	89P8329	*
Slovak (models CTO-G 16G 1DG 1MG H1G D1G E7G G6G J2G 82G J3G)	89P8330	*
Spanish (models CTO-G 16G 1DG 1MG H1G D1G E7G G6G J2G 82G J3G)	89P8331	*
Swedish/Finn (models CTO-G 16G 1DG 1MG H1G D1G E7G G6G J2G 82G J3G)	89P8332	*
Swiss F/G (models CTO-G 16G 1DG 1MG H1G D1G E7G G6G J2G 82G J3G)	89P8333	*
Thailand (models CTO-A 16T 1DT 1MT H1T D1T E7T)	89P8334	*
Turkish 179 (models CTO-G 16G 1DG 1MG H1G D1G E7G G6G J2G 82G J3G)	89P8336	*
UK English (models CTO-G 16G 1DG 1MG H1G D1G E7G G6G J2G 82G J3G)	89P8337	*
US Euro (models CTO-G 16G 1DG 1MG H1G D1G E7G G6G J2G 82G J3G)	89P8338	*
Yugoslav/Latin (models CTO-G 16G 1DG 1MG H1G D1G E7G G6G J2G 82G J3G)	89P8339	*

<b>8213 Keyboard (PS2 Preferred Pro)</b>	<b>FRU#</b>	<b>CRU</b>
US English (models CTO-U CTO-G A1M A2M 16U 16L 16G 16M 16A 16Q 16C 16H 16R 16E 1DU 1DL 1DG 1DM 1DA 1DQ 1DC 1DH 1DR 1DE 1EM 1FM 1GM 1HM 1JM 1MU 1ML 1MG 1MM 1MA 1MQ 1MC 1MH 1MR 1ME H1U H1L H1G H1M H1A H1Q H1C H1H H1R H1E E1M E2M E3M E4M E5M E6M D1U D1L D1G D1M D1A D1Q D1C D1H D1R D1E E7U E7L E7G E7M E7A E7Q E7C E7H E7R E7E E8M E9M EAM EBM ECM EDM F3M D2M D3M D4M D5M D6M D7M D8M EEM EFM EGM EHM EJM EKM ELM F4M L1M J1M K1M 21M 22M 24M G1M G2M G5Q G6G J2G 81M 81Q 82G J3G)	41A5039	*
Arabic (models CTO-G 16G 1DG 1MG H1G D1G E7G G6G J2G 82G J3G)	41A5040	*
Belgian/French (models CTO-G 16G 1DG 1MG H1G D1G E7G G6G J2G 82G J3G)	41A5042	*
Belgian/UK (models CTO-G 16G 1DG 1MG H1G D1G E7G G6G J2G 82G J3G)	41A5043	*
Brazil/Portuguese (models CTO-L 16P 1DP 1MP H1P D1P E7P)	41A5044	*
Bulgarian (models CTO-G 16G 1DG 1MG H1G D1G E7G G6G J2G 82G J3G)	41A5045	*
Hong Kong/Taiwan (models 16B 16V 1DB 1DV 1MB 1MV H1B H1V D1B D1V E7B E7V)	41A5046	*
Czech (models CTO-G 16G 1DG 1MG H1G D1G E7G G6G J2G 82G J3G)	41A5047	*
Danish (models CTO-G 16G 1DG 1MG H1G D1G E7G G6G J2G 82G J3G)	41A5048	*
Dutch (models CTO-G 16G 1DG 1MG H1G D1G E7G G6G J2G 82G J3G)	41A5049	*
French (models CTO-G 16G 1DG 1MG H1G D1G E7G G6G J2G 82G J3G)	41A5050	*
French Canadian 445 (models CTO-U 16F 1DF 1MF H1F D1F D1F E7F)	41A5051	*

<b>8213 Keyboard (PS2 Preferred Pro)</b>	<b>FRU#</b>	<b>CRU</b>
French Canadian 58 (models CTO-U 16F 1DF 1MF H1F D1F D1F E7F)	41A5052	*
German (models CTO-G 16G 1DG 1MG H1G D1G E7G G6G J2G 82G J3G)	41A5053	*
Greek (models CTO-G 16G 1DG 1MG H1G D1G E7G G6G J2G 82G J3G)	41A5054	*
Hebrew (models CTO-G 16G 1DG 1MG H1G D1G E7G G6G J2G 82G J3G)	41A5055	*
Hungarian (models CTO-G 16G 1DG 1MG H1G D1G E7G G6G J2G 82G J3G)	41A5056	*
Iceland (models CTO-G 16G 1DG 1MG H1G D1G E7G G6G J2G 82G J3G)	41A5057	*
Italian (models CTO-G 16G 1DG 1MG H1G D1G E7G G6G J2G 82G J3G)	41A5058	*
Japanese (models 16J 1DJ 1MJ H1J D1J E7J)	41A5059	*
Korean (models 16K 1DK 1MK H1K D1K E7K 23K D9K DAK G3K G4K 91K 92K)	41A5060	*
LA Spanish (models CTO-L 16S 16D 16Y 1DS 1DD 1DY 1MS 1MD 1MY H1S H1D H1Y D1S D1D D1Y E7S E7D E7Y)	41A5061	*
Norwegian (models CTO-G 16G 1DG 1MG H1G D1G E7G G6G J2G 82G J3G)	41A5062	*
Polish (models CTO-G 16G 1DG 1MG H1G D1G E7G G6G J2G 82G J3G)	41A5063	*
Portuguese (models CTO-G 16G 1DG 1MG H1G D1G E7G G6G J2G 82G J3G)	41A5064	*
Romanian (models CTO-G 16G 1DG 1MG H1G D1G E7G G6G J2G 82G J3G)	41A5065	*
Russian/Cyrilic (models CTO-G 16G 1DG 1MG H1G D1G E7G G6G J2G 82G J3G)	41A5066	*
Serbian/Cyrilic (models CTO-G 16G 1DG 1MG H1G D1G E7G G6G J2G 82G J3G)	41A5067	*
Slovak (models CTO-G 16G 1DG 1MG H1G D1G E7G G6G J2G 82G J3G)	41A5068	*
Spanish (models CTO-G 16G 1DG 1MG H1G D1G E7G G6G J2G 82G J3G)	41A5069	*
Swedish/Finn (models CTO-G 16G 1DG 1MG H1G D1G E7G G6G J2G 82G J3G)	41A5070	*
Swiss F/G (models CTO-G 16G 1DG 1MG H1G D1G E7G G6G J2G 82G J3G)	41A5071	*
Thailand (models CTO-A 16T 1DT 1MT H1T D1T E7T)	41A5072	*
Turkish 179 (models CTO-G 16G 1DG 1MG H1G D1G E7G G6G J2G 82G J3G)	41A5074	*
UK English (models CTO-G 16G 1DG 1MG H1G D1G E7G G6G J2G 82G J3G)	41A5075	*
US Euro (models CTO-G 16G 1DG 1MG H1G D1G E7G G6G J2G 82G J3G)	41A5076	*
Slovenian (models CTO-G 16G 1DG 1MG H1G D1G E7G G6G J2G 82G J3G)	41A5077	*

<b>8213 IBM Keyboard (USB Preferred - without hub)</b>	<b>FRU#</b>	<b>CRU</b>
US English (models CTO-U CTO-G)	89P9040	*
Arabic (models CTO-G)	89P9041	*
Arabic/French (models CTO-G)	89P9058	*
Belgian/French (models CTO-G)	89P9042	*
Belgian/UK (models CTO-G)	89P9043	*
Brazilian (models CTO-L)	89P9044	*
Bulgarian (models CTO-G)	89P9045	*
Czech (models CTO-G)	89P9047	*
Danish (models CTO-G)	89P9048	*
Dutch (models CTO-G)	89P9049	*
French (models CTO-G)	89P9050	*
French Canadian (models CTO-U)	89P9051	*
French Canadian (models CTO-U)	89P9052	*

<b>8213 IBM Keyboard (USB Preferred - without hub)</b>	<b>FRU#</b>	<b>CRU</b>
German (models CTO-G)	89P9053	*
Greek (models CTO-G)	89P9054	*
Greek/US (models CTO-G)	41A4948	*
Hebrew (models CTO-G)	89P9055	*
Hungarian (models CTO-G)	89P056	*
Iceland (models CTO-G)	89P9057	*
Italy (models CTO-G)	89P9059	*
LA Spanish (models CTO-L)	89P9062	*
Norwegian (models CTO-G)	89P9063	*
Polish (models CTO-G)	89P9064	*
Portuguese (models CTO-G)	89P9065	*
Romanian 096 (models CTO-G)	89P9067	*
Romanian 446 (models CTO-G)	89P9066	*
Russian/Cyrillic (models CTO-G)	89P9068	*
Serbian/Cyrillic (models CTO-G)	89P9069	*
Slovak (models CTO-G)	89P9070	*
Spanish (models CTO-G)	89P9072	*
Swedish/Finn (models CTO-G)	89P9073	*
Swiss (models CTO-G)	89P9074	*
Thailand (models CTO-A)	89P9075	*
Turkish 440 (models CTO-G)	89P9076	*
Turkish 179 (models CTO-G)	89P9077	*
UK English (models CTO-G)	89P9078	*
US Euro (models CTO-G)	89P9079	*
Slovenian (models CTO-G)	89P9071	*

<b>8213 Lenovo Keyboard (USB Preferred - without hub)</b>	<b>FRU#</b>	<b>CRU</b>
US English (models CTO-U CTO-G)	41A5289	*
Arabic (models CTO-G)	41A5290	*
Arabic/French (models CTO-G)	41A5291	*
Belgian/French (models CTO-G)	41A5292	*
Belgian/UK (models CTO-G)	41A5293	*
Brazilian (models CTO-L)	41A5294	*
Bulgarian (models CTO-G)	41A5295	*
Czech (models CTO-G)	41A5297	*
Danish (models CTO-G)	41A5298	*
Dutch (models CTO-G)	41A5299	*
French (models CTO-G)	41A5300	*
French Canadian 445 (models CTO-U)	41A5301	*
French Canadian 58 (models CTO-U)	41A5302	*
German (models CTO-G)	41A5303	*



<b>8213 Lenovo Keyboard (USB Preferred - without hub)</b>	<b>FRU#</b>	<b>CRU</b>
Greek (models CTO-G)	41A5304	*
Greek/US (models CTO-G)	41A5305	*
Hebrew (models CTO-G)	41A5306	*
Hungarian (models CTO-G)	41A5307	*
Iceland (models CTO-G)	41A5308	*
Italian 141 (models CTO-G)	41A5309	*
LA Spanish (models CTO-L)	41A5312	*
Norwegian (models CTO-G)	41A5313	*
Polish (models CTO-G)	41A5314	*
Portuguese (models CTO-G)	41A5315	*
Romanian 096 (models CTO-G)	41A5317	*
Romanian 446 (models CTO-G)	41A5316	*
Russian/Cyrillic (models CTO-G)	41A5318	*
Serbian/Cyrillic (models CTO-G)	41A5319	*
Slovak (models CTO-G)	41A5320	*
Spanish (models CTO-G)	41A5321	*
Swedish/Finn (models CTO-G)	41A5322	*
Swiss (models CTO-G)	41A5323	*
Thailand (models CTO-A)	41A5324	*
Turkish 440 (models CTO-G)	41A5325	*
Turkish 179 (models CTO-G)	41A5326	*
UK English (models CTO-G)	41A5327	*
US Euro (models CTO-G)	41A5328	*
Slovenian (models CTO-G)	41A5329	*

<b>8213 Keyboards (Productivity, USB)</b>	<b>FRU#</b>	<b>CRU</b>
US English (models CTO-U CTO-G)	89P8800	*
Arabic (models CTO-G)	89P8801	*
Arabic/French (models CTO-G)	89P8802	*
Belgian/French (models CTO-G)	89P8803	*
Belgian/UK (models CTO-G)	89P8804	*
Brazil/Portuguese (models CTO-L)	89P8805	*
Bulgarian (models CTO-G)	89P8806	*
Czech (models CTO-G)	89P8808	*
Danish (models CTO-G)	89P8809	*
Dutch (models CTO-G)	89P8810	*
French (models CTO-G)	89P8811	*
French Canadian (models CTO-U)	89P8812	*
French Canadian (models CTO-U)	89P8813	*
German (models CTO-G)	89P8814	*
Greek (models CTO-G)	89P8815	*

<b>8213 Keyboards (Productivity, USB)</b>	<b>FRU#</b>	<b>CRU</b>
Hebrew (models CTO-G)	89P8816	*
Hungarian (models CTO-G)	89P8817	*
Iceland (models CTO-G)	89P8818	*
Italian 141 (models CTO-G)	89P8819	*
LA/Spanish (models CTO-L)	89P8822	*
Norwegian (models CTO-G)	89P8823	*
Polish (models CTO-G)	89P8824	*
Portuguese (models CTO-G)	89P8825	*
Romanian (models CTO-G)	89P8826	*
Romanian (models CTO-G)	89P8827	*
Russian/Cyrillic (models CTO-G)	89P8828	*
Serbian/Cyrillic (models CTO-G)	89P8829	*
Slovak (models CTO-G)	89P8830	*
Spanish (models CTO-G)	89P8831	*
Swedish/Finn (models CTO-G)	89P8832	*
Swiss F/G (models CTO-G)	89P8833	*
Thailand (models CTO-A)	89P8834	*
Turkish 440 (models CTO-G)	89P8835	*
Turkish 179 (models CTO-G)	89P8836	*
UK English (models CTO-G)	89P8837	*
US Euro (models CTO-G)	89P8838	*
Yugoslav/Latin (models CTO-G)	89P8839	*

<b>8213 Keyboard (Lenovo, USB Enhanced Performance)</b>	<b>FRU#</b>	<b>CRU</b>
US English (models CTO-U CTO-G)	41A4961	*
Arabic (models CTO-G)	41A4962	*
Arabic/French (models CTO-G)	41A4963	*
Belgian/French (models CTO-G)	41A4964	*
Belgian/UK (models CTO-G)	41A4965	*
Brazilian (models CTO-L)	41A4966	*
Bulgarian (models CTO-G)	41A4967	*
Czech (models CTO-G)	41A4969	*
Danish (models CTO-G)	41A4970	*
Dutch (models CTO-G)	41A4971	*
French (models CTO-G)	41A4972	*
French Canadian 445 (models CTO-U)	41A4973	*
French Canadian 58 (models CTO-U)	41A4974	*
German (models CTO-G)	41A4975	*
Greek (models CTO-G)	41A4976	*
Hebrew (models CTO-G)	41A4977	*
Hungarian (models CTO-G)	41A4978	*



<b>8213 Keyboard (Lenovo, USB Enhanced Performance)</b>	<b>FRU#</b>	<b>CRU</b>
Iceland (models CTO-G)	41A4979	*
Italian (models CTO-G)	41A4980	*
LA Spanish (models CTO-L)	41A4983	*
Norwegian (models CTO-G)	41A4984	*
Polish (models CTO-G)	41A4985	*
Portuguese (models CTO-G)	41A4986	*
Romanian (models CTO-G)	41A4987	*
Russian/Cy (models CTO-G)	41A4988	*
Serbian/Cyrillic (models CTO-G)	41A4989	*
Slovak (models CTO-G)	41A4990	*
Spanish (models CTO-G)	41A4991	*
Swedish/Finn (models CTO-G)	41A4992	*
Swiss F/G (models CTO-G)	41A4993	*
Thailand (models CTO-A E3T F3T F4T)	41A4994	*
Turkish 440 (models CTO-G)	41A4995	*
Turkish 179 (models CTO-G)	41A4996	*
UK English (models CTO-G)	41A4997	*
US Euro (models CTO-G)	41A4998	*
Slovenian (models CTO-G)	41A4999	*

<b>8213 Keyboards (with fingerprint reader)</b>	<b>FRU#</b>	<b>CRU</b>
US English (models CTO-U CTO-G)	89P9000	*
Arabic (models CTO-G)	89P9001	*
Belgian/French (models CTO-G)	89P9003	*
Belgian/UK (models CTO-G)	89P9004	*
Brazilian Portuguese (models CTO-L)	89P9005	*
Bulgarian (models CTO-G)	89P9006	*
Czech (models CTO-G)	89P9008	*
Danish (models CTO-G)	89P9009	*
Dutch (models CTO-G)	89P9010	*
French (models CTO-G)	89P9011	*
French Canadian 445 (models CTO-U)	89P9012	*
French Canadian 58 (models CTO-U)	89P9013	*
German (models CTO-G)	89P9014	*
Greek (models CTO-G)	89P9015	*
Hebrew (models CTO-G)	89P9016	*
Hungarian (models CTO-G)	89P9017	*
Iceland (models CTO-G)	89P9018	*
Italian 141 (models CTO-G)	89P9019	*
Korean (models D1K E1K F1K)	89P9021	*
LA Spanish (models CTO-L E3S E3Y)	89P9022	*

<b>8213 Keyboards (with fingerprint reader)</b>	<b>FRU#</b>	<b>CRU</b>
Norwegian (models CTO-G)	89P9023	*
Polish (models CTO-G)	89P9024	*
Portuguese (models CTO-G)	89P9025	*
Romanian (models CTO-G)	89P9026	*
Romanian (models CTO-G)	89P9027	*
Russian/Cyrillic (models CTO-G)	89P9028	*
Serbian/Cyrillic (models CTO-G)	89P9029	*
Slovak (models CTO-G)	89P9030	*
Spanish (models CTO-G)	89P9031	*
Swedish/Finn (models CTO-G)	89P9032	*
Swiss F/G (models CTO-G)	89P9033	*
Thailand (models CTO-A)	89P9034	*
Turkish 440 (models CTO-G)	89P9035	*
Turkish 179 (models CTO-G)	89P9036	*
UK English (models CTO-G)	89P9037	*
US Euro (models CTO-G)	89P9038	*
Yugoslav/Latin (models CTO-G)	89P9039	*

<b>8213 Keyboard (Fingerprint reader USB)</b>	<b>FRU#</b>	<b>CRU</b>
US English (models CTO-U CTO-G)	41A5248	*
Arabic (models CTO-G)	41A5249	*
Arabic/French (models CTO-G)	41A5250	*
Belgian/French (models CTO-G)	41A5251	*
Belgian/UK (models CTO-G)	41A5252	*
Brazilian (models CTO-L)	41A5253	*
Bulgarian (models CTO-G)	41A5254	*
Chinese/US (models CTO-G)	41A5255	*
Czech (models CTO-G)	41A5256	*
Danish (models CTO-G)	41A5257	*
Dutch (models CTO-G)	41A5258	*
French (models CTO-G)	41A5259	*
French Canadian 445 (models CTO-U)	41A5260	*
French Canadian 58 (models CTO-U)	41A5261	*
German (models CTO-G)	41A5262	*
Greek (models CTO-G)	41A5263	*
Hebrew (models CTO-G)	41A5265	*
Hungarian (models CTO-G)	41A5266	*
Iceland (models CTO-G)	41A5267	*
Italian (models CTO-G)	41A5268	*
LA Spanish (models CTO-L)	41A5271	*
Norwegian (models CTO-G)	41A5272	*

<b>8213 Keyboard (Fingerprint reader USB)</b>	<b>FRU#</b>	<b>CRU</b>
Polish (models CTO-G)	41A5273	*
Portuguese (models CTO-G)	41A5274	*
Romanian 446 (models CTO-G)	41A5275	*
Romanian 96 (models CTO-G)	41A5276	*
Russian/Cy (models CTO-G)	41A5277	*
Serbian/Cyrillic (models CTO-G)	41A5278	*
Slovak (models CTO-G)	41A5279	*
Spanish (models CTO-G)	41A5280	*
Swedish/Finn (models CTO-G)	41A5281	*
Swiss F/G (models CTO-G)	41A5282	*
Thailand (models CTO-A)	41A5283	*
Turkish 440 (models CTO-G)	41A5284	*
Turkish 179 (models CTO-G)	41A5285	*
UK English (models CTO-G)	41A5286	*
US Euro (models CTO-G)	41A5287	*
Slovenian (models CTO-G)	41A5288	*

<b>8213 Keyboard (Enhanced Performance, Wireless)</b>	<b>FRU#</b>	<b>CRU</b>
US English (models CTO-U CTO-G)	89P8730	*
Belgian/French (models CTO-G)	89P8731	*
Belgian/UK (models CTO-G)	89P8732	*
Czech (models CTO-G)	89P8734	*
Danish (models CTO-G)	89P8735	*
Dutch (models CTO-G)	89P8736	*
French (models CTO-G)	89P8737	*
French Canadian 445 (models CTO-U)	89P8738	*
French Canadian 58 (models CTO-U)	89P8739	*
German (models CTO-G)	89P8740	*
Greek (models CTO-G)	89P8741	*
Hungarian (models CTO-G)	89P8742	*
Iceland (models CTO-G)	89P8743	*
Italian 141 (models CTO-G)	89P8744	*
Norwegian (models CTO-G)	89P8746	*
Polish (models CTO-G)	89P8747	*
Portuguese (models CTO-G)	89P8748	*
Slovak (models CTO-G)	89P8749	*
Spanish (models CTO-G)	89P8751	*
Swedish/Finn (models CTO-G)	89P8752	*
Swiss F/G (models CTO-G)	89P8753	*
UK English (models CTO-G)	89P8754	*
US Euro (models CTO-G)	89P8755	*

<b>8213 Keyboard (Enhanced Performance, Wireless)</b>	<b>FRU#</b>	<b>CRU</b>
Wireless transceiver dongle (models CTO)	89P8757	*

<b>8213 Lenovo Keyboard (Wireless, Enhanced)</b>	<b>FRU#</b>	<b>CRU</b>
US English/Chinese/US (models CTO-U CTO-G)	41A5219	*
Belgian/French (models CTO-U CTO-G)	41A5220	*
Belgian/UK (models CTO-G)	41A5221	*
Czech (models CTO-G)	41A5223	*
Danish (models CTO-G)	41A5224	*
Dutch (models CTO-G)	41A5225	*
French (models CTO-G)	41A5226	*
French Canadian (models CTO-U)	41A5227	*
French Canadian (models CTO-U)	41A5228	*
German (models CTO-G)	41A5229	*
Greek (models CTO-G)	41A5230	*
Hungarian (models CTO-G)	41A5232	*
Iceland (models CTO-G)	41A5233	*
Italy (models CTO-G)	41A5234	*
Norwegian (models CTO-G)	41A5236	*
Polish (models CTO-G)	41A5237	*
Portuguese (models CTO-G)	41A5238	*
Slovak (models CTO-G)	41A5239	*
Spanish (models CTO-G)	41A5240	*
Swedish/Finn (models CTO-G)	41A5241	*
Swiss (models CTO-G)	41A5242	*
UK English (models CTO-G)	41A5243	*
US Euro (models CTO-G)	41A5244	*

<b>8213 mice</b>	<b>FRU#</b>	<b>CRU</b>
Mouse, Scrollpoint Optical, USB (all models )	41A4933	*
Mouse, optical wheelmouse, USB (models CTO)	41A4935	*
Mouse, PS/2 wheelmouse (Black) (models CTO)	41A4917	*
Mouse, optical wheelmouse (400DPI, USB) (models CTO)	41U3013	*
Mouse, Scrollpoint Optical, (800DPI, USB (all models)	41U3019	*
Mouse, Wheelmouse PS/2 (all models)	41R0018	*

<b>8213 Adapters and miscellaneous FRUs</b>	<b>FRU#</b>	<b>CRU</b>
PCI Modem Card (Soft), ATX V.90 (models CTO)	22P7943	*
Soft Modem V.90/V.44 (models CTO)	29R9729	*
128MB DDR ATI Radeon x300SE (DMS59 connector) (models CTO 1GM E4M EAM)	39J9635	*
128MB DDR ATI RADEON X700 PRO VGA, DVI-I, TV-Out PCI-e BTX (models CTO)	39J6203	*

8213 Adapters and miscellaneous FRUs	FRU#	CRU
PCI-E DVI-DConnection Adapter (ADD 2-R) (Full Height) (models CTO 1JM E6M EDM J2G 82G J3G)	39J9334	*
1394 Firewire PCI LP (ATX) (models CTO)	41D2781	*
Speakers, Jazz Infinity Active T1 (Black) (models CTO)	89P8588	*
Speaker Power brick - US, Canada, LA (low voltage), Taiwan, Phillipines, Thailand (models CTO-U CTO-L CTO-A)	10K2587	*
Speaker Power brick - UK, Hong Kong (British version), ASEAN (models CTO-A)	25P5703	*
Speaker Power brick - Europe and LA (models CTO-G CTO-L)	25P5704	*
Speaker Power brick (newer 2 prong) - China, Thailand, Phillipines (models CTO-A)	10K2597	*
Speaker Power brick - ANZ (models CTO-A)	25P5705	*
Speaker Power brick - Brazil (models CTO-L)	25P5706	*
Speaker Power brick - India, South Africa (models CTO-A CTO-G)	32P3181	*
Speaker Power brick - Argentina (models CTO-L)	01R2253	*
Speaker Power brick - US, Canada, LA low voltage, ASEAN (models CTO)	89P8571	*
RJ11 connector adapter (Spain, Ireland) (All "G" models)	60H6043	*
RJ11 connector adapter (Austria) (All "G" models)	60H6045	*
RJ11 connector adapter (Belgium) (All "G" models)	60H6046	*
RJ11 connector adapter (Denmark) (All "G" models)	60H6047	*
RJ11 connector adapter (Norway, Finland) (All "G" models)	60H6048	*
RJ11 connector adapter (France) (All "G" models)	60H6049	*
RJ11 connector adapter (Germany) (All "G" models)	60H6050	*
RJ11 connector adapter (UK, NZ, HK) (All "G", "M", "B", "H" models)	60H6051	*
RJ11 connector adapter (Italy) (All "G" models)	60H6052	*
RJ11 connector adapter (Netherlands) (All "G" models)	60H6053	*
RJ11 connector adapter (Sweden) (All "G" models)	60H6054	*
RJ11 connector adapter (Switzerland) (All "G" models)	60H6055	*
Dongle Cable - DMS59 to dual VGA (All models)	41D2399	*

8213 Power Cords	FRU#	CRU
Power cord - US (models 16U 16F 16S 16L 16D 16A 16T 1DU 1DF 1DS 1DL 1DD 1DA 1DT 1MU 1MF 1MS 1ML 1MD 1MA 1MT H1U H1F H1S H1L H1D H1A H1T D1U D1F D1F D1S D1L D1D D1A D1T E7U E7F E7S E7L E7D E7A E7T)	39M5080	*
Power cord - China (models 16C 1DC 1MC H1C D1C E7C)	39M5205	*
Power cord - Japan (models 16E 16J 1DE 1DJ 1ME 1MJ H1E H1J D1E D1J E7E E7J)	39M5193	*
Power cord - Brazil (models 16P 1DP 1MP H1P D1P E7P)	39M5232	*
Power cord - LA High Volt (APU) (models 16L 16Y 1DL 1DY 1ML 1MY H1L H1Y D1L D1Y E7L E7Y)	39M5067	*
Power cord - Australia/New Zealand (models A1M A2M 16M 1DM 1EM 1FM 1GM 1HM 1JM 1MM H1M E1M E2M E3M E4M E5M E6M D1M E7M E8M E9M EAM EBM ECM EDM F3M D2M D3M D4M D5M D6M D7M D8M EEM EFM EGM EHM EJM EKM ELM F4M L1M J1M K1M 21M 22M 24M G1M G2M 81M)	39M5102	*
Power cord - Korea (models 16K 16R 1DK 1DR 1MK 1MR H1K H1R D1K D1R E7K E7R 23K D9K DAK G3K G4K 91K 92K)	39M5212	*

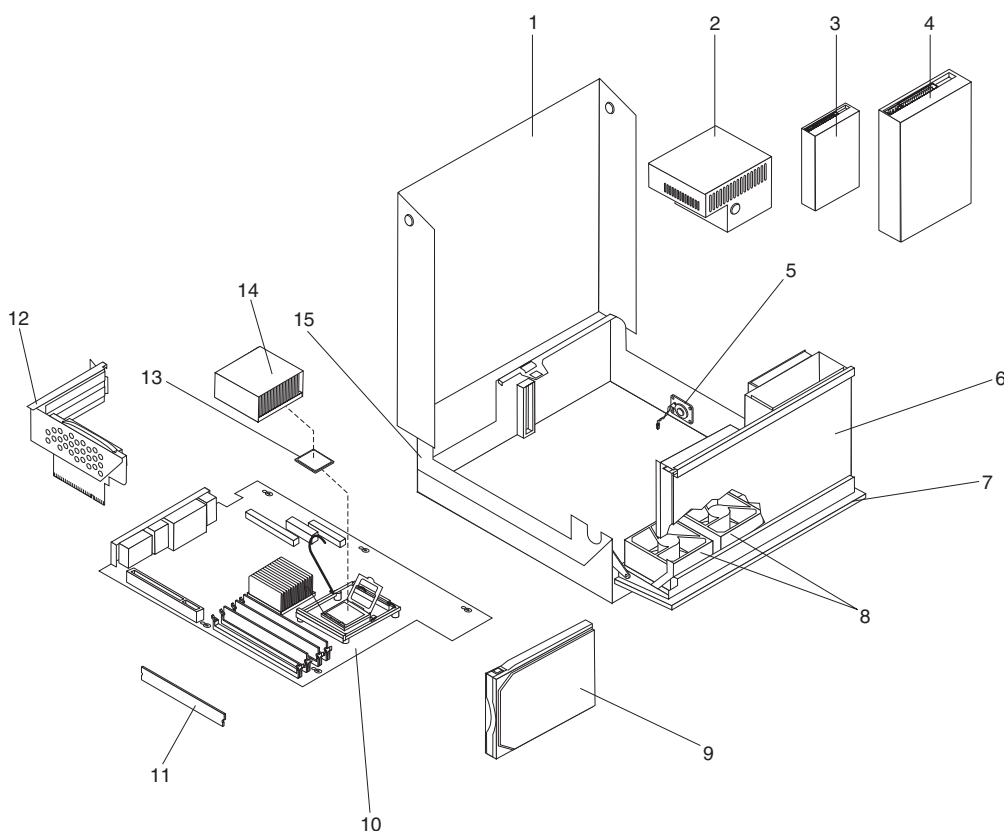
8213 Power Cords	FRU#	CRU
Power cord - Hong Kong (models 16B 16H 1DB 1DH 1MB 1MH H1B H1H D1B D1H E7B E7H)	39M5151	*
Power cord - UK, Ireland, Singapore, Malaysia, Brunei (models 16G 16A 1DG 1DA 1MG 1MA H1G H1A D1G D1A E7G E7A G6G J2G 82G J3G)	39M5150	*
Power cord - Taiwan (models 16V 1DV 1MV H1V D1V E7V)	39M5246	*
Power cord - Italy (models 16S 16L 16Y 16G 1DS 1DL 1DY 1DG 1MS 1ML 1MY 1MG H1S H1L H1Y H1G D1S D1L D1Y D1G E7S E7L E7Y E7G G6G J2G 82G J3G)	39M5164	*
Power cord - G models (models 16G 16A 1DG 1DA 1MG 1MA H1G H1A D1G D1A E7G E7A G6G J2G 82G J3G)	39M5122	*
Power cord - Denmark (models 16G 1DG 1MG H1G D1G E7G G6G J2G 82G J3G)	39M5129	*
Power cord - Switzerland (models 16G 1DG 1MG H1G D1G E7G G6G J2G 82G J3G)	39M5157	*
Power cord - Israel (models 16G 1DG 1MG H1G D1G E7G G6G J2G 82G J3G)	39M5171	*
Power cord - South Africa (models A1M A2M 16G 16M 16A 1DG 1DM 1DA 1EM 1FM 1GM 1HM 1JM 1MG 1MM 1MA H1G H1M H1A E1M E2M E3M E4M E5M E6M D1G D1M D1A E7G E7M E7A E8M E9M EAM EBM ECM EDM F3M D2M D3M D4M D5M D6M D7M D8M EEM EFM EGM EHM EJM EKM ELM F4M L1M J1M K1M 21M 22M 24M G1M G2M G6G J2G 81M 82G J3G)	39M5143	*
Power cord - India (models 16Q 1DQ 1MQ H1Q D1Q E7Q G5Q 81Q)	41R3175	*

8213 Windows XP Home Recovery CDs	FRU #	CRU
US/UK/AP/TH (models A2M 1HM E5M EBM D4M D5M EGM EHM)	41T1584	*
Korean (models 23K D9K G3K 91K)	41W2624	*

8213 Windows XP Pro Recovery CDs	FRU#	CRU
US/UK/AP/TH (models A1M 16U 16L 16G 16M 16A 16Q 16T 16H 16R 16E 1DU 1DL 1DG 1DM 1DA 1DQ 1DT 1DH 1DR 1DE 1EM 1FM 1GM 1JM 1MU 1ML 1MG 1MM 1MA 1MQ 1MT 1MH 1MR 1ME H1U H1L H1G H1M H1A H1Q H1T H1H H1R H1E E1M E2M E3M E4M E6M D1U D1L D1G D1M D1A D1Q D1T D1H D1R D1E E7U E7L E7G E7M E7A E7Q E7T E7H E7R E7E E8M E9M EAM ECM EDM F3M D2M D3M D6M D7M D8M EEM EFM EJM EKM ELM F4M L1M J1M K1M 21M 22M 24M G1M G2M G5Q G6G J2G 81M 81Q 82G J3G)	41T1577	*
FR/CF (models 16F 16G 1DF 1DG 1MF 1MG H1F H1G D1F D1G E7F E7G G6G J2G 82G J3G)	41T3198	*
GR (models 16G 1DG 1MG H1G D1G E7G G6G J2G 82G J3G)	41T3199	*
SP/LA (models 16G 1DG 1MG H1S H1D H1Y H1G D1S D1D D1Y D1G 1MY E7S E7D E7Y E7G G6G J2G 82G J3G)	41T3200	*
IT (models 16G 1DG 1MG H1G D1G E7G G6G J2G 82G J3G)	41T3201	*
BR (models 16G 1DG 1MP H1P D1P E7P)	41T3202	*
SV (models 16G 1DG 1MG H1G D1G E7G G6G J2G 82G J3G)	41T3203	*
DK (models 16G 1DG 1MG H1G D1G E7G G6G J2G 82G J3G)	41T3204	*
FI (models 16G 1DG 1MG H1G D1G E7G G6G J2G 82G J3G)	41T4264	*
NO (models 16G 1DG 1MG H1G D1G E7G G6G J2G 82G J3G)	39J9646	*
NL (models 16G 1DG 1MG H1G D1G E7G G6G J2G 82G J3G)	41T4266	*
HE (models 16G 1DG 1MG H1G D1G E7G G6G J2G 82G J3G)	41T4267	*
PL (models 16G 1DG 1MG H1G D1G E7G G6G J2G 82G J3G)	41T4268	*
CZ (models 16G 1DG 1MG H1G D1G E7G G6G J2G 82G J3G)	41T4269	*

8213 Windows XP Pro Recovery CDs	FRU#	CRU
AE (models 16G 1DG 1MG H1G D1G E7G G6G J2G 82G J3G)	41T4270	*
RU (models 16G 1DG 1MG H1G D1G E7G G6G J2G 82G J3G)	41T4271	*
RU English (models 16G 1DG 1MG E7G G6G J2G 82G J3G)	41T4835	*
TR (models 16G 1DG 1MG H1G D1G E7G G6G J2G 82G J3G)	41T4836	*
HU (models 16G 1DG 1MG H1G D1G E7G G6G J2G 82G J3G)	41T4837	*
PO (models 16G 1DG 1MG H1G D1G E7G G6G J2G 82G J3G)	41T4838	*
GK (models 16G 1DG 1MG H1G D1G E7G G6G J2G 82G J3G)	41T4839	*
SL (models 16G 1DG 1MG H1G D1G E7G G6G J2G 82G J3G)	41T4840	*
Simplified Chinese (models 16C 1DC 1MC H1C E7C)	41W2596	*
Taiwan-TC (models 16V 1DV 1MV H1V D1V E7V)	41W2603	*
Hong Kong-TC (models 16B 1DB 1MB H1B D1B E7B)	40Y5041	*
Korea (models 16K 1DK 1MK H1K D1K E7K DAK G4K 92K)	41W2589	*
Japanese (models 16J 1DJ 1MJ H1J D1J E7J)	41W2617	*
Multilingual 1 (models 16G 1DG 1MG H1G D1G E7G G6G J2G 82G J3G)	41T3282	*
Multilingual 2 (models 16G 1DG 1MG H1G D1G E7G G6G J2G 82G J3G)	41T4280	*

# Machine Type 8214



Item #	8214 FRUs	FRU#	CRU
1	Top cover (all models)	39M0581	**
2	Power Supply (225 Watt) (models CTO 1MU 1MF 1MG 1MM 1MA 1MT 1MK 1MR 1ME 1MJ)	24R2625	**
2	Power Supply - China (225 Watt) (models CTO-A CTO-L 1MS 1MP 1ML 1MD 1MY 1MQ 1MC 1MB 1MH 1MV)	24R2627	**
3	Diskette drive, 3.5" 1.44MB 3-mode (w/o bezel) (models CTO 1MU 1MF 1MS 1MP 1ML 1MD 1MY 1MG 1MM 1MA 1MQ 1MT 1MC 1MB 1MH 1MV 1MK 1MR 1ME 1MJ)	76H4091	*
3	Diskette drive, 3.5" 1.44MB 3-mode (w/o bezel) (models CTO 1MU 1MF 1MS 1MP 1ML 1MD 1MY 1MG 1MM 1MA 1MQ 1MT 1MC 1MB 1MH 1MV 1MK 1MR 1ME 1MJ)	40Y9107	*
3	Diskette drive, 3.5" 1.44MB 3-mode (w/o bezel) (models CTO 1MU 1MF 1MS 1MP 1ML 1MD 1MY 1MG 1MM 1MA 1MQ 1MT 1MC 1MB 1MH 1MV 1MK 1MR 1ME 1MJ)	40Y9105	*
3	Diskette drive, 3.5" 1.44MB 3-mode (w/o bezel) (models CTO 1MU 1MF 1MS 1MP 1ML 1MD 1MY 1MG 1MM 1MA 1MQ 1MT 1MC 1MB 1MH 1MV 1MK 1MR 1ME 1MJ)	40Y9113	*
4	CD-ROM Drive 48X (models CTO)	40Y8929	*
4	CD-ROM Drive 48X (models CTO)	40Y8807	*
4	CD-ROM Drive 48X (models CTO)	40Y8955	*
4	CD-ROM Drive 48X (models CTO)	40Y8953	*
4	CD-ROM Drive 48X (models CTO)	41N3539	*



Item #	8214 FRUs	FRU#	CRU
4	CD-ROM Drive 48X (models CTO)	41N3540	*
4	CD-ROM Drive 48X (models CTO)	41N3541	*
4	DVD-ROM Drive (16X/48X) (models CTO 1MU 1MF 1MS 1MP 1ML 1MD 1MY 1MG 1MM 1MA 1MQ 1MT 1MC 1MB 1MH 1MV 1MK 1MR 1ME 1MJ)	40Y8931	*
4	DVD-ROM Drive (16X/48X) (models CTO 1MU 1MF 1MS 1MP 1ML 1MD 1MY 1MG 1MM 1MA 1MQ 1MT 1MC 1MB 1MH 1MV 1MK 1MR 1ME 1MJ)	40Y8933	*
4	DVD-ROM Drive (16X/48X) (models CTO 1MU 1MF 1MS 1MP 1ML 1MD 1MY 1MG 1MM 1MA 1MQ 1MT 1MC 1MB 1MH 1MV 1MK 1MR 1ME 1MJ)	40Y8957	*
4	DVD-ROM Drive (16X/48X) (models CTO 1MU 1MF 1MS 1MP 1ML 1MD 1MY 1MG 1MM 1MA 1MQ 1MT 1MC 1MB 1MH 1MV 1MK 1MR 1ME 1MJ)	41X3544	*
4	DVD-ROM Drive (16X/48X) (models CTO 1MU 1MF 1MS 1MP 1ML 1MD 1MY 1MG 1MM 1MA 1MQ 1MT 1MC 1MB 1MH 1MV 1MK 1MR 1ME 1MJ)	41X3545	*
4	DVD-ROM Drive (16X/48X) (models CTO 1MU 1MF 1MS 1MP 1ML 1MD 1MY 1MG 1MM 1MA 1MQ 1MT 1MC 1MB 1MH 1MV 1MK 1MR 1ME 1MJ)	41X3546	*
4	CD-RW/DVD-ROM Combo Drive 48X/32X/48X/16X Max (models CTO)	40Y8919	*
4	CD-RW/DVD-ROM Combo Drive 48X/32X/48X/16X Max (models CTO)	40Y8941	*
4	CD-RW/DVD-ROM Combo Drive 48X/32X/48X/16X (models CTO)	41X3547	*
4	CD-RW/DVD-ROM Combo Drive 48X/32X/48X/16X (models CTO)	41X7992	*
4	Multi-Burner (models CTO)	40Y8909	*
4	Multi-Burner (models CTO)	41X3550	*
5	Speaker/cable assembly (models CTO 1MU 1MF 1MS 1MP 1ML 1MD 1MY 1MG 1MM 1MA 1MQ 1MT 1MC 1MB 1MH 1MV 1MK 1MR 1ME 1MJ)	39K5012	*
6	Rotating cage assembly (all models)	39M0583	**
7	Bezel Kit (all models)	39M0579	*
8	Front fan and bracket assembly (all models)	39M0585	**
9	Hard Disk Drive 40GB 7200 rpm Serial ATA (models CTO)	40Y8760	*
9	Hard Disk Drive 40GB 7200 rpm Serial ATA (models CTO)	40Y9033	*
9	Hard Disk Drive 40GB 7200 rpm Serial ATA (models CTO)	71P7312	*
9	Hard Disk Drive 80GB 7200 rpm Serial ATA (models CTO 1MU 1MF 1MS 1MP 1ML 1MD 1MY 1MG 1MM 1MA 1MQ 1MT 1MC 1MB 1MH 1MV 1MK 1MR 1ME 1MJ)	71P7293	*
9	Hard Disk Drive 80GB 7200 rpm Serial ATA (models CTO 1MU 1MF 1MS 1MP 1ML 1MD 1MY 1MG 1MM 1MA 1MQ 1MT 1MC 1MB 1MH 1MV 1MK 1MR 1ME 1MJ)	40Y8761	*
9	Hard Disk Drive 80GB 7200 rpm Serial ATA (models CTO 1MU 1MF 1MS 1MP 1ML 1MD 1MY 1MG 1MM 1MA 1MQ 1MT 1MC 1MB 1MH 1MV 1MK 1MR 1ME 1MJ)	40Y9034	*
9	Hard Disk Drive 80GB 7200 rpm Serial ATA (models CTO 1MU 1MF 1MS 1MP 1ML 1MD 1MY 1MG 1MM 1MA 1MQ 1MT 1MC 1MB 1MH 1MV 1MK 1MR 1ME 1MJ)	41X2500	*
9	Hard Disk Drive 160GB 7200 rpm Serial ATA (models CTO)	71P7297	*
9	Hard Disk Drive 160GB 7200 rpm Serial ATA (models CTO)	40Y8762	*
9	Hard Disk Drive 160GB 7200 rpm Serial ATA (models CTO)	40Y9035	*
9	Hard Disk Drive 250GB 7200 rpm Serial ATA (models CTO)	40Y8763	*
9	Hard Disk Drive 250GB 7200 rpm Serial ATA (models CTO)	40Y9036	*

Item #	8214 FRUs	FRU#	CRU
9	Hard Disk Drive 250GB 7200 rpm Serial ATA (models CTO)	40Y8757	*
10	System Board, Margarita DDR2 Desktop Planar v3.3 --subbed from 41X0921 (models CTO 1MU 1MF 1MS 1MP 1ML 1MD 1MY 1MG 1MM 1MA 1MQ 1MT 1MC 1MB 1MH 1MV 1MK 1MR 1ME 1MJ)	43C9125	**
10	System Board, Margarita DDR2 Desktop Planar v3.3--subbed from 41X092 (models CTO)	43C9126	**
10	System Board, Margarita DDR2 Desktop Planar v3.3 --subbed from 41X0921and 43C9125 (models CTO 1MU 1MF 1MS 1MP 1ML 1MD 1MY 1MG 1MM 1MA 1MQ 1MT 1MC 1MB 1MH 1MV 1MK 1MR 1ME 1MJ)	43C7124	**
10	System Board, Margarita DDR2 Desktop Planar v3.3--subbed from 41X0922 and 43C9126 (models CTO)	43C7125	**
11	256MB DDR2 SDRAM NP Memory (PC 4200) (models CTO)	30R5120	*
11	512MB DDR2 SDRAM NP Memory (PC 4200) (models CTO 1MU 1MF 1MS 1MP 1ML 1MD 1MY 1MG 1MM 1MA 1MQ 1MT 1MC 1MB 1MH 1MV 1MK 1MR 1ME 1MJ)	30R5121	*
11	1GB DDR2 SDRAM NP Memory (PC 4200) (models CTO)	30R5122	*
11	2GB DDR2 SDRAM NP Memory (PC 4200) (models CTO)	30R5123	*
11	256MB DDR2 SDRAM NP Memory (PC 5300) (models CTO)	30R5124	*
11	512MB DDR2 SDRAM NP Memory (PC 5300) (models CTO)	30R5125	*
11	1GB DDR2 SDRAM NP Memory (PC 5300) (models CTO)	30R5126	*
12	Riser card and bracket assembly (all models)	39M0587	*
13	Microprocessor, 2.53GHZ Celeron Prescott P4 (533FSB, 256KB) (models CTO)	39J8470	**
13	Microprocessor, 2.66 GHZ Celeron Prescott P4 (533FSB, 256KB) (models CTO)	39J8471	**
13	Microprocessor, 2.8 GHZ Celeron Prescott P4 (533FSB, 256KB) (models CTO)	39J8472	**
13	Microprocessor, 2.93 GHZ Celeron Prescott P4 (533FSB, 256KB) (models CTO)	39J8473	**
13	Microprocessor, 3.06 GHZ Celeron Prescott P4 (533FSB, 256KB) (models CTO)	39J8474	**
13	Microprocessor, 3.2 GHZ Celeron Prescott P4 (533FSB, 256KB) (models CTO)	39J9697	**
13	Microprocessor, 3.33GHz Celeron Prescott (533MHz FSB, 256KB Cache) G1-Value (models CTO)	41T1136	**
13	Microprocessor, 3.2GHz Cedar Mill (533MHz FSB, 512KB Cache) (models CTO)	41T4966	**
13	Microprocessor 3.33GHz Cedar Mill (533MHz FSB, 512KB Cache) (models CTO)	41T4968	**
13	Microprocessor, 3.46GHz Cedar Mill (533MHz FSB, 512KB Cache) (models CTO)	41X8983	**
13	Microprocessor, 2.93 GHZ Prescott P4 (533FSB, 1MB) (models CTO)	39J9629	**
13	Microprocessor, 2.66 GHZ Prescott P4 (533FSB, 1MB) (models CTO)	41D0696	**
13	Microprocessor, 2.93 GHZ Prescott P4 (533FSB, 1MB) (models CTO)	41D0698	**
13	Microprocessor, 2.93 GHZ Prescott P4 (533FSB, 1MB) (models CTO)	41T4103	**
13	Microprocessor, 3.06 GHZ Prescott P4 (533FSB, 1MB) (models CTO)	41D0700	**
13	Microprocessor, 2.8 GHZ Prescott P4 (800FSB, 1MB) (models CTO)	39J8475	**
13	Microprocessor, 3.0 GHZ Prescott P4 (800FSB, 1MB) (models CTO)	39J8476	**
13	Microprocessor, 3.2 GHZ Prescott P4 (800FSB, 1MB) (models CTO)	39J8477	**
13	Microprocessor, 3.4 GHZ Prescott P4 (800FSB, 1MB) (models CTO 1MU 1MF 1MS 1MP 1ML 1MD 1MY 1MG 1MM 1MA 1MQ 1MT 1MC 1MB 1MH 1MV 1MK 1MR 1ME 1MJ)	39J8478	**
13	Microprocessor, 3.0 GHZ Prescott P4 (800FSB, 2MB) (models CTO)	39J8480	**

Item #	8214 FRUs	FRU#	CRU
13	Microprocessor, 3.2 GHZ Prescott P4 (800FSB, 2MB) (models CTO)	39J8481	**
13	Microprocessor, 3.4 GHZ Prescott P4 (800FSB, 2MB) (models CTO)	39J8482	**
13	Microprocessor, 2.8GHz Smithfield P4 (800FSB, 1MB) (models CTO)	39J8468	**
13	Microprocessor, 3.0 GHZ Cedar Mill P4 (800MHz FSB, 2MB Cache) B0-Value (models CTO)	41D5042	**
13	Microprocessor, 3.0 GHZ Cedar Mill P4 (800MHz FSB, 2MB Cache) B0-Value (models CTO)	41D5066	**
13	Microprocessor, 3.2GHz Cedar Mill P4 (800MHz FSB, 2MB Cache) B0-Value (models CTO)	41D5068	**
13	Microprocessor, 3.4 GHZ Cedar Mill P4 (800MHz FSB, 2MB Cache) B0-Value (models CTO)	41D5070	**
13	Microprocessor, 3.6 GHZ Cedar Mill P4 (800MHz FSB, 2MB Cache) B0-Value (models CTO)	41D5072	**
13	Microprocessor, 2.8 GHZ Smithfield P4 (800FSB, 1MB) (models CTO)	39J8479	**
13	Microprocessor, Pentium-D 2.8GHz Presler (800MHz FSB, 2MBx2 Cache) (models CTO)	41X7775	**
13	Microprocessor, 2.8GHz Presler P4 (800MHz FSB, 2MBx2 Cache) B0-Value (models CTO)	41D5074	**
13	Microprocessor, Pentium-D 3.0GHz Presler (800MHz FSB, 2MBx2 Cache) (models CTO)	41X2413	**
13	Microprocessor, 3.0 GHZ Presler P4 (800MHz FSB, 2MBx2 Cache) B0-Value (models CTO)	41D5076	**
13	Microprocessor, Pentium-D 3.2GHz Presler (800MHz FSB, 2MBx2 Cache) (models CTO)	41X8050	**
13	Microprocessor, Pentium-D 3.2GHz Presler (800MHz FSB, 2MBx2 Cache) (models CTO)	41X4230	**
13	Microprocessor, Pentium-D 3.4GHz Presler (800MHz FSB, 2MBx2 Cache) (models CTO)	41X7776	**
13	Microprocessor, Pentium-D 3.4GHz Presler (800MHz FSB, 2MBx2 Cache) (models CTO)	41X4232	**
13	Microprocessor, Pentium-D 3.6GHz Presler (800MHz FSB, 2MBx2 Cache) (models CTO)	41X8994	**
14	Heat Sink and Retention Module kit (all models)	39M0586	**
15	Chassis (all models)	39M0582	**

The FRUs listed in the following table are not illustrated.

8214 FRUs	FRU#	CRU
Hard disk drive bracket assembly (all models)	39M0578	*
Power switch/LED cable assembly (all models)	39M0580	**
SATA cable assembly (all models)	39K0526	*
Optical cable, 1 drop (all models)	39M0584	*
Intrusion switch cable (all models)	39K0522	*
Miscellaneous parts kit (all models)	39M0588	*
Vertical stand (all models)	39M0589	*

8214 FRUs	FRU#	CRU
Bezel assembly, optical rotating (all models)	39M0592	**
EMC Shield kit, diskette and optical bays (all models)	41N5325	**
EMC Shield, system board (all models)	41N5326	**
Universal Adapter Bracket 5.25 to 3.5-inch (all models)	32P4743	*
Bezel kit (all models)	41R2926	*
Battery (all models)	33F8354	*

8214 Keyboards (Preferred Pro Fullsize, PS/2, Stealth Black)	FRU#	CRU
US English (models CTO-U CTO-G 1MU 1ML 1MG 1MM 1MA 1MQ 1MC 1MH 1MR 1ME)	89P8300	*
Arabic (models CTO-G 1MG)	89P8301	*
Belgian/French (models CTO-G 1MG)	89P8302	*
Belgian/UK (models CTO-G 1MG)	89P8303	*
Brazilian/Portuguese (models CTO-L 1MP)	89P8304	*
Bulgarian (models CTO-G 1MG)	89P8305	*
Chinese/US (models 1MB 1MV)	89P8306	*
Czech (models CTO-G 1MG)	89P8307	*
Danish (models CTO-G 1MG)	89P8308	*
Dutch (models CTO-G 1MG)	89P8309	*
French (models CTO-G 1MG)	89P8310	*
French Canadian 445 (models CTO-U 1MF)	89P8311	*
French Canadian 58 (models CTO-U 1MF)	89P8312	*
German (models CTO-G 1MG)	89P8313	*
Greek (models CTO-G 1MG)	89P8314	*
Hebrew (models CTO-G 1MG)	89P8315	*
Hungarian (models CTO-G 1MG)	89P8316	*
Iceland (models CTO-G 1MG)	89P8317	*
Italian (models CTO-G 1MG)	89P8319	*
Japanese (models 1MJ)	89P8320	*
Korean (models 1MK)	89P8321	*
LA Spanish (models CTO-L 1MS 1MD 1MY)	89P8322	*
Norwegian (models CTO-G 1MG)	89P8323	*
Polish (models CTO-G 1MG)	89P8324	*
Portuguese (models CTO-G 1MG)	89P8325	*
Romanian (models CTO-G 1MG)	89P8326	*
Russian (models CTO-G 1MG)	89P8327	*
Russian/Cyrillic (models CTO-G 1MG)	89P8328	*
Serbian/Cyrillic (models CTO-G 1MG)	89P8329	*
Slovak (models CTO-G 1MG)	89P8330	*
Spanish (models CTO-G 1MG)	89P8331	*
Swedish/Finn (models CTO-G 1MG)	89P8332	*

<b>8214 Keyboards (Preferred Pro Fullsize, PS/2, Stealth Black)</b>	<b>FRU#</b>	<b>CRU</b>
Swiss F/G (models CTO-G 1MG)	89P8333	*
Thailand (models CTO-A 1MT)	89P8334	*
Turkish 179 (models CTO-G 1MG)	89P8336	*
UK English (models CTO-G 1MG)	89P8337	*
US Euro (models CTO-G 1MG)	89P8338	*
Yugoslav/Latin (models CTO-G 1MG)	89P8339	*

<b>8214 Keyboard (PS2 Preferred Pro)</b>	<b>FRU#</b>	<b>CRU</b>
US English (models CTO-U CTO-G 1MU 1ML 1MG 1MM 1MA 1MQ 1MC 1MH 1MR 1ME)	41A5039	*
Arabic (models CTO-G 1MG)	41A5040	*
Belgian/French (models CTO-G 1MG)	41A5042	*
Belgian/UK (models CTO-G 1MG)	41A5043	*
Brazil/Portuguese (models CTO-L 1MP)	41A5044	*
Bulgarian (models CTO-G 1MG)	41A5045	*
Hong Kong/Taiwan (models 1MB 1MV)	41A5046	*
Czech (models CTO-G 1MG)	41A5047	*
Danish (models CTO-G 1MG)	41A5048	*
Dutch (models CTO-G 1MG)	41A5049	*
French (models CTO-G 1MG)	41A5050	*
French Canadian 445 (models CTO-U 1MF)	41A5051	*
French Canadian 58 (models CTO-U 1MF)	41A5052	*
German (models CTO-G 1MG)	41A5053	*
Greek (models CTO-G 1MG)	41A5054	*
Hebrew (models CTO-G 1MG)	41A5055	*
Hungarian (models CTO-G 1MG)	41A5056	*
Iceland (models CTO-G 1MG)	41A5057	*
Italian (models CTO-G 1MG)	41A5058	*
Japanese (models 1MJ)	41A5059	*
Korean (models 1MK)	41A5060	*
LA Spanish (models CTO-L 1MS 1MD 1MY)	41A5061	*
Norwegian (models CTO-G 1MG)	41A5062	*
Polish (models CTO-G 1MG)	41A5063	*
Portuguese (models CTO-G 1MG)	41A5064	*
Romanian (models CTO-G 1MG)	41A5065	*
Russian/Cyrilic (models CTO-G 1MG)	41A5066	*
Serbian/Cyrilic (models CTO-G 1MG)	41A5067	*
Slovak (models CTO-G 1MG)	41A5068	*
Spanish (models CTO-G 1MG)	41A5069	*
Swedish/Finn (models CTO-G 1MG)	41A5070	*
Swiss F/G (models CTO-G 1MG)	41A5071	*

<b>8214 Keyboard (PS2 Preferred Pro)</b>	<b>FRU#</b>	<b>CRU</b>
Thailand (models CTO-A 12T 15T H1T H2T J1T K1T 18T G1T)	41A5072	*
Turkish 179 (models CTO-G 1MG)	41A5074	*
UK English (models CTO-G 1MG)	41A5075	*
US Euro (models CTO-G 1MG)	41A5076	*
Slovenian (models CTO-G 1MG)	41A5077	*

<b>8214 IBM Keyboard (USB Preferred - without hub)</b>	<b>FRU#</b>	<b>CRU</b>
US English (models CTO-U CTO-G)	89P9040	*
Arabic (models CTO-G)	89P9041	*
Arabic/French (models CTO-G)	89P9058	*
Belgian/French (models CTO-G)	89P9042	*
Belgian/UK (models CTO-G)	89P9043	*
Brazilian (models CTO-L)	89P9044	*
Bulgarian (models CTO-G)	89P9045	*
Czech (models CTO-G)	89P9047	*
Danish (models CTO-G)	89P9048	*
Dutch (models CTO-G)	89P9049	*
French (models CTO-G)	89P9050	*
French Canadian (models CTO-U)	89P9051	*
French Canadian (models CTO-U)	89P9052	*
German (models CTO-G)	89P9053	*
Greek (models CTO-G)	89P9054	*
Greek/US (models CTO-G)	41A4948	*
Hebrew (models CTO-G)	89P9055	*
Hungarian (models CTO-G)	89P056	*
Iceland (models CTO-G)	89P9057	*
Italy (models CTO-G)	89P9059	*
LA Spanish (models CTO-L)	89P9062	*
Norwegian (models CTO-G)	89P9063	*
Polish (models CTO-G)	89P9064	*
Portuguese (models CTO-G)	89P9065	*
Romanian 096 (models CTO-G)	89P9067	*
Romanian 446 (models CTO-G)	89P9066	*
Russian/Cyrillic (models CTO-G)	89P9068	*
Serbian/Cyrillic (models CTO-G)	89P9069	*
Slovak (models CTO-G)	89P9070	*
Spanish (models CTO-G)	89P9072	*
Swedish/Finn (models CTO-G)	89P9073	*
Swiss (models CTO-G)	89P9074	*
Thailand (models CTO-A)	89P9075	*
Turkish 440 (models CTO-G)	89P9076	*

<b>8214 IBM Keyboard (USB Preferred - without hub)</b>	<b>FRU#</b>	<b>CRU</b>
Turkish 179 (models CTO-G)	89P9077	*
UK English (models CTO-G)	89P9078	*
US Euro (models CTO-G)	89P9079	*
Slovenian (models CTO-G)	89P9071	*

<b>8214 Lenovo Keyboard (USB Preferred - without hub)</b>	<b>FRU#</b>	<b>CRU</b>
US English (models CTO-U CTO-G)	41A5289	*
Arabic (models CTO-G)	41A5290	*
Arabic/French (models CTO-G)	41A5291	*
Belgian/French (models CTO-G)	41A5292	*
Belgian/UK (models CTO-G)	41A5293	*
Brazilian (models CTO-L)	41A5294	*
Bulgarian (models CTO-G)	41A5295	*
Czech (models CTO-G)	41A5297	*
Danish (models CTO-G)	41A5298	*
Dutch (models CTO-G)	41A5299	*
French (models CTO-G)	41A5300	*
French Canadian 445 (models CTO-U)	41A5301	*
French Canadian 58 (models CTO-U)	41A5302	*
German (models CTO-G)	41A5303	*
Greek (models CTO-G)	41A5304	*
Greek/US (models CTO-G)	41A5305	*
Hebrew (models CTO-G)	41A5306	*
Hungarian (models CTO-G)	41A5307	*
Iceland (models CTO-G)	41A5308	*
Italian 141 (models CTO-G)	41A5309	*
LA Spanish (models CTO-L)	41A5312	*
Norwegian (models CTO-G)	41A5313	*
Polish (models CTO-G)	41A5314	*
Portuguese (models CTO-G)	41A5315	*
Romanian 096 (models CTO-G)	41A5317	*
Romanian 446 (models CTO-G)	41A5316	*
Russian/Cyrillic (models CTO-G)	41A5318	*
Serbian/Cyrillic (models CTO-G)	41A5319	*
Slovak (models CTO-G)	41A5320	*
Spanish (models CTO-G)	41A5321	*
Swedish/Finn (models CTO-G)	41A5322	*
Swiss (models CTO-G)	41A5323	*
Thailand (models CTO-A)	41A5324	*
Turkish 440 (models CTO-G)	41A5325	*
Turkish 179 (models CTO-G)	41A5326	*



<b>8214 Lenovo Keyboard (USB Preferred - without hub)</b>	<b>FRU#</b>	<b>CRU</b>
UK English (models CTO-G)	41A5327	*
US Euro (models CTO-G)	41A5328	*
Slovenian (models CTO-G)	41A5329	*

<b>8214 Keyboards (Productivity, USB)</b>	<b>FRU#</b>	<b>CRU</b>
US English (models CTO-U CTO-G)	89P8800	*
Arabic (models CTO-G)	89P8801	*
Arabic/French (models CTO-G)	89P8802	*
Belgian/French (models CTO-G)	89P8803	*
Belgian/UK (models CTO-G)	89P8804	*
Brazil/Portuguese (models CTO-L)	89P8805	*
Bulgarian (models CTO-G)	89P8806	*
Czech (models CTO-G)	89P8808	*
Danish (models CTO-G)	89P8809	*
Dutch (models CTO-G)	89P8810	*
French (models CTO-G)	89P8811	*
French Canadian (models CTO-U)	89P8812	*
French Canadian (models CTO-U)	89P8813	*
German (models CTO-G)	89P8814	*
Greek (models CTO-G)	89P8815	*
Hebrew (models CTO-G)	89P8816	*
Hungarian (models CTO-G)	89P8817	*
Iceland (models CTO-G)	89P8818	*
Italian 141 (models CTO-G)	89P8819	*
LA/Spanish (models CTO-L)	89P8822	*
Norwegian (models CTO-G)	89P8823	*
Polish (models CTO-G)	89P8824	*
Portuguese (models CTO-G)	89P8825	*
Romanian (models CTO-G)	89P8826	*
Romanian (models CTO-G)	89P8827	*
Russian/Cyrillic (models CTO-G)	89P8828	*
Serbian/Cyrillic (models CTO-G)	89P8829	*
Slovak (models CTO-G)	89P8830	*
Spanish (models CTO-G)	89P8831	*
Swedish/Finn (models CTO-G)	89P8832	*
Swiss F/G (models CTO-G)	89P8833	*
Thailand (models CTO-A)	89P8834	*
Turkish 440 (models CTO-G)	89P8835	*
Turkish 179 (models CTO-G)	89P8836	*
UK English (models CTO-G)	89P8837	*
US Euro (models CTO-G)	89P8838	*



8214 Keyboards (Productivity, USB)	FRU#	CRU
Yugoslav/Latin (models CTO-G)	89P8839	*

8214 Keyboard (Lenovo, USB Enhanced Performance)	FRU#	CRU
US English (models CTO-U CTO-G)	41A4961	*
Arabic (models CTO-G)	41A4962	*
Arabic/French (models CTO-G)	41A4963	*
Belgian/French (models CTO-G)	41A4964	*
Belgian/UK (models CTO-G)	41A4965	*
Brazilian (models CTO-L)	41A4966	*
Bulgarian (models CTO-G)	41A4967	*
Czech (models CTO-G)	41A4969	*
Danish (models CTO-G)	41A4970	*
Dutch (models CTO-G)	41A4971	*
French (models CTO-G)	41A4972	*
French Canadian 445 (models CTO-U)	41A4973	*
French Canadian 58 (models CTO-U)	41A4974	*
German (models CTO-G)	41A4975	*
Greek (models CTO-G)	41A4976	*
Hebrew (models CTO-G)	41A4977	*
Hungarian (models CTO-G)	41A4978	*
Iceland (models CTO-G)	41A4979	*
Italian (models CTO-G)	41A4980	*
LA Spanish (models CTO-L)	41A4983	*
Norwegian (models CTO-G)	41A4984	*
Polish (models CTO-G)	41A4985	*
Portuguese (models CTO-G)	41A4986	*
Romanian (models CTO-G)	41A4987	*
Russian/Cy (models CTO-G)	41A4988	*
Serbian/Cyrillic (models CTO-G)	41A4989	*
Slovak (models CTO-G)	41A4990	*
Spanish (models CTO-G)	41A4991	*
Swedish/Finn (models CTO-G)	41A4992	*
Swiss F/G (models CTO-G)	41A4993	*
Thailand (models CTO-A E3T F3T F4T)	41A4994	*
Turkish 440 (models CTO-G)	41A4995	*
Turkish 179 (models CTO-G)	41A4996	*
UK English (models CTO-G)	41A4997	*
US Euro (models CTO-G)	41A4998	*
Slovenian (models CTO-G)	41A4999	*

<b>8214 Keyboards (with fingerprint reader)</b>	<b>FRU#</b>	<b>CRU</b>
US English (models CTO-U CTO-G)	89P9000	*
Arabic (models CTO-G)	89P9001	*
Belgian/French (models CTO-G)	89P9003	*
Belgian/UK (models CTO-G)	89P9004	*
Brazilian Portuguese (models CTO-L)	89P9005	*
Bulgarian (models CTO-G)	89P9006	*
Chinese/US (models CTO-G)	89P9007	*
Czech (models CTO-G)	89P9008	*
Danish (models CTO-G)	89P9009	*
Dutch (models CTO-G)	89P9010	*
French (models CTO-G)	89P9011	*
French Canadian 445 (models CTO-U)	89P9012	*
French Canadian 58 (models CTO-U)	89P9013	*
German (models CTO-G)	89P9014	*
Greek (models CTO-G)	89P9015	*
Hebrew (models CTO-G)	89P9016	*
Hungarian (models CTO-G)	89P9017	*
Iceland (models CTO-G)	89P9018	*
Italian 141 (models CTO-G)	89P9019	*
LA Spanish (models CTO-L)	89P9022	*
Norwegian (models CTO-G)	89P9023	*
Polish (models CTO-G)	89P9024	*
Portuguese (models CTO-G)	89P9025	*
Romanian (models CTO-G)	89P9026	*
Romanian (models CTO-G)	89P9027	*
Russian/Cyrillic (models CTO-G)	89P9028	*
Serbian/Cyrillic (models CTO-G)	89P9029	*
Slovak (models CTO-G)	89P9030	*
Spanish (models CTO-G)	89P9031	*
Swedish/Finn (models CTO-G)	89P9032	*
Swiss F/G (models CTO-G)	89P9033	*
Thailand (models CTO-A)	89P9034	*
Turkish 440 (models CTO-G)	89P9035	*
Turkish 179 (models CTO-G)	89P9036	*
UK English (models CTO-G)	89P9037	*
US Euro (models CTO-G)	89P9038	*
Yugoslav/Latin (models CTO-G)	89P9039	*

<b>8214 Keyboard (Fingerprint reader USB)</b>	<b>FRU#</b>	<b>CRU</b>
US English (models CTO-U CTO-G)	41A5248	*
Arabic (models CTO-G)	41A5249	*

<b>8214 Keyboard (Fingerprint reader USB)</b>	<b>FRU#</b>	<b>CRU</b>
Arabic/French (models CTO-G)	41A5250	*
Belgian/French (models CTO-G)	41A5251	*
Belgian/UK (models CTO-G)	41A5252	*
Brazilian (models CTO-L)	41A5253	*
Bulgarian (models CTO-G)	41A5254	*
Chinese/US (models CTO-G)	41A5255	*
Czech (models CTO-G)	41A5256	*
Danish (models CTO-G)	41A5257	*
Dutch (models CTO-G)	41A5258	*
French (models CTO-G)	41A5259	*
French Canadian 445 (models CTO-U)	41A5260	*
French Canadian 58 (models CTO-U)	41A5261	*
German (models CTO-G)	41A5262	*
Greek (models CTO-G)	41A5263	*
Hebrew (models CTO-G)	41A5265	*
Hungarian (models CTO-G)	41A5266	*
Iceland (models CTO-G)	41A5267	*
Italian (models CTO-G)	41A5268	*
LA Spanish (models CTO-L)	41A5271	*
Norwegian (models CTO-G)	41A5272	*
Polish (models CTO-G)	41A5273	*
Portuguese (models CTO-G)	41A5274	*
Romanian 446 (models CTO-G)	41A5275	*
Romanian 96 (models CTO-G)	41A5276	*
Russian/Cy (models CTO-G)	41A5277	*
Serbian/Cyrillic (models CTO-G)	41A5278	*
Slovak (models CTO-G)	41A5279	*
Spanish (models CTO-G)	41A5280	*
Swedish/Finn (models CTO-G)	41A5281	*
Swiss F/G (models CTO-G)	41A5282	*
Thailand (models CTO-A)	41A5283	*
Turkish 440 (models CTO-G)	41A5284	*
Turkish 179 (models CTO-G)	41A5285	*
UK English (models CTO-G)	41A5286	*
US Euro (models CTO-G)	41A5287	*
Slovenian (models CTO-G)	41A5288	*

<b>8214 Keyboard (Enhanced Performance, Wireless)</b>	<b>FRU#</b>	<b>CRU</b>
US English (models CTO-U CTO-G)	89P8730	*
Belgian/French (models CTO-G)	89P8731	*
Belgian/UK (models CTO-G)	89P8732	*

<b>8214 Keyboard (Enhanced Performance, Wireless)</b>	<b>FRU#</b>	<b>CRU</b>
Czech (models CTO-G)	89P8734	*
Danish (models CTO-G)	89P8735	*
Dutch (models CTO-G)	89P8736	*
French (models CTO-G)	89P8737	*
French Canadian 445 (models CTO-U)	89P8738	*
French Canadian 58 (models CTO-U)	89P8739	*
German (models CTO-G)	89P8740	*
Greek (models CTO-G)	89P8741	*
Hungarian (models CTO-G)	89P8742	*
Iceland (models CTO-G)	89P8743	*
Italian 141 (models CTO-G)	89P8744	*
Norwegian (models CTO-G)	89P8746	*
Polish (models CTO-G)	89P8747	*
Portuguese (models CTO-G)	89P8748	*
Slovak (models CTO-G)	89P8749	*
Spanish (models CTO-G)	89P8751	*
Swedish/Finn (models CTO-G)	89P8752	*
Swiss F/G (models CTO-G)	89P8753	*
UK English (models CTO-G)	89P8754	*
US Euro (models CTO-G)	89P8755	*
Wireless transceiver dongle (models CTO)	89P8757	*

<b>8214 Lenovo Keyboard (Wireless, Enhanced)</b>	<b>FRU#</b>	<b>CRU</b>
US English/Chinese/US (models CTO-U CTO-G)	41A5219	*
Belgian/French (models CTO-U CTO-G)	41A5220	*
Belgian/UK (models CTO-G)	41A5221	*
Czech (models CTO-G)	41A5223	*
Danish (models CTO-G)	41A5224	*
Dutch (models CTO-G)	41A5225	*
French (models CTO-G)	41A5226	*
French Canadian (models CTO-U)	41A5227	*
French Canadian (models CTO-U)	41A5228	*
German (models CTO-G)	41A5229	*
Greek (models CTO-G)	41A5230	*
Hungarian (models CTO-G)	41A5232	*
Iceland (models CTO-G)	41A5233	*
Italy (models CTO-G)	41A5234	*
Norwegian (models CTO-G)	41A5236	*
Polish (models CTO-G)	41A5237	*
Portuguese (models CTO-G)	41A5238	*
Slovak (models CTO-G)	41A5239	*

<b>8214 Lenovo Keyboard (Wireless, Enhanced)</b>	<b>FRU#</b>	<b>CRU</b>
Spanish (models CTO-G)	41A5240	*
Swedish/Finn (models CTO-G)	41A5241	*
Swiss (models CTO-G)	41A5242	*
UK English (models CTO-G)	41A5243	*
US Euro (models CTO-G)	41A5244	*

<b>8214 Keyboard (Enhanced Performance, Wireless)</b>	<b>FRU#</b>	<b>CRU</b>
US English (models CTO-U CTO-G)	89P8730	*
Belgian/French (models CTO-G)	89P8731	*
Belgian/UK (models CTO-G)	89P8732	*
Czech (models CTO-G)	89P8734	*
Danish (models CTO-G)	89P8735	*
Dutch (models CTO-G)	89P8736	*
French (models CTO-G)	89P8737	*
French Canadian 445 (models CTO-U)	89P8738	*
French Canadian 58 (models CTO-U)	89P8739	*
German (models CTO-G)	89P8740	*
Greek (models CTO-G)	89P8741	*
Hungarian (models CTO-G)	89P8742	*
Iceland (models CTO-G)	89P8743	*
Italian 141 (models CTO-G)	89P8744	*
Norwegian (models CTO-G)	89P8746	*
Polish (models CTO-G)	89P8747	*
Portuguese (models CTO-G)	89P8748	*
Slovak (models CTO-G)	89P8749	*
Spanish (models CTO-G)	89P8751	*
Swedish/Finn (models CTO-G)	89P8752	*
Swiss F/G (models CTO-G)	89P8753	*
UK English (models CTO-G)	89P8754	*
US Euro (models CTO-G)	89P8755	*
Wireless transceiver dongle (models CTO)	89P8757	*

<b>8214 mice</b>	<b>FRU#</b>	<b>CRU</b>
Mouse, Scrollpoint Optical, USB (models CTO 1MU 1MF 1MS 1MP 1ML 1MD 1MY 1MG 1MM 1MA 1MQ 1MT 1MC 1MB 1MH 1MV 1MK 1MR 1ME 1MJ)	41A4933	*
Mouse, optical wheelmouse, USB (models CTO)	41A4935	*
Mouse, PS/2 wheelmouse (Black) (models CTO)	41A4917	*
Mouse, optical wheelmouse (400DPI, USB) (models CTO)	41U3013	*
Mouse, Scrollpoint Optical, (800DPI, USB) (models CTO 1MU 1MF 1MS 1MP 1ML 1MD 1MY 1MG 1MM 1MA 1MQ 1MT 1MC 1MB 1MH 1MV 1MK 1MR 1ME 1MJ)	41U3019	*
Mouse, Wheelmouse PS/2 (models CTO)	41R0018	*

8214 Adapters and miscellaneous FRUs	FRU#	CRU
Soft Modem V.90/V.44 (models CTO)	29R9729	*
128MB DDR ATI Radeon x300SE (DMS59 connector) (models CTO)	39J9635	*
128MB DDR ATI RADEON X700 PRO VGA, DVI-I, TV-Out PCI-e BTX (models CTO)	39J6203	*
PCI-E DVI-DConnection Adapter (ADD 2-R) (Full Height) (models CTO)	39J9334	*
1394 Firewire PCI LP (ATX) (models CTO)	41D2781	*
Speakers, Jazz Infinity Active T1 (Black) (models CTO)	89P8588	*
Speaker Power brick - US, Canada, LA (low voltage), Taiwan, Phillipines, Thailand (models CTO-U CTO-L CTO-A)	10K2587	*
Speaker Power brick - UK, Hong Kong (British version), ASEAN (models CTO-A)	25P5703	*
Speaker Power brick - Europe and LA (models CTO-G CTO-L)	25P5704	*
Speaker Power brick (newer 2 prong) - China, Thailand, Phillipines (models CTO-A)	10K2597	*
Speaker Power brick - ANZ (models CTO-A)	25P5705	*
Speaker Power brick - Brazil (models CTO-L)	25P5706	*
Speaker Power brick - India, South Africa (models CTO-A CTO-G)	32P3181	*
Speaker Power brick - Argentina (models CTO-L)	01R2253	*
Speaker Power brick - US, Canada, LA low voltage, ASEAN (models CTO)	89P8571	*
RJ11 connector adapter (Spain, Ireland) (All "G" models)	60H6043	*
RJ11 connector adapter (Austria) (All "G" models)	60H6045	*
RJ11 connector adapter (Belgium) (All "G" models)	60H6046	*
RJ11 connector adapter (Denmark) (All "G" models)	60H6047	*
RJ11 connector adapter (Norway, Finland) (All "G" models)	60H6048	*
RJ11 connector adapter (France) (All "G" models)	60H6049	*
RJ11 connector adapter (Germany) (All "G" models)	60H6050	*
RJ11 connector adapter (UK, NZ, HK) (All "G", "M", "B", "H" models)	60H6051	*
RJ11 connector adapter (Italy) (All "G" models)	60H6052	*
RJ11 connector adapter (Netherlands) (All "G" models)	60H6053	*
RJ11 connector adapter (Sweden) (All "G" models)	60H6054	*
RJ11 connector adapter (Switzerland) (All "G" models)	60H6055	*
Dongle Cable - DMS59 to dual VGA (All models)	41D2399	*

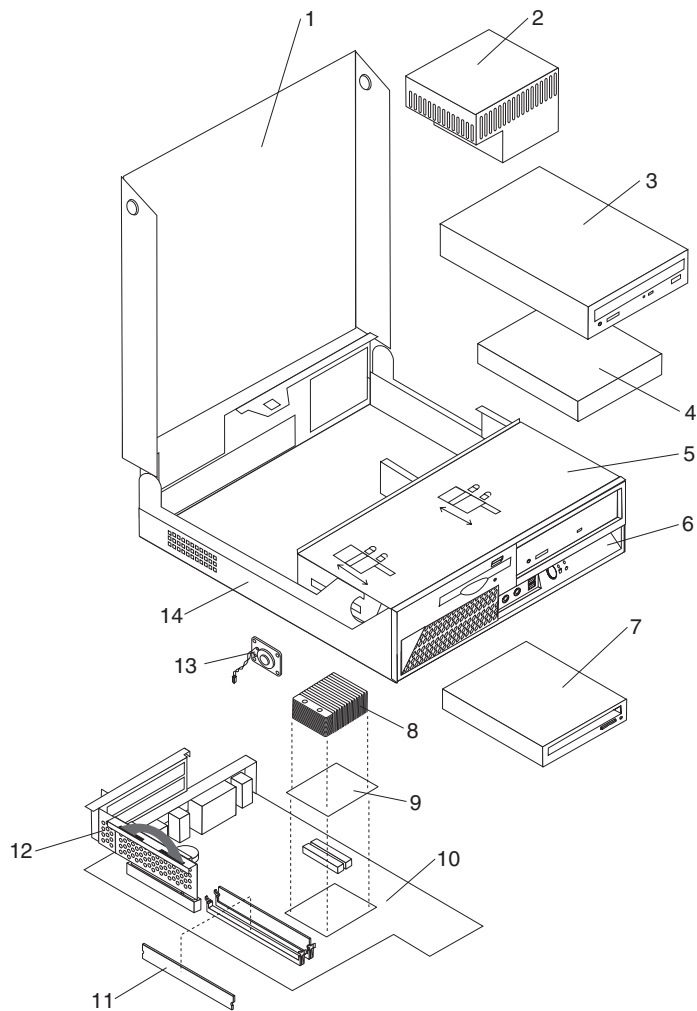
8214 Power Cords	FRU#	CRU
Power cord - US (models 1MU 1MF 1MS 1ML 1MD 1MA 1MT)	39M5080	*
Power cord - China (models 1MC)	39M5205	*
Power cord - Japan (models 1ME 1MJ)	39M5193	*
Power cord - Brazil (models 1MP)	39M5232	*
Power cord - LA High Volt (APU) (models 1ML 1MY)	39M5067	*
Power cord - Australia/New Zealand (models 1MM)	39M5102	*
Power cord - Korea (models 1MK 1MR)	39M5212	*
Power cord - Hong Kong (models 1MB 1MH)	39M5151	*
Power cord - UK, Ireland, Singapore, Malaysia, Brunei (models 1MG 1MA)	39M5150	*
Power cord - Taiwan (models 1MV)	39M5246	*

8214 Power Cords	FRU#	CRU
Power cord - Italy (models 1MS 1ML 1MY 1MG)	39M5164	*
Power cord - G models (models 1MG 1MA)	39M5122	*
Power cord - Denmark (models 1MG)	39M5129	*
Power cord - Switzerland (models 1MG)	39M5157	*
Power cord - Israel (models 1MG)	39M5171	*
Power cord - South Africa (models 1MG 1MM 1MA)	39M5143	*
Power cord - India (models 1MQ)	41R3175	*

8214 Windows XP Home Recovery CDs	FRU #	CRU
Korean (models A5K 11K)	41W2624	*

8214 Windows XP Pro Recovery CDs	FRU#	CRU
US/UK/AP/TH (models 1MU 1ML 1MG 1MM 1MA 1MQ 1MT 1MH 1MR 1ME)	41T1577	*
FR/CF (models 1MF 1MG)	41T3198	*
GR (models 1MG)	41T3199	*
SP/LA (models 1MY 1MG)	41T3200	*
IT (models 1MG)	41T3201	*
BR (models 1MP)	41T3202	*
SV (models 1MG)	41T3203	*
DK (models 1MG)	41T3204	*
FI (models 1MG)	41T4264	*
NO (models 1MG)	39J9646	*
NL (models 1MG)	41T4266	*
HE (models 1MG)	41T4267	*
PL (models 1MG)	41T4268	*
CZ (models 1MG)	41T4269	*
AE (models 1MG)	41T4270	*
RU (models 1MG)	41T4271	*
TR (models 1MG)	41T4836	*
HU (models 1MG)	41T4837	*
PO (models 1MG)	41T4838	*
GK (models 1MG)	41T4839	*
SL (models 1MG)	41T4840	*
Simplified Chinese (models 1MC)	41W2596	*
Taiwan-TC (models 1MV)	41W2603	*
Hong Kong-TC (models 1MB)	41W2610	*
Korea (models 1MK)	41W2589	*
Japanese (models 1MJ)	41W2617	*
Multilingual 1 (models 1MG)	41T3282	*
Multilingual 2 (models 1MG)	41T4280	*

# Machine Type 8215



Item #	8215 FRUs	FRU#	CRU
1	Cover, Kensington lock (all models)	26K1263	**
2	Power Supply (225 Watt) (models 91K 92K 95U 97U 98U 98F 99U 99F 9AU 9AF 9BU 9BF 9CU 9CF 9GU 9GF CEU CFU CGU CHU 6AG 6AM 6AA 6AT 6AK 6AR 6AE 6AJ JCG 9BG 9BM 9BA 9BT 9BK 9BR 9BE 9BJ JDU JDF JEU JEF D7U D7F D7G D7M D7A D7T D7K D7R D7E D7J 15U 15F 16U 16F D9U D9F DBK DCK E9U E9F E9G E9M E9A E9T E9K E9R E9E E9J EBU EBF EDK EEU EEF EFA EFT EGK F8U F8F F9A F9T FAU FAF FBA FBT A5J A6J DDU DDF DEU DEF EHU EHF EJU EJF EJU EKF H1A H1T H2A H2T H4U H4F H5K H6U H6F J1A J1T J3U J3F J5U J5F K1A K1T K3U K3F K4U K4F K5U K5F CBU CCU CDU DFU DGU ELU EMU FDU 2BU 2BF 2CU 2CF 2DU 2DF 2EK 2FA 2FT 52A 52T 66U 67U 68U 6EU 6EF 6FU 6FF 6GU 6GF 6AU 6AF 6BU 6BF DHK DJK G6K G7K G8A G8T G9U G9G GAU GBU GCU GCF GFU GFF GGU GGF CTO A1U A1F A2U A2F B1K B2U B2F B3K 21U 21F 22U 22F 23U 23F 24U 24F 25U 25F 26A 26T 27K 31U 31F 32U 32F 33U 33F 34U 34F 35U 35F 35G 35M 35A 35T 35K 35R 35E 35J 36U 36F 37A 37T 38A 38T 41U 41F 42U 42F 43U 43F 44U 44F 45U 45F 45G 45M 45A 45T 45K 45R 45E 45J 46U 46F D1U D1F E1U E1F F1U F1F C1U C2U C3U C4U C5U C6U C7U C8U C9U CAU 29U 29F 29G 29M 29A 29T 29K 29R 29E 29J D1G D1M D1A D1T D1K D1R D1E D1J D5U D5F E5U E5F E7U E8U E8F F6U F7G G2G G3U G3F D6U 13U 13F 14U 14F G2U G4U)	24R2584	**



Item #	8215 FRUs	FRU#	CRU
2	Power Supply (225 Watt) China Version (models D8C DAV E9S E9P E9L E9D E9Y E9Q E9C E9B E9H E9V EAC ECV EFQ F9Q FBQ FCC 17S 17P 17Y 18S 18P 18Y DDS DDP DDY EHS EHP EHY H1Q H2Q H3S H3P H3Y H6S H6P H6Y J1Q J2S J2P J2Y J4S J4P J4Y K1Q K2S K2P K2Y K4S K4P K4Y 51S 51P 51Y 19S 19P 19Y 2AS 2AP 2AY 2FQ 52S 52P 52Y 53B 53H 54S 54P 54Y 62V 63C 63B 63H 64S 64P 64Y 65S 65P 65Y 69B 69H 6CS 6CP 6CY 6DS 6DP 6DY 61S 61P 61Y DVB DVH G5S G5P G5Y G7Q G8Q GDS GDP GDY GES GEP GEY 93B 93H 94B 94H 96B 96H 9DS 9DP 9DY 9ES 9EP 9EY 9FS 9FP 9FY 6AS 6AP 6AL 6AD 6AY 6AQ 6AC 6AB 6 CTO-A CTO-L 26Q 35S 35P 35L 35Q 35C 35B 35H 35V 37Q 38Q 45S 45P 45L 45Q 45C 45B 45H 45V D2C D2B D2H D2V E2C E2B E2H E2V F2C F2B F2H F2V F3C F3B F3H F3V A3S A3P A3Y A4S A4P A4Y B4S B4P B4Y B5S B5P B5Y 28S 28P 28Y 29S 29P 29L 29Q 29C 29B 29H 29V 39S 39P 39Y 3AS 3AP 3AY 48S 48P 48Y 49S 49P 49Y D1S D1P D1L D1Q D1C D1B D1H D1V D3S D3P D3Y E3S E3P E3Y E6S E6P E6Y F4S F4P F4Y F5S F5P F5Y F6S F6P F6Y G1S G1P G1Y 11S 11P 11Y 12S 12P 12Y 29D 29Y 35D 35Y D1D D1Y D7S D7P D7L D7D D7Y D7Q D7C D7B D7H D7V)	24R2587	**
3	CD-ROM Drive 48X (models 51S 51P 51Y 19S 19P 19Y 2AS 2AP 2AY 2BU 2BF 2FA 2FQ 2FT 52S 52P 52Y 52A 52T 64S 64P 64Y 65S 65P 65Y 6CS 6CP 6CY 61S 61P 61Y DJK G7Q G7K GDS GDP GDY 92K 9DS 9DP 9DY CTO A1U A1F A2U A2F B1K B2U B2F 21U 21F 22U 22F 26A 26Q 26T 31U 31F 37A 37Q 37T 38A 38Q 38T 41U 41F A3S A3P A3Y A4S A4P A4Y B4S B4P B4Y 28S 28P 28Y 39S 39P 39Y 48S 48P 48Y G1S G1P G1Y 11S 11P 11Y 12S 12P 12Y 13U 13F 15U 15F D8C D9U D9F DBK EEU EEF EFA EFQ EFT EGK F8U F8F F9A F9Q F9T A5J A6J 17S 17P 17Y 18S 18P 18Y DDU DDF DDS DDP DDY H1A H1Q H1T H3S H3P H3Y J2S J2P J2Y K2S K2P K2Y DFU JAS JAP JAY)	40Y8929	*
3	CD-ROM Drive 48X (models 51S 51P 51Y 19S 19P 19Y 2AS 2AP 2AY 2BU 2BF 2FA 2FQ 2FT 52S 52P 52Y 52A 52T 64S 64P 64Y 65S 65P 65Y 6CS 6CP 6CY 61S 61P 61Y DJK G7Q G7K GDS GDP GDY 92K 9DS 9DP 9DY CTO A1U A1F A2U A2F B1K B2U B2F 21U 21F 22U 22F 26A 26Q 26T 31U 31F 37A 37Q 37T 38A 38Q 38T 41U 41F A3S A3P A3Y A4S A4P A4Y B4S B4P B4Y 28S 28P 28Y 39S 39P 39Y 48S 48P 48Y G1S G1P G1Y 11S 11P 11Y 12S 12P 12Y 13U 13F 15U 15F D8C D9U D9F DBK EEU EEF EFA EFQ EFT EGK F8U F8F F9A F9Q F9T A5J A6J 17S 17P 17Y 18S 18P 18Y DDU DDF DDS DDP DDY H1A H1Q H1T H3S H3P H3Y J2S J2P J2Y K2S K2P K2Y DFU JAS JAP JAY)	40Y8807	*
3	CD-ROM Drive 48X (models 51S 51P 51Y 19S 19P 19Y 2AS 2AP 2AY 2BU 2BF 2FA 2FQ 2FT 52S 52P 52Y 52A 52T 64S 64P 64Y 65S 65P 65Y 6CS 6CP 6CY 61S 61P 61Y DJK G7Q G7K GDS GDP GDY 92K 9DS 9DP 9DY CTO A1U A1F A2U A2F B1K B2U B2F 21U 21F 22U 22F 26A 26Q 26T 31U 31F 37A 37Q 37T 38A 38Q 38T 41U 41F A3S A3P A3Y A4S A4P A4Y B4S B4P B4Y 28S 28P 28Y 39S 39P 39Y 48S 48P 48Y G1S G1P G1Y 11S 11P 11Y 12S 12P 12Y 13U 13F 15U 15F D8C D9U D9F DBK EEU EEF EFA EFQ EFT EGK F8U F8F F9A F9Q F9T A5J A6J 17S 17P 17Y 18S 18P 18Y DDU DDF DDS DDP DDY H1A H1Q H1T H3S H3P H3Y J2S J2P J2Y K2S K2P K2Y DFU JAS JAP JAY)	40Y8955	*
3	CD-ROM Drive 48X (models 51S 51P 51Y 19S 19P 19Y 2AS 2AP 2AY 2BU 2BF 2FA 2FQ 2FT 52S 52P 52Y 52A 52T 64S 64P 64Y 65S 65P 65Y 6CS 6CP 6CY 61S 61P 61Y DJK G7Q G7K GDS GDP GDY 92K 9DS 9DP 9DY CTO A1U A1F A2U A2F B1K B2U B2F 21U 21F 22U 22F 26A 26Q 26T 31U 31F 37A 37Q 37T 38A 38Q 38T 41U 41F A3S A3P A3Y A4S A4P A4Y B4S B4P B4Y 28S 28P 28Y 39S 39P 39Y 48S 48P 48Y G1S G1P G1Y 11S 11P 11Y 12S 12P 12Y 13U 13F 15U 15F D8C D9U D9F DBK EEU EEF EFA EFQ EFT EGK F8U F8F F9A F9Q F9T A5J A6J 17S 17P 17Y 18S 18P 18Y DDU DDF DDS DDP DDY H1A H1Q H1T H3S H3P H3Y J2S J2P J2Y K2S K2P K2Y DFU JAS JAP JAY)	40Y8953	*

Item #	8215 FRUs	FRU#	CRU
3	CD-ROM Drive 48X (models 51S 51P 51Y 19S 19P 19Y 2AS 2AP 2AY 2BU 2BF 2FA 2FQ 2FT 52S 52P 52Y 52A 52T 64S 64P 64Y 65S 65P 65Y 6CS 6CP 6CY 61S 61P 61Y DJK G7Q G7K GDS GDP GDY 92K 9DS 9DP 9DY CTO A1U A1F A2U A2F B1K B2U B2F 21U 21F 22U 22F 26A 26Q 26T 31U 31F 37A 37Q 37T 38A 38Q 38T 41U 41F A3S A3P A3Y A4S A4P A4Y B4S B4P B4Y 28S 28P 28Y 39S 39P 39Y 48S 48P 48Y G1S G1P G1Y 11S 11P 11Y 12S 12P 12Y 13U 13F 15U 15F D8C D9U D9F DBK EEU EEF EFA EFQ EFT EGK F8U F8F F9A F9Q F9T A5J A6J 17S 17P 17Y 18S 18P 18Y DDU DDF DDS DDP DDY H1A H1Q H1T H3S H3P H3Y J2S J2P J2Y K2S K2P K2Y DFU JAS JAP JAY)	41N3539	*
3	CD-ROM Drive 48X (models 51S 51P 51Y 19S 19P 19Y 2AS 2AP 2AY 2BU 2BF 2FA 2FQ 2FT 52S 52P 52Y 52A 52T 64S 64P 64Y 65S 65P 65Y 6CS 6CP 6CY 61S 61P 61Y DJK G7Q G7K GDS GDP GDY 92K 9DS 9DP 9DY CTO A1U A1F A2U A2F B1K B2U B2F 21U 21F 22U 22F 26A 26Q 26T 31U 31F 37A 37Q 37T 38A 38Q 38T 41U 41F A3S A3P A3Y A4S A4P A4Y B4S B4P B4Y 28S 28P 28Y 39S 39P 39Y 48S 48P 48Y G1S G1P G1Y 11S 11P 11Y 12S 12P 12Y 13U 13F 15U 15F D8C D9U D9F DBK EEU EEF EFA EFQ EFT EGK F8U F8F F9A F9Q F9T A5J A6J 17S 17P 17Y 18S 18P 18Y DDU DDF DDS DDP DDY H1A H1Q H1T H3S H3P H3Y J2S J2P J2Y K2S K2P K2Y DFU JAS JAP JAY)	41N3540	*
3	CD-ROM Drive 48X (models 51S 51P 51Y 19S 19P 19Y 2AS 2AP 2AY 2BU 2BF 2FA 2FQ 2FT 52S 52P 52Y 52A 52T 64S 64P 64Y 65S 65P 65Y 6CS 6CP 6CY 61S 61P 61Y DJK G7Q G7K GDS GDP GDY 92K 9DS 9DP 9DY CTO A1U A1F A2U A2F B1K B2U B2F 21U 21F 22U 22F 26A 26Q 26T 31U 31F 37A 37Q 37T 38A 38Q 38T 41U 41F A3S A3P A3Y A4S A4P A4Y B4S B4P B4Y 28S 28P 28Y 39S 39P 39Y 48S 48P 48Y G1S G1P G1Y 11S 11P 11Y 12S 12P 12Y 13U 13F 15U 15F D8C D9U D9F DBK EEU EEF EFA EFQ EFT EGK F8U F8F F9A F9Q F9T A5J A6J 17S 17P 17Y 18S 18P 18Y DDU DDF DDS DDP DDY H1A H1Q H1T H3S H3P H3Y J2S J2P J2Y K2S K2P K2Y DFU JAS JAP JAY)	41N3541	*
3	DVD-ROM 16X/48X - Black (models E9U E9F E9S E9P E9L E9D E9Y E9G E9M E9A E9Q E9T E9C E9B E9H E9V E9K E9R E9E E9J EAC EBU EBF ECV FAU FAF FCC DEU DEF H4U H4F J3U J3F K3U K3F 62V 66U 6EU 6EF 6AU 6AF G9U G9G 99U 99F 6AS 6AP 6AL 6AD 6AY 6AG 6AM 6AA 6AQ 6AT 6AC 6AB 6AH 6AV 6AK 6AR 6AE 6AJ JDU JDF CTO 25U 25F 34U 34F 35U 35F 35S 35P 35L 35G 35M 35A 35Q 35T 35C 35B 35H 35V 35K 35R 35E 35J 36U 36F 44U 44F 45U 45F 45S 45P 45L 45G 45M 45A 45Q 45T 45C 45B 45H 45V 45K 45R 45E 45J 46U 46F D1U D1F D2C D2B D2H D2V E1U E1F F1U F1F 29U 29F 29S 29P 29L 29G 29M 29A 29Q 29T 29C 29B 29H 29V 29K 29R 29E 29J D1S D1P D1L D1G D1M D1A D1Q D1T D1C D1B D1H D1V D1K D1R D1E D1J F7G 14U 14F G4U 29D 29Y 35D 35Y D1D D1Y D7U D7F D7S D7P D7L D7D D7Y D7G D7M D7A D7Q D7T D7C D7B D7H D7V D7K D7R D7E D7J DAV)	40Y8931	*
3	DVD-ROM 16X/48X - Black (models E9U E9F E9S E9P E9L E9D E9Y E9G E9M E9A E9Q E9T E9C E9B E9H E9V E9K E9R E9E E9J EAC EBU EBF ECV FAU FAF FCC DEU DEF H4U H4F J3U J3F K3U K3F 62V 66U 6EU 6EF 6AU 6AF G9U G9G 99U 99F 6AS 6AP 6AL 6AD 6AY 6AG 6AM 6AA 6AQ 6AT 6AC 6AB 6AH 6AV 6AK 6AR 6AE 6AJ JDU JDF CTO 25U 25F 34U 34F 35U 35F 35S 35P 35L 35G 35M 35A 35Q 35T 35C 35B 35H 35V 35K 35R 35E 35J 36U 36F 44U 44F 45U 45F 45S 45P 45L 45G 45M 45A 45Q 45T 45C 45B 45H 45V 45K 45R 45E 45J 46U 46F D1U D1F D2C D2B D2H D2V E1U E1F F1U F1F 29U 29F 29S 29P 29L 29G 29M 29A 29Q 29T 29C 29B 29H 29V 29K 29R 29E 29J D1S D1P D1L D1G D1M D1A D1Q D1T D1C D1B D1H D1V D1K D1R D1E D1J F7G 14U 14F G4U 29D 29Y 35D 35Y D1D D1Y D7U D7F D7S D7P D7L D7D D7Y D7G D7M D7A D7Q D7T D7C D7B D7H D7V D7K D7R D7E D7J DAV)	40Y8933	*

Item #	8215 FRUs	FRU#	CRU
3	DVD-ROM 16X/48X - Black (models E9U E9F E9S E9P E9L E9D E9Y E9G E9M E9A E9Q E9T E9C E9B E9H E9V E9K E9R E9E E9J EAC EBU EBF ECV FAU FAF FCC DEU DEF H4U H4F J3U J3F K3U K3F 62V 66U 6EU 6EF 6AU 6AF G9U G9G 99U 99F 6AS 6AP 6AL 6AD 6AY 6AG 6AM 6AA 6AQ 6AT 6AC 6AB 6AH 6AV 6AK 6AR 6AE 6AJ JDU JDF CTO 25U 25F 34U 34F 35U 35F 35S 35P 35L 35G 35M 35A 35Q 35T 35C 35B 35H 35V 35K 35R 35E 35J 36U 36F 44U 44F 45U 45F 45S 45P 45L 45G 45M 45A 45Q 45T 45C 45B 45H 45V 45K 45R 45E 45J 46U 46F D1U D1F D2C D2B D2H D2V E1U E1F F1U F1F 29U 29F 29S 29P 29L 29G 29M 29A 29Q 29T 29C 29B 29H 29V 29K 29R 29E 29J D1S D1P D1L D1G D1M D1A D1Q D1T D1C D1B D1H D1V D1K D1R D1E D1J F7G 14U 14F G4U 29D 29Y 35D 35Y D1D D1Y D7U D7F D7S D7P D7L D7D D7Y D7G D7M D7A D7Q D7T D7C D7B D7H D7V D7K D7R D7E D7J DAV)	40Y8957	*
3	DVD-ROM 16X/48X - Black (models E9U E9F E9S E9P E9L E9D E9Y E9G E9M E9A E9Q E9T E9C E9B E9H E9V E9K E9R E9E E9J EAC EBU EBF ECV FAU FAF FCC DEU DEF H4U H4F J3U J3F K3U K3F 62V 66U 6EU 6EF 6AU 6AF G9U G9G 99U 99F 6AS 6AP 6AL 6AD 6AY 6AG 6AM 6AA 6AQ 6AT 6AC 6AB 6AH 6AV 6AK 6AR 6AE 6AJ JDU JDF CTO 25U 25F 34U 34F 35U 35F 35S 35P 35L 35G 35M 35A 35Q 35T 35C 35B 35H 35V 35K 35R 35E 35J 36U 36F 44U 44F 45U 45F 45S 45P 45L 45G 45M 45A 45Q 45T 45C 45B 45H 45V 45K 45R 45E 45J 46U 46F D1U D1F D2C D2B D2H D2V E1U E1F F1U F1F 29U 29F 29S 29P 29L 29G 29M 29A 29Q 29T 29C 29B 29H 29V 29K 29R 29E 29J D1S D1P D1L D1G D1M D1A D1Q D1T D1C D1B D1H D1V D1K D1R D1E D1J F7G 14U 14F G4U 29D 29Y 35D 35Y D1D D1Y D7U D7F D7S D7P D7L D7D D7Y D7G D7M D7A D7Q D7T D7C D7B D7H D7V D7K D7R D7E D7J DAV)	41X3544	*
3	DVD-ROM 16X/48X - Black (models E9U E9F E9S E9P E9L E9D E9Y E9G E9M E9A E9Q E9T E9C E9B E9H E9V E9K E9R E9E E9J EAC EBU EBF ECV FAU FAF FCC DEU DEF H4U H4F J3U J3F K3U K3F 62V 66U 6EU 6EF 6AU 6AF G9U G9G 99U 99F 6AS 6AP 6AL 6AD 6AY 6AG 6AM 6AA 6AQ 6AT 6AC 6AB 6AH 6AV 6AK 6AR 6AE 6AJ JDU JDF CTO 25U 25F 34U 34F 35U 35F 35S 35P 35L 35G 35M 35A 35Q 35T 35C 35B 35H 35V 35K 35R 35E 35J 36U 36F 44U 44F 45U 45F 45S 45P 45L 45G 45M 45A 45Q 45T 45C 45B 45H 45V 45K 45R 45E 45J 46U 46F D1U D1F D2C D2B D2H D2V E1U E1F F1U F1F 29U 29F 29S 29P 29L 29G 29M 29A 29Q 29T 29C 29B 29H 29V 29K 29R 29E 29J D1S D1P D1L D1G D1M D1A D1Q D1T D1C D1B D1H D1V D1K D1R D1E D1J F7G 14U 14F G4U 29D 29Y 35D 35Y D1D D1Y D7U D7F D7S D7P D7L D7D D7Y D7G D7M D7A D7Q D7T D7C D7B D7H D7V D7K D7R D7E D7J DAV)	41X3545	*
3	DVD-ROM 16X/48X - Black (models E9U E9F E9S E9P E9L E9D E9Y E9G E9M E9A E9Q E9T E9C E9B E9H E9V E9K E9R E9E E9J EAC EBU EBF ECV FAU FAF FCC DEU DEF H4U H4F J3U J3F K3U K3F 62V 66U 6EU 6EF 6AU 6AF G9U G9G 99U 99F 6AS 6AP 6AL 6AD 6AY 6AG 6AM 6AA 6AQ 6AT 6AC 6AB 6AH 6AV 6AK 6AR 6AE 6AJ JDU JDF CTO 25U 25F 34U 34F 35U 35F 35S 35P 35L 35G 35M 35A 35Q 35T 35C 35B 35H 35V 35K 35R 35E 35J 36U 36F 44U 44F 45U 45F 45S 45P 45L 45G 45M 45A 45Q 45T 45C 45B 45H 45V 45K 45R 45E 45J 46U 46F D1U D1F D2C D2B D2H D2V E1U E1F F1U F1F 29U 29F 29S 29P 29L 29G 29M 29A 29Q 29T 29C 29B 29H 29V 29K 29R 29E 29J D1S D1P D1L D1G D1M D1A D1Q D1T D1C D1B D1H D1V D1K D1R D1E D1J F7G 14U 14F G4U 29D 29Y 35D 35Y D1D D1Y D7U D7F D7S D7P D7L D7D D7Y D7G D7M D7A D7Q D7T D7C D7B D7H D7V D7K D7R D7E D7J DAV)	41X3546	*

Item #	8215 FRUs	FRU#	CRU
3	DVD-ROM/CD-RW Combo Drive (48x/32x/48x/16x) (models 2CU 2CF 2DU 2DF 2EK 53B 53H 54S 54P 54Y 63C 63B 63H 67U 68U 6FU 6FF 6GU 6GF 69B 69H 6BU 6BF 6DS 6DP 6DY DHK DVB DVH G6K G8A G8Q G8T GAU GCU GCF GES GEP GEY GFU GFF 91K 93B 93H 94B 94H 96B 96H 98U 98F 9AU 9AF 9BU 9BF 9CU 9CF 9ES 9EP 9EY 9FS 9FP 9FY 9J9 9JH 9JS 9JP 9JB 9JC 9BS 9BP 9BL 9BD 9BY 9BG 9BM 9BA 9BQ 9BT 9BC 9BB 9BH 9BV 9BK 9BR 9BE 9BJ 9EU 9EF CTO B3K 23U 23F 24U 24F 27K 32U 32F 33U 33F 42U 42F 43U 43F E2C E2B E2H E2V D5U D5F E5U E5F E6S E6P E6Y E7U E8U E8F F5S F5P F5Y F6U F6S F6P F6Y G2G G3U G3F D6U G2U 16U 16F DCK EDK FBA FBQ FBT EHU EHF EHS EHP EHY EJU EJF H5K H6U H6F H6S H6P H6Y J4S J4P J4Y J5U J5F K1A K1Q K1T K4U K4F K4S K4P K4Y K5U K5F DGU ELU)	40Y8919	*
3	DVD-ROM/CD-RW Combo Drive (48x/32x/48x/16x) (models 2CU 2CF 2DU 2DF 2EK 53B 53H 54S 54P 54Y 63C 63B 63H 67U 68U 6FU 6FF 6GU 6GF 69B 69H 6BU 6BF 6DS 6DP 6DY DHK DVB DVH G6K G8A G8Q G8T GAU GCU GCF GES GEP GEY GFU GFF 91K 93B 93H 94B 94H 96B 96H 98U 98F 9AU 9AF 9BU 9BF 9CU 9CF 9ES 9EP 9EY 9FS 9FP 9FY 9J9 9JH 9JS 9JP 9JB 9JC 9BS 9BP 9BL 9BD 9BY 9BG 9BM 9BA 9BQ 9BT 9BC 9BB 9BH 9BV 9BK 9BR 9BE 9BJ 9EU 9EF CTO B3K 23U 23F 24U 24F 27K 32U 32F 33U 33F 42U 42F 43U 43F E2C E2B E2H E2V D5U D5F E5U E5F E6S E6P E6Y E7U E8U E8F F5S F5P F5Y F6U F6S F6P F6Y G2G G3U G3F D6U G2U 16U 16F DCK EDK FBA FBQ FBT EHU EHF EHS EHP EHY EJU EJF H5K H6U H6F H6S H6P H6Y J4S J4P J4Y J5U J5F K1A K1Q K1T K4U K4F K4S K4P K4Y K5U K5F DGU ELU)	40Y8941	*
3	DVD-ROM/CD-RW Combo Drive (48x/32x/48x/16x) (models 2CU 2CF 2DU 2DF 2EK 53B 53H 54S 54P 54Y 63C 63B 63H 67U 68U 6FU 6FF 6GU 6GF 69B 69H 6BU 6BF 6DS 6DP 6DY DHK DVB DVH G6K G8A G8Q G8T GAU GCU GCF GES GEP GEY GFU GFF 91K 93B 93H 94B 94H 96B 96H 98U 98F 9AU 9AF 9BU 9BF 9CU 9CF 9ES 9EP 9EY 9FS 9FP 9FY 9J9 9JH 9JS 9JP 9JB 9JC 9BS 9BP 9BL 9BD 9BY 9BG 9BM 9BA 9BQ 9BT 9BC 9BB 9BH 9BV 9BK 9BR 9BE 9BJ 9EU 9EF CTO B3K 23U 23F 24U 24F 27K 32U 32F 33U 33F 42U 42F 43U 43F E2C E2B E2H E2V D5U D5F E5U E5F E6S E6P E6Y E7U E8U E8F F5S F5P F5Y F6U F6S F6P F6Y G2G G3U G3F D6U G2U 16U 16F DCK EDK FBA FBQ FBT EHU EHF EHS EHP EHY EJU EJF H5K H6U H6F H6S H6P H6Y J4S J4P J4Y J5U J5F K1A K1Q K1T K4U K4F K4S K4P K4Y K5U K5F DGU ELU)	41X3547	*
3	DVD-ROM/CD-RW Combo Drive (48x/32x/48x/16x) (models 2CU 2CF 2DU 2DF 2EK 53B 53H 54S 54P 54Y 63C 63B 63H 67U 68U 6FU 6FF 6GU 6GF 69B 69H 6BU 6BF 6DS 6DP 6DY DHK DVB DVH G6K G8A G8Q G8T GAU GCU GCF GES GEP GEY GFU GFF 91K 93B 93H 94B 94H 96B 96H 98U 98F 9AU 9AF 9BU 9BF 9CU 9CF 9ES 9EP 9EY 9FS 9FP 9FY 9J9 9JH 9JS 9JP 9JB 9JC 9BS 9BP 9BL 9BD 9BY 9BG 9BM 9BA 9BQ 9BT 9BC 9BB 9BH 9BV 9BK 9BR 9BE 9BJ 9EU 9EF CTO B3K 23U 23F 24U 24F 27K 32U 32F 33U 33F 42U 42F 43U 43F E2C E2B E2H E2V D5U D5F E5U E5F E6S E6P E6Y E7U E8U E8F F5S F5P F5Y F6U F6S F6P F6Y G2G G3U G3F D6U G2U 16U 16F DCK EDK FBA FBQ FBT EHU EHF EHS EHP EHY EJU EJF H5K H6U H6F H6S H6P H6Y J4S J4P J4Y J5U J5F K1A K1Q K1T K4U K4F K4S K4P K4Y K5U K5F DGU ELU)	41X7992	*
3	Multi-Burner Plus (models CTO F2C F2B F2H F2V F3C F3B F3H F3V EKV EKF EMU FDU GBU GGU GGF 95U 97U 9GU 9GF)	40Y8909	*
3	Multi-Burner Plus (models CTO)	41X3550	*
4	Hard Disk Drive 40GB 7200 rpm Serial ATA (models CTO A1U A1F A2U A2F B2U B2F 21U 21F 22U 22F 31U 31F 41U 41F 13U 13F 15U 15F D9U D9F EEU EEF F8U F8F A5J A6J)	40Y8760	*
4	Hard Disk Drive 40GB 7200 rpm Serial ATA (models CTO A1U A1F A2U A2F B2U B2F 21U 21F 22U 22F 31U 31F 41U 41F 13U 13F 15U 15F D9U D9F EEU EEF F8U F8F A5J A6J)	40Y9033	*
4	Hard Disk Drive 40GB 7200 rpm Serial ATA (models CTO A1U A1F A2U A2F B2U B2F 21U 21F 22U 22F 31U 31F 41U 41F 13U 13F)	71P7312	*

Item #	8215 FRUs	FRU#	CRU
4	Hard Disk Drive 80GB 7200 rpm Serial ATA (models J9B J9H JAS JAP JAY 9BS 9BP 9BL 9BD 9BY 9BG 9BM 9BA 9BQ 9BT 9BC 9BB 9BH 9BV 9BK 9BR 9BE 9BJ JDU JDF JEU JEF 51S 51P 51Y 19S 19P 19Y 2AS 2AP 2AY 2BU 2BF 2CU 2CF 2DU 2DF 2FA 2FQ 2FT 52S 52P 52Y 52A 52T 53B 53H 54S 54P 54Y 62V 63C 63B 63H 64S 64P 64Y 65S 65P 65Y 66U 67U 68U 6EU 6EF 6FU 6FF 6GU 6GF 69B 69H 6AU 6AF 6BU 6BF 6CS 6CP 6CY 6DS 6DP 6DY 61S 61P 61Y DJK DVB DVH G5S G5P G5Y G7Q G7K G8A G8Q G8T G9U G9G GAU GBU GCU GCF GDS GDP GDY GES GEP GEY GFU GFF GGU GGF 92K 93B 93H 94B 94H 96B 96H 99U 99F 9AU 9AF 9BU 9BF 9CU 9CF 9DS 9DP 9DY 6AS 6AP 6AL 6AD 6AY 6AG 6AM 6AA 6AQ 6AT 6AC 6AB 6AH 6AV 6AK 6AR 6AE 6AJ 16U 16F D8C DAV E9U E9F E9S E9P E9L E9D E9Y E9G E9M E9A E9Q E9T E9C E9B E9H E9V E9K E9R E9E E9J EAC EBU EBF ECV EFA EFQ EFT F9A F9Q F9T FAU FAF 17S 17P 17Y 18S 18P 18Y DDU DDF DDS DDP DDY DEU DEF EHU EHF EHS EHP EHY EJU EJF H1A H1Q H1T H2A H2Q H2T H3S H3P H3Y H4U H4F H6U H6F H6S H6P H6Y J1A J1Q J1T J2S J2P J2Y J3U J3F J4S J4P J4Y J5U J5F K1A K1Q K1T K2S K2P K2Y K3U K3F K4U K4F K4S K4P K4Y K5U K5F DFU DGU ELU EMU CTO B1K B3K 23U 23F 24U 24F 25U 25F 26A 26Q 26T 27K 32U 32F 33U 33F 34U 34F 35U 35F 35S 35P 35L 35G 35M 35A 35Q 35T 35C 35B 35H 35V 35K 35R 35E 35J 36U 36F 37A 37Q 37T 38A 38Q 38T 42U 42F 43U 43F 44U 44F 45U 45F 45S 45P 45L 45G 45M 45A 45Q 45T 45C 45B 45H 45V 45K 45R 45E 45J 46U 46F D1U D1F D2C D2B D2H D2V E1U E1F E2C E2B E2H E2V F1U F1F D6U 11S 11P 11Y 12S 12P 12Y 14U 14F G2U G4U 29D 29Y 35D 35Y D1D D1Y D7U D7F D7S D7P D7L D7D D7Y D7G D7M D7A D7Q D7T D7C D7B D7H D7V D7K D7R D7E D7J A3S A3P A3Y A4S A4P A4Y B4S B4P B4Y B5S B5P B5Y 28S 28P 28Y 29U 29F 29S 29P 29L 29G 29M 29A 29Q 29T 29C 29B 29H 29V 29K 29R 29E 29J 39S 39P 39Y 3AS 3AP 3AY 48S 48P 48Y 49S 49P 49Y D1S D1P D1L D1G D1M D1A D1Q D1T D1C D1B D1H D1V D1K D1R D1E D1J D3S D3P D3Y D5U D5F E3S E3P E3Y E5U E5F E6S E6P E6Y E7U E8U E8F F4S F4P F4Y F5S F5P F5Y F6U F6S F6P F6Y F7G G1S G1P G1Y G2G G3U G3F)	40Y8761	*
4	Hard Disk Drive 80GB 7200 rpm Serial ATA (models CTO B1K B3K 23U 23F 24U 24F 25U 25F 26A 26Q 26T 27K 32U 32F 33U 33F 34U 34F 35U 35F 35S 35P 35L 35G 35M 35A 35Q 35T 35C 35B 35H 35V 35K 35R 35E 35J 36U 36F 37A 37Q 37T 38A 38Q 38T 42U 42F 43U 43F 44U 44F 45U 45F 45S 45P 45L 45G 45M 45A 45Q 45T 45C 45B 45H 45V 45K 45R 45E 45J 46U 46F D1U D1F D2C D2B D2H D2V E1U E1F E2C E2B E2H E2V F1U F1F D6U 11S 11P 11Y 12S 12P 12Y 14U 14F G2U G4U 29D 29Y 35D 35Y D1D D1Y A3S A3P A3Y A4S A4P A4Y B4S B4P B4Y B5S B5P B5Y 28S 28P 28Y 29U 29F 29S 29P 29L 29G 29M 29A 29Q 29T 29C 29B 29H 29V 29K 29R 29E 29J 39S 39P 39Y 3AS 3AP 3AY 48S 48P 48Y 49S 49P 49Y D1S D1P D1L D1G D1M D1A D1Q D1T D1C D1B D1H D1V D1K D1R D1E D1J D3S D3P D3Y D5U D5F E3S E3P E3Y E5U E5F E6S E6P E6Y E7U E8U E8F F4S F4P F4Y F5S F5P F5Y F6U F6S F6P F6Y F7G G1S G1P G1Y G2G G3U G3F)	71P7293	*

Item #	8215 FRUs	FRU#	CRU
4	Hard Disk Drive 80GB 7200 rpm Serial ATA (models J9B J9H JAS JAP JAY 9BS 9BP 9BL 9BD 9BY 9BG 9BM 9BA 9BQ 9BT 9BC 9BB 9BH 9BV 9BK 9BR 9BE 9BJ JDU JDF JEU JEF 51S 51P 51Y 19S 19P 19Y 2AS 2AP 2AY 2BU 2BF 2CU 2CF 2DU 2DF 2FA 2FQ 2FT 52S 52P 52Y 52A 52T 53B 53H 54S 54P 54Y 62V 63C 63B 63H 64S 64P 64Y 65S 65P 65Y 66U 67U 68U 6EU 6EF 6FU 6FF 6GU 6GF 69B 69H 6AU 6AF 6BU 6BF 6CS 6CP 6CY 6DS 6DP 6DY 61S 61P 61Y DJK DVB DVH G5S G5P G5Y G7Q G7K G8A G8Q G8T G9U G9G GAU GBU GCU GCF GDS GDP GDY GES GEP GEY GFU GFF GGU GGF 92K 93B 93H 94B 94H 96B 96H 99U 99F 9AU 9AF 9BU 9BF 9CU 9CF 9DS 9DP 9DY 6AS 6AP 6AL 6AD 6AY 6AG 6AM 6AA 6AQ 6AT 6AC 6AB 6AH 6AV 6AK 6AR 6AE 6AJ 16U 16F D8C DAV E9U E9F E9S E9P E9L E9D E9Y E9G E9M E9A E9Q E9T E9C E9B E9H E9V E9K E9R E9E E9J EAC EBU EBF ECV EFA EFQ EFT F9A F9Q F9T FAU FAF 17S 17P 17Y 18S 18P 18Y DDU DDF DDS DDP DDY DEU DEF EHU EHF EHS EHP EHY EJU EJF H1A H1Q H1T H2A H2Q H2T H3S H3P H3Y H4U H4F H6U H6F H6S H6P H6Y J1A J1Q J1T J2S J2P J2Y J3U J3F J4S J4P J4Y J5U J5F K1A K1Q K1T K2S K2P K2Y K3U K3F K4U K4F K4S K4P K4Y K5U K5F DFU DGU ELU EMU CTO B1K B3K 23U 23F 24U 24F 25U 25F 26A 26Q 26T 27K 32U 32F 33U 33F 34U 34F 35U 35F 35S 35P 35L 35G 35M 35A 35Q 35T 35C 35B 35H 35V 35K 35R 35E 35J 36U 36F 37A 37Q 37T 38A 38Q 38T 42U 42F 43U 43F 44U 44F 45U 45F 45S 45P 45L 45G 45M 45A 45Q 45T 45C 45B 45H 45V 45K 45R 45E 45J 46U 46F D1U D1F D2C D2B D2H D2V E1U E1F E2C E2B E2H E2V F1U F1F D6U 11S 11P 11Y 12S 12P 12Y 14U 14F G2U G4U 29D 29Y 35D 35Y D1D D1Y D7U D7F D7S D7P D7L D7D D7Y D7G D7M D7A D7Q D7T D7C D7B D7H D7V D7K D7R D7E D7J A3S A3P A3Y A4S A4P A4Y B4S B4P B4Y B5S B5P B5Y 28S 28P 28Y 29U 29F 29S 29P 29L 29G 29M 29A 29Q 29T 29C 29B 29H 29V 29K 29R 29E 29J 39S 39P 39Y 3AS 3AP 3AY 48S 48P 48Y 49S 49P 49Y D1S D1P D1L D1G D1M D1A D1Q D1T D1C D1B D1H D1V D1K D1R D1E D1J D3S D3P D3Y D5U D5F E3S E3P E3Y E5U E5F E6S E6P E6Y E7U E8U E8F F4S F4P F4Y F5S F5P F5Y F6U F6S F6P F6Y F7G G1S G1P G1Y G2G G3U G3F)	40Y9034	*
4	Hard Disk Drive 160GB 7200 rpm Serial ATA (models CTO F2C F2B F2H F2V F3C F3B F3H F3V DBK DCK EDK EGK FBA FBQ FBT FCC EKU EKF FDU 2EK DHK G6K 91K 97U 98U 98F 9ES 9EP 9EY 9FS 9FP 9FY 9GU 9GF JBS JBP JBY JCG)	40Y8762	*
4	Hard Disk Drive 160GB 7200 rpm Serial ATA (models CTO F2C F2B F2H F2V F3C F3B F3H F3V)	71P7297	*
4	Hard Disk Drive 250GB 7200 rpm Serial ATA (models CTO H5K)	40Y8763	*
5	Rotating bay assembly (all models)	03R0285	*
6	Bezel Plastic Kit (all models)	26K1214	*



Item #	8215 FRUs	FRU#	CRU
7	Slim Diskette Drive (without cable and bezel) (models 6AS 6AP 6AL 6AD 6AY 6AG 6AM 6AA 6AQ 6AT 6AC 6AB 6AH 6AV 6AK 6AR 6AE 6AJ 9B J9H JAS JAP JAY 9BS 9BP 9BL 9BD 9BY 9BG 9BM 9BA 9BQ 9BT 9BC 9BB 9BH 9BV 9BK 9BR 9BE 9BJ 51S 51P 51Y 19S 19P 19Y 2AS 2AP 2AY 2EK 2FA 2FQ 2FT 53B 53H 62V 63C 63B 63H 64S 64P 64Y 65S 65P 65Y 66U 67U 68U 6EU 6EF 6FU 6FF 6GU 6GF 69B 69H 6AU 6AF 6BU 6BF 6CS 6CP 6CY 61S 61P 61Y DHK DJK DVB DVH G6K G7Q G7K G8A G8Q G8T GAU GBU GCU GCF GDS GDP GDY GFU GFF GGU GGF 91K 92K 93B 93H 94B 94H 96B 96H 97U 98U 98F 99U 99F 9AU 9AF 9BU 9BF 9CU 9CF 9DS 9DP 9DY 9GU 9GF D7U D7F D7S D7P D7L D7D D7Y D7G D7M D7A D7Q D7T D7C D7B D7H D7V D7K D7R D7E D7J D8C E9U E9F E9S E9P E9L E9D E9Y E9G E9M E9A E9Q E9T E9C E9B E9H E9V E9K E9R E9E E9J EAC EBU EBF FAU FAF FCC A5J A6J 17S 17P 17Y DDU DDF DDS DDP DDY DEU DEF EHU EHF EHS EHP EHY EJU EJF EKU EKF H1A H1Q H1T H2A H2Q H2T H4U H4F H6U H6F H6S H6P H6Y J1A J1Q J1T J3U J3F J5U J5F K1A K1Q K1T K3U K3F K4U K4F K4S K4P K4Y K5U K5F DFU DGU ELU EMU FDU CTO A1U A1F A2U A2F B1K B2U B2F B3K 22U 22F 23U 23F 25U 25F 26A 26Q 26T 27K 31U 31F 32U 32F 35U 35F 35S 35P 35L 35G 35M 35A 35Q 35T 35C 35B 35H 35V 35K 35R 35E 35J 36U 36F 37A 37Q 37T 38A 38Q 38T 41U 41F 42U 42F 45U 45F 45S 45P 45L 45G 45M 45A 45Q 45T 45C 45B 45H 45V 45K 45R 45E 45J 46U 46F D1U D1F D2C D2B D2H D2V E1U E1F E2C E2B E2H E2V F1U F1F F2C F2B F2H F2V F3C F3B F3H F3V D6U 11S 11P 11Y 12S 12P 12Y 13U 13F 14U 14F G2U G4U 29D 29Y 35D 35Y D1D D1Y A3S A3P A3Y A4S A4P A4Y B4S B4P B4Y B5S B5P B5Y 28S 28P 28Y 29U 29F 29S 29P 29L 29G 29M 29A 29Q 29T 29C 29B 29H 29V 29K 29R 29E 29J 39S 39P 39Y 3AS 3AP 3AY 48S 48P 48Y 49S 49P 49Y D1S D1P D1L D1G D1M D1A D1Q D1T D1C D1B D1H D1V D1K D1R D1E D1J D3S D3P D3Y E3S E3P E3Y E5U E5F E6S E6P E6Y E7U F4S F4P F4Y F5S F5P F5Y F6U F6S F6P F6Y F7G G1S G1P G1Y G2G)	40Y9109	*
7	Slim Diskette Drive (without cable and bezel) (models 6AS 6AP 6AL 6AD 6AY 6AG 6AM 6AA 6AQ 6AT 6AC 6AB 6AH 6AV 6AK 6AR 6AE 6AJ 9B J9H JAS JAP JAY 9BS 9BP 9BL 9BD 9BY 9BG 9BM 9BA 9BQ 9BT 9BC 9BB 9BH 9BV 9BK 9BR 9BE 9BJ 51S 51P 51Y 19S 19P 19Y 2AS 2AP 2AY 2EK 2FA 2FQ 2FT 53B 53H 62V 63C 63B 63H 64S 64P 64Y 65S 65P 65Y 66U 67U 68U 6EU 6EF 6FU 6FF 6GU 6GF 69B 69H 6AU 6AF 6BU 6BF 6CS 6CP 6CY 61S 61P 61Y DHK DJK DVB DVH G6K G7Q G7K G8A G8Q G8T GAU GBU GCU GCF GDS GDP GDY GFU GFF GGU GGF 91K 92K 93B 93H 94B 94H 96B 96H 97U 98U 98F 99U 99F 9AU 9AF 9BU 9BF 9CU 9CF 9DS 9DP 9DY 9GU 9GF D7U D7F D7S D7P D7L D7D D7Y D7G D7M D7A D7Q D7T D7C D7B D7H D7V D7K D7R D7E D7J D8C E9U E9F E9S E9P E9L E9D E9Y E9G E9M E9A E9Q E9T E9C E9B E9H E9V E9K E9R E9E E9J EAC EBU EBF FAU FAF FCC A5J A6J 17S 17P 17Y DDU DDF DDS DDP DDY DEU DEF EHU EHF EHS EHP EHY EJU EJF EKU EKF H1A H1Q H1T H2A H2Q H2T H4U H4F H6U H6F H6S H6P H6Y J1A J1Q J1T J3U J3F J5U J5F K1A K1Q K1T K3U K3F K4U K4F K4S K4P K4Y K5U K5F DFU DGU ELU EMU FDU CTO A1U A1F A2U A2F B1K B2U B2F B3K 22U 22F 23U 23F 25U 25F 26A 26Q 26T 27K 31U 31F 32U 32F 35U 35F 35S 35P 35L 35G 35M 35A 35Q 35T 35C 35B 35H 35V 35K 35R 35E 35J 36U 36F 37A 37Q 37T 38A 38Q 38T 41U 41F 42U 42F 45U 45F 45S 45P 45L 45G 45M 45A 45Q 45T 45C 45B 45H 45V 45K 45R 45E 45J 46U 46F D1U D1F D2C D2B D2H D2V E1U E1F E2C E2B E2H E2V F1U F1F F2C F2B F2H F2V F3C F3B F3H F3V D6U 11S 11P 11Y 12S 12P 12Y 13U 13F 14U 14F G2U G4U 29D 29Y 35D 35Y D1D D1Y A3S A3P A3Y A4S A4P A4Y B4S B4P B4Y B5S B5P B5Y 28S 28P 28Y 29U 29F 29S 29P 29L 29G 29M 29A 29Q 29T 29C 29B 29H 29V 29K 29R 29E 29J 39S 39P 39Y 3AS 3AP 3AY 48S 48P 48Y 49S 49P 49Y D1S D1P D1L D1G D1M D1A D1Q D1T D1C D1B D1H D1V D1K D1R D1E D1J D3S D3P D3Y E3S E3P E3Y E5U E5F E6S E6P E6Y E7U F4S F4P F4Y F5S F5P F5Y F6U F6S F6P F6Y F7G G1S G1P G1Y G2G)	40Y9111	*
8	Thermal Kit Heat sink (all models)	41R2895	**
9	Microprocessor, 2.53GHZ Celeron Prescott P4 (533FSB, 256KB) (models CTO)	39J7004	**

Item #	8215 FRUs	FRU#	CRU
9	Microprocessor, 2.66 GHZ Celeron Prescott P4 (533FSB, 256KB) (models CTO A1U A1F C1U A3S A3P A3Y A5J A6J)	39J7005	**
9	Microprocessor, 2.8 GHZ Celeron Prescott P4 (533FSB, 256KB) (models CTO A2U A2F C2U A4S A4P A4Y)	39J7006	**
9	Microprocessor, 2.93 GHZ Celeron Prescott P4 (533FSB, 256KB) (models CTO B1K C3U B4S B4P B4Y)	39J7007	**
9	Microprocessor, 3.06 GHZ Celeron Prescott P4 (533FSB, 256KB) (models CTO B2U B2F B3K C4U 15U 15F 16U 16F 51S 51P 51Y)	39J7008	**
9	Microprocessor, 3.2 GHZ Celeron Prescott P4 (533FSB, 256KB) (models CTO)	39J9695	**
9	Microprocessor, 3.33 GHZ Celeron Prescott (533FSB, 256KB) (models CTO)	41T1132	**
9	Microprocessor, 3.2 GHZ Celeron Cedar Mill (533FSB, 512KB) (models CTO)	41T4966	**
9	Microprocessor, 3.33 GHZ Celeron Cedar Mill (533FSB, 512KB) (models CTO)	41T4968	**
9	Microprocessor, 3.46 GHZ Celeron Cedar Mill (533FSB, 512KB) (models CTO)	41X8989	**
9	Microprocessor, 2.93 GHZ Prescott P4 (533FSB, 1MB) (models CTO)	39J9621	**
9	Microprocessor, 2.66 GHZ Prescott P4 (533FSB, 1MB) (models CTO 11S 11P 11Y 19S 19P 19Y CEU)	41D0684	**
9	Microprocessor, 2.93 GHZ Prescott P4 (533FSB, 1MB) (models CTO 12S 12P 12Y 13U 13F 14U 14F)	41D0686	**
9	Microprocessor, 3.06 GHZ Prescott P4 (533FSB, 1MB) (models CTO 17S 17P 17Y 18S 18P 18Y)	41D0688	**
9	Microprocessor, 2.8 GHZ Prescott P4 (800FSB, 1MB) (models CTO 2AS 2AP 2AY 2BU 2BF 2CU 2CF 2DU 2DF 2EK 2FA 2FQ 2FT CFU)	39J7009	**
9	Microprocessor, 3.06 GHZ Prescott P4 (533FSB, 1MB) (models CTO 52S 52P 52Y 52A 52T 53B 53H 54S 54P 54Y)	41T4104	**
9	Microprocessor, 3.0 GHZ Prescott P4 (800FSB, 1MB) (models CTO 21U 21F 22U 22F 23U 23F 24U 24F 25U 25F 26A 26Q 26T 27K C5U 28S 28P 28Y 29U 29F 29S 29P 29L 29G 29M 29A 29Q 29T 29C 29B 29H 29V 29K 29R 29E 29J 29D 29Y 62V 63C 63B 63H 64S 64P 64Y 65S 65P 65Y 66U 67U 68U 6EU 6EF 6FU 6FF 6GU 6GF)	39J7010	**
9	Microprocessor, 3.2 GHZ Prescott P4 (800FSB, 1MB) (models CTO 31U 31F 32U 32F 33U 33F 34U 34F 35U 35F 35S 35P 35L 35G 35M 35A 35Q 35T 35C 35B 35H 35V 35K 35R 35E 35J 36U 36F 37A 37Q 37T 38A 38Q 38T C6U 39S 39P 39Y 3AS 3AP 3AY 35D 35Y 69B 69H 6AU 6AF 6BU 6BF 6CS 6CP 6CY 6DS 6DP 6DY CJU 6AS 6AP 6AL 6AD 6AY 6AG 6AM 6AA 6AQ 6AT 6AC 6AB 6AH 6AV 6AK 6AR 6AE 6AJ)	39J7011	**
9	Microprocessor, 3.4 GHZ Prescott P4 (800FSB, 1MB) (models CTO 41U 41F 42U 42F 43U 43F 44U 44F 45U 45F 45S 45P 45L 45G 45M 45A 45Q 45T 45C 45B 45H 45V 45K 45R 45E 45J 46U 46F C7U 48S 48P 48Y 49S 49P 49Y)	39J7012	**
9	Microprocessor, 2.8 GHZ Prescott P4 (800FSB, 2MB) (models CTO 61S 61P 61Y CGU CHU)	41X2412	**
9	Microprocessor, 3.0 GHZ Prescott P4 (800FSB, 2MB) (models CTO D1U D1F D2C D2B D2H D2V C8U D1S D1P D1L D1G D1M D1A D1Q D1T D1C D1B D1H D1V D1K D1R D1E D1J D3S D3P D3Y D5U D5F D6U D1D D1Y D7U D7F D7S D7P D7L D7D D7Y D7G D7M D7A D7Q D7T D7C D7B D7H D7V D7K D7E D7R D7J D8C D9U D9F DAV DBK DCK DDU DDF DDS DDP DDY DEU DEF DFU DGU)	39J7013	**
9	Microprocessor, 3.2 GHZ Prescott P4 (800FSB, 2MB) (models CTO E1U E1F E2C E2B E2H E2V C9U E3S E3P E3Y E5U E5F E6S E6P E6Y E7U E8U E8F E9U E9F E9S E9P E9L E9D E9Y E9G E9M E9A E9Q E9T E9C E9B E9H E9V E9K E9R E9E E9J EAC EBU EBF ECV EDK EEU EEF EFA EFQ EFT EGK EHU EHF EHS EHP EHY EJU EJP EKV EKF ELU EMU)	39J7014	**



Item #	8215 FRUs	FRU#	CRU
9	Microprocessor, 3.4 GHZ Prescott P4 (800FSB, 2MB) (models CTO F1U F1F F2C F2B F2H F2V F3C F3B F3H F3V CAU F4S F4P F4Y F5S F5P F5Y F6U F6S F6P F6Y F7G F8U F8F F9A F9Q F9T FAU FAF FBA FBQ FBT FCC FDU)	39J7015	**
9	Microprocessor, 2.8 GHZ Smithfield P4 (800FSB, 1MB) (models CTO G1S G1P G1Y G2G G3U G3F G2U G4U G5S G5P G5Y G6K G7Q G7K G8A G8Q G8T G9U G9G GAU GBU GCU GCF GDS GDP GDY GES GEP GEY GFU GFF GGU GGF)	39J8468	**
9	Microprocessor, 3.0 GHZ Cedar Mill P4 (800MHz FSB, 2MB Cache) (models CTO DHK DJK DVB DVH)	41D5042	**
9	Microprocessor, 3.2 GHz Cedar Mill P4 (800MHz FSB, 2MB Cache) (models CTO)	41D5056	**
9	Microprocessor, 3.2 GHz Cedar Mill P4 (800MHz FSB, 2MB Cache) (models CTO)	41D5044	**
9	Microprocessor, 3.4 GHZ Cedar Mill P4 (800MHz FSB, 2MB Cache) (models CTO)	41D5058	**
9	Microprocessor, 3.4 GHZ Cedar Mill P4 (800MHz FSB, 2MB Cache) (models CTO)	41D5046	**
9	Microprocessor, 3.6 GHZ Cedar Mill P4 (800MHz FSB, 2MB Cache) (models CTO H1A H1Q H1T H2A H2Q H2T H3S H3P H3Y H4U H4F H5K H6U H6F H6S H6P H6Y CBU)	41D5048	**
9	Microprocessor, 2.8GHz Presler , Pentium-D (800MHz FSB, 2MBx2 Cache) (models CTO)	41X7775	**
9	Microprocessor, 2.8 GHz Presler P4 (800MHz FSB, 2MBx2 Cache) (models CTO J1A J1Q J1T J2S J2P J2Y J3U J3F J4S J4P J4Y J5U J5F CCU)	41D5050	**
9	Microprocessor, 3.0 GHz Presler, Pentium-D (800MHz FSB, 2MBx2 Cache) (models CTO J9B J9H JAS JAP JAY JBS JBP JBY JCG JDU JDF JEU JEF)	41X2413	**
9	Microprocessor, 3.0 GHZ Presler P4 (800MHz FSB, 2MBx2 Cache) (models CTO K1A K1Q K1T K2S K2P K2Y K3U K3F K4U K4F K4S K4P K4Y K5U K5F CDU 91K 92K 93B 93H)	41D5052	**
9	Microprocessor, Pentium-D 3.2GHz Presler (800MHz FSB, 2MBx2 Cache) (models CTO)	41X8050	**
9	Microprocessor, Pentium-D 3.2GHz Presler (800MHz FSB, 2MBx2 Cache) (models CTO)	41X4230	**
9	Microprocessor, 3.4 GHZ Presler , Pentium-D (800MHz FSB, 2MBx2 Cache) (models CTO 95U 96B 96H 97U 98U 98F 99U 99F 9AU 9AF 9BU 9BF 9CU 9CF 9DS 9DP 9DY 9ES 9EP 9EY 9FS 9FP 9FY 9GU 9GF 9BS 9BP 9BL 9BD 9BY 9BG 9BM 9BA 9BQ 9BT 9BC 9BB 9BH 9BV 9BK 9BR 9BE 9BJ)	41X7776	**
9	Microprocessor, Pentium-D 3.4GHz Presler (800MHz FSB, 2MBx2 Cache) (models CTO)	41X4232	**
9	Microprocessor, Pentium-D 3.6GHz Presler (800MHz FSB, 2MBx2 Cache) (models CTO)	41X8990	**

Item #	8215 FRUs	FRU#	CRU
10	System Board, Trinidad DDR2 SFF Planar v3.3--subbed from 41X1063 (models 6AS 6AP 6AL 6AD 6AY 6AG 6AM 6AA 6AQ 6AT 6AC 6AB 6AH 6AV 6AK 6AR 6AE 6AJ J9B J9H JAS JAP JAY JBS JBP JBY JCG JDU JDF JEU JEF 51S 51P 51Y 19S 19P 19Y 2AS 2AP 2AY 2BU 2BF 2CU 2CF 2DU 2DF 2EK 53B 53H 54S 54P 54Y 63C 63B 63H 64S 64P 64Y 65S 65P 65Y 66U 67U 68U 6EU 6EF 6FU 6FF 6GU 6GF 69B 69H 6AU 6AF 6BU 6BF 6CS 6CP 6CY 6DS 6DP 6DY 61S 61P 61Y DHK DJK DVB DVH G5S G5P G5Y G6K G7Q G7K G9U G9G GAU GBU GCU GCF GDS GDP GDY GES GEP GEY GFU GFF GGU GGF 91K 92K 93B 93H 94B 94H 95U 96B 96H 97U 98U 98F 9AU 9AF 9CU 9CF 9DS 9DP 9DY 9ES 9EP 9EY 9FS 9FP 9FY 9GU 9GF CEU CFU CGU CHU 15U 15F 16U 16F D8C D9U D9F DAV DBK DCK E9U E9F E9S E9P E9L E9D E9Y E9G E9M E9A E9Q E9T E9C E9B E9H E9V E9K E9R E9E E9J EAC EBU EBF ECV EDK EEU EEF EFA EFQ EFT EGK F8U F8F F9A F9Q F9T FAU FAF FBA FBQ FBT FCC A5J A6J 17S 17P 17Y 18S 18P 18Y DDU DDF DDS DDP DDY DEU DEF EHU EHF EHS EHP EHY EJU EJF EKU EKF H3S H3P H3Y H4U H4F H5K H6U H6F H6S H6P H6Y J2S J2P J2Y J3U J3F J4S J4P J4Y J5U J5F K2S K2P K2Y K3U K3F K4U K4F K4S K4P K4Y K5U K5F CBU CCU CDU DFU DGU ELU EMU FDU A3S A3P A3Y A4S A4P A4Y B4S B4P B4Y B5S B5P B5Y 28S 28P 28Y 29U 29F 29S 29L 29G 29M 29A 29Q 29T 29C 29B 29H 29V 29K 29R 29E 29J 39S 39P 39Y 3AS 3AP 3AY 48S 48P 48Y 49S 49P 49Y D1S D1P D1L D1G D1M D1A D1Q D1T D1C D1B D1H D1V D1K D1R D1E D1J D3S D3P D3Y D5U D5F E3S E3P E3Y E5U E5F E6S E6P E6Y E7U E8U E8F F4S F4P F4Y F5S F5P F5Y F6U F6S F6P F6Y F7G G1S G1P G1Y G2G G3U G3F D6U 11S 11P 11Y 12S 12P 12Y 13U 13F 14U 14F G2U G4U 29D 29Y 35D 35Y D1D D1Y CTO A1U A1F A2U A2F B1K B2U B2F B3K 21U 21F 22U 22F 23U 23F 24U 24F 25U 25F 26A 26Q 26T 27K 31U 31F 32U 32F 33U 33F 34U 34F 35U 35F 35S 35P 35L 35G 35M 35A 35Q 35T 35C 35B 35H 35V 35K 35R 35E 35J 36U 36F 37A 37Q 37T 38A 38Q 38T 41U 41F 42U 42F 43U 43F 44U 44F 45U 45F 45S 45P 45L 45G 45M 45A 45Q 45T 45C 45B 45H 45V 45K 45R 45E 45J 46U 46F D1U D1F D2C D2B D2H D2V E1U E1F E2C E2B E2H E2V F1U F1F F2C F2B F2H F2V F3C F3B F3H F3V C1U C2U C3U C4U C5U C6U C7U C8U C9U CAU)	43C9120	**
10	System Board, Trinidad DDR2 SFF Planar v3.3--subbed from 42Y3333 (models CTO)	43C9121	**
10	System Board, Trinidad DDR2 SFF Planar v3.3--subbed from 41X1064 (models CTO D7U D7F D7S D7P D7L D7D D7Y D7G D7M D7A D7Q D7T D7C D7B D7H D7V D7K D7R D7E D7J H1A H1Q H1T H2A H2Q H2T J1A J1Q J1T K1A K1Q K1T 2FA 2FQ 2FT 52S 52P 52Y 52A 52T 62V G8A G8Q G8T 99U 99F 9BU 9BF 9BS 9BP 9BL 9BD 9BY 9BG 9BM 9BA 9BQ 9BT 9BC 9BB 9BH 9BV 9BK 9BR 9BE 9BJ)	43C9122	**



Item #	8215 FRUs	FRU#	CRU
11	512MB DDR2 SDRAM NP Memory (PC 4200) (models 9BS 9BP 9BL 9BD 9BY 9BG 9BM 9BA 9BQ 9BT 9BC 9BB 9BH 9BV 9BK 9BR 9BE 9BJ JDU JDF DFU DGU ELU EMU FDU 2BU 2BF 2CU 2CF 2DU 2DF 53B 53H 54S 54P 54Y 63C 63B 63H 65S 65P 65Y 66U 67U 68U 6EU 6EF 6FU 6FF 6GU 6GF 69B 69H 6AU 6AF 6DS 6DP 6DY 61S 61P 61Y DVB DVH G5S G5P G5Y G8A G8Q G8T G9U G9G GAU GBU GCU GCF GDS GDP GDY GES GEP GEY GFU GFF GGU GGF 91K 92K 93B 93H 94B 94H 95U 96B 96H 97U 98U 98F 99U 99F 9BU 9BF 9CU 9CF 9DS 9DP 9DY 9ES 9EP 9EY 9GU 9GF 6AS 6AP 6AL 6AD 6AY 6AG 6AM 6AA 6AQ 6AT 6AC 6AB 6AH 6AV 6AK 6AR 6AE 6AJ J9B J9H JAS JAP JAY JBS JBP JBY JCG F5S F5P F5Y F6U F6S F6P F6Y F7G G1S G1P G1Y G2G G3U G3F D6U 13U 13F 14U 14F G2U G4U 29D 29Y 35D 35Y D1D D1Y D7U D7F D7S D7P D7L D7D D7Y D7G D7M D7A D7Q D7T D7C D7B D7H D7V D7K D7R D7E D7J 15U 15F 16U 16F D9U D9F DAV DBK DCK E9U E9F E9S E9P E9L E9D E9Y E9G E9M E9A E9Q E9T E9C E9B E9H E9V E9K E9R E9E E9J EBU EBF ECV EDK EEU EEF EFA EFQ EFT EGK F8U F8F F9A F9Q F9T FAU FAF FBA FBQ FBT FCC DDU DDF DDS DDP DDY H2A H2Q H2T H3S H3P H3Y H4U H4F H5K J1A J1Q J1T J2S J2P J2Y J3U J3F K1A K1Q K1T K2S K2P K2Y K3U K3F CTO A2U A2F B2U B2F 21U 21F 22U 22F 23U 23F 24U 24F 25U 25F 31U 31F 32U 32F 33U 33F 34U 34F 35U 35F 35S 35P 35L 35G 35M 35A 35Q 35T 35C 35B 35H 35V 35K 35R 35E 35J 36U 36F 41U 41F 42U 42F 43U 43F 44U 44F 45U 45F 45S 45P 45L 45G 45M 45A 45Q 45T 45C 45B 45H 45V 45K 45R 45E 45J 46U 46F D1U D1F E1U E1F F1U F1F 29U 29F 29S 29P 29L 29G 29M 29A 29Q 29T 29C 29B 29H 29V 29K 29R 29E 29J 49S 49P 49Y D1S D1P D1L D1G D1M D1A D1Q D1T D1C D1B D1H D1V D1K D1R D1E D1J D5U D5F E5U E5F E6S E6P E6Y E7U E8U E8F)	30R5121	*
11	1GB DDR2 SDRAM NP Memory (PC 4200) (models CTO DEU DEF EHU EHF EHS EHP EHY EJU EJP EKV EKU EKU EKU H6U H6F H6S H6P H6Y J4S J4P J4Y J5U J5F K4U K4F K4S K4P K4Y K5U K5F 6BU 6BF 9AU 9AF 9FS 9FP 9FY JEU JEF)	30R5122	*
11	2GB DDR2 SDRAM NP Memory (PC 4200) (models CTO)	30R5123	*
11	256MB DDR2 SDRAM NP Memory (PC 5300) (models CTO)	30R5124	*
11	512MB DDR2 SDRAM NP Memory (PC 5300) (models CTO 2EK DHK G6K G7Q G7K)	30R5125	*
11	1GB DDR2 SDRAM NP Memory (PC 5300) (models CTO DJK 92K)	30R5126	*
12	Riser card assembly (all models)	41A7730	*
13	Speaker/cable assembly (all models)	39K5012	*
14	Chassis (all models)	26K1262	**

The FRUs listed in the following table are not illustrated.

8215 FRUs	FRU#	CRU
Tool less hard disk drive tray (all models)	03R0302	*
System board tray (all models)	26K1213	*
Cable, 2 Drop Hard Disk Drive and Optical - ATA 100 (all models)	26K1246	*
Internal Plastic Kit (does not include tl hardfile tray) (all models)	03R0289	*
Cable, Optical (1 Drop) ATA 100 (all models)	26K1244	*
Cable, SATA Device (all models)	39K5026	*
C2 Cable (Squall) (all models)	39K5022	*
Cable, power switch/LED (all models)	26K1242	*
Cable, Diskette Drive (all models)	26K1248	*
System board I/O Shield Kit for all system boards (all models)	41A7703	*

8215 FRUs	FRU#	CRU
Fan assembly (all models)	26K1253	*
Battery (all models)	33F8354	*
Universal Adapter Bracket 5.25 to 3.5-inch (all models)	32P4743	*
Retention module, tool less heat sink (all models)	26K1281	*

8215 Adapters and miscellaneous FRU	FRU#	CRU
Soft Modem V.90/V.44 (models CTO E2C E2B E2H E2V F2C F2B F2H F2V F3C F3B F3H F3V 53B 53H 63C 63B 63H 69B 69H DVB DVH 93B 93H 94B 94H 96B 96H J9B J9H)	29R9729	*
128MB DDR ATI Radeon x300SE (DMS59 connector) (models CTO)	39J9635	*
128MB DDR ATI RADEON X700 PRO VGA, DVI-I, TV-Out PCI-e BTX (models CTO)	39J6203	*
PCI-E DVI-DConnection Adapter (ADD 2-R) (Full Height) (models CTO JCG)	39J9334	*
1394 Firewire PCI LP (ATX) (models CTO)	41D2781	*
1394 Internal cable (models CTO)	39M0478	*
Speakers, Jazz Infinity Active T1 (Black) (models CTO B1K B3K 27K E2C E2B E2H E2V F2C F2B F2H F2V F3C F3B F3H F3V)	89P8588	*
Speaker Power brick - US, Canada, LA (low voltage), Taiwan, Phillipines, Thailand (models CTO-U CTO-L CTO-A E2V F2V F3V)	10K2587	*
Speaker Power brick - UK, Hong Kong (British version), ASEAN (models CTO-A)	25P5703	*
Speaker Power brick - Europe and LA (models CTO-G CTO-L)	25P5704	*
Speaker Power brick (newer 2 prong) - China, Thailand, Phillipines (models CTO-A E2C E2B E2H F2C F2B F2H F3C F3B F3H)	10K2597	*
Speaker Power brick - ANZ (models CTO-A)	25P5705	*
Speaker Power brick - Brazil (models CTO-L)	25P5706	*
Speaker Power brick - India, South Africa (models CTO-A CTO-G)	32P3181	*
Speaker Power brick - Argentina (models CTO-L)	01R2253	*
Speaker Power brick - Korea (models B1K B3K 27K)	88P7687	*
Speaker Power brick (models CTO)	88P7687	*
RJ11 connector adapter (Spain, Ireland) (All "G" models)	60H6043	*
RJ11 connector adapter (Austria) (All "G" models)	60H6045	*
RJ11 connector adapter (Belgium) (All "G" models)	60H6046	*
RJ11 connector adapter (Denmark) (All "G" models)	60H6047	*
RJ11 connector adapter (Norway, Finland) (All "G" models)	60H6048	*
RJ11 connector adapter (France) (All "G" models)	60H6049	*
RJ11 connector adapter (Germany) (All "G" models)	60H6050	*
RJ11 connector adapter (UK, NZ, HK) (All "G", "M", "B", "H" models)	60H6051	*
RJ11 connector adapter (Italy) (All "G" models)	60H6052	*
RJ11 connector adapter (Netherlands) (All "G" models)	60H6053	*
RJ11 connector adapter (Sweden) (All "G" models)	60H6054	*
RJ11 connector adapter (Switzerland) (All "G" models)	60H6055	*
Dongle Cable - DMS59 to dual VGA (All models)	41D2399	*

8215 Keyboards (Preferred Pro Fullsize, PS/2, Stealth Black)	FRU#	CRU
US English (models K1A K1Q K3U K4U K5U DFU DGU ELU EMU FDU 2BU 2CU 2DU 2FA 2FQ 52A 53H 63C 63H 66U 67U 68U 6EU 6FU 6GU 69H 6AU 6BU DVH G7Q G8A G8Q G9U G9G GAU GBU GCU GFU GGU 93H 94H 95U 96H 97U 98U 99U 9AU 9BU 9CU 9GU 6AL 6AG 6AM 6AA 6AQ 6AC 6AH 6AR 6AE J9H JCG 9BL 9BG 9BM 9BA 9BQ 9BC 9BH 9BR 9BE JDU JEU CTO-U CTO-G A1U A2U B2U 21U 22U 23U 24U 26A 26Q 31U 32U 33U 34U 35U 35L 35G 35M 35A 35Q 35C 35H 35R 35E 37A 37Q 41U 42U 43U 44U 45U 45L 45G 45M 45A 45Q 45C 45H 45R 45E D1U D2C D2H E1U F1U 29U 29L 29G 29M 29A 29Q 29C 29H 29R 29E D1L D1G D1M D1A D1Q D1C D1H D1R D1E D5U E5U E7U E8U F6U F7G G2G D6U 13U 14U G2U G4U D7U D7L D7G D7M D7A D7Q D7C D7H D7R D7E 15U 16U D8C D9U E9U E9L E9G E9M E9A E9Q E9C E9H E9R E9E EAC EBU EEU F8U FAU FCC DDU DEU EHU EJU EKU H1A H1Q H2A H2Q H4U H6U J1A J1Q J3U J5U)	89P8300	*
Arabic (models CTO-G 35G 45G 29G D1G F7G G2G D7G E9G G9G 6AG JCG 9BG)	89P8301	*
Belgian/French (models CTO-G 35G 45G 29G D1G F7G G2G D7G E9G G9G 6AG JCG 9BG)	89P8302	*
Belgian/UK (models CTO-G 35G 45G 29G D1G F7G G2G D7G E9G G9G 6AG JCG 9BG)	89P8303	*
Brazil/Portuguese (models CTO-L 35P 45P A3P A4P B4P B5P 28P 29P 39P 48P D1P D3P E3P F4P F6P G1P 11P 12P D7P E9P 17P 18P DDP EHP H3P H6P J2P J4P K2P K4P 51P 19P 2AP 52P 54P 64P 65P 6CP 6DP 61P G5P GDP GEP 9DP 9EP 9FP 6AP JAP JBP 9BP)	89P8304	*
Bulgarian (models CTO-G 35G 45G 29G D1G F7G G2G D7G E9G G9G 6AG JCG 9BG)	89P8305	*
Chinese/US (models 35B 35V 45B 45V D2B D2V 29B 29V D1B D1V D7B D7V DAV E9B E9V ECV 53B 62V 63B 69B DVB 93B 94B 96B 6AB 6AV J9B 9BB 9BV)	89P8306	*
Czech (models CTO-G 35G 45G 29G D1G F7G G2G D7G E9G G9G 6AG JCG 9BG)	89P8307	*
Danish (models CTO-G 35G 45G 29G D1G F7G G2G D7G E9G G9G 6AG JCG 9BG)	89P8308	*
Dutch (models CTO-G 35G 45G 29G D1G F7G G2G D7G E9G G9G 6AG JCG 9BG)	89P8309	*
French (models CTO-G 35G 45G 29G D1G F7G G2G D7G E9G G9G 6AG JCG 9BG)	89P8310	*
French Canadian 445 (models CTO-U A1F A2F B2F 21F 22F 23F 24F 31F 32F 33F 34F 35F 41F 42F 43F 44F 45F D1F E1F F1F 29F D5F E5F E8F 13F 14F D7F 15F 16F D9F E9F EBF EEF F8F FAF DDF DEF EHF EJF EKF H4F H6F J3F J5F K3F K4F K5F 2BF 2CF 2DF 6EF 6FF 6GF 6AF 6BF GCF GFF GGF 98F 99F 9AF 9BF 9CF 9GF JDF JEF)	89P8311	*
French Canadian 58 (models CTO-U A1F A2F B2F 21F 22F 23F 24F 31F 32F 33F 34F 35F 41F 42F 43F 44F 45F D1F E1F F1F 29F D5F E5F E8F 13F 14F D7F 15F 16F D9F E9F EBF EEF F8F FAF DDF DEF EHF EJF EKF H4F H6F J3F J5F K3F K4F K5F 2BF 2CF 2DF 6EF 6FF 6GF 6AF 6BF GCF GFF GGF 98F 99F 9AF 9BF 9CF 9GF JDF JEF)	89P8312	*
German (models CTO-G 35G 45G 29G D1G F7G G2G D7G E9G G9G 6AG JCG 9BG)	89P8313	*
Greek (models CTO-G 35G 45G 29G D1G F7G G2G D7G E9G G9G 6AG JCG 9BG)	89P8314	*
Hebrew (models CTO-G 35G 45G 29G D1G F7G G2G D7G E9G G9G 6AG JCG 9BG)	89P8315	*
Hungarian (models CTO-G 35G 45G 29G D1G F7G G2G D7G E9G G9G 6AG JCG 9BG)	89P8316	*
Iceland (models CTO-G 35G 45G 29G D1G F7G G2G D7G E9G G9G 6AG JCG 9BG)	89P8317	*
Italian (models CTO-G 35G 45G 29G D1G F7G G2G D7G E9G G9G 6AG JCG 9BG)	89P8319	*
Japanese (models 35J 45J 29J D1J D7J E9J A5J A6J 6AJ 9BJ)	89P8320	*
Korean (models B1K B3K 27K 35K 45K 29K D1K D7K DBK DCK E9K EDK EGK H5K 2EK DHK DJK G6K G7K 91K 92K 6AK 9BK)	89P8321	*
LA Spanish (models CTO-L 35S 45S A3S A3Y A4S A4Y B4S B4Y B5S B5Y 28S 28Y 29S 39S 39Y 48S 48Y D1S D3S D3Y E3S E3Y F4S F4Y F6S F6Y G1S G1Y 11S 11Y 12S 12Y 29D 29Y 35D 35Y D1D D1Y D7S D7D D7Y E9S E9D E9Y 17S 17Y 18S 18Y DDS DDY EHS EHY H3S H3Y H6S H6Y J2S J2Y J4S J4Y K2S K2Y K4S K4Y 51S 51Y 19S 19Y 2AS 2AY 52S 52Y 54S 54Y 64S 64Y 65S 65Y 6CS 6CY 6DS 6DY 61S 61Y G5S G5Y GDS GDY GES GEY 9DS 9DY 9ES 9EY 9FS 9FY 6AS 6AD 6AY JAS JAY JBS JBY 9BS 9BD 9BY)	89P8322	*



<b>8215 Keyboards (Preferred Pro Fullsize, PS/2, Stealth Black)</b>	<b>FRU#</b>	<b>CRU</b>
Norwegian (models CTO-G 35G 45G 29G D1G F7G G2G D7G E9G G9G 6AG JCG 9BG)	89P8323	*
Polish (models CTO-G 35G 45G 29G D1G F7G G2G D7G E9G G9G 6AG JCG 9BG)	89P8324	*
Portuguese (models CTO-G 35G 45G 29G D1G F7G G2G D7G E9G G9G 6AG JCG 9BG)	89P8325	*
Romanian (models CTO-G 35G 45G 29G D1G F7G G2G D7G E9G G9G 6AG JCG 9BG)	89P8326	*
Russian (models CTO-G 35G 45G 29G D1G F7G G2G D7G E9G G9G 6AG JCG 9BG)	89P8327	*
Russian/Cyrillic (models CTO-G 35G 45G 29G D1G F7G G2G D7G E9G G9G 6AG JCG 9BG)	89P8328	*
Serbian/Cyrillic (models CTO-G 35G 45G 29G D1G F7G G2G D7G E9G G9G 6AG JCG 9BG)	89P8329	*
Slovak (models CTO-G 35G 45G 29G D1G F7G G2G D7G E9G G9G 6AG JCG 9BG)	89P8330	*
Spanish (models CTO-G 35G 45G 29G D1G F7G G2G D7G E9G G9G 6AG JCG 9BG)	89P8331	*
Swedish/Finn (models CTO-G 35G 45G 29G D1G F7G G2G D7G E9G G9G 6AG JCG 9BG)	89P8332	*
Swiss F/G (models CTO-G 35G 45G 29G D1G F7G G2G D7G E9G G9G 6AG JCG 9BG)	89P8333	*
Thailand (models CTO-A 26T 35T 37T 45T 29T D1T D7T E9T H1T H2T J1T K1T 2FT 52T G8T 6AT 9BT)	89P8334	*
Turkish 179 (models CTO-G 35G 45G 29G D1G F7G G2G D7G E9G G9G 6AG JCG 9BG)	89P8336	*
UK English (models CTO-G 35G 45G 29G D1G F7G G2G D7G E9G G9G 6AG JCG 9BG)	89P8337	*
US Euro (models CTO-G 35G 45G 29G D1G F7G G2G D7G E9G G9G 6AG JCG 9BG)	89P8338	*
Yugoslav/Latin (models CTO-G 35G 45G 29G D1G F7G G2G D7G E9G G9G 6AG JCG 9BG)	89P8339	*

<b>8215 Keyboard (PS2 Preferred Pro)</b>	<b>FRU#</b>	<b>CRU</b>
US English (models K1A K1Q K3U K4U K5U DFU DGU ELU EMU FDU 2BU 2CU 2DU 2FA 2FQ 52A 53H 63C 63H 66U 67U 68U 6EU 6FU 6GU 69H 6AU 6BU DVH G7Q G8A G8Q G9U G9G GAU GBU GCU GFU GGU 93H 94H 95U 96H 97U 98U 99U 9AU 9BU 9CU 9GU 6AL 6AG 6AM 6AA 6AQ 6AC 6AH 6AR 6AE J9H JCG 9BL 9BG 9BM 9BA 9BQ 9BC 9BH 9BR 9BE JDU JEU CTO-U CTO-G A1U A2U B2U 21U 22U 23U 24U 26A 26Q 31U 32U 33U 34U 35U 35L 35G 35M 35A 35Q 35C 35H 35R 35E 37A 37Q 41U 42U 43U 44U 45U 45L 45G 45M 45A 45Q 45C 45H 45R 45E D1U D2C D2H E1U F1U 29U 29L 29G 29M 29A 29Q 29C 29H 29R 29E D1L D1G D1M D1A D1Q D1C D1H D1R D1E D5U E5U E7U E8U F6U F7G G2G D6U 13U 14U G2U G4U D7U D7L D7G D7M D7A D7Q D7C D7H D7R D7E 15U 16U D8C D9U E9U E9L E9G E9M E9A E9Q E9C E9H E9R E9E EAC EBU EEU F8U FAU FCC DDU DEU EHU EJU ECU H1A H1Q H2A H2Q H4U H6U J1A J1Q J3U J5U)	41A5039	*
Arabic (models CTO-G 35G 45G 29G D1G F7G G2G D7G E9G G9G 6AG JCG 9BG)	41A5040	*
Belgian/French (models CTO-G 35G 45G 29G D1G F7G G2G D7G E9G G9G 6AG JCG 9BG)	41A5042	*
Belgian/UK (models CTO-G 35G 45G 29G D1G F7G G2G D7G E9G G9G 6AG JCG 9BG)	41A5043	*
Brazil/Portuguese (models CTO-L 35P 45P A3P A4P B4P B5P 28P 29P 39P 48P D1P D3P E3P F4P F6P G1P 11P 12P D7P E9P 17P 18P DDP EHP H3P H6P J2P J4P K2P K4P 51P 19P 2AP 52P 54P 64P 65P 6CP 6DP 61P G5P GDP GEP 9DP 9EP 9FP 6AP JAP JBP 9BP)	41A5044	*
Bulgarian (models CTO-G 35G 45G 29G D1G F7G G2G D7G E9G G9G 6AG JCG 9BG)	41A5045	*
Hong Kong/Taiwan (models 35B 35V 45B 45V D2B D2V 29B 29V D1B D1V D7B D7V DAV E9B E9V ECV 53B 62V 63B 69B DVB 93B 94B 96B 6AB 6AV J9B 9BB 9BV)	41A5046	*
Czech (models CTO-G 35G 45G 29G D1G F7G G2G D7G E9G G9G 6AG JCG 9BG)	41A5047	*
Danish (models CTO-G 35G 45G 29G D1G F7G G2G D7G E9G G9G 6AG JCG 9BG)	41A5048	*
Dutch (models CTO-G 35G 45G 29G D1G F7G G2G D7G E9G G9G 6AG JCG 9BG)	41A5049	*

8215 Keyboard (PS2 Preferred Pro)	FRU#	CRU
French (models CTO-G 35G 45G 29G D1G F7G G2G D7G E9G G9G 6AG JCG 9BG)	41A5050	*
French Canadian 445 (models CTO-U A1F A2F B2F 21F 22F 23F 24F 31F 32F 33F 34F 35F 41F 42F 43F 44F 45F D1F E1F F1F 29F D5F E5F E8F 13F 14F D7F 15F 16F D9F E9F EBF EEF F8F FAF DDF DEF EHF EJF EKF H4F H6F J3F J5F K3F K4F K5F 2BF 2CF 2DF 6EF 6FF 6GF 6AF 6BF GCF GFF GGF 98F 99F 9AF 9BF 9CF 9GF JDF JEF)	41A5051	*
French Canadian 58 (models CTO-U A1F A2F B2F 21F 22F 23F 24F 31F 32F 33F 34F 35F 41F 42F 43F 44F 45F D1F E1F F1F 29F D5F E5F E8F 13F 14F D7F 15F 16F D9F E9F EBF EEF F8F FAF DDF DEF EHF EJF EKF H4F H6F J3F J5F K3F K4F K5F 2BF 2CF 2DF 6EF 6FF 6GF 6AF 6BF GCF GFF GGF 98F 99F 9AF 9BF 9CF 9GF JDF JEF)	41A5052	*
German (models CTO-G 35G 45G 29G D1G F7G G2G D7G E9G G9G 6AG JCG 9BG)	41A5053	*
Greek (models CTO-G 35G 45G 29G D1G F7G G2G D7G E9G G9G 6AG JCG 9BG)	41A5054	*
Hebrew (models CTO-G 35G 45G 29G D1G F7G G2G D7G E9G G9G 6AG JCG 9BG)	41A5055	*
Hungarian (models CTO-G 35G 45G 29G D1G F7G G2G D7G E9G G9G 6AG JCG 9BG)	41A5056	*
Iceland (models CTO-G 35G 45G 29G D1G F7G G2G D7G E9G G9G 6AG JCG 9BG)	41A5057	*
Italian (models CTO-G 35G 45G 29G D1G F7G G2G D7G E9G G9G 6AG JCG 9BG)	41A5058	*
Japanese (models 35J 45J 29J D1J D7J E9J A5J A6J 6AJ 9BJ)	41A5059	*
Korean (models B1K B3K 27K 35K 45K 29K D1K D7K DBK DCK E9K EDK EGK H5K 2EK DHK DJK G6K G7K 91K 92K 6AK 9BK)	41A5060	*
LA Spanish (models CTO-L 35S 45S A3S A3Y A4S A4Y B4S B4Y B5S B5Y 28S 28Y 29S 39S 39Y 48S 48Y D1S D3S D3Y E3S E3Y F4S F4Y F6S F6Y G1S G1Y 11S 11Y 12S 12Y 29D 29Y 35D 35Y D1D D1Y D7S D7D D7Y E9S E9D E9Y 17S 17Y 18S 18Y DDS DDY EHS EHY H3S H3Y H6S H6Y J2S J2Y J4S J4Y K2S K2Y K4S K4Y 51S 51Y 19S 19Y 2AS 2AY 52S 52Y 54S 54Y 64S 64Y 65S 65Y 6CS 6CY 6DS 6DY 61S 61Y G5S G5Y GDS GDY GES GEY 9DS 9DY 9ES 9EY 9FS 9FY 6AS 6AD 6AY JAS JAY JBS JBY 9BS 9BD 9BY)	41A5061	*
Norwegian (models CTO-G 35G 45G 29G D1G F7G G2G D7G E9G G9G 6AG JCG 9BG)	41A5062	*
Polish (models CTO-G 35G 45G 29G D1G F7G G2G D7G E9G G9G 6AG JCG 9BG)	41A5063	*
Portuguese (models CTO-G 35G 45G 29G D1G F7G G2G D7G E9G G9G 6AG JCG 9BG)	41A5064	*
Romanian (models CTO-G 35G 45G 29G D1G F7G G2G D7G E9G G9G 6AG JCG 9BG)	41A5065	*
Russian/Cyrilic (models CTO-G 35G 45G 29G D1G F7G G2G D7G E9G G9G 6AG JCG 9BG)	41A5066	*
Serbian/Cyrilic (models CTO-G 35G 45G 29G D1G F7G G2G D7G E9G G9G 6AG JCG 9BG)	41A5067	*
Slovak (models CTO-G 35G 45G 29G D1G F7G G2G D7G E9G G9G 6AG JCG 9BG)	41A5068	*
Spanish (models CTO-G 35G 45G 29G D1G F7G G2G D7G E9G G9G 6AG JCG 9BG)	41A5069	*
Swedish/Finn (models CTO-G 35G 45G 29G D1G F7G G2G D7G E9G G9G 6AG JCG 9BG)	41A5070	*
Swiss F/G (models CTO-G 35G 45G 29G D1G F7G G2G D7G E9G G9G 6AG JCG 9BG)	41A5071	*
Thailand (models CTO-A 26T 35T 37T 45T 29T D1T D7T E9T H1T H2T J1T K1T 2FT 52T G8T 6AT 9BT)	41A5072	*
Turkish 179 (models CTO-G 35G 45G 29G D1G F7G G2G D7G E9G G9G 6AG JCG 9BG)	41A5074	*
UK English (models CTO-G 35G 45G 29G D1G F7G G2G D7G E9G G9G 6AG JCG 9BG)	41A5075	*
US Euro (models CTO-G 35G 45G 29G D1G F7G G2G D7G E9G G9G 6AG JCG 9BG)	41A5076	*
Slovenian (models CTO-G 35G 45G 29G D1G F7G G2G D7G E9G G9G 6AG JCG 9BG)	41A5077	*

8215 IBM Keyboard (USB Preferred - without hub)	FRU#	CRU
US English (models CTO-U CTO-G)	89P9040	*



<b>8215 IBM Keyboard (USB Preferred - without hub)</b>	<b>FRU#</b>	<b>CRU</b>
Arabic (models CTO-G)	89P9041	*
Arabic/French (models CTO-G)	89P9058	*
Belgian/French (models CTO-G)	89P9042	*
Belgian/UK (models CTO-G)	89P9043	*
Brazilian (models CTO-L)	89P9044	*
Bulgarian (models CTO-G)	89P9045	*
Czech (models CTO-G)	89P9047	*
Danish (models CTO-G)	89P9048	*
Dutch (models CTO-G)	89P9049	*
French (models CTO-G)	89P9050	*
French Canadian (models CTO-U)	89P9051	*
French Canadian (models CTO-U)	89P9052	*
German (models CTO-G)	89P9053	*
Greek (models CTO-G)	89P9054	*
Greek/US (models CTO-G)	41A4948	*
Hebrew (models CTO-G)	89P9055	*
Hungarian (models CTO-G)	89P056	*
Iceland (models CTO-G)	89P9057	*
Italy (models CTO-G)	89P9059	*
LA Spanish (models CTO-L)	89P9062	*
Norwegian (models CTO-G)	89P9063	*
Polish (models CTO-G)	89P9064	*
Portuguese (models CTO-G)	89P9065	*
Romanian 096 (models CTO-G)	89P9067	*
Romanian 446 (models CTO-G)	89P9066	*
Russian/Cyrillic (models CTO-G)	89P9068	*
Serbian/Cyrillic (models CTO-G)	89P9069	*
Slovak (models CTO-G)	89P9070	*
Spanish (models CTO-G)	89P9072	*
Swedish/Finn (models CTO-G)	89P9073	*
Swiss (models CTO-G)	89P9074	*
Thailand (models CTO-A)	89P9075	*
Turkish 440 (models CTO-G)	89P9076	*
Turkish 179 (models CTO-G)	89P9077	*
UK English (models CTO-G)	89P9078	*
US Euro (models CTO-G)	89P9079	*
Slovenian (models CTO-G)	89P9071	*

<b>8215 Lenovo Keyboard (USB Preferred - without hub)</b>	<b>FRU#</b>	<b>CRU</b>
US English (models CTO-U CTO-G)	41A5289	*
Arabic (models CTO-G)	41A5290	*

<b>8215 Lenovo Keyboard (USB Preferred - without hub)</b>	<b>FRU#</b>	<b>CRU</b>
Arabic/French (models CTO-G)	41A5291	*
Belgian/French (models CTO-G)	41A5292	*
Belgian/UK (models CTO-G)	41A5293	*
Brazilian (models CTO-L)	41A5294	*
Czech (models CTO-G)	41A5297	*
Danish (models CTO-G)	41A5298	*
Dutch (models CTO-G)	41A5299	*
French (models CTO-G)	41A5300	*
French Canadian 445 (models CTO-U)	41A5301	*
French Canadian 58 (models CTO-U)	41A5302	*
German (models CTO-G)	41A5303	*
Greek (models CTO-G)	41A5304	*
Greek/US (models CTO-G)	41A5305	*
Hebrew (models CTO-G)	41A5306	*
Hungarian (models CTO-G)	41A5307	*
Iceland (models CTO-G)	41A5308	*
LA Spanish (models CTO-L)	41A5312	*
Norwegian (models CTO-G)	41A5313	*
Polish (models CTO-G)	41A5314	*
Portuguese (models CTO-G)	41A5315	*
Romanian 096 (models CTO-G)	41A5317	*
Romanian 446 (models CTO-G)	41A5316	*
Russian/Cyrillic (models CTO-G)	41A5318	*
Serbian/Cyrillic (models CTO-G)	41A5319	*
Slovak (models CTO-G)	41A5320	*
Spanish (models CTO-G)	41A5321	*
Swedish/Finn (models CTO-G)	41A5322	*
Swiss (models CTO-G)	41A5323	*
Thailand (models CTO-A)	41A5324	*
Turkish 440 (models CTO-G)	41A5325	*
Turkish 179 (models CTO-G)	41A5326	*
UK English (models CTO-G)	41A5327	*
US Euro (models CTO-G)	41A5328	*
Slovenian (models CTO-G)	41A5329	*

<b>8215 Keyboard (Lenovo, USB Enhanced Performance)</b>	<b>FRU#</b>	<b>CRU</b>
US English (models CTO-U CTO-G E2C E2H F2C F2H EFA EFQ F9A F9Q FBA FBQ)	41A4961	*
Arabic (models CTO-G)	41A4962	*
Arabic/French (models CTO-G)	41A4963	*
Belgian/French (models CTO-G)	41A4964	*
Belgian/UK (models CTO-G)	41A4965	*

<b>8215 Keyboard (Lenovo, USB Enhanced Performance)</b>	<b>FRU#</b>	<b>CRU</b>
Brazilian (models CTO-L)	41A4966	*
Bulgarian (models CTO-G)	41A4967	*
Hong Kong/Taiwan (models E2B E2V F2B F2V)	41A4968	*
Czech (models CTO-G)	41A4969	*
Danish (models CTO-G)	41A4970	*
Dutch (models CTO-G)	41A4971	*
French (models CTO-G)	41A4972	*
French Canadian 445 (models CTO-U)	41A4973	*
French Canadian 58 (models CTO-U)	41A4974	*
German (models CTO-G)	41A4975	*
Greek (models CTO-G)	41A4976	*
Hebrew (models CTO-G)	41A4977	*
Hungarian (models CTO-G)	41A4978	*
Iceland (models CTO-G)	41A4979	*
Italian (models CTO-G)	41A4980	*
LA Spanish (models CTO-L)	41A4983	*
Norwegian (models CTO-G)	41A4984	*
Polish (models CTO-G)	41A4985	*
Portuguese (models CTO-G)	41A4986	*
Romanian (models CTO-G)	41A4987	*
Russian/Cy (models CTO-G)	41A4988	*
Serbian/Cyrillic (models CTO-G)	41A4989	*
Slovak (models CTO-G)	41A4990	*
Spanish (models CTO-G)	41A4991	*
Swedish/Finn (models CTO-G)	41A4992	*
Swiss F/G (models CTO-G)	41A4993	*
Thailand (models CTO-A)	41A4994	*
Turkish 440 (models CTO-A EFT F9T FBT)	41A4995	*
Turkish 179 (models CTO-G)	41A4996	*
UK English (models CTO-G)	41A4997	*
US Euro (models CTO-G)	41A4998	*
Slovenian (models CTO-G)	41A4999	*

<b>8215 Keyboards (with fingerprint reader)</b>	<b>FRU#</b>	<b>CRU</b>
US English (models CTO-U CTO-G 25U 36U 38A 38Q 46U F3C F3H G3U)	89P9000	*
Arabic (models CTO-G)	89P9001	*
Belgian/French (models CTO-G)	89P9003	*
Belgian/UK (models CTO-G)	89P9004	*
Brazilian Portuguese (models CTO-L 3AP 49P E6P F5P)	89P9005	*
Bulgarian (models CTO-G)	89P9006	*
Chinese/US (models CTO-G F3B F3V)	89P9007	*

<b>8215 Keyboards (with fingerprint reader)</b>	<b>FRU#</b>	<b>CRU</b>
Czech (models CTO-G)	89P9008	*
Danish (models CTO-G)	89P9009	*
Dutch (models CTO-G)	89P9010	*
French (models CTO-G)	89P9011	*
French Canadian 445 (models CTO-U 25F 36F 46F G3F)	89P9012	*
French Canadian 58 (models CTO-U 25F 36F 46F G3F)	89P9013	*
German (models CTO-G)	89P9014	*
Greek (models CTO-G)	89P9015	*
Hebrew (models CTO-G)	89P9016	*
Hungarian (models CTO-G)	89P9017	*
Iceland (models CTO-G)	89P9018	*
Italian 141 (models CTO-L)	89P9019	*
LA Spanish (models CTO-L 3AS 3AY 49S 49Y E6S E6Y F5S F5Y)	89P9022	*
Norwegian (models CTO-G)	89P9023	*
Polish (models CTO-G)	89P9024	*
Portuguese (models CTO-G)	89P9025	*
Romanian (models CTO-G)	89P9026	*
Romanian (models CTO-G)	89P9027	*
Russian/Cyrillic (models CTO-G)	89P9028	*
Serbian/Cyrillic (models CTO-G)	89P9029	*
Slovak (models CTO-G)	89P9030	*
Spanish (models CTO-G)	89P9031	*
Swedish/Finn (models CTO-G)	89P9032	*
Swiss F/G (models CTO-G)	89P9033	*
Thailand (models CTO-A 38T)	89P9034	*
Turkish 440 (models CTO-G)	89P9035	*
Turkish 179 (models CTO-G)	89P9036	*
UK English (models CTO-G)	89P9037	*
US Euro (models CTO-G)	89P9038	*
Yugoslav/Latin (models CTO-G)	89P9039	*

<b>8215 Keyboards (Productivity USB)</b>	<b>FRU#</b>	<b>CRU</b>
US English (models CTO-U CTO-G E2C E2H F2C F2H EFA EFQ F9A F9Q FBA FBQ)	89P8800	*
Arabic (models CTO-G)	89P8801	*
Arabic/French (models CTO-G)	89P8802	*
Belgian/French (models CTO-G)	89P8803	*
Belgian/UK (models CTO-G)	89P8804	*
Brazil/Portuguese (models CTO-L)	89P8805	*
Bulgarian (models CTO-G)	89P8806	*
Chinese/US (models E2B E2V F2B F2V)	89P8807	*
Czech (models CTO-G)	89P8808	*

<b>8215 Keyboards (Productivity USB)</b>	<b>FRU#</b>	<b>CRU</b>
Danish (models CTO-G)	89P8809	*
Dutch (models CTO-G)	89P8810	*
French (models CTO-U)	89P8811	*
French Canadian (models CTO-U)	89P8812	*
French Canadian (models CTO-U)	89P8813	*
German (models CTO-G)	89P8814	*
Greek (models CTO-G)	89P8815	*
Hebrew (models CTO-G)	89P8816	*
Hungarian (models CTO-G)	89P8817	*
Iceland (models CTO-G)	89P8818	*
Italian 141 (models CTO-G)	89P8819	*
LA/Spanish (models CTO-L)	89P8822	*
Norwegian (models CTO-G)	89P8823	*
Polish (models CTO-G)	89P8824	*
Portuguese (models CTO-G)	89P8825	*
Romanian (models CTO-G)	89P8826	*
Romanian (models CTO-G)	89P8827	*
Russian/Cyrillic (models CTO-G)	89P8828	*
Serbian/Cyrillic (models CTO-G)	89P8829	*
Slovak (models CTO-G)	89P8830	*
Spanish (models CTO-G)	89P8831	*
Swedish/Finn (models CTO-G)	89P8832	*
Swiss F/G (models CTO-G)	89P8833	*
Thailand (models CTO-A EFT F9T FBT)	89P8834	*
Turkish 440 (models CTO-G)	89P8835	*
Turkish 179 (models CTO-G)	89P8836	*
UK English (models CTO-G)	89P8837	*
US Euro (models CTO-G)	89P8838	*
Yugoslav/Latin (models CTO-G)	89P8839	*

<b>8215 Keyboard (Fingerprint reader USB)</b>	<b>FRU#</b>	<b>CRU</b>
US English (models CTO-U CTO-G 25U 36U 38A 38Q 46U F3C F3H G3U)	41A5248	*
Arabic (models CTO-G)	41A5249	*
Arabic/French (models CTO-G)	41A5250	*
Belgian/French (models CTO-G)	41A5251	*
Belgian/UK (models CTO-G)	41A5252	*
Brazilian (models CTO-L 3AP 49P E6P F5P)	41A5253	*
Bulgarian (models CTO-G)	41A5254	*
Chinese/US (models CTO-G F3B F3V)	41A5255	*
Czech (models CTO-G)	41A5256	*
Danish (models CTO-G)	41A5257	*

<b>8215 Keyboard (Fingerprint reader USB)</b>	<b>FRU#</b>	<b>CRU</b>
Dutch (models CTO-G)	41A5258	*
French (models CTO-G)	41A5259	*
French Canadian 445 (models CTO-U 25F 36F 46F G3F)	41A5260	*
French Canadian 58 (models CTO-U 25F 36F 46F G3F)	41A5261	*
German (models CTO-G)	41A5262	*
Greek (models CTO-G)	41A5263	*
Hebrew (models CTO-G)	41A5265	*
Hungarian (models CTO-G)	41A5266	*
Iceland (models CTO-G)	41A5267	*
Italian (models CTO-G)	41A5268	*
LA Spanish (models CTO-L 3AS 3AY 49S 49Y E6S E6Y F5S F5Y)	41A5271	*
Norwegian (models CTO-G)	41A5272	*
Polish (models CTO-G)	41A5273	*
Portuguese (models CTO-G)	41A5274	*
Romanian 446 (models CTO-G)	41A5275	*
Romanian 96 (models CTO-G)	41A5276	*
Russian/Cy (models CTO-G)	41A5277	*
Serbian/Cyrillic (models CTO-G)	41A5278	*
Slovak (models CTO-G)	41A5279	*
Spanish (models CTO-G)	41A5280	*
Swedish/Finn (models CTO-G)	41A5281	*
Swiss F/G (models CTO-G)	41A5282	*
Thailand (models CTO-A 38T)	41A5283	*
Turkish 440 (models CTO-G)	41A5284	*
Turkish 179 (models CTO-G)	41A5285	*
UK English (models CTO-G)	41A5286	*
US Euro (models CTO-G)	41A5287	*
Slovenian (models CTO-G)	41A5288	*

<b>8215 Lenovo Keyboard (Wireless, Enhanced)</b>	<b>FRU#</b>	<b>CRU</b>
US English/Chinese/US (models CTO-U CTO-G)	41A5219	*
Belgian/French (models CTO-U CTO-G)	41A5220	*
Belgian/UK (models CTO-G)	41A5221	*
Czech (models CTO-G)	41A5223	*
Danish (models CTO-G)	41A5224	*
Dutch (models CTO-G)	41A5225	*
French (models CTO-G)	41A5226	*
French Canadian (models CTO-U)	41A5227	*
French Canadian (models CTO-U)	41A5228	*
German (models CTO-G)	41A5229	*
Greek (models CTO-G)	41A5230	*

<b>8215 Lenovo Keyboard (Wireless, Enhanced)</b>	<b>FRU#</b>	<b>CRU</b>
Hungarian (models CTO-G)	41A5232	*
Iceland (models CTO-G)	41A5233	*
Italy (models CTO-G)	41A5234	*
Norwegian (models CTO-G)	41A5236	*
Polish (models CTO-G)	41A5237	*
Portuguese (models CTO-G)	41A5238	*
Slovak (models CTO-G)	41A5239	*
Spanish (models CTO-G)	41A5240	*
Swedish/Finn (models CTO-G)	41A5241	*
Swiss (models CTO-G)	41A5242	*
UK English (models CTO-G)	41A5243	*
US Euro (models CTO-G)	41A5244	*

<b>8215 Keyboard (Enhanced Performance, Wireless)</b>	<b>FRU#</b>	<b>CRU</b>
US English (models CTO-U CTO-G)	89P8730	*
Belgian/French (models CTO-G)	89P8731	*
Belgian/UK (models CTO-G)	89P8732	*
Czech (models CTO-G)	89P8734	*
Danish (models CTO-G)	89P8735	*
Dutch (models CTO-G)	89P8736	*
French (models CTO-G)	89P8737	*
French Canadian 445 (models CTO-U)	89P8738	*
French Canadian 58 (models CTO-U)	89P8739	*
German (models CTO-G)	89P8740	*
Greek (models CTO-G)	89P8741	*
Hungarian (models CTO-G)	89P8742	*
Iceland (models CTO-G)	89P8743	*
Italian 141 (models CTO-G)	89P8744	*
Norwegian (models CTO-G)	89P8746	*
Polish (models CTO-G)	89P8747	*
Portuguese (models CTO-G)	89P8748	*
Slovak (models CTO-G)	89P8749	*
Spanish (models CTO-G)	89P8751	*
Swedish/Finn (models CTO-G)	89P8752	*
Swiss F/G (models CTO-G)	89P8753	*
UK English (models CTO-G)	89P8754	*
US Euro (models CTO-G)	89P8755	*
Wireless transceiver dongle (models CTO)	89P8757	*

<b>8215 mice</b>	<b>FRU#</b>	<b>CRU</b>
Mouse, Scrollpoint Optical, USB (all models)	24P0499	*

8215 mice	FRU#	CRU
Mouse, optical wheelmouse, USB (models CTO)	89P5089	*
Mouse, PS/2 wheelmouse (Black) (models CTO)	41A4917	*
Mouse, optical wheelmouse (400DPI, USB) (models CTO)	41U3013	*
Mouse, Scrollpoint Optical, (800DPI, USB) (all models)	41U3019	*
Mouse, Wheelmouse PS/2 (all models)	41R0018	*

8215 Power Cords	FRU#	CRU
Power cord - US (models F9T FAU FAF FBA FBT DDU DDF DEU DEF EHU EHF EJU EJF EKU EKF H4U H4F H6U H6F J3U J3F J5U J5F K3U K3F K4U K4F K5U K5F CBU CCU CDU 51S 19S 2AS 2BU 2BF 2CU 2CF 2DU 2DF 2FA 2FT 52S 52A 52T 54S 64S 65S 66U 67U 68U 6EU 6EF 6FU 6FF 6GU 6GF 6AU 6AF 6BU 6BF 6CS 6DS 61S G5S G8A G8T G9U GAU GBU GCU GCF GDS GES GFU GFF GGU GGF 95U 97U 98U 98F 99U 99F 9AU 9AF 9BU 9BF 9CU 9CF 9DS 9ES 9FS 9GU 9GF CEU CFU CGU CHU 6AS 6AL 6AD 6AA 6AT JAS JBS 9BS 9BL 9BD 9BA 9BT JDU JDF JEU JEF A1U A1F A2U A2F B2U B2F 21U 21F 22U 22F 23U 23F 24U 24F 25U 25F 26A 26T 31U 31F 32U 32F 33U 33F 34U 34F 35U 35F 35G 35A 35T 35V 36U 36F 37A 37T 38A 38T 41U 41F 42U 42F 43U 43F 44U 44F 45U 45F 45G 45A 45T 45V 46U 46F D1U D1F D2V E1U E1F E2V F1U F1F F2V F3V C1U C2U C3U C4U C5U C6U C7U C8U C9U CAU 29U 29F 29G 29A 29T 29V D1G D1A D1T D1V D5U D5F E5U E5F E7U E8U E8F F6U F7G G2G G3U G3F D7U D7F D7G D7A D7T D7V 15U 15F 16U 16F D9U D9F DAV E9U E9F E9G E9A E9T E9V EBU EBF ECV EEU EEF EFA EFT F8U F8F F9A)	39M5080	*
Power cord - China (models 35C 45C D2C E2C F2C F3C 29C D1C D7C D8C E9C EAC FCC 63C 6AC 9BC)	39M5205	*
Power cord - Japan (models 35E 35J 45E 45J 29E 29J D1E D1J D7E D7J E9E E9J A5J A6J 6AE 6AJ 9BE 9BJ)	39M5193	*
Power cord - Brazil (models 35P 45P A3P A4P B4P B5P 28P 29P 39P 3AP 48P 49P D1P D3P E3P E6P F4P F5P F6P G1P 11P 12P D7P E9P 17P 18P DDP EHP H3P H6P J2P J4P K2P K4P 51P 19P 2AP 52P 54P 64P 65P 6CP 6DP 61P G5P GDP GEP 9DP 9EP 9FP 6AP JAP JBP 9BP)	39M5232	*
Power cord - LA High Volt (APU) (models 35L 45L A3Y A4Y B4Y B5Y 28Y 29L 39Y 3AY 48Y 49Y D1L D3Y E3Y E6Y F4Y F5Y F6Y G1Y 11Y 12Y 29Y 35Y D1Y D7L D7Y E9L E9Y 17Y 18Y DDY EHY H3Y H6Y J2Y J4Y K2Y K4Y 51Y 19Y 2AY 52Y 54Y 64Y 65Y 6CY 6DY 61Y G5Y GDY GEY 9DY 9EY 9FY 6AL 6AY JAY JBY 9BL 9BY)	39M5067	*
Power cord - Australia / New Zealand (models 35M 45M 29M D1M D7M E9M 6AM 9BM)	39M5102	*
Power cord - Korea (models B1K B3K 27K 35K 35R 45K 45R 29K 29R D1K D1R D7K D7R DBK DCK E9K E9R EDK EGK H5K 2EK DHK DJK G6K G7K 91K 92K 6AK 6AR 9BK 9BR)	39M5212	*
Power cord - Hong Kong (models 35B 35H 45B 45H D2B D2H E2B E2H F2B F2H F3B F3H 29B 29H D1B D1H D7B D7H E9B E9H 53B 53H 63B 63H 69B 69H DVB DVH 93B 93H 94B 94H 96B 96H 6AB 6AH J9B J9H 9BB 9BH)	39M5151	*
Power cord - UK, Ireland, Singapore, Malaysia, Brunei (models 26A 35G 35A 37A 38A 45G 45A 29G 29A D1G D1A F7G G2G D7G D7A E9G E9A EFA F9A FBA H1A H2A J1A K1A 2FA 52A G8A G9G 6AG 6AA JCG 9BG 9BA)	39M5150	*
Power cord - Taiwan (models 35V 45V D2V E2V F2V F3V 29V D1V D7V DAV E9V ECV 62V 6AV 9BV)	39M5246	*



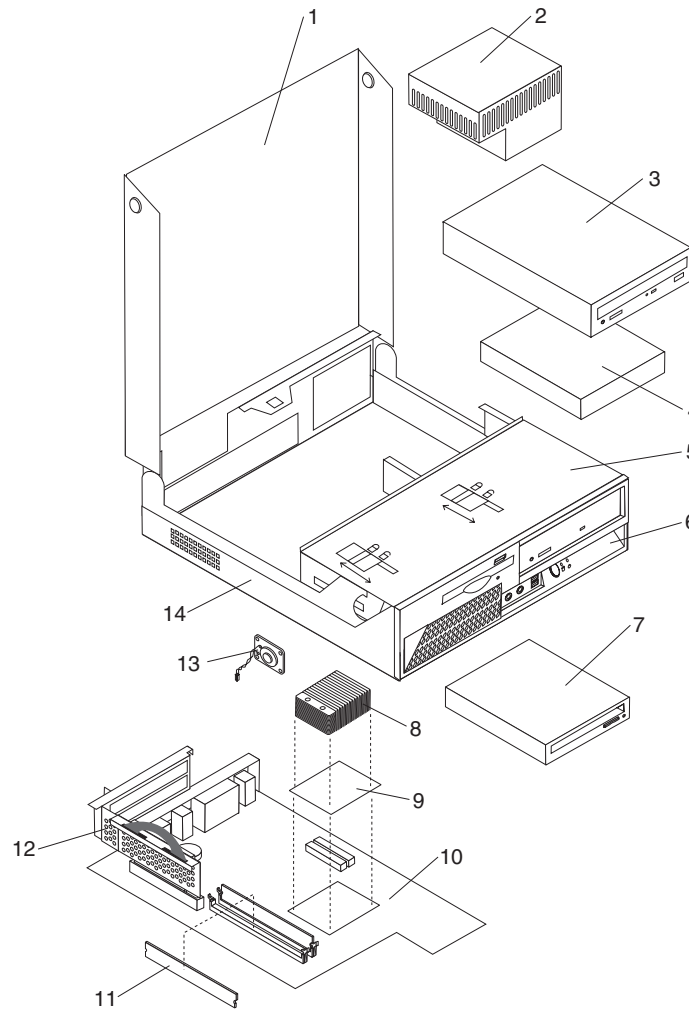
8215 Power Cords	FRU#	CRU
Power cord - Italy (models 35S 35L 35G 45S 45L 45G A3S A3Y A4S A4Y B4S B4Y B5S B5Y 28S 28Y 29S 29L 29G 39S 39Y 3AS 3AY 48S 48Y 49S 49Y D1S D1L D1G D3S D3Y E3S E3Y E6S E6Y F4S F4Y F5S F5Y F6S F6Y F7G G1S G1Y G2G 11S 11Y 12S 12Y 29Y 35Y D1Y D7S D7L D7Y D7G E9S E9L E9Y E9G 17S 17Y 18S 18Y DDS DDY EHS EHY H3S H3Y H6S H6Y J2S J2Y J4S J4Y K2S K2Y K4S K4Y 51S 51Y 19S 19Y 2AS 2AY 52S 52Y 54S 54Y 64S 64Y 65S 65Y 6CS 6CY 6DS 6DY 61S 61Y G5S G5Y G9G GDS GDY GES GEY 9DS 9DY 9ES 9EY 9FS 9FY 6AS 6AL 6AY 6AG JAS JAY JBS JBY JCG 9BS 9BL 9BY 9BG)	39M5164	*
Power cord - G Models (models 26A 35G 35A 37A 38A 45G 45A 29G 29A D1G D1A F7G G2G D7G D7A E9G E9A EFA F9A FBA H1A H2A J1A K1A 2FA 52A G8A G9G 6AG 6AA JCG 9BG 9BA)	39M5122	*
Power cord - Denmark (models 35G 45G 29G D1G F7G G2G D7G E9G G9G 6AG JCG 9BG)	39M5129	*
Power cord - Switzerland (models 35G 45G 29G D1G F7G G2G D7G E9G G9G 6AG JCG 9BG)	39M5157	*
Power cord - Israel (models 35G 45G 29G D1G F7G G2G D7G E9G G9G 6AG JCG 9BG)	39M5171	*
Power cord - South Africa (models 26A 35G 35M 35A 37A 38A 45G 45M 45A 29G 29M 29A D1G D1M D1A F7G G2G D7G D7M D7A E9G E9M E9A EFA F9A FBA H1A H2A J1A K1A 2FA 52A G8A G9G 6AG 6AM 6AA JCG 9BG 9BM 9BA)	39M5143	*
Power cord - India (model 26Q 35Q 37Q 38Q 45Q 29Q D1Q D7Q E9Q EFQ F9Q FBQ H1Q H2Q J1Q K1Q 2FQ G7Q G8Q 6AQ 9BQ)	41R3175	*

8215 Windows XP Home Recovery CDs	FRU #	CRU
US/UK/AP/TH (models E2H F2H F3H EJU K5U)	41T1584	*
FR/CF (models EJF K5F)	41T3240	*
Simplified Chinese (models E2C F2C F3C)	41W2631	*
Taiwan - TC (models E2V F2V F3V)	41W2638	*
Hong Kong - TC (models E2B F2B F3B)	41W2645	*
Korean (models B1K DCK EDK 2EK G6K)	41W2624	*

8215 Windows XP Pro Recovery CDs	FRU#	CRU
US/UK/AP/TH (models DFU DGU ELU EMU FDU 2BU 2CU 2DU 2FA 2FQ 2FT 52A 52T 53H 63H 66U 67U 68U 6EU 6FU 6GU 69H 6AU 6BU DVH G7Q G8A G8Q G8T G9U G9G GAU GBU GCU GFU GGU 93H 94H 95U 96H 97U 98U 99U 9AU 9BU 9CU 9GU 6AL 6AG 6AM 6AA 6AQ 6AT 6AH 6AR 6AE J9H JCG 9BL 9BG 9BM 9BA 9BQ 9BT 9BH 9BR 9BE JDU JEU A1U A2U B2U 21U 22U 23U 24U 25U 26A 26Q 26T 31U 32U 33U 34U 35U 35L 35G 35M 35A 35Q 35T 35H 35R 35E 36U 37A 37Q 37T 38A 38Q 38T 41U 42U 43U 44U 45U 45L 45G 45M 45A 45Q 45T 45H 45R 45E 46U D1U D2H E1U F1U 29U 29L 29G 29M 29A 29Q 29T 29H 29R 29E D1L D1G D1M D1A D1Q D1T D1H D1R D1E D5U E5U E7U E8U F6U F7G G2G G3U D6U 13U 14U G2U G4U D7U D7L D7G D7M D7A D7Q D7T D7H D7R D7E 15U 16U D9U E9U E9L E9G E9M E9A E9Q E9T E9H E9R E9E EBU EEU EFA EFQ EFT F8U F9A F9Q F9T FAU FBA FBQ FBT DDU DEU EHU EKU H1A H1Q H1T H2A)	41T1577	*
FR/CF (models A1F A2F B2F 21F 22F 23F 24F 25F 31F 32F 33F 34F 35F 35G 36F 41F 42F 43F 44F 45F 45G 46F D1F E1F F1F 29F 29G D1G D5F E5F E8F F7G G2G G3F 13F 14F D7F D7G 15F 16F D9F E9F E9G EBF EEF F8F FAF DDF DEF EHF EKF H4F H6F J3F J5F K3F K4F 2BF 2CF 2DF 6EF 6FF 6GF 6AF 6BF G9G GCF GFF GGF 98F 99F 9AF 9BF 9CF 9GF 6AG JCG 9BG JDF JEF)	41T3198	*
GR (models 35G 45G 29G D1G F7G G2G D7G E9G G9G 6AG JCG 9BG)	41T3199	*

8215 Windows XP Pro Recovery CDs	FRU#	CRU
SP/LA (models 35S 35G 45S 45G 29G D1G F7G G2G 11S 11Y 12S 12Y A3S A3Y A4S A4Y B4S B4Y B5S B5Y 28S 28Y 29S 39S 39Y 3AS 3AY 48S 48Y 49S 49Y D1S D3S D3Y E3S E3Y E6S E6Y F4S F4Y F5S F5Y F6S F6Y G1S G1Y 29D 29Y 35D 35Y D1D D1Y D7S D7D D7Y D7G E9S E9D E9Y E9G 17S 17Y 18S 18Y DDS DDY EHS EHY H3S H3Y H6S H6Y J2S J2Y J4S J4Y K2S K2Y K4S K4Y 51S 51Y 19S 19Y 2AS 2AY 52S 52Y 54S 54Y 64S 64Y 65S 65Y 6CS 6CY 6DS 6DY 61S 61Y G5S G5Y G9G GDS GDY GES GEY 9DS 9DY 9ES 9EY 9FS 9FY 6AS 6AD 6AY 6AG JAS JAY JBS JBY JCG 9BS 9BD 9BY 9BG)	41T3200	*
IT (models 35G 45G 29G D1G F7G G2G D7G E9G G9G 6AG JCG 9BG)	41T3201	*
BR (models 35P 45P G1P 12P D7P E9P 17P 18P DDP EHP H3P H6P J2P J4P K2P K4P 51P 19P 2AP 52P 54P 64P 65P 6CP 6DP 61P G5P GDP GEP 9DP 9EP 9FP 6AP JAP JBP 9BP)	41T3202	*
SV (models 35G 45G 29G D1G F7G G2G D7G E9G G9G 6AG JCG 9BG)	41T3203	*
DK (models 35G 45G 29G D1G F7G G2G D7G E9G G9G 6AG JCG 9BG)	41T3204	*
FI (models 35G 45G 29G D1G F7G G2G D7G E9G G9G 6AG JCG 9BG)	41T4264	*
NO (models 35G 45G 29G D1G F7G G2G D7G E9G G9G 6AG JCG 9BG)	39J9646	*
NL (models 35G 45G 29G D1G F7G G2G D7G E9G G9G 6AG JCG 9BG)	41T4266	*
HE (models 35G 45G 29G D1G F7G G2G D7G E9G G9G 6AG JCG 9BG)	41T4267	*
PL (models 35G 45G 29G D1G F7G G2G D7G E9G G9G 6AG JCG 9BG)	41T4268	*
CZ (models 35G 45G 29G D1G F7G G2G D7G E9G G9G 6AG JCG 9BG)	41T4269	*
AE (models 35G 45G 29G D1G F7G G2G D7G E9G G9G 6AG JCG 9BG)	41T4270	*
RU (models 35G 45G 29G D1G F7G G2G D7G E9G G9G 6AG JCG 9BG)	41T4271	*
RU English (models 35G 45G 29G D1G F7G G2G D7G E9G G9G 6AG JCG 9BG)	41T4835	*
TR (models 35G 45G 29G D1G F7G G2G D7G E9G G9G 6AG JCG 9BG)	41T4836	*
HU (models 35G 45G 29G D1G F7G G2G D7G E9G G9G 6AG JCG 9BG)	41T4837	*
PO (models 35G 45G 29G D1G F7G G2G D7G E9G G9G 6AG JCG 9BG)	41T4838	*
GK (models 35G 45G 29G D1G F7G G2G D7G E9G G9G 6AG JCG 9BG)	41T4839	*
SL (models 35G 45G 29G D1G F7G G2G D7G E9G G9G 6AG JCG 9BG)	41T4840	*
Simplified Chinese (models 35C 45C D2C 29C D1C D7C D8C E9C EAC FCC 63C 6AC 9BC)	41W2596	*
Taiwan (models 35V 45V D2V 29V D1V D7V DAV E9V ECV 62V 6AV 9BV)	41W2603	*
Hong Kong - TC (models 35B 45B D2B 29B D1B D7B E9B 53B 63B 69B DVB 93B 94B 96B 6AB J9B 9BB)	41W2610	*
Korea (models B3K 27K 35K 45K 29K D1K D7K DBK E9K EGK H5K DJK G7K 91K 92K 6AK 9BK)	41W2589	*
Japanese (models 35J 45J 29J D1J D7J E9J A5J A6J 6AJ 9BJ)	41W2617	*
Multilingual 1 (models CTO-G 35C 45C D2C 29G D1G F7G G2G D7G E9G G9G 6AG JCG 9BG)	41T3282	*
Multilingual 2 (models CTO-G 35C 45C D2C 29G D1G F7G G2G D7G E9G G9G 6AG JCG 9BG)	41T4280	*

# Machine Type 9210



Item #	9210 FRUs	FRU#	CRU
1	Cover, Kensington lock (all models)	26K1263	**
2	Power Supply (225 Watt) (models CTO B1M B2M 31M 32M 33M 34M 35U 35F 35G 35M 35A 35T 35K 35R 35E 35J 45U 45F 45G 45M 45A 45T 45K 45R 45E 45J 28M 29U 29F 29G 29M 29A 29T 29K 29R 29E 29J D1U D1F D1G D1M D1A D1T D1K D1R D1E D1J D7U D7F D7G D7M D7A D7T D7K D7R D7E D7J D2M D3M D4M D5M D6M D8M E9U E9F E9G E9M E9A E9T E9K E9R E9E E9J EAM F1M D9M DAM DBM DCM DDM DEM DFM E1M E2M E3M E4M E5M E6M E7M F2M H1M J1M K1M F3U F3F F3G F3M F3A F3T F3K F3R F3E F3J 2AK 2BM 2CM 26M 27M DGK DHK G1M G2M G3K G4K 91K 92K 81M 82M J3G)	24R2584	**
2	Power Supply (225 Watt) China Version (models CTO-A CTO-L 35S 35P 35L 35Q 35C 35B 35H 35V 45S 45P 45L 45Q 45C 45B 45H 45V 29S 29P 29L 29Q 29C 29B 29H 29V D1S D1P D1L D1Q D1C D1B D1H D1V 29D 29Y 35D 35Y 45D 45Y D7S D7P D7L D7D D7Y D7Q D7C D7B D7H D7V E9S E9P E9L E9D E9Y E9Q E9C E9B E9H E9V F3S F3P F3L F3D F3Y F3Q F3C F3B F3H F3V G4Q 82Q)	24R2587	**
3	CD-ROM Drive 48X (models CTO B1M B2M 31M D2M D9M E1M DHK G4Q G4K 92K)	40Y8929	*
3	CD-ROM Drive 48X (models D2M)	40Y8807	*
3	CD-ROM Drive 48X (models D2M)	40Y8955	*

Item #	9210 FRUs	FRU#	CRU
3	CD-ROM Drive 48X (models D2M)	40Y8953	*
3	CD-ROM Drive 48X (models D2M)	41N3539	*
3	CD-ROM Drive 48X (models D2M)	41N3540	*
3	CD-ROM Drive 48X (models D2M)	41N3541	*
3	DVD-ROM 16X/48X - Black (models CTO 35U 35F 35S 35P 35L 35G 35M 35A 35Q 35T 35C 35B 35H 35V 35K 35R 35E 35J 45U 45F 45S 45P 45L 45G 45M 45A 45Q 45T 45C 45B 45H 45V 45K 45R 45E 45J 28M 29U 29F 29S 29P 29L 29G 29M 29A 29Q 29T 29C 29B 29H 29V 29K 29R 29E 29J D1U D1F D1S D1P D1L D1G D1M D1A D1Q D1T D1C D1B D1H D1V D1K D1R D1E D1J 29D 29Y 35D 35Y 45D 45Y D7U D7F D7S D7P D7L D7D D7Y D7G D7M D7A D7Q D7T D7C D7B D7H D7V D7K D7R D7E D7J D5M D6M E9U E9F E9S E9P E9L E9D E9Y E9G E9M E9A E9Q E9T E9C E9B E9H E9V E9K E9R E9E E9J EAM F1M DDM DEM E5M E6M F2M H1M J1M K1M)	40Y8931	*
3	DVD-ROM 16X/48X - Black (models CTO 35U 35F 35S 35P 35L 35G 35M 35A 35Q 35T 35C 35B 35H 35V 35K 35R 35E 35J 45U 45F 45S 45P 45L 45G 45M 45A 45Q 45T 45C 45B 45H 45V 45K 45R 45E 45J 28M 29U 29F 29S 29P 29L 29G 29M 29A 29Q 29T 29C 29B 29H 29V 29K 29R 29E 29J D1U D1F D1S D1P D1L D1G D1M D1A D1Q D1T D1C D1B D1H D1V D1K D1R D1E D1J 29D 29Y 35D 35Y 45D 45Y D7U D7F D7S D7P D7L D7D D7Y D7G D7M D7A D7Q D7T D7C D7B D7H D7V D7K D7R D7E D7J D5M D6M E9U E9F E9S E9P E9L E9D E9Y E9G E9M E9A E9Q E9T E9C E9B E9H E9V E9K E9R E9E E9J EAM F1M DDM DEM E5M E6M F2M H1M J1M K1M)	40Y8933	*
3	DVD-ROM 16X/48X - Black (models CTO 35U 35F 35S 35P 35L 35G 35M 35A 35Q 35T 35C 35B 35H 35V 35K 35R 35E 35J 45U 45F 45S 45P 45L 45G 45M 45A 45Q 45T 45C 45B 45H 45V 45K 45R 45E 45J 28M 29U 29F 29S 29P 29L 29G 29M 29A 29Q 29T 29C 29B 29H 29V 29K 29R 29E 29J D1U D1F D1S D1P D1L D1G D1M D1A D1Q D1T D1C D1B D1H D1V D1K D1R D1E D1J 29D 29Y 35D 35Y 45D 45Y D7U D7F D7S D7P D7L D7D D7Y D7G D7M D7A D7Q D7T D7C D7B D7H D7V D7K D7R D7E D7J D5M D6M E9U E9F E9S E9P E9L E9D E9Y E9G E9M E9A E9Q E9T E9C E9B E9H E9V E9K E9R E9E E9J EAM F1M DDM DEM E5M E6M F2M H1M J1M K1M)	40Y8957	*
3	DVD-ROM 16X/48X - Black (models CTO 35U 35F 35S 35P 35L 35G 35M 35A 35Q 35T 35C 35B 35H 35V 35K 35R 35E 35J 45U 45F 45S 45P 45L 45G 45M 45A 45Q 45T 45C 45B 45H 45V 45K 45R 45E 45J 28M 29U 29F 29S 29P 29L 29G 29M 29A 29Q 29T 29C 29B 29H 29V 29K 29R 29E 29J D1U D1F D1S D1P D1L D1G D1M D1A D1Q D1T D1C D1B D1H D1V D1K D1R D1E D1J 29D 29Y 35D 35Y 45D 45Y D7U D7F D7S D7P D7L D7D D7Y D7G D7M D7A D7Q D7T D7C D7B D7H D7V D7K D7R D7E D7J D5M D6M E9U E9F E9S E9P E9L E9D E9Y E9G E9M E9A E9Q E9T E9C E9B E9H E9V E9K E9R E9E E9J EAM F1M DDM DEM E5M E6M F2M H1M J1M K1M)	41X3544	*
3	DVD-ROM 16X/48X - Black (models CTO 35U 35F 35S 35P 35L 35G 35M 35A 35Q 35T 35C 35B 35H 35V 35K 35R 35E 35J 45U 45F 45S 45P 45L 45G 45M 45A 45Q 45T 45C 45B 45H 45V 45K 45R 45E 45J 28M 29U 29F 29S 29P 29L 29G 29M 29A 29Q 29T 29C 29B 29H 29V 29K 29R 29E 29J D1U D1F D1S D1P D1L D1G D1M D1A D1Q D1T D1C D1B D1H D1V D1K D1R D1E D1J 29D 29Y 35D 35Y 45D 45Y D7U D7F D7S D7P D7L D7D D7Y D7G D7M D7A D7Q D7T D7C D7B D7H D7V D7K D7R D7E D7J D5M D6M E9U E9F E9S E9P E9L E9D E9Y E9G E9M E9A E9Q E9T E9C E9B E9H E9V E9K E9R E9E E9J EAM F1M DDM DEM E5M E6M F2M H1M J1M K1M)	41X3545	*

Item #	9210 FRUs	FRU#	CRU
3	DVD-ROM 16X/48X - Black (models CTO 35U 35F 35S 35P 35L 35G 35M 35A 35Q 35T 35C 35B 35H 35V 35K 35R 35E 35J 45U 45F 45S 45P 45L 45G 45M 45A 45Q 45T 45C 45B 45H 45V 45K 45R 45E 45J 28M 29U 29F 29S 29P 29L 29G 29M 29A 29Q 29T 29C 29B 29H 29V 29K 29R 29E 29J D1U D1F D1S D1P D1L D1G D1M D1A D1Q D1T D1C D1B D1H D1V D1K D1R D1E D1J 29D 29Y 35D 35Y 45D 45Y D7U D7F D7S D7P D7L D7D D7Y D7G D7M D7A D7Q D7T D7C D7B D7H D7V D7K D7R D7E D7J D5M D6M E9U E9F E9S E9P E9L E9D E9Y E9G E9M E9A E9Q E9T E9C E9B E9H E9V E9K E9R E9E E9J EAM F1M DDM DEM E5M E6M F2M H1M J1M K1M)	41X3546	*
3	DVD-ROM/CD-RW Combo Drive (48x/32x/48x/16x) (models CTO 32M 33M D3M D4M DAM DBM E2M E3M 2AK 2CM 26M 27M DGK G2M G3K J2U 91K 81M)	40Y8919	*
3	DVD-ROM/CD-RW Combo Drive (48x/32x/48x/16x) (models CTO 32M 33M D3M D4M DAM DBM E2M E3M 2AK 2CM 26M 27M DGK G2M G3K J2U 91K 81M)	40Y8941	*
3	DVD-ROM/CD-RW Combo Drive (48x/32x/48x/16x) (models CTO 32M 33M D3M D4M DAM DBM E2M E3M 2AK 2CM 26M 27M DGK G2M G3K J2U 91K 81M)	41X3547	*
3	DVD-ROM/CD-RW Combo Drive (48x/32x/48x/16x) (models CTO 32M 33M D3M D4M DAM DBM E2M E3M 2AK 2CM 26M 27M DGK G2M G3K J2U 91K 81M)	41X7992	*
3	Multi-Burner Plus (models CTO 34M D8M DCM DFM E4M E7M)	40Y8909	*
3	Multi-Burner Plus (models CTO)	41X3550	*
4	Hard Disk Drive 40GB 7200 rpm Serial ATA (models CTO)	40Y8760	*
4	Hard Disk Drive 40GB 7200 rpm Serial ATA (models CTO)	40Y9033	*
4	Hard Disk Drive 40GB 7200 rpm Serial ATA (models CTO)	71P7312	*
4	Hard Disk Drive 80GB 7200 rpm Serial ATA (models D2M D3M D4M D5M D6M E9U E9F E9S E9P E9L E9D E9Y E9G E9M E9A E9Q E9T E9C E9B E9H E9V E9K E9R E9E E9J EAM F1M D9M DAM DBM DCM DDM DEM E1M E2M E3M E4M E5M E6M F2M H1M F3U F3F F3S F3P F3L F3D F3Y F3G F3M F3A F3Q F3T F3C F3B F3H F3V F3K F3R F3E F3J 2BM 2CM 26M 27M DHK G1M G2M G4Q G4K 92K 81M 82M 82Q CTO B1M B2M 31M 32M 33M 35U 35F 35S 35P 35L 35G 35M 35A 35Q 35T 35C 35B 35H 35V 35K 35R 35E 35J 45U 45F 45S 45P 45L 45G 45M 45A 45Q 45T 45C 45B 45H 45V 45K 45R 45E 45J 28M 29U 29F 29S 29P 29L 29G 29M 29A 29Q 29T 29C 29B 29H 29V 29K 29R 29E 29J D1U D1F D1S D1P D1L D1G D1M D1A D1Q D1T D1C D1B D1H D1V D1K D1R D1E D1J 29D 29Y 35D 35Y 45D 45Y D7U D7F D7S D7P D7L D7D D7Y D7G D7M D7A D7Q D7T D7C D7B D7H D7V D7K D7R D7E D7J)	40Y8761	*
4	Hard Disk Drive 80GB 7200 rpm Serial ATA (models CTO)	71P7293	*
4	Hard Disk Drive 80GB 7200 rpm Serial ATA (models D2M D3M D4M D5M D6M E9U E9F E9S E9P E9L E9D E9Y E9G E9M E9A E9Q E9T E9C E9B E9H E9V E9K E9R E9E E9J EAM F1M D9M DAM DBM DCM DDM DEM E1M E2M E3M E4M E5M E6M F2M H1M F3U F3F F3S F3P F3L F3D F3Y F3G F3M F3A F3Q F3T F3C F3B F3H F3V F3K F3R F3E F3J 2BM 2CM 26M 27M DHK G1M G2M G4Q G4K G5U 92K 81M 82M 82Q CTO B1M B2M 31M 32M 33M 35U 35F 35S 35P 35L 35G 35M 35A 35Q 35T 35C 35B 35H 35V 35K 35R 35E 35J 45U 45F 45S 45P 45L 45G 45M 45A 45Q 45T 45C 45B 45H 45V 45K 45R 45E 45J 28M 29U 29F 29S 29P 29L 29G 29M 29A 29Q 29T 29C 29B 29H 29V 29K 29R 29E 29J D1U D1F D1S D1P D1L D1G D1M D1A D1Q D1T D1C D1B D1H D1V D1K D1R D1E D1J 29D 29Y 35D 35Y 45D 45Y D7U D7F D7S D7P D7L D7D D7Y D7G D7M D7A D7Q D7T D7C D7B D7H D7V D7K D7R D7E D7J)	40Y9034	*
4	Hard Disk Drive 160GB 7200 rpm Serial ATA (models CTO 34M D8M DFM E7M J1M K1M 2AK DGK G3K 91K J3G)	40Y8762	*

Item #	9210 FRUs	FRU#	CRU
4	Hard Disk Drive 160GB 7200 rpm Serial ATA (models CTO 34M)	71P7297	*
4	Hard Disk Drive 250GB 7200 rpm Serial ATA (models CTO)	40Y8763	*
5	Rotating bay assembly (all models)	03R0285	*
6	Bezel Plastic Kit (all models)	26K1214	*
7	Slim Diskette Drive (models CTO B1M B2M 31M 32M 33M 34M 35U 35F 35S 35P 35L 35G 35M 35A 35Q 35T 35C 35B 35H 35V 35K 35R 35E 35J 45U 45F 45S 45P 45L 45G 45M 45A 45Q 45T 45C 45B 45H 45V 45K 45R 45E 45J 28M 29U 29F 29S 29P 29L 29G 29M 29A 29Q 29T 29C 29B 29H 29V 29K 29R 29E 29J D1U D1F D1S D1P D1L D1G D1M D1A D1Q D1T D1C D1B D1H D1V D1K D1R D1E D1J 29D 29Y 35D 35Y 45D 45Y D7U D7F D7S D7P D7L D7D D7Y D7G D7M D7A D7Q D7T D7C D7B D7H D7V D7K D7R D7E D7J E9U E9F E9S E9P E9L E9D E9Y E9G E9M E9A E9Q E9T E9C E9B E9H E9V E9K E9R E9E E9J 2AK DGK DHK G3K G4Q G4K 91K 92K)	40Y9109	*
7	Slim Diskette Drive (models CTO B1M B2M 31M 32M 33M 34M 35U 35F 35S 35P 35L 35G 35M 35A 35Q 35T 35C 35B 35H 35V 35K 35R 35E 35J 45U 45F 45S 45P 45L 45G 45M 45A 45Q 45T 45C 45B 45H 45V 45K 45R 45E 45J 28M 29U 29F 29S 29P 29L 29G 29M 29A 29Q 29T 29C 29B 29H 29V 29K 29R 29E 29J D1U D1F D1S D1P D1L D1G D1M D1A D1Q D1T D1C D1B D1H D1V D1K D1R D1E D1J 29D 29Y 35D 35Y 45D 45Y D7U D7F D7S D7P D7L D7D D7Y D7G D7M D7A D7Q D7T D7C D7B D7H D7V D7K D7R D7E D7J E9U E9F E9S E9P E9L E9D E9Y E9G E9M E9A E9Q E9T E9C E9B E9H E9V E9K E9R E9E E9J 2AK DGK DHK G3K G4Q G4K 91K 92K)	40Y9111	*
8	Thermal Kit Heat sink (all models)	41R2895	**
9	Microprocessor, 2.53 GHZ Celeron Prescott P4 (533FSB, 256KB) (models CTO)	39J7004	**
9	Microprocessor, 2.66 GHZ Celeron Prescott P4 (533FSB, 256KB) (models CTO)	39J7005	**
9	Microprocessor, 2.8 GHZ Celeron Prescott P4 (533FSB, 256KB) (models CTO)	39J7006	**
9	Microprocessor, 2.93 GHZ Celeron Prescott P4 (533FSB, 256KB) (models CTO)	39J7007	**
9	Microprocessor, 3.06 GHZ Celeron Prescott P4 (533FSB, 256KB) (models CTO B1M B2M)	39J7008	**
9	Microprocessor, 3.2 GHZ Celeron Prescott P4 (533FSB, 256KB) (models CTO)	39J9695	**
9	Microprocessor, 3.33 GHZ Celeron Prescott (533FSB, 256KB) (models CTO)	41T1132	**
9	Microprocessor, 3.2 GHZ Celeron Cedar Mill (533FSB, 512KB) (models CTO)	41T4966	**
9	Microprocessor, 3.33 GHZ Celeron Cedar Mill (533FSB, 512KB) (models CTO)	41T4968	**
9	Microprocessor, 3.46 GHZ Celeron Cedar Mill (533FSB, 512KB) (models CTO)	41X8989	**
9	Microprocessor, 2.93 GHZ Prescott P4 (533FSB, 1MB) (models CTO)	39J9621	**
9	Microprocessor, 2.66 GHZ Prescott P4 (533FSB, 1MB) (models CTO)	41D0684	**
9	Microprocessor, 2.93 GHZ Prescott P4 (533FSB, 1MB) (models CTO)	41D0686	**
9	Microprocessor, 3.06 GHZ Prescott P4 (533FSB, 1MB) (models CTO)	41D0688	**
9	Microprocessor, 2.8 GHZ Prescott P4 (800FSB, 1MB) (models CTO 2AK 2BM 2CM)	39J7009	**
9	Microprocessor, 3.0 GHZ Prescott P4 (800FSB, 1MB) (models CTO 28M 29U 29F 29S 29P 29L 29G 29M 29A 29Q 29T 29C 29B 29H 29V 29K 29R 29E 29J 29D 29Y 26M 27M)	39J7010	**
9	Microprocessor, 3.2 GHZ Prescott P4 (800FSB, 1MB) (models CTO 35U 35F 35S 35P 35L 35G 35M 35A 35Q 35T 35C 35B 35H 35V 35K 35R 35E 35J 35D 35Y)	39J7011	**
9	Microprocessor, 3.4 GHZ Prescott P4 (800FSB, 1MB) (models CTO 45U 45F 45S 45P 45L 45G 45M 45A 45Q 45T 45C 45B 45H 45V 45K 45R 45D 45Y)	39J7012	**



Item #	9210 FRUs	FRU#	CRU
9	Microprocessor, 3.0 GHZ Prescott P4 (800FSB, 2MB) (models CTO D1U D1F D1S D1P D1L D1G D1M D1A D1Q D1T D1C D1B D1H D1V D1K D1R D1E D1J D7U D7F D7S D7P D7L D7D D7Y D7G D7M D7A D7Q D7T D7C D7B D7H D7V D7K D7R D7E D7J D2M D3M D4M D5M D6M D8M)	39J7013	**
9	Microprocessor, 3.2 GHZ Prescott P4 (800FSB, 2MB) (models CTO 31M 32M 33M 34M E9U E9F E9S E9P E9L E9D E9Y E9G E9M E9A E9Q E9T E9C E9B E9H E9V E9K E9R E9E E9J EAM)	39J7014	**
9	Microprocessor, 3.4 GHZ Prescott P4 (800FSB, 2MB) (models CTO F1M F3U F3F F3S F3P F3L F3D F3Y F3G F3M F3A F3Q F3T F3C F3B F3H F3V F3K F3R F3E F3J)	39J7015	**
9	Microprocessor, 2.8 GHZ Smithfield P4 (800FSB, 1MB) (models CTO G1M G2M G3K G4Q G4K G5U)	39J8468	**
9	Microprocessor, 3.0 GHz Cedar Mill P4 (800MHz FSB, 2MB Cache) (models CTO D9M DAM DBM DCM DDM DEM DFM)	41D5042	**
9	Microprocessor, 3.2 GHz Cedar Mill P4 (800MHz FSB, 2MB Cache) (models CTO E1M E2M E3M E4M E5M E6M E7M)	41D5056	**
9	Microprocessor, 3.2 GHz Cedar Mill P4 (800MHz FSB, 2MB Cache) (models CTO E1M E2M E3M E4M E5M E6M E7M)	41D5044	**
9	Microprocessor, 3.4 GHz Cedar Mill P4 (800MHz FSB, 2MB Cache) (models CTO F2M)	41D5058	**
9	Microprocessor, 3.4 GHz Cedar Mill P4 (800MHz FSB, 2MB Cache) (models CTO F2M)	41D5046	**
9	Microprocessor, 3.6 GHz Cedar Mill P4 (800MHz FSB, 2MB Cache) (models CTO H1M)	41D5048	**
9	Microprocessor, Pentium-D 2.8GHz Presler (800MHz FSB, 2MBx2 Cache) (models CTO J2U)	41X7775	**
9	Microprocessor, 2.8 GHz Presler P4 (800MHz FSB, 2MBx2 Cache) (models CTO J1M)	41D5050	**
9	Microprocessor, 3.0 GHz Presler P4 (800MHz FSB, 2MBx2 Cache) (models CTO K1M 91K 92K)	41D5052	**
9	Microprocessor, Pentium-D 3.4GHz Presler (800MHz FSB, 2MBx2 Cache) (models CTO)	41X8050	**
9	Microprocessor, Pentium-D 3.4GHz Presler (800MHz FSB, 2MBx2 Cache) (models CTO)	41X4230	**
9	Microprocessor, Pentium-D 3.4GHz Presler (800MHz FSB, 2MBx2 Cache) (models CTO 81M 82M 82Q 83U)	41X7776	**
9	Microprocessor, Pentium-D 3.4GHz Presler (800MHz FSB, 2MBx2 Cache) (models CTO)	41X4232	**
9	Microprocessor, Pentium-D 3.6GHz Presler (800MHz FSB, 2MBx2 Cache) (models CTO)	41X8990	**
10	System Board, Trinidad DDR2 SFF Planar v3.3--subbed from 41X1063 (models CTO B1M B2M 31M 32M 33M 34M 35U 35F 35S 35P 35L 35G 35M 35A 35Q 35T 35C 35B 35H 35V 35K 35R 35E 35J 45U 45F 45S 45P 45L 45G 45M 45A 45Q 45T 45C 45B 45H 45V 45K 45R 45E 45J 28M 29U 29F 29S 29P 29L 29G 29M 29A 29Q 29T 29C 29B 29H 29V 29K 29R 29E 29J D1U D1F D1S D1P D1L D1G D1M D1A D1Q D1T D1C D1B D1H D1V D1K D1R D1E D1J 29D 29Y 35D 35Y 45D 45Y E9U E9F E9S E9P E9L E9D E9Y E9G E9M E9A E9Q E9T E9C E9B E9H E9V E9K E9R E9E E9J F3U F3F F3S F3P F3L F3D F3Y F3G F3M F3A F3Q F3T F3C F3B F3H F3V F3K F3R F3E F3J 2AK)	43C9120	**
10	System Board, Trinidad DDR2 SFF Planar v3.3--subbed from 42Y3333 (models CTO)	43C9121	**

Item #	9210 FRUs	FRU#	CRU
10	System Board, Trinidad DDR2 SFF Planar v3.3--subbed from 41X1064 (models CTO D7U D7F D7S D7P D7L D7D D7Y D7G D7M D7A D7Q D7T D7C D7B D7H D7V D7K D7R D7E D7J D2M D3M D4M D5M D6M D8M EAM F1M D9M DAM DBM DCM DDM DEM DFM E1M E2M E3M E4M E5M E6M E7M F2M H1M J1M K1M 2BM 2CM 27M G1M G2M G3K G4Q G4K 82M 82Q)	43C9122	**
10	System Board, Trinidad DDR2 SFF Planar v3.3--subbed from 41X1063 and 43C9120 (models CTO B1M B2M 31M 32M 33M 34M 35U 35F 35S 35P 35L 35G 35M 35A 35Q 35T 35C 35B 35H 35V 35K 35R 35E 35J 45U 45F 45S 45P 45L 45G 45M 45A 45Q 45T 45C 45B 45H 45V 45K 45R 45E 45J 28M 29U 29F 29S 29P 29L 29G 29M 29A 29Q 29T 29C 29B 29H 29V 29K 29R 29E 29J D1U D1F D1S D1P D1L D1G D1M D1A D1Q D1T D1C D1B D1H D1V D1K D1R D1E D1J 29D 29Y 35D 35Y 45D 45Y E9U E9F E9S E9P E9L E9D E9Y E9G E9M E9A E9Q E9T E9C E9B E9H E9V E9K E9R E9E E9J F3U F3F F3S F3P F3L F3D F3Y F3G F3M F3A F3Q F3T F3C F3B F3H F3V F3K F3R F3E F3J 2AK)	43C7119	**
10	System Board, Trinidad DDR2 SFF Planar v3.3--subbed from 42Y3333 and 43C9121 (models CTO)	43C7120	**
10	System Board, Trinidad DDR2 SFF Planar v3.3--subbed from 41X1064 and 43C9122 (models CTO D7U D7F D7S D7P D7L D7D D7Y D7G D7M D7A D7Q D7T D7C D7B D7H D7V D7K D7R D7E D7J D2M D3M D4M D5M D6M D8M EAM F1M D9M DAM DBM DCM DDM DEM DFM E1M E2M E3M E4M E5M E6M E7M F2M H1M J1M K1M 2BM 2CM 27M G1M G2M G3K G4Q G4K 82M 82Q)	43C7121	**
11	256MB DDR2 SDRAM NP Memory (PC 4200) (models CTO)	30R5120	*
11	512MB DDR2 SDRAM NP Memory (PC 4200) (models D2M D3M D4M D5M E9U E9F E9S E9P E9L E9D E9Y E9G E9M E9A E9Q E9T E9C E9B E9H E9V E9K E9R E9E E9J EAM F1M J3G CTO B1M B2M 31M 32M 33M 35U 35F 35S 35P 35L 35G 35M 35A 35Q 35T 35C 35B 35H 35V 35K 35R 35E 35J 45U 45F 45S 45P 45L 45G 45M 45A 45Q 45T 45C 45B 45H 45V 45K 45R 45E 45J 29U 29F 29S 29P 29L 29G 29M 29A 29Q 29T 29C 29B 29H 29V 29K 29R 29E 29J D1U D1F D1S D1P D1L D1G D1M D1A D1Q D1T D1C D1B D1H D1V D1K D1R D1E D1J 29D 29Y 35D 35Y 45D 45Y D7U D7F D7S D7P D7L D7D D7Y D7G D7M D7A D7Q D7T D7C D7B D7H D7V D7K D7R D7E D7J)	30R5121	*
11	1GB DDR2 SDRAM NP Memory (PC 4200) (models CTO 34M 28M)	30R5122	*
11	2GB DDR2 SDRAM NP Memory (PC 4200) (models CTO)	30R5123	*
11	256MB DDR2 SDRAM NP Memory (PC 5300) (models CTO)	30R5124	*
11	512MB DDR2 SDRAM NP Memory (PC 5300) (models CTO D9M DAM DBM DCM DDM E1M E2M E3M E4M E5M 2AK 2BM 2CM 26M 27M DGK G1M G2M G3K G4Q G4K 91K 81M 82M 82Q)	30R5125	*
11	1GB DDR2 SDRAM NP Memory (PC 5300) (models CTO DEM DFM E6M E7M F2M H1M J1M K1M F3U F3F F3S F3P F3L F3D F3Y F3G F3M F3A F3Q F3T F3C F3B F3H F3V F3K F3R F3E F3J DHK 92K)	30R5126	*
12	Riser card assembly (all models)	41A7730	*
13	Speaker/cable assembly (all models)	39K5012	*
14	Chassis (all models)	26K1262	**

The FRUs listed in the following table are not illustrated.

9210 FRUs	FRU#	CRU
Tool less hard disk drive tray (all models)	03R0302	*
System board tray (all models)	26K1213	*
Cable, 2 Drop Hard Disk Drive and Optical - ATA 100 (all models)	26K1246	*



9210 FRUs	FRU#	CRU
Internal Plastic Kit (does not include tl hardfile tray) (all models)	03R0289	*
Cable, Optical (1 Drop) ATA 100 (all models)	26K1244	*
Cable, SATA Device (all models)	39K5026	*
C2 Cable (Squall) (all models)	39K5022	*
Cable, power switch/LED (all models)	26K1242	*
Cable, Diskette Drive (all models)	26K1248	*
System board I/O Shield Kit for all system boards (all models)	41A7703	*
Fan assembly (all models)	26K1253	*
Battery (all models)	33F8354	*
Universal Adapter Bracket 5.25 to 3.5-inch (all models)	32P4743	*
Retention module, tool less heat sink (all models)	26K1281	*

9210 Adapters and miscellaneous FRU	FRU#	CRU
PCI Modem Card (Soft), ATX V.90 (models CTO)	22P7943	*
128MB DDR ATI Radeon x300SE (DMS59 connector) (models CTO)	39J9635	*
128MB DDR ATI RADEON X700 PRO VGA, DVI-I, TV-Out PCI-e BTX (models CTO)	39J6203	*
PCI-E DVI-DConnection Adapter (ADD 2-R) (Full Height) (models CTO 34M D8M F3U F3F F3S F3P F3L F3D F3Y F3G F3M F3A F3Q F3T F3C F3B F3H F3V F3K F3R F3E F3J J3G)	39J9334	*
1394 Firewire PCI LP (ATX) (models CTO)	41D2781	*
1394 Internal cable (models CTO)	39M0478	*
Speakers, Jazz Infinity Active T1 (Black) (models CTO)	89P8588	*
Speaker Power brick - US, Canada, LA (low voltage), Taiwan, Phillipines, Thailand (models CTO-U CTO-L CTO-A)	10K2587	*
Speaker Power brick - UK, Hong Kong (British version), ASEAN (models CTO-A)	25P5703	*
Speaker Power brick - Europe and LA (models CTO-G CTO-L)	25P5704	*
Speaker Power brick (newer 2 prong) - China, Thailand, Phillipines (models CTO-A)	10K2597	*
Speaker Power brick - ANZ (models CTO-A)	25P5705	*
Speaker Power brick - Brazil (models CTO-L)	25P5706	*
Speaker Power brick - India, South Africa (models CTO-A CTO-G)	32P3181	*
Speaker Power brick - Argentina (models CTO-L)	01R2253	*
Speaker Power brick (models CTO)	89P8571	*
RJ11 connector adapter (Spain, Ireland) (All "G" models)	60H6043	*
RJ11 connector adapter (Austria) (All "G" models)	60H6045	*
RJ11 connector adapter (Belgium) (All "G" models)	60H6046	*
RJ11 connector adapter (Denmark) (All "G" models)	60H6047	*
RJ11 connector adapter (Norway, Finland) (All "G" models)	60H6048	*
RJ11 connector adapter (France) (All "G" models)	60H6049	*
RJ11 connector adapter (Germany) (All "G" models)	60H6050	*
RJ11 connector adapter (UK, NZ, HK) (All "G", "M", "B", "H" models)	60H6051	*
RJ11 connector adapter (Italy) (All "G" models)	60H6052	*
RJ11 connector adapter (Netherlands) (All "G" models)	60H6053	*

9210 Adapters and miscellaneous FRU	FRU#	CRU
RJ11 connector adapter (Sweden) (All "G" models)	60H6054	*
RJ11 connector adapter (Switzerland) (All "G" models)	60H6055	*
Dongle Cable - DMS59 to dual VGA (All models)	41D2399	*

9210 Keyboards (Preferred Pro Fullsize, PS/2, Stealth Black)	FRU#	CRU
US English (models CTO-U CTO-G B1M B2M 31M 32M 33M 34M 35U 35L 35G 35M 35A 35Q 35C 35H 35R 35E 45U 45L 45G 45M 45A 45Q 45C 45H 45R 45E 28M 29U 29L 29G 29M 29A 29Q 29C 29H 29R 29E D1U D1L D1G D1M D1A D1Q D1C D1H D1R D1E D7U D7L D7G D7M D7A D7Q D7C D7H D7R D7E D2M D3M D4M D5M D6M D8M E9U E9L E9G E9M E9A E9Q E9C E9H E9R E9E EAM F1M D9M DAM DBM DCM DDM DEM DFM E1M E2M E3M E4M E5M E6M E7M F2M H1M J1M K1M F3U F3L F3G F3M F3A F3Q F3C F3H F3R F3E 2BM 2CM 26M 27M G1M G2M G4Q 81M 82M 82Q J3G)	89P8300	*
Arabic (models CTO-G 35G 45G 29G D1G D7G E9G F3G J3G)	89P8301	*
Belgian/French (models CTO-G 35G 45G 29G D1G D7G E9G F3G J3G)	89P8302	*
Belgian/UK (models CTO-G 35G 45G 29G D1G D7G E9G F3G J3G)	89P8303	*
Brazil/Portuguese (models CTO-L 35P 45P 29P D1P D7P E9P F3P)	89P8304	*
Bulgarian (models CTO-G 35G 45G 29G D1G D7G E9G F3G J3G)	89P8305	*
Chinese/US (models 35B 35V 45B 45V 29B 29V D1B D1V D7B D7V E9B E9V F3B F3V)	89P8306	*
Czech (models CTO-G 35G 45G 29G D1G D7G E9G F3G J3G)	89P8307	*
Danish (models CTO-G 35G 45G 29G D1G D7G E9G F3G J3G)	89P8308	*
Dutch (models CTO-G 35G 45G 29G D1G D7G E9G F3G J3G)	89P8309	*
French (models CTO-G 35G 45G 29G D1G D7G E9G F3G J3G)	89P8310	*
French Canadian 445 (models CTO-U 35F 45F 29F D1F D7F E9F F3F)	89P8311	*
French Canadian 58 (models CTO-U 35F 45F 29F D1F D7F E9F F3F)	89P8312	*
German (models CTO-G 35G 45G 29G D1G D7G E9G F3G J3G)	89P8313	*
Greek (models CTO-G 35G 45G 29G D1G D7G E9G F3G J3G)	89P8314	*
Hebrew (models CTO-G 35G 45G 29G D1G D7G E9G F3G J3G)	89P8315	*
Hungarian (models CTO-G 35G 45G 29G D1G D7G E9G F3G J3G)	89P8316	*
Iceland (models CTO-G 35G 45G 29G D1G D7G E9G F3G J3G)	89P8317	*
Italian (models CTO-G 35G 45G 29G D1G D7G E9G F3G J3G)	89P8319	*
Japanese (models 35J 45J 29J D1J D7J E9J F3J)	89P8320	*
Korean (models 35K 45K 29K D1K D7K E9K F3K 2AK DGK DHK G3K G4K 91K 92K)	89P8321	*
LA Spanish (models CTO-L 35S 45S 29S D1S 29D 29Y 35D 35Y 45D 45Y D7S D7D D7Y E9S E9D E9Y F3S F3D F3Y)	89P8322	*
Norwegian (models CTO-G 35G 45G 29G D1G D7G E9G F3G J3G)	89P8323	*
Polish (models CTO-G 35G 45G 29G D1G D7G E9G F3G J3G)	89P8324	*
Portuguese (models CTO-G 35G 45G 29G D1G D7G E9G F3G J3G)	89P8325	*
Romanian (models CTO-G 35G 45G 29G D1G D7G E9G F3G J3G)	89P8326	*
Russian/Cyrillic (models CTO-G 35G 45G 29G D1G D7G E9G F3G J3G)	89P8328	*
Serbian/Cyrillic (models CTO-G 35G 45G 29G D1G D7G E9G F3G J3G)	89P8329	*
Slovak (models CTO-G 35G 45G 29G D1G D7G E9G F3G J3G)	89P8330	*
Spanish (models CTO-G 35G 45G 29G D1G D7G E9G F3G J3G)	89P8331	*
Swedish/Finn (models CTO-G 35G 45G 29G D1G D7G E9G F3G J3G)	89P8332	*

<b>9210 Keyboards (Preferred Pro Fullsize, PS/2, Stealth Black)</b>	<b>FRU#</b>	<b>CRU</b>
Swiss F/G (models CTO-G 35G 45G 29G D1G D7G E9G F3G J3G)	89P8333	*
Thailand (models CTO-A 35T 45T 29T D1T D7T E9T F3T)	89P8334	*
Turkish 179 (models CTO-G 35G 45G 29G D1G D7G E9G F3G J3G)	89P8336	*
UK English (models CTO-G 35G 45G 29G D1G D7G E9G F3G J3G)	89P8337	*
US Euro (models CTO-G 35G 45G 29G D1G D7G E9G F3G J3G)	89P8338	*
Yugoslav/Latin (models CTO-G 35G 45G 29G D1G D7G E9G F3G J3G)	89P8339	*

<b>9210 Keyboard (PS2 Preferred Pro)</b>	<b>FRU#</b>	<b>CRU</b>
US English (models CTO-U CTO-G B1M B2M 31M 32M 33M 34M 35U 35L 35G 35M 35A 35Q 35C 35H 35R 35E 45U 45L 45G 45M 45A 45Q 45C 45H 45R 45E 28M 29U 29L 29G 29M 29A 29Q 29C 29H 29R 29E D1U D1L D1G D1M D1A D1Q D1C D1H D1R D1E D7U D7L D7G D7M D7A D7Q D7C D7H D7R D7E D2M D3M D4M D5M D6M D8M E9U E9L E9G E9M E9A E9Q E9C E9H E9R E9E EAM F1M D9M DAM DBM DCM DDM DEM DFM E1M E2M E3M E4M E5M E6M E7M F2M H1M J1M K1M F3U F3L F3G F3M F3A F3Q F3C F3H F3R F3E 2BM 2CM 26M 27M G1M G2M G4Q G5U J2U 81M 82M 82Q 83U)	41A5039	*
Arabic (models CTO-G 35G 45G 29G D1G D7G E9G F3G)	41A5040	*
Belgian/French (models CTO-G 35G 45G 29G D1G D7G E9G F3G)	41A5042	*
Belgian/UK (models CTO-G 35G 45G 29G D1G D7G E9G F3G)	41A5043	*
Brazil/Portuguese (models CTO-L 35P 45P 29P D1P D7P E9P F3P)	41A5044	*
Bulgarian (models CTO-G 35G 45G 29G D1G D7G E9G F3G)	41A5045	*
Hong Kong/Taiwan (models 35B 35V 45B 45V 29B 29V D1B D1V D7B D7V E9B E9V F3B F3V)	41A5046	*
Czech (models CTO-G 35G 45G 29G D1G D7G E9G F3G)	41A5047	*
Danish (models CTO-G 35G 45G 29G D1G D7G E9G F3G)	41A5048	*
Dutch (models CTO-G 35G 45G 29G D1G D7G E9G F3G)	41A5049	*
French (models CTO-G 35G 45G 29G D1G D7G E9G F3G)	41A5050	*
French Canadian 445 (models CTO-U 35F 45F 29F D1F D7F E9F F3F)	41A5051	*
French Canadian 58 (models CTO-U 35F 45F 29F D1F D7F E9F F3F)	41A5052	*
German (models CTO-G 35G 45G 29G D1G D7G E9G F3G)	41A5053	*
Greek (models CTO-G 35G 45G 29G D1G D7G E9G F3G)	41A5054	*
Hebrew (models CTO-G 35G 45G 29G D1G D7G E9G F3G)	41A5055	*
Hungarian (models CTO-G 35G 45G 29G D1G D7G E9G F3G)	41A5056	*
Iceland (models CTO-G 35G 45G 29G D1G D7G E9G F3G)	41A5057	*
Italian (models CTO-G 35G 45G 29G D1G D7G E9G F3G)	41A5058	*
Japanese (models 35J 45J 29J D1J D7J E9J F3J)	41A5059	*
Korean (models 35K 45K 29K D1K D7K E9K F3K 2AK DGK DHK G3K G4K 91K 92K)	41A5060	*
LA Spanish (models CTO-L 35S 45S 29S D1S 29D 29Y 35D 35Y 45D 45Y D7S D7D D7Y E9S E9D E9Y F3S F3D F3Y)	41A5061	*
Norwegian (models CTO-G 35G 45G 29G D1G D7G E9G F3G)	41A5062	*
Polish (models CTO-G 35G 45G 29G D1G D7G E9G F3G)	41A5063	*
Portuguese (models CTO-G 35G 45G 29G D1G D7G E9G F3G)	41A5064	*
Romanian (models CTO-G 35G 45G 29G D1G D7G E9G F3G)	41A5065	*
Russian/Cyrilic (models CTO-G 35G 45G 29G D1G D7G E9G F3G)	41A5066	*

<b>9210 Keyboard (PS2 Preferred Pro)</b>	<b>FRU#</b>	<b>CRU</b>
Serbian/Cyrillic (models CTO-G 35G 45G 29G D1G D7G E9G F3G)	41A5067	*
Slovak (models CTO-G 35G 45G 29G D1G D7G E9G F3G)	41A5068	*
Spanish (models CTO-G 35G 45G 29G D1G D7G E9G F3G)	41A5069	*
Swedish/Finn (models CTO-G 35G 45G 29G D1G D7G E9G F3G)	41A5070	*
Swiss F/G (models CTO-G 35G 45G 29G D1G D7G E9G F3G)	41A5071	*
Thailand (models CTO-A 35T 45T 29T D1T D7T E9T F3T)	41A5072	*
Turkish 179 (models CTO-G 35G 45G 29G D1G D7G E9G F3G)	41A5074	*
UK English (models CTO-G 35G 45G 29G D1G D7G E9G F3G)	41A5075	*
US Euro (models CTO-G 35G 45G 29G D1G D7G E9G F3G)	41A5076	*
Slovenian (models CTO-G 35G 45G 29G D1G D7G E9G F3G)	41A5077	*

<b>9210 IBM Keyboard (USB Preferred - without hub)</b>	<b>FRU#</b>	<b>CRU</b>
US English (models CTO-U CTO-G)	89P9040	*
Arabic (models CTO-G)	89P9041	*
Arabic/French (models CTO-G)	89P9058	*
Belgian/French (models CTO-G)	89P9042	*
Belgian/UK (models CTO-G)	89P9043	*
Brazilian (models CTO-L)	89P9044	*
Bulgarian (models CTO-G)	89P9045	*
Czech (models CTO-G)	89P9047	*
Danish (models CTO-G)	89P9048	*
Dutch (models CTO-G)	89P9049	*
French (models CTO-G)	89P9050	*
French Canadian (models CTO-U)	89P9051	*
French Canadian (models CTO-U)	89P9052	*
German (models CTO-G)	89P9053	*
Greek (models CTO-G)	89P9054	*
Greek/US (models CTO-G)	41A4948	*
Hebrew (models CTO-G)	89P9055	*
Hungarian (models CTO-G)	89P056	*
Iceland (models CTO-G)	89P9057	*
Italy (models CTO-G)	89P9059	*
LA Spanish (models CTO-L)	89P9062	*
Norwegian (models CTO-G)	89P9063	*
Polish (models CTO-G)	89P9064	*
Portuguese (models CTO-G)	89P9065	*
Romanian 096 (models CTO-G)	89P9067	*
Romanian 446 (models CTO-G)	89P9066	*
Russian/Cyrillic (models CTO-G)	89P9068	*
Serbian/Cyrillic (models CTO-G)	89P9069	*
Slovak (models CTO-G)	89P9070	*

<b>9210 IBM Keyboard (USB Preferred - without hub)</b>	<b>FRU#</b>	<b>CRU</b>
Spanish (models CTO-G)	89P9072	*
Swedish/Finn (models CTO-G)	89P9073	*
Swiss (models CTO-G)	89P9074	*
Thailand (models CTO-A)	89P9075	*
Turkish 440 (models CTO-G)	89P9076	*
Turkish 179 (models CTO-G)	89P9077	*
UK English (models CTO-G)	89P9078	*
US Euro (models CTO-G)	89P9079	*
Slovenian (models CTO-G)	89P9071	*

<b>9210 Lenovo Keyboard (USB Preferred - without hub)</b>	<b>FRU#</b>	<b>CRU</b>
US English (models CTO-U CTO-G)	41A5289	*
Arabic (models CTO-G)	41A5290	*
Arabic/French (models CTO-G)	41A5291	*
Belgian/French (models CTO-G)	41A5292	*
Belgian/UK (models CTO-G)	41A5293	*
Brazilian (models CTO-L)	41A5294	*
Bulgarian (models CTO-G)	41A5295	*
Czech (models CTO-G)	41A5297	*
Danish (models CTO-G)	41A5298	*
Dutch (models CTO-G)	41A5299	*
French (models CTO-G)	41A5300	*
French Canadian 445 (models CTO-U)	41A5301	*
French Canadian 58 (models CTO-U)	41A5302	*
German (models CTO-G)	41A5303	*
Greek (models CTO-G)	41A5304	*
Greek/US (models CTO-G)	41A5305	*
Hebrew (models CTO-G)	41A5306	*
Hungarian (models CTO-G)	41A5307	*
Iceland (models CTO-G)	41A5308	*
Italian 141 (models CTO-G)	41A5309	*
LA Spanish (models CTO-L)	41A5312	*
Norwegian (models CTO-G)	41A5313	*
Polish (models CTO-G)	41A5314	*
Portuguese (models CTO-G)	41A5315	*
Romanian 096 (models CTO-G)	41A5317	*
Romanian 446 (models CTO-G)	41A5316	*
Russian/Cyrillic (models CTO-G)	41A5318	*
Serbian/Cyrillic (models CTO-G)	41A5319	*
Slovak (models CTO-G)	41A5320	*
Spanish (models CTO-G)	41A5321	*

<b>9210 Lenovo Keyboard (USB Preferred - without hub)</b>	<b>FRU#</b>	<b>CRU</b>
Swedish/Finn (models CTO-G)	41A5322	*
Swiss (models CTO-G)	41A5323	*
Thailand (models CTO-A)	41A5324	*
Turkish 440 (models CTO-G)	41A5325	*
Turkish 179 (models CTO-G)	41A5326	*
UK English (models CTO-G)	41A5327	*
US Euro (models CTO-G)	41A5328	*
Slovenian (models CTO-G)	41A5329	*

<b>9210 Keyboards (Productivity USB)</b>	<b>FRU#</b>	<b>CRU</b>
US English (models CTO-U CTO-G)	89P8800	*
Arabic (models CTO-G)	89P8801	*
Arabic/French (models CTO-G)	89P8802	*
Belgian/French (models CTO-G)	89P8803	*
Belgian/UK (models CTO-G)	89P8804	*
Brazil/Portuguese (models CTO-L)	89P8805	*
Bulgarian (models CTO-G)	89P8806	*
Czech (models CTO-G)	89P8808	*
Danish (models CTO-G)	89P8809	*
Dutch (models CTO-G)	89P8810	*
French (models CTO-U)	89P8811	*
French Canadian (models CTO-U)	89P8812	*
French Canadian (models CTO-U)	89P8813	*
German (models CTO-G)	89P8814	*
Greek (models CTO-G)	89P8815	*
Hebrew (models CTO-G)	89P8816	*
Hungarian (models CTO-G)	89P8817	*
Iceland (models CTO-G)	89P8818	*
Italian 141 (models CTO-G)	89P8819	*
LA/Spanish (models CTO-L)	89P8822	*
Norwegian (models CTO-G)	89P8823	*
Polish (models CTO-G)	89P8824	*
Portuguese (models CTO-G)	89P8825	*
Romanian (models CTO-G)	89P8826	*
Romanian (models CTO-G)	89P8827	*
Russian/Cyrillic (models CTO-G)	89P8828	*
Serbian/Cyrillic (models CTO-G)	89P8829	*
Slovak (models CTO-G)	89P8830	*
Spanish (models CTO-G)	89P8831	*
Swedish/Finn (models CTO-G)	89P8832	*
Swiss F/G (models CTO-G)	89P8833	*

<b>9210 Keyboards (Productivity USB)</b>	<b>FRU#</b>	<b>CRU</b>
Thailand (models CTO-A)	89P8834	*
Turkish 440 (models CTO-G)	89P8835	*
Turkish 179 (models CTO-G)	89P8836	*
UK English (models CTO-G)	89P8837	*
US Euro (models CTO-G)	89P8838	*
Yugoslav/Latin (models CTO-G)	89P8839	*

<b>9210 Keyboard (Lenovo, USB Enhanced Performance)</b>	<b>FRU#</b>	<b>CRU</b>
US English (models CTO-U CTO-G)	41A4961	*
Arabic (models CTO-G)	41A4962	*
Arabic/French (models CTO-G)	41A4963	*
Belgian/French (models CTO-G)	41A4964	*
Belgian/UK (models CTO-G)	41A4965	*
Brazilian (models CTO-L)	41A4966	*
Bulgarian (models CTO-G)	41A4967	*
Czech (models CTO-G)	41A4969	*
Danish (models CTO-G)	41A4970	*
Dutch (models CTO-G)	41A4971	*
French (models CTO-G)	41A4972	*
French Canadian 445 (models CTO-U)	41A4973	*
French Canadian 58 (models CTO-U)	41A4974	*
German (models CTO-G)	41A4975	*
Greek (models CTO-G)	41A4976	*
Hebrew (models CTO-G)	41A4977	*
Hungarian (models CTO-G)	41A4978	*
Iceland (models CTO-G)	41A4979	*
Italian (models CTO-G)	41A4980	*
LA Spanish (models CTO-L)	41A4983	*
Norwegian (models CTO-G)	41A4984	*
Polish (models CTO-G)	41A4985	*
Portuguese (models CTO-G)	41A4986	*
Romanian (models CTO-G)	41A4987	*
Russian/Cy (models CTO-G)	41A4988	*
Serbian/Cyrillic (models CTO-G)	41A4989	*
Slovak (models CTO-G)	41A4990	*
Spanish (models CTO-G)	41A4991	*
Swedish/Finn (models CTO-G)	41A4992	*
Swiss F/G (models CTO-G)	41A4993	*
Thailand (models CTO-A)	41A4994	*
Turkish 440 (models CTO-G)	41A4995	*
Turkish 179 (models CTO-G)	41A4996	*



<b>9210 Keyboard (Lenovo, USB Enhanced Performance)</b>	<b>FRU#</b>	<b>CRU</b>
UK English (models CTO-G)	41A4997	*
US Euro (models CTO-G)	41A4998	*
Slovenian (models CTO-G)	41A4999	*

<b>9210 Keyboards (with fingerprint reader)</b>	<b>FRU#</b>	<b>CRU</b>
US English (models CTO-U CTO-G)	89P9000	*
Arabic (models CTO-G)	89P9001	*
Belgian/French (models CTO-G)	89P9003	*
Belgian/UK (models CTO-G)	89P9004	*
Brazilian Portuguese (models CTO-L)	89P9005	*
Bulgarian (models CTO-G)	89P9006	*
Czech (models CTO-G)	89P9008	*
Danish (models CTO-G)	89P9009	*
Dutch (models CTO-G)	89P9010	*
French (models CTO-G)	89P9011	*
French Canadian 445 (models CTO-U)	89P9012	*
French Canadian 58 (models CTO-U)	89P9013	*
German (models CTO-G)	89P9014	*
Greek (models CTO-G)	89P9015	*
Hebrew (models CTO-G)	89P9016	*
Hungarian (models CTO-G)	89P9017	*
Iceland (models CTO-G)	89P9018	*
Italian 141 (models CTO-L)	89P9019	*
LA Spanish (models CTO-L)	89P9022	*
Norwegian (models CTO-G)	89P9023	*
Polish (models CTO-G)	89P9024	*
Portuguese (models CTO-G)	89P9025	*
Romanian (models CTO-G)	89P9026	*
Romanian (models CTO-G)	89P9027	*
Russian/Cyrillic (models CTO-G)	89P9028	*
Serbian/Cyrillic (models CTO-G)	89P9029	*
Slovak (models CTO-G)	89P9030	*
Spanish (models CTO-G)	89P9031	*
Swedish/Finn (models CTO-G)	89P9032	*
Swiss F/G (models CTO-G)	89P9033	*
Thailand (models CTO-A)	89P9034	*
Turkish 440 (models CTO-G)	89P9035	*
Turkish 179 (models CTO-G)	89P9036	*
UK English (models CTO-G)	89P9037	*
US Euro (models CTO-G)	89P9038	*
Yugoslav/Latin (models CTO-G)	89P9039	*



<b>9210 Keyboard (Fingerprint reader USB)</b>	<b>FRU#</b>	<b>CRU</b>
US English (models CTO-U CTO-G)	41A5248	*
Arabic (models CTO-G)	41A5249	*
Arabic/French (models CTO-G)	41A5250	*
Belgian/French (models CTO-G)	41A5251	*
Belgian/UK (models CTO-G)	41A5252	*
Brazilian (models CTO-L)	41A5253	*
Bulgarian (models CTO-G)	41A5254	*
Czech (models CTO-G)	41A5256	*
Danish (models CTO-G)	41A5257	*
Dutch (models CTO-G)	41A5258	*
French (models CTO-G)	41A5259	*
French Canadian 445 (models CTO-U)	41A5260	*
French Canadian 58 (models CTO-U)	41A5261	*
German (models CTO-G)	41A5262	*
Greek (models CTO-G)	41A5263	*
Hebrew (models CTO-G)	41A5265	*
Hungarian (models CTO-G)	41A5266	*
Iceland (models CTO-G)	41A5267	*
Italian (models CTO-G)	41A5268	*
LA Spanish (models CTO-L)	41A5271	*
Norwegian (models CTO-G)	41A5272	*
Polish (models CTO-G)	41A5273	*
Portuguese (models CTO-G)	41A5274	*
Romanian 446 (models CTO-G)	41A5275	*
Romanian 96 (models CTO-G)	41A5276	*
Russian/Cy (models CTO-G)	41A5277	*
Serbian/Cyrillic (models CTO-G)	41A5278	*
Slovak (models CTO-G)	41A5279	*
Spanish (models CTO-G)	41A5280	*
Swedish/Finn (models CTO-G)	41A5281	*
Swiss F/G (models CTO-G)	41A5282	*
Thailand (models CTO-A)	41A5283	*
Turkish 440 (models CTO-G)	41A5284	*
Turkish 179 (models CTO-G)	41A5285	*
UK English (models CTO-G)	41A5286	*
US Euro (models CTO-G)	41A5287	*
Slovenian (models CTO-G)	41A5288	*

<b>9210 Lenovo Keyboard (Wireless, Enhanced)</b>	<b>FRU#</b>	<b>CRU</b>
US English/Chinese/US (models CTO-U CTO-G)	41A5219	*

<b>9210 Lenovo Keyboard (Wireless, Enhanced)</b>	<b>FRU#</b>	<b>CRU</b>
Belgian/French (models CTO-U CTO-G)	41A5220	*
Belgian/UK (models CTO-G)	41A5221	*
Czech (models CTO-G)	41A5223	*
Danish (models CTO-G)	41A5224	*
Dutch (models CTO-G)	41A5225	*
French (models CTO-G)	41A5226	*
French Canadian (models CTO-U)	41A5227	*
French Canadian (models CTO-U)	41A5228	*
German (models CTO-G)	41A5229	*
Greek (models CTO-G)	41A5230	*
Hungarian (models CTO-G)	41A5232	*
Iceland (models CTO-G)	41A5233	*
Italy (models CTO-G)	41A5234	*
Norwegian (models CTO-G)	41A5236	*
Polish (models CTO-G)	41A5237	*
Portuguese (models CTO-G)	41A5238	*
Slovak (models CTO-G)	41A5239	*
Spanish (models CTO-G)	41A5240	*
Swedish/Finn (models CTO-G)	41A5241	*
Swiss (models CTO-G)	41A5242	*
UK English (models CTO-G)	41A5243	*
US Euro (models CTO-G)	41A5244	*

<b>9210 Keyboard (Enhanced Performance, Wireless)</b>	<b>FRU#</b>	<b>CRU</b>
US English (models CTO-U CTO-G)	89P8730	*
Belgian/French (models CTO-G)	89P8731	*
Belgian/UK (models CTO-G)	89P8732	*
Czech (models CTO-G)	89P8734	*
Danish (models CTO-G)	89P8735	*
Dutch (models CTO-G)	89P8736	*
French (models CTO-G)	89P8737	*
French Canadian 445 (models CTO-U)	89P8738	*
French Canadian 58 (models CTO-U)	89P8739	*
German (models CTO-G)	89P8740	*
Greek (models CTO-G)	89P8741	*
Hungarian (models CTO-G)	89P8742	*
Iceland (models CTO-G)	89P8743	*
Italian 141 (models CTO-G)	89P8744	*
Norwegian (models CTO-G)	89P8746	*
Polish (models CTO-G)	89P8747	*
Portuguese (models CTO-G)	89P8748	*

<b>9210 Keyboard (Enhanced Performance, Wireless)</b>	<b>FRU#</b>	<b>CRU</b>
Slovak (models CTO-G)	89P8749	*
Spanish (models CTO-G)	89P8751	*
Swedish/Finn (models CTO-G)	89P8752	*
Swiss F/G (models CTO-G)	89P8753	*
UK English (models CTO-G)	89P8754	*
US Euro (models CTO-G)	89P8755	*
Wireless transceiver dongle (models CTO)	89P8757	*

<b>9210 mice</b>	<b>FRU#</b>	<b>CRU</b>
Mouse, Scrollpoint Optical, USB (all models)	41A4933	*
Mouse, optical wheelmouse, USB (models CTO)	41A4935	*
Mouse, PS/2 wheelmouse (Black) (models CTO)	41A4917	*
Mouse, optical wheelmouse (400DPI, USB) (models CTO)	41U3013	*
Mouse, Scrollpoint Optical, (800DPI, USB) (all models)	41U3019	*
Mouse, Wheelmouse PS/2(models CTO)	41R0018	*

<b>9210 Power Cords</b>	<b>FRU#</b>	<b>CRU</b>
Power cord - US (models 35U 35F 35S 35L 35A 35T 45U 45F 45S 45L 45A 45T 29U 29F 29S 29L 29A 29T D1U D1F D1S D1L D1A D1T 29D 35D 45D D7U D7F D7S D7L D7D D7A D7T E9U E9F E9S E9L E9D E9A E9T F3U F3F F3S F3L F3D F3A F3T)	39M5080	*
Power cord - China (models 35C 45C 29C D1C D7C E9C F3C)	39M5205	*
Power cord - Japan (models 35E 35J 45E 45J 29E 29J D1E D1J D7E D7J E9E E9J F3E F3J)	39M5193	*
Power cord - Brazil (models 35P 45P 29P D1P D7P E9P F3P)	39M5232	*
Power cord - LA High Volt (APU) (models 35L 45L 29L D1L 29Y 35Y 45Y D7L D7Y E9L E9Y F3L F3Y)	39M5067	*
Power cord - Australia/New Zealand (models B1M B2M 31M 32M 33M 34M 35M 45M 28M 29M D1M D7M D2M D3M D4M D5M D6M D8M E9M EAM F1M D9M DAM DBM DCM DDM DEM DFM E1M E2M E3M E4M E5M E6M E7M F2M H1M J1M K1M F3M 2BM 2CM 26M 27M G1M G2M 81M 82M)	39M5102	*
Power cord - Korea (models 35K 35R 45K 45R 29K 29R D1K D1R D7K D7R E9K E9R F3K F3R 2AK DGK DHK G3K G4K 91K 92K)	39M5212	*
Power cord - Hong Kong (models 35B 35H 45B 45H 29B 29H D1B D1H D7B D7H E9B E9H F3B F3H)	39M5151	*
Power cord - UK, Ireland, Singapore, Malaysia, Brunei (models 35G 35A 45G 45A 29G 29A D1G D1A D7G D7A E9G E9A F3G F3A J3G)	39M5150	*
Power cord - Taiwan (models 35V 45V 29V D1V D7V E9V F3V)	39M5246	*
Power cord - Italy (models 35S 35L 35G 45S 45L 45G 29S 29L 29G D1S D1L D1G 29Y 35Y 45Y D7S D7L D7Y D7G E9S E9L E9Y E9G F3S F3L F3Y F3G J3G)	39M5164	*
Power cord - G models (models 35G 35A 45G 45A 29G 29A D1G D1A D7G D7A E9G E9A F3G F3A J3G)	39M5122	*
Power cord - Denmark (models 35G 45G 29G D1G D7G E9G F3G J3G)	39M5129	*
Power cord - Switzerland (models 35G 45G 29G D1G D7G E9G F3G J3G)	39M5157	*
Power cord - Israel (models 35G 45G 29G D1G D7G E9G F3G J3G)	39M5171	*

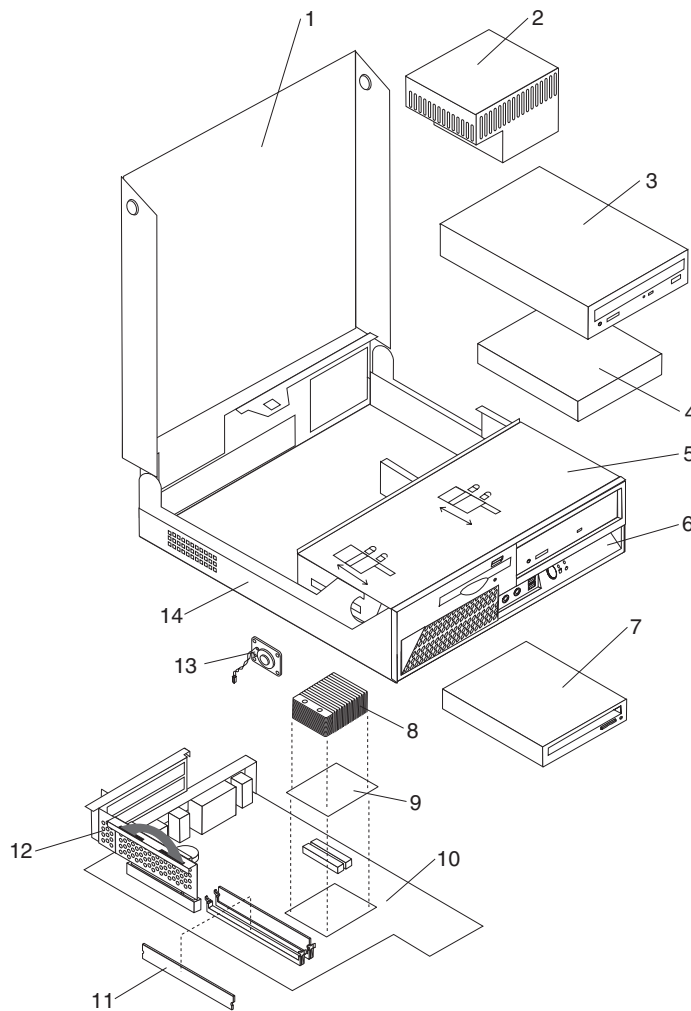
9210 Power Cords	FRU#	CRU
Power cord - South Africa (models B1M B2M 31M 32M 33M 34M 35G 35M 35A 45G 45M 45A 28M 29G 29M 29A D1G D1M D1A D7G D7M D7A D2M D3M D4M D5M D6M D8M E9G E9M E9A EAM F1M D9M DAM DBM DCM DDM DEM DFM E1M E2M E3M E4M E5M E6M E7M F2M H1M J1M K1M F3G F3M F3A 2BM 2CM 26M 27M G1M G2M 81M 82M J3G)	39M5143	*
Power cord - India (models 35Q 45Q 29Q D1Q D7Q E9Q F3Q G4Q 82Q)	41R3175	*

9210 Windows XP Home Recovery CDs	FRU #	CRU
US/UK/AP/TH (models B2M 33M D4M DBM DCM E3M E4M)	41T1584	*
Korean (models 2AK DGK G3K 91K)	41W2624	*

9210 Windows XP Pro Recovery CDs	FRU#	CRU
US/UK/AP/TH (models B1M 31M 32M 34M 35U 35L 35G 35M 35A 35Q 35T 35H 35R 35E 45U 45L 45G 45M 45A 45Q 45T 45H 45R 45E 28M 29U 29L 29G 29M 29A 29Q 29T 29H 29R 29E D1U D1L D1G D1M D1A D1Q D1T D1H D1R D1E D7U D7L D7G D7M D7A D7Q D7T D7H D7R D7E D2M D3M D5M D6M D8M E9U E9L E9G E9M E9A E9Q E9T E9H E9R E9E EAM F1M D9M DAM DDM DEM DFM E1M E2M E5M E6M E7M F2M H1M J1M K1M F3U F3L F3G F3M F3A F3Q F3T F3H F3R F3E 2BM 2CM 26M 27M G1M G2M G4Q 81M 82M 82Q J3G)	41T1577	*
FR/CF (models 35F 35G 45F 45G 29F 29G D1F D1G D7F D7G E9F E9G F3F F3G J3G)	41T3198	*
GR (models 35G 45G 29G D1G D7G E9G F3G J3G)	41T3199	*
SP/LA (models 35S 35G 45S 45G 29G D1G 29D 29Y 35D 35Y 45D 45Y 29S D7S D7D D7Y D7G D1S E9S E9D E9Y E9G F3S F3D F3Y F3G J3G)	41T3200	*
IT (models 35G 45G 29G D1G D7G E9G F3G J3G)	41T3201	*
BR (models 35P 45P 29G D1P D7P E9P F3P)	41T3202	*
SV (models 35G 45G 29G D1G D7G E9G F3G J3G)	41T3203	*
DK (models 35G 45G 29G D1G D7G E9G F3G J3G)	41T3204	*
FI (models 35G 45G 29G D1G D7G E9G F3G J3G)	41T4264	*
NO (models 35G 45G 29G D1G D7G E9G F3G J3G)	39J9646	*
NL (models 35G 45G 29G D1G D7G E9G F3G J3G)	41T4266	*
HE (models 35G 45G 29G D1G D7G E9G F3G J3G)	41T4267	*
PL (models 35G 45G 29G D1G D7G E9G F3G J3G)	41T4268	*
CZ (models 35G 45G 29G D1G D7G E9G F3G J3G)	41T4269	*
AE (models 35G 45G 29G D1G D7G E9G F3G J3G)	41T4270	*
RU (models 35G 45G 29G D1G D7G E9G F3G J3G)	41T4271	*
RU English (models 35G 45G 29G D1G D7G E9G F3G J3G)	41T4835	*
TR (models 35G 45G 29G D1G D7G E9G F3G J3G)	41T4836	*
HU (models 35G 45G 29G D1G D7G E9G F3G J3G)	41T4837	*
PO (models 35G 45G 29G D1G D7G E9G F3G J3G)	41T4838	*
GK (models 35G 45G 29G D1G D7G E9G F3G J3G)	41T4839	*
SL (models 35G 45G 29G D1G D7G E9G F3G J3G)	41T4840	*
Simplified Chinese (models 35C 45C 29C D1C D7C E9C F3C)	41W2596	*
Taiwan (models 35V 45V 29V D1V D7V E9V F3V)	41W2603	*
Hong Kong - TC (models 35B 45B 29B D1B D7B E9B F3B)	41W2610	*

9210 Windows XP Pro Recovery CDs	FRU#	CRU
Korea (models 35K 45K 29K D1K D7K E9K F3K DHK G4K 92K)	41W2589	*
Japanese (models 35J 45J 29J D1J D7J E9J F3J)	41W2617	*
Multilingual 1 (models CTO-G 35G 45G 29G D1G D7G E9G F3G J3G)	41T3282	*
Multilingual 2 (models CTO-G 35G 45G 29G D1G D7G E9G F3G J3G)	41T4280	*

# Machine Type 9211



Item #	9211 FRUs	FRU#	CRU
1	Cover, Kensington lock (all models)	26K1263	**
2	Power Supply (225 Watt) (models CTO 45U 45F 45S 45P 45L 45G 45M 45A 45Q 45T 45C 45B 45H 45V 45K 45R 45E 45J)	24R2584	**
2	Power Supply (225 Watt) China Version (models CTO-A CTO-L 45S 45P 45L 45Q 45C 45B 45H 45V 45D 45Y)	24R2587	**
3	CD-ROM Drive 48X (models CTO)	40Y8929	*
3	CD-ROM Drive 48X (models CTO 45U 45F 45S 45P 45L 45G 45M 45A 45Q 45T 45C 45B 45H 45V 45K 45R 45E 45J 45D 45Y)	40Y8807	*
3	CD-ROM Drive 48X (models CTO 45U 45F 45S 45P 45L 45G 45M 45A 45Q 45T 45C 45B 45H 45V 45K 45R 45E 45J 45D 45Y)	40Y8953	*
3	CD-ROM Drive 48X (models CTO 45U 45F 45S 45P 45L 45G 45M 45A 45Q 45T 45C 45B 45H 45V 45K 45R 45E 45J 45D 45Y)	41N3539	*
3	CD-ROM Drive 48X (models CTO 45U 45F 45S 45P 45L 45G 45M 45A 45Q 45T 45C 45B 45H 45V 45K 45R 45E 45J 45D 45Y)	41N3540	*
3	CD-ROM Drive 48X (models CTO 45U 45F 45S 45P 45L 45G 45M 45A 45Q 45T 45C 45B 45H 45V 45K 45R 45E 45J 45D 45Y)	41N3541	*

Item #	9211 FRUs	FRU#	CRU
3	DVD-ROM 16X/48X - Black (models CTO 45U 45F 45S 45P 45L 45G 45M 45A 45Q 45T 45C 45B 45H 45V 45K 45R 45E 45J 45D 45Y)	40Y8931	*
3	DVD-ROM 16X/48X - Black (models CTO 45U 45F 45S 45P 45L 45G 45M 45A 45Q 45T 45C 45B 45H 45V 45K 45R 45E 45J 45D 45Y)	40Y8933	*
3	DVD-ROM 16X/48X - Black (models CTO 45U 45F 45S 45P 45L 45G 45M 45A 45Q 45T 45C 45B 45H 45V 45K 45R 45E 45J 45D 45Y)	40Y8957	*
3	DVD-ROM 16X/48X - Black (models CTO 45U 45F 45S 45P 45L 45G 45M 45A 45Q 45T 45C 45B 45H 45V 45K 45R 45E 45J 45D 45Y)	41X3544	*
3	DVD-ROM 16X/48X - Black (models CTO 45U 45F 45S 45P 45L 45G 45M 45A 45Q 45T 45C 45B 45H 45V 45K 45R 45E 45J 45D 45Y)	41X3545	*
3	DVD-ROM 16X/48X - Black (models CTO 45U 45F 45S 45P 45L 45G 45M 45A 45Q 45T 45C 45B 45H 45V 45K 45R 45E 45J 45D 45Y)	41X3546	*
3	DVD-ROM/CD-RW Combo Drive (48x/32x/48x/16x) (models CTO)	40Y8919	*
3	DVD-ROM/CD-RW Combo Drive (48x/32x/48x/16x) (models CTO)	40Y8941	*
3	DVD-ROM/CD-RW Combo Drive (48x/32x/48x/16x) (models CTO)	41X3547	*
3	DVD-ROM/CD-RW Combo Drive (48x/32x/48x/16x) (models CTO)	41X7992	*
3	Multi-Burner Plus (models CTO)	40Y8909	*
3	Multi-Burner Plus (models CTO)	41X3550	*
4	Hard Disk Drive 40GB 7200 rpm Serial ATA (models CTO)	40Y8760	*
4	Hard Disk Drive 40GB 7200 rpm Serial ATA (models CTO)	40Y9033	*
4	Hard Disk Drive 40GB 7200 rpm Serial ATA (models CTO)	71P7312	*
4	Hard Disk Drive 80GB 7200 rpm Serial ATA (models CTO 45U 45F 45S 45P 45L 45G 45M 45A 45Q 45T 45C 45B 45H 45V 45K 45R 45E 45J 45D 45Y)	40Y8761	*
4	Hard Disk Drive 80GB 7200 rpm Serial ATA (models CTO 45U 45F 45S 45P 45L 45G 45M 45A 45Q 45T 45C 45B 45H 45V 45K 45R 45E 45J 45D 45Y)	71P7293	*
4	Hard Disk Drive 80GB 7200 rpm Serial ATA (models CTO 45U 45F 45S 45P 45L 45G 45M 45A 45Q 45T 45C 45B 45H 45V 45K 45R 45E 45J 45D 45Y)	40Y9034	*
4	Hard Disk Drive 160GB 7200 rpm Serial ATA (models CTO)	40Y8762	*
4	Hard Disk Drive 160GB 7200 rpm Serial ATA (models CTO)	71P7297	*
4	Hard Disk Drive 250GB 7200 rpm Serial ATA (models CTO)	40Y8763	*
5	Rotating bay assembly (all models)	03R0285	*
6	Bezel Plastic Kit (all models)	26K1214	*
7	Slim Diskette Drive (without cable and bezel) (models CTO 45U 45F 45S 45P 45L 45G 45M 45A 45Q 45T 45C 45B 45H 45V 45K 45R 45E 45J 45D 45Y)	40Y9109	*
7	Slim Diskette Drive (without cable and bezel) (models CTO 45U 45F 45S 45P 45L 45G 45M 45A 45Q 45T 45C 45B 45H 45V 45K 45R 45E 45J 45D 45Y)	40Y9111	*
8	Thermal Kit Heat sink (all models)	41R2895	**
9	Microprocessor, 2.53GHZ Celeron Prescott P4 (533FSB, 256KB) (models CTO)	39J7004	**
9	Microprocessor, 2.66 GHZ Celeron Prescott P4 (533FSB, 256KB) (models CTO)	39J7005	**
9	Microprocessor, 2.8 GHZ Celeron Prescott P4 (533FSB, 256KB) (models CTO)	39J7006	**
9	Microprocessor, 2.93 GHZ Celeron Prescott P4 (533FSB, 256KB) (models CTO)	39J7007	**
9	Microprocessor, 3.06 GHZ Celeron Prescott P4 (533FSB, 256KB) (models CTO)	39J7008	**
9	Microprocessor, 3.2 GHZ Celeron Prescott P4 (533FSB, 256KB) (models CTO)	39J9695	**

Item #	9211 FRUs	FRU#	CRU
9	Microprocessor, 3.33GHz Celeron Prescott 355 (533MHz FSB, 256KB Cache) G1-Value (models CTO)	41T1132	**
9	Microprocessor, Celeron 3.20Ghz Cedar Mill 352 (533MHz FSB, 512KB Cache) B1-Value (models CTO)	41T4966	**
9	Microprocessor, Celeron 3.33Ghz Cedar Mill 356 (533MHz FSB, 512KB Cache) B1-Value (models CTO)	41T4968	**
9	Microprocessor, Celeron 3.46Ghz Cedar Mill 360 (533MHz FSB, 512KB Cache) B1-Value (models CTO)	41X8989	**
9	Microprocessor, 2.93 GHZ Prescott P4 (533FSB, 1MB) (models CTO)	39J9621	**
9	Microprocessor, 2.66 GHZ Prescott P4 (533FSB, 1MB) (models CTO)	41D0684	**
9	Microprocessor, 2.93 GHZ Prescott P4 (533FSB, 1MB) (models CTO)	41D0686	**
9	Microprocessor, 3.06 GHZ Prescott P4 (533FSB, 1MB) (models CTO)	41D0688	**
9	Microprocessor, 2.8 GHZ Prescott P4 (800FSB, 1MB) (models CTO)	39J7009	**
9	Microprocessor, 3.0 GHZ Prescott P4 (800FSB, 1MB) (models CTO)	39J7010	**
9	Microprocessor, 3.2 GHZ Prescott P4 (800FSB, 1MB) (models CTO)	39J7011	**
9	Microprocessor, 3.4 GHZ Prescott P4 (800FSB, 1MB) (models CTO 45U 45F 45S 45P 45L 45G 45M 45A 45Q 45T 45C 45B 45H 45V 45K 45R 45E 45J 45D 45Y)	39J7012	**
9	Microprocessor, 3.0 GHZ Prescott P4 (800FSB, 2MB) (models CTO)	39J7013	**
9	Microprocessor, 3.2 GHZ Prescott P4 (800FSB, 2MB) (models CTO)	39J7014	**
9	Microprocessor, 3.4 GHZ Prescott P4 (800FSB, 2MB) (models CTO)	39J7015	**
9	Microprocessor, 2.8 GHZ Smithfield P4 (800FSB, 1MB) (models CTO)	39J8468	**
9	Microprocessor, P4 3.0GHz Cedar Mill (800MHz FSB, 2MB Cache) B0-Value (models CTO)	41D5054	**
9	Microprocessor, P4 3.0GHz Cedar Mill (800MHz FSB, 2MB Cache) B0-Value (models CTO)	41D5042	**
9	Microprocessor, P4 3.2GHz Cedar Mill (800MHz FSB, 2MB Cache) B0-Value (models CTO)	41D5056	**
9	Microprocessor, P4 3.2GHz Cedar Mill (800MHz FSB, 2MB Cache) B0-Value (models CTO)	41D5044	**
9	Microprocessor, P4 3.4GHz Cedar Mill (800MHz FSB, 2MB Cache) B0-Value (models CTO)	41D5058	**
9	Microprocessor, P4 3.4GHz Cedar Mill (800MHz FSB, 2MB Cache) B0-Value (models CTO)	41D5046	**
9	Microprocessor, P4 3.6GHz Cedar Mill (800MHz FSB, 2MB Cache) B0-Value (models CTO)	41D5060	**
9	Microprocessor, 3.6GHz Cedar Mill P4 (800MHz FSB, 2MB Cache) B0-Value (models CTO)	41D5048	**
9	Microprocessor, 2.8GHz Presler P4 (800MHz FSB, 2MBx2 Cache) B0-Value (models CTO)	41D5050	**
9	Microprocessor, 3.0GHz Presler P4 (800MHz FSB, 2MBx2 Cache) B0-Value (models CTO)	41D5052	**
9	Microprocessor, Pentium-D 3.2GHz Presler (800MHz FSB, 2MBx2 Cache) (models CTO)	41X8050	**
9	Microprocessor, Pentium-D 3.2GHz Presler (800MHz FSB, 2MBx2 Cache) (models CTO)	41X4230	**



Item #	9211 FRUs	FRU#	CRU
9	Microprocessor, Pentium-D 3.4GHz Presler (800MHz FSB, 2MBx2 Cache) (models CTO)	41X7776	**
9	Microprocessor, Pentium-D 3.4GHz Presler (800MHz FSB, 2MBx2 Cache) (models CTO)	41X4232	**
9	Microprocessor, Pentium-D 3.6GHz Presler (800MHz FSB, 2MBx2 Cache) (models CTO)	41X8990	**
10	System Board, Trinidad DDR2 SFF Planar v3.3--subbed from 41X1063 (models CTO 45U 45F 45S 45P 45L 45G 45M 45A 45Q 45T 45C 45B 45H 45V 45K 45R 45E 45J 45D 45Y)	43C9120	**
10	System Board, Trinidad DDR2 SFF Planar v3.3--subbed from 42Y3333 (models CTO)	43C9121	**
10	System Board, Trinidad DDR2 SFF Planar v3.3--subbed from 41X1064 (models CTO)	43C9122	**
10	System Board, Trinidad DDR2 SFF Planar v3.3--subbed from 41X1063 and 43C9120 (models CTO 45U 45F 45S 45P 45L 45G 45M 45A 45Q 45T 45C 45B 45H 45V 45K 45R 45E 45J 45D 45Y)	43C7119	**
10	System Board, Trinidad DDR2 SFF Planar v3.3--subbed from 42Y3333 and 43C9121 (models CTO)	43C7120	**
10	System Board, Trinidad DDR2 SFF Planar v3.3--subbed from 41X1064 and 43C9122 (models CTO)	43C7121	**
11	256MB DDR2 SDRAM NP Memory (PC 4200) (models CTO)	30R5120	*
11	512MB DDR2 SDRAM NP Memory (PC 4200) (models CTO 45U 45F 45S 45P 45L 45G 45M 45A 45Q 45T 45C 45B 45H 45V 45K 45R 45E 45J 45D 45Y)	30R5121	*
11	1GB DDR2 SDRAM NP Memory (PC 4200) (models CTO)	30R5122	*
11	2GB DDR2 SDRAM NP Memory (PC 4200) (models CTO)	30R5123	*
11	256MB DDR2 SDRAM NP Memory (PC 5300) (models CTO)	30R5124	*
11	512MB DDR2 SDRAM NP Memory (PC 5300) (models CTO)	30R5125	*
11	1GB DDR2 SDRAM NP Memory (PC 5300) (models CTO)	30R5126	*
11	2GB DDR2 SDRAM NP Memory (PC 5300) (models CTO)	30R5127	*
12	Riser card assembly (all models)	41A7730	*
13	Speaker/cable assembly (all models)	39K5012	*
14	Chassis (all models)	26K1262	**

The FRUs listed in the following table are not illustrated.

9211 FRUs	FRU#	CRU
Tool less hard disk drive tray (all models)	03R0302	*
System board tray (all models)	26K1213	*
Cable, 2 Drop Hard Disk Drive and Optical - ATA 100 (all models)	26K1246	*
Internal Plastic Kit (does not include tl hardfile tray) (all models)	03R0289	*
Cable, Optical (1 Drop) ATA 100 (all models)	26K1244	*
Cable, SATA Device (all models)	39K5026	*
C2 Cable (Squall) (all models)	39K5022	*
Cable, power switch/LED (all models)	26K1242	*
Cable, Diskette Drive (all models)	26K1248	*

9211 FRUs	FRU#	CRU
System board I/O Shield Kit for all system boards (all models)	41A7703	*
Fan assembly (all models)	26K1253	*
Battery (all models)	33F8354	*
Universal Adapter Bracket 5.25 to 3.5-inch (all models)	32P4743	*
Retention module, tool less heat sink (all models)	26K1281	*

9211 Adapters and miscellaneous FRU	FRU#	CRU
Soft Modem V.90/V.44 (models CTO)	29R9729	*
128MB DDR ATI Radeon x300SE (DMS59 connector) (models CTO)	39J9635	*
128MB DDR ATI RADEON X700 PRO VGA, DVI-I, TV-Out PCI-e BTX (models CTO)	39J6203	*
PCI-E DVI-DConnection Adapter (ADD 2-R) (Full Height) (models CTO)	39J9334	*
1394 Firewire PCI LP (ATX) (models CTO)	41D2781	*
1394 Internal cable (models CTO)	39M0478	*
Speakers, Jazz Infinity Active T1 (Black) (models CTO)	89P8588	*
Speaker Power brick - US, Canada, LA (low voltage), Taiwan, Phillipines, Thailand (models CTO-U CTO-L CTO-A)	10K2587	*
Speaker Power brick - UK, Hong Kong (British version), ASEAN (models CTO-A)	25P5703	*
Speaker Power brick - Europe and LA (models CTO-G CTO-L)	25P5704	*
Speaker Power brick (newer 2 prong) - China, Thailand, Phillipines (models CTO-A)	10K2597	*
Speaker Power brick - ANZ (models CTO-A)	25P5705	*
Speaker Power brick - Brazil (models CTO-L)	25P5706	*
Speaker Power brick - India, South Africa (models CTO-A CTO-G)	32P3181	*
Speaker Power brick - Argentina (models CTO-L)	01R2253	*
RJ11 connector adapter (Spain, Ireland) (All "G" models)	60H6043	*
RJ11 connector adapter (Austria) (All "G" models)	60H6045	*
RJ11 connector adapter (Belgium) (All "G" models)	60H6046	*
RJ11 connector adapter (Denmark) (All "G" models)	60H6047	*
RJ11 connector adapter (Norway, Finland) (All "G" models)	60H6048	*
RJ11 connector adapter (France) (All "G" models)	60H6049	*
RJ11 connector adapter (Germany) (All "G" models)	60H6050	*
RJ11 connector adapter (UK, NZ, HK) (All "G", "M", "B", "H" models)	60H6051	*
RJ11 connector adapter (Italy) (All "G" models)	60H6052	*
RJ11 connector adapter (Netherlands) (All "G" models)	60H6053	*
RJ11 connector adapter (Sweden) (All "G" models)	60H6054	*
RJ11 connector adapter (Switzerland) (All "G" models)	60H6055	*

9211 Keyboards (Preferred Pro Fullsize, PS/2, Stealth Black)	FRU#	CRU
US English (models CTO-U CTO-G 45U 45L 45G 45M 45A 45Q 45C 45H 45R 45E)	89P8300	*
Arabic (models CTO-G 45G)	89P8301	*
Belgian/French (models CTO-G 45G)	89P8302	*
Belgian/UK (models CTO-G 45G)	89P8303	*

<b>9211 Keyboards (Preferred Pro Fullsize, PS/2, Stealth Black)</b>	<b>FRU#</b>	<b>CRU</b>
Brazil/Portuguese (models CTO-L 45P)	89P8304	*
Bulgarian (models CTO-G 45G)	89P8305	*
Chinese/US (models 45B 45V)	89P8306	*
Czech (models CTO-G 45G)	89P8307	*
Danish (models CTO-G 45G)	89P8308	*
Dutch (models CTO-G 45G)	89P8309	*
French (models CTO-G 45G)	89P8310	*
French Canadian 445 (models CTO-U 45F)	89P8311	*
French Canadian 58 (models CTO-U 45F)	89P8312	*
German (models CTO-G 45G)	89P8313	*
Greek (models CTO-G 45G)	89P8314	*
Hebrew (models CTO-G 45G)	89P8315	*
Hungarian (models CTO-G 45G)	89P8316	*
Iceland (models CTO-G 45G)	89P8317	*
Italian (models CTO-G 45G)	89P8319	*
Japanese (models 45J)	89P8320	*
Korean (models 45K)	89P8321	*
LA Spanish (models CTO-L 45S 45D 45Y)	89P8322	*
Norwegian (models CTO-G 45G)	89P8323	*
Polish (models CTO-G 45G)	89P8324	*
Portuguese (models CTO-G 45G)	89P8325	*
Romanian (models CTO-G 45G)	89P8326	*
Russian (models CTO-G 45G)	89P8327	*
Russian/Cyrillic (models CTO-G 45G)	89P8328	*
Serbian/Cyrillic (models CTO-G 45G)	89P8329	*
Slovak (models CTO-G 45G)	89P8330	*
Spanish (models CTO-G 45G)	89P8331	*
Swedish/Finn (models CTO-G 45G)	89P8332	*
Swiss F/G (models CTO-G 45G)	89P8333	*
Thailand (models CTO-A 45T)	89P8334	*
Turkish 179 (models CTO-G 45G)	89P8336	*
UK English (models CTO-G 45G)	89P8337	*
US Euro (models CTO-G 45G)	89P8338	*
Yugoslav/Latin (models CTO-G 45G)	89P8339	*

<b>9211 Keyboard (PS2 Preferred Pro)</b>	<b>FRU#</b>	<b>CRU</b>
US English (models CTO-U CTO-G 45U 45L 45G 45M 45A 45Q 45C 45H 45R 45E)	41A5039	*
Arabic (models CTO-G 45G)	41A5040	*
Belgian/French (models CTO-G 45G)	41A5042	*
Belgian/UK (models CTO-G 45G)	41A5043	*
Brazil/Portuguese (models CTO-L 45P)	41A5044	*

<b>9211 Keyboard (PS2 Preferred Pro)</b>	<b>FRU#</b>	<b>CRU</b>
Bulgarian (models CTO-G 45G)	41A5045	*
Hong Kong/Taiwan (models 45B 45V)	41A5046	*
Czech (models CTO-G 45G)	41A5047	*
Danish (models CTO-G 45G)	41A5048	*
Dutch (models CTO-G 45G)	41A5049	*
French (models CTO-G 45G)	41A5050	*
French Canadian 445 (models CTO-U 45F)	41A5051	*
French Canadian 58 (models CTO-U 45F)	41A5052	*
German (models CTO-G 45G)	41A5053	*
Greek (models CTO-G 45G)	41A5054	*
Hebrew (models CTO-G 45G)	41A5055	*
Hungarian (models CTO-G 45G)	41A5056	*
Iceland (models CTO-G 45G)	41A5057	*
Italian (models CTO-G 45G)	41A5058	*
Japanese (models 45J)	41A5059	*
Korean (models 45K)	41A5060	*
LA Spanish (models CTO-L 45S 45D 45Y)	41A5061	*
Norwegian (models CTO-G 45G)	41A5062	*
Polish (models CTO-G 45G)	41A5063	*
Portuguese (models CTO-G 45G)	41A5064	*
Romanian (models CTO-G 45G)	41A5065	*
Russian/Cyrilic (models CTO-G 45G)	41A5066	*
Serbian/Cyrilic (models CTO-G 45G)	41A5067	*
Slovak (models CTO-G 45G)	41A5068	*
Spanish (models CTO-G 45G)	41A5069	*
Swedish/Finn (models CTO-G 45G)	41A5070	*
Swiss F/G (models CTO-G 45G)	41A5071	*
Thailand (models CTO-A 45T)	41A5072	*
Turkish 179 (models CTO-G 45G)	41A5074	*
UK English (models CTO-G 45G)	41A5075	*
US Euro (models CTO-G 45G)	41A5076	*
Slovenian (models CTO-G 45G)	41A5077	*

<b>9211 IBM Keyboard (USB Preferred - without hub)</b>	<b>FRU#</b>	<b>CRU</b>
US English (models CTO-U CTO-G)	89P9040	*
Arabic (models CTO-G)	89P9041	*
Arabic/French (models CTO-G)	89P9058	*
Belgian/French (models CTO-G)	89P9042	*
Belgian/UK (models CTO-G)	89P9043	*
Brazilian (models CTO-L)	89P9044	*
Bulgarian (models CTO-G)	89P9045	*

<b>9211 IBM Keyboard (USB Preferred - without hub)</b>	<b>FRU#</b>	<b>CRU</b>
Czech (models CTO-G)	89P9047	*
Danish (models CTO-G)	89P9048	*
Dutch (models CTO-G)	89P9049	*
French (models CTO-G)	89P9050	*
French Canadian (models CTO-U)	89P9051	*
French Canadian (models CTO-U)	89P9052	*
German (models CTO-G)	89P9053	*
Greek (models CTO-G)	89P9054	*
Greek/US (models CTO-G)	41A4948	*
Hebrew (models CTO-G)	89P9055	*
Hungarian (models CTO-G)	89P9056	*
Iceland (models CTO-G)	89P9057	*
Italy (models CTO-G)	89P9059	*
LA Spanish (models CTO-L)	89P9062	*
Norwegian (models CTO-G)	89P9063	*
Polish (models CTO-G)	89P9064	*
Portuguese (models CTO-G)	89P9065	*
Romanian 096 (models CTO-G)	89P9067	*
Romanian 446 (models CTO-G)	89P9066	*
Russian/Cyrillic (models CTO-G)	89P9068	*
Serbian/Cyrillic (models CTO-G)	89P9069	*
Slovak (models CTO-G)	89P9070	*
Spanish (models CTO-G)	89P9072	*
Swedish/Finn (models CTO-G)	89P9073	*
Swiss (models CTO-G)	89P9074	*
Thailand (models CTO-A)	89P9075	*
Turkish 440 (models CTO-G)	89P9076	*
Turkish 179 (models CTO-G)	89P9077	*
UK English (models CTO-G)	89P9078	*
US Euro (models CTO-G)	89P9079	*
Slovenian (models CTO-G)	89P9071	*

<b>9211 Lenovo Keyboard (USB Preferred - without hub)</b>	<b>FRU#</b>	<b>CRU</b>
US English (models CTO-U CTO-G)	41A5289	*
Arabic (models CTO-G)	41A5290	*
Arabic/French (models CTO-G)	41A5291	*
Belgian/French (models CTO-G)	41A5292	*
Belgian/UK (models CTO-G)	41A5293	*
Brazilian (models CTO-L)	41A5294	*
Bulgarian (models CTO-G)	41A5295	*
Czech (models CTO-G)	41A5297	*

<b>9211 Lenovo Keyboard (USB Preferred - without hub)</b>	<b>FRU#</b>	<b>CRU</b>
Danish (models CTO-G)	41A5298	*
Dutch (models CTO-G)	41A5299	*
French (models CTO-G)	41A5300	*
French Canadian 445 (models CTO-U)	41A5301	*
French Canadian 58 (models CTO-U)	41A5302	*
German (models CTO-G)	41A5303	*
Greek (models CTO-G)	41A5304	*
Greek/US (models CTO-G)	41A5305	*
Hebrew (models CTO-G)	41A5306	*
Hungarian (models CTO-G)	41A5307	*
Iceland (models CTO-G)	41A5308	*
Italian 141 (models CTO-G)	41A5309	*
LA Spanish (models CTO-L)	41A5312	*
Norwegian (models CTO-G)	41A5313	*
Polish (models CTO-G)	41A5314	*
Portuguese (models CTO-G)	41A5315	*
Romanian 096 (models CTO-G)	41A5317	*
Romanian 446 (models CTO-G)	41A5316	*
Russian/Cyrillic (models CTO-G)	41A5318	*
Serbian/Cyrillic (models CTO-G)	41A5319	*
Slovak (models CTO-G)	41A5320	*
Spanish (models CTO-G)	41A5321	*
Swedish/Finn (models CTO-G)	41A5322	*
Swiss (models CTO-G)	41A5323	*
Thailand (models CTO-A)	41A5324	*
Turkish 440 (models CTO-G)	41A5325	*
Turkish 179 (models CTO-G)	41A5326	*
UK English (models CTO-G)	41A5327	*
US Euro (models CTO-G)	41A5328	*
Slovenian (models CTO-G)	41A5329	*

<b>9211 Keyboards (Productivity USB)</b>	<b>FRU#</b>	<b>CRU</b>
US English (models CTO-U CTO-G)	89P8800	*
Arabic (models CTO-G)	89P8801	*
Arabic/French (models CTO-G)	89P8802	*
Belgian/French (models CTO-G)	89P8803	*
Belgian/UK (models CTO-G)	89P8804	*
Brazil/Portuguese (models CTO-L)	89P8805	*
Bulgarian (models CTO-G)	89P8806	*
Czech (models CTO-G)	89P8808	*
Danish (models CTO-G)	89P8809	*

<b>9211 Keyboards (Productivity USB)</b>	<b>FRU#</b>	<b>CRU</b>
Dutch (models CTO-G)	89P8810	*
French (models CTO-U)	89P8811	*
French Canadian (models CTO-U)	89P8812	*
French Canadian (models CTO-U)	89P8813	*
German (models CTO-G)	89P8814	*
Greek (models CTO-G)	89P8815	*
Hebrew (models CTO-G)	89P8816	*
Hungarian (models CTO-G)	89P8817	*
Iceland (models CTO-G)	89P8818	*
Italian 141 (models CTO-G)	89P8819	*
LA/Spanish (models CTO-L)	89P8822	*
Norwegian (models CTO-G)	89P8823	*
Polish (models CTO-G)	89P8824	*
Portuguese (models CTO-G)	89P8825	*
Romanian (models CTO-G)	89P8826	*
Romanian (models CTO-G)	89P8827	*
Russian/Cyrillic (models CTO-G)	89P8828	*
Serbian/Cyrillic (models CTO-G)	89P8829	*
Slovak (models CTO-G)	89P8830	*
Spanish (models CTO-G)	89P8831	*
Swedish/Finn (models CTO-G)	89P8832	*
Swiss F/G (models CTO-G)	89P8833	*
Thailand (models CTO-A)	89P8834	*
Turkish 440 (models CTO-G)	89P8835	*
Turkish 179 (models CTO-G)	89P8836	*
UK English (models CTO-G)	89P8837	*
US Euro (models CTO-G)	89P8838	*
Yugoslav/Latin (models CTO-G)	89P8839	*

<b>9211 Keyboard (Lenovo, USB Enhanced Performance)</b>	<b>FRU#</b>	<b>CRU</b>
US English (models CTO-U CTO-G)	41A4961	*
Arabic (models CTO-G)	41A4962	*
Arabic/French (models CTO-G)	41A4963	*
Belgian/French (models CTO-G)	41A4964	*
Belgian/UK (models CTO-G)	41A4965	*
Brazilian (models CTO-L)	41A4966	*
Bulgarian (models CTO-G)	41A4967	*
Czech (models CTO-G)	41A4969	*
Danish (models CTO-G)	41A4970	*
Dutch (models CTO-G)	41A4971	*
French (models CTO-G)	41A4972	*

<b>9211 Keyboard (Lenovo, USB Enhanced Performance)</b>	<b>FRU#</b>	<b>CRU</b>
French Canadian 445 (models CTO-U)	41A4973	*
French Canadian 58 (models CTO-U)	41A4974	*
German (models CTO-G)	41A4975	*
Greek (models CTO-G)	41A4976	*
Hebrew (models CTO-G)	41A4977	*
Hungarian (models CTO-G)	41A4978	*
Iceland (models CTO-G)	41A4979	*
Italian (models CTO-G)	41A4980	*
LA Spanish (models CTO-L)	41A4983	*
Norwegian (models CTO-G)	41A4984	*
Polish (models CTO-G)	41A4985	*
Portuguese (models CTO-G)	41A4986	*
Romanian (models CTO-G)	41A4987	*
Russian/Cy (models CTO-G)	41A4988	*
Serbian/Cyrillic (models CTO-G)	41A4989	*
Slovak (models CTO-G)	41A4990	*
Spanish (models CTO-G)	41A4991	*
Swedish/Finn (models CTO-G)	41A4992	*
Swiss F/G (models CTO-G)	41A4993	*
Thailand (models CTO-A)	41A4994	*
Turkish 440 (models CTO-G)	41A4995	*
Turkish 179 (models CTO-G)	41A4996	*
UK English (models CTO-G)	41A4997	*
US Euro (models CTO-G)	41A4998	*
Slovenian (models CTO-G)	41A4999	*

<b>9211 Keyboards (with fingerprint reader)</b>	<b>FRU#</b>	<b>CRU</b>
US English (models CTO-U CTO-G)	89P9000	*
Arabic (models CTO-G)	89P9001	*
Belgian/French (models CTO-G)	89P9003	*
Belgian/UK (models CTO-G)	89P9004	*
Brazilian Portuguese (models CTO-L)	89P9005	*
Bulgarian (models CTO-G)	89P9006	*
Czech (models CTO-G)	89P9008	*
Danish (models CTO-G)	89P9009	*
Dutch (models CTO-G)	89P9010	*
French (models CTO-G)	89P9011	*
French Canadian 445 (models CTO-U)	89P9012	*
French Canadian 58 (models CTO-U)	89P9013	*
German (models CTO-G)	89P9014	*
Greek (models CTO-G)	89P9015	*



<b>9211 Keyboards (with fingerprint reader)</b>	<b>FRU#</b>	<b>CRU</b>
Hebrew (models CTO-G)	89P9016	*
Hungarian (models CTO-G)	89P9017	*
Iceland (models CTO-G)	89P9018	*
Italian 141 (models CTO-L)	89P9019	*
LA Spanish (models CTO-L)	89P9022	*
Norwegian (models CTO-G)	89P9023	*
Polish (models CTO-G)	89P9024	*
Portuguese (models CTO-G)	89P9025	*
Romanian (models CTO-G)	89P9026	*
Romanian (models CTO-G)	89P9027	*
Russian/Cyrillic (models CTO-G)	89P9028	*
Serbian/Cyrillic (models CTO-G)	89P9029	*
Slovak (models CTO-G)	89P9030	*
Spanish (models CTO-G)	89P9031	*
Swedish/Finn (models CTO-G)	89P9032	*
Swiss F/G (models CTO-G)	89P9033	*
Thailand (models CTO-A)	89P9034	*
Turkish 440 (models CTO-G)	89P9035	*
Turkish 179 (models CTO-G)	89P9036	*
UK English (models CTO-G)	89P9037	*
US Euro (models CTO-G)	89P9038	*
Yugoslav/Latin (models CTO-G)	89P9039	*

<b>9211 Keyboard (Fingerprint reader USB)</b>	<b>FRU#</b>	<b>CRU</b>
US English (models CTO-U CTO-G)	41A5248	*
Arabic (models CTO-G)	41A5249	*
Arabic/French (models CTO-G)	41A5250	*
Belgian/French (models CTO-G)	41A5251	*
Belgian/UK (models CTO-G)	41A5252	*
Brazilian (models CTO-L)	41A5253	*
Bulgarian (models CTO-G)	41A5254	*
Czech (models CTO-G)	41A5256	*
Danish (models CTO-G)	41A5257	*
Dutch (models CTO-G)	41A5258	*
French (models CTO-G)	41A5259	*
French Canadian 445 (models CTO-U)	41A5260	*
French Canadian 58 (models CTO-U)	41A5261	*
German (models CTO-G)	41A5262	*
Greek (models CTO-G)	41A5263	*
Hebrew (models CTO-G)	41A5265	*
Hungarian (models CTO-G)	41A5266	*

<b>9211 Keyboard (Fingerprint reader USB)</b>	<b>FRU#</b>	<b>CRU</b>
Iceland (models CTO-G)	41A5267	*
Italian (models CTO-G)	41A5268	*
LA Spanish (models CTO-L)	41A5271	*
Norwegian (models CTO-G)	41A5272	*
Polish (models CTO-G)	41A5273	*
Portuguese (models CTO-G)	41A5274	*
Romanian 446 (models CTO-G)	41A5275	*
Romanian 96 (models CTO-G)	41A5276	*
Russian/Cy (models CTO-G)	41A5277	*
Serbian/Cyrillic (models CTO-G)	41A5278	*
Slovak (models CTO-G)	41A5279	*
Spanish (models CTO-G)	41A5280	*
Swedish/Finn (models CTO-G)	41A5281	*
Swiss F/G (models CTO-G)	41A5282	*
Thailand (models CTO-A)	41A5283	*
Turkish 440 (models CTO-G)	41A5284	*
Turkish 179 (models CTO-G)	41A5285	*
UK English (models CTO-G)	41A5286	*
US Euro (models CTO-G)	41A5287	*
Slovenian (models CTO-G)	41A5288	*

<b>9211 Lenovo Keyboard (Wireless, Enhanced)</b>	<b>FRU#</b>	<b>CRU</b>
US English/Chinese/US (models CTO-U CTO-G)	41A5219	*
Belgian/French (models CTO-U CTO-G)	41A5220	*
Belgian/UK (models CTO-G)	41A5221	*
Czech (models CTO-G)	41A5223	*
Danish (models CTO-G)	41A5224	*
Dutch (models CTO-G)	41A5225	*
French (models CTO-G)	41A5226	*
French Canadian (models CTO-U)	41A5227	*
French Canadian (models CTO-U)	41A5228	*
German (models CTO-G)	41A5229	*
Greek (models CTO-G)	41A5230	*
Hungarian (models CTO-G)	41A5232	*
Iceland (models CTO-G)	41A5233	*
Italy (models CTO-G)	41A5234	*
Norwegian (models CTO-G)	41A5236	*
Polish (models CTO-G)	41A5237	*
Portuguese (models CTO-G)	41A5238	*
Slovak (models CTO-G)	41A5239	*
Spanish (models CTO-G)	41A5240	*

<b>9211 Lenovo Keyboard (Wireless, Enhanced)</b>	<b>FRU#</b>	<b>CRU</b>
Swedish/Finn (models CTO-G)	41A5241	*
Swiss (models CTO-G)	41A5242	*
UK English (models CTO-G)	41A5243	*
US Euro (models CTO-G)	41A5244	*

<b>9211 Keyboard (Enhanced Performance, Wireless)</b>	<b>FRU#</b>	<b>CRU</b>
US English (models CTO-U CTO-G)	89P8730	*
Belgian/French (models CTO-G)	89P8731	*
Belgian/UK (models CTO-G)	89P8732	*
Czech (models CTO-G)	89P8734	*
Danish (models CTO-G)	89P8735	*
Dutch (models CTO-G)	89P8736	*
French (models CTO-G)	89P8737	*
French Canadian 445 (models CTO-U)	89P8738	*
French Canadian 58 (models CTO-U)	89P8739	*
German (models CTO-G)	89P8740	*
Greek (models CTO-G)	89P8741	*
Hungarian (models CTO-G)	89P8742	*
Iceland (models CTO-G)	89P8743	*
Italian 141 (models CTO-G)	89P8744	*
Norwegian (models CTO-G)	89P8746	*
Polish (models CTO-G)	89P8747	*
Portuguese (models CTO-G)	89P8748	*
Slovak (models CTO-G)	89P8749	*
Spanish (models CTO-G)	89P8751	*
Swedish/Finn (models CTO-G)	89P8752	*
Swiss F/G (models CTO-G)	89P8753	*
UK English (models CTO-G)	89P8754	*
US Euro (models CTO-G)	89P8755	*
Wireless transceiver dongle (models CTO)	89P8757	*

<b>9211 mice</b>	<b>FRU#</b>	<b>CRU</b>
Mouse, Scrollpoint Optical, USB (models CTO 45U 45F 45S 45P 45L 45G 45M 45A 45Q 45T 45C 45B 45H 45V 45K 45R 45E 45J 45D 45Y)	41A4933	*
Mouse, optical wheelmouse, USB (models CTO)	41A4935	*
Mouse, PS/2 wheelmouse (Black) (models CTO)	41A4917	*
Mouse, optical wheelmouse (400DPI, USB) (models CTO)	41U3013	*
Mouse, Scrollpoint Optical, (800DPI, USB) (models CTO 45U 45F 45S 45P 45L 45G 45M 45A 45Q 45T 45C 45B 45H 45V 45K 45R 45E 45J 45D 45Y)	41U3019	*
Mouse, Wheelmouse PS/2 (models CTO)	41R0018	*

9211 Adapters and miscellaneous FRUs	FRU#	CRU
Soft Modem V.90/V.44 (models CTO)	29R9729	*
128MB DDR ATI Radeon x300SE (DMS59 connector) (models CTO)	39J9635	*
128MB DDR ATI RADEON X700 PRO VGA, DVI-I, TV-Out PCI-e BTX (models CTO)	39J6203	*
PCI-E DVI-DConnection Adapter (ADD 2-R) (Full Height) (models CTO)	39J9334	*
1394 Firewire PCI LP (ATX) (models CTO)	41D2781	*
Speakers, Jazz Infinity Active T1 (Black) (models CTO)	89P8588	*
Speaker Power brick - US, Canada, LA (low voltage), Taiwan, Phillipines, Thailand (models CTO-U CTO-L CTO-A)	10K2587	*
Speaker Power brick - UK, Hong Kong (British version), ASEAN (models CTO-A)	25P5703	*
Speaker Power brick - Europe and LA (models CTO-G CTO-L)	25P5704	*
Speaker Power brick (newer 2 prong) - China, Thailand, Phillipines (models CTO-A)	10K2597	*
Speaker Power brick - ANZ (models CTO-A)	25P5705	*
Speaker Power brick - Brazil (models CTO-L)	25P5706	*
Speaker Power brick - India, South Africa (models CTO-A CTO-G)	32P3181	*
Speaker Power brick - Argentina (models CTO-L)	01R2253	*
Speaker Power brick (models CTO)	89P8571	*
RJ11 connector adapter (Spain, Ireland) (All "G" models)	60H6043	*
RJ11 connector adapter (Austria) (All "G" models)	60H6045	*
RJ11 connector adapter (Belgium) (All "G" models)	60H6046	*
RJ11 connector adapter (Denmark) (All "G" models)	60H6047	*
RJ11 connector adapter (Norway, Finland) (All "G" models)	60H6048	*
RJ11 connector adapter (France) (All "G" models)	60H6049	*
RJ11 connector adapter (Germany) (All "G" models)	60H6050	*
RJ11 connector adapter (UK, NZ, HK) (All "G", "M", "B", "H" models)	60H6051	*
RJ11 connector adapter (Italy) (All "G" models)	60H6052	*
RJ11 connector adapter (Netherlands) (All "G" models)	60H6053	*
RJ11 connector adapter (Sweden) (All "G" models)	60H6054	*
RJ11 connector adapter (Switzerland) (All "G" models)	60H6055	*
Dongle Cable - DMS59 to dual VGA (All models)	41D2399	*

9211 Power Cords	FRU#	CRU
Power cord - US (models 45U 45F 45S 45L 45A 45T 45D)	39M5080	*
Power cord - Brazil (models 45P)	39M5232	*
Power cord - China (models 45C)	39M5205	*
Power cord - Japan (models 45E 45J)	39M5193	*
Power cord - LA High Volt (APU) (models 45L 45Y)	39M5067	*
Power cord - Australia/New Zealand (models 45M)	39M5102	*
Power cord - Korea (models 45K 45R)	39M5212	*
Power cord - Hong Kong (models 45B 45H)	39M5151	*
Power cord - UK, Ireland, Singapore, Malaysia, Brunei (models 45G 45A)	39M5150	*
Power cord - Taiwan (models 45V)	39M5246	*

9211 Power Cords	FRU#	CRU
Power cord - Italy (models 45S 45L 45G 45Y)	39M5164	*
Power cord - G models (models 45G 45A)	39M5122	*
Power cord - Denmark (models 45G)	39M5129	*
Power cord - Switzerland (models 45G)	39M5157	*
Power cord - Israel (models 45G)	39M5171	*
Power cord - South Africa (models 45G 45M 45A)	39M5143	*
Power cord - India (models 45Q)	41R3175	*

9211 Windows XP Pro Recovery CDs	FRU#	CRU
US/UK/AP/TH (models 45U 45L 45G 45M 45A 45Q 45T 45H 45R 45E)	41T1577	*
FR/CF (models 45F 45G)	41T3198	*
GR (models 45G)	41T3199	*
SP/LA (models 45S 45G 45D 45Y)	41T3200	*
IT (models 45G)	41T3201	*
BR (models 45P)	41T3202	*
SV (models 45G)	41T3203	*
DK (models 45G)	41T3204	*
FI (models 45G)	41T4264	*
NO (models 45G)	39J9646	*
NL (models 45G)	41T4266	*
HE (models 45G)	41T4267	*
PL (models 45G)	41T4268	*
CZ (models 45G)	41T4269	*
AE (models 45G)	41T4270	*
RU (models 45G)	41T4271	*
RU English (models 45G)	41T4835	*
TR (models 45G)	41T4836	*
HU (models 45G)	41T4837	*
PO (models 45G)	41T4838	*
GK (models 45G)	41T4839	*
SL (models 45G)	41T4840	*
Simplified Chinese (models 45C)	41W2596	*
Taiwan (models 45V)	41W2603	*
Hong Kong - TC (models 45B)	41W2610	*
Korea (models 45K)	41W2589	*
Japanese (models 45J)	41W2617	*
Multilingual 1 (models CTO-G)	41T3282	*
Multilingual 2 (models CTO-G)	41T4280	*



---

## Chapter 9. Additional Service Information

This chapter provides additional information that the service representative might find helpful.

---

### Security features

Security features in this section include the following:

- Passwords
- Vital Product Data
- Management Information Format (MIF)
- Alert on LAN™

#### Hardware controlled Passwords

Hardware controlled passwords are set using the Setup Utility program. For more information about passwords, see “Using passwords” on page 53.

#### Operating system password

An operating system password is very similar to a power-on password and denies access to the computer by an unauthorized user when the password is activated. The computer is unusable until the password is entered and recognized by the computer.

#### Vital product data

Each computer has a unique Vital Product Data (VPD) code stored in the nonvolatile memory on the system board. After you replace the system board, the VPD must be updated. To update the VPD, see “Flash update procedures” on page 518.

#### Management Information Format (MIF)

Management Information Format (MIF) is a file used to maintain a list of the system unit serial number along with all serialized components (for example, system board, riser card, memory, and processor).

At the time of computer manufacture, the EPROM is loaded with the serial numbers of the system and all major components.

A company called Retain-a-Group is a central data warehouse offering serial number data management. Retain-a-Group acts as a focal point to law enforcement. The customer has the option to purchase serial number information and services from Retain-a-Group. It is the customer’s responsibility to maintain the MIF file and to inform Retain-a-Group of any changes to the file.

Some customers might request that their servicers assist them in maintaining the MIF file when serialized components are replaced during hardware service. This assistance is between the customer and the servicer. The servicer can use the DMI MIF Browser to update the MIF information in the EPROM. It is anticipated that some servicers might charge for this service.

To update the EPROM using the DMI MIF Browser, use the following procedure.

1. Click **Start** from the desktop, then **Programs**.
2. Select **SystemView Agent**
3. Select the **Serial Number Information** icon
4. Click the plus sign to expand.
5. Select the component you want to view or edit.
6. Double click on the component you want to change.
7. Enter new data in the *Value* field, then click **Apply**.

---

## BIOS levels

An incorrect level of BIOS can cause false errors and unnecessary FRU replacement. Use the following information to determine the current level of BIOS installed in the computer, the latest BIOS available for the computer, and where to obtain the latest level of BIOS.

- Current Level BIOS information
  - Run the Setup Utility to determine the level of BIOS installed.
- Sources for obtaining the latest level BIOS available
  1. Lenovo support web site:  
<http://www.lenovo.com/support/>
  2. Lenovo Customer Support Center
  3. Levels 1 and 2 Support

To update (flash) the BIOS, see “Flash update procedures.”

---

## Flash update procedures

This section details how to flash (update) the BIOS.

### Updating (flashing) BIOS from a diskette or CD-ROM

1. Shut down the operating system and turn off the computer.
2. Insert the flash update diskette or CD-ROM.
3. Turn on the computer. The update begins.
4. When you are prompted to select a language, press the number on your keyboard that corresponds to the language; then press Enter.
5. When prompted to change the serial number, press Y, type the seven character serial number of your computer, and then press Enter.
6. When prompted to change the machine type/model, press Y, type the seven character machine type/model of your computer, and then press Enter.
7. Follow the instructions on the screen to complete the update.

### Updating (flashing) BIOS from your operating system

**Note:** Due to constant improvements being made to the Lenovo Web site, Web page content (including the links referenced in the following procedure) is subject to change.

1. From your browser, type <http://www.lenovo.com/support>.
2. In the Use Quick path field, type your 4-digit machine type and click **Go**.
3. Under Browse by product, click **Downloads and drivers**.
4. Scroll down to the BIOS category and click on the **Flash Bios Update**.



5. On the Flash BIOS Update page, scroll down to locate the .txt file for the flash from the operating system version. Click the .txt file.
6. Print these instructions. This is very important because these instructions are not on the screen after the download begins.
7. From the browser, click **Back** to return to the list of files. Carefully follow the printed instructions to download, extract, and install the update.

## Recovering from a POST/BIOS update failure

**Attention:** If an interruption occurs during a POST/BIOS update (flash update), the computer might not restart correctly. If this occurs, perform the following procedure (also known as a Boot-block recovery).

**Note:** If your computer has no internal diskette drive, an optional USB diskette drive must be connected to use the BIOS flash diskette.

1. Open the cover.
2. Remove any parts necessary to gain access to the Clear CMOS/Recovery jumper.
3. Move the Clear CMOS/Recovery jumper from the standard position (pins 1 and 2) to pins 2 and 3.
4. Insert the BIOS flash diskette in the diskette drive.
5. Close the cover and reconnect the computer power cord to the computer and to an electrical outlet. Turn on the computer.
6. The recovery session takes two to three minutes. During this time you will hear a series of beeps. After the update session completes, the series of beeps ends and the computer automatically turns off. There is no video during the recovery session.
7. When the computer turns off, open the cover.
8. Move the Clear CMOS/Recovery jumper back to the original position (pins 1 and 2).
9. Remove the BIOS flash diskette from the diskette drive.
10. Close or install the cover and reconnect all external cables.

---

## Power management

Power management reduces the power consumption of certain components of the computer such as the system power supply, processor, hard disk drives, and some monitors.

### Automatic configuration and power interface (ACPI) BIOS

Being an ACPI BIOS system, the operating system is allowed to control the power management features of the computer and the setting for Advanced Power Management (APM) BIOS mode is ignored. Not all operating systems support ACPI BIOS mode.

### Automatic Power-On features

The Automatic Power-On features within the Power Management menu allow you to enable and disable features that turn on the computer automatically.

- **Serial Port A Ring Detect:** With this feature set to **Enabled** and an external modem connected to serial port (COM1), the computer will turn on automatically when a ring is detected on the modem.
- **PCI Modem Ring Detect:** With this feature set to **Enabled**, the computer will turn on automatically when a ring is detected on the internal modem.
- **PCI Wake Up:** This feature allows PCI cards that support this capability to wake the system.
- **Wake Up on Alarm:** You can specify a date and time at which the computer will be turned on automatically. This can be either a single event or a daily event.
- **Wake on LAN:** If the computer has a properly configured token-ring or Ethernet LAN adapter card that is Wake on LAN-enabled and there is remote network management software, you can use the Wake on LAN feature. When you set Wake on LAN to **Enabled**, the computer will turn on when it receives a specific signal from another computer on the local area network (LAN).

---

## Recovering software using the Rescue and Recovery program

The Rescue and Recovery program provides an environment that runs independently of the Windows operating system and is hidden from the Windows operating system. Because the Rescue and Recovery workspace is hidden, it is immune from most virus attacks and provides a safe place to perform rescue and recovery operations that might not be possible in the Windows environment. The following recovery solutions are provided by the Rescue and Recovery program:

- Create Product Recovery discs.
- Create rescue media.
- Back up your hard disk periodically.
- Create a Recovery Repair diskette.

If a problem with the software is encountered, you can use the recovery tools from either the Windows environment or from the Rescue and Recovery workspace to do one of the two recovery operations:

- Rescue files
- Restore your backups

### Starting the Rescue and Recovery workspace

To start the program:

1. If your computer is already on when you start this procedure, shut down the operating system and turn off the computer.
2. Repeatedly press the F11 key as you turn on the computer.

**Note:** If a user password or an administrator password has been set, the Rescue and Recovery workspace is not displayed until you type the password.

3. The Rescue and Recovery workspace is displayed.

Refer to the *Quick Reference* that comes with the computer and the Rescue and Recovery help system for additional information about using the Rescue and Recovery program.



---

## Appendix. Notices

Lenovo may not offer the products, services, or features discussed in this document in all countries. Consult your local Lenovo representative for information on the products and services currently available in your area. Any reference to a Lenovo product, program, or service is not intended to state or imply that only that Lenovo product, program, or service may be used. Any functionally equivalent product, program, or service that does not infringe any Lenovo intellectual property right may be used instead. However, it is the user's responsibility to evaluate and verify the operation of any other product, program, or service.

Lenovo may have patents or pending patent applications covering subject matter described in this document. The furnishing of this document does not give you any license to these patents. You can send license inquiries, in writing, to:

*Lenovo (United States), Inc.  
500 Park Offices Drive, Hwy. 54  
Research Triangle Park, NC 27709  
U.S.A.  
Attention: Lenovo Director of Licensing*

LENOVO GROUP LTD. PROVIDES THIS PUBLICATION "AS IS" WITHOUT WARRANTY OF ANY KIND, EITHER EXPRESS OR IMPLIED, INCLUDING, BUT NOT LIMITED TO, THE IMPLIED WARRANTIES OF NON-INFRINGEMENT, MERCHANTABILITY OR FITNESS FOR A PARTICULAR PURPOSE. Some jurisdictions do not allow disclaimer of express or implied warranties in certain transactions, therefore, this statement may not apply to you.

This information could include technical inaccuracies or typographical errors. Changes are periodically made to the information herein; these changes will be incorporated in new editions of the publication. Lenovo may make improvements and/or changes in the product(s) and/or the program(s) described in this publication at any time without notice.

The products described in this document are not intended for use in implantation or other life support applications where malfunction may result in injury or death to persons. The information contained in this document does not affect or change Lenovo product specifications or warranties. Nothing in this document shall operate as an express or implied license or indemnity under the intellectual property rights of Lenovo or third parties. All information contained in this document was obtained in specific environments and is presented as an illustration. The result obtained in other operating environments may vary.

Lenovo may use or distribute any of the information you supply in any way it believes appropriate without incurring any obligation to you.

Any references in this publication to non-Lenovo Web sites are provided for convenience only and do not in any manner serve as an endorsement of those Web sites. The materials at those Web sites are not part of the materials for this Lenovo product, and use of those Web sites is at your own risk.

Any performance data contained herein was determined in a controlled environment. Therefore, the result obtained in other operating environments may

vary significantly. Some measurements may have been made on development-level systems and there is no guarantee that these measurements will be the same on generally available systems. Furthermore, some measurements may have been estimated through extrapolation. Actual results may vary. Users of this document should verify the applicable data for their specific environment.

---

## Television output notice

The following notice applies to models that have the factory-installed television-output feature.

This product incorporates copyright protection technology that is protected by method claims of certain U.S. patents and other intellectual property rights owned by Macrovision Corporation and other rights owners. Use of this copyright protection technology must be authorized by Macrovision Corporation, and is intended for home and other limited viewing uses only unless otherwise authorized by Macrovision Corporation. Reverse engineering or disassembly is prohibited.

---

## Trademarks

The following terms are trademarks of Lenovo in the United States, other countries, or both:

- Lenovo
- ThinkCentre
- ThinkVantage
- PS/2
- Rescue and Recovery

The following terms are trademarks of International Business Machines Corporation in the United States, other countries, or both:

- Asset ID
- Alert on LAN
- IBM (used under license)
- Wake on LAN

Intel and Pentium are trademarks of Intel Corporation in the United States, other countries, or both.

Microsoft and Windows are trademarks of Microsoft Corporation in the United States, other countries, or both.

Other company, product, or service names may be trademarks or service marks of others.



**ThinkCentre®**

Part Number: 39J8289

Printed in USA

(1P) P/N: 39J8289

