

Hardware Maintenance Manual

Types

8013	8700	8701	8702	8705
8706	8716	8717	8970	8972
8973	8975	8976	8979	8980
8982	8983	8985	8986	8991
8992	8994	8995	9265	9266
9269	9276	9277	9278	9279
9282	9283	9286	9287	9288
9374	9378	9379	9380	9383
9384	9387	9389	9628	9631
9632	9635	9637	9646	9647
9648	9649			

ThinkCentre

Hardware Maintenance Manual

Note: Before using this information and the product it supports, be sure to read the information under "Notices," on page 573.

Ninth Edition (November 2007)

© Copyright Lenovo 2006,2007. All rights reserved.

LENOVO products, data, computer software, and services have been developed exclusively at private expense and are sold to governmental entities as commercial items as defined by 48 C.F.R. 2.101 with limited and restricted rights to use, reproduction and disclosure.

LIMITED AND RESTRICTED RIGHTS NOTICE: If products, data, computer software, or services are delivered pursuant a General Services Administration "GSA" contract, use, reproduction, or disclosure is subject to restrictions set forth in Contract No. GS-35F-05925.

Contents

Chapter 1. About this manual 1

Important Safety Information	1
Important information about replacing RoHS compliant FRUs	2

Chapter 2. Safety information 3

General safety	3
Electrical safety	3
Safety inspection guide	5
Handling electrostatic discharge-sensitive devices	6
Grounding requirements	6
Safety notices (multi-lingual translations)	7

Chapter 3. General information 37

The ThinkVantage Productivity Center program	37
Additional information resources	37
Specifications	38
Types 8700, 8701, 8705, 8717, 8973, 8975, 8979, 8983, 8985, 8991, 8995, 9265, 9269, 9277, 9279, 9283, 9287, 9379, 9383, 9387, 9389, 9631, 9635, 9637, 9646, and 9648	38
Types 8013, 8702, 8706, 8716, 8970, 8972, 8976, 8980, 8982, 8986, 8992, 8994, 9266, 9276, 9278, 9282, 9286, 9288, 9374, 9378, 9380, 9384, 9628, 9632, 9647, and 9649	39

Chapter 4. General Checkout 41

Problem determination tips	41
--------------------------------------	----

Chapter 5. Diagnostics 43

PC-Doctor for Windows	43
PC-Doctor for DOS	43
Creating a diagnostic CD image	44
Creating diagnostic diskettes	44
Running diagnostics from the CD or diskettes	44
Running diagnostics from the Rescue and Recovery workspace	45
PC-Doctor for Windows PE	45
Running diagnostics from the Rescue and Recovery workspace	45
Navigating through the diagnostics programs	46
Running tests	46
Test results	46
Fixed disk advanced test (FDAT)	47
Quick and Full erase - hard drive	48
Viewing the test log	49

Chapter 6. Using the Setup Utility 51

Starting the Setup Utility program	51
Viewing and changing settings	51
Using passwords	51
User Password	51
Administrator Password	52
Selecting a startup device	53

Selecting a temporary startup device	53
Changing the startup device sequence	53
Exiting from the Setup Utility program	53

Chapter 7. Symptom-to-FRU Index 55

Hard disk drive boot error	55
Power Supply Problems	55
Diagnostic error codes	57
Beep symptoms	78
POST error codes	79
Miscellaneous error messages	81
Undetermined problems	82

Chapter 8. Replacing FRUs (desktop computers) 85

Rear connectors	86
Removing the cover	87
Locations	88
Identifying parts on the system board	89
Machine types 8013, 8716, 8976, 8986, 9266, 9282, 9374, 9384, 9646, and 9647	89
Machine types 8706, 8972, 8982, 8994, 9278, 9288, 9380, 9632, 9648, and 9649	90
Machine types 8702, 8970, 8980, 8992, 9276, 9286, 9378, and 9628	91
Replacing a memory module	91
Replacing the CMOS battery	94
Replacing the power supply	94
Replacing the system board	97
Types 8702, 8706, 8970, 8972, 8980, 8982, 8992, 8994, 9276, 9278, 9286, 9288, 9378, 9380, 9628, 9632, and 9649	97
Types 8013, 8716, 8976, 8986, 9266, 9282, 9374, 9384, and 9647	101
Replacing the microprocessor	105
Types 8702, 8706, 8970, 8972, 8980, 8982, 8992, 8994, 9276, 9278, 9286, 9288, 9378, 9380, 9628, 9632, and 9649	105
Types 8013, 8716, 8976, 8986, 9266, 9282, 9374, 9384, and 9647	108
Replacing the hard disk drive	112
Replacing an optical drive	115
Replacing the diskette drive	117
Replacing the power switch/LED assembly	119
Replacing the front panel card	121
Replacing the system fan assembly	122
Replacing a PCI adapter	124
Completing the FRU replacement	124

Chapter 9. Replacing FRUs (tower computers) 127

Rear connectors	128
Removing the cover	129
Locations	130
Identifying parts on the system board	130

Machine types 8700, 8717, 8979, 8991, 9269, 9283, 9383, 9631, and 9646	131
Machine types 8705, 8975, 8985, 9265, 9279, 9379, 9389, 9637, and 9648	132
Machine types 8701, 8973, 8983, 8995, 9277, 9287, 9387, and 9635	133
Removing and replacing the front bezel	133
Replacing the power supply	134
Replacing the system board	135
Types 8701, 8705, 8973, 8975, 8983, 8985, 8995, 9265, 9277, 9279, 9287, 9379, 9387, 9389, 9635, 9637, and 9648	135
Types 8700, 8717, 8979, 8991, 9269, 9283, 9383, 9631, and 9646	140
Replacing the microprocessor	143
Types 8701, 8705, 8973, 8975, 8983, 8985, 8995, 9265, 9277, 9279, 9287, 9379, 9387, 9389, 9635, 9637, and 9648	143
Types 8700, 8717, 8979, 8991, 9269, 9283, 9383, 9631, and 9646	147
Replacing a memory module	151
Replacing a PCI adapter	152
Replacing the hard disk drive	153
Replacing an optical drive	156
Replacing the diskette drive	157
Replacing the system fan assembly	157
Replacing the front audio/USB assembly	159
Replacing the power switch/LED assembly	159
Replacing the CMOS battery	159
Completing the FRU replacement	160

Chapter 10. FRU lists 161

Machine Type 8013	161
Machine Type 8700	168
Machine Type 8701	178
Machine Type 8702	187
Machine Type 8705	197
Machine Type 8706	208
Machine Type 8970	217
Machine Type 8972	225
Machine Type 8973	233
Machine Type 8975	241
Machine Type 8976	249
Machine Type 8979	255
Machine Type 8980	264
Machine Type 8982	272
Machine Type 8983	281
Machine Type 8985	289
Machine Type 8986	298
Machine Type 8991	305

Machine Type 8992	315
Machine Type 8994	325
Machine Type 8995	335
Machine Type 9265	344
Machine Type 9266	354
Machine Type 9269	363
Machine Type 9276	372
Machine Type 9277	379
Machine Type 9278	387
Machine Type 9279	397
Machine Type 9282	406
Machine Type 9283	413
Machine Type 9286	421
Machine Type 9287	429
Machine Type 9288	437
Machine Type 9374	445
Machine Type 9378	454
Machine Type 9379	462
Machine Type 9380	470
Machine Type 9383	479
Machine Type 9384	487
Machine Type 9387	498
Machine Type 9389	506
Machine Type 9628	515
Machine Type 9631	523
Machine Type 9632	533
Machine Type 9635	546
Machine Type 9637	555

Chapter 11. Additional Service Information 569

Security features	569
Hardware controlled Passwords	569
Operating system password	569
Vital product data	569
Management Information Format (MIF)	569
BIOS levels	570
Flash update procedures.	570
Updating (flashing) BIOS from a diskette	570
Recovering from a POST/BIOS update failure	570
Power management	571
Automatic configuration and power interface (ACPI) BIOS.	571
Automatic Power-On features	571

Appendix. Notices 573

Television output notice	574
Trademarks	574

Chapter 1. About this manual

This manual contains service and reference information for ThinkCentre® computers listed on the cover. It is intended only for trained servicers who are familiar with Lenovo computer products.

Before servicing a Lenovo product, be sure to read the Safety Information. See Chapter 2, "Safety information," on page 3.

The Symptom-to-FRU Index and Additional Service Information chapters are not specific to any machine type and are applicable to all ThinkCentre computers.

This manual includes a complete FRU part number listing for each machine type and model listed on the cover. If you have internet access, FRU part numbers are also available at:

<http://www.lenovo.com/support>

Important Safety Information

Be sure to read all caution and danger statements in this book before performing any of the instructions.

Veillez lire toutes les consignes de type DANGER et ATTENTION du présent document avant d'exécuter les instructions.

Lesen Sie unbedingt alle Hinweise vom Typ "ACHTUNG" oder "VORSICHT" in dieser Dokumentation, bevor Sie irgendwelche Vorgänge durchführen

Leggere le istruzioni introdotte da ATTENZIONE e PERICOLO presenti nel manuale prima di eseguire una qualsiasi delle istruzioni

Certifique-se de ler todas as instruções de cuidado e perigo neste manual antes de executar qualquer uma das instruções

Es importante que lea todas las declaraciones de precaución y de peligro de este manual antes de seguir las instrucciones.

تأكد من قراءة كل التحذيرات الموجودة في هذا الكتاب قبل اتباع هذه التعليمات .

执行任何说明之前，请确保已阅读本书中的所有警告和危险声明。

執行任何指示前，請確實閱讀本書中的所有警告及危險聲明。

ודאו שקראתם את כל הודעות האזהרה והסכנה במסמך זה לפני שתבצעו פעולה כלשהי.

본 사용 설명서에 기재된 내용을 실행하기 전에 모든 주의사항 및 위험사항을 숙지하십시오.

Important information about replacing RoHS compliant FRUs

RoHS, The Restriction of Hazardous Substances in Electrical and Electronic Equipment Directive (2002/95/EC) is a European Union legal requirement affecting the global electronics industry. RoHS requirements must be implemented on Lenovo products placed on the market after June 2006. Products on the market before June 2006 are not required to have RoHS compliant parts. So, if the parts are not compliant originally, replacement parts can also be noncompliant, but in all cases, if the parts are compliant, the replacement parts must also be compliant.

Lenovo plans to transition to RoHS compliance well before the implementation date and expects its suppliers to be ready to support Lenovo's requirements and schedule. Products sold in 2005, will contain some RoHS compliant FRUs. The following statement pertains to these products and any product Lenovo produces containing RoHS compliant parts.

RoHS compliant ThinkCentre parts have unique FRU part numbers. Before or after June, 2006, failed RoHS compliant parts must always be replaced using RoHS compliant FRUs, so only the FRUs identified as compliant in the system HMM or direct substitutions for those FRUs can be used.

Products marketed before June 2006		Products marketed after June 2006	
Current or original part	Replacement FRU	Current or original part	Replacement FRU
Non-RoHS	Can be Non-RoHS	Must be RoHS	Must be RoHS
Non-RoHS	Can be RoHS		
Non-RoHS	Can sub to RoHS		
RoHS	Must be RoHS		

Note: A direct substitution is a part with a different FRU part number that is automatically shipped by the distribution center at the time of order.

Chapter 2. Safety information

This chapter contains the safety information that you need to be familiar with before servicing a computer.

General safety

Follow these rules to ensure general safety:

- Observe good housekeeping in the area of the machines during and after maintenance.
- When lifting any heavy object:
 1. Ensure you can stand safely without slipping.
 2. Distribute the weight of the object equally between your feet.
 3. Use a slow lifting force. Never move suddenly or twist when you attempt to lift.
 4. Lift by standing or by pushing up with your leg muscles; this action removes the strain from the muscles in your back. *Do not attempt to lift any objects that weigh more than 16 kg (35 lb) or objects that you think are too heavy for you.*
- Do not perform any action that causes hazards to the customer, or that makes the equipment unsafe.
- Before you start the machine, ensure that other service representatives and the customer's personnel are not in a hazardous position.
- Place removed covers and other parts in a safe place, away from all personnel, while you are servicing the machine.
- Keep your tool case away from walk areas so that other people will not trip over it.
- Do not wear loose clothing that can be trapped in the moving parts of a machine. Ensure that your sleeves are fastened or rolled up above your elbows. If your hair is long, fasten it.
- Insert the ends of your necktie or scarf inside clothing or fasten it with a nonconductive clip, approximately 8 centimeters (3 inches) from the end.
- Do not wear jewelry, chains, metal-frame eyeglasses, or metal fasteners for your clothing.
Remember: Metal objects are good electrical conductors.
- Wear safety glasses when you are: hammering, drilling soldering, cutting wire, attaching springs, using solvents, or working in any other conditions that might be hazardous to your eyes.
- After service, reinstall all safety shields, guards, labels, and ground wires. Replace any safety device that is worn or defective.
- Reinstall all covers correctly before returning the machine to the customer.

Electrical safety



CAUTION:

Electrical current from power, telephone, and communication cables can be hazardous. To avoid personal injury or equipment damage, disconnect the attached power cords, telecommunication systems, networks, and modems before you open the server/workstation covers, unless instructed otherwise in the installation and configuration procedures.

Observe the following rules when working on electrical equipment.

Important: Use only approved tools and test equipment. Some hand tools have handles covered with a soft material that does not insulate you when working with live electrical currents.

Many customers have, near their equipment, rubber floor mats that contain small conductive fibers to decrease electrostatic discharges. Do not use this type of mat to protect yourself from electrical shock.

- Find the room emergency power-off (EPO) switch, disconnecting switch, or electrical outlet. If an electrical accident occurs, you can then operate the switch or unplug the power cord quickly.
- Do not work alone under hazardous conditions or near equipment that has hazardous voltages.
- Disconnect all power before:
 - Performing a mechanical inspection
 - Working near power supplies
 - Removing or installing main units
- Before you start to work on the machine, unplug the power cord. If you cannot unplug it, ask the customer to power-off the wall box that supplies power to the machine and to lock the wall box in the off position.
- If you need to work on a machine that has exposed electrical circuits, observe the following precautions:
 - Ensure that another person, familiar with the power-off controls, is near you.
Remember: Another person must be there to switch off the power, if necessary.
 - Use only one hand when working with powered-on electrical equipment; keep the other hand in your pocket or behind your back.
Remember: There must be a complete circuit to cause electrical shock. By observing the above rule, you may prevent a current from passing through your body.
 - When using testers, set the controls correctly and use the approved probe leads and accessories for that tester.
 - Stand on suitable rubber mats (obtained locally, if necessary) to insulate you from grounds such as metal floor strips and machine frames.

Observe the special safety precautions when you work with very high voltages; these instructions are in the safety sections of maintenance information. Use extreme care when measuring high voltages.

- Regularly inspect and maintain your electrical hand tools for safe operational condition.
- Do not use worn or broken tools and testers.
- *Never assume* that power has been disconnected from a circuit. First, *check* that it has been powered-off.

- Always look carefully for possible hazards in your work area. Examples of these hazards are moist floors, nongrounded power extension cables, power surges, and missing safety grounds.
- Do not touch live electrical circuits with the reflective surface of a plastic dental mirror. The surface is conductive; such touching can cause personal injury and machine damage.
- Do not service the following parts with the power on when they are removed from their normal operating places in a machine:
 - Power supply units
 - Pumps
 - Blowers and fans
 - Motor generators
 and similar units. (This practice ensures correct grounding of the units.)
- If an electrical accident occurs:
 - Use caution; do not become a victim yourself.
 - Switch off power.
 - Send another person to get medical aid.

Safety inspection guide

The intent of this inspection guide is to assist you in identifying potentially unsafe conditions on these products. Each machine, as it was designed and built, had required safety items installed to protect users and service personnel from injury. This guide addresses only those items. However, good judgment should be used to identify potential safety hazards due to attachment of features or options not covered by this inspection guide.

If any unsafe conditions are present, you must determine how serious the apparent hazard could be and whether you can continue without first correcting the problem.

Consider these conditions and the safety hazards they present:

- Electrical hazards, especially primary power (primary voltage on the frame can cause serious or fatal electrical shock).
- Explosive hazards, such as a damaged CRT face or bulging capacitor
- Mechanical hazards, such as loose or missing hardware

The guide consists of a series of steps presented in a checklist. Begin the checks with the power off, and the power cord disconnected.

Checklist:

1. Check exterior covers for damage (loose, broken, or sharp edges).
2. Power-off the computer. Disconnect the power cord.
3. Check the power cord for:
 - a. A third-wire ground connector in good condition. Use a meter to measure third-wire ground continuity for 0.1 ohm or less between the external ground pin and frame ground.
 - b. The power cord should be the appropriate type as specified in the parts listings.
 - c. Insulation must not be frayed or worn.
4. Remove the cover.

5. Check for any obvious alterations. Use good judgment as to the safety of any alterations.
6. Check inside the unit for any obvious unsafe conditions, such as metal filings, contamination, water or other liquids, or signs of fire or smoke damage.
7. Check for worn, frayed, or pinched cables.
8. Check that the power-supply cover fasteners (screws or rivets) have not been removed or tampered with.

Handling electrostatic discharge-sensitive devices

Any computer part containing transistors or integrated circuits (ICs) should be considered sensitive to electrostatic discharge (ESD). ESD damage can occur when there is a difference in charge between objects. Protect against ESD damage by equalizing the charge so that the machine, the part, the work mat, and the person handling the part are all at the same charge.

Notes:

1. Use product-specific ESD procedures when they exceed the requirements noted here.
2. Make sure that the ESD protective devices you use have been certified (ISO 9000) as fully effective.

When handling ESD-sensitive parts:

- Keep the parts in protective packages until they are inserted into the product.
- Avoid contact with other people.
- Wear a grounded wrist strap against your skin to eliminate static on your body.
- Prevent the part from touching your clothing. Most clothing is insulative and retains a charge even when you are wearing a wrist strap.
- Use the black side of a grounded work mat to provide a static-free work surface. The mat is especially useful when handling ESD-sensitive devices.
- Select a grounding system, such as those listed below, to provide protection that meets the specific service requirement.

Note: The use of a grounding system is desirable but not required to protect against ESD damage.

- Attach the ESD ground clip to any frame ground, ground braid, or green-wire ground.
- Use an ESD common ground or reference point when working on a double-insulated or battery-operated system. You can use coax or connector-outside shells on these systems.
- Use the round ground-prong of the ac plug on ac-operated computers.

Grounding requirements

Electrical grounding of the computer is required for operator safety and correct system function. Proper grounding of the electrical outlet can be verified by a certified electrician.

Safety notices (multi-lingual translations)

The caution and danger safety notices in this section are provided in the following languages:

- English
- Arabic
- Brazilian/Portuguese
- Chinese (simplified)
- Chinese (traditional)
- French
- German
- Hebrew
- Italian
- Korean
- Spanish



DANGER

Electrical current from power, telephone and communication cables is hazardous.

To avoid a shock hazard:

- **Do not connect or disconnect any cables or perform installation, maintenance, or reconfiguration of this product during an electrical storm.**
- **Connect all power cords to a properly wired and grounded electrical outlet.**
- **Connect to properly wired outlets any equipment that will be attached to this product.**
- **When possible, use one hand only to connect or disconnect signal cables.**
- **Never turn on any equipment when there is evidence of fire, water, or structural damage.**
- **Disconnect the attached power cords, telecommunications systems, networks, and modems before you open the device covers, unless instructed otherwise in the installation and configuration procedures.**
- **Connect and disconnect cables as described in the following tables when installing, moving, or opening covers on this product or attached devices.**

To Connect	To Disconnect
<ol style="list-style-type: none">1. Turn everything OFF.2. First, attach all cables to devices.3. Attach signal cables to connectors.4. Attach power cords to outlet.5. Turn device ON.	<ol style="list-style-type: none">1. Turn everything OFF.2. First, remove power cords from outlet.3. Remove signal cables from connectors.4. Remove all cables from devices.



CAUTION:

When replacing the lithium battery, use only Part Number 33F8354 or an equivalent type battery recommended by the manufacturer. If your system has a module containing a lithium battery, replace it only with the same module type made by the same manufacturer. The battery contains lithium and can explode if not properly used, handled, or disposed of.

Do not:

- Throw or immerse into water
- Heat to more than 100°C (212°F)
- Repair or disassemble

Dispose of the battery as required by local ordinances or regulations.



CAUTION:

When laser products (such as CD-ROMs, DVD-ROM drives, fiber optic devices, or transmitters) are installed, note the following:

- Do not remove the covers. Removing the covers of the laser product could result in exposure to hazardous laser radiation. There are no serviceable parts inside the device.
- Use of controls or adjustments or performance of procedures other than those specified herein might result in hazardous radiation exposure.



DANGER: Some laser products contain an embedded Class 3A or Class 3B laser diode. Note the following:

Laser radiation when open. Do not stare into the beam, do not view directly with optical instruments, and avoid direct exposure to the beam.



≥18 kg (37 lbs)



≥32 kg (70.5 lbs)



≥55 kg (121.2 lbs)

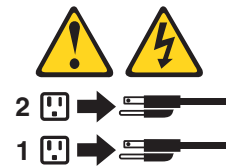
CAUTION:

Use safe practices when lifting.



CAUTION:

The power control button on the device and the power switch on the power supply do not turn off the electrical current supplied to the device. The device also might have more than one power cord. To remove all electrical current from the device, ensure that all power cords are disconnected from the power source.





خطر

التيار الكهربى الموجود بمصدر الطاقة أو أجهزة التليفون أو أسلاك الإتصالات يشكل خطورة.

لتفادي مخاطر الصدمات الكهربائية:

لا تحاول توصيل أو فصل أي أسلاك أو القيام بعمليات تركيب أو صيانة أو إعادة توصيف لهذا المنتج أثناء وجود عاصفة كهربائية.

يجب توصيل كل أسلاك الكهرباء في مخارج كهرباء ذات توصيلات أسلاك وتوصيلات أرضية صحيحة
يجب توصيل أي جهاز سيتم الحاقه بهذا المنتج في مخارج كهرباء ذات توصيلات أسلاك صحيحة.

وإن أمكن يجب استخدام يد واحدة فقط في توصيل أو فصل أسلاك الإشارة.

لا تحاول تشغيل أي جهاز إذا كان هناك أثر لحرق أو مياه أو تلف بالمكونات

يجب فصل أسلاك الكهرباء وأنظمة الاتصالات وشبكات الاتصال وأجهزة المودم الملحقة قبل فتح أغطية الجهاز، ما لم يتم طلب خلاف ذلك في التعليمات الخاصة بالتركيب والتوصيف.

قم بتوصيل وفصل الأسلاك كما هو موضح في الجدول التالي وذلك عند القيام بعمليات التركيب أو النقل أو فتح أغطية هذا المنتج أو الأجهزة الملحقة.

للتوصيل:

قم بإيقاف كل شيء.

أولاً، قم بتوصيل كل الأسلاك بالأجهزة.

قم بتوصيل أسلاك الإشارة في لموصلات.

قم بتوصيل أسلاك الكهرباء في المخارج.

قم بتشغيل الجهاز.

للفصل:

قم بإيقاف كل شيء.

أولاً، قم بفصل كل أسلاك الكهرباء من المخرج.

قم بفصل أسلاك الإشارة من الموصلات.

قم بفصل كل الأسلاك من الأجهزة.



تنبيه :

عند استبدال البطارية الليثيوم، استخدم فقط رقم الجزء الخاص **Part Number 33F8354** أو نوع آخر يكون على نفس مستوى الكفاءة يحدده لك المصنع. إذا كان النظام الخاص يستخدم معه بطارية ليثيوم قم باستبدالها بنفس النوع الذي تم صناعته من خلال نفس المصنع. تحتوي البطارية على مادة الليثيوم ويمكن أن تنفجر في حالة عدم استخدامها أو التعامل معها بطريقة صحيحة أو عند التخلص منها بطريقة خطأ.

لا تقم بـ:

- الفاء البطارية أو غمرها في الماء
- تسخينها أعلى من ١٠٠ درجة مئوية و(٢١٢ ° فهرنهيت)
- بتصليحها أو فكها

تخلص من البطارية طبقاً للقانون أو النظام المحلي .



تنبيه :

أثناء تركيب منتجات ليزر (مثل CD-ROMs أو وحدة تشغيل DVD أو أجهزة Fiber Optic أو وحدات الإرسال) يجب مراعاة الآتي:

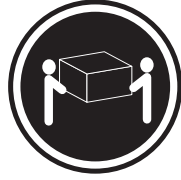
لا تنزع الأغطية. قد ينتج عن نزع أغطية منتج الليزر انفجار أشعة الليزر شديدة الخطورة. لا يوجد أجزاء يمكن تغييرها داخل الجهاز. قد ينتج عن استخدام تحكيمات أو تعديلات أو عمل أي تصرفات أخرى تخالف ما هو محدد هنا إلى انفجار أشعة شديدة الخطورة.



خطر

تحتوي بعض منتجات الليزر على الفئة دايود ليزر مدمج من الفئة **Class 3A** أو **Class 3B**. يجب مراعاة الآتي .

أشعة الليزر عند الفتح. لا تحدد إلى الإشعاع و لا تنظر إليه مباشرة بواسطة أي أجهزة مرئية وتجنب التعرض المباشر للإشعاع .



≥18 kg (37 lbs)



≥32 kg (70.5 lbs)



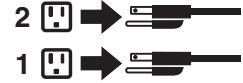
≥55 kg (121.2 lbs)



تنبيه :
يجب استخدام ممارسات آمنة عند الرفع



تنبيهه :
لا يقرم زر التحكم في التشغيل الموجود على الجهاز والمفتاح الكهربائي الموجود على لوحة التحكم بإيقاف التيار الكهربائي المار بالجهاز. قد يكون للجهاز أكثر من سلك كهربائي واحد. لايقاف التيار الكهربائي المار بالجهاز، تأكد من فصل جميع أسلاك الكهرباء من مصدر الكهرباء .





PERIGO

A corrente elétrica proveniente de cabos de alimentação, de telefone e de comunicações é perigosa.

Para evitar risco de choque elétrico:

- Não conecte nem desconecte nenhum cabo ou execute instalação, manutenção ou reconfiguração deste produto durante uma tempestade com raios.
- Conecte todos os cabos de alimentação a tomadas elétricas corretamente instaladas e aterradas.
- Todo equipamento que for conectado a este produto deve ser conectado a tomadas corretamente instaladas.
- Quando possível, utilize apenas uma das mãos para conectar ou desconectar cabos de sinal.
- Nunca ligue nenhum equipamento quando houver evidência de fogo, água ou danos estruturais.
- Antes de abrir tampas de dispositivos, desconecte cabos de alimentação, sistemas de telecomunicação, redes e modems conectados, a menos que especificado de maneira diferente nos procedimentos de instalação e configuração.
- Conecte e desconecte os cabos conforme descrito na tabela apresentada a seguir ao instalar, mover ou abrir tampas deste produto ou de dispositivos conectados.

Para Conectar:	Para Desconectar:
<ol style="list-style-type: none">1. DESLIGUE Tudo.2. Primeiramente, conecte todos os cabos aos dispositivos.3. Conecte os cabos de sinal aos conectores.4. Conecte os cabos de alimentação às tomadas.5. LIGUE os dispositivos.	<ol style="list-style-type: none">1. DESLIGUE Tudo.2. Primeiramente, remova os cabos de alimentação das tomadas.3. Remova os cabos de sinal dos conectores.4. Remova todos os cabos dos dispositivos.



CUIDADO:

Ao substituir a bateria de lítio, utilize apenas uma bateria com Número de Peça 33F8354 ou um tipo de bateria equivalente recomendado pelo Se o seu sistema possui um módulo com uma bateria de lítio, substitua-o apenas por um módulo do mesmo tipo e do mesmo fabricante. A bateria contém lítio e pode explodir se não for utilizada, manuseada ou descartada de maneira correta.

Não:

- Jogue ou coloque na água
- Aqueça a mais de 100°C (212°F)
- Conserte nem desmonte

Descarte a bateria conforme requerido pelas leis ou regulamentos locais.



PRECAUCIÓN:

Quando produtos a laser (como unidades de CD-ROMs, unidades de DVD-ROM, dispositivos de fibra ótica ou transmissores) estiverem instalados, observe o seguinte:

- Não remova as tampas. A remoção das tampas de um produto a laser pode resultar em exposição prejudicial à radiação de laser. Não existem peças que podem ser consertadas no interior do dispositivo.
- A utilização de controles ou ajustes ou a execução de procedimentos diferentes dos especificados aqui pode resultar em exposição prejudicial à radiação.

PERIGO

Alguns produtos a laser contêm diodo de laser integrado da Classe 3A ou da Classe 3B. Observe o seguinte:

Radiação a laser quando aberto. Não olhe diretamente para o feixe a olho nu ou com instrumentos ópticos e evite exposição direta ao feixe.



≥18 kg (37 lbs)



≥32 kg (70.5 lbs)



≥55 kg (121.2 lbs)

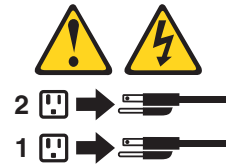
CUIDADO:

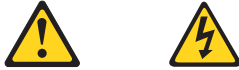
Utilize procedimentos de segurança para levantar equipamentos.



CUIDADO:

O botão de controle de alimentação do dispositivo e o botão para ligar/desligar da fonte de alimentação não desligam a corrente elétrica fornecida ao dispositivo. O dispositivo também pode ter mais de um cabo de alimentação. Para remover toda a corrente elétrica do dispositivo, assegure que todos os cabos de alimentação estejam desconectados da fonte de alimentação.





危险

电源、电话和通信电缆中的电流是危险的。

为避免电击危险：

- 请勿在雷电期间连接或断开任何电缆的连接，或者对本产品进行安装、维护或重新配置。
- 将所有电源线连接到正确连线和妥善接地的电源插座。
- 将所有要连接到该产品的设备连接到正确连线的插座。
- 如果可能，请仅使用一只手来连接或断开信号电缆的连接。
- 切勿在有火、水、结构损坏迹象的情况下开启任何设备。
- 在打开设备外盖之前请断开已连接的电源线、远程通信系统、网络和调制解调器，除非在安装和配置过程中另有说明。
- 当安装、移动或打开该产品或连接设备的外盖时，请按照下表所述来连接或断开电缆的连接。

要连接	要断开连接
<ol style="list-style-type: none">1. 切断所有电源。2. 首先将所有电缆连接到设备。3. 将信号电缆连接到接口。4. 将电源线连接到插座。5. 开启设备。	<ol style="list-style-type: none">1. 切断所有电源。2. 首先从插座上拔出电源线。3. 从接口上拔出信号电缆。4. 从设备上拔出所有电缆。



警告：
更换锂电池时，请仅使用部件号为 33F8354 的电池或制造商推荐的同类电池。如果您的系统有包含锂电池的模块，请仅使用同一制造商生产的相同模块类型来替换该模块。该电池中含有锂，如果使用、操作或处理不当，可能会发生爆炸。

切勿：

- 投入或浸入水中
- 加热到 100 °C (212 °F) 以上
- 维修或拆卸

请按照当地法令或条例的要求处理电池。



警告：
安装激光产品（例如 CD-ROM、DVD-ROM 驱动器、光纤设备或发射设备）时，
请注意以下声明：

- 请勿卸下外盖。卸下激光产品的外盖可能导致遭受激光辐射的危险。该设备内没有可维修的部件。
- 如果不按照此处指定的过程进行控制、调整或操作，则有可能导致遭受辐射的危险。



危险

某些激光产品包含嵌入式 3A 类或 3B 类激光二极管。请注意以下声明：

打开后有激光辐射。请勿注视光束，请勿直接用光学仪器查看，并请避免直接暴露在光束中。

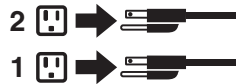


≥18 千克 (37 磅) ≥32 千克 (70.5 磅) ≥55 千克 (121.2 磅)

警告：
抬起时请采取安全措施。



警告：
设备上的电源控制按钮和电源上的电源开关不会切断供给该设备的电流。该设备还可能有多条电源线。要切断该设备的所有电流，请确保所有电源线都与电源断开连接。





危險

電源、電話及通訊纜線上的電流都具有危險性。

若要避免觸電危險：

- 請勿在雷雨期間，連接或拔除纜線、執行安裝、維護或重新配置本產品。
- 將所有電源線連接到正確配線及接地的電源插座。
- 任何與本產品連接的設備都必須連接到配線妥當的電源插座。
- 請盡可能用單手連接或拔除信號線。
- 發生火災、水災或結構損害時，絕對不要開啟任何設備。
- 除非在安裝及配置程序中另有指示，否則在開啟裝置機蓋之前，請拔掉連接的電源線、電信系統、網路及數據機。
- 安裝、移動或開啟本產品或附屬裝置的機蓋時，請遵循下列說明連接及拔掉纜線。

連線	切斷連線
<ol style="list-style-type: none"> 1. 關閉所有開關。 2. 首先，連接所有接線到裝置。 3. 連接信號線到接頭。 4. 連接電源線到插座。 5. 開啟裝置。 	<ol style="list-style-type: none"> 1. 關閉所有開關。 2. 首先，拔掉插座上的電源線。 3. 拔掉接頭上的信號線。 4. 拔掉裝置上所有接線。



警告：

更換鋰電池時，請僅使用產品編號 **33F8354** 或製造商所建議的同類型電池。
 如果您的系統中含有鋰電池模組，請僅使用同一家製造商所生產的相同模組進行更換。
 如果未以正確方式使用、處理或棄置含鋰的電池，會有爆炸的危險。

請勿：

- 沾溼或浸入水中
 - 置於 **100C (212F)** 以上的高溫環境
 - 修理或拆開
- 請按照各地區有關廢棄電池的法令和規定處理舊電池。



警告：

- 請勿移除機蓋。移除雷射產品的機蓋，可能會導致暴露在危險的雷射輻射中。裝置內部並無可自行維修的零件。
- 利用或執行非本文中所指定的控制、調整及執行程序，可能會導致危險的輻射外洩。



危險

部分雷射產品含有內嵌式 **Class 3A** 或 **Class 3B** 雷射二極體。請注意下列事項：
 在開啟光碟機時，會發生雷射輻射。請勿直視光束或用光學儀器直接檢視，並避免直接暴露在光束中。



≥ 18 公斤 (37 磅)



≥ 32 公斤 (70.5 磅)



≥ 55 公斤 (121.2 磅)

警告：
搬運時請注意安全。



警告：
裝置上的電源控制按鈕及電源供應器上的電源開關，無法關閉裝置所產生的電流。
該裝置可能有多條電源線。若要除去裝置流出的所有電流，請確認已切斷所有電源線的電源。





DANGER

Le courant électrique provenant de l'alimentation, du téléphone et des câbles de transmission peut présenter un danger.

Pour éviter tout risque de choc électrique :

- Ne manipulez aucun câble et n'effectuez aucune opération d'installation, d'entretien ou de reconfiguration de ce produit au cours d'un orage.
- Branchez tous les cordons d'alimentation sur un socle de prise de courant correctement câblé et mis à la terre.
- Branchez sur des socles de prise de courant correctement câblés tout équipement connecté à ce produit.
- Lorsque cela est possible, n'utilisez qu'une seule main pour connecter ou déconnecter les câbles d'interface.
- Ne mettez jamais un équipement sous tension en cas d'incendie ou d'inondation, ou en présence de dommages matériels.
- Avant de retirer les carters de l'unité, mettez celle-ci hors tension et déconnectez ses cordons d'alimentation, ainsi que les câbles qui la relient aux réseaux, aux systèmes de télécommunication et aux modems (sauf instruction contraire mentionnée dans les procédures d'installation et de configuration).
- Lorsque vous installez, que vous déplacez, ou que vous manipulez le présent produit ou des périphériques qui lui sont raccordés, reportez-vous aux instructions ci-dessous pour connecter et déconnecter les différents cordons.

Connexion	Déconnexion
<ol style="list-style-type: none">1. Mettez les unités HORS TENSION.2. Commencez par brancher tous les cordons sur les unités.3. Branchez les câbles d'interface sur des connecteurs.4. Branchez les cordons d'alimentation sur des prises.5. Mettez les unités SOUS TENSION.	<ol style="list-style-type: none">1. Mettez les unités HORS TENSION.2. Débranchez les cordons d'alimentation des prises.3. Débranchez les câbles d'interface des connecteurs.4. Débranchez tous les câbles des unités.



ATTENTION:

Remplacer la pile au lithium usagée par une pile de référence identique exclusivement, (référence 33F8354), ou suivre les instructions du fabricant qui en définit les équivalences. Si votre système est doté d'un module contenant une pile au lithium, vous devez le remplacer uniquement par un module identique, produit par le même fabricant. La pile contient du lithium et peut exploser en cas de mauvaise utilisation, de mauvaise manipulation ou de mise au rebut inappropriée.

Ne pas :

- la jeter à l'eau,
- l'exposer à des températures supérieures à 100°C,
- chercher à la réparer ou à la démonter.

Ne pas mettre la pile à la poubelle. Pour la mise au rebut, se reporter à la réglementation en vigueur.



ATTENTION:

Si des produits à laser (tels que des unités de CD-ROM, de DVD-ROM, des unités à fibres optiques, ou des émetteurs) sont installés, prenez connaissance des informations suivantes :

- Ne retirez pas le carter. En ouvrant l'unité de CD-ROM ou de DVD-ROM, vous vous exposez au rayonnement dangereux du laser. Aucune pièce de l'unité n'est réparable.
- Pour éviter tout risque d'exposition au rayon laser, respectez les consignes de réglage et d'utilisation des commandes, ainsi que les procédures décrites dans le présent manuel.



DANGER

Certains produits à laser contiennent une diode à laser intégrée de classe 3A ou 3B. Prenez connaissance des informations suivantes:

Rayonnement laser lorsque le carter est ouvert. Evitez toute exposition directe au rayon laser. Evitez de regarder fixement le faisceau ou de l'observer à l'aide d'instruments optiques.



≥18 kg (37 lbs)



≥32 kg (70.5 lbs)



≥55 kg (121.2 lbs)

ATTENTION:

Soulevez la machine avec précaution.



ATTENTION:

L'interrupteur de contrôle d'alimentation de l'unité et l'interrupteur dubloc d'alimentation ne coupent pas le courant électrique alimentant l'unité. En outre, le système peut être équipé de plusieurs cordons d'alimentation. Pour mettre l'unité hors tension, vous devez déconnecter tous les cordons de la source d'alimentation.





VORSICHT

An Netz-, Telefon- und Datenleitungen können gefährliche Spannungen anliegen.

Aus Sicherheitsgründen:

- Bei Gewitter an diesem Gerät keine Kabel anschließen oder lösen. Ferner keine Installations-, Wartungs- oder Rekonfigurationsarbeiten durchführen.
- Gerät nur an eine Schutzkontaktsteckdose mit ordnungsgemäß geerdetem Schutzkontakt anschließen.
- Alle angeschlossenen Geräte ebenfalls an Schutzkontaktsteckdosen mit ordnungsgemäß geerdetem Schutzkontakt anschließen.
- Die Signalkabel nach Möglichkeit einhändig anschließen oder lösen, um einen Stromschlag durch Berühren von Oberflächen mit unterschiedlichem elektrischem Potenzial zu vermeiden.
- Geräte niemals einschalten, wenn Hinweise auf Feuer, Wasser oder Gebäudeschäden vorliegen.
- Die Verbindung zu den angeschlossenen Netzkabeln, Telekommunikationssystemen, Netzwerken und Modems ist vor dem Öffnen des Gehäuses zu unterbrechen, sofern in den Installations- und Konfigurationsprozeduren keine anders lautenden Anweisungen enthalten sind.
- Zum Installieren, Transportieren und Öffnen der Abdeckungen des Computers oder der angeschlossenen Einheiten die Kabel gemäß der folgenden Tabelle anschließen und abziehen.

Zum Anschließen der Kabel gehen Sie wie folgt vor	Zum Abziehen der Kabel gehen Sie wie folgt vor
<ol style="list-style-type: none"> 1. Schalten Sie alle Einheiten AUS. 2. Schließen Sie erst alle Kabel an die Einheiten an. 3. Schließen Sie die Signalkabel an die Buchsen an. 4. Schließen Sie die Netzkabel an die Steckdose an. 5. Schalten Sie die Einheit EIN. 	<ol style="list-style-type: none"> 1. Schalten Sie alle Einheiten AUS. 2. Ziehen Sie zuerst alle Netzkabel aus den Netzsteckdosen. 3. Ziehen Sie die Signalkabel aus den Buchsen. 4. Ziehen Sie alle Kabel von den Einheiten ab.



CAUTION:

Eine verbrauchte Lithiumbatterie nur durch eine Batterie mit der Teilenummer 33F8354 oder eine gleichwertige, vom Hersteller empfohlene Batterie ersetzen. Enthält das System ein Modul mit einer Lithiumbatterie, dieses nur durch ein Modul desselben Typs und von demselben Hersteller ersetzen. Die Batterie enthält Lithium und kann bei unsachgemäßer Verwendung, Handhabung oder Entsorgung explodieren.

Die Batterie nicht:

- mit Wasser in Berührung bringen.
- über 100 C erhitzen.
- reparieren oder zerlegen.

Die örtlichen Bestimmungen für die Entsorgung von Sondermüll beachten.



ACHTUNG:

Bei der Installation von Lasergeräten (wie CD-ROM-Laufwerken, DVD-aufwerken, Einheiten mit Lichtwellenleitertechnik oder Sendern) Folgendes beachten:

- **Die Abdeckungen nicht entfernen. Durch Entfernen der Abdeckungen des Lasergeräts können gefährliche Laserstrahlungen freigesetzt werden. Das Gerät enthält keine zu wartenden Teile.**
- **Werden Steuerelemente, Einstellungen oder Durchführungen von Prozeduren anders als hier angegeben verwendet, kann gefährliche Laserstrahlung auftreten.**



VORSICHT

Einige Lasergeräte enthalten eine Laserdiode der Klasse 3A oder 3B. Beachten Sie Folgendes:

Laserstrahlung bei geöffneter Verkleidung. Nicht in den Strahl blicken. Keine Lupen oder Spiegel verwenden. Strahlungsbereich meiden.



≥18 kg



≥32 kg



≥55 kg

ACHTUNG:

Arbeitsschutzrichtlinien beim Anheben der Maschine beachten.



ACHTUNG:

Mit dem Netzschalter an der Einheit und am Netzteil wird die Stromversorgung für die Einheit nicht unterbrochen. Die Einheit kann auch mit mehreren Netzkabeln ausgestattet sein. Um die Stromversorgung für die Einheit vollständig zu unterbrechen, müssen alle zum Gerät führenden Netzkabel vom Netz getrennt werden.





סכנה

זרם חשמלי המועבר בכבלי חשמל, טלפון ותקשורת הוא מסוכן.

כדי להימנע מסכנת התחשמלות:

- אל תחברו או תנתקו כבלים, ואל תבצעו פעולת התקנה, תחזוקה או שינוי תצורה במוצר זה במהלך סופת ברקים.
- חברו את כל כבלי החשמל לשקע חשמל מחווט ומוארק כהלכה.
- חברו כל ציוד שיחובר למוצר זה לשקעי חשמל מחוטים כהלכה.
- במידת האפשר, השתמשו ביד אחת בלבד לחיבור או לניתוק של כבלי אותות.
- לעולם אל תפעילו ציוד כלשהו כאשר יש עדות לנזק מבני או לנזק כתוצאה מאש או ממים.
- נתקו את כבלי החשמל, מערכות התקשורת, התקני הרשת והמודמים המחוברים לפני פתיחת כיסויי ההתקן, אלא אם הליכי ההתקנה וקביעת התצורה מורים אחרת.
- בעת התקנה, העברה או פתיחת כיסויים במוצר זה או בהתקנים המחוברים, חברו ונתקו את הכבלים כמתואר בטבלה שלהלן.

כדי לחבר	כדי לנתק
1. כבו הכל.	1. כבו הכל.
2. ראשית, חברו את כל הכבלים להתקנים.	2. ראשית, נתקו את כבלי החשמל מהשקעים.
3. חברו את כבלי האותות למחברים.	3. נתקו את כבלי האותות מהמחברים.
4. חברו את כבלי החשמל לשקעים.	4. הסירו את כל הכבלים מההתקנים.
5. הפעילו את ההתקן.	



זהירות:

בעת החלפת סוללת הליתיום, השתמשו רק בסוללה בעלת מק"ט 33F8354 או בסוג תואם שהומלץ על ידי היצרן. אם המערכת כוללת מודול המכיל סוללת ליתיום, החליפו אותו רק במודול מאותו סוג ומתוצרת אותו יצרן. הסוללה מכילה ליתיום, ועלולה להתפוצץ אם לא משתמשים ומטפלים בה או משליכים אותה כראוי.

לעולם:

- אל תטבלו במים

- אל תחממו לטמפרטורה הגבוהה מ-100°C (212°F)

- אל תתקנו או תפרקו

השליכו את הסוללה כנדרש לפי התקנות והחוקים המקומיים.



זהירות:

בעת התקנת מוצרי לייזר (כגון כונני תקליטורים ו-DVD, התקני סיב אופטי או משדרים), שימו לב לאזהרות הבאות:

- אל תסירו את הכיסויים. הסרת הכיסויים של מוצר הלייזר עלולה לגרום לחשיפה לקרינת לייזר מסוכנת. אין חלקים ברי טיפול בתוך ההתקן.

- שינויים, שימוש בבקרות או ביצוע הליכים אחרים מאלה המתוארים כאן, עלולים לגרום לחשיפה לקרינה מסוכנת.



סכנה

מוצרי לייזר מסוימים מכילים דיודת לייזר מסוג Class 3A או Class 3B. שימו לב לאזהרה הבאה:

כאשר הוא פתוח, המוצר פולט קרינת לייזר. אל תביטו ישירות בקרן, אל תביטו ישירות בעזרת ציוד אופטי, והימנעו מחשיפה לקרן.



≤ 18 ק"ג (37 ליב')



≤ 32 ק"ג (70.5 ליב')

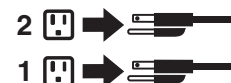


≤ 55 ק"ג (121.2 ליב')

זהירות:
השתמשו בהליכים
הנאותים בעת
הרמת הציוד.



זהירות:
לחצן ההפעלה של ההתקן ומתג ההפעלה של ספק החשמל אינם מפסיקים את זרם החשמל המסופק להתקן.
בנוסף, ההתקן עשוי לכלול יותר מכבל חשמל אחד. כדי לסלק את כל הזרם החשמלי מההתקן,
דאו שכל כבלי החשמל מנותקים ממקור החשמל.





PERICOLO

La corrente elettrica proveniente dai cavi di alimentazione, del telefono e di comunicazione può essere pericolosa.

Per evitare il rischio di scosse elettriche:

- **Non collegare o scollegare qualsiasi cavo oppure effettuare l'installazione, la manutenzione o la riconfigurazione del prodotto durante un temporale.**
- **Collegare tutti i fili elettrici a una presa di alimentazione correttamente cablata e dotata di messa a terra.**
- **Collegare alle prese elettriche appropriate tutte le apparecchiature che verranno utilizzate per questo prodotto.**
- **Se possibile, utilizzare solo una mano per collegare o scollegare i cavi di segnale.**
- **Non accendere assolutamente apparecchiature in presenza di incendi, perdite d'acqua o danno strutturale.**
- **Scollegare i cavi di alimentazione, i sistemi di telecomunicazione, le reti e il modem prima di aprire i coperchi del dispositivo, salvo istruzioni contrarie relative alle procedure di installazione e configurazione.**
- **Collegare e scollegare i cavi come descritto nella seguente tabella quando vengono effettuate operazioni di installazione, spostamento o apertura dei coperchi di questo prodotto o delle unità collegate.**

Per collegarsi	Per scollegarsi
1. SPEGNERE le apparecchiature.	1. SPEGNERE le apparecchiature.
2. Innanzitutto, collegare tutti i cavi alle unità.	2. Innanzitutto, rimuovere i cavi di alimentazione dalla presa.
3. Collegare i cavi di segnale ai connettori.	3. Rimuovere i cavi di segnale dai connettori.
4. Collegare i cavi di alimentazione alla presa.	4. Rimuovere tutti i cavi dalle unità.
5. Accendere l'unità.	



ATTENZIONE:

Quando si sostituisce la batteria al litio, utilizzare solo il Numero parte 33F8354 o un tipo di batteria equivalente consigliato dal produttore. Se sul sistema è presente un modulo che contiene una batteria al litio, sostituirlo solo con un tipo di modulo dello stesso tipo della stessa casa di produzione. La batteria contiene litio e può esplodere se usata, maneggiata o smaltita in modo non corretto.

Non:

- Gettare o immergere la batteria nell'acqua
- Riscaldarla ad una temperatura superiore ai 100 gradi C (212 gradi F)
- Smontarla, ricaricarla o tentare di ripararla

Le batterie usate vanno smaltite in accordo alla normativa in vigore (DPR 915/82 e successive disposizioni e disposizioni locali).



ATTENZIONE:

Quando vengono installati prodotti laser (quali CD-ROM, unità DVD-ROM, unità a fibre ottiche o trasmettenti), tener presente quanto segue:

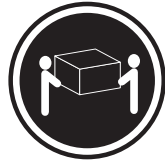
- Non rimuovere gli sportelli. L'apertura di un'unità laser può determinare l'esposizione a radiazioni laser pericolose. All'interno dell'unità non vi sono parti su cui effettuare l'assistenza tecnica.
- L'utilizzo di controlli, regolazioni o l'esecuzione di procedure non descritti nel presente manuale possono provocare l'esposizione a radiazioni pericolose.



PERICOLO

Alcune unità laser contengono un diodo laser di Classe 3A o Classe 3B. Tener presente quanto segue:

Aperto l'unità vengono emesse radiazioni laser. Non fissare il fascio, non guardarlo direttamente con strumenti ottici ed evitare l'esposizione al fascio.



≥18 kg



≥32 kg



≥55 kg

ATTENZIONE:

Prestare attenzione nel sollevare l'apparecchiatura.



ATTENZIONE:

Il pulsante di controllo dell'alimentazione presente sull'unità e l'interruttore dell'alimentatore non disattivano l'alimentazione corrente fornita all'unità. E' possibile che l'unità disponga di più cavi di alimentazione. Per disattivare l'alimentazione dall'unità, accertarsi che tutti i cavi di alimentazione siano scollegati dalla fonte di alimentazione.





위험

전원, 전화, 통신 케이블의 전류는 위험합니다.

감전의 위험을 피하려면 다음과 같이 하십시오.

- 번개가 치는 날에는 케이블을 연결 또는 분리하거나 본 제품을 설치, 보수, 재구성하지 마십시오.
- 모든 전원 코드는 올바르게 접지된 전기 콘센트에 연결하십시오.
- 본 제품에 연결될 장치는 올바르게 배선된 콘센트에 연결하십시오.
- 신호 케이블을 연결 또는 분리할 때 가능하면 한 손만을 사용하십시오.
- 불 또는 물로 인한 손상이나 구조적인 손상이 있을 경우 장치의 전원을 절대 켜지 마십시오.
- 설치 및 구성 과정에 별도의 지시 사항이 없는 경우, 장치의 덮개를 열기 전에 연결된 전원 코드, 원격 통신 시스템, 네트워크, 모뎀을 분리하십시오.
- 본 제품이나 연결된 장치를 설치, 이동하거나 덮개를 열 때 다음 표와 같은 순서로 케이블을 연결하거나 분리하십시오.

연결할 때:	분리할 때:
<ol style="list-style-type: none"> 1. 모든 장치의 전원을 끄십시오. 2. 먼저 모든 케이블을 장치에 연결하십시오. 3. 커넥터에 신호 케이블을 연결하십시오. 4. 콘센트에 전원 코드를 연결하십시오. 5. 장치의 전원을 켜십시오. 	<ol style="list-style-type: none"> 1. 모든 장치의 전원을 끄십시오. 2. 먼저 콘센트에서 전원 코드를 분리하십시오. 3. 커넥터에서 신호 케이블을 분리하십시오. 4. 장치에서 모든 케이블을 분리하십시오.



주의:

배터리를 교환할 때는 Part Number 33F8354 또는 제조업체에서 지정한 동일한 종류의 제품을 사용하십시오. 사용자의 시스템이 리튬 배터리를 포함하는 모듈일 경우, 동일한 제조업체에서 동일한 모듈 유형으로 생산된 제품으로 교체하십시오. 배터리에는 리튬이 함유되어 있어 잘못 사용, 취급 또는 폐기할 경우 폭발의 위험이 있습니다.

사고를 방지하려면 다음 사항을 준수하십시오.

- 배터리를 물 속에 던지거나 침수시키지 마십시오.
- 100℃(212°F) 이상 가열하지 마십시오.
- 수리하거나 분해하지 마십시오.

배터리를 폐기할 때는 법령 또는 회사의 안전 수칙에 따라 폐기하십시오.



주의:

CD-ROM, DVD-ROM 장치, 광섬유 장치 또는 송신 장치와 같은 레이저 제품을 설치할 때, 다음과 같은 취급 주의사항을 참고하십시오.

- 덮개를 열지 마십시오. 덮개를 열면 레이저 복사 에너지에 노출될 위험이 있습니다. 장치 내부에는 사용자가 조정하거나 수리할 수 있는 부품이 없습니다.
- 규정된 것 이외의 절차 수행, 제어 조정 등의 행위로 인해 해로운 레이저 복사에 노출될 수 있습니다.



위험

일부 장비에는 임베디드 클래스 3A 또는 클래스 3B 레이저 다이오드가 있습니다. 다음 주의사항에 유의하십시오.

드라이브가 열리면 레이저 복사 에너지가 방출됩니다. 광선이 눈에 직접 쏘이지 않도록 하십시오. 나안 또는 광학 기구를 착용한 상태에서 광선을 직접 바라보지 않도록 하십시오.



≥ 18 kg (37 lbs)



≥ 32 kg (70.5 lbs)



≥ 55 kg (121.2 lbs)

주의:

제품을 들어 올릴 때
안전 규제를 따르십시오.



주의:

장치의 전원 제어 버튼 및 전원 공급 장치의 전원 스위치를 사용하여 장치에 공급되는 전기를 차단하지 마십시오. 장치는 둘 이상의 코드를 가지고 있을 수 있습니다. 장치에서 모든 전원을 차단하려면 콘센트에서 코드가 모두 분리되어 있는지 확인하십시오.





PELIGRO

La corriente eléctrica procedente de cables de alimentación, teléfonos y cables de comunicación puede ser peligrosa.

Para evitar el riesgo de descarga eléctrica:

- No conecte ni desconecte los cables ni realice ninguna tarea de instalación, mantenimiento o reconfiguración de este producto durante una tormenta eléctrica.
- Conecte todos los cables de alimentación a tomas de corriente debidamente cableadas y conectadas a tierra.
- Cualquier equipo que se conecte a este producto también debe conectarse a tomas de corriente debidamente cableadas.
- Siempre que sea posible, utilice una sola mano para conectar o desconectar los cables de señal.
- No encienda nunca un equipo cuando hay señales de fuego, agua o daños estructurales.
- Desconecte los cables de alimentación, los sistemas de telecomunicaciones, las redes y los módems conectados antes de abrir las cubiertas de los dispositivos, a menos que se indique lo contrario en los procedimientos de instalación y configuración.
- Conecte y desconecte los cables, como se describe en la tabla siguiente, cuando instale, mueva o abra las cubiertas de este producto o de los dispositivos conectados.

Para conectar	Para desconectar
<ol style="list-style-type: none">1. APÁGUELO todo.2. En primer lugar, conecte todos los cables a los dispositivos.3. Conecte los cables de señal a los conectores.4. Enchufe los cables de alimentación a las tomas de corriente.5. Encienda el dispositivo.	<ol style="list-style-type: none">1. APÁGUELO todo.2. En primer lugar, desenchufe los cables de alimentación de las tomas de corriente.3. Desconecte los cables de señal de los conectores.4. Desconecte todos los cables de los dispositivos.



PRECAUCIÓN:

Cuando sustituya una batería de litio, utilice solamente una batería número de pieza 33F8354 u otra de tipo equivalente recomendada por el fabricante. Si su sistema dispone de un módulo que contiene una batería de litio, reemplácelo sólo con el mismo tipo de módulo, del mismo fabricante. La batería contiene litio y puede explotar si no se utiliza, manipula o desecha correctamente.

No debe:

- Arrojarla al agua o sumergirla en ella
- Exponerla a temperaturas superiores a 100°C (212°F)
- Repararla o desmontarla

Deshágase de la batería según especifiquen las leyes o normas locales.



PRECAUCIÓN:

Cuando haya productos láser (como unidades de CD-ROM, unidades de DVD, dispositivos de fibra óptica o transmisores) instalados, tenga en cuenta lo siguiente:

- No quite las cubiertas. Si quita las cubiertas del producto láser, podría quedar expuesto a radiación láser peligrosa. Dentro del dispositivo no existe ninguna pieza que requiera servicio técnico.
- Si usa controles o ajustes o realiza procedimientos que no sean los especificados aquí, podría exponerse a radiaciones peligrosas.



PELIGRO

Algunos productos láser tienen incorporado un diodo láser de clase 3A o clase 3B. Tenga en cuenta lo siguiente:

Cuando se abre, queda expuesto a radiación láser. No mire directamente al rayo láser, ni siquiera con instrumentos ópticos, y evite exponerse directamente al rayo láser.



≥18 kg



≥32 kg



≥55 kg

PRECAUCIÓN:

Adopte procedimientos seguros al levantar el equipo.



PRECAUCIÓN:

El botón de control de alimentación del dispositivo y el interruptor de alimentación de la fuente de alimentación no desconectan la corriente eléctrica suministrada al dispositivo. Además, el dispositivo podría tener más de un cable de alimentación. Para suprimir toda la corriente eléctrica del dispositivo, asegúrese de que todos los cables de alimentación estén desconectados de la toma de corriente.



Chapter 3. General information

This chapter provides general information that applies to all machine types supported by this publication.

The ThinkVantage™ Productivity Center program

Use the ThinkVantage Productivity Center program for general information about the use, operation, and maintenance of the computer. The ThinkVantage Productivity Center program also contains information to help solve problems and get repair service or other technical assistance. The ThinkVantage Productivity Center program is preinstalled on most ThinkCentre products.

Additional information resources

If you have Internet access, the most up-to-date information for your computer is available from the World Wide Web.

You can find the following information:

- CRU removal and installation instructions
- Publications
- Troubleshooting information
- Parts information
- Downloads and drivers
- Links to other useful sources of information

To access this information, point your browser to <http://www.lenovo.com/support/>.

Specifications

This section lists the physical specifications for your computer.

Types 8700, 8701, 8705, 8717, 8973, 8975, 8979, 8983, 8985, 8991, 8995, 9265, 9269, 9277, 9279, 9283, 9287, 9379, 9383, 9387, 9389, 9631, 9635, 9637, 9646, and 9648

This section lists the physical specifications.

Dimensions

Height: 400 mm (15.7 in.)

Width: 175 mm (6.9 in.)

Depth: 432 mm (17.0 in.)

Weight

Minimum configuration: 8.17 kg (18 lb)

Maximum configuration: 10.21 kg (22.5 lb)

Environment

Air temperature:

System on: 10° to 35°C (50° to 95° F)

System off: 10° to 60°C (50° to 140° F)

Maximum altitude: 914 m (3000 ft)

Note: The maximum altitude, 914 m (3000 ft), is the maximum altitude at which the specified air temperatures apply. At higher altitudes, the maximum air temperatures are lower than those specified.

Humidity:

System on: 10% to 80%

System off: 10% to 90%

Electrical input

Input voltage:

Low range:

Minimum: 100V ac

Maximum: 127V ac

Input frequency: 50/60 Hz

Voltage switch setting: 115 V ac

High range:

Minimum: 200V ac

Maximum: 240V ac

Input frequency: 50/60 Hz

Voltage switch setting: 230 V ac

Input kilovolt-amperes (kVA) (approximate):

Minimum configuration as shipped: 0.10 kVA

Maximum configuration: 0.31 kVA

Note: Power consumption and heat output vary depending on the number and type of optional features installed and the power-management optional features in use.

Types 8013, 8702, 8706, 8716, 8970, 8972, 8976, 8980, 8982, 8986, 8992, 8994, 9266, 9276, 9278, 9282, 9286, 9288, 9374, 9378, 9380, 9384, 9628, 9632, 9647, and 9649

This section lists the physical specifications for your computer.

Dimensions

Width: 325 mm (12.8 in.)
Height: 107 mm (4.21 in.)
Depth: 410 mm (16.14 in.)

Weight

Minimum configuration as shipped: 8.2 kg (18 lbs)
Maximum configuration: 10.4 kg (23 lbs)

Environment

Air temperature:

Operating at 0 - 3000 ft (914.4 m): 10° to 60°C (50° to 140°F)
Operating at 3000 ft - 7000 ft (2134 m): 10° to 32°C (50° to 89.6°F)
Non-operating: 10° to 43°C (50° to 110°F)

Humidity:

Operating: 10% to 80%
Non-operating: 10% to 90%
Transit: 8% to 90%

Maximum altitude: 7000 ft (2133.6 m)

Electrical input

Input voltage:

Low range:

Minimum: 100V ac
Maximum: 127V ac
Input frequency: 50/60 Hz
Voltage switch setting: 115 V ac

High range:

Minimum: 200V ac
Maximum: 240V ac
Input frequency: 50/60 Hz
Voltage switch setting: 230 V ac

Input kilovolt-amperes (kVA) (approximate):

Minimum configuration as shipped: 0.09 kVA
Maximum configuration: 0.27 kVA

Note: Power consumption and heat output vary depending on the number and type of optional features installed and the power-management optional features in use.

Chapter 4. General Checkout

Attention

The drives in the computer you are servicing might have been rearranged or the drive startup sequence changed. Be extremely careful during write operations such as copying, saving, or formatting. Data or programs can be overwritten if you select an incorrect drive.

General error messages appear if a problem or conflict is found by an application program, the operating system, or both. For an explanation of these messages, refer to the information supplied with that software package.

Before replacing any FRUs, ensure that the latest level of BIOS is installed on the system. A down-level BIOS might cause false errors and unnecessary replacement of the system board. For more information on how to determine and obtain the latest level BIOS, see “BIOS levels” on page 570.

Use the following procedure to help determine the cause of the problem:

1. Power-off the computer and all external devices.
2. Check all cables and power cords.
3. Set all display controls to the middle position.
4. Power-on all external devices.
5. Power-on the computer.
 - Look for displayed error codes
 - Listen for beep codes
 - Look for readable instructions or a main menu on the display.If you **did not** receive the correct response, proceed to step 6.
If you **do** receive the correct response, proceed to step 7.
6. Look at the following conditions and follow the instructions:
 - If you hear beep codes during POST, go to “Beep symptoms” on page 78.
 - If the computer displays a POST error, go to “POST error codes” on page 79.
 - If the computer hangs and no error is displayed, continue at step 7.
7. Run the Diagnostic programs. See Chapter 5, “Diagnostics,” on page 43.
 - If you receive an error, replace the part that the diagnostic program calls out or go to “Diagnostic error codes” on page 57.
 - If the test stops and you cannot continue, replace the last device tested.

Problem determination tips

Due to the variety of hardware and software combinations that can be encountered, use the following information to assist you in problem determination. If possible, have this information available when requesting assistance from Service Support and Engineering functions.

- Machine type and model
- Processor or hard disk upgrades
- Failure symptom
 - Do diagnostics indicate a failure?

- What, when, where, single, or multiple systems?
- Is the failure repeatable?
- Has this configuration ever worked?
- If it has been working, what changes were made prior to it failing?
- Is this the original reported failure?
- Diagnostics version
 - Type and version level
- Hardware configuration
 - Print (print screen) configuration currently in use
 - BIOS level
- Operating system software
 - Type and version level

Note: To eliminate confusion, identical systems are considered identical only if they:

1. Are the exact machine type and models
2. Have the same BIOS level
3. Have the same adapters/attachments in the same locations
4. Have the same address jumpers/terminators/cabling
5. Have the same software versions and levels
6. Have the same Diagnostic Diskettes (version)
7. Have the same configuration options set in the system
8. Have the same setup for the operating system control files

Comparing the configuration and software set-up between “working and non-working” systems will often lead to problem resolution.

Chapter 5. Diagnostics

Diagnostic programs are used to test hardware components of the computer and report operating-system-controlled settings that can cause hardware failures. There are two diagnostic programs preinstalled on the computer to help diagnose problems:

- PC-Doctor for Windows (used when diagnosing problems while running the Windows operating system)
- PC-Doctor for DOS or PC-Doctor for Windows PE, depending upon your machine type and model (used when your Windows operating system will not start)

Notes:

1. You can download the latest version of the PC-Doctor for Windows and PC-Doctor for DOS diagnostic programs from <http://www.lenovo.com/support/>. Type your machine type into the **Use Quick Path** field and click **Go** to find the downloadable files that are specific to the computer.
2. Log files are created when you run PC-Doctor for Windows and depending upon your machine type and model, PC-Doctor for DOS or PC-Doctor for Windows PE. Save and print the log files created by both diagnostic programs. The log file created by PC-Doctor for Windows is automatically saved in C:\PCDR\DETAILED.TXT.

PC-Doctor for Windows

PC-Doctor for Windows is a diagnostic program that works through the Windows operating system. The PC-Doctor for Windows diagnostic program enables you to view symptoms and solutions for computer problems, access the Lenovo troubleshooting center, update system drivers, and review system information.

To run PC-Doctor for Windows, open the Start menu from the Windows desktop, select **All Programs**, select **PC-Doctor for Windows**, and click **PC-Doctor for Windows**. Follow the instructions on the screen. For additional information about running the diagnostic program, refer to the PC-Doctor for Windows help system.

If you still suspect a problem after PC-Doctor for Windows runs successfully, run PC-Doctor for DOS or PC-Doctor for Windows PE to help you diagnose the computer problem.

PC-Doctor for DOS

Depending upon your machine type and model, you either have PC-Doctor for DOS or PC-Doctor for Windows PE on each Lenovo computer. The PC-Doctor for DOS diagnostic program is part of the Rescue and Recovery workspace and runs independently of the Windows operating system. Use PC-Doctor for DOS, if you are unable to start the Windows operating system or if PC-Doctor for Windows has not been successful in isolating a possible problem. You can run PC-Doctor for DOS from a diagnostic CD image or diagnostic diskettes that have been created. You can also run PC-Doctor for DOS from the Rescue and Recovery workspace.

Note: It is important to create a diagnostic CD image or diagnostic diskettes in case PC-Doctor for DOS cannot be run from the Rescue and Recovery workspace.

Creating a diagnostic CD image

To create a diagnostic CD image, download a self-starting bootable CD image (known as an .iso image) of the diagnostic program from <http://www.lenovo.com/support/>. After you download the image, you can create the CD using any CD burning software.

If the computer does not have a CD burner or you do not have Internet access, see "Creating diagnostic diskettes."

Creating diagnostic diskettes

To create diagnostic diskettes, download the PC-Doctor for DOS diagnostic program from <http://www.lenovo.com/support/> onto two blank, formatted diskettes.

If you do not have Internet access, create the diagnostic diskettes using the following procedure:

Note: You will need a diskette drive on the computer or a USB diskette drive to complete this procedure.

1. Shut down the operating system and turn off the computer.
2. If you are using a USB diskette drive, plug it into the computer.
3. Repeatedly press and release the F11 key as you turn on the computer.
4. When you hear beeps or see a logo screen, stop pressing the F11 key. The Rescue and Recovery workspace opens.

Note: For some models, press the Esc key to enter Rescue and Recovery.

5. From the Rescue and Recovery workspace, select **Create diagnostic disks**.
6. Follow the instructions on the screen.
7. When prompted, insert a blank, formatted diskette into the diskette drive and continue to follow the instructions on the screen.
8. When the operation is complete, remove the diskette and click **Quit**.
9. Insert another blank, formatted diskette into the diskette drive and continue to follow the instructions on the screen.
10. When the operation is complete, remove the diskette and click **Quit**.

Running diagnostics from the CD or diskettes

1. If you are running diagnostics from diskettes using a USB diskette drive, plug in the USB drive.

Note: The optical drive or diskette drive must be selected in the startup sequence. See "Selecting a startup device" on page 53 for instructions on how to select the startup device.

2. Insert the CD or diskette.
3. Restart the computer.
4. When the diagnostics program opens, follow the instructions on the screen.

Note: If you are running diagnostics from a diskette, when prompted, remove the first diskette and insert the second diskette.

5. Select the diagnostic test you want to run. Press the F1 key for additional help.
6. Remove the CD or diskette when the program finishes.

Running diagnostics from the Rescue and Recovery workspace

If you do not have a diagnostic CD image or diagnostic diskette, you can run the PC-Doctor for DOS diagnostic program from the Rescue and Recovery workspace. To run diagnostics from the Rescue and Recovery workspace, use the following procedure:

1. Shut down the operating system and turn off the computer.
2. Repeatedly press and release the F11 key as you turn on the computer.
3. When you hear beeps or see a logo screen, stop pressing the F11 key. The Rescue and Recovery workspace opens.

Note: For some models, press the Esc key to enter Rescue and Recovery.

4. From the Rescue and Recovery workspace, select **Diagnose hardware**.
5. Follow the prompts on the screen. The computer will reboot.
6. When the computer restarts, the diagnostic program opens automatically. Select the diagnostic test you want to run. Press the F1 key for additional help.

PC-Doctor for Windows PE

Depending upon your machine type and model, you either have PC-Doctor for DOS or PC-Doctor for Windows PE on each Lenovo computer. The PC-Doctor for Windows PE diagnostic program is part of the Rescue and Recovery workspace. Use PC-Doctor for Windows PE, if you are unable to start the Windows operating system or if PC-Doctor for Windows has not been successful in isolating a possible problem.

Running diagnostics from the Rescue and Recovery workspace

You can run the PC-Doctor for Windows PE diagnostic program from the Rescue and Recovery workspace. To run diagnostics from the Rescue and Recovery workspace, use the following procedure:

1. Shut down the operating system and turn off the computer.
2. Repeatedly press and release the F11 key as you turn on the computer.
3. When you hear beeps or see a logo screen, stop pressing the F11 key. The Rescue and Recovery workspace opens.
4. From the Rescue and Recovery workspace, select **Diagnose hardware**.
5. The diagnostic program opens automatically. Select the diagnostic test you want to run. Press the F1 key for additional help.
6. Follow the instructions on the screen.

Note: Rescue media includes PC-Doctor for Windows PE. For more information about rescue media, see the *User Guide* for the computer.

Navigating through the diagnostics programs

Use the cursor movement keys to navigate within the menus.

- The **Enter** key is used to select a menu item.
- The **Esc** key is used to back up to the previous menu.
- For online help select **F1**.

Running tests

There are four ways to run the diagnostic tests.

- Using the cursor movement keys, highlight **Run Normal Test** or **Run Quick Test** from the Diagnostics menu and then press **Enter**.

This automatically runs a pre-defined group of tests from each test category.

Run Normal Test runs a more extensive set of tests than does **Run Quick Test** and takes longer to complete.

- Press **F5** to automatically run all selected tests in all categories.
- From within a test category, press **Ctrl-Enter** to automatically run only the selected tests in that category.
- Using the cursor movement keys, highlight a single test within a test category, and then press **Enter**. This runs only that test.

Press **Esc** at any time to stop the testing process.

Test results (N/A, PASSED, FAILED, ABORTED) are displayed in the field beside the test description and in the test log. See “Viewing the test log” on page 49.

To select one or more tests, use the following procedure.

1. Open the corresponding test category.
2. Using the cursor movement keys, highlight the desired test.
3. Press the space bar.

A selected test is marked by >>. Pressing the space bar again de-selects a test and removes the >>.

4. Repeat steps 2 and 3 above to select all desired tests.

Test results

Diagnostics test results produce the following error code format:

Function Code	Failure Type	DeviceID	Date	ChkDigits	Text
---------------	--------------	----------	------	-----------	------

- **Function Code:**
Represents the feature or function within the PC.
- **Failure Type:**
Represents the type of error encountered.
- **DeviceID:**
Contains the component's unit-ID which corresponds to either a fixed disk drive, removable media drive, serial or parallel port, processor, specific RIMM, or a device on the PCI bus.
- **Date:**

Contains the date when the diagnostic test was run. The date is retrieved from CMOS and displayed using the YYYYMMDD format.

- **ChkDigits:**

Contains a 2-digit check-digit value to ensure the following:

- Diagnostics were run on the specified date.
- Diagnostics were run on the specified computer.
- The diagnostic error code is recorded correctly.

- **Text:**

Description of the error.

Note: See “Diagnostic error codes” on page 57 for error code listings.

Fixed disk advanced test (FDAT)

PC-Doctor Fixed-Disk¹ Advanced Test module (FDAT) is a full-featured highly configurable fixed-disk test suite. The configurable capabilities of FDAT allow users to enable or disable specific tests, enable or disable testing features, control the test log detail, alter testing parameters, and so on. FDAT tests for and reports most commonly found errors on a fixed-disk drive and is able to test up to 128 SCSI and 4 IDE drives (up to 132 total drives).

Drive information is gathered through FDAT's enumeration of available devices and user specific configuration parameters located in the FDAT.INI. FDAT uses information supplied by these features to indicate specifically what devices are available for test, what tests are available for the device, device properties, and so on. To change testing parameters, you modify the FDAT.INI file in PC Doctor for DOS.

FDAT consists of the following subtests and features.

Fixed-Disk Tests:

- *Seek Tests:* - checks the physical operation of the drive head.
 - Linear Seek
 - Random Seek
 - Min-Max Seek
 - Butterfly Seek
- *Verify Tests:* - checks the integrity of the data present on the media.
 - Linear Verify
 - Random Verify
- *Surface Scan Tests:* - checks the drive media for defects.
 - Surface Scan (Linear)
 - Surface Scan (Aggressive) - this is disabled for normal customer use.
 - Surface Scan (Random)
- Self-monitoring, Analysis and Reporting Technology (SMART) - checks the SMART functionality for drives that support SMART.
 - Start SMART Self-Test

Other Test Features:

1. The terms fixed disk and hard disk are used interchangeably.

- *Write-Splice Repair* - detects and corrects Error Correction Code errors during Verify tests.
- *Auto Spin Down* - a gradual spin down of the drive platters to avoid damaging the media.
- *Manufacturer Log* - an in-depth manufacturer supported log of errors on the drive.

Multitasking:

To allow simultaneous testing of multiple hard drives whenever possible, the FDAT module is written as a set of multitasking functions. Each drive under test can run the same test or run a different test at the same time. Each subtest is written to handle a single test pass and all test variables are kept track of in a structure unique for each drive.

However, when testing IDE drives, FDAT will not perform simultaneous testing of IDE drives that are attached to the same IDE cable. For example, if FDAT is testing four IDE drives on a PC, it will perform simultaneous testing on drives 1 and 3 first (master drives), then perform tests on 2 and 4 (slave drives). FDAT will also perform simultaneous testing on a master and slave that are on separate IDE cables, but will not perform simultaneous tests on a master and slave on the same IDE cable. This generally increases the amount of time needed to test multiple IDE drives.

Another limitation of FDAT'S multitasking capability is the use of Ultra DMA (UDMA). Only one drive at a time can access the UDMA channel and the UDMA channel buffer must be kept high in order to maintain a speed advantage over other data transfer modes. In order to use the UDMA channel during testing, users must disable the multitasking feature.

Destructive versus non-destructive testing:

Most of the tests found in FDAT are non-destructive. This means that PC-Doctor program will preserve any data that is present on the tested media prior to beginning any destructive operations (such as write operations). However, users can run certain tests in destructive mode (i.e. surface scan tests). Destructive tests will speed up testing because FDAT does not preserve the data on the media prior to the test beginning. Unlike non-destructive tests, any data present on the media prior to the test beginning is lost.

FDAT allows for enabling or disabling destructive tests, as well as specifying a range of destructive and non-destructive sectors on the tested drive. This is done through the configuration of the FDAT.INI. If destructive and non-destructive ranges somehow overlap, then the overlapped area is considered non-destructive. For example, if users specify both destructive and non-destructive ranges as the same, then the entire drive is tested as non-destructive.

Quick and Full erase - hard drive

The diagnostics program offers two hard drive format utilities:

- Quick Erase Hard Drive
- Full Erase Hard Drive

The Quick Erase Hard Drive provides a DOS utility that performs the following:

- Destroys the Master Boot Record (MBR) on the hard drive.

- Destroys all copies of the FAT Table on all partitions (both the master and backup).
- Destroys the partition table.
- Provides messages that warn the user that this is a non-recoverable process.

The Full Erase Hard Drive provides a DOS utility that performs the following:

- Performs all the steps in Quick Erase.
- Provides a DOS utility that writes random data to all sectors of the hard drive.
- Provides an estimate of time to completion along with a visual representation of completion status.
- Provides messages that warn the user about non-recoverable process.

Important: Make sure that all data is backed up before using the Quick or Full Erase functions.
--

To select the Quick Erase or Full Erase Hard Drive utility, use the following procedure:

1. Select the UTILITY option on the toolbar and press **Enter**.
2. Select either the QUICK ERASE or FULL ERASE HARD DISK option and follow the instructions.

Viewing the test log

Errors reported by the diagnostic test will be displayed by the program as a failed test.

To view details of a failure or to view a list of test results, use the following procedure from any test category screen:

1. Press **F3** to activate the log file.
2. Press **F3** again to save the file to diskette or press **F2** to print the file.

Chapter 6. Using the Setup Utility

The Setup Utility program is stored in the electrically erasable programmable read-only memory (EEPROM) of your computer. The Setup Utility program is used to view and change the configuration settings of your computer, regardless of which operating system you are using. However, the operating-system settings might override any similar settings in the Setup Utility program.

Starting the Setup Utility program

To start the Setup Utility program, do the following:

1. If your computer is already on when you start this procedure, shut down the operating system and turn off the computer.
2. Press and hold the F1 key then turn on the computer. When you hear multiple beeps, release the F1 key.

Notes:

- a. If you are using a USB keyboard and the Setup Utility program does not display using this method, repeatedly press and release the F1 key rather than leaving it pressed when turning on the computer.
- b. If a user password or an administrator password has been set, the Setup Utility program menu is not displayed until you type your password. See “Using passwords” for more information.

The Setup Utility might start automatically when POST detects that hardware has been removed or new hardware has been installed in your computer.

Viewing and changing settings

The Setup Utility program menu lists items that identify system configuration topics.

When working with the Setup Utility program menu, you must use the keyboard. The keys used to perform various tasks are displayed at the bottom of each screen.

Using passwords

You can use passwords to provide security for your computer and data. There are two kinds of passwords: a user password and an administrator password. You do not have to set a password of either type to use your computer. However, if you decide to set either one, read the following sections.

User Password

The user password feature deters unauthorized persons from gaining access to your computer.

Setting, changing, and deleting a user password

To set, change, or delete a user password, do the following:

Note: A password can be any combination of up to eight characters (A- Z, a-z, and 0-9).

1. Start the Setup Utility program (see “Starting the Setup Utility program” on page 51).
2. From the Setup Utility program menu, select **Set User Password** and press Enter.
3. The password dialog box will be displayed. Type the new password, and press Enter.
4. When prompted to confirm the password, type the password again. If you type the password in correctly, the password will be installed.

To delete a previously set user password, do the following:

Note: When prompted for a password, you can type either your user or administrator password.

1. From the Setup Utility program menu, select **Set User Password** and press Enter. A message will display that indicates the password has been disabled.
2. Press any key to continue.

Administrator Password

Setting an Administrator Password deters unauthorized persons from changing configuration settings. If you are responsible for maintaining the settings of several computers, you might want to set an Administrator Password.

After you set an Administrator Password, a password prompt is displayed each time you try to access the Setup Utility program. If you type the wrong password, you will see an error message. If you type the wrong password three times, you must turn the computer off and start again.

If both the user and administrator passwords are set, you can type either password. However, to change any configuration settings, you must use your administrator password.

Setting, changing, and deleting an administrator password

To set, change, or delete an administrator password, do the following:

Note: A password can be any combination of up to eight characters (A- Z, a-z, and 0-9).

1. Start the Setup Utility program (see “Starting the Setup Utility program” on page 51).
2. From the Setup Utility program menu, select **Set Administrator Password** and press Enter.
3. The password dialog box will be displayed. Type the new password, and press Enter.
4. When prompted to confirm the password, type the password again. If you type the password correctly, the password will be installed.

To delete a previously set administrator password, do the following:

Note: When prompted for a password, you must type your administrator password.

1. From the Setup Utility program menu, select **Set Administrator Password** and press Enter. A message will display that indicates the password has been disabled.
2. Press any key to continue.

Selecting a startup device

If your computer does not start up (boot) from a device such as the CD-ROM, diskette, or hard disk as expected, use one of the following procedures to select a startup device.

Selecting a temporary startup device

Use this procedure to startup from any boot device.

Note: Not all CDs, hard disks, and diskettes are startable (bootable).

1. Turn off your computer.
2. Press and hold the F12 key then turn on the computer. When the Startup Device Menu (Boot Menu) appears, release the F12 key.

Note: If you are using a USB keyboard and the Startup Device Menu does not display using this method, repeatedly press and release the F12 key rather than leaving it pressed when turning on the computer.

3. Select the desired startup device from the Startup Device Menu and press Enter to begin.

Note: Selecting a startup device from the Startup Device (Boot) menu does not permanently change the startup sequence.

Changing the startup device sequence

To view or change the primary or automatic power-on startup sequence, do the following:

1. Start the Setup Utility program (see “Starting the Setup Utility program” on page 51).
2. Select **Advanced BIOS features**.
3. Select the sequence of devices for the First Boot Device, the Second Boot Device, and the Third Boot Device.
4. Press Esc to return to the Setup Utility program menu.
5. Select **Save & Exit Setup**.

If you have changed these settings and want to return to the default settings, press (N) when the Save and Exit dialog box is displayed.

Exiting from the Setup Utility program

When you finish viewing or changing settings, press Esc to return to the Setup Utility program menu (you might have to press Esc several times). If you want to save the new settings, select **Save & Exit Setup** before you exit. Otherwise, your changes will not be saved.

Chapter 7. Symptom-to-FRU Index

The Symptom-to-FRU index lists error symptoms and possible causes. The most likely cause is listed first. Always begin with Chapter 4, "General Checkout," on page 41. This index can also be used to help you decide which FRUs to have available when servicing a computer. If you are unable to correct the problem using this index, go to "Undetermined problems" on page 82.

Notes:

- If you have both an error message and an incorrect audio response, diagnose the error message first.
- If you cannot run the diagnostic tests or you get a diagnostic error code when running a test, but did receive a POST error message, diagnose the POST error message first.
- If you did not receive any error message, look for a description of your error symptoms in the first part of this index.
- For types 8290, 8291, 8292, 8463, 8464, 8465, 9214, 9215, and 9216 only: make sure that the hard disk drive is jumpered as a master and the optical drive is jumpered as a slave.

Hard disk drive boot error

A hard disk drive boot error (error codes 1962 and I999030X) can have the following causes.

Error	FRU/Action
The start-up drive is not in the boot sequence in configuration.	Check the configuration and ensure the start-up drive is in the boot sequence.
No operating system installed on the boot drive.	Install an operating system on the boot drive.
The boot sector on the start-up drive is corrupted.	The drive must be formatted, do the following: <ol style="list-style-type: none">1. Attempt to back-up the data on the failing hard disk drive.2. Using the operating systems programs, format the hard disk drive.
The drive is defective.	Replace the hard disk drive.

Power Supply Problems

If you suspect a power problem, use the following procedures.

Check/Verify	FRU/Action
Check the following for proper installation. <ul style="list-style-type: none">• Power Cord• On/Off Switch connector• On/Off Switch Power Supply connector• System Board Power Supply connectors• Microprocessor(s) connection	Reseat connectors
Check the power cord for continuity.	Power Cord

Check/Verify	FRU/Action
Check the power-on switch for continuity.	Power-on Switch

Diagnostic error codes

Refer to the following diagnostic error codes when using the diagnostic tests. See “Running tests” on page 46 for the specific type for information about the Diagnostic programs.

In the following index, X can represent any number.

Diagnostic Error Code	FRU/Action
000-000-XXX BIOS Test Passed	No action
000-002-XXX BIOS Timeout	<ol style="list-style-type: none">1. Flash the system. See “Flash update procedures” on page 5702. System board
000-024-XXX BIOS Addressing test failure	<ol style="list-style-type: none">1. Flash the system. See “Flash update procedures” on page 5702. System board
000-025-XXX BIOS Checksum Value error	<ol style="list-style-type: none">1. Flash the system. See “Flash update procedures” on page 5702. System board
000-026-XXX FLASH data error	<ol style="list-style-type: none">1. Flash the system. See “Flash update procedures” on page 5702. System board
000-027-XXX BIOS Configuration/Setup error	<ol style="list-style-type: none">1. Run Setup2. Flash the system. See “Flash update procedures” on page 5703. System board
000-034-XXX BIOS Buffer Allocation failure	<ol style="list-style-type: none">1. Reboot the system2. Flash the system. See “Flash update procedures” on page 5703. Run memory test4. System board
000-035-XXX BIOS Reset Condition detected	<ol style="list-style-type: none">1. Flash the system. See “Flash update procedures” on page 5702. System board
000-036-XXX BIOS Register error	<ol style="list-style-type: none">1. Flash the system. See “Flash update procedures” on page 5702. System board
000-038-XXX BIOS Extension failure	<ol style="list-style-type: none">1. Flash the system. See “Flash update procedures” on page 5702. Adapter card3. System board
000-039-XXX BIOS DMI data error	<ol style="list-style-type: none">1. Flash the system. See “Flash update procedures” on page 5702. System board
000-195-XXX BIOS Test aborted by user	Information only Re-start the test, if necessary

Diagnostic Error Code	FRU/Action
000-196-XXX BIOS test halt, error threshold exceeded	<ol style="list-style-type: none"> 1. Press F3 to review the log file 2. Re-start the test to reset the log file
000-197-XXX BIOS test warning	<ol style="list-style-type: none"> 1. Make sure the component that is called out is connected and/or enabled. See Chapter 6, "Using the Setup Utility," on page 51 2. Re-run test 3. Replace the component that is called out in warning statement 4. Replace the component under test
000-198-XXX BIOS test aborted	<ol style="list-style-type: none"> 1. Make sure the component that is called out is connected and/or enabled. See Chapter 6, "Using the Setup Utility," on page 51 2. Flash the system and retest. See "Flash update procedures" on page 570 3. Go to "Undetermined problems" on page 82
000-199-XXX BIOS test failed, cause unknown	<ol style="list-style-type: none"> 1. Go to "Undetermined problems" on page 82 2. Flash the system and re-test 3. Replace component under function test
000-250-XXX BIOS APM failure	<ol style="list-style-type: none"> 1. Flash the system. See "Flash update procedures" on page 570 2. System board
000-270-XXX BIOS ACPI failure	<ol style="list-style-type: none"> 1. Flash the system. See "Flash update procedures" on page 570 2. System board
001-000-XXX System Test Passed	No action
001-00X-XXX System Error	System board
001-01X-XXX System Error	System board
001-024-XXX System Addressing test failure	System board
001-025-XXX System Checksum Value error	<ol style="list-style-type: none"> 1. Flash the system. See "Flash update procedures" on page 570 2. System board
001-026-XXX System FLASH data error	<ol style="list-style-type: none"> 1. Flash the system. See "Flash update procedures" on page 570 2. System board
001-027-XXX System Configuration/Setup error	<ol style="list-style-type: none"> 1. Run Setup 2. Flash the system. See "Flash update procedures" on page 570 3. System board

Diagnostic Error Code	FRU/Action
001-032-XXX System Device Controller failure	System board
001-034-XXX System Device Buffer Allocation failure	<ol style="list-style-type: none"> 1. Reboot the system 2. Flash the system. See "Flash update procedures" on page 570 3. Run memory test 4. System board
001-035-XXX System Device Reset condition detected	System board
001-036-XXX System Register error	System board
001-038-XXX System Extension failure	<ol style="list-style-type: none"> 1. Adapter card 2. System board
001-039-XXX System DMI data structure error	<ol style="list-style-type: none"> 1. Flash the system. See "Flash update procedures" on page 570 2. System board
001-040-XXX System IRQ failure	<ol style="list-style-type: none"> 1. Power-off/on system and re-test 2. System board
001-041-XXX System DMA failure	<ol style="list-style-type: none"> 1. Power-off/on system and re-test 2. System board
001-195-XXX System Test aborted by user	Information only Re-start the test, if necessary
001-196-XXX System test halt, error threshold exceeded	<ol style="list-style-type: none"> 1. Press F3 to review the log file 2. Re-start the test to reset the log file
001-197-XXX System test warning	<ol style="list-style-type: none"> 1. Make sure the component that is called out is connected and/or enabled. See Chapter 6, "Using the Setup Utility," on page 51 2. Re-run test 3. Replace the component that is called out in warning statement 4. Replace the component under test
001-198-XXX System test aborted	<ol style="list-style-type: none"> 1. If a component is called out, make sure it is connected and/or enabled. See Chapter 6, "Using the Setup Utility," on page 51 2. Flash the system and retest. See "Flash update procedures" on page 570 3. Go to "Undetermined problems" on page 82
001-199-XXX System test failed, cause unknown	<ol style="list-style-type: none"> 1. Go to "Undetermined problems" on page 82 2. Flash the system and re-test 3. Replace component under function test
001-250-XXX System ECC error	System board

Diagnostic Error Code	FRU/Action
001-254-XXX 001-255-XXX 001-256-XXX 001-257-XXX System DMA error	System board
001-260-XXX 001-264-XXX System IRQ error	System board
001-268-XXX System IRQ1 failure	1. Device on IRQ1 2. System board
001-269-XXX System IRQ2 failure	1. Device on IRQ2 2. System board
001-270-XXX System IRQ3 failure	1. Device on IRQ3 2. System board
001-271-XXX System IRQ4 failure	1. Device on IRQ4 2. System board
001-272-XXX System IRQ5 failure	1. Device on IRQ5 2. System board
001-273-XXX System IRQ6 (diskette drive) failure	1. Diskette Cable 2. Diskette drive 3. System board
001-274-XXX System IRQ7 failure	1. Device on IRQ7 2. System board
001-275-XXX System IRQ8 failure	1. Device on IRQ8 2. System board
001-276-XXX System IRQ9 failure	1. Device on IRQ9 2. System board
001-277-XXX System IRQ10 failure	1. Device on IRQ10 2. System board
001-278-XXX System IRQ11 failure	1. Device on IRQ11 2. System board
001-279-XXX System IRQ12 failure	1. Device on IRQ12 2. System board
001-280-XXX System IRQ13 failure	1. Device on IRQ13 2. System board
001-281-XXX System IRQ14 (hard disk drive) failure	1. Hard disk drive cable 2. Hard disk drive 3. System board
001-282-XXX System IRQ15 failure	1. Device on IRQ15 2. System board

Diagnostic Error Code	FRU/Action
001-286-XXX 001-287-XXX 001-288-XXX System Timer failure	System board
001-292-XXX System CMOS RAM error	1. Run Setup and re-test 2. System board
001-293-XXX System CMOS Battery	1. CMOS Battery 2. System board
001-298-XXX System RTC date/time update failure	1. Flash the system. See “Flash update procedures” on page 570 2. System board
001-299-XXX System RTC periodic interrupt failure	System board
001-300-XXX System RTC Alarm failure	System board
001-301-XXX System RTC Century byte error	1. Flash the system. See “Flash update procedures” on page 570 2. System board
005-000-XXX Video Test Passed	No action
005-00X-XXX Video error	1. Video card, if installed 2. System board
005-010-XXX 005-011-XXX 005-012-XXX 005-013-XXX Video Signal failure	1. Video card, if installed 2. System board
005-016-XXX Video Simple Pattern test failure	1. Video Ram 2. Video card, if installed 3. System board
005-024-XXX Video Addressing test failure	1. Video card, if installed 2. System board
005-025-XXX Video Checksum Value error	1. Video card, if installed 2. System board
005-027-XXX Video Configuration/Setup error	1. Run Setup 2. Video drivers update 3. Video card, if installed 4. System board
005-031-XXX Video Device Cable failure	1. Video cable 2. Monitor 3. Video card, if installed 4. System board
005-032-XXX Video Device Controller failure	1. Video card, if installed 2. System board

Diagnostic Error Code	FRU/Action
005-036-XXX Video Register error	<ol style="list-style-type: none"> 1. Video card, if installed 2. System board
005-038-XXX System BIOS extension failure	<ol style="list-style-type: none"> 1. Video card, if installed 2. System board
005-040-XXX Video IRQ failure	<ol style="list-style-type: none"> 1. Video card, if installed 2. System board
005-195-XXX Video Test aborted by user	Information only Re-start the test, if necessary
005-196-XXX Video test halt, error threshold exceeded	<ol style="list-style-type: none"> 1. Press F3 to review the log file 2. Re-start the test to reset the log file
005-197-XXX Video test warning	<ol style="list-style-type: none"> 1. Make sure the component that is called out is connected and/or enabled. See Chapter 6, "Using the Setup Utility," on page 51 2. Re-run test 3. Replace the component called out in warning statement 4. Replace the component under test
005-198-XXX Video test aborted	<ol style="list-style-type: none"> 1. If a component is called out, make sure it is connected and/or enabled. See Chapter 6, "Using the Setup Utility," on page 51 2. Flash the system and re-test. See "Flash update procedures" on page 570 3. Go to "Undetermined problems" on page 82
005-199-XXX Video test failed, cause unknown	<ol style="list-style-type: none"> 1. Go to "Undetermined problems" on page 82 2. Flash the system and re-test. See "Flash update procedures" on page 570 3. Replace component under function test
005-2XX-XXX 005-3XX-XXX Video subsystem error	<ol style="list-style-type: none"> 1. Video card, if installed 2. System board
006-000-XXX Diskette interface Test Passed	No action
006-0XX-XXX Diskette interface error	<ol style="list-style-type: none"> 1. Diskette drive Cable 2. Diskette drive 3. System board
006-195-XXX Diskette interface Test aborted by user	Information only Re-start the test, if necessary
006-196-XXX Diskette interface test halt, error threshold exceeded	<ol style="list-style-type: none"> 1. Press F3 to review the log file 2. Re-start the test to reset the log file

Diagnostic Error Code	FRU/Action
006-197-XXX Diskette interface test warning	<ol style="list-style-type: none"> 1. If a component is called out, make sure it is connected and/or enabled 2. Re-run test 3. Replace the component that is called out in warning statement 4. Replace the component under test
006-198-XXX Diskette interface test aborted	<ol style="list-style-type: none"> 1. If a component is called out, make sure it is connected and/or enabled 2. Flash the system and re-test. See "Flash update procedures" on page 570 3. Go to "Undetermined problems" on page 82
006-199-XXX Diskette interface test failed, cause unknown	<ol style="list-style-type: none"> 1. Go to "Undetermined problems" on page 82 2. Flash the system and re-test 3. Replace component under function test
006-25X-XXX Diskette interface Error	<ol style="list-style-type: none"> 1. Diskette drive cable 2. Diskette drive 3. System board
011-000-XXX Serial port Interface Test Passed	No action
011-001-XXX Serial port Presence	<ol style="list-style-type: none"> 1. Remove external serial device, if present 2. Run setup, enable port 3. System board
011-002-XXX 011-003-XXX Serial port Timeout/Parity error	System board
011-013-XXX 011-014-XXX Serial port Control Signal/Loopback test failure	System board
011-015-XXX Serial port External Loopback failure	<ol style="list-style-type: none"> 1. Wrap plug 2. System board
011-027-XXX Serial port Configuration/Setup error	<ol style="list-style-type: none"> 1. Run Setup, enable port 2. Flash the system. See "Flash update procedures" on page 570 3. System board
011-03X-XXX 011-04X-XXX Serial port failure	System board
011-195-XXX Serial port Test aborted by user	Information only Re-start the test, if necessary
011-196-XXX Serial port test halt, error threshold exceeded	<ol style="list-style-type: none"> 1. Press F3 to review the log file 2. Re-start the test to reset the log file

Diagnostic Error Code	FRU/Action
011-197-XXX Serial port test warning	<ol style="list-style-type: none"> 1. Make sure the component that is called out is connected and/or enabled. See Chapter 6, "Using the Setup Utility," on page 51 2. Re-run test 3. Replace the component that is called out in warning statement 4. Replace the component under test
011-198-XXX Serial port test aborted	<ol style="list-style-type: none"> 1. If a component is called out, make sure it is connected and/or enabled. See Chapter 6, "Using the Setup Utility," on page 51 2. Flash the system and re-test. See "Flash update procedures" on page 570 3. Go to "Undetermined problems" on page 82
011-199-XXX Serial port test failed, cause unknown	<ol style="list-style-type: none"> 1. Go to "Undetermined problems" on page 82 2. Flash the system and re-test. See "Flash update procedures" on page 570 3. Replace component under function test
011-2XX-XXX Serial port signal failure	<ol style="list-style-type: none"> 1. External serial device 2. System board
014-000-XXX Parallel port Interface Test Passed	No action
014-001-XXX Parallel port Presence	<ol style="list-style-type: none"> 1. Remove external parallel device, if present 2. Run setup, enable port 3. System board
014-002-XXX 014-003-XXX Parallel port Timeout/Parity error	System board
014-013-XXX 014-014-XXX Parallel port Control Signal/Loopback test failure	System board
014-015-XXX Parallel port External Loopback failure	<ol style="list-style-type: none"> 1. Wrap plug 2. System board
014-027-XXX Parallel port Configuration/Setup error	<ol style="list-style-type: none"> 1. Run Setup, enable port 2. Flash the system. See "Flash update procedures" on page 570 3. System board
014-03X-XXX 014-04X-XXX Parallel port failure	System board
014-195-XXX Parallel port Test aborted by user	Information only Re-start the test, if necessary

Diagnostic Error Code	FRU/Action
014-196-XXX Parallel port test halt, error threshold exceeded	<ol style="list-style-type: none"> 1. Press F3 to review the log file 2. Re-start the test to reset the log file
014-197-XXX Parallel port test warning	<ol style="list-style-type: none"> 1. Make sure the component that is called out is connected and/or enabled. See Chapter 6, "Using the Setup Utility," on page 51 2. Re-run test 3. Replace the component that is called out in warning statement 4. Replace the component under test
014-198-XXX Parallel port test aborted	<ol style="list-style-type: none"> 1. If a component is called out, make sure it is connected and/or enabled 2. Flash the system and re-test. See "Flash update procedures" on page 570 3. Go to "Undetermined problems" on page 82
014-199-XXX Parallel port test failed, cause unknown	<ol style="list-style-type: none"> 1. Go to "Undetermined problems" on page 82 2. Flash the system and re-test. See "Flash update procedures" on page 570 3. Replace component under function test
014-2XX-XXX 014-3XX-XXX Parallel port failure	<ol style="list-style-type: none"> 1. External parallel device 2. System board
015-000-XXX USB port Interface Test Passed	No action
015-001-XXX USB port Presence	<ol style="list-style-type: none"> 1. Remove USB device(s) and re-test 2. System board
015-002-XXX USB port Timeout	<ol style="list-style-type: none"> 1. Remove USB device(s) and re-test 2. System board
015-015-XXX USB port External Loopback failure	<ol style="list-style-type: none"> 1. Remove USB device(s) and re-test 2. System board
015-027-XXX USB port Configuration/Setup error	<ol style="list-style-type: none"> 1. Flash the system. See "Flash update procedures" on page 570 2. System board
015-032-XXX USB port Device Controller failure	System board
015-034-XXX USB port buffer allocation failure	<ol style="list-style-type: none"> 1. Reboot the system 2. Flash the system and re-test. See "Flash update procedures" on page 570 3. Run memory test 4. System board
015-035-XXX USB port Reset condition detected	<ol style="list-style-type: none"> 1. Remove USB device(s) and re-test 2. System board

Diagnostic Error Code	FRU/Action
015-036-XXX USB port Register error	System board
015-040-XXX USB port IRQ failure	<ol style="list-style-type: none"> 1. Run setup and check for conflicts 2. Flash the system. See "Flash update procedures" on page 570 3. System board
015-195-XXX USB port Test aborted by user	Information only Re-start the test, if necessary
015-196-XXX USB port test halt, error threshold exceeded	<ol style="list-style-type: none"> 1. Press F3 to review the log file 2. Re-start the test to reset the log file
015-197-XXX USB port test warning	<ol style="list-style-type: none"> 1. Make sure the component that is called out is connected and/or enabled. See Chapter 6, "Using the Setup Utility," on page 51 2. Re-run test 3. Replace the component that is called out in warning statement 4. Replace the component under test
015-198-XXX USB port test aborted	<ol style="list-style-type: none"> 1. If a component is called out, make sure it is connected and/or enabled. See Chapter 6, "Using the Setup Utility," on page 51 2. Flash the system and re-test. See "Flash update procedures" on page 570 3. Go to "Undetermined problems" on page 82
015-199-XXX USB port test failed, cause unknown	<ol style="list-style-type: none"> 1. Go to "Undetermined problems" on page 82 2. Flash the system and re-test. See "Flash update procedures" on page 570 3. Replace component under function test
018-000-XXX PCI Card Test Passed	No action
018-0XX-XXX PCI Card Failure	<ol style="list-style-type: none"> 1. Riser card, if installed 2. System board
018-195-XXX PCI Card Test aborted by user	<ol style="list-style-type: none"> 1. PCI card 2. Information only Re-start the test, if necessary
018-196-XXX PCI Card test halt, error threshold exceeded	<ol style="list-style-type: none"> 1. Press F3 to review the log file 2. Re-start the test to reset the log file

Diagnostic Error Code	FRU/Action
018-197-XXX PCI Card test warning	<ol style="list-style-type: none"> 1. Make sure the component that is called out is connected and/or enabled. See Chapter 6, "Using the Setup Utility," on page 51 2. Re-run test 3. Replace the component that is called out in warning statement 4. Replace the component under test
018-198-XXX PCI Card test aborted	<ol style="list-style-type: none"> 1. If a component is called out, make sure it is connected and/or enabled. See Chapter 6, "Using the Setup Utility," on page 51 2. Flash the system and re-test. See "Flash update procedures" on page 570 3. Go to "Undetermined problems" on page 82
018-199-XXX PCI Card test failed, cause unknown	<ol style="list-style-type: none"> 1. Go to "Undetermined problems" on page 82 2. Flash the system and re-test. See "Flash update procedures" on page 570 3. Replace component under function test
018-250-XXX PCI Card Services error	<ol style="list-style-type: none"> 1. PCI card 2. Riser card, if installed 3. System board
020-000-XXX PCI Interface Test Passed	No action
020-0XX-XXX PCI Interface error	<ol style="list-style-type: none"> 1. PCI card 2. Riser card, if installed 3. System board
020-195-XXX PCI Test aborted by user	Information only Re-start the test, if necessary
020-196-XXX PCI test halt, error threshold exceeded	<ol style="list-style-type: none"> 1. Press F3 to review the log file 2. Re-start the test to reset the log file
020-197-XXX PCI test warning	<ol style="list-style-type: none"> 1. Make sure the component that is called out is connected and/or enabled. See Chapter 6, "Using the Setup Utility," on page 51 2. Re-run test 3. Replace the component that is called out in warning statement 4. Replace the component under test

Diagnostic Error Code	FRU/Action
020-198-XXX PCI test aborted	<ol style="list-style-type: none"> 1. If a component is called out, make sure it is connected and/or enabled. See Chapter 6, "Using the Setup Utility," on page 51 2. Flash the system and re-test. See "Flash update procedures" on page 570 3. Go to "Undetermined problems" on page 82
020-199-XXX PCI test failed, cause unknown	<ol style="list-style-type: none"> 1. Go to "Undetermined problems" on page 82 2. Flash the system and re-test. See "Flash update procedures" on page 570 3. Replace component under function test
020-262-XXX PCI system error	<ol style="list-style-type: none"> 1. PCI card 2. Riser card, if installed 3. System board
025-000-XXX IDE interface Test Passed	No action
025-00X-XXX 025-01X-XXX IDE interface failure	<ol style="list-style-type: none"> 1. IDE signal cable 2. Check power supply voltages 3. Reseat IDE signal cable 4. IDE device 5. System board
025-027-XXX IDE interface Configuration/Setup error	<ol style="list-style-type: none"> 1. IDE signal cable 2. Flash the system. See "Flash update procedures" on page 570 3. Reseat IDE signal cable 4. IDE device 5. System board
025-02X-XXX 025-03X-XXX 025-04X-XXX IDE Interface failure	<ol style="list-style-type: none"> 1. IDE signal cable 2. Check power supply 3. Reseat IDE signal cable 4. IDE device 5. System board
025-195-XXX IDE interface Test aborted by user	Information only Re-start the test, if necessary
025-196-XXX IDE interface test halt, error threshold exceeded	<ol style="list-style-type: none"> 1. Press F3 to review the log file 2. Re-start the test to reset the log file
025-197-XXX IDE interface test warning	<ol style="list-style-type: none"> 1. Make sure the component that is called out is connected and/or enabled. See Chapter 6, "Using the Setup Utility," on page 51 2. Re-run test 3. Replace the component that is called out in warning statement 4. Replace the component under test

Diagnostic Error Code	FRU/Action
025-198-XXX IDE interface test aborted	<ol style="list-style-type: none"> 1. If a component is called out, make sure it is connected and/or enabled. See Chapter 6, "Using the Setup Utility," on page 51 2. Flash the system and re-test. See "Flash update procedures" on page 570 3. Go to "Undetermined problems" on page 82
025-199-XXX IDE interface test failed, cause unknown	<ol style="list-style-type: none"> 1. Go to "Undetermined problems" on page 82 2. Flash the system and re-test. See "Flash update procedures" on page 570 3. Replace component under function test
030-000-XXX SCSI interface Test Passed	No action
030-00X-XXX 030-01X-XXX SCSI interface failure	<ol style="list-style-type: none"> 1. SCSI signal cable 2. Check power supply 3. SCSI device 4. SCSI adapter card, if installed 5. System board
030-027-XXX SCSI interface Configuration/Setup error	<ol style="list-style-type: none"> 1. SCSI signal cable 2. Flash the system. See "Flash update procedures" on page 570 3. SCSI device 4. SCSI adapter card, if installed 5. System board
030-03X-XXX 030-04X-XXX SCSI interface error	<ol style="list-style-type: none"> 1. SCSI signal cable 2. Check power supply 3. SCSI device 4. SCSI adapter card, if installed 5. System board
030-195-XXX SCSI interface Test aborted by user	Information only Re-start the test, if necessary
030-196-XXX SCSI interface test halt, error threshold exceeded	<ol style="list-style-type: none"> 1. Press F3 to review the log file 2. Re-start the test to reset the log file
030-197-XXX SCSI interface test warning	<ol style="list-style-type: none"> 1. Make sure the component that is called out is connected and/or enabled. See Chapter 6, "Using the Setup Utility," on page 51 2. Re-run test 3. Replace the component that is called out in warning statement 4. Replace the component under test

Diagnostic Error Code	FRU/Action
030-198-XXX SCSI interface test aborted	<ol style="list-style-type: none"> 1. If a component is called out, make sure it is connected and/or enabled. See Chapter 6, "Using the Setup Utility," on page 51 2. Flash the system and re-test. See "Flash update procedures" on page 570 3. Go to "Undetermined problems" on page 82
030-199-XXX SCSI interface test failed, cause unknown	<ol style="list-style-type: none"> 1. Go to "Undetermined problems" on page 82 2. Flash the system and re-test. See "Flash update procedures" on page 570 3. Replace component under function test
035-000-XXX RAID interface Test Passed	No action
035-0XX-XXX RAID interface Failure	<ol style="list-style-type: none"> 1. RAID signal cable 2. RAID device 3. RAID adapter card, if installed 4. System board
035-195-XXX RAID interface Test aborted by user	Information only Re-start the test, if necessary
035-196-XXX RAID interface test halt, error threshold exceeded	<ol style="list-style-type: none"> 1. Press F3 to review the log file 2. Re-start the test to reset the log file
035-197-XXX RAID interface test warning	<ol style="list-style-type: none"> 1. Make sure the component that is called out is connected and/or enabled. See Chapter 6, "Using the Setup Utility," on page 51 2. Re-run test 3. Replace the component that is called out in warning statement 4. Replace the component under test
035-198-XXX RAID interface test aborted	<ol style="list-style-type: none"> 1. If a component is called out, make sure it is connected and/or enabled. See Chapter 6, "Using the Setup Utility," on page 51 2. Flash the system and re-test. See "Flash update procedures" on page 570 3. Go to "Undetermined problems" on page 82
035-199-XXX RAID interface test failed, cause unknown	<ol style="list-style-type: none"> 1. See "Undetermined problems" on page 82 2. Flash the system and re-test. See "Flash update procedures" on page 570 3. Replace component under function test
071-000-XXX Audio port Interface Test Passed	No action

Diagnostic Error Code	FRU/Action
071-00X-XXX 071-01X-XXX 071-02X-XXX Audio port error	<ol style="list-style-type: none"> 1. Run Setup 2. Flash the system. See "Flash update procedures" on page 570 3. System board
071-03X-XXX Audio port failure	<ol style="list-style-type: none"> 1. Speakers 2. Microphone 3. Audio card, if installed 4. System board
071-04X-XXX Audio port failure	<ol style="list-style-type: none"> 1. Run Setup 2. Audio card, if installed 3. System board
071-195-XXX Audio port Test aborted by user	<p>Information only Re-start the test, if necessary</p>
071-196-XXX Audio port test halt, error threshold exceeded	<ol style="list-style-type: none"> 1. Press F3 to review the log file 2. Re-start the test to reset the log file
071-197-XXX Audio port test warning	<ol style="list-style-type: none"> 1. Make sure the component that is called out is connected and/or enabled. See Chapter 6, "Using the Setup Utility," on page 51 2. Re-run test 3. Replace the component that is called out in warning statement 4. Replace the component under test
071-198-XXX Audio port test aborted	<ol style="list-style-type: none"> 1. If a component is called out, make sure it is connected and/or enabled. See Chapter 6, "Using the Setup Utility," on page 51 2. Flash the system and re-test. See "Flash update procedures" on page 570 3. Go to "Undetermined problems" on page 82
071-199-XXX Audio port test failed, cause unknown	<ol style="list-style-type: none"> 1. See "Undetermined problems" on page 82 2. Flash the system and re-test. See "Flash update procedures" on page 570 3. Replace component under function test
071-25X-XXX Audio port failure	<ol style="list-style-type: none"> 1. Speakers 2. Audio card, if installed 3. System board
080-000-XXX Game Port interface Test Passed	No action
080-XXX-XXX Game Port interface Error	<ol style="list-style-type: none"> 1. Remove the game port device and re-test the system
080-195-XXX Game Port interface Test aborted by user	<p>Information only Re-start the test, if necessary</p>

Diagnostic Error Code	FRU/Action
080-196-XXX Game Port interface test halt, error threshold exceeded	<ol style="list-style-type: none"> 1. Press F3 to review the log file 2. Re-start the test to reset the log file
080-197-XXX Game Port interface test warning	<ol style="list-style-type: none"> 1. Make sure the component that is called out is connected and/or enabled. See Chapter 6, "Using the Setup Utility," on page 51 2. Re-run test 3. Replace the component that is called out in warning statement 4. Replace the component under test
080-198-XXX Game Port interface test aborted	<ol style="list-style-type: none"> 1. If a component is called out, make sure it is connected and/or enabled. See Chapter 6, "Using the Setup Utility," on page 51 2. Flash the system and re-test. See "Flash update procedures" on page 570 3. Go to "Undetermined problems" on page 82
080-199-XXX Game Port interface test failed, cause unknown	<ol style="list-style-type: none"> 1. See "Undetermined problems" on page 82 2. Flash the system and re-test. See "Flash update procedures" on page 570 3. Replace component under function test
086-000-XXX Mouse Port interface Test Passed	No action
086-001-XXX Mouse Port interface Presence	<ol style="list-style-type: none"> 1. Mouse 2. System board
086-032-XXX Mouse Port interface Device controller failure	<ol style="list-style-type: none"> 1. Mouse 2. System board
086-035-XXX Mouse Port interface Reset	<ol style="list-style-type: none"> 1. Mouse 2. System board
086-040-XXX Mouse Port interface IRQ failure	<ol style="list-style-type: none"> 1. Run Setup 2. Mouse 3. System board
086-195-XXX Mouse Port interface Test aborted by user	Information only Re-start the test, if necessary
086-196-XXX Mouse Port interface test halt, error threshold exceeded	<ol style="list-style-type: none"> 1. Press F3 to review the log file 2. Re-start the test to reset the log file

Diagnostic Error Code	FRU/Action
086-197-XXX Mouse Port interface test warning	<ol style="list-style-type: none"> 1. Make sure the component that is called out is connected and/or enabled. See Chapter 6, "Using the Setup Utility," on page 51 2. Re-run test 3. Replace the component that is called out in warning statement 4. Replace the component under test
086-198-XXX Mouse Port interface test aborted	<ol style="list-style-type: none"> 1. If a component is called out, make sure it is connected and/or enabled. See Chapter 6, "Using the Setup Utility," on page 51 2. Flash the system and re-test. See "Flash update procedures" on page 570 3. Go to "Undetermined problems" on page 82
086-199-XXX Mouse Port interface test failed, cause unknown	<ol style="list-style-type: none"> 1. See "Undetermined problems" on page 82 2. Flash the system and re-test. See "Flash update procedures" on page 570 3. Replace component under function test
089-000-XXX Microprocessor Test Passed	No action
089-XXX-XXX Microprocessor failure	<ol style="list-style-type: none"> 1. Microprocessor(s) 2. System board
089-195-XXX Microprocessor Test aborted by user	Information only Re-start the test, if necessary
089-196-XXX Microprocessor test halt, error threshold exceeded	<ol style="list-style-type: none"> 1. Press F3 to review the log file 2. Re-start the test to reset the log file
089-197-XXX Microprocessor test warning	<ol style="list-style-type: none"> 1. Make sure the component that is called out is connected and/or enabled. See Chapter 6, "Using the Setup Utility," on page 51 2. Re-run test 3. Replace the component that is called out in warning statement 4. Replace the component under test
089-198-XXX Microprocessor test aborted	<ol style="list-style-type: none"> 1. Flash the system. See "Flash update procedures" on page 570 2. Go to "Undetermined problems" on page 82
089-199-XXX Microprocessor test failed, cause unknown	<ol style="list-style-type: none"> 1. See "Undetermined problems" on page 82 2. Flash the system and re-test. See "Flash update procedures" on page 570 3. Replace component under function test
170-000-XXX Voltage Sensor(s) Test Passed	No action

Diagnostic Error Code	FRU/Action
170-0XX-XXX Voltage Sensor(s) failure	<ol style="list-style-type: none"> 1. Flash system 2. System board
170-195-XXX Voltage Sensor(s) Test aborted by user	Information only Re-start the test, if necessary
170-196-XXX Voltage Sensor(s) test halt, error threshold exceeded	<ol style="list-style-type: none"> 1. Press F3 to review the log file 2. Re-start the test to reset the log file
170-197-XXX Voltage Sensor(s) test warning	<ol style="list-style-type: none"> 1. Make sure the component that is called out is connected and/or enabled. See Chapter 6, "Using the Setup Utility," on page 51 2. Re-run test 3. Replace the component that is called out in warning statement 4. Replace the component under test
170-198-XXX Voltage Sensor(s) test aborted	<ol style="list-style-type: none"> 1. If a component is called out, make sure it is connected and/or enabled. See Chapter 6, "Using the Setup Utility," on page 51 2. Flash the system and re-test. See "Flash update procedures" on page 570 3. Go to "Undetermined problems" on page 82
170-199-XXX Voltage Sensor(s) test failed, cause unknown	<ol style="list-style-type: none"> 1. See "Undetermined problems" on page 82 2. Flash the system and re-test. See "Flash update procedures" on page 570 3. Replace component under function test
170-250-XXX 170-251-XXX Voltage Sensor(s) Voltage limit error	<ol style="list-style-type: none"> 1. Power supply 2. System board
170-254-XXX Voltage Sensor(s) Voltage Regulator Module error	<ol style="list-style-type: none"> 1. Voltage Regulator Module (VRM) 2. Microprocessor 3. System board
175-000-XXX Thermal Sensor(s) Test Passed	No action
175-0XX-XXX Thermal Sensor(s) failure	<ol style="list-style-type: none"> 1. Flash system 2. System board
175-195-XXX Thermal Sensor(s) Test aborted by user	Information only Re-start the test, if necessary
175-196-XXX Thermal Sensor(s) test halt, error threshold exceeded	<ol style="list-style-type: none"> 1. Press F3 to review the log file 2. Re-start the test to reset the log file

Diagnostic Error Code	FRU/Action
175-197-XXX Thermal Sensor(s) test warning	<ol style="list-style-type: none"> 1. Make sure the component that is called out is connected and/or enabled. See Chapter 6, "Using the Setup Utility," on page 51 2. Re-run test 3. Replace the component that is called out in warning statement 4. Replace the component under test
175-198-XXX Thermal Sensor(s) test aborted	<ol style="list-style-type: none"> 1. If a component is called out, make sure it is connected and/or enabled 2. Flash the system and re-test. See "Flash update procedures" on page 570 3. Go to "Undetermined problems" on page 82
175-199-XXX Thermal Sensor(s) test failed, cause unknown	<ol style="list-style-type: none"> 1. See "Undetermined problems" on page 82 2. Flash the system and re-test. See "Flash update procedures" on page 570 3. Replace component under function test
175-250-XXX 175-251-XXX Thermal Sensor(s) limit error	<ol style="list-style-type: none"> 1. Check fans 2. Check Power supply voltages 3. Microprocessor 4. System board
185-000-XXX Asset Security Test Passed	No action
185-XXX-XXX Asset Security failure	<ol style="list-style-type: none"> 1. Flash system 2. System board
185-278-XXX Asset Security Chassis Intrusion	<ol style="list-style-type: none"> 1. Assure Asset Security Enabled 2. C2 Cover Switch 3. System board
201-000-XXX System Memory Test Passed	No action
201-XXX-XXX System Memory error	<ol style="list-style-type: none"> 1. Replace the memory module called out by the test 2. System board
202-000-XXX System Cache Test Passed	No action
202-XXX-XXX System Cache error	<ol style="list-style-type: none"> 1. Cache, if removable 2. System board 3. Microprocessor
206-000-XXX Diskette Drive Test Passed	No action
206-XXX-XXX Diskette Drive error	<ol style="list-style-type: none"> 1. Diskette Drive Cable 2. Check power supply voltages 3. Diskette drive 4. System board

Diagnostic Error Code	FRU/Action
215-000-XXX CD-ROM Drive Test Passed	No action
215-XXX-XXX CD-ROM Drive error	<ol style="list-style-type: none"> 1. CD-ROM Drive Cable 2. Check power supply voltages 3. CD-ROM drive 4. System board
217-000-XXX Hard Disk Drive Test Passed	No action
217-25X-XXX 217-26X-XXX Hard Disk Drive (IDE) error	<ol style="list-style-type: none"> 1. Hard Disk Drive Cable 2. Check power supply voltages 3. Reseat the hard disk drive cable 4. Hard Disk drive (IDE) 5. System board
217-28X-XXX 217-29X-XXX Hard Disk Drive (SCSI) error	<ol style="list-style-type: none"> 1. Hard Disk Drive Cable 2. Check power supply voltages 3. Reseat the hard disk drive cable 4. Hard Disk drive (SCSI) 5. SCSI adapter card 6. System board
220-000-XXX Hi-Capacity Cartridge Drive Test Passed	No action
220-XXX-XXX Hi-Capacity Cartridge Drive error	<ol style="list-style-type: none"> 1. Remove the Hi-Capacity Cartridge Drive and re-test the system
301-XXX-XXX Keyboard error	<ol style="list-style-type: none"> 1. Keyboard 2. Check and test mouse 3. System board
301-000-XXX Keyboard Test Passed	No action
302-000-XXX Mouse Test Passed	No action
302-XXX-XXX Mouse error	<ol style="list-style-type: none"> 1. Mouse 2. Check and test Keyboard 3. System board
303-000-XXX Joystick Test Passed	No action
303-XXX-XXX Joystick error	Remove the Joystick and re-test the system
305-000-XXX Monitor DDC Test Passed	No action
305-250-XXX Monitor DDC self test failure	<ol style="list-style-type: none"> 1. Run Setup to enable DDC 2. Cable 3. Monitor 4. Video card 5. System board

Diagnostic Error Code	FRU/Action
415-000-XXX Modem Test Passed	No action
415-XXX-XXX Modem error	Remove the Modem and re-test the system

Beep symptoms

Beep symptoms are tones or a series of tones separated by pauses (intervals without sound) during POST.

The following tables describes beep symptoms.

Beep Symptom	FRU/Action
2 short beeps CMOS setting error	Perform the following actions in order. <ol style="list-style-type: none">1. Start the Setup Utility program and press F10 to Save and exit. See Chapter 6, "Using the Setup Utility," on page 51.2. Start the Setup Utility program and press F7 to load defaults and then press F10 to Save and exit.3. Perform a Boot block recovery. See "Recovering from a POST/BIOS update failure" on page 570.
1 long and 2 short beeps Monitor or video adapter card error	Perform the following actions in order. <ol style="list-style-type: none">1. Make sure the monitor is properly connected to the computer.2. Replace the video adapter card (if present).3. Replace the system board.
1 long and 3 short beeps Keyboard error	Perform the following actions in order. <ol style="list-style-type: none">1. Make sure the keyboard is properly connected to the keyboard connector.2. Replace the keyboard.3. Replace the system board.
1 long and 9 short beeps BIOS ROM error	Perform the following actions in order. <ol style="list-style-type: none">1. Start the Setup Utility program and press F7 to load defaults and then press F10 to Save and exit. See Chapter 6, "Using the Setup Utility," on page 51.2. Perform a Boot block recovery. See "Recovering from a POST/BIOS update failure" on page 570.3. Replace the system board.
Continuos long beeps DRAM memory error	Perform the following actions in order. <ol style="list-style-type: none">1. Make sure the memory module(s) are properly seated in the connector(s).2. Replace the memory module(s).3. Replace the system board.

POST error codes

Each time you power-on the system, it performs a series of tests that check the operation of the system and some options. This series of tests is called the *Power-On Self-Test*, or *POST*. POST does the following operations.

- Checks some basic system-board operations
- Checks the memory operation
- Starts the video operation
- Verifies that the boot drive is working

If the POST detects a problem, an error message appears on the screen. A single problem can cause several error messages to appear. When you correct the cause of the first error message, the other error messages probably will not appear on the screen the next time you turn on the system.

POST Error Message	Description/Action
CMOS battery failed	The CMOS battery is no longer functional. Replace the battery.
CMOS checksum error - defaults loaded	Checksum of CMOS is incorrect. The computer loads the default configuration settings. This error might indicate that CMOS has become corrupt due to a weak CMOS battery.
CPU at nnnn	nnnn is the running speed of the microprocessor.
Press Esc to skip memory test	Pressing Esc skips the full memory test
HARD DISK INSTALL FAILURE	Cannot find or initialize the hard disk drive controller or the drive. Make sure the hard disk drive is correctly installed. If no hard disk drives are installed, make sure the hard disk drive selection in Setup is set to NONE.
Keyboard error or no keyboard present	Cannot initialize the keyboard. Make sure the keyboard is properly connected to the computer and that no keys are held pressed during POST. To purposely configure the computer without a keyboard, set the error halt condition in Setup to HALT ON ALL, BUT KEYBOARD. The BIOS then ignores the missing keyboard during POST.
Memory Test:	This message displays during a full memory test, counting down the memory areas being tested.
Memory test fail	If POST detects an error during memory testing, additional information appears. This information gives specifics about the type and location of the memory error.

POST Error Message	Description/Action
Press TAB to show POST screen	Pressing the TAB key permits the user to toggle between the default POST display screen and a custom POST display screen.
Error: Non-System disk or disk error Replace and press any key when ready	<p>The BIOS was unable to find a suitable boot device.</p> <p>Make sure the boot drive is properly connected to the computer.</p> <p>Make sure you have bootable media.</p>

Miscellaneous error messages

Message/Symptom	FRU/Action
Changing display colors	Display/Monitor
Computer will <i>not</i> power-off. See "Power Supply Problems" on page 55.	<ol style="list-style-type: none"> Power Switch System Board Riser card, if installed
Computer will <i>not</i> RPL from server	<ol style="list-style-type: none"> Ensure that network is in startup sequence as first device or first device after diskette Ensure that network adapter is enabled for RPL Network adapter (Advise network administrator of new MAC address)
Computer will <i>not</i> perform a Wake On LAN [®] (if applicable)	<ol style="list-style-type: none"> Check power supply and signal cable connections to network adapter Ensure that the operating system settings are set to enable Wake on LAN[®] Ensure Wake On LAN feature is enabled in Setup/Configuration (see "Starting the Setup Utility program" on page 51) Ensure network administrator is using correct MAC address Ensure no interrupt or I/O address conflicts Network adapter (advise network administrator of new MAC address)
Dead computer. See "Power Supply Problems" on page 55.	<ol style="list-style-type: none"> Power Supply System Board
Diskette drive in-use light remains on or does not light when drive is active.	<ol style="list-style-type: none"> Diskette Drive System Board Diskette Drive Cable
Flashing cursor with an otherwise blank display.	<ol style="list-style-type: none"> System Board Primary Hard Disk Drive Hard Disk Drive Cable
Incorrect memory size during POST	<ol style="list-style-type: none"> Run the Memory tests Memory Module System Board
"Insert a Diskette" icon appears with a known-good diagnostics diskette in the first 3.5-inch diskette drive.	<ol style="list-style-type: none"> System Board Diskette Drive Cable Network Adapter
Intensity or color varies from left to right of characters and color bars	<ol style="list-style-type: none"> Display Video adapter (if present) System Board
No power or fan not running	<ol style="list-style-type: none"> See "Power Supply Problems" on page 55.

Message/Symptom	FRU/Action
Non-system disk or disk error-type message with a known-good diagnostic diskette.	<ol style="list-style-type: none"> 1. Diskette Drive 2. System Board 3. Diskette Drive Cable
Other display symptoms not listed above (including blank or illegible display)	<ol style="list-style-type: none"> 1. Display 2. System Board
Power-on indicator or hard disk drive in-use light not on, but computer works correctly	<ol style="list-style-type: none"> 1. Power switch/LED assembly 2. System Board
Printer problems	<ol style="list-style-type: none"> 1. Printer 2. System Board
Program loads from the hard disk with a known-good diagnostics diskette in the first 3.5-inch diskette drive	<ol style="list-style-type: none"> 1. Run Setup and check Startup sequence. 2. Diskette Drive 3. Diskette Drive Cable 4. System Board 5. Power Supply
RPL computer cannot access programs from its own hard disk.	<ol style="list-style-type: none"> 1. If network administrator is using LCCM Hybrid RPL, check startup sequence: <ol style="list-style-type: none"> a. First device - network b. Second device - hard disk 2. Hard disk drive
RPL computer does not RPL from server	<ol style="list-style-type: none"> 1. Check startup sequence 2. Check the network adapter LED status
Serial or parallel port device failure (system board port)	<ol style="list-style-type: none"> 1. External Device Self-Test OK? 2. External Device 3. Cable 4. System Board
Serial or parallel port device failure (adapter port)	<ol style="list-style-type: none"> 1. External Device Self-Test OK? 2. External Device 3. Cable 4. Alternate Adapter 5. System Board
Some or all keys on the keyboard do not work	<ol style="list-style-type: none"> 1. Keyboard 2. Keyboard Cable 3. System Board

Undetermined problems

If this computer has a parallel ATA hard disk drive, make sure that the hard disk drive is jumpered as a master and the optical drive is jumpered as a slave.

1. Power-off the computer.
2. Remove or disconnect the following components (if installed) one at a time.
 - a. External devices (modem, printer, or mouse)
 - b. Any adapters

- c. Memory modules
 - d. Extended video memory
 - e. External Cache
 - f. External Cache RAM
 - g. Hard disk drive
 - h. Diskette drive
3. Power-on the computer to re-test the system.
 4. Repeat steps 1 through 3 until you find the failing device or adapter.

If all devices and adapters have been removed, and the problem continues, replace the system board.

Chapter 8. Replacing FRUs (desktop computers)

This chapter is for desktop computers of the following machine types: 8013, 8702, 8706, 8716, 8970, 8972, 8976, 8980, 8982, 8986, 8992, 8994, 9266, 9276, 9278, 9282, 9286, 9288, 9374, 9378, 9380, 9384, 9628, 9632, 9647, and 9649.

Important

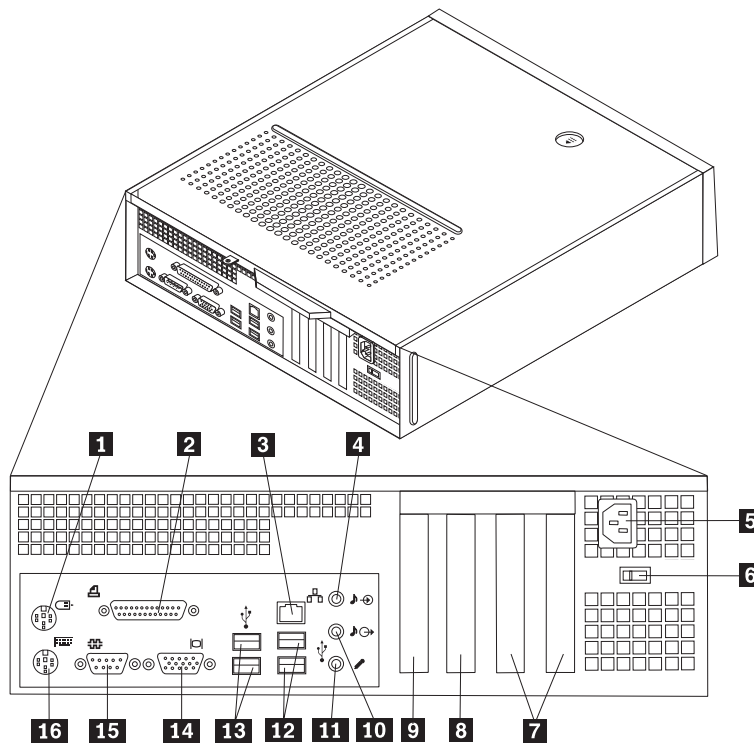
Before you replace any FRU, read Chapter 2, "Safety information," on page 3. These precautions and guidelines will help you work safely.

FRU replacements are to be done by trained service technicians only.

This chapter does not contain a remove and replace procedure for all FRUs. Only the major FRUs are documented.

Rear connectors

The following illustration shows the locations of the connectors on the rear of the computer.



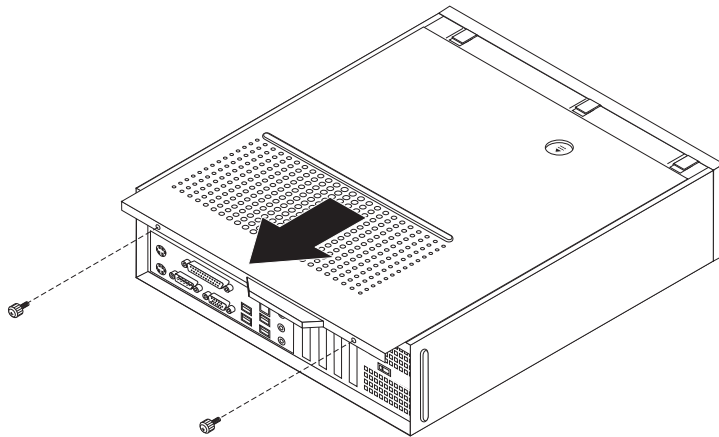
- | | | | |
|----------|---|-----------|---|
| 1 | Standard mouse connector | 9 | PCI Express x16 adapter connector or)
PCI Express x1 adapter connector (some
models) |
| 2 | Parallel connector | 10 | Audio line out connector |
| 3 | Ethernet connector | 11 | Microphone connector |
| 4 | Audio line in connector | 12 | USB connectors (2) |
| 5 | Power cord connector | 13 | USB connectors (2) |
| 6 | Voltage selection switch (some
models) | 14 | VGA monitor connector |
| 7 | PCI adapter connectors | 15 | Serial connector |
| 8 | PCI Express x16 adapter connector
or) PCI Express x1 adapter
connector (some models) | 16 | Standard keyboard connector |

Removing the cover

Important

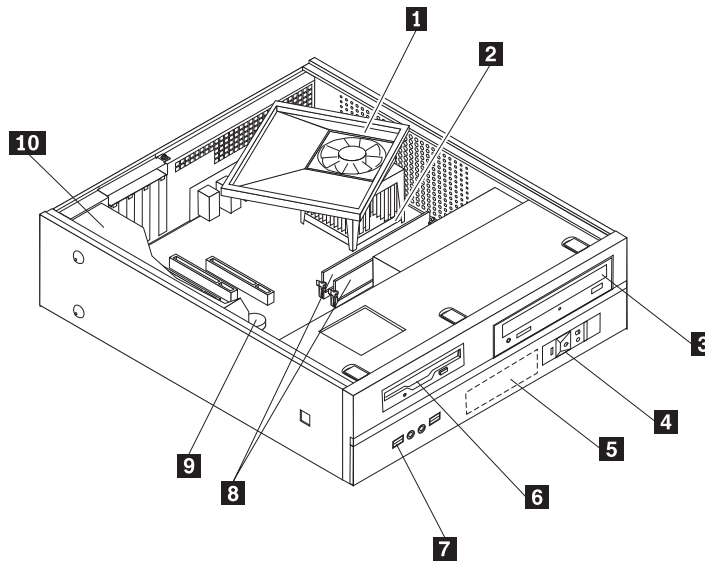
Read Chapter 2, “Safety information,” on page 3 and “Handling electrostatic discharge-sensitive devices” on page 6 before opening the cover.

1. Remove any media (diskettes, CDs, or tapes) from the drives, shut down the operating system, and turn off all attached devices.
2. Unplug all power cords from electrical outlets.
3. Disconnect all cables attached to the computer. This includes power cords, input/output (I/O) cables, and any other cables that are connected to the computer.
4. Remove any locking devices such as a padlock that secure the cover.
5. If the cover is secured with thumbscrews, remove them.
6. Press the button near the front of the computer cover and slide the cover to the rear.



Locations

The following illustration will help you locate the major FRUs in the computer.

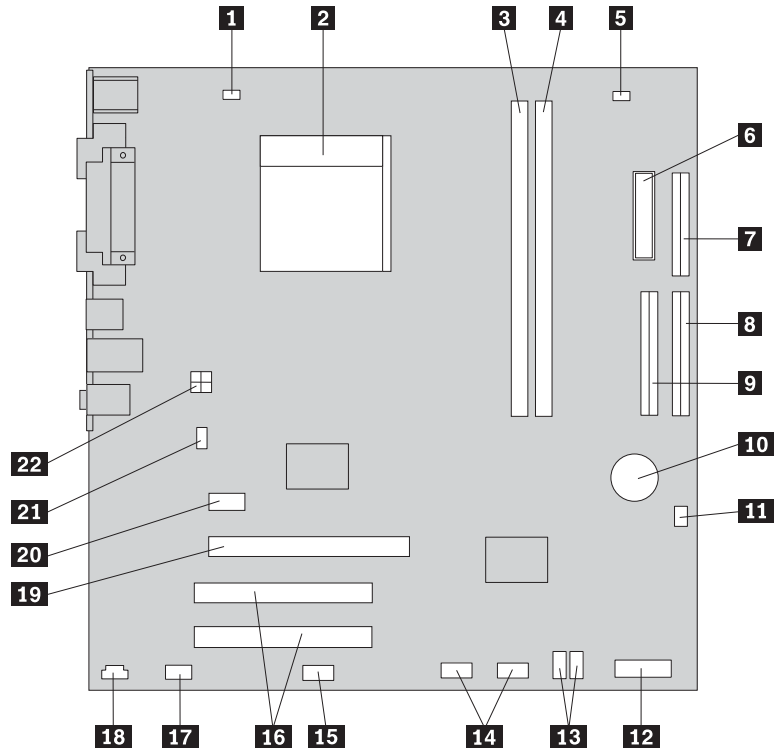


- | | |
|---|---------------------------|
| 1 Fan plenum, fan, and heat sink | 6 Diskette drive |
| 2 Microprocessor | 7 Front panel card |
| 3 Optical drive | 8 Memory modules |
| 4 Power switch/LED assembly | 9 System board |
| 5 Hard disk drive | 10 Power supply |

Identifying parts on the system board

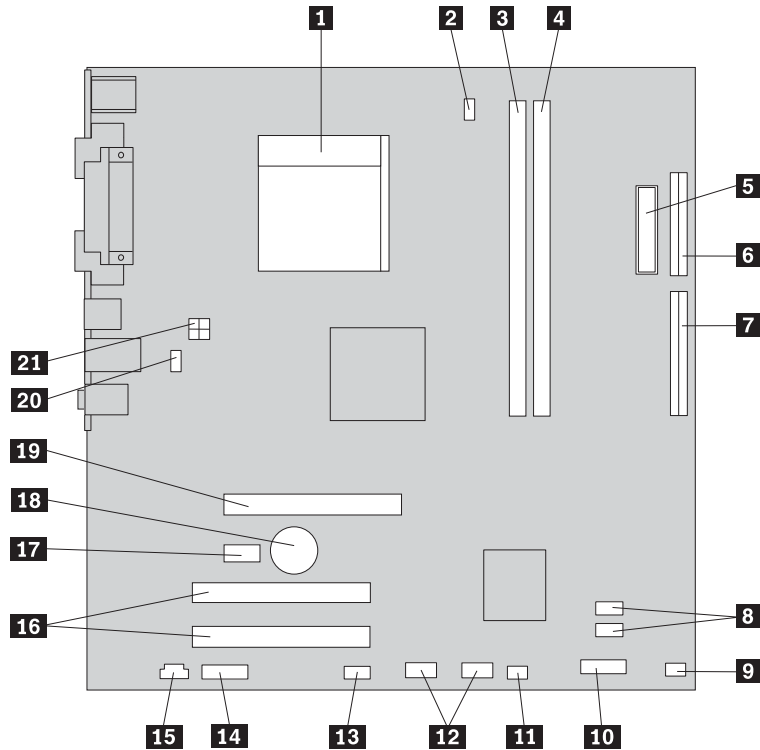
The machine types supported by this maintenance manual include several different system boards. Locate the appropriate machine type in one of the following sections.

Machine types 8013, 8716, 8976, 8986, 9266, 9282, 9374, 9384, 9646, and 9647



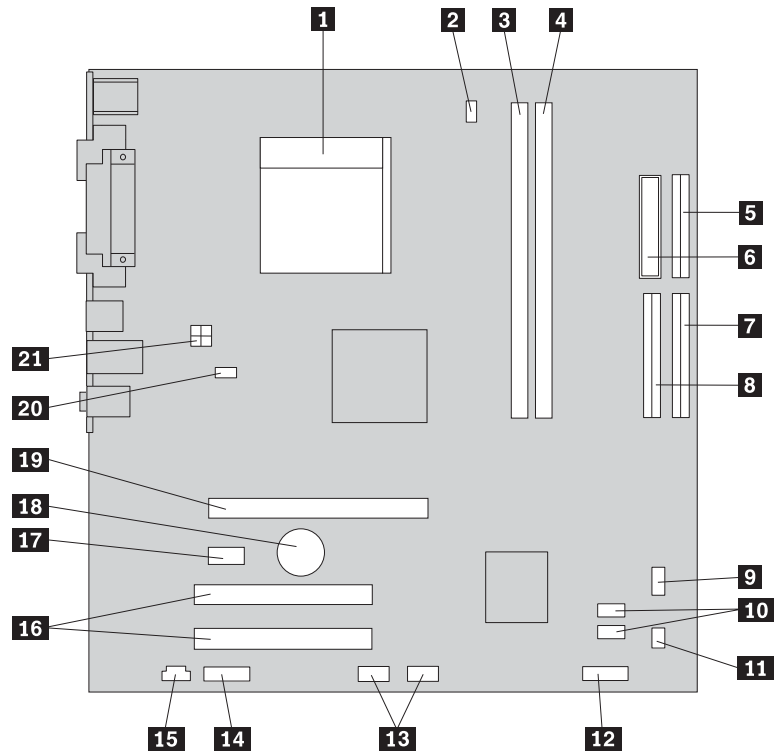
- | | |
|---------------------------------------|--|
| 1 Microprocessor fan connector | 12 Front panel connector |
| 2 Microprocessor and heat sink | 13 SATA IDE connectors (2) |
| 3 Memory connector 1 | 14 Front USB connectors (2) |
| 4 Memory connector 2 | 15 Serial (COM) connector |
| 5 Clear CMOS/Recovery jumper | 16 PCI adapter connectors |
| 6 Power connector | 17 Front audio connector |
| 7 Diskette drive connector | 18 CD-IN connector |
| 8 IDE connector 1 | 19 PCI Express x16 graphics adapter connector |
| 9 IDE connector 2 | 20 PCI Express x1 adapter connector |
| 10 Battery | 21 System fan connector |
| 11 Power fan connector | 22 12V power connector |

Machine types 8706, 8972, 8982, 8994, 9278, 9288, 9380, 9632, 9648, and 9649



- | | |
|---------------------------------------|--|
| 1 Microprocessor and heat sink | 12 Front USB connectors (2) |
| 2 Microprocessor fan connector | 13 Serial (COM) connector |
| 3 Memory connector 1 | 14 Front audio connector |
| 4 Memory connector 2 | 15 CD-IN connector |
| 5 Power connector | 16 PCI adapter connectors (2) |
| 6 Diskette drive connector | 17 PCI Express x1 adapter connector |
| 7 IDE connector | 18 Battery |
| 8 SATA IDE connectors (2) | 19 PCI Express x16 graphics adapter connector |
| 9 Power fan connector | 20 System fan connector |
| 10 Front panel connector | 21 12V power connector |
| 11 Clear CMOS/Recovery jumper | |

Machine types 8702, 8970, 8980, 8992, 9276, 9286, 9378, and 9628

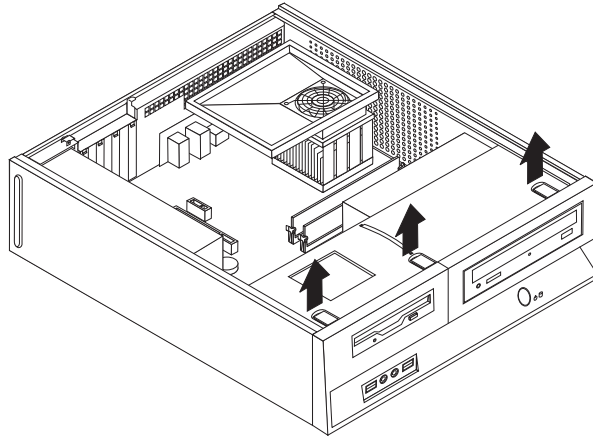


- | | |
|---------------------------------------|--|
| 1 Microprocessor and heat sink | 12 Front panel connector |
| 2 Microprocessor fan connector | 13 Front USB connectors (2) |
| 3 Memory connector 1 | 14 Front audio connector |
| 4 Memory connector 2 | 15 CD-IN connector |
| 5 Diskette drive connector | 16 PCI adapter connectors |
| 6 Power connector | 17 PCI Express x1 adapter connector |
| 7 IDE connector 1 | 18 Battery |
| 8 IDE connector 2 | 19 PCI Express x16 graphics adapter connector |
| 9 Power fan connector | 20 System fan connector |
| 10 SATA IDE connectors (2) | 21 12V power connector |
| 11 Clear CMOS/Recovery jumper | |

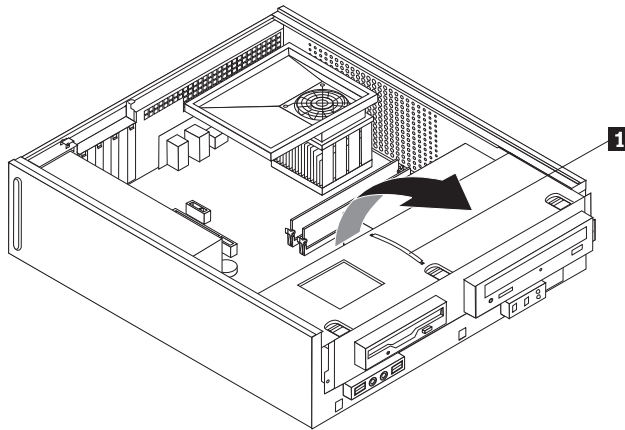
Replacing a memory module

1. Remove the cover. See "Removing the cover" on page 87.

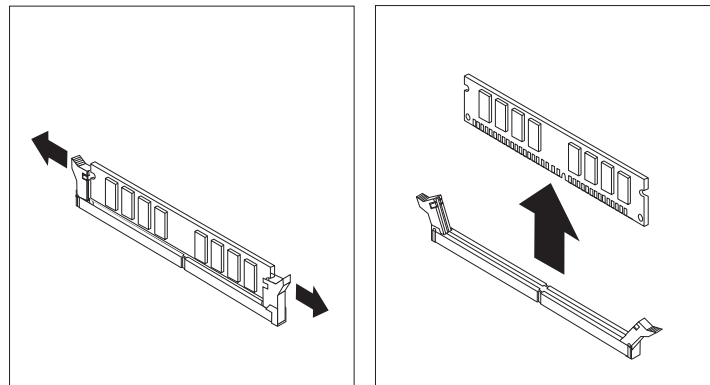
2. Remove the front bezel by releasing the three tabs and pivoting the bezel forward to remove completely.



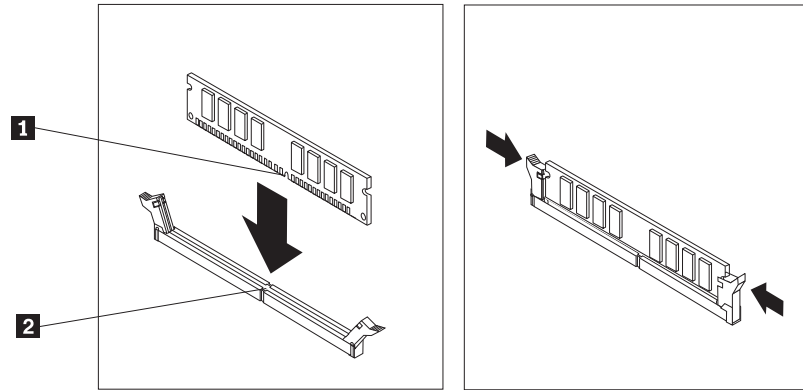
3. Slide the drive bay assembly forward far enough to enable access to the memory modules.



4. Remove the memory module being replaced by opening the retaining clips as shown.



5. Position the replacement memory module over the memory connector. Make sure that the notch **1** on the memory module aligns correctly with the connector key **2** on the system board. Push the memory module straight down into the memory connector until the retaining clips close.



6. Slide the drive bay assembly towards the rear of the chassis until it snaps into position.
7. Reinstall the front bezel.
8. Go to “Completing the FRU replacement” on page 124.

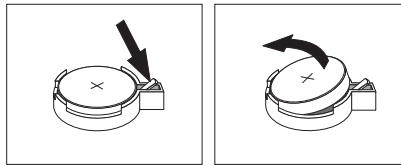
Replacing the CMOS battery

If the CMOS battery fails, the date, time, and configuration information (including passwords) are lost. An error message is displayed when you turn on the computer.

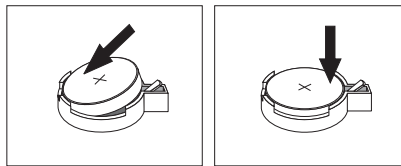
Important

Refer to “Safety notices (multi-lingual translations)” on page 7 for information about replacing and disposing of the battery.

1. Remove the cover. See “Removing the cover” on page 87.
2. Locate the battery. See the system board illustration for your machine type at “Identifying parts on the system board” on page 89.
3. You might have to remove any PCI adapters that impede access to the battery.
4. Remove the old battery.



5. Install the new battery.



6. Replace any PCI adapters that were removed.

Note: When the computer is turned on for the first time after battery replacement, an error message might be displayed. This is normal after replacing the battery.

7. Go to “Completing the FRU replacement” on page 124.

Replacing the power supply

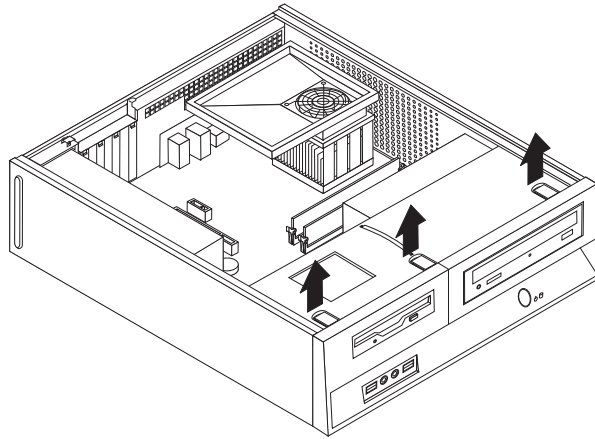
Attention

Never remove the cover on a power supply or any part that has the following label attached.

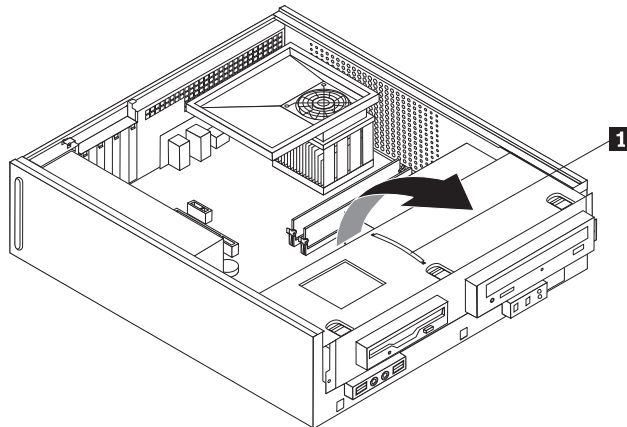


Hazardous voltage, current, and energy levels are present inside any component that has this label attached. There are no servicable parts inside these components.

1. Remove the cover. See “Removing the cover” on page 87.
2. Remove the front bezel by releasing the three tabs and pivoting the bezel forward to remove completely.



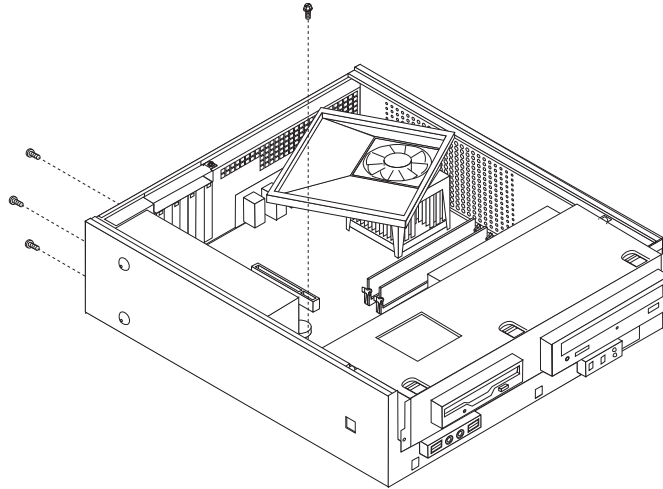
3. Slide the drive bay assembly forward until the drive bay assembly is aligned with the two slots on the sides of the chassis and remove the drive cables from the system board. Then pull upward on the handle **1** on the drive bay assembly to remove it completely from the computer.



4. Disconnect all power supply cables from the drives.
5. Disconnect all power supply cables from the system board. See the system board illustration for your machine type at “Identifying parts on the system board” on page 89.
6. Remove the hard disk drive. See “Replacing the hard disk drive” on page 112.
7. The system board must be moved out of the way to remove the power supply. Remove the screws that secure the system board to the chassis and slide the system board away from the power supply.

Note: You do not have to remove the system board from the chassis to remove the power supply.

8. At the rear of the chassis, remove the three screws that secure the power supply. Also remove the screw that secures the power supply at the front.



9. Lift the power supply out of the chassis.
10. Install the new power supply and install the three screws that secure the power supply at the rear of the chassis and install the screw that secures the power supply at the front.
11. Position the system board so that the screws holes are aligned and install the system board screws.
12. Install the hard disk drive. Make sure to route the power supply cable for the system board underneath the hard disk drive. See "Replacing the hard disk drive" on page 112.
13. Reconnect all other power supply cables to the system board and the drives. Make sure the cables are correctly routed. See the system board illustration for your machine type at "Identifying parts on the system board" on page 89.
14. Align the drive bay assembly with the two slots and rails on the sides of the chassis, reconnect the drive cables on the system board, and then slide the drive bay assembly towards the rear of the chassis until it snaps into position.
15. Reinstall the front bezel.
16. Go to "Completing the FRU replacement" on page 124.

Replacing the system board

The procedure to replace the system board varies depending upon the machine type.

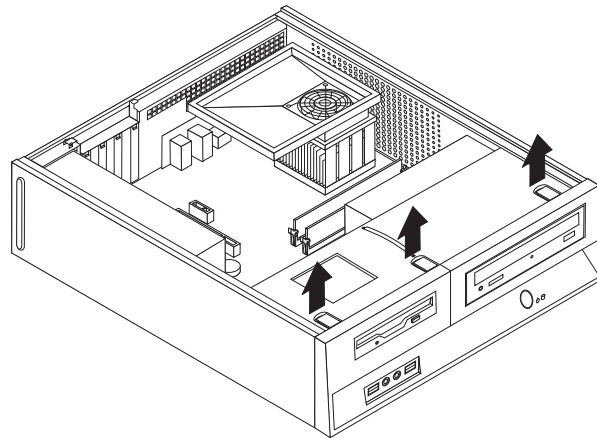
Types 8702, 8706, 8970, 8972, 8980, 8982, 8992, 8994, 9276, 9278, 9286, 9288, 9378, 9380, 9628, 9632, and 9649

Important

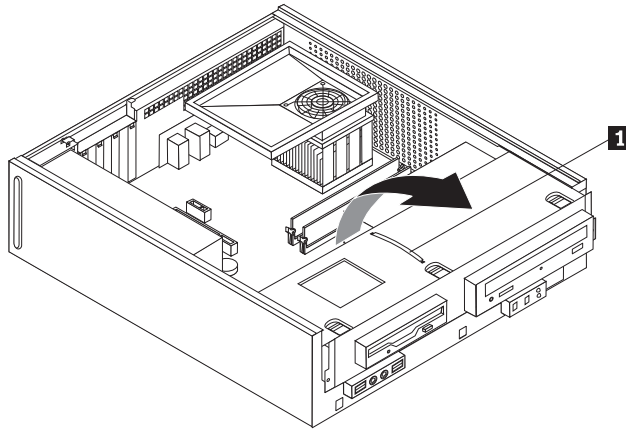
The heat sink and microprocessor might be very hot. Make sure these components are cool enough to safely handle before continuing this procedure.

Note: When replacing the system board you must also order a new retention module for the new system board. Make sure you have a retention module for the new system board before continuing with this procedure.

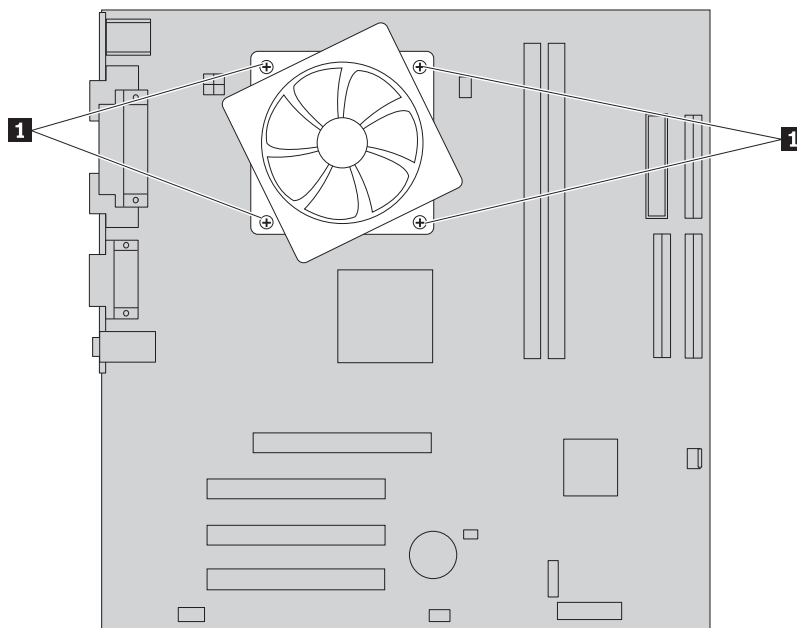
1. Remove the cover. See “Removing the cover” on page 87.
2. Lift the fan duct off the heat sink fan.
3. Remove any adapter cards installed in the PCI connectors.
4. Remove the front bezel by releasing the three tabs and pivoting the bezel forward to remove completely.



5. Slide the drive bay assembly forward until the drive bay assembly is aligned with the two slots on the sides of the chassis and remove the drive cables from the system board. Then pull upward on the handle **1** on the drive bay assembly to remove it completely from the computer.



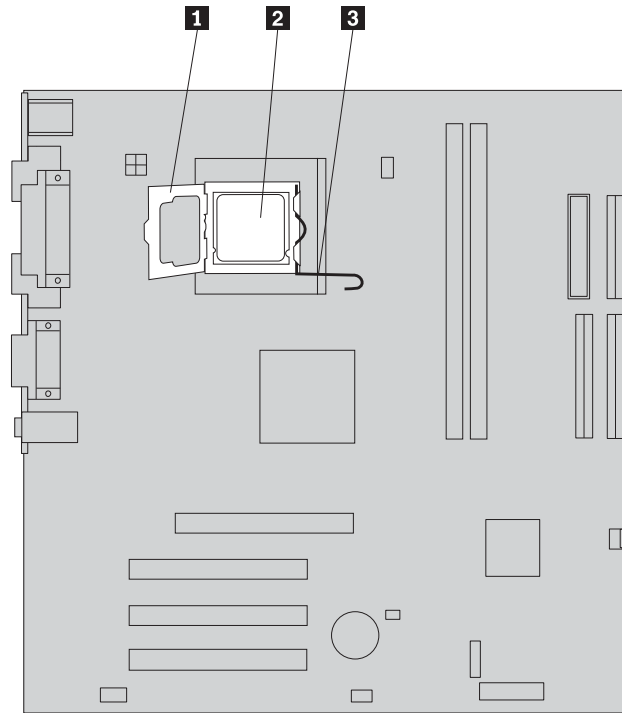
6. Take note of the location of all cable connections on the system board and disconnect all cables. See the system board illustration for your machine type at “Identifying parts on the system board” on page 89.
7. Remove the hard disk drive. See “Replacing the hard disk drive” on page 112.
8. Remove the screws that secure the system board to the chassis.
9. Lift the system board out of the chassis.
10. Remove the memory modules from the failing system board and install them in the same location on the new system board.
11. Disconnect the heat sink and fan assembly cable from the system board. See the system board illustration for your machine type at “Identifying parts on the system board” on page 89.
12. Remove the four screws securing the heat sink and fan assembly to the system board.



13. Lift the heat sink and fan assembly off the failing system board. Place the heat sink on its side so that the thermal grease does not come in contact with anything.

Note: You might have to gently twist the heat sink to free it from the microprocessor.

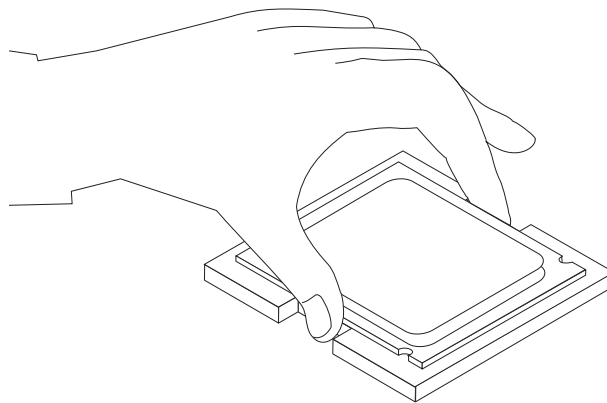
14. To remove the microprocessor **2** from the system board, lift the small handle **3** and open the retainer **1**.



Important

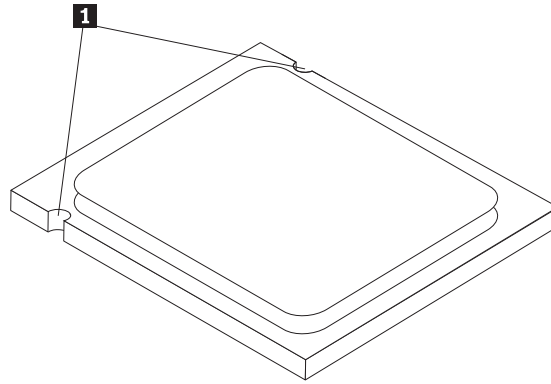
Touch only the sides of the microprocessor. Do not touch the gold contacts on the bottom.

15. Lift the microprocessor straight up and out of the socket.



Notes:

- a. Notice the orientation of the notches **1** on the microprocessor. This is important when reinstalling the microprocessor on the new system board.



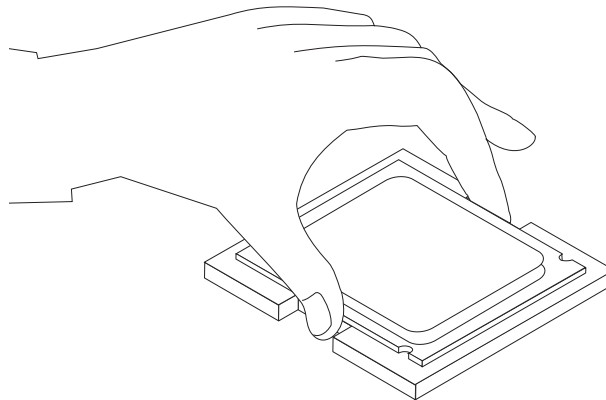
- b. Do not drop anything onto the microprocessor socket while it is exposed. The socket pins must be kept as clean as possible.
16. On the new system board, release the lever securing the microprocessor retainer and then pivot the retainer until it is fully open.

Note: There will be a black plastic cover on the microprocessor retainer to protect the socket on the new system board. Remove the black plastic cover and place it on the microprocessor socket of the failing system board when you complete this procedure.
17. Holding the microprocessor with your fingers, position the microprocessor so that the notches on the microprocessor are aligned with the tabs in the microprocessor socket on the new system board.

Important

To avoid damaging the microprocessor contacts, do not tilt the microprocessor when installing it into the socket.

18. Lower the microprocessor straight down into the system board socket of the new system board.



19. To secure the microprocessor in the socket, close the microprocessor retainer and lock it into position with the small handle.
20. Install the retention module for the heat sink and fan assembly on the system board.
21. Install the heat sink and fan assembly on the new system board.
22. Reconnect the heat sink and fan assembly cable to the system board. See the system board illustration for your machine type at “Identifying parts on the system board” on page 89.

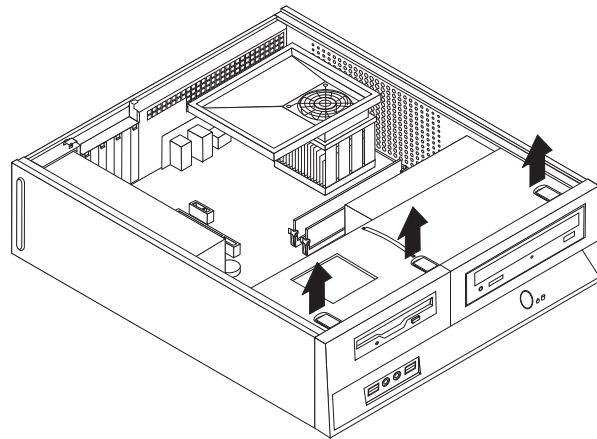
23. Install the new system board into the chassis and align the screw holes with those in the chassis. Insert and tighten the screws that secure the system board.
24. Reconnect all cables that were disconnected from the system board.
25. Reinstall the hard disk drive. See “Replacing the hard disk drive” on page 112.
26. Align the drive bay assembly with the two slots and rails on the sides of the chassis, reconnect the drive cables on the system board, and then slide the drive bay assembly towards the rear of the chassis until it snaps into position.
27. Reinstall the front bezel.
28. Reinstall any PCI adapter cards that were removed.
29. Position the fan duct on the heat sink fan.
30. Go to “Completing the FRU replacement” on page 124.

Types 8013, 8716, 8976, 8986, 9266, 9282, 9374, 9384, and 9647

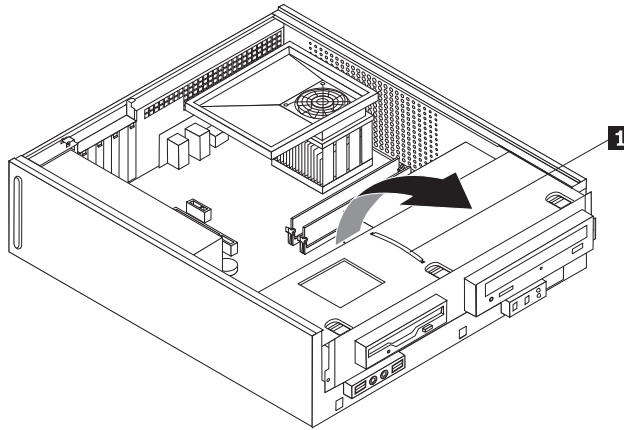
Important

The heat sink and microprocessor might be very hot. Make sure these components are cool enough to safely handle before continuing this procedure.

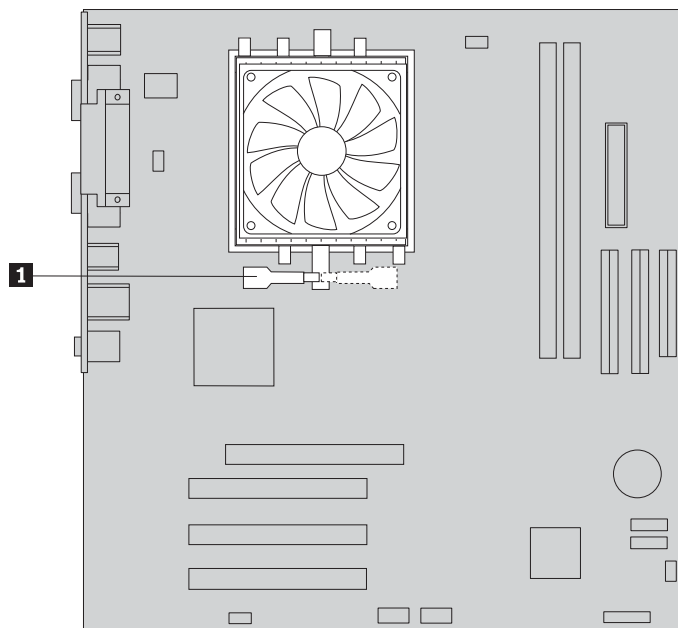
1. Remove the cover. See “Removing the cover” on page 87.
2. Lift the fan duct off the heat sink fan.
3. Remove any adapter cards installed in the PCI connectors.
4. Remove the front bezel by releasing the three tabs and pivoting the bezel forward to remove completely.



5. Slide the drive bay assembly forward until the drive bay assembly is aligned with the two slots on the sides of the chassis and remove the drive cables from the system board. Then pull upward on the handle **1** on the drive bay assembly to remove it completely from the computer.



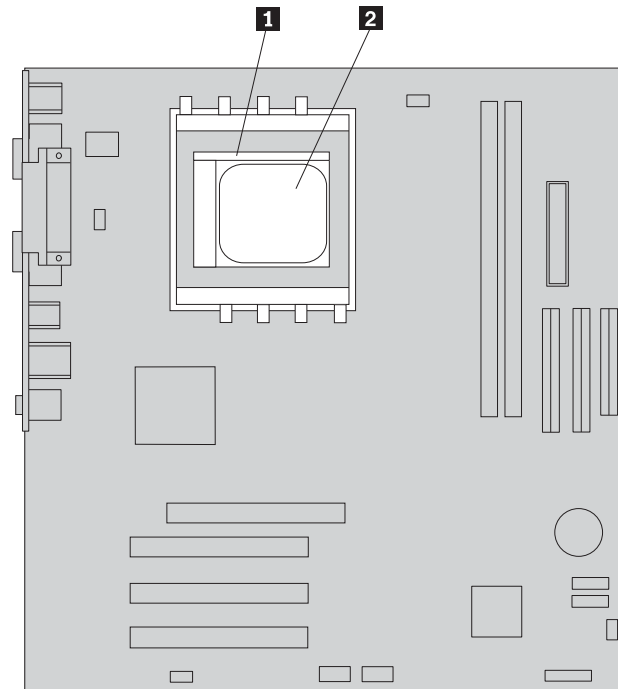
6. Take note of the location of all cable connections on the system board and disconnect all cables. See the system board illustration for your machine type at “Identifying parts on the system board” on page 89.
7. Remove the hard disk drive. See “Replacing the hard disk drive” on page 112.
8. Remove the screws that secure the system board to the chassis.
9. Lift the system board out of the chassis.
10. Remove the memory modules from the failing system board and install them in the same location on the new system board.
11. Disconnect the heat sink and fan assembly cable from the system board. See the system board illustration for your machine type at “Identifying parts on the system board” on page 89.
12. Rotate handle **1** to release the heat sink clamp and then disengage the clamp from the plastic retention bracket.



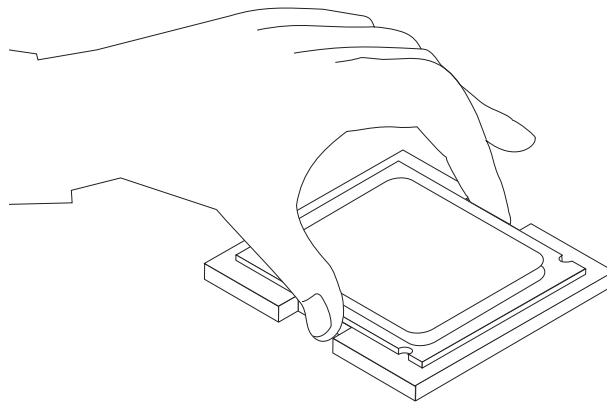
13. Lift the heat sink and fan assembly off the failing system board. Place the heat sink on its side so that the thermal grease does not come in contact with anything.

Note: You might have to gently twist the heat sink to free it from the microprocessor.

14. Remove the retention module from the rear of the failing system board and install it in the same position on the new system board.
15. To remove the microprocessor **2** from the system board, lift the small handle **1**.

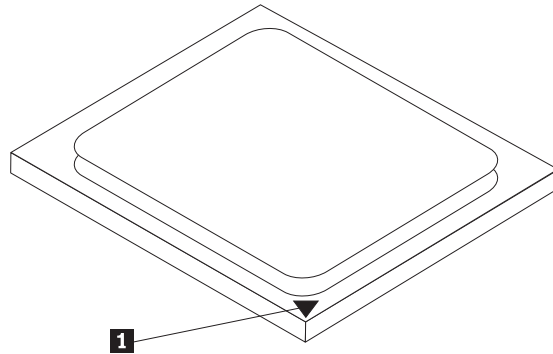


16. Lift the microprocessor straight up and out of the socket.

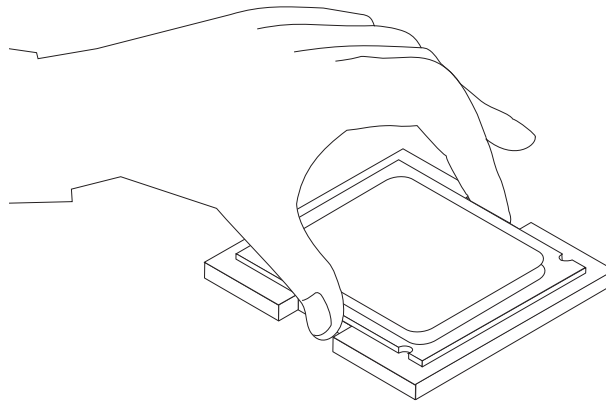


Notes:

- a. Your microprocessor and socket might look different than the one illustrated.
 - b. Note the orientation of the microprocessor in the socket. Look for the small triangle on one corner of the microprocessor. This is important when reinstalling the microprocessor on the new system board.
 - c. Do not drop anything onto the microprocessor socket while it is exposed. The socket pins must be kept as clean as possible.
17. Holding the microprocessor with your fingers, position the microprocessor so that the small triangle **1** is aligned with the corresponding triangle on the socket in the new system board.



18. Lower the microprocessor straight down into the socket.



19. To secure the microprocessor in the socket, close the microprocessor retainer and lock it into position with the small handle.
20. Install the heat sink and fan assembly on the new system board.
21. Reconnect the heat sink and fan assembly cable to the system board. See the system board illustration for your machine type at "Identifying parts on the system board" on page 89.
22. Install the new system board into the chassis and align the screw holes with those in the chassis. Insert and tighten the screws the were removed previously.
23. Reconnect all disconnected cables to the system board.
24. Reinstall the hard disk drive. See "Replacing the hard disk drive" on page 112.
25. Align the drive bay assembly with the two slots and rails on the sides of the chassis, reconnect the drive cables on the system board, and then slide the drive bay assembly towards the rear of the chassis until it snaps into position.
26. Reinstall the front bezel.
27. Reinstall any PCI adapter cards that were removed.
28. Position the fan duct on the heat sink fan.
29. Go to "Completing the FRU replacement" on page 124.

Replacing the microprocessor

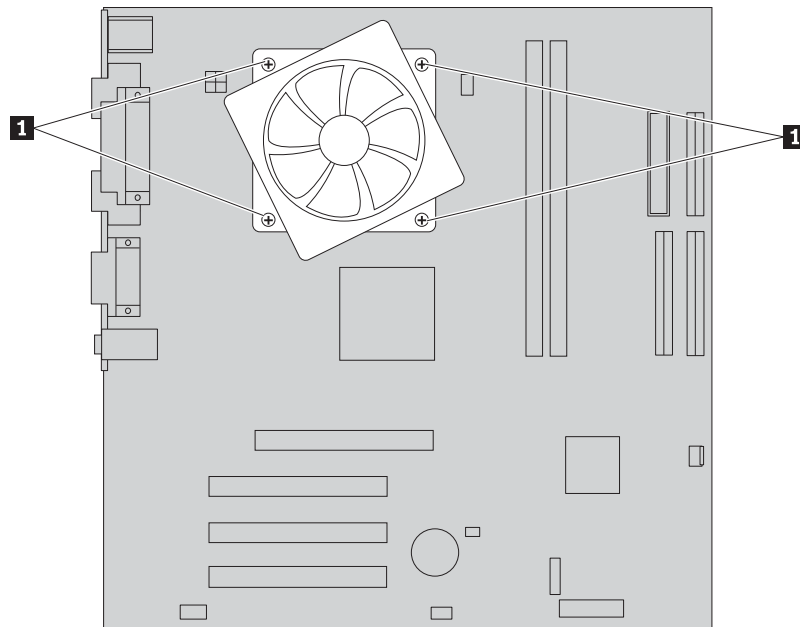
The procedure to replace the microprocessor varies depending upon the machine type.

Types 8702, 8706, 8970, 8972, 8980, 8982, 8992, 8994, 9276, 9278, 9286, 9288, 9378, 9380, 9628, 9632, and 9649

Important

The heat sink and microprocessor might be very hot. Make sure these components are cool enough to safely handle before continuing this procedure.

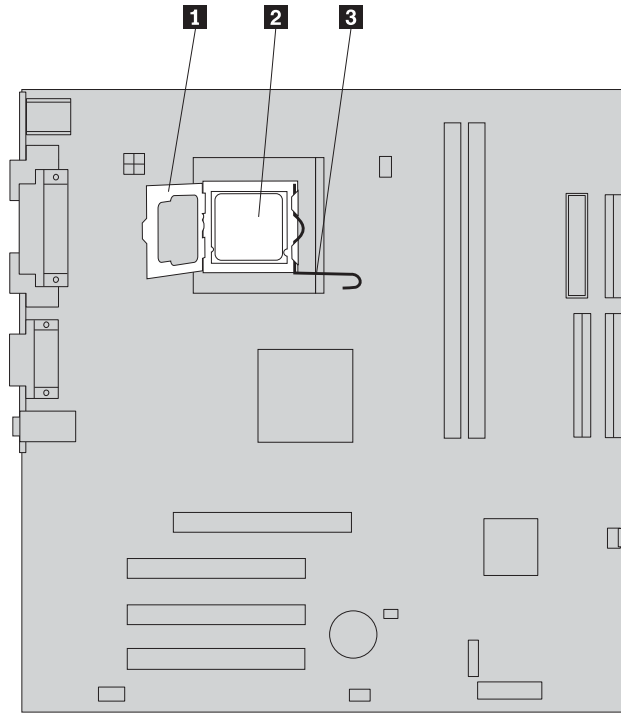
1. Remove the cover. See “Removing the cover” on page 87.
2. Lift the fan duct off the heat sink fan.
3. Disconnect the heat sink and fan assembly cable from the system board. See the system board illustration for your machine type at “Identifying parts on the system board” on page 89.
4. Remove the four screws securing the heat sink and fan assembly to the system board.



5. Lift the heat sink and fan assembly off the system board. Place the heat sink on its side so that the thermal grease does not come in contact with anything.

Note: You might have to gently twist the heat sink to free it from the microprocessor.

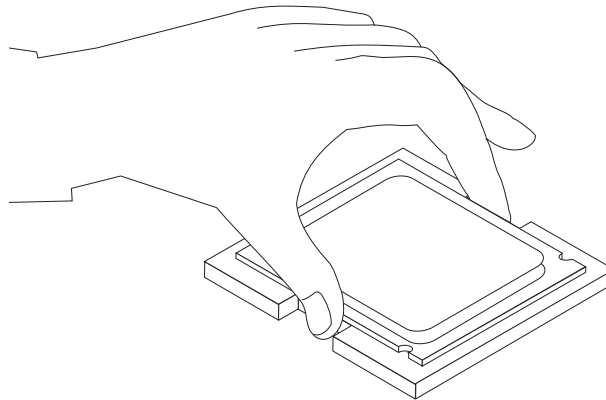
6. To remove the microprocessor **2** from the system board, lift the small handle **3** and open the retainer **1**.



Important

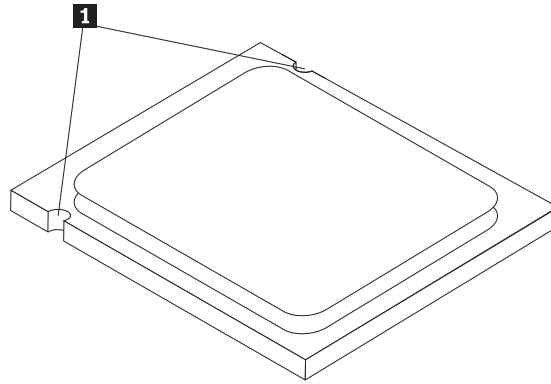
Touch only the sides of the microprocessor. Do not touch the gold contacts on the bottom.

7. Lift the microprocessor straight up and out of the socket.

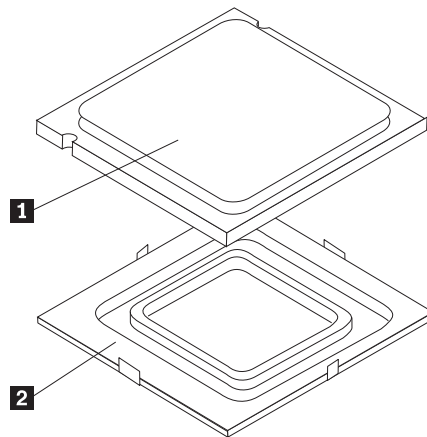


Notes:

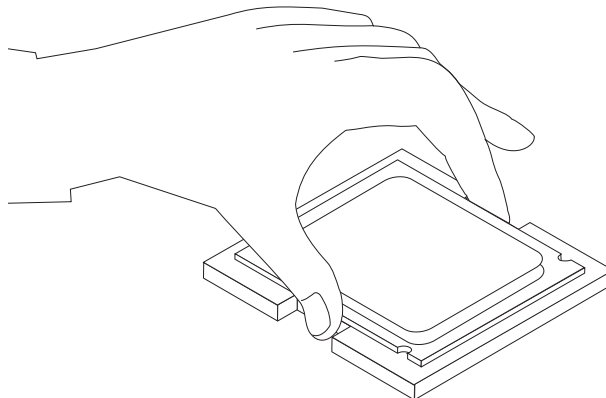
- a. Note the orientation of the notches **1** on the microprocessor. This is important when reinstalling the microprocessor on the system board.



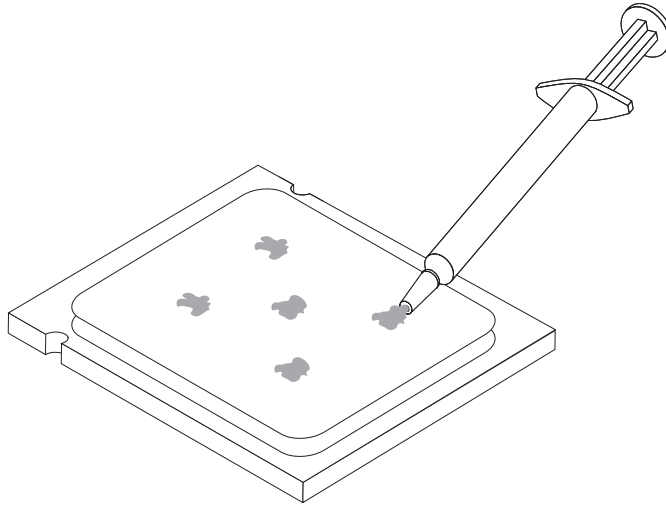
- b. Do not drop anything onto the microprocessor socket while it is exposed. The socket pins must be kept as clean as possible.
8. Make sure that the microprocessor retainer is fully open.
9. Holding the microprocessor with your fingers, remove the protective cover **2** that protects the gold contacts on the new microprocessor **1**.



10. Holding the microprocessor with your fingers, align the notches on the microprocessor with the tabs in the microprocessor socket
11. Lower the microprocessor straight down into the socket.



12. To secure the microprocessor in the socket, close the microprocessor retainer and lock it into position with the small handle.
13. Use the thermal grease syringe to place five drops of grease on the top of the microprocessor. Each drop of grease should be 0.03ml (3 tick marks on the grease syringe).



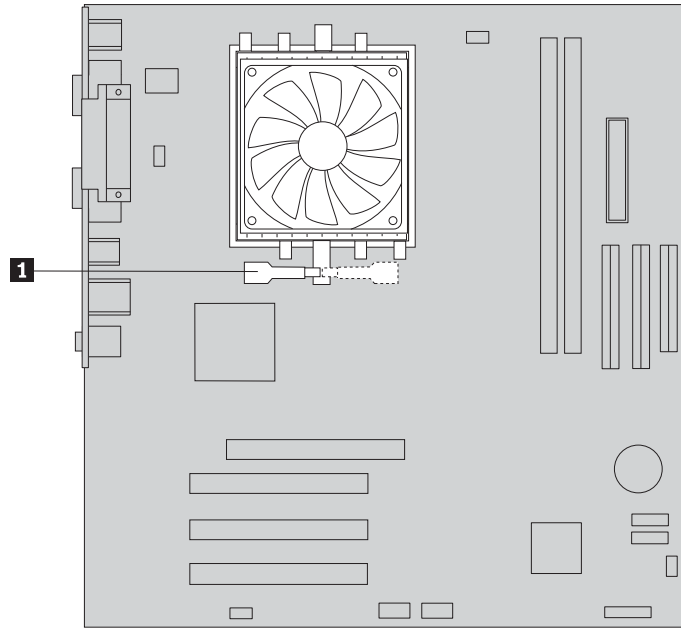
14. Install the heat sink and fan assembly on the system board.
15. Connect the heat sink and fan assembly cable to the system board. See the system board illustration for your machine type at “Identifying parts on the system board” on page 89.
16. Position the fan duct on the heat sink fan.
17. Go to “Completing the FRU replacement” on page 124.

Types 8013, 8716, 8976, 8986, 9266, 9282, 9374, 9384, and 9647

Important

The heat sink and microprocessor might be very hot. Make sure these components are cool enough to safely handle before continuing this procedure.

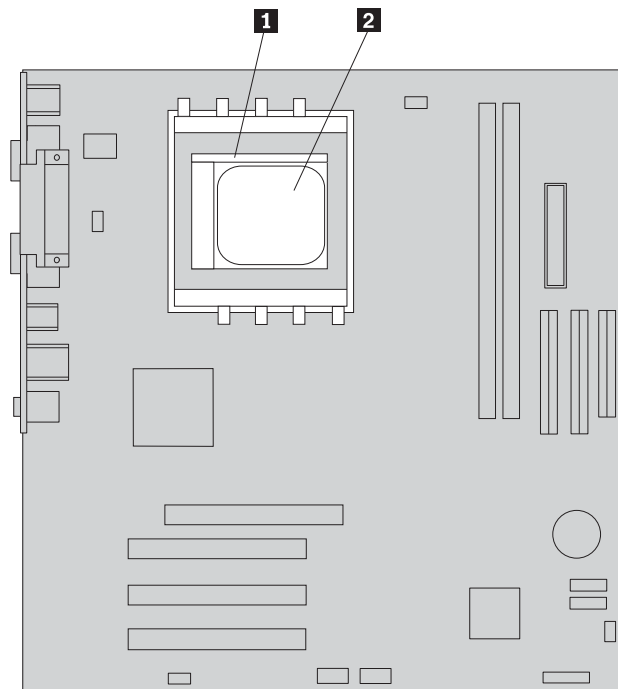
1. Remove the cover. See “Removing the cover” on page 87.
2. Lift the fan duct off the heat sink fan.
3. Disconnect the heat sink and fan assembly cable from the system board. See the system board illustration for your machine type at “Identifying parts on the system board” on page 89.
4. Rotate handle **1** to release the heat sink clamp and then disengage the clamp from the plastic retention bracket.



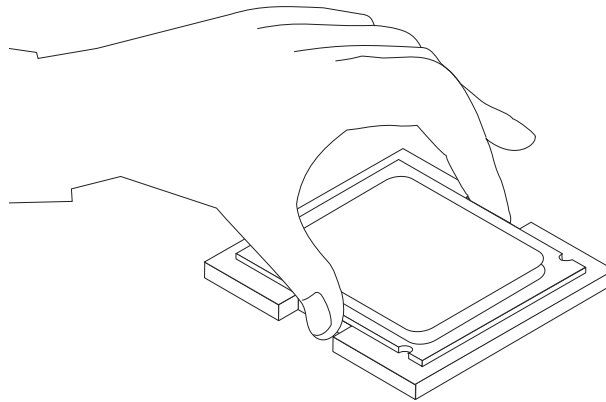
5. Lift the heat sink and fan assembly off the system board. Place the heat sink on its side so that the thermal grease does not come in contact with anything.

Note: You might have to gently twist the heat sink to free it from the microprocessor.

6. To remove the microprocessor **2** from the system board, lift the small handle **1**.

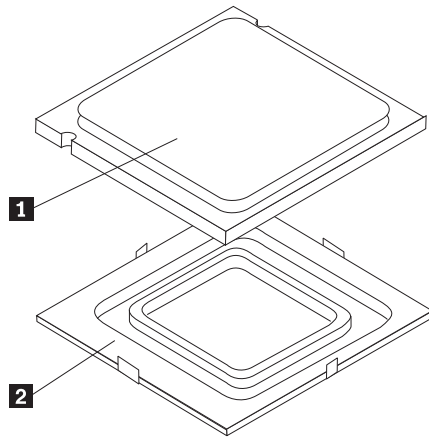


7. Lift the microprocessor straight up and out of the socket.

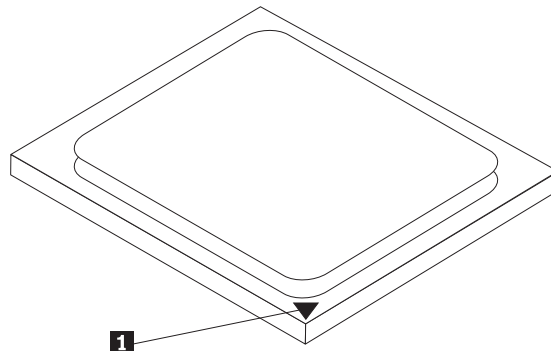


Notes:

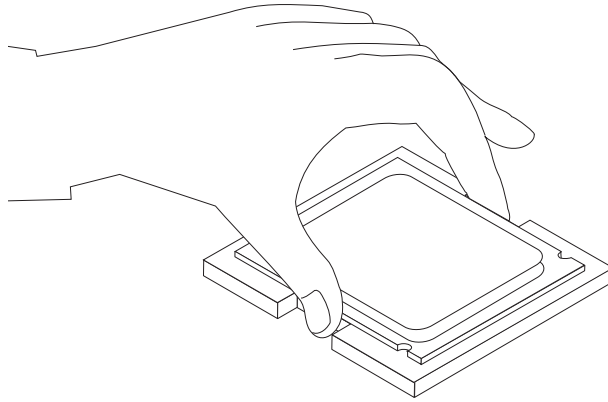
- a. Your microprocessor and socket might look different than the one illustrated.
 - b. Note the orientation of the microprocessor in the socket. Look for the small triangle on one corner of the microprocessor. This is important when reinstalling the microprocessor on the system board.
 - c. Do not drop anything onto the microprocessor socket while it is exposed. The socket pins must be kept as clean as possible.
8. Make sure that the microprocessor retainer is fully open.
 9. Holding the microprocessor with your fingers, remove the protective cover **2** that protects the gold contacts on the new microprocessor **1**.



10. Holding the microprocessor with your fingers, position the microprocessor so that the triangle **1** is aligned with the corresponding triangle on the socket.

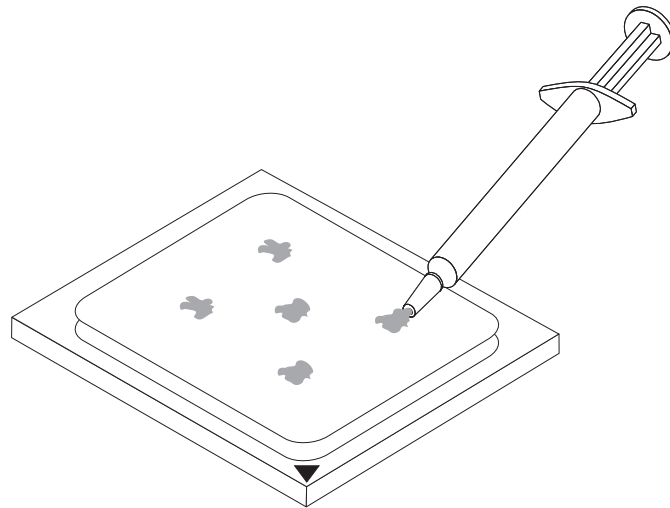


11. Lower the microprocessor straight down into the socket.



Note: Install the black protective cover that was removed from the new microprocessor onto the defective microprocessor after the installation is complete.

12. To secure the microprocessor in the socket, close the microprocessor retainer and lock it into position with the small handle.
13. Use the thermal grease syringe to place five drops of grease on the top of the microprocessor. Each drop of grease should be 0.03ml (3 tick marks on the grease syringe).



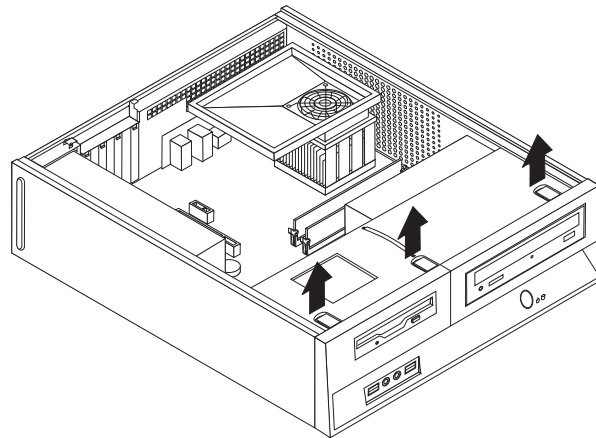
14. Install the heat sink and fan assembly on the system board.
15. Connect the heat sink and fan assembly cable to the system board. See the system board illustration for your machine type at “Identifying parts on the system board” on page 89.
16. Position the fan duct on the heat sink fan.
17. Go to “Completing the FRU replacement” on page 124.

Replacing the hard disk drive

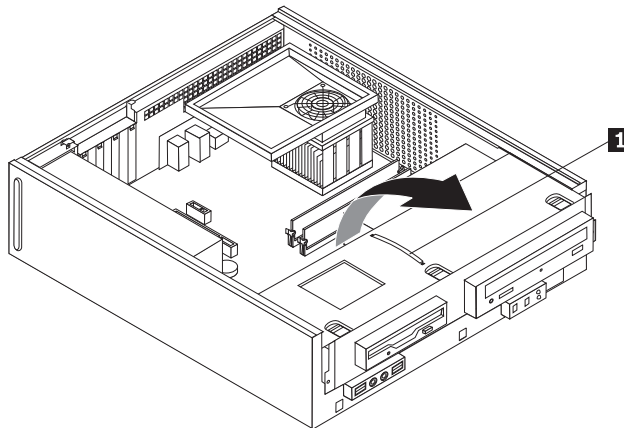
Important

When you install a new hard disk drive, you also need a set of *Product Recovery* discs. The set of *Product Recovery* discs will enable the contents of the hard disk to be restored to the same state as when the computer was originally shipped from the factory. For more information on recovering factory-installed software, refer to “Recovering software” in the *User Guide*.

1. Remove the cover. See “Removing the cover” on page 87.
2. Remove the front bezel by releasing the three tabs and pivoting the bezel forward to remove completely.

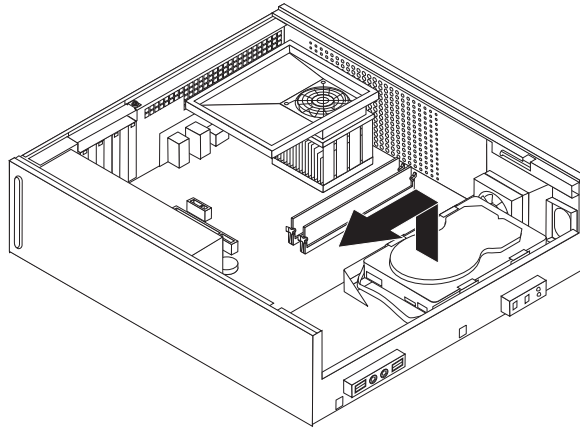


3. Slide the drive bay assembly forward until the drive bay assembly is aligned with the two slots on the sides of the chassis and remove the drive cables from the system board. Then pull upward on the handle **1** on the drive bay assembly to remove it completely from the computer.

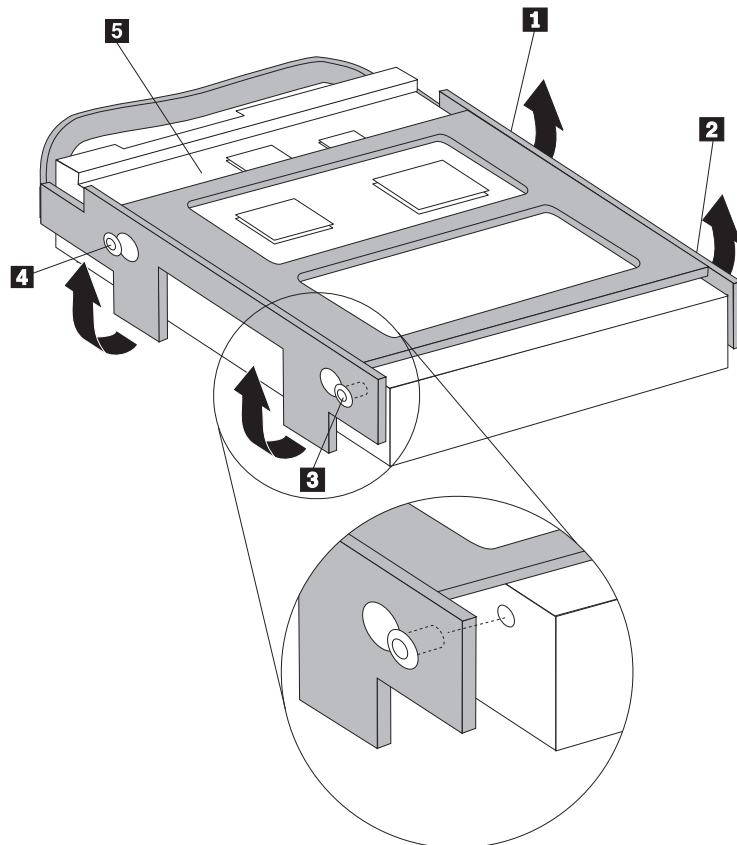


4. Disconnect the signal and power cables from the rear of the hard disk drive.

5. Use the blue handle to pivot the hard disk drive and bracket upward, slide the hard drive to the left until it is free of the retaining clips in the bottom of the chassis, and then completely remove it from the chassis.



6. Remove the blue bracket from the failing hard disk drive by flexing the bracket.
7. Install the new drive into the blue bracket, flex the bracket, and align the pins **1** through **4** on the bracket with the holes in the hard disk drive. Do not touch the circuit board **5** on the bottom of the hard disk drive.

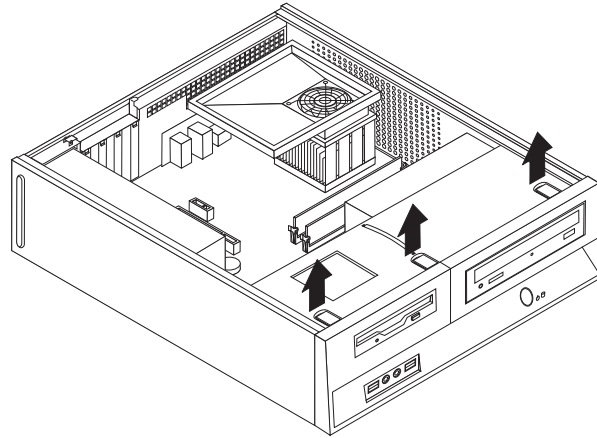


8. Position the hard disk drive and bracket so that it engages the retaining clips in the bottom of the chassis when you slide the bracket to the right.
9. Slide the hard disk drive and bracket to the right until it snaps into position.
10. Connect the signal and power cables to the rear of the hard disk drive.

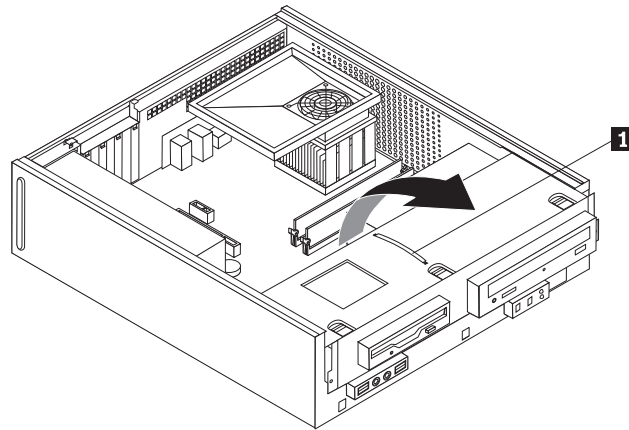
11. Align the drive bay assembly with the two slots and rails on the sides of the chassis, reconnect the drive cables on the system board, and then slide the drive bay assembly towards the rear of the chassis until it snaps into position.
12. Reinstall the front bezel.
13. Go to “Completing the FRU replacement” on page 124.

Replacing an optical drive

1. Remove the cover. See “Removing the cover” on page 87.
2. Remove the front bezel by releasing the three tabs and pivoting the bezel forward to remove completely.

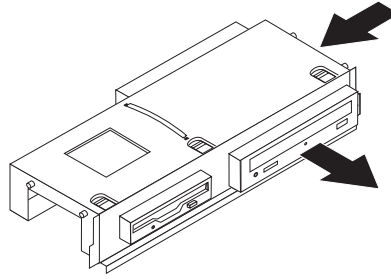


3. Slide the drive bay assembly forward until the drive bay assembly is aligned with the two slots on the sides of the chassis and disconnect the cables connected to the rear of the optical drive.
4. Pull upward on the handle **1** on the drive bay assembly to remove it completely from the computer.

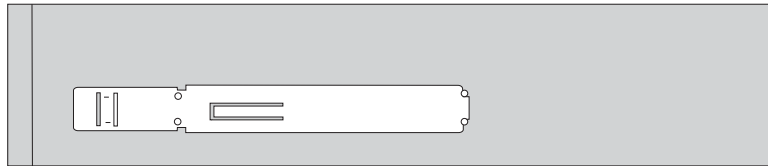


5. Release the optical drive from the drive bay assembly by pressing inward on the blue retainer at the side of the drive.

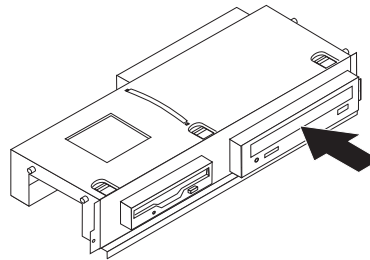
- Slide the optical drive being replaced out the front of the drive bay assembly.



- Remove the retainer bracket from the failing drive and install it on the new drive.



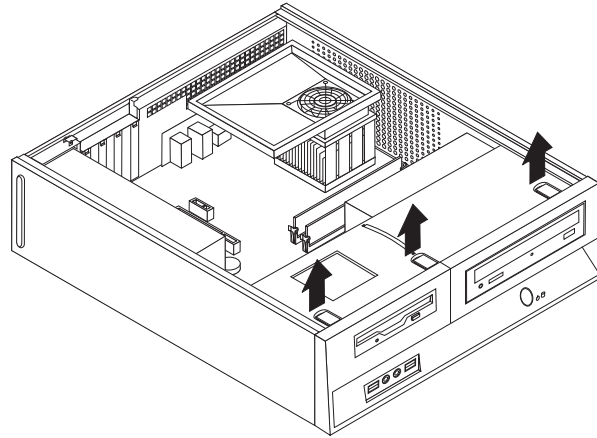
- Install the new optical drive into the bay until it snaps into position.



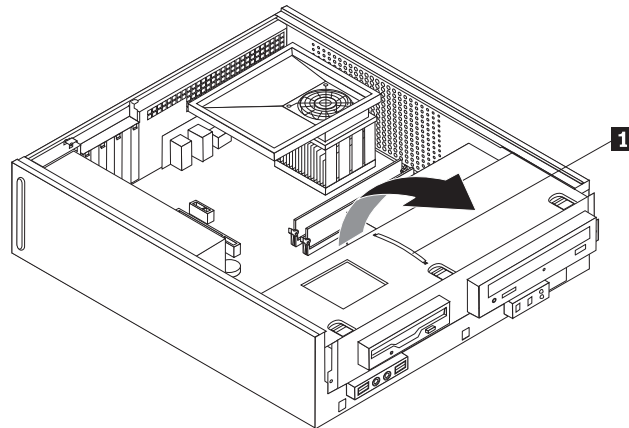
- Reconnect the signal and power cables to the rear of the optical drive.
- Align the drive bay assembly with the two slots and rails on the sides of the chassis and slide the drive bay assembly towards the rear of the chassis until it snaps into position.
- Reinstall the front bezel.
- Go to “Completing the FRU replacement” on page 124.

Replacing the diskette drive

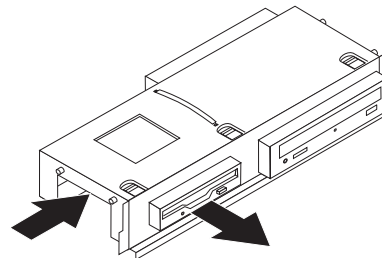
1. Remove the cover. See "Removing the cover" on page 87.
2. Remove the front bezel by releasing the three tabs and pivoting the bezel forward to remove completely.



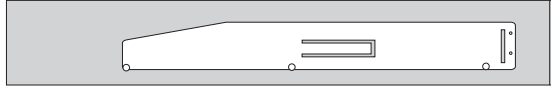
3. Slide the drive bay assembly forward until the drive bay assembly is aligned with the two slots on the sides of the chassis and disconnect the cables connected to the rear of the diskette drive.
4. Pull upward on the handle **1** on the drive bay assembly to remove it completely from the computer.



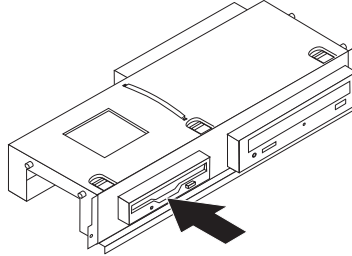
5. Release the diskette drive by pressing inward on the blue retainer at the side of the drive.
6. Remove the failing diskette drive by sliding it out the front of the drive bay assembly.



7. Remove the retainer bracket from the failing drive and install it on the new drive.



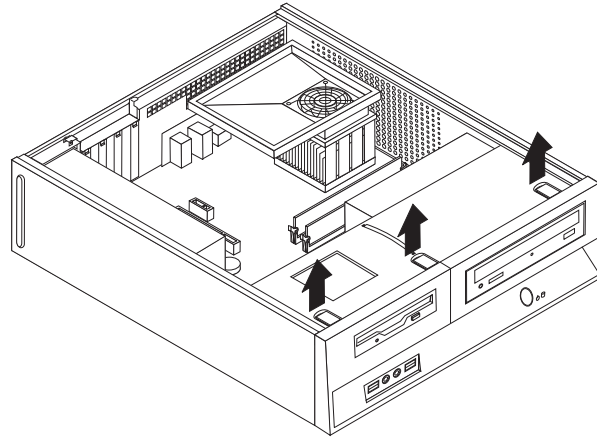
8. Install the new diskette drive into the drive bay from the front until it snaps into position.



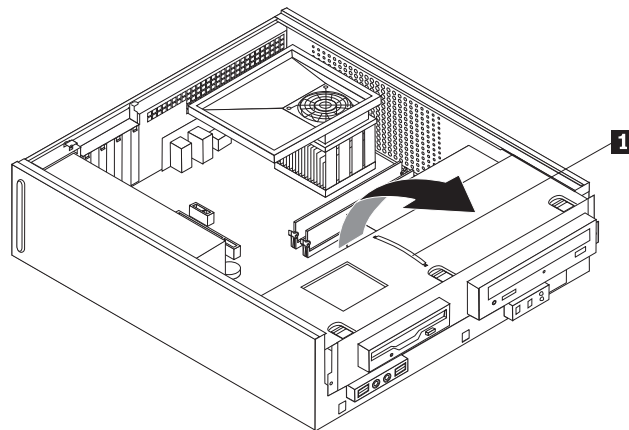
9. Reconnect the signal and power cables to the rear of the diskette drive.
10. Align the drive bay assembly with the two slots and rails on the sides of the chassis and slide the drive bay assembly towards the rear of the chassis until it snaps into position.
11. Reinstall the front bezel.
12. Go to "Completing the FRU replacement" on page 124.

Replacing the power switch/LED assembly

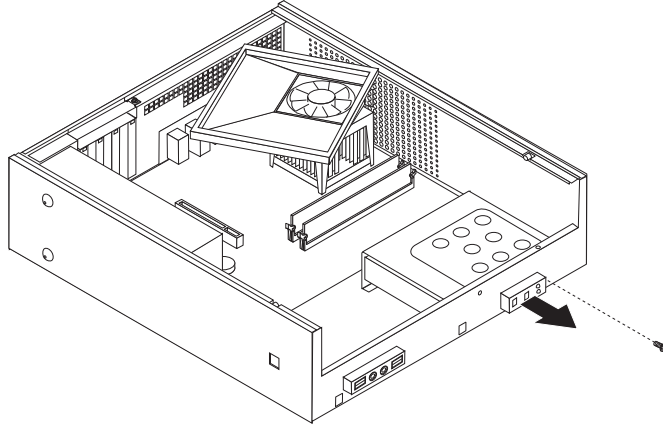
1. Remove cover. See “Removing the cover” on page 87.
2. Remove the front bezel by releasing the three tabs and pivoting the bezel forward to remove completely.



3. Slide the drive bay assembly forward until the drive bay assembly is aligned with the two slots on the sides of the chassis. Pull upward on the handle **1** on the drive bay assembly to remove it completely from the computer.



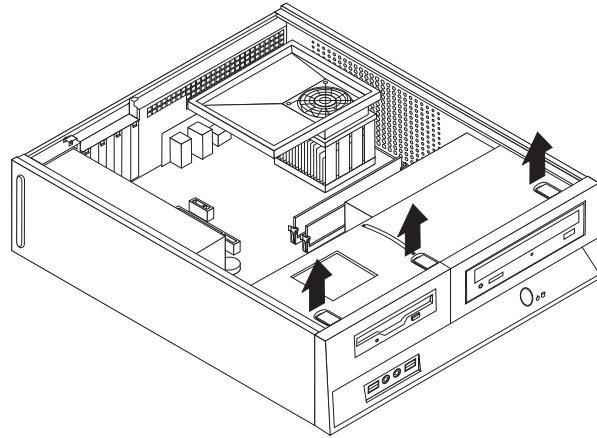
4. Remove the hard disk drive. See “Replacing the hard disk drive” on page 112.
5. Disconnect the power switch/LED assembly cable from the system board. See the system board illustration for your machine type at “Identifying parts on the system board” on page 89.
6. Remove the screw that secures the power switch/LED assembly to the chassis.



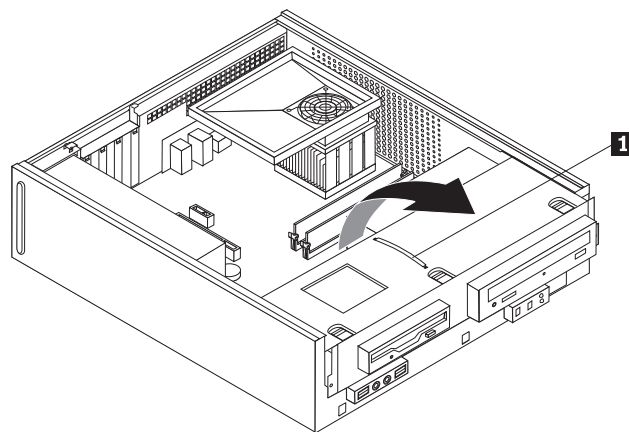
7. Note the power switch/LED assembly cable routing and remove the assembly from the chassis.
8. Route the cable for the new power switch/LED assembly through the hole in the chassis and to the system board.
9. Install the power switch/LED assembly into the chassis and secure the assembly with the screw.
10. Connect the power switch/LED cable to the system board.
11. Reinstall the hard disk drive. See “Replacing the hard disk drive” on page 112.
12. Align the drive bay assembly with the two slots and rails on the sides of the chassis slide the drive bay assembly towards the rear of the chassis until it snaps into position.
13. Reinstall the front bezel.
14. Go to “Completing the FRU replacement” on page 124.

Replacing the front panel card

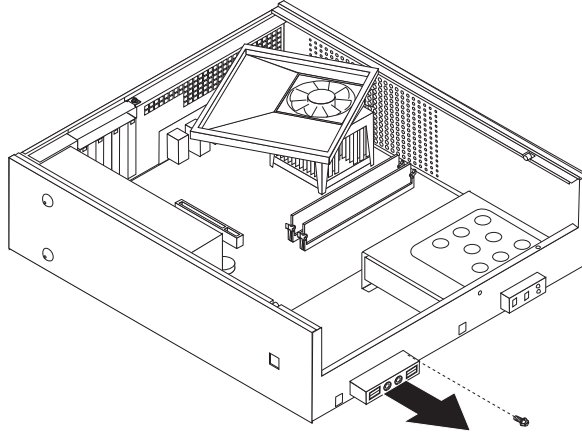
1. Remove cover. See “Removing the cover” on page 87.
2. Remove the front bezel by releasing the three tabs and pivoting the bezel forward to remove completely.



3. Slide the drive bay assembly forward until the drive bay assembly is aligned with the two slots on the sides of the chassis. Pull upward on the handle **1** on the drive bay assembly to remove it completely from the computer.



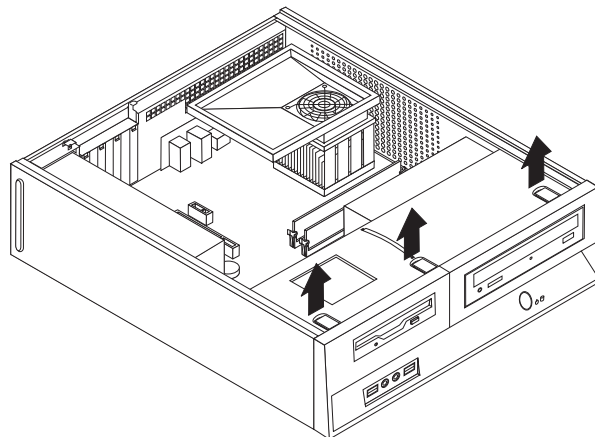
4. Disconnect the front panel assembly cables from the system board. See the system board illustration for your machine type at “Identifying parts on the system board” on page 89.
5. Remove the screw that secures the front panel card assembly to the chassis.



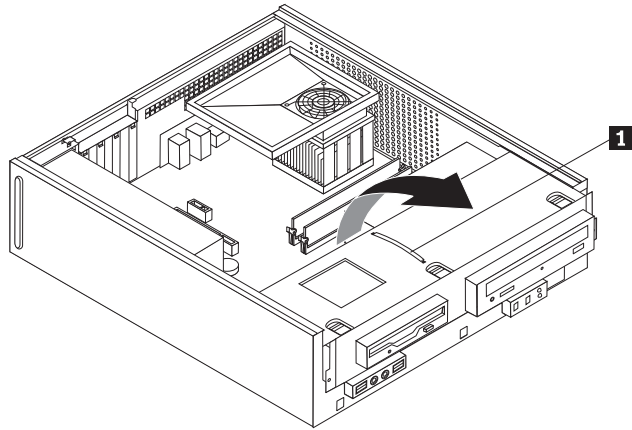
6. Note the front panel assembly cable routing and remove the assembly from the chassis.
7. Route the cable for the new front panel card assembly through the hole in the chassis and to the system board.
8. Install the front panel card assembly into the chassis and secure it with the screw.
9. Connect the front panel assembly cables to the system board.
10. Align the drive bay assembly with the two slots and rails on the sides of the chassis and slide the drive bay assembly towards the rear of the chassis until it snaps into position.
11. Reinstall the front bezel.
12. Go to “Completing the FRU replacement” on page 124.

Replacing the system fan assembly

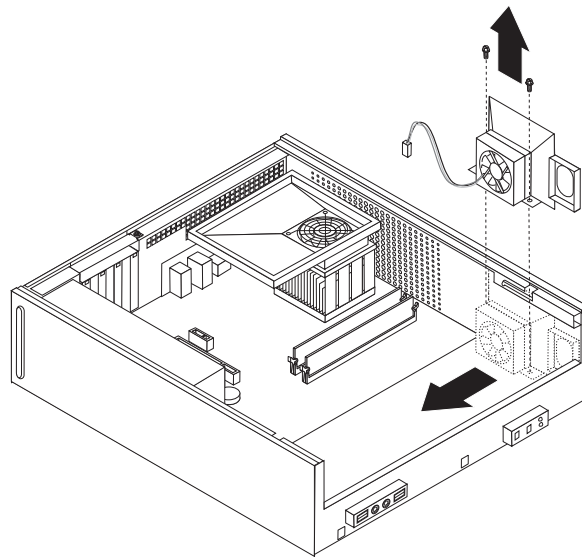
1. Remove cover. See “Removing the cover” on page 87.
2. Remove the front bezel by releasing the three tabs and pivoting the bezel forward to remove completely.



3. Slide the drive bay assembly forward until the drive bay assembly is aligned with the two slots on the sides of the chassis. Pull upward on the handle **1** on the drive bay assembly to remove it completely from the computer.



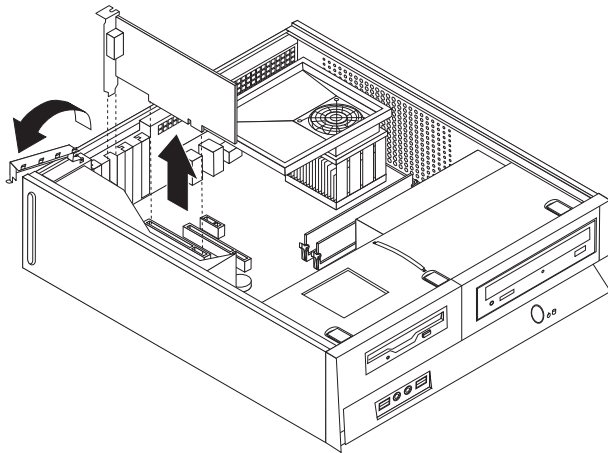
4. Remove the hard disk drive. See “Replacing the hard disk drive” on page 112.
5. Disconnect the system fan cable from the system board. See “Identifying parts on the system board” on page 89.
6. Remove the two screws securing the system fan assembly.
7. Remove the system fan assembly by pulling the bracket outward and lifting it up from the system board to remove completely.



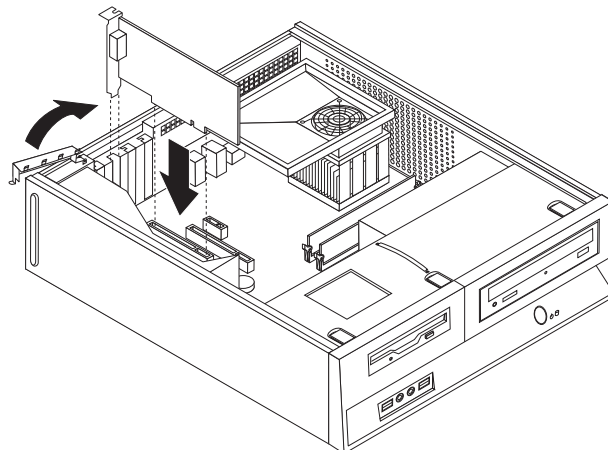
8. Install the new system fan assembly and install the two screws that secure the fan assembly.
9. Connect the system fan cable to the system fan connector on the system board.
10. Reinstall the hard disk drive. See “Replacing the hard disk drive” on page 112.
11. Align the drive bay assembly with the two slots and rails on the sides of the chassis and slide the drive bay assembly towards the rear of the chassis until it snaps into position.
12. Reinstall the front bezel.
13. Go to “Completing the FRU replacement” on page 124.

Replacing a PCI adapter

1. Remove cover. See “Removing the cover” on page 87.
2. Open the adapter latch and remove the failing adapter.



3. Remove the new adapter from its static-protective package.
4. Install the new adapter into the appropriate connector on the system and close the adapter latch.



5. Go to “Completing the FRU replacement.”

Completing the FRU replacement

After replacing FRUs, you need to install any removed parts, replace the cover, and reconnect any cables, including telephone lines and power cords. Also, depending on the FRU that is replaced, you might need to confirm the updated information in the Setup Utility program.

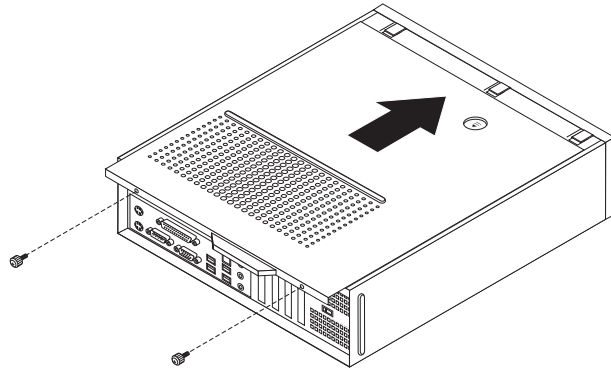
Note: When the power cord is first plugged in, the computer might appear to turn on for a few seconds and then turn off. This is a normal sequence to enable the computer to initialize.

1. Ensure that all components have been reassembled correctly and that no tools or loose screws are left inside your computer.
2. Reposition any cables that might impede the replacement of the computer cover.

Important

Correctly route all power supply cables to avoid interference with the drive bay assembly. Keep cables clear of the hinges and sides of the computer chassis.

3. Position the computer cover on the chassis so that the rail guides on the sides of the cover engage the rails and push the cover to the closed position until it snaps into position.



4. If the cover is secured with thumbscrews, install them.
5. Reconnect the external cables and power cords to the computer. See “Rear connectors” on page 86.
6. If you have replaced the system board, you must update (flash) the BIOS. See “Flash update procedures” on page 570.
7. Some FRU replacements require the configuration to be updated. See Chapter 6, “Using the Setup Utility,” on page 51.

Chapter 9. Replacing FRUs (tower computers)

This chapter is for tower computers of the following machine types: 8700, 8701, 8705, 8717, 8973, 8975, 8979, 8983, 8985, 8991, 8995, 9265, 9269, 9277, 9279, 9283, 9287, 9379, 9383, 9387, 9389, 9631, 9635, 9637, 9646, and 9648.

Important

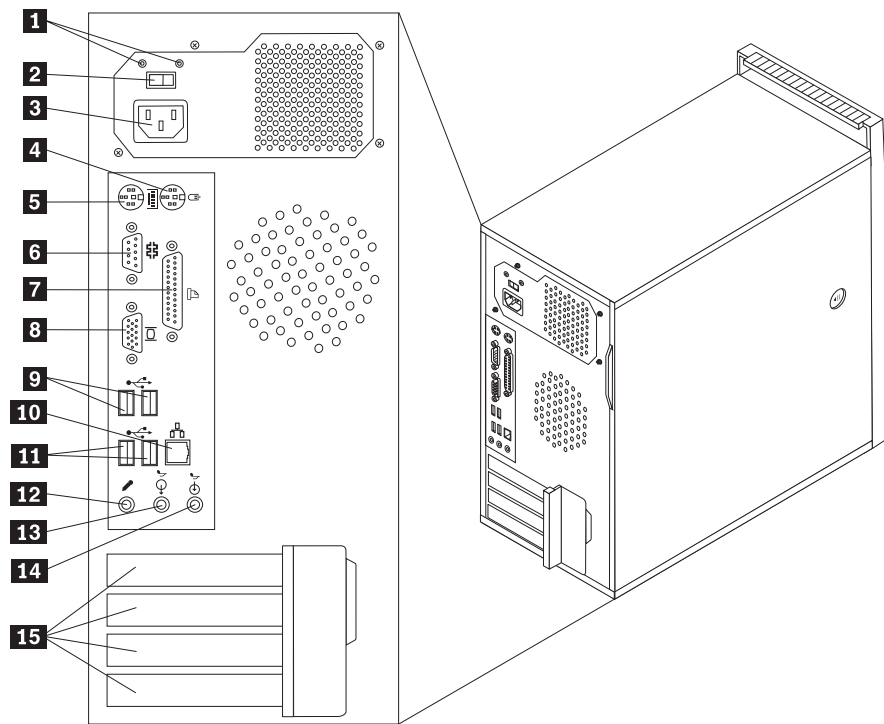
Before you replace any FRU, read Chapter 2, "Safety information," on page 3. These precautions and guidelines will help you work safely.

FRU replacements are to be done by trained service technicians only.

This chapter does not contain a remove and replace procedure for all FRUs. Only the major FRUs are documented.

Rear connectors

The following illustration shows the locations of the connectors on the rear of the computer.



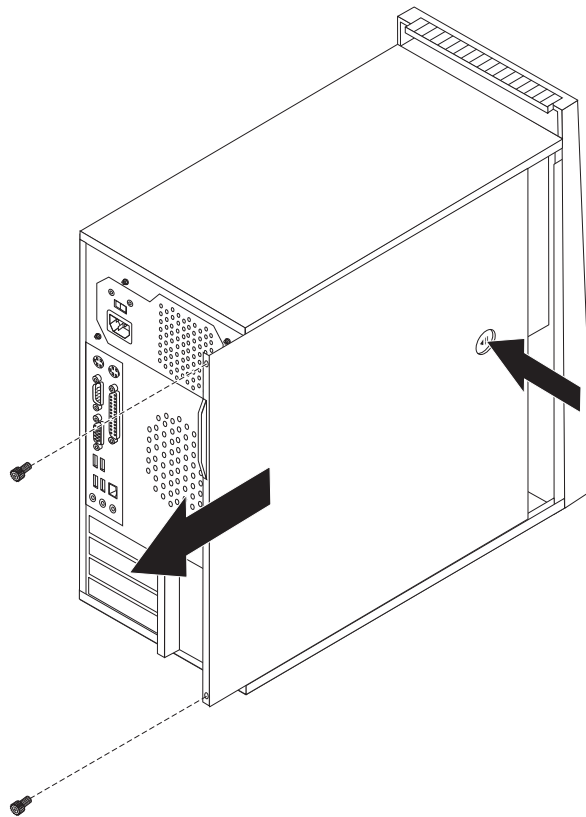
- | | |
|---|---|
| 1 Power supply diagnostic LEDs | 9 USB connectors |
| 2 Voltage selection switch (some models) | 10 Ethernet connector |
| 3 Power connector | 11 USB connectors |
| 4 Mouse connector | 12 Microphone connector |
| 5 Keyboard connector | 13 Audio line out connector |
| 6 Serial connector | 14 Audio line in connector |
| 7 Parallel connector | 15 PCI and PCI Express adapter slots (type of adapter depends on system board) |
| 8 VGA monitor connector | |

Removing the cover

Important

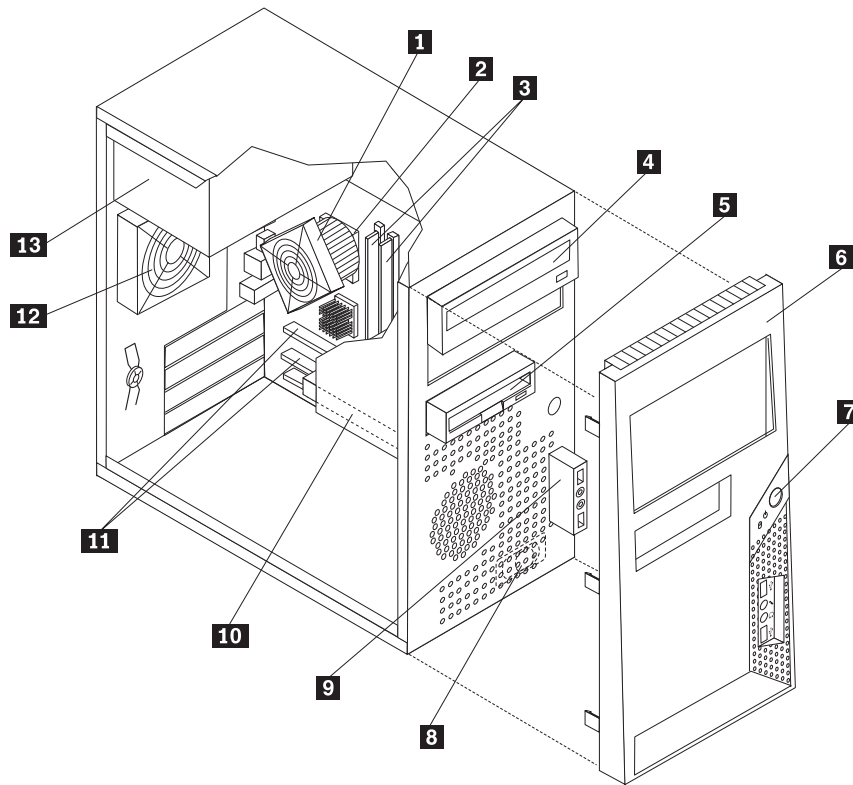
Read Chapter 2, “Safety information,” on page 3 and “Handling electrostatic discharge-sensitive devices” on page 6 before opening the cover.

1. Shut down the operating system, remove any media (DVDs, CDs, or tapes) from the drives, and turn off all attached devices.
2. Unplug all power cords from electrical outlets.
3. Disconnect all cables attached to the computer. This includes power cords, input/output (I/O) cables, and any other cables that are connected to the computer.
4. If there are thumb screws securing the cover, remove them.
5. Press the button on the left-side cover and slide the cover to the rear to remove.



Locations

The following illustration will help you locate the major FRUs in the computer.

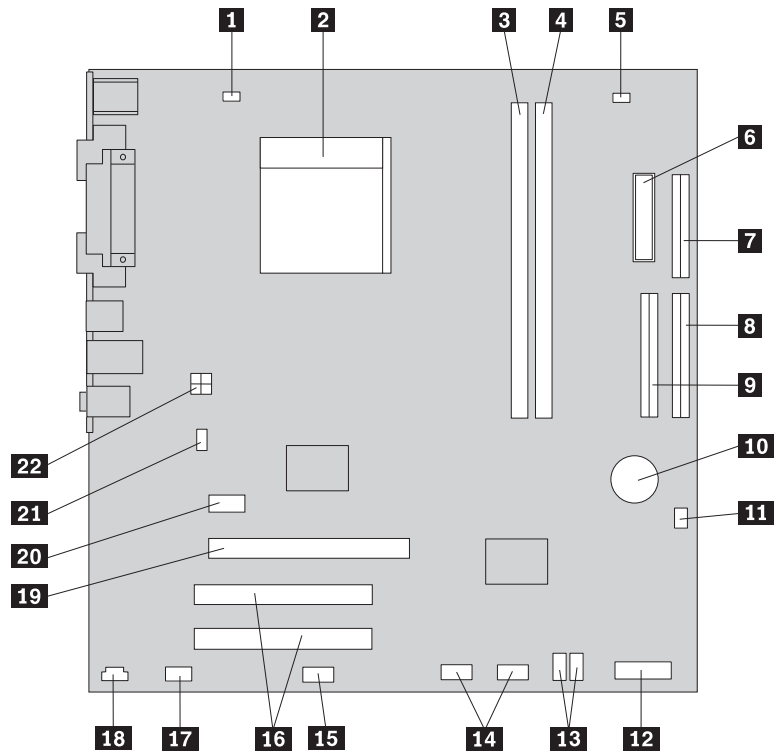


- | | |
|-------------------------------------|-----------------------------------|
| 1 Heat sink and fan assembly | 8 Internal speaker |
| 2 Microprocessor | 9 Front audio/USB assembly |
| 3 Memory modules | 10 Hard disk drive |
| 4 Optical drive | 11 System board |
| 5 Diskette drive | 12 System fan |
| 6 Bezel | 13 Power supply |
| 7 Power switch/LED assembly | |

Identifying parts on the system board

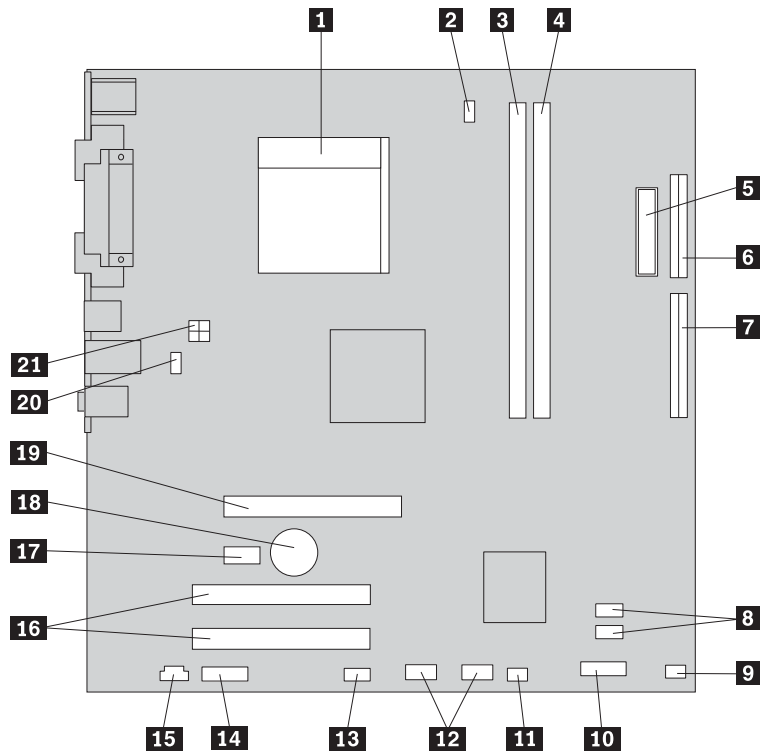
The machine types supported by this maintenance manual include several different system boards. Locate the appropriate machine type in one of the following sections.

Machine types 8700, 8717, 8979, 8991, 9269, 9283, 9383, 9631, and 9646



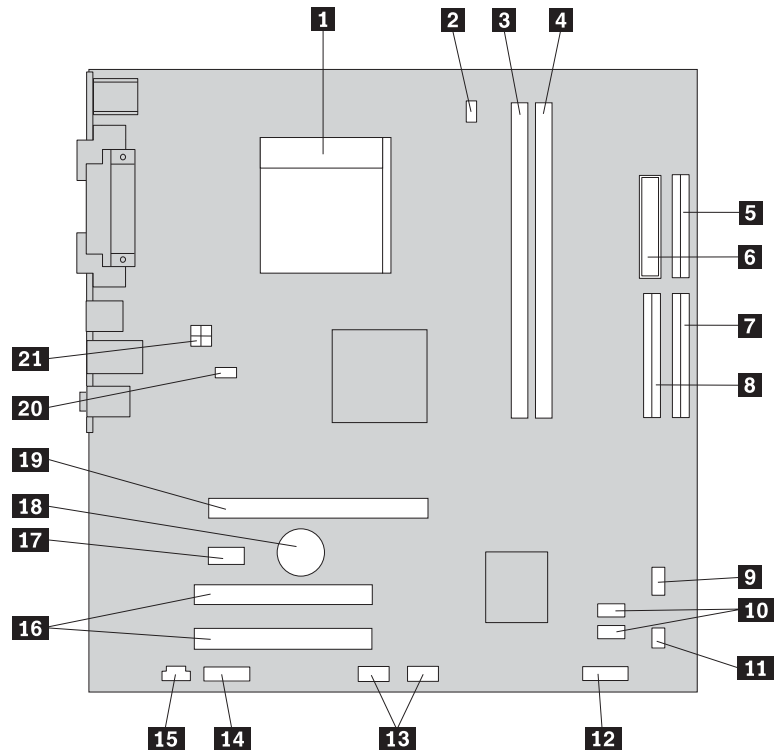
- | | |
|---------------------------------------|--|
| 1 Microprocessor fan connector | 12 Front panel connector |
| 2 Microprocessor and heat sink | 13 SATA IDE connectors (2) |
| 3 Memory connector 1 | 14 Front USB connectors (2) |
| 4 Memory connector 2 | 15 Serial (COM) connector |
| 5 Clear CMOS/Recovery jumper | 16 PCI adapter connectors |
| 6 Power connector | 17 Front audio connector |
| 7 Diskette drive connector | 18 CD-IN connector |
| 8 IDE connector 1 | 19 PCI Express x16 graphics adapter connector |
| 9 IDE connector 2 | 20 PCI Express x1 adapter connector |
| 10 Battery | 21 System fan connector |
| 11 Power fan connector | 22 12V power connector |

Machine types 8705, 8975, 8985, 9265, 9279, 9379, 9389, 9637, and 9648



- | | |
|---------------------------------------|--|
| 1 Microprocessor and heat sink | 12 Front USB connectors (2) |
| 2 Microprocessor fan connector | 13 Serial (COM) connector |
| 3 Memory connector 1 | 14 Front audio connector |
| 4 Memory connector 2 | 15 CD-IN connector |
| 5 Power connector | 16 PCI adapter connectors (2) |
| 6 Diskette drive connector | 17 PCI Express x1 adapter connector |
| 7 IDE connector | 18 Battery |
| 8 SATA IDE connectors (2) | 19 PCI Express x16 graphics adapter connector |
| 9 Power fan connector | 20 System fan connector |
| 10 Front panel connector | 21 12V power connector |
| 11 Clear CMOS/Recovery jumper | |

Machine types 8701, 8973, 8983, 8995, 9277, 9287, 9387, and 9635

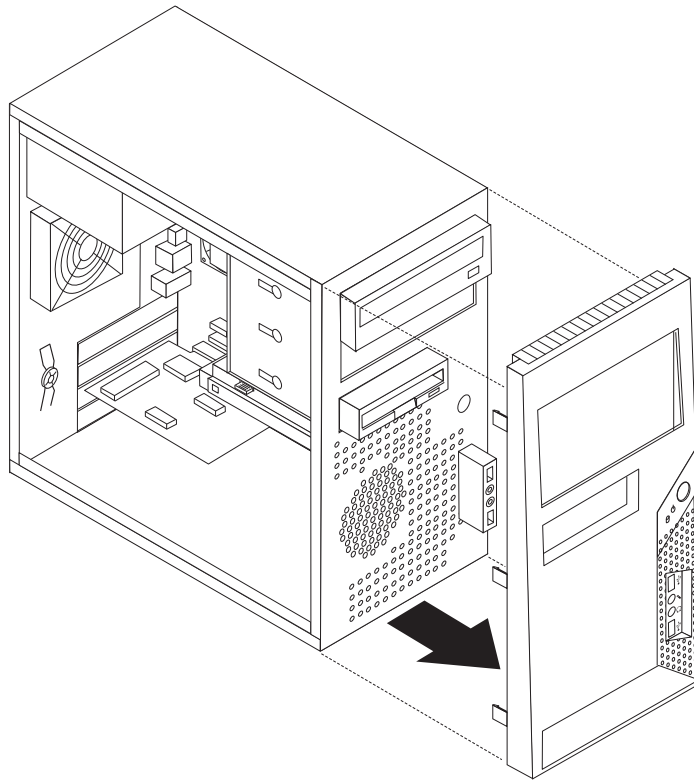


- | | |
|---------------------------------------|--|
| 1 Microprocessor and heat sink | 12 Front panel connector |
| 2 Microprocessor fan connector | 13 Front USB connectors (2) |
| 3 Memory connector 1 | 14 Front audio connector |
| 4 Memory connector 2 | 15 CD-IN connector |
| 5 Diskette drive connector | 16 PCI adapter connectors |
| 6 Power connector | 17 PCI Express x1 adapter connector |
| 7 IDE connector 1 | 18 Battery |
| 8 IDE connector 2 | 19 PCI Express x16 graphics adapter connector |
| 9 Power fan connector | 20 System fan connector |
| 10 SATA IDE connectors (2) | 21 12V power connector |
| 11 Clear CMOS/Recovery jumper | |

Removing and replacing the front bezel

To remove and replace the front bezel:

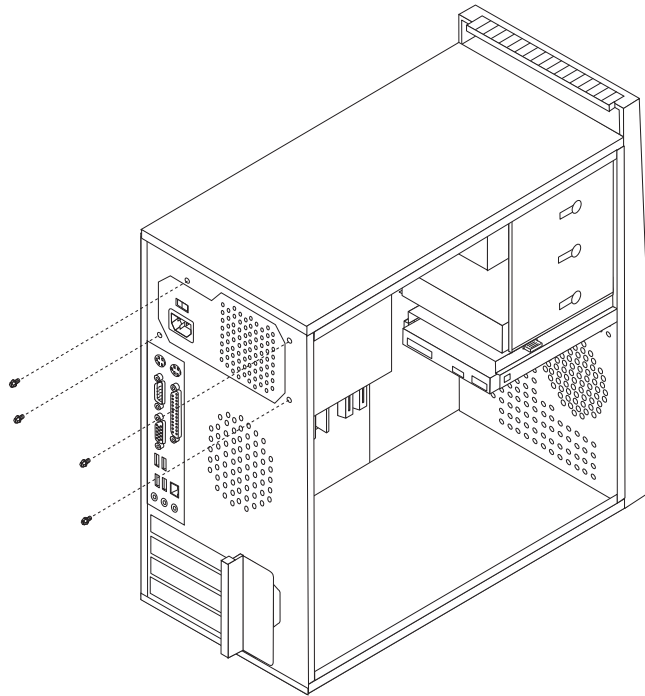
1. Remove the computer cover. See “Removing the cover” on page 129.
2. Remove the front bezel by releasing the three plastic tabs inside the chassis and pivoting the bezel outward. Carefully set the bezel to the side without disconnecting the power switch/LED assembly cable.



3. To reinstall the bezel, align the plastic tabs on the right side of the bezel with the corresponding holes in the chassis, then pivot it inward until it snaps into position on the left side.

Replacing the power supply

1. Remove the computer cover. See “Removing the cover” on page 129.
Note: For this procedure, it helps to lay the computer on its side.
2. Disconnect the power supply cables from the system board and from all drives.
3. Remove the four screws that secure the power supply at the rear of the chassis.



4. Lift the power supply out of the chassis.
5. Install the new power supply into the chassis so that the screw holes in the power supply align with those in the chassis.
6. Install the four screws to secure the power supply.

Note: Use only the screws provided by Lenovo.

7. Reconnect the power supply connectors to the system board. See “Identifying parts on the system board” on page 130.
8. Reconnect a power supply connector to each of the drives.
9. Go to “Completing the FRU replacement” on page 160.

Replacing the system board

The procedure to replace the system board varies depending upon the machine type.

Types 8701, 8705, 8973, 8975, 8983, 8985, 8995, 9265, 9277, 9279, 9287, 9379, 9387, 9389, 9635, 9637, and 9648

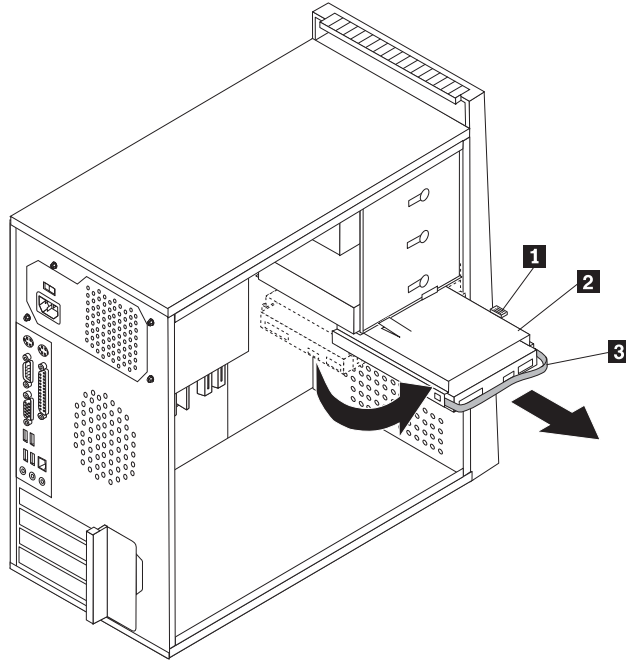
Important

The heat sink and microprocessor might be very hot. Make sure these components are cool enough to safely handle before continuing this procedure.

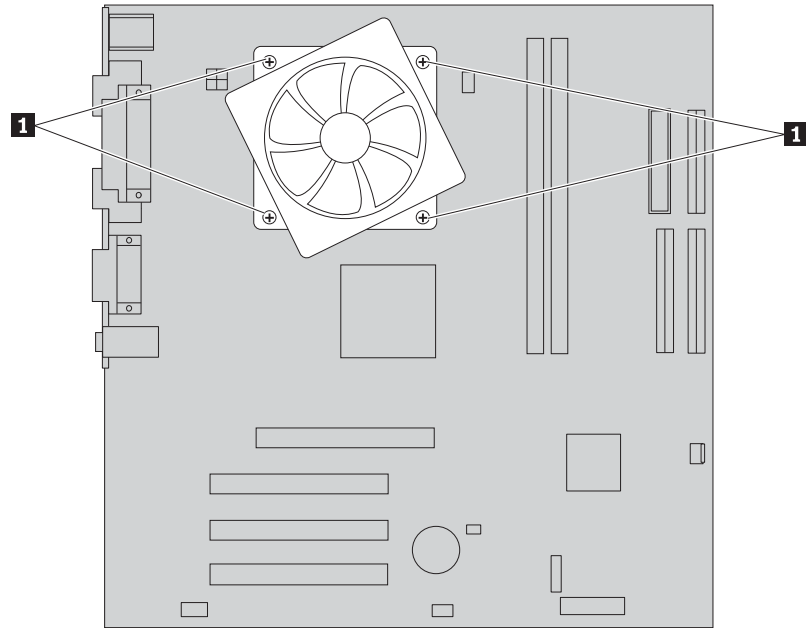
Note: When replacing the system board you must also order a new retention module for the new system board. Make sure you have a retention module for the new system board before continuing with this procedure.

1. Remove the cover. See “Removing the cover” on page 129.

2. Place the computer on its right side to help make the system board more accessible.
3. Remove any adapter cards installed in the PCI connectors.
4. Disconnect the signal and power cables from the hard disk drive.
5. Press the release tab **1** down, slide the hard drive cage **2** back, and pivot the hard disk drive outward as shown.

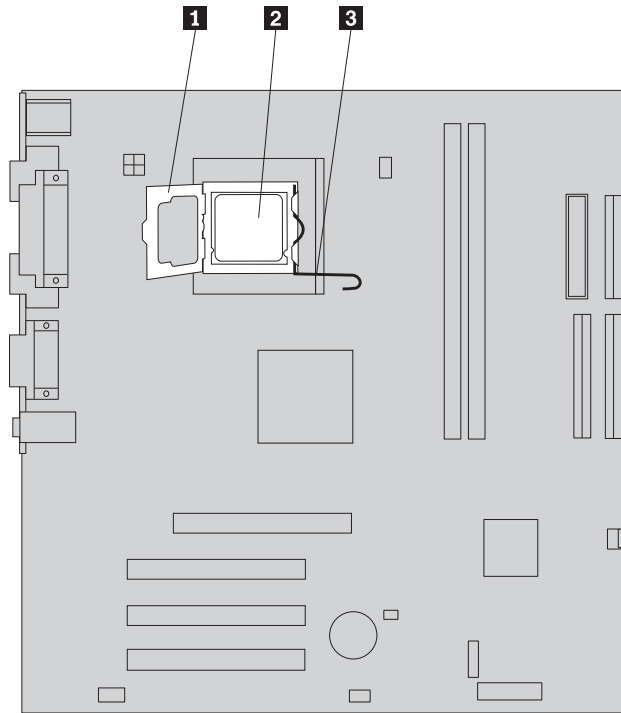


6. Carefully take note of the location of all cable connections on the system board and disconnect all cables. See the system board illustration for your machine type at "Identifying parts on the system board" on page 130.
7. Remove the screws that secure the system board to the chassis.
8. Lift the system board out of the chassis.
9. Remove the memory modules from the failing system board and install them in the same location on the new system board.
10. Disconnect the heat sink and fan assembly cable from the system board. See the system board illustration for your machine type at "Identifying parts on the system board" on page 130.
11. Remove the four screws **1** securing the heat sink and fan assembly to the system board.



12. Lift the heat sink and fan assembly off the failing system board. Place the heat sink on its side so that the thermal grease does not come in contact with anything.

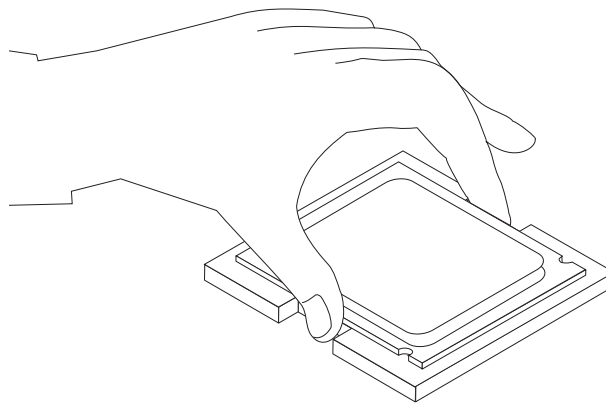
13. To remove the microprocessor **2** from the system board, lift the small handle **3** and open the retainer **1**.



Important

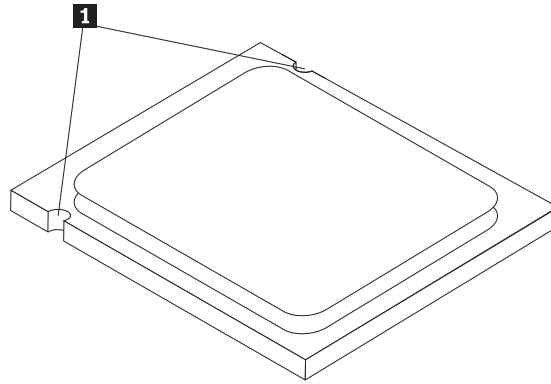
Touch only the sides of the microprocessor. Do not touch the gold contacts on the bottom.

14. Lift the microprocessor straight up and out of the socket.



Notes:

- a. Note the orientation of the notches **1** on the microprocessor. This is important when reinstalling the microprocessor on the new system board.



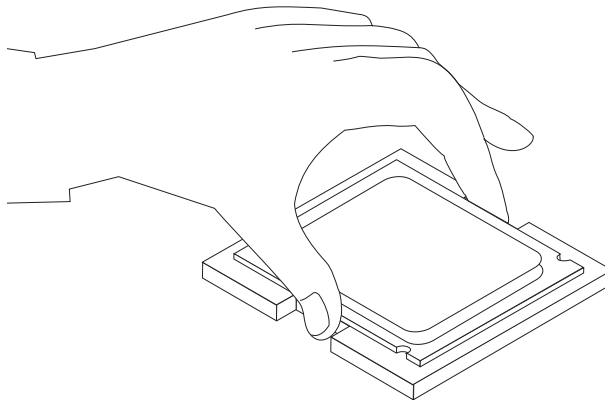
- b. Do not drop anything onto the microprocessor socket while it is exposed. The socket pins must be kept as clean as possible.
15. On the new system board, release the lever securing the microprocessor retainer and then pivot the retainer until it is fully open.

Note: There will be a black plastic cover on the microprocessor retainer to protect the socket on the new system board. Remove the black plastic cover and place it on the microprocessor socket of the failing system board.
16. Holding the microprocessor with your fingers, position the microprocessor so that the notches on the microprocessor are aligned with the tabs in the microprocessor socket.

Important

To avoid damaging the microprocessor contacts, do not tilt the microprocessor when installing it into the socket.

17. Lower the microprocessor straight down into the system board socket of the new system board.



18. To secure the microprocessor in the socket, close the microprocessor retainer and lock it into position with the small handle.
19. Install the retention module for the heat sink and fan assembly on the system board.
20. Install the heat sink and fan assembly on the system board.
21. Connect the heat sink and fan assembly cable to the new system board. See the system board illustration for your machine type at “Identifying parts on the system board” on page 130.

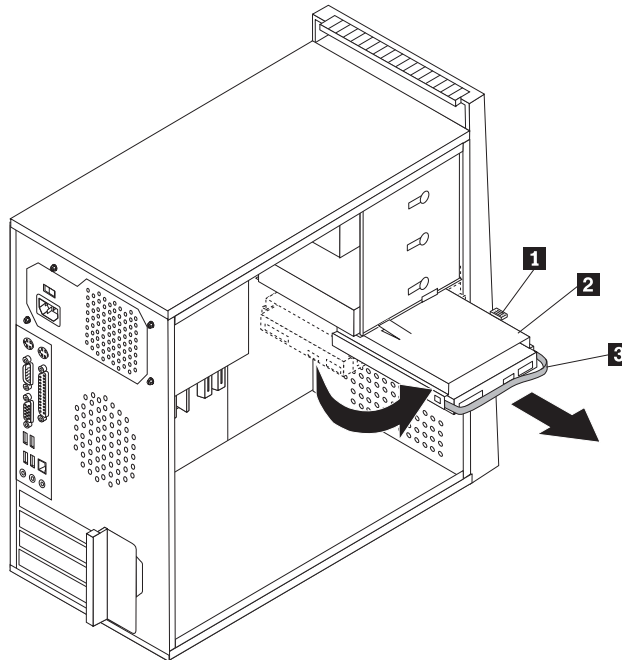
22. Install the new system board into the chassis and align the screw holes with those in the chassis. Insert and tighten the screws that secure the system board.
23. Pivot the hard disk drive back into position.
24. Connect the power and signal cables to the hard disk drive.
25. Connect all cables to the system board. See the system board illustration for your machine type at “Identifying parts on the system board” on page 130.
26. Go to “Completing the FRU replacement” on page 160.

Types 8700, 8717, 8979, 8991, 9269, 9283, 9383, 9631, and 9646

Important

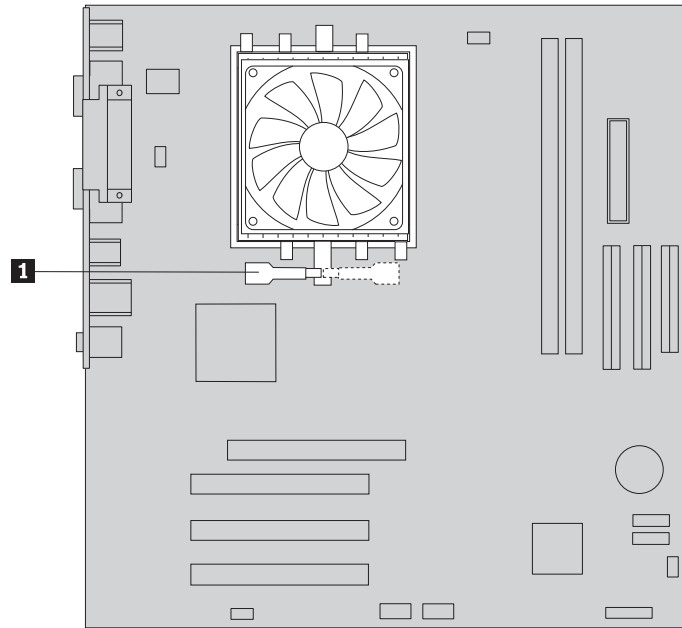
The heat sink and microprocessor might be very hot. Make sure these components are cool enough to safely handle before continuing this procedure.

1. Remove the side cover. See “Removing the cover” on page 129.
2. Place the computer on its right side to help make the system board more accessible.
3. Remove any adapter cards installed in the PCI connectors.
4. Disconnect the signal and power cables from the hard disk drive.
5. Press the release tab **1** down, slide the hard drive cage **2** back, and pivot the hard disk drive outward as shown.

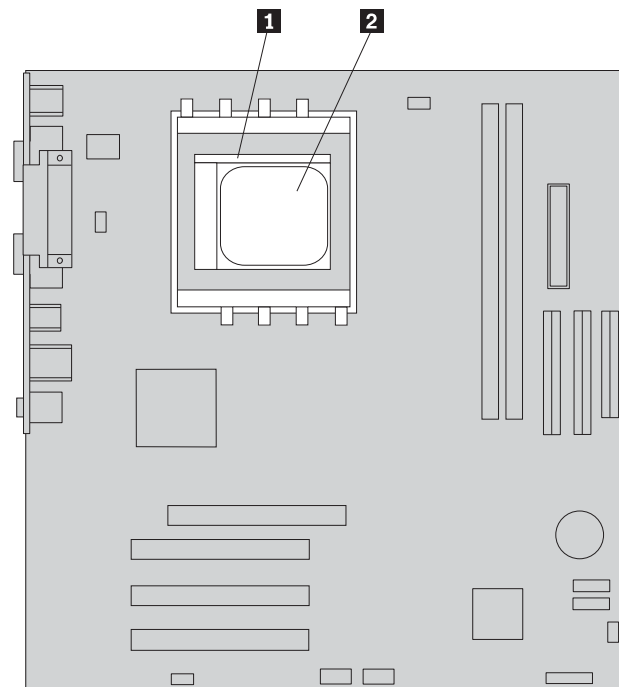


6. Carefully take note of the location of all cable connections on the system board and disconnect all cables. See the system board illustration for your machine type at “Identifying parts on the system board” on page 130.
7. Remove the screws that secure the system board to the chassis.
8. Lift the system board out of the chassis.
9. Remove the memory modules from the failing system board and install them in the same location on the new system board.

10. Disconnect the heat sink and fan assembly cable from the system board. See the system board illustration for your machine type at “Identifying parts on the system board” on page 130.
11. Rotate handle **1** to release the heat sink clamp and then disengage the clamp from the plastic retention bracket.



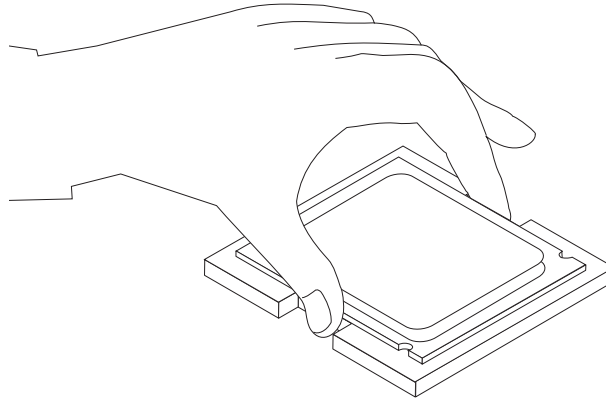
12. Lift the heat sink and fan assembly off the failing system board. Place the heat sink on its side so that the thermal grease does not come in contact with anything.
13. Remove the retention module from the rear of the failing system board and install it in the same position on the new system board.
14. To release the microprocessor **2** from the system board socket, lift the small handle **1**.



Important

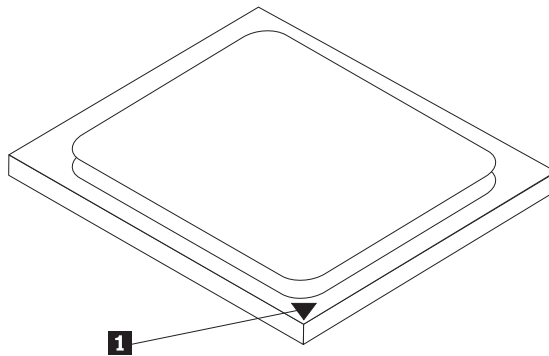
Touch only the sides of the microprocessor. Do not touch the gold contacts on the bottom.

15. Lift the microprocessor straight up and out of the socket.

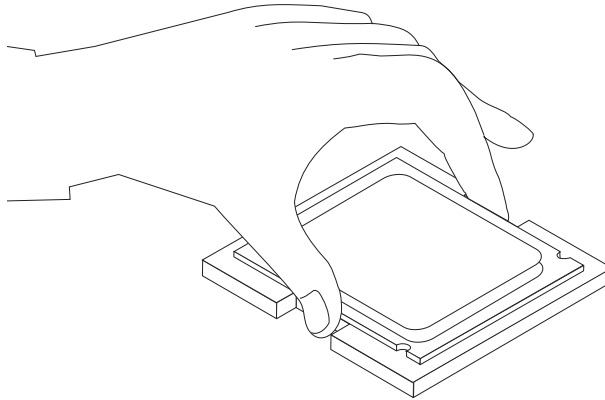


Notes:

- a. Your microprocessor and socket might look different than the one illustrated.
 - b. Note the orientation of the microprocessor in the socket. Look for the small triangle on one corner of the microprocessor. This is important when reinstalling the microprocessor on the new system board.
 - c. Do not drop anything onto the microprocessor socket while it is exposed. The socket pins must be kept as clean as possible.
16. Holding the microprocessor with your fingers, position the microprocessor so that the small triangle **1** on one corner is aligned with the corresponding triangle on the socket on the new system board.



17. Make sure that the small handle is in the raised position.
18. Lower the microprocessor straight down into the system board socket of the new system board.



19. Lower the small handle to secure the microprocessor in the socket.
20. Connect the heat sink and fan assembly cable to the system board. See the system board illustration for your machine type at “Identifying parts on the system board” on page 130.
21. Install the new system board into the chassis and align the screw holes with those in the chassis. Insert and tighten the screws that secure the system board.
22. Pivot the hard disk drive back into position.
23. Connect the power and signal cables to the hard disk drive.
24. Connect all cables to the system board. See the system board illustration for your machine type at “Identifying parts on the system board” on page 130.
25. Go to “Completing the FRU replacement” on page 160.

Replacing the microprocessor

The procedure to replace the microprocessor varies depending upon the machine type.

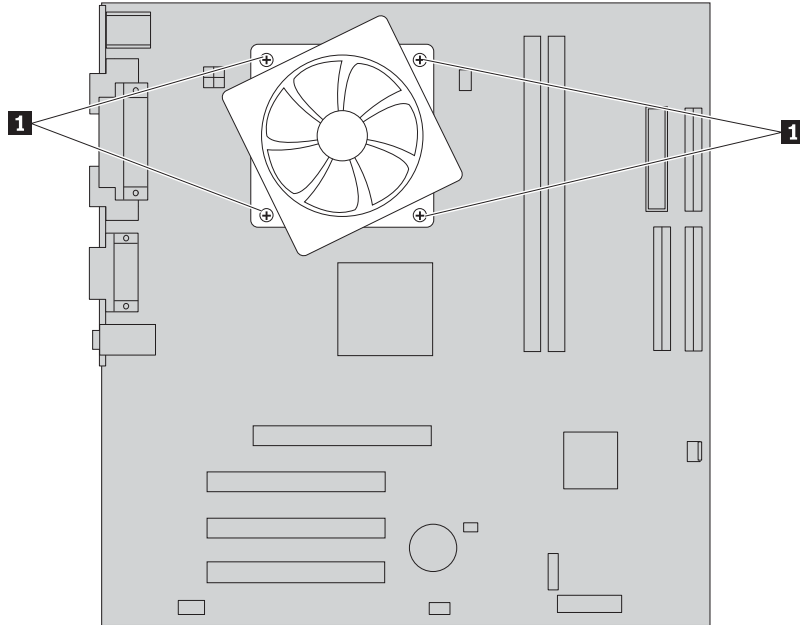
Types 8701, 8705, 8973, 8975, 8983, 8985, 8995, 9265, 9277, 9279, 9287, 9379, 9387, 9389, 9635, 9637, and 9648

Important

The heat sink and microprocessor might be very hot. Make sure these components are cool enough to safely handle before continuing this procedure.

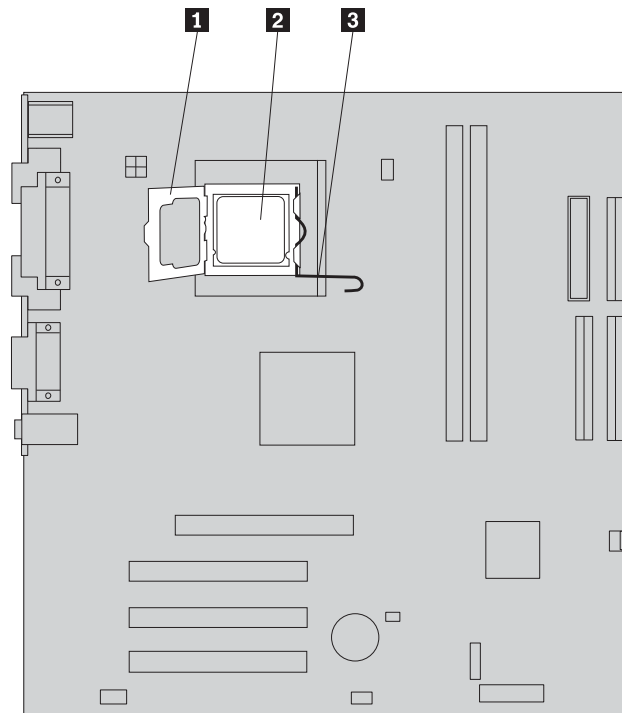
1. Remove the side cover. See “Removing the cover” on page 129.
2. Place the computer on its right side to help make the microprocessor more accessible.
3. Disconnect the heat sink and fan assembly cable from the system board. See the system board illustration for your machine type at “Identifying parts on the system board” on page 130.

4. Remove the four screws securing the heat sink and fan assembly to the system board.



5. Lift the heat sink and fan assembly off the failing system board. Place the heat sink on its side so that the thermal grease does not come in contact with anything.

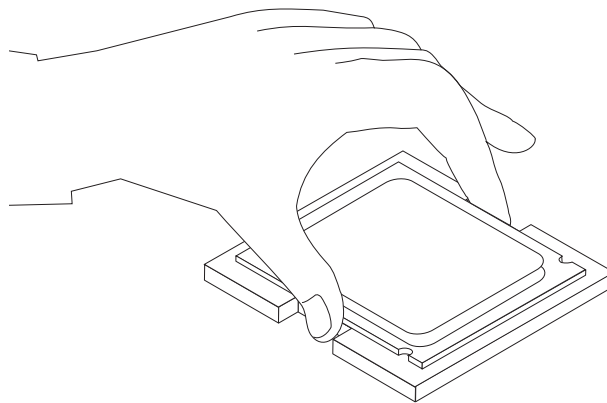
- To remove the microprocessor **2** from the system board, lift the small handle **3** and open the retainer **1**.



Important

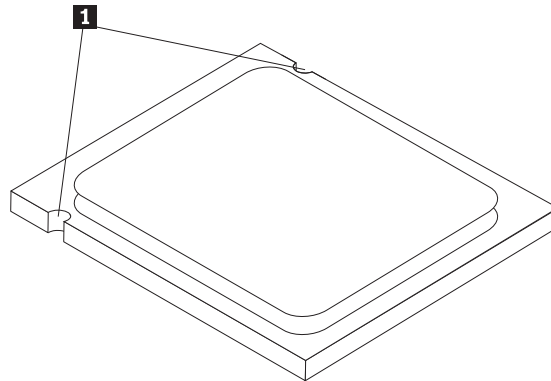
Touch only the sides of the microprocessor. Do not touch the gold contacts on the bottom.

- Lift the microprocessor straight up and out of the socket.

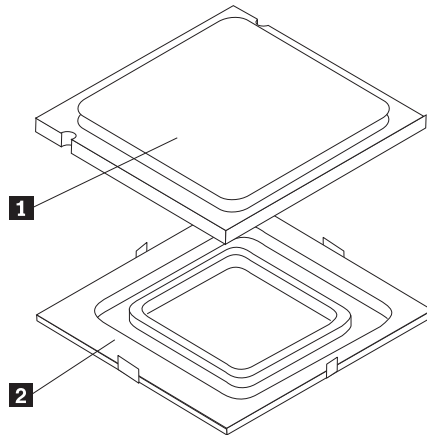


Notes:

- a. Note the orientation of the notches **1** on the microprocessor. This is important when reinstalling the microprocessor on the new system board.



- b. Do not drop anything onto the microprocessor socket while it is exposed. The socket pins must be kept as clean as possible.
8. Make sure that the microprocessor retainer is fully open.
9. Holding the microprocessor with your fingers, remove the protective cover **2** that protects the gold contacts on the new microprocessor **1**.

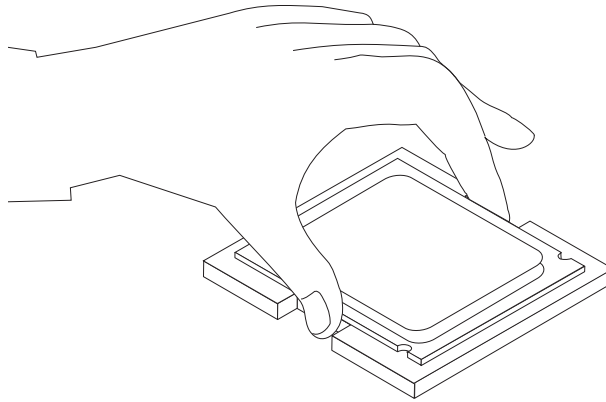


10. Holding the microprocessor with your fingers, position the microprocessor so that the notches on the microprocessor are aligned with the tabs in the microprocessor socket.

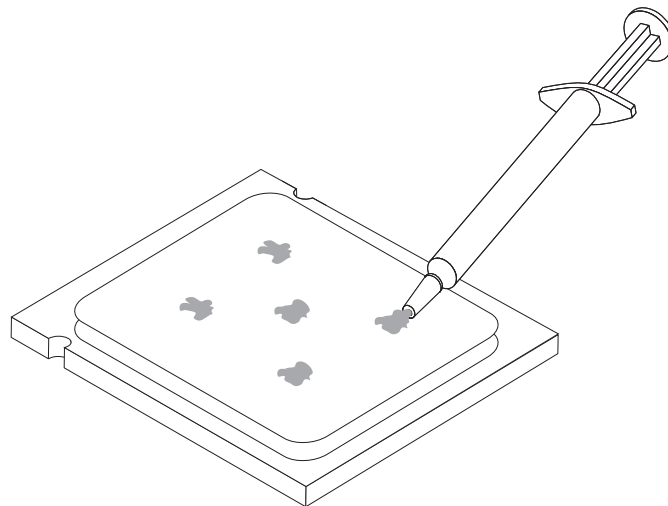
Important

To avoid damaging the microprocessor contacts, do not tilt the microprocessor when installing it into the socket.

11. Lower the microprocessor straight down into the system board socket of the system board.



12. To secure the microprocessor in the socket, close the microprocessor retainer and lock it into position with the small handle.
13. Use the thermal grease syringe to place five drops of grease on the top of the microprocessor. Each drop of grease should be 0.03ml (3 tick marks on the grease syringe).



14. Install the heat sink and fan assembly on the system board.
15. Connect the heat sink and fan assembly cable to the system board. See the system board illustration for your machine type at “Identifying parts on the system board” on page 130.
16. Go to “Completing the FRU replacement” on page 160.

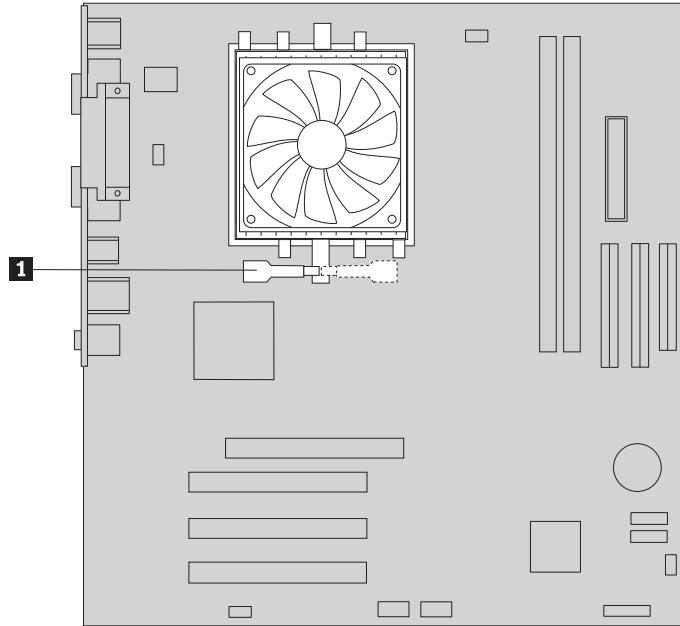
Types 8700, 8717, 8979, 8991, 9269, 9283, 9383, 9631, and 9646

Important

The heat sink and microprocessor might be very hot. Make sure these components are cool enough to safely handle before continuing this procedure.

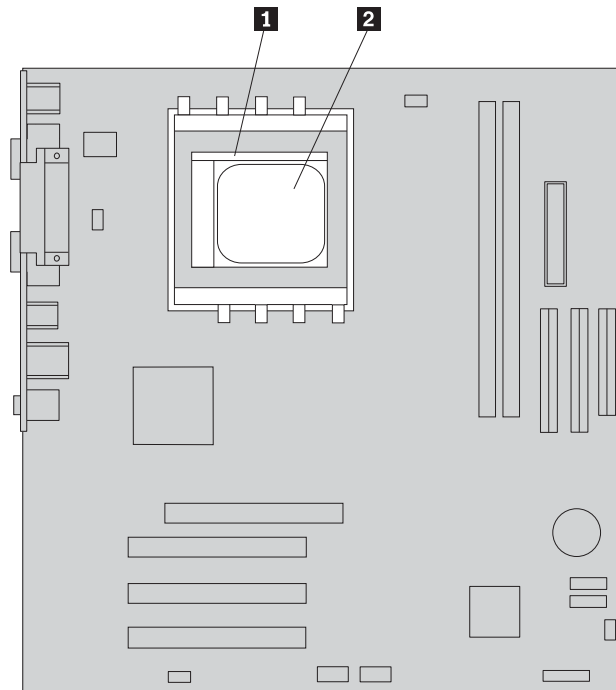
1. Remove the cover. See “Removing the cover” on page 129.
2. Place the computer on its right side to help make the microprocessor more accessible.

3. Disconnect the heat sink and fan assembly cable from the system board. See the system board illustration for your machine type at "Identifying parts on the system board" on page 130.
4. Rotate handle **1** to release the heat sink clamp and then disengage the clamp from the plastic retention bracket.



5. Lift the heat sink and fan assembly off the system board. Place the heat sink on its side so that the thermal grease does not come in contact with anything.

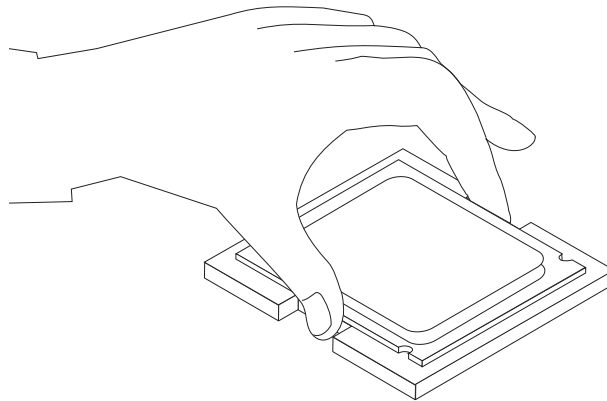
6. To release the microprocessor **2** from the system board socket, lift the small handle **1**.



Important

Do not touch the gold contacts on the bottom of the microprocessor. If you must touch the microprocessor, touch only the sides.

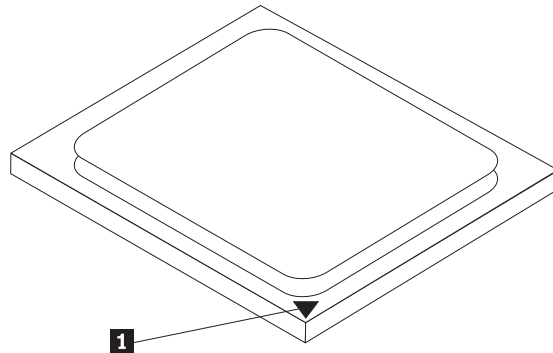
7. Lift the microprocessor straight up and out of the socket.



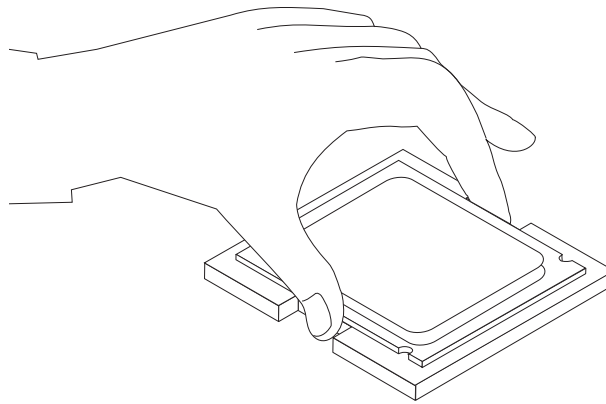
Notes:

- a. Your microprocessor and socket might look different than the one illustrated.
- b. Note the orientation of the microprocessor in the socket. Look for the small triangle on one corner of the microprocessor. This is important when reinstalling the microprocessor on the new system board.
- c. Do not drop anything onto the microprocessor socket while it is exposed. The socket pins must be kept as clean as possible.

8. Make sure that the small handle is in the raised position.
9. Holding the microprocessor with your fingers, position the microprocessor so that the small triangle on one corner is aligned with the corresponding triangle on the microprocessor socket.

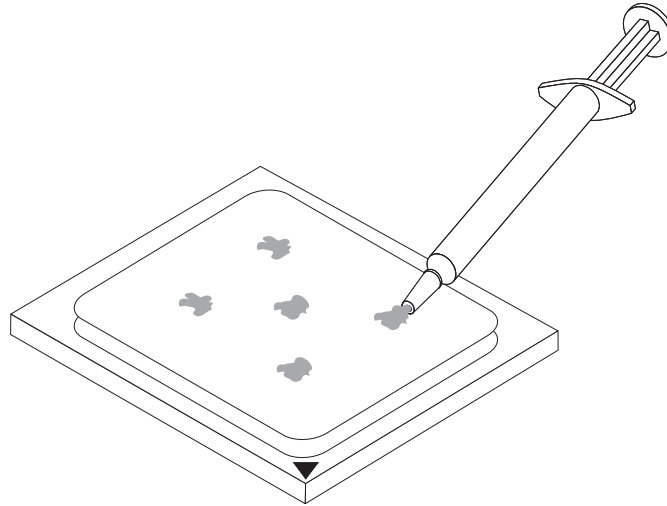


10. Lower the microprocessor straight down into the system board socket of the new system board.



11. Lower the small handle to secure the microprocessor in the socket.

12. Use the thermal grease syringe to place five drops of grease on the top of the microprocessor. Each drop of grease should be 0.03ml (3 tick marks on the grease syringe).



13. Install the heat sink and fan assembly on the system board.
14. Connect the heat sink and fan assembly cable to the system board. See the system board illustration for your machine type at “Identifying parts on the system board” on page 130.
15. Go to “Completing the FRU replacement” on page 160.

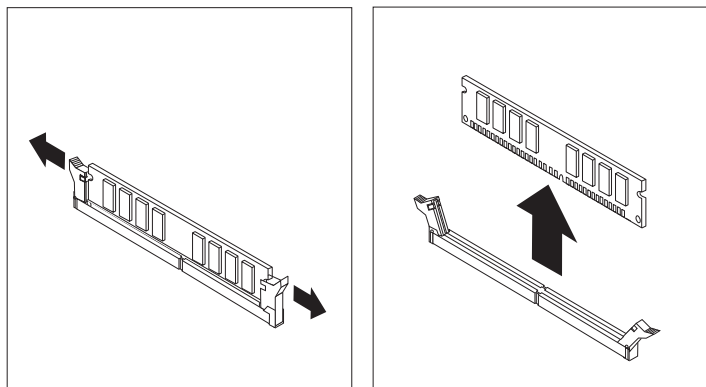
Replacing a memory module

To replace a memory module:

1. Remove the computer cover. See “Removing the cover” on page 129.

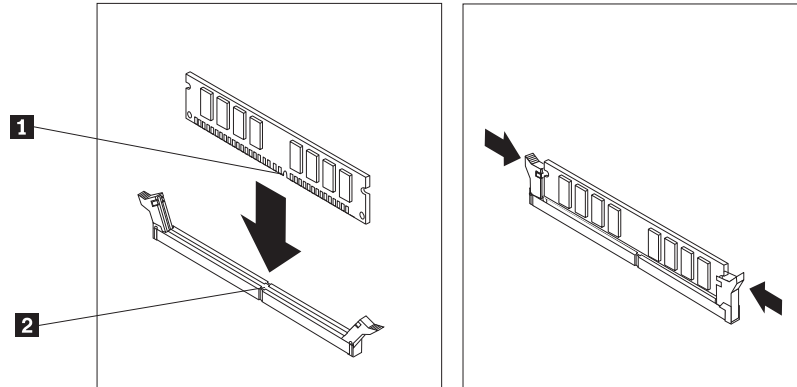
Note: For this procedure, it helps to lay the computer on its side.

2. Locate the memory module connectors. See “Identifying parts on the system board” on page 130.
3. Remove the memory module being replaced by opening the retaining clips as shown.



4. Position the new memory module over the memory connector. Make sure the notch **1** on the memory aligns correctly with the connector key **2** on the system board. Push the memory module straight down into the connector until

the retaining clips close.

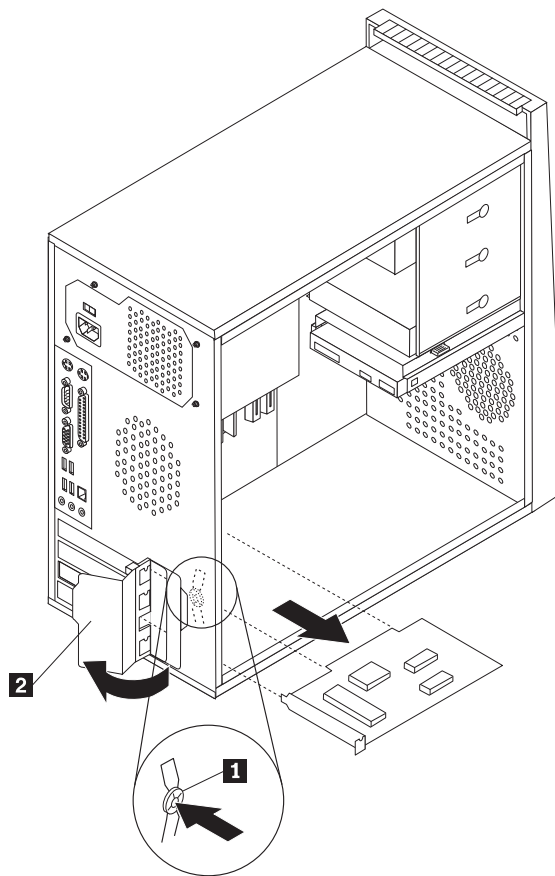


5. Go to “Completing the FRU replacement” on page 160.

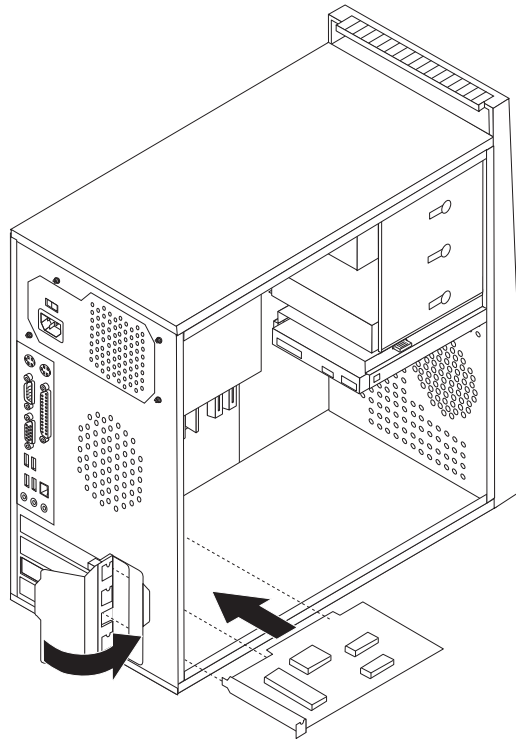
Replacing a PCI adapter

To replace an adapter:

1. Remove the computer cover. See “Removing the cover” on page 129.
2. At the rear of the computer, press the release button **1** to open the adapter latch **2** and remove the adapter by pulling it straight out of the adapter connector.



3. Install the new adapter into the same adapter connector.



4. Ensure the adapter is fully seated into the adapter connector.
5. At the rear of the computer, pivot the adapter latch to the closed position to secure the adapter.
6. Go to “Completing the FRU replacement” on page 160.

Replacing the hard disk drive

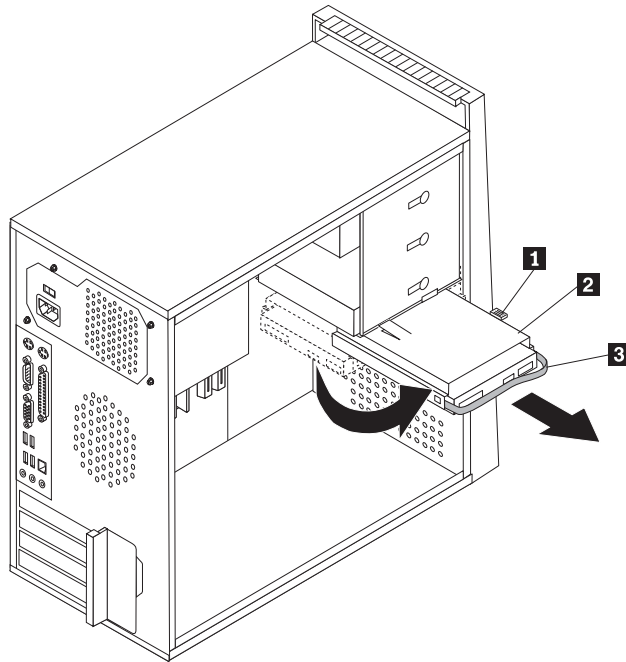
Important

When you receive a new hard disk drive, you will also receive a set of *Product Recovery* discs. The set of *Product Recover* discs enable you to restore the contents of the hard disk to the same state as when your computer was originally shipped from the factory. For more information on recovering factory-installed software, refer to “Recovering Software” in the *User guide*.

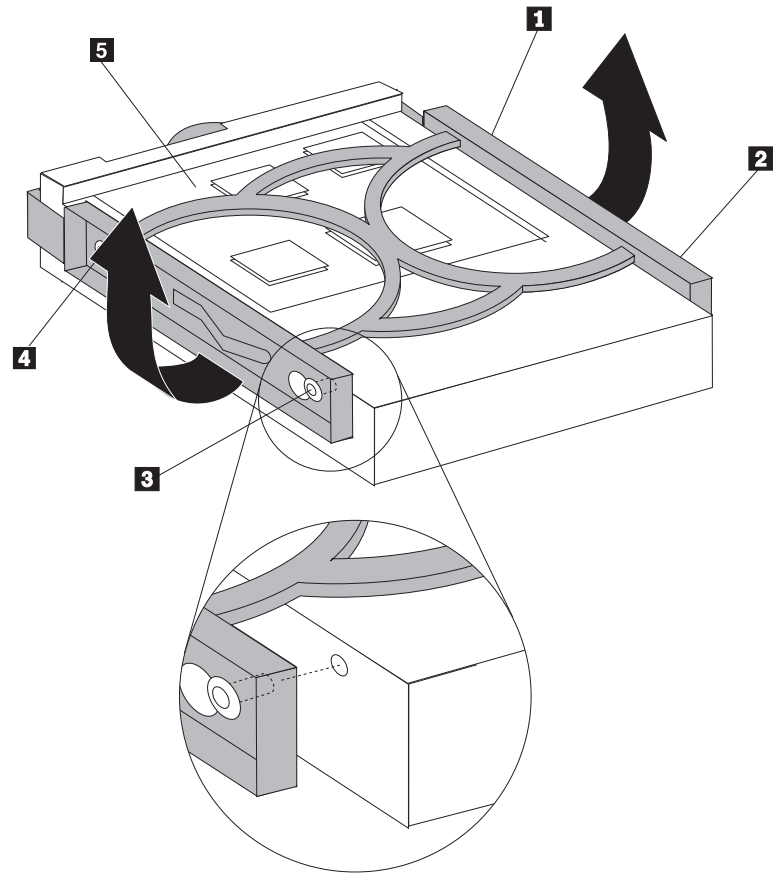
1. Remove the computer cover. See “Removing the cover” on page 129.

Note: For this procedure, it helps to lay the computer on its side.

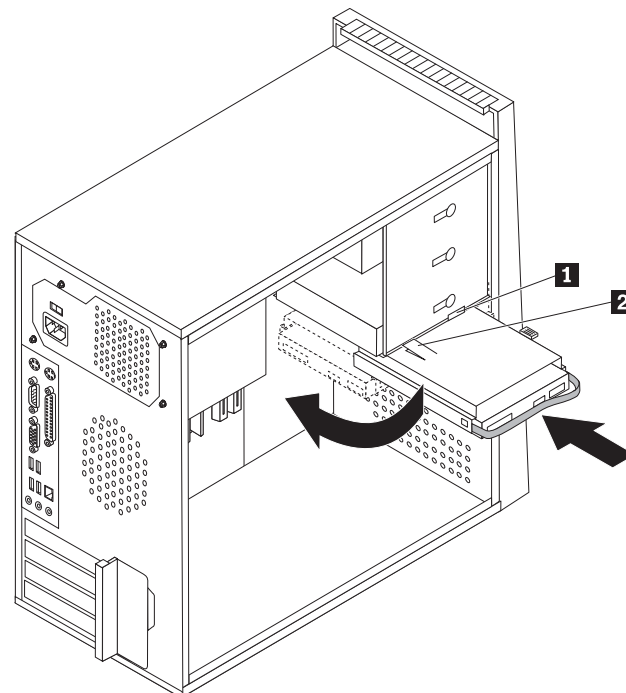
2. Disconnect the signal and power cables from the hard disk drive.
3. Press the release tab **1** down, slide the hard drive cage **2** back, and pivot the hard disk drive outward as shown.



4. Remove the hard disk drive cage from the chassis by simply sliding it outward.
5. Pull on the blue handle **3** to remove hard disk drive from the drive cage.
6. Remove the failing hard disk drive from the blue plastic bracket from by flexing the sides of the bracket enough to free it from the hard disk drive.
7. To install the new drive into the blue bracket, flex the bracket, and align the pins **1** through **4** on the bracket with the holes in the hard disk drive. Do not touch the circuit board **5** on the bottom of the hard disk drive.



8. Slide the new hard disk drive into the drive cage until it snaps into position.
9. Align the drive cage pivot pin with the slot **1** in the upper drive cage and slide the hard disk drive into the chassis.



10. Press down on the metal latch **2** and pivot in the drive cage into place. Slide it forward until it snaps into position.

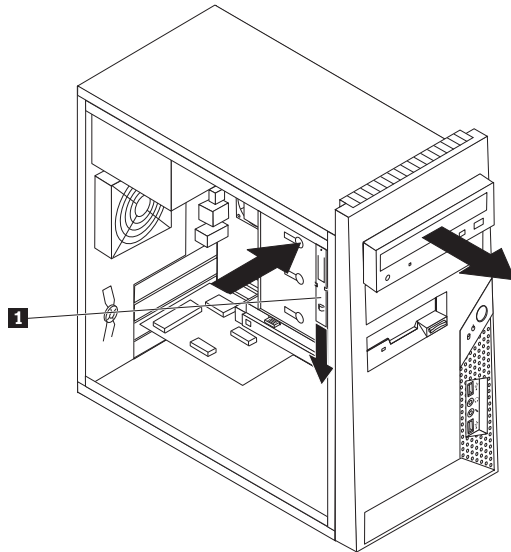
Note: There are two arrows, one on the upper drive cage and one on the hard disk drive cage, that are aligned when the hard disk drive is in the proper position.

11. Connect the power and signal cables to the hard disk drive.
12. Go to “Completing the FRU replacement” on page 160.

Replacing an optical drive

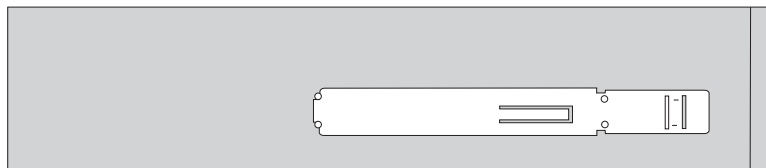
To replace an optical drive

1. Remove the computer cover. See “Removing the cover” on page 129.
2. Disconnect the signal and power cables from the rear of the optical drive.
3. Press the release button and remove the optical drive out the front of the computer.



Note: Notice that there is a spare retainer bracket **1** attached to the upper drive cage.

4. Remove the retainer bracket from the drive being replaced and install it on the new drive.

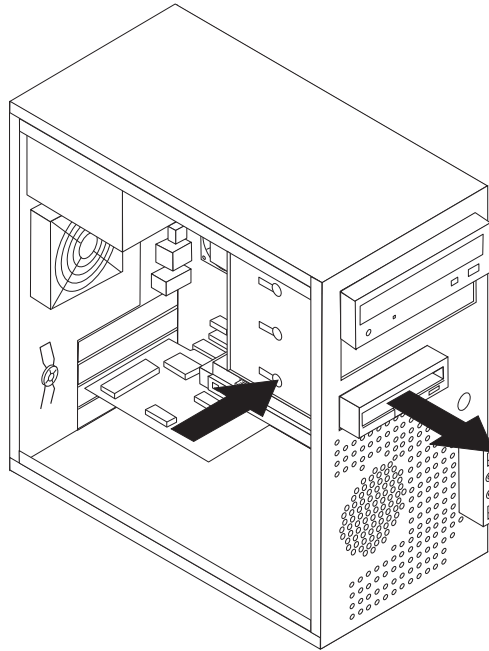


5. Slide the new optical drive into the bay from the front until it snaps into position.
6. Connect the signal and power cables to the drive.
7. Go to “Completing the FRU replacement” on page 160.

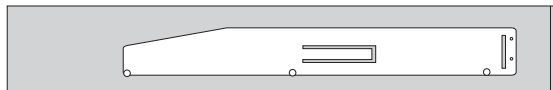
Replacing the diskette drive

To replace the diskette drive:

1. Remove the computer cover. See “Removing the cover” on page 129.
2. Remove the front bezel. See “Removing and replacing the front bezel” on page 133.
3. Disconnect the signal and power cables from the rear of the diskette drive.
4. Press the release button and slide the diskette drive out the front of the computer.



5. Remove the retainer bracket from the failing diskette drive and install it on the new diskette drive.

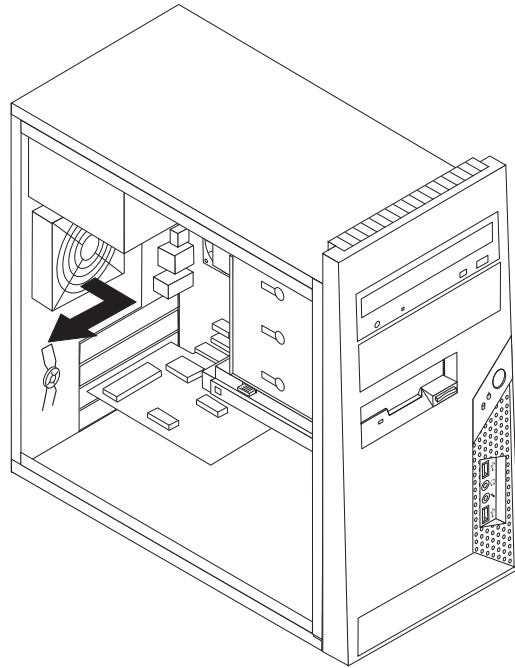


6. Slide the new diskette drive into the drive bay until it snaps into position.
7. Connect the signal and power cables to the drive.
8. Go to “Completing the FRU replacement” on page 160.

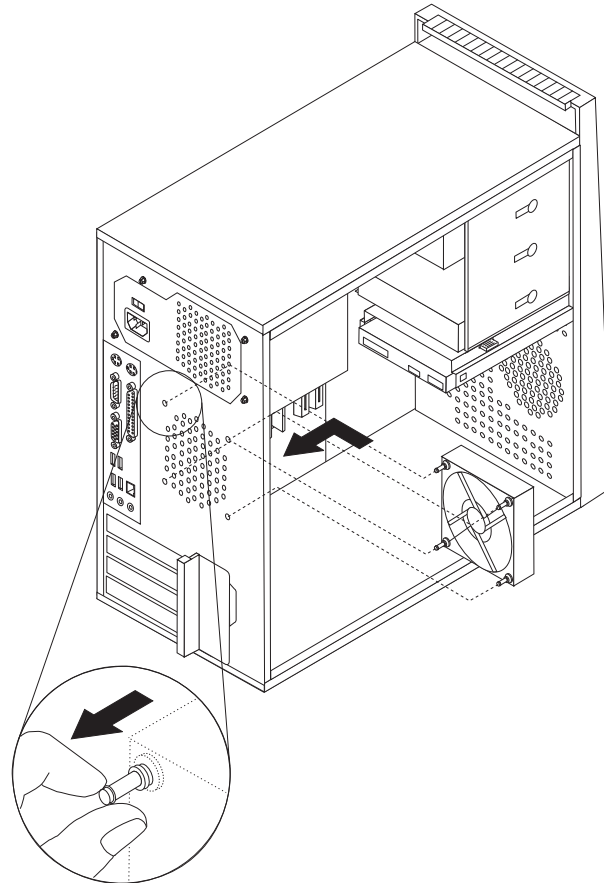
Replacing the system fan assembly

To replace the system fan assembly:

1. Remove the computer cover. See “Removing the cover” on page 129.
2. Disconnect the system fan power cable from the system board. See “Identifying parts on the system board” on page 130.
3. Pull the system fan assembly out of chassis.



4. Install the new system fan assembly by aligning the rubber mounts of the system fan assembly with the holes on the chassis and push the rubber mounts through the holes.



5. Pull on the tips of the rubber mounts until the fan assembly is in place.

6. Connect the system fan assembly cable to the system fan connector on the system board.
7. Go to “Completing the FRU replacement” on page 160.

Replacing the front audio/USB assembly

1. Remove the computer cover. See “Removing the cover” on page 129.
2. Remove the front bezel. See “Removing and replacing the front bezel” on page 133
3. Disconnect the front audio/USB assembly cable from the system board. See the system board illustration for your machine type at “Identifying parts on the system board” on page 130.
4. Note the front audio/USB assembly cable routing and remove the screw that secures the assembly to the chassis.
5. Remove the front audio/USB assembly.
6. Route the cable for the new front audio/USB assembly through the hole in the chassis and to the system board.
7. Install the front audio/USB assembly into the chassis and secure it with the screw.
8. Connect the front audio/USB assembly cable to the system board.
9. Reinstall the front bezel.
10. Go to “Completing the FRU replacement” on page 160.

Replacing the power switch/LED assembly

1. Remove the computer cover. See “Removing the cover” on page 129.
2. Remove the front bezel. See “Removing and replacing the front bezel” on page 133
3. Disconnect the power switch/LED assembly cable from the system board. See the system board illustration for your machine type at “Identifying parts on the system board” on page 130.
4. Note the power switch/LED assembly cable routing and the position of the two LEDs.
5. Remove the switch and the LEDs from the bezel.
6. Route the cable for the new power switch/LED assembly through the hole in the chassis and to the system board.
7. Install the new power switch/LED assembly into the bezel. Make sure that the LEDs are in the correct position.
8. Connect the power switch/LED cable to the system board.
9. Reinstall the front bezel.
10. Go to “Completing the FRU replacement” on page 160.

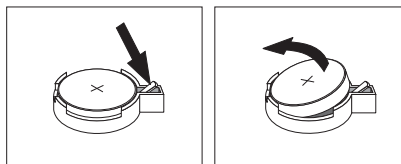
Replacing the CMOS battery

If the CMOS battery fails, the date, time, and configuration information (including passwords) are lost. An error message is displayed when you turn on the computer.

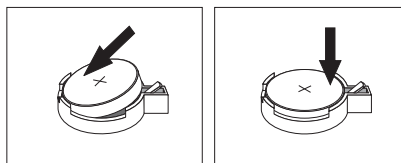
Important

Refer to “Safety notices (multi-lingual translations)” on page 7 for information about replacing and disposing of the battery.

1. Remove the computer cover. See “Removing the cover” on page 129.
2. Locate the battery. See the system board illustration for your machine type at “Identifying parts on the system board” on page 130.
3. You might have to remove any PCI adapters that impede access to the battery.
4. Remove the old battery.



5. Install the new battery.



6. Replace any PCI adapters that were removed.

Note: When the computer is turned on for the first time after battery replacement, an error message might be displayed. This is normal after replacing the battery.

7. Go to “Completing the FRU replacement.”

Completing the FRU replacement

After replacing FRUs, you need to install any removed parts, replace the cover, and reconnect any cables, including telephone lines and power cords. Also, depending on the FRU that is replaced, you might need to confirm the updated information in the Setup Utility program.

Note: When the power cord is first plugged in, the computer might appear to turn on for a few seconds and then turn off. This is a normal sequence to enable the computer to initialize.

1. Ensure that all components have been reassembled correctly and that no tools or loose screws are left inside your computer.
2. Replace the cover.
3. Reconnect the external cables and power cords to the computer. See “Rear connectors” on page 128.
4. If you have replaced the system board, you must update (flash) the BIOS. See “Flash update procedures” on page 570.
5. Some FRU replacements require the configuration to be updated. See Chapter 6, “Using the Setup Utility,” on page 51.

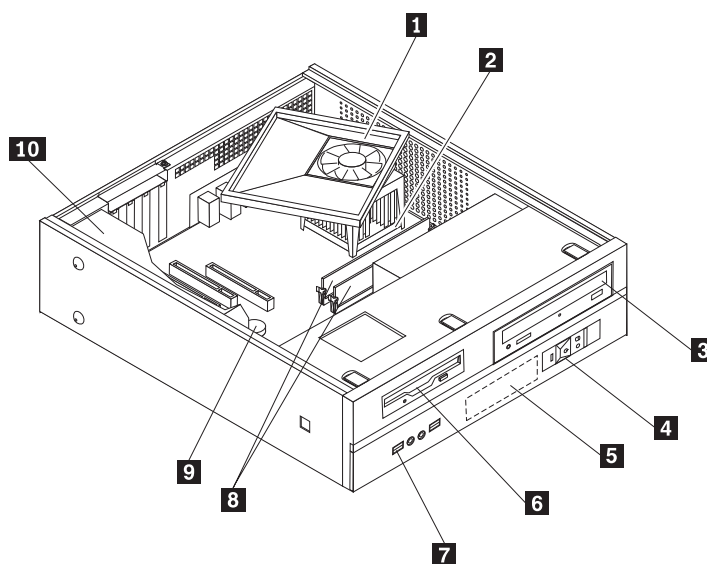
Chapter 10. FRU lists

Attention: Read “Important information about replacing RoHS compliant FRUs” on page 2 before replacing any FRUs.

Notes:

1. In the following tables, A CRU (Customer Replaceable Unit) is identified by either a 1, 2, or N in the CRU Tier column. A “1” means that the part is a Tier 1 CRU, A “2” means that the part is a Tier 2 CRU, and an “N” means that the part is not a CRU.
2. In the **RoHS?** column, a “Y” indicates that the FRU is RoHS compliant. An “N” indicates that the FRU is not RoHS compliant.

Machine Type 8013



Item #	8013 FRUs	FRU#	CRU Tier	RoHS?
1	Heatsink for AMD Sempron & Athlon AM2 processors (models CTO A1K A1R A2K A2R A3S A3P A3Y A4S A4P A4Y A5Q A6K A6R A7U A7F A8S A8P A8Y A8V A9U A9F 21K 21R 22K 22R 23V 24Q 25K 25R 26S 26P 26Y 31S 31P 31Y 32U 32F D1U D1F D1S D1P D1Y ABS ABP ABY AAK AAR 81S 81P 81Y 82U 82F 83K 83R 84K 84R 27K 27R 33K 33R 34S 34P 34Y 35S 35P 35Y D2U D2F)	41N8249	N	Y
1	Heatsink for AMD Sempron & Athlon AM2 CPUs (models CTO)	41R4802	N	Y
2	Microprocessor, 2800+ Sempron AM2 (1.6 GHz processor, 62W) (models CTO)	42Y8938	N	Y
2	Microprocessor, 3000+ Sempron AM2 (1.6 GHz processor, 62W) (models CTO A1K A1R A2K A2R A3S A3P A3Y ABS ABP ABY)	41X1403	N	Y
2	Microprocessor, 3400+ Sempron AM2 (1.8 GHz processor, 62W) (models CTO 81S 81P 81Y 82U 82F 83K 83R 84K 84R)	41X1407	N	Y
2	Microprocessor, 3600+ Sempron AM2 (2.0 GHz processor, 62W) (models CTO)	41X1411	N	Y

Item #	8013 FRUs	FRU#	CRU Tier	RoHS?
2	Microprocessor, 3200+ Athlon64 AM2 (2.0 GHz processor, 62W) (models CTO)	42Y8940	N	Y
2	Microprocessor, 3500+ Athlon64 AM2 (2.2 GHz processor, 62W) (models CTO 21K 21R 22K 22R 23V 24Q 25K 25R 26S 26P 26Y 27K 27R)	41X1415	N	Y
2	Microprocessor, 3600+ Athlon64 AM2 X2 (2.0 GHz processor, 89W) (models CTO)	41X7777	N	Y
2	Microprocessor, 3600+Athlon64 AM2 X2 1.9GHz 1M 65W 65nm G1 (models CTO)	43C4091	N	Y
2	Microprocessor, 3800+ Athlon64 AM2 (2.4 GHz processor, 62W) (models CTO 31S 31P 31Y 32U 32F 33K 33R)	41X1417	N	Y
2	Microprocessor, 3800+ Athlon64 AM2 X2 (2.0 GHz processor, 89W) (models CTO 34S 34P 34Y 35S 35P 35Y)	41X4241	N	Y
2	Microprocessor, 4000+ Athlon64 AM2 (2.4 GHz processor, 62W) (models CTO)	41X1419	N	Y
2	Microprocessor, 4000+ Athlon64 AM2 X2 2.1GHz 1M 65W 65nm G1 (models CTO)	43C3965	N	Y
2	Microprocessor, 4200+ Athlon64 AM2 X2 (2.2 GHz processor, 89W) (models CTO D1U D1F D1S D1P D1Y D2U D2F)	41X1421	N	Y
2	Microprocessor, 4400+ Athlon64 AM2 X2 2.3 GHz 1M 65W 65nm G1 (models CTO)	43C3507	N	Y
2	Microprocessor, 4600+ Athlon64 AM2 X2 (2.4 GHz processor, 89W) (models CTO)	41X1423	N	Y
2	Microprocessor, 4800+ Athlon AM2 X2 2.5GHz 1M 65W 65nm G1 (models CTO)	43C4093	N	Y
3	DVD-ROM drive (16X/48X) (models CTO A8S A8P A8Y A8V 23V)	41X3544	2	Y
3	DVD-ROM drive (16X/48X) (models CTO A8S A8P A8Y A8V 23V)	41X3545	2	Y
3	DVD-ROM drive (16X/48X) (models CTO A8S A8P A8Y A8V 23V)	41X3546	2	Y
3	Combo 48 -32 -48 -16 - - DVD - ROM - CDRW (models CTO A2K A2R A6K A6R A7U A7F A9U A9F 21K 21R 25K 25R 32U 32F D1U D1F D1S D1P D1Y AAK AAR 82U 82F 83K 83R 84K 84R 27K 27R 33K 33R 35S 35P 35Y)	41X3547	2	Y
3	Combo 48 -32 -48 -16 - - DVD - ROM - CDRW (models CTO A2K A2R A6K A6R A7U A7F A9U A9F 21K 21R 25K 25R 32U 32F D1U D1F D1S D1P D1Y AAK AAR 82U 82F 83K 83R 84K 84R 27K 27R 33K 33R 35S 35P 35Y)	41X3548	2	Y
3	Combo 48 -32 -48 -16 - - DVD - ROM - CDRW (models CTO A2K A2R A6K A6R A7U A7F A9U A9F 21K 21R 25K 25R 32U 32F D1U D1F D1S D1P D1Y AAK AAR 82U 82F 83K 83R 84K 84R 27K 27R 33K 33R 35S 35P 35Y)	41X3549	2	Y
3	DVD-Recorder (models CTO 22K 22R D2U D2F)	41N3343	2	Y
3	DVD-Recorder (models CTO 22K 22R D2U D2F)	41X3550	2	Y
3	DVD Recordable No Software / No Royalty for VISTA Models ONLY (models CTO 22K 22R D2U D2F 39J D3K D4J)	42Y9371	2	Y
3	DVD Recordable No Software / No Royalty for VISTA Models ONLY (models CTO 22K 22R D2U D2F 39J D3K D4J)	42Y6017	2	Y
3	DVD Recordable No Software / No Royalty for VISTA Models ONLY (models CTO 22K 22R D2U D2F 39J D3K D4J)	43C0144	2	Y

Item #	8013 FRUs	FRU#	CRU Tier	RoHS?
3	DVD Recordable No Software / No Royalty for VISTA Models ONLY (models CTO 22K 22R D2U D2F 39J D3K D4J)	42Y9370	2	Y
4	Front Power/LED PC, bracket, and cable (all models)	41N8213	N	Y
5	Hard disk drive, 40GB (7200RPM), Serial ATA (models CTO)	40Y9033	2	Y
5	Hard disk drive, 80GB (7200RPM), Serial ATA (models CTO A1K A1R A2K A2R A3S A3P A3Y A4S A4P A4Y A5Q A8S A8P A8Y A8V A9U A9F 23V 24Q 26S 26P 26Y 31S 31P 31Y 32U 32F D1U D1F D1S D1P D1Y ABS ABP ABY AAK AAR 81S 81P 81Y 82U 82F 34S 34P 34Y 35S 35P 35Y)	40Y9034	2	Y
5	Hard disk drive, 80GB 7200rpm SATA (only for China) (models A8V 23V)	41X2500	2	Y
5	Hard disk drive, 160GB (7200RPM), Serial ATA (models CTO A6K A6R 21K 21R 83K 83R D2U D2F)	40Y9035	2	Y
5	Hard disk drive, 250GB (7200RPM), Serial ATA (models CTO A7U A7F 22K 22R 25K 25R 84K 84R 27K 27R 33K 33R)	40Y9036	2	Y
5	Hard disk drive, 500GB (7200RPM), Serial ATA (models CTO)	41X5582	2	Y
6	Diskette drive, 3.5", 1.44MB, 2-mode, (w/bezel) (models CTO A8S A8P A8Y A8V 23V 26S 26P 26Y ABS ABP ABY 81S 81P 81Y 34S 34P 34Y)	40Y9105	2	Y
6	Diskette drive, 3.5", 1.44MB 2 Mode (models CTO A8S A8P A8Y A8V 23V 26S 26P 26Y ABS ABP ABY 81S 81P 81Y 34S 34P 34Y)	40Y7107	2	Y
7	Front USB/Audio with bracket (all models)	41N8212	N	Y
8	Memory module, 512 MB PC2-4200 (533MHz) DDR2 SDRAM (models CTO A4S A4P A4Y 31S 31P 31Y 32U 32F D1U D1F D1S D1P D1Y 35S 35P 35Y D2U D2F)	41X4251	2	Y
8	Memory module, 1 GB PC2-4200 (533MHz) DDR2 SDRAM (models CTO)	41X4252	2	Y
8	Memory module, 2 GB PC2-4200 (533MHz) DDR2 SDRAM (models CTO)	41X4253	2	Y
8	Memory module, 512 MB PC2-5300 (667MHz) DDR2 SDRAM (models CTO A2K A2R A6K A6R A9U A9F 21K 21R 25K 25R 82U 82F 83K 83R 84K 84R 27K 27R)	41X4255	2	Y
8	Memory module, 1 GB PC2-5300 (667MHz) DDR2 SDRAM (models CTO A7U A7F 22K 22R 33K 33R)	41X4256	2	Y
8	Memory module, 2 GB PC2-5300 (667MHz) DDR2 SDRAM (models CTO)	41X4257	2	Y
9	System board, AMD Sys Planar for Vista and XP (models CTO A1K A1R A2K A2R A3S A3P A3Y A4S A4P A4Y A5Q A6K A6R A7U A7F A8S A8P A8Y A8V A9U A9F 21K 21R 22K 22R 23V 24Q 25K 25R 26S 26P 26Y 31S 31P 31Y 32U 32F D1U D1F D1S D1P D1Y ABS ABP ABY AAK AAR 81S 81P 81Y 82U 82F 83K 83R 84K 84R 27K 27R 33K 33R 34S 34P 34Y 35S 35P 35Y D2U D2F 28L 28Q 36S 36P 36Y 37K 38S 38P 38Y 39J D3K D4J)	87H4658	N	Y
10	220W Small desktop power supply (non-smokeless) (models CTO A1K A1R A2K A2R A6K A6R A7U A7F A9U A9F 21K 21R 22K 22R 25K 25R 32U 32F D1U D1F A3S A3P A3Y A4S A4P A4Y A8S A8P A8Y A8V 23V 26S 26P 26Y 31S 31P 31Y D1S D1P D1Y AAK AAR 82U 82F 83K 83R 84K 84R 27K 27R 33K 33R D2U D2F)	41N3109	N	Y
10	220 Watt Power Supply - WW (models CTO A1K A1R A2K A2R A6K A6R A7U A7F A9U A9F 21K 21R 22K 22R 25K 25R 32U 32F D1U D1F A3S A3P A3Y A4S A4P A4Y A8S A8P A8Y A8V 23V 26S 26P 26Y 31S 31P 31Y D1S D1P D1Y AAK AAR 82U 82F 83K 83R 84K 84R 27K 27R 33K 33R D2U D2F)	41A9655	N	Y
10	220 Watt Power Supply - China (models CTO-A A5Q 24Q ABS ABP ABY 81S 81P 81Y 34S 34P 34Y 35S 35P 35Y)	41N3493	N	Y

Item #	8013 FRUs	FRU#	CRU Tier	RoHS?
10	220 Watt Power Supply - china (models CTO-A A5Q 24Q ABS ABP ABY 81S 81P 81Y 34S 34P 34Y 35S 35P 35Y)	41A9652	N	Y

The FRUs listed in the following tables are not illustrated.

8013 FRUs	FRU#	CRU Tier	RoHS?
1 drop IDE cable (all models)	41A7158	N	Y
Cable-SATA 250mm (RoHS) (all models)	41A7145	2	Y
Thermal grease kit (models CTO)	91P8835	N	Y
Shield, EMC, system board (all models)	41N5347	N	Y
Shield, EMC, blank 5.25 in. drive bay (all models)	41N8271	N	Y
Shield, EMC, blank diskette drive bay (all models)	41N8273	N	Y
Cover (all models)	41N8204	2	Y
Mechanical shell kit (all models)	41N8205	2	Y
Bezel kit (all models)	41N8206	N	Y
Miscellaneous hardware kit (all models)	41N8209	N	Y
Hard disk drive bracket asm (plastic and grommets) (all models)	41N8210	N	Y
Hard disk drive fan and bracket asm (all models)	41N8211	N	Y
Speaker cable asm, 600 mm cable length (all models)	41N8217	N	Y
Serial port Cable (all models)	39K5021	N	Y
Fan duct assembly (all models)	41A7151	N	Y
Fan duct assembly (all models)	41R	N	Y
Rear USB cable asm (with low profile PCI bracket) (all models)	41N8267	N	
Rear USB 2Ports II HP(R), high profile I/O, 300mm, Rohs (all models)	42Y8005	N	Y
Rear USB 2Ports II LP(R), low profile I/O, 200mm, Rohs (all models)	42Y8006	N	Y
Rear Com2 cable II HP(R), high profile I/O, 250mm, Rohs (all models)	42Y8007	N	Y
Rear Com2 cable II LP(R), low profile I/O, 250mm, Rohs (all models)	42Y8008	N	Y
Foot stand (all models)	41R4813	N	Y
Retention module (AMD) (all models)	41R2507	N	Y

8013 Keyboards (PS2 Preferred Pro)	FRU#	CRU Tier	RoHS?
US English (models A1R A2R A5Q A6R A7U A9U 21R 22R 24Q 25R 32U D1U AAR 82U 83R 84R 27R 33R D2U)	41A5039	1	Y
Hong Kong/Taiwan (models A8V 23V)	41A5046	1	Y
French Canadian 445 (models A7F A9F 32F D1F 82F D2F)	41A5051	1	Y
French Canadian 58 (models A7F A9F 32F D1F 82F D2F)	41A5052	1	Y
Korean (models A1K A2K A6K 21K 22K 25K AAK 83K 84K 27K 33K)	41A5060	1	Y
LA Spanish (models A3S A3Y A4S A4Y A8S A8Y 26S 26Y 31S 31Y D1S D1Y ABS ABY 81S 81Y 34S 34Y 35S 35Y)	41A5061	1	Y
Brazil/Portuguese (models A3P A4P A8P 26P 31P D1P ABP 81P 34P 35P)	41A5044	1	Y

8013 mice	FRU#	CRU Tier	RoHS?
Optical Wheel Mouse (400DPI, USB) (all models)	41U3013	1	Y
Optical Wheel Mouse (400DPI, USB) (all models)	41U3030	1	Y
PS/2 Three Button ball mouse (models CTO)	41R0018	1	Y
ScrollPoint Optical Mouse (800DPI, USB) (models CTO)	41U3019	1	Y

8013 Adapters and miscellaneous FRUs	FRU#	CRU Tier	RoHS?
USB2.0 MEMORY CARDREADER,6X2,ROHS OPTIONAL,Bitland (models CTO)	41R3378	2	Y
USB2.0 MEMORY CARDREADER,6X2,ROHS OPTIONAL, SONY (models CTO)	41R3376	2	Y
PCI Modem Card (Soft) (models CTO)	29R9729	2	Y
L1 IEEE 1394 PCI Adapter (models CTO A1K A1R A2K A2R A3S A3P A3Y A6K A6R A7U A7F A9U A9F 21K 21R 22K 22R 25K 25R AAK AAR 82U 82F 83K 83R 84K 84R 27K 27R 33K 33R)	41D2781	2	Y
Denver - ATI X300SE 128MB (models CTO)	39J9635	2	Y
Dongle Cable - DMS59 to dual VGA (models CTO)	41D2399	2	Y
Nvidia GeForce 6200TC128MB 64bit (Full Height) (models CTO 22K 22R 25K 25R 33K 33R)	41X2668	2	Y
Nvidia GeForce 6200TC 64MB 32bit (models CTO)	41X2667	2	Y
Nvidia GeForce 7300LE 128MB 64bit (models CTO)	41X2669	2	Y
ATI Radeon X1300PRO 256MB 128bit (models CTO)	41X2670	2	Y
Internal USB Memory Card Reader (models CTO A1K A1R A2K A2R A3S A3P A3Y A6K A6R A7U A7F 21K 21R 22K 22R 25K 25R AAK AAR 83K 83R 84K 84R 27K 27R 33K 33R)	41D1934	2	Y
Wireless Keyboard (models CTO)	41A5219	2	Y
Wireless Mouse (models CTO)	41A5247	2	Y

8013 Power Cords	FRU#	CRU Tier	RoHS?
Power cord - US (models A3S A4S A7U A7F A8S A9U A9F 26S 31S 32U 32F D1U D1F D1S ABS 81S 82U 82F 34S 35S D2U D2F)	39M5080	1	Y
Power cord - Brazil (models A3P A4P A8P 26P 31P D1P ABP 81P 34P 35P)	39M5232	1	Y
Power cord - LA High Volt APU) (models A3Y A4Y A8Y 26Y 31Y D1Y ABY 81Y 34Y 35Y)	39M5067	1	Y
Power cord - Korea (models A1K A1R A2K A2R A6K A6R 21K 21R 22K 22R 25K 25R AAK AAR 83K 83R 84K 84R 27K 27R 33K 33R)	39M5212	1	Y
Power cord - Taiwan (models A8V 23V)	39M5246	1	Y
Power cord - Italy (models A3S A3Y A4S A4Y A8S A8Y 26S 26Y 31S 31Y D1S D1Y ABS ABY 81S 81Y 34S 34Y 35S 35Y)	39M5164	1	Y
Power cord - India (models A5Q 24Q)	39M5004	1	Y

8013 Windows XP Home Recovery CDs	FRU#	CRU Tier
US/UK/AP/TH (models A1R A2R A6R A7U 21R 22R 25R AAR 82U 83R 84R 27R 33R D2U)	42Y3597	1
FR/CF (models A7F 82F D2F)	42Y3598	1

8013 Windows XP Home Recovery CDs	FRU#	CRU Tier
Korea (models A1K A2K A6K 21K 22K 25K AAK 83K 84K 27K 33K)	41W7773	1

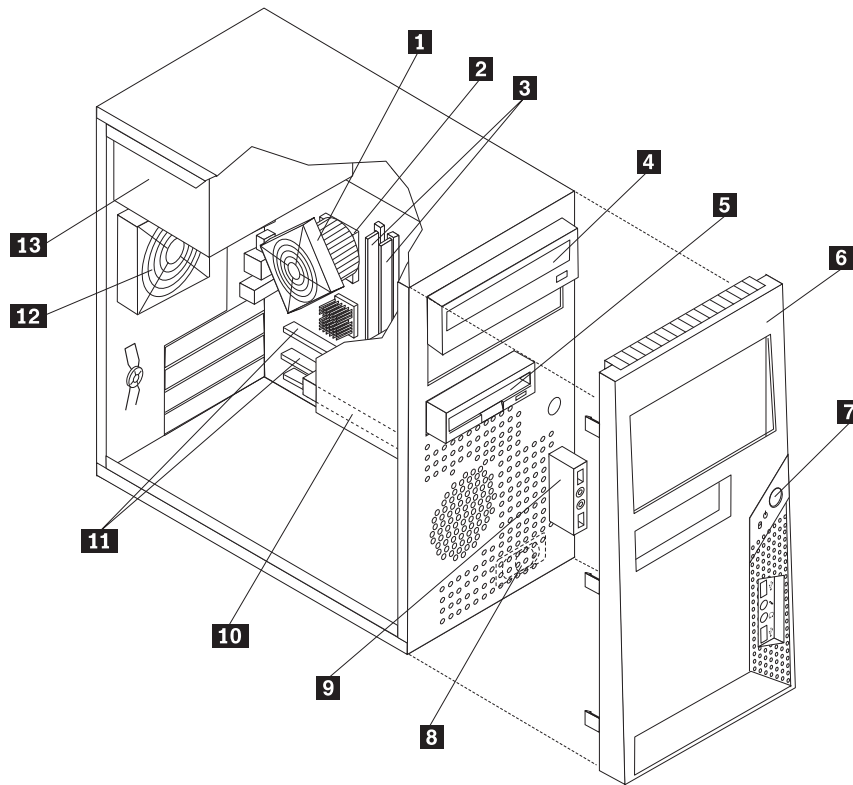
8013 Windows XP Pro Recovery CDs	FRU#	CRU Tier
US/UK/AP/TH (models A9U 24Q 32U D1U)	42Y3549	1
FR/CF (models A9F 32F D1F)	42Y3550	1
BR (models D1P 35P)	42Y3554	1
SP/LA (models A3S A3Y A4S A4Y A8S A8Y 31S 31Y D1S D1Y ABS ABY 81S 81Y 34S 34Y 35S 35Y)	42Y3552	1
Taiwan - TC (models A8V 23V)	41W7757	1

8013 Vista Home Basic 32 Recovery DVDs	FRU#	CRU Tier
US/UK/AP/TH (models)	87H4420	1
FR/CF (models)	87H4421	1
GR (models)	87H4422	1
SP/LA (models)	87H4423	1
BR (models)	87H4424	1
IT (models)	87H4425	1
JP (models)	87H4426	1
NO (models)	87H4427	1
SV (models)	87H4428	1
DK (models)	87H4429	1
NL (models)	87H4430	1
CZ (models)	87H4431	1
FI (models)	87H4432	1
PL (models)	87H4433	1
RU (models)	87H4434	1
TR (models)	87H4435	1
HU (models)	87H4436	1
GK (models)	87H4437	1
PO (models)	87H4438	1
CS (models)	87H4439	1
TW (models)	87H4440	1
HK (models)	87H4441	1
KR (models)	87H4442	1
SL (models)	87H4443	1
RE (models)	43C1306	1

8013 Vista Business 32 Recovery DVDs	FRU#	CRU Tier
US/UK/AP/TH (models)	87H4476	1
FR/CF (models)	87H4477	1
GR (models)	87H4478	1

8013 Vista Business 32 Recovery DVDs	FRU#	CRU Tier
SP/LA (models)	87H4479	1
BR (models)	87H4480	1
IT (models)	87H4481	1
JP (models)	87H4482	1
NO (models)	87H4483	1
SV (models)	87H4484	1
DK (models)	87H4485	1
NL (models)	87H4486	1
CZ (models)	87H4487	1
FI (models)	87H4488	1
PL (models)	87H4489	1
RU (models)	87H4490	1
TR (models)	87H4491	1
HU (models)	87H4492	1
GK (models)	87H4493	1
PO (models)	87H4494	1
CS (models)	87H4495	1
TW (models)	87H4496	1
HK (models)	87H4497	1
KR (models)	87H4498	1
SL (models)	87H4499	1
RE (models)	43C1308	1

Machine Type 8700



Item #	8700 FRUs	FRU#	CRU Tier	RoHS?
1	Heatsink for AMD Sempron & Athlon AM2 processors (all models)	41N8249	N	Y
1	Heatsink for AMD Sempron & Athlon AM2 processors (models CTO)	41R4802	N	Y
2	Microprocessor, 3000+ Sempron AM2 (1.6 GHz processor, 62W) (models CTO A1U A1F A2U A2F A3U A3F A4S A4P A4Y C1U AGS AGP AGY)	41X1403	N	Y
2	Microprocessor, 3200+ Sempron AM2 (1.8 GHz processor, 62W) (models CTO A5K A5R A6U A6F A6S A6P A6Y A7U A7F A7S A7P A7Y A8U A8F A8S A8P A8Y AEQ C2U AFK AFR)	41X1405	N	Y
2	Microprocessor, 3400+ Sempron AM2 (1.8 GHz processor, 62W) (models CTO B1V B2U B2F B3S B3P B3Y C7U)	41X1407	N	Y
2	Microprocessor, 3600+ Sempron AM2 (2.0 GHz processor, 62W) (models CTO)	41X1411	N	Y
2	Microprocessor, 3200+ Athlon64 AM2 (2.0 GHz processor, 62W) (models CTO)	42Y8940	N	Y
2	Microprocessor, 3500+ Athlon64 AM2 (2.2 GHz processor, 62W) (models CTO 21K 21R 22K 22R 23V 24Q 25U 25F 26U 26F 27U 27F 28U 28F C3U)	41X1415	N	Y
2	Microprocessor, 3600+ Athlon64 AM2 X2 (2.0 GHz processor, 89W) (models CTO)	41X7777	N	Y
2	Microprocessor, 3600+Athlon64 AM2 X2 1.9GHz 1M 65W 65nm G1 (models CTO)	43C4091	N	Y
2	Microprocessor, 3800+ Athlon64 AM2 (2.4 GHz processor, 62W) (models CTO 31K 31R 32U 32F 32S 32P 32Y 33U 33F 33S 33P 33Y 34U 34F 34S 34P 34Y 35U 35F C4U C6U)	41X1417	N	Y

Item #	8700 FRUs	FRU#	CRU Tier	RoHS?
2	Microprocessor, 3800+ Athlon64 AM2 X2 (2.0 GHz processor, 89W) (models CTO 36K 36R 41U 42U 42F 42S 42P 42Y 43U 43F 44U 44F 45S 45P 45Y 46G)	41X4241	N	Y
2	Microprocessor, 4000+ Athlon64 AM2 (2.4 GHz processor, 62W) (models CTO)	41X1419	N	Y
2	Microprocessor, 4000+ Athlon64 AM2 X2 2.1GHz 1M 65W 65nm G1 (models CTO)	43C3965	N	Y
2	Microprocessor, 4200+ Athlon64 AM2 X2 (2.2 GHz processor, 89W) (models CTO D1U D1F D1S D1P D1Y D2U D2F D2S D2P D2Y D3U D3F D4V C5U D5U D5F D6K D6R D7U D7F)	41X1421	N	Y
2	Microprocessor, 4400+ Athlon64 AM2 X2 2.3 GHz 1M 65W 65nm G1 (models CTO)	43C3507	N	Y
2	Microprocessor, 4600+ Athlon64 AM2 X2 (2.4 GHz processor, 89W) (models CTO)	41X1423	N	Y
2	Microprocessor, 4800+ Athlon AM2 X2 2.5GHz 1M 65W 65nm G1 (models CTO)	43C4093	N	Y
3	Memory module, 512 MB PC2-4200 (533MHz) DDR2 SDRAM (models CTO A2U A2F A3U A3F A7U A7F A7S A7P A7Y A8U A8F A8S A8P A8Y 25U 25F 26U 26F 27U 27F 28U 28F 32U 32F 32S 32P 32Y 33U 33F 33S 33P 33Y 34U 34F 34S 34P 34Y 35U 35F D1U D1F D1S D1P D1Y D2U D2F D2S D2P D2Y D3U D3F D4V B2U B2F 41U 42U 42F 42S 42P 42Y 43U 43F 44U 44F 46G D5U D5F D7U D7F)	41X4251	1	Y
3	Memory module, 1 GB PC2-4200 (533MHz) DDR2 SDRAM (models CTO 22K 22R)	41X4252	1	Y
3	Memory module, 2 GB PC2-4200 (533MHz) DDR2 SDRAM (models CTO)	41X4253	1	Y
3	Memory module, 512 MB PC2-5300 (667MHz) DDR2 SDRAM (models CTO A5K A5R 21K 21R 31K 31R AFK AFR 36K 36R)	41X4255	1	Y
3	Memory module, 1 GB PC2-5300 (667MHz) DDR2 SDRAM (models CTO D6K D6R)	41X4256	1	Y
3	Memory module, 2 GB PC2-5300 (667MHz) DDR2 SDRAM (models CTO)	41X4257	1	Y
4	DVD-ROM drive (16X/48X) (models CTO B1V 23V D4V)	41X3544	1	Y
4	DVD-ROM drive (16X/48X) (models CTO B1V 23V D4V)	41X3545	1	Y
4	DVD-ROM drive (16X/48X) (models CTO B1V 23V D4V)	41X3546	1	Y
4	Combo 48 -32 -48 -16 - - DVD - ROM - CDRW (models CTO A3U A3F A5K A5R A8U A8F A8S A8P A8Y 21K 21R 22K 22R 26U 26F 27U 27F 31K 31R 33U 33F 33S 33P 33Y 34U 34F 34S 34P 34Y D2U D2F D2S D2P D2Y AFK AFR B2U B2F 36K 36R 42U 42F 42S 42P 42Y 43U 43F D6K D6R)	41X3547	1	Y
4	Combo 48 -32 -48 -16 - - DVD - ROM - CDRW (models CTO A3U A3F A5K A5R A8U A8F A8S A8P A8Y 21K 21R 22K 22R 26U 26F 27U 27F 31K 31R 33U 33F 33S 33P 33Y 34U 34F 34S 34P 34Y D2U D2F D2S D2P D2Y AFK AFR B2U B2F 36K 36R 42U 42F 42S 42P 42Y 43U 43F D6K D6R)	41X3548	1	Y
4	Combo 48 -32 -48 -16 - - DVD - ROM - CDRW (models CTO A3U A3F A5K A5R A8U A8F A8S A8P A8Y 21K 21R 22K 22R 26U 26F 27U 27F 31K 31R 33U 33F 33S 33P 33Y 34U 34F 34S 34P 34Y D2U D2F D2S D2P D2Y AFK AFR B2U B2F 36K 36R 42U 42F 42S 42P 42Y 43U 43F D6K D6R)	41X3549	1	Y

Item #	8700 FRUs	FRU#	CRU Tier	RoHS?
4	Combo 48 -32 -48 -16 - - DVD - ROM - CDRW --NON/VISTA (models CTO A3U A3F A5K A5R A8U A8F A8S A8P A8Y 21K 21R 22K 22R 26U 26F 27U 27F 31K 31R 33U 33F 33S 33P 33Y 34U 34F 34S 34P 34Y D2U D2F D2S D2P D2Y AFK AFR B2U B2F 36K 36R 42U 42F 42S 42P 42Y 43U 43F D6K D6R)	42Y9368	1	Y
4	Combo 48 -32 -48 -16 - - DVD - ROM - CDRW --NON/VISTA (models CTO A3U A3F A5K A5R A8U A8F A8S A8P A8Y 21K 21R 22K 22R 26U 26F 27U 27F 31K 31R 33U 33F 33S 33P 33Y 34U 34F 34S 34P 34Y D2U D2F D2S D2P D2Y AFK AFR B2U B2F 36K 36R 42U 42F 42S 42P 42Y 43U 43F D6K D6R)	42Y9369	1	Y
4	Combo 48 -32 -48 -16 - - DVD - ROM - CDRW --NON/VISTA (models CTO A3U A3F A5K A5R A8U A8F A8S A8P A8Y 21K 21R 22K 22R 26U 26F 27U 27F 31K 31R 33U 33F 33S 33P 33Y 34U 34F 34S 34P 34Y D2U D2F D2S D2P D2Y AFK AFR B2U B2F 36K 36R 42U 42F 42S 42P 42Y 43U 43F D6K D6R)	41X7992	1	Y
4	DVD-Recorder (models CTO 28U 28F 35U 35F D3U D3F 44U 44F 46G D5U D5F D7U D7F)	41N3343	1	Y
4	DVD-Recorder (models CTO 28U 28F 35U 35F D3U D3F 44U 44F 46G D5U D5F D7U D7F)	41X3550	1	Y
4	DVD Recordable No Software / No Royalty for VISTA Models ONLY (models CTO 28U 28F 35U 35F D3U D3F 44U 44F 46G D5U D5F D7U D7F 2BU 2BF 4KU 4KF 4AK DKU DKF DAU DAF DCK)	42Y9371	2	Y
4	DVD Recordable No Software / No Royalty for VISTA Models ONLY (models CTO 28U 28F 35U 35F D3U D3F 44U 44F 46G D5U D5F D7U D7F 2BU 2BF 4KU 4KF 4AK DKU DKF DAU DAF DCK)	42Y6017	2	Y
4	DVD Recordable No Software / No Royalty for VISTA Models ONLY (models CTO 28U 28F 35U 35F D3U D3F 44U 44F 46G D5U D5F D7U D7F 2BU 2BF 4KU 4KF 4AK DKU DKF DAU DAF DCK)	43C0144	2	Y
4	DVD Recordable No Software / No Royalty for VISTA Models ONLY (models CTO 28U 28F 35U 35F D3U D3F 44U 44F 46G D5U D5F D7U D7F 2BU 2BF 4KU 4KF 4AK DKU DKF DAU DAF DCK)	42Y9370	2	Y
5	Diskette drive, 3.5", 1.44MB, 2 Mode,(w/bezel) (models CTO 28U 28F 35U 35F D3U D3F 44U 44F 46G D5U D5F D7U D7F 2BU 2BF 4KU 4KF 4AK DKU DKF DAU DAF DCK)	40Y9105	2	Y
5	Diskette drive, 3.5", 1.44MB 2 Mode (models CTO B1V 23V D4V AGS AGP AGY B3S B3P B3Y 45S 45P 45Y)	40Y9107	2	Y
6	Bezel assembly (all models)	41N8052	2	Y
7	Power switch/LED assembly (all models)	41N5284	2	Y
8	Speaker assembly, soldered terminals (models CTO A1M A3M B1V 21V 22M 25M D1V D3M D5M)	39P5023	2	Y
9	Front audio/USB assembly (all models)	41N8054	2	Y
10	Hard disk drive, 40GB (7200RPM), Serial ATA (models CTO)	40Y9033	1	Y
10	Hard disk drive, 80GB (7200RPM), Serial ATA (models CTO A1U A1F A2U A2F A3U A3F A4S A4P A4Y A6U A6F A6S A6P A6Y A7U A7F A7S A7P A7Y A8U A8F A8S A8P A8Y AEQ B1V 23V 24Q 25U 25F 26U 26F 27U 27F 32U 32F 32S 32P 32Y 33U 33F 33S 33P 33Y 34U 34F 34S 34P 34Y D1U D1F D1S D1P D1Y D2U D2F D2S D2P D2Y D4V AGS AGP AGY AFK AFR B2U B2F B3S B3P B3Y 41U 42U 42F 42S 42P 42Y 45S 45P 45Y)	40Y9034	1	Y
10	Hard disk drive, 80GB 7200rpm SATA (only for China) (models B1V 23V D4V)	41X2500	1	Y

Item #	8700 FRUs	FRU#	CRU Tier	RoHS?
10	Hard disk drive, 160GB (7200RPM), Serial ATA (models CTO A5K A5R 21K 21R 22K 22R 28U 28F 31K 31R 35U 35F D3U D3F 43U 43F 44U 44F 46G D6K D6R D7U D7F)	40Y9035	1	Y
10	Hard disk drive, 250GB (7200RPM), Serial ATA (models CTO 36K 36R D5U D5F)	40Y9036	1	Y
10	Hard disk drive, 500GB (7200RPM), Serial ATA (models CTO)	41X5582	1	Y
11	System board, AMD for Vista and XP (models CTO A1U A1F A2U A2F A3U A3F A4S A4P A4Y A5K A5R A6U A6F A6S A6P A6Y A7U A7F A7S A7P A7Y A8U A8F A8S A8P A8Y AEQ B1V 21K 21R 22K 22R 23V 24Q 25U 25F 26U 26F 27U 27F 28U 28F 31K 31R 32U 32F 32S 32P 32Y 33U 33F 33S 33P 33Y 34U 34F 34S 34P 34Y 35U 35F D1U D1F D1S D1P D1Y D2U D2F D2S D2P D2Y D3U D3F D4V C1U C2U C3U C4U C5U AGS AGP AGY AFK AFR B2U B2F B3S B3P B3Y 36K 36R 41U 42U 42F 42S 42P 42Y 43U 43F 44U 44F 45S 45P 45Y 46G D5U D5F D6K D6R D7U D7F C6U C7U AJP AKS AKY B4U B4F 29U 29F 29L 29Q 2KU 2KF 2AU 2AF 2BU 2BF 37S 37P 37Y 38P 39S 39Y 47U 48U 48F 48S 48P 48Y 49U 49F 4KU 4KF 4AK D8U D8F D8S D8P D8Y D9U D9F D9S D9P D9Y DKU DKF DAU DAF DCK)	87H4658	N	Y
12	Fan, Rear w/ grommets & Grill (all models)	41N8079	2	Y
13	Power supply (300W) (models CTO)	41N3489	2	Y
13	Power supply (230W) (models CTO A1U A1F A2U A2F A3U A3F A5K A5R A6U A6F A7U A7F A8U A8F 21K 21R 22K 22R 25U 25F 26U 26F 27U 27F 28U 28F 31K 31R 32U 32F 33U 33F 34U 34F 35U 35F D1U D1F D2U D2F D3U D3F C1U C2U C3U C4U C5U A4S A4P A4Y A6S A6P A6Y A7S A7P A7Y A8S A8P A8Y B1V 23V 32S 32P 32Y 33S 33P 33Y 34S 34P 34Y D1S D1P D1Y D2S D2P D2Y D4V AFK AFR B2U B2F 36K 36R 41U 42U 42F 43U 43F 44U 44F 46G D5U D5F D6K D6R D7U D7F C6U C7U)	41N3094	2	Y
13	Power supply (250W) (models CTO A1U A1F A2U A2F A3U A3F A5K A5R A6U A6F A7U A7F A8U A8F 21K 21R 22K 22R 25U 25F 26U 26F 27U 27F 28U 28F 31K 31R 32U 32F 33U 33F 34U 34F 35U 35F D1U D1F D2U D2F D3U D3F C1U C2U C3U C4U C5U A4S A4P A4Y A6S A6P A6Y A7S A7P A7Y A8S A8P A8Y B1V 23V 32S 32P 32Y 33S 33P 33Y 34S 34P 34Y D1S D1P D1Y D2S D2P D2Y D4V AFK AFR B2U B2F 36K 36R 41U 42U 42F 43U 43F 44U 44F 46G D5U D5F D6K D6R D7U D7F C6U C7U)	41N3127	2	Y
13	Power supply (220V/250W/ATX12V - China) (models CTO AEQ 24Q AGS AGP AGY B3S B3P B3Y 42S 42P 42Y 45S 45P 45Y)	41N3485	2	Y
13	Power Supply 5281-7VW-ROHS, 280W, Standard (models CTO)	41N3479	2	Y
13	Power Supply 5281-7VW-ROHS, 280W, Standard (models CTO)	41N3482	2	Y
13	Power Supply 310W standard only for Japan (models CTO)	24R2596	2	Y

The FRUs listed in the following tables are not illustrated.

8700 FRUs	FRU#	CRU Tier	RoHS?
Thermal grease kit (all models)	91P8835	N	Y
Shield, 5.25 EMC (all models)	41N8080	2	Y
Cable, SATA (18" RoHs) (all models)	26K1186	2	Y
Cable, Serial (all models)	39K5021	2	Y
Shield, diskette drive EMC (all models)	41N8078	2	Y

8700 FRUs	FRU#	CRU Tier	RoHS?
Cable, Diskette drive (RoHs) (all models)	41A7182	2	Y
Cover, left side (all models)	41N8050	1	Y
Chassis assembly (all models)	41N8051	N	Y
System board I/O Shield (all models)	41N8053	N	Y
Kit, Miscellaneous hardware (all models)	41N8055	2	Y
Retention Module Kit, RoHs (all models)	41N8056	2	Y
Cable, hard disk drive and optical signal (all models)	39M0516	1	Y
Front system fan (all models)	41R2519	1	N
4PIN CABLE-SATA,2H 100mm LATCH(RoHs)PS cable (all models)	41R3300	1	Y
Cabel-SATA 250mm (RoHS) (all models)	41A7145	1	N
Retainer, Card Reader (all models)	41R2913	1	N
Retention Module Assembly, AMD (all models)	41R2507	1	N
Front Fan AVC (all models)	41R4791	1	N
Optional HDD Bracket Assembly, without 4Pin cable (all models)	41R6106	1	N
Chassis assembly (all models)	41R2533	1	N

8700 Keyboards (PS2 Preferred Pro)	FRU#	CRU Tier	RoHS?
US English (models A1U A2U A3U A5R A6U A7U A8U AEQ 21R 22R 24Q 25U 26U 27U 28U 31R 32U 33U 34U 35U D1U D2U D3U C1U C2U C3U C4U C5U AFR B2U 36R 41U 42U 43U 44U 46G D5U D6R D7U C6U C7U)	41A5039	1	Y
Arabic (models 46G)	41A5040	1	Y
Arabic/French (models 46G)	41A5041	1	Y
Belgian/French (models 46G)	41A5042	1	Y
Belgian/UK (models 46G)	41A5043	1	Y
Bulgarian (models 46G)	41A5045	1	Y
Hong Kong/Taiwan (models B1V 23V D4V)	41A5046	1	Y
Czech (models 46G)	41A5047	1	Y
Danish (models 46G)	41A5048	1	Y
Dutch (models 46G)	41A5049	1	Y
French (models 46G)	41A5050	1	Y
French Canadian 445 (models A1F A2F A3F A6F A7F A8F 25F 26F 27F 28F 32F 33F 34F 35F D1F D2F D3F B2F 42F 43F 44F D5F D7F)	41A5051	1	Y
French Canadian 58 (models A1F A2F A3F A6F A7F A8F 25F 26F 27F 28F 32F 33F 34F 35F D1F D2F D3F B2F 42F 43F 44F D5F D7F)	41A5052	1	Y
German (models 46G)	41A5053	1	Y
Greek (models 46G)	41A5054	1	Y
Hebrew (models 46G)	41A5055	1	Y
Hungarian (models 46G)	41A5056	1	Y
Iceland (models 46G)	41A5057	1	Y
Italian (models 46G)	41A5058	1	Y

8700 Keyboards (PS2 Preferred Pro)	FRU#	CRU Tier	RoHS?
Korean (models A5K 21K 22K 31K AFK 36K D6K)	41A5060	1	Y
LA Spanish (models A4S A4Y A6S A6Y A7S A7Y A8S A8Y 32S 32Y 33S 33Y 34S 34Y D1S D1Y D2S D2Y AGS AGY B3S B3Y 42S 42Y 45S 45Y)	41A5061	1	Y
Norwegian (models 46G)	41A5062	1	Y
Polish (models 46G)	41A5063	1	Y
Portuguese (models 46G)	41A5064	1	Y
Romanian (models 46G)	41A5065	1	Y
Russian/Cyrilic (models 46G)	41A5066	1	Y
Serbian/Cyrilic (models 46G)	41A5067	1	Y
Slovak (models 46G)	41A5068	1	Y
Spanish (models 46G)	41A5069	1	Y
Swedish/Finn (models 46G)	41A5070	1	Y
Swiss F/G (models 46G)	41A5071	1	Y
Turkish 440 (models 46G)	41A5073	1	Y
Turkish 179 (models 46G)	41A5074	1	Y
UK English (models 46G)	41A5075	1	Y
US Euro (models 46G)	41A5076	1	Y
Slovenian (models 46G)	41A5077	1	Y
Brazil/Portuguese (models A4P A6P A7P A8P 32P 33P 34P D1P D2P AGP B3P 42P 45P)	41A5044	1	Y

8700 mice	FRU#	CRU Tier	RoHS?
Optical Wheel Mouse (400DPI, USB) (all models)	41U3013	1	Y
Optical Wheel Mouse (400DPI, USB) (all models)	41U3030	1	Y
PS/2 Three Button ball mouse (models CTO)	41R0018	1	Y
ScrollPoint Optical Mouse (800DPI, USB) (models CTO)	41U3019	1	Y

8700 Adapters and miscellaneous FRUs	FRU#	CRU Tier	RoHS?
USB2.0 MEMORY CARDREADER,6X2,ROHS OPTIONAL,Bitland (models CTO)	41R3378	2	Y
USB2.0 MEMORY CARDREADER,6X2,ROHS OPTIONAL, SONY (models CTO)	41R3376	2	Y
PCI Modem Card (Soft) (models CTO A3U A3F A8U A8F A8S A8P A8Y 26U 26F 33U 33F 33S 33P 33Y B2U B2F 43U 43F D5U D5F)	29R9729	2	Y
L1 IEEE 1394 PCI Adapter (models CTO A4S A4P A4Y)	41D2781	2	Y
Denver - ATI X300SE 128MB (models CTO)	39J9635	2	Y
Dongle Cable - DMS59 to dual VGA (models CTO)	41D2399	2	Y
Dongle Cable - DMS59 to dual VGA (included in Denver L1) (models CTO)	42Y8181	2	Y
Dongle DMS Dule DMS-59 to dual DVI cable (models CTO)	41X6398	2	Y
Dongle DMS Dule DMS-59 to single VGA and DVI cable (models CTO)	42Y8183	2	Y
Nvidia GeForce 6200TC128MB 64bit (Full Height) (models CTO)	41X2668	2	Y

8700 Adapters and miscellaneous FRUs	FRU#	CRU Tier	RoHS?
Nvidia GeForce 6200TC 64MB 32bit (models CTO)	41X2667	2	Y
Nvidia GeForce 7300LE 128MB 64bit (models CTO)	41X2669	2	Y
ATI Radeon X1300PRO 256MB 128bit (models CTO)	41X2670	2	Y
Nvidia GeForce 7300LE 128MB 64bit LP / ATX with DMS59 (models CTO)	42Y8165	2	Y
ATI X1300LE 256M 64bit LP / ATX with DMS59 (models CTO)	42Y8162	2	Y
X1300 LE 256MB (models CTO)	42Y8159	2	Y
Internal USB Memory Card Reader (models CTO A4S A4P A4Y B2U B2F 43U 43F 46G D5U D5F)	41D1934	2	Y
Wireless Keyboard (models CTO)	41A5219	2	Y
Wireless Mouse (models CTO)	41A5247	2	Y
USB Transceiver for wireless kybd/mouse (models CTO)	41A5246	2	Y
Speakers (2-piece) Lenovo Logo (models B2U B2F 43U 43F D5U D5F)	41A5331	2	Y
Speaker Power brick - US, Canada, LA low voltage, ASEAN (models B2U B2F 43U 43F D5U D5F)	89P8571	2	Y

8700 Power Cords	FRU#	CRU Tier	RoHS?
Power cord - US (models A1U A1F A2U A2F A3U A3F A4S A6U A6F A6S A7U A7F A7S A8U A8F A8S 25U 25F 26U 26F 27U 27F 28U 28F 32U 32F 32S 33U 33F 33S 34U 34F 34S 35U 35F D1U D1F D1S D2U D2F D2S D3U D3F C1U C2U C3U C4U C5U AGS B2U B2F B3S 41U 42U 42F 42S 43U 43F 44U 44F 45S D5U D5F D7U D7F C6U C7U)	39M5080	1	Y
Power cord - Brazil (models A4P A6P A7P A8P 32P 33P 34P D1P D2P AGP B3P 42P 45P)	39M5232	1	Y
Power cord - LA High Volt APU) (models A4Y A6Y A7Y A8Y 32Y 33Y 34Y D1Y D2Y AGY B3Y 42Y 45Y)	39M5067	1	Y
Power cord - Korea (models A5K A5R 21K 21R 22K 22R 31K 31R AFK AFR 36K 36R D6K D6R)	39M5212	1	Y
Power cord - UK, Ireland, Singapore, Malaysia, Brunei (models 46G)	39M5150	1	Y
Power cord - Taiwan (models B1V 23V D4V)	39M5246	1	Y
Power cord - Italy (models A4S A4Y A6S A6Y A7S A7Y A8S A8Y 32S 32Y 33S 33Y 34S 34Y D1S D1Y D2S D2Y AGS AGY B3S B3Y 42S 42Y 45S 45Y 46G)	39M5164	1	Y
Power Cord (G models) (models 46G)	39M5122	1	Y
Power Cord (Denmark) (models 46G)	39M5129	1	Y
Power Cord (Switzerland) (models 46G)	39M5157	1	Y
Power Cord (Israel) (models 46G)	39M5171	1	Y
Power Cord (South Africa) (models 46G)	39M5143	1	Y
Power cord - India (models AEQ 24Q)	39M5004	1	Y

8700 Windows XP Home Recovery CDs	FRU#	CRU Tier	RoHS?
US/UK/AP/TH (models A1U A3U A5R A6U A8U 21R 22R 26U 31R 33U AFR B2U 36R 43U D5U D6R)	42Y3597	1	Y
FR/CF (models A1F A3F A6F A8F 26F 33F B2F 43F D5F)	42Y3598	1	Y

8700 Windows XP Home Recovery CDs	FRU#	CRU Tier	RoHS?
BR (models A6P A8P 33P)	42Y3602	1	Y
SP/LA (models A6S A6Y A8S A8Y 33S 33Y)	42Y3600	1	Y
Korea (models A5K 21K 22K 31K AFK 36K D6K)	41W7773	1	Y

8700 Windows XP Pro Recovery CDs	FRU#	CRU Tier	RoHS?
US/UK/AP/TH (models A2U A7U 24Q 25U 27U 28U 32U 34U 35U D1U D2U D3U 41U 42U 44U 46G D7U)	42Y3549	1	Y
FR/CF (models A2F A7F 25F 27F 28F 32F 34F 35F D1F D2F D3F 42F 44F 46G D7F)	42Y3550	1	Y
GR (models 46G)	42Y3551	1	Y
IT (models 46G)	42Y3553	1	Y
BR (models D2P 45P)	42Y3554	1	Y
SP/LA (models A4S A4Y A7S A7Y 32S 32Y 34S 34Y D1S D1Y D2S D2Y AGS AGY B3S B3Y 42S 42Y 45S 45Y 46G)	42Y3552	1	Y
DK (models 46G)	42Y3556	1	Y
NL (models 46G)	42Y3720	1	Y
AE (models 46G)	42Y3724	1	Y
SV (models 46G)	42Y3555	1	Y
HE (models 46G)	42Y3721	1	Y
FI (models 46G)	42Y3718	1	Y
NO (models 46G)	42Y3719	1	Y
PL (models 46G)	42Y3722	1	Y
PO (models 46G)	42Y3728	1	Y
RU (models 46G)	42Y3725	1	Y
RE (models 46G)	42Y3717	1	Y
HU (models 46G)	42Y3727	1	Y
CZ (models 46G)	42Y3723	1	Y
TR (models 46G)	42Y3726	1	Y
GK (models 46G)	42Y3729	1	Y
SL (models 46G)	42Y3730	1	Y
Taiwan - TC (models B1V 23V D4V)	41W7757	1	Y
Multilingual 1 (models 46G)	42Y3645	1	Y
Multilingual 2 (models 46G)	42Y3879	1	Y

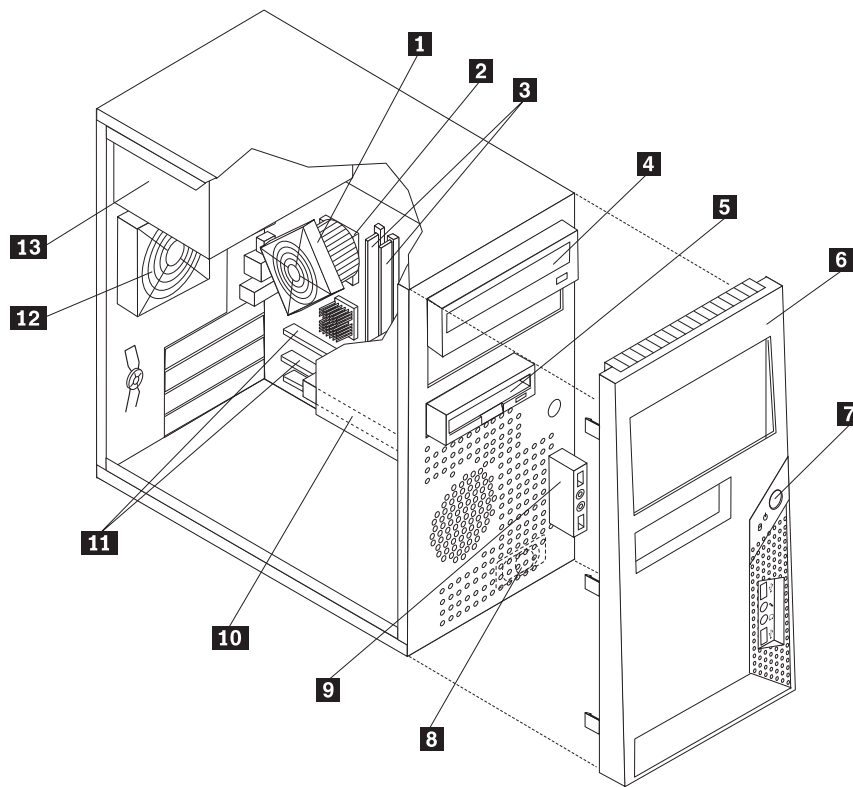
8700 Vista Home Basic 32 Recovery DVDs	FRU#	CRU Tier
US/UK/AP/TH (models)	87H4420	1
FR/CF (models)	87H4421	1
GR (models)	87H4422	1
SP/LA (models)	87H4423	1
BR (models)	87H4424	1

8700 Vista Home Basic 32 Recovery DVDs	FRU#	CRU Tier
IT (models)	87H4425	1
JP (models)	87H4426	1
NO (models)	87H4427	1
SV (models)	87H4428	1
DK (models)	87H4429	1
NL (models)	87H4430	1
CZ (models)	87H4431	1
FI (models)	87H4432	1
PL (models)	87H4433	1
RU (models)	87H4434	1
TR (models)	87H4435	1
HU (models)	87H4436	1
GK (models)	87H4437	1
PO (models)	87H4438	1
CS (models)	87H4439	1
TW (models)	87H4440	1
HK (models)	87H4441	1
KR (models)	87H4442	1
SL (models)	87H4443	1
RE (models)	43C1306	1

8700 Vista Business 32 Recovery DVDs	FRU#	CRU Tier
US/UK/AP/TH (models)	87H4476	1
FR/CF (models)	87H4477	1
GR (models)	87H4478	1
SP/LA (models)	87H4479	1
BR (models)	87H4480	1
IT (models)	87H4481	1
JP (models)	87H4482	1
NO (models)	87H4483	1
SV (models)	87H4484	1
DK (models)	87H4485	1
NL (models)	87H4486	1
CZ (models)	87H4487	1
FI (models)	87H4488	1
PL (models)	87H4489	1
RU (models)	87H4490	1
TR (models)	87H4491	1
HU (models)	87H4492	1
GK (models)	87H4493	1
PO (models)	87H4494	1

8700 Vista Business 32 Recovery DVDs	FRU#	CRU Tier
CS (models)	87H4495	1
TW (models)	87H4496	1
HK (models)	87H4497	1
KR (models)	87H4498	1
SL (models)	87H4499	1
RE (models)	43C1308	1

Machine Type 8701



Item #	8701 FRUs	FRU#	CRU Tier	RoHS?
1	Heatsink for Intel CPUs (all models)	41N8261	N	Y
1	Heatsink for Intel CPUs (models CTO)	41R4803	N	Y
1	Heatsink for Intel CPUs (models CTO)	41R6185	N	Y
2	Microprocessor, Celeron D 2.66GHz 533MHz FSB 256KB L2 (models CTO A1C A6V A7K)	41T1694	N	Y
2	Microprocessor, Celeron D 2.80GHz 533MHz FSB 256KB L2 (models CTO A2A A2T A3Q A3B A3H A5Q A4C 73G 74G)	41T1695	N	Y
2	Microprocessor, Celeron D 2.93GHz 533MHz FSB 256KB L2 (models CTO 71G 72G)	41T1696	N	Y
2	Microprocessor, Celeron D 3.06GHz 533MHz FSB 256KB L2 (models CTO B1K B1R B2K B2R 75G)	41T1697	N	Y
2	Microprocessor, Celeron D 3.20GHz 533MHz FSB 256KB L2 (models CTO)	41T1698	N	Y
2	Microprocessor, Celeron D 3.20GHz 533MHz FSB 512KB L2 (models CTO B3K B3R)	41T4966	N	Y
2	Microprocessor, Celeron D 3.33GHz 533MHz FSB 512KB L2 (models CTO)	41T4968	N	Y
2	Microprocessor, Celeron 430 CONROE-L 800/1800MHZ-512K,LGA,EM64T (models CTO)	43C1964	N	Y
2	Microprocessor, Celeron 440 CONROE-L 800/2000MHZ-512K,LGA,EM64T (models CTO)	43C1965	N	Y
2	Microprocessor, Pentium 4 524 Processor 3.06GHz 533MHz FSB 1M L2 (models CTO 31B 31H 32K 76G 77G)	41T4104	N	Y

Item #	8701 FRUs	FRU#	CRU Tier	RoHS?
2	Microprocessor, Pentium 4 531 Processor 3.0GHz 800MHz FSB 1M L2 (models CTO 33C)	41T1701	N	Y
2	Microprocessor, Pentium 4 3.0 GHz 800 FSB 2MB L2 (models CTO 51Q 51B 51H 52Q)	41T1709	N	Y
2	Microprocessor, Pentium 4 3.0 GHz 800 FSB 2MB L2 (models CTO 53K 53R)	41T1712	N	Y
2	Microprocessor, Pentium 4 3.2 GHz 800 FSB 2MB L2 (models CTO)	41T1713	N	Y
2	Microprocessor, Pentium 4 3.4 GHz 800 FSB 2MB L2 (models CTO)	41T1714	N	Y
2	Microprocessor, Pentium 4 661 Processor 3.6 GHz 800 FSB 2MB L2 B1-Value (models CTO)	41T1715	N	Y
2	Microprocessor, Pentium 4 2.8 GHz 800 FSB 2MB L2 (models CTO D1A D1T D1B D1H D2K D2R D3K)	41T1704	N	Y
2	Microprocessor, Pentium D 3.0 GHz 800 FSB 2Mx2 L2 (models CTO F3K F3R F4K F4R)	41X2413	N	Y
2	Microprocessor, Pentium D 3.0 GHz 800 FSB 2Mx2 L2 (models CTO G2K G2R)	41T1717	N	Y
2	Microprocessor, Pentium D 935 3.2 GHz 800 FSB 2MBx2 L2 C1-Value (95W) (models CTO)	41X8050	N	Y
2	Microprocessor, E2140 CONROE-L 800/1600MHZ-1M, LGA, EM64T (models CTO)	43C1967	N	Y
2	Microprocessor, E2160 CONROE-L 800/1600MHZ-1M, LGA, EM64T (models CTO)	43C1968	N	Y
2	Microprocessor, E4300 CONROE 800/1800MHZ-2M, LGA, EM64T (models CTO)	42Y8009	N	Y
2	Microprocessor, E4400 CONROE 800/2000MHZ-2M, LGA, EM64T L2 (models CTO)	43C2056	N	Y
2	Microprocessor, E6300 B2 CONROE 1066/1860MHZ-2M, LGA, EM64T (models CTO)	41X2495	N	Y
2	Microprocessor, E6320 B2 Conroe 1066/1.86/4M/775 (models CTO)	TBD	N	Y
2	Microprocessor, E6400 B2 CONROE 1066/2130MHZ-2M, LGA, EM64T (models CTO)	41X2496	N	Y
2	Microprocessor, E6420 B2 Conroe 1066/2.13/4M/775 (models CTO)	TBD	N	Y
2	Microprocessor, E6600 B2 CONROE 1066/2400MHZ-4M, LGA, EM64T (models CTO)	41X5743	N	Y
2	Microprocessor, E6700 B2 CONROE 1066/2670MHZ-4M, LGA, EM64T (models CTO)	41X5744	N	Y
3	Memory module, 512 MB PC2-4200 (533MHz) DDR2 SDRAM (models CTO 51Q 51B 51H D1A D1T D1B D1H 72G 31B 31H 73G 74G 75G 76G 77G)	41X4251	1	Y
3	Memory module, 1 GB PC2-4200 (533MHz) DDR2 SDRAM (models CTO)	41X4252	1	Y
3	Memory module, 512 MB PC2-5300 (667MHz) DDR2 SDRAM (models CTO B1K B1R B2K B2R B3K B3R 53K 53R A7K 32K D3K F4K F4R)	41X4255	1	Y
3	Memory module, 1 GB PC2-5300 (667MHz) DDR2 SDRAM (models CTO D2K D2R G2K G2R F3K F3R)	41X4256	1	Y
4	DVD-ROM drive (16X/48X) (models CTO 71G A6V 73G 74G 75G)	41X3544	1	Y
4	DVD-ROM drive (16X/48X) (models CTO 71G A6V 73G 74G 75G)	41X3545	1	Y

Item #	8701 FRUs	FRU#	CRU Tier	RoHS?
4	DVD-ROM drive (16X/48X) (models CTO 71G A6V 73G 74G 75G)	41X3546	1	Y
4	Combo 48 -32 -48 -16 - - DVD - ROM - CDRW (models CTO B2K B2R B3K B3R 53K 53R D1A D1T D1B D1H D2K D2R 72G 32K D3K F3K F3R F4K F4R 76G)	41X3547	1	Y
4	Combo 48 -32 -48 -16 - - DVD - ROM - CDRW (models CTO B2K B2R B3K B3R 53K 53R D1A D1T D1B D1H D2K D2R 72G 32K D3K F3K F3R F4K F4R 76G)	41X3548	1	Y
4	Combo 48 -32 -48 -16 - - DVD - ROM - CDRW (models CTO B2K B2R B3K B3R 53K 53R D1A D1T D1B D1H D2K D2R 72G 32K D3K F3K F3R F4K F4R 76G)	41X3549	1	Y
4	Combo 48 -32 -48 -16 - - DVD - ROM - CDRW --NON/VISTA (models CTO B2K B2R B3K B3R 53K 53R D1A D1T D1B D1H D2K D2R 72G 32K D3K F3K F3R F4K F4R 76G F5K H1S H1P H1Y H2S H2P H2Y 79G)	42Y9368	1	Y
4	Combo 48 -32 -48 -16 - - DVD - ROM - CDRW --NON/VISTA (models CTO B2K B2R B3K B3R 53K 53R D1A D1T D1B D1H D2K D2R 72G 32K D3K F3K F3R F4K F4R 76G F5K H1S H1P H1Y H2S H2P H2Y 79G)	42Y9369	1	Y
4	Combo 48 -32 -48 -16 - - DVD - ROM - CDRW --NON/VISTA (models CTO B2K B2R B3K B3R 53K 53R D1A D1T D1B D1H D2K D2R 72G 32K D3K F3K F3R F4K F4R 76G F5K H1S H1P H1Y H2S H2P H2Y 79G)	41X7992	1	Y
4	DVD-Recorder (Rambo 8)-NON/VISTA (models CTO 77G)	41N3343	1	Y
4	DVD-Recorder (Rambo 8)-NON/VISTA (models CTO 77G)	41X3550	1	Y
4	DVD-Recorder (Rambo 8)-NON/VISTA (models CTO 77G)	42Y9370	1	Y
4	DVD Recordable No Software / No Royalty for VISTA Models ONLY (models CTO 77G)	42Y9371	2	Y
4	DVD Recordable No Software / No Royalty for VISTA Models ONLY (models CTO 77G)	42Y6017	2	Y
4	DVD Recordable No Software / No Royalty for VISTA Models ONLY (models CTO 77G)	43C0144	2	Y
4	DVD Recordable No Software / No Royalty for VISTA Models ONLY (models CTO 77G)	42Y9370	2	Y
5	Diskette drive, 3.5" 1.44MB 2 Mode (w/bezel) -- Lenovo (models CTO A1C A2A A2T A5Q A4C 41A 41T 42C 51Q 51B 51H D1A D1T D1B D1H A6V 31B 31H 33C)	40Y9105	2	Y
5	Diskette drive, 3.5" 1.44MB 2 Mode (models CTO A1C A2A A2T A5Q A4C 41A 41T 42C 51Q 51B 51H D1A D1T D1B D1H A6V 31B 31H 33C)	40Y7107	2	Y
6	Bezel assembly (all models)	41N8052	2	Y
7	Power switch/LED assembly (all models)	41N5284	2	Y
8	Speaker assembly, soldered terminals (all models)	39P5023	2	Y
9	Front audio/USB assembly (all models)	41N8054	2	Y
10	Hard disk drive, 40GB (7200RPM), Serial ATA (models CTO A1C)	40Y9033	1	Y
10	Hard disk drive, 80GB (7200RPM), Serial ATA (models CTO A2A A2T A3Q A3B A3H A5Q A4C B1K B1R 41A 41T 42C 51Q 51B 51H 52Q D1A D1T D1B D1H 71G 72G A6V A7K 31B 31H 33C 73G 74G 75G 76G)	40Y9034	1	Y
10	Hard disk drive, 80GB 7200rpm SATA (only for China) (models A2T A3B A3H A4C 41T 42C 51B 51H D1T D1B D1H A6V 31B 31H 33C)	41X2500	1	Y
10	Hard disk drive, 160GB (7200RPM), Serial ATA (models CTO B2K B2R B3K B3R 53K 53R D2K D2R G2K G2R 32K D3K F3K F3R F4K F4R 77G)	40Y9035	1	Y

Item #	8701 FRUs	FRU#	CRU Tier	RoHS?
10	Hard disk drive, 250GB (7200RPM), Serial ATA (models CTO)	40Y9036	1	Y
10	Hard disk drive, 500GB (7200RPM), Serial ATA (models CTO)	41X5582	1	Y
11	System board, SiS 662 Gig E for Vista and XP (models CTO A1C A2A A2T A3Q A3B A3H A5Q A4C B1K B1R B2K B2R B3K B3R 41A 41T 42C 51Q 51B 51H 52Q 53K 53R D1A D1T D1B D1H D2K D2R G2K G2R 71G 72G A6V A7K 31B 31H 32K 33C D3K F3K F3R F4K F4R 73G 74G 75G 76G 77G F5K H1S H1P H1Y H2S H2P H2Y H3S H3P H3Y H6V 78G 79G) Note: When ordering a new system board, you must also order a new retention module for the heat sink.	87H4657	N	Y
12	Fan, Rear w/ grommets & Grill (all models)	41N8079	2	Y
13	Power supply (300W) (models CTO)	41N3489	2	Y
13	Power supply (230W) (models CTO A2A A2T B1K B1R B2K B2R B3K B3R 41A 41T 53K 53R D1A D1T D2K D2R G2K G2R 71G 72G A6V A7K 32K D3K F3K F3R F4K F4R 73G 74G 75G 76G 77G)	41N3094	2	Y
13	Power supply (250W) (models CTO A2A A2T B1K B1R B2K B2R B3K B3R 41A 41T 53K 53R D1A D1T D2K D2R G2K G2R 71G 72G A6V A7K 32K D3K F3K F3R F4K F4R 73G 74G 75G 76G 77G)	41N3127	2	Y
13	Power supply (220V/250W/ATX12V - China) (models CTO A1C A3Q A3B A3H A5Q A4C 42C 51Q 51B 51H 52Q D1B D1H 31B 31H 33C)	41N3485	2	Y
13	Power Supply 5281-7VW-ROHS, 280W, Standard (models CTO)	41N3479	2	Y
13	Power Supply 5281-7VW-ROHS, 280W, Standard (models CTO)	41N3482	2	Y
13	Power Supply 310W standard only for Japan (models CTO)	24R2596	2	Y

The FRUs listed in the following tables are not illustrated.

8701 FRUs	FRU#	CRU Tier	RoHS?
Thermal grease kit (all models)	91P8835	N	Y
Shield, 5.25 EMC (all models)	41N8080	2	Y
Cable, SATA (18" RoHs) (all models)	26K1186	2	Y
Cable, Serial (all models)	39K5021	2	Y
Shield, diskette drive EMC (all models)	41N8078	2	Y
Cable, Diskette drive (RoHs) (all models)	41A7182	2	Y
Cover, left side (all models)	41N8050	1	Y
Chassis assembly (all models)	41N8051	N	Y
System board I/O Shield - (all models)	41N8053	N	Y
Kit, Miscellaneous hardware (all models)	41N8055	2	Y
Retention Module Kit, RoHs (all models)	41N8056	2	Y
Cable, hard disk drive and optical signal (all models)	39M0516	1	Y
Front system fan (all models)	41R2519	1	Y
4 PIN CABLE-SATA,2H 100mm LATCH(RoHs)PS cable (all models)	41R3300	1	Y
Cable SATA 250mm (RoHS) (all models)	41A7145	1	N
Retainer, Card Reader (all models)	41R2913	1	N
Retention Module Assembly, AMD (all models)	41R2507	1	N

8701 FRUs	FRU#	CRU Tier	RoHS?
Front Fan AVC (all models)	41R4791	1	N
Optional HDD Bracket Assembly, without 4Pin cable (all models)	41R6106	1	N
Chassis assembly (all models)	41R2533	1	N

8701 Keyboards (Lenovo Preferred Pro fullsize, Black)	FRU#	CRU Tier	RoHS?
US English (models A1C A2A A3Q A3H A5Q A4C B1R B2R B3R 41A 42C 51Q 51H 52Q 53R D1A D1H D2R G2R 71G 72G 31H 33C F3R F4R 73G 74G 75G 76G 77G)	41A5039	1	Y
Arabic (models 71G 72G 73G 74G 75G 76G 77G)	41A5040	1	Y
Arabic/French (models 71G 72G 73G 74G 75G 76G 77G)	41A5041	1	Y
Belgian/French (models 71G 72G 73G 74G 75G 76G 77G)	41A5042	1	Y
Belgian/UK (models 71G 72G 73G 74G 75G 76G 77G)	41A5043	1	Y
Bulgarian (models 71G 72G 73G 74G 75G 76G 77G)	41A5045	1	Y
Hong Kong/Taiwan (models A3B 51B D1B A6V 31B)	41A5046	1	Y
Czech (models 71G 72G 73G 74G 75G 76G 77G)	41A5047	1	Y
Danish (models 71G 72G 73G 74G 75G 76G 77G)	41A5048	1	Y
Dutch (models 71G 72G 73G 74G 75G 76G 77G)	41A5049	1	Y
French (models 71G 72G 73G 74G 75G 76G 77G)	41A5050	1	Y
German (models 71G 72G 73G 74G 75G 76G 77G)	41A5053	1	Y
Greek (models 71G 72G 73G 74G 75G 76G 77G)	41A5054	1	Y
Hebrew (models 71G 72G 73G 74G 75G 76G 77G)	41A5055	1	Y
Hungarian (models 71G 72G 73G 74G 75G 76G 77G)	41A5056	1	Y
Iceland (models 71G 72G 73G 74G 75G 76G 77G)	41A5057	1	Y
Italian (models 71G 72G 73G 74G 75G 76G 77G)	41A5058	1	Y
Korean (models B1K B2K B3K 53K D2K G2K A7K 32K D3K F3K F4K)	41A5060	1	Y
Norwegian (models 71G 72G 73G 74G 75G 76G 77G)	41A5062	1	Y
Polish (models 71G 72G 73G 74G 75G 76G 77G)	41A5063	1	Y
Portuguese (models 71G 72G 73G 74G 75G 76G 77G)	41A5064	1	Y
Romanian (models 71G 72G 73G 74G 75G 76G 77G)	41A5065	1	Y
Russian/Cyrilic (models 71G 72G 73G 74G 75G 76G 77G)	41A5066	1	Y
Serbian/Cyrilic (models 71G 72G 73G 74G 75G 76G 77G)	41A5067	1	Y
Slovak (models 71G 72G 73G 74G 75G 76G 77G)	41A5068	1	Y
Spanish (models 71G 72G 73G 74G 75G 76G 77G)	41A5069	1	Y
Swedish/Finn (models 71G 72G 73G 74G 75G 76G 77G)	41A5070	1	Y
Swiss F/G (models 71G 72G 73G 74G 75G 76G 77G)	41A5071	1	Y
Thailand (models A2T 41T D1T)	41A5072	1	Y
Turkish 440 (models 71G 72G 73G 74G 75G 76G 77G)	41A5073	1	Y
Turkish 179 (models 71G 72G 73G 74G 75G 76G 77G)	41A5074	1	Y
UK English (models 71G 72G 73G 74G 75G 76G 77G)	41A5075	1	Y
US Euro (models 71G 72G 73G 74G 75G 76G 77G)	41A5076	1	Y

8701 Keyboards (Lenovo Preferred Pro fullsize, Black)	FRU#	CRU Tier	RoHS?
Slovenian (models 71G 72G 73G 74G 75G 76G 77G)	41A5077	1	Y

8701 mice	FRU#	CRU Tier	RoHS?
Optical Wheel Mouse (400DPI, USB) (all models)	41U3013	1	Y
Optical Wheel Mouse (400DPI, USB) (all models)	41U3030	1	Y
PS/2 Three Button ball mouse (models CTO) (models CTO)	41R0018	1	Y
ScrollPoint Optical Mouse (800DPI, USB) (models CTO)	41U3019	1	Y

8701 Adapters and miscellaneous FRUs	FRU#	CRU Tier	RoHS?
USB2.0 MEMORY CARDREADER,6X2,ROHS OPTIONAL,Bitland (models CTO)	41R3378	2	Y
USB2.0 MEMORY CARDREADER,6X2,ROHS OPTIONAL, SONY (models CTO)	41R3376	2	Y
PCI Modem Card (Soft) (models CTO)	29R9729	2	Y
L1 IEEE 1394 PCI Adapter (models CTO)	41D2781	2	Y
Denver - ATI X300SE 128MB (models CTO B1K B1R B2K B2R B3K B3R 53K 53R D2K D2R F3K F3R F4K F4R)	39J9635	2	Y
Dongle Cable - DMS59 to dual VGA (models CTO)	41D2399	2	Y
Dongle Cable - DMS59 to dual VGA (included in Denver L1) (models CTO)	42Y8181	2	Y
Dongle DMS Dule DMS-59 to dual DVI cable (models CTO)	41X6398	2	Y
Dongle DMS Dule DMS-59 to single VGA and DVI cable (models CTO)	42Y8183	2	Y
Nvidia GeForce 6200TC128MB 64bit (Full Height) (models CTO)	41X2668	2	Y
Nvidia GeForce 6200TC 64MB 32bit (models CTO)	41X2667	2	Y
Nvidia GeForce 7300LE 128MB 64bit (models CTO)	41X2669	2	Y
Nvidia GeForce 7300LE 128MB 64bit LP / ATX with DMS59 (models CTO)	42Y8165	2	Y
ATI Radeon X1300PRO 256MB 128bit (models CTO)	41X2670	2	Y
ATI X1300LE 256M 64bit LP / ATX with DMS59 (models CTO)	42Y8162	2	Y
X1300 LE 256MB (models CTO)	42Y8159	2	Y
Internal USB Memory Card Reader (models CTO)	41D1934	2	Y
Wireless Keyboard (models CTO)	41A5219	2	Y
Wireless Mouse (models CTO)	41A5247	2	Y
USB Transceiver for wireless kybd/mouse (models CTO)	41A5246	2	Y

8701 Power Cords	FRU#	CRU Tier	RoHS?
Power Cord (China) (models 33C)	39M5205	1	Y
Power Cord (Korea) (models A7K 32K D3K F3K F3R F4K F4R)	39M5212	1	Y
Power Cord (Hong Kong) (models 31B 31H)	39M5151	1	Y
Power Cord (UK, Ireland, Singapore, Malaysia, Brunei) (models 73G 74G 75G 76G 77G)	39M5150	1	Y
Power Cord (Taiwan) (models A6V)	39M5246	1	Y

8701 Power Cords	FRU#	CRU Tier	RoHS?
Power Cord (Italy) (models 73G 74G 75G 76G 77G)	39M5164	1	Y
Power Cord (G models) (models 73G 74G 75G 76G 77G)	39M5122	1	Y
Power Cord (Denmark) (models 73G 74G 75G 76G 77G)	39M5129	1	Y
Power Cord (Switzerland) (models 73G 74G 75G 76G 77G)	39M5157	1	Y
Power Cord (Israel) (models 73G 74G 75G 76G 77G)	39M5171	1	Y
Power Cord (South Africa) (models 73G 74G 75G 76G 77G)	39M5143	1	Y

8701 Windows XP Home Recovery CDs	FRU#	CRU Tier	RoHS?
US/UK/AP/TH (models B1R B2R B3R 51Q 51H 53R D2R G2R 71G 72G 31H F3R F4R 73G)	42Y3597	1	Y
RE (models 71G 72G 73G)	42Y3801	1	Y
FR/CF (models 71G 72G 73G)	42Y3598	1	Y
GR (models 71G 72G 73G)	42Y3599	1	Y
SP/LA (models 71G 72G 73G)	42Y3600	1	Y
IT (models 71G 72G 73G)	42Y3601	1	Y
SV (models 71G 72G 73G)	42Y3603	1	Y
DK (models 71G 72G 73G)	42Y3604	1	Y
FI (models 71G 72G 73G)	42Y3802	1	Y
NO (models 71G 72G 73G)	42Y3803	1	Y
NL (models 71G 72G 73G)	42Y3804	1	Y
HE (models 71G 72G 73G)	42Y3805	1	Y
PL (models 71G 72G 73G)	42Y3806	1	Y
CZ (models 71G 72G 73G)	42Y3807	1	Y
AE (models 71G 72G 73G)	42Y3808	1	Y
RU (models 71G 72G 73G)	42Y3809	1	Y
TR (models 71G 72G 73G)	42Y3810	1	Y
HU (models 71G 72G 73G)	42Y3811	1	Y
PO (models 71G 72G 73G)	42Y3812	1	Y
GK (models 71G 72G 73G)	42Y3813	1	Y
Hong Kong-TC (models 51B 31B)	41W7790	1	Y
Korea (models B1K B2K B3K 53K D2K G2K A7K 32K D3K F3K F4K)	41W7773	1	Y

8701 Windows XP Pro Recovery CDs	FRU#	CRU Tier	RoHS?
US/UK/AP/TH (models A2A A2T 41A 41T 52Q D1A D1T D1H 75G 76G 77G)	42Y3549	1	Y
RE (models 75G 76G 77G)	42Y3717	1	Y
FR/CF (models 75G 76G 77G)	42Y3550	1	Y
GR (models 75G 76G 77G)	42Y3551	1	Y
SP/LA (models 75G 76G 77G)	42Y3552	1	Y
IT (models 75G 76G 77G)	42Y3553	1	Y

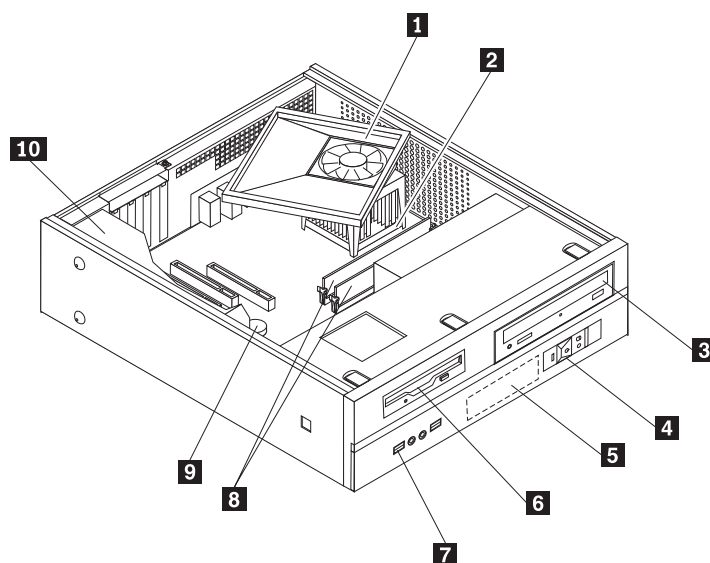
8701 Windows XP Pro Recovery CDs	FRU#	CRU Tier	RoHS?
SV (models 75G 76G 77G)	42Y3555	1	Y
DK (models 75G 76G 77G)	42Y3556	1	Y
FI (models 75G 76G 77G)	42Y3718	1	Y
NO (models 75G 76G 77G)	42Y3719	1	Y
NL (models 75G 76G 77G)	42Y3720	1	Y
HE (models 75G 76G 77G)	42Y3721	1	Y
PL (models 75G 76G 77G)	42Y3722	1	Y
CZ (models 75G 76G 77G)	42Y3723	1	Y
AE (models 75G 76G 77G)	42Y3724	1	Y
RU (models 75G 76G 77G)	42Y3725	1	Y
TR (models 75G 76G 77G)	42Y3726	1	Y
HU (models 75G 76G 77G)	42Y3727	1	Y
PO (models 75G 76G 77G)	42Y3728	1	Y
GK (models 75G 76G 77G)	42Y3729	1	Y
SL (models 75G 76G 77G)	42Y3730	1	Y
Taiwan-TC (models A6V)	41W7757	1	Y
Hong Kong-TC (models D18)	41W7762	1	Y
Multilingual 1 (models 75G 76G 77G)	42Y3645	1	Y
Multilingual 2 (models 75G 76G 77G)	42Y3879	1	Y

8701 Vista Home Basic 32 Recovery DVDs	FRU#	CRU Tier
US/UK/AP/TH (models)	87H4420	1
FR/CF (models)	87H4421	1
GR (models)	87H4422	1
SP/LA (models)	87H4423	1
BR (models)	87H4424	1
IT (models)	87H4425	1
JP (models)	87H4426	1
NO (models)	87H4427	1
SV (models)	87H4428	1
DK (models)	87H4429	1
NL (models)	87H4430	1
CZ (models)	87H4431	1
FI (models)	87H4432	1
PL (models)	87H4433	1
RU (models)	87H4434	1
TR (models)	87H4435	1
HU (models)	87H4436	1
GK (models)	87H4437	1
PO (models)	87H4438	1

8701 Vista Home Basic 32 Recovery DVDs	FRU#	CRU Tier
CS (models)	87H4439	1
TW (models)	87H4440	1
HK (models)	87H4441	1
KR (models)	87H4442	1
SL (models)	87H4443	1
RE (models)	43C1306	1

8701 Vista Business 32 Recovery DVDs	FRU#	CRU Tier
US/UK/AP/TH (models)	87H4476	1
FR/CF (models)	87H4477	1
GR (models)	87H4478	1
SP/LA (models)	87H4479	1
BR (models)	87H4480	1
IT (models)	87H4481	1
JP (models)	87H4482	1
NO (models)	87H4483	1
SV (models)	87H4484	1
DK (models)	87H4485	1
NL (models)	87H4486	1
CZ (models)	87H4487	1
FI (models)	87H4488	1
PL (models)	87H4489	1
RU (models)	87H4490	1
TR (models)	87H4491	1
HU (models)	87H4492	1
GK (models)	87H4493	1
PO (models)	87H4494	1
CS (models)	87H4495	1
TW (models)	87H4496	1
HK (models)	87H4497	1
KR (models)	87H4498	1
SL (models)	87H4499	1
RE (models)	43C1308	1

Machine Type 8702



Item #	8702 FRUs	FRU#	CRU Tier	RoHS?
1	Heatsink for Intel processors (all models)	41N8261	N	Y
1	Heatsink for Intel processors (models CTO)	41R4803	N	Y
1	Heatsink for Intel processors (models CTO)	41R6185	N	Y
2	Microprocessor, Celeron D 2.66GHz 533MHz FSB 256KB L2 (models CTO)	41T1694	N	Y
2	Microprocessor, Celeron D 2.80GHz 533MHz FSB 256KB L2 (models CTO A2Q A2C A2B A2H A3J A4J A5J A6J A7J A8J A9J AAJ ABJ ACJ ADJ AEJ)	41T1695	N	Y
2	Microprocessor, Celeron D 2.93GHz 533MHz FSB 256KB L2 (models CTO)	41T1696	N	Y
2	Microprocessor, Celeron D 3.06GHz 533MHz FSB 256KB L2 (models CTO B1K B1R B2K B2R B5J B6J B7J B8J B9J BAJ BBJ BCJ BDJ BEJ BFJ BGJ 71G)	41T1697	N	Y
2	Microprocessor, Celeron D 3.20GHz 533MHz FSB 256KB L2 (models CTO)	41T1698	N	Y
2	Microprocessor, Celeron D 3.20GHz 533MHz FSB 512KB L2 (models CTO B3K B3R B4K)	41T4966	N	Y
2	Microprocessor, Celeron D 3.33GHz 533MHz FSB 512KB L2 (models CTO)	41T4968	N	Y
2	Microprocessor, Celeron 430 CONROE-L 800/1800MHZ-512K,LGA,EM64T (models CTO)	43C1964	N	Y
2	Microprocessor, Celeron 440 CONROE-L 800/2000MHZ-512K,LGA,EM64T (models CTO)	43C1965	N	Y
2	Microprocessor, Pentium 4 524 Processor 3.06GHz 533MHz FSB 1M L2 (models CTO 42B 42H 43B 43H 44J 45J 46J 47J 48J 49J 4AJ 4BJ 4CJ 4DJ 4EJ 4FJ 4GK 72G)	41T4104	N	Y
2	Microprocessor, Pentium 4 3.0 GHz 800 FSB 2MB L2 (models CTO 51Q 52Q 52C 52B 52H)	41T1709	N	Y
2	Microprocessor, Pentium 4 3.0 GHz 800 FSB 2MB L2 (models CTO 53K 53R 54K 54R 55K 55R)	41T1712	N	Y
2	Microprocessor, Pentium 4 3.2 GHz 800 FSB 2MB L2 (models CTO)	41T1713	N	Y
2	Microprocessor, Pentium 4 3.4 GHz 800 FSB 2MB L2 (models CTO)	41T1714	N	Y

Item #	8702 FRUs	FRU#	CRU Tier	RoHS?
2	Microprocessor, Pentium 4 661 Processor 3.6 GHz 800 FSB 2MB L2 B1-Value (models CTO)	41T1715	N	Y
2	Microprocessor, Pentium 4 2.8 GHz 800 FSB 2MB L2 (models CTO D1C D1B D1H D2K D2R D1J D3J D4J D5J D6J D7J D8J D9J DAJ DBJ DCJ DDJ)	41T1704	N	Y
2	Microprocessor, Pentium D 915 Processor 2.8GHz 800MHz FSB 2Mx2 L2 (models CTO DEK)	41X7775	N	Y
2	Microprocessor, Pentium D 3.0 GHz 800 FSB 2Mx2 L2 (models CTO F6K F6R F7K F7R F8K F8R F9K F9R FAK FAR)	41X2413	N	Y
2	Microprocessor, Pentium D 3.0 GHz 800 FSB 2Mx2 L2 (models CTO)	41T1717	N	Y
2	Microprocessor, Pentium D 935 3.2 GHz 800 FSB 2MBx2 L2 C1-Value (95W) (models CTO)	41X8050	N	Y
2	Microprocessor, Pentium D 3.4 GHz 800 FSB 2Mx2 L2 (models CTO G2Q G2C G3C G4K)	41X7776	N	Y
2	Microprocessor, E2140 CONROE-L 800/1600MHZ-1M, LGA, EM64T (models CTO)	43C1967	N	Y
2	Microprocessor, E2160 CONROE-L 800/1600MHZ-1M, LGA, EM64T (models CTO)	43C1968	N	Y
2	Microprocessor, E4300 CONROE 800/1800MHZ-2M, LGA, EM64T (models CTO)	42Y8009	N	Y
2	Microprocessor, E4400 CONROE 800/2000MHZ-2M, LGA, EM64T L2 (models CTO)	43C2056	N	Y
2	Microprocessor, E6300 B2 CONROE 1066/1860MHZ-2M, LGA, EM64T (models CTO)	41X2495	N	Y
2	Microprocessor, E6320 B2 Conroe 1066/1.86/4M/775 (models CTO)	TBD	N	Y
2	Microprocessor, E6400 B2 CONROE 1066/2130MHZ-2M, LGA, EM64T (models CTO)	41X2496	N	Y
2	Microprocessor, E6420 B2 Conroe 1066/2.13/4M/775 (models CTO)	TBD	N	Y
2	Microprocessor, E6600 B2 CONROE 1066/2400MHZ-4M, LGA, EM64T (models CTO)	41X5743	N	Y
2	Microprocessor, E6700 B2 CONROE 1066/2670MHZ-4M, LGA, EM64T (models CTO)	41X5744	N	Y
3	DVD-ROM drive (16X/48X) (models CTO 71G 72G)	41X3544	2	Y
3	DVD-ROM drive (16X/48X) (models CTO 71G 72G)	41X3545	2	Y
3	DVD-ROM drive (16X/48X) (models CTO 71G 72G)	41X3546	2	Y
3	Combo 48 -32 -48 -16 - - DVD - ROM - CDRW (models CTO B2K B2R B3K B3R 53K 53R 54K 54R 55K 55R D1C D1B D1H D2K D2R A5J A6J A9J AAJ ABJ ACJ B7J B8J BBJ BCJ BDJ BEJ B4K 46J 47J 4AJ 4BJ 4CJ 4DJ 4GK D1J D5J D8J D9J DAJ DBJ DEK F7K F7R F8K F8R F9K F9R FAK FAR G3K G4K)	41X3547	2	Y
3	Combo 48 -32 -48 -16 - - DVD - ROM - CDRW (models CTO B2K B2R B3K B3R 53K 53R 54K 54R 55K 55R D1C D1B D1H D2K D2R A5J A6J A9J AAJ ABJ ACJ B7J B8J BBJ BCJ BDJ BEJ B4K 46J 47J 4AJ 4BJ 4CJ 4DJ 4GK D1J D5J D8J D9J DAJ DBJ DEK F7K F7R F8K F8R F9K F9R FAK FAR G3K G4K)	41X3548	2	Y

Item #	8702 FRUs	FRU#	CRU Tier	RoHS?
3	Combo 48 -32 -48 -16 - - DVD - ROM - CDRW (models CTO B2K B2R B3K B3R 53K 53R 54K 54R 55K 55R D1C D1B D1H D2K D2R A5J A6J A9J AAJ ABJ ACJ B7J B8J BBJ BCJ BDJ BEJ B4K 46J 47J 4AJ 4BJ 4CJ 4DJ 4GK D1J D5J D8J D9J DAJ DBJ DEK F7K F7R F8K F8R F9K F9R FAK FAR G3K G4K)	41X3549	2	Y
3	Combo 48 -32 -48 -16 - - DVD - ROM - CDRW --NON/VISTA (models CTO B2K B2R B3K B3R 53K 53R 54K 54R 55K 55R D1C D1B D1H D2K D2R A5J A6J A9J AAJ ABJ ACJ B7J B8J BBJ BCJ BDJ BEJ B4K 46J 47J 4AJ 4BJ 4CJ 4DJ 4GK D1J D5J D8J D9J DAJ DBJ DEK F7K F7R F8K F8R F9K F9R FAK FAR G3K G4K BJK FBK FCK H2K H3S H3P H3Y H4S H4P H4Y)	42Y9368	1	Y
3	Combo 48 -32 -48 -16 - - DVD - ROM - CDRW --NON/VISTA (models CTO B2K B2R B3K B3R 53K 53R 54K 54R 55K 55R D1C D1B D1H D2K D2R A5J A6J A9J AAJ ABJ ACJ B7J B8J BBJ BCJ BDJ BEJ B4K 46J 47J 4AJ 4BJ 4CJ 4DJ 4GK D1J D5J D8J D9J DAJ DBJ DEK F7K F7R F8K F8R F9K F9R FAK FAR G3K G4K BJK FBK FCK H2K H3S H3P H3Y H4S H4P H4Y)	42Y9369	1	Y
3	Combo 48 -32 -48 -16 - - DVD - ROM - CDRW --NON/VISTA (models CTO B2K B2R B3K B3R 53K 53R 54K 54R 55K 55R D1C D1B D1H D2K D2R A5J A6J A9J AAJ ABJ ACJ B7J B8J BBJ BCJ BDJ BEJ B4K 46J 47J 4AJ 4BJ 4CJ 4DJ 4GK D1J D5J D8J D9J DAJ DBJ DEK F7K F7R F8K F8R F9K F9R FAK FAR G3K G4K BJK FBK FCK H2K H3S H3P H3Y H4S H4P H4Y)	41X7992	1	Y
3	DVD-Recorder (Rambo 8)-NON/VISTA (models CTO ADJ AEJ BFJ BGJ 4EJ 4FJ DCJ DDJ F6K F6R H8J HKJ HBJ)	41N3343	2	Y
3	DVD-Recorder (Rambo 8)-NON/VISTA (models CTO ADJ AEJ BFJ BGJ 4EJ 4FJ DCJ DDJ F6K F6R H8J HKJ HBJ)	41X3550	2	Y
3	DVD Recordable No Software / No Royalty for VISTA Models ONLY (models CTO ADJ AEJ BFJ BGJ 4EJ 4FJ DCJ DDJ F6K F6R H8J HKJ HBJ)	42Y9371	2	Y
3	DVD Recordable No Software / No Royalty for VISTA Models ONLY (models CTO ADJ AEJ BFJ BGJ 4EJ 4FJ DCJ DDJ F6K F6R H8J HKJ HBJ)	42Y6017	2	Y
3	DVD Recordable No Software / No Royalty for VISTA Models ONLY (models CTO ADJ AEJ BFJ BGJ 4EJ 4FJ DCJ DDJ F6K F6R H8J HKJ HBJ)	43C0144	2	Y
3	DVD Recordable No Software / No Royalty for VISTA Models ONLY (models CTO ADJ AEJ BFJ BGJ 4EJ 4FJ DCJ DDJ F6K F6R H8J HKJ HBJ)	42Y9370	2	Y
4	Front Power/LED PC, bracket, and cable (all models)	41N8213	N	Y
5	Hard disk drive, 40GB (7200RPM), Serial ATA (models CTO)	40Y9033	2	Y
5	Hard disk drive, 80GB (7200RPM), Serial ATA (models CTO A2Q A2C A2B A2H B1K B1R 51Q 52Q 52C 52B 52H D1C D1B D1H A3J A4J A5J A6J B5J B6J B7J B8J 42B 42H 43B 43H 44J 45J 46J 47J D1J D3J D4J D5J G2Q G2C 71G 72G)	40Y9034	2	Y
5	Hard disk drive, 80GB 7200rpm SATA (only for China) (models A2C A2B A2H 52C 52B 52H D1C D1B D1H 42B 42H 43B 43H G2C)	41X2500	1	Y
5	Hard disk drive, 160GB (7200RPM), Serial ATA (models CTO B2K B2R B3K B3R 54K 54R D2K D2R A7J A8J A9J AAJ B9J BAJ BBJ BCJ 48J 49J 4AJ 4BJ 4GK D7J D8J D9J DEK F7K F7R F8K F8R FAK FAR)	40Y9035	2	Y
5	Hard disk drive, 250GB (7200RPM), Serial ATA (models CTO 53K 53R 55K 55R ABJ ACJ ADJ AEJ BDJ BEJ BFJ BGJ B4K 4CJ 4DJ 4EJ 4FJ DAJ DBJ DCJ DDJ F6K F6R F9K F9R G3K G4K)	40Y9036	2	Y
5	Hard disk drive, 500GB (7200RPM), Serial ATA (models CTO)	41X5582	2	Y

Item #	8702 FRUs	FRU#	CRU Tier	RoHS?
6	Diskette drive, 3.5", 1.44MB, 2-mode, (w/bezel) (models CTO 52Q 52C 52B 52H D1C D1B D1H A3J A4J A5J A6J A7J A8J A9J AAJ ABJ ACJ ADJ AEJ B5J B6J B7J B8J B9J BAJ BBJ BCJ BDJ BEJ BFJ BGJ 42B 42H 44J 45J 46J 47J 48J 49J 4AJ 4BJ 4CJ 4DJ 4EJ 4FJ D1J D3J D4J D5J D6J D7J D8J D9J DAJ DBJ DCJ DDJ G2Q G2C)	40Y9105	2	Y
6	Diskette drive, 3.5" 1.44MB 2 Mode (models CTO 52Q 52C 52B 52H D1C D1B D1H A3J A4J A5J A6J A7J A8J A9J AAJ ABJ ACJ ADJ AEJ B5J B6J B7J B8J B9J BAJ BBJ BCJ BDJ BEJ BFJ BGJ 42B 42H 44J 45J 46J 47J 48J 49J 4AJ 4BJ 4CJ 4DJ 4EJ 4FJ D1J D3J D4J D5J D6J D7J D8J D9J DAJ DBJ DCJ DDJ G2Q G2C)	40Y7107	2	Y
7	Front USB/Audio with bracket (all models)	41N8212	N	Y
8	Memory module, 512 MB PC2-4200 (533MHz) DDR2 SDRAM (models CTO 52Q 52C 52B 52H D1C D1B D1H A3J A4J A5J A6J A7J A8J A9J AAJ ABJ ACJ ADJ AEJ B5J B6J B7J B8J B9J BAJ BBJ BCJ BDJ BEJ BFJ BGJ 42B 42H 44J 45J 46J 47J 48J 49J 4AJ 4BJ 4CJ 4DJ 4EJ 4FJ D1J D3J D4J D5J D6J D7J D8J D9J DAJ DBJ DCJ DDJ G2Q G2C 71G 72G)	41X4251	2	Y
8	Memory module, 1 GB PC2-4200 (533MHz) DDR2 SDRAM (models CTO FAK FAR G3K G4K)	41X4252	2	Y
8	Memory module, 512 MB PC2-5300 (667MHz) DDR2 SDRAM (models CTO B1K B1R B2K B2R B3K B3R 53K 53R 54K 54R 55K 55R 4GK DEK F6K F6R F7K F7R F8K F8R F9K F9R)	41X4255	2	Y
8	Memory module, 1 GB PC2-5300 (667MHz) DDR2 SDRAM (models CTO D2K D2R)	41X4256	2	Y
9	System board, SiS 662 Gig E Sys Planar for Vista and XP (models CTO A2Q A2C A2B A2H B1K B1R B2K B2R B3K B3R 51Q 52Q 52C 52B 52H 53K 53R 54K 54R 55K 55R D1C D1B D1H D2K D2R A3J A4J A5J A6J A7J A8J A9J AAJ ABJ ACJ ADJ AEJ B5J B6J B7J B8J B9J BAJ BBJ BCJ BDJ BEJ BFJ BGJ B4K 42B 42H 43B 43H 44J 45J 46J 47J 48J 49J 4AJ 4BJ 4CJ 4DJ 4EJ 4FJ 4GK D1J D3J D4J D5J D6J D7J D8J D9J DAJ DBJ DCJ DDJ DEK F6K F6R F7K F7R F8K F8R F9K F9R FAK FAR G2Q G2C G3K G4K 71G 72G BJK FBK FCK FDJ G5J H1J H1K H2K H3S H3P H3Y H4S H4P H4Y H5S H5P H5Y H6S H6P H6Y H8J H9J HKJ HAJ HBJ) Note: When ordering a new system board, you must also order a new retention module for the heat sink.	87H4657	N	Y
10	220W Small desktop power supply (non-smokeless) (models CTO B1K B1R B2K B2R B3K B3R 53K 53R 54K 54R 55K 55R D2K D2R B4K 4GK DEK F6K F6R F7K F7R F8K F8R F9K F9R FAK FAR G3K G4K 71G 72G)	41N3109	N	Y
	220W Small desktop power supply (smokeless -- Japanese) (models A3J A4J A5J A6J A7J A8J A9J AAJ ABJ ACJ ADJ AEJ B5J B6J B7J B8J B9J BAJ BBJ BCJ BDJ BEJ BFJ BGJ 44J 45J 46J 47J 48J 49J 4AJ 4BJ 4CJ 4DJ 4EJ 4FJ D1J D3J D4J D5J D6J D7J D8J D9J DAJ DBJ DCJ DDJ)	41N3119	N	Y
10	220 Watt Power Supply - China (models CTO-A A2Q A2C A2B A2H 51Q 52Q 52C 52B 52H D1C D1B D1H 42B 42H 43B 43H G2Q G2C)	41N3493	N	Y
10	220 Watt Power Supply - china (models CTO-A A2Q A2C A2B A2H 51Q 52Q 52C 52B 52H D1C D1B D1H 42B 42H 43B 43H G2Q G2C)	41A9652	N	Y

The FRUs listed in the following tables are not illustrated.

8702 FRUs	FRU#	CRU Tier	RoHS?
1 drop IDE cable (all models)	41A7158	N	Y

8702 FRUs	FRU#	CRU Tier	RoHS?
Thermal grease kit (models CTO)	91P8835	N	Y
Shield, EMC, system board (all models)	41N5347	N	Y
Cable, Serial ATA, 250 mm (all models)	41A7145	N	Y
Shield, EMC, blank 5.25in. drive bay (all models)	41N8271	N	Y
Shield, EMC, blank diskette drive bay (all models)	41N8273	N	Y
Cover (all models)	41N8204	2	Y
Mechanical shell kit (all models)	41N8205	2	Y
Bezel kit (all models)	41N8206	N	Y
Miscellaneous hardware kit (all models)	41N8209	N	Y
Hard disk drive bracket asm (plastic and grommets) (all models)	41N8210	N	Y
Hard disk drive fan and bracket asm (all models)	41N8211	N	Y
Speaker cable asm, 600 mm cable length (all models)	41N8217	N	Y
Serial port cable (all models)	39K5021	N	Y
Fan duct assembly (all models)	41A7151	N	Y
Fan duct assembly (all models)	41R4808	N	Y
Rear USB cable asm (with low profile PCI bracket) (all models)	41N8267	N	
Rear USB 2Ports II HP(R), high profile I/O, 300mm, Rohs (all models)	42Y8005	N	Y
Rear USB 2Ports II LP(R), low profile I/O, 200mm, Rohs (all models)	42Y8006	N	Y
Rear Com2 cable II HP(R), high profile I/O, 250mm, Rohs (all models)	42Y8007	N	Y
Rear Com2 cable II LP(R), low profile I/O, 250mm, Rohs (all models)	42Y8008	N	Y
Foot stand (all models)	41R4813	N	Y
Retention Module, Intel (all models)	41A7139	N	Y

8702 Keyboards (PS2 Preferred Pro)	FRU#	CRU Tier	RoHS?
US English (models A2Q A2C A2H B1R B2R B3R 51Q 52Q 52C 52H 53R 54R 55R D1C D1H D2R 42H 43H F6R F7R F8R F9R FAR G2Q G2C 71G 72G)	41A5039	1	Y
Arabic (models 71G 72G)	41A5040	1	Y
Arabic/French (models 71G 72G)	41A5041	1	Y
Belgian/French (models 71G 72G)	41A5042	1	Y
Belgian/UK (models 71G 72G)	41A5043	1	Y
Bulgarian (models 71G 72G)	41A5045	1	Y
Hong Kong/Taiwan (models A2B 52B D1B 42B 43B)	41A5046	1	Y
Czech (models 71G 72G)	41A5047	1	Y
Danish (models 71G 72G)	41A5048	1	Y
Dutch (models 71G 72G)	41A5049	1	Y
French (models 71G 72G)	41A5050	1	Y
German (models 71G 72G)	41A5053	1	Y
Greek (models 71G 72G)	41A5054	1	Y
Hebrew (models 71G 72G)	41A5055	1	Y
Hungarian (models 71G 72G)	41A5056	1	Y

8702 Keyboards (PS2 Preferred Pro)	FRU#	CRU Tier	RoHS?
Iceland (models 71G 72G)	41A5057	1	Y
Italian (models 71G 72G)	41A5058	1	Y
Japanese (models A3J A4J A5J A6J A7J A8J A9J AAJ ABJ ACJ ADJ AEJ B5J B6J B7J B8J B9J BAJ BBJ BCJ BDJ BEJ BFJ BGJ 44J 45J 46J 47J 48J 49J 4AJ 4BJ 4CJ 4DJ 4EJ 4FJ D1J D3J D4J D5J D6J D7J D8J D9J DAJ DBJ DCJ DDJ)	41A5059	1	Y
Korean (models B1K B2K B3K 53K 54K 55K D2K B4K 4GK DEK F6K F7K F8K F9K FAK G3K G4K)	41A5060	1	Y
Norwegian (models 71G 72G)	41A5062	1	Y
Polish (models 71G 72G)	41A5063	1	Y
Portuguese (models 71G 72G)	41A5064	1	Y
Romanian (models 71G 72G)	41A5065	1	Y
Russian/Cyrilic (models 71G 72G)	41A5066	1	Y
Serbian/Cyrilic (models 71G 72G)	41A5067	1	Y
Slovak (models 71G 72G)	41A5068	1	Y
Spanish (models 71G 72G)	41A5069	1	Y
Swedish/Finn (models 71G 72G)	41A5070	1	Y
Swiss F/G (models 71G 72G)	41A5071	1	Y
Turkish 440 (models 71G 72G)	41A5073	1	Y
Turkish 179 (models 71G 72G)	41A5074	1	Y
UK English (models 71G 72G)	41A5075	1	Y
US Euro (models 71G 72G)	41A5076	1	Y
Slovenian (models 71G 72G)	41A5077	1	Y

8702 mice	FRU#	CRU Tier	RoHS?
Optical Wheel Mouse (400DPI, USB) (all models)	41U3013	1	Y
Optical Wheel Mouse (400DPI, USB) (all models)	41U3030	1	Y
PS/2 Three Button ball mouse (models CTO)	41R0018	1	Y
ScrollPoint Optical Mouse (800DPI, USB) (models CTO)	41U3019	1	Y

8702 Adapters and miscellaneous FRUs	FRU#	CRU Tier	RoHS?
USB2.0 MEMORY CARDREADER,6X2,ROHS OPTIONAL,Bitland (models CTO)	41R3378	2	Y
USB2.0 MEMORY CARDREADER,6X2,ROHS OPTIONAL, SONY (models CTO)	41R3376	2	Y
PCI Modem Card (Soft) (models CTO)	29R9729	2	Y
L1 IEEE 1394 PCI Adapter (models CTO B1K B1R B2K B2R B3K B3R 53K 53R 54K 54R 55K 55R D2K D2R B4K 4GK DEK F6K F6R F7K F7R F8K F8R F9K F9R FAK FAR G3K G4K)	41D2781	2	Y
Denver - ATI X300SE 128MB (models CTO B1K B1R B2K B2R B3K B3R 54K 54R 55K 55R D2K D2R F8K F8R F9K F9R FAK FAR)	39J9635	2	Y
Dongle Cable - DMS59 to dual VGA (models CTO)	41D2399	2	Y
Dongle Cable - DMS59 to dual VGA (included in Denver L1) (models CTO)	42Y8181	2	Y

8702 Adapters and miscellaneous FRUs	FRU#	CRU Tier	RoHS?
Dongle DMS Dule DMS-59 to dual DVI cable (models CTO)	41X6398	2	Y
Dongle DMS Dule DMS-59 to single VGA and DVI cable (models CTO)	42Y8183	2	Y
Nvidia GeForce 6200TC128MB 64bit (Full Height) (models CTO 53K 53R B4K G4K)	41X2668	2	Y
Nvidia GeForce 6200TC 64MB 32bit (models CTO)	41X2667	2	Y
Nvidia GeForce 7300LE 128MB 64bit (models CTO)	41X2669	2	Y
ATI X1300LE 256M 64bit LP / ATX with DMS59 (models CTO)	42Y8162	2	Y
X1300 LE 256MB (models CTO)	42Y8159	2	Y
ATI Radeon X1300PRO 256MB 128bit (models CTO)	41X2670	2	Y
Internal USB Memory Card Reader (models CTO B1K B1R B2K B2R B3K B3R 53K 53R 54K 54R 55K 55R D2K D2R B4K 4GK DEK F6K F6R F7K F7R F8K F8R F9K F9R FAK FAR G3K G4K)	41D1934	2	Y
Wireless Keyboard (models CTO)	41A5219	2	Y
Wireless Mouse (models CTO)	41A5247	2	Y
USB Transceiver for wireless kybd/mouse (models CTO)	41A5246	2	Y
BTL external speaker (models CTO)	41A5334	2	Y
DVI-I card,FH(Casper) (models CTO)	39J9334	2	Y

8702 Power Cords	FRU#	CRU Tier	RoHS?
Power cord - China (models A2C 52C D1C G2C)	39M5205	1	Y
Power cord - Japan (models A3J A4J A5J A6J A7J A8J A9J AAJ ABJ ACJ ADJ AEJ B5J B6J B7J B8J B9J BAJ BBJ BCJ BDJ BEJ BFJ BGJ 44J 45J 46J 47J 48J 49J 4AJ 4BJ 4CJ 4DJ 4EJ 4FJ D1J D3J D4J D5J D6J D7J D8J D9J DAJ DBJ DCJ DDJ)	39M5193	1	Y
Power cord - Korea (models B1K B1R B2K B2R B3K B3R 53K 53R 54K 54R 55K 55R D2K D2R B4K 4GK DEK F6K F6R F7K F7R F8K F8R F9K F9R FAK FAR G3K G4K)	39M5212	1	Y
Power cord - Hong Kong (models A2B A2H 52B 52H D1B D1H 42B 42H 43B 43H)	39M5151	1	Y
Power cord - UK, Ireland, Singapore, Malaysia, Brunei (models 71G 72G)	39M5150	1	Y
Power cord - Italy (models 71G 72G)	39M5164	1	Y
Power cord - G models (models 71G 72G)	39M5122	1	Y
Power cord - Denmark (models 71G 72G)	39M5129	1	Y
Power cord - Switzerland (models 71G 72G)	39M5157	1	Y
Power cord - Israel (models 71G 72G)	39M5171		
Power cord - South Africa (models 71G 72G)	39M5143	1	Y
Power cord - India (models A2Q 51Q 52Q G2Q)	39M5004	1	Y

8702 Windows XP Home Recovery CDs	FRU#	CRU Tier	RoHS?
US/UK/AP/TH (models B1R B2R B3R 52Q 52H 53R 54R 55R D2R 42H F6R F7R F8R F9R FAR G2Q)	42Y3597	1	Y
Simplified Chinese (models 52C G2C)	41W7778	1	Y
Hong Kong-TC (models 52B 42B)	41W7790	1	Y

8702 Windows XP Home Recovery CDs	FRU#	CRU Tier	RoHS?
Korea (models B1K B2K B3K 53K 54K 55K D2K B4K 4GK DEK F6K F7K F8K F9K FAK G3K G4K)	41W7773	1	Y

8702 Windows XP Pro Recovery CDs	FRU#	CRU Tier	RoHS?
US/UK/AP/TH (models 51Q D1H 43H F6R F7R F8R F9R FAR 71G 72G)	42Y3549	1	Y
RE (models 71G 72G)	42Y3717	1	Y
FR/CF (models 71G 72G)	42Y3550	1	Y
GR (models 71G 72G)	42Y3551	1	Y
SP/LA (models 71G 72G)	42Y3552	1	Y
IT (models 71G 72G)	42Y3553	1	Y
SV (models 71G 72G)	42Y3555	1	Y
DK (models 71G 72G)	42Y3556	1	Y
FI (models 71G 72G)	42Y3718	1	Y
NO (models 71G 72G)	42Y3719	1	Y
NL (models 71G 72G)	42Y3720	1	Y
HE (models 71G 72G)	42Y3721	1	Y
PL (models 71G 72G)	42Y3722	1	Y
CZ (models 71G 72G)	42Y3723	1	Y
AE (models 71G 72G)	42Y3724	1	Y
RU (models 71G 72G)	42Y3725	1	Y
TR (models 71G 72G)	42Y3726	1	Y
HU (models 71G 72G)	42Y3727	1	Y
PO (models 71G 72G)	42Y3728	1	Y
GK (models 71G 72G)	42Y3729	1	Y
SL (models 71G 72G)	42Y3730	1	Y
Japanese (models A3J A4J A5J A6J A7J A8J A9J AAJ ABJ ACJ ADJ AEJ B5J B6J B7J B8J B9J BAJ BBJ BCJ BDJ BEJ BFJ BGJ 44J 45J 46J 47J 48J 49J 4AJ 4BJ 4CJ 4DJ 4EJ 4FJ D1J D3J D4J D5J D6J D7J D8J D9J DAJ DBJ DCJ DDJ)	41W7767	1	Y
Simplified Chinese (models D1C)	41W7751	1	Y
Hong Kong-TC (models D1B 43B)	41W7762	1	Y
Korea (models F6K F7K F8K F9K FAK)	41W7746	1	Y
Multilingual 1 (models 71G 72G)	42Y3645	1	Y
Multilingual 2 (models 71G 72G)	42Y3879	1	Y

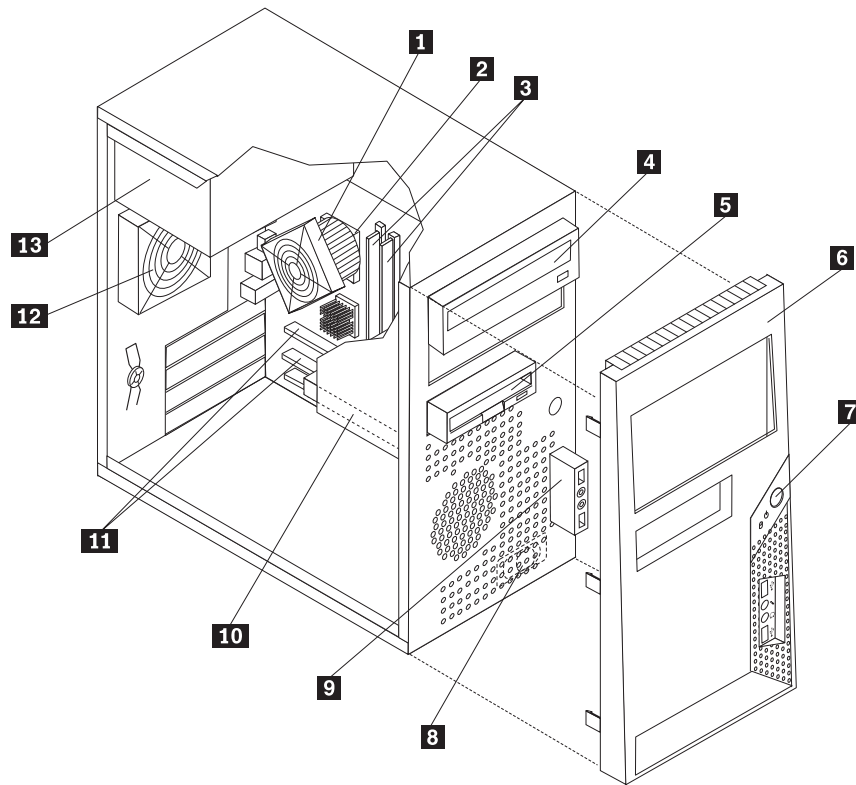
8702 Vista Home Basic 32 Recovery DVDs	FRU#	CRU Tier
US/UK/AP/TH (models)	87H4420	1
FR/CF (models)	87H4421	1
GR (models)	87H4422	1
SP/LA (models)	87H4423	1
BR (models)	87H4424	1

8702 Vista Home Basic 32 Recovery DVDs	FRU#	CRU Tier
IT (models)	87H4425	1
JP (models)	87H4426	1
NO (models)	87H4427	1
SV (models)	87H4428	1
DK (models)	87H4429	1
NL (models)	87H4430	1
CZ (models)	87H4431	1
FI (models)	87H4432	1
PL (models)	87H4433	1
RU (models)	87H4434	1
TR (models)	87H4435	1
HU (models)	87H4436	1
GK (models)	87H4437	1
PO (models)	87H4438	1
CS (models)	87H4439	1
TW (models)	87H4440	1
HK (models)	87H4441	1
KR (models)	87H4442	1
SL (models)	87H4443	1
RE (models)	43C1306	1

8702 Vista Business 32 Recovery DVDs	FRU#	CRU Tier
US/UK/AP/TH (models)	87H4476	1
FR/CF (models)	87H4477	1
GR (models)	87H4478	1
SP/LA (models)	87H4479	1
BR (models)	87H4480	1
IT (models)	87H4481	1
JP (models)	87H4482	1
NO (models)	87H4483	1
SV (models)	87H4484	1
DK (models)	87H4485	1
NL (models)	87H4486	1
CZ (models)	87H4487	1
FI (models)	87H4488	1
PL (models)	87H4489	1
RU (models)	87H4490	1
TR (models)	87H4491	1
HU (models)	87H4492	1
GK (models)	87H4493	1
PO (models)	87H4494	1

8702 Vista Business 32 Recovery DVDs	FRU#	CRU Tier
CS (models)	87H4495	1
TW (models)	87H4496	1
HK (models)	87H4497	1
KR (models)	87H4498	1
SL (models)	87H4499	1
RE (models)	43C1308	1

Machine Type 8705



Item #	8705 FRUs	FRU#	CRU Tier	RoHS?
1	Heatsink for Intel CPUs (all models)	41N8261	N	Y
1	Heatsink for Intel CPUs (models CTO)	41R4803	N	Y
2	Microprocessor, Celeron D 2.66GHz 533MHz FSB 256KB L2 (models CTO A1C ACC)	41T1694	N	Y
2	Microprocessor, Celeron D 2.80GHz 533MHz FSB 256KB L2 (models CTO A2A A2T A2B A2H A3Q A4U A5U A6C A7Q C1U A8V A9U)	41T1695	N	Y
2	Microprocessor, Celeron D 2.93GHz 533MHz FSB 256KB L2 (models CTO 71G 72G)	41T1696	N	Y
2	Microprocessor, Celeron D 3.06GHz 533MHz FSB 256KB L2 (models CTO C2U)	41T1697	N	Y
2	Microprocessor, Celeron D 3.20GHz 533MHz FSB 256KB L2 (models CTO)	41T1698	N	Y
2	Microprocessor, Celeron D 3.20GHz 533MHz FSB 512KB L2 (models CTO)	41T4966	N	Y
2	Microprocessor, Celeron D 3.33GHz 533MHz FSB 512KB L2 (models CTO)	41T4968	N	Y
2	Microprocessor, Celeron 430 CONROE-L 800/1800MHZ-512K,LGA,EM64T (models CTO)	43C1964	N	Y
2	Microprocessor, Celeron 440 CONROE-L 800/2000MHZ-512K,LGA,EM64T (models CTO)	43C1965	N	Y
2	Microprocessor, Pentium 4 3.06GHz 533MHz FSB 1M L2 (models CTO 21U 21F 22U 23U 23F 24U 24F 25B 25H C6U)	41T4104	N	Y
2	Microprocessor, Pentium 4 3.0GHz 800MHz FSB 1M L2 (models CTO 26U 26F 27C 28Q)	41T1701	N	Y

Item #	8705 FRUs	FRU#	CRU Tier	RoHS?
2	Microprocessor, Pentium 4 3.2GHz 800MHz FSB 1M L2 (models CTO 31U 31F 32U 32F 33U 33F 34U 34F C7U)	41T1702	N	Y
2	Microprocessor, Pentium 4 3.0 GHz 800 FSB 2MB L2 (models CTO 51Q)	41T1709	N	Y
2	Microprocessor, Pentium 4 3.0 GHz 800 FSB 2MB L2 (models CTO)	41T1712	N	Y
2	Microprocessor, Pentium 4 3.2 GHz 800 FSB 2MB L2 (models CTO 61K 61R)	41T1713	N	Y
2	Microprocessor, Pentium 4 3.4 GHz 800 FSB 2MB L2 (models CTO)	41T1714	N	Y
2	Microprocessor, Pentium 4 661 Processor 3.6 GHz 800 FSB 2MB L2 B1-Value (models CTO)	41T1715	N	Y
2	Microprocessor, Pentium 4 2.8 GHz 800 FSB 2MB L2 (models CTO D1Q D3K D3R D4U D5U D6U D7U D8U D8F D9K D9R DAU DAF C3U D2B D2H D6F DBU DBF DCU)	41T1704	N	Y
2	Microprocessor, Pentium D 3.0 GHz 800 FSB 2Mx2 L2 (models CTO F7K F7R F8K F8R F9U FAU FBU FCU FDK FDR)	41X2413	N	Y
2	Microprocessor, Pentium D 3.0 GHz 800 FSB 2Mx2 L2 (models CTO)	41T1717	N	Y
2	Microprocessor, Pentium D 935 3.2 GHz 800 FSB 2MBx2 L2 C1-Value (95W) (models CTO)	41X8050	N	Y
2	Microprocessor, Pentium D 3.4GHz 800MHz FSB 2Mx2 L2 (models CTO G3K G3R G4U G4F G5U G5F G6U G6F)	41X7776	N	Y
2	Microprocessor, E2140 CONROE-L 800/1600MHZ-1M, LGA, EM64T (models CTO)	43C1967	N	Y
2	Microprocessor, E2160 CONROE-L 800/1600MHZ-1M, LGA, EM64T (models CTO)	43C1968	N	Y
2	Microprocessor, E4300 CONROE 800/1800MHZ-2M, LGA, EM64T (models CTO)	42Y8009	N	Y
2	Microprocessor, E4400 CONROE 800/2000MHZ-2M, LGA, EM64T L2 (models CTO)	43C2056	N	Y
2	Microprocessor, Conroe E6300 Processor 1.86GHz 1066MHz FSB 2M L2 (models CTO J1M J1A J1Q J1T J1V J1K J1J J2C J2B J2H)	41X2495	N	Y
2	Microprocessor, E6400 B2 CONROE 1066/2130MHZ-2M, LGA, EM64T (models CTO)	41X2496	N	Y
2	Microprocessor, E6600 B2 CONROE 1066/2400MHZ-4M, LGA, EM64T (models CTO)	41X5743	N	Y
2	Microprocessor, E6700 B2 CONROE 1066/2670MHZ-4M, LGA, EM64T (models CTO)	41X5744	N	Y
3	Memory module, 512 MB PC2-4200 (533MHz) DDR2 SDRAM (models CTO A5U D4U D5U D6U D8U D8F 71G 72G 73G 74G A9U 21U 21F 22U 23U 23F 25B 25H 26U 26F 31U 31F 32U 32F 33U 33F 34U 34F D2B D2H D6F DCU F9U FAU FBU G4U G4F G5U G5F J1M J1A J1Q J1T J1V J1K J1J J2C J2B J2H)	41X4251	1	Y
3	Memory module, 1 GB PC2-4200 (533MHz) DDR2 SDRAM (models CTO D7U 24U 24F FCU G6U G6F)	41X4252	1	Y
3	Memory module, 2GB PC2-4200 (533MHz) DDR2 SDRAM (models CTO)	41X4253	1	Y
3	Memory module, 512 MB PC2-5300 (667MHz) DDR2 SDRAM (models CTO 61K 61R DAU DAF F8K F8R FDK FDR)	41X4255	1	Y
3	Memory module, 1 GB PC2-5300 (667MHz) DDR2 SDRAM (models CTO D3K D3R D9K D9R DBU DBU F7K F7R G3U G4U)	41X4256	1	Y

Item #	8705 FRUs	FRU#	CRU Tier	RoHS?
3	Memory module, 2 GB PC2-5300 (667MHz) DDR2 SDRAM (models CTO)	41X4257	1	Y
4	DVD-ROM drive (16X/48X) (models CTO 71G 72G A8V 26U 26F J2C J2B J2H)	41X3544	1	Y
4	DVD-ROM drive (16X/48X) (models CTO 71G 72G A8V 26U 26F J2C J2B J2H)	41X3545	1	Y
4	DVD-ROM drive (16X/48X) (models CTO 71G 72G A8V 26U 26F J2C J2B J2H)	41X3546	1	Y
4	Combo 48 -32 -48 -16 - - DVD - ROM - CDRW (models CTO 61K 61R D1Q D3K D3R D5U D6U D8U D8F D9K D9R DAU DAF 73G 22U 23U 23F 32U 32F 33U 33F D2B D2H D6F DBU DBF DCU F7K F7R F8K F8R F9U FAU FBU FDK FDR G3K G3R G4U G4F G5U G5F J1M J1A J1Q J1T J1V J1K J1J)	41X3547	1	Y
4	Combo 48 -32 -48 -16 - - DVD - ROM - CDRW (models CTO 61K 61R D1Q D3K D3R D5U D6U D8U D8F D9K D9R DAU DAF 73G 22U 23U 23F 32U 32F 33U 33F D2B D2H D6F DBU DBF DCU F7K F7R F8K F8R F9U FAU FBU FDK FDR G3K G3R G4U G4F G5U G5F J1M J1A J1Q J1T J1V J1K J1J)	41X3548	1	Y
4	Combo 48 -32 -48 -16 - - DVD - ROM - CDRW (models CTO 61K 61R D1Q D3K D3R D5U D6U D8U D8F D9K D9R DAU DAF 73G 22U 23U 23F 32U 32F 33U 33F D2B D2H D6F DBU DBF DCU F7K F7R F8K F8R F9U FAU FBU FDK FDR G3K G3R G4U G4F G5U G5F J1M J1A J1Q J1T J1V J1K J1J)	41X3549	1	Y
4	Combo 48 -32 -48 -16 - - DVD - ROM - CDRW --NON/VISTA (models CTO 61K 61R D1Q D3K D3R D5U D6U D8U D8F D9K D9R DAU DAF 73G 22U 23U 23F 32U 32F 33U 33F D2B D2H D6F DBU DBF DCU F7K F7R F8K F8R F9U FAU FBU FDK FDR G3K G3R G4U G4F G5U G5F J1M J1A J1Q J1T J1V J1K J1J 35U 35F DJU DKU DFB DFH DGB DGH FEU FEF FFU FFF FGU FGF M2U M8U G7U G7F G8U G8F J7A J7T J8K JKJ P1S P1P P1Y)	42Y9368	1	Y
4	Combo 48 -32 -48 -16 - - DVD - ROM - CDRW --NON/VISTA (models CTO 61K 61R D1Q D3K D3R D5U D6U D8U D8F D9K D9R DAU DAF 73G 22U 23U 23F 32U 32F 33U 33F D2B D2H D6F DBU DBF DCU F7K F7R F8K F8R F9U FAU FBU FDK FDR G3K G3R G4U G4F G5U G5F J1M J1A J1Q J1T J1V J1K J1J 35U 35F DJU DKU DFB DFH DGB DGH FEU FEF FFU FFF FGU FGF M2U M8U G7U G7F G8U G8F J7A J7T J8K JKJ P1S P1P P1Y)	42Y9369	1	Y
4	Combo 48 -32 -48 -16 - - DVD - ROM - CDRW --NON/VISTA (models CTO 61K 61R D1Q D3K D3R D5U D6U D8U D8F D9K D9R DAU DAF 73G 22U 23U 23F 32U 32F 33U 33F D2B D2H D6F DBU DBF DCU F7K F7R F8K F8R F9U FAU FBU FDK FDR G3K G3R G4U G4F G5U G5F J1M J1A J1Q J1T J1V J1K J1J 35U 35F DJU DKU DFB DFH DGB DGH FEU FEF FFU FFF FGU FGF M2U M8U G7U G7F G8U G8F J7A J7T J8K JKJ P1S P1P P1Y)	41X7992	1	Y
4	DVD-Recorder (Rambo 8)-NON/VISTA (models CTO D7U 74G 24U 24F 34U 34F FCU G6U G6F)	41N3343	1	Y
4	DVD-Recorder (Rambo 8)-NON/VISTA (models CTO D7U 74G 24U 24F 34U 34F FCU G6U G6F)	41X3550	1	Y
4	DVD Recordable No Software / No Royalty for VISTA Models ONLY (models CTO D7U 74G 24U 24F 34U 34F FCU G6U G6F DLU DMU FHU FHF M3U M5U M6U M9U G9U G9F)	42Y9370	1	Y
4	DVD Recordable No Software / No Royalty for VISTA Models ONLY (models CTO D7U 74G 24U 24F 34U 34F FCU G6U G6F DLU DMU FHU FHF M3U M5U M6U M9U G9U G9F)	42Y9371	2	Y

Item #	8705 FRUs	FRU#	CRU Tier	RoHS?
4	DVD Recordable No Software / No Royalty for VISTA Models ONLY (models CTO D7U 74G 24U 24F 34U 34F FCU G6U G6F DLU DMU FHU FHF M3U M5U M6U M9U G9U G9F)	42Y6017	2	Y
4	DVD Recordable No Software / No Royalty for VISTA Models ONLY (models CTO D7U 74G 24U 24F 34U 34F FCU G6U G6F DLU DMU FHU FHF M3U M5U M6U M9U G9U G9F)	43C0144	2	Y
5	Diskette drive, 3,5", 1.44MB, 2Mode,(w/bezel) (models CTO A1C A2A A2T A2B A2H A6C A7Q 42C 43Q 72G ACC A8V 25B 25H 27C 28Q D2B D2H J1M J1A J1Q J1T J1V J1K J1J J2C J2B J2H)	40Y9105	2	Y
5	Diskette drive, 3,5", 1.44MB, 2Mode (models CTO A1C A2A A2T A2B A2H A6C A7Q 42C 43Q 72G ACC A8V 25B 25H 27C 28Q D2B D2H J1M J1A J1Q J1T J1V J1K J1J J2C J2B J2H)	40Y7107	2	Y
6	Bezel assembly (all models)	41N8052	2	Y
7	Power switch/LED assembly (all models)	41N5284	2	Y
8	Speaker assembly, soldered terminals (all models)	39P5023	2	Y
9	Front audio/USB assembly (all models)	41N8054	2	Y
10	Hard disk drive, 40GB (7200RPM), Serial ATA (models CTO A1C ACC)	40Y9033	1	Y
10	Hard disk drive, 80GB (7200RPM), Serial ATA (models CTO A2A A2T A2B A2H A3Q A4U A5U A6C A7Q 42C 43Q 51Q D1Q D4U D8U D8F 71G 72G 73G A8V A9U 21U 21F 23U 23F 25B 25H 26U 26F 27C 28Q 31U 31F 33U 33F D2B D2H DCU J1M J1A J1Q J1T J1V J1K J1J J2C J2B J2H)	40Y9034	1	Y
10	Hard disk drive, 80GB 7200rpm SATA (only for China) (models A2T A2B A2H A6C 42C A8V 25B 25H 27C D2B D2H J1T J1V J2C J2B J2H)	41X2500	1	Y
10	Hard disk drive, 160GB (7200RPM), Serial ATA (models CTO 61K 61R D3K D3R D5U D6U D7U D9K D9R DAU DAF 74G 22U 24U 24F 32U 32F 34U 34F D6F DBU DBF F7K F7R F9U FAU FBU FDK FDR G4U G4F G5U G5F)	40Y9035	1	Y
10	Hard disk drive, 250GB (7200RPM), Serial ATA (models CTO F8K F8R FCU G3K G3R G6U G6F)	40Y9036	1	Y
10	Hard disk drive, 500GB (7200RPM), Serial ATA (models CTO)	41X5582	1	Y
11	System board, Intel for Vista and XP (models CTO A1C A2A A2T A2B A2H A3Q A4U A5U A6C A7Q 42C 43Q 51Q 61K 61R D1Q D3K D3R D4U D5U D6U D7U D8U D8F D9K D9R DAU DAF C1U C2U C3U C5U 71G 72G 73G 74G ACC A8V A9U 21U 21F 22U 23U 23F 24U 24F 25B 25H 26U 26F 27C 28Q 31U 31F 32U 32F 33U 33F 34U 34F D2B D2H D6F DBU DBF DCU F7K F7R F8K F8R F9U FAU FBU FCU FDK FDR G3K G3R G4U G4F G5U G5F G6U G6F J1M J1A J1Q J1T J1V J1K J1J J2C J2B J2H C6U C7U C8U C9U AKU AKF 35U 35F 36U 36F DHU DJU DKU DLU DMU DFB DFH DGB DGH FEU FEF FFU FFF FGU FGF FHU FHF M1U M2U M3U M4U M5U M6U M7U M8U M9U G7U G7F G8U G8F G9U G9F J7A J7T J8K JKJ J9B J9H P1S P1P P1Y P2S P2P P2Y) Note: When ordering a new system board, you must also order a new retention module for the heat sink.	87H4655	N	Y

Item #	8705 FRUs	FRU#	CRU Tier	RoHS?
11	System board, Intel for Vista and XP, Japan (models CTO A1C A2A A2T A2B A2H A3Q A4U A5U A6C A7Q 42C 43Q 51Q 61K 61R D1Q D3K D3R D4U D5U D6U D7U D8U D8F D9K D9R DAU DAF C1U C2U C3U C5U 71G 72G 73G 74G ACC A8V A9U 21U 21F 22U 23U 23F 24U 24F 25B 25H 26U 26F 27C 28Q 31U 31F 32U 32F 33U 33F 34U 34F D2B D2H D6F DBU DBF DCU F7K F7R F8K F8R F9U FAU FBU FCU FDK FDR G3K G3R G4U G4F G5U G5F G6U G6F J1M J1A J1Q J1T J1V J1K J1J J2C J2B J2H C6U C7U C8U C9U AKU AKF 35U 35F 36U 36F DHU DJU DKU DLU DMU DFB DFH DGB DGH FEU FEF FFU FFF FGU FGF FHU FHF M1U M2U M3U M4U M5U M6U M7U M8U M9U G7U G7F G8U G8F G9U G9F J7A J7T J8K JKJ J9B J9H P1S P1P P1Y P2S P2P P2Y) Note: When ordering a new system board, you must also order a new retention module for the heat sink.	87H4656	N	Y
11	System board, 946GZ B (models CTO A1C A2A A2T A2B A2H A3Q A4U A5U A6C A7Q 42C 43Q 51Q 61K 61R D1Q D3K D3R D4U D5U D6U D7U D8U D8F D9K D9R DAU DAF C1U C2U C3U C5U 71G 72G 73G 74G ACC A8V A9U 21U 21F 22U 23U 23F 24U 24F 25B 25H 26U 26F 27C 28Q 31U 31F 32U 32F 33U 33F 34U 34F D2B D2H D6F DBU DBF DCU F7K F7R F8K F8R F9U FAU FBU FCU FDK FDR G3K G3R G4U G4F G5U G5F G6U G6F J1M J1A J1Q J1T J1V J1K J1J J2C J2B J2H C6U C7U C8U C9U AKU AKF 35U 35F 36U 36F DHU DJU DKU DLU DMU DFB DFH DGB DGH FEU FEF FFU FFF FGU FGF FHU FHF M1U M2U M3U M4U M5U M6U M7U M8U M9U G7U G7F G8U G8F G9U G9F J7A J7T J8K JKJ J9B J9H P1S P1P P1Y P2S P2P P2Y) Note: When ordering a new system board, you must also order a new retention module for the heat sink.	43C3504	N	Y
11	System board, 946GZ (models CTO A1C A2A A2T A2B A2H A3Q A4U A5U A6C A7Q 42C 43Q 51Q 61K 61R D1Q D3K D3R D4U D5U D6U D7U D8U D8F D9K D9R DAU DAF C1U C2U C3U C5U 71G 72G 73G 74G ACC A8V A9U 21U 21F 22U 23U 23F 24U 24F 25B 25H 26U 26F 27C 28Q 31U 31F 32U 32F 33U 33F 34U 34F D2B D2H D6F DBU DBF DCU F7K F7R F8K F8R F9U FAU FBU FCU FDK FDR G3K G3R G4U G4F G5U G5F G6U G6F J1M J1A J1Q J1T J1V J1K J1J J2C J2B J2H C6U C7U C8U C9U AKU AKF 35U 35F 36U 36F DHU DJU DKU DLU DMU DFB DFH DGB DGH FEU FEF FFU FFF FGU FGF FHU FHF M1U M2U M3U M4U M5U M6U M7U M8U M9U G7U G7F G8U G8F G9U G9F J7A J7T J8K JKJ J9B J9H P1S P1P P1Y P2S P2P P2Y) Note: When ordering a new system board, you must also order a new retention module for the heat sink.	43C3505	N	Y
11	System board, 946GZ (modify PCB solve Conroe CPU issue and modify PCB solve Japan smokeless issue) ver1.2 matrix from 43C3504 & 43C3505 (models CTO A1C A2A A2T A2B A2H A3Q A4U A5U A6C A7Q 42C 43Q 51Q 61K 61R D1Q D3K D3R D4U D5U D6U D7U D8U D8F D9K D9R DAU DAF C1U C2U C3U C5U 71G 72G 73G 74G ACC A8V A9U 21U 21F 22U 23U 23F 24U 24F 25B 25H 26U 26F 27C 28Q 31U 31F 32U 32F 33U 33F 34U 34F D2B D2H D6F DBU DBF DCU F7K F7R F8K F8R F9U FAU FBU FCU FDK FDR G3K G3R G4U G4F G5U G5F G6U G6F J1M J1A J1Q J1T J1V J1K J1J J2C J2B J2H C6U C7U C8U C9U AKU AKF 35U 35F 36U 36F DHU DJU DKU DLU DMU DFB DFH DGB DGH FEU FEF FFU FFF FGU FGF FHU FHF M1U M2U M3U M4U M5U M6U M7U M8U M9U G7U G7F G8U G8F G9U G9F J7A J7T J8K JKJ J9B J9H P1S P1P P1Y P2S P2P P2Y) Note: When ordering a new system board, you must also order a new retention module for the heat sink.	43C8359	N	Y
12	Fan, Rear w/ grommets & Grill (all models)	41N8079	2	Y
13	Power supply (300W) (models CTO)	41N3489	2	Y

Item #	8705 FRUs	FRU#	CRU Tier	RoHS?
13	Power supply (230W) (models CTO A2A A2T A4U A5U 61K 61R D3K D3R D4U D5U D6U D7U D8U D8F D9K D9R DAU DAF C1U C2U C3U C5U 71G 72G 73G 74G A8V A9U 21U 21F 22U 23U 23F 24U 24F 26U 26F 31U 31F 32U 32F 33U 33F 34U 34F D6F DBU DBF DCU F7K F7R F8K F8R F9U FAU FBU FCU FDK FDR G3K G3R G4U G4F G5U G5F G6U G6F J1M J1A J1T J1V J1K J1J C6U C7U C8U C9U)	41N3094	2	Y
13	Power supply (250W) (models CTO A2A A2T A4U A5U 61K 61R D3K D3R D4U D5U D6U D7U D8U D8F D9K D9R DAU DAF C1U C2U C3U C5U 71G 72G 73G 74G A8V A9U 21U 21F 22U 23U 23F 24U 24F 26U 26F 31U 31F 32U 32F 33U 33F 34U 34F D6F DBU DBF DCU F7K F7R F8K F8R F9U FAU FBU FCU FDK FDR G3K G3R G4U G4F G5U G5F G6U G6F J1M J1A J1T J1V J1K J1J C6U C7U C8U C9U)	41N3127	2	Y
13	Power supply (220V/250W/ATX12V - China) (models CTO A1C A2B A2H A3Q A6C A7Q 42C 43Q 51Q D1Q ACC 25B 25H 27C 28Q D2B D2H J1Q J2C J2B J2H)	41N3485	2	Y
13	Power Supply 5281-7VW-ROHS, 280W, Standard (models CTO)	41N3479	2	Y
13	Power Supply 5281-7VW-ROHS, 280W, Standard (models CTO)	41N3482	2	Y
13	Power Supply 310W standard only for Japan (models CTO)	24R2596	2	Y

The FRUs listed in the following tables are not illustrated.

8705 FRUs	FRU#	CRU Tier	RoHS?
Thermal grease kit (all models)	91P8835	N	Y
Shield, 5.25 EMC (all models)	41N8080	2	Y
Cable, SATA (18" RoHs) (all models)	26K1186	2	Y
Cable, Serial (all models)	39K5021	2	Y
Shield, diskette drive EMC (all models)	41N8078	2	Y
Cable, Diskette drive (RoHs) (all models)	41A7182	2	Y
Cover, left side (all models)	41N8050	1	Y
Chassis assembly (all models)	41N8051	N	Y
System board I/O Shield - (all models)	41N8053	N	Y
Kit, Miscellaneous hardware (all models)	41N8055	2	Y
Retention Module Kit, RoHs (all models)	41N8056	2	Y
Cable, hard disk drive and optical signal (all models)	39M0516	1	Y
Front system fan (all models)	41R2519	1	Y
4 PIN CABLE-SATA,2H 100mm LATCH(RoHs)PS cable (all models)	41R3300	1	Y
Cable SATA 250mm (RoHS) (all models)	41A7145	1	N
Retainer, Card Reader (all models)	41R2913	1	N
Front Fan AVC (all models)	41R4791	1	N
Optional HDD Bracket Assembly, without 4Pin cable (all models)	41R6106	1	N
Chassis assembly (all models)	41R2533	1	N

8705 Keyboards (Lenovo Preferred Pro fullsize, Black)	FRU#	CRU Tier	RoHS?
US English (models A1C A2A A2H A3Q A4U A5U A6C A7Q 42C 43Q 51Q 61R D1Q D3R D4U D5U D6U D7U D8U D9R DAU 71G 72G 73G 74G ACC A9U 21U 22U 23U 24U 25H 26U 27C 28Q 31U 32U 33U 34U D2H DBU DCU F7R F8R F9U FAU FBU FCU FDR G3R G4U G5U G6U J1M J1A J1Q J2C J2H)	41A5039	1	Y
Arabic (models 71G 72G 73G 74G)	41A5040	1	Y
Arabic/French (models 71G 72G 73G 74G)	41A5041	1	Y
Belgian/French (models 71G 72G 73G 74G)	41A5042	1	Y
Belgian/UK (models 71G 72G 73G 74G)	41A5043	1	Y
Bulgarian (models 71G 72G 73G 74G)	41A5045	1	Y
Hong Kong/Taiwan (models A2B A8V 25B D2B J1V J2B)	41A5046	1	Y
Czech (models 71G 72G 73G 74G)	41A5047	1	Y
Danish (models 71G 72G 73G 74G)	41A5048	1	Y
Dutch (models 71G 72G 73G 74G)	41A5049	1	Y
French (models 71G 72G 73G 74G)	41A5050	1	Y
French Canadian 445 (models D8F DAF 21F 23F 24F 26F 31F 32F 33F 34F D6F DBF G4F G5F G6F)	41A5051	1	Y
French Canadian 58 (models D8F DAF 21F 23F 24F 26F 31F 32F 33F 34F D6F DBF G4F G5F G6F)	41A5052	1	Y
German (models 71G 72G 73G 74G)	41A5053	1	Y
Greek (models 71G 72G 73G 74G)	41A5054	1	Y
Hebrew (models 71G 72G 73G 74G)	41A5055	1	Y
Hungarian (models 71G 72G 73G 74G)	41A5056	1	Y
Iceland (models 71G 72G 73G 74G)	41A5057	1	Y
Italian (models 71G 72G 73G 74G)	41A5058	1	Y
Korean (models 61K D3K D9K F7K F8K FDK G3K J1K)	41A5060	1	Y
Norwegian (models 71G 72G 73G 74G)	41A5062	1	Y
Polish (models 71G 72G 73G 74G)	41A5063	1	Y
Portuguese (models 71G 72G 73G 74G)	41A5064	1	Y
Romanian (models 71G 72G 73G 74G)	41A5065	1	Y
Russian/Cyrilic (models 71G 72G 73G 74G)	41A5066	1	Y
Serbian/Cyrilic (models 71G 72G 73G 74G)	41A5067	1	Y
Slovak (models 71G 72G 73G 74G)	41A5068	1	Y
Spanish (models 71G 72G 73G 74G)	41A5069	1	Y
Swedish/Finn (models 71G 72G 73G 74G)	41A5070	1	Y
Swiss F/G (models 71G 72G 73G 74G)	41A5071	1	Y
Thailand (models A2T J1T)	41A5072	1	Y
Turkish 440 (models 71G 72G 73G 74G)	41A5073	1	Y
Turkish 179 (models 71G 72G 73G 74G)	41A5074	1	Y
UK English (models 71G 72G 73G 74G)	41A5075	1	Y
US Euro (models 71G 72G 73G 74G)	41A5076	1	Y
Slovenian (models 71G 72G 73G 74G)	41A5077	1	Y

8705 mice	FRU#	CRU Tier	RoHS?
Optical Wheel Mouse (400DPI, USB) (all models EXCEPT C1U C2U C3U C5U C6U C7U C8U C9U)	41U3013	1	Y
Optical Wheel Mouse (400DPI, USB) all models EXCEPT C1U C2U C3U C5U C6U C7U C8U C9U)	41U3030	1	Y
PS/2 Three Button ball mouse (models CTO)	41R0018	1	Y
ScrollPoint Optical Mouse (800DPI, USB) (models CTO)	41U3019	1	Y

8705 Adapters and miscellaneous FRUs	FRU#	CRU Tier	RoHS?
USB2.0 MEMORY CARDREADER,6X2,ROHS OPTIONAL,Bitland (models CTO)	41R3378	2	Y
USB2.0 MEMORY CARDREADER,6X2,ROHS OPTIONAL, SONY (models CTO)	41R3376	2	Y
PCI Modem Card (Soft) (models CTO D5U 22U 32U 32F F9U FAU G4U G4F)	29R9729	2	Y
L1 IEEE 1394 PCI Adapter (models CTO)	41D2781	2	Y
Denver - ATI X300SE 128MB (models CTO D9K D9R DAU DAF DBU DBF FDK FDR)	39J9635	2	Y
Dongle Cable - DMS59 to dual VGA (models CTO)	41D2399	2	Y
Dongle Cable - DMS59 to dual VGA (included in Denver L1) (models CTO)	42Y8181	2	Y
Dongle DMS Dule DMS-59 to dual DVI cable (models CTO)	41X6398	2	Y
Dongle DMS Dule DMS-59 to single VGA and DVI cable (models CTO)	42Y8183	2	Y
Nvidia GeForce 6200TC128MB 64bit (Full Height) (models CTO)	41X2668	2	Y
Nvidia GeForce 6200TC 64MB 32bit (models CTO)	41X2667	2	Y
Nvidia GeForce 7300LE 128MB 64bit LP / ATX with DMS59 (models CTO)	42Y8165	2	Y
ATI Radeon X1300PRO 256MB 128bit (models CTO)	41X2670	2	Y
ATI X1300LE 256M 64bit LP / ATX with DMS59 (models CTO)	42Y8162	2	Y
X1300 LE 256MB (models CTO)	42Y8159	2	Y
Internal USB Memory Card Reader (models CTO D5U 22U 32U 32F F9U FAU)	41D1934	2	Y
Wireless Keyboard (models CTO)	41A5219	2	Y
Wireless Mouse (models CTO)	41A5247	2	Y
USB Transceiver for wireless kybd/mouse (models CTO)	41A5246	2	Y
Speakers (2-piece) Lenovo Logo (models 22U 32U 32F FAU G4U G4F)	41A5331	1	Y
Speaker Power brick - US, Canada, LA low voltage, ASEAN (models 22U 32U 32F FAU G4U G4F)	89P8571	1	Y
BTL external speaker (models CTO)	41A5334	2	Y
DVI-I card,FH(Casper) (models CTO)	39J9334	2	Y

8705 Power Cords	FRU#	CRU Tier	RoHS?
Power Cord (US) (models A2A A2T A4U A5U D4U D5U D6U D7U D8U D8F DAU DAF C1U C2U C3U C5U A9U 21U 21F 22U 23U 23F 24U 24F 26U 26F 31U 31F 32U 32F 33U 33F 34U 34F D6F DBU DBF DCU F9U FAU FBU FCU G4U G4F G5U G5F G6U G6F J1A J1T C6U C7U C8U C9U)	39M5080	1	Y
Power Cord (China) (models A1C A6C 42C ACC 27C J2C)	39M5205	1	Y
Power Cord (Japan) (models J1J)	39M5193	1	Y

8705 Power Cords	FRU#	CRU Tier	RoHS?
Power Cord (Australia/New Zealand) (models J1M)	39M5102	1	Y
Power Cord (Korea) (models 61K 61R D3K D3R D9K D9R F7K F7R F8K F8R FDK FDR G3K G3R J1K)	39M5212	1	Y
Power Cord (Hong Kong) (models A2B A2H 25B 25H D2B D2H J2B J2H)	39M5151	1	Y
Power Cord (UK, Ireland, Singapore, Malaysia, Brunei) (models) A2A 71G 72G 73G 74G J1A)	39M5150	1	Y
Power Cord (Taiwan) (models A8V J1V)	39M5246	1	Y
Power Cord (Italy) (models 71G 72G 73G 74G)	39M5164	1	Y
Power Cord (G models) (models A2A 71G 72G 73G 74G J1A)	39M5122	1	Y
Power Cord (Denmark) (models 71G 72G 73G 74G)	39M5129	1	Y
Power Cord (Switzerland) (models 71G 72G 73G 74G)	39M5157	1	Y
Power Cord (Israel) (models 71G 72G 73G 74G)	39M5171	1	Y
Power Cord (South Africa) (models A2A 71G 72G 73G 74G J1M J1A)	39M5143	1	Y
Power Cord (India) (models A3Q A7Q 43Q 51Q D1Q 28Q J1Q)	39M5004	1	Y

8705 Windows XP Home Recovery CDs	FRU#	CRU Tier	RoHS?
US/UK/AP/TH (models A4U 61R D3R D5U D9R 22U 32U F7R F8R F9U FAU FDR G3R G4U)	42Y3597	1	Y
FR/CF (models 32F G4F)	42Y3598	1	Y
Korea (models 61K D3K D9K F7K F8K FDK G3K)	41W7773	1	Y

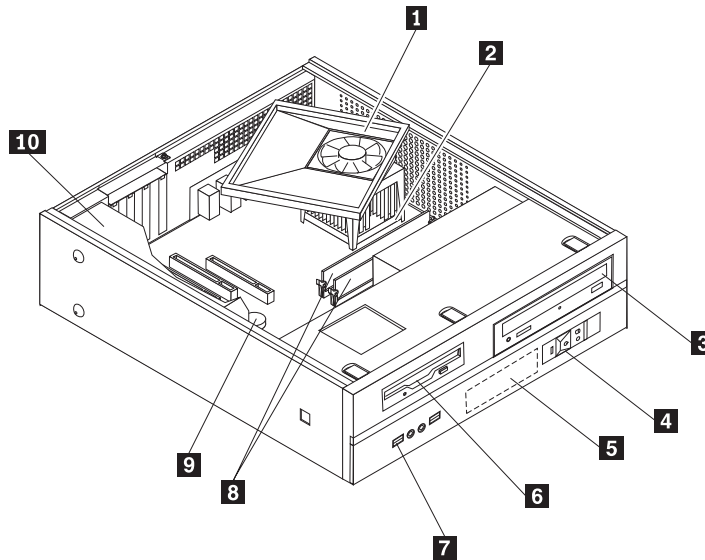
8705 Windows XP Pro Recovery CDs	FRU#	CRU Tier	RoHS?
US/UK/AP/TH (models A2A A2T A2H A5U 51Q D1Q D4U D6U D7U D8U DAU 71G 73G 74G A9U 21U 23U 24U 25H 26U 31U 33U 34U D2H DBU DCU FBU FCU G5U G6U J1M J1A J1Q J1T J2H)	42Y3549	1	Y
RE (models 71G 73G 74G)	42Y3717	1	Y
FR/CF (models D8F DAF 71G 73G 74G 21F 23F 24F 26F 31F 33F 34F D6F DBF G5F G6F)	42Y3550	1	Y
GR (models 71G 73G 74G)	42Y3551	1	Y
SP/LA (models 71G 73G 74G)	42Y3552	1	Y
IT (models 71G 73G 74G)	42Y3553	1	Y
SV (models 71G 73G 74G)	42Y3555	1	Y
DK (models 71G 73G 74G)	42Y3556	1	Y
FI (models 71G 73G 74G)	42Y3718	1	Y
NO (models 71G 73G 74G)	42Y3719	1	Y
NL (models 71G 73G 74G)	42Y3720	1	Y
HE (models 71G 73G 74G)	42Y3721	1	Y
PL (models 71G 73G 74G)	42Y3722	1	Y
CZ (models 71G 73G 74G)	42Y3723	1	Y
AE (models 71G 73G 74G)	42Y3724	1	Y

8705 Windows XP Pro Recovery CDs	FRU#	CRU Tier	RoHS?
RU (models 71G 73G 74G)	42Y3725	1	Y
TR (models 71G 73G 74G)	42Y3726	1	Y
HU (models 71G 73G 74G)	42Y3727	1	Y
PO (models 71G 73G 74G)	42Y3728	1	Y
GK (models 71G 73G 74G)	42Y3729	1	Y
SL (models 71G 73G 74G)	42Y3730	1	Y
Japanese (models J1J)	41W7767	1	Y
Simplified Chinese (models J2C)	41W7751	1	Y
Taiwan-TC (models A8V J1V)	41W7757	1	Y
Hong Kong-TC (models A2B 25B D2B J2B)	41W7762	1	Y
Korea (models J1K)	41W7746	1	Y
Multilingual 1 (models 71G 73G 74G)	42Y3645	1	Y
Multilingual 2 (models 71G 73G 74G)	42Y3879	1	Y

8705 Vista Home Basic 32 Recovery DVDs	FRU#	CRU Tier
US/UK/AP/TH (models)	87H4420	1
FR/CF (models)	87H4421	1
GR (models)	87H4422	1
SP/LA (models)	87H4423	1
BR (models)	87H4424	1
IT (models)	87H4425	1
JP (models)	87H4426	1
NO (models)	87H4427	1
SV (models)	87H4428	1
DK (models)	87H4429	1
NL (models)	87H4430	1
CZ (models)	87H4431	1
FI (models)	87H4432	1
PL (models)	87H4433	1
RU (models)	87H4434	1
TR (models)	87H4435	1
HU (models)	87H4436	1
GK (models)	87H4437	1
PO (models)	87H4438	1
CS (models)	87H4439	1
TW (models)	87H4440	1
HK (models)	87H4441	1
KR (models)	87H4442	1
SL (models)	87H4443	1
RE (models)	43C1306	1

8705 Vista Business 32 Recovery DVDs	FRU#	CRU Tier
US/UK/AP/TH (models)	87H4476	1
FR/CF (models)	87H4477	1
GR (models)	87H4478	1
SP/LA (models)	87H4479	1
BR (models)	87H4480	1
IT (models)	87H4481	1
JP (models)	87H4482	1
NO (models)	87H4483	1
SV (models)	87H4484	1
DK (models)	87H4485	1
NL (models)	87H4486	1
CZ (models)	87H4487	1
FI (models)	87H4488	1
PL (models)	87H4489	1
RU (models)	87H4490	1
TR (models)	87H4491	1
HU (models)	87H4492	1
GK (models)	87H4493	1
PO (models)	87H4494	1
CS (models)	87H4495	1
TW (models)	87H4496	1
HK (models)	87H4497	1
KR (models)	87H4498	1
SL (models)	87H4499	1
RE (models)	43C1308	1

Machine Type 8706



Item #	8706 FRUs	FRU#	CRU Tier	RoHS?
1	Heatsink for Intel processors (all models)	41N8261	N	Y
1	Heatsink for Intel processors (models CTO)	41R4803	N	Y
1	Heatsink for Intel processors (models CTO)	41R6185	N	Y
2	Microprocessor, Celeron D 2.66GHz 533MHz FSB 256KB L2 (models CTO)	41T1694	N	Y
2	Microprocessor, Celeron D 2.80GHz 533MHz FSB 256KB L2 (models CTO A1Q A2C A2B A2H A3J A4J A5J A6J A7J A8J A9J AAJ ABJ ACJ ADJ AEJ)	41T1695	N	Y
2	Microprocessor, Celeron D 2.93GHz 533MHz FSB 256KB L2 (models CTO)	41T1696	N	Y
2	Microprocessor, Celeron D 3.06GHz 533MHz FSB 256KB L2 (models CTO B4J B5J B6J B7J B8J B9J BAJ BBJ BCJ BDJ BEJ BFJ)	41T1697	N	Y
2	Microprocessor, Celeron D 3.20GHz 533MHz FSB 256KB L2 (models CTO)	41T1698	N	Y
2	Microprocessor, Celeron D 3.20GHz 533MHz FSB 512KB L2 (models CTO)	41T4966	N	Y
2	Microprocessor, Celeron D 3.33GHz 533MHz FSB 512KB L2 (models CTO)	41T4968	N	Y
2	Microprocessor, Celeron 430 CONROE-L 800/1800MHZ-512K,LGA,EM64T (models CTO)	43C1964	N	Y
2	Microprocessor, Celeron 440 CONROE-L 800/2000MHZ-512K,LGA,EM64T (models CTO)	43C1965	N	Y
2	Microprocessor, Pentium 3.06GHz 533MHz FSB 1M L2 (models CTO 41B 41H 41J 42J 43J 44J 45J 46J 47J 48J 49J 4AJ 4BJ 4CJ)	41T4104	N	Y
2	Microprocessor, Pentium 4 3.0 GHz 800 FSB 2MB L2 (models CTO 51Q 52Q 52C 52B 52H)	41T1709	N	Y
2	Microprocessor, Pentium 4 3.0 GHz 800 FSB 2MB L2 (models CTO 53K 53R 54K 54R)	41T1712	N	Y
2	Microprocessor, Pentium 4 3.2 GHz 800 FSB 2MB L2 (models CTO 62K 62R 63K 63R)	41T1713	N	Y
2	Microprocessor, Pentium 4 3.4 GHz 800 FSB 2MB L2 (models CTO)	41T1714	N	Y
2	Microprocessor, Pentium 4 661 Processor 3.6 GHz 800 FSB 2MB L2 B1-Value (models CTO)	41T1715	N	Y

Item #	8706 FRUs	FRU#	CRU Tier	RoHS?
2	Microprocessor, Pentium 4 2.8 GHz 800 FSB 2MB L2 (models CTO D1Q D2J D3J D4J D5F D5U D6Q D6C D6B D6H)	41T1704	N	Y
2	Microprocessor, Pentium D 3.0 GHz 800 FSB 2Mx2 L2 (models CTO F7U F7F F8K F8R F9K F9R FAK FAR FBK FBR FCU FCF)	41X2413	N	Y
2	Microprocessor, Pentium D 3.0 GHz 800 FSB 2Mx2 L2 (models CTO)	41T1717	N	Y
2	Microprocessor, Pentium D 935 3.2 GHz 800 FSB 2MBx2 L2 C1-Value (95W) (models CTO)	41X8050	N	Y
2	Microprocessor, Pentium D 3.4GHz 800MHz FSB 2Mx2 L2 (models CTO G2Q G2C G3K G3R)	41X7776	N	Y
2	Microprocessor, E2140 CONROE-L 800/1600MHZ-1M, LGA, EM64T (models CTO)	43C1967	N	Y
2	Microprocessor, E2160 CONROE-L 800/1600MHZ-1M, LGA, EM64T (models CTO)	43C1968	N	Y
2	Microprocessor, E4300 CONROE 800/1800MHZ-2M, LGA, EM64T (models CTO)	42Y8009	N	Y
2	Microprocessor, E6320 B2 Conroe 1066/1.86/4M/775 (models CTO)	TBD	N	Y
2	Microprocessor, E6400 B2 CONROE 1066/2130MHZ-2M, LGA, EM64T (models CTO L1M L1A L1Q L1T L1V L1K L1J)	41X2496	N	Y
2	Microprocessor, E6420 B2 Conroe 1066/2.13/4M/775 (models CTO)	TBD	N	Y
2	Microprocessor, E6600 B2 CONROE 1066/2400MHZ-4M, LGA, EM64T (models CTO)	41X5743	N	Y
2	Microprocessor, E6700 B2 CONROE 1066/2670MHZ-4M, LGA, EM64T (models CTO)	41X5744	N	Y
3	DVD-ROM drive (16X/48X) (models CTO K2C K2B K2H)	41X3544	2	Y
3	DVD-ROM drive (16X/48X) (models CTO K2C K2B K2H)	41X3545	2	Y
3	DVD-ROM drive (16X/48X) (models CTO K2C K2B K2H)	41X3546	2	Y
3	Combo 48 -32 -48 -16 - - DVD - ROM - CDRW (models CTO A5J A6J A9J AAJ ABJ ACJ 53K 53R 54K 54R 62K 62R 63K 63R D1Q D2J D5F D5U B4J B5J B8J B9J BAJ BBJ 43J 44J 47J 48J 49J 4AJ D8B D8H D8J D9J DCJ DDJ DEJ F7U F7F F8K F8R F9K F9R FAK FAR FBK FBR FCU FCF G3K G3R K1M K1A K1Q K1T K1V K1K K1J L1M L1A L1Q L1T L1V L1K L1J)	41X3547	2	Y
3	Combo 48 -32 -48 -16 - - DVD - ROM - CDRW (models CTO A5J A6J A9J AAJ ABJ ACJ 53K 53R 54K 54R 62K 62R 63K 63R D1Q D2J D5F D5U B4J B5J B8J B9J BAJ BBJ 43J 44J 47J 48J 49J 4AJ D8B D8H D8J D9J DCJ DDJ DEJ F7U F7F F8K F8R F9K F9R FAK FAR FBK FBR FCU FCF G3K G3R K1M K1A K1Q K1T K1V K1K K1J L1M L1A L1Q L1T L1V L1K L1J)	41X3548	2	Y
3	Combo 48 -32 -48 -16 - - DVD - ROM - CDRW (models CTO A5J A6J A9J AAJ ABJ ACJ 53K 53R 54K 54R 62K 62R 63K 63R D1Q D2J D5F D5U B4J B5J B8J B9J BAJ BBJ 43J 44J 47J 48J 49J 4AJ D8B D8H D8J D9J DCJ DDJ DEJ F7U F7F F8K F8R F9K F9R FAK FAR FBK FBR FCU FCF G3K G3R K1M K1A K1Q K1T K1V K1K K1J L1M L1A L1Q L1T L1V L1K L1J)	41X3549	2	Y
3	Combo 48 -32 -48 -16 - - DVD - ROM - CDRW --NON/VISTA (models CTO A5J A6J A9J AAJ ABJ ACJ 53K 53R 54K 54R 62K 62R 63K 63R D1Q D2J D5F D5U B4J B5J B8J B9J BAJ BBJ 43J 44J 47J 48J 49J 4AJ D8B D8H D8J D9J DCJ DDJ DEJ F7U F7F F8K F8R F9K F9R FAK FAR FBK FBR FCU FCF G3K G3R K1M K1A K1Q K1T K1V K1K K1J L1M L1A L1Q L1T L1V L1K L1J 64B 64H DGB DGH DLQ DMQ DKB DKH FDK FEK K3K K3R L2M L2A L2Q L2T L2V L2K M1S M1P M1Y M3S M3P M3Y)	42Y9368	1	Y

Item #	8706 FRUs	FRU#	CRU Tier	RoHS?
3	Combo 48 -32 -48 -16 - - DVD - ROM - CDRW --NON/VISTA (models CTO A5J A6J A9J AAJ ABJ ACJ 53K 53R 54K 54R 62K 62R 63K 63R D1Q D2J D5F D5U B4J B5J B8J B9J BAJ BBJ 43J 44J 47J 48J 49J 4AJ D8B D8H D8J D9J DCJ DDJ DEJ F7U F7F F8K F8R F9K F9R FAK FAR FBK FBR FCU FCF G3K G3R K1M K1A K1Q K1T K1V K1K K1J L1M L1A L1Q L1T L1V L1K L1J 64B 64H DGB DGH DLQ DMQ DKB DKH FDK FEK K3K K3R L2M L2A L2Q L2T L2V L2K M1S M1P M1Y M3S M3P M3Y)	42Y9369	1	Y
3	Combo 48 -32 -48 -16 - - DVD - ROM - CDRW --NON/VISTA (models CTO A5J A6J A9J AAJ ABJ ACJ 53K 53R 54K 54R 62K 62R 63K 63R D1Q D2J D5F D5U B4J B5J B8J B9J BAJ BBJ 43J 44J 47J 48J 49J 4AJ D8B D8H D8J D9J DCJ DDJ DEJ F7U F7F F8K F8R F9K F9R FAK FAR FBK FBR FCU FCF G3K G3R K1M K1A K1Q K1T K1V K1K K1J L1M L1A L1Q L1T L1V L1K L1J 64B 64H DGB DGH DLQ DMQ DKB DKH FDK FEK K3K K3R L2M L2A L2Q L2T L2V L2K M1S M1P M1Y M3S M3P M3Y)	41X7992	1	Y
3	DVD-Recorder (Rambo 8)-NON/VISTA (models CTO ADJ AEJ D3J D4J BCJ BDJ 4BJ 4CJ)	41N3343	2	Y
3	DVD-Recorder (Rambo 8)-NON/VISTA (models CTO ADJ AEJ D3J D4J BCJ BDJ 4BJ 4CJ)	41X3550	2	Y
3	DVD Recordable No Software / No Royalty for VISTA Models ONLY (models CTO ADJ AEJ D3J D4J BCJ BDJ 4BJ 4CJ)	42Y9371	2	Y
3	DVD Recordable No Software / No Royalty for VISTA Models ONLY (models CTO ADJ AEJ D3J D4J BCJ BDJ 4BJ 4CJ)	42Y6017	2	Y
3	DVD Recordable No Software / No Royalty for VISTA Models ONLY (models CTO ADJ AEJ D3J D4J BCJ BDJ 4BJ 4CJ)	43C0144	2	Y
3	DVD Recordable No Software / No Royalty for VISTA Models ONLY (models CTO ADJ AEJ D3J D4J BCJ BDJ 4BJ 4CJ)	42Y9370	1	Y
4	Front Power/LED PC, bracket, and cable (all models)	41N8213	N	Y
5	Hard disk drive, 40GB (7200RPM), Serial ATA (models CTO)	40Y9033	2	Y
5	Hard disk drive, 80GB (7200RPM), Serial ATA (models CTO A1Q A2C A2B A2H A3J A4J A5J A6J 51Q 52Q 52C 52B 52H D1Q D5F D5U D6Q D6C D6B D6H B4J B5J BEJ BFJ 41B 41H 41J 42J 43J 44J D6J D7J D8B D8H D8J D9J F7U F7F G2Q G2C K1M K1A K1Q K1T K1V K1K K1J K2C K2B K2H)	40Y9034	2	Y
5	Hard disk drive, 80GB 7200rpm SATA (only for China) (models A2C A2B A2H 52C 52B 52H D6C D6B D6H 41B 41H D8B D8H G2C K1T K1V K2C K2B K2H)	41X2500	1	Y
5	Hard disk drive, 160GB (7200RPM), Serial ATA (models CTO A7J A8J A9J AAJ 62K 62R 63K 63R B6J B7J B8J B9J 45J 46J 47J 48J DAJ DBJ DCJ DDJ F8K F8R FBK FBR FCU FCF L1M L1A L1Q L1T L1V L1K L1J)	40Y9035	2	Y
5	Hard disk drive, 250GB (7200RPM), Serial ATA (models CTO ABJ ACJ ADJ AEJ 53K 53R 54K 54R D2J D3J D4J F3K F3R F4K F4R)	40Y9036	2	Y
5	Hard disk drive, 500GB (7200RPM), Serial ATA (models CTO)	41X5582	2	Y
6	Diskette drive, 3,5", 1.44MB, 2-mode, (w/bezel) (models CTO A2C A2B A2H A3J A4J A5J A6J A7J A8J A9J AAJ ABJ ACJ ADJ AEJ 52Q 52C 52B 52H D2J D3J D4J D6Q D6C D6B D6H B4J B5J B6J B7J B8J B9J BAJ BBJ BCJ BDJ BEJ BFJ 41B 41H 41J 42J 43J 44J 45J 46J 47J 48J 49J 4AJ 4BJ 4CJ D6J D7J D8B D8H D8J D9J DAJ DBJ DCJ DDJ DEJ G2Q G2C K1M K1A K1Q K1T K1V K1K K1J K2C K2B K2H L1M L1A L1Q L1T L1V L1K L1J)	40Y9105	2	Y

Item #	8706 FRUs	FRU#	CRU Tier	RoHS?
6	Diskette drive, 3,5", 3.5" 1.44MB 2 Mode (models CTO A2C A2B A2H A3J A4J A5J A6J A7J A8J A9J AAJ ABJ ACJ ADJ AEJ 52Q 52C 52B 52H D2J D3J D4J D6Q D6C D6B D6H B4J B5J B6J B7J B8J B9J BAJ BBJ BCJ BDJ BEJ BFJ 41B 41H 41J 42J 43J 44J 45J 46J 47J 48J 49J 4AJ 4BJ 4CJ D6J D7J D8B D8H D8J D9J DAJ DBJ DCJ DDJ DEJ G2Q G2C K1M K1A K1Q K1T K1V K1K K1J K2C K2B K2H L1M L1A L1Q L1T L1V L1K L1J)	40Y7107	2	Y
7	Front USB/Audio with bracket (all models)	41N8212	N	Y
8	Memory module, 512 MB PC2-4200 (533MHz) DDR2 SDRAM (models CTO A3J A4J A5J A6J A7J A8J A9J AAJ ABJ ACJ ADJ AEJ 52Q 52C 52B 52H D2J D3J D4J D5F D5U D6Q D6C D6B D6H B4J B5J B6J B7J B8J B9J BAJ BBJ BCJ BDJ BEJ BFJ 41B 41H 41J 42J 43J 44J 45J 46J 47J 48J 49J 4AJ 4BJ 4CJ D6J D7J D8B D8H D8J D9J DAJ DBJ DCJ DDJ DEJ G2Q G2C K1M K1A K1Q K1T K1V K1K K1J K2C K2B K2H L1M L1A L1Q L1T L1V L1K L1J)	41X4251	2	Y
8	Memory module, 1 GB PC2-4200 (533MHz) DDR2 SDRAM (models CTO)	41X4252	2	Y
8	Memory module, 2GB PC2-4200 (533MHz) DDR2 SDRAM (models CTO)	41X4253	2	Y
8	Memory module, 512 MB PC2-5300 (667MHz) DDR2 SDRAM (models CTO 53K 53R 54K 54R 62K 62R 63K 63R F7U F7F F8K F8R F9K F9R FAK FAR FBK FBR FCU FCF)	41X4255	2	Y
8	Memory module, 1 GB PC2-5300 (667MHz) DDR2 SDRAM (models CTO G3K G3R)	41X4256	2	Y
8	Memory module, 2 GB PC2-5300 (667MHz) DDR2 SDRAM (models CTO)	41X4257	2	Y
9	System board, Intel Sys Planar for Vista and XP (models CTO A1Q A2C A2B A2H A3J A4J A5J A6J A7J A8J A9J AAJ ABJ ACJ ADJ AEJ 51Q 52Q 52C 52B 52H 53K 53R 54K 54R 62K 62R 63K 63R D1Q D2J D3J D4J D5F D5U D6Q D6C D6B D6H B4J B5J B6J B7J B8J B9J BAJ BBJ BCJ BDJ BEJ BFJ 41B 41H 41J 42J 43J 44J 45J 46J 47J 48J 49J 4AJ 4BJ 4CJ D6J D7J D8B D8H D8J D9J DAJ DBJ DCJ DDJ DEJ F7U F7F F8K F8R F9K F9R FAK FAR FBK FBR FCU FCF G2Q G2C G3K G3R K1M K1A K1Q K1T K1V K1K K1J K2C K2B K2H L1M L1A L1Q L1T L1V L1K L1J 64B 64H DGB DGH DLQ DMQ DKB DKH FDK FEK K3K K3R K4B K4H K5B K5H L2M L2A L2Q L2T L2V L2K M1S M1P M1Y M2S M2P M2Y M3S M3P M3Y M4S M4P M4Y) Note: When ordering a new system board, you must also order a new retention module for the heat sink.	87H4655	N	Y
9	System board, Intel Sys Planar Japan for Vista and XP (models CTO A1Q A2C A2B A2H A3J A4J A5J A6J A7J A8J A9J AAJ ABJ ACJ ADJ AEJ 51Q 52Q 52C 52B 52H 53K 53R 54K 54R 62K 62R 63K 63R D1Q D2J D3J D4J D5F D5U D6Q D6C D6B D6H B4J B5J B6J B7J B8J B9J BAJ BBJ BCJ BDJ BEJ BFJ 41B 41H 41J 42J 43J 44J 45J 46J 47J 48J 49J 4AJ 4BJ 4CJ D6J D7J D8B D8H D8J D9J DAJ DBJ DCJ DDJ DEJ F7U F7F F8K F8R F9K F9R FAK FAR FBK FBR FCU FCF G2Q G2C G3K G3R K1M K1A K1Q K1T K1V K1K K1J K2C K2B K2H L1M L1A L1Q L1T L1V L1K L1J 64B 64H DGB DGH DLQ DMQ DKB DKH FDK FEK K3K K3R K4B K4H K5B K5H L2M L2A L2Q L2T L2V L2K M1S M1P M1Y M2S M2P M2Y M3S M3P M3Y M4S M4P M4Y) Note: When ordering a new system board, you must also order a new retention module for the heat sink.	87H4656	N	Y

Item #	8706 FRUs	FRU#	CRU Tier	RoHS?
9	System board, 946GZ B ver1.0 (models CTO A1Q A2C A2B A2H A3J A4J A5J A6J A7J A8J A9J AAJ ABJ ACJ ADJ AEJ 51Q 52Q 52C 52B 52H 53K 53R 54K 54R 62K 62R 63K 63R D1Q D2J D3J D4J D5F D5U D6Q D6C D6B D6H D6J B4J B5J B6J B7J B8J B9J BAJ BBJ BCJ BDJ BEJ BFJ 41B 41H 41J 42J 43J 44J 45J 46J 47J 48J 49J 4AJ 4BJ 4CJ D6J D7J D8B D8H D8J D9J DAJ DBJ DCJ DDJ DEJ F7U F7F F8K F8R F9K F9R FAK FAR FBK FBR FCU FCF G2Q G2C G3K G3R K1M K1A K1Q K1T K1V K1K K1J K2C K2B K2H L1M L1A L1Q L1T L1V L1K L1J 64B 64H DGB DGH DLQ DMQ DKB DKH FDK FEK K3K K3R K4B K4H K5B K5H L2M L2A L2Q L2T L2V L2K M1S M1P M1Y M2S M2P M2Y M3S M3P M3Y M4S M4P M4Y) Note: When ordering a new system board, you must also order a new retention module for the heat sink.	43C3504	N	Y
9	System board, 946GZ ver1.2 (models CTO A1Q A2C A2B A2H A3J A4J A5J A6J A7J A8J A9J AAJ ABJ ACJ ADJ AEJ 51Q 52Q 52C 52B 52H 53K 53R 54K 54R 62K 62R 63K 63R D1Q D2J D3J D4J D5F D5U D6Q D6C D6B D6H B4J B5J B6J B7J B8J B9J BAJ BBJ BCJ BDJ BEJ BFJ 41B 41H 41J 42J 43J 44J 45J 46J 47J 48J 49J 4AJ 4BJ 4CJ D6J D7J D8B D8H D8J D9J DAJ DBJ DCJ DDJ DEJ F7U F7F F8K F8R F9K F9R FAK FAR FBK FBR FCU FCF G2Q G2C G3K G3R K1M K1A K1Q K1T K1V K1K K1J K2C K2B K2H L1M L1A L1Q L1T L1V L1K L1J 64B 64H DGB DGH DLQ DMQ DKB DKH FDK FEK K3K K3R K4B K4H K5B K5H L2M L2A L2Q L2T L2V L2K M1S M1P M1Y M2S M2P M2Y M3S M3P M3Y M4S M4P M4Y) Note: When ordering a new system board, you must also order a new retention module for the heat sink.	43C3505	N	Y
9	System board, 946GZ ver1.2 (models CTO A1Q A2C A2B A2H A3J A4J A5J A6J A7J A8J A9J AAJ ABJ ACJ ADJ AEJ 51Q 52Q 52C 52B 52H 53K 53R 54K 54R 62K 62R 63K 63R D1Q D2J D3J D4J D5F D5U D6Q D6C D6B D6H B4J B5J B6J B7J B8J B9J BAJ BBJ BCJ BDJ BEJ BFJ 41B 41H 41J 42J 43J 44J 45J 46J 47J 48J 49J 4AJ 4BJ 4CJ D6J D7J D8B D8H D8J D9J DAJ DBJ DCJ DDJ DEJ F7U F7F F8K F8R F9K F9R FAK FAR FBK FBR FCU FCF G2Q G2C G3K G3R K1M K1A K1Q K1T K1V K1K K1J K2C K2B K2H L1M L1A L1Q L1T L1V L1K L1J 64B 64H DGB DGH DLQ DMQ DKB DKH FDK FEK K3K K3R K4B K4H K5B K5H L2M L2A L2Q L2T L2V L2K M1S M1P M1Y M2S M2P M2Y M3S M3P M3Y M4S M4P M4Y) Note: When ordering a new system board, you must also order a new retention module for the heat sink.	43C8359	N	Y
10	220W Small desktop power supply (non-smokeless) (models CTO 53K 53R 54K 54R 62K 62R 63K 63R D5F D5U F7U F7F F8K F8R F9K F9R FAK FAR FBK FBR FCU FCF G3K G3R K1M K1A K1T K1V K1K L1M L1A L1T L1V L1K)	41N3109	N	Y
10	220 Watt Power Supply - WW (models CTO 53K 53R 54K 54R 62K 62R 63K 63R D5F D5U F7U F7F F8K F8R F9K F9R FAK FAR FBK FBR FCU FCF G3K G3R K1M K1A K1T K1V K1K L1M L1A L1T L1V L1K)	41A9655	N	Y
10	220W Small desktop power supply (smokeless -- Japanese) (models A3J A4J A5J A6J A7J A8J A9J AAJ ABJ ACJ ADJ AEJ D2J D3J D4J B4J B5J B6J B7J B8J B9J BAJ BBJ BCJ BDJ BEJ BFJ 41J 42J 43J 44J 45J 46J 47J 48J 49J 4AJ 4BJ 4CJ D6J D7J D8J D9J DAJ DBJ DCJ DDJ DEJ K1J L1J)	41N3119	N	Y
10	220 Watt Power Supply - China (models CTO-A CTO-L A1Q A2C A2B A2H 51Q 52Q 52C 52B 52H D1Q D6Q D6C D6B D6H 41B 41H D8B D8H G2Q G2C K1Q K2C K2B K2H L1Q)	41N3493	N	Y
10	220 Watt Power Supply - china (models CTO-A CTO-L A1Q A2C A2B A2H 51Q 52Q 52C 52B 52H D1Q D6Q D6C D6B D6H 41B 41H D8B D8H G2Q G2C K1Q K2C K2B K2H L1Q)	41A9652	N	Y

The FRUs listed in the following tables are not illustrated.

8706 FRUs	FRU#	CRU Tier	RoHS?
1 drop IDE cable (all models)	41A7158	N	Y
Thermal grease kit (models CTO)	91P8835	N	Y
Shield, EMC, system board (all models)	41N5347	N	Y
Cable, Serial ATA, 250 mm (all models)	41A7145	N	Y
Shield, EMC, blank 5.25in. drive bay (all models)	41N8271	N	Y
Shield, EMC, blank diskette drive bay (all models)	41N8273	N	Y
Cover (all models)	41N8204	2	Y
Mechanical shell kit (all models)	41N8205	2	Y
Bezel kit (all models)	41N8206	N	Y
Miscellaneous hardware kit (all models)	41N8209	N	Y
Hard disk drive bracket asm (plastic and grommets) (all models)	41N8210	N	Y
Hard disk drive fan and bracket asm (all models)	41N8211	N	Y
Speaker cable asm, 600 mm cable length (all models)	41N8217	N	Y
Serial port cable (all models)	39K5021	N	Y
Fan duct assembly (all models)	41A7151	N	Y
Fan duct assembly (all models)	41A4808	N	Y
Rear USB cable asm (with low profile PCI bracket) (all models)	41N8267	N	
Retention Module, Intel (all models)	41A7139	N	Y

8706 Keyboards (PS2 Preferred Pro)	FRU#	CRU Tier	RoHS?
US English (models A1Q A2C A2H 51Q 52Q 52C 52H 53R 54R 62R 63R D1Q D5U D6Q D6C D6H 41H D8H F7U F8R F9R FAR FBR FCU G2Q G2C G3R K1M K1A K1Q K2C K2H L1M L1A L1Q)	41A5039	1	Y
Hong Kong/Taiwan (models A2B 52B D6B 41B D8B K1V K2B L1V)	41A5046	1	Y
French Canadian 445 (models D5F F7F FCF)	41A5051	1	Y
French Canadian 58 (models D5F F7F FCF)	41A5052	1	Y
Japanese (models A3J A4J A5J A6J A7J A8J A9J AAJ ABJ ACJ ADJ AEJ D2J D3J D4J B4J B5J B6J B7J B8J B9J BAJ BBJ BCJ BDJ BEJ BFJ 41J 42J 43J 44J 45J 46J 47J 48J 49J 4AJ 4BJ 4CJ D6J D7J D8J D9J DAJ DBJ DCJ DDJ DEJ K1J L1J)	41A5059	1	Y
Korean (models 53K 54K 62K 63K F8K F9K FAK FBK G3K K1K L1K)	41A5060	1	Y
Thailand (models K1T L1T)	41A5072	1	Y

8706 mice	FRU#	CRU Tier	RoHS?
Optical Wheel Mouse (400DPI, USB) (all models)	41U3013	1	Y
Optical Wheel Mouse (400DPI, USB) (all models)	41U3030	1	Y
PS/2 Three Button ball mouse (models CTO)	41R0018	1	Y
ScrollPoint Optical Mouse (800DPI, USB) (models CTO)	41U3019	1	Y

8706 Adapters and miscellaneous FRUs	FRU#	CRU Tier	RoHS?
USB2.0 MEMORY CARDREADER,6X2,ROHS OPTIONAL,Bitland (models CTO)	41R3378	2	Y
USB2.0 MEMORY CARDREADER,6X2,ROHS OPTIONAL, SONY (models CTO)	41R3376	2	Y
PCI Modem Card (Soft) (models CTO)	29R9729	2	Y
L1 IEEE 1394 PCI Adapter (models CTO)	41D2781	2	Y
Denver - ATI X300SE 128MB (models CTO FCU FCF)	39J9635	2	Y
Dongle Cable - DMS59 to dual VGA (models CTO)	41D2399	2	Y
Dongle Cable - DMS59 to dual VGA (included in Denver L1) (models CTO)	42Y8181	2	Y
Dongle DMS Dule DMS-59 to dual DVI cable (models CTO)	41X6398	2	Y
Dongle DMS Dule DMS-59 to single VGA and DVI cable (models CTO)	42Y8183	2	Y
Nvidia GeForce 6200TC128MB 64bit (Full Height) (models CTO)	41X2668	2	Y
Nvidia GeForce 6200TC 64MB 32bit (models CTO)	41X2667	2	Y
Nvidia GeForce 7300LE 128MB 64bit (models CTO 54K 54R 63K 63R FAK FAR FBK FBR)	41X2669	2	Y
Nvidia GeForce 7300LE 128MB 64bit LP / ATX with DMS59 (models CTO)	42Y8165	2	Y
ATI Radeon X1300PRO 256MB 128bit (models CTO)	41X2670	2	Y
ATI X1300LE 256M 64bit LP / ATX with DMS59 (models CTO)	42Y8162	2	Y
X1300 LE 256MB (models CTO)	42Y8159	2	Y
Internal USB Memory Card Reader (models CTO)	41D1934	2	Y
Wireless Keyboard (models CTO)	41A5219	2	Y
Wireless Mouse (models CTO)	41A5247	2	Y
USB Transceiver for wireless kybd/mouse (models CTO)	41A5246	2	Y
BTL external speaker (models CTO)	41A5334	2	Y
DVI-I card,FH(Casper) (models CTO)	39J9334	2	Y

8706 Power Cords	FRU#	CRU Tier	RoHS?
Power cord - US (models D5F D5U F7U F7F FCU FCF K1A K1T L1A L1T)	39M5080	1	Y
Power cord - China (models A2C 52C D6C G2C K2C)	39M5205	1	Y
Power cord - Japan (models A3J A4J A5J A6J A7J A8J A9J AAJ ABJ ACJ ADJ AEJ D2J D3J D4J B4J B5J B6J B7J B8J B9J BAJ BBJ BCJ BDJ BEJ BFJ 41J 42J 43J 44J 45J 46J 47J 48J 49J 4AJ 4BJ 4CJ D6J D7J D8J D9J DAJ DBJ DCJ DDJ DEJ K1J L1J)	39M5193	1	Y
Power cord - Australia/New Zealand (models K1M L1M)	39M5102	1	Y
Power cord - Korea (models 53K 53R 54K 54R 62K 62R 63K 63R F8K F8R F9K F9R FAK FAR FBK FBR G3K G3R K1K L1K)	39M5212	1	Y
Power cord - Hong Kong (models A2B A2H 52B 52H D6B D6H 41B 41H D8B D8H K2B K2H)	39M5151	1	Y
Power cord - UK, Ireland, Singapore, Malaysia, Brunei (models K1A L1A)	39M5150	1	Y
Power cord - Taiwan (models K1V L1V)	39M5246	1	Y
Power cord - G models (models K1A L1A)	39M5122	1	Y
Power cord - South Africa (models K1M K1A L1M L1A)	39M5143	1	Y
Power cord - India (models A1Q 51Q 52Q D1Q D6Q G2Q K1Q L1Q)	39M5004	1	Y

8706 Windows XP Home Recovery CDs	FRU#	CRU Tier	RoHS?
US/UK/AP/TH (models 53R 54R 62R 63R F8R F9R FAR FBR G3R)	42Y3597	1	Y
Korea (models 53K 54K 62K 63K F8K F9K FAK FBK G3K)	41W7773	1	Y

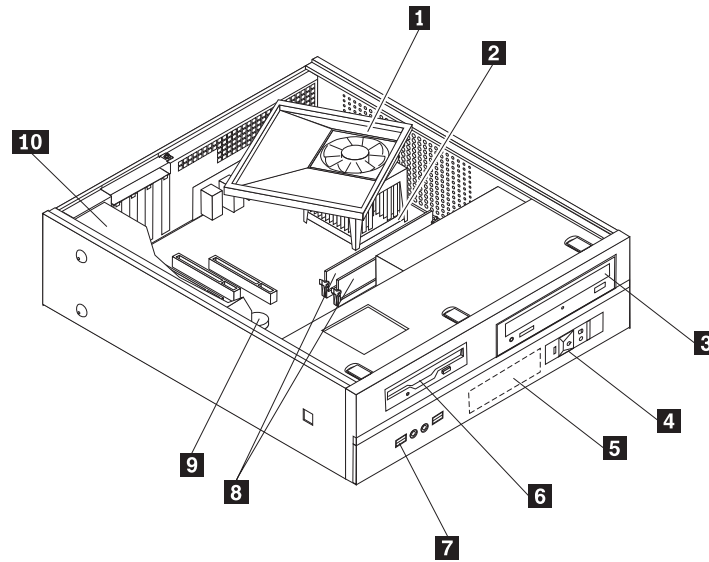
8706 Windows XP Pro Recovery CDs	FRU#	CRU Tier	RoHS?
US/UK/AP/TH (models A2H 51Q 52Q 52H D1Q D5U D6Q D6H 41H D8H F7U FCU G2Q K1M K1A K1Q K1T K2H L1M L1A L1Q L1T)	42Y3549	1	Y
FR/CF (models D5F F7F FCF)	42Y3550	1	Y
Japanese (models A3J A4J A5J A6J A7J A8J A9J AAJ ABJ ACJ ADJ AEJ D2J D3J D4J B4J B5J B6J B7J B8J B9J BAJ BBJ BCJ BDJ BEJ BFJ 41J 42J 43J 44J 45J 46J 47J 48J 49J 4AJ 4BJ 4CJ D6J D7J D8J D9J DAJ DBJ DCJ DDJ DEJ K1J L1J)	41W7767	1	Y
Simplified Chinese (models A2C 52C D6C G2C K2C)	41W7751	1	Y
Taiwan-TC (models K1V L1V)	41W7757	1	Y
Hong Kong-TC (models A2B 52B D6B 41B D8B K2B)	41W7762	1	Y
Korea (models K1K L1K)	41W7746	1	Y

8706 Vista Home Basic 32 Recovery DVDs	FRU#	CRU Tier
US/UK/AP/TH (models)	87H4420	1
FR/CF (models)	87H4421	1
GR (models)	87H4422	1
SP/LA (models)	87H4423	1
BR (models)	87H4424	1
IT (models)	87H4425	1
JP (models)	87H4426	1
NO (models)	87H4427	1
SV (models)	87H4428	1
DK (models)	87H4429	1
NL (models)	87H4430	1
CZ (models)	87H4431	1
FI (models)	87H4432	1
PL (models)	87H4433	1
RU (models)	87H4434	1
TR (models)	87H4435	1
HU (models)	87H4436	1
GK (models)	87H4437	1
PO (models)	87H4438	1
CS (models)	87H4439	1
TW (models)	87H4440	1
HK (models)	87H4441	1
KR (models)	87H4442	1
SL (models)	87H4443	1

8706 Vista Home Basic 32 Recovery DVDs	FRU#	CRU Tier
RE (models)	43C1306	1

8706 Vista Business 32 Recovery DVDs	FRU#	CRU Tier
US/UK/AP/TH (models)	87H4476	1
FR/CF (models)	87H4477	1
GR (models)	87H4478	1
SP/LA (models)	87H4479	1
BR (models)	87H4480	1
IT (models)	87H4481	1
JP (models)	87H4482	1
NO (models)	87H4483	1
SV (models)	87H4484	1
DK (models)	87H4485	1
NL (models)	87H4486	1
CZ (models)	87H4487	1
FI (models)	87H4488	1
PL (models)	87H4489	1
RU (models)	87H4490	1
TR (models)	87H4491	1
HU (models)	87H4492	1
GK (models)	87H4493	1
PO (models)	87H4494	1
CS (models)	87H4495	1
TW (models)	87H4496	1
HK (models)	87H4497	1
KR (models)	87H4498	1
SL (models)	87H4499	1
RE (models)	43C1308	1

Machine Type 8970



Item #	8970 FRUs	FRU#	CRU Tier	RoHS?
1	Heatsink for Intel processors (all models)	41N8261	N	Y
1	Heatsink for Intel processors (models CTO)	41R4803	N	Y
1	Heatsink for Intel processors (models CTO)	41R6185	N	Y
2	Microprocessor, Celeron D 2.66GHz 533MHz FSB 256KB L2 (models CTO)	41T1694	N	Y
2	Microprocessor, Celeron D 2.80GHz 533MHz FSB 256KB L2 (models CTO)	41T1695	N	Y
2	Microprocessor, Celeron D 2.93GHz 533MHz FSB 256KB L2 (models CTO)	41T1696	N	Y
2	Microprocessor, Celeron D 3.06GHz 533MHz FSB 256KB L2 (models CTO 71G)	41T1697	N	Y
2	Microprocessor, Celeron D 3.20GHz 533MHz FSB 256KB L2 (models CTO)	41T1698	N	Y
2	Microprocessor, Celeron D 3.20GHz 533MHz FSB 512KB L2 (models CTO)	41T4966	N	Y
2	Microprocessor, Celeron D 3.33GHz 533MHz FSB 512KB L2 (models CTO)	41T4968	N	Y
2	Microprocessor, Celeron 430 CONROE-L 800/1800MHZ-512K,LGA,EM64T (models CTO)	43C1964	N	Y
2	Microprocessor, Celeron 440 CONROE-L 800/2000MHZ-512K,LGA,EM64T (models CTO)	43C1965	N	Y
2	Microprocessor, Pentium 4 3.06GHz 533MHz FSB 1M L2 (models CTO 72G)	41T4104	N	Y
2	Microprocessor, Pentium 4 3.0 GHz 800 FSB 2MB L2 (models CTO)	41T1709	N	Y
2	Microprocessor, Pentium 4 3.0 GHz 800 FSB 2MB L2 (models CTO)	41T1712	N	Y
2	Microprocessor, Pentium 4 3.2 GHz 800 FSB 2MB L2 (models CTO)	41T1713	N	Y
2	Microprocessor, Pentium 4 3.4 GHz 800 FSB 2MB L2 (models CTO)	41T1714	N	Y
2	Microprocessor, Pentium 4 661 Processor 3.6 GHz 800 FSB 2MB L2 B1-Value (models CTO)	41T1715	N	Y
2	Microprocessor, Pentium 4 2.8 GHz 800 FSB 2MB L2 (models CTO)	41T1704	N	Y
2	Microprocessor, Pentium D 3.0 GHz 800 FSB 2Mx2 L2 (models CTO)	41X2413	N	Y
2	Microprocessor, Pentium D 3.0 GHz 800 FSB 2Mx2 L2 (models CTO)	41T1717	N	Y

Item #	8970 FRUs	FRU#	CRU Tier	RoHS?
2	Microprocessor, Pentium D 935 3.2 GHz 800 FSB 2MBx2 L2 C1-Value (95W) (models CTO)	41X8050	N	Y
2	Microprocessor, Pentium D 3.4GHz 800MHz FSB 2Mx2 L2 (models CTO G2Q G2C G3K G3R)	41X7776	N	Y
2	Microprocessor, E2140 CONROE-L 800/1600MHZ-1M, LGA, EM64T (models CTO)	43C1967	N	Y
2	Microprocessor, E2160 CONROE-L 800/1600MHZ-1M, LGA, EM64T (models CTO)	43C1968	N	Y
2	Microprocessor, E4300 CONROE 800/1800MHZ-2M, LGA, EM64T (models CTO)	42Y8009	N	Y
2	Microprocessor, E4400 CONROE 800/2000MHZ-2M, LGA, EM64T L2 (models CTO)	43C2056	N	Y
2	Microprocessor, Conroe E6300 Processor 1.86GHz 1066MHz FSB 2M L2 (models CTO)	41X2495	N	Y
2	Microprocessor, E6320 B2 Conroe 1066/1.86/4M/775 (models CTO)	TBD	N	Y
2	Microprocessor, E6400 B2 CONROE 1066/2130MHZ-2M, LGA, EM64T (models CTO)	41X2496	N	Y
2	Microprocessor, E6420 B2 Conroe 1066/2.13/4M/775 (models CTO)	TBD	N	Y
2	Microprocessor, E6600 B2 CONROE 1066/2400MHZ-4M, LGA, EM64T (models CTO)	41X5743	N	Y
2	Microprocessor, E6700 B2 CONROE 1066/2670MHZ-4M, LGA, EM64T (models CTO)	41X5744	N	Y
3	DVD-ROM drive (16X/48X) (models CTO 71G 72G)	41X3545	2	Y
3	DVD-ROM drive (16X/48X) (models CTO 71G 72G)	41X3546	2	Y
3	Combo 48 -32 -48 -16 - - DVD - ROM - CDRW (models CTO)	41X3547	2	Y
3	Combo 48 -32 -48 -16 - - DVD - ROM - CDRW (models CTO)	41X3548	2	Y
3	Combo 48 -32 -48 -16 - - DVD - ROM - CDRW (models CTO)	41X3549	2	Y
3	Combo 48 -32 -48 -16 - - DVD - ROM - CDRW --NON/VISTA (models CTO)	42Y9368	1	Y
3	Combo 48 -32 -48 -16 - - DVD - ROM - CDRW --NON/VISTA (models CTO)	42Y9369	1	Y
3	Combo 48 -32 -48 -16 - - DVD - ROM - CDRW --NON/VISTA (models CTO)	41X7992	1	Y
3	DVD-Recorder (Rambo 8) (models CTO)	41N3343	2	Y
3	DVD-Recorder (Rambo 8) (models CTO)	41X3550	2	Y
3	DVD Recordable No Software / No Royalty for VISTA Models ONLY (models CTO)	42Y9370	1	Y
3	DVD Recordable No Software / No Royalty for VISTA Models ONLY (models CTO)	42Y9371	2	Y
3	DVD Recordable No Software / No Royalty for VISTA Models ONLY (models CTO)	42Y6017	2	Y
3	DVD Recordable No Software / No Royalty for VISTA Models ONLY (models CTO)	43C0144	2	Y
4	Front Power/LED PC, bracket, and cable (all models)	41N8213	N	Y
5	Hard disk drive, 40GB (7200RPM), Serial ATA (models CTO)	40Y9033	2	Y

Item #	8970 FRUs	FRU#	CRU Tier	RoHS?
5	Hard disk drive, 80GB (7200RPM), Serial ATA (models CTO 71G 72G)	40Y9034	2	Y
5	Hard disk drive, 80GB 7200rpm SATA (only for China) (models CTO)	41X2500	1	Y
5	Hard disk drive, 160GB (7200RPM), Serial ATA (models CTO)	40Y9035	2	Y
5	Hard disk drive, 250GB (7200RPM), Serial ATA (models CTO)	40Y9036	2	Y
5	Hard disk drive, 500GB (7200RPM), Serial ATA (models CTO)	41X5582	2	Y
6	Diskette drive, 3,5", 1.44MB, 2-mode, (w/bezel) (models CTO)	40Y9105	2	Y
6	Diskette drive, 3,5", 1.44MB, 2-mode (models CTO)	40Y7107	2	Y
7	Front USB/Audio with bracket (all models)	41N8212	N	Y
8	Memory module, 512 MB PC2-4200 (533MHz) DDR2 SDRAM (models CTO 71G 72G)	41X4251	2	Y
8	Memory module, 1 GB PC2-4200 (533MHz) DDR2 SDRAM (models CTO)	41X4252	2	Y
8	Memory module, 512 MB PC2-5300 (667MHz) DDR2 SDRAM (models CTO)	41X4255	2	Y
8	Memory module, 1 GB PC2-5300 (667MHz) DDR2 SDRAM (models CTO)	41X4256	2	Y
9	System board, SiS 662 Gig E Sys Planar for Vista and XP (models CTO 71G 72G) Note: When ordering a new system board, you must also order a new retention module for the heat sink.	87H4657	N	Y
10	220W Small desktop power supply (non-smokeless) (models CTO 71G 72G)	41N3109	N	Y
10	220 Watt Power Supply - WW (models CTO 71G 72G)	41A9655	N	Y
10	220 Watt Power Supply - China (models CTO-A)	41N3493	N	Y
10	220 Watt Power Supply - China (models CTO-A)	41A9652	N	Y

The FRUs listed in the following tables are not illustrated.

8970 FRUs	FRU#	CRU Tier	RoHS?
1 drop IDE cable (all models)	41A7158	N	Y
Thermal grease kit (models CTO)	91P8835	N	Y
Shield, EMC, system board (all models)	41N5347	N	Y
Cable, Serial ATA, 250 mm (all models)	41A7145	N	Y
Shield, EMC, blank 5.25in. drive bay (all models)	41N8271	N	Y
Shield, EMC, blank diskette drive bay (all models)	41N8273	N	Y
Cover (all models)	41N8204	2	Y
Mechanical shell kit (all models)	41N8205	2	Y
Bezel kit (all models)	41N8206	N	Y
Miscellaneous hardware kit (all models)	41N8209	N	Y
Hard disk drive bracket asm (plastic and grommets) (all models)	41N8210	N	Y
Hard disk drive fan and bracket asm (all models)	41N8211	N	Y
Speaker cable asm, 600 mm cable length (all models)	41N8217	N	Y
Serial port Cable (all models)	39K5021	N	Y
Fan duct assembly (all models)	41A7151	N	Y

8970 FRUs	FRU#	CRU Tier	RoHS?
Fan duct assembly (all models)	41R4808	N	Y
Rear USB cable asm (with low profile PCI bracket) (all models)	41N8267	N	
Rear USB 2Ports II HP(R), high profile I/O, 300mm, Rohs (all models)	42Y8005	N	Y
Rear USB 2Ports II LP(R), low profile I/O, 200mm, Rohs (all models)	42Y8006	N	Y
Rear Com2 cable II HP(R), high profile I/O, 250mm, Rohs (all models)	42Y8007	N	Y
Rear Com2 cable II LP(R), low profile I/O, 250mm, Rohs (all models)	42Y8008	N	Y
Foot stand (all models)	41R4813	N	Y
Retention module, Intel (all models)	41A7139	N	Y

8970 Keyboards (PS2 Preferred Pro)	FRU#	CRU Tier	RoHS?
US English (models 71G 72G)	41A5039	1	Y
Arabic (models 71G 72G)	41A5040	1	Y
Arabic/French (models 71G 72G)	41A5041	1	Y
Belgian/French (models 71G 72G)	41A5042	1	Y
Belgian/UK (models 71G 72G)	41A5043	1	Y
Bulgarian (models 71G 72G)	41A5045	1	Y
Czech (models 71G 72G)	41A5047	1	Y
Danish (models 71G 72G)	41A5048	1	Y
Dutch (models 71G 72G)	41A5049	1	Y
French (models 71G 72G)	41A5050	1	Y
German (models 71G 72G)	41A5053	1	Y
Greek (models 71G 72G)	41A5054	1	Y
Hebrew (models 71G 72G)	41A5055	1	Y
Hungarian (models 71G 72G)	41A5056	1	Y
Iceland (models 71G 72G)	41A5057	1	Y
Italian (models 71G 72G)	41A5058	1	Y
Norwegian (models 71G 72G)	41A5062	1	Y
Polish (models 71G 72G)	41A5063	1	Y
Portuguese (models 71G 72G)	41A5064	1	Y
Romanian (models 71G 72G)	41A5065	1	Y
Russian/Cyrilic (models 71G 72G)	41A5066	1	Y
Serbian/Cyrilic (models 71G 72G)	41A5067	1	Y
Slovak (models 71G 72G)	41A5068	1	Y
Spanish (models 71G 72G 73G 74G)	41A5069	1	Y
Swedish/Finn (models 71G 72G)	41A5070	1	Y
Swiss F/G (models 71G 72G)	41A5071	1	Y
Turkish 440 (models 71G 72G)	41A5073	1	Y
Turkish 179 (models 71G 72G)	41A5074	1	Y
UK English (models 71G 72G)	41A5075	1	Y

8970 Keyboards (PS2 Preferred Pro)	FRU#	CRU Tier	RoHS?
US Euro (models 71G 72G)	41A5076	1	Y
Slovenian (models 71G 72G)	41A5077	1	Y

8970 mice	FRU#	CRU Tier	RoHS?
Optical Wheel Mouse (400DPI, USB) (all models)	41U3013	1	Y
Optical Wheel Mouse (400DPI, USB) (all models)	41U3030	1	Y
PS/2 Three Button ball mouse (models CTO)	41R0018	1	Y
ScrollPoint Optical Mouse (800DPI, USB) (models CTO)	41U3019	1	Y

8970 Adapters and miscellaneous FRUs	FRU#	CRU Tier	RoHS?
USB2.0 MEMORY CARDREADER,6X2,ROHS OPTIONAL,Bitland (models CTO)	41R3378	2	Y
USB2.0 MEMORY CARDREADER,6X2,ROHS OPTIONAL, SONY (models CTO)	41R3376	2	Y
PCI Modem Card (Soft) (models CTO)	29R9729	2	Y
L1 IEEE 1394 PCI Adapter (models CTO)	41D2781	2	Y
Denver - ATI X300SE 128MB (models CTO FCU FCF)	39J9635	2	Y
Dongle Cable - DMS59 to dual VGA (models CTO)	41D2399	2	Y
Dongle Cable - DMS59 to dual VGA (included in Denver L1) (models CTO)	42Y8181	2	Y
Dongle DMS Dule DMS-59 to dual DVI cable (models CTO)	41X6398	2	Y
Dongle DMS Dule DMS-59 to single VGA and DVI cable (models CTO)	42Y8183	2	Y
Nvidia GeForce 6200TC128MB 64bit (Full Height) (models CTO)	41X2668	2	Y
Nvidia GeForce 6200TC 64MB 32bit (models CTO)	41X2667	2	Y
Nvidia GeForce 7300LE 128MB 64bit (models CTO)	41X2669	2	Y
Nvidia GeForce 7300LE 128MB 64bit LP / ATX with DMS59 (models CTO)	42Y8165	2	Y
ATI Radeon X1300PRO 256MB 128bit (models CTO)	41X2670	2	Y
ATI X1300LE 256M 64bit LP / ATX with DMS59 (models CTO)	42Y8162	2	Y
X1300 LE 256MB (models CTO)	42Y8159	2	Y
Internal USB Memory Card Reader (models CTO)	41D1934	2	Y
Wireless Keyboard (models CTO)	41A5219	2	Y
Wireless Mouse (models CTO)	41A5247	2	Y
USB Transceiver for wireless kybd/mouse (models CTO)	41A5246	2	Y
BTL external speaker (models CTO)	41A5334	2	Y
DVI-I card,FH(Casper) (models CTO)	39J9334	2	Y

8970 Power Cords	FRU#	CRU Tier	RoHS?
Power cord - UK, Ireland, Singapore, Malaysia, Brunei (models 71G 72G)	39M5150	1	Y
Power cord - Italy (models 71G 72G)	39M5164	1	Y
Power cord - G models (models 71G 72G)	39M5122	1	Y
Power cord - Denmark (models 71G 72G)	39M5129	1	Y

8970 Power Cords	FRU#	CRU Tier	RoHS?
Power cord - Switzerland (models 71G 72G)	39M5157	1	Y
Power cord - Israel (models 71G 72G)	39M5171	1	Y
Power cord - South Africa (models 71G 72G)	39M5143	1	Y

8970 Windows XP Home Recovery CDs	FRU#	CRU Tier	RoHS?
US/UK/AP/TH (models)	42Y3597	1	Y
RE (models)	42Y3801	1	Y
FR/CF (models)	42Y3598	1	Y
GR (models)	42Y3599	1	Y
SP/LA (models)	42Y3600	1	Y
IT (models)	42Y3601	1	Y
BR (models)	42Y3602	1	Y
SV (models)	42Y3603	1	Y
DK (models)	42Y3604	1	Y
FI (models)	42Y3802	1	Y
NO (models)	42Y3803	1	Y
NL (models)	42Y3804	1	Y
HE (models)	42Y3805	1	Y
PL (models)	42Y3806	1	Y
CZ (models)	42Y3807	1	Y
AE (models)	42Y3808	1	Y
RU (models)	42Y3809	1	Y
TR (models)	42Y3810	1	Y
HU (models)	42Y3811	1	Y
PO (models)	42Y3812	1	Y
GK (models)	42Y3813	1	Y
Japanese (models)	41W7796	1	Y
Simplified Chinese (models)	41W7778	1	Y
Taiwan-TC (models)	41W7784	1	Y
Hong Kong-TC (models)	41W7790	1	Y
Korea (models)	41W7773	1	Y

8970 Windows XP Pro Recovery CDs	FRU#	CRU Tier	RoHS?
US/UK/AP/TH (models 71G 72G)	42Y3549	1	Y
RE (models 71G 72G)	42Y3717	1	Y
FR/CF (models 71G 72G)	42Y3550	1	Y
GR (models 71G 72G)	42Y3551	1	Y
SP/LA (models 71G 72G)	42Y3552	1	Y
IT (models 71G 72G)	42Y3553	1	Y

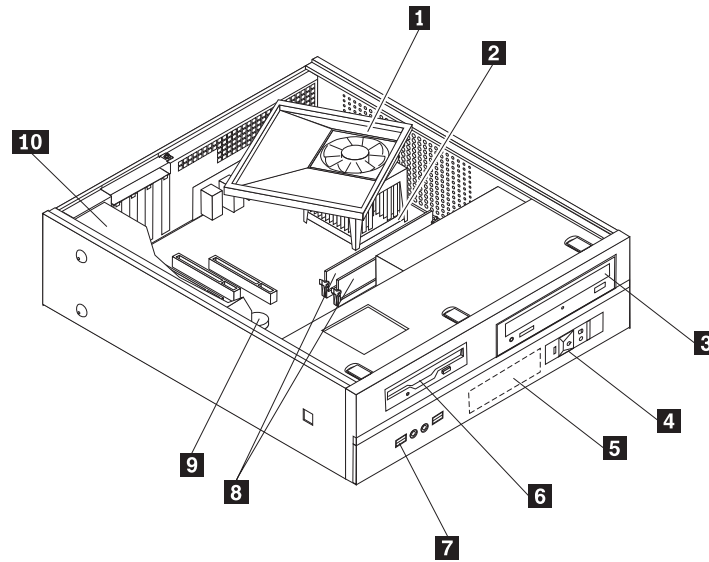
8970 Windows XP Pro Recovery CDs	FRU#	CRU Tier	RoHS?
SV (models 71G 72G)	42Y3555	1	Y
DK (models 71G 72G)	42Y3556	1	Y
FI (models 71G 72G)	42Y3718	1	Y
NO (models 71G 72G)	42Y3719	1	Y
NL (models 71G 72G)	42Y3720	1	Y
HE (models 71G 72G)	42Y3721	1	Y
PL (models 71G 72G)	42Y3722	1	Y
CZ (models 71G 72G)	42Y3723	1	Y
AE (models 71G 72G)	42Y3724	1	Y
RU (models 71G 72G)	42Y3725	1	Y
TR (models 71G 72G)	42Y3726	1	Y
HU (models 71G 72G)	42Y3727	1	Y
PO (models 71G 72G)	42Y3728	1	Y
GK (models 71G 72G)	42Y3729	1	Y
SL (models 71G 72G)	42Y3730	1	Y
Multilingual 1 (models 71G 72G)	42Y3645	1	Y
Multilingual 2 (models 71G 72G)	42Y3879	1	Y

8970 Vista Home Basic 32 Recovery DVDs	FRU#	CRU Tier
US/UK/AP/TH (models)	87H4420	1
FR/CF (models)	87H4421	1
GR (models)	87H4422	1
SP/LA (models)	87H4423	1
BR (models)	87H4424	1
IT (models)	87H4425	1
JP (models)	87H4426	1
NO (models)	87H4427	1
SV (models)	87H4428	1
DK (models)	87H4429	1
NL (models)	87H4430	1
CZ (models)	87H4431	1
FI (models)	87H4432	1
PL (models)	87H4433	1
RU (models)	87H4434	1
TR (models)	87H4435	1
HU (models)	87H4436	1
GK (models)	87H4437	1
PO (models)	87H4438	1
CS (models)	87H4439	1
TW (models)	87H4440	1

8970 Vista Home Basic 32 Recovery DVDs	FRU#	CRU Tier
HK (models)	87H4441	1
KR (models)	87H4442	1
SL (models)	87H4443	1
RE (models)	43C1306	1

8970 Vista Business 32 Recovery DVDs	FRU#	CRU Tier
US/UK/AP/TH (models)	87H4476	1
FR/CF (models)	87H4477	1
GR (models)	87H4478	1
SP/LA (models)	87H4479	1
BR (models)	87H4480	1
IT (models)	87H4481	1
JP (models)	87H4482	1
NO (models)	87H4483	1
SV (models)	87H4484	1
DK (models)	87H4485	1
NL (models)	87H4486	1
CZ (models)	87H4487	1
FI (models)	87H4488	1
PL (models)	87H4489	1
RU (models)	87H4490	1
TR (models)	87H4491	1
HU (models)	87H4492	1
GK (models)	87H4493	1
PO (models)	87H4494	1
CS (models)	87H4495	1
TW (models)	87H4496	1
HK (models)	87H4497	1
KR (models)	87H4498	1
SL (models)	87H4499	1
RE (models)	43C1308	1

Machine Type 8972



Item #	8972 FRUs	FRU#	CRU Tier	RoHS?
1	Heatsink for Intel processors (all models)	41N8261	N	Y
1	Heatsink for Intel processors (models CTO)	41R6185	N	Y
2	Microprocessor, Celeron D 2.66GHz 533MHz FSB 256KB L2 (models CTO)	41T1694	N	Y
2	Microprocessor, Celeron D 2.80GHz 533MHz FSB 256KB L2 (models CTO)	41T1695	N	Y
2	Microprocessor, Celeron D 2.93GHz 533MHz FSB 256KB L2 (models CTO)	41T1696	N	Y
2	Microprocessor, Celeron D 3.06GHz 533MHz FSB 256KB L2 (models CTO)	41T1697	N	Y
2	Microprocessor, Celeron D 3.20GHz 533MHz FSB 256KB L2 (models CTO)	41T1698	N	Y
2	Microprocessor, Celeron D 3.20GHz 533MHz FSB 512KB L2 (models CTO)	41T4966	N	Y
2	Microprocessor, Celeron D 3.33GHz 533MHz FSB 512KB L2 (models CTO)	41T4968	N	Y
2	Microprocessor, Celeron 430 CONROE-L 800/1800MHZ-512K,LGA,EM64T (models CTO)	43C1964	N	Y
2	Microprocessor, Celeron 440 CONROE-L 800/2000MHZ-512K,LGA,EM64T (models CTO)	43C1965	N	Y
2	Microprocessor, Pentium 4 3.0 GHz 800 FSB 2MB L2 (models CTO)	41T1709	N	Y
2	Microprocessor, Pentium 4 3.0 GHz 800 FSB 2MB L2 (models CTO)	41T1712	N	Y
2	Microprocessor, Pentium 4 3.2 GHz 800 FSB 2MB L2 (models CTO)	41T1713	N	Y
2	Microprocessor, Pentium 4 3.4 GHz 800 FSB 2MB L2 (models CTO)	41T1714	N	Y
2	Microprocessor, Pentium 4 661 Processor 3.6 GHz 800 FSB 2MB L2 B1-Value (models CTO)	41T1715	N	Y
2	Microprocessor, Pentium 4 2.8 GHz 800 FSB 2MB L2 (models CTO)	41T1704	N	Y
2	Microprocessor, Pentium D 915 Processor 2.8GHz 800MHz FSB 2Mx2 L2 (models CTO DEK)	41X7775	N	Y
2	Microprocessor, Pentium D 3.0 GHz 800 FSB 2Mx2 L2 (models CTO)	41X2413	N	Y
2	Microprocessor, Pentium D 3.0 GHz 800 FSB 2Mx2 L2 (models CTO)	41T1717	N	Y
2	Microprocessor, Pentium D 935 3.2 GHz 800 FSB 2MBx2 L2 C1-Value (95W) (models CTO)	41X8050	N	Y

Item #	8972 FRUs	FRU#	CRU Tier	RoHS?
2	Microprocessor, Pentium D 3.4GHz 800MHz FSB 2Mx2 L2 (models CTO G2Q G2C G3K G4K)	41X7776	N	Y
2	Microprocessor, E2140 CONROE-L 800/1600MHZ-1M, LGA, EM64T (models CTO)	43C1967	N	Y
2	Microprocessor, E2160 CONROE-L 800/1600MHZ-1M, LGA, EM64T (models CTO)	43C1968	N	Y
2	Microprocessor, E4300 CONROE 800/1800MHZ-2M, LGA, EM64T (models CTO)	42Y8009	N	Y
2	Microprocessor, E4400 CONROE 800/2000MHZ-2M, LGA, EM64T L2 (models CTO)	43C2056	N	Y
2	Microprocessor, Conroe E6300 Processor 1.86GHz 1066MHz FSB 2M L2 (models CTO)	41X2495	N	Y
2	Microprocessor, E6320 B2 Conroe 1066/1.86/4M/775 (models CTO)	TBD	N	Y
2	Microprocessor, E6400 B2 CONROE 1066/2130MHZ-2M, LGA, EM64T (models CTO)	41X2496	N	Y
2	Microprocessor, E6420 B2 Conroe 1066/2.13/4M/775 (models CTO)	TBD	N	Y
2	Microprocessor, E6600 B2 CONROE 1066/2400MHZ-4M, LGA, EM64T (models CTO)	41X5743	N	Y
2	Microprocessor, E6700 B2 CONROE 1066/2670MHZ-4M, LGA, EM64T (models CTO)	41X5744	N	Y
3	DVD-ROM drive (16X/48X) (models CTO 71G 72G)	41X3545	2	Y
3	DVD-ROM drive (16X/48X) (models CTO 71G 72G)	41X3546	2	Y
3	Combo 48 -32 -48 -16 - - DVD - ROM - CDRW (models CTO)	41X3547	2	Y
3	Combo 48 -32 -48 -16 - - DVD - ROM - CDRW (models CTO)	41X3548	2	Y
3	Combo 48 -32 -48 -16 - - DVD - ROM - CDRW (models CTO)	41X3549	2	Y
3	Combo 48 -32 -48 -16 - - DVD - ROM - CDRW --NON/VISTA (models CTO)	42Y9368	1	Y
3	Combo 48 -32 -48 -16 - - DVD - ROM - CDRW --NON/VISTA (models CTO)	42Y9369	1	Y
3	Combo 48 -32 -48 -16 - - DVD - ROM - CDRW --NON/VISTA (models CTO)	41X7992	1	Y
3	DVD-Recorder (Rambo 8) (models CTO)	41N3343	2	Y
3	DVD-Recorder (Rambo 8) (models CTO)	41X3550	2	Y
3	DVD Recordable No Software / No Royalty for VISTA Models ONLY (models CTO)	42Y9370	1	Y
3	DVD Recordable No Software / No Royalty for VISTA Models ONLY (models CTO)	42Y9371	2	Y
3	DVD Recordable No Software / No Royalty for VISTA Models ONLY (models CTO)	42Y6017	2	Y
3	DVD Recordable No Software / No Royalty for VISTA Models ONLY (models CTO)	43C0144	2	Y
4	Front Power/LED PC, bracket, and cable (all models)	41N8213	N	Y
5	Hard disk drive, 40GB (7200RPM), Serial ATA (models CTO)	40Y9033	2	Y
5	Hard disk drive, 80GB (7200RPM), Serial ATA (models CTO)	40Y9034	2	Y
5	Hard disk drive, 80GB 7200rpm SATA (only for China) (models CTO)	41X2500	1	Y

Item #	8972 FRUs	FRU#	CRU Tier	RoHS?
5	Hard disk drive, 160GB (7200RPM), Serial ATA (models CTO)	40Y9035	2	Y
5	Hard disk drive, 250GB (7200RPM), Serial ATA (models CTO)	40Y9036	2	Y
5	Hard disk drive, 500GB (7200RPM), Serial ATA (models CTO)	41X5582	2	Y
6	Diskette drive, 3,5", 1.44MB, 2-mode, (w/bezel) (models CTO)	40Y9105	2	Y
6	Diskette drive, 3,5", 1.44MB, 2-mode (models CTO)	40Y7107	2	Y
7	Front USB/Audio with bracket (all models)	41N8212	N	Y
8	Memory module, 512 MB PC2-4200 (533MHz) DDR2 SDRAM (models CTO)	41X4251	2	Y
8	Memory module, 1 GB PC2-4200 (533MHz) DDR2 SDRAM (models CTO)	41X4252	2	Y
8	Memory module, 2GB PC2-4200 (533MHz) DDR2 SDRAM (models CTO)	41X4253	2	Y
8	Memory module, 512 MB PC2-5300 (667MHz) DDR2 SDRAM (models CTO)	41X4255	2	Y
8	Memory module, 1 GB PC2-5300 (667MHz) DDR2 SDRAM (models CTO)	41X4256	2	Y
8	Memory module, 2 GB PC2-5300 (667MHz) DDR2 SDRAM (models CTO)	41X4257	2	Y
9	System board, Intel Sys Planar for Vista and XP (models CTO) Note: When ordering a new system board, you must also order a new retention module for the heat sink.	87H4655	N	Y
9	System board, Intel Sys Planar Japan for Vista and XP (models CTO) Note: When ordering a new system board, you must also order a new retention module for the heat sink.	87H4656	N	Y
9	System board, 946GZ B ver1.0 (models CTO) Note: When ordering a new system board, you must also order a new retention module for the heat sink.	43C3504	N	Y
9	System board, 946GZ ver1.2 (models CTO) Note: When ordering a new system board, you must also order a new retention module for the heat sink.	43C3505	N	Y
9	System board, 946GZ (modify PCB solve Conroe CPU issue and modify PCB solve Japan smokeless issue) ver1.2 matrix from 43C3504 & 43C3505 (models CTO) Note: When ordering a new system board, you must also order a new retention module for the heat sink.	43C8359	N	Y
10	220W Small desktop power supply (non-smokeless) (models CTO)	41N3109	N	Y
10	220 Watt Power Supply - WW (models CTO)	41A9655	N	Y
10	220 Watt Power Supply - China (models CTO-A)	41N3493	N	Y
10	220 Watt Power Supply - China (models CTO-A)	41A9652	N	Y

The FRUs listed in the following tables are not illustrated.

8972 FRUs	FRU#	CRU Tier	RoHS?
1 drop IDE cable (all models)	41A7158	N	Y
Thermal grease kit (models CTO)	91P8835	N	Y
Shield, EMC, system board (all models)	41N5347	N	Y
Cable, Serial ATA, 250 mm (all models)	41A7145	N	Y
Shield, EMC, blank 5.25in. drive bay (all models)	41N8271	N	Y

8972 FRUs	FRU#	CRU Tier	RoHS?
Shield, EMC, blank diskette drive bay (all models)	41N8273	N	Y
Cover (all models)	41N8204	2	Y
Mechanical shell kit (all models)	41N8205	2	Y
Bezel kit (all models)	41N8206	N	Y
Miscellaneous hardware kit (all models)	41N8209	N	Y
Hard disk drive bracket asm (plastic and grommets) (all models)	41N8210	N	Y
Hard disk drive fan and bracket asm (all models)	41N8211	N	Y
Speaker cable asm, 600 mm cable length (all models)	41N8217	N	Y
Serial port Cable (all models)	39K5021	N	Y
Fan duct assembly (all models)	41A7151	N	Y
Fan duct assembly (all models)	41R4808	N	Y
Rear USB cable asm (with low profile PCI bracket) (all models)	41N8267	N	
Rear USB 2Ports II HP(R), high profile I/O, 300mm, Rohs (all models)	42Y8005	N	Y
Rear USB 2Ports II LP(R), low profile I/O, 200mm, Rohs (all models)	42Y8006	N	Y
Rear Com2 cable II HP(R), high profile I/O, 250mm, Rohs (all models)	42Y8007	N	Y
Rear Com2 cable II LP(R), low profile I/O, 250mm, Rohs (all models)	42Y8008	N	Y
Foot stand (all models)	41R4813	N	Y
Retention module, Intel (all models)	41A7139	N	Y

8972 Keyboards (PS2 Preferred Pro)	FRU#	CRU Tier	RoHS?
US English (models)	41A5039	1	Y
Hong Kong/Taiwan (models)	41A5046	1	Y
French Canadian 445 (models)	41A5051	1	Y
French Canadian 58 (models)	41A5052	1	Y
Japanese (models)	41A5059	1	Y
Korean (models)	41A5060	1	Y
Thailand (models)	41A5072	1	Y

8972 mice	FRU#	CRU Tier	RoHS?
Optical Wheel Mouse (400DPI, USB) (all models)	41U3013	1	Y
Optical Wheel Mouse (400DPI, USB) (all models)	41U3030	1	Y
PS/2 Three Button ball mouse (models CTO)	41R0018	1	Y
ScrollPoint Optical Mouse (800DPI, USB) (models CTO)	41U3019	1	Y

8972 Adapters and miscellaneous FRUs	FRU#	CRU Tier	RoHS?
USB2.0 MEMORY CARDREADER,6X2,ROHS OPTIONAL,Bitland (models CTO)	41R3378	2	Y
USB2.0 MEMORY CARDREADER,6X2,ROHS OPTIONAL, SONY (models CTO)	41R3376	2	Y
PCI Modem Card (Soft) (models CTO)	29R9729	2	Y

8972 Adapters and miscellaneous FRUs	FRU#	CRU Tier	RoHS?
L1 IEEE 1394 PCI Adapter (models CTO)	41D2781	2	Y
Denver - ATI X300SE 128MB (models CTO FCU FCF)	39J9635	2	Y
Dongle Cable - DMS59 to dual VGA (models CTO)	41D2399	2	Y
Dongle Cable - DMS59 to dual VGA (included in Denver L1) (models CTO)	42Y8181	2	Y
Dongle DMS Dule DMS-59 to dual DVI cable (models CTO)	41X6398	2	Y
Dongle DMS Dule DMS-59 to single VGA and DVI cable (models CTO)	42Y8183	2	Y
Nvidia GeForce 6200TC128MB 64bit (Full Height) (models CTO)	41X2668	2	Y
Nvidia GeForce 6200TC 64MB 32bit (models CTO)	41X2667	2	Y
Nvidia GeForce 7300LE 128MB 64bit (models CTO)	41X2669	2	Y
Nvidia GeForce 7300LE 128MB 64bit LP / ATX with DMS59 (models CTO)	42Y8165	2	Y
ATI Radeon X1300PRO 256MB 128bit (models CTO)	41X2670	2	Y
ATI X1300LE 256M 64bit LP / ATX with DMS59 (models CTO)	42Y8162	2	Y
X1300 LE 256MB (models CTO)	42Y8159	2	Y
Internal USB Memory Card Reader (models CTO)	41D1934	2	Y
Wireless Keyboard (models CTO)	41A5219	2	Y
Wireless Mouse (models CTO)	41A5247	2	Y
USB Transceiver for wireless kybd/mouse (models CTO)	41A5246	2	Y
BTL external speaker (models CTO)	41A5334	2	Y
DVI-I card,FH(Casper) (models CTO)	39J9334	2	Y

8972 Power Cords	FRU#	CRU Tier	RoHS?
Power cord - US (models)	39M5080	1	Y
Power cord - China (models)	39M5205	1	Y
Power cord - Japan (models)	39M5193	1	Y
Power cord - Korea (models)	39M5212	1	Y
Power cord - Hong Kong (models)	39M5151	1	Y
Power cord - UK, Ireland, Singapore, Malaysia, Brunei (models)	39M5150	1	Y
Power cord - G models (models)	39M5122	1	Y
Power cord - South Africa (models)	39M5143	1	Y
Power cord - India (models)	39M5004	1	Y

8972 Windows XP Home Recovery CDs	FRU#	CRU Tier	RoHS?
US/UK/AP/TH (models)	42Y3597	1	Y
RE (models)	42Y3801	1	Y
FR/CF (models)	42Y3598	1	Y
GR (models)	42Y3599	1	Y
SP/LA (models)	42Y3600	1	Y
IT (models)	42Y3601	1	Y
BR (models)	42Y3602	1	Y

8972 Windows XP Home Recovery CDs	FRU#	CRU Tier	RoHS?
SV (models)	42Y3603	1	Y
DK (models)	42Y3604	1	Y
FI (models)	42Y3802	1	Y
NO (models)	42Y3803	1	Y
NL (models)	42Y3804	1	Y
HE (models)	42Y3805	1	Y
PL (models)	42Y3806	1	Y
CZ (models)	42Y3807	1	Y
AE (models)	42Y3808	1	Y
RU (models)	42Y3809	1	Y
TR (models)	42Y3810	1	Y
HU (models)	42Y3811	1	Y
PO (models)	42Y3812	1	Y
GK (models)	42Y3813	1	Y
Japanese (models)	41W7796	1	Y
Simplified Chinese (models)	41W7778	1	Y
Taiwan-TC (models)	41W7784	1	Y
Hong Kong-TC (models)	41W7790	1	Y
Korea (models)	41W7773	1	Y

8972 Windows XP Pro Recovery CDs	FRU#	CRU Tier	RoHS?
US/UK/AP/TH (models)	42Y3549	1	Y
RE (models)	42Y3717	1	Y
FR/CF (models)	42Y3550	1	Y
GR (models)	42Y3551	1	Y
SP/LA (models)	42Y3552	1	Y
IT (models)	42Y3553	1	Y
SV (models)	42Y3555	1	Y
DK (models)	42Y3556	1	Y
FI (models)	42Y3718	1	Y
NO (models)	42Y3719	1	Y
NL (models)	42Y3720	1	Y
HE (models)	42Y3721	1	Y
PL (models)	42Y3722	1	Y
CZ (models)	42Y3723	1	Y
AE (models)	42Y3724	1	Y
RU (models)	42Y3725	1	Y
TR (models)	42Y3726	1	Y
HU (models)	42Y3727	1	Y

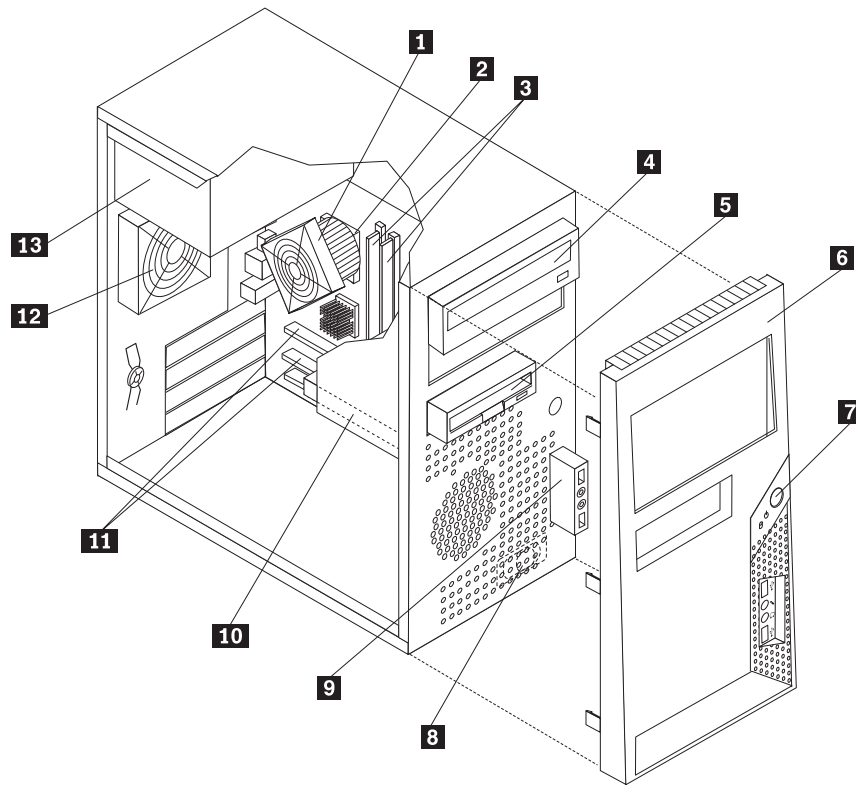
8972 Windows XP Pro Recovery CDs	FRU#	CRU Tier	RoHS?
PO (models)	42Y3728	1	Y
GK (models)	42Y3729	1	Y
SL (models)	42Y3730	1	Y
Japanese (models)	41W7767	1	Y
Simplified Chinese (models)	41W7751	1	Y
Taiwan-TC (models)	41W7757	1	Y
Hong Kong-TC (models)	41W7762	1	Y
Korean (models)	41W7746	1	Y
Multilingual 1 (models)	42Y3645	1	Y
Multilingual 2 (models)	42Y3879	1	Y

8972 Vista Home Basic 32 Recovery DVDs	FRU#	CRU Tier
US/UK/AP/TH (models)	87H4420	1
FR/CF (models)	87H4421	1
GR (models)	87H4422	1
SP/LA (models)	87H4423	1
BR (models)	87H4424	1
IT (models)	87H4425	1
JP (models)	87H4426	1
NO (models)	87H4427	1
SV (models)	87H4428	1
DK (models)	87H4429	1
NL (models)	87H4430	1
CZ (models)	87H4431	1
FI (models)	87H4432	1
PL (models)	87H4433	1
RU (models)	87H4434	1
TR (models)	87H4435	1
HU (models)	87H4436	1
GK (models)	87H4437	1
PO (models)	87H4438	1
CS (models)	87H4439	1
TW (models)	87H4440	1
HK (models)	87H4441	1
KR (models)	87H4442	1
SL (models)	87H4443	1
RE (models)	43C1306	1

8972 Vista Business 32 Recovery DVDs	FRU#	CRU Tier
US/UK/AP/TH (models)	87H4476	1

8972 Vista Business 32 Recovery DVDs	FRU#	CRU Tier
FR/CF (models)	87H4477	1
GR (models)	87H4478	1
SP/LA (models)	87H4479	1
BR (models)	87H4480	1
IT (models)	87H4481	1
JP (models)	87H4482	1
NO (models)	87H4483	1
SV (models)	87H4484	1
DK (models)	87H4485	1
NL (models)	87H4486	1
CZ (models)	87H4487	1
FI (models)	87H4488	1
PL (models)	87H4489	1
RU (models)	87H4490	1
TR (models)	87H4491	1
HU (models)	87H4492	1
GK (models)	87H4493	1
PO (models)	87H4494	1
CS (models)	87H4495	1
TW (models)	87H4496	1
HK (models)	87H4497	1
KR (models)	87H4498	1
SL (models)	87H4499	1
RE (models)	43C1308	1

Machine Type 8973



Item #	8973 FRUs	FRU#	CRU Tier	RoHS?
1	Heatsink for Intel CPUs (all models)	41N8261	N	Y
1	Heatsink (models CTO)	41R4803	2	Y
2	Microprocessor, Celeron D 2.66GHz 533MHz FSB 256KB L2 (models CTO)	41T1694	N	Y
2	Microprocessor, Celeron D 2.80GHz 533MHz FSB 256KB L2 (models CTO 71G 72G)	41T1695	N	Y
2	Microprocessor, Celeron D 2.93GHz 533MHz FSB 256KB L2 (models CTO)	41T1696	N	Y
2	Microprocessor, Celeron D 3.06GHz 533MHz FSB 256KB L2 (models CTO 73G)	41T1697	N	Y
2	Microprocessor, Celeron D 3.20GHz 533MHz FSB 256KB L2 (models CTO)	41T1698	N	Y
2	Microprocessor, Celeron D 3.20GHz 533MHz FSB 512KB L2 (models CTO)	41T4966	N	Y
2	Microprocessor, Celeron D 3.33GHz 533MHz FSB 512KB L2 (models CTO)	41T4968	N	Y
2	Microprocessor, Celeron 430 CONROE-L 800/1800MHZ-512K,LGA,EM64T (models CTO)	43C1964	N	Y
2	Microprocessor, Celeron 440 CONROE-L 800/2000MHZ-512K,LGA,EM64T (models CTO)	43C1965	N	Y
2	Microprocessor, Pentium 4 2.8 GHz 800 FSB 2MB L2 (models CTO 74G 75G)	41T1404	N	Y
2	Microprocessor, E2140 CONROE-L 800/1600MHZ-1M, LGA, EM64T (models CTO)	43C1967	N	Y
2	Microprocessor, E2160 CONROE-L 800/1600MHZ-1M, LGA, EM64T (models CTO)	43C1968	N	Y

Item #	8973 FRUs	FRU#	CRU Tier	RoHS?
2	Microprocessor, E4300 CONROE 800/1800MHZ-2M, LGA, EM64T (models CTO)	42Y8009	N	Y
2	Microprocessor, E4400 CONROE 800/2000MHZ-2M, LGA, EM64T L2 (models CTO)	43C2056	N	Y
2	Microprocessor, Conroe E6300 Processor 1.86GHz 1066MHz FSB 2M L2 (models CTO)	41X2495	N	Y
2	Microprocessor, E6400 B2 CONROE 1066/2130MHZ-2M, LGA, EM64T (models CTO)	41X2496	N	Y
2	Microprocessor, E6600 B2 CONROE 1066/2400MHZ-4M, LGA, EM64T (models CTO)	41X5743	N	Y
2	Microprocessor, E6700 B2 CONROE 1066/2670MHZ-4M, LGA, EM64T (models CTO)	41X5744	N	Y
3	Memory module, 512 MB PC2-4200 (533MHz) DDR2 SDRAM (models CTO 71G 72G 73G 74G 75G)	41X4251	1	Y
3	Memory module, 1 GB PC2-4200 (533MHz) DDR2 SDRAM (models CTO)	41X4252	1	Y
3	Memory module, 512 MB PC2-5300 (667MHz) DDR2 SDRAM (models CTO)	41X4255	1	Y
3	Memory module, 1 GB PC2-5300 (667MHz) DDR2 SDRAM (models CTO)	41X4256	1	Y
4	DVD-ROM drive (16X/48X) (models CTO 71G 72G 73G)	41X3544	1	Y
4	DVD-ROM drive (16X/48X) (models CTO 71G 72G 73G)	41X3545	1	Y
4	DVD-ROM drive (16X/48X) (models CTO 71G 72G 73G)	41X3546	1	Y
4	Combo 48 -32 -48 -16 - - DVD - ROM - CDRW (models CTO 74G)	41X3547	1	Y
4	Combo 48 -32 -48 -16 - - DVD - ROM - CDRW (models CTO 74G)	41X3548	1	Y
4	Combo 48 -32 -48 -16 - - DVD - ROM - CDRW (models CTO 74G)	41X3549	1	Y
4	Combo 48 -32 -48 -16 - - DVD - ROM - CDRW --NON/VISTA (models CTO 74G 79G)	42Y9368	1	Y
4	Combo 48 -32 -48 -16 - - DVD - ROM - CDRW --NON/VISTA (models CTO 74G 79G)	42Y9369	1	Y
4	Combo 48 -32 -48 -16 - - DVD - ROM - CDRW --NON/VISTA (models CTO 74G 79G)	41X7992	1	Y
4	DVD-Recorder (Rambo 8)-NON/VISTA (models CTO 75G)	41N3343	1	Y
4	DVD-Recorder (Rambo 8)-NON/VISTA (models CTO 75G)	41X3550	1	Y
4	DVD-Recorder (Rambo 8)-NON/VISTA (models CTO 75G)	42Y9370	1	Y
4	DVD Recordable No Software / No Royalty for VISTA Models ONLY (models CTO 75G)	42Y9371	2	Y
4	DVD Recordable No Software / No Royalty for VISTA Models ONLY (models CTO 75G)	42Y6017	2	Y
4	DVD Recordable No Software / No Royalty for VISTA Models ONLY (models CTO 75G)	43C0144	2	Y
5	Diskette drive, 3,5", 1.44MB, 2Mode,(w/bezel) (models CTO)	40Y9105	2	Y
5	Diskette drive, 3,5", 1.44MB, 2Mode (models CTO)	40Y7107	2	Y
6	Bezel assembly (all models)	41N8052	2	Y
7	Power switch/LED assembly (all models)	41N5284	2	Y
8	Speaker assembly, soldered terminals (all models)	39P5023	2	Y

Item #	8973 FRUs	FRU#	CRU Tier	RoHS?
9	Front audio/USB assembly (all models)	41N8054	2	Y
10	Hard disk drive, 40GB (7200RPM), Serial ATA (models CTO)	40Y9033	1	Y
10	Hard disk drive, 80GB (7200RPM), Serial ATA (models CTO 71G 72G 73G 74G)	40Y9034	1	Y
10	Hard disk drive, 80GB 7200rpm SATA (only for China) (models CTO)	41X2500	1	Y
10	Hard disk drive, 160GB (7200RPM), Serial ATA (models CTO 75G)	40Y9035	1	Y
10	Hard disk drive, 250GB (7200RPM), Serial ATA (models CTO)	40Y9036	1	Y
10	Hard disk drive, 500GB (7200RPM), Serial ATA (models CTO)	41X5582	1	Y
11	System board, SiS 662 Gig E Sys Planar for Vista and XP (models CTO 71G 72G 73G 74G 75G 78G 79G) Note: When ordering a new system board, you must also order a new retention module for the heat sink.	87H4657	N	Y
12	Fan, Rear w/ grommets & Grill (all models)	41N8079	2	Y
13	Power supply (300W) (models CTO)	41N3489	2	Y
13	Power supply (230W) (models CTO 71G 72G 73G 74G 75G)	41N3094	2	Y
13	Power supply (250W) (models CTO 71G 72G 73G 74G 75G)	41N3127	2	Y
13	Power supply (220V/250W/ATX12V - China) (models CTO)	41N3485	2	Y
13	Power Supply 5281-7VW-ROHS, 280W, Standard (models CTO)	41N3479	2	Y
13	Power Supply 5281-7VW-ROHS, 280W, Standard (models CTO)	41N3482	2	Y
13	Power Supply 310W standard only for Japan (models CTO)	24R2596	2	Y

The FRUs listed in the following tables are not illustrated.

8973 FRUs	FRU#	CRU Tier	RoHS?
Thermal grease kit (all models)	91P8835	N	Y
Shield, 5.25 EMC (all models)	41N8080	2	Y
Cable, SATA (18" RoHs) (all models)	26K1186	2	Y
Cable, Serial (all models)	39K5021	2	Y
Shield, diskette drive EMC (all models)	41N8078	2	Y
Cable, Diskette drive (RoHs) (all models)	41A7182	2	Y
Cover, left side (all models)	41N8050	1	Y
Chassis assembly (all models)	41N8051	N	Y
System board I/O Shield - (all models)	41N8053	N	Y
Kit, Miscellaneous hardware (all models)	41N8055	2	Y
Retention Module Kit, RoHs (all models)	41N8056	2	Y
Cable, hard disk drive and optical signal (all models)	39M0516	1	Y
Front system fan (all models)	41R2519	1	Y
4 PIN CABLE-SATA,2H 100mm LATCH(RoHs)PS cable (all models)	41R3300	1	Y
Cable SATA 250mm (RoHS) (all models)	41A7145	1	N
Retainer, Card Reader (all models)	41R2913	1	N
Front Fan AVC (all models)	41R4791	1	N

8973 FRUs	FRU#	CRU Tier	RoHS?
Optional HDD Bracket Assembly, without 4Pin cable (all models)	41R6106	1	N
Chassis assembly (all models)	41R2533	1	N

8973 Keyboards (Lenovo Preferred Pro fullsize, Black)	FRU#	CRU Tier	RoHS?
US English (models 71G 72G 73G 74G 75G)	41A5039	1	Y
Arabic (models 71G 72G 73G 74G 75G)	41A5040	1	Y
Arabic/French (models 71G 72G 73G 74G 75G)	41A5041	1	Y
Belgian/French (models 71G 72G 73G 74G 75G)	41A5042	1	Y
Belgian/UK (models 71G 72G 73G 74G 75G)	41A5043	1	Y
Bulgarian (models 71G 72G 73G 74G 75G)	41A5045	1	Y
Czech (models 71G 72G 73G 74G 75G)	41A5047	1	Y
Danish (models 71G 72G 73G 74G 75G)	41A5048	1	Y
Dutch (models 71G 72G 73G 74G 75G)	41A5049	1	Y
French (models 71G 72G 73G 74G 75G)	41A5050	1	Y
German (models 71G 72G 73G 74G 75G)	41A5053	1	Y
Greek (models 71G 72G 73G 74G 75G)	41A5054	1	Y
Hebrew (models 71G 72G 73G 74G 75G)	41A5055	1	Y
Hungarian (models 71G 72G 73G 74G 75G)	41A5056	1	Y
Iceland (models 71G 72G 73G 74G 75G)	41A5057	1	Y
Italian (models 71G 72G 73G 74G 75G)	41A5058	1	Y
Norwegian (models 71G 72G 73G 74G 75G)	41A5062	1	Y
Polish (models 71G 72G 73G 74G 75G)	41A5063	1	Y
Portuguese (models 71G 72G 73G 74G 75G)	41A5064	1	Y
Romanian (models 71G 72G 73G 74G 75G)	41A5065	1	Y
Russian/Cyrilic (models 71G 72G 73G 74G 75G)	41A5066	1	Y
Serbian/Cyrilic (models 71G 72G 73G 74G 75G)	41A5067	1	Y
Slovak (models 71G 72G 73G 74G 75G)	41A5068	1	Y
Spanish (models 71G 72G 73G 74G 75G)	41A5069	1	Y
Swedish/Finn (models 71G 72G 73G 74G 75G)	41A5070	1	Y
Swiss F/G (models 71G 72G 73G 74G 75G)	41A5071	1	Y
Turkish 440 (models 71G 72G 73G 74G 75G)	41A5073	1	Y
Turkish 179 (models 71G 72G 73G 74G 75G)	41A5074	1	Y
UK English (models 71G 72G 73G 74G 75G)	41A5075	1	Y
US Euro (models 71G 72G 73G 74G 75G)	41A5076	1	Y
Slovenian (models 71G 72G 73G 74G 75G)	41A5077	1	Y

8973 mice	FRU#	CRU Tier	RoHS?
Optical Wheel Mouse (400DPI, USB) (all models)	41U3013	1	Y
Optical Wheel Mouse (400DPI, USB) (all models)	41U3030	1	Y

8973 mice	FRU#	CRU Tier	RoHS?
PS/2 2 Button Ball Mouse (models CTO)	41Y3015	1	Y
ScrollPoint Optical Mouse (800DPI, USB) (models CTO)	41U3019	1	Y

8973 Adapters and miscellaneous FRUs	FRU#	CRU Tier	RoHS?
USB2.0 MEMORY CARDREADER,6X2,ROHS OPTIONAL,Bitland (models CTO)	41R3378	2	Y
USB2.0 MEMORY CARDREADER,6X2,ROHS OPTIONAL, SONY (models CTO)	41R3376	2	Y
PCI Modem Card (Soft) (models CTO)	29R9729	2	Y
L1 IEEE 1394 PCI Adapter (models CTO)	41D2781	2	Y
Denver - ATI X300SE 128MB (models CTO)	39J9635	2	Y
Dongle Cable - DMS59 to dual VGA (models CTO)	41D2399	2	Y
Dongle Cable - DMS59 to dual VGA (included in Denver L1) (models CTO)	42Y8181	2	Y
Dongle DMS Dule DMS-59 to dual DVI cable (models CTO)	41X6398	2	Y
Dongle DMS Dule DMS-59 to single VGA and DVI cable (models CTO)	42Y8183	2	Y
Nvidia GeForce 6200TC128MB 64bit (Full Height) (models CTO)	41X2668	2	Y
Nvidia GeForce 6200TC 64MB 32bit (models CTO)	41X2667	2	Y
Nvidia GeForce 7300LE 128MB 64bit (models CTO)	41X2669	2	Y
Nvidia GeForce 7300LE 128MB 64bit LP / ATX with DMS59 (models CTO)	42Y8165	2	Y
ATI Radeon X1300PRO 256MB 128bit (models CTO)	41X2670	2	Y
ATI X1300LE 256M 64bit LP / ATX with DMS59 (models CTO)	42Y8162	2	Y
X1300 LE 256MB (models CTO)	42Y8159	2	Y
Internal USB Memory Card Reader (models CTO)	41D1934	2	Y
Wireless Keyboard (models CTO)	41A5219	2	Y
Wireless Mouse (models CTO)	41A5247	2	Y
USB Transceiver for wireless kybd/mouse (models CTO)	41A5246	2	Y
BTL external speaker (models CTO)	41A5334	2	Y
DVI-I card,FH(Casper) (models CTO)	39J9334	2	Y

8973 Power Cords	FRU#	CRU Tier	RoHS?
Power Cord (UK, Ireland, Singapore, Malaysia, Brunei) (models 71G 72G 73G 74G 75G)	39M5150	1	Y
Power Cord (Italy) (models 71G 72G 73G 74G 75G)	39M5164	1	Y
Power Cord (G models) (models 71G 72G 73G 74G 75G)	39M5122	1	Y
Power Cord (Denmark) (models 71G 72G 73G 74G 75G)	39M5129	1	Y
Power Cord (Switzerland) (models 71G 72G 73G 74G 75G)	39M5157	1	Y
Power Cord (Israel) (models 71G 72G 73G 74G 75G)	39M5171	1	Y
Power Cord (South Africa) (models 71G 72G 73G 74G 75G)	39M5143	1	Y

8973 Windows XP Home Recovery CDs	FRU#	CRU Tier	RoHS?
US/UK/AP/TH (models 71G)	42Y3597	1	Y
RE (models 71G)	42Y3801	1	Y
FR/CF (models 71G)	42Y3598	1	Y
GR (models 71G)	42Y3599	1	Y
SP/LA (models 71G)	42Y3600	1	Y
IT (models 71G)	42Y3601	1	Y
SV (models 71G)	42Y3603	1	Y
DK (models 71G)	42Y3604	1	Y
FI (models 71G)	42Y3802	1	Y
NO (models 71G)	42Y3803	1	Y
NL (models 71G)	42Y3804	1	Y
HE (models 71G)	42Y3805	1	Y
PL (models 71G)	42Y3806	1	Y
CZ (models 71G)	42Y3807	1	Y
AE (models 71G)	42Y3808	1	Y
RU (models 71G)	42Y3809	1	Y
TR (models 71G)	42Y3810	1	Y
HU (models 71G)	42Y3811	1	Y
PO (models 71G)	42Y3812	1	Y
GK (models 71G)	42Y3813	1	Y

8973 Windows XP Pro Recovery CDs	FRU#	CRU Tier	RoHS?
US/UK/AP/TH (models 73G 74G 75G)	42Y3549	1	Y
RE (models 73G 74G 75G)	42Y3717	1	Y
FR/CF (models 73G 74G 75G)	42Y3550	1	Y
GR (models 73G 74G 75G)	42Y3551	1	Y
SP/LA (models 73G 74G 75G)	42Y3552	1	Y
IT (models 73G 74G 75G)	42Y3553	1	Y
SV (models 73G 74G 75G)	42Y3555	1	Y
DK (models 73G 74G 75G)	42Y3556	1	Y
FI (models 73G 74G 75G)	42Y3718	1	Y
NO (models 73G 74G 75G)	42Y3719	1	Y
NL (models 73G 74G 75G)	42Y3720	1	Y
HE (models 73G 74G 75G)	42Y3721	1	Y
PL (models 73G 74G 75G)	42Y3722	1	Y
CZ (models 73G 74G 75G)	42Y3723	1	Y
AE (models 73G 74G 75G)	42Y3724	1	Y
RU (models 73G 74G 75G)	42Y3725	1	Y
TR (models 73G 74G 75G)	42Y3726	1	Y

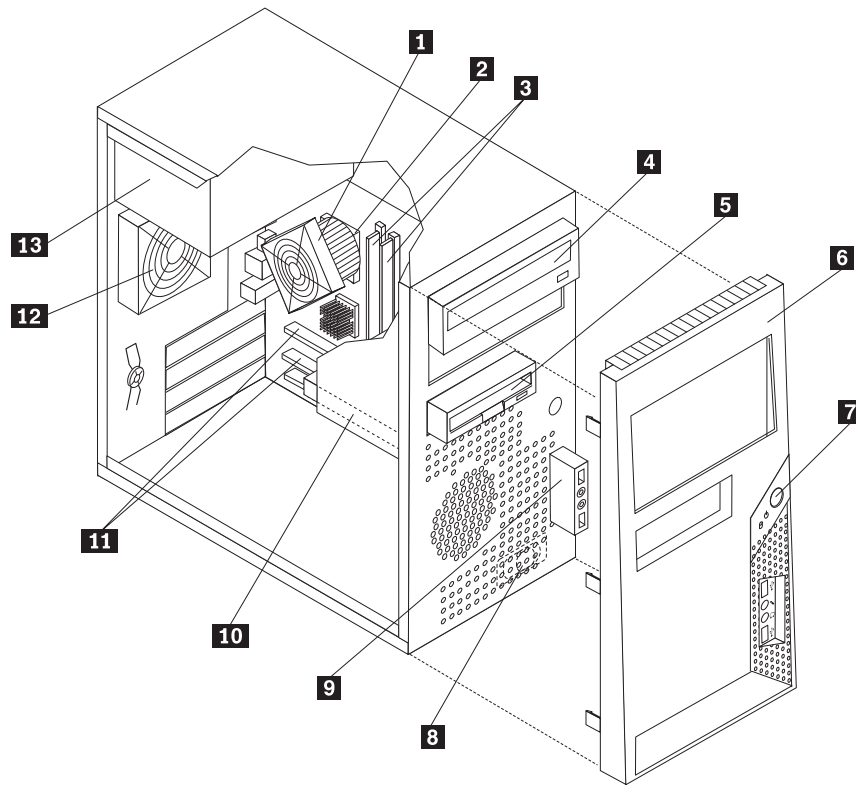
8973 Windows XP Pro Recovery CDs	FRU#	CRU Tier	RoHS?
HU (models 73G 74G 75G)	42Y3727	1	Y
PO (models 73G 74G 75G)	42Y3728	1	Y
GK (models 73G 74G 75G)	42Y3729	1	Y
SL (models 73G 74G 75G)	42Y3730	1	Y
Multilingual 1 (models 73G 74G 75G)	42Y3645	1	Y
Multilingual 2 (models 73G 74G 75G)	42Y3879	1	Y

8973 Vista Home Basic 32 Recovery DVDs	FRU#	CRU Tier
US/UK/AP/TH (models)	87H4420	1
FR/CF (models)	87H4421	1
GR (models)	87H4422	1
SP/LA (models)	87H4423	1
BR (models)	87H4424	1
IT (models)	87H4425	1
JP (models)	87H4426	1
NO (models)	87H4427	1
SV (models)	87H4428	1
DK (models)	87H4429	1
NL (models)	87H4430	1
CZ (models)	87H4431	1
FI (models)	87H4432	1
PL (models)	87H4433	1
RU (models)	87H4434	1
TR (models)	87H4435	1
HU (models)	87H4436	1
GK (models)	87H4437	1
PO (models)	87H4438	1
CS (models)	87H4439	1
TW (models)	87H4440	1
HK (models)	87H4441	1
KR (models)	87H4442	1
SL (models)	87H4443	1
RE (models)	43C1306	1

8973 Vista Business 32 Recovery DVDs	FRU#	CRU Tier
US/UK/AP/TH (models)	87H4476	1
FR/CF (models)	87H4477	1
GR (models)	87H4478	1
SP/LA (models)	87H4479	1
BR (models)	87H4480	1

8973 Vista Business 32 Recovery DVDs	FRU#	CRU Tier
IT (models)	87H4481	1
JP (models)	87H4482	1
NO (models)	87H4483	1
SV (models)	87H4484	1
DK (models)	87H4485	1
NL (models)	87H4486	1
CZ (models)	87H4487	1
FI (models)	87H4488	1
PL (models)	87H4489	1
RU (models)	87H4490	1
TR (models)	87H4491	1
HU (models)	87H4492	1
GK (models)	87H4493	1
PO (models)	87H4494	1
CS (models)	87H4495	1
TW (models)	87H4496	1
HK (models)	87H4497	1
KR (models)	87H4498	1
SL (models)	87H4499	1
RE (models)	43C1308	1

Machine Type 8975



Item #	8975 FRUs	FRU#	CRU Tier	RoHS?
1	Heatsink for Intel processors (all models)	41N8261	N	Y
1	Heatsink for Intel processors (models CTO)	41R4803	2	Y
2	Microprocessor, Celeron D 2.66GHz 533MHz FSB 256KB L2 (models CTO)	41T1694	N	Y
2	Microprocessor, Celeron D 2.80GHz 533MHz FSB 256KB L2 (models CTO)	41T1695	N	Y
2	Microprocessor, Celeron D 2.93GHz 533MHz FSB 256KB L2 (models CTO B1G)	41T1696	N	Y
2	Microprocessor, Celeron D 3.06GHz 533MHz FSB 256KB L2 (models CTO)	41T1697	N	Y
2	Microprocessor, Celeron D 3.20GHz 533MHz FSB 256KB L2 (models CTO)	41T1698	N	Y
2	Microprocessor, Celeron D 3.20GHz 533MHz FSB 512KB L2 (models CTO)	41T4966	N	Y
2	Microprocessor, Celeron D 3.33GHz 533MHz FSB 512KB L2 (models CTO)	41T4968	N	Y
2	Microprocessor, Celeron 430 CONROE-L 800/1800MHZ-512K,LGA,EM64T (models CTO)	43C1964	N	Y
2	Microprocessor, Celeron 440 CONROE-L 800/2000MHZ-512K,LGA,EM64T (models CTO)	43C1965	N	Y
2	Microprocessor, Pentium 4 3.0 GHz 800 FSB 2MB L2 (models CTO)	41T1709	N	Y
2	Microprocessor, Pentium 4 3.0 GHz 800 FSB 2MB L2 (models CTO)	41T1712	N	Y
2	Microprocessor, Pentium 4 3.2 GHz 800 FSB 2MB L2 (models CTO)	41T1713	N	Y
2	Microprocessor, Pentium 4 3.4 GHz 800 FSB 2MB L2 (models CTO)	41T1714	N	Y
2	Microprocessor, Pentium 4 661 Processor 3.6 GHz 800 FSB 2MB L2 B1-Value (models CTO)	41T1715	N	Y

Item #	8975 FRUs	FRU#	CRU Tier	RoHS?
2	Microprocessor, Pentium 4 2.8 GHz 800 FSB 2MB L2 (models CTO)	41T1704	N	Y
2	Microprocessor, Pentium D 3.0 GHz 800 FSB 2Mx2 L2 (models CTO)	41X2413	N	Y
2	Microprocessor, Pentium D 3.0 GHz 800 FSB 2Mx2 L2 (models CTO)	41T1717	N	Y
2	Microprocessor, Pentium D 935 3.2 GHz 800 FSB 2MBx2 L2 C1-Value (95W) (models CTO)	41X8050	N	Y
2	Microprocessor, E2140 CONROE-L 800/1600MHZ-1M, LGA, EM64T (models CTO)	43C1967	N	Y
2	Microprocessor, E2160 CONROE-L 800/1600MHZ-1M, LGA, EM64T (models CTO)	43C1968	N	Y
2	Microprocessor, E4300 CONROE 800/1800MHZ-2M, LGA, EM64T (models CTO)	42Y8009	N	Y
2	Microprocessor, E4400 CONROE 800/2000MHZ-2M, LGA, EM64T L2 (models CTO)	43C2056	N	Y
2	Microprocessor, Conroe E6300 Processor 1.86GHz 1066MHz FSB 2M L2 (models CTO)	41X2495	N	Y
2	Microprocessor, E6400 B2 CONROE 1066/2130MHZ-2M, LGA, EM64T (models CTO)	41X2496	N	Y
2	Microprocessor, E6600 B2 CONROE 1066/2400MHZ-4M, LGA, EM64T (models CTO)	41X5743	N	Y
2	Microprocessor, E6700 B2 CONROE 1066/2670MHZ-4M, LGA, EM64T (models CTO)	41X5744	N	Y
3	Memory module, 512 MB PC2-4200 (533MHz) DDR2 SDRAM (models CTO B1G 41G)	41X4251	1	Y
3	Memory module, 1 GB PC2-4200 (533MHz) DDR2 SDRAM (models CTO)	41X4252	1	Y
3	Memory module, 2GB PC2-4200 (533MHz) DDR2 SDRAM (models CTO)	41X4253	1	Y
3	Memory module, 512 MB PC2-5300 (667MHz) DDR2 SDRAM (models CTO)	41X4255	1	Y
3	Memory module, 1 GB PC2-5300 (667MHz) DDR2 SDRAM (models CTO)	41X4256	1	Y
3	Memory module, 2 GB PC2-5300 (667MHz) DDR2 SDRAM (models CTO)	41X4257	1	Y
4	DVD-ROM drive (16X/48X) (models CTO B1G)	41X3544	1	Y
4	DVD-ROM drive (16X/48X) (models CTO B1G)	41X3545	1	Y
4	DVD-ROM drive (16X/48X) (models CTO B1G)	41X3546	1	Y
4	Combo 48 -32 -48 -16 - - DVD - ROM - CDRW (models CTO 41G)	41X3547	1	Y
4	Combo 48 -32 -48 -16 - - DVD - ROM - CDRW (models CTO 41G)	41X3548	1	Y
4	Combo 48 -32 -48 -16 - - DVD - ROM - CDRW (models CTO 41G)	41X3549	1	Y
4	Combo 48 -32 -48 -16 - - DVD - ROM - CDRW --NON/VISTA (models CTO 41G)	42Y9368	1	Y
4	Combo 48 -32 -48 -16 - - DVD - ROM - CDRW --NON/VISTA (models CTO 41G)	42Y9369	1	Y
4	Combo 48 -32 -48 -16 - - DVD - ROM - CDRW --NON/VISTA (models CTO 41G)	41X7992	1	Y
4	DVD-Recorder (Rambo 8)-NON/VISTA (models CTO 42G)	41N3343	1	Y
4	DVD-Recorder (Rambo 8)-NON/VISTA (models CTO 42G)	41X3550	1	Y
4	DVD-Recorder (Rambo 8)-NON/VISTA (models CTO 42G)	42Y9370	1	Y

Item #	8975 FRUs	FRU#	CRU Tier	RoHS?
4	DVD Recordable No Software / No Royalty for VISTA Models ONLY (models CTO 42G)	42Y9371	2	Y
4	DVD Recordable No Software / No Royalty for VISTA Models ONLY (models CTO 42G)	42Y6017	2	Y
4	DVD Recordable No Software / No Royalty for VISTA Models ONLY (models CTO 42G)	43C0144	2	Y
5	Diskette drive, 3,5", 1.44MB, 2Mode,(w/bezel) (models CTO)	40Y9105	2	Y
5	Diskette drive, 3,5", 1.44MB, 2Mode (models CTO)	40Y7107	2	Y
6	Bezel assembly (all models)	41N8052	2	Y
7	Power switch/LED assembly (all models)	41N5284	2	Y
8	Speaker assembly, soldered terminals (all models)	39P5023	2	Y
9	Front audio/USB assembly (all models)	41N8054	2	Y
10	Hard disk drive, 40GB (7200RPM), Serial ATA (models CTO)	40Y9033	1	Y
10	Hard disk drive, 80GB (7200RPM), Serial ATA (models CTO B1G 41G)	40Y9034	1	Y
10	Hard disk drive, 80GB 7200rpm SATA (only for China) (models CTO)	41X2500	1	Y
10	Hard disk drive, 160GB (7200RPM), Serial ATA (models CTO 42G)	40Y9035	1	Y
10	Hard disk drive, 250GB (7200RPM), Serial ATA (models CTO)	40Y9036	1	Y
10	Hard disk drive, 500GB (7200RPM), Serial ATA (models CTO)	41X5582	1	Y
11	System board, Intel for Vista and XP (models CTO B1G 41G 42G) Note: When ordering a new system board, you must also order a new retention module for the heat sink.	87H4655	N	Y
11	System board, Intel for Vista and XP, Japan (models CTO B1G 41G 42G) Note: When ordering a new system board, you must also order a new retention module for the heat sink.	87H4656	N	Y
11	System board, 946GZ B ver1.0 (models CTO B1G 41G 42G) Note: When ordering a new system board, you must also order a new retention module for the heat sink.	43C3504	N	Y
11	System board, 946GZ ver1.2 (models CTO B1G 41G 42G) Note: When ordering a new system board, you must also order a new retention module for the heat sink.	43C3505	N	Y
11	System board, 946GZ (modify PCB solve Conroe CPU issue and modify PCB solve Japan smokeless issue) ver1.2 matrix from 43C3504 & 43C3505 (models CTO B1G 41G 42G) Note: When ordering a new system board, you must also order a new retention module for the heat sink.	43C8359	N	Y
12	Fan, Rear w/ grommets & Grill (all models)	41N8079	2	Y
13	Power supply (300W) (models CTO)	41N3489	2	Y
13	Power supply (230W) (models CTO B1G 41G)	41N3094	2	Y
13	Power supply (250W) (models CTO B1G 41G)	41N3127	2	Y
13	Power supply (220V/250W/ATX12V - China) (models CTO)	41N3485	2	Y
13	Power Supply 5281-7VW-ROHS, 280W, Standard (models CTO)	41N3479	2	Y
13	Power Supply 5281-7VW-ROHS, 280W, Standard (models CTO)	41N3482	2	Y
13	Power Supply 310W standard only for Japan (models CTO)	24R2596	2	Y

The FRUs listed in the following tables are not illustrated.

8975 FRUs	FRU#	CRU Tier	RoHS?
Thermal grease kit (all models)	91P8835	N	Y
Shield, 5.25 EMC (all models)	41N8080	2	Y
Cable, SATA (18" RoHs) (all models)	26K1186	2	Y
Cable, Serial (all models)	39K5021	2	Y
Shield, diskette drive EMC (all models)	41N8078	2	Y
Cable, Diskette drive (RoHs) (all models)	41A7182	2	Y
Cover, left side (all models)	41N8050	1	Y
Chassis assembly (all models)	41N8051	N	Y
System board I/O Shield - (all models)	41N8053	N	Y
Kit, Miscellaneous hardware (all models)	41N8055	2	Y
Retention Module Kit, RoHs (all models)	41N8056	2	Y
Cable, hard disk drive and optical signal (all models)	39M0516	1	Y
Front system fan (all models)	41R2519	1	Y
4 PIN CABLE-SATA,2H 100mm LATCH(RoHs)PS cable (all models)	41R3300	1	Y
Cable SATA 250mm (RoHS) (all models)	41A7145	1	N
Retainer, Card Reader (all models)	41R2913	1	N
Front Fan AVC (all models)	41R4791	1	N
Optional HDD Bracket Assembly, without 4Pin cable (all models)	41R6106	1	N
Chassis assembly (all models)	41R2533	1	N

8975 Keyboards (Lenovo Preferred Pro fullsize, Black)	FRU#	CRU Tier	RoHS?
US English (models B1G 41G 42G)	41A5039	1	Y
Arabic (models B1G 41G 42G)	41A5040	1	Y
Arabic/French (models B1G 41G 42G)	41A5041	1	Y
Belgian/French (models B1G 41G 42G)	41A5042	1	Y
Belgian/UK (models B1G 41G 42G)	41A5043	1	Y
Bulgarian (models B1G 41G 42G)	41A5045	1	Y
Czech (models B1G 41G 42G)	41A5047	1	Y
Danish (models B1G 41G 42G)	41A5048	1	Y
Dutch (models B1G 41G 42G)	41A5049	1	Y
French (models B1G 41G 42G)	41A5050	1	Y
German (models B1G 41G 42G)	41A5053	1	Y
Greek (models B1G 41G 42G)	41A5054	1	Y
Hebrew (models B1G 41G 42G)	41A5055	1	Y
Hungarian (models B1G 41G 42G)	41A5056	1	Y
Iceland (models B1G 41G 42G)	41A5057	1	Y
Italian (models B1G 41G 42G)	41A5058	1	Y
Norwegian (models B1G 41G 42G)	41A5062	1	Y
Polish (models B1G 41G 42G)	41A5063	1	Y

8975 Keyboards (Lenovo Preferred Pro fullsize, Black)	FRU#	CRU Tier	RoHS?
Portuguese (models B1G 41G 42G)	41A5064	1	Y
Romanian (models B1G 41G 42G)	41A5065	1	Y
Russian/Cyrilic (models B1G 41G 42G)	41A5066	1	Y
Serbian/Cyrilic (models B1G 41G 42G)	41A5067	1	Y
Slovak (models B1G 41G 42G)	41A5068	1	Y
Spanish (models B1G 41G 42G)	41A5069	1	Y
Swedish/Finn (models B1G 41G 42G)	41A5070	1	Y
Swiss F/G (models B1G 41G 42G)	41A5071	1	Y
Thailand (models B1G 41G 42G)	41A5072	1	Y
Turkish 440 (models B1G 41G 42G)	41A5073	1	Y
Turkish 179 (models B1G 41G 42G)	41A5074	1	Y
UK English (models B1G 41G 42G)	41A5075	1	Y
US Euro (models B1G 41G 42G)	41A5076	1	Y
Slovenian (models B1G 41G 42G)	41A5077	1	Y

8975 mice	FRU#	CRU Tier	RoHS?
Optical Wheel Mouse (400DPI, USB) (all models)	41U3013	1	Y
Optical Wheel Mouse (400DPI, USB) (all models)	41U3030	1	Y
PS/2 Three Button ball mouse (models CTO)	41R0018	1	Y
ScrollPoint Optical Mouse (800DPI, USB) (models CTO)	41U3019	1	Y

8975 Adapters and miscellaneous FRUs	FRU#	CRU Tier	RoHS?
USB2.0 MEMORY CARDREADER,6X2,ROHS OPTIONAL,Bitland (models CTO)	41R3378	2	Y
USB2.0 MEMORY CARDREADER,6X2,ROHS OPTIONAL, SONY (models CTO)	41R3376	2	Y
PCI Modem Card (Soft) (models CTO)	29R9729	2	Y
L1 IEEE 1394 PCI Adapter (models CTO)	41D2781	2	Y
Denver - ATI X300SE 128MB (models CTO)	39J9635	2	Y
Dongle Cable - DMS59 to dual VGA (models CTO)	41D2399	2	Y
Dongle Cable - DMS59 to dual VGA (included in Denver L1) (models CTO)	42Y8181	2	Y
Dongle DMS Dule DMS-59 to dual DVI cable (models CTO)	41X6398	2	Y
Dongle DMS Dule DMS-59 to single VGA and DVI cable (models CTO)	42Y8183	2	Y
Nvidia GeForce 6200TC128MB 64bit (Full Height) (models CTO)	41X2668	2	Y
Nvidia GeForce 6200TC 64MB 32bit (models CTO)	41X2667	2	Y
Nvidia GeForce 7300LE 128MB 64bit (models CTO)	41X2669	2	Y
Nvidia GeForce 7300LE 128MB 64bit LP / ATX with DMS59 (models CTO)	42Y8165	2	Y
ATI Radeon X1300PRO 256MB 128bit (models CTO)	41X2670	2	Y
ATI X1300LE 256M 64bit LP / ATX with DMS59 (models CTO)	42Y8162	2	Y
X1300 LE 256MB (models CTO)	42Y8159	2	Y
Internal USB Memory Card Reader (models CTO)	41D1934	2	Y

8975 Adapters and miscellaneous FRUs	FRU#	CRU Tier	RoHS?
Wireless Keyboard (models CTO)	41A5219	2	Y
Wireless Mouse (models CTO)	41A5247	2	Y
USB Transceiver for wireless kybd/mouse (models CTO)	41A5246	2	Y
BTL external speaker (models CTO)	41A5334	2	Y
DVI-I card,FH(Casper) (models CTO)	39J9334	2	Y

8975 Power Cords	FRU#	CRU Tier	RoHS?
Power Cord (UK, Ireland, Singapore, Malaysia, Brunei) (models B1G 41G 42G)	39M5150	1	Y
Power Cord (Italy) (models B1G 41G 42G)	39M5164	1	Y
Power Cord (G models B1G 41G 42G) (models B1G 41G 42G)	39M5122	1	Y
Power Cord (Denmark) (models B1G 41G 42G)	39M5129	1	Y
Power Cord (Switzerland) (models B1G 41G 42G)	39M5157	1	Y
Power Cord (Israel) (models B1G 41G 42G)	39M5171	1	Y
Power Cord (South Africa) (models B1G 41G 42G)	39M5143	1	Y

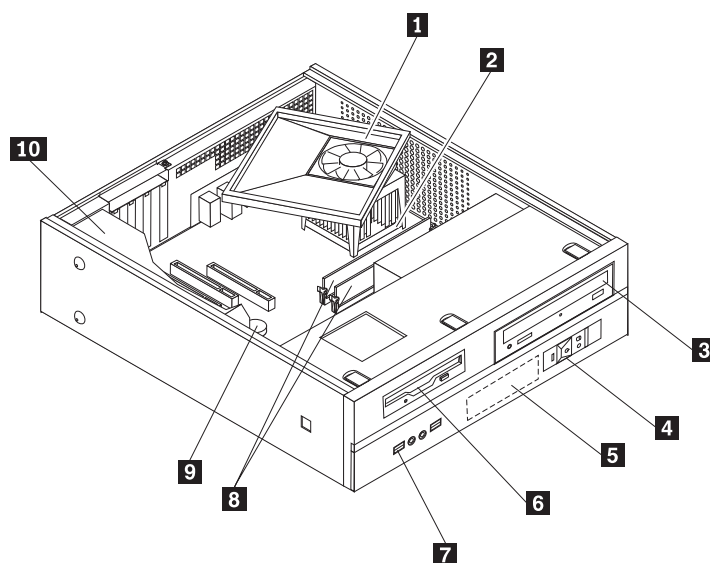
8975 Windows XP Pro Recovery CDs	FRU#	CRU Tier	RoHS?
US/UK/AP/TH (models B1G 41G 42G)	42Y3549	1	Y
RE (models B1G 41G 42G)	42Y3717	1	Y
FR/CF (models B1G 41G 42G)	42Y3550	1	Y
GR (models B1G 41G 42G)	42Y3551	1	Y
SP/LA (models B1G 41G 42G)	42Y3552	1	Y
IT (models B1G 41G 42G)	42Y3553	1	Y
SV (models B1G 41G 42G)	42Y3555	1	Y
DK (models B1G 41G 42G)	42Y3556	1	Y
FI (models B1G 41G 42G)	42Y3718	1	Y
NO (models B1G 41G 42G)	42Y3719	1	Y
NL (models B1G 41G 42G)	42Y3720	1	Y
HE (models B1G 41G 42G)	42Y3721	1	Y
PL (models B1G 41G 42G)	42Y3722	1	Y
CZ (models B1G 41G 42G)	42Y3723	1	Y
AE (models B1G 41G 42G)	42Y3724	1	Y
RU (models B1G 41G 42G)	42Y3725	1	Y
TR (models B1G 41G 42G)	42Y3726	1	Y
HU (models B1G 41G 42G)	42Y3727	1	Y
PO (models B1G 41G 42G)	42Y3728	1	Y
GK (models B1G 41G 42G)	42Y3729	1	Y
SL (models B1G 41G 42G)	42Y3730	1	Y
Multilingual 1 (models B1G 41G 42G)	42Y3645	1	Y
Multilingual 2 (models B1G 41G 42G)	42Y3879	1	Y

8975 Vista Home Basic 32 Recovery DVDs	FRU#	CRU Tier
US/UK/AP/TH (models)	87H4420	1
FR/CF (models)	87H4421	1
GR (models)	87H4422	1
SP/LA (models)	87H4423	1
BR (models)	87H4424	1
IT (models)	87H4425	1
JP (models)	87H4426	1
NO (models)	87H4427	1
SV (models)	87H4428	1
DK (models)	87H4429	1
NL (models)	87H4430	1
CZ (models)	87H4431	1
FI (models)	87H4432	1
PL (models)	87H4433	1
RU (models)	87H4434	1
TR (models)	87H4435	1
HU (models)	87H4436	1
GK (models)	87H4437	1
PO (models)	87H4438	1
CS (models)	87H4439	1
TW (models)	87H4440	1
HK (models)	87H4441	1
KR (models)	87H4442	1
SL (models)	87H4443	1
RE (models)	43C1306	1

8975 Vista Business 32 Recovery DVDs	FRU#	CRU Tier
US/UK/AP/TH (models)	87H4476	1
FR/CF (models)	87H4477	1
GR (models)	87H4478	1
SP/LA (models)	87H4479	1
BR (models)	87H4480	1
IT (models)	87H4481	1
JP (models)	87H4482	1
NO (models)	87H4483	1
SV (models)	87H4484	1
DK (models)	87H4485	1
NL (models)	87H4486	1
CZ (models)	87H4487	1
FI (models)	87H4488	1

8975 Vista Business 32 Recovery DVDs	FRU#	CRU Tier
PL (models)	87H4489	1
RU (models)	87H4490	1
TR (models)	87H4491	1
HU (models)	87H4492	1
GK (models)	87H4493	1
PO (models)	87H4494	1
CS (models)	87H4495	1
TW (models)	87H4496	1
HK (models)	87H4497	1
KR (models)	87H4498	1
SL (models)	87H4499	1
RE (models)	43C1308	1

Machine Type 8976



Item #	8976 FRUs	FRU#	CRU Tier	RoHS?
1	Heatsink for AMD Sempron & Athlon AM2 processors (models CTO A1M B1V 21M 22V D1V D2M A2M A3M 23M 31M 32M)	41N8249	N	Y
1	Heatsink for AMD Sempron & Athlon AM2 processors (models CTO)	41R4802	N	Y
2	Microprocessor, 3000+ Sempron AM2 (1.6 GHz processor, 62W) (models CTO A1M)	41X1403	N	Y
2	Microprocessor, 3400+ Sempron AM2 (1.8 GHz processor, 62W) (models CTO B1V)	41X1407	N	Y
2	Microprocessor, 3600+ Sempron AM2 (2.0 GHz processor, 62W) (models CTO)	41X1411	N	Y
2	Microprocessor, 3200+ Athlon64 AM2 (2.0 GHz processor, 62W) (models CTO)	42Y8940	N	Y
2	Microprocessor, 3500+ Athlon64 AM2 (2.2 GHz processor, 62W) (models CTO 21M 22V 23M)	41X1415	N	Y
2	Microprocessor, 3600+ Athlon64 AM2 X2 (2.0 GHz processor, 89W) (models CTO)	41X7777	N	Y
2	Microprocessor, 3600+Athlon64 AM2 X2 1.9GHz 1M 65W 65nm G1 (models CTO)	43C4091	N	Y
2	Microprocessor, 3800+ Athlon64 AM2 (2.4 GHz processor, 62W) (models CTO)	41X1417	N	Y
2	Microprocessor, 3800+ Athlon64 AM2 X2 (2.0 GHz processor, 89W) (models CTO 31M 32M)	41X4241	N	Y
2	Microprocessor, 4000+ Athlon64 AM2 (2.4 GHz processor, 62W) (models CTO)	41X1419	N	Y
2	Microprocessor, 4000+ Athlon64 AM2 X2 2.1GHz 1M 65W 65nm G1 (models CTO)	43C3965	N	Y
2	Microprocessor, 4200+ Athlon64 AM2 X2 (2.2 GHz processor, 89W) (models CTO D1V D2M)	41X1421	N	Y

Item #	8976 FRUs	FRU#	CRU Tier	RoHS?
2	Microprocessor, 4400+ Athlon64 AM2 X2 2.3 GHz 1M 65W 65nm G1 (models CTO)	43C3507	N	Y
2	Microprocessor, 4600+ Athlon64 AM2 X2 (2.4 GHz processor, 89W) (models CTO)	41X1423	N	Y
2	Microprocessor, 4800+ Athlon AM2 X2 2.5GHz 1M 65W 65nm G1 (models CTO)	43C4093	N	Y
3	DVD-ROM drive (16X/48X) (models CTO B1V 22V D1V)	41X3544	2	Y
3	DVD-ROM drive (16X/48X) (models CTO B1V 22V D1V)	41X3545	2	Y
3	DVD-ROM drive (16X/48X) (models CTO B1V 22V D1V)	41X3546	2	Y
3	Combo 48 -32 -48 -16 - - DVD - ROM - CDRW (models CTO A1M 21M D2M A3M 32M)	41X3547	2	Y
3	Combo 48 -32 -48 -16 - - DVD - ROM - CDRW (models CTO A1M 21M D2M A3M 32M)	41X3548	2	Y
3	Combo 48 -32 -48 -16 - - DVD - ROM - CDRW (models CTO A1M 21M D2M A3M 32M)	41X3549	2	Y
3	Combo 48 -32 -48 -16 - - DVD - ROM - CDRW --NON/VISTA (models CTO A1M 21M D2M A3M 32M)	42Y9368	1	Y
3	Combo 48 -32 -48 -16 - - DVD - ROM - CDRW --NON/VISTA (models CTO A1M 21M D2M A3M 32M)	42Y9369	1	Y
3	Combo 48 -32 -48 -16 - - DVD - ROM - CDRW --NON/VISTA (models CTO A1M 21M D2M A3M 32M)	41X7992	1	Y
3	DVD-Recorder (Rambo 8)-NON/VISTA (models CTO A2M 23M 31M)	41N3343	2	Y
3	DVD-Recorder (Rambo 8)-NON/VISTA (models CTO A2M 23M 31M)	41X3550	2	Y
3	DVD Recordable No Software / No Royalty for VISTA Models ONLY (models CTO A2M 23M 31M)	42Y9371	2	Y
3	DVD Recordable No Software / No Royalty for VISTA Models ONLY (models CTO A2M 23M 31M)	42Y6017	2	Y
3	DVD Recordable No Software / No Royalty for VISTA Models ONLY (models CTO A2M 23M 31M)	43C0144	2	Y
3	DVD-Recorder (Rambo 8)-NON/VISTA (models CTO A2M 23M 31M)	42Y9370	1	Y
4	Front Power/LED PC, bracket, and cable (all models)	41N8213	N	Y
5	Hard disk drive, 40GB (7200RPM), Serial ATA (models CTO)	40Y9033	2	Y
5	Hard disk drive, 80GB (7200RPM), Serial ATA (models CTO A1M B1V 21M 22V D1V D2M A2M A3M 23M 31M 32M)	40Y9034	2	Y
5	Hard disk drive, 80GB 7200rpm SATA (only for China) (models CTO)	41X2500	1	Y
5	Hard disk drive, 160GB (7200RPM), Serial ATA (models CTO)	40Y9035	2	Y
5	Hard disk drive, 250GB (7200RPM), Serial ATA (models CTO)	40Y9036	2	Y
5	Hard disk drive, 500GB (7200RPM), Serial ATA (models CTO)	41X5582	2	Y
6	Diskette drive, 3,5", 1.44MB, 2-mode, (w/bezel) (models CTO B1V 22V D1V)	40Y9105	2	Y
6	Diskette drive, 3,5", 1.44MB, 2-mode (models CTO B1V 22V D1V)	40Y7107	2	Y
7	Front USB/Audio with bracket (all models)	41N8212	N	Y
8	Memory module, 512 MB PC2-4200 (533MHz) DDR2 SDRAM (models CTO)	41X4251	2	Y
8	Memory module, 1 GB PC2-4200 (533MHz) DDR2 SDRAM (models CTO)	41X4252	2	Y

Item #	8976 FRUs	FRU#	CRU Tier	RoHS?
8	Memory module, 2 GB PC2-4200 (533MHz) DDR2 SDRAM (models CTO)	41X4253	2	Y
8	Memory module, 512 MB PC2-5300 (667MHz) DDR2 SDRAM (models CTO A1M B1V 21M 22V D1V D2M A2M A3M 23M 31M 32M)	41X4255	2	Y
8	Memory module, 1 GB PC2-5300 (667MHz) DDR2 SDRAM (models CTO)	41X4256	2	Y
8	Memory module, 2 GB PC2-5300 (667MHz) DDR2 SDRAM (models CTO)	41X4257	2	Y
9	System board, AMD Sys Planar for Vista and XP (models CTO A1M B1V 21M 22V D1V D2M A2M A3M 23M 31M 32M)	87H4658	N	Y
10	220W Small desktop power supply (non-smokeless) (models CTO A1M 21M D2M B1V 22V D1V A1M 21M D2M A2M A3M 23M 31M 32M)	41N3109	N	Y
10	220 Watt Power Supply - China (models CTO-A)	41N3493	N	Y
10	220 Watt Power Supply - WW (models CTO A1M 21M D2M B1V 22V D1V A1M 21M D2M A2M A3M 23M 31M 32M)	41A9655	N	Y
10	220 Watt Power Supply - China (models CTO-A B1V 22V D1V)	41N3493	N	Y
10	220 Watt Power Supply - China (models CTO-A B1V 22V D1V)	41A9652	N	Y

The FRUs listed in the following tables are not illustrated.

8976 FRUs	FRU#	CRU Tier	RoHS?
Thermal grease kit (models CTO)	91P8835	N	Y
Shield, EMC, system board (all models)	41N5347	N	Y
Cable, Serial ATA, 250 mm (all models)	41A7145	N	Y
Shield, EMC, blank 5.25in. drive bay (all models)	41N8271	N	Y
Shield, EMC, blank diskette drive bay (all models)	41N8273	N	Y
Cover (all models)	41N8204	2	Y
Mechanical shell kit (all models)	41N8205	2	Y
Bezel kit (all models)	41N8206	N	Y
Miscellaneous hardware kit (all models)	41N8209	N	Y
Hard disk drive bracket asm (plastic and grommets) (all models)	41N8210	N	Y
Hard disk drive fan and bracket asm (all models)	41N8211	N	Y
Speaker cable asm, 600 mm cable length (all models)	41N8217	N	Y
Serial port Cable (all models)	39K5021	N	Y
Fan duct assembly (all models)	41A7151	N	Y
Fan duct assembly (all models)	41R4808	N	Y
Rear USB cable asm (with low profile PCI bracket) (all models)	41N8267	N	
1 drop IDE cable (all models)	41A7158	N	Y
Rear USB 2Ports II HP(R), high profile I/O, 300mm, Rohs (all models)	42Y8005	N	Y
Rear USB 2Ports II LP(R), low profile I/O, 200mm, Rohs (all models)	42Y8006	N	Y
Rear Com2 cable II HP(R), high profile I/O, 250mm, Rohs (all models)	42Y8007	N	Y
Rear Com2 cable II LP(R), low profile I/O, 250mm, Rohs (all models)	42Y8008	N	Y
Foot stand (all models)	41R4813	N	Y
Retention module, AMD (all models)	41R2507	N	Y

8976 Keyboards (PS2 Preferred Pro)	FRU#	CRU Tier	RoHS?
US English (models A1M 21M D2M A2M A3M 23M 31M 32M)	41A5039	1	Y
Hong Kong/Taiwan (models B1V 22V D1V)	41A5046	1	Y

8976 mice	FRU#	CRU Tier	RoHS?
Optical Wheel Mouse (400DPI, USB) (all models)	41U3013	1	Y
Optical Wheel Mouse (400DPI, USB) (all models)	41U3030	1	Y
PS/2 Three Button ball mouse (models CTO)	41R0018	1	Y
ScrollPoint Optical Mouse (800DPI, USB) (models CTO)	41U3019	1	Y

8976 Adapters and miscellaneous FRUs	FRU#	CRU Tier	RoHS?
USB2.0 MEMORY CARDREADER,6X2,ROHS OPTIONAL,Bitland (models CTO)	41R3378	2	Y
USB2.0 MEMORY CARDREADER,6X2,ROHS OPTIONAL, SONY (models CTO)	41R3376	2	Y
PCI Modem Card (Soft) (models CTO)	29R9729	2	Y
L1 IEEE 1394 PCI Adapter (models CTO)	41D2781	2	Y
Denver - ATI X300SE 128MB (models CTO FCU FCF)	39J9635	2	Y
Dongle Cable - DMS59 to dual VGA (models CTO)	41D2399	2	Y
Dongle Cable - DMS59 to dual VGA (included in Denver L1) (models CTO)	42Y8181	2	Y
Dongle DMS Dule DMS-59 to dual DVI cable (models CTO)	41X6398	2	Y
Dongle DMS Dule DMS-59 to single VGA and DVI cable (models CTO)	42Y8183	2	Y
Nvidia GeForce 6200TC128MB 64bit (Full Height) (models CTO)	41X2668	2	Y
Nvidia GeForce 6200TC 64MB 32bit (models CTO)	41X2667	2	Y
Nvidia GeForce 7300LE 128MB 64bit (models CTO)	41X2669	2	Y
Nvidia GeForce 7300LE 128MB 64bit LP / ATX with DMS59 (models CTO)	42Y8165	2	Y
ATI Radeon X1300PRO 256MB 128bit (models CTO)	41X2670	2	Y
ATI X1300LE 256M 64bit LP / ATX with DMS59 (models CTO)	42Y8162	2	Y
X1300 LE 256MB (models CTO)	42Y8159	2	Y
Internal USB Memory Card Reader (models CTO)	41D1934	2	Y
Wireless Keyboard (models CTO)	41A5219	2	Y
Wireless Mouse (models CTO)	41A5247	2	Y
USB Transceiver for wireless kybd/mouse (models CTO)	41A5246	2	Y
BTL external speaker (models CTO)	41A5334	2	Y
DVI-I card,FH(Casper) (models CTO)	39J9334	2	Y

8976 Power Cords	FRU#	CRU Tier	RoHS?
Power cord - Australia/New Zealand (models A1M 21M D2M A2M A3M 23M 31M 32M)	39M5102	1	Y
Power cord - Taiwan (models B1V 22V D1V)	39M5246	1	Y
Power cord - South Africa (models A1M 21M D2M A2M A3M 23M 31M 32M)	39M5143	1	Y

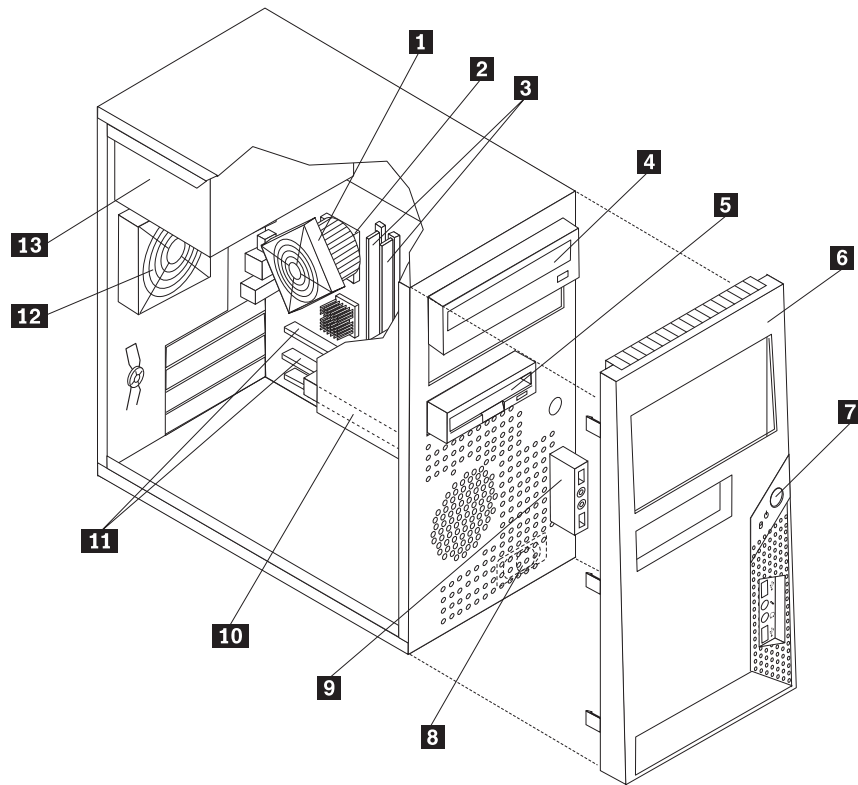
8976 Windows XP Pro Recovery CDs	FRU#	CRU Tier	RoHS?
US/UK/AP/TH (models A1M 21M D2M A2M A3M 23M 31M 32M)	42Y3549	1	Y
Taiwan-TC (models B1V 22V D1V)	41W7757	1	Y

8976 Vista Home Basic 32 Recovery DVDs	FRU#	CRU Tier
US/UK/AP/TH (models)	87H4420	1
FR/CF (models)	87H4421	1
GR (models)	87H4422	1
SP/LA (models)	87H4423	1
BR (models)	87H4424	1
IT (models)	87H4425	1
JP (models)	87H4426	1
NO (models)	87H4427	1
SV (models)	87H4428	1
DK (models)	87H4429	1
NL (models)	87H4430	1
CZ (models)	87H4431	1
FI (models)	87H4432	1
PL (models)	87H4433	1
RU (models)	87H4434	1
TR (models)	87H4435	1
HU (models)	87H4436	1
GK (models)	87H4437	1
PO (models)	87H4438	1
CS (models)	87H4439	1
TW (models)	87H4440	1
HK (models)	87H4441	1
KR (models)	87H4442	1
SL (models)	87H4443	1
RE (models)	43C1306	1

8976 Vista Business 32 Recovery DVDs	FRU#	CRU Tier
US/UK/AP/TH (models)	87H4476	1
FR/CF (models)	87H4477	1
GR (models)	87H4478	1
SP/LA (models)	87H4479	1
BR (models)	87H4480	1
IT (models)	87H4481	1
JP (models)	87H4482	1
NO (models)	87H4483	1
SV (models)	87H4484	1

8976 Vista Business 32 Recovery DVDs	FRU#	CRU Tier
DK (models)	87H4485	1
NL (models)	87H4486	1
CZ (models)	87H4487	1
FI (models)	87H4488	1
PL (models)	87H4489	1
RU (models)	87H4490	1
TR (models)	87H4491	1
HU (models)	87H4492	1
GK (models)	87H4493	1
PO (models)	87H4494	1
CS (models)	87H4495	1
TW (models)	87H4496	1
HK (models)	87H4497	1
KR (models)	87H4498	1
SL (models)	87H4499	1
RE (models)	43C1308	1

Machine Type 8979



Item #	8979 FRUs	FRU#	CRU Tier	RoHS?
1	Heatsink for AMD Sempron & Athlon AM2 processors (models CTO A1M A2M A3M A4M B1V 21V 22M 23M 24M 25M D1V D2M D3M D4M D5M A5M A6M A7M A8M 31G 32G 33M 34M 26G 35G)	41N8249	N	Y
1	Heatsink for AMD Sempron & Athlon AM2 processors (models CTO)	41R4802	N	Y
2	Microprocessor, 3000+ Sempron AM2 (1.6 GHz processor, 62W) (models CTO A1M A2M A3M A4M)	41X1403	N	Y
2	Microprocessor, 3400+ Sempron AM2 (1.8 GHz processor, 62W) (models CTO B1V)	41X1407	N	Y
2	Microprocessor, 3600+ Sempron AM2 (2.0 GHz processor, 62W) (models CTO)	41X1411	N	Y
2	Microprocessor, 3200+ Athlon64 AM2 (2.0 GHz processor, 62W) (models CTO)	42Y8940	N	Y
2	Microprocessor, 3500+ Athlon64 AM2 (2.2 GHz processor, 62W) (models CTO 21V 22M 23M 24M 25M 26G)	41X1415	N	Y
2	Microprocessor, 3600+ Athlon64 AM2 X2 (2.0 GHz processor, 89W) (models CTO)	41X7777	N	Y
2	Microprocessor, 3600+ Athlon64 AM2 X2 1.9GHz 1M 65W 65nm G1 (models CTO)	43C4091	N	Y
2	Microprocessor, 3800+ Athlon64 AM2 (2.4 GHz processor, 62W) (models CTO)	41X1417	N	Y
2	Microprocessor, 3800+ Athlon64 AM2 X2 (2.0 GHz processor, 89W) (models CTO 31G 32G 33M 34M 35G)	41X4241	N	Y

Item #	8979 FRUs	FRU#	CRU Tier	RoHS?
2	Microprocessor, 4000+ Athlon64 AM2 (2.4 GHz processor, 62W) (models CTO)	41X1419	N	Y
2	Microprocessor, 4000+ Athlon64 AM2 X2 2.1GHz 1M 65W 65nm G1 (models CTO)	43C3965	N	Y
2	Microprocessor, 4200+ Athlon64 AM2 X2 (2.2 GHz processor, 89W) (models CTO D1V D2M D3M D4M D5M)	41X1421	N	Y
2	Microprocessor, 4400+Athlon64 AM2 X2 2.3 GHz 1M 65W 65nm G1 (models CTO)	43C3507	N	Y
2	Microprocessor, 4600+ Athlon64 AM2 X2 (2.4 GHz processor, 89W) (models CTO)	41X1423	N	Y
2	Microprocessor, 4800+ Athlon AM2 X2 2.5GHz 1M 65W 65nm G1 (models CTO)	43C4093	N	Y
3	Memory module, 512 MB PC2-4200 (533MHz) DDR2 SDRAM (models CTO D1V 31G 32G 26G 35G)	41X4251	1	Y
3	Memory module, 1 GB PC2-4200 (533MHz) DDR2 SDRAM (models CTO)	41X4252	1	Y
3	Memory module, 2 GB PC2-4200 (533MHz) DDR2 SDRAM (models CTO)	41X4253	1	Y
3	Memory module, 512 MB PC2-5300 (667MHz) DDR2 SDRAM (models CTO A1M A2M A3M A4M 22M 24M D4M D5M A5M A6M A7M A8M 33M 34M)	41X4255	1	Y
3	Memory module, 1 GB PC2-5300 (667MHz) DDR2 SDRAM (models CTO 23M 25M D2M D3M)	41X4256	1	Y
3	Memory module, 2 GB PC2-5300 (667MHz) DDR2 SDRAM (models CTO)	41X4257	1	Y
4	DVD-ROM drive (16X/48X) (models CTO B1V 21V D1V)	41X3544	1	Y
4	DVD-ROM drive (16X/48X) (models CTO B1V 21V D1V)	41X3545	1	Y
4	DVD-ROM drive (16X/48X) (models CTO B1V 21V D1V)	41X3546	1	Y
4	Combo 48 -32 -48 -16 - - DVD - ROM - CDRW (models CTO A1M A2M 22M 24M D4M D5M A5M A6M 33M 34M 26G)	41X3547	1	Y
4	Combo 48 -32 -48 -16 - - DVD - ROM - CDRW (models CTO A1M A2M 22M 24M D4M D5M A5M A6M 33M 34M 26G)	41X3548	1	Y
4	Combo 48 -32 -48 -16 - - DVD - ROM - CDRW (models CTO A1M A2M 22M 24M D4M D5M A5M A6M 33M 34M 26G)	41X3549	1	Y
4	Combo 48 -32 -48 -16 - - DVD - ROM - CDRW --NON/VISTA (models CTO A1M A2M 22M 24M D4M D5M A5M A6M 33M 34M 26G)	42Y9368	1	Y
4	Combo 48 -32 -48 -16 - - DVD - ROM - CDRW --NON/VISTA (models CTO A1M A2M 22M 24M D4M D5M A5M A6M 33M 34M 26G)	42Y9369	1	Y
4	Combo 48 -32 -48 -16 - - DVD - ROM - CDRW --NON/VISTA (models CTO A1M A2M 22M 24M D4M D5M A5M A6M 33M 34M 26G)	41X7992	1	Y
4	DVD-Recorder (Rambo 8)-NON/VISTA (models CTO A3M A4M 23M 25M D2M D3M A7M A8M 31G 32G 35G 36G 27M 28M D6M D7M)	41N3343	1	Y
4	DVD-Recorder (Rambo 8)-NON/VISTA (models CTO A3M A4M 23M 25M D2M D3M A7M A8M 31G 32G 35G 36G 27M 28M D6M D7M)	41X3550	1	Y
4	DVD-Recorder (Rambo 8)-NON/VISTA (models CTO A3M A4M 23M 25M D2M D3M A7M A8M 31G 32G 35G 36G 27M 28M D6M D7M)	42Y9370	1	Y
4	DVD Recordable No Software / No Royalty for VISTA Models ONLY (models CTO A3M A4M 23M 25M D2M D3M A7M A8M 31G 32G 35G 36G 27M 28M D6M D7M)	42Y9371	2	Y

Item #	8979 FRUs	FRU#	CRU Tier	RoHS?
4	DVD Recordable No Software / No Royalty for VISTA Models ONLY (models CTO A3M A4M 23M 25M D2M D3M A7M A8M 31G 32G 35G 36G 27M 28M D6M D7M)	42Y6017	2	Y
4	DVD Recordable No Software / No Royalty for VISTA Models ONLY (models CTO A3M A4M 23M 25M D2M D3M A7M A8M 31G 32G 35G 36G 27M 28M D6M D7M)	43C0144	2	Y
5	Diskette drive, 3,5", 1.44MB, 2Mode, (w/bezel) (models CTO B1V 21V D1V)	40Y9105	2	Y
5	Diskette drive, 3,5", 1.44MB, 2Mode (models CTO B1V 21V D1V)	40Y7107	2	Y
6	Bezel assembly (all models)	41N8052	2	Y
7	Power switch/LED assembly (all models)	41N5284	2	Y
8	Speaker assembly, soldered terminals (models CTO A1M A3M B1V 21V 22M 25M D1V D3M D5M A5M A7M 31G 32G 34M 26G 35G)	39P5023	2	Y
9	Front audio/USB assembly (all models)	41N8054	2	Y
10	Hard disk drive, 40GB (7200RPM), Serial ATA (models CTO)	40Y9033	1	Y
10	Hard disk drive, 80GB (7200RPM), Serial ATA (models CTO A1M A2M A3M A4M B1V 21V 22M 24M D1V D4M D5M A5M A6M A7M A8M 33M 34M 26G)	40Y9034	1	Y
10	Hard disk drive, 80GB 7200rpm SATA (only for China) (models B1V 21V D1V)	41X2500	1	Y
10	Hard disk drive, 160GB (7200RPM), Serial ATA (models CTO 23M 25M D2M D3M 35G)	40Y9035	1	Y
10	Hard disk drive, 250GB (7200RPM), Serial ATA (models CTO 31G 32G)	40Y9036	1	Y
10	Hard disk drive, 500GB (7200RPM), Serial ATA (models CTO)	41X5582	1	Y
11	System board, AMD for Vista and XP (models CTO A1M A2M A3M A4M B1V 21V 22M 23M 24M 25M D1V D2M D3M D4M D5M A5M A6M A7M A8M 31G 32G 33M 34M 26G 35G 36G 27M 28M D6M D7 D8V)	87H4658	N	Y
12	Fan, Rear w/ grommets & Grill (all models)	41N8079	2	Y
13	Power supply (300W) (models CTO-A)	41N3489	2	Y
13	Power supply (230W) (models CTO A1M A2M A3M A4M 22M 23M 24M 25M D2M D3M D4M D5M B1V 21V D1V A5M A6M A7M A8M 31G 32G 33M 34M 26G 35G)	41N3094	2	Y
13	Power supply (250W) (models CTO A1M A2M A3M A4M 22M 23M 24M 25M D2M D3M D4M D5M B1V 21V D1V A5M A6M A7M A8M 31G 32G 33M 34M 26G 35G)	41N3127	2	Y
13	Power supply (220V/250W/ATX12V - China) (models CTO-A)	41N3485	2	Y
13	Power Supply 5281-7VW-ROHS, 280W, Standard (models CTO)	41N3479	2	Y
13	Power Supply 5281-7VW-ROHS, 280W, Standard (models CTO)	41N3482	2	Y
13	Power Supply 310W standard only for Japan (models CTO)	24R2596	2	Y

The FRUs listed in the following tables are not illustrated.

8979 FRUs	FRU#	CRU Tier	RoHS?
Thermal grease kit (all models)	91P8835	N	Y
Shield, 5.25 EMC (all models)	41N8080	2	Y

8979 FRUs	FRU#	CRU Tier	RoHS?
Cable, SATA (18" RoHs) (all models)	26K1186	2	Y
Cable, Serial (all models)	39K5021	2	Y
Shield, diskette drive EMC (all models)	41N8078	2	Y
Cable, Diskette drive (RoHs) (all models)	41A7182	2	Y
Cover, left side (all models)	41N8050	1	Y
Chassis assembly (all models)	41N8051	N	Y
System board I/O Shield - (all models)	41N8053	N	Y
Kit, Miscellaneous hardware (all models)	41N8055	2	Y
Cable, hard disk drive and optical signal (all models)	39M0516	1	
Front system fan (all models)	41R2519	1	
4 PIN CABLE-SATA,2H 100mm LATCH(RoHs)PS cable (all models)	41R3300	1	Y
Retainer, Card Reader (all models)	41R2913	1	N
Retention module, AMD (all models)	41R2507	1	N
Front Fan AVC (all models)	41R4791	1	N
Optional HDD Bracket Assembly, without 4Pin cable (all models)	41R6106	1	N
Chassis assembly (all models)	41R2533	1	N
Cable SATA 250mm (RoHS) (all models)	41A7145	1	N

8979 Keyboards (Lenovo Preferred Pro fullsize, Black)	FRU#	CRU Tier	RoHS?
US English (models A1M A2M A3M A4M 22M 23M 24M 25M D2M D3M D4M D5M A5M A6M A7M A8M 31G 32G 33M 34M 26G 35G)	41A5039	1	Y
Arabic (models 31G 32G 26G 35G)	41A5040	1	Y
Arabic/French (models 31G 32G 26G 35G)	41A5041	1	Y
Belgian/French (models 31G 32G 26G 35G)	41A5042	1	Y
Belgian/UK (models 31G 32G 26G 35G)	41A5043	1	Y
Bulgarian (models 31G 32G 26G 35G)	41A5045	1	Y
Hong Kong/Taiwan (models B1V 21V D1V)	41A5046	1	Y
Czech (models 31G 32G 26G 35G)	41A5047	1	Y
Danish (models 31G 32G 26G 35G)	41A5048	1	Y
Dutch (models 31G 32G 26G 35G)	41A5049	1	Y
French (models 31G 32G 26G 35G)	41A5050	1	Y
German (models 31G 32G 26G 35G)	41A5053	1	Y
Greek (models 31G 32G 26G 35G)	41A5054	1	Y
Hebrew (models 31G 32G 26G 35G)	41A5055	1	Y
Hungarian (models 31G 32G 26G 35G)	41A5056	1	Y
Iceland (models 31G 32G 26G 35G)	41A5057	1	Y
Italian (models 31G 32G 26G 35G)	41A5058	1	Y
Norwegian (models 31G 32G 26G 35G)	41A5062	1	Y
Polish (models 31G 32G 26G 35G)	41A5063	1	Y
Portuguese (models 31G 32G 26G 35G)	41A5064	1	Y

8979 Keyboards (Lenovo Preferred Pro fullsize, Black)	FRU#	CRU Tier	RoHS?
Romanian (models 31G 32G 26G 35G)	41A5065	1	Y
Russian/Cyrilic (models 31G 32G 26G 35G)	41A5066	1	Y
Serbian/Cyrilic (models 31G 32G 26G 35G)	41A5067	1	Y
Slovak (models 31G 32G 26G 35G)	41A5068	1	Y
Spanish (models 31G 32G 26G 35G)	41A5069	1	Y
Swedish/Finn (models 31G 32G 26G 35G)	41A5070	1	Y
Swiss F/G (models 31G 32G 26G 35G)	41A5071	1	Y
Turkish 440 (models 31G 32G 26G 35G)	41A5073	1	Y
Turkish 179 (models 31G 32G 26G 35G)	41A5074	1	Y
UK English (models 31G 32G 26G 35G)	41A5075	1	Y
US Euro (models 31G 32G 26G 35G)	41A5076	1	Y
Slovenian (models 31G 32G 26G 35G)	41A5077	1	Y

8979 mice	FRU#	CRU Tier	RoHS?
Optical Wheel Mouse (400DPI, USB) (all models)	41U3013	1	Y
Optical Wheel Mouse (400DPI, USB) (all models)	41U3030	1	Y
PS/2 Three Button ball mouse (models CTO)	41R0018	1	Y
ScrollPoint Optical Mouse (800DPI, USB) (models CTO)	41U3019	1	Y

8979 Adapters and miscellaneous FRUs	FRU#	CRU Tier	RoHS?
USB2.0 MEMORY CARDREADER,6X2,ROHS OPTIONAL,Bitland (models CTO)	41R3378	2	Y
USB2.0 MEMORY CARDREADER,6X2,ROHS OPTIONAL, SONY (models CTO)	41R3376	2	Y
PCI Modem Card (Soft) (models CTO)	29R9729	2	Y
L1 IEEE 1394 PCI Adapter (models CTO A3M A4M 23M 25M D2M D3M A7M A8M)	41D2781	2	Y
Denver - ATI X300SE 128MB (models CTO)	39J9635	2	Y
Dongle Cable - DMS59 to dual VGA (models CTO)	41D2399	2	Y
Dongle Cable - DMS59 to dual VGA (included in Denver L1) (models CTO)	42Y8181	2	Y
Dongle DMS Dule DMS-59 to dual DVI cable (models CTO)	41X6398	2	Y
Dongle DMS Dule DMS-59 to single VGA and DVI cable (models CTO)	42Y8183	2	Y
Nvidia GeForce 6200TC128MB 64bit (Full Height) (models CTO)	41X2668	2	Y
Nvidia GeForce 6200TC 64MB 32bit (models CTO)	41X2667	2	Y
Nvidia GeForce 7300LE 128MB 64bit (models CTO A3M A4M 23M 25M D2M D3M A7M A8M 32G)	41X2669	2	Y
ATI X1300LE 256M 64bit LP / ATX with DMS59 (models CTO)	42Y8162	2	Y
Nvidia GeForce 7300LE 128MB 64bit LP / ATX with DMS59 (models CTO)	42Y8165	2	Y
ATI Radeon X1300PRO 256MB 128bit (models CTO)	41X2670	2	Y
X1300 LE 256MB (models CTO)	42Y8159	2	Y
Internal USB Memory Card Reader (models CTO 31G 32G)	41D1934	2	Y

8979 Adapters and miscellaneous FRUs	FRU#	CRU Tier	RoHS?
Memory Card Reader Bracket (models CTO)	26K2210	2	Y
Memory Card Reader Bezel (models CTO)	25P0096	2	Y
Wireless Keyboard (models CTO)	41A5219	2	Y
Wireless Mouse (models CTO)	41A5247	2	Y
USB Transceiver for wireless kybd/mouse (models CTO)	41A5246	2	Y
Speakers (2-piece) Lenovo Logo (models A2M A4M 23M 24M D2M D4M A6M A8M 33M)	41A5331	1	Y
Speaker Power brick - ANZ (models A2M A4M 23M 24M D2M D4M A6M A8M 33M)	89P8579	1	Y
Speakers (2-piece) Lenovo Logo (models A2M A4M 23M 24M D2M D4M)	41A5331	1	Y
Speaker Power brick - ANZ (models A2M A4M 23M 24M D2M D4M)	89P8579	1	Y
BTL external speaker (models CTO)	41A5334	2	Y
DVI-I card,FH(Casper) (models CTO)	39J9334	2	Y

8979 Power Cords	FRU#	CRU Tier	RoHS?
Power cord - Australia/New Zealand (models A1M A2M A3M A4M 22M 23M 24M 25M D2M D3M D4M D5M A5M A6M A7M A8M 33M 34M)	39M5102	1	Y
Power cord - UK, Ireland, Singapore, Malaysia, Bruneid (models 31G 32G 26G 35G)	39M5150	1	Y
Power cord - Taiwan (models B1V 21V D1V)	39M5246	1	Y
Power Cord (Italy) (models 31G 32G 26G 35G)	39M5164	1	Y
Power Cord (G models 31G 32G 26G 35G)	39M5122	1	Y
Power Cord (Denmark) (models 31G 32G 26G 35G)	39M5129	1	Y
Power Cord (Switzerland) (models 31G 32G 26G 35G)	39M5157	1	Y
Power Cord (Israel) (models 31G 32G 26G 35G)	39M5171	1	Y
Power cord - South Africa (models A1M A2M A3M A4M 22M 23M 24M 25M D2M D3M D4M D5M A5M A6M A7M A8M 31G 32G 33M 34M 26G 35G)	39M5143	1	Y

8979 Windows XP Home Recovery CDs	FRU#	CRU Tier	RoHS?
US/UK/AP/TH (models A2M A4M 23M 24M D2M D4M A6M A8M 32G 33M)	42Y3597	1	Y
FR/CF (models 32G)	42Y3598	1	Y
GR (models 32G)	42Y3599	1	Y
IT (models 32G)	42Y3601	1	Y
SP/LA (models 32G)	42Y3600	1	Y
DK (models 32G)	42Y3604	1	Y
NL (models 32G)	42Y3804	1	Y
AE (models 32G)	42Y3808	1	Y
SV (models 32G)	42Y3603	1	Y
HE (models 32G)	42Y3805	1	Y
FI (models 32G)	42Y3802	1	Y

8979 Windows XP Home Recovery CDs	FRU#	CRU Tier	RoHS?
NO (models 32G)	42Y3803	1	Y
PL (models 32G)	42Y3806	1	Y
PO (models 32G)	42Y3812	1	Y
RU (models 32G)	42Y3809	1	Y
RE (models 32G)	42Y3801	1	Y
HU (models 32G)	42Y3811	1	Y
CZ (models 32G)	42Y3807	1	Y
TR (models 32G)	42Y3810	1	Y
GK (models 32G)	42Y3813	1	Y

8979 Windows XP Pro Recovery CDs	FRU#	CRU Tier	RoHS?
US/UK/AP/TH (models A1M A3M 22M 25M D3M D5M A5M A7M 31G 34M 26G 35G)	42Y3549	1	Y
FR/CF (models A2F A7F 25F 27F 28F 32F 34F 35F D1F D2F D3F 42F 44F 46G D7F)	42Y3550	1	Y
GR (models 31G 26G 35G)	42Y3551	1	Y
IT (models 31G 26G 35G)	42Y3553	1	Y
SP/LA (models 31G 26G 35G)	42Y3552	1	Y
DK (models 31G 26G 35G)	42Y3556	1	Y
NL (models 31G 26G 35G)	42Y3720	1	Y
AE (models 31G 26G 35G)	42Y3724	1	Y
SV (models 31G 26G 35G)	42Y3555	1	Y
HE (models 31G 26G 35G)	42Y3721	1	Y
FI (models 31G 26G 35G)	42Y3718	1	Y
NO (models 31G 26G 35G)	42Y3719	1	Y
PL (models 31G 26G 35G)	42Y3722	1	Y
PO (models 31G 26G 35G)	42Y3728	1	Y
RU (models 31G 26G 35G)	42Y3725	1	Y
RE (models 31G 26G 35G)	42Y3717	1	Y
HU (models 31G 26G 35G)	42Y3727	1	Y
CZ (models 31G 26G 35G)	42Y3723	1	Y
TR (models 31G 26G 35G)	42Y3726	1	Y
GK (models 31G 26G 35G)	42Y3729	1	Y
SL (models 31G 26G 35G)	42Y3730	1	Y
Taiwan - TC (models B1V 21V D1V)	41W7757	1	Y
Multilingual 1 (models 31G 26G 35G)	42Y3645	1	Y
Multilingual 2 (models 31G 26G 35G)	42Y3879	1	Y

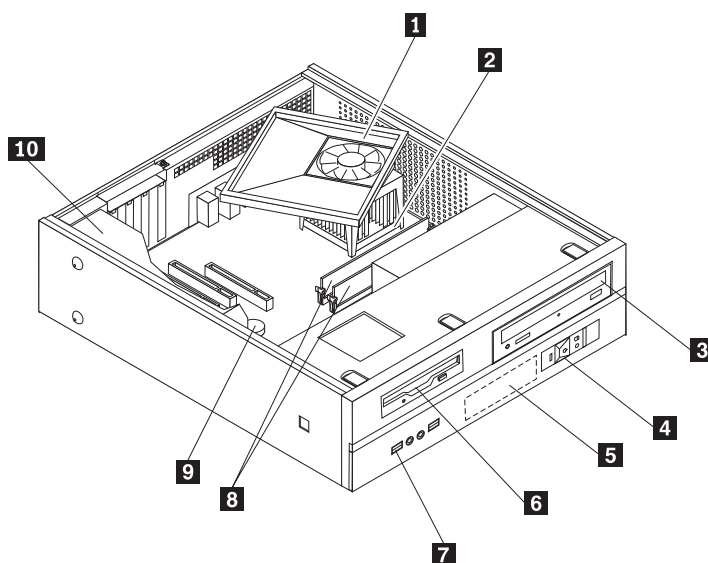
8979 Vista Home Basic 32 Recovery DVDs	FRU#	CRU Tier
US/UK/AP/TH (models)	87H4420	1

8979 Vista Home Basic 32 Recovery DVDs	FRU#	CRU Tier
FR/CF (models)	87H4421	1
GR (models)	87H4422	1
SP/LA (models)	87H4423	1
BR (models)	87H4424	1
IT (models)	87H4425	1
JP (models)	87H4426	1
NO (models)	87H4427	1
SV (models)	87H4428	1
DK (models)	87H4429	1
NL (models)	87H4430	1
CZ (models)	87H4431	1
FI (models)	87H4432	1
PL (models)	87H4433	1
RU (models)	87H4434	1
TR (models)	87H4435	1
HU (models)	87H4436	1
GK (models)	87H4437	1
PO (models)	87H4438	1
CS (models)	87H4439	1
TW (models)	87H4440	1
HK (models)	87H4441	1
KR (models)	87H4442	1
SL (models)	87H4443	1
RE (models)	43C1306	1

8979 Vista Business 32 Recovery DVDs	FRU#	CRU Tier
US/UK/AP/TH (models)	87H4476	1
FR/CF (models)	87H4477	1
GR (models)	87H4478	1
SP/LA (models)	87H4479	1
BR (models)	87H4480	1
IT (models)	87H4481	1
JP (models)	87H4482	1
NO (models)	87H4483	1
SV (models)	87H4484	1
DK (models)	87H4485	1
NL (models)	87H4486	1
CZ (models)	87H4487	1
FI (models)	87H4488	1
PL (models)	87H4489	1
RU (models)	87H4490	1

8979 Vista Business 32 Recovery DVDs	FRU#	CRU Tier
TR (models)	87H4491	1
HU (models)	87H4492	1
GK (models)	87H4493	1
PO (models)	87H4494	1
CS (models)	87H4495	1
TW (models)	87H4496	1
HK (models)	87H4497	1
KR (models)	87H4498	1
SL (models)	87H4499	1
RE (models)	43C1308	1

Machine Type 8980



Item #	8980 FRUs	FRU#	CRU Tier	RoHS?
1	Heatsink for Intel processors (all models)	41N8261	N	Y
1	Heatsink for Intel processors (models CTO)	41R4803	N	Y
2	Microprocessor, Celeron D 2.66GHz 533MHz FSB 256KB L2 (models CTO)	41T1694	N	Y
2	Microprocessor, Celeron D 2.80GHz 533MHz FSB 256KB L2 (models CTO A1B A1H)	41T1695	N	Y
2	Microprocessor, Celeron D 2.93GHz 533MHz FSB 256KB L2 (models CTO)	41T1696	N	Y
2	Microprocessor, Celeron D 3.06GHz 533MHz FSB 256KB L2 (models CTO A2M A3M 73G A2M A3M 73G)	41T1697	N	Y
2	Microprocessor, Celeron D 3.20GHz 533MHz FSB 256KB L2 (models CTO)	41T1698	N	Y
2	Microprocessor, Celeron D 3.20GHz 533MHz FSB 512KB L2 (models CTO 71G)	41T4966	N	Y
2	Microprocessor, Celeron D 3.33GHz 533MHz FSB 512KB L2 (models CTO)	41T4968	N	Y
2	Microprocessor, Celeron 430 CONROE-L 800/1800MHZ-512K,LGA,EM64T (models CTO)	43C1964	N	Y
2	Microprocessor, Celeron 440 CONROE-L 800/2000MHZ-512K,LGA,EM64T (models CTO)	43C1965	N	Y
2	Microprocessor, Pentium 4 3.06GHz 533MHz FSB 1M L2 (models CTO 31B 31H)	41T4104	N	Y
2	Microprocessor, Pentium 4 3.0GHz 800MHz FSB 1M L2 (models CTO 31B 31H 32M)	41T1701	N	Y
2	Microprocessor, Pentium 4 3.0 GHz 800 FSB 2MB L2 (models CTO)	41T1709	N	Y
2	Microprocessor, Pentium 4 3.0 GHz 800 FSB 2MB L2 (models CTO)	41T1712	N	Y
2	Microprocessor, Pentium 4 3.2 GHz 800 FSB 2MB L2 (models CTO)	41T1713	N	Y
2	Microprocessor, Pentium 4 3.4 GHz 800 FSB 2MB L2 (models CTO)	41T1714	N	Y
2	Microprocessor, Pentium 4 661 Processor 3.6 GHz 800 FSB 2MB L2 B1-Value (models CTO)	41T1715	N	Y

Item #	8980 FRUs	FRU#	CRU Tier	RoHS?
2	Microprocessor, Pentium 4 2.8 GHz 800 FSB 2MB L2 (models CTO D1A D1T D1Q D1B D1H D2M D3M D4M D5M D6M D7M D8M D9M 74G)	41T1704	N	Y
2	Microprocessor, Pentium D 3.0 GHz 800 FSB 2Mx2 L2 (models CTO)	41X2413	N	Y
2	Microprocessor, Pentium D 3.0 GHz 800 FSB 2Mx2 L2 (models CTO)	41T1717	N	Y
2	Microprocessor, Pentium D 935 3.2 GHz 800 FSB 2MBx2 L2 C1-Value (95W) (models CTO)	41X8050	N	Y
2	Microprocessor, E2140 CONROE-L 800/1600MHZ-1M, LGA, EM64T (models CTO)	43C1967	N	Y
2	Microprocessor, E2160 CONROE-L 800/1600MHZ-1M, LGA, EM64T (models CTO)	43C1968	N	Y
2	Microprocessor, E4300 CONROE 800/1800MHZ-2M, LGA, EM64T (models CTO)	42Y8009	N	Y
2	Microprocessor, E4400 CONROE 800/2000MHZ-2M, LGA, EM64T L2 (models CTO)	43C2056	N	Y
2	Microprocessor, Conroe E6300 Processor 1.86GHz 1066MHz FSB 2M L2 (models CTO)	41X2495	N	Y
2	Microprocessor, E6400 B2 CONROE 1066/2130MHZ-2M, LGA, EM64T (models CTO)	41X2496	N	Y
2	Microprocessor, E6600 B2 CONROE 1066/2400MHZ-4M, LGA, EM64T (models CTO)	41X5743	N	Y
2	Microprocessor, E6700 B2 CONROE 1066/2670MHZ-4M, LGA, EM64T (models CTO)	41X5744	N	Y
3	DVD-ROM drive (16X/48X) (models CTO 73G 74G)	41X3544	2	Y
3	DVD-ROM drive (16X/48X) (models CTO 73G 74G)	41X3545	2	Y
3	DVD-ROM drive (16X/48X) (models CTO 73G 74G)	41X3546	2	Y
3	Combo 48 -32 -48 -16 - - DVD - ROM - CDRW (models CTO D1A D1T D1Q D1B D1H)	41X3547	2	Y
3	Combo 48 -32 -48 -16 - - DVD - ROM - CDRW (models CTO D1A D1T D1Q D1B D1H)	41X3548	2	Y
3	Combo 48 -32 -48 -16 - - DVD - ROM - CDRW (models CTO D1A D1T D1Q D1B D1H)	41X3549	2	Y
3	Combo 48 -32 -48 -16 - - DVD - ROM - CDRW --NON/VISTA (models CTO D1A D1T D1Q D1B D1H)	42Y9368	1	Y
3	Combo 48 -32 -48 -16 - - DVD - ROM - CDRW --NON/VISTA (models CTO D1A D1T D1Q D1B D1H)	42Y9369	1	Y
3	Combo 48 -32 -48 -16 - - DVD - ROM - CDRW --NON/VISTA (models CTO D1A D1T D1Q D1B D1H)	41X7992	1	Y
3	DVD-Recorder (Rambo 8)-NON/VISTA (models CTO 71G A2M A3M 32M 33M D2M D3M D4M D5M D6M D7M D8M D9M)	41N3343	1	Y
3	DVD-Recorder (Rambo 8)-NON/VISTA (models CTO 71G A2M A3M 32M 33M D2M D3M D4M D5M D6M D7M D8M D9M)	41X3550	1	Y
3	DVD-Recorder (Rambo 8)-NON/VISTA (models CTO 71G A2M A3M 32M 33M D2M D3M D4M D5M D6M D7M D8M D9M)	42Y9370	1	Y
3	DVD Recordable No Software / No Royalty for VISTA Models ONLY (models CTO 71G A2M A3M 32M 33M D2M D3M D4M D5M D6M D7M D8M D9M DAM DBM)	42Y9371	2	Y

Item #	8980 FRUs	FRU#	CRU Tier	RoHS?
3	DVD Recordable No Software / No Royalty for VISTA Models ONLY (models CTO 71G A2M A3M 32M 33M D2M D3M D4M D5M D6M D7M D8M D9M DAM DBM)	42Y6017	2	Y
3	DVD Recordable No Software / No Royalty for VISTA Models ONLY (models CTO 71G A2M A3M 32M 33M D2M D3M D4M D5M D6M D7M D8M D9M DAM DBM)	43C0144	2	Y
4	Front Power/LED PC, bracket, and cable (all models)	41N8213	N	Y
5	Hard disk drive, 40GB (7200RPM), Serial ATA (models CTO)	40Y9033	2	Y
5	Hard disk drive, 80GB (7200RPM), Serial ATA (models CTO A1B A1H D1A D1T D1Q D1B D1H 71G A2M A3M 31B 31H 32M 33M D2M D3M D4M D5M 73G 74G)	40Y9034	2	Y
5	Hard disk drive, 80GB 7200rpm SATA (only for China) (models A1B A1H D1T D1B D1H 31B 31H)	41X2500	1	Y
5	Hard disk drive, 160GB (7200RPM), Serial ATA (models CTO D6M D7M)	40Y9035	2	Y
5	Hard disk drive, 250GB (7200RPM), Serial ATA (models CTO D8M D9M)	40Y9036	2	Y
5	Hard disk drive, 500GB (7200RPM), Serial ATA (models CTO)	41X5582	2	Y
6	Diskette drive, 3,5", 1.44MB, 2-mode, (w/bezel) (models CTO A1B A1H D1A D1T D1Q D1B D1H 31B 31H)	40Y9105	2	Y
6	Diskette drive, 3,5", 1.44MB, 2-mode (models CTO A1B A1H D1A D1T D1Q D1B D1H 31B 31H)	40Y7107	2	Y
7	Front USB/Audio with bracket (all models)	41N8212	N	Y
8	Memory module, 512 MB PC2-4200 (533MHz) DDR2 SDRAM (models CTO 31B 31H D1A D1T D1Q D1B D1H 71G 73G 74G)	41X4251	2	Y
8	Memory module, 1 GB PC2-4200 (533MHz) DDR2 SDRAM (models CTO)	41X4252	2	Y
8	Memory module, 512 MB PC2-5300 (667MHz) DDR2 SDRAM (models CTO A2M A3M 32M 33M D2M D3M D4M D5M)	41X4255	2	Y
8	Memory module, 1 GB PC2-5300 (667MHz) DDR2 SDRAM (models CTO D6M D7M D8M D9M)	41X4256	2	Y
9	System board, SiS 662 Gig E Sys Planar for Vista and XP (models CTO A1B A1H D1A D1T D1Q D1B D1H 71G A2M A3M 31B 31H 32M 33M D2M D3M D4M D5M D6M D7M D8M D9M 73G 74G DAM DBM) Note: When ordering a new system board, you must also order a new retention module for the heat sink.	87H4657	N	Y
10	220W Small desktop power supply (non-smokeless) (models CTO D1A D1T 71G A2M A3M 32M 33M D2M D3M D4M D5M D6M D7M D8M D9M 73G 74G)	41N3109	N	Y
10	220 Watt Power Supply - WW (models CTO D1A D1T 71G A2M A3M 32M 33M D2M D3M D4M D5M D6M D7M D8M D9M 73G 74G)	41A9655	N	Y
10	220 Watt Power Supply - China (models CTO-A A1B A1H D1Q D1B D1H 31B 31H)	41N3493	N	Y
10	220 Watt Power Supply - China (models CTO-A A1B A1H D1Q D1B D1H 31B 31H)	41A9652	N	Y

The FRUs listed in the following tables are not illustrated.

8980 FRUs	FRU#	CRU Tier	RoHS?
Thermal grease kit (models CTO)	91P8835	N	Y
Shield, EMC, system board (all models)	41N5347	N	Y
Cable, Serial ATA, 250 mm (all models)	41A7145	N	Y
Shield, EMC, blank 5.25in. drive bay (all models)	41N8271	N	Y
Shield, EMC, blank diskette drive bay (all models)	41N8273	N	Y
Cover (all models)	41N8204	2	Y
Mechanical shell kit (all models)	41N8205	2	Y
Bezel kit (all models)	41N8206	N	Y
Miscellaneous hardware kit (all models)	41N8209	N	Y
Hard disk drive bracket asm (plastic and grommets) (all models)	41N8210	N	Y
Hard disk drive fan and bracket asm (all models)	41N8211	N	Y
Speaker cable asm, 600 mm cable length (all models)	41N8217	N	Y
Serial port Cable (all models)	39K5021	N	Y
Fan duct assembly (all models)	41A7151	N	Y
Fan duct assembly (all models)	41R4808	N	Y
Rear USB cable asm (with low profile PCI bracket) (all models)	41N8267	N	
1 drop IDE cable (all models)	41A7158	N	Y
Rear USB 2Ports II HP(R), high profile I/O, 300mm, Rohs (all models)	42Y8005	N	Y
Rear USB 2Ports II LP(R), low profile I/O, 200mm, Rohs (all models)	42Y8006	N	Y
Rear Com2 cable II HP(R), high profile I/O, 250mm, Rohs (all models)	42Y8007	N	Y
Rear Com2 cable II LP(R), low profile I/O, 250mm, Rohs (all models)	42Y8008	N	Y
Foot stand (all models)	41R4813	N	Y
Retention module, Intel (all models)	41A7139	N	Y

8980 Keyboards (Lenovo Preferred Pro fullsize, Black)	FRU#	CRU Tier	RoHS?
US English (models A1H D1A D1Q D1H 71G A2M A3M 31H 32M 33M D2M D3M D4M D5M D6M D7M D8M D9M 73G 74G)	41A5039	1	Y
Arabic (models 71G 73G 74G)	41A5040	1	Y
Arabic/French (models 71G 73G 74G)	41A5041	1	Y
Belgian/French (models 71G 73G 74G)	41A5042	1	Y
Belgian/UK (models 71G 73G 74G)	41A5043	1	Y
Bulgarian (models 71G 73G 74G)	41A5045	1	Y
Hong Kong/Taiwan (models A1B D1B 31B)	41A5046	1	Y
Czech (models 71G 73G 74G)	41A5047	1	Y
Danish (models 71G 73G 74G)	41A5048	1	Y
Dutch (models 71G 73G 74G)	41A5049	1	Y
French (models 71G 73G 74G)	41A5050	1	Y
German (models 71G 73G 74G)	41A5053	1	Y
Greek (models 71G 73G 74G)	41A5054	1	Y
Hebrew (models 71G 73G 74G)	41A5055	1	Y

8980 Keyboards (Lenovo Preferred Pro fullsize, Black)	FRU#	CRU Tier	RoHS?
Hungarian (models 71G 73G 74G)	41A5056	1	Y
Iceland (models 71G 73G 74G)	41A5057	1	Y
Italian (models 71G 73G 74G)	41A5058	1	Y
Norwegian (models 71G 73G 74G)	41A5062	1	Y
Polish (models 71G 73G 74G)	41A5063	1	Y
Portuguese (models 71G 73G 74G)	41A5064	1	Y
Romanian (models 71G 73G 74G)	41A5065	1	Y
Russian/Cyrilic (models 71G 73G 74G)	41A5066	1	Y
Serbian/Cyrilic (models 71G 73G 74G)	41A5067	1	Y
Slovak (models 71G 73G 74G)	41A5068	1	Y
Spanish (models 71G 73G 74G)	41A5069	1	Y
Swedish/Finn (models 71G 73G 74G)	41A5070	1	Y
Swiss F/G (models 71G 73G 74G)	41A5071	1	Y
Thailand (models D1T)	41A5072	1	Y
Turkish 440 (models 71G 73G 74G)	41A5073	1	Y
Turkish 179 (models 71G 73G 74G)	41A5074	1	Y
UK English (models 71G 73G 74G)	41A5075	1	Y
US Euro (models 71G 73G 74G)	41A5076	1	Y
Slovenian (models 71G 73G 74G)	41A5077	1	Y

8980 mice	FRU#	CRU Tier	RoHS?
Optical Wheel Mouse (400DPI, USB) (all models)	41U3013	1	Y
Optical Wheel Mouse (400DPI, USB) (all models)	41U3030	1	Y
PS/2 Three Button ball mouse (models CTO)	41R0018	1	Y
ScrollPoint Optical Mouse (800DPI, USB) (models CTO)	41U3019	1	Y

8980 Adapters and miscellaneous FRUs	FRU#	CRU Tier	RoHS?
USB2.0 MEMORY CARDREADER,6X2,ROHS OPTIONAL,Bitland (models CTO)	41R3378	2	Y
USB2.0 MEMORY CARDREADER,6X2,ROHS OPTIONAL, SONY (models CTO)	41R3376	2	Y
PCI Modem Card (Soft) (models CTO D4M D6M D8M)	29R9729	2	Y
L1 IEEE 1394 PCI Adapter (models CTO A2M 32M D2M D4M D6M D8M)	41D2781	2	Y
Denver - ATI X300SE 128MB (models CTO D6M D7M D8M D9M)	39J9635	2	Y
Dongle Cable - DMS59 to dual VGA (models CTO)	41D2399	2	Y
Dongle Cable - DMS59 to dual VGA (included in Denver L1) (models CTO)	42Y8181	2	Y
Dongle DMS Dule DMS-59 to dual DVI cable (models CTO)	41X6398	2	Y
Dongle DMS Dule DMS-59 to single VGA and DVI cable (models CTO)	42Y8183	2	Y
Nvidia GeForce 6200TC128MB 64bit (Full Height) (models CTO)	41X2668	2	Y
Nvidia GeForce 6200TC 64MB 32bit (models CTO)	41X2667	2	Y
Nvidia GeForce 7300LE 128MB 64bit (models CTO D4M D5M)	41X2669	2	Y

8980 Adapters and miscellaneous FRUs	FRU#	CRU Tier	RoHS?
ATI X1300LE 256M 64bit LP / ATX with DMS59 (models CTO)	42Y8162	2	Y
Nvidia GeForce 7300LE 128MB 64bit LP / ATX with DMS59 (models CTO)	42Y8165	2	Y
ATI Radeon X1300PRO 256MB 128bit (models CTO)	41X2670	2	Y
X1300 LE 256MB (models CTO)	42Y8159	2	Y
Internal USB Memory Card Reader (models CTO 32M D2M D4M D6M D8M)	41D1934	2	Y
Wireless Keyboard (models CTO)	41A5219	2	Y
Wireless Mouse (models CTO)	41A5247	2	Y
USB Transceiver for wireless kybd/mouse (models CTO)	41A5246	2	Y
Speakers (2-piece) Lenovo Logo (models A2M 32M D2M D4M D6M D8M)	41A5331	2	Y
Speaker Power brick - ANZ (models A2M 32M D2M D4M D6M D8M)	89P8579	2	Y
BTL external speaker (models CTO)	41A5334	2	Y
DVI-I card,FH(Casper) (models CTO)	39J9334	2	Y

8980 Power Cords	FRU#	CRU Tier	RoHS?
Power cord - US (models D1A D1T)	39M5080	1	Y
Power cord - Australia/New Zealand (models A2M A3M 32M 33M D2M D3M D4M D5M D6M D7M D8M D9M)	39M5102	1	Y
Power cord - Hong Kong (models A1B A1H D1B D1H 31B 31H)	39M5151	1	Y
Power cord - UK, Ireland, Singapore, Malaysia, Brunei (models D1A 71G 73G 74G)	39M5150	1	Y
Power cord - Italy (models 71G 73G 74G)	39M5164	1	Y
Power cord - G models (models D1A 71G 73G 74G)	39M5122	1	Y
Power cord - Denmark (models 71G 73G 74G)	39M5129	1	Y
Power cord - Switzerland (models 71G 73G 74G)	39M5157	1	Y
Power cord - Israel (models 71G 73G 74G)	39M5171	1	Y
Power cord - South Africa (models D1A 71G A2M A3M 32M 33M D2M D3M D4M D5M D6M D7M D8M D9M 73G 74G)	39M5143	1	Y
Power cord - India (models D1Q)	39M5004	1	Y

8980 Windows XP Home Recovery CDs	FRU#	CRU Tier	RoHS?
US/UK/AP/TH (models A2M 31H 32M D2M D4M D6M D8M)	42Y3597	1	Y
Hong Kong-TC (models 31B)	41W7790	1	Y

8980 Windows XP Pro Recovery CDs	FRU#	CRU Tier	RoHS?
US/UK/AP/TH (models A1H D1A D1T D1Q D1H 71G A3M 33M D3M D5M D7M D9M 73G 74G)	42Y3549	1	Y
FR/CF (models 71G 73G 74G)	42Y3550	1	Y
GR (models 71G 73G 74G)	42Y3551	1	Y
IT (models 71G 73G 74G)	42Y3553	1	Y

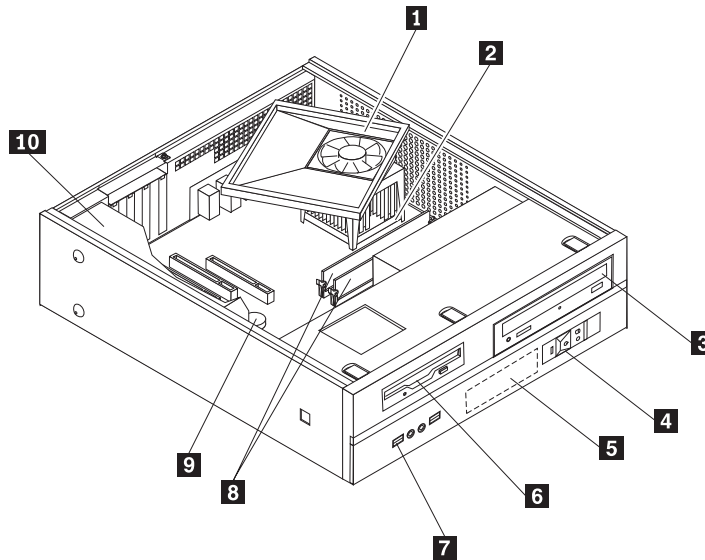
8980 Windows XP Pro Recovery CDs	FRU#	CRU Tier	RoHS?
SP/LA (models 71G 73G 74G)	42Y3552	1	Y
DK (models 71G 73G 74G)	42Y3556	1	Y
NL (models 71G 73G 74G)	42Y3720	1	Y
AE (models 71G 73G 74G)	42Y3724	1	Y
SV (models 71G 73G 74G)	42Y3555	1	Y
HE (models 71G 73G 74G)	42Y3721	1	Y
FI (models 71G 73G 74G)	42Y3718	1	Y
NO (models 71G 73G 74G)	42Y3719	1	Y
PL (models 71G 73G 74G)	42Y3722	1	Y
PO (models 71G 73G 74G)	42Y3728	1	Y
RU (models 71G 73G 74G)	42Y3725	1	Y
RE (models 71G 73G 74G)	42Y3717	1	Y
HU (models 71G 73G 74G)	42Y3727	1	Y
CZ (models 71G 73G 74G)	42Y3723	1	Y
TR (models 71G 73G 74G)	42Y3726	1	Y
GK (models 71G 73G 74G)	42Y3729	1	Y
SL (models 71G 73G 74G)	42Y3730	1	Y
Hong Kong - TC (models A1B D1B)	41W7762	1	Y
Multilingual 1 (models 71G 73G 74G)	42Y3645	1	Y
Multilingual 2 (models 71G 73G 74G)	42Y3879	1	Y

8980 Vista Home Basic 32 Recovery DVDs	FRU#	CRU Tier
US/UK/AP/TH (models)	87H4420	1
FR/CF (models)	87H4421	1
GR (models)	87H4422	1
SP/LA (models)	87H4423	1
BR (models)	87H4424	1
IT (models)	87H4425	1
JP (models)	87H4426	1
NO (models)	87H4427	1
SV (models)	87H4428	1
DK (models)	87H4429	1
NL (models)	87H4430	1
CZ (models)	87H4431	1
FI (models)	87H4432	1
PL (models)	87H4433	1
RU (models)	87H4434	1
TR (models)	87H4435	1
HU (models)	87H4436	1
GK (models)	87H4437	1

8980 Vista Home Basic 32 Recovery DVDs	FRU#	CRU Tier
PO (models)	87H4438	1
CS (models)	87H4439	1
TW (models)	87H4440	1
HK (models)	87H4441	1
KR (models)	87H4442	1
SL (models)	87H4443	1
RE (models)	43C1306	1

8980 Vista Business 32 Recovery DVDs	FRU#	CRU Tier
US/UK/AP/TH (models)	87H4476	1
FR/CF (models)	87H4477	1
GR (models)	87H4478	1
SP/LA (models)	87H4479	1
BR (models)	87H4480	1
IT (models)	87H4481	1
JP (models)	87H4482	1
NO (models)	87H4483	1
SV (models)	87H4484	1
DK (models)	87H4485	1
NL (models)	87H4486	1
CZ (models)	87H4487	1
FI (models)	87H4488	1
PL (models)	87H4489	1
RU (models)	87H4490	1
TR (models)	87H4491	1
HU (models)	87H4492	1
GK (models)	87H4493	1
PO (models)	87H4494	1
CS (models)	87H4495	1
TW (models)	87H4496	1
HK (models)	87H4497	1
KR (models)	87H4498	1
SL (models)	87H4499	1
RE (models)	43C1308	1

Machine Type 8982



Item #	8982 FRUs	FRU#	CRU Tier	RoHS?
1	Heatsink for Intel processors (all models)	41N8261	N	Y
1	Heatsink for Intel processors (models CTO)	41R4803	N	Y
1	Heatsink for Intel processors (models CTO)	41R6185	N	Y
2	Microprocessor, Celeron D 2.66GHz 533MHz FSB 256KB L2 (models CTO)	41T1694	N	Y
2	Microprocessor, Celeron D 2.80GHz 533MHz FSB 256KB L2 (models CTO A1A A1T A1C A1B A1H)	41T1695	N	Y
2	Microprocessor, Celeron D 2.93GHz 533MHz FSB 256KB L2 (models CTO)	41T1696	N	Y
2	Microprocessor, Celeron D 3.06GHz 533MHz FSB 256KB L2 (models CTO B1G B1M B2M B3M 71G)	41T1697	N	Y
2	Microprocessor, Celeron D 3.20GHz 533MHz FSB 256KB L2 (models CTO)	41T1698	N	Y
2	Microprocessor, Celeron D 3.20GHz 533MHz FSB 512KB L2 (models CTO)	41T4966	N	Y
2	Microprocessor, Celeron D 3.33GHz 533MHz FSB 512KB L2 (models CTO)	41T4968	N	Y
2	Microprocessor, Celeron 430 CONROE-L 800/1800MHZ-512K,LGA,EM64T (models CTO)	43C1964	N	Y
2	Microprocessor, Celeron 440 CONROE-L 800/2000MHZ-512K,LGA,EM64T (models CTO)	43C1965	N	Y
2	Microprocessor, Pentium 4 3.06GHz 533MHz FSB 1M L2 (models CTO 31B 31H 72G)	41T4104	N	Y
2	Microprocessor, Pentium 4 3.0GHz 800MHz FSB 1M L2 (models CTO 32V 33M 34M 35M 36M)	41T1701	N	Y
2	Microprocessor, Pentium 4 3.0 GHz 800 FSB 2MB L2 (models CTO 51A 51T 51B 51H)	41T1709	N	Y
2	Microprocessor, Pentium 4 3.0 GHz 800 FSB 2MB L2 (models CTO)	41T1712	N	Y
2	Microprocessor, Pentium 4 3.2 GHz 800 FSB 2MB L2 (models CTO)	41T1713	N	Y
2	Microprocessor, Pentium 4 3.4 GHz 800 FSB 2MB L2 (models CTO)	41T1714	N	Y
2	Microprocessor, Pentium 4 661 Processor 3.6 GHz 800 FSB 2MB L2 B1-Value (models CTO)	41T1715	N	Y

Item #	8982 FRUs	FRU#	CRU Tier	RoHS?
2	Microprocessor, Pentium 4 2.8 GHz 800 FSB 2MB L2 (models CTO D1A D1T D1B D1H D2M D3M D4M D5M 73G 74G)	41T1704	N	Y
2	Microprocessor, Pentium D 3.0 GHz 800 FSB 2Mx2 L2 (models CTO)	41X2413	N	Y
2	Microprocessor, Pentium D 3.0 GHz 800 FSB 2Mx2 L2 (models CTO G1A G1T)	41T1717	N	Y
2	Microprocessor, Pentium D 935 3.2 GHz 800 FSB 2MBx2 L2 C1-Value (95W) (models CTO)	41X8050	N	Y
2	Microprocessor, Pentium D 945 Processor 3.4GHz 800MHz FSB 2Mx2 L2 (models CTO G2M G3M G4M G5M)	41X7776	N	Y
2	Microprocessor, E2140 CONROE-L 800/1600MHZ-1M, LGA, EM64T (models CTO)	43C1967	N	Y
2	Microprocessor, E2160 CONROE-L 800/1600MHZ-1M, LGA, EM64T (models CTO)	43C1968	N	Y
2	Microprocessor, E4300 CONROE 800/1800MHZ-2M, LGA, EM64T (models CTO)	42Y8009	N	Y
2	Microprocessor, E4400 CONROE 800/2000MHZ-2M, LGA, EM64T L2 (models CTO)	43C2056	N	Y
2	Microprocessor, Conroe E6300 Processor 1.86GHz 1066MHz FSB 2M L2 (models CTO)	41X2495	N	Y
2	Microprocessor, E6400 B2 CONROE 1066/2130MHZ-2M, LGA, EM64T (models CTO)	41X2496	N	Y
2	Microprocessor, E6600 B2 CONROE 1066/2400MHZ-4M, LGA, EM64T (models CTO)	41X5743	N	Y
2	Microprocessor, E6700 B2 CONROE 1066/2670MHZ-4M, LGA, EM64T (models CTO)	41X5744	N	Y
3	DVD-ROM drive (16X/48X) (models CTO 32V 71G 73G)	41X3544	2	Y
3	DVD-ROM drive (16X/48X) (models CTO 32V 71G 73G)	41X3545	2	Y
3	DVD-ROM drive (16X/48X) (models CTO 32V 71G 73G)	41X3546	2	Y
3	Combo 48 -32 -48 -16 - - DVD - ROM - CDRW (models CTO B1G 51A 51T 51B 51H D1A D1T D1B D1H G1A G1T B1M 33M D2M G5M 72G 74G)	41X3547	2	Y
3	Combo 48 -32 -48 -16 - - DVD - ROM - CDRW (models CTO B1G 51A 51T 51B 51H D1A D1T D1B D1H G1A G1T B1M 33M D2M G5M 72G 74G)	41X3548	2	Y
3	Combo 48 -32 -48 -16 - - DVD - ROM - CDRW (models CTO B1G 51A 51T 51B 51H D1A D1T D1B D1H G1A G1T B1M 33M D2M G5M 72G 74G)	41X3549	2	Y
3	Combo 48 -32 -48 -16 - - DVD - ROM - CDRW --NON/VISTA (models CTO B1G 51A 51T 51B 51H D1A D1T D1B D1H G1A G1T B1M 33M D2M G5M 72G 74G D7B D7H 76G 77G)	42Y9368	1	Y
3	Combo 48 -32 -48 -16 - - DVD - ROM - CDRW --NON/VISTA (models CTO B1G 51A 51T 51B 51H D1A D1T D1B D1H G1A G1T B1M 33M D2M G5M 72G 74G D7B D7H 76G 77G)	42Y9369	1	Y
3	Combo 48 -32 -48 -16 - - DVD - ROM - CDRW --NON/VISTA (models CTO B1G 51A 51T 51B 51H D1A D1T D1B D1H G1A G1T B1M 33M D2M G5M 72G 74G D7B D7H 76G 77G)	41X7992	1	Y
3	DVD-Recorder (Rambo 8)-NON/VISTA (models CTO B3M 34M 35M 36M D3M D4M D5M G2M G3M G4M D6M G6M G7M G8M G8V)	41N3343	2	Y
3	DVD-Recorder (Rambo 8)-NON/VISTA (models CTO B3M 34M 35M 36M D3M D4M D5M G2M G3M G4M D6M G6M G7M G8M G8V)	41X3550	2	Y

Item #	8982 FRUs	FRU#	CRU Tier	RoHS?
3	DVD-Recorder (Rambo 8)-NON/VISTA (models CTO B3M 34M 35M 36M D3M D4M D5M G2M G3M G4M D6M G6M G7M G8M G8V)	42Y9370	1	Y
3	DVD Recordable No Software / No Royalty for VISTA Models ONLY (models CTO B3M 34M 35M 36M D3M D4M D5M G2M G3M G4M D6M G6M G7M G8M G8V)	42Y9371	2	Y
3	DVD Recordable No Software / No Royalty for VISTA Models ONLY (models CTO B3M 34M 35M 36M D3M D4M D5M G2M G3M G4M D6M G6M G7M G8M G8V)	42Y6017	2	Y
3	DVD Recordable No Software / No Royalty for VISTA Models ONLY (models CTO B3M 34M 35M 36M D3M D4M D5M G2M G3M G4M D6M G6M G7M G8M G8V)	43C0144	2	Y
4	Front Power/LED PC, bracket, and cable (all models)	41N8213	N	Y
5	Hard disk drive, 40GB (7200RPM), Serial ATA (models CTO)	40Y9033	2	Y
5	Hard disk drive, 80GB (7200RPM), Serial ATA (models CTO A1A A1T A1C A1B A1H B1G 41A 41T 51A 51T 51B 51H G1A G1T B1M B2M B3M 31B 31H 32V 33M 34M 36M D2M D3M D5M G2M G4M G5M 71G 72G 73G)	40Y9034	2	Y
5	Hard disk drive, 80GB 7200rpm SATA (only for China) (models A1T A1C A1B A1H 41T 51T 51B 51H G1T 31B 31H 32V)	41X2500	1	Y
5	Hard disk drive, 160GB (7200RPM), Serial ATA (models CTO D1A D1T D1B D1H 35M D4M G3M 74G)	40Y9035	2	Y
5	Hard disk drive, 250GB (7200RPM), Serial ATA (models CTO)	40Y9036	2	Y
5	Hard disk drive, 500GB (7200RPM), Serial ATA (models CTO)	41X5582	2	Y
6	Diskette drive, 3,5", 1.44MB, 2-mode, (w/bezel) (models CTO A1A A1T A1C A1B A1H 41A 41T 51A 51T 51B 51H D1A D1T D1B D1H G1A G1T 31B 31H 32V)	40Y9105	2	Y
6	Diskette drive, 3,5", 1.44MB, 2-mode (models CTO A1A A1T A1C A1B A1H 41A 41T 51A 51T 51B 51H D1A D1T D1B D1H G1A G1T 31B 31H 32V)	40Y7107	2	Y
7	Front USB/Audio with bracket (all models)	41N8212	N	Y
8	Memory module, 512 MB PC2-4200 (533MHz) DDR2 SDRAM (models CTO B1G 51A 51T 51B 51H D1A D1T D1B D1H G1A G1T B1M 31B 31H 71G 72G 73G 74G)	41X4251	2	Y
8	Memory module, 1 GB PC2-4200 (533MHz) DDR2 SDRAM (models CTO)	41X4252	2	Y
8	Memory module, 2 GB PC2-4200 (533MHz) DDR2 SDRAM (models CTO)	41X4253	2	Y
8	Memory module, 512 MB PC2-5300 (667MHz) DDR2 SDRAM (models CTO B3M 33M 34M 36M D2M D3M D5M G2M G4M G5M)	41X4255	2	Y
8	Memory module, 1 GB PC2-5300 (667MHz) DDR2 SDRAM (models CTO 35M D4M G3M)	41X4256	2	Y
8	Memory module, 2 GB PC2-5300 (667MHz) DDR2 SDRAM (models CTO)	41X4257	2	Y
9	System board, Intel Sys Planar for Vista and XP (models CTO A1A A1T A1C A1B A1H B1G 41A 41T 51A 51T 51B 51H D1A D1T D1B D1H G1A G1T B1M B2M B3M 31B 31H 32V 33M 34M 35M 36M D2M D3M D4M D5M G2M G3M G4M G5M 71G 72G 73G 74G D6M D7B D7H G6M G7M G8M G8V 76G 77G) Note: When ordering a new system board, you must also order a new retention module for the heat sink.	87H4655	N	Y

Item #	8982 FRUs	FRU#	CRU Tier	RoHS?
9	System board, Intel Sys Planar Japan for Vista and XP (models CTO A1A A1T A1C A1B A1H B1G 41A 41T 51A 51T 51B 51H D1A D1T D1B D1H G1A G1T B1M B2M B3M 31B 31H 32V 33M 34M 35M 36M D2M D3M D4M D5M G2M G3M G4M G5M 71G 72G 73G 74G D6M D7B D7H G6M G7M G8M G8V 76G 77G) Note: When ordering a new system board, you must also order a new retention module for the heat sink.	87H4656	N	Y
9	System board, 946GZ B ver1.0 (models CTO A1A A1T A1C A1B A1H B1G 41A 41T 51A 51T 51B 51H D1A D1T D1B D1H G1A G1T B1M B2M B3M 31B 31H 32V 33M 34M 35M 36M D2M D3M D4M D5M G2M G3M G4M G5M 71G 72G 73G 74G D6M D7B D7H G6M G7M G8M G8V 76G 77G) Note: When ordering a new system board, you must also order a new retention module for the heat sink.	43C3504	N	Y
9	System board, 946GZ ver1.2 (models CTO A1A A1T A1C A1B A1H B1G 41A 41T 51A 51T 51B 51H D1A D1T D1B D1H G1A G1T B1M B2M B3M 31B 31H 32V 33M 34M 35M 36M D2M D3M D4M D5M G2M G3M G4M G5M 71G 72G 73G 74G D6M D7B D7H G6M G7M G8M G8V 76G 77G) Note: When ordering a new system board, you must also order a new retention module for the heat sink.	43C3505	N	Y
9	System board, 946GZ (modify PCB solve Conroe CPU issue and modify PCB solve Japan smokeless issue) ver1.2 matrix from 43C3504 & 43C3505 (models CTO A1A A1T A1C A1B A1H B1G 41A 41T 51A 51T 51B 51H D1A D1T D1B D1H G1A G1T B1M B2M B3M 31B 31H 32V 33M 34M 35M 36M D2M D3M D4M D5M G2M G3M G4M G5M 71G 72G 73G 74G D6M D7B D7H G6M G7M G8M G8V 76G 77G) Note: When ordering a new system board, you must also order a new retention module for the heat sink.	43C8359	N	Y
10	220W Small desktop power supply (non-smokeless) (models CTO A1A A1T B1G 41A 41T 51A 51T D1A D1T G1A G1T B1M B2M B3M 32V 33M 34M 35M 36M D2M D3M D4M D5M G2M G3M G4M G5M 71G 72G 73G 74G)	41N3109	N	Y
10	220 Watt Power Supply - WW (models CTO A1A A1T B1G 41A 41T 51A 51T D1A D1T G1A G1T B1M B2M B3M 32V 33M 34M 35M 36M D2M D3M D4M D5M G2M G3M G4M G5M 71G 72G 73G 74G)	41A9655	N	Y
10	220 Watt Power Supply - China (models CTO-A A1C A1B A1H 51B 51H D1B D1H 31B 31H)	41N3493	N	Y
10	220 Watt Power Supply - China (models CTO-A A1C A1B A1H 51B 51H D1B D1H 31B 31H)	41A9652	N	Y

The FRUs listed in the following tables are not illustrated.

8982 FRUs	FRU#	CRU Tier	RoHS?
Thermal grease kit (models CTO)	91P8835	N	Y
1 drop IDE cable (all models)	41A7158	N	Y
Shield, EMC, system board (all models)	41N5347	N	Y
Cable, Serial ATA, 250 mm (all models)	41A7145	N	Y
Shield, EMC, blank 5.25in. drive bay (all models)	41N8271	N	Y
Shield, EMC, blank diskette drive bay (all models)	41N8273	N	Y
Cover (all models)	41N8204	2	Y

8982 FRUs	FRU#	CRU Tier	RoHS?
Mechanical shell kit (all models)	41N8205	2	Y
Bezel kit (all models)	41N8206	N	Y
Miscellaneous hardware kit (all models)	41N8209	N	Y
Hard disk drive bracket asm (plastic and grommets) (all models)	41N8210	N	Y
Hard disk drive fan and bracket asm (all models)	41N8211	N	Y
Speaker cable asm, 600 mm cable length (all models)	41N8217	N	Y
Serial port cable (all models)	39K5021	N	Y
Fan duct assembly (all models)	41A7151	N	Y
Fan duct assembly (all models)	41R4808	N	Y
Rear USB cable asm (with low profile PCI bracket) (all models)	41N8267	N	Y
Rear USB 2Ports II HP(R), high profile I/O, 300mm, Rohs (all models)	42Y8005	N	Y
Rear USB 2Ports II LP(R), low profile I/O, 200mm, Rohs (all models)	42Y8006	N	Y
Rear Com2 cable II HP(R), high profile I/O, 250mm, Rohs (all models)	42Y8007	N	Y
Rear Com2 cable II LP(R), low profile I/O, 250mm, Rohs (all models)	42Y8008	N	Y
Foot stand (all models)	41R4813	N	Y
Retention module, Intel (all models)	41A7139	N	Y

8982 Keyboards (Lenovo Preferred Pro fullsize, Black)	FRU#	CRU Tier	RoHS?
US English (models A1A A1C A1H B1G 41A 51A 51H D1A D1H G1A B1M B2M B3M 31H 33M 34M 35M 36M D2M D3M D4M D5M G2M G3M G4M G5M 71G 72G 73G 74G)	41A5039	1	Y
Arabic (models B1G 71G 72G 73G 74G)	41A5040	1	Y
Arabic/French (models B1G 71G 72G 73G 74G)	41A5041	1	Y
Belgian/French (models B1G 71G 72G 73G 74G)	41A5042	1	Y
Belgian/UK (models B1G 71G 72G 73G 74G)	41A5043	1	Y
Bulgarian (models B1G 71G 72G 73G 74G)	41A5045	1	Y
Hong Kong/Taiwan (models A1B 51B D1B 31B 32V)	41A5046	1	Y
Czech (models B1G 71G 72G 73G 74G)	41A5047	1	Y
Danish (models B1G 71G 72G 73G 74G)	41A5048	1	Y
Dutch (models B1G 71G 72G 73G 74G)	41A5049	1	Y
French (models B1G 71G 72G 73G 74G)	41A5050	1	Y
German (models B1G 71G 72G 73G 74G)	41A5053	1	Y
Greek (models B1G 71G 72G 73G 74G)	41A5054	1	Y
Hebrew (models B1G 71G 72G 73G 74G)	41A5055	1	Y
Hungarian (models B1G 71G 72G 73G 74G)	41A5056	1	Y
Iceland (models B1G 71G 72G 73G 74G)	41A5057	1	Y
Italian (models B1G 71G 72G 73G 74G)	41A5058	1	Y
Norwegian (models B1G 71G 72G 73G 74G)	41A5062	1	Y
Polish (models B1G 71G 72G 73G 74G)	41A5063	1	Y
Portuguese (models B1G 71G 72G 73G 74G)	41A5064	1	Y

8982 Keyboards (Lenovo Preferred Pro fullsize, Black)	FRU#	CRU Tier	RoHS?
Romanian (models B1G 71G 72G 73G 74G)	41A5065	1	Y
Russian/Cyrilic (models B1G 71G 72G 73G 74G)	41A5066	1	Y
Serbian/Cyrilic (models B1G 71G 72G 73G 74G)	41A5067	1	Y
Slovak (models B1G 71G 72G 73G 74G)	41A5068	1	Y
Spanish (models B1G 71G 72G 73G 74G)	41A5069	1	Y
Swedish/Finn (models B1G 71G 72G 73G 74G)	41A5070	1	Y
Swiss F/G (models B1G 71G 72G 73G 74G)	41A5071	1	Y
Thailand (models A1T 41T 51T D1T G1T)	41A5072	1	Y
Turkish 440 (models B1G 71G 72G 73G 74G)	41A5073	1	Y
Turkish 179 (models B1G 71G 72G 73G 74G)	41A5074	1	Y
UK English (models B1G 71G 72G 73G 74G)	41A5075	1	Y
US Euro (models B1G 71G 72G 73G 74G)	41A5076	1	Y
Slovenian (models B1G 71G 72G 73G 74G)	41A5077	1	Y

8982 mice	FRU#	CRU Tier	RoHS?
Optical Wheel Mouse (400DPI, USB) (all models)	41U3013	1	Y
Optical Wheel Mouse (400DPI, USB) (all models)	41U3030	1	Y
PS/2 Three Button ball mouse (models CTO)	41R0018	1	Y
ScrollPoint Optical Mouse (800DPI, USB) (models CTO)	41U3019	1	Y

8982 Adapters and miscellaneous FRUs	FRU#	CRU Tier	RoHS?
USB2.0 MEMORY CARDREADER,6X2,ROHS OPTIONAL,Bitland (models CTO)	41R3378	2	Y
USB2.0 MEMORY CARDREADER,6X2,ROHS OPTIONAL, SONY (models CTO)	41R3376	2	Y
PCI Modem Card (Soft) (models CTO B3M 36M D5M G4M)	29R9729	2	Y
L1 IEEE 1394 PCI Adapter (models CTO)	41D2781	2	Y
Denver - ATI X300SE 128MB (models CTO)	39J9635	2	Y
Dongle Cable - DMS59 to dual VGA (models CTO)	41D2399	2	Y
Dongle Cable - DMS59 to dual VGA (included in Denver L1) (models CTO)	42Y8181	2	Y
Dongle DMS Dule DMS-59 to dual DVI cable (models CTO)	41X6398	2	Y
Dongle DMS Dule DMS-59 to single VGA and DVI cable (models CTO)	42Y8183	2	Y
Nvidia GeForce 6200TC128MB 64bit (Full Height) (models CTO)	41X2668	2	Y
Nvidia GeForce 6200TC 64MB 32bit (models CTO)	41X2667	2	Y
Nvidia GeForce 7300LE 128MB 64bit (models CTO)	41X2669	2	Y
ATI X1300LE 256M 64bit LP / ATX with DMS59 (models CTO)	42Y8162	2	Y
Nvidia GeForce 7300LE 128MB 64bit LP / ATX with DMS59 (models CTO)	42Y8165	2	Y
ATI Radeon X1300PRO 256MB 128bit (models CTO)	41X2670	2	Y
Internal USB Memory Card Reader (models CTO)	41D1934	2	Y
Wireless Keyboard (models CTO)	41A5219	2	Y
Wireless Mouse (models CTO)	41A5247	2	Y

8982 Adapters and miscellaneous FRUs	FRU#	CRU Tier	RoHS?
USB Transceiver for wireless kybd/mouse (models CTO)	41A5246	2	Y
BTL external speaker (models CTO)	41A5334	2	Y
DVI-I card,FH(Casper) (models CTO)	39J9334	2	Y

8982 Power Cords	FRU#	CRU Tier	RoHS?
Power cord - US (models A1A A1T 41A 41T 51A 51T D1A D1T G1A G1T)	39M5080	1	Y
Power cord - China (models A1C)	39M5205	1	Y
Power cord - Australia/New Zealand (models B1M B2M B3M 33M 34M 35M 36M D2M D3M D4M D5M G2M G3M G4M G5M)	39M5102	1	Y
Power cord - Hong Kong (models A1B A1H 51B 51H D1B D1H 31B 31H)	39M5151	1	Y
Power cord - UK, Ireland, Singapore, Malaysia, Brunei (models A1A B1G 41A 51A D1A G1A 71G 72G 73G 74G)	39M5150	1	Y
Power cord - Taiwan (models 32V)	39M5246	1	Y
Power cord - Italy (models B1G 71G 72G 73G 74G)	39M5164	1	Y
Power cord - G models (models A1A B1G 41A 51A D1A G1A 71G 72G 73G 74G)	39M5122	1	Y
Power cord - Denmark (models B1G 71G 72G 73G 74G)	39M5129	1	Y
Power cord - Switzerland (models B1G 71G 72G 73G 74G)	39M5157	1	Y
Power cord - Israel (models B1G 71G 72G 73G 74G)	39M5171	1	Y
Power cord - South Africa (models A1A B1G 41A 51A D1A G1A B1M B2M B3M 33M 34M 35M 36M D2M D3M D4M D5M G2M G3M G4M G5M 71G 72G 73G 74G)	39M5143	1	Y

8982 Windows XP Home Recovery CDs	FRU#	CRU Tier	RoHS?
US/UK/AP/TH (models D1H B3M 31H 36M D5M G4M)	42Y3597	1	Y
Hong Kong-TC (models D1B 31B)	41W7790	1	Y

8982 Windows XP Pro Recovery CDs	FRU#	CRU Tier	RoHS?
US/UK/AP/TH (models A1H B1G B2M 33M 34M 35M D2M D3M D4M G2M G3M G5M 71G 72G 73G 74G)	42Y3549	1	Y
FR/CF (models B1G 71G 72G 73G 74G)	42Y3550	1	Y
GR (models B1G 71G 72G 73G 74G)	42Y3551	1	Y
IT (models B1G 71G 72G 73G 74G)	42Y3553	1	Y
SP/LA (models B1G 71G 72G 73G 74G)	42Y3552	1	Y
DK (models B1G 71G 72G 73G 74G)	42Y3556	1	Y
NL (models B1G 71G 72G 73G 74G)	42Y3720	1	Y
AE (models B1G 71G 72G 73G 74G)	42Y3724	1	Y
SV (models B1G 71G 72G 73G 74G)	42Y3555	1	Y
HE (models B1G 71G 72G 73G 74G)	42Y3721	1	Y
FI (models B1G 71G 72G 73G 74G)	42Y3718	1	Y

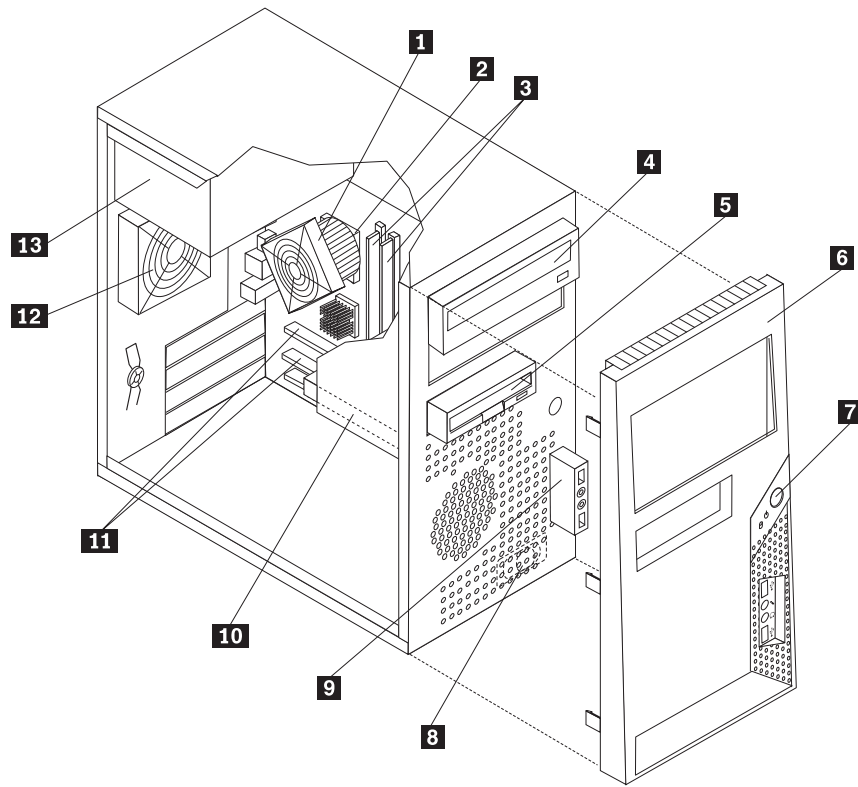
8982 Windows XP Pro Recovery CDs	FRU#	CRU Tier	RoHS?
NO (models B1G 71G 72G 73G 74G)	42Y3719	1	Y
PL (models B1G 71G 72G 73G 74G)	42Y3722	1	Y
PO (models B1G 71G 72G 73G 74G)	42Y3728	1	Y
RU (models B1G 71G 72G 73G 74G)	42Y3725	1	Y
RE (models B1G 71G 72G 73G 74G)	42Y3717	1	Y
HU (models B1G 71G 72G 73G 74G)	42Y3727	1	Y
CZ (models B1G 71G 72G 73G 74G)	42Y3723	1	Y
TR (models B1G 71G 72G 73G 74G)	42Y3726	1	Y
GK (models B1G 71G 72G 73G 74G)	42Y3729	1	Y
SL (models B1G 71G 72G 73G 74G)	42Y3730	1	Y
Simplified Chinese (models A1C)	41W7751	1	Y
Taiwan-TC (models 32V)	41W7757	1	Y
Hong Kong - TC (models A1B)	41W7762	1	Y
Multilingual 1 (models B1G 71G 72G 73G 74G)	42Y3645	1	Y
Multilingual 2 (models B1G 71G 72G 73G 74G)	42Y3879	1	Y

8982 Vista Home Basic 32 Recovery DVDs	FRU#	CRU Tier
US/UK/AP/TH (models)	87H4420	1
FR/CF (models)	87H4421	1
GR (models)	87H4422	1
SP/LA (models)	87H4423	1
BR (models)	87H4424	1
IT (models)	87H4425	1
JP (models)	87H4426	1
NO (models)	87H4427	1
SV (models)	87H4428	1
DK (models)	87H4429	1
NL (models)	87H4430	1
CZ (models)	87H4431	1
FI (models)	87H4432	1
PL (models)	87H4433	1
RU (models)	87H4434	1
TR (models)	87H4435	1
HU (models)	87H4436	1
GK (models)	87H4437	1
PO (models)	87H4438	1
CS (models)	87H4439	1
TW (models)	87H4440	1
HK (models)	87H4441	1
KR (models)	87H4442	1

8982 Vista Home Basic 32 Recovery DVDs	FRU#	CRU Tier
SL (models)	87H4443	1
RE (models)	43C1306	1

8982 Vista Business 32 Recovery DVDs	FRU#	CRU Tier
US/UK/AP/TH (models)	87H4476	1
FR/CF (models)	87H4477	1
GR (models)	87H4478	1
SP/LA (models)	87H4479	1
BR (models)	87H4480	1
IT (models)	87H4481	1
JP (models)	87H4482	1
NO (models)	87H4483	1
SV (models)	87H4484	1
DK (models)	87H4485	1
NL (models)	87H4486	1
CZ (models)	87H4487	1
FI (models)	87H4488	1
PL (models)	87H4489	1
RU (models)	87H4490	1
TR (models)	87H4491	1
HU (models)	87H4492	1
GK (models)	87H4493	1
PO (models)	87H4494	1
CS (models)	87H4495	1
TW (models)	87H4496	1
HK (models)	87H4497	1
KR (models)	87H4498	1
SL (models)	87H4499	1
RE (models)	43C1308	1

Machine Type 8983



Item #	8983 FRUs	FRU#	CRU Tier	RoHS?
1	Heatsink for Intel CPUs (all models)	41N8261	N	Y
2	Microprocessor, Celeron D 2.66GHz 533MHz FSB 256KB L2 (models CTO)	41T1694	N	Y
2	Microprocessor, Celeron D 2.80GHz 533MHz FSB 256KB L2 (models CTO)	41T1695	N	Y
2	Microprocessor, Celeron D 2.93GHz 533MHz FSB 256KB L2 (models CTO)	41T1696	N	Y
2	Microprocessor, Celeron D 3.06GHz 533MHz FSB 256KB L2 (models CTO B1Q B1B B1H B2Q B2C B2B B2H B3M B4M 75G)	41T1697	N	Y
2	Microprocessor, Celeron D 3.20GHz 533MHz FSB 256KB L2 (models CTO)	41T1698	N	Y
2	Microprocessor, Celeron D 3.20GHz 533MHz FSB 512KB L2 (models CTO)	41T4966	N	Y
2	Microprocessor, Celeron D 3.33GHz 533MHz FSB 512KB L2 (models CTO)	41T4968	N	Y
2	Microprocessor, Celeron 430 CONROE-L 800/1800MHZ-512K,LGA,EM64T (models CTO)	43C1964	N	Y
2	Microprocessor, Celeron 440 CONROE-L 800/2000MHZ-512K,LGA,EM64T (models CTO)	43C1965	N	Y
2	Microprocessor, Pentium 4 3.06GHz 533MHz FSB 1M L2 (models CTO 41B 41H 76G)	41T4104	N	Y
2	Microprocessor, Pentium 4 3.0GHz 800MHz FSB 1M L2 (models CTO 42M 43M)	41T1701	N	Y
2	Microprocessor, Pentium 4 3.0 GHz 800 FSB 2MB L2 (models CTO 51Q 51B 51H)	41T1709	N	Y
2	Microprocessor, Pentium 4 3.0 GHz 800 FSB 2MB L2 (models CTO)	41T1712	N	Y
2	Microprocessor, Pentium 4 3.2 GHz 800 FSB 2MB L2 (models CTO)	41T1713	N	Y

Item #	8983 FRUs	FRU#	CRU Tier	RoHS?
2	Microprocessor, Pentium 4 3.4 GHz 800 FSB 2MB L2 (models CTO)	41T1714	N	Y
2	Microprocessor, Pentium 4 661 Processor 3.6 GHz 800 FSB 2MB L2 B1-Value (models CTO)	41T1715	N	Y
2	Microprocessor, Pentium 4 2.8 GHz 800 FSB 2MB L2 (models CTO 81M 82M 83M)	41T1704	N	Y
2	Microprocessor, Pentium D 3.0 GHz 800 FSB 2Mx2 L2 (models CTO F2B F2H)	41X2413	N	Y
2	Microprocessor, Pentium D 3.0 GHz 800 FSB 2Mx2 L2 (models CTO)	41T1717	N	Y
2	Microprocessor, Pentium D 935 3.2 GHz 800 FSB 2MBx2 L2 C1-Value (95W) (models CTO)	41X8050	N	Y
2	Microprocessor, Pentium D 945 Processor 3.4GHz 800MHz FSB 2Mx2 L2 (models CTO G1Q G1C)	41X7776	N	Y
2	Microprocessor, E2140 CONROE-L 800/1600MHZ-1M, LGA, EM64T (models CTO)	43C1967	N	Y
2	Microprocessor, E2160 CONROE-L 800/1600MHZ-1M, LGA, EM64T (models CTO)	43C1968	N	Y
2	Microprocessor, E4300 CONROE 800/1800MHZ-2M, LGA, EM64T (models CTO)	42Y8009	N	Y
2	Microprocessor, E4400 CONROE 800/2000MHZ-2M, LGA, EM64T L2 (models CTO)	43C2056	N	Y
2	Microprocessor, Conroe E6300 Processor 1.86GHz 1066MHz FSB 2M L2 (models CTO)	41X2495	N	Y
2	Microprocessor, E6400 B2 CONROE 1066/2130MHZ-2M, LGA, EM64T (models CTO)	41X2496	N	Y
2	Microprocessor, E6600 B2 CONROE 1066/2400MHZ-4M, LGA, EM64T (models CTO)	41X5743	N	Y
2	Microprocessor, E6700 B2 CONROE 1066/2670MHZ-4M, LGA, EM64T (models CTO)	41X5744	N	Y
3	Memory module, 512 MB PC2-4200 (533MHz) DDR2 SDRAM (models CTO 51Q 51B 51H 73G 74G 41B 41H F2B F2H G1Q G1C 75G 76G)	41X4251	1	Y
3	Memory module, 1 GB PC2-4200 (533MHz) DDR2 SDRAM (models CTO)	41X4252	1	Y
3	Memory module, 512 MB PC2-5300 (667MHz) DDR2 SDRAM (models CTO B3M B4M 42M 43M 81M)	41X4255	1	Y
3	Memory module, 1 GB PC2-5300 (667MHz) DDR2 SDRAM (models CTO 82M 83M)	41X4256	1	Y
4	DVD-ROM drive (16X/48X) (models CTO 75G)	41X3544	1	Y
4	DVD-ROM drive (16X/48X) (models CTO 75G)	41X3545	1	Y
4	DVD-ROM drive (16X/48X) (models CTO 75G)	41X3546	1	Y
4	Combo 48 -32 -48 -16 - - DVD - ROM - CDRW (models CTO 73G 74G B3M 42M F2B F2H 76G)	41X3547	1	Y
4	Combo 48 -32 -48 -16 - - DVD - ROM - CDRW (models CTO 73G 74G B3M 42M F2B F2H 76G)	41X3548	1	Y
4	Combo 48 -32 -48 -16 - - DVD - ROM - CDRW (models CTO 73G 74G B3M 42M F2B F2H 76G)	41X3549	1	Y
4	Combo 48 -32 -48 -16 - - DVD - ROM - CDRW --NON/VISTA (models CTO 73G 74G B3M 42M F2B F2H 76G)	42Y9368	1	Y

Item #	8983 FRUs	FRU#	CRU Tier	RoHS?
4	Combo 48 -32 -48 -16 - - DVD - ROM - CDRW --NON/VISTA (models CTO 73G 74G B3M 42M F2B F2H 76G)	42Y9369	1	Y
4	Combo 48 -32 -48 -16 - - DVD - ROM - CDRW --NON/VISTA (models CTO 73G 74G B3M 42M F2B F2H 76G)	41X7992	1	Y
4	DVD-Recorder (Rambo 8)-NON/VISTA (models CTO B4M 43M 81M 82M 83M)	41N3343	1	Y
4	DVD-Recorder (Rambo 8)-NON/VISTA (models CTO B4M 43M 81M 82M 83M)	41X3550	1	Y
4	DVD-Recorder (Rambo 8)-NON/VISTA (models CTO B4M 43M 81M 82M 83M 85M)	42Y9370	1	Y
4	DVD Recordable No Software / No Royalty for VISTA Models ONLY (models CTO B4M 43M 81M 82M 83M 85M)	42Y9371	2	Y
4	DVD Recordable No Software / No Royalty for VISTA Models ONLY (models CTO B4M 43M 81M 82M 83M 85M)	42Y6017	2	Y
4	DVD Recordable No Software / No Royalty for VISTA Models ONLY (models CTO B4M 43M 81M 82M 83M 85M)	43C0144	2	Y
5	Diskette drive, 3,5", 1.44MB, 2 Mode,(w/bezel) (models CTO 51Q 51B 51H 41B 41H F2B F2H G1Q G1C)	40Y9105	2	Y
5	Diskette drive, 3,5", 1.44MB, 2 Mode (models CTO 51Q 51B 51H 41B 41H F2B F2H G1Q G1C)	40Y7107	2	Y
6	Bezel assembly (all models)	41N8052	2	Y
7	Power switch/LED assembly (all models)	41N5284	2	Y
8	Speaker assembly, soldered terminals (all models)	39P5023	2	Y
9	Front audio/USB assembly (all models)	41N8054	2	Y
10	Hard disk drive, 40GB (7200RPM), Serial ATA (models CTO)	40Y9033	1	Y
10	Hard disk drive, 80GB (7200RPM), Serial ATA (models CTO B1Q B1B B1H 51Q 51B 51H 73G 74G B2Q B2C B2B B2H B3M B4M 41B 41H 42M 43M 81M F2B F2H G1Q G1C 75G 76G)	40Y9034	1	Y
10	Hard disk drive, 80GB 7200rpm SATA (only for China) (models B1B B1H 51B 51H B2C B2B B2H 41B 41H F2B F2H G1C)	41X2500	1	Y
10	Hard disk drive, 160GB (7200RPM), Serial ATA (models CTO 82M 83M)	40Y9035	1	Y
10	Hard disk drive, 250GB (7200RPM), Serial ATA (models CTO)	40Y9036	1	Y
10	Hard disk drive, 500GB (7200RPM), Serial ATA (models CTO)	41X5582	1	Y
11	System board, SiS 662 Gig E for Vista and XP (models CTO B1Q B1B B1H 51Q 51B 51H 73G 74G B2Q B2C B2B B2H B3M B4M 41B 41H 42M 43M 81M 82M 83M F2B F2H G1Q G1C 75G 76G 85M) Note: When ordering a new system board, you must also order a new retention module for the heat sink.	87H4657	N	Y
12	Fan, Rear w/ grommets & Grill (all models)	41N8079	2	Y
13	Power supply (300W) (models CTO)	41N3489	2	Y
13	Power supply (230W) (models CTO 73G 74G B3M B4M 42M 43M 81M 82M 83M 75G 76G)	41N3094	2	Y
13	Power supply (250W) (models CTO 73G 74G B3M B4M 42M 43M 81M 82M 83M 75G 76G)	41N3127	2	Y
13	Power supply (220V/250W/ATX12V - China) (models CTO B1Q B1B B1H 51Q 51B 51H B2Q B2C B2B B2H 41B 41H F2B F2H G1Q G1C)	41N3485	2	Y

Item #	8983 FRUs	FRU#	CRU Tier	RoHS?
13	Power Supply 5281-7VW-ROHS, 280W, Standard (models CTO)	41N3479	2	Y
13	Power Supply 5281-7VW-ROHS, 280W, Standard (models CTO)	41N3482	2	Y
13	Power Supply 310W standard only for Japan (models CTO)	24R2596	2	Y

The FRUs listed in the following tables are not illustrated.

8983 FRUs	FRU#	CRU Tier	RoHS?
Thermal grease kit (models CTO)	91P8835	N	Y
Shield, 5.25 EMC (all models)	41N8080	2	Y
Cable, SATA (18" RoHs) (all models)	26K1186	2	Y
Cable, Serial (all models)	39K5021	2	Y
Shield, diskette drive EMC (all models)	41N8078	2	Y
Cable, Diskette drive (RoHs) (all models)	41A7182	2	Y
Cover, left side (all models)	41N8050	1	Y
Chassis assembly (all models)	41N8051	N	Y
System board I/O Shield - (all models)	41N8053	N	Y
Kit, Miscellaneous hardware (all models)	41N8055	2	Y
Retention Module Kit, RoHs (all models)	41N8056	2	Y
Cable, hard disk drive and optical signal (all models)	39M0516	1	Y
Front system fan (all models)	41R2519	1	Y
4 PIN CABLE-SATA,2H 100mm LATCH(RoHs)PS cable (all models)	41R3300	1	Y
Cable SATA 250mm (RoHS) (all models)	41A7145	1	N
Retainer, Card Reader (all models)	41R2913	1	N
Front Fan AVC (all models)	41R4791	1	N
Optional HDD Bracket Assembly, without 4Pin cable (all models)	41R6106	1	N
Chassis assembly (all models)	41R2533	1	N

8983 Keyboards (Lenovo Preferred Pro fullsize, Black)	FRU#	CRU Tier	RoHS?
US English (models B1Q B1H 51Q 51H 73G 74G B2Q B2C B2H B3M B4M 41H 42M 43M 81M 82M 83M F2H G1Q G1C 75G 76G)	41A5039	1	Y
Arabic (models 73G 74G 75G 76G)	41A5040	1	Y
Arabic/French (models 73G 74G 75G 76G)	41A5041	1	Y
Belgian/French (models 73G 74G 75G 76G)	41A5042	1	Y
Belgian/UK (models 73G 74G 75G 76G)	41A5043	1	Y
Bulgarian (models 73G 74G 75G 76G)	41A5045	1	Y
Hong Kong/Taiwan (models B1B 51B B2B 41B F2B)	41A5046	1	Y
Czech (models 73G 74G 75G 76G)	41A5047	1	Y
Danish (models 73G 74G 75G 76G)	41A5048	1	Y
Dutch (models 73G 74G 75G 76G)	41A5049	1	Y

8983 Keyboards (Lenovo Preferred Pro fullsize, Black)	FRU#	CRU Tier	RoHS?
French (models 73G 74G 75G 76G)	41A5050	1	Y
German (models 73G 74G 75G 76G)	41A5053	1	Y
Greek (models 73G 74G 75G 76G)	41A5054	1	Y
Hebrew (models 73G 74G 75G 76G)	41A5055	1	Y
Hungarian (models 73G 74G 75G 76G)	41A5056	1	Y
Iceland (models 73G 74G 75G 76G)	41A5057	1	Y
Italian (models 73G 74G 75G 76G)	41A5058	1	Y
Norwegian (models 73G 74G 75G 76G)	41A5062	1	Y
Polish (models 73G 74G 75G 76G)	41A5063	1	Y
Portuguese (models 73G 74G 75G 76G)	41A5064	1	Y
Romanian (models 73G 74G 75G 76G)	41A5065	1	Y
Russian/Cyrilic (models 73G 74G 75G 76G)	41A5066	1	Y
Serbian/Cyrilic (models 73G 74G 75G 76G)	41A5067	1	Y
Slovak (models 73G 74G 75G 76G)	41A5068	1	Y
Spanish (models 73G 74G 75G 76G)	41A5069	1	Y
Swedish/Finn (models 73G 74G 75G 76G)	41A5070	1	Y
Swiss F/G (models 73G 74G 75G 76G)	41A5071	1	Y
Turkish 440 (models 73G 74G 75G 76G)	41A5073	1	Y
Turkish 179 (models 73G 74G 75G 76G)	41A5074	1	Y
UK English (models 73G 74G 75G 76G)	41A5075	1	Y
US Euro (models 73G 74G 75G 76G)	41A5076	1	Y
Slovenian (models 73G 74G 75G 76G)	41A5077	1	Y

8983 mice	FRU#	CRU Tier	RoHS?
Optical Wheel Mouse (400DPI, USB) (all models)	41U3013	1	Y
Optical Wheel Mouse (400DPI, USB) (all models)	41U3030	1	Y
PS/2 Three Button ball mouse (models CTO)	41R0018	1	Y
ScrollPoint Optical Mouse (800DPI, USB) (models CTO)	41U3019	1	Y

8983 Adapters and miscellaneous FRUs	FRU#	CRU Tier	RoHS?
USB2.0 MEMORY CARDREADER,6X2,ROHS OPTIONAL,Bitland (models CTO)	41R3378	2	Y
USB2.0 MEMORY CARDREADER,6X2,ROHS OPTIONAL, SONY (models CTO)	41R3376	2	Y
PCI Modem Card (Soft) (models CTO 82M)	29R9729	2	Y
L1 IEEE 1394 PCI Adapter (models CTO 82M)	41D2781	2	Y
Denver - ATI X300SE 128MB (models CTO)	39J9635	2	Y
Dongle Cable - DMS59 to dual VGA (models CTO)	41D2399	2	Y
Dongle Cable - DMS59 to dual VGA (included in Denver L1) (models CTO)	42Y8181	2	Y
Dongle DMS Dule DMS-59 to dual DVI cable (models CTO)	41X6398	2	Y
Dongle DMS Dule DMS-59 to single VGA and DVI cable (models CTO)	42Y8183	2	Y

8983 Adapters and miscellaneous FRUs	FRU#	CRU Tier	RoHS?
Nvidia GeForce 6200TC128MB 64bit (Full Height) (models CTO)	41X2668	2	Y
Nvidia GeForce 6200TC 64MB 32bit (models CTO)	41X2667	2	Y
Nvidia GeForce 7300LE 128MB 64bit (models CTO 82M 83M)	41X2669	2	Y
Nvidia GeForce 7300LE 128MB 64bit LP / ATX with DMS59 (models CTO)	42Y8165	2	Y
ATI Radeon X1300PRO 256MB 128bit (models CTO)	41X2670	2	Y
ATI X1300LE 256M 64bit LP / ATX with DMS59 (models CTO)	42Y8162	2	Y
X1300 LE 256MB (models CTO)	42Y8159	2	Y
Internal USB Memory Card Reader (models CTO)	41D1934	2	Y
Wireless Keyboard (models CTO)	41A5219	2	Y
Wireless Mouse (models CTO)	41A5247	2	Y
USB Transceiver for wireless kybd/mouse (models CTO)	41A5246	2	Y
Speakers (2-piece) Lenovo Logo (models 82M)	41A5331	2	Y
Speaker Power brick - ANZ (models 82M)	89P8579	2	Y
BTL external speaker (models CTO)	41A5334	2	Y
DVI-I card,FH(Casper) (models CTO)	39J9334	2	Y

8983 Power Cords	FRU#	CRU Tier	RoHS?
Power cord - China (models B2C G1C)	39M5205	1	Y
Power cord - Australia/New Zealand (models B3M B4M 42M 43M 81M 82M 83M)	39M5102	1	Y
Power cord - Hong Kong (models B1B B1H 51B 51H B2B B2H 41B 41H F2B F2H)	39M5151	1	Y
Power cord - UK, Ireland, Singapore, Malaysia, Brunei (models 73G 74G 75G 76G)	39M5150	1	Y
Power cord - Italy (models 73G 74G 75G 76G)	39M5164	1	Y
Power cord - G models (models 73G 74G 75G 76G)	39M5122	1	Y
Power cord - Denmark (models 73G 74G 75G 76G)	39M5129	1	Y
Power cord - Switzerland (models 73G 74G 75G 76G)	39M5157	1	Y
Power cord - Israel (models 73G 74G 75G 76G)	39M5171	1	Y
Power cord - South Africa (models 73G 74G B3M B4M 42M 43M 81M 82M 83M 75G 76G)	39M5143	1	Y
Power cord - India (models B1Q 51Q B2Q G1Q)	39M5004	1	Y

8983 Windows XP Home Recovery CDs	FRU#	CRU Tier	RoHS?
US/UK/AP/TH (models 41H 82M)	42Y3597	1	Y
Hong Kong-TC (models 41B)	41W7790	1	Y

8983 Windows XP Pro Recovery CDs	FRU#	CRU Tier	RoHS?
US/UK/AP/TH (models 51Q 51H 73G 74G B3M B4M 42M 43M 81M 83M G1Q 75G 76G)	42Y3549	1	Y
FR/CF (models 73G 74G 75G 76G)	42Y3550	1	Y

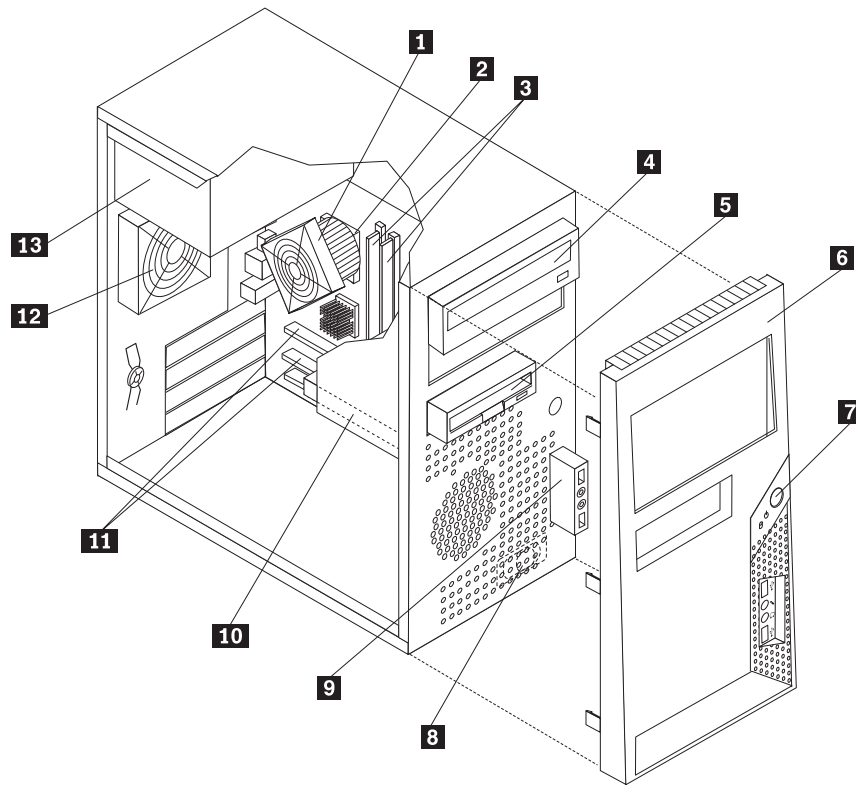
8983 Windows XP Pro Recovery CDs	FRU#	CRU Tier	RoHS?
GR (models 73G 74G 75G 76G)	42Y3551	1	Y
SP/LA (models 73G 74G 75G 76G)	42Y3552	1	Y
IT (models 73G 74G 75G 76G)	42Y3553	1	Y
SV (models 73G 74G 75G 76G)	42Y3555	1	Y
DK (models 73G 74G 75G 76G)	42Y3556	1	Y
FI (models 73G 74G 75G 76G)	42Y3718	1	Y
NO (models 73G 74G 75G 76G)	42Y3719	1	Y
NL (models 73G 74G 75G 76G)	42Y3720	1	Y
HE (models 73G 74G 75G 76G)	42Y3721	1	Y
PL (models 73G 74G 75G 76G)	42Y3722	1	Y
CZ (models 73G 74G 75G 76G)	42Y3723	1	Y
AE (models 73G 74G 75G 76G)	42Y3724	1	Y
RU (models 73G 74G 75G 76G)	42Y3725	1	Y
RE (models 73G 74G 75G 76G)	42Y3717	1	Y
TR (models 73G 74G 75G 76G)	42Y3726	1	Y
HU (models 73G 74G 75G 76G)	42Y3727	1	Y
PO (models 73G 74G 75G 76G)	42Y3728	1	Y
GK (models 73G 74G 75G 76G)	42Y3729	1	Y
SL (models 73G 74G 75G 76G)	42Y3730	1	Y
Simplified Chinese (models G1C)	41W7751	1	Y
Hong Kong - TC (models 51B)	41W7762	1	Y
Multilingual 1 (models 73G 74G 75G 76G)	42Y3645	1	Y
Multilingual 2 (models 73G 74G 75G 76G)	42Y3879	1	Y

8983 Vista Home Basic 32 Recovery DVDs	FRU#	CRU Tier
US/UK/AP/TH (models)	87H4420	1
FR/CF (models)	87H4421	1
GR (models)	87H4422	1
SP/LA (models)	87H4423	1
BR (models)	87H4424	1
IT (models)	87H4425	1
JP (models)	87H4426	1
NO (models)	87H4427	1
SV (models)	87H4428	1
DK (models)	87H4429	1
NL (models)	87H4430	1
CZ (models)	87H4431	1
FI (models)	87H4432	1
PL (models)	87H4433	1
RU (models)	87H4434	1

8983 Vista Home Basic 32 Recovery DVDs	FRU#	CRU Tier
TR (models)	87H4435	1
HU (models)	87H4436	1
GK (models)	87H4437	1
PO (models)	87H4438	1
CS (models)	87H4439	1
TW (models)	87H4440	1
HK (models)	87H4441	1
KR (models)	87H4442	1
SL (models)	87H4443	1
RE (models)	43C1306	1

8983 Vista Business 32 Recovery DVDs	FRU#	CRU Tier
US/UK/AP/TH (models)	87H4476	1
FR/CF (models)	87H4477	1
GR (models)	87H4478	1
SP/LA (models)	87H4479	1
BR (models)	87H4480	1
IT (models)	87H4481	1
JP (models)	87H4482	1
NO (models)	87H4483	1
SV (models)	87H4484	1
DK (models)	87H4485	1
NL (models)	87H4486	1
CZ (models)	87H4487	1
FI (models)	87H4488	1
PL (models)	87H4489	1
RU (models)	87H4490	1
TR (models)	87H4491	1
HU (models)	87H4492	1
GK (models)	87H4493	1
PO (models)	87H4494	1
CS (models)	87H4495	1
TW (models)	87H4496	1
HK (models)	87H4497	1
KR (models)	87H4498	1
SL (models)	87H4499	1
RE (models)	43C1308	1

Machine Type 8985



Item #	8985 FRUs	FRU#	CRU Tier	RoHS?
1	Heatsink for Intel CPUs (all models)	41N8261	N	Y
1	Heatsink for Intel CPUs (models CTO)	41R4803	N	Y
1	Heatsink for Intel CPUs (models CTO)	41R6185	N	Y
2	Microprocessor, Celeron D 2.66GHz 533MHz FSB 256KB L2 (models CTO)	41T1694	N	Y
2	Microprocessor, Celeron D 2.80GHz 533MHz FSB 256KB L2 (models CTO A2B A2H)	41T1695	N	Y
2	Microprocessor, Celeron D 2.93GHz 533MHz FSB 256KB L2 (models CTO)	41T1696	N	Y
2	Microprocessor, Celeron D 3.06GHz 533MHz FSB 256KB L2 (models CTO 71G A3M 73G)	41T1697	N	Y
2	Microprocessor, Celeron D 3.20GHz 533MHz FSB 256KB L2 (models CTO)	41T1698	N	Y
2	Microprocessor, Celeron D 3.20GHz 533MHz FSB 512KB L2 (models CTO)	41T4966	N	Y
2	Microprocessor, Celeron D 3.33GHz 533MHz FSB 512KB L2 (models CTO)	41T4968	N	Y
2	Microprocessor, Celeron 430 CONROE-L 800/1800MHZ-512K,LGA,EM64T (models CTO)	43C1964	N	Y
2	Microprocessor, Celeron 440 CONROE-L 800/2000MHZ-512K,LGA,EM64T (models CTO)	43C1965	N	Y
2	Microprocessor, Pentium 4 3.06 GHz 533 FSB 1MB L2 (models CTO 31B 31H)	41T4104	N	Y
2	Microprocessor, Pentium 4 3.0 GHz 800 FSB 1MB L2 (models CTO 32C 33V 34M)	41T1701	N	Y
2	Microprocessor, Pentium 4 3.0 GHz 800 FSB 2MB L2 (models CTO)	41T1709	N	Y

Item #	8985 FRUs	FRU#	CRU Tier	RoHS?
2	Microprocessor, Pentium 4 3.0 GHz 800 FSB 2MB L2 (models CTO)	41T1712	N	Y
2	Microprocessor, Pentium 4 3.2 GHz 800 FSB 2MB L2 (models CTO)	41T1713	N	Y
2	Microprocessor, Pentium 4 3.4 GHz 800 FSB 2MB L2 (models CTO)	41T1714	N	Y
2	Microprocessor, Pentium 4 661 Processor 3.6 GHz 800 FSB 2MB L2 B1-Value (models CTO)	41T1715	N	Y
2	Microprocessor, Pentium 4 2.8 GHz 800 FSB 2MB L2 (models CTO D1B D1H D2C 72G D3V D4M 74G 75G 76G 77G 7DG)	41T1704	N	Y
2	Microprocessor, Pentium 4 2.8 GHz 800 FSB 2MB L2 (models CTO E1V 78G 79G)	41X7775	N	Y
2	Microprocessor, Pentium D 3.0 GHz 800 FSB 2Mx2 L2 (models CTO F2C)	41X2413	N	Y
2	Microprocessor, Pentium D 3.0 GHz 800 FSB 2Mx2 L2 (models CTO)	41T1717	N	Y
2	Microprocessor, Pentium D 935 3.2 GHz 800 FSB 2MBx2 L2 C1-Value (95W) (models CTO)	41X8050	N	Y
2	Microprocessor, Pentium D 945 Processor 3.4 GHz 800 FSB 2MBx2 L2) (models CTO G2M 7AG 7EG)	41X7776	N	Y
2	Microprocessor, E2140 CONROE-L 800/1600MHZ-1M, LGA, EM64T (models CTO)	43C1967	N	Y
2	Microprocessor, E2160 CONROE-L 800/1600MHZ-1M, LGA, EM64T (models CTO)	43C1968	N	Y
2	Microprocessor, E4300 CONROE 800/1800MHZ-2M, LGA, EM64T (models CTO)	42Y8009	N	Y
2	Microprocessor, E4400 CONROE 800/2000MHZ-2M, LGA, EM64T L2 (models CTO)	43C2056	N	Y
2	Microprocessor, E6300 B2 CONROE 1066/1860MHZ-2M, LGA, EM64T (models CTO 7CG)	41X2495	N	Y
2	Microprocessor, E6320 B2 Conroe 1066/1.86/4M/775 (models CTO)	TBD	N	Y
2	Microprocessor, E6400 B2 CONROE 1066/2130MHZ-2M, LGA, EM64T (models CTO)	41X2496	N	Y
2	Microprocessor, E6420 B2 Conroe 1066/2.13/4M/775 (models CTO)	TBD	N	Y
2	Microprocessor, E6600 B2 CONROE 1066/2400MHZ-4M, LGA, EM64T (models CTO)	41X5743	N	Y
2	Microprocessor, E6700 B2 CONROE 1066/2670MHZ-4M, LGA, EM64T (models CTO)	41X5744	N	Y
3	Memory module, 512 MB PC2-4200 (533MHz) DDR2 SDRAM (models CTO D1B D1H D2C 71G 72G 31B 31H D3V E1V F2C 73G 74G 75G 76G 77G 78G 79G 7AG 7DG 7EG)	41X4251	1	Y
3	Memory module, 1 GB PC2-4200 (533MHz) DDR2 SDRAM (models CTO 7CG)	41X4252	1	Y
3	Memory module, 2GB PC2-4200 (533MHz) DDR2 SDRAM (models CTO)	41X4253	1	Y
3	Memory module, 512 MB PC2-5300 (667MHz) DDR2 SDRAM (models CTO A3M 34M D4M G2M)	41X4255	1	Y
3	Memory module, 1 GB PC2-5300 (667MHz) DDR2 SDRAM (models CTO)	41X4256	1	Y
3	Memory module, 2 GB PC2-5300 (667MHz) DDR2 SDRAM (models CTO)	41X4257	1	Y
4	DVD-ROM drive (16X/48X) (models CTO D2C 33V D3V E1V F2C 73G 74G 7DG)	41X3544	1	Y

Item #	8985 FRUs	FRU#	CRU Tier	RoHS?
4	DVD-ROM drive (16X/48X) (models CTO D2C 33V D3V E1V F2C 73G 74G 7DG)	41X3545	1	Y
4	DVD-ROM drive (16X/48X) (models CTO D2C 33V D3V E1V F2C 73G 74G 7DG)	41X3546	1	Y
4	Combo 48 -32 -48 -16 - - DVD - ROM - CDRW (models CTO D1B D1H 71G 72G A3M 34M D4M G2M 75G 76G 78G 7AG)	41X3547	1	Y
4	Combo 48 -32 -48 -16 - - DVD - ROM - CDRW (models CTO D1B D1H 71G 72G A3M 34M D4M G2M 75G 76G 78G 7AG)	41X3548	1	Y
4	Combo 48 -32 -48 -16 - - DVD - ROM - CDRW (models CTO D1B D1H 71G 72G A3M 34M D4M G2M 75G 76G 78G 7AG)	41X3549	1	Y
4	Combo 48 -32 -48 -16 - - DVD - ROM - CDRW --NON/VISTA (models CTO D1B D1H 71G 72G A3M 34M D4M G2M 75G 76G 78G 7AG D5B D5H D6V D6M D7M 7KG 7MG 7NG)	42Y9368	1	Y
4	Combo 48 -32 -48 -16 - - DVD - ROM - CDRW --NON/VISTA (models CTO D1B D1H 71G 72G A3M 34M D4M G2M 75G 76G 78G 7AG D5B D5H D6V D6M D7M 7KG 7MG 7NG)	42Y9369	1	Y
4	Combo 48 -32 -48 -16 - - DVD - ROM - CDRW --NON/VISTA (models CTO D1B D1H 71G 72G A3M 34M D4M G2M 75G 76G 78G 7AG D5B D5H D6V D6M D7M 7KG 7MG 7NG)	41X7992	1	Y
4	DVD-Recorder (Rambo 8)-NON/VISTA (models CTO 77G 79G 7CG 7EG 7HG 7JG 7LG 7PG)	41N3343	1	Y
4	DVD-Recorder (Rambo 8)-NON/VISTA (models CTO 77G 79G 7CG 7EG 7HG 7JG 7LG 7PG)	41X3550	1	Y
4	DVD-Recorder (Rambo 8)-NON/VISTA (models CTO 77G 79G 7CG 7EG 7HG 7JG 7LG 7PG)	42Y9370	1	Y
4	DVD Recordable No Software / No Royalty for VISTA Models ONLY (models CTO 77G 79G 7CG 7EG 7HG 7JG 7LG 7PG)	42Y9371	2	Y
4	DVD Recordable No Software / No Royalty for VISTA Models ONLY (models CTO 77G 79G 7CG 7EG 7HG 7JG 7LG 7PG)	42Y6017	2	Y
4	DVD Recordable No Software / No Royalty for VISTA Models ONLY (models CTO 77G 79G 7CG 7EG 7HG 7JG 7LG 7PG)	43C0144	2	Y
5	Diskette drive, 3,5", 1.44MB, 2 Mode,(w/bezel) (models CTO A2B A2H 42C D1B D1H D2C 31B 31H 32C 33V D3V E1V F2C 7DG)	40Y9105	2	Y
5	Diskette drive, 3,5", 1.44MB, 2 Mode (models CTO A2B A2H 42C D1B D1H D2C 31B 31H 32C 33V D3V E1V F2C 7DG)	40Y7107	2	Y
6	Bezel assembly (all models)	41N8052	2	Y
7	Power switch/LED assembly (all models)	41N5284	2	Y
8	Speaker assembly, soldered terminals (all models)	39P5023	2	Y
9	Front audio/USB assembly (all models)	41N8054	2	Y
10	Hard disk drive, 40GB (7200RPM), Serial ATA (models CTO)	40Y9033	1	Y
10	Hard disk drive, 80GB (7200RPM), Serial ATA (models CTO A2B A2H 42C D1B D1H D2C 71G 72G A3M 31B 31H 32C 33V 34M D3V D4M E1V F2C G2M 73G 74G 75G 7AG 7DG)	40Y9034	1	Y
10	Hard disk drive, 80GB 7200rpm SATA (only for China) (models A2B A2H 42C D1B D1H D2C 31B 31H 32C 33V D3V E1V F2C)	41X2500	1	Y
10	Hard disk drive, 160GB (7200RPM), Serial ATA (models CTO 76G 77G 78G 79G 7CG 7EG)	40Y9035	1	Y

Item #	8985 FRUs	FRU#	CRU Tier	RoHS?
10	Hard disk drive, 250GB (7200RPM), Serial ATA (models CTO)	40Y9036	1	Y
10	Hard disk drive, 500GB (7200RPM), Serial ATA (models CTO)	41X5582	1	Y
11	System board, Intel for Vista and XP (models CTO A2B A2H 42C D1B D1H D2C 71G 72G A3M 31B 31H 32C 33V 34M D3V D4M E1V F2C G2M 73G 74G 75G 76G 77G 78G 79G 7AG 7CG 7DG 7EG D5B D5H D6V D6M D7M 7FG 7GG 7HG 7JG 7KG 7LG 7MG 7NG 7PG) Note: When ordering a new system board, you must also order a new retention module for the heat sink.	87H4655	N	Y
11	System board, Intel for Vista and XP, Japan (models CTO A2B A2H 42C D1B D1H D2C 71G 72G A3M 31B 31H 32C 33V 34M D3V D4M E1V F2C G2M 73G 74G 75G 76G 77G 78G 79G 7AG 7CG 7DG 7EG D5B D5H D6V D6M D7M 7FG 7GG 7HG 7JG 7KG 7LG 7MG 7NG 7PG) Note: When ordering a new system board, you must also order a new retention module for the heat sink.	87H4656	N	Y
11	System board, 946GZ B ver1.0 (models CTO A2B A2H 42C D1B D1H D2C 71G 72G A3M 31B 31H 32C 33V 34M D3V D4M E1V F2C G2M 73G 74G 75G 76G 77G 78G 79G 7AG 7CG 7DG 7EG D5B D5H D6V D6M D7M 7FG 7GG 7HG 7JG 7KG 7LG 7MG 7NG 7PG) Note: When ordering a new system board, you must also order a new retention module for the heat sink.	43C3504	N	Y
11	System board, 946GZ ver1.2 (models CTO A2B A2H 42C D1B D1H D2C 71G 72G A3M 31B 31H 32C 33V 34M D3V D4M E1V F2C G2M 73G 74G 75G 76G 77G 78G 79G 7AG 7CG 7DG 7EG D5B D5H D6V D6M D7M 7FG 7GG 7HG 7JG 7KG 7LG 7MG 7NG 7PG) Note: When ordering a new system board, you must also order a new retention module for the heat sink.	43C3505	N	Y
11	System board, 946GZ (modify PCB solve Conroe CPU issue and modify PCB solve Japan smokeless issue) ver1.2 matrix from 43C3504 & 43C3505 (models CTO A2B A2H 42C D1B D1H D2C 71G 72G A3M 31B 31H 32C 33V 34M D3V D4M E1V F2C G2M 73G 74G 75G 76G 77G 78G 79G 7AG 7CG 7DG 7EG D5B D5H D6V D6M D7M 7FG 7GG 7HG 7JG 7KG 7LG 7MG 7NG 7PG) Note: When ordering a new system board, you must also order a new retention module for the heat sink.	43C8359	N	Y
12	Fan, Rear w/ grommets & Grill (all models)	41N8079	2	Y
13	Power supply (300W) (models CTO)	41N3489	2	Y
13	Power supply (230W) (models CTO 71G 72G A3M 33V 34M D3V D4M E1V G2M 73G 74G 75G 76G 77G 78G 79G 7AG 7CG 7DG 7EG)	41N3094	2	Y
13	Power supply (250W) (models CTO 71G 72G A3M 33V 34M D3V D4M E1V G2M 73G 74G 75G 76G 77G 78G 79G 7AG 7CG 7DG 7EG)	41N3127	2	Y
13	Power supply (220V/250W/ATX12V - China) (models CTO A2B A2H 42C D1B D1H D2C 31B 31H 32C F2C)	41N3485	2	Y
13	Power Supply 5281-7VW-ROHS, 280W, Standard (models CTO)	41N3479	2	Y
13	Power Supply 5281-7VW-ROHS, 280W, Standard (models CTO)	41N3482	2	Y
13	Power Supply 310W standard only for Japan (models CTO)	24R2596	2	Y

The FRUs listed in the following tables are not illustrated.

8985 FRUs	FRU#	CRU Tier	RoHS?
4 PIN CABLE-SATA,2H 100mm LATCH(RoHS)PS cable (all models)	41R3300	1	Y
Cable SATA 250mm (RoHS) (all models)	41A7145	1	N
Thermal grease kit (all models)	91P8835	N	Y
Shield, 5.25 EMC (all models)	41N8080	2	Y
Cable, SATA (18" RoHS) (all models)	26K1186	2	Y
Cable, Serial (all models)	39K5021	2	Y
Shield, diskette drive EMC (all models)	41N8078	2	Y
Cable, Diskette drive (RoHS) (all models)	41A7182	2	Y
Cover, left side (all models)	41N8050	1	Y
Chassis assembly (all models)	41N8051	N	Y
System board I/O Shield - (all models)	41N8053	N	Y
Kit, Miscellaneous hardware (all models)	41N8055	2	Y
Cable, hard disk drive and optical signal (all models)	39M0516	1	Y
Front system fan (all models)	41R2519	1	Y
Retainer, Card Reader (all models)	41R2913	1	N
Front Fan AVC (all models)	41R4791	1	N
Optional HDD Bracket Assembly, without 4Pin cable (all models)	41R6106	1	N
Chassis assembly (all models)	41R2533	1	N

8985 Keyboards (Lenovo Preferred Pro fullsize, Black)	FRU#	CRU Tier	RoHS?
US English (models A2H 42C D1H D2C 71G 72G A3M 31H 32C 34M D4M F2C G2M 73G 74G 75G 76G 77G 78G 79G 7AG 7CG 7DG 7EG)	41A5039	1	Y
Arabic (models 71G 72G 73G 74G 75G 76G 77G 78G 79G 7AG 7CG 7DG 7EG)	41A5040	1	Y
Arabic/French (models 71G 72G 73G 74G 75G 76G 77G 78G 79G 7AG 7CG 7DG 7EG)	41A5041	1	Y
Belgian/French (models 71G 72G 73G 74G 75G 76G 77G 78G 79G 7AG 7CG 7DG 7EG)	41A5042	1	Y
Belgian/UK (models 71G 72G 73G 74G 75G 76G 77G 78G 79G 7AG 7CG 7DG 7EG)	41A5043	1	Y
Bulgarian (models 71G 72G 73G 74G 75G 76G 77G 78G 79G 7AG 7CG 7DG 7EG)	41A5045	1	Y
Hong Kong/Taiwan (models A2B D1B 31B 33V D3V E1V)	41A5046	1	Y
Czech (models 71G 72G 73G 74G 75G 76G 77G 78G 79G 7AG 7CG 7DG 7EG)	41A5047	1	Y
Danish (models 71G 72G 73G 74G 75G 76G 77G 78G 79G 7AG 7CG 7DG 7EG)	41A5048	1	Y
Dutch (models 71G 72G 73G 74G 75G 76G 77G 78G 79G 7AG 7CG 7DG 7EG)	41A5049	1	Y
French (models 71G 72G 73G 74G 75G 76G 77G 78G 79G 7AG 7CG 7DG 7EG)	41A5050	1	Y
German (models 71G 72G 73G 74G 75G 76G 77G 78G 79G 7AG 7CG 7DG 7EG)	41A5053	1	Y
Greek (models 71G 72G 73G 74G 75G 76G 77G 78G 79G 7AG 7CG 7DG 7EG)	41A5054	1	Y
Hebrew (models 71G 72G 73G 74G 75G 76G 77G 78G 79G 7AG 7CG 7DG 7EG)	41A5055	1	Y
Hungarian (models 71G 72G 73G 74G 75G 76G 77G 78G 79G 7AG 7CG 7DG 7EG)	41A5056	1	Y
Iceland (models 71G 72G 73G 74G 75G 76G 77G 78G 79G 7AG 7CG 7DG 7EG)	41A5057	1	Y

8985 Keyboards (Lenovo Preferred Pro fullsize, Black)	FRU#	CRU Tier	RoHS?
Italian (models 71G 72G 73G 74G 75G 76G 77G 78G 79G 7AG 7CG 7DG 7EG)	41A5058	1	Y
Norwegian (models 71G 72G 73G 74G 75G 76G 77G 78G 79G 7AG 7CG 7DG 7EG)	41A5062	1	Y
Polish (models 71G 72G 73G 74G 75G 76G 77G 78G 79G 7AG 7CG 7DG 7EG)	41A5063	1	Y
Portuguese (models 71G 72G 73G 74G 75G 76G 77G 78G 79G 7AG 7CG 7DG 7EG)	41A5064	1	Y
Romanian (models 71G 72G 73G 74G 75G 76G 77G 78G 79G 7AG 7CG 7DG 7EG)	41A5065	1	Y
Russian/Cyrilic (models 71G 72G 73G 74G 75G 76G 77G 78G 79G 7AG 7CG 7DG 7EG)	41A5066	1	Y
Serbian/Cyrilic (models 71G 72G 73G 74G 75G 76G 77G 78G 79G 7AG 7CG 7DG 7EG)	41A5067	1	Y
Slovak (models 71G 72G 73G 74G 75G 76G 77G 78G 79G 7AG 7CG 7DG 7EG)	41A5068	1	Y
Spanish (models 71G 72G 73G 74G 75G 76G 77G 78G 79G 7AG 7CG 7DG 7EG)	41A5069	1	Y
Swedish/Finn (models 71G 72G 73G 74G 75G 76G 77G 78G 79G 7AG 7CG 7DG 7EG)	41A5070	1	Y
Swiss F/G (models 71G 72G 73G 74G 75G 76G 77G 78G 79G 7AG 7CG 7DG 7EG)	41A5071	1	Y
Turkish 440 (models 71G 72G 73G 74G 75G 76G 77G 78G 79G 7AG 7CG 7DG 7EG)	41A5073	1	Y
Turkish 179 (models 71G 72G 73G 74G 75G 76G 77G 78G 79G 7AG 7CG 7DG 7EG)	41A5074	1	Y
UK English (models 71G 72G 73G 74G 75G 76G 77G 78G 79G 7AG 7CG 7DG 7EG)	41A5075	1	Y
US Euro (models 71G 72G 73G 74G 75G 76G 77G 78G 79G 7AG 7CG 7DG 7EG)	41A5076	1	Y
Slovenian (models 71G 72G 73G 74G 75G 76G 77G 78G 79G 7AG 7CG 7DG 7EG)	41A5077	1	Y

8985 mice	FRU#	CRU Tier	RoHS?
Optical Wheel Mouse (400DPI, USB) (all models)	41U3013	1	Y
Optical Wheel Mouse (400DPI, USB) (all models)	41U3030	1	Y
PS/2 Three Button ball mouse (models CTO)	41R0018	1	Y
ScrollPoint Optical Mouse (800DPI, USB) (models CTO)	41U3019	1	Y

8985 Adapters and miscellaneous FRUs	FRU#	CRU Tier	RoHS?
USB2.0 MEMORY CARDREADER,6X2,ROHS OPTIONAL,Bitland (models CTO)	41R3378	2	Y
USB2.0 MEMORY CARDREADER,6X2,ROHS OPTIONAL, SONY (models CTO)	41R3376	2	Y
PCI Modem Card (Soft) (models CTO)	29R9729	2	Y
L1 IEEE 1394 PCI Adapter (models CTO)	41D2781	2	Y
Denver - ATI X300SE 128MB (models CTO)	39J9635	2	Y
Dongle Cable - DMS59 to dual VGA (models CTO)	41D2399	2	Y
Dongle Cable - DMS59 to dual VGA (included in Denver L1) (models CTO)	42Y8181	2	Y
Dongle DMS Dule DMS-59 to dual DVI cable (models CTO)	41X6398	2	Y
Dongle DMS Dule DMS-59 to single VGA and DVI cable (models CTO)	42Y8183	2	Y

8985 Adapters and miscellaneous FRUs	FRU#	CRU Tier	RoHS?
Dongle DMS Dule DMS-59 to dual DVI cable (models CTO)	41X6398	2	Y
Nvidia GeForce 6200TC128MB 64bit (Full Height) (models CTO)	41X2668	2	Y
Nvidia GeForce 6200TC 64MB 32bit (models CTO)	41X2667	2	Y
Nvidia GeForce 7300LE 128MB 64bit (models CTO)	41X2669	2	Y
Nvidia GeForce 7300LE 128MB 64bit LP / ATX with DMS59 (models CTO)	42Y8165	2	Y
ATI Radeon X1300PRO 256MB 128bit (models CTO)	41X2670	2	Y
ATI X1300LE 256M 64bit LP / ATX with DMS59 (models CTO)	42Y8162	2	Y
X1300 LE 256MB (models CTO)	42Y8159	2	Y
Internal USB Memory Card Reader (models CTO)	41D1934	2	Y
Wireless Keyboard (models CTO)	41A5219	2	Y
Wireless Mouse (models CTO)	41A5247	2	Y
USB Transceiver for wireless kybd/mouse (models CTO)	41A5246	2	Y
BTL external speaker (models CTO)	41A5334	2	Y
DVI-I card,FH(Casper) (models CTO)	39J9334	2	Y

8985 Power Cords	FRU#	CRU Tier	RoHS?
Power Cord (China) (models 42C D2C 32C F2C)	39M5205	1	Y
Power Cord (Australia / New Zealand) (models A3M 34M D4M G2M)	39M5102	1	Y
Power Cord (Hong Kong) (models A2B A2H D1B D1H 31B 31H)	39M5151	1	Y
Power Cord (UK, Ireland, Singapore, Malaysia, Brunei) (models 71G 72G 73G 74G 75G 76G 77G 78G 79G 7AG 7CG 7DG 7EG)	39M5150	1	Y
Power cord - Taiwan (models 33V D3V E1V)	39M5246	1	Y
Power Cord (Italy) (models 71G 72G 73G 74G 75G 76G 77G 78G 79G 7AG 7CG 7DG 7EG)	39M5164	1	Y
Power Cord (G models) (models 71G 72G 73G 74G 75G 76G 77G 78G 79G 7AG 7CG 7DG 7EG)	39M5122	1	Y
Power Cord (Denmark) (models 71G 72G 73G 74G 75G 76G 77G 78G 79G 7AG 7CG 7DG 7EG)	39M5129	1	Y
Power Cord (Switzerland) (models 71G 72G 73G 74G 75G 76G 77G 78G 79G 7AG 7CG 7DG 7EG)	39M5157	1	Y
Power Cord (Israel) (models 71G 72G 73G 74G 75G 76G 77G 78G 79G 7AG 7CG 7DG 7EG)	39M5171	1	Y
Power Cord (South Africa) (models 71G 72G A3M 34M D4M G2M 73G 74G 75G 76G 77G 78G 79G 7AG 7CG 7DG 7EG)	39M5143	1	Y

8985 Windows XP Home Recovery CDs	FRU#	CRU Tier	RoHS?
US/UK/AP/TH (models 31H)	42Y3597	1	Y
Hong Kong-TC (models 31B)	41W7790	1	Y

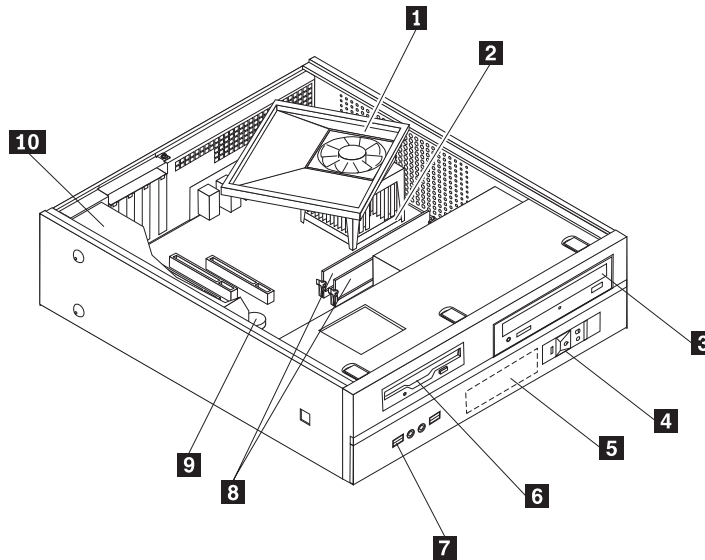
8985 Windows XP Pro Recovery CDs	FRU#	CRU Tier	RoHS?
US/UK/AP/TH (models D1H 71G 72G A3M 34M D4M G2M 73G 74G 75G 76G 77G 78G 79G 7AG 7CG 7EG)	42Y3549	1	Y
FR/CF (models 71G 72G 73G 74G 75G 76G 77G 78G 79G 7AG 7CG 7EG)	42Y3550	1	Y
GR (models 71G 72G 73G 74G 75G 76G 77G 78G 79G 7AG 7CG 7EG)	42Y3551	1	Y
SP/LA (models 71G 72G 73G 74G 75G 76G 77G 78G 79G 7AG 7CG 7EG)	42Y3552	1	Y
IT (models 71G 72G 73G 74G 75G 76G 77G 78G 79G 7AG 7CG 7EG)	42Y3553	1	Y
SV (models 71G 72G 73G 74G 75G 76G 77G 78G 79G 7AG 7CG 7EG)	42Y3555	1	Y
DK (models 71G 72G 73G 74G 75G 76G 77G 78G 79G 7AG 7CG 7EG)	42Y3556	1	Y
FI (models 71G 72G 73G 74G 75G 76G 77G 78G 79G 7AG 7CG 7EG)	42Y3718	1	Y
NO (models 71G 72G 73G 74G 75G 76G 77G 78G 79G 7AG 7CG 7EG)	42Y3719	1	Y
NL (models 71G 72G 73G 74G 75G 76G 77G 78G 79G 7AG 7CG 7EG)	42Y3720	1	Y
HE (models 71G 72G 73G 74G 75G 76G 77G 78G 79G 7AG 7CG 7EG)	42Y3721	1	Y
PL (models 71G 72G 73G 74G 75G 76G 77G 78G 79G 7AG 7CG 7EG)	42Y3722	1	Y
CZ (models 71G 72G 73G 74G 75G 76G 77G 78G 79G 7AG 7CG 7EG)	42Y3723	1	Y
AE (models 71G 72G 73G 74G 75G 76G 77G 78G 79G 7AG 7CG 7EG)	42Y3724	1	Y
RU (models 71G 72G 73G 74G 75G 76G 77G 78G 79G 7AG 7CG 7EG)	42Y3725	1	Y
RE (models 71G 72G 73G 74G 75G 76G 77G 78G 79G 7AG 7CG 7EG)	42Y3717	1	Y
TR (models 71G 72G 73G 74G 75G 76G 77G 78G 79G 7AG 7CG 7EG)	42Y3726	1	Y
HU (models 71G 72G 73G 74G 75G 76G 77G 78G 79G 7AG 7CG 7EG)	42Y3727	1	Y
PO (models 71G 72G 73G 74G 75G 76G 77G 78G 79G 7AG 7CG 7EG)	42Y3728	1	Y
GK (models 71G 72G 73G 74G 75G 76G 77G 78G 79G 7AG 7CG 7EG)	42Y3729	1	Y
SL (models 71G 72G 73G 74G 75G 76G 77G 78G 79G 7AG 7CG 7EG)	42Y3730	1	Y
Taiwan - TC (models 33V D3V E1V)	41W7757	1	Y
Hong Kong - TC (models D1B)	41W7762	1	Y
Multilingual 1 (models 71G 72G 73G 74G 75G 76G 77G 78G 79G 7AG 7CG 7EG)	42Y3645	1	Y
Multilingual 2 (models 71G 72G 73G 74G 75G 76G 77G 78G 79G 7AG 7CG 7EG)	42Y3879	1	Y

8985 Vista Home Basic 32 Recovery DVDs	FRU#	CRU Tier
US/UK/AP/TH (models)	87H4420	1
FR/CF (models)	87H4421	1
GR (models)	87H4422	1
SP/LA (models)	87H4423	1
BR (models)	87H4424	1
IT (models)	87H4425	1
JP (models)	87H4426	1
NO (models)	87H4427	1
SV (models)	87H4428	1
DK (models)	87H4429	1
NL (models)	87H4430	1
CZ (models)	87H4431	1

8985 Vista Home Basic 32 Recovery DVDs	FRU#	CRU Tier
FI (models)	87H4432	1
PL (models)	87H4433	1
RU (models)	87H4434	1
TR (models)	87H4435	1
HU (models)	87H4436	1
GK (models)	87H4437	1
PO (models)	87H4438	1
CS (models)	87H4439	1
TW (models)	87H4440	1
HK (models)	87H4441	1
KR (models)	87H4442	1
SL (models)	87H4443	1
RE (models)	43C1306	1

8985 Vista Business 32 Recovery DVDs	FRU#	CRU Tier
US/UK/AP/TH (models)	87H4476	1
FR/CF (models)	87H4477	1
GR (models)	87H4478	1
SP/LA (models)	87H4479	1
BR (models)	87H4480	1
IT (models)	87H4481	1
JP (models)	87H4482	1
NO (models)	87H4483	1
SV (models)	87H4484	1
DK (models)	87H4485	1
NL (models)	87H4486	1
CZ (models)	87H4487	1
FI (models)	87H4488	1
PL (models)	87H4489	1
RU (models)	87H4490	1
TR (models)	87H4491	1
HU (models)	87H4492	1
GK (models)	87H4493	1
PO (models)	87H4494	1
CS (models)	87H4495	1
TW (models)	87H4496	1
HK (models)	87H4497	1
KR (models)	87H4498	1
SL (models)	87H4499	1
RE (models)	43C1308	1

Machine Type 8986



Item #	8986 FRUs	FRU#	CRU Tier	RoHS?
1	Heatsink for AMD Sempron & Athlon AM2 processors (models CTO A1S A1P A1Y A2S A2P A2Y A3S A3P A3Y B1V 21K 21R 22K 22R 23V 24S 24P 24Y 25S 25P 25Y 26S 26P 26Y 31U 31F 31S 31P 31Y 32U 32F 32S 32P 32Y D1U D1F D1S D1P D1Y D2U D2F D2S D2P D2Y D3V B2S B2P B2Y 33S 33P 33Y 34S 34P 34Y 35K 35R)	41N8249	N	Y
1	Heatsink for AMD Sempron & Athlon AM2 processors (models CTO)	41R4802	N	Y
2	Microprocessor, 3000+ Sempron AM2 (1.6 GHz processor, 62W) (models CTO A1S A1P A1Y A2S A2P A2Y)	41X1403	N	Y
2	Microprocessor, 3400+ Sempron AM2 (1.8 GHz processor, 62W) (models CTO B1V B2S B2P B2Y)	41X1407	N	Y
2	Microprocessor, 3600+ Sempron AM2 (2.0 GHz processor, 62W) (models CTO)	41X1411	N	Y
2	Microprocessor, 3500+ Athlon64 AM2 (2.2 GHz processor, 62W) (models CTO 21K 21R 22K 22R 23V 24S 24P 24Y 25S 25P 25Y 26S 26P 26Y)	41X1415	N	Y
2	Microprocessor, 3600+ Athlon64 AM2 X2 (2.0 GHz processor, 89W) (models CTO)	41X7777	N	Y
2	Microprocessor, 3600+ Athlon64 AM2 X2 1.9GHz 1M 65W 65nm G1 (models CTO)	43C4091	N	Y
2	Microprocessor, 3800+ Athlon64 AM2 (2.4 GHz processor, 62W) (models CTO 31U 31F 31S 31P 31Y 32U 32F 32S 32P 32Y)	41X1417	N	Y
2	Microprocessor, 3800+ Athlon64 AM2 X2 (2.0 GHz processor, 89W) (models CTO 33S 33P 33Y 34S 34P 34Y 35K 35R)	41X4241	N	Y
2	Microprocessor, 4000+ Athlon64 AM2 (2.4 GHz processor, 62W) (models CTO)	41X1419	N	Y
2	Microprocessor, 4000+ Athlon64 AM2 X2 2.1GHz 1M 65W 65nm G1 (models CTO)	43C3965	N	Y
2	Microprocessor, 4200+ Athlon64 AM2 X2 (2.2 GHz processor, 89W) (models CTO D1U D1F D1S D1P D1Y D2U D2F D2S D2P D2Y D3V)	41X1421	N	Y

Item #	8986 FRUs	FRU#	CRU Tier	RoHS?
2	Microprocessor, 4400+Athlon64 AM2 X2 2.3 GHz 1M 65W 65nm G1 (models CTO)	43C3507	N	Y
2	Microprocessor, 4600+ Athlon64 AM2 X2 (2.4 GHz processor, 89W) (models CTO)	41X1423	N	Y
2	Microprocessor, 4800+ Athlon AM2 X2 2.5GHz 1M 65W 65nm G1 (models CTO)	43C4093	N	Y
3	DVD-ROM drive (16X/48X) (models CTO B1V 23V D3V)	41X3544	2	Y
3	DVD-ROM drive (16X/48X) (models CTO B1V 23V D3V)	41X3545	2	Y
3	DVD-ROM drive (16X/48X) (models CTO B1V 23V D3V)	41X3546	2	Y
3	Combo 48 -32 -48 -16 - - DVD - ROM - CDRW (models CTO 21K 21R 22K 22R 26S 26P 26Y 32U 32F 32S 32P 32Y D2U D2F D2S D2P D2Y 34S 34P 34Y 35K 35R)	41X3547	2	Y
3	Combo 48 -32 -48 -16 - - DVD - ROM - CDRW (models CTO 21K 21R 22K 22R 26S 26P 26Y 32U 32F 32S 32P 32Y D2U D2F D2S D2P D2Y 34S 34P 34Y 35K 35R)	41X3548	2	Y
3	Combo 48 -32 -48 -16 - - DVD - ROM - CDRW (models CTO 21K 21R 22K 22R 26S 26P 26Y 32U 32F 32S 32P 32Y D2U D2F D2S D2P D2Y 34S 34P 34Y 35K 35R)	41X3549	2	Y
3	Combo 48 -32 -48 -16 - - DVD - ROM - CDRW --NON/VISTA (models CTO 21K 21R 22K 22R 26S 26P 26Y 32U 32F 32S 32P 32Y D2U D2F D2S D2P D2Y 34S 34P 34Y 35K 35R 37U 37F D4U D4F)	42Y9368	1	Y
3	Combo 48 -32 -48 -16 - - DVD - ROM - CDRW --NON/VISTA (models CTO 21K 21R 22K 22R 26S 26P 26Y 32U 32F 32S 32P 32Y D2U D2F D2S D2P D2Y 34S 34P 34Y 35K 35R 37U 37F D4U D4F)	42Y9369	1	Y
3	Combo 48 -32 -48 -16 - - DVD - ROM - CDRW --NON/VISTA (models CTO 21K 21R 22K 22R 26S 26P 26Y 32U 32F 32S 32P 32Y D2U D2F D2S D2P D2Y 34S 34P 34Y 35K 35R 37U 37F D4U D4F)	41X7992	1	Y
3	DVD-Recorder (Rambo 8)-NON/VISTA (models CTO)	41N3343	1	Y
3	DVD-Recorder (Rambo 8)-NON/VISTA (models CTO)	41X3550	1	Y
3	DVD-Recorder (Rambo 8)-NON/VISTA (models CTO)	42Y9370	1	Y
3	DVD Recordable No Software / No Royalty for VISTA Models ONLY (models CTO)	42Y9371	2	Y
3	DVD Recordable No Software / No Royalty for VISTA Models ONLY (models CTO)	42Y6017	2	Y
3	DVD Recordable No Software / No Royalty for VISTA Models ONLY (models CTO)	43C0144	2	Y
4	Front Power/LED PC, bracket, and cable (all models)	41N8213	N	Y
5	Hard disk drive, 40GB (7200RPM), Serial ATA (models CTO)	40Y9033	2	Y
5	Hard disk drive, 80GB (7200RPM), Serial ATA (models CTO A1S A1P A1Y A2S A2P A2Y A3S A3P A3Y B1V 23V 24S 24P 24Y 25S 25P 25Y 31U 31F 31S 31P 31Y 32U 32F 32S 32P 32Y D1U D1F D1S D1P D1Y D2U D2F D2S D2P D2Y D3V B2S B2P B2Y 33S 33P 33Y 34S 34P 34Y)	40Y9034	2	Y
5	Hard disk drive, 80GB 7200rpm SATA (only for China) (models B1V 23V D3V)	41X2500	1	Y
5	Hard disk drive, 160GB (7200RPM), Serial ATA (models CTO 21K 21R 26S 26P 26Y 35K 35R)	40Y9035	2	Y
5	Hard disk drive, 250GB (7200RPM), Serial ATA (models CTO 22K 22R)	40Y9036	2	Y

Item #	8986 FRUs	FRU#	CRU Tier	RoHS?
5	Hard disk drive, 500GB (7200RPM), Serial ATA (models CTO)	41X5582	2	Y
6	Diskette drive, 3,5", 1.44MB, 2-mode, (w/bezel) (models CTO A1S A1P A1Y A2S A2P A2Y B1V 23V 24S 24P 24Y 25S 25P 25Y D3V B2S B2P B2Y 33S 33P 33Y 35K 35R)	40Y9105	2	Y
6	Diskette drive, 3,5", 1.44MB, 2-mode (models CTO A1S A1P A1Y A2S A2P A2Y B1V 23V 24S 24P 24Y 25S 25P 25Y D3V B2S B2P B2Y 33S 33P 33Y 35K 35R)	40Y7107	2	Y
7	Front USB/Audio with bracket (all models)	41N8212	N	Y
8	Memory module, 512 MB PC2-4200 (533MHz) DDR2 SDRAM (models CTO A3S A3P A3Y 31U 31F 31S 31P 31Y 32U 32F 32S 32P 32Y D1U D1F D1S D1P D1Y D2U D2F D2S D2P D2Y D3V 34S 34P 34Y)	41X4251	2	Y
8	Memory module, 1 GB PC2-4200 (533MHz) DDR2 SDRAM (models CTO)	41X4252	2	Y
8	Memory module, 2GB PC2-4200 (533MHz) DDR2 SDRAM (models CTO)	41X4253	2	Y
8	Memory module, 512 MB PC2-5300 (667MHz) DDR2 SDRAM (models CTO 21K 21R 22K 22R 24S 24P 24Y 25S 25P 25Y 26S 26P 26Y 35K 35R)	41X4255	2	Y
8	Memory module, 1 GB PC2-5300 (667MHz) DDR2 SDRAM (models CTO)	41X4256	2	Y
8	Memory module, 2 GB PC2-5300 (667MHz) DDR2 SDRAM (models CTO)	41X4257	2	Y
9	System board, AMD Sys Planar for Vista and XP (models CTO A1S A1P A1Y A2S A2P A2Y A3S A3P A3Y B1V 21K 21R 22K 22R 23V 24S 24P 24Y 25S 25P 25Y 26S 26P 26Y 31U 31F 31S 31P 31Y 32U 32F 32S 32P 32Y D1U D1F D1S D1P D1Y D2U D2F D2S D2P D2Y D3V B2S B2P B2Y 33S 33P 33Y 34S 34P 34Y 35K 35R A4S A4P A4Y 27S 27P 27Y 36S 36P 36Y 37U 37F D4U D4F)	87H4658	N	Y
10	220W Small desktop power supply (non-smokeless) (models CTO 21K 21R 22K 22R 31U 31F 32U 32F D1U D1F D2U D2F A1S A1P A1Y A2S A2P A2Y A3S A3P A3Y B1V 23V 24S 24P 24Y 25S 25P 25Y 26S 26P 26Y 31S 31P 31Y 32S 32P 32Y D1S D1P D1Y D2S D2P D2Y D3V 35K 35R)	41N3109	N	Y
10	220 Watt Power Supply - China (models CTO-A B2S B2P B2Y 33S 33P 33Y 34S 34P 34Y)	41N3493	N	Y
10	220 Watt Power Supply - WW (models CTO 21K 21R 22K 22R 31U 31F 32U 32F D1U D1F D2U D2F A1S A1P A1Y A2S A2P A2Y A3S A3P A3Y B1V 23V 24S 24P 24Y 25S 25P 25Y 26S 26P 26Y 31S 31P 31Y 32S 32P 32Y D1S D1P D1Y D2S D2P D2Y D3V 35K 35R)	41A9655	N	Y
10	220 Watt Power Supply - China (models CTO-A B2S B2P B2Y 33S 33P 33Y 34S 34P 34Y)	41A9652	N	Y

The FRUs listed in the following tables are not illustrated.

8986 FRUs	FRU#	CRU Tier	RoHS?
1 drop IDE cable (all models)	41A7158	N	Y
Thermal grease kit (models CTO)	91P8835	N	Y
Shield, EMC, system board (all models)	41N5347	N	Y
Cable, Serial ATA, 250 mm (all models)	41A7145	N	Y
Shield, EMC, blank 5.25in. drive bay (all models)	41N8271	N	Y
Shield, EMC, blank diskette drive bay (all models)	41N8273	N	Y
Cover (all models)	41N8204	2	Y

8986 FRUs	FRU#	CRU Tier	RoHS?
Mechanical shell kit (all models)	41N8205	2	Y
Bezel kit (all models)	41N8206	N	Y
Miscellaneous hardware kit (all models)	41N8209	N	Y
Hard disk drive bracket asm (plastic and grommets) (all models)	41N8210	N	Y
Hard disk drive fan and bracket asm (all models)	41N8211	N	Y
Speaker cable asm, 600 mm cable length (all models)	41N8217	N	Y
Serial port Cable (all models)	39K5021	N	Y
Fan duct assembly (all models)	41A7151	N	Y
Fan duct assembly (all models)	41R4808	N	Y
Rear USB cable asm (with low profile PCI bracket) (all models)	41N8267	N	
Rear USB 2Ports II HP(R), high profile I/O, 300mm, Rohs (all models)	42Y8005	N	Y
Rear USB 2Ports II LP(R), low profile I/O, 200mm, Rohs (all models)	42Y8006	N	Y
Rear Com2 cable II HP(R), high profile I/O, 250mm, Rohs (all models)	42Y8007	N	Y
Rear Com2 cable II LP(R), low profile I/O, 250mm, Rohs (all models)	42Y8008	N	Y
Foot stand (all models)	41R4813	N	Y
Retention module, AMD (all models)	41R2507	N	Y

8986 Keyboards (PS2 Preferred Pro)	FRU#	CRU Tier	RoHS?
US English (models 21R 22R 31U 32U D1U D2U 35R)	41A5039	1	Y
Hong Kong/Taiwan (models B1V 23V D3V)	41A5046	1	Y
French Canadian 445 (models 31F 32F D1F D2F)	41A5051	1	Y
French Canadian 58 (models 31F 32F D1F D2F)	41A5052	1	Y
Korean (models 21K 22K 35K)	41A5060	1	Y
LA Spanish (models A1S A1Y A2S A2Y A3S A3Y 24S 24Y 25S 25Y 26S 26Y 31S 31Y 32S 32Y D1S D1Y D2S D2Y B2S B2Y 33S 33Y 34S 34Y)	41A5061	1	Y
Brazil/Portuguese (models A1P A2P A3P 24P 25P 26P 31P 32P D1P D2P B2P 33P 34P)	41A5044	1	Y

8986 mice	FRU#	CRU Tier	RoHS?
Optical Wheel Mouse (400DPI, USB) (all models)	41U3013	1	Y
Optical Wheel Mouse (400DPI, USB) (all models)	41U3030	1	Y
PS/2 Three Button ball mouse (models CTO)	41R0018	1	Y
ScrollPoint Optical Mouse (800DPI, USB) (models CTO)	41U3019	1	Y

8986 Adapters and miscellaneous FRUs	FRU#	CRU Tier	RoHS?
USB2.0 MEMORY CARDREADER,6X2,ROHS OPTIONAL,Bitland (models CTO)	41R3378	2	Y
USB2.0 MEMORY CARDREADER,6X2,ROHS OPTIONAL, SONY (models CTO)	41R3376	2	Y
PCI Modem Card (Soft) (models CTO)	29R9729	2	Y

8986 Adapters and miscellaneous FRUs	FRU#	CRU Tier	RoHS?
L1 IEEE 1394 PCI Adapter (models CTO 21K 21R 22K 22R)	41D2781	2	Y
Denver - ATI X300SE 128MB (models CTO)	39J9635	2	Y
Dongle Cable - DMS59 to dual VGA (models CTO)	41D2399	2	Y
Dongle Cable - DMS59 to dual VGA (included in Denver L1) (models CTO)	42Y8181	2	Y
Dongle DMS Dule DMS-59 to dual DVI cable (models CTO)	41X6398	2	Y
Dongle DMS Dule DMS-59 to single VGA and DVI cable (models CTO)	42Y8183	2	Y
Nvidia GeForce 6200TC128MB 64bit (Full Height) (models CTO)	41X2668	2	Y
Nvidia GeForce 6200TC 64MB 32bit (models CTO)	41X2667	2	Y
Nvidia GeForce 7300LE 128MB 64bit (models CTO 22K 22R)	41X2669	2	Y
Nvidia GeForce 7300LE 128MB 64bit LP / ATX with DMS59 (models CTO)	42Y8165	2	Y
ATI Radeon X1300PRO 256MB 128bit (models CTO)	41X2670	2	Y
Wireless Mouse (models CTO)	41A5247	2	Y
USB Transceiver for wireless kybd/mouse (models CTO)	41A5246	2	Y
ATI X1300LE 256M 64bit LP / ATX with DMS59 (models CTO)	42Y8162	2	Y
BTL external speaker (models CTO)	41A5334	2	Y
DVI-I card,FH(Casper) (models CTO)	39J9334	2	Y

8986 Power Cords	FRU#	CRU Tier	RoHS?
Power cord - US (models A1S A2S A3S 24S 25S 26S 31U 31F 31S 32U 32F 32S D1U D1F D1S D2U D2F D2S B2S 33S 34S)	39M5080	1	Y
Power cord - Brazil (models A1P A2P A3P 24P 25P 26P 31P 32P D1P D2P B2P 33P 34P)	39M5232	1	Y
Power cord - LA High Volt APU) (models A1Y A2Y A3Y 24Y 25Y 26Y 31Y 32Y D1Y D2Y B2Y 33Y 34Y)	39M5067	1	Y
Power cord - Korea (models 21K 21R 22K 22R 35K 35R)	39M5212	1	Y
Power cord - Taiwan (models B1V 23V D3V)	39M5246	1	Y
Power cord - Italy (models A1S A1Y A2S A2Y A3S A3Y 24S 24Y 25S 25Y 26S 26Y 31S 31Y 32S 32Y D1S D1Y D2S D2Y B2S B2Y 33S 33Y 34S 34Y)	39M5164	1	Y

8986 Windows XP Home Recovery CDs	FRU#	CRU Tier	RoHS?
US/UK/AP/TH (models 21R 22R 35R)	42Y3597	1	Y
Korea (models 21K 22K 35K)	41W7773	1	Y

8986 Windows XP Pro Recovery CDs	FRU#	CRU Tier	RoHS?
US/UK/AP/TH (models 31U 32U D1U D2U)	42Y3549	1	Y
FR/CF (models 31F 32F D1F D2F)	42Y3550	1	Y
BR (models D2P 34P)	42Y3554	1	Y
SP/LA (models A2S A2Y A3S A3Y 24S 24Y 26S 26Y 31S 31Y 32S 32Y D1S D1Y D2S D2Y B2S B2Y 33S 33Y 34S 34Y)	42Y3552	1	Y

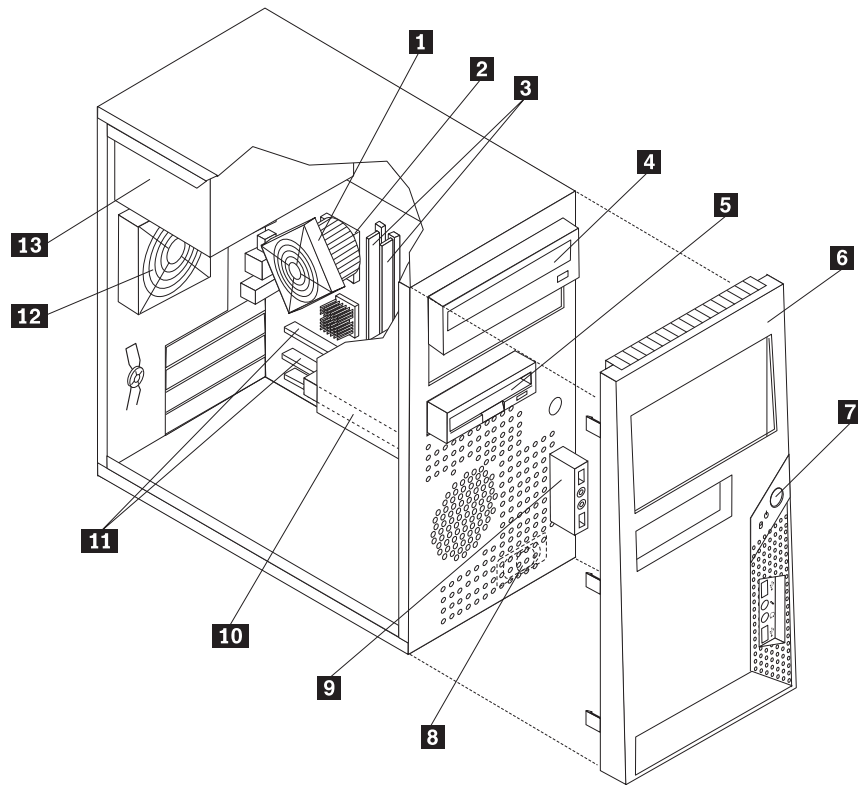
8986 Windows XP Pro Recovery CDs	FRU#	CRU Tier	RoHS?
Taiwan-TC (models B1V 23V D3V)	41W7757	1	Y

8986 Vista Home Basic 32 Recovery DVDs	FRU#	CRU Tier
US/UK/AP/TH (models)	87H4420	1
FR/CF (models)	87H4421	1
GR (models)	87H4422	1
SP/LA (models)	87H4423	1
BR (models)	87H4424	1
IT (models)	87H4425	1
JP (models)	87H4426	1
NO (models)	87H4427	1
SV (models)	87H4428	1
DK (models)	87H4429	1
NL (models)	87H4430	1
CZ (models)	87H4431	1
FI (models)	87H4432	1
PL (models)	87H4433	1
RU (models)	87H4434	1
TR (models)	87H4435	1
HU (models)	87H4436	1
GK (models)	87H4437	1
PO (models)	87H4438	1
CS (models)	87H4439	1
TW (models)	87H4440	1
HK (models)	87H4441	1
KR (models)	87H4442	1
SL (models)	87H4443	1
RE (models)	43C1306	1

8986 Vista Business 32 Recovery DVDs	FRU#	CRU Tier
US/UK/AP/TH (models)	87H4476	1
FR/CF (models)	87H4477	1
GR (models)	87H4478	1
SP/LA (models)	87H4479	1
BR (models)	87H4480	1
IT (models)	87H4481	1
JP (models)	87H4482	1
NO (models)	87H4483	1
SV (models)	87H4484	1
DK (models)	87H4485	1

8986 Vista Business 32 Recovery DVDs	FRU#	CRU Tier
NL (models)	87H4486	1
CZ (models)	87H4487	1
FI (models)	87H4488	1
PL (models)	87H4489	1
RU (models)	87H4490	1
TR (models)	87H4491	1
HU (models)	87H4492	1
GK (models)	87H4493	1
PO (models)	87H4494	1
CS (models)	87H4495	1
TW (models)	87H4496	1
HK (models)	87H4497	1
KR (models)	87H4498	1
SL (models)	87H4499	1
RE (models)	43C1308	1

Machine Type 8991



Item #	8991 FRUs	FRU#	CRU Tier	RoHS?
1	Heatsink for AMD Sempron & Athlon AM2 processors (all models)	41N8249	N	Y
1	Heatsink for AMD Sempron & Athlon AM2 processors (models CTO)	41R4802	N	Y
2	Microprocessor, 3000+ Sempron AM2 (1.6 GHz processor, 62W) (models CTO A1U A1F A2U A2F A3S A3P A3Y A4S A4P A4Y A5S A5P A5Y)	41X1403	N	Y
2	Microprocessor, 3400+ Sempron AM2 (1.8 GHz processor, 62W) (models CTO B1V B2S B2P B2Y)	41X1407	N	Y
2	Microprocessor, 3600+ Sempron AM2 (2.0 GHz processor, 62W) (models CTO)	41X1411	N	Y
2	Microprocessor, 3200+ Athlon64 AM2 (2.0 GHz processor, 62W) (models CTO)	42Y8940	N	Y
2	Microprocessor, 3500+ Athlon64 AM2 (2.2 GHz processor, 62W) (models CTO 21V 22K 22R 23K 23R 24U 24F 25U 25F 26U 26F 27S 27P 27Y 28S 28P 28Y 29S 29P 29Y 2AK 2AR 2BG)	41X1415	N	Y
2	Microprocessor, 3600+ Athlon64 AM2 X2 (2.0 GHz processor, 89W) (models CTO)	41X7777	N	Y
2	Microprocessor, 3600+Athlon64 AM2 X2 1.9GHz 1M 65W 65nm G1 (models CTO)	43C4091	N	Y
2	Microprocessor, 3800+ Athlon64 AM2 (2.4 GHz processor, 62W) (models CTO 31U 31S 31P 31Y 32U 32S 32P 32Y)	41X1417	N	Y
2	Microprocessor, 3800+ Athlon64 AM2 X2 (2.0 GHz processor, 89W) (models CTO 34S 34P 34Y 35U 35F 35S 35P 35Y 36G 37G 38U 38F 39U 39F 30G)	41X4241	N	Y

Item #	8991 FRUs	FRU#	CRU Tier	RoHS?
2	Microprocessor, 4000+ Athlon64 AM2 (2.4 GHz processor, 62W) (models CTO)	41X1419	N	Y
2	Microprocessor, 4000+ Athlon64 AM2 X2 2.1GHz 1M 65W 65nm G1 (models CTO)	43C3965	N	Y
2	Microprocessor, 4200+ Athlon64 AM2 X2 (2.2 GHz processor, 89W) (models CTO D1U D1F D1S D1P D1Y D2U D2F D2S D2P D2Y D3U D3F D4V D5U D5F)	41X1421	N	Y
2	Microprocessor, 4400+Athlon64 AM2 X2 2.3 GHz 1M 65W 65nm G1 (models CTO)	43C3507	N	Y
2	Microprocessor, 4600+ Athlon64 AM2 X2 (2.4 GHz processor, 89W) (models CTO)	41X1423	N	Y
2	Microprocessor, 4800+ Athlon AM2 X2 2.5GHz 1M 65W 65nm G1 (models CTO)	43C4093	N	Y
3	Memory module, 512 MB PC2-4200 (533MHz) DDR2 SDRAM (models CTO A1U A1F A2U A2F A6U A6F A6S A6P A6Y A7U A7F A7S A7P A7Y 24U 24F 25U 25F 26U 26F 31U 31S 31P 31Y 32U 32S 32P 32Y D1U D1F D1S D1P D1Y D2U D2F D2S D2P D2Y D3U D3F D4V D5U D5F 35U 35F 35S 35P 35Y 36G 37G 38U 38F 39U 39F 2BG 30G)	41X4251	1	Y
3	Memory module, 1 GB PC2-4200 (533MHz) DDR2 SDRAM (models CTO)	41X4252	1	Y
3	Memory module, 2GB PC2-4200 (533MHz) DDR2 SDRAM (models CTO)	41X4253	1	Y
3	Memory module, 512 MB PC2-5300 (667MHz) DDR2 SDRAM (models CTO 22K 22R 27S 27P 27Y 28S 28P 28Y 29S 29P 29Y 2AK 2AR)	41X4255	1	Y
3	Memory module, 1 GB PC2-5300 (667MHz) DDR2 SDRAM (models CTO 23K 23R)	41X4256	1	Y
3	Memory module, 2 GB PC2-5300 (667MHz) DDR2 SDRAM (models CTO)	41X4257	1	Y
4	DVD-ROM drive (16X/48X) (models CTO B1V 21V D4V)	41X3544	1	Y
4	DVD-ROM drive (16X/48X) (models CTO B1V 21V D4V)	41X3545	1	Y
4	DVD-ROM drive (16X/48X) (models CTO B1V 21V D4V)	41X3546	1	Y
4	Combo 48 -32 -48 -16 - - DVD - ROM - CDRW (models CTO A2U A2F A3S A3P A3Y A7U A7F A7S A7P A7Y 22K 22R 23K 23R 25U 25F 29S 29P 29Y 32U 32S 32P 32Y D2U D2F D2S D2P D2Y 2AK 2AR 35U 35F 35S 35P 35Y 39U 39F 2BG)	41X3547	1	Y
4	Combo 48 -32 -48 -16 - - DVD - ROM - CDRW (models CTO A2U A2F A3S A3P A3Y A7U A7F A7S A7P A7Y 22K 22R 23K 23R 25U 25F 29S 29P 29Y 32U 32S 32P 32Y D2U D2F D2S D2P D2Y 2AK 2AR 35U 35F 35S 35P 35Y 39U 39F 2BG)	41X3548	1	Y
4	Combo 48 -32 -48 -16 - - DVD - ROM - CDRW (models CTO A2U A2F A3S A3P A3Y A7U A7F A7S A7P A7Y 22K 22R 23K 23R 25U 25F 29S 29P 29Y 32U 32S 32P 32Y D2U D2F D2S D2P D2Y 2AK 2AR 35U 35F 35S 35P 35Y 39U 39F 2BG)	41X3549	1	Y
4	Combo 48 -32 -48 -16 - - DVD - ROM - CDRW --NON/VISTA (models CTO A2U A2F A3S A3P A3Y A7U A7F A7S A7P A7Y 22K 22R 23K 23R 25U 25F 29S 29P 29Y 32U 32S 32P 32Y D2U D2F D2S D2P D2Y 2AK 2AR 35U 35F 35S 35P 35Y 39U 39F 2BG A8U A8F A8S A8P A8Y 2ES 2EP 2EY 3BS 3BP 3BY 3DS 3DP 3DY 3EU 3EF D6S D6P D6Y)	42Y9368	1	Y

Item #	8991 FRUs	FRU#	CRU Tier	RoHS?
4	Combo 48 -32 -48 -16 - - DVD - ROM - CDRW --NON/VISTA (models CTO A2U A2F A3S A3P A3Y A7U A7F A7S A7P A7Y 22K 22R 23K 23R 25U 25F 29S 29P 29Y 32U 32S 32P 32Y D2U D2F D2S D2P D2Y 2AK 2AR 35U 35F 35S 35P 35Y 39U 39F 2BG A8U A8F A8S A8P A8Y 2ES 2EP 2EY 3BS 3BP 3BY 3DS 3DP 3DY 3EU 3EF D6S D6P D6Y)	42Y9369	1	Y
4	Combo 48 -32 -48 -16 - - DVD - ROM - CDRW --NON/VISTA (models CTO A2U A2F A3S A3P A3Y A7U A7F A7S A7P A7Y 22K 22R 23K 23R 25U 25F 29S 29P 29Y 32U 32S 32P 32Y D2U D2F D2S D2P D2Y 2AK 2AR 35U 35F 35S 35P 35Y 39U 39F 2BG A8U A8F A8S A8P A8Y 2ES 2EP 2EY 3BS 3BP 3BY 3DS 3DP 3DY 3EU 3EF D6S D6P D6Y)	41X7992	1	Y
4	DVD-Recorder (Rambo 8)-NON/VISTA (models CTO 26U 26F D3U D3F D5U D5F 36G 37G 30G 2DU 2DF 3CU 3CF D7U D7F 71G)	41N3343	1	Y
4	DVD-Recorder (Rambo 8)-NON/VISTA (models CTO 26U 26F D3U D3F D5U D5F 36G 37G 30G 2DU 2DF 3CU 3CF D7U D7F 71G)	41X3550	1	Y
4	DVD Recordable No Software / No Royalty for VISTA Models ONLY (models CTO 26U 26F D3U D3F D5U D5F 36G 37G 30G 2DU 2DF 3CU 3CF D7U D7F 71G)	42Y9370	1	Y
4	DVD Recordable No Software / No Royalty for VISTA Models ONLY (models CTO 26U 26F D3U D3F D5U D5F 36G 37G 30G 2DU 2DF 3CU 3CF D7U D7F 71G)	42Y9371	2	Y
4	DVD Recordable No Software / No Royalty for VISTA Models ONLY (models CTO 26U 26F D3U D3F D5U D5F 36G 37G 30G 2DU 2DF 3CU 3CF D7U D7F 71G)	42Y6017	2	Y
4	DVD Recordable No Software / No Royalty for VISTA Models ONLY (models CTO 26U 26F D3U D3F D5U D5F 36G 37G 30G 2DU 2DF 3CU 3CF D7U D7F 71G)	43C0144	2	Y
5	Diskette drive, 3,5", 1.44MB, 2 Mode,(w/bezel) (models CTO A4S A4P A4Y A5S A5P A5Y B1V 21V 27S 27P 27Y 28S 28P 28Y D4V B2S B2P B2Y 34S 34P 34Y)	40Y9105	2	Y
5	Diskette drive, 3,5", 1.44MB, 2 Mode (models CTO A4S A4P A4Y A5S A5P A5Y B1V 21V 27S 27P 27Y 28S 28P 28Y D4V B2S B2P B2Y 34S 34P 34Y)	40Y7107	2	Y
6	Bezel assembly (all models)	41N8052	2	Y
7	Power switch/LED assembly (all models)	41N5284	2	Y
8	Speaker assembly, soldered terminals (models CTO A1M A3M B1V 21V 22M 25M D1V D3M D5M)	39P5023	2	Y
9	Front audio/USB assembly (all models)	41N8054	2	Y
10	Hard disk drive, 40GB (7200RPM), Serial ATA (models CTO)	40Y9033	1	Y
10	Hard disk drive, 80GB (7200RPM), Serial ATA (models CTO A1U A1F A2U A2F A3S A3P A3Y A4S A4P A4Y A5S A5P A5Y A6U A6F A6S A6P A6Y A7U A7F A7S A7P A7Y B1V 21V 24U 24F 25U 25F 27S 27P 27Y 28S 28P 28Y 31U 31S 31P 31Y 32U 32S 32P 32Y D1U D1F D1S D1P D1Y D2U D2F D2S D2P D2Y D4V B2S B2P B2Y 2AK 2AR 34S 34P 34Y 35U 35F 35S 35P 35Y 38U 38F 2BG)	40Y9034	1	Y
10	Hard disk drive, 80GB 7200rpm SATA (only for China) (models B1V 21V D4V)	41X2500	1	Y
10	Hard disk drive, 160GB (7200RPM), Serial ATA (models CTO 22K 22R 26U 26F 29S 29P 29Y D3U D3F D5U D5F 39U 39F 30G)	40Y9035	1	Y
10	Hard disk drive, 250GB (7200RPM), Serial ATA (models CTO 36G 37G)	40Y9036	1	Y
10	Hard disk drive, 500GB (7200RPM), Serial ATA (models CTO)	41X5582	1	Y

Item #	8991 FRUs	FRU#	CRU Tier	RoHS?
11	System board, AMD for Vista and XP (models CTO A1U A1F A2U A2F A3S A3P A3Y A4S A4P A4Y A5S A5P A5Y A6U A6F A6S A6P A6Y A7U A7F A7S A7P A7Y B1V 21V 22K 22R 23K 23R 24U 24F 25U 25F 26U 26F 27S 27P 27Y 28S 28P 28Y 31U 31S 31P 31Y 32U 32S 32P 32Y D1U D1F D1S D1P D1Y D2U D2F D2S D2P D2Y D3U D3F D4V D5U D5F B2S B2P B2Y 2AK 2AR 34S 34P 34Y 35U 35F 35S 35P 35Y 36G 37G 38U 38F 39U 39F 2BG 30G A8U A8F A8S A8P A8Y 2DU 2DF 2ES 2EP 2EY 3BS 3BP 3BY 3CU 3CF 3DS 3DP 3DY 3EU 3EF D6S D6P D6Y D7U D7F 71G)	87H4658	N	Y
12	Fan, Rear w/ grommets & Grill (all models)	41N8079	2	Y
13	Power supply (300W) (models CTO)	41N3489	2	Y
13	Power supply (230W) (models CTO A1U A1F A2U A2F A6U A6F A7U A7F 22K 22R 23K 23R 24U 24F 25U 25F 26U 26F 31U 32U D1U D1F D2U D2F D3U D3F D5U D5F A3S A3P A3Y A4S A4P A4Y A5S A5P A5Y A6S A6P A6Y A7S A7P A7Y B1V 21V 27S 27P 27Y 28S 28P 28Y 29S 29P 29Y 31S 31P 31Y 32S 32P 32Y D1S D1P D1Y D2S D2P D2Y D4V 2AK 2AR 35U 35F 36G 37G 38U 38F 39U 39F 2BG 30G)	41N3094	2	Y
13	Power supply (250W) (models CTO A1U A1F A2U A2F A6U A6F A7U A7F 22K 22R 23K 23R 24U 24F 25U 25F 26U 26F 31U 32U D1U D1F D2U D2F D3U D3F D5U D5F A3S A3P A3Y A4S A4P A4Y A5S A5P A5Y A6S A6P A6Y A7S A7P A7Y B1V 21V 27S 27P 27Y 28S 28P 28Y 29S 29P 29Y 31S 31P 31Y 32S 32P 32Y D1S D1P D1Y D2S D2P D2Y D4V 2AK 2AR 35U 35F 36G 37G 38U 38F 39U 39F 2BG 30G)	41N3127	2	Y
13	Power supply (220V/250W/ATX12V - China) (models CTO B2S B2P B2Y 34S 34P 34Y 35S 35P 35Y)	41N3485	2	Y
13	Power Supply 5281-7VW-ROHS, 280W, Standard (models CTO)	41N3479	2	Y
13	Power Supply 5281-7VW-ROHS, 280W, Standard (models CTO)	41N3482	2	Y
13	Power Supply 310W standard only for Japan (models CTO)	24R2596	2	Y

The FRUs listed in the following tables are not illustrated.

8991 FRUs	FRU#	CRU Tier	RoHS?
4 PIN CABLE-SATA,2H 100mm LATCH(RoHs)PS cable (all models)	41R3300	1	Y
Cable SATA 250mm (RoHS) (all models)	41A7145	1	N
Thermal grease kit (all models)	91P8835	N	Y
Shield, 5.25 EMC (all models)	41N8080	2	Y
Cable, SATA (18" RoHs) (all models)	26K1186	2	Y
Cable, Serial (all models)	39K5021	2	
Shield, diskette drive EMC (all models)	41N8078	2	Y
Cable, Diskette drive (RoHs) (all models)	41A7182	2	Y
Cover, left side (all models)	41N8050	1	Y
Chassis assembly (all models)	41N8051	N	Y
System board I/O Shield - (all models)	41N8053	N	Y
Kit, Miscellaneous hardware (all models)	41N8055	2	Y
Retention Module Kit, RoHs (all models)	41N8056	2	Y
Cable, hard disk drive and optical signal (all models)	39M0516	1	

8991 FRUs	FRU#	CRU Tier	RoHS?
Front system fan (all models)	41R2519	1	
Retainer, Card Reader (all models)	41R2913	1	N
Front Fan AVC (all models)	41R4791	1	N
Optional HDD Bracket Assembly, without 4Pin cable (all models)	41R6106	1	N
Chassis assembly (all models)	41R2533	1	N
Retention module, AMD (all models)	41R2507	N	Y

8991 Keyboards (PS2 Preferred Pro)	FRU#	CRU Tier	RoHS?
US English (models A1U A2U A6U A7U 22R 23R 24U 25U 26U 31U 32U D1U D2U D3U D5U 2AR 35U 36G 37G 38U 39U 2BG 30G)	41A5039	1	Y
Arabic (models 36G 37G 2BG 30G)	41A5040	1	Y
Arabic/French (models 36G 37G 2BG 30G)	41A5041	1	Y
Belgian/French (models 36G 37G 2BG 30G)	41A5042	1	Y
Belgian/UK (models 36G 37G 2BG 30G)	41A5043	1	Y
Bulgarian (models 36G 37G 2BG 30G)	41A5045	1	Y
Hong Kong/Taiwan (models B1V 21V D4V)	41A5046	1	Y
Czech (models 36G 37G 2BG 30G)	41A5047	1	Y
Danish (models 36G 37G 2BG 30G)	41A5048	1	Y
Dutch (models 36G 37G 2BG 30G)	41A5049	1	Y
French (models 36G 37G 2BG 30G)	41A5050	1	Y
Hong Kong/Taiwan (models B1V 21V D4V)	41A5046	1	Y
French Canadian 445 (models A1F A2F A6F A7F 24F 25F 26F D1F D2F D3F D5F 35F 38F 39F)	41A5051	1	Y
French Canadian 58 (models A1F A2F A6F A7F 24F 25F 26F D1F D2F D3F D5F 35F 38F 39F)	41A5052	1	Y
German (models 36G 37G 2BG 30G)	41A5053	1	Y
Greek (models 36G 37G 2BG 30G)	41A5054	1	Y
Hebrew (models 36G 37G 2BG 30G)	41A5055	1	Y
Hungarian (models 36G 37G 2BG 30G)	41A5056	1	Y
Iceland (models 36G 37G 2BG 30G)	41A5057	1	Y
Italian (models 36G 37G 2BG 30G)	41A5058	1	Y
Korean (models 22K 23K 2AK)	41A5060	1	Y
LA Spanish (models A3S A3Y A4S A4Y A5S A5Y A6S A6Y A7S A7Y 27S 27Y 28S 28Y 29S 29Y 31S 31Y 32S 32Y D1S D1Y D2S D2Y B2S B2Y 34S 34Y 35S 35Y)	41A5061	1	Y
Norwegian (models 36G 37G 2BG 30G)	41A5062	1	Y
Polish (models 36G 37G 2BG 30G)	41A5063	1	Y
Portuguese (models 36G 37G 2BG 30G)	41A5064	1	Y
Romanian (models 36G 37G 2BG 30G)	41A5065	1	Y
Russian/Cyrilic (models 36G 37G 2BG 30G)	41A5066	1	Y
Serbian/Cyrilic (models 36G 37G 2BG 30G)	41A5067	1	Y

8991 Keyboards (PS2 Preferred Pro)	FRU#	CRU Tier	RoHS?
Slovak (models 36G 37G 2BG 30G)	41A5068	1	Y
Spanish (models 36G 37G 2BG 30G)	41A5069	1	Y
Swedish/Finn (models 36G 37G 2BG 30G)	41A5070	1	Y
Swiss F/G (models 36G 37G 2BG 30G)	41A5071	1	Y
Turkish 440 (models 36G 37G 2BG 30G)	41A5073	1	Y
Turkish 179 (models 36G 37G 2BG 30G)	41A5074	1	Y
UK English (models 36G 37G 2BG 30G)	41A5075	1	Y
US Euro (models 36G 37G 2BG 30G)	41A5076	1	Y
Slovenian (models 36G 37G 2BG 30G)	41A5077	1	Y
Brazil/Portuguese (models A3P A4P A5P A6P A7P 27P 28P 29P 31P 32P D1P D2P B2P 34P 35P)	41A5044	1	Y

8991 mice	FRU#	CRU Tier	RoHS?
Optical Wheel Mouse (400DPI, USB) (all models)	41U3013	1	Y
Optical Wheel Mouse (400DPI, USB) (all models)	41U3030	1	Y
PS/2 Three Button ball mouse (models CTO)	41R0018	1	Y
ScrollPoint Optical Mouse (800DPI, USB) (models CTO)	41U3019	1	Y

8991 Adapters and miscellaneous FRUs	FRU#	CRU Tier	RoHS?
USB2.0 MEMORY CARDREADER,6X2,ROHS OPTIONAL,Bitland (models CTO)	41R3378	2	Y
USB2.0 MEMORY CARDREADER,6X2,ROHS OPTIONAL, SONY (models CTO)	41R3376	2	Y
PCI Modem Card (Soft) (models CTO A2U A2F A7U A7F A7S A7P A7Y)	29R9729	2	Y
L1 IEEE 1394 PCI Adapter (models CTO)	41D2781	2	Y
Denver - ATI X300SE 128MB (models CTO)	39J9635	2	Y
Dongle Cable - DMS59 to dual VGA (models CTO)	41D2399	2	Y
Dongle Cable - DMS59 to dual VGA (included in Denver L1) (models CTO)	42Y8181	2	Y
Dongle DMS Dule DMS-59 to dual DVI cable (models CTO)	41X6398	2	Y
Dongle DMS Dule DMS-59 to single VGA and DVI cable (models CTO)	42Y8183	2	Y
Dongle DMS Dule DMS-59 to dual DVI cable (models CTO)	41X6398	2	Y
Nvidia GeForce 6200TC128MB 64bit (Full Height) (models CTO)	41X2668	2	Y
Nvidia GeForce 6200TC 64MB 32bit (models CTO)	41X2667	2	Y
Nvidia GeForce 7300LE 128MB 64bit (models CTO 23K 23R 37M)	41X2669	2	Y
Nvidia GeForce 7300LE 128MB 64bit LP / ATX with DMS59 (models CTO)	42Y8165	2	Y
ATI Radeon X1300PRO 256MB 128bit (models CTO)	41X2670	2	Y
ATI X1300LE 256M 64bit LP / ATX with DMS59 (models CTO)	42Y8162	2	Y
X1300 LE 256MB (models CTO)	42Y8159	2	Y
Internal USB Memory Card Reader (models CTO)	41D1934	2	Y
Wireless Keyboard (models CTO)	41A5219	2	Y
Wireless Mouse (models CTO)	41A5247	2	Y

8991 Adapters and miscellaneous FRUs	FRU#	CRU Tier	RoHS?
USB Transceiver for wireless kybd/mouse (models CTO)	41A5246	2	Y
BTL external speaker (models CTO)	41A5334	2	Y

8991 Power Cords	FRU#	CRU Tier	RoHS?
Power cord - US (models A1U A1F A2U A2F A3S A4S A5S A6U A6F A6S A7U A7F A7S 24U 24F 25U 25F 26U 26F 27S 28S 29S 31U 31S 32U 32S D1U D1F D1S D2U D2F D2S D3U D3F D5U D5F B2S 34S 35U 35F 35S 38U 38F 39U 39F)	39M5080	1	Y
Power cord - Brazil (models A3P A4P A5P A6P A7P 27P 28P 29P 31P 32P D1P D2P B2P 34P 35P)	39M5232	1	Y
Power cord - LA High Volt APU) (models A3Y A4Y A5Y A6Y A7Y 27Y 28Y 29Y 31Y 32Y D1Y D2Y B2Y 34Y 35Y)	39M5067	1	Y
Power cord - Korea (models 22K 22R 23K 23R 2AK 2AR)	39M5212	1	Y
Power Cord (UK, Ireland, Singapore, Malaysia, Brunei) (models 36G 37G 2BG 30G)	39M5150	1	Y
Power cord - Taiwan (models B1V 21V D4V)	39M5246	1	Y
Power cord - Italy (models A3S A3Y A4S A4Y A5S A5Y A6S A6Y A7S A7Y 27S 27Y 28S 28Y 29S 29Y 31S 31Y 32S 32Y D1S D1Y D2S D2Y B2S B2Y 34S 34Y 35S 35Y 36G 37G 2BG 30G)	39M5164	1	Y
Power Cord (G models) (models 36G 37G 2BG 30G)	39M5122	1	Y
Power Cord (Denmark) (models 36G 37G 2BG 30G)	39M5129	1	Y
Power Cord (Switzerland) (models 36G 37G 2BG 30G)	39M5157	1	Y
Power Cord (Israel) (models 36G 37G 2BG 30G)	39M5171	1	Y
Power Cord (South Africa) (models 36G 37G 2BG 30G)	39M5143	1	Y

8991 Windows XP Home Recovery CDs	FRU#	CRU Tier	RoHS?
US/UK/AP/TH (models 22R 23R 2AR 37G)	42Y3597	1	Y
FR/CF (models 37G)	42Y3598	1	Y
GR (models 37G)	42Y3599	1	Y
IT (models 37G)	42Y3601	1	Y
SP/LA (models A3S A3Y 37G)	42Y3600	1	Y
DK (models 37G)	42Y3604	1	Y
NL (models 37G)	42Y3804	1	Y
AE (models 37G)	42Y3808	1	Y
SV (models 37G)	42Y3603	1	Y
HE (models 37G)	42Y3805	1	Y
FI (models 37G)	42Y3802	1	Y
NO (models 37G)	42Y3803	1	Y
PL (models 37G)	42Y3806	1	Y
PO (models 37G)	42Y3812	1	Y
RU (models 37G)	42Y3809	1	Y
RE (models 37G)	42Y3801	1	Y

8991 Windows XP Home Recovery CDs	FRU#	CRU Tier	RoHS?
HU (models 37G)	42Y3811	1	Y
CZ (models 37G)	42Y3807	1	Y
TR (models 37G)	42Y3810	1	Y
GK (models 37G)	42Y3813	1	Y
Korean (models 22K 23K 2AK)	41W7773	1	Y

8991 Windows XP Pro Recovery CDs	FRU#	CRU Tier	RoHS?
US/UK/AP/TH (models A1U A2U A6U A7U 24U 25U 26U 31U 32U D1U D2U D3U D5U 35U 36G 38U 39U 2BG 30G)	42Y3549	1	Y
FR/CF (models A1F A2F A6F A7F 24F 25F 26F D1F D2F D3F D5F 35F 36G 38F 39F 2BG 30G)	42Y3550	1	Y
GR (models 36G 2BG 30G)	42Y3551	1	Y
IT (models 36G 2BG 30G)	42Y3553	1	Y
BR (models D2P 35P)	42Y3554	1	Y
SP/LA (models A5S A5Y A6S A6Y A7S A7Y 28S 28Y 29S 29Y 31S 31Y 32S 32Y D1S D1Y D2S D2Y B2S B2Y 34S 34Y 35S 35Y 36G 2BG 30G)	42Y3552	1	Y
DK (models 36G 2BG 30G)	42Y3556	1	Y
NL (models 36G 2BG 30G)	42Y3720	1	Y
AE (models 36G 2BG 30G)	42Y3724	1	Y
SV (models 36G 2BG 30G)	42Y3555	1	Y
HE (models 36G 2BG 30G)	42Y3721	1	Y
FI (models 36G 2BG 30G)	42Y3718	1	Y
NO (models 36G 2BG 30G)	42Y3719	1	Y
PL (models 36G 2BG 30G)	42Y3722	1	Y
PO (models 36G 2BG 30G)	42Y3728	1	Y
RU (models 36G 2BG 30G)	42Y3725	1	Y
RE (models 36G 2BG 30G)	42Y3717	1	Y
HU (models 36G 2BG 30G)	42Y3727	1	Y
CZ (models 36G 2BG 30G)	42Y3723	1	Y
TR (models 36G 2BG 30G)	42Y3726	1	Y
GK (models 36G 2BG 30G)	42Y3729	1	Y
SL (models 36G 2BG 30G)	42Y3730	1	Y
Taiwan - TC (models B1V 21V D4V)	41W7757	1	Y
Multilingual 1 (models 36G 2BG 30G)	42Y3645	1	Y
Multilingual 2 (models 36G 2BG 30G)	42Y3879	1	Y

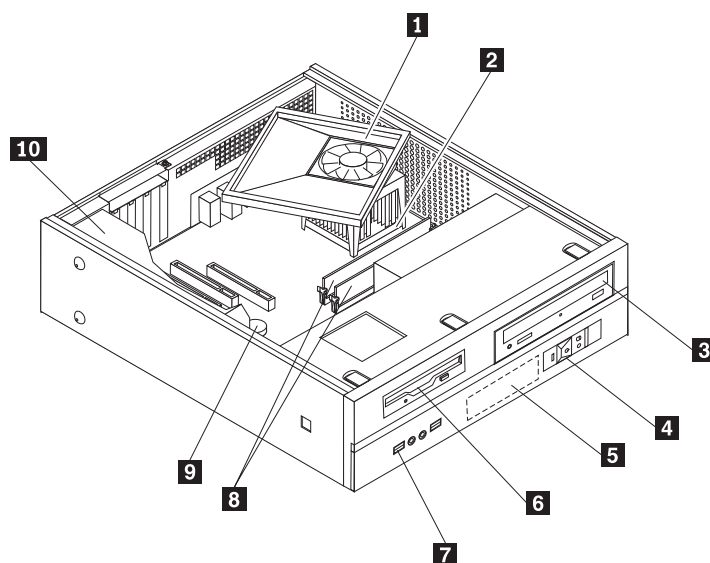
8991 Vista Home Basic 32 Recovery DVDs	FRU#	CRU Tier
US/UK/AP/TH (models)	87H4420	1
FR/CF (models)	87H4421	1
GR (models)	87H4422	1

8991 Vista Home Basic 32 Recovery DVDs	FRU#	CRU Tier
SP/LA (models)	87H4423	1
BR (models)	87H4424	1
IT (models)	87H4425	1
JP (models)	87H4426	1
NO (models)	87H4427	1
SV (models)	87H4428	1
DK (models)	87H4429	1
NL (models)	87H4430	1
CZ (models)	87H4431	1
FI (models)	87H4432	1
PL (models)	87H4433	1
RU (models)	87H4434	1
TR (models)	87H4435	1
HU (models)	87H4436	1
GK (models)	87H4437	1
PO (models)	87H4438	1
CS (models)	87H4439	1
TW (models)	87H4440	1
HK (models)	87H4441	1
KR (models)	87H4442	1
SL (models)	87H4443	1
RE (models)	43C1306	1

8991 Vista Business 32 Recovery DVDs	FRU#	CRU Tier
US/UK/AP/TH (models)	87H4476	1
FR/CF (models)	87H4477	1
GR (models)	87H4478	1
SP/LA (models)	87H4479	1
BR (models)	87H4480	1
IT (models)	87H4481	1
JP (models)	87H4482	1
NO (models)	87H4483	1
SV (models)	87H4484	1
DK (models)	87H4485	1
NL (models)	87H4486	1
CZ (models)	87H4487	1
FI (models)	87H4488	1
PL (models)	87H4489	1
RU (models)	87H4490	1
TR (models)	87H4491	1
HU (models)	87H4492	1

8991 Vista Business 32 Recovery DVDs	FRU#	CRU Tier
GK (models)	87H4493	1
PO (models)	87H4494	1
CS (models)	87H4495	1
TW (models)	87H4496	1
HK (models)	87H4497	1
KR (models)	87H4498	1
SL (models)	87H4499	1
RE (models)	43C1308	1

Machine Type 8992



Item #	8992 FRUs	FRU#	CRU Tier	RoHS?
1	Heatsink for Intel processors (all models)	41N8261	N	Y
1	Heatsink for Intel processors (models CTO)	41R4803	N	Y
2	Microprocessor, Celeron D 2.66GHz 533MHz FSB 256KB L2 (models CTO)	41T1694	N	Y
2	Microprocessor, Celeron D 2.80GHz 533MHz FSB 256KB L2 (models CTO A1S A1D A1Y A1B A1H A2J A3J A4J A5J A6J A7J A8J A9J AAJ ABJ ACJ ADJ)	41T1695	N	Y
2	Microprocessor, Celeron D 2.93GHz 533MHz FSB 256KB L2 (models CTO)	41T1696	N	Y
2	Microprocessor, Celeron D 3.06GHz 533MHz FSB 256KB L2 (models CTO B1S B1Y B2J B3J B4J B5J B6J B7J B8J B9J BAJ BBJ BCJ BDJ 73G)	41T1697	N	Y
2	Microprocessor, Celeron D 3.20GHz 533MHz FSB 256KB L2 (models CTO)	41T1698	N	Y
2	Microprocessor, Celeron D 3.20GHz 533MHz FSB 512KB L2 (models CTO 71G)	41T4966	N	Y
2	Microprocessor, Celeron D 3.33GHz 533MHz FSB 512KB L2 (models CTO)	41T4968	N	Y
2	Microprocessor, Celeron 430 CONROE-L 800/1800MHZ-512K,LGA,EM64T (models CTO)	43C1964	N	Y
2	Microprocessor, Celeron 440 CONROE-L 800/2000MHZ-512K,LGA,EM64T (models CTO)	43C1965	N	Y
2	Microprocessor, Pentium 4 3.06 GHz 533 FSB 1MB L2 (models CTO 21J 22J 23J 24J 25J 26J 27J 28J 29J 2AJ 2BJ 2CS 2CY)	41T4104	N	Y
2	Microprocessor, Pentium 4 3.0 GHz 800 FSB 1MB L2 (models CTO 31S 31Y)	41T1701	N	Y
2	Microprocessor, Pentium 4 3.2 GHz 800 FSB 1MB L2 (models CTO 32S 32Y)	41T1702	N	Y
2	Microprocessor, Pentium 4 3.0 GHz 800 FSB 2MB L2 (models CTO)	41T1709	N	Y
2	Microprocessor, Pentium 4 3.0 GHz 800 FSB 2MB L2 (models CTO 52S 52Y 53B 53H 55K 55R 56K 56R)	41T1712	N	Y
2	Microprocessor, Pentium 4 3.2 GHz 800 FSB 2MB L2 (models CTO)	41T1713	N	Y

Item #	8992 FRUs	FRU#	CRU Tier	RoHS?
2	Microprocessor, Pentium 4 3.4 GHz 800 FSB 2MB L2 (models CTO 81B 81H 81V)	41T1714	N	Y
2	Microprocessor, Pentium 4 661 Processor 3.6 GHz 800 FSB 2MB L2 B1-Value (models CTO)	41T1715	N	Y
2	Microprocessor, Pentium 4 2.8 GHz 800 FSB 2MB L2 (models CTO D1C D1B D1H D1J D3S D3Y D3J D4J D5J D6J D7J D8J D9J DAJ DBJ DCJ DDJ 74G)	41T1704	N	Y
2	Microprocessor, Pentium D 3.0 GHz 800 FSB 2Mx2 L2 (models CTO)	41X2413	N	Y
2	Microprocessor, Pentium D 3.0 GHz 800 FSB 2Mx2 L2 (models CTO G1B G1H)	41T1717	N	Y
2	Microprocessor, Pentium D 935 3.2 GHz 800 FSB 2MBx2 L2 C1-Value (95W) (models CTO)	41X8050	N	Y
2	Microprocessor, E6300 B2 CONROE 1066/1860MHZ-2M, LGA, EM64T (models CTO 7CG)	41X2495	N	Y
2	Microprocessor, E2140 CONROE-L 800/1600MHZ-1M, LGA, EM64T (models CTO)	43C1967	N	Y
2	Microprocessor, E2160 CONROE-L 800/1600MHZ-1M, LGA, EM64T (models CTO)	43C1968	N	Y
2	Microprocessor, E4300 CONROE 800/1800MHZ-2M, LGA, EM64T (models CTO)	42Y8009	N	Y
2	Microprocessor, E4400 CONROE 800/2000MHZ-2M, LGA, EM64T L2 (models CTO)	43C2056	N	Y
2	Microprocessor, E6400 B2 CONROE 1066/2130MHZ-2M, LGA, EM64T (models CTO)	41X2496	N	Y
2	Microprocessor, E6600 B2 CONROE 1066/2400MHZ-4M, LGA, EM64T (models CTO)	41X5743	N	Y
2	Microprocessor, E6700 B2 CONROE 1066/2670MHZ-4M, LGA, EM64T (models CTO)	41X5744	N	Y
3	DVD-ROM drive (16X/48X) (models CTO 73G 74G J2S J2P J2Y J3S J3P J3Y J4S J4P J4Y)	41X3544	2	Y
3	DVD-ROM drive (16X/48X) (models CTO 73G 74G J2S J2P J2Y J3S J3P J3Y J4S J4P J4Y)	41X3545	2	Y
3	DVD-ROM drive (16X/48X) (models CTO 73G 74G J2S J2P J2Y J3S J3P J3Y J4S J4P J4Y)	41X3546	2	Y
3	Combo 48 -32 -48 -16 - - DVD - ROM - CDRW (models CTO 52S 52Y 53B 53H 55K 55R 56K 56R D1C D1B D1H A4J A5J A8J A9J AAJ ABJ B4J B5J B8J B9J BAJ BBJ 22J 23J 26J 27J 28J 29J 32S 32Y D1J D5J D8J D9J DAJ DBJ)	41X3547	2	Y
3	Combo 48 -32 -48 -16 - - DVD - ROM - CDRW (models CTO 52S 52Y 53B 53H 55K 55R 56K 56R D1C D1B D1H A4J A5J A8J A9J AAJ ABJ B4J B5J B8J B9J BAJ BBJ 22J 23J 26J 27J 28J 29J 32S 32Y D1J D5J D8J D9J DAJ DBJ)	41X3548	2	Y
3	Combo 48 -32 -48 -16 - - DVD - ROM - CDRW (models CTO 52S 52Y 53B 53H 55K 55R 56K 56R D1C D1B D1H A4J A5J A8J A9J AAJ ABJ B4J B5J B8J B9J BAJ BBJ 22J 23J 26J 27J 28J 29J 32S 32Y D1J D5J D8J D9J DAJ DBJ)	41X3549	2	Y
3	Combo 48 -32 -48 -16 - - DVD - ROM - CDRW --NON/VISTA (models CTO 52S 52Y 53B 53H 55K 55R 56K 56R D1C D1B D1H A4J A5J A8J A9J AAJ ABJ B4J B5J B8J B9J BAJ BBJ 22J 23J 26J 27J 28J 29J 32S 32Y D1J D5J D8J D9J DAJ DBJ J1S J1P J1Y)	42Y9368	1	Y

Item #	8992 FRUs	FRU#	CRU Tier	RoHS?
3	Combo 48 -32 -48 -16 - - DVD - ROM - CDRW --NON/VISTA (models CTO 52S 52Y 53B 53H 55K 55R 56K 56R D1C D1B D1H A4J A5J A8J A9J AAJ ABJ B4J B5J B8J B9J BAJ BBJ 22J 23J 26J 27J 28J 29J 32S 32Y D1J D5J D8J D9J DAJ DBJ J1S J1P J1Y)	42Y9369	1	Y
3	Combo 48 -32 -48 -16 - - DVD - ROM - CDRW --NON/VISTA (models CTO 52S 52Y 53B 53H 55K 55R 56K 56R D1C D1B D1H A4J A5J A8J A9J AAJ ABJ B4J B5J B8J B9J BAJ BBJ 22J 23J 26J 27J 28J 29J 32S 32Y D1J D5J D8J D9J DAJ DBJ J1S J1P J1Y)	41X7992	1	Y
3	DVD-Recorder (Rambo 8)-NON/VISTA (models CTO 81B 81H 81V G1B G1H 71G ACJ ADJ BCJ BDJ 2AJ 2BJ DCJ DDJ)	41N3343	2	Y
3	DVD-Recorder (Rambo 8)-NON/VISTA (models CTO 81B 81H 81V G1B G1H 71G ACJ ADJ BCJ BDJ 2AJ 2BJ DCJ DDJ)	41X3550	2	Y
3	DVD Recordable No Software / No Royalty for VISTA Models ONLY (models CTO 81B 81H 81V G1B G1H 71G ACJ ADJ BCJ BDJ 2AJ 2BJ DCJ DDJ)	42Y9370	1	Y
3	DVD Recordable No Software / No Royalty for VISTA Models ONLY (models CTO 81B 81H 81V G1B G1H 71G ACJ ADJ BCJ BDJ 2AJ 2BJ DCJ DDJ)	42Y9371	2	Y
3	DVD Recordable No Software / No Royalty for VISTA Models ONLY (models CTO 81B 81H 81V G1B G1H 71G ACJ ADJ BCJ BDJ 2AJ 2BJ DCJ DDJ)	42Y6017	2	Y
3	DVD Recordable No Software / No Royalty for VISTA Models ONLY (models CTO 81B 81H 81V G1B G1H 71G ACJ ADJ BCJ BDJ 2AJ 2BJ DCJ DDJ)	43C0144	2	Y
4	Front Power/LED PC, bracket, and cable (all models)	41N8213	N	Y
5	Hard disk drive, 40GB (7200RPM), Serial ATA (models CTO)	40Y9033	2	Y
5	Hard disk drive, 80GB (7200RPM), Serial ATA (models CTO A1S A1D A1Y A2J A3J A4J A5J B1S B1Y B1B B1H 52C 52B 52H D7U D7F 71G 72G B2J B3J B4J B5J 21B 21H 21J 22J 23J 24J 2DS 2DY D9J DAJ DBJ H1C H1V 73G 74G 75G)	40Y9034	2	Y
5	Hard disk drive, 80GB 7200rpm SATA (only for China) (models A1B A1H D1C D1B D1H)	41X2500	1	Y
5	Hard disk drive, 160GB (7200RPM), Serial ATA (models CTO A6J A7J A8J A9J 51S 51P 51Y 53K 53R 61B 61H 61V G1U G1F G3B G3H B6J B7J B8J B9J 25J 26J 27J 28J DCJ DDJ DEJ DFJ F5K F5R F6S F6P F6Y F7U F7F F8C F8B F8H F8K F8R H2U H2F 76G)	40Y9035	2	Y
5	Hard disk drive, 250GB (7200RPM), Serial ATA (models CTO AAJ ABJ ACJ ADJ 54K 54R 55K 55R D2J D3J D4J D5J D8U D8F BAJ BBJ BCJ BDJ 29J 2AJ 2BJ 2CJ)	40Y9036	2	Y
5	Hard disk drive, 500GB (7200RPM), Serial ATA (models CTO)	41X5582	2	Y
6	Diskette drive, 3,5", 1.44MB, 2-mode, (w/bezel) (models CTO A1S A1D A1Y A2J A3J A4J A5J A6J A7J A8J A9J AAJ ABJ ACJ ADJ B1S B1Y B1B B1H 52C 52B 52H 53K 53R 54K 54R 55K 55R 61B 61H 61V D2J D3J D4J D5J G3B G3H B2J B3J B4J B5J B6J B7J B8J B9J BAJ BBJ BCJ BDJ 21B 21H 21J 22J 23J 24J 25J 26J 27J 28J 29J 2AJ 2BJ 2CJ 2DS 2DY D1J D9J DAJ DBJ DCJ DDJ DEJ DFJ F5K F5R F8C F8B F8H F8K F8R H1C H1V 73G 74G 75G 76G)	40Y9105	2	Y

Item #	8992 FRUs	FRU#	CRU Tier	RoHS?
6	Diskette drive, 3,5", 1.44MB, 2-mode (models CTO A1S A1D A1Y A1B A1H B1S B1Y 53B 53H 81B 81H 81V D1C D1B D1H G1B G1H A2J A3J A4J A5J A6J A7J A8J A9J AAJ ABJ ACJ ADJ B2J B3J B4J B5J B6J B7J B8J B9J BAJ BBJ BCJ BDJ 21J 22J 23J 24J 25J 26J 27J 28J 29J 2AJ 2BJ 2CS 2CY 31S 31Y D1J D3S D3Y D3J D4J D5J D6J D7J D8J D9J DAJ DBJ DCJ DDJ)	40Y7107	2	Y
7	Front USB/Audio with bracket (all models)	41N8212	N	Y
8	Memory module, 512 MB PC2-4200 (533MHz) DDR2 SDRAM (models CTO A2J A3J A4J A5J A6J A7J A8J A9J AAJ ABJ ACJ ADJ 51S 51P 51Y 52C 52B 52H 61B 61H 61V D2J D3J D4J D5J D7U D7F D8U D8F G1U G1F G3B G3H 71G 72G B2J B3J B4J B5J B6J B7J B8J B9J BAJ BBJ BCJ BDJ 21B 21H 21J 22J 23J 24J 25J 26J 27J 28J 29J 2AJ 2BJ 2CJ D1J D9J DAJ DBJ DCJ DDJ DEJ DFJ F6S F6P F6Y H1C H1V H2U H2F 73G 74G 75G 76G)	41X4251	2	Y
8	Memory module, 1 GB PC2-4200 (533MHz) DDR2 SDRAM (models CTO)	41X4252	2	Y
8	Memory module, 512 MB PC2-5300 (667MHz) DDR2 SDRAM (models CTO 53K 53R 54K 54R 55K 55R F5K F5R F7U F7F F8C F8B F8H F8K F8R)	41X4255	2	Y
8	Memory module, 1 GB PC2-5300 (667MHz) DDR2 SDRAM (models CTO)	41X4256	2	Y
9	System board, SiS 662 Gig E Sys Planar for Vista and XP (models CTO A1S A1D A1Y A1B A1H B1S B1Y 52S 52Y 53B 53H 55K 55R 56K 56R 81B 81H 81V D1C D1B D1H G1B G1H 71G A2J A3J A4J A5J A6J A7J A8J A9J AAJ ABJ ACJ ADJ B2J B3J B4J B5J B6J B7J B8J B9J BAJ BBJ BCJ BDJ 21J 22J 23J 24J 25J 26J 27J 28J 29J 2AJ 2BJ 2CS 2CY 31S 31Y 32S 32Y D1J D3S D3Y D3J D4J D5J D6J D7J D8J D9J DAJ DBJ DCJ DDJ 73G 74G J1S J1P J1Y J2S J2P J2Y J3S J3P J3Y J4S J4P J4Y) Note: When ordering a new system board, you must also order a new retention module for the heat sink.	87H4657	N	Y
10	220W Small desktop power supply (non-smokeless) (models CTO A1S A1D A1Y B1S B1Y 51S 51P 51Y 53K 53R 54K 54R 55K 55R 61V D7U D7F D8U D8F G1U G1F 71G 72G 2DS 2DY F5K F5R F6S F6P F6Y F7U F7F F8K F8R H1V H2U H2F 73G 74G 75G 76G)	41N3109	N	Y
10	220W Small desktop power supply (smokeless - Japanese) (models A2J A3J A4J A5J A6J A7J A8J A9J AAJ ABJ ACJ ADJ D2J D3J D4J D5J B2J B3J B4J B5J B6J B7J B8J B9J BAJ BBJ BCJ BDJ 21J 22J 23J 24J 25J 26J 27J 28J 29J 2AJ 2BJ 2CJ D1J D9J DAJ DBJ DCJ DDJ DEJ DFJ)	41N3119	N	Y
10	220 Watt Power Supply - China (models CTO-A B1B B1H 52C 52B 52H 61B 61H G3B G3H 21B 21H F8C F8B F8H H1C)	41N3493	N	Y
10	220 Watt Power Supply - WW (models CTO A1S A1D A1Y B1S B1Y 52S 52Y 55K 55R 56K 56R 81V 71G 2CS 2CY 31S 31Y 32S 32Y D3S D3Y 73G 74G)	41A9655	N	Y
10	220 Watt Power Supply - China (models CTO-A A1B A1H 53B 53H 81B 81H D1C D1B D1H G1B G1H)	41A9652	N	Y

The FRUs listed in the following tables are not illustrated.

8992 FRUs	FRU#	CRU Tier	RoHS?
1 drop IDE cable (all models)	41A7158	N	Y
Thermal grease kit (models CTO)	91P8835	N	Y
Shield, EMC, system board (all models)	41N5347	N	Y
Cable, Serial ATA, 250 mm (all models)	41A7145	N	Y

8992 FRUs	FRU#	CRU Tier	RoHS?
Shield, EMC, blank 5.25in. drive bay (all models)	41N8271	N	Y
Shield, EMC, blank diskette drive bay (all models)	41N8273	N	Y
Cover (all models)	41N8204	2	Y
Mechanical shell kit (all models)	41N8205	2	Y
Bezel kit (all models)	41N8206	N	Y
Miscellaneous hardware kit (all models)	41N8209	N	Y
Hard disk drive bracket asm (plastic and grommets) (all models)	41N8210	N	Y
Hard disk drive fan and bracket asm (all models)	41N8211	N	Y
Speaker cable asm, 600 mm cable length (all models)	41N8217	N	Y
Serial port Cable (all models)	39K5021	N	Y
Fan duct assembly (all models)	41A7151	N	Y
Fan duct assembly (all models)	41R4808	N	Y
Rear USB cable asm (with low profile PCI bracket) (all models)	41N8267	N	
Rear USB 2Ports II HP(R), high profile I/O, 300mm, Rohs (all models)	42Y8005	N	Y
Rear USB 2Ports II LP(R), low profile I/O, 200mm, Rohs (all models)	42Y8006	N	Y
Rear Com2 cable II HP(R), high profile I/O, 250mm, Rohs (all models)	42Y8007	N	Y
Rear Com2 cable II LP(R), low profile I/O, 250mm, Rohs (all models)	42Y8008	N	Y
Foot stand (all models)	41R4813	N	Y
Retention module, Intel (all models)	41A7139	N	Y

8992 Keyboards (Lenovo Preferred Pro fullsize, Black)	FRU#	CRU Tier	RoHS?
US English (models B1H 52C 52H 53R 54R 55R 61H D7U D8U G1U G3H 71G 72G 21H F5R F7U F8C F8H F8R H1C H2U 73G 74G 75G 76G)	41A5039	1	Y
Arabic (models 71G 72G 73G 74G 75G 76G)	41A5040	1	Y
Arabic/French (models 71G 72G 73G 74G 75G 76G)	41A5041	1	Y
Belgian/French (models 71G 72G 73G 74G 75G 76G)	41A5042	1	Y
Belgian/UK (models 71G 72G 73G 74G 75G 76G)	41A5043	1	Y
Bulgarian (models 71G 72G 73G 74G 75G 76G)	41A5045	1	Y
Hong Kong/Taiwan (models B1B 52B 61B 61V G3B 21B F8B H1V)	41A5046	1	Y
Czech (models 71G 72G 73G 74G 75G 76G)	41A5047	1	Y
Danish (models 71G 72G 73G 74G 75G 76G)	41A5048	1	Y
Dutch (models 71G 72G 73G 74G 75G 76G)	41A5049	1	Y
French (models 71G 72G 73G 74G 75G 76G)	41A5050	1	Y
French Canadian 445 (models D7F D8F G1F F7F H2F)	41A5051	1	Y
French Canadian 58 (models D7F D8F G1F F7F H2F)	41A5052	1	Y
German (models 71G 72G 73G 74G 75G 76G)	41A5053	1	Y
Greek (models 71G 72G 73G 74G 75G 76G)	41A5054	1	Y
Hebrew (models 71G 72G 73G 74G 75G 76G)	41A5055	1	Y
Hungarian (models 71G 72G 73G 74G 75G 76G)	41A5056	1	Y
Iceland (models 71G 72G 73G 74G 75G 76G)	41A5057	1	Y

8992 Keyboards (Lenovo Preferred Pro fullsize, Black)	FRU#	CRU Tier	RoHS?
Italian (models 71G 72G 73G 74G 75G 76G)	41A5058	1	Y
Japanese (models A2J A3J A4J A5J A6J A7J A8J A9J AAJ ABJ ACJ ADJ D2J D3J D4J D5J B2J B3J B4J B5J B6J B7J B8J B9J BAJ BBJ BCJ BDJ 21J 22J 23J 24J 25J 26J 27J 28J 29J 2AJ 2BJ 2CJ D1J D9J DAJ DBJ DCJ DDJ DEJ DFJ)	41A5059	1	Y
Korean (models 53K 54K 55K F5K F8K)	41A5060	1	Y
LA Spanish (models A1S A1D A1Y B1S B1Y 51S 51Y 2DS 2DY F6S F6Y)	41A5061	1	Y
Norwegian (models 71G 72G 73G 74G 75G 76G)	41A5062	1	Y
Polish (models 71G 72G 73G 74G 75G 76G)	41A5063	1	Y
Portuguese (models 71G 72G 73G 74G 75G 76G)	41A5064	1	Y
Romanian (models 71G 72G 73G 74G 75G 76G)	41A5065	1	Y
Russian/Cyrilic (models 71G 72G 73G 74G 75G 76G)	41A5066	1	Y
Serbian/Cyrilic (models 71G 72G 73G 74G 75G 76G)	41A5067	1	Y
Slovak (models 71G 72G 73G 74G 75G 76G)	41A5068	1	Y
Spanish (models 71G 72G 73G 74G 75G 76G)	41A5069	1	Y
Swedish/Finn (models 71G 72G 73G 74G 75G 76G)	41A5070	1	Y
Swiss F/G (models 71G 72G 73G 74G 75G 76G)	41A5071	1	Y
Turkish 440 (models 71G 72G 73G 74G 75G 76G)	41A5073	1	Y
Turkish 179 (models 71G 72G 73G 74G 75G 76G)	41A5074	1	Y
UK English (models 71G 72G 73G 74G 75G 76G)	41A5075	1	Y
US Euro (models 71G 72G 73G 74G 75G 76G)	41A5076	1	Y
Slovenian (models 71G 72G 73G 74G 75G 76G)	41A5077	1	Y
Brazil/Portuguese (models 51P F6P)	41A5044	1	Y

8992 mice	FRU#	CRU Tier	RoHS?
Optical Wheel Mouse (400DPI, USB) (all models)	41U3013	1	Y
Optical Wheel Mouse (400DPI, USB) (all models)	41U3030	1	Y
PS/2 Three Button ball mouse (models CTO)	41R0018	1	Y
ScrollPoint Optical Mouse (800DPI, USB) (models CTO)	41U3019	1	Y

8992 Adapters and miscellaneous FRUs	FRU#	CRU Tier	RoHS?
USB2.0 MEMORY CARDREADER,6X2,ROHS OPTIONAL,Bitland (models CTO)	41R3378	2	Y
USB2.0 MEMORY CARDREADER,6X2,ROHS OPTIONAL, SONY (models CTO)	41R3376	2	Y
PCI Modem Card (Soft) (models CTO)	29R9729	2	Y
L1 IEEE 1394 PCI Adapter (models CTO 55K 55R 56K 56R)	41D2781	2	Y
Denver - ATI X300SE 128MB (models CTO 55K 55R 56K 56R)	39J9635	2	Y
Dongle Cable - DMS59 to dual VGA (models CTO)	41D2399	2	Y
Dongle Cable - DMS59 to dual VGA (included in Denver L1) (models CTO)	42Y8181	2	Y
Dongle DMS Dule DMS-59 to dual DVI cable (models CTO)	41X6398	2	Y
Dongle DMS Dule DMS-59 to single VGA and DVI cable (models CTO)	42Y8183	2	Y

8992 Adapters and miscellaneous FRUs	FRU#	CRU Tier	RoHS?
Dongle DMS Dule DMS-59 to dual DVI cable (models CTO)	41X6398	2	Y
Nvidia GeForce 6200TC128MB 64bit (Full Height) (models CTO)	41X2668	2	Y
Nvidia GeForce 6200TC 64MB 32bit (models CTO)	41X2667	2	Y
Nvidia GeForce 7300LE 128MB 64bit (models CTO)	41X2669	2	Y
Nvidia GeForce 7300LE 128MB 64bit LP / ATX with DMS59 (models CTO)	42Y8165	2	Y
ATI Radeon X1300PRO 256MB 128bit (models CTO)	41X2670	2	Y
ATI X1300LE 256M 64bit LP / ATX with DMS59 (models CTO)	42Y8162	2	Y
X1300 LE 256MB (models CTO)	42Y8159	2	Y
Internal USB Memory Card Reader (models CTO)	41D1934	2	Y
Wireless Keyboard (models CTO)	41A5219	2	Y
Wireless Mouse (models CTO)	41A5247	2	Y
USB Transceiver for wireless kybd/mouse (models CTO)	41A5246	2	Y
BTL external speaker (models CTO)	41A5334	2	Y

8992 Power Cords	FRU#	CRU Tier	RoHS?
Power cord - US (models A1S A1D B1S 52S 2CS 31S 32S D3S)	39M5080	1	Y
Power cord - China (models D1C)	39M5205	1	Y
Power cord - Japan (models A2J A3J A4J A5J A6J A7J A8J A9J AAJ ABJ ACJ ADJ B2J B3J B4J B5J B6J B7J B8J B9J BAJ BBJ BCJ BDJ 21J 22J 23J 24J 25J 26J 27J 28J 29J 2AJ 2BJ D1J D3J D4J D5J D6J D7J D8J D9J DAJ DBJ DCJ DDJ)	39M5193	1	Y
Power cord - LA High Volt (APU) (models A1Y B1Y 52Y 2CY 31Y 32Y D3Y)	39M5067	1	Y
Power cord - Korea (models 55K 55R 56K 56R)	39M5212	1	Y
Power cord - Hong Kong (models A1B A1H 53B 53H 81B 81H D1B D1H G1B G1H)	39M5151	1	Y
Power cord - UK, Ireland, Singapore, Malaysia, Brunei (models 71G 73G 74G)	39M5150	1	Y
Power cord - Taiwan (models 81V)	39M5246	1	Y
Power cord - Italy (models A1S A1Y B1S B1Y 52S 52Y 71G 2CS 2CY 31S 31Y 32S 32Y D3S D3Y 73G 74G)	39M5164	1	Y
Power cord - G models (models 71G 73G 74G)	39M5122	1	Y
Power cord - Denmark (models 71G 73G 74G)	39M5129	1	Y
Power cord - Switzerland (models 71G 73G 74G)	39M5157	1	Y
Power cord - Israel (models 71G 73G 74G)	39M5171	1	Y
Power cord - South Africa (models 71G 73G 74G)	39M5143	1	Y

8992 Windows XP Home Recovery CDs	FRU#	CRU Tier	RoHS?
US/UK/AP/TH (models 55R 56R)	42Y3597	1	Y
Korea (models 55K 56K)	41W7773	1	Y

8992 Windows XP Pro Recovery CDs	FRU#	CRU Tier	RoHS?
US/UK/AP/TH (models A1H 53H 81H D1H G1H 71G 73G 74G)	42Y3549	1	Y
FR/CF (models A1F A2F A6F A7F 24F 25F 26F D1F D2F D3F D5F 35F 36G 38F 39F 2BG 30G)	42Y3550	1	Y
GR (models 71G 73G 74G)	42Y3551	1	Y
IT (models 71G 73G 74G)	42Y3553	1	Y
SP/LA (models A1S A1D A1Y B1S B1Y 52S 52Y 71G 2CS 2CY 31S 31Y 32S 32Y D3S D3Y 73G 74G)	42Y3552	1	Y
DK (models 71G 73G 74G)	42Y3556	1	Y
NL (models 71G 73G 74G)	42Y3720	1	Y
AE (models 71G 73G 74G)	42Y3724	1	Y
SV (models 71G 73G 74G)	42Y3555	1	Y
HE (models 71G 73G 74G)	42Y3721	1	Y
FI (models 71G 73G 74G)	42Y3718	1	Y
NO (models 71G 73G 74G)	42Y3719	1	Y
PL (models 71G 73G 74G)	42Y3722	1	Y
PO (models 71G 73G 74G)	42Y3728	1	Y
RU (models 71G 73G 74G)	42Y3725	1	Y
RE (models 71G 73G 74G)	42Y3717	1	Y
HU (models 71G 73G 74G)	42Y3727	1	Y
CZ (models 71G 73G 74G)	42Y3723	1	Y
TR (models 71G 73G 74G)	42Y3726	1	Y
GK (models 71G 73G 74G)	42Y3729	1	Y
SL (models 71G 73G 74G)	42Y3730	1	Y
Japanese (models A2J A3J A4J A5J A6J A7J A8J A9J AAJ ABJ ACJ ADJ B2J B3J B4J B5J B6J B7J B8J B9J BAJ BBJ BCJ BDJ 21J 22J 23J 24J 25J 26J 27J 28J 29J 2AJ 2BJ D1J D3J D4J D5J D6J D7J D8J D9J DAJ DBJ DCJ DDJ)	41W7767	1	Y
Simplified Chinese (models D1C)	41W7751	1	Y
Taiwan - TC (models B1V 21V D4V)	41W7757	1	Y
Hong Kong-TC (models)	41W7762	1	Y
Multilingual 1 (models 71G 73G 74G)	42Y3645	1	Y
Multilingual 2 (models 71G 73G 74G)	42Y3879	1	Y

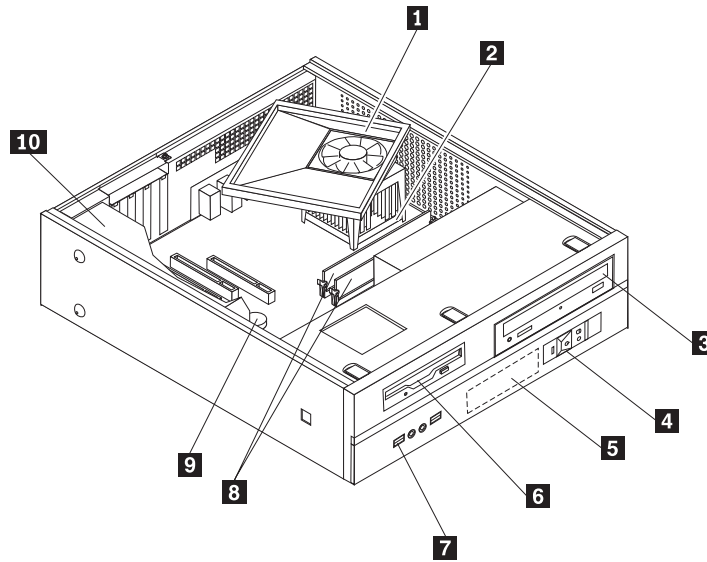
8992 Vista Home Basic 32 Recovery DVDs	FRU#	CRU Tier
US/UK/AP/TH (models)	87H4420	1
FR/CF (models)	87H4421	1
GR (models)	87H4422	1
SP/LA (models)	87H4423	1
BR (models)	87H4424	1
IT (models)	87H4425	1
JP (models)	87H4426	1
NO (models)	87H4427	1

8992 Vista Home Basic 32 Recovery DVDs	FRU#	CRU Tier
SV (models)	87H4428	1
DK (models)	87H4429	1
NL (models)	87H4430	1
CZ (models)	87H4431	1
FI (models)	87H4432	1
PL (models)	87H4433	1
RU (models)	87H4434	1
TR (models)	87H4435	1
HU (models)	87H4436	1
GK (models)	87H4437	1
PO (models)	87H4438	1
CS (models)	87H4439	1
TW (models)	87H4440	1
HK (models)	87H4441	1
KR (models)	87H4442	1
SL (models)	87H4443	1
RE (models)	43C1306	1

8992 Vista Business 32 Recovery DVDs	FRU#	CRU Tier
US/UK/AP/TH (models)	87H4476	1
FR/CF (models)	87H4477	1
GR (models)	87H4478	1
SP/LA (models)	87H4479	1
BR (models)	87H4480	1
IT (models)	87H4481	1
JP (models)	87H4482	1
NO (models)	87H4483	1
SV (models)	87H4484	1
DK (models)	87H4485	1
NL (models)	87H4486	1
CZ (models)	87H4487	1
FI (models)	87H4488	1
PL (models)	87H4489	1
RU (models)	87H4490	1
TR (models)	87H4491	1
HU (models)	87H4492	1
GK (models)	87H4493	1
PO (models)	87H4494	1
CS (models)	87H4495	1
TW (models)	87H4496	1
HK (models)	87H4497	1

8992 Vista Business 32 Recovery DVDs	FRU#	CRU Tier
KR (models)	87H4498	1
SL (models)	87H4499	1
RE (models)	43C1308	1

Machine Type 8994



Item #	8994 FRUs	FRU#	CRU Tier	RoHS?
1	Heatsink for Intel processors (all models)	41N8261	N	Y
1	Heatsink for Intel processors (models CTO)	41R4803	N	Y
2	Microprocessor, Celeron D 2.66GHz 533MHz FSB 256KB L2 (models CTO)	41T1694	N	Y
2	Microprocessor, Celeron D 2.80GHz 533MHz FSB 256KB L2 (models CTO A1S A1D A1Y A2J A3J A4J A5J A6J A7J A8J A9J AAJ ABJ ACJ ADJ)	41T1695	N	Y
2	Microprocessor, Celeron D 2.93GHz 533MHz FSB 256KB L2 (models CTO)	41T1696	N	Y
2	Microprocessor, Celeron D 3.06GHz 533MHz FSB 256KB L2 (models CTO B1S B1Y B1B B1H 71G B2J B3J B4J B5J B6J B7J B8J B9J BAJ BBJ BCJ BDJ 73G)	41T1697	N	Y
2	Microprocessor, Celeron D 3.20GHz 533MHz FSB 256KB L2 (models CTO)	41T1698	N	Y
2	Microprocessor, Celeron D 3.20GHz 533MHz FSB 512KB L2 (models CTO)	41T4966	N	Y
2	Microprocessor, Celeron D 3.33GHz 533MHz FSB 512KB L2 (models CTO)	41T4968	N	Y
2	Microprocessor, Pentium 4 3.06 GHz 533 FSB 1MB L2 (models CTO 21B 21H 21J 22J 23J 24J 25J 26J 27J 28J 29J 2AJ 2BJ 2CJ 2DS 2DY 74G)	41T4104	N	Y
2	Microprocessor, Pentium 4 3.0 GHz 800 FSB 1MB L2 (models CTO 41S 41Y)	41T1701	N	Y
2	Microprocessor, Pentium 4 3.2 GHz 800 FSB 1MB L2 (models CTO 42S 42Y)	41T1702	N	Y
2	Microprocessor, Pentium 4 3.0 GHz 800 FSB 2MB L2 (models CTO)	41T1709	N	Y
2	Microprocessor, Pentium 4 3.0 GHz 800 FSB 2MB L2 (models CTO 53C 54S 54Y 56K 56R 57K 57R)	41T1712	N	Y
2	Microprocessor, Pentium 4 3.2 GHz 800 FSB 2MB L2 (models CTO 61B 61H 61V)	41T1713	N	Y
2	Microprocessor, Pentium 4 3.4 GHz 800 FSB 2MB L2 (models CTO 81B 81H)	41T1714	N	Y
2	Microprocessor, Pentium 4 661 Processor 3.6 GHz 800 FSB 2MB L2 B1-Value (models CTO)	41T1715	N	Y

Item #	8994 FRUs	FRU#	CRU Tier	RoHS?
2	Microprocessor, Pentium 4 2.8 GHz 800 FSB 2MB L2 (models CTO D1B D1H D3C D4S D4Y)	41T1704	N	Y
2	Microprocessor, Pentium D 3.0 GHz 800 FSB 2Mx2 L2 (models CTO F2C)	41X2413	N	Y
2	Microprocessor, Pentium D 3.0 GHz 800 FSB 2Mx2 L2 (models CTO G1B G1H)	41T1717	N	Y
2	Microprocessor, Pentium D 935 3.2 GHz 800 FSB 2MBx2 L2 C1-Value (95W) (models CTO)	41X8050	N	Y
2	Microprocessor, Pentium D 945 Processor 3.4 GHz 800 FSB 2MBx2 L2) (models CTO H1C H1V H2U H2F)	41X7776	N	Y
2	Microprocessor, E2140 CONROE-L 800/1600MHZ-1M, LGA, EM64T (models CTO)	43C1967	N	Y
2	Microprocessor, E2160 CONROE-L 800/1600MHZ-1M, LGA, EM64T (models CTO)	43C1968	N	Y
2	Microprocessor, E4300 CONROE 800/1800MHZ-2M, LGA, EM64T (models CTO)	42Y8009	N	Y
2	Microprocessor, E4400 CONROE 800/2000MHZ-2M, LGA, EM64T L2 (models CTO)	43C2056	N	Y
2	Microprocessor, E6300 B2 CONROE 1066/1860MHZ-2M, LGA, EM64T (models CTO)	41X2495	N	Y
2	Microprocessor, E6400 B2 CONROE 1066/2130MHZ-2M, LGA, EM64T (models CTO)	41X2496	N	Y
2	Microprocessor, E6600 B2 CONROE 1066/2400MHZ-4M, LGA, EM64T (models CTO)	41X5743	N	Y
2	Microprocessor, E6700 B2 CONROE 1066/2670MHZ-4M, LGA, EM64T (models CTO)	41X5744	N	Y
3	DVD-ROM drive (16X/48X) (models CTO)	41X3544	2	Y
3	DVD-ROM drive (16X/48X) (models CTO)	41X3545	2	Y
3	DVD-ROM drive (16X/48X) (models CTO)	41X3546	2	Y
3	Combo 48 -32 -48 -16 - - DVD - ROM - CDRW (models CTO A4J A5J A8J A9J AAJ ABJ 51S 51P 51Y 53K 53R 54K 54R 55K 55R 61B 61H 61V D1A D1T D2J D3J D6S D6P D6Y D7U D7F F1K F1R F2S F2P F2Y F3U F3F F4C F4B F4H F4K F4R G2A G2T 71G 72G)	41X3547	2	Y
3	Combo 48 -32 -48 -16 - - DVD - ROM - CDRW (models CTO A4J A5J A8J A9J AAJ ABJ 51S 51P 51Y 53K 53R 54K 54R 55K 55R 61B 61H 61V D1A D1T D2J D3J D6S D6P D6Y D7U D7F F1K F1R F2S F2P F2Y F3U F3F F4C F4B F4H F4K F4R G2A G2T 71G 72G)	41X3548	2	Y
3	Combo 48 -32 -48 -16 - - DVD - ROM - CDRW (models CTO A4J A5J A8J A9J AAJ ABJ 51S 51P 51Y 53K 53R 54K 54R 55K 55R 61B 61H 61V D1A D1T D2J D3J D6S D6P D6Y D7U D7F F1K F1R F2S F2P F2Y F3U F3F F4C F4B F4H F4K F4R G2A G2T 71G 72G)	41X3549	2	Y
3	Combo 48 -32 -48 -16 - - DVD - ROM - CDRW --NON/VISTA (models CTO A4J A5J A8J A9J AAJ ABJ 51S 51P 51Y 53K 53R 54K 54R 55K 55R 61B 61H 61V D2J D3J D7U D7F 71G 72G B4J B5J B8J B9J BAJ BBJ 23J 24J 27J 28J 29J 2AJ D1J DBJ DEJ DFJ F5K F5R F6S F6P F6Y F7U F7F F8C F8B F8H F8K F8R 74G 76G 62C 62B 62H FKS FKP FKY FAU FAF FBC FBB FBH J1B J1H J2S J2P J2Y J3S J3P J3Y J4S J4P J4Y 78G 79G)	42Y9368	1	Y

Item #	8994 FRUs	FRU#	CRU Tier	RoHS?
3	Combo 48 -32 -48 -16 - - DVD - ROM - CDRW --NON/VISTA (models CTO A4J A5J A8J A9J AAJ ABJ 51S 51P 51Y 53K 53R 54K 54R 55K 55R 61B 61H 61V D2J D3J D7U D7F 71G 72G B4J B5J B8J B9J BAJ BBJ 23J 24J 27J 28J 29J 2AJ D1J DBJ DEJ DFJ F5K F5R F6S F6P F6Y F7U F7F F8C F8B F8H F8K F8R 74G 76G 62C 62B 62H FKS FKP FKY FAU FAF FBC FBB FBH J1B J1H J2S J2P J2Y J3S J3P J3Y J4S J4P J4Y 78G 79G)	42Y9369	1	Y
3	Combo 48 -32 -48 -16 - - DVD - ROM - CDRW --NON/VISTA (models CTO A4J A5J A8J A9J AAJ ABJ 51S 51P 51Y 53K 53R 54K 54R 55K 55R 61B 61H 61V D2J D3J D7U D7F 71G 72G B4J B5J B8J B9J BAJ BBJ 23J 24J 27J 28J 29J 2AJ D1J DBJ DEJ DFJ F5K F5R F6S F6P F6Y F7U F7F F8C F8B F8H F8K F8R 74G 76G 62C 62B 62H FKS FKP FKY FAU FAF FBC FBB FBH J1B J1H J2S J2P J2Y J3S J3P J3Y J4S J4P J4Y 78G 79G)	41X7992	1	Y
3	DVD-Recorder (Rambo 8)-NON/VISTA (models CTO ACJ ADJ D4J D5J D8U D8F G1U G1F G3B G3H BCJ BDJ 2BJ 2CJ H2U H2F DMU DMF H4U H4F)	41N3343	2	Y
3	DVD-Recorder (Rambo 8)-NON/VISTA (models CTO ACJ ADJ D4J D5J D8U D8F G1U G1F G3B G3H BCJ BDJ 2BJ 2CJ H2U H2F DMU DMF H4U H4F)	41X3550	2	Y
3	DVD Recordable No Software / No Royalty for VISTA Models ONLY (models CTO ACJ ADJ D4J D5J D8U D8F G1U G1F G3B G3H BCJ BDJ 2BJ 2CJ H2U H2F DMU DMF H4U H4F)	42Y9370	1	Y
3	DVD Recordable No Software / No Royalty for VISTA Models ONLY (models CTO ACJ ADJ D4J D5J D8U D8F G1U G1F G3B G3H BCJ BDJ 2BJ 2CJ H2U H2F DMU DMF H4U H4F)	42Y9371	2	Y
3	DVD Recordable No Software / No Royalty for VISTA Models ONLY (models CTO ACJ ADJ D4J D5J D8U D8F G1U G1F G3B G3H BCJ BDJ 2BJ 2CJ H2U H2F DMU DMF H4U H4F)	42Y6017	2	Y
3	DVD Recordable No Software / No Royalty for VISTA Models ONLY (models CTO ACJ ADJ D4J D5J D8U D8F G1U G1F G3B G3H BCJ BDJ 2BJ 2CJ H2U H2F DMU DMF H4U H4F)	43C0144	2	Y
4	Front Power/LED PC, bracket, and cable (all models)	41N8213	N	Y
5	Hard disk drive, 40GB (7200RPM), Serial ATA (models CTO)	40Y9033	2	Y
5	Hard disk drive, 80GB (7200RPM), Serial ATA (models CTO A1S A1P A1D A1Y A1A A1T A1B A1H A2J A3J A4J A5J B1S B1P B1Y B1A B1T B1B B1H 41A 41T 52C 52B 52H 52V D1A D1T D7U D7F G2A G2T 71G 72G)	40Y9034	2	Y
5	Hard disk drive, 80GB (7200RPM), Serial ATA (only for China) (models B1B B1H 52C 52B 52H 21B 21H H1C H1V)	41X2500	2	Y
5	Hard disk drive, 160GB (7200RPM), Serial ATA (models CTO A6J A7J A8J A9J 51S 51P 51Y 53K 53R 61B 61H 61V D6S D6P D6Y F1K F1R F2S F2P F2Y F3U F3F F4C F4B F4H F4K F4R G1U G1F G3B G3H G3V)	40Y9035	2	Y
5	Hard disk drive, 250GB (7200RPM), Serial ATA (models CTO AAJ ABJ ACJ ADJ 54K 54R 55K 55R D2J D3J D4J D5J D8U D8F)	40Y9036	2	Y
5	Hard disk drive, 500GB (7200RPM), Serial ATA (models CTO)	41X5582	2	Y
6	Diskette drive, 3,5", 1.44MB, 2-mode, (w/bezel) (models CTO A1S A1D A1Y A2J A3J A4J A5J A6J A7J A8J A9J AAJ ABJ ACJ ADJ B1S B1Y B1B B1H 52C 52B 52H 53K 53R 54K 54R 55K 55R 61B 61H 61V D2J D3J D4J D5J G3B G3H B2J B3J B4J B5J B6J B7J B8J B9J BAJ BBJ BCJ BDJ 21B 21H 21J 22J 23J 24J 25J 26J 27J 28J 29J 2AJ 2BJ 2CJ 2DS 2DY D1J D9J DAJ DBJ DCJ DDJ DEJ DFJ F5K F5R F8C F8B F8H F8K F8R H1C H1V 73G 74G 75G 76G)	40Y9105	2	Y

Item #	8994 FRUs	FRU#	CRU Tier	RoHS?
6	Diskette drive, 3,5", 1.44MB, 2-mode (models CTO A1S A1D A1Y A2J A3J A4J A5J A6J A7J A8J A9J AAJ ABJ ACJ ADJ B1S B1Y B1B B1H 52C 52B 52H 53K 53R 54K 54R 55K 55R 61B 61H 61V D2J D3J D4J D5J G3B G3H B2J B3J B4J B5J B6J B7J B8J B9J BAJ BBJ BCJ BDJ 21B 21H 21J 22J 23J 24J 25J 26J 27J 28J 29J 2AJ 2BJ 2CJ 2DS 2DY D1J D9J DAJ DBJ DCJ DDJ DEJ DFJ F5K F5R F8C F8B F8H F8K F8R H1C H1V 73G 74G 75G 76G)	40Y7107	2	Y
7	Front USB/Audio with bracket (all models)	41N8212	N	Y
8	Memory module, 512 MB PC2-4200 (533MHz) DDR2 SDRAM (models CTO A2J A3J A4J A5J A6J A7J A8J A9J AAJ ABJ ACJ ADJ 51S 51P 51Y 52C 52B 52H 52V 61B 61H 61V D1A D1T D2J D3J D4J D5J D6S D6P D6Y D7U D7F D8U D8F F2S F2P F2Y G1U G1F G2A G2T G3B G3H G3V 71G 72G)	41X4251	2	Y
8	Memory module, 1 GB PC2-4200 (533MHz) DDR2 SDRAM (models CTO 81B 81H 81V G1A G1T G1B G1H)	41X4252	2	Y
8	Memory module, 2GB PC2-4200 (533MHz) DDR2 SDRAM (models CTO)	41X4253	2	Y
8	Memory module, 512 MB PC2-5300 (667MHz) DDR2 SDRAM (models CTO 53K 53R 54K 54R 55K 55R F1K F1R F3U F3F F4C F4B F4H F4K F4R)	41X4255	2	Y
8	Memory module, 1 GB PC2-5300 (667MHz) DDR2 SDRAM (models CTO)	41X4256	2	Y
8	Memory module, 2 GB PC2-5300 (667MHz) DDR2 SDRAM (models CTO)	41X4257	2	Y
9	System board, Intel Sys Planar for Vista and XP (models CTO A1S A1D A1Y A2J A3J A4J A5J A6J A7J A8J A9J AAJ ABJ ACJ ADJ B1S B1Y B1B B1H 51S 51P 51Y 52C 52B 52H 53K 53R 54K 54R 55K 55R 61B 61H 61V D2J D3J D4J D5J D7U D7F D8U D8F G1U G1F G3B G3H 71G 72G B2J B3J B4J B5J B6J B7J B8J B9J BAJ BBJ BCJ BDJ 21B 21H 21J 22J 23J 24J 25J 26J 27J 28J 29J 2AJ 2BJ 2CJ 2DS 2DY D1J D9J DAJ DBJ DCJ DDJ DEJ DFJ F5K F5R F6S F6P F6Y F7U F7F F8C F8B F8H F8K F8R H1C H1V H2U H2F 73G 74G 75G 76G 57C 57B 57H 62C 62B 62H DMU DMF FKS FKP FKY FAU FAF FBC FBB FBH H4U H4F J1B J1H J2S J2P J2Y J3S J3P J3Y J4S J4P J4Y J5S J5P J5Y 78G 79G) Note: When ordering a new system board, you must also order a new retention module for the heat sink.	87H4655	N	Y
9	System board, Intel Sys Planar Japan for Vista and XP (models CTO A1S A1D A1Y A2J A3J A4J A5J A6J A7J A8J A9J AAJ ABJ ACJ ADJ B1S B1Y B1B B1H 51S 51P 51Y 52C 52B 52H 53K 53R 54K 54R 55K 55R 61B 61H 61V D2J D3J D4J D5J D7U D7F D8U D8F G1U G1F G3B G3H 71G 72G B2J B3J B4J B5J B6J B7J B8J B9J BAJ BBJ BCJ BDJ 21B 21H 21J 22J 23J 24J 25J 26J 27J 28J 29J 2AJ 2BJ 2CJ 2DS 2DY D1J D9J DAJ DBJ DCJ DDJ DEJ DFJ F5K F5R F6S F6P F6Y F7U F7F F8C F8B F8H F8K F8R H1C H1V H2U H2F 73G 74G 75G 76G 57C 57B 57H 62C 62B 62H DMU DMF FKS FKP FKY FAU FAF FBC FBB FBH H4U H4F J1B J1H J2S J2P J2Y J3S J3P J3Y J4S J4P J4Y J5S J5P J5Y 78G 79G) Note: When ordering a new system board, you must also order a new retention module for the heat sink.	87H4656	N	Y
9	System board, 946GZ B ver1.0 (models CTO A1S A1D A1Y A2J A3J A4J A5J A6J A7J A8J A9J AAJ ABJ ACJ ADJ B1S B1Y B1B B1H 51S 51P 51Y 52C 52B 52H 53K 53R 54K 54R 55K 55R 61B 61H 61V D2J D3J D4J D5J D7U D7F D8U D8F G1U G1F G3B G3H 71G 72G B2J B3J B4J B5J B6J B7J B8J B9J BAJ BBJ BCJ BDJ 21B 21H 21J 22J 23J 24J 25J 26J 27J 28J 29J 2AJ 2BJ 2CJ 2DS 2DY D1J D9J DAJ DBJ DCJ DDJ DEJ DFJ F5K F5R F6S F6P F6Y F7U F7F F8C F8B F8H F8K F8R H1C H1V H2U H2F 73G 74G 75G 76G 57C 57B 57H 62C 62B 62H DMU DMF FKS FKP FKY FAU FAF FBC FBB FBH H4U H4F J1B J1H J2S J2P J2Y J3S J3P J3Y J4S J4P J4Y J5S J5P J5Y 78G 79G) Note: When ordering a new system board, you must also order a new retention module for the heat sink.	43C3504	N	Y

Item #	8994 FRUs	FRU#	CRU Tier	RoHS?
9	System board, 946GZ ver1.2 (models CTO A1S A1D A1Y A2J A3J A4J A5J A6J A7J A8J A9J AAJ ABJ ACJ ADJ B1S B1Y B1B B1H 51S 51P 51Y 52C 52B 52H 53K 53R 54K 54R 55K 55R 61B 61H 61V D2J D3J D4J D5J D7U D7F D8U D8F G1U G1F G3B G3H 71G 72G B2J B3J B4J B5J B6J B7J B8J B9J BAJ BBJ BCJ BDJ 21B 21H 21J 22J 23J 24J 25J 26J 27J 28J 29J 2AJ 2BJ 2CJ 2DS 2DY D1J D9J DAJ DBJ DCJ DDJ DEJ DFJ F5K F5R F6S F6P F6Y F7U F7F F8C F8B F8H F8K F8R H1C H1V H2U H2F 73G 74G 75G 76G 57C 57B 57H 62C 62B 62H DMU DMF FKS FKP FKY FAU FAF FBC FBB FBH H4U H4F J1B J1H J2S J2P J2Y J3S J3P J3Y J4S J4P J4Y J5S J5P J5Y 78G 79G) Note: When ordering a new system board, you must also order a new retention module for the heat sink.	43C3505	N	Y
9	System board, 946GZ (modify PCB solve Conroe CPU issue and modify PCB solve Japan smokeless issue) ver1.2 matrix from 43C3504 & 43C3505 (models CTO A1S A1D A1Y A2J A3J A4J A5J A6J A7J A8J A9J AAJ ABJ ACJ ADJ B1S B1Y B1B B1H 51S 51P 51Y 52C 52B 52H 53K 53R 54K 54R 55K 55R 61B 61H 61V D2J D3J D4J D5J D7U D7F D8U D8F G1U G1F G3B G3H 71G 72G B2J B3J B4J B5J B6J B7J B8J B9J BAJ BBJ BCJ BDJ 21B 21H 21J 22J 23J 24J 25J 26J 27J 28J 29J 2AJ 2BJ 2CJ 2DS 2DY D1J D9J DAJ DBJ DCJ DDJ DEJ DFJ F5K F5R F6S F6P F6Y F7U F7F F8C F8B F8H F8K F8R H1C H1V H2U H2F 73G 74G 75G 76G 57C 57B 57H 62C 62B 62H DMU DMF FKS FKP FKY FAU FAF FBC FBB FBH H4U H4F J1B J1H J2S J2P J2Y J3S J3P J3Y J4S J4P J4Y J5S J5P J5Y 78G 79G) Note: When ordering a new system board, you must also order a new retention module for the heat sink.	43C8359	N	Y
10	220W Small desktop power supply (non-smokeless) (models CTO A1S A1D A1Y B1S B1Y 51S 51P 51Y 53K 53R 54K 54R 55K 55R 61V D7U D7F D8U D8F G1U G1F 71G 72G 2DS 2DY F5K F5R F6S F6P F6Y F7U F7F F8K F8R H1V H2U H2F 73G 74G 75G 76G)	41N3109	N	Y
10	220W Small desktop power supply (smokeless -- Japanese) (models A2J A3J A4J A5J A6J A7J A8J A9J AAJ ABJ ACJ ADJ D2J D3J D4J D5J B2J B3J B4J B5J B6J B7J B8J B9J BAJ BBJ BCJ BDJ 21J 22J 23J 24J 25J 26J 27J 28J 29J 2AJ 2BJ 2CJ D1J D9J DAJ DBJ DCJ DDJ DEJ DFJ)	41N3119	N	Y
10	220 Watt Power Supply - China (models CTO-A B1B B1H 52C 52B 52H 61B 61H G3B G3H 21B 21H F8C F8B F8H H1C)	41N3493	N	Y
10	220 Watt Power Supply - WW (models CTO A1S A1D A1Y B1S B1Y 51S 51P 51Y 53K 53R 54K 54R 55K 55R 61V D7U D7F D8U D8F G1U G1F 71G 72G 2DS 2DY F5K F5R F6S F6P F6Y F7U F7F F8K F8R H1V H2U H2F 73G 74G 75G 76G)	41A9655	N	Y
10	220 Watt Power Supply - China (models CTO-A B1B B1H 52C 52B 52H 61B 61H G3B G3H 21B 21H F8C F8B F8H H1C)	41A9652	N	Y

The FRUs listed in the following tables are not illustrated.

8994 FRUs	FRU#	CRU Tier	RoHS?
1 drop IDE cable (all models)	41A7158	N	Y
Thermal grease kit (models CTO)	91P8835	N	Y
Shield, EMC, system board (all models)	41N5347	N	Y
Cable, Serial ATA, 250 mm (all models)	41A7145	N	Y
Shield, EMC, blank 5.25in. drive bay (all models)	41N8271	N	Y
Shield, EMC, blank diskette drive bay (all models)	41N8273	N	Y

8994 FRUs	FRU#	CRU Tier	RoHS?
Cover (all models)	41N8204	2	Y
Mechanical shell kit (all models)	41N8205	2	Y
Bezel kit (all models)	41N8206	N	Y
Miscellaneous hardware kit (all models)	41N8209	N	Y
Hard disk drive bracket asm (plastic and grommets) (all models)	41N8210	N	Y
Hard disk drive fan and bracket asm (all models)	41N8211	N	Y
Speaker cable asm, 600 mm cable length (all models)	41N8217	N	Y
Serial port Cable (all models)	39K5021	N	Y
Fan duct assembly (all models)	41A7151	N	Y
Fan duct assembly (all models)	41R4808	N	Y
Rear USB cable asm (with low profile PCI bracket) (all models)	41N8267	N	
Rear USB 2Ports II HP(R), high profile I/O, 300mm, Rohs (all models)	42Y8005	N	Y
Rear USB 2Ports II LP(R), low profile I/O, 200mm, Rohs (all models)	42Y8006	N	Y
Rear Com2 cable II HP(R), high profile I/O, 250mm, Rohs (all models)	42Y8007	N	Y
Rear Com2 cable II LP(R), low profile I/O, 250mm, Rohs (all models)	42Y8008	N	Y
Foot stand (all models)	41R4813	N	Y
Retention module, Intel (all models)	41A7139	N	Y

8994 Keyboards (Lenovo Preferred Pro fullsize, Black)	FRU#	CRU Tier	RoHS?
US English (models A1A A1H B1A B1H 41A 52C 52H 53R 54R 55R 61H D1A D7U D8U F1R F3U F4C F4H F4R G1U G2A G3H 71G 72G)	41A5039	1	Y
Arabic (models 71G 72G)	41A5040	1	Y
Arabic/French (models 71G 72G)	41A5041	1	Y
Belgian/French (models 71G 72G)	41A5042	1	Y
Belgian/UK (models 71G 72G)	41A5043	1	Y
Bulgarian (models 71G 72G)	41A5045	1	Y
Hong Kong/Taiwan (models A1B B1B 52B 52V 61B 61V F4B G3B G3V)	41A5046	1	Y
Czech (models 71G 72G)	41A5047	1	Y
Danish (models 71G 72G)	41A5048	1	Y
Dutch (models 71G 72G)	41A5049	1	Y
French (models 71G 72G)	41A5050	1	Y
French Canadian 445 (models D7F D8F F3F G1F)	41A5051	1	Y
French Canadian 58 (models D7F D8F F3F G1F)	41A5052	1	Y
German (models 71G 72G)	41A5053	1	Y
Greek (models 71G 72G)	41A5054	1	Y
Hebrew (models 71G 72G)	41A5055	1	Y
Hungarian (models 71G 72G)	41A5056	1	Y
Iceland (models 71G 72G)	41A5057	1	Y
Italian (models 71G 72G)	41A5058	1	Y

8994 Keyboards (Lenovo Preferred Pro fullsize, Black)	FRU#	CRU Tier	RoHS?
Japanese (models A2J A3J A4J A5J A6J A7J A8J A9J AAJ ABJ ACJ ADJ D2J D3J D4J D5J)	41A5059	1	Y
Korean (models 53K 54K 55K F1K F4K)	41A5060	1	Y
LA Spanish (models A1S A1D A1Y B1S B1Y 51S 51Y D6S D6Y F2S F2Y)	41A5061	1	Y
Norwegian (models 71G 72G)	41A5062	1	Y
Polish (models 71G 72G)	41A5063	1	Y
Portuguese (models 71G 72G)	41A5064	1	Y
Romanian (models 71G 72G)	41A5065	1	Y
Russian/Cyrilic (models 71G 72G)	41A5066	1	Y
Serbian/Cyrilic (models 71G 72G)	41A5067	1	Y
Slovak (models 71G 72G)	41A5068	1	Y
Spanish (models 71G 72G)	41A5069	1	Y
Swedish/Finn (models 71G 72G)	41A5070	1	Y
Swiss F/G (models 71G 72G)	41A5071	1	Y
Thailand (models A1T B1T 41T D1T G2T)	41A5072	1	Y
Turkish 440 (models 71G 72G)	41A5073	1	Y
Turkish 179 (models 71G 72G)	41A5074	1	Y
UK English (models 71G 72G)	41A5075	1	Y
US Euro (models 71G 72G)	41A5076	1	Y
Slovenian (models 71G 72G)	41A5077	1	Y
Brazil/Portuguese (models A1P B1P 51P D6P F2P)	41A5044	1	Y

8994 mice	FRU#	CRU Tier	RoHS?
Optical Wheel Mouse (400DPI, USB) (all models)	41U3013	1	Y
Optical Wheel Mouse (400DPI, USB) (all models)	41U3030	1	Y
PS/2 Three Button ball mouse (models CTO)	41R0018	1	Y
ScrollPoint Optical Mouse (800DPI, USB) (models CTO)	41U3019	1	Y

8994 Adapters and miscellaneous FRUs	FRU#	CRU Tier	RoHS?
USB2.0 MEMORY CARDREADER,6X2,ROHS OPTIONAL,Bitland (models CTO)	41R3378	2	Y
USB2.0 MEMORY CARDREADER,6X2,ROHS OPTIONAL, SONY (models CTO)	41R3376	2	Y
PCI Modem Card (Soft) (models CTO)	29R9729	2	Y
L1 IEEE 1394 PCI Adapter (models CTO G1U G1F G3B G3H H2U H2F)	41D2781	2	Y
Denver - ATI X300SE 128MB (models CTO)	39J9635	2	Y
Dongle Cable - DMS59 to dual VGA (models CTO)	41D2399	2	Y
Dongle Cable - DMS59 to dual VGA (included in Denver L1) (models CTO)	42Y8181	2	Y
Dongle DMS Dule DMS-59 to dual DVI cable (models CTO)	41X6398	2	Y
Dongle DMS Dule DMS-59 to single VGA and DVI cable (models CTO)	42Y8183	2	Y
Nvidia GeForce 6200TC128MB 64bit (Full Height) (models CTO)	41X2668	2	Y

8994 Adapters and miscellaneous FRUs	FRU#	CRU Tier	RoHS?
Nvidia GeForce 6200TC 64MB 32bit (models CTO)	41X2667	2	Y
Nvidia GeForce 7300LE 128MB 64bit (models CTO 55K 55R F8C F8B F8H F8K F8R)	41X2669	2	Y
Nvidia GeForce 7300LE 128MB 64bit LP / ATX with DMS59 (models CTO)	42Y8165	2	Y
ATI Radeon X1300PRO 256MB 128bit (models CTO)	41X2670	2	Y
ATI X1300LE 256M 64bit LP / ATX with DMS59 (models CTO)	42Y8162	2	Y
X1300 LE 256MB (models CTO)	42Y8159	2	Y
Internal USB Memory Card Reader (models CTO)	41D1934	2	Y
Wireless Keyboard (models CTO)	41A5219	2	Y
Wireless Mouse (models CTO)	41A5247	2	Y
USB Transceiver for wireless kybd/mouse (models CTO)	41A5246	2	Y
BTL external speaker (models CTO)	41A5334	2	Y
DVI-I card,FH(Casper) (models CTO)	39J9334	2	Y

8994 Windows XP Pro Recovery CDs	FRU#	CRU Tier	RoHS?
US/UK/AP/TH (models B1H 52H 53R 54R 55R 61H D7U D8U G1U G3H 71G 72G 21H F5R F7U F8H F8R H2U 73G 74G 75G 76G)	42Y3549	1	Y
FR/CF (models D7F D8F G1F 71G 72G F7F H2F 73G 74G 75G 76G)	42Y3550	1	Y
GR (models 71G 72G 73G 74G 75G 76G)	42Y3551	1	Y
IT (models 71G 72G 73G 74G 75G 76G)	42Y3553	1	Y
BR (models 51P F6P)	42Y3554	1	Y
SP/LA (models A1S A1D A1Y B1S B1Y 51S 51Y 71G 72G 2DS 2DY F6S F6Y 73G 74G 75G 76G)	42Y3552	1	Y
DK (models 71G 72G 73G 74G 75G 76G)	42Y3556	1	Y
NL (models 71G 72G 73G 74G 75G 76G)	42Y3720	1	Y
AE (models 71G 72G 73G 74G 75G 76G)	42Y3724	1	Y
SV (models 71G 72G 73G 74G 75G 76G)	42Y3555	1	Y
HE (models 71G 72G 73G 74G 75G 76G)	42Y3721	1	Y
FI (models 71G 72G 73G 74G 75G 76G)	42Y3718	1	Y
NO (models 71G 72G 73G 74G 75G 76G)	42Y3719	1	Y
PL (models 71G 72G 73G 74G 75G 76G)	42Y3722	1	Y
PO (models 71G 72G 73G 74G 75G 76G)	42Y3728	1	Y
RU (models 71G 72G 73G 74G 75G 76G)	42Y3725	1	Y
RE (models 71G 72G 73G 74G 75G 76G)	42Y3717	1	Y
HU (models 71G 72G 73G 74G 75G 76G)	42Y3727	1	Y
CZ (models 71G 72G 73G 74G 75G 76G)	42Y3723	1	Y
TR (models 71G 72G 73G 74G 75G 76G)	42Y3726	1	Y
GK (models 71G 72G 73G 74G 75G 76G)	42Y3729	1	Y
SL (models 71G 72G 73G 74G 75G 76G)	42Y3730	1	Y

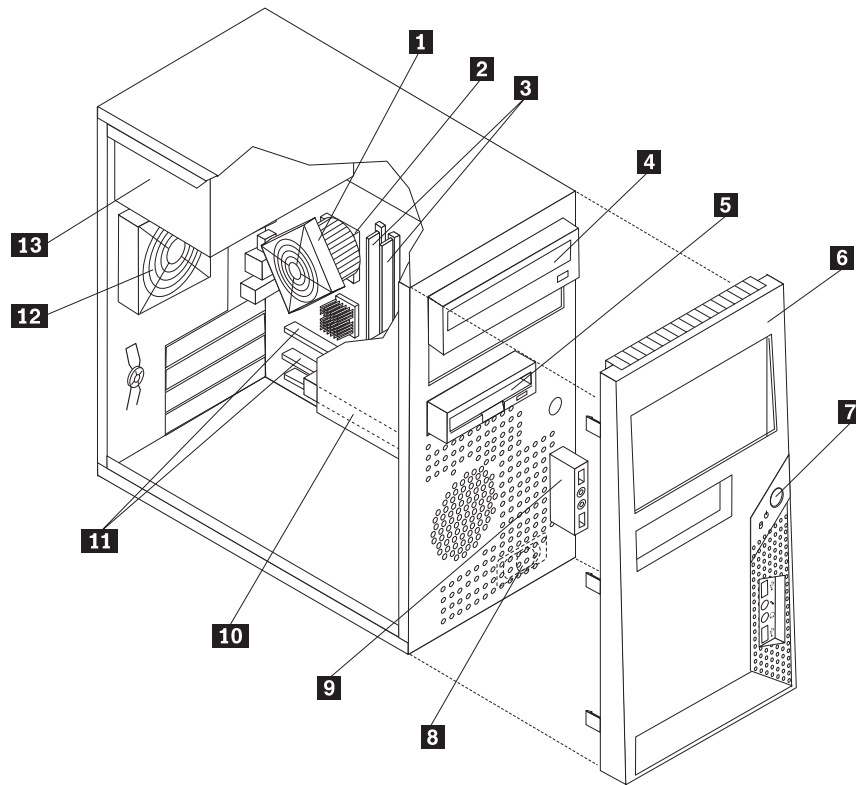
8994 Windows XP Pro Recovery CDs	FRU#	CRU Tier	RoHS?
Japanese (models A2J A3J A4J A5J A6J A7J A8J A9J AAJ ABJ ACJ ADJ D2J D3J D4J D5J B2J B3J B4J B5J B6J B7J B8J B9J BAJ BBJ BCJ BDJ 21J 22J 23J 24J 25J 26J 27J 28J 29J 2AJ 2BJ 2CJ D1J D9J DAJ DBJ DCJ DDJ DEJ DFJ)	41W7767	1	Y
Simplified Chinese (models 52C F8C H1C)	41W7751	1	Y
Taiwan - TC (models 61V H1V)	41W7757	1	Y
Hong Kong-TC (models B1B 52B 61B G3B 21B F8B)	41W7762	1	Y
Korea (models 53K 54K 55K F5K F8K)	41W7746	1	Y
Multilingual 1 (models 71G 72G 73G 74G 75G 76G)	42Y3645	1	Y
Multilingual 2 (models 71G 72G 73G 74G 75G 76G)	42Y3879	1	Y

8994 Vista Home Basic 32 Recovery DVDs	FRU#	CRU Tier
US/UK/AP/TH (models)	87H4420	1
FR/CF (models)	87H4421	1
GR (models)	87H4422	1
SP/LA (models)	87H4423	1
BR (models)	87H4424	1
IT (models)	87H4425	1
JP (models)	87H4426	1
NO (models)	87H4427	1
SV (models)	87H4428	1
DK (models)	87H4429	1
NL (models)	87H4430	1
CZ (models)	87H4431	1
FI (models)	87H4432	1
PL (models)	87H4433	1
RU (models)	87H4434	1
TR (models)	87H4435	1
HU (models)	87H4436	1
GK (models)	87H4437	1
PO (models)	87H4438	1
CS (models)	87H4439	1
TW (models)	87H4440	1
HK (models)	87H4441	1
KR (models)	87H4442	1
SL (models)	87H4443	1
RE (models)	43C1306	1

8994 Vista Business 32 Recovery DVDs	FRU#	CRU Tier
US/UK/AP/TH (models)	87H4476	1
FR/CF (models)	87H4477	1
GR (models)	87H4478	1

8994 Vista Business 32 Recovery DVDs	FRU#	CRU Tier
SP/LA (models)	87H4479	1
BR (models)	87H4480	1
IT (models)	87H4481	1
JP (models)	87H4482	1
NO (models)	87H4483	1
SV (models)	87H4484	1
DK (models)	87H4485	1
NL (models)	87H4486	1
CZ (models)	87H4487	1
FI (models)	87H4488	1
PL (models)	87H4489	1
RU (models)	87H4490	1
TR (models)	87H4491	1
HU (models)	87H4492	1
GK (models)	87H4493	1
PO (models)	87H4494	1
CS (models)	87H4495	1
TW (models)	87H4496	1
HK (models)	87H4497	1
KR (models)	87H4498	1
SL (models)	87H4499	1
RE (models)	43C1308	1

Machine Type 8995



Item #	8995 FRUs	FRU#	CRU Tier	RoHS?
1	Heatsink for Intel CPUs (all models)	41N8261	N	Y
1	Heatsink for Intel CPUs (models CTO)	41R4803	N	Y
2	Microprocessor, Celeron D 2.66GHz 533MHz FSB 256KB L2 (models CTO)	41T1694	N	Y
2	Microprocessor, Celeron D 2.80GHz 533MHz FSB 256KB L2 (models CTO A1S A1D A1Y A1B A1H)	41T1695	N	Y
2	Microprocessor, Celeron D 2.93GHz 533MHz FSB 256KB L2 (models CTO)	41T1696	N	Y
2	Microprocessor, Celeron D 3.06GHz 533MHz FSB 256KB L2 (models CTO B1S B1Y 71G)	41T1697	N	Y
2	Microprocessor, Celeron D 3.20GHz 533MHz FSB 256KB L2 (models CTO)	41T1698	N	Y
2	Microprocessor, Celeron D 3.20GHz 533MHz FSB 512KB L2 (models CTO)	41T4966	N	Y
2	Microprocessor, Celeron D 3.33GHz 533MHz FSB 512KB L2 (models CTO)	41T4968	N	Y
2	Microprocessor, Celeron 430 CONROE-L 800/1800MHZ-512K,LGA,EM64T (models CTO)	43C1964	N	Y
2	Microprocessor, Celeron 440 CONROE-L 800/2000MHZ-512K,LGA,EM64T (models CTO)	43C1965	N	Y
2	Microprocessor, Pentium 4 3.06 GHz 533 FSB 1MB L2 (models CTO 31B 31H 32S 32Y 72G)	41T4104	N	Y
2	Microprocessor, Pentium 4 3.0 GHz 800 FSB 2MB L2 (models CTO CTO 51A 51T)	41T1709	N	Y
2	Microprocessor, Pentium 4 3.0 GHz 800 FSB 2MB L2 (models CTO 52A 52T 52B 52H 53C 54S 54Y 55K 55R 56K 56R 57K 57R)	41T1712	N	Y

Item #	8995 FRUs	FRU#	CRU Tier	RoHS?
2	Microprocessor, Pentium 4 3.2 GHz 800 FSB 2MB L2 (models CTO)	41T1713	N	Y
2	Microprocessor, Pentium 4 3.4 GHz 800 FSB 2MB L2 (models CTO 81B 81H 81V)	41T1714	N	Y
2	Microprocessor, Pentium 4 661 Processor 3.6 GHz 800 FSB 2MB L2 B1-Value (models CTO)	41T1715	N	Y
2	Microprocessor, Pentium 4 2.8 GHz 800 FSB 2MB L2 (models CTO D1A D1T D1B D1H D2S D2Y D3C)	41T1704	N	Y
2	Microprocessor, Pentium D 3.0 GHz 800 FSB 2Mx2 L2 (models CTO F1C)	41X2413	N	Y
2	Microprocessor, Pentium D 3.0 GHz 800 FSB 2Mx2 L2 (models CTO G1A G1T G1B G1H G2A G2T)	41T1717	N	Y
2	Microprocessor, Pentium D 935 3.2 GHz 800 FSB 2MBx2 L2 C1-Value (95W) (models CTO)	41X8050	N	Y
2	Microprocessor, Pentium D 945 Processor 3.4 GHz 800 FSB 2MBx2 L2 (models CTO H1C H2S H2Y)	41X7776	N	Y
2	Microprocessor, E2140 CONROE-L 800/1600MHZ-1M, LGA, EM64T (models CTO)	43C1967	N	Y
2	Microprocessor, E2160 CONROE-L 800/1600MHZ-1M, LGA, EM64T (models CTO)	43C1968	N	Y
2	Microprocessor, E4300 CONROE 800/1800MHZ-2M, LGA, EM64T (models CTO)	42Y8009	N	Y
2	Microprocessor, E4400 CONROE 800/2000MHZ-2M, LGA, EM64T L2 (models CTO)	43C2056	N	Y
2	Microprocessor, E6300 B2 CONROE 1066/1860MHZ-2M, LGA, EM64T (models CTO)	41X2495	N	Y
2	Microprocessor, E6400 B2 CONROE 1066/2130MHZ-2M, LGA, EM64T (models CTO)	41X2496	N	Y
2	Microprocessor, E6600 B2 CONROE 1066/2400MHZ-4M, LGA, EM64T (models CTO)	41X5743	N	Y
2	Microprocessor, E6700 B2 CONROE 1066/2670MHZ-4M, LGA, EM64T (models CTO)	41X5744	N	Y
3	Memory module, 512 MB PC2-4200 (533MHz) DDR2 SDRAM (models CTO 54S 54Y D1B D1H 31B 31H 41S 41Y 42S 42Y D4S D4Y F2C H2S H2Y 71G 72G)	41X4251	1	Y
3	Memory module, 1 GB PC2-4200 (533MHz) DDR2 SDRAM (models CTO 81B 81H G1B G1H)	41X4252	1	Y
3	Memory module, 512 MB PC2-5300 (667MHz) DDR2 SDRAM (models CTO 56K 56R 57K 57R)	41X4255	1	Y
3	Memory module, 1 GB PC2-5300 (667MHz) DDR2 SDRAM (models CTO)	41X4256	1	Y
4	DVD-ROM drive (16X/48X) (models CTO 53C F2C H1C 71G)	41X3544	1	Y
4	DVD-ROM drive (16X/48X) (models CTO 53C F2C H1C 71G)	41X3545	1	Y
4	DVD-ROM drive (16X/48X) (models CTO 53C F2C H1C 71G)	41X3546	1	Y
4	Combo 48 -32 -48 -16 - - DVD - ROM - CDRW (models CTO 54S 54Y 56K 56R 57K 57R D1B D1H D3C 42S 42Y 72G)	41X3547	1	Y
4	Combo 48 -32 -48 -16 - - DVD - ROM - CDRW (models CTO 54S 54Y 56K 56R 57K 57R D1B D1H D3C 42S 42Y 72G)	41X3548	1	Y

Item #	8995 FRUs	FRU#	CRU Tier	RoHS?
4	Combo 48 -32 -48 -16 - - DVD - ROM - CDRW (models CTO 54S 54Y 56K 56R 57K 57R D1B D1H D3C 42S 42Y 72G)	41X3549	1	Y
4	Combo 48 -32 -48 -16 - - DVD - ROM - CDRW --NON/VISTA (models CTO 54S 54Y 56K 56R 57K 57R D1B D1H D3C 42S 42Y 72G J2S J2P J2Y)	42Y9368	1	Y
4	Combo 48 -32 -48 -16 - - DVD - ROM - CDRW --NON/VISTA (models CTO 54S 54Y 56K 56R 57K 57R D1B D1H D3C 42S 42Y 72G J2S J2P J2Y)	42Y9369	1	Y
4	Combo 48 -32 -48 -16 - - DVD - ROM - CDRW --NON/VISTA (models CTO 54S 54Y 56K 56R 57K 57R D1B D1H D3C 42S 42Y 72G J2S J2P J2Y)	41X7992	1	Y
4	DVD-Recorder (Rambo 8)-NON/VISTA (models CTO 81B 81H G1B G1H)	41N3343	1	Y
4	DVD-Recorder (Rambo 8)-NON/VISTA (models CTO 81B 81H G1B G1H)	41X3550	1	Y
4	DVD-Recorder (Rambo 8)-NON/VISTA (models CTO 81B 81H G1B G1H)	42Y9370	1	Y
4	DVD Recordable No Software / No Royalty for VISTA Models ONLY (models CTO 81B 81H G1B G1H)	42Y9371	2	Y
4	DVD Recordable No Software / No Royalty for VISTA Models ONLY (models CTO 81B 81H G1B G1H)	42Y6017	2	Y
4	DVD Recordable No Software / No Royalty for VISTA Models ONLY (models CTO 81B 81H G1B G1H)	43C0144	2	Y
5	Diskette drive, 3,5", 1.44MB, 2 Mode,(w/bezel) (models CTO A1S A1D A1Y A1B A1H B1S B1Y 53C 81B 81H D1B D1H G1B G1H 31B 31H 32S 32Y 41S 41Y D4S D4Y F2C H1C H2S H2Y)	40Y9105	2	Y
5	Diskette drive, 3,5", 1.44MB, 2 Mode (models CTO A1S A1D A1Y A1B A1H B1S B1Y 53C 81B 81H D1B D1H G1B G1H 31B 31H 32S 32Y 41S 41Y D4S D4Y F2C H1C H2S H2Y)	40Y7107	2	Y
6	Bezel assembly (all models)	41N8052	2	Y
7	Power switch/LED assembly (all models)	41N5284	2	Y
8	Speaker assembly, soldered terminals (all models)	39P5023	2	Y
9	Front audio/USB assembly (all models)	41N8054	2	Y
10	Hard disk drive, 40GB (7200RPM), Serial ATA (models CTO)	40Y9033	1	Y
10	Hard disk drive, 80GB (7200RPM), Serial ATA (models CTO A1S A1D A1Y A1B A1H B1S B1Y 53C D1B D1H D3C 31B 31H 32S 32Y D4S D4Y F2C H1C H2S H2Y 71G 72G)	40Y9034	1	Y
10	Hard disk drive, 80GB (7200RPM), Serial ATA (only for China) (models A1B A1H 53C D1B D1H D3C 31B 31H F2C H1C)	41X2500	2	Y
10	Hard disk drive, 160GB (7200RPM), Serial ATA (models CTO 56K 56R 54S 54Y 41S 41Y 42S 42Y)	40Y9035	1	Y
10	Hard disk drive, 250GB (7200RPM), Serial ATA (models CTO 57K 57R 81B 81H G1B G1H)	40Y9036	1	Y
10	Hard disk drive, 500GB (7200RPM), Serial ATA (models CTO)	41X5582	1	Y
11	System board, SiS 662 Gig E for Vista and XP (models CTO A1S A1D A1Y A1B A1H B1S B1Y 53C 54S 54Y 56K 56R 57K 57R 81B 81H D1B D1H D3C G1B G1H 31B 31H 32S 32Y 41S 41Y 42S 42Y D4S D4Y F2C H1C H2S H2Y 71G 72G J1S J1P J1Y J2S J2P J2Y) Note: When ordering a new system board, you must also order a new retention module for the heat sink.	87H4657	N	Y
12	Fan, Rear w/ grommets & Grill (all models)	41N8079	2	Y
13	Power supply (300W) (models CTO)	41N3489	2	Y

Item #	8995 FRUs	FRU#	CRU Tier	RoHS?
13	Power supply (230W) (models CTO A1S A1D A1Y B1S B1Y 54S 54Y 56K 56R 57K 57R 32S 32Y 41S 41Y 42S 42Y D4S D4Y H2S H2Y 71G 72G)	41N3094	2	Y
13	Power supply (250W) (models CTO A1S A1D A1Y B1S B1Y 54S 54Y 56K 56R 57K 57R 32S 32Y 41S 41Y 42S 42Y D4S D4Y H2S H2Y 71G 72G)	41N3127	2	Y
13	Power supply (220V/250W/ATX12V - China) (models CTO A1B A1H 53C 81B 81H D1B D1H D3C G1B G1H 31B 31H F2C H1C)	41N3485	2	Y
13	Power Supply 5281-7VW-ROHS, 280W, Standard (models CTO)	41N3479	2	Y
13	Power Supply 5281-7VW-ROHS, 280W, Standard (models CTO)	41N3482	2	Y
13	Power Supply 310W standard only for Japan (models CTO)	24R2596	2	Y

The FRUs listed in the following tables are not illustrated.

8995 FRUs	FRU#	CRU Tier	RoHS?
Thermal grease kit (all models)	91P8835	N	Y
Shield, 5.25 EMC (all models)	41N8080	2	Y
Cable, SATA (18" RoHs) (all models)	26K1186	2	Y
Cable, Serial (all models)	39K5021	2	Y
Shield, diskette drive EMC (all models)	41N8078	2	Y
Cable, Diskette drive (RoHs) (all models)	41A7182	2	Y
Cover, left side (all models)	41N8050	1	Y
Chassis assembly (all models)	41N8051	N	Y
System board I/O Shield - (all models)	41N8053	N	Y
Kit, Miscellaneous hardware (all models)	41N8055	2	Y
Retention Module Kit, RoHs (all models)	41N8056	2	Y
Cable, hard disk drive and optical signal (all models)	39M0516	1	Y
Front fan assembly (all models)	41R2519	1	Y
4 PIN CABLE-SATA,2H 100mm LATCH(RoHs)PS cable (all models)	41R3300	1	Y
Cable SATA 250mm (RoHS) (all models)	41A7145	1	N
Retainer, Card Reader (all models)	41R2913	1	N
Front Fan AVC (all models)	41R4791	1	N
Optional HDD Bracket Assembly, without 4Pin cable (all models)	41R6106	1	N
Chassis assembly (all models)	41R2533	1	N

8995 Keyboards (Lenovo Preferred Pro fullsize, Black)	FRU#	CRU Tier	RoHS?
US English (models A1H 53C 56R 57R 81H D1H D3C G1H 31H F2C H1C 71G 72G)	41A5039	1	Y
Arabic (models 71G 72G)	41A5040	1	Y
Arabic/French (models 71G 72G)	41A5041	1	Y
Belgian/French (models 71G 72G)	41A5042	1	Y
Belgian/UK (models 71G 72G)	41A5043	1	Y

8995 Keyboards (Lenovo Preferred Pro fullsize, Black)	FRU#	CRU Tier	RoHS?
Bulgarian (models 71G 72G)	41A5045	1	Y
Hong Kong/Taiwan (models A1B 81B D1B G1B 31B)	41A5046	1	Y
Czech (models 71G 72G)	41A5047	1	Y
Danish (models 71G 72G)	41A5048	1	Y
Dutch (models 71G 72G)	41A5049	1	Y
French (models 71G 72G)	41A5050	1	Y
German (models 71G 72G)	41A5053	1	Y
Greek (models 71G 72G)	41A5054	1	Y
Hebrew (models 71G 72G)	41A5055	1	Y
Hungarian (models 71G 72G)	41A5056	1	Y
Iceland (models 71G 72G)	41A5057	1	Y
Italian (models 71G 72G)	41A5058	1	Y
Korean (models 56K 57K)	41A5060	1	Y
LA Spanish (models A1S A1D A1Y B1S B1Y 54S 54Y 32S 32Y 41S 41Y 42S 42Y D4S D4Y H2S H2Y)	41A5061	1	Y
Norwegian (models 71G 72G)	41A5062	1	Y
Polish (models 71G 72G)	41A5063	1	Y
Portuguese (models 71G 72G)	41A5064	1	Y
Romanian (models 71G 72G)	41A5065	1	Y
Russian/Cyrilic (models 71G 72G)	41A5066	1	Y
Serbian/Cyrilic (models 71G 72G)	41A5067	1	Y
Slovak (models 71G 72G)	41A5068	1	Y
Spanish (models 71G 72G)	41A5069	1	Y
Swedish/Finn (models 71G 72G)	41A5070	1	Y
Swiss F/G (models 71G 72G)	41A5071	1	Y
Turkish 440 (models 71G 72G)	41A5073	1	Y
Turkish 179 (models 71G 72G)	41A5074	1	Y
UK English (models 71G 72G)	41A5075	1	Y
US Euro (models 71G 72G)	41A5076	1	Y
Slovenian (models 71G 72G)	41A5077	1	Y

8995 mice	FRU#	CRU Tier	RoHS?
Optical Wheel Mouse (400DPI, USB) (all models)	41U3013	1	Y
Optical Wheel Mouse (400DPI, USB) (all models)	41U3030	1	Y
PS/2 Three Button ball mouse (models CTO)	41R0018	1	Y
ScrollPoint Optical Mouse (800DPI, USB) (models CTO)	41U3019	1	Y

8995 Adapters and miscellaneous FRUs	FRU#	CRU Tier	RoHS?
USB2.0 MEMORY CARDREADER,6X2,ROHS OPTIONAL,Bitland (models CTO)	41R3378	2	Y

8995 Adapters and miscellaneous FRUs	FRU#	CRU Tier	RoHS?
USB2.0 MEMORY CARDREADER,6X2,ROHS OPTIONAL, SONY (models CTO)	41R3376	2	Y
PCI Modem Card (Soft) (models CTO)	29R9729	2	Y
L1 IEEE 1394 PCI Adapter (models CTO 56K 56R 57K 57R)	41D2781	2	Y
Denver - ATI X300SE 128MB (models CTO 56K 56R 57K 57R)	39J9635	2	Y
Dongle Cable - DMS59 to dual VGA (models CTO)	41D2399	2	Y
Dongle Cable - DMS59 to dual VGA (included in Denver L1) (models CTO)	42Y8181	2	Y
Dongle DMS Dule DMS-59 to dual DVI cable (models CTO)	41X6398	2	Y
Dongle DMS Dule DMS-59 to single VGA and DVI cable (models CTO)	42Y8183	2	Y
Nvidia GeForce 6200TC128MB 64bit (Full Height) (models CTO 54K 54R)	41X2668	2	Y
Nvidia GeForce 6200TC 64MB 32bit (models CTO)	41X2667	2	Y
Nvidia GeForce 7300LE 128MB 64bit (models CTO)	41X2669	2	Y
Nvidia GeForce 7300LE 128MB 64bit LP / ATX with DMS59 (models CTO)	42Y8165	2	Y
ATI Radeon X1300PRO 256MB 128bit (models CTO)	41X2670	2	Y
ATI X1300LE 256M 64bit LP / ATX with DMS59 (models CTO)	42Y8162	2	Y
X1300 LE 256MB (models CTO)	42Y8159	2	Y
Internal USB Memory Card Reader (models CTO 56K 56R 57K 57R D3C)	41D1934	2	Y
Wireless Keyboard (models CTO)	41A5219	2	Y
Wireless Mouse (models CTO)	41A5247	2	Y
USB Transceiver for wireless kybd/mouse (models CTO)	41A5246	2	Y
BTL external speaker (models CTO)	41A5334	2	Y
DVI-I card,FH(Casper) (models CTO)	39J9334	2	Y

8995 Power Cords	FRU#	CRU Tier	RoHS?
Power Cord (US) (models A1S A1D B1S 54S 32S 41S 42S D4S H2S)	39M5080	1	Y
Power Cord (China) (models 53C D3C F2C H1C)	39M5205	1	Y
Power Cord (LA High Volt APU) (models A1Y B1Y 54Y 32Y 41Y 42Y D4Y H2Y)	39M5067	1	Y
Power Cord (Korea) (models 56K 56R 57K 57R)	39M5212	1	Y
Power Cord (Hong Hong) (models A1B A1H 81B 81H D1B D1H G1B G1H 31B 31H)	39M5151	1	Y
Power Cord (UK, Ireland, Singapore, Malaysia, Brunei) (models 71G 72G)	39M5150	1	Y
Power Cord (Italy) (models A1S A1Y B1S B1Y 54S 54Y 32S 32Y 41S 41Y 42S 42Y D4S D4Y H2S H2Y 71G 72G)	39M5164	1	Y
Power Cord (G models) (models 71G 72G)	39M5122	1	Y
Power cord - Denmark (models 71G 72G)	39M5129	1	Y
Power cord - Switzerland (models 71G 72G)	39M5157	1	Y
Power cord - Israel (models 71G 72G)	39M5171	1	Y
Power Cord (South Africa) (models 71G 72G)	39M5143	1	Y

8995 Windows XP Home Recovery CDs	FRU#	CRU Tier	RoHS?
US/UK/AP/TH (models 56R 57R)	42Y3597	1	Y
Korea (models 56K 57K)	41W7773	1	Y

8995 Windows XP Pro Recovery CDs	FRU#	CRU Tier	RoHS?
US/UK/AP/TH (models A1H 81H D1H G1H 31H 71G 72G)	42Y3549	1	Y
FR/CF (models 71G 72G)	42Y3550	1	Y
GR (models 71G 72G)	42Y3551	1	Y
IT (models 71G 72G)	42Y3553	1	Y
SP/LA (models A1S A1D A1Y B1S B1Y 54S 54Y 32S 32Y 41S 41Y 42S 42Y D4S D4Y H2S H2Y 71G 72G)	42Y3552	1	Y
DK (models 71G 72G)	42Y3556	1	Y
NL (models 71G 72G)	42Y3720	1	Y
AE (models 71G 72G)	42Y3724	1	Y
SV (models 71G 72G)	42Y3555	1	Y
HE (models 71G 72G)	42Y3721	1	Y
FI (models 71G 72G)	42Y3718	1	Y
NO (models 71G 72G)	42Y3719	1	Y
PL (models 71G 72G)	42Y3722	1	Y
PO (models 71G 72G)	42Y3728	1	Y
RU (models 71G 72G)	42Y3725	1	Y
RE (models 71G 72G)	42Y3717	1	Y
HU (models 71G 72G)	42Y3727	1	Y
CZ (models 71G 72G)	42Y3723	1	Y
TR (models 71G 72G)	42Y3726	1	Y
GK (models 71G 72G)	42Y3729	1	Y
SL (models 71G 72G)	42Y3730	1	Y
Simplified Chinese (models D3C)	41W7751	1	Y
Hong Kong-TC (models A1B 81B D1B G1B 31B)	41W7762	1	Y
Multilingual 1 (models 71G 72G)	42Y3645	1	Y
Multilingual 2 (models 71G 72G)	42Y3879	1	Y

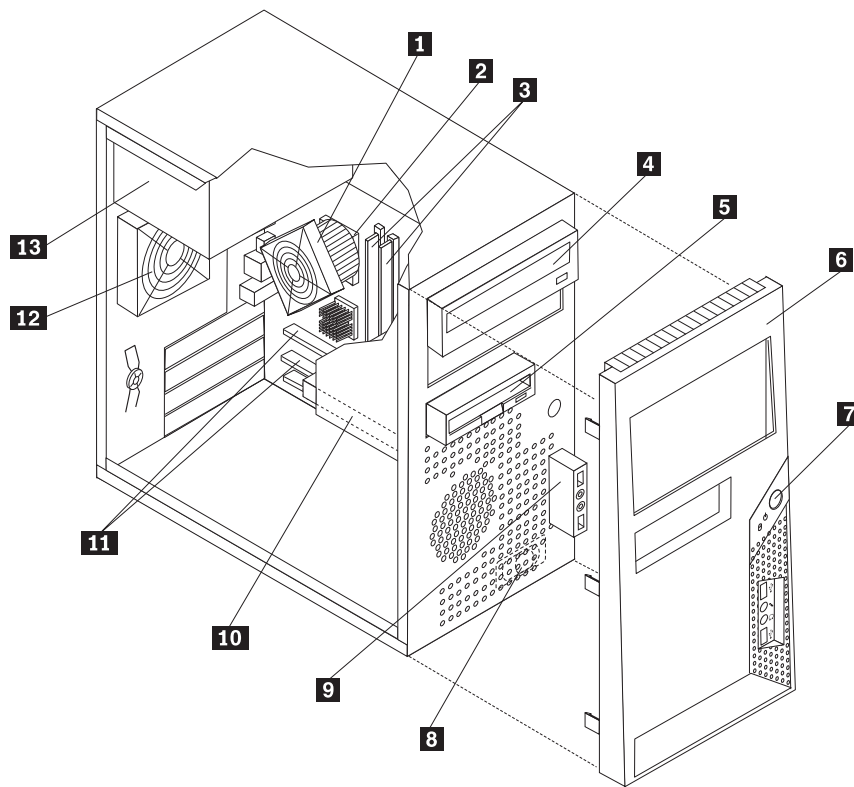
8995 Vista Home Basic 32 Recovery DVDs	FRU#	CRU Tier
US/UK/AP/TH (models)	87H4420	1
FR/CF (models)	87H4421	1
GR (models)	87H4422	1
SP/LA (models)	87H4423	1
BR (models)	87H4424	1
IT (models)	87H4425	1
JP (models)	87H4426	1
NO (models)	87H4427	1

8995 Vista Home Basic 32 Recovery DVDs	FRU#	CRU Tier
SV (models)	87H4428	1
DK (models)	87H4429	1
NL (models)	87H4430	1
CZ (models)	87H4431	1
FI (models)	87H4432	1
PL (models)	87H4433	1
RU (models)	87H4434	1
TR (models)	87H4435	1
HU (models)	87H4436	1
GK (models)	87H4437	1
PO (models)	87H4438	1
CS (models)	87H4439	1
TW (models)	87H4440	1
HK (models)	87H4441	1
KR (models)	87H4442	1
SL (models)	87H4443	1
RE (models)	43C1306	1

8995 Vista Business 32 Recovery DVDs	FRU#	CRU Tier
US/UK/AP/TH (models)	87H4476	1
FR/CF (models)	87H4477	1
GR (models)	87H4478	1
SP/LA (models)	87H4479	1
BR (models)	87H4480	1
IT (models)	87H4481	1
JP (models)	87H4482	1
NO (models)	87H4483	1
SV (models)	87H4484	1
DK (models)	87H4485	1
NL (models)	87H4486	1
CZ (models)	87H4487	1
FI (models)	87H4488	1
PL (models)	87H4489	1
RU (models)	87H4490	1
TR (models)	87H4491	1
HU (models)	87H4492	1
GK (models)	87H4493	1
PO (models)	87H4494	1
CS (models)	87H4495	1
TW (models)	87H4496	1
HK (models)	87H4497	1

8995 Vista Business 32 Recovery DVDs	FRU#	CRU Tier
KR (models)	87H4498	1
SL (models)	87H4499	1
RE (models)	43C1308	1

Machine Type 9265



Item #	9265 FRUs	FRU#	CRU Tier	RoHS?
1	Heatsink for Intel CPUs (all models)	41N8261	N	Y
1	Heatsink for Intel CPUs (models CTO)	41R4803	N	Y
2	Microprocessor, Celeron D 2.66GHz 533MHz FSB 256KB L2 (models CTO)	41T1694	N	Y
2	Microprocessor, Celeron D 2.80GHz 533MHz FSB 256KB L2 (models CTO A1S A1P A1D A1Y)	41T1695	N	Y
2	Microprocessor, Celeron D 2.93GHz 533MHz FSB 256KB L2 (models CTO)	41T1696	N	Y
2	Microprocessor, Celeron D 3.06GHz 533MHz FSB 256KB L2 (models CTO B1S B1P B1Y B1B B1H 71G 7AG)	41T1697	N	Y
2	Microprocessor, Celeron D 3.20GHz 533MHz FSB 256KB L2 (models CTO)	41T1698	N	Y
2	Microprocessor, Celeron D 3.20GHz 533MHz FSB 512KB L2 (models CTO)	41T4966	N	Y
2	Microprocessor, Celeron D 3.33GHz 533MHz FSB 512KB L2 (models CTO)	41T4968	N	Y
2	Microprocessor, Celeron 430 CONROE-L 800/1800MHZ-512K,LGA,EM64T (models CTO)	43C1964	N	Y
2	Microprocessor, Celeron 440 CONROE-L 800/2000MHZ-512K,LGA,EM64T (models CTO)	43C1965	N	Y
2	Microprocessor, Pentium 4 3.06 GHz 533 FSB 1MB L2 (models CTO 21B 21H 22S 22P 22Y)	41T4104	N	Y
2	Microprocessor, Pentium 4 3.0 GHz 800 FSB 1MB L2 (models CTO 31S 31P 31Y)	41T1701	N	Y
2	Microprocessor, Pentium 4 3.0 GHz 800 FSB 2MB L2 (models CTO)	41T1709	N	Y

Item #	9265 FRUs	FRU#	CRU Tier	RoHS?
2	Microprocessor, Pentium 4 3.0 GHz 800 FSB 2MB L2 (models CTO 52S 52P 52Y 53B 53H 54K 54R 55K 55R)	41T1712	N	Y
2	Microprocessor, Pentium 4 3.2 GHz 800 FSB 2MB L2 (models CTO 61B 61H)	41T1713	N	Y
2	Microprocessor, Pentium 4 3.4 GHz 800 FSB 2MB L2 (models CTO)	41T1714	N	Y
2	Microprocessor, Pentium 4 661 Processor 3.6 GHz 800 FSB 2MB L2 B1-Value (models CTO)	41T1715	N	Y
2	Microprocessor, Pentium 4 2.8 GHz 800 FSB 2MB L2 (models CTO D3U D3F D4C 72G D5S D5P D5Y 73G 74G 75G 76G)	41T1704	N	Y
2	Microprocessor, Pentium 4 2.8 GHz 800 FSB 2MB L2 (models CTO 77G 78G)	41X7775	N	Y
2	Microprocessor, Pentium D 3.0 GHz 800 FSB 2Mx2 L2 (models CTO F6C F7K F7R F8S F8P F8Y F9U F9F FAK FAR)	41X2413	N	Y
2	Microprocessor, Pentium D 3.0 GHz 800 FSB 2Mx2 L2 (models CTO G1U G1F G2B G2H G2V)	41T1717	N	Y
2	Microprocessor, Pentium D 935 3.2 GHz 800 FSB 2MBx2 L2 C1-Value (95W) (models CTO)	41X8050	N	Y
2	Microprocessor, Pentium D 945 Processor 3.4 GHz 800 FSB 2MBx2 L2) (models CTO H1K H1R H2U H2F H3S H3P H3Y 79G)	41X7776	N	Y
2	Microprocessor, E6300 B2 CONROE 1066/1860MHZ-2M, LGA, EM64T (models CTO 7CG)	41X2495	N	Y
2	Microprocessor, E2140 CONROE-L 800/1600MHZ-1M, LGA, EM64T (models CTO)	43C1967	N	Y
2	Microprocessor, E2160 CONROE-L 800/1600MHZ-1M, LGA, EM64T (models CTO)	43C1968	N	Y
2	Microprocessor, E4300 CONROE 800/1800MHZ-2M, LGA, EM64T (models CTO)	42Y8009	N	Y
2	Microprocessor, E4400 CONROE 800/2000MHZ-2M, LGA, EM64T L2 (models CTO)	43C2056	N	Y
2	Microprocessor, E6400 B2 CONROE 1066/2130MHZ-2M, LGA, EM64T (models CTO)	41X2496	N	Y
2	Microprocessor, E6600 B2 CONROE 1066/2400MHZ-4M, LGA, EM64T (models CTO)	41X5743	N	Y
2	Microprocessor, E6700 B2 CONROE 1066/2670MHZ-4M, LGA, EM64T (models CTO)	41X5744	N	Y
3	Memory module, 512 MB PC2-4200 (533MHz) DDR2 SDRAM (models CTO 52S 52P 52Y 53B 53H 61B 61H D3U D3F G1U G1F G2B G2H G2V 71G 72G 21B 21H 31S 31P 31Y 32S 32P 32Y D5S D5P D5Y F8S F8P F8Y H2U H2F H3S H3P H3Y 7AG 73G 74G 75G 76G 77G 78G 79G)	41X4251	1	Y
3	Memory module, 1 GB PC2-4200 (533MHz) DDR2 SDRAM (models CTO 7CG)	41X4252	1	Y
3	Memory module, 2GB PC2-4200 (533MHz) DDR2 SDRAM (models CTO)	41X4253	1	Y
3	Memory module, 512 MB PC2-5300 (667MHz) DDR2 SDRAM (models CTO 54K 54R 55K 55R F9U F9F FAK FAR)	41X4255	1	Y
3	Memory module, 1 GB PC2-5300 (667MHz) DDR2 SDRAM (models CTO H1K H1R F7K F7R)	41X4256	1	Y
3	Memory module, 2 GB PC2-5300 (667MHz) DDR2 SDRAM (models CTO)	41X4257	1	Y

Item #	9265 FRUs	FRU#	CRU Tier	RoHS?
4	DVD-ROM drive (16X/48X) (models CTO 73G)	41X3544	1	Y
4	DVD-ROM drive (16X/48X) (models CTO 73G)	41X3545	1	Y
4	DVD-ROM drive (16X/48X) (models CTO 73G)	41X3546	1	Y
4	Combo 48 -32 -48 -16 - - DVD - ROM - CDRW (models CTO 52S 52P 52Y 54K 54R 55K 55R 61B 61H D3U D3F D4C 71G 72G 32S 32P 32Y H1K H1R 74G 75G 77G 79G F6C F7K F7R F8S F8P F8Y F9U F9F FAK FAR)	41X3547	1	Y
4	Combo 48 -32 -48 -16 - - DVD - ROM - CDRW (models CTO 52S 52P 52Y 54K 54R 55K 55R 61B 61H D3U D3F D4C 71G 72G 32S 32P 32Y H1K H1R 74G 75G 77G 79G F6C F7K F7R F8S F8P F8Y F9U F9F FAK FAR)	41X3548	1	Y
4	Combo 48 -32 -48 -16 - - DVD - ROM - CDRW (models CTO 52S 52P 52Y 54K 54R 55K 55R 61B 61H D3U D3F D4C 71G 72G 32S 32P 32Y H1K H1R 74G 75G 77G 79G F6C F7K F7R F8S F8P F8Y F9U F9F FAK FAR)	41X3549	1	Y
4	Combo 48 -32 -48 -16 - - DVD - ROM - CDRW --NON/VISTA (models CTO 52S 52P 52Y 54K 54R 55K 55R 61B 61H D3U D3F D4C 71G 72G 32S 32P 32Y H1K H1R 74G 75G 77G 79G F6C F7K F7R F8S F8P F8Y F9U F9F FAK FAR 34U 34F 62C 62B 62H D8U D8F F8U F8F F8S F8P F8Y FCC J2C J3B J3H J4B J4H J9S J9P J9Y JKS JKP JKY JAS JAP JAY 7FG 7GG)	42Y9368	1	Y
4	Combo 48 -32 -48 -16 - - DVD - ROM - CDRW --NON/VISTA (models CTO 52S 52P 52Y 54K 54R 55K 55R 61B 61H D3U D3F D4C 71G 72G 32S 32P 32Y H1K H1R 74G 75G 77G 79G F6C F7K F7R F8S F8P F8Y F9U F9F FAK FAR 34U 34F 62C 62B 62H D8U D8F F8U F8F F8S F8P F8Y FCC J2C J3B J3H J4B J4H J9S J9P J9Y JKS JKP JKY JAS JAP JAY 7FG 7GG)	42Y9369	1	Y
4	Combo 48 -32 -48 -16 - - DVD - ROM - CDRW --NON/VISTA (models CTO 52S 52P 52Y 54K 54R 55K 55R 61B 61H D3U D3F D4C 71G 72G 32S 32P 32Y H1K H1R 74G 75G 77G 79G F6C F7K F7R F8S F8P F8Y F9U F9F FAK FAR 34U 34F 62C 62B 62H D8U D8F F8U F8F F8S F8P F8Y FCC J2C J3B J3H J4B J4H J9S J9P J9Y JKS JKP JKY JAS JAP JAY 7FG 7GG)	41X7992	1	Y
4	DVD-Recorder (Rambo 8)-NON/VISTA (models CTO G1U G1F G2B G2H G2V H2U H2F 76G 78G 7CG H4U H4F H4C H4B H4H J7G J8G 7DG 7EG)	41N3343	1	Y
4	DVD-Recorder (Rambo 8)-NON/VISTA (models CTO G1U G1F G2B G2H G2V H2U H2F 76G 78G 7CG H4U H4F H4C H4B H4H J7G J8G 7DG 7EG)	41X3550	1	Y
4	DVD-Recorder (Rambo 8)-NON/VISTA (models CTO G1U G1F G2B G2H G2V H2U H2F 76G 78G 7CG H4U H4F H4C H4B H4H J7G J8G 7DG 7EG)	42Y9370	1	Y
4	DVD Recordable No Software / No Royalty for VISTA Models ONLY (models CTO G1U G1F G2B G2H G2V H2U H2F 76G 78G 7CG H4U H4F H4C H4B H4H J7G J8G 7DG 7EG)	42Y9371	2	Y
4	DVD Recordable No Software / No Royalty for VISTA Models ONLY (models CTO G1U G1F G2B G2H G2V H2U H2F 76G 78G 7CG H4U H4F H4C H4B H4H J7G J8G 7DG 7EG)	42Y6017	2	Y
4	DVD Recordable No Software / No Royalty for VISTA Models ONLY (models CTO G1U G1F G2B G2H G2V H2U H2F 76G 78G 7CG H4U H4F H4C H4B H4H J7G J8G 7DG 7EG)	43C0144	2	Y
5	Diskette drive, 3,5", 1.44MB, 2 Mode,(w/bezel) (models CTO A1S A1P A1D A1Y B1S B1P B1Y B1B B1H 53B 53H 61B 61H G2B G2H G2V 21B 21H 22S 22P 22Y 31S 31P 31Y D5S D5P D5Y FAK FAR H1K H1R H3S H3P H3Y)	40Y9105	2	Y
5	Diskette drive, 3,5", 1.44MB, 2 Mode (models CTO A1S A1P A1D A1Y B1S B1P B1Y B1B B1H 53B 53H 61B 61H G2B G2H G2V 21B 21H 22S 22P 22Y 31S 31P 31Y D5S D5P D5Y FAK FAR H1K H1R H3S H3P H3Y)	40Y7107	2	Y

Item #	9265 FRUs	FRU#	CRU Tier	RoHS?
6	Bezel assembly (all models)	41N8052	2	Y
7	Power switch/LED assembly (all models)	41N5284	2	Y
8	Speaker assembly, soldered terminals (all models)	39P5023	2	Y
9	Front audio/USB assembly (all models)	41N8054	2	Y
10	Hard disk drive, 40GB (7200RPM), Serial ATA (models CTO)	40Y9033	1	Y
10	Hard disk drive, 80GB (7200RPM), Serial ATA (models CTO A1S A1P A1D A1Y B1S B1P B1Y B1B B1H 53B 53H D3U D3F D4C 71G 72G 21B 21H 22S 22P 22Y D5S D5P D5Y F6C H3S H3P H3Y 7AG 73G 74G 79G)	40Y9034	1	Y
10	Hard disk drive, 80GB 7200rpm SATA (only for China) (models B1B B1H 53B 53H D4C 21B 21H F6C)	41X2500	1	Y
10	Hard disk drive, 160GB (7200RPM), Serial ATA (models CTO 52S 52P 52Y 54K 54R 55K 55R 61B 61H G1U G1F G2B G2H G2V 31S 31P 31Y 32S 32P 32Y F7K F7R F8S F8P F8Y F9U F9F FAK FAR H2U H2F 75G 76G 77G 78G 7CG)	40Y9035	1	Y
10	Hard disk drive, 250GB (7200RPM), Serial ATA (models CTO H1K H1R)	40Y9036	1	Y
10	Hard disk drive, 500GB (7200RPM), Serial ATA (models CTO)	41X5582	1	Y
11	System board, Intel for Vista and XP (models CTO A1S A1P A1D A1Y B1S B1P B1Y B1B B1H 52S 52P 52Y 53B 53H 54K 54R 55K 55R 61B 61H D3U D3F D4C G1U G1F G2B G2H G2V 71G 72G 21B 21H 22S 22P 22Y 31S 31P 31Y 32S 32P 32Y D5S D5P D5Y F6C F7K F7R F8S F8P F8Y F9U F9F FAK FAR H1K H1R H2U H2F H3S H3P H3Y 7AG 73G 74G 75G 76G 77G 78G 79G 7CG 34U 34F 62C 62B 62H D8U D8F F8U F8F F8S F8P F8Y FCC H4U H4F H4C H4B H4H J1C J2C J3B J3H J4B J4H J7G J8G J9S J9P J9Y JKS JKP JKY JAS JAP JAY 7DG 7EG 7FG 7GG) Note: When ordering a new system board, you must also order a new retention module for the heat sink.	87H4655	N	Y
11	System board, Intel for Vista and XP, Japan (models CTO A1S A1P A1D A1Y B1S B1P B1Y B1B B1H 52S 52P 52Y 53B 53H 54K 54R 55K 55R 61B 61H D3U D3F D4C G1U G1F G2B G2H G2V 71G 72G 21B 21H 22S 22P 22Y 31S 31P 31Y 32S 32P 32Y D5S D5P D5Y F6C F7K F7R F8S F8P F8Y F9U F9F FAK FAR H1K H1R H2U H2F H3S H3P H3Y 7AG 73G 74G 75G 76G 77G 78G 79G 7CG 34U 34F 62C 62B 62H D8U D8F F8U F8F F8S F8P F8Y FCC H4U H4F H4C H4B H4H J1C J2C J3B J3H J4B J4H J7G J8G J9S J9P J9Y JKS JKP JKY JAS JAP JAY 7DG 7EG 7FG 7GG) Note: When ordering a new system board, you must also order a new retention module for the heat sink.	87H4656	N	Y
11	System board, 946GZ B ver1.0 (models CTO A1S A1P A1D A1Y B1S B1P B1Y B1B B1H 52S 52P 52Y 53B 53H 54K 54R 55K 55R 61B 61H D3U D3F D4C G1U G1F G2B G2H G2V 71G 72G 21B 21H 22S 22P 22Y 31S 31P 31Y 32S 32P 32Y D5S D5P D5Y F6C F7K F7R F8S F8P F8Y F9U F9F FAK FAR H1K H1R H2U H2F H3S H3P H3Y 7AG 73G 74G 75G 76G 77G 78G 79G 7CG 34U 34F 62C 62B 62H D8U D8F F8U F8F F8S F8P F8Y FCC H4U H4F H4C H4B H4H J1C J2C J3B J3H J4B J4H J7G J8G J9S J9P J9Y JKS JKP JKY JAS JAP JAY 7DG 7EG 7FG 7GG) Note: When ordering a new system board, you must also order a new retention module for the heat sink.	43C3504	N	Y

Item #	9265 FRUs	FRU#	CRU Tier	RoHS?
11	System board, 946GZ ver1.2 (models CTO A1S A1P A1D A1Y B1S B1P B1Y B1B B1H 52S 52P 52Y 53B 53H 54K 54R 55K 55R 61B 61H D3U D3F D4C G1U G1F G2B G2H G2V 71G 72G 21B 21H 22S 22P 22Y 31S 31P 31Y 32S 32P 32Y D5S D5P D5Y F6C F7K F7R F8S F8P F8Y F9U F9F FAK FAR H1K H1R H2U H2F H3S H3P H3Y 7AG 73G 74G 75G 76G 77G 78G 79G 7CG 34U 34F 62C 62B 62H D8U D8F F8U F8F F8S F8P F8Y FCC H4U H4F H4C H4B H4H J1C J2C J3B J3H J4B J4H J7G J8G J9S J9P J9Y JKS JKP JKY JAS JAP JAY 7DG 7EG 7FG 7GG) Note: When ordering a new system board, you must also order a new retention module for the heat sink.	43C3505	N	Y
11	System board, 946GZ (modify PCB solve Conroe CPU issue and modify PCB solve Japan smokeless issue) ver1.2 matrix from 43C3504 & 43C3505 (models CTO A1S A1P A1D A1Y B1S B1P B1Y B1B B1H 52S 52P 52Y 53B 53H 54K 54R 55K 55R 61B 61H D3U D3F D4C G1U G1F G2B G2H G2V 71G 72G 21B 21H 22S 22P 22Y 31S 31P 31Y 32S 32P 32Y D5S D5P D5Y F6C F7K F7R F8S F8P F8Y F9U F9F FAK FAR H1K H1R H2U H2F H3S H3P H3Y 7AG 73G 74G 75G 76G 77G 78G 79G 7CG 34U 34F 62C 62B 62H D8U D8F F8U F8F F8S F8P F8Y FCC H4U H4F H4C H4B H4H J1C J2C J3B J3H J4B J4H J7G J8G J9S J9P J9Y JKS JKP JKY JAS JAP JAY 7DG 7EG 7FG 7GG) Note: When ordering a new system board, you must also order a new retention module for the heat sink.	43C8359	N	Y
12	Fan, Rear w/ grommets & Grill (all models)	41N8079	2	Y
13	Power supply (300W) (models CTO)	41N3489	2	Y
13	Power supply (230W) (models CTO A1S A1P A1D A1Y B1S B1P B1Y 52S 52P 52Y 54K 54R 55K 55R D3U D3F G1U G1F G2V 71G 72G 22S 22P 22Y 31S 31P 31Y 32S 32P 32Y D5S D5P D5Y F7K F7R F8S F8P F8Y F9U F9F FAK FAR H1K H1R H2U H2F H3S H3P H3Y 7AG 73G 74G 75G 76G 77G 78G 79G 7CG)	41N3094	2	Y
13	Power supply (250W) (models CTO A1S A1P A1D A1Y B1S B1P B1Y 52S 52P 52Y 54K 54R 55K 55R D3U D3F G1U G1F G2V 71G 72G 22S 22P 22Y 31S 31P 31Y 32S 32P 32Y D5S D5P D5Y F7K F7R F8S F8P F8Y F9U F9F FAK FAR H1K H1R H2U H2F H3S H3P H3Y 7AG 73G 74G 75G 76G 77G 78G 79G 7CG)	41N3127	2	Y
13	Power supply (220V/250W/ATX12V - China) (models CTO B1B B1H 53B 53H 61B 61H D4C G2B G2H 21B 21H F6C)	41N3485	2	Y
13	Power Supply 5281-7VW-ROHS, 280W, Standard (models CTO)	41N3479	2	Y
13	Power Supply 5281-7VW-ROHS, 280W, Standard (models CTO)	41N3482	2	Y
13	Power Supply 310W standard only for Japan (models CTO)	24R2596	2	Y

The FRUs listed in the following tables are not illustrated.

9265 FRUs	FRU#	CRU Tier	RoHS?
Thermal grease kit (all models)	91P8835	N	Y
Shield, 5.25 EMC (all models)	41N8080	2	Y
Cable, SATA (18" RoHs) (all models)	26K1186	2	Y
Cable, Serial (all models)	39K5021	2	Y
Shield, diskette drive EMC (all models)	41N8078	2	Y
Cable, Diskette drive (RoHs) (all models)	41A7182	2	Y

9265 FRUs	FRU#	CRU Tier	RoHS?
Cover, left side (all models)	41N8050	1	Y
Chassis assembly (all models)	41N8051	N	Y
System board I/O Shield - (all models)	41N8053	N	Y
Kit, Miscellaneous hardware (all models)	41N8055	2	Y
Retention Module Kit, RoHs (all models)	41N8056	2	Y
Cable, hard disk drive and optical signal (all models)	39M0516	1	Y
Front system fan (all models)	41R2519	1	Y
4 PIN CABLE-SATA,2H 100mm LATCH(RoHs)PS cable (all models)	41R3300	1	Y
Cable SATA 250mm (RoHS) (all models)	41A7145	1	N
Retainer, Card Reader (all models)	41R2913	1	N
Front Fan AVC (all models)	41R4791	1	N
Optional HDD Bracket Assembly, without 4Pin cable (all models)	41R6106	1	N
Chassis assembly (all models)	41R2533	1	N

9265 Keyboards (Lenovo Preferred Pro fullsize, Black)	FRU#	CRU Tier	RoHS?
US English (models B1H 53H 54R 55R 61H D3U D4C G1U G2H 71G 72G 21H F6C F7R F9U FAR H1R H2U 7AG 73G 74G 75G 76G 77G 78G 79G 7CG)	41A5039	1	Y
Arabic (models 71G 72G 7AG 73G 74G 75G 76G 77G 78G 79G 7CG)	41A5040	1	Y
Arabic/French (models 71G 72G 7AG 73G 74G 75G 76G 77G 78G 79G 7CG)	41A5041	1	Y
Belgian/French (models 71G 72G 7AG 73G 74G 75G 76G 77G 78G 79G 7CG)	41A5042	1	Y
Belgian/UK (models 71G 72G 7AG 73G 74G 75G 76G 77G 78G 79G 7CG)	41A5043	1	Y
Bulgarian (models 71G 72G 7AG 73G 74G 75G 76G 77G 78G 79G 7CG)	41A5045	1	Y
Hong Kong/Taiwan (models B1B 53B 61B G2B G2V 21B)	41A5046	1	Y
Czech (models 71G 72G 7AG 73G 74G 75G 76G 77G 78G 79G 7CG)	41A5047	1	Y
Danish (models 71G 72G 7AG 73G 74G 75G 76G 77G 78G 79G 7CG)	41A5048	1	Y
Dutch (models 71G 72G 7AG 73G 74G 75G 76G 77G 78G 79G 7CG)	41A5049	1	Y
French (models 71G 72G 7AG 73G 74G 75G 76G 77G 78G 79G 7CG)	41A5050	1	Y
French Canadian 445 (models D3F G1F F9F H2F)	41A5051	1	Y
French Canadian 58 (models D3F G1F F9F H2F)	41A5052	1	Y
German (models 71G 72G 7AG 73G 74G 75G 76G 77G 78G 79G 7CG)	41A5053	1	Y
Greek (models 71G 72G 7AG 73G 74G 75G 76G 77G 78G 79G 7CG)	41A5054	1	Y
Hebrew (models 71G 72G 7AG 73G 74G 75G 76G 77G 78G 79G 7CG)	41A5055	1	Y
Hungarian (models 71G 72G 7AG 73G 74G 75G 76G 77G 78G 79G 7CG)	41A5056	1	Y
Iceland (models 71G 72G 7AG 73G 74G 75G 76G 77G 78G 79G 7CG)	41A5057	1	Y
Italian (models 71G 72G 7AG 73G 74G 75G 76G 77G 78G 79G 7CG)	41A5058	1	Y
Korean (models 54K 55K F7K FAK H1K)	41A5060	1	Y
LA Spanish (models A1S A1D A1Y B1S B1Y 52S 52Y 22S 22Y 31S 31Y 32S 32Y D5S D5Y F8S F8Y H3S H3Y)	41A5061	1	Y
Norwegian (models 71G 72G 7AG 73G 74G 75G 76G 77G 78G 79G 7CG)	41A5062	1	Y
Polish (models 71G 72G 7AG 73G 74G 75G 76G 77G 78G 79G 7CG)	41A5063	1	Y

9265 Keyboards (Lenovo Preferred Pro fullsize, Black)	FRU#	CRU Tier	RoHS?
Portuguese (models 71G 72G 7AG 73G 74G 75G 76G 77G 78G 79G 7CG)	41A5064	1	Y
Romanian (models 71G 72G 7AG 73G 74G 75G 76G 77G 78G 79G 7CG)	41A5065	1	Y
Russian/Cyrilic (models 71G 72G 7AG 73G 74G 75G 76G 77G 78G 79G 7CG)	41A5066	1	Y
Serbian/Cyrilic (models 71G 72G 7AG 73G 74G 75G 76G 77G 78G 79G 7CG)	41A5067	1	Y
Slovak (models 71G 72G 7AG 73G 74G 75G 76G 77G 78G 79G 7CG)	41A5068	1	Y
Spanish (models 71G 72G 7AG 73G 74G 75G 76G 77G 78G 79G 7CG)	41A5069	1	Y
Swedish/Finn (models 71G 72G 7AG 73G 74G 75G 76G 77G 78G 79G 7CG)	41A5070	1	Y
Swiss F/G (models 71G 72G 7AG 73G 74G 75G 76G 77G 78G 79G 7CG)	41A5071	1	Y
Turkish 440 (models 71G 72G 7AG 73G 74G 75G 76G 77G 78G 79G 7CG)	41A5073	1	Y
Turkish 179 (models 71G 72G 7AG 73G 74G 75G 76G 77G 78G 79G 7CG)	41A5074	1	Y
UK English (models 71G 72G 7AG 73G 74G 75G 76G 77G 78G 79G 7CG)	41A5075	1	Y
US Euro (models 71G 72G 7AG 73G 74G 75G 76G 77G 78G 79G 7CG)	41A5076	1	Y
Slovenian (models 71G 72G 7AG 73G 74G 75G 76G 77G 78G 79G 7CG)	41A5077	1	Y
Brazil/Portuguese (models A1P B1P 52P 22P 31P 32P D5P F8P H3P)	41A5044	1	Y

9265 mice	FRU#	CRU Tier	RoHS?
Optical Wheel Mouse (400DPI, USB) (all models)	41U3013	1	Y
Optical Wheel Mouse (400DPI, USB) (all models)	41U3030	1	Y
PS/2 Three Button ball mouse (models CTO)	41R0018	1	Y
ScrollPoint Optical Mouse (800DPI, USB) (models CTO)	41U3019	1	Y

9265 Adapters and miscellaneous FRUs	FRU#	CRU Tier	RoHS?
USB2.0 MEMORY CARDREADER,6X2,ROHS OPTIONAL,Bitland (models CTO)	41R3378	2	Y
USB2.0 MEMORY CARDREADER,6X2,ROHS OPTIONAL, SONY (models CTO)	41R3376	2	Y
PCI Modem Card (Soft) (models CTO)	29R9729	2	Y
L1 IEEE 1394 PCI Adapter (models CTO G1U G1F G2B G2H G2V F6C H2U H2F)	41D2781	2	Y
Denver - ATI X300SE 128MB (models CTO 55K 55R FAK FAR)	39J9635	2	Y
Dongle Cable - DMS59 to dual VGA (models CTO)	41D2399	2	Y
Dongle Cable - DMS59 to dual VGA (included in Denver L1) (models CTO)	42Y8181	2	Y
Dongle DMS Dule DMS-59 to dual DVI cable (models CTO)	41X6398	2	Y
Dongle DMS Dule DMS-59 to single VGA and DVI cable (models CTO)	42Y8183	2	Y
Dongle DMS Dule DMS-59 to dual DVI cable (models CTO 7CG)	41X6398	2	Y
Nvidia GeForce 6200TC128MB 64bit (Full Height) (models CTO)	41X2668	2	Y
Nvidia GeForce 6200TC 64MB 32bit (models CTO)	41X2667	2	Y
Nvidia GeForce 7300LE 128MB 64bit (models CTO)	41X2669	2	Y
Nvidia GeForce 7300LE 128MB 64bit LP / ATX with DMS59 (models CTO)	42Y8165	2	Y
ATI Radeon X1300PRO 256MB 128bit (models CTO)	41X2670	2	Y
ATI X1300LE 256M 64bit LP / ATX with DMS59 (models CTO)	42Y8162	2	Y
X1300 LE 256MB (models CTO)	42Y8159	2	Y

9265 Adapters and miscellaneous FRUs	FRU#	CRU Tier	RoHS?
Internal USB Memory Card Reader (models CTO D4C F6C)	41D1934	2	Y
Wireless Keyboard (models CTO)	41A5219	2	Y
Wireless Mouse (models CTO)	41A5247	2	Y
USB Transceiver for wireless kybd/mouse (models CTO)	41A5246	2	Y
Speakers (2-piece) Lenovo Logo (models D4C F6C)	41A5331	1	Y
Speaker Power brick - China, Thailand (models D4C F6C)	89P8581	1	Y
DVI-I card,FH(Casper) (models CTO)	39J9334	2	Y

9265 Power Cords	FRU#	CRU Tier	RoHS?
Power Cord (US) (models A1S A1D B1S 52S D3U D3F G1U G1F 22S 31S 32S D5S F8S F9U F9F H2U H2F H3S)	39M5080	1	Y
Power Cord (China) (models D4C F6C)	39M5205	1	Y
Power Cord (Brazil) (models A1P B1P 52P 22P 31P 32P D5P F8P H3P)	39M5232	1	Y
Power Cord (LA High Volt APU) (models A1Y B1Y 52Y 22Y 31Y 32Y D5Y F8Y H3Y)	39M5067	1	Y
Power Cord (Korea) (models 54K 54R 55K 55R F7K F7R FAK FAR H1K H1R)	39M5212	1	Y
Power Cord (Hong Kong) (models B1B B1H 53B 53H 61B 61H G2B G2H 21B 21H)	39M5151	1	Y
Power Cord (UK, Ireland, Singapore, Malaysia, Brunei) (models 71G 72G 7AG 73G 74G 75G 76G 77G 78G 79G 7CG)	39M5150	1	Y
Power Cord (Taiwan) (models G2V)	39M5246	1	Y
Power Cord (Italy) (models A1S A1Y B1S B1Y 52S 52Y 71G 72G 22S 22Y 31S 31Y 32S 32Y D5S D5Y F8S F8Y H3S H3Y 7AG 73G 74G 75G 76G 77G 78G 79G 7CG)	39M5164	1	Y
Power Cord (G models) (models 71G 72G 7AG 73G 74G 75G 76G 77G 78G 79G 7CG)	39M5122	1	Y
Power Cord (Denmark) (models 71G 72G 7AG 73G 74G 75G 76G 77G 78G 79G 7CG)	39M5129	1	Y
Power Cord (Switzerland) (models 71G 72G 7AG 73G 74G 75G 76G 77G 78G 79G 7CG)	39M5157	1	Y
Power Cord (Israel) (models 71G 72G 7AG 73G 74G 75G 76G 77G 78G 79G 7CG)	39M5171	1	Y
Power Cord (South Africa) (models 71G 72G 7AG 73G 74G 75G 76G 77G 78G 79G 7CG)	39M5143	1	Y

9265 Windows XP Home Recovery CDs	FRU#	CRU Tier	RoHS?
Simplified Chinese (models F6C)	41W7778	1	Y

9265 Windows XP Pro Recovery CDs	FRU#	CRU Tier	RoHS?
US/UK/AP/TH (models B1H 53H 54R 55R 61H D3U G1U G2H 71G 72G 21H F7R F9U FAR H1R H2U 7AG 73G 74G 75G 76G 77G 78G 79G 7CG)	42Y3549	1	Y
FR/CF (models D3F G1F 71G 72G F9F H2F 7AG 73G 74G 75G 76G 77G 78G 79G 7CG)	42Y3550	1	Y
GR (models 71G 72G 7AG 73G 74G 75G 76G 77G 78G 79G 7CG)	42Y3551	1	Y

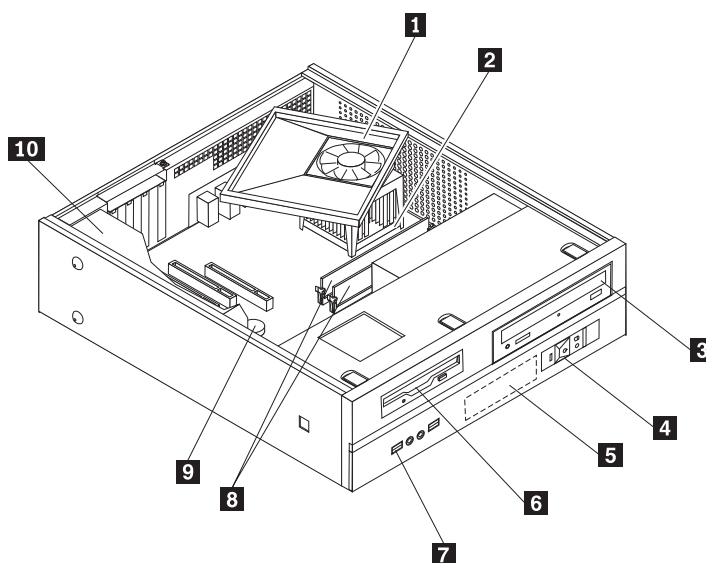
9265 Windows XP Pro Recovery CDs	FRU#	CRU Tier	RoHS?
IT (models 71G 72G 7AG 73G 74G 75G 76G 77G 78G 79G 7CG)	42Y3553	1	Y
BR (models 52P H3P)	42Y3554	1	Y
SP/LA (models A1S A1D A1Y B1S B1Y 52S 52Y 71G 72G 7AG 73G 74G 75G 76G 77G 78G 79G 7CG 22S 22Y 31S 31Y 32S 32Y D5S D5Y F8S F8Y H3S H3Y 7AG 73G 74G 75G 76G 77G 78G 79G 7CG)	42Y3552	1	Y
DK (models 71G 72G 7AG 73G 74G 75G 76G 77G 78G 79G 7CG)	42Y3556	1	Y
NL (models 71G 72G 7AG 73G 74G 75G 76G 77G 78G 79G 7CG)	42Y3720	1	Y
AE (models 71G 72G 7AG 73G 74G 75G 76G 77G 78G 79G 7CG)	42Y3724	1	Y
SV (models 71G 72G 7AG 73G 74G 75G 76G 77G 78G 79G 7CG)	42Y3555	1	Y
HE (models 71G 72G 7AG 73G 74G 75G 76G 77G 78G 79G 7CG)	42Y3721	1	Y
FI (models 71G 72G 7AG 73G 74G 75G 76G 77G 78G 79G 7CG)	42Y3718	1	Y
NO (models 71G 72G 7AG 73G 74G 75G 76G 77G 78G 79G 7CG)	42Y3719	1	Y
PL (models 71G 72G 7AG 73G 74G 75G 76G 77G 78G 79G 7CG)	42Y3722	1	Y
PO (models 71G 72G 7AG 73G 74G 75G 76G 77G 78G 79G 7CG)	42Y3728	1	Y
RU (models 71G 72G 7AG 73G 74G 75G 76G 77G 78G 79G 7CG)	42Y3725	1	Y
RE (models 71G 72G 7AG 73G 74G 75G 76G 77G 78G 79G 7CG)	42Y3717	1	Y
HU (models 71G 72G 7AG 73G 74G 75G 76G 77G 78G 79G 7CG)	42Y3727	1	Y
CZ (models 71G 72G 7AG 73G 74G 75G 76G 77G 78G 79G 7CG)	42Y3723	1	Y
TR (models 71G 72G 7AG 73G 74G 75G 76G 77G 78G 79G 7CG)	42Y3726	1	Y
GK (models 71G 72G 7AG 73G 74G 75G 76G 77G 78G 79G 7CG)	42Y3729	1	Y
SL (models 71G 72G 7AG 73G 74G 75G 76G 77G 78G 79G 7CG)	42Y3730	1	Y
Taiwan - TC (models G2V)	41W7757	1	Y
Hong Kong-TC (models B1B 53B 61B G2B 21B)	41W7762	1	Y
Korea (models 54K 55K F7K FAK H1K)	41W7746	1	Y
Multilingual 1 (models 71G 72G 7AG 73G 74G 75G 76G 77G 78G 79G 7CG)	42Y3645	1	Y
Multilingual 2 (models 71G 72G 7AG 73G 74G 75G 76G 77G 78G 79G 7CG)	42Y3879	1	Y

9265 Vista Home Basic 32 Recovery DVDs	FRU#	CRU Tier
US/UK/AP/TH (models)	87H4420	1
FR/CF (models)	87H4421	1
GR (models)	87H4422	1
SP/LA (models)	87H4423	1
BR (models)	87H4424	1
IT (models)	87H4425	1
JP (models)	87H4426	1
NO (models)	87H4427	1
SV (models)	87H4428	1
DK (models)	87H4429	1
NL (models)	87H4430	1
CZ (models)	87H4431	1
FI (models)	87H4432	1

9265 Vista Home Basic 32 Recovery DVDs	FRU#	CRU Tier
PL (models)	87H4433	1
RU (models)	87H4434	1
TR (models)	87H4435	1
HU (models)	87H4436	1
GK (models)	87H4437	1
PO (models)	87H4438	1
CS (models)	87H4439	1
TW (models)	87H4440	1
HK (models)	87H4441	1
KR (models)	87H4442	1
SL (models)	87H4443	1
RE (models)	43C1306	1

9265 Vista Business 32 Recovery DVDs	FRU#	CRU Tier
US/UK/AP/TH (models)	87H4476	1
FR/CF (models)	87H4477	1
GR (models)	87H4478	1
SP/LA (models)	87H4479	1
BR (models)	87H4480	1
IT (models)	87H4481	1
JP (models)	87H4482	1
NO (models)	87H4483	1
SV (models)	87H4484	1
DK (models)	87H4485	1
NL (models)	87H4486	1
CZ (models)	87H4487	1
FI (models)	87H4488	1
PL (models)	87H4489	1
RU (models)	87H4490	1
TR (models)	87H4491	1
HU (models)	87H4492	1
GK (models)	87H4493	1
PO (models)	87H4494	1
CS (models)	87H4495	1
TW (models)	87H4496	1
HK (models)	87H4497	1
KR (models)	87H4498	1
SL (models)	87H4499	1
RE (models)	43C1308	1

Machine Type 9266



Item #	9266 FRUs	FRU#	CRU Tier	RoHS?
1	Heatsink for AMD Sempron & Athlon AM2 processors (models CTO A1G A2K A2R A3K A3R A4U A4F A5S A5P A5Y A6S A6P A6Y A7S A7P A7Y A8K A8R A9S A9P A9Y ACQ B1K B1R B2K B2R B3K B3R B4K B4R B5K B5R 21G 22Q 23K 23R 24K 24R 25K 25R 26S 26P 26Y 27S 27P 27Y 28S 28P 28Y 31K 31R 32U 32F 32S 32P 32Y 33S 33P 33Y D1U D1F D1S D1P D1Y D2S D2P D2Y D3K D3R B6U B7S B7P B7Y B8K B8R 29G 2AK 2AR 29G 2AK 2AR 34K 34R 35S 35P 35Y 36U 36F 36S 36P 36Y 37U 38U 38F 39K 39R D2U)	41N8249	N	Y
1	Heatsink for AMD Sempron & Athlon AM2 CPUs (models CTO)	41R4802	N	Y
2	Microprocessor, 3000+ Sempron AM2 (1.6 GHz processor, 62W) (models CTO A1G A2K A2R A3K A3R A4U A4F A5S A5P A5Y A6S A6P A6Y A7S A7P A7Y)	41X1403	N	Y
2	Microprocessor, 3400+ Sempron AM2 (1.8 GHz processor, 62W) (models CTO B1K B1R B2K B2R B6U B7S B7P B7Y B8K B8R)	41X1407	N	Y
2	Microprocessor, 3600+ Sempron AM2 (2.0 GHz processor, 62W) (models CTO B5K B5R)	41X1411	N	Y
2	Microprocessor, 3500+ Athlon64 AM2 (2.2 GHz processor, 62W) (models CTO 21G 22Q 23K 23R 24K 24R 25K 25R 26S 26P 26Y 27S 27P 27Y 28S 28P 28Y)	41X1415	N	Y
2	Microprocessor, 3600+ Athlon64 AM2 X2 (2.0 GHz processor, 89W) (models CTO)	41X7777	N	Y
2	Microprocessor, 3600+Athlon64 AM2 X2 1.9GHz 1M 65W 65nm G1 (models CTO)	43C4091	N	Y
2	Microprocessor, 3800+ Athlon64 AM2 (2.4 GHz processor, 62W) (models CTO 31K 31R 32U 32F 32S 32P 32Y 33S 33P 33Y 34K 34R)	41X1417	N	Y
2	Microprocessor, 3800+ Athlon64 AM2 X2 (2.0 GHz processor, 89W) (models CTO 35S 35P 35Y 36U 36F 36S 36P 36Y 37U 38U 38F 39K 39R)	41X4241	N	Y
2	Microprocessor, 4000+ Athlon64 AM2 (2.4 GHz processor, 62W) (models CTO)	41X1419	N	Y

Item #	9266 FRUs	FRU#	CRU Tier	RoHS?
2	Microprocessor, 4000+ Athlon64 AM2 X2 2.1GHz 1M 65W 65nm G1 (models CTO)	43C3965	N	Y
2	Microprocessor, 4200+ Athlon64 AM2 X2 (2.2 GHz processor, 89W) (models CTO D1U D1F D1S D1P D1Y D2S D2P D2Y D3K D3R D2U)	41X1421	N	Y
2	Microprocessor, 4400+Athlon64 AM2 X2 2.3 GHz 1M 65W 65nm G1 (models CTO)	43C3507	N	Y
2	Microprocessor, 4600+ Athlon64 AM2 X2 (2.4 GHz processor, 89W) (models CTO)	41X1423	N	Y
2	Microprocessor, 4800+ Athlon AM2 X2 2.5GHz 1M 65W 65nm G1 (models CTO)	43C4093	N	Y
3	DVD-ROM drive (16X/48X) (models CTO A1G ADG)	41X3544	2	Y
3	DVD-ROM drive (16X/48X) (models CTO A1G ADG)	41X3545	2	Y
3	DVD-ROM drive (16X/48X) (models CTO A1G ADG)	41X3546	2	Y
3	Combo 48 -32 -48 -16 - - DVD - ROM - CDRW (models CTO A3K A3R A5S A5P A5Y A8K A8R B2K B2R B3K B3R B4K B4R B5K B5R 21G 24K 24R 25K 25R 28S 28P 28Y 31K 31R 33S 33P 33Y D2S D2P D2Y D3K D3R B8K B8R 29G 2AK 2AR 34K 34R 36U 36F 36S 36P 36Y 38U 38F 39K 39R D2U)	41X3547	2	Y
3	Combo 48 -32 -48 -16 - - DVD - ROM - CDRW (models CTO A3K A3R A5S A5P A5Y A8K A8R B2K B2R B3K B3R B4K B4R B5K B5R 21G 24K 24R 25K 25R 28S 28P 28Y 31K 31R 33S 33P 33Y D2S D2P D2Y D3K D3R B8K B8R 29G 2AK 2AR 34K 34R 36U 36F 36S 36P 36Y 38U 38F 39K 39R D2U)	41X3548	2	Y
3	Combo 48 -32 -48 -16 - - DVD - ROM - CDRW (models CTO A3K A3R A5S A5P A5Y A8K A8R B2K B2R B3K B3R B4K B4R B5K B5R 21G 24K 24R 25K 25R 28S 28P 28Y 31K 31R 33S 33P 33Y D2S D2P D2Y D3K D3R B8K B8R 29G 2AK 2AR 34K 34R 36U 36F 36S 36P 36Y 38U 38F 39K 39R D2U)	41X3549	2	Y
3	DVD-Recorder (Rambo 8)-NON/VISTA (models CTO BFJ 3KJ)	41N3343	1	Y
3	DVD-Recorder (Rambo 8)-NON/VISTA (models CTO BFJ 3KJ)	41X3550	1	Y
3	DVD-Recorder (Rambo 8)-NON/VISTA (models CTO BFJ 3KJ)	42Y9370	1	Y
3	DVD Recordable No Software / No Royalty for VISTA Models ONLY (models CTO BFJ 3KJ)	42Y9371	2	Y
3	DVD Recordable No Software / No Royalty for VISTA Models ONLY (models CTO BFJ 3KJ)	42Y6017	2	Y
3	DVD Recordable No Software / No Royalty for VISTA Models ONLY (models CTO BFJ 3KJ)	43C0144	2	Y
4	Front Power/LED PC, bracket, and cable (all models)	41N8213	N	Y
5	Hard disk drive, 40GB (7200RPM), Serial ATA (models CTO)	40Y9033	2	Y
5	Hard disk drive, 80GB (7200RPM), Serial ATA (models CTO A1G A2K A2R A3K A3R A4U A4F A5S A5P A5Y A6S A6P A6Y A7S A7P A7Y A9S A9P A9Y ACQ B1K B1R 21G 22Q 23K 23R 26S 26P 26Y 27S 27P 27Y 32U 32F 32S 32P 32Y 33S 33P 33Y D1U D1F D1S D1P D1Y D2S D2P D2Y ADG B6U B7S B7P B7Y 29G 35S 35P 35Y 36U 36F 36S 36P 36Y 37U D2U)	40Y9034	2	Y
5	Hard disk drive, 80GB 7200rpm SATA (only for China) (models CTO)	41X2500	1	Y
5	Hard disk drive, 160GB (7200RPM), Serial ATA (models CTO A8K A8R B2K B2R B3K B3R 24K 24R 25K 25R 28S 28P 28Y 31K 31R D3K D3R 38U 38F)	40Y9035	2	Y
5	Hard disk drive, 250GB (7200RPM), Serial ATA (models CTO B4K B4R B5K B5R B8K B8R 2AK 2AR 34K 34R 39K 39R)	40Y9036	2	Y

Item #	9266 FRUs	FRU#	CRU Tier	RoHS?
5	Hard disk drive, 500GB (7200RPM), Serial ATA (models CTO)	41X5582	2	Y
6	Diskette drive, 3,5", 1.44MB, 2-mode, (w/bezel) (models CTO A6S A6P A6Y A7S A7P A7Y 26S 26P 26Y 27S 27P 27Y B7S B7P B7Y 35S 35P 35Y)	40Y9105	2	Y
6	Diskette drive, 3,5", 1.44MB, 2-mode, (w/bezel) (models CTO A6S A6P A6Y A7S A7P A7Y 26S 26P 26Y 27S 27P 27Y B7S B7P B7Y 35S 35P 35Y)	40Y7107	2	Y
7	Front USB/Audio with bracket (all models)	41N8212	N	Y
8	Memory module, 512 MB PC2-4200 (533MHz) DDR2 SDRAM (models CTO A1G A4U A4F A9S A9P A9Y 21G 32U 32F 32S 32P 32Y 33S 33P 33Y D1U D1F D1S D1P D1Y D2S D2P D2Y ADG B6U 29G 36U 36F 36S 36P 36Y 37U 38U 38F D2U)	41X4251	2	Y
8	Memory module, 1 GB PC2-4200 (533MHz) DDR2 SDRAM (models CTO)	41X4252	2	Y
8	Memory module, 2GB PC2-4200 (533MHz) DDR2 SDRAM (models CTO)	41X4253	2	Y
8	Memory module, 512 MB PC2-5300 (667MHz) DDR2 SDRAM (models CTO A3K A3R A8K A8R B1K B1R B2K B2R B3K B3R B4K B4R B5K B5R 23K 23R 24K 24R 26S 26P 26Y 27S 27P 27Y 28S 28P 28Y 31K 31R D3K D3R B8K B8R 2AK 2AR 34K 34R 39K 39R)	41X4255	2	Y
8	Memory module, 1 GB PC2-5300 (667MHz) DDR2 SDRAM (models CTO 25K 25R)	41X4256	2	Y
8	Memory module, 2 GB PC2-5300 (667MHz) DDR2 SDRAM (models CTO)	41X4257	2	Y
9	System board, AMD Sys Planar for Vista and XP (models CTO A1G A2K A2R A3K A3R A4U A4F A5S A5P A5Y A6S A6P A6Y A7S A7P A7Y A8K A8R A9S A9P A9Y ACQ B1K B1R B2K B2R B3K B3R B4K B4R B5K B5R 21G 22Q 23K 23R 24K 24R 25K 25R 26S 26P 26Y 27S 27P 27Y 28S 28P 28Y 31K 31R 32U 32F 32S 32P 32Y 33S 33P 33Y D1U D1F D1S D1P D1Y D2S D2P D2Y D3K D3R ADG B6U B7S B7P B7Y B8K B8R 29G 2AK 2AR 34K 34R 35S 35P 35Y 36U 36F 36S 36P 36Y 37U 38U 38F 39K 39R D2U BAL BBQ BBK BCG BDB BDH BFJ BES BEP BEY 3KJ 3AK 3BS 3BP 3BY)	87H4658	N	Y
10	220W Small desktop power supply (non-smokeless) (models CTO A1G A2K A2R A3K A3R A4U A4F A8K A8R B1K B1R B2K B2R B3K B3R B4K B4R B5K B5R 21G 23K 23R 24K 24R 25K 25R 31K 31R 32U 32F 32U 32F D1U D1F D3K D3R A5S A5P A5Y A6S A6P A6Y A7S A7P A7Y A9S A9P A9Y 26S 26P 26Y 27S 27P 27Y 28S 28P 28Y 32S 32P 32Y 32S 32P 32Y 33S 33P 33Y D1S D1P D1Y D2S D2P D2Y ADG B6U B8K B8R 29G 2AK 2AR 34K 34R 36U 36F 37U 38U 38F 39K 39R D2U)	41N3109	N	Y
10	220 Watt Power Supply - China (models CTO-A ACQ 22Q B7S B7P B7Y 35S 35P 35Y 36S 36P 36Y)	41N3493	N	Y
10	220 Watt Power Supply - WW (models CTO A1G A2K A2R A3K A3R A4U A4F A8K A8R B1K B1R B2K B2R B3K B3R B4K B4R B5K B5R 21G 23K 23R 24K 24R 25K 25R 31K 31R 32U 32F 32U 32F D1U D1F D3K D3R A5S A5P A5Y A6S A6P A6Y A7S A7P A7Y A9S A9P A9Y 26S 26P 26Y 27S 27P 27Y 28S 28P 28Y 32S 32P 32Y 32S 32P 32Y 33S 33P 33Y D1S D1P D1Y D2S D2P D2Y ADG B6U B8K B8R 29G 2AK 2AR 34K 34R 36U 36F 37U 38U 38F 39K 39R D2U)	41A9655	N	Y
10	220 Watt Power Supply - China (models CTO-A ACQ 22Q B7S B7P B7Y 35S 35P 35Y 36S 36P 36Y)	41A9652	N	Y

The FRUs listed in the following tables are not illustrated.

9266 FRUs	FRU#	CRU Tier	RoHS?
Thermal grease kit (models CTO)	91P8835	N	Y
1 drop IDE cable (all models)	41A7158	N	Y
Shield, EMC, system board (all models)	41N5347	N	Y
Cable, Serial ATA, 250 mm (all models)	41A7145	N	Y
Shield, EMC, blank 5.25in. drive bay (all models)	41N8271	N	Y
Shield, EMC, blank diskette drive bay (all models)	41N8273	N	Y
Cover (all models)	41N8204	2	Y
Mechanical shell kit (all models)	41N8205	2	Y
Bezel kit (all models)	41N8206	N	Y
Miscellaneous hardware kit (all models)	41N8209	N	Y
Hard disk drive bracket asm (plastic and grommets) (all models)	41N8210	N	Y
Hard disk drive fan and bracket asm (all models)	41N8211	N	Y
Speaker cable asm, 600 mm cable length (all models)	41N8217	N	Y
Serial port Cable (all models)	39K5021	N	Y
Fan duct assembly (all models)	41A7151	N	Y
Fan duct assembly (all models)	41R4808	N	Y
Rear USB cable asm (with low profile PCI bracket) (all models)	41N8267	N	
Rear USB 2Ports II HP(R), high profile I/O, 300mm, Rohs (all models)	42Y8005	N	Y
Rear USB 2Ports II LP(R), low profile I/O, 200mm, Rohs (all models)	42Y8006	N	Y
Rear Com2 cable II HP(R), high profile I/O, 250mm, Rohs (all models)	42Y8007	N	Y
Rear Com2 cable II LP(R), low profile I/O, 250mm, Rohs (all models)	42Y8008	N	Y
Foot stand (all models)	41R4813	N	Y
Retention module, AMD (all models)	41R2507	N	Y

9266 Keyboards (Lenovo Preferred Pro fullsize, Black)	FRU#	CRU Tier	RoHS?
US English (models A1G A2R A3R A4U A8R ACQ B1R B2R B3R B4R B5R 21G 22Q 23R 24R 25R 31R 32U D1U D3R ADG B6U B8R 29G 2AR 34R 36U 37U 38U 39R D2U)	41A5039	1	Y
Arabic (models A1G 21G ADG 29G)	41A5040	1	Y
Arabic/French (models A1G 21G ADG 29G)	41A5041	1	Y
Belgian/French (models A1G 21G ADG 29G)	41A5042	1	Y
Belgian/UK (models A1G 21G ADG 29G)	41A5043	1	Y
Bulgarian (models A1G 21G ADG 29G)	41A5045	1	Y
Czech (models A1G 21G ADG 29G)	41A5047	1	Y
Danish (models A1G 21G ADG 29G)	41A5048	1	Y
Dutch (models A1G 21G ADG 29G)	41A5049	1	Y
French (models A1G 21G ADG 29G)	41A5050	1	Y
French Canadian 445 (models A4F 32F D1F 36F 38F)	41A5051	1	Y
French Canadian 58 (models A4F 32F D1F 36F 38F)	41A5052	1	Y
German (models A1G 21G ADG 29G)	41A5053	1	Y

9266 Keyboards (Lenovo Preferred Pro fullsize, Black)	FRU#	CRU Tier	RoHS?
Greek (models A1G 21G ADG 29G)	41A5054	1	Y
Hebrew (models A1G 21G ADG 29G)	41A5055	1	Y
Hungarian (models A1G 21G ADG 29G)	41A5056	1	Y
Iceland (models A1G 21G ADG 29G)	41A5057	1	Y
Italian (models A1G 21G ADG 29G)	41A5058	1	Y
Korean (models A2K A3K A8K B1K B2K B3K B4K B5K 23K 24K 25K 31K D3K B8K 2AK 34K 39K)	41A5060	1	Y
LA Spanish (models A5S A5Y A6S A6Y A7S A7Y A9S A9Y 26S 26Y 27S 27Y 28S 28Y 32S 32Y 33S 33Y D1S D1Y D2S D2Y B7S B7Y 35S 35Y 36S 36Y)	41A5061	1	Y
Norwegian (models A1G 21G ADG 29G)	41A5062	1	Y
Polish (models A1G 21G ADG 29G)	41A5063	1	Y
Portuguese (models A1G 21G ADG 29G)	41A5064	1	Y
Romanian (models A1G 21G ADG 29G)	41A5065	1	Y
Russian/Cyrilic (models A1G 21G ADG 29G)	41A5066	1	Y
Serbian/Cyrilic (models A1G 21G ADG 29G)	41A5067	1	Y
Slovak (models A1G 21G ADG 29G)	41A5068	1	Y
Spanish (models A1G 21G ADG 29G)	41A5069	1	Y
Swedish/Finn (models A1G 21G ADG 29G)	41A5070	1	Y
Swiss F/G (models A1G 21G ADG 29G)	41A5071	1	Y
Turkish 440 (models A1G 21G ADG 29G)	41A5073	1	Y
Turkish 179 (models A1G 21G ADG 29G)	41A5074	1	Y
UK English (models A1G 21G ADG 29G)	41A5075	1	Y
US Euro (models A1G 21G ADG 29G)	41A5076	1	Y
Slovenian (models A1G 21G ADG 29G)	41A5077	1	Y
Brazil/Portuguese (models A5P A6P A7P A9P 26P 27P 28P 32P 33P D1P D2P B7P 35P 36P)	41A5044	1	Y

9266 mice	FRU#	CRU Tier	RoHS?
Optical Wheel Mouse (400DPI, USB) (all models)	41U3013	1	Y
Optical Wheel Mouse (400DPI, USB) (all models)	41U3030	1	Y
PS/2 Three Button ball mouse (models CTO)	41R0018	1	Y
ScrollPoint Optical Mouse (800DPI, USB) (models CTO)	41U3019	1	Y

9266 Adapters and miscellaneous FRUs	FRU#	CRU Tier	RoHS?
USB2.0 MEMORY CARDREADER,6X2,ROHS OPTIONAL,Bitland (models CTO)	41R3378	2	Y
USB2.0 MEMORY CARDREADER,6X2,ROHS OPTIONAL, SONY (models CTO)	41R3376	2	Y
PCI Modem Card (Soft) (models CTO)	29R9729	2	Y
L1 IEEE 1394 PCI Adapter (models CTO)	41D2781	2	Y
Denver - ATI X300SE 128MB (models CTO)	39J9635	2	Y

9266 Adapters and miscellaneous FRUs	FRU#	CRU Tier	RoHS?
Dongle Cable - DMS59 to dual VGA (models CTO)	41D2399	2	Y
Nvidia GeForce 6200TC128MB 64bit (Full Height) (models CTO 25K 25R B8K B8R 2AK 2AR 39K 39R)	41X2668	2	Y
Nvidia GeForce 6200TC 64MB 32bit (models CTO)	41X2667	2	Y
Nvidia GeForce 7300LE 128MB 64bit (models CTO)	41X2669	2	Y
ATI Radeon X1300PRO 256MB 128bit (models CTO)	41X2670	2	Y
Wireless Mouse (models CTO)	41A5247	2	Y
USB Transceiver for wireless kybd/mouse (models CTO)	41A5246	2	Y
ATI X1300LE 256M 64bit LP / ATX with DMS59 (models CTO)	42Y8162	2	Y
X1300 LE 256MB (models CTO)	42Y8159	2	Y
Internal USB Memory Card Reader (models CTO A1G 21G B6U)	41D1934	2	Y
BTL external speaker (models CTO)	41A5334	2	Y
DVI-I card,FH(Casper) (models CTO)	39J9334	2	Y

9266 Power Cords	FRU#	CRU Tier	RoHS?
Power Cord (US) (models A4U A4F A5S A6S A7S A9S 26S 27S 28S 32U 32F 32S 33S D1U D1F D1S D2S B6U B7S 35S 36U 36F 36S 37U 38U 38F D2U)	39M5080	1	Y
Power Cord (Brazil) (models A5P A6P A7P A9P 26P 27P 28P 32P 33P D1P D2P B7P 35P 36P)	39M5232	1	Y
Power Cord (LA High Volt APU) (models A5Y A6Y A7Y A9Y 26Y 27Y 28Y 32Y 33Y D1Y D2Y B7Y 35Y 36Y)	39M5067	1	Y
Power Cord (Korea) (models A2K A2R A3K A3R A8K A8R B1K B1R B2K B2R B3K B3R B4K B4R B5K B5R 23K 23R 24K 24R 25K 25R 31K 31R D3K D3R B8K B8R 2AK 2AR 34K 34R 39K 39R)	39M5212	1	Y
Power Cord (UK, Ireland, Singapore, Malaysia, Brunei) (models A1G 21G ADG 29G)	39M5150	1	Y
Power Cord (Italy) (models A1G A5S A5Y A6S A6Y A7S A7Y A9S A9Y 21G 26S 26Y 27S 27Y 28S 28Y 32S 32Y 33S 33Y D1S D1Y D2S D2Y ADG B7S B7Y 29G 35S 35Y 36S 36Y)	39M5164	1	Y
Power Cord (G models) (models A1G 21G ADG 29G)	39M5122	1	Y
Power Cord (Denmark) (models A1G 21G ADG 29G)	39M5129	1	Y
Power Cord (Switzerland) (models A1G 21G ADG 29G)	39M5157	1	Y
Power Cord (Israel) (models A1G 21G ADG 29G)	39M5171	1	Y
Power Cord (South Africa) (models A1G 21G ADG 29G)	39M5143	1	Y
Power Cord (India) (models ACQ 22Q)	39M5004	1	Y

9266 Windows XP Home Recovery CDs	FRU#	CRU Tier	RoHS?
US/UK/AP/TH (models A2R A3R A8R B1R B2R B3R B4R B5R 23R 24R 25R 31R D3R B8R 2AR 34R 39R)	40Y3597	1	Y
BR (models A5P)	40Y3602	1	Y
SP/LA (models A5S A5Y)	40Y3600	1	Y

9266 Windows XP Home Recovery CDs	FRU#	CRU Tier	RoHS?
Korea (models A2K A3K A8K B1K B2K B3K B4K B5K 23K 24K 25K 31K D3K B8K 2AK 34K 39K)	41W7773	1	Y

9266 Windows XP Pro Recovery CDs	FRU#	CRU Tier	RoHS?
US/UK/AP/TH (models A1G A4U 21G 22Q 32U D1U ADG B6U 29G 36U 37U 38U D2U)	42Y3549	1	Y
FR/CF (models A1G A4F 21G 32F D1F ADG 29G 36F 38F)	42Y3550	1	Y
GR (models A1G 21G ADG 29G)	42Y3551	1	Y
IT (models A1G 21G ADG 29G)	42Y3553	1	Y
BR (models A1G 21G D2P ADG 29G 36P)	42Y3554	1	Y
SP/LA (models A1G A7S A7Y A9S A9Y 21G 26S 26Y 28S 28Y 32S 32Y 33S 33Y D1S D1Y D2S D2Y ADG B7S B7Y 29G 35S 35Y 36S 36Y)	42Y3552	1	Y
DK (models A1G 21G ADG 29G)	42Y3556	1	Y
NL (models A1G 21G ADG 29G)	42Y3720	1	Y
AE (models A1G 21G ADG 29G)	42Y3724	1	Y
SV (models A1G 21G ADG 29G)	42Y3555	1	Y
HE (models A1G 21G ADG 29G)	42Y3721	1	Y
FI (models A1G 21G ADG 29G)	42Y3718	1	Y
NO (models A1G 21G ADG 29G)	42Y3719	1	Y
PL (models A1G 21G ADG 29G)	42Y3722	1	Y
PO (models A1G 21G ADG 29G)	42Y3728	1	Y
RU (models A1G 21G ADG 29G)	42Y3725	1	Y
RE (models A1G 21G ADG 29G)	42Y3717	1	Y
HU (models A1G 21G ADG 29G)	42Y3727	1	Y
CZ (models A1G 21G ADG 29G)	42Y3723	1	Y
TR (models A1G 21G ADG 29G)	42Y3726	1	Y
GK (models A1G 21G ADG 29G)	42Y3729	1	Y
SL (models A1G 21G ADG 29G)	42Y3730	1	Y
Multilingual 1 (models A1G 21G ADG 29G)	42Y3645	1	Y
Multilingual 2 (models A1G 21G ADG 29G)	42Y3879	1	Y

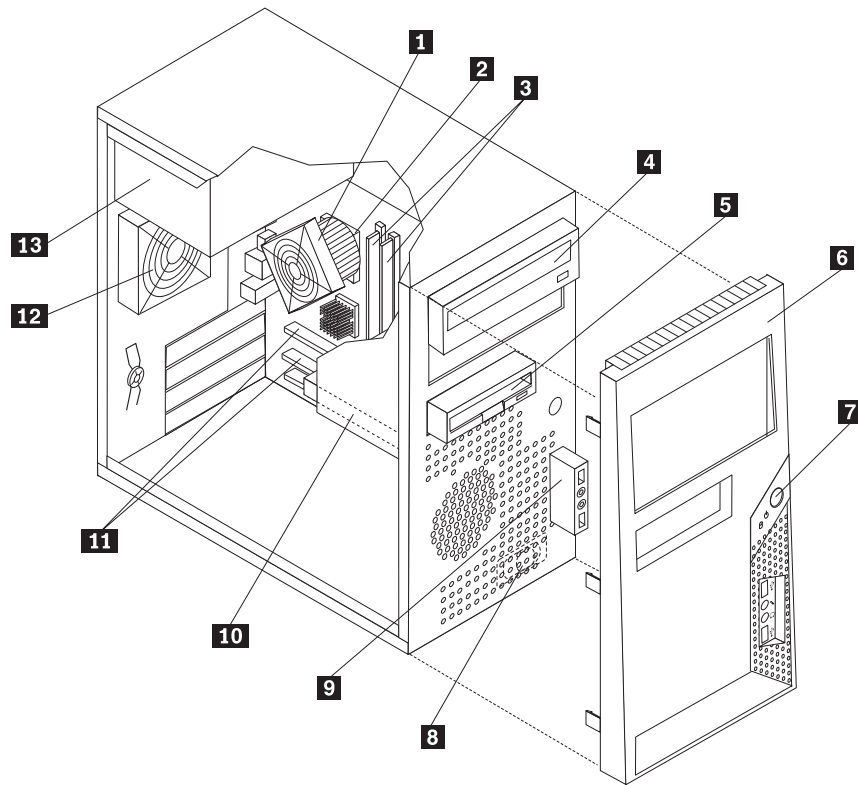
9266 Vista Home Basic 32 Recovery DVDs	FRU#	CRU Tier
US/UK/AP/TH (models)	87H4420	1
FR/CF (models)	87H4421	1
GR (models)	87H4422	1
SP/LA (models)	87H4423	1
BR (models)	87H4424	1
IT (models)	87H4425	1
JP (models)	87H4426	1
NO (models)	87H4427	1

9266 Vista Home Basic 32 Recovery DVDs	FRU#	CRU Tier
SV (models)	87H4428	1
DK (models)	87H4429	1
NL (models)	87H4430	1
CZ (models)	87H4431	1
FI (models)	87H4432	1
PL (models)	87H4433	1
RU (models)	87H4434	1
TR (models)	87H4435	1
HU (models)	87H4436	1
GK (models)	87H4437	1
PO (models)	87H4438	1
CS (models)	87H4439	1
TW (models)	87H4440	1
HK (models)	87H4441	1
KR (models)	87H4442	1
SL (models)	87H4443	1
RE (models)	43C1306	1

9266 Vista Business 32 Recovery DVDs	FRU#	CRU Tier
US/UK/AP/TH (models)	87H4476	1
FR/CF (models)	87H4477	1
GR (models)	87H4478	1
SP/LA (models)	87H4479	1
BR (models)	87H4480	1
IT (models)	87H4481	1
JP (models)	87H4482	1
NO (models)	87H4483	1
SV (models)	87H4484	1
DK (models)	87H4485	1
NL (models)	87H4486	1
CZ (models)	87H4487	1
FI (models)	87H4488	1
PL (models)	87H4489	1
RU (models)	87H4490	1
TR (models)	87H4491	1
HU (models)	87H4492	1
GK (models)	87H4493	1
PO (models)	87H4494	1
CS (models)	87H4495	1
TW (models)	87H4496	1
HK (models)	87H4497	1

9266 Vista Business 32 Recovery DVDs	FRU#	CRU Tier
KR (models)	87H4498	1
SL (models)	87H4499	1
RE (models)	43C1308	1

Machine Type 9269



Item #	9269 FRUs	FRU#	CRU Tier	RoHS?
1	Heatsink for AMD Sempron & Athlon AM2 processors (models CTO A1K A1R A2K A2R A3U A3F A4S A4P A4Y A5S A5P A5Y A6S A6P A6Y A7K A7R A8S A8P A8Y A9S A9P A9Y ACQ B1G B2K B2R B3K B3R B4K B4R 21K 21R 22K 22R 23K 23R 25S 25P 25Y 26Q 27S 27P 27Y 28S 28P 28Y 31U 31F 31S 31P 31Y 32S 32P 32Y 33G 34K 34R D1U D1F D1S D1P D1Y D2S D2P D2Y D3K D3R ADK ADR B6U B7S B7P B7Y B8G 24K 24R 29G 35S 35P 35Y 36U 36F 36S 36P 36Y 37U 38U 38F D4U D4F D5K D5R)	41N8249	N	Y
1	Heatsink for AMD Sempron & Athlon AM2 processors (models CTO)	41R4802	N	Y
2	Microprocessor, 3000+ Sempron AM2 (1.6 GHz processor, 62W) (models CTO A1K A1R A2K A2R A3U A3F A4S A4P A4Y A5S A5P A5Y A6S A6P A6Y)	41X1403	N	Y
2	Microprocessor, 3400+ Sempron AM2 (1.8 GHz processor, 62W) (models CTO B1G B2K B2R B6U B7S B7P B7Y B8G)	41X1407	N	Y
2	Microprocessor, 3600+ Sempron AM2 (2.0 GHz processor, 62W) (models CTO B5K B5R)	41X1411	N	Y
2	Microprocessor, 3200+ Athlon64 AM2 (2.0 GHz processor, 62W) (models CTO)	42Y8940	N	Y
2	Microprocessor, 3500+ Athlon64 AM2 (2.2 GHz processor, 62W) (models CTO 21K 21R 22K 22R 23K 23R 25S 25P 25Y 26Q 27S 27P 27Y 28S 28P 28Y)	41X1415	N	Y
2	Microprocessor, 3600+ Athlon64 AM2 X2 (2.0 GHz processor, 89W) (models CTO)	41X7777	N	Y
2	Microprocessor, 3600+Athlon64 AM2 X2 1.9GHz 1M 65W 65nm G1 (models CTO)	43C4091	N	Y

Item #	9269 FRUs	FRU#	CRU Tier	RoHS?
2	Microprocessor, 3800+ Athlon64 AM2 (2.4 GHz processor, 62W) (models CTO 31U 31F 31S 31P 31Y 32S 32P 32Y 33G 34K 34R)	41X1417	N	Y
2	Microprocessor, 3800+ Athlon64 AM2 X2 (2.0 GHz processor, 89W) (models CTO 35S 35P 35Y 36U 36F 36S 36P 36Y 37U 38U 38F)	41X4241	N	Y
2	Microprocessor, 4000+ Athlon64 AM2 (2.4 GHz processor, 62W) (models CTO)	41X1419	N	Y
2	Microprocessor, 4000+ Athlon64 AM2 X2 2.1GHz 1M 65W 65nm G1 (models CTO)	43C3965	N	Y
2	Microprocessor, 4200+ Athlon64 AM2 X2 (2.2 GHz processor, 89W) (models CTO D1U D1F D1S D1P D1Y D2S D2P D2Y D3K D3R D4U D4F D5K D5R)	41X1421	N	Y
2	Microprocessor, 4400+Athlon64 AM2 X2 2.3 GHz 1M 65W 65nm G1 (models CTO)	43C3507	N	Y
2	Microprocessor, 4600+ Athlon64 AM2 X2 (2.4 GHz processor, 89W) (models CTO)	41X1423	N	Y
2	Microprocessor, 4800+ Athlon AM2 X2 2.5GHz 1M 65W 65nm G1 (models CTO)	43C4093	N	Y
3	Memory module, 512 MB PC2-4200 (533MHz) DDR2 SDRAM (models CTO A3U A3F A8S A8P A8Y A9S A9P A9Y B1G 31U 31F 31S 31P 31Y 32S 32P 32Y 33G D1U D1F D1S D1P D1Y D2S D2P D2Y B6U B8G 29G 36U 36F 36S 36P 36Y 37U 38U 38F D4U D4F)	41X4251	1	Y
3	Memory module, 1 GB PC2-4200 (533MHz) DDR2 SDRAM (models CTO)	41X4252	1	Y
3	Memory module, 2GB PC2-4200 (533MHz) DDR2 SDRAM (models CTO)	41X4253	1	Y
3	Memory module, 512 MB PC2-5300 (667MHz) DDR2 SDRAM (models CTO A2K A2R A7K A7R B2K B2R B3K B3R B4K B4R B5K B5R 21K 21R 22K 22R 25S 25P 25Y 27S 27P 27Y 28S 28P 28Y ADK ADR 24K 24R)	41X4255	1	Y
3	Memory module, 1 GB PC2-5300 (667MHz) DDR2 SDRAM (models CTO 23K 23R D3K D3R D5K D5R)	41X4256	1	Y
3	Memory module, 2 GB PC2-5300 (667MHz) DDR2 SDRAM (models CTO)	41X4257	1	Y
4	DVD-ROM drive (16X/48X) (models CTO B1G B8G 37U D4U D4F)	41X3544	1	Y
4	DVD-ROM drive (16X/48X) (models CTO B1G B8G 37U D4U D4F)	41X3545	1	Y
4	DVD-ROM drive (16X/48X) (models CTO B1G B8G 37U D4U D4F)	41X3546	1	Y
4	Combo 48 -32 -48 -16 - - DVD - ROM - CDRW (models CTO A2K A2R A4S A4P A4Y A7K A7R A9S A9P A9Y B2K B2R B3K B3R B4K B4R B5K B5R 22K 22R 23K 23R 28S 28P 28Y 32S 32P 32Y 33G 34K 34R D2S D2P D2Y D3K D3R 24K 24R 29G 36U 36F 36S 36P 36Y 38U 38F D5K D5R)	41X3547	1	Y
4	Combo 48 -32 -48 -16 - - DVD - ROM - CDRW (models CTO A2K A2R A4S A4P A4Y A7K A7R A9S A9P A9Y B2K B2R B3K B3R B4K B4R B5K B5R 22K 22R 23K 23R 28S 28P 28Y 32S 32P 32Y 33G 34K 34R D2S D2P D2Y D3K D3R 24K 24R 29G 36U 36F 36S 36P 36Y 38U 38F D5K D5R)	41X3548	1	Y
4	Combo 48 -32 -48 -16 - - DVD - ROM - CDRW (models CTO A2K A2R A4S A4P A4Y A7K A7R A9S A9P A9Y B2K B2R B3K B3R B4K B4R B5K B5R 22K 22R 23K 23R 28S 28P 28Y 32S 32P 32Y 33G 34K 34R D2S D2P D2Y D3K D3R 24K 24R 29G 36U 36F 36S 36P 36Y 38U 38F D5K D5R)	41X3549	1	Y
4	Combo 48 -32 -48 -16 - - DVD - ROM - CDRW --NON/VISTA (models CTO A2K A2R A4S A4P A4Y A7K A7R A9S A9P A9Y B2K B2R B3K B3R B4K B4R B5K B5R 22K 22R 23K 23R 28S 28P 28Y 32S 32P 32Y 33G 34K 34R D2S D2P D2Y D3K D3R 24K 24R 29G 36U 36F 36S 36P 36Y 38U 38F D5K D5R BCB BCH 39S 39P 39Y 3KK)	42Y9368	1	Y

Item #	9269 FRUs	FRU#	CRU Tier	RoHS?
4	Combo 48 -32 -48 -16 - - DVD - ROM - CDRW --NON/VISTA (models CTO A2K A2R A4S A4P A4Y A7K A7R A9S A9P A9Y B2K B2R B3K B3R B4K B4R B5K B5R 22K 22R 23K 23R 28S 28P 28Y 32S 32P 32Y 33G 34K 34R D2S D2P D2Y D3K D3R 24K 24R 29G 36U 36F 36S 36P 36Y 38U 38F D5K D5R BCB BCH 39S 39P 39Y 3KK)	42Y9369	1	Y
4	Combo 48 -32 -48 -16 - - DVD - ROM - CDRW --NON/VISTA (models CTO A2K A2R A4S A4P A4Y A7K A7R A9S A9P A9Y B2K B2R B3K B3R B4K B4R B5K B5R 22K 22R 23K 23R 28S 28P 28Y 32S 32P 32Y 33G 34K 34R D2S D2P D2Y D3K D3R 24K 24R 29G 36U 36F 36S 36P 36Y 38U 38F D5K D5R BCB BCH 39S 39P 39Y 3KK)	41X7992	1	Y
4	DVD-Recorder (Rambo 8)-NON/VISTA (models CTO)	41N3343	1	Y
4	DVD-Recorder (Rambo 8)-NON/VISTA (models CTO)	41X3550	1	Y
4	DVD-Recorder (Rambo 8)-NON/VISTA (models CTO)	42Y9370	1	Y
4	DVD Recordable No Software / No Royalty for VISTA Models ONLY (models CTO)	42Y9371	2	Y
4	DVD Recordable No Software / No Royalty for VISTA Models ONLY (models CTO)	42Y6017	2	Y
4	DVD Recordable No Software / No Royalty for VISTA Models ONLY (models CTO)	43C0144	2	Y
5	Diskette drive, 3,5", 1.44MB, 2 Mode,(w/bezel) (models CTO A5S A5P A5Y A6S A6P A6Y 25S 25P 25Y 27S 27P 27Y B7S B7P B7Y 35S 35P 35Y)	40Y9105	2	Y
5	Diskette drive, 3,5", 1.44MB, 2 Mode (models CTO A5S A5P A5Y A6S A6P A6Y 25S 25P 25Y 27S 27P 27Y B7S B7P B7Y 35S 35P 35Y)	40Y7107	2	Y
6	Bezel assembly (all models)	41N8052	2	Y
7	Power switch/LED assembly (all models)	41N5284	2	Y
8	Speaker assembly, soldered terminals (models CTO A1M A3M B1V 21V 22M 25M D1V D3M D5M)	39P5023	2	Y
9	Front audio/USB assembly (all models)	41N8054	2	Y
10	Hard disk drive, 40GB (7200RPM), Serial ATA (models CTO)	40Y9033	1	Y
10	Hard disk drive, 80GB (7200RPM), Serial ATA (models CTO A1K A1R A2K A2R A3U A3F A4S A4P A4Y A5S A5P A5Y A6S A6P A6Y A8S A8P A8Y A9S A9P A9Y ACQ B1G 21K 21R 25S 25P 25Y 26Q 27S 27P 27Y 31U 31F 31S 31P 31Y 32S 32P 32Y 33G D1U D1F D1S D1P D1Y D2S D2P D2Y ADK ADR B6U B7S B7P B7Y B8G 29G 35S 35P 35Y 36U 36F 36S 36P 36Y 37U D4U D4F)	40Y9034	1	Y
10	Hard disk drive, 80GB 7200rpm SATA (only for China) (models CTO)	41X2500	1	Y
10	Hard disk drive, 160GB (7200RPM), Serial ATA (models CTO A7K A7R B2K B2R B3K B3R 22K 22R 23K 23R 28S 28P 28Y 38U 38F)	40Y9035	1	Y
10	Hard disk drive, 250GB (7200RPM), Serial ATA (models CTO B4K B4R B5K B5R 34K 34R D3K D3R 24K 24R D5K D5R)	40Y9036	1	Y
10	Hard disk drive, 500GB (7200RPM), Serial ATA (models CTO)	41X5582	1	Y
11	System board, AMD for Vista and XP (models CTO A1K A1R A2K A2R A3U A3F A4S A4P A4Y A5S A5P A5Y A6S A6P A6Y A7K A7R A8S A8P A8Y A9S A9P A9Y ACQ B1G B2K B2R B3K B3R B4K B4R B5K B5R 21K 21R 22K 22R 23K 23R 25S 25P 25Y 26Q 27S 27P 27Y 28S 28P 28Y 31U 31F 31S 31P 31Y 32S 32P 32Y 33G 34K 34R D1U D1F D1S D1P D1Y D2S D2P D2Y D3K D3R ADK ADR B6U B7S B7P B7Y B8G 24K 24R 29G 35S 35P 35Y 36U 36F 36S 36P 36Y 37U 38U 38F D4U D4F D5K D5R BAG BBL BBQ BCB BCH 39S 39P 39Y 3KK)	87H4658	N	Y

Item #	9269 FRUs	FRU#	CRU Tier	RoHS?
12	Fan, Rear w/ grommets & Grill (all models)	41N8079	2	Y
13	Power supply (300W) (models CTO)	41N3489	2	Y
13	Power supply (230W) (models CTO A1K A1R A2K A2R A3U A3F A7K A7R B1G B2K B2R B3K B3R B4K B4R B5K B5R 21K 21R 22K 22R 23K 23R 31U 31F 33G 34K 34R D1U D1F D3K D3R A4S A4P A4Y A5S A5P A5Y A6S A6P A6Y A8S A8P A8Y A9S A9P A9Y 25S 25P 25Y 27S 27P 27Y 28S 28P 28Y 31S 31P 31Y 32S 32P 32Y D1S D1P D1Y D2S D2P D2Y ADK ADR B6U B8G 24K 24R 29G 36U 36F 37U 38U 38F D4U D4F D5K D5R)	41N3094	2	Y
13	Power supply (250W) (models CTO A1K A1R A2K A2R A3U A3F A7K A7R B1G B2K B2R B3K B3R B4K B4R B5K B5R 21K 21R 22K 22R 23K 23R 31U 31F 33G 34K 34R D1U D1F D3K D3R A4S A4P A4Y A5S A5P A5Y A6S A6P A6Y A8S A8P A8Y A9S A9P A9Y 25S 25P 25Y 27S 27P 27Y 28S 28P 28Y 31S 31P 31Y 32S 32P 32Y D1S D1P D1Y D2S D2P D2Y ADK ADR B6U B8G 24K 24R 29G 36U 36F 37U 38U 38F D4U D4F D5K D5R)	41N3127	2	Y
13	Power supply (220V/250W/ATX12V - China) (models CTO ACQ 26Q B7S B7P B7Y 35S 35P 35Y 36S 36P 36Y)	41N3485	2	Y
13	Power Supply 5281-7VW-ROHS, 280W, Standard (models CTO)	41N3479	2	Y
13	Power Supply 5281-7VW-ROHS, 280W, Standard (models CTO)	41N3482	2	Y
13	Power Supply 310W standard only for Japan (models CTO)	24R2596	2	Y

The FRUs listed in the following tables are not illustrated.

9269 FRUs	FRU#	CRU Tier	RoHS?
Thermal grease kit (all models)	91P8835	N	
Shield, 5.25 EMC (all models)	41N8080	2	Y
Cable, SATA (18" RoHs) (all models)	26K1186	2	Y
Cable, Serial (all models)	39K5021	2	
Shield, diskette drive EMC (all models)	41N8078	2	Y
Cable, Diskette drive (RoHs) (all models)	41A7182	2	Y
Cover, left side (all models)	41N8050	1	Y
Chassis assembly (all models)	41N8051	N	Y
System board I/O Shield - (all models)	41N8053	N	Y
Kit, Miscellaneous hardware (all models)	41N8055	2	Y
Retention Module Kit, RoHs (all models)	41N8056	2	Y
Cable, hard disk drive and optical signal (all models)	39M0516	1	Y
Front system fan (all models)	41R2519	1	Y
4 PIN CABLE-SATA,2H 100mm LATCH(RoHs)PS cable (all models)	41R3300	1	Y
Cable SATA 250mm (RoHS) (all models)	41A7145	1	N
Retainer, Card Reader (all models)	41R2913	1	N
Front Fan AVC (all models)	41R4791	1	N
Optional HDD Bracket Assembly, without 4Pin cable (all models)	41R6106	1	N
Chassis assembly (all models)	41R2533	1	N
Retention module, AMD (all models)	41R2507	N	Y

9269 Keyboards (Lenovo Preferred Pro fullsize, Black)	FRU#	CRU Tier	RoHS?
US English (models A1R A2R A3U A7R ACQ B1G B2R B3R B4R B5R 21R 22R 23R 26Q 31U 33G 34R D1U D3R ADR B6U B8G 24R 29G 36U 37U 38U D4U D5R)	41A5039	1	Y
Arabic (models B1G 33G B8G 29G)	41A5040	1	Y
Arabic/French (models B1G 33G B8G 29G)	41A5041	1	Y
Belgian/French (models B1G 33G B8G 29G)	41A5042	1	Y
Belgian/UK (models B1G 33G B8G 29G)	41A5043	1	Y
Bulgarian (models B1G 33G B8G 29G)	41A5045	1	Y
Czech (models B1G 33G B8G 29G)	41A5047	1	Y
Danish (models B1G 33G B8G 29G)	41A5048	1	Y
Dutch (models B1G 33G B8G 29G)	41A5049	1	Y
French (models B1G 33G B8G 29G)	41A5050	1	Y
French Canadian 445 (models A3F 31F D1F 36F 38F D4F)	41A5051	1	Y
French Canadian 58 (models A3F 31F D1F 36F 38F D4F)	41A5052	1	Y
German (models B1G 33G B8G 29G)	41A5053	1	Y
Greek (models B1G 33G B8G 29G)	41A5054	1	Y
Hebrew (models B1G 33G B8G 29G)	41A5055	1	Y
Hungarian (models B1G 33G B8G 29G)	41A5056	1	Y
Iceland (models B1G 33G B8G 29G)	41A5057	1	Y
Italian (models B1G 33G B8G 29G)	41A5058	1	Y
Korean (models A1K A2K A7K B2K B3K B4K B5K 21K 22K 23K 34K D3K ADK 24K D5K)	41A5060	1	Y
LA Spanish (models A4S A4Y A5S A5Y A6S A6Y A8S A8Y A9S A9Y 25S 25Y 27S 27Y 28S 28Y 31S 31Y 32S 32Y D1S D1Y D2S D2Y B7S B7Y 35S 35Y 36S 36Y)	41A5061	1	Y
Norwegian (models B1G 33G B8G 29G)	41A5062	1	Y
Polish (models B1G 33G B8G 29G)	41A5063	1	Y
Portuguese (models B1G 33G B8G 29G)	41A5064	1	Y
Romanian (models B1G 33G B8G 29G)	41A5065	1	Y
Russian/Cyrilic (models B1G 33G B8G 29G)	41A5066	1	Y
Serbian/Cyrilic (models B1G 33G B8G 29G)	41A5067	1	Y
Slovak (models B1G 33G B8G 29G)	41A5068	1	Y
Spanish (models B1G 33G B8G 29G)	41A5069	1	Y
Swedish/Finn (models B1G 33G B8G 29G)	41A5070	1	Y
Swiss F/G (models B1G 33G B8G 29G)	41A5071	1	Y
Turkish 440 (models B1G 33G B8G 29G)	41A5073	1	Y
Turkish 179 (models B1G 33G B8G 29G)	41A5074	1	Y
UK English (models B1G 33G B8G 29G)	41A5075	1	Y
US Euro (models B1G 33G B8G 29G)	41A5076	1	Y
Slovenian (models B1G 33G B8G 29G)	41A5077	1	Y
Brazil/Portuguese (models A4P A5P A6P A8P A9P 25P 27P 28P 31P 32P D1P D2P B7P 35P 36P)	41A5044	1	Y

9269 mice	FRU#	CRU Tier	RoHS?
Optical Wheel Mouse (400DPI, USB) (all models)	41U3013	1	Y
Optical Wheel Mouse (400DPI, USB) (all models)	41U3030	1	Y
PS/2 Three Button ball mouse (models CTO)	41R0018	1	Y
ScrollPoint Optical Mouse (800DPI, USB) (models CTO)	41U3019	1	Y

9269 Adapters and miscellaneous FRUs	FRU#	CRU Tier	RoHS?
USB2.0 MEMORY CARDREADER,6X2,ROHS OPTIONAL,Bitland (models CTO)	41R3378	2	Y
USB2.0 MEMORY CARDREADER,6X2,ROHS OPTIONAL, SONY (models CTO)	41R3376	2	Y
PCI Modem Card (Soft) (models CTO)	29R9729	2	Y
L1 IEEE 1394 PCI Adapter (models CTO)	41D2781	2	Y
Denver - ATI X300SE 128MB (models CTO)	39J9635	2	Y
Dongle Cable - DMS59 to dual VGA (models CTO)	41D2399	2	Y
Dongle Cable - DMS59 to dual VGA (included in Denver L1) (models CTO)	42Y8181	2	Y
Dongle DMS Dule DMS-59 to dual DVI cable (models CTO)	41X6398	2	Y
Dongle DMS Dule DMS-59 to single VGA and DVI cable (models CTO)	42Y8183	2	Y
Nvidia GeForce 6200TC128MB 64bit (Full Height) (models CTO 23K 23R 24K 24R D5K D5R)	41X2668	2	Y
Nvidia GeForce 6200TC 64MB 32bit (models CTO)	41X2667	2	Y
Nvidia GeForce 7300LE 128MB 64bit (models CTO)	41X2669	2	Y
Nvidia GeForce 7300LE 128MB 64bit LP / ATX with DMS59 (models CTO)	42Y8165	2	Y
ATI Radeon X1300PRO 256MB 128bit (models CTO)	41X2670	2	Y
ATI X1300LE 256M 64bit LP / ATX with DMS59 (models CTO)	42Y8162	2	Y
X1300 LE 256MB (models CTO)	42Y8159	2	Y
Internal USB Memory Card Reader (models CTO B1G 33G)	41D1934	2	Y
Wireless Keyboard (models CTO)	41A5219	2	Y
Wireless Mouse (models CTO)	41A5247	2	Y
USB Transceiver for wireless kybd/mouse (models CTO)	41A5246	2	Y
BTL external speaker (models CTO)	41A5334	2	Y
DVI-I card,FH(Casper) (models CTO)	39J9334	2	Y

9269 Power Cords	FRU#	CRU Tier	RoHS?
Power Cord (US) (models A3U A3F A4S A5S A6S A8S A9S 25S 27S 28S 31U 31F 31S 32S D1U D1F D1S D2S B6U B7S 35S 36U 36F 36S 37U 38U 38F D4U D4F)	39M5080	1	Y
Power Cord (Brazil) (models A4P A5P A6P A8P A9P 25P 27P 28P 31P 32P D1P D2P B7P 35P 36P)	39M5232	1	Y
Power Cord (LA High Volt APU) (models A4Y A5Y A6Y A8Y A9Y 25Y 27Y 28Y 31Y 32Y D1Y D2Y B7Y 35Y 36Y)	39M5067	1	Y
Power Cord (Korea) (models A1K A1R A2K A2R A7K A7R B2K B2R B3K B3R B4K B4R B5K B5R 21K 21R 22K 22R 23K 23R 34K 34R D3K D3R ADK ADR 24K 24R D5K D5R)	39M5212	1	Y

9269 Power Cords	FRU#	CRU Tier	RoHS?
Power Cord (UK, Ireland, Singapore, Malaysia, Brunei) (models B1G 33G B8G 29G)	39M5150	1	Y
Power Cord (Italy) (models A4S A4Y A5S A5Y A6S A6Y A8S A8Y A9S A9Y B1G 25S 25Y 27S 27Y 28S 28Y 31S 31Y 32S 32Y 33G D1S D1Y D2S D2Y B7S B7Y B8G 29G 35S 35Y 36S 36Y)	39M5164	1	Y
Power Cord (G models) (models B1G 33G B8G 29G)	39M5122	1	Y
Power Cord (Denmark) (models B1G 33G B8G 29G)	39M5129	1	Y
Power Cord (Switzerland) (models B1G 33G B8G 29G)	39M5157	1	Y
Power Cord (Israel) (models B1G 33G B8G 29G)	39M5171	1	Y
Power Cord (South Africa) (models B1G 33G B8G 29G)	39M5143	1	Y
Power Cord (India) (models ACQ 26Q)	39M5004	1	Y

9269 Windows XP Home Recovery CDs	FRU#	CRU Tier	RoHS?
US/UK/AP/TH (models A1R A2R A7R B2R B3R B4R B5R 21R 22R 23R 34R D3R ADR 24R D5R)	42Y3597	1	Y
BR (models A4P)	42Y3602	1	Y
SP/LA (models A4S A4Y)	42Y3600	1	Y
Korea (models A1K A2K A7K B2K B3K B4K B5K 21K 22K 23K 34K D3K ADK 24K D5K)	41W7773	1	Y

9269 Windows XP Pro Recovery CDs	FRU#	CRU Tier	RoHS?
US/UK/AP/TH (models A3U B1G 26Q 31U 33G D1U B6U B8G 29G 36U 37U 38U D4U)	42Y3549	1	Y
FR/CF (models A3F B1G 31F 33G D1F B8G 29G 36F 38F D4F)	42Y3550	1	Y
GR (models B1G 33G B8G 29G)	42Y3551	1	Y
IT (models B1G 33G B8G 29G)	42Y3553	1	Y
BR (models B1G 33G D2P B8G 29G 36P)	42Y3554	1	Y
SP/LA (models A6S A6Y A8S A8Y A9S A9Y B1G 25S 25Y 28S 28Y 31S 31Y 32S 32Y 33G D1S D1Y D2S D2Y B7S B7Y B8G 29G 35S 35Y 36S 36Y)	42Y3552	1	Y
DK (models B1G 33G B8G 29G)	42Y3556	1	Y
NL (models B1G 33G B8G 29G)	42Y3720	1	Y
AE (models B1G 33G B8G 29G)	42Y3724	1	Y
SV (models B1G 33G B8G 29G)	42Y3555	1	Y
HE (models B1G 33G B8G 29G)	42Y3721	1	Y
FI (models B1G 33G B8G 29G)	42Y3718	1	Y
NO (models B1G 33G B8G 29G)	42Y3719	1	Y
PL (models B1G 33G B8G 29G)	42Y3722	1	Y
PO (models B1G 33G B8G 29G)	42Y3728	1	Y
RU (models B1G 33G B8G 29G)	42Y3725	1	Y
RE (models B1G 33G B8G 29G)	42Y3717	1	Y
HU (models B1G 33G B8G 29G)	42Y3727	1	Y

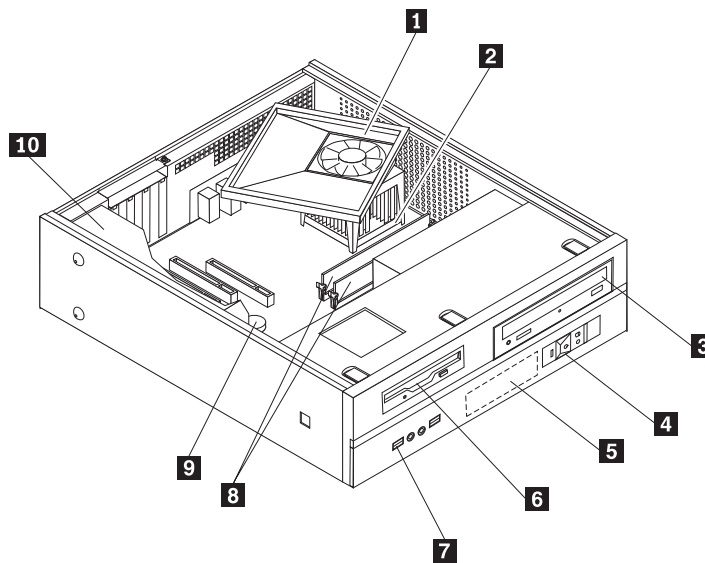
9269 Windows XP Pro Recovery CDs	FRU#	CRU Tier	RoHS?
CZ (models B1G 33G B8G 29G)	42Y3723	1	Y
TR (models B1G 33G B8G 29G)	42Y3726	1	Y
GK (models B1G 33G B8G 29G)	42Y3729	1	Y
SL (models B1G 33G B8G 29G)	42Y3730	1	Y
Multilingual 1 (models B1G 33G B8G 29G)	42Y3645	1	Y
Multilingual 2 (models B1G 33G B8G 29G)	42Y3879	1	Y

9269 Vista Home Basic 32 Recovery DVDs	FRU#	CRU Tier
US/UK/AP/TH (models)	87H4420	1
FR/CF (models)	87H4421	1
GR (models)	87H4422	1
SP/LA (models)	87H4423	1
BR (models)	87H4424	1
IT (models)	87H4425	1
JP (models)	87H4426	1
NO (models)	87H4427	1
SV (models)	87H4428	1
DK (models)	87H4429	1
NL (models)	87H4430	1
CZ (models)	87H4431	1
FI (models)	87H4432	1
PL (models)	87H4433	1
RU (models)	87H4434	1
TR (models)	87H4435	1
HU (models)	87H4436	1
GK (models)	87H4437	1
PO (models)	87H4438	1
CS (models)	87H4439	1
TW (models)	87H4440	1
HK (models)	87H4441	1
KR (models)	87H4442	1
SL (models)	87H4443	1
RE (models)	43C1306	1

9269 Vista Business 32 Recovery DVDs	FRU#	CRU Tier
US/UK/AP/TH (models)	87H4476	1
FR/CF (models)	87H4477	1
GR (models)	87H4478	1
SP/LA (models)	87H4479	1
BR (models)	87H4480	1

9269 Vista Business 32 Recovery DVDs	FRU#	CRU Tier
IT (models)	87H4481	1
JP (models)	87H4482	1
NO (models)	87H4483	1
SV (models)	87H4484	1
DK (models)	87H4485	1
NL (models)	87H4486	1
CZ (models)	87H4487	1
FI (models)	87H4488	1
PL (models)	87H4489	1
RU (models)	87H4490	1
TR (models)	87H4491	1
HU (models)	87H4492	1
GK (models)	87H4493	1
PO (models)	87H4494	1
CS (models)	87H4495	1
TW (models)	87H4496	1
HK (models)	87H4497	1
KR (models)	87H4498	1
SL (models)	87H4499	1
RE (models)	43C1308	1

Machine Type 9276



Item #	9276 FRUs	FRU#	CRU Tier	RoHS?
1	Heatsink for Intel processors (all models)	41N8261	N	Y
1	Heatsink for Intel processors (models CTO)	41R4803	N	Y
2	Microprocessor, Celeron D 2.66GHz 533MHz FSB 256KB L2 (models CTO)	41T1694	N	Y
2	Microprocessor, Celeron D 2.80GHz 533MHz FSB 256KB L2 (models CTO A1K A1R A2J A3J A4J A5J A6J A7J A8J A9J AAJ ABJ ACJ ADJ)	41T1695	N	Y
2	Microprocessor, Celeron D 2.93GHz 533MHz FSB 256KB L2 (models CTO)	41T1696	N	Y
2	Microprocessor, Celeron D 3.06GHz 533MHz FSB 256KB L2 (models CTO B1S B1Y B2J B3J B4J B5J B6J B7J B8J B9J BAJ BBJ BCJ BDJ)	41T1697	N	Y
2	Microprocessor, Celeron D 3.20GHz 533MHz FSB 256KB L2 (models CTO)	41T1698	N	Y
2	Microprocessor, Celeron D 3.20GHz 533MHz FSB 512KB L2 (models CTO)	41T4966	N	Y
2	Microprocessor, Celeron D 3.33GHz 533MHz FSB 512KB L2 (models CTO)	41T4968	N	Y
2	Microprocessor, Celeron 430 CONROE-L 800/1800MHZ-512K,LGA,EM64T (models CTO)	43C1964	N	Y
2	Microprocessor, Celeron 440 CONROE-L 800/2000MHZ-512K,LGA,EM64T (models CTO)	43C1965	N	Y
2	Microprocessor, Pentium 4 3.06 GHz 533 FSB 1MB L2 (models CTO 21J 22J 23J 24J 25J 26J 27J 28J 29J 2AJ 2BJ 2CJ)	41T4104	N	Y
2	Microprocessor, Pentium 4 3.0 GHz 800 FSB 2MB L2 (models CTO)	41T1709	N	Y
2	Microprocessor, Pentium 4 3.0 GHz 800 FSB 2MB L2 (models CTO)	41T1712	N	Y
2	Microprocessor, Pentium 4 3.2 GHz 800 FSB 2MB L2 (models CTO)	41T1713	N	Y
2	Microprocessor, Pentium 4 3.4 GHz 800 FSB 2MB L2 (models CTO)	41T1714	N	Y
2	Microprocessor, Pentium 4 661 Processor 3.6 GHz 800 FSB 2MB L2 B1-Value (models CTO)	41T1715	N	Y
2	Microprocessor, Pentium 4 2.8 GHz 800 FSB 2MB L2 (models CTO D1J D2J D3J D4J D5J D6J D7J D8J D9J DAJ DBJ DCJ)	41T1704	N	Y
2	Microprocessor, Pentium D 3.0 GHz 800 FSB 2Mx2 L2 (models CTO F2G F2C F2B F2H)	41X2413	N	Y

Item #	9276 FRUs	FRU#	CRU Tier	RoHS?
2	Microprocessor, Pentium D 3.0 GHz 800 FSB 2Mx2 L2 (models CTO)	41T1717	N	Y
2	Microprocessor, Pentium D 945 Processor 3.4 GHz 800 FSB 2MBx2 L2) (models CTO G1K G1R G2K G2R)	41X7776	N	Y
2	Microprocessor, E4300 CONROE 800/1800MHZ-2M, LGA, EM64T (models CTO)	42Y8009	N	Y
2	Microprocessor, E6300 B2 CONROE 1066/1860MHZ-2M, LGA, EM64T (models CTO)	41X2495	N	Y
2	Microprocessor, E6400 B2 CONROE 1066/2130MHZ-2M, LGA, EM64T (models CTO)	41X2496	N	Y
2	Microprocessor, E6600 B2 CONROE 1066/2400MHZ-4M, LGA, EM64T (models CTO)	41X5743	N	Y
2	Microprocessor, E6700 B2 CONROE 1066/2670MHZ-4M, LGA, EM64T (models CTO)	41X5744	N	Y
3	DVD-ROM drive (16X/48X) (models CTO)	41X3544	2	Y
3	DVD-ROM drive (16X/48X) (models CTO)	41X3545	2	Y
3	DVD-ROM drive (16X/48X) (models CTO)	41X3546	2	Y
3	Combo 48 -32 -48 -16 - - DVD - ROM - CDRW (models CTO A1K A1R A4J A5J A8J A9J AAJ ABJ B4J B5J B8J B9J BAJ BBJ 23J 24J 27J 28J 29J 2AJ D3J D4J D7J D8J D9J DAJ G1K G1R G2K G2R)	41X3547	2	Y
3	Combo 48 -32 -48 -16 - - DVD - ROM - CDRW (models CTO A1K A1R A4J A5J A8J A9J AAJ ABJ B4J B5J B8J B9J BAJ BBJ 23J 24J 27J 28J 29J 2AJ D3J D4J D7J D8J D9J DAJ G1K G1R G2K G2R)	41X3548	2	Y
3	Combo 48 -32 -48 -16 - - DVD - ROM - CDRW (models CTO A1K A1R A4J A5J A8J A9J AAJ ABJ B4J B5J B8J B9J BAJ BBJ 23J 24J 27J 28J 29J 2AJ D3J D4J D7J D8J D9J DAJ G1K G1R G2K G2R)	41X3549	2	Y
3	Combo 48 -32 -48 -16 - - DVD - ROM - CDRW --NON/VISTA (models CTO)	42Y9368	1	Y
3	Combo 48 -32 -48 -16 - - DVD - ROM - CDRW --NON/VISTA (models CTO)	42Y9369	1	Y
3	Combo 48 -32 -48 -16 - - DVD - ROM - CDRW --NON/VISTA (models CTO)	41X7992	1	Y
3	DVD-Recorder (Rambo 8)-NON/VISTA (models CTO ACJ ADJ BCJ BDJ 2BJ 2CJ DBJ DCJ)	41N3343	1	Y
3	DVD-Recorder (Rambo 8)-NON/VISTA (models CTO ACJ ADJ BCJ BDJ 2BJ 2CJ DBJ DCJ)	41X3550	1	Y
3	DVD Recordable No Software / No Royalty for VISTA Models ONLY (models CTO)	42Y9370	1	Y
3	DVD Recordable No Software / No Royalty for VISTA Models ONLY (models CTO)	42Y9371	2	Y
3	DVD Recordable No Software / No Royalty for VISTA Models ONLY (models CTO)	42Y6017	2	Y
3	DVD Recordable No Software / No Royalty for VISTA Models ONLY (models CTO)	43C0144	2	Y
4	Front Power/LED PC, bracket, and cable (all models)	41N8213	N	Y
5	Hard disk drive, 40GB (7200RPM), Serial ATA (models CTO)	40Y9033	2	Y
5	Hard disk drive, 80GB (7200RPM), Serial ATA (models CTO B1S B1Y A1K A1R A2J A3J A4J A5J B2J B3J B4J B5J 21J 22J 23J 24J D1J D2J D3J D4J)	40Y9034	2	Y

Item #	9276 FRUs	FRU#	CRU Tier	RoHS?
5	Hard disk drive, 80GB 7200rpm SATA (only for China) (models CTO)	41X2500	1	Y
5	Hard disk drive, 160GB (7200RPM), Serial ATA (models CTO A6J A7J A8J A9J B6J B7J B8J B9J 25J 26J 27J 28J D5J D6J D7J D8J G1K G1R)	40Y9035	2	Y
5	Hard disk drive, 250GB (7200RPM), Serial ATA (models CTO AAJ ABJ ACJ ADJ BAJ BBJ BCJ BDJ 29J 2AJ 2BJ 2CJ D9J DAJ DBJ DCJ G2K G2R)	40Y9036	2	Y
5	Hard disk drive, 500GB (7200RPM), Serial ATA (models CTO)	41X5582	2	Y
6	Diskette drive, 3,5", 1.44MB, 2-mode, (w/bezel) (models CTO B1S B1Y A2J A3J A4J A5J A6J A7J A8J A9J AAJ ABJ ACJ ADJ B2J B3J B4J B5J B6J B7J B8J B9J BAJ BBJ BCJ BDJ 21J 22J 23J 24J 25J 26J 27J 28J 29J 2AJ 2BJ 2CJ D1J D2J D3J D4J D5J D6J D7J D8J D9J DAJ DBJ DCJ)	40Y9105	2	Y
7	Front USB/Audio with bracket (all models)	41N8212	N	Y
8	Memory module, 512 MB PC2-4200 (533MHz) DDR2 SDRAM (models CTO A2J A3J A4J A5J A6J A7J A8J A9J AAJ ABJ ACJ ADJ B2J B3J B4J B5J B6J B7J B8J B9J BAJ BBJ BCJ BDJ 21J 22J 23J 24J 25J 26J 27J 28J 29J 2AJ 2BJ 2CJ D1J D2J D3J D4J D5J D6J D7J D8J D9J DAJ DBJ DCJ)	41X4251	2	Y
8	Memory module, 1 GB PC2-4200 (533MHz) DDR2 SDRAM (models CTO)	41X4252	2	Y
8	Memory module, 512 MB PC2-5300 (667MHz) DDR2 SDRAM (models CTO)	41X4255	2	Y
8	Memory module, 1 GB PC2-5300 (667MHz) DDR2 SDRAM (models CTO G1K G1R G2K G2R)	41X4256	2	Y
9	System board, SIS662 (models CTO B1S B1Y A1K A1R A2J A3J A4J A5J A6J A7J A8J A9J AAJ ABJ ACJ ADJ B2J B3J B4J B5J B6J B7J B8J B9J BAJ BBJ BCJ BDJ 21J 22J 23J 24J 25J 26J 27J 28J 29J 2AJ 2BJ 2CJ D1J D2J D3J D4J D5J D6J D7J D8J D9J DAJ DBJ DCJ G1K G1R G2K G2R G4J G5K G5J G6J G7J G8J G9J GKJ GAJ) Note: When ordering a new system board, you must also order a new retention module for the heat sink.	87H4657	N	Y
10	220W Small desktop power supply (non-smokeless) (models CTO B1S B1Y A1K A1R G1K G1R G2K G2R)	41N3109	N	Y
10	220W Small desktop power supply (smokeless -- Japanese) (models A2J A3J A4J A5J A6J A7J A8J A9J AAJ ABJ ACJ ADJ B2J B3J B4J B5J B6J B7J B8J B9J BAJ BBJ BCJ BDJ 21J 22J 23J 24J 25J 26J 27J 28J 29J 2AJ 2BJ 2CJ D1J D2J D3J D4J D5J D6J D7J D8J D9J DAJ DBJ DCJ)	41N3119	N	Y
10	220 Watt Power Supply - China (models CTO-A)	41N3493	N	Y

The FRUs listed in the following tables are not illustrated.

9276 FRUs	FRU#	CRU Tier	RoHS?
1 drop IDE cable (all models)	41A7158	N	Y
Thermal grease kit (models CTO)	91P8835	N	Y
Shield, EMC, system board (all models)	41N5347	N	Y
Cable, Serial ATA, 250 mm (all models)	41A7145	N	Y
Shield, EMC, blank 5.25in. drive bay (all models)	41N8271	N	Y
Shield, EMC, blank diskette drive bay (all models)	41N8273	N	Y
Cover (all models)	41N8204	2	Y
Mechanical shell kit (all models)	41N8205	2	Y

9276 FRUs	FRU#	CRU Tier	RoHS?
Bezel kit (all models)	41N8206	N	Y
Miscellaneous hardware kit (all models)	41N8209	N	Y
Hard disk drive bracket asm (plastic and grommets) (all models)	41N8210	N	Y
Hard disk drive fan and bracket asm (all models)	41N8211	N	Y
Speaker cable asm, 600 mm cable length (all models)	41N8217	N	Y
Serial port Cable (all models)	39K5021	N	Y
Fan duct assembly (all models)	41A7151	N	Y
Fan duct assembly (all models)	41R4808	N	Y
Rear USB cable asm (with low profile PCI bracket) (all models)	41N8267	N	
Rear USB 2Ports II HP(R), high profile I/O, 300mm, Rohs (all models)	42Y8005	N	Y
Rear USB 2Ports II LP(R), low profile I/O, 200mm, Rohs (all models)	42Y8006	N	Y
Rear Com2 cable II HP(R), high profile I/O, 250mm, Rohs (all models)	42Y8007	N	Y
Rear Com2 cable II LP(R), low profile I/O, 250mm, Rohs (all models)	42Y8008	N	Y
Foot stand (all models)	41R4813	N	Y
Retention module, Intel (all models)	41A7139	N	Y

9276 Keyboards (PS2 Preferred Pro)	FRU#	CRU Tier	RoHS?
US English (models A1R G1R G2R)	41A5039	1	Y
Japanese (models A2J A3J A4J A5J A6J A7J A8J A9J AAJ ABJ ACJ ADJ B2J B3J B4J B5J B6J B7J B8J B9J BAJ BBJ BCJ BDJ 21J 22J 23J 24J 25J 26J 27J 28J 29J 2AJ 2BJ 2CJ D1J D2J D3J D4J D5J D6J D7J D8J D9J DAJ DBJ DCJ)	41A5059	1	Y
Korean (models A1K G1K G2K)	41A5060	1	Y
LA Spanish (models B1S B1Y)	41A5061	1	Y

9276 mice	FRU#	CRU Tier	RoHS?
Optical Wheel Mouse (400DPI, USB) (all models)	41U3013	1	Y
Optical Wheel Mouse (400DPI, USB) (all models)	41U3030	1	Y
PS/2 Three Button ball mouse (models CTO)	41R0018	1	Y
ScrollPoint Optical Mouse (800DPI, USB) (models CTO)	41U3019	1	Y

9276 Adapters and miscellaneous FRUs	FRU#	CRU Tier	RoHS?
USB2.0 MEMORY CARDREADER,6X2,ROHS OPTIONAL,Bitland (models CTO)	41R3378	2	Y
USB2.0 MEMORY CARDREADER,6X2,ROHS OPTIONAL, SONY (models CTO)	41R3376	2	Y
PCI Modem Card (Soft) (models CTO)	29R9729	2	Y
L1 IEEE 1394 PCI Adapter (models CTO)	41D2781	2	Y
Denver - ATI X300SE 128MB (models CTO)	39J9635	2	Y
Dongle Cable - DMS59 to dual VGA (models CTO)	41D2399	2	Y
Dongle Cable - DMS59 to dual VGA (included in Denver L1) (models CTO)	42Y8181	2	Y

9276 Adapters and miscellaneous FRUs	FRU#	CRU Tier	RoHS?
Dongle DMS Dule DMS-59 to dual DVI cable (models CTO)	41X6398	2	Y
Dongle DMS Dule DMS-59 to single VGA and DVI cable (models CTO)	42Y8183	2	Y
Nvidia GeForce 6200TC128MB 64bit (Full Height) (models CTO)	41X2668	2	Y
Nvidia GeForce 6200TC 64MB 32bit (models CTO)	41X2667	2	Y
Nvidia GeForce 7300LE 128MB 64bit (models CTO)	41X2669	2	Y
Nvidia GeForce 7300LE 128MB 64bit LP / ATX with DMS59 (models CTO)	42Y8165	2	Y
ATI X1300LE 256M 64bit LP / ATX with DMS59 (models CTO)	42Y8162	2	Y
X1300 LE 256MB (models CTO)	42Y8159	2	Y
ATI Radeon X1300PRO 256MB 128bit (models CTO)	41X2670	2	Y
Internal USB Memory Card Reader (models CTO)	41D1934	2	Y
Wireless Keyboard (models CTO)	41A5219	2	Y
Wireless Mouse (models CTO)	41A5247	2	Y
USB Transceiver for wireless kybd/mouse (models CTO)	41A5246	2	Y
BTL external speaker (models CTO)	41A5334	2	Y
DVI-I card,FH(Casper) (models CTO)	39J9334	2	Y

9276 Power Cords	FRU#	CRU Tier	RoHS?
Power cord - US (models B1S)	39M5080	1	Y
Power cord - Japan (models A2J A3J A4J A5J A6J A7J A8J A9J AAJ ABJ ACJ ADJ B2J B3J B4J B5J B6J B7J B8J B9J BAJ BBJ BCJ BDJ 21J 22J 23J 24J 25J 26J 27J 28J 29J 2AJ 2BJ 2CJ D1J D2J D3J D4J D5J D6J D7J D8J D9J DAJ DBJ DCJ)	39M5193	1	Y
Power cord - LA High Volt (APU) (models B1Y)	39M5067	1	Y
Power cord - Korea (models A1K A1R G1K G1R G2K G2R)	39M5212	1	Y
Power cord - Italy (models B1S B1Y)	39M5164	1	Y

9276 Windows XP Home Recovery CDs	FRU#	CRU Tier	RoHS?
US/UK/AP/TH (models A1R G1R G2R)	42Y3597	1	Y
Korea (models A1K G1K G2K)	41W7773	1	Y

9276 Windows XP Pro Recovery CDs	FRU#	CRU Tier	RoHS?
SP/LA (models B1S B1Y)	42Y3552	1	Y
Japanese (models A2J A3J A4J A5J A6J A7J A8J A9J AAJ ABJ ACJ ADJ B2J B3J B4J B5J B6J B7J B8J B9J BAJ BBJ BCJ BDJ 21J 22J 23J 24J 25J 26J 27J 28J 29J 2AJ 2BJ 2CJ D1J D2J D3J D4J D5J D6J D7J D8J D9J DAJ DBJ DCJ)	41W7767	1	Y

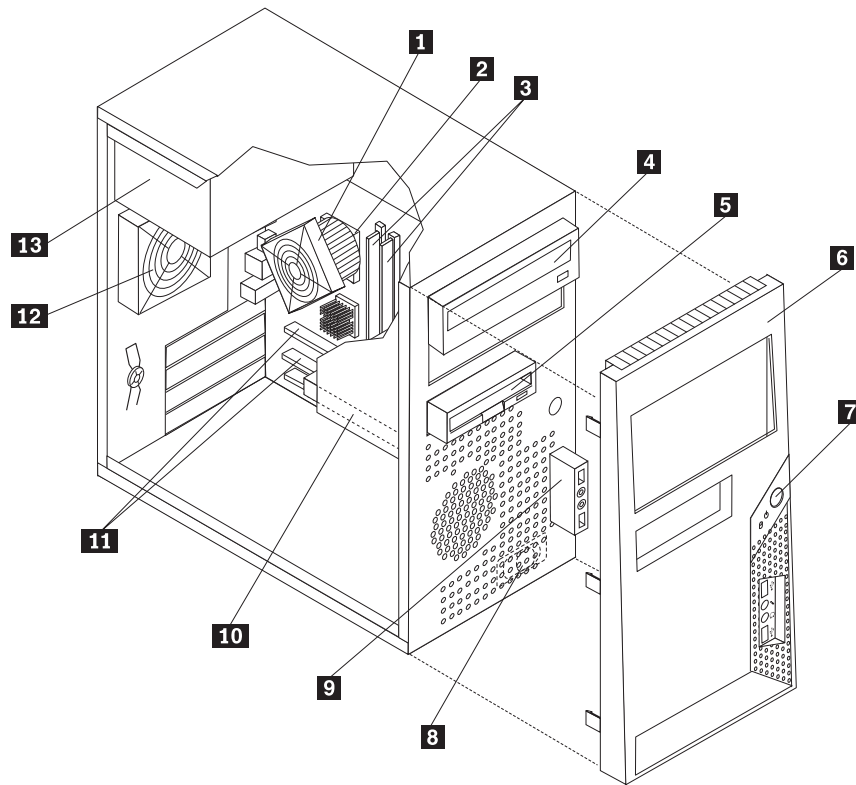
9276 Vista Home Basic 32 Recovery DVDs	FRU#	CRU Tier
US/UK/AP/TH (models)	87H4420	1
FR/CF (models)	87H4421	1
GR (models)	87H4422	1

9276 Vista Home Basic 32 Recovery DVDs	FRU#	CRU Tier
SP/LA (models)	87H4423	1
BR (models)	87H4424	1
IT (models)	87H4425	1
JP (models)	87H4426	1
NO (models)	87H4427	1
SV (models)	87H4428	1
DK (models)	87H4429	1
NL (models)	87H4430	1
CZ (models)	87H4431	1
FI (models)	87H4432	1
PL (models)	87H4433	1
RU (models)	87H4434	1
TR (models)	87H4435	1
HU (models)	87H4436	1
GK (models)	87H4437	1
PO (models)	87H4438	1
CS (models)	87H4439	1
TW (models)	87H4440	1
HK (models)	87H4441	1
KR (models)	87H4442	1
SL (models)	87H4443	1
RE (models)	43C1306	1

9276 Vista Business 32 Recovery DVDs	FRU#	CRU Tier
US/UK/AP/TH (models)	87H4476	1
FR/CF (models)	87H4477	1
GR (models)	87H4478	1
SP/LA (models)	87H4479	1
BR (models)	87H4480	1
IT (models)	87H4481	1
JP (models)	87H4482	1
NO (models)	87H4483	1
SV (models)	87H4484	1
DK (models)	87H4485	1
NL (models)	87H4486	1
CZ (models)	87H4487	1
FI (models)	87H4488	1
PL (models)	87H4489	1
RU (models)	87H4490	1
TR (models)	87H4491	1
HU (models)	87H4492	1

9276 Vista Business 32 Recovery DVDs	FRU#	CRU Tier
GK (models)	87H4493	1
PO (models)	87H4494	1
CS (models)	87H4495	1
TW (models)	87H4496	1
HK (models)	87H4497	1
KR (models)	87H4498	1
SL (models)	87H4499	1
RE (models)	43C1308	1

Machine Type 9277



Item #	9277 FRUs	FRU#	CRU Tier	RoHS?
1	Heatsink for Intel CPUs (all models)	41N8261	N	Y
1	Heatsink for Intel CPUs (models CTO)	41R4803	N	Y
2	Microprocessor, Celeron D 2.66GHz 533MHz FSB 256KB L2 (models CTO)	41T1694	N	Y
2	Microprocessor, Celeron D 2.80GHz 533MHz FSB 256KB L2 (models CTO A1Q)	41T1695	N	Y
2	Microprocessor, Celeron D 2.93GHz 533MHz FSB 256KB L2 (models CTO B1G)	41T1696	N	Y
2	Microprocessor, Celeron D 3.06GHz 533MHz FSB 256KB L2 (models CTO B2S B2Y B3G)	41T1697	N	Y
2	Microprocessor, Celeron D 3.20GHz 533MHz FSB 256KB L2 (models CTO)	41T1698	N	Y
2	Microprocessor, Celeron D 3.20GHz 533MHz FSB 512KB L2 (models CTO)	41T4966	N	Y
2	Microprocessor, Celeron D 3.33GHz 533MHz FSB 512KB L2 (models CTO)	41T4968	N	Y
2	Microprocessor, Celeron 430 CONROE-L 800/1800MHZ-512K,LGA,EM64T (models CTO)	43C1964	N	Y
2	Microprocessor, Celeron 440 CONROE-L 800/2000MHZ-512K,LGA,EM64T (models CTO)	43C1965	N	Y
2	Microprocessor, Pentium 4 3.06 GHz 533 FSB 1MB L2 (models CTO 21J 22J 23J 24J 25J 26J 27J 28J 29J 2AJ 2BJ 2CJ)	41T4104	N	Y
2	Microprocessor, Pentium 4 3.0 GHz 800 FSB 2MB L2 (models CTO 51Q)	41T1709	N	Y
2	Microprocessor, Pentium 4 3.0 GHz 800 FSB 2MB L2 (models CTO 53K 53R 54K 54R)	41T1712	N	Y

Item #	9277 FRUs	FRU#	CRU Tier	RoHS?
2	Microprocessor, Pentium 4 3.2 GHz 800 FSB 2MB L2 (models CTO)	41T1713	N	Y
2	Microprocessor, Pentium 4 3.4 GHz 800 FSB 2MB L2 (models CTO)	41T1714	N	Y
2	Microprocessor, Pentium 4 661 Processor 3.6 GHz 800 FSB 2MB L2 B1-Value (models CTO)	41T1715	N	Y
2	Microprocessor, Pentium 4 2.8 GHz 800 FSB 2MB L2 (models CTO D1G D2S D2Y)	41T1704	N	Y
2	Microprocessor, Pentium D 3.0 GHz 800 FSB 2Mx2 L2 (models CTO F2G)	41X2413	N	Y
2	Microprocessor, Pentium D 3.0 GHz 800 FSB 2Mx2 L2 (models CTO)	41T1717	N	Y
2	Microprocessor, Pentium D 935 3.2 GHz 800 FSB 2MBx2 L2 C1-Value (95W) (models CTO)	41X8050	N	Y
2	Microprocessor, Pentium D 945 Processor 3.4 GHz 800 FSB 2MBx2 L2 (models CTO G1K G1R)	41X7776	N	Y
2	Microprocessor, E2140 CONROE-L 800/1600MHZ-1M, LGA, EM64T (models CTO)	43C1967	N	Y
2	Microprocessor, E2160 CONROE-L 800/1600MHZ-1M, LGA, EM64T (models CTO)	43C1968	N	Y
2	Microprocessor, E4300 CONROE 800/1800MHZ-2M, LGA, EM64T (models CTO)	42Y8009	N	Y
2	Microprocessor, E4400 CONROE 800/2000MHZ-2M, LGA, EM64T L2 (models CTO)	43C2056	N	Y
2	Microprocessor, E6300 B2 CONROE 1066/1860MHZ-2M, LGA, EM64T (models CTO)	41X2495	N	Y
2	Microprocessor, E6400 B2 CONROE 1066/2130MHZ-2M, LGA, EM64T (models CTO)	41X2496	N	Y
2	Microprocessor, E6600 B2 CONROE 1066/2400MHZ-4M, LGA, EM64T (models CTO)	41X5743	N	Y
2	Microprocessor, E6700 B2 CONROE 1066/2670MHZ-4M, LGA, EM64T (models CTO)	41X5744	N	Y
3	Memory module, 512 MB PC2-4200 (533MHz) DDR2 SDRAM (models CTO B3G 22G D1G D2S D2Y F2G)	41X4251	1	Y
3	Memory module, 1 GB PC2-4200 (533MHz) DDR2 SDRAM (models CTO B1G 41G)	41X4252	1	Y
3	Memory module, 512 MB PC2-5300 (667MHz) DDR2 SDRAM (models CTO)	41X4255	1	Y
3	Memory module, 1 GB PC2-5300 (667MHz) DDR2 SDRAM (models CTO G1K G1R)	41X4256	1	Y
4	DVD-ROM drive (16X/48X) (models CTO B1G 41G B3G 22G D1G F2G)	41X3544	1	Y
4	DVD-ROM drive (16X/48X) (models CTO B1G 41G B3G 22G D1G F2G)	41X3545	1	Y
4	DVD-ROM drive (16X/48X) (models CTO B1G 41G B3G 22G D1G F2G)	41X3546	1	Y
4	Combo 48 -32 -48 -16 - - DVD - ROM - CDRW (models CTO G1K G1R)	41X3547	1	Y
4	Combo 48 -32 -48 -16 - - DVD - ROM - CDRW (models CTO G1K G1R)	41X3548	1	Y
4	Combo 48 -32 -48 -16 - - DVD - ROM - CDRW (models CTO G1K G1R)	41X3549	1	Y
4	Combo 48 -32 -48 -16 - - DVD - ROM - CDRW --NON/VISTA (models CTO G1K G1R G2K)	42Y9368	1	Y
4	Combo 48 -32 -48 -16 - - DVD - ROM - CDRW --NON/VISTA (models CTO G1K G1R G2K)	42Y9369	1	Y

Item #	9277 FRUs	FRU#	CRU Tier	RoHS?
4	Combo 48 -32 -48 -16 - - DVD - ROM - CDRW --NON/VISTA (models CTO G1K G1R G2K)	41X7992	1	Y
4	DVD-Recorder (Rambo 8)-NON/VISTA (models CTO)	41N3343	1	Y
4	DVD-Recorder (Rambo 8)-NON/VISTA (models CTO)	41X3550	1	Y
4	DVD Recordable No Software / No Royalty for VISTA Models ONLY (models CTO)	42Y9370	1	Y
4	DVD Recordable No Software / No Royalty for VISTA Models ONLY (models CTO)	42Y9371	1	Y
4	DVD Recordable No Software / No Royalty for VISTA Models ONLY (models CTO)	42Y6017	1	Y
4	DVD Recordable No Software / No Royalty for VISTA Models ONLY (models CTO)	43C0144	1	Y
5	Diskette drive, 3,5", 1.44MB, 2 Mode,(w/bezel) (models CTO B2S B2Y 21S 21Y D2S D2Y)	40Y9105	2	Y
5	Diskette drive, 3,5", 1.44MB, 2 Mode (models CTO B2S B2Y 21S 21Y D2S D2Y)	40Y7107	2	Y
6	Bezel assembly (all models)	41N8052	2	Y
7	Power switch/LED assembly (all models)	41N5284	2	Y
8	Speaker assembly, soldered terminals (all models)	39P5023	2	Y
9	Front audio/USB assembly (all models)	41N8054	2	Y
10	Hard disk drive, 40GB (7200RPM), Serial ATA (models CTO)	40Y9033	1	Y
10	Hard disk drive, 80GB (7200RPM), Serial ATA (models CTO A1Q B1G B2S B2Y 41G 51Q B3G 21S 21Y 22G D1G D2S D2Y F2G)	40Y9034	1	Y
10	Hard disk drive, 80GB 7200rpm SATA (only for China) (models CTO)	41X2500	1	Y
10	Hard disk drive, 160GB (7200RPM), Serial ATA (models CTO)	40Y9035	1	Y
10	Hard disk drive, 250GB (7200RPM), Serial ATA (models CTO G1K G1R)	40Y9036	1	Y
10	Hard disk drive, 500GB (7200RPM), Serial ATA (models CTO)	41X5582	1	Y
11	System board, SiS 662 Gig E for Vista and XP (models CTO A1Q B1G B2S B2Y 41G 51Q B3G 21S 21Y 22G D1G D2S D2Y F2G G1K G1R G2K) Note: When ordering a new system board, you must also order a new retention module for the heat sink.	87H4657	N	Y
12	Fan, Rear w/ grommets & Grill (all models)	41N8079	2	Y
13	Power supply (300W) (models CTO)	41N3489	2	Y
13	Power supply (230W) (models CTO B1G B2S B2Y 41G B3G 21S 21Y 22G D1G D2S D2Y F2G G1K G1R)	41N3094	2	Y
13	Power supply (250W) (models CTO B1G B2S B2Y 41G B3G 21S 21Y 22G D1G D2S D2Y F2G G1K G1R)	41N3127	2	Y
13	Power supply (220V/250W/ATX12V - China) (models CTO A1Q 51Q)	41N3485	2	Y
13	Power Supply 5281-7VW-ROHS, 280W, Standard (models CTO)	41N3479	2	Y
13	Power Supply 5281-7VW-ROHS, 280W, Standard (models CTO)	41N3482	2	Y
13	Power Supply 310W standard only for Japan (models CTO)	24R2596	2	Y

The FRUs listed in the following tables are not illustrated.

9277 FRUs	FRU#	CRU Tier	RoHS?
Thermal grease kit (all models)	91P8835	N	Y
Shield, 5.25 EMC (all models)	41N8080	2	Y
Cable, SATA (18" RoHs) (all models)	26K1186	2	Y
Cable, Serial (all models)	39K5021	2	Y
Shield, diskette drive EMC (all models)	41N8078	2	Y
Cable, Diskette drive (RoHs) (all models)	41A7182	2	Y
Cover, left side (all models)	41N8050	1	Y
Chassis assembly (all models)	41N8051	N	Y
System board I/O Shield - (all models)	41N8053	N	Y
Kit, Miscellaneous hardware (all models)	41N8055	2	Y
Retention Module Kit, RoHs (all models)	41N8056	2	Y
Cable, hard disk drive and optical signal (all models)	39M0516	1	Y
4 PIN CABLE-SATA,2H 100mm LATCH(RoHs)PS cable (all models)	41R3300	1	Y
Cable SATA 250mm (RoHS) (all models)	41A7145	1	N
Retainer, Card Reader (all models)	41R2913	1	N
Front Fan AVC (all models)	41R4791	1	N
Optional HDD Bracket Assembly, without 4Pin cable (all models)	41R6106	1	N
Chassis assembly (all models)	41R2533	1	N

9277 Keyboards (Lenovo Preferred Pro fullsize, Black)	FRU#	CRU Tier	RoHS?
US English (models A1Q B1G 41G 51Q B3G 22G D1G F2G G1R)	41A5039	1	Y
Arabic (models B1G 41G B3G 22G D1G F2G)	41A5040	1	Y
Arabic/French (models B1G 41G B3G 22G D1G F2G)	41A5041	1	Y
Belgian/French (models B1G 41G B3G 22G D1G F2G)	41A5042	1	Y
Belgian/UK (models B1G 41G B3G 22G D1G F2G)	41A5043	1	Y
Bulgarian (models B1G 41G B3G 22G D1G F2G)	41A5045	1	Y
Czech (models B1G 41G B3G 22G D1G F2G)	41A5047	1	Y
Danish (models B1G 41G B3G 22G D1G F2G)	41A5048	1	Y
Dutch (models B1G 41G B3G 22G D1G F2G)	41A5049	1	Y
French (models B1G 41G B3G 22G D1G F2G)	41A5050	1	Y
German (models B1G 41G B3G 22G D1G F2G)	41A5053	1	Y
Greek (models B1G 41G B3G 22G D1G F2G)	41A5054	1	Y
Hebrew (models B1G 41G B3G 22G D1G F2G)	41A5055	1	Y
Hungarian (models B1G 41G B3G 22G D1G F2G)	41A5056	1	Y
Iceland (models B1G 41G B3G 22G D1G F2G)	41A5057	1	Y
Italian (models B1G 41G B3G 22G D1G F2G)	41A5058	1	Y
Korean (models G1K)	41A5060	1	Y
LA Spanish (models B2S B2Y 21S 21Y D2S D2Y)	41A5061	1	Y
Norwegian (models B1G 41G B3G 22G D1G F2G)	41A5062	1	Y

9277 Keyboards (Lenovo Preferred Pro fullsize, Black)	FRU#	CRU Tier	RoHS?
Polish (models B1G 41G B3G 22G D1G F2G)	41A5063	1	Y
Portuguese (models B1G 41G B3G 22G D1G F2G)	41A5064	1	Y
Romanian (models B1G 41G B3G 22G D1G F2G)	41A5065	1	Y
Russian/Cyrilic (models B1G 41G B3G 22G D1G F2G)	41A5066	1	Y
Serbian/Cyrilic (models B1G 41G B3G 22G D1G F2G)	41A5067	1	Y
Slovak (models B1G 41G B3G 22G D1G F2G)	41A5068	1	Y
Spanish (models B1G 41G B3G 22G D1G F2G)	41A5069	1	Y
Swedish/Finn (models B1G 41G B3G 22G D1G F2G)	41A5070	1	Y
Swiss F/G (models B1G 41G B3G 22G D1G F2G)	41A5071	1	Y
Turkish 440 (models B1G 41G B3G 22G D1G F2G)	41A5073	1	Y
Turkish 179 (models B1G 41G B3G 22G D1G F2G)	41A5074	1	Y
UK English (models B1G 41G B3G 22G D1G F2G)	41A5075	1	Y
US Euro (models B1G 41G B3G 22G D1G F2G)	41A5076	1	Y
Slovenian (models B1G 41G B3G 22G D1G F2G)	41A5077	1	Y

9277 mice	FRU#	CRU Tier	RoHS?
Optical Wheel Mouse (400DPI, USB) (all models)	41U3013	1	Y
Optical Wheel Mouse (400DPI, USB) (all models)	41U3030	1	Y
PS/2 Three Button ball mouse (models CTO)	41R0018	1	Y
ScrollPoint Optical Mouse (800DPI, USB) (models CTO)	41U3019	1	Y

9277 Adapters and miscellaneous FRUs	FRU#	CRU Tier	RoHS?
USB2.0 MEMORY CARDREADER,6X2,ROHS OPTIONAL,Bitland (models CTO)	41R3378	2	Y
USB2.0 MEMORY CARDREADER,6X2,ROHS OPTIONAL, SONY (models CTO)	41R3376	2	Y
PCI Modem Card (Soft) (models CTO)	29R9729	2	Y
L1 IEEE 1394 PCI Adapter (models CTO)	41D2781	2	Y
Denver - ATI X300SE 128MB (models CTO)	39J9635	2	Y
Dongle Cable - DMS59 to dual VGA (models CTO)	41D2399	2	Y
Dongle Cable - DMS59 to dual VGA (included in Denver L1) (models CTO)	42Y8181	2	Y
Dongle DMS Dule DMS-59 to dual DVI cable (models CTO)	41X6398	2	Y
Dongle DMS Dule DMS-59 to single VGA and DVI cable (models CTO)	42Y8183	2	Y
Nvidia GeForce 6200TC128MB 64bit (Full Height) (models CTO)	41X2668	2	Y
Nvidia GeForce 6200TC 64MB 32bit (models CTO)	41X2667	2	Y
Nvidia GeForce 7300LE 128MB 64bit (models CTO)	41X2669	2	Y
Nvidia GeForce 7300LE 128MB 64bit LP / ATX with DMS59 (models CTO)	42Y8165	2	Y
ATI Radeon X1300PRO 256MB 128bit (models CTO)	41X2670	2	Y
ATI X1300LE 256M 64bit LP / ATX with DMS59 (models CTO)	42Y8162	2	Y
X1300 LE 256MB (models CTO)	42Y8159	2	Y
Internal USB Memory Card Reader (models CTO)	41D1934	2	Y

9277 Adapters and miscellaneous FRUs	FRU#	CRU Tier	RoHS?
Wireless Keyboard (models CTO)	41A5219	2	Y
Wireless Mouse (models CTO)	41A5247	2	Y
USB Transceiver for wireless kybd/mouse (models CTO)	41A5246	2	Y
BTL external speaker (models CTO)	41A5334	2	Y
DVI-I card,FH(Casper) (models CTO)	39J9334	2	Y

9277 Power Cords	FRU#	CRU Tier	RoHS?
Power Cord (US) (models B2S 21S D2S)	39M5080	1	Y
Power Cord (LA High Volt APU) (models B2Y 21Y D2Y)	39M5067	1	Y
Korea (models G1K G1R)	39M5212	1	Y
Power Cord (UK, Ireland, Singapore, Malaysia, Brunei) (models B1G 41G B3G 22G D1G F2G)	39M5150	1	Y
Power Cord (Italy) (models B1G B2S B2Y 41G B3G 21S 21Y 22G D1G D2S D2Y F2G)	39M5164	1	Y
Power Cord (G models) (models B1G 41G B3G 22G D1G F2G)	39M5122	1	Y
Power Cord (Denmark) (models B1G 41G B3G 22G D1G F2G)	39M5129	1	Y
Power Cord (Switzerland) (models B1G 41G B3G 22G D1G F2G)	39M5157	1	Y
Power Cord (Israel) (models B1G 41G B3G 22G D1G F2G)	39M5171	1	Y
Power Cord (South Africa) (models B1G 41G B3G 22G D1G F2G)	39M5143	1	Y
Power Cord (India) (models A1Q 51Q)	39M5004	1	Y

9277 Windows XP Home Recovery CDs	FRU#	CRU Tier	RoHS?
US/UK/AP/TH (models G1R)	42Y3597	1	Y
Korea (models G1K)	41W7773	1	Y

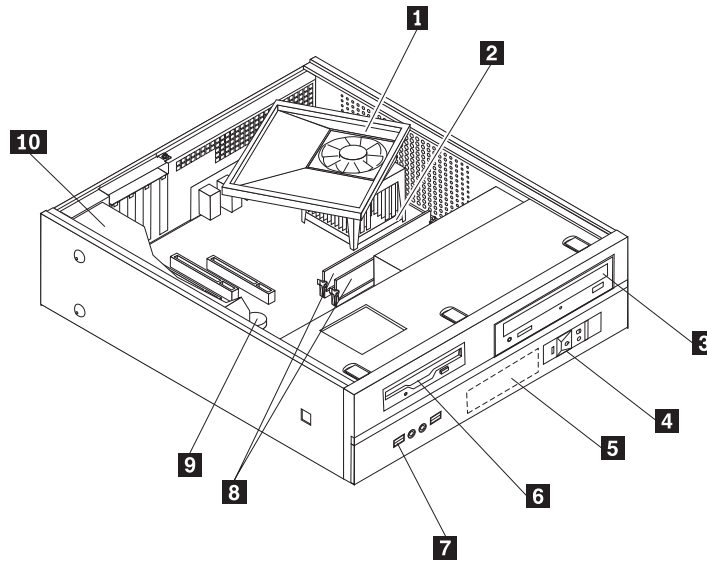
9277 Windows XP Pro Recovery CDs	FRU#	CRU Tier	RoHS?
US/UK/AP/TH (models B1G 41G 51Q B3G 22G D1G F2G)	42Y3549	1	Y
FR/CF (models A3F B1G 31F 33G D1F B8G 29G 36F 38F D4F)	42Y3550	1	Y
GR (models B1G 41G B3G 22G D1G F2G)	42Y3551	1	Y
IT (models B1G 41G B3G 22G D1G F2G)	42Y3553	1	Y
SP/LA (models B1G B2S B2Y 41G B3G 21S 21Y 22G D1G D2S D2Y F2G)	42Y3552	1	Y
DK (models B1G 41G B3G 22G D1G F2G)	42Y3556	1	Y
NL (models B1G 41G B3G 22G D1G F2G)	42Y3720	1	Y
AE (models B1G 41G B3G 22G D1G F2G)	42Y3724	1	Y
SV (models B1G 41G B3G 22G D1G F2G)	42Y3555	1	Y
HE (models B1G 41G B3G 22G D1G F2G)	42Y3721	1	Y
FI (models B1G 41G B3G 22G D1G F2G)	42Y3718	1	Y
NO (models B1G 41G B3G 22G D1G F2G)	42Y3719	1	Y

9277 Windows XP Pro Recovery CDs	FRU#	CRU Tier	RoHS?
PL (models B1G 41G B3G 22G D1G F2G)	42Y3722	1	Y
PO (models B1G 41G B3G 22G D1G F2G)	42Y3728	1	Y
RU (models B1G 41G B3G 22G D1G F2G)	42Y3725	1	Y
RE (models B1G 41G B3G 22G D1G F2G)	42Y3717	1	Y
HU (models B1G 41G B3G 22G D1G F2G)	42Y3727	1	Y
CZ (models B1G 41G B3G 22G D1G F2G)	42Y3723	1	Y
TR (models B1G 41G B3G 22G D1G F2G)	42Y3726	1	Y
GK (models B1G 41G B3G 22G D1G F2G)	42Y3729	1	Y
SL (models B1G 41G B3G 22G D1G F2G)	42Y3730	1	Y
Multilingual 1 (models B1G 41G B3G 22G D1G F2G)	42Y3645	1	Y
Multilingual 2 (models B1G 41G B3G 22G D1G F2G)	42Y3879	1	Y

9277 Vista Home Basic 32 Recovery DVDs	FRU#	CRU Tier
US/UK/AP/TH (models)	87H4420	1
FR/CF (models)	87H4421	1
GR (models)	87H4422	1
SP/LA (models)	87H4423	1
BR (models)	87H4424	1
IT (models)	87H4425	1
JP (models)	87H4426	1
NO (models)	87H4427	1
SV (models)	87H4428	1
DK (models)	87H4429	1
NL (models)	87H4430	1
CZ (models)	87H4431	1
FI (models)	87H4432	1
PL (models)	87H4433	1
RU (models)	87H4434	1
TR (models)	87H4435	1
HU (models)	87H4436	1
GK (models)	87H4437	1
PO (models)	87H4438	1
CS (models)	87H4439	1
TW (models)	87H4440	1
HK (models)	87H4441	1
KR (models)	87H4442	1
SL (models)	87H4443	1
RE (models)	43C1306	1

9277 Vista Business 32 Recovery DVDs	FRU#	CRU Tier
US/UK/AP/TH (models)	87H4476	1
FR/CF (models)	87H4477	1
GR (models)	87H4478	1
SP/LA (models)	87H4479	1
BR (models)	87H4480	1
IT (models)	87H4481	1
JP (models)	87H4482	1
NO (models)	87H4483	1
SV (models)	87H4484	1
DK (models)	87H4485	1
NL (models)	87H4486	1
CZ (models)	87H4487	1
FI (models)	87H4488	1
PL (models)	87H4489	1
RU (models)	87H4490	1
TR (models)	87H4491	1
HU (models)	87H4492	1
GK (models)	87H4493	1
PO (models)	87H4494	1
CS (models)	87H4495	1
TW (models)	87H4496	1
HK (models)	87H4497	1
KR (models)	87H4498	1
SL (models)	87H4499	1
RE (models)	43C1308	1

Machine Type 9278



Item #	9278 FRUs	FRU#	CRU Tier	RoHS?
1	Heatsink for Intel processors (all models)	41N8261	N	Y
1	Heatsink for Intel processors (models CTO)	41R4803	N	Y
1	Heatsink for Intel processors (all models)	41R6185	N	Y
2	Microprocessor, Celeron D 2.66GHz 533MHz FSB 256KB L2 (models CTO)	41T1694	N	Y
2	Microprocessor, Celeron D 2.80GHz 533MHz FSB 256KB L2 (models CTO A1Q A2A A2T A2B A2H A1K A1R A2J A3J A4J A5J A6J A7J A8J A9J AAJ ABJ ACJ ADJ)	41T1695	N	Y
2	Microprocessor, Celeron D 2.93GHz 533MHz FSB 256KB L2 (models CTO)	41T1696	N	Y
2	Microprocessor, Celeron D 3.06GHz 533MHz FSB 256KB L2 (models CTO B1S B1P B1Y B3J B4J B5J B6J B7J B8J B9J BAJ BBJ BCJ BDJ BEJ)	41T1697	N	Y
2	Microprocessor, Celeron D 3.20GHz 533MHz FSB 256KB L2 (models CTO)	41T1698	N	Y
2	Microprocessor, Celeron D 3.20GHz 533MHz FSB 512KB L2 (models CTO B2G)	41T4966	N	Y
2	Microprocessor, Celeron D 3.33GHz 533MHz FSB 512KB L2 (models CTO)	41T4968	N	Y
2	Microprocessor, Celeron 430 CONROE-L 800/1800MHZ-512K,LGA,EM64T (models CTO)	43C1964	N	Y
2	Microprocessor, Celeron 440 CONROE-L 800/2000MHZ-512K,LGA,EM64T (models CTO)	43C1965	N	Y
2	Microprocessor, Pentium 4 3.06 GHz 533 FSB 1MB L2 (models CTO 21B 21H 21J 22J 23J 24J 25J 26J 27J 28J 29J 2AJ 2BJ 2CJ 2DS 2DP 2DY)	41T4104	N	Y
2	Microprocessor, Pentium 4 3.0 GHz 800 FSB 2MB L2 (models CTO 51Q)	41T1709	N	Y
2	Microprocessor, Pentium 4 3.0 GHz 800 FSB 2MB L2 (models CTO)	41T1712	N	Y
2	Microprocessor, Pentium 4 3.2 GHz 800 FSB 2MB L2 (models CTO)	41T1713	N	Y
2	Microprocessor, Pentium 4 3.4 GHz 800 FSB 2MB L2 (models CTO)	41T1714	N	Y
2	Microprocessor, Pentium 4 661 Processor 3.6 GHz 800 FSB 2MB L2 B1-Value (models CTO)	41T1715	N	Y

Item #	9278 FRUs	FRU#	CRU Tier	RoHS?
2	Microprocessor, Pentium 4 2.8 GHz 800 FSB 2MB L2 (models CTO D1Q D2A D2T D2C D2B D2H D3G D4S D4P D4Y D4J D5J D6J D7J D8J D9J DAJ DBJ DCJ DDJ DEJ)	41T1704	N	Y
2	Microprocessor, Pentium 4 2.8 GHz 800 FSB 2MB L2 (models CTO 91A 91T)	41X7775	N	Y
2	Microprocessor, Pentium D 3.0 GHz 800 FSB 2Mx2 L2 (models CTO F1G F1C F1B F1H)	41X2413	N	Y
2	Microprocessor, Pentium D 3.0 GHz 800 FSB 2Mx2 L2 (models CTO G1A G1T)	41T1717	N	Y
2	Microprocessor, Pentium D 935 3.2 GHz 800 FSB 2MBx2 L2 C1-Value (95W) (models CTO)	41X8050	N	Y
2	Microprocessor, Pentium D 945 Processor 3.4 GHz 800 FSB 2MBx2 L2) (models CTO H1K H1R H2K H2R H3K H3R H4K H4R H5K H5R)	41X7776	N	Y
2	Microprocessor, E2140 CONROE-L 800/1600MHZ-1M, LGA, EM64T (models CTO)	43C1967	N	Y
2	Microprocessor, E2160 CONROE-L 800/1600MHZ-1M, LGA, EM64T (models CTO)	43C1968	N	Y
2	Microprocessor, E4300 CONROE 800/1800MHZ-2M, LGA, EM64T (models CTO)	42Y8009	N	Y
2	Microprocessor, E4400 CONROE 800/2000MHZ-2M, LGA, EM64T L2 (models CTO)	43C2056	N	Y
2	Microprocessor, E6300 B2 CONROE 1066/1860MHZ-2M, LGA, EM64T (models CTO)	41X2495	N	Y
2	Microprocessor, E6320 B2 Conroe 1066/1.86/4M/775 (models CTO)	TBD	N	Y
2	Microprocessor, E6400 B2 CONROE 1066/2130MHZ-2M, LGA, EM64T (models CTO)	41X2496	N	Y
2	Microprocessor, E6420 B2 Conroe 1066/2.13/4M/775 (models CTO)	TBD	N	Y
2	Microprocessor, E6600 B2 CONROE 1066/2400MHZ-4M, LGA, EM64T (models CTO)	41X5743	N	Y
2	Microprocessor, E6700 B2 CONROE 1066/2670MHZ-4M, LGA, EM64T (models CTO)	41X5744	N	Y
3	DVD-ROM drive (16X/48X) (models CTO B2G D3G F2G F2C F2B F2H)	41X3544	2	Y
3	DVD-ROM drive (16X/48X) (models CTO B2G D3G F2G F2C F2B F2H)	41X3545	2	Y
3	DVD-ROM drive (16X/48X) (models CTO B2G D3G F2G F2C F2B F2H)	41X3546	2	Y
3	Combo 48 -32 -48 -16 - - DVD - ROM - CDRW (models CTO D1Q D2A D2T D2C D2B D2H G1A G1T A4J A5J A8J A9J AAJ ABJ B5J B6J B9J BAJ BBJ BCJ 23J 24J 27J 28J 29J 2AJ D6J D9J DAJ DBJ DCJ 91A 91T H2K H2R H3K H3R H4K H4R H5K H5R)	41X3547	2	Y
3	Combo 48 -32 -48 -16 - - DVD - ROM - CDRW (models CTO D1Q D2A D2T D2C D2B D2H G1A G1T A4J A5J A8J A9J AAJ ABJ B5J B6J B9J BAJ BBJ BCJ 23J 24J 27J 28J 29J 2AJ D6J D9J DAJ DBJ DCJ 91A 91T H2K H2R H3K H3R H4K H4R H5K H5R)	41X3548	2	Y
3	Combo 48 -32 -48 -16 - - DVD - ROM - CDRW (models CTO D1Q D2A D2T D2C D2B D2H G1A G1T A4J A5J A8J A9J AAJ ABJ B5J B6J B9J BAJ BBJ BCJ 23J 24J 27J 28J 29J 2AJ D6J D9J DAJ DBJ DCJ 91A 91T H2K H2R H3K H3R H4K H4R H5K H5R)	41X3549	2	Y

Item #	9278 FRUs	FRU#	CRU Tier	RoHS?
4	Combo 48 -32 -48 -16 - - DVD - ROM - CDRW --NON/VISTA (models CTO D1Q D2A D2T D2C D2B D2H G1A G1T A4J A5J A8J A9J AAJ ABJ B5J B6J B9J BAJ BBJ BCJ 23J 24J 27J 28J 29J 2AJ D6J D9J DAJ DBJ DCJ 91A 91T H2K H2R H3K H3R H4K H4R H5K H5R DJB DJH H6A H6V H6K H8B H8H)	42Y9368	1	Y
4	Combo 48 -32 -48 -16 - - DVD - ROM - CDRW --NON/VISTA (models CTO D1Q D2A D2T D2C D2B D2H G1A G1T A4J A5J A8J A9J AAJ ABJ B5J B6J B9J BAJ BBJ BCJ 23J 24J 27J 28J 29J 2AJ D6J D9J DAJ DBJ DCJ 91A 91T H2K H2R H3K H3R H4K H4R H5K H5R DJB DJH H6A H6V H6K H8B H8H)	42Y9369	1	Y
4	Combo 48 -32 -48 -16 - - DVD - ROM - CDRW --NON/VISTA (models CTO D1Q D2A D2T D2C D2B D2H G1A G1T A4J A5J A8J A9J AAJ ABJ B5J B6J B9J BAJ BBJ BCJ 23J 24J 27J 28J 29J 2AJ D6J D9J DAJ DBJ DCJ 91A 91T H2K H2R H3K H3R H4K H4R H5K H5R DJB DJH H6A H6V H6K H8B H8H)	41X7992	1	Y
4	DVD-Recorder (Rambo 8)-NON/VISTA (models CTO ACJ ADJ BDJ BEJ 2BJ 2CJ DDJ DEJ)	41N3343	1	Y
4	DVD-Recorder (Rambo 8)-NON/VISTA (models CTO ACJ ADJ BDJ BEJ 2BJ 2CJ DDJ DEJ)	41X3550	1	Y
4	DVD Recordable No Software / No Royalty for VISTA Models ONLY (models CTO ACJ ADJ BDJ BEJ 2BJ 2CJ DDJ DEJ)	42Y9370	1	Y
4	DVD Recordable No Software / No Royalty for VISTA Models ONLY (models CTO ACJ ADJ BDJ BEJ 2BJ 2CJ DDJ DEJ)	42Y9371	1	Y
4	DVD Recordable No Software / No Royalty for VISTA Models ONLY (models CTO ACJ ADJ BDJ BEJ 2BJ 2CJ DDJ DEJ)	42Y6017	1	Y
4	DVD Recordable No Software / No Royalty for VISTA Models ONLY (models CTO ACJ ADJ BDJ BEJ 2BJ 2CJ DDJ DEJ)	43C0144	1	Y
4	Front Power/LED PC, bracket, and cable (all models)	41N8213	N	Y
5	Hard disk drive, 40GB (7200RPM), Serial ATA (models CTO)	40Y9033	2	Y
5	Hard disk drive, 80GB (7200RPM), Serial ATA (models CTO A1Q A2A A2T A2B A2H B1S B1P B1Y B2G 41A 41T 51Q D1Q D2A D2T D2C D2B D2H D3G G1A G1T A1K A1R A2J A3J A4J A5J B3J B4J B5J B6J 21B 21H 21J 22J 23J 24J 2DS 2DP 2DY D4S D4P D4Y D4J D5J D6J 91A 91T F2G F2C F2B F2H H1K H1R)	40Y9034	2	Y
5	Hard disk drive, 80GB 7200rpm SATA (only for China) (models A2T A2B A2H 41T D2T D2C D2B D2H G1T 21B 21H 91T F2C F2B F2H)	41X2500	1	Y
5	Hard disk drive, 160GB (7200RPM), Serial ATA (models CTO A6J A7J A8J A9J B7J B8J B9J BAJ 25J 26J 27J 28J D7J D8J D9J DAJ H2K H2R)	40Y9035	2	Y
5	Hard disk drive, 250GB (7200RPM), Serial ATA (models CTO AAJ ABJ ACJ ADJ BBJ BCJ BDJ BEJ 29J 2AJ 2BJ 2CJ DBJ DCJ DDJ DEJ H3K H3R H4K H4R H5K H5R)	40Y9036	2	Y
5	Hard disk drive, 500GB (7200RPM), Serial ATA (models CTO)	41X5582	2	Y
6	Diskette drive, 3,5", 1.44MB, 2-mode, (w/bezel) (models CTO A2A A2T A2B A2H B1S B1P B1Y 41A 41T D2A D2T D2C D2B D2H G1A G1T A2J A3J A4J A5J A6J A7J A8J A9J AAJ ABJ ACJ ADJ B3J B4J B5J B6J B7J B8J B9J BAJ BBJ BCJ BDJ BEJ 21B 21H 21J 22J 23J 24J 25J 26J 27J 28J 29J 2AJ 2BJ 2CJ 2DS 2DP 2DY D4S D4P D4Y D4J D5J D6J D7J D8J D9J DAJ DBJ DCJ DDJ DEJ 91A 91T)	40Y9105	2	Y

Item #	9278 FRUs	FRU#	CRU Tier	RoHS?
6	Diskette drive, 3,5", 1.44MB, 2-mode (models CTO A2A A2T A2B A2H B1S B1P B1Y 41A 41T D2A D2T D2C D2B D2H G1A G1T A2J A3J A4J A5J A6J A7J A8J A9J AAJ ABJ ACJ ADJ B3J B4J B5J B6J B7J B8J B9J BAJ BBJ BCJ BDJ BEJ 21B 21H 21J 22J 23J 24J 25J 26J 27J 28J 29J 2AJ 2BJ 2CJ 2DS 2DP 2DY D4S D4P D4Y D4J D5J D6J D7J D8J D9J DAJ DBJ DCJ DDJ DEJ 91A 91T)	40Y7107	2	Y
7	Front USB/Audio with bracket (all models)	41N8212	N	Y
8	Memory module, 512 MB PC2-4200 (533MHz) DDR2 SDRAM (models CTO B2G D2A D2T D2C D2B D2H D3G G1A G1T A2J A3J A4J A5J A6J A7J A8J A9J AAJ ABJ ACJ ADJ B3J B4J B5J B6J B7J B8J B9J BAJ BBJ BCJ BDJ BEJ 21B 21H 21J 22J 23J 24J 25J 26J 27J 28J 29J 2AJ 2BJ 2CJ D4S D4P D4Y D4J D5J D6J D7J D8J D9J DAJ DBJ DCJ DDJ DEJ 91A 91T F2G F2C F2B F2H)	41X4251	2	Y
8	Memory module, 1 GB PC2-4200 (533MHz) DDR2 SDRAM (models CTO)	41X4252	2	Y
8	Memory module, 2GB PC2-4200 (533MHz) DDR2 SDRAM (models CTO)	41X4253	2	Y
8	Memory module, 512 MB PC2-5300 (667MHz) DDR2 SDRAM (models CTO H1K H1R H2K H2R H3K H3R H4K H4R)	41X4255	2	Y
8	Memory module, 1 GB PC2-5300 (667MHz) DDR2 SDRAM (models CTO H5K H5R)	41X4256	2	Y
8	Memory module, 2 GB PC2-5300 (667MHz) DDR2 SDRAM (models CTO)	41X4257	2	Y
9	System board, Intel Sys Planar for Vista and XP (models CTO A1Q A2A A2T A2B A2H B1S B1P B1Y B2G 41A 41T 51Q D1Q D2A D2T D2C D2B D2H D3G G1A G1T A1K A1R A2J A3J A4J A5J A6J A7J A8J A9J AAJ ABJ ACJ ADJ B3J B4J B5J B6J B7J B8J B9J BAJ BBJ BCJ BDJ BEJ 21B 21H 21J 22J 23J 24J 25J 26J 27J 28J 29J 2AJ 2BJ 2CJ 2DS 2DP 2DY D4S D4P D4Y D4J D5J D6J D7J D8J D9J DAJ DBJ DCJ DDJ DEJ 91A 91T F2G F2C F2B F2H H1K H1R H2K H2R H3K H3R H4K H4R H5K H5R DJB DJH F3K H6A H6V H6K H8B H8H) Note: When ordering a new system board, you must also order a new retention module for the heat sink.	87H4655	N	Y
9	System board, Intel Sys Planar Japan for Vista and XP (models CTO A1Q A2A A2T A2B A2H B1S B1P B1Y B2G 41A 41T 51Q D1Q D2A D2T D2C D2B D2H D3G G1A G1T A1K A1R A2J A3J A4J A5J A6J A7J A8J A9J AAJ ABJ ACJ ADJ B3J B4J B5J B6J B7J B8J B9J BAJ BBJ BCJ BDJ BEJ 21B 21H 21J 22J 23J 24J 25J 26J 27J 28J 29J 2AJ 2BJ 2CJ 2DS 2DP 2DY D4S D4P D4Y D4J D5J D6J D7J D8J D9J DAJ DBJ DCJ DDJ DEJ 91A 91T F2G F2C F2B F2H H1K H1R H2K H2R H3K H3R H4K H4R H5K H5R DJB DJH F3K H6A H6V H6K H8B H8H) Note: When ordering a new system board, you must also order a new retention module for the heat sink.	87H4656	N	Y
9	System board, 946GZ B ver1.0 (models CTO A1Q A2A A2T A2B A2H B1S B1P B1Y B2G 41A 41T 51Q D1Q D2A D2T D2C D2B D2H D3G G1A G1T A1K A1R A2J A3J A4J A5J A6J A7J A8J A9J AAJ ABJ ACJ ADJ B3J B4J B5J B6J B7J B8J B9J BAJ BBJ BCJ BDJ BEJ 21B 21H 21J 22J 23J 24J 25J 26J 27J 28J 29J 2AJ 2BJ 2CJ 2DS 2DP 2DY D4S D4P D4Y D4J D5J D6J D7J D8J D9J DAJ DBJ DCJ DDJ DEJ 91A 91T F2G F2C F2B F2H H1K H1R H2K H2R H3K H3R H4K H4R H5K H5R DJB DJH F3K H6A H6V H6K H8B H8H) Note: When ordering a new system board, you must also order a new retention module for the heat sink.	43C3504	N	Y

Item #	9278 FRUs	FRU#	CRU Tier	RoHS?
9	System board, 946GZ ver1.2 (models CTO A1Q A2A A2T A2B A2H B1S B1P B1Y B2G 41A 41T 51Q D1Q D2A D2T D2C D2B D2H D3G G1A G1T A1K A1R A2J A3J A4J A5J A6J A7J A8J A9J AAJ ABJ ACJ ADJ B3J B4J B5J B6J B7J B8J B9J BAJ BBJ BCJ BDJ BEJ 21B 21H 21J 22J 23J 24J 25J 26J 27J 28J 29J 2AJ 2BJ 2CJ 2DS 2DP 2DY D4S D4P D4Y D4J D5J D6J D7J D8J D9J DAJ DBJ DCJ DDJ DEJ 91A 91T F2G F2C F2B F2H H1K H1R H2K H2R H3K H3R H4K H4R H5K H5R DJB DJH F3K H6A H6V H6K H8B H8H) Note: When ordering a new system board, you must also order a new retention module for the heat sink.	43C3505	N	Y
9	System board, 946GZ (modify PCB solve Conroe CPU issue and modify PCB solve Japan smokeless issue) ver1.2 matrix from 43C3504 & 43C3505 (models CTO A1Q A2A A2T A2B A2H B1S B1P B1Y B2G 41A 41T 51Q D1Q D2A D2T D2C D2B D2H D3G G1A G1T A1K A1R A2J A3J A4J A5J A6J A7J A8J A9J AAJ ABJ ACJ ADJ B3J B4J B5J B6J B7J B8J B9J BAJ BBJ BCJ BDJ BEJ 21B 21H 21J 22J 23J 24J 25J 26J 27J 28J 29J 2AJ 2BJ 2CJ 2DS 2DP 2DY D4S D4P D4Y D4J D5J D6J D7J D8J D9J DAJ DBJ DCJ DDJ DEJ 91A 91T F2G F2C F2B F2H H1K H1R H2K H2R H3K H3R H4K H4R H5K H5R DJB DJH F3K H6A H6V H6K H8B H8H) Note: When ordering a new system board, you must also order a new retention module for the heat sink.	43C8359	N	Y
10	220W Small desktop power supply (non-smokeless) (models CTO A2A A2T B1S B1P B1Y B2G 41A 41T D2A D2T D3G G1A G1T A1K A1R 2DS 2DP 2DY D4S D4P D4Y 91A 91T F2G H1K H1R H2K H2R H3K H3R H4K H4R H5K H5R)	41N3109	N	Y
10	220W Small desktop power supply (smokeless -- Japanese) (models A2J A3J A4J A5J A6J A7J A8J A9J AAJ ABJ ACJ ADJ B3J B4J B5J B6J B7J B8J B9J BAJ BBJ BCJ BDJ BEJ 21J 22J 23J 24J 25J 26J 27J 28J 29J 2AJ 2BJ 2CJ D4J D5J D6J D7J D8J D9J DAJ DBJ DCJ DDJ DEJ)	41N3119	N	Y
10	220 Watt Power Supply - China (models CTO-A A1Q A2B A2H 51Q D1Q D2C D2B D2H 21B 21H F2C F2B F2H)	41N3493	N	Y
10	220 Watt Power Supply - WW (models CTO A2A A2T B1S B1P B1Y B2G 41A 41T D2A D2T D3G G1A G1T A1K A1R 2DS 2DP 2DY D4S D4P D4Y 91A 91T F2G H1K H1R H2K H2R H3K H3R H4K H4R H5K H5R)	41A9655	N	Y
10	220 Watt Power Supply - china (models CTO-A A1Q A2B A2H 51Q D1Q D2C D2B D2H 21B 21H F2C F2B F2H)	41A9652	N	Y

The FRUs listed in the following tables are not illustrated.

9278 FRUs	FRU#	CRU Tier	RoHS?
1 drop IDE cable (all models)	41A7158	N	Y
Thermal grease kit (models CTO)	91P8835	N	Y
Shield, EMC, system board (all models)	41N5347	N	Y
Cable, Serial ATA, 250 mm (all models)	41A7145	N	Y
Shield, EMC, blank 5.25in. drive bay (all models)	41N8271	N	Y
Shield, EMC, blank diskette drive bay (all models)	41N8273	N	Y
Cover (all models)	41N8204	2	Y
Mechanical shell kit (all models)	41N8205	2	Y
Bezel kit (all models)	41N8206	N	Y

9278 FRUs	FRU#	CRU Tier	RoHS?
Miscellaneous hardware kit (all models)	41N8209	N	Y
Hard disk drive bracket asm (plastic and grommets) (all models)	41N8210	N	Y
Hard disk drive fan and bracket asm (all models)	41N8211	N	Y
Speaker cable asm, 600 mm cable length (all models)	41N8217	N	Y
Serial port Cable (all models)	39K5021	N	Y
Fan duct assembly (all models)	41A7151	N	Y
Fan duct assembly (all models)	41R4808	N	Y
Rear USB cable asm (with low profile PCI bracket) (all models)	41N8267	N	
Rear USB 2Ports II HP(R), high profile I/O, 300mm, Rohs (all models)	42Y8005	N	Y
Rear USB 2Ports II LP(R), low profile I/O, 200mm, Rohs (all models)	42Y8006	N	Y
Rear Com2 cable II HP(R), high profile I/O, 250mm, Rohs (all models)	42Y8007	N	Y
Rear Com2 cable II LP(R), low profile I/O, 250mm, Rohs (all models)	42Y8008	N	Y
Foot stand (all models)	41R4813	N	Y
Retention module, Intel (all models)	41A7139	N	Y

9278 Keyboards (Lenovo Preferred Pro fullsize, Black)	FRU#	CRU Tier	RoHS?
US English (models A1Q A2A A2H B2G 41A 51Q D1Q D2A D2C D2H D3G G1A A1R 21H 91A F2G F2C F2H H1R H2R H3R H4R H5R)	41A5039	1	Y
Arabic (models B2G D3G F2G)	41A5040	1	Y
Arabic/French (models B2G D3G F2G)	41A5041	1	Y
Belgian/French (models B2G D3G F2G)	41A5042	1	Y
Belgian/UK (models B2G D3G F2G)	41A5043	1	Y
Bulgarian (models B2G D3G F2G)	41A5045	1	Y
Hong Kong/Taiwan (models A2B D2B F2B 21B F2B)	41A5046	1	Y
Czech (models B2G D3G F2G)	41A5047	1	Y
Danish (models B2G D3G F2G)	41A5048	1	Y
Dutch (models B2G D3G F2G)	41A5049	1	Y
French (models B2G D3G F2G)	41A5050	1	Y
German (models B2G D3G F2G)	41A5053	1	Y
Greek (models B2G D3G F2G)	41A5054	1	Y
Hebrew (models B2G D3G F2G)	41A5055	1	Y
Hungarian (models B2G D3G F2G)	41A5056	1	Y
Iceland (models B2G D3G F2G)	41A5057	1	Y
Italian (models B2G D3G F2G)	41A5058	1	Y
Japanese (models A2J A3J A4J A5J A6J A7J A8J A9J AAJ ABJ ACJ ADJ B3J B4J B5J B6J B7J B8J B9J BAJ BBJ BCJ BDJ BEJ 21J 22J 23J 24J 25J 26J 27J 28J 29J 2AJ 2BJ 2CJ D4J D5J D6J D7J D8J D9J DAJ DBJ DCJ DDJ DEJ)	41A5059	1	Y
Korean (models A1K H1K H2K H3K H4K H5K)	41A5060	1	Y
LA Spanish (models B1S B1Y 2DS 2DY D4S D4Y)	41A5061	1	Y
Norwegian (models B2G D3G F2G)	41A5062	1	Y

9278 Keyboards (Lenovo Preferred Pro fullsize, Black)	FRU#	CRU Tier	RoHS?
Polish (models B2G D3G F2G)	41A5063	1	Y
Portuguese (models B2G D3G F2G)	41A5064	1	Y
Romanian (models B2G D3G F2G)	41A5065	1	Y
Russian/Cyrilic (models B2G D3G F2G)	41A5066	1	Y
Serbian/Cyrilic (models B2G D3G F2G)	41A5067	1	Y
Slovak (models B2G D3G F2G)	41A5068	1	Y
Spanish (models B2G D3G F2G)	41A5069	1	Y
Swedish/Finn (models B2G D3G F2G)	41A5070	1	Y
Swiss F/G (models B2G D3G F2G)	41A5071	1	Y
Thailand (models A2T 41T D2T G1T 91T)	41A5072	1	Y
Turkish 440 (models B2G D3G F2G)	41A5073	1	Y
Turkish 179 (models B2G D3G F2G)	41A5074	1	Y
UK English (models B2G D3G F2G)	41A5075	1	Y
US Euro (models B2G D3G F2G)	41A5076	1	Y
Slovenian (models B2G D3G F2G)	41A5077	1	Y
Brazil/Portuguese (models B1P 2DP D4P)	41A5044	1	Y

9278 mice	FRU#	CRU Tier	RoHS?
Optical Wheel Mouse (400DPI, USB) (all models)	41U3013	1	Y
Optical Wheel Mouse (400DPI, USB) (all models)	41U3030	1	Y
PS/2 Three Button ball mouse (models CTO)	41R0018	1	Y
ScrollPoint Optical Mouse (800DPI, USB) (models CTO)	41U3019	1	Y

9278 Adapters and miscellaneous FRUs	FRU#	CRU Tier	RoHS?
USB2.0 MEMORY CARDREADER,6X2,ROHS OPTIONAL,Bitland (models CTO)	41R3378	2	Y
USB2.0 MEMORY CARDREADER,6X2,ROHS OPTIONAL, SONY (models CTO)	41R3376	2	Y
PCI Modem Card (Soft) (models CTO)	29R9729	2	Y
L1 IEEE 1394 PCI Adapter (models CTO)	41D2781	2	Y
Denver - ATI X300SE 128MB (models CTO)	39J9635	2	Y
Dongle Cable - DMS59 to dual VGA (models CTO)	41D2399	2	Y
Dongle Cable - DMS59 to dual VGA (included in Denver L1) (models CTO)	42Y8181	2	Y
Dongle DMS Dule DMS-59 to dual DVI cable (models CTO)	41X6398	2	Y
Dongle DMS Dule DMS-59 to single VGA and DVI cable (models CTO)	42Y8183	2	Y
Nvidia GeForce 6200TC128MB 64bit (Full Height) (models CTO)	41X2668	2	Y
Nvidia GeForce 6200TC 64MB 32bit (models CTO)	41X2667	2	Y
Nvidia GeForce 7300LE 128MB 64bit (models CTO)	41X2669	2	Y
Nvidia GeForce 7300LE 128MB 64bit LP / ATX with DMS59 (models CTO)	42Y8165	2	Y
ATI Radeon X1300PRO 256MB 128bit (models CTO)	41X2670	2	Y
ATI X1300LE 256M 64bit LP / ATX with DMS59 (models CTO)	42Y8162	2	Y

9278 Adapters and miscellaneous FRUs	FRU#	CRU Tier	RoHS?
X1300 LE 256MB (models CTO)	42Y8159	2	Y
Internal USB Memory Card Reader (models CTO)	41D1934	2	Y
Wireless Keyboard (models CTO)	41A5219	2	Y
Wireless Mouse (models CTO)	41A5247	2	Y
USB Transceiver for wireless kybd/mouse (models CTO)	41A5246	2	Y
BTL external speaker (models CTO)	41A5334	2	Y
DVI-I card,FH(Casper) (models CTO)	39J9334	2	Y

9278 Power Cords	FRU#	CRU Tier	RoHS?
Power cord - US (models A2A A2T B1S 41A 41T D2A D2T G1A G1T 2DS D4S 91A 91T)	39M5080	1	Y
Power cord - China (models D2C F2C)	39M5205	1	Y
Power cord - Japan (models A2J A3J A4J A5J A6J A7J A8J A9J AAJ ABJ ACJ ADJ B3J B4J B5J B6J B7J B8J B9J BAJ BBJ BCJ BDJ BEJ 21J 22J 23J 24J 25J 26J 27J 28J 29J 2AJ 2BJ 2CJ D4J D5J D6J D7J D8J D9J DAJ DBJ DCJ DDJ DEJ)	39M5193	1	Y
Power cord - Brazil (models B1P 2DP D4P)	39M5232	1	Y
Power cord - LA High Volt (APU) (models B1Y 2DY D4Y)	39M5067	1	Y
Power cord - Korea (models A1K A1R H1K H1R H2K H2R H3K H3R H4K H4R H5K H5R)	39M5212	1	Y
Power cord - Hong Kong (models A2B A2H D2B D2H 21B 21H F2B F2H)	39M5151	1	Y
Power cord - UK, Ireland, Singapore, Malaysia, Brunei (models A2A B2G 41A D2A D3G G1A 91A F2G)	39M5150	1	Y
Power cord - Italy (models B1S B1Y B2G D3G 2DS 2DY D4S D4Y F2G)	39M5164	1	Y
Power cord - G models (models A2A B2G 41A D2A D3G G1A 91A F2G)	39M5122	1	Y
Power cord - Denmark (models B2G D3G F2G)	39M5129	1	Y
Power cord - Switzerland (models B2G D3G F2G)	39M5157	1	Y
Power cord - Israel (models B2G D3G F2G)	39M5171	1	Y
Power cord - South Africa (models A2A B2G 41A D2A D3G F2G G1A 91A)	39M5143	1	Y
Power cord - India (models A1Q 51Q D1Q)	39M5004	1	Y

9278 Windows XP Home Recovery CDs	FRU#	CRU Tier	RoHS?
US/UK/AP/TH (models A1R H1R H2R H3R H4R H5R)	42Y3597	1	Y
Korea (models A1K H1K H2K H3K H4K H5K)	41W7773	1	Y

9278 Windows XP Pro Recovery CDs	FRU#	CRU Tier	RoHS?
US/UK/AP/TH (models A1Q A2A A2T A2H B2G 41A 41T 51Q D1Q D2A D2T D2H D3G G1A G1T 21H 91A 91T F2G F2H)	42Y3549	1	Y
FR/CF (models B2G D3G F2G)	42Y3550	1	Y
GR (models B2G D3G F2G)	42Y3551	1	Y
IT (models B2G D3G F2G)	42Y3553	1	Y

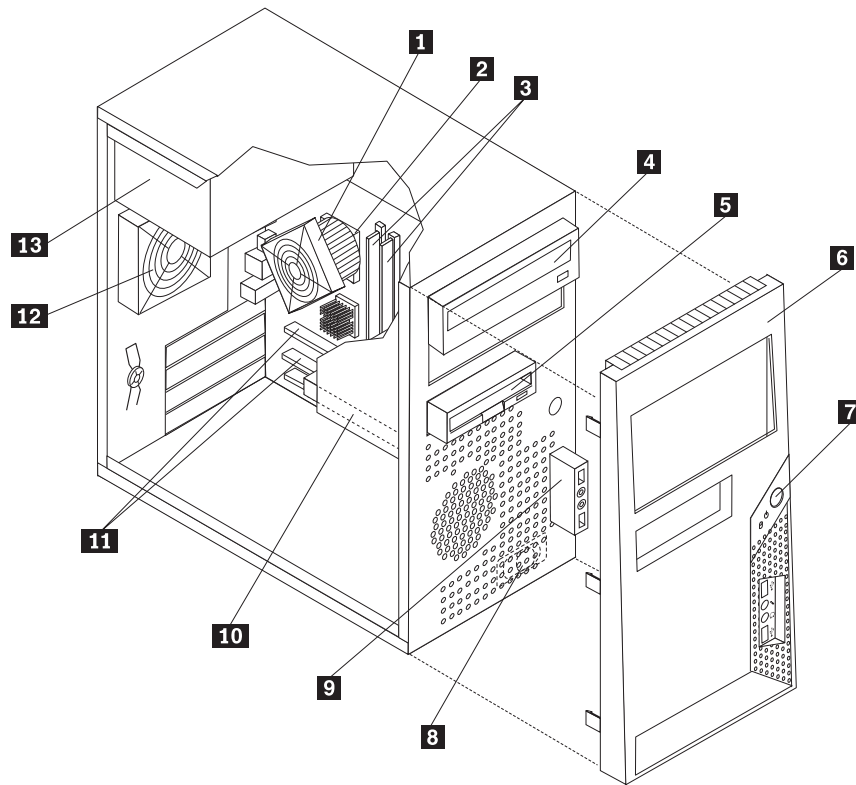
9278 Windows XP Pro Recovery CDs	FRU#	CRU Tier	RoHS?
BR (models B1P D4P)	42Y3554	1	Y
SP/LA (models B1S B1Y B2G D3G 2DS 2DY D4S D4Y F2G)	42Y3552	1	Y
DK (models B2G D3G F2G)	42Y3556	1	Y
NL (models B2G D3G F2G)	42Y3720	1	Y
AE (models B2G D3G F2G)	42Y3724	1	Y
SV (models B2G D3G F2G)	42Y3555	1	Y
HE (models B2G D3G F2G)	42Y3721	1	Y
FI (models B2G D3G F2G)	42Y3718	1	Y
NO (models B2G D3G F2G)	42Y3719	1	Y
PL (models B2G D3G F2G)	42Y3722	1	Y
PO (models B2G D3G F2G)	42Y3728	1	Y
RU (models B2G D3G F2G)	42Y3725	1	Y
RE (models B2G D3G F2G)	42Y3717	1	Y
HU (models B2G D3G F2G)	42Y3727	1	Y
CZ (models B2G D3G F2G)	42Y3723	1	Y
TR (models B2G D3G F2G)	42Y3726	1	Y
GK (models B2G D3G F2G)	42Y3729	1	Y
SL (models B2G D3G F2G)	42Y3730	1	Y
Japanese (models A2J A3J A4J A5J A6J A7J A8J A9J AAJ ABJ ACJ ADJ B3J B4J B5J B6J B7J B8J B9J BAJ BBJ BCJ BDJ BEJ 21J 22J 23J 24J 25J 26J 27J 28J 29J 2AJ 2BJ 2CJ D4J D5J D6J D7J D8J D9J DAJ DBJ DCJ DDJ DEJ)	41W7767	1	Y
Simplified Chinese (models D2C F2C)	41W7751	1	Y
Hong Kong - TC (models A2B D2B 21B F2B)	41W7762	1	Y
Multilingual 1 (models B2G D3G F2G)	42Y3645	1	Y
Multilingual 2 (models B2G D3G F2G)	42Y3879	1	Y

9278 Vista Home Basic 32 Recovery DVDs	FRU#	CRU Tier
US/UK/AP/TH (models)	87H4420	1
FR/CF (models)	87H4421	1
GR (models)	87H4422	1
SP/LA (models)	87H4423	1
BR (models)	87H4424	1
IT (models)	87H4425	1
JP (models)	87H4426	1
NO (models)	87H4427	1
SV (models)	87H4428	1
DK (models)	87H4429	1
NL (models)	87H4430	1
CZ (models)	87H4431	1
FI (models)	87H4432	1
PL (models)	87H4433	1

9278 Vista Home Basic 32 Recovery DVDs	FRU#	CRU Tier
RU (models)	87H4434	1
TR (models)	87H4435	1
HU (models)	87H4436	1
GK (models)	87H4437	1
PO (models)	87H4438	1
CS (models)	87H4439	1
TW (models)	87H4440	1
HK (models)	87H4441	1
KR (models)	87H4442	1
SL (models)	87H4443	1
RE (models)	43C1306	1

9278 Vista Business 32 Recovery DVDs	FRU#	CRU Tier
US/UK/AP/TH (models)	87H4476	1
FR/CF (models)	87H4477	1
GR (models)	87H4478	1
SP/LA (models)	87H4479	1
BR (models)	87H4480	1
IT (models)	87H4481	1
JP (models)	87H4482	1
NO (models)	87H4483	1
SV (models)	87H4484	1
DK (models)	87H4485	1
NL (models)	87H4486	1
CZ (models)	87H4487	1
FI (models)	87H4488	1
PL (models)	87H4489	1
RU (models)	87H4490	1
TR (models)	87H4491	1
HU (models)	87H4492	1
GK (models)	87H4493	1
PO (models)	87H4494	1
CS (models)	87H4495	1
TW (models)	87H4496	1
HK (models)	87H4497	1
KR (models)	87H4498	1
SL (models)	87H4499	1
RE (models)	43C1308	1

Machine Type 9279



Item #	9279 FRUs	FRU#	CRU Tier	RoHS?
1	Heatsink for Intel CPUs (all models)	41N8261	N	Y
1	Heatsink for Intel CPUs (models CTO)	41R4803	N	Y
1	Heatsink for Intel CPUs (models CTO)	41R6185	N	Y
2	Microprocessor, Celeron D 2.66GHz 533MHz FSB 256KB L2 (models CTO)	41T1694	N	Y
2	Microprocessor, Celeron D 2.80GHz 533MHz FSB 256KB L2 (models CTO A1Q A2A A2T A2B A2H A3C A4A A4T)	41T1695	N	Y
2	Microprocessor, Celeron D 2.93GHz 533MHz FSB 256KB L2 (models CTO)	41T1696	N	Y
2	Microprocessor, Celeron D 3.06GHz 533MHz FSB 256KB L2 (models CTO B1S B1P B1Y)	41T1697	N	Y
2	Microprocessor, Celeron D 3.20GHz 533MHz FSB 256KB L2 (models CTO)	41T1698	N	Y
2	Microprocessor, Celeron D 3.20GHz 533MHz FSB 512KB L2 (models CTO B2G)	41T4966	N	Y
2	Microprocessor, Celeron D 3.33GHz 533MHz FSB 512KB L2 (models CTO)	41T4968	N	Y
2	Microprocessor, Celeron 430 CONROE-L 800/1800MHZ-512K,LGA,EM64T (models CTO)	43C1964	N	Y
2	Microprocessor, Celeron 440 CONROE-L 800/2000MHZ-512K,LGA,EM64T (models CTO)	43C1965	N	Y
2	Microprocessor, Pentium 4 3.06 GHz 533 FSB 1MB L2 (models CTO 21B 21H 22S 22P 22Y)	41T4104	N	Y
2	Microprocessor, Pentium 4 3.0 GHz 800 FSB 2MB L2 (models CTO 51Q 52C)	41T1709	N	Y

Item #	9279 FRUs	FRU#	CRU Tier	RoHS?
2	Microprocessor, Pentium 4 3.0 GHz 800 FSB 2MB L2 (models CTO)	41T1712	N	Y
2	Microprocessor, Pentium 4 3.2 GHz 800 FSB 2MB L2 (models CTO)	41T1713	N	Y
2	Microprocessor, Pentium 4 3.4 GHz 800 FSB 2MB L2 (models CTO)	41T1714	N	Y
2	Microprocessor, Pentium 4 661 Processor 3.6 GHz 800 FSB 2MB L2 B1-Value (models CTO)	41T1715	N	Y
2	Microprocessor, Pentium 4 2.8 GHz 800 FSB 2MB L2 (models CTO D1G D2A D2T D3Q D4S D4P D4Y)	41T1704	N	Y
2	Microprocessor, Pentium 4 2.8 GHz 800 FSB 2MB L2 (models CTO 91A 91T)	41X7775	N	Y
2	Microprocessor, Pentium D 3.0 GHz 800 FSB 2Mx2 L2 (models CTO F3G F3B F3H F4C)	41X2413	N	Y
2	Microprocessor, Pentium D 3.0 GHz 800 FSB 2Mx2 L2 (models CTO G1A G1T)	41T1717	N	Y
2	Microprocessor, Pentium D 935 3.2 GHz 800 FSB 2MBx2 L2 C1-Value (95W) (models CTO)	41X8050	N	Y
2	Microprocessor, Pentium D 945 Processor 3.4 GHz 800 FSB 2MBx2 L2) (models CTO H1C H2K H2R H3K H3R)	41X7776	N	Y
2	Microprocessor, E2140 CONROE-L 800/1600MHZ-1M, LGA, EM64T (models CTO)	43C1967	N	Y
2	Microprocessor, E2160 CONROE-L 800/1600MHZ-1M, LGA, EM64T (models CTO)	43C1968	N	Y
2	Microprocessor, E4300 CONROE 800/1800MHZ-2M, LGA, EM64T (models CTO)	42Y8009	N	Y
2	Microprocessor, E4400 CONROE 800/2000MHZ-2M, LGA, EM64T L2 (models CTO)	43C2056	N	Y
2	Microprocessor, E6300 B2 CONROE 1066/1860MHZ-2M, LGA, EM64T (models CTO)	41X2495	N	Y
2	Microprocessor, E6320 B2 Conroe 1066/1.86/4M/775 (models CTO)	TBD	N	Y
2	Microprocessor, E6400 B2 CONROE 1066/2130MHZ-2M, LGA, EM64T (models CTO)	41X2496	N	Y
2	Microprocessor, E6420 B2 Conroe 1066/2.13/4M/775 (models CTO)	TBD	N	Y
2	Microprocessor, E6600 B2 CONROE 1066/2400MHZ-4M, LGA, EM64T (models CTO)	41X5743	N	Y
2	Microprocessor, E6700 B2 CONROE 1066/2670MHZ-4M, LGA, EM64T (models CTO)	41X5744	N	Y
3	Memory module, 512 MB PC2-4200 (533MHz) DDR2 SDRAM (models CTO B2G D1G D2A D2T G1A G1T 21B 21H D4S D4P D4Y 91A 91T F3G F3B F3H)	41X4251	1	Y
3	Memory module, 1 GB PC2-4200 (533MHz) DDR2 SDRAM (models CTO)	41X4252	1	Y
3	Memory module, 2GB PC2-4200 (533MHz) DDR2 SDRAM (models CTO)	41X4253	1	Y
3	Memory module, 512 MB PC2-5300 (667MHz) DDR2 SDRAM (models CTO H2K H2R)	41X4255	1	Y
3	Memory module, 1 GB PC2-5300 (667MHz) DDR2 SDRAM (models CTO H3K H3R)	41X4256	1	Y
3	Memory module, 2 GB PC2-5300 (667MHz) DDR2 SDRAM (models CTO)	41X4257	1	Y

Item #	9279 FRUs	FRU#	CRU Tier	RoHS?
4	DVD-ROM drive (16X/48X) (models CTO A3C A4A A4T B2G 52C D1G F3G F3B F3H F4C H1C)	41X3544	1	Y
4	DVD-ROM drive (16X/48X) (models CTO A3C A4A A4T B2G 52C D1G F3G F3B F3H F4C H1C)	41X3545	1	Y
4	DVD-ROM drive (16X/48X) (models CTO A3C A4A A4T B2G 52C D1G F3G F3B F3H F4C H1C)	41X3546	1	Y
4	Combo 48 -32 -48 -16 - - DVD - ROM - CDRW (models CTO D2A D2T D3Q G1A G1T 91A 91T H3K H3R)	41X3547	1	Y
4	Combo 48 -32 -48 -16 - - DVD - ROM - CDRW (models CTO D2A D2T D3Q G1A G1T 91A 91T H3K H3R)	41X3548	1	Y
4	Combo 48 -32 -48 -16 - - DVD - ROM - CDRW (models CTO D2A D2T D3Q G1A G1T 91A 91T H3K H3R)	41X3549	1	Y
4	Combo 48 -32 -48 -16 - - DVD - ROM - CDRW --NON/VISTA (models CTO D2A D2T D3Q G1A G1T 91A 91T H3K H3R H4K)	42Y9368	1	Y
4	Combo 48 -32 -48 -16 - - DVD - ROM - CDRW --NON/VISTA (models CTO D2A D2T D3Q G1A G1T 91A 91T H3K H3R H4K)	42Y9369	1	Y
4	Combo 48 -32 -48 -16 - - DVD - ROM - CDRW --NON/VISTA (models CTO D2A D2T D3Q G1A G1T 91A 91T H3K H3R H4K)	41X7992	1	Y
4	DVD-Recorder (Rambo 8)-NON/VISTA (models CTO)	41N3343	1	Y
4	DVD-Recorder (Rambo 8)-NON/VISTA (models CTO)	41X3550	1	Y
4	DVD-Recorder (Rambo 8)-NON/VISTA (models CTO)	42Y9370	1	Y
4	DVD Recordable No Software / No Royalty for VISTA Models ONLY (models CTO)	42Y9371	1	Y
4	DVD Recordable No Software / No Royalty for VISTA Models ONLY (models CTO)	42Y6017	1	Y
4	DVD Recordable No Software / No Royalty for VISTA Models ONLY (models CTO)	43C0144	1	Y
5	Diskette drive, 3,5", 1.44MB, 2 Mode,(w/bezel) (models CTO A2A A2T A2B A2H A3C A4A A4T B1S B1P B1Y 41A 41T 51Q 52C D2A D2T D3Q G1A G1T 21B 21H 22S 22P 22Y D4S D4P D4Y 91A 91T F4C H1C)	40Y9105	2	Y
5	Diskette drive, 3,5", 1.44MB, 2 Mode (models CTO A2A A2T A2B A2H A3C A4A A4T B1S B1P B1Y 41A 41T 51Q 52C D2A D2T D3Q G1A G1T 21B 21H 22S 22P 22Y D4S D4P D4Y 91A 91T F4C H1C)	40Y7107	2	Y
6	Bezel assembly (all models)	41N8052	2	Y
7	Power switch/LED assembly (all models)	41N5284	2	Y
8	Speaker assembly, soldered terminals (all models)	39P5023	2	Y
9	Front audio/USB assembly (all models)	41N8054	2	Y
10	Hard disk drive, 40GB (7200RPM), Serial ATA (models CTO)	40Y9033	1	Y
10	Hard disk drive, 80GB (7200RPM), Serial ATA (models CTO A1Q A2A A2T A2B A2H A3C A4A A4T B1S B1P B1Y B2G 41A 41T 51Q 52C D1G D2A D2T D3Q G1A G1T 21B 21H 22S 22P 22Y D4S D4P D4Y 91A 91T F3G F3B F3H F4C H1C)	40Y9034	1	Y
10	Hard disk drive, 80GB 7200rpm SATA (only for China) (models A2T A2B A2H A3C A4T 41T 52C D2T G1T 21B 21H 91T F3B F3H F4C H1C)	41X2500	1	Y
10	Hard disk drive, 160GB (7200RPM), Serial ATA (models CTO H2K H2R)	40Y9035	1	Y
10	Hard disk drive, 250GB (7200RPM), Serial ATA (models CTO H3K H3R)	40Y9036	1	Y

Item #	9279 FRUs	FRU#	CRU Tier	RoHS?
10	Hard disk drive, 500GB (7200RPM), Serial ATA (models CTO)	41X5582	1	Y
11	System board, Intel for Vista and XP (models CTO A1Q A2A A2T A2B A2H A3C A4A A4T B1S B1P B1Y B2G 41A 41T 51Q 52C D1G D2A D2T D3Q G1A G1T 21B 21H 22S 22P 22Y D4S D4P D4Y 91A 91T F3G F3B F3H F4C H1C H2K H2R H3K H3R F6B F6H H4K) Note: When ordering a new system board, you must also order a new retention module for the heat sink.	87H4655	N	Y
11	System board, Intel for Vista and XP, Japan (models CTO A1Q A2A A2T A2B A2H A3C A4A A4T B1S B1P B1Y B2G 41A 41T 51Q 52C D1G D2A D2T D3Q G1A G1T 21B 21H 22S 22P 22Y D4S D4P D4Y 91A 91T F3G F3B F3H F4C H1C H2K H2R H3K H3R F6B F6H H4K) Note: When ordering a new system board, you must also order a new retention module for the heat sink.	87H4656	N	Y
11	System board, 946GZ B ver1.0 (models CTO A1Q A2A A2T A2B A2H A3C A4A A4T B1S B1P B1Y B2G 41A 41T 51Q 52C D1G D2A D2T D3Q G1A G1T 21B 21H 22S 22P 22Y D4S D4P D4Y 91A 91T F3G F3B F3H F4C H1C H2K H2R H3K H3R F6B F6H H4K) Note: When ordering a new system board, you must also order a new retention module for the heat sink.	43C3504	N	Y
11	System board, 946GZ ver1.2 (models CTO A1Q A2A A2T A2B A2H A3C A4A A4T B1S B1P B1Y B2G 41A 41T 51Q 52C D1G D2A D2T D3Q G1A G1T 21B 21H 22S 22P 22Y D4S D4P D4Y 91A 91T F3G F3B F3H F4C H1C H2K H2R H3K H3R F6B F6H H4K) Note: When ordering a new system board, you must also order a new retention module for the heat sink.	43C3505	N	Y
11	System board, 946GZ (modify PCB solve Conroe CPU issue and modify PCB solve Japan smokeless issue) ver1.2 matrix from 43C3504 & 43C3505 (models CTO A1Q A2A A2T A2B A2H A3C A4A A4T B1S B1P B1Y B2G 41A 41T 51Q 52C D1G D2A D2T D3Q G1A G1T 21B 21H 22S 22P 22Y D4S D4P D4Y 91A 91T F3G F3B F3H F4C H1C H2K H2R H3K H3R F6B F6H H4K) Note: When ordering a new system board, you must also order a new retention module for the heat sink.	43C8359	N	Y
12	Fan, Rear w/ grommets & Grill (all models)	41N8079	2	Y
13	Power supply (300W) (models CTO)	41N3489	2	Y
13	Power supply (230W) (models CTO A2A A2T A4A A4T B1S B1P B1Y B2G 41A 41T D1G D2A D2T G1A G1T 22S 22P 22Y D4S D4P D4Y 91A 91T F3G H2K H2R H3K H3R)	41N3094	2	Y
13	Power supply (250W) (models CTO A2A A2T A4A A4T B1S B1P B1Y B2G 41A 41T D1G D2A D2T G1A G1T 22S 22P 22Y D4S D4P D4Y 91A 91T F3G H2K H2R H3K H3R)	41N3127	2	Y
13	Power supply (220V/250W/ATX12V - China) (models CTO A1Q A2B A2H A3C 51Q 52C D3Q 21B 21H F3B F3H F4C H1C)	41N3485	2	Y
13	Power Supply 5281-7VW-ROHS, 280W, Standard (models CTO)	41N3479	2	Y
13	Power Supply 5281-7VW-ROHS, 280W, Standard (models CTO)	41N3482	2	Y
13	Power Supply 310W standard only for Japan (models CTO)	24R2596	2	Y

The FRUs listed in the following tables are not illustrated.

9279 FRUs	FRU#	CRU Tier	RoHS?
Thermal grease kit (all models)	91P8835	N	Y
Shield, 5.25 EMC (all models)	41N8080	2	Y
Cable, SATA (18" RoHs) (all models)	26K1186	2	Y
Cable, Serial (all models)	39K5021	2	Y
Shield, diskette drive EMC (all models)	41N8078	2	Y
Cable, Diskette drive (RoHs) (all models)	41A7182	2	Y
Cover, left side (all models)	41N8050	1	Y
Chassis assembly (all models)	41N8051	N	Y
System board I/O Shield - (all models)	41N8053	N	Y
Kit, Miscellaneous hardware (all models)	41N8055	2	Y
Retention Module Kit, RoHs (all models)	41N8056	2	Y
Cable, hard disk drive and optical signal (all models)	39M0516	1	Y
Front system fan (all models)	41R2519	1	Y
4 PIN CABLE-SATA,2H 100mm LATCH(RoHs)PS cable (all models)	41R3300	1	Y
Cable SATA 250mm (RoHS) (all models)	41A7145	1	N
Retainer, Card Reader (all models)	41R2913	1	N
Front Fan AVC (all models)	41R4791	1	N
Optional HDD Bracket Assembly, without 4Pin cable (all models)	41R6106	1	N
Chassis assembly (all models)	41R2533	1	N

9279 Keyboards (Lenovo Preferred Pro fullsize, Black)	FRU#	CRU Tier	RoHS?
US English (models A1Q A2A A2H A3C A4A B2G 41A 51Q 52C D1G D2A D3Q G1A 21H 91A F3G F3H F4C H1C H2R H3R)	41A5039	1	Y
Arabic (models B2G D1G F3G)	41A5040	1	Y
Arabic/French (models B2G D1G F3G)	41A5041	1	Y
Belgian/French (models B2G D1G F3G)	41A5042	1	Y
Belgian/UK (models B2G D1G F3G)	41A5043	1	Y
Bulgarian (models B2G D1G F3G)	41A5045	1	Y
Hong Kong/Taiwan (models A2B 21B F3B)	41A5046	1	Y
Czech (models B2G D1G F3G)	41A5047	1	Y
Danish (models B2G D1G F3G)	41A5048	1	Y
Dutch (models B2G D1G F3G)	41A5049	1	Y
French (models B2G D1G F3G)	41A5050	1	Y
German (models B2G D1G F3G)	41A5053	1	Y
Greek (models B2G D1G F3G)	41A5054	1	Y
Hebrew (models B2G D1G F3G)	41A5055	1	Y
Hungarian (models B2G D1G F3G)	41A5056	1	Y
Iceland (models B2G D1G F3G)	41A5057	1	Y
Italian (models B2G D1G F3G)	41A5058	1	Y
Korean (models H2K H3K)	41A5060	1	Y

9279 Keyboards (Lenovo Preferred Pro fullsize, Black)	FRU#	CRU Tier	RoHS?
LA Spanish (models B1S B1Y 22S 22Y D4S D4Y)	41A5061	1	Y
Norwegian (models B2G D1G F3G)	41A5062	1	Y
Polish (models B2G D1G F3G)	41A5063	1	Y
Portuguese (models B2G D1G F3G)	41A5064	1	Y
Romanian (models B2G D1G F3G)	41A5065	1	Y
Russian/Cyrilic (models B2G D1G F3G)	41A5066	1	Y
Serbian/Cyrilic (models B2G D1G F3G)	41A5067	1	Y
Slovak (models B2G D1G F3G)	41A5068	1	Y
Spanish (models B2G D1G F3G)	41A5069	1	Y
Swedish/Finn (models B2G D1G F3G)	41A5070	1	Y
Swiss F/G (models B2G D1G F3G)	41A5071	1	Y
Thailand (models A2T A4T 41T D2T G1T 91T)	41A5072	1	Y
Turkish 440 (models B2G D1G F3G)	41A5073	1	Y
Turkish 179 (models B2G D1G F3G)	41A5074	1	Y
UK English (models B2G D1G F3G)	41A5075	1	Y
US Euro (models B2G D1G F3G)	41A5076	1	Y
Slovenian (models B2G D1G F3G)	41A5077	1	Y
Brazil/Portuguese (models B1P 22P D4P)	41A5044	1	Y

9279 mice	FRU#	CRU Tier	RoHS?
Optical Wheel Mouse (400DPI, USB) (all models)	41U3013	1	Y
Optical Wheel Mouse (400DPI, USB) (all models)	41U3030	1	Y
PS/2 Three Button ball mouse (models CTO)	41R0018	1	Y
ScrollPoint Optical Mouse (800DPI, USB) (models CTO)	41U3019	1	Y

9279 Adapters and miscellaneous FRUs	FRU#	CRU Tier	RoHS?
USB2.0 MEMORY CARDREADER,6X2,ROHS OPTIONAL,Bitland (models CTO)	41R3378	2	Y
USB2.0 MEMORY CARDREADER,6X2,ROHS OPTIONAL, SONY (models CTO)	41R3376	2	Y
PCI Modem Card (Soft) (models CTO)	29R9729	2	Y
L1 IEEE 1394 PCI Adapter (models CTO)	41D2781	2	Y
Denver - ATI X300SE 128MB (models CTO)	39J9635	2	Y
Dongle Cable - DMS59 to dual VGA (models CTO)	41D2399	2	Y
Dongle Cable - DMS59 to dual VGA (included in Denver L1) (models CTO)	42Y8181	2	Y
Dongle DMS Dule DMS-59 to dual DVI cable (models CTO)	41X6398	2	Y
Dongle DMS Dule DMS-59 to single VGA and DVI cable (models CTO)	42Y8183	2	Y
Nvidia GeForce 6200TC128MB 64bit (Full Height) (models CTO)	41X2668	2	Y
Nvidia GeForce 6200TC 64MB 32bit (models CTO)	41X2667	2	Y
Nvidia GeForce 7300LE 128MB 64bit (models CTO)	41X2669	2	Y
Nvidia GeForce 7300LE 128MB 64bit LP / ATX with DMS59 (models CTO)	42Y8165	2	Y

9279 Adapters and miscellaneous FRUs	FRU#	CRU Tier	RoHS?
ATI Radeon X1300PRO 256MB 128bit (models CTO)	41X2670	2	Y
ATI X1300LE 256M 64bit LP / ATX with DMS59 (models CTO)	42Y8162	2	Y
X1300 LE 256MB (models CTO)	42Y8159	2	Y
Internal USB Memory Card Reader (models CTO)	41D1934	2	Y
Wireless Keyboard (models CTO)	41A5219	2	Y
Wireless Mouse (models CTO)	41A5247	2	Y
USB Transceiver for wireless kybd/mouse (models CTO)	41A5246	2	Y
DVI-I card,FH(Casper) (models CTO)	39J9334	2	Y
BTL external speaker (models CTO)	41A5334	2	Y

9279 Power Cords	FRU#	CRU Tier	RoHS?
Power Cord (US) (models A2A A2T A4A A4T B1S 41A 41T D2A D2T G1A G1T 22S D4S 91A 91T)	39M5080	1	Y
Power Cord (China) (models A3C 52C F4C H1C)	39M5205	1	Y
Power Cord (Brazil) (models B1P 22P D4P)	39M5232	1	Y
Power Cord (LA High Volt APU) (models B1Y 22Y D4Y)	39M5067	1	Y
Power Cord (Korea) (models H2K H2R H3K H3R)	39M5212	1	Y
Power Cord (Hong Kong) (models A2B A2H 21B 21H F3B F3H)	39M5151	1	Y
Power Cord (UK, Ireland, Singapore, Malaysia, Brunei) (models A2A A4A B2G 41A D1G D2A G1A 91A F3G)	39M5150	1	Y
Power Cord (Italy) (models B1S B1Y B2G D1G 22S 22Y D4S D4Y F3G)	39M5164	1	Y
Power Cord (G models) (models A2A A4A B2G 41A D1G D2A G1A 91A F3G)	39M5122	1	Y
Power Cord (Denmark) (models B2G D1G F3G)	39M5129	1	Y
Power Cord (Switzerland) (models B2G D1G F3G)	39M5157	1	Y
Power Cord (Israel) (models B2G D1G F3G)	39M5171	1	Y
Power Cord (South Africa) (models A2A A4A B2G 41A D1G D2A F3G G1A 91A)	39M5143	1	Y
Power Cord (India) (models A1Q 51Q D3Q)	39M5004	1	Y

9279 Windows XP Home Recovery CDs	FRU#	CRU Tier	RoHS?
US/UK/AP/TH (models H2R H3R)	42Y3597	1	Y
Korea (models H2K H3K)	41W7773	1	Y

9279 Windows XP Pro Recovery CDs	FRU#	CRU Tier	RoHS?
US/UK/AP/TH (models A2A A2T A2H B2G 41A 41T 51Q D1G D2A D2T D3Q G1A G1T 21H 91A 91T F3G F3H)	42Y3549	1	Y
FR/CF (models B2G D1G F3G)	42Y3550	1	Y
GR (models B2G D1G F3G)	42Y3551	1	Y
IT (models B2G D1G F3G)	42Y3553	1	Y
BR (models B1P D4P)	42Y3554	1	Y

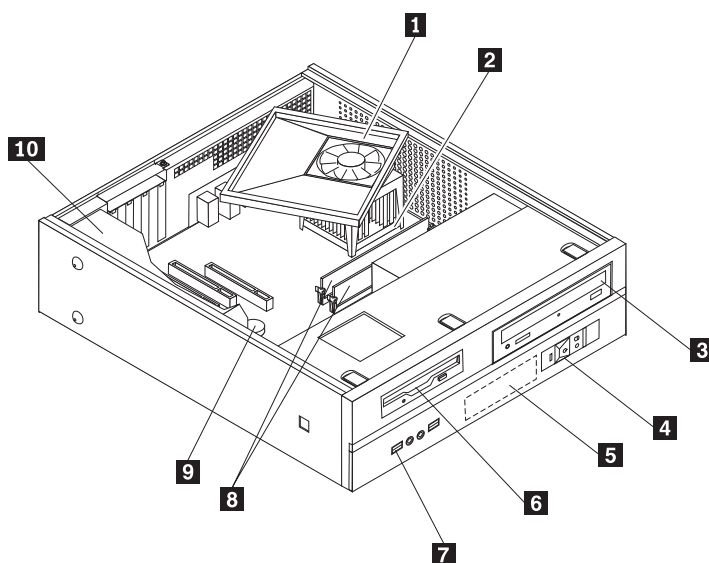
9279 Windows XP Pro Recovery CDs	FRU#	CRU Tier	RoHS?
SP/LA (models B1S B1Y B2G D1G 22S 22Y D4S D4Y F3G)	42Y3552	1	Y
DK (models B2G D1G F3G)	42Y3556	1	Y
NL (models B2G D1G F3G)	42Y3720	1	Y
AE (models B2G D1G F3G)	42Y3724	1	Y
SV (models B2G D1G F3G)	42Y3555	1	Y
HE (models B2G D1G F3G)	42Y3721	1	Y
FI (models B2G D1G F3G)	42Y3718	1	Y
NO (models B2G D1G F3G)	42Y3719	1	Y
PL (models B2G D1G F3G)	42Y3722	1	Y
PO (models B2G D1G F3G)	42Y3728	1	Y
RU (models B2G D1G F3G)	42Y3725	1	Y
RE (models B2G D1G F3G)	42Y3717	1	Y
HU (models B2G D1G F3G)	42Y3727	1	Y
CZ (models B2G D1G F3G)	42Y3723	1	Y
TR (models B2G D1G F3G)	42Y3726	1	Y
GK (models B2G D1G F3G)	42Y3729	1	Y
SL (models B2G D1G F3G)	42Y3730	1	Y
Simplified Chinese (models 52C H1C)	41W7751	1	Y
Hong Kong - TC (models A2B 21B F3B)	41W7762	1	Y
Multilingual 1 (models B2G D1G F3G)	42Y3645	1	Y
Multilingual 2 (models B2G D1G F3G)	42Y3879	1	Y

9279 Vista Home Basic 32 Recovery DVDs	FRU#	CRU Tier
US/UK/AP/TH (models)	87H4420	1
FR/CF (models)	87H4421	1
GR (models)	87H4422	1
SP/LA (models)	87H4423	1
BR (models)	87H4424	1
IT (models)	87H4425	1
JP (models)	87H4426	1
NO (models)	87H4427	1
SV (models)	87H4428	1
DK (models)	87H4429	1
NL (models)	87H4430	1
CZ (models)	87H4431	1
FI (models)	87H4432	1
PL (models)	87H4433	1
RU (models)	87H4434	1
TR (models)	87H4435	1
HU (models)	87H4436	1

9279 Vista Home Basic 32 Recovery DVDs	FRU#	CRU Tier
GK (models)	87H4437	1
PO (models)	87H4438	1
CS (models)	87H4439	1
TW (models)	87H4440	1
HK (models)	87H4441	1
KR (models)	87H4442	1
SL (models)	87H4443	1
RE (models)	43C1306	1

9279 Vista Business 32 Recovery DVDs	FRU#	CRU Tier
US/UK/AP/TH (models)	87H4476	1
FR/CF (models)	87H4477	1
GR (models)	87H4478	1
SP/LA (models)	87H4479	1
BR (models)	87H4480	1
IT (models)	87H4481	1
JP (models)	87H4482	1
NO (models)	87H4483	1
SV (models)	87H4484	1
DK (models)	87H4485	1
NL (models)	87H4486	1
CZ (models)	87H4487	1
FI (models)	87H4488	1
PL (models)	87H4489	1
RU (models)	87H4490	1
TR (models)	87H4491	1
HU (models)	87H4492	1
GK (models)	87H4493	1
PO (models)	87H4494	1
CS (models)	87H4495	1
TW (models)	87H4496	1
HK (models)	87H4497	1
KR (models)	87H4498	1
SL (models)	87H4499	1
RE (models)	43C1308	1

Machine Type 9282



Item #	9282 FRUs	FRU#	CRU Tier	RoHS?
1	Heatsink for AMD Sempron & Athlon AM2 processors (models CTO A1G A2S A2P A2Y 21G 22S 22P 22Y 23S 23P 23Y A3G 24G)	41N8249	N	Y
1	Heatsink for AMD Sempron & Athlon AM2 processors (models CTO)	41R4802	N	Y
2	Microprocessor, 3000+ Sempron AM2 (1.6 GHz processor, 62W) (models CTO A1G A2S A2P A2Y)	41X1403	N	Y
2	Microprocessor, 3400+ Sempron AM2 (1.8 GHz processor, 62W) (models CTO)	41X1407	N	Y
2	Microprocessor, 3600+ Sempron AM2 (2.0 GHz processor, 62W) (models CTO)	41X1411	N	Y
2	Microprocessor, 3500+ Athlon64 AM2 (2.2 GHz processor, 62W) (models CTO 21G 22S 22P 22Y 23S 23P 23Y 24G)	41X1415	N	Y
2	Microprocessor, 3600+ Athlon64 AM2 X2 (2.0 GHz processor, 89W) (models CTO)	41X7777	N	Y
2	Microprocessor, 3600+Athlon64 AM2 X2 1.9GHz 1M 65W 65nm G1 (models CTO)	43C4091	N	Y
2	Microprocessor, 3800+ Athlon64 AM2 (2.4 GHz processor, 62W) (models CTO)	41X1417	N	Y
2	Microprocessor, 3800+ Athlon64 AM2 X2 (2.0 GHz processor, 89W) (models CTO)	41X4241	N	Y
2	Microprocessor, 4000+ Athlon64 AM2 (2.4 GHz processor, 62W) (models CTO)	41X1419	N	Y
2	Microprocessor, 4000+ Athlon64 AM2 X2 2.1GHz 1M 65W 65nm G1 (models CTO)	43C3965	N	Y
2	Microprocessor, 4200+ Athlon64 AM2 X2 (2.2 GHz processor, 89W) (models CTO)	41X1421	N	Y
2	Microprocessor, 4400+Athlon64 AM2 X2 2.3 GHz 1M 65W 65nm G1 (models CTO)	43C3507	N	Y

Item #	9282 FRUs	FRU#	CRU Tier	RoHS?
2	Microprocessor, 4600+ Athlon64 AM2 X2 (2.4 GHz processor, 89W) (models CTO)	41X1423	N	Y
2	Microprocessor, 4800+ Athlon AM2 X2 2.5GHz 1M 65W 65nm G1 (models CTO)	43C4093	N	Y
3	DVD-ROM drive (16X/48X) (models CTO A1G 21G A3G 24G)	41X3544	2	Y
3	DVD-ROM drive (16X/48X) (models CTO A1G 21G A3G 24G)	41X3545	2	Y
3	DVD-ROM drive (16X/48X) (models CTO A1G 21G A3G 24G)	41X3546	2	Y
3	Combo 48 -32 -48 -16 - - DVD - ROM - CDRW (models CTO 23S 23P 23Y)	41X3547	2	Y
3	Combo 48 -32 -48 -16 - - DVD - ROM - CDRW (models CTO 23S 23P 23Y)	41X3548	2	Y
3	Combo 48 -32 -48 -16 - - DVD - ROM - CDRW (models CTO 23S 23P 23Y)	41X3549	2	Y
3	Combo 48 -32 -48 -16 - - DVD - ROM - CDRW --NON/VISTA (models CTO 23S 23P 23Y 25S 25P 25Y)	42Y9368	1	Y
3	Combo 48 -32 -48 -16 - - DVD - ROM - CDRW --NON/VISTA (models CTO 23S 23P 23Y 25S 25P 25Y)	42Y9369	1	Y
3	Combo 48 -32 -48 -16 - - DVD - ROM - CDRW --NON/VISTA (models CTO 23S 23P 23Y 25S 25P 25Y)	41X7992	1	Y
3	DVD-Recorder (Rambo 8)-NON/VISTA (models CTO)	41N3343	1	Y
3	DVD-Recorder (Rambo 8)-NON/VISTA (models CTO)	41X3550	1	Y
3	DVD-Recorder (Rambo 8)-NON/VISTA (models CTO)	42Y9370	1	Y
3	DVD Recordable No Software / No Royalty for VISTA Models ONLY (models CTO)	42Y9371	1	Y
3	DVD Recordable No Software / No Royalty for VISTA Models ONLY (models CTO)	42Y6017	1	Y
3	DVD Recordable No Software / No Royalty for VISTA Models ONLY (models CTO)	43C0144	1	Y
4	Front Power/LED PC, bracket, and cable (all models)	41N8213	N	Y
5	Hard disk drive, 40GB (7200RPM), Serial ATA (models CTO)	40Y9033	2	Y
5	Hard disk drive, 80GB (7200RPM), Serial ATA (models CTO A1G A2S A2P A2Y 21G 22S 22P 22Y A3G 24G)	40Y9034	2	Y
5	Hard disk drive, 80GB 7200rpm SATA (only for China) (models CTO)	41X2500	1	Y
5	Hard disk drive, 160GB (7200RPM), Serial ATA (models CTO 23S 23P 23Y)	40Y9035	2	Y
5	Hard disk drive, 250GB (7200RPM), Serial ATA (models CTO)	40Y9036	2	Y
5	Hard disk drive, 500GB (7200RPM), Serial ATA (models CTO)	41X5582	2	Y
6	Diskette drive, 3,5", 1.44MB, 2-mode, (w/bezel) (models CTO A2S A2P A2Y 22S 22P 22Y)	40Y9105	2	Y
6	Diskette drive, 3,5", 1.44MB, 2-mode, (w/bezel) (models CTO A2S A2P A2Y 22S 22P 22Y)	40Y7107	2	Y
7	Front USB/Audio with bracket (all models)	41N8212	N	Y
8	Memory module, 512 MB PC2-4200 (533MHz) DDR2 SDRAM (models CTO A1G 21G A3G 24G)	41X4251	2	Y
8	Memory module, 1 GB PC2-4200 (533MHz) DDR2 SDRAM (models CTO)	41X4252	2	Y
8	Memory module, 2GB PC2-4200 (533MHz) DDR2 SDRAM (models CTO)	41X4253	2	Y
8	Memory module, 512 MB PC2-5300 (667MHz) DDR2 SDRAM (models CTO 22S 22P 22Y 23S 23P 23Y)	41X4255	2	Y

Item #	9282 FRUs	FRU#	CRU Tier	RoHS?
8	Memory module, 1 GB PC2-5300 (667MHz) DDR2 SDRAM (models CTO)	41X4256	2	Y
8	Memory module, 2 GB PC2-5300 (667MHz) DDR2 SDRAM (models CTO)	41X4257	2	Y
9	System board, AMD Sys Planar for Vista and XP (models CTO A1G A2S A2P A2Y 21G 22S 22P 22Y 23S 23P 23Y A3G 24G 25S 25P 25Y 26G)	87H4658	N	Y
10	220W Small desktop power supply (non-smokeless) (models CTO A1G 21G A2S A2P A2Y 22S 22P 22Y 23S 23P 23Y A3G 24G)	41N3109	N	Y
10	220 Watt Power Supply - China (models CTO-A)	41N3493	N	Y
10	220 Watt Power Supply - WW (models CTO A1G 21G A2S A2P A2Y 22S 22P 22Y 23S 23P 23Y A3G 24G)	41A9655	N	Y
10	220 Watt Power Supply - china (models CTO-A)	41A9652	N	Y

The FRUs listed in the following tables are not illustrated.

9282 FRUs	FRU#	CRU Tier	RoHS?
Thermal grease kit (models CTO)	91P8835	N	Y
1 drop IDE cable (all models)	41A7158	N	Y
Shield, EMC, system board (all models)	41N5347	N	Y
Cable, Serial ATA, 250 mm (all models)	41A7145	N	Y
Shield, EMC, blank 5.25in. drive bay (all models)	41N8271	N	Y
Shield, EMC, blank diskette drive bay (all models)	41N8273	N	Y
Cover (all models)	41N8204	2	Y
Mechanical shell kit (all models)	41N8205	2	Y
Bezel kit (all models)	41N8206	N	Y
Miscellaneous hardware kit (all models)	41N8209	N	Y
Hard disk drive bracket asm (plastic and grommets) (all models)	41N8210	N	Y
Hard disk drive fan and bracket asm (all models)	41N8211	N	Y
Speaker cable asm, 600 mm cable length (all models)	41N8217	N	Y
Serial port Cable (all models)	39K5021	N	Y
Fan duct assembly (all models)	41A7151	N	Y
Fan duct assembly (all models)	41R4808	N	Y
Rear USB cable asm (with low profile PCI bracket) (all models)	41N8267	N	
Rear USB 2Ports II HP(R), high profile I/O, 300mm, Rohs (all models)	42Y8005	N	Y
Rear USB 2Ports II LP(R), low profile I/O, 200mm, Rohs (all models)	42Y8006	N	Y
Rear Com2 cable II HP(R), high profile I/O, 250mm, Rohs (all models)	42Y8007	N	Y
Rear Com2 cable II LP(R), low profile I/O, 250mm, Rohs (all models)	42Y8008	N	Y
Foot stand (all models)	41R4813	N	Y
Retention module, AMD (all models)	41R2507	N	Y

9282 Keyboards (Lenovo Preferred Pro fullsize, Black)	FRU#	CRU Tier	RoHS?
US English (models A1G A2R A3R A4U A8R A9U ACQ B1R B2R B3R B4R B5R 21G 22Q 23R 24R 25R 31R 32U D1U D3R A3G 24G)	41A5039	1	Y
Arabic (models A1G 21G A3G 24G)	41A5040	1	Y
Arabic/French (models A1G 21G A3G 24G)	41A5041	1	Y
Belgian/French (models A1G 21G A3G 24G)	41A5042	1	Y
Belgian/UK (models A1G 21G A3G 24G)	41A5043	1	Y
Bulgarian (models A1G 21G A3G 24G)	41A5045	1	Y
Czech (models A1G 21G A3G 24G)	41A5047	1	Y
Danish (models A1G 21G A3G 24G)	41A5048	1	Y
Dutch (models A1G 21G A3G 24G)	41A5049	1	Y
French (models A1G 21G A3G 24G)	41A5050	1	Y
German (models A1G 21G A3G 24G)	41A5053	1	Y
Greek (models A1G 21G A3G 24G)	41A5054	1	Y
Hebrew (models A1G 21G A3G 24G)	41A5055	1	Y
Hungarian (models A1G 21G A3G 24G)	41A5056	1	Y
Iceland (models A1G 21G A3G 24G)	41A5057	1	Y
Italian (models A1G 21G A3G 24G)	41A5058	1	Y
LA Spanish (models A2S A2Y 22S 22Y 23S 23Y)	41A5061	1	Y
Norwegian (models A1G 21G A3G 24G)	41A5062	1	Y
Polish (models A1G 21G A3G 24G)	41A5063	1	Y
Portuguese (models A1G 21G A3G 24G)	41A5064	1	Y
Romanian (models A1G 21G A3G 24G)	41A5065	1	Y
Russian/Cyrilic (models A1G 21G A3G 24G)	41A5066	1	Y
Serbian/Cyrilic (models A1G 21G A3G 24G)	41A5067	1	Y
Slovak (models A1G 21G A3G 24G)	41A5068	1	Y
Spanish (models A1G 21G A3G 24G)	41A5069	1	Y
Swedish/Finn (models A1G 21G A3G 24G)	41A5070	1	Y
Swiss F/G (models A1G 21G A3G 24G)	41A5071	1	Y
Turkish 440 (models A1G 21G A3G 24G)	41A5073	1	Y
Turkish 179 (models A1G 21G A3G 24G)	41A5074	1	Y
UK English (models A1G 21G A3G 24G)	41A5075	1	Y
US Euro (models A1G 21G A3G 24G)	41A5076	1	Y
Slovenian (models A1G 21G A3G 24G)	41A5077	1	Y
Brazil/Portuguese (models A2P 22P 23P)	41A5044	1	Y

9282 mice	FRU#	CRU Tier	RoHS?
Optical Wheel Mouse (400DPI, USB) (all models)	41U3013	1	Y
Optical Wheel Mouse (400DPI, USB) (all models)	41U3030	1	Y
PS/2 Three Button ball mouse (models CTO)	41R0018	1	Y
ScrollPoint Optical Mouse (800DPI, USB) (models CTO)	41U3019	1	Y

9282 Adapters and miscellaneous FRUs	FRU#	CRU Tier	RoHS?
USB2.0 MEMORY CARDREADER,6X2,ROHS OPTIONAL,Bitland (models CTO)	41R3378	2	Y
USB2.0 MEMORY CARDREADER,6X2,ROHS OPTIONAL, SONY (models CTO)	41R3376	2	Y
PCI Modem Card (Soft) (models CTO)	29R9729	2	Y
L1 IEEE 1394 PCI Adapter (models CTO)	41D2781	2	Y
Denver - ATI X300SE 128MB (models CTO)	39J9635	2	Y
Dongle Cable - DMS59 to dual VGA (models CTO)	41D2399	2	Y
Dongle Cable - DMS59 to dual VGA (included in Denver L1) (models CTO)	42Y8181	2	Y
Dongle DMS Dule DMS-59 to dual DVI cable (models CTO)	41X6398	2	Y
Dongle DMS Dule DMS-59 to single VGA and DVI cable (models CTO)	42Y8183	2	Y
Nvidia GeForce 6200TC128MB 64bit (Full Height) (models CTO)	41X2668	2	Y
Nvidia GeForce 6200TC 64MB 32bit (models CTO)	41X2667	2	Y
Nvidia GeForce 7300LE 128MB 64bit (models CTO)	41X2669	2	Y
Nvidia GeForce 7300LE 128MB 64bit LP / ATX with DMS59 (models CTO)	42Y8165	2	Y
ATI Radeon X1300PRO 256MB 128bit (models CTO)	41X2670	2	Y
ATI X1300LE 256M 64bit LP / ATX with DMS59 (models CTO)	42Y8162	2	Y
X1300 LE 256MB (models CTO)	42Y8159	2	Y
Internal USB Memory Card Reader (models CTO)	41D1934	2	Y
Wireless Keyboard (models CTO)	41A5219	2	Y
Wireless Mouse (models CTO)	41A5247	2	Y
USB Transceiver for wireless kybd/mouse (models CTO)	41A5246	2	Y
BTL external speaker (models CTO)	41A5334	2	Y
DVI-I card,FH(Casper) (models CTO)	39J9334	2	Y

9282 Power Cords	FRU#	CRU Tier	RoHS?
Power Cord (US) (models A2S 22S 23S)	39M5080	1	Y
Power Cord (Brazil) (models A2P 22P 23P)	39M5232	1	Y
Power Cord (LA High Volt APU) (models A2Y 22Y 23Y)	39M5067	1	Y
Power Cord (UK, Ireland, Singapore, Malaysia, Brunei) (models A1G 21G A3G 24G)	39M5150	1	Y
Power Cord (Italy) (models A1G A2S A2Y 21G A3G 24G 22S 22Y 23S 23Y)	39M5164	1	Y
Power Cord (G models) (models A1G 21G A3G 24G)	39M5122	1	Y
Power Cord (Denmark) (models A1G 21G A3G 24G)	39M5129	1	Y
Power Cord (Switzerland) (models A1G 21G A3G 24G)	39M5157	1	Y
Power Cord (Israel) (models A1G 21G A3G 24G)	39M5171	1	Y
Power Cord (South Africa) (models A1G 21G A3G 24G)	39M5143	1	Y

9282 Windows XP Pro Recovery CDs	FRU#	CRU Tier	RoHS?
US/UK/AP/TH (models A1G 21G A3G 24G)	42Y3549	1	Y

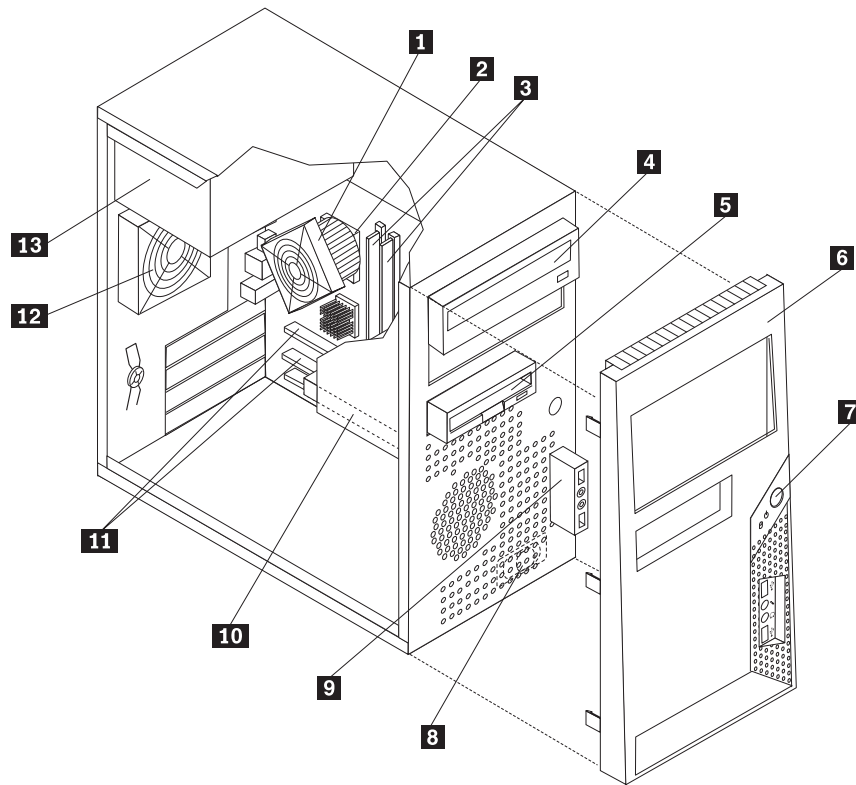
9282 Windows XP Pro Recovery CDs	FRU#	CRU Tier	RoHS?
FR/CF (models A1G 21G A3G 24G)	42Y3550	1	Y
GR (models A1G 21G A3G 24G)	42Y3551	1	Y
IT (models A1G 21G A3G 24G)	42Y3553	1	Y
BR (models A1G 21G 23P)	42Y3554	1	Y
SP/LA (models A1G 21G 23S 23Y A3G 24G)	42Y3552	1	Y
DK (models A1G 21G A3G 24G)	42Y3556	1	Y
NL (models A1G 21G A3G 24G)	42Y3720	1	Y
AE (models A1G 21G A3G 24G)	42Y3724	1	Y
SV (models A1G 21G A3G 24G)	42Y3555	1	Y
HE (models A1G 21G A3G 24G)	42Y3721	1	Y
FI (models A1G 21G A3G 24G)	42Y3718	1	Y
NO (models A1G 21G A3G 24G)	42Y3719	1	Y
PL (models A1G 21G A3G 24G)	42Y3722	1	Y
PO (models A1G 21G A3G 24G)	42Y3728	1	Y
RU (models A1G 21G A3G 24G)	42Y3725	1	Y
RE (models A1G 21G A3G 24G)	42Y3717	1	Y
HU (models A1G 21G A3G 24G)	42Y3727	1	Y
CZ (models A1G 21G A3G 24G)	42Y3723	1	Y
TR (models A1G 21G A3G 24G)	42Y3726	1	Y
GK (models A1G 21G A3G 24G)	42Y3729	1	Y
SL (models A1G 21G A3G 24G)	42Y3730	1	Y
Multilingual 1 (models A1G 21G A3G 24G)	42Y3645	1	Y
Multilingual 2 (models A1G 21G A3G 24G)	42Y3879	1	Y

9282 Vista Home Basic 32 Recovery DVDs	FRU#	CRU Tier
US/UK/AP/TH (models)	87H4420	1
FR/CF (models)	87H4421	1
GR (models)	87H4422	1
SP/LA (models)	87H4423	1
BR (models)	87H4424	1
IT (models)	87H4425	1
JP (models)	87H4426	1
NO (models)	87H4427	1
SV (models)	87H4428	1
DK (models)	87H4429	1
NL (models)	87H4430	1
CZ (models)	87H4431	1
FI (models)	87H4432	1
PL (models)	87H4433	1
RU (models)	87H4434	1

9282 Vista Home Basic 32 Recovery DVDs	FRU#	CRU Tier
TR (models)	87H4435	1
HU (models)	87H4436	1
GK (models)	87H4437	1
PO (models)	87H4438	1
CS (models)	87H4439	1
TW (models)	87H4440	1
HK (models)	87H4441	1
KR (models)	87H4442	1
SL (models)	87H4443	1
RE (models)	43C1306	1

9282 Vista Business 32 Recovery DVDs	FRU#	CRU Tier
US/UK/AP/TH (models)	87H4476	1
FR/CF (models)	87H4477	1
GR (models)	87H4478	1
SP/LA (models)	87H4479	1
BR (models)	87H4480	1
IT (models)	87H4481	1
JP (models)	87H4482	1
NO (models)	87H4483	1
SV (models)	87H4484	1
DK (models)	87H4485	1
NL (models)	87H4486	1
CZ (models)	87H4487	1
FI (models)	87H4488	1
PL (models)	87H4489	1
RU (models)	87H4490	1
TR (models)	87H4491	1
HU (models)	87H4492	1
GK (models)	87H4493	1
PO (models)	87H4494	1
CS (models)	87H4495	1
TW (models)	87H4496	1
HK (models)	87H4497	1
KR (models)	87H4498	1
SL (models)	87H4499	1
RE (models)	43C1308	1

Machine Type 9283



Item #	9283 FRUs	FRU#	CRU Tier	RoHS?
1	Heatsink for AMD Sempron & Athlon AM2 processors (models CTO A1S A1P A1Y A2S A2P A2Y A3Q B1G B2G 21S 21P 21Y 22S 22P 22Y 23S 23P 23Y 24Q 25Q 26Q 31G D1Q D2Q B3S B3P B3Y B4G 27G 32S 32P 32Y 33S 33P 33Y)	41N8249	N	Y
1	Heatsink for AMD Sempron & Athlon AM2 processors (models CTO)	41R4802	N	Y
2	Microprocessor, 3000+ Sempron AM2 (1.6 GHz processor, 62W) (models CTO A1S A1P A1Y A2S A2P A2Y)	41X1403	N	Y
2	Microprocessor, 3400+ Sempron AM2 (1.8 GHz processor, 62W) (models CTO B1G B2G B3S B3P B3Y B4G)	41X1407	N	Y
2	Microprocessor, 3600+ Sempron AM2 (2.0 GHz processor, 62W) (models CTO)	41X1411	N	Y
2	Microprocessor, 3200+ Athlon64 AM2 (2.0 GHz processor, 62W) (models CTO)	42Y8940	N	Y
2	Microprocessor, 3500+ Athlon64 AM2 (2.2 GHz processor, 62W) (models CTO 21S 21P 21Y 22S 22P 22Y 23S 23P 23Y 24Q 25Q 26Q 27G)	41X1415	N	Y
2	Microprocessor, 3600+ Athlon64 AM2 X2 (2.0 GHz processor, 89W) (models CTO)	41X7777	N	Y
2	Microprocessor, 3600+ Athlon64 AM2 X2 1.9GHz 1M 65W 65nm G1 (models CTO)	43C4091	N	Y
2	Microprocessor, 3800+ Athlon64 AM2 (2.4 GHz processor, 62W) (models CTO 31G)	41X1417	N	Y
2	Microprocessor, 3800+ Athlon64 AM2 X2 (2.0 GHz processor, 89W) (models CTO 32S 32P 32Y 33S 33P 33Y)	41X4241	N	Y

Item #	9283 FRUs	FRU#	CRU Tier	RoHS?
2	Microprocessor, 4000+ Athlon64 AM2 (2.4 GHz processor, 62W) (models CTO)	41X1419	N	Y
2	Microprocessor, 4000+ Athlon64 AM2 X2 2.1GHz 1M 65W 65nm G1 (models CTO)	43C3965	N	Y
2	Microprocessor, 4200+ Athlon64 AM2 X2 (2.2 GHz processor, 89W) (models CTO D1Q D2Q)	41X1421	N	Y
2	Microprocessor, 4400+Athlon64 AM2 X2 2.3 GHz 1M 65W 65nm G1 (models CTO)	43C3507	N	Y
2	Microprocessor, 4600+ Athlon64 AM2 X2 (2.4 GHz processor, 89W) (models CTO)	41X1423	N	Y
2	Microprocessor, 4800+ Athlon AM2 X2 2.5GHz 1M 65W 65nm G1 (models CTO)	43C4093	N	Y
3	Memory module, 512 MB PC2-4200 (533MHz) DDR2 SDRAM (models CTO B1G B2G 25Q 31G D2Q B4G 27G 33S 33P 33Y)	41X4251	1	Y
3	Memory module, 1 GB PC2-4200 (533MHz) DDR2 SDRAM (models CTO)	41X4252	1	Y
3	Memory module, 2GB PC2-4200 (533MHz) DDR2 SDRAM (models CTO)	41X4253	1	Y
3	Memory module, 512 MB PC2-5300 (667MHz) DDR2 SDRAM (models CTO 21S 21P 21Y 22S 22P 22Y 23S 23P 23Y)	41X4255	1	Y
3	Memory module, 1 GB PC2-5300 (667MHz) DDR2 SDRAM (models CTO)	41X4256	1	Y
3	Memory module, 2 GB PC2-5300 (667MHz) DDR2 SDRAM (models CTO)	41X4257	1	Y
4	DVD-ROM drive (16X/48X) (models CTO B1G B2G 31G B4G 27G)	41X3544	1	Y
4	DVD-ROM drive (16X/48X) (models CTO B1G B2G 31G B4G 27G)	41X3545	1	Y
4	DVD-ROM drive (16X/48X) (models CTO B1G B2G 31G B4G 27G)	41X3546	1	Y
4	Combo 48 -32 -48 -16 - - DVD - ROM - CDRW (models CTO A1S A1P A1Y A3Q 26Q D2Q 33S 33P 33Y)	41X3547	1	Y
4	Combo 48 -32 -48 -16 - - DVD - ROM - CDRW (models CTO A1S A1P A1Y A3Q 26Q D2Q 33S 33P 33Y)	41X3548	1	Y
4	Combo 48 -32 -48 -16 - - DVD - ROM - CDRW (models CTO A1S A1P A1Y A3Q 26Q D2Q 33S 33P 33Y)	41X3549	1	Y
4	Combo 48 -32 -48 -16 - - DVD - ROM - CDRW --NON/VISTA (models CTO A1S A1P A1Y A3Q 26Q D2Q 33S 33P 33Y 28S 28P 28Y D3L D3Q)	42Y9368	1	Y
4	Combo 48 -32 -48 -16 - - DVD - ROM - CDRW --NON/VISTA (models CTO A1S A1P A1Y A3Q 26Q D2Q 33S 33P 33Y 28S 28P 28Y D3L D3Q)	42Y9369	1	Y
4	Combo 48 -32 -48 -16 - - DVD - ROM - CDRW --NON/VISTA (models CTO A1S A1P A1Y A3Q 26Q D2Q 33S 33P 33Y 28S 28P 28Y D3L D3Q)	41X7992	1	Y
4	DVD-Recorder (Rambo 8)-NON/VISTA (models CTO)	41N3343	1	Y
4	DVD-Recorder (Rambo 8)-NON/VISTA (models CTO)	41X3550	1	Y
4	DVD Recordable No Software / No Royalty for VISTA Models ONLY (models CTO)	42Y9370	1	Y
4	DVD Recordable No Software / No Royalty for VISTA Models ONLY (models CTO)	42Y9371	1	Y
4	DVD Recordable No Software / No Royalty for VISTA Models ONLY (models CTO)	42Y6017	1	Y
4	DVD Recordable No Software / No Royalty for VISTA Models ONLY (models CTO)	43C0144	1	Y

Item #	9283 FRUs	FRU#	CRU Tier	RoHS?
5	Diskette drive, 3,5", 1.44MB, 2 Mode,(w/bezel) (models CTO A2S A2P A2Y B1G 21S 21P 21Y 22S 22P 22Y 24Q 25Q 26Q D1Q B3S B3P B3Y 32S 32P 32Y)	40Y9105	2	Y
6	Bezel assembly (all models)	41N8052	2	Y
7	Power switch/LED assembly (all models)	41N5284	2	Y
8	Speaker assembly, soldered terminals (models CTO A1M A3M B1V 21V 22M 25M D1V D3M D5M)	39P5023	2	Y
9	Front audio/USB assembly (all models)	41N8054	2	Y
10	Hard disk drive, 40GB (7200RPM), Serial ATA (models CTO)	40Y9033	1	Y
10	Hard disk drive, 80GB (7200RPM), Serial ATA (models CTO A1S A1P A1Y A2S A2P A2Y A3Q B1G B2G 21S 21P 21Y 22S 22P 22Y 24Q 25Q 26Q 31G D1Q D2Q B3S B3P B3Y B4G 27G 32S 32P 32Y 33S 33P 33Y)	40Y9034	1	Y
10	Hard disk drive, 80GB 7200rpm SATA (only for China) (models CTO)	41X2500	1	Y
10	Hard disk drive, 160GB (7200RPM), Serial ATA (models CTO 23S 23P 23Y)	40Y9035	1	Y
10	Hard disk drive, 250GB (7200RPM), Serial ATA (models CTO)	40Y9036	1	Y
10	Hard disk drive, 500GB (7200RPM), Serial ATA (models CTO)	41X5582	1	Y
11	System board, AMD for Vista and XP (models CTO A1S A1P A1Y A2S A2P A2Y A3Q B1G B2G 21S 21P 21Y 22S 22P 22Y 23S 23P 23Y 24Q 25Q 26Q 31G D1Q D2Q B3S B3P B3Y B4G 27G 32S 32P 32Y 33S 33P 33Y 28S 28P 28Y D3L D3Q)	87H4658	N	Y
12	Fan, Rear w/ grommets & Grill (all models)	41N8079	2	Y
13	Power supply (300W) (models CTO)	41N3489	2	Y
13	Power supply (230W) (models CTO B1G B2G 31G A1S A1P A1Y A2S A2P A2Y 21S 21P 21Y 22S 22P 22Y 23S 23P 23Y B4G 27G)	41N3094	2	Y
13	Power supply (250W) (models CTO B1G B2G 31G A1S A1P A1Y A2S A2P A2Y 21S 21P 21Y 22S 22P 22Y 23S 23P 23Y B4G 27G)	41N3127	2	Y
13	Power supply (220V/250W/ATX12V - China) (models CTO A3Q 24Q 25Q 26Q D1Q D2Q B3S B3P B3Y 32S 32P 32Y 33S 33P 33Y)	41N3485	2	Y
13	Power Supply 5281-7VW-ROHS, 280W, Standard (models CTO)	41N3479	2	Y
13	Power Supply 5281-7VW-ROHS, 280W, Standard (models CTO)	41N3482	2	Y
13	Power Supply 310W standard only for Japan (models CTO)	24R2596	2	Y

The FRUs listed in the following tables are not illustrated.

9283 FRUs	FRU#	CRU Tier	RoHS?
Thermal grease kit (all models)	91P8835	N	
Shield, 5.25 EMC (all models)	41N8080	2	Y
Cable, SATA (18" RoHs) (all models)	26K1186	2	Y
Cable, Serial (all models)	39K5021	2	
Shield, diskette drive EMC (all models)	41N8078	2	Y
Cable, Diskette drive (RoHs) (all models)	41A7182	2	Y
Cover, left side (all models)	41N8050	1	Y
Chassis assembly (all models)	41N8051	N	Y

9283 FRUs	FRU#	CRU Tier	RoHS?
System board I/O Shield - (all models)	41N8053	N	Y
Kit, Miscellaneous hardware (all models)	41N8055	2	Y
Retention Module Kit, RoHs (all models)	41N8056	2	Y
Cable, hard disk drive and optical signal (all models)	39M0516	1	
Front system fan (all models)	41R2519	1	
4 PIN CABLE-SATA,2H 100mm LATCH(RoHs)PS cable (all models)	41R3300	1	Y
Cable SATA 250mm (RoHS) (all models)	41A7145	1	N
Retainer, Card Reader (all models)	41R2913	1	N
Front Fan AVC (all models)	41R4791	1	N
Optional HDD Bracket Assembly, without 4Pin cable (all models)	41R6106	1	N
Chassis assembly (all models)	41R2533	1	N
Retention module, AMD (all models)	41R2507	N	Y

9283 Keyboards (Lenovo Preferred Pro fullsize, Black)	FRU#	CRU Tier	RoHS?
US English (models A3Q B1G B2G 24Q 25Q 26Q 31G D1Q D2Q B4G 27G)	41A5039	1	Y
Arabic (models B1G B2G 31G B4G 27G)	41A5040	1	Y
Arabic/French (models B1G B2G 31G B4G 27G)	41A5041	1	Y
Belgian/French (models B1G B2G 31G B4G 27G)	41A5042	1	Y
Belgian/UK (models B1G B2G 31G B4G 27G)	41A5043	1	Y
Bulgarian (models B1G B2G 31G B4G 27G)	41A5045	1	Y
Czech (models B1G B2G 31G B4G 27G)	41A5047	1	Y
Danish (models B1G B2G 31G B4G 27G)	41A5048	1	Y
Dutch (models B1G B2G 31G B4G 27G)	41A5049	1	Y
French (models B1G B2G 31G B4G 27G)	41A5050	1	Y
German (models B1G B2G 31G B4G 27G)	41A5053	1	Y
Greek (models B1G B2G 31G B4G 27G)	41A5054	1	Y
Hebrew (models B1G B2G 31G B4G 27G)	41A5055	1	Y
Hungarian (models B1G B2G 31G B4G 27G)	41A5056	1	Y
Iceland (models B1G B2G 31G B4G 27G)	41A5057	1	Y
Italian (models B1G B2G 31G B4G 27G)	41A5058	1	Y
LA Spanish (models A1S A1Y A2S A2Y 21S 21Y 22S 22Y 23S 23Y B3S B3Y 32S 32Y 33S 33Y)	41A5061	1	Y
Norwegian (models B1G B2G 31G B4G 27G)	41A5062	1	Y
Polish (models B1G B2G 31G B4G 27G)	41A5063	1	Y
Portuguese (models B1G B2G 31G B4G 27G)	41A5064	1	Y
Romanian (models B1G B2G 31G B4G 27G)	41A5065	1	Y
Russian/Cyrilic (models B1G B2G 31G B4G 27G)	41A5066	1	Y
Serbian/Cyrilic (models B1G B2G 31G B4G 27G)	41A5067	1	Y
Slovak (models B1G B2G 31G B4G 27G)	41A5068	1	Y
Spanish (models B1G B2G 31G B4G 27G)	41A5069	1	Y

9283 Keyboards (Lenovo Preferred Pro fullsize, Black)	FRU#	CRU Tier	RoHS?
Swedish/Finn (models B1G B2G 31G B4G 27G)	41A5070	1	Y
Swiss F/G (models B1G B2G 31G B4G 27G)	41A5071	1	Y
Turkish 440 (models B1G B2G 31G B4G 27G)	41A5073	1	Y
Turkish 179 (models B1G B2G 31G B4G 27G)	41A5074	1	Y
UK English (models B1G B2G 31G B4G 27G)	41A5075	1	Y
US Euro (models B1G B2G 31G B4G 27G)	41A5076	1	Y
Slovenian (models B1G B2G 31G B4G 27G)	41A5077	1	Y
Brazil/Portuguese (models A1P A2P 21P 22P 23P B3P 32P 33P)	41A5044	1	Y

9283 mice	FRU#	CRU Tier	RoHS?
Optical Wheel Mouse (400DPI, USB) (all models)	41U3013	1	Y
Optical Wheel Mouse (400DPI, USB) (all models)	41U3030	1	Y
PS/2 Three Button ball mouse (models CTO)	41R0018	1	Y
ScrollPoint Optical Mouse (800DPI, USB) (models CTO)	41U3019	1	Y

9283 Adapters and miscellaneous FRUs	FRU#	CRU Tier	RoHS?
USB2.0 MEMORY CARDREADER,6X2,ROHS OPTIONAL,Bitland (models CTO)	41R3378	2	Y
USB2.0 MEMORY CARDREADER,6X2,ROHS OPTIONAL, SONY (models CTO)	41R3376	2	Y
PCI Modem Card (Soft) (models CTO)	29R9729	2	Y
L1 IEEE 1394 PCI Adapter (models CTO)	41D2781	2	Y
Denver - ATI X300SE 128MB (models CTO)	39J9635	2	Y
Dongle Cable - DMS59 to dual VGA (models CTO)	41D2399	2	Y
Dongle Cable - DMS59 to dual VGA (included in Denver L1) (models CTO)	42Y8181	2	Y
Dongle DMS Dule DMS-59 to dual DVI cable (models CTO)	41X6398	2	Y
Dongle DMS Dule DMS-59 to single VGA and DVI cable (models CTO)	42Y8183	2	Y
Nvidia GeForce 6200TC128MB 64bit (Full Height) (models CTO)	41X2668	2	Y
Nvidia GeForce 6200TC 64MB 32bit (models CTO)	41X2667	2	Y
Nvidia GeForce 7300LE 128MB 64bit (models CTO)	41X2669	2	Y
Nvidia GeForce 7300LE 128MB 64bit LP / ATX with DMS59 (models CTO)	42Y8165	2	Y
ATI Radeon X1300PRO 256MB 128bit (models CTO)	41X2670	2	Y
ATI X1300LE 256M 64bit LP / ATX with DMS59 (models CTO)	42Y8162	2	Y
X1300 LE 256MB (models CTO)	42Y8159	2	Y
Internal USB Memory Card Reader (models CTO B2G 31G D2Q)	41D1934	2	Y
Wireless Keyboard (models CTO)	41A5219	2	Y
Wireless Mouse (models CTO)	41A5247	2	Y
USB Transceiver for wireless kybd/mouse (models CTO)	41A5246	2	Y
DVI-I card,FH(Casper) (models CTO)	39J9334	2	Y
BTL external speaker (models CTO)	41A5334	2	Y

9283 Power Cords	FRU#	CRU Tier	RoHS?
Power Cord (US) (models A1S A2S 21S 22S 23S B3S 32S 33S)	39M5080	1	Y
Power Cord (Brazil) (models A1P A2P 21P 22P 23P B3P 32P 33P)	39M5232	1	Y
Power Cord (LA High Volt APU) (models A1Y A2Y 21Y 22Y 23Y B3Y 32Y 33Y)	39M5067	1	Y
Power Cord (UK, Ireland, Singapore, Malaysia, Brunei) (models B1G B2G 31G B4G 27G)	39M5150	1	Y
Power Cord (Italy) (models A1S A1Y A2S A2Y B1G B2G 21S 21Y 22S 22Y 23S 23Y 31G B3S B3Y B4G 27G 32S 32Y 33S 33Y)	39M5164	1	Y
Power Cord (G models) (models B1G B2G 31G B4G 27G)	39M5122	1	Y
Power Cord (Denmark) (models B1G B2G 31G B4G 27G)	39M5129	1	Y
Power Cord (Switzerland) (models B1G B2G 31G B4G 27G)	39M5157	1	Y
Power Cord (Israel) (models B1G B2G 31G B4G 27G)	39M5171	1	Y
Power Cord (South Africa) (models B1G B2G 31G B4G 27G)	39M5143	1	Y
Power Cord (India) (models A3Q 24Q 25Q 26Q D1Q D2Q)	39M5004	1	Y

9283 Windows XP Home Recovery CDs	FRU#	CRU Tier	RoHS?
BR (models A1P)	42Y3602	1	Y
SP/LA (models A1S A1Y)	42Y3600	1	Y

9283 Windows XP Pro Recovery CDs	FRU#	CRU Tier	RoHS?
US/UK/AP/TH (models B2G 24Q 25Q 26Q 31G D1Q D2Q B4G 27G)	42Y3549	1	Y
FR/CF (models B2G 31G B4G 27G)	42Y3550	1	Y
GR (models B2G 31G B4G 27G)	42Y3551	1	Y
IT (models B2G 31G B4G 27G)	42Y3553	1	Y
BR (models B2G 23P B4G 27G 33P)	42Y3554	1	Y
SP/LA (models B2G 21S 21Y 23S 23Y 31G B3S B3Y B4G 27G 32S 32Y 33S 33Y)	42Y3552	1	Y
DK (models B2G 31G B4G 27G)	42Y3556	1	Y
NL (models B2G 31G B4G 27G)	42Y3720	1	Y
AE (models B2G 31G B4G 27G)	42Y3724	1	Y
SV (models B2G 31G B4G 27G)	42Y3555	1	Y
HE (models B2G 31G B4G 27G)	42Y3721	1	Y
FI (models B2G 31G B4G 27G)	42Y3718	1	Y
NO (models B2G 31G B4G 27G)	42Y3719	1	Y
PL (models B2G 31G B4G 27G)	42Y3722	1	Y
PO (models B2G 31G B4G 27G)	42Y3728	1	Y
RU (models B2G 31G B4G 27G)	42Y3725	1	Y
RE (models B2G 31G B4G 27G)	42Y3717	1	Y
HU (models B2G 31G B4G 27G)	42Y3727	1	Y
CZ (models B2G 31G B4G 27G)	42Y3723	1	Y
TR (models B2G 31G B4G 27G)	42Y3726	1	Y

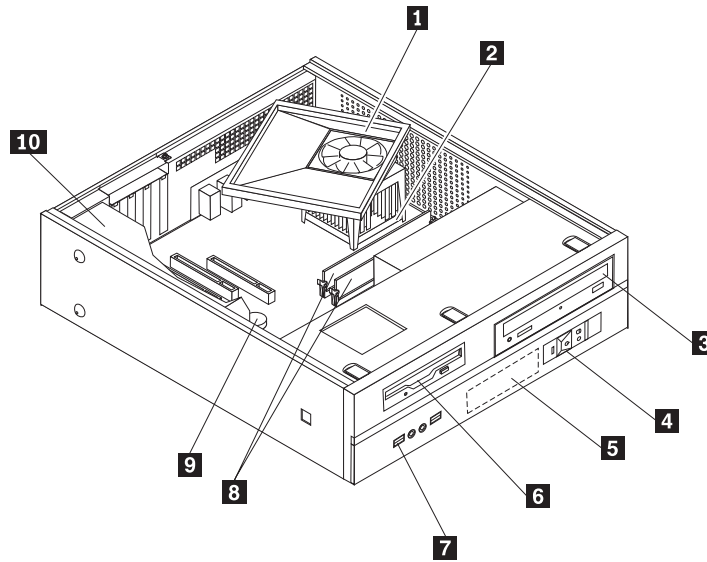
9283 Windows XP Pro Recovery CDs	FRU#	CRU Tier	RoHS?
GK (models B2G 31G B4G 27G)	42Y3729	1	Y
SL (models B2G 31G B4G 27G)	42Y3730	1	Y
Multilingual 1 (models B2G 31G B4G 27G)	42Y3645	1	Y
Multilingual 2 (models B2G 31G B4G 27G)	42Y3879	1	Y

9283 Vista Home Basic 32 Recovery DVDs	FRU#	CRU Tier
US/UK/AP/TH (models)	87H4420	1
FR/CF (models)	87H4421	1
GR (models)	87H4422	1
SP/LA (models)	87H4423	1
BR (models)	87H4424	1
IT (models)	87H4425	1
JP (models)	87H4426	1
NO (models)	87H4427	1
SV (models)	87H4428	1
DK (models)	87H4429	1
NL (models)	87H4430	1
CZ (models)	87H4431	1
FI (models)	87H4432	1
PL (models)	87H4433	1
RU (models)	87H4434	1
TR (models)	87H4435	1
HU (models)	87H4436	1
GK (models)	87H4437	1
PO (models)	87H4438	1
CS (models)	87H4439	1
TW (models)	87H4440	1
HK (models)	87H4441	1
KR (models)	87H4442	1
SL (models)	87H4443	1
RE (models)	43C1306	1

9283 Vista Business 32 Recovery DVDs	FRU#	CRU Tier
US/UK/AP/TH (models)	87H4476	1
FR/CF (models)	87H4477	1
GR (models)	87H4478	1
SP/LA (models)	87H4479	1
BR (models)	87H4480	1
IT (models)	87H4481	1
JP (models)	87H4482	1

9283 Vista Business 32 Recovery DVDs	FRU#	CRU Tier
NO (models)	87H4483	1
SV (models)	87H4484	1
DK (models)	87H4485	1
NL (models)	87H4486	1
CZ (models)	87H4487	1
FI (models)	87H4488	1
PL (models)	87H4489	1
RU (models)	87H4490	1
TR (models)	87H4491	1
HU (models)	87H4492	1
GK (models)	87H4493	1
PO (models)	87H4494	1
CS (models)	87H4495	1
TW (models)	87H4496	1
HK (models)	87H4497	1
KR (models)	87H4498	1
SL (models)	87H4499	1
RE (models)	43C1308	1

Machine Type 9286



Item #	9286 FRUs	FRU#	CRU Tier	RoHS?
1	Heatsink for Intel processors (all models)	41N8261	N	Y
1	Heatsink for Intel processors (models CTO)	41R4803	N	Y
2	Microprocessor, Celeron D 2.66GHz 533MHz FSB 256KB L2 (models CTO)	41T1694	N	Y
2	Microprocessor, Celeron D 2.80GHz 533MHz FSB 256KB L2 (models CTO)	41T1695	N	Y
2	Microprocessor, Celeron D 2.93GHz 533MHz FSB 256KB L2 (models CTO B1G)	41T1696	N	Y
2	Microprocessor, Celeron D 3.06GHz 533MHz FSB 256KB L2 (models CTO B2G)	41T1697	N	Y
2	Microprocessor, Celeron D 3.20GHz 533MHz FSB 256KB L2 (models CTO)	41T1698	N	Y
2	Microprocessor, Celeron D 3.20GHz 533MHz FSB 512KB L2 (models CTO)	41T4966	N	Y
2	Microprocessor, Celeron D 3.33GHz 533MHz FSB 512KB L2 (models CTO)	41T4968	N	Y
2	Microprocessor, Celeron 430 CONROE-L 800/1800MHZ-512K,LGA,EM64T (models CTO)	43C1964	N	Y
2	Microprocessor, Celeron 440 CONROE-L 800/2000MHZ-512K,LGA,EM64T (models CTO)	43C1965	N	Y
2	Microprocessor, Pentium 4 3.06 GHz 533 FSB 1MB L2 (models CTO 21G)	41T4104	N	Y
2	Microprocessor, Pentium 4 3.0 GHz 800 FSB 2MB L2 (models CTO)	41T1709	N	Y
2	Microprocessor, Pentium 4 3.0 GHz 800 FSB 2MB L2 (models CTO)	41T1712	N	Y
2	Microprocessor, Pentium 4 3.2 GHz 800 FSB 2MB L2 (models CTO)	41T1713	N	Y
2	Microprocessor, Pentium 4 3.4 GHz 800 FSB 2MB L2 (models CTO)	41T1714	N	Y
2	Microprocessor, Pentium 4 661 Processor 3.6 GHz 800 FSB 2MB L2 B1-Value (models CTO)	41T1715	N	Y
2	Microprocessor, Pentium 4 2.8 GHz 800 FSB 2MB L2 (models CTO D1G)	41T1704	N	Y
2	Microprocessor, Pentium D 3.0 GHz 800 FSB 2Mx2 L2 (models CTO F2G)	41X2413	N	Y
2	Microprocessor, Pentium D 3.0 GHz 800 FSB 2Mx2 L2 (models CTO)	41T1717	N	Y

Item #	9286 FRUs	FRU#	CRU Tier	RoHS?
2	Microprocessor, Pentium D 935 3.2 GHz 800 FSB 2MBx2 L2 C1-Value (95W) (models CTO)	41X8050	N	Y
2	Microprocessor, Pentium D 945 Processor 3.4 GHz 800 FSB 2MBx2 L2) (models CTO G2Q G2C G3K G4K)	41X7776	N	Y
2	Microprocessor, E2140 CONROE-L 800/1600MHZ-1M, LGA, EM64T (models CTO)	43C1967	N	Y
2	Microprocessor, E2160 CONROE-L 800/1600MHZ-1M, LGA, EM64T (models CTO)	43C1968	N	Y
2	Microprocessor, E4300 CONROE 800/1800MHZ-2M, LGA, EM64T (models CTO)	42Y8009	N	Y
2	Microprocessor, E4400 CONROE 800/2000MHZ-2M, LGA, EM64T L2 (models CTO)	43C2056	N	Y
2	Microprocessor, E6300 B2 CONROE 1066/1860MHZ-2M, LGA, EM64T (models CTO)	41X2495	N	Y
2	Microprocessor, E6320 B2 Conroe 1066/1.86/4M/775 (models CTO)	TBD	N	Y
2	Microprocessor, E6400 B2 CONROE 1066/2130MHZ-2M, LGA, EM64T (models CTO)	41X2496	N	Y
2	Microprocessor, E6420 B2 Conroe 1066/2.13/4M/775 (models CTO)	TBD	N	Y
2	Microprocessor, E6600 B2 CONROE 1066/2400MHZ-4M, LGA, EM64T (models CTO)	41X5743	N	Y
2	Microprocessor, E6700 B2 CONROE 1066/2670MHZ-4M, LGA, EM64T (models CTO)	41X5744	N	Y
3	DVD-ROM drive (16X/48X) (models CTO B1G 41G B2G 21G D1G F2G)	41X3545	2	Y
3	DVD-ROM drive (16X/48X) (models CTO B1G 41G B2G 21G D1G F2G)	41X3546	2	Y
3	Combo 48 -32 -48 -16 - - DVD - ROM - CDRW (models CTO)	41X3547	2	Y
3	Combo 48 -32 -48 -16 - - DVD - ROM - CDRW (models CTO)	41X3548	2	Y
3	Combo 48 -32 -48 -16 - - DVD - ROM - CDRW (models CTO)	41X3549	2	Y
3	Combo 48 -32 -48 -16 - - DVD - ROM - CDRW --NON/VISTA (models CTO)	42Y9368	1	Y
3	Combo 48 -32 -48 -16 - - DVD - ROM - CDRW --NON/VISTA (models CTO)	42Y9369	1	Y
3	Combo 48 -32 -48 -16 - - DVD - ROM - CDRW --NON/VISTA (models CTO)	41X7992	1	Y
3	DVD-Recorder (Rambo 8)-NON/VISTA (models CTO)	41N3343	1	Y
3	DVD-Recorder (Rambo 8)-NON/VISTA (models CTO)	41X3550	1	Y
3	DVD Recordable No Software / No Royalty for VISTA Models ONLY (models CTO)	42Y9370	1	Y
3	DVD Recordable No Software / No Royalty for VISTA Models ONLY (models CTO)	42Y9371	1	Y
3	DVD Recordable No Software / No Royalty for VISTA Models ONLY (models CTO)	42Y6017	1	Y
3	DVD Recordable No Software / No Royalty for VISTA Models ONLY (models CTO)	43C0144	1	Y
4	Front Power/LED PC, bracket, and cable (all models)	41N8213	N	Y
5	Hard disk drive, 40GB (7200RPM), Serial ATA (models CTO)	40Y9033	2	Y

Item #	9286 FRUs	FRU#	CRU Tier	RoHS?
5	Hard disk drive, 80GB (7200RPM), Serial ATA (models CTO B1G 41G B2G 21G D1G F2G)	40Y9034	2	Y
5	Hard disk drive, 80GB 7200rpm SATA (only for China) (models CTO)	41X2500	1	Y
5	Hard disk drive, 160GB (7200RPM), Serial ATA (models CTO)	40Y9035	2	Y
5	Hard disk drive, 250GB (7200RPM), Serial ATA (models CTO)	40Y9036	2	Y
5	Hard disk drive, 500GB (7200RPM), Serial ATA (models CTO)	41X5582	2	Y
6	Diskette drive, 3,5", 1.44MB, 2-mode, (w/bezel) (models CTO)	40Y9105	2	Y
6	Diskette drive, 3,5", 1.44MB, 2-mode (models CTO)	40Y7107	2	Y
7	Front USB/Audio with bracket (all models)	41N8212	N	Y
8	Memory module, 512 MB PC2-4200 (533MHz) DDR2 SDRAM (models CTO B1G 41G B2G 21G D1G F2G)	41X4251	2	Y
8	Memory module, 1 GB PC2-4200 (533MHz) DDR2 SDRAM (models CTO)	41X4252	2	Y
8	Memory module, 512 MB PC2-5300 (667MHz) DDR2 SDRAM (models CTO)	41X4255	2	Y
8	Memory module, 1 GB PC2-5300 (667MHz) DDR2 SDRAM (models CTO)	41X4256	2	Y
9	System board, SiS 662 Gig E Sys Planar for Vista and XP (models CTO B1G 41G B2G 21G D1G F2G)	87H4657	N	Y
10	220W Small desktop power supply (non-smokeless) (models CTO B1G 41G B2G 21G D1G F2G)	41N3109	N	Y
10	220 Watt Power Supply - China (models CTO-A)	41N3493	N	Y
10	220 Watt Power Supply - WW (models CTO B1G 41G B2G 21G D1G F2G)	41A9655	N	Y
10	220 Watt Power Supply - china (models CTO-A)	41A9652	N	Y

The FRUs listed in the following tables are not illustrated.

9286 FRUs	FRU#	CRU Tier	RoHS?
Thermal grease kit (models CTO)	91P8835	N	Y
1 drop IDE cable (all models)	41A7158	N	Y
Shield, EMC, system board (all models)	41N5347	N	Y
Cable, Serial ATA, 250 mm (all models)	41A7145	N	Y
Shield, EMC, blank 5.25in. drive bay (all models)	41N8271	N	Y
Shield, EMC, blank diskette drive bay (all models)	41N8273	N	Y
Cover (all models)	41N8204	2	Y
Mechanical shell kit (all models)	41N8205	2	Y
Bezel kit (all models)	41N8206	N	Y
Miscellaneous hardware kit (all models)	41N8209	N	Y
Hard disk drive bracket asm (plastic and grommets) (all models)	41N8210	N	Y
Hard disk drive fan and bracket asm (all models)	41N8211	N	Y
Speaker cable asm, 600 mm cable length (all models)	41N8217	N	Y
Serial port Cable (all models)	39K5021	N	Y
Fan duct assembly (all models)	41A7151	N	Y

9286 FRUs	FRU#	CRU Tier	RoHS?
Fan duct assembly (all models)	41R4808	N	Y
Rear USB cable asm (with low profile PCI bracket) (all models)	41N8267	N	
Rear USB 2Ports II HP(R), high profile I/O, 300mm, Rohs (all models)	42Y8005	N	Y
Rear USB 2Ports II LP(R), low profile I/O, 200mm, Rohs (all models)	42Y8006	N	Y
Rear Com2 cable II HP(R), high profile I/O, 250mm, Rohs (all models)	42Y8007	N	Y
Rear Com2 cable II LP(R), low profile I/O, 250mm, Rohs (all models)	42Y8008	N	Y
Foot stand (all models)	41R4813	N	Y
Retention module, Intel (all models)	41A7139	N	Y

9286 Keyboards (Lenovo Preferred Pro fullsize, Black)	FRU#	CRU Tier	RoHS?
US English (models B1G 41G B2G 21G D1G F2G)	41A5039	1	Y
Arabic (models B1G 41G B2G 21G D1G F2G)	41A5040	1	Y
Arabic/French (models B1G 41G B2G 21G D1G F2G)	41A5041	1	Y
Belgian/French (models B1G 41G B2G 21G D1G F2G)	41A5042	1	Y
Belgian/UK (models B1G 41G B2G 21G D1G F2G)	41A5043	1	Y
Bulgarian (models B1G 41G B2G 21G D1G F2G)	41A5045	1	Y
Czech (models B1G 41G B2G 21G D1G F2G)	41A5047	1	Y
Danish (models B1G 41G B2G 21G D1G F2G)	41A5048	1	Y
Dutch (models B1G 41G B2G 21G D1G F2G)	41A5049	1	Y
French (models B1G 41G B2G 21G D1G F2G)	41A5050	1	Y
German (models B1G 41G B2G 21G D1G F2G)	41A5053	1	Y
Greek (models B1G 41G B2G 21G D1G F2G)	41A5054	1	Y
Hebrew (models B1G 41G B2G 21G D1G F2G)	41A5055	1	Y
Hungarian (models B1G 41G B2G 21G D1G F2G)	41A5056	1	Y
Iceland (models B1G 41G B2G 21G D1G F2G)	41A5057	1	Y
Italian (models B1G 41G B2G 21G D1G F2G)	41A5058	1	Y
Norwegian (models B1G 41G B2G 21G D1G F2G)	41A5062	1	Y
Polish (models B1G 41G B2G 21G D1G F2G)	41A5063	1	Y
Portuguese (models B1G 41G B2G 21G D1G F2G)	41A5064	1	Y
Romanian (models B1G 41G B2G 21G D1G F2G)	41A5065	1	Y
Russian/Cyrilic (models B1G 41G B2G 21G D1G F2G)	41A5066	1	Y
Serbian/Cyrilic (models B1G 41G B2G 21G D1G F2G)	41A5067	1	Y
Slovak (models B1G 41G B2G 21G D1G F2G)	41A5068	1	Y
Spanish (models B1G 41G B2G 21G D1G F2G)	41A5069	1	Y
Swedish/Finn (models B1G 41G B2G 21G D1G F2G)	41A5070	1	Y
Swiss F/G (models B1G 41G B2G 21G D1G F2G)	41A5071	1	Y
Turkish 440 (models B1G 41G B2G 21G D1G F2G)	41A5073	1	Y
Turkish 179 (models B1G 41G B2G 21G D1G F2G)	41A5074	1	Y
UK English (models B1G 41G B2G 21G D1G F2G)	41A5075	1	Y

9286 Keyboards (Lenovo Preferred Pro fullsize, Black)	FRU#	CRU Tier	RoHS?
US Euro (models B1G 41G B2G 21G D1G F2G)	41A5076	1	Y
Slovenian (models B1G 41G B2G 21G D1G F2G)	41A5077	1	Y

9286 mice	FRU#	CRU Tier	RoHS?
Optical Wheel Mouse (400DPI, USB) (all models)	41U3013	1	Y
Optical Wheel Mouse (400DPI, USB) (all models)	41U3030	1	Y
PS/2 Three Button ball mouse (models CTO)	41R0018	1	Y
ScrollPoint Optical Mouse (800DPI, USB) (models CTO)	41U3019	1	Y

9286 Adapters and miscellaneous FRUs	FRU#	CRU Tier	RoHS?
USB2.0 MEMORY CARDREADER,6X2,ROHS OPTIONAL,Bitland (models CTO)	41R3378	2	Y
USB2.0 MEMORY CARDREADER,6X2,ROHS OPTIONAL, SONY (models CTO)	41R3376	2	Y
PCI Modem Card (Soft) (models CTO)	29R9729	2	Y
L1 IEEE 1394 PCI Adapter (models CTO)	41D2781	2	Y
Denver - ATI X300SE 128MB (models CTO)	39J9635	2	Y
Dongle Cable - DMS59 to dual VGA (models CTO)	41D2399	2	Y
Dongle Cable - DMS59 to dual VGA (included in Denver L1) (models CTO)	42Y8181	2	Y
Dongle DMS Dule DMS-59 to dual DVI cable (models CTO)	41X6398	2	Y
Dongle DMS Dule DMS-59 to single VGA and DVI cable (models CTO)	42Y8183	2	Y
Nvidia GeForce 6200TC128MB 64bit (Full Height) (models CTO)	41X2668	2	Y
Nvidia GeForce 6200TC 64MB 32bit (models CTO)	41X2667	2	Y
Nvidia GeForce 7300LE 128MB 64bit (models CTO)	41X2669	2	Y
Nvidia GeForce 7300LE 128MB 64bit LP / ATX with DMS59 (models CTO)	42Y8165	2	Y
ATI Radeon X1300PRO 256MB 128bit (models CTO)	41X2670	2	Y
ATI X1300LE 256M 64bit LP / ATX with DMS59 (models CTO)	42Y8162	2	Y
X1300 LE 256MB (models CTO)	42Y8159	2	Y
Internal USB Memory Card Reader (models CTO)	41D1934	2	Y
Wireless Keyboard (models CTO)	41A5219	2	Y
Wireless Mouse (models CTO)	41A5247	2	Y
USB Transceiver for wireless kybd/mouse (models CTO)	41A5246	2	Y
BTL external speaker (models CTO)	41A5334	2	Y
DVI-I card,FH(Casper) (models CTO)	39J9334	2	Y

9286 Power Cords	FRU#	CRU Tier	RoHS?
Power Cord (UK, Ireland, Singapore, Malaysia, Brunei) (models B1G 41G B2G 21G D1G F2G)	39M5150	1	Y
Power Cord (Italy) (models B1G 41G B2G 21G D1G F2G)	39M5164	1	Y
Power Cord (G models) (models B1G 41G B2G 21G D1G F2G)	39M5122	1	Y

9286 Power Cords	FRU#	CRU Tier	RoHS?
Power Cord (Denmark) (models B1G 41G B2G 21G D1G F2G)	39M5129	1	Y
Power Cord (Switzerland) (models B1G 41G B2G 21G D1G F2G)	39M5157	1	Y
Power Cord (Israel) (models B1G 41G B2G 21G D1G F2G)	39M5171	1	Y
Power Cord (South Africa) (models B1G 41G B2G 21G D1G F2G)	39M5143	1	Y

9286 Windows XP Pro Recovery CDs	FRU#	CRU Tier	RoHS?
US/UK/AP/TH (models B1G 41G B2G 21G D1G F2G)	42Y3549	1	Y
FR/CF (models B1G 41G B2G 21G D1G F2G)	42Y3550	1	Y
GR (models B1G 41G B2G 21G D1G F2G)	42Y3551	1	Y
IT (models B1G 41G B2G 21G D1G F2G)	42Y3553	1	Y
SP/LA (models B1G 41G B2G 21G D1G F2G)	42Y3552	1	Y
DK (models B1G 41G B2G 21G D1G F2G)	42Y3556	1	Y
NL (models B1G 41G B2G 21G D1G F2G)	42Y3720	1	Y
AE (models B1G 41G B2G 21G D1G F2G)	42Y3724	1	Y
SV (models B1G 41G B2G 21G D1G F2G)	42Y3555	1	Y
HE (models B1G 41G B2G 21G D1G F2G)	42Y3721	1	Y
FI (models B1G 41G B2G 21G D1G F2G)	42Y3718	1	Y
NO (models B1G 41G B2G 21G D1G F2G)	42Y3719	1	Y
PL (models B1G 41G B2G 21G D1G F2G)	42Y3722	1	Y
PO (models B1G 41G B2G 21G D1G F2G)	42Y3728	1	Y
RU (models B1G 41G B2G 21G D1G F2G)	42Y3725	1	Y
RE (models B1G 41G B2G 21G D1G F2G)	42Y3717	1	Y
HU (models B1G 41G B2G 21G D1G F2G)	42Y3727	1	Y
CZ (models B1G 41G B2G 21G D1G F2G)	42Y3723	1	Y
TR (models B1G 41G B2G 21G D1G F2G)	42Y3726	1	Y
GK (models B1G 41G B2G 21G D1G F2G)	42Y3729	1	Y
SL (models B1G 41G B2G 21G D1G F2G)	42Y3730	1	Y
Multilingual 1 (models B1G 41G B2G 21G D1G F2G)	42Y3645	1	Y
Multilingual 2 (models B1G 41G B2G 21G D1G F2G)	42Y3879	1	Y

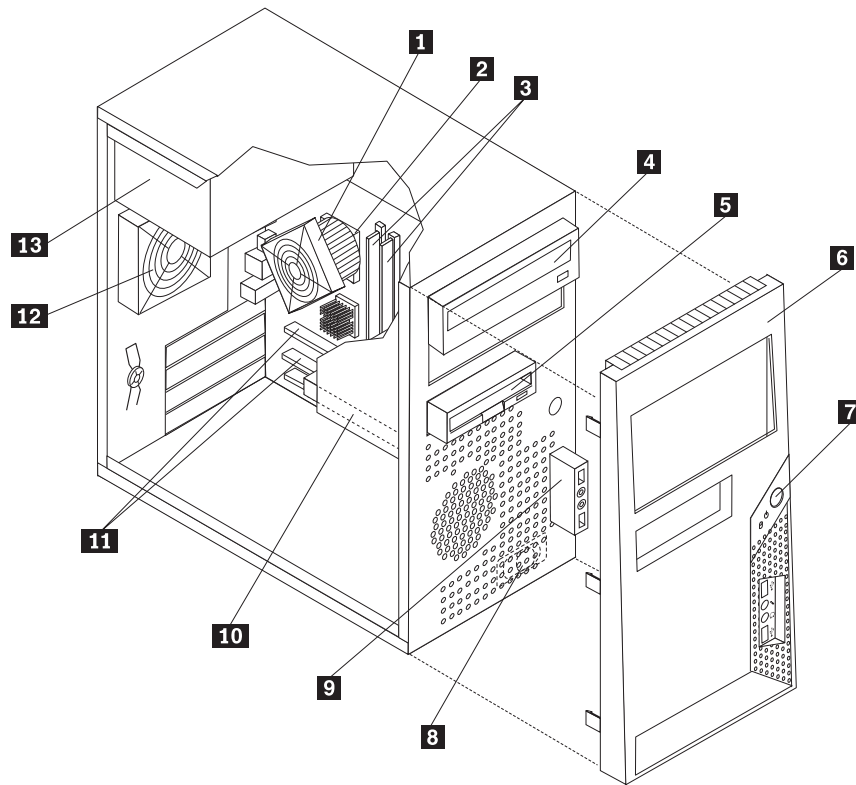
9286 Vista Home Basic 32 Recovery DVDs	FRU#	CRU Tier
US/UK/AP/TH (models)	87H4420	1
FR/CF (models)	87H4421	1
GR (models)	87H4422	1
SP/LA (models)	87H4423	1
BR (models)	87H4424	1
IT (models)	87H4425	1
JP (models)	87H4426	1
NO (models)	87H4427	1

9286 Vista Home Basic 32 Recovery DVDs	FRU#	CRU Tier
SV (models)	87H4428	1
DK (models)	87H4429	1
NL (models)	87H4430	1
CZ (models)	87H4431	1
FI (models)	87H4432	1
PL (models)	87H4433	1
RU (models)	87H4434	1
TR (models)	87H4435	1
HU (models)	87H4436	1
GK (models)	87H4437	1
PO (models)	87H4438	1
CS (models)	87H4439	1
TW (models)	87H4440	1
HK (models)	87H4441	1
KR (models)	87H4442	1
SL (models)	87H4443	1
RE (models)	43C1306	1

9286 Vista Business 32 Recovery DVDs	FRU#	CRU Tier
US/UK/AP/TH (models)	87H4476	1
FR/CF (models)	87H4477	1
GR (models)	87H4478	1
SP/LA (models)	87H4479	1
BR (models)	87H4480	1
IT (models)	87H4481	1
JP (models)	87H4482	1
NO (models)	87H4483	1
SV (models)	87H4484	1
DK (models)	87H4485	1
NL (models)	87H4486	1
CZ (models)	87H4487	1
FI (models)	87H4488	1
PL (models)	87H4489	1
RU (models)	87H4490	1
TR (models)	87H4491	1
HU (models)	87H4492	1
GK (models)	87H4493	1
PO (models)	87H4494	1
CS (models)	87H4495	1
TW (models)	87H4496	1
HK (models)	87H4497	1

9286 Vista Business 32 Recovery DVDs	FRU#	CRU Tier
KR (models)	87H4498	1
SL (models)	87H4499	1
RE (models)	43C1308	1

Machine Type 9287



Item #	9287 FRUs	FRU#	CRU Tier	RoHS?
1	Heatsink for Intel CPUs (all models)	41N8261	N	Y
1	Heatsink for Intel CPUs (models CTO)	41R4803	N	Y
2	Microprocessor, Celeron D 2.66GHz 533MHz FSB 256KB L2 (models CTO)	41T1694	N	Y
2	Microprocessor, Celeron D 2.80GHz 533MHz FSB 256KB L2 (models CTO)	41T1695	N	Y
2	Microprocessor, Celeron D 2.93GHz 533MHz FSB 256KB L2 (models CTO B1G)	41T1696	N	Y
2	Microprocessor, Celeron D 3.06GHz 533MHz FSB 256KB L2 (models CTO B2G)	41T1697	N	Y
2	Microprocessor, Celeron D 3.20GHz 533MHz FSB 256KB L2 (models CTO)	41T1698	N	Y
2	Microprocessor, Celeron D 3.20GHz 533MHz FSB 512KB L2 (models CTO)	41T4966	N	Y
2	Microprocessor, Celeron D 3.33GHz 533MHz FSB 512KB L2 (models CTO)	41T4968	N	Y
2	Microprocessor, Celeron 430 CONROE-L 800/1800MHZ-512K,LGA,EM64T (models CTO)	43C1964	N	Y
2	Microprocessor, Celeron 440 CONROE-L 800/2000MHZ-512K,LGA,EM64T (models CTO)	43C1965	N	Y
2	Microprocessor, Pentium 4 3.06 GHz 533 FSB 1MB L2 (models CTO 21G)	41T4104	N	Y
2	Microprocessor, Pentium 4 3.0 GHz 800 FSB 2MB L2 (models CTO)	41T1709	N	Y
2	Microprocessor, Pentium 4 3.0 GHz 800 FSB 2MB L2 (models CTO)	41T1712	N	Y
2	Microprocessor, Pentium 4 3.2 GHz 800 FSB 2MB L2 (models CTO)	41T1713	N	Y
2	Microprocessor, Pentium 4 3.4 GHz 800 FSB 2MB L2 (models CTO)	41T1714	N	Y

Item #	9287 FRUs	FRU#	CRU Tier	RoHS?
2	Microprocessor, Pentium 4 661 Processor 3.6 GHz 800 FSB 2MB L2 B1-Value (models CTO)	41T1715	N	Y
2	Microprocessor, Pentium 4 2.8 GHz 800 FSB 2MB L2 (models CTO D1G)	41T1704	N	Y
2	Microprocessor, Pentium D 3.0 GHz 800 FSB 2Mx2 L2 (models CTO F2G)	41X2413	N	Y
2	Microprocessor, Pentium D 3.0 GHz 800 FSB 2Mx2 L2 (models CTO)	41T1717	N	Y
2	Microprocessor, Pentium D 935 3.2 GHz 800 FSB 2MBx2 L2 C1-Value (95W) (models CTO)	41X8050	N	Y
2	Microprocessor, E2140 CONROE-L 800/1600MHZ-1M, LGA, EM64T (models CTO)	43C1967	N	Y
2	Microprocessor, E2160 CONROE-L 800/1600MHZ-1M, LGA, EM64T (models CTO)	43C1968	N	Y
2	Microprocessor, E4300 CONROE 800/1800MHZ-2M, LGA, EM64T (models CTO)	42Y8009	N	Y
2	Microprocessor, E4400 CONROE 800/2000MHZ-2M, LGA, EM64T L2 (models CTO)	43C2056	N	Y
2	Microprocessor, E6300 B2 CONROE 1066/1860MHZ-2M, LGA, EM64T (models CTO)	41X2495	N	Y
2	Microprocessor, E6400 B2 CONROE 1066/2130MHZ-2M, LGA, EM64T (models CTO)	41X2496	N	Y
2	Microprocessor, E6600 B2 CONROE 1066/2400MHZ-4M, LGA, EM64T (models CTO)	41X5743	N	Y
2	Microprocessor, E6700 B2 CONROE 1066/2670MHZ-4M, LGA, EM64T (models CTO)	41X5744	N	Y
3	Memory module, 512 MB PC2-4200 (533MHz) DDR2 SDRAM (models CTO B1G 41G B2G 21G D1G F2G)	41X4251	1	Y
3	Memory module, 1 GB PC2-4200 (533MHz) DDR2 SDRAM (models CTO)	41X4252	1	Y
3	Memory module, 512 MB PC2-5300 (667MHz) DDR2 SDRAM (models CTO)	41X4255	1	Y
3	Memory module, 1 GB PC2-5300 (667MHz) DDR2 SDRAM (models CTO)	41X4256	1	Y
4	CD-ROM drive 48X - Black w/o jack & vol (models CTO)	41N3541	1	Y
4	DVD-ROM drive (16X/48X) (models CTO B1G 41G B2G 21G D1G F2G)	41X3544	1	Y
4	DVD-ROM drive (16X/48X) (models CTO B1G 41G B2G 21G D1G F2G)	41X3545	1	Y
4	DVD-ROM drive (16X/48X) (models CTO B1G 41G B2G 21G D1G F2G)	41X3546	1	Y
4	Combo 48 -32 -48 -16 - - DVD - ROM - CDRW (models CTO)	41X3547	1	Y
4	Combo 48 -32 -48 -16 - - DVD - ROM - CDRW (models CTO)	41X3548	1	Y
4	Combo 48 -32 -48 -16 - - DVD - ROM - CDRW (models CTO)	41X3549	1	Y
4	Combo 48 -32 -48 -16 - - DVD - ROM - CDRW --NON/VISTA (models CTO)	42Y9368	1	Y
4	Combo 48 -32 -48 -16 - - DVD - ROM - CDRW --NON/VISTA (models CTO)	42Y9369	1	Y
4	Combo 48 -32 -48 -16 - - DVD - ROM - CDRW --NON/VISTA (models CTO)	41X7992	1	Y
4	DVD-Recorder (models CTO)	41N3343	1	Y
4	DVD-Recorder (models CTO)	41X3550	1	Y

Item #	9287 FRUs	FRU#	CRU Tier	RoHS?
4	DVD Recordable No Software / No Royalty for VISTA Models ONLY (models CTO)	42Y9370	1	Y
4	DVD Recordable No Software / No Royalty for VISTA Models ONLY (models CTO)	42Y9371	1	Y
4	DVD Recordable No Software / No Royalty for VISTA Models ONLY (models CTO)	42Y6017	1	Y
4	DVD Recordable No Software / No Royalty for VISTA Models ONLY (models CTO)	43C0144	1	Y
5	Diskette drive, 3,5", 1.44MB, 2 Mode,(w/bezel) (models CTO)	40Y9105	2	Y
5	Diskette drive, 3,5", 1.44MB, 2 Mode (models CTO)	40Y7107	2	Y
6	Bezel assembly (all models)	41N8052	2	Y
7	Power switch/LED assembly (all models)	41N5284	2	Y
8	Speaker assembly, soldered terminals (all models)	39P5023	2	Y
9	Front audio/USB assembly (all models)	41N8054	2	Y
10	Hard disk drive, 40GB (7200RPM), Serial ATA (models CTO)	40Y9033	1	Y
10	Hard disk drive, 80GB (7200RPM), Serial ATA (models CTO B1G 41G B2G 21G D1G F2G)	40Y9034	1	Y
10	Hard disk drive, 80GB 7200rpm SATA (only for China) (models CTO)	41X2500	1	Y
10	Hard disk drive, 160GB (7200RPM), Serial ATA (models CTO)	40Y9035	1	Y
10	Hard disk drive, 250GB (7200RPM), Serial ATA (models CTO)	40Y9036	1	Y
10	Hard disk drive, 500GB (7200RPM), Serial ATA (models CTO)	41X5582	1	Y
11	System board, SiS 662 Gig E for Vista and XP (models CTO B1G 41G B2G 21G D1G F2G) Note: When ordering a new system board, you must also order a new retention module for the heat sink.	87H4657	N	Y
12	Fan, Rear w/ grommets & Grill (all models)	41N8079	2	Y
13	Power supply (300W) (models CTO)	41N3489	2	Y
13	Power supply (230W) (models CTO B1G 41G B2G 21G D1G F2G)	41N3094	2	Y
13	Power supply (250W) (models CTO B1G 41G B2G 21G D1G F2G)	41N3127	2	Y
13	Power supply (220V/250W/ATX12V - China) (models CTO)	41N3485	2	Y
13	Power Supply 5281-7VW-ROHS, 280W, Standard (models CTO)	41N3479	2	Y
13	Power Supply 5281-7VW-ROHS, 280W, Standard (models CTO)	41N3482	2	Y
13	Power Supply 310W standard only for Japan (models CTO)	24R2596	2	Y

The FRUs listed in the following tables are not illustrated.

9287 FRUs	FRU#	CRU Tier	RoHS?
Thermal grease kit (all models)	91P8835	N	Y
Shield, 5.25 EMC (all models)	41N8080	2	Y
Cable, SATA (18" RoHs) (all models)	26K1186	2	Y
Cable, Serial (all models)	39K5021	2	Y
Shield, diskette drive EMC (all models)	41N8078	2	Y

9287 FRUs	FRU#	CRU Tier	RoHS?
Cable, Diskette drive (RoHs) (all models)	41A7182	2	Y
Cover, left side (all models)	41N8050	1	Y
Chassis assembly (all models)	41N8051	N	Y
System board I/O Shield - (all models)	41N8053	N	Y
Kit, Miscellaneous hardware (all models)	41N8055	2	Y
Retention Module Kit, RoHs (all models)	41N8056	2	Y
Cable, hard disk drive and optical signal (all models)	39M0516	1	Y
Front system fan (all models)	41R2519	1	Y
4 PIN CABLE-SATA,2H 100mm LATCH(RoHs)PS cable (all models)	41R3300	1	Y
Cable SATA 250mm (RoHS) (all models)	41A7145	1	N
Retainer, Card Reader (all models)	41R2913	1	N
Front Fan AVC (all models)	41R4791	1	N
Optional HDD Bracket Assembly, without 4Pin cable (all models)	41R6106	1	N
Chassis assembly (all models)	41R2533	1	N

9287 Keyboards (Lenovo Preferred Pro fullsize, Black)	FRU#	CRU Tier	RoHS?
US English (models B1G 41G B2G 21G D1G F2G)	41A5039	1	Y
Arabic (models B1G 41G B2G 21G D1G F2G)	41A5040	1	Y
Arabic/French (models B1G 41G B2G 21G D1G F2G)	41A5041	1	Y
Belgian/French (models B1G 41G B2G 21G D1G F2G)	41A5042	1	Y
Belgian/UK (models B1G 41G B2G 21G D1G F2G)	41A5043	1	Y
Bulgarian (models B1G 41G B2G 21G D1G F2G)	41A5045	1	Y
Czech (models B1G 41G B2G 21G D1G F2G)	41A5047	1	Y
Danish (models B1G 41G B2G 21G D1G F2G)	41A5048	1	Y
Dutch (models B1G 41G B2G 21G D1G F2G)	41A5049	1	Y
French (models B1G 41G B2G 21G D1G F2G)	41A5050	1	Y
German (models B1G 41G B2G 21G D1G F2G)	41A5053	1	Y
Greek (models B1G 41G B2G 21G D1G F2G)	41A5054	1	Y
Hebrew (models B1G 41G B2G 21G D1G F2G)	41A5055	1	Y
Hungarian (models B1G 41G B2G 21G D1G F2G)	41A5056	1	Y
Iceland (models B1G 41G B2G 21G D1G F2G)	41A5057	1	Y
Italian (models B1G 41G B2G 21G D1G F2G)	41A5058	1	Y
Norwegian (models B1G 41G B2G 21G D1G F2G)	41A5062	1	Y
Polish (models B1G 41G B2G 21G D1G F2G)	41A5063	1	Y
Portuguese (models B1G 41G B2G 21G D1G F2G)	41A5064	1	Y
Romanian (models B1G 41G B2G 21G D1G F2G)	41A5065	1	Y
Russian/Cyrilic (models B1G 41G B2G 21G D1G F2G)	41A5066	1	Y
Serbian/Cyrilic (models B1G 41G B2G 21G D1G F2G)	41A5067	1	Y
Slovak (models B1G 41G B2G 21G D1G F2G)	41A5068	1	Y

9287 Keyboards (Lenovo Preferred Pro fullsize, Black)	FRU#	CRU Tier	RoHS?
Spanish (models B1G 41G B2G 21G D1G F2G)	41A5069	1	Y
Swedish/Finn (models B1G 41G B2G 21G D1G F2G)	41A5070	1	Y
Swiss F/G (models B1G 41G B2G 21G D1G F2G)	41A5071	1	Y
Turkish 440 (models B1G 41G B2G 21G D1G F2G)	41A5073	1	Y
Turkish 179 (models B1G 41G B2G 21G D1G F2G)	41A5074	1	Y
UK English (models B1G 41G B2G 21G D1G F2G)	41A5075	1	Y
US Euro (models B1G 41G B2G 21G D1G F2G)	41A5076	1	Y
Slovenian (models B1G 41G B2G 21G D1G F2G)	41A5077	1	Y

9287 mice	FRU#	CRU Tier	RoHS?
Optical Wheel Mouse (400DPI, USB) (all models)	41U3013	1	Y
Optical Wheel Mouse (400DPI, USB) (all models)	41U3030	1	Y
PS/2 Three Button ball mouse (models CTO)	41R0018	1	Y
ScrollPoint Optical Mouse (800DPI, USB) (models CTO)	41U3019	1	Y

9287 Adapters and miscellaneous FRUs	FRU#	CRU Tier	RoHS?
USB2.0 MEMORY CARDREADER,6X2,ROHS OPTIONAL,Bitland (models CTO)	41R3378	2	Y
USB2.0 MEMORY CARDREADER,6X2,ROHS OPTIONAL, SONY (models CTO)	41R3376	2	Y
PCI Modem Card (Soft) (models CTO)	29R9729	2	Y
L1 IEEE 1394 PCI Adapter (models CTO)	41D2781	2	Y
Denver - ATI X300SE 128MB (models CTO)	39J9635	2	Y
Dongle Cable - DMS59 to dual VGA (models CTO)	41D2399	2	Y
Dongle Cable - DMS59 to dual VGA (included in Denver L1) (models CTO)	42Y8181	2	Y
Dongle DMS Dule DMS-59 to dual DVI cable (models CTO)	41X6398	2	Y
Dongle DMS Dule DMS-59 to single VGA and DVI cable (models CTO)	42Y8183	2	Y
Nvidia GeForce 6200TC128MB 64bit (Full Height) (models CTO)	41X2668	2	Y
Nvidia GeForce 6200TC 64MB 32bit (models CTO)	41X2667	2	Y
Nvidia GeForce 7300LE 128MB 64bit (models CTO)	41X2669	2	Y
Nvidia GeForce 7300LE 128MB 64bit LP / ATX with DMS59 (models CTO)	42Y8165	2	Y
ATI Radeon X1300PRO 256MB 128bit (models CTO)	41X2670	2	Y
ATI X1300LE 256M 64bit LP / ATX with DMS59 (models CTO)	42Y8162	2	Y
X1300 LE 256MB (models CTO)	42Y8159	2	Y
Internal USB Memory Card Reader (models CTO B2G 31G D2Q)	41D1934	2	Y
Wireless Keyboard (models CTO)	41A5219	2	Y
Wireless Mouse (models CTO)	41A5247	2	Y
USB Transceiver for wireless kybd/mouse (models CTO)	41A5246	2	Y
DVI-I card,FH(Casper) (models CTO)	39J9334	2	Y
BTL external speaker (models CTO)	41A5334	2	Y

9287 Power Cords	FRU#	CRU Tier	RoHS?
Power Cord (UK, Ireland, Singapore, Malaysia, Brunei) (models B1G 41G B2G 21G D1G F2G)	39M5150	1	Y
Power Cord (Italy) (models B1G 41G B2G 21G D1G F2G)	39M5164	1	Y
Power Cord (G models) (models B1G 41G B2G 21G D1G F2G)	39M5122	1	Y
Power Cord (Denmark) (models B1G 41G B2G 21G D1G F2G)	39M5129	1	Y
Power Cord (Switzerland) (models B1G 41G B2G 21G D1G F2G)	39M5157	1	Y
Power Cord (Israel) (models B1G 41G B2G 21G D1G F2G)	39M5171	1	Y
Power Cord (South Africa) (models B1G 41G B2G 21G D1G F2G)	39M5143	1	Y

9287 Windows XP Pro Recovery CDs	FRU#	CRU Tier	RoHS?
US/UK/AP/TH (models B1G 41G B2G 21G D1G F2G)	42Y3549	1	Y
FR/CF (models B1G 41G B2G 21G D1G F2G)	42Y3550	1	Y
GR (models B1G 41G B2G 21G D1G F2G)	42Y3551	1	Y
IT (models B1G 41G B2G 21G D1G F2G)	42Y3553	1	Y
SP/LA (models B1G 41G B2G 21G D1G F2G)	42Y3552	1	Y
DK (models B1G 41G B2G 21G D1G F2G)	42Y3556	1	Y
NL (models B1G 41G B2G 21G D1G F2G)	42Y3720	1	Y
AE (models B1G 41G B2G 21G D1G F2G)	42Y3724	1	Y
SV (models B1G 41G B2G 21G D1G F2G)	42Y3555	1	Y
HE (models B1G 41G B2G 21G D1G F2G)	42Y3721	1	Y
FI (models B1G 41G B2G 21G D1G F2G)	42Y3718	1	Y
NO (models B1G 41G B2G 21G D1G F2G)	42Y3719	1	Y
PL (models B1G 41G B2G 21G D1G F2G)	42Y3722	1	Y
PO (models B1G 41G B2G 21G D1G F2G)	42Y3728	1	Y
RU (models B1G 41G B2G 21G D1G F2G)	42Y3725	1	Y
RE (models B1G 41G B2G 21G D1G F2G)	42Y3717	1	Y
HU (models B1G 41G B2G 21G D1G F2G)	42Y3727	1	Y
CZ (models B1G 41G B2G 21G D1G F2G)	42Y3723	1	Y
TR (models B1G 41G B2G 21G D1G F2G)	42Y3726	1	Y
GK (models B1G 41G B2G 21G D1G F2G)	42Y3729	1	Y
SL (models B1G 41G B2G 21G D1G F2G)	42Y3730	1	Y
Multilingual 1 (models B1G 41G B2G 21G D1G F2G)	42Y3645	1	Y
Multilingual 2 (models B1G 41G B2G 21G D1G F2G)	42Y3879	1	Y

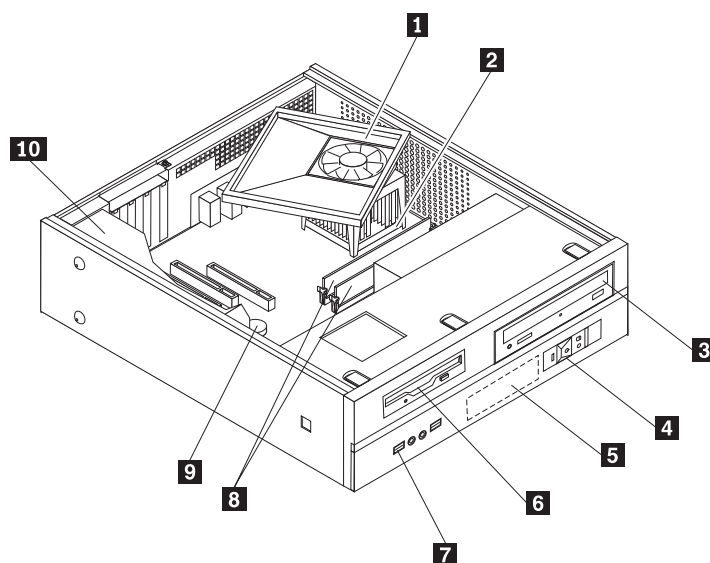
9287 Vista Home Basic 32 Recovery DVDs	FRU#	CRU Tier
US/UK/AP/TH (models)	87H4420	1
FR/CF (models)	87H4421	1
GR (models)	87H4422	1
SP/LA (models)	87H4423	1
BR (models)	87H4424	1

9287 Vista Home Basic 32 Recovery DVDs	FRU#	CRU Tier
IT (models)	87H4425	1
JP (models)	87H4426	1
NO (models)	87H4427	1
SV (models)	87H4428	1
DK (models)	87H4429	1
NL (models)	87H4430	1
CZ (models)	87H4431	1
FI (models)	87H4432	1
PL (models)	87H4433	1
RU (models)	87H4434	1
TR (models)	87H4435	1
HU (models)	87H4436	1
GK (models)	87H4437	1
PO (models)	87H4438	1
CS (models)	87H4439	1
TW (models)	87H4440	1
HK (models)	87H4441	1
KR (models)	87H4442	1
SL (models)	87H4443	1
RE (models)	43C1306	1

9287 Vista Business 32 Recovery DVDs	FRU#	CRU Tier
US/UK/AP/TH (models)	87H4476	1
FR/CF (models)	87H4477	1
GR (models)	87H4478	1
SP/LA (models)	87H4479	1
BR (models)	87H4480	1
IT (models)	87H4481	1
JP (models)	87H4482	1
NO (models)	87H4483	1
SV (models)	87H4484	1
DK (models)	87H4485	1
NL (models)	87H4486	1
CZ (models)	87H4487	1
FI (models)	87H4488	1
PL (models)	87H4489	1
RU (models)	87H4490	1
TR (models)	87H4491	1
HU (models)	87H4492	1
GK (models)	87H4493	1
PO (models)	87H4494	1

9287 Vista Business 32 Recovery DVDs	FRU#	CRU Tier
CS (models)	87H4495	1
TW (models)	87H4496	1
HK (models)	87H4497	1
KR (models)	87H4498	1
SL (models)	87H4499	1
RE (models)	43C1308	1

Machine Type 9288



Item #	9288 FRUs	FRU#	CRU Tier	RoHS?
1	Heatsink for Intel processors (all models)	41N8261	N	Y
1	Heatsink for Intel processors (models CTO)	41R4803	N	Y
2	Microprocessor, Celeron D 2.66GHz 533MHz FSB 256KB L2 (models CTO)	41T1694	N	Y
2	Microprocessor, Celeron D 2.80GHz 533MHz FSB 256KB L2 (models CTO)	41T1695	N	Y
2	Microprocessor, Celeron D 2.93GHz 533MHz FSB 256KB L2 (models CTO)	41T1696	N	Y
2	Microprocessor, Celeron D 3.06GHz 533MHz FSB 256KB L2 (models CTO)	41T1697	N	Y
2	Microprocessor, Celeron D 3.20GHz 533MHz FSB 256KB L2 (models CTO)	41T1698	N	Y
2	Microprocessor, Celeron D 3.20GHz 533MHz FSB 512KB L2 (models CTO B1G)	41T4966	N	Y
2	Microprocessor, Celeron D 3.33GHz 533MHz FSB 512KB L2 (models CTO)	41T4968	N	Y
2	Microprocessor, Celeron 430 CONROE-L 800/1800MHZ-512K,LGA,EM64T (models CTO)	43C1964	N	Y
2	Microprocessor, Celeron 440 CONROE-L 800/2000MHZ-512K,LGA,EM64T (models CTO)	43C1965	N	Y
2	Microprocessor, Pentium 4 3.0 GHz 800 FSB 2MB L2 (models CTO)	41T1709	N	Y
2	Microprocessor, Pentium 4 3.0 GHz 800 FSB 2MB L2 (models CTO)	41T1712	N	Y
2	Microprocessor, Pentium 4 3.2 GHz 800 FSB 2MB L2 (models CTO)	41T1713	N	Y
2	Microprocessor, Pentium 4 3.4 GHz 800 FSB 2MB L2 (models CTO)	41T1714	N	Y
2	Microprocessor, Pentium 4 661 Processor 3.6 GHz 800 FSB 2MB L2 B1-Value (models CTO)	41T1715	N	Y
2	Microprocessor, Pentium 4 2.8 GHz 800 FSB 2MB L2 (models CTO D1G D1A D1T)	41T1704	N	Y
2	Microprocessor, Pentium D 3.0 GHz 800 FSB 2Mx2 L2 (models CTO F2G F2T F2A)	41X2413	N	Y
2	Microprocessor, Pentium D 3.0 GHz 800 FSB 2Mx2 L2 (models CTO)	41T1717	N	Y

Item #	9288 FRUs	FRU#	CRU Tier	RoHS?
2	Microprocessor, Pentium D 935 3.2 GHz 800 FSB 2MBx2 L2 C1-Value (95W) (models CTO)	41X8050	N	Y
2	Microprocessor, E2140 CONROE-L 800/1600MHZ-1M, LGA, EM64T (models CTO)	43C1967	N	Y
2	Microprocessor, E2160 CONROE-L 800/1600MHZ-1M, LGA, EM64T (models CTO)	43C1968	N	Y
2	Microprocessor, E4300 CONROE 800/1800MHZ-2M, LGA, EM64T (models CTO)	42Y8009	N	Y
2	Microprocessor, E4400 CONROE 800/2000MHZ-2M, LGA, EM64T L2 (models CTO)	43C2056	N	Y
2	Microprocessor, E6300 B2 CONROE 1066/1860MHZ-2M, LGA, EM64T (models CTO)	41X2495	N	Y
2	Microprocessor, E6400 B2 CONROE 1066/2130MHZ-2M, LGA, EM64T (models CTO)	41X2496	N	Y
2	Microprocessor, E6600 B2 CONROE 1066/2400MHZ-4M, LGA, EM64T (models CTO)	41X5743	N	Y
2	Microprocessor, E6700 B2 CONROE 1066/2670MHZ-4M, LGA, EM64T (models CTO)	41X5744	N	Y
3	DVD-ROM drive (16X/48X) (models CTO B1G D1G D1A D1T F2G F2A F2T)	41X3545	2	Y
3	DVD-ROM drive (16X/48X) (models CTO B1G D1G D1A D1T F2G F2A F2T)	41X3546	2	Y
3	Combo 48 -32 -48 -16 - - DVD - ROM - CDRW (models CTO)	41X3547	2	Y
3	Combo 48 -32 -48 -16 - - DVD - ROM - CDRW (models CTO)	41X3548	2	Y
3	Combo 48 -32 -48 -16 - - DVD - ROM - CDRW (models CTO)	41X3549	2	Y
3	Combo 48 -32 -48 -16 - - DVD - ROM - CDRW --NON/VISTA (models CTO)	42Y9368	1	Y
3	Combo 48 -32 -48 -16 - - DVD - ROM - CDRW --NON/VISTA (models CTO)	42Y9369	1	Y
3	Combo 48 -32 -48 -16 - - DVD - ROM - CDRW --NON/VISTA (models CTO)	41X7992	1	Y
3	DVD-Recorder (models CTO)	41N3343	1	Y
3	DVD-Recorder (models CTO)	41X3550	1	Y
3	DVD Recordable No Software / No Royalty for VISTA Models ONLY (models CTO)	42Y9370	1	Y
3	DVD Recordable No Software / No Royalty for VISTA Models ONLY (models CTO)	42Y9371	1	Y
3	DVD Recordable No Software / No Royalty for VISTA Models ONLY (models CTO)	42Y6017	1	Y
3	DVD Recordable No Software / No Royalty for VISTA Models ONLY (models CTO)	43C0144	1	Y
4	Front Power/LED PC, bracket, and cable (all models)	41N8213	N	Y
5	Hard disk drive, 40GB (7200RPM), Serial ATA (models CTO)	40Y9033	2	Y
5	Hard disk drive, 80GB (7200RPM), Serial ATA (models CTO B1G D1G D1A D1T F2G F2A F2T)	40Y9034	2	Y

Item #	9288 FRUs	FRU#	CRU Tier	RoHS?
5	Hard disk drive, 80GB 7200rpm SATA (only for China) (models CTO D1T F2T)	41X2500	1	Y
5	Hard disk drive, 160GB (7200RPM), Serial ATA (models CTO)	40Y9035	2	Y
5	Hard disk drive, 250GB (7200RPM), Serial ATA (models CTO)	40Y9036	2	Y
5	Hard disk drive, 500GB (7200RPM), Serial ATA (models CTO)	41X5582	2	Y
6	Diskette drive, 3,5", 1.44MB, 2-mode, (w/bezel) (models CTO)	40Y9105	2	Y
6	Diskette drive, 3,5", 1.44MB, 2-mode7 (models CTO)	40Y7107	2	Y
7	Front USB/Audio with bracket (all models)	41N8212	N	Y
8	Memory module, 512 MB PC2-4200 (533MHz) DDR2 SDRAM (models CTO B1G D1G D1A D1T F2G F2A F2T)	41X4251	2	Y
8	Memory module, 1 GB PC2-4200 (533MHz) DDR2 SDRAM (models CTO)	41X4252	2	Y
8	Memory module, 2GB PC2-4200 (533MHz) DDR2 SDRAM (models CTO)	41X4253	2	Y
8	Memory module, 512 MB PC2-5300 (667MHz) DDR2 SDRAM (models CTO)	41X4255	2	Y
8	Memory module, 1 GB PC2-5300 (667MHz) DDR2 SDRAM (models CTO)	41X4256	2	Y
8	Memory module, 2 GB PC2-5300 (667MHz) DDR2 SDRAM (models CTO)	41X4257	2	Y
9	System board, Intel Sys Planar for Vista and XP (models CTO B1G D1G D1A D1T F2G F2A F2T F3G F3A F3T) Note: When ordering a new system board, you must also order a new retention module for the heat sink.	87H4655	N	Y
9	System board, Intel Sys Planar Japan for Vista and XP (models CTO B1G D1G D1A D1T F2G F2A F2T F3G F3A F3T) Note: When ordering a new system board, you must also order a new retention module for the heat sink.	87H4656	N	Y
9	System board, 946GZ B ver 1.0 (models CTO B1G D1G D1A D1T F2G F2A F2T F3G F3A F3T) Note: When ordering a new system board, you must also order a new retention module for the heat sink.	43C3504	N	Y
9	System board, 946GZ ver 1.2 (models CTO B1G D1G D1A D1T F2G F2A F2T F3G F3A F3T) Note: When ordering a new system board, you must also order a new retention module for the heat sink.	43C3505	N	Y
9	System board, 946GZ (modify PCB solve Conroe CPU issue and modify PCB solve Japan smokeless issue) ver1.2 matrix from 43C3504 & 43C3505 (models CTO B1G D1G D1A D1T F2G F2A F2T F3G F3A F3T) Note: When ordering a new system board, you must also order a new retention module for the heat sink.	43C8359	N	Y
10	220W Small desktop power supply (non-smokeless) (models CTO B1G D1G D1A D1T F2G F2A F2T)	41N3109	N	Y
10	220 Watt Power Supply - China (models CTO-A)	41N3493	N	Y
10	220 Watt Power Supply - WW (models CTO B1G D1G D1A D1T F2G F2A F2T)	41A9655	N	Y
10	220 Watt Power Supply - china (models CTO-A)	41A9652	N	Y

The FRUs listed in the following tables are not illustrated.

9288 FRUs	FRU#	CRU Tier	RoHS?
Thermal grease kit (models CTO)	91P8835	N	Y
1 drop IDE cable (all models)	41A7158	N	Y
Shield, EMC, system board (all models)	41N5347	N	Y
Cable, Serial ATA, 250 mm (all models)	41A7145	N	Y
Shield, EMC, blank 5.25in. drive bay (all models)	41N8271	N	Y
Shield, EMC, blank diskette drive bay (all models)	41N8273	N	Y
Cover (all models)	41N8204	2	Y
Mechanical shell kit (all models)	41N8205	2	Y
Bezel kit (all models)	41N8206	N	Y
Miscellaneous hardware kit (all models)	41N8209	N	Y
Hard disk drive bracket asm (plastic and grommets) (all models)	41N8210	N	Y
Hard disk drive fan and bracket asm (all models)	41N8211	N	Y
Speaker cable asm, 600 mm cable length (all models)	41N8217	N	Y
Serial port Cable (all models)	39K5021	N	Y
Fan duct assembly (all models)	41A7151	N	Y
Fan duct assembly (all models)	41R4808	N	Y
Rear USB cable asm (with low profile PCI bracket) (all models)	41N8267	N	
Rear USB 2Ports II HP(R), high profile I/O, 300mm, Rohs (all models)	42Y8005	N	Y
Rear USB 2Ports II LP(R), low profile I/O, 200mm, Rohs (all models)	42Y8006	N	Y
Rear Com2 cable II HP(R), high profile I/O, 250mm, Rohs (all models)	42Y8007	N	Y
Rear Com2 cable II LP(R), low profile I/O, 250mm, Rohs (all models)	42Y8008	N	Y
Foot stand (all models)	41R4813	N	Y
Retention module, Intel (all models)	41A7139	N	Y

9288 Keyboards (Lenovo Preferred Pro fullsize, Black)	FRU#	CRU Tier	RoHS?
US English (models B1G D1G D1A F2G F2A)	41A5039	1	Y
Arabic (models B1G D1G F2G)	41A5040	1	Y
Arabic/French (models B1G D1G F2G)	41A50D1	1	Y
Belgian/French (models B1G D1G F2G)	41A5042	1	Y
Belgian/UK (models B1G D1G F2G)	41A5043	1	Y
Bulgarian (models B1G D1G F2G)	41A5045	1	Y
Czech (models B1G D1G F2G)	41A5047	1	Y
Danish (models B1G D1G F2G)	41A5048	1	Y
Dutch (models B1G D1G F2G)	41A5049	1	Y
French (models B1G D1G F2G)	41A5050	1	Y
German (models B1G D1G F2G)	41A5053	1	Y
Greek (models B1G D1G F2G)	41A5054	1	Y
Hebrew (models B1G D1G F2G)	41A5055	1	Y
Hungarian (models B1G D1G F2G)	41A5056	1	Y

9288 Keyboards (Lenovo Preferred Pro fullsize, Black)	FRU#	CRU Tier	RoHS?
Iceland (models B1G D1G F2G)	41A5057	1	Y
Italian (models B1G D1G F2G)	41A5058	1	Y
Norwegian (models B1G D1G F2G)	41A5062	1	Y
Polish (models B1G D1G F2G)	41A5063	1	Y
Portuguese (models B1G D1G F2G)	41A5064	1	Y
Romanian (models B1G D1G F2G)	41A5065	1	Y
Russian/Cyrilic (models B1G D1G F2G)	41A5066	1	Y
Serbian/Cyrilic (models B1G D1G F2G)	41A5067	1	Y
Slovak (models B1G D1G F2G)	41A5068	1	Y
Spanish (models B1G D1G F2G)	41A5069	1	Y
Swedish/Finn (models B1G D1G F2G)	41A5070	1	Y
Swiss F/G (models B1G D1G F2G)	41A5071	1	Y
Thailand (models D1T F2T)	41A5072	1	Y
Turkish 440 (models B1G D1G F2G)	41A5073	1	Y
Turkish 179 (models B1G D1G F2G)	41A5074	1	Y
UK English (models B1G D1G F2G)	41A5075	1	Y
US Euro (models B1G D1G F2G)	41A5076	1	Y
Slovenian (models B1G D1G F2G)	41A5077	1	Y

9288 mice	FRU#	CRU Tier	RoHS?
Optical Wheel Mouse (400DPI, USB) (all models)	41U3013	1	Y
Optical Wheel Mouse (400DPI, USB) (all models)	41U3030	1	Y
PS/2 Three Button ball mouse (models CTO)	41R0018	1	Y
ScrollPoint Optical Mouse (800DPI, USB) (models CTO)	41U3019	1	Y

9288 Adapters and miscellaneous FRUs	FRU#	CRU Tier	RoHS?
USB2.0 MEMORY CARDREADER,6X2,ROHS OPTIONAL,Bitland (models CTO)	41R3378	2	Y
USB2.0 MEMORY CARDREADER,6X2,ROHS OPTIONAL, SONY (models CTO)	41R3376	2	Y
PCI Modem Card (Soft) (models CTO)	29R9729	2	Y
L1 IEEE 1394 PCI Adapter (models CTO)	41D2781	2	Y
Denver - ATI X300SE 128MB (models CTO)	39J9635	2	Y
Dongle Cable - DMS59 to dual VGA (models CTO)	41D2399	2	Y
Dongle Cable - DMS59 to dual VGA (included in Denver L1) (models CTO)	42Y8181	2	Y
Dongle DMS Dule DMS-59 to dual DVI cable (models CTO)	41X6398	2	Y
Dongle DMS Dule DMS-59 to single VGA and DVI cable (models CTO)	42Y8183	2	Y
Nvidia GeForce 6200TC128MB 64bit (Full Height) (models CTO)	41X2668	2	Y
Nvidia GeForce 6200TC 64MB 32bit (models CTO)	41X2667	2	Y
Nvidia GeForce 7300LE 128MB 64bit (models CTO)	41X2669	2	Y
Nvidia GeForce 7300LE 128MB 64bit LP / ATX with DMS59 (models CTO)	42Y8165	2	Y

9288 Adapters and miscellaneous FRUs	FRU#	CRU Tier	RoHS?
ATI Radeon X1300PRO 256MB 128bit (models CTO)	41X2670	2	Y
ATI X1300LE 256M 64bit LP / ATX with DMS59 (models CTO)	42Y8162	2	Y
X1300 LE 256MB (models CTO)	42Y8159	2	Y
Internal USB Memory Card Reader (models CTO)	41D1934	2	Y
Wireless Keyboard (models CTO)	41A5219	2	Y
Wireless Mouse (models CTO)	41A5247	2	Y
USB Transceiver for wireless kybd/mouse (models CTO)	41A5246	2	Y
BTL external speaker (models CTO)	41A5334	2	Y
DVI-I card,FH(Casper) (models CTO)	39J9334	2	Y

9288 Power Cords	FRU#	CRU Tier	RoHS?
Power Cord (US) (models D1A D1T F2A F2T)	39M5080	1	Y
Power Cord (UK, Ireland, Singapore, Malaysia, Brunei) (models B1G D1G D1A F2G F2A)	39M5150	1	Y
Power Cord (Italy) (models B1G D1G F2G)	39M5164	1	Y
Power Cord (G models) (models B1G D1G D1A F2G F2A)	39M5122	1	Y
Power Cord (Denmark) (models B1G D1G F2G)	39M5129	1	Y
Power Cord (Switzerland) (models B1G D1G F2G)	39M5157	1	Y
Power Cord (Israel) (models B1G D1G F2G)	39M5171	1	Y
Power Cord (South Africa) (models B1G D1G D1A F2G F2A)	39M5143	1	Y

9288 Windows XP Pro Recovery CDs	FRU#	CRU Tier	RoHS?
US/UK/AP/TH (models B1G D1G D1A D1T F2G F2A F2T)	42Y3549	1	Y
FR/CF (models B1G D1G F2G)	42Y3550	1	Y
GR (models B1G D1G F2G)	42Y3551	1	Y
IT (models B1G D1G F2G)	42Y3553	1	Y
SP/LA (models B1G D1G F2G)	42Y3552	1	Y
DK (models B1G D1G F2G)	42Y3556	1	Y
NL (models B1G D1G F2G)	42Y3720	1	Y
AE (models B1G D1G F2G)	42Y3724	1	Y
SV (models B1G D1G F2G)	42Y3555	1	Y
HE (models B1G D1G F2G)	42Y3721	1	Y
FI (models B1G D1G F2G)	42Y3718	1	Y
NO (models B1G D1G F2G)	42Y3719	1	Y
PL (models B1G D1G F2G)	42Y3722	1	Y
PO (models B1G D1G F2G)	42Y3728	1	Y
RU (models B1G D1G F2G)	42Y3725	1	Y
RE (models B1G D1G F2G)	42Y3717	1	Y
HU (models B1G D1G F2G)	42Y3727	1	Y

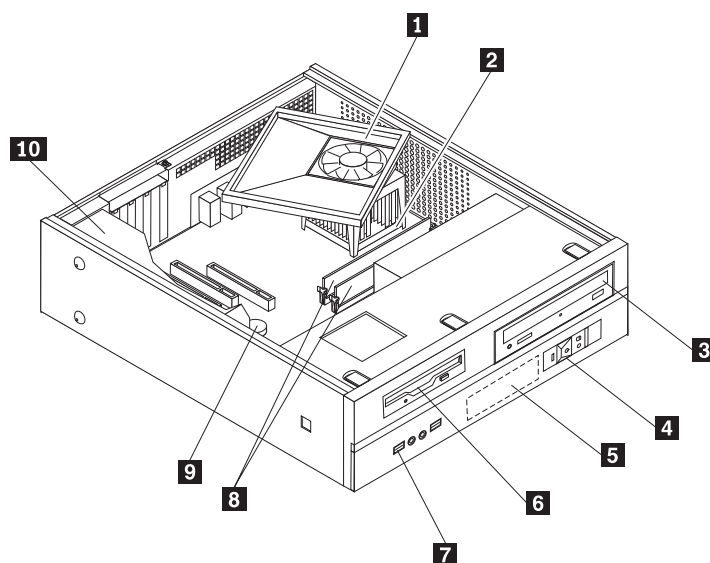
9288 Windows XP Pro Recovery CDs	FRU#	CRU Tier	RoHS?
CZ (models B1G D1G F2G)	42Y3723	1	Y
TR (models B1G D1G F2G)	42Y3726	1	Y
GK (models B1G D1G F2G)	42Y3729	1	Y
SL (models B1G D1G F2G)	42Y3730	1	Y
Multilingual 1 (models B1G D1G F2G)	42Y3645	1	Y
Multilingual 2 (models B1G D1G F2G)	42Y3879	1	Y

9288 Vista Home Basic 32 Recovery DVDs	FRU#	CRU Tier
US/UK/AP/TH (models)	87H4420	1
FR/CF (models)	87H4421	1
GR (models)	87H4422	1
SP/LA (models)	87H4423	1
BR (models)	87H4424	1
IT (models)	87H4425	1
JP (models)	87H4426	1
NO (models)	87H4427	1
SV (models)	87H4428	1
DK (models)	87H4429	1
NL (models)	87H4430	1
CZ (models)	87H4431	1
FI (models)	87H4432	1
PL (models)	87H4433	1
RU (models)	87H4434	1
TR (models)	87H4435	1
HU (models)	87H4436	1
GK (models)	87H4437	1
PO (models)	87H4438	1
CS (models)	87H4439	1
TW (models)	87H4440	1
HK (models)	87H4441	1
KR (models)	87H4442	1
SL (models)	87H4443	1
RE (models)	43C1306	1

9288 Vista Business 32 Recovery DVDs	FRU#	CRU Tier
US/UK/AP/TH (models)	87H4476	1
FR/CF (models)	87H4477	1
GR (models)	87H4478	1
SP/LA (models)	87H4479	1
BR (models)	87H4480	1

9288 Vista Business 32 Recovery DVDs	FRU#	CRU Tier
IT (models)	87H4481	1
JP (models)	87H4482	1
NO (models)	87H4483	1
SV (models)	87H4484	1
DK (models)	87H4485	1
NL (models)	87H4486	1
CZ (models)	87H4487	1
FI (models)	87H4488	1
PL (models)	87H4489	1
RU (models)	87H4490	1
TR (models)	87H4491	1
HU (models)	87H4492	1
GK (models)	87H4493	1
PO (models)	87H4494	1
CS (models)	87H4495	1
TW (models)	87H4496	1
HK (models)	87H4497	1
KR (models)	87H4498	1
SL (models)	87H4499	1
RE (models)	43C1308	1

Machine Type 9374



Item #	9374 FRUs	FRU#	CRU Tier	RoHS?
1	Heatsink for AMD Sempron & Athlon AM2 processors (models CTO A1G A2Q B1G 21G 22Q 23Q 24Q D1G D1Q D2G D3Q E1G F1G A3G A4G 25G 31G 32G D4G D5G)	41N8249	N	Y
1	Heatsink for AMD Sempron & Athlon AM2 processors (models CTO)	41R4802	N	Y
2	Microprocessor, 3000+ Sempron AM2 (1.6 GHz processor, 62W) (models CTO A1G)	41X1403	N	Y
2	Microprocessor, 3400+ Sempron AM2 (1.8 GHz processor, 62W) (models CTO A4G)	41X1407	N	Y
2	Microprocessor, 3600+ Sempron AM2 (2.0 GHz processor, 62W) (models CTO B1G)	41X1411	N	Y
2	Microprocessor, 3500+ Athlon64 AM2 (2.2 GHz processor, 62W) (models CTO 21G 22Q 23Q 24Q 25G)	41X1415	N	Y
2	Microprocessor, 3600+ Athlon64 AM2 X2 (2.0 GHz processor, 89W) (models CTO)	41X7777	N	Y
2	Microprocessor, 3600+Athlon64 AM2 X2 1.9GHz 1M 65W 65nm G1 (models CTO)	43C4091	N	Y
2	Microprocessor, 3800+ Athlon64 AM2 (2.4 GHz processor, 62W) (models CTO)	41X1417	N	Y
2	Microprocessor, 3800+ Athlon64 AM2 X2 (2.0 GHz processor, 89W) (models CTO 31G 32G)	41X4241	N	Y
2	Microprocessor, 4000+ Athlon64 AM2 (2.4 GHz processor, 62W) (models CTO)	41X1419	N	Y
2	Microprocessor, 4000+ Athlon64 AM2 X2 2.1GHz 1M 65W 65nm G1 (models CTO)	43C3965	N	Y
2	Microprocessor, 4200+ Athlon64 AM2 X2 (2.2 GHz processor, 89W) (models CTO D1G D1Q D2G D3Q D4G D5G)	41X1421	N	Y
2	Microprocessor, 4400+Athlon64 AM2 X2 2.3 GHz 1M 65W 65nm G1 (models CTO)	43C3507	N	Y

Item #	9374 FRUs	FRU#	CRU Tier	RoHS?
2	Microprocessor, 4600+ Athlon64 AM2 X2 (2.4 GHz processor, 89W) (models CTO E1G)	41X1423	N	Y
2	Microprocessor, 4800+ Athlon AM2 X2 2.5GHz 1M 65W 65nm G1 (models CTO)	43C4093	N	Y
3	CD-ROM drive 48X - Black w/o jack & vol (models CTO A2Q 22Q 23Q D3Q)	41N3541	2	Y
3	DVD-ROM drive (16X/48X) (models CTO A1G 21G A3G 25G 31G)	41X3544	2	Y
3	DVD-ROM drive (16X/48X) (models CTO A1G 21G A3G 25G 31G)	41X3545	2	Y
3	DVD-ROM drive (16X/48X) (models CTO A1G 21G A3G 25G 31G)	41X3546	2	Y
3	Combo 48 -32 -48 -16 - - DVD - ROM - CDRW (models CTO B1G 24Q D1G D1Q D2G E1G A4G 32G D4G)	41X3547	2	Y
3	Combo 48 -32 -48 -16 - - DVD - ROM - CDRW (models CTO B1G 24Q D1G D1Q D2G E1G A4G 32G D4G)	41X3548	2	Y
3	Combo 48 -32 -48 -16 - - DVD - ROM - CDRW (models CTO B1G 24Q D1G D1Q D2G E1G A4G 32G D4G)	41X3549	2	Y
3	Combo 48 -32 -48 -16 - - DVD - ROM - CDRW --NON/VISTA (models CTO)	42Y9368	1	Y
3	Combo 48 -32 -48 -16 - - DVD - ROM - CDRW --NON/VISTA (models CTO)	42Y9369	1	Y
3	Combo 48 -32 -48 -16 - - DVD - ROM - CDRW --NON/VISTA (models CTO)	41X7992	1	Y
3	DVD-Recorder (models CTO)	41N3343	1	Y
3	DVD-Recorder (models CTO)	41X3550	1	Y
3	DVD Recordable No Software / No Royalty for VISTA Models ONLY (models CTO)	42Y9370	1	Y
3	DVD Recordable No Software / No Royalty for VISTA Models ONLY (models CTO)	42Y9371	1	Y
3	DVD Recordable No Software / No Royalty for VISTA Models ONLY (models CTO)	42Y6017	1	Y
3	DVD Recordable No Software / No Royalty for VISTA Models ONLY (models CTO)	43C0144	1	Y
4	Front Power/LED PC, bracket, and cable (all models)	41N8213	N	Y
5	Hard disk drive, 40GB (7200RPM), Serial ATA (models CTO)	40Y9033	2	Y
5	Hard disk drive, 80GB (7200RPM), Serial ATA (models CTO A1G A2Q B1G 21G 22Q 23Q 24Q D1G D1Q D3Q A3G A4G 25G 31G)	40Y9034	2	Y
5	Hard disk drive, 80GB 7200rpm SATA (only for China) (models CTO)	41X2500	1	Y
5	Hard disk drive, 160GB (7200RPM), Serial ATA (models CTO D2G E1G 32G D4G)	40Y9035	2	Y
5	Hard disk drive, 250GB (7200RPM), Serial ATA (models CTO F1G D5G)	40Y9036	2	Y
5	Hard disk drive, 500GB (7200RPM), Serial ATA (models CTO)	41X5582	2	Y
6	Diskette drive, 3,5", 1.44MB, 2-mode, (w/bezel) (models CTO 22Q 23Q 24Q D3Q)	40Y9105	2	Y
6	Diskette drive, 3,5", 1.44MB, 2-mode (models CTO 22Q 23Q 24Q D3Q)	40Y7107	2	Y
7	Front USB/Audio with bracket (all models)	41N8212	N	Y

Item #	9374 FRUs	FRU#	CRU Tier	RoHS?
8	Memory module, 512 MB PC2-4200 (533MHz) DDR2 SDRAM (models CTO A1G B1G 21G 23Q D1G D1Q D2G A3G A4G 25G 31G 32G)	41X4251	2	Y
8	Memory module, 1 GB PC2-4200 (533MHz) DDR2 SDRAM (models CTO E1G F1G D4G D5G)	41X4252	2	Y
8	Memory module, 2GB PC2-4200 (533MHz) DDR2 SDRAM (models CTO)	41X4253	2	Y
8	Memory module, 512 MB PC2-5300 (667MHz) DDR2 SDRAM (models CTO)	41X4255	2	Y
8	Memory module, 1 GB PC2-5300 (667MHz) DDR2 SDRAM (models CTO)	41X4256	2	Y
8	Memory module, 2 GB PC2-5300 (667MHz) DDR2 SDRAM (models CTO)	41X4257	2	Y
9	System board, AMD Sys Planar for Vista and XP (models CTO A1G A2Q B1G 21G 22Q 23Q 24Q D1G D1Q D2G D3Q E1G F1G A3G A4G 25G 31G 32G D4G D5G A5G 26G D6L D7G D7Q)	87H4658	N	Y
10	220W Small desktop power supply (non-smokeless) (models CTO A1G B1G 21G D1G D2G E1G F1G A3G A4G 25G 31G 32G D4G D5G)	41N3109	N	Y
10	220 Watt Power Supply - China (models CTO-A A2Q 22Q 23Q 24Q D1Q D3Q)	41N3493	N	Y
10	220 Watt Power Supply - WW (models CTO A1G B1G 21G D1G D2G E1G F1G A3G A4G 25G 31G 32G D4G D5G)	41A9655	N	Y
10	220 Watt Power Supply - china (models CTO-A A2Q 22Q 23Q 24Q D1Q D3Q)	41A9652	N	Y

The FRUs listed in the following tables are not illustrated.

9374 FRUs	FRU#	CRU Tier	RoHS?
Thermal grease kit (models CTO)	91P8835	N	Y
1 drop IDE cable (all models)	41A7158	N	Y
Shield, EMC, system board (all models)	41N5347	N	Y
Cable, Serial ATA, 250 mm (all models)	41A7145	N	Y
Shield, EMC, blank 5.25in. drive bay (all models)	41N8271	N	Y
Shield, EMC, blank diskette drive bay (all models)	41N8273	N	Y
Cover (all models)	41N8204	2	Y
Mechanical shell kit (all models)	41N8205	2	Y
Bezel kit (all models)	41N8206	N	Y
Miscellaneous hardware kit (all models)	41N8209	N	Y
Hard disk drive bracket asm (plastic and grommets) (all models)	41N8210	N	Y
Hard disk drive fan and bracket asm (all models)	41N8211	N	Y
Speaker cable asm, 600 mm cable length (all models)	41N8217	N	Y
Serial port Cable (all models)	39K5021	N	Y
Fan duct assembly (all models)	41A7151	N	Y
Fan duct assembly (all models)	41R4808	N	Y
Rear USB cable asm (with low profile PCI bracket) (all models)	41N8267	N	
Rear USB 2Ports II HP(R), high profile I/O, 300mm, Rohs (all models)	42Y8005	N	Y
Rear USB 2Ports II LP(R), low profile I/O, 200mm, Rohs (all models)	42Y8006	N	Y

9374 FRUs	FRU#	CRU Tier	RoHS?
Rear Com2 cable II HP(R), high profile I/O, 250mm, Rohs (all models)	42Y8007	N	Y
Rear Com2 cable II LP(R), low profile I/O, 250mm, Rohs (all models)	42Y8008	N	Y
Foot stand (all models)	41R4813	N	Y
Retention module, AMD (all models)	41R2507	N	Y

9374 Keyboards (Lenovo Preferred Pro fullsize, Black)	FRU#	CRU Tier	RoHS?
US English (models A1G A2Q B1G 21G 22Q 23Q 24Q D1G D1Q D2G D3Q E1G F1G A3G A4G 25G 31G 32G D4G D5G)	41A5039	1	Y
Arabic (models A1G B1G 21G D1G D2G E1G F1G A3G A4G 25G 31G 32G D4G D5G)	41A5040	1	Y
Arabic/French (models A1G B1G 21G D1G D2G E1G F1G A3G A4G 25G 31G 32G D4G D5G)	41A5041	1	Y
Belgian/French (models A1G B1G 21G D1G D2G E1G F1G A3G A4G 25G 31G 32G D4G D5G)	41A5042	1	Y
Belgian/UK (models A1G B1G 21G D1G D2G E1G F1G A3G A4G 25G 31G 32G D4G D5G)	41A5043	1	Y
Bulgarian (models A1G B1G 21G D1G D2G E1G F1G A3G A4G 25G 31G 32G D4G D5G)	41A5045	1	Y
Czech (models A1G B1G 21G D1G D2G E1G F1G A3G A4G 25G 31G 32G D4G D5G)	41A5047	1	Y
Danish (models A1G B1G 21G D1G D2G E1G F1G A3G A4G 25G 31G 32G D4G D5G)	41A5048	1	Y
Dutch (models A1G B1G 21G D1G D2G E1G F1G A3G A4G 25G 31G 32G D4G D5G)	41A5049	1	Y
French (models A1G B1G 21G D1G D2G E1G F1G A3G A4G 25G 31G 32G D4G D5G)	41A5050	1	Y
German (models A1G B1G 21G D1G D2G E1G F1G A3G A4G 25G 31G 32G D4G D5G)	41A5053	1	Y
Greek (models A1G B1G 21G D1G D2G E1G F1G A3G A4G 25G 31G 32G D4G D5G)	41A5054	1	Y
Hebrew (models A1G B1G 21G D1G D2G E1G F1G A3G A4G 25G 31G 32G D4G D5G)	41A5055	1	Y
Hungarian (models A1G B1G 21G D1G D2G E1G F1G A3G A4G 25G 31G 32G D4G D5G)	41A5056	1	Y
Iceland (models A1G B1G 21G D1G D2G E1G F1G A3G A4G 25G 31G 32G D4G D5G)	41A5057	1	Y
Italian (models A1G B1G 21G D1G D2G E1G F1G A3G A4G 25G 31G 32G D4G D5G)	41A5058	1	Y
Norwegian (models A1G B1G 21G D1G D2G E1G F1G A3G A4G 25G 31G 32G D4G D5G)	41A5062	1	Y
Polish (models A1G B1G 21G D1G D2G E1G F1G A3G A4G 25G 31G 32G D4G D5G)	41A5063	1	Y
Portuguese (models A1G B1G 21G D1G D2G E1G F1G A3G A4G 25G 31G 32G D4G D5G)	41A5064	1	Y

9374 Keyboards (Lenovo Preferred Pro fullsize, Black)	FRU#	CRU Tier	RoHS?
Romanian (models A1G B1G 21G D1G D2G E1G F1G A3G A4G 25G 31G 32G D4G D5G)	41A5065	1	Y
Russian/Cyrilic (models A1G B1G 21G D1G D2G E1G F1G A3G A4G 25G 31G 32G D4G D5G)	41A5066	1	Y
Serbian/Cyrilic (models A1G B1G 21G D1G D2G E1G F1G A3G A4G 25G 31G 32G D4G D5G)	41A5067	1	Y
Slovak (models A1G B1G 21G D1G D2G E1G F1G A3G A4G 25G 31G 32G D4G D5G)	41A5068	1	Y
Spanish (models A1G B1G 21G D1G D2G E1G F1G A3G A4G 25G 31G 32G D4G D5G)	41A5069	1	Y
Swedish/Finn (models A1G B1G 21G D1G D2G E1G F1G A3G A4G 25G 31G 32G D4G D5G)	41A5070	1	Y
Swiss F/G (models A1G B1G 21G D1G D2G E1G F1G A3G A4G 25G 31G 32G D4G D5G)	41A5071	1	Y
Turkish 440 (models A1G B1G 21G D1G D2G E1G F1G A3G A4G 25G 31G 32G D4G D5G)	41A5073	1	Y
Turkish 179 (models A1G B1G 21G D1G D2G E1G F1G A3G A4G 25G 31G 32G D4G D5G)	41A5074	1	Y
UK English (models A1G B1G 21G D1G D2G E1G F1G A3G A4G 25G 31G 32G D4G D5G)	41A5075	1	Y
US Euro (models A1G B1G 21G D1G D2G E1G F1G A3G A4G 25G 31G 32G D4G D5G)	41A5076	1	Y
Slovenian (models A1G B1G 21G D1G D2G E1G F1G A3G A4G 25G 31G 32G D4G D5G)	41A5077	1	Y

9374 mice	FRU#	CRU Tier	RoHS?
Optical Wheel Mouse (400DPI, USB) (all models)	41U3013	1	Y
Optical Wheel Mouse (400DPI, USB) (all models)	41U3030	1	Y
PS/2 Three Button ball mouse (models CTO)	41R0018	1	Y
ScrollPoint Optical Mouse (800DPI, USB) (models CTO)	41U3019	1	Y

9374 Adapters and miscellaneous FRUs	FRU#	CRU Tier	RoHS?
USB2.0 MEMORY CARDREADER,6X2,ROHS OPTIONAL,Bitland (models CTO)	41R3378	2	Y
USB2.0 MEMORY CARDREADER,6X2,ROHS OPTIONAL, SONY (models CTO)	41R3376	2	Y
PCI Modem Card (Soft) (models CTO)	29R9729	2	Y
L1 IEEE 1394 PCI Adapter (models CTO)	41D2781	2	Y
Denver - ATI X300SE 128MB (models CTO)	39J9635	2	Y
Dongle Cable - DMS59 to dual VGA (models CTO)	41D2399	2	Y
Dongle Cable - DMS59 to dual VGA (included in Denver L1) (models CTO)	42Y8181	2	Y
Dongle DMS Dule DMS-59 to dual DVI cable (models CTO)	41X6398	2	Y
Dongle DMS Dule DMS-59 to single VGA and DVI cable (models CTO)	42Y8183	2	Y
Nvidia GeForce 6200TC128MB 64bit (Full Height) (models CTO)	41X2668	2	Y

9374 Adapters and miscellaneous FRUs	FRU#	CRU Tier	RoHS?
Nvidia GeForce 6200TC 64MB 32bit (models CTO)	41X2667	2	Y
Nvidia GeForce 7300LE 128MB 64bit (models CTO)	41X2669	2	Y
Nvidia GeForce 7300LE 128MB 64bit LP / ATX with DMS59 (models CTO)	42Y8165	2	Y
ATI Radeon X1300PRO 256MB 128bit (models CTO)	41X2670	2	Y
ATI X1300LE 256M 64bit LP / ATX with DMS59 (models CTO)	42Y8162	2	Y
X1300 LE 256MB (models CTO)	42Y8159	2	Y
Internal USB Memory Card Reader (models CTO A1G B1G 21G D1G D1Q D2G E1G F1G)	41D1934	2	Y
Wireless Keyboard (models CTO)	41A5219	2	Y
Wireless Mouse (models CTO)	41A5247	2	Y
USB Transceiver for wireless kybd/mouse (models CTO)	41A5246	2	Y
BTL external speaker (models CTO)	41A5334	2	Y
DVI-I card,FH(Casper) (models CTO)	39J9334	2	Y

9374 Power Cords	FRU#	CRU Tier	RoHS?
Power Cord (UK, Ireland, Singapore, Malaysia, Brunei) (models A1G B1G 21G D1G D2G E1G F1G A3G A4G 25G 31G 32G D4G D5G)	39M5150	1	Y
Power Cord (Italy) (models A1G B1G 21G D1G D2G E1G F1G A3G A4G 25G 31G 32G D4G D5G)	39M5164	1	Y
Power Cord (G models) (models A1G B1G 21G D1G D2G E1G F1G A3G A4G 25G 31G 32G D4G D5G)	39M5122	1	Y
Power Cord (Denmark) (models A1G B1G 21G D1G D2G E1G F1G A3G A4G 25G 31G 32G D4G D5G)	39M5129	1	Y
Power Cord (Switzerland) (models A1G B1G 21G D1G D2G E1G F1G A3G A4G 25G 31G 32G D4G D5G)	39M5157	1	Y
Power Cord (Israel) (models A1G B1G 21G D1G D2G E1G F1G A3G A4G 25G 31G 32G D4G D5G)	39M5171	1	Y
Power Cord (South Africa) (models A1G B1G 21G D1G D2G E1G F1G A3G A4G 25G 31G 32G D4G D5G)	39M5143	1	Y
Power Cord (India) (models A2Q 22Q 23Q 24Q D1Q D3Q)	39M5004	1	Y

9374 Windows XP Pro Recovery CDs	FRU#	CRU Tier	RoHS?
US/UK/AP/TH (models A1G B1G 21G 22Q 23Q 24Q D1G D1Q D2G D3Q E1G F1G A3G A4G 25G 31G 32G D4G D5G)	42Y3549	1	Y
FR/CF (models A1G B1G 21G 22Q 23Q 24Q D1G D1Q D2G D3Q E1G F1G A3G A4G 25G 31G 32G D4G D5G)	42Y3550	1	Y
GR (models A1G B1G 21G 22Q 23Q 24Q D1G D1Q D2G D3Q E1G F1G A3G A4G 25G 31G 32G D4G D5G)	42Y3551	1	Y
IT (models A1G B1G 21G 22Q 23Q 24Q D1G D1Q D2G D3Q E1G F1G A3G A4G 25G 31G 32G D4G D5G)	42Y3553	1	Y
SP/LA (models A1G B1G 21G 22Q 23Q 24Q D1G D1Q D2G D3Q E1G F1G A3G A4G 25G 31G 32G D4G D5G)	42Y3552	1	Y

9374 Windows XP Pro Recovery CDs	FRU#	CRU Tier	RoHS?
DK (models A1G B1G 21G 22Q 23Q 24Q D1G D1Q D2G D3Q E1G F1G A3G A4G 25G 31G 32G D4G D5G)	42Y3556	1	Y
NL (models A1G B1G 21G 22Q 23Q 24Q D1G D1Q D2G D3Q E1G F1G A3G A4G 25G 31G 32G D4G D5G)	42Y3720	1	Y
AE (models A1G B1G 21G 22Q 23Q 24Q D1G D1Q D2G D3Q E1G F1G A3G A4G 25G 31G 32G D4G D5G)	42Y3724	1	Y
SV (models A1G B1G 21G 22Q 23Q 24Q D1G D1Q D2G D3Q E1G F1G A3G A4G 25G 31G 32G D4G D5G)	42Y3555	1	Y
HE (models A1G B1G 21G 22Q 23Q 24Q D1G D1Q D2G D3Q E1G F1G A3G A4G 25G 31G 32G D4G D5G)	42Y3721	1	Y
FI (models A1G B1G 21G 22Q 23Q 24Q D1G D1Q D2G D3Q E1G F1G A3G A4G 25G 31G 32G D4G D5G)	42Y3718	1	Y
NO (models A1G B1G 21G 22Q 23Q 24Q D1G D1Q D2G D3Q E1G F1G A3G A4G 25G 31G 32G D4G D5G)	42Y3719	1	Y
PL (models A1G B1G 21G 22Q 23Q 24Q D1G D1Q D2G D3Q E1G F1G A3G A4G 25G 31G 32G D4G D5G)	42Y3722	1	Y
PO (models A1G B1G 21G 22Q 23Q 24Q D1G D1Q D2G D3Q E1G F1G A3G A4G 25G 31G 32G D4G D5G)	42Y3728	1	Y
RU (models A1G B1G 21G 22Q 23Q 24Q D1G D1Q D2G D3Q E1G F1G A3G A4G 25G 31G 32G D4G D5G)	42Y3725	1	Y
RE (models A1G B1G 21G 22Q 23Q 24Q D1G D1Q D2G D3Q E1G F1G A3G A4G 25G 31G 32G D4G D5G)	42Y3717	1	Y
HU (models A1G B1G 21G 22Q 23Q 24Q D1G D1Q D2G D3Q E1G F1G A3G A4G 25G 31G 32G D4G D5G)	42Y3727	1	Y
CZ (models A1G B1G 21G 22Q 23Q 24Q D1G D1Q D2G D3Q E1G F1G A3G A4G 25G 31G 32G D4G D5G)	42Y3723	1	Y
TR (models A1G B1G 21G 22Q 23Q 24Q D1G D1Q D2G D3Q E1G F1G A3G A4G 25G 31G 32G D4G D5G)	42Y3726	1	Y
GK (models A1G B1G 21G 22Q 23Q 24Q D1G D1Q D2G D3Q E1G F1G A3G A4G 25G 31G 32G D4G D5G)	42Y3729	1	Y
SL (models A1G B1G 21G 22Q 23Q 24Q D1G D1Q D2G D3Q E1G F1G A3G A4G 25G 31G 32G D4G D5G)	42Y3730	1	Y
Multilingual 1 (models A1G B1G 21G 22Q 23Q 24Q D1G D1Q D2G D3Q E1G F1G A3G A4G 25G 31G 32G D4G D5G)	42Y3645	1	Y
Multilingual 2 (models A1G B1G 21G 22Q 23Q 24Q D1G D1Q D2G D3Q E1G F1G A3G A4G 25G 31G 32G D4G D5G)	42Y3879	1	Y

9374 Windows XP Pro Recovery CDs	FRU#	CRU Tier	RoHS?
US/UK/AP/TH (models B1G D1G D1A D1T F2G F2A F2T)	42Y3549	1	Y
FR/CF (models B1G D1G F2G)	42Y3550	1	Y
GR (models B1G D1G F2G)	42Y3551	1	Y
IT (models B1G D1G F2G)	42Y3553	1	Y
SP/LA (models B1G D1G F2G)	42Y3552	1	Y
DK (models B1G D1G F2G)	42Y3556	1	Y
NL (models B1G D1G F2G)	42Y3720	1	Y

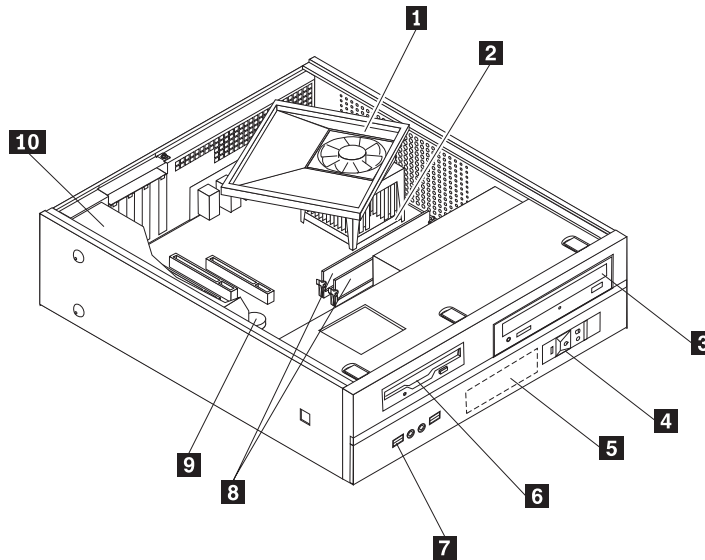
9374 Windows XP Pro Recovery CDs	FRU#	CRU Tier	RoHS?
AE (models B1G D1G F2G)	42Y3724	1	Y
SV (models B1G D1G F2G)	42Y3555	1	Y
HE (models B1G D1G F2G)	42Y3721	1	Y
FI (models B1G D1G F2G)	42Y3718	1	Y
NO (models B1G D1G F2G)	42Y3719	1	Y
PL (models B1G D1G F2G)	42Y3722	1	Y
PO (models B1G D1G F2G)	42Y3728	1	Y
RU (models B1G D1G F2G)	42Y3725	1	Y
RE (models B1G D1G F2G)	42Y3717	1	Y
HU (models B1G D1G F2G)	42Y3727	1	Y
CZ (models B1G D1G F2G)	42Y3723	1	Y
TR (models B1G D1G F2G)	42Y3726	1	Y
GK (models B1G D1G F2G)	42Y3729	1	Y
SL (models B1G D1G F2G)	42Y3730	1	Y
Multilingual 1 (models B1G D1G F2G)	42Y3645	1	Y
Multilingual 2 (models B1G D1G F2G)	42Y3879	1	Y

9374 Vista Home Basic 32 Recovery DVDs	FRU#	CRU Tier
US/UK/AP/TH (models)	87H4420	1
FR/CF (models)	87H4421	1
GR (models)	87H4422	1
SP/LA (models)	87H4423	1
BR (models)	87H4424	1
IT (models)	87H4425	1
JP (models)	87H4426	1
NO (models)	87H4427	1
SV (models)	87H4428	1
DK (models)	87H4429	1
NL (models)	87H4430	1
CZ (models)	87H4431	1
FI (models)	87H4432	1
PL (models)	87H4433	1
RU (models)	87H4434	1
TR (models)	87H4435	1
HU (models)	87H4436	1
GK (models)	87H4437	1
PO (models)	87H4438	1
CS (models)	87H4439	1
TW (models)	87H4440	1
HK (models)	87H4441	1

9374 Vista Home Basic 32 Recovery DVDs	FRU#	CRU Tier
KR (models)	87H4442	1
SL (models)	87H4443	1
RE (models)	43C1306	1

9374 Vista Business 32 Recovery DVDs	FRU#	CRU Tier
US/UK/AP/TH (models)	87H4476	1
FR/CF (models)	87H4477	1
GR (models)	87H4478	1
SP/LA (models)	87H4479	1
BR (models)	87H4480	1
IT (models)	87H4481	1
JP (models)	87H4482	1
NO (models)	87H4483	1
SV (models)	87H4484	1
DK (models)	87H4485	1
NL (models)	87H4486	1
CZ (models)	87H4487	1
FI (models)	87H4488	1
PL (models)	87H4489	1
RU (models)	87H4490	1
TR (models)	87H4491	1
HU (models)	87H4492	1
GK (models)	87H4493	1
PO (models)	87H4494	1
CS (models)	87H4495	1
TW (models)	87H4496	1
HK (models)	87H4497	1
KR (models)	87H4498	1
SL (models)	87H4499	1
RE (models)	43C1308	1

Machine Type 9378



Item #	9378 FRUs	FRU#	CRU Tier	RoHS?
1	Heatsink for Intel processors (all models)	41N8261	N	Y
1	Heatsink for Intel processors (models CTO)	41R4803	N	Y
1	Heatsink for Intel processors (all models)	41R6185	N	Y
2	Microprocessor, Celeron D 2.66GHz 533MHz FSB 256KB L2 (models CTO)	41T1694	N	Y
2	Microprocessor, Celeron D 2.80GHz 533MHz FSB 256KB L2 (models CTO A1C)	41T1695	N	Y
2	Microprocessor, Celeron D 2.93GHz 533MHz FSB 256KB L2 (models CTO B1G)	41T1696	N	Y
2	Microprocessor, Celeron D 3.06GHz 533MHz FSB 256KB L2 (models CTO B2G)	41T1697	N	Y
2	Microprocessor, Celeron D 3.20GHz 533MHz FSB 256KB L2 (models CTO)	41T1698	N	Y
2	Microprocessor, Celeron D 3.20GHz 533MHz FSB 512KB L2 (models CTO)	41T4966	N	Y
2	Microprocessor, Celeron D 3.33GHz 533MHz FSB 512KB L2 (models CTO)	41T4968	N	Y
2	Microprocessor, Celeron 430 CONROE-L 800/1800MHZ-512K,LGA,EM64T (models CTO)	43C1964	N	Y
2	Microprocessor, Celeron 440 CONROE-L 800/2000MHZ-512K,LGA,EM64T (models CTO)	43C1965	N	Y
2	Microprocessor, Pentium 4 3.06 GHz 533 FSB 1MB L2 (models CTO 21G)	41T4104	N	Y
2	Microprocessor, Pentium 4 3.0 GHz 800 FSB 2MB L2 (models CTO)	41T1709	N	Y
2	Microprocessor, Pentium 4 3.0 GHz 800 FSB 2MB L2 (models CTO)	41T1712	N	Y
2	Microprocessor, Pentium 4 3.2 GHz 800 FSB 2MB L2 (models CTO)	41T1713	N	Y
2	Microprocessor, Pentium 4 3.4 GHz 800 FSB 2MB L2 (models CTO)	41T1714	N	Y
2	Microprocessor, Pentium 4 661 Processor 3.6 GHz 800 FSB 2MB L2 B1-Value (models CTO)	41T1715	N	Y
2	Microprocessor, Pentium 4 2.8 GHz 800 FSB 2MB L2 (models CTO D1A D1T D1C D2G)	41T1704	N	Y

Item #	9378 FRUs	FRU#	CRU Tier	RoHS?
2	Microprocessor, Pentium D 3.0 GHz 800 FSB 2Mx2 L2 (models CTO F2G)	41X2413	N	Y
2	Microprocessor, Pentium D 3.0 GHz 800 FSB 2Mx2 L2 (models CTO)	41T1717	N	Y
2	Microprocessor, Pentium D 935 3.2 GHz 800 FSB 2MBx2 L2 C1-Value (95W) (models CTO)	41X8050	N	Y
2	Microprocessor, Pentium D 945 Processor 3.4 GHz 800 FSB 2MBx2 L2) (models CTO J1G)	41X7776	N	Y
2	Microprocessor, E2140 CONROE-L 800/1600MHZ-1M, LGA, EM64T (models CTO)	43C1967	N	Y
2	Microprocessor, E2160 CONROE-L 800/1600MHZ-1M, LGA, EM64T (models CTO)	43C1968	N	Y
2	Microprocessor, E4300 CONROE 800/1800MHZ-2M, LGA, EM64T (models CTO)	42Y8009	N	Y
2	Microprocessor, E4400 CONROE 800/2000MHZ-2M, LGA, EM64T L2 (models CTO)	43C2056	N	Y
2	Microprocessor, E6300 B2 CONROE 1066/1860MHZ-2M, LGA, EM64T (models CTO)	41X2495	N	Y
2	Microprocessor, E6320 B2 Conroe 1066/1.86/4M/775 (models CTO)	TBD	N	Y
2	Microprocessor, E6400 B2 CONROE 1066/2130MHZ-2M, LGA, EM64T (models CTO)	41X2496	N	Y
2	Microprocessor, E6420 B2 Conroe 1066/2.13/4M/775 (models CTO)	TBD	N	Y
2	Microprocessor, E6600 B2 CONROE 1066/2400MHZ-4M, LGA, EM64T (models CTO)	41X5743	N	Y
2	Microprocessor, E6700 B2 CONROE 1066/2670MHZ-4M, LGA, EM64T (models CTO)	41X5744	N	Y
3	DVD-ROM drive (16X/48X) (models CTO B1G 42G B2G 21G D2G F2G)	41X3544	2	Y
3	DVD-ROM drive (16X/48X) (models CTO B1G 42G B2G 21G D2G F2G)	41X3545	2	Y
3	DVD-ROM drive (16X/48X) (models CTO B1G 42G B2G 21G D2G F2G)	41X3546	2	Y
3	Combo 48 -32 -48 -16 - - DVD - ROM - CDRW (models CTO D1A D1T D1C)	41X3547	2	Y
3	Combo 48 -32 -48 -16 - - DVD - ROM - CDRW (models CTO D1A D1T D1C)	41X3548	2	Y
3	Combo 48 -32 -48 -16 - - DVD - ROM - CDRW (models CTO D1A D1T D1C)	41X3549	2	Y
3	Combo 48 -32 -48 -16 - - DVD - ROM - CDRW --NON/VISTA (models CTO D1A D1T D1C K1G K2G)	42Y9368	1	Y
3	Combo 48 -32 -48 -16 - - DVD - ROM - CDRW --NON/VISTA (models CTO D1A D1T D1C K1G K2G)	42Y9369	1	Y
3	Combo 48 -32 -48 -16 - - DVD - ROM - CDRW --NON/VISTA (models CTO D1A D1T D1C K1G K2G)	41X7992	1	Y
3	DVD-Recorder (Rambo 8)-NON/VISTA (models CTO H1G J1G K4J K6J K8J)	41N3343	1	Y
3	DVD-Recorder (Rambo 8)-NON/VISTA (models CTO H1G J1G K4J K6J K8J)	41X3550	1	Y
3	DVD Recordable No Software / No Royalty for VISTA Models ONLY (models CTO H1G J1G K4J K6J K8J)	42Y9370	1	Y

Item #	9378 FRUs	FRU#	CRU Tier	RoHS?
3	DVD Recordable No Software / No Royalty for VISTA Models ONLY (models CTO H1G J1G K4J K6J K8J)	42Y9371	1	Y
3	DVD Recordable No Software / No Royalty for VISTA Models ONLY (models CTO H1G J1G K4J K6J K8J)	42Y6017	1	Y
3	DVD Recordable No Software / No Royalty for VISTA Models ONLY (models CTO H1G J1G K4J K6J K8J)	43C0144	1	Y
4	Front Power/LED PC, bracket, and cable (all models)	41N8213	N	Y
5	Hard disk drive, 40GB (7200RPM), Serial ATA (models CTO)	40Y9033	2	Y
5	Hard disk drive, 80GB (7200RPM), Serial ATA (models CTO A1C B1G 42G D1A D1T D1C B2G 21G D2G F2G)	40Y9034	2	Y
5	Hard disk drive, 80GB 7200rpm SATA (only for China) (models CTO A1C D1T D1C)	41X2500	1	Y
5	Hard disk drive, 160GB (7200RPM), Serial ATA (models CTO H1G)	40Y9035	2	Y
5	Hard disk drive, 250GB (7200RPM), Serial ATA (models CTO)	40Y9036	2	Y
5	Hard disk drive, 500GB (7200RPM), Serial ATA (models CTO)	41X5582	2	Y
6	Diskette drive, 3,5", 1.44MB, 2-mode, (w/bezel) (models CTO A1C D1A D1T D1C)	40Y9105	2	Y
6	Diskette drive, 3,5", 1.44MB, 2-mode (models CTO A1C D1A D1T D1C)	40Y7107	2	Y
7	Front USB/Audio with bracket (all models)	41N8212	N	Y
8	Memory module, 512 MB PC2-4200 (533MHz) DDR2 SDRAM (models CTO B1G 42G D1A D1T D1C B2G 21G D2G F2G)	41X4251	2	Y
8	Memory module, 1 GB PC2-4200 (533MHz) DDR2 SDRAM (models CTO H1G J1G)	41X4252	2	Y
8	Memory module, 512 MB PC2-5300 (667MHz) DDR2 SDRAM (models CTO)	41X4255	2	Y
8	Memory module, 1 GB PC2-5300 (667MHz) DDR2 SDRAM (models CTO)	41X4256	2	Y
9	System board, SiS 662 Gig E Sys Planar for Vista and XP (models CTO A1C B1G 42G D1A D1T D1C H1G B2G 21G D2G F2G J1G K1G K2G K3J K4J K5J K6J K7J K8J)	87H4657	N	Y
10	220W Small desktop power supply (non-smokeless) (models CTO B1G 42G D1A D1T H1G B2G 21G D2G F2G J1G)	41N3109	N	Y
10	220 Watt Power Supply - China (models CTO-A A1C D1C)	41N3493	N	Y
10	220 Watt Power Supply - WW (models CTO B1G 42G D1A D1T H1G B2G 21G D2G F2G J1G)	41A9655	N	Y
10	220 Watt Power Supply - china (models CTO-A A1C D1C)	41A9652	N	Y

The FRUs listed in the following tables are not illustrated.

9378 FRUs	FRU#	CRU Tier	RoHS?
Thermal grease kit (models CTO)	91P8835	N	Y
1 drop IDE cable (all models)	41A7158	N	Y
Shield, EMC, system board (all models)	41N5347	N	Y
Cable, Serial ATA, 250 mm (all models)	41A7145	N	Y
Shield, EMC, blank 5.25in. drive bay (all models)	41N8271	N	Y

9378 FRUs	FRU#	CRU Tier	RoHS?
Shield, EMC, blank diskette drive bay (all models)	41N8273	N	Y
Cover (all models)	41N8204	2	Y
Mechanical shell kit (all models)	41N8205	2	Y
Bezel kit (all models)	41N8206	N	Y
Miscellaneous hardware kit (all models)	41N8209	N	Y
Hard disk drive bracket asm (plastic and grommets) (all models)	41N8210	N	Y
Hard disk drive fan and bracket asm (all models)	41N8211	N	Y
Speaker cable asm, 600 mm cable length (all models)	41N8217	N	Y
Serial port Cable (all models)	39K5021	N	Y
Fan duct assembly (all models)	41A7151	N	Y
Fan duct assembly (all models)	41R4808	N	Y
Rear USB cable asm (with low profile PCI bracket) (all models)	41N8267	N	
Rear USB 2Ports II HP(R), high profile I/O, 300mm, Rohs (all models)	42Y8005	N	Y
Rear USB 2Ports II LP(R), low profile I/O, 200mm, Rohs (all models)	42Y8006	N	Y
Rear Com2 cable II HP(R), high profile I/O, 250mm, Rohs (all models)	42Y8007	N	Y
Rear Com2 cable II LP(R), low profile I/O, 250mm, Rohs (all models)	42Y8008	N	Y
Foot stand (all models)	41R4813	N	Y
Retention module, Intel (all models)	41A7139	N	Y

9378 Keyboards (Lenovo Preferred Pro fullsize, Black)	FRU#	CRU Tier	RoHS?
US English (models A1C B1G 42G D1A D1C H1G B2G 21G D2G F2G J1G)	41A5039	1	Y
Arabic (models B1G 42G H1G B2G 21G D2G F2G J1G)	41A5040	1	Y
Arabic/French (models B1G 42G H1G B2G 21G D2G F2G J1G)	41A50D1	1	Y
Belgian/French (models B1G 42G H1G B2G 21G D2G F2G J1G)	41A5042	1	Y
Belgian/UK (models B1G 42G H1G B2G 21G D2G F2G J1G)	41A5043	1	Y
Bulgarian (models B1G 42G H1G B2G 21G D2G F2G J1G)	41A5045	1	Y
Czech (models B1G 42G H1G B2G 21G D2G F2G J1G)	41A5047	1	Y
Danish (models B1G 42G H1G B2G 21G D2G F2G J1G)	41A5048	1	Y
Dutch (models B1G 42G H1G B2G 21G D2G F2G J1G)	41A5049	1	Y
French (models B1G 42G H1G B2G 21G D2G F2G J1G)	41A5050	1	Y
German (models B1G 42G H1G B2G 21G D2G F2G J1G)	41A5053	1	Y
Greek (models B1G 42G H1G B2G 21G D2G F2G J1G)	41A5054	1	Y
Hebrew (models B1G 42G H1G B2G 21G D2G F2G J1G)	41A5055	1	Y
Hungarian (models B1G 42G H1G B2G 21G D2G F2G J1G)	41A5056	1	Y
Iceland (models B1G 42G H1G B2G 21G D2G F2G J1G)	41A5057	1	Y
Italian (models B1G 42G H1G B2G 21G D2G F2G J1G)	41A5058	1	Y
Norwegian (models B1G 42G H1G B2G 21G D2G F2G J1G)	41A5062	1	Y
Polish (models B1G 42G H1G B2G 21G D2G F2G J1G)	41A5063	1	Y
Portuguese (models B1G 42G H1G B2G 21G D2G F2G J1G)	41A5064	1	Y

9378 Keyboards (Lenovo Preferred Pro fullsize, Black)	FRU#	CRU Tier	RoHS?
Romanian (models B1G 42G H1G B2G 21G D2G F2G J1G)	41A5065	1	Y
Russian/Cyrilic (models B1G 42G H1G B2G 21G D2G F2G J1G)	41A5066	1	Y
Serbian/Cyrilic (models B1G 42G H1G B2G 21G D2G F2G J1G)	41A5067	1	Y
Slovak (models B1G 42G H1G B2G 21G D2G F2G J1G)	41A5068	1	Y
Spanish (models B1G 42G H1G B2G 21G D2G F2G J1G)	41A5069	1	Y
Swedish/Finn (models B1G 42G H1G B2G 21G D2G F2G J1G)	41A5070	1	Y
Swiss F/G (models B1G 42G H1G B2G 21G D2G F2G J1G)	41A5071	1	Y
Thailand (models D1T)	41A5072	1	Y
Turkish 440 (models B1G 42G H1G B2G 21G D2G F2G J1G)	41A5073	1	Y
Turkish 179 (models B1G 42G H1G B2G 21G D2G F2G J1G)	41A5074	1	Y
UK English (models B1G 42G H1G B2G 21G D2G F2G J1G)	41A5075	1	Y
US Euro (models B1G 42G H1G B2G 21G D2G F2G J1G)	41A5076	1	Y
Slovenian (models B1G 42G H1G B2G 21G D2G F2G J1G)	41A5077	1	Y

9378 mice	FRU#	CRU Tier	RoHS?
Optical Wheel Mouse (400DPI, USB) (all models)	41U3013	1	Y
Optical Wheel Mouse (400DPI, USB) (all models)	41U3030	1	Y
PS/2 Three Button ball mouse (models CTO)	41R0018	1	Y
ScrollPoint Optical Mouse (800DPI, USB) (models CTO)	41U3019	1	Y

9378 Adapters and miscellaneous FRUs	FRU#	CRU Tier	RoHS?
USB2.0 MEMORY CARDREADER,6X2,ROHS OPTIONAL,Bitland (models CTO)	41R3378	2	Y
USB2.0 MEMORY CARDREADER,6X2,ROHS OPTIONAL, SONY (models CTO)	41R3376	2	Y
PCI Modem Card (Soft) (models CTO)	29R9729	2	Y
L1 IEEE 1394 PCI Adapter (models CTO)	41D2781	2	Y
Denver - ATI X300SE 128MB (models CTO)	39J9635	2	Y
Dongle Cable - DMS59 to dual VGA (models CTO)	41D2399	2	Y
Dongle Cable - DMS59 to dual VGA (included in Denver L1) (models CTO)	42Y8181	2	Y
Dongle DMS Dule DMS-59 to dual DVI cable (models CTO)	41X6398	2	Y
Dongle DMS Dule DMS-59 to single VGA and DVI cable (models CTO)	42Y8183	2	Y
Nvidia GeForce 6200TC128MB 64bit (Full Height) (models CTO)	41X2668	2	Y
Nvidia GeForce 6200TC 64MB 32bit (models CTO)	41X2667	2	Y
Nvidia GeForce 7300LE 128MB 64bit (models CTO)	41X2669	2	Y
Nvidia GeForce 7300LE 128MB 64bit LP / ATX with DMS59 (models CTO)	42Y8165	2	Y
ATI Radeon X1300PRO 256MB 128bit (models CTO)	41X2670	2	Y
ATI X1300LE 256M 64bit LP / ATX with DMS59 (models CTO)	42Y8162	2	Y
X1300 LE 256MB (models CTO)	42Y8159	2	Y
Internal USB Memory Card Reader (models CTO A1G B1G 21G D1G D1Q D2G E1G F1G)	41D1934	2	Y

9378 Adapters and miscellaneous FRUs	FRU#	CRU Tier	RoHS?
Wireless Keyboard (models CTO)	41A5219	2	Y
Wireless Mouse (models CTO)	41A5247	2	Y
USB Transceiver for wireless kybd/mouse (models CTO)	41A5246	2	Y
BTL external speaker (models CTO)	41A5334	2	Y
DVI-I card,FH(Casper) (models CTO)	39J9334	2	Y

9378 Power Cords	FRU#	CRU Tier	RoHS?
Power Cord (US) (models D1A D1T)	39M5080	1	Y
Power Cord (China) (models A1C D1C)	39M5205	1	Y
Power Cord (UK, Ireland, Singapore, Malaysia, Brunei) (models B1G 42G D1A H1G B2G 21G D2G F2G J1G)	39M5150	1	Y
Power Cord (Italy) (models B1G 42G H1G B2G 21G D2G F2G J1G)	39M5164	1	Y
Power Cord (G models) (models B1G 42G D1A H1G B2G 21G D2G F2G J1G)	39M5122	1	Y
Power Cord (Denmark) (models B1G 42G H1G B2G 21G D2G F2G J1G)	39M5129	1	Y
Power Cord (Switzerland) (models B1G 42G H1G B2G 21G D2G F2G J1G)	39M5157	1	Y
Power Cord (Israel) (models B1G 42G H1G B2G 21G D2G F2G J1G)	39M5171	1	Y
Power Cord (South Africa) (models B1G 42G D1A H1G B2G 21G D2G F2G J1G)	39M5143	1	Y

9378 Windows XP Pro Recovery CDs	FRU#	CRU Tier	RoHS?
US/UK/AP/TH (models B1G 42G D1A D1T H1G B2G 21G D2G F2G J1G)	42Y3549	1	Y
FR/CF (models B1G 42G H1G B2G 21G D2G F2G J1G)	42Y3550	1	Y
GR (models B1G 42G H1G B2G 21G D2G F2G J1G)	42Y3551	1	Y
IT (models B1G 42G H1G B2G 21G D2G F2G J1G)	42Y3553	1	Y
SP/LA (models B1G 42G H1G B2G 21G D2G F2G J1G)	42Y3552	1	Y
DK (models B1G 42G H1G B2G 21G D2G F2G J1G)	42Y3556	1	Y
NL (models B1G 42G H1G B2G 21G D2G F2G J1G)	42Y3720	1	Y
AE (models B1G 42G H1G B2G 21G D2G F2G J1G)	42Y3724	1	Y
SV (models B1G 42G H1G B2G 21G D2G F2G J1G)	42Y3555	1	Y
HE (models B1G 42G H1G B2G 21G D2G F2G J1G)	42Y3721	1	Y
FI (models B1G 42G H1G B2G 21G D2G F2G J1G)	42Y3718	1	Y
NO (models B1G 42G H1G B2G 21G D2G F2G J1G)	42Y3719	1	Y
PL (models B1G 42G H1G B2G 21G D2G F2G J1G)	42Y3722	1	Y
PO (models B1G 42G H1G B2G 21G D2G F2G J1G)	42Y3728	1	Y
RU (models B1G 42G H1G B2G 21G D2G F2G J1G)	42Y3725	1	Y
RE (models B1G 42G H1G B2G 21G D2G F2G J1G)	42Y3717	1	Y
HU (models B1G 42G H1G B2G 21G D2G F2G J1G)	42Y3727	1	Y
CZ (models B1G 42G H1G B2G 21G D2G F2G J1G)	42Y3723	1	Y
TR (models B1G 42G H1G B2G 21G D2G F2G J1G)	42Y3726	1	Y
GK (models B1G 42G H1G B2G 21G D2G F2G J1G)	42Y3729	1	Y

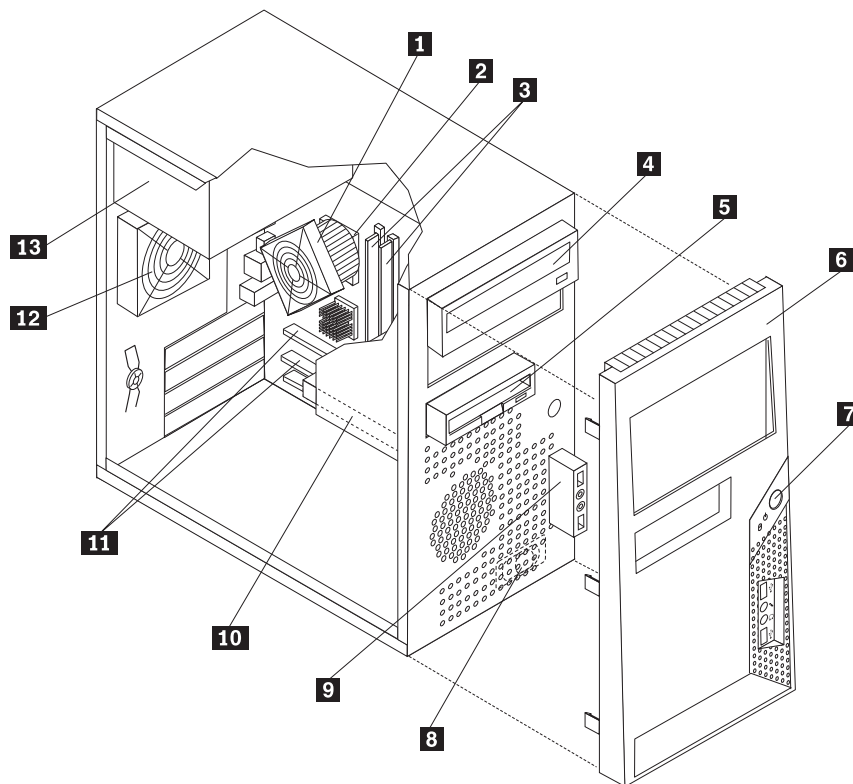
9378 Windows XP Pro Recovery CDs	FRU#	CRU Tier	RoHS?
SL (models B1G 42G H1G B2G 21G D2G F2G J1G)	42Y3730	1	Y
Simplified Chinese - TC (models A1C D1C)	41W7751	1	Y
Multilingual 1 (models B1G 42G H1G B2G 21G D2G F2G J1G)	42Y3645	1	Y
Multilingual 2 (models B1G 42G H1G B2G 21G D2G F2G J1G)	42Y3879	1	Y

9378 Vista Home Basic 32 Recovery DVDs	FRU#	CRU Tier
US/UK/AP/TH (models)	87H4420	1
FR/CF (models)	87H4421	1
GR (models)	87H4422	1
SP/LA (models)	87H4423	1
BR (models)	87H4424	1
IT (models)	87H4425	1
JP (models)	87H4426	1
NO (models)	87H4427	1
SV (models)	87H4428	1
DK (models)	87H4429	1
NL (models)	87H4430	1
CZ (models)	87H4431	1
FI (models)	87H4432	1
PL (models)	87H4433	1
RU (models)	87H4434	1
TR (models)	87H4435	1
HU (models)	87H4436	1
GK (models)	87H4437	1
PO (models)	87H4438	1
CS (models)	87H4439	1
TW (models)	87H4440	1
HK (models)	87H4441	1
KR (models)	87H4442	1
SL (models)	87H4443	1
RE (models)	43C1306	1

9378 Vista Business 32 Recovery DVDs	FRU#	CRU Tier
US/UK/AP/TH (models)	87H4476	1
FR/CF (models)	87H4477	1
GR (models)	87H4478	1
SP/LA (models)	87H4479	1
BR (models)	87H4480	1
IT (models)	87H4481	1
JP (models)	87H4482	1

9378 Vista Business 32 Recovery DVDs	FRU#	CRU Tier
NO (models)	87H4483	1
SV (models)	87H4484	1
DK (models)	87H4485	1
NL (models)	87H4486	1
CZ (models)	87H4487	1
FI (models)	87H4488	1
PL (models)	87H4489	1
RU (models)	87H4490	1
TR (models)	87H4491	1
HU (models)	87H4492	1
GK (models)	87H4493	1
PO (models)	87H4494	1
CS (models)	87H4495	1
TW (models)	87H4496	1
HK (models)	87H4497	1
KR (models)	87H4498	1
SL (models)	87H4499	1
RE (models)	43C1308	1

Machine Type 9379



Item #	9379 FRUs	FRU#	CRU Tier	RoHS?
1	Heatsink for Intel CPUs (all models)	41N8261	N	Y
1	Heatsink for Intel CPUs (models CTO)	41R4803	N	Y
1	Heatsink for Intel CPUs (all models)	41R6185	N	Y
2	Microprocessor, Celeron D 2.66GHz 533MHz FSB 256KB L2 (models CTO)	41T1694	N	Y
2	Microprocessor, Celeron D 2.80GHz 533MHz FSB 256KB L2 (models CTO)	41T1695	N	Y
2	Microprocessor, Celeron D 2.93GHz 533MHz FSB 256KB L2 (models CTO)	41T1696	N	Y
2	Microprocessor, Celeron D 3.06GHz 533MHz FSB 256KB L2 (models CTO)	41T1697	N	Y
2	Microprocessor, Celeron D 3.20GHz 533MHz FSB 256KB L2 (models CTO)	41T1698	N	Y
2	Microprocessor, Celeron D 3.20GHz 533MHz FSB 512KB L2 (models CTO BIG)	41T4966	N	Y
2	Microprocessor, Celeron D 3.33GHz 533MHz FSB 512KB L2 (models CTO)	41T4968	N	Y
2	Microprocessor, Celeron 430 CONROE-L 800/1800MHZ-512K,LGA,EM64T (models CTO)	43C1964	N	Y
2	Microprocessor, Celeron 440 CONROE-L 800/2000MHZ-512K,LGA,EM64T (models CTO)	43C1965	N	Y
2	Microprocessor, Pentium 4 3.0 GHz 800 FSB 2MB L2 (models CTO)	41T1709	N	Y
2	Microprocessor, Pentium 4 3.0 GHz 800 FSB 2MB L2 (models CTO)	41T1712	N	Y
2	Microprocessor, Pentium 4 3.2 GHz 800 FSB 2MB L2 (models CTO)	41T1713	N	Y
2	Microprocessor, Pentium 4 3.4 GHz 800 FSB 2MB L2 (models CTO)	41T1714	N	Y

Item #	9379 FRUs	FRU#	CRU Tier	RoHS?
2	Microprocessor, Pentium 4 661 Processor 3.6 GHz 800 FSB 2MB L2 B1-Value (models CTO)	41T1715	N	Y
2	Microprocessor, Pentium 4 2.8 GHz 800 FSB 2MB L2 (models CTO D1G D1A D1T)	41T1704	N	Y
2	Microprocessor, Pentium D 3.0 GHz 800 FSB 2Mx2 L2 (models CTOF2G F2A F2T)	41X2413	N	Y
2	Microprocessor, Pentium D 3.0 GHz 800 FSB 2Mx2 L2 (models CTO)	41T1717	N	Y
2	Microprocessor, Pentium D 935 3.2 GHz 800 FSB 2MBx2 L2 C1-Value (95W) (models CTO)	41X8050	N	Y
2	Microprocessor, Pentium D 945 Processor 3.4 GHz 800 FSB 2MBx2 L2) (models CTO)	41X7776	N	Y
2	Microprocessor, E2140 CONROE-L 800/1600MHZ-1M, LGA, EM64T (models CTO)	43C1967	N	Y
2	Microprocessor, E2160 CONROE-L 800/1600MHZ-1M, LGA, EM64T (models CTO)	43C1968	N	Y
2	Microprocessor, E4300 CONROE 800/1800MHZ-2M, LGA, EM64T (models CTO)	42Y8009	N	Y
2	Microprocessor, E4400 CONROE 800/2000MHZ-2M, LGA, EM64T L2 (models CTO)	43C2056	N	Y
2	Microprocessor, E6300 B2 CONROE 1066/1860MHZ-2M, LGA, EM64T (models CTO)	41X2495	N	Y
2	Microprocessor, E6320 B2 Conroe 1066/1.86/4M/775 (models CTO)	TBD	N	Y
2	Microprocessor, E6400 B2 CONROE 1066/2130MHZ-2M, LGA, EM64T (models CTO)	41X2496	N	Y
2	Microprocessor, E6420 B2 Conroe 1066/2.13/4M/775 (models CTO)	TBD	N	Y
2	Microprocessor, E6600 B2 CONROE 1066/2400MHZ-4M, LGA, EM64T (models CTO)	41X5743	N	Y
2	Microprocessor, E6700 B2 CONROE 1066/2670MHZ-4M, LGA, EM64T (models CTO)	41X5744	N	Y
3	Memory module, 512 MB PC2-4200 (533MHz) DDR2 SDRAM (models CTO B1G D1G D1A D1T F2G F2A F2T)	41X4251	1	Y
3	Memory module, 1 GB PC2-4200 (533MHz) DDR2 SDRAM (models CTO)	41X4252	1	Y
3	Memory module, 2GB PC2-4200 (533MHz) DDR2 SDRAM (models CTO)	41X4253	1	Y
3	Memory module, 512 MB PC2-5300 (667MHz) DDR2 SDRAM (models CTO)	41X4255	1	Y
3	Memory module, 1 GB PC2-5300 (667MHz) DDR2 SDRAM (models CTO)	41X4256	1	Y
3	Memory module, 2 GB PC2-5300 (667MHz) DDR2 SDRAM (models CTO)	41X4257	1	Y
4	DVD-ROM drive (16X/48X) (models CTO B1G D1G D1A D1T F2G F2A F2T)	41X3544	1	Y
4	DVD-ROM drive (16X/48X) (models CTO B1G D1G D1A D1T F2G F2A F2T)	41X3545	1	Y
4	DVD-ROM drive (16X/48X) (models CTO B1G D1G D1A D1T F2G F2A F2T)	41X3546	1	Y
4	Combo 48 -32 -48 -16 - - DVD - ROM - CDRW (models CTO)	41X3547	1	Y
4	Combo 48 -32 -48 -16 - - DVD - ROM - CDRW (models CTO)	41X3548	1	Y
4	Combo 48 -32 -48 -16 - - DVD - ROM - CDRW (models CTO)	41X3549	1	Y

Item #	9379 FRUs	FRU#	CRU Tier	RoHS?
4	Combo 48 -32 -48 -16 - - DVD - ROM - CDRW --NON/VISTA (models CTO)	42Y9368	1	Y
4	Combo 48 -32 -48 -16 - - DVD - ROM - CDRW --NON/VISTA (models CTO)	42Y9369	1	Y
4	Combo 48 -32 -48 -16 - - DVD - ROM - CDRW --NON/VISTA (models CTO)	41X7992	1	Y
4	DVD-Recorder (Rambo 8)-NON/VISTA (models CTO)	41N3343	1	Y
4	DVD-Recorder (Rambo 8)-NON/VISTA (models CTO)	41X3550	1	Y
3	DVD Recordable No Software / No Royalty for VISTA Models ONLY (models CTO)	42Y9370	1	Y
3	DVD Recordable No Software / No Royalty for VISTA Models ONLY (models CTO)	42Y9371	1	Y
3	DVD Recordable No Software / No Royalty for VISTA Models ONLY (models CTO)	42Y6017	1	Y
3	DVD Recordable No Software / No Royalty for VISTA Models ONLY (models CTO)	43C0144	1	Y
5	Diskette drive, 3,5", 1.44MB, 2 Mode,(w/bezel) (models CTO)	40Y9105	2	Y
5	Diskette drive, 3,5", 1.44MB, 2 Mode,(w/bezel) (models CTO)	40Y7107	2	Y
6	Bezel assembly (all models)	41N8052	2	Y
7	Power switch/LED assembly (all models)	41N5284	2	Y
8	Speaker assembly, soldered terminals (all models)	39P5023	2	Y
9	Front audio/USB assembly (all models)	41N8054	2	Y
10	Hard disk drive, 40GB (7200RPM), Serial ATA (models CTO)	40Y9033	1	Y
10	Hard disk drive, 80GB (7200RPM), Serial ATA (models CTO B1G D1G D1A D1T F2G F2A F2T)	40Y9034	1	Y
10	Hard disk drive, 80GB 7200rpm SATA (only for China) (models CTO D1A D1T F2A F2T)	41X2500	1	Y
10	Hard disk drive, 160GB (7200RPM), Serial ATA (models CTO)	40Y9035	1	Y
10	Hard disk drive, 250GB (7200RPM), Serial ATA (models CTO)	40Y9036	1	Y
10	Hard disk drive, 500GB (7200RPM), Serial ATA (models CTO)	41X5582	1	Y
11	System board, Intel for Vista and XP (models CTO B1G D1G D1A D1T F2G F2A F2T F3G F3A F3T) Note: When ordering a new system board, you must also order a new retention module for the heat sink.	87H4655	N	Y
11	System board, Intel for Vista and XP, Japan (models CTO B1G D1G D1A D1T F2G F2A F2T F3G F3A F3T) Note: When ordering a new system board, you must also order a new retention module for the heat sink.	87H4656	N	Y
11	System board, 946GZ B ver1.0 (models CTO B1G D1G D1A D1T F2G F2A F2T F3G F3A F3T) Note: When ordering a new system board, you must also order a new retention module for the heat sink.	43C3504	N	Y
11	System board, 946GZ ver1.2 (models CTO B1G D1G D1A D1T F2G F2A F2T F3G F3A F3T) Note: When ordering a new system board, you must also order a new retention module for the heat sink.	43C3505	N	Y

Item #	9379 FRUs	FRU#	CRU Tier	RoHS?
11	System board, 946GZ (modify PCB solve Conroe CPU issue and modify PCB solve Japan smokeless issue) ver1.2 matrix from 43C3504 & 43C3505 (models CTO B1G D1G D1A D1T F2G F2A F2T F3G F3A F3T) Note: When ordering a new system board, you must also order a new retention module for the heat sink.	43C8359	N	Y
12	Fan, Rear w/ grommets & Grill (all models)	41N8079	2	Y
13	Power supply (300W) (models CTO)	41N3489	2	Y
13	Power supply (230W) (models CTO B1G D1G D1A D1T F2G F2A F2T)	41N3094	2	Y
13	Power supply (250W) (models CTO B1G D1G D1A D1T F2G F2A F2T)	41N3127	2	Y
13	Power supply (220V/250W/ATX12V - China) (models CTO)	41N3485	2	Y
13	Power Supply 5281-7VW-ROHS, 280W, Standard (models CTO)	41N3479	2	Y
13	Power Supply 5281-7VW-ROHS, 280W, Standard (models CTO)	41N3482	2	Y
13	Power Supply 310W standard only for Japan (models CTO)	24R2596	2	Y

The FRUs listed in the following tables are not illustrated.

9379 FRUs	FRU#	CRU Tier	RoHS?
Thermal grease kit (all models)	91P8835	N	Y
Shield, 5.25 EMC (all models)	41N8080	2	Y
Cable, SATA (18" RoHs) (all models)	26K1186	2	Y
Cable, Serial (all models)	39K5021	2	Y
Shield, diskette drive EMC (all models)	41N8078	2	Y
Cable, Diskette drive (RoHs) (all models)	41A7182	2	Y
Cover, left side (all models)	41N8050	1	Y
Chassis assembly (all models)	41N8051	N	Y
System board I/O Shield - (all models)	41N8053	N	Y
Kit, Miscellaneous hardware (all models)	41N8055	2	Y
Retention Module Kit, RoHs (all models)	41N8056	2	Y
Cable, hard disk drive and optical signal (all models)	39M0516	1	Y
Front system fan (all models)	41R2519	1	Y
4 PIN CABLE-SATA,2H 100mm LATCH(RoHs)PS cable (all models)	41R3300	1	Y
Cable SATA 250mm (RoHS) (all models)	41A7145	1	N
Retainer, Card Reader (all models)	41R2913	1	N
Front Fan AVC (all models)	41R4791	1	N
Optional HDD Bracket Assembly, without 4Pin cable (all models)	41R6106	1	N
Chassis assembly (all models)	41R2533	1	N

9379 Keyboards (Lenovo Preferred Pro fullsize, Black)	FRU#	CRU Tier	RoHS?
US English (models B1G D1G D1A F2G F2A)	41A5039	1	Y
Arabic (models B1G D1G F2G)	41A5040	1	Y

9379 Keyboards (Lenovo Preferred Pro fullsize, Black)	FRU#	CRU Tier	RoHS?
Arabic/French (models B1G D1G F2G)	41A5041	1	Y
Belgian/French (models B1G D1G F2G)	41A5042	1	Y
Belgian/UK (models B1G D1G F2G)	41A5043	1	Y
Bulgarian (models B1G D1G F2G)	41A5045	1	Y
Czech (models B1G D1G F2G)	41A5047	1	Y
Danish (models B1G D1G F2G)	41A5048	1	Y
Dutch (models B1G D1G F2G)	41A5049	1	Y
French (models B1G D1G F2G)	41A5050	1	Y
German (models B1G D1G F2G)	41A5053	1	Y
Greek (models B1G D1G F2G)	41A5054	1	Y
Hebrew (models B1G D1G F2G)	41A5055	1	Y
Hungarian (models B1G D1G F2G)	41A5056	1	Y
Iceland (models B1G D1G F2G)	41A5057	1	Y
Italian (models B1G D1G F2G)	41A5058	1	Y
Norwegian (models B1G D1G F2G)	41A5062	1	Y
Polish (models B1G D1G F2G)	41A5063	1	Y
Portuguese (models B1G D1G F2G)	41A5064	1	Y
Romanian (models B1G D1G F2G)	41A5065	1	Y
Russian/Cyrilic (models B1G D1G F2G)	41A5066	1	Y
Serbian/Cyrilic (models B1G D1G F2G)	41A5067	1	Y
Slovak (models B1G D1G F2G)	41A5068	1	Y
Spanish (models B1G D1G F2G)	41A5069	1	Y
Swedish/Finn (models B1G D1G F2G)	41A5070	1	Y
Swiss F/G (models B1G D1G F2G)	41A5071	1	Y
Thailand (models D1T F2T)	41A5072	1	Y
Turkish 440 (models B1G D1G F2G)	41A5073	1	Y
Turkish 179 (models B1G D1G F2G)	41A5074	1	Y
UK English (models B1G D1G F2G)	41A5075	1	Y
US Euro (models B1G D1G F2G)	41A5076	1	Y
Slovenian (models B1G D1G F2G)	41A5077	1	Y

9379 mice	FRU#	CRU Tier	RoHS?
Optical Wheel Mouse (400DPI, USB) (all models)	41U3013	1	Y
Optical Wheel Mouse (400DPI, USB) (all models)	41U3030	1	Y
PS/2 Three Button ball mouse (models CTO)	41R0018	1	Y
ScrollPoint Optical Mouse (800DPI, USB) (models CTO)	41U3019	1	Y

9379 Adapters and miscellaneous FRUs	FRU#	CRU Tier	RoHS?
USB2.0 MEMORY CARDREADER,6X2,ROHS OPTIONAL,Bitland (models CTO)	41R3378	2	Y

9379 Adapters and miscellaneous FRUs	FRU#	CRU Tier	RoHS?
USB2.0 MEMORY CARDREADER,6X2,ROHS OPTIONAL, SONY (models CTO)	41R3376	2	Y
PCI Modem Card (Soft) (models CTO)	29R9729	2	Y
L1 IEEE 1394 PCI Adapter (models CTO)	41D2781	2	Y
Denver - ATI X300SE 128MB (models CTO)	39J9635	2	Y
Dongle Cable - DMS59 to dual VGA (models CTO)	41D2399	2	Y
Dongle Cable - DMS59 to dual VGA (included in Denver L1) (models CTO)	42Y8181	2	Y
Dongle DMS Dule DMS-59 to dual DVI cable (models CTO)	41X6398	2	Y
Dongle DMS Dule DMS-59 to single VGA and DVI cable (models CTO)	42Y8183	2	Y
Nvidia GeForce 6200TC128MB 64bit (Full Height) (models CTO)	41X2668	2	Y
Nvidia GeForce 6200TC 64MB 32bit (models CTO)	41X2667	2	Y
Nvidia GeForce 7300LE 128MB 64bit (models CTO)	41X2669	2	Y
Nvidia GeForce 7300LE 128MB 64bit LP / ATX with DMS59 (models CTO)	42Y8165	2	Y
ATI Radeon X1300PRO 256MB 128bit (models CTO)	41X2670	2	Y
ATI X1300LE 256M 64bit LP / ATX with DMS59 (models CTO)	42Y8162	2	Y
X1300 LE 256MB (models CTO)	42Y8159	2	Y
Internal USB Memory Card Reader (models CTO)	41D1934	2	Y
Wireless Keyboard (models CTO)	41A5219	2	Y
Wireless Mouse (models CTO)	41A5247	2	Y
USB Transceiver for wireless kybd/mouse (models CTO)	41A5246	2	Y
DVI-I card,FH(Casper) (models CTO)	39J9334	2	Y
BTL external speaker (models CTO)	41A5334	2	Y

9379 Power Cords	FRU#	CRU Tier	RoHS?
Power Cord (US) (models D1A D1T F2A F2T)	39M5080	1	Y
Power Cord (UK, Ireland, Singapore, Malaysia, Brunei) (models B1G D1G D1A F2G F2A)	39M5150	1	Y
Power Cord (Italy) (models B1G D1G F2G)	39M5164	1	Y
Power Cord (G models) (models B1G D1G D1A F2G F2A)	39M5122	1	Y
Power Cord (Denmark) (models B1G D1G F2G)	39M5129	1	Y
Power Cord (Switzerland) (models B1G D1G F2G)	39M5157	1	Y
Power Cord (Israel) (models B1G D1G F2G)	39M5171	1	Y
Power Cord (South Africa) (models B1G D1G D1A F2G F2A)	39M5143	1	Y

9379 Windows XP Pro Recovery CDs	FRU#	CRU Tier	RoHS?
US/UK/AP/TH (models B1G D1G D1A D1T F2G F2A F2T)	42Y3549	1	Y
FR/CF (models B1G D1G F2G)	42Y3550	1	Y
GR (models B1G D1G F2G)	42Y3551	1	Y
IT (models B1G D1G F2G)	42Y3553	1	Y
SP/LA (models B1G D1G F2G)	42Y3552	1	Y

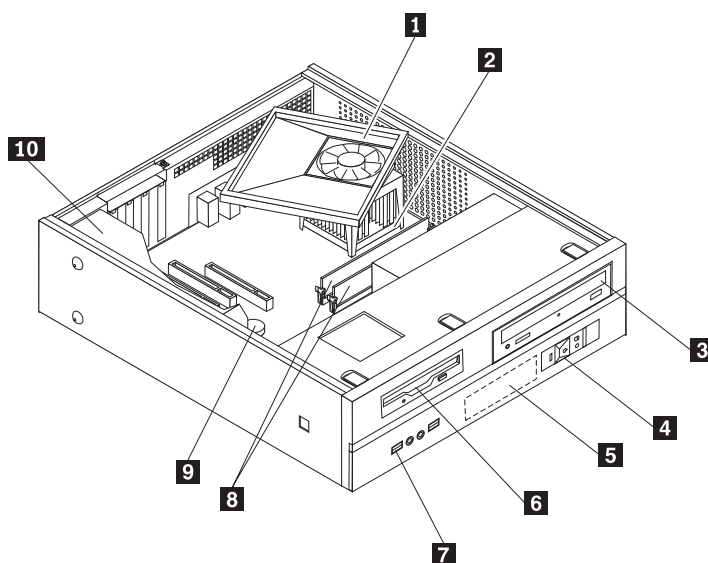
9379 Windows XP Pro Recovery CDs	FRU#	CRU Tier	RoHS?
DK (models B1G D1G F2G)	42Y3556	1	Y
NL (models B1G D1G F2G)	42Y3720	1	Y
AE (models B1G D1G F2G)	42Y3724	1	Y
SV (models B1G D1G F2G)	42Y3555	1	Y
HE (models B1G D1G F2G)	42Y3721	1	Y
FI (models B1G D1G F2G)	42Y3718	1	Y
NO (models B1G D1G F2G)	42Y3719	1	Y
PL (models B1G D1G F2G)	42Y3722	1	Y
PO (models B1G D1G F2G)	42Y3728	1	Y
RU (models B1G D1G F2G)	42Y3725	1	Y
RE (models B1G D1G F2G)	42Y3717	1	Y
HU (models B1G D1G F2G)	42Y3727	1	Y
CZ (models B1G D1G F2G)	42Y3723	1	Y
TR (models B1G D1G F2G)	42Y3726	1	Y
GK (models B1G D1G F2G)	42Y3729	1	Y
SL (models B1G D1G F2G)	42Y3730	1	Y
Multilingual 1 (models B1G D1G F2G)	42Y3645	1	Y
Multilingual 2 (models B1G D1G F2G)	42Y3879	1	Y

9379 Vista Home Basic 32 Recovery DVDs	FRU#	CRU Tier
US/UK/AP/TH (models)	87H4420	1
FR/CF (models)	87H4421	1
GR (models)	87H4422	1
SP/LA (models)	87H4423	1
BR (models)	87H4424	1
IT (models)	87H4425	1
JP (models)	87H4426	1
NO (models)	87H4427	1
SV (models)	87H4428	1
DK (models)	87H4429	1
NL (models)	87H4430	1
CZ (models)	87H4431	1
FI (models)	87H4432	1
PL (models)	87H4433	1
RU (models)	87H4434	1
TR (models)	87H4435	1
HU (models)	87H4436	1
GK (models)	87H4437	1
PO (models)	87H4438	1
CS (models)	87H4439	1

9379 Vista Home Basic 32 Recovery DVDs	FRU#	CRU Tier
TW (models)	87H4440	1
HK (models)	87H4441	1
KR (models)	87H4442	1
SL (models)	87H4443	1
RE (models)	43C1306	1

9379 Vista Business 32 Recovery DVDs	FRU#	CRU Tier
US/UK/AP/TH (models)	87H4476	1
FR/CF (models)	87H4477	1
GR (models)	87H4478	1
SP/LA (models)	87H4479	1
BR (models)	87H4480	1
IT (models)	87H4481	1
JP (models)	87H4482	1
NO (models)	87H4483	1
SV (models)	87H4484	1
DK (models)	87H4485	1
NL (models)	87H4486	1
CZ (models)	87H4487	1
FI (models)	87H4488	1
PL (models)	87H4489	1
RU (models)	87H4490	1
TR (models)	87H4491	1
HU (models)	87H4492	1
GK (models)	87H4493	1
PO (models)	87H4494	1
CS (models)	87H4495	1
TW (models)	87H4496	1
HK (models)	87H4497	1
KR (models)	87H4498	1
SL (models)	87H4499	1
RE (models)	43C1308	1

Machine Type 9380



Item #	9380 FRUs	FRU#	CRU Tier	RoHS?
1	Heatsink for Intel processors (all models)	41N8261	N	Y
2	Microprocessor, Celeron D 2.66GHz 533MHz FSB 256KB L2 (models CTO)	41T1694	N	Y
2	Microprocessor, Celeron D 2.80GHz 533MHz FSB 256KB L2 (models CTO A1A A1T A1C A1B A1H A2C A3A A3T)	41T1695	N	Y
2	Microprocessor, Celeron D 2.93GHz 533MHz FSB 256KB L2 (models CTO)	41T1696	N	Y
2	Microprocessor, Celeron D 3.06GHz 533MHz FSB 256KB L2 (models CTO)	41T1697	N	Y
2	Microprocessor, Celeron D 3.20GHz 533MHz FSB 256KB L2 (models CTO)	41T1698	N	Y
2	Microprocessor, Celeron D 3.20GHz 533MHz FSB 512KB L2 (models CTO B1G)	41T4966	N	Y
2	Microprocessor, Celeron D 3.33GHz 533MHz FSB 512KB L2 (models CTO)	41T4968	N	Y
2	Microprocessor, Celeron 430 CONROE-L 800/1800MHZ-512K,LGA,EM64T (models CTO)	43C1964	N	Y
2	Microprocessor, Celeron 440 CONROE-L 800/2000MHZ-512K,LGA,EM64T (models CTO)	43C1965	N	Y
2	Microprocessor, Pentium 4 3.06 GHz 533 FSB 1MB L2 (models CTO 21B 21H)	41T4104	N	Y
2	Microprocessor, Pentium 4 3.0 GHz 800 FSB 2MB L2 (models CTO 51A 51T)	41T1709	N	Y
2	Microprocessor, Pentium 4 3.0 GHz 800 FSB 2MB L2 (models CTO)	41T1712	N	Y
2	Microprocessor, Pentium 4 3.2 GHz 800 FSB 2MB L2 (models CTO)	41T1713	N	Y
2	Microprocessor, Pentium 4 3.4 GHz 800 FSB 2MB L2 (models CTO)	41T1714	N	Y
2	Microprocessor, Pentium 4 661 Processor 3.6 GHz 800 FSB 2MB L2 B1-Value (models CTO)	41T1715	N	Y
2	Microprocessor, Pentium 4 2.8 GHz 800 FSB 2MB L2 (models CTO D1A D1T D1C D1B D1H D2G)	41T1704	N	Y
2	Microprocessor, Pentium 4 2.8 GHz 800 FSB 2MB L2 (models CTO 91A 91T)	41X7775	N	Y

Item #	9380 FRUs	FRU#	CRU Tier	RoHS?
2	Microprocessor, Pentium D 3.0 GHz 800 FSB 2Mx2 L2 (models CTO F2G)	41X2413	N	Y
2	Microprocessor, Pentium D 3.0 GHz 800 FSB 2Mx2 L2 (models CTO G1A G1T)	41T1717	N	Y
2	Microprocessor, Pentium D 935 3.2 GHz 800 FSB 2MBx2 L2 C1-Value (95W) (models CTO)	41X8050	N	Y
2	Microprocessor, Pentium D 945 Processor 3.4 GHz 800 FSB 2MBx2 L2) (models CTO J1G)	41X7776	N	Y
2	Microprocessor, E2140 CONROE-L 800/1600MHZ-1M, LGA, EM64T (models CTO)	43C1967	N	Y
2	Microprocessor, E2160 CONROE-L 800/1600MHZ-1M, LGA, EM64T (models CTO)	43C1968	N	Y
2	Microprocessor, E4300 CONROE 800/1800MHZ-2M, LGA, EM64T (models CTO)	42Y8009	N	Y
2	Microprocessor, E4400 CONROE 800/2000MHZ-2M, LGA, EM64T L2 (models CTO)	43C2056	N	Y
2	Microprocessor, E6300 B2 CONROE 1066/1860MHZ-2M, LGA, EM64T (models CTO)	41X2495	N	Y
2	Microprocessor, E6400 B2 CONROE 1066/2130MHZ-2M, LGA, EM64T (models CTO)	41X2496	N	Y
2	Microprocessor, E6600 B2 CONROE 1066/2400MHZ-4M, LGA, EM64T (models CTO)	41X5743	N	Y
2	Microprocessor, E6700 B2 CONROE 1066/2670MHZ-4M, LGA, EM64T (models CTO)	41X5744	N	Y
3	DVD-ROM drive (16X/48X) (models CTO F2G)	41X3544	2	Y
3	DVD-ROM drive (16X/48X) (models CTO F2G)	41X3545	2	Y
3	DVD-ROM drive (16X/48X) (models CTO F2G)	41X3546	2	Y
3	Combo 48 -32 -48 -16 - - DVD - ROM - CDRW (models CTO 91A 91T)	41X3547	2	Y
3	Combo 48 -32 -48 -16 - - DVD - ROM - CDRW (models CTO 91A 91T)	41X3548	2	Y
3	Combo 48 -32 -48 -16 - - DVD - ROM - CDRW (models CTO 91A 91T)	41X3549	2	Y
3	Combo 48 -32 -48 -16 - - DVD - ROM - CDRW --NON/VISTA (models CTO 91A 91T D3B D3H J3G J4A J4T)	42Y9368	1	Y
3	Combo 48 -32 -48 -16 - - DVD - ROM - CDRW --NON/VISTA (models CTO 91A 91T D3B D3H J3G J4A J4T)	42Y9369	1	Y
3	Combo 48 -32 -48 -16 - - DVD - ROM - CDRW --NON/VISTA (models CTO 91A 91T D3B D3H J3G J4A J4T)	41X7992	1	Y
3	DVD-Recorder (Rambo 8)-NON/VISTA (models CTO J1G J2G)	41N3343	1	Y
3	DVD-Recorder (Rambo 8)-NON/VISTA (models CTO J1G J2G)	41X3550	1	Y
3	DVD Recordable No Software / No Royalty for VISTA Models ONLY (models CTO J1G J2G)	42Y9370	1	Y
3	DVD Recordable No Software / No Royalty for VISTA Models ONLY (models CTO J1G J2G)	42Y9371	1	Y
3	DVD Recordable No Software / No Royalty for VISTA Models ONLY (models CTO J1G J2G)	42Y6017	1	Y
3	DVD Recordable No Software / No Royalty for VISTA Models ONLY (models CTO J1G J2G)	43C0144	1	Y
4	Front Power/LED PC, bracket, and cable (all models)	41N8213	N	Y

Item #	9380 FRUs	FRU#	CRU Tier	RoHS?
5	Hard disk drive, 40GB (7200RPM), Serial ATA (models CTO)	40Y9033	2	Y
5	Hard disk drive, 80GB (7200RPM), Serial ATA (models CTO A1A A1T A1C A1B A1H A2C A3A A3T B1G 41A 41T 51A 51T D1A D1T D1C D1B D1H D2G G1A G1T 21B 21H 91A 91T F2G)	40Y9034	2	Y
5	Hard disk drive, 80GB 7200rpm SATA (only for China) (models A1T A1C A1B A1H A2C A3T 41T 51T D1T D1C D1B D1H G1T 21B 21H 91T)	41X2500	1	Y
5	Hard disk drive, 160GB (7200RPM), Serial ATA (models CTO H1G J1G)	40Y9035	2	Y
5	Hard disk drive, 250GB (7200RPM), Serial ATA (models CTO)	40Y9036	2	Y
5	Hard disk drive, 500GB (7200RPM), Serial ATA (models CTO)	41X5582	2	Y
6	Diskette drive, 3,5", 1.44MB, 2-mode, (w/bezel) (models CTO A1A A1T A1C A1B A1H A2C A3A A3T 41A 41T 51A 51T D1A D1T D1C D1B D1H G1A G1T)	40Y9105	2	Y
6	Diskette drive, 3,5", 1.44MB, 2-mode (models CTO A1A A1T A1C A1B A1H A2C A3A A3T 41A 41T 51A 51T D1A D1T D1C D1B D1H G1A G1T)	40Y7107	2	Y
7	Front USB/Audio with bracket (all models)	41N8212	N	Y
8	Memory module, 512 MB PC2-4200 (533MHz) DDR2 SDRAM (models CTO B1G 51A 51T D1A D1T D1C D1B D1H D2G G1A G1T 21B 21H 91A 91T F2G)	41X4251	2	Y
8	Memory module, 1 GB PC2-4200 (533MHz) DDR2 SDRAM (models CTO H1G J1G)	41X4252	2	Y
8	Memory module, 2GB PC2-4200 (533MHz) DDR2 SDRAM (models CTO)	41X4253	2	Y
8	Memory module, 512 MB PC2-5300 (667MHz) DDR2 SDRAM (models CTO)	41X4255	2	Y
8	Memory module, 1 GB PC2-5300 (667MHz) DDR2 SDRAM (models CTO)	41X4256	2	Y
8	Memory module, 2 GB PC2-5300 (667MHz) DDR2 SDRAM (models CTO)	41X4257	2	Y
9	System board, Intel Sys Planar for Vista and XP (models CTO A1A A1T A1C A1B A1H A2C A3A A3T B1G 41A 41T 51A 51T D1A D1T D1C D1B D1H D2G G1A G1T H1G 21B 21H 91A 91T F2G J1G D3B D3H J2G J3G J4A J4T) Note: When ordering a new system board, you must also order a new retention module for the heat sink.	87H4655	N	Y
9	System board, Intel Sys Planar Japan for Vista and XP (models CTO A1A A1T A1C A1B A1H A2C A3A A3T B1G 41A 41T 51A 51T D1A D1T D1C D1B D1H D2G G1A G1T H1G 21B 21H 91A 91T F2G J1G D3B D3H J2G J3G J4A J4T) Note: When ordering a new system board, you must also order a new retention module for the heat sink.	87H4656	N	Y
9	System board, 946GZ B ver 1.0 (models CTO A1A A1T A1C A1B A1H A2C A3A A3T B1G 41A 41T 51A 51T D1A D1T D1C D1B D1H D2G G1A G1T H1G 21B 21H 91A 91T F2G J1G D3B D3H J2G J3G J4A J4T) Note: When ordering a new system board, you must also order a new retention module for the heat sink.	43C3504	N	Y
9	System board, 946GZ ver 1.2 (models CTO A1A A1T A1C A1B A1H A2C A3A A3T B1G 41A 41T 51A 51T D1A D1T D1C D1B D1H D2G G1A G1T H1G 21B 21H 91A 91T F2G J1G D3B D3H J2G J3G J4A J4T) Note: When ordering a new system board, you must also order a new retention module for the heat sink.	43C3505	N	Y

Item #	9380 FRUs	FRU#	CRU Tier	RoHS?
9	System board, 946GZ (modify PCB solve Conroe CPU issue and modify PCB solve Japan smokeless issue) ver1.2 matrix from 43C3504 & 43C3505 (models CTO A1A A1T A1C A1B A1H A2C A3A A3T B1G 41A 41T 51A 51T D1A D1T D1C D1B D1H D2G G1A G1T H1G 21B 21H 91A 91T F2G J1G D3B D3H J2G J3G J4A J4T) Note: When ordering a new system board, you must also order a new retention module for the heat sink.	43C8359	N	Y
10	220W Small desktop power supply (non-smokeless) (models CTO A1A A1T A3A A3T B1G 41A 41T 51A 51T D1A D1T D2G G1A G1T H1G 91A 91T F2G J1G)	41N3109	N	Y
10	220 Watt Power Supply - China (models CTO-A A1C A1B A1H A2C D1C D1B D1H 21B 21H)	41N3493	N	Y
10	220 Watt Power Supply - WW (models CTO A1A A1T A3A A3T B1G 41A 41T 51A 51T D1A D1T D2G G1A G1T H1G 91A 91T F2G J1G)	41A9655	N	Y
10	220 Watt Power Supply - china (models CTO-A A1C A1B A1H A2C D1C D1B D1H 21B 21H)	41A9652	N	Y

The FRUs listed in the following tables are not illustrated.

9380 FRUs	FRU#	CRU Tier	RoHS?
Thermal grease kit (models CTO)	91P8835	N	Y
1 drop IDE cable (all models)	41A7158	N	Y
Shield, EMC, system board (all models)	41N5347	N	Y
Cable, Serial ATA, 250 mm (all models)	41A7145	N	Y
Shield, EMC, blank 5.25in. drive bay (all models)	41N8271	N	Y
Shield, EMC, blank diskette drive bay (all models)	41N8273	N	Y
Cover (all models)	41N8204	2	Y
Mechanical shell kit (all models)	41N8205	2	Y
Bezel kit (all models)	41N8206	N	Y
Miscellaneous hardware kit (all models)	41N8209	N	Y
Hard disk drive bracket asm (plastic and grommets) (all models)	41N8210	N	Y
Hard disk drive fan and bracket asm (all models)	41N8211	N	Y
Speaker cable asm, 600 mm cable length (all models)	41N8217	N	Y
Serial port Cable (all models)	39K5021	N	Y
Fan duct assembly (all models)	41A7151	N	Y
Fan duct assembly (all models)	41R4808	N	Y
Rear USB cable asm (with low profile PCI bracket) (all models)	41N8267	N	
Rear USB 2Ports II HP(R), high profile I/O, 300mm, Rohs (all models)	42Y8005	N	Y
Rear USB 2Ports II LP(R), low profile I/O, 200mm, Rohs (all models)	42Y8006	N	Y
Rear Com2 cable II HP(R), high profile I/O, 250mm, Rohs (all models)	42Y8007	N	Y
Rear Com2 cable II LP(R), low profile I/O, 250mm, Rohs (all models)	42Y8008	N	Y
Foot stand (all models)	41R4813	N	Y
Rear Com2 cable II LP(R), low profile I/O, 250mm, Rohs (all models)	42Y8008	N	Y

9380 FRUs	FRU#	CRU Tier	RoHS?
Foot stand (all models)	41R4813	N	Y
Retention module, Intel (all models)	41A7139	N	Y

9380 Keyboards (Lenovo Preferred Pro fullsize, Black)	FRU#	CRU Tier	RoHS?
US English (models A1A A1C A1H A2C A3A B1G 41A 51A D1A D1C D1H D2G G1A H1G 21H 91A F2G J1G)	41A5039	1	Y
Arabic (models B1G D2G H1G F2G J1G)	41A5040	1	Y
Arabic/French (models B1G D2G H1G F2G J1G)	41A50D1	1	Y
Belgian/French (models B1G D2G H1G F2G J1G)	41A5042	1	Y
Belgian/UK (models B1G D2G H1G F2G J1G)	41A5043	1	Y
Bulgarian (models B1G D2G H1G F2G J1G)	41A5045	1	Y
Hong Kong/Taiwan (models A1B D1B 21B)	41A5046	1	Y
Czech (models B1G D2G H1G F2G J1G)	41A5047	1	Y
Danish (models B1G D2G H1G F2G J1G)	41A5048	1	Y
Dutch (models B1G D2G H1G F2G J1G)	41A5049	1	Y
French (models B1G D2G H1G F2G J1G)	41A5050	1	Y
German (models B1G D2G H1G F2G J1G)	41A5053	1	Y
Greek (models B1G D2G H1G F2G J1G)	41A5054	1	Y
Hebrew (models B1G D2G H1G F2G J1G)	41A5055	1	Y
Hungarian (models B1G D2G H1G F2G J1G)	41A5056	1	Y
Iceland (models B1G D2G H1G F2G J1G)	41A5057	1	Y
Italian (models B1G D2G H1G F2G J1G)	41A5058	1	Y
Norwegian (models B1G D2G H1G F2G J1G)	41A5062	1	Y
Polish (models B1G D2G H1G F2G J1G)	41A5063	1	Y
Portuguese (models B1G D2G H1G F2G J1G)	41A5064	1	Y
Romanian (models B1G D2G H1G F2G J1G)	41A5065	1	Y
Russian/Cyrilic (models B1G D2G H1G F2G J1G)	41A5066	1	Y
Serbian/Cyrilic (models B1G D2G H1G F2G J1G)	41A5067	1	Y
Slovak (models B1G D2G H1G F2G J1G)	41A5068	1	Y
Spanish (models B1G D2G H1G F2G J1G)	41A5069	1	Y
Swedish/Finn (models B1G D2G H1G F2G J1G)	41A5070	1	Y
Swiss F/G (models B1G D2G H1G F2G J1G)	41A5071	1	Y
Thailand (models A1T A3T 41T 51T D1T G1T 91T)	41A5072	1	Y
Turkish 440 (models B1G D2G H1G F2G J1G)	41A5073	1	Y
Turkish 179 (models B1G D2G H1G F2G J1G)	41A5074	1	Y
UK English (models B1G D2G H1G F2G J1G)	41A5075	1	Y
US Euro (models B1G D2G H1G F2G J1G)	41A5076	1	Y
Slovenian (models B1G D2G H1G F2G J1G)	41A5077	1	Y

9380 mice	FRU#	CRU Tier	RoHS?
Optical Wheel Mouse (400DPI, USB) (all models)	41U3013	1	Y
Optical Wheel Mouse (400DPI, USB) (all models)	41U3030	1	Y
PS/2 Three Button ball mouse (models CTO)	41R0018	1	Y
ScrollPoint Optical Mouse (800DPI, USB) (models CTO)	41U3019	1	Y

9380 Adapters and miscellaneous FRUs	FRU#	CRU Tier	RoHS?
USB2.0 MEMORY CARDREADER,6X2,ROHS OPTIONAL,Bitland (models CTO)	41R3378	2	Y
USB2.0 MEMORY CARDREADER,6X2,ROHS OPTIONAL, SONY (models CTO)	41R3376	2	Y
PCI Modem Card (Soft) (models CTO)	29R9729	2	Y
L1 IEEE 1394 PCI Adapter (models CTO)	41D2781	2	Y
Denver - ATI X300SE 128MB (models CTO)	39J9635	2	Y
Dongle Cable - DMS59 to dual VGA (models CTO)	41D2399	2	Y
Dongle Cable - DMS59 to dual VGA (included in Denver L1) (models CTO)	42Y8181	2	Y
Dongle DMS Dule DMS-59 to dual DVI cable (models CTO)	41X6398	2	Y
Dongle DMS Dule DMS-59 to single VGA and DVI cable (models CTO)	42Y8183	2	Y
Nvidia GeForce 6200TC128MB 64bit (Full Height) (models CTO)	41X2668	2	Y
Nvidia GeForce 6200TC 64MB 32bit (models CTO)	41X2667	2	Y
Nvidia GeForce 7300LE 128MB 64bit (models CTO)	41X2669	2	Y
Nvidia GeForce 7300LE 128MB 64bit LP / ATX with DMS59 (models CTO)	42Y8165	2	Y
ATI Radeon X1300PRO 256MB 128bit (models CTO)	41X2670	2	Y
ATI X1300LE 256M 64bit LP / ATX with DMS59 (models CTO)	42Y8162	2	Y
X1300 LE 256MB (models CTO)	42Y8159	2	Y
Internal USB Memory Card Reader (models CTO)	41D1934	2	Y
Wireless Keyboard (models CTO)	41A5219	2	Y
Wireless Mouse (models CTO)	41A5247	2	Y
USB Transceiver for wireless kybd/mouse (models CTO)	41A5246	2	Y
BTL external speaker (models CTO)	41A5334	2	Y
DVI-I card,FH(Casper) (models CTO)	39J9334	2	Y

9380 Power Cords	FRU#	CRU Tier	RoHS?
Power Cord (US) (models A1A A1T A3A A3T 41A 41T 51A 51T D1A D1T G1A G1T 91A 91T)	39M5080	1	Y
Power Cord (China) (models A1C A2C D1C)	39M5205	1	Y
Power Cord (Hong Kong) (models A1B A1H 21B 21H D1B D1H)	39M5151	1	Y
Power Cord (UK, Ireland, Singapore, Malaysia, Brunei) (models A1B A1H D1B D1H 21B 21H)	39M5150	1	Y
Power Cord (Italy) (models B1G D2G H1G F2G J1G)	39M5164	1	Y
Power Cord (G models) (models A1A A3A B1G 41A 51A D1A D2G G1A H1G 91A F2G J1G)	39M5122	1	Y

9380 Power Cords	FRU#	CRU Tier	RoHS?
Power Cord (Denmark) (models B1G D2G F2G H1G)	39M5129	1	Y
Power Cord (Switzerland) (models B1G D2G F2G H1G)	39M5157	1	Y
Power Cord (Israel) (models B1G D2G F2G H1G)	39M5171	1	Y
Power Cord (South Africa) (models A1A A3A B1G 41A 51A D1A D2G G1A H1G 91A F2G J1G)	39M5143	1	Y

9380 Windows XP Pro Recovery CDs	FRU#	CRU Tier	RoHS?
US/UK/AP/TH (models A1A A1T A1H B1G 41A 41T 51A 51T D1A D1T D1H D2G G1A G1T H1G 21H 91A 91T F2G J1G)	42Y3549	1	Y
FR/CF (models B1G D2G H1G F2G J1G)	42Y3550	1	Y
GR (models B1G D2G H1G F2G J1G)	42Y3551	1	Y
IT (models B1G D2G H1G F2G J1G)	42Y3553	1	Y
SP/LA (models B1G D2G H1G F2G J1G)	42Y3552	1	Y
DK (models B1G D2G H1G F2G J1G)	42Y3556	1	Y
NL (models B1G D2G H1G F2G J1G)	42Y3720	1	Y
AE (models B1G D2G H1G F2G J1G)	42Y3724	1	Y
SV (models B1G D2G H1G F2G J1G)	42Y3555	1	Y
HE (models B1G D2G H1G F2G J1G)	42Y3721	1	Y
FI (models B1G D2G H1G F2G J1G)	42Y3718	1	Y
NO (models B1G D2G H1G F2G J1G)	42Y3719	1	Y
PL (models B1G D2G H1G F2G J1G)	42Y3722	1	Y
PO (models B1G D2G H1G F2G J1G)	42Y3728	1	Y
RU (models B1G D2G H1G F2G J1G)	42Y3725	1	Y
RE (models B1G D2G H1G F2G J1G)	42Y3717	1	Y
HU (models B1G D2G H1G F2G J1G)	42Y3727	1	Y
CZ (models B1G D2G H1G F2G J1G)	42Y3723	1	Y
TR (models B1G D2G H1G F2G J1G)	42Y3726	1	Y
GK (models B1G D2G H1G F2G J1G)	42Y3729	1	Y
SL (models B1G D2G H1G F2G J1G)	42Y3730	1	Y
Simplified Chinese - TC (models A1C D1C)	41W7751	1	Y
Hong Kong - TC (models A1B D1B 21B)	41W7762	1	Y
Multilingual 1 (models B1G D2G H1G F2G J1G)	42Y3645	1	Y
Multilingual 2 (models B1G D2G H1G F2G J1G)	42Y3879	1	Y

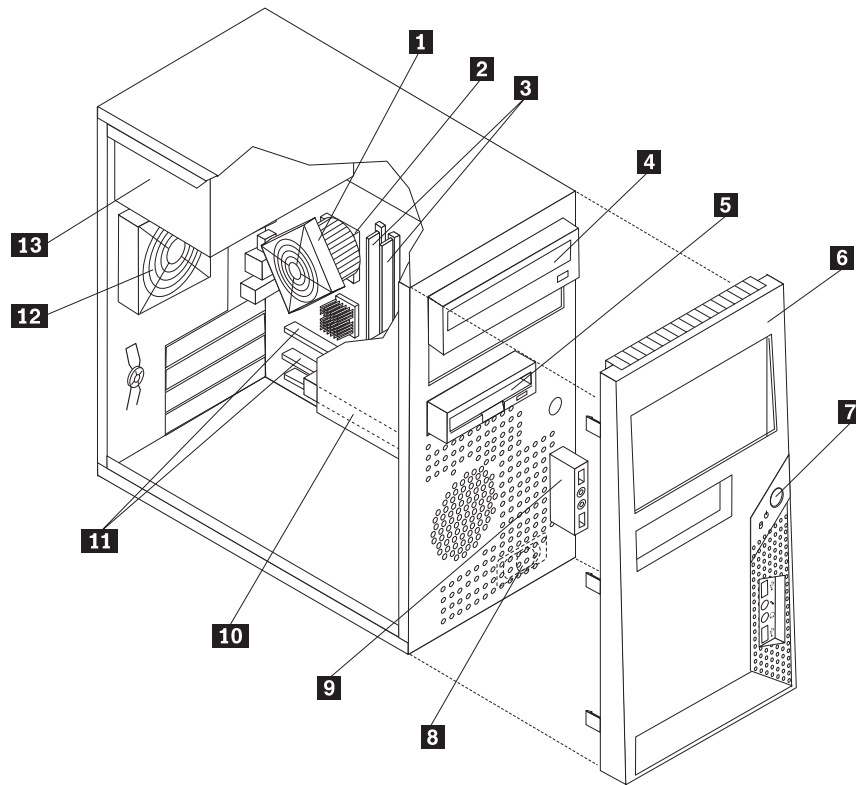
9380 Vista Home Basic 32 Recovery DVDs	FRU#	CRU Tier
US/UK/AP/TH (models)	87H4420	1
FR/CF (models)	87H4421	1
GR (models)	87H4422	1
SP/LA (models)	87H4423	1
BR (models)	87H4424	1

9380 Vista Home Basic 32 Recovery DVDs	FRU#	CRU Tier
IT (models)	87H4425	1
JP (models)	87H4426	1
NO (models)	87H4427	1
SV (models)	87H4428	1
DK (models)	87H4429	1
NL (models)	87H4430	1
CZ (models)	87H4431	1
FI (models)	87H4432	1
PL (models)	87H4433	1
RU (models)	87H4434	1
TR (models)	87H4435	1
HU (models)	87H4436	1
GK (models)	87H4437	1
PO (models)	87H4438	1
CS (models)	87H4439	1
TW (models)	87H4440	1
HK (models)	87H4441	1
KR (models)	87H4442	1
SL (models)	87H4443	1
RE (models)	43C1306	1

9380 Vista Business 32 Recovery DVDs	FRU#	CRU Tier
US/UK/AP/TH (models)	87H4476	1
FR/CF (models)	87H4477	1
GR (models)	87H4478	1
SP/LA (models)	87H4479	1
BR (models)	87H4480	1
IT (models)	87H4481	1
JP (models)	87H4482	1
NO (models)	87H4483	1
SV (models)	87H4484	1
DK (models)	87H4485	1
NL (models)	87H4486	1
CZ (models)	87H4487	1
FI (models)	87H4488	1
PL (models)	87H4489	1
RU (models)	87H4490	1
TR (models)	87H4491	1
HU (models)	87H4492	1
GK (models)	87H4493	1
PO (models)	87H4494	1

9380 Vista Business 32 Recovery DVDs	FRU#	CRU Tier
CS (models)	87H4495	1
TW (models)	87H4496	1
HK (models)	87H4497	1
KR (models)	87H4498	1
SL (models)	87H4499	1
RE (models)	43C1308	1

Machine Type 9383



Item #	9383 FRUs	FRU#	CRU Tier	RoHS?
1	Heatsink for AMD Sempron & Athlon AM2 processors (models CTO B1G B2G 31G D1G D2G F1G B3G 32G 33G 34G D3G)	41N8249	N	Y
1	Heatsink for AMD Sempron & Athlon AM2 processors (models CTO)	41R4802	N	Y
2	Microprocessor, 3000+ Sempron AM2 (1.6 GHz processor, 62W) (models CTO)	41X1403	N	Y
2	Microprocessor, 3400+ Sempron AM2 (1.8 GHz processor, 62W) (models CTO B1G B2G B3G)	41X1407	N	Y
2	Microprocessor, 3600+ Sempron AM2 (2.0 GHz processor, 62W) (models CTO)	41X1411	N	Y
2	Microprocessor, 3200+ Athlon64 AM2 (2.0 GHz processor, 62W) (models CTO)	42Y8940	N	Y
2	Microprocessor, 3500+ Athlon64 AM2 (2.2 GHz processor, 62W) (models CTO)	41X1415	N	Y
2	Microprocessor, 3600+ Athlon64 AM2 X2 (2.0 GHz processor, 89W) (models CTO)	41X7777	N	Y
2	Microprocessor, 3600+ Athlon64 AM2 X2 1.9GHz 1M 65W 65nm G1 (models CTO)	43C4091	N	Y
2	Microprocessor, 3800+ Athlon64 AM2 (2.4 GHz processor, 62W) (models CTO 31G 32G)	41X1417	N	Y
2	Microprocessor, 3800+ Athlon64 AM2 X2 (2.0 GHz processor, 89W) (models CTO 33G 34G)	41X4241	N	Y

Item #	9383 FRUs	FRU#	CRU Tier	RoHS?
2	Microprocessor, 4000+ Athlon64 AM2 (2.4 GHz processor, 62W) (models CTO)	41X1419	N	Y
2	Microprocessor, 4000+ Athlon64 AM2 X2 2.1GHz 1M 65W 65nm G1 (models CTO)	43C3965	N	Y
2	Microprocessor, 4200+ Athlon64 AM2 X2 (2.2 GHz processor, 89W) (models CTO D1G D2G D3G)	41X1421	N	Y
2	Microprocessor, 4400+Athlon64 AM2 X2 2.3 GHz 1M 65W 65nm G1 (models CTO)	43C3507	N	Y
2	Microprocessor, 4600+ Athlon64 AM2 X2 (2.4 GHz processor, 89W) (models CTO)	41X1423	N	Y
2	Microprocessor, 4800+ Athlon AM2 X2 2.5GHz 1M 65W 65nm G1 (models CTO)	43C4093	N	Y
3	Memory module, 512 MB PC2-4200 (533MHz) DDR2 SDRAM (models CTO B1G B2G 31G D1G D2G B3G 32G 33G 34G)	41X4251	1	Y
3	Memory module, 1 GB PC2-4200 (533MHz) DDR2 SDRAM (models CTO F1G D3G)	41X4252	1	Y
3	Memory module, 2GB PC2-4200 (533MHz) DDR2 SDRAM (models CTO)	41X4253	1	Y
3	Memory module, 512 MB PC2-5300 (667MHz) DDR2 SDRAM (models CTO)	41X4255	1	Y
3	Memory module, 1 GB PC2-5300 (667MHz) DDR2 SDRAM (models CTO)	41X4256	1	Y
3	Memory module, 2 GB PC2-5300 (667MHz) DDR2 SDRAM (models CTO)	41X4257	1	Y
4	DVD-ROM drive (16X/48X) (models CTO B1G B2G B3G 33G B4G 35G)	41X3544	1	Y
4	DVD-ROM drive (16X/48X) (models CTO B1G B2G B3G 33G B4G 35G)	41X3545	1	Y
4	DVD-ROM drive (16X/48X) (models CTO B1G B2G B3G 33G B4G 35G)	41X3546	1	Y
4	Combo 48 -32 -48 -16 - - DVD - ROM - CDRW (models CTO 31G D1G D2G 32G 34G)	41X3547	1	Y
4	Combo 48 -32 -48 -16 - - DVD - ROM - CDRW (models CTO 31G D1G D2G 32G 34G)	41X3548	1	Y
4	Combo 48 -32 -48 -16 - - DVD - ROM - CDRW (models CTO 31G D1G D2G 32G 34G)	41X3549	1	Y
4	DVD-Recorder (Rambo 8)-NON/VISTA (models CTO F1G D3G D4G)	41N3343	1	Y
4	Combo 48 -32 -48 -16 - - DVD - ROM - CDRW --NON/VISTA (models CTO 31G D1G D2G 32G 34G)	42Y9368	1	Y
4	Combo 48 -32 -48 -16 - - DVD - ROM - CDRW --NON/VISTA (models CTO 31G D1G D2G 32G 34G)	42Y9369	1	Y
4	Combo 48 -32 -48 -16 - - DVD - ROM - CDRW --NON/VISTA (models CTO 31G D1G D2G 32G 34G)	41X7992	1	Y
4	DVD-Recorder (Rambo 8)-NON/VISTA (models CTO F1G D3G D4G)	41X3550	1	Y
4	DVD Recordable No Software / No Royalty for VISTA Models ONLY (models CTO F1G D3G D4G)	42Y9370	1	Y
4	DVD Recordable No Software / No Royalty for VISTA Models ONLY (models CTO F1G D3G D4G)	42Y9371	1	Y
4	DVD Recordable No Software / No Royalty for VISTA Models ONLY (models CTO F1G D3G D4G)	42Y6017	1	Y
4	DVD Recordable No Software / No Royalty for VISTA Models ONLY (models CTO F1G D3G D4G)	43C0144	1	Y

Item #	9383 FRUs	FRU#	CRU Tier	RoHS?
5	Diskette drive, 3,5", 1.44MB, 2 Mode,(w/bezel) (models CTO B1G)	40Y9105	2	Y
5	Diskette drive, 3,5", 1.44MB, 2 Mode (models CTO B1G)	40Y7107	2	Y
6	Bezel assembly (all models)	41N8052	2	Y
7	Power switch/LED assembly (all models)	41N5284	2	Y
8	Speaker assembly, soldered terminals (models CTO A1M A3M B1V 21V 22M 25M D1V D3M D5M)	39P5023	2	Y
9	Front audio/USB assembly (all models)	41N8054	2	Y
10	Hard disk drive, 40GB (7200RPM), Serial ATA (models CTO)	40Y9033	1	Y
10	Hard disk drive, 80GB (7200RPM), Serial ATA (models CTO B1G B2G 31G D1G B3G 32G 33G)	40Y9034	1	Y
10	Hard disk drive, 80GB 7200rpm SATA (only for China) (models CTO)	41X2500	1	Y
10	Hard disk drive, 160GB (7200RPM), Serial ATA (models CTO D2G 34G)	40Y9035	1	Y
10	Hard disk drive, 250GB (7200RPM), Serial ATA (models CTO F1G D3G)	40Y9036	1	Y
10	Hard disk drive, 500GB (7200RPM), Serial ATA (models CTO)	41X5582	1	Y
11	System board, AMD for Vista and XP (models CTO B1G B2G 31G D1G D2G F1G B3G 32G 33G 34G D3G B4G 35G D4G)	87H4658	N	Y
12	Fan, Rear w/ grommets & Grill (all models)	41N8079	2	Y
13	Power supply (300W) (models CTO)	41N3489	2	Y
13	Power supply (230W) (models CTO B1G B2G 31G D1G D2G F1G B3G 32G 33G 34G D3G)	41N3094	2	Y
13	Power supply (250W) (models CTO B1G B2G 31G D1G D2G F1G B3G 32G 33G 34G D3G)	41N3127	2	Y
13	Power supply (220V/250W/ATX12V - China) (models CTO)	41N3485	2	Y
13	Power Supply 5281-7VW-ROHS, 280W, Standard (models CTO)	41N3479	2	Y
13	Power Supply 5281-7VW-ROHS, 280W, Standard (models CTO)	41N3482	2	Y
13	Power Supply 310W standard only for Japan (models CTO)	24R2596	2	Y

The FRUs listed in the following tables are not illustrated.

9383 FRUs	FRU#	CRU Tier	RoHS?
Thermal grease kit (all models)	91P8835	N	Y
Shield, 5.25 EMC (all models)	41N8080	2	Y
Cable, SATA (18" RoHs) (all models)	26K1186	2	Y
Cable, Serial (all models)	39K5021	2	Y
Shield, diskette drive EMC (all models)	41N8078	2	Y
Cable, Diskette drive (RoHs) (all models)	41A7182	2	Y
Cover, left side (all models)	41N8050	1	Y
Chassis assembly (all models)	41N8051	N	Y
System board I/O Shield - (all models)	41N8053	N	Y
Kit, Miscellaneous hardware (all models)	41N8055	2	Y
Retention Module Kit, RoHs (all models)	41N8056	2	Y

9383 FRUs	FRU#	CRU Tier	RoHS?
Cable, hard disk drive and optical signal (all models)	39M0516	1	Y
Front system fan (all models)	41R2519	1	Y
4 PIN CABLE-SATA,2H 100mm LATCH(RoHs)PS cable (all models)	41R3300	1	Y
Cable SATA 250mm (RoHS) (all models)	41A7145	1	N
Retainer, Card Reader (all models)	41R2913	1	N
Front Fan AVC (all models)	41R4791	1	N
Optional HDD Bracket Assembly, without 4Pin cable (all models)	41R6106	1	N
Chassis assembly (all models)	41R2533	1	N
Retention module, AMD (all models)	41R2507	N	Y

9383 Keyboards (Lenovo Preferred Pro fullsize, Black)	FRU#	CRU Tier	RoHS?
US English (models B1G B2G 31G D1G D2G F1G B3G 32G 33G 34G D3G)	41A5039	1	Y
Arabic (models B1G B2G 31G D1G D2G F1G B3G 32G 33G 34G D3G)	41A5040	1	Y
Arabic/French (models B1G B2G 31G D1G D2G F1G B3G 32G 33G 34G D3G)	41A5041	1	Y
Belgian/French (models B1G B2G 31G D1G D2G F1G B3G 32G 33G 34G D3G)	41A5042	1	Y
Belgian/UK (models B1G B2G 31G D1G D2G F1G B3G 32G 33G 34G D3G)	41A5043	1	Y
Bulgarian (models B1G B2G 31G D1G D2G F1G B3G 32G 33G 34G D3G)	41A5045	1	Y
Czech (models B1G B2G 31G D1G D2G F1G B3G 32G 33G 34G D3G)	41A5047	1	Y
Danish (models B1G B2G 31G D1G D2G F1G B3G 32G 33G 34G D3G)	41A5048	1	Y
Dutch (models B1G B2G 31G D1G D2G F1G B3G 32G 33G 34G D3G)	41A5049	1	Y
French (models B1G B2G 31G D1G D2G F1G B3G 32G 33G 34G D3G)	41A5050	1	Y
German (models B1G B2G 31G D1G D2G F1G B3G 32G 33G 34G D3G)	41A5053	1	Y
Greek (models B1G B2G 31G D1G D2G F1G B3G 32G 33G 34G D3G)	41A5054	1	Y
Hebrew (models B1G B2G 31G D1G D2G F1G B3G 32G 33G 34G D3G)	41A5055	1	Y
Hungarian (models B1G B2G 31G D1G D2G F1G B3G 32G 33G 34G D3G)	41A5056	1	Y
Iceland (models B1G B2G 31G D1G D2G F1G B3G 32G 33G 34G D3G)	41A5057	1	Y
Italian (models B1G B2G 31G D1G D2G F1G B3G 32G 33G 34G D3G)	41A5058	1	Y
Norwegian (models B1G B2G 31G D1G D2G F1G B3G 32G 33G 34G D3G)	41A5062	1	Y
Polish (models B1G B2G 31G D1G D2G F1G B3G 32G 33G 34G D3G)	41A5063	1	Y
Portuguese (models B1G B2G 31G D1G D2G F1G B3G 32G 33G 34G D3G)	41A5064	1	Y
Romanian (models B1G B2G 31G D1G D2G F1G B3G 32G 33G 34G D3G)	41A5065	1	Y
Russian/Cyrilic (models B1G B2G 31G D1G D2G F1G B3G 32G 33G 34G D3G)	41A5066	1	Y
Serbian/Cyrilic (models B1G B2G 31G D1G D2G F1G B3G 32G 33G 34G D3G)	41A5067	1	Y
Slovak (models B1G B2G 31G D1G D2G F1G B3G 32G 33G 34G D3G)	41A5068	1	Y
Spanish (models B1G B2G 31G D1G D2G F1G B3G 32G 33G 34G D3G)	41A5069	1	Y
Swedish/Finn (models B1G B2G 31G D1G D2G F1G B3G 32G 33G 34G D3G)	41A5070	1	Y
Swiss F/G (models B1G B2G 31G D1G D2G F1G B3G 32G 33G 34G D3G)	41A5071	1	Y
Turkish 440 (models B1G B2G 31G D1G D2G F1G B3G 32G 33G 34G D3G)	41A5073	1	Y
Turkish 179 (models B1G B2G 31G D1G D2G F1G B3G 32G 33G 34G D3G)	41A5074	1	Y

9383 Keyboards (Lenovo Preferred Pro fullsize, Black)	FRU#	CRU Tier	RoHS?
UK English (models B1G B2G 31G D1G D2G F1G B3G 32G 33G 34G D3G)	41A5075	1	Y
US Euro (models B1G B2G 31G D1G D2G F1G B3G 32G 33G 34G D3G)	41A5076	1	Y
Slovenian (models B1G B2G 31G D1G D2G F1G B3G 32G 33G 34G D3G)	41A5077	1	Y

9383 mice	FRU#	CRU Tier	RoHS?
Optical Wheel Mouse (400DPI, USB) (all models)	41U3013	1	Y
Optical Wheel Mouse (400DPI, USB) (all models)	41U3030	1	Y
PS/2 Three Button ball mouse (models CTO)	41R0018	1	Y
ScrollPoint Optical Mouse (800DPI, USB) (models CTO)	41U3019	1	Y

9383 Adapters and miscellaneous FRUs	FRU#	CRU Tier	RoHS?
USB2.0 MEMORY CARDREADER,6X2,ROHS OPTIONAL,Bitland (models CTO)	41R3378	2	Y
USB2.0 MEMORY CARDREADER,6X2,ROHS OPTIONAL, SONY (models CTO)	41R3376	2	Y
PCI Modem Card (Soft) (models CTO)	29R9729	2	Y
L1 IEEE 1394 PCI Adapter (models CTO)	41D2781	2	Y
Denver - ATI X300SE 128MB (models CTO)	39J9635	2	Y
Dongle Cable - DMS59 to dual VGA (models CTO)	41D2399	2	Y
Dongle Cable - DMS59 to dual VGA (included in Denver L1) (models CTO)	42Y8181	2	Y
Dongle DMS Dule DMS-59 to dual DVI cable (models CTO)	41X6398	2	Y
Dongle DMS Dule DMS-59 to single VGA and DVI cable (models CTO)	42Y8183	2	Y
Nvidia GeForce 6200TC128MB 64bit (Full Height) (models CTO)	41X2668	2	Y
Nvidia GeForce 6200TC 64MB 32bit (models CTO)	41X2667	2	Y
Nvidia GeForce 7300LE 128MB 64bit (models CTO)	41X2669	2	Y
Nvidia GeForce 7300LE 128MB 64bit LP / ATX with DMS59 (models CTO)	42Y8165	2	Y
ATI Radeon X1300PRO 256MB 128bit (models CTO)	41X2670	2	Y
ATI X1300LE 256M 64bit LP / ATX with DMS59 (models CTO)	42Y8162	2	Y
X1300 LE 256MB (models CTO)	42Y8159	2	Y
Internal USB Memory Card Reader (models CTO B2G 31G D1G D2G F1G)	41D1934	2	Y
Wireless Keyboard (models CTO)	41A5219	2	Y
Wireless Mouse (models CTO)	41A5247	2	Y
USB Transceiver for wireless kybd/mouse (models CTO)	41A5246	2	Y
DVI-I card,FH(Casper) (models CTO)	39J9334	2	Y
BTL external speaker (models CTO)	41A5334	2	Y

9383 Power Cords	FRU#	CRU Tier	RoHS?
Power Cord (UK, Ireland, Singapore, Malaysia, Brunei) (models B1G B2G 31G D1G D2G F1G B3G 32G 33G 34G D3G)	39M5150	1	Y
Power Cord (Italy) (models B1G B2G 31G D1G D2G F1G B3G 32G 33G 34G D3G)	39M5164	1	Y

9383 Power Cords	FRU#	CRU Tier	RoHS?
Power Cord (G models) (models B1G B2G 31G D1G D2G F1G B3G 32G 33G 34G D3G)	39M5122	1	Y
Power Cord (Denmark) (models B1G B2G 31G D1G D2G F1G B3G 32G 33G 34G D3G)	39M5129	1	Y
Power Cord (Switzerland) (models B1G B2G 31G D1G D2G F1G B3G 32G 33G 34G D3G)	39M5157	1	Y
Power Cord (Israel) (models B1G B2G 31G D1G D2G F1G B3G 32G 33G 34G D3G)	39M5171	1	Y
Power Cord (South Africa) (models B1G B2G 31G D1G D2G F1G B3G 32G 33G 34G D3G)	39M5143	1	Y

9383 Windows XP Pro Recovery CDs	FRU#	CRU Tier	RoHS?
US/UK/AP/TH (models B2G 31G D1G D2G F1G B3G 32G 33G 34G D3G)	42Y3549	1	Y
FR/CF (models B2G 31G D1G D2G F1G B3G 32G 33G 34G D3G)	42Y3550	1	Y
GR (models B2G 31G D1G D2G F1G B3G 32G 33G 34G D3G)	42Y3551	1	Y
IT (models B2G 31G D1G D2G F1G B3G 32G 33G 34G D3G)	42Y3553	1	Y
SP/LA (models B2G 31G D1G D2G F1G B3G 32G 33G 34G D3G)	42Y3552	1	Y
DK (models B2G 31G D1G D2G F1G B3G 32G 33G 34G D3G)	42Y3556	1	Y
NL (models B2G 31G D1G D2G F1G B3G 32G 33G 34G D3G)	42Y3720	1	Y
AE (models B2G 31G D1G D2G F1G B3G 32G 33G 34G D3G)	42Y3724	1	Y
SV (models B2G 31G D1G D2G F1G B3G 32G 33G 34G D3G)	42Y3555	1	Y
HE (models B2G 31G D1G D2G F1G B3G 32G 33G 34G D3G)	42Y3721	1	Y
FI (models B2G 31G D1G D2G F1G B3G 32G 33G 34G D3G)	42Y3718	1	Y
NO (models B2G 31G D1G D2G F1G B3G 32G 33G 34G D3G)	42Y3719	1	Y
PL (models B2G 31G D1G D2G F1G B3G 32G 33G 34G D3G)	42Y3722	1	Y
PO (models B2G 31G D1G D2G F1G B3G 32G 33G 34G D3G)	42Y3728	1	Y
RU (models B2G 31G D1G D2G F1G B3G 32G 33G 34G D3G)	42Y3725	1	Y
RE (models B2G 31G D1G D2G F1G B3G 32G 33G 34G D3G)	42Y3717	1	Y
HU (models B2G 31G D1G D2G F1G B3G 32G 33G 34G D3G)	42Y3727	1	Y
CZ (models B2G 31G D1G D2G F1G B3G 32G 33G 34G D3G)	42Y3723	1	Y
TR (models B2G 31G D1G D2G F1G B3G 32G 33G 34G D3G)	42Y3726	1	Y
GK (models B2G 31G D1G D2G F1G B3G 32G 33G 34G D3G)	42Y3729	1	Y
SL (models B2G 31G D1G D2G F1G B3G 32G 33G 34G D3G)	42Y3730	1	Y
Multilingual 1 (models B2G 31G D1G D2G F1G B3G 32G 33G 34G D3G)	42Y3645	1	Y
Multilingual 2 (models B2G 31G D1G D2G F1G B3G 32G 33G 34G D3G)	42Y3879	1	Y

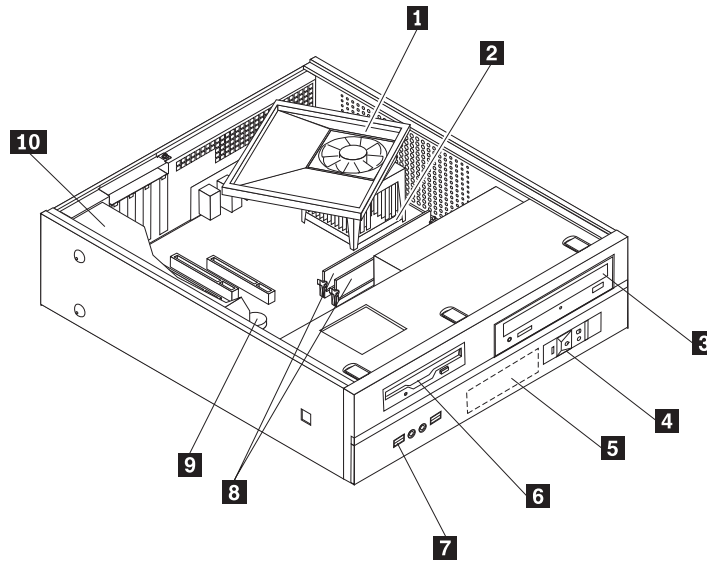
9383 Vista Home Basic 32 Recovery DVDs	FRU#	CRU Tier
US/UK/AP/TH (models)	87H4420	1
FR/CF (models)	87H4421	1
GR (models)	87H4422	1
SP/LA (models)	87H4423	1

9383 Vista Home Basic 32 Recovery DVDs	FRU#	CRU Tier
BR (models)	87H4424	1
IT (models)	87H4425	1
JP (models)	87H4426	1
NO (models)	87H4427	1
SV (models)	87H4428	1
DK (models)	87H4429	1
NL (models)	87H4430	1
CZ (models)	87H4431	1
FI (models)	87H4432	1
PL (models)	87H4433	1
RU (models)	87H4434	1
TR (models)	87H4435	1
HU (models)	87H4436	1
GK (models)	87H4437	1
PO (models)	87H4438	1
CS (models)	87H4439	1
TW (models)	87H4440	1
HK (models)	87H4441	1
KR (models)	87H4442	1
SL (models)	87H4443	1
RE (models)	43C1306	1

9383 Vista Business 32 Recovery DVDs	FRU#	CRU Tier
US/UK/AP/TH (models)	87H4476	1
FR/CF (models)	87H4477	1
GR (models)	87H4478	1
SP/LA (models)	87H4479	1
BR (models)	87H4480	1
IT (models)	87H4481	1
JP (models)	87H4482	1
NO (models)	87H4483	1
SV (models)	87H4484	1
DK (models)	87H4485	1
NL (models)	87H4486	1
CZ (models)	87H4487	1
FI (models)	87H4488	1
PL (models)	87H4489	1
RU (models)	87H4490	1
TR (models)	87H4491	1
HU (models)	87H4492	1
GK (models)	87H4493	1

9383 Vista Business 32 Recovery DVDs	FRU#	CRU Tier
PO (models)	87H4494	1
CS (models)	87H4495	1
TW (models)	87H4496	1
HK (models)	87H4497	1
KR (models)	87H4498	1
SL (models)	87H4499	1
RE (models)	43C1308	1

Machine Type 9384



Item #	9384 FRUs	FRU#	CRU Tier	RoHS?
1	Heatsink for AMD Sempron & Athlon AM2 processors (models D6U D6F D7U D7F D8G D9G CTO A1G A2S A2P A2Y A3S A3P A3Y A4S A4P A4Y A5Q A6U A6F A6S A6P A6Y B1S B1P B1Y B2G 21G 22Q 23Q 24K 24R 25K 25R 26S 26P 26Y 27S 27P 27Y 28S 28P 28Y 31U 31F 31S 31P 31Y 32U 32F 32S 32P 32Y D1Q D2G D3U D3F D3S D3P D3Y D4U D4F D4S D4P D4Y D5U D5F D5S D5P D5L D5D D5Y D5G D5M D5A D5Q D5T D5C D5B D5H D5V D5K D5R D5E D5J E1G F1G A7U A8G B3U B4S B4P B4Y B5G 23U 23F 28U 28F 29G 33R 34U 34U 34F 34S 34P 34L 34D 34Y 34G 34M 34A 34Q 34T 34C 34B 34H 34V 34K 34R 34E 34J 35U 35F 35S 35P 35Y 35G 36S 36P 36Y)	41N8249	N	Y
1	Heatsink for AMD Sempron & Athlon AM2 processors (models CTO)	41R4802	N	Y
2	Microprocessor, 3000+ Sempron AM2 (1.6 GHz processor, 62W) (models CTO A1G A2S A2P A2Y A3S A3P A3Y A4S A4P A4Y A7U)	41X1403	N	Y
2	Microprocessor, 3400+ Sempron AM2 (1.8 GHz processor, 62W) (models CTO B3U B4S B4P B4Y B5G)	41X1407	N	Y
2	Microprocessor, 3500+ Sempron AM2 (2.0 GHz processor, 62W) (models CTO B1S B1P B1Y)	41X1409	N	Y
2	Microprocessor, 3600+ Sempron AM2 (2.0 GHz processor, 62W) (models CTO B2G)	41X1411	N	Y
2	Microprocessor, 3500+ Athlon64 AM2 (2.2 GHz processor, 62W) (models CTO 21G 22Q 23Q 24K 24R 25K 25R 26S 26P 26Y 27S 27P 27Y 28S 28P 28Y 23U 23F 28U 28F 29G)	41X1415	N	Y
2	Microprocessor, 3600+ Athlon64 AM2 X2 (2.0 GHz processor, 89W) (models CTO)	41X7777	N	Y
2	Microprocessor, 3600+Athlon64 AM2 X2 1.9GHz 1M 65W 65nm G1 (models CTO)	43C4091	N	Y
2	Microprocessor, 3800+ Athlon64 AM2 (2.4 GHz processor, 62W) (models CTO 31U 31F 31S 31P 31Y 32U 32F 32S 32P 32Y 33R 34U)	41X1417	N	Y

Item #	9384 FRUs	FRU#	CRU Tier	RoHS?
2	Microprocessor, 3800+ Athlon64 AM2 X2 (2.0 GHz processor, 89W) (models CTO 34U 34F 34S 34P 34L 34D 34Y 34G 34M 34A 34Q 34T 34C 34B 34H 34V 34K 34R 34E 34J 35U 35F 35S 35P 35Y 35G 36S 36P 36Y)	41X4241	N	Y
2	Microprocessor, 4000+ Athlon64 AM2 (2.4 GHz processor, 62W) (models CTO)	41X1419	N	Y
2	Microprocessor, 4000+ Athlon64 AM2 X2 2.1GHz 1M 65W 65nm G1 (models CTO)	43C3965	N	Y
2	Microprocessor, 4200+ Athlon64 AM2 X2 (2.2 GHz processor, 89W) (models CTO D1Q D2G D3U D3F D3S D3P D3Y D4U D4F D4S D4P D4Y D5U D5F D5S D5P D5L D5D D5Y D5G D5M D5A D5Q D5T D5C D5B D5H D5V D5K D5R D5E D5J)	41X1421	N	Y
2	Microprocessor, 4400+Athlon64 AM2 X2 2.3 GHz 1M 65W 65nm G1 (models CTO)	43C3507	N	Y
2	Microprocessor, 4600+ Athlon64 AM2 X2 (2.4 GHz processor, 89W) (models CTO E1G)	41X1423	N	Y
2	Microprocessor, 4800+ Athlon AM2 X2 2.5GHz 1M 65W 65nm G1 (models CTO)	43C4093	N	Y
3	DVD-ROM drive (16X/48X) (models CTO A1G 21G A8G 29G 34U 34F 34S 34P 34L 34D 34Y 34G 34M 34A 34Q 34T 34C 34B 34H 34V 34K 34R 34E 34J D7U D7F)	41X3544	2	Y
3	DVD-ROM drive (16X/48X) (models CTO A1G 21G A8G 29G 34U 34F 34S 34P 34L 34D 34Y 34G 34M 34A 34Q 34T 34C 34B 34H 34V 34K 34R 34E 34J D7U D7F)	41X3545	2	Y
3	DVD-ROM drive (16X/48X) (models CTO A1G 21G A8G 29G 34U 34F 34S 34P 34L 34D 34Y 34G 34M 34A 34Q 34T 34C 34B 34H 34V 34K 34R 34E 34J D7U D7F)	41X3546	2	Y
3	Combo 48 -32 -48 -16 - - DVD - ROM - CDRW (models CTO A2S A2P A2Y B2G 25K 25R 28S 28P 28Y 32U 32F 32S 32P 32Y D2G D4U D4F D4S D4P D4Y D5U D5F D5S D5P D5L D5D D5Y D5G D5M D5A D5Q D5T D5C D5B D5H D5V D5K D5R D5E D5J E1G B5G 28U 28F 33K 33R 35U 35F 35S 35P 35Y 35G D6U D6F D8G)	41X3547	2	Y
3	Combo 48 -32 -48 -16 - - DVD - ROM - CDRW (models CTO A2S A2P A2Y B2G 25K 25R 28S 28P 28Y 32U 32F 32S 32P 32Y D2G D4U D4F D4S D4P D4Y D5U D5F D5S D5P D5L D5D D5Y D5G D5M D5A D5Q D5T D5C D5B D5H D5V D5K D5R D5E D5J E1G B5G 28U 28F 33K 33R 35U 35F 35S 35P 35Y 35G D6U D6F D8G)	41X3548	2	Y
3	Combo 48 -32 -48 -16 - - DVD - ROM - CDRW (models CTO A2S A2P A2Y B2G 25K 25R 28S 28P 28Y 32U 32F 32S 32P 32Y D2G D4U D4F D4S D4P D4Y D5U D5F D5S D5P D5L D5D D5Y D5G D5M D5A D5Q D5T D5C D5B D5H D5V D5K D5R D5E D5J E1G B5G 28U 28F 33K 33R 35U 35F 35S 35P 35Y 35G D6U D6F D8G)	41X3549	2	Y
3	DVD-Recorder (Rambo 8)-NON/VISTA (models CTO F1G D9G F2G)	41N3343	1	Y
3	Combo 48 -32 -48 -16 - - DVD - ROM - CDRW --NON/VISTA (models CTO A2S A2P A2Y B2G 25K 25R 28S 28P 28Y 32U 32F 32S 32P 32Y D2G D4U D4F D4S D4P D4Y D5U D5F D5S D5P D5L D5D D5Y D5G D5M D5A D5Q D5T D5C D5B D5H D5V D5K D5R D5E D5J E1G B5G 28U 28F 33K 33R 35U 35F 35S 35P 35Y 35G D6U D6F D8G 2BU 2BS 2BP 2BL 2BD 2BY 38S 38P 38Y DAU DAF DAS DAP DAL DAD DAY DAG DAM DAADAQ DAT DAC DAB DAH DAV DAK DAR DAE DAJ DBG)	42Y9368	1	Y

Item #	9384 FRUs	FRU#	CRU Tier	RoHS?
3	Combo 48 -32 -48 -16 - - DVD - ROM - CDRW --NON/VISTA (models CTO A2S A2P A2Y B2G 25K 25R 28S 28P 28Y 32U 32F 32S 32P 32Y D2G D4U D4F D4S D4P D4Y D5U D5F D5S D5P D5L D5D D5Y D5G D5M D5A D5Q D5T D5C D5B D5H D5V D5K D5R D5E D5J E1G B5G 28U 28F 33K 33R 35U 35F 35S 35P 35Y 35G D6U D6F D8G 2BU 2BS 2BP 2BL 2BD 2BY 38S 38P 38Y DAU DAF DAS DAP DAL DAD DAY DAG DAM DAADAQ DAT DAC DAB DAH DAV DAK DAR DAE DAJ DBG)	42Y9369	1	Y
3	Combo 48 -32 -48 -16 - - DVD - ROM - CDRW --NON/VISTA (models CTO A2S A2P A2Y B2G 25K 25R 28S 28P 28Y 32U 32F 32S 32P 32Y D2G D4U D4F D4S D4P D4Y D5U D5F D5S D5P D5L D5D D5Y D5G D5M D5A D5Q D5T D5C D5B D5H D5V D5K D5R D5E D5J E1G B5G 28U 28F 33K 33R 35U 35F 35S 35P 35Y 35G D6U D6F D8G 2BU 2BS 2BP 2BL 2BD 2BY 38S 38P 38Y DAU DAF DAS DAP DAL DAD DAY DAG DAM DAADAQ DAT DAC DAB DAH DAV DAK DAR DAE DAJ DBG)	41X7992	1	Y
3	DVD-Recorder (Rambo 8)-NON/VISTA (models CTO F1G D9G F2G)	41X3550	1	Y
3	DVD Recordable No Software / No Royalty for VISTA Models ONLY (models CTO F1G D9G F2G)	42Y9370	1	Y
3	DVD Recordable No Software / No Royalty for VISTA Models ONLY (models CTO F1G D9G F2G)	42Y9371	1	Y
3	DVD Recordable No Software / No Royalty for VISTA Models ONLY (models CTO F1G D9G F2G)	42Y6017	1	Y
3	DVD Recordable No Software / No Royalty for VISTA Models ONLY (models CTO F1G D9G F2G)	43C0144	1	Y
4	Front Power/LED PC, bracket, and cable (all models)	41N8213	N	Y
5	Hard disk drive, 40GB (7200RPM), Serial ATA (models CTO)	40Y9033	2	Y
5	Hard disk drive, 80GB (7200RPM), Serial ATA (models CTO A1G A2S A2P A2Y A3S A3P A3Y A4S A4P A4Y A5Q A6U A6F A6S A6P A6Y B1S B1P B1Y B2G 21G 22Q 23Q 26S 26P 26Y 27S 27P 27Y 31U 31F 31S 31P 31Y 32U 32F 32S 32P 32Y D1Q D2G D3U D3F D3S D3P D3Y D4U D4F D4S D4P D4Y A7U A8G B3U B4S B4P B4Y B5G 23U 23F 29G 34U 34F 34S 34P 34L 34D 34Y 34G 34M 34A 34Q 34T 34C 34B 34H 34V 34K 34R 34E 34J 35U 35F 35S 35P 35Y 35G 36S 36P 36Y D7U D7F)	40Y9034	2	Y
5	Hard disk drive, 80GB 7200rpm SATA (only for China) (models 34T 34C 34B 34H 34V)	41X2500	1	Y
5	Hard disk drive, 160GB (7200RPM), Serial ATA (models CTO 24K 24R 25K 25R 28S 28P 28Y D5U D5F D5S D5P D5L D5D D5Y D5G D5M D5A D5Q D5T D5C D5B D5H D5V D5K D5R D5E D5J E1G 28U 28F 33K 33R D6U D6F D8G)	40Y9035	2	Y
5	Hard disk drive, 250GB (7200RPM), Serial ATA (models CTO F1G D9G)	40Y9036	2	Y
5	Hard disk drive, 500GB (7200RPM), Serial ATA (models CTO)	41X5582	2	Y
6	Diskette drive, 3,5", 1.44MB, 2-mode, (w/bezel) (models CTO A3S A3P A3Y A4S A4P A4Y 24K 24R 25K 25R 26S 26P 26Y 27S 27P 27Y B4S B4P B4Y 33K 33R 36S 36P 36Y)	40Y9105	2	Y
6	Diskette drive, 3,5", 1.44MB, 2-mode, (w/bezel) (models CTO A3S A3P A3Y A4S A4P A4Y 24K 24R 25K 25R 26S 26P 26Y 27S 27P 27Y B4S B4P B4Y 33K 33R 36S 36P 36Y)	40Y7107	2	Y
7	Front USB/Audio with bracket (all models)	41N8212	N	Y

Item #	9384 FRUs	FRU#	CRU Tier	RoHS?
8	Memory module, 512 MB PC2-4200 (533MHz) DDR2 SDRAM (models CTO A1G A6U A6F A6S A6P A6Y B1S B1P B1Y B2G 21G 23Q 31U 31F 31S 31P 31Y 32U 32F 32S 32P 32Y D2G D3U D3F D3S D3P D3Y D4U D4F D4S D4P D4Y D5U D5F D5S D5P D5L D5D D5Y D5G D5M D5A D5Q D5T D5C D5B D5H D5V D5K D5R D5E D5J A7U A8G B3U B5G 23U 23F 29G 34U 34F 34S 34P 34L 34D 34Y 34G 34M 34A 34Q 34T 34C 34B 34H 34V 34K 34R 34E 34J 35U 35F 35S 35P 35Y 35G D6U D6F D7U D7F)	41X4251	2	Y
8	Memory module, 1 GB PC2-4200 (533MHz) DDR2 SDRAM (models CTO E1G F1G D8G D9G)	41X4252	2	Y
8	Memory module, 2GB PC2-4200 (533MHz) DDR2 SDRAM (models CTO)	41X4253	2	Y
8	Memory module, 512 MB PC2-5300 (667MHz) DDR2 SDRAM (models CTO 24K 24R 26S 26P 26Y 27S 27P 27Y 28S 28P 28Y 28U 28F)	41X4255	2	Y
8	Memory module, 1 GB PC2-5300 (667MHz) DDR2 SDRAM (models CTO 25K 25R)	41X4256	2	Y
8	Memory module, 2 GB PC2-5300 (667MHz) DDR2 SDRAM (models CTO)	41X4257	2	Y
9	System board, AMD Sys Planar for Vista and XP (models D6U D6F D7U D7F D8G D9G CTO A1G A2S A2P A2Y A3S A3P A3Y A4S A4P A4Y A5Q A6U A6F A6S A6P A6Y B1S B1P B1Y B2G 21G 22Q 23Q 24K 24R 25K 25R 26S 26P 26Y 27S 27P 27Y 28S 28P 28Y 31U 31F 31S 31P 31Y 32U 32F 32S 32P 32Y D1Q D2G D3U D3F D3S D3P D3Y D4U D4F D4S D4P D4Y D5U D5F D5S D5P D5L D5D D5Y D5G D5M D5A D5Q D5T D5C D5B D5H D5V D5K D5R D5E D5J E1G F1G A7U A8G B3U B4S B4P B4Y B5G 23U 23F 28U 28F 29G 33K 33R 34U 34F 34S 34P 34L 34D 34Y 34G 34M 34A 34Q 34T 34C 34B 34H 34V 34K 34R 34E 34J 35U 35F 35S 35P 35Y 35G 36S 36P 36Y B7S B7P B7Y 2AS 2AP 2AY 2BS 2BP 2BL 2BD 2BY 2BU 2CG 38S 38P 38Y 3AU 3AF 3AS 3AP 3AL 3AD 3AY 3AG 3AM 3AA 3AQ 3AT 3AC 3AB 3AH 3AV 3AK 3AR 3AE 3AJ DAU DAF DAS DAP DAL DAD DAY DAM DAA DAG DAQ DAT DAC DAB DAH DAV DAK DAR DAE DAJ DBG F2G)	87H4658	N	Y
10	220W Small desktop power supply (non-smokeless) (models CTO A1G A6U A6F B2G 21G 24K 24R 25K 25R 31U 31F 32U 32F D2G D3U D3F D4U D4F D5U D5F D5G D5M D5A D5T D5K D5R E1G F1G A2S A2P A2Y A3S A3P A3Y A4S A4P A4Y A6S A6P A6Y B1S B1P B1Y 26S 26P 26Y 27S 27P 27Y 28S 28P 28Y 31S 31P 31Y 32S 32P 32Y D3S D3P D3Y D4S D4P D4Y D5S D5P D5L D5D D5Y D5C D5B D5H D5V A7U A8G B3U B5G 23U 23F 28U 28F 29G 33K 33R 34U 34F 34G 34M 34A 34T 34K 34R 34E 34J 35U 35F 35G D6U D6F D7U D7F D8G D9G)	41N3109	N	Y
10	220W Small desktop power supply (smokeless -- Japanese) (models D5E D5J)	41N3119	N	Y
10	220W Power Supply - China (models CTO-A A5Q 22Q 23Q D1Q D5Q B4S B4P B4Y 34S 34P 34L 34D 34Y 34Q 34C 34B 34H 34V 35S 35P 35Y 36S 36P 36Y)	41N3493	N	Y
10	220 Watt Power Supply - WW (models CTO A1G A6U A6F B2G 21G 24K 24R 25K 25R 31U 31F 32U 32F D2G D3U D3F D4U D4F D5U D5F D5G D5M D5A D5T D5K D5R E1G F1G A2S A2P A2Y A3S A3P A3Y A4S A4P A4Y A6S A6P A6Y B1S B1P B1Y 26S 26P 26Y 27S 27P 27Y 28S 28P 28Y 31S 31P 31Y 32S 32P 32Y D3S D3P D3Y D4S D4P D4Y D5S D5P D5L D5D D5Y D5C D5B D5H D5V A7U A8G B3U B5G 23U 23F 28U 28F 29G 33K 33R 34U 34F 34G 34M 34A 34T 34K 34R 34E 34J 35U 35F 35G D6U D6F D7U D7F D8G D9G)	41A9655	N	Y
10	220 Watt Power Supply - china (models CTO-A A5Q 22Q 23Q D1Q D5Q B4S B4P B4Y 34S 34P 34L 34D 34Y 34Q 34C 34B 34H 34V 35S 35P 35Y 36S 36P 36Y)	41A9652	N	Y

The FRUs listed in the following tables are not illustrated.

9384 FRUs	FRU#	CRU Tier	RoHS?
Thermal grease kit (models CTO)	91P8835	N	Y
1 drop IDE cable (all models)	41A7158	N	Y
Shield, EMC, system board (all models)	41N5347	N	Y
Cable, Serial ATA, 250 mm (all models)	41A7145	N	Y
Shield, EMC, blank 5.25in. drive bay (all models)	41N8271	N	Y
Shield, EMC, blank diskette drive bay (all models)	41N8273	N	Y
Cover (all models)	41N8204	2	Y
Mechanical shell kit (all models)	41N8205	2	Y
Bezel kit (all models)	41N8206	N	Y
Miscellaneous hardware kit (all models)	41N8209	N	Y
Hard disk drive bracket asm (plastic and grommets) (all models)	41N8210	N	Y
Hard disk drive fan and bracket asm (all models)	41N8211	N	Y
Speaker cable asm, 600 mm cable length (all models)	41N8217	N	Y
Serial port Cable (all models)	39K5021	N	Y
Fan duct assembly (all models)	41A7151	N	Y
Fan duct assembly (all models)	41R4808	N	Y
Rear USB cable asm (with low profile PCI bracket) (all models)	41N8267	N	
Rear USB 2Ports II HP(R), high profile I/O, 300mm, Rohs (all models)	42Y8005	N	Y
Rear USB 2Ports II LP(R), low profile I/O, 200mm, Rohs (all models)	42Y8006	N	Y
Rear Com2 cable II HP(R), high profile I/O, 250mm, Rohs (all models)	42Y8007	N	Y
Rear Com2 cable II LP(R), low profile I/O, 250mm, Rohs (all models)	42Y8008	N	Y
Foot stand (all models)	41R4813	N	Y
Retention module, AMD (all models)	41R2507	N	Y

9384 Keyboards (Lenovo Preferred Pro fullsize, Black)	FRU#	CRU Tier	RoHS?
US English (models A1G A5Q A6U B2G 21G 22Q 23Q 24R 25R 31U 32U D1Q D2G D3U D4U D5U D5L D5G D5M D5A D5Q D5C D5H D5R D5E E1G F1G A7U A8G B3U B5G 23U 28U 29G 33R 34U 34L 34G 34M 34A 34Q 34C 34H 34R 34E 35U 35G D6U D7U D8G D9G)	41A5039	1	Y
Arabic (models A1G B2G 21G D2G D5G E1G F1G A8G B5G 29G 34G 35G D8G D9G)	41A5040	1	Y
Arabic/French (models A1G B2G 21G D2G D5G E1G F1G A8G B5G 29G 34G 35G D8G D9G)	41A5041	1	Y
Belgian/French (models A1G B2G 21G D2G D5G E1G F1G A8G B5G 29G 34G 35G D8G D9G)	41A5042	1	Y
Belgian/UK (models A1G B2G 21G D2G D5G E1G F1G A8G B5G 29G 34G 35G D8G D9G)	41A5043	1	Y
Bulgarian (models A1G B2G 21G D2G D5G E1G F1G A8G B5G 29G 34G 35G D8G D9G)	41A5045	1	Y

9384 Keyboards (Lenovo Preferred Pro fullsize, Black)	FRU#	CRU Tier	RoHS?
Hong Kong/Taiwan (models D5B D5V 34B 34V)	41A5046	1	Y
Czech (models A1G B2G 21G D2G D5G E1G F1G A8G B5G 29G 34G 35G D8G D9G)	41A5047	1	Y
Danish (models A1G B2G 21G D2G D5G E1G F1G A8G B5G 29G 34G 35G D8G D9G)	41A5048	1	Y
Dutch (models A1G B2G 21G D2G D5G E1G F1G A8G B5G 29G 34G 35G D8G D9G)	41A5049	1	Y
French (models A1G B2G 21G D2G D5G E1G F1G A8G B5G 29G 34G 35G D8G D9G)	41A5050	1	Y
French Canadian 445 (models A6F 31F 32F D3F D4F D5F 23F 28F 34F 35F D6F D7F)	41A5051	1	Y
French Canadian 58 (models A6F 31F 32F D3F D4F D5F 23F 28F 34F 35F D6F D7F)	41A5052	1	Y
German (models A1G B2G 21G D2G D5G E1G F1G A8G B5G 29G 34G 35G D8G D9G)	41A5053	1	Y
Greek (models A1G B2G 21G D2G D5G E1G F1G A8G B5G 29G 34G 35G D8G D9G)	41A5054	1	Y
Hebrew (models A1G B2G 21G D2G D5G E1G F1G A8G B5G 29G 34G 35G D8G D9G)	41A5055	1	Y
Hungarian (models A1G B2G 21G D2G D5G E1G F1G A8G B5G 29G 34G 35G D8G D9G)	41A5056	1	Y
Iceland (models A1G B2G 21G D2G D5G E1G F1G A8G B5G 29G 34G 35G D8G D9G)	41A5057	1	Y
Italian (models A1G B2G 21G D2G D5G E1G F1G A8G B5G 29G 34G 35G D8G D9G)	41A5058	1	Y
Japanese (models D5J 34J)	41A5059	1	Y
Korean (models 24K 25K D5K 33K 34K)	41A5060	1	Y
LA Spanish (models A2S A2Y A3S A3Y A4S A4Y A6S A6Y B1S B1Y 26S 26Y 27S 27Y 28S 28Y 31S 31Y 32S 32Y D3S D3Y D4S D4Y D5S D5D D5Y B4S B4Y 34S 34D 34Y 35S 35Y 36S 36Y)	41A5061	1	Y
Norwegian (models A1G B2G 21G D2G D5G E1G F1G A8G B5G 29G 34G 35G D8G D9G)	41A5062	1	Y
Polish (models A1G B2G 21G D2G D5G E1G F1G A8G B5G 29G 34G 35G D8G D9G)	41A5063	1	Y
Portuguese (models A1G B2G 21G D2G D5G E1G F1G A8G B5G 29G 34G 35G D8G D9G)	41A5064	1	Y
Romanian (models A1G B2G 21G D2G D5G E1G F1G A8G B5G 29G 34G 35G D8G D9G)	41A5065	1	Y
Russian/Cyrilic (models A1G B2G 21G D2G D5G E1G F1G A8G B5G 29G 34G 35G D8G D9G)	41A5066	1	Y
Serbian/Cyrilic (models A1G B2G 21G D2G D5G E1G F1G A8G B5G 29G 34G 35G D8G D9G)	41A5067	1	Y
Slovak (models A1G B2G 21G D2G D5G E1G F1G A8G B5G 29G 34G 35G D8G D9G)	41A5068	1	Y
Spanish (models A1G B2G 21G D2G D5G E1G F1G A8G B5G 29G 34G 35G D8G D9G)	41A5069	1	Y

9384 Keyboards (Lenovo Preferred Pro fullsize, Black)	FRU#	CRU Tier	RoHS?
Swedish/Finn (models A1G B2G 21G D2G D5G E1G F1G A8G B5G 29G 34G 35G D8G D9G)	41A5070	1	Y
Swiss F/G (models A1G B2G 21G D2G D5G E1G F1G A8G B5G 29G 34G 35G D8G D9G)	41A5071	1	Y
Thailand (models D5T 34T)	41A5072	1	Y
Turkish 440 (models A1G B2G 21G D2G D5G E1G F1G A8G B5G 29G 34G 35G D8G D9G)	41A5073	1	Y
Turkish 179 (models A1G B2G 21G D2G D5G E1G F1G A8G B5G 29G 34G 35G D8G D9G)	41A5074	1	Y
UK English (models A1G B2G 21G D2G D5G E1G F1G A8G B5G 29G 34G 35G D8G D9G)	41A5075	1	Y
US Euro (models A1G B2G 21G D2G D5G E1G F1G A8G B5G 29G 34G 35G D8G D9G)	41A5076	1	Y
Slovenian (models A1G B2G 21G D2G D5G E1G F1G A8G B5G 29G 34G 35G D8G D9G)	41A5077	1	Y
Brazil/Portuguese (models A2P A3P A4P A6P B1P 26P 27P 28P 31P 32P D3P D4P D5P B4P 34P 35P 36P)	41A5077	1	Y

9384 mice	FRU#	CRU Tier	RoHS?
Optical Wheel Mouse (400DPI, USB) (all models)	41U3013	1	Y
Optical Wheel Mouse (400DPI, USB) (all models)	41U3030	1	Y
PS/2 Three Button ball mouse (models CTO)	41R0018	1	Y
ScrollPoint Optical Mouse (800DPI, USB) (models CTO)	41U3019	1	Y

9384 Adapters and miscellaneous FRUs	FRU#	CRU Tier	RoHS?
USB2.0 MEMORY CARDREADER,6X2,ROHS OPTIONAL,Bitland (models CTO)	41R3378	2	Y
USB2.0 MEMORY CARDREADER,6X2,ROHS OPTIONAL, SONY (models CTO)	41R3376	2	Y
PCI Modem Card (Soft) (models CTO)	29R9729	2	Y
L1 IEEE 1394 PCI Adapter (models CTO)	41D2781	2	Y
Denver - ATI X300SE 128MB (models CTO)	39J9635	2	Y
Dongle Cable - DMS59 to dual VGA (models CTO)	41D2399	2	Y
Dongle Cable - DMS59 to dual VGA (included in Denver L1) (models CTO)	42Y8181	2	Y
Dongle DMS Dule DMS-59 to dual DVI cable (models CTO)	41X6398	2	Y
Dongle DMS Dule DMS-59 to single VGA and DVI cable (models CTO)	42Y8183	2	Y
Nvidia GeForce 6200TC128MB 64bit (Full Height) (models CTO)	41X2668	2	Y
Nvidia GeForce 6200TC 64MB 32bit (models CTO)	41X2667	2	Y
Nvidia GeForce 7300LE 128MB 64bit (models CTO)	41X2669	2	Y
Nvidia GeForce 7300LE 128MB 64bit LP / ATX with DMS59 (models CTO)	42Y8165	2	Y
ATI Radeon X1300PRO 256MB 128bit (models CTO)	41X2670	2	Y
ATI X1300LE 256M 64bit LP / ATX with DMS59 (models CTO)	42Y8162	2	Y
X1300 LE 256MB (models CTO)	42Y8159	2	Y

9384 Adapters and miscellaneous FRUs	FRU#	CRU Tier	RoHS?
Internal USB Memory Card Reader (models CTO)	41D1934	2	Y
Wireless Keyboard (models CTO)	41A5219	2	Y
Wireless Mouse (models CTO)	41A5247	2	Y
USB Transceiver for wireless kybd/mouse (models CTO)	41A5246	2	Y
BTL external speaker (models CTO)	41A5334	2	Y
DVI-I card,FH(Casper) (models CTO)	39J9334	2	Y

9384 Power Cords	FRU#	CRU Tier	RoHS?
Power Cord (US) (models A2S A3S A4S A6U A6F A6S B1S 26S 27S 28S 31U 31F 31S 32U 32F 32S D3U D3F D3S D4U D4F D4S D5U D5F D5S D5L D5D D5A D5T A7U B3U B4S 23U 23F 28U 28F 34U 34F 34S 34L 34D 34A 34T 35U 35F 35S 36S D6U D6F D7U D7F)	39M5080	1	Y
Power Cord (China) (models D5C 34C)	39M5205	1	Y
Power Cord (Japan) (models D5E D5J 34E 34J)	39M5193	1	Y
Power Cord (Brazil) (models A2P A3P A4P A6P B1P 26P 27P 28P 31P 32P D3P D4P D5P B4P 34P 35P 36P)	39M5232	1	Y
Power Cord (LA High Volt APU) (models A2Y A3Y A4Y A6Y B1Y 26Y 27Y 28Y 31Y 32Y D3Y D4Y D5L D5Y B4Y 34L 34Y 35Y 36Y)	39M5067	1	Y
Power Cord (Australia/New Zealand) (models D5M 34M)	39M5102	1	Y
Power Cord (Korea) (models 24K 24R 25K 25R D5K D5R 33K 33R 34K 34R)	39M5212	1	Y
Power Cord (Hong Kong) (models D5B D5H 34B 34H)	39M5151	1	Y
Power Cord (UK, Ireland, Singapore, Malaysia, Brunei) (models A1G B2G 21G D2G D5G D5A E1G F1G A8G B5G 29G 34G 34A 35G D8G D9G)	39M5150	1	Y
Power Cord (Taiwan) (models D5V 34V)	39M5246	1	Y
Power Cord (Italy) (models A1G A2S A2Y A3S A3Y A4S A4Y A6S A6Y B1S B1Y B2G 21G 26S 26Y 27S 27Y 28S 28Y 31S 31Y 32S 32Y D2G D3S D3Y D4S D4Y D5S D5L D5Y D5G E1G F1G A8G B4S B4Y B5G 29G 34S 34L 34Y 34G 35S 35Y 35G 36S 36Y D8G D9G)	39M5164	1	Y
Power Cord (G models) (models A1G B2G 21G D2G D5G D5A E1G F1G A8G B5G 29G 34G 34A 35G D8G D9G)	39M5122	1	Y
Power Cord (Denmark) (models A1G B2G 21G D2G D5G D5A E1G F1G A8G B5G 29G 34G 34A 35G D8G D9G)	39M5129	1	Y
Power Cord (Switzerland) (models A1G B2G 21G D2G D5G D5A E1G F1G A8G B5G 29G 34G 34A 35G D8G D9G)	39M5157	1	Y
Power Cord (Israel) (models A1G B2G 21G D2G D5G D5A E1G F1G A8G B5G 29G 34G 34A 35G D8G D9G)	39M5171	1	Y
Power Cord (South Africa) (models A1G B2G 21G D2G D5G D5A E1G F1G A8G B5G 29G 34G 34A 35G D8G D9G)	39M5143	1	Y
Power Cord (India) (models A5Q 22Q 23Q D1Q D5Q 34Q)	39M5004	1	Y

9384 Windows XP Home Recovery CDs	FRU#	CRU Tier	RoHS?
US/UK/AP/TH (models 25R 33R)	42Y3597	1	Y
BR (models A2P)	42Y3602	1	Y

9384 Windows XP Home Recovery CDs	FRU#	CRU Tier	RoHS?
SP/LA (models A2S A2Y)	42Y3600	1	Y
Korea (models 25K 33K)	41W7773	1	Y

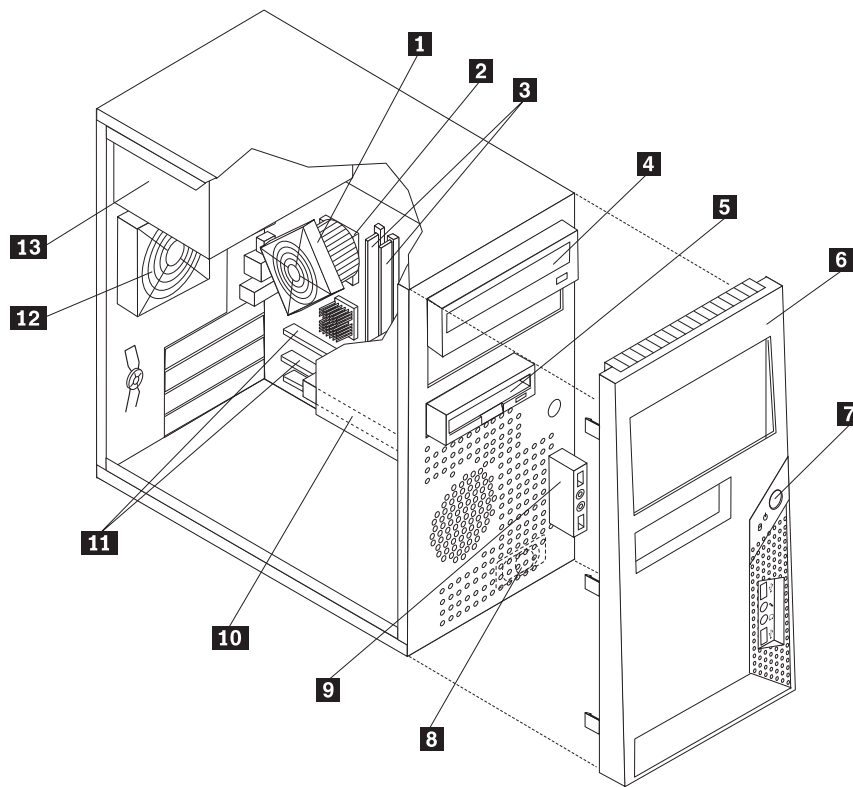
9384 Windows XP Pro Recovery CDs	FRU#	CRU Tier	RoHS?
US/UK/AP/TH (models A1G A6U B2G 21G 22Q 23Q 24R 31U 32U D1Q D2G D3U D4U D5U D5L D5G D5M D5A D5Q D5T D5H D5R D5E E1G F1G A7U A8G B3U B5G 23U 28U 29G 34U 34L 34G 34M 34A 34Q 34T 34H 34R 34E 35U 35G D6U D7U D8G D9G)	42Y3549	1	Y
FR/CF (models A1G A6F B2G 21G 31F 32F D2G D3F D4F D5F D5G E1G F1G A8G B5G 23F 28F 29G 34F 34G 35F 35G D6F D7F D8G D9G)	42Y3550	1	Y
GR (models A1G B2G 21G D2G D5G E1G F1G A8G B5G 29G 34G 35G D8G D9G)	42Y3551	1	Y
IT (models A1G B2G 21G D2G D5G E1G F1G A8G B5G 29G 34G 35G D8G D9G)	42Y3553	1	Y
BR (models A1G B2G 21G D2G D5G E1G F1G A8G B5G 29G 34G 35G D8G D9G)	42Y3554	1	Y
SP/LA (models A1G A4S A4Y A6S A6Y B1S B1Y B2G 21G 26S 26Y 28S 28Y 31S 31Y 32S 32Y D2G D3S D3Y D4S D4Y D5S D5D D5Y D5G E1G F1G A8G B4S B4Y B5G 29G 34S 34D 34Y 34G 35S 35Y 35G 36S 36Y D8G D9G)	42Y3552	1	Y
DK (models A1G B2G 21G D2G D5G E1G F1G A8G B5G 29G 34G 35G D8G D9G)	42Y3556	1	Y
NL (models A1G B2G 21G D2G D5G E1G F1G A8G B5G 29G 34G 35G D8G D9G)	42Y3720	1	Y
AE (models A1G B2G 21G D2G D5G E1G F1G A8G B5G 29G 34G 35G D8G D9G)	42Y3724	1	Y
SV (models A1G B2G 21G D2G D5G E1G F1G A8G B5G 29G 34G 35G D8G D9G)	42Y3555	1	Y
HE (models A1G B2G 21G D2G D5G E1G F1G A8G B5G 29G 34G 35G D8G D9G)	42Y3721	1	Y
FI (models A1G B2G 21G D2G D5G E1G F1G A8G B5G 29G 34G 35G D8G D9G)	42Y3718	1	Y
NO (models A1G B2G 21G D2G D5G E1G F1G A8G B5G 29G 34G 35G D8G D9G)	42Y3719	1	Y
PL (models A1G B2G 21G D2G D5G E1G F1G A8G B5G 29G 34G 35G D8G D9G)	42Y3722	1	Y
PO (models A1G B2G 21G D2G D5G E1G F1G A8G B5G 29G 34G 35G D8G D9G)	42Y3728	1	Y
RU (models A1G B2G 21G D2G D5G E1G F1G A8G B5G 29G 34G 35G D8G D9G)	42Y3725	1	Y
RE (models A1G B2G 21G D2G D5G E1G F1G A8G B5G 29G 34G 35G D8G D9G)	42Y3717	1	Y
HU (models A1G B2G 21G D2G D5G E1G F1G A8G B5G 29G 34G 35G D8G D9G)	42Y3727	1	Y
CZ (models A1G B2G 21G D2G D5G E1G F1G A8G B5G 29G 34G 35G D8G D9G)	42Y3723	1	Y
TR (models A1G B2G 21G D2G D5G E1G F1G A8G B5G 29G 34G 35G D8G D9G)	42Y3726	1	Y
GK (models A1G B2G 21G D2G D5G E1G F1G A8G B5G 29G 34G 35G D8G D9G)	42Y3729	1	Y
SL (models A1G B2G 21G D2G D5G E1G F1G A8G B5G 29G 34G 35G D8G D9G)	42Y3730	1	Y
Japanese (models D5J 34J)	41W7767	1	Y
Simplified Chinese (models D5C 34C)	41W7751	1	Y
Taiwan - TC (models D5V 34V)	41W7757	1	Y
Hong Kong-TC (models D5B 34B)	41W7762	1	Y
Korea (models 24K D5K 34K)	41W7746	1	Y
Multilingual 1 (models A1G B2G 21G D2G D5G E1G F1G A8G B5G 29G 34G 35G D8G D9G)	42Y3645	1	Y
Multilingual 2 (models A1G B2G 21G D2G D5G E1G F1G A8G B5G 29G 34G 35G D8G D9G)	42Y3879	1	Y

9384 Vista Home Basic 32 Recovery DVDs	FRU#	CRU Tier
US/UK/AP/TH (models)	87H4420	1
FR/CF (models)	87H4421	1
GR (models)	87H4422	1
SP/LA (models)	87H4423	1
BR (models)	87H4424	1
IT (models)	87H4425	1
JP (models)	87H4426	1
NO (models)	87H4427	1
SV (models)	87H4428	1
DK (models)	87H4429	1
NL (models)	87H4430	1
CZ (models)	87H4431	1
FI (models)	87H4432	1
PL (models)	87H4433	1
RU (models)	87H4434	1
TR (models)	87H4435	1
HU (models)	87H4436	1
GK (models)	87H4437	1
PO (models)	87H4438	1
CS (models)	87H4439	1
TW (models)	87H4440	1
HK (models)	87H4441	1
KR (models)	87H4442	1
SL (models)	87H4443	1
RE (models)	43C1306	1

9384 Vista Business 32 Recovery DVDs	FRU#	CRU Tier
US/UK/AP/TH (models)	87H4476	1
FR/CF (models)	87H4477	1
GR (models)	87H4478	1
SP/LA (models)	87H4479	1
BR (models)	87H4480	1
IT (models)	87H4481	1
JP (models)	87H4482	1
NO (models)	87H4483	1
SV (models)	87H4484	1
DK (models)	87H4485	1
NL (models)	87H4486	1
CZ (models)	87H4487	1
FI (models)	87H4488	1
PL (models)	87H4489	1

9384 Vista Business 32 Recovery DVDs	FRU#	CRU Tier
RU (models)	87H4490	1
TR (models)	87H4491	1
HU (models)	87H4492	1
GK (models)	87H4493	1
PO (models)	87H4494	1
CS (models)	87H4495	1
TW (models)	87H4496	1
HK (models)	87H4497	1
KR (models)	87H4498	1
SL (models)	87H4499	1
RE (models)	43C1308	1

Machine Type 9387



Item #	9387 FRUs	FRU#	CRU Tier	RoHS?
1	Heatsink for Intel CPUs (all models)	41N8261	N	Y
1	Heatsink for Intel CPUs (models CTO)	41R4803	N	Y
2	Microprocessor, Celeron D 2.66GHz 533MHz FSB 256KB L2 (models CTO)	41T1694	N	Y
2	Microprocessor, Celeron D 2.80GHz 533MHz FSB 256KB L2 (models CTO A2C)	41T1695	N	Y
2	Microprocessor, Celeron D 2.93GHz 533MHz FSB 256KB L2 (models CTO B1G)	41T1696	N	Y
2	Microprocessor, Celeron D 3.06GHz 533MHz FSB 256KB L2 (models CTO B2G)	41T1697	N	Y
2	Microprocessor, Celeron D 3.20GHz 533MHz FSB 256KB L2 (models CTO)	41T1698	N	Y
2	Microprocessor, Celeron D 3.20GHz 533MHz FSB 512KB L2 (models CTO)	41T4966	N	Y
2	Microprocessor, Celeron D 3.33GHz 533MHz FSB 512KB L2 (models CTO)	41T4968	N	Y
2	Microprocessor, Celeron 430 CONROE-L 800/1800MHZ-512K,LGA,EM64T (models CTO)	43C1964	N	Y
2	Microprocessor, Celeron 440 CONROE-L 800/2000MHZ-512K,LGA,EM64T (models CTO)	43C1965	N	Y
2	Microprocessor, Pentium 4 3.06 GHz 533 FSB 1MB L2 (models CTO 21G)	41T4104	N	Y
2	Microprocessor, Pentium 4 3.0 GHz 800 FSB 1MB L2 (models CTO 22C)	41T1701	N	Y
2	Microprocessor, Pentium 4 3.0 GHz 800 FSB 2MB L2 (models CTO)	41T1709	N	Y
2	Microprocessor, Pentium 4 3.0 GHz 800 FSB 2MB L2 (models CTO)	41T1712	N	Y

Item #	9387 FRUs	FRU#	CRU Tier	RoHS?
2	Microprocessor, Pentium 4 3.2 GHz 800 FSB 2MB L2 (models CTO)	41T1713	N	Y
2	Microprocessor, Pentium 4 3.4 GHz 800 FSB 2MB L2 (models CTO)	41T1714	N	Y
2	Microprocessor, Pentium 4 661 Processor 3.6 GHz 800 FSB 2MB L2 B1-Value (models CTO)	41T1715	N	Y
2	Microprocessor, Pentium 4 2.8 GHz 800 FSB 2MB L2 (models CTO D2G)	41T1704	N	Y
2	Microprocessor, Pentium D 3.0 GHz 800 FSB 2Mx2 L2 (models CTO F3G F4C)	41X2413	N	Y
2	Microprocessor, Pentium D 3.0 GHz 800 FSB 2Mx2 L2 (models CTO)	41T1717	N	Y
2	Microprocessor, Pentium D 935 3.2 GHz 800 FSB 2MBx2 L2 C1-Value (95W) (models CTO)	41X8050	N	Y
2	Microprocessor, Pentium D 945 Processor 3.4 GHz 800 FSB 2MBx2 L2 (models CTO H1G)	41X7776	N	Y
2	Microprocessor, E2140 CONROE-L 800/1600MHZ-1M, LGA, EM64T (models CTO)	43C1967	N	Y
2	Microprocessor, E2160 CONROE-L 800/1600MHZ-1M, LGA, EM64T (models CTO)	43C1968	N	Y
2	Microprocessor, E4300 CONROE 800/1800MHZ-2M, LGA, EM64T (models CTO)	42Y8009	N	Y
2	Microprocessor, E4400 CONROE 800/2000MHZ-2M, LGA, EM64T L2 (models CTO)	43C2056	N	Y
2	Microprocessor, E6300 B2 CONROE 1066/1860MHZ-2M, LGA, EM64T (models CTO)	41X2495	N	Y
2	Microprocessor, E6400 B2 CONROE 1066/2130MHZ-2M, LGA, EM64T (models CTO)	41X2496	N	Y
2	Microprocessor, E6600 B2 CONROE 1066/2400MHZ-4M, LGA, EM64T (models CTO)	41X5743	N	Y
2	Microprocessor, E6700 B2 CONROE 1066/2670MHZ-4M, LGA, EM64T (models CTO)	41X5744	N	Y
3	Memory module, 512 MB PC2-4200 (533MHz) DDR2 SDRAM (models CTO B1G 42G B2G 21G D2G F3G)	41X4251	1	Y
3	Memory module, 1 GB PC2-4200 (533MHz) DDR2 SDRAM (models CTO J1G H1G)	41X4252	1	Y
3	Memory module, 512 MB PC2-5300 (667MHz) DDR2 SDRAM (models CTO)	41X4255	1	Y
3	Memory module, 1 GB PC2-5300 (667MHz) DDR2 SDRAM (models CTO)	41X4256	1	Y
4	DVD-ROM drive (16X/48X) (models CTO B1G 42G B2G 21G D2G F3G F4C)	41X3544	1	Y
4	DVD-ROM drive (16X/48X) (models CTO B1G 42G B2G 21G D2G F3G F4C)	41X3545	1	Y
4	DVD-ROM drive (16X/48X) (models CTO B1G 42G B2G 21G D2G F3G F4C)	41X3546	1	Y
4	Combo 48 -32 -48 -16 - - DVD - ROM - CDRW (models CTO)	41X3547	1	Y
4	Combo 48 -32 -48 -16 - - DVD - ROM - CDRW (models CTO)	41X3548	1	Y
4	Combo 48 -32 -48 -16 - - DVD - ROM - CDRW (models CTO)	41X3549	1	Y
4	Combo 48 -32 -48 -16 - - DVD - ROM - CDRW --NON/VISTA (models CTO K1G K2G)	42Y9368	1	Y

Item #	9387 FRUs	FRU#	CRU Tier	RoHS?
4	Combo 48 -32 -48 -16 - - DVD - ROM - CDRW --NON/VISTA (models CTO K1G K2G)	42Y9369	1	Y
4	Combo 48 -32 -48 -16 - - DVD - ROM - CDRW --NON/VISTA (models CTO K1G K2G)	41X7992	1	Y
4	DVD-Recorder (Rambo 8)-NON/VISTA (models CTO J1G H1G)	41X3343	1	Y
4	DVD-Recorder (Rambo 8)-NON/VISTA (models CTO J1G H1G)	41X3550	1	Y
4	DVD Recordable No Software / No Royalty for VISTA Models ONLY (models CTO J1G H1G)	42Y9370	1	Y
4	DVD Recordable No Software / No Royalty for VISTA Models ONLY (models CTO J1G H1G)	42Y9371	1	Y
4	DVD Recordable No Software / No Royalty for VISTA Models ONLY (models CTO J1G H1G)	42Y6017	1	Y
4	DVD Recordable No Software / No Royalty for VISTA Models ONLY (models CTO J1G H1G)	43C0144	1	Y
5	Diskette drive, 3,5", 1.44MB, 2 Mode,(w/bezel) (models CTO A2C 43C 22C F4C)	40Y9105	2	Y
5	Diskette drive, 3,5", 1.44MB, 2 Mode (models CTO A2C 43C 22C F4C)	40Y7107	2	Y
6	Bezel assembly (all models)	41N8052	2	Y
7	Power switch/LED assembly (all models)	41N5284	2	Y
8	Speaker assembly, soldered terminals (all models)	39P5023	2	Y
9	Front audio/USB assembly (all models)	41N8054	2	Y
10	Hard disk drive, 40GB (7200RPM), Serial ATA (models CTO)	40Y9033	1	Y
10	Hard disk drive, 80GB (7200RPM), Serial ATA (models CTO A2C B1G 42G 43C B2G 21G 22C D2G F3G F4C)	40Y9034	1	Y
10	Hard disk drive, 80GB 7200rpm SATA (only for China) (models A2C 43C 22C F4C)	41X2500	1	Y
10	Hard disk drive, 160GB (7200RPM), Serial ATA (models CTO J1G)	40Y9035	1	Y
10	Hard disk drive, 250GB (7200RPM), Serial ATA (models CTO)	40Y9036	1	Y
10	Hard disk drive, 500GB (7200RPM), Serial ATA (models CTO)	41X5582	1	Y
11	System board, SiS 662 Gig E for Vista and XP (models CTO A2C B1G 42G 43C J1G B2G 21G 22C D2G F3G F4C H1G K1G K2G) Note: When ordering a new system board, you must also order a new retention module for the heat sink.	87H4657	N	Y
12	Fan, Rear w/ grommets & Grill (all models)	41N8079	2	Y
13	Power supply (300W) (models CTO)	41N3489	2	Y
13	Power supply (230W) (models CTO B1G 42G J1G B2G 21G D2G F3G H1G)	41N3094	2	Y
13	Power supply (250W) (models CTO B1G 42G J1G B2G 21G D2G F3G H1G)	41N3127	2	Y
13	Power supply (220V/250W/ATX12V - China) (models CTO A2C 43C 22C F4C)	41N3485	2	Y
13	Power Supply 5281-7VW-ROHS, 280W, Standard (models CTO)	41N3479	2	Y
13	Power Supply 5281-7VW-ROHS, 280W, Standard (models CTO)	41N3482	2	Y
13	Power Supply 310W standard only for Japan (models CTO)	24R2596	2	Y

The FRUs listed in the following tables are not illustrated.

9387 FRUs	FRU#	CRU Tier	RoHS?
Thermal grease kit (all models)	91P8835	N	Y
Shield, 5.25 EMC (all models)	41N8080	2	Y
Cable, SATA (18" RoHs) (all models)	26K1186	2	Y
Cable, Serial (all models)	39K5021	2	Y
Shield, diskette drive EMC (all models)	41N8078	2	Y
Cable, Diskette drive (RoHs) (all models)	41A7182	2	Y
Cover, left side (all models)	41N8050	1	Y
Chassis assembly (all models)	41N8051	N	Y
System board I/O Shield - (all models)	41N8053	N	Y
Kit, Miscellaneous hardware (all models)	41N8055	2	Y
Retention Module Kit, RoHs (all models)	41N8056	2	Y
Cable, hard disk drive and optical signal (all models)	39M0516	1	Y
Front system fan (all models)	41R2519	1	Y
4 PIN CABLE-SATA,2H 100mm LATCH(RoHs)PS cable (all models)	41R3300	1	Y
Cable SATA 250mm (RoHS) (all models)	41A7145	1	N
Retainer, Card Reader (all models)	41R2913	1	N
Front Fan AVC (all models)	41R4791	1	N
Optional HDD Bracket Assembly, without 4Pin cable (all models)	41R6106	1	N
Chassis assembly (all models)	41R2533	1	N

9387 Keyboards (Lenovo Preferred Pro fullsize, Black)	FRU#	CRU Tier	RoHS?
US English (models A2C B1G 42G 43C J1G B2G 21G 22C D2G F3G F4C H1G)	41A5039	1	Y
Arabic (models B1G 42G J1G B2G 21G D2G F3G H1G)	41A5040	1	Y
Arabic/French (models B1G 42G J1G B2G 21G D2G F3G H1G)	41A5041	1	Y
Belgian/French (models B1G 42G J1G B2G 21G D2G F3G H1G)	41A5042	1	Y
Belgian/UK (models B1G 42G J1G B2G 21G D2G F3G H1G)	41A5043	1	Y
Bulgarian (models B1G 42G J1G B2G 21G D2G F3G H1G)	41A5045	1	Y
Czech (models B1G 42G J1G B2G 21G D2G F3G H1G)	41A5047	1	Y
Danish (models B1G 42G J1G B2G 21G D2G F3G H1G)	41A5048	1	Y
Dutch (models B1G 42G J1G B2G 21G D2G F3G H1G)	41A5049	1	Y
French (models B1G 42G J1G B2G 21G D2G F3G H1G)	41A5050	1	Y
German (models B1G 42G J1G B2G 21G D2G F3G H1G)	41A5053	1	Y
Greek (models B1G 42G J1G B2G 21G D2G F3G H1G)	41A5054	1	Y
Hebrew (models B1G 42G J1G B2G 21G D2G F3G H1G)	41A5055	1	Y
Hungarian (models B1G 42G J1G B2G 21G D2G F3G H1G)	41A5056	1	Y
Iceland (models B1G 42G J1G B2G 21G D2G F3G H1G)	41A5057	1	Y
Italian (models B1G 42G J1G B2G 21G D2G F3G H1G)	41A5058	1	Y
Norwegian (models B1G 42G J1G B2G 21G D2G F3G H1G)	41A5062	1	Y
Polish (models B1G 42G J1G B2G 21G D2G F3G H1G)	41A5063	1	Y

9387 Keyboards (Lenovo Preferred Pro fullsize, Black)	FRU#	CRU Tier	RoHS?
Portuguese (models B1G 42G J1G B2G 21G D2G F3G H1G)	41A5064	1	Y
Romanian (models B1G 42G J1G B2G 21G D2G F3G H1G)	41A5065	1	Y
Russian/Cyrilic (models B1G 42G J1G B2G 21G D2G F3G H1G)	41A5066	1	Y
Serbian/Cyrilic (models B1G 42G J1G B2G 21G D2G F3G H1G)	41A5067	1	Y
Slovak (models B1G 42G J1G B2G 21G D2G F3G H1G)	41A5068	1	Y
Spanish (models B1G 42G J1G B2G 21G D2G F3G H1G)	41A5069	1	Y
Swedish/Finn (models B1G 42G J1G B2G 21G D2G F3G H1G)	41A5070	1	Y
Swiss F/G (models B1G 42G J1G B2G 21G D2G F3G H1G)	41A5071	1	Y
Turkish 440 (models B1G 42G J1G B2G 21G D2G F3G H1G)	41A5073	1	Y
Turkish 179 (models B1G 42G J1G B2G 21G D2G F3G H1G)	41A5074	1	Y
UK English (models B1G 42G J1G B2G 21G D2G F3G H1G)	41A5075	1	Y
US Euro (models B1G 42G J1G B2G 21G D2G F3G H1G)	41A5076	1	Y
Slovenian (models B1G 42G J1G B2G 21G D2G F3G H1G)	41A5077	1	Y

9387 mice	FRU#	CRU Tier	RoHS?
Optical Wheel Mouse (400DPI, USB) (all models)	41U3013	1	Y
Optical Wheel Mouse (400DPI, USB) (all models)	41U3030	1	Y
PS/2 Three Button ball mouse (models CTO)	41R0018	1	Y
ScrollPoint Optical Mouse (800DPI, USB) (models CTO)	41U3019	1	Y

9387 Adapters and miscellaneous FRUs	FRU#	CRU Tier	RoHS?
USB2.0 MEMORY CARDREADER,6X2,ROHS OPTIONAL,Bitland (models CTO)	41R3378	2	Y
USB2.0 MEMORY CARDREADER,6X2,ROHS OPTIONAL, SONY (models CTO)	41R3376	2	Y
PCI Modem Card (Soft) (models CTO)	29R9729	2	Y
L1 IEEE 1394 PCI Adapter (models CTO)	41D2781	2	Y
Denver - ATI X300SE 128MB (models CTO)	39J9635	2	Y
Dongle Cable - DMS59 to dual VGA (models CTO)	41D2399	2	Y
Dongle Cable - DMS59 to dual VGA (included in Denver L1) (models CTO)	42Y8181	2	Y
Dongle DMS Dule DMS-59 to dual DVI cable (models CTO)	41X6398	2	Y
Dongle DMS Dule DMS-59 to single VGA and DVI cable (models CTO)	42Y8183	2	Y
Nvidia GeForce 6200TC128MB 64bit (Full Height) (models CTO)	41X2668	2	Y
Nvidia GeForce 6200TC 64MB 32bit (models CTO)	41X2667	2	Y
Nvidia GeForce 7300LE 128MB 64bit (models CTO)	41X2669	2	Y
Nvidia GeForce 7300LE 128MB 64bit LP / ATX with DMS59 (models CTO)	42Y8165	2	Y
ATI Radeon X1300PRO 256MB 128bit (models CTO)	41X2670	2	Y
ATI X1300LE 256M 64bit LP / ATX with DMS59 (models CTO)	42Y8162	2	Y
X1300 LE 256MB (models CTO)	42Y8159	2	Y
Internal USB Memory Card Reader (models CTO B2G 31G D1G D2G F1G)	41D1934	2	Y
Wireless Keyboard (models CTO)	41A5219	2	Y

9387 Adapters and miscellaneous FRUs	FRU#	CRU Tier	RoHS?
Wireless Mouse (models CTO)	41A5247	2	Y
USB Transceiver for wireless kybd/mouse (models CTO)	41A5246	2	Y
DVI-I card,FH(Casper) (models CTO)	39J9334	2	Y
BTL external speaker (models CTO)	41A5334	2	Y

9387 Power Cords	FRU#	CRU Tier	RoHS?
Power Cord (China) (models A2C 43C 22C F4C)	39M5205	1	Y
Power Cord (UK, Ireland, Singapore, Malaysia, Brunei) (models B1G 42G J1G B2G 21G D2G F3G H1G)	39M5150	1	Y
Power Cord (Italy) (models B1G 42G J1G B2G 21G D2G F3G H1G)	39M5164	1	Y
Power Cord (G models) (models B1G 42G J1G B2G 21G D2G F3G H1G)	39M5122	1	Y
Power Cord (Denmark) (models B1G 42G J1G B2G 21G D2G F3G H1G)	39M5129	1	Y
Power Cord (Switzerland) (models B1G 42G J1G B2G 21G D2G F3G H1G)	39M5157	1	Y
Power Cord (Israel) (models B1G 42G J1G B2G 21G D2G F3G H1G)	39M5171	1	Y
Power Cord (South Africa) (models B1G 42G J1G B2G 21G D2G F3G H1G)	39M5143	1	Y

9387 Windows XP Pro Recovery CDs	FRU#	CRU Tier	RoHS?
US/UK/AP/TH (models B1G 42G J1G B2G 21G D2G F3G H1G)	42Y3549	1	Y
FR/CF (models B1G 42G J1G B2G 21G D2G F3G H1G)	42Y3550	1	Y
GR (models B1G 42G J1G B2G 21G D2G F3G H1G)	42Y3551	1	Y
IT (models B1G 42G J1G B2G 21G D2G F3G H1G)	42Y3553	1	Y
SP/LA (models B1G 42G J1G B2G 21G D2G F3G H1G)	42Y3552	1	Y
DK (models B1G 42G J1G B2G 21G D2G F3G H1G)	42Y3556	1	Y
NL (models B1G 42G J1G B2G 21G D2G F3G H1G)	42Y3720	1	Y
AE (models B1G 42G J1G B2G 21G D2G F3G H1G)	42Y3724	1	Y
SV (models B1G 42G J1G B2G 21G D2G F3G H1G)	42Y3555	1	Y
HE (models B1G 42G J1G B2G 21G D2G F3G H1G)	42Y3721	1	Y
FI (models B1G 42G J1G B2G 21G D2G F3G H1G)	42Y3718	1	Y
NO (models B1G 42G J1G B2G 21G D2G F3G H1G)	42Y3719	1	Y
PL (models B1G 42G J1G B2G 21G D2G F3G H1G)	42Y3722	1	Y
PO (models B1G 42G J1G B2G 21G D2G F3G H1G)	42Y3728	1	Y
RU (models B1G 42G J1G B2G 21G D2G F3G H1G)	42Y3725	1	Y
RE (models B1G 42G J1G B2G 21G D2G F3G H1G)	42Y3717	1	Y
HU (models B1G 42G J1G B2G 21G D2G F3G H1G)	42Y3727	1	Y
CZ (models B1G 42G J1G B2G 21G D2G F3G H1G)	42Y3723	1	Y
TR (models B1G 42G J1G B2G 21G D2G F3G H1G)	42Y3726	1	Y
GK (models B1G 42G J1G B2G 21G D2G F3G H1G)	42Y3729	1	Y
SL (models B1G 42G J1G B2G 21G D2G F3G H1G)	42Y3730	1	Y
Simplified Chinese (models F4C)	41W7751	1	Y

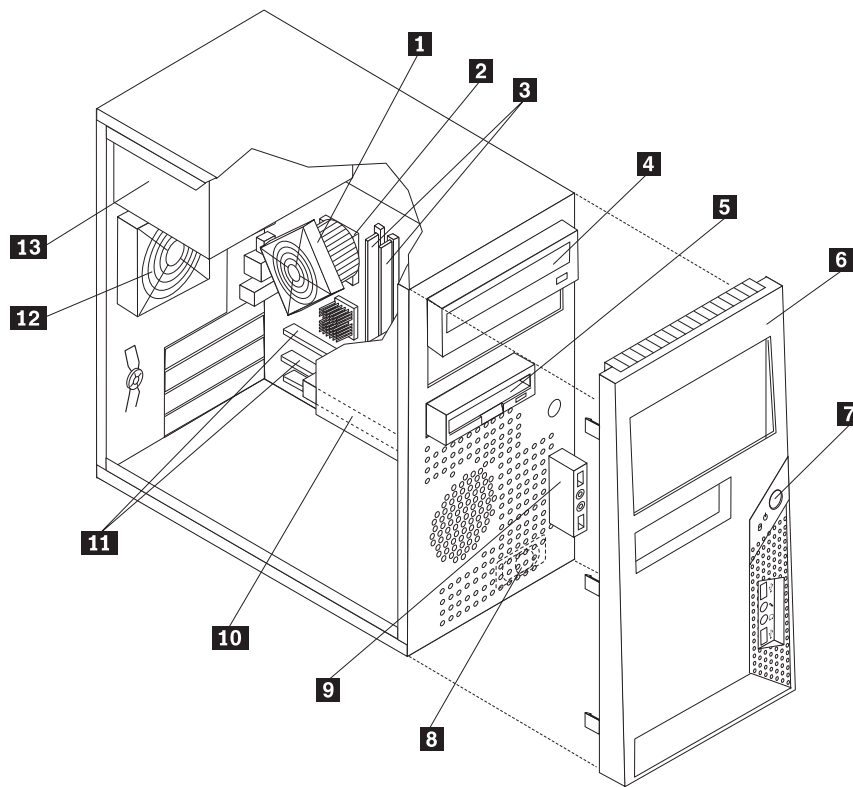
9387 Windows XP Pro Recovery CDs	FRU#	CRU Tier	RoHS?
Multilingual 1 (models B1G 42G J1G B2G 21G D2G F3G H1G)	42Y3645	1	Y
Multilingual 2 (models B1G 42G J1G B2G 21G D2G F3G H1G)	42Y3879	1	Y

9387 Vista Home Basic 32 Recovery DVDs	FRU#	CRU Tier
US/UK/AP/TH (models)	87H4420	1
FR/CF (models)	87H4421	1
GR (models)	87H4422	1
SP/LA (models)	87H4423	1
BR (models)	87H4424	1
IT (models)	87H4425	1
JP (models)	87H4426	1
NO (models)	87H4427	1
SV (models)	87H4428	1
DK (models)	87H4429	1
NL (models)	87H4430	1
CZ (models)	87H4431	1
FI (models)	87H4432	1
PL (models)	87H4433	1
RU (models)	87H4434	1
TR (models)	87H4435	1
HU (models)	87H4436	1
GK (models)	87H4437	1
PO (models)	87H4438	1
CS (models)	87H4439	1
TW (models)	87H4440	1
HK (models)	87H4441	1
KR (models)	87H4442	1
SL (models)	87H4443	1
RE (models)	43C1306	1

9387 Vista Business 32 Recovery DVDs	FRU#	CRU Tier
US/UK/AP/TH (models)	87H4476	1
FR/CF (models)	87H4477	1
GR (models)	87H4478	1
SP/LA (models)	87H4479	1
BR (models)	87H4480	1
IT (models)	87H4481	1
JP (models)	87H4482	1
NO (models)	87H4483	1
SV (models)	87H4484	1

9387 Vista Business 32 Recovery DVDs	FRU#	CRU Tier
DK (models)	87H4485	1
NL (models)	87H4486	1
CZ (models)	87H4487	1
FI (models)	87H4488	1
PL (models)	87H4489	1
RU (models)	87H4490	1
TR (models)	87H4491	1
HU (models)	87H4492	1
GK (models)	87H4493	1
PO (models)	87H4494	1
CS (models)	87H4495	1
TW (models)	87H4496	1
HK (models)	87H4497	1
KR (models)	87H4498	1
SL (models)	87H4499	1
RE (models)	43C1308	1

Machine Type 9389



Item #	9389 FRUs	FRU#	CRU Tier	RoHS?
1	Heatsink for Intel CPUs (all models)	41N8261	N	Y
1	Heatsink for Intel CPUs models CTO)	41R4803	N	Y
2	Microprocessor, Celeron D 2.66GHz 533MHz FSB 256KB L2 (models CTO)	41T1694	N	Y
2	Microprocessor, Celeron D 2.80GHz 533MHz FSB 256KB L2 (models CTO A1A A1T A2C A3G A1B A1H)	41T1695	N	Y
2	Microprocessor, Celeron D 2.93GHz 533MHz FSB 256KB L2 (models CTO)	41T1696	N	Y
2	Microprocessor, Celeron D 3.06GHz 533MHz FSB 256KB L2 (models CTO)	41T1697	N	Y
2	Microprocessor, Celeron D 3.20GHz 533MHz FSB 256KB L2 (models CTO)	41T1698	N	Y
2	Microprocessor, Celeron D 3.20GHz 533MHz FSB 512KB L2 (models CTO B1G)	41T4966	N	Y
2	Microprocessor, Celeron D 3.33GHz 533MHz FSB 512KB L2 (models CTO)	41T4968	N	Y
2	Microprocessor, Celeron 430 CONROE-L 800/1800MHZ-512K,LGA,EM64T (models CTO)	43C1964	N	Y
2	Microprocessor, Celeron 440 CONROE-L 800/2000MHZ-512K,LGA,EM64T (models CTO)	43C1965	N	Y
2	Microprocessor, Pentium 4 3.06 GHz 533 FSB 1MB L2 (models CTO 21B 21H 22C)	41T4104	N	Y
2	Microprocessor, Pentium 4 3.0 GHz 800 FSB 1MB L2 (models CTO 23C)	41T1701	N	Y
2	Microprocessor, Pentium 4 3.0 GHz 800 FSB 2MB L2 (models CTO 51A 51T)	41T1709	N	Y
2	Microprocessor, Pentium 4 3.0 GHz 800 FSB 2MB L2 (models CTO)	41T1712	N	Y

Item #	9389 FRUs	FRU#	CRU Tier	RoHS?
2	Microprocessor, Pentium 4 3.2 GHz 800 FSB 2MB L2 (models CTO)	41T1713	N	Y
2	Microprocessor, Pentium 4 3.4 GHz 800 FSB 2MB L2 (models CTO)	41T1714	N	Y
2	Microprocessor, Pentium 4 661 Processor 3.6 GHz 800 FSB 2MB L2 B1-Value (models CTO)	41T1715	N	Y
2	Microprocessor, Pentium 4 2.8 GHz 800 FSB 2MB L2 (models CTO D1A D1T D1B D1H D2G)	41T1704	N	Y
2	Microprocessor, Pentium 4 2.8 GHz 800 FSB 2MB L2 (models CTO 91A 91T)	41X7775	N	Y
2	Microprocessor, Pentium D 3.0 GHz 800 FSB 2Mx2 L2 (models CTO F4G F5C F6G)	41X2413	N	Y
2	Microprocessor, Pentium D 3.0 GHz 800 FSB 2Mx2 L2 (models CTO G1A G1T)	41T1717	N	Y
2	Microprocessor, Pentium D 935 3.2 GHz 800 FSB 2MBx2 L2 C1-Value (95W) (models CTO)	41X8050	N	Y
2	Microprocessor, Pentium D 945 Processor 3.4 GHz 800 FSB 2MBx2 L2 (models CTO G2G)	41X7776	N	Y
2	Microprocessor, E2140 CONROE-L 800/1600MHZ-1M, LGA, EM64T (models CTO)	43C1967	N	Y
2	Microprocessor, E2160 CONROE-L 800/1600MHZ-1M, LGA, EM64T (models CTO)	43C1968	N	Y
2	Microprocessor, E4300 CONROE 800/1800MHZ-2M, LGA, EM64T (models CTO)	42Y8009	N	Y
2	Microprocessor, E4400 CONROE 800/2000MHZ-2M, LGA, EM64T L2 (models CTO)	43C2056	N	Y
2	Microprocessor, E6300 B2 CONROE 1066/1860MHZ-2M, LGA, EM64T (models CTO)	41X2495	N	Y
2	Microprocessor, E6320 B2 Conroe 1066/1.86/4M/775 (models CTO)	TBD	N	Y
2	Microprocessor, E6400 B2 CONROE 1066/2130MHZ-2M, LGA, EM64T (models CTO)	41X2496	N	Y
2	Microprocessor, E6420 B2 Conroe 1066/2.13/4M/775 (models CTO)	TBD	N	Y
2	Microprocessor, E6600 B2 CONROE 1066/2400MHZ-4M, LGA, EM64T (models CTO)	41X5743	N	Y
2	Microprocessor, E6700 B2 CONROE 1066/2670MHZ-4M, LGA, EM64T (models CTO)	41X5744	N	Y
3	Memory module, 512 MB PC2-4200 (533MHz) DDR2 SDRAM (models CTO B1G 51A 51T D1A D1T D1B D1H D2G G1A G1T 21B 21H 91A 91T F4G)	41X4251	1	Y
3	Memory module, 1 GB PC2-4200 (533MHz) DDR2 SDRAM (models CTO J1G G2G)	41X4252	1	Y
3	Memory module, 2GB PC2-4200 (533MHz) DDR2 SDRAM (models CTO)	41X4253	1	Y
3	Memory module, 512 MB PC2-5300 (667MHz) DDR2 SDRAM (models CTO)	41X4255	1	Y
3	Memory module, 1 GB PC2-5300 (667MHz) DDR2 SDRAM (models CTO)	41X4256	1	Y
3	Memory module, 2 GB PC2-5300 (667MHz) DDR2 SDRAM (models CTO)	41X4257	1	Y
4	DVD-ROM drive (16X/48X) (models CTO F4G F5C F6G)	41X3544	1	Y
4	DVD-ROM drive (16X/48X) (models CTO F4G F5C F6G)	41X3545	1	Y

Item #	9389 FRUs	FRU#	CRU Tier	RoHS?
4	DVD-ROM drive (16X/48X) (models CTO F4G F5C F6G)	41X3546	1	Y
4	Combo 48 -32 -48 -16 - - DVD - ROM - CDRW (models CTO 91A 91T)	41X3547	1	Y
4	Combo 48 -32 -48 -16 - - DVD - ROM - CDRW (models CTO 91A 91T)	41X3548	1	Y
4	Combo 48 -32 -48 -16 - - DVD - ROM - CDRW (models CTO 91A 91T)	41X3549	1	Y
4	Combo 48 -32 -48 -16 - - DVD - ROM - CDRW --NON/VISTA (models CTO 91A 91T D3B D3H G4G G5A G5T)	42Y9368	1	Y
4	Combo 48 -32 -48 -16 - - DVD - ROM - CDRW --NON/VISTA (models CTO 91A 91T D3B D3H G4G G5A G5T)	42Y9369	1	Y
4	Combo 48 -32 -48 -16 - - DVD - ROM - CDRW --NON/VISTA (models CTO 91A 91T D3B D3H G4G G5A G5T)	41X7992	1	Y
4	DVD-Recorder (Rambo 8)-NON/VISTA (models CTO G2G G3G)	41X3343	1	Y
4	DVD-Recorder (Rambo 8)-NON/VISTA (models CTO G2G G3G)	41X3550	1	Y
4	DVD Recordable No Software / No Royalty for VISTA Models ONLY (models CTO G2G G3G)	42Y9370	1	Y
4	DVD Recordable No Software / No Royalty for VISTA Models ONLY (models CTO G2G G3G)	42Y9371	1	Y
4	DVD Recordable No Software / No Royalty for VISTA Models ONLY (models CTO G2G G3G)	42Y6017	1	Y
4	DVD Recordable No Software / No Royalty for VISTA Models ONLY (models CTO G2G G3G)	43C0144	1	Y
5	Diskette drive, 3,5", 1.44MB, 2 Mode, (w/bezel) (models CTO A1A A1T A2C A3G 41A 41T 42C 43G 51A 51T D1A D1T D1B D1H G1A G1T A1B A1H 21B 21H 22C 23C 91A 91T F5C F6G)	40Y9105	2	Y
5	Diskette drive, 3,5", 1.44MB, 2 Mode (models CTO A1A A1T A2C A3G 41A 41T 42C 43G 51A 51T D1A D1T D1B D1H G1A G1T A1B A1H 21B 21H 22C 23C 91A 91T F5C F6G)	40Y7107	2	Y
6	Bezel assembly (all models)	41N8052	2	Y
7	Power switch/LED assembly (all models)	41N5284	2	Y
8	Speaker assembly, soldered terminals (all models)	39P5023	2	Y
9	Front audio/USB assembly (all models)	41N8054	2	Y
10	Hard disk drive, 40GB (7200RPM), Serial ATA (models CTO)	40Y9033	1	Y
10	Hard disk drive, 80GB (7200RPM), Serial ATA (models CTO A1A A1T A2C A3G B1G 41A 41T 42C 43G 51A 51T D1A D1T D1B D1H D2G G1A G1T A1B A1H 21B 21H 22C 23C 91A 91T F4G F5C F6G)	40Y9034	1	Y
10	Hard disk drive, 80GB 7200rpm SATA (only for China) (models A1T A2C 41T 42C 51T D1T D1B D1H G1T A1B A1H 21B 21H 22C 23C 91T F5C)	41X2500	1	Y
10	Hard disk drive, 160GB (7200RPM), Serial ATA (models CTO J1G G2G)	40Y9035	1	Y
10	Hard disk drive, 250GB (7200RPM), Serial ATA (models CTO)	40Y9036	1	Y
10	Hard disk drive, 500GB (7200RPM), Serial ATA (models CTO)	41X5582	1	Y
11	System board, Intel for Vista and XP (models CTO A1A A1T A2C A3G B1G 41A 41T 42C 43G 51A 51T D1A D1T D1B D1H D2G G1A G1T J1G A1B A1H 21B 21H 22C 23C 91A 91T F4G F5C F6G G2G D3B D3H F7G G3G G4G G5A G5T) Note: When ordering a new system board, you must also order a new retention module for the heat sink.	87H4655	N	Y

Item #	9389 FRUs	FRU#	CRU Tier	RoHS?
11	System board, Intel for Vista and XP, Japan (models CTO A1A A1T A2C A3G B1G 41A 41T 42C 43G 51A 51T D1A D1T D1B D1H D2G G1A G1T J1G A1B A1H 21B 21H 22C 23C 91A 91T F4G F5C F6G G2G D3B D3H F7G G3G G4G G5A G5T) Note: When ordering a new system board, you must also order a new retention module for the heat sink.	87H4656	N	Y
11	System board, 946GZ B ver 1.0 (models CTO A1A A1T A2C A3G B1G 41A 41T 42C 43G 51A 51T D1A D1T D1B D1H D2G G1A G1T J1G A1B A1H 21B 21H 22C 23C 91A 91T F4G F5C F6G G2G D3B D3H F7G G3G G4G G5A G5T) Note: When ordering a new system board, you must also order a new retention module for the heat sink.	43C3504	N	Y
11	System board, 946GZ ver 1.2 (models CTO A1A A1T A2C A3G B1G 41A 41T 42C 43G 51A 51T D1A D1T D1B D1H D2G G1A G1T J1G A1B A1H 21B 21H 22C 23C 91A 91T F4G F5C F6G G2G D3B D3H F7G G3G G4G G5A G5T) Note: When ordering a new system board, you must also order a new retention module for the heat sink.	43C3505	N	Y
11	System board, 946GZ ver 1.2 (models CTO A1A A1T A2C A3G B1G 41A 41T 42C 43G 51A 51T D1A D1T D1B D1H D2G G1A G1T J1G A1B A1H 21B 21H 22C 23C 91A 91T F4G F5C F6G G2G D3B D3H F7G G3G G4G G5A G5T) Note: When ordering a new system board, you must also order a new retention module for the heat sink.	43C8359	N	Y
12	Fan, Rear w/ grommets & Grill (all models)	41N8079	2	Y
13	Power supply (300W) (models CTO)	41N3489	2	Y
13	Power supply (230W) (models CTO A1A A1T A3G B1G 41A 41T 43G 51A 51T D1A D1T D2G G1A G1T J1G 91A 91T F4G F6G G2G)	41N3094	2	Y
13	Power supply (250W) (models CTO A1A A1T A3G B1G 41A 41T 43G 51A 51T D1A D1T D2G G1A G1T J1G 91A 91T F4G F6G G2G)	41N3127	2	Y
13	Power supply (220V/250W/ATX12V - China) (models CTO A2C 42C D1B D1H A1B A1H 21B 21H 22C 23C F5C)	41N3485	2	Y
13	Power Supply 5281-7VW-ROHS, 280W, Standard (models CTO)	41N3479	2	Y
13	Power Supply 5281-7VW-ROHS, 280W, Standard (models CTO)	41N3482	2	Y
13	Power Supply 310W standard only for Japan (models CTO)	24R2596	2	Y

The FRUs listed in the following tables are not illustrated.

9389 FRUs	FRU#	CRU Tier	RoHS?
Thermal grease kit (all models)	91P8835	N	Y
Shield, 5.25 EMC (all models)	41N8080	2	Y
Cable, SATA (18" RoHs) (all models)	26K1186	2	Y
Cable, Serial (all models)	39K5021	2	Y
Shield, diskette drive EMC (all models)	41N8078	2	Y
Cable, Diskette drive (RoHs) (all models)	41A7182	2	Y
Cover, left side (all models)	41N8050	1	Y
Chassis assembly (all models)	41N8051	N	Y

9389 FRUs	FRU#	CRU Tier	RoHS?
System board I/O Shield - (all models)	41N8053	N	Y
Kit, Miscellaneous hardware (all models)	41N8055	2	Y
Retention Module Kit, RoHs (all models)	41N8056	2	Y
Cable, hard disk drive and optical signal (all models)	39M0516	1	Y
Front system fan (all models)	41R2519	1	Y
4 PIN CABLE-SATA,2H 100mm LATCH(RoHs)PS cable (all models)	41R3300	1	Y
Cable SATA 250mm (RoHS) (all models)	41A7145	1	N
Retainer, Card Reader (all models)	41R2913	1	N
Front Fan AVC (all models)	41R4791	1	N
Optional HDD Bracket Assembly, without 4Pin cable (all models)	41R6106	1	N
Chassis assembly (all models)	41R2533	1	N

9389 Keyboards (Lenovo Preferred Pro fullsize, Black)	FRU#	CRU Tier	RoHS?
US English (models A1A A2C A3G B1G 41A 42C 43G 51A D1A D1H D2G G1A J1G A1H 21H 22C 23C 91A F4G F5C F6G G2G)	41A5039	1	Y
Arabic (models A3G B1G 43G D2G J1G F4G F6G G2G)	41A5040	1	Y
Arabic/French (models A3G B1G 43G D2G J1G F4G F6G G2G)	41A5041	1	Y
Belgian/French (models A3G B1G 43G D2G J1G F4G F6G G2G)	41A5042	1	Y
Belgian/UK (models A3G B1G 43G D2G J1G F4G F6G G2G)	41A5043	1	Y
Bulgarian (models A3G B1G 43G D2G J1G F4G F6G G2G)	41A5045	1	Y
Hong Kong/Taiwan (models D1B A1B 21B)	41A5046	1	Y
Czech (models A3G B1G 43G D2G J1G F4G F6G G2G)	41A5047	1	Y
Danish (models A3G B1G 43G D2G J1G F4G F6G G2G)	41A5048	1	Y
Dutch (models A3G B1G 43G D2G J1G F4G F6G G2G)	41A5049	1	Y
French (models A3G B1G 43G D2G J1G F4G F6G G2G)	41A5050	1	Y
German (models A3G B1G 43G D2G J1G F4G F6G G2G)	41A5053	1	Y
Greek (models A3G B1G 43G D2G J1G F4G F6G G2G)	41A5054	1	Y
Hebrew (models A3G B1G 43G D2G J1G F4G F6G G2G)	41A5055	1	Y
Hungarian (models A3G B1G 43G D2G J1G F4G F6G G2G)	41A5056	1	Y
Iceland (models A3G B1G 43G D2G J1G F4G F6G G2G)	41A5057	1	Y
Italian (models A3G B1G 43G D2G J1G F4G F6G G2G)	41A5058	1	Y
Norwegian (models A3G B1G 43G D2G J1G F4G F6G G2G)	41A5062	1	Y
Polish (models A3G B1G 43G D2G J1G F4G F6G G2G)	41A5063	1	Y
Portuguese (models A3G B1G 43G D2G J1G F4G F6G G2G)	41A5064	1	Y
Romanian (models A3G B1G 43G D2G J1G F4G F6G G2G)	41A5065	1	Y
Russian/Cyrilic (models A3G B1G 43G D2G J1G F4G F6G G2G)	41A5066	1	Y
Serbian/Cyrilic (models A3G B1G 43G D2G J1G F4G F6G G2G)	41A5067	1	Y
Slovak (models A3G B1G 43G D2G J1G F4G F6G G2G)	41A5068	1	Y
Spanish (models A3G B1G 43G D2G J1G F4G F6G G2G)	41A5069	1	Y
Swedish/Finn (models A3G B1G 43G D2G J1G F4G F6G G2G)	41A5070	1	Y

9389 Keyboards (Lenovo Preferred Pro fullsize, Black)	FRU#	CRU Tier	RoHS?
Swiss F/G (models A3G B1G 43G D2G J1G F4G F6G G2G)	41A5071	1	Y
Thailand (models A1T 41T 51T D1T G1T 91T)	41A5072	1	Y
Turkish 440 (models A3G B1G 43G D2G J1G F4G F6G G2G)	41A5073	1	Y
Turkish 179 (models A3G B1G 43G D2G J1G F4G F6G G2G)	41A5074	1	Y
UK English (models A3G B1G 43G D2G J1G F4G F6G G2G)	41A5075	1	Y
US Euro (models A3G B1G 43G D2G J1G F4G F6G G2G)	41A5076	1	Y
Slovenian (models A3G B1G 43G D2G J1G F4G F6G G2G)	41A5077	1	Y

9389 mice	FRU#	CRU Tier	RoHS?
Optical Wheel Mouse (400DPI, USB) (all models)	41U3013	1	Y
Optical Wheel Mouse (400DPI, USB) (all models)	41U3030	1	Y
PS/2 Three Button ball mouse (models CTO)	41R0018	1	Y
ScrollPoint Optical Mouse (800DPI, USB) (models CTO)	41U3019	1	Y

9389 Adapters and miscellaneous FRUs	FRU#	CRU Tier	RoHS?
USB2.0 MEMORY CARDREADER,6X2,ROHS OPTIONAL,Bitland (models CTO)	41R3378	2	Y
USB2.0 MEMORY CARDREADER,6X2,ROHS OPTIONAL, SONY (models CTO)	41R3376	2	Y
PCI Modem Card (Soft) (models CTO)	29R9729	2	Y
L1 IEEE 1394 PCI Adapter (models CTO)	41D2781	2	Y
Denver - ATI X300SE 128MB (models CTO)	39J9635	2	Y
Dongle Cable - DMS59 to dual VGA (models CTO)	41D2399	2	Y
Dongle Cable - DMS59 to dual VGA (included in Denver L1) (models CTO)	42Y8181	2	Y
Dongle DMS Dule DMS-59 to dual DVI cable (models CTO)	41X6398	2	Y
Dongle DMS Dule DMS-59 to single VGA and DVI cable (models CTO)	42Y8183	2	Y
Nvidia GeForce 6200TC128MB 64bit (Full Height) (models CTO)	41X2668	2	Y
Nvidia GeForce 6200TC 64MB 32bit (models CTO)	41X2667	2	Y
Nvidia GeForce 7300LE 128MB 64bit (models CTO)	41X2669	2	Y
Nvidia GeForce 7300LE 128MB 64bit LP / ATX with DMS59 (models CTO)	42Y8165	2	Y
ATI Radeon X1300PRO 256MB 128bit (models CTO)	41X2670	2	Y
ATI X1300LE 256M 64bit LP / ATX with DMS59 (models CTO)	42Y8162	2	Y
X1300 LE 256MB (models CTO)	42Y8159	2	Y
Internal USB Memory Card Reader (models CTO B2G 31G D1G D2G F1G)	41D1934	2	Y
Wireless Keyboard (models CTO)	41A5219	2	Y
Wireless Mouse (models CTO)	41A5247	2	Y
USB Transceiver for wireless kybd/mouse (models CTO)	41A5246	2	Y
DVI-I card,FH(Casper) (models CTO)	39J9334	2	Y
BTL external speaker (models CTO)	41A5334	2	Y

9389 Power Cords	FRU#	CRU Tier	RoHS?
Power Cord (US) (models A1A A1T 41A 41T 51A 51T D1A D1T G1A G1T 91A 91T)	39M5080	1	Y
Power Cord (China) (models A2C 42C 22C 23C F5C)	39M5205	1	Y
Power Cord (Hong Hong) (models D1B D1H A1B A1H 21B 21H)	39M5151	1	Y
Power Cord (UK, Ireland, Singapore, Malaysia, Brunei) (models A1A A3G B1G 41A 43G 51A D1A D2G G1A J1G 91A F4G F6G G2G)	39M5150	1	Y
Power Cord (Italy) (models A3G B1G 43G D2G J1G F4G F6G G2G)	39M5164	1	Y
Power Cord (G models) (models A1A A3G B1G 41A 43G 51A D1A D2G G1A J1G 91A F4G F6G G2G)	39M5122	1	Y
Power Cord (Denmark) (models A3G B1G 43G D2G J1G F4G F6G G2G)	39M5129	1	Y
Power Cord (Switzerland) (models A3G B1G 43G D2G J1G F4G F6G G2G)	39M5157	1	Y
Power Cord (Israel) (models A3G B1G 43G D2G J1G F4G F6G G2G)	39M5171	1	Y
Power Cord (South Africa) (models A1A A3G B1G 41A 43G 51A D1A D2G G1A J1G 91A F4G F6G G2G)	39M5143	1	Y

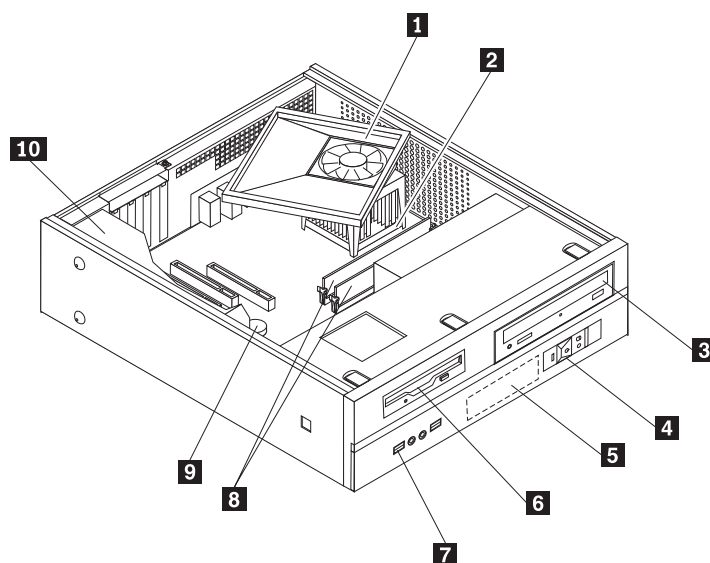
9389 Windows XP Pro Recovery CDs	FRU#	CRU Tier	RoHS?
US/UK/AP/TH (models A1A A1T B1G 41A 41T 51A 51T D1A D1T D1H D2G G1A G1T J1G A1H 21H 91A 91T F4G G2G)	42Y3549	1	Y
FR/CF (models B1G D2G J1G F4G G2G)	42Y3550	1	Y
GR (models B1G D2G J1G F4G G2G)	42Y3551	1	Y
IT (models B1G D2G J1G F4G G2G)	42Y3553	1	Y
SP/LA (models B1G D2G J1G F4G G2G)	42Y3552	1	Y
DK (models B1G D2G J1G F4G G2G)	42Y3556	1	Y
NL (models B1G D2G J1G F4G G2G)	42Y3720	1	Y
AE (models B1G D2G J1G F4G G2G)	42Y3724	1	Y
SV (models B1G D2G J1G F4G G2G)	42Y3555	1	Y
HE (models B1G D2G J1G F4G G2G)	42Y3721	1	Y
FI (models B1G D2G J1G F4G G2G)	42Y3718	1	Y
NO (models B1G D2G J1G F4G G2G)	42Y3719	1	Y
PL (models B1G D2G J1G F4G G2G)	42Y3722	1	Y
PO (models B1G D2G J1G F4G G2G)	42Y3728	1	Y
RU (models B1G D2G J1G F4G G2G)	42Y3725	1	Y
RE (models B1G D2G J1G F4G G2G)	42Y3717	1	Y
HU (models B1G D2G J1G F4G G2G)	42Y3727	1	Y
CZ (models B1G D2G J1G F4G G2G)	42Y3723	1	Y
TR (models B1G D2G J1G F4G G2G)	42Y3726	1	Y
GK (models B1G D2G J1G F4G G2G)	42Y3729	1	Y
SL (models B1G D2G J1G F4G G2G)	42Y3730	1	Y
Hong Kong - TC (models D1B A1B 21B)	41W7762	1	Y
Multilingual 1 (models B1G D2G J1G F4G G2G)	42Y3645	1	Y
Multilingual 2 (models B1G D2G J1G F4G G2G)	42Y3879	1	Y

9389 Vista Home Basic 32 Recovery DVDs	FRU#	CRU Tier
US/UK/AP/TH (models)	87H4420	1
FR/CF (models)	87H4421	1
GR (models)	87H4422	1
SP/LA (models)	87H4423	1
BR (models)	87H4424	1
IT (models)	87H4425	1
JP (models)	87H4426	1
NO (models)	87H4427	1
SV (models)	87H4428	1
DK (models)	87H4429	1
NL (models)	87H4430	1
CZ (models)	87H4431	1
FI (models)	87H4432	1
PL (models)	87H4433	1
RU (models)	87H4434	1
TR (models)	87H4435	1
HU (models)	87H4436	1
GK (models)	87H4437	1
PO (models)	87H4438	1
CS (models)	87H4439	1
TW (models)	87H4440	1
HK (models)	87H4441	1
KR (models)	87H4442	1
SL (models)	87H4443	1
RE (models)	43C1306	1

9389 Vista Business 32 Recovery DVDs	FRU#	CRU Tier
US/UK/AP/TH (models)	87H4476	1
FR/CF (models)	87H4477	1
GR (models)	87H4478	1
SP/LA (models)	87H4479	1
BR (models)	87H4480	1
IT (models)	87H4481	1
JP (models)	87H4482	1
NO (models)	87H4483	1
SV (models)	87H4484	1
DK (models)	87H4485	1
NL (models)	87H4486	1
CZ (models)	87H4487	1
FI (models)	87H4488	1

9389 Vista Business 32 Recovery DVDs	FRU#	CRU Tier
PL (models)	87H4489	1
RU (models)	87H4490	1
TR (models)	87H4491	1
HU (models)	87H4492	1
GK (models)	87H4493	1
PO (models)	87H4494	1
CS (models)	87H4495	1
TW (models)	87H4496	1
HK (models)	87H4497	1
KR (models)	87H4498	1
SL (models)	87H4499	1
RE (models)	43C1308	1

Machine Type 9628



Item #	9628 FRUs	FRU#	CRU Tier	RoHS?
1	Heatsink for Intel processors (all models)	41N8261	N	Y
1	Heatsink for Intel processors (models CTO)	41R4803	N	Y
2	Microprocessor, Celeron D 2.66GHz 533MHz FSB 256KB L2 (models CTO)	41T1694	N	Y
2	Microprocessor, Celeron D 2.80GHz 533MHz FSB 256KB L2 (models CTO A1Q A2S A2D A2Y A3C)	41T1695	N	Y
2	Microprocessor, Celeron D 2.93GHz 533MHz FSB 256KB L2 (models CTO B1G)	41T1696	N	Y
2	Microprocessor, Celeron D 3.06GHz 533MHz FSB 256KB L2 (models CTO B2S B2Y B3G)	41T1697	N	Y
2	Microprocessor, Celeron D 3.20GHz 533MHz FSB 256KB L2 (models CTO)	41T1698	N	Y
2	Microprocessor, Celeron D 3.20GHz 533MHz FSB 512KB L2 (models CTO)	41T4966	N	Y
2	Microprocessor, Celeron D 3.33GHz 533MHz FSB 512KB L2 (models CTO)	41T4968	N	Y
2	Microprocessor, Celeron 430 CONROE-L 800/1800MHZ-512K,LGA,EM64T (models CTO)	43C1964	N	Y
2	Microprocessor, Celeron 440 CONROE-L 800/2000MHZ-512K,LGA,EM64T (models CTO)	43C1965	N	Y
2	Microprocessor, Pentium 4 3.06 GHz 533 FSB 1MB L2 (models CTO 21S 21Y 22S 22Y)	41T4104	N	Y
2	Microprocessor, Pentium 4 3.0 GHz 800 FSB 1MB L2 (models CTO 23S 23Y 24S 24Y)	41T1701	N	Y
2	Microprocessor, Pentium 4 3.2 GHz 800 FSB 1MB L2 (models CTO 31S 31Y 32S 32Y)	41T1702	N	Y
2	Microprocessor, Pentium 4 3.0 GHz 800 FSB 2MB L2 (models CTO 51Q)	41T1709	N	Y
2	Microprocessor, Pentium 4 3.0 GHz 800 FSB 2MB L2 (models CTO 52C 53S 53Y 54S 54Y 55S 55Y)	41T1712	N	Y
2	Microprocessor, Pentium 4 3.2 GHz 800 FSB 2MB L2 (models CTO 61S 61Y 62S 62Y)	41T1713	N	Y

Item #	9628 FRUs	FRU#	CRU Tier	RoHS?
2	Microprocessor, Pentium 4 3.4 GHz 800 FSB 2MB L2 (models CTO)	41T1714	N	Y
2	Microprocessor, Pentium 4 661 Processor 3.6 GHz 800 FSB 2MB L2 B1-Value (models CTO)	41T1715	N	Y
2	Microprocessor, Pentium 4 2.8 GHz 800 FSB 2MB L2 (models CTO D2S D2Y D2G D3S D3Y)	41T1704	N	Y
2	Microprocessor, Pentium D 3.0 GHz 800 FSB 2Mx2 L2 (models CTO F6S F7S F8S F8Y F9G FAC)	41X2413	N	Y
2	Microprocessor, Pentium D 3.0 GHz 800 FSB 2Mx2 L2 (models CTO)	41T1717	N	Y
2	Microprocessor, Pentium D 945 Processor 3.4 GHz 800 FSB 2MBx2 L2) (models CTO J1C J2G J3S J3Y J4S J4Y)	41X7776	N	Y
2	Microprocessor, Pentium D 935 3.2 GHz 800 FSB 2MBx2 L2 C1-Value (95W) (models CTO)	41X8050	N	Y
2	Microprocessor, E2140 CONROE-L 800/1600MHZ-1M, LGA, EM64T (models CTO)	43C1967	N	Y
2	Microprocessor, E2160 CONROE-L 800/1600MHZ-1M, LGA, EM64T (models CTO)	43C1968	N	Y
2	Microprocessor, E4300 CONROE 800/1800MHZ-2M, LGA, EM64T (models CTO)	42Y8009	N	Y
2	Microprocessor, E4400 CONROE 800/2000MHZ-2M, LGA, EM64T L2 (models CTO)	43C2056	N	Y
2	Microprocessor, E6300 B2 CONROE 1066/1860MHZ-2M, LGA, EM64T (models CTO)	41X2495	N	Y
2	Microprocessor, E6400 B2 CONROE 1066/2130MHZ-2M, LGA, EM64T (models CTO)	41X2496	N	Y
2	Microprocessor, E6600 B2 CONROE 1066/2400MHZ-4M, LGA, EM64T (models CTO)	41X5743	N	Y
2	Microprocessor, E6700 B2 CONROE 1066/2670MHZ-4M, LGA, EM64T (models CTO)	41X5744	N	Y
3	DVD-ROM drive (16X/48X) (models CTO B1G 52C B3G F9G FAC J1C)	41X3544	2	Y
3	DVD-ROM drive (16X/48X) (models CTO B1G 52C B3G F9G FAC J1C)	41X3545	2	Y
3	DVD-ROM drive (16X/48X) (models CTO B1G 52C B3G F9G FAC J1C)	41X3546	2	Y
3	Combo 48 -32 -48 -16 - - DVD - ROM - CDRW (models CTO 54S 54Y 55S 55Y 62S 62Y D2S D2Y H3S H3Y 32S 32Y D2G F7S F8S F8Y J4S J4Y)	41X3547	2	Y
3	Combo 48 -32 -48 -16 - - DVD - ROM - CDRW (models CTO 54S 54Y 55S 55Y 62S 62Y D2S D2Y H3S H3Y 32S 32Y D2G F7S F8S F8Y J4S J4Y)	41X3548	2	Y
3	Combo 48 -32 -48 -16 - - DVD - ROM - CDRW (models CTO 54S 54Y 55S 55Y 62S 62Y D2S D2Y H3S H3Y 32S 32Y D2G F7S F8S F8Y J4S J4Y)	41X3549	2	Y
3	Combo 48 -32 -48 -16 - - DVD - ROM - CDRW --NON/VISTA (models CTO 54S 54Y 55S 55Y 62S 62Y D2S D2Y H3S H3Y 32S 32Y D2G F7S F8S F8Y J4S J4Y K1G K2G)	42Y9368	1	Y
3	Combo 48 -32 -48 -16 - - DVD - ROM - CDRW --NON/VISTA (models CTO 54S 54Y 55S 55Y 62S 62Y D2S D2Y H3S H3Y 32S 32Y D2G F7S F8S F8Y J4S J4Y K1G K2G)	42Y9369	1	Y
3	Combo 48 -32 -48 -16 - - DVD - ROM - CDRW --NON/VISTA (models CTO 54S 54Y 55S 55Y 62S 62Y D2S D2Y H3S H3Y 32S 32Y D2G F7S F8S F8Y J4S J4Y K1G K2G)	41X7992	1	Y
3	DVD-Recorder (Rambo 8)-NON/VISTA (models CTO H1G J2G)	41X3343	1	Y

Item #	9628 FRUs	FRU#	CRU Tier	RoHS?
3	DVD-Recorder (Rambo 8)-NON/VISTA (models CTO H1G J2G)	41X3550	1	Y
3	DVD Recordable No Software / No Royalty for VISTA Models ONLY (models CTO H1G J2G)	42Y9370	1	Y
3	DVD Recordable No Software / No Royalty for VISTA Models ONLY (models CTO H1G J2G)	42Y9371	1	Y
3	DVD Recordable No Software / No Royalty for VISTA Models ONLY (models CTO H1G J2G)	42Y6017	1	Y
3	DVD Recordable No Software / No Royalty for VISTA Models ONLY (models CTO H1G J2G)	43C0144	1	Y
4	Front Power/LED PC, bracket, and cable (all models)	41N8213	N	Y
5	Hard disk drive, 40GB (7200RPM), Serial ATA (models CTO)	40Y9033	2	Y
5	Hard disk drive, 80GB (7200RPM), Serial ATA (models CTO A1Q A2S A2D A2Y A3C B1G B2S B2Y 51Q 52C 53S 53Y 54S 54Y 61S 61Y 62S 62Y H2S H2Y H3S H3Y B3G 21S 21Y D3S D3Y F6S F7S F9G FAC J1C J3S J3Y)	40Y9034	2	Y
5	Hard disk drive, 80GB 7200rpm SATA (only for China) (models A3C 52C FAC J1C)	41X2500	1	Y
5	Hard disk drive, 160GB (7200RPM), Serial ATA (models CTO 55S 55Y D2S D2Y H1G 22S 22Y 23S 23Y 24S 24Y 31S 31Y 32S 32Y D2G F8S F8Y J2G J4S J4Y)	40Y9035	2	Y
5	Hard disk drive, 250GB (7200RPM), Serial ATA (models CTO)	40Y9036	2	Y
5	Hard disk drive, 500GB (7200RPM), Serial ATA (models CTO)	41X5582	2	Y
6	Diskette drive, 3,5", 1.44MB, 2-mode, (w/bezel) (models CTO A2S A2D A2Y A3C B2S B2Y 52C 61S 61Y 21S 21Y 22S 22Y 23S 23Y 24S 24Y 31S 31Y D3S D3Y FAC J1C J3S J3Y)	40Y9105	2	Y
6	Diskette drive, 3,5", 1.44MB, 2-mode (models CTO A2S A2D A2Y A3C B2S B2Y 52C 61S 61Y 21S 21Y 22S 22Y 23S 23Y 24S 24Y 31S 31Y D3S D3Y FAC J1C J3S J3Y)	40Y7107	2	Y
7	Front USB/Audio with bracket (all models)	41N8212	N	Y
8	Memory module, 512 MB PC2-4200 (533MHz) DDR2 SDRAM (models CTO B1G 53S 53Y 54S 54Y 55S 55Y 61S 61Y 62S 62Y D2S D2Y H2S H2Y H3S H3Y B3G 22S 22Y 24S 24Y 31S 31Y 32S 32Y D2G D3S D3Y F6S F7S F8S F8Y F9G J3S J3Y J4S J4Y)	41X4251	2	Y
8	Memory module, 1 GB PC2-4200 (533MHz) DDR2 SDRAM (models CTO H1G J2G)	41X4252	2	Y
8	Memory module, 512 MB PC2-5300 (667MHz) DDR2 SDRAM (models CTO)	41X4255	2	Y
8	Memory module, 1 GB PC2-5300 (667MHz) DDR2 SDRAM (models CTO)	41X4256	2	Y
9	System board, SiS 662 Gig E Sys Planar for Vista and XP (models CTO A1Q A2S A2D A2Y A3C B1G B2S B2Y 51Q 52C 53S 53Y 54S 54Y 55S 55Y 61S 61Y 62S 62Y D2S D2Y H1G H2S H2Y H3S H3Y B3G 21S 21Y 22S 22Y 23S 23Y 24S 24Y 31S 31Y 32S 32Y D2G D3S D3Y F6S F7S F8S F8Y F9G FAC J1C J2G J3S J3Y J4S J4Y K1G K2G) Note: When ordering a new system board, you must also order a new retention module for the heat sink.	87H4657	N	Y
10	220W Small desktop power supply (non-smokeless) (models CTO A2S A2D A2Y B1G B2S B2Y 53S 53Y 54S 54Y 55S 55Y 61S 61Y 62S 62Y D2S D2Y H1G H2S H2Y H3S H3Y B3G 21S 21Y 22S 22Y 23S 23Y 24S 24Y 31S 31Y 32S 32Y D2G D3S D3Y F6S F7S F8S F8Y F9G J2G J3S J3Y J4S J4Y)	41N3109	N	Y

Item #	9628 FRUs	FRU#	CRU Tier	RoHS?
10	220 Watt Power Supply - China (models CTO-A A1Q A3C 51Q 52C FAC J1C)	41N3493	N	Y
10	220 Watt Power Supply - WW (models CTO A2S A2D A2Y B1G B2S B2Y 53S 53Y 54S 54Y 55S 55Y 61S 61Y 62S 62Y D2S D2Y H1G H2S H2Y H3S H3Y B3G 21S 21Y 22S 22Y 23S 23Y 24S 24Y 31S 31Y 32S 32Y D2G D3S D3Y F6S F7S F8S F8Y F9G J2G J3S J3Y J4S J4Y)	41A9655	N	Y
10	220 Watt Power Supply - china (models CTO-A A1Q A3C 51Q 52C FAC J1C)	41A9652	N	Y

The FRUs listed in the following tables are not illustrated.

9628 FRUs	FRU#	CRU Tier	RoHS?
Thermal grease kit (models CTO)	91P8835	N	Y
1 drop IDE cable (all models)	41A7158	N	Y
Shield, EMC, system board (all models)	41N5347	N	Y
Cable, Serial ATA, 250 mm (all models)	41A7145	N	Y
Shield, EMC, blank 5.25in. drive bay (all models)	41N8271	N	Y
Shield, EMC, blank diskette drive bay (all models)	41N8273	N	Y
Cover (all models)	41N8204	2	Y
Mechanical shell kit (all models)	41N8205	2	Y
Bezel kit (all models)	41N8206	N	Y
Miscellaneous hardware kit (all models)	41N8209	N	Y
Hard disk drive bracket asm (plastic and grommets) (all models)	41N8210	N	Y
Hard disk drive fan and bracket asm (all models)	41N8211	N	Y
Speaker cable asm, 600 mm cable length (all models)	41N8217	N	Y
Serial port Cable (all models)	39K5021	N	Y
Fan duct assembly (all models)	41A7151	N	Y
Fan duct assembly (all models)	41R4808	N	Y
Rear USB cable asm (with low profile PCI bracket) (all models)	41N8267	N	
Rear USB 2Ports II HP(R), high profile I/O, 300mm, Rohs (all models)	42Y8005	N	Y
Rear USB 2Ports II LP(R), low profile I/O, 200mm, Rohs (all models)	42Y8006	N	Y
Rear Com2 cable II HP(R), high profile I/O, 250mm, Rohs (all models)	42Y8007	N	Y
Rear Com2 cable II LP(R), low profile I/O, 250mm, Rohs (all models)	42Y8008	N	Y
Fan duct assembly (all models)	41A7151	N	Y
Foot stand (all models)	41R4813	N	Y
Retention module, Intel (all models)	41A7139	N	Y

9628 Keyboards (Lenovo Preferred Pro fullsize, Black)	FRU#	CRU Tier	RoHS?
US English (models A1Q A3C B1G 51Q 52C H1G B3G D2G F9G FAC J1C J2G)	41A5039	1	Y
Arabic (models B1G H1G B3G D2G F9G J2G)	41A5040	1	Y
Arabic/French (models B1G H1G B3G D2G F9G J2G)	41A50D1	1	Y

9628 Keyboards (Lenovo Preferred Pro fullsize, Black)	FRU#	CRU Tier	RoHS?
Belgian/French (models B1G H1G B3G D2G F9G J2G)	41A5042	1	Y
Belgian/UK (models B1G H1G B3G D2G F9G J2G)	41A5043	1	Y
Bulgarian (models B1G H1G B3G D2G F9G J2G)	41A5045	1	Y
Czech (models B1G H1G B3G D2G F9G J2G)	41A5047	1	Y
Danish (models B1G H1G B3G D2G F9G J2G)	41A5048	1	Y
Dutch (models B1G H1G B3G D2G F9G J2G)	41A5049	1	Y
French (models B1G H1G B3G D2G F9G J2G)	41A5050	1	Y
German (models B1G H1G B3G D2G F9G J2G)	41A5053	1	Y
Greek (models B1G H1G B3G D2G F9G J2G)	41A5054	1	Y
Hebrew (models B1G H1G B3G D2G F9G J2G)	41A5055	1	Y
Hungarian (models B1G H1G B3G D2G F9G J2G)	41A5056	1	Y
Iceland (models B1G H1G B3G D2G F9G J2G)	41A5057	1	Y
Italian (models B1G H1G B3G D2G F9G J2G)	41A5058	1	Y
LA Spanish (models A2S A2D A2Y B2S B2Y 53S 53Y 54S 54Y 55S 55Y 61S 61Y 62S 62Y D2S D2Y H2S H2Y H3S H3Y 21S 21Y 22S 22Y 23S 23Y 24S 24Y 31S 31Y 32S 32Y D3S D3Y F6S F7S F8S F8Y J3S J3Y J4S J4Y)	41A5061	1	Y
Norwegian (models B1G H1G B3G D2G F9G J2G)	41A5062	1	Y
Polish (models B1G H1G B3G D2G F9G J2G)	41A5063	1	Y
Portuguese (models B1G H1G B3G D2G F9G J2G)	41A5064	1	Y
Romanian (models B1G H1G B3G D2G F9G J2G)	41A5065	1	Y
Russian/Cyrilic (models B1G H1G B3G D2G F9G J2G)	41A5066	1	Y
Serbian/Cyrilic (models B1G H1G B3G D2G F9G J2G)	41A5067	1	Y
Slovak (models B1G H1G B3G D2G F9G J2G)	41A5068	1	Y
Spanish (models B1G H1G B3G D2G F9G J2G)	41A5069	1	Y
Swedish/Finn (models B1G H1G B3G D2G F9G J2G)	41A5070	1	Y
Swiss F/G (models B1G H1G B3G D2G F9G J2G)	41A5071	1	Y
Turkish 440 (models B1G H1G B3G D2G F9G J2G)	41A5073	1	Y
Turkish 179 (models B1G H1G B3G D2G F9G J2G)	41A5074	1	Y
UK English (models B1G H1G B3G D2G F9G J2G)	41A5075	1	Y
US Euro (models B1G H1G B3G D2G F9G J2G)	41A5076	1	Y
Slovenian (models B1G H1G B3G D2G F9G J2G)	41A5077	1	Y

9628 mice	FRU#	CRU Tier	RoHS?
Optical Wheel Mouse (400DPI, USB) (all models)	41U3013	1	Y
Optical Wheel Mouse (400DPI, USB) (all models)	41U3030	1	Y
PS/2 Three Button ball mouse (models CTO)	41R0018	1	Y
ScrollPoint Optical Mouse (800DPI, USB) (models CTO)	41U3019	1	Y

9628 Adapters and miscellaneous FRUs	FRU#	CRU Tier	RoHS?
USB2.0 MEMORY CARDREADER,6X2,ROHS OPTIONAL,Bitland (models CTO)	41R3378	2	Y
USB2.0 MEMORY CARDREADER,6X2,ROHS OPTIONAL, SONY (models CTO)	41R3376	2	Y
PCI Modem Card (Soft) (models CTO)	29R9729	2	Y
L1 IEEE 1394 PCI Adapter (models CTO)	41D2781	2	Y
Denver - ATI X300SE 128MB (models CTO)	39J9635	2	Y
Dongle Cable - DMS59 to dual VGA (models CTO)	41D2399	2	Y
Dongle Cable - DMS59 to dual VGA (included in Denver L1) (models CTO)	42Y8181	2	Y
Dongle DMS Dule DMS-59 to dual DVI cable (models CTO)	41X6398	2	Y
Dongle DMS Dule DMS-59 to single VGA and DVI cable (models CTO)	42Y8183	2	Y
Nvidia GeForce 6200TC128MB 64bit (Full Height) (models CTO)	41X2668	2	Y
Nvidia GeForce 6200TC 64MB 32bit (models CTO)	41X2667	2	Y
Nvidia GeForce 7300LE 128MB 64bit (models CTO)	41X2669	2	Y
Nvidia GeForce 7300LE 128MB 64bit LP / ATX with DMS59 (models CTO)	42Y8165	2	Y
ATI Radeon X1300PRO 256MB 128bit (models CTO)	41X2670	2	Y
ATI X1300LE 256M 64bit LP / ATX with DMS59 (models CTO)	42Y8162	2	Y
X1300 LE 256MB (models CTO)	42Y8159	2	Y
Internal USB Memory Card Reader (models CTO)	41D1934	2	Y
Wireless Keyboard (models CTO)	41A5219	2	Y
Wireless Mouse (models CTO)	41A5247	2	Y
USB Transceiver for wireless kybd/mouse (models CTO)	41A5246	2	Y
BTL external speaker (models CTO)	41A5334	2	Y
DVI-I card,FH(Casper) (models CTO)	39J9334	2	Y

9628 Power Cords	FRU#	CRU Tier	RoHS?
Power Cord (US) (models A2S A2D B2S 53S 54S 55S 61S 62S D2S H2S H3S 21S 22S 23S 24S 31S 32S D3S F6S F7S F8S J3S J4S)	39M5080	1	Y
Power Cord (China) (models A3C 52C FAC J1C)	39M5205	1	Y
Power Cord (LA High Volt APU) (models A2Y B2Y 53Y 54Y 55Y 61Y 62Y D2Y H2Y H3Y 21Y 22Y 23Y 24Y 31Y 32Y D3Y F8Y J3Y J4Y)	39M5067	1	Y
Power Cord (UK, Ireland, Singapore, Malaysia, Brunei) (models B1G H1G B3G D2G F9G J2G)	39M5150	1	Y
Power Cord (Italy) (models A2S A2Y B1G B2S B2Y 53S 53Y 54S 54Y 55S 55Y 61S 61Y 62S 62Y D2S D2Y H1G H2S H2Y H3S H3Y B3G 21S 21Y 22S 22Y 23S 23Y 24S 24Y 31S 31Y 32S 32Y D2G D3S D3Y F6S F7S F8S F8Y F9G J2G J3S J3Y J4S J4Y)	39M5164	1	Y
Power Cord (G models) (models B1G H1G B3G D2G F9G J2G)	39M5122	1	Y
Power Cord (Denmark) (models B1G H1G B3G D2G F9G J2G)	39M5129	1	Y
Power Cord (Switzerland) (models B1G H1G B3G D2G F9G J2G)	39M5157	1	Y
Power Cord (Israel) (models B1G H1G B3G D2G F9G J2G)	39M5171	1	Y
Power Cord (South Africa) (models B1G H1G B3G D2G F9G J2G)	39M5143	1	Y
Power Cord (India) (models A1Q 51Q)	39M5004	1	Y

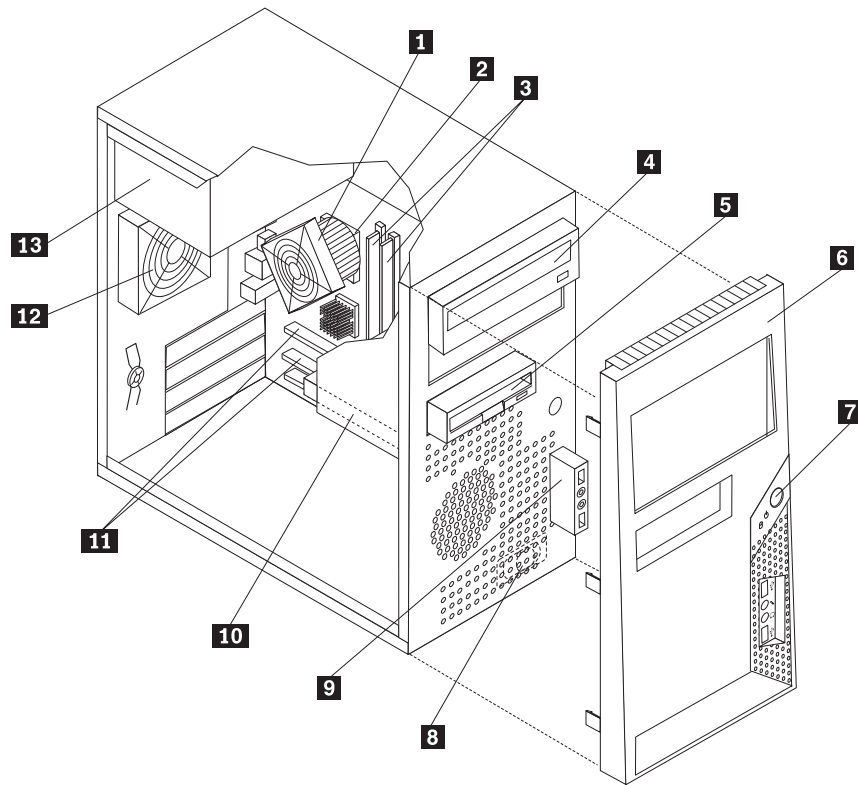
9628 Windows XP Pro Recovery CDs	FRU#	CRU Tier	RoHS?
US/UK/AP/TH (models B1G 51Q H1G B3G D2G F9G J2G)	42Y3549	1	Y
FR/CF (models B1G H1G B3G D2G F9G J2G)	42Y3550	1	Y
GR (models B1G H1G B3G D2G F9G J2G)	42Y3551	1	Y
IT (models B1G H1G B3G D2G F9G J2G)	42Y3553	1	Y
SP/LA (models A2S A2D A2Y B1G B2S B2Y 53S 53Y 54S 54Y 55S 55Y 61S 61Y 62S 62Y D2S D2Y H1G H2S H2Y H3S H3Y B3G 21S 21Y 22S 22Y 23S 23Y 24S 24Y 31S 31Y 32S 32Y D2G D3S D3Y F6S F7S F8S F8Y F9G J2G J3S J3Y J4S J4Y)	42Y3552	1	Y
DK (models B1G H1G B3G D2G F9G J2G)	42Y3556	1	Y
NL (models B1G H1G B3G D2G F9G J2G)	42Y3720	1	Y
AE (models B1G H1G B3G D2G F9G J2G)	42Y3724	1	Y
SV (models B1G H1G B3G D2G F9G J2G)	42Y3555	1	Y
HE (models B1G H1G B3G D2G F9G J2G)	42Y3721	1	Y
FI (models B1G H1G B3G D2G F9G J2G)	42Y3718	1	Y
NO (models B1G H1G B3G D2G F9G J2G)	42Y3719	1	Y
PL (models B1G H1G B3G D2G F9G J2G)	42Y3722	1	Y
PO (models B1G H1G B3G D2G F9G J2G)	42Y3728	1	Y
RU (models B1G H1G B3G D2G F9G J2G)	42Y3725	1	Y
RE (models B1G H1G B3G D2G F9G J2G)	42Y3717	1	Y
HU (models B1G H1G B3G D2G F9G J2G)	42Y3727	1	Y
CZ (models B1G H1G B3G D2G F9G J2G)	42Y3723	1	Y
TR (models B1G H1G B3G D2G F9G J2G)	42Y3726	1	Y
GK (models B1G H1G B3G D2G F9G J2G)	42Y3729	1	Y
SL (models B1G H1G B3G D2G F9G J2G)	42Y3730	1	Y
Simplified Chinese (models 52C FAC J1C)	41W7751	1	Y
Multilingual 1 (models B1G H1G B3G D2G F9G J2G)	42Y3645	1	Y
Multilingual 2 (models B1G H1G B3G D2G F9G J2G)	42Y3879	1	Y

9628 Vista Home Basic 32 Recovery DVDs	FRU#	CRU Tier
US/UK/AP/TH (models)	87H4420	1
FR/CF (models)	87H4421	1
GR (models)	87H4422	1
SP/LA (models)	87H4423	1
BR (models)	87H4424	1
IT (models)	87H4425	1
JP (models)	87H4426	1
NO (models)	87H4427	1
SV (models)	87H4428	1
DK (models)	87H4429	1
NL (models)	87H4430	1
CZ (models)	87H4431	1
FI (models)	87H4432	1

9628 Vista Home Basic 32 Recovery DVDs	FRU#	CRU Tier
PL (models)	87H4433	1
RU (models)	87H4434	1
TR (models)	87H4435	1
HU (models)	87H4436	1
GK (models)	87H4437	1
PO (models)	87H4438	1
CS (models)	87H4439	1
TW (models)	87H4440	1
HK (models)	87H4441	1
KR (models)	87H4442	1
SL (models)	87H4443	1
RE (models)	43C1306	1

9628 Vista Business 32 Recovery DVDs	FRU#	CRU Tier
US/UK/AP/TH (models)	87H4476	1
FR/CF (models)	87H4477	1
GR (models)	87H4478	1
SP/LA (models)	87H4479	1
BR (models)	87H4480	1
IT (models)	87H4481	1
JP (models)	87H4482	1
NO (models)	87H4483	1
SV (models)	87H4484	1
DK (models)	87H4485	1
NL (models)	87H4486	1
CZ (models)	87H4487	1
FI (models)	87H4488	1
PL (models)	87H4489	1
RU (models)	87H4490	1
TR (models)	87H4491	1
HU (models)	87H4492	1
GK (models)	87H4493	1
PO (models)	87H4494	1
CS (models)	87H4495	1
TW (models)	87H4496	1
HK (models)	87H4497	1
KR (models)	87H4498	1
SL (models)	87H4499	1
RE (models)	43C1308	1

Machine Type 9631



Item #	9631 FRUs	FRU#	CRU Tier	RoHS?
1	Heatsink for AMD Sempron & Athlon AM2 processors (models D6U D6F D7U D7F D7Y D8G CTO A1S A1P A1Y A2S A2P A2Y A3S A3P A3Y A4Q A5U A5F A5S A5P A5Y A6U A6F A6S A6P A6Y B1G 21Q 22Q 23Q 24K 24R 25K 25R 26S 26P 26Y 27S 27P 27Y 28S 28P 28Y 31S 31P 31Y 32S 32P 32Y 33G 34U 34F D1U D1F D1S D1P D1Y D2U D2F D2S D2P D2Y D3Q D4U D4F D4S D4P D4L D4D D4Y D4G D4M D4A D4Q D4T D4C D4B D4H D4V D4K D4R D4E D4J D5G A7U B3U B4S B4P B4Y B5G 28U 29U 2AK 2AR 32G)	41N8249	2	Y
1	Heatsink for AMD Sempron & Athlon AM2 processors (models CTO)	41R4802	2	Y
2	Microprocessor, 3000+ Sempron AM2 (1.6 GHz processor, 62W) (models CTO A1S A1P A1Y A2S A2P A2Y A3S A3P A3Y A7U)	41X1403	N	Y
2	Microprocessor, 3400+ Sempron AM2 (1.8 GHz processor, 62W) (models CTO B1G B3U B4S B4P B4Y B5G)	41X1407	N	Y
2	Microprocessor, 3500+ Sempron AM2 (2.0 GHz processor, 62W) (models CTO B2S B2P B2Y)	41X1409	N	Y
2	Microprocessor, 3600+ Sempron AM2 (2.0 GHz processor, 62W) (models CTO)	41X1411	N	Y
2	Microprocessor, 3200+Athlon64 AM2 (2.0 GHz processor, 62W) (models CTO)	42Y8940	N	Y
2	Microprocessor, 3500+ Athlon64 AM2 (2.2 GHz processor, 62W) (models CTO 21Q 22Q 23Q 24K 24R 25K 25R 26S 26P 26Y 27S 27P 27Y 28S 28P 28Y 28U 29U 2AK 2AR)	41X1415	N	Y
2	Microprocessor, 3600+ Athlon64 AM2 X2 (2.0 GHz processor, 89W) (models CTO)	41X7777	N	Y

Item #	9631 FRUs	FRU#	CRU Tier	RoHS?
2	Microprocessor, 3600+Athlon64 AM2 X2 1.9GHz 1M 65W 65nm G1 (models CTO)	43C4091	N	Y
2	Microprocessor, 3800+ Athlon64 AM2 (2.4 GHz processor, 62W) (models CTO 31S 31P 31Y 32S 32P 32Y 33G 34U 34F 32G)	41X1417	N	Y
2	Microprocessor, 3800+ Athlon64 AM2 X2 (2.0 GHz processor, 89W) (models CTO 35U 35F 35S 35P 35L 35D 35Y 35G 35M 35A 35Q 35T 35C 35B 35H 35V 35K 35R 35E 35J 36U 36S 36P 36Y 37S 37P 37Y 38G)	41X4241	N	Y
2	Microprocessor, 4000+ Athlon64 AM2 (2.4 GHz processor, 62W) (models CTO)	41X1419	N	Y
2	Microprocessor, 4000+ Athlon64 AM2 X2 2.1GHz 1M 65W 65nm G1 (models CTO)	43C3965	N	Y
2	Microprocessor, 4200+ Athlon64 AM2 X2 (2.2 GHz processor, 89W) (models CTO D1U D1F D1S D1P D1Y D2U D2F D2S D2P D2Y D3Q D4U D4F D4S D4P D4L D4D D4Y D4G D4M D4A D4Q D4T D4C D4B D4H D4V D4K D4R D4E D4J D5G D6U D6F D7U D7F D7Y D8G)	41X1421	N	Y
2	Microprocessor, 4400+Athlon64 AM2 X2 2.3 GHz 1M 65W 65nm G1 (models CTO)	43C3507	N	Y
2	Microprocessor, 4600+ Athlon64 AM2 X2 (2.4 GHz processor, 89W) (models CTO)	41X1423	N	Y
2	Microprocessor, 4800+ Athlon AM2 X2 2.5GHz 1M 65W 65nm G1 (models CTO)	43C4093	N	Y
3	Memory module, 512 MB PC2-4200 (533MHz) DDR2 SDRAM (models CTO A5U A5F A5S A5P A5Y A6U A6F A6S A6P A6Y B1G B2S B2P B2Y 22Q 31S 31P 31Y 32S 32P 32Y 33G 34U 34F D1U D1F D1S D1P D1Y D2U D2F D2S D2P D2Y D4U D4F D4S D4P D4L D4D D4Y D4G D4M D4A D4Q D4T D4C D4B D4H D4V D4K D4R D4E D4J D5G A7U B3U B5G 29U 32G 35U 35F 35S 35P 35L 35D 35Y 35G 35M 35A 35Q 35T 35C 35B 35H 35V 35K 35R 35E 35J 36U 36S 36P 36Y 38G D6U D6F D7U D7F D7Y)	41X4251	1	Y
3	Memory module, 1 GB PC2-4200 (533MHz) DDR2 SDRAM (models CTO E1G D8G)	41X4252	1	Y
3	Memory module, 2GB PC2-4200 (533MHz) DDR2 SDRAM (models CTO)	41X4253	1	Y
3	Memory module, 512 MB PC2-5300 (667MHz) DDR2 SDRAM (models CTO 24K 24R 26S 26P 26Y 27S 27P 27Y 28S 28P 28Y)	41X4255	1	Y
3	Memory module, 1 GB PC2-5300 (667MHz) DDR2 SDRAM (models CTO 25K 25R)	41X4256	1	Y
3	Memory module, 2 GB PC2-5300 (667MHz) DDR2 SDRAM (models CTO)	41X4257	1	Y
4	DVD-ROM drive (16X/48X) (models CTO B1G B5G 35U 35F 35S 35P 35L 35D 35Y 35G 35M 35A 35Q 35T 35C 35B 35H 35V 35K 35R 35E 35J D7U D7F D7Y)	41X3544	1	Y
4	DVD-ROM drive (16X/48X) (models CTO B5G 35U 35F 35S 35P 35L 35D 35Y 35G 35M 35A 35Q 35T 35C 35B 35H 35V 35K 35R 35E 35J D7U D7F D7Y)	41X3545	1	Y
4	DVD-ROM drive (16X/48X) (models CTO B5G 35U 35F 35S 35P 35L 35D 35Y 35G 35M 35A 35Q 35T 35C 35B 35H 35V 35K 35R 35E 35J D7U D7F D7Y)	41X3546	1	Y
4	Combo 48 -32 -48 -16 - - DVD - ROM - CDRW (models CTO A1S A1P A1Y A6U A6F A6S A6P A6Y 23Q 25K 25R 28S 28P 28Y 32S 32P 32Y 33G 34U 34F D2U D2F D2S D2P D2Y D4U D4F D4S D4P D4L D4D D4Y D4G D4M D4A D4Q D4T D4C D4B D4H D4V D4K D4R D4E D4J D5G 28U 32G 36U 36S 36P 36Y 38G D6U D6F)	41X3547	1	Y

Item #	9631 FRUs	FRU#	CRU Tier	RoHS?
4	Combo 48 -32 -48 -16 - - DVD - ROM - CDRW (models CTO A1S A1P A1Y A6U A6F A6S A6P A6Y 23Q 25K 25R 28S 28P 28Y 32S 32P 32Y 33G 34U 34F D2U D2F D2S D2P D2Y D4U D4F D4S D4P D4L D4D D4Y D4G D4M D4A D4Q D4T D4C D4B D4H D4V D4K D4R D4E D4J D5G 28U 32G 36U 36S 36P 36Y 38G D6U D6F)	41X3548	1	Y
4	Combo 48 -32 -48 -16 - - DVD - ROM - CDRW (models CTO A1S A1P A1Y A6U A6F A6S A6P A6Y 23Q 25K 25R 28S 28P 28Y 32S 32P 32Y 33G 34U 34F D2U D2F D2S D2P D2Y D4U D4F D4S D4P D4L D4D D4Y D4G D4M D4A D4Q D4T D4C D4B D4H D4V D4K D4R D4E D4J D5G 28U 32G 36U 36S 36P 36Y 38G D6U D6F)	41X3549	1	Y
4	Combo 48 -32 -48 -16 - - DVD - ROM - CDRW --NON/VISTA (models CTO A1S A1P A1Y A6U A6F A6S A6P A6Y 23Q 25K 25R 28S 28P 28Y 32S 32P 32Y 33G 34U 34F D2U D2F D2S D2P D2Y D4U D4F D4S D4P D4L D4D D4Y D4G D4M D4A D4Q D4T D4C D4B D4H D4V D4K D4R D4E D4J D5G 28U 32G 36U 36S 36P 36Y 38G D6U D6F 2BU 2BF 2BS 2BP 2BY 2CB 2CH 3KS 3KP 3KY DKU DKF DKS DKP DKL DKD DKY DKG DKM DKA DKQ DKT DKC DKB DKH DKV DKK DKR DKE DKJ)	42Y9368	1	Y
4	Combo 48 -32 -48 -16 - - DVD - ROM - CDRW --NON/VISTA (models CTO A1S A1P A1Y A6U A6F A6S A6P A6Y 23Q 25K 25R 28S 28P 28Y 32S 32P 32Y 33G 34U 34F D2U D2F D2S D2P D2Y D4U D4F D4S D4P D4L D4D D4Y D4G D4M D4A D4Q D4T D4C D4B D4H D4V D4K D4R D4E D4J D5G 28U 32G 36U 36S 36P 36Y 38G D6U D6F 2BU 2BF 2BS 2BP 2BY 2CB 2CH 3KS 3KP 3KY DKU DKF DKS DKP DKL DKD DKY DKG DKM DKA DKQ DKT DKC DKB DKH DKV DKK DKR DKE DKJ)	42Y9369	1	Y
4	Combo 48 -32 -48 -16 - - DVD - ROM - CDRW --NON/VISTA (models CTO A1S A1P A1Y A6U A6F A6S A6P A6Y 23Q 25K 25R 28S 28P 28Y 32S 32P 32Y 33G 34U 34F D2U D2F D2S D2P D2Y D4U D4F D4S D4P D4L D4D D4Y D4G D4M D4A D4Q D4T D4C D4B D4H D4V D4K D4R D4E D4J D5G 28U 32G 36U 36S 36P 36Y 38G D6U D6F 2BU 2BF 2BS 2BP 2BY 2CB 2CH 3KS 3KP 3KY DKU DKF DKS DKP DKL DKD DKY DKG DKM DKA DKQ DKT DKC DKB DKH DKV DKK DKR DKE DKJ)	41X7992	1	Y
4	DVD-Recorder (Rambo 8)-NON/VISTA (models CTO E1G D8G DAG E2G)	41X3343	1	Y
4	DVD-Recorder (Rambo 8)-NON/VISTA (models CTO E1G D8G DAG E2G)	41X3550	1	Y
4	DVD Recordable No Software / No Royalty for VISTA Models ONLY (models CTO E1G D8G DAG E2G)	42Y9370	1	Y
4	DVD Recordable No Software / No Royalty for VISTA Models ONLY (models CTO E1G D8G DAG E2G)	42Y9371	1	Y
4	DVD Recordable No Software / No Royalty for VISTA Models ONLY (models CTO E1G D8G DAG E2G)	42Y6017	1	Y
4	DVD Recordable No Software / No Royalty for VISTA Models ONLY (models CTO E1G D8G DAG E2G)	43C0144	1	Y
5	Diskette drive, 3,5", 1.44MB, 2 Mode,(w/bezel) (models CTO A2S A2P A2Y A3S A3P A3Y 21Q 22Q 23Q 24K 24R 25K 25R 26S 26P 26Y 27S 27P 27Y D3Q B4S B4P B4Y 2AK 2AR 37S 37P 37Y)	40Y9105	2	Y
5	Diskette drive, 3,5", 1.44MB, 2 Mode (models CTO A2S A2P A2Y A3S A3P A3Y 21Q 22Q 23Q 24K 24R 25K 25R 26S 26P 26Y 27S 27P 27Y D3Q B4S B4P B4Y 2AK 2AR 37S 37P 37Y)	40Y7107	2	Y
6	Bezel assembly (all models)	41N8052	2	Y
7	Power switch/LED assembly (all models)	41N5284	2	Y
8	Speaker assembly, soldered terminals (models CTO A1M A3M B1V 21V 22M 25M D1V D3M D5M)	39P5023	2	Y

Item #	9631 FRUs	FRU#	CRU Tier	RoHS?
9	Front audio/USB assembly (all models)	41N8054	2	Y
10	Hard disk drive, 40GB (7200RPM), Serial ATA (models CTO)	40Y9033	1	Y
10	Hard disk drive, 80GB (7200RPM), Serial ATA (models CTO A1S A1P A1Y A2S A2P A2Y A3S A3P A3Y A4Q A5U A5F A5S A5P A5Y A6U A6F A6S A6P A6Y B1G B2S B2P B2Y 21Q 22Q 23Q 26S 26P 26Y 27S 27P 27Y 31S 31P 31Y 32S 32P 32Y 33G 34U 34F D1U D1F D1S D1P D1Y D2U D2F D2S D2P D2Y D3Q D4U D4F D4S D4P D4L D4D D4Y D4G D4M D4A D4Q D4T D4C D4B D4H D4V D4K D4R D4E D4J A7U B3U B4S B4P B4Y B5G 29U 32G 35U 35F 35S 35P 35L 35D 35Y 35G 35M 35A 35Q 35T 35C 35B 35H 35V 35K 35R 35E 35J 36U 36S 36P 36Y 37S 37P 37Y D7U D7F D7Y)	40Y9034	1	Y
10	Hard disk drive, 80GB 7200rpm SATA (only for China) (models D4T D4C D4B D4H D4V 35T 35C 35B 35H 35V)	41X2500	1	Y
10	Hard disk drive, 160GB (7200RPM), Serial ATA (models CTO 24K 24R 25K 25R 28S 28P 28Y D5G 28U 2AK 2AR 38G D6U D6F)	40Y9035	1	Y
10	Hard disk drive, 250GB (7200RPM), Serial ATA (models CTO E1G D8G)	40Y9036	1	Y
10	Hard disk drive, 500GB (7200RPM), Serial ATA (models CTO)	41X5582	1	Y
11	System board, AMD for Vista and XP (models D6U D6F D7U D7F D7Y D8G CTO A1S A1P A1Y A2S A2P A2Y A3S A3P A3Y A4Q A5U A5F A5S A5P A5Y A6U A6F A6S A6P A6Y B1G B2S B2P B2Y 21Q 22Q 23Q 24K 24R 25K 25R 26S 26P 26Y 27S 27P 27Y 28S 28P 28Y 31S 31P 31Y 32S 32P 32Y 33G 34U 34F D1U D1F D1S D1P D1Y D2U D2F D2S D2P D2Y D3Q D4U D4F D4S D4P D4L D4D D4Y D4G D4M D4A D4Q D4T D4C D4B D4H D4V D4K D4R D4E D4J D5G E1G A7U B3U B4S B4P B4Y B5G 28U 29U 2AK 2AR 32G 35U 35F 35S 35P 35L 35D 35Y 35G 35M 35A 35Q 35T 35C 35B 35H 35V 35K 35R 35E 35J 36U 36S 36P 36Y 37S 37P 37Y 38G B6G B7S B7P B7Y 2BU 2BF 2BS 2BP 2BY 2CB 2CH 3KS 3KP 3KY 3AU 3AF 3AS 3AP 3AL 3AD 3AY 3AG 3AM 3AA 3AQ 3AT 3AC 3AB 3AH 3AV 3AK 3AR 3AE 3AJ B6G B7S B7P B7Y 2BU 2BF 2BS 2BP 2BY 2CB 2CH 3KS 3KP 3KY 3AU 3AF 3AS 3AP 3AL 3AD 3AY 3AG 3AM 3AA 3AQ 3AT 3AC 3AB 3AH 3AV 3AK 3AR 3AE 3AJ DKU DKF DKS DKP DKL DKD DKY DKG DKM DKA DKQ DKT DKC DKB DKH DKV DKK DKR DKE DKJ DAG E2G)	87H4658	N	Y
12	Fan, Rear w/ grommets & Grill (all models)	41N8079	2	Y
13	Power supply (300W) (models CTO)	41N3489	2	Y
13	Power supply (230W) (models CTO A5U A5F A6U A6F B1G 24K 24R 25K 25R 33G 34U 34F D1U D1F D2U D2F D4U D4F D4G D4M D4A D4T D4K D4R D4E D4J D5G E1G A1S A1P A1Y A2S A2P A2Y A3S A3P A3Y A5S A5P A5Y A6S A6P A6Y B2S B2P B2Y 26S 26P 26Y 27S 27P 27Y 28S 28P 28Y 31S 31P 31Y 32S 32P 32Y D1S D1P D1Y D2S D2P D2Y D4S D4P D4L D4D D4Y D4C D4B D4H D4V A7U B3U B5G 28U 29U 2AK 2AR 32G 35U 35F 35G 35M 35A 35T 35K 35R 35E 35J 36U 38G D6U D6F D7U D7F D8G)	41N3094	2	Y
13	Power supply (250W) (models CTO A5U A5F A6U A6F B1G 24K 24R 25K 25R 33G 34U 34F D1U D1F D2U D2F D4U D4F D4G D4M D4A D4T D4K D4R D4E D4J D5G E1G A1S A1P A1Y A2S A2P A2Y A3S A3P A3Y A5S A5P A5Y A6S A6P A6Y B2S B2P B2Y 26S 26P 26Y 27S 27P 27Y 28S 28P 28Y 31S 31P 31Y 32S 32P 32Y D1S D1P D1Y D2S D2P D2Y D4S D4P D4L D4D D4Y D4C D4B D4H D4V A7U B3U B5G 28U 29U 2AK 2AR 32G 35U 35F 35G 35M 35A 35T 35K 35R 35E 35J 36U 38G D6U D6F D7U D7F D8G)	41N3127	2	Y
13	Power supply (220V/250W/ATX12V - China) (models CTO A4Q 21Q 22Q 23Q D3Q D4Q B4S B4P B4Y 35S 35P 35L 35D 35Y 35Q 35C 35B 35H 35V 36S 36P 36Y 37S 37P 37Y D7Y)	41N3485	2	Y
13	Power Supply 5281-7VW-ROHS, 280W, Standard (models CTO)	41N3479	2	Y

Item #	9631 FRUs	FRU#	CRU Tier	RoHS?
13	Power Supply 5281-7VW-ROHS, 280W, Standard (models CTO)	41N3482	2	Y
13	Power Supply 310W standard only for Japan (models CTO)	24R2596	2	Y

The FRUs listed in the following tables are not illustrated.

9631 FRUs	FRU#	CRU Tier	RoHS?
Thermal grease kit (all models)	91P8835	N	Y
Shield, 5.25 EMC (all models)	41N8080	2	Y
Cable, SATA (18" RoHs) (all models)	26K1186	2	Y
Cable, Serial (all models)	39K5021	2	Y
Shield, diskette drive EMC (all models)	41N8078	2	Y
Cable, Diskette drive (RoHs) (all models)	41A7182	2	Y
Cover, left side (all models)	41N8050	1	Y
Chassis assembly (all models)	41N8051	N	Y
System board I/O Shield - (all models)	41N8053	N	Y
Kit, Miscellaneous hardware (all models)	41N8055	2	Y
Retention Module Kit, RoHs (all models)	41N8056	2	Y
Cable, hard disk drive and optical signal (all models)	39M0516	1	Y
Front system fan (all models)	41R2519	1	Y
4 PIN CABLE-SATA,2H 100mm LATCH(RoHs)PS cable (all models)	41R3300	1	Y
Cable SATA 250mm (RoHS) (all models)	41A7145	1	N
Retainer, Card Reader (all models)	41R2913	1	N
Front Fan AVC (all models)	41R4791	1	N
Optional HDD Bracket Assembly, without 4Pin cable (all models)	41R6106	1	N
Chassis assembly (all models)	41R2533	1	N
Retention module, AMD (all models)	41R2507	N	Y

9631 Keyboards (Lenovo Preferred Pro fullsize, Black)	FRU#	CRU Tier	RoHS?
US English (models A4Q A5U A6U B1G 21Q 22Q 23Q 24R 25R 33G 34U D1U D2U D3Q D4U D4L D4G D4M D4A D4Q D4C D4H D4R D4E D5G E1G A7U B3U B5G 28U 29U 2AR 32G 35U 35L 35G 35M 35A 35Q 35C 35H 35R 35E 36U 38G D6U D7U D8G)	41A5039	1	Y
Arabic (models B1G 33G D4G D5G E1G B5G 32G 35G 38G D8G)	41A5040	1	Y
Arabic/French (models B1G 33G D4G D5G E1G B5G 32G 35G 38G D8G)	41A5041	1	Y
Belgian/French (models B1G 33G D4G D5G E1G B5G 32G 35G 38G D8G)	41A5042	1	Y
Belgian/UK (models B1G 33G D4G D5G E1G B5G 32G 35G 38G D8G)	41A5043	1	Y
Bulgarian (models B1G 33G D4G D5G E1G B5G 32G 35G 38G D8G)	41A5045	1	Y
Hong Kong/Taiwan (models D4B D4V 35B 35V)	41A5046	1	Y
Czech (models B1G 33G D4G D5G E1G B5G 32G 35G 38G D8G)	41A5047	1	Y
Danish (models B1G 33G D4G D5G E1G B5G 32G 35G 38G D8G)	41A5048	1	Y

9631 Keyboards (Lenovo Preferred Pro fullsize, Black)	FRU#	CRU Tier	RoHS?
Dutch (models B1G 33G D4G D5G E1G B5G 32G 35G 38G D8G)	41A5049	1	Y
French (models B1G 33G D4G D5G E1G B5G 32G 35G 38G D8G)	41A5050	1	Y
French Canadian 445 (models A5F A6F 34F D1F D2F D4F 35F D6F D7F)	41A5051	1	Y
French Canadian 58 (models A5F A6F 34F D1F D2F D4F 35F D6F D7F)	41A5052	1	Y
German (models B1G 33G D4G D5G E1G B5G 32G 35G 38G D8G)	41A5053	1	Y
Greek (models B1G 33G D4G D5G E1G B5G 32G 35G 38G D8G)	41A5054	1	Y
Hebrew (models B1G 33G D4G D5G E1G B5G 32G 35G 38G D8G)	41A5055	1	Y
Hungarian (models B1G 33G D4G D5G E1G B5G 32G 35G 38G D8G)	41A5056	1	Y
Iceland (models B1G 33G D4G D5G E1G B5G 32G 35G 38G D8G)	41A5057	1	Y
Italian (models B1G 33G D4G D5G E1G B5G 32G 35G 38G D8G)	41A5058	1	Y
Norwegian (models B1G 33G D4G D5G E1G B5G 32G 35G 38G D8G)	41A5062	1	Y
Polish (models B1G 33G D4G D5G E1G B5G 32G 35G 38G D8G)	41A5063	1	Y
Portuguese (models B1G 33G D4G D5G E1G B5G 32G 35G 38G D8G)	41A5064	1	Y
Romanian (models B1G 33G D4G D5G E1G B5G 32G 35G 38G D8G)	41A5065	1	Y
Russian/Cyrilic (models B1G 33G D4G D5G E1G B5G 32G 35G 38G D8G)	41A5066	1	Y
Serbian/Cyrilic (models B1G 33G D4G D5G E1G B5G 32G 35G 38G D8G)	41A5067	1	Y
Japanese (models D4J 35J)	41A5059	1	Y
Korean (models 24K 25K D4K 2AK 35K)	41A5060	1	Y
LA Spanish (models A1S A1Y A2S A2Y A3S A3Y A5S A5Y A6S A6Y B2S B2Y 26S 26Y 27S 27Y 28S 28Y 31S 31Y 32S 32Y D1S D1Y D2S D2Y D4S D4D D4Y B4S B4Y 35S 35D 35Y 36S 36Y 37S 37Y D7Y)	41A5061	1	Y
Slovak (models B1G 33G D4G D5G E1G B5G 32G 35G 38G D8G)	41A5068	1	Y
Spanish (models B1G 33G D4G D5G E1G B5G 32G 35G 38G D8G)	41A5069	1	Y
Swedish/Finn (models B1G 33G D4G D5G E1G B5G 32G 35G 38G D8G)	41A5070	1	Y
Swiss F/G (models B1G 33G D4G D5G E1G B5G 32G 35G 38G D8G)	41A5071	1	Y
Thailand (models D4T 35T)	41A5072	1	Y
Turkish 440 (models B1G 33G D4G D5G E1G B5G 32G 35G 38G D8G)	41A5073	1	Y
Turkish 179 (models B1G 33G D4G D5G E1G B5G 32G 35G 38G D8G)	41A5074	1	Y
UK English (models B1G 33G D4G D5G E1G B5G 32G 35G 38G D8G)	41A5075	1	Y
US Euro (models B1G 33G D4G D5G E1G B5G 32G 35G 38G D8G)	41A5076	1	Y
Slovenian (models B1G 33G D4G D5G E1G B5G 32G 35G 38G D8G)	41A5077	1	Y
Brazil/Portuguese (models A1P A2P A3P A5P A6P B2P 26P 27P 28P 31P 32P D1P D2P D4P B4P 35P 36P 37P)	41A5044	1	Y

9631 mice	FRU#	CRU Tier	RoHS?
Optical Wheel Mouse (400DPI, USB) (all models)	41U3013	1	Y
Optical Wheel Mouse (400DPI, USB) (all models)	41U3030	1	Y
PS/2 Three Button ball mouse (models CTO)	41R0018	1	Y
ScrollPoint Optical Mouse (800DPI, USB) (models CTO)	41U3019	1	Y

9631 Adapters and miscellaneous FRUs	FRU#	CRU Tier	RoHS?
USB2.0 MEMORY CARDREADER,6X2,ROHS OPTIONAL,Bitland (models CTO)	41R3378	2	Y
USB2.0 MEMORY CARDREADER,6X2,ROHS OPTIONAL, SONY (models CTO)	41R3376	2	Y
PCI Modem Card (Soft) (models CTO)	29R9729	2	Y
L1 IEEE 1394 PCI Adapter (models CTO)	41D2781	2	Y
Denver - ATI X300SE 128MB (models CTO)	39J9635	2	Y
Dongle Cable - DMS59 to dual VGA (models CTO)	41D2399	2	Y
Dongle Cable - DMS59 to dual VGA (included in Denver L1) (models CTO)	42Y8181	2	Y
Dongle DMS Dule DMS-59 to dual DVI cable (models CTO)	41X6398	2	Y
Dongle DMS Dule DMS-59 to single VGA and DVI cable (models CTO)	42Y8183	2	Y
Nvidia GeForce 6200TC128MB 64bit (Full Height) (models CTO)	41X2668	2	Y
Nvidia GeForce 6200TC 64MB 32bit (models CTO)	41X2667	2	Y
Nvidia GeForce 7300LE 128MB 64bit (models CTO)	41X2669	2	Y
Nvidia GeForce 7300LE 128MB 64bit LP / ATX with DMS59 (models CTO)	42Y8165	2	Y
ATI Radeon X1300PRO 256MB 128bit (models CTO)	41X2670	2	Y
ATI X1300LE 256M 64bit LP / ATX with DMS59 (models CTO)	42Y8162	2	Y
X1300 LE 256MB (models CTO)	42Y8159	2	Y
Internal USB Memory Card Reader (models CTO B2G 31G D1G D2G F1G)	41D1934	2	Y
Wireless Keyboard (models CTO)	41A5219	2	Y
Wireless Mouse (models CTO)	41A5247	2	Y
USB Transceiver for wireless kybd/mouse (models CTO)	41A5246	2	Y
DVI-I card,FH(Casper) (models CTO)	39J9334	2	Y
BTL external speaker (models CTO)	41A5334	2	Y

9631 Power Cords	FRU#	CRU Tier	RoHS?
Power Cord (US) (models A1S A2S A3S A5U A5F A5S A6U A6F A6S B2S 26S 27S 28S 31S 32S 34U 34F D1U D1F D1S D2U D2F D2S D4U D4F D4S D4L D4D D4A D4T A7U B3U B4S 28U 29U 35U 35F 35S 35L 35D 35A 35T 36U 36S 37S D6U D6F D7U D7F)	39M5080	1	Y
Power Cord (China) (models D4C 35C)	39M5205	1	Y
Power Cord (Japan) (models D4E D4J 35E 35J)	39M5193	1	Y
Power Cord (Brazil) (models A1P A2P A3P A5P A6P B2P 26P 27P 28P 31P 32P D1P D2P D4P B4P 35P 36P 37P)	39M5232	1	Y
Power Cord (LA High Volt APU) (models A1Y A2Y A3Y A5Y A6Y B2Y 26Y 27Y 28Y 31Y 32Y D1Y D2Y D4L D4Y B4Y 35L 35Y 36Y 37Y D7Y)	39M5067	1	Y
Power Cord (Australia/New Zealand) (models D4M 35M)	39M5102	1	Y
Power Cord (Korea) (models 24K 24R 25K 25R D4K D4R 2AK 2AR 35K 35R)	39M5212	1	Y
Power Cord (Hong Kong) (models D4B D4H 35B 35H)	39M5151	1	Y
Power Cord (UK, Ireland, Singapore, Malaysia, Brunei) (models B1G 33G D4G D4A D5G E1G B5G 32G 35G 35A 38G D8G)	39M5150	1	Y
Power Cord (Taiwan) (models D4V 35V)	39M5246	1	Y

9631 Power Cords	FRU#	CRU Tier	RoHS?
Power Cord (Italy) (models A1S A1Y A2S A2Y A3S A3Y A5S A5Y A6S A6Y B1G B2S B2Y 26S 26Y 27S 27Y 28S 28Y 31S 31Y 32S 32Y 33G D1S D1Y D2S D2Y D4S D4L D4Y D4G D5G E1G B4S B4Y B5G 32G 35S 35L 35Y 35G 36S 36Y 37S 37Y 38G D7Y D8G)	39M5164	1	Y
Power Cord (G models) (models B1G 33G D4G D4A D5G E1G B5G 32G 35G 35A 38G D8G)	39M5122	1	Y
Power Cord (Denmark) (models B1G 33G D4G D4A D5G E1G B5G 32G 35G 35A 38G D8G)	39M5129	1	Y
Power Cord (Switzerland) (models B1G 33G D4G D4A D5G E1G B5G 32G 35G 35A 38G D8G)	39M5157	1	Y
Power Cord (Israel) (models B1G 33G D4G D4A D5G E1G B5G 32G 35G 35A 38G D8G)	39M5171	1	Y
Power Cord (South Africa) (models B1G 33G D4G D4A D5G E1G B5G 32G 35G 35A 38G D8G)	39M5143	1	Y
Power Cord (India) (models A4Q 21Q 22Q 23Q D3Q D4Q)	39M5004	1	Y

9631 Windows XP Home Recovery CDs	FRU#	CRU Tier	RoHS?
US/UK/AP/TH (models 25R 2AR)	42Y3597	1	Y
BR (models A1P)	42Y3602	1	Y
SP/LA (models A1S A1Y)	42Y3600	1	Y
Korea (models 25K 2AK)	41W7773	1	Y

9631 Windows XP Pro Recovery CDs	FRU#	CRU Tier	RoHS?
US/UK/AP/TH (models A5U A6U B1G 21Q 22Q 23Q 24R 33G 34U D1U D2U D3Q D4U D4L D4G D4M D4A D4Q D4T D4H D4R D4E D5G E1G A7U B3U B5G 28U 29U 32G 35U 35L 35G 35M 35A 35Q 35T 35H 35R 35E 36U 38G D6U D7U D8G)	42Y3549	1	Y
FR/CF (models A5F A6F B1G 33G 34F D1F D2F D4F D4G D5G E1G B5G 32G 35F 35G 38G D6F D7F D8G)	42Y3550	1	Y
GR (models B1G 33G D4G D5G E1G B5G 32G 35G 38G D8G)	42Y3551	1	Y
IT (models B1G 33G D4G D5G E1G B5G 32G 35G 38G D8G)	42Y3553	1	Y
BR (models B1G 33G D4P B5G 32G 35G 37P)	42Y3554	1	Y
SP/LA (models A3S A3Y A5S A5Y A6S A6Y B1G B2S B2Y 26S 26Y 28S 28Y 31S 31Y 32S 32Y 33G D1S D1Y D2S D2Y D4S D4D D4Y D4G D5G E1G B4S B4Y B5G 32G 35S 35D 35Y 35G 36S 36Y 37S 37Y 38G D7Y D8G)	42Y3552	1	Y
DK (models B1G 33G D4G D5G E1G B5G 32G 35G 38G D8G)	42Y3556	1	Y
NL (models B1G 33G D4G D5G E1G B5G 32G 35G 38G D8G)	42Y3720	1	Y
AE (models B1G 33G D4G D5G E1G B5G 32G 35G 38G D8G)	42Y3724	1	Y
SV (models B1G 33G D4G D5G E1G B5G 32G 35G 38G D8G)	42Y3555	1	Y
HE (models B1G 33G D4G D5G E1G B5G 32G 35G 38G D8G)	42Y3721	1	Y
FI (models B1G 33G D4G D5G E1G B5G 32G 35G 38G D8G)	42Y3718	1	Y
NO (models B1G 33G D4G D5G E1G B5G 32G 35G 38G D8G)	42Y3719	1	Y
PL (models B1G 33G D4G D5G E1G B5G 32G 35G 38G D8G)	42Y3722	1	Y

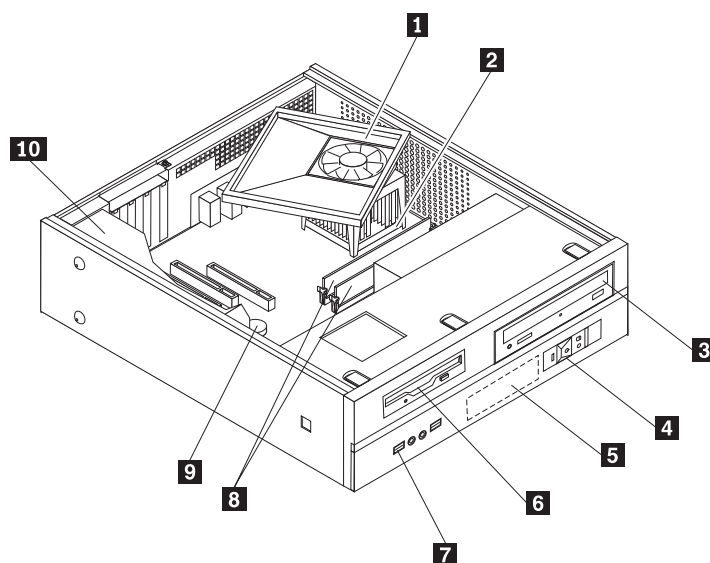
9631 Windows XP Pro Recovery CDs	FRU#	CRU Tier	RoHS?
PO (models B1G 33G D4G D5G E1G B5G 32G 35G 38G D8G)	42Y3728	1	Y
RU (models B1G 33G D4G D5G E1G B5G 32G 35G 38G D8G)	42Y3725	1	Y
RE (models B1G 33G D4G D5G E1G B5G 32G 35G 38G D8G)	42Y3717	1	Y
HU (models B1G 33G D4G D5G E1G B5G 32G 35G 38G D8G)	42Y3727	1	Y
CZ (models B1G 33G D4G D5G E1G B5G 32G 35G 38G D8G)	42Y3723	1	Y
TR (models B1G 33G D4G D5G E1G B5G 32G 35G 38G D8G)	42Y3726	1	Y
GK (models B1G 33G D4G D5G E1G B5G 32G 35G 38G D8G)	42Y3729	1	Y
SL (models B1G 33G D4G D5G E1G B5G 32G 35G 38G D8G)	42Y3730	1	Y
Japanese (models D4J 35J)	41W7767	1	Y
Simplified Chinese (models D4C 35C)	41W7751	1	Y
Taiwan - TC (models D4V 35V)	41W7757	1	Y
Hong Kong-TC (models D4B 35B)	41W7762	1	Y
Korea (models 24K D4K 35K)	41W7746	1	Y
Multilingual 1 (models B1G 33G D4G D5G E1G B5G 32G 35G 38G D8G)	42Y3645	1	Y
Multilingual 2 (models B1G 33G D4G D5G E1G B5G 32G 35G 38G D8G)	42Y3879	1	Y

9631 Vista Home Basic 32 Recovery DVDs	FRU#	CRU Tier
US/UK/AP/TH (models)	87H4420	1
FR/CF (models)	87H4421	1
GR (models)	87H4422	1
SP/LA (models)	87H4423	1
BR (models)	87H4424	1
IT (models)	87H4425	1
JP (models)	87H4426	1
NO (models)	87H4427	1
SV (models)	87H4428	1
DK (models)	87H4429	1
NL (models)	87H4430	1
CZ (models)	87H4431	1
FI (models)	87H4432	1
PL (models)	87H4433	1
RU (models)	87H4434	1
TR (models)	87H4435	1
HU (models)	87H4436	1
GK (models)	87H4437	1
PO (models)	87H4438	1
CS (models)	87H4439	1
TW (models)	87H4440	1
HK (models)	87H4441	1
KR (models)	87H4442	1

9631 Vista Home Basic 32 Recovery DVDs	FRU#	CRU Tier
SL (models)	87H4443	1
RE (models)	43C1306	1

9631 Vista Business 32 Recovery DVDs	FRU#	CRU Tier
US/UK/AP/TH (models)	87H4476	1
FR/CF (models)	87H4477	1
GR (models)	87H4478	1
SP/LA (models)	87H4479	1
BR (models)	87H4480	1
IT (models)	87H4481	1
JP (models)	87H4482	1
NO (models)	87H4483	1
SV (models)	87H4484	1
DK (models)	87H4485	1
NL (models)	87H4486	1
CZ (models)	87H4487	1
FI (models)	87H4488	1
PL (models)	87H4489	1
RU (models)	87H4490	1
TR (models)	87H4491	1
HU (models)	87H4492	1
GK (models)	87H4493	1
PO (models)	87H4494	1
CS (models)	87H4495	1
TW (models)	87H4496	1
HK (models)	87H4497	1
KR (models)	87H4498	1
SL (models)	87H4499	1
RE (models)	43C1308	1

Machine Type 9632



Item #	9632 FRUs	FRU#	CRU Tier	RoHS?
1	Heatsink for Intel processors (all models)	41N8261	N	Y
1	Heatsink for Intel processors (models CTO)	41R4803	N	Y
2	Microprocessor, Celeron D 2.66GHz 533MHz FSB 256KB L2 (models CTO)	41T1694	N	Y
2	Microprocessor, Celeron D 2.80GHz 533MHz FSB 256KB L2 (models CTO A1Q A2U A3S A3P A3D A3Y A3C A3B A3H A4U A4F A2F C1U)	41T1695	N	Y
2	Microprocessor, Celeron D 2.93GHz 533MHz FSB 256KB L2 (models CTO)	41T1696	N	Y
2	Microprocessor, Celeron D 3.06GHz 533MHz FSB 256KB L2 (models CTO B1S B1P B1Y B2U B2F C2U)	41T1697	N	Y
2	Microprocessor, Celeron D 3.20GHz 533MHz FSB 256KB L2 (models CTO)	41T1698	N	Y
2	Microprocessor, Celeron D 3.20GHz 533MHz FSB 512KB L2 (models CTO B3G)	41T4966	N	Y
2	Microprocessor, Celeron D 3.33GHz 533MHz FSB 512KB L2 (models CTO)	41T4968	N	Y
2	Microprocessor, Celeron 430 CONROE-L 800/1800MHZ-512K,LGA,EM64T (models CTO)	43C1964	N	Y
2	Microprocessor, Celeron 440 CONROE-L 800/2000MHZ-512K,LGA,EM64T (models CTO)	43C1965	N	Y
2	Microprocessor, Pentium 4 3.06 GHz 533 FSB 1MB L2 (models CTO 21B 21H 22U 23U 24S 24P 24Y 25S 25P 25Y C3U)	41T4104	N	Y
2	Microprocessor, Pentium 4 3.0 GHz 800 FSB 1MB L2 (models CTO 26S 26P 26Y 27S 27P 27Y)	41T1701	N	Y
2	Microprocessor, Pentium 4 3.2 GHz 800 FSB 1MB L2 (models CTO 31S 31P 31Y 32S 32P 32Y C4U)	41T1702	N	Y
2	Microprocessor, Pentium 4 3.0 GHz 800 FSB 2MB L2 (models CTO 51Q 51C 51B 51H 52Q)	41T1709	N	Y
2	Microprocessor, Pentium 4 3.0 GHz 800 FSB 2MB L2 (models CTO 53S 53P 53Y 54S 54P 54Y)	41T1712	N	Y
2	Microprocessor, Pentium 4 3.2 GHz 800 FSB 2MB L2 (models CTO 62S 62P 62Y 63S 63P 63Y)	41T1713	N	Y

Item #	9632 FRUs	FRU#	CRU Tier	RoHS?
2	Microprocessor, Pentium 4 3.4 GHz 800 FSB 2MB L2 (models CTO)	41T1714	N	Y
2	Microprocessor, Pentium 4 661 Processor 3.6 GHz 800 FSB 2MB L2 B1-Value (models CTO)	41T1715	N	Y
2	Microprocessor, Pentium 4 2.8 GHz 800 FSB 2MB L2 (models CTO D1A D1T D2U D2G D3Q D4Q D5U D5S D5P D5Y D6U D6F D7U D7F D8S D8P D8Y C5U)	41T1704	N	Y
2	Microprocessor, Pentium 4 2.8 GHz 800 FSB 2MB L2 (models CTO 91A 91T)	41X7775	N	Y
2	Microprocessor, Pentium D 3.0 GHz 800 FSB 2Mx2 L2 (models CTO F5S F5P F5Y F5A F5C F5B F5H F6S F6P F6Y F7U F7F F7S F7P F7L F7D F7Y F7G F7M F7A F7Q F7T F7C F7B F7H F7V F7K F7R F7E F7J F8U F8S F8P F8Y C8U)	41X2413	N	Y
2	Microprocessor, Pentium D 3.0 GHz 800 FSB 2Mx2 L2 (models CTO G1Q G2A G2T)	41T1717	N	Y
2	Microprocessor, Pentium D 935 3.2 GHz 800 FSB 2MBx2 L2 C1-Value (95W) (models CTO)	41X8050	N	Y
2	Microprocessor, Pentium D 945 Processor 3.4 GHz 800 FSB 2MBx2 L2) (models CTO J1Q J1C J2U J2F J2G J3S J3P J3Y J4U J4S J4P J4Y C7U)	41X7776	N	Y
2	Microprocessor, E6300 B2 CONROE 1066/1860MHZ-2M, LGA, EM64T (models CTO M1G M2U M2F M2S M2P M2L M2D M2Y M2G M2M M2A M2Q M2T M2C M2B M2H M2V M2K M2R M2E M2J M3M M3A M3Q M3T M3V M3K M3J)	41X2495	N	Y
2	Microprocessor, E6300 B2 CONROE 1066/2130MHZ-2M, LGA, EM64T (models CTO P1U P1F P1S P1P P1D P1Y P2C P2B P2H)	41X2496	N	Y
2	Microprocessor, Pentium D 935 3.2 GHz 800 FSB 2MBx2 L2 C1-Value (95W) (models CTO)	41X8050	N	Y
2	Microprocessor, E2140 CONROE-L 800/1600MHZ-1M, LGA, EM64T (models CTO)	43C1967	N	Y
2	Microprocessor, E2160 CONROE-L 800/1600MHZ-1M, LGA, EM64T (models CTO)	43C1968	N	Y
2	Microprocessor, E4300 CONROE 800/1800MHZ-2M, LGA, EM64T (models CTO)	42Y8009	N	Y
2	Microprocessor, E4400 CONROE 800/2000MHZ-2M, LGA, EM64T L2 (models CTO)	43C2056	N	Y
2	Microprocessor, E6600 B2 CONROE 1066/2400MHZ-4M, LGA, EM64T (models CTO)	41X5743	N	Y
2	Microprocessor, E6700 B2 CONROE 1066/2670MHZ-4M, LGA, EM64T (models CTO)	41X5744	N	Y
3	DVD-ROM drive (16X/48X) (models CTO A4U A4F B3G D2U D2G D7U D7F F7U F7F F7S F7P F7L F7D F7Y F7G F7M F7A F7Q F7T F7C F7B F7H F7V F7K F7R F7E F7J M2U M2F M2S M2P M2L M2D M2Y M2G M2M M2A M2Q M2T M2C M2B M2H M2V M2K M2R M2E M2J)	41X3544	2	Y
3	DVD-ROM drive (16X/48X) (models CTO A4U A4F B3G D2U D2G D7U D7F F7U F7F F7S F7P F7L F7D F7Y F7G F7M F7A F7Q F7T F7C F7B F7H F7V F7K F7R F7E F7J M2U M2F M2S M2P M2L M2D M2Y M2G M2M M2A M2Q M2T M2C M2B M2H M2V M2K M2R M2E M2J)	41X3545	2	Y

Item #	9632 FRUs	FRU#	CRU Tier	RoHS?
3	DVD-ROM drive (16X/48X) (models CTO A4U A4F B3G D2U D2G D7U D7F F7U F7F F7S F7P F7L F7D F7Y F7G F7M F7A F7Q F7T F7C F7B F7H F7V F7K F7R F7E F7J M2U M2F M2S M2P M2L M2D M2Y M2G M2M M2A M2Q M2T M2C M2B M2H M2V M2K M2R M2E M2J)	41X3546	2	Y
3	Combo 48 -32 -48 -16 - - DVD - ROM - CDRW (models CTO 54S 54P 54Y 63S 63P 63Y D1A D1T D4Q D5U D5S D5P D5Y D6U D6F G2A G2T 23U 32S 32P 32Y 91A 91T F6S F6P F6Y F8U F8S F8P F8Y J4U J4S J4P J4Y M1G M3M M3A M3Q M3T M3V M3K M3J P1U P1F P1S P1P P1D P1Y P2C P2B P2H)	41X3547	2	Y
3	Combo 48 -32 -48 -16 - - DVD - ROM - CDRW (models CTO 54S 54P 54Y 63S 63P 63Y D1A D1T D4Q D5U D5S D5P D5Y D6U D6F G2A G2T 23U 32S 32P 32Y 91A 91T F6S F6P F6Y F8U F8S F8P F8Y J4U J4S J4P J4Y M1G M3M M3A M3Q M3T M3V M3K M3J P1U P1F P1S P1P P1D P1Y P2C P2B P2H)	41X3548	2	Y
3	Combo 48 -32 -48 -16 - - DVD - ROM - CDRW (models CTO 54S 54P 54Y 63S 63P 63Y D1A D1T D4Q D5U D5S D5P D5Y D6U D6F G2A G2T 23U 32S 32P 32Y 91A 91T F6S F6P F6Y F8U F8S F8P F8Y J4U J4S J4P J4Y M1G M3M M3A M3Q M3T M3V M3K M3J P1U P1F P1S P1P P1D P1Y P2C P2B P2H)	41X3549	2	Y
3	Combo 48 -32 -48 -16 - - DVD - ROM - CDRW --NON/VISTA (models CTO 54S 54P 54Y 63S 63P 63Y D1A D1T D4Q D5U D5S D5P D5Y D6U D6F G2A G2T 23U 32S 32P 32Y 91A 91T F6S F6P F6Y F8U F8S F8P F8Y J4U J4S J4P J4Y M1G M3M M3A M3Q M3T M3V M3K M3J P1U P1F P1S P1P P1D P1Y P2C P2B P2H 65J J6K M8G P5K P5J Q2U Q2F Q2S Q2P Q2L Q2D Q2Y Q2G Q2M Q2A Q2Q Q2T Q2C Q2B Q2H Q2V Q2K Q2R Q2E Q2J Q3C Q3B Q3H)	42Y9368	1	Y
3	Combo 48 -32 -48 -16 - - DVD - ROM - CDRW --NON/VISTA (models CTO 54S 54P 54Y 63S 63P 63Y D1A D1T D4Q D5U D5S D5P D5Y D6U D6F G2A G2T 23U 32S 32P 32Y 91A 91T F6S F6P F6Y F8U F8S F8P F8Y J4U J4S J4P J4Y M1G M3M M3A M3Q M3T M3V M3K M3J P1U P1F P1S P1P P1D P1Y P2C P2B P2H 65J J6K M8G P5K P5J Q2U Q2F Q2S Q2P Q2L Q2D Q2Y Q2G Q2M Q2A Q2Q Q2T Q2C Q2B Q2H Q2V Q2K Q2R Q2E Q2J Q3C Q3B Q3H)	42Y9369	1	Y
3	Combo 48 -32 -48 -16 - - DVD - ROM - CDRW --NON/VISTA (models CTO 54S 54P 54Y 63S 63P 63Y D1A D1T D4Q D5U D5S D5P D5Y D6U D6F G2A G2T 23U 32S 32P 32Y 91A 91T F6S F6P F6Y F8U F8S F8P F8Y J4U J4S J4P J4Y M1G M3M M3A M3Q M3T M3V M3K M3J P1U P1F P1S P1P P1D P1Y P2C P2B P2H 65J J6K M8G P5K P5J Q2U Q2F Q2S Q2P Q2L Q2D Q2Y Q2G Q2M Q2A Q2Q Q2T Q2C Q2B Q2H Q2V Q2K Q2R Q2E Q2J Q3C Q3B Q3H)	41X7992	1	Y
3	DVD-Recorder (Rambo 8)-NON/VISTA (models CTO H2G J2U J2F J2G)	41X3343	1	Y
3	DVD-Recorder (Rambo 8)-NON/VISTA (models CTO CTO H2G J2U J2F J2G)	41X3550	1	Y
3	DVD Recordable No Software / No Royalty for VISTA Models ONLY (models CTO H2G J2U J2F J2G J8U J8F J8G J8J)	42Y9370	1	Y
3	DVD Recordable No Software / No Royalty for VISTA Models ONLY (models CTO H2G J2U J2F J2G J8U J8F J8G J8J)	42Y9371	1	Y
3	DVD Recordable No Software / No Royalty for VISTA Models ONLY (models CTO H2G J2U J2F J2G J8U J8F J8G J8J)	42Y6017	1	Y
3	DVD Recordable No Software / No Royalty for VISTA Models ONLY (models CTO H2G J2U J2F J2G J8U J8F J8G J8J)	43C0144	1	Y
4	Front Power/LED PC, bracket, and cable (all models)	41N8213	N	Y

Item #	9632 FRUs	FRU#	CRU Tier	RoHS?
5	Hard disk drive, 40GB (7200RPM), Serial ATA (models CTO)	40Y9033	2	Y
5	Hard disk drive, 80GB (7200RPM), Serial ATA (models CTO A1Q A2U A3S A3P A3D A3Y A3C A3B A3H A4U A4F B1S B1P B1Y B2U B3G 41A 41T 51Q 51C 51B 51H 52Q 53S 53P 53Y 54S 54P 54Y 61Q 62S 62P 62Y 63S 63P 63Y D1A D1T D2U D2G D3Q D4Q D6U D6F D7U D7F G1Q G2A G2T A2F B2F 21B 21H 22U 23U 24S 24P 24Y D8S D8P D8Y 91A 91T F5S F5P F5Y F5A F5C F5B F5H F6S F6P F6Y F7U F7F F7S F7P F7L F7D F7Y F7G F7M F7A F7Q F7T F7C F7B F7H F7V F7K F7R F7E F7J J1Q J1C J3S J3P J3Y M2U M2F M2S M2P M2L M2D M2Y M2G M2M M2A M2Q M2T M2C M2B M2H M2V M2K M2R M2E M2J M3M M3A M3Q M3T M3V M3K M3J)	40Y9034	2	Y
5	Hard disk drive, 80GB 7200rpm SATA (only for China) (models A3C A3B A3H 41T 51C 51B 51H D1T G2T 21B 21H 91T F5C F5B F7T F7C F7B J1C M2T M2C M2B M2H M2V M3T)	41X2500	1	Y
5	Hard disk drive, 160GB (7200RPM), Serial ATA (models CTO D5U D5S D5P D5Y H2G 25S 25P 25Y 26S 26P 26Y 27S 27P 27Y 31S 31P 31Y 32S 32P 32Y F8U F8S F8P F8Y J2U J2F J2G J4U J4S J4P J4Y M1G P1U P1F P1S P1P P1D P1Y P2C P2B P2H)	40Y9035	2	Y
5	Hard disk drive, 250GB (7200RPM), Serial ATA (models CTO)	40Y9036	2	Y
5	Hard disk drive, 500GB (7200RPM), Serial ATA (models CTO)	41X5582	2	Y
6	Diskette drive, 3,5", 1.44MB, 2-mode, (w/bezel) (models CTO A3S A3P A3D A3Y A3C A3B A3H B1S B1P B1Y 41A 41T D1A D1T G2A G2T 21B 21H 24S 24P 24Y 25S 25P 25Y 26S 26P 26Y 27S 27P 27Y 31S 31P 31Y D8S D8P D8Y 91A 91T J3S J3P J3Y M3M M3A M3Q M3T M3V M3K M3J P2C P2B P2H)	40Y9105	2	Y
6	Diskette drive, 3,5", 1.44MB, 2-mode (models CTO A3S A3P A3D A3Y A3C A3B A3H B1S B1P B1Y 41A 41T D1A D1T G2A G2T 21B 21H 24S 24P 24Y 25S 25P 25Y 26S 26P 26Y 27S 27P 27Y 31S 31P 31Y D8S D8P D8Y 91A 91T J3S J3P J3Y M3M M3A M3Q M3T M3V M3K M3J P2C P2B P2H)	40Y7107	2	Y
7	Front USB/Audio with bracket (all models)	41N8212	N	Y
8	Memory module, 512 MB PC2-4200 (533MHz) DDR2 SDRAM (models CTO A2U A4U A4F B2U 53S 53P 53Y 54S 54P 54Y 61Q 62S 62P 62Y 63S 63P 63Y D1A D1T D2U D2G D3Q D5U D5S D5P D5Y D6U D6F D7U D7F G2A G2T A2F B2F 21B 21H 22U 23U 25S 25P 25Y 27S 27P 27Y 31S 31P 31Y 32S 32P 32Y D8S D8P D8Y 91A 91T F5S F5P F5Y F5A F5C F5B F5H F6S F6P F6Y F7U F7F F7S F7P F7L F7D F7Y F7G F7M F7A F7Q F7T F7C F7B F7H F7V F7K F7R F7E F7J F8U F8S F8P F8Y J3S J3P J3Y J4U J4S J4P J4Y M3M M3A M3Q M3T M3V M3K M3J)	41X4251	2	Y
8	Memory module, 1 GB PC2-4200 (533MHz) DDR2 SDRAM (models CTO H2G J2U J2F J2G M1G M2U M2F M2S M2P M2L M2D M2Y M2G M2M M2A M2Q M2T M2C M2B M2H M2V M2K M2R M2E M2J P1U P1F P1S P1P P1D P1Y P2C P2B P2H)	41X4252	2	Y
8	Memory module, 2GB PC2-4200 (533MHz) DDR2 SDRAM (models CTO)	41X4253	2	Y
8	Memory module, 512 MB PC2-5300 (667MHz) DDR2 SDRAM (models CTO)	41X4255	2	Y
8	Memory module, 1 GB PC2-5300 (667MHz) DDR2 SDRAM (models CTO)	41X4256	2	Y
8	Memory module, 2 GB PC2-5300 (667MHz) DDR2 SDRAM (models CTO)	41X4257	2	Y

Item #	9632 FRUs	FRU#	CRU Tier	RoHS?
9	<p>System board, Intel Sys Planar for Vista and XP (models J1Q J1C J2U J2F J2G J3S J3P J3Y J4U J4S J4P J4Y M1G M2U M2F M2S M2P M2L M2D M2Y M2G M2M M2A M2Q M2T M2C M2B M2H M2V M2K M2R M2E M2J M3M M3A M3Q M3T M3V M3K M3J P1U P1F P1S P1P P1D P1Y P2C P2B P2H C1U C2U C3U C4U C5U C7U C8U CTO A1Q A2U A3S A3P A3D A3Y A3C A3B A3H A4U A4F B1S B1P B1Y B2U B3G 41A 41T 51Q 51C 51B 51H 52Q 53S 53P 53Y 54S 54P 54Y 61Q 62S 62P 62Y 63S 63P 63Y D1A D1T D2U D2G D3Q D4Q D5U D5S D5P D5Y D6U D6F D7U D7F G1Q G2A G2T H2G A2F B2F 21B 21H 22U 23U 24S 24P 24Y 25S 25P 25Y 26S 26P 26Y 27S 27P 27Y 31S 31P 31Y 32S 32P 32Y D8S D8P D8Y 91A 91T F5S F5P F5Y F5A F5C F5B F5H F6S F6P F6Y F7U F7F F7S F7P F7L F7D F7Y F7G F7M F7A F7Q F7T F7C F7B F7H F7V F7K F7R F7E F7J F8U F8S F8P F8Y 56S 56P 56Y 64S 64P 64Y 65J F9U F9F F9S F9P F9L F9D F9Y F9G F9M F9A F9Q F9T F9C F9B F9H F9V F9K F9R F9E F9J J6K J8U J8F J8G J8J M7U M7F M7S M7P M7L M7D M7Y M7G M7M M7A M7Q M7T M7C M7B M7H 7V M7K M7R M7E M7J M8G P5K P5J Q1U Q1F Q2U Q2F Q2S Q2P Q2L Q2D Q2Y Q2G Q2M Q2A Q2Q Q2T Q2C Q2B Q2H Q2V Q2K Q2R Q2E Q2J Q3C Q3B Q3H)</p> <p>Note: When ordering a new system board, you must also order a new retention module for the heat sink.</p>	87H4655	N	Y
9	<p>System board, Intel Sys Planar Japan for Vista and XP (models J1Q J1C J2U J2F J2G J3S J3P J3Y J4U J4S J4P J4Y M1G M2U M2F M2S M2P M2L M2D M2Y M2G M2M M2A M2Q M2T M2C M2B M2H M2V M2K M2R M2E M2J M3M M3A M3Q M3T M3V M3K M3J P1U P1F P1S P1P P1D P1Y P2C P2B P2H C1U C2U C3U C4U C5U C7U C8U CTO A1Q A2U A3S A3P A3D A3Y A3C A3B A3H A4U A4F B1S B1P B1Y B2U B3G 41A 41T 51Q 51C 51B 51H 52Q 53S 53P 53Y 54S 54P 54Y 61Q 62S 62P 62Y 63S 63P 63Y D1A D1T D2U D2G D3Q D4Q D5U D5S D5P D5Y D6U D6F D7U D7F G1Q G2A G2T H2G A2F B2F 21B 21H 22U 23U 24S 24P 24Y 25S 25P 25Y 26S 26P 26Y 27S 27P 27Y 31S 31P 31Y 32S 32P 32Y D8S D8P D8Y 91A 91T F5S F5P F5Y F5A F5C F5B F5H F6S F6P F6Y F7U F7F F7S F7P F7L F7D F7Y F7G F7M F7A F7Q F7T F7C F7B F7H F7V F7K F7R F7E F7J F8U F8S F8P F8Y 56S 56P 56Y 64S 64P 64Y 65J F9U F9F F9S F9P F9L F9D F9Y F9G F9M F9A F9Q F9T F9C F9B F9H F9V F9K F9R F9E F9J J6K J8U J8F J8G J8J M7U M7F M7S M7P M7L M7D M7Y M7G M7M M7A M7Q M7T M7C M7B M7H 7V M7K M7R M7E M7J M8G P5K P5J Q1U Q1F Q2U Q2F Q2S Q2P Q2L Q2D Q2Y Q2G Q2M Q2A Q2Q Q2T Q2C Q2B Q2H Q2V Q2K Q2R Q2E Q2J Q3C Q3B Q3H)</p> <p>Note: When ordering a new system board, you must also order a new retention module for the heat sink.</p>	87H4656	N	Y

Item #	9632 FRUs	FRU#	CRU Tier	RoHS?
9	System board, 946GZ B ver 1.0 (models J1Q J1C J2U J2F J2G J3S J3P J3Y J4U J4S J4P J4Y M1G M2U M2F M2S M2P M2L M2D M2Y M2G M2M M2A M2Q M2T M2C M2B M2H M2V M2K M2R M2E M2J M3M M3A M3Q M3T M3V M3K M3J P1U P1F P1S P1P P1D P1Y P2C P2B P2H C1U C2U C3U C4U C5U C7U C8U CTO A1Q A2U A3S A3P A3D A3Y A3C A3B A3H A4U A4F B1S B1P B1Y B2U B3G 41A 41T 51Q 51C 51B 51H 52Q 53S 53P 53Y 54S 54P 54Y 61Q 62S 62P 62Y 63S 63P 63Y D1A D1T D2U D2G D3Q D4Q D5U D5S D5P D5Y D6U D6F D7U D7F G1Q G2A G2T H2G A2F B2F 21B 21H 22U 23U 24S 24P 24Y 25S 25P 25Y 26S 26P 26Y 27S 27P 27Y 31S 31P 31Y 32S 32P 32Y D8S D8P D8Y 91A 91T F5S F5P F5Y F5A F5C F5B F5H F6S F6P F6Y F7U F7F F7S F7P F7L F7D F7Y F7G F7M F7A F7Q F7T F7C F7B F7H F7V F7K F7R F7E F7J F8U F8S F8P F8Y 56S 56P 56Y 64S 64P 64Y 65J F9U F9F F9S F9P F9L F9D F9Y F9G F9M F9A F9Q F9T F9C F9B F9H F9V F9K F9R F9E F9J J6K J8U J8F J8G J8J M7U M7F M7S M7P M7L M7D M7Y M7G M7M M7A M7Q M7T M7C M7B M7H 7V M7K M7R M7E M7J M8G P5K P5J Q1U Q1F Q2U Q2F Q2S Q2P Q2L Q2D Q2Y Q2G Q2M Q2A Q2Q Q2T Q2C Q2B Q2H Q2V Q2K Q2R Q2E Q2J Q3C Q3B Q3H) Note: When ordering a new system board, you must also order a new retention module for the heat sink.	43C3504	N	Y
9	System board, 946GZ ver 1.2 (models J1Q J1C J2U J2F J2G J3S J3P J3Y J4U J4S J4P J4Y M1G M2U M2F M2S M2P M2L M2D M2Y M2G M2M M2A M2Q M2T M2C M2B M2H M2V M2K M2R M2E M2J M3M M3A M3Q M3T M3V M3K M3J P1U P1F P1S P1P P1D P1Y P2C P2B P2H C1U C2U C3U C4U C5U C7U C8U CTO A1Q A2U A3S A3P A3D A3Y A3C A3B A3H A4U A4F B1S B1P B1Y B2U B3G 41A 41T 51Q 51C 51B 51H 52Q 53S 53P 53Y 54S 54P 54Y 61Q 62S 62P 62Y 63S 63P 63Y D1A D1T D2U D2G D3Q D4Q D5U D5S D5P D5Y D6U D6F D7U D7F G1Q G2A G2T H2G A2F B2F 21B 21H 22U 23U 24S 24P 24Y 25S 25P 25Y 26S 26P 26Y 27S 27P 27Y 31S 31P 31Y 32S 32P 32Y D8S D8P D8Y 91A 91T F5S F5P F5Y F5A F5C F5B F5H F6S F6P F6Y F7U F7F F7S F7P F7L F7D F7Y F7G F7M F7A F7Q F7T F7C F7B F7H F7V F7K F7R F7E F7J F8U F8S F8P F8Y 56S 56P 56Y 64S 64P 64Y 65J F9U F9F F9S F9P F9L F9D F9Y F9G F9M F9A F9Q F9T F9C F9B F9H F9V F9K F9R F9E F9J J6K J8U J8F J8G J8J M7U M7F M7S M7P M7L M7D M7Y M7G M7M M7A M7Q M7T M7C M7B M7H 7V M7K M7R M7E M7J M8G P5K P5J Q1U Q1F Q2U Q2F Q2S Q2P Q2L Q2D Q2Y Q2G Q2M Q2A Q2Q Q2T Q2C Q2B Q2H Q2V Q2K Q2R Q2E Q2J Q3C Q3B Q3H) Note: When ordering a new system board, you must also order a new retention module for the heat sink.	43C3505	N	Y
9	System board, 946GZ ver 1.2 (models J1Q J1C J2U J2F J2G J3S J3P J3Y J4U J4S J4P J4Y M1G M2U M2F M2S M2P M2L M2D M2Y M2G M2M M2A M2Q M2T M2C M2B M2H M2V M2K M2R M2E M2J M3M M3A M3Q M3T M3V M3K M3J P1U P1F P1S P1P P1D P1Y P2C P2B P2H C1U C2U C3U C4U C5U C7U C8U CTO A1Q A2U A3S A3P A3D A3Y A3C A3B A3H A4U A4F B1S B1P B1Y B2U B3G 41A 41T 51Q 51C 51B 51H 52Q 53S 53P 53Y 54S 54P 54Y 61Q 62S 62P 62Y 63S 63P 63Y D1A D1T D2U D2G D3Q D4Q D5U D5S D5P D5Y D6U D6F D7U D7F G1Q G2A G2T H2G A2F B2F 21B 21H 22U 23U 24S 24P 24Y 25S 25P 25Y 26S 26P 26Y 27S 27P 27Y 31S 31P 31Y 32S 32P 32Y D8S D8P D8Y 91A 91T F5S F5P F5Y F5A F5C F5B F5H F6S F6P F6Y F7U F7F F7S F7P F7L F7D F7Y F7G F7M F7A F7Q F7T F7C F7B F7H F7V F7K F7R F7E F7J F8U F8S F8P F8Y 56S 56P 56Y 64S 64P 64Y 65J F9U F9F F9S F9P F9L F9D F9Y F9G F9M F9A F9Q F9T F9C F9B F9H F9V F9K F9R F9E F9J J6K J8U J8F J8G J8J M7U M7F M7S M7P M7L M7D M7Y M7G M7M M7A M7Q M7T M7C M7B M7H 7V M7K M7R M7E M7J M8G P5K P5J Q1U Q1F Q2U Q2F Q2S Q2P Q2L Q2D Q2Y Q2G Q2M Q2A Q2Q Q2T Q2C Q2B Q2H Q2V Q2K Q2R Q2E Q2J Q3C Q3B Q3H) Note: When ordering a new system board, you must also order a new retention module for the heat sink.	43C8359	N	Y

Item #	9632 FRUs	FRU#	CRU Tier	RoHS?
10	220W Small desktop power supply (non-smokeless) (models P1U P1F P1S P1P P1D P1Y C1U C2U C3U C4U C5U C7U C8U CTO A2U A3S A3P A3D A3Y A4U A4F B1S B1P B1Y B2U B3G 41A 41T 53S 53P 53Y 54S 54P 54Y 62S 62P 62Y 63S 63P 63Y D1A D1T D2U D2G D5U D5S D5P D5Y D6U D6F D7U D7F G2A G2T H2G A2F B2F 22U 23U 24S 24P 24Y 25S 25P 25Y 26S 26P 26Y 27S 27P 27Y 31S 31P 31Y 32S 32P 32Y D8S D8P D8Y 91A 91T F5S F5P F5Y F5A F6S F6P F6Y F7U F7F F7S F7P F7L F7D F7Y F7G F7M F7A F7T F7V F7K F7R F7E F8U F8S F8P F8Y J2U J2F J2G J3S J3P J3Y J4U J4S J4P J4Y M1G M2U M2F M2S M2P M2L M2D M2Y M2G M2M M2A M2T M2V M2K M2R M2E M3M M3A M3T M3V M3K)	41N3109	N	Y
10	220W Small desktop power supply (smokeless - Japanese) (models F7J M2J M3J)	41N3119	N	Y
10	220 Watt Power Supply - China (models CTO-A A1Q A3C A3B A3H 51Q 51C 51B 51H 52Q 61Q D3Q D4Q G1Q 21B 21H F5C F5B F5H F7Q F7C F7B F7H J1Q J1C M2Q M2C M2B M2H M3Q P2C P2B P2H)	41N3493	N	Y
10	220 Watt Power Supply - WW (models P1U P1F P1S P1P P1D P1Y C1U C2U C3U C4U C5U C7U C8U)	41A9655	N	Y
10	220 Watt Power Supply - china (models CTO-A A1Q A3C A3B A3H 51Q 51C 51B 51H 52Q 61Q D3Q D4Q G1Q 21B 21H F5C F5B F5H F7Q F7C F7B F7H J1Q J1C M2Q M2C M2B M2H M3Q P2C P2B P2H)	41A9652	N	Y

The FRUs listed in the following tables are not illustrated.

9632 FRUs	FRU#	CRU Tier	RoHS?
Thermal grease kit (models CTO)	91P8835	N	Y
1 drop IDE cable (all models)	41A7158	N	Y
Shield, EMC, system board (all models)	41N5347	N	Y
Cable, Serial ATA, 250 mm (all models)	41A7145	N	Y
Shield, EMC, blank 5.25in. drive bay (all models)	41N8271	N	Y
Shield, EMC, blank diskette drive bay (all models)	41N8273	N	Y
Cover (all models)	41N8204	2	Y
Mechanical shell kit (all models)	41N8205	2	Y
Bezel kit (all models)	41N8206	N	Y
Miscellaneous hardware kit (all models)	41N8209	N	Y
Hard disk drive bracket asm (plastic and grommets) (all models)	41N8210	N	Y
Hard disk drive fan and bracket asm (all models)	41N8211	N	Y
Speaker cable asm, 600 mm cable length (all models)	41N8217	N	Y
Serial port Cable (all models)	39K5021	N	Y
Fan duct assembly (all models)	41A7151	N	Y
Fan duct assembly (all models)	41R4808	N	Y
Rear USB cable asm (with low profile PCI bracket) (all models)	41N8267	N	
Rear USB 2Ports II HP(R), high profile I/O, 300mm, Rohs (all models)	42Y8005	N	Y
Rear USB 2Ports II LP(R), low profile I/O, 200mm, Rohs (all models)	42Y8006	N	Y
Rear Com2 cable II HP(R), high profile I/O, 250mm, Rohs (all models)	42Y8007	N	Y

9632 FRUs	FRU#	CRU Tier	RoHS?
Rear Com2 cable II LP(R), low profile I/O, 250mm, Rohs (all models)	42Y8008	N	Y
Foot stand (all models)	41R4813	N	Y
Retention module, Intel (all models)	41A7139	N	Y

9632 Keyboards (Lenovo Preferred Pro fullsize, Black)	FRU#	CRU Tier	RoHS?
US English (models A1Q A2U A3C A3H A4U B2U B3G 41A 51Q 51C 51H 52Q 61Q D1A D2U D2G D3Q D4Q D5U D6U D7U G1Q G2A H2G 21H 22U 23U 91A F5A F5C F5H F7U F7L F7G F7M F7A F7Q F7C F7H F7R F7E F8U J1Q J1C J2U J2G J4U M1G M2U M2L M2G M2M M2A M2Q M2C M2H M2R M2E M3M M3A M3Q P1U P2C P2H C1U C2U C3U C4U C5U C7U C8U)	41A5039	1	Y
Arabic (models B3G D2G H2G F7G J2G M1G M2G)	41A5040	1	Y
Arabic/French (models B3G D2G H2G F7G J2G M1G M2G)	41A50D1	1	Y
Belgian/French (models B3G D2G H2G F7G J2G M1G M2G)	41A5042	1	Y
Belgian/UK (models B3G D2G H2G F7G J2G M1G M2G)	41A5043	1	Y
Bulgarian (models B3G D2G H2G F7G J2G M1G M2G)	41A5045	1	Y
Hong Kong/Taiwan (models A3B 51B 21B F5B F7B F7V M2B M2V M3V P2B)	41A5046	1	Y
Czech (models B3G D2G H2G F7G J2G M1G M2G)	41A5047	1	Y
Danish (models B3G D2G H2G F7G J2G M1G M2G)	41A5048	1	Y
Dutch (models B3G D2G H2G F7G J2G M1G M2G)	41A5049	1	Y
French (models B3G D2G H2G F7G J2G M1G M2G)	41A5050	1	Y
French Canadian 445 (models A4F D6F D7F A2F B2F F7F J2F M2F P1F)	41A5051	1	Y
French Canadian 58 (models A4F D6F D7F A2F B2F F7F J2F M2F P1F)	41A5052	1	Y
German (models B3G D2G H2G F7G J2G M1G M2G)	41A5053	1	Y
Greek (models B3G D2G H2G F7G J2G M1G M2G)	41A5054	1	Y
Hebrew (models B3G D2G H2G F7G J2G M1G M2G)	41A5055	1	Y
Hungarian (models B3G D2G H2G F7G J2G M1G M2G)	41A5056	1	Y
Iceland (models B3G D2G H2G F7G J2G M1G M2G)	41A5057	1	Y
Italian (models B3G D2G H2G F7G J2G M1G M2G)	41A5058	1	Y
Japanese (models F7J M2J M3J)	41A5059	1	Y
Korean (models F7K M2K M3K)	41A5060	1	Y
LA Spanish (models A3S A3D A3Y B1S B1Y 53S 53Y 54S 54Y 62S 62Y 63S 63Y D5S D5Y 24S 24Y 25S 25Y 26S 26Y 27S 27Y 31S 31Y 32S 32Y D8S D8Y F5S F5Y F6S F6Y F7S F7D F7Y F8S F8Y J3S J3Y J4S J4Y M2S M2D M2Y P1S P1D P1Y)	41A5061	1	Y
Norwegian (models B3G D2G H2G F7G J2G M1G M2G)	41A5062	1	Y
Polish (models B3G D2G H2G F7G J2G M1G M2G)	41A5063	1	Y
Portuguese (models B3G D2G H2G F7G J2G M1G M2G)	41A5064	1	Y
Romanian (models B3G D2G H2G F7G J2G M1G M2G)	41A5065	1	Y
Russian/Cyrilic (models B3G D2G H2G F7G J2G M1G M2G)	41A5066	1	Y
Serbian/Cyrilic (models B3G D2G H2G F7G J2G M1G M2G)	41A5067	1	Y
Slovak (models B3G D2G H2G F7G J2G M1G M2G)	41A5068	1	Y
Spanish (models B3G D2G H2G F7G J2G M1G M2G)	41A5069	1	Y

9632 Keyboards (Lenovo Preferred Pro fullsize, Black)	FRU#	CRU Tier	RoHS?
Swedish/Finn (models B3G D2G H2G F7G J2G M1G M2G)	41A5070	1	Y
Swiss F/G (models B3G D2G H2G F7G J2G M1G M2G)	41A5071	1	Y
Thailand (models 41T D1T G2T 91T F7T M2T M3T)	41A5072	1	Y
Turkish 440 (models B3G D2G H2G F7G J2G M1G M2G)	41A5073	1	Y
Turkish 179 (models B3G D2G H2G F7G J2G M1G M2G)	41A5074	1	Y
UK English (models B3G D2G H2G F7G J2G M1G M2G)	41A5075	1	Y
US Euro (models B3G D2G H2G F7G J2G M1G M2G)	41A5076	1	Y
Slovenian (models B3G D2G H2G F7G J2G M1G M2G)	41A5077	1	Y
Brazil/Portuguese (models A3P B1P 53P 54P 62P 63P D5P 24P 25P 26P 27P 31P 32P D8P F5P F6P F7P F8P J3P J4P M2P P1P)	41A5044	1	Y

9632 mice	FRU#	CRU Tier	RoHS?
Optical Wheel Mouse (400DPI, USB) (all models)	41U3013	1	Y
Optical Wheel Mouse (400DPI, USB) (all models)	41U3030	1	Y
PS/2 Three Button ball mouse (models CTO)	41R0018	1	Y
ScrollPoint Optical Mouse (800DPI, USB) (models CTO)	41U3019	1	Y

9632 Adapters and miscellaneous FRUs	FRU#	CRU Tier	RoHS?
USB2.0 MEMORY CARDREADER,6X2,ROHS OPTIONAL,Bitland (models CTO)	41R3378	2	Y
USB2.0 MEMORY CARDREADER,6X2,ROHS OPTIONAL, SONY (models CTO)	41R3376	2	Y
PCI Modem Card (Soft) (models CTO)	29R9729	2	Y
L1 IEEE 1394 PCI Adapter (models CTO)	41D2781	2	Y
Denver - ATI X300SE 128MB (models CTO D7U D7F)	39J9635	2	Y
Dongle Cable - DMS59 to dual VGA (models CTO)	41D2399	2	Y
Dongle Cable - DMS59 to dual VGA (included in Denver L1) (models CTO)	42Y8181	2	Y
Dongle DMS Dule DMS-59 to dual DVI cable (models CTO)	41X6398	2	Y
Dongle DMS Dule DMS-59 to single VGA and DVI cable (models CTO)	42Y8183	2	Y
Nvidia GeForce 6200TC128MB 64bit (Full Height) (models CTO)	41X2668	2	Y
Nvidia GeForce 6200TC 64MB 32bit (models CTO)	41X2667	2	Y
Nvidia GeForce 7300LE 128MB 64bit (models CTO)	41X2669	2	Y
Nvidia GeForce 7300LE 128MB 64bit LP / ATX with DMS59 (models CTO)	42Y8165	2	Y
ATI Radeon X1300PRO 256MB 128bit (models CTO)	41X2670	2	Y
ATI X1300LE 256M 64bit LP / ATX with DMS59 (models CTO)	42Y8162	2	Y
X1300 LE 256MB (models CTO)	42Y8159	2	Y
Internal USB Memory Card Reader (models CTO)	41D1934	2	Y
Wireless Keyboard (models CTO)	41A5219	2	Y
Wireless Mouse (models CTO)	41A5247	2	Y
USB Transceiver for wireless kybd/mouse (models CTO)	41A5246	2	Y
BTL external speaker (models CTO)	41A5334	2	Y

9632 Adapters and miscellaneous FRUs	FRU#	CRU Tier	RoHS?
DVI-I card,FH(Casper) (models CTO)	39J9334	2	Y

9632 Power Cords	FRU#	CRU Tier	RoHS?
Power Cord (US) (models A2U A3S A3D A4U A4F B1S B2U 41A 41T 53S 54S 62S 63S D1A D1T D2U D5U D5S D6U D6F D7U D7F G2A G2T A2F B2F 22U 23U 24S 25S 26S 27S 31S 32S D8S 91A 91T F5S F5A F6S F7U F7F F7S F7L F7D F7A F7T F8U F8S J2U J2F J3S J4U J4S M2U M2F M2S M2L M2D M2A M2T M3A M3T P1U P1F P1S P1D C1U C2U C3U C4U C5U C7U C8U)	39M5080	1	Y
Power Cord (China) (models A3C 51C F5C F7C J1C M2C P2C)	39M5205	1	Y
Power Cord (Japan) (models F7E F7J M2E M2J M3J)	39M5193	1	Y
Power Cord (Brazil) (models A3P B1P 53P 54P 62P 63P D5P 24P 25P 26P 27P 31P 32P D8P F5P F6P F7P F8P J3P J4P M2P P1P)	39M5232	1	Y
Power Cord (LA High Volt APU) (models A3Y B1Y 53Y 54Y 62Y 63Y D5Y 24Y 25Y 26Y 27Y 31Y 32Y D8Y F5Y F6Y F7L F7Y F8Y J3Y J4Y M2L M2Y P1Y)	39M5067	1	Y
Power Cord (Australia/New Zealand) (models F7M M2M M3M)	39M5102	1	Y
Power Cord (Korea) (models F7K F7R M2K M2R M3K)	39M5212	1	Y
Power Cord (Hong Kong) (models A3B A3H 51B 51H 21B 21H F5B F5H F7B F7H M2B M2H P2B P2H)	39M5151	1	Y
Power Cord (UK, Ireland, Singapore, Malaysia, Brunei) (models B3G 41A D1A D2G G2A H2G 91A F5A F7G F7A J2G M1G M2G M2A M3A)	39M5150	1	Y
Power Cord (Taiwan) (models F7V M2V M3V)	39M5246	1	Y
Power Cord (Italy) (models A3S A3Y B1S B1Y B3G 53S 53Y 54S 54Y 62S 62Y 63S 63Y D2G D5S D5Y H2G 24S 24Y 25S 25Y 26S 26Y 27S 27Y 31S 31Y 32S 32Y D8S D8Y F5S F5Y F6S F6Y F7S F7L F7Y F7G F8S F8Y J2G J3S J3Y J4S J4Y M1G M2S M2L M2Y M2G P1S P1Y)	39M5164	1	Y
Power Cord (G models) (models B3G 41A D1A D2G G2A H2G 91A F5A F7G F7A J2G M1G M2G M2A M3A)	39M5122	1	Y
Power Cord (Denmark) (models B3G D2G H2G F7G J2G M1G M2G)	39M5129	1	Y
Power Cord (Switzerland) (models B3G D2G H2G F7G J2G M1G M2G)	39M5157	1	Y
Power Cord (Israel) (models B3G D2G H2G F7G J2G M1G M2G)	39M5171	1	Y
Power Cord (South Africa) (models B3G 41A D1A D2G G2A H2G 91A F5A F7G F7M F7A J2G M1G M2G M2M M2A M3M M3A)	39M5143	1	Y
Power Cord (India) (models A1Q 51Q 52Q 61Q D3Q D4Q G1Q F7Q J1Q M2Q M3Q)	39M5004	1	Y

9632 Windows XP Pro Recovery CDs	FRU#	CRU Tier	RoHS?
US/UK/AP/TH (models A2U A3H A4U B2U B3G 41A 41T 51Q 51H 61Q D1A D1T D2U D2G D3Q D4Q D5U D6U D7U G1Q G2A G2T H2G 21H 22U 23U 91A 91T F5A F5H F7U F7L F7G F7M F7A F7Q F7T F7H F7R F7E F8U J1Q J2U J2G J4U M1G M2U M2L M2G M2M M2A M2Q M2T M2H M2R M2E M3M M3A M3Q M3T P1U P2H)	42Y3549	1	Y
FR/CF (models A4F B3G D2G D6F D7F H2G A2F B2F F7F F7G J2F J2G M1G M2F M2G P1F)	42Y3550	1	Y
GR (models B3G D2G H2G F7G J2G M1G M2G)	42Y3551	1	Y

9632 Windows XP Pro Recovery CDs	FRU#	CRU Tier	RoHS?
IT (models B3G D2G H2G F7G J2G M1G M2G)	42Y3553	1	Y
BR (models B3G D2G H2G F7G J2G M1G M2G P1P)	42Y3554	1	Y
SP/LA (models A3S A3D A3Y B1S B1Y B3G 53S 53Y 54S 54Y 62S 62Y 63S 63Y D2G D5S D5Y H2G 24S 24Y 25S 25Y 26S 26Y 27S 27Y 31S 31Y 32S 32Y D8S D8Y F5S F5Y F6S F6Y F7S F7D F7Y F7G F8S F8Y J2G J3S J3Y J4S J4Y M1G M2S M2D M2Y M2G P1S P1D P1Y)	42Y3552	1	Y
DK (models B3G D2G H2G F7G J2G M1G M2G)	42Y3556	1	Y
NL (models B3G D2G H2G F7G J2G M1G M2G)	42Y3720	1	Y
AE (models B3G D2G H2G F7G J2G M1G M2G)	42Y3724	1	Y
SV (models B3G D2G H2G F7G J2G M1G M2G)	42Y3555	1	Y
HE (models B3G D2G H2G F7G J2G M1G M2G)	42Y3721	1	Y
FI (models B3G D2G H2G F7G J2G M1G M2G)	42Y3718	1	Y
NO (models B3G D2G H2G F7G J2G M1G M2G)	42Y3719	1	Y
PL (models B3G D2G H2G F7G J2G M1G M2G)	42Y3722	1	Y
PO (models B3G D2G H2G F7G J2G M1G M2G)	42Y3728	1	Y
RU (models B3G D2G H2G F7G J2G M1G M2G)	42Y3725	1	Y
RE (models B3G D2G H2G F7G J2G M1G M2G)	42Y3717	1	Y
HU (models B3G D2G H2G F7G J2G M1G M2G)	42Y3727	1	Y
CZ (models B3G D2G H2G F7G J2G M1G M2G)	42Y3723	1	Y
TR (models B3G D2G H2G F7G J2G M1G M2G)	42Y3726	1	Y
GK (models B3G D2G H2G F7G J2G M1G M2G)	42Y3729	1	Y
SL (models B3G D2G H2G F7G J2G M1G M2G)	42Y3730	1	Y
Japanese (models F7J M2J M3J)	41W7767	1	Y
Simplified Chinese (models A3C 51C F5C F7C J1C M2C P2C)	41W7751	1	Y
Taiwan - TC (models F7V M2V M3V)	41W7757	1	Y
Hong Kong-TC (models A3B 51B 21B F5B F7B M2B P2B)	41W7762	1	Y
Korea (models F7K M2K M3K)	41W7746	1	Y
Multilingual 1 (models B3G D2G H2G F7G J2G M1G M2G)	42Y3645	1	Y
Multilingual 2 (models B3G D2G H2G F7G J2G M1G M2G)	42Y3879	1	Y

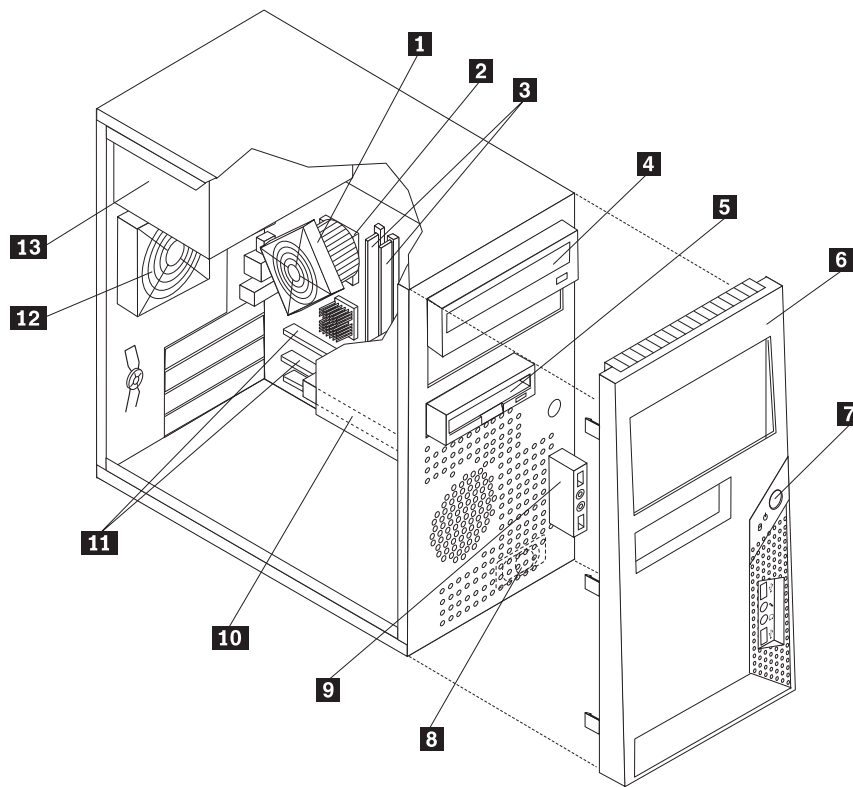
9632 Vista Home Basic 32 Recovery DVDs	FRU#	CRU Tier
US/UK/AP/TH (models)	87H4420	1
FR/CF (models)	87H4421	1
GR (models)	87H4422	1
SP/LA (models)	87H4423	1
BR (models)	87H4424	1
IT (models)	87H4425	1
JP (models)	87H4426	1
NO (models)	87H4427	1
SV (models)	87H4428	1
DK (models)	87H4429	1

9632 Vista Home Basic 32 Recovery DVDs	FRU#	CRU Tier
NL (models)	87H4430	1
CZ (models)	87H4431	1
FI (models)	87H4432	1
PL (models)	87H4433	1
RU (models)	87H4434	1
TR (models)	87H4435	1
HU (models)	87H4436	1
GK (models)	87H4437	1
PO (models)	87H4438	1
CS (models)	87H4439	1
TW (models)	87H4440	1
HK (models)	87H4441	1
KR (models)	87H4442	1
SL (models)	87H4443	1
RE (models)	43C1306	1

9632 Vista Business 32 Recovery DVDs	FRU#	CRU Tier
US/UK/AP/TH (models)	87H4476	1
FR/CF (models)	87H4477	1
GR (models)	87H4478	1
SP/LA (models)	87H4479	1
BR (models)	87H4480	1
IT (models)	87H4481	1
JP (models)	87H4482	1
NO (models)	87H4483	1
SV (models)	87H4484	1
DK (models)	87H4485	1
NL (models)	87H4486	1
CZ (models)	87H4487	1
FI (models)	87H4488	1
PL (models)	87H4489	1
RU (models)	87H4490	1
TR (models)	87H4491	1
HU (models)	87H4492	1
GK (models)	87H4493	1
PO (models)	87H4494	1
CS (models)	87H4495	1
TW (models)	87H4496	1
HK (models)	87H4497	1
KR (models)	87H4498	1
SL (models)	87H4499	1

9632 Vista Business 32 Recovery DVDs	FRU#	CRU Tier
RE (models)	43C1308	1

Machine Type 9635



Item #	9635 FRUs	FRU#	CRU Tier	RoHS?
1	Heatsink for Intel CPUs (all models)	41N8261	N	Y
1	Heatsink for Intel CPUs (models CTO)	41R4803	N	Y
2	Microprocessor, Celeron D 2.66GHz 533MHz FSB 256KB L2 (models CTO)	41T1694	N	Y
2	Microprocessor, Celeron D 2.80GHz 533MHz FSB 256KB L2 (models CTO A1Q A2A A2T A3C A2S A2Y)	41T1695	N	Y
2	Microprocessor, Celeron D 2.93GHz 533MHz FSB 256KB L2 (models CTO)	41T1696	N	Y
2	Microprocessor, Celeron D 3.06GHz 533MHz FSB 256KB L2 (models CTO B1S B1Y)	41T1697	N	Y
2	Microprocessor, Celeron D 3.20GHz 533MHz FSB 256KB L2 (models CTO)	41T1698	N	Y
2	Microprocessor, Celeron D 3.20GHz 533MHz FSB 512KB L2 (models CTO)	41T4966	N	Y
2	Microprocessor, Celeron D 3.33GHz 533MHz FSB 512KB L2 (models CTO B2Q B2C B2B B2H)	41T4968	N	Y
2	Microprocessor, Celeron 430 CONROE-L 800/1800MHZ-512K,LGA,EM64T (models CTO)	43C1964	N	Y
2	Microprocessor, Celeron 440 CONROE-L 800/2000MHZ-512K,LGA,EM64T (models CTO)	43C1965	N	Y
2	Microprocessor, Pentium 4 3.06 GHz 533 FSB 1MB L2 (models CTO 21S 21Y 22S 22Y)	41T4104	N	Y
2	Microprocessor, Pentium 4 3.0 GHz 800 FSB 1MB L2 (models CTO 23A 23T 23C 24S 24Y 25S 25Y)	41T1701	N	Y

Item #	9635 FRUs	FRU#	CRU Tier	RoHS?
2	Microprocessor, Pentium 4 3.2 GHz 800 FSB 1MB L2 (models CTO 31S 31Y 32S 32Y)	41T1702	N	Y
2	Microprocessor, Pentium 4 3.0 GHz 800 FSB 2MB L2 (models CTO 51Q)	41T1709	N	Y
2	Microprocessor, Pentium 4 3.0 GHz 800 FSB 2MB L2 (models CTO 52S 52Y)	41T1712	N	Y
2	Microprocessor, Pentium 4 3.2 GHz 800 FSB 2MB L2 (models CTO 61S 61Y 62S 62Y)	41T1713	N	Y
2	Microprocessor, Pentium 4 3.4 GHz 800 FSB 2MB L2 (models CTO)	41T1714	N	Y
2	Microprocessor, Pentium 4 661 Processor 3.6 GHz 800 FSB 2MB L2 B1-Value (models CTO)	41T1715	N	Y
2	Microprocessor, Pentium 4 2.8 GHz 800 FSB 2MB L2 (models CTO D1A D1T D2S D2Y D3G D4S D4Y)	41T1704	N	Y
2	Microprocessor, Pentium D 3.0 GHz 800 FSB 2Mx2 L2 (models CTO F5S F6G F7S F7Y F8S F8C)	41X2413	N	Y
2	Microprocessor, Pentium D 3.0 GHz 800 FSB 2Mx2 L2 (models CTO)	41T1717	N	Y
2	Microprocessor, Pentium D 935 3.2 GHz 800 FSB 2MBx2 L2 C1-Value (95W) (models CTO)	41X8050	N	Y
2	Microprocessor, Pentium D 945 Processor 3.4 GHz 800 FSB 2MBx2 L2) (models CTO G1G G2S G2Y G3S G3Y)	41X7776	N	Y
2	Microprocessor, E2140 CONROE-L 800/1600MHZ-1M, LGA, EM64T (models CTO)	43C1967	N	Y
2	Microprocessor, E2160 CONROE-L 800/1600MHZ-1M, LGA, EM64T (models CTO)	43C1968	N	Y
2	Microprocessor, E4300 CONROE 800/1800MHZ-2M, LGA, EM64T (models CTO)	42Y8009	N	Y
2	Microprocessor, E4400 CONROE 800/2000MHZ-2M, LGA, EM64T L2 (models CTO)	43C2056	N	Y
2	Microprocessor, E6600 B2 CONROE 1066/2400MHZ-4M, LGA, EM64T (models CTO)	41X5743	N	Y
2	Microprocessor, E6700 B2 CONROE 1066/2670MHZ-4M, LGA, EM64T (models CTO)	41X5744	N	Y
3	Memory module, 512 MB PC2-4200 (533MHz) DDR2 SDRAM (models CTO 52S 52Y 61S 61Y 62S 62Y D1A D1T D2S D2Y H1S H1Y B2Q B2C B2B B2H 22S 22Y 25S 25Y 31S 31Y 32S 32Y D3G D4S D4Y F5S F6G F7S F7Y G2S G2Y G3S G3Y)	41X4251	1	Y
3	Memory module, 1 GB PC2-4200 (533MHz) DDR2 SDRAM (models CTO J1G G1G)	41X4252	1	Y
3	Memory module, 512 MB PC2-5300 (667MHz) DDR2 SDRAM (models CTO)	41X4255	1	Y
3	Memory module, 1 GB PC2-5300 (667MHz) DDR2 SDRAM (models CTO)	41X4256	1	Y
4	DVD-ROM drive (16X/48X) (models CTO D3G F6G F8S F8C)	41X3544	1	Y
4	DVD-ROM drive (16X/48X) (models CTO D3G F6G F8S F8C)	41X3545	1	Y
4	DVD-ROM drive (16X/48X) (models CTO D3G F6G F8S F8C)	41X3546	1	Y
4	Combo 48 -32 -48 -16 - - DVD - ROM - CDRW (models CTO 62S 62Y D1A D1T D2S D2Y 32S 32Y F5S F7S F7Y G3S G3Y)	41X3547	1	Y

Item #	9635 FRUs	FRU#	CRU Tier	RoHS?
4	Combo 48 -32 -48 -16 - - DVD - ROM - CDRW (models CTO 62S 62Y D1A D1T D2S D2Y 32S 32Y F5S F7S F7Y G3S G3Y)	41X3548	1	Y
4	Combo 48 -32 -48 -16 - - DVD - ROM - CDRW (models CTO 62S 62Y D1A D1T D2S D2Y 32S 32Y F5S F7S F7Y G3S G3Y)	41X3549	1	Y
4	Combo 48 -32 -48 -16 - - DVD - ROM - CDRW --NON/VISTA (models CTO 62S 62Y D1A D1T D2S D2Y 32S 32Y F5S F7S F7Y G3S G3Y K1G)	42Y9368	1	Y
4	Combo 48 -32 -48 -16 - - DVD - ROM - CDRW --NON/VISTA (models CTO 62S 62Y D1A D1T D2S D2Y 32S 32Y F5S F7S F7Y G3S G3Y K1G)	42Y9369	1	Y
4	Combo 48 -32 -48 -16 - - DVD - ROM - CDRW --NON/VISTA (models CTO 62S 62Y D1A D1T D2S D2Y 32S 32Y F5S F7S F7Y G3S G3Y K1G)	41X7992	1	Y
4	DVD-Recorder (Rambo 8)-NON/VISTA (models CTO J1G G1G)	41X3343	1	Y
4	DVD-Recorder (Rambo 8)-NON/VISTA (models CTO J1G G1G)	41X3550	1	Y
4	DVD Recordable No Software / No Royalty for VISTA Models ONLY (models CTO J1G G1G)	42Y9370	1	Y
4	DVD Recordable No Software / No Royalty for VISTA Models ONLY (models CTO J1G G1G)	42Y9371	1	Y
4	DVD Recordable No Software / No Royalty for VISTA Models ONLY (models CTO J1G G1G)	42Y6017	1	Y
4	DVD Recordable No Software / No Royalty for VISTA Models ONLY (models CTO J1G G1G)	43C0144	1	Y
5	Diskette drive, 3,5", 1.44MB, 2 Mode,(w/bezel) (models CTO A2A A2T A3C B1S B1Y 41A 41T 41C 51Q D1A D1T A2S A2D A2Y 21S 21Y 22S 22Y 23A 23T 23C 24S 24Y 25S 25Y 31S 31Y D4S D4Y F8S F8C G2S G2Y)	40Y9105	2	Y
5	Diskette drive, 3,5", 1.44MB, 2 Mode (models CTO A2A A2T A3C B1S B1Y 41A 41T 41C 51Q D1A D1T A2S A2D A2Y 21S 21Y 22S 22Y 23A 23T 23C 24S 24Y 25S 25Y 31S 31Y D4S D4Y F8S F8C G2S G2Y)	40Y7107	2	Y
6	Bezel assembly (all models)	41N8052	2	Y
7	Power switch/LED assembly (all models)	41N5284	2	Y
8	Speaker assembly, soldered terminals (all models)	39P5023	2	Y
9	Front audio/USB assembly (all models)	41N8054	2	Y
10	Hard disk drive, 40GB (7200RPM), Serial ATA (models CTO)	40Y9033	1	Y
10	Hard disk drive, 80GB (7200RPM), Serial ATA (models CTO A1Q A2A A2T A3C B1S B1Y 41A 41T 41C 51Q 52S 52Y 61S 61Y 62S 62Y D1A D1T H1S H1Y A2S A2D A2Y B2Q B2C B2B B2H 21S 21Y 23A 23T 23C D3G D4S D4Y F5S F6G F8S F8C G2S G2Y)	40Y9034	1	Y
10	Hard disk drive, 80GB 7200rpm SATA (only for China) (models A2T A3C 41T 41C D1T B2C B2B B2H 23T 23C F8C)	41X2500	1	Y
10	Hard disk drive, 160GB (7200RPM), Serial ATA (models CTO D2S D2Y J1G 22S 22Y 24S 24Y 25S 25Y 31S 31Y 32S 32Y F7S F7Y G1G G3S G3Y)	40Y9035	1	Y
10	Hard disk drive, 250GB (7200RPM), Serial ATA (models CTO)	40Y9036	1	Y
10	Hard disk drive, 500GB (7200RPM), Serial ATA (models CTO)	41X5582	1	Y

Item #	9635 FRUs	FRU#	CRU Tier	RoHS?
11	System board, SiS 662 Gig E for Vista and XP (models CTO A1Q A2A A2T A3C B1S B1Y 41A 41T 41C 51Q 52S 52Y 61S 61Y 62S 62Y D1A D1T D2S D2Y H1S H1Y J1G A2S A2D A2Y B2Q B2C B2B B2H 21S 21Y 22S 22Y 23A 23T 23C 24S 24Y 25S 25Y 31S 31Y 32S 32Y F5S F6G F7S F7Y F8S F8C D3G D4S D4Y G1G G2S G2Y G3S G3Y K1G) Note: When ordering a new system board, you must also order a new retention module for the heat sink.	87H4657	N	Y
12	Fan, Rear w/ grommets & Grill (all models)	41N8079	2	Y
13	Power supply (300W) (models CTO)	41N3489	2	Y
13	Power supply (230W) (models CTO A2A A2T B1S B1Y 41A 41T 52S 52Y 61S 61Y 62S 62Y D1A D1T D2S D2Y H1S H1Y J1G A2S A2D A2Y 21S 21Y 22S 22Y 23A 23T 24S 24Y 25S 25Y 31S 31Y 32S 32Y D3G D4S D4Y F5S F6G F7S F7Y F8S G1G G2S G2Y G3S G3Y)	41N3094	2	Y
13	Power supply (250W) (models CTO A2A A2T B1S B1Y 41A 41T 52S 52Y 61S 61Y 62S 62Y D1A D1T D2S D2Y H1S H1Y J1G A2S A2D A2Y 21S 21Y 22S 22Y 23A 23T 24S 24Y 25S 25Y 31S 31Y 32S 32Y D3G D4S D4Y F5S F6G F7S F7Y F8S G1G G2S G2Y G3S G3Y)	41N3127	2	Y
13	Power supply (220V/250W/ATX12V - China) (models CTO A1Q A3C 41C 51Q B2Q B2C B2B B2H 23C F8C)	41N3485	2	Y
13	Power Supply 5281-7VW-ROHS, 280W, Standard (models CTO)	41N3479	2	Y
13	Power Supply 5281-7VW-ROHS, 280W, Standard (models CTO)	41N3482	2	Y
13	Power Supply 310W standard only for Japan (models CTO)	24R2596	2	Y

The FRUs listed in the following tables are not illustrated.

9635 FRUs	FRU#	CRU Tier	RoHS?
Thermal grease kit (all models)	91P8835	N	Y
Shield, 5.25 EMC (all models)	41N8080	2	Y
Cable, SATA (18" RoHs) (all models)	26K1186	2	Y
Cable, Serial (all models)	39K5021	2	Y
Shield, diskette drive EMC (all models)	41N8078	2	Y
Cable, Diskette drive (RoHs) (all models)	41A7182	2	Y
Cover, left side (all models)	41N8050	1	Y
Chassis assembly (all models)	41N8051	N	Y
System board I/O Shield - (all models)	41N8053	N	Y
Kit, Miscellaneous hardware (all models)	41N8055	2	Y
Retention Module Kit, RoHs (all models)	41N8056	2	Y
Cable, hard disk drive and optical signal (all models)	39M0516	1	Y
Front system fan (all models)	41R2519	1	Y
4 PIN CABLE-SATA,2H 100mm LATCH(RoHs)PS cable (all models)	41R3300	1	Y
Cable SATA 250mm (RoHS) (all models)	41A7145	1	N
Retainer, Card Reader (all models)	41R2913	1	N
Front Fan AVC (all models)	41R4791	1	N
Optional HDD Bracket Assembly, without 4Pin cable (all models)	41R6106	1	N

9635 FRUs	FRU#	CRU Tier	RoHS?
Chassis assembly (all models)	41R2533	1	N

9635 FRUs	FRU#	CRU Tier	RoHS?
Thermal grease kit (all models)	91P8835	N	Y
Shield, 5.25 EMC (all models)	41N8080	2	Y
Cable, SATA (18" RoHs) (all models)	26K1186	2	Y
Cable, Serial (all models)	39K5021	2	Y
Shield, diskette drive EMC (all models)	41N8078	2	Y
Cable, Diskette drive (RoHs) (all models)	41A7182	2	Y
Cover, left side (all models)	41N8050	1	Y
Chassis assembly (all models)	41N8051	N	Y
System board I/O Shield - (all models)	41N8053	N	Y
Kit, Miscellaneous hardware (all models)	41N8055	2	Y
Retention Module Kit, RoHs (all models)	41N8056	2	Y
Cable, hard disk drive and optical signal (all models)	39M0516	1	Y

9635 Keyboards (Lenovo Preferred Pro fullsize, Black)	FRU#	CRU Tier	RoHS?
US English (models A1Q A2A A3C 41A 41C 51Q D1A J1G B2Q B2C B2H 23A 23C D3G F6G F8C G1G)	41A5039	1	Y
Arabic (models J1G D3G F6G G1G)	41A5040	1	Y
Arabic/French (models J1G D3G F6G G1G)	41A5041	1	Y
Belgian/French (models J1G D3G F6G G1G)	41A5042	1	Y
Belgian/UK (models J1G D3G F6G G1G)	41A5043	1	Y
Bulgarian (models J1G D3G F6G G1G)	41A5045	1	Y
Hong Kong/Taiwan (models B2B)	41A5046	1	Y
Czech (models J1G D3G F6G G1G)	41A5047	1	Y
Danish (models J1G D3G F6G G1G)	41A5048	1	Y
Dutch (models J1G D3G F6G G1G)	41A5049	1	Y
French (models J1G D3G F6G G1G)	41A5050	1	Y
German (models J1G D3G F6G G1G)	41A5053	1	Y
Greek (models J1G D3G F6G G1G)	41A5054	1	Y
Hebrew (models J1G D3G F6G G1G)	41A5055	1	Y
Hungarian (models J1G D3G F6G G1G)	41A5056	1	Y
Iceland (models J1G D3G F6G G1G)	41A5057	1	Y
Italian (models J1G D3G F6G G1G)	41A5058	1	Y
LA Spanish (models B1S B1Y 52S 52Y 61S 61Y 62S 62Y D2S D2Y H1S H1Y A2S A2D A2Y 21S 21Y 22S 22Y 24S 24Y 25S 25Y 31S 31Y 32S 32Y D4S D4Y F5S F7S F7Y F8S G2S G2Y G3S G3Y)	41A5061	1	Y
Norwegian (models J1G D3G F6G G1G)	41A5062	1	Y

9635 Keyboards (Lenovo Preferred Pro fullsize, Black)	FRU#	CRU Tier	RoHS?
Polish (models J1G D3G F6G G1G)	41A5063	1	Y
Portuguese (models J1G D3G F6G G1G)	41A5064	1	Y
Romanian (models J1G D3G F6G G1G)	41A5065	1	Y
Russian/Cyrilic (models J1G D3G F6G G1G)	41A5066	1	Y
Serbian/Cyrilic (models J1G D3G F6G G1G)	41A5067	1	Y
Slovak (models J1G D3G F6G G1G)	41A5068	1	Y
Spanish (models J1G D3G F6G G1G)	41A5069	1	Y
Swedish/Finn (models J1G D3G F6G G1G)	41A5070	1	Y
Swiss F/G (models J1G D3G F6G G1G)	41A5071	1	Y
Thailand (models A2T 41T D1T 23T)	41A5072	1	Y
Turkish 440 (models J1G D3G F6G G1G)	41A5073	1	Y
Turkish 179 (models J1G D3G F6G G1G)	41A5074	1	Y
UK English (models J1G D3G F6G G1G)	41A5075	1	Y
US Euro (models J1G D3G F6G G1G)	41A5076	1	Y
Slovenian (models J1G D3G F6G G1G)	41A5077	1	Y

9635 mice	FRU#	CRU Tier	RoHS?
Optical Wheel Mouse (400DPI, USB) (all models)	41U3013	1	Y
Optical Wheel Mouse (400DPI, USB) (all models)	41U3030	1	Y
PS/2 Three Button ball mouse (models CTO)	41R0018	1	Y
ScrollPoint Optical Mouse (800DPI, USB) (models CTO)	41U3019	1	Y

9635 Adapters and miscellaneous FRUs	FRU#	CRU Tier	RoHS?
USB2.0 MEMORY CARDREADER,6X2,ROHS OPTIONAL,Bitland (models CTO)	41R3378	2	Y
USB2.0 MEMORY CARDREADER,6X2,ROHS OPTIONAL, SONY (models CTO)	41R3376	2	Y
PCI Modem Card (Soft) (models CTO)	29R9729	2	Y
L1 IEEE 1394 PCI Adapter (models CTO)	41D2781	2	Y
Denver - ATI X300SE 128MB (models CTO)	39J9635	2	Y
Dongle Cable - DMS59 to dual VGA (models CTO)	41D2399	2	Y
Dongle Cable - DMS59 to dual VGA (included in Denver L1) (models CTO)	42Y8181	2	Y
Dongle DMS Dule DMS-59 to dual DVI cable (models CTO)	41X6398	2	Y
Dongle DMS Dule DMS-59 to single VGA and DVI cable (models CTO)	42Y8183	2	Y
Nvidia GeForce 6200TC128MB 64bit (Full Height) (models CTO)	41X2668	2	Y
Nvidia GeForce 6200TC 64MB 32bit (models CTO)	41X2667	2	Y
Nvidia GeForce 7300LE 128MB 64bit (models CTO)	41X2669	2	Y
Nvidia GeForce 7300LE 128MB 64bit LP / ATX with DMS59 (models CTO)	42Y8165	2	Y
ATI Radeon X1300PRO 256MB 128bit (models CTO)	41X2670	2	Y
ATI X1300LE 256M 64bit LP / ATX with DMS59 (models CTO)	42Y8162	2	Y
X1300 LE 256MB (models CTO)	42Y8159	2	Y

9635 Adapters and miscellaneous FRUs	FRU#	CRU Tier	RoHS?
Internal USB Memory Card Reader (models CTO B2G 31G D1G D2G F1G)	41D1934	2	Y
Wireless Keyboard (models CTO)	41A5219	2	Y
Wireless Mouse (models CTO)	41A5247	2	Y
USB Transceiver for wireless kybd/mouse (models CTO)	41A5246	2	Y
DVI-I card,FH(Casper) (models CTO)	39J9334	2	Y
BTL external speaker (models CTO)	41A5334	2	Y

9635 Power Cords	FRU#	CRU Tier	RoHS?
Power Cord (US) (models A2A A2T B1S 41A 41T 52S 61S 62S D1A D1T D2S H1S A2S A2D 21S 22S 23A 23T 24S 25S 31S 32S D4S F5S F7S F8S G2S G3S)	39M5080	1	Y
Power Cord (China) (models A3C 41C B2C 23C F8C)	39M5205	1	Y
Power Cord (LA High Volt APU) (models B1Y 52Y 61Y 62Y D2Y H1Y A2Y 21Y 22Y 24Y 25Y 31Y 32Y D4Y F7Y G2Y G3Y)	39M5067	1	Y
Power Cord (Hong Kong) (models B2B B2H)	39M5151	1	Y
Power Cord (UK, Ireland, Singapore, Malaysia, Brunei) (models A2A 41A D1A J1G 23A D3G F6G G1G)	39M5150	1	Y
Power Cord (Italy) (models B1S B1Y 52S 52Y 61S 61Y 62S 62Y D2S D2Y H1S H1Y J1G A2S A2Y 21S 21Y 22S 22Y 24S 24Y 25S 25Y 31S 31Y 32S 32Y D3G D4S D4Y F5S F6G F7S F7Y F8S G1G G2S G2Y G3S G3Y)	39M5164	1	Y
Power Cord (G models) (models A2A 41A D1A J1G 23A D3G F6G G1G)	39M5122	1	Y
Power Cord (Denmark) (models J1G D3G F6G G1G)	39M5129	1	Y
Power Cord (Switzerland) (models J1G D3G F6G G1G)	39M5157	1	Y
Power Cord (Israel) (models J1G D3G F6G G1G)	39M5171	1	Y
Power Cord (South Africa) (models A2A 41A D1A J1G 23A D3G F6G G1G)	39M5143	1	Y
Power Cord (India) (models A1Q 51Q B2Q)	39M5004	1	Y

9635 Windows XP Pro Recovery CDs	FRU#	CRU Tier	RoHS?
US/UK/AP/TH (models A2A A2T 41A 41T 51Q D1A D1T J1G B2Q B2H 23A 23T D3G F6G G1G)	42Y3549	1	Y
FR/CF (models J1G D3G F6G G1G)	42Y3550	1	Y
GR (models J1G D3G F6G G1G)	42Y3551	1	Y
IT (models J1G D3G F6G G1G)	42Y3553	1	Y
SP/LA (models B1S B1Y 52S 52Y 61S 61Y 62S 62Y D2S D2Y H1S H1Y J1G A2S A2D A2Y 21S 21Y 22S 22Y 24S 24Y 25S 25Y 31S 31Y 32S 32Y D3G D4S D4Y F5S F6G F7S F7Y F8S G1G G2S G2Y G3S G3Y)	42Y3552	1	Y
DK (models J1G D3G F6G G1G)	42Y3556	1	Y
NL (models J1G D3G F6G G1G)	42Y3720	1	Y
AE (models J1G D3G F6G G1G)	42Y3724	1	Y
SV (models J1G D3G F6G G1G)	42Y3555	1	Y
HE (models J1G D3G F6G G1G)	42Y3721	1	Y
FI (models J1G D3G F6G G1G)	42Y3718	1	Y

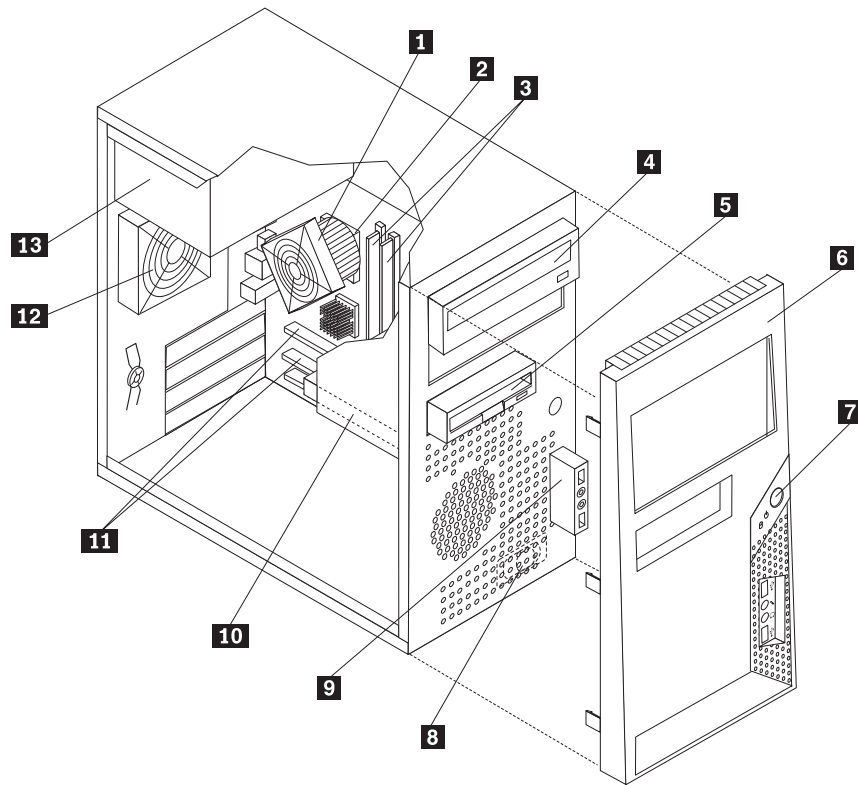
9635 Windows XP Pro Recovery CDs	FRU#	CRU Tier	RoHS?
NO (models J1G D3G F6G G1G)	42Y3719	1	Y
PL (models J1G D3G F6G G1G)	42Y3722	1	Y
PO (models J1G D3G F6G G1G)	42Y3728	1	Y
RU (models J1G D3G F6G G1G)	42Y3725	1	Y
RE (models J1G D3G F6G G1G)	42Y3717	1	Y
HU (models J1G D3G F6G G1G)	42Y3727	1	Y
CZ (models J1G D3G F6G G1G)	42Y3723	1	Y
TR (models J1G D3G F6G G1G)	42Y3726	1	Y
GK (models J1G D3G F6G G1G)	42Y3729	1	Y
SL (models J1G D3G F6G G1G)	42Y3730	1	Y
Simplified Chinese (models 41C B2C 23C F8C)	41W7751	1	Y
Hong Kong-TC (models B2B)	41W7762	1	Y
Multilingual 1 (models J1G D3G F6G G1G)	42Y3645	1	Y
Multilingual 2 (models J1G D3G F6G G1G)	42Y3879	1	Y

9635 Vista Home Basic 32 Recovery DVDs	FRU#	CRU Tier
US/UK/AP/TH (models)	87H4420	1
FR/CF (models)	87H4421	1
GR (models)	87H4422	1
SP/LA (models)	87H4423	1
BR (models)	87H4424	1
IT (models)	87H4425	1
JP (models)	87H4426	1
NO (models)	87H4427	1
SV (models)	87H4428	1
DK (models)	87H4429	1
NL (models)	87H4430	1
CZ (models)	87H4431	1
FI (models)	87H4432	1
PL (models)	87H4433	1
RU (models)	87H4434	1
TR (models)	87H4435	1
HU (models)	87H4436	1
GK (models)	87H4437	1
PO (models)	87H4438	1
CS (models)	87H4439	1
TW (models)	87H4440	1
HK (models)	87H4441	1
KR (models)	87H4442	1
SL (models)	87H4443	1

9635 Vista Home Basic 32 Recovery DVDs	FRU#	CRU Tier
RE (models)	43C1306	1

9635 Vista Business 32 Recovery DVDs	FRU#	CRU Tier
US/UK/AP/TH (models)	87H4476	1
FR/CF (models)	87H4477	1
GR (models)	87H4478	1
SP/LA (models)	87H4479	1
BR (models)	87H4480	1
IT (models)	87H4481	1
JP (models)	87H4482	1
NO (models)	87H4483	1
SV (models)	87H4484	1
DK (models)	87H4485	1
NL (models)	87H4486	1
CZ (models)	87H4487	1
FI (models)	87H4488	1
PL (models)	87H4489	1
RU (models)	87H4490	1
TR (models)	87H4491	1
HU (models)	87H4492	1
GK (models)	87H4493	1
PO (models)	87H4494	1
CS (models)	87H4495	1
TW (models)	87H4496	1
HK (models)	87H4497	1
KR (models)	87H4498	1
SL (models)	87H4499	1
RE (models)	43C1308	1

Machine Type 9637



Item #	9637 FRUs	FRU#	CRU Tier	RoHS?
1	Heatsink for Intel CPUs (all models)	41N8261	N	Y
1	Heatsink for Intel CPUs (models CTO)	41R4803	N	Y
2	Microprocessor, Celeron D 2.66GHz 533MHz FSB 256KB L2 (models CTO)	41T1694	N	Y
2	Microprocessor, Celeron D 2.80GHz 533MHz FSB 256KB L2 (models CTO A1U A2S A2P A2D A2Y A2A A2T A2B A2H A3Q A4U A4F A4S A5C A1F C1U)	41T1695	N	Y
2	Microprocessor, Celeron D 2.93GHz 533MHz FSB 256KB L2 (models CTO)	41T1696	N	Y
2	Microprocessor, Celeron D 3.06GHz 533MHz FSB 256KB L2 (models CTO B1S B1P B1Y B2U B2F C2U)	41T1697	N	Y
2	Microprocessor, Celeron D 3.20GHz 533MHz FSB 256KB L2 (models CTO)	41T1698	N	Y
2	Microprocessor, Celeron D 3.20GHz 533MHz FSB 512KB L2 (models CTO B3G)	41T4966	N	Y
2	Microprocessor, Celeron D 3.33GHz 533MHz FSB 512KB L2 (models CTO B4C B4B B4H)	41T4968	N	Y
2	Microprocessor, Celeron 430 CONROE-L 800/1800MHZ-512K,LGA,EM64T (models CTO)	43C1964	N	Y
2	Microprocessor, Celeron 440 CONROE-L 800/2000MHZ-512K,LGA,EM64T (models CTO)	43C1965	N	Y
2	Microprocessor, Pentium 4 3.06 GHz 533 FSB 1MB L2 (models CTO 21B 21H 22U 23U 24S 24P 24Y 25S 25P 25Y C3U)	41T4104	N	Y
2	Microprocessor, Pentium 4 3.0 GHz 800 FSB 1MB L2 (models CTO 26U 26F 27S 27P 27Y 28S 28P 28Y 29A 29T)	41T1701	N	Y

Item #	9637 FRUs	FRU#	CRU Tier	RoHS?
2	Microprocessor, Pentium 4 3.2 GHz 800 FSB 1MB L2 (models CTO 31U 31F 32U 32F 33U 33F 34S 34P 34Y 35S 35P 35Y C4U)	41T1702	N	Y
2	Microprocessor, Pentium 4 3.0 GHz 800 FSB 2MB L2 (models CTO 51Q 51B 51H 52Q)	41T1709	N	Y
2	Microprocessor, Pentium 4 3.0 GHz 800 FSB 2MB L2 (models CTO 53S 53P 53Y 54S 54P 54Y 55S 55P 55Y)	41T1712	N	Y
2	Microprocessor, Pentium 4 3.2 GHz 800 FSB 2MB L2 (models CTO 62S 62P 62Y 63S 63P 63Y 64C)	41T1713	N	Y
2	Microprocessor, Pentium 4 3.4 GHz 800 FSB 2MB L2 (models CTO)	41T1714	N	Y
2	Microprocessor, Pentium 4 661 Processor 3.6 GHz 800 FSB 2MB L2 B1-Value (models CTO)	41T1715	N	Y
2	Microprocessor, Pentium 4 2.8 GHz 800 FSB 2MB L2 (models CTO D1U D1F D1G D2A D2T D3Q D4Q D5U D5S D5P D5Y D2U D2F D3U D3F D3S D3P D3Y D4U D4F D5U D5F C5U)	41T1704	N	Y
2	Microprocessor, Pentium 4 2.8 GHz 800 FSB 2MB L2 (models CTO 91A 91T)	41X7775	N	Y
2	Microprocessor, Pentium D 3.0 GHz 800 FSB 2Mx2 L2 (models CTO F7S F7P F7Y F7A F7B F7H F8S F8P F8Y F9U F9F F9S F9P F9L F9D F9Y F9G F9M F9A F9Q F9T F9C F9B F9H F9V F9K F9R F9E F9J FAU FAS FAP FAY FBC C8U)	41X2413	N	Y
2	Microprocessor, Pentium D 3.0 GHz 800 FSB 2Mx2 L2 (models CTO G1A G1T G2Q G3U G3F)	41T1717	N	Y
2	Microprocessor, Pentium D 945 Processor 3.4 GHz 800 FSB 2MBx2 L2) (models CTO J2U J2F J3S J3P J3Y J4U J4S J4P J4Y C7U)	41X7776	N	Y
2	Microprocessor, E4300 CONROE 800/1800MHZ-2M, LGA, EM64T (models CTO)	42Y8009	N	Y
2	Microprocessor, E4400 CONROE 800/2000MHZ-2M, LGA, EM64T L2 (models CTO)	43C2056	N	Y
2	Microprocessor, E6600 B2 CONROE 1066/2400MHZ-4M, LGA, EM64T (models CTO)	41X5743	N	Y
2	Microprocessor, E6700 B2 CONROE 1066/2670MHZ-4M, LGA, EM64T (models CTO)	41X5744	N	Y
3	Memory module, 512 MB PC2-4200 (533MHz) DDR2 SDRAM (models P2M P2A P2Q P2T P2V P2K P2J P3C CTO A1U A4U A4F A4S B2U B3G 53S 53P 53Y 54S 54P 54Y 55S 55P 55Y 61Q 62S 62P 62Y 63S 63P 63Y 64C D1U D1F D1G D2A D2T D3Q D5U D5S D5P D5Y G1A G1T G3U G3F H1S H1P H1Y A1F B2F B4C B4B B4H 21B 21H 22U 23U 25S 25P 25Y 26U 26F 28S 28P 28Y 29A 29T 31U 31F 32U 32F 33U 33F 34S 34P 34Y 35S 35P 35Y D2U D2F D3U D3F D3S D3P D3Y D5U D5F 91A 91T F7S F7P F7Y F7A F7B F7H F8S F8P F8Y F9U F9F F9S F9P F9L F9D F9Y F9G F9M F9A F9Q F9T F9C F9B F9H F9V F9K F9R F9E F9J FAU FAS FAP FAY J3S J3P J3Y J4U J4S J4P J4Y)	41X4251	1	Y
3	Memory module, 1 GB PC2-4200 (533MHz) DDR2 SDRAM (models CTO J1G J2U J2F K1G P1U P1F P1S P1P P1L P1D P1Y P1G P1M P1A P1Q P1T P1C P1B P1H P1V P1K P1R P1E P1J M1U M1F M1S M1P M1D M1Y M1G M2U M3C M3B M3H)	41X4252	1	Y
3	Memory module, 2GB PC2-4200 (533MHz) DDR2 SDRAM (models CTO)	41X4253	1	Y
3	Memory module, 512 MB PC2-5300 (667MHz) DDR2 SDRAM (models CTO)	41X4255	1	Y

Item #	9637 FRUs	FRU#	CRU Tier	RoHS?
3	Memory module, 1 GB PC2-5300 (667MHz) DDR2 SDRAM (models CTO)	41X4256	1	Y
3	Memory module, 2 GB PC2-5300 (667MHz) DDR2 SDRAM (models CTO)	41X4257	1	Y
4	DVD-ROM drive (16X/48X) (models CTO A4U A4F A4S B3G 64C D1U D1F D1G 29A 29T F9U F9F F9S F9P F9L F9D F9Y F9G F9M F9A F9Q F9T F9C F9B F9H F9V F9K F9R F9E F9J FBC P1U P1F P1S P1P P1L P1D P1Y P1G P1M P1A P1Q P1T P1C P1B P1H P1V P1K P1R P1E P1J)	41X3544	1	Y
4	DVD-ROM drive (16X/48X) (models CTO A4U A4F A4S B3G 64C D1U D1F D1G 29A 29T F9U F9F F9S F9P F9L F9D F9Y F9G F9M F9A F9Q F9T F9C F9B F9H F9V F9K F9R F9E F9J FBC P1U P1F P1S P1P P1L P1D P1Y P1G P1M P1A P1Q P1T P1C P1B P1H P1V P1K P1R P1E P1J)	41X3545	1	Y
4	DVD-ROM drive (16X/48X) (models CTO A4U A4F A4S B3G 64C D1U D1F D1G 29A 29T F9U F9F F9S F9P F9L F9D F9Y F9G F9M F9A F9Q F9T F9C F9B F9H F9V F9K F9R F9E F9J FBC P1U P1F P1S P1P P1L P1D P1Y P1G P1M P1A P1Q P1T P1C P1B P1H P1V P1K P1R P1E P1J)	41X3546	1	Y
4	Combo 48 -32 -48 -16 - - DVD - ROM - CDRW (models CTO 54S 54P 54Y 55S 55P 55Y 63S 63P 63Y D2A D2T D4Q D5U D5S D5P D5Y G1A G1T G3U G3F 23U 26U 26F 32U 32F 33U 33F 35S 35P 35Y D2U D2F D4U D4F D5U D5F 91A 91T F8S F8P F8Y FAU FAS FAP FAY J2U J2F J4U J4S J4P J4Y P2M P2A P2Q P2T P2V P2K P2J P3C M1U M1F M1S M1P M1D M1Y M1G M2U M3C M3B M3H)	41X3547	1	Y
4	Combo 48 -32 -48 -16 - - DVD - ROM - CDRW (models CTO 54S 54P 54Y 55S 55P 55Y 63S 63P 63Y D2A D2T D4Q D5U D5S D5P D5Y G1A G1T G3U G3F 23U 26U 26F 32U 32F 33U 33F 35S 35P 35Y D2U D2F D4U D4F D5U D5F 91A 91T F8S F8P F8Y FAU FAS FAP FAY J2U J2F J4U J4S J4P J4Y P2M P2A P2Q P2T P2V P2K P2J P3C M1U M1F M1S M1P M1D M1Y M1G M2U M3C M3B M3H)	41X3548	1	Y
4	Combo 48 -32 -48 -16 - - DVD - ROM - CDRW (models CTO 54S 54P 54Y 55S 55P 55Y 63S 63P 63Y D2A D2T D4Q D5U D5S D5P D5Y G1A G1T G3U G3F 23U 26U 26F 32U 32F 33U 33F 35S 35P 35Y D2U D2F D4U D4F D5U D5F 91A 91T F8S F8P F8Y FAU FAS FAP FAY J2U J2F J4U J4S J4P J4Y P2M P2A P2Q P2T P2V P2K P2J P3C M1U M1F M1S M1P M1D M1Y M1G M2U M3C M3B M3H)	41X3549	1	Y
4	Combo 48 -32 -48 -16 - - DVD - ROM - CDRW --NON/VISTA (models CTO 54S 54P 54Y 55S 55P 55Y 63S 63P 63Y D2A D2T D4Q D5U D5S D5P D5Y G1A G1T G3U G3F 23U 26U 26F 32U 32F 33U 33F 35S 35P 35Y D2U D2F D4U D4F D5U D5F 91A 91T F8S F8P F8Y FAU FAS FAP FAY J2U J2F J4U J4S J4P J4Y P2M P2A P2Q P2T P2V P2K P2J P3C M1U M1F M1S M1P M1D M1Y M1G M2U M3C M3B M3H 57S 57P 57Y J6U J6F M6M 6A M6Q M6T M6C M6B M6H M6V M6K M6R Q2U Q2F Q2S Q2P Q2L Q2D Q2Y Q2G Q2M Q2A Q2Q Q2T Q2C Q2B Q2H Q2V Q2K Q2R Q2E Q2J Q6B Q6H Q7G)	42Y9368	1	Y
4	Combo 48 -32 -48 -16 - - DVD - ROM - CDRW --NON/VISTA (models CTO 54S 54P 54Y 55S 55P 55Y 63S 63P 63Y D2A D2T D4Q D5U D5S D5P D5Y G1A G1T G3U G3F 23U 26U 26F 32U 32F 33U 33F 35S 35P 35Y D2U D2F D4U D4F D5U D5F 91A 91T F8S F8P F8Y FAU FAS FAP FAY J2U J2F J4U J4S J4P J4Y P2M P2A P2Q P2T P2V P2K P2J P3C M1U M1F M1S M1P M1D M1Y M1G M2U M3C M3B M3H 57S 57P 57Y J6U J6F M6M 6A M6Q M6T M6C M6B M6H M6V M6K M6R Q2U Q2F Q2S Q2P Q2L Q2D Q2Y Q2G Q2M Q2A Q2Q Q2T Q2C Q2B Q2H Q2V Q2K Q2R Q2E Q2J Q6B Q6H Q7G)	42Y9369	1	Y

Item #	9637 FRUs	FRU#	CRU Tier	RoHS?
4	Combo 48 -32 -48 -16 - - DVD - ROM - CDRW --NON/VISTA (models CTO 54S 54P 54Y 55S 55P 55Y 63S 63P 63Y D2A D2T D4Q D5U D5S D5P D5Y G1A G1T G3U G3F 23U 26U 26F 32U 32F 33U 33F 35S 35P 35Y D2U D2F D4U D4F D5U D5F 91A 91T F8S F8P F8Y FAU FAS FAP FAY J2U J2F J4U J4S J4P J4Y P2M P2A P2Q P2T P2V P2K P2J P3C M1U M1F M1S M1P M1D M1Y M1G M2U M3C M3B M3H 57S 57P 57Y J6U J6F M6M 6A M6Q M6T M6C M6B M6H M6V M6K M6R Q2U Q2F Q2S Q2P Q2L Q2D Q2Y Q2G Q2M Q2A Q2Q Q2T Q2C Q2B Q2H Q2V Q2K Q2R Q2E Q2J Q6B Q6H Q7G)	41X7992	1	Y
4	DVD-Recorder (Rambo 8)-NON/VISTA (models CTO J1G K1G J7G)	41X3343	1	Y
4	DVD-Recorder (Rambo 8)-NON/VISTA (models CTO J1G K1G J7G)	41X3550	1	Y
4	DVD Recordable No Software / No Royalty for VISTA Models ONLY (models CTO J1G K1G J7G)	42Y9370	1	Y
4	DVD Recordable No Software / No Royalty for VISTA Models ONLY (models CTO J1G K1G J7G)	42Y9371	1	Y
4	DVD Recordable No Software / No Royalty for VISTA Models ONLY (models CTO J1G K1G J7G)	42Y6017	1	Y
4	DVD Recordable No Software / No Royalty for VISTA Models ONLY (models CTO J1G K1G J7G)	43C0144	1	Y
5	Diskette drive, 3,5", 1.44MB, 2 Mode,(w/bezel) (models CTO A2S A2P A2D A2Y A2A A2T A2B A2H A3Q A5C B1S B1P B1Y 41A 41T 51Q 51B 51H 52Q 61Q 64C D2A D2T D3Q D4Q G1A G1T G2Q 21B 21H 24S 24P 24Y 25S 25P 25Y 27S 27P 27Y 28S 28P 28Y 34S 34P 34Y D2U D2F D3U D3F D3S D3P D3Y D4U D4F 91A 91T FBC J3S J3P J3Y P2M P2A P2Q P2T P2V P2K P2J P3C M1U M1F M1S M1P M1D M1Y M1G M2U M3C M3B M3H)	40Y9105	2	Y
5	Diskette drive, 3,5", 1.44MB, 2 Mode (models CTO A2S A2P A2D A2Y A2A A2T A2B A2H A3Q A5C B1S B1P B1Y 41A 41T 51Q 51B 51H 52Q 61Q 64C D2A D2T D3Q D4Q G1A G1T G2Q 21B 21H 24S 24P 24Y 25S 25P 25Y 27S 27P 27Y 28S 28P 28Y 34S 34P 34Y D2U D2F D3U D3F D3S D3P D3Y D4U D4F 91A 91T FBC J3S J3P J3Y P2M P2A P2Q P2T P2V P2K P2J P3C M1U M1F M1S M1P M1D M1Y M1G M2U M3C M3B M3H)	40Y7107	2	Y
6	Bezel assembly (all models)	41N8052	2	Y
7	Power switch/LED assembly (all models)	41N5284	2	Y
8	Speaker assembly, soldered terminals (all models)	39P5023	2	Y
9	Front audio/USB assembly (all models)	41N8054	2	Y
10	Hard disk drive, 40GB (7200RPM), Serial ATA (models CTO)	40Y9033	1	Y
10	Hard disk drive, 80GB (7200RPM), Serial ATA (models P1U P1F P1S P1P P1L P1D P1Y P1G P1M P1A P1Q P1T P1C P1B P1H P1V P1K P1R P1E P1J P2M P2A P2Q P2T P2V P2K P2J CTO A1U A2S A2P A2D A2Y A2A A2T A2B A2H A3Q A4U A4F A4S A5C B1S B1P B1Y B2U B3G 41A 41T 51Q 51B 51H 52Q 53S 53P 53Y 54S 54P 54Y 61Q 62S 62P 62Y 63S 63P 63Y 64C D1U D1F D1G D2A D2T D3Q D4Q G1A G1T G2Q G3U G3F H1S H1P H1Y A1F B2F B4C B4B B4H 21B 21H 22U 23U 24S 24P 24Y 26U 26F 29A 29T 31U 31F 32U 32F 33U 33F D2U D2F D3U D3F D3S D3P D3Y D4U D4F 91A 91T F7S F7P F7Y F7A F7B F7H F8S F8P F8Y F9U F9F F9S F9P F9L F9D F9Y F9G F9M F9A F9Q F9T F9C F9B F9H F9V F9K F9R F9E F9J FBC J2U J2F J3S J3P J3Y)	40Y9034	1	Y
10	Hard disk drive, 80GB 7200rpm SATA (only for China) (models P1T P1C P1B P1H P1V P2T P2V A2T A2B A2H A5C 41T 51B 51H 64C D2T G1T A1F B2F B4C B4B B4H 21B 29T 91A 91T F7B F7H F9T F9C F9B F9H F9V F9K F9R F9E F9H FBC)	41X2500	1	Y

Item #	9637 FRUs	FRU#	CRU Tier	RoHS?
10	Hard disk drive, 160GB (7200RPM), Serial ATA (models CTO 55S 55P 55Y D5U D5S D5P D5Y J1G 25S 25P 25Y 27S 27P 27Y 28S 28P 28Y 34S 34P 34Y 35S 35P 35Y D5U D5F FAU FAS FAP FAY J4U J4S J4P J4Y K1G P3C M1U M1F M1S M1P M1D M1Y M1G M2U M3C M3B M3H)	40Y9035	1	Y
10	Hard disk drive, 250GB (7200RPM), Serial ATA (models CTO)	40Y9036	1	Y
10	Hard disk drive, 500GB (7200RPM), Serial ATA (models CTO)	41X5582	1	Y
11	System board, Intel for Vista and XP (models M1U M1F M1S M1P M1D M1Y M1G M2U M3C M3B M3H C1U C2U C3U C4U C5U C7U C8U A1F B2F B4C B4B B4H 21B 21H 22U 23U 24S 24P 24Y 25S 25P 25Y 26U 26F 27S 27P 27Y 28S 28P 28Y 29A 29T 31U 31F 32U 32F 33U 33F 34S 34P 34Y 35S 35P 35Y D2U D2F D3U D3F D3S D3P D3Y D4U D4F D5U D5F 91A 91T F7S F7P F7Y F7A F7B F7H F8S F8P F8Y F9U F9F F9S F9P F9L F9D F9Y F9G F9M F9A F9Q F9T F9C F9B F9H F9V F9K F9R F9E F9J FAU FAS FAP FAY FBC J2U J2F J3S J3P J3Y J4U J4S J4P J4Y K1G P1U P1F P1S P1P P1L P1D P1Y P1G P1M P1A P1Q P1T P1C P1B P1H P1V P1K P1R P1E P1J P2M P2A P2Q P2T P2V P2K P2J P3C CTO A1U A2S A2P A2D A2Y A2A A2T A2B A2H A3Q A4U A4F A4S A5C B1S B1P B1Y B2U B3G 41A 41T 51Q 51B 51H 52Q 53S 53P 53Y 54S 54P 54Y 55S 55P 55Y 61Q 62S 62P 62Y 63S 63P 63Y 64C D1U D1F D1G D2A D2T D3Q D4Q D5U D5S D5P D5Y G1A G1T G2Q G3U G3F H1S H1P H1Y J1G ADD Q1U Q1F Q2U Q2F Q2S Q2P Q2L Q2D Q2Y Q2G Q2M Q2A Q2Q Q2T Q2C Q2B Q2H Q2V Q2K Q2R Q2E Q2J Q3C Q4C A6U A6F A6S 56S 56P 56Y 57S 57P 57Y 65C 65B 65H FDU FDF FDS FDP FDL FDD FDY FDG FDM FDA FDQ FDT FDC FDB FDH FDV FDK FDR FDE FDJ J6U J6F J7G P8U P8F P8S P8P P8L P8D P8Y P8G P8M P8A P8Q P8T P8C P8B P8H P8V P8K P8R P8E P8J M6M 6A M6Q M6T M6C M6B M6H M6V M6K M6R Q1U Q1F Q2U Q2F Q2S Q2P Q2L Q2D Q2Y Q2G Q2M Q2A Q2Q Q2T Q2C Q2B Q2H Q2V Q2K Q2R Q2E Q2J Q3C Q4C Q5C Q6B Q6H Q7G) Note: When ordering a new system board, you must also order a new retention module for the heat sink.	87H4655	N	Y
11	System board, Intel for Vista and XP, Japan (models M1U M1F M1S M1P M1D M1Y M1G M2U M3C M3B M3H C1U C2U C3U C4U C5U C7U C8U A1F B2F B4C B4B B4H 21B 21H 22U 23U 24S 24P 24Y 25S 25P 25Y 26U 26F 27S 27P 27Y 28S 28P 28Y 29A 29T 31U 31F 32U 32F 33U 33F 34S 34P 34Y 35S 35P 35Y D2U D2F D3U D3F D3S D3P D3Y D4U D4F D5U D5F 91A 91T F7S F7P F7Y F7A F7B F7H F8S F8P F8Y F9U F9F F9S F9P F9L F9D F9Y F9G F9M F9A F9Q F9T F9C F9B F9H F9V F9K F9R F9E F9J FAU FAS FAP FAY FBC J2U J2F J3S J3P J3Y J4U J4S J4P J4Y K1G P1U P1F P1S P1P P1L P1D P1Y P1G P1M P1A P1Q P1T P1C P1B P1H P1V P1K P1R P1E P1J P2M P2A P2Q P2T P2V P2K P2J P3C CTO A1U A2S A2P A2D A2Y A2A A2T A2B A2H A3Q A4U A4F A4S A5C B1S B1P B1Y B2U B3G 41A 41T 51Q 51B 51H 52Q 53S 53P 53Y 54S 54P 54Y 55S 55P 55Y 61Q 62S 62P 62Y 63S 63P 63Y 64C D1U D1F D1G D2A D2T D3Q D4Q D5U D5S D5P D5Y G1A G1T G2Q G3U G3F H1S H1P H1Y J1G ADD Q1U Q1F Q2U Q2F Q2S Q2P Q2L Q2D Q2Y Q2G Q2M Q2A Q2Q Q2T Q2C Q2B Q2H Q2V Q2K Q2R Q2E Q2J Q3C Q4C A6U A6F A6S 56S 56P 56Y 57S 57P 57Y 65C 65B 65H FDU FDF FDS FDP FDL FDD FDY FDG FDM FDA FDQ FDT FDC FDB FDH FDV FDK FDR FDE FDJ J6U J6F J7G P8U P8F P8S P8P P8L P8D P8Y P8G P8M P8A P8Q P8T P8C P8B P8H P8V P8K P8R P8E P8J M6M 6A M6Q M6T M6C M6B M6H M6V M6K M6R Q1U Q1F Q2U Q2F Q2S Q2P Q2L Q2D Q2Y Q2G Q2M Q2A Q2Q Q2T Q2C Q2B Q2H Q2V Q2K Q2R Q2E Q2J Q3C Q4C Q5C Q6B Q6H Q7G) Note: When ordering a new system board, you must also order a new retention module for the heat sink.	87H4656	N	Y

Item #	9637 FRUs	FRU#	CRU Tier	RoHS?
11	<p>System board, 946GZ B ver 1.0 (models M1U M1F M1S M1P M1D M1Y M1G M2U M3C M3B M3H C1U C2U C3U C4U C5U C7U C8U A1F B2F B4C B4B B4H 21B 21H 22U 23U 24S 24P 24Y 25S 25P 25Y 26U 26F 27S 27P 27Y 28S 28P 28Y 29A 29T 31U 31F 32U 32F 33U 33F 34S 34P 34Y 35S 35P 35Y D2U D2F D3U D3F D3S D3P D3Y D4U D4F D5U D5F 91A 91T F7S F7P F7Y F7A F7B F7H F8S F8P F8Y F9U F9F F9S F9P F9L F9D F9Y F9G F9M F9A F9Q F9T F9C F9B F9H F9V F9K F9R F9E F9J FAU FAS FAP FAY FBC J2U J2F J3S J3P J3Y J4U J4S J4P J4Y K1G P1U P1F P1S P1P P1L P1D P1Y P1G P1M P1A P1Q P1T P1C P1B P1H P1V P1K P1R P1E P1J P2M P2A P2Q P2T P2V P2K P2J P3C CTO A1U A2S A2P A2D A2Y A2A A2T A2B A2H A3Q A4U A4F A4S A5C B1S B1P B1Y B2U B3G 41A 41T 51Q 51B 51H 52Q 53S 53P 53Y 54S 54P 54Y 55S 55P 55Y 61Q 62S 62P 62Y 63S 63P 63Y 64C D1U D1F D1G D2A D2T D3Q D4Q D5U D5S D5P D5Y G1A G1T G2Q G3U G3F H1S H1P H1Y J1G ADD Q1U Q1F Q2U Q2F Q2S Q2P Q2L Q2D Q2Y Q2G Q2M Q2A Q2Q Q2T Q2C Q2B Q2H Q2V Q2K Q2R Q2E Q2J Q3C Q4C A6U A6F A6S 56S 56P 56Y 57S 57P 57Y 65C 65B 65H FDU FDF FDS FDP FDL FDD FDY FDG FDM FDA FDQ FDT FDC FDB FDH FDV FDK FDR FDE FDJ J6U J6F J7G P8U P8F P8S P8P P8L P8D P8Y P8G P8M P8A P8Q P8T P8C P8B P8H P8V P8K P8R P8E P8J M6M 6A M6Q M6T M6C M6B M6H M6V M6K M6R Q1U Q1F Q2U Q2F Q2S Q2P Q2L Q2D Q2Y Q2G Q2M Q2A Q2Q Q2T Q2C Q2B Q2H Q2V Q2K Q2R Q2E Q2J Q3C Q4C Q5C Q6B Q6H Q7G)</p> <p>Note: When ordering a new system board, you must also order a new retention module for the heat sink.</p>	43C3504	N	Y
11	<p>System board, 946GZ ver 1.2 (models M1U M1F M1S M1P M1D M1Y M1G M2U M3C M3B M3H C1U C2U C3U C4U C5U C7U C8U A1F B2F B4C B4B B4H 21B 21H 22U 23U 24S 24P 24Y 25S 25P 25Y 26U 26F 27S 27P 27Y 28S 28P 28Y 29A 29T 31U 31F 32U 32F 33U 33F 34S 34P 34Y 35S 35P 35Y D2U D2F D3U D3F D3S D3P D3Y D4U D4F D5U D5F 91A 91T F7S F7P F7Y F7A F7B F7H F8S F8P F8Y F9U F9F F9S F9P F9L F9D F9Y F9G F9M F9A F9Q F9T F9C F9B F9H F9V F9K F9R F9E F9J FAU FAS FAP FAY FBC J2U J2F J3S J3P J3Y J4U J4S J4P J4Y K1G P1U P1F P1S P1P P1L P1D P1Y P1G P1M P1A P1Q P1T P1C P1B P1H P1V P1K P1R P1E P1J P2M P2A P2Q P2T P2V P2K P2J P3C CTO A1U A2S A2P A2D A2Y A2A A2T A2B A2H A3Q A4U A4F A4S A5C B1S B1P B1Y B2U B3G 41A 41T 51Q 51B 51H 52Q 53S 53P 53Y 54S 54P 54Y 55S 55P 55Y 61Q 62S 62P 62Y 63S 63P 63Y 64C D1U D1F D1G D2A D2T D3Q D4Q D5U D5S D5P D5Y G1A G1T G2Q G3U G3F H1S H1P H1Y J1G ADD Q1U Q1F Q2U Q2F Q2S Q2P Q2L Q2D Q2Y Q2G Q2M Q2A Q2Q Q2T Q2C Q2B Q2H Q2V Q2K Q2R Q2E Q2J Q3C Q4C A6U A6F A6S 56S 56P 56Y 57S 57P 57Y 65C 65B 65H FDU FDF FDS FDP FDL FDD FDY FDG FDM FDA FDQ FDT FDC FDB FDH FDV FDK FDR FDE FDJ J6U J6F J7G P8U P8F P8S P8P P8L P8D P8Y P8G P8M P8A P8Q P8T P8C P8B P8H P8V P8K P8R P8E P8J M6M 6A M6Q M6T M6C M6B M6H M6V M6K M6R Q1U Q1F Q2U Q2F Q2S Q2P Q2L Q2D Q2Y Q2G Q2M Q2A Q2Q Q2T Q2C Q2B Q2H Q2V Q2K Q2R Q2E Q2J Q3C Q4C Q5C Q6B Q6H Q7G)</p> <p>Note: When ordering a new system board, you must also order a new retention module for the heat sink.</p>	43C3505	N	Y

Item #	9637 FRUs	FRU#	CRU Tier	RoHS?
11	System board, 946GZ (modify PCB solve Conroe CPU issue and modify PCB solve Japan smokeless issue) ver1.2 matrix from 43C3504 & 43C3505 (models M1U M1F M1S M1P M1D M1Y M1G M2U M3C M3B M3H C1U C2U C3U C4U C5U C7U C8U A1F B2F B4C B4B B4H 21B 21H 22U 23U 24S 24P 24Y 25S 25P 25Y 26U 26F 27S 27P 27Y 28S 28P 28Y 29A 29T 31U 31F 32U 32F 33U 33F 34S 34P 34Y 35S 35P 35Y D2U D2F D3U D3F D3S D3P D3Y D4U D4F D5U D5F 91A 91T F7S F7P F7Y F7A F7B F7H F8S F8P F8Y F9U F9F F9S F9P F9L F9D F9Y F9G F9M F9A F9Q F9T F9C F9B F9H F9V F9K F9R F9E F9J FAU FAS FAP FAY FBC J2U J2F J3S J3P J3Y J4U J4S J4P J4Y K1G P1U P1F P1S P1P P1L P1D P1Y P1G P1M P1A P1Q P1T P1C P1B P1H P1V P1K P1R P1E P1J P2M P2A P2Q P2T P2V P2K P2J P3C CTO A1U A2S A2P A2D A2Y A2A A2T A2B A2H A3Q A4U A4F A4S A5C B1S B1P B1Y B2U B3G 41A 41T 51Q 51B 51H 52Q 53S 53P 53Y 54S 54P 54Y 55S 55P 55Y 61Q 62S 62P 62Y 63S 63P 63Y 64C D1U D1F D1G D2A D2T D3Q D4Q D5U D5S D5P D5Y G1A G1T G2Q G3U G3F H1S H1P H1Y J1G ADD Q1U Q1F Q2U Q2F Q2S Q2P Q2L Q2D Q2Y Q2G Q2M Q2A Q2Q Q2T Q2C Q2B Q2H Q2V Q2K Q2R Q2E Q2J Q3C Q4C A6U A6F A6S 56S 56P 56Y 57S 57P 57Y 65C 65B 65H FDU FDF FDS FDP FDL FDD FDY FDG FDM FDA FDQ FDT FDC FDB FDH FDV FDK FDR FDE FDJ J6U J6F J7G P8U P8F P8S P8P P8L P8D P8Y P8G P8M P8A P8Q P8T P8C P8B P8H P8V P8K P8R P8E P8J M6M 6A M6Q M6T M6C M6B M6H M6V M6K M6R Q1U Q1F Q2U Q2F Q2S Q2P Q2L Q2D Q2Y Q2G Q2M Q2A Q2Q Q2T Q2C Q2B Q2H Q2V Q2K Q2R Q2E Q2J Q3C Q4C Q5C Q6B Q6H Q7G) Note: When ordering a new system board, you must also order a new retention module for the heat sink.	43C8359	N	Y
12	Fan, Rear w/ grommets & Grill (all models)	41N8079	2	Y
13	Power supply (300W) (models CTO)	41N3489	2	Y
13	Power supply (230W) (models J2U J2F J3S J3P J3Y J4U J4S J4P J4Y K1G P1U P1F P1S P1P P1L P1D P1Y P1G P1M P1A P1T P1V P1K P1R P1E P1J P2M P2A P2T P2V P2K P2J M1U M1F M1S M1P M1D M1Y M1G M2U C1U C2U C3U C4U C5U C7U CTO A1U A2S A2P A2D A2Y A2A A2T A4U A4F A4S B1S B1P B1Y B2U B3G 41A 41T 53S 53P 53Y 54S 54P 54Y 55S 55P 55Y 62S 62P 62Y 63S 63P 63Y D1U D1F D1G D2A D2T D5U D5S D5P D5Y G1A G1T G3U G3F H1S H1P H1Y J1G A1F B2F 22U 23U 24S 24P 24Y 25S 25P 25Y 26U 26F 27S 27P 27Y 28S 28P 28Y 29A 29T 31U 31F 32U 32F 33U 33F 34S 34P 34Y 35S 35P 35Y D2U D2F D3U D3F D3S D3P D3Y D4U D4F D5U D5F 91A 91T F7S F7P F7Y F7A F8S F8P F8Y F9U F9F F9S F9P F9L F9D F9Y F9G F9M F9A F9T F9V F9K F9R F9E F9J FAU FAS FAP FAY)	41N3094	2	Y
13	Power supply (250W) (models J2U J2F J3S J3P J3Y J4U J4S J4P J4Y K1G P1U P1F P1S P1P P1L P1D P1Y P1G P1M P1A P1T P1V P1K P1R P1E P1J P2M P2A P2T P2V P2K P2J M1U M1F M1S M1P M1D M1Y M1G M2U C1U C2U C3U C4U C5U C7U CTO A1U A2S A2P A2D A2Y A2A A2T A4U A4F A4S B1S B1P B1Y B2U B3G 41A 41T 53S 53P 53Y 54S 54P 54Y 55S 55P 55Y 62S 62P 62Y 63S 63P 63Y D1U D1F D1G D2A D2T D5U D5S D5P D5Y G1A G1T G3U G3F H1S H1P H1Y J1G A1F B2F 22U 23U 24S 24P 24Y 25S 25P 25Y 26U 26F 27S 27P 27Y 28S 28P 28Y 29A 29T 31U 31F 32U 32F 33U 33F 34S 34P 34Y 35S 35P 35Y D2U D2F D3U D3F D3S D3P D3Y D4U D4F D5U D5F 91A 91T F7S F7P F7Y F7A F8S F8P F8Y F9U F9F F9S F9P F9L F9D F9Y F9G F9M F9A F9T F9V F9K F9R F9E F9J FAU FAS FAP FAY)	41N3127	2	Y
13	Power supply (220V/250W/ATX12V - China) (models CTO A2B A2H A3Q A5C 51Q 51B 51H 52Q 61Q 64C D3Q D4Q G2Q B4C B4B B4H 21B 21H F7B F7H F9Q F9C F9B F9H FBC P1Q P1C P1B P1H P2Q P3C M3C M3B M3H)	41N3485	2	Y
13	Power Supply 5281-7VW-ROHS, 280W, Standard (models CTO)	41N3479	2	Y
13	Power Supply 5281-7VW-ROHS, 280W, Standard (models CTO)	41N3482	2	Y

Item #	9637 FRUs	FRU#	CRU Tier	RoHS?
13	Power Supply 310W standard only for Japan (models CTO)	24R2596	2	Y

The FRUs listed in the following tables are not illustrated.

9637 FRUs	FRU#	CRU Tier	RoHS?
Thermal grease kit (all models)	91P8835	N	Y
Shield, 5.25 EMC (all models)	41N8080	2	Y
Cable, SATA (18" RoHs) (all models)	26K1186	2	Y
Cable, Serial (all models)	39K5021	2	Y
Shield, diskette drive EMC (all models)	41N8078	2	Y
Cable, Diskette drive (RoHs) (all models)	41A7182	2	Y
Cover, left side (all models)	41N8050	1	Y
Chassis assembly (all models)	41N8051	N	Y
System board I/O Shield - (all models)	41N8053	N	Y
Kit, Miscellaneous hardware (all models)	41N8055	2	Y
Retention Module Kit, RoHs (all models)	41N8056	2	Y
Cable, hard disk drive and optical signal (all models)	39M0516	1	Y
Retainer, Card Reader (all models)	41R2913	1	N
Front Fan AVC (all models)	41R4791	1	N
Optional HDD Bracket Assembly, without 4Pin cable (all models)	41R6106	1	N
Chassis assembly (all models)	41R2533	1	N

9637 Keyboards (Lenovo Preferred Pro fullsize, Black)	FRU#	CRU Tier	RoHS?
US English (models A1U A2A A2H A3Q A4U A5C B2U B3G 41A 51Q 51H 52Q 61Q 64C D1U D1G D2A D3Q D4Q D5U G1A G2Q G3U J1G B4C B4H 21H 22U 23U 26U 29A 31U 32U 33U D2U D3U D4U D5U 91A F7A F7H F9U F9L F9G F9M F9A F9Q F9C F9H F9R F9E FAU FBC J2U J4U K1G P1U P1L P1G P1M P1A P1Q P1C P1H P1R P1E P2M P2A P2Q P3C M1U M1G M2U M3C M3H C1U C2U C3U C4U C5U C7U C8U)	41A5039	1	Y
Arabic (models B3G D1G J1G F9G K1G P1G M1G)	41A5040	1	Y
Arabic/French (models B3G D1G J1G F9G K1G P1G M1G)	41A5041	1	Y
Belgian/French (models B3G D1G J1G F9G K1G P1G M1G)	41A5042	1	Y
Belgian/UK (models B3G D1G J1G F9G K1G P1G M1G)	41A5043	1	Y
Bulgarian (models B3G D1G J1G F9G K1G P1G M1G)	41A5045	1	Y
Hong Kong/Taiwan (models A2B 51B B4B 21B F7B F9B F9V P1B P1V P2V M3B)	41A5046	1	Y
Czech (models B3G D1G J1G F9G K1G P1G M1G)	41A5047	1	Y
Danish (models B3G D1G J1G F9G K1G P1G M1G)	41A5048	1	Y
Dutch (models B3G D1G J1G F9G K1G P1G M1G)	41A5049	1	Y
French (models B3G D1G J1G F9G K1G P1G M1G)	41A5050	1	Y
French Canadian 445 (models A4F D1F G3F A1F B2F 26F 31F 32F 33F D2F D3F D4F D5F F9F J2F P1F M1F)	41A5051	1	Y

9637 Keyboards (Lenovo Preferred Pro fullsize, Black)	FRU#	CRU Tier	RoHS?
French Canadian 58 (models A4F D1F G3F A1F B2F 26F 31F 32F 33F D2F D3F D4F D5F F9F J2F P1F M1F)	41A5052	1	Y
German (models B3G D1G J1G F9G K1G P1G M1G)	41A5053	1	Y
Greek (models B3G D1G J1G F9G K1G P1G M1G)	41A5054	1	Y
Hebrew (models B3G D1G J1G F9G K1G P1G M1G)	41A5055	1	Y
Hungarian (models B3G D1G J1G F9G K1G P1G M1G)	41A5056	1	Y
Iceland (models B3G D1G J1G F9G K1G P1G M1G)	41A5057	1	Y
Italian (models B3G D1G J1G F9G K1G P1G M1G)	41A5058	1	Y
Japanese (models F9J P1J P2J)	41A5059	1	Y
Korean (models F9K P1K P2K)	41A5060	1	Y
LA Spanish (models A2S A2D A2Y A4S B1S B1Y 53S 53Y 54S 54Y 55S 55Y 62S 62Y 63S 63Y D5S D5Y H1S H1Y 24S 24Y 25S 25Y 27S 27Y 28S 28Y 34S 34Y 35S 35Y D3S D3Y F7S F7Y F8S F8Y F9S F9D F9Y FAS FAY J3S J3Y J4S J4Y P1S P1D P1Y M1S M1D M1Y)	41A5061	1	Y
Norwegian (models B3G D1G J1G F9G K1G P1G M1G)	41A5062	1	Y
Polish (models B3G D1G J1G F9G K1G P1G M1G)	41A5063	1	Y
Portuguese (models B3G D1G J1G F9G K1G P1G M1G)	41A5064	1	Y
Romanian (models B3G D1G J1G F9G K1G P1G M1G)	41A5065	1	Y
Russian/Cyrilic (models B3G D1G J1G F9G K1G P1G M1G)	41A5066	1	Y
Serbian/Cyrilic (models B3G D1G J1G F9G K1G P1G M1G)	41A5067	1	Y
Slovak (models B3G D1G J1G F9G K1G P1G M1G)	41A5068	1	Y
Spanish (models B3G D1G J1G F9G K1G P1G M1G)	41A5069	1	Y
Swedish/Finn (models B3G D1G J1G F9G K1G P1G M1G)	41A5070	1	Y
Swiss F/G (models B3G D1G J1G F9G K1G P1G M1G)	41A5071	1	Y
Thailand (models A2T 41T D2T G1T 29T 91T F9T P1T P2T)	41A5072	1	Y
Turkish 440 (models B3G D1G J1G F9G K1G P1G M1G)	41A5073	1	Y
Turkish 179 (models B3G D1G J1G F9G K1G P1G M1G)	41A5074	1	Y
UK English (models B3G D1G J1G F9G K1G P1G M1G)	41A5075	1	Y
US Euro (models B3G D1G J1G F9G K1G P1G M1G)	41A5076	1	Y
Slovenian (models B3G D1G J1G F9G K1G P1G M1G)	41A5077	1	Y
Brazil/Portuguese (models A2P B1P 53P 54P 55P 62P 63P D5P H1P 24P 25P 27P 28P 34P 35P D3P F7P F8P F9P FAP J3P J4P P1P M1P)	41A5044	1	Y

9637 mice	FRU#	CRU Tier	RoHS?
Optical Wheel Mouse (400DPI, USB) (all models)	41U3013	1	Y
Optical Wheel Mouse (400DPI, USB) (all models)	41U3030	1	Y
PS/2 Three Button ball mouse (models CTO)	41R0018	1	Y
ScrollPoint Optical Mouse (800DPI, USB) (models CTO)	41U3019	1	Y

9637 Adapters and miscellaneous FRUs	FRU#	CRU Tier	RoHS?
USB2.0 MEMORY CARDREADER,6X2,ROHS OPTIONAL,Bitland (models CTO)	41R3378	2	Y
USB2.0 MEMORY CARDREADER,6X2,ROHS OPTIONAL, SONY (models CTO)	41R3376	2	Y
PCI Modem Card (Soft) (models CTO)	29R9729	2	Y
L1 IEEE 1394 PCI Adapter (models CTO)	41D2781	2	Y
Denver - ATI X300SE 128MB (models CTO)	39J9635	2	Y
Dongle Cable - DMS59 to dual VGA (models CTO)	41D2399	2	Y
Dongle Cable - DMS59 to dual VGA (included in Denver L1) (models CTO)	42Y8181	2	Y
Dongle DMS Dule DMS-59 to dual DVI cable (models CTO)	41X6398	2	Y
Dongle DMS Dule DMS-59 to single VGA and DVI cable (models CTO)	42Y8183	2	Y
Nvidia GeForce 6200TC128MB 64bit (Full Height) (models CTO)	41X2668	2	Y
Nvidia GeForce 6200TC 64MB 32bit (models CTO)	41X2667	2	Y
Nvidia GeForce 7300LE 128MB 64bit (models CTO)	41X2669	2	Y
Nvidia GeForce 7300LE 128MB 64bit LP / ATX with DMS59 (models CTO)	42Y8165	2	Y
ATI Radeon X1300PRO 256MB 128bit (models CTO)	41X2670	2	Y
ATI X1300LE 256M 64bit LP / ATX with DMS59 (models CTO)	42Y8162	2	Y
X1300 LE 256MB (models CTO)	42Y8159	2	Y
Internal USB Memory Card Reader (models CTO B2G 31G D1G D2G F1G)	41D1934	2	Y
Wireless Keyboard (models CTO)	41A5219	2	Y
Wireless Mouse (models CTO)	41A5247	2	Y
USB Transceiver for wireless kybd/mouse (models CTO)	41A5246	2	Y
DVI-I card,FH(Casper) (models CTO)	39J9334	2	Y
BTL external speaker (models CTO)	41A5334	2	Y

9637 Power Cords	FRU#	CRU Tier	RoHS?
Power Cord (US) (models A1U A2S A2D A2A A2T A4U A4F A4S B1S B2U 41A 41T 53S 54S 55S 62S 63S D1U D1F D2A D2T D5U D5S G1A G1T G3U G3F H1S A1F B2F 22U 23U 24S 25S 26U 26F 27S 28S 29A 29T 31U 31F 32U 32F 33U 33F 34S 35S D2U D2F D3U D3F D3S D4U D4F D5U D5F 91A 91T F7S F7A F8S F9U F9F F9S F9L F9D F9A F9T FAU FAS J2U J2F J3S J4U J4S P1U P1F P1S P1L P1D P1A PIT P2A P2T M1U M1F M1S M1D M2U C1U C2U C3U C4U C5U C7U C8U)	39M5080	1	Y
Power Cord (China) (models A5C 64C B4C F9C FBC P1C P3C M3C)	39M5205	1	Y
Power Cord (Japan) (models F9E F9J P1E P1J P2J)	39M5193	1	Y
Power Cord (Brazil) (models A2P B1P 53P 54P 55P 62P 63P D5P H1P 24P 25P 27P 28P 34P 35P D3P F7P F8P F9P FAP J3P J4P P1P M1P)	39M5232	1	Y
Power Cord (LA High Volt APU) (models A2Y B1Y 53Y 54Y 55Y 62Y 63Y D5Y H1Y 24Y 25Y 27Y 28Y 34Y 35Y D3Y F7Y F8Y F9L F9Y FAY J3Y J4Y P1L P1Y M1Y)	39M5067	1	Y
Power Cord (Australia / New Zealand) (models F9M P1M P2M)	39M5102	1	Y
Power Cord (Korea) (models F9K F9R P1K P1R P2K)	39M5212	1	Y
Power Cord (Hong Kong) (models A2B A2H 51B 51H B4B B4H 21B 21H F7B F7H F9B F9H P1B P1H M3B M3H)	39M5151	1	Y
Power Cord (UK, Ireland, Singapore, Malaysia, Brunei) (models A2A B3G 41A D1G D2A G1A J1G 29A 91A F7A F9G F9A K1G P1G P1A P2A M1G)	39M5150	1	Y

9637 Power Cords	FRU#	CRU Tier	RoHS?
Power Cord (Taiwan) (models F9V P1V P2V)	39M5246	1	Y
Power Cord (Italy) (models A2S A2Y A4S B1S B1Y B3G 53S 53Y 54S 54Y 55S 55Y 62S 62Y 63S 63Y D1G D5S D5Y H1S H1Y J1G 24S 24Y 25S 25Y 27S 27Y 28S 28Y 34S 34Y 35S 35Y D3S D3Y F7S F7Y F8S F8Y F9S F9L F9Y F9G FAS FAY J3S J3Y J4S J4Y K1G P1S P1L P1Y P1G M1S M1Y M1G)	39M5164	1	Y
Power Cord (G models) (models A2A B3G 41A D1G D2A G1A J1G 29A 91A F7A F9G F9A K1G P1G P1A P2A M1G)	39M5122	1	Y
Power Cord (Denmark) (models B3G D1G J1G F9G K1G P1G M1G)	39M5129	1	Y
Power Cord (Switzerland) (models B3G D1G J1G F9G K1G P1G M1G)	39M5157	1	Y
Power Cord (Israel) (models B3G D1G J1G F9G K1G P1G M1G)	39M5171	1	Y
Power Cord (South Africa) (models A2A B3G 41A D1G D2A G1A J1G 29A 91A F7A F9G F9M F9A K1G P1G P1M P1A P2M P2A M1G)	39M5143	1	Y
Power Cord (India) (models A3Q 51Q 52Q 61Q D3Q D4Q G2Q F9Q P1Q P2Q)	39M5004	1	Y

9637 Windows XP Home Recovery CDs	FRU#	CRU Tier	RoHS?
US/UK/AP/TH (models 26U)	42Y3597	1	Y
FR/CF (models 26F)	42Y3598	1	Y

9637 Windows XP Pro Recovery CDs	FRU#	CRU Tier	RoHS?
US/UK/AP/TH (models A1U A2A A2T A2H A4U B2U B3G 41A 41T 51Q 51H 61Q D1U D1G D2A D2T D3Q D4Q D5U G1A G1T G2Q G3U J1G B4H 21H 22U 23U 29A 29T 31U 32U 33U D2U D3U D4U D5U 91A 91T F7A F7H F9U F9L F9G F9M F9A F9Q F9T F9H F9R F9E FAU J2U J4U K1G P1U P1L P1G P1M P1A P1Q P1T P1H P1R P1E P2M P2A P2Q P2T M1U M1G M2U M3H)	42Y3549	1	Y
FR/CF (models A4F B3G D1F D1G G3F J1G A1F B2F 31F 32F 33F D2F D3F D4F D5F F9F F9G J2F K1G P1F P1G M1F M1G)	42Y3550	1	Y
GR (models B3G D1G J1G F9G K1G P1G M1G)	42Y3551	1	Y
IT (models B3G D1G J1G F9G K1G P1G M1G)	42Y3553	1	Y
BR (models B3G D1G F9G K1G P1G M1P)	42Y3554	1	Y
SP/LA (models A2S A2D A2Y A4S B1S B1Y B3G 53S 53Y 54S 54Y 55S 55Y 62S 62Y 63S 63Y D1G D5S D5Y H1S H1Y J1G 24S 24Y 25S 25Y 27S 27Y 28S 28Y 34S 34Y 35S 35Y D3S D3Y F7S F7Y F8S F8Y F9S F9D F9Y F9G FAS FAY J3S J3Y J4S J4Y K1G P1S P1D P1Y P1G M1S M1D M1Y M1G)	42Y3552	1	Y
DK (models B3G D1G J1G F9G K1G P1G M1G)	42Y3556	1	Y
NL (models B3G D1G J1G F9G K1G P1G M1G)	42Y3720	1	Y
AE (models B3G D1G J1G F9G K1G P1G M1G)	42Y3724	1	Y
SV (models B3G D1G J1G F9G K1G P1G M1G)	42Y3555	1	Y
HE (models B3G D1G J1G F9G K1G P1G M1G)	42Y3721	1	Y
FI (models B3G D1G J1G F9G K1G P1G M1G)	42Y3718	1	Y
NO (models B3G D1G J1G F9G K1G P1G M1G)	42Y3719	1	Y
PL (models B3G D1G J1G F9G K1G P1G M1G)	42Y3722	1	Y
PO (models B3G D1G J1G F9G K1G P1G M1G)	42Y3728	1	Y
RU (models B3G D1G J1G F9G K1G P1G M1G)	42Y3725	1	Y

9637 Windows XP Pro Recovery CDs	FRU#	CRU Tier	RoHS?
RE (models B3G D1G J1G F9G K1G P1G M1G)	42Y3717	1	Y
HU (models B3G D1G J1G F9G K1G P1G M1G)	42Y3727	1	Y
CZ (models B3G D1G J1G F9G K1G P1G M1G)	42Y3723	1	Y
TR (models B3G D1G J1G F9G K1G P1G M1G)	42Y3726	1	Y
GK (models B3G D1G J1G F9G K1G P1G M1G)	42Y3729	1	Y
SL (models B3G D1G J1G F9G K1G P1G M1G)	42Y3730	1	Y
Japanese (models F9J P1J P2J)	41W7767	1	Y
Simplified Chinese (models 64C B4C F9C P1C P3C M3C)	41W7751	1	Y
Taiwan -TC (models F9V P1V P2V)	41W7757	1	Y
Hong Kong -TC (models A2B 51B B4B 21B F7B F9B P1B M3B)	41W7762	1	Y
Korea (models F9K P1K P2K)	41W7746	1	Y
Multilingual 1 (models B3G D1G J1G F9G K1G P1G M1G)	42Y3645	1	Y
Multilingual 2 (models B3G D1G J1G F9G K1G P1G M1G)	42Y3879	1	Y

9637 Vista Home Basic 32 Recovery DVDs	FRU#	CRU Tier
US/UK/AP/TH (models)	87H4420	1
FR/CF (models)	87H4421	1
GR (models)	87H4422	1
SP/LA (models)	87H4423	1
BR (models)	87H4424	1
IT (models)	87H4425	1
JP (models)	87H4426	1
NO (models)	87H4427	1
SV (models)	87H4428	1
DK (models)	87H4429	1
NL (models)	87H4430	1
CZ (models)	87H4431	1
FI (models)	87H4432	1
PL (models)	87H4433	1
RU (models)	87H4434	1
TR (models)	87H4435	1
HU (models)	87H4436	1
GK (models)	87H4437	1
PO (models)	87H4438	1
CS (models)	87H4439	1
TW (models)	87H4440	1
HK (models)	87H4441	1
KR (models)	87H4442	1
SL (models)	87H4443	1
RE (models)	43C1306	1

9637 Vista Business 32 Recovery DVDs	FRU#	CRU Tier
US/UK/AP/TH (models)	87H4476	1
FR/CF (models)	87H4477	1
GR (models)	87H4478	1
SP/LA (models)	87H4479	1
BR (models)	87H4480	1
IT (models)	87H4481	1
JP (models)	87H4482	1
NO (models)	87H4483	1
SV (models)	87H4484	1
DK (models)	87H4485	1
NL (models)	87H4486	1
CZ (models)	87H4487	1
FI (models)	87H4488	1
PL (models)	87H4489	1
RU (models)	87H4490	1
TR (models)	87H4491	1
HU (models)	87H4492	1
GK (models)	87H4493	1
PO (models)	87H4494	1
CS (models)	87H4495	1
TW (models)	87H4496	1
HK (models)	87H4497	1
KR (models)	87H4498	1
SL (models)	87H4499	1
RE (models)	43C1308	1

Chapter 11. Additional Service Information

This chapter provides additional information that the service representative might find helpful.

Security features

Security features in this section include the following:

- Passwords
- Vital Product Data
- Management Information Format (MIF)

Hardware controlled Passwords

Hardware controlled passwords are set using the Setup Utility program. For more information about passwords, see "Using passwords" on page 51.

Operating system password

An operating system password is very similar to a power-on password and denies access to the computer by an unauthorized user when the password is activated. The computer is unusable until the password is entered and recognized by the computer.

Vital product data

Each computer has a unique Vital Product Data (VPD) code stored in the nonvolatile memory on the system board. After you replace the system board, the VPD must be updated. To update the VPD, see "Flash update procedures" on page 570.

Management Information Format (MIF)

Management Information Format (MIF) is a file used to maintain a list of the system unit serial number along with all serialized components (for example, system board, riser card, memory, and processor).

At the time of computer manufacture, the EPROM is loaded with the serial numbers of the system and all major components.

A company called Retain-a-Group is a central data warehouse offering serial number data management. Retain-a-Group acts as a focal point to law enforcement. The customer has the option to purchase serial number information and services from Retain-a-Group. It is the customer's responsibility to maintain the MIF file and to inform Retain-a-Group of any changes to the file.

Some customers might request that their servicers assist them in maintaining the MIF file when serialized components are replaced during hardware service. This assistance is between the customer and the servicer. The servicer can use the DMI MIF Browser to update the MIF information in the EPROM. It is anticipated that some servicers might charge for this service.

To update the EPROM using the DMI MIF Browser, use the following procedure.

1. Click **Start** from the desktop, then **Programs**.

2. Select **SystemView Agent**
3. Select the **Serial Number Information** icon
4. Click the plus sign to expand.
5. Select the component you want to view or edit.
6. Double click on the component you want to change.
7. Enter new data in the *Value* field, then click **Apply**.

BIOS levels

An incorrect level of BIOS can cause false errors and unnecessary FRU replacement. Use the following information to determine the current level of BIOS installed in the computer, the latest BIOS available for the computer, and where to obtain the latest level of BIOS.

- To determine the current Level of BIOS:
 - Start the Setup Utility.
 - Select Standard CMOS Features.
- Sources for obtaining the latest level BIOS available
 1. Lenovo support web site:
<http://www.lenovo.com/support/>
 2. Lenovo Customer Support Center
 3. Levels 1 and 2 Support

To update (flash) the BIOS, see “Flash update procedures.”

Flash update procedures

This section details how to flash (update) the BIOS.

Updating (flashing) BIOS from a diskette

1. Insert a system program update (flash) diskette into the diskette drive. system program updates are available at <http://www.lenovo.com/support> on the World Wide Web.
2. Turn on the computer. If it is already on, you must turn it off and back on. The update begins.
3. Follow the instructions on the screen to complete the update.

Recovering from a POST/BIOS update failure

Attention: If an interruption occurs during a POST/BIOS update (flash update), the computer might not restart correctly. If this occurs, perform the following procedure (also known as a Boot-block recovery).

Note: If your computer has no internal diskette drive, an optional USB diskette drive must be connected to use the BIOS flash diskette.

1. Turn the computer off and insert the special recovery BIOS flash diskette in the diskette drive.
2. Turn the computer on.
3. The recovery session takes two to three minutes. During this time you will hear a series of beeps. After the update session completes, the series of beeps ends and the computer automatically turns off. There is no video during the recovery session.
4. Remove the special recovery BIOS flash diskette from the diskette drive.

Power management

Power management reduces the power consumption of certain components of the computer such as the system power supply, processor, hard disk drives, and some monitors.

Automatic configuration and power interface (ACPI) BIOS

Being an ACPI BIOS system, the operating system is allowed to control the power management features of the computer and the setting for Advanced Power Management (APM) BIOS mode is ignored. Not all operating systems support ACPI BIOS mode.

Automatic Power-On features

The Automatic Power-On features within the Power Management menu allow you to enable and disable features that turn on the computer automatically.

- **Serial Port A Ring Detect:** With this feature set to **Enabled** and an external modem connected to serial port (COM1), the computer will turn on automatically when a ring is detected on the modem.
- **PCI Modem Ring Detect:** With this feature set to **Enabled**, the computer will turn on automatically when a ring is detected on the internal modem.
- **PCI Wake Up:** This feature allows PCI cards that support this capability to wake the system.
- **Wake Up on Alarm:** You can specify a date and time at which the computer will be turned on automatically. This can be either a single event or a daily event.
- **Wake on LAN:** If the computer has a properly configured token-ring or Ethernet LAN adapter card that is Wake on LAN-enabled and there is remote network management software, you can use the Wake on LAN feature. When you set Wake on LAN to **Enabled**, the computer will turn on when it receives a specific signal from another computer on the local area network (LAN).

Appendix. Notices

Lenovo may not offer the products, services, or features discussed in this document in all countries. Consult your local Lenovo representative for information on the products and services currently available in your area. Any reference to a Lenovo product, program, or service is not intended to state or imply that only that Lenovo product, program, or service may be used. Any functionally equivalent product, program, or service that does not infringe any Lenovo intellectual property right may be used instead. However, it is the user's responsibility to evaluate and verify the operation of any other product, program, or service.

Lenovo may have patents or pending patent applications covering subject matter described in this document. The furnishing of this document does not give you any license to these patents. You can send license inquiries, in writing, to:

*Lenovo (United States), Inc.
500 Park Offices Drive, Hwy. 54
Research Triangle Park, NC 27709
U.S.A.
Attention: Lenovo Director of Licensing*

LENOVO GROUP LTD. PROVIDES THIS PUBLICATION "AS IS" WITHOUT WARRANTY OF ANY KIND, EITHER EXPRESS OR IMPLIED, INCLUDING, BUT NOT LIMITED TO, THE IMPLIED WARRANTIES OF NON-INFRINGEMENT, MERCHANTABILITY OR FITNESS FOR A PARTICULAR PURPOSE. Some jurisdictions do not allow disclaimer of express or implied warranties in certain transactions, therefore, this statement may not apply to you.

This information could include technical inaccuracies or typographical errors. Changes are periodically made to the information herein; these changes will be incorporated in new editions of the publication. Lenovo may make improvements and/or changes in the product(s) and/or the program(s) described in this publication at any time without notice.

The products described in this document are not intended for use in implantation or other life support applications where malfunction may result in injury or death to persons. The information contained in this document does not affect or change Lenovo product specifications or warranties. Nothing in this document shall operate as an express or implied license or indemnity under the intellectual property rights of Lenovo or third parties. All information contained in this document was obtained in specific environments and is presented as an illustration. The result obtained in other operating environments may vary.

Lenovo may use or distribute any of the information you supply in any way it believes appropriate without incurring any obligation to you.

Any references in this publication to non-Lenovo Web sites are provided for convenience only and do not in any manner serve as an endorsement of those Web sites. The materials at those Web sites are not part of the materials for this Lenovo product, and use of those Web sites is at your own risk.

Any performance data contained herein was determined in a controlled environment. Therefore, the result obtained in other operating environments may

vary significantly. Some measurements may have been made on development-level systems and there is no guarantee that these measurements will be the same on generally available systems. Furthermore, some measurements may have been estimated through extrapolation. Actual results may vary. Users of this document should verify the applicable data for their specific environment.

Television output notice

The following notice applies to models that have the factory-installed television-output feature.

This product incorporates copyright protection technology that is protected by method claims of certain U.S. patents and other intellectual property rights owned by Macrovision Corporation and other rights owners. Use of this copyright protection technology must be authorized by Macrovision Corporation, and is intended for home and other limited viewing uses only unless otherwise authorized by Macrovision Corporation. Reverse engineering or disassembly is prohibited.

Trademarks

The following terms are trademarks of Lenovo in the United States, other countries, or both:

- Lenovo
- ThinkCentre
- PS/2
- Rescue and Recovery

The following terms are trademarks of International Business Machines Corporation in the United States, other countries, or both:

- Asset ID
- Alert on LAN
- IBM (used under license)
- Wake on LAN

Intel and Pentium are trademarks of Intel Corporation in the United States, other countries, or both.

Microsoft and Windows are trademarks of Microsoft Corporation in the United States, other countries, or both.

Other company, product, or service names may be trademarks or service marks of others.

ThinkCentre®

Part Number: 41X5730

Printed in USA

(1P) P/N: 41X5730

