

ThinkCentre

Safety and Warranty Guide

Inside

- **Important safety information**
- **Information resources**
- **Warranty and other notices**
- **Customer Replacement Units (CRUs)**

ThinkCentre

Safety and Warranty Guide

Note:

Before using this information and the product it supports, be sure to read the following:

- Chapter 1, "Important safety information," on page 11
- Chapter 3, "Lenovo Statement of Limited Warranty," on page 29
- Chapter 5, "Notices," on page 71

Third Edition (February 2007)

© Copyright Lenovo 2005, 2006.

Portions © Copyright International Business Machines Corporation 2005.

All rights reserved.

U.S. GOVERNMENT USERS – RESTRICTED RIGHTS: Our products and/or services are provided with RESTRICTED RIGHTS. Use, duplication or disclosure by the Government is subject to the GSA ADP Schedule contract with Lenovo Group Limited, if any, or the standard terms of this commercial license, or if the agency is unable to accept this Program under these terms, then we provide this Program under the provisions set forth in Commercial Computer Software–Restricted Rights at FAR 52.227-19, when applicable, or under Rights in Data-General, FAR 52.227.14 (Alternate III).

Contents

Chapter 1. Important safety information11
Conditions that require immediate action11
General safety guidelines12
Service and upgrades12
Static electricity prevention13
Power cords and power adapters14
Voltage-selection switch.15
Extension cords and related devices15
Plugs and outlets15
External devices16
Batteries16
Heat and product ventilation17
Operating environment.18
Electrical current safety information18
Lithium battery notice19
Modem safety information20
Laser compliance statement20
Power supply statement21
Products with television tuner options installed21
Note to CATV system installer21
Example of antenna grounding22
Data safety23
Cleaning and maintenance24
Using headphones or earphones24
Additional safety information24
Chapter 2. Information resources25
Online Books folder25
ThinkVantage Productivity Center26
Access Help26
www.lenovo.com26
Recording your computer information27
Chapter 3. Lenovo Statement of Limited Warranty29
Part 1 - General Terms.29
Part 2 - Country-unique Terms33
Part 3 - Warranty Information46
Warranty Period.46
Types of Warranty Service62
Worldwide telephone list64
Guarantee supplement for Mexico68
Chapter 4. Customer Replacement Units (CRUs)69

Chapter 5. Notices	71
Television output notice	72
Trademarks	72
Electronic emissions notices	73
Federal Communications Commission (FCC) Declaration of Conformity	73
Industry Canada Class B emission compliance statement	74
European Union EMC Directive conformance statement	74
Korean Class B statement	74
Japanese VCCI Class B statement	74
Japanese compliance for products less than or equal to 20A per phase	74
Lenovo product service information for Taiwan	75
Federal Communications Commission (FCC) and telephone company requirements	75
Canadian Department of Communications certification label	76
Power cord notice	77
Polyvinyl Chloride (PVC) cable and cord notice	79
Waste electrical and electronic equipment (WEEE) notices	79
European Union (EU) WEEE statement	79
Japanese recycling statement	80
Collecting and recycling a disused Lenovo computer or monitor	80
Disposing of a Lenovo computer component	80
Disposing of disused lithium batteries from Lenovo computers	80

Indholdsfortegnelse

Kapitel 1. Vigtige sikkerhedsforskrifter81
Forhold, der kræver øjeblikkelig handling81
Generelle sikkerhedsforskrifter82
Service og opgraderinger82
Undgå statisk elektricitet83
Netledninger og omformere84
Spændingsvælgerkontakt84
Forlængerledninger og lignende udstyr85
Stik og stikkontakter.85
Eksterne enheder86
Batterier86
Varme og ventilation87
Driftsbetingelser88
Sikkerhedsforskrifter vedrørende elektrisk strøm88
Litiumbatteri89
Sikkerhedsforskrifter for modem.89
Sikkerhedsforskrifter for laser90
Sikkerhedsforskrifter for strømforsyning.91
Produkter med tv-tuner91
Bemærkning vedrørende kabel-tv-installationer91
Eksempel på antenne med jordforbindelse92
Datasikkerhed93
Rengøring og vedligeholdelse93
Brug af hovedtelefoner eller hovedsæt94
Andre sikkerhedsforskrifter94
Kapitel 2. Flere oplysninger 95
Folder med onlinebøger 95
ThinkVantage Productivity Center 96
Access-hjælp 96
Webstedet www.lenovo.com 96
Registrering af oplysninger om computeren 97
Kapitel 3. Lenovo Servicebevis 99
Del 1 - Standardvilkår 99
Del 2 - Særlige vilkår for specifikke lande 103
Del 3 - Garantioplysninger 106
Garantiperiode 116
Den type service, der er omfattet af garantien 133
Oversigt over telefonnumre 134
Garantitillæg for Mexico 138
Kapitel 4. CRU (Customer Replacement Unit)	141

Kapitel 5. Bemærkninger	143
Bemærkning om tv-output	144
Varemærker	144
Bemærkninger vedr. elektronisk stråling	145
Federal Communications Commission (FCC) Declaration of Conformity	145
Industry Canada Class B emission compliance statement	146
Erklæring vedrørende EU-krav	146
Korean Class B statement	146
Japanese VCCI Class B statement	146
Japanese compliance for products less than or equal to 20A per phase	146
Lenovo product service information for Taiwan	147
Federal Communications Commission (FCC) and telephone company requirements	147
Canadian Department of Communications certification label	148
Netledninger	149
Bemærkning vedr. PVC-kabel og -ledning	150
Bemærkninger vedr. affald af elektrisk og elektronisk udstyr (WEEE)	150
Erklæring vedrørende WEEE i EU	150
Japanese recycling statement	151
Collecting and recycling a disused Lenovo computer or monitor	151
Disposing of a Lenovo computer component	151
Disposing of disused lithium batteries from Lenovo computers	152

Sisältö

Luku 1. Tärkeät turvaohjeet151
Välittömiä toimia edellyttävät tapahtumat tai tilat153
Yleisiä turvaohjeita154
Huolto ja päivitykset155
Staattiselta sähköltä suojautuminen156
Verkkojohdot ja verkkolaitteet156
Jännitekytkin157
Jatkojohdot ja niihin liittyvät laitteet157
Pistokkeet ja pistorasiat158
Ulkoiset laitteet158
Paristot ja akut158
Kuumuus ja tietokoneen osien tuuletus159
Käyttöympäristö160
Sähköturvaohjeet161
Litiumparistoon liittyvä turvaohje161
Modeemiin liittyviä turvaohjeita162
Laserturvaohjeet163
Virtalähteeseen liittyvät turvaohjeet163
Tuotteet, joihin on asennettu televisioviritin164
Ohje kaapeli-TV-järjestelmän asentajalle164
Esimerkki antennin maadoituksesta165
Tietoturva166
Tietokoneen puhdistus ja ylläpito167
Kuulokkeiden käyttö167
Muita turvaohjeita167
Luku 2. Tietolähteitä169
Näyttökirjat-kansio169
ThinkVantage Productivity Center -ohjelma170
Access Help -ohjeisto170
www.lenovo.com170
Tietokoneen tunnistetietojen kirjaus171
Luku 3. Lenovon takuuehdot (rajoitettu takuu).173
Osa 1 - Yleiset ehdot173
Osa 2 - Maakohtaiset ehdot177
Osa 3 - Takuuta koskevat tiedot191
Takuuaika191
Takuuhuollon lajit213
Maakohtaiset puhelinnumerot215
Meksikoa koskevat lisätakuuehdot219
Luku 4. Asiakkaan vaihdettavissa olevat osat221

Luku 5. Huomioon otettavaa	223
Television käyttöön liittyvä huomautus	224
Tavaramerkit	224
Tietoja sähkömagneettisesta säteilystä.	225
Lausuma FCC (Federal Communications Commission) -säännösten mukaisuudesta	225
Lausuma kanadalaisen laitehyväksynnän (Industry Canada) luokan B mukaisuudesta	226
Lausuma Euroopan unionin direktiivin 89/336/ETY mukaisuudesta	226
Luokan B lauseke (Korea)	226
VCCI luokan B lauseke (Japani)	226
Tuotteiden, joiden teho on pienempi tai yhtä suuri kuin 20 A / vaihe, yhdenmukaisuus Japanissa	227
Lenovo-tuotteiden huolto Taiwanissa	227
Federal Communications Commission (FCC) -säännökset ja puhelinyhtiöiden vaatimukset	227
Kanadan tietoliikenneministeriön (Canadian Department of Communications) myöntämä laitehyväksyntä	228
Verkkojohtoa koskeva huomautus	229
PVC-kaapelia ja verkkojohtoa koskeva huomautus	231
Sähkö- ja elektroniikkalaiteromua (WEEE) koskeva huomautus	231
Euroopan unionin sähkö- ja elektroniikkalaiteromua (WEEE) koskeva huomautus.	231
Japania koskevat kierrätysohjeet	231
Käytöstä poistettujen Lenovo-tietokoneiden ja -näyttimien keräys ja kierrätys	231
Lenovo-tietokoneen osien hävitys	232
Lenovo-tietokoneiden käytöstä poistettujen litiumparistojen hävitys	232

Innhold

Kapittel 1. Viktig sikkerhetsinformasjon	.233
Situasjoner som krever øyeblikkelig handling	.233
Generelle retningslinjer for sikkerhet	.234
Service og oppgraderinger	.234
Hindre statisk elektrisitet	.235
Strømledninger og strømforsyningsenheter	.236
Spenningsvelger	.237
Skjøteledninger og tilhørende utstyr	.237
Støpsler og stikkontakter	.237
Eksterne enheter	.238
Batterier	.238
Varme og ventilasjon i produktet	.239
Driftsmiljø	.240
Sikkerhetsinformasjon - strøm	.240
Litiumbatteri	.241
Modemsikkerhet	.242
Laserutstyr	.242
Strømforsyning	.243
Produkter med TV-tuner installert	.243
Merknad til installatører av CATV-systemer	.243
Eksempel på antennejording	.244
Datasikkerhet	.245
Rengjøring og vedlikehold	.245
Bruke hodetelefoner eller øretelefoner	.246
Annen sikkerhetsinformasjon	.246
Kapittel 2. Informasjonsressurser	.247
Mappen Online Books	.247
ThinkVantage Produktivitetscenter	.248
Access Help	.248
www.lenovo.com	.248
Notere opplysninger om maskinen	.249
Kapittel 3. Lenovo Garantibetingelser	.251
Del 1 - Generelle betingelser	.251
Del 2 - Landavhengige betingelser	.255
Del 3 - Opplysninger om garantibetingelser	.268
Garantiperiode	.268
Typer av garantiservice	.284
Verdensomfattende telefonliste	.285
Guarantee supplement for Mexico	.289
Kapittel 4. Deler som kunden kan skifte ut (CRUer)	.291

Kapittel 5. Merknader	293
Merknad om utsignaler for TV	294
Varemerker	294
Elektronisk stråling	295
Elektromagnetisk stråling	295
Industry Canada Class B emission compliance statement	296
Tilpasning til EØS-avtalen og EU-direktiv	296
Korean Class B statement	296
Japanese VCCI Class B statement	296
Japanese compliance for products less than or equal to 20A per phase	296
Lenovo product service information for Taiwan	297
Federal Communications Commission (FCC) and telephone company requirements	297
Canadian Department of Communications certification label	298
Strømledning	299
PVC-ledning	300
Merknader om avfall fra elektriske og elektroniske produkter (WEEE)	301
Den europeiske union (EU) og WEEE-direktivet	301
Japanese recycling statement	301
Collecting and recycling a disused Lenovo computer or monitor	301
Disposing of a Lenovo computer component	332
Disposing of disused lithium batteries from Lenovo computers	332

Innehåll

Kapitel 1. Viktig säkerhetsinformation303
Situationer som kräver omedelbara åtgärder303
Allmänna säkerhetsanvisningar304
Service och uppgraderingar304
Förhindra statisk elektricitet305
Nätsladdar och nätadapterar306
Spännings-väljare306
Förlängningssladdar och liknande utrustning307
Stickkontakter och eluttag307
Externa enheter308
Batterier308
Värme och luftcirkulation309
Driftsmiljö310
Säkerhetsinformation om elektrisk ström310
Batteri311
Säkerhetsanvisningar för modem312
Information om laserprodukt312
Information om strömtillförsel313
Produkter med tv-tuner installerad313
Meddelande till CATV-systeminstallatör313
Exempel på antennjordning314
Datasäkerhet315
Rengöring och underhåll315
Använda headset eller hörlurar316
Ytterligare säkerhetsinformation316
Kapitel 2. Informationskällor317
Mappen Online-böcker317
ThinkVantage Productivity Center318
Access - Hjälp318
www.lenovo.com318
Registrera information om datorn319
Kapitel 3. Lenovo Garantivillkor321
Del 1 - Allmänna villkor321
Del 2 - Nations specifika villkor323
Del 3 - Garantiinformation338
Garantitid338
Garantiservicealternativ353
Telefonlista för hela världen354
Garantitillägg för Mexiko358
Kapitel 4. Reservdelar som kunden själv kan byta ut (CRU)361

Kapitel 5. Övrig information	363
Information om funktioner för TV	364
Varumärken	364
Anmärkningar om elektromagnetisk strålning	365
FCCs (Federal Communications Commission) deklaration om överens-	
stämmelse	365
Information om elektromagnetisk strålning (för användare i Kanada)	366
Intyg om överensstämmelse med EU-direktiv	366
Koreansk klass B	366
Japansk VCCI klass B	366
Japanskt efterföljande för produkter med mindre än eller lika med 20A	
per fas	366
Lenovo-produktserviceinformation för Taiwan.	367
FCC-krav och teleleverantörens krav	367
Kanadensiska kommunikationsdepartementets certifiering.	368
Information om nätsladdar	368
PVC-kabeln och information om nätsladdar	371
Avfall från elektroniska eller elektroniska produkter (WEEE)	371
Europeiska unionens (EU) WEEE	371
Återvinning i Japan.	371
Samla in och återvinna en kasserad Lenovo-dator eller bildskärm	371
Kassera en komponent i en Lenovo-dator	372
Kassera litiumbatterier från Lenovo-datorer.	372

Chapter 1. Important safety information

Note

Please read important safety information first.

This information can help you safely use your desktop or notebook personal computer. Follow and retain all information included with your computer. The information in this document does not alter the terms of your purchase agreement or the Lenovo™ Limited Warranty. For more information, refer to Chapter 3, “Lenovo Statement of Limited Warranty,” on page 29.

Customer safety is important. Our products are developed to be safe and effective. However, personal computers are electronic devices. Power cords, power adapters, and other features can create potential safety risks that can result in physical injury or property damage, especially if misused. To reduce these risks, follow the instructions included with your product, observe all warnings on the product and in the operating instructions, and review the information included in this document carefully. By carefully following the information contained in this document and provided with your product, you can help protect yourself from hazards and create a safer computer work environment.

Note: This information includes references to power adapters and batteries. In addition to notebook computers, some products (such as speakers and monitors) ship with external power adapters. If you have such a product, this information applies to your product. In addition, computer products contain a coin-sized internal battery that provides power to the system clock even when the computer is unplugged, so the battery safety information applies to all computer products.

Conditions that require immediate action

Products can become damaged due to misuse or neglect. Some product damage is serious enough that the product should not be used again until it has been inspected and, if necessary, repaired by an authorized servicer.

As with any electronic device, pay close attention to the product when it is turned on. On very rare occasions, you might notice an odor or see a puff of smoke or sparks vent from your product. Or you might hear sounds like popping, cracking, or hissing. These conditions might merely mean that an internal electronic component has failed in a safe and controlled manner. Or, they might indicate a potential safety issue. However, do not take risks or attempt to diagnose the situation yourself. Contact the Customer Support

Center for further guidance. For a list of Service and Support phone numbers, see “Worldwide telephone list” on page 64.

Frequently inspect your computer and its components for damage, wear, or signs of danger. If you have any question about the condition of a component, do not use the product. Contact the Customer Support Center or the product manufacturer for instructions on how to inspect the product and have it repaired, if necessary.

In the unlikely event that you notice any of the following conditions, or if you have any safety concerns with your product, stop using the product and unplug it from the power source and telecommunication lines until you can speak to the Customer Support Center for further guidance.

- Power cords, plugs, power adapters, extension cords, surge protectors, or power supplies that are cracked, broken, or damaged.
- Signs of overheating, smoke, sparks, or fire.
- Damage to a battery (such as cracks, dents, or creases), discharge from a battery, or a buildup of foreign substances on the battery.
- A cracking, hissing, or popping sound, or strong odor that comes from the product.
- Signs that liquid has been spilled or an object has fallen onto the computer product, the power cord, or power adapter.
- The computer product, power cord, or power adapter has been exposed to water.
- The product has been dropped or damaged in any way.
- The product does not operate normally when you follow the operating instructions.

Note: If you notice these conditions with a product (such as an extension cord) that is not manufactured for or by Lenovo, stop using that product until you can contact the product manufacturer for further instructions, or until you get a suitable replacement.

General safety guidelines

Always observe the following precautions to reduce the risk of injury and property damage.

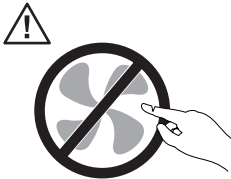
Service and upgrades

Do not attempt to service a product yourself unless instructed to do so by the Customer Support Center or your documentation. Only use a service provider who is approved to repair your particular product.

Note: Some computer parts can be upgraded or replaced by the customer. Upgrades typically are referred to as options. Replacement parts approved for customer installation are referred to as Customer Replaceable Units, or CRUs. Lenovo provides documentation with instructions when it is appropriate for customers to install options or replace CRUs. You must closely follow all instructions when installing or replacing parts. The Off state of a power indicator does not necessarily mean that voltage levels inside a product are zero. Before you remove the covers from a product equipped with an ac power cord, always make sure that the power is turned off and that the product is unplugged from any power source. For more information on CRUs, refer to the User Guide for this product. If you have any questions or concerns, contact the Customer Support Center.

Although there are no moving parts in your computer after the power cord has been disconnected, the following warnings are required for your safety.

Danger



Hazardous moving parts. Keep fingers and other body parts away.

Attention



Before replacing any CRUs, turn off the computer and wait three to five minutes to let the computer cool before opening the cover.

Static electricity prevention

Static electricity, although harmless to you, can seriously damage computer components and options. Improper handling of static-sensitive parts can cause damage to the part. When you unpack an option or CRU, do not open the static-protective package containing the part until the instructions direct you to install it.

When you handle options or CRUs, or perform any work inside the computer, take the following precautions to avoid static-electricity damage:

- Limit your movement. Movement can cause static electricity to build up around you.
- Always handle components carefully. Handle adapters, memory modules, and other circuit boards by the edges. Never touch exposed circuitry.
- Prevent others from touching components.
- When you install a static-sensitive option or CRU, touch the static-protective package containing the part to a metal expansion-slot cover or other unpainted metal surface on the computer for at least two seconds. This reduces static electricity in the package and your body.
- When possible, remove the static-sensitive part from the static-protective packaging and install the part without setting it down. When this is not possible, place the static-protective packaging on a smooth, level surface and place the part on it.
- Do not place the part on the computer cover or other metal surface.

Power cords and power adapters

Use only the power cords and power adapters supplied by the product manufacturer.

The power cords shall be safety approved. For Germany, it shall be H05VV-F, 3G, 0.75 mm², or better. For other countries, the suitable types shall be used accordingly.

Never wrap a power cord around a power adapter or other object. Doing so can stress the cord in ways that can cause the cord to fray, crack, or crimp. This can present a safety hazard.

Always route power cords so that they will not be walked on, tripped over, or pinched by objects.

Protect power cord and power adapters from liquids. For instance, do not leave your power cord or power adapter near sinks, tubs, toilets, or on floors that are cleaned with liquid cleansers. Liquids can cause a short circuit, particularly if the power cord or power adapter has been stressed by misuse. Liquids also can cause gradual corrosion of power cord terminals and/or the connector terminals on a power adapter, which can eventually result in overheating.

Always connect power cords and signal cables in the correct order and ensure that all power cord connectors are securely and completely plugged into receptacles.

Do not use any power adapter that shows corrosion at the ac input pins or shows signs of overheating (such as deformed plastic) at the ac input or anywhere on the power adapter.

Do not use any power cords where the electrical contacts on either end show signs of corrosion or overheating or where the power cord appears to have been damaged in any way.

Voltage-selection switch

Some computers are equipped with a voltage-selection switch located near the power-cord connection point on the computer. If your computer has a voltage-selection switch, ensure that you set the switch to match the voltage available at your electrical outlet. Setting the voltage-selection switch incorrectly can cause permanent damage to the computer.

If your computer does not have a voltage-selection switch, your computer is designed to operate only at the voltage provided in the country or region where the computer was originally purchased.

If you relocate your computer to another country, be aware of the following:

- If your computer does not have a voltage-selection switch, do not connect the computer to an electrical outlet until you have verified that the voltage provided is the same as it was in the country or region where the computer was originally purchased.
- If your computer has a voltage selection switch, do not connect the computer to an electrical outlet until you have verified that the voltage-selection switch is set to match the voltage provided in that country or region.

If you are not sure of the voltage provided at your electrical outlet, contact your local electric company or refer to official Web sites or other literature for travelers to the country or region where you are located.

Extension cords and related devices

Ensure that extension cords, surge protectors, uninterruptible power supplies, and power strips that you use are rated to handle the electrical requirements of the product. Never overload these devices. If power strips are used, the load should not exceed the power strip input rating. Consult an electrician for more information if you have questions about power loads, power requirements, and input ratings.

Plugs and outlets

If a receptacle (power outlet) that you intend to use with your computer equipment appears to be damaged or corroded, do not use the outlet until it is replaced by a qualified electrician.

Do not bend or modify the plug. If the plug is damaged, contact the manufacturer to obtain a replacement.

Do not share an electrical outlet with other home or commercial appliances that draw large amounts of electricity; otherwise, unstable voltage might damage your computer, data, or attached devices.

Some products are equipped with a three-pronged plug. This plug fits only into a grounded electrical outlet. This is a safety feature. Do not defeat this safety feature by trying to insert it into a non-grounded outlet. If you cannot insert the plug into the outlet, contact an electrician for an approved outlet adapter or to replace the outlet with one that enables this safety feature. Never overload an electrical outlet. The overall system load should not exceed 80 percent of the branch circuit rating. Consult an electrician for more information if you have questions about power loads and branch circuit ratings.

Be sure that the power outlet you are using is properly wired, easily accessible, and located close to the equipment. Do not fully extend power cords in a way that will stress the cords.

Be sure that the power outlet provides the correct voltage and current for the product you are installing.

Carefully connect and disconnect the equipment from the electrical outlet.

External devices

Do not connect or disconnect any external device cables other than USB and 1394 cables while the computer power is on; otherwise, you might damage your computer. To avoid possible damage to attached devices, wait at least five seconds after the computer is shut down to disconnect external devices.

Batteries

All personal computers manufactured by Lenovo contain a non-rechargeable coin cell battery to provide power to the system clock. In addition, many mobile products, such as notebook computers, utilize a rechargeable battery pack to provide system power when in portable mode. Batteries supplied by Lenovo for use with your product have been tested for compatibility and should only be replaced with approved parts.

Never attempt to open or service any battery. Do not crush, puncture, or incinerate batteries or short circuit the metal contacts. Do not expose the battery to water or other liquids. Only recharge the battery pack strictly according to instructions included in the product documentation.

Battery abuse or mishandling can cause the battery to overheat, which can cause gasses or flame to “vent” from the battery pack or coin cell. If your battery is damaged, or if you notice any discharge from your battery or the buildup of foreign materials on the battery leads, stop using the battery and obtain a replacement from the battery manufacturer.

Batteries can degrade when they are left unused for long periods of time. For some rechargeable batteries (particularly Lithium Ion batteries), leaving a battery unused in a discharged state could increase the risk of a battery short circuit, which could shorten the life of the battery and can also pose a safety hazard. Do not let rechargeable Lithium-Ion batteries completely discharge or store these batteries in a discharged state.

Heat and product ventilation

Computers, AC adapters, and many accessories can generate heat when turned on and when batteries are charging. Always follow these basic precautions:

- Do not leave your computer, AC adapter, or accessories in contact with your lap or any part of your body for an extended period when the products are functioning or when the battery is charging. Your computer, AC adapter, and many accessories produce some heat during normal operation. Extended contact with the body could cause discomfort or, potentially, a skin burn.
- Do not charge the battery or operate your computer, AC adapter, or accessories near flammable materials or in explosive environments.
- Ventilation slots, fans, and heat sinks are provided with the product for safety, comfort, and reliable operation. These features might inadvertently become blocked by placing the product on a bed, sofa, carpet, or other flexible surface. Never block, cover, or disable these features.

Inspect your desktop computer for dust accumulation at least once every three months. Before inspecting your computer, turn off the power and unplug the computer’s power cord from the electrical outlet; then remove any dust from vents and perforations in the bezel. If you notice external dust accumulation, then examine and remove dust from the inside of the computer including heat sink inlet fins, power supply vents, and fans. Always turn off and unplug the computer before opening the cover. If possible, avoid operating your computer within 2 feet of high-traffic areas. If you must operate your computer in or near a high-traffic area, inspect and, if necessary, clean your computer more frequently.

For your safety and to maintain optimum computer performance, always follow these basic precautions with your desktop computer:

- Keep the cover closed whenever the computer is plugged in.
- Regularly inspect the outside of the computer for dust accumulation.
- Remove dust from vents and any perforations in the bezel. More frequent cleanings might be required for computers in dusty or high-traffic areas.

- Do not restrict or block any ventilation openings.
- Do not store or operate your computer inside furniture, as this might increase the risk of overheating.
- Airflow temperatures into the computer should not exceed 35° C (95° F).
- Do not use non-desktop air filtration devices.

Operating environment

The optimal environment in which to use your computer is 10°C-35°C (50°F-95°F) with humidity ranging between 35% and 80%. If your computer is stored or transported in temperatures less than 10°C (50°F), allow the cold computer to rise slowly to an optimal operating temperature of 10°C-35°C (50°F-95°F) before use. This process could take two hours in extreme conditions. Failure to allow your computer to rise to an optimal operating temperature before use could result in irreparable damage to your computer.

If possible, place your computer in a well-ventilated and dry area without direct exposure to sunshine.

Keep electrical appliances such as an electric fan, radio, high-powered speakers, air conditioner, and microwave oven away from your computer because the strong magnetic fields generated by these appliances can damage the monitor and data on the hard disk drive.

Do not place any beverages on top of or beside the computer or other attached devices. If liquid is spilled on or in the computer or an attached device, a short circuit or other damage might occur.

Do not eat or smoke over your keyboard. Particles that fall into your keyboard can cause damage.

Electrical current safety information

Danger

Electrical current from power, telephone, and communication cables is hazardous.

To avoid a shock hazard:

- **To prevent possible shock hazard, do not use your computer during a lightning storm.**
- **Do not connect or disconnect any cables or perform installation, maintenance, or reconfiguration of this product during an electrical storm.**

- Connect all power cords to a properly wired and grounded electrical outlet.
- Connect to properly wired outlets any equipment that will be attached to this product.
- When possible, use one hand only to connect or disconnect signal cables.
- Never turn on any equipment when there is evidence of fire, water, or structural damage.
- Disconnect the attached power cords, telecommunications systems, networks, and modems before you open the device covers, unless instructed otherwise in the installation and configuration procedures.
- Connect and disconnect cables as described in the following table when installing, moving, or opening covers on this product or attached devices.

<p>To connect:</p> <ol style="list-style-type: none"> 1. Turn everything OFF. 2. First, attach all cables to devices. 3. Attach signal cables to connectors. 4. Attach power cords to outlet. 5. Turn device ON. 	<p>To disconnect:</p> <ol style="list-style-type: none"> 1. Turn everything OFF. 2. First, remove power cords from outlet. 3. Remove signal cables from connectors. 4. Remove all cables from devices.
--	---

Lithium battery notice

<p>Caution Danger of explosion if battery is incorrectly replaced.</p>

When replacing the lithium coin cell battery, use only the same or an equivalent type that is recommended by the manufacturer. The battery contains lithium and can explode if not properly used, handled, or disposed of.

Do not:

- Throw or immerse into water
- Heat to more than 100°C (212°F)
- Repair or disassemble

Dispose of the battery as required by local ordinances or regulations.

The following statement applies to users in the state of California, U.S.A.

Perchlorate material: Special handling may apply. See www.dtsc.ca.gov/hazardouswaste/perchlorate.

Modem safety information

Caution

To reduce the risk of fire, use only No. 26 AWG or larger telecommunication line cord.

To reduce the risk of fire, electrical shock, or injury when using telephone equipment, always follow basic safety precautions, such as:

- Never install telephone wiring during a lightning storm.
- Never install telephone jacks in wet locations unless the jack is specifically designed for wet locations.
- Never touch uninsulated telephone wires or terminals unless the telephone line has been disconnected at the network interface.
- Use caution when installing or modifying telephone lines.
- Avoid using a telephone (other than a cordless type) during an electrical storm. There may be a remote risk of electric shock from lightning.
- Do not use the telephone to report a gas leak in the vicinity of the leak.

Laser compliance statement

Some personal computer models are equipped from the factory with a CD or DVD drive. CD and DVD drives are also sold separately as options. CD and DVD drives are laser products. These drives are certified in the U.S. to conform to the requirements of the Department of Health and Human Services 21 Code of Federal Regulations (DHHS 21 CFR) Subchapter J for Class 1 laser products. Elsewhere, these drives are certified to conform to the requirements of the International Electrotechnical Commission (IEC) 60825-1 and CENELEC EN 60825-1 for Class 1 laser products.

When a CD or DVD drive is installed, note the following handling instructions.

Caution

Use of controls or adjustments or performance of procedures other than those specified herein might result in hazardous radiation exposure.

Do not remove the drive covers. Removing the covers of the CD or DVD drive could result in exposure to hazardous laser radiation. There are no serviceable parts inside the CD or DVD drive.

Some CD and DVD drives contain an embedded Class 3A or Class 3B laser diode. Note the following statement.

Danger

Laser radiation when open. Do not stare into the beam, do not view directly with optical instruments, and avoid direct exposure to the beam.

Power supply statement

Never remove the cover on a power supply or any part that has the following label attached.



Hazardous voltage, current, and energy levels are present inside any component that has this label attached. There are no serviceable parts inside these components. If you suspect a problem with one of these parts, contact a service technician.

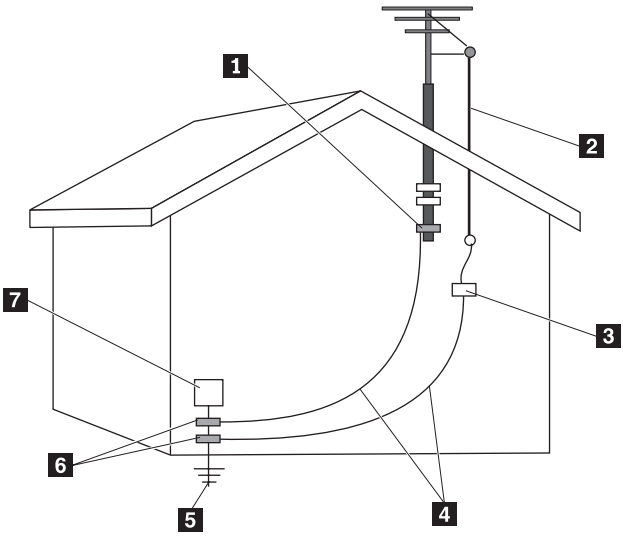
Products with television tuner options installed

The notice below applies to products containing television (TV) tuner devices that connect to external antennas or to cable/CATV systems, or both, and that are intended to be installed in North America. Users and installers in other countries should follow local codes and ordinances when installing appliances that connect to external antennas and cable/CATV systems. If local codes are not applicable, it is recommended that users/installers follow guidelines similar to those that follow.

Note to CATV system installer

This reminder is provided to call the CATV system installer's attention to Article 820-40 of the National Electrical Code (NEC) that provides guidelines for proper grounding and, in particular, specifies that the cable ground shall be connected to the grounding system of the building, as close as possible to the point of cable entry as practical.

Example of antenna grounding



- | | | | |
|----------|---|----------|--|
| 1 | Ground clamp | 5 | Power service grounding electrode system (NEC Article 250, Part H) |
| 2 | Antenna lead-in wire | 6 | Ground clamps |
| 3 | Antenna discharge unit (NEC Section 810-20) | 7 | Electronic service equipment |
| 4 | Grounding conductors (NEC Section 810-21) | | |

Figure 1. Proper grounding for the cable

The following notice applies to all countries and regions:

Danger



Outdoor antenna grounding

If an outside antenna or cable system is connected to the equipment, be sure the antenna or cable system is grounded as to provide some protection against voltage surges and built-up static charges.

Lightning

For added protection for this equipment during a lightning storm, or when it is left unattended and unused for long periods of time, unplug it from the wall outlet and disconnect the antenna or cable system. This will prevent damage to the video product due to lightning and power line surges.

Power lines

An outside antenna system should not be located in the vicinity of overhead power lines or where it can fall into such power lines or circuits. When installing an outside antenna system, extreme care should be taken to keep from touching such power lines or circuits, as contact with them may be fatal.

Data safety

Do not delete unknown files or change the name of files or directories that were not created by you; otherwise, your computer software might fail to work.

Be aware that accessing network resources can leave your computer vulnerable to computer viruses, hackers, spyware, and other malicious activities that might damage your computer, software, or data. It is your responsibility to ensure that you have adequate protection in the form of firewalls, antivirus software, and anti-spyware software and keep this software up to date.

Cleaning and maintenance

Keep your computer and workspace clean. Shut down the computer and then disconnect the power cord before cleaning the computer. Do not spray any liquid detergent directly on the computer or use any detergent containing flammable material to clean the computer. Spray the detergent on a soft cloth and then wipe the computer surfaces.

Using headphones or earphones

If your computer has both a headphone connector and an audio-out connector, always use the headphone connector for headphones (also called a headset) or earphones.

Excessive use of headphones or earphones for a long period of time at high volume can be dangerous if the headphones or earphones do not comply with specifications of EN 50332-2. The headphone output connector of your computer complies with EN 50332-2 Sub clause 5.1. This specification limits the computer's maximum wide band true RMS output voltage to 150mV. To help protect against hearing loss, ensure that the headphones or earphones you use also comply with EN 50332-2 (Sub clause 6.1) for a wide band characteristic voltage of 75mV. Using headphones that do not comply with EN 50332-2 can be dangerous due to excessive sound pressure levels.

If your Lenovo computer came with headphones or earphones in the package, as a set, the combination of the headphones or earphones and the computer already complies with the specifications of EN 50332-1. If different headphones or earphones are used, ensure that they comply with EN 50332-2. (Sub clause 6.1) for a wide band characteristic voltage of 75mV. Using headphones that do not comply with EN 50332-2 can be dangerous due to excessive sound pressure levels.

Additional safety information

Plastic bags can be dangerous. Keep plastic bags away from babies and children to avoid danger of suffocation.

Chapter 2. Information resources

After you have set up your computer using the provided setup poster, you can use the information in this chapter to access useful resources relating to your computing needs.

Online Books folder

The Online Books folder provides publications to help you set up and use your computer. The Online Books folder is preinstalled on your computer and requires no Internet access to view the publications. The following publications are available in the Online Books folder:

- *User Guide*

This publication provides information on setting up your computer, installing options, recovering software, using the Setup Utility, updating system programs, and troubleshooting problems.

- *Hardware Replacement Guide*

This publication provides step-by-step instructions for replacing Customer Replacement Units (CRUs) in your computer. CRUs are computer parts that can be upgraded or replaced by the customer.

To view a publication, open the Start menu from the Windows desktop, select **All Programs**, select **Online Books**, and click **Online Books**. Double-click on the appropriate publication for your computer. The publications also are available on the Lenovo Web site at <http://www.lenovo.com>.

Notes:

1. These publications are in Portable Document Format (PDF) format, which requires Adobe Acrobat Reader to be installed. If Adobe Acrobat Reader has not yet been installed on your computer, a message will appear when you attempt to view the PDF file and you will be guided through the Adobe Acrobat Reader installation.
2. The publications that are preinstalled on your computer are available in other languages on the Lenovo Support Web site at <http://www.lenovo.com/support/>.
3. If you want to install a different language version of Adobe Acrobat Reader than the version provided on your computer, go to the Adobe Web site at <http://www.adobe.com> and download the version you want to use.

ThinkVantage Productivity Center

The ThinkVantage® Productivity Center program guides you to a host of information sources and tools designed to make computing simpler and more secure while helping to reduce costs and increase productivity. The ThinkVantage Productivity Center program helps you set up, understand, and enhance your computer.

The ThinkVantage Productivity Center program provides information about your computer and easy access to various technologies, such as:

- The Rescue and Recovery™ program
- Productivity Center
- Client Security Solutions
- Factory Recovery
- System Updates
- Service and support

Note: ThinkVantage Technologies are only available on select Lenovo computers.

To access the ThinkVantage Productivity Center program, open the Start menu from the Windows desktop, select **All Programs**, select **ThinkVantage**, and click **Productivity Center**.

Access Help

The Access Help online help system provides information about getting started, doing basic tasks, customizing settings for your personal preference, protecting data, expanding and upgrading, and troubleshooting.

To open Access Help, open the Start menu from the Windows desktop, select **All Programs**, select **ThinkVantage**, and click **Access Help**. After you have opened Access Help, use the left panel to make a selection from the Contents or Index tab, or use the Search tab to find a particular word or phrase.

www.lenovo.com

The Lenovo Web site (www.lenovo.com) provides an extensive amount of information and services to help you buy, upgrade, and maintain your computer. You can access the most up-to-date information for your computer on the Lenovo Web site. From the www.lenovo.com Web site, you can also:

- Shop for desktop and notebook computers, monitors, projectors, upgrades and accessories for your computer, and special offers.

- Purchase additional services, such as support for hardware, operating systems, application programs, network setup and configuration, and custom installations.
- Purchase upgrades and extended hardware repair services.
- Download the latest device drivers and software updates for your computer model.
- Access the online manuals for your products.
- Access the Lenovo Statement of Limited Warranty.
- Access troubleshooting and support information for your computer model and other supported products.
- Find the service and support phone number for your country or region.
- Find a service provider located near you.

Recording your computer information

Recording information about your computer can be helpful if you ever need to have your computer serviced. The service technician will probably ask you for this information.

The machine type, model, and serial number are labeled on your computer. Use the following table to record this information.

Product name	_____
Machine type and model	_____
Serial number (S/N)	_____
Date of purchase	_____

You can register your computer over the Internet at the following Web site:

<http://www.lenovo.com/register>

When you register your computer, you will receive the following benefits:

- Faster service when you call for help
- Automatic notification of free software and special promotional offers

For more information about registering your computer, refer to the Access Help online help system. See “Access Help” on page 26 for instructions on how to open the online help system.

Chapter 3. Lenovo Statement of Limited Warranty

LSOLW-00 05/2005

Part 1 - General Terms

*This Statement of Limited Warranty includes Part 1 - General Terms, Part 2 - Country-unique Terms, and Part 3 - Warranty Information. The terms of Part 2 replace or modify those of Part 1. The warranties provided by Lenovo in this Statement of Limited Warranty apply only to Machines you purchase for your use, and not for resale. The term "Machine" means a Lenovo machine, its options, features, conversions, upgrades or peripheral products, or any combination of them. The term "Machine" does not include any software programs, whether pre-loaded with the Machine, installed subsequently or otherwise. **Nothing in this Statement of Limited Warranty affects any statutory rights of consumers that cannot be waived or limited by contract.***

What this Warranty Covers

Lenovo warrants that each Machine 1) is free from defects in materials and workmanship and 2) conforms to Lenovo's Official Published Specifications ("Specifications") which are available on request. The warranty period for the Machine starts on the original date of installation and is specified in Part 3 - Warranty Information. The date on your invoice or sales receipt is the date of installation unless Lenovo or your reseller informs you otherwise. Unless Lenovo specifies otherwise, these warranties apply only in the country or region in which you purchased the Machine.

THESE WARRANTIES ARE YOUR EXCLUSIVE WARRANTIES AND REPLACE ALL OTHER WARRANTIES OR CONDITIONS, EXPRESS OR IMPLIED, INCLUDING, BUT NOT LIMITED TO, THE IMPLIED WARRANTIES OR CONDITIONS OF MERCHANTABILITY AND FITNESS FOR A PARTICULAR PURPOSE. SOME STATES OR JURISDICTIONS DO NOT ALLOW THE EXCLUSION OF EXPRESS OR IMPLIED WARRANTIES, SO THE ABOVE EXCLUSION MAY NOT APPLY TO YOU. IN THAT EVENT, SUCH WARRANTIES ARE LIMITED IN DURATION TO THE WARRANTY PERIOD. NO WARRANTIES APPLY AFTER THAT PERIOD. SOME STATES OR JURISDICTIONS DO NOT ALLOW LIMITATIONS ON HOW LONG AN IMPLIED WARRANTY LASTS, SO THE ABOVE LIMITATION MAY NOT APPLY TO YOU.

What this Warranty Does not Cover

This warranty does not cover the following:

- any software programs, whether pre-loaded or shipped with the Machine, or installed subsequently;

- failure resulting from misuse, accident, modification, unsuitable physical or operating environment, or improper maintenance by you;
- failure caused by a product for which Lenovo is not responsible; and
- any non-Lenovo products, including those that Lenovo may procure and provide with or integrate into a Lenovo Machine at your request.

The warranty is voided by removal or alteration of identification labels on the Machine or its parts.

Lenovo does not warrant uninterrupted or error-free operation of a Machine.

Any technical or other support provided for a Machine under warranty, such as assistance with "how-to" questions and those regarding Machine set-up and installation, is provided **WITHOUT WARRANTIES OF ANY KIND**.

How to Obtain Warranty Service

Warranty service may be provided by Lenovo, IBM®, your reseller if authorized to perform warranty service, or an authorized warranty service provider. Each of them is referred to as a "Service Provider."

If the Machine does not function as warranted during the warranty period, contact a Service Provider. If you do not register the Machine with Lenovo, you may be required to present proof of purchase as evidence of your entitlement to warranty service.

What Lenovo Will Do to Correct Problems

When you contact a Service Provider for service, you must follow the problem determination and resolution procedures that we specify. An initial diagnosis of your problem can be made either by a technician over the telephone or electronically by access to a support website.

The type of warranty service applicable to your Machine is specified in Part 3 - Warranty Information.

You are responsible for downloading and installing designated software updates from a support web site or from other electronic media, and following the instructions that your Service Provider provides. Software updates may include basic input/output system code (called "BIOS"), utility programs, device drivers, and other software updates.

If your problem can be resolved with a Customer Replaceable Unit ("CRU") (e.g., keyboard, mouse, speaker, memory, hard disk drive), your Service Provider will ship the CRU to you for you to install.

If the Machine does not function as warranted during the warranty period and your problem cannot be resolved over the telephone or electronically, through

your application of software updates, or with a CRU, your Service Provider, will either, at its discretion, 1) repair it to make it function as warranted, or 2) replace it with one that is at least functionally equivalent. If your Service Provider is unable to do either, you may return the Machine to your place of purchase and your money will be refunded.

As part of the warranty service, your Service Provider may also install selected engineering changes that apply to the Machine.

Exchange of a Machine or Part

When the warranty service involves the exchange of a Machine or part, the item your Service Provider replaces becomes Lenovo's property and the replacement becomes yours. You represent that all removed items are genuine and unaltered. The replacement may not be new, but will be in good working order and at least functionally equivalent to the item replaced. The replacement assumes the warranty service status of the replaced item.

Your Additional Responsibilities

Before your Service Provider exchanges a Machine or part, you agree to remove all features, parts, options, alterations, and attachments not under warranty service.

You also agree to:

1. ensure that the Machine is free of any legal obligations or restrictions that prevent its exchange;
2. obtain authorization from the owner to have your Service Provider service a Machine that you do not own; and
3. where applicable, before service is provided:
 - a. follow the service request procedures that your Service Provider provides;
 - b. backup or secure all programs, data, and funds contained in the Machine; and
 - c. provide your Service Provider with sufficient, free, and safe access to your facilities to permit Lenovo to fulfill its obligations.
4. (a) ensure all information about identified or identifiable individuals (Personal Data) is deleted from the Machine (to the extent technically possible), (b) allow your Service Provider or a supplier to process on your behalf any remaining Personal Data as your Service Provider considers necessary to fulfill its obligations under this Statement of Limited Warranty (which may include shipping the Machine for such processing to other service locations around the world), and (c) ensure that such processing complies with any laws applicable to such Personal Data.

Limitation of Liability

Lenovo is responsible for loss of, or damage to, your Machine only while it is

1) in your Service Provider's possession or 2) in transit in those cases where Lenovo is responsible for the transportation charges.

Neither Lenovo nor your Service Provider are responsible for any of your confidential, proprietary or personal information contained in a Machine which you return for any reason. You should remove all such information from the Machine prior to its return.

Circumstances may arise where, because of a default on Lenovo's part or other liability, you are entitled to recover damages from Lenovo. In each such instance, regardless of the basis on which you are entitled to claim damages from Lenovo (including fundamental breach, negligence, misrepresentation, or other contract or tort claim), except for any liability that cannot be waived or limited by applicable laws, Lenovo is liable for no more than

1. damages for bodily injury (including death) and damage to real property and tangible personal property for which Lenovo is legally liable; and
2. the amount of any other actual direct damages, up to the charges for the Machine that is subject of the claim.

This limit also applies to Lenovo's suppliers, resellers and your Service Provider. It is the maximum for which Lenovo, its suppliers, resellers, and your Service Provider are collectively responsible.

UNDER NO CIRCUMSTANCES IS LENOVO, ITS SUPPLIERS, RESELLERS OR SERVICE PROVIDERS LIABLE FOR ANY OF THE FOLLOWING EVEN IF INFORMED OF THEIR POSSIBILITY: 1) THIRD PARTY CLAIMS AGAINST YOU FOR DAMAGES (OTHER THAN THOSE UNDER THE FIRST ITEM LISTED ABOVE); 2) LOSS OF, OR DAMAGE TO, DATA; 3) SPECIAL, INCIDENTAL, OR INDIRECT DAMAGES OR FOR ANY ECONOMIC CONSEQUENTIAL DAMAGES; OR 4) LOST PROFITS, BUSINESS REVENUE, GOODWILL OR ANTICIPATED SAVINGS. SOME STATES OR JURISDICTIONS DO NOT ALLOW THE EXCLUSION OR LIMITATION OF INCIDENTAL OR CONSEQUENTIAL DAMAGES, SO THE ABOVE LIMITATION OR EXCLUSION MAY NOT APPLY TO YOU.

Governing Law

Both you and Lenovo consent to the application of the laws of the country in which you acquired the Machine to govern, interpret, and enforce all of your and Lenovo's rights, duties, and obligations arising from, or relating in any manner to, the subject matter of this Statement of Limited Warranty, without regard to conflict of law principles.

THESE WARRANTIES GIVE YOU SPECIFIC LEGAL RIGHTS AND YOU MAY ALSO HAVE OTHER RIGHTS WHICH VARY FROM STATE TO STATE OR JURISDICTION TO JURISDICTION.

Jurisdiction

All of our rights, duties, and obligations are subject to the courts of the country in which you acquired the Machine.

Part 2 - Country-unique Terms

AMERICAS

ARGENTINA

Jurisdiction: *The following is added after the first sentence:*

Any litigation arising from this Statement of Limited Warranty will be settled exclusively by the Ordinary Commercial Court of the city of Buenos Aires.

BOLIVIA

Jurisdiction: *The following is added after the first sentence:*

Any litigation arising from this Statement of Limited Warranty will be settled exclusively by the courts of the city of La Paz.

BRAZIL

Jurisdiction: *The following is added after the first sentence:*

Any litigation arising from this Statement of Limited Warranty will be settled exclusively by the court of Rio de Janeiro, RJ.

CHILE

Jurisdiction: *The following is added after the first sentence:*

Any litigation arising from this Statement of Limited Warranty will be settled exclusively by the Civil Courts of Justice of Santiago.

COLOMBIA

Jurisdiction: *The following is added after the first sentence:*

Any litigation arising from this Statement of Limited Warranty will be settled exclusively by the Judges of the Republic of Colombia.

ECUADOR

Jurisdiction: *The following is added after the first sentence:*

Any litigation arising from this Statement of Limited Warranty will be settled exclusively by the Judges of Quito.

MEXICO

Jurisdiction: *The following is added after the first sentence:*

Any litigation arising from this Statement of Limited Warranty will be settled exclusively by the Federal Courts of Mexico City, Federal District.

PARAGUAY

Jurisdiction: *The following is added after the first sentence:*

Any litigation arising from this Statement of Limited Warranty will be settled exclusively by the courts of the city of Asuncion.

PERU

Jurisdiction: *The following is added after the first sentence:*

Any litigation arising from this Statement of Limited Warranty will be settled exclusively by the Judges and Tribunals of the Judicial District of Lima, Cercado.

Limitation of Liability: *The following is added at the end of this section:*

In accordance with Article 1328 of the Peruvian Civil Code the limitations and exclusions specified in this section will not apply to damages caused by Lenovo's willful misconduct ("dolo") or gross negligence ("culpa inexcusable").

URUGUAY

Jurisdiction: *The following is added after the first sentence:*

Any litigation arising from this Statement of Limited Warranty will be settled exclusively by the City of Montevideo Court's Jurisdiction.

VENEZUELA

Jurisdiction: *The following is added after the first sentence:*

Any litigation arising from this Statement of Limited Warranty will be settled exclusively by the Courts of the Metropolitan Area Of the City of Caracas.

NORTH AMERICA

How to Obtain Warranty Service: *The following is added to this Section:*

To obtain warranty service from IBM service in Canada or the United States, call 1-800-426-7378.

CANADA

Limitation of Liability: *The following replaces item 1 of this section:*

1. damages for bodily injury (including death) or physical harm to real property and tangible personal property caused by Lenovo's negligence; and

Governing Law: *The following replaces "laws of the country in which you acquired the Machine" in the first sentence:*

laws in the Province of Ontario.

UNITED STATES

Governing Law: *The following replaces "laws of the country in which you acquired the Machine" in the first sentence:*

laws of the State of New York.

ASIA PACIFIC

AUSTRALIA

What this Warranty Covers: *The following paragraph is added to this section:*

The warranties specified in this Section are in addition to any rights you may have under the Trade Practices Act 1974 or other similar legislation and are only limited to the extent permitted by the applicable legislation.

Limitation of Liability: *The following is added to this section:*

Where Lenovo is in breach of a condition or warranty implied by the Trade Practices Act 1974 or other similar legislation, Lenovo's liability is limited to the repair or replacement of the goods or the supply of equivalent goods. Where that condition or warranty relates to right to sell, quiet possession or clear title, or the goods are of a kind ordinarily acquired for personal, domestic or household use or consumption, then none of the limitations in this paragraph apply.

Governing Law: *The following replaces "laws of the country in which you acquired the Machine" in the first sentence:*
laws of the State or Territory.

CAMBODIA AND LAOS

Governing Law: *The following replaces "laws of the country in which you acquired the Machine" in the first sentence:*
laws of the State of New York, United States of America.

CAMBODIA, INDONESIA, AND LAOS

Arbitration: *The following is added under this heading:*

Disputes arising out of or in connection with this Statement of Limited Warranty shall be finally settled by arbitration which shall be held in Singapore in accordance with the Arbitration Rules of Singapore International Arbitration Center ("SIAC Rules") then in effect. The arbitration award shall be final and binding for the parties without appeal and shall be in writing and set forth the findings of fact and the conclusions of law.

The number of arbitrators shall be three, with each side to the dispute being entitled to appoint one arbitrator. The two arbitrators appointed by the parties shall appoint a third arbitrator who shall act as chairman of the proceedings. Vacancies in the post of chairman shall be filled by the president of the SIAC. Other vacancies shall be filled by the respective nominating party. Proceedings shall continue from the stage they were at when the vacancy occurred.

If one of the parties refuses or otherwise fails to appoint an arbitrator within 30 days of the date the other party appoints its, the first appointed arbitrator shall be the sole arbitrator, provided that the arbitrator was validly and properly appointed.

All proceedings shall be conducted, including all documents presented in such proceedings, in the English language. The English language version of this Statement of Limited Warranty prevails over any other language version.

HONG KONG S.A.R. OF CHINA AND MACAU S.A.R. OF CHINA

Governing Law: *The following replaces "laws of the country in which you acquired the Machine" in the first sentence:*

laws of Hong Kong Special Administrative Region of China.

INDIA

Limitation of Liability: *The following replaces items 1 and 2 of this section:*

1. liability for bodily injury (including death) or damage to real property and tangible personal property will be limited to that caused by Lenovo's negligence; and
2. as to any other actual damage arising in any situation involving nonperformance by Lenovo pursuant to, or in any way related to the subject of this Statement of Limited Warranty, the charge paid by you for the individual Machine that is the subject of the claim.

Arbitration: *The following is added under this heading*

Disputes arising out of or in connection with this Statement of Limited Warranty shall be finally settled by arbitration which shall be held in Bangalore, India in accordance with the laws of India then in effect. The arbitration award shall be final and binding for the parties without appeal and shall be in writing and set forth the findings of fact and the conclusions of law.

The number of arbitrators shall be three, with each side to the dispute being entitled to appoint one arbitrator. The two arbitrators appointed by the parties shall appoint a third arbitrator who shall act as chairman of the proceedings. Vacancies in the post of chairman shall be filled by the president of the Bar Council of India. Other vacancies shall be filled by the respective nominating party. Proceedings shall continue from the stage they were at when the vacancy occurred.

If one of the parties refuses or otherwise fails to appoint an arbitrator within 30 days of the date the other party appoints its, the first appointed arbitrator shall be the sole arbitrator, provided that the arbitrator was validly and properly appointed.

All proceedings shall be conducted, including all documents presented in such proceedings, in the English language. The English language version of this Statement of Limited Warranty prevails over any other language version.

JAPAN

Governing Law: *The following sentence is added to this section:*

Any doubts concerning this Statement of Limited Warranty will be initially resolved between us in good faith and in accordance with the principle of mutual trust.

MALAYSIA

Limitation of Liability: The word "*SPECIAL*" in item 3 of the fifth paragraph is deleted.

NEW ZEALAND

What this Warranty Covers: *The following paragraph is added to this section:*

The warranties specified in this section are in addition to any rights you may have under the Consumer Guarantees Act 1993 or other legislation which cannot be excluded or limited. The Consumer Guarantees Act 1993 will not apply in respect of any goods which Lenovo provides, if you require the goods for the purposes of a business as defined in that Act.

Limitation of Liability: *The following is added to this section:*

Where Machines are not acquired for the purposes of a business as defined in the Consumer Guarantees Act 1993, the limitations in this Section are subject to the limitations in that Act.

PEOPLE'S REPUBLIC OF CHINA (PRC)

Governing Law: *The following replaces "laws of the country in which you acquired the Machine" in the first sentence:*

laws of the State of New York, United States of America (except when local law requires otherwise).

PHILIPPINES

Limitation of Liability: *Item 3 in the fifth paragraph is replaced by the following:*

SPECIAL (INCLUDING NOMINAL AND EXEMPLARY DAMAGES), MORAL, INCIDENTAL, OR INDIRECT DAMAGES FOR ANY ECONOMIC CONSEQUENTIAL DAMAGES; OR

Arbitration: The following is added: under this heading

Disputes arising out of or in connection with this Statement of Limited Warranty shall be finally settled by arbitration which shall be held in Metro Manila, Philippines in accordance with the laws of the Philippines then in effect. The arbitration award shall be final and binding for the parties without appeal and shall be in writing and set forth the findings of fact and the conclusions of law.

The number of arbitrators shall be three, with each side to the dispute being entitled to appoint one arbitrator. The two arbitrators appointed by the parties shall appoint a third arbitrator who shall act as chairman of the proceedings. Vacancies in the post of chairman shall be filled by the president of the

Philippine Dispute Resolution Center, Inc.. Other vacancies shall be filled by the respective nominating party. Proceedings shall continue from the stage they were at when the vacancy occurred.

If one of the parties refuses or otherwise fails to appoint an arbitrator within 30 days of the date the other party appoints its, the first appointed arbitrator shall be the sole arbitrator, provided that the arbitrator was validly and properly appointed.

All proceedings shall be conducted, including all documents presented in such proceedings, in the English language. The English language version of this Statement of Limited Warranty prevails over any other language version.

SINGAPORE

Limitation of Liability: *The words "SPECIAL" and "ECONOMIC" in item 3 in the fifth paragraph are deleted.*

EUROPE, MIDDLE EAST, AFRICA (EMEA)

THE FOLLOWING TERMS APPLY TO ALL EMEA COUNTRIES:

The terms of this Statement of Limited Warranty apply to Machines purchased from Lenovo or a Lenovo reseller.

How to Obtain Warranty Service:

*Add the following paragraph in **Western Europe** (Andorra, Austria, Belgium, Cyprus, Czech Republic, Denmark, Estonia, Finland, France, Germany, Greece, Hungary, Iceland, Ireland, Italy, Latvia, Liechtenstein, Lithuania, Luxembourg, Malta, Monaco, Netherlands, Norway, Poland, Portugal, San Marino, Slovakia, Slovenia, Spain, Sweden, Switzerland, United Kingdom, Vatican State, and any country subsequently added to the European Union, as from the date of accession):*

The warranty for Machines acquired in Western Europe shall be valid and applicable in all Western Europe countries provided the Machines have been announced and made available in such countries.

If you purchase a Machine in one of the Western European countries, as defined above, you may obtain warranty service for that Machine in any of those countries from a Service Provider, provided the Machine has been announced and made available by Lenovo in the country in which you wish to obtain service.

If you purchased a Personal Computer Machine in Albania, Armenia, Belarus, Bosnia and Herzegovina, Bulgaria, Croatia, Czech Republic, Georgia, Hungary, Kazakhstan, Kyrgyzstan, Federal Republic of Yugoslavia, Former Yugoslav Republic of Macedonia (FYROM), Moldova, Poland, Romania, Russia, Slovak Republic, Slovenia, or Ukraine, you may obtain warranty service for that

Machine in any of those countries from a Service Provider, provided the Machine has been announced and made available by Lenovo in the country in which you wish to obtain service..

If you purchase a Machine in a Middle Eastern or African country, you may obtain warranty service for that Machine from a Service Provider within the country of purchase, provided the Machine has been announced and made available by Lenovo in that country. Warranty service in Africa is available within 50 kilometers of a Service Provider. You are responsible for transportation costs for Machines located outside 50 kilometers of a Service Provider.

Governing Law:

The phrase "the laws of the country in which you acquired the Machine" is replaced by:

1) "the laws of Austria" in **Albania, Armenia, Azerbaijan, Belarus, Bosnia-Herzegovina, Bulgaria, Croatia, Georgia, Hungary, Kazakhstan, Kyrgyzstan, FYR Macedonia, Moldova, Poland, Romania, Russia, Slovakia, Slovenia, Tajikistan, Turkmenistan, Ukraine, Uzbekistan, and FR Yugoslavia;** 2) "the laws of France" in **Algeria, Benin, Burkina Faso, Cameroon, Cape Verde, Central African Republic, Chad, Comoros, Congo Republic, Djibouti, Democratic Republic of Congo, Equatorial Guinea, French Guiana, French Polynesia, Gabon, Gambia, Guinea, Guinea-Bissau, Ivory Coast, Lebanon, Madagascar, Mali, Mauritania, Mauritius, Mayotte, Morocco, New Caledonia, Niger, Reunion, Senegal, Seychelles, Togo, Tunisia, Vanuatu, and Wallis & Futuna;** 3) "the laws of Finland" in **Estonia, Latvia, and Lithuania;** 4) "the laws of England" in **Angola, Bahrain, Botswana, Burundi, Egypt, Eritrea, Ethiopia, Ghana, Jordan, Kenya, Kuwait, Liberia, Malawi, Malta, Mozambique, Nigeria, Oman, Pakistan, Qatar, Rwanda, Sao Tome, Saudi Arabia, Sierra Leone, Somalia, Tanzania, Uganda, United Arab Emirates, the United Kingdom, West Bank/Gaza, Yemen, Zambia, and Zimbabwe;** and 5) "the laws of South Africa" in **South Africa, Namibia, Lesotho and Swaziland.**

Jurisdiction: *The following exceptions are added to this section:*

1) In **Austria** the choice of jurisdiction for all disputes arising out of this Statement of Limited Warranty and relating thereto, including its existence, will be the competent court of law in Vienna, Austria (Inner-City); 2) in **Angola, Bahrain, Botswana, Burundi, Egypt, Eritrea, Ethiopia, Ghana, Jordan, Kenya, Kuwait, Liberia, Malawi, Malta, Mozambique, Nigeria, Oman, Pakistan, Qatar, Rwanda, Sao Tome, Saudi Arabia, Sierra Leone, Somalia, Tanzania, Uganda, United Arab Emirates, West Bank/Gaza, Yemen, Zambia, and Zimbabwe** all disputes arising out of this Statement of Limited Warranty or related to its execution, including summary proceedings, will be submitted to the exclusive jurisdiction of the English courts; 3) in **Belgium and Luxembourg**, all disputes arising out of this Statement of Limited Warranty or related to its interpretation or its execution, the law, and the courts of the capital city, of the country of your registered office and/or commercial site

location only are competent; 4) **in France, Algeria, Benin, Burkina Faso, Cameroon, Cape Verde, Central African Republic, Chad, Comoros, Congo Republic, Djibouti, Democratic Republic of Congo, Equatorial Guinea, French Guiana, French Polynesia, Gabon, Gambia, Guinea, Guinea-Bissau, Ivory Coast, Lebanon, Madagascar, Mali, Mauritania, Mauritius, Mayotte, Morocco, New Caledonia, Niger, Reunion, Senegal, Seychelles, Togo, Tunisia, Vanuatu, and Wallis & Futuna** all disputes arising out of this Statement of Limited Warranty or related to its violation or execution, including summary proceedings, will be settled exclusively by the Commercial Court of Paris; 5) **in Russia**, all disputes arising out of or in relation to the interpretation, the violation, the termination, the nullity of the execution of this Statement of Limited Warranty shall be settled by Arbitration Court of Moscow; 6) **in South Africa, Namibia, Lesotho and Swaziland**, both of us agree to submit all disputes relating to this Statement of Limited Warranty to the jurisdiction of the High Court in Johannesburg; 7) **in Turkey** all disputes arising out of or in connection with this Statement of Limited Warranty shall be resolved by the Istanbul Central (Sultanahmet) Courts and Execution Directorates of Istanbul, the Republic of Turkey; 8) in each of the following specified countries, any legal claim arising out of this Statement of Limited Warranty will be brought before, and settled exclusively by, the competent court of a) Athens for **Greece**, b) Tel Aviv-Jaffa for **Israel**, c) Milan for **Italy**, d) Lisbon for **Portugal**, and e) Madrid for **Spain**; and 9) **in the United Kingdom**, both of us agree to submit all disputes relating to this Statement of Limited Warranty to the jurisdiction of the English courts.

Arbitration: *The following is added under this heading:*

In Albania, Armenia, Azerbaijan, Belarus, Bosnia-Herzegovina, Bulgaria, Croatia, Georgia, Hungary, Kazakhstan, Kyrgyzstan, FYR Macedonia, Moldova, Poland, Romania, Russia, Slovakia, Slovenia, Tajikistan, Turkmenistan, Ukraine, Uzbekistan, and FR Yugoslavia all disputes arising out of this Statement of Limited Warranty or related to its violation, termination or nullity will be finally settled under the Rules of Arbitration and Conciliation of the International Arbitral Center of the Federal Economic Chamber in Vienna (Vienna Rules) by three arbitrators appointed in accordance with these rules. The arbitration will be held in Vienna, Austria, and the official language of the proceedings will be English. The decision of the arbitrators will be final and binding upon both parties. Therefore, pursuant to paragraph 598 (2) of the Austrian Code of Civil Procedure, the parties expressly waive the application of paragraph 595 (1) figure 7 of the Code. Lenovo may, however, institute proceedings in a competent court in the country of installation.

In Estonia, Latvia and Lithuania all disputes arising in connection with this Statement of Limited Warranty will be finally settled in arbitration that will be held in Helsinki, Finland in accordance with the arbitration laws of Finland then in effect. Each party will appoint one arbitrator. The arbitrators will then jointly appoint the chairman. If arbitrators cannot agree on the chairman, then the Central Chamber of Commerce in Helsinki will appoint the chairman.

EUROPEAN UNION (EU)

THE FOLLOWING TERMS APPLY TO ALL EU COUNTRIES:

The warranty for Machines acquired in EU countries is valid and applicable in all EU countries provided the Machines have been announced and made available in such countries.

How to Obtain Warranty Service: *The following is added to this section:*

To obtain warranty service from IBM service in EU countries, see the telephone listing in Part 3 - Warranty Information.

You may contact IBM service at the following address:

IBM Warranty & Service Quality Dept.
PO Box 30
Spango Valley
Greenock
Scotland PA16 0AH

CONSUMERS

Consumers have legal rights under applicable national legislation governing the sale of consumer goods. Such rights are not affected by the warranties provided in this Statement of Limited Warranty.

AUSTRIA, DENMARK, FINLAND, GREECE, ITALY, NETHERLANDS, NORWAY, PORTUGAL, SPAIN, SWEDEN AND SWITZERLAND

Limitation of Liability: *The following replaces the terms of this section in its entirety:*

Except as otherwise provided by mandatory law:

1. Lenovo's liability for any damages and losses that may arise as a consequence of the fulfillment of its obligations under or in connection with this Statement of Limited Warranty or due to any other cause related to this Statement of Limited Warranty is limited to the compensation of only those damages and losses proved and actually arising as an immediate and direct consequence of the non-fulfillment of such obligations (if Lenovo is at fault) or of such cause, for a maximum amount equal to the charges you paid for the Machine.

The above limitation shall not apply to damages for bodily injuries (including death) and damages to real property and tangible personal property for which Lenovo is legally liable.

2. **UNDER NO CIRCUMSTANCES IS LENOVO, ITS SUPPLIERS, RESELLERS OR SERVICE PROVIDERS LIABLE FOR ANY OF THE FOLLOWING, EVEN IF INFORMED OF THEIR POSSIBILITY: 1) LOSS OF, OR DAMAGE TO, DATA; 2) INCIDENTAL OR INDIRECT DAMAGES, OR FOR ANY ECONOMIC CONSEQUENTIAL DAMAGES; 3) LOST PROFITS, EVEN IF THEY ARISE AS AN IMMEDIATE**

**CONSEQUENCE OF THE EVENT THAT GENERATED THE DAMAGES;
OR 4) LOSS OF BUSINESS, REVENUE, GOODWILL, OR
ANTICIPATED SAVINGS.**

FRANCE AND BELGIUM

Limitation of Liability: *The following replaces the terms of this section in its entirety:*

Except as otherwise provided by mandatory law:

1. Lenovo's liability for any damages and losses that may arise as a consequence of the fulfillment of its obligations under or in connection with this Statement of Limited Warranty is limited to the compensation of only those damages and losses proved and actually arising as an immediate and direct consequence of the non-fulfillment of such obligations (if Lenovo is at fault), for a maximum amount equal to the charges you paid for the Machine that has caused the damages.

The above limitation shall not apply to damages for bodily injuries (including death) and damages to real property and tangible personal property for which Lenovo is legally liable.

2. **UNDER NO CIRCUMSTANCES IS LENOVO, ITS SUPPLIERS, RESELLERS OR SERVICE PROVIDERS LIABLE FOR ANY OF THE FOLLOWING, EVEN IF INFORMED OF THEIR POSSIBILITY: 1) LOSS OF, OR DAMAGE TO, DATA; 2) INCIDENTAL OR INDIRECT DAMAGES, OR FOR ANY ECONOMIC CONSEQUENTIAL DAMAGES; 3) LOST PROFITS, EVEN IF THEY ARISE AS AN IMMEDIATE CONSEQUENCE OF THE EVENT THAT GENERATED THE DAMAGES; OR 4) LOSS OF BUSINESS, REVENUE, GOODWILL, OR ANTICIPATED SAVINGS.**

THE FOLLOWING TERMS APPLY TO THE COUNTRY SPECIFIED:

AUSTRIA

The provisions of this Statement of Limited Warranty replace any applicable statutory warranties.

What this Warranty Covers: *The following replaces the first sentence of the first paragraph of this section:*

The warranty for a Lenovo Machine covers the functionality of the Machine for its normal use and the Machine's conformity to its Specifications.

The following paragraphs are added to this section:

The limitation period for consumers in action for breach of warranty is the statutory period as a minimum. In case your Service Provider is unable to repair a Lenovo Machine, you can alternatively ask for a partial refund as far as justified by the reduced value of the unrepaired Machine or ask for a cancellation of the respective agreement for such Machine and get your money refunded.

The second paragraph does not apply.

What Lenovo Will Do to Correct Problems: *The following is added to this section:*
During the warranty period, Lenovo will reimburse you for the transportation charges for the delivery of the failing Machine to IBM Service.

Limitation of Liability: *The following paragraph is added to this section:*
The limitations and exclusions specified in the Statement of Limited Warranty will not apply to damages caused by Lenovo with fraud or gross negligence and for express warranty.

The following sentence is added to the end of item 2:
Lenovo's liability under this item is limited to the violation of essential contractual terms in cases of ordinary negligence.

EGYPT

Limitation of Liability: *The following replaces item 2 in this section:*
as to any other actual direct damages, Lenovo's liability will be limited to the total amount you paid for the Machine that is the subject of the claim.

Applicability of suppliers, resellers, and Service Providers (unchanged).

FRANCE

Limitation of Liability: *The following replaces the second sentence of the first paragraph of this section:*

In such instances, regardless of the basis on which you are entitled to claim damages from Lenovo, Lenovo is liable for no more than: (items 1 and 2 unchanged).

GERMANY

What this Warranty Covers: *The following replaces the first sentence of the first paragraph of this section:*

The warranty for a Lenovo Machine covers the functionality of the Machine for its normal use and the Machine's conformity to its Specifications.

The following paragraphs are added to this section:

The minimum warranty period for Machines is twelve months. In case your Service Provider is unable to repair a Lenovo Machine, you can alternatively ask for a partial refund as far as justified by the reduced value of the unrepaired Machine or ask for a cancellation of the respective agreement for such Machine and get your money refunded.

The second paragraph does not apply.

What Lenovo Will Do to Correct Problems: *The following is added to this section:*
During the warranty period, transportation for delivery of the failing Machine to Lenovo or IBM service will be at Lenovo's expense.

Limitation of Liability: *The following paragraph is added to this section:*
The limitations and exclusions specified in the Statement of Limited Warranty will not apply to damages caused by Lenovo with fraud or gross negligence and for express warranty.

The following sentence is added to the end of item 2:
Lenovo's liability under this item is limited to the violation of essential contractual terms in cases of ordinary negligence.

HUNGARY

Limitation of Liability: *The following is added at the end of this section:*
The limitation and exclusion specified herein shall not apply to liability for a breach of contract damaging life, physical well-being, or health that has been caused intentionally, by gross negligence, or by a criminal act.

The parties accept the limitations of liability as valid provisions and state that the Section 314.(2) of the Hungarian Civil Code applies as the acquisition price as well as other advantages arising out of the present Statement of Limited Warranty balance this limitation of liability.

IRELAND

What this Warranty Covers: *The following is added to this section:*
Except as expressly provided in these terms and conditions, all statutory conditions, including all warranties implied, but without prejudice to the generality of the foregoing all warranties implied by the Sale of Goods Act 1893 or the Sale of Goods and Supply of Services Act 1980 are hereby excluded.

Limitation of Liability: *The following replaces the terms of section in its entirety:*
For the purposes of this section, a "Default" means any act, statement, omission, or negligence on the part of Lenovo in connection with, or in relation to, the subject matter of this Statement of Limited Warranty in respect of which Lenovo is legally liable to you, whether in contract or tort. A number of Defaults which together result in, or contribute to, substantially the same loss or damage will be treated as one Default occurring on the date of occurrence of the last such Default.

Circumstances may arise where, because of a Default, you are entitled to recover damages from Lenovo.

This section sets out the extent of Lenovo's liability and your sole remedy.

1. Lenovo will accept unlimited liability for death or personal injury caused by the negligence of Lenovo.
2. Subject always to the **Items for Which Lenovo is Not Liable** below, Lenovo will accept unlimited liability for physical damage to your tangible property resulting from the negligence of Lenovo.
3. Except as provided in items 1 and 2 above, Lenovo's entire liability for actual damages for any one Default will not in any event exceed 125% of the amount you paid for the Machine directly relating to the Default.

Items for Which Lenovo is Not Liable

Save with respect to any liability referred to in item 1 above, under no circumstances is Lenovo, its suppliers, resellers or Service Providers liable for any of the following, even if Lenovo or they were informed of the possibility of such losses:

1. loss of, or damage to, data;
2. special, indirect, or consequential loss; or
3. loss of profits, business, revenue, goodwill, or anticipated savings.

SLOVAKIA

Limitation of Liability: *The following is added to the end of the last paragraph:*

The limitations apply to the extent they are not prohibited under §§ 373-386 of the Slovak Commercial Code.

SOUTH AFRICA, NAMIBIA, BOTSWANA, LESOTHO AND SWAZILAND

Limitation of Liability: *The following is added to this section:*

Lenovo's entire liability to you for actual damages arising in all situations involving nonperformance by Lenovo in respect of the subject matter of this Statement of Warranty will be limited to the charge paid by you for the individual Machine that is the subject of your claim from Lenovo.

UNITED KINGDOM

Limitation of Liability: *The following replaces the terms of this section in its entirety:*

For the purposes of this section, a "Default" means any act, statement, omission, or negligence on the part of Lenovo in connection with, or in relation to, the subject matter of this Statement of Limited Warranty in respect of which Lenovo is legally liable to you, whether in contract or tort. A number of Defaults which together result in, or contribute to, substantially the same loss or damage will be treated as one Default.

Circumstances may arise where, because of a Default, you are entitled to recover damages from Lenovo.

This section sets out the extent of Lenovo's liability and your sole remedy.

1. Lenovo will accept unlimited liability for:
 - a. death or personal injury caused by the negligence of Lenovo; and

- b. any breach of its obligations implied by Section 12 of the Sale of Goods Act 1979 or Section 2 of the Supply of Goods and Services Act 1982, or any statutory modification or re-enactment of either such Section.
2. Lenovo will accept unlimited liability, subject always to the **Items for Which Lenovo is Not Liable** below, for physical damage to your tangible property resulting from the negligence of Lenovo.
3. Lenovo's entire liability for actual damages for any one Default will not in any event, except as provided in items 1 and 2 above, exceed 125% of the total purchase price payable or the charges for the Machine directly relating to the Default.

These limits also apply to Lenovo's suppliers, resellers and Service Providers. They state the maximum for which Lenovo and such suppliers, resellers and Service Providers are collectively responsible.

Items for Which Lenovo is Not Liable

Save with respect to any liability referred to in item 1 above, under no circumstances is Lenovo or any of its suppliers, resellers or Service Providers liable for any of the following, even if Lenovo or they were informed of the possibility of such losses:

1. loss of, or damage to, data;
2. special, indirect, or consequential loss; or
3. loss of profits, business, revenue, goodwill, or anticipated savings.

Part 3 - Warranty Information

This Part 3 provides information regarding the warranty applicable to your Machine, including the warranty period and type of warranty service Lenovo provides.

Warranty Period

The warranty period may vary by country or region and is specified in the table below. NOTE: "Region" means either Hong Kong or Macau Special Administrative Region of China.

A warranty period of 1 year on parts and 1 year on labor means that Lenovo provides warranty service during the first year of the warranty period.

Machine Type	Country or Region of Purchase	Warranty Period	Types of Warranty Service
6490	United States, Angola, Botswana, Burundi, Eritrea, Ethiopia, Ghana, Kenya, Liberia, Malawi, Malta, Mozambique, Nigeria, Rwanda, Sao Tome, Sierra Leone, Somalia, Tanzania, Uganda, Zambia, Zimbabwe, Argentina, Bolivia, Belize, Brazil, Chile, Colombia, Costa Rica, Dominican Republic, Ecuador, El Salvador, Guatemala, Haiti, Honduras, Mexico, Nicaragua, Panama, Paraguay, Peru, Uruguay, Venezuela, Brazil, Europe, Middle East, Africa, Australia, New Zealand, Singapore, Malaysia, Thailand, Indonesia, Philippines, Vietnam, Brunei, Sri Lanka, Bangladesh, India, Korea, Hong Kong, Taiwan, (PRC) China, Japan	Parts and Labor - 3 years	5
6491	United States, Angola, Botswana, Burundi, Eritrea, Ethiopia, Ghana, Kenya, Liberia, Malawi, Malta, Mozambique, Nigeria, Rwanda, Sao Tome, Sierra Leone, Somalia, Tanzania, Uganda, Zambia, Zimbabwe, Argentina, Bolivia, Belize, Brazil, Chile, Colombia, Costa Rica, Dominican Republic, Ecuador, El Salvador, Guatemala, Haiti, Honduras, Mexico, Nicaragua, Panama, Paraguay, Peru, Uruguay, Venezuela, Brazil, Europe, Middle East, Africa, Australia, New Zealand, Singapore, Malaysia, Thailand, Indonesia, Philippines, Vietnam, Brunei, Sri Lanka, Bangladesh, India, Korea, Hong Kong, Taiwan, (PRC) China, Japan	Parts and Labor - 3 years	5
8013	United States, Angola, Botswana, Burundi, Eritrea, Ethiopia, Ghana, Kenya, Liberia, Malawi, Malta, Mozambique, Nigeria, Rwanda, Sao Tome, Sierra Leone, Somalia, Tanzania, Uganda, Zambia, Zimbabwe, Argentina, Bolivia, Belize, Brazil, Chile, Colombia, Costa Rica, Dominican Republic, Ecuador, El Salvador, Guatemala, Haiti, Honduras, Mexico, Nicaragua, Panama, Paraguay, Peru, Uruguay, Venezuela, Brazil, Europe, Middle East, Africa, Australia, New Zealand, Singapore, Malaysia, Thailand, Indonesia, Philippines, Vietnam, Brunei, Sri Lanka, Bangladesh, India, Korea, Hong Kong, Taiwan, (PRC) China	Parts and Labor - 1 year	5
8013	Japan	Parts and Labor - 1 year	6

Machine Type	Country or Region of Purchase	Warranty Period	Types of Warranty Service
8700	United States, Angola, Botswana, Burundi, Eritrea, Ethiopia, Ghana, Kenya, Liberia, Malawi, Malta, Mozambique, Nigeria, Rwanda, Sao Tome, Sierra Leone, Somalia, Tanzania, Uganda, Zambia, Zimbabwe, Argentina, Bolivia, Belize, Brazil, Chile, Colombia, Costa Rica, Dominican Republic, Ecuador, El Salvador, Guatemala, Haiti, Honduras, Mexico, Nicaragua, Panama, Paraguay, Peru, Uruguay, Venezuela, Brazil, Europe, Middle East, Africa, Australia, New Zealand, Singapore, Malaysia, Thailand, Indonesia, Philippines, Vietnam, Brunei, Sri Lanka, Bangladesh, India, Korea, Hong Kong, Taiwan, (PRC) China	Parts and Labor - 1 year	5
8700	Japan	Parts and Labor - 1 year	6
8701	United States, Angola, Botswana, Burundi, Eritrea, Ethiopia, Ghana, Kenya, Liberia, Malawi, Malta, Mozambique, Nigeria, Rwanda, Sao Tome, Sierra Leone, Somalia, Tanzania, Uganda, Zambia, Zimbabwe, Argentina, Bolivia, Belize, Brazil, Chile, Colombia, Costa Rica, Dominican Republic, Ecuador, El Salvador, Guatemala, Haiti, Honduras, Mexico, Nicaragua, Panama, Paraguay, Peru, Uruguay, Venezuela, Brazil, Europe, Middle East, Africa, Australia, New Zealand, Singapore, Malaysia, Thailand, Indonesia, Philippines, Vietnam, Brunei, Sri Lanka, Bangladesh, India, Korea, Hong Kong, Taiwan, (PRC) China	Parts and Labor - 1 year	5
8701	Japan	Parts and Labor - 1 year	6
8702	United States, Angola, Botswana, Burundi, Eritrea, Ethiopia, Ghana, Kenya, Liberia, Malawi, Malta, Mozambique, Nigeria, Rwanda, Sao Tome, Sierra Leone, Somalia, Tanzania, Uganda, Zambia, Zimbabwe, Argentina, Bolivia, Belize, Brazil, Chile, Colombia, Costa Rica, Dominican Republic, Ecuador, El Salvador, Guatemala, Haiti, Honduras, Mexico, Nicaragua, Panama, Paraguay, Peru, Uruguay, Venezuela, Brazil, Europe, Middle East, Africa, Australia, New Zealand, Singapore, Malaysia, Thailand, Indonesia, Philippines, Vietnam, Brunei, Sri Lanka, Bangladesh, India, Korea, Hong Kong, Taiwan, (PRC) China	Parts and Labor - 1 year	5

Machine Type	Country or Region of Purchase	Warranty Period	Types of Warranty Service
8702	Japan	Parts and Labor - 1 year	6
8705	United States, Angola, Botswana, Burundi, Eritrea, Ethiopia, Ghana, Kenya, Liberia, Malawi, Malta, Mozambique, Nigeria, Rwanda, Sao Tome, Sierra Leone, Somalia, Tanzania, Uganda, Zambia, Zimbabwe, Argentina, Bolivia, Belize, Brazil, Chile, Colombia, Costa Rica, Dominican Republic, Ecuador, El Salvador, Guatemala, Haiti, Honduras, Mexico, Nicaragua, Panama, Paraguay, Peru, Uruguay, Venezuela, Brazil, Europe, Middle East, Africa, Australia, New Zealand, Singapore, Malaysia, Thailand, Indonesia, Philippines, Vietnam, Brunei, Sri Lanka, Bangladesh, India, Korea, Hong Kong, Taiwan, (PRC) China	Parts and Labor - 1 year	5
8705	Japan	Parts and Labor - 1 year	6
8706	United States, Angola, Botswana, Burundi, Eritrea, Ethiopia, Ghana, Kenya, Liberia, Malawi, Malta, Mozambique, Nigeria, Rwanda, Sao Tome, Sierra Leone, Somalia, Tanzania, Uganda, Zambia, Zimbabwe, Argentina, Bolivia, Belize, Brazil, Chile, Colombia, Costa Rica, Dominican Republic, Ecuador, El Salvador, Guatemala, Haiti, Honduras, Mexico, Nicaragua, Panama, Paraguay, Peru, Uruguay, Venezuela, Brazil, Europe, Middle East, Africa, Australia, New Zealand, Singapore, Malaysia, Thailand, Indonesia, Philippines, Vietnam, Brunei, Sri Lanka, Bangladesh, India, Korea, Hong Kong, Taiwan, (PRC) China	Parts and Labor - 1 year	5
8706	Japan	Parts and Labor - 1 year	6
8716	Europe, Middle East, Africa	Parts and Labor - 1 year	7
8717	Europe, Middle East, Africa	Parts and Labor - 1 year	7
8970	Europe, Middle East, Africa	Parts and Labor - 1 year	7

Machine Type	Country or Region of Purchase	Warranty Period	Types of Warranty Service
8972	Europe, Middle East, Africa	Parts and Labor - 1 year	7
8973	Europe, Middle East, Africa	Parts and Labor - 1 year	7
8975	Europe, Middle East, Africa	Parts and Labor - 1 year	7
8976	Australia, New Zealand, Singapore, Malaysia, Thailand, Indonesia, Philippines, Vietnam, Brunei, Sri Lanka, Bangladesh, India, Korea, Hong Kong, Taiwan, (PRC) China	Parts - 3 years Labor - 1 year	5
8976	Europe, Middle East, Africa	Parts and Labor - 3	7
8979	Australia, New Zealand, Singapore, Malaysia, Thailand, Indonesia, Philippines, Vietnam, Brunei, Sri Lanka, Bangladesh, India, Korea, Hong Kong, Taiwan, (PRC) China	Parts - 3 years Labor - 1 year	5
8979	Europe, Middle East, Africa	Parts and Labor - 3	7
8980	Australia, New Zealand, Singapore, Malaysia, Thailand, Indonesia, Philippines, Vietnam, Brunei, Sri Lanka, Bangladesh, India, Korea, Hong Kong, Taiwan, (PRC) China	Parts - 3 years Labor - 1 year	5
8980	Europe, Middle East, Africa	Parts and Labor - 3	7
8982	Australia, New Zealand, Singapore, Malaysia, Thailand, Indonesia, Philippines, Vietnam, Brunei, Sri Lanka, Bangladesh, India, Korea, Hong Kong, Taiwan, (PRC) China	Parts - 3 years Labor - 1 year	5
8982	Europe, Middle East, Africa	Parts and Labor - 3	7
8983	Australia, New Zealand, Singapore, Malaysia, Thailand, Indonesia, Philippines, Vietnam, Brunei, Sri Lanka, Bangladesh, India, Korea, Hong Kong, Taiwan, (PRC) China	Parts - 3 years Labor - 1 year	5
8983	Europe, Middle East, Africa	Parts and Labor - 3	7
8985	Australia, New Zealand, Singapore, Malaysia, Thailand, Indonesia, Philippines, Vietnam, Brunei, Sri Lanka, Bangladesh, India, Korea, Hong Kong, Taiwan, (PRC) China	Parts - 3 years Labor - 1 year	5

Machine Type	Country or Region of Purchase	Warranty Period	Types of Warranty Service
8985	Europe, Middle East, Africa	Parts and Labor - 3	7
8986	United States, Angola, Botswana, Burundi, Eritrea, Ethiopia, Ghana, Kenya, Liberia, Malawi, Malta, Mozambique, Nigeria, Rwanda, Sao Tome, Sierra Leone, Somalia, Tanzania, Uganda, Zambia, Zimbabwe, Argentina, Bolivia, Belize, Brazil, Chile, Colombia, Costa Rica, Dominican Republic, Ecuador, El Salvador, Guatemala, Haiti, Honduras, Mexico, Nicaragua, Panama, Paraguay, Peru, Uruguay, Venezuela, Brazil, Europe, Middle East, Africa, Australia, New Zealand, Singapore, Malaysia, Thailand, Indonesia, Philippines, Vietnam, Brunei, Sri Lanka, Bangladesh, Korea, Hong Kong, Taiwan, (PRC) China	Parts and Labor - 3 years	5
8991	United States, Angola, Botswana, Burundi, Eritrea, Ethiopia, Ghana, Kenya, Liberia, Malawi, Malta, Mozambique, Nigeria, Rwanda, Sao Tome, Sierra Leone, Somalia, Tanzania, Uganda, Zambia, Zimbabwe, Argentina, Bolivia, Belize, Brazil, Chile, Colombia, Costa Rica, Dominican Republic, Ecuador, El Salvador, Guatemala, Haiti, Honduras, Mexico, Nicaragua, Panama, Paraguay, Peru, Uruguay, Venezuela, Brazil, Europe, Middle East, Africa, Australia, New Zealand, Singapore, Malaysia, Thailand, Indonesia, Philippines, Vietnam, Brunei, Sri Lanka, Bangladesh, Korea, Hong Kong, Taiwan, (PRC) China	Parts and Labor - 3 years	5
8992	United States, Angola, Botswana, Burundi, Eritrea, Ethiopia, Ghana, Kenya, Liberia, Malawi, Malta, Mozambique, Nigeria, Rwanda, Sao Tome, Sierra Leone, Somalia, Tanzania, Uganda, Zambia, Zimbabwe, Argentina, Bolivia, Belize, Brazil, Chile, Colombia, Costa Rica, Dominican Republic, Ecuador, El Salvador, Guatemala, Haiti, Honduras, Mexico, Nicaragua, Panama, Paraguay, Peru, Uruguay, Venezuela, Brazil, Europe, Middle East, Africa, Australia, New Zealand, Singapore, Malaysia, Thailand, Indonesia, Philippines, Vietnam, Brunei, Sri Lanka, Bangladesh, Korea, Hong Kong, Taiwan, (PRC) China	Parts and Labor - 3 years	5

Machine Type	Country or Region of Purchase	Warranty Period	Types of Warranty Service
8994	United States, Angola, Botswana, Burundi, Eritrea, Ethiopia, Ghana, Kenya, Liberia, Malawi, Malta, Mozambique, Nigeria, Rwanda, Sao Tome, Sierra Leone, Somalia, Tanzania, Uganda, Zambia, Zimbabwe, Argentina, Bolivia, Belize, Brazil, Chile, Colombia, Costa Rica, Dominican Republic, Ecuador, El Salvador, Guatemala, Haiti, Honduras, Mexico, Nicaragua, Panama, Paraguay, Peru, Uruguay, Venezuela, Brazil, Europe, Middle East, Africa, Australia, New Zealand, Singapore, Malaysia, Thailand, Indonesia, Philippines, Vietnam, Brunei, Sri Lanka, Bangladesh, Korea, Hong Kong, Taiwan, (PRC) China	Parts and Labor - 3 years	5
8995	United States, Angola, Botswana, Burundi, Eritrea, Ethiopia, Ghana, Kenya, Liberia, Malawi, Malta, Mozambique, Nigeria, Rwanda, Sao Tome, Sierra Leone, Somalia, Tanzania, Uganda, Zambia, Zimbabwe, Argentina, Bolivia, Belize, Brazil, Chile, Colombia, Costa Rica, Dominican Republic, Ecuador, El Salvador, Guatemala, Haiti, Honduras, Mexico, Nicaragua, Panama, Paraguay, Peru, Uruguay, Venezuela, Brazil, Europe, Middle East, Africa, Australia, New Zealand, Singapore, Malaysia, Thailand, Indonesia, Philippines, Vietnam, Brunei, Sri Lanka, Bangladesh, Korea, Hong Kong, Taiwan, (PRC) China	Parts and Labor - 3 years	5
9265	United States, Angola, Botswana, Burundi, Eritrea, Ethiopia, Ghana, Kenya, Liberia, Malawi, Malta, Mozambique, Nigeria, Rwanda, Sao Tome, Sierra Leone, Somalia, Tanzania, Uganda, Zambia, Zimbabwe, Argentina, Bolivia, Belize, Brazil, Chile, Colombia, Costa Rica, Dominican Republic, Ecuador, El Salvador, Guatemala, Haiti, Honduras, Mexico, Nicaragua, Panama, Paraguay, Peru, Uruguay, Venezuela, Brazil, Europe, Middle East, Africa, Australia, New Zealand, Singapore, Malaysia, Thailand, Indonesia, Philippines, Vietnam, Brunei, Sri Lanka, Bangladesh, Korea, Hong Kong, Taiwan, (PRC) China	Parts and Labor - 3 years	5

Machine Type	Country or Region of Purchase	Warranty Period	Types of Warranty Service
9266	United States, Angola, Botswana, Burundi, Eritrea, Ethiopia, Ghana, Kenya, Liberia, Malawi, Malta, Mozambique, Nigeria, Rwanda, Sao Tome, Sierra Leone, Somalia, Tanzania, Uganda, Zambia, Zimbabwe, Argentina, Bolivia, Belize, Brazil, Chile, Colombia, Costa Rica, Dominican Republic, Ecuador, El Salvador, Guatemala, Haiti, Honduras, Mexico, Nicaragua, Panama, Paraguay, Peru, Uruguay, Venezuela, Brazil, Europe, Middle East, Africa, Australia, New Zealand, Singapore, Malaysia, Thailand, Indonesia, Philippines, Vietnam, Brunei, Sri Lanka, Bangladesh, India, Korea, Hong Kong, Taiwan	Parts and Labor - 1 year	5
9266	Japan	Parts and Labor - 1 year	6
9269	United States, Angola, Botswana, Burundi, Eritrea, Ethiopia, Ghana, Kenya, Liberia, Malawi, Malta, Mozambique, Nigeria, Rwanda, Sao Tome, Sierra Leone, Somalia, Tanzania, Uganda, Zambia, Zimbabwe, Argentina, Bolivia, Belize, Brazil, Chile, Colombia, Costa Rica, Dominican Republic, Ecuador, El Salvador, Guatemala, Haiti, Honduras, Mexico, Nicaragua, Panama, Paraguay, Peru, Uruguay, Venezuela, Brazil, Europe, Middle East, Africa, Australia, New Zealand, Singapore, Malaysia, Thailand, Indonesia, Philippines, Vietnam, Brunei, Sri Lanka, Bangladesh, India, Korea, Hong Kong, Taiwan	Parts and Labor - 1 year	5
9269	Japan	Parts and Labor - 1 year	6
9276	United States, Angola, Botswana, Burundi, Eritrea, Ethiopia, Ghana, Kenya, Liberia, Malawi, Malta, Mozambique, Nigeria, Rwanda, Sao Tome, Sierra Leone, Somalia, Tanzania, Uganda, Zambia, Zimbabwe, Argentina, Bolivia, Belize, Brazil, Chile, Colombia, Costa Rica, Dominican Republic, Ecuador, El Salvador, Guatemala, Haiti, Honduras, Mexico, Nicaragua, Panama, Paraguay, Peru, Uruguay, Venezuela, Brazil, Europe, Middle East, Africa, Australia, New Zealand, Singapore, Malaysia, Thailand, Indonesia, Philippines, Vietnam, Brunei, Sri Lanka, Bangladesh, India, Korea, Hong Kong, Taiwan	Parts and Labor - 1 year	5

Machine Type	Country or Region of Purchase	Warranty Period	Types of Warranty Service
9276	Japan	Parts and Labor - 1 year	6
9277	United States, Angola, Botswana, Burundi, Eritrea, Ethiopia, Ghana, Kenya, Liberia, Malawi, Malta, Mozambique, Nigeria, Rwanda, Sao Tome, Sierra Leone, Somalia, Tanzania, Uganda, Zambia, Zimbabwe, Argentina, Bolivia, Belize, Brazil, Chile, Colombia, Costa Rica, Dominican Republic, Ecuador, El Salvador, Guatemala, Haiti, Honduras, Mexico, Nicaragua, Panama, Paraguay, Peru, Uruguay, Venezuela, Brazil, Europe, Middle East, Africa, Australia, New Zealand, Singapore, Malaysia, Thailand, Indonesia, Philippines, Vietnam, Brunei, Sri Lanka, Bangladesh, India, Korea, Hong Kong, Taiwan	Parts and Labor - 1 year	5
9277	Japan	Parts and Labor - 1 year	6
9278	United States, Angola, Botswana, Burundi, Eritrea, Ethiopia, Ghana, Kenya, Liberia, Malawi, Malta, Mozambique, Nigeria, Rwanda, Sao Tome, Sierra Leone, Somalia, Tanzania, Uganda, Zambia, Zimbabwe, Argentina, Bolivia, Belize, Brazil, Chile, Colombia, Costa Rica, Dominican Republic, Ecuador, El Salvador, Guatemala, Haiti, Honduras, Mexico, Nicaragua, Panama, Paraguay, Peru, Uruguay, Venezuela, Brazil, Europe, Middle East, Africa, Australia, New Zealand, Singapore, Malaysia, Thailand, Indonesia, Philippines, Vietnam, Brunei, Sri Lanka, Bangladesh, India, Korea, Hong Kong, Taiwan	Parts and Labor - 1 year	5
9278	Japan	Parts and Labor - 1 year	6

Machine Type	Country or Region of Purchase	Warranty Period	Types of Warranty Service
9279	United States, Angola, Botswana, Burundi, Eritrea, Ethiopia, Ghana, Kenya, Liberia, Malawi, Malta, Mozambique, Nigeria, Rwanda, Sao Tome, Sierra Leone, Somalia, Tanzania, Uganda, Zambia, Zimbabwe, Argentina, Bolivia, Belize, Brazil, Chile, Colombia, Costa Rica, Dominican Republic, Ecuador, El Salvador, Guatemala, Haiti, Honduras, Mexico, Nicaragua, Panama, Paraguay, Peru, Uruguay, Venezuela, Brazil, Europe, Middle East, Africa, Australia, New Zealand, Singapore, Malaysia, Thailand, Indonesia, Philippines, Vietnam, Brunei, Sri Lanka, Bangladesh, India, Korea, Hong Kong, Taiwan	Parts and Labor - 1 year	5
9279	Japan	Parts and Labor - 1 year	6
9282	Argentina, Bolivia, Belize, Brazil, Chile, Colombia, Costa Rica, Dominican Republic, Ecuador, El Salvador, Guatemala, Haiti, Honduras, Mexico, Nicaragua, Panama, Paraguay, Peru, Uruguay, Venezuela, Brazil, Europe, Middle East, Africa	Parts and Labor - 1 year	7
9283	Argentina, Bolivia, Belize, Brazil, Chile, Colombia, Costa Rica, Dominican Republic, Ecuador, El Salvador, Guatemala, Haiti, Honduras, Mexico, Nicaragua, Panama, Paraguay, Peru, Uruguay, Venezuela, Brazil, Europe, Middle East, Africa	Parts and Labor - 1 year	7
9286	Argentina, Bolivia, Belize, Brazil, Chile, Colombia, Costa Rica, Dominican Republic, Ecuador, El Salvador, Guatemala, Haiti, Honduras, Mexico, Nicaragua, Panama, Paraguay, Peru, Uruguay, Venezuela, Brazil, Europe, Middle East, Africa	Parts and Labor - 1 year	7
9287	Argentina, Bolivia, Belize, Brazil, Chile, Colombia, Costa Rica, Dominican Republic, Ecuador, El Salvador, Guatemala, Haiti, Honduras, Mexico, Nicaragua, Panama, Paraguay, Peru, Uruguay, Venezuela, Brazil, Europe, Middle East, Africa	Parts and Labor - 1 year	7
9288	Argentina, Bolivia, Belize, Brazil, Chile, Colombia, Costa Rica, Dominican Republic, Ecuador, El Salvador, Guatemala, Haiti, Honduras, Mexico, Nicaragua, Panama, Paraguay, Peru, Uruguay, Venezuela, Brazil, Europe, Middle East, Africa	Parts and Labor - 1 year	7
9374	Australia, New Zealand, Singapore, Malaysia, Thailand, Indonesia, Philippines, Vietnam, Brunei, Sri Lanka, Bangladesh, India, Korea, Hong Kong, Taiwan, (PRC) China	Parts - 3 years Labor - 1 year	5

Machine Type	Country or Region of Purchase	Warranty Period	Types of Warranty Service
9374	Europe, Middle East, Africa	Parts and Labor - 3 years	7
9378	Australia, New Zealand, Singapore, Malaysia, Thailand, Indonesia, Philippines, Vietnam, Brunei, Sri Lanka, Bangladesh, India, Korea, Hong Kong, Taiwan, (PRC) China	Parts - 3 years Labor - 1 year	5
9378	Europe, Middle East, Africa	Parts and Labor - 3 years	7
9379	Argentina, Bolivia, Belize, Brazil, Chile, Colombia, Costa Rica, Dominican Republic, Ecuador, El Salvador, Guatemala, Haiti, Honduras, Mexico, Nicaragua, Panama, Paraguay, Peru, Uruguay, Venezuela, Brazil, Europe, Middle East, Africa	Parts and Labor - 1 year	7
9380	Australia, New Zealand, Singapore, Malaysia, Thailand, Indonesia, Philippines, Vietnam, Brunei, Sri Lanka, Bangladesh, India, Korea, Hong Kong, Taiwan, (PRC) China	Parts - 3 years Labor - 1 year	5
9380	Europe, Middle East, Africa	Parts and Labor - 3 years	7
9383	Australia, New Zealand, Singapore, Malaysia, Thailand, Indonesia, Philippines, Vietnam, Brunei, Sri Lanka, Bangladesh, India, Korea, Hong Kong, Taiwan, (PRC) China	Parts - 3 years Labor - 1 year	5
9383	Europe, Middle East, Africa	Parts and Labor - 3 years	7
9384	United States, Angola, Botswana, Burundi, Eritrea, Ethiopia, Ghana, Kenya, Liberia, Malawi, Malta, Mozambique, Nigeria, Rwanda, Sao Tome, Sierra Leone, Somalia, Tanzania, Uganda, Zambia, Zimbabwe, Argentina, Bolivia, Belize, Brazil, Chile, Colombia, Costa Rica, Dominican Republic, Ecuador, El Salvador, Guatemala, Haiti, Honduras, Mexico, Nicaragua, Panama, Paraguay, Peru, Uruguay, Venezuela, Brazil, Europe, Middle East, Africa, Australia, New Zealand, Singapore, Malaysia, Thailand, Indonesia, Philippines, Vietnam, Brunei, Sri Lanka, Bangladesh, India, Korea, Hong Kong, Taiwan, (PRC) China	Parts and Labor - 3 years	5

Machine Type	Country or Region of Purchase	Warranty Period	Types of Warranty Service
9387	Australia, New Zealand, Singapore, Malaysia, Thailand, Indonesia, Philippines, Vietnam, Brunei, Sri Lanka, Bangladesh, India, Korea, Hong Kong, Taiwan, (PRC) China	Parts - 3 years Labor - 1 year	5
9387	Europe, Middle East, Africa	Parts and Labor - 3 years	7
9389	Australia, New Zealand, Singapore, Malaysia, Thailand, Indonesia, Philippines, Vietnam, Brunei, Sri Lanka, Bangladesh, India, Korea, Hong Kong, Taiwan, (PRC) China	Parts - 3 years Labor - 1 year	5
9389	Europe, Middle East, Africa	Parts and Labor - 3 years	7
9628	United States, Angola, Botswana, Burundi, Eritrea, Ethiopia, Ghana, Kenya, Liberia, Malawi, Malta, Mozambique, Nigeria, Rwanda, Sao Tome, Sierra Leone, Somalia, Tanzania, Uganda, Zambia, Zimbabwe, Argentina, Bolivia, Belize, Brazil, Chile, Colombia, Costa Rica, Dominican Republic, Ecuador, El Salvador, Guatemala, Haiti, Honduras, Mexico, Nicaragua, Panama, Paraguay, Peru, Uruguay, Venezuela, Brazil, Europe, Middle East, Africa, Australia, New Zealand, Singapore, Malaysia, Thailand, Indonesia, Philippines, Vietnam, Brunei, Sri Lanka, Bangladesh, India, Korea, Hong Kong, Taiwan, (PRC) China	Parts and Labor - 3 years	5
9631	United States, Angola, Botswana, Burundi, Eritrea, Ethiopia, Ghana, Kenya, Liberia, Malawi, Malta, Mozambique, Nigeria, Rwanda, Sao Tome, Sierra Leone, Somalia, Tanzania, Uganda, Zambia, Zimbabwe, Argentina, Bolivia, Belize, Brazil, Chile, Colombia, Costa Rica, Dominican Republic, Ecuador, El Salvador, Guatemala, Haiti, Honduras, Mexico, Nicaragua, Panama, Paraguay, Peru, Uruguay, Venezuela, Brazil, Europe, Middle East, Africa, Australia, New Zealand, Singapore, Malaysia, Thailand, Indonesia, Philippines, Vietnam, Brunei, Sri Lanka, Bangladesh, India, Korea, Hong Kong, Taiwan, (PRC) China	Parts and Labor - 3 years	5

Machine Type	Country or Region of Purchase	Warranty Period	Types of Warranty Service
9632	United States, Angola, Botswana, Burundi, Eritrea, Ethiopia, Ghana, Kenya, Liberia, Malawi, Malta, Mozambique, Nigeria, Rwanda, Sao Tome, Sierra Leone, Somalia, Tanzania, Uganda, Zambia, Zimbabwe, Argentina, Bolivia, Belize, Brazil, Chile, Colombia, Costa Rica, Dominican Republic, Ecuador, El Salvador, Guatemala, Haiti, Honduras, Mexico, Nicaragua, Panama, Paraguay, Peru, Uruguay, Venezuela, Brazil, Europe, Middle East, Africa, Australia, New Zealand, Singapore, Malaysia, Thailand, Indonesia, Philippines, Vietnam, Brunei, Sri Lanka, Bangladesh, India, Korea, Hong Kong, Taiwan, (PRC) China	Parts and Labor - 3 years	5
9635	United States, Angola, Botswana, Burundi, Eritrea, Ethiopia, Ghana, Kenya, Liberia, Malawi, Malta, Mozambique, Nigeria, Rwanda, Sao Tome, Sierra Leone, Somalia, Tanzania, Uganda, Zambia, Zimbabwe, Argentina, Bolivia, Belize, Brazil, Chile, Colombia, Costa Rica, Dominican Republic, Ecuador, El Salvador, Guatemala, Haiti, Honduras, Mexico, Nicaragua, Panama, Paraguay, Peru, Uruguay, Venezuela, Brazil, Europe, Middle East, Africa, Australia, New Zealand, Singapore, Malaysia, Thailand, Indonesia, Philippines, Vietnam, Brunei, Sri Lanka, Bangladesh, India, Korea, Hong Kong, Taiwan, (PRC) China	Parts and Labor - 3 years	5
9636	United States, Angola, Botswana, Burundi, Eritrea, Ethiopia, Ghana, Kenya, Liberia, Malawi, Malta, Mozambique, Nigeria, Rwanda, Sao Tome, Sierra Leone, Somalia, Tanzania, Uganda, Zambia, Zimbabwe, Argentina, Bolivia, Belize, Brazil, Chile, Colombia, Costa Rica, Dominican Republic, Ecuador, El Salvador, Guatemala, Haiti, Honduras, Mexico, Nicaragua, Panama, Paraguay, Peru, Uruguay, Venezuela, Brazil, Europe, Middle East, Africa, Australia, New Zealand, Singapore, Malaysia, Thailand, Indonesia, Philippines, Vietnam, Brunei, Sri Lanka, Bangladesh, India, Korea, Hong Kong, Taiwan, (PRC) China	Parts and Labor - 1 year	5
9636	Japan	Parts and Labor - 1 year	6

Machine Type	Country or Region of Purchase	Warranty Period	Types of Warranty Service
9637	United States, Angola, Botswana, Burundi, Eritrea, Ethiopia, Ghana, Kenya, Liberia, Malawi, Malta, Mozambique, Nigeria, Rwanda, Sao Tome, Sierra Leone, Somalia, Tanzania, Uganda, Zambia, Zimbabwe, Argentina, Bolivia, Belize, Brazil, Chile, Colombia, Costa Rica, Dominican Republic, Ecuador, El Salvador, Guatemala, Haiti, Honduras, Mexico, Nicaragua, Panama, Paraguay, Peru, Uruguay, Venezuela, Brazil, Europe, Middle East, Africa, Australia, New Zealand, Singapore, Malaysia, Thailand, Indonesia, Philippines, Vietnam, Brunei, Sri Lanka, Bangladesh, India, Korea, Hong Kong, Taiwan, (PRC) China	Parts and Labor - 3 years	5
9638	Europe, Middle East, Africa	Parts and Labor - 1 year	7
9640	Australia, New Zealand, Singapore, Malaysia, Thailand, Indonesia, Philippines, Vietnam, Brunei, Sri Lanka, Bangladesh, India, Korea, Hong Kong, Taiwan, (PRC) China	Parts - 3 years Labor - 1 year	5
9640	Europe, Middle East, Africa	Parts and Labor - 3	7
9641	United States, Angola, Botswana, Burundi, Eritrea, Ethiopia, Ghana, Kenya, Liberia, Malawi, Malta, Mozambique, Nigeria, Rwanda, Sao Tome, Sierra Leone, Somalia, Tanzania, Uganda, Zambia, Zimbabwe, Argentina, Bolivia, Belize, Brazil, Chile, Colombia, Costa Rica, Dominican Republic, Ecuador, El Salvador, Guatemala, Haiti, Honduras, Mexico, Nicaragua, Panama, Paraguay, Peru, Uruguay, Venezuela, Brazil, Europe, Middle East, Africa, Australia, New Zealand, Singapore, Malaysia, Thailand, Indonesia, Philippines, Vietnam, Brunei, Sri Lanka, Bangladesh, Korea, Hong Kong, Taiwan, (PRC) China	Parts and Labor - 3 years	5

Machine Type	Country or Region of Purchase	Warranty Period	Types of Warranty Service
9642	United States, Angola, Botswana, Burundi, Eritrea, Ethiopia, Ghana, Kenya, Liberia, Malawi, Malta, Mozambique, Nigeria, Rwanda, Sao Tome, Sierra Leone, Somalia, Tanzania, Uganda, Zambia, Zimbabwe, Argentina, Bolivia, Belize, Brazil, Chile, Colombia, Costa Rica, Dominican Republic, Ecuador, El Salvador, Guatemala, Haiti, Honduras, Mexico, Nicaragua, Panama, Paraguay, Peru, Uruguay, Venezuela, Brazil, Europe, Middle East, Africa, Australia, New Zealand, Singapore, Malaysia, Thailand, Indonesia, Philippines, Vietnam, Brunei, Sri Lanka, Bangladesh, India, Korea, Hong Kong, Taiwan	Parts and Labor - 1 year	5
9642	Japan	Parts and Labor - 1 year	6
9643	Argentina, Bolivia, Belize, Brazil, Chile, Colombia, Costa Rica, Dominican Republic, Ecuador, El Salvador, Guatemala, Haiti, Honduras, Mexico, Nicaragua, Panama, Paraguay, Peru, Uruguay, Venezuela, Brazil, Europe, Middle East, Africa	Parts and Labor - 1 year	7
9644	Australia, New Zealand, Singapore, Malaysia, Thailand, Indonesia, Philippines, Vietnam, Brunei, Sri Lanka, Bangladesh, India, Korea, Hong Kong, Taiwan, (PRC) China	Parts - 3 years Labor - 1 year	5
9644	Europe, Middle East, Africa	Parts and Labor - 3 years	7
9645	United States, Angola, Botswana, Burundi, Eritrea, Ethiopia, Ghana, Kenya, Liberia, Malawi, Malta, Mozambique, Nigeria, Rwanda, Sao Tome, Sierra Leone, Somalia, Tanzania, Uganda, Zambia, Zimbabwe, Argentina, Bolivia, Belize, Brazil, Chile, Colombia, Costa Rica, Dominican Republic, Ecuador, El Salvador, Guatemala, Haiti, Honduras, Mexico, Nicaragua, Panama, Paraguay, Peru, Uruguay, Venezuela, Brazil, Europe, Middle East, Africa, Australia, New Zealand, Singapore, Malaysia, Thailand, Indonesia, Philippines, Vietnam, Brunei, Sri Lanka, Bangladesh, India, Korea, Hong Kong, Taiwan, (PRC) China	Parts and Labor - 3 years	5

Machine Type	Country or Region of Purchase	Warranty Period	Types of Warranty Service
9646	United States, Angola, Botswana, Burundi, Eritrea, Ethiopia, Ghana, Kenya, Liberia, Malawi, Malta, Mozambique, Nigeria, Rwanda, Sao Tome, Sierra Leone, Somalia, Tanzania, Uganda, Zambia, Zimbabwe, Argentina, Bolivia, Belize, Brazil, Chile, Colombia, Costa Rica, Dominican Republic, Ecuador, El Salvador, Guatemala, Haiti, Honduras, Mexico, Nicaragua, Panama, Paraguay, Peru, Uruguay, Venezuela, Brazil, Europe, Middle East, Africa, Australia, New Zealand, Singapore, Malaysia, Thailand, Indonesia, Philippines, Vietnam, Brunei, Sri Lanka, Bangladesh, India, Korea, Hong Kong, Taiwan, (PRC) China, Japan	Parts and Labor - 4 years	5
9647	United States, Angola, Botswana, Burundi, Eritrea, Ethiopia, Ghana, Kenya, Liberia, Malawi, Malta, Mozambique, Nigeria, Rwanda, Sao Tome, Sierra Leone, Somalia, Tanzania, Uganda, Zambia, Zimbabwe, Argentina, Bolivia, Belize, Brazil, Chile, Colombia, Costa Rica, Dominican Republic, Ecuador, El Salvador, Guatemala, Haiti, Honduras, Mexico, Nicaragua, Panama, Paraguay, Peru, Uruguay, Venezuela, Brazil, Europe, Middle East, Africa, Australia, New Zealand, Singapore, Malaysia, Thailand, Indonesia, Philippines, Vietnam, Brunei, Sri Lanka, Bangladesh, India, Korea, Hong Kong, Taiwan, (PRC) China, Japan	Parts and Labor - 4 years	5
9648	United States, Angola, Botswana, Burundi, Eritrea, Ethiopia, Ghana, Kenya, Liberia, Malawi, Malta, Mozambique, Nigeria, Rwanda, Sao Tome, Sierra Leone, Somalia, Tanzania, Uganda, Zambia, Zimbabwe, Argentina, Bolivia, Belize, Brazil, Chile, Colombia, Costa Rica, Dominican Republic, Ecuador, El Salvador, Guatemala, Haiti, Honduras, Mexico, Nicaragua, Panama, Paraguay, Peru, Uruguay, Venezuela, Brazil, Europe, Middle East, Africa, Australia, New Zealand, Singapore, Malaysia, Thailand, Indonesia, Philippines, Vietnam, Brunei, Sri Lanka, Bangladesh, India, Korea, Hong Kong, Taiwan, (PRC) China, Japan	Parts and Labor - 4 years	5

Machine Type	Country or Region of Purchase	Warranty Period	Types of Warranty Service
9649	United States, Angola, Botswana, Burundi, Eritrea, Ethiopia, Ghana, Kenya, Liberia, Malawi, Malta, Mozambique, Nigeria, Rwanda, Sao Tome, Sierra Leone, Somalia, Tanzania, Uganda, Zambia, Zimbabwe, Argentina, Bolivia, Belize, Brazil, Chile, Colombia, Costa Rica, Dominican Republic, Ecuador, El Salvador, Guatemala, Haiti, Honduras, Mexico, Nicaragua, Panama, Paraguay, Peru, Uruguay, Venezuela, Brazil, Europe, Middle East, Africa, Australia, New Zealand, Singapore, Malaysia, Thailand, Indonesia, Philippines, Vietnam, Brunei, Sri Lanka, Bangladesh, India, Korea, Hong Kong, Taiwan, (PRC) China, Japan	Parts and Labor - 4 years	5
9694	United States, Angola, Botswana, Burundi, Eritrea, Ethiopia, Ghana, Kenya, Liberia, Malawi, Malta, Mozambique, Nigeria, Rwanda, Sao Tome, Sierra Leone, Somalia, Tanzania, Uganda, Zambia, Zimbabwe, Argentina, Bolivia, Belize, Brazil, Chile, Colombia, Costa Rica, Dominican Republic, Ecuador, El Salvador, Guatemala, Haiti, Honduras, Mexico, Nicaragua, Panama, Paraguay, Peru, Uruguay, Venezuela, Brazil, Europe, Middle East, Africa, Australia, New Zealand, Singapore, Malaysia, Thailand, Indonesia, Philippines, Vietnam, Brunei, Sri Lanka, Bangladesh, India, Korea, Hong Kong, Taiwan, (PRC) China, Japan	Parts and Labor - 3 years	5
9695	United States, Angola, Botswana, Burundi, Eritrea, Ethiopia, Ghana, Kenya, Liberia, Malawi, Malta, Mozambique, Nigeria, Rwanda, Sao Tome, Sierra Leone, Somalia, Tanzania, Uganda, Zambia, Zimbabwe, Argentina, Bolivia, Belize, Brazil, Chile, Colombia, Costa Rica, Dominican Republic, Ecuador, El Salvador, Guatemala, Haiti, Honduras, Mexico, Nicaragua, Panama, Paraguay, Peru, Uruguay, Venezuela, Brazil, Europe, Middle East, Africa, Australia, New Zealand, Singapore, Malaysia, Thailand, Indonesia, Philippines, Vietnam, Brunei, Sri Lanka, Bangladesh, India, Korea, Hong Kong, Taiwan, (PRC) China, Japan	Parts and Labor - 3 years	5

Types of Warranty Service

If required, your Service Provider will provide repair or exchange service depending on the type of warranty service specified for your Machine in the above table and as described below. Scheduling of service will depend upon the time of your call and is subject to parts availability. Service levels are response time objectives and are not guaranteed. The specified level of warranty service may not be available in all worldwide locations, additional

charges may apply outside your Service Provider's normal service area, contact your local Service Provider representative or your reseller for country and location specific information.

1. Customer Replaceable Unit ("CRU") Service

Lenovo will ship CRUs to you for you to install, Tier 1 CRUs are easy to install whereas Tier 2 CRUs require some technical skill and tools. CRU information and replacement instructions are shipped with your Machine and are available from Lenovo at any time on your request. You may request that a Service Provider install CRUs, at no additional charge, under the type of warranty service designated for your Machine. Lenovo specifies in the materials shipped with a replacement CRU whether a defective CRU must be returned. When return is required, 1) return instructions and a container are shipped with the replacement CRU, and 2) you may be charged for the replacement CRU if Lenovo does not receive the defective CRU within 30 days of your receipt of the replacement.

2. On-site Service

Your Service Provider will either repair or exchange the failing Machine at your location and verify its operation. You must provide suitable working area to allow disassembly and reassembly of the Lenovo Machine. The area must be clean, well lit and suitable for the purpose. For some Machines, certain repairs may require sending the Machine to a designated service center.

3. Courier or Depot Service *

You will disconnect the failing Machine for collection arranged by your Service Provider. A shipping container will be provided to you for you to return your Machine to a designated service center. A courier will pick up your Machine and deliver it to the designated service center. Following its repair or exchange, the service center will arrange the return delivery of the Machine to your location. You are responsible for its installation and verification.

4. Customer Carry-In or Mail-In Service

You will deliver or mail as your Service Provider specifies (prepaid unless specified otherwise) the failing Machine suitably packaged to a designated location. After the Machine has been repaired or exchanged, it will be made available for your collection or, for Mail-in Service, the Machine will be returned to you at Lenovo's expense, unless your Service Provider specifies otherwise. You are responsible for the subsequent installation and verification of the Machine.

5. CRU and On-site Service

This type of Warranty Service is a combination of Type 1 and Type 2 (see above).

6. CRU and Courier or Depot Service

This type of Warranty Service is a combination of Type 1 and Type 3 (see above).

7. CRU and Customer Carry-In or Mail-In Service

This type of Warranty Service is a combination of Type 1 and Type 4 (see above).

When a 5, 6 or 7 type of warranty service is listed, your Service Provider will determine which type of warranty service is appropriate for the repair.

* This type of service is called ThinkPad® EasyServ or EasyServ in some countries.

To obtain warranty service contact a Service Provider. In Canada or the United States, call 1-800-426-7378. In other countries, see the telephone numbers below.

Worldwide telephone list

Phone numbers are subject to change without notice. For the most current phone numbers, go to <http://www.lenovo.com/support/phone>.

Country or Region	Telephone Number
Africa	Africa: +44 (0)1475-555-055 South Africa: +27-11-3028888 and 0800110756 Central Africa: Contact the nearest Lenovo Business Partner
Argentina	0800-666-0011 (Spanish)
Australia	131-426 (English)
Austria	Up and running support: 01-24592-5901 Warranty service and support: 01-211-454-610 (German)
Belgium	Up and running support: 02-210-9820 (Dutch) Up and running support: 02-210-9800 (French) Warranty service and support: 02-225-3611 (Dutch, French)
Bolivia	0800-10-0189 (Spanish)
Brazil	Sao Paulo region: (11) 3889-8986 Outside Sao Paulo region: 0800-701-4815 (Brazilian Portuguese)
Canada	Toronto: 416-383-3344 Outside Toronto: 1-800-565-3344 (English, French)
Chile	800-361-213 or 188-800-442-488 Toll Free (Spanish)
China	86-10-58851110 800-990-8888 (Mandarin)

Country or Region	Telephone Number
China (Hong Kong S.A.R.)	ThinkCentre® Commerical PC: 8205-0333 Multimedia Home PC: 800-938-228 (Cantonese, English, Mandarin)
China (Macau S.A.R.)	ThinkCentre (Technical enquiry hotline): 0800-336 (Cantonese, English, Mandarin)
Colombia	1-800-912-3021 (Spanish)
Costa Rica	0-800-011-1029 (Spanish)
Croatia	0800-0426
Cyprus	+357-22-841100
Czech Republic	+420-2-7213-1316
Denmark	Up and running support: 4520-8200 Warranty service and support: 7010-5150 (Danish)
Dominican Republic	1-866-434-2080 (Spanish)
Ecuador	1-800-426911 (Spanish)
El Salvador	800-6264 (Spanish)
Estonia	+372 6776793 +372 66 00 800
Finland	Up and running support: 09-459-6960 Warranty service and support: +358-800-1-4260 (Finnish)
France	Up and running support: 0238-557-450 Warranty service and support (hardware): 0810-631-213 Warranty service and support (software): 0810-631-020 (French)
Germany	Up and running support: 07032-15-49201 Warranty service and support: 01805-25-35-58 (German)
Greece	+30-210-680-1700
Guatemala	1800-624-0051 (Spanish)
Honduras	Tegucigalpa: 232-4222 San Pedro Sula: 552-2234 (Spanish)
Hungary	+36-1-382-5720
India	1800-425-6666 +91-80-2678-8970 (English)
Indonesia	800-140-3555 (English) 62-21-251-2955 (Bahasa, Indonesian)

Country or Region	Telephone Number
Ireland	Up and running support: 01-815-9202 Warranty service and support: 01-881-1444 (English)
Israel	Givat Shmuel Service Center: +972-3-531-3900 (Hebrew, English)
Italy	Up and running support: 02-7031-6101 Warranty service and support: +39-800-820094 (Italian)
Japan	Toll Free: 0120-20-5550 International: +81-46-266-4716 The above numbers will be answered with a Japanese language voice prompt. For telephone support in English, please wait for the Japanese voice prompt to end, and an operator will answer. Please say "English support please," and your call will be transferred to an English speaking operator. Computer software: 0120-558-695 Overseas calls: +81-44-200-8666 (Japanese)
Korea	1588-5801 (Korean)
Latvia	+386-61-1796-699
Lithuania	+386-61-1796-699
Luxembourg	+352-298-977-5063 (French)
Malaysia	1800-88-8558 (English, Bahasa, Melayu)
Malta	+356-23-4175
Mexico	001-866-434-2080 (Spanish)
Middle East	+44 (0)1475-555-055
Netherlands	+31-20-514-5770 (Dutch)
New Zealand	0800-733-222 (English)
Nicaragua	001-800-220-1830 (Spanish)
Norway	Up and running support: 6681-1100 Warranty service and support: 8152-1550 (Norwegian)
Panama	001-866-434-2080 (Toll Free) 206-6047 (Spanish)
Peru	0-800-50-866 (Spanish)
Philippines	1800-1888-1426 (English) 63-2-995-8420 (Filipino)

Country or Region	Telephone Number
Poland	+48-22-878-6999
Portugal	+351-21-892-7147 (Portuguese)
Romania	+4-021-224-4015
Russia	+7-495-258-6300 +8-800-200-6300 (Russian)
Singapore	1800-3172-888 (English, Bahasa, Melayu)
Slovakia	+421-2-4954-1217
Slovenia	+386-1-4796-699
Spain	91-714-7983 0901-100-000 (Spanish)
Sri Lanka	+9411 2493547 +9411 2493548 (English)
Sweden	Up and running support: 08-477-4420 Warranty service and support: 077-117-1040 (Swedish)
Switzerland	Up and running support: 058-333-0900 Warranty service and support: 0800-55-54-54 (German, French, Italian)
Taiwan	886-2-8723-9799 0800-000-700 (Mandarin)
Thailand	1-800-299-229 (Thai)
Turkey	00800-4463-2041 (Turkish)
United Kingdom	Up and running support: 01475-555-055 Warranty support: 08705-500-900 (English)
United States	1-800-426-7378 (English)
Uruguay	000-411-005-6649 (Spanish)
Venezuela	0-800-100-2011 (Spanish)
Vietnam	For northern area and Hanoi: 84-4-843-6675 For southern area and Ho Chi Minh City: 84-8-829-5160 (English, Vietnamese)

Guarantee supplement for Mexico

This supplement is considered part of Lenovo's Statement of Limited Warranty and shall be effective solely and exclusively for products distributed and commercialized within Mexico. In the event of a conflict, the terms of this supplement shall apply.

All software programs pre-loaded in the equipment shall only have a thirty-(30) day guarantee for installation defects from the date of purchase. Lenovo is not responsible for the information in such software programs and/or any additional software programs installed by you or installed after purchase of the product.

Services not chargeable to the guarantee shall be charged to the final user, prior an authorization.

In the event that warranty repair is required please call the Customer Support Center at 001-866-434-2080, where you will be directed to the nearest Authorized Service Center. Should no Authorized Service Center exist in your city, location or within 70 kilometers of your city or location, the guarantee includes any reasonable delivery charges related to the transportation of the product to our nearest Authorized Service Center. Please call the nearest Authorized Service Center to obtain the necessary approvals or information concerning the shipment of the product and the shipment address.

To obtain a list of Authorized Service Centers, please visit <http://www.lenovo.com/mx/es/servicios>

Manufactured by:

SCI Systems de México, S.A. de C.V.
Av. De la Solidaridad Iberoamericana No. 7020
Col. Club de Golf Atlas
El Salto, Jalisco, México
C.P. 45680,
Tel. 01-800-3676900

Marketing by:

Lenovo de México, Comercialización y
Servicios, S. A. de C. V.
Alfonso Nápoles Gándara No 3111
Parque Corporativo de Peña Blanca
Delegación Álvaro Obregón
México, D.F., México
C.P. 01210,
Tel. 01-800-00-325-00

Chapter 4. Customer Replacement Units (CRUs)

Customer Replacement Units (CRUs) are computer parts that can be upgraded or replaced by the customer. There are two types of CRUs: Tier 1 and Tier 2. Tier 1 CRUs are easy to install, whereas Tier 2 CRUs require some technical skill and tools.

The *User Guide* and *Hardware Replacement Guide* provide instructions for replacing Tier 1 and Tier 2 CRUs. Refer to the following table to determine which publication contains the instructions you need.

To view a publication, open the Start menu from the Windows desktop, select **All Programs**, select **Online Books**, and click **Online Books**. Double-click on the appropriate publication for your machine type. For more information about accessing the *User Guide* and *Hardware Replacement Guide*, refer to "Online Books folder" on page 25. The publications also are available on the Lenovo Web site at <http://www.lenovo.com>.

Note: Only use computer parts provided by Lenovo. Refer to Chapter 3, "Lenovo Statement of Limited Warranty," on page 29 for warranty information about the CRUs for your machine type.

6490, 8700, 8701, 8705, 8717, 8973, 8975, 8979, 8983, 8985, 8991, 8995, 9265, 9269, 9277, 9279, 9283, 9287, 9379, 9383, 9387, 9389, 9631, 9635, 9637, 9646, 9648, 9694		
	User Guide	Hardware Replacement Guide
Tier 1 CRUs		
Optical drive	x	x
Hard disk drive	x	x
Memory	x	x
Mouse	x	x
Keyboard	x	x
Adapter card	x	x
Tier 2 CRUs		
Diskette drive	x	x
Heat sink		x
Power supply		x
System fan		x

6491, 8013, 8702, 8706, 8716, 8970, 8972, 8976, 8980, 8982, 8986, 8992, 8994, 9266, 9276, 9278, 9282, 9286, 9288, 9374, 9378, 9380, 9384, 9628, 9632, 9647, 9649, 9695

	User Guide	Hardware Replacement Guide
Tier 1 CRUs		
Mouse	x	x
Keyboard	x	x
Adapter card	x	x
Tier 2 CRUs		
Optical drive	x	x
Hard disk drive	x	x
Diskette drive	x	x
Memory	x	x
Heat sink		x
System fan		x

Machine types: 9636, 9638, 9640, 9641, 9642, 9643, 9644, 9645

	User Guide	Hardware Replacement Guide
Tier 1 CRUs		
Keyboard	x	x
Mouse	x	x
Hard disk drive	x	x
Memory	x	x
Adapter card	x	x
Speaker	x	x
Optical drive	x	x
Diskette drive	x	x
Tier 2 CRUs		
Heat sink		x
System board		x
Power supply		x
System fans		x

Chapter 5. Notices

Lenovo may not offer the products, services, or features discussed in this document in all countries. Consult your local Lenovo representative for information on the products and services currently available in your area. Any reference to a Lenovo product, program, or service is not intended to state or imply that only that Lenovo product, program, or service may be used. Any functionally equivalent product, program, or service that does not infringe any Lenovo intellectual property right may be used instead. However, it is the user's responsibility to evaluate and verify the operation of any other product, program, or service.

Lenovo may have patents or pending patent applications covering subject matter described in this document. The furnishing of this document does not give you any license to these patents. You can send license inquiries, in writing, to:

*Lenovo (United States), Inc.
1009 Think Place - Building One
Morrisville, NC 27560
U.S.A.
Attention: Lenovo Director of Licensing*

LENOVO PROVIDES THIS PUBLICATION "AS IS" WITHOUT WARRANTY OF ANY KIND, EITHER EXPRESS OR IMPLIED, INCLUDING, BUT NOT LIMITED TO, THE IMPLIED WARRANTIES OF NON-INFRINGEMENT, MERCHANTABILITY OR FITNESS FOR A PARTICULAR PURPOSE. Some jurisdictions do not allow disclaimer of express or implied warranties in certain transactions, therefore, this statement may not apply to you.

This information could include technical inaccuracies or typographical errors. Changes are periodically made to the information herein; these changes will be incorporated in new editions of the publication. Lenovo may make improvements and/or changes in the product(s) and/or the program(s) described in this publication at any time without notice.

The products described in this document are not intended for use in implantation or other life support applications where malfunction may result in injury or death to persons. The information contained in this document does not affect or change Lenovo product specifications or warranties. Nothing in this document shall operate as an express or implied license or indemnity under the intellectual property rights of Lenovo or third parties. All information contained in this document was obtained in specific environments and is presented as an illustration. The result obtained in other operating environments may vary.

Lenovo may use or distribute any of the information you supply in any way it believes appropriate without incurring any obligation to you.

Any references in this publication to non-Lenovo Web sites are provided for convenience only and do not in any manner serve as an endorsement of those Web sites. The materials at those Web sites are not part of the materials for this Lenovo product, and use of those Web sites is at your own risk.

Any performance data contained herein was determined in a controlled environment. Therefore, the result obtained in other operating environments may vary significantly. Some measurements may have been made on development-level systems and there is no guarantee that these measurements will be the same on generally available systems. Furthermore, some measurements may have been estimated through extrapolation. Actual results may vary. Users of this document should verify the applicable data for their specific environment.

Television output notice

The following notice applies to models that have the factory-installed television-output feature.

This product incorporates copyright protection technology that is protected by method claims of certain U.S. patents and other intellectual property rights owned by Macrovision Corporation and other rights owners. Use of this copyright protection technology must be authorized by Macrovision Corporation, and is intended for home and other limited viewing uses only unless otherwise authorized by Macrovision Corporation. Reverse engineering or disassembly is prohibited.

Trademarks

The following terms are trademarks of Lenovo in the United States, other countries, or both:

- Lenovo
- Rescue and Recovery
- ThinkCentre
- ThinkPad
- ThinkVantage

IBM is a trademark of International Business Machines Corporation in the United States, other countries, or both.

Other company, product, or service names may be trademarks or service marks of others.

Electronic emissions notices

The following information refers to Lenovo personal computer machine types: 6490, 6491, 8013, 8700, 8701, 8702, 8705, 8706, 8716, 8717, 8970, 8972, 8973, 8975, 8976, 8979, 8980, 8982, 8983, 8985, 8986, 8991, 8992, 8994, 8995, 9265, 9266, 9269, 9276, 9277, 9278, 9279, 9282, 9283, 9286, 9287, 9288, 9374, 9378, 9379, 9380, 9383, 9384, 9387, 9389, 9628, 9631, 9632, 9635, 9636, 9637, 9638, 9640, 9641, 9642, 9643, 9644, 9645, 9646, 9647, 9648, 9649, 9694, 9695.

Federal Communications Commission (FCC) Declaration of Conformity

This equipment has been tested and found to comply with the limits for a Class B digital device, pursuant to Part 15 of the FCC Rules. These limits are designed to provide reasonable protection against harmful interference in a residential installation. This equipment generates, uses, and can radiate radio frequency energy and, if not installed and used in accordance with the instructions, may cause harmful interference to radio communications. However, there is no guarantee the interference will not occur in a particular installation. If this equipment does cause harmful interference to radio or television reception, which can be determined by turning the equipment off and on, the user is encouraged to try to correct the interference by one or more of the following measures:

- Reorient or relocate the receiving antenna.
- Increase the separation between the equipment and receiver.
- Connect the equipment into an outlet on a circuit different from that to which the receiver is connected.
- Consult an authorized dealer or service representative for help.

Lenovo is not responsible for any radio or television interference caused by using other than recommended cables or connectors or by unauthorized changes or modifications to this equipment. Unauthorized changes or modifications could void the user's authority to operate the equipment.

This device complies with Part 15 of the FCC Rules. Operation is subject to the following two conditions: (1) this device may not cause harmful interference, and (2) this device must accept any interference received, including interference that may cause undesired operation.

Responsible party:

Lenovo (United States) Inc.
One Manhattanville Road
Purchase, New York 10577
Telephone: (919) 254-5900



Tested To Comply
With FCC Standards

FOR HOME OR OFFICE USE

Industry Canada Class B emission compliance statement

This Class B digital apparatus complies with Canadian ICES-003.

European Union EMC Directive conformance statement

This product is in conformity with the protection requirements of EU Council Directive 89/336/EEC on the approximation of the laws of the Member States relating to electromagnetic compatibility. Lenovo cannot accept responsibility for any failure to satisfy the protection requirements resulting from a nonrecommended modification of the product, including the fitting of option cards from other manufacturers.

This product has been tested and found to comply with the limits for Class B Information Technology Equipment according to CISPR 22/European Standard EN 55022. The limits for Class B equipment were derived for typical residential environments to provide reasonable protection against interference with licensed communication devices.

Korean Class B statement

이 기기는 가정용으로 전자파 적합등록을 한 기기로서
주거지역에서는 물론 모든 지역에서 사용할 수 있습니다.

Japanese VCCI Class B statement

この装置は、情報処理装置等電波障害自主規制協議会（VCCI）の基準に基づきクラスB情報技術装置です。この装置は、家庭環境で使用することを目的としていますが、この装置がラジオやテレビジョン受信機に近接して使用されると、受信障害を引き起こすことがあります。
取扱説明書に従って正しい取り扱いをして下さい。

Japanese compliance for products less than or equal to 20A per phase

高調波電流規格 JIS C 61000-3-2 適合品

Lenovo product service information for Taiwan

台灣 Lenovo 產品服務資訊如下：
荷蘭商思惟電腦產品股份有限公司台灣分公司
台北市信義區信義路五段七號十九樓之一
服務電話：0800-000-700

Federal Communications Commission (FCC) and telephone company requirements

1. This device complies with Part 68 of the FCC rules. A label is affixed to the device that contains, among other things, the FCC registration number, USOC, and Ringer Equivalency Number (REN) for this equipment. If these numbers are requested, provide this information to your telephone company.

Note: If the device is an internal modem, a second FCC registration label is also provided. You may attach the label to the exterior of the computer in which you install the Lenovo modem, or you may attach the label to the external DAA, if you have one. Place the label in a location that is easily accessible, should you need to provide the label information to the telephone company.

2. The REN is useful to determine the quantity of devices you may connect to your telephone line and still have those devices ring when your number is called. In most, but not all areas, the sum of the RENs of all devices should not exceed five (5). To be certain of the number of devices you may connect to your line, as determined by the REN, you should call your local telephone company to determine the maximum REN for your calling area.
3. If the device causes harm to the telephone network, the telephone company may discontinue your service temporarily. If possible, they will notify you in advance; if advance notice is not practical, you will be notified as soon as possible. You will be advised of your right to file a complaint with the FCC.
4. Your telephone company may make changes in its facilities, equipment, operations, or procedures that could affect the proper operation of your equipment. If they do, you will be given advance notice to give you an opportunity to maintain uninterrupted service.

5. If you experience trouble with this product, contact your authorized reseller or call the Customer Support Center. In the United States, call **1-800-426-7378**. In Canada, call **1-800-565-3344**. You may be required to present proof of purchase.

The telephone company may ask you to disconnect the device from the network until the problem has been corrected, or until you are sure the device is not malfunctioning.

6. No customer repairs are possible to the device. If you experience trouble with the device, contact your Authorized Reseller or see the Diagnostics section of this manual for information.
7. This device may not be used on coin service provided by the telephone company. Connection to party lines is subject to state tariffs. Contact your state public utility commission or corporation commission for information.
8. When ordering network interface (NI) service from the local Exchange Carrier, specify service arrangement USOC RJ11C.

Canadian Department of Communications certification label

NOTICE: The Industry Canada label identifies certified equipment. This certification means that the equipment meets telecommunications network protective, operational and safety requirements as prescribed in the appropriate Terminal Equipment Technical Requirements documents. The Department does not guarantee the equipment will operate to the user's satisfaction.

Before installing this equipment, users should ensure that it is permissible to be connected to the facilities of the local telecommunications company. The equipment must also be installed using an acceptable method of connection. The customer should be aware that compliance with the above conditions may not prevent degradation of service in some situations. Repairs to certified equipment should be coordinated by a representative designated by the supplier. Any repairs or alterations made by the user to this equipment, or equipment malfunctions, may give the telecommunications company cause to request the user to disconnect the equipment.

Users should ensure for their own protection that the electrical ground connections of the power utility, telephone lines, and internal metallic water pipe system, if present, are connected together. This precaution may be particularly important in rural areas.

Caution: Users should not attempt to make such connections themselves, but should contact the appropriate electric inspection authority, or electrician, as appropriate.

NOTICE: The Ringer Equivalence Number (REN) assigned to each terminal device provides an indication of the maximum number of terminals allowed to

be connected to a telephone interface. The termination on an interface may consist of any combination of devices subject only to the requirement that the sum of the Ringer Equivalence Numbers of all the devices does not exceed 5.

Power cord notice

For your safety, Lenovo provides a power cord with a grounded attachment plug to use with this product. To avoid electrical shock, always use the power cord and plug with a properly grounded outlet.

Power cords provided by Lenovo in the United States and Canada are listed by Underwriter's Laboratories (UL) and certified by the Canadian Standards Association (CSA).

For units intended to be operated at 115 volts: Use a UL-listed and CSA-certified cord set consisting of a minimum 18 AWG, Type SVT or SJT, three-conductor cord, a maximum of 15 feet in length and a parallel blade, grounding-type attachment plug rated 15 amperes, 125 volts.

For units intended to be operated at 230 volts (U.S. use): Use a UL-listed and CSA-certified cord set consisting of a minimum 18 AWG, Type SVT or SJT, three-conductor cord, a maximum of 15 feet in length and a tandem blade, grounding-type attachment plug rated 15 amperes, 250 volts.

For units intended to be operated at 230 volts (outside the U.S.): Use a cord set with a grounding-type attachment plug. The cord set should have the appropriate safety approvals for the country in which the equipment will be installed.

Power cords provided by Lenovo for a specific country or region are usually available only in that country or region.

For units intended to be operated in Germany: The power cords shall be safety approved. For Germany, it shall be H05VV-F, 3G, 0.75 mm², or better. For other countries, the suitable types shall be used accordingly.

Power cord part number	Used in these countries and regions
24R2633	Japan
39M5067	Argentina, Paraguay, Uruguay

Power cord part number	Used in these countries and regions
39M5080	Antigua and Barbuda, Aruba, Bahamas, Barbados, Belize, Bermuda, Bolivia, Turks and Caicos Islands, Canada, Cayman Islands, Costa Rica, Columbia, Cuba, Dominican Republic, Ecuador, El Salvador, Guam, Guatemala, Haiti, Honduras, Jamaica, Mexico, Micronesia (Federal States of), Netherlands Antilles, Nicaragua, Panama, Peru, Philippines, Saudi Arabia, Thailand, Taiwan, United States, Venezuela
39M5102	Australia, New Zealand
39M5122	Afghanistan, Albania, Algeria, Andorra, Angola, Armenia, Austria, Azerbaijan, Belarus, Belgium, Benin, Bosnia and Herzegovina, Bulgaria, Burkina Faso, Burundi, Cambodia, Cameroon, Cape Verde, Central African Republic, Chad, Comoros, Congo (Democratic Republic of), Congo (Republic of), Cote D'Ivoire (Ivory Coast), Croatia (Republic of), Czech Republic, Dahomey, Djibouti, Egypt, Equatorial Guinea, Eritrea, Estonia, Ethiopia, Finland, France, French Guyana, French Polynesia, Gabon, Georgia, Germany, Greece, Guadeloupe, Guinea, Guinea Bissau, Hungary, Iceland, Indonesia, Iran, Kazakhstan, Kyrgyzstan, Laos (Peoples Democratic Republic of), Latvia, Lebanon, Lithuania, Luxembourg, Macedonia (former Yugoslav Republic of), Madagascar, Mali, Martinique, Mauritania, Mauritius, Mayotte, Moldova (Republic of), Monaco, Mongolia, Morocco, Mozambique, Netherlands, New Caledonia, Niger, Norway, Poland, Portugal, Reunion, Romania, Russian Federation, Rwanda, Sao Tome and Principe, Saudi Arabia, Senegal, Serbia, Slovakia, Slovenia (Republic of), Somalia, Spain, Suriname, Sweden, Syrian Arab Republic, Tajikistan, Tahiti, Togo, Tunisia, Turkey, Turkmenistan, Ukraine, Upper Volta, Uzbekistan, Vanuatu, Vietnam, Wallis and Futuna, Yugoslavia (Federal Republic of), Zaire
39M5129	Denmark
39M5143	Bangladesh, Lesotho, Macao S.A.R of China, Maldives, Namibia, Nepal, Pakistan, Samoa, South Africa, Sri Lanka, Swaziland, Uganda
39M5150	Abu Dhabi, Australia, Bahrain, Botswana, Brunei Darussalam, Channel Islands, Cyprus, Dominica, Fiji, Gambia, Ghana, Grenada, Guyana, Hong Kong S.A.R. of China, Iraq, Ireland, Jordan, Kenya, Kiribati, Kuwait, Liberia, Malawi, Malaysia, Malta, Myanmar (Burma), Nauru, New Zealand, Nigeria, Oman, Papua New Guinea, Qatar, Saint Kitts and Nevis, Saint Lucia, Saint Vincent and the Grenadines, Seychelles, Sierra Leone, Singapore, Sudan, Tanzania (United Republic of), Trinidad & Tobago, United Arab Emirates (Dubai), United Kingdom, Yemen, Zambia, Zimbabwe
39M5151	Hong Kong S.A.R. of China, Korea
39M5157	Liechtenstein, Switzerland
39M5164	Chile, Italy, Libya Arab Jamahiriya

Power cord part number	Used in these countries and regions
39M5171	Israel
39M5205	China
39M5212	Korea
39M5232	Brazil
39M5246	Taiwan
41R3175	India

Polyvinyl Chloride (PVC) cable and cord notice

WARNING: Handling the cord on this product or cords associated with accessories sold with this product will expose you to lead, a chemical known to the State of California to cause cancer, and birth defects or other reproductive harm. *Wash hands after handling.*

Waste electrical and electronic equipment (WEEE) notices

Lenovo encourages owners of information technology (IT) equipment to responsibly recycle their equipment when it is no longer needed. Lenovo offers a variety of programs and services to assist equipment owners in recycling their IT products. Information on product recycling offerings can be found on Lenovo's Internet site at <http://www.pc.ibm.com/ww/lenovo/about/environment/>.

European Union (EU) WEEE statement

The WEEE mark applies only to countries within the European Union (EU) and Norway. Appliances are labeled in accordance with European Directive 2002/96/EC concerning waste electrical and electronic equipment (WEEE). The Directive determines the framework for the return and recycling of used appliances as applicable throughout the European Union. This label is applied to various products to indicate that the product is not to be thrown away, but rather reclaimed upon end of life per this Directive.

Users of electrical and electronic equipment (EEE) with the WEEE marking per Annex IV of the WEEE Directive must not dispose of end of life EEE as unsorted municipal waste, but use the collection framework available to them for the return, recycle, recovery of WEEE and minimize any potential effects of EEE on the environment and human health due to the presence of hazardous substances. For additional WEEE information go to: <http://www.lenovo.com/lenovo/environment>.

Japanese recycling statement

Collecting and recycling a disused Lenovo computer or monitor

If you are a company employee and need to dispose of a Lenovo computer or monitor that is the property of the company, you must do so in accordance with the Law for Promotion of Effective Utilization of Resources. Computers and monitors are categorized as industrial waste and should be properly disposed of by an industrial waste disposal contractor certified by a local government. In accordance with the Law for Promotion of Effective Utilization of Resources, Lenovo Japan provides, through its PC Collecting and Recycling Services, for the collecting, reuse, and recycling of disused computers and monitors. For details, visit the Lenovo Web site at www.ibm.com/jp/pc/service/recycle/pcrecycle/

Pursuant to the Law for Promotion of Effective Utilization of Resources, the collecting and recycling of home-used computers and monitors by the manufacturer was begun on October 1, 2003. This service is provided free of charge for home-used computers sold after October 1, 2003. For details, visit the Lenovo Web site at www.ibm.com/jp/pc/service/recycle/personal/.

Disposing of a Lenovo computer component

Some Lenovo computer products sold in Japan may have components that contain heavy metals or other environmental sensitive substances. To properly dispose of disused components, such as a printed circuit board or drive, use the methods described above for collecting and recycling a disused computer or monitor.

Disposing of disused lithium batteries from Lenovo computers

A button-shaped lithium battery is installed on the system board of your Lenovo computer to provide power to the computer clock while the computer is off or disconnected from the main power source. If you want to replace it with a new one, contact your place of purchase or ask for a repair service provided by Lenovo. If you have replaced it by yourself and want to dispose of the disused lithium battery, insulate it with vinyl tape, contact your place of purchase, and follow their instructions. If you use a Lenovo computer at home and need to dispose of a lithium battery, you must comply with local ordinances and regulations.

Kapitel 1. Vigtige sikkerhedsforskrifter

Bemærk

Læs disse vigtige sikkerhedsforskrifter først.

Følg alle de oplysninger, der leveres sammen med computeren. Oplysningerne i denne bog, ændrer ikke vilkårene i købsaftalen eller Lenovo Begrænset garanti. Der er flere oplysninger i Kapitel 3, "Lenovo Servicebevis", på side 99.

Kundesikkerhed er vigtig. Vore produkter er designet til at være sikre og effektive. Computere er imidlertid elektronisk udstyr. Netledninger, omformere og andet udstyr kan udgøre en mulig sikkerhedsrisiko, som kan resultere i fysiske skader eller ødelægge personlige ejendele, især hvis det anvendes forkert. Følg vejledningen, der leveres sammen med produktet for at nedsætte risikoen. Vær især opmærksom på alle advarsler på produktet og i betjeningsvejledningerne, og læs alle de oplysninger, der findes i denne bog. Hvis du omhyggeligt følger de oplysninger, der findes i denne bog, og som leveres sammen med produktet, beskytter du dig selv mod alvorlige skader og opretter et sikkert arbejdsmiljø.

Bemærk: Disse oplysninger indeholder referencer til omformere og batterier. Ud over bærbare computere, leveres andre produkter, f.eks. højtalere og skærme, med eksterne omformere. Hvis du har et sådant produkt, gælder disse oplysninger for dette produkt. Computeren indeholder et internt batteri på størrelse med en mønt, som leverer strøm til systemuret, selv når maskinen ikke er tilsluttet en stikkontakt. Derfor gælder sikkerhedsforskrifterne for batteriet for alle computere.

Forhold, der kræver øjeblikkelig handling

Produkter kan ødelægges pga. forkert behandling eller misligholdelse. Nogle produktødelæggelser er så alvorlige, at produktet ikke må bruges, før det er blevet undersøgt og evt. repareret af en autoriseret servicetekniker.

For alt elektronisk udstyr gælder det, at du skal være ekstra forsigtig, når udstyret er tændt. I meget sjældne tilfælde kan der opstå lugtgener, eller der kommer røg eller gnister ud af maskinen. Du hører måske lyde som f.eks. knald, smæld eller syden. Disse forhold betyder muligvis ikke andet, end at en intern, elektronisk komponent er gået i stykker på en sikker og kontrolleret måde. De kan også angive en mulig sikkerhedsrisiko. Du må aldrig forsøge at løse disse problemer selv. Kontakt kundesupportcentret. Du kan se en liste over service- og supporttelefonnumre i afsnittet "Oversigt over telefonnumre" på side 134.

Undersøg hyppigt computeren og dens komponenter for skader, slitage eller faretegn. Hvis du er i tvivl om, at en komponent er i orden, må du ikke bruge produktet. Kontakt kundesupportcentret eller producenten for at få oplysninger om, hvordan du undersøger produktet og evt. får det repareret.

Hvis et af nedenstående forhold opstår, eller hvis du ikke er sikker på, om det er sikkert at bruge produktet, skal du holde op med at bruge det, og afmontere det fra stikkontakten og telekommunikationslinjerne, indtil du har talt med kundesupportcentret.

- Netledninger, stik, omformere, forlængerledninger, spændingsstabilisatorer eller strømforsyninger, der er knækkede, itu eller ødelagte.
- Tegn på overophedning, røg, gnister eller ild.
- Batteriet er beskadiget, det er f.eks. revnet, bøjet eller trykket, batteriet lækker, eller der er belægninger på batteriet.
- Der lyder knald, smæld eller syden fra produktet, eller der er lugtgener fra produktet.
- Der er tegn på, at der er spildt væske, eller at et objekt er faldet ned på computeren, netledningen eller omformeren.
- Computeren, netledningen eller omformeren er våde.
- Produktet har været tabt eller ødelagt på nogen måde.
- Produktet fungerer ikke korrekt, når du følger betjeningsvejledningen.

Bemærk: Hvis du bemærker disse forhold med et produkt, f.eks. en forlængerledning, der ikke er fremstillet af eller for Lenovo, skal du stoppe med at bruge produktet, indtil du kan kontakte producenten for at få flere oplysninger eller få et passende erstatningsprodukt.

Generelle sikkerhedsforskrifter

Vær altid opmærksom på følgende for at nedsætte risikoen for fysiske skader eller ødelæggelse af personlige ejendele.

Service og opgraderinger

Forsøg ikke selv at servicere et produkt, medmindre kundesupportcentret har bedt dig om at gøre det, eller hvis det er angivet i dokumentationen. Brug kun en servicemedarbejder, der er godkendt til at reparere et bestemt produkt.

Bemærk: Nogle dele af computeren kan opgraderes eller udskiftes af kunden. Opgraderinger kaldes typisk for ekstraudstyr. Dele, der kan udskiftes af kunden, kaldes for CRU'er (Customer Replaceable Units). Lenovo leverer dokumentation med en vejledning, når kunden selv kan installere ekstraudstyr eller udskifte CRU'er. Du skal nøje følge vejledningen, når du selv installerer eller udskifter dele. Når computeren er slukket, det vil sige, når tændt-lampen ikke lyser, betyder det ikke nødvendigvis, at der ikke er spænding i produktet. Kon-

trollér altid, at der er slukket for strømmen, og at produktet er afmonteret fra strømkilden, inden du fjerner dækslet fra et produkt med netledning. Der er flere oplysninger om CRU'er i brugervejledningen. Kontakt kundesupportcentret, hvis du har spørgsmål.

Selv om der ikke er nogen dele, der bevæger sig i computeren, når netledningen er afmonteret, skal du alligevel være opmærksom på følgende advarsler.

Fare!



Farlige bevægelige dele. Hold fingre og andre legemsdele væk fra dette område.

Advarsel!



Før du udskifter CRU'er, skal du slukke for computeren. Vent i 3 til 5 minutter, så computeren kan afkøles, inden du åbner dækslet.

Undgå statisk elektricitet

Statisk elektricitet er ikke skadelig for mennesker. Imidlertid kan det beskadige computerens dele og udstyr. Dele, der er følsomme over for statisk elektricitet, kan blive beskadiget, hvis du ikke håndterer dem korrekt. Når du pakker ekstraudstyr eller CRU'er ud, må du først åbne den antistatiske pose, når du bliver bedt om det i vejledningen.

Følg disse forholdsregler for at undgå statisk elektricitet, når du håndterer ekstraudstyr eller CRU'er, eller når computeren er åben:

- Begræns dine bevægelser. Når du bevæger dig, skabes der statisk elektricitet omkring dig.
- Håndtér altid komponenterne forsigtigt. Tag fat i kanten af adaptere, hukommelsesmoduler og andre kredsløbskort. Rør aldrig ved kredsløbene.

- Lad ikke andre røre ved komponenterne.
- Når du installerer en del, der er følsom over for statisk elektricitet, skal du lade den antistatiske pose med delen i røre ved udvidelsesportens metal-dæksel eller ved en anden umalet metalflade på computeren i mindst to sekunder. Det reducerer statisk elektricitet i posen og fra din krop.
- Hvis det er muligt, skal du installere den nye del direkte i computeren, når du har taget den ud af den antistatiske pose, uden at lægge delen fra dig. Hvis det ikke er muligt, skal du lægge den antistatiske pose på en plan overflade og lægge delen på posen.
- Du må ikke lægge delen på computerens dæksel eller på andet metallisk materiale.

Netledninger og omformere

Brug kun de netledninger og omformere, der leveres af producenten.

Netledningerne skal være sikkerhedsgodkendt. I Tyskland skal det være H05VV-F, 3G, 0,75 mm² eller bedre. I andre lande skal de korrekte typer anvendes på tilsvarende vis.

Rul aldrig netledningen omkring omformeren eller et andet objekt. Det kan flosse, knække eller bøje netledningen. Det kan udgøre en sikkerhedsrisiko.

Placér altid netledningerne, så der ikke trædes på dem, eller så de ikke kommer i klemme.

Beskyt ledningen og omformeren mod væsker. Du må f.eks. ikke placere ledningen eller omformeren i nærheden af håndvaske, badekar, toiletter eller på gulve, der bliver vasket med flydende rengøringsmidler. Væsker kan forårsage en kortslutning, især hvis netledningen eller omformeren er blevet beskadiget. Væsker kan også gradvist tære stikket på netledningen og/eller stikket på omformeren, hvilket kan forårsage overophedning.

Tilslut altid netledningerne og signalkablerne i den korrekte rækkefølge, og kontrollér, at alle netledninger sidder korrekt i stikket.

Brug ikke omformere, hvor stikbenene er tærede, og/eller som viser tegn på overophedning, f.eks. ødelagt plastic.

Brug ikke netledninger, hvor stikkene i begge ender viser tegn på tæring eller overophedning, eller hvor netledningen er ødelagt på nogen måde.

Spændingsvælgerkontakt

Visse computere er udstyret med en spændingsvælgerkontakt, der er placeret tæt på netledningsstikket på computeren. Hvis computeren har en spændingsvælgerkontakt, skal du sørge for at indstille den, så den passer til den spæn-

ding, stikkontakten leverer. Hvis du indstiller spændingsvælgerkontakten forkert, risikerer du at beskadige computeren permanent.

Hvis computeren ikke har en spændingsvælgerkontakt, er computeren konstrueret til kun at fungere ved den netspænding, der leveres i det land eller område, hvor computeren er købt.

Vær opmærksom på følgende, hvis du flytter computeren til et andet land:

- Hvis computeren ikke har en spændingsvælgerkontakt, må du ikke slutte computeren til en stikkontakt, før du har kontrolleret, at netspændingen er den samme som i det land eller område, hvor computeren er købt.
- Hvis computeren har en spændingsvælgerkontakt, må du ikke slutte computeren til en stikkontakt, før du har kontrolleret, at du har indstillet kontakten, så den passer til netspændingen i det pågældende land eller område.

Hvis du er i tvivl om, hvilken spænding stikkontakten leverer, skal du kontakte elseskabet eller undersøge officielle websteder eller rejsebøger om det land eller område, hvor du befinder dig.

Forlængerledninger og lignende udstyr

Kontrollér, at de forlængerledninger, spændingsstabilisatorer, UPS (Uninterruptible Power Supply), strømforsyningsenheder og multistikdåser, som du bruger, kan håndtere produktets strømkrav. Du må aldrig overbelaste dette udstyr. Hvis du bruger multistikdåser, må belastningen ikke overstige multistikdåsens inputkapacitet. Kontakt en elektriker for at få flere oplysninger, hvis du har spørgsmål om strømbelastning, strømkrav, og inputkapacitet.

Stik og stikkontakter

Hvis den stikkontakt, som du vil bruge sammen med computerudstyret, er ødelagt eller tæret, må du ikke bruge den, før den er udskiftet af en uddannet elektriker.

Du må ikke bøje eller ændre stikket. Hvis stikket er ødelagt, skal du få et nyt hos forhandleren.

Brug ikke samme stikkontakt, som du bruger til andre apparater, der trækker store mængder strøm. Du risikerer, at ustabil spænding ødelægger computeren, data eller tilsluttede enheder.

Nogle produkter leveres med et tre-bensstik. Disse stik må kun anvendes sammen med en stikkontakt med jordforbindelse. Det er en sikkerhedsforanstaltning. Du må ikke ignorere denne sikkerhedsforanstaltning ved at prøve at indsætte stikket i en stikkontakt uden jordforbindelse. Hvis du ikke kan indsætte stikket i stikkontakten, skal du kontakte en elektriker, så han kan installere en godkendt stikkontakt. Du må aldrig overbelaste en stikkontakt. Den generelle

systembelastning må ikke overstige 80 % af grenens strømkapacitet. Kontakt en elektriker for at få flere oplysninger, hvis du har spørgsmål om strømbelastning og grenens strømkapacitet.

Kontrollér, at ledningsføringen til den stikkontakt, du bruger, er korrekt, at der er nem adgang til stikkontakten, og at den sidder tæt på udstyret. Du må ikke strække netledninger helt ud, da det kan ødelægge dem.

Kontrollér, at stikkontakten leverer korrekt spænding og strøm til det produkt, du installerer.

Vær forsigtig, når du tilslutter og tager netledninger ud af stikkontakten.

Eksterne enheder

De eneste kabler til eksterne enheder, du må tilslutte eller afmontere, mens computeren er tændt, er USB- og 1394-kabler. Ellers risikerer du at beskadige computeren. Vent mindst fem sekunder efter computeren er slukket, før du afmonterer eksterne kabler, for at undgå eventuel skade på tilsluttede enheder.

Batterier

Alle computere, der er fremstillet af Lenovo, indeholder et ikke-genopladeligt batteri på størrelse med en mønt, som forsyner systemuret med strøm. Derudover bruger mange bærbare produkter, f.eks. bærbare computere, et genopladeligt batteri, til at forsyne systemet med strøm, når der ikke er en stikkontakt i nærheden. De batterier, der leveres af Lenovo til brug i produktet, er testet for kompatibilitet og må kun udskiftes med godkendte dele.

Du må aldrig åbne et batteri. Du må ikke knuse, punktere eller brænde batteriet, og du må heller ikke kortslutte metalkontakterne. Du må ikke udsætte batteriet for vand eller andre væsker. Du må kun oplade batteriet i henhold til vejledningen i produktokumentationen.

Forkert behandling af batterier kan få dem til at overophedes, hvilket kan forårsage, at gasser eller flammer kan komme fra batteriet. Hvis batteriet er ødelagt, eller hvis batteriet aflades, eller hvis der opbygges fremmedlegemer på batteriets kontakter, skal du holde op med at bruge batteriet og få et andet fra producenten.

Batteriets levetid kan formindskes, hvis det ikke bruges i længere tid. Hvis visse genopladelige batterier (især Li-Ion-batterier) ikke bruges, når de er afladede, kan det forøge risikoen for, at batteriet kortsluttes, hvilket kan forkorte batteriets levetid, og det kan også udgøre en sikkerhedsrisiko. Aflad ikke opladelige Li-Ion-batterier fuldstændigt, og opbevar ikke disse batterier i en afladet tilstand.

Varme og ventilation

Computere, vekselstrømsadaptere og andet tilbehør genererer varme, når de er tændt, og når batteriet oplades. Følg altid disse grundlæggende forholdsregler:

- Lad ikke computeren, vekselstrømsadapteren eller tilbehør ligge i skødet eller andre steder på kroppen i en længere periode, mens computeren er i brug, eller mens batteriet oplades. Computeren, vekselstrømsadapteren og meget tilbehør genererer varme, når de er i drift. Hvis computeren er i berøring med kroppen i længere tid, kan det give ubehag og i sidste ende forbrændinger.
- Du må ikke oplade batteriet eller bruge computeren, vekselstrømsadapteren eller tilbehør nær ved brændbare materialer eller på steder, hvor der er risiko for eksplosion.
- Ventilationshuller, blæsere og køleplader leveres med produktet af sikkerhedsmæssige årsager og for at give en mere behagelig og pålidelig drift. Du kan komme til at blokere disse, hvis du bruger computeren i sengen, på en sofa, et tæppe eller lignende. Du må aldrig blokere eller tildække ventilationshullerne, og du må heller ikke deaktivere blæserne.

Undersøg computeren mindst én gang hver tredje måned for at se, om der har samlet sig støv i den. Før du undersøger computeren, skal du slukke for den og tage netledningsstikket ud af stikkontakten. Fjern derefter støv fra luftgitre og huller i dækslet. Hvis der har samlet sig støv udvendigt, skal du også undersøge om der er støv indvendigt, herunder på kølepladen og i luftgitre og ventilatorer. Fjern eventuelt støv. Du skal altid slukke for computeren og trække stikket ud af stikkontakten, før du åbner dækslet. Du skal undgå at bruge computeren i områder, der ligger nærmere end 60 centimeter fra områder med meget trafik. Hvis du ikke kan undgå det, skal du undersøge computeren og rengøre den oftere.

Følg disse grundlæggende forholdsregler. Det øger din egen sikkerhed og øger computerens ydeevne.

- Sørg for, at dækslet er lukket, når computeren er sat til.
- Undersøg regelmæssigt computerens yderside for at se, om der har samlet sig støv.
- Fjern støv fra luftgitre og huller i dækslet. Det kan være nødvendigt at rengøre computeren oftere, hvis den er placeret på et sted, hvor der er meget støvet eller meget trafik.
- Blokér ikke ventilationshullerne.
- Benyt ikke computeren, mens den står i et skab eller lignende, da det kan øge risikoen for overophedning.
- Temperaturen på luftstrømmen ind i computeren må ikke overstige 35° C.
- Brug kun luftfiltreringsudstyr til desktop-computere.

Driftsbetingelser

Det optimale driftsmiljø for computeren er 10°C - 35°C med en luftfugtighed mellem 35% og 80%. Hvis computeren bliver opbevaret eller transporteret ved temperaturer lavere end 10°C, skal du langsomt lade computeren varme op til en optimal driftstemperatur på 10°C - 35°C, før du bruger den. Det kan tage op til to timer under ekstreme forhold. Hvis du ikke lader computeren opnå en optimal temperatur, før du bruger den, risikerer du uoprettelige skader på computeren.

Hvis det er muligt, skal du placere computeren i et velventileret og tørt lokale, og ikke i direkte sol.

Undgå at have elektriske apparater som f.eks. ventilatorer, radioer, forstærkede højtalere og mikroovne tæt på computeren, fordi de stærke magnetfelter, der genereres af disse apparater, kan beskadige skærmen og data på harddisken.

Sæt ikke drikkevarer oven på eller ved siden af computeren eller tilsluttede enheder. Hvis du spilder væske på eller i computeren eller en tilsluttet enhed, kan der opstå en kortslutning eller anden skade.

Undgå spisning eller rygning hen over tastaturet. Der kan opstå skader, hvis der kommer krummer eller aske i tastaturet.

Sikkerhedsforskrifter vedrørende elektrisk strøm

Fare!

Elektrisk strøm fra el-, telefon- og kommunikationskabler kan være farlig.

Undgå elektrisk stød:

- Brug ikke computeren i tordenvejr.
- Tilslut eller fjern ikke kabler, og installér, vedligehold, eller omkonfigurer ikke computeren i tordenvejr.
- Slut alle netledninger til korrekt jordforbundne stikkontakter.
- Slut enhver enhed, der skal forbindes med dette produkt, til korrekt forbundne stikkontakter.
- Brug kun én hånd, når du skal tilslutte eller afmontere signalkabler.
- Tænd aldrig for udstyr på steder, hvor der er fare for brand og vand- eller bygningsskader.
- Medmindre installations- og konfigurationsvejledningen siger noget andet, skal du afmontere de tilsluttede netledninger, telekommunikations-systemer, netværk og modemer, inden du åbner enhedernes dæksler.

- Tilslut og afmonter kabler som beskrevet i det følgende ved installation eller flytning af produktet eller tilsluttet udstyr eller ved åbning af produktets eller udstyrets dæksler.

Ved montering: <ol style="list-style-type: none"> 1. Sluk for alt udstyr. 2. Slut først alle kabler til udstyret. 3. Tilslut signalkablerne. 4. Sæt netledningen i stikkontakten. 5. Tænd. 	Ved afmontering: <ol style="list-style-type: none"> 1. Sluk for alt udstyr. 2. Tag netledningen ud af stikkontakten. 3. Tag signalkablerne ud. 4. Tag alle kabler ud af udstyret.
--	--

Litiumbatteri

Pas på!
Fare for eksplosion, hvis batteriet ikke installeres korrekt.

Udskift kun litiumbatteriet med samme type eller en tilsvarende type, der anbefales af producenten. Batteriet indeholder litium og kan eksplodere, hvis det ikke bruges, håndteres eller kasseres korrekt.

Du må ikke:

- udsætte batteriet for vand
- opvarme det til mere end 100° C
- åbne det eller forsøge at reparere det

Batteriet skal kasseres i henhold til de lokale kommunale bestemmelser. Spørg kommunens tekniske forvaltning (miljøafdelingen).

Følgende bemærkning gælder brugere i Californien, USA.

Produktet indeholder perklorat og kræver evt. speciel behandling. Se www.dtsc.ca.gov/hazardouswaste/perchlorate.

Sikkerhedsforskrifter for modem

Pas på!
Brug kun telekommunikationsledning nr. 26 AWG eller større for at nedsætte risikoen for brand.

Følg disse grundlæggende sikkerhedsforskrifter, når du bruger teleudstyr for at nedsætte risikoen for brand, elektrisk stød eller personskade:

- Tilslut aldrig telefonledninger i tordenvejr.
- Installér aldrig telefonstik i våde lokaliteter, medmindre jackstikket er beregnet til våde lokaliteter.
- Rør aldrig ved uisolerede telefonledninger eller terminalstik, medmindre telefonledningen er afmonteret fra netværksinterfacet.
- Udvis forsigtighed, når du installerer eller reparerer telefonledninger.
- Brug ikke en telefon (bortset fra en trådløs) i tordenvejr. Der er fare for elektrisk stød fra lynnedslag.
- Brug ikke telefonen til at rapportere et gasudslip i nærheden af udslippet.

Sikkerhedsforskrifter for laser

Nogle pc'er leveres med et CD-drev eller DVD-drev. CD- og DVD-drev sælges også separat som ekstraudstyr. CD- og DVD-drev er laserprodukter. Drevene opfylder IEC's (International Electrotechnical Commission) standard nr. 60825-1 og CENELEC EN 60 825-1 for klasse 1 laserprodukter.

Vær opmærksom på følgende, når der er installeret et CD- eller DVD-drev:

Pas på!

Brug af kontakter, justeringer eller udførelse af procedurer, andre end dem, der er angivet i denne bog, kan medføre alvorlig strålingsfare.

Fjern ikke drevenes dæksler. Fjern ikke CD- eller DVD-drevets dæksler. Det kan resultere i alvorlig strålingsfare. Drevene indeholder ingen dele, der kan udskiftes eller repareres.

Visse CD- og DVD-drev indeholder en indbygget klasse 3A eller klasse 3B laserdiode. Bemærk følgende:

Fare!

Hvis disse sikkerhedsforskrifter ikke overholdes, og drevet åbnes, er der laserstråling. Se ikke direkte ind i laserstrålen, og benyt ikke optiske instrumenter til at se ind i laserstrålen. Undgå direkte laserstråling.

Sikkerhedsforskrifter for strømforsyning

Du må aldrig fjerne dækslet fra strømforsyningsenheden eller fra andre dele med denne mærkat.



Der er farlig spænding, strøm og farlige energiniveauer i alle komponenter, hvor denne mærkat sidder på. Disse komponenter indeholder ingen dele, der kan udskiftes eller repareres. Kontakt en servicetekniker, hvis du mener, der er problemer med en af disse dele.

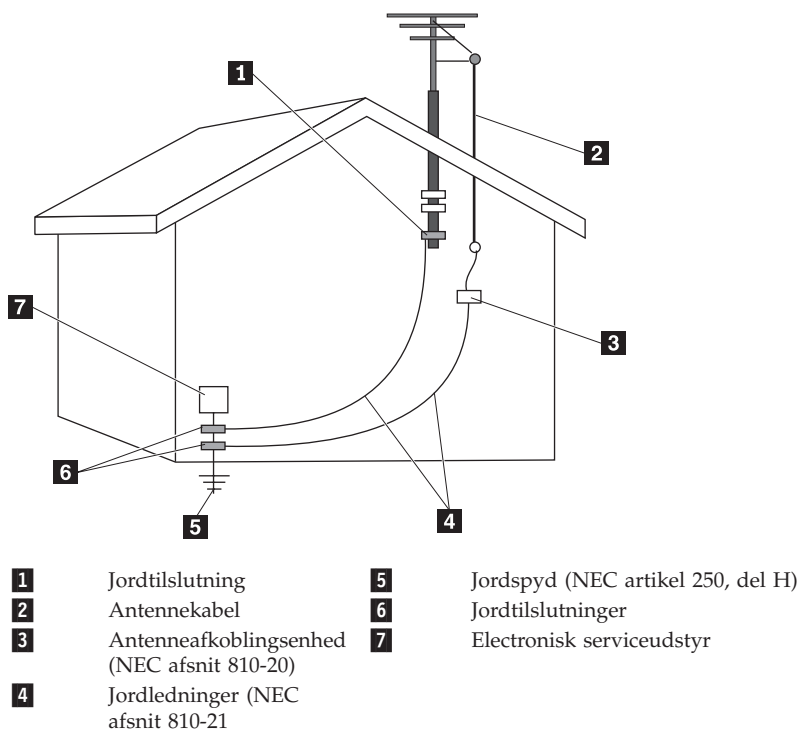
Produkter med tv-tuner

Denne bemærkning gælder for produkter med en tv-tuner, der forbindes til en antenne eller til et kabel-tv-system, eller begge, og som skal anvendes i Nordamerika. Brugere og montører i andre lande skal følge de lokale regler ved installation af udstyr, der skal forbindes til antenner eller kabel-tv. Hvis der ikke findes lokale regler, anbefales det, at brugere og montører anvender følgende retningslinjer.

Bemærkning vedrørende kabel-tv-installationer

Kabel-tv-montøren skal være opmærksom på National Electrical Code (NEC) artikel 820-40, der angiver retningslinjer for korrekt jordforbindelse og særligt specificerer, at jordledninger skal være forbundet så tæt som muligt med bygningens jordspyd.

Eksempel på antenne med jordforbindelse



Figur 1. Korrekt jordforbindelse af kabler

Følgende gælder for alle lande og områder:

Fare!



Udendørsantenne med jordforbindelse

Hvis der er tilsluttet udendørsantenne eller kabelsystem til udstyret, skal du kontrollere, at antennen eller kabelsystemet har jordforbindelse for at opnå en vis beskyttelse mod overspændinger og opbygget statisk ladning.

Lynnedslag

For at beskytte udstyret bedre under tordenvejr, eller når udstyret ikke benyttes i længere tid, skal du afmontere netledningen og tage antennekablet ud. Det sikrer, at der ikke sker skade på videoudstyret pga. lynnedslag og overspændinger.

Luftledninger

En udendørsantenne bør ikke placeres i nærheden af luftledninger eller på steder, hvor den kan vælte ind i dem. Vær meget forsigtig med ikke at røre ved luftledninger ved installation af en udendørsantenne, da det kan være livsfarligt.

Datasikkerhed

Slet ikke ukendte filer, og revidér ikke navne på filer eller biblioteker, du ikke selv har oprettet. Hvis du gør det alligevel, risikerer du, at programmerne ikke virker.

Vær opmærksom på, at når du har adgang til netværksressourcer, er computeren udsat for virus, hackere, spyware og andet, der kan beskadige computeren, programmerne eller data. Du er selv ansvarlig for at sikre, at du har passende beskyttelse i form af firewall-, antivirus- og anti-spyware-programmer, og for at holde disse programmer opdateret.

Rengøring og vedligeholdelse

Det er vigtigt at renholde computeren og skrivebordet. Sluk for computeren, og afmonter netledningen, før du rengør computeren. Sprøjt ikke flydende rengøringsmidler direkte på computeren, og brug ikke brændbare rengøringsmidler. Kom rengøringsmidlet på en blød klud, og tør computerens overflader af.

Brug af hovedtelefoner eller hovedsæt

Hvis computeren både har et hovedtelefonstik og et lydudgangsstik, skal du altid bruge hovedtelefonstikket til hovedtelefoner og hovedsæt.

Det kan være farligt at bruge hovedtelefoner eller hovedsæt gennem længere tid med høj lydstyrke, hvis hovedtelefonerne eller hovedsættet ikke overholder specifikationerne i EN 50332-2. Computerens udgangsstik til hovedtelefon overholder EN 50332-2 underafsnit 5.1. Denne specifikation begrænser computerens maksimale RMS-udgangsspænding i det hørbare område til 150mV. Som hjælp til at beskytte mod høretab skal du sikre, at de hovedtelefoner eller hovedsæt, du bruger, også overholder EN 50332-2 underafsnit 6.1 vedrørende nominel spænding på 75mV i det hørbare område. Det kan være farligt at bruge hovedtelefoner, der ikke overholder EN 50332-2, på grund af højt lydtryksniveau.

Hvis Lenovo-computeren blev leveret med hovedtelefoner eller et hovedsæt som en samlet pakke, overholder kombinationen af computer og hovedtelefoner eller hovedsæt allerede specifikationerne i EN 50332-1. Hvis du bruger andre hovedtelefoner eller hovedsæt, skal du sikre, at de overholder EN 50332-2 underafsnit 6.1 vedrørende nominel spænding på 75mV i det hørbare område. Det kan være farligt at bruge hovedtelefoner, der ikke overholder EN 50332-2, på grund af højt lydtryksniveau.

Andre sikkerhedsforskrifter

Plasticposer kan være farlige. Hold plasticposer uden for børns rækkevidde for at udgå risiko for kvælning.

Kapitel 2. Flere oplysninger

Når du har klargjort computeren ved hjælp af den leverede klargøringsvejledning, kan du bruge oplysningerne i dette kapitel til at få adgang til nyttige oplysninger om computeren.

Folder med onlinebøger

Bøgerne i folderen med onlinebøger indeholder oplysninger om klargøring og brug af computeren. Folderen er forudinstalleret på computeren, og du kan få vist bøgerne uden at have adgang til internettet. Folderen indeholder disse bøger:

- *Brugervejledning*

Denne bog indeholder oplysninger om klargøring af computeren, installation af ekstraudstyr, retablering af programmer, brug af Setup Utility, opdatering af systemprogrammer og oplysninger om fejlfinding.

- *Vejledning i udskiftning af hardware*

Denne bog indeholder en trinvis vejledning i udskiftning af CRU'er (Customer Replacement Units) i computeren. CRU'er er computerdele, der kan opgraderes eller udskiftes af kunden.

Gør følgende for at få vist en bog: Åbn menuen Start på Windows-skrivebordet, markér **Alle programmer**, markér **Onlinebøger**, og klik på **Onlinebøger**. Dobbeltklik på bogen til din computer. Bøgerne findes også på Lenovos websted på adressen <http://www.lenovo.com>.

Bemærkninger:

1. Bøgerne er PDF-filer (Portable Document Format), og du skal bruge Adobe Acrobat Reader for at læse dem. Hvis programmet Adobe Acrobat Reader ikke er installeret på computeren, vises en meddelelse, når du prøver at åbne PDF-filen, og du får derefter vejledning i at installere Adobe Acrobat Reader.
2. Bøgerne på computeren findes på andre sprog på Lenovos supportwebsted på adressen <http://www.lenovo.com/support/>.
3. Hvis du vil installere en anden sprogversion af Adobe Acrobat Reader end den, der blev leveret sammen med computeren, skal du besøge Adobes websted på <http://www.adobe.com> og overføre den version, du vil bruge.

ThinkVantage Productivity Center

Programmet ThinkVantage Productivity Center fører dig til en række oplysninger og værktøjer, som du kan bruge til at gøre det mere enkelt og sikkert at bruge computeren og samtidig reducere udgifterne og forøge produktiviteten. ThinkVantage Productivity Center hjælper dig med at konfigurere, forstå og udvide din computer.

Programmet ThinkVantage Productivity Center indeholder bl.a. følgende oplysninger om computeren:

- Programmet Rescue and Recovery
- Productivity Center
- Client Security Solutions
- Retablering af oprindeligt indhold
- Systemopdateringer
- Service og support

Bemærk: ThinkVantage-teknologierne findes kun på udvalgte Lenovo-computere.

Gør følgende for at få adgang til programmet ThinkVantage Productivity Center: Åbn menuen Start på Windows-skrivebordet, markér **Alle programmer**, markér **ThinkVantage** og klik på **Productivity Center**.

Access-hjælp

Access-hjælpen indeholder oplysninger om, hvordan du kommer i gang, om grundlæggende funktioner, tilpasning af indstillinger, beskyttelse af data, udvidelse og opgradering samt fejlfinding.

Gør følgende for at åbne Access-hjælpen: Åbn menuen Start på Windows-skrivebordet, markér **Alle programmer**, markér **ThinkVantage** og klik på **Access-hjælp**. Du bruger Access-hjælpen ved at vælge fanen Indhold eller Indeks eller ved at bruge fanen Søg til at finde et bestemt ord eller en bestemt vending.

Webstedet www.lenovo.com

Lenovos websted (www.lenovo.com) indeholder mange oplysninger og serviceydelser, du kan bruge i forbindelse med køb, opgradering og vedligeholdelse af computeren. Du kan hente de sidste nye oplysninger om din computer på Lenovos websted. Du har også disse muligheder fra webstedet www.lenovo.com:

- Søg efter stationære og bærbare computere, skærme, projektorer, opgraderinger og tilbehør til computeren og særtilbud.

- Køb ekstra serviceydelser, f.eks. hjælp til hardware, styresystemer, programmer, netværkskonfiguration og brugertilpassede installationer.
- Køb opgraderinger og udvidet hardwarereparation.
- Download de sidste nye styreprogrammer og programopdateringer til din computermodel.
- Få adgang til onlinebøger til dit udstyr.
- Få adgang til Lenovo Servicebevis.
- Få adgang til fejlfindings- og supportoplysninger til din computermodel og andre understøttede produkter.
- Find telefonnummeret til service og support i dit land eller område.
- Find en serviceudbyder i nærheden.

Registrering af oplysninger om computeren

Det er en fordel at have oplysninger om computeren klar, hvis du får brug for service. Serviceteknikeren skal sikkert bruge disse oplysninger.

Computerens maskintype, model- og serienummer findes på en mærkat på computeren. Brug skemaet nedenfor til at registrere oplysningerne:

Produktnavn	_____
Maskintype og model	_____
Serienummer (S/N)	_____
Købsdato	_____

Du kan registrere computeren via internettet på følgende websted:

<http://www.lenovo.com/register>

Når du registrerer computeren, opnår du følgende fordele:

- Hurtigere service, når du ringer efter hjælp
- Automatisk besked om gratis programmer og særlige kampagnetilbud

Der er flere oplysninger om registrering af computeren i Access-hjælpen på computeren. Der er flere oplysninger om at åbne onlinehjælpen i "Access-hjælp" på side 96.

Kapitel 3. Lenovo Servicebevis

LSOLW-00 05/2005

Del 1 - Standardvilkår

*Dette Servicebevis omfatter Del 1 - Standardvilkår, Del 2 - Særlige vilkår for specifikke lande og Del 3 - Garantioplysninger. Vilkårene i Del 2 erstatter eller ændrer vilkårene i Del 1. Servicebeviset gælder kun for Maskiner, De har anskaffet til eget brug fra Lenovo og ikke med henblik på videresalg. Udtrykket "Maskine" betyder en Lenovo-maskine, med tilhørende komponenter, funktioner, konverteringer, opgraderinger eller ydre enheder samt kombinationer af disse. Maskine omfatter ikke eventuelle programmer, uanset om de er forudinstalleret på Maskinen eller installeret senere. **Vilkårene i dette Servicebevis begrænser ikke eventuelle forbrugerrettigheder, De måtte have i henhold til ufravigelige lovbestemmelser***

Garantiens omfang

Lenovo indestår for, at Maskinen 1) er mangelfri mht. materialer og fabrikation og 2) overholder Lenovos officielle specifikationer (kaldet Specifikationer), som kan bestilles. Garantiperioden for en Maskine begynder på den oprindelige installationsdato og er angivet i Del 3 - Garantioplysninger. Installationsdatoen er den dato, der står anført på fakturaen eller kvitteringen, medmindre Lenovo eller forhandleren meddeler noget andet. Medmindre Lenovo angiver andet, gælder disse garantier kun i det land eller område, hvor De har købt Maskinen.

LENOVOS FORPLIGTELSE ER BEGRÆNSET TIL DET OVENFOR ANFØRTE. LENOVO PÅTAGER SIG INGEN FORPLIGTELSE HERUDOVER UANSET EVENTUELLE FORVENTNINGER VEDRØRENDE EGNETHED ELLER ANVENDELSE. VISSE LANDES LOVGIVNING TILLADER IKKE FRASKRIVELSE VEDRØRENDE UDTRYKKELIGE ELLER UNDERFORSTÅEDE GARANTIER, OG OVENNÆVNTE FRASKRIVELSE GÆLDER DERFOR MULIGVIS IKKE DEM. I SÅ FALD VIL SÅDANNE EVENTUELLE RETTIGHEDER VÆRE BEGRÆNSET TIL GARANTIPERIODEN. DER GÆLDER INGEN GARANTIER EFTER DEN PERIODE. VISSE LANDES LOVGIVNING TILLADER IKKE BEGRÆNSNINGER I EN UNDERFORSTÅET GARANTIS VARIGHED, OG OVENNÆVNTE BEGRÆNSNINGER GÆLDER DERFOR MULIGVIS IKKE DEM.

Forhold, garantien ikke dækker

Garantien dækker ikke følgende:

- eventuelle programmer, uanset om de er forudinstalleret på Maskinen, leveres sammen med Maskinen eller installeres senere.

- Fejl, der er opstået som følge af forkert brug, ydre omstændigheder, uautoriseret ændring, uegnet fysisk miljø eller driftsmiljø eller mangelfuld vedligeholdelse fra Deres side.
- Fejl forårsaget af et produkt, som Lenovo ikke er ansvarlig for, og
- Eventuelle ikke-Lenovo-produkter, inklusive dem, som Lenovo måtte købe og levere sammen med eller indbygge i en Lenovo-Maskine på Deres anmodning.

Garantien bortfalder, hvis kunden fjerner eller ændrer Maskinens eller delenes identifikationsmærkater.

Lenovo indestår ikke for, at Maskinen vil fungere fejlfrit og uden driftsstop.

Enhver form for teknisk eller anden assistance, der ydes til en Maskine, der er dækket af garantien, f.eks. assistance til spørgsmål af typen "hvordan kan man..." samt spørgsmål, der vedrører Maskinens konfiguration og installation, gives **uden nogen form for garanti**.

Sådan får De service i garantiperioden

Service i garantiperioden leveres af Lenovo, IBM eller Deres forhandler, hvis denne er autoriseret til at yde service i garantiperioden, eller af en autoriseret leverandør af service i garantiperioden. De kaldes hver især for "Serviceleverandør".

Hvis Maskinen ikke virker i henhold til garantien i garantiperioden, og der skal ydes service, skal De kontakte en Serviceleverandør. Hvis De ikke har registreret Maskinen hos Lenovo, skal De muligvis vise kvitteringen for Maskinen, som bevis på, at De er berettiget til at modtage service i garantiperioden.

Lenovos handlinger i forbindelse med problemløsning

Når De anmoder en Serviceleverandør om service, skal De følge de procedurer for fejlfinding og problemløsning, som vi angiver. En tekniker vil forsøge at udføre en første fejlfinding og hjælpe Dem med at løse problemet via telefonen eller elektronisk via et supportwebsted.

Den type service i garantiperioden, der gælder for Deres Maskine, er angivet i Del 3 - Garantioplysninger.

De er selv ansvarlig for at downloade og installere angivne softwareopdateringer fra et supportwebsted eller fra andre elektroniske medier og følge de vejledninger, som Serviceleverandøren giver. Softwareopdateringer kan omfatte grundlæggende input/outputsystemkode (kaldet BIOS), hjælpeprogrammer, styreprogrammer og andre softwareopdateringer.

Hvis problemet kan løses vha. en CRU (Customer Replaceable Unit, dvs. dele, som kunden selv udskifter), f.eks. tastatur, mus, højttaler, hukommelse eller harddisk, sender Serviceleverandøren Dem sådanne dele, og De foretager derefter selv udskiftning.

Hvis Maskinen ikke fungerer i henhold til garantien i garantiperioden, og problemet ikke kan løses over telefonen eller elektronisk, ved at De installerer programopdateringer eller vha. en CRU, vil Serviceleverandøren efter eget valg 1) reparere Maskinen, så den fungerer som angivet, eller 2) udskifte den med en Maskine med mindst tilsvarende funktionalitet. Hvis Serviceleverandøren er ude af stand til at reparere eller udskifte Maskinen, kan De returnere Maskinen til det sted, De har købt den, hvorefter De vil få det betalte beløb refunderet.

Som en del af servicen i garantiperioden installerer Serviceleverandøren også udvalgte tekniske ændringer, der skal foretages på Maskinen.

Udskiftning af en Maskine eller del

Når service i garantiperioden indebærer udskiftning af en Maskine eller en maskindel, bliver den del, Serviceleverandøren udskifter, Lenovos ejendom, og den Maskine eller del, der installeres i stedet, bliver Deres ejendom. De indestår for, at alle fjernede dele er originale og uændrede. Maskinen eller delen, der installeres i stedet, er ikke nødvendigvis ny, men den vil være i god og funktionsdygtig stand og med mindst samme funktionalitet som den udskiftede Maskine eller del. En erstatningsmaskine eller -del overtager samme garantistatus, som den udskiftede Maskine eller del.

Deres øvrige forpligtelser

De er indforstået med at fjerne alle funktioner, dele, ekstraudstyr, ændringer, tilslutninger og alt ekstraudstyr, der ikke er omfattet af service i garantiperioden, inden Serviceleverandøren udskifter en Maskine eller del.

De er også indforstået med:

1. at sørge for, at Maskinen ikke er omfattet af juridiske forpligtelser eller begrænsninger, der forhindrer, at den udskiftes.
2. at skaffe ejerens tilladelse til, at Serviceleverandøren yder service på en Maskine, som De ikke ejer.
3. når det er muligt, inden der ydes service:
 - a. at følge de serviceprocedurer, som Serviceleverandøren stiller til rådighed.
 - b. at tage kopi af eller sikre alle programmer, data og andre værdier, som findes på Maskinen.
 - c. at sørge for, at Serviceleverandøren har tilstrækkelig, fri og sikker adgang til Deres faciliteter, til at Lenovo kan opfylde sine forpligtelser.
4. (a) at sørge for, at alle de oplysninger om angivne personer eller om personer, det er muligt at identificere, (kaldet Personoplysninger) er blevet slettet fra Maskinen i det omfang, det er teknisk muligt, (b) at tillade Serviceleve-

randøren eller en underleverandør på Deres vegne at behandle de Personoplysninger, der eventuelt er tilbage, på en måde, som Serviceleverandøren anser for at være nødvendig for at kunne opfylde sine forpligtelser i henhold til dette Servicebevis, hvilket kan indebære, at Maskinen sendes til andre servicecentre i verden, og (c) at sørge for, at den måde Maskinen behandles på, er i overensstemmelse med de eventuelle andre love, der gælder Personoplysninger.

Ansvarsbegrænsning

Lenovo er udelukkende ansvarlig for tab eller beskadigelse af Deres Maskine, mens denne er 1) i Serviceleverandørens besiddelse eller 2) under transport for Lenovos regning.

Lenovo eller Serviceleverandøren er under ingen omstændigheder ansvarlige for eventuelt fortroligt, privat eller personligt materiale, der måtte ligge på en Maskine, De returnerer. De bør derfor fjerne sådant materiale fra Maskinen, inden Maskinen returneres.

Der kan opstå situationer, hvor De på grund af fejl fra Lenovos side eller andre ansvarspådragende forhold er berettiget til at få tilkendt erstatning fra Lenovo. I sådanne tilfælde er Lenovos erstatningsansvar, uanset ansvarsgrundlaget, herunder uagtsomhed, dog bortset fra ansvar, der ikke kan fraskrives eller begrænses ifølge ufravigelige lovbestemmelser, begrænset til:

1. personskade (inklusive død) samt skade på fast ejendom og løsøre, som er ansvarspådragende for Lenovo.
2. et beløb, der dækker anden direkte skade op til det beløb, De har betalt for den Maskine, som er genstand for kravet.

De anførte ansvarsbegrænsninger omfatter også Lenovos underleverandører og forhandlere og Serviceleverandøren. Ansvarsbegrænsningerne angiver Lenovos, Lenovos underleverandørers og forhandlers og Serviceleverandørens samlede, maksimale ansvar.

LENOVO, LENOVS UNDERLEVERANDØRER, FORHANDLERE ELLER SERVICELEVERANDØRER ER I ALLE TILFÆLDE UDEN ANSVAR FOR FØLGENDE: 1) ERSTATNINGSKRAV REJST MOD DEM AF TREDJEPART (BORTSET FRA SÅDANNE, SOM ER NÆVNT UNDER PUNKT 1 OVENFOR), 2) TAB ELLER SKADE PÅ DATA, 3) INDIREKTE TAB ELLER FØLGESKADER ELLER 4) TABT FORTJENESTE, IND TJENING, GOODWILL ELLER FORVENTEDE BESPARELSER, SELV OM LENOVO, LENOVS UNDERLEVERANDØRER, FORHANDLERE ELLER SERVICELEVERANDØRER ER BLEVET GJORT BEKENDT MED MULIGHEDEN FOR SÅDANNE TAB. VISSE LANDES LOVGIVNING TILLADER IKKE FRASKRIVELSE ELLER BEGRÆNSNINGER VEDRØRENDE INDIREKTE TAB ELLER FØLGESKADER, OG OVENNÆVNTE BEGRÆNSNINGER ELLER FRASKRIVELSE GÆLDER DERFOR MULIGVIS IKKE DEM.

Gældende lov

Både De og Lenovo er indforstået med at være underlagt den gældende lovgivning i det land, hvor De har anskaffet Maskinen, mht. regulering, fortolkning og håndhævelse af alle Deres og Lenovos rettigheder og forpligtelser, der opstår som følge af eller på nogen måde vedrører genstanden for dette Servicebevis, uden hensyn til principperne i international privatret.

UD OVER DET OVENFOR ANFØRTE HAR DE MULIGVIS ANDRE RETTIGHEDER AFHÆNGIG AF LANDETS LOVGIVNING.

Lovgivning

Alle IBM's rettigheder og forpligtelser er underkastet domstolene i det land, som De køber Maskinen i.

Del 2 - Særlige vilkår for specifikke lande

SYDAMERIKA

ARGENTINA

Lovgivning: *Følgende tilføjes efter den første sætning:*

Enhver form for tvist, der måtte opstå på grundlag af dette Servicebevis, afgøres udelukkende ved Ordinary Commercial Court i byen Buenos Aires.

BOLIVIA

Lovgivning: *Følgende tilføjes efter den første sætning:*

Enhver form for tvist, der måtte opstå på grundlag af dette Servicebevis, afgøres udelukkende ved domstolene i La Paz.

BRASILIEN

Lovgivning: *Følgende tilføjes efter den første sætning:*

Enhver form for tvist, der måtte opstå på grundlag af dette Servicebevis, afgøres udelukkende ved domstolen i Rio de Janeiro, RJ.

CHILE

Lovgivning: *Følgende tilføjes efter den første sætning:*

Enhver form for tvist, der måtte opstå på grundlag af dette Servicebevis, afgøres udelukkende ved domstolene i Santiago.

COLOMBIA

Lovgivning: *Følgende tilføjes efter den første sætning:*

Enhver form for tvist, der måtte opstå på grundlag af dette Servicebevis, afgøres udelukkende af dommerne i Colombia.

ECUADOR

Lovgivning: *Følgende tilføjes efter den første sætning:*

Enhver form for tvist, der måtte opstå på grundlag af dette Servicebevis, afgøres udelukkende af dommerne i Quito.

MEXICO

Lovgivning: *Følgende tilføjes efter den første sætning:*

Enhver form for tvist, der måtte opstå på grundlag af dette Servicebevis, afgøres udelukkende ved domstolene i Mexico City.

PARAGUAY

Lovgivning: *Følgende tilføjes efter den første sætning:*

Enhver form for tvist, der måtte opstå på grundlag af dette Servicebevis, afgøres udelukkende ved domstolene i Asuncion.

PERU

Lovgivning: *Følgende tilføjes efter første sætning:*

Enhver form for tvist, der måtte opstå på grundlag af dette Servicebevis, afgøres udelukkende af domstolene i Lima, Cercado.

Ansvarsbegrænsning: *Følgende tilføjes i slutningen af dette afsnit:*

I overensstemmelse med Artikel 1328 i Peruvian Civil Code gælder begrænsningerne og fraskrivelserne i dette afsnit ikke skader, som skyldes bevidst forseelse (dolo) eller grov forsømmelse (culpa inexcusable) fra Lenovos side.

URUGUAY

Lovgivning: *Følgende tilføjes efter den første sætning:*

Enhver form for tvist, der måtte opstå på grundlag af dette Servicebevis, afgøres udelukkende ved domstolene i Montevideo.

VENEZUELA

Lovgivning: *Følgende tilføjes efter den første sætning:*

Enhver form for tvist, der måtte opstå på grundlag af dette Servicebevis, afgøres udelukkende ved domstolene i Metropolitan Area i Caracas.

NORDAMERIKA

Sådan får De service i garantiperioden: *Følgende føjes til denne paragraf:*

Ring 1-800-426-7378 for at få service i garantiperioden.

CANADA

Ansvarsbegrænsning: *Følgende erstatter punkt 1 i dette afsnit:*

1. erstatning for personskade (herunder død) samt skade på fast ejendom og løsøre forvoldt ved Lenovos forsømmelse, og

Gældende lov: *Følgende erstatter "den gældende lovgivning i det land, hvor De har anskaffet Maskinen" i første sætning:*
lovgivningen i provinsen Ontario.

USA

Gældende lov: *Følgende erstatter "domstolene i det land, hvor De har anskaffet Maskinen" i første sætning:*
lovgivningen i staten New York.

ASIEN - STILLEHAVSOMRÅDET

AUSTRALIEN

Garantiens omfang: *Følgende sætning føjes til dette afsnit:*

De i dette afsnit nævnte garantier supplerer eventuelle rettigheder, De måtte have under Trade Practices Act 1974 eller anden tilsvarende lovgivning, og er kun begrænset i det omfang, gældende lovgivning tillader.

Ansvarsbegrænsning: *Følgende føjes til i dette afsnit:*

Hvis Lenovo er skyldig i misligholdelse af en bestemmelse eller garanti, der kan udledes af "Trade Practices Act 1974" eller anden lignende lovgivning, er Lenovos ansvar begrænset til reparation eller erstatning af varen eller levering af en tilsvarende vare. Hvor denne bestemmelse eller garanti vedrører retten til at sælge, uindskrænket nydelsesret eller uindskrænket adkomst, eller varen er af en art, der normalt anskaffes til personlig brug eller brug i hjemmet, bortfalder begrænsningerne i dette afsnit.

Gældende lov: *Følgende erstatter "den gældende lovgivning i det land, hvor De har anskaffet Maskinen" i første sætning:*
lovgivningen i staten eller territoriet.

CAMBODJA OG LAOS

Gældende lov: *Følgende erstatter "den gældende lovgivning i det land, hvor De har anskaffet Maskinen" i den første sætning:*
lovgivningen i staten New York, USA.

CAMBODJA, INDONESIAEN OG LAOS

Voldgift: *Følgende tilføjes under overskriften:*

Uenigheder, der måtte opstå på grund af eller i forbindelse med dette Servicebevis, underkastes endelig og bindende voldgift i Singapore i overensstemmelse med de gældende SIAC-regler (SIAC Rules - Arbitration Rules of Singapore International Arbitration Center). Voldgiftskendelsen er endelig og bindende for parterne uden mulighed for appel og skal foreligge skriftligt og angive domstolens resultater og konklusioner.

Der skal udpeges tre voldgiftsmænd, hvoraf hver af sagens parter udpeger én. De to voldgiftsmænd udpeger en tredje, som skal fungere som formand for voldgiftsbehandlingen. En eventuel ledig formandspost besættes af formanden for SIAC. Øvrige ledige poster besættes af den pågældende udpegende part. Voldgiftsbehandlingen skal fortsætte derfra, hvor den var nået til, da posten blev ledig.

Hvis en af parterne nægter eller på anden vis undlader at udpege en voldgiftsmand inden 30 dage fra den dato, hvor den anden part har udpeget sin, skal den først udpegede voldgiftsmand være enevoldgiftsmand, forudsat at udpegelsen af vedkommende er gyldig og korrekt.

Al voldgiftsbehandling skal foregå på engelsk, og alle dokumenter, der fremlægges herunder, skal være på engelsk. Den engelsksprogede version af dette Servicebevis (Statement of Limited Warranty) har forrang for versioner på alle andre sprog.

HONG KONG S.A.R. OF CHINA OG MACAU S.A.R. OF CHINA

Gældende lov: *Følgende erstatter "den gældende lovgivning i det land, hvor De har anskaffet Maskinen" i den første sætning:*
lovgivningen i Hong Kong Special Administrative Region of China.

INDIEN

Ansvarsbegrænsning: *Følgende erstatter punkt 1 og 2 i dette afsnit:*

1. erstatningsansvar for personskade (herunder død) samt skade på fast ejendom og løsøre er begrænset til den faktiske skade forvoldt ved Lenovos forsømmelser, og
2. anden form for faktisk skade som følge af Lenovos manglende opfyldelse i henhold til eller på anden måde forbundet med den genstand, dette Servicebevis gælder, op til det beløb, De har betalt for den enkelte Maskine, der er årsagen til erstatningskravet.

Voldgift: *Følgende tilføjes under overskriften:*

Uenigheder, der måtte opstå på grund af eller i forbindelse med dette Servicebevis, underkastes endelig og bindende voldgift i Bangalore i Indien i overensstemmelse med den gældende lovgivning i Indien. Voldgiftskendelsen er endelig og bindende for parterne uden mulighed for appel og skal foreligge skriftligt og angive domstolens resultater og konklusioner.

Der skal udpeges tre voldgiftsmænd, hvoraf hver af sagens parter udpeger én. De to voldgiftsmænd udpeger en tredje, som skal fungere som formand for voldgiftsbehandlingen. En eventuel ledig formandsport besættes af formanden for Indiens Bar Council. Øvrige ledige poster besættes af den pågældende udpegende part. Voldgiftsbehandlingen skal fortsætte derfra, hvor den var nået til, da posten blev ledig.

Hvis en af parterne nægter eller på anden vis undlader at udpege en voldgiftsmand inden 30 dage fra den dato, hvor den anden part har udpeget sin, skal den først udpegede voldgiftsmand være enevoldgiftsmand, forudsat at udpegelsen af vedkommende er gyldig og korrekt.

Al voldgiftsbehandling skal foregå på engelsk, og alle dokumenter, der fremlægges herunder, skal være på engelsk. Den engelsksprogede version af dette Servicebevis (Statement of Limited Warranty) har forrang for versioner på alle andre sprog.

JAPAN

Gældende lov: *Følgende sætning føjes til dette afsnit:*

Enhver tvivl vedrørende dette Servicebevis skal først forsøges løst mellem parterne i god tro og i overensstemmelse med princippet om gensidig tillid.

MALAYSIA

Ansvarsbegrænsning: Ordet "*SPECIAL*" i punkt 3 i femte afsnit slettes.

NEW ZEALAND

Garantiens omfang: *Følgende sætning føjes til dette afsnit:*

De i dette afsnit nævnte garantier supplerer eventuelle rettigheder, De måtte have under "Consumer Guarantees Act 1993" eller anden lovgivning, der ikke kan fraviges. Consumer Guarantees Act 1993 finder ikke anvendelse, for så vidt angår varer leveret af Lenovo, hvis disse varer er anskaffet i forretningsøjemed, som defineret i forannævnte lov.

Ansvarsbegrænsning: *Følgende føjes til dette afsnit:*

Hvis en Maskine ikke er anskaffet i forretningsøjemed, som defineret i "Consumer Guarantees Act 1993", er begrænsningerne i dette afsnit underlagt begrænsningerne i ovennævnte lov.

DEN KINESISKE FOLKEREPUBLIK

Gældende lov: *Følgende erstatter "den gældende lovgivning i det land, hvor De har anskaffet Maskinen" i den første sætning:* lovgivningen i staten New York, USA (undtagen hvor lokal lovgivning angiver andet).

FILIPPINERNE

Ansvarsbegrænsning: *Følgende erstatter punkt 3 i femte afsnit:*

SÆRLIGE SKADER (HERUNDER EN SYMBOLSK ELLER VÆSENTLIG BOD), SKADER PÅ OMDØMME, INDIREKTE TAB ELLER FØLGESKADER ELLER

Voldgift: Følgende tilføjes under overskriften:

Uenigheder, der måtte opstå på grund af eller i forbindelse med dette Servicebevis, underkastes endelig og bindende voldgift i Metro Manila i Filippinerne i

overensstemmelse med den gældende lovgivning i Filippinerne. Voldgiftskendelsen er endelig og bindende for parterne uden mulighed for appel og skal foreligge skriftligt og angive domstolens resultater og konklusioner.

Der skal udpeges tre voldgiftsmænd, hvoraf hver af sagens parter udpeger én. De to voldgiftsmænd udpeger en tredje, som skal fungere som formand for voldgiftsbehandlingen. En eventuel ledig formandspost besættes af formanden for Philippine Dispute Resolution Center, Inc. Øvrige ledige poster besættes af den pågældende udpegende part. Voldgiftsbehandlingen skal fortsætte derfra, hvor den var nået til, da posten blev ledig.

Hvis en af parterne nægter eller på anden vis undlader at udpege en voldgiftsmand inden 30 dage fra den dato, hvor den anden part har udpeget sin, skal den først udpegede voldgiftsmand være enevoldgiftsmand, forudsat at udpegelsen af vedkommende er gyldig og korrekt.

Al voldgiftsbehandling skal foregå på engelsk, og alle dokumenter, der fremlægges herunder, skal være på engelsk. Den engelsksprogede version af dette Servicebevis (Statement of Limited Warranty) har forrang for versioner på alle andre sprog.

SINGAPORE

Ansvarsbegrænsning: Ordene "SPECIAL" og "ECONOMIC" i punkt 3 i femte afsnit slettes.

EUROPA, MELLEMLØSTEN OG AFRIKA (EMEA)

Følgende vilkår gælder for alle EMEA-lande:

Vilkårene i dette Servicebevis gælder Maskiner, som De har købt hos Lenovo eller en Lenovo-forhandler.

Sådan får De service i garantiperioden:

Følgende afsnit tilføjes i Vesteuropa (Andorra, Belgien, Cypern, Danmark, Tjekkiet, Estland, Finland, Frankrig, Grækenland, Holland, Island, Irland, Italien, Letland, Liechtenstein, Litauen, Luxembourg, Malta, Monaco, Norge, Polen, Portugal, San Marino, Slovakiet, Slovenien, Schweiz, Spanien, Storbritannien, Sverige, Tyskland, Ungarn, Vatikanstaten, Østrig og et hvilket som helst land, der efterfølgende optages i den Europæiske Union fra optagelsesdagen).

Garantien på Maskiner, der er anskaffet i Vesteuropa, er gyldig i alle lande i Vesteuropa, forudsat at Maskinerne er lanceret og kan købes i disse lande.

Hvis De køber en Maskine i et af de vesteuropæiske lande, der er nævnt ovenfor, kan De få service i garantiperioden til Maskinen i et hvilket som helst af disse lande fra en Serviceleverandør, forudsat at Lenovo har lanceret Maskinen i det land, hvor De ønsker at få service.

Hvis De har købt en pc i Albanien, Armenien, Bulgarien, Hviderusland, Bosnien/Hercegovina, Kroatien, Tjekkiet, Georgien, Ungarn, Kasakhstan, Kirgisistan, Forbundsrepublikken Jugoslavien, Den Tidligere Jugoslaviske Republik Makedonien, Moldova, Polen, Rumænien, Rusland, Slovakiet eller Ukraine, kan De få service i garantiperioden til Maskinen i et hvilket som helst af disse lande fra en Serviceleverandør, forudsat at Lenovo har annonceret Maskinen og gjort den tilgængelig i det land, hvor De ønsker at få service.

Hvis De køber en Maskine i Mellemøsten eller Afrika, kan De få service i garantiperioden til Maskinen hos en Serviceleverandør i det land, hvor De har købt Maskinen, forudsat at Lenovo har annonceret Maskinen og gjort den tilgængelig i det pågældende land. I Afrika ydes service i garantiperioden inden for en radius af 50 km fra en Serviceleverandør. De skal selv dække omkostninger til transport af Maskiner, der er placeret mere end 50 km fra en Serviceleverandør.

Gældende lov:

Følgende erstatter "den gældende lovgivning det land, hvor De har anskaffet Maskinen":

1) "lovgivningen i Østrig," når Maskinen er anskaffet i Albanien, Armenien, Azerbajjan, Hviderusland, Bosnien/Hercegovina, Bulgarien, Kroatien, Georgien, Ungarn, Kasakhstan, Kirgisistan, Den Tidligere Jugoslaviske Republik Makedonien, Moldova, Polen, Rumænien, Rusland, Slovakiet, Slovenien, Tadjikistan, Turkmenistan, Ukraine, Uzbekistan og Forbundsrepublikken Jugoslavien, 2) "lovgivningen i Frankrig," når Maskinen er anskaffet i Algeriet, Benin, Burkina Faso, Cameroun, Kap Verde, Centralafrikanske Republik, Tchad, Comorerne, Congo, Djibouti, Den Demokratiske Republik Congo, Ækvatorialguinea, Fransk Guyana, Fransk Polynesien, Gabon, Gambia, Guinea, Guinea-Bissau, Elfenbenskysten, Libanon, Madagaskar, Mali, Mauretanien, Mauritius, Mayotte, Marokko, Ny Caledonien, Niger, Reunion, Senegal, Seychellerne, Togo, Tunesien, Vanuatu og Wallis og Futuna 3) "lovgivningen i Finland," når Maskinen er anskaffet i Estland, Letland og Litauen, 4) "lovgivningen i England," når Maskinen er anskaffet i Angola, Bahrain, Botswana, Burundi, Egypten, Eritrea, Etiopien, Ghana, Jordan, Kenya, Kuwait, Liberia, Malawi, Malta, Mozambique, Nigeria, Oman, Pakistan, Qatar, Rwanda, Sao Tome, Saudi-Arabien, Sierra Leone, Somalia, Tanzania, Uganda, Forenede Arabiske Emirater, Storbritannien, Vestbredden/Gaza, Yemen, Zambia og Zimbabwe og 5) "lovgivningen i Sydafrika," når Maskinen er anskaffet i Sydafrika, Namibia, Lesotho og Swaziland.

Lovgivning: Følgende undtagelser føjes til dette afsnit:

1) I Østrig afgøres enhver tvist, der måtte opstå som følge af eller i forbindelse med dette Servicebevis, herunder uenigheder om Servicebevisets gyldighed, ved den kompetente domstol i Wien i Østrig (Inner-City), 2) i Angola, Bahrain, Botswana, Burundi, Egypten, Eritrea, Etiopien, Forenede Arabiske Emirater, Ghana, Jordan, Kenya, Kuwait, Liberia, Malawi, Malta, Mozambique, Nigeria, Oman, Pakistan, Qatar, Rwanda, Sao Tome, Saudi-Arabien, Sierra Leone,

Somalia, Tanzania, Uganda, Vestbredden/Gaza, Yemen, Zambia og Zimbabwe underkastes enhver tvist, der måtte opstå som følge af dette Servicebevis eller i forbindelse med dets udførelse, herunder hurtig retsforfølgning, de engelske domstoles enekompetence, 3) i **Belgien og Luxembourg** afgøres enhver tvist, der måtte opstå som følge af dette Servicebevis eller i forbindelse med dets fortolkning eller udførelse, udelukkende af lovgivningen og domstolene i hovedstaden i det land, hvor Deres firmaadresse og/eller hovedkontor er registreret, 4) i **Frankrig, Algeriet, Benin, Burkina Faso, Cameroun, Cape Verde, Centralafrikanske Republik, Tchad, Comorerne, Congo, Djibouti, Den Demokratiske Republik Congo, Ækvatorialguinea, Fransk Guyana, Fransk Polynesien, Gabon, Gambia, Guinea, Guinea-Bissau, Elfenbenskysten, Libanon, Madagaskar, Mali, Mauritanien, Mauritius, Mayotte, Marokko, Ny Caledonien, Niger, Reunion, Senegal, Seychellerne, Togo, Tunesien, Vanuatu og Wallis & Futuna** afgøres alle tvister, der opstår pga. dette Servicebevis eller i forbindelse med dets overtrædelse eller udførelse, udelukkende ved handelsdomstolen i Paris, 5) i **Rusland** afgøres alle tvister, der opstår pga. eller i forbindelse med fortolkning, overtrædelse, ophævelse eller annullering af dette Servicebevis, ved voldgiftsretten i Moskva, 6) i **Sydafrika, Namibia, Lesotho og Swaziland** er parterne enige om at enhver tvist, der måtte opstå som følge af dette Servicebevis afgøres ved højesteret i Johannesburg, 7) i **Tyrkiet** afgøres alle tvister, der måtte opstå som følge af dette Servicebevis ved Istanbul Central (Sultanahmet) Courts og Execution Directorates i Istanbul, Tyrkiet, 8) i følgende lande skal alle retmæssige krav, som måtte opstå som følge af dette Servicebevis, blive fremstillet og afgjort ved den relevante domstol i a) Athen i **Grækenland**, b) Tel Aviv-Jaffa i **Israel**, c) Milano i **Italien**, d) Lissabon i **Portugal** og e) Madrid i **Spanien** og 9) i **Storbritannien** er parterne enige om at enhver tvist, der måtte opstå som følge af dette Servicebevis afgøres ved domstolene i England.

Voldgift: *Følgende tilføjes under overskriften:*

I **Albanien, Armenien, Azerbajjan, Hviderusland, Bosnien/Herzegovina, Bulgarien, Kroatien, Georgien, Ungarn, Kasakhstan, Kirgisistan, Den Tidligere Jugoslaviske Republik Makedonien, Moldova, Polen, Rumænien, Rusland, Slovakiet, Slovenien, Tajikistan, Turkmenistan, Ukraine, Uzbekistan og Forbundsrepublikken Jugoslavien** skal alle uenigheder, der måtte opstå som følge af dette Servicebevis eller på grund af dets overtrædelse, ophævelse eller ugyldighed, afgøres endeligt i henhold til Rules of Arbitration and Conciliation of the International Arbitral Center of the Federal Economic Chamber i Wien (Wien-reglerne) af tre voldgiftsmænd, der er udpeget i overensstemmelse med disse regler. Voldgiften afholdes i Wien i Østrig, og voldgiftsbehandlingen skal foregå på engelsk. Voldgiftsmændenes kendelse vil være endelige og bindende for begge parter. Parterne fraskriver sig derfor i henhold til paragraf 598 (2) i Austrian Code of Civil Procedure udtrykkeligt anvendelsen af paragraf 595 (1) figur 7 i Austrian Code of Civil. Lenovo kan dog anlægge sag ved en kompetent ret i det land, hvor Maskinen er installeret.

I **Estland, Letland og Litauen** afgøres enhver tvist, der måtte opstå som følge af dette Servicebevis, endeligt ved en voldgift, som afholdes i Helsinki i Finland i overensstemmelse med de gældende regler for voldgift i Finland. Hver af parterne udpeger en voldgiftsmand. Voldgiftsmændene udpeger derefter sammen en formand. Hvis voldgiftsmændene ikke kan blive enige om en formand, udpeger Central Chamber of Commerce i Helsinki en formand.

EU (Den Europæiske Union)

Følgende vilkår gælder alle EU-lande:

Garantien på Maskiner, der er anskaffet i et EU-land, er gyldig i alle lande i EU, forudsat at Maskinerne er lanceret og kan købes i disse lande.

Sådan får De service i garantiperioden: *Følgende føjes til dette afsnit:*

Se oversigten over telefonnumre i Del 3 - Garantioplysninger, hvis De ønsker service i garantiperioden fra IBM-service i EU-landene.

De kan kontakte IBM-service på følgende adresse:

IBM Warranty & Service Quality Dept.
PO Box 30
Spango Valley
Greenock
Scotland PA16 0AH

FORBRUGERE

Forbrugere har juridiske rettigheder i henhold til gældende national lovgivning for salg af forbrugsvarer. Sådanne rettigheder påvirkes ikke af de garantier, der gives i dette Servicebevis.

DANMARK, FINLAND, GRÆKENLAND, HOLLAND, ITALIEN, NORGE, PORTUGAL, SCHWEIZ, SPANIEN, SVERIGE OG ØSTRIG

Ansvarsbegrænsning: *Følgende erstatter alle vilkårene i dette afsnit:*

Medmindre gældende lov kræver andet, gælder følgende:

1. Lenovos erstatningsansvar for krav og tab, der måtte opstå som følge af, at Lenovo ikke har opfyldt sine forpligtelser i henhold til eller i forbindelse med dette Servicebevis, eller pga. andre årsager i forbindelse med Servicebeviset, er begrænset til en erstatning udelukkende for de krav og tab, der kan påvises at være opstået som umiddelbar og direkte følge af Lenovos manglende opfyldelse af sådanne forpligtelser (hvis det skyldes fejl fra Lenovos side) eller som umiddelbar og direkte følge af sådanne andre årsager. Erstatningen kan ikke overstige det beløb, De har betalt for Maskinen. Ovennævnte begrænsning gælder ikke erstatning for personskade (herunder død) samt skade på fast ejendom og løsøre, som er ansvarspådragende for Lenovo.
2. Hverken Lenovo eller Lenovos underleverandører, forhandlere eller Serviceleverandører er ansvarlige for følgende: 1) tab af eller skade på data, 2) indirekte tab eller følgeskader eller 3) tabt fortjeneste, selv om tabet er

en direkte følge af den begivenhed, der har forårsaget skaderne, eller 4) tabt fortjeneste, indtjening, goodwill eller forventede besparelser, selv om de er blevet gjort bekendt med muligheden for sådanne tab.

FRANKRIG OG BELGIEN

Ansvarsbegrænsning: *Følgende erstatter alle vilkårene i dette afsnit:*

Medmindre gældende lov kræver andet, gælder følgende:

1. Lenovos erstatningsansvar for krav og tab, der måtte opstå som følge af, at Lenovo ikke har opfyldt sine forpligtelser i henhold til eller i forbindelse med dette Servicebevis, er begrænset til en erstatning udelukkende for de krav og tab, der kan påvises at være opstået som umiddelbar og direkte følge af Lenovos manglende opfyldelse af sådanne forpligtelser (hvis det skyldes fejl fra Lenovos side). Erstatningen kan ikke overstige det beløb, De har betalt for den Maskine, der har forårsaget skaderne.
Ovennævnte begrænsning gælder ikke erstatning for personskade (herunder død) samt skade på fast ejendom og løsøre, som er ansvarspådragende for Lenovo.
2. Hverken Lenovo eller Lenovos underleverandører, forhandlere eller Serviceleverandører er ansvarlige for følgende: 1) tab af eller skade på data, 2) indirekte tab eller følgeskader eller 3) tabt fortjeneste, selv om tabet er en direkte følge af den begivenhed, der har forårsaget skaderne, eller 4) tabt fortjeneste, indtjening, goodwill eller forventede besparelser, selv om de er blevet gjort bekendt med muligheden for sådanne tab.

FØLGENDE VILKÅR GÆLDER DET ANGIVNE LAND:

ØSTRIG

Bestemmelserne i dette Servicebevis erstatter alle ufravigelige lovbestemmelser.

Garantiens omfang: *Følgende erstatter første sætning i første afsnit under denne overskrift:*

Garantien for en Lenovo-Maskine dækker Maskinens funktionalitet ved normal brug, og at Maskinen er i overensstemmelse med Specifikationerne.

Følgende føjes til dette afsnit:

Forældelsesfristen for en forbrugers krav i forbindelse med brud på garantien er mindst den lovbestemte periode. Hvis Serviceleverandøren ikke er i stand til at reparere en Lenovo-Maskine, kan De som alternativ anmode om at få en delvis tilbagebetaling, i det omfang det er berettiget på grund af den ikke-reparerede Maskines værdiforringelse, eller om annullering af den pågældende aftale vedrørende en sådan Maskine, og få det beløb, De har betalt, refunderet.

Anden sætning gælder ikke.

Lenovos handlinger i forbindelse med problemløsning: *Følgende føjes til dette afsnit:*

I garantiperioden godtgør Lenovo Deres omkostninger til transport af den defekte Maskine til IBM-service.

Ansvarsbegrænsning: *Følgende sætning føjes til dette afsnit:*

De begrænsninger og fraskrivelser, der er anført i dette Servicebevis, gælder ikke skader forvoldt af Lenovo som følge af svig eller grov uagtsomhed og ved udtrykkelige garantier.

Følgende sætning føjes til i slutningen af punkt 2:

I forbindelse med almindelig uagtsomhed er Lenovos erstatningsansvar i medfør af dette punkt begrænset til brud på væsentlige kontraktvilkår.

EGYPTEN

Ansvarsbegrænsning: *Følgende erstatter punkt 2 i dette afsnit:*

andet direkte tab op til det beløb, De har betalt for den Maskine, der udløser kravet.

Vilkårene gælder underleverandører, forhandlere og Serviceleverandører (uændret).

FRANKRIG

Ansvarsbegrænsning: *Følgende erstatter anden sætning i det første afsnit under denne overskrift:*

I sådanne tilfælde er Lenovos erstatningsansvar uanset ansvarsgrundlag begrænset til: (punkt 1 og 2 uændret).

TYSKLAND

Garantiens omfang: *Følgende erstatter første sætning i første afsnit under denne overskrift:*

Garantien for en Lenovo-Maskine dækker Maskinens funktionalitet ved normal brug, og at Maskinen er i overensstemmelse med Specifikationerne.

Følgende føjes til dette afsnit:

Garantiperioden for Maskiner er minimum 12 måneder. Hvis Serviceleverandøren ikke er i stand til at reparere en Lenovo-Maskine, kan De som alternativ anmode om at få en delvis tilbagebetaling, i det omfang det er berettiget på grund af den ikke-reparerede Maskines værdiforringelse, eller om annullering af den pågældende aftale vedrørende en sådan Maskine, og få det beløb, De har betalt, refunderet.

Anden sætning gælder ikke.

Lenovos handlinger i forbindelse med problemløsning: *Følgende føjes til dette afsnit:*

I garantiperioden dækker Lenovo omkostninger til transport af den defekte Maskine til Lenovo eller IBM-service.

Ansvarsbegrænsning: *Følgende sætning føjes til dette afsnit:*

De begrænsninger og fraskrivelser, der er anført i dette Servicebevis, gælder ikke skader forvoldt af Lenovo som følge af svig eller grov uagtsomhed og ved udtrykkelige garantier.

Følgende sætning føjes til i slutningen af punkt 2:

I forbindelse med almindelig uagtsomhed er Lenovos erstatningsansvar i medfør af dette punkt begrænset til brud på væsentlige kontraktvilkår.

UNGARN

Ansvarsbegrænsning: *Følgende tilføjes i slutningen af dette afsnit:*

De heri nævnte begrænsninger og fraskrivelser gælder ikke ansvar for et aftalebrud, der forårsager skade på en persons liv, fysiske velbefindende eller helbred, og som skyldes en bevidst eller kriminel handling eller grov uagtsomhed.

Parterne accepterer ansvarsbegrænsningerne som gyldige bestemmelser og er indforstået med, at paragraf 314.(2) i den ungarske Civil Code gælder for købsprisen, samt at andre fordele i kraft af nærværende Servicebevis afvejer denne ansvarsbegrænsning.

IRLAND

Garantiens omfang: *Følgende føjes til dette afsnit:*

Med mindre andet er udtrykkeligt angivet i nærværende vilkår, undtages hermed alle lovmæssige krav, herunder underforståede garantier, samt alle garantier i medfør af "Sale of Goods Act 1893" eller "Sale of Goods and Supply of Services Act 1980" dog uden præjudice for det generelle indhold af det foregående.

Ansvarsbegrænsning: *Følgende erstatter alle vilkårene i dette afsnit:*

I dette afsnit betyder "Misligholdelse" enhver handling, udtalelse, undladelse eller forsømmelighed fra Lenovos side i forbindelse med eller vedrørende genstanden for dette Servicebevis, med hensyn til hvilken Lenovo, både i og uden for kontrakt, er juridisk ansvarlig over for Dem. Et antal Misligholdelser, som samlet medfører eller bidrager til stort set samme tab eller skade, skal betragtes som én Misligholdelse, der har fundet sted på datoen for den sidste Misligholdelse.

Der kan opstå situationer, hvor De på grund af en Misligholdelse er berettiget til at få tilkendt erstatning fra Lenovo.

I dette afsnit angives Lenovos ansvar og Deres rettigheder.

1. Lenovo har det fulde ansvar for død eller personskade forårsaget af forsømmelighed fra Lenovos side.
2. Med forbehold for afsnittet **Forhold, som Lenovo er uden ansvar for** nedenfor, har Lenovo det fulde ansvar for fysisk skade på fast ejendom som følge af Lenovos forsømmelighed.
3. Bortset fra som angivet i punkt 1 og 2 ovenfor kan Lenovos samlede ansvar for faktiske skader i forbindelse med en hvilken som helst Misligholdelse under ingen omstændigheder overstige 125 % af det beløb, De har betalt for den Maskine, som Misligholdelsen vedrører direkte.

Forhold, som Lenovo er uden ansvar for

Med undtagelse af eventuelle forpligtelser anført i punkt 1 ovenfor er Lenovo og Lenovos underleverandører, forhandlere og Serviceleverandører under ingen omstændigheder ansvarlige for følgende, selv om de er blevet gjort bekendt med muligheden for sådanne tab:

1. tab af eller skade på data
2. driftstab og andre indirekte tab eller følgeskader, eller
3. driftstab, tabt fortjeneste, indtjening eller goodwill eller tabte forventede besparelser.

SLOVAKIET

Ansvarsbegrænsning: *Følgende føjes til i slutningen af sidste sætning:*

Begrænsningerne gælder i det omfang, de er tilladte i henhold til paragraf 373-386 i den slovakiske Commercial Code.

SYDAFRIKA, NAMIBIA, BOTSWANA, LESOTHO OG SWAZILAND

Ansvarsbegrænsning: *Følgende føjes til dette afsnit:*

Lenovos samlede ansvar for faktisk skade som følge af Lenovos manglende opfyldelse i henhold til den genstand, dette Servicebevis gælder, er begrænset til det beløb, De har betalt for den enkelte Maskine, der udløser kravet over for Lenovo.

STORBRITANNIEN

Ansvarsbegrænsning: *Følgende erstatter alle vilkårene i dette afsnit:*

I dette afsnit betyder "Misligholdelse" enhver handling, udtalelse, unkladelse eller forsømmelighed fra Lenovos side i forbindelse med eller vedrørende genstanden for dette Servicebevis, med hensyn til hvilken Lenovo, både i og uden for kontrakt, er juridisk ansvarlig over for Dem. Et antal Misligholdelser, som samlet medfører eller bidrager til stort set samme tab eller skade, betragtes som én Misligholdelse.

Der kan opstå situationer, hvor De på grund af en Misligholdelse er berettiget til at få tilkendt erstatning fra Lenovo.

I dette afsnit angives Lenovos ansvar og Deres rettigheder.

1. Lenovo har det fulde ansvar for:

- a. død eller personskade forårsaget af forsømmelighed fra Lenovos side og
 - b. eventuel misligholdelse fra Lenovos side af de forpligtelser, der påhviler Lenovo ifølge paragraf 12 i Sale of Goods Act 1979 eller paragraf 2 i Supply of Goods and Services Act 1982, eller eventuelle lovbestemte ændringer eller videreførelse af nogen af disse paragraffer.
2. Lenovo har det fulde ansvar, med forbehold for afsnittet **Forhold, som Lenovo er uden ansvar for** nedenfor, for fysisk skade på fast ejendom som følge af Lenovos forsømmelighed.
 3. Lenovos samlede ansvar for faktiske skader i forbindelse med enhver Misligholdelse kan under ingen omstændigheder, bortset fra som angivet i punkt 1 og 2 ovenfor, overstige 125 % af den samlede købspris, der er betalt, eller betalingen for den Maskine, som Misligholdelsen vedrører direkte.

Disse begrænsninger gælder også Lenovos underleverandører, forhandlere og Serviceleverandører og angiver således det samlede ansvar for Lenovo og Lenovos underleverandører, forhandlere og Serviceleverandører.

Forhold, som Lenovo er uden ansvar for

Med undtagelse af eventuelle forpligtelser anført i punkt 1 ovenfor er Lenovo og Lenovos underleverandører, forhandlere og Serviceleverandører under ingen omstændigheder ansvarlige for følgende, selv om de er blevet gjort bekendt med muligheden for sådanne tab:

1. tab af eller skade på data
2. driftstab og andre indirekte tab eller følgeskader, eller
3. driftstab, tabt fortjeneste, indtjening eller goodwill eller tabte forventede besparelser.

Del 3 - Garantioplysninger

I denne Del 3 findes oplysninger om den garanti, der gælder for Maskinen, om garantiperioden og om den type service i garantiperioden, som Lenovo leverer.

Garantiperiode

Garantiperiodens varighed kan være forskellig fra land til land. Den fremgår af tabellen nedenfor. Bemærk: "Område" betyder enten Hong Kong eller Macau Special Administrative Region of China.

En garantiperiode på et år for dele og et år for arbejde betyder, at Lenovo yder service i det første år af garantiperioden.

Maskintype	Land eller område, hvor Maskinen er købt	Garantiperiode	Servicetype i garanti-perioden
6490	USA, Angola, Botswana, Burundi, Eritrea, Etiopien, Ghana, Kenya, Liberia, Malawi, Malta, Mozambique, Nigeria, Rwanda, Sao Tome, Sierra Leone, Somalia, Tanzania, Uganda, Zambia, Zimbabwe, Argentina, Bolivia, Belize, Brasilien, Chile, Colombia, Costa Rica, Den Dominikanske Republik, Ecuador, El Salvador, Guatemala, Haiti, Honduras, Mexico, Nicaragua, Panama, Paraguay, Peru, Uruguay, Venezuela, Brasilien, Europa, Mellemøsten, Afrika, Australien, New Zealand, Singapore, Malaysia, Thailand, Indonesien, Filippinerne, Vietnam, Brunei, Sri Lanka, Bangladesh, Indien, Korea, Hong Kong, Taiwan, Kina, Japan	Reserve dele og arbejdstid - 3 år	5
6491	USA, Angola, Botswana, Burundi, Eritrea, Etiopien, Ghana, Kenya, Liberia, Malawi, Malta, Mozambique, Nigeria, Rwanda, Sao Tome, Sierra Leone, Somalia, Tanzania, Uganda, Zambia, Zimbabwe, Argentina, Bolivia, Belize, Brasilien, Chile, Colombia, Costa Rica, Den Dominikanske Republik, Ecuador, El Salvador, Guatemala, Haiti, Honduras, Mexico, Nicaragua, Panama, Paraguay, Peru, Uruguay, Venezuela, Brasilien, Europa, Mellemøsten, Afrika, Australien, New Zealand, Singapore, Malaysia, Thailand, Indonesien, Filippinerne, Vietnam, Brunei, Sri Lanka, Bangladesh, Indien, Korea, Hong Kong, Taiwan, Kina, Japan	Reserve dele og arbejdstid - 3 år	5
8013	USA, Angola, Botswana, Burundi, Eritrea, Etiopien, Ghana, Kenya, Liberia, Malawi, Malta, Mozambique, Nigeria, Rwanda, Sao Tome, Sierra Leone, Somalia, Tanzania, Uganda, Zambia, Zimbabwe, Argentina, Bolivia, Belize, Brasilien, Chile, Colombia, Costa Rica, Den Dominikanske Republik, Ecuador, El Salvador, Guatemala, Haiti, Honduras, Mexico, Nicaragua, Panama, Paraguay, Peru, Uruguay, Venezuela, Brasilien, Europa, Mellemøsten, Afrika, Australien, New Zealand, Singapore, Malaysia, Thailand, Indonesien, Filippinerne, Vietnam, Brunei, Sri Lanka, Bangladesh, Indien, Korea, Hong Kong, Taiwan, Kina	Reserve dele og arbejdstid - 1 år	5
8013	Japan	Reserve dele og arbejdstid - 1 år	6

Maskin- type	Land eller område, hvor Maskinen er købt	Garanti- periode	Servicetype i garanti- perioden
8700	USA, Angola, Botswana, Burundi, Eritrea, Etiopien, Ghana, Kenya, Liberia, Malawi, Malta, Mozambique, Nigeria, Rwanda, Sao Tome, Sierra Leone, Somalia, Tanzania, Uganda, Zambia, Zimbabwe, Argentina, Bolivia, Belize, Brasilien, Chile, Colombia, Costa Rica, Den Dominikanske Republik, Ecuador, El Salvador, Guatemala, Haiti, Honduras, Mexico, Nicaragua, Panama, Paraguay, Peru, Uruguay, Venezuela, Brasilien, Europa, Mellemøsten, Afrika, Australien, New Zealand, Singapore, Malaysia, Thailand, Indonesien, Filippinerne, Vietnam, Brunei, Sri Lanka, Bangladesh, Indien, Korea, Hong Kong, Taiwan, Kina	Reserve dele og arbejdstid - 1 år	5
8700	Japan	Reserve dele og arbejdstid - 1 år	6
8701	USA, Angola, Botswana, Burundi, Eritrea, Etiopien, Ghana, Kenya, Liberia, Malawi, Malta, Mozambique, Nigeria, Rwanda, Sao Tome, Sierra Leone, Somalia, Tanzania, Uganda, Zambia, Zimbabwe, Argentina, Bolivia, Belize, Brasilien, Chile, Colombia, Costa Rica, Den Dominikanske Republik, Ecuador, El Salvador, Guatemala, Haiti, Honduras, Mexico, Nicaragua, Panama, Paraguay, Peru, Uruguay, Venezuela, Brasilien, Europa, Mellemøsten, Afrika, Australien, New Zealand, Singapore, Malaysia, Thailand, Indonesien, Filippinerne, Vietnam, Brunei, Sri Lanka, Bangladesh, Indien, Korea, Hong Kong, Taiwan, Kina	Reserve dele og arbejdstid - 1 år	5
8701	Japan	Reserve dele og arbejdstid - 1 år	6
8702	USA, Angola, Botswana, Burundi, Eritrea, Etiopien, Ghana, Kenya, Liberia, Malawi, Malta, Mozambique, Nigeria, Rwanda, Sao Tome, Sierra Leone, Somalia, Tanzania, Uganda, Zambia, Zimbabwe, Argentina, Bolivia, Belize, Brasilien, Chile, Colombia, Costa Rica, Den Dominikanske Republik, Ecuador, El Salvador, Guatemala, Haiti, Honduras, Mexico, Nicaragua, Panama, Paraguay, Peru, Uruguay, Venezuela, Brasilien, Europa, Mellemøsten, Afrika, Australien, New Zealand, Singapore, Malaysia, Thailand, Indonesien, Filippinerne, Vietnam, Brunei, Sri Lanka, Bangladesh, Indien, Korea, Hong Kong, Taiwan, Kina	Reserve dele og arbejdstid - 1 år	5

Maskintype	Land eller område, hvor Maskinen er købt	Garantiperiode	Servicetype i garanti-perioden
8702	Japan	Reserve dele og arbejdstid - 1 år	6
8705	USA, Angola, Botswana, Burundi, Eritrea, Etiopien, Ghana, Kenya, Liberia, Malawi, Malta, Mozambique, Nigeria, Rwanda, Sao Tome, Sierra Leone, Somalia, Tanzania, Uganda, Zambia, Zimbabwe, Argentina, Bolivia, Belize, Brasilien, Chile, Colombia, Costa Rica, Den Dominikanske Republik, Ecuador, El Salvador, Guatemala, Haiti, Honduras, Mexico, Nicaragua, Panama, Paraguay, Peru, Uruguay, Venezuela, Brasilien, Europa, Mellemøsten, Afrika, Australien, New Zealand, Singapore, Malaysia, Thailand, Indonesien, Filippinerne, Vietnam, Brunei, Sri Lanka, Bangladesh, Indien, Korea, Hong Kong, Taiwan, Kina	Reserve dele og arbejdstid - 1 år	5
8705	Japan	Reserve dele og arbejdstid - 1 år	6
8706	USA, Angola, Botswana, Burundi, Eritrea, Etiopien, Ghana, Kenya, Liberia, Malawi, Malta, Mozambique, Nigeria, Rwanda, Sao Tome, Sierra Leone, Somalia, Tanzania, Uganda, Zambia, Zimbabwe, Argentina, Bolivia, Belize, Brasilien, Chile, Colombia, Costa Rica, Den Dominikanske Republik, Ecuador, El Salvador, Guatemala, Haiti, Honduras, Mexico, Nicaragua, Panama, Paraguay, Peru, Uruguay, Venezuela, Brasilien, Europa, Mellemøsten, Afrika, Australien, New Zealand, Singapore, Malaysia, Thailand, Indonesien, Filippinerne, Vietnam, Brunei, Sri Lanka, Bangladesh, Indien, Korea, Hong Kong, Taiwan, Kina	Reserve dele og arbejdstid - 1 år	5
8706	Japan	Reserve dele og arbejdstid - 1 år	6
8716	Europa, Mellemøsten, Afrika	Reserve dele og arbejdstid - 1 år	7
8717	Europa, Mellemøsten, Afrika	Reserve dele og arbejdstid - 1 år	7
8970	Europa, Mellemøsten, Afrika	Reserve dele og arbejdstid - 1 år	7

Maskin- type	Land eller område, hvor Maskinen er købt	Garanti- periode	Servicetype i garanti- perioden
8972	Europa, Mellemøsten, Afrika	Reserve dele og arbejdstid - 1 år	7
8973	Europa, Mellemøsten, Afrika	Reserve dele og arbejdstid - 1 år	7
8975	Europa, Mellemøsten, Afrika	Reserve dele og arbejdstid - 1 år	7
8976	Australien, New Zealand, Singapore, Malaysia, Thailand, Indonesien, Filippinerne, Vietnam, Brunei, Sri Lanka, Bangladesh, Indien, Korea, Hong Kong, Taiwan, Kina	Reserve dele - 3 år Arbejdstid - 1 år	5
8976	Europa, Mellemøsten, Afrika	Reserve dele og arbejdstid - 3	7
8979	Australien, New Zealand, Singapore, Malaysia, Thailand, Indonesien, Filippinerne, Vietnam, Brunei, Sri Lanka, Bangladesh, Indien, Korea, Hong Kong, Taiwan, Kina	Reserve dele - 3 år Arbejdstid - 1 år	5
8979	Europa, Mellemøsten, Afrika	Reserve dele og arbejdstid - 3	7
8980	Australien, New Zealand, Singapore, Malaysia, Thailand, Indonesien, Filippinerne, Vietnam, Brunei, Sri Lanka, Bangladesh, Indien, Korea, Hong Kong, Taiwan, Kina	Reserve dele - 3 år Arbejdstid - 1 år	5
8980	Europa, Mellemøsten, Afrika	Reserve dele og arbejdstid - 3	7
8982	Australien, New Zealand, Singapore, Malaysia, Thailand, Indonesien, Filippinerne, Vietnam, Brunei, Sri Lanka, Bangladesh, Indien, Korea, Hong Kong, Taiwan, Kina	Reserve dele - 3 år Arbejdstid - 1 år	5
8982	Europa, Mellemøsten, Afrika	Reserve dele og arbejdstid - 3	7
8983	Australien, New Zealand, Singapore, Malaysia, Thailand, Indonesien, Filippinerne, Vietnam, Brunei, Sri Lanka, Bangladesh, Indien, Korea, Hong Kong, Taiwan, Kina	Reserve dele - 3 år Arbejdstid - 1 år	5
8983	Europa, Mellemøsten, Afrika	Reserve dele og arbejdstid - 3	7

Maskin- type	Land eller område, hvor Maskinen er købt	Garanti- periode	Servicetype i garanti- perioden
8985	Australien, New Zealand, Singapore, Malaysia, Thailand, Indonesien, Filippinerne, Vietnam, Brunei, Sri Lanka, Bangladesh, Indien, Korea, Hong Kong, Taiwan, Kina	Reserve dele - 3 år Arbejdstid - 1 år	5
8985	Europa, Mellemøsten, Afrika	Reserve dele og arbejdstid - 3	7
8986	USA, Angola, Botswana, Burundi, Eritrea, Etiopien, Ghana, Kenya, Liberia, Malawi, Malta, Mozambique, Nigeria, Rwanda, Sao Tome, Sierra Leone, Somalia, Tanzania, Uganda, Zambia, Zimbabwe, Argentina, Bolivia, Belize, Brasilien, Chile, Colombia, Costa Rica, Den Dominikanske Republik, Ecuador, El Salvador, Guatemala, Haiti, Honduras, Mexico, Nicaragua, Panama, Paraguay, Peru, Uruguay, Venezuela, Brasilien, Europa, Mellemøsten, Afrika, Australien, New Zealand, Singapore, Malaysia, Thailand, Indonesien, Filippinerne, Vietnam, Brunei, Sri Lanka, Bangladesh, Korea, Hong Kong, Taiwan, Kina	Reserve dele og arbejdstid - 3 år	5
8991	USA, Angola, Botswana, Burundi, Eritrea, Etiopien, Ghana, Kenya, Liberia, Malawi, Malta, Mozambique, Nigeria, Rwanda, Sao Tome, Sierra Leone, Somalia, Tanzania, Uganda, Zambia, Zimbabwe, Argentina, Bolivia, Belize, Brasilien, Chile, Colombia, Costa Rica, Den Dominikanske Republik, Ecuador, El Salvador, Guatemala, Haiti, Honduras, Mexico, Nicaragua, Panama, Paraguay, Peru, Uruguay, Venezuela, Brasilien, Europa, Mellemøsten, Afrika, Australien, New Zealand, Singapore, Malaysia, Thailand, Indonesien, Filippinerne, Vietnam, Brunei, Sri Lanka, Bangladesh, Korea, Hong Kong, Taiwan, Kina	Reserve dele og arbejdstid - 3 år	5

Maskintype	Land eller område, hvor Maskinen er købt	Garantiperiode	Servicetype i garanti-perioden
8992	USA, Angola, Botswana, Burundi, Eritrea, Etiopien, Ghana, Kenya, Liberia, Malawi, Malta, Mozambique, Nigeria, Rwanda, Sao Tome, Sierra Leone, Somalia, Tanzania, Uganda, Zambia, Zimbabwe, Argentina, Bolivia, Belize, Brasilien, Chile, Colombia, Costa Rica, Den Dominikanske Republik, Ecuador, El Salvador, Guatemala, Haiti, Honduras, Mexico, Nicaragua, Panama, Paraguay, Peru, Uruguay, Venezuela, Brasilien, Europa, Mellemøsten, Afrika, Australien, New Zealand, Singapore, Malaysia, Thailand, Indonesien, Filippinerne, Vietnam, Brunei, Sri Lanka, Bangladesh, Korea, Hong Kong, Taiwan, Kina	Reserve dele og arbejdstid - 3 år	5
8994	USA, Angola, Botswana, Burundi, Eritrea, Etiopien, Ghana, Kenya, Liberia, Malawi, Malta, Mozambique, Nigeria, Rwanda, Sao Tome, Sierra Leone, Somalia, Tanzania, Uganda, Zambia, Zimbabwe, Argentina, Bolivia, Belize, Brasilien, Chile, Colombia, Costa Rica, Den Dominikanske Republik, Ecuador, El Salvador, Guatemala, Haiti, Honduras, Mexico, Nicaragua, Panama, Paraguay, Peru, Uruguay, Venezuela, Brasilien, Europa, Mellemøsten, Afrika, Australien, New Zealand, Singapore, Malaysia, Thailand, Indonesien, Filippinerne, Vietnam, Brunei, Sri Lanka, Bangladesh, Korea, Hong Kong, Taiwan, Kina	Reserve dele og arbejdstid - 3 år	5
8995	USA, Angola, Botswana, Burundi, Eritrea, Etiopien, Ghana, Kenya, Liberia, Malawi, Malta, Mozambique, Nigeria, Rwanda, Sao Tome, Sierra Leone, Somalia, Tanzania, Uganda, Zambia, Zimbabwe, Argentina, Bolivia, Belize, Brasilien, Chile, Colombia, Costa Rica, Den Dominikanske Republik, Ecuador, El Salvador, Guatemala, Haiti, Honduras, Mexico, Nicaragua, Panama, Paraguay, Peru, Uruguay, Venezuela, Brasilien, Europa, Mellemøsten, Afrika, Australien, New Zealand, Singapore, Malaysia, Thailand, Indonesien, Filippinerne, Vietnam, Brunei, Sri Lanka, Bangladesh, Korea, Hong Kong, Taiwan, Kina	Reserve dele og arbejdstid - 3 år	5

Maskin- type	Land eller område, hvor Maskinen er købt	Garanti- periode	Servicetype i garanti- perioden
9265	USA, Angola, Botswana, Burundi, Eritrea, Etiopien, Ghana, Kenya, Liberia, Malawi, Malta, Mozambique, Nigeria, Rwanda, Sao Tome, Sierra Leone, Somalia, Tanzania, Uganda, Zambia, Zimbabwe, Argentina, Bolivia, Belize, Brasilien, Chile, Colombia, Costa Rica, Den Dominikanske Republik, Ecuador, El Salvador, Guatemala, Haiti, Honduras, Mexico, Nicaragua, Panama, Paraguay, Peru, Uruguay, Venezuela, Brasilien, Europa, Mellemøsten, Afrika, Australien, New Zealand, Singapore, Malaysia, Thailand, Indonesien, Filippinerne, Vietnam, Brunei, Sri Lanka, Bangladesh, Korea, Hong Kong, Taiwan, Kina	Reserve dele og arbejdstid - 3 år	5
9266	USA, Angola, Botswana, Burundi, Eritrea, Etiopien, Ghana, Kenya, Liberia, Malawi, Malta, Mozambique, Nigeria, Rwanda, Sao Tome, Sierra Leone, Somalia, Tanzania, Uganda, Zambia, Zimbabwe, Argentina, Bolivia, Belize, Brasilien, Chile, Colombia, Costa Rica, Den Dominikanske Republik, Ecuador, El Salvador, Guatemala, Haiti, Honduras, Mexico, Nicaragua, Panama, Paraguay, Peru, Uruguay, Venezuela, Brasilien, Europa, Mellemøsten, Afrika, Australien, New Zealand, Singapore, Malaysia, Thailand, Indonesien, Filippinerne, Vietnam, Brunei, Sri Lanka, Bangladesh, Indien, Korea, Hong Kong, Taiwan	Reserve dele og arbejdstid - 1 år	5
9266	Japan	Reserve dele og arbejdstid - 1 år	6
9269	USA, Angola, Botswana, Burundi, Eritrea, Etiopien, Ghana, Kenya, Liberia, Malawi, Malta, Mozambique, Nigeria, Rwanda, Sao Tome, Sierra Leone, Somalia, Tanzania, Uganda, Zambia, Zimbabwe, Argentina, Bolivia, Belize, Brasilien, Chile, Colombia, Costa Rica, Den Dominikanske Republik, Ecuador, El Salvador, Guatemala, Haiti, Honduras, Mexico, Nicaragua, Panama, Paraguay, Peru, Uruguay, Venezuela, Brasilien, Europa, Mellemøsten, Afrika, Australien, New Zealand, Singapore, Malaysia, Thailand, Indonesien, Filippinerne, Vietnam, Brunei, Sri Lanka, Bangladesh, Indien, Korea, Hong Kong, Taiwan	Reserve dele og arbejdstid - 1 år	5
9269	Japan	Reserve dele og arbejdstid - 1 år	6

Maskin- type	Land eller område, hvor Maskinen er købt	Garanti- periode	Servicetype i garanti- perioden
9276	USA, Angola, Botswana, Burundi, Eritrea, Etiopien, Ghana, Kenya, Liberia, Malawi, Malta, Mozambique, Nigeria, Rwanda, Sao Tome, Sierra Leone, Somalia, Tanzania, Uganda, Zambia, Zimbabwe, Argentina, Bolivia, Belize, Brasilien, Chile, Colombia, Costa Rica, Den Dominikanske Republik, Ecuador, El Salvador, Guatemala, Haiti, Honduras, Mexico, Nicaragua, Panama, Paraguay, Peru, Uruguay, Venezuela, Brasilien, Europa, Mellemøsten, Afrika, Australien, New Zealand, Singapore, Malaysia, Thailand, Indonesien, Filippinerne, Vietnam, Brunei, Sri Lanka, Bangladesh, Indien, Korea, Hong Kong, Taiwan	Reserve dele og arbejdstid - 1 år	5
9276	Japan	Reserve dele og arbejdstid - 1 år	6
9277	USA, Angola, Botswana, Burundi, Eritrea, Etiopien, Ghana, Kenya, Liberia, Malawi, Malta, Mozambique, Nigeria, Rwanda, Sao Tome, Sierra Leone, Somalia, Tanzania, Uganda, Zambia, Zimbabwe, Argentina, Bolivia, Belize, Brasilien, Chile, Colombia, Costa Rica, Den Dominikanske Republik, Ecuador, El Salvador, Guatemala, Haiti, Honduras, Mexico, Nicaragua, Panama, Paraguay, Peru, Uruguay, Venezuela, Brasilien, Europa, Mellemøsten, Afrika, Australien, New Zealand, Singapore, Malaysia, Thailand, Indonesien, Filippinerne, Vietnam, Brunei, Sri Lanka, Bangladesh, Indien, Korea, Hong Kong, Taiwan	Reserve dele og arbejdstid - 1 år	5
9277	Japan	Reserve dele og arbejdstid - 1 år	6
9278	USA, Angola, Botswana, Burundi, Eritrea, Etiopien, Ghana, Kenya, Liberia, Malawi, Malta, Mozambique, Nigeria, Rwanda, Sao Tome, Sierra Leone, Somalia, Tanzania, Uganda, Zambia, Zimbabwe, Argentina, Bolivia, Belize, Brasilien, Chile, Colombia, Costa Rica, Den Dominikanske Republik, Ecuador, El Salvador, Guatemala, Haiti, Honduras, Mexico, Nicaragua, Panama, Paraguay, Peru, Uruguay, Venezuela, Brasilien, Europa, Mellemøsten, Afrika, Australien, New Zealand, Singapore, Malaysia, Thailand, Indonesien, Filippinerne, Vietnam, Brunei, Sri Lanka, Bangladesh, Indien, Korea, Hong Kong, Taiwan	Reserve dele og arbejdstid - 1 år	5

Maskin- type	Land eller område, hvor Maskinen er købt	Garanti- periode	Servicetype i garanti- perioden
9278	Japan	Reserve dele og arbejdstid - 1 år	6
9279	USA, Angola, Botswana, Burundi, Eritrea, Etiopien, Ghana, Kenya, Liberia, Malawi, Malta, Mozambique, Nigeria, Rwanda, Sao Tome, Sierra Leone, Somalia, Tanzania, Uganda, Zambia, Zimbabwe, Argentina, Bolivia, Belize, Brasilien, Chile, Colombia, Costa Rica, Den Dominikanske Republik, Ecuador, El Salvador, Guatemala, Haiti, Honduras, Mexico, Nicaragua, Panama, Paraguay, Peru, Uruguay, Venezuela, Brasilien, Europa, Mellemøsten, Afrika, Australien, New Zealand, Singapore, Malaysia, Thailand, Indonesien, Filippinerne, Vietnam, Brunei, Sri Lanka, Bangladesh, Indien, Korea, Hong Kong, Taiwan	Reserve dele og arbejdstid - 1 år	5
9279	Japan	Reserve dele og arbejdstid - 1 år	6
9282	Argentina, Bolivia, Belize, Brasilien, Chile, Colombia, Costa Rica, Den Dominikanske Republik, Ecuador, El Salvador, Guatemala, Haiti, Honduras, Mexico, Nicaragua, Panama, Paraguay, Peru, Uruguay, Venezuela, Brasilien, Europa, Mellemøsten, Afrika	Reserve dele og arbejdstid - 1 år	7
9283	Argentina, Bolivia, Belize, Brasilien, Chile, Colombia, Costa Rica, Den Dominikanske Republik, Ecuador, El Salvador, Guatemala, Haiti, Honduras, Mexico, Nicaragua, Panama, Paraguay, Peru, Uruguay, Venezuela, Brasilien, Europa, Mellemøsten, Afrika	Reserve dele og arbejdstid - 1 år	7
9286	Argentina, Bolivia, Belize, Brasilien, Chile, Colombia, Costa Rica, Den Dominikanske Republik, Ecuador, El Salvador, Guatemala, Haiti, Honduras, Mexico, Nicaragua, Panama, Paraguay, Peru, Uruguay, Venezuela, Brasilien, Europa, Mellemøsten, Afrika	Reserve dele og arbejdstid - 1 år	7
9287	Argentina, Bolivia, Belize, Brasilien, Chile, Colombia, Costa Rica, Den Dominikanske Republik, Ecuador, El Salvador, Guatemala, Haiti, Honduras, Mexico, Nicaragua, Panama, Paraguay, Peru, Uruguay, Venezuela, Brasilien, Europa, Mellemøsten, Afrika	Reserve dele og arbejdstid - 1 år	7

Maskin- type	Land eller område, hvor Maskinen er købt	Garanti- periode	Servicetype i garanti- perioden
9288	Argentina, Bolivia, Belize, Brasilien, Chile, Colombia, Costa Rica, Den Dominikanske Republik, Ecuador, El Salvador, Guatemala, Haiti, Honduras, Mexico, Nicaragua, Panama, Paraguay, Peru, Uruguay, Venezuela, Brasilien, Europa, Mellemøsten, Afrika	Reserve dele og arbejdstid - 1 år	7
9374	Australien, New Zealand, Singapore, Malaysia, Thailand, Indonesien, Filippinerne, Vietnam, Brunei, Sri Lanka, Bangladesh, Indien, Korea, Hong Kong, Taiwan, Kina	Reserve dele - 3 år Arbejdstid - 1 år	5
9374	Europa, Mellemøsten, Afrika	Reserve dele og arbejdstid - 3 år	7
9378	Australien, New Zealand, Singapore, Malaysia, Thailand, Indonesien, Filippinerne, Vietnam, Brunei, Sri Lanka, Bangladesh, Indien, Korea, Hong Kong, Taiwan, Kina	Reserve dele - 3 år Arbejdstid - 1 år	5
9378	Europa, Mellemøsten, Afrika	Reserve dele og arbejdstid - 3 år	7
9379	Argentina, Bolivia, Belize, Brasilien, Chile, Colombia, Costa Rica, Den Dominikanske Republik, Ecuador, El Salvador, Guatemala, Haiti, Honduras, Mexico, Nicaragua, Panama, Paraguay, Peru, Uruguay, Venezuela, Brasilien, Europa, Mellemøsten, Afrika	Reserve dele og arbejdstid - 1 år	7
9380	Australien, New Zealand, Singapore, Malaysia, Thailand, Indonesien, Filippinerne, Vietnam, Brunei, Sri Lanka, Bangladesh, Indien, Korea, Hong Kong, Taiwan, Kina	Reserve dele - 3 år Arbejdstid - 1 år	5
9380	Europa, Mellemøsten, Afrika	Reserve dele og arbejdstid - 3 år	7
9383	Australien, New Zealand, Singapore, Malaysia, Thailand, Indonesien, Filippinerne, Vietnam, Brunei, Sri Lanka, Bangladesh, Indien, Korea, Hong Kong, Taiwan, Kina	Reserve dele - 3 år Arbejdstid - 1 år	5
9383	Europa, Mellemøsten, Afrika	Reserve dele og arbejdstid - 3 år	7

Maskin- type	Land eller område, hvor Maskinen er købt	Garanti- periode	Servicetype i garanti- perioden
9384	USA, Angola, Botswana, Burundi, Eritrea, Etiopien, Ghana, Kenya, Liberia, Malawi, Malta, Mozambique, Nigeria, Rwanda, Sao Tome, Sierra Leone, Somalia, Tanzania, Uganda, Zambia, Zimbabwe, Argentina, Bolivia, Belize, Brasilien, Chile, Colombia, Costa Rica, Den Dominikanske Republik, Ecuador, El Salvador, Guatemala, Haiti, Honduras, Mexico, Nicaragua, Panama, Paraguay, Peru, Uruguay, Venezuela, Brasilien, Europa, Mellemøsten, Afrika, Australien, New Zealand, Singapore, Malaysia, Thailand, Indonesien, Filippinerne, Vietnam, Brunei, Sri Lanka, Bangladesh, Indien, Korea, Hong Kong, Taiwan, Kina	Reserve dele og arbejdstid - 3 år	5
9387	Australien, New Zealand, Singapore, Malaysia, Thailand, Indonesien, Filippinerne, Vietnam, Brunei, Sri Lanka, Bangladesh, Indien, Korea, Hong Kong, Taiwan, Kina	Reserve dele - 3 år Arbejdstid - 1 år	5
9387	Europa, Mellemøsten, Afrika	Reserve dele og arbejdstid - 3 år	7
9389	Australien, New Zealand, Singapore, Malaysia, Thailand, Indonesien, Filippinerne, Vietnam, Brunei, Sri Lanka, Bangladesh, Indien, Korea, Hong Kong, Taiwan, Kina	Reserve dele - 3 år Arbejdstid - 1 år	5
9389	Europa, Mellemøsten, Afrika	Reserve dele og arbejdstid - 3 år	7
9628	USA, Angola, Botswana, Burundi, Eritrea, Etiopien, Ghana, Kenya, Liberia, Malawi, Malta, Mozambique, Nigeria, Rwanda, Sao Tome, Sierra Leone, Somalia, Tanzania, Uganda, Zambia, Zimbabwe, Argentina, Bolivia, Belize, Brasilien, Chile, Colombia, Costa Rica, Den Dominikanske Republik, Ecuador, El Salvador, Guatemala, Haiti, Honduras, Mexico, Nicaragua, Panama, Paraguay, Peru, Uruguay, Venezuela, Brasilien, Europa, Mellemøsten, Afrika, Australien, New Zealand, Singapore, Malaysia, Thailand, Indonesien, Filippinerne, Vietnam, Brunei, Sri Lanka, Bangladesh, Indien, Korea, Hong Kong, Taiwan, Kina	Reserve dele og arbejdstid - 3 år	5

Maskintype	Land eller område, hvor Maskinen er købt	Garantiperiode	Servicetype i garanti-perioden
9631	USA, Angola, Botswana, Burundi, Eritrea, Etiopien, Ghana, Kenya, Liberia, Malawi, Malta, Mozambique, Nigeria, Rwanda, Sao Tome, Sierra Leone, Somalia, Tanzania, Uganda, Zambia, Zimbabwe, Argentina, Bolivia, Belize, Brasilien, Chile, Colombia, Costa Rica, Den Dominikanske Republik, Ecuador, El Salvador, Guatemala, Haiti, Honduras, Mexico, Nicaragua, Panama, Paraguay, Peru, Uruguay, Venezuela, Brasilien, Europa, Mellemøsten, Afrika, Australien, New Zealand, Singapore, Malaysia, Thailand, Indonesien, Filippinerne, Vietnam, Brunei, Sri Lanka, Bangladesh, Indien, Korea, Hong Kong, Taiwan, Kina	Reserve dele og arbejdstid - 3 år	5
9632	USA, Angola, Botswana, Burundi, Eritrea, Etiopien, Ghana, Kenya, Liberia, Malawi, Malta, Mozambique, Nigeria, Rwanda, Sao Tome, Sierra Leone, Somalia, Tanzania, Uganda, Zambia, Zimbabwe, Argentina, Bolivia, Belize, Brasilien, Chile, Colombia, Costa Rica, Den Dominikanske Republik, Ecuador, El Salvador, Guatemala, Haiti, Honduras, Mexico, Nicaragua, Panama, Paraguay, Peru, Uruguay, Venezuela, Brasilien, Europa, Mellemøsten, Afrika, Australien, New Zealand, Singapore, Malaysia, Thailand, Indonesien, Filippinerne, Vietnam, Brunei, Sri Lanka, Bangladesh, Indien, Korea, Hong Kong, Taiwan, Kina	Reserve dele og arbejdstid - 3 år	5
9635	USA, Angola, Botswana, Burundi, Eritrea, Etiopien, Ghana, Kenya, Liberia, Malawi, Malta, Mozambique, Nigeria, Rwanda, Sao Tome, Sierra Leone, Somalia, Tanzania, Uganda, Zambia, Zimbabwe, Argentina, Bolivia, Belize, Brasilien, Chile, Colombia, Costa Rica, Den Dominikanske Republik, Ecuador, El Salvador, Guatemala, Haiti, Honduras, Mexico, Nicaragua, Panama, Paraguay, Peru, Uruguay, Venezuela, Brasilien, Europa, Mellemøsten, Afrika, Australien, New Zealand, Singapore, Malaysia, Thailand, Indonesien, Filippinerne, Vietnam, Brunei, Sri Lanka, Bangladesh, Indien, Korea, Hong Kong, Taiwan, Kina	Reserve dele og arbejdstid - 3 år	5

Maskin- type	Land eller område, hvor Maskinen er købt	Garanti- periode	Servicetype i garanti- perioden
9636	USA, Angola, Botswana, Burundi, Eritrea, Etiopien, Ghana, Kenya, Liberia, Malawi, Malta, Mozambique, Nigeria, Rwanda, Sao Tome, Sierra Leone, Somalia, Tanzania, Uganda, Zambia, Zimbabwe, Argentina, Bolivia, Belize, Brasilien, Chile, Colombia, Costa Rica, Den Dominikanske Republik, Ecuador, El Salvador, Guatemala, Haiti, Honduras, Mexico, Nicaragua, Panama, Paraguay, Peru, Uruguay, Venezuela, Brasilien, Europa, Mellemøsten, Afrika, Australien, New Zealand, Singapore, Malaysia, Thailand, Indonesien, Filippinerne, Vietnam, Brunei, Sri Lanka, Bangladesh, Indien, Korea, Hong Kong, Taiwan, Kina	Reserve dele og arbejdstid - 1 år	5
9636	Japan	Reserve dele og arbejdstid - 1 år	6
9637	USA, Angola, Botswana, Burundi, Eritrea, Etiopien, Ghana, Kenya, Liberia, Malawi, Malta, Mozambique, Nigeria, Rwanda, Sao Tome, Sierra Leone, Somalia, Tanzania, Uganda, Zambia, Zimbabwe, Argentina, Bolivia, Belize, Brasilien, Chile, Colombia, Costa Rica, Den Dominikanske Republik, Ecuador, El Salvador, Guatemala, Haiti, Honduras, Mexico, Nicaragua, Panama, Paraguay, Peru, Uruguay, Venezuela, Brasilien, Europa, Mellemøsten, Afrika, Australien, New Zealand, Singapore, Malaysia, Thailand, Indonesien, Filippinerne, Vietnam, Brunei, Sri Lanka, Bangladesh, Indien, Korea, Hong Kong, Taiwan, Kina	Reserve dele og arbejdstid - 3 år	5
9638	Europa, Mellemøsten, Afrika	Reserve dele og arbejdstid - 1 år	7
9640	Australien, New Zealand, Singapore, Malaysia, Thailand, Indonesien, Filippinerne, Vietnam, Brunei, Sri Lanka, Bangladesh, Indien, Korea, Hong Kong, Taiwan, Kina	Reserve dele - 3 år Arbejdstid - 1 år	5
9640	Europa, Mellemøsten, Afrika	Reserve dele og arbejdstid - 3	7

Maskin- type	Land eller område, hvor Maskinen er købt	Garanti- periode	Servicetype i garanti- perioden
9641	USA, Angola, Botswana, Burundi, Eritrea, Etiopien, Ghana, Kenya, Liberia, Malawi, Malta, Mozambique, Nigeria, Rwanda, Sao Tome, Sierra Leone, Somalia, Tanzania, Uganda, Zambia, Zimbabwe, Argentina, Bolivia, Belize, Brasilien, Chile, Colombia, Costa Rica, Den Dominikanske Republik, Ecuador, El Salvador, Guatemala, Haiti, Honduras, Mexico, Nicaragua, Panama, Paraguay, Peru, Uruguay, Venezuela, Brasilien, Europa, Mellemøsten, Afrika, Australien, New Zealand, Singapore, Malaysia, Thailand, Indonesien, Filippinerne, Vietnam, Brunei, Sri Lanka, Bangladesh, Korea, Hong Kong, Taiwan, Kina	Reserve dele og arbejdstid - 3 år	5
9642	USA, Angola, Botswana, Burundi, Eritrea, Etiopien, Ghana, Kenya, Liberia, Malawi, Malta, Mozambique, Nigeria, Rwanda, Sao Tome, Sierra Leone, Somalia, Tanzania, Uganda, Zambia, Zimbabwe, Argentina, Bolivia, Belize, Brasilien, Chile, Colombia, Costa Rica, Den Dominikanske Republik, Ecuador, El Salvador, Guatemala, Haiti, Honduras, Mexico, Nicaragua, Panama, Paraguay, Peru, Uruguay, Venezuela, Brasilien, Europa, Mellemøsten, Afrika, Australien, New Zealand, Singapore, Malaysia, Thailand, Indonesien, Filippinerne, Vietnam, Brunei, Sri Lanka, Bangladesh, Indien, Korea, Hong Kong, Taiwan	Reserve dele og arbejdstid - 1 år	5
9642	Japan	Reserve dele og arbejdstid - 1 år	6
9643	Argentina, Bolivia, Belize, Brasilien, Chile, Colombia, Costa Rica, Den Dominikanske Republik, Ecuador, El Salvador, Guatemala, Haiti, Honduras, Mexico, Nicaragua, Panama, Paraguay, Peru, Uruguay, Venezuela, Brasilien, Europa, Mellemøsten, Afrika	Reserve dele og arbejdstid - 1 år	7
9644	Australien, New Zealand, Singapore, Malaysia, Thailand, Indonesien, Filippinerne, Vietnam, Brunei, Sri Lanka, Bangladesh, Indien, Korea, Hong Kong, Taiwan, Kina	Reserve dele - 3 år Arbejdstid - 1 år	5
9644	Europa, Mellemøsten, Afrika	Reserve dele og arbejdstid - 3 år	7

Maskintype	Land eller område, hvor Maskinen er købt	Garantiperiode	Servicetype i garanti-perioden
9645	USA, Angola, Botswana, Burundi, Eritrea, Etiopien, Ghana, Kenya, Liberia, Malawi, Malta, Mozambique, Nigeria, Rwanda, Sao Tome, Sierra Leone, Somalia, Tanzania, Uganda, Zambia, Zimbabwe, Argentina, Bolivia, Belize, Brasilien, Chile, Colombia, Costa Rica, Den Dominikanske Republik, Ecuador, El Salvador, Guatemala, Haiti, Honduras, Mexico, Nicaragua, Panama, Paraguay, Peru, Uruguay, Venezuela, Brasilien, Europa, Mellemøsten, Afrika, Australien, New Zealand, Singapore, Malaysia, Thailand, Indonesien, Filippinerne, Vietnam, Brunei, Sri Lanka, Bangladesh, Indien, Korea, Hong Kong, Taiwan, Kina	Reserve dele og arbejdstid - 3 år	5
9646	USA, Angola, Botswana, Burundi, Eritrea, Etiopien, Ghana, Kenya, Liberia, Malawi, Malta, Mozambique, Nigeria, Rwanda, Sao Tome, Sierra Leone, Somalia, Tanzania, Uganda, Zambia, Zimbabwe, Argentina, Bolivia, Belize, Brasilien, Chile, Colombia, Costa Rica, Den Dominikanske Republik, Ecuador, El Salvador, Guatemala, Haiti, Honduras, Mexico, Nicaragua, Panama, Paraguay, Peru, Uruguay, Venezuela, Brasilien, Europa, Mellemøsten, Afrika, Australien, New Zealand, Singapore, Malaysia, Thailand, Indonesien, Filippinerne, Vietnam, Brunei, Sri Lanka, Bangladesh, Indien, Korea, Hong Kong, Taiwan, Kina, Japan	Reserve dele og arbejdstid - 4 år	5
9647	USA, Angola, Botswana, Burundi, Eritrea, Etiopien, Ghana, Kenya, Liberia, Malawi, Malta, Mozambique, Nigeria, Rwanda, Sao Tome, Sierra Leone, Somalia, Tanzania, Uganda, Zambia, Zimbabwe, Argentina, Bolivia, Belize, Brasilien, Chile, Colombia, Costa Rica, Den Dominikanske Republik, Ecuador, El Salvador, Guatemala, Haiti, Honduras, Mexico, Nicaragua, Panama, Paraguay, Peru, Uruguay, Venezuela, Brasilien, Europa, Mellemøsten, Afrika, Australien, New Zealand, Singapore, Malaysia, Thailand, Indonesien, Filippinerne, Vietnam, Brunei, Sri Lanka, Bangladesh, Indien, Korea, Hong Kong, Taiwan, Kina, Japan	Reserve dele og arbejdstid - 4 år	5

Maskintype	Land eller område, hvor Maskinen er købt	Garantiperiode	Servicetype i garanti-perioden
9648	USA, Angola, Botswana, Burundi, Eritrea, Etiopien, Ghana, Kenya, Liberia, Malawi, Malta, Mozambique, Nigeria, Rwanda, Sao Tome, Sierra Leone, Somalia, Tanzania, Uganda, Zambia, Zimbabwe, Argentina, Bolivia, Belize, Brasilien, Chile, Colombia, Costa Rica, Den Dominikanske Republik, Ecuador, El Salvador, Guatemala, Haiti, Honduras, Mexico, Nicaragua, Panama, Paraguay, Peru, Uruguay, Venezuela, Brasilien, Europa, Mellemøsten, Afrika, Australien, New Zealand, Singapore, Malaysia, Thailand, Indonesien, Filippinerne, Vietnam, Brunei, Sri Lanka, Bangladesh, Indien, Korea, Hong Kong, Taiwan, Kina, Japan	Reserve dele og arbejdstid - 4 år	5
9649	USA, Angola, Botswana, Burundi, Eritrea, Etiopien, Ghana, Kenya, Liberia, Malawi, Malta, Mozambique, Nigeria, Rwanda, Sao Tome, Sierra Leone, Somalia, Tanzania, Uganda, Zambia, Zimbabwe, Argentina, Bolivia, Belize, Brasilien, Chile, Colombia, Costa Rica, Den Dominikanske Republik, Ecuador, El Salvador, Guatemala, Haiti, Honduras, Mexico, Nicaragua, Panama, Paraguay, Peru, Uruguay, Venezuela, Brasilien, Europa, Mellemøsten, Afrika, Australien, New Zealand, Singapore, Malaysia, Thailand, Indonesien, Filippinerne, Vietnam, Brunei, Sri Lanka, Bangladesh, Indien, Korea, Hong Kong, Taiwan, Kina, Japan	Reserve dele og arbejdstid - 4 år	5
9694	USA, Angola, Botswana, Burundi, Eritrea, Etiopien, Ghana, Kenya, Liberia, Malawi, Malta, Mozambique, Nigeria, Rwanda, Sao Tome, Sierra Leone, Somalia, Tanzania, Uganda, Zambia, Zimbabwe, Argentina, Bolivia, Belize, Brasilien, Chile, Colombia, Costa Rica, Den Dominikanske Republik, Ecuador, El Salvador, Guatemala, Haiti, Honduras, Mexico, Nicaragua, Panama, Paraguay, Peru, Uruguay, Venezuela, Brasilien, Europa, Mellemøsten, Afrika, Australien, New Zealand, Singapore, Malaysia, Thailand, Indonesien, Filippinerne, Vietnam, Brunei, Sri Lanka, Bangladesh, Indien, Korea, Hong Kong, Taiwan, Kina, Japan	Reserve dele og arbejdstid - 3 år	5

Maskintype	Land eller område, hvor Maskinen er købt	Garantiperiode	Servicetype i garanti-perioden
9695	USA, Angola, Botswana, Burundi, Eritrea, Etiopien, Ghana, Kenya, Liberia, Malawi, Malta, Mozambique, Nigeria, Rwanda, Sao Tome, Sierra Leone, Somalia, Tanzania, Uganda, Zambia, Zimbabwe, Argentina, Bolivia, Belize, Brasilien, Chile, Colombia, Costa Rica, Den Dominikanske Republik, Ecuador, El Salvador, Guatemala, Haiti, Honduras, Mexico, Nicaragua, Panama, Paraguay, Peru, Uruguay, Venezuela, Brasilien, Europa, Mellemøsten, Afrika, Australien, New Zealand, Singapore, Malaysia, Thailand, Indonesien, Filippinerne, Vietnam, Brunei, Sri Lanka, Bangladesh, Indien, Korea, Hong Kong, Taiwan, Kina, Japan	Reserve dele og arbejdstid - 3 år	5

Den type service, der er omfattet af garantien

Serviceleverandøren leverer, hvis det er nødvendigt, reparations- eller udskiftningsservice afhængig af den type service i garanti-perioden, der er anført for Maskinen i oversigten ovenfor og som beskrevet nedenfor. Tidspunktet for service afhænger af, hvornår service tilkaldes, og af om der er de nødvendige dele til rådighed. Reaktionstiderne for service er målsætninger, IBM vil bestræbe sig på at overholde. De angivne reaktionstider for service er ikke gældende i alle lande. Yderligere betaling kan være påkrævet uden for Serviceleverandørens normale serviceområde. Kontakt Serviceleverandøren eller forhandleren i det land, hvor Maskinen er anskaffet.

1. CRU-service

Lenovo sender CRU-dele til Dem, og De foretager derefter selv udskiftning. Niveau-1 CRU-dele er nemme at installere, mens Niveau 2 CRU-dele kræver visse tekniske færdigheder og værktøjer. Oplysninger om CRU-dele og udskiftningsvejledning leveres sammen med Deres Maskine og er altid mulige at få fra Lenovo på Deres anmodning. De kan bede en Serviceleverandør om at installere CRU-dele uden ekstra betaling i henhold til den type service i garanti-perioden, der gælder for Deres Maskine. I det materiale, der leveres sammen med en CRU-reservedel, angiver Lenovo, om en defekt CRU-del skal returneres til Lenovo. Når Lenovo kræver, at delen returneres, så 1) sendes forsendelsesoplysninger og -materiale sammen med CRU-reservedelen, og 2) De vil blive faktureret for CRU-reservedelen, hvis Lenovo ikke har modtaget den defekte CRU-del, senest 30 dage efter De har modtaget CRU-reservedelen.

2. On-site-service

Serviceleverandøren reparerer eller udskifter den defekte Maskine hos Dem og kontrollerer, at den fungerer. De skal stille et velegnet arbejdsområde til rådighed, så det er muligt at skille Lenovo-Maskinen ad og samle den igen.

Arbejdsområdet skal være rent med god belysning og velegnet til formålet. For visse Maskiner kan det ved bestemte reparationer være nødvendigt at sende Maskinen til et angivet servicecenter.

3. Kurérservice eller indleveringsservice *

De afmonterer den defekte Maskine, som Serviceleverandøren så sørger for at afhente. De får leveret emballage til brug ved returnering af Maskinen til et angivet servicecenter. En kurér henter Maskinen og afleverer den på det relevante servicecenter. Efter reparation eller udskiftning sørger servicecentret for at levere Maskinen tilbage til Dem. Installation og funktionskontrol er Deres ansvar.

4. Carry-in-service eller indsendelsesservice

De leverer eller sender (transport forudbetalt, medmindre andet er angivet) den defekte Maskine forsvarligt emballeret til en angivet adresse. Når Maskinen er repareret eller udskiftet, kan De hente den. Hvis De har valgt indsendelsesservice, returneres Maskinen til Dem for Lenovos regning, medmindre Serviceleverandøren angiver andet. Den efterfølgende installation og funktionskontrol er Deres ansvar.

5. CRU-service og on-site-service

Denne type service i garantiperioden er en kombination af type 1 og type 2 (se ovenfor).

6. CRU-service og kurérservice eller indleveringsservice

Denne type service i garantiperioden er en kombination af type 1 og type 3 (se ovenfor).

7. CRU-service og carry-in- eller indsendelsesservice

Denne type service i garantiperioden er en kombination af type 1 og type 4 (se ovenfor).

Når der er angivet service af type 5, 6 eller 7 i garantiperioden, er det op til Serviceleverandøren at finde ud af, hvilken type service i garantiperioden der er relevant i forbindelse med en reparation.

* Denne type service kaldes ThinkPad EasyServ eller EasyServ i visse lande.

Kontakt Serviceleverandøren for at få service i garantiperioden. Ring 1-800-426-7378 for at få service i garantiperioden i Canada eller USA. Se telefonnumrene nedenfor for øvrige lande.

Oversigt over telefonnumre

Telefonnumre kan ændres uden forudgående varsel. Du kan finde de nyeste telefonnumre ved at besøge <http://www.lenovo.com/support/phone>.

Land eller område	Telefonnummer
Afrika	Afrika: +44 (0)1475-555-055 Sydafrika: +27-11-3028888 og 0800110756 Centralafrika: Kontakt den nærmeste Lenovo Business Partner
Argentina	0800-666-0011 (spansk)
Australien	131-426 (engelsk)
Belgien	Kom godt i gang: 02-210-9820 (hollandsk) Kom godt i gang: 02-210-9800 (fransk) Service og support i garantiperioden: 02-225-3611 (hollandsk, fransk)
Bolivia	0800-10-0189 (spansk)
Brasilien	Sao Paulo-regionen: (11) 3889-8986 Uden for Sao Paulo-regionen: 0800-701-4815 (brasiliansk)
Canada	Toronto: 416-383-3344 Uden for Toronto: 1-800-565-3344 (engelsk, fransk)
Chile	800-361-213 eller 188-800-442-488 Gratis opkald (spansk)
Columbia	1-800-912-3021 (spansk)
Costa Rica	0-800-011-1029 (spansk)
Cypern	+357-22-841100
Danmark	Kom godt i gang: 4520-8200 Service and support i garantiperioden: 7010-5150 (dansk)
Dominikanske Republik	1-866-434-2080 (spansk)
Ecuador	1-800-426911 (spansk)
El Salvador	800-6264 (spansk)
Estland	+372 6776793 +372 66 00 800
Filippinerne	1800-1888-1426 (engelsk) 63-2-995-8420 (filippinsk)
Finland	Kom godt i gang: 09-459-6960 Service og support i garantiperioden: +358-800-1-4260 (finsk)
Frankrig	Kom godt i gang: 0238-557-450 Service og support i garantiperioden (hardware): 0810-631-213 Service og support i garantiperioden (software): 0810-631-020 (fransk)
Grækenland	+30-210-680-1700
Guatemala	1800-624-0051 (spansk)

Land eller område	Telefonnummer
Holland	+31-20-514-5770 (hollandsk)
Honduras	Tegucigalpa: 232-4222 San Pedro Sula: 552-2234 (spansk)
Indien	1800-425-6666 +91-80-2678-8970 (engelsk)
Indonesien	800-140-3555 (engelsk) 62-21-251-2955 (bahasa, indonesisk)
Irland	Kom godt i gang: 01-815-9202 Service og support i garantiperioden: 01-881-1444 (engelsk)
Israel	Givat Shmuel Service Center: +972-3-531-3900 (hebræisk, engelsk)
Italien	Kom godt i gang: 02-7031-6101 Service og support i garantiperioden: +39-800-820094 (italiensk)
Japan	Gratis opkald: 0120-20-5550 Internationale opkald: +81-46-266-4716 Ovenstående numre besvares på japansk. For support på engelsk, vent til den japanske meddelelse er slut, og medarbejderen svarer. Sig "English support please", og dit opkald overføres til en engelsktalende medarbejder. Computerprogrammer: 0120-558-695 Oversøiske opkald: +81-44-200-8666 (japansk)
Kina	86-10-58851110 800-990-8888 (mandarin)
Kina (Hong Kong S.A.R.)	ThinkCentre-computer, forretningsbrug: 8205-0333 Multimedie-computer, hjemmebrug: 800-938-228 (kantonesisk, engelsk, mandarin)
Kina (Macau S.A.R.)	ThinkCentre (hotline til tekniske forespørgsler): 0800-336 (kantonesisk, engelsk, mandarin)
Korea	1588-5801 (koreansk)
Kroatien	0800-0426
Letland	+386-61-1796-699
Litauen	+386-61-1796-699
Luxembourg	+352-298-977-5063 (fransk)
Malaysia	1800-88-8558 (engelsk, bahasa, melayu)

Land eller område	Telefonnummer
Malta	+356-23-4175
Mellemøsten	+44 (0)1475-555-055
Mexico	001-866-434-2080 (spansk)
New Zealand	0800-733-222 (Engelsk)
Nicaragua	001-800-220-1830 (spansk)
Norge	Kom godt i gang: 6681-1100 Service og support i garantiperioden: 8152-1550 (norsk)
Panama	001-866-434-2080 (gratis opkald) 206-6047 (spansk)
Peru	0-800-50-866 (spansk)
Polen	+48-22-878-6999
Portugal	+351-21-892-7147 (portugisisk)
Rumænien	+4-021-224-4015
Rusland	+7-495-258-6300 +8-800-200-6300 (russisk)
Schweiz	Kom godt i gang: 058-333-0900 Service og support i garantiperioden: 0800-55-54-54 (tysk, fransk, italiensk)
Singapore	1800-3172-888 (engelsk, bahasa, melayu)
Slovakiet	+421-2-4954-1217
Slovenien	+386-1-4796-699
Spanien	91-714-7983 0901-100-000 (spansk)
Sri Lanka	+9411 2493547 +9411 2493548 (engelsk)
Storbritannien	Kom godt i gang: 01475-555-055 Service og support i garantiperioden: 08705-500-900 (engelsk)
Sverige	Kom godt i gang: 08-477-4420 Service og support i garantiperioden: 077-117-1040 (svensk)
Taiwan	886-2-8723-9799 0800-000-700 (mandarin)
Thailand	1-800-299-229 (thai)
Tjekkiet	+420-2-7213-1316

Land eller område	Telefonnummer
Tyrkiet	00800-4463-2041 (tyrkisk)
Tyskland	Kom godt i gang: 07032-15-49201 Service og support i garantiperioden: 01805-25-35-58 (tysk)
Ungarn	+36-1-382-5720
Uruguay	000-411-005-6649 (spansk)
USA	1-800-426-7378 (engelsk)
Venezuela	0-800-100-2011 (spansk)
Vietnam	Det nordlige område og Hanoi: 84-4-843-6675 Det sydlige område og Ho Chi Minh City: 84-8-829-5160 (engelsk, vietnamesisk)
Østrig	Kom godt i gang: 01-24592-5901 Service og support i garantiperioden: 01-211-454-610 (tysk)

Garantitillæg for Mexico

Dette tillæg er en del af Lenovo Servicebevis og gælder udelukkende for produkter, der sælges og markedsføres i Mexico. Hvis der opstår tvister, gælder vilkårene i dette tillæg.

Alle softwareprogrammer, der er forudinstalleret på udstyret, har en garanti på kun tredive (30) dage for installationsfejl fra købsdatoen. Lenovo er ikke ansvarlig for oplysningerne i sådanne softwareprogrammer og/eller andre softwareprogrammer, der er installeret af Dem eller installeret efter produktet blev købt.

Service, som ikke dækkes af garantien, skal betales af slutbrugeren efter godkendelse.

Hvis der skal udføres garantiservice, skal De ringe til kundesupportcentret på 001-866-434-2080, hvor De vil blive stillet om til det nærmeste autoriserede servicecenter. Hvis der ikke findes et autoriseret servicecenter i Deres by, eller inden for en radius af 70 km af Deres by, inkluderer garantien alle rimelige leveringsomkostninger i forbindelse med transporten af produktet til det nærmeste autoriserede servicecenter. Ring til det nærmeste autoriserede servicecenter for at få de nødvendige godkendelser eller oplysninger vedrørende forsendelsen af produktet og forsendelsesadressen.

De kan få vist en oversigt over autoriserede servicecentre ved at besøge webstedet <http://www.lenovo.com/mx/es/servicios>

Fremstillet af:

SCI Systems de México, S.A. de C.V.
Av. De la Solidaridad Iberoamericana No. 7020
Col. Club de Golf Atlas
El Salto, Jalisco, México
C.P. 45680,
Tel. 01-800-3676900

Markedsføring:

Lenovo de México, Comercialización y
Servicios, S. A. de C. V.
Alfonso Nápoles Gándara No 3111
Parque Corporativo de Peña Blanca
Delegación Álvaro Obregón
México, D.F., México
C.P. 01210,
Tel. 01-800-00-325-00

Kapitel 4. CRU (Customer Replacement Unit)

CRU'er er computerdele, der kan opgraderes eller udskiftes af kunden. Der findes to typer CRU-dele: Niveau-1 CRU-dele og Niveau-2 CRU-dele. Niveau-1 CRU-dele er nemme at installere, mens Niveau 2 CRU-dele kræver visse tekniske færdigheder og værktøj.

Bøgerne *Brugervejledning* og *Vejledning i udskiftning af hardware* indeholder oplysninger om udskiftning af Niveau-1 og Niveau-2 CRU-dele. Brug følgende oversigt til at finde den bog, du har brug for.

Gør følgende for at få vist en bog: Åbn menuen Start på Windows-skrivebordet, markér **Alle programmer**, markér **Onlinebøger**, og klik på **Onlinebøger**. Dobbeltklik på bogen til din maskintype. Der er flere oplysninger om, hvordan du får adgang til bøgerne *Brugervejledning* og *Vejledning i udskiftning af hardware*, i "Folder med onlinebøger" på side 95. Bøgerne findes også på Lenovos websted på adressen <http://www.lenovo.com>.

Bemærk: Brug kun dele, der leveres af Lenovo. Der er oplysninger om garanti for CRU'erne til din maskintype i Kapitel 3, "Lenovo Servicebevis", på side 99.

6490, 8700, 8701, 8705, 8717, 8973, 8975, 8979, 8983, 8985, 8991, 8995, 9265, 9269, 9277, 9279, 9283, 9287, 9379, 9383, 9387, 9389, 9631, 9635, 9637, 9646, 9648, 9694		
	Brugervejledning	Vejledning i udskiftning af hardware
Niveau-1 CRU-dele		
Optisk drev	x	x
Harddisk	x	x
Hukommelse	x	x
Mus	x	x
Tastatur	x	x
Adapterkort	x	x
Niveau-2 CRU-dele		
Diskettedrev	x	x
Køleplade		x
Strømforsyning		x
Systemblæser		x

6491, 8013, 8702, 8706, 8716, 8970, 8972, 8976, 8980, 8982, 8986, 8992, 8994, 9266, 9276, 9278, 9282, 9286, 9288, 9374, 9378, 9380, 9384, 9628, 9632, 9647, 9649, 9695		
	Brugervejledning	Vejledning i udskiftning af hardware
Niveau-1 CRU-dele		
Mus	x	x
Tastatur	x	x
Adapterkort	x	x
Niveau-2 CRU-dele		
Optisk drev	x	x
Harddisk	x	x
Diskettedrev	x	x
Hukommelse	x	x
Køleplade		x
Systemblæser		x

Maskintype: 9636, 9638, 9640, 9641, 9642, 9643, 9644, 9645		
	Brugervejledning	Vejledning i udskiftning af hardware
Niveau-1 CRU-dele		
Tastatur	x	x
Mus	x	x
Harddisk	x	x
Hukommelse	x	x
Adapterkort	x	x
Højtaler	x	x
Optisk drev	x	x
Diskettedrev	x	x
Niveau-2 CRU-dele		
Køleplade		x
Systemkort		x
Strømforsyning		x
Systemblæsere		x

Kapitel 5. Bemærkninger

Lenovo tilbyder muligvis ikke de produkter eller serviceydelser eller det udstyr, der omtales i dette dokument, i alle lande. Kontakt en Lenovo-forhandler for at få oplysninger om de produkter og serviceydelser, der findes i Deres land. Henvisninger til et Lenovo-produkt, -program eller en Lenovo-ydelse skal ikke betyde, at det kun er Lenovos produkt, program eller ydelse, der kan anvendes. Alle funktionelt tilsvarende produkter, programmer og serviceydelser, der ikke krænker Lenovos immaterialrettigheder, kan anvendes. Det er brugerens ansvar at vurdere og kontrollere andre produkters, programmers og serviceydelsers funktion.

Lenovo kan have patenter eller udestående patentansøgninger inden for det område, dette dokument dækker. De opnår ikke licens til disse patenter eller patentansøgninger ved at være i besiddelse af bogen. Forespørgsler om licens kan sendes til:

*Lenovo (United States), Inc.
1009 Think Place - Building One
Morrisville, NC 27560
USA
Attention: Lenovo Director of Licensing*

Lenovo leverer denne bog, som den er og forefindes, uden nogen form for garanti. Lenovo påtager sig ingen forpligtelser, uanset eventuelle forventninger vedrørende egnethed eller anvendelse. Visse landes lovgivning tillader ikke fraskrivelse eller begrænsninger vedrørende udtrykkelige eller underforståede garantier. Ovennævnte fraskrivelse gælder derfor muligvis ikke Dem.

Bogen kan indeholde tekniske unøjagtigheder. Lenovo kan når som helst og uden forudgående varsel foretage forbedringer eller ændringer af de produkter og/eller de programmer, der beskrives i dette dokument.

De produkter, der beskrives i dette dokument, er ikke beregnet til brug i systemer, der anvendes til livsopretholdelse, herunder implantater, hvor programfejl kan resultere i personskade eller død. De oplysninger, der findes i dette dokument, påvirker eller ændrer ikke Lenovo-produktspecifikationer eller -vilkår. Intet i dette dokument fungerer som en udtrykkelig eller implicit licens eller skadesløsholdelse under Lenovos eller tredjeparts immaterielle rettigheder. Alle oplysningerne i dette dokument er opnået i bestemte miljøer og tjener kun som en illustration. Resultater opnået i andre miljøer kan være forskellige.

Lenovo må anvende eller videregive oplysninger fra Dem på en måde som Lenovo finder passende uden at pådrage sig nogen forpligtelser over for Dem.

Henvisninger til ikke-Lenovo websteder er kun til orientering og fungerer på ingen måde som en godkendelse af disse websteder. Materialet på disse websteder er ikke en del af materialet til dette Lenovo-produkt, og eventuel brug af disse websteder sker på eget ansvar.

Alle ydelsesdata heri er beregnet i et kontrolleret miljø. Derfor kan resultater, som er opnået i andre miljøer, være meget forskellige. Nogle målinger er udført på systemer på udviklingsniveau, og der er ingen garanti for, at disse målinger vil være de samme på tilgængelige systemer. Desuden kan visse målinger være beregnet via ekstrapolation. De faktiske resultater kan variere. Brugere af dette dokument skal kontrollere de tilgængelige data til deres specifikke miljø.

Bemærkning om tv-output

Følgende bemærkning gælder modeller, der leveres med facilitet til tv-modtagelse.

Dette produkt inkorporerer teknologi, der er beskyttet af ophavsrettigheder, og som er beskyttet af metoderrettigheder af visse amerikanske patenter og andre immaterialrettigheder, der ejes af Macrovision Corporation og andre retmæssige ejere. Brug af denne copyright-beskyttede teknologi skal godkendes af Macrovision Corporation, og den må kun bruges i hjemmet og til anden begrænset fremvisning, medmindre Macrovision Corporation på anden måde giver tilladelse hertil. Teknisk tilbageføring (Reverse engineering) eller tilbageoversættelse (disassembly) er ikke tilladt.

Varemærker

Følgende varemærker tilhører Lenovo:

- Lenovo
- Rescue and Recovery
- ThinkCentre
- ThinkPad
- ThinkVantage

Varemærket IBM tilhører International Business Machines Corporation.

Alle andre varemærker anerkendes.

Bemærkninger vedr. elektronisk stråling

Følgende oplysninger gælder for Lenovo-computere maskintype: 6490, 6491, 8013, 8700, 8701, 8702, 8705, 8706, 8716, 8717, 8970, 8972, 8973, 8975, 8976, 8979, 8980, 8982, 8983, 8985, 8986, 8991, 8992, 8994, 8995, 9265, 9266, 9269, 9276, 9277, 9278, 9279, 9282, 9283, 9286, 9287, 9288, 9374, 9378, 9379, 9380, 9383, 9384, 9387, 9389, 9628, 9631, 9632, 9635, 9636, 9637, 9638, 9640, 9641, 9642, 9643, 9644, 9645, 9646, 9647, 9648, 9649, 9694, 9695.

Federal Communications Commission (FCC) Declaration of Conformity

Følgende afsnit er på engelsk og kan evt. benyttes i forbindelse med problemer, der er opstået, når computeren benyttes i udlandet.

This equipment has been tested and found to comply with the limits for a Class B digital device, pursuant to Part 15 of the FCC Rules. These limits are designed to provide reasonable protection against harmful interference in a residential installation. This equipment generates, used, and can radiate radio frequency energy and, if not installed and used in accordance with the instructions, may cause harmful interference to radio communications. However, there is no guarantee the interference will not occur in a particular installation. If this equipment does cause harmful interference to radio or television reception, which can be determined by turning the equipment off and on, the user is encouraged to try to correct the interference by one or more of the following measures:

- Reorient or relocate the receiving antenna.
- Increase the separation between the equipment and receiver.
- Connect the equipment into an outlet on a circuit different from that to which the receiver is connected.
- Consult an authorized dealer or service representative for help.

Lenovo is not responsible for any radio or television interference caused by using other than recommended cables or connectors or by unauthorized changes or modifications to this equipment. Unauthorized changes or modifications could void the user's authority to operate the equipment.

This device complies with Part 15 of the FCC Rules. Operation is subject to the following two conditions: (1) this device may not cause harmful interference, and (2) this device must accept any interference received, including interference that may cause undesired operation.

Responsible party:

Lenovo (United States) Inc.
One Manhattanville Road
Purchase, New York 10577

Telephone: (919) 254-5900

FC Tested To Comply
With FCC Standards
FOR HOME OR OFFICE USE

Industry Canada Class B emission compliance statement

This Class B digital apparatus complies with Canadian ICES-003.

Erklæring vedrørende EU-krav

Dette produkt overholder kravene vedrørende elektromagnetisk kompatibilitet fastsat i EU-direktiv 89/336/EØF om harmonisering af medlemsstaternes lovgivning vedrørende elektromagnetiske apparater. Lenovo er ikke ansvarlig for manglende opfyldelse af beskyttelseskravene, der skyldes en ikke anbefalet ændring af produktet, herunder montering af kort fra andre producenter.

Dette produkt er testet og overholder grænseværdierne for klasse B-IT-udstyr i henhold til CISPR 22/European Standard EN 55022. Grænseværdierne for klasse B-udstyr er angivet for typiske boligområder, så de yder tilstrækkelig beskyttelse mod interferens med licenserede kommunikationsenheder.

Korean Class B statement

이 기기는 가정용으로 전자파 적합등록을 한 기기로서
주거지역에서는 물론 모든 지역에서 사용할 수 있습니다.

Japanese VCCI Class B statement

この装置は、情報処理装置等電波障害自主規制協議会（VCCI）の基準に基づきクラスB情報技術装置です。この装置は、家庭環境で使用することを目的としていますが、この装置がラジオやテレビジョン受信機に近接して使用されると、受信障害を引き起こすことがあります。
取扱説明書に従って正しい取り扱いをして下さい。

Japanese compliance for products less than or equal to 20A per phase

高調波電流規格 JIS C 61000-3-2 適合品

Lenovo product service information for Taiwan

台灣 Lenovo 產品服務資訊如下：
荷蘭商思惟電腦產品股份有限公司台灣分公司
台北市信義區信義路五段七號十九樓之一
服務電話：0800-000-700

Federal Communications Commission (FCC) and telephone company requirements

Følgende afsnit er på engelsk og kan evt. benyttes i forbindelse med problemer, der er opstået, når computeren benyttes i udlandet.

1. This device complies with Part 68 of the FCC rules. A label is affixed to the device that contains, among other things, the FCC registration number, USOC, and Ringer Equivalency Number (REN) for this equipment. If these numbers are requested, provide this information to your telephone company.

Bemærk: If the device is an internal modem, a second FCC registration label is also provided. You may attach the label to the exterior of the computer in which you install the Lenovo modem, or you may attach the label to the external DAA, if you have one. Place the label in a location that is easily accessible, should you need to provide the label information to the telephone company.

2. The REN is useful to determine the quantity of devices you may connect to your telephone line and still have those devices ring when your number is called. In most, but not all areas, the sum of the RENs of all devices should not exceed five (5). To be certain of the number of devices you may connect to your line, as determined by the REN, you should call your local telephone company to determine the maximum REN for your calling area.
3. If the device causes harm to the telephone network, the telephone company may discontinue your service temporarily. If possible, they will notify you in advance; if advance notice is not practical, you will be notified as soon as possible. You will be advised of your right to file a complaint with the FCC.
4. Your telephone company may make changes in its facilities, equipment, operations, or procedures that could affect the proper operation of your equipment. If they do, you will be given advance notice to give you an opportunity to maintain uninterrupted service.

5. If you experience trouble with this product, contact your authorized reseller or call the Customer Support Center. In the United States, call **1-800-426-7378**. In Canada, call **1-800-565-3344**. You may be required to present proof of purchase.

The telephone company may ask you to disconnect the device from the network until the problem has been corrected, or until you are sure the device is not malfunctioning.

6. No customer repairs are possible to the device. If you experience trouble with the device, contact your Authorized Reseller or see the Diagnostics section of this manual for information.
7. This device may not be used on coin service provided by the telephone company. Connection to party lines is subject to state tariffs. Contact your state public utility commission or corporation commission for information.
8. When ordering network interface (NI) service from the local Exchange Carrier, specify service arrangement USOC RJ11C.

Canadian Department of Communications certification label

NOTICE: The Industry Canada label identifies certified equipment. This certification means that the equipment meets telecommunications network protective, operational and safety requirements as prescribed in the appropriate Terminal Equipment Technical Requirements documents. The Department does not guarantee the equipment will operate to the user's satisfaction.

Before installing this equipment, users should ensure that it is permissible to be connected to the facilities of the local telecommunications company. The equipment must also be installed using an acceptable method of connection. The customer should be aware that compliance with the above conditions may not prevent degradation of service in some situations. Repairs to certified equipment should be coordinated by a representative designated by the supplier. Any repairs or alterations made by the user to this equipment, or equipment malfunctions, may give the telecommunications company cause to request the user to disconnect the equipment.

Users should ensure for their own protection that the electrical ground connections of the power utility, telephone lines, and internal metallic water pipe system, if present, are connected together. This precaution may be particularly important in rural areas.

Caution: Users should not attempt to make such connections themselves, but should contact the appropriate electric inspection authority, or electrician, as appropriate.

NOTICE: The Ringer Equivalence Number (REN) assigned to each terminal device provides an indication of the maximum number of terminals allowed to

be connected to a telephone interface. The termination on an interface may consist of any combination of devices subject only to the requirement that the sum of the Ringer Equivalence Numbers of all the devices does not exceed 5.

Netledninger

Undgå elektrisk stød: Af hensyn til sikkerheden leveres computeren med en trepolet netledning. Sæt altid netledningen i en korrekt jordforbundet stikkontakt.

Netledninger, der leveres af Lenovo, til et bestemt land kan normalt kun købes i det pågældende land.

Udstyr, der skal benyttes i Tyskland: Netledningerne skal være sikkerhedsgodkendt. I Tyskland skal det være H05VV-F, 3G, 0,75 mm² eller bedre. I andre lande skal de korrekte typer anvendes på tilsvarende vis.

Partnummer	Bruges i følgende lande
24R2633	Japan
39M5067	Argentina, Paraguay, Uruguay
39M5080	Antigua og Barbuda, Aruba, Bahamas, Barbados, Belize, Bermuda, Bolivia, Caicos Islands, Canada, Cayman-øerne, Columbia, Costa Rica, Cuba, De Hollandske Antiller, Den Dominikanske Republik, Ecuador, El Salvador, Filippinerne, Guam, Guatemala, Haiti, Honduras, Jamaica, Mexico, Mikronesiens Forenede Stater, Nicaragua, Panama, Peru, Saudi-Arabien, Taiwan, Thailand, USA, Venezuela
39M5102	Australien, New Zealand
39M5122	Afghanistan, Albanien, Algeriet, Andorra, Angola, Armenien, Østrig, Aserbajdsjan, Hviderusland, Belgien, Benin, Bosnien-Hercegovina, Bulgarien, Burkina Faso, Burundi, Cambodia, Cameroun, Kap Verde, Centralafrikanske Republik, Tchad, Comorerne, Den Demokratiske Republik Congo, Congo, Elfenbenskysten, Kroatien, Tjekkiet, Dahomey, Djibouti, Egypten, Ækvatorialguinea, Eritrea, Estland, Ethiopien, Finland, Frankrig, Fransk Guyana, Fransk Polynesien, Gabon, Georgien, Tyskland, Grækenland, Guadeloupe, Guinea, Guinea Bissau, Ungarn, Island, Indonesien, Iran, Kasakhstan, Kirgisistan, Laos, Letland, Libanon, Litauen, Luxembourg, Den Tidligere Jugoslaviske Republik Makedonien, Madagaskar, Mali, Martinique, Mauritanien, Mauritius, Mayotte, Republikken Moldova, Monaco, Mongoliet, Marokko, Mozambique, Holland, Ny Caledonien, Niger, Norge, Polen, Portugal, Reunion, Rumænien, Rusland, Rwanda, Sao Tome og Principe, Saudi-Arabien, Senegal, Serbien, Slovakiet, Slovenien, Somalia, Spanien, Surinam, Sverige, Syrien, Tadsjikistan, Tahiti, Togo, Tunesien, Tyrkiet, Turkmenistan, Ukraine, Øvre Volta, Usbekistan, Vanuatu, Vietnam, Wallis og Futuna, Jugoslavien, Zaire
39M5129	Danmark

Partnummer	Bruges i følgende lande
39M5143	Bangladesh, Lesotho, Macao S.A.R, Maldiverne, Namibia, Nepal, Pakistan, Samoa, Sydafrika, Sri Lanka, Swaziland, Uganda
39M5150	Abu Dhabi, Australien, Bahrain, Botswana, Brunei Darussalam, Kanaløerne, Cypern, Dominica, Fiji, Gambia, Ghana, Grenada, Guyana, Hong Kong S.A.R., Irak, Irland, Jordan, Kenya, Kiribati, Kuwait, Liberia, Malawi, Malaysia, Malta, Myanmar (Burma), Nauru, New Zealand, Nigeria, Oman, Papua New Guinea, Qatar, Saint Kitts og Nevis, Saint Lucia, Saint Vincent og Grenadinerne, Seychellerne, Sierra Leone, Singapore, Sudan, Tanzania, Trinidad & Tobago, Forenede Arabiske Emirater (Dubai), Storbritannien, Yemen, Zambia, Zimbabwe
39M5151	Hong Kong S.A.R., Korea
39M5157	Liechtenstein, Schweiz
39M5164	Chile, Italien, Libyen
39M5171	Israel
39M5205	Kina
39M5212	Korea
39M5232	Brasilien
39M5246	Taiwan
41R3175	Indien

Bemærkning vedr. PVC-kabel og -ledning

Advarsel! Når du bruger ledningen til dette produkt eller ledninger i forbindelse med tilbehør, der sælges med dette produkt, udsættes du for bly, som i Californien anses for at være årsag til kræft, fosterskader og forringelse af forplantningsevnen. *Vask hænder efter brug.*

Bemærkninger vedr. affald af elektrisk og elektronisk udstyr (WEEE)

Lenovo opfordrer ejere af IT-udstyr til at aflevere udstyret til genbrug på ansvarlig vis, når der ikke længere er brug for udstyret. Lenovo tilbyder en række programmer og serviceydelser, der kan hjælpe med genbrug af IT-produkter. Der er oplysninger om produktgenbrug på Lenovos internetside <http://www.pc.ibm.com/ww/lenovo/about/environment/>.

Erklæring vedrørende WEEE i EU

WEEE-mærket gælder kun lande i EU og Norge. Udstyr mærkes i henhold til EU's direktiv 2002/96/EF om affald af elektrisk og elektronisk udstyr (WEEE). Direktivet fastlægger de rammer, der gælder for returnering og genbrug af

brugt udstyr i EU. Mærkatens påsættes forskellige produkter for at angive, at produktet ikke må smides væk, når det er udtjent, men skal genvindes i henhold til dette direktiv.

Brugere af elektrisk og elektronisk udstyr (EEE), der er mærket med WEEE-mærket som angivet i Bilag IV til WEEE-direktivet, må ikke bortskaffe brugt EEE som usorteret husholdningsaffald, men skal bruge den indsamlingsordning, der er etableret, så WEEE kan returneres, genbruges eller genvindes. Formålet er at minimere den eventuelle påvirkning af miljøet og menneskers sundhed som følge af tilstedeværelsen af skadelige stoffer. Der er flere oplysninger om WEEE på adressen:

<http://www.lenovo.com/lenovo/environment>.

Japanese recycling statement

Følgende afsnit er på engelsk og kan evt. benyttes i forbindelse med problemer, der er opstået, når computeren benyttes i udlandet.

Collecting and recycling a disused Lenovo computer or monitor

If you are a company employee and need to dispose of a Lenovo computer or monitor that is the property of the company, you must do so in accordance with the Law for Promotion of Effective Utilization of Resources. Computers and monitors are categorized as industrial waste and should be properly disposed of by an industrial waste disposal contractor certified by a local government. In accordance with the Law for Promotion of Effective Utilization of Resources, Lenovo Japan provides, through its PC Collecting and Recycling Services, for the collecting, reuse, and recycling of disused computers and monitors. For details, visit the Lenovo Web site at www.ibm.com/jp/pc/service/recycle/pcrecycle/

Pursuant to the Law for Promotion of Effective Utilization of Resources, the collecting and recycling of home-used computers and monitors by the manufacturer was begun on October 1, 2003. This service is provided free of charge for home-used computers sold after October 1, 2003. For details, visit the Lenovo Web site at www.ibm.com/jp/pc/service/recycle/personal/.

Disposing of a Lenovo computer component

Some Lenovo computer products sold in Japan may have components that contain heavy metals or other environmental sensitive substances. To properly dispose of disused components, such as a printed circuit board or drive, use the methods described above for collecting and recycling a disused computer or monitor.

Disposing of disused lithium batteries from Lenovo computers

A button-shaped lithium battery is installed on the system board of your Lenovo computer to provide power to the computer clock while the computer is off or disconnected from the main power source. If you want to replace it with a new one, contact your place of purchase or ask for a repair service provided by Lenovo. If you have replaced it by yourself and want to dispose of the disused lithium battery, insulate it with vinyl tape, contact your place of purchase, and follow their instructions. If you use a Lenovo computer at home and need to dispose of a lithium battery, you must comply with local ordinances and regulations.

Luku 1. Tärkeät turvaohjeet

Huomautus

Lue nämä tärkeät turvaohjeet ensin.

Näiden tietojen avulla voit käyttää hankkimaasi pöytätietokonetta tai kannettavaa tietokonetta turvallisesti. Säilytä kaikki tietokoneen mukana toimitetut julkaisut ja oppaat ja noudata niissä olevia ohjeita. Tämän julkaisun sisältämät tiedot eivät muuta hankintasopimuksen tai Lenovon rajoitettujen takuehtojen sisältämiä ehtoja. Luku 3, "Lenovon takuehdot (rajoitettu takuu)", sivulla 173 sisältää lisätietoja.

Asiakkaiden turvallisuus on meille tärkeää. Lenovon tuotteet on suunniteltu turvallisiksi ja tehokkaiksi. Tietokoneet ovat kuitenkin sähkölaitteita, ja verkkojohdot, verkkolaitteet sekä muut laitteet saattavat aiheuttaa vaaratilanteita, joista voi aiheutua vammoja käyttäjille tai omaisuuden vaurioitumista, etenkin jos näitä laitteita käytetään väärin. Voit välttää näitä vaaratilanteita noudattamalla tuotteen mukana toimitettuja ohjeita ja kaikkia tuotteessa ja käyttöohjeissa olevia varoituksia sekä lukemalla tässä julkaisussa olevat tiedot huolellisesti läpi. Noudattamalla tämän asiakirjan sisältämiä ohjeita ja tuotteen mukana toimitettuja ohjeita estät vaaratilanteiden syntymisen ja teet työskentely-ympäristöstäsi entistä turvallisemman.

Huomautus: Nämä ohjeet sisältävät viittauksia verkkolaitteisiin ja akkuihin. Toimitamme kannettavien tietokoneiden lisäksi myös joitakin muita tuotteita (esimerkiksi kaiuttimia ja näyttimiä), jotka käyttävät erillisiä verkkolaitteita. Jos olet hankkinut tällaisen tuotteen, nämä tiedot koskevat myös kyseistä tuotetta. Hankitussa tietokoneessa on lisäksi nappiparisto, josta tietokoneen kello saa virtaa tietokoneen ollessa irrotettuna verkkovirrasta, joten paristoa koskevat turvaohjeet koskevat kaikkia tietokoneita.

Välittömiä toimia edellyttävät tapahtumat tai tilat

Tuotteet voivat vahingoittua väärinkäytön tai laiminlyöntien vuoksi. Jotkin vauriot ovat niin vakavia, ettei tuotteen käyttöä saa jatkaa, ennen kuin valtuutettu huoltoedustaja on tarkastanut tuotteen ja tarvittaessa korjannut sen.

Kun laitteessa on virta kytkettynä, valvo sen toimintaa aivan samoin kuin muidenkin sähkölaitteiden toimintaa. Erittäin harvinaisissa tilanteissa tietokoneesta saattaa lähteä outo haju, savua tai kipinöitä tai siitä saattaa kuulua poksahdeltua, rätinää tai sihinää. Tämä saattaa merkitä myös sitä, että jokin laitteen sisäinen elektroninen osa on vioittunut, mutta tilanne on hallinnassa eikä aiheuta mitään vaaraa. Toisaalta tämä saattaa myös merkitä

sitä, että kyseessä on vaaratilanne. Älä kuitenkaan ota mitään riskejä tai yritä selvittää tapahtuman syytä itse. Ota yhteys asiakastukeen ja pyydä lisätietoja. Huolto- ja tukipalvelujen puhelinnumeroiden luettelo on kohdassa ”Maakohtaiset puhelinnumerot” sivulla 215.

Tarkista tietokone ja sen osat säännöllisin väliajoin vaurioiden tai kulumisen tai muiden vaaratekijöiden havaitsemiseksi. Jos epäilet jonkin osan toimintakuntoa tai sinulla on jotakin kysyttävää osan tilasta, älä käytä tuotetta. Ota yhteys tukikeskukseen tai tuotteen valmistajaan ja pyydä ohjeet tuotteen tarkistusta varten sekä korjauta tuote tarpeen mukaan.

Jos sinulla on tuotteen turvallisuuteen liittyviä kysymyksiä tai havaitset jonkin seuraavassa kuvatuista tapahtumista, lopeta tuotteen käyttö ja irrota tuotteen verkkojohto pistorasiasta sekä muut kaapelit tietoliikenneverkoista, kunnes olet saanut lisäohjeita tuotteen valmistajalta.

- Verkkojohdot, pistokkeet, verkkolaitteet, jatkojohdot, ylijännitesuojat tai virtalähteet ovat rikki, tai niissä on näkyviä vaurioita.
- Laite vaikuttaa ylikuumenevan: siitä lähtee savua tai kipinöitä, tai se syttyy tuleen.
- Akku on vaurioitunut (siinä on halkeamia, lommoja tai kolhuja), se vuotaa, tai sen pintaan on kertynyt vieraita aineita.
- Tuotteesta kuuluu rätinää, sihinää tai poksahduttelua, tai siitä lähtee voimakas haju.
- Tietokoneessa, verkkojohdossa tai verkkolaitteessa on jälkiä siitä, että sen tai niiden päälle on roiskunut jotakin nestettä tai sen tai niiden päälle on pudonnut jokin esine.
- Tietokone, verkkojohto tai verkkolaite on kastunut.
- Tuote on pudotettu tai se on vahingoittunut jollakin tavalla.
- Tuote ei toimi normaalisti käyttöohjeita noudatettaessa.

Huomautus: Jos havaitset, että jonkin muun valmistajan kuin Lenovon valmistamalle tai valmistuttamalle tuotteelle (esimerkiksi jatkojohdolle) on tapahtunut jotakin edellä kuvatun kaltaista, lopeta kyseisen tuotteen käyttö, kunnes olet saanut lisäohjeita tuotteen valmistajalta tai kunnes olet saanut uuden korvaavan tuotteen.

Yleisiä turvaohjeita

Noudata aina seuraavia turvaohjeita vaaratilanteiden ja omaisuuden vaurioitumisen välttämiseksi.

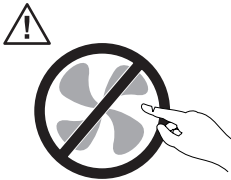
Huolto ja päivitykset

Älä yritä huoltaa tuotetta itse, ellei asiakastukikeskuksen edustaja tai ohjeaineisto tähän kehota. Käytä vain valtuutettua huoltopalvelua, jolla on oikeus antaa huoltoa kyseiselle tuotteelle.

Huomautus: Asiakas voi itse päivittää tai vaihtaa joitakin tietokoneen osia. Päivitysosia kutsutaan lisävarusteiksi. Vaihto-osia, joita voi asentaa itse, nimitetään asiakkaan vaihdettavissa oleviksi osiksi (CRU, Customer Replaceable Unit). Lenovon toimittamissa ohjeissa kerrotaan, voiko lisävarusteen tai osan vaihtaa itse. Kaikkia lisävarusteen tai vaihto-osan mukana toimitettuja ohjeita on ehdottomasti noudatettava. Tietokoneen sisällä saattaa olla osia, joissa on jännite, vaikka virran merkkivalo ei pala. Varmista aina, että virta on katkaistu ja että tuote on irrotettu kaikista virtalähteistä, ennen kuin avaat tietokoneen kannen. Lisätietoja asiakkaan vaihdettavissa olevista osista on tuotteen käyttöoppaassa. Jos sinulla on aiheeseen liittyviä kysymyksiä tai huolenaiheita, ota yhteys asiakastukikeskukseen.

Vaikka tietokoneen osat eivät liiku sen jälkeen, kun verkkojohto on irrotettu, ota seuraava varoitus huomioon:

Vaara



Vaarallisia liikkuvia osia. Varo, etteivät sormesi tai muut ruumiinosasi kosketa osiin

Huomio



Ennen kuin vaihdat asiakkaan vaihdettavissa olevia osia, katkaise tietokoneesta virta ja anna sen jäähtyä kolmesta viiteen minuuttia ennen kuin avaat kannen.

Staattiselta sähköltä suojautuminen

Staattisesta sähköstä ei ole vaaraa ihmiselle, mutta se saattaa vioittaa tietokoneen osia ja lisävarusteita. Staattiselle sähkölle herkkien laitteiden virheellinen käsittely voi vioittaa tällaista laitetta. Kun purat lisävarusteen tai asiakkaan vaihdettavissa olevan osan pakkausta, älä avaa staattiselta sähköltä suojaavaa pakkausta, ennen kuin asennusohjeissa neuvotaan tekemään niin.

Jotta välttäisit staattisen sähkön aiheuttamat vauriot, noudata seuraavia varotoimia käsitellessäsi laitteisto-osia ja muita tietokoneen osia:

- Vältä tarpeettomia liikkeitä. Liikkeet saattavat synnyttää staattista sähköä ympärillesi.
- Käsittele osia aina varovaisesti. Tartu sovitinkortteihin, muistimoduuleihin ja piirikortteihin aina niiden reunoista. Älä koske paljasiin virtapiireihin tai liittimiin.
- Älä anna muiden henkilöiden koskea tietokoneen osiin.
- Kun asennat järjestelmään uuden laitteen, kosketa laitteen staattiselta sähköltä suojaavalla pakkauksella sovitinkorttipaikan metallista kantta tai tietokoneen maalaamatonta metallipintaa vähintään kahden sekunnin ajan. Tämä pienentää pakkauksen staattista varausta ja kehosi staattista varausta.
- Mikäli mahdollista, poista osa pakkauksestaan ja asenna se suoraan tietokoneeseen laskematta sitä välillä käsistäsi. Jos tämä ei onnistu, aseta osan staattiselta sähköltä suojaava pakkaus tasaiselle pinnalle ja osa pakkauksen päälle.
- Älä aseta osaa keskusyksikön kannen tai muun metallipinnan päälle.

Verkkojohdot ja verkkolaitteet

Käytä vain tuotteen valmistajan toimittamia verkkojohtoja ja verkkolaitteita.

Verkkojohtojen tulee olla turvallisiksi hyväksytyjä. Saksassa tulee käyttää tyyppimerkinnällä H05VV-F, 3G, 0,75 mm² varustettua verkkojohtoa tai sitä laadukkaampaa verkkojohtoa. Muissa maissa tulee käyttää kyseisessä maassa hyväksytyä verkkojohtoa.

Älä kiedo verkkojohtoa verkkolaitteen tai muun esineen ympärille. Se saattaa aiheuttaa johdon lohkeilemisen, murtumisen tai kiertymisen. Tästä voi syntyä vaaratilanteita.

Sijoita verkkojohdot aina niin, että niiden päälle ei astuta, niihin ei kompastuta tai etteivät ne jää puristuksiin.

Suojaa johdot ja verkkolaitteet nesteiltä. Älä jätä verkkojohtoa tai -laitetta pesuallaiden tai ammeiden lähelle tai WC:hen tai lattioille, joita pestään vedellä ja pesuaineilla. Kastuminen saattaa aiheuttaa oikosulun, etenkin jos verkkojohto tai verkkolaite on kulunut väärinkäytön takia. Kastuminen voi

myös vähitellen syövyttää verkkojohdon ja verkkolaitteen liittimiä, josta voi ajan mittaan aiheutua ylikuumenemista.

Kytke aina verkkojohdot ja liitäntäkaapelit oikeassa järjestyksessä ja varmista, että kaikki verkkojohdot ovat kunnolla kiinni pistokkeissaan.

Älä käytä verkkolaitetta, jossa on merkkejä syöymisestä tai kulumisesta pistokkeen liittimissä tai merkkejä ylikuumenemisestä (kuten sulaneita kohtia muoviosassa) pistokkeessa tai verkkolaitteen muissa osissa.

Älä käytä verkkojohtoja, joiden jommankumman pään liittimissä on merkkejä kulumisesta tai ylikuumenemisestä tai jotka näyttävät olevan jollakin tavalla vaurioituneita.

Jännitekytkin

Joissakin tietokoneen malleissa on jännitekytkin lähellä verkkojohdon vastaketta. Jos tietokoneessasi on jännitekytkin, varmista, että olet asettanut sen pistorasian jännitteen mukaisesti. Tietokone saattaa rikkoutua, jos jännitekytkin asetetaan väärin.

Jos tietokoneessa ei ole jännitekytkintä, se on suunniteltu toimimaan vain alkuperäisessä hankintamaassa käytössä olevalla jännitteellä.

Jos siirrät tietokoneesi toiseen maahan, muista seuraavat seikat:

- Jos tietokoneessa ei ole jännitekytkintä, älä kytke tietokonetta pistorasiaan, ennen kuin olet varmistanut, että paikallisessa sähköverkossa on käytössä sama jännite kuin siinä maassa tai sillä alueella, josta tietokone on alun perin hankittu.
- Jos tietokoneessa on jännitekytkin, älä kytke tietokonetta pistorasiaan, ennen kuin olet varmistanut, että jännitekytkin on asetettu kyseisen maan tai alueen sähköverkossa käytetyn jännitteen mukaisesti.

Jos et ole varma käytettävästä jännitteestä, ota yhteys paikalliseen sähköyhtiöön tai tutki sijaintimaahasi tai -alueellesi matkustaville tarkoitettuja virallisia Web-sivustoja tai kirjallisuutta.

Jatkojohdot ja niihin liittyvät laitteet

Varmista, että käytössä olevat jatkojohdot, ylijännitesuojat, UPS-laitteet ja jatkopistorasiat pystyvät käsittelemään tuotteen edellyttämät jännitteitä. Älä koskaan ylikuormita näitä laitteita. Jos käytät jatkopistorasioita, kuormitus ei saa ylittää jatkopistorasian syöttötehoa. Jos sinulla on kuormitukseen, jännitevaatimuksiin tai syöttötehoon liittyviä kysymyksiä, pyydä lisätietoja sähköasentajalta.

Pistokkeet ja pistorasiat

Jos pistorasia, johon aiot kytkeä tietokoneen tai siihen liittyvät laitteet, näyttää vahingoittuneelta tai kuluneelta, älä käytä pistorasiaa vaan anna valtuutetun sähköasentajan vaihtaa sen tilalle uusi rasia.

Älä väännä pistoketta tai tee siihen muutoksia. Jos pistoke vahingoittuu, ota yhteys valmistajaan ja pyydä uusi pistoke tilalle.

Älä liitä tietokonetta samaan pistorasiaan paljon virtaa kuluttavan laitteen kanssa. Muutoin mahdolliset jännitevaihtelut voivat vioittaa tietokonetta, sen tietoja tai siihen liitettyjä laitteita.

Joidenkin tuotteiden mukana toimitetaan kolmiliittiminen pistoke. Tämä pistoke sopii vain maadoitettuun pistorasiaan. Tämä on tarkoituksellinen suojaava ominaisuus. Älä yritä kiertää suojausta pakottamalla pistoketta johonkin muuhun kuin maadoitettuun pistorasiaan. Jos et pysty asettamaan pistoketta pistorasiaan, ota yhteys sähköasentajaan ja pyydä häneltä hyväksytty muuntosovitin pistokkeelle tai pyydä häntä vaihtamaan pistorasia maadoitettuun pistorasiaan. Älä koskaan ylikuormita pistorasioita. Järjestelmän kokonaiskuormitus saa olla enintään 80 prosenttia haaroituskytkennän nimellistehosta. Jos sinulla on kuormitukseen tai haaroituskytkennän nimellistehoon liittyviä kysymyksiä, pyydä lisätietoja sähköasentajalta.

Varmista, että käytettävä pistorasia on kaapeloitu oikein ja että se sijaitsee lähellä laitteita paikassa, jossa siihen pääsee helposti käsiksi. Älä vedä verkkojohtoja kokonaan suoriksi tavalla, joka rasittaa johtoja.

Varmista, että pistorasian jännite ja virta vastaavat asennettavan laitteen vaatimuksia.

Kytke laitteiden pistokkeet pistorasiaan ja irrota ne pistorasiasta varovasti.

Ulkoiset laitteet

Älä kytke tai irrota mitään ulkoisten laitteiden kaapeleita USB- ja 1394-kaapeleita lukuunottamatta tietokoneen käytön aikana. Muutoin tietokone saattaa vaurioitua. Odota vähintään viisi sekuntia tietokoneen virran katkaisun jälkeen, ennen kuin irrotat ulkoisen laitteen.

Paristot ja akut

Kaikissa Lenovon valmistamissa tietokoneissa on litteä nappiparisto, josta järjestelmän kello saa virtansa. Paristoa ei voi ladata. Lisäksi monissa kannettavissa tietokoneissa on ladattava akku, josta tietokone saa virtaa ollessaan irti sähköverkosta. Lenovon tuotteen mukana toimittamat akut ja paristot on testattu yhteensopivuuden varmistamiseksi, ja ne saa vaihtaa vain hyväksytyihin osiin.

Älä koskaan yritä avata tai huoltaa paristoa tai akkua. Älä litistä paristoa tai akkua, tee siihen reikiä tai sytytä sitä tai aiheuta oikosulkua metalliliittimiin. Estä paristoa tai akkua joutumasta kosketuksiin veden tai muiden nesteiden kanssa. Lataa akku vain tuotteen käyttöohjeissa suositetulla tavalla.

Akun tai pariston väärinkäyttö saattaa aiheuttaa sen ylikuumentumisen, minkä vuoksi akusta tai paristosta saattaa purkautua kaasuja tai liekkejä. Jos akku on vaurioitunut tai jos huomaat sen vuotavan taikka jos akun liittimiin kertyy vieraita aineita, lopeta akun käyttö ja hanki uusi akku akkujen valmistajalta.

Akkujen suorituskyky voi heiketä, jos ne ovat pitkän aikaa käyttämättöminä. Joidenkin akkujen (erityisesti litium-ioniakkujen) oikosulkuriski saattaa kasvaa, jos akut ovat pitkään käyttämättöminä ja varaus purettuna. Tämä voi lyhentää akun käyttöikää ja vaarantaa turvallisuutta. Älä päästä litium-ioniakkujen varausta purkautumaan kokonaan äläkä säilytä niitä koskaan varaus täysin purkautuneena.

Kuumuus ja tietokoneen osien tuuletus

Tietokoneet, verkkolaitteet ja monet lisävarusteet tuottavat lämpöä, kun niihin on kytketty virta ja kun akkuja ladataan. Noudata aina näitä turvaohjeita:

- Älä pidä tietokonetta, verkkolaitetta tai lisävarustetta sylissäsi tai anna sen koskettaa muita kehosi osia pitkään niiden käytön tai akun latauksen aikana. Tietokone, verkkolaite ja useat lisävarusteet tuottavat normaalin käytön aikana jonkin verran lämpöä. Pitkäaikainen ihokosketus tietokoneeseen saattaa aiheuttaa ihon punoitusta tai palovammoja.
- Älä lataa akkua tai käytä tietokonetta, verkkolaitetta tai lisävarustetta tulenarjojen aineiden lähellä tai ympäristöissä, joissa on räjähdysvaara.
- Tuotteessa olevien tuuletusaukkojen, tuulettimien ja jäähdytyslevyjen tarkoitus on varmistaa tuotteen turvallisuus ja toimintavarmuus. Ilmavirran kulku tietokoneen sisäosiin tai tuulettimien ja jäähdytyslevyjen toiminta saattaa estyä, jos tuote asetetaan sängylle, sohvalle, matolle tai jollekin muulle joustavalle pinnalle. Älä tuki tai peitä tuuletusaukkoja tai estä tuulettimien tai jäähdytyslevyjen toimintaa.

Tarkista tietokoneesi pölyn kerääntymisen varalta vähintään kerran kolmessa kuukaudessa. Katkaise tietokoneesta virta ja irrota tietokoneen verkkojohto pistorasiasta, ennen kuin aloitat tarkistuksen. Poista sitten kaikki keskusyksikön etulevyn rakoihin ja aukkoihin kertynyt pöly. Jos havaitset tietokoneen ulkopuolella kerääntynyttä pölyä, tarkista myös tietokoneen sisäpuoli ja poista sinne kertynyt pöly myös jäähdytysrivoista, tuuletusaukoista ja tuulettimista. Sammuta tietokone ja irrota tietokoneen verkkojohto pistorasiasta aina ennen kuin avaat tietokoneen kannen. Vältä tietokoneen käyttöä 50 senttimetriä lähempänä vilkasliikenteisiä paikkoja. Jos tietokonetta

joudutaan käyttämään tällaisella alueella tai sen lähistöllä, tietokone kannattaa tarkistaa pölyn kerääntymisen varalta ja puhdistaa pölystä mainittua useammin.

Noudata aina seuraavia perusohjeita oman turvallisuutesi vuoksi ja tietokoneen toimintakyvyn optimoimiseksi:

- Pidä keskusyksikön kansi aina kiinni tietokoneen verkkojohdon ollessa kytkettyinä pistorasiaan.
- Tarkista tietokoneen ulkopinta säännöllisesti pölyn kerääntymisen varalta.
- Poista kaikki keskusyksikön etulevyn rakoihin ja aukkoihin kertynyt pöly. Pölyisissä ja vilkasliikenteisissä paikoissa olevia tietokoneita pitää mahdollisesti puhdistaa useammin.
- Älä rajoita tai peitä tuuletusaukkoja.
- Älä säilytä tai käytä tietokonetta kalustukseen upotettuna, koska tämä saattaa lisätä ylikuumenemisen vaaraa.
- Tietokoneeseen ohjautuvan ilmavirran lämpötila saa olla enintään 35 °C.
- Käytä vain pöytämallisia ilmanpuhdistimia ja -suodattimia.

Käyttöympäristö

Tietokoneen käyttöympäristön lämpötilan tulee olla 10–35°C ja suhteellisen ilmankosteuden 35–80 %. Jos tietokonetta varastoidaan tai kuljetaan alle 10 asteen lämpötilassa, anna tietokoneen lämmetä käyttöympäristön lämpötilaan (10–35°C), ennen kuin kytket siihen virran. Tämä voi kestää jopa kaksi tuntia. Virran kytkeminen tietokoneeseen, ennen kuin se on lämmennyt oikeaan käyttölämpötilaan, voi aiheuttaa peruuttamattomia vaurioita.

Aseta tietokone kuivaan paikkaan, jossa on hyvä ilmanvaihto ja joka ei ole alttiina suoralle auringonpaisteelle.

Älä pidä muita sähkölaitteita, kuten tuuletinta, radiota, aktiivikaiuttimia tai mikroaaltouunia, liian lähellä tietokonetta, koska laitteiden magneettikentät saattavat vaurioittaa näytintä tai kiintolevyn tietoja.

Älä aseta mitään juomia tietokoneen tai sen lisälaitteiden päälle tai läheisyyteen. Tietokoneen tai lisälaitteen päälle kaatuva neste voi aiheuttaa oikosulun tai muita vaurioita.

Älä syö tai tupakoi tietokoneen näppäimistön läheisyydessä. Näppäimistöön putoavat muruset tai tuhka voivat aiheuttaa vaurioita.

Sähköturvaohjeet

Vaara

Verkkojohdoissa ja puhelin- ja tietoliikennekaapeleissa saattaa esiintyä vaarallisia jännitteitä.

Noudata seuraavia ohjeita sähköiskun välttämiseksi:

- Älä käytä tietokonetta ukkosmyrskyn aikana.
- Älä liitä kaapeleita tietokoneeseen tai irrota niitä äläkä tee asennus- tai huoltotoimia tai kokoonpanon muutoksia ukonilman aikana.
- Kytke kaikki verkkojohdot oikein maadoitettuihin pistorasioihin.
- Kytke kaikki tähän tuotteeseen liitettävät laitteet säännösten mukaisiin pistorasioihin.
- Mikäli mahdollista, käytä vain toista kättä liitäntäkaapelien kytkentään tai irrotukseen.
- Älä kytke virtaa mihinkään laitteeseen, jos epäilet tai havaitset kosteus-, palo- tai rakenneaurioita.
- Jos asennusohjeissa ja kokoonpanon määrätysohjeissa ei toisin sanota, irrota verkkojohdot, tietoliikennejärjestelmät, tietoverkkolaitteet ja modeemit, ennen kuin avaat laitteen kansia.
- Kytke ja irrota kaapelit seuraavassa taulukossa kuvatulla tavalla, kun asennat, siirrät tai avaat tämän tuotteen tai siihen liitettyjen laitteiden kansia.

Kaapelien kytkentä:

1. Katkaise virta kaikista laitteista.
2. Kytke ensin kaikki kaapelit laitteisiin.
3. Kytke liitäntäkaapelit niiden vastakkeisiin.
4. Kytke verkkojohdot pistorasioihin.
5. Kytke virta laitteisiin.

Kaapelien irrotus:

1. Katkaise virta kaikista laitteista.
2. Irrota ensin verkkojohdot pistorasioista.
3. Irrota liitäntäkaapelit vastakkeista.
4. Irrota kaapelit kaikista laitteista.

Litiumparistoon liittyvä turvaohje

Varoitus

Pariston vääränlainen vaihto voi aiheuttaa räjähdysvaaran.

Litiumpariston saa vaihtaa vain samanlaiseen tai vastaavaan valmistajan suosittelemaan litteään nappiparistoon. Paristo sisältää litiumia ja voi räjähtää, jos sitä ei käytetä, käsitellä tai hävitetä oikein.

Varoitus:

- Estä paristoa joutumasta kosketuksiin veden kanssa.
- Älä kuumenna paristoa yli 100 °C:n lämpötilaan.
- Älä yritä korjata paristoa tai purkaa sitä osiin.

Hävitä paristo ongelmajätteistä säädettyjen lakien sekä viranomaisten määräysten mukaisesti.

Seuraava lausuma koskee tietokoneen käyttäjiä Kaliforniassa Yhdysvalloissa:

Laite saattaa edellyttää perklooraattimateriaaleille soveltuvaa erikoiskäsittelyä.

Lisätietoja on osoitteessa

www.dtsc.ca.gov/hazardouswaste/perchlorate.

Modeemiin liittyviä turvaohjeita

Varoitus

Voit vähentää tulipalon vaaraa käyttämällä vain puhelinkaapelia 26 AWG tai sitä paksumpaa kaapelia.

Seuraavien turvaohjeiden noudattaminen puhelinlaitteita käytettäessä vähentää tulipalon, sähköiskun tai ruumiinvamman vaaraa:

- Älä asenna puhelinlaitteita tai puhelinkaapeleita ukonilman aikana.
- Älä asenna puhelinpistorasioita kosteisiin tiloihin, jos asennettava pistorasia ei ole erityisesti suunniteltu käytettäväksi kosteissa tiloissa.
- Älä koske eristämättömiin puhelinkaapeleihin tai liittimiin, ellei puhelinkaapelia ole irrotettu verkosta.
- Noudata varovaisuutta asentaessasi puhelinkaapeleita tai kytkiessäsi niitä uudelleen.
- Vältä muun kuin langattoman puhelimen käyttöä ukonilman aikana. Salama saattaa aiheuttaa sähköiskun.
- Älä ilmoita kaasuvuodosta puhelimitse vuodon läheisyydessä.

Laserturvaohjeet

Joihinkin PC-tietokoneilleihin on esiasennettu CD- tai DVD-asema. Sen voi hankkia myös lisävarusteena. CD- ja DVD-asemat ovat lasertuotteita. CD- ja DVD-asema on luokiteltu Yhdysvalloissa luokan 1 laserlaitteeksi, joka täyttää Yhdysvaltain Department of Health and Human Services (DHHS) -viranomaisten määräyksen 21 CFR Subchapter J vaatimukset. Nämä asemat täyttävät myös standardeissa IEC 60825-1 ja CENELEC EN 60 825-1 luokan 1 laserlaitteille asetetut vaatimukset.

Jos järjestelmään on asennettu CD- tai DVD-asema, noudata seuraavia ohjeita:

Varoitus

Muiden kuin tässä julkaisussa mainittujen säätöjen tai toimien teko voi altistaa vaaralliselle säteilylle.

Älä avaa aseman koteloa. CD- tai DVD-aseman avaaminen saattaa altistaa vaaralliselle lasersäteilylle. Aseman sisällä ei ole huollettavia osia.

Joissakin CD- ja DVD-asemissa saattaa olla luokan 3A tai 3B laserlähde. Ota seuraava varoitus huomioon:

Vaara

Avatessasi asemaa olet alttiina lasersäteilylle. Älä katso suoraan säteeseen paljaalla silmällä tai optisella välineellä. Säteeseen katsominen voi vahingoittaa silmiäsi.

Virtalähteeseen liittyvät turvaohjeet

Älä irrota virtalähteen suojakuorta tai muita osia, jossa on seuraava tarra.



Osissa, joissa on tämä tarra, on vaarallinen jännite. Näissä osissa ei ole huollettaviksi tarkoitettuja komponentteja. Jos epäilet näiden osien olevan viallisia, ota yhteys huoltoteknikkoon.

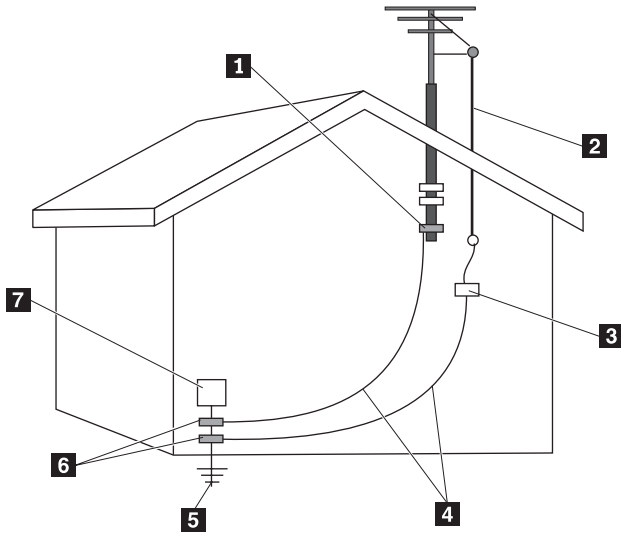
Tuotteet, joihin on asennettu televisioviritin

Jäljempänä oleva turvaohje koskee tuotteita, joissa on maanpäällistä antenniverkkoa tai kaapeliverkkoa tai sekä antenni- että kaapeliverkkoa käytävä TV-viritin ja jotka on tarkoitus asentaa käyttöön Pohjois-Amerikassa. Muissa maissa toimivien käyttäjien ja asentajien tulee noudattaa paikallisia säädöksiä ja määräyksiä asentaessaan laitteita, jotka käyttävät maanpäällistä antenniverkkoa tai kaapeliverkkoa. Jos paikallisia säädöksiä ei ole, käyttäjien ja asentajien on suositeltavaa noudattaa seuraavassa esitettyjä ohjeita.

Ohje kaapeli-TV-järjestelmän asentajalle

Kaapeli-TV-järjestelmän asentajan tulee muistaa kansallisten sähkösäännösten (National Electrical Code, NEC) artikkelin 820 kohdan 40 määräykset, jotka koskevat asianmukaista maadoitusta. Erityisesti tulee pitää mielessä kyseisen kohdan määräys, jonka mukaan kaapelin maadoitusjohto on kytkettävä rakennuksen maadoitukseen niin lähelle kaapelin tulokohtaa kuin mahdollista.

Esimerkki antennin maadoituksesta



- | | | | |
|----------|--|----------|--|
| 1 | Maadoituskenkä | 5 | Voimayhtiön maadoitusjohdin
(NEC-säännösten artikkelin 250 kohta
Part H) |
| 2 | Antennin
läpivientijohdin | 6 | Maadoituskengät |
| 3 | Antennin
purkausyksikkö
(NEC-säännösten kohta
810-20) | 7 | Sähkökaappi |
| 4 | Maadoitusjohtimet
(NEC-säännösten kohta
810-21) | | |

Kuva 1. Kaapelin asianmukainen maadoitus.

Seuraava turvaohje koskee kaikkia maita ja alueita:

Vaara



Ulkoantennin maadoitus

Jos laite kytketään ulkoantenniin tai kaapelijärjestelmään, kyseinen antenni tai kaapelijärjestelmä on maadoitettava mahdollisesti muodostuvien ylijänniteaaltojen ja staattisten varausten varalta.

Salamointi

Laitteen suojausta voidaan parantaa irrottamalla laite pistorasiasta ja kytkemällä antenni tai kaapelijärjestelmä irti ukonilman uhatessa tai kun laitetta ei käytetä pitkään aikaan tai kun se on vailla valvontaa pitkän aikaa. Näin estät kuvalaitetta vaurioitumasta salamaniskusta ja sähköverkossa esiintyvistä ylijänniteaalloista.

Vahvavirtajohdot

Ulkoantennia ei pidä sijoittaa lähelle ilmassa kulkevia vahvavirtajohtoja tai paikkaan, jossa se voi kaatua niiden tai muiden voimansiirtokaapelien päälle. Ulkoantennia asennettaessa on noudatettava erityistä varovaisuutta, jottei kosketa tällaisia vahvavirtajohtoja tai voimansiirtokaapeleita. Muutoin seurauksena saattaa olla hengenvaarallinen sähköisku.

Tietoturva

Älä poista tai nimeä uudelleen tiedostoja tai hakemistoja, jos et ole varma niiden käyttötarkoituksesta. Muutoin tietokoneen ohjelmisto saattaa lakata toimimasta.

Ota huomioon, että verkkoon liitetty tietokone voi olla alttiina viruksille, vakoiluohjelmille ja muille vahingollisille toimille, jotka voivat vahingoittaa tietokonetta, ohjelmistoa tai tietoja. Käyttäjän vastuulla on varmistaa, että tietokone on suojattu ja että tarvittavat palomuuuri- ja virustentorjuntaohjelmistot sekä haitta- ja vakoiluohjelmien esto-ohjelmat on asennettu ja ajan tasalla.

Tietokoneen puhdistus ja ylläpito

Pidä tietokone ja työympäristö puhtaana. Sammuta tietokone ja irrota verkkojohto pistorasiasta ennen tietokoneen puhdistusta. Älä ruiskuta nestemäistä puhdistusainetta suoraan tietokoneeseen. Älä käytä herkästi syttyvää puhdistusainetta. Kostuta pehmeä kangas puhdistusaineella ja pyyhi sillä tietokoneen pinnat.

Kuulokkeiden käyttö

Jos tietokoneessa on sekä kuulokevastake että ääni ulos -vastake, liitä kuulokkeet vain kuulokevastakkeeseen.

Kuulokkeiden pitkäaikainen yhtäjaksoinen käyttö suurella äänenvoimakkuudella voi olla vaarallista, jos kuulokkeet eivät ole standardin EN 50332-2 määritysten mukaisia. Tietokoneen kuulokevastake täyttää standardin EN 50332-2 kohdan Sub clause 5.1 vaatimukset. Tämän määrittelyn mukaan tietokoneen todellinen laajakaistainen RMS-antojännite on enintään 150 mV. Voit estää kuulonaleneman syntymisen varmistamalla, että kuulokkeet täyttävät standardin EN 50332-2 kohdassa Sub clause 6.1 esitetyn vaatimuksen, jonka mukaan laajakaistaisten kuulokkeiden ominaisjännite on 75 mV. Standardin EN 50332-2 määritysten vastaisten kuulokkeiden käyttö voi olla vaarallista, sillä tällaisissa kuulokkeissa äänenpaine voi olla liian suuri.

Jos Lenovo-tietokoneen mukana on toimitettu kuulokkeet (tietokone ja kuulokkeet on toimitettu yhtenä pakettina), kyseinen tietokone ja kuulokkeiden yhdistelmä on standardin EN 50332-1 määritysten mukainen. Jos käytät muita kuulokkeita, varmista, että ne ovat standardin EN 50332-2 kohdan Sub clause 6.1 määritysten mukaiset (laajakaistaisten kuulokkeiden ominaisjännite on 75 mV). Standardin EN 50332-2 määritysten vastaisten kuulokkeiden käyttö voi olla vaarallista, sillä tällaisissa kuulokkeissa äänenpaine voi olla liian suuri.

Muita turvaohjeita

Muovipusseista voi aiheutua tukehtumisvaara. Pidä muovipussit poissa pienten lasten ulottuvilta.

Luku 2. Tietolähteitä

Kun tietokoneen asennustoimet on tehty asennusoppaan avulla, voit tutustua tämän luvun tietojen avulla hyödyllisiin tietokoneen käyttötarpeisiin liittyviin resursseihin.

Näyttökirjat-kansio

Näyttökirjat-kansiossa on julkaisuja, joiden avulla tietokoneen asennus ja käyttö on helppoa. Näyttökirjat-kansio on esiasennettu tietokoneeseen, eikä julkaisujen tarkastelu edellytä Internet-yhteyttä. Seuraavat julkaisut ovat saatavilla Näyttökirjat-kansiossa:

- *Käyttöopas*

Tässä julkaisussa on tietoja tietokoneen asennuksesta, lisävarusteiden asennuksesta, ohjelmien elvytyksestä, asetusohjelman käytöstä, järjestelmäohjelmien päivityksestä ja vianmäärityksestä.

- *Laitteiston osien vaihto-opas*

Tässä julkaisussa on tietokoneen asiakkaan vaihdettavissa olevien osien (CRU:t) vaihtoon liittyvät vaiheittaiset ohjeet. CRU:t ovat tietokoneen osia, joita asiakas voi päivittää tai vaihtaa.

Voit tarkastella julkaisua napsauttamalla Käynnistä-painiketta ja valitsemalla sen jälkeen vaihtoehdot **Kaikki ohjelmat** ja **Näyttökirjat** ja napsauttamalla **Näyttökirjat**-vaihtoehtoa. Kaksoisnapsauta tietokonetta vastaavaa julkaisua. Julkaisut ovat saatavissa myös Lenovon Web-sivustossa osoitteessa <http://www.lenovo.com>.

Huomautuksia:

1. Nämä julkaisut ovat PDF (Portable Document Format) -muodossa, ja niiden lukeminen edellyttää Adobe Acrobat Reader -ohjelmaa. Jos tietokoneeseen ei ole asennettu Adobe Acrobat Reader -ohjelmaa ja yrität avata PDF-tiedoston, kuvaruutuun tulee sanoma, jonka avulla voit asentaa kyseisen ohjelman.
2. Tietokoneeseen esiasennetut ohjelmat ovat saatavissa muunkielisinä Lenovon tukisivustosta osoitteesta <http://www.lenovo.com/support/>.
3. Jos haluat asentaa Adobe Acrobat Reader -ohjelmasta muunkielisen version kuin mikä tietokoneen mukana on toimitettu, nouda haluamasi versio Adoben Web-sivustosta osoitteessa <http://www.adobe.com>.

ThinkVantage Productivity Center -ohjelma

ThinkVantage Productivity Center -ohjelman avulla löydät helposti tietolähteitä ja työkaluja, joiden avulla tietokoneen käyttö on helppoa ja turvallista ja joiden avulla voit pienentää kuluja ja parantaa tuottavuutta. ThinkVantage Productivity Center -ohjelman avulla voit ottaa tietokoneen käyttöön, opit ymmärtämään sen toimintaa ja tehostamaan sen käyttöä.

ThinkVantage Productivity Center -ohjelmassa on tietoja tietokoneesta, ja sen avulla on helppo käyttää esimerkiksi seuraavia tekniikoita:

- Rescue and Recovery -ohjelma
- Productivity Center -ohjelma
- Client Security Solutions -sovellus
- Factory Recovery -ohjelma
- järjestelmän päivitykset
- huolto- ja tukipalvelut.

Huomautus: ThinkVantage-tekniikat ovat saatavissa vain tiettyihin Lenovo-tietokoneisiin.

Voit aloittaa ThinkVantage Productivity Center -ohjelman napsauttamalla Windowsin työpöydän Käynnistä-painiketta ja valitsemalla vaihtoehdot **Kaikki ohjelmat, ThinkVantage ja Productivity Center**.

Access Help -ohjeisto

Käytönaikaisessa ohjeoiminnossa on tietoja käytön aloituksesta, perustehtävistä, asetusten mukautuksesta omien mieltymystesi mukaan, tietojen suojauksesta, tietokoneen ominaisuuksien laajennuksesta ja vianmäärityksestä.

Saat Ohjeen esiin napsauttamalla Windowsin työpöydän Käynnistä-painiketta ja valitsemalla vaihtoehdot **Kaikki ohjelmat, ThinkVantage ja Access Help**. Kun olet avannut ohjeen, vasemmassa ruudussa voit valita Sisältö- tai Hakemisto-välilehden vaihtoehdoista. Voit myös hakea yksittäistä sanaa tai ilmausta syöttämällä sen Haku-välilehteen.

www.lenovo.com

Lenovon Web-sivustossa (www.lenovo.com) on paljon tietoja ja palveluja, joiden avulla voit ostaa tai päivittää tietokoneen ja ylläpitää sitä. Lenovon Web-sivulta saat käyttöösi uusimmat tietokoneen käyttöä koskevat tiedot. Web-sivustosta www.lenovo.com voit myös

- ostaa työpöytäkoneita, kannettavia tietokoneita, näyttöjä, projektoreita, tietokoneen päivityksiä ja lisävarusteita sekä erityistarjouksia
- hankkia maksullisia lisäpalveluja, kuten tukipalveluja laitteistoa varten, käyttöjärjestelmiä ja sovellusohjelmia varten, tukipalveluja verkkoasetusten ja verkkokokoonpanon määritystä varten ja mukautettuja asennuspalveluja
- hankkia päivityksiä ja laitteiston jatkettuja korjauspalveluja
- noutaa tietokonemallin uusimmat laiteajurit ja ohjelmistopäivitykset
- käyttää tuotteiden käytönaikaisia ohjeita
- lukea Lenovon takuehdot (rajoitettu takuu)
- käyttää tietokonemallin vianmääritys- ja tukitietoja sekä muita tuettuja tuotteita
- etsiä maasi tai alueesi huolto- ja tukipalvelujen puhelinnumeron
- etsiä lähimmän palveluntoimittajan.

Tietokoneen tunnistetietojen kirjaus

Tietokoneen tunnistetietojen kirjauksesta saattaa olla hyötyä, jos tietokonetta on huollatettava. Huoltopalvelu pyytää todennäköisesti näitä tietoja ennen huollon aloitusta.

Koneen tyyppi-, malli- ja sarjanumero näkyvät tietokoneessa olevassa tarrassa. Kirjoita nämä tiedot muistiin seuraavaan kohtaan.

Tuotteen nimi	_____
Tietokoneen tyyppi ja malli	_____
Sarjanumero (S/N)	_____
Ostopäivämäärä	_____

Voit rekisteröidä tietokoneesi Internetin välityksellä seuraavassa Web-sivustossa:

<http://www.lenovo.com/register>

Rekisteröimällä tietokoneesi saat

- nopean palvelun, kun soitat tukipalveluun
- automaattiset ilmoitukset maksuttomista ohjelmista ja erikoistarjouksista.

Lisätietoja tietokoneen rekisteröinnistä on Access Help -ohjelmassa. Kohdassa "Access Help -ohjeisto" sivulla 170 on ohjeita käytönaikaisen ohjetoiminnon aloittamiseksi.

Luku 3. Lenovon takuuehdot (rajoitettu takuu)

LSOLW-00 05/2005

Osa 1 - Yleiset ehdot

Nämä rajoitetun takuun ehdot sisältävät seuraavat kolme osaa: Osa 1 - Yleiset ehdot, Osa 2 - Maakohtaiset ehdot ja Osa 3 - Takuuta koskevat tiedot. Osan 2 ehdot muuttavat tai korvaavat Osan 1 sisältämiä ehtoja. Lenovon näiden takuuehtojen mukaisesti myöntämät rajoitetut takuut koskevat vain omaan käyttöön (ei jälleenmyyntiin) hankittuja Koneita. Termillä "Kone" tarkoitetaan Lenovon konetta, sen lisävarusteita, ominaisuuksia, mallinmuutoksia, päivityksiä tai oheislaitteita tai niiden yhdistelmää. Mitkään ohjelmat (Koneeseen esiasennetut, jälkeensä asennetut tai muutoin asennetut) eivät sisälly termin "Kone" merkitykseen. Mikään näiden rajoitettujen takuuehtojen sisältämä ehto ei vähennä kuluttajan kuluttajansuojalain mukaisia oikeuksia.

Takuun laajuus

Lenovo takaa, että 1) missään Koneissa ei ole materiaalivikoja tai työstä aiheutuneita vikoja ja että 2) Koneet noudattavat Lenovon julkaisemia virallisia määräyksiä, englanniksi "Official Published Specifications", (tässä asiakirjassa myöhemmin nimikkeellä "määritykset"). Koneen takuu-aika alkaa Koneen alkuperäisenä asennuspäivänä, ja tämä päivä ilmoitetaan Osassa 3 - Takuuta koskevat tiedot. Koneen asennuspäivä on laskussa tai ostotodistuksessa oleva päivämäärä, ellei Lenovo tai jälleenmyyjä muuta ilmoita. Ellei Lenovo toisin määrää, nämä takuut ovat voimassa vain Koneen ostomaassa tai -alueella.

NÄMÄ TAKUUT KORVAAVAT KAIKKI MUUT NIMENOMAISESTI TAI KONKLUDENTTISESTI ILMAISTUT TAKUUT TAI EHDOT, MUKAAN LUETTUINA MYÖS KONKLUDENTTISESTI ILMAISTUT TAKUUT TAI EHDOT KONEEN TALOUDELLISESTA HYÖDYNNETÄVYYDESTÄ JA SOPIVUUDESTA TIETTYYN TARKOITUKSEEN. JOS PAKOTTAVA LAINSÄÄDÄNTÖ EI SALLI NIMENOMAISEN TAI KONKLUDENTTISEN TAKUUN POISSULKEMISTA TAI RAJOITTAMISTA JOLTAKIN OSIN, KYSEINEN RAJOITUS EI KOSKE ASIAKASTA. TÄLLAISISSÄ TAPAUKSESSA TAKUIDEN SOVELTAMINEN RAJOITTUU TAKUUAIKAAN. MITKÄÄN TAKUUT EIVÄT OLE VOIMASSA TÄMÄN TAKUUAJAN JÄLKEEN. JOS PAKOTTAVA LAINSÄÄDÄNTÖ EI SALLI KONKLUDENTTISESTI ILMAISTUN TAKUUN KESTON RAJOITTAMISTA, KYSEINEN RAJOITUS EI KOSKE ASIAKASTA.

Takuunrajoitus

Takuu ei kata

- mitään ohjelmia (Koneeseen esiasennetut, Koneen mukana toimitetut tai Koneeseen toimituksen jälkeen asennetut ohjelmat)
- Koneen vahingoittumista, joka on johtunut väärästä käytöstä, ulkoisesta syystä, Koneen muuttamisesta, sopimattomasta fyysisestä ympäristöstä tai asiakkaan virheellisistä huoltotoimista
- Koneen vahingoittumista, joka on johtunut sellaisen tuotteen käytöstä, josta Lenovo ei vastaa
- muita kuin Lenovon valmistamia tuotteita (esimerkiksi tuotteita, jotka Lenovo on asiakkaan pyynnöstä toimittanut, hankkinut tai yhdistänyt Lenovon Koneeseen).

Takuu mitätöityy, jos Koneen tai sen osien tunnistemerkintöjä on poistettu tai muutettu.

Lenovo ei takaa sitä, että Kone toimii keskeytyksettä tai virheettömästi.

Koneelle takuun mukaisesti annettu tekninen tai muu tuki, kuten asiakkaan Koneen kokoonpanoa tai asennusta koskeviin kysymyksiin annettu apu, toimitetaan **ILMAN MITÄÄN TAKUITA**.

Takuuhuollon saanti

Takuuhuollon voi toteuttaa Lenovo, IBM tai jälleenmyyjä, joka on valtuutettu toimittamaan takuuhuoltoa, taikka valtuutettu takuuhuollon toimittaja. Kaikista näistä tahoista käytetään nimitystä "Palveluntoimittaja".

Jos Kone ei toimi määrittänsä mukaisesti takuuajana, asiakkaan tulee ottaa yhteys Palveluntoimittajaan. Asiakas voi joutua esittämään ostotodistuksen, mikäli asiakas ei ole rekisteröinyt Konetta Lenovon järjestelmään.

Lenovon toimet vikojen korjauksessa

Asiakkaan tulee yhteydenoton yhteydessä toteuttaa Palveluntoimittajan asiakkaalle esittämät vianmääritys- ja korjaustoimet. Tukihenkilöstö voi yrittää määrittää vian alustavasti puhelimitse, tai voit yrittää elektronista vianmääritystä ottamalla yhteyden tukisivustoon.

Konetta koskeva takuuhuollon laji on määritetty Osassa 3 - Takuuta koskevat tiedot.

Asiakas vastaa määritettyjen ohjelmistopäivitysten noudosta tukisivustosta tai muista sähköisistä tallennusvälineistä. Asiakkaan tulee noudattaa Palveluntoimittajan antamia ohjeita. Ohjelmistopäivityksiin saattaa sisältyä BIOS (Basic Input/Output System) -koodin, apuohjelmien ja laiteajurien päivityksiä sekä muita ohjelmapäivityksiä.

Jos vian korjaaminen edellyttää asiakkaan vaihdettavissa olevan osan ("CRU") vaihtoa (tällaisia osia ovat esimerkiksi näppäinistö, hiiri, kaiutin,

muistimoduuli ja kiintolevyasema), käytettävä Palveluntoimittaja toimittaa kyseisen osan asiakkaalle, joka toteuttaa vaihdon.

Jos Kone ei takuuajana toimi määritysten mukaisesti eikä häiriötä pystytä poistamaan puhelimitse, elektronisesti tai ohjelmapäivitysten tai asiakkaan vaihdettavissa olevan osan asennuksella, Palveluntoimittaja voi harkintansa mukaan joko 1) korjata Koneen määritysten mukaiseen toimintakuntoon tai 2) vaihtaa Koneen toiminnaltaan vastaavanlaiseen koneeseen. Jos Palveluntoimittaja ei kykene toteuttamaan jompaakumpaa vaihtoehtoa, asiakas voi palauttaa Koneen ostopaikkaan, ja asiakkaalle palautetaan Koneesta maksettu summa.

Palveluntoimittaja voi myös asentaa Koneelle valitut tekniset muutokset takuuhuollon osana.

Koneen tai sen osan vaihto

Jos takuuhuollossa vaihdetaan Kone tai sen osa, korvatusta Koneesta tai osasta tulee Lenovon omaisuutta. Korvaavasta Koneesta tai osasta tulee asiakkaan omaisuutta. Asiakas vastaa siitä, että kaikki Koneesta irrotetut osat ovat alkuperäisiä ja muuttamattomia. Korvaavat osat ovat hyvässä käyttökunnossa ja toiminnaltaan ainakin korvattujen veroisia, mutta eivät välttämättä uusia. Vaihto edellyttää sitä, että korvattava osa kuuluu takuun piiriin.

Asiakkaan lisävelvollisuudet

Ennen kuin Palveluntoimittaja vaihtaa Koneen tai sen osan, asiakas sitoutuu poistamaan kaikki sellaiset toiminnot, osat, lisävarusteet, muutokset ja liitännät, joita takuu ei koske.

Asiakas sitoutuu myös

1. varmistamaan, etteivät mitkään lailliset sitoumukset tai rajoitukset estä Koneen vaihtoa
2. hankkimaan luvan huoltotoimiin Koneen omistajalta, jos asiakas ei ole Koneen omistaja
3. tekemään seuraavat toimet soveltuvin osin ennen huoltoa:
 - a. toteuttamaan Palveluntoimittajan ehdottamat huoltotoimet
 - b. varmistuskopioimaan tai suojaamaan kaikki Koneessa olevat ohjelmat ja tiedot
 - c. takaamaan Palveluntoimittajan huoltohenkilöille riittävän, vapaan ja turvallisen pääsyn asiakkaan tiloihin, jotta huoltohenkilöt pystyvät täyttämään velvollisuutensa.
4. (a) poistamaan Koneesta teknisten mahdollisuuksiensa mukaisesti kaikki henkilöiden tunnistetiedot tai tiedot, joiden perusteella henkilöiden tunnistaminen on mahdollista (henkilötiedot), (b) valtuuttamaan Palveluntoimittajan tai muun toimittajan käsittelemään asiakkaan puolesta Koneeseen jääneitä henkilötietoja tarpeen mukaan siten, että Palveluntoimittaja pystyy täyttämään tämän rajoitetun takuun ehtojen

mukaiset velvollisuudet (joihin saattaa sisältyä Koneen kuljetus kyseistä käsittelyä varten mihin tahansa korjauskeskukseen), ja (c) varmistamaan, että kyseinen käsittely on henkilötietojen käsittelyä säätelevien lakien mukaista.

Vastuunrajoitus

Lenovo on vastuussa Koneen katoamisesta tai vahingoittumisesta vain 1) sinä aikana, kun Kone on Palveluntoimittajan hallussa ja 2) kuljetuksen aikana, jos Lenovo vastaa kuljetuskustannuksista.

Lenovo tai Palveluntoimittaja ei ole vastuussa asiakkaan palauttamassa Koneessa olevien luottamuksellisten, yksityisten tai henkilökohtaisten tietojen katoamisesta. Asiakkaan tulee poistaa kaikki tällaiset tiedot ennen Koneen toimittamista.

Joissakin tilanteissa asiakkaalla voi olla oikeus vaatia Lenovolta vahingonkorvausta sopimusrikkomuksen perusteella. Lenovon vastuu ja asiakkaan oikeus vahingonkorvaukseen on kaikissa tapauksissa, lakisääteisiiä vastuita lukuun ottamatta, rajoitettu ainoastaan

1. korvauksiin henkilövahingoista (mukaan lukien kuolemantapaus) ja kiinteään tai irtaimeen omaisuuteen kohdistuneista vahingoista, joista Lenovo on lakisääteisesti vastuussa
2. korvauksiin asiakkaan osoittamista muista todellisista välittömistä vahingoista siten, että korvauksen enimmäismäärä on vaatimuksen perusteena olevan vahingon aiheuttaneesta Koneesta maksettu maksu.

Tämä vastuunrajoitus koskee myös Lenovon toimittajia ja jälleenmyyjiä ja asiakkaan käyttämää Palveluntoimittajaa. Korvauksen enimmäismäärä kattaa kaikki mahdolliset korvaukset joko Lenovolta, sen toimittajilta ja jälleenmyyjiltä tai käytettävältä Palveluntoimittajalta.

LENOVO, SEN TOIMITTAJAT TAI JÄLLEENMYYJÄT TAIKKA PALVELUNTOIMITTAJAT EIVÄT VASTAA MISSÄÄN TAPAUKSESSA SEURAAVISTA VAHINGOISTA, VAIKKA LENOVOLLE TAI SEN TOIMITTAJILLE TAI JÄLLEENMYYJILLE TAI PALVELUNTOIMITTAJILLE OLISI ILMOITETTU TÄLLÄISEN VAHINGON MAHDOLLISUUDESTA: 1) KOLMANNEN OSAPUOLEN ASIAKKAASEEN KOHDISTAMISTA VAATIMUKSISTA (MUISTA KUIN EDELLÄ KOHDASSA 1 MAINITUISTA VAHINGOISTA), 2) TIETOJEN HÄVIÄMISESTÄ TAI VAHINGOITTUMISESTA, 3) EPÄSUORISTA VAHINGOISTA TAI VÄLILLISISTÄ TALOUDELLISISTA VAHINGOISTA TAI 4) SAAMATTA JÄÄNEISTÄ VOITOISTA JA LIIKETULOISTA TAI MENETETYISTÄ GOODWILL-ARVOISTA TAI SÄÄSTÖISTÄ. JOS PAKOTTAVA LAINSÄÄDÄNTÖ EI SALLI VAHINGONKORVAUSVELVOLLISUUDEN RAJOITTAMISTA JOILTAKIN OSIN, KYSEINEN RAJOITUS EI KOSKE ASIAKASTA.

Sovellettava laki

Asiakas ja Lenovo suostuvat siihen, että kaikkien näiden rajoitetun takuun ehtojen mukaisten, asiakkaan ja Lenovon oikeuksien ja velvoitteiden tulkinnassa ja toimeenpanossa sovelletaan keskenään ristiriitaisten lakien soveltamista koskevista periaatteista huolimatta sen maan lainsäädäntöä, jossa asiakas on hankkinut Koneen.

NÄMÄ TAKUUT ANTAVAT ASIAKKAALLE TIETYT OIKEUDET. ASIAKKAALLA VOI OLLA MYÖS MUITA OIKEUKSIA, JOTKA VOIVAT OLLA ERILAISIA ERI MAIDEN LAINSÄÄDÄNNÖSSÄ.

Oikeuspaikka

Kaikki asiakkaan ja Lenovon oikeuksien ja velvoitteiden tulkintaa ja toimeenpanoa koskevat riidat käsitellään sen maan oikeusistuimissa, jossa asiakas on hankkinut Koneen.

Osa 2 - Maakohdaiset ehdot

ETELÄ-AMERIKA

ARGENTIINA

Oikeuspaikka: *Ensimmäisen lauseen perään lisätään seuraava teksti:*

Kaikki tämän rajoitetun takuun ehtoihin liittyvät oikeudenkäynnit käydään Buenos Airesin yleisessä kauppatorioistuimissa.

BOLIVIA

Oikeuspaikka: *Ensimmäisen lauseen perään lisätään seuraava teksti:*

Kaikki tämän rajoitetun takuun ehtoihin liittyvät oikeudenkäynnit käydään La Pazin oikeusistuimissa.

BRASILIA

Oikeuspaikka: *Ensimmäisen lauseen perään lisätään seuraava teksti:*

Kaikki tämän rajoitetun takuun ehtoihin liittyvät sovittelut käydään Rio de Janeiron (RJ) oikeusistuimissa.

CHILE

Oikeuspaikka: *Ensimmäisen lauseen perään lisätään seuraava teksti:*

Kaikki tämän rajoitetun takuun ehtoihin liittyvät oikeudenkäynnit käydään Santiagon siviilituomioistuimissa.

KOLUMBIA

Oikeuspaikka: *Ensimmäisen lauseen perään lisätään seuraava teksti:*

Kaikki tämän rajoitetun takuun ehtoihin liittyvät oikeudenkäynnit käydään Kolumbian tasavallan oikeusistuimissa.

ECUADOR

Oikeuspaikka: *Ensimmäisen lauseen perään lisätään seuraava teksti:*

Kaikki tämän rajoitetun takuun ehtoihin liittyvät oikeudenkäynnit käydään Quiton oikeusistuimissa.

MEKSIKO

Oikeuspaikka: *Ensimmäisen lauseen perään lisätään seuraava teksti:*

Kaikki tämän rajoitetun takuun ehtoihin liittyvät oikeudenkäynnit käydään Mexico Cityn (Federal District) liittotuomioistuimissa.

PARAGUAY

Oikeuspaikka: *Ensimmäisen lauseen perään lisätään seuraava teksti:*

Kaikki tämän rajoitetun takuun ehtoihin liittyvät oikeudenkäynnit käydään Asuncionin kaupungin oikeusistuimissa.

PERU

Oikeuspaikka: *Ensimmäisen lauseen perään lisätään seuraava teksti:*

Kaikki tämän rajoitetun takuun ehtoihin liittyvät oikeudenkäynnit käydään Liman kaupungin (Cercado) tuomiopiirin oikeusistuimissa.

Vastuunrajoitus: *Tämän jakson perään lisätään seuraava teksti:*

Tässä jaksossa mainitut rajoitukset eivät Perun siviililain pykälän 1328 määräysten mukaisesti koske Lenovon tahallista rikkomuksesta ("dolo") tai törkeästä tuottamuksesta ("culpa inexcusable") aiheutuvia vahinkoja.

URUGUAY

Oikeuspaikka: *Ensimmäisen lauseen perään lisätään seuraava teksti:*

Kaikki tämän rajoitetun takuun ehtoihin liittyvät oikeudenkäynnit käydään Montevideon kaupungin tuomiopiirissä.

VENEZUELA

Oikeuspaikka: *Ensimmäisen lauseen perään lisätään seuraava teksti:*

Kaikki tämän rajoitetun takuun ehtoihin liittyvät oikeudenkäynnit käydään Caracasin suurkaupunkialueen (Metropolitan Area) oikeusistuimissa.

POHJOIS-AMERIKKA

Takuuhuollon saanti: *Tähän jaksoon lisätään seuraava teksti:*

Takuuhuollon voi tilata Kanadassa tai Yhdysvalloissa puhelinnumerosta 1 800 426 7378.

KANADA

Vastuunrajoitus: *Seuraava teksti korvaa tämän jakson kohdan 1:*

1. korvauksiin henkilövahingoista (mukaan lukien kuolemantapaus) ja kiinteään tai irtaimeen omaisuuteen kohdistuneista vahingoista siinä tapauksessa, että vahingon on aiheuttanut Lenovon tuottamus

Sovellettava laki: *Seuraava teksti korvaa ensimmäisen lauseen kohdan "sen maan lainsäädäntöä, jossa asiakas on hankkinut Koneen":*
Ontarion provinssin lakeja.

YHDYSVALLAT

Sovellettava laki: *Seuraava teksti korvaa ensimmäisen lauseen kohdan "sen maan lainsäädäntöä, jossa asiakas on hankkinut Koneen":*
New Yorkin osavaltion lakeja.

TYYNENMEREN ALUE JA AASIA

AUSTRALIA

Takuun laajuus: *Tähän jaksoon lisätään seuraava kappale:*

Tässä kohdassa määritetyt takuut ovat voimassa niiden oikeuksien lisäksi, jotka on määritetty vuoden 1974 Trade Practices Act -laissa tai muussa vastaavassa lainsäädännössä. Takuu on rajoitettu vain sovellettavan lainsäädännön sallimassa määrin.

Vastuunrajoitus: *Tähän jaksoon lisätään seuraava teksti:*

Jos Lenovo on vastuullinen vuoden 1974 Trade Practices Act -lain tai vastaavan lain määrittämien ehtojen tai takuiden perusteella, Lenovon vastuu rajoittuu tuotteiden korjaukseen tai vaihtoon tai vastaavan tuotteen toimittamiseen. Jos nämä lain asettamat ehdot tai takuut liittyvät tuotteen myynti-, hallinta- tai omistusoikeuteen tai jos tuote on hankittu normaaliin henkilökohtaiseen tai yksityiseen käyttöön, mikään tämän kappaleen rajoituksista ei ole voimassa.

Sovellettava laki: *Seuraava teksti korvaa ensimmäisen lauseen kohdan "sen maan lainsäädäntöä, jossa asiakas on hankkinut Koneen"*
osavaltion tai territorion lakeja.

KAMBODZA JA LAOS

Sovellettava laki: *Seuraava teksti korvaa ensimmäisen lauseen kohdan "sen maan lainsäädäntöä, jossa asiakas on hankkinut Koneen":*
Yhdysvaltain New Yorkin osavaltion lakeja.

KAMBODZA, INDONESIA JA LAOS

Välimiesmenettely: *Tämän otsikon jälkeen lisätään seuraava teksti:*

Näihin rajoitetun takuun ehtoihin liittyvät kiistat ratkaistaan välimiesmenettelyllä Singaporessa Singaporen kansainvälisen välityslautakunnan (Singapore International Arbitration Center, SIAC) senhetkisten sääntöjen mukaisesti. Molempia sopijapuolia koskeva välitystuomio on lopullinen ja sitova, eikä sopijapuolilla ole valitusoikeutta. Välitystuomio on annettava kirjallisena, ja siinä on esitettävä todetut seikat ja lain nojalla tehdyt päätökset.

Välimiehiä on oltava kolme. Kummallakin kiistan osapuolella on oikeus nimittää yksi välimies. Sopijapuolten nimittämät kaksi välimiestä nimittävät kolmannen välimiehen, joka toimii välimiesoikeuden puheenjohtajana. Jos puheenjohtajan paikka on vapaana, Singaporen kansainvälisen välityslautakunnan johtaja nimittää puheenjohtajan. Muiden välimiespaikkojen vapautuessa asianomaisen välimiehen nimittänyt sopijapuoli nimeää paikalle uuden välimiehen. Menettely jatkuu siitä vaiheesta, jossa paikka on vapautunut.

Jos jompikumpi sopijapuolista kieltäytyy nimittämästä välimiestä tai muutoin laiminlyö välimiehen nimittämisen 30 päivän ajan siitä päivämäärästä, jolloin toinen sopijapuoli on nimittänyt oman välimiehensä, ensimmäiseksi nimetystä välimiehestä tulee ainoa välimies, mikäli välimies on nimetty oikein ja lainvoimaisesti.

Välimiesmenettely on käytävä englannin kielellä; myös kaiken menettelyssä esitettävän aineiston on oltava englanninkielistä. Näiden rajoitetun takuun ehtojen englanninkielinen versio syrjäyttää kaikki takuuehtojen muunkieliset versiot.

HONGKONGIN JA MACAON ERITYISHALLINTOALUE (KIINA)

Sovellettava laki: *Seuraava teksti korvaa ensimmäisen lauseen kohdan "sen maan lainsäädäntöä, jossa asiakas on hankkinut Koneen":*

Kiinan Hongkongin erityishallintoalueen lakeja.

INTIA

Vastuunrajoitus: *Seuraava teksti korvaa tämän jakson kohdat 1 ja 2:*

1. korvausvelvollisuuteen henkilövahingoista (mukaan lukien kuolemantapaus) ja kiinteään ja irtaimeen omaisuuteen kohdistuneista vahingoista siinä tapauksessa, että vahingon on aiheuttanut Lenovon tuottamus
2. korvauksiin asiakkaan osoittamista muista todellisista vahingoista, jotka aiheutuvat siitä, ettei Lenovo ole täyttänyt velvollisuuksiaan, tai jotka liittyvät näihin takuuehtoihin (rajoitettu takuu), siten, että korvauksen enimmäismäärä on vaatimuksen perusteena olevan vahingon aiheuttaneesta Koneesta maksettu maksu.

Välimiesmenettely: *Tämän otsikon jälkeen lisätään seuraava teksti:*

Näihin rajoitetun takuun ehtoihin liittyvät kiistat ratkaistaan välimiesmenettelyllä Bangalossa Intiassa paikallisten lakien mukaisesti. Molempia sopijapuolia koskeva välitystuomio on lopullinen ja sitova, eikä sopijapuolilla ole valitusoikeutta. Välitystuomio on annettava kirjallisena, ja siinä on esitettävä todetut seikat ja lain nojalla tehdyt päätökset.

Välimiehiä on oltava kolme. Kummallakin kiistan osapuolella on oikeus nimittää yksi välimies. Sopijapuolten nimittämät kaksi välimiestä nimittävät kolmannen välimiehen, joka toimii välimiesoikeuden puheenjohtajana. Jos

puheenjohtajan paikka on vapaana, Intian asianajajaliiton (Bar Council of India) johtaja nimittää puheenjohtajan. Muiden välimiespaikkojen vapautuessa asianomaisen välimiehen nimittänyt sopijapuoli nimeää paikalle uuden välimiehen. Menettely jatkuu siitä vaiheesta, jossa paikka on vapautunut.

Jos jompikumpi sopijapuolista kieltäytyy nimittämästä välimiestä tai muutoin laiminlyö välimiehen nimittämisen 30 päivän ajan siitä päivämäärästä, jolloin toinen sopijapuoli on nimittänyt oman välimiehensä, ensimmäiseksi nimetystä välimiehestä tulee ainoa välimies, mikäli välimies on nimetty oikein ja lainvoimaisesti.

Välimiesmenettely on käytävä englannin kielellä; myös kaiken menettelyssä esitettävän aineiston on oltava englanninkielistä. Näiden rajoitetun takuun ehtojen englanninkielinen versio syrjäyttää kaikki takuehtojen muunkieliset versiot.

JAPANI

Sovellettava laki: *Tähän jaksoon lisätään seuraava lause:*

Sopijapuolet selvittävät kaikki näihin takuehtoihin (rajoitettu takuu) liittyvät kysymykset ensisijaisesti keskenään ja vilpittömässä mielessä sekä keskinäisen luottamuksen periaatteen mukaisesti.

MALESIA

Vastuunrajoitus: Viidennen kappaleen kohdasta 3 poistetaan teksti "*ERITYISISTÄ VAHINGOISTA*".

UUSI-SEELANTI

Takuun laajuus: *Tähän jaksoon lisätään seuraava kappale:*

Kohdassa määritettyjen takuiden lisäksi voimassa ovat kaikki oikeudet, jotka on määritetty vuoden 1993 Consumer Guarantees Act -laissa tai muussa lainsäädännössä, jota ei voida sulkea pois tai rajoittaa. Vuoden 1993 Consumer Guarantees Act -lakia ei sovelleta Lenovon toimittamiin tuotteisiin tai palveluihin, jotka asiakas on hankkinut liiketoimintaa varten lain määrittämällä tavalla.

Vastuunrajoitus: *Tähän jaksoon lisätään seuraava teksti:*

Jos Koneita ei ole hankittu liiketoimintaa varten vuoden 1993 Consumer Guarantees Act -lain määrittämällä tavalla, tämän kohdan rajoitukset ovat voimassa vain, mikäli kyseinen laki ne sallii.

KIINAN KANSANTASAVALTA

Sovellettava laki: *Seuraava teksti korvaa ensimmäisen lauseen kohdan "sen maan lainsäädäntöä, jossa asiakas on hankkinut Koneen":*

Yhdysvaltain New Yorkin osavaltion lakeja (ellei paikallinen lainsäädäntö toisin määrää).

FILIPPIINIT

Vastuunrajoitus: *Viidennen kappaleen kohta 3 korvataan seuraavalla tekstillä:*
ERITYISISTÄ VAHINGOISTA (MUKAANLUETTUINA VAHINGOT, JOISTA VOIDAAN TUOMITA NIMELLINEN KORVAUS TAI RANGAISTUSKORVAUS), MORAALISISTA TAI EPÄSUORISTA VAHINGOISTA TAI VÄLILLISISTÄ TALOUDELLISISTA VAHINGOISTA TAI

Välimiesmenettely: Tämä otsikon jälkeen lisätään seuraava teksti:
Näihin rajoitetun takuun ehtoihin liittyvät kiistat ratkaistaan välimiesmenettelyllä Metro Manilassa Filippiineillä paikallisten lakien mukaisesti. Molempia sopijapuolia koskeva välitystuomio on lopullinen ja sitova, eikä sopijapuolilla ole valitusoikeutta. Välitystuomio on annettava kirjallisena, ja siinä on esitettävä todetut seikat ja lain nojalla tehdyt päätökset.

Välimiehiä on oltava kolme. Kummallakin kiistan osapuolella on oikeus nimittää yksi välimies. Sopijapuolten nimittämät kaksi välimiestä nimittävät kolmannen välimiehen, joka toimii välimiesoikeuden puheenjohtajana. Jos puheenjohtajan paikka on vapaana, Filippiinien kauppaja- ja teollisuuskamarin alaisen sovittelulautakunnan (Philippine Dispute Resolution Center, Inc.) johtaja nimittää puheenjohtajan. Muiden välimiespaikkojen vapautuessa asianomaisen välimiehen nimittänyt sopijapuoli nimeää paikalle uuden välimiehen. Menettely jatkuu siitä vaiheesta, jossa paikka on vapautunut.

Jos jompikumpi sopijapuolista kieltäytyy nimittämästä välimiestä tai muutoin laiminlyö välimiehen nimittämisen 30 päivän ajan siitä päivämäärästä, jolloin toinen sopijapuoli on nimittänyt oman välimiehensä, ensimmäiseksi nimetystä välimiehestä tulee ainoa välimies, mikäli välimies on nimetty oikein ja lainvoimaisesti.

Välimiesmenettely on käytävä englannin kielellä; myös kaiken menettelyssä esitettävän aineiston on oltava englanninkielistä. Näiden rajoitetun takuun ehtojen englanninkielinen versio syrjäyttää kaikki takuehtojen muunkieliset versiot.

SINGAPORE

Vastuunrajoitus: *Viidennen kappaleen kohdasta 3 poistetaan sanat "ERITYISISTÄ VAHINGOISTA" ja "TALOUDELLISISTA".*

EUROOPPA, LÄHI-ITÄ JA AFRIKKA (EMEA)

SEURAAVAT EHDOT OVAT VOIMASSA KAIKISSA EMEA-MAISSA:

Nämä rajoitetun takuun ehdot koskevat Lenovolta tai Lenovon jälleenmyyjältä hankittuja Koneita.

Takuuhuollon saanti:

*Kohtaan***Länsi-Eurooppa** (Alankomaat, Andorra, Belgia, Espanja, Irlanti, Islanti, Italia, Itävalta, Kreikka, Kypros, Latvia, Liechtenstein, Liettua, Luxemburg, Malta, Monaco, Norja, Portugali, Puola, Ranska, Ruotsi, Saksa, San Marino, Slovakia, Slovenia, Suomi, Sveitsi, Tanska, Tsekin tasavalta, Unkari, Vatikaanivaltio, Viro, Yhdistynyt kuningaskunta ja kaikki muut Euroopan unioniin myöhemmin liittyneet maat liittymispäivämäärästä lähtien) lisätään seuraava kappale:

Länsi-Euroopan maassa hankitun Koneen takuu on voimassa ja käytettävissä kaikissa niissä Länsi-Euroopan maissa, joissa Kone on julkistettu ja tuotu myyntiin

Jos Koneen hankintamaa on jokin edellä määritetyistä Länsi-Euroopan maista, Koneen takuuhuollon voi saada missä tahansa näistä maista Palveluntoimittajalta, jos Lenovo on julkistanut ja tuonut myyntiin Koneen maassa, jossa takuuhuolto halutaan saada.

Jos PC-Koneen hankintamaa on Albania, Armenia, Bosnia-Hertsegovina, Bulgaria, entinen Jugoslavian tasavalta Makedonia, Georgia, Kazakstan, Kirgisia, Kroatia, Moldova, Puola, Romania, Serbia ja Montenegro, Slovakia, Slovenia, Tsekin tasavalta, Ukraina, Unkari, Valko-Venäjä tai Venäjä, Koneen takuuhuollon voi saada missä tahansa näistä maista Palveluntoimittajalta, jos Lenovo on julkistanut ja tuonut myyntiin Koneen siinä maassa, jossa takuuhuolto halutaan saada.

Jos Koneen hankintamaa on jokin Lähi-idän tai Afrikan maa, Koneen takuuhuollon voi saada Koneen ostomaassa Palveluntoimittajalta, jos Lenovo on julkistanut ja tuonut myyntiin Koneen kyseisessä maassa. Afrikassa takuuhuoltoa on saatavana 50 kilometrin säteellä Palveluntoimittajasta. Jos Kone on yli 50 kilometrin päässä Palveluntoimittajasta, asiakas vastaa Koneen kuljetuskustannuksista.

Sovellettava laki:

Seuraava teksti korvaa kohdan "sen maan lainsäädäntöä, jossa asiakas on hankkinut koneen":

1) "Itävallan lainsäädäntöä", jos Koneen hankintamaa on **Albania, Armenia, Azerbaidzan, Bosnia-Hertsegovina, Bulgaria, entinen Jugoslavian tasavalta Makedonia, Georgia, Kazakstan, Kirgisia, Kroatia, Moldova, Puola, Romania, Serbia ja Montenegro, Slovakia, Slovenia, Tadzikistan, Turkmenistan, Ukraina, Unkari, Uzbekistan, Valko-Venäjä tai Venäjä;** 2) "Ranskan lainsäädäntöä", jos Koneen hankintamaa on **Algeria, Benin, Burkina Faso, Djibouti, Gabon, Gambia, Guinea, Guinea-Bissau, Kamerun, Kap Verde, Keski-Afrikan tasavalta, Komorit, Kongo, Kongon demokraattinen tasavalta, Libanon, Madagaskar, Mali, Marokko, Mauritania, Mauritius, Mayotte, Niger, Norsunluurannikko, Päiväntasaajan Guinea, Ranskan Guyana, Ranskan Polynesia, Reunion, Senegal, Seychellit, Togo, Tsad, Tunisia,**

Uusi-Kaledonia, Vanuatu tai Wallis ja Futuna; 3) "Suomen lainsäädäntöä", jos Koneen hankintamaa on **Latvia, Liettua tai Viro;** 4) "Englannin lainsäädäntöä", jos Koneen hankintamaa on **Angola, Arabiemiirikunnat, Bahrain, Botswana, Burundi, Egypti, Eritrea, Etiopia, Ghana, Jemen, Jordania, Kenia, Kuwait, Liberia, Länsiranta ja Gazan alue, Malawi, Malta, Mosambik, Nigeria, Oman, Pakistan, Qatar, Ruanda, Sambia, Sao Tome, Saudi-Arabia, Sierra Leone, Somalia, Tansania, Uganda, Yhdistynyt kuningaskunta tai Zimbabwe;** tai 5) "Etelä-Afrikan lainsäädäntöä", jos Koneen hankintamaa on **Etelä-Afrikka, Lesotho, Namibia tai Swazimaa.**

Oikeuspaikka: *Tähän jaksoon lisätään seuraavat poikkeukset:*

1) **Itävallassa** kaikki tämän rajoitetun takuun ehtoja koskevat kiistat, ehtojen pätevyyttä koskevat kiistat mukaan luettuina, sovitaan Itävallassa Wienin kantakaupungin alueella toimivassa laillisessa tuomioistuimessa; 2) **Angolassa, Arabiemiirikunnissa, Bahrainissa, Botswanassa, Burundissa, Egyptissä, Eritreassa, Etiopiassa, Ghanassa, Jemenissä, Jordaniassa, Keniassa, Kuwaitissa, Liberiassa, Länsirannalla ja Gazan alueella, Malawissa, Maltassa, Mosambikissa, Nigeriassa, Omanissa, Pakistanissa, Qatarissa, Ruandassa, Sambiassa, Sao Tomessa, Saudi-Arabiassa, Sierra Leonessa, Somaliassa, Tansaniassa, Ugandassa tai Zimbabwessa** syntyneet, näitä rajoitetun takuun ehtoja tai niiden toimeenpanoa koskevat kiistat (nopea menettely mukaan luettuna) päätetään englantilaisissa tuomioistuimissa; 3) **Belgiassa tai Luxemburgissa** kaikki tämän rajoitetun takuun ehtoja koskevat kiistat, ehtojen tulkintaa tai toimeenpanoa koskevat kiistat mukaan luettuina, käsitellään sen maan lakien mukaisesti, jossa asiakkaalla on rekisteröity toimipaikka; 4) **Ranskassa, Algeriassa, Beninissä, Burkina Fasossa, Djiboutissa, Gabonissa, Gambiassa, Guineassa, Guinea-Bissaussa, Kamerunissa, Kap Verdessä, Keski-Afrikan tasavallassa, Komoreilla, Kongon demokraattisessa tasavallassa, Kongon tasavallassa, Libanonissa, Madagaskarissa, Malissa, Marokossa, Mauritaniassa, Mauritiuksella, Mayottessa, Nigerissä, Norsunluurannikolla, Päiväntasaajan Guineassa, Ranskan Guyanassa, Ranskan Polynesiassa, Reunionissa, Senegalissa, Seychelleillä, Togossa, Tunisiassa, Uudessa-Kaledoniassa, Vanuatussa ja Wallis- ja Futunasaarilla** syntyneet, tämän rajoitetun takuun ehtoihin liittyvät kiistat tai kyseisten ehtojen rikkomista tai toimeenpanoa koskevat kiistat (nopea menettely mukaan luettuna), päätetään Tribunal de commerce de Paris'ssa (Commercial Court of Paris); 5) **Venäjällä** kaikki tämän rajoitetun takuun ehtojen tulkintaa, rikkomista ja toimeenpanon pätemättömyyttä sekä rajoitetun takuun voimassaolon päättymistä koskevat kiistat päätetään Moskovan välimiestuomioistuimessa (Arbitration Court of Moscow); 6) **Etelä-Afrikassa, Namibiassa, Lesothossa ja Swazimaassa** syntyneet, tämän rajoitetun takuun ehtoja koskevat kiistat sopijapuolet sitoutuvat siirtämään Johannesburgin ylioikeuden (High Court in Johannesburg) käsiteltäväksi; 7) **Turkissa** kaikki tämän rajoitetun takuun ehtoja koskevat kiistat ratkaistaan Istanbulin kantakaupungin (Sultanahmet) oikeusistuimissa ja täytäntöönpanodirekoraateissa; 8) seuraavissa maissa kaikki tämän rajoitetun takuun ehtoja koskevat oikeusvaateet ratkaistaan yksinomaan maannimen

edellä mainitun kaupungin laillisessa tuomioistuimessa a) Ateena (**Kreikka**), b) Tel Aviv-Jaffa (**Israel**), c) Milano (**Italia**), d) Lissabon (**Portugali** ja e) Madrid (**Espanja**) ja 9) **Yhdistyneessä kuningaskunnassa** sopijapuolet sitoutuvat siirtämään kaikki tämän rajoitetun takuun ehtoja koskevat kiistat englantilaisten tuomioistuinten ratkaistaviksi.

Välimiesmenettely: *Tämän otsikon jälkeen lisätään seuraava teksti:*

Kaikki **Albaniassa, Armeniassa, Azerbaidzanissa, Bosnia-Hertsegovinassa, Bulgariassa, entisessä Jugoslavian tasavallassa Makedoniassa, Georgiassa, Kazakstanissa, Kirgisiassa, Kroatiassa, Moldovassa, Puolassa, Romaniassa, Serbiassa ja Montenegrossa, Slovakiassa, Sloveniassa, Tadzikistanissa, Turkmenistanissa, Ukrainassa, Unkarissa, Uzbekistanissa, Valko-Venäjällä ja Venäjällä** syntyneet, tämän rajoitetun takuun ehtoja koskevat kiistat (ehtojen rikkomista, takuun irtisanomista ja ehtojen pätemättömyyttä koskevat kiistat mukaan luettuina) päätetään välimiesmenettelyllä Itävallan talouskamarin kansainvälisen sovittelukeskuksen (International Arbitral Center of the Federal Economic Chamber in Vienna) välimiehiä ja sovittelua koskevien sääntöjen mukaisesti. Välimieskäsittely pidetään Wienissä, Itävallassa, ja sen virallisena kielenä on englanti. Välimiesten päätös on lopullinen ja kumpaakin osapuolta sitova. Siksi osapuolet luopuvat Itävallan siviiliasian oikeudenkäyntimenettelyä koskevan lain pykälän 598 (2) mukaisesti sanotun lain pykälän 595 (1) kohdan 7 mukaisista oikeuksistaan. Lenovo voi kuitenkin aloittaa oikeudenkäynnin asennusmaan laillisessa tuomioistuimessa.

Kaikki **Virossa, Latviassa tai Liettuassa** syntyneet, tämän rajoitetun takuun ehtoja koskevat kiistat ratkaistaan lopullisesti välimiesmenettelyllä, joka toimitetaan Helsingissä Suomessa paikallisten, välimiesmenettelyä koskevien lakien määräysten mukaisesti. Kumpikin osapuoli nimittää yhden välimiehen. Nämä välimiehet nimittävät kolmannen välimiehen, joka toimii välimiesoikeuden puheenjohtajana. Jos osapuolten nimittämät välimiehet eivät pääse sopimukseen puheenjohtajasta, tämän nimittää Helsingin keskuskauppakamari.

EUROOPAN UNIONI (EU)

SEURAAVAT EHDOT OVAT VOIMASSA KAIKISSA EU-MAISSA:

EU-maassa hankitun Koneen takuu on voimassa ja käytettävissä kaikissa niissä EU-maissa, joissa Kone on julkistettu ja tuotu myyntiin.

Takuuhuollon saanti: *Tähän jaksoon lisätään seuraava teksti:*

IBM:n takuhuollon voi tilata Euroopan unionin maissa puhelinnumerosta, joka on mainittu Osassa 3 - Takuuta koskevat tiedot.

Asiakas voi ottaa yhteyden IBM:n huoltoon postiosoitteella:

IBM Warranty & Service Quality Dept.
PO Box 30

Spango Valley
Greenock
Scotland PA16 0AH.

KULUTTAJAT

Kuluttajilla on kansallisen kuluttajansuojalain suomat lailliset oikeudet, joihin tämän rajoitetun takuun ehdot eivät vaikuta.

ALANKOMAAT, ESPANJA, ITALIA, ITÄVALTA, KREIKKA, NORJA, PORTUGALI, RUOTSI, SUOMI, SVEITSI JA TANSKA

Vastuunrajoitus: *Seuraava teksti korvaa tämän jakson koko tekstin:*

Jos pakottava lainsäädäntö ei toisin määrää, noudatetaan seuraavia ehtoja:

1. Lenovon vastuu vahingoista ja menetyksistä, joita tämän rajoitetun takuun ehtojen mukaisten velvoitteiden täyttämisestä aiheutuu tai joita aiheutuu muista tähän takuuseen liittyvistä syistä, on rajoitettu ainoastaan korvaukseen todistetusti toteutuneista välittömistä ja suorista vahingoista ja menetyksistä, joiden syynä on ollut mainittujen velvoitteiden tuottamuksellinen laiminlyönti (jos syy on Lenovon) tai jokin siihen verrattava syy. Korvauksen enimmäismäärä on Koneesta maksettu maksu. Edellä mainittu rajoitus ei koske korvauksia henkilövahingoista (mukaan lukien kuolemantapaus) eikä kiinteään ja irtaimeen omaisuuteen kohdistuneista vahingoista, joista Lenovolla on lakisääteinen vastuu.
2. **LENOVO, SEN TOIMITTAJAT TAI JÄLLEENMYYJÄT TAIKKA PALVELUNTOIMITTAJAT EIVÄT VASTAA MISSÄÄN TAPAUKSESSA 1) TIETOJEN HÄVIÄMISESTÄ TAI VAHINGOITTUMISESTA, 2) SATUNNAISISTA TAI EPÄSUORISTA VAHINGOISTA TAI VÄLILLISISTÄ TALOUDELLISISTA VAHINGOISTA, 3) SAAMATTA JÄÄNEISTÄ VOITOISTA, VAIKKA NIIDEN VÄLITTÖMÄNÄ SYYNÄ OLISI VAHINGOT AIHEUTTANUT TAPAHTUMA, TAI 4) MENETETYSTÄ LIIKETOIMINNASTA JA SAAMATTA JÄÄNEISTÄ TULOISTA, GOODWILL-ARVOISTA TAI SÄÄSTÖISTÄ. LENOVO, SEN TOIMITTAJAT JA JÄLLEENMYYJÄT TAIKKA PALVELUNTOIMITTAJAT EIVÄT VASTAA VAHINGOSTA SIINÄKÄÄN TAPAUKSESSA, ETTÄ NIILLE ON ILMOITETTU TÄLLÄISEN VAHINGON MAHDOLLISUUDESTA.**

RANSKA JA BELGIA

Vastuunrajoitus: *Seuraava teksti korvaa tämän jakson koko tekstin:*

Jos pakottava lainsäädäntö ei toisin määrää, noudatetaan seuraavia ehtoja:

1. Lenovon vastuu vahingoista ja menetyksistä, joita tämän rajoitetun takuun ehtojen mukaisten velvoitteiden täyttämisestä aiheutuu, on rajoitettu ainoastaan korvaukseen todistetusti toteutuneista välittömistä ja suorista vahingoista ja menetyksistä, joiden syynä on ollut mainittujen velvoitteiden tuottamuksellinen laiminlyönti (jos syy on Lenovon). Korvauksen enimmäismäärä on vahingot aiheuttaneesta Koneesta maksettu maksu.

Edellä mainittu rajoitus ei koske korvauksia henkilövahingoista (mukaan lukien kuolemantapaus) eikä kiinteään ja irtaimeen omaisuuteen kohdistuneista vahingoista, joista Lenovolla on lakisääteinen vastuu.

2. **LENOVO, SEN TOIMITTAJAT TAI JÄLLEENMYYJÄT TAIKKA PALVELUNTOIMITTAJAT EIVÄT VASTAA MISSÄÄN TAPAUKSESSA 1) TIETOJEN HÄVIÄMISESTÄ TAI VAHINGOITUMISESTA, 2) SATUNNAISISTA TAI EPÄSUORISTA VAHINGOISTA TAI VÄLILLISISTÄ TALOUDELLISISTA VAHINGOISTA, 3) SAAMATTA JÄÄNEISTÄ VOITOISTA, VAIKKA NIIDEN VÄLITTÖMÄNÄ SYYNÄ OLISI VAHINGOT AIHEUTTANUT TAPAHTUMA, TAI 4) MENETETYSTÄ LIIKETOIMINNASTA JA SAAMATTA JÄÄNEISTÄ TULOISTA, GOODWILL-ARVOISTA TAI SÄÄSTÖISTÄ. LENOVO, SEN TOIMITTAJAT JA JÄLLEENMYYJÄT TAIKKA PALVELUNTOIMITTAJAT EIVÄT VASTAA VAHINGOSTA SIINÄKÄÄN TAPAUKSESSA, ETTÄ NIILLE ON ILMOITETTU TÄLLÄISEN VAHINGON MAHDOLLISUUDESTA.**

SEURAAVAT EHDOT OVAT MAAKOHTAISIA:

ITÄVALTA

Nämä rajoitetun takuun ehdot korvaavat kaikki soveltuvat lakisääteiset takuut.

Takuun laajuus: *Seuraava teksti korvaa tämän jakson ensimmäisen kappaleen ensimmäisen lauseen:*

Lenovo takaa sen, että Kone toimii oikein normaalissa käytössä ja että Kone vastaa määrittämiinsä.

Tähän jaksoon lisätään seuraavat kappaleet:

Takuuehtojen rikkomista koskevan kanteen nostoon kuluttajalla on vähintään se aika, joka on säädetty laissa. Jos Palveluntoimittaja ei pysty saattamaan Lenovon Konetta toimintakuntoon, asiakkaalla on oikeus pyytää osittaista hyvitystä, joka perustuu toimimattoman Koneen alentuneeseen arvoon, tai pyytää Konetta koskevan sopimuksen purkua ja Koneesta maksamansa maksun palautusta.

Toista kappaletta ei sovelleta.

Lenovon toimet vikojen korjaamiseksi: *Tähän jaksoon lisätään seuraava teksti:*

Takuuaikana Lenovo korvaa asiakkaalle tälle viallisen koneen kuljetuksesta IBM-huoltopisteeseen aiheutuneet kulut.

Vastuunrajoitus: *Tähän jaksoon lisätään seuraava kappale:*

Tässä sopimuksessa määritetyt rajoitukset eivät ole voimassa, jos Lenovo on aiheuttanut vahingon tahallisesti tai jos vahingon on aiheuttanut Lenovon törkeä tuottamus.

Seuraava lause lisätään kohdan 2 loppuun:

Lenovon vastuu rajoittuu olennaisten sopimusehtojen rikkomisesta aiheutuneisiin vahinkoihin, jos kyseessä on lievä tuottamus.

EGYPTI

Vastuunrajoitus: *Seuraava teksti korvaa tämän jakson kohdan 2:*

korvauksiin asiakkaan osoittamista muista todellisista suorista vahingoista siten, että korvauksen enimmäismäärä on vaatimuksen perusteena olevan vahingon aiheuttaneesta Koneesta maksettu maksu.

Toimittajia, jälleenmyyjä ja Palveluntoimittajia koskeva osuus ei muutu.

RANSKA

Vastuunrajoitus: *Seuraava teksti korvaa tämän jakson ensimmäisen kappaleen ensimmäisen lauseen:*

Lenovon vastuu ja asiakkaan oikeus vahingonkorvaukseen on kaikissa tapauksissa rajoitettu ainoastaan: (kohdat 1 ja 2 eivät muutu).

SAKSA

Takuun laajuus: *Seuraava teksti korvaa tämän jakson ensimmäisen kappaleen ensimmäisen lauseen:*

Lenovo takaa sen, että Kone toimii oikein normaalissa käytössä ja että Kone vastaa määrittämiään.

Tähän jaksoon lisätään seuraavat kappaleet:

Koneen takuu-aika on vähintään kaksitoista kuukautta. Jos Palveluntoimittaja ei pysty saattamaan Lenovon Koneita toimintakuntoon, asiakkaalla on oikeus pyytää osittaista hyvitystä, joka perustuu toimimattoman Koneen alentuneeseen arvoon, tai pyytää Koneita koskevan sopimuksen purkua ja Koneesta maksamansa maksun palautusta.

Toista kappaletta ei sovelleta.

Lenovon toimet vikojen korjaamiseksi: *Tähän jaksoon lisätään seuraava teksti:*

Takuu-aikana viallisen koneen kuljetus Lenovon tai IBM:n huoltopisteeseen tapahtuu Lenovon kustannuksella.

Vastuunrajoitus: *Tähän jaksoon lisätään seuraava kappale:*

Tässä sopimuksessa määritetyt rajoitukset eivät ole voimassa, jos Lenovo on aiheuttanut vahingon tahallisesti tai jos vahingon on aiheuttanut Lenovon törkeä tuottamus.

Seuraava lause lisätään kohdan 2 loppuun:

Lenovon vastuu rajoittuu olennaisten sopimusehtojen rikkomisesta aiheutuneisiin vahinkoihin, jos kyseessä on lievä tuottamus.

UNKARI

Vastuunrajoitus: *Tämän jakson perään lisätään seuraava teksti:*

Tässä määritetyt rajoitukset eivät koske vastuuta henkeä, fyysistä hyvinvointia tai terveyttä vaarantavasta sopimusrikkomuksesta, joka on aiheutettu tahallisesti, törkeän tuottamuksellisesti tai rikollisella teolla.

Osapuolet hyväksyvät vastuunrajoitukset päteviksi ehdoiksi ja toteavat, että Unkarin siviililain pykälää 314.(2) sovelletaan tämän vastuunrajoituksen mukaiseen hankintahintaan ja muihin tämän rajoitetun takuun ehtojen nojalla saataviin etuisuuksiin.

IRLANTI

Takuun laajuus: *Tähän jaksoon lisätään seuraava teksti:*

Lukuun ottamatta tässä sopimuksessa nimenomaan mainittuja ehtoja mitkään takuut, jotka on säädetty vuoden 1893 Sale of Goods Act -laissa ja vuoden 1980 Sale of Goods and Supply of Services Act -laissa, eivät ole voimassa.

Vastuunrajoitus: *Seuraava teksti korvaa tämän jakson koko tekstin:*

Termillä "Rikkomus" tarkoitetaan tässä jaksossa mitä tahansa Lenovon tekoa, lausumaa, laiminlyöntiä tai tuottamusta, joka liittyy tämän rajoitetun takuun ehtoihin, joista Lenovo on lakisääteisesti sopimus- tai vahingonkorvausvastuussa asiakkaalle. Useita Rikkomuksia, jotka yhdessä aiheuttavat olennaisilta piirteiltään samanlaisen menetyksen tai vahingon tai vaikuttavat tällaisen menetyksen tai vahingon syntyyn, käsitellään yhtenä Rikkomuksena, jonka tapahtumapäivämääräksi katsotaan sen päivän päivämäärä, jona tällainen Rikkomus on viimeksi tapahtunut.

Joissakin tilanteissa asiakkaalla voi olla oikeus vaatia Lenovolta vahingonkorvausta Rikkomuksen perusteella.

Tämä jakso määrittää Lenovon vastuun laajuuden ja kaikki asiakkaan korvausvaatimusten perusteet.

1. Lenovolla on rajoittamaton vastuu Lenovon tuottamuksesta aiheutuneista kuolemantapauksista ja ruumiinvammoista.
2. Lenovolla on rajoittamaton vastuu asiakkaan irtaimelle omaisuudelle Lenovon tuottamuksesta aiheutuneista fyysisistä vahingoista, mutta kuitenkin aina kohdassa **Tapaukset, joista Lenovo ei vastaa** esitetyin poikkeuksin.
3. Lenovon vastuu todellisista vahingoista mistä tahansa Rikkomuksesta on aina, paitsi edellä kohdissa 1 ja 2 mainituissa tapauksissa, enintään 125 % summasta, jonka asiakas on maksanut Rikkomukseen suoraan liittyvästä Koneesta.

Tapaukset, joista Lenovo ei vastaa

Lenovo tai sen toimittaja tai jälleenmyyjä taikka Palveluntoimittaja ei vastaa missään tapauksessa, paitsi edellä kohdassa 1 mainituissa tapauksissa,

seuraavista vahingoista, vaikka Lenovolle, sen toimittajalle tai jälleenmyyjälle taikka Palveluntoimittajalle on ilmoitettu tällaisen vahingon mahdollisuudesta:

1. tietojen häviäminen tai vahingoittuminen
2. erityinen, epäsuora tai välillinen vahinko
3. saamatta jääneet voitot tai säästöt tai menetetyt liiketoimet tai liikutulot tai goodwill-arvot.

SLOVAKIA

Vastuunrajoitus: *Viimeisen kappaleen loppuun lisätään seuraava teksti:*

Rajoituksia sovelletaan Slovakian kauppalain pykälien 373 - 386 sallimassa laajuudessa.

ETELÄ-AFRIKKA, NAMIBIA, BOTSWANA, LESOTHO JA SWAZIMAA

Vastuunrajoitus: *Tähän jaksoon lisätään seuraava teksti:*

Lenovon vastuu ja asiakkaan oikeus vahingonkorvauksiin rajoittuu korvauksiin asiakkaan osoittamista muista todellisista vahingoista, jotka aiheutuvat siitä, ettei Lenovo ole täyttänyt velvollisuuksiaan tai tämän takuusopimuksen ehtoja, siten, että korvauksen enimmäismäärä on vaatimuksen perusteena olevan vahingon aiheuttaneesta Koneesta maksettu maksu.

ISO-BRITANNIA

Vastuunrajoitus: *Seuraava teksti korvaa tämän jakson koko tekstin:*

Termillä "Rikkomus" tarkoitetaan tässä jaksossa mitä tahansa Lenovon tekoa, lausumaa, laiminlyöntiä tai tuottamusta, joka liittyy tämän rajoitetun takuun ehtoihin, joista Lenovo on lakisääteisesti sopimus- tai vahingonkorvausvastuussa asiakkaalle. Useita Rikkomuksia, jotka yhdessä aiheuttavat olennaisilta piirteiltään samanlaisen menetyksen tai vahingon tai vaikuttavat tällaisen menetyksen tai vahingon syntyyn, käsitellään yhtenä Rikkomuksena.

Joissakin tilanteissa asiakkaalla voi olla oikeus vaatia Lenolta vahingonkorvausta Rikkomuksen perusteella.

Tämä jakso määrittää Lenovon vastuun laajuuden ja kaikki asiakkaan korvausvaatimusten perusteet.

1. Lenovolla on rajoittamaton vastuu:
 - a. Lenovon tuottamuksesta aiheutuneista kuolemantapauksista ja ruumiinvammoista
 - b. velvoitteista, jotka on määritetty vuoden 1979 Sale of Goods Act -lain pykälässä 12 tai vuoden 1982 Supply of Goods and Services Act -lain pykälässä 2 tai muissa myöhemmissä, vastaavat pykälät sisältävissä tai ne uudelleen voimaansaattavissa laeissa.
2. Lenovolla on rajoittamaton vastuu asiakkaan irtaimelle omaisuudelle Lenovon tuottamuksesta aiheutuneista fyysisistä vahingoista, mutta kuitenkin aina kohdassa **Tapaukset, joista Lenovo ei vastaa** esitetyin poikkeuksin.

3. Lenovon vastuu todellisista vahingoista mistä tahansa Rikkomuksesta on aina, paitsi edellä kohdissa 1 ja 2 mainituissa tapauksissa, enintään 125 % summasta, jonka asiakas on maksanut Rikkomukseen suoraan liittyvästä Koneesta.

Tämä vastuunrajoitus koskee myös Lenovon toimittajia ja jälleenmyyjiä ja asiakkaan käyttämää Palveluntoimittajaa. Mainitut rajoitukset määrittävät vahingonkorvauksen enimmäismäärän, jonka Lenovo sekä sen käyttämät toimittajat ja jälleenmyyjät ovat velvollisia yhteensä maksamaan.

Tapaukset, joista Lenovo ei vastaa

Lenovo tai sen toimittaja tai jälleenmyyjä taikka Palveluntoimittaja ei vastaa missään tapauksessa, paitsi edellä kohdassa 1 mainituissa tapauksissa, seuraavista vahingoista, vaikka Lenovolle, sen toimittajalle tai jälleenmyyjälle taikka Palveluntoimittajalle on ilmoitettu tällaisen vahingon mahdollisuudesta:

1. tietojen häviäminen tai vahingoittuminen
2. erityinen, epäsuora tai välillinen vahinko
3. saamatta jääneet voitot tai säästöt tai menetetyt liiketoimet tai liiketulot tai goodwill-arvot.

Osa 3 - Takuuta koskevat tiedot

Tässä osassa on tietoja Konetta koskevasta takuusta, kuten takuuajasta ja Lenovon tarjoamasta takuuhuollosta.

Takuuaika

Takuuaika voi vaihdella maittain tai alueittain, ja se on ilmoitettu jäljempänä olevassa taulukossa. HUOMAUTUS: "Alue" tarkoittaa Kiinalle kuuluvaa Hongkongin tai Macaon erityishallintoaluetta.

Yhden vuoden takuu osille ja yhden vuoden takuu työlle tarkoittaa, että Lenovo antaa maksutonta takuuhuoltoa.

Tietokoneen tyyppi	Hankintamaa tai -alue	Takuuaika	Takuuhuollon lajit
6490	Yhdysvallat, Angola, Botswana, Burundi, Eritrea, Etiopia, Ghana, Kenia, Liberia, Malawi, Malta, Mosambik, Nigeria, Ruanda, Sambia, Sao Tome, Sierra Leone, Somalia, Tansania, Uganda, Zimbabwe, Argentiina, Bolivia, Belize, Brasilia, Chile, Costa Rica, Dominikaaninen tasavalta, Ecuador, El Salvador, Guatemala, Haiti, Honduras, Kolumbia, Meksiko, Nicaragua, Panama, Paraguay, Peru, Uruguay, Venezuela, Eurooppa, Lähi-itä, Afrikka, Australia, Uusi-Seelanti, Singapore, Malesia, Thaimaa, Indonesia, Filippiinit, Vietnam, Brunei, Sri Lanka, Bangladesh, Intia, Korea, Hongkong, Taiwan, Kiinan kansantasavalta, Japani	Osat ja työ - 3 vuotta	5
6491	Yhdysvallat, Angola, Botswana, Burundi, Eritrea, Etiopia, Ghana, Kenia, Liberia, Malawi, Malta, Mosambik, Nigeria, Ruanda, Sambia, Sao Tome, Sierra Leone, Somalia, Tansania, Uganda, Zimbabwe, Argentiina, Bolivia, Belize, Brasilia, Chile, Costa Rica, Dominikaaninen tasavalta, Ecuador, El Salvador, Guatemala, Haiti, Honduras, Kolumbia, Meksiko, Nicaragua, Panama, Paraguay, Peru, Uruguay, Venezuela, Eurooppa, Lähi-itä, Afrikka, Australia, Uusi-Seelanti, Singapore, Malesia, Thaimaa, Indonesia, Filippiinit, Vietnam, Brunei, Sri Lanka, Bangladesh, Intia, Korea, Hongkong, Taiwan, Kiinan kansantasavalta, Japani	Osat ja työ - 3 vuotta	5

Tietokoneen tyyppi	Hankintamaa tai -alue	Takuuaika	Takuuhuollon lajit
8013	Yhdysvallat, Angola, Botswana, Burundi, Eritrea, Etiopia, Ghana, Kenia, Liberia, Malawi, Malta, Mosambik, Nigeria, Ruanda, Sambia, Sao Tome, Sierra Leone, Somalia, Tansania, Uganda, Zimbabwe, Argentiina, Bolivia, Belize, Brasilia, Chile, Costa Rica, Dominikaaninen tasavalta, Ecuador, El Salvador, Guatemala, Haiti, Honduras, Kolumbia, Meksiko, Nicaragua, Panama, Paraguay, Peru, Uruguay, Venezuela, Eurooppa, Lähi-itä, Afrikka, Australia, Uusi-Seelanti, Singapore, Malesia, Thaimaa, Indonesia, Filippiinit, Vietnam, Brunei, Sri Lanka, Bangladesh, Intia, Korea, Hongkong, Taiwan, Kiinan kansantasavalta	Osat ja työ - 1 vuosi	5
8013	Japani	Osat ja työ - 1 vuosi	6
8700	Yhdysvallat, Angola, Botswana, Burundi, Eritrea, Etiopia, Ghana, Kenia, Liberia, Malawi, Malta, Mosambik, Nigeria, Ruanda, Sambia, Sao Tome, Sierra Leone, Somalia, Tansania, Uganda, Zimbabwe, Argentiina, Bolivia, Belize, Brasilia, Chile, Costa Rica, Dominikaaninen tasavalta, Ecuador, El Salvador, Guatemala, Haiti, Honduras, Kolumbia, Meksiko, Nicaragua, Panama, Paraguay, Peru, Uruguay, Venezuela, Eurooppa, Lähi-itä, Afrikka, Australia, Uusi-Seelanti, Singapore, Malesia, Thaimaa, Indonesia, Filippiinit, Vietnam, Brunei, Sri Lanka, Bangladesh, Intia, Korea, Hongkong, Taiwan, Kiinan kansantasavalta	Osat ja työ - 1 vuosi	5
8700	Japani	Osat ja työ - 1 vuosi	6

Tietokoneen tyyppi	Hankintamaa tai -alue	Takuuaika	Takuuhuollon lajit
8701	Yhdysvallat, Angola, Botswana, Burundi, Eritrea, Etiopia, Ghana, Kenia, Liberia, Malawi, Malta, Mosambik, Nigeria, Ruanda, Sambia, Sao Tome, Sierra Leone, Somalia, Tansania, Uganda, Zimbabwe, Argentiina, Bolivia, Belize, Brasilia, Chile, Costa Rica, Dominikaaninen tasavalta, Ecuador, El Salvador, Guatemala, Haiti, Honduras, Kolumbia, Meksiko, Nicaragua, Panama, Paraguay, Peru, Uruguay, Venezuela, Eurooppa, Lähi-itä, Afrikka, Australia, Uusi-Seelanti, Singapore, Malesia, Thaimaa, Indonesia, Filippiinit, Vietnam, Brunei, Sri Lanka, Bangladesh, Intia, Korea, Hongkong, Taiwan, Kiinan kansantasavalta	Osat ja työ - 1 vuosi	5
8701	Japani	Osat ja työ - 1 vuosi	6
8702	Yhdysvallat, Angola, Botswana, Burundi, Eritrea, Etiopia, Ghana, Kenia, Liberia, Malawi, Malta, Mosambik, Nigeria, Ruanda, Sambia, Sao Tome, Sierra Leone, Somalia, Tansania, Uganda, Zimbabwe, Argentiina, Bolivia, Belize, Brasilia, Chile, Costa Rica, Dominikaaninen tasavalta, Ecuador, El Salvador, Guatemala, Haiti, Honduras, Kolumbia, Meksiko, Nicaragua, Panama, Paraguay, Peru, Uruguay, Venezuela, Eurooppa, Lähi-itä, Afrikka, Australia, Uusi-Seelanti, Singapore, Malesia, Thaimaa, Indonesia, Filippiinit, Vietnam, Brunei, Sri Lanka, Bangladesh, Intia, Korea, Hongkong, Taiwan, Kiinan kansantasavalta	Osat ja työ - 1 vuosi	5
8702	Japani	Osat ja työ - 1 vuosi	6

Tietokoneen tyyppi	Hankintamaa tai -alue	Takuuaika	Takuuhuollon lajit
8705	Yhdysvallat, Angola, Botswana, Burundi, Eritrea, Etiopia, Ghana, Kenia, Liberia, Malawi, Malta, Mosambik, Nigeria, Ruanda, Sambia, Sao Tome, Sierra Leone, Somalia, Tansania, Uganda, Zimbabwe, Argentiina, Bolivia, Belize, Brasilia, Chile, Costa Rica, Dominikaaninen tasavalta, Ecuador, El Salvador, Guatemala, Haiti, Honduras, Kolumbia, Meksiko, Nicaragua, Panama, Paraguay, Peru, Uruguay, Venezuela, Eurooppa, Lähi-itä, Afrikka, Australia, Uusi-Seelanti, Singapore, Malesia, Thaimaa, Indonesia, Filippiinit, Vietnam, Brunei, Sri Lanka, Bangladesh, Intia, Korea, Hongkong, Taiwan, Kiinan kansantasavalta	Osat ja työ - 1 vuosi	5
8705	Japani	Osat ja työ - 1 vuosi	6
8706	Yhdysvallat, Angola, Botswana, Burundi, Eritrea, Etiopia, Ghana, Kenia, Liberia, Malawi, Malta, Mosambik, Nigeria, Ruanda, Sambia, Sao Tome, Sierra Leone, Somalia, Tansania, Uganda, Zimbabwe, Argentiina, Bolivia, Belize, Brasilia, Chile, Costa Rica, Dominikaaninen tasavalta, Ecuador, El Salvador, Guatemala, Haiti, Honduras, Kolumbia, Meksiko, Nicaragua, Panama, Paraguay, Peru, Uruguay, Venezuela, Eurooppa, Lähi-itä, Afrikka, Australia, Uusi-Seelanti, Singapore, Malesia, Thaimaa, Indonesia, Filippiinit, Vietnam, Brunei, Sri Lanka, Bangladesh, Intia, Korea, Hongkong, Taiwan, Kiinan kansantasavalta	Osat ja työ - 1 vuosi	5
8706	Japani	Osat ja työ - 1 vuosi	6
8716	Eurooppa, Lähi-itä, Afrikka	Osat ja työ - 1 vuosi	7
8717	Eurooppa, Lähi-itä, Afrikka	Osat ja työ - 1 vuosi	7

Tietokoneen tyyppi	Hankintamaa tai -alue	Takuuaika	Takuuhuollon lajit
8970	Eurooppa, Lähi-itä, Afrikka	Osat ja työ - 1 vuosi	7
8972	Eurooppa, Lähi-itä, Afrikka	Osat ja työ - 1 vuosi	7
8973	Eurooppa, Lähi-itä, Afrikka	Osat ja työ - 1 vuosi	7
8975	Eurooppa, Lähi-itä, Afrikka	Osat ja työ - 1 vuosi	7
8976	Australia, Bangladesh, Brunei, Filippiinit, Hongkong, Indonesia, Intia, Kiinan kansantasavalta, Korea, Malesia, Singapore, Sri Lanka, Taiwan, Thaimaa, Uusi-Seelanti, Vietnam	Osat - 3 vuotta Työ - 1 vuosi	5
8976	Eurooppa, Lähi-itä, Afrikka	Osat ja työ - 3	7
8979	Australia, Bangladesh, Brunei, Filippiinit, Hongkong, Indonesia, Intia, Kiinan kansantasavalta, Korea, Malesia, Singapore, Sri Lanka, Taiwan, Thaimaa, Uusi-Seelanti, Vietnam	Osat - 3 vuotta Työ - 1 vuosi	5
8979	Eurooppa, Lähi-itä, Afrikka	Osat ja työ - 3	7
8980	Australia, Bangladesh, Brunei, Filippiinit, Hongkong, Indonesia, Intia, Kiinan kansantasavalta, Korea, Malesia, Singapore, Sri Lanka, Taiwan, Thaimaa, Uusi-Seelanti, Vietnam	Osat - 3 vuotta Työ - 1 vuosi	5
8980	Eurooppa, Lähi-itä, Afrikka	Osat ja työ - 3	7
8982	Australia, Bangladesh, Brunei, Filippiinit, Hongkong, Indonesia, Intia, Kiinan kansantasavalta, Korea, Malesia, Singapore, Sri Lanka, Taiwan, Thaimaa, Uusi-Seelanti, Vietnam	Osat - 3 vuotta Työ - 1 vuosi	5
8982	Eurooppa, Lähi-itä, Afrikka	Osat ja työ - 3	7
8983	Australia, Bangladesh, Brunei, Filippiinit, Hongkong, Indonesia, Intia, Kiinan kansantasavalta, Korea, Malesia, Singapore, Sri Lanka, Taiwan, Thaimaa, Uusi-Seelanti, Vietnam	Osat - 3 vuotta Työ - 1 vuosi	5
8983	Eurooppa, Lähi-itä, Afrikka	Osat ja työ - 3	7

Tietokoneen tyyppi	Hankintamaa tai -alue	Takuuaika	Takuuhuollon lajit
8985	Australia, Bangladesh, Brunei, Filippiinit, Hongkong, Indonesia, Intia, Kiinan kansantasavalta, Korea, Malesia, Singapore, Sri Lanka, Taiwan, Thaimaa, Uusi-Seelanti, Vietnam	Osat - 3 vuotta Työ - 1 vuosi	5
8985	Eurooppa, Lähi-itä, Afrikka	Osat ja työ - 3	7
8986	Yhdysvallat, Angola, Botswana, Burundi, Eritrea, Etiopia, Ghana, Kenia, Liberia, Malawi, Malta, Mosambik, Nigeria, Ruanda, Sambia, Sao Tome, Sierra Leone, Somalia, Tansania, Uganda, Zimbabwe, Argentiina, Bolivia, Belize, Brasilia, Chile, Costa Rica, Dominikaaninen tasavalta, Ecuador, El Salvador, Guatemala, Haiti, Honduras, Kolumbia, Meksiko, Nicaragua, Panama, Paraguay, Peru, Uruguay, Venezuela, Eurooppa, Lähi-itä, Afrikka, Australia, Uusi-Seelanti, Singapore, Malesia, Thaimaa, Indonesia, Filippiinit, Vietnam, Brunei, Sri Lanka, Bangladesh, Korea, Hongkong, Taiwan, Kiinan kansantasavalta	Osat ja työ - 3 vuotta	5
8991	Yhdysvallat, Angola, Botswana, Burundi, Eritrea, Etiopia, Ghana, Kenia, Liberia, Malawi, Malta, Mosambik, Nigeria, Ruanda, Sambia, Sao Tome, Sierra Leone, Somalia, Tansania, Uganda, Zimbabwe, Argentiina, Bolivia, Belize, Brasilia, Chile, Costa Rica, Dominikaaninen tasavalta, Ecuador, El Salvador, Guatemala, Haiti, Honduras, Kolumbia, Meksiko, Nicaragua, Panama, Paraguay, Peru, Uruguay, Venezuela, Eurooppa, Lähi-itä, Afrikka, Australia, Uusi-Seelanti, Singapore, Malesia, Thaimaa, Indonesia, Filippiinit, Vietnam, Brunei, Sri Lanka, Bangladesh, Korea, Hongkong, Taiwan, Kiinan kansantasavalta	Osat ja työ - 3 vuotta	5

Tietokoneen tyyppi	Hankintamaa tai -alue	Takuuaika	Takuuhuollon lajit
8992	Yhdysvallat, Angola, Botswana, Burundi, Eritrea, Etiopia, Ghana, Kenia, Liberia, Malawi, Malta, Mosambik, Nigeria, Ruanda, Sambia, Sao Tome, Sierra Leone, Somalia, Tansania, Uganda, Zimbabwe, Argentiina, Bolivia, Belize, Brasilia, Chile, Costa Rica, Dominikaaninen tasavalta, Ecuador, El Salvador, Guatemala, Haiti, Honduras, Kolumbia, Meksiko, Nicaragua, Panama, Paraguay, Peru, Uruguay, Venezuela, Eurooppa, Lähi-itä, Afrikka, Australia, Uusi-Seelanti, Singapore, Malesia, Thaimaa, Indonesia, Filippiinit, Vietnam, Brunei, Sri Lanka, Bangladesh, Korea, Hongkong, Taiwan, Kiinan kansantasavalta	Osat ja työ - 3 vuotta	5
8994	Yhdysvallat, Angola, Botswana, Burundi, Eritrea, Etiopia, Ghana, Kenia, Liberia, Malawi, Malta, Mosambik, Nigeria, Ruanda, Sambia, Sao Tome, Sierra Leone, Somalia, Tansania, Uganda, Zimbabwe, Argentiina, Bolivia, Belize, Brasilia, Chile, Costa Rica, Dominikaaninen tasavalta, Ecuador, El Salvador, Guatemala, Haiti, Honduras, Kolumbia, Meksiko, Nicaragua, Panama, Paraguay, Peru, Uruguay, Venezuela, Eurooppa, Lähi-itä, Afrikka, Australia, Uusi-Seelanti, Singapore, Malesia, Thaimaa, Indonesia, Filippiinit, Vietnam, Brunei, Sri Lanka, Bangladesh, Korea, Hongkong, Taiwan, Kiinan kansantasavalta	Osat ja työ - 3 vuotta	5

Tietokoneen tyyppi	Hankintamaa tai -alue	Takuuaika	Takuuhuollon lajit
8995	Yhdysvallat, Angola, Botswana, Burundi, Eritrea, Etiopia, Ghana, Kenia, Liberia, Malawi, Malta, Mosambik, Nigeria, Ruanda, Sambia, Sao Tome, Sierra Leone, Somalia, Tansania, Uganda, Zimbabwe, Argentiina, Bolivia, Belize, Brasilia, Chile, Costa Rica, Dominikaaninen tasavalta, Ecuador, El Salvador, Guatemala, Haiti, Honduras, Kolumbia, Meksiko, Nicaragua, Panama, Paraguay, Peru, Uruguay, Venezuela, Eurooppa, Lähi-itä, Afrikka, Australia, Uusi-Seelanti, Singapore, Malesia, Thaimaa, Indonesia, Filippiinit, Vietnam, Brunei, Sri Lanka, Bangladesh, Korea, Hongkong, Taiwan, Kiinan kansantasavalta	Osat ja työ - 3 vuotta	5
9265	Yhdysvallat, Angola, Botswana, Burundi, Eritrea, Etiopia, Ghana, Kenia, Liberia, Malawi, Malta, Mosambik, Nigeria, Ruanda, Sambia, Sao Tome, Sierra Leone, Somalia, Tansania, Uganda, Zimbabwe, Argentiina, Bolivia, Belize, Brasilia, Chile, Costa Rica, Dominikaaninen tasavalta, Ecuador, El Salvador, Guatemala, Haiti, Honduras, Kolumbia, Meksiko, Nicaragua, Panama, Paraguay, Peru, Uruguay, Venezuela, Eurooppa, Lähi-itä, Afrikka, Australia, Uusi-Seelanti, Singapore, Malesia, Thaimaa, Indonesia, Filippiinit, Vietnam, Brunei, Sri Lanka, Bangladesh, Korea, Hongkong, Taiwan, Kiinan kansantasavalta	Osat ja työ - 3 vuotta	5

Tietokoneen tyyppi	Hankintamaa tai -alue	Takuuaika	Takuuhuollon lajit
9266	Yhdysvallat, Angola, Botswana, Burundi, Eritrea, Etiopia, Ghana, Kenia, Liberia, Malawi, Malta, Mosambik, Nigeria, Ruanda, Sambia, Sao Tome, Sierra Leone, Somalia, Tansania, Uganda, Zimbabwe, Argentiina, Bolivia, Belize, Brasilia, Chile, Costa Rica, Dominikaaninen tasavalta, Ecuador, El Salvador, Guatemala, Haiti, Honduras, Kolumbia, Meksiko, Nicaragua, Panama, Paraguay, Peru, Uruguay, Venezuela, Eurooppa, Lähi-itä, Afrikka, Australia, Uusi-Seelanti, Singapore, Malesia, Thaimaa, Indonesia, Filippiinit, Vietnam, Brunei, Sri Lanka, Bangladesh, Intia, Korea, Hongkong, Taiwan	Osat ja työ - 1 vuosi	5
9266	Japani	Osat ja työ - 1 vuosi	6
9269	Yhdysvallat, Angola, Botswana, Burundi, Eritrea, Etiopia, Ghana, Kenia, Liberia, Malawi, Malta, Mosambik, Nigeria, Ruanda, Sambia, Sao Tome, Sierra Leone, Somalia, Tansania, Uganda, Zimbabwe, Argentiina, Bolivia, Belize, Brasilia, Chile, Costa Rica, Dominikaaninen tasavalta, Ecuador, El Salvador, Guatemala, Haiti, Honduras, Kolumbia, Meksiko, Nicaragua, Panama, Paraguay, Peru, Uruguay, Venezuela, Eurooppa, Lähi-itä, Afrikka, Australia, Uusi-Seelanti, Singapore, Malesia, Thaimaa, Indonesia, Filippiinit, Vietnam, Brunei, Sri Lanka, Bangladesh, Intia, Korea, Hongkong, Taiwan	Osat ja työ - 1 vuosi	5
9269	Japani	Osat ja työ - 1 vuosi	6

Tietokoneen tyyppi	Hankintamaa tai -alue	Takuuaika	Takuuhuollon lajit
9276	Yhdysvallat, Angola, Botswana, Burundi, Eritrea, Etiopia, Ghana, Kenia, Liberia, Malawi, Malta, Mosambik, Nigeria, Ruanda, Sambia, Sao Tome, Sierra Leone, Somalia, Tansania, Uganda, Zimbabwe, Argentiina, Bolivia, Belize, Brasilia, Chile, Costa Rica, Dominikaaninen tasavalta, Ecuador, El Salvador, Guatemala, Haiti, Honduras, Kolumbia, Meksiko, Nicaragua, Panama, Paraguay, Peru, Uruguay, Venezuela, Eurooppa, Lähi-itä, Afrikka, Australia, Uusi-Seelanti, Singapore, Malesia, Thaimaa, Indonesia, Filippiinit, Vietnam, Brunei, Sri Lanka, Bangladesh, Intia, Korea, Hongkong, Taiwan	Osat ja työ - 1 vuosi	5
9276	Japani	Osat ja työ - 1 vuosi	6
9277	Yhdysvallat, Angola, Botswana, Burundi, Eritrea, Etiopia, Ghana, Kenia, Liberia, Malawi, Malta, Mosambik, Nigeria, Ruanda, Sambia, Sao Tome, Sierra Leone, Somalia, Tansania, Uganda, Zimbabwe, Argentiina, Bolivia, Belize, Brasilia, Chile, Costa Rica, Dominikaaninen tasavalta, Ecuador, El Salvador, Guatemala, Haiti, Honduras, Kolumbia, Meksiko, Nicaragua, Panama, Paraguay, Peru, Uruguay, Venezuela, Eurooppa, Lähi-itä, Afrikka, Australia, Uusi-Seelanti, Singapore, Malesia, Thaimaa, Indonesia, Filippiinit, Vietnam, Brunei, Sri Lanka, Bangladesh, Intia, Korea, Hongkong, Taiwan	Osat ja työ - 1 vuosi	5
9277	Japani	Osat ja työ - 1 vuosi	6

Tietokoneen tyyppi	Hankintamaa tai -alue	Takuuaika	Takuuhuollon lajit
9278	Yhdysvallat, Angola, Botswana, Burundi, Eritrea, Etiopia, Ghana, Kenia, Liberia, Malawi, Malta, Mosambik, Nigeria, Ruanda, Sambia, Sao Tome, Sierra Leone, Somalia, Tansania, Uganda, Zimbabwe, Argentiina, Bolivia, Belize, Brasilia, Chile, Costa Rica, Dominikaaninen tasavalta, Ecuador, El Salvador, Guatemala, Haiti, Honduras, Kolumbia, Meksiko, Nicaragua, Panama, Paraguay, Peru, Uruguay, Venezuela, Eurooppa, Lähi-itä, Afrikka, Australia, Uusi-Seelanti, Singapore, Malesia, Thaimaa, Indonesia, Filippiinit, Vietnam, Brunei, Sri Lanka, Bangladesh, Intia, Korea, Hongkong, Taiwan	Osat ja työ - 1 vuosi	5
9278	Japani	Osat ja työ - 1 vuosi	6
9279	Yhdysvallat, Angola, Botswana, Burundi, Eritrea, Etiopia, Ghana, Kenia, Liberia, Malawi, Malta, Mosambik, Nigeria, Ruanda, Sambia, Sao Tome, Sierra Leone, Somalia, Tansania, Uganda, Zimbabwe, Argentiina, Bolivia, Belize, Brasilia, Chile, Costa Rica, Dominikaaninen tasavalta, Ecuador, El Salvador, Guatemala, Haiti, Honduras, Kolumbia, Meksiko, Nicaragua, Panama, Paraguay, Peru, Uruguay, Venezuela, Eurooppa, Lähi-itä, Afrikka, Australia, Uusi-Seelanti, Singapore, Malesia, Thaimaa, Indonesia, Filippiinit, Vietnam, Brunei, Sri Lanka, Bangladesh, Intia, Korea, Hongkong, Taiwan	Osat ja työ - 1 vuosi	5
9279	Japani	Osat ja työ - 1 vuosi	6

Tietokoneen tyyppi	Hankintamaa tai -alue	Takuuaika	Takuuhuollon lajit
9282	Argentiina, Bolivia, Belize, Brasilia, Chile, Costa Rica, Dominikaaninen tasavalta, Ecuador, El Salvador, Guatemala, Haiti, Honduras, Kolumbia, Meksiko, Nicaragua, Panama, Paraguay, Peru, Uruguay, Venezuela, Eurooppa, Lähi-itä, Afrikka	Osat ja työ - 1 vuosi	7
9283	Argentiina, Bolivia, Belize, Brasilia, Chile, Costa Rica, Dominikaaninen tasavalta, Ecuador, El Salvador, Guatemala, Haiti, Honduras, Kolumbia, Meksiko, Nicaragua, Panama, Paraguay, Peru, Uruguay, Venezuela, Eurooppa, Lähi-itä, Afrikka	Osat ja työ - 1 vuosi	7
9286	Argentiina, Bolivia, Belize, Brasilia, Chile, Costa Rica, Dominikaaninen tasavalta, Ecuador, El Salvador, Guatemala, Haiti, Honduras, Kolumbia, Meksiko, Nicaragua, Panama, Paraguay, Peru, Uruguay, Venezuela, Eurooppa, Lähi-itä, Afrikka	Osat ja työ - 1 vuosi	7
9287	Argentiina, Bolivia, Belize, Brasilia, Chile, Costa Rica, Dominikaaninen tasavalta, Ecuador, El Salvador, Guatemala, Haiti, Honduras, Kolumbia, Meksiko, Nicaragua, Panama, Paraguay, Peru, Uruguay, Venezuela, Eurooppa, Lähi-itä, Afrikka	Osat ja työ - 1 vuosi	7
9288	Argentiina, Bolivia, Belize, Brasilia, Chile, Costa Rica, Dominikaaninen tasavalta, Ecuador, El Salvador, Guatemala, Haiti, Honduras, Kolumbia, Meksiko, Nicaragua, Panama, Paraguay, Peru, Uruguay, Venezuela, Eurooppa, Lähi-itä, Afrikka	Osat ja työ - 1 vuosi	7
9374	Australia, Bangladesh, Brunei, Filippiinit, Hongkong, Indonesia, Intia, Kiinan kansantasavalta, Korea, Malesia, Singapore, Sri Lanka, Taiwan, Thaimaa, Uusi-Seelanti, Vietnam	Osat - 3 vuotta Työ - 1 vuosi	5
9374	Eurooppa, Lähi-itä, Afrikka	Osat ja työ - 3 vuotta	7

Tietokoneen tyyppi	Hankintamaa tai -alue	Takuuaika	Takuuhuollon lajit
9378	Australia, Bangladesh, Brunei, Filippiinit, Hongkong, Indonesia, Intia, Kiinan kansantasavalta, Korea, Malesia, Singapore, Sri Lanka, Taiwan, Thaimaa, Uusi-Seelanti, Vietnam	Osat - 3 vuotta Työ - 1 vuosi	5
9378	Eurooppa, Lähi-itä, Afrikka	Osat ja työ - 3 vuotta	7
9379	Argentiina, Bolivia, Belize, Brasilia, Chile, Costa Rica, Dominikaaninen tasavalta, Ecuador, El Salvador, Guatemala, Haiti, Honduras, Kolumbia, Meksiko, Nicaragua, Panama, Paraguay, Peru, Uruguay, Venezuela, Eurooppa, Lähi-itä, Afrikka	Osat ja työ - 1 vuosi	7
9380	Australia, Bangladesh, Brunei, Filippiinit, Hongkong, Indonesia, Intia, Kiinan kansantasavalta, Korea, Malesia, Singapore, Sri Lanka, Taiwan, Thaimaa, Uusi-Seelanti, Vietnam	Osat - 3 vuotta Työ - 1 vuosi	5
9380	Eurooppa, Lähi-itä, Afrikka	Osat ja työ - 3 vuotta	7
9383	Australia, Bangladesh, Brunei, Filippiinit, Hongkong, Indonesia, Intia, Kiinan kansantasavalta, Korea, Malesia, Singapore, Sri Lanka, Taiwan, Thaimaa, Uusi-Seelanti, Vietnam	Osat - 3 vuotta Työ - 1 vuosi	5
9383	Eurooppa, Lähi-itä, Afrikka	Osat ja työ - 3 vuotta	7

Tietokoneen tyyppi	Hankintamaa tai -alue	Takuuaika	Takuuhuollon lajit
9384	Yhdysvallat, Angola, Botswana, Burundi, Eritrea, Etiopia, Ghana, Kenia, Liberia, Malawi, Malta, Mosambik, Nigeria, Ruanda, Sambia, Sao Tome, Sierra Leone, Somalia, Tansania, Uganda, Zimbabwe, Argentiina, Bolivia, Belize, Brasilia, Chile, Costa Rica, Dominikaaninen tasavalta, Ecuador, El Salvador, Guatemala, Haiti, Honduras, Kolumbia, Meksiko, Nicaragua, Panama, Paraguay, Peru, Uruguay, Venezuela, Eurooppa, Lähi-itä, Afrikka, Australia, Uusi-Seelanti, Singapore, Malesia, Thaimaa, Indonesia, Filippiinit, Vietnam, Brunei, Sri Lanka, Bangladesh, Intia, Korea, Hongkong, Taiwan, Kiinan kansantasavalta	Osat ja työ - 3 vuotta	5
9387	Australia, Bangladesh, Brunei, Filippiinit, Hongkong, Indonesia, Intia, Kiinan kansantasavalta, Korea, Malesia, Singapore, Sri Lanka, Taiwan, Thaimaa, Uusi-Seelanti, Vietnam	Osat - 3 vuotta Työ - 1 vuosi	5
9387	Eurooppa, Lähi-itä, Afrikka	Osat ja työ - 3 vuotta	7
9389	Australia, Bangladesh, Brunei, Filippiinit, Hongkong, Indonesia, Intia, Kiinan kansantasavalta, Korea, Malesia, Singapore, Sri Lanka, Taiwan, Thaimaa, Uusi-Seelanti, Vietnam	Osat - 3 vuotta Työ - 1 vuosi	5
9389	Eurooppa, Lähi-itä, Afrikka	Osat ja työ - 3 vuotta	7

Tietokoneen tyyppi	Hankintamaa tai -alue	Takuuaika	Takuuhuollon lajit
9628	Yhdysvallat, Angola, Botswana, Burundi, Eritrea, Etiopia, Ghana, Kenia, Liberia, Malawi, Malta, Mosambik, Nigeria, Ruanda, Sambia, Sao Tome, Sierra Leone, Somalia, Tansania, Uganda, Zimbabwe, Argentiina, Bolivia, Belize, Brasilia, Chile, Costa Rica, Dominikaaninen tasavalta, Ecuador, El Salvador, Guatemala, Haiti, Honduras, Kolumbia, Meksiko, Nicaragua, Panama, Paraguay, Peru, Uruguay, Venezuela, Eurooppa, Lähi-itä, Afrikka, Australia, Uusi-Seelanti, Singapore, Malesia, Thaimaa, Indonesia, Filippiinit, Vietnam, Brunei, Sri Lanka, Bangladesh, Intia, Korea, Hongkong, Taiwan, Kiinan kansantasavalta	Osat ja työ - 3 vuotta	5
9631	Yhdysvallat, Angola, Botswana, Burundi, Eritrea, Etiopia, Ghana, Kenia, Liberia, Malawi, Malta, Mosambik, Nigeria, Ruanda, Sambia, Sao Tome, Sierra Leone, Somalia, Tansania, Uganda, Zimbabwe, Argentiina, Bolivia, Belize, Brasilia, Chile, Costa Rica, Dominikaaninen tasavalta, Ecuador, El Salvador, Guatemala, Haiti, Honduras, Kolumbia, Meksiko, Nicaragua, Panama, Paraguay, Peru, Uruguay, Venezuela, Eurooppa, Lähi-itä, Afrikka, Australia, Uusi-Seelanti, Singapore, Malesia, Thaimaa, Indonesia, Filippiinit, Vietnam, Brunei, Sri Lanka, Bangladesh, Intia, Korea, Hongkong, Taiwan, Kiinan kansantasavalta	Osat ja työ - 3 vuotta	5

Tietokoneen tyyppi	Hankintamaa tai -alue	Takuuaika	Takuuhuollon lajit
9632	Yhdysvallat, Angola, Botswana, Burundi, Eritrea, Etiopia, Ghana, Kenia, Liberia, Malawi, Malta, Mosambik, Nigeria, Ruanda, Sambia, Sao Tome, Sierra Leone, Somalia, Tansania, Uganda, Zimbabwe, Argentiina, Bolivia, Belize, Brasilia, Chile, Costa Rica, Dominikaaninen tasavalta, Ecuador, El Salvador, Guatemala, Haiti, Honduras, Kolumbia, Meksiko, Nicaragua, Panama, Paraguay, Peru, Uruguay, Venezuela, Eurooppa, Lähi-itä, Afrikka, Australia, Uusi-Seelanti, Singapore, Malesia, Thaimaa, Indonesia, Filippiinit, Vietnam, Brunei, Sri Lanka, Bangladesh, Intia, Korea, Hongkong, Taiwan, Kiinan kansantasavalta	Osat ja työ - 3 vuotta	5
9635	Yhdysvallat, Angola, Botswana, Burundi, Eritrea, Etiopia, Ghana, Kenia, Liberia, Malawi, Malta, Mosambik, Nigeria, Ruanda, Sambia, Sao Tome, Sierra Leone, Somalia, Tansania, Uganda, Zimbabwe, Argentiina, Bolivia, Belize, Brasilia, Chile, Costa Rica, Dominikaaninen tasavalta, Ecuador, El Salvador, Guatemala, Haiti, Honduras, Kolumbia, Meksiko, Nicaragua, Panama, Paraguay, Peru, Uruguay, Venezuela, Eurooppa, Lähi-itä, Afrikka, Australia, Uusi-Seelanti, Singapore, Malesia, Thaimaa, Indonesia, Filippiinit, Vietnam, Brunei, Sri Lanka, Bangladesh, Intia, Korea, Hongkong, Taiwan, Kiinan kansantasavalta	Osat ja työ - 3 vuotta	5

Tietokoneen tyyppi	Hankintamaa tai -alue	Takuuaika	Takuuhuollon lajit
9636	Yhdysvallat, Angola, Botswana, Burundi, Eritrea, Etiopia, Ghana, Kenia, Liberia, Malawi, Malta, Mosambik, Nigeria, Ruanda, Sambia, Sao Tome, Sierra Leone, Somalia, Tansania, Uganda, Zimbabwe, Argentiina, Bolivia, Belize, Brasilia, Chile, Costa Rica, Dominikaaninen tasavalta, Ecuador, El Salvador, Guatemala, Haiti, Honduras, Kolumbia, Meksiko, Nicaragua, Panama, Paraguay, Peru, Uruguay, Venezuela, Eurooppa, Lähi-itä, Afrikka, Australia, Uusi-Seelanti, Singapore, Malesia, Thaimaa, Indonesia, Filippiinit, Vietnam, Brunei, Sri Lanka, Bangladesh, Intia, Korea, Hongkong, Taiwan, Kiinan kansantasavalta	Osat ja työ - 1 vuosi	5
9636	Japani	Osat ja työ - 1 vuosi	6
9637	Yhdysvallat, Angola, Botswana, Burundi, Eritrea, Etiopia, Ghana, Kenia, Liberia, Malawi, Malta, Mosambik, Nigeria, Ruanda, Sambia, Sao Tome, Sierra Leone, Somalia, Tansania, Uganda, Zimbabwe, Argentiina, Bolivia, Belize, Brasilia, Chile, Costa Rica, Dominikaaninen tasavalta, Ecuador, El Salvador, Guatemala, Haiti, Honduras, Kolumbia, Meksiko, Nicaragua, Panama, Paraguay, Peru, Uruguay, Venezuela, Eurooppa, Lähi-itä, Afrikka, Australia, Uusi-Seelanti, Singapore, Malesia, Thaimaa, Indonesia, Filippiinit, Vietnam, Brunei, Sri Lanka, Bangladesh, Intia, Korea, Hongkong, Taiwan, Kiinan kansantasavalta	Osat ja työ - 3 vuotta	5
9638	Eurooppa, Lähi-itä, Afrikka	Osat ja työ - 1 vuosi	7

Tietokoneen tyyppi	Hankintamaa tai -alue	Takuuaika	Takuuhuollon lajit
9640	Australia, Bangladesh, Brunei, Filippiinit, Hongkong, Indonesia, Intia, Kiinan kansantasavalta, Korea, Malesia, Singapore, Sri Lanka, Taiwan, Thaimaa, Uusi-Seelanti, Vietnam	Osat - 3 vuotta Työ - 1 vuosi	5
9640	Eurooppa, Lähi-itä, Afrikka	Osat ja työ - 3	7
9641	Yhdysvallat, Angola, Botswana, Burundi, Eritrea, Etiopia, Ghana, Kenia, Liberia, Malawi, Malta, Mosambik, Nigeria, Ruanda, Sambia, Sao Tome, Sierra Leone, Somalia, Tansania, Uganda, Zimbabwe, Argentiina, Bolivia, Belize, Brasilia, Chile, Costa Rica, Dominikaaninen tasavalta, Ecuador, El Salvador, Guatemala, Haiti, Honduras, Kolumbia, Meksiko, Nicaragua, Panama, Paraguay, Peru, Uruguay, Venezuela, Eurooppa, Lähi-itä, Afrikka, Australia, Uusi-Seelanti, Singapore, Malesia, Thaimaa, Indonesia, Filippiinit, Vietnam, Brunei, Sri Lanka, Bangladesh, Korea, Hongkong, Taiwan, Kiinan kansantasavalta	Osat ja työ - 3 vuotta	5
9642	Yhdysvallat, Angola, Botswana, Burundi, Eritrea, Etiopia, Ghana, Kenia, Liberia, Malawi, Malta, Mosambik, Nigeria, Ruanda, Sambia, Sao Tome, Sierra Leone, Somalia, Tansania, Uganda, Zimbabwe, Argentiina, Bolivia, Belize, Brasilia, Chile, Costa Rica, Dominikaaninen tasavalta, Ecuador, El Salvador, Guatemala, Haiti, Honduras, Kolumbia, Meksiko, Nicaragua, Panama, Paraguay, Peru, Uruguay, Venezuela, Eurooppa, Lähi-itä, Afrikka, Australia, Uusi-Seelanti, Singapore, Malesia, Thaimaa, Indonesia, Filippiinit, Vietnam, Brunei, Sri Lanka, Bangladesh, Intia, Korea, Hongkong, Taiwan	Osat ja työ - 1 vuosi	5
9642	Japani	Osat ja työ - 1 vuosi	6

Tietokoneen tyyppi	Hankintamaa tai -alue	Takuu aika	Takuuhuollon lajit
9643	Argentiina, Bolivia, Belize, Brasilia, Chile, Costa Rica, Dominikaaninen tasavalta, Ecuador, El Salvador, Guatemala, Haiti, Honduras, Kolumbia, Meksiko, Nicaragua, Panama, Paraguay, Peru, Uruguay, Venezuela, Eurooppa, Lähi-itä, Afrikka	Osat ja työ - 1 vuosi	7
9644	Australia, Bangladesh, Brunei, Filippiinit, Hongkong, Indonesia, Intia, Kiinan kansantasavalta, Korea, Malesia, Singapore, Sri Lanka, Taiwan, Thaimaa, Uusi-Seelanti, Vietnam	Osat - 3 vuotta Työ - 1 vuosi	5
9644	Eurooppa, Lähi-itä, Afrikka	Osat ja työ - 3 vuotta	7
9645	Yhdysvallat, Angola, Botswana, Burundi, Eritrea, Etiopia, Ghana, Kenia, Liberia, Malawi, Malta, Mosambik, Nigeria, Ruanda, Sambia, Sao Tome, Sierra Leone, Somalia, Tansania, Uganda, Zimbabwe, Argentiina, Bolivia, Belize, Brasilia, Chile, Costa Rica, Dominikaaninen tasavalta, Ecuador, El Salvador, Guatemala, Haiti, Honduras, Kolumbia, Meksiko, Nicaragua, Panama, Paraguay, Peru, Uruguay, Venezuela, Eurooppa, Lähi-itä, Afrikka, Australia, Uusi-Seelanti, Singapore, Malesia, Thaimaa, Indonesia, Filippiinit, Vietnam, Brunei, Sri Lanka, Bangladesh, Intia, Korea, Hongkong, Taiwan, Kiinan kansantasavalta	Osat ja työ - 3 vuotta	5

Tietokoneen tyyppi	Hankintamaa tai -alue	Takuuaika	Takuuhuollon lajit
9646	Yhdysvallat, Angola, Botswana, Burundi, Eritrea, Etiopia, Ghana, Kenia, Liberia, Malawi, Malta, Mosambik, Nigeria, Ruanda, Sambia, Sao Tome, Sierra Leone, Somalia, Tansania, Uganda, Zimbabwe, Argentiina, Bolivia, Belize, Brasilia, Chile, Costa Rica, Dominikaaninen tasavalta, Ecuador, El Salvador, Guatemala, Haiti, Honduras, Kolumbia, Meksiko, Nicaragua, Panama, Paraguay, Peru, Uruguay, Venezuela, Eurooppa, Lähi-itä, Afrikka, Australia, Uusi-Seelanti, Singapore, Malesia, Thaimaa, Indonesia, Filippiinit, Vietnam, Brunei, Sri Lanka, Bangladesh, Intia, Korea, Hongkong, Taiwan, Kiinan kansantasavalta, Japani	Osat ja työ - 4 vuotta	5
9647	Yhdysvallat, Angola, Botswana, Burundi, Eritrea, Etiopia, Ghana, Kenia, Liberia, Malawi, Malta, Mosambik, Nigeria, Ruanda, Sambia, Sao Tome, Sierra Leone, Somalia, Tansania, Uganda, Zimbabwe, Argentiina, Bolivia, Belize, Brasilia, Chile, Costa Rica, Dominikaaninen tasavalta, Ecuador, El Salvador, Guatemala, Haiti, Honduras, Kolumbia, Meksiko, Nicaragua, Panama, Paraguay, Peru, Uruguay, Venezuela, Eurooppa, Lähi-itä, Afrikka, Australia, Uusi-Seelanti, Singapore, Malesia, Thaimaa, Indonesia, Filippiinit, Vietnam, Brunei, Sri Lanka, Bangladesh, Intia, Korea, Hongkong, Taiwan, Kiinan kansantasavalta, Japani	Osat ja työ - 4 vuotta	5

Tietokoneen tyyppi	Hankintamaa tai -alue	Takuuaika	Takuuhuollon lajit
9648	Yhdysvallat, Angola, Botswana, Burundi, Eritrea, Etiopia, Ghana, Kenia, Liberia, Malawi, Malta, Mosambik, Nigeria, Ruanda, Sambia, Sao Tome, Sierra Leone, Somalia, Tansania, Uganda, Zimbabwe, Argentiina, Bolivia, Belize, Brasilia, Chile, Costa Rica, Dominikaaninen tasavalta, Ecuador, El Salvador, Guatemala, Haiti, Honduras, Kolumbia, Meksiko, Nicaragua, Panama, Paraguay, Peru, Uruguay, Venezuela, Eurooppa, Lähi-itä, Afrikka, Australia, Uusi-Seelanti, Singapore, Malesia, Thaimaa, Indonesia, Filippiinit, Vietnam, Brunei, Sri Lanka, Bangladesh, Intia, Korea, Hongkong, Taiwan, Kiinan kansantasavalta, Japani	Osat ja työ - 4 vuotta	5
9649	Yhdysvallat, Angola, Botswana, Burundi, Eritrea, Etiopia, Ghana, Kenia, Liberia, Malawi, Malta, Mosambik, Nigeria, Ruanda, Sambia, Sao Tome, Sierra Leone, Somalia, Tansania, Uganda, Zimbabwe, Argentiina, Bolivia, Belize, Brasilia, Chile, Costa Rica, Dominikaaninen tasavalta, Ecuador, El Salvador, Guatemala, Haiti, Honduras, Kolumbia, Meksiko, Nicaragua, Panama, Paraguay, Peru, Uruguay, Venezuela, Eurooppa, Lähi-itä, Afrikka, Australia, Uusi-Seelanti, Singapore, Malesia, Thaimaa, Indonesia, Filippiinit, Vietnam, Brunei, Sri Lanka, Bangladesh, Intia, Korea, Hongkong, Taiwan, Kiinan kansantasavalta, Japani	Osat ja työ - 4 vuotta	5

Tietokoneen tyyppi	Hankintamaa tai -alue	Takuuaika	Takuuhuollon lajit
9694	Yhdysvallat, Angola, Botswana, Burundi, Eritrea, Etiopia, Ghana, Kenia, Liberia, Malawi, Malta, Mosambik, Nigeria, Ruanda, Sambia, Sao Tome, Sierra Leone, Somalia, Tansania, Uganda, Zimbabwe, Argentiina, Bolivia, Belize, Brasilia, Chile, Costa Rica, Dominikaaninen tasavalta, Ecuador, El Salvador, Guatemala, Haiti, Honduras, Kolumbia, Meksiko, Nicaragua, Panama, Paraguay, Peru, Uruguay, Venezuela, Eurooppa, Lähi-itä, Afrikka, Australia, Uusi-Seelanti, Singapore, Malesia, Thaimaa, Indonesia, Filippiinit, Vietnam, Brunei, Sri Lanka, Bangladesh, Intia, Korea, Hongkong, Taiwan, Kiinan kansantasavalta, Japani	Osat ja työ - 3 vuotta	5
9695	Yhdysvallat, Angola, Botswana, Burundi, Eritrea, Etiopia, Ghana, Kenia, Liberia, Malawi, Malta, Mosambik, Nigeria, Ruanda, Sambia, Sao Tome, Sierra Leone, Somalia, Tansania, Uganda, Zimbabwe, Argentiina, Bolivia, Belize, Brasilia, Chile, Costa Rica, Dominikaaninen tasavalta, Ecuador, El Salvador, Guatemala, Haiti, Honduras, Kolumbia, Meksiko, Nicaragua, Panama, Paraguay, Peru, Uruguay, Venezuela, Eurooppa, Lähi-itä, Afrikka, Australia, Uusi-Seelanti, Singapore, Malesia, Thaimaa, Indonesia, Filippiinit, Vietnam, Brunei, Sri Lanka, Bangladesh, Intia, Korea, Hongkong, Taiwan, Kiinan kansantasavalta, Japani	Osat ja työ - 3 vuotta	5

Takuuhuollon lajit

Palveluntoimittaja tarjoaa tarvittaessa huolto- tai vaihtotyötä sen mukaan, minkälajinen takuuhuolto Koneelle on määritetty edellä olevassa taulukossa (lajin kuvaus on jäljempänä). Huollon ajankohta määräytyy asiakkaan yhteydenoton ajankohdan ja osien saatavuuden perusteella. Palvelutasot ovat vasteaikataivoitteita, eikä niiden pitävyydestä anneta takeita. Määritetty takuuhuoltopalvelun taso ei ehkä ole käytettävissä kaikkialla maailmassa, ja

Koneen huollosta Palveluntoimittajan normaalin palvelualueen ulkopuolella saatetaan periä lisämaksu. Maa- ja aluekohtaisia tietoja saa paikallisen Palveluntoimittajan edustajalta tai käytettävältä jälleenmyyjältä.

1. Asiakkaan vaihdettavissa olevaa osaa ("CRU") koskeva palvelu

Lenovo toimittaa asiakkaan vaihdettavissa olevat osat (CRU) asiakkaalle tämän itse toteuttamaa asennusta varten. Tason 1 osat on helppo asentaa, kun taas tason 2 osien asennus edellyttää jonkin verran teknistä osaamista ja tiettyjä työkaluja. Asiakkaan vaihdettavissa olevaa osaa koskevat tiedot ja asennusohjeet toimitetaan Koneen mukana. Ne voi myös pyytää Lenovolta milloin tahansa. Asiakas voi pyytää Palveluntoimittajaa asentamaan CRU-osan ilman lisämaksua Koneelle kuuluvien takuuhuoltopalvelujen mukaisesti. Lenovo määrittää vaihto-osan mukana toimitetussa aineistossa, tuleeko viallinen osa palauttaa. Kun palautusta edellytetään, 1) vaihto-osan mukana toimitetaan palautusohjeet ja kuljetuspakkaus ja 2) asiakkaalta saatetaan periä maksu vaihto-osasta, jos asiakas ei palauta Lenovon pyytämää viallista osaa 30 päivän kuluessa vaihto-osan vastaanotosta.

2. Huolto asiakkaan tiloissa

Palveluntoimittaja korjaa viallisen Koneen tai vaihtaa sen toiseen Koneeseen asiakkaan tiloissa ja tarkistaa korjatun tai korvaavan Koneen toimintakunnon. Asiakkaan tulee tarjota huoltohenkilöille sopiva työskentelytila, jossa nämä voivat purkaa ja koota Lenovon Koneen. Tilan on oltava puhdas, hyvin valaistu ja tarkoitukseen sopiva. Joissakin konetyypeissä tietyt korjaustoimet saattavat edellyttää Koneen lähettämistä nimettyyn korjauskeskukseen.

3. Kuljetuspalvelu tai korjauskeskuksessa annettava palvelu*

Asiakas kytkee viallisen Koneen irti Palveluntoimittajan järjestämää Koneen noutoa varten. Asiakkaalle toimitetaan kuljetuspakkaus, johon pakkaamansa Koneen asiakas palauttaa ilmoitettuun korjauskeskukseen. Kuljetuspalvelu noutaa Koneen ja toimittaa sen ilmoitettuun korjauskeskukseen. Korjauskeskus järjestää korjatun tai korvaavan Koneen palautuksen asiakkaalle. Asiakas vastaa Koneen asennuksesta ja tarkistuksesta.

4. Asiakkaan toteuttama kuljetus tai postikuljetus

Asiakas toimittaa tai postittaa sopivalla tavalla pakkaamansa viallisen Koneen Palveluntoimittajan määrittämällä tavalla Palveluntoimittajan ilmoittamaan paikkaan. Asiakas vastaa kuljetuskustannuksista, jollei toisin ilmoiteta. Asiakas noutaa korjatun tai korvaavan Koneen tai se palautetaan asiakkaalle postitse. Asiakas vastaa tämän jälkeen tapahtuvasta Koneen asennuksesta ja tarkistuksesta.

5. Asiakkaan vaihdettavissa olevan osan vaihtopalvelu ja huolto asiakkaan tiloissa

Tämä takuuhuoltopalvelu on edellä kuvattujen palvelulajien 1 ja 2 yhdistelmä.

6. Asiakkaan vaihdettavissa olevan osan vaihtopalvelu ja kuljetuspalvelu tai korjauskeskuksessa annettava palvelu

Tämä takuuhuoltopalvelu on edellä kuvattujen palvelulajien 1 ja 3 yhdistelmä.

7. Asiakkaan vaihdettavissa olevan osan vaihtopalvelu ja asiakkaan toteuttama kuljetus tai postikuljetus

Tämä takuuhuoltopalvelu on edellä kuvattujen palvelulajien 1 ja 4 yhdistelmä.

Kun käytettävissä on takuuhuollon laji 5, 6 tai 7, Palveluntoimittaja määrittää huoltotyöhön (korjauksiin) sovellettavan takuuhuoltopalvelun lajin.

* Tätä palvelua kutsutaan joissakin maissa nimellä ThinkPad EasyServ tai EasyServ.

Takuuhuollon saamiseksi asiakkaan tulee ottaa yhteys Palveluntoimittajaan. Takuuhuollon voi tilata Kanadassa tai Yhdysvalloissa puhelinnumerosta 1 800 426 7378. Muissa maissa takuuhuollon voi tilata taulukossa mainitusta maakohtaisesta puhelinnumerosta.

Maakohtaiset puhelinnumerot

Puhelinnumeroita saatetaan muuttaa ennalta ilmoittamatta.

Tukipalvelukeskusten ajantasaiset puhelinnumerot löytyvät Web-osoitteesta <http://www.lenovo.com/support/phone>.

Maa tai alue	Puhelinnumero
Afrikka	Afrikka: +44 (0) 1475 555 055 Etelä-Afrikka: +27 11 302 8888 ja 0800 110 756 Keski-Afrikka: Ota yhteys lähimpään Lenovon yhteistyökumppaniin
Alankomaat	+31 20 514 5770 (hollanti)
Argentiina	0800 666 0011 (espanja)
Australia	131 426 (englanti)
Belgia	Käyttöönoton tuki: 02 210 9820 (hollanti) Käyttöönoton tuki: 02 210 9800 (ranska) Takuuhuoltopalvelut ja tuki: 02 225 3611 (hollanti, ranska)
Bolivia	0800 10 0189 (espanja)
Brasilia	Sao Paulon alue: (11) 3889 8986 Sao Paulon alueen ulkopuolella: 0800 701 4815 (Brasilian portugali)
Chile	800 361 213 tai 188 800 442 488 Maksuton palvelunumero (espanja)

Maa tai alue	Puhelinnumero
Costa Rica	0 800 011 1029 (espanja)
Dominikaaninen tasavalta	1866 434 2080 (espanja)
Ecuador	1 800 426 911 (espanja)
El Salvador	800 6264 (espanja)
Espanja	91 714 7983 0901 100 000 (espanja)
Filippiinit	1800 1888 1426 (englanti) 63 2 995 8420 (filippiini)
Guatemala	1800 624 0051 (espanja)
Honduras	Tegucigalpa: 232 4222 San Pedro Sula: 552 2234 (espanja)
Hongkong (Kiinan erityishallintoalue)	ThinkCentre, yrityskäyttöön tarkoitetut tietokoneet: 8205 0333 Kotikäyttöön tarkoitetut multimediatietokoneet: 800 938 228 (kantoninkiina, englanti tai mandariinkiina)
Indonesia	800 140 3555 (englanti) 62 21 251 2955 (indonesia)
Intia	1800 425 6666 +91 80 2678 8970 (englanti)
Irlanti	Käyttöönoton tuki: 01 815 9202 Takuuhuoltopalvelut ja tuki: 01 881 1444 (englanti)
Iso-Britannia	Käyttöönoton tuki: 01475 555 055 Takuuhuoltopalvelut ja tuki: 08705 500 900 (englanti)
Israel	Givat Shmuelin palvelukeskus: +972 3 531 3900 (heprea, englanti)
Italia	Käyttöönoton tuki: 02 7031 6101 Takuuhuoltopalvelut ja tuki: +39 800 820 094 (italia)
Itävalta	Käyttöönoton tuki: 01 24592 5901 Takuuhuoltopalvelut ja tuki: 01 211 454 610 (saksa)

Maa tai alue	Puhelinnumero
Japani	Maksuton numero: 0120 205 550 Ulkomaanpuhelut: +81 46 266 4716 Edellä olevissa numeroissa vastaa japaninkielinen puhelinvastaaja. Jos haluat englanninkielistä puhelintukea, odota automaattivastauksen päättymistä. Sen jälkeen puheluun vastaa keskuksenhoitaja. Pyydä englanninkielistä tukea ("English support please"), niin puhelusi ohjataan englantia puhuvalle henkilölle. Ohjelmistotuotteet: 0120 558 695 Ulkomaanpuhelut: +81 44 200 8666 (japani)
Kanada	Toronto: 416 383 3344 Toronton ulkopuolelta soitettaessa: 1 800 565 3344 (englanti, ranska)
Kiina	86 10 5885 1110 800 990 8888 (mandariinikiina)
Kolumbia	1 800 912 3021 (espanja)
Korea	1588 5801 (korea)
Kreikka	+30 210 680 1700
Kroatia	0800 0426
Kypros	+357 2284 1100
Latvia	+386 611 796 699
Liettua	+386 611 796 699
Luxemburg	+352 298 977 5063 (ranska)
Lähi-itä	+44 (0) 1475 555 055
Macao (Kiinan erityishallintoalue)	ThinkCentre-tuotteet (tekniset kysymykset): 0800 336 (kantonikiina, englanti tai mandariinikiina)
Malesia	1800 888 558 (englanti, malaiji)
Malta	+356 234 175
Meksiko	001 866 434 2080 (espanja)
Nicaragua	001 800 220 1830 (espanja)
Norja	Käyttöönnoton tuki: 6681 1100 Takuuhuoltopalvelut ja tuki: 8152 1550 (norja)
Panama	001 866 434 2080 (maksuton) 206 6047 (espanja)
Peru	0800 50866 (espanja)

Maa tai alue	Puhelinnumero
Portugali	+351 21 892 7147 (portugali)
Puola	+48 228 786 999
Ranska	Käyttöönoton tuki: 0238 557 450 Takuuhuoltopalvelut ja tuki (laitteistot): 0810 631 213 Takuuhuoltopalvelut ja tuki (ohjelmistot): 0810 631 020 (ranska)
Romania	+4 021 224 4015
Ruotsi	Käyttöönoton tuki: 08 477 4420 Takuuhuoltopalvelut ja tuki: 077 117 1040 (ruotsi)
Saksa	Käyttöönoton tuki: 07032 154 9201 Takuuhuoltopalvelut ja tuki: 01805 253 558 (saksa)
Singapore	1800 3172 888 (englanti, malaiji)
Slovakia	+421 249 541 217
Slovenia	+386 1479 6699
Sri Lanka	+9411 249 3547 +9411 249 3548 (englanti)
Suomi	Käyttöönoton tuki: 09 459 6960 Takuuhuoltopalvelut ja tuki: +358 800 14260 (suomi)
Sveitsi	Käyttöönoton tuki: 058 333 0900 Takuuhuoltopalvelut ja tuki: 0800 555 454 (saksa, ranska ja italia)
Taiwan	886 287 239 799 0800 000 700 (mandariinikiina)
Tanska	Käyttöönoton tuki: 4520 8200 Takuuhuoltopalvelut ja tuki: 7010 5150 (tanska)
Thaimaa	1 800 299 229 (thai)
Tsekin tasavalta	+420 272 131 316
Turkki	00800 4463 2041 (turkki)
Unkari	+36 1382 5720
Uruguay	000 411 005 6649 (espanja)
Uusi-Seelanti	0800 733 222 (englanti)
Venezuela	0800 100 2011 (espanja)
Venäjä	+7 495 258 6300 +8 800 200 6300 (venäjä)

Maa tai alue	Puhelinnumero
Vietnam	Pohjoinen alue ja Hanoi: 844 843 6675 Eteläinen alue ja Ho Chi Minh: 848 829 5160 (englanti, vietnam)
Viro	+372 677 6793 +372 660 0800
Yhdysvallat	1800 426 7378 (englanti)

Meksikoa koskevat lisätakuuehdot

Näiden lisätakuuehtojen katsotaan olevan osa Lenovon rajoitetun takuun ehtoja, ja nämä ehdot koskevat ainoastaan Meksikon alueella kaupallisesti jaeltavia ja myytäviä tuotteita. Jos rajoitetun takuun ehdot ja nämä lisäehdot ovat keskenään ristiriitaiset, sovelletaan näitä lisätakuuehtoja.

Kaikilla laitteistoon esiasennetuilla ohjelmilla on asennusvikoja koskeva takuu vain 30 päivän ajan laitteen hankintapäivästä laskettuna. Lenovo ei vastaa tällaisissa ohjelmissa olevista tiedoista ja/tai käyttäjän asentamissa ohjelmissa tai tuotteen oston jälkeen asennetuissa ohjelmissa olevista tiedoista.

Takuun piiriin kuulumattomat palvelut laskutetaan käyttäjältä ennalta pyydetyn suostumuksen perusteella.

Jos tarvitset takuuhoitopalveluja, soita asiakastukikeskuksen (Customer Support Center) palvelunumeroon 001 866 434 2080. Puhelu ohjataan edelleen lähimpään valtuutettuun huoltopalvelukeskukseen (Authorized Service Center). Jos sijaintipaikassasi tai 70 kilometrin säteellä siitä ei ole valtuutettua huoltopalvelukeskusta, takuu kattaa kaikki kohtuulliset kuljetusmaksut, jotka aiheutuvat tuotteen kuljetuksesta lähimpään valtuutettuun huoltopalvelukeskukseen. Ota yhteys lähimpään valtuutettuun huoltopalvelukeskukseen ja pyydä tuotteen kuljetukseen tarvittavat hyväksynnät tai kuljetukseen liittyvät tiedot sekä osoite, johon tuote on kuljetettava.

Valtuutettujen palvelukeskusten luettelo on osoitteessa <http://www.lenovo.com/mx/es/servicios>

Valmistaja:

SCI Systems de México, S.A. de C.V.
Av. De la Solidaridad Iberoamericana No. 7020
Col. Club de Golf Atlas
El Salto, Jalisco, México
C.P. 45680,
Puh: 01 800 367 6900.

Markkinoija:
Lenovo de México, Comercialización y
Servicios, S. A. de C. V.
Alfonso Nápoles Gándara No 3111
Parque Corporativo de Peña Blanca
Delegación Álvaro Obregón
México, D.F., México
C.P. 01210,
Puh: 01 80000 32500

Luku 4. Asiakkaan vaihdettavissa olevat osat

Asiakkaan vaihdettavissa olevat osat (CRU:t) ovat tietokoneen osia, joita asiakas voi päivittää tai vaihtaa. Asiakkaan vaihdettavissa olevia osia (CRU) on kahdenlaisia: tason 1 osia ja tason 2 osia. Tason 1 osat on helppo asentaa, kun taas tason 2 osien asennus edellyttää jonkin verran teknistä osaamista ja tiettyjä työkaluja.

Käyttöoppaassa ja Laitteiston osien vaihto-oppaassa on ohjeita asiakkaan vaihdettavissa olevien tason 1 ja tason 2 osien vaihtoon. Seuraavan taulukon avulla voit määrittää, kummassa julkaisussa on tarvitsemasi tiedot.

Voit tarkastella julkaisua napsauttamalla Käynnistä-painiketta ja valitsemalla sen jälkeen vaihtoehdot **Kaikki ohjelmat ja Näyttökirjat** ja napsauttamalla **Näyttökirjat**-vaihtoehtoa. Kaksoisnapsauta laitetyyppiä vastaavaa julkaisua. Lisätietoja *Käyttöoppaan* ja *Laitteiston osien vaihto-oppaan* käytöstä on kohdassa "Näyttökirjat-kansio" sivulla 169. Julkaisut ovat saatavissa myös Lenovon Web-sivustossa osoitteessa <http://www.lenovo.com>.

Huomautus: Käytä vain Lenovon toimittamia osia. Luku 3, "Lenovon takuehdot (rajoitettu takuu)", sivulla 173 sisältää laitteen tyyпин mukaisten CRU-osien takuuta koskevia tietoja.

6490, 8700, 8701, 8705, 8717, 8973, 8975, 8979, 8983, 8985, 8991, 8995, 9265, 9269, 9277, 9279, 9283, 9287, 9379, 9383, 9387, 9389, 9631, 9635, 9637, 9646, 9648, 9694		
	Käyttöopas	Laitteiston osien vaihto-opas
Tason 1 CRU-osat		
Optinen asema	x	x
Kiintolevyasema	x	x
Muisti	x	x
Hiiri	x	x
Näppäimistö	x	x
Sovitinkortti	x	x
Tason 2 CRU-osat		
Levykeasema	x	x
Jäähdytyslevy		x
Virtalähde		x
Järjestelmän tuuletin		x

6491, 8013, 8702, 8706, 8716, 8970, 8972, 8976, 8980, 8982, 8986, 8992, 8994, 9266, 9276, 9278, 9282, 9286, 9288, 9374, 9378, 9380, 9384, 9628, 9632, 9647, 9649, 9695

	Käyttöopas	Laitteiston osien vaihto-opas
Tason 1 CRU-osat		
Hiiri	x	x
Näppäimistö	x	x
Sovitinkortti	x	x
Tason 2 CRU-osat		
Optinen asema	x	x
Kiintolevyasema	x	x
Levykeasema	x	x
Muisti	x	x
Jäähdytyslevy		x
Järjestelmän tuuletin		x

Konetyypit: 9636, 9638, 9640, 9641, 9642, 9643, 9644, 9645

	Käyttöopas	Laitteiston osien vaihto-opas
Tason 1 CRU-osat		
Näppäimistö	x	x
Hiiri	x	x
Kiintolevyasema	x	x
Muisti	x	x
Sovitinkortti	x	x
Kaiutin	x	x
Optinen asema	x	x
Levykeasema	x	x
Tason 2 CRU-osat		
Jäähdytyslevy		x
Emolevy		x
Virtalähde		x
Järjestelmän tuulettimet		x

Luku 5. Huomioon otettavaa

Lenovo ei ehkä tarjoa tässä julkaisussa mainittuja koneita, palveluja ja ominaisuuksia kaikissa maissa. Saat lisätietoja Suomessa saatavana olevista koneista, ohjelmista ja palveluista Lenovon paikalliselta edustajalta. Viittaukset Lenovon koneisiin, ohjelmiin ja palveluihin eivät tarkoita sitä, että vain näitä tuotteita voidaan käyttää. Niiden asemesta on mahdollista käyttää mitä tahansa toiminnaltaan vastaavaa konetta, ohjelmaa tai palvelua, joka ei loukkaa Lenovon tekijänoikeutta tai muita lailla suojattuja oikeuksia. Haluttaessa käyttää yhdessä tämän tuotteen kanssa muita tuotteita, ohjelmia ja palveluja on niiden käytön arviointi ja tarkistus käyttäjän omalla vastuulla.

Lenovolla voi olla patenteja tai patenttihakemuksia, jotka koskevat tässä julkaisussa esitettyjä asioita. Tämän julkaisun hankinta ei anna mitään lisenssiä näihin patenteihin. Kirjallisia tiedusteluja voi tehdä osoitteeseen

Lenovo (United States), Inc.

1009 Think Place - Building One

Morrisville, NC 27560

U.S.A.

Attention: Lenovo Director of Licensing

LENOVO TARJOAA TÄMÄN JULKAISUN "SELLAISENAAN" ILMAN MITÄÄN NIMENOMAISESTI TAI KONKLUDENTTISESTI MYÖNNETTYÄ TAKUUTA, MUKAAN LUETTUINA TALOUDELLISTA HYÖDYNNETÄVYYTTÄ, SOPIVUUTTA TIETTYYN TARKOITUKSEEN JA OIKEUKSIEN LOUKKAAMATTOMUUTTA KOSKEVAT KONKLUDENTTISESTI ILMAISTUT TAKUUT. Joidenkin maiden lainsäädäntö ei salli nimenomaisesti tai konkludenttisesti myönnettyjen takuiden rajoittamista, joten edellä olevaa rajoitusta ei sovelleta näissä maissa.

Tämä julkaisu voi sisältää teknisiä epätarkkuuksia ja painovirheitä. Julkaisun tiedot tarkistetaan säännöllisin väliajoin ja tarpeelliset muutokset tehdään julkaisun uusiin painoksiin. Lenovo saattaa tehdä parannuksia tai muutoksia tässä julkaisussa kuvattuihin tuotteisiin ja ohjelmiin milloin tahansa ilman ennakoilmoitusta.

Tässä julkaisussa kuvattuja tuotteita ei ole tarkoitettu käytettäväksi implantaatio-ovelluksissa tai muissa elintoimintoja ylläpitävissä sovelluksissa, joissa toimintahäiriö saattaa aiheuttaa henkilövahingon tai kuoleman. Tämän julkaisun sisältämät tiedot eivät vaikuta Lenovon tuotteiden määrittäisiin (spesifikaatioihin) tai takuisiin eivätkä muuta niitä. Mikään tässä julkaisussa oleva lausuma ei sisällä nimenomaisesti tai konkludenttisesti ilmaistua Lenovon tai kolmannen osapuolen aineetonta oikeutta koskevaa lisenssiä, sitoumusta tai näiden loukkauksien varalta annettua suojausta. Kaikki tämän

julkaisun tiedot perustuvat erityisympäristöissä saatuihin tuloksiin, ja ne esitetään esimerkkeinä. Muissa käyttöympäristöissä voidaan saada erilaisia tuloksia.

Lenovo pidättää itsellään oikeuden käyttää ja jakaa palautteena näin saamiaan tietoja parhaaksi katsomallaan tavalla, niin että siitä ei aiheudu lähettäjälle mitään velvoitteita.

Tässä julkaisussa olevat viittaukset muuhun kuin Lenovon Web-sivustoon eivät ole osoitus siitä, että Lenovo millään tavoin vastaisi kyseisen Web-sivuston sisällöstä tai käytöstä. Kyseisten Web-sivustojen sisältämä aineisto ei sisälly tähän Lenovo-tuotteeseen tai sitä koskevaan aineistoon. Sivustojen käyttö on käyttäjän omalla vastuulla.

Kaikki julkaisun sisältämät suorituskykytiedot on määritetty testiympäristössä. Suorituskyky muissa toimintaympäristöissä saattaa poiketa merkittävästi ilmoitetuista arvoista. Osa mittauksista on saatettu tehdä kehitteillä olevissa järjestelmissä, eikä mikään takaa, että tulokset ovat samanlaiset yleisesti saatavana olevissa järjestelmissä. Lisäksi osa mittaustuloksista on saatettu saada ekstrapolaation avulla. Todelliset mittaustulokset voivat poiketa ilmoitetuista arvoista. Julkaisun käyttäjien tulee tarkistaa tietojen soveltuvuus omassa erityisympäristössään.

Television käyttöön liittyvä huomautus

Seuraava huomautus koskee malleja, joissa on valmiiksi asennettuna TV-näyttötoiminto.

Tämä tuote sisältää kopiointisuoja-tekniikkaa, joka on suojattu tietyillä Yhdysvalloissa rekisteröidyillä patenteilla sekä yleisellä tekijänoikeussuojalla. Tekijänoikeuden omistavat Macrovision Corporation ja muut oikeudenomistajat. Macrovisionin kopiointisuoja-tekniikan käyttö edellyttää Macrovision Corporationin lupaa ja on tarkoitettu ainoastaan kotona tapahtuvaan ja muuhun pienimuotoiseen käyttöön. Muunlaiseen käyttöön tarvitaan Macrovisionin suostumus. Koodin takaisinkääntäminen ja purkaminen on kielletty.

Tavaramerkit

Seuraavat nimet ovat Lenovon tavaramerkkejä Yhdysvalloissa ja muissa maissa:

- Lenovo
- Rescue and Recovery
- ThinkCentre
- ThinkPad
- ThinkVantage.

IBM on International Business Machines Corporationin tavaramerkki Yhdysvalloissa ja muissa maissa.

Muut yritysten, tuotteiden tai palvelujen nimet voivat olla muiden yritysten tavaramerkkejä.

Tietoja sähkömagneettisesta säteilystä

Seuraavat tiedot viittaavat laitetyyppeihin: 6490, 6491, 8013, 8700, 8701, 8702, 8705, 8706, 8716, 8717, 8970, 8972, 8973, 8975, 8976, 8979, 8980, 8982, 8983, 8985, 8986, 8991, 8992, 8994, 8995, 9265, 9266, 9269, 9276, 9277, 9278, 9279, 9282, 9283, 9286, 9287, 9288, 9374, 9378, 9379, 9380, 9383, 9384, 9387, 9389, 9628, 9631, 9632, 9635, 9636, 9637, 9638, 9640, 9641, 9642, 9643, 9644, 9645, 9646, 9647, 9648, 9649, 9694, 9695.

Lausuma FCC (Federal Communications Commission) -säännösten mukaisuudesta

Tämä laite on testattu ja sen on todettu täyttävän FCC-säännösten osassa 15 luokan B digitaalisille laitteille asetetut vaatimukset. Luokan B laitteet antavat kohtuullisen suojan häiriöitä vastaan asuinympäristössä tehdyssä asennuksessa. Tämä laite tuottaa, käyttää ja mahdollisesti säteilee radiotaajuista energiaa. Jos laitetta ei asenneta sen mukana toimitettujen ohjeiden mukaisesti, se saattaa aiheuttaa häiriöitä radioyhteyksiin. Minkään tietyn asennuksen häiriöttömyyttä ei kuitenkaan voida taata. Jos tämä laite aiheuttaa häiriöitä radio- tai televisiovastaanottimiin (tämän voi todeta katkaisemalla laitteen virran ja kytkemällä sen uudelleen), seuraavat toimet saattavat poistaa häiriöitä:

- Vastaanottimen antennin uudelleensuuntaus tai siirto toiseen paikkaan.
- Vastaanottimen ja häiriön aiheuttavan laitteen siirtäminen kauemmaksi toisistaan.
- Häiriön aiheuttavan laitteen verkkojohdon kytkeminen eri pistorasiaan kuin vastaanottimen.
- Lisäohjeita saa valtuutetuilta jälleenmyyjiltä ja huoltoedustajilta.

Lenovo ei ole vastuussa mistään radio- tai televisio liikenteen häiriöistä, jotka aiheutuvat muiden kuin suositeltujen kaapelien tai liittimien käytöstä tai laitteeseen tehdyistä luvattomista muutoksista. Luvattomat laitteeseen tehdyt muutokset saattavat mitätöidä käyttäjän oikeuden käyttää laitetta.

Tämä laite on yhdenmukainen FCC-säännösten Osan 15 kanssa. Laitteen toiminta on seuraavien ehtojen alainen: (1) laite ei saa aiheuttaa häiriöitä ja (2) laitteen tulee sietää häiriöitä, mukaan lukien häiriöt, jotka voivat aiheuttaa laitteen toimintahäiriöitä.

Yhdenmukaisuuden on vakuuttanut
Lenovo (United States) Inc.

One Manhattanville Road
Purchase, New York 10577
Telephone: (919) 254-5900

FC Tested To Comply
With FCC Standards
FOR HOME OR OFFICE USE

Lausuma kanadalaisen laitehyväksynnän (Industry Canada) luokan B mukaisuudesta

Tämä luokan B digitaalinen laite on kanadalaisen ICES-003-määrityksen mukainen.

Lausuma Euroopan unionin direktiivin 89/336/ETY mukaisuudesta

Tämä tuote on yhdenmukainen EU:n direktiivin 89/336/ETY suojausvaatimusten kanssa, jotka vastaavat jäsenmaiden säätämiä lakeja sähkömagneettisesta yhteensopivuudesta. Lenovo ei voi ottaa vastuuta suojauksen säilymisestä, mikäli laitteeseen tehdään muutoksia tai lisätään kortteja (osia), joita Lenovo ei ole suositellut.

Tämä tuote täyttää standardin EN 55022 (CISPR 22) luokan B vaatimukset. Luokan B laitteiden rajoitukset antavat kohtuullisen suojan häiriöitä vastaan käytettäessä lisensoituja tietoliikennelaitteita tyypillisissä ympäristöissä.

Luokan B lauseke (Korea)

이 기기는 가정용으로 전자파 적합등록을 한 기기로서
주거지역에서는 물론 모든 지역에서 사용할 수 있습니다.

VCCI luokan B lauseke (Japani)

この装置は、情報処理装置等電波障害自主規制協議会（VCCI）の基準に基づくクラスB情報技術装置です。この装置は、家庭環境で使用することを目的としていますが、この装置がラジオやテレビジョン受信機に近接して使用されると、受信障害を引き起こすことがあります。
取扱説明書に従って正しい取り扱いをして下さい。

**Tuotteiden, joiden teho on pienempi tai yhtä suuri kuin 20 A /
vaihe, yhdenmukaisuus Japanissa**

高調波電流規格 JIS C 61000-3-2 適合品

Lenovo-tuotteiden huolto Taiwanissa

台灣 Lenovo 產品服務資訊如下：
荷蘭商思惟電腦產品股份有限公司台灣分公司
台北市信義區信義路五段七號十九樓之一
服務電話：0800-000-700

Federal Communications Commission (FCC) -säännökset ja puhelin-yhtiöiden vaatimukset

1. Tämä laite on yhdenmukainen FCC-säännösten Osan 68 kanssa. Laitteeseen kiinnitetyssä tarrassa on muun muassa laitteen FCC-rekisteröintinumero (FCC registration number), USOC-numero ja Ringer Equivalency Number (REN) -arvo. Jos puhelin-yhtiö vaatii näitä tietoja, toimita ne puhelin-yhtiölle.

Huomautus: Sisäisen modeemin mukana toimitetaan tarra, joka sisältää edellä mainitut, modeemia koskevat tiedot. Jos asennat tietokoneeseen modeemin, voit halutessasi kiinnittää tarran tietokoneeseen tai erilliseen DAA (Data Access Arrangement) -moduuliin. Kiinnitä tarra sellaiseen kohtaan, jossa tiedot ovat helposti luettavissa. On mahdollista, että puhelin-yhtiö vaatii näitä tietoja.

2. REN-arvon avulla voi tarkistaa, kuinka monta laitetta voi liittää puhelinlinjaan siten, että laitteet hälyttävät, kun puhelinnumeroon soitetaan. Useimmilla alueilla kaikkien laitteiden REN-arvojen summan tulisi olla enintään viisi (5). Voit varmistaa puhelinlinjaan liitettävien laitteiden enimmäismäärän ottamalla yhteyden paikalliseen puhelin-yhtiöön ja selvittämällä alueen käytössä olevan REN-arvojen enimmäissumman.
3. Jos laite aiheuttaa häiriöitä puhelinverkkoon, puhelin-yhtiö saattaa keskeyttää palvelun väliaikaisesti. Puhelin-yhtiö ilmoittaa tästä asiakkaalle etukäteen, jos se on mahdollista, tai mahdollisimman nopeasti. Samalla puhelin-yhtiö ilmoittaa asiakkaan oikeudesta tehdä valitus FCC:lle.
4. Puhelin-yhtiö saattaa tehdä sellaisia muutoksia laitteistoonsa, toimintoihinsa tai menettelytapoihinsa, jotka saattavat vaikuttaa asiakkaan laitteiston

toimintaan. Tällaisessa tapauksessa asiakkaalle annetaan ennakoilmoitus, jolloin asiakkaalla on mahdollisuus ryhtyä tarvittaviin toimiin katkeamattoman palvelun saamiseksi.

5. Jos tuotteen käytössä on ongelmia, ota yhteys valtuutettuun jälleenmyyjään tai asiakastukikeskukseen (Customer Support Center). Asiakastukikeskuksen puhelinnumero Yhdysvalloissa on **1 800 426 7378**. Asiakastukikeskuksen puhelinnumero Kanadassa on **1 800 565 3344**. Tällöin sinun tulee ehkä esittää tuotteen ostotodistus.
Puhelinyhtiö voi vaatia irrottamaan laitteen puhelinverkosta, kunnes ongelma on selvitetty tai kunnes on varmistettu, ettei ongelma johdu laitteen toimintavirheestä.
6. Modeemia ei voi korjata itse. Jos modeemin käytössä on ongelmia, ota yhteys valtuutettuun jälleenmyyjään tai tutustu tässä julkaisussa oleviin, vianmäärittystä käsitteleviin tietoihin.
7. Jos tilaat verkkoliittymäpalvelun paikalliselta toimittajalta, ilmoita palvelujärjestelykoodi USOC RJ11C.

Kanadan tietoliikenneministeriön (Canadian Department of Communications) myöntämä laitehyväksyntä

HUOMAUTUS: Kanadassa on käytössä Industry Canada -laitehyväksyntä (laitteissa oleva tarra), jonka mukaiset laitteet täyttävät tietyt tietoliikenneverkkoihin liittyvät suojaus-, käyttö- ja turvallisuusvaatimukset. Hyväksyntä ei takaa, että laite toimii käyttäjän odotusten mukaisesti.

Ennen tämän laitteen asennusta käyttäjän tulee varmistaa, että sen saa liittää paikalliseen puhelinverkkoon. Lisäksi laitteen saa liittää puhelinverkkoon vain hyväksynnän saaneiden osien välityksellä. Asiakkaiden on syytä kiinnittää huomiota siihen, että yllä mainitut vaatimukset eivät takaa palvelun toimivuutta kaikissa tilanteissa. Hyväksynnän saaneiden laitteiden huolto tulisi teettää laitteen toimittajan osoittamalla korjausliikkeellä. Käyttäjän laitteeseen tekemät muutokset tai korjaukset tai laitteen virheellinen toiminta saattavat aiheuttaa sen, että puhelinyhtiö vaatii käyttäjää irrottamaan laitteet puhelinverkosta.

Käyttäjän tulisi varmistaa oman turvallisuutensa vuoksi, että sähköjohtojen, puhelinlinjojen ja metallisten vesijohtojen mahdolliset maadoitusjohdot ovat liitettyinä toisiinsa. Tämä varotoimi on erityisen tärkeä harva-asutusalueilla.

Varoitus: Käyttäjien ei tulisi yrittää tehdä liitännöitä itse vaan ottaa tarvittaessa yhteys valtuutettuun sähkötoitä tekevään liikkeeseen.

Huomautus: Kullekin päätelaitteelle määritetty REN-arvo (Ringer Equivalence Number) osoittaa puhelinliittymään liitettävien päätelaitteiden

enimmäismäärän. Liityntäpisteeseen kytkettävät laitteet saavat olla mitä tahansa laitteita, kunhan kaikkien laitteiden yhteenlaskettu REN-arvo ei ole suurempi kuin 5.

Verkkojohtoa koskeva huomautus

Tässä Lenovon tietokoneessa on hyväksytty, maadoitettu verkkojohto. Koneen virheettömän ja turvallisen toiminnan takaamiseksi verkkojohto on kytkettävä maadoitettuun pistorasiaan.

Laitteet, joissa aiotaan käyttää 230 voltin vaihtojännitettä: Käytä maadoitettua verkkojohtoa. Verkkojohdon on oltava kyseisen maan viranomaisten hyväksymä.

Tiettyä maata varten tarkoitettu Lenovon verkkojohto on tavallisesti saatavana ainoastaan kyseisessä maassa.

Saksassa käytettävät yksiköt: Verkkojohtojen on oltava turvallisiksi hyväksytyjä. Saksassa tulee käyttää tyyppimerkinnällä H05VV-F, 3G, 0,75 mm² varustettua verkkojohtoa tai sitä laadukkaampaa verkkojohtoa. Muissa maissa tulee käyttää kyseisessä maassa hyväksytyä verkkojohtoa.

Verkkojohdon osanumero	Käyttömaat ja -alueet
24R2633	Japani
39M5067	Argentiina, Paraguay, Uruguay
39M5080	Alankomaiden Antillit, Antigua ja Barbuda, Aruba, Bahama, Barbados, Belize, Bermuda, Bolivia, Caymansaaret, Costa Rica, Dominikaaninen tasavalta, Ecuador, El Salvador, Filippiinit, Guam, Guatemala, Haiti, Honduras, Jamaika, Kanada, Kolumbia, Kuuba, Meksiko, Mikronesia, Nicaragua, Panama, Peru, Saudi-Arabia, Taiwan, Thaimaa, Turks- ja Caicossaaret, Venezuela, Yhdysvallat
39M5102	Australia, Uusi-Seelanti

Verkkoyhdistyksen osanumero	Käyttömaat ja -alueet
39M5122	Afganistan, Alankomaat, Albania, Algeria, Andorra, Angola, Armenia, Azerbaidzan, Belgia, Benin, Bosnia-Hertsegovina, Bulgaria, Burkina Faso, Burundi, Dahomey, Djibouti, Egypti, Eritrea, Espanja, Etiopia, Gabon, Georgia, Guadeloupe, Guinea, Guinea-Bissau, Indonesia, Iran, Islanti, Itävalta, Kambodza, Kamerun, Kap Verde, Kazakstan, Keski-Afrikan tasavalta, Kirgisia, Komorit, Kongon demokraattinen tasavalta, Kongon tasavalta, Kreikka, Kroatia, Laos, Latvia, Libanon, Liettua, Luxemburg, Madagaskar, Makedonia (entinen Jugoslavian tasavalta), Mali, Marokko, Martinique, Mauritania, Mauritius, Mayotte, Moldova, Monaco, Mongolia, Mosambik, Niger, Norja, Norsunluurannikko, Portugali, Puola, Päiväntasaajan Guinea, Ranska, Ranskan Guayana, Ranskan Polynesia, Reunion, Romania, Ruanda, Ruotsi, Sao Tome ja Principe, Saksa, Saudi-Arabia, Senegal, Serbia, Slovakia, Slovenia, Somalia, Suomi, Suriname, Syyria, Tadžikistan, Tahiti, Togo, Tsad, Tsekin tasavalta, Turkmenistan, Turkki, Ukraina, Unkari, Uusi-Kaledonia, Uzbekistan, Valko-Venäjä, Vanuatu, Venäjä, Vietnam, Viro, Wallis ja Futuna, Zaire
39M5129	Tanska
39M5143	Bangladesh, Etelä-Afrikka, Lesotho, Macao (Kiinan erityishallintoalue), Malediivit, Namibia, Nepal, Pakistan, Samoa, Sri Lanka, Swazimaa, Uganda
39M5150	Abu Dhabi, Arabiemiirikunnat (Dubai), Australia, Bahrain, Botswana, Brunei, Dominica, Fidzi, Gambia, Ghana, Grenada, Guyana, Hongkong (Kiinan erityishallintoalue), Iso-Britannia, Irak, Irlanti, Jemen, Jordania, Kanaalisaaret, Kenia, Kiribati, Kuwait, Kypros, Liberia, Malawi, Malesia, Malta, Myanmar (Burma), Nauru, Nigeria, Oman, Papua-Uusi-Guinea, Qatar, Saint Kitts ja Nevis, Saint Lucia, Saint Vincent ja Grenadiinit, Sambia, Seychellit, Sierra Leone, Singapore, Sudan, Tansania, Trinidad ja Tobago, Uusi-Seelanti, Zimbabwe
39M5151	Hongkong (Kiinan erityishallintoalue), Korea
39M5157	Liechtenstein, Sveitsi
39M5164	Chile, Italia, Libya
39M5171	Israel
39M5205	Kiina
39M5212	Korea
39M5232	Brasilia
39M5246	Taiwan
41R3175	Intia

PVC-kaapelia ja verkkojohtoa koskeva huomautus

Huomautus: Tämän tuotteen tai sen oheislaitteiden johtojen käsittely altistaa lyijylle, jonka tiedetään aiheuttavan syöpää, synnynnäisiä epämuodostumia tai poikkeavuuksia sekä muita suvunjatkamiseen liittyviä häiriöitä. *Pese kädet käsittelyn jälkeen.*

Sähkö- ja elektroniikkalaiteromua (WEEE) koskeva huomautus

Lenovo rohkaisee tietotekniikkalaitteiden omistajia kierrättämään laitteensa vastuullisesti, kun niitä ei enää tarvita. Lenovo tarjoaa useita ohjelmia ja palveluja, joiden tarkoituksena on auttaa laitteiden omistajia kierrättämään tietotekniikkatuotteensa. Tuotteiden uusiokäyttömahdollisuuksista on lisätietoja Lenovon Web-sivustossa
<http://www.pc.ibm.com/ww/lenovo/about/environment/>.

Euroopan unionin sähkö- ja elektroniikkalaiteromua (WEEE) koskeva huomautus

Sähkö- ja elektroniikkalaiteromu (Waste electrical and electronic equipment, WEEE) -merkintä koskee vain Euroopan unionin (EU) jäsenmaita ja Norjaa. Sähkö- ja elektroniikkalaitteet merkitään Euroopan parlamentin ja neuvoston direktiivin 2002/96/EY mukaisesti. Kyseinen direktiivi määrittää Euroopan unionin alueella käytössä olevat palautus- ja kierrätyskäytännöt. WEEE-merkintä laitteessa osoittaa, että direktiivin ohjeiden mukaan tuotetta ei tulisi hävittää sen elinkaaren päässä, vaan sen sijaan se on kierrätettävä.

Käyttäjien, joiden sähkö- ja elektroniikkalaitteissa on tämä sähkö- ja elektroniikkalaiteromun direktiivin liitteen IV mukainen merkintä, tulee kierrättää kyseiset laitteet käytettävissä olevien resurssien mukaan. Sähkö- ja elektroniikkalaitteiden oikea käsittely on tärkeää sen varmistamiseksi, että niistä tai niissä käytetyistä materiaaleista ei aiheudu haittaa ympäristölle tai ihmisten terveydelle. Lisätietoa sähkö- ja elektroniikkalaiteromun kierrättämisestä on Web-sivustossa
<http://www.lenovo.com/lenovo/environment>.

Japania koskevat kierrätysohjeet

Käytöstä poistettujen Lenovo-tietokoneiden ja -näyttimien keräys ja kierrätys

Jos työntekijällä on hallussaan työnantajansa omistama Lenovo-tietokone tai -näytin, joka on tarpeen hävittää, hänen tulee toteuttaa hävitys resurssien tehokkaan hyödyntämisen edistämiseksi annetun lain (Law for Promotion of Effective Utilization of Resources) määräysten mukaisesti. Tietokoneet ja näyttimet on luokiteltu teollisuusjätteiksi, jotka tulee hävittää asianmukaisesti

paikallisviranomaisten hyväksymässä ongelmajätelaitoksessa. Lenovo Japan tarjoaa resurssien tehokkaan hyödyntämisen edistämiseksi annetun lain määräysten mukaisesti PC-tietokoneiden keräys- ja kierrätyspalveluja (PC Collecting and Recycling Services) käytöstä poistettujen tietokoneiden ja näyttimien keräystä, uudelleenkäyttöä ja kierrätystä varten. Lisätietoja on Lenovon Web-sivustossa osoitteessa www.ibm.com/jp/pc/service/recycle/pcrecycle/

Valmistaja aloitti resurssien tehokkaan hyödyntämisen edistämiseksi annetun lain edellyttämän, kotona käytettyjen tietokoneiden ja näyttimien keräyksen ja kierrätyksen 1.10.2003. Tämä palvelu on maksuton kotona käytetyille tietokoneille, jotka on myyty 1.10.2003 jälkeen. Lisätietoja on Lenovon Web-sivustossa osoitteessa www.ibm.com/jp/pc/service/recycle/personal/.

Lenovo-tietokoneen osien hävitys

Jotkin Japanissa myytävät Lenovo-tietokoneet saattavat sisältää osia, joissa on raskasmetalleja tai muita ympäristöä vaarantavia aineita. Käytöstä poistetut osat, kuten piirilevy tai asema, tulee hävittää samalla tavalla kuin mitä edellä on sanottu käytöstä poistettujen tietokoneiden ja näyttimien keräyksestä ja kierrätyksestä.

Lenovo-tietokoneiden käytöstä poistettujen litiumparistojen hävitys

Lenovo-tietokoneen emolevyssä on napinmuotoinen litiumparisto, josta tietokoneen kello saa virtaa, kun virransyöttö tietokoneeseen on katkaistu. Jos haluat vaihtaa pariston, ota yhteys tuotteen myyjään tai pyydä Lenovon korjauspalvelua toteuttamaan vaihto. Jos olet vaihtanut litiumpariston itse ja haluat hävittää käytetyn pariston, eristä se eristysnauhalla, ota yhteys tuotteen myyjään ja noudata tämän ohjeita. Jos käytät työnantajasi omistamaa Lenovo-tietokonetta kotona ja litiumparisto on tarpeen hävittää, hävitä se paikallisten säädösten ja määräysten mukaisesti.

Kapittel 1. Viktig sikkerhetsinformasjon

Merk

Les først viktig sikkerhetsinformasjon.

Nedenfor finner du viktig informasjon om hvordan du bør bruke og behandle maskinen. Følg og ta vare på all informasjon som fulgte med maskinen din. Informasjonen i dette dokumentet endrer ikke vilkårene for kjøpsavtalen eller Lenovos garantibetingelser. Du finner flere opplysninger under Kapittel 3, "Lenovo Garantibetingelser", på side 251.

Kundens sikkerhet er viktig. Våre produkter er utviklet med tanke på at de skal være sikre og effektive. Personlige datamaskiner er imidlertid elektroniske enheter. Strømledninger, batterieliminatore og annet tilleggsutstyr kan forårsake en potensiell sikkerhetsrisiko og kan føre til fysiske skader eller skader på eiendeler, spesielt i forbindelse med feil bruk. Du kan redusere denne risikoen ved å følge veiledningen som fulgte med produktet, og lese advarslene på produktet og i brukerveiledningen. Du bør også lese informasjonen i dette dokumentet nøye. Hvis du leser informasjonen i dette dokumentet og dokumentasjonen som fulgte med produktet, kan du beskytte deg selv og være med å skape et tryggere arbeidsmiljø.

Merk: Denne dokumentasjonen inneholder referanser til strømforsyninger og batterier. I tillegg til bærbare maskiner leveres noen produkter (for eksempel høyttalere eller skjermer) med eksterne batterieliminatore. Hvis du har et slikt produkt, gjelder denne informasjonen for produktet. Datamaskinprodukter inneholder også et lite rundt batteri som gir strøm til systemklokken når maskinen ikke er koblet til strøm. Det betyr at sikkerhetsinformasjon for batterier gjelder for alle datamaskinprodukter.

Situasjoner som krever øyeblikkelig handling

Produkter kan bli ødelagt som følge av feil bruk eller forsømmelse. Noen skader på produktet kan være så alvorlige at produktet ikke bør brukes igjen før det er blitt kontrollert, og om nødvendig, reparert av autorisert servicepersonale.

I likhet med andre elektroniske enheter må du passe godt på produktet når det er slått på. I sjeldne tilfeller kan du kjenne en uvanlig lukt eller se litt røyk eller gnister som kommer fra produktet. Eller kanskje høre smelling, knirring eller hvesing. Det kan bety at en av de elektroniske komponentene har gått i stykker på en sikker og kontrollert måte. Men det kan også være tegn på et eventuelt sikkerhetsproblem. Du bør ikke ta noen sjanser eller prøve å finne og løse problemet selv. Ta kontakt med Customer Support

Center for å få flere opplysninger. Du finner en oversikt over telefonnumre til sentrene under "Verdensomfattende telefonliste" på side 285.

Kontroller regelmessig at maskinen og komponentene ikke er ødelagt, utslitt eller at det er andre faresignaler. Hvis du er usikker på tilstanden til en komponent, skal du ikke bruke produktet. Ta kontakt med Customer Support Center eller produsenten for å få instruksjoner om hvordan du kontrollerer produktet og, om nødvendig, reparerer det.

Hvis noen av de følgende situasjonene skulle oppstå, eller hvis du er usikker på om det er trygt å bruke produktet, bør du slutte å bruke produktet og koble det fra strømkilden og telekommunikasjonslinjer til du har snakket med Customer Support Center og fått instruksjoner om hva du bør gjøre.

- Strømledninger, støpsler, batterieliminatore, skjøteledninger, overspenningsbeskyttere eller strømforsyningsenheter er skadet eller ødelagt.
- Tegn på overoppheting, røyk, gnister eller ild.
- Skade på et batteri (for eksempel sprekker eller bulker), statisk elektrisitet fra et batteri eller avleiringer på batteriet.
- Smelling, knitring eller hvesing eller sterk lukt fra produktet.
- Tegn på at det er kommet væske i maskinen eller at et objekt har falt ned på maskinen, strømledningen eller strømforsyningsenheten.
- Det er sølt vann på maskinen, strømledningen eller strømforsyningsenheten.
- Noen har mistet produktet i bakken eller ødelagt det på en annen måte.
- Produktet virker ikke på normal måte når du følger brukerveiledningen.

Merk: Hvis du får slike problemer med et produkt (for eksempel med en skjøteledning) som ikke er produsert for eller av Lenovo, må du ikke bruke det produktet mer før du har kontaktet produsenten og fått instruksjoner om hva du må gjøre, eller før du har byttet det ut.

Generelle retningslinjer for sikkerhet

Følg disse forholdsreglene for å redusere risikoen for skade på personer og utstyr.

Service og oppgraderinger

Du må ikke forsøke å reparere et produkt på egen hånd, med mindre du har fått beskjed om det fra Customer Support Center eller det er angitt i dokumentasjonen. Bruk bare en serviceleverandør som er godkjent for å reparere det aktuelle produktet.

Merk: Enkelte maskindeler kan oppgraderes eller skiftes ut av kunden. Oppgraderinger kalles også tilleggsutstyr. Enheter som kan skiftes ut av

kunden, kalles deler eller CRUer (Customer Replaceable Units). Lenovo leverer dokumentasjon med instruksjoner hvis kunden kan installere tilleggsutstyr eller bytte ut CRUer. Du må følge instruksjonene nøye når du installerer eller bytter ut deler. Selv om en PÅ-lampe (strømlampe) er av, betyr ikke det nødvendigvis at det ikke er strøm i produktet. Før du tar av dekslet på et produkt som har en strømledning, må du alltid kontrollere at strømmen er slått av og at produktet er koblet fra strømkilden. Du finner flere opplysninger om utskiftbare deler (CRUer) i brukerhåndboken for dette produktet. Hvis det er noe du lurer på i forbindelse med dette, kan du ta kontakt med Customer Support Center.

Selv om det ikke finnes noen bevegelige deler i maskinen etter at strømledningen er frakoblet, er følgende advarsler nødvendig for din sikkerhet.

Fare



Farlige bevegelige deler. Ikke berør med fingre eller andre kroppsdeler.

NB



Før du bytter ut deler (CRUer), må du slå av maskinen og vente 3 til 5 minutter slik at den blir kjølt ned før du åpner dekselet.

Hindre statisk elektrisitet

Selv om statisk elektrisitet er ufarlig for deg, kan det forårsake alvorlige skader på en datamaskin og det installerte utstyret. Feil håndtering av deler som er følsomme for statisk elektrisitet, kan føre til at delene blir ødelagt. Når du pakker ut tilleggsutstyr eller deler (CRUer), må du ikke åpne den antistatiske pakken som inneholder delen før du får beskjed om å installere den i instruksjonene.

Når du håndterer tilleggsutstyr eller deler, eller utfører arbeid inne i maskinen, må du ta følgende forholdsregler for å unngå skader fra statisk elektrisitet:

- Beveg deg minst mulig. Bevegelse kan føre til at du bygger opp statisk elektrisitet.
- Håndter komponentene forsiktig. Hold i kantene på kort, minnemoduler og andre kretskort. Ta aldri på kretsene.
- Unngå at andre tar på deler.
- Når du installerer tilleggsutstyr eller deler som er følsomme for statisk elektrisitet, holder du den antistatiske pakningen som inneholder delen, i berøring med metalldekslet på et utbyggingsspor eller en annen umalt metalloverflate i minst to sekunder. Dette reduserer den statiske elektrisiteten i pakken og i kroppen din.
- Fjern delen som er følsom overfor statisk elektrisitet, fra den antistatiske emballasjen og sett den direkte inn i maskinen uten å plassere den på en overflate, hvis det er mulig. Hvis dette ikke er mulig, plasserer du den antistatiske emballasjen på en plan og ren flate og legger delen oppå den.
- Ikke plasser delen på maskindekslet eller en annen metallflate.

Strømledninger og strømforsyningsenheter

Bruk bare strømledningene og batterieliminatorene som leveres av produsenten.

Strømledningene må være sikkerhetsgodkjent. Bruk strømledninger av typen H05VV-F, 3G, 0,75 mm², eller bedre, i Tyskland. Bruk riktig type strømledning i andre land.

Du må aldri vikle en strømledning rundt batterieliminatoren eller andre gjenstander. Det kan føre til at ledningen blir frynset eller slitt. Dette kan medføre en sikkerhetsrisiko.

Legg alltid strømledningene slik at ingen går på dem eller snubler i dem, og slik at de ikke kommer i klem mellom gjenstander.

Beskytt ledninger og strømforsyningsenheter/batterieliminatører mot væske. Du bør for eksempel ikke legge strømledningen eller batterieliminatoren i nærheten av vasker, badekar, toaletter eller på gulv som blir vasket med flytende materialer. Væske kan føre til kortslutning, spesielt hvis strømledningen eller strømforsyningsenheten er slitt på grunn av feil bruk. Væske kan også føre til rust på polene og/eller kontaktpunktene på strømforsyningsenheten, noe som kan føre til overoppheting.

Koble alltid til strømledningene og signalkablene i riktig rekkefølge, og sjekk at alle kontakter er godt festet.

Ikke bruk en strømforsyningsenhet som har synlig korrosjon på metalldelene, eller som har synlige tegn på overoppheting (for eksempel deformert plast) på kontakten eller andre steder.

Ikke bruk strømledninger der kontaktpunktene på noen av endene viser tegn på korrosjon eller overoppheting, eller der det ser ut som om strømledningene på en eller annen måte har blitt ødelagt.

Spenningsvelger

Enkelte datamaskiner har en spenningsvelger i nærheten av tilkoblingspunktet for strømledningen på datamaskinen. Hvis maskinen din har en spenningsvelger, må du stille den inn på riktig måte i forhold til spenningen i stikkkontakten. Hvis spenningsvelgeren er stilt inn feil, kan det føre til permanent skade på datamaskinen.

Hvis datamaskinen ikke har en spenningsvelger, fungerer datamaskinen bare med spenningen som finnes i landet eller regionen der maskinen opprinnelig ble kjøpt.

Hvis du tar med maskinen til et annet land, bør du være klar over følgende:

- Hvis datamaskinen ikke har en spenningsvelger, må du ikke koble datamaskinen til en stikkontakt før du har kontrollert at spenningen i stikkkontakten er den samme som i landet eller regionen der datamaskinen ble kjøpt.
- Hvis datamaskinen har en spenningsvelger, må du ikke koble datamaskinen til en stikkontakt før du har kontrollert at spenningsvelgeren er stilt inn riktig i forhold til spenningen som finnes i landet eller regionen du befinner deg i.

Hvis du ikke er sikker på hvilken spenning som finnes i stikkkontakten, kan du kontakte den lokale elektrisitetsleverandøren eller slå opp på web-sidene eller bruke annen informasjon for reisende i landet eller regionen du befinner deg i.

Skjøteledninger og tilhørende utstyr

Kontroller at skjøteledninger, overspenningsbeskyttere, avbruddsfrie strømforsyningsenheter og strømskinner som du bruker, er i henhold til de elektriske kravene til produktet. Du må aldri overbelaste disse enhetene. Hvis du bruker strømskinner, må ikke belastningen overskride strømspenningen for strømskinnen. Rådfør deg med en elektriker hvis du vil ha mer informasjon om strømbelastning, strømkrav og strømspenning.

Støpsler og stikkontakter

Hvis det ser ut som om en stikkontakt du har tenkt å bruke sammen med datamaskinen, er ødelagt eller rustet, må du ikke bruke den før den er byttet ut av en kvalifisert elektriker.

Ikke bøy eller modifier støpselet. Hvis støpselet er ødelagt, må du få tak i et nytt fra produsenten.

Ikke del den elektriske kontakten med andre apparater som krever mye elektrisitet. Ustabil spenning kan føre til skader på maskinen, data eller tilkoblede enheter.

Enkelte produkter har et trepolet støpselet. Dette støpselet passer bare i en jordet stikkontakt. Dette er en sikkerhetsfunksjon. Ikke overstyr denne sikkerhetsfunksjonen ved å prøve å sette støpselet inn i en stikkontakt som ikke er jordet. Hvis du ikke kan sette støpselet i stikkontakten, må du kontakte en elektriker for å få en godkjent stikkontakt eller bytte ut kontakten med en som passer til denne sikkerhetsfunksjonen. Du må aldri overbelaste en elektrisk stikkontakt. Den totale belastningen på systemet må ikke overskride 80 prosent av sikringskursen. Rådfør deg med en elektriker hvis du vil ha mer informasjon om strømbelastning og sikringskurser.

Kontroller at stikkontaktene du bruker er riktig jordet, lett tilgjengelig og i nærheten av utstyret. Ikke trekk i strømledninger slik at de strekkes.

Kontroller at stikkontakten har riktig spenning og strøm for produktet du installerer.

Koble utstyret forsiktig til og fra den elektriske stikkontakten.

Eksterne enheter

Ikke tilkoble eller frakoble kabler til eksterne enheter, bortsett fra USB- og 1394-kabler, mens maskinen er slått på. Hvis du gjør det, kan det oppstå skade på maskinen. Vent i minst fem sekunder etter at maskinen er slått av, før du kobler fra eksterne enheter.

Batterier

Alle personlige datamaskiner som er produsert av Lenovo, inneholder et ikke-oppladbart batteri på størrelse med en mynt, som gir strøm til systemklokken. I tillegg bruker mange bærbare produkter, for eksempel bærbare maskiner, et oppladbart batteri som gir systemet strøm når det ikke er tilkoblet strømmettet. Batterier som leveres av Lenovo til bruk i produktet, er kompatibilitetstestet og må bare byttes ut med deler som er godkjent.

Du må aldri forsøke å åpne eller reparere batterier. Du må ikke knuse, punktere eller brenne opp batterier eller kortslutte metallkontaktene. Batteriet må ikke utsettes for vann eller annen væske. Lad batteriet kun i henhold til instruksjonene i produktdokumentasjonen.

Feil bruk eller behandling av batteriet kan resultere i at batteriet blir overopphetet, som igjen kan føre til at gasser eller flammer kommer ut av batteriene. Hvis batteriet er skadet, hvis det lekker eller det danner seg avleiringer på batterikontaktene, må du stoppe å bruke batteriet og anskaffe et nytt fra produsenten.

Batteriytelsen kan bli redusert hvis batteriet ligger ubrukt over lengre tid. Hvis du lar et oppladbart batteri ligge ubrukt i utladet tilstand, kan det for enkelte batterier (spesielt litiumionebatterier) føre til økt risiko for at batteriet kortslutter, noe som kan redusere batteriets levetid og også medføre en sikkerhetsrisiko. Du må ikke la oppladbare litiumionebatterier bli fullstendig utladet eller oppbevare disse batteriene i utladet tilstand.

Varme og ventilasjon i produktet

Datamaskiner, batterieliminatore og tilbehør kan generere varme når de er slått på og når batterier blir ladet. Ta alltid disse forholdsreglene:

- Ikke ha maskinen, batterieliminatoren eller tilbehør på fanget eller i kontakt med kroppsdeler for lenge når produktene er i bruk, eller når batteriet lades. Maskinen, batterieliminatoren og visse typer tilbehør genererer noe varme ved normal bruk. Kontakt med huden over lengre tid kan føre til plager eller i verste fall brannskår.
- Ikke lad batteriet eller bruk maskinen, batterieliminatoren eller tilbehøret i nærheten av brannfarlige materialer eller i omgivelser med eksplosjonsfare.
- Produktet har ventilasjonsriller, vifter og kjøleribber av sikkerhetsmessige årsaker og for behagelig og pålitelig drift. Disse funksjonene kan ufrivillig bli blokkert hvis du plasserer produktet på en seng, en sofa, et teppe eller andre myke overflater. Du må aldri blokkere, tildekke eller deaktivere disse funksjonene.

Kontroller datamaskinen hver tredje måned for å se om det har samlet seg støv på maskinen. Før du kontrollerer maskinen, slår du den av og kobler fra strømledningen. Fjern deretter støv som har samlet seg på ventilasjonsriller eller i åpninger på dekselet. Hvis du oppdager støv utenpå maskinen, må du også undersøke og fjerne støv inni maskinen, for eksempel ved inngangen til kjøleribben og på ventilasjonsrillene til strømforsyningen og viftene. Slå alltid av og koble fra maskinen før du åpner dekselet. Unngå å bruke maskinen i områder med stor trafikk. Hvis du må bruke maskinen i slike områder, må du kontrollere den oftere og rengjøre den hvis det er nødvendig.

Av sikkerhetshensyn og for å oppnå best mulig ytelse bør du alltid følge disse grunnreglene for behandling av maskinen:

- Sørg for at dekselet er lukket når maskinen er tilkoblet.
- Kontroller utsiden av maskinen regelmessig for å se om det har samlet seg støv.

- Fjern støv fra ventilasjonsriller eller åpninger på dekselet. Det er mulig at maskinen må rengjøres oftere hvis den brukes i områder med mye støv eller stor trafikk.
- Ikke blokker eller begrenns ventilasjonsåpninger.
- Ikke oppbevar eller bruk maskinen i sofaer eller myke stoler, fordi dette kan øke faren for overoppheting.
- Luftstrømmen som går inn i maskinen, bør ikke overskride 35° C.
- Ikke bruk luftfiltreringsenheter som ikke er beregnet på bordmodeller.

Driftsmiljø

Det beste driftsmiljøet for maskinen er 10°C til 35°C og en fuktighet på mellom 35% og 80%. Hvis det er kaldere enn 10°C der maskinen oppbevares eller transporteres, må du sørge for at den sakte får tilbake den beste driftstemperaturen på mellom 10°C og 35°C før du bruker maskinen. Dette kan ta opptil to timer i ekstreme tilfeller. Hvis maskinen ikke har denne driftstemperaturen før du bruker den, kan det føre til uopprettelig skade på datamaskinen.

Hvis det er mulig, bør du plassere maskinen på et tørt sted med god ventilasjon, men ikke i direkte sollys.

Hold elektriske apparater borte fra maskinen, for eksempel vifter, radio, kraftige høyttalere, luftkjølingsanlegg, mikroovner osv., fordi sterke magnetiske felt fra disse apparatene kan ødelegge data på harddisken og skjermen.

Ikke plasser drikkevarer oppå eller ved siden av datamaskinen eller andre tilkoblede enheter. Hvis du søler væske på eller i maskinen eller en tilkoblet enhet, kan det føre til kortslutning eller annen skade.

Ikke spis eller røyk over tastaturet. Partikler som faller ned i tastaturet, kan føre til skade.

Sikkerhetsinformasjon - strøm

Fare
Strøm fra strømledninger, telefonledninger og kommunikasjonskabler er farlig.

Slik unngår du elektriske støt:

- **Ikke bruk datamaskinen hvis det lyner eller tordner. Det kan føre til elektrisk støt.**

- Du må ikke koble til eller fra kabler i tordenvær. Du må heller ikke installere, vedlikeholde eller konfigurere noe i tordenvær.
- Du må koble alle kabler til jordede stikkontakter.
- Du må bruke riktige kabler til alt utstyr som kobles til maskinen.
- Om mulig bør du bare bruke en hånd når du frakobler signalkabler.
- Bruk aldri utstyret i nærheten av brann, oversvømmelse eller annen fare for utstyret.
- Frakoble de tilkoblede strømledningene, telekommunikasjonssystemene, nettverkene og modemene før du åpner dekselet på noen av enhetene, med mindre du blir bedt om noe annet i instruksjonene.
- Tilkoble og frakoble kabler slik det er beskrevet i tabellen nedenfor, når du installerer, flytter eller åpner dekselet på maskinen eller tilkoblede enheter.

Tilkoble:	Frakoble:
1. Slå av strømmen.	1. Slå av strømmen.
2. Koble kablene til enhetene.	2. Ta strømledningene ut av stikkontaktene.
3. Sett signalkablene i kontaktene.	3. Ta signalkablene ut av kontaktene.
4. Sett strømledningene i stikkontaktene.	4. Fjern kablene fra enhetene.
5. Slå på strømmen.	

Litiumbatteri

Advarsel

Litiumbatteriet kan eksplodere hvis det ikke settes inn riktig.

Når du skal bytte ut litiumbatteriet, må du bruke den samme batteritypen eller en tilsvarende type som blir anbefalt av produsenten. Batteriet inneholder litium og kan eksplodere hvis det ikke behandles riktig.

Du må ikke

- kaste batteriet eller senke det i vann
- varme det opp til mer enn 100 °C
- ta batteriet fra hverandre, lade det opp eller reparere det

Ikke kast batteriet som vanlig avfall. Lever det til forhandleren, på en miljøstasjon eller ved et mottak for spesialavfall.

The following statement applies to users in the state of California, U.S.A.

Perchlorate material: Special handling may apply. See www.dtsc.ca.gov/hazardouswaste/perchlorate.

Modemsikkerhet

Advarsel

For å redusere risikoen for brann må du bare bruke telefonledning nr. 26 AWG eller større.

For å redusere risikoen for brann, elektrisk støt og skade ved bruk av telefonutstyr må du alltid følge noen grunnleggende sikkerhetsregler, for eksempel:

- Du må aldri installere telefonkabler i tordenvær.
- Du må aldri installere telefonkontakter i våte lokaler med mindre kontaktene er beregnet på slike steder.
- Du må aldri berøre uisolerte telefonkabler eller -terminaler med mindre telefonlinjen er frakoblet ved nettverksgrensesnittet.
- Vær forsiktig når du installerer eller arbeider med telefonlinjer.
- Unngå å bruke telefonen (annet enn trådløs type) i tordenvær. Du kan få støt ved lynnedslag.
- Ikke bruk telefonen til å rapportere en gasslekkasje hvis telefonen befinner seg i nærheten av lekkasjen.

Laserutstyr

Noen maskiner er utstyrt med en CD- eller DVD-stasjon fra fabrikken. CD- og DVD-stasjoner selges også separat, som tilleggsutstyr. CD- og DVD-stasjoner er laserprodukter. Disse stasjonene er godkjent i USA og oppfyller kravene i samsvar med "DHHS 21 CFR Subchapter J" for laserprodukter i klasse 1. I andre land oppfyller stasjonene kravene i International Electrotechnical Commission (IEC) 60825-1 og CENELEC EN 60 825-1 for laserprodukter i klasse 1.

Merk deg følgende når det er installert en CD-stasjon eller DVD-stasjon:

Advarsel

Hvis du bruker styringsutstyr eller utfører justeringer som ikke er nevnt her, kan det føre til at du utsetter deg for farlig laserstråling.

Ikke fjern stasjonsdekslene. Hvis du fjerner dekslet på CD-stasjonen eller DVD-stasjonen, kan det føre til farlig laserstråling. CD- eller DVD-stasjonen inneholder ingen deler som må repareres.

Noen CD- og DVD-stasjoner kan inneholde en laserdiode i klasse 3A eller 3B. Merk deg dette:

Fare

Laserstråling når dekslet åpnes. Stirr ikke inn i strålen, stirr ikke direkte på strålen med optiske instrumenter og unngå eksponering for strålen.

Strømforsyning

Du må aldri ta av dekslet på en strømforsyningsenhet eller del som har dette merket:



Farlig spenning, strømstyrke og energinivåer er tilstede i komponenter som har denne etiketten påklisset. Ingen av disse komponentene inneholder deler som kan repareres. Hvis du får problemer med en av disse delene, må du kontakte en servicetekniker.

Produkter med TV-tuner installert

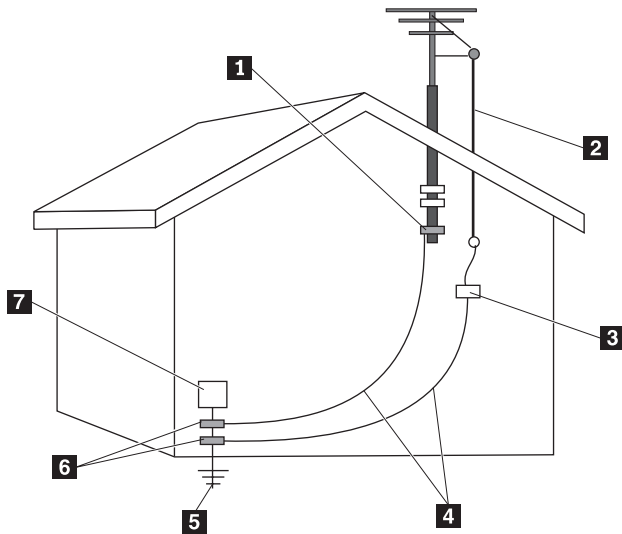
Merknaden nedenfor gjelder produkter som inneholder TV-tunerenheter som kobles til eksterne antenner, og/eller til kabel/CATV-systemer som er beregnet for installering i Nord-Amerika. Brukere og installatører i andre land bør følge lokale lover og bestemmelser når de skal installere enheter som skal kobles til eksterne antenner og kabel/CATV-systemer. Hvis det ikke finnes gjeldende lokal lovgivning, anbefales det at brukerne/installatørene følger retningslinjer som likner dem nedenfor.

Merknad til installatører av CATV-systemer

Denne påminnelsen er tatt med for å gjøre installatøren av CATV-systemet oppmerksom på Article 820-40 i NEC (National Electrical Code), som gir

retningslinjer for riktig jording, og som understreker at jordkabelen skal kobles til jordingssystemet i bygningen, så nær stedet der kabelen kommer inn som mulig.

Eksempel på antennejording



- | | | | |
|----------|--|----------|--|
| 1 | Jordingsklemme | 5 | Elektrodesystem for jording av strømtilførsel (NEC Art. 250, Part H) |
| 2 | Antennens innførselsledning | 6 | Jordingsklemmer |
| 3 | Utladningsenhet for antenne (NEC Section 810-20) | 7 | Elektronisk serviceutstyr |
| 4 | Jordingsledere (NEC Section 810-21) | | |

Figur 1. Riktig jording for kabelen

Den neste merknaden gjelder for alle land og regioner.

Fare



Jording av ekstern antenne

Hvis det er koblet til utendørs antenne eller kabelanlegg, må du kontrollere at antennen eller kabelanlegget er jordnet for å beskytte mot spenningssvingninger og statisk elektrisitet.

Lyn Du kan beskytte dette utstyret ytterligere i tordenvær eller hvis det har stått ubrukt i lengre perioder, ved å trekke ut støpselet fra stikkontakten og koble fra antennen eller kabelanlegget. På denne måten forhindrer du skader på produktet på grunn av lynnedslag og spenningssvingninger.

Kraftledninger

Ikke plasser en utendørs antenne i nærheten av kraftledninger eller der den kan komme i kontakt med kraftledninger eller kretser. Når du installerer en utendørs antenne, må du være ekstra nøye med å unngå å berøre kraftledninger eller kretser, siden berøring er forbundet med livsfare.

Datasikkerhet

Ikke slett ukjente filer eller endre navn på filer eller kataloger som ikke er opprettet av deg. Hvis du gjør det, kan programvaren slutte å fungere.

Når du bruker ressurser i nettverket, bør du være klar over at maskinen er mer utsatt for virus, inntrengere, spionvare og farer som kan skade maskinen, programvare eller data. Det er ditt ansvar å sikre at du har riktig beskyttelse i form av brannmur, antivirusprogramvare og anti-spyware-programvare og holde denne programvaren oppdatert.

Rengjøring og vedlikehold

Sørg for at datamaskinen og arbeidsområdet er rent. Slå av datamaskinen og koble fra strømledningen før du rengjør maskinen. Ikke spray flytende rengjøringsmiddel direkte på maskinen og ikke bruk rengjøringsmiddel som inneholder lett antenkelige materialer når du rengjør maskinen. Spray rengjøringsmiddelet på en myk klut og tørk deretter av overflatene på datamaskinen.

Bruke hodetelefoner eller øretelefoner

Hvis maskinen har både en hodetelefonkontakt og en lydutgang, må du alltid bruke hodetelefonkontakten til hodetelefoner og øretelefoner.

Overdreven bruk av hodetelefoner med høyt volum over lengre perioder kan være farlig hvis hode- eller øretelefonene ikke er i samsvar med spesifikasjonene i EN 50332-2. Maskinens utkontakt for hodetelefon er i samsvar med EN 50332-2, punkt 5.1. Denne spesifikasjonen begrenser datamaskinens maksimale utgående sanne RMS-spenning på bredbåndet til 150mV. For å unngå hørselsskader må du kontrollere at hode- eller øretelefonene er i samsvar med EN 50332-2 (punkt 6.1) for et bredbånd med en spenning på 75mV. Bruk av hodetelefoner som ikke er i samsvar med EN 50332-2, kan være farlig på grunn av ekstremt høye lydtryknivåer.

Hvis det ble levert et sett med hode- eller øretelefoner i esken sammen med Lenovo-maskinen, er disse i samsvar med spesifikasjonene i EN 50332-1. Hvis du bruker andre hode- eller øretelefoner, må du kontrollere at de er i samsvar med EN 50332-2 (punkt 6.1) for et bredbånd med en spenning på 75mV. Bruk av hodetelefoner som ikke er i samsvar med EN 50332-2, kan være farlig på grunn av ekstremt høye lydtryknivåer.

Annen sikkerhetsinformasjon

Plastposer kan være farlig. Hold plastposer borte fra små barn for å unngå fare og kvelning.

Kapittel 2. Informasjonsressurser

Når du har klargjort maskinen ved å følge installeringsveiledningen, kan du bruke opplysningene i dette kapitlet for å få tilgang til nyttige ressurser.

Mappen Online Books

Mappen Online Books inneholder bøker som beskriver hvordan du konfigurerer og bruker datamaskinen. Online Books-mappen er forhåndsinstallert på maskinen, og du trenger ikke Internett-tilgang for å få tilgang til bøkene. Online Books-mappen inneholder disse bøkene:

- *Brukerhåndbok*

Denne boken inneholder opplysninger om hvordan du konfigurerer datamaskinen, installerer tilleggsutstyr, gjenoppretter programvare, bruker Setup Utility-programmet, oppdaterer systemprogrammer og løser problemer.

- *Bytte ut maskinvare*

Denne boken inneholder trinnvise instruksjoner som beskriver hvordan du bytter ut CRUer (Customer Replacement Units) i datamaskinen. CRUer er maskindeler som kan oppgraderes eller skiftes ut av kunden.

Hvis du vil åpne en bok, går du til Start-menyen på Windows-skrivebordet og velger **Alle programmer, Online Books**, og klikker på **Online Books**. Dobbeltklikk på riktig bok for din maskin. Du kan også laste ned bøker (på engelsk) fra Lenovos nettsted på adressen <http://www.lenovo.com>.

Merk:

1. Bøkene er i PDF-format, og du må derfor ha Adobe Acrobat Reader. Hvis du ikke har Adobe Acrobat Reader installert, blir det vist en melding når du forsøker å åpne PDF-filen og du blir veiledet gjennom installeringen av Adobe Acrobat Reader.
2. Bøkene som er forhåndsinstallert på maskinen, kan også lastes ned på andre språk fra Lenovos nettsted for brukerstøtte på <http://www.lenovo.com/support/>.
3. Hvis du vil installere en annen språkversjon av Adobe Acrobat Reader enn den som finnes på datamaskinen, går du til Adobes nettsted på <http://www.adobe.com> og laster ned versjonen du vil bruke.

ThinkVantage Produktivitetssenter

Programmet ThinkVantage Produktivitetssenter veileder deg gjennom informasjonskilder og verktøy som er utformet for å gjøre databehandlingen enklere og sikrere, samtidig som du kan spare kostnader og øke produktiviteten. Med ThinkVantage Produktivitetssenter får du hjelp til å konfigurere, forstå og forbedre datamaskinen.

Programmet ThinkVantage Produktivitetssenter inneholder opplysninger om maskinen og gir enkel tilgang til ulike teknologier, for eksempel:

- Programmet Rescue and Recovery
- Produktivitetssenter
- Client Security Solutions
- Gjenoppretting av fabrikkinstallert innhold
- System Updates
- Service og støtte

Merk: ThinkVantage Technologies er bare tilgjengelig på enkelte Lenovo-maskiner.

Du åpner programmet ThinkVantage Produktivitetssenter ved å gå til Start-menyen på Windows-skrivebordet, velge **Alle programmer**, **ThinkVantage**, og **Produktivitetssenter**.

Access Help

Hjelpen på systemet (Access Help) inneholder informasjon om hvordan du kommer i gang, utfører grunnleggende oppgaver, tilpasser innstillinger etter eget behov, beskytter data, utvider og oppgraderer systemet, feilsøker i systemet og så videre.

Du åpner Access Help ved å åpne Start-menyen på Windows-skrivebordet, velge **Alle programmer**, **ThinkVantage** og **Access Help**. Når du har åpnet Access Help, bruker du den venstre ruten til å velge fra flippen Innhold eller Stikkord, eller du kan bruke flippen Søk til å søke etter et bestemt ord eller begrep.

www.lenovo.com

Lenovos nettsted (www.lenovo.com) inneholder omfattende informasjon og tjenester som er til hjelp når du skal kjøpe, oppgradere og vedlikeholde datamaskinen. Nettstedet inneholder den aller nyeste informasjonen. Fra www.lenovo.com kan du også

- kjøpe bordmodeller og bærbare maskiner, skjermer, prosjektører, oppgraderinger og tilbehør til maskinen, og du finner også andre spesialtilbud
- kjøpe tilleggstjenester, for eksempel støtte for maskinvare, operativsystemer og applikasjoner, installering og konfigurering av nettverk og tilpasset installering.
- kjøpe oppgraderinger og utvidede reparasjonstjenester for maskinvare
- laste ned de nyeste enhetsdriverne og programvareoppdateringene for maskinen
- få tilgang til elektroniske håndbøker (på engelsk) til produktene
- få tilgang til Lenovos garantibetingelser
- få tilgang til informasjon om problemløsning og teknisk støtte for maskinen og andre produkter som støttes
- finne telefonnummeret til service og teknisk støtte for landet eller området du bor i
- finne en serviceleverandør i nærheten av der du bor

Notere opplysninger om maskinen

Det kan være nyttig å skrive ned opplysninger om datamaskinen, i tilfelle maskinen skulle trenge service. Serviceteknikeren kommer sannsynligvis til å spørre deg om disse opplysningene.

Maskintypen, modellen og serienummeret finnes på maskinen. Noter disse opplysningene i dette feltet:

Produktnavn	_____
Maskintype og modell	_____
Serienummer (S/N)	_____
Kjøpsdato	_____

Du kan registrere maskinen over Internett på dette nettstedet:

<http://www.lenovo.com/register>

Hvis du registrerer maskinen, får du disse fordelene:

- raskere service når du ringer etter hjelp
- automatisk melding om gratis programvare og spesielle tilbud

Hvis du vil vite mer om hvordan du registrerer maskinen, kan du åpne hjelpen på systemet (Access Help). Du finner opplysninger om hvordan du åpner hjelpen, under "Access Help" på side 248.

Kapittel 3. Lenovo Garantibetingelser

LSOLW-00 05/2005

Del 1 - Generelle betingelser

Disse garantibetingelsene omfatter Del 1 - Generelle betingelser, Del 2 - Landavhengige betingelser og Del 3 - Opplysninger om garantibetingelser. Betingelsene i del 2 erstatter eller modifiserer betingelsene i del 1. Garantien Lenovo gir gjennom disse garantibetingelsene, gjelder bare for Maskiner Kunden kjøper til eget bruk, og ikke for videresalg. "Maskin" er en Lenovo-maskin, dens tilleggsutstyr, ombygginger, oppgraderinger eller tilleggsutstyr, og alle kombinasjoner av disse. "Maskin" omfatter ingen programvare, verken forhåndsinstallert på Maskinen eller installert senere eller på annen måte. Ingen av disse bestemmelsene tilsidesetter forbrukerens lovbestemte og ufravikelige rettigheter.

Hva garantibetingelsene dekker

Lenovo garanterer at hver Maskin 1) er feilfri i materialer og utførelse og 2) er i overensstemmelse med Lenovos offisielt kunngjorte spesifikasjoner ("Spesifikasjoner") som kan leveres på forespørsel. Garantiperioden for en Maskin starter på den opprinnelige installeringsdatoen og er oppgitt i Del 3 - Opplysninger om garantibetingelser. Datoen på Kundens faktura eller kvittering er installeringsdatoen, med mindre Lenovo eller forhandleren opplyser noe annet. Med mindre Lenovo oppgir noe annet, gjelder disse garantiene bare i landet eller regionen der Maskinen ble kjøpt.

DETTE UTGJØR DEN HELE OG FULLE GARANTI OG ERSTATTER ALLE ANDRE GARANTIER, UTTRYKT ELLER UNDERFORSTÅTT, INKLUDERT, MEN IKKE BEGRENSET TIL, GARANTIER VEDRØRENDE SALGBARHET ELLER ANVENDELSE FOR ET BESTEMT FORMÅL. NOEN LAND ELLER JURISDIKSJONER TILLATER IKKE ANSVARBEGRENSNINGER SLIK AT OVENFORNEVNT BEGRENSNINGER IKKE GJELDER. GARANTIEN GJELDER I SLIKE TILFELLER IKKE UTOVER DEN LOVBESTEMTE GARANTIPERIODEN. INGEN GARANTIER GJELDER ETTER DEN PERIODEN. NOEN LAND ELLER JURISDIKSJONER TILLATER IKKE BEGRENSNINGER FOR HVOR LENGE EN UNDERFORSTÅTT GARANTI GJELDER, SLIK AT OVENFORNEVNT BEGRENSNINGER IKKE GJELDER.

Hva garantibetingelsene ikke dekker

Disse garantibetingelsene dekker ikke

- programvare, verken forhåndsinstallert, levert sammen med Maskinen eller installert senere;

- feil som skyldes feilaktig bruk, ulykker, endring, mangelfulle lokaler eller driftsmiljø eller mangelfullt vedlikehold utført av Kunden;
- feil som skyldes et produkt Lenovo ikke er ansvarlig for; og
- ethvert ikke-Lenovo-produkt, inkludert slike som Lenovo anskaffer og leverer sammen med eller integrert i en Lenovo-maskin på forespørsel fra Kunden.

Garantien gjelder ikke hvis Maskinens eller delenes identifikasjonsmerker fjernes eller endres.

Lenovo garanterer ikke feilfri drift av en Maskin.

Enhver teknisk eller annen støtte som gis for en Maskin under garanti, for eksempel assistanse for spørsmål om fremgangsmåter og spørsmål om konfigurering og installering av Maskinen, gis **UTEN GARANTIER AV NOE SLAG**.

Hvordan få garantiservice

Garantiservice kan gis av Lenovo, IBM eller Kundens forhandler hvis forhandleren er autorisert til å utføre garantiservice, eller av en autorisert leverandør av garantiservice. Hver av disse kalles en "Serviceleverandør."

Hvis Maskinen ikke fungerer i henhold til garantien i garantiperioden, kontakter Kunden en Serviceleverandør. Hvis Kunden ikke registrerer Maskinen hos Lenovo, må Kunden kanskje fremlegge et kjøpsbevis som bekreftelse på retten til garantiservice.

Hva Lenovo vil gjøre for å rette problemer

Når Kunden kontakter en Serviceleverandør og ber om service, må Kunden følge prosedyrene for feilsøking og problemløsning som Lenovo oppgir. En første feilsøking av problemet kan utføres av en tekniker over telefon eller elektronisk ved tilgang til et nettsted for støtte.

Hvilken type garantiservice som gjelder for en bestemt Maskin, er oppgitt i Del 3 - Opplysninger om garantibetingelser.

Kunden er selv ansvarlig for å laste ned og installere angitte programvareoppdateringer fra et nettsted for støtte eller fra andre elektroniske medier, og må følge instruksjonene Serviceleverandøren gir. Programvareoppdateringer kan omfatte grunnleggende inn/ut-systemkode (kalt "BIOS"), støtteprogrammer, enhetsdrivere og andre programvareoppdateringer.

Hvis problemet kan løses med en del som Kunden kan skifte ut ("CRU" (Customer Replaceable Unit)) (f.eks. tastatur, mus, høyttaler, minne og harddisk), sender Serviceleverandøren CRUen til Kunden slik at Kunden kan installere den selv.

Hvis Maskinen ikke fungerer i henhold til garantien i garantiperioden og problemet ikke kan løses over telefon eller elektronisk, ved at Kunden tar i bruk programvareoppdateringer, eller med en CRU, skal Serviceleverandøren etter eget valg enten 1) reparere Maskinen slik at den virker som garantert, eller 2) erstatte den med en som har minst tilsvarende funksjonalitet. Hvis Serviceleverandøren ikke er i stand til å gjøre noe av dette, kan Kunden returnere Maskinen til stedet der den ble kjøpt, og få refundert beløpet.

Som en del av garantiservice kan Serviceleverandøren også installere utvalgte tekniske endringer for Maskinen.

Utskifting av en Maskin eller del

Når garantiservice medfører at en Maskin eller del blir skiftet ut, blir den utskiftede Maskinen eller delen Lenovos eiendom og utskiftningen Kundens eiendom. Kunden innestår for at alle utskiftede deler er originale og uendrede. Utskiftningen trenger ikke å være ny, men skal være i god driftsmessig stand og være minst funksjonelt likeverdig med det den erstatter. De opprinnelige garantibetingelsene fortsetter å gjelde for deler som erstatter utskiftede deler.

Kundens øvrige forpliktelser

Før Serviceleverandøren skifter ut en Maskin eller en del, skal Kunden fjerne tilleggsutstyr, deler, alternativer, endringer og tilkoblede enheter som garantiservice ikke gjelder for.

Kunden skal dessuten

1. sørge for at Maskinen er fri for heftelser eller begrensninger som hindrer at den kan skiftes ut;
2. skaffe tillatelse fra eieren når Serviceleverandøren skal utføre service på en Maskin som Kunden ikke eier; og
3. der det er aktuelt, før service blir utført:
 - a. følge prosedyren for forespørsel om service, som Kunden får fra Serviceleverandøren;
 - b. sikre alle programmer, data og penger som ligger i Maskinen; og
 - c. gi Serviceleverandøren tilstrekkelig, fri og sikker adgang til lokalene slik at Lenovo kan oppfylle sine forpliktelser.
4. (a) sørge for at all informasjon om identifiserte eller identifiserbare personer (Personopplysninger) blir slettet fra Maskinen (i den utstrekning dette er teknisk mulig), (b) tillate Serviceleverandøren eller en leverandør å behandle, på Kundens vegne, eventuelle gjenværende Personopplysninger slik Serviceleverandøren anser som nødvendig for å oppfylle sine forpliktelser i henhold til disse garantibetingelsene (som kan inkludere

forsendelse av Maskinen for slik behandling til servicesteder andre steder i verden), og (c) sørge for at slik behandling er i overensstemmelse med aktuell lovgivning om Personopplysninger.

Ansvarsbegrensning

Lenovo er ansvarlig for tap av eller skade på Kundens Maskin kun mens den 1) er i Lenovos forvaring eller 2) transporteres i de tilfeller der Lenovo er ansvarlig for å betale fraktkostningene.

Verken Lenovo eller Serviceleverandøren er ansvarlig for eventuell konfidensiell, merkebeskyttet eller personlig informasjon som måtte være lagret på en Maskin Kunden av en eller annen årsak returnerer. Kunden skal fjerne all slik informasjon før Maskinen returneres.

Det kan oppstå forhold hvor mislighold fra Lenovos side eller annet ansvar medfører at Kunden har krav på erstatning fra Lenovo. I ethvert slikt tilfelle, uansett ansvarsgrunnlag, unntatt når lovbestemt ansvar ikke kan fraskrives i avtaler, er Lenovos erstatningsansvar under enhver omstendighet begrenset til

1. skader på person, herunder død, og på eiendom som Lenovo er rettslig ansvarlig for; og
2. for andre direkte skader, beløpet som er betalt for Maskinen kravet gjelder.

Denne begrensningen gjelder også for Lenovos leverandører og forhandlere og Kundens Serviceleverandør. Dette er maksimum for hva Lenovo, Lenovos leverandører og forhandlere Kundens Serviceleverandør samlet er ansvarlig for.

LENOVO OG LENOVOs LEVERANDØRER, FORHANDLERE OG SERVICELEVERANDØRER ER UNDER INGEN OMSTENDIGHET ANSVARLIG FOR NOE AV FØLGENDE SELV OM DE ER UNDERRETTET OM MULIGHETENE FOR SLIKE SKADER, TAP ELLER KRAV: 1) KRAV SOM TREDJEPART MÅTTE REISE MOT KUNDEN FOR SKADER (ANDRE ENN DE SOM ER NEVNT UNDER FØRSTE PUNKT OVENFOR); 2) TAP AV, ELLER SKADE PÅ, KUNDENS DATA; 3) SPESIELLE, TILFELDIGE ELLER INDIREKTE SKADER ELLER AVLEDEDE ØKONOMISKE SKADER ELLER TAP; ELLER 4) TAP AV FORTJENESTE, INNTEKTER, GOODWILL ELLER FORVENTEDE BESPARELSER. NOEN LAND ELLER JURISDIKSJONER TILLATER IKKE ANSVARSBEGRENSNINGER SLIK AT OVENFORNEVNT BEGRENŚNINGER IKKE GJELDER.

Lovvalg

Både Kunden og Lenovo aksepterer at disse garantibetingelsene reguleres av lovgivningen i landet der Maskinen ble kjøpt.

DISSE GARANTIBETINGELSENE GIR KUNDEN SPESIELLE JURIDISKE RETTIGHETER. KUNDEN KAN OGSÅ HA ANDRE LOVBESTEMTE RETTIGHETER SOM KAN VARIERE FRA LAND TIL LAND OG JURISDIKSJON TIL JURISDIKSJON.

Jurisdiksjon

Alle partenes rettigheter og forpliktelser er underlagt domstolene i landet der Maskinen ble kjøpt.

Del 2 - Landavhengige betingelser

AMERIKA

ARGENTINA

Domsmyndighet: *Følgende tilføyes etter den første setningen:*

Eventuelle rettstvister som oppstår i forbindelse med disse garantibetingelsene, skal avgjøres eksklusivt av den alminnelige handelsdomstolen i Buenos Aires.

BOLIVIA

Domsmyndighet: *Følgende tilføyes etter den første setningen:*

Eventuelle rettstvister som oppstår i forbindelse med disse garantibetingelsene, skal avgjøres eksklusivt av domstolene i La Paz.

BRASIL

Domsmyndighet: *Følgende tilføyes etter den første setningen:*

Eventuelle rettstvister som oppstår i forbindelse med disse garantibetingelsene, skal avgjøres i Rio de Janeiros rettssystem.

CHILE

Domsmyndighet: *Følgende tilføyes etter den første setningen:*

Eventuelle rettstvister som oppstår i forbindelse med disse garantibetingelsene, skal avgjøres eksklusivt av sivildomstolene i Santiago.

COLOMBIA

Domsmyndighet: *Følgende tilføyes etter den første setningen:*

Eventuelle rettstvister som oppstår i forbindelse med disse garantibetingelsene, skal avgjøres eksklusivt av dommerne i Republikken Colombia.

ECUADOR

Domsmyndighet: *Følgende tilføyes etter den første setningen:*

Eventuelle rettstvister som oppstår i forbindelse med disse garantibetingelsene, skal avgjøres eksklusivt av dommerne i Quito.

MEXICO

Domsmyndighet: *Følgende tilføyes etter den første setningen:*

Eventuelle rettstvister som oppstår i forbindelse med disse garantibetingelsene, skal avgjøres eksklusivt av de føderale domstolene i Mexico City Federal District.

PARAGUAY

Domsmyndighet: *Følgende tilføyes etter den første setningen:*

Eventuelle rettstvister som oppstår i forbindelse med disse garantibetingelsene, skal avgjøres eksklusivt av domstolene i Asuncion.

PERU

Jurisdiksjon: *Følgende tilføyes etter den første setningen:*

Eventuelle rettstvister som oppstår i forbindelse med disse garantibetingelsene, skal avgjøres eksklusivt av dommerne og domstolene i Judicial District of Lima, Cercado.

Ansvarsbegrensning: *Følgende tilføyes til slutt i dette avsnittet:*

I henhold til paragraf 1328 i Perus lov om tvistemål skal begrensningene og utelatelserne som fremkommer i dette avsnittet, ikke gjelde skader som skyldes forsettlig handlinger ("dolo") eller grov uaktsomhet ("culpa inexcusable") fra Lenovos side.

URUGUAY

Domsmyndighet: *Følgende tilføyes etter den første setningen:*

Eventuelle rettstvister som oppstår i forbindelse med disse garantibetingelsene, skal avgjøres eksklusivt av City of Montevideos jurisdiksjon.

VENEZUELA

Domsmyndighet: *Følgende tilføyes etter den første setningen:*

Eventuelle rettstvister som oppstår i forbindelse med disse garantibetingelsene, skal avgjøres eksklusivt av domstolene i byen Caracas.

NORD-AMERIKA

Hvordan få garantiservice: *Følgende tilføyes dette avsnittet:*

For å få garantiservice fra IBM Service i Canada eller USA ringer Kunden 1-800-426-7378.

CANADA

Ansvarsbegrensning: *Følgende erstatter punkt 1 i dette avsnittet:*

1. skader på person, herunder død, eller fysiske skader på eiendom, som skyldes uaktsomhet fra Lenovo; og

Lovvalg: *Følgende erstatter "lovgivningen i landet der Maskinen ble kjøpt" i første setning:*

lovgivningen i provinsen Ontario.

USA

Lovvalg: *Følgende erstatter "lovgivningen i landet der Maskinen ble kjøpt" i første setning:*

lovgivningen i staten New York.

ASIA, AUSTRALIA OG OCEANIA

AUSTRALIA

Hva disse garantibetingelsene dekker: *Følgende ledd tilføyes dette avsnittet:*

Garantibetingelsene som er oppgitt i dette avsnittet, kommer i tillegg til eventuelle rettigheter Kunden har i henhold til Trade Practices Act 1974 eller annen liknende lovgivning, og er begrenset bare i den grad gjeldende lovgivning tillater.

Ansvarsbegrensning: *Følgende tilføyes dette avsnittet:*

Der Lenovo ikke overholder en betingelse eller forpliktelse angitt i Trade Practices Act 1974 eller annen liknende lovgivning, er Lenovos ansvar begrenset til reparasjon eller bytte av varene, eller levering av tilsvarende varer. Der forpliktelsene eller garantibetingelsene er knyttet til retten til å selge, "quiet possession" eller "clear title", eller varene er av et slag som vanligvis anskaffes til privat- eller hjemmebruk, gjelder ingen av begrensningene i dette leddet.

Lovvalg: *Følgende erstatter "lovgivningen i landet der Maskinen ble kjøpt" i første setning:*

lovgivningen i staten eller territoriet.

KAMBODSJA OG LAOS

Lovvalg: *Følgende erstatter "lovgivningen i landet der Maskinen ble kjøpt" i første setning:*

lovgivningen i staten New York, USA.

KAMBODSJA, INDONESIA OG LAOS

Voldgift: *Følgende tilføyes under denne overskriften:*

Eventuelle tvister i forbindelse med disse garantibetingelsene skal behandles ved endelig og bindende voldgift i Singapore i henhold til de gjeldende reglene for voldgift fra Singapore International Arbitration Center ("SIAC-reglene"). Voldgiftskjennelsen skal være endelig og bindende for partene uten ankemuligheter, og voldgiftskjennelsen skal leveres skriftlig og spesifisere de fakta og juridiske konklusjoner som voldgiftsdommerne har kommet frem til.

Det skal være tre voldgiftsdommere, og hver av partene i tvisten skal ha rett til å utnevne en (1) voldgiftsdommer hver. De to voldgiftsdommerne som blir oppnevnt av partene, skal oppnevne en tredje voldgiftsdommer før

rettsforhandlingene begynner. Den tredje voldgiftsdommeren skal fungere som formann for rettsforhandlingene. Hvis formannsposisjonen blir ledig, skal den fylles av presidenten i SIAC. Hvis en av de andre voldgiftsdommerne ikke kan utføre sin oppgave, skal det oppnevnes en ny av den parten som oppnevnte den forannevnte. Rettsforhandlingene skal fortsette fra det punktet de var da den opprinnelige voldgiftsdommeren måtte trekke seg.

Hvis en av partene nekter eller på annen måte unnlater å oppnevne en voldgiftsdommer innen 30 dager etter at den andre parten oppnevner sin, skal den først oppnevnte voldgiftsdommeren utføre oppgaven alene, så sant vedkommende er oppnevnt på riktig måte.

Alle rettsforhandlingene, og alle dokumentene som blir brukt i forbindelse med rettsforhandlingene, skal være på engelsk. Den engelskspråklige versjonen av disse garantibetingelsene gjelder foran alle andre språkversjoner.

KINA (HONGKONG S.A.R.) og KINA (MACAU S.A.R.)

Lovvalg: *Følgende erstatter "lovgivningen i landet der Maskinen ble kjøpt" i første setning:*

lovgivningen i Hong Kong Special Administrative Region i Kina

INDIA

Ansvarsbegrensning: *Følgende erstatter punkt 1 og 2 i dette avsnittet:*

1. skader på person, herunder død, eller på eiendom, begrenset til skader som skyldes uaktsomhet fra Lenovo; og
2. ved andre direkte skader oppstått i en situasjon som omfatter ikke-oppfyllelse fra Lenovo i henhold til eller på annen måte knyttet til disse garantibetingelsene, beløpet Kunden har betalt for Maskinen som kravet gjelder.

Voldgift: *Følgende tilføyes under denne overskriften*

Eventuelle tvister i forbindelse med disse garantibetingelsene skal behandles ved endelig og bindende voldgift i Bangalore, India i henhold til gjeldende lovgivning i India. Voldgiftskjennelsen skal være endelig og bindende for partene uten ankemuligheter, og voldgiftskjennelsen skal leveres skriftlig og spesifisere de fakta og juridiske konklusjoner som voldgiftsdommerne har kommet frem til.

Det skal være tre voldgiftsdommere, og hver av partene i tvisten skal ha rett til å utnevne en (1) voldgiftsdommer hver. De to voldgiftsdommerne som blir oppnevnt av partene, skal oppnevne en tredje voldgiftsdommer før rettsforhandlingene begynner. Den tredje voldgiftsdommeren skal fungere som formann for rettsforhandlingene. Hvis formannsposisjonen blir ledig, skal den fylles av presidenten i Bar Council of India. Hvis en av de andre voldgiftsdommerne ikke kan utføre sin oppgave, skal det oppnevnes en ny av

den parten som oppnevnte den forannevnte. Rettsforhandlingene skal fortsette fra det punktet de var da den opprinnelige voldgiftsdommeren måtte trekke seg.

Hvis en av partene nekter eller på annen måte unnlater å oppnevne en voldgiftsdommer innen 30 dager etter at den andre parten oppnevner sin, skal den først oppnevnte voldgiftsdommeren utføre oppgaven alene, så sant vedkommende er oppnevnt på riktig måte.

Alle rettsforhandlingene, og alle dokumentene som blir brukt i forbindelse med rettsforhandlingene, skal være på engelsk. Den engelskspråklige versjonen av disse garantibetingelsene gjelder foran alle andre språkversjoner.

JAPAN

Lovvalg: *Følgende setning tilføyes dette avsnittet:*

Eventuell tvil i forbindelse med denne Avtalen vil bli løst mellom partene i lojalitet og gjensidig tillit.

MALAYSIA

Ansvarsbegrensning: Ordet "**SPESIELLE**" i punkt 3 i femte ledd strykes.

NEW ZEALAND

Hva disse garantibetingelsene dekker: *Følgende ledd tilføyes dette avsnittet:*

Garantibetingelsene som er oppgitt i dette avsnittet, kommer i tillegg til eventuelle rettigheter Kunden har i henhold til Consumer Guarantees Act 1993 eller annen lovgivning, som ikke kan fraskrives eller begrenses. Consumer Guarantees Act 1993 gjelder ikke for varer Lenovo leverer, hvis Kunden anskaffer varene til forretningsformål slik det er definert i denne loven.

Ansvarsbegrensning: *Følgende tilføyes dette avsnittet:*

Der Maskiner ikke anskaffes til forretningsformål slik de er definert i Consumer Guarantees Act 1993, er begrensningene i dette avsnittet underlagt begrensningene i loven.

FOLKEREPUBLIKKEN KINA

Lovvalg: *Følgende erstatter "lovgivningen i landet der Maskinen ble kjøpt" i første setning:*

lovgivningen i staten New York, USA (unntatt når lokal lovgivning krever noe annet).

FILIPPINENE

Ansvarsbegrensning: *Punkt 3 i femte ledd erstattes av følgende:*

SPESIELLE (INKLUDERT SYMBOLSKE OG EKSEMPLARISKE ERSTATNINGER), MORALSKE, TILFELDIGE, ELLER INDIREKTE SKADER VED ENHVER AVLEDET ØKONOMISK SKADE ELLER TAP; ELLER

Voldgift: Følgende tilføyes under denne overskriften:

Eventuelle tvister i forbindelse med disse garantibetingelsene skal behandles ved endelig og bindende voldgift i byen Manila, Filippinene i henhold til gjeldende lovgivning i Filippinene. Voldgiftskjennelsen skal være endelig og bindende for partene uten ankemuligheter, og voldgiftskjennelsen skal leveres skriftlig og spesifisere de fakta og juridiske konklusjoner som voldgiftsdommerne har kommet frem til.

Det skal være tre voldgiftsdommere, og hver av partene i tvisten skal ha rett til å utnevne en (1) voldgiftsdommer hver. De to voldgiftsdommerne som blir oppnevnt av partene, skal oppnevne en tredje voldgiftsdommer før rettsforhandlingene begynner. Den tredje voldgiftsdommeren skal fungere som formann for rettsforhandlingene. Hvis formannsposisjonen blir ledig, skal den fylles av presidenten i Philippine Dispute Resolution Center, Inc. Hvis en av de andre voldgiftsdommerne ikke kan utføre sin oppgave, skal det oppnevnes en ny av den parten som oppnevnte den forannevnte. Rettsforhandlingene skal fortsette fra det punktet de var da den opprinnelige voldgiftsdommeren måtte trekke seg.

Hvis en av partene nekter eller på annen måte unnlater å oppnevne en voldgiftsdommer innen 30 dager etter at den andre parten oppnevner sin, skal den først oppnevnte voldgiftsdommeren utføre oppgaven alene, så sant vedkommende er oppnevnt på riktig måte.

Alle rettsforhandlingene, og alle dokumentene som blir brukt i forbindelse med rettsforhandlingene, skal være på engelsk. Den engelskspråklige versjonen av disse garantibetingelsene gjelder foran alle andre språkversjoner.

SINGAPORE

Ansvarsbegrensning: *Ordene "SPESIELLE" og "ØKONOMISKE" i punkt 3 i femte ledd strykes.*

EUROPA, MIDTØSTEN, AFRIKA (EMEA)

FØLGENDE BETINGELSER GJELDER FOR ALLE EMEA-LAND:

Disse garantibetingelsene gjelder for Maskiner som er kjøpt fra Lenovo eller en Lenovo-forhandler.

Hvordan få garantiservice:

Tilføy følgende ledd i Vest-Europa (Andorra, Østerrike, Belgia, Kypros, Tsjekkia, Danmark, Estland, Finland, Frankrike, Tyskland, Hellas, Ungarn, Island, Irland, Italia, Latvia, Liechtenstein, Litauen, Luxemburg, Malta, Monaco, Nederland, Norge, Polen, Portugal, San Marino, Slovakia, Slovenia, Spania, Sverige, Sveits, Storbritannia, Vatikanstaten og eventuelle andre land som senere blir medlem av EU, fra den dagen de blir medlemmer):

Garantien for Maskiner som er anskaffet i Vest-Europa, skal gjelde i alle land i Vest-Europa, forutsatt at Maskinene er annonsert og tilgjengelige i disse landene.

Hvis Kunden kjøper en Maskin i et av landene i Vest-Europa, slik dette er definert ovenfor, kan Kunden få garantiservice for Maskinen i et hvilket som helst av disse landene fra en Serviceleverandør, forutsatt at Maskinen er annonsert og gjort tilgjengelig av Lenovo i landet der Kunden ønsker å få utført service.

Hvis Kunden kjøper en Maskin av typen PC i Albania, Armenia, Bosnia-Hercegovina, Bulgaria, Den tidligere jugoslaviske republikken Makedonia (FYROM), Georgia, Hviterusland, Jugoslavia, Kasakhstan, Kirgisistan, Kroatia, Moldova, Polen, Romania, Russland, Slovakia, Slovenia, Tsjekia, Ukraina eller Ungarn, kan Kunden få garantiservice for Maskinen i et hvilket som helst av disse landene fra en Serviceleverandør, forutsatt at Maskinen er annonsert og gjort tilgjengelig av Lenovo i landet der Kunden ønsker å få utført service.

Hvis Kunden kjøper en Maskin i et av landene i Midtøsten eller Afrika, kan Kunden få garantiservice for Maskinen fra en Serviceleverandør i landet der Maskinen ble kjøpt, forutsatt at Maskinen er annonsert og gjort tilgjengelig av Lenovo i dette landet. GarantSERVICE i Afrika er tilgjengelig innenfor en radius på 50 kilometer fra en Serviceleverandør. Kunden er ansvarlig for transportkostnader for Maskiner som befinner seg mer enn 50 kilometer fra en Serviceleverandør.

Lovvalg:

Formuleringen "lovgivningen i landet der Maskinen ble kjøpt" erstattes av:

1) "lovgivningen i Østerrike" i **Albania, Armenia, Aserbajdsjan, Bosnia-Hercegovina, Bulgaria, Den tidligere jugoslaviske republikken Makedonia (FYROM), Georgia, Hviterusland, Kasakhstan, Kirgisistan, Kroatia, Moldova, Polen, Romania, Russland, Slovakia, Slovenia, Tadsjikistan, Turkmenistan, Ukraina, Ungarn, Usbekistan og Jugoslavia;** 2) "lovgivningen i Frankrike" i **Algerie, Benin, Burkina Faso, Den sentralafrikanske republikk, Djibouti, Den demokratiske republikken Kongo, Ekvatorial-Guinea, Elfenbenskysten, Fransk Guyana, Fransk Polynesia, Gabon, Gambia, Guinea, Guinea-Bissau, Kamerun, Kapp Verde, Komorene, Libanon, Madagaskar, Mali, Mauritania, Mauritius, Mayotte, Marokko, Ny-Caledonia, Niger, Republikken Kongo, Réunion, Senegal, Seychellene, Togo, Tunisia, Vanuatu og Wallis og Futuna;** 3) "lovgivningen i Finland" i **Estland, Latvia og Litauen;** 4) "lovgivningen i England" i **Angola, Bahrain, Botswana, Burundi, De forente arabiske emiratene, Egypt, Eritrea, Etiopia, Ghana, Jemen, Jordan, Kenya, Kuwait, Liberia, Malawi, Malta, Mosambik, Nigeria, Oman, Pakistan, Qatar, Rwanda, Sao Tome, Saudi-Arabia, Sierra Leone, Somalia, Storbritannia, Tanzania, Uganda,**

Vestbredden/Gaza, Zambia og Zimbabwe; og 5) "lovgivningen i Sør-Afrika" i Sør-Afrika, Namibia, Lesotho og Swaziland.

Jurisdiksjon: *Følgende unntak tilføyes dette avsnittet:*

1) I **Østerrike** skal jurisdiksjonen for alle tvister i forbindelse med disse garantibetingelsene, inkludert betingelsenes eksistens, være kompetent domstol i Wien, Østerrike (indre by); 2) i **Angola, Bahrain, Botswana, Burundi, De forente arabiske emirater, Egypt, Eritrea, Etiopia, Ghana, Jemen, Jordan, Kenya, Kuwait, Liberia, Malawi, Malta, Mosambik, Nigeria, Oman, Pakistan, Qatar, Rwanda, São Tome, Saudi-Arabia, Sierra Leone, Somalia, Tanzania, Uganda, Vestbredden/Gaza, Zambia og Zimbabwe** skal alle tvister som oppstår på grunn av disse garantibetingelsene eller i forbindelse med oppfyllelsen av betingelsene, inkludert summarisk saksbehandling, behandles av engelske domstoler; 3) i **Belgia og Luxemburg**, for alle tvister som oppstår på grunn av disse garantibetingelsene eller i forbindelse med tolkningen eller oppfyllelsen av betingelsene, skal kun lovgivningen, og domstolene i hovedstaden, i landet der Kunden har sitt registrerte hovedkontor og/eller forretningssted være kompetent; 4) i **Frankrike, Algerie, Benin, Burkina Faso, Kamerun, Kapp Verde, Den sentralafrikanske republikk, Tsjad, Komorene, Republikken Kongo, Djibouti, Den demokratiske republikken Kongo, Ekvatorial-Guinea, Fransk Guyana, Fransk Polynesia, Gabon, Gambia, Guinea, Guinea-Bissau, Elfenbenskysten, Libanon, Madagaskar, Mali, Mauritania, Mauritius, Mayotte, Marokko, Ny-Caledonia, Niger, Reunion, Senegal, Seychellene, Togo, Tunisia, Vanuatu og Wallis og Futuna** skal alle tvister som oppstår på grunn av disse garantibetingelsene eller i forbindelse med brudd eller oppfyllelse av betingelsene, inkludert summarisk saksbehandling, avgjøres eksklusivt av handelsdomstolen i Paris; 5) i **Russland** skal alle tvister som oppstår på grunn av disse garantibetingelsene eller i forbindelse med tolkning, brudd, opphør eller annullering av oppfyllelsen av betingelsene, avgjøres av voldgiftsdomstolen i Moskva; 6) i **Sør-Afrika, Namibia, Lesotho og Swaziland** aksepterer partene å sende alle tvister i forbindelse med disse garantibetingelsene til høyesterett i Johannesburg; 7) i **Tyrkia** skal alle tvister som oppstår på grunn av eller i forbindelse med disse garantibetingelsene, løses av Istanbuls sentraldomstoler (Sultanahmet) og Execution Directorates of Istanbul, Tyrkia; 8) i hvert av følgende land skal alle juridiske krav som oppstår på grunn av disse garantibetingelsene, bringes frem for og avgjøres eksklusivt av kompetent domstol i a) Athen for **Hellas**, b) Tel Aviv-Jaffa for **Israel**, c) Milano for **Italia**, d) Lisboa for **Portugal**, og e) Madrid for **Spania**; og 9) i **Storbritannia** aksepterer partene at alle tvister i forbindelse med disse garantibetingelsene skal behandles av engelske domstoler.

Voldgift: *Følgende tilføyes under denne overskriften:*

I **Albania, Armenia, Aserbajdsjan, Hviterussland, Bosnia-Hercegovina, Bulgaria, Kroatia, Georgia, Ungarn, Kasakhstan, Kirgisistan, Den tidligere jugoslaviske republikken Makedonia (FYROM), Moldova, Polen, Romania, Russland, Slovakia, Slovenia, Tadsjikistan, Turkmenistan, Ukraina, Usbekistan og Jugoslavia** skal alle tvister som skyldes disse

garantibetingelsene eller er knyttet til brudd, opphør eller ugyldighet av betingelsene, avgjøres i henhold til de gjeldende reglene for voldgift og megling fra International Arbitral Center ved Federal Economic Chamber i Wien (Wien-reglene) av tre voldgiftsdommere som er utpekt i overensstemmelse med disse reglene. Voldgiftsforhandlingene føres i Wien, Østerrike, og engelsk er offisielt språk for forhandlingene. Voldgiftsdommernes avgjørelse er endelig og bindende for begge parter. Derfor gir partene, i henhold til paragraf 598 (2) i Østerrikes lov om sivilprosesser, uttrykkelig avkall på anvendelse av paragraf 595 (1) nummer 7 i loven. Lenovo kan imidlertid starte forhandlinger ved en kompetent domstol i landet der Maskinen er installert.

I Estland, Latvia og Litauen skal alle tvister som oppstår i forbindelse med disse garantibetingelsene, avgjøres endelig ved voldgiftsforhandlinger avholdt i Helsinki, Finland i henhold til Finlands gjeldende voldgiftslovgivning. Hver part utpeker en voldgiftsdommer. Voldgiftsdommerne utpeker deretter i fellesskap formannen. Hvis voldgiftsdommerne ikke blir enige om formannen, skal det sentrale handelskammeret i Helsinki utpeke formannen.

DEN EUROPEISKE UNION (EU)

FØLGENDE BETINGELSER GJELDER FOR ALLE EU-LAND:

Garantien for Maskiner som er anskaffet i EU-land, skal gjelde i alle EU-land, forutsatt at Maskinene er annonsert og tilgjengelige i disse landene.

Hvordan få garantiservice: *Følgende tilføyes dette avsnittet:*

Ved bestilling av garantiservice fra IBM Service i EU-land kan telefonlisten i Del 3 - Opplysninger om garantibetingelser benyttes.

Kunden kan kontakte IBM Service på denne adressen:

IBM Warranty & Service Quality Dept.
PO Box 30
Spango Valley
Greenock
Scotland PA16 0AH

FORBRUKERE

Forbrukerne har juridiske rettigheter under aktuell nasjonal lovgivning som regulerer salg av forbruksartikler. Slike rettigheter påvirkes ikke av disse garantibetingelsene.

DANMARK, FINLAND, HELLAS, ITALIA, NEDERLAND, NORGE, PORTUGAL, SPANIA, SVEITS, SVERIGE OG ØSTERRIKE

Ansvarsbegrensning: *Følgende erstatter betingelsene i dette avsnittet i sin helhet:*

Hvis ikke preseptorisk lovgivning angir noe annet, gjelder følgende:

1. Lenovos erstatningsansvar som kan oppstå som en konsekvens av oppfyllelsen av Lenovos forpliktelse i henhold til eller i forbindelse med

disse garantibetingelsene eller av andre årsaker knyttet til garantibetingelsene, er begrenset til kompensasjon kun for påviste skader og tap som har oppstått som en umiddelbar og direkte konsekvens av manglende oppfyllelse av slike forpliktelser, og skal ikke overstige beløpet som er betalt for Maskinen.

Begrensningen ovenfor gjelder ikke for skader på person, herunder død, og på løsøre og fast eiendom som Lenovo er rettslig ansvarlig for.

2. **LENOVO OG LENOVOs LEVERANDØRER ELLER SERVICELEVERANDØRER ER UNDER INGEN OMSTENDIGHET ANSVARLIG FOR NOE AV FØLGENDE SELV OM DE ER UNDERRETTET OM MULIGHETENE FOR SLIKE SKADER, TAP ELLER KRAV: 1) TAP AV, ELLER SKADE PÅ, KUNDENS DATA; 2) TILFELDIGE ELLER INDIREKTE SKADER ELLER AVLEDEDE ØKONOMISKE SKADER ELLER TAP; 3) TAPT FORTJENESTE, SELV OM TAPET ER EN DIREKTE KONSEKVENNS AV HENDELSEN SOM GENERERTE SKADEN; ELLER 4) TAP AV FORRETNINGSMULIGHETER, GOODWILL ELLER FORVENTEDE BESPARELSER.**

FRANKRIKE OG BELGIA

Ansvarsbegrensning: *Følgende erstatter betingelsene i dette avsnittet i sin helhet:*

Hvis ikke preseptorisk lovgivning angir noe annet, gjelder følgende:

1. Lenovos erstatningsansvar som kan oppstå som en konsekvens av oppfyllelsen av Lenovos forpliktelser i henhold til eller i forbindelse med disse garantibetingelsene, er begrenset til kompensasjon kun for påviste skader og tap som har oppstått som en umiddelbar og direkte konsekvens av manglende oppfyllelse av slike forpliktelser (hvis dette gjelder Lenovo), og skal ikke overstige beløpet som er betalt for Maskinen som var årsak til skaden.

Begrensningen ovenfor gjelder ikke for skader på person, herunder død, og på løsøre og fast eiendom som Lenovo er rettslig ansvarlig for.

2. **LENOVO OG LENOVOs LEVERANDØRER, FORHANDLERE OG SERVICELEVERANDØRER ER UNDER INGEN OMSTENDIGHET ANSVARLIG FOR NOE AV FØLGENDE SELV OM DE ER UNDERRETTET OM MULIGHETENE FOR SLIKE SKADER, TAP ELLER KRAV: 1) TAP AV, ELLER SKADE PÅ, KUNDENS DATA; 2) TILFELDIGE ELLER INDIREKTE SKADER ELLER AVLEDEDE ØKONOMISKE SKADER ELLER TAP; 3) TAPT FORTJENESTE, SELV OM TAPET ER EN DIREKTE KONSEKVENNS AV HENDELSEN SOM GENERERTE SKADEN; ELLER 4) TAP AV FORRETNINGSMULIGHETER, GOODWILL ELLER FORVENTEDE BESPARELSER.**

FØLGENDE BETINGELSER GJELDER FOR DE ANGITTE LANDENE:

ØSTERRIKE

Bestemmelsene i disse garantibetingelsene erstatter alle lovbestemte garantier.

Hva disse garantibetingelsene dekker: *Følgende erstatter første setning i første ledd i dette avsnittet:*

Garantien for en Lenovo-maskin dekker Maskinens funksjoner ved normal bruk og at Maskinen er i overensstemmelse med Spesifikasjonene.

Følgende ledd tilføyes dette avsnittet:

Foreldelsesfrist for forbrukere, som gjelder ved brudd på garantibetingelser, er som minimum den lovfestede perioden. Hvis Serviceleverandøren ikke kan reparere en Lenovo-maskin, kan Kunden enten be om delvis refusjon så langt det er berettiget på grunn av den reduserte verdien av Maskinen som ikke er reparert, eller kansellere avtalen for Maskinen og få pengene refundert.

Andre ledd gjelder ikke.

Hva Lenovo vil gjøre for å rette problemer: *Følgende tilføyes dette avsnittet:*

Under garantiperioden betaler Lenovo fraktkostninger for transport til IBM Service av en Maskin det er feil på.

Ansvarsbegrensning: *Følgende ledd tilføyes dette avsnittet:*

Begrensningene og unntakene som er spesifisert i garantibetingelsene, gjelder ikke skader forårsaket av Lenovo med forsett eller grov uaktsomhet, og for uttrykt garanti.

Følgende setning tilføyes til slutt i punkt 2:

Lenovos ansvar under dette punktet er begrenset til brudd på viktige avtalebetingelser i tilfeller av vanlig uaktsomhet.

EGYPT

Ansvarsbegrensning *Følgende erstatter punkt 2 i dette avsnittet:*

andre direkte tap, begrenset til totalt beløp betalt for Maskinen som kravet gjelder.

Gjelder for leverandører, forhandlere og Serviceleverandører (uendret).

FRANKRIKE

Ansvarsbegrensning: *Følgende erstatter andre setning i første ledd i dette avsnittet:*

I ethvert slikt tilfelle, uansett ansvar grunnlag, er Lenovos erstatningsansvar under enhver omstendighet begrenset til (punkt 1 og 2 uendret).

TYSKLAND

Hva disse garantibetingelsene dekker: *Følgende erstatter første setning i første ledd i dette avsnittet:*

Garantien for en Lenovo-maskin dekker Maskinens funksjoner ved normal bruk og at Maskinen er i overensstemmelse med Spesifikasjonene.

Følgende ledd tilføyes dette avsnittet:

Minste garantiperiode for Maskiner er tolv måneder. Hvis Serviceleverandøren ikke kan reparere en Lenovo-maskin, kan Kunden enten be om delvis refusjon så langt det er berettiget på grunn av den reduserte verdien av Maskinen som ikke er reparert, eller kansellere avtalen for Maskinen og få pengene refundert.

Andre ledd gjelder ikke.

Hva Lenovo vil gjøre for å rette problemer: *Følgende tilføyes dette avsnittet:*

Under garantiperioden betaler Lenovo fraktkostninger for transport til Lenovo eller IBM Service av en Maskin det er feil på.

Ansvarsbegrensning: *Følgende ledd tilføyes dette avsnittet:*

Begrensningene og unntakene som er spesifisert i garantibetingelsene, gjelder ikke skader forårsaket av Lenovo med forsett eller grov uaktsomhet, og for uttrykt garanti.

Følgende setning tilføyes til slutt i punkt 2:

Lenovos ansvar under dette punktet er begrenset til brudd på viktige avtalebetingelser i tilfeller av vanlig uaktsomhet.

UNGARN

Ansvarsbegrensning: *Følgende tilføyes til slutt i dette avsnittet:*

Begrensningene og utelatelsetene som er oppgitt her, skal ikke gjelde forpliktelser ved et kontraktsbrudd som skader liv, fysisk velvære eller helse, og som skyldes en forsettlig handling, grov uaktsomhet eller en kriminell handling.

Partene aksepterer ansvarsbegrensningene som gyldige bestemmelser og erklærer at paragraf 314.(2) i Ungarns lov om tvistemål gjelder siden anskaffelsespris så vel som andre fordeler som oppstår ved disse garantibetingelsene, balanserer denne ansvarsbegrensningen.

IRLAND

Hva disse garantibetingelsene dekker: *Følgende tilføyes dette avsnittet:*

Unntatt når det er uttrykkelig sagt i disse betingelsene, utelukkes herved alle lovbestemte betingelser, inkludert alle stilltiende garantier, herunder alle garantier som følger av Sale of Goods Act 1893 eller Sale of Goods and Supply of Services Act 1980.

Ansvarsbegrensning: *Følgende erstatter betingelsene i dette avsnittet i sin helhet:*

I dette avsnittet betyr "Mislighold" en hvilken som helst handling, uttalelse, utelattelse eller uaktsomhet fra Lenovo i forbindelse med, eller i tilknytning til,

innholdet i disse garantibetingelsene, som Lenovo er juridisk ansvarlig for overfor Kunden. Flere Mislighold som samlet hovedsakelig fører til eller medvirker til samme tap eller skade, skal behandles som ett Mislighold som oppstår på datoen for det siste av disse Misligholdene.

Det kan oppstå forhold hvor Mislighold fra Lenovos side medfører at Kunden har krav på erstatning fra Lenovo.

Dette avsnittet definerer omfanget av Lenovos forpliktelser og Kundens eneste beføyelse.

1. Lenovo aksepterer ubegrenset ansvar for død eller personskade som skyldes uaktsomhet fra Lenovo.
2. Med unntak av **Forhold Lenovo ikke er ansvarlig for** nedenfor aksepterer Lenovo ubegrenset ansvar for fysisk skade på Kundens eiendom, som skyldes uaktsomhet av Lenovo.
3. Unntatt slik det fremkommer i punkt 1 og 2 ovenfor, skal Lenovos totale ansvar for direkte skader ved ethvert annet Mislighold ikke i noe tilfelle overstige 125 % av beløpet Kunden betalte for Maskinen som er direkte knyttet til Misligholdet.

Forhold Lenovo ikke er ansvarlig for

Bortsett fra ansvar som er omtalt i punkt 1 ovenfor, er Lenovo og Lenovos leverandører, forhandlere og Serviceleverandører under ingen omstendighet ansvarlig for noe av det følgende, selv om de er underrettet om muligheten for slike tap:

1. tap av eller skade på data;
2. spesielle, indirekte eller avledede skader eller tap; eller
3. tap av fortjeneste, forretningsmuligheter, inntekter, goodwill eller forventede besparelser.

SLOVAKIA

Ansvarsbegrensning: *Følgende tilføyes til slutt i siste ledd:*

Begrensningene gjelder i den utstrekning de ikke er forbudt i henhold til §§ 373-386 i Slovakias handelslover.

SØR-AFRIKA, NAMIBIA, BOTSWANA, LESOTHO OG SWAZILAND

Ansvarsbegrensning: *Følgende tilføyes dette avsnittet:*

Lenovos totale ansvar overfor Kunden for direkte skader oppstått i alle situasjoner som omfatter ikke-oppfyllelse fra Lenovo i henhold til disse garantibetingelsene, er begrenset til beløpet Kunden har betalt for Maskinen som kravet overfor Lenovo gjelder.

STORBRITANNIA

Ansvarsbegrensning: *Følgende erstatter betingelsene i dette avsnittet i sin helhet:*

I dette avsnittet betyr "Mislighold" en hvilken som helst handling, uttalelse, utelatelse eller uaktsomhet fra Lenovo i forbindelse med, eller i tilknytning til,

innholdet i disse garantibetingelsene, som Lenovo er juridisk ansvarlig for overfor Kunden. Flere Mislighold som samlet hovedsakelig fører til eller medvirker til samme tap eller skade, skal behandles som ett Mislighold.

Det kan oppstå forhold hvor Mislighold fra Lenovos side medfører at Kunden har krav på erstatning fra Lenovo.

Dette avsnittet definerer omfanget av Lenovos forpliktelser og Kundens eneste beføyelse.

1. Lenovo aksepterer ubegrenset ansvar for:
 - a. død eller personskade som skyldes uaktsomhet fra Lenovo; og
 - b. ethvert mislighold av Lenovos forpliktelser i henhold til paragraf 12 i Sale of Goods Act 1979 eller paragraf 2 i Supply of Goods and Services Act 1982, eller enhver lovendring eller nye lovvedtak for disse paragrafene.
2. Lenovo aksepterer ubegrenset ansvar, med unntak av **Forhold Lenovo ikke er ansvarlig for** nedenfor, for fysisk skade på Kundens eiendom, som skyldes uaktsomhet av Lenovo.
3. Lenovos totale ansvar for direkte skader ved ethvert annet Mislighold skal ikke i noe tilfelle, unntatt slik det fremkommer i punkt 1 og 2 ovenfor, overstige 125 % av den totale betalbare innkjøpsprisen eller beløpene for Maskinen som er direkte knyttet til Misligholdet.

Disse begrensningene gjelder også for Lenovos leverandører, forhandlere og Serviceleverandører. Dette er maksimum for hva Lenovo og Lenovos leverandører, forhandlere og Serviceleverandører samlet er ansvarlig for.

Forhold Lenovo ikke er ansvarlig for

Bortsett fra ansvar som er omtalt i punkt 1 ovenfor, er verken Lenovo eller noen av Lenovos leverandører, forhandlere eller Serviceleverandører under noen omstendighet ansvarlig for noe av det følgende, selv om de er underrettet om muligheten for slike tap:

1. tap av eller skade på data;
2. spesielle, indirekte eller avledede skader eller tap; eller
3. tap av fortjeneste, forretningsmuligheter, inntekter, goodwill eller forventede besparelser.

Del 3 - Opplysninger om garantibetingelser

Denne Del 3 gir opplysninger om garantibetingelsene som gjelder for Kundens Maskin, inkludert garantiperiode og type garantiservice Lenovo utfører.

Garantiperiode

Garantiperioden kan variere etter land eller region og er oppgitt i tabellen nedenfor. MERK: "Region" betyr Kina (Hongkong S.A.R.) eller Kina (Macau S.A.R.)

En garantiperiode på 1 år for deler og 1 år for arbeid betyr at Lenovo gir garantiservice det første året av garantiperioden.

Maskin- type	Land eller region der Maskinen er kjøpt	Garanti- periode	Typer av garanti- service
6490	USA, Angola, Botswana, Burundi, Eritrea, Etiopia, Ghana, Kenya, Liberia, Malawi, Malta, Mosambik, Nigeria, Rwanda, Sao Tome, Sierra Leone, Somalia, Tanzania, Uganda, Zambia, Zimbabwe, Argentina, Bolivia, Belize, Brasil, Chile, Colombia, Costa Rica, Den dominikanske republikk, Ecuador, El Salvador, Guatemala, Haiti, Honduras, Mexico, Nicaragua, Panama, Paraguay, Peru, Uruguay, Venezuela, Europa, Midtøsten, Afrika, Australia, New Zealand, Singapore, Malaysia, Thailand, Indonesia, Filippinene, Vietnam, Brunei, Sri Lanka, Bangladesh, India, Korea, Hong Kong, Taiwan, Kina (Folkerepublikken), Japan	Deler og arbeid - 3 år	5
6491	USA, Angola, Botswana, Burundi, Eritrea, Etiopia, Ghana, Kenya, Liberia, Malawi, Malta, Mosambik, Nigeria, Rwanda, Sao Tome, Sierra Leone, Somalia, Tanzania, Uganda, Zambia, Zimbabwe, Argentina, Bolivia, Belize, Brasil, Chile, Colombia, Costa Rica, Den dominikanske republikk, Ecuador, El Salvador, Guatemala, Haiti, Honduras, Mexico, Nicaragua, Panama, Paraguay, Peru, Uruguay, Venezuela, Europa, Midtøsten, Afrika, Australia, New Zealand, Singapore, Malaysia, Thailand, Indonesia, Filippinene, Vietnam, Brunei, Sri Lanka, Bangladesh, India, Korea, Hong Kong, Taiwan, Kina (Folkerepublikken), Japan	Deler og arbeid - 3 år	5
8013	USA, Angola, Botswana, Burundi, Eritrea, Etiopia, Ghana, Kenya, Liberia, Malawi, Malta, Mosambik, Nigeria, Rwanda, Sao Tome, Sierra Leone, Somalia, Tanzania, Uganda, Zambia, Zimbabwe, Argentina, Bolivia, Belize, Brasil, Chile, Colombia, Costa Rica, Den dominikanske republikk, Ecuador, El Salvador, Guatemala, Haiti, Honduras, Mexico, Nicaragua, Panama, Paraguay, Peru, Uruguay, Venezuela, Europa, Midtøsten, Afrika, Australia, New Zealand, Singapore, Malaysia, Thailand, Indonesia, Filippinene, Vietnam, Brunei, Sri Lanka, Bangladesh, India, Korea, Hong Kong, Taiwan, Kina (Folkerepublikken)	Deler og arbeid - 1 år	5
8013	Japan	Deler og arbeid - 1 år	6

Maskin- type	Land eller region der Maskinen er kjøpt	Garanti- periode	Typer av garanti- service
8700	USA, Angola, Botswana, Burundi, Eritrea, Etiopia, Ghana, Kenya, Liberia, Malawi, Malta, Mosambik, Nigeria, Rwanda, Sao Tome, Sierra Leone, Somalia, Tanzania, Uganda, Zambia, Zimbabwe, Argentina, Bolivia, Belize, Brasil, Chile, Colombia, Costa Rica, Den dominikanske republikk, Ecuador, El Salvador, Guatemala, Haiti, Honduras, Mexico, Nicaragua, Panama, Paraguay, Peru, Uruguay, Venezuela, Europa, Midtøsten, Afrika, Australia, New Zealand, Singapore, Malaysia, Thailand, Indonesia, Filippinene, Vietnam, Brunei, Sri Lanka, Bangladesh, India, Korea, Hong Kong, Taiwan, Kina (Folkerepublikken)	Deler og arbeid - 1 år	5
8700	Japan	Deler og arbeid - 1 år	6
8701	USA, Angola, Botswana, Burundi, Eritrea, Etiopia, Ghana, Kenya, Liberia, Malawi, Malta, Mosambik, Nigeria, Rwanda, Sao Tome, Sierra Leone, Somalia, Tanzania, Uganda, Zambia, Zimbabwe, Argentina, Bolivia, Belize, Brasil, Chile, Colombia, Costa Rica, Den dominikanske republikk, Ecuador, El Salvador, Guatemala, Haiti, Honduras, Mexico, Nicaragua, Panama, Paraguay, Peru, Uruguay, Venezuela, Europa, Midtøsten, Afrika, Australia, New Zealand, Singapore, Malaysia, Thailand, Indonesia, Filippinene, Vietnam, Brunei, Sri Lanka, Bangladesh, India, Korea, Hong Kong, Taiwan, Kina (Folkerepublikken)	Deler og arbeid - 1 år	5
8701	Japan	Deler og arbeid - 1 år	6
8702	USA, Angola, Botswana, Burundi, Eritrea, Etiopia, Ghana, Kenya, Liberia, Malawi, Malta, Mosambik, Nigeria, Rwanda, Sao Tome, Sierra Leone, Somalia, Tanzania, Uganda, Zambia, Zimbabwe, Argentina, Bolivia, Belize, Brasil, Chile, Colombia, Costa Rica, Den dominikanske republikk, Ecuador, El Salvador, Guatemala, Haiti, Honduras, Mexico, Nicaragua, Panama, Paraguay, Peru, Uruguay, Venezuela, Europa, Midtøsten, Afrika, Australia, New Zealand, Singapore, Malaysia, Thailand, Indonesia, Filippinene, Vietnam, Brunei, Sri Lanka, Bangladesh, India, Korea, Hong Kong, Taiwan, Kina (Folkerepublikken)	Deler og arbeid - 1 år	5
8702	Japan	Deler og arbeid - 1 år	6

Maskin- type	Land eller region der Maskinen er kjøpt	Garanti- periode	Typer av garanti- service
8705	USA, Angola, Botswana, Burundi, Eritrea, Etiopia, Ghana, Kenya, Liberia, Malawi, Malta, Mosambik, Nigeria, Rwanda, Sao Tome, Sierra Leone, Somalia, Tanzania, Uganda, Zambia, Zimbabwe, Argentina, Bolivia, Belize, Brasil, Chile, Colombia, Costa Rica, Den dominikanske republikk, Ecuador, El Salvador, Guatemala, Haiti, Honduras, Mexico, Nicaragua, Panama, Paraguay, Peru, Uruguay, Venezuela, Europa, Midtøsten, Afrika, Australia, New Zealand, Singapore, Malaysia, Thailand, Indonesia, Filippinene, Vietnam, Brunei, Sri Lanka, Bangladesh, India, Korea, Hong Kong, Taiwan, Kina (Folkerepublikken)	Deler og arbeid - 1 år	5
8705	Japan	Deler og arbeid - 1 år	6
8706	USA, Angola, Botswana, Burundi, Eritrea, Etiopia, Ghana, Kenya, Liberia, Malawi, Malta, Mosambik, Nigeria, Rwanda, Sao Tome, Sierra Leone, Somalia, Tanzania, Uganda, Zambia, Zimbabwe, Argentina, Bolivia, Belize, Brasil, Chile, Colombia, Costa Rica, Den dominikanske republikk, Ecuador, El Salvador, Guatemala, Haiti, Honduras, Mexico, Nicaragua, Panama, Paraguay, Peru, Uruguay, Venezuela, Europa, Midtøsten, Afrika, Australia, New Zealand, Singapore, Malaysia, Thailand, Indonesia, Filippinene, Vietnam, Brunei, Sri Lanka, Bangladesh, India, Korea, Hong Kong, Taiwan, Kina (Folkerepublikken)	Deler og arbeid - 1 år	5
8706	Japan	Deler og arbeid - 1 år	6
8716	Europa, Midtøsten, Afrika	Deler og arbeid - 1 år	7
8717	Europa, Midtøsten, Afrika	Deler og arbeid - 1 år	7
8970	Europa, Midtøsten, Afrika	Deler og arbeid - 1 år	7
8972	Europa, Midtøsten, Afrika	Deler og arbeid - 1 år	7
8973	Europa, Midtøsten, Afrika	Deler og arbeid - 1 år	7
8975	Europa, Midtøsten, Afrika	Deler og arbeid - 1 år	7

Maskin- type	Land eller region der Maskinen er kjøpt	Garanti- periode	Typer av garanti- service
8976	Australia, New Zealand, Singapore, Malaysia, Thailand, Indonesia, Filippinene, Vietnam, Brunei, Sri Lanka, Bangladesh, India, Korea, Hong Kong, Taiwan, Kina (Folkerepublikken)	Deler - 3 år Arbeid - 1 år	5
8976	Europa, Midtøsten, Afrika	Deler og arbeid - 3	7
8979	Australia, New Zealand, Singapore, Malaysia, Thailand, Indonesia, Filippinene, Vietnam, Brunei, Sri Lanka, Bangladesh, India, Korea, Hong Kong, Taiwan, Kina (Folkerepublikken)	Deler - 3 år Arbeid - 1 år	5
8979	Europa, Midtøsten, Afrika	Deler og arbeid - 3	7
8980	Australia, New Zealand, Singapore, Malaysia, Thailand, Indonesia, Filippinene, Vietnam, Brunei, Sri Lanka, Bangladesh, India, Korea, Hong Kong, Taiwan, Kina (Folkerepublikken)	Deler - 3 år Arbeid - 1 år	5
8980	Europa, Midtøsten, Afrika	Deler og arbeid - 3	7
8982	Australia, New Zealand, Singapore, Malaysia, Thailand, Indonesia, Filippinene, Vietnam, Brunei, Sri Lanka, Bangladesh, India, Korea, Hong Kong, Taiwan, Kina (Folkerepublikken)	Deler - 3 år Arbeid - 1 år	5
8982	Europa, Midtøsten, Afrika	Deler og arbeid - 3	7
8983	Australia, New Zealand, Singapore, Malaysia, Thailand, Indonesia, Filippinene, Vietnam, Brunei, Sri Lanka, Bangladesh, India, Korea, Hong Kong, Taiwan, Kina (Folkerepublikken)	Deler - 3 år Arbeid - 1 år	5
8983	Europa, Midtøsten, Afrika	Deler og arbeid - 3	7
8985	Australia, New Zealand, Singapore, Malaysia, Thailand, Indonesia, Filippinene, Vietnam, Brunei, Sri Lanka, Bangladesh, India, Korea, Hong Kong, Taiwan, Kina (Folkerepublikken)	Deler - 3 år Arbeid - 1 år	5
8985	Europa, Midtøsten, Afrika	Deler og arbeid - 3	7

Maskin- type	Land eller region der Maskinen er kjøpt	Garanti- periode	Typer av garanti- service
8986	USA, Angola, Botswana, Burundi, Eritrea, Etiopia, Ghana, Kenya, Liberia, Malawi, Malta, Mosambik, Nigeria, Rwanda, Sao Tome, Sierra Leone, Somalia, Tanzania, Uganda, Zambia, Zimbabwe, Argentina, Bolivia, Belize, Brasil, Chile, Colombia, Costa Rica, Den dominikanske republikk, Ecuador, El Salvador, Guatemala, Haiti, Honduras, Mexico, Nicaragua, Panama, Paraguay, Peru, Uruguay, Venezuela, Europa, Midtøsten, Afrika, Australia, New Zealand, Singapore, Malaysia, Thailand, Indonesia, Filippinene, Vietnam, Brunei, Sri Lanka, Bangladesh, Korea, Hong Kong, Taiwan, Kina (Folkerepublikken)	Deler og arbeid - 3 år	5
8991	USA, Angola, Botswana, Burundi, Eritrea, Etiopia, Ghana, Kenya, Liberia, Malawi, Malta, Mosambik, Nigeria, Rwanda, Sao Tome, Sierra Leone, Somalia, Tanzania, Uganda, Zambia, Zimbabwe, Argentina, Bolivia, Belize, Brasil, Chile, Colombia, Costa Rica, Den dominikanske republikk, Ecuador, El Salvador, Guatemala, Haiti, Honduras, Mexico, Nicaragua, Panama, Paraguay, Peru, Uruguay, Venezuela, Europa, Midtøsten, Afrika, Australia, New Zealand, Singapore, Malaysia, Thailand, Indonesia, Filippinene, Vietnam, Brunei, Sri Lanka, Bangladesh, Korea, Hong Kong, Taiwan, Kina (Folkerepublikken)	Deler og arbeid - 3 år	5
8992	USA, Angola, Botswana, Burundi, Eritrea, Etiopia, Ghana, Kenya, Liberia, Malawi, Malta, Mosambik, Nigeria, Rwanda, Sao Tome, Sierra Leone, Somalia, Tanzania, Uganda, Zambia, Zimbabwe, Argentina, Bolivia, Belize, Brasil, Chile, Colombia, Costa Rica, Den dominikanske republikk, Ecuador, El Salvador, Guatemala, Haiti, Honduras, Mexico, Nicaragua, Panama, Paraguay, Peru, Uruguay, Venezuela, Europa, Midtøsten, Afrika, Australia, New Zealand, Singapore, Malaysia, Thailand, Indonesia, Filippinene, Vietnam, Brunei, Sri Lanka, Bangladesh, Korea, Hong Kong, Taiwan, Kina (Folkerepublikken)	Deler og arbeid - 3 år	5

Maskin- type	Land eller region der Maskinen er kjøpt	Garanti- periode	Typer av garanti- service
8994	USA, Angola, Botswana, Burundi, Eritrea, Etiopia, Ghana, Kenya, Liberia, Malawi, Malta, Mosambik, Nigeria, Rwanda, Sao Tome, Sierra Leone, Somalia, Tanzania, Uganda, Zambia, Zimbabwe, Argentina, Bolivia, Belize, Brasil, Chile, Colombia, Costa Rica, Den dominikanske republikk, Ecuador, El Salvador, Guatemala, Haiti, Honduras, Mexico, Nicaragua, Panama, Paraguay, Peru, Uruguay, Venezuela, Europa, Midtøsten, Afrika, Australia, New Zealand, Singapore, Malaysia, Thailand, Indonesia, Filippinene, Vietnam, Brunei, Sri Lanka, Bangladesh, Korea, Hong Kong, Taiwan, Kina (Folkerepublikken)	Deler og arbeid - 3 år	5
8995	USA, Angola, Botswana, Burundi, Eritrea, Etiopia, Ghana, Kenya, Liberia, Malawi, Malta, Mosambik, Nigeria, Rwanda, Sao Tome, Sierra Leone, Somalia, Tanzania, Uganda, Zambia, Zimbabwe, Argentina, Bolivia, Belize, Brasil, Chile, Colombia, Costa Rica, Den dominikanske republikk, Ecuador, El Salvador, Guatemala, Haiti, Honduras, Mexico, Nicaragua, Panama, Paraguay, Peru, Uruguay, Venezuela, Europa, Midtøsten, Afrika, Australia, New Zealand, Singapore, Malaysia, Thailand, Indonesia, Filippinene, Vietnam, Brunei, Sri Lanka, Bangladesh, Korea, Hong Kong, Taiwan, Kina (Folkerepublikken)	Deler og arbeid - 3 år	5
9265	USA, Angola, Botswana, Burundi, Eritrea, Etiopia, Ghana, Kenya, Liberia, Malawi, Malta, Mosambik, Nigeria, Rwanda, Sao Tome, Sierra Leone, Somalia, Tanzania, Uganda, Zambia, Zimbabwe, Argentina, Bolivia, Belize, Brasil, Chile, Colombia, Costa Rica, Den dominikanske republikk, Ecuador, El Salvador, Guatemala, Haiti, Honduras, Mexico, Nicaragua, Panama, Paraguay, Peru, Uruguay, Venezuela, Europa, Midtøsten, Afrika, Australia, New Zealand, Singapore, Malaysia, Thailand, Indonesia, Filippinene, Vietnam, Brunei, Sri Lanka, Bangladesh, Korea, Hong Kong, Taiwan, Kina (Folkerepublikken)	Deler og arbeid - 3 år	5

Maskin- type	Land eller region der Maskinen er kjøpt	Garanti- periode	Typer av garanti- service
9266	USA, Angola, Botswana, Burundi, Eritrea, Etiopia, Ghana, Kenya, Liberia, Malawi, Malta, Mosambik, Nigeria, Rwanda, Sao Tome, Sierra Leone, Somalia, Tanzania, Uganda, Zambia, Zimbabwe, Argentina, Bolivia, Belize, Brasil, Chile, Colombia, Costa Rica, Den dominikanske republikk, Ecuador, El Salvador, Guatemala, Haiti, Honduras, Mexico, Nicaragua, Panama, Paraguay, Peru, Uruguay, Venezuela, Europa, Midtøsten, Afrika, Australia, New Zealand, Singapore, Malaysia, Thailand, Indonesia, Filippinene, Vietnam, Brunei, Sri Lanka, Bangladesh, India, Korea, Hong Kong, Taiwan	Deler og arbeid - 1 år	5
9266	Japan	Deler og arbeid - 1 år	6
9269	USA, Angola, Botswana, Burundi, Eritrea, Etiopia, Ghana, Kenya, Liberia, Malawi, Malta, Mosambik, Nigeria, Rwanda, Sao Tome, Sierra Leone, Somalia, Tanzania, Uganda, Zambia, Zimbabwe, Argentina, Bolivia, Belize, Brasil, Chile, Colombia, Costa Rica, Den dominikanske republikk, Ecuador, El Salvador, Guatemala, Haiti, Honduras, Mexico, Nicaragua, Panama, Paraguay, Peru, Uruguay, Venezuela, Europa, Midtøsten, Afrika, Australia, New Zealand, Singapore, Malaysia, Thailand, Indonesia, Filippinene, Vietnam, Brunei, Sri Lanka, Bangladesh, India, Korea, Hong Kong, Taiwan	Deler og arbeid - 1 år	5
9269	Japan	Deler og arbeid - 1 år	6
9276	USA, Angola, Botswana, Burundi, Eritrea, Etiopia, Ghana, Kenya, Liberia, Malawi, Malta, Mosambik, Nigeria, Rwanda, Sao Tome, Sierra Leone, Somalia, Tanzania, Uganda, Zambia, Zimbabwe, Argentina, Bolivia, Belize, Brasil, Chile, Colombia, Costa Rica, Den dominikanske republikk, Ecuador, El Salvador, Guatemala, Haiti, Honduras, Mexico, Nicaragua, Panama, Paraguay, Peru, Uruguay, Venezuela, Europa, Midtøsten, Afrika, Australia, New Zealand, Singapore, Malaysia, Thailand, Indonesia, Filippinene, Vietnam, Brunei, Sri Lanka, Bangladesh, India, Korea, Hong Kong, Taiwan	Deler og arbeid - 1 år	5
9276	Japan	Deler og arbeid - 1 år	6

Maskin- type	Land eller region der Maskinen er kjøpt	Garanti- periode	Typer av garanti- service
9277	USA, Angola, Botswana, Burundi, Eritrea, Etiopia, Ghana, Kenya, Liberia, Malawi, Malta, Mosambik, Nigeria, Rwanda, Sao Tome, Sierra Leone, Somalia, Tanzania, Uganda, Zambia, Zimbabwe, Argentina, Bolivia, Belize, Brasil, Chile, Colombia, Costa Rica, Den dominikanske republikk, Ecuador, El Salvador, Guatemala, Haiti, Honduras, Mexico, Nicaragua, Panama, Paraguay, Peru, Uruguay, Venezuela, Europa, Midtøsten, Afrika, Australia, New Zealand, Singapore, Malaysia, Thailand, Indonesia, Filippinene, Vietnam, Brunei, Sri Lanka, Bangladesh, India, Korea, Hong Kong, Taiwan	Deler og arbeid - 1 år	5
9277	Japan	Deler og arbeid - 1 år	6
9278	USA, Angola, Botswana, Burundi, Eritrea, Etiopia, Ghana, Kenya, Liberia, Malawi, Malta, Mosambik, Nigeria, Rwanda, Sao Tome, Sierra Leone, Somalia, Tanzania, Uganda, Zambia, Zimbabwe, Argentina, Bolivia, Belize, Brasil, Chile, Colombia, Costa Rica, Den dominikanske republikk, Ecuador, El Salvador, Guatemala, Haiti, Honduras, Mexico, Nicaragua, Panama, Paraguay, Peru, Uruguay, Venezuela, Europa, Midtøsten, Afrika, Australia, New Zealand, Singapore, Malaysia, Thailand, Indonesia, Filippinene, Vietnam, Brunei, Sri Lanka, Bangladesh, India, Korea, Hong Kong, Taiwan	Deler og arbeid - 1 år	5
9278	Japan	Deler og arbeid - 1 år	6
9279	USA, Angola, Botswana, Burundi, Eritrea, Etiopia, Ghana, Kenya, Liberia, Malawi, Malta, Mosambik, Nigeria, Rwanda, Sao Tome, Sierra Leone, Somalia, Tanzania, Uganda, Zambia, Zimbabwe, Argentina, Bolivia, Belize, Brasil, Chile, Colombia, Costa Rica, Den dominikanske republikk, Ecuador, El Salvador, Guatemala, Haiti, Honduras, Mexico, Nicaragua, Panama, Paraguay, Peru, Uruguay, Venezuela, Europa, Midtøsten, Afrika, Australia, New Zealand, Singapore, Malaysia, Thailand, Indonesia, Filippinene, Vietnam, Brunei, Sri Lanka, Bangladesh, India, Korea, Hong Kong, Taiwan	Deler og arbeid - 1 år	5
9279	Japan	Deler og arbeid - 1 år	6
9282	Argentina, Bolivia, Belize, Brasil, Chile, Colombia, Costa Rica, Den dominikanske republikk, Ecuador, El Salvador, Guatemala, Haiti, Honduras, Mexico, Nicaragua, Panama, Paraguay, Peru, Uruguay, Venezuela, Brasil, Europa, Midtøsten, Afrika	Deler og arbeid - 1 år	7

Maskin- type	Land eller region der Maskinen er kjøpt	Garanti- periode	Typer av garanti- service
9283	Argentina, Bolivia, Belize, Brasil, Chile, Colombia, Costa Rica, Den dominikanske republikk, Ecuador, El Salvador, Guatemala, Haiti, Honduras, Mexico, Nicaragua, Panama, Paraguay, Peru, Uruguay, Venezuela, Brasil, Europa, Midtøsten, Afrika	Deler og arbeid - 1 år	7
9286	Argentina, Bolivia, Belize, Brasil, Chile, Colombia, Costa Rica, Den dominikanske republikk, Ecuador, El Salvador, Guatemala, Haiti, Honduras, Mexico, Nicaragua, Panama, Paraguay, Peru, Uruguay, Venezuela, Brasil, Europa, Midtøsten, Afrika	Deler og arbeid - 1 år	7
9287	Argentina, Bolivia, Belize, Brasil, Chile, Colombia, Costa Rica, Den dominikanske republikk, Ecuador, El Salvador, Guatemala, Haiti, Honduras, Mexico, Nicaragua, Panama, Paraguay, Peru, Uruguay, Venezuela, Brasil, Europa, Midtøsten, Afrika	Deler og arbeid - 1 år	7
9288	Argentina, Bolivia, Belize, Brasil, Chile, Colombia, Costa Rica, Den dominikanske republikk, Ecuador, El Salvador, Guatemala, Haiti, Honduras, Mexico, Nicaragua, Panama, Paraguay, Peru, Uruguay, Venezuela, Brasil, Europa, Midtøsten, Afrika	Deler og arbeid - 1 år	7
9374	Australia, New Zealand, Singapore, Malaysia, Thailand, Indonesia, Filippinene, Vietnam, Brunei, Sri Lanka, Bangladesh, India, Korea, Hong Kong, Taiwan, Kina (Folkerepublikken)	Deler - 3 år Arbeid - 1 år	5
9374	Europa, Midtøsten, Afrika	Deler og arbeid - 3 år	7
9378	Australia, New Zealand, Singapore, Malaysia, Thailand, Indonesia, Filippinene, Vietnam, Brunei, Sri Lanka, Bangladesh, India, Korea, Hong Kong, Taiwan, Kina (Folkerepublikken)	Deler - 3 år Arbeid - 1 år	5
9378	Europa, Midtøsten, Afrika	Deler og arbeid - 3 år	7
9379	Argentina, Bolivia, Belize, Brasil, Chile, Colombia, Costa Rica, Den dominikanske republikk, Ecuador, El Salvador, Guatemala, Haiti, Honduras, Mexico, Nicaragua, Panama, Paraguay, Peru, Uruguay, Venezuela, Brasil, Europa, Midtøsten, Afrika	Deler og arbeid - 1 år	7
9380	Australia, New Zealand, Singapore, Malaysia, Thailand, Indonesia, Filippinene, Vietnam, Brunei, Sri Lanka, Bangladesh, India, Korea, Hong Kong, Taiwan, Kina (Folkerepublikken)	Deler - 3 år Arbeid - 1 år	5
9380	Europa, Midtøsten, Afrika	Deler og arbeid - 3 år	7

Maskin- type	Land eller region der Maskinen er kjøpt	Garanti- periode	Typer av garanti- service
9383	Australia, New Zealand, Singapore, Malaysia, Thailand, Indonesia, Filippinene, Vietnam, Brunei, Sri Lanka, Bangladesh, India, Korea, Hong Kong, Taiwan, Kina (Folkerepublikken)	Deler - 3 år Arbeid - 1 år	5
9383	Europa, Midtøsten, Afrika	Deler og arbeid - 3 år	7
9384	USA, Angola, Botswana, Burundi, Eritrea, Etiopia, Ghana, Kenya, Liberia, Malawi, Malta, Mosambik, Nigeria, Rwanda, Sao Tome, Sierra Leone, Somalia, Tanzania, Uganda, Zambia, Zimbabwe, Argentina, Bolivia, Belize, Brasil, Chile, Colombia, Costa Rica, Den dominikanske republikk, Ecuador, El Salvador, Guatemala, Haiti, Honduras, Mexico, Nicaragua, Panama, Paraguay, Peru, Uruguay, Venezuela, Europa, Midtøsten, Afrika, Australia, New Zealand, Singapore, Malaysia, Thailand, Indonesia, Filippinene, Vietnam, Brunei, Sri Lanka, Bangladesh, India, Korea, Hong Kong, Taiwan, Kina (Folkerepublikken)	Deler og arbeid - 3 år	5
9387	Australia, New Zealand, Singapore, Malaysia, Thailand, Indonesia, Filippinene, Vietnam, Brunei, Sri Lanka, Bangladesh, India, Korea, Hong Kong, Taiwan, Kina (Folkerepublikken)	Deler - 3 år Arbeid - 1 år	5
9387	Europa, Midtøsten, Afrika	Deler og arbeid - 3 år	7
9389	Australia, New Zealand, Singapore, Malaysia, Thailand, Indonesia, Filippinene, Vietnam, Brunei, Sri Lanka, Bangladesh, India, Korea, Hong Kong, Taiwan, Kina (Folkerepublikken)	Deler - 3 år Arbeid - 1 år	5
9389	Europa, Midtøsten, Afrika	Deler og arbeid - 3 år	7
9628	USA, Angola, Botswana, Burundi, Eritrea, Etiopia, Ghana, Kenya, Liberia, Malawi, Malta, Mosambik, Nigeria, Rwanda, Sao Tome, Sierra Leone, Somalia, Tanzania, Uganda, Zambia, Zimbabwe, Argentina, Bolivia, Belize, Brasil, Chile, Colombia, Costa Rica, Den dominikanske republikk, Ecuador, El Salvador, Guatemala, Haiti, Honduras, Mexico, Nicaragua, Panama, Paraguay, Peru, Uruguay, Venezuela, Europa, Midtøsten, Afrika, Australia, New Zealand, Singapore, Malaysia, Thailand, Indonesia, Filippinene, Vietnam, Brunei, Sri Lanka, Bangladesh, India, Korea, Hong Kong, Taiwan, Kina (Folkerepublikken)	Deler og arbeid - 3 år	5

Maskin- type	Land eller region der Maskinen er kjøpt	Garanti- periode	Typer av garanti- service
9631	USA, Angola, Botswana, Burundi, Eritrea, Etiopia, Ghana, Kenya, Liberia, Malawi, Malta, Mosambik, Nigeria, Rwanda, Sao Tome, Sierra Leone, Somalia, Tanzania, Uganda, Zambia, Zimbabwe, Argentina, Bolivia, Belize, Brasil, Chile, Colombia, Costa Rica, Den dominikanske republikk, Ecuador, El Salvador, Guatemala, Haiti, Honduras, Mexico, Nicaragua, Panama, Paraguay, Peru, Uruguay, Venezuela, Europa, Midtøsten, Afrika, Australia, New Zealand, Singapore, Malaysia, Thailand, Indonesia, Filippinene, Vietnam, Brunei, Sri Lanka, Bangladesh, India, Korea, Hong Kong, Taiwan, Kina (Folkerepublikken)	Deler og arbeid - 3 år	5
9632	USA, Angola, Botswana, Burundi, Eritrea, Etiopia, Ghana, Kenya, Liberia, Malawi, Malta, Mosambik, Nigeria, Rwanda, Sao Tome, Sierra Leone, Somalia, Tanzania, Uganda, Zambia, Zimbabwe, Argentina, Bolivia, Belize, Brasil, Chile, Colombia, Costa Rica, Den dominikanske republikk, Ecuador, El Salvador, Guatemala, Haiti, Honduras, Mexico, Nicaragua, Panama, Paraguay, Peru, Uruguay, Venezuela, Europa, Midtøsten, Afrika, Australia, New Zealand, Singapore, Malaysia, Thailand, Indonesia, Filippinene, Vietnam, Brunei, Sri Lanka, Bangladesh, India, Korea, Hong Kong, Taiwan, Kina (Folkerepublikken)	Deler og arbeid - 3 år	5
9635	USA, Angola, Botswana, Burundi, Eritrea, Etiopia, Ghana, Kenya, Liberia, Malawi, Malta, Mosambik, Nigeria, Rwanda, Sao Tome, Sierra Leone, Somalia, Tanzania, Uganda, Zambia, Zimbabwe, Argentina, Bolivia, Belize, Brasil, Chile, Colombia, Costa Rica, Den dominikanske republikk, Ecuador, El Salvador, Guatemala, Haiti, Honduras, Mexico, Nicaragua, Panama, Paraguay, Peru, Uruguay, Venezuela, Europa, Midtøsten, Afrika, Australia, New Zealand, Singapore, Malaysia, Thailand, Indonesia, Filippinene, Vietnam, Brunei, Sri Lanka, Bangladesh, India, Korea, Hong Kong, Taiwan, Kina (Folkerepublikken)	Deler og arbeid - 3 år	5

Maskin- type	Land eller region der Maskinen er kjøpt	Garanti- periode	Typer av garanti- service
9636	USA, Angola, Botswana, Burundi, Eritrea, Etiopia, Ghana, Kenya, Liberia, Malawi, Malta, Mosambik, Nigeria, Rwanda, Sao Tome, Sierra Leone, Somalia, Tanzania, Uganda, Zambia, Zimbabwe, Argentina, Bolivia, Belize, Brasil, Chile, Colombia, Costa Rica, Den dominikanske republikk, Ecuador, El Salvador, Guatemala, Haiti, Honduras, Mexico, Nicaragua, Panama, Paraguay, Peru, Uruguay, Venezuela, Europa, Midtøsten, Afrika, Australia, New Zealand, Singapore, Malaysia, Thailand, Indonesia, Filippinene, Vietnam, Brunei, Sri Lanka, Bangladesh, India, Korea, Hong Kong, Taiwan, Kina (Folkerepublikken)	Deler og arbeid - 1 år	5
9636	Japan	Deler og arbeid - 1 år	6
9637	USA, Angola, Botswana, Burundi, Eritrea, Etiopia, Ghana, Kenya, Liberia, Malawi, Malta, Mosambik, Nigeria, Rwanda, Sao Tome, Sierra Leone, Somalia, Tanzania, Uganda, Zambia, Zimbabwe, Argentina, Bolivia, Belize, Brasil, Chile, Colombia, Costa Rica, Den dominikanske republikk, Ecuador, El Salvador, Guatemala, Haiti, Honduras, Mexico, Nicaragua, Panama, Paraguay, Peru, Uruguay, Venezuela, Europa, Midtøsten, Afrika, Australia, New Zealand, Singapore, Malaysia, Thailand, Indonesia, Filippinene, Vietnam, Brunei, Sri Lanka, Bangladesh, India, Korea, Hong Kong, Taiwan, Kina (Folkerepublikken)	Deler og arbeid - 3 år	5
9638	Europa, Midtøsten, Afrika	Deler og arbeid - 1 år	7
9640	Australia, New Zealand, Singapore, Malaysia, Thailand, Indonesia, Filippinene, Vietnam, Brunei, Sri Lanka, Bangladesh, India, Korea, Hong Kong, Taiwan, Kina (Folkerepublikken)	Deler - 3 år Arbeid - 1 år	5
9640	Europa, Midtøsten, Afrika	Deler og arbeid - 3	7

Maskin- type	Land eller region der Maskinen er kjøpt	Garanti- periode	Typer av garanti- service
9641	USA, Angola, Botswana, Burundi, Eritrea, Etiopia, Ghana, Kenya, Liberia, Malawi, Malta, Mosambik, Nigeria, Rwanda, Sao Tome, Sierra Leone, Somalia, Tanzania, Uganda, Zambia, Zimbabwe, Argentina, Bolivia, Belize, Brasil, Chile, Colombia, Costa Rica, Den dominikanske republikk, Ecuador, El Salvador, Guatemala, Haiti, Honduras, Mexico, Nicaragua, Panama, Paraguay, Peru, Uruguay, Venezuela, Europa, Midtøsten, Afrika, Australia, New Zealand, Singapore, Malaysia, Thailand, Indonesia, Filippinene, Vietnam, Brunei, Sri Lanka, Bangladesh, Korea, Hong Kong, Taiwan, Kina (Folkerepublikken)	Deler og arbeid - 3 år	5
9642	USA, Angola, Botswana, Burundi, Eritrea, Etiopia, Ghana, Kenya, Liberia, Malawi, Malta, Mosambik, Nigeria, Rwanda, Sao Tome, Sierra Leone, Somalia, Tanzania, Uganda, Zambia, Zimbabwe, Argentina, Bolivia, Belize, Brasil, Chile, Colombia, Costa Rica, Den dominikanske republikk, Ecuador, El Salvador, Guatemala, Haiti, Honduras, Mexico, Nicaragua, Panama, Paraguay, Peru, Uruguay, Venezuela, Europa, Midtøsten, Afrika, Australia, New Zealand, Singapore, Malaysia, Thailand, Indonesia, Filippinene, Vietnam, Brunei, Sri Lanka, Bangladesh, India, Korea, Hong Kong, Taiwan	Deler og arbeid - 1 år	5
9642	Japan	Deler og arbeid - 1 år	6
9643	Argentina, Bolivia, Belize, Brasil, Chile, Colombia, Costa Rica, Den dominikanske republikk, Ecuador, El Salvador, Guatemala, Haiti, Honduras, Mexico, Nicaragua, Panama, Paraguay, Peru, Uruguay, Venezuela, Brasil, Europa, Midtøsten, Afrika	Deler og arbeid - 1 år	7
9644	Australia, New Zealand, Singapore, Malaysia, Thailand, Indonesia, Filippinene, Vietnam, Brunei, Sri Lanka, Bangladesh, India, Korea, Hong Kong, Taiwan, Kina (Folkerepublikken)	Deler - 3 år Arbeid - 1 år	5
9644	Europa, Midtøsten, Afrika	Deler og arbeid - 3 år	7

Maskin- type	Land eller region der Maskinen er kjøpt	Garanti- periode	Typer av garanti- service
9645	USA, Angola, Botswana, Burundi, Eritrea, Etiopia, Ghana, Kenya, Liberia, Malawi, Malta, Mosambik, Nigeria, Rwanda, Sao Tome, Sierra Leone, Somalia, Tanzania, Uganda, Zambia, Zimbabwe, Argentina, Bolivia, Belize, Brasil, Chile, Colombia, Costa Rica, Den dominikanske republikk, Ecuador, El Salvador, Guatemala, Haiti, Honduras, Mexico, Nicaragua, Panama, Paraguay, Peru, Uruguay, Venezuela, Europa, Midtøsten, Afrika, Australia, New Zealand, Singapore, Malaysia, Thailand, Indonesia, Filippinene, Vietnam, Brunei, Sri Lanka, Bangladesh, India, Korea, Hong Kong, Taiwan, Kina (Folkerepublikken)	Deler og arbeid - 3 år	5
9646	USA, Angola, Botswana, Burundi, Eritrea, Etiopia, Ghana, Kenya, Liberia, Malawi, Malta, Mosambik, Nigeria, Rwanda, Sao Tome, Sierra Leone, Somalia, Tanzania, Uganda, Zambia, Zimbabwe, Argentina, Bolivia, Belize, Brasil, Chile, Colombia, Costa Rica, Den dominikanske republikk, Ecuador, El Salvador, Guatemala, Haiti, Honduras, Mexico, Nicaragua, Panama, Paraguay, Peru, Uruguay, Venezuela, Europa, Midtøsten, Afrika, Australia, New Zealand, Singapore, Malaysia, Thailand, Indonesia, Filippinene, Vietnam, Brunei, Sri Lanka, Bangladesh, India, Korea, Hong Kong, Taiwan, Kina (Folkerepublikken), Japan	Deler og arbeid - 4 år	5
9647	USA, Angola, Botswana, Burundi, Eritrea, Etiopia, Ghana, Kenya, Liberia, Malawi, Malta, Mosambik, Nigeria, Rwanda, Sao Tome, Sierra Leone, Somalia, Tanzania, Uganda, Zambia, Zimbabwe, Argentina, Bolivia, Belize, Brasil, Chile, Colombia, Costa Rica, Den dominikanske republikk, Ecuador, El Salvador, Guatemala, Haiti, Honduras, Mexico, Nicaragua, Panama, Paraguay, Peru, Uruguay, Venezuela, Europa, Midtøsten, Afrika, Australia, New Zealand, Singapore, Malaysia, Thailand, Indonesia, Filippinene, Vietnam, Brunei, Sri Lanka, Bangladesh, India, Korea, Hong Kong, Taiwan, Kina (Folkerepublikken), Japan	Deler og arbeid - 4 år	5

Maskin- type	Land eller region der Maskinen er kjøpt	Garanti- periode	Typer av garanti- service
9648	USA, Angola, Botswana, Burundi, Eritrea, Etiopia, Ghana, Kenya, Liberia, Malawi, Malta, Mosambik, Nigeria, Rwanda, Sao Tome, Sierra Leone, Somalia, Tanzania, Uganda, Zambia, Zimbabwe, Argentina, Bolivia, Belize, Brasil, Chile, Colombia, Costa Rica, Den dominikanske republikk, Ecuador, El Salvador, Guatemala, Haiti, Honduras, Mexico, Nicaragua, Panama, Paraguay, Peru, Uruguay, Venezuela, Europa, Midtøsten, Afrika, Australia, New Zealand, Singapore, Malaysia, Thailand, Indonesia, Filippinene, Vietnam, Brunei, Sri Lanka, Bangladesh, India, Korea, Hong Kong, Taiwan, Kina (Folkerepublikken), Japan	Deler og arbeid - 4 år	5
9649	USA, Angola, Botswana, Burundi, Eritrea, Etiopia, Ghana, Kenya, Liberia, Malawi, Malta, Mosambik, Nigeria, Rwanda, Sao Tome, Sierra Leone, Somalia, Tanzania, Uganda, Zambia, Zimbabwe, Argentina, Bolivia, Belize, Brasil, Chile, Colombia, Costa Rica, Den dominikanske republikk, Ecuador, El Salvador, Guatemala, Haiti, Honduras, Mexico, Nicaragua, Panama, Paraguay, Peru, Uruguay, Venezuela, Europa, Midtøsten, Afrika, Australia, New Zealand, Singapore, Malaysia, Thailand, Indonesia, Filippinene, Vietnam, Brunei, Sri Lanka, Bangladesh, India, Korea, Hong Kong, Taiwan, Kina (Folkerepublikken), Japan	Deler og arbeid - 4 år	5
9694	USA, Angola, Botswana, Burundi, Eritrea, Etiopia, Ghana, Kenya, Liberia, Malawi, Malta, Mosambik, Nigeria, Rwanda, Sao Tome, Sierra Leone, Somalia, Tanzania, Uganda, Zambia, Zimbabwe, Argentina, Bolivia, Belize, Brasil, Chile, Colombia, Costa Rica, Den dominikanske republikk, Ecuador, El Salvador, Guatemala, Haiti, Honduras, Mexico, Nicaragua, Panama, Paraguay, Peru, Uruguay, Venezuela, Europa, Midtøsten, Afrika, Australia, New Zealand, Singapore, Malaysia, Thailand, Indonesia, Filippinene, Vietnam, Brunei, Sri Lanka, Bangladesh, India, Korea, Hong Kong, Taiwan, Kina (Folkerepublikken), Japan	Deler og arbeid - 3 år	5

Maskin- type	Land eller region der Maskinen er kjøpt	Garanti- periode	Typer av garanti- service
9695	USA, Angola, Botswana, Burundi, Eritrea, Etiopia, Ghana, Kenya, Liberia, Malawi, Malta, Mosambik, Nigeria, Rwanda, Sao Tome, Sierra Leone, Somalia, Tanzania, Uganda, Zambia, Zimbabwe, Argentina, Bolivia, Belize, Brasil, Chile, Colombia, Costa Rica, Den dominikanske republikk, Ecuador, El Salvador, Guatemala, Haiti, Honduras, Mexico, Nicaragua, Panama, Paraguay, Peru, Uruguay, Venezuela, Europa, Midtøsten, Afrika, Australia, New Zealand, Singapore, Malaysia, Thailand, Indonesia, Filippinene, Vietnam, Brunei, Sri Lanka, Bangladesh, India, Korea, Hong Kong, Taiwan, Kina (Folkerepublikken), Japan	Deler og arbeid - 3 år	5

Typer av garantiservice

Ved behov utfører Kundens Serviceleverandør reparasjon eller utskifting avhengig av hvilken type garantiservice som er oppgitt for Maskinen i tabellen ovenfor, og slik det er beskrevet nedenfor. Tidspunktet for service avhenger av når Kunden ber om service, og med forbehold om tilgjengelighet av deler. Servicenivåer er målet for svartid, ikke garantert svartid. Det er mulig at nivået av garantiservice som er oppgitt, ikke er tilgjengelig alle steder i verden, og ekstra betaling kan kreves utenfor Serviceleverandørens vanlige serviceområde. Kontakt den lokale representanten for Serviceleverandøren eller forhandleren for å høre hvilke regler som gjelder i Norge.

1. Service for "CRU" (Customer Replaceable Unit)

Lenovo sender CRUer som Kunden installerer. CRUer i klasse 1 er enkle å installere, mens CRUer i klasse 2 krever noe teknisk innsikt og verktøy. Informasjon om CRUer og instruksjoner for utskiftning leveres sammen med Maskinen og er på forespørsel fra Kunden tilgjengelig fra Lenovo. Kunden kan be en Serviceleverandør om å installere CRUer vederlagsfritt under den typen garantiservice som gjelder for Maskinen. Lenovo oppgir i materialet som leveres sammen med en utskiftnings-CRU, om en defekt CRU må returneres. Når retur kreves, blir returinstruksjoner og emballasje levert sammen med utskiftnings-CRUen, og 2) Kunden kan belastes for utskiftnings-CRUen hvis Lenovo ikke mottar den defekte CRUen innen 30 dager fra Kunden mottar utskiftningsenheten.

2. Service på stedet

Kundens Serviceleverandør reparerer eller skifter ut Maskinen som har feil, hos Kunden, og kontrollerer at den fungerer. Kunden må sørge for et passende arbeidsområde der Lenovo-maskinen kan tas fra hverandre og settes sammen igjen. Området må være rent og godt opplyst og passe til formålet. For enkelte Maskiner kan enkelte reparasjoner kreve at Maskinen sendes til et utpekt servicesenter.

3. Service med budtjeneste / på servicesenter *

Kunden kobler fra Maskinen som har feil, mens Serviceleverandøren sørger for å hente Maskinen. Kunden får en kartong som kan brukes ved forsendelse av Maskinen til et utpekt servicesenter. Et bud henter Kundens Maskin og leverer den til servicesenteret. Etter at Maskinen er reparert eller skiftet ut, ordner servicesenteret med levering av Maskinen til Kunden. Kunden er ansvarlig for installering og kontroll.

4. Service med innlevering eller innsending

Kunden leverer eller sender, slik Kundens Serviceleverandør oppgir (forhåndsbetalt hvis ikke noe annet er oppgitt), Maskinen som har feil, forsvarlig innpakket, til et angitt sted. Når Maskinen er reparert eller skiftet ut, gjøres den tilgjengelig for henting eller, ved service med innsending, returneres den til Kunden. Frakt betales av Lenovo hvis ikke Kundens Serviceleverandør oppgir noe annet. Kunden er ansvarlig for installering og kontroll av Maskinen.

5. CRU og service på stedet

Denne typen av garantiservice er en kombinasjon av type 1 og type 2 (se ovenfor).

6. CRU og service med budtjeneste / på servicesenter

Denne typen av garantiservice er en kombinasjon av type 1 og type 3 (se ovenfor).

7. CRU og service med innlevering eller innsending

Denne typen av garantiservice er en kombinasjon av type 1 og type 4 (se ovenfor).

Når type 5, 6 eller 7 av garantiservice er oppgitt, avgjør Serviceleverandøren hvilken type garantiservice som er aktuell for reparasjonen.

* Denne typen service kalles i noen land ThinkPad EasyServ eller EasyServ.

Ved behov for garantiservice kontakter Kunden en Serviceleverandør. I Canada eller USA ringer du 1-800-426-7378. For andre land finner du telefonnumrene nedenfor.

Verdensomfattende telefonliste

Telefonnumre kan endres uten forhåndsvarsel. Du finner oppdaterte telefonnumre på adressen <http://www.lenovo.com/support/phone>.

Land eller region	Telefonnummer
Afrika	Afrika: +44 (0)1475-555-055 Sør-Afrika: +27-11-3028888 og 0800110756 Sentral-Afrika: Kontakt nærmeste Lenovo Business Partner

Land eller region	Telefonnummer
Argentina	0800-666-0011 (spansk)
Australia	131-426 (engelsk)
Østerrike	Støtte for å komme i gang: 01-24592-5901 Garantiservice og støtte: 01-211-454-610 (tysk)
Belgia	Støtte for å komme i gang: 02-210-9820 (nederlandsk) Støtte for å komme i gang: 02-210-9800 (fransk) Garantiservice og støtte: 02-225-3611 (nederlandsk, fransk)
Bolivia	0800-10-0189 (spansk)
Brasil	Sao Paulo-region: (11) 3889-8986 Utenfor Sao Paulo-regionen: 0800-701-4815 (Brasiliansk portugisisk)
Canada	Toronto: 416-383-3344 Utenfor Toronto: 1-800-565-3344 (engelsk, fransk)
Chile	800-361-213 eller 188-800-442-488 Gratisnummer (spansk)
Kina	86-10-58851110 800-990-8888 (mandarin)
Kina (Hong Kong S.A.R.)	ThinkCentre - jobb-PC: 8205-0333 Multimedia - hjemme-PC: 800-938-228 (kantonesisk, engelsk og mandarin)
Kina (Macau S.A.R.)	ThinkCentre (direktelinje for tekniske spørsmål): 0800-336 (kantonesisk, engelsk og mandarin)
Colombia	1-800-912-3021 (spansk)
Costa Rica	0-800-011-1029 (spansk)
Kroatia	0800-0426
Kypros	+357-22-841100
Tsjekkia	+420-2-7213-1316
Danmark	Støtte for å komme i gang: 4520-8200 Garantiservice og støtte: 7010-5150 (dansk)
Den dominikanske republikk	1-866-434-2080 (spansk)
Ecuador	1-800-426911 (spansk)
El Salvador	800-6264 (spansk)
Estland	+372 6776793 +372 66 00 800

Land eller region	Telefonnummer
Finland	Støtte for å komme i gang: 09-459-6960 Garantiservice og støtte: +358-800-1-4260 (finsk)
Frankrike	Støtte for å komme i gang: 0238-557-450 Garantiservice og støtte (maskinvare): 0810-631-213 Garantiservice og støtte (programvare): 0810-631-020 (fransk)
Tyskland	Støtte for å komme i gang: 07032-15-49201 Garantiservice og støtte: 01805-25-35-58 (tysk)
Hellas	+30-210-680-1700
Guatemala	1800-624-0051 (spansk)
Honduras	Tegucigalpa: 232-4222 San Pedro Sula: 552-2234 (spansk)
Ungarn	+36-1-382-5720
India	1800-425-6666 +91-80-2678-8970 (engelsk)
Indonesia	800-140-3555 (engelsk) 62-21-251-2955 (bahasa, indonesisk)
Irland	Støtte for å komme i gang: 01-815-9202 Garantiservice og støtte: 01-881-1444 (engelsk)
Israel	Givat Shmuel Service Center: +972-3-531-3900 (hebraisk, engelsk)
Italia	Støtte for å komme i gang: 02-7031-6101 Garantiservice og støtte: +39-800-820094 (italiensk)
Japan	Gratisnummer: 0120-20-5550 Internasjonalt: +81-46-266-4716 Numrene ovenfor besvares med en japansk talemelding. Hvis du ønsker engelsk, venter du til den japanske talemeldingen er ferdig, og deretter vil operatøren svare deg. Be om "English support please" for å bli overført til en engelskspråklig operatør. Programvare: 0120-558-695 Internasjonale samtaler: +81-44-200-8666 (japansk)
Korea	1588-5801 (koreansk)
Latvia	+386-61-1796-699
Litauen	+386-61-1796-699

Land eller region	Telefonnummer
Luxemburg	+352-298-977-5063 (fransk)
Malaysia	1800-88-8558 (engelsk, bahasa, melayu)
Malta	+356-23-4175
Mexico	001-866-434-2080 (spansk)
Midtøsten	+44 (0)1475-555-055
Nederland	+31-20-514-5770 (nederlandsk)
New Zealand	0800-733-222 (engelsk)
Nicaragua	001-800-220-1830 (spansk)
Norge	Støtte for å komme i gang: 6681-1100 Garantiservice og støtte: 8152-1550 (norsk)
Panama	001-866-434-2080 (gratisnummer) 206-6047 (spansk)
Peru	0-800-50-866 (spansk)
Filippinene	800-1888-1426 (engelsk) 63-2-995-8420 (filippinsk)
Polen	+48-22-878-6999
Portugal	+351-21-892-7147 (portugisisk)
Romania	+4-021-224-4015
Russland	+7-495-258-6300 +8-800-200-6300 (russisk)
Singapore	1800-3172-888 (engelsk, bahasa, melayu)
Slovakia	+421-2-4954-1217
Slovenia	+386-1-4796-699
Spania	91-714-7983 0901-100-000 (spansk)
Sri Lanka	+9411 2493547 +9411 2493548 (engelsk)
Sverige	Støtte for å komme i gang: 08-477-4420 Garantiservice og støtte: 077-117-1040 (svensk)
Sveits	Støtte for å komme i gang: 058-333-0900 Garantiservice og støtte: 0800-55-54-54 (tysk, fransk, italiensk)

Land eller region	Telefonnummer
Taiwan	886-2-8723-9799 0800-000-700 (mandarin)
Thailand	1-800-299-229 (thai)
Tyrkia	00800-4463-2041 (tyrkisk)
Storbritannia	Støtte for å komme i gang: 01475-555-055 Garantistøtte: 08705-500-900 (engelsk)
USA	1-800-426-7378 (engelsk)
Uruguay	000-411-005-6649 (spansk)
Venezuela	0-800-100-2011 (spansk)
Vietnam	Nordlige områder og Hanoi: 84-4-843-6675 For det sørlige området og Ho Chi Minh-byen: 84-8-829-5160 (engelsk, vietnamesisk)

Guarantee supplement for Mexico

This supplement is considered part of Lenovo's Statement of Limited Warranty and shall be effective solely and exclusively for products distributed and commercialized within Mexico. In the event of a conflict, the terms of this supplement shall apply.

All software programs pre-loaded in the equipment shall only have a thirty-(30) day guarantee for installation defects from the date of purchase. Lenovo is not responsible for the information in such software programs and/or any additional software programs installed by you or installed after purchase of the product.

Services not chargeable to the guarantee shall be charged to the final user, prior an authorization.

In the event that warranty repair is required please call the Customer Support Center at 001-866-434-2080, where you will be directed to the nearest Authorized Service Center. Should no Authorized Service Center exist in your city, location or within 70 kilometers of your city or location, the guarantee includes any reasonable delivery charges related to the transportation of the product to our nearest Authorized Service Center. Please call the nearest Authorized Service Center to obtain the necessary approvals or information concerning the shipment of the product and the shipment address.

To obtain a list of Authorized Service Centers, please visit <http://www.lenovo.com/mx/es/servicios>

Manufactured by:
SCI Systems de México, S.A. de C.V.
Av. De la Solidaridad Iberoamericana No. 7020
Col. Club de Golf Atlas
El Salto, Jalisco, México
C.P. 45680,
Tel. 01-800-3676900

Marketing by:
Lenovo de México, Comercialización y
Servicios, S. A. de C. V.
Alfonso Nápoles Gándara No 3111
Parque Corporativo de Peña Blanca
Delegación Álvaro Obregón
México, D.F., México
C.P. 01210,
Tel. 01-800-00-325-00

Kapittel 4. Deler som kunden kan skifte ut (CRUer)

CRUer (Customer Replacement Units) er maskindeler som kan oppgraderes eller skiftes ut av kunden. Det er to typer CRUer: CRUer i klasse 1 er enkle å installere, mens CRUer i klasse 2 krever noe teknisk innsikt og verktøy.

Brukerhåndboken og boken *Bytte ut maskinvare* inneholder opplysninger om hvordan du bytter ut CRUer i klasse 1 og 2. Den neste tabellen viser hvilke bøker som inneholder opplysningene du trenger.

Hvis du vil åpne en bok, går du til Start-menyen på Windows-skrivebordet og velger **Alle programmer, Online Books** og klikker på **Online Books**. Dobbeltklikk på riktig bok for din maskintype. Du finner flere opplysninger om hvordan du får tilgang til *brukerhåndboken* og boken *Bytte ut maskinvare*, under "Mappen Online Books" på side 247. Du kan også laste ned bøker (på engelsk) fra Lenovos nettsted på adressen <http://www.lenovo.com>.

Merk: Bruk bare maskindeler fra Lenovo. Kapittel 3, "Lenovo Garantibetingelser", på side 251 inneholder opplysninger om garantibetingelser for CRUer og maskintyper.

6490, 8700, 8701, 8705, 8717, 8973, 8975, 8979, 8983, 8985, 8991, 8995, 9265, 9269, 9277, 9279, 9283, 9287, 9379, 9383, 9387, 9389, 9631, 9635, 9637, 9646, 9648, 9694		
	Brukerhåndbok	Bytte ut maskinvare, brukerhåndbok
Klasse 1-CRUer		
Optisk stasjon	x	x
Harddiskstasjon	x	x
Minne	x	x
Mus	x	x
Tastatur	x	x
Kort	x	x
Klasse 2-CRUer		
Diskettstasjon	x	x
Kjøleribbe		x
Strømforsyningsenhet		x
Systemvifte		x

6491, 8013, 8702, 8706, 8716, 8970, 8972, 8976, 8980, 8982, 8986, 8992, 8994, 9266, 9276, 9278, 9282, 9286, 9288, 9374, 9378, 9380, 9384, 9628, 9632, 9647, 9649, 9695

	Brukerhåndbok	Bytte ut maskinvare, brukerhåndbok
Klasse 1-CRUer		
Mus	x	x
Tastatur	x	x
Kort	x	x
Klasse 2-CRUer		
Optisk stasjon	x	x
Harddiskstasjon	x	x
Diskettstasjon	x	x
Minne	x	x
Kjøleribbe		x
Systemvifte		x

Maskintype: 9636, 9638, 9640, 9641, 9642, 9643, 9644 og 9645

	Brukerhåndbok	Bytte ut maskinvare, brukerhåndbok
Klasse 1-CRUer		
Tastatur	x	x
Mus	x	x
Harddiskstasjon	x	x
Minne	x	x
Kort	x	x
Høytaler	x	x
Optisk stasjon	x	x
Diskettstasjon	x	x
Klasse 2-CRUer		
Kjøleribbe		x
Systembord		x
Strømforsyningsenhet		x
Systemvifter		x

Kapittel 5. Merknader

Noe av teksten nedenfor står på engelsk, fordi den stort sett kun er relevant for de nevnte landene.

Det er ikke sikkert at Lenovo tilbyr produktene, tjenestene eller funksjonene som er beskrevet her, i alle land. Du får opplysninger om hvilke produkter, tjenester og funksjoner som er tilgjengelige i Norge, ved å kontakte din Lenovo-representant. Henvisninger til Lenovos produkter, programmer eller tjenester betyr ikke at det bare er de som kan benyttes. Andre produkter, programmer eller tjenester som har tilsvarende funksjoner, kan brukes i stedet, forutsatt at de ikke gjør inngrep i noen av Lenovos patent- eller opphavsrettigheter eller andre lovbeskyttede rettigheter. Vurdering og verifisering ved bruk sammen med andre produkter, programmer eller tjenester er brukerens ansvar.

Lenovo kan ha patent på eller patentsøknader til behandling for de produktene som er omtalt i denne publikasjonen. At du har mottatt denne publikasjonen, innebærer ikke at du får lisensrettighet til disse produktene. Du kan sende spørsmål angående lisenser til

*Lenovo (United States), Inc.
1009 Think Place - Building One
Morrisville, NC 27560
U.S.A.*

Attn.: Lenovo Director of Licensing

LENOVO LEVERER DENNE BOKEN SOM DEN ER ("AS IS") UTEN FORPLIKTELSE AV NOE SLAG, UTTRYKT ELLER UNDERFORSTÅTT, INKLUDERT GARANTIER VEDRØRENDE SALGBARHET ELLER ANVENDELSE FOR ET BESTEMT FORMÅL. Enkelte land tillater ikke begrensninger i lovbestemte rettigheter. I den grad dette er tilfellet, gjelder ikke ovenfornevnte begrensninger.

Denne boken kan inneholde tekniske unøyaktigheter eller typografiske feil. Opplysninger i disse dokumentene kan bli endret. Slike endringer blir tatt med i nye utgaver av dokumentene. Lenovo kan uten varsel endre produktene og/eller programmene som er beskrevet i denne boken.

Produktene som beskrives i dette dokumentet, er ikke beregnet på bruk i implantert utstyr eller annet livsoppretholdende utstyr der funksjonsfeil kan føre til død eller skade på person. Informasjonen i dette dokumentet har ingen innvirkning på eller endrer ikke Lenovos produktspesifikasjoner eller garantier. Inngenting i dette dokumentet skal fungere som en uttrykt eller underforstått lisens eller skadesløsholdelse under opphavsrettighetene til Lenovo eller

trejeparter. All informasjon i dette dokumentet er innhentet i bestemte miljøer og presenteres som en illustrasjon. Resultater som er innhentet i andre operativmiljøer, kan variere.

Lenovo kan bruke og distribuere opplysninger du kommer med, på den måten selskapet anser som hensiktsmessig, uten noen forpliktelser overfor deg.

Eventuelle henvisninger til nettsteder som ikke tilhører Lenovo, er bare til orientering og fungerer ikke på noen måte som støtte for disse nettstedene. Innholdet på disse nettstedene er ikke en del av dette Lenovo-produktet, og bruk av disse nettstedene skjer på eget ansvar.

Alle ytelsesdataene du finner i dette dokumentet, ble hentet i et kontrollert miljø. Resultatene du kan oppnå i andre operativmiljøer, kan variere betraktelig. Noen av målingene er foretatt på systemer som er under utvikling, og det er ikke sikkert at du oppnår samme resultat på alminnelige tilgjengelige systemer. Noen av målingene kan dessuten ha blitt beregnet ved hjelp av ekstrapolasjon. De faktiske resultatene kan variere. Brukerne av dette dokumentet bør bekrefte dataene som brukes i sitt bestemte miljø.

Merknad om ut signaler for TV

Informasjonen nedenfor gjelder for modeller som har forhåndsinstallert utstyr for ut signaler for TV.

Denne enheten inneholder teknologi for opphavsrettsbeskyttelse som er beskyttet av amerikanske patentrettigheter og andre opphavsrettigheter eid av Macrovision Corporation og andre rettighetsinnehavere. Bruk av denne teknologien må autoriseres av Macrovision Corporation, og er kun ment for hjemmebruk og annen begrenset bruk når det gjelder visning, med mindre det foreligger tillatelse om noe annet fra Macrovision. Det er ikke tillatt å ta fra hverandre eller demontere enheten.

Varemerker

Navnene nedenfor er varemerker for Lenovo i USA og/eller andre land.

Lenovo

Rescue and Recovery

ThinkCentre

ThinkPad

ThinkVantage

IBM er et varemerke for International Business Machines Corporation i USA og/eller andre land.

Andre navn kan være varemerker for andre selskaper.

Elektronisk stråling

Følgende informasjon gjelder Lenovo-PCer, maskintype 6490, 6491, 8013, 8700, 8701, 8702, 8705, 8706, 8716, 8717, 8970, 8972, 8973, 8975, 8976, 8979, 8980, 8982, 8983, 8985, 8986, 8991, 8992, 8994, 8995, 9265, 9266, 9269, 9276, 9277, 9278, 9279, 9282, 9283, 9286, 9287, 9288, 9374, 9378, 9379, 9380, 9383, 9384, 9387, 9389, 9628, 9631, 9632, 9635, 9636, 9637, 9638, 9640, 9641, 9642, 9643, 9644, 9645, 9646, 9647, 9648, 9649, 9694 og 9695.

Elektromagnetisk stråling

Dette utstyret er testet og tilfredsstillende klasse B-grensene for digitale enheter i henhold til Part 15 i FCC-reglene. Hvis utstyret ikke blir installert og brukt i samsvar med brukerhåndboken, kan det forstyrre radio- og fjernsynsmottak. Utstyret er prøvd og gir en rimelig beskyttelse mot slike forstyrrelser, men det er ingen garanti mot at slike forstyrrelser kan forekomme. Hvis utstyret likevel er årsak til forstyrrelse på radio- og fjernsynsmottak, noe som kan fastlegges ved at utstyret blir slått av og på, ber vi brukeren om å

- endre antenneforholdene
- flytte utstyret vekk fra mottakerapparatet
- plugge utstyret til en annen stikkontakt slik at utstyret og mottakerapparatet blir koblet til forskjellige sikringskretser
- be en autorisert forhandler eller servicepersonale om hjelp

Lenovo er ikke ansvarlig for radio- og fjernsynsforstyrrelser som oppstår fordi det er brukt kabler eller utstyr som ikke er anbefalt av Lenovo, eller fordi det er gjort ikke godkjente endringer på utstyret. Slike endringer kan føre til at godkjenning for bruk av utstyret blir ugyldig.

Brukeren kan kontakte autoriserte forhandlere eller teknisk personell i radio- og fjernsynsbransjen og be om andre forslag til løsninger. Bruk av utstyret skjer på to vilkår: (1) Denne enheten skal ikke forårsake farlig interferens. (2) Denne enheten må godta all interferens som mottas, også interferens som forårsaker uønsket drift.

Ansvarlig part:

Lenovo (United States) Inc.
One Manhattanville Road
Purchase, New York 10577
Telefon: (919) 254-5900



Tested To Comply
With FCC Standards

FOR HOME OR OFFICE USE

Industry Canada Class B emission compliance statement

This Class B digital apparatus complies with Canadian ICES-003.

Tilpasning til EØS-avtalen og EU-direktiv

Dette produktet er i samsvar med EØS-avtalen og vernekravene i EUs rådsdirektiv 89/336/EØF om tilnærming av medlemsstatenes lovgivning om elektromagnetisk kompatibilitet. Lenovo tar intet ansvar for manglende samsvar med disse kravene som følge av en ikke godkjent endring av utstyret (deriblant installering av tilleggskort fra andre leverandører).

Dette produktet er testet og tilfredsstillende klasse B-grensene for IT-utstyr i henhold til CISPR 22/europeisk standard EN 55022. Grensene for utstyr i klasse B er etablert for typiske boligstrøk for å gi rimelig beskyttelse mot forstyrrelser med lisensiert kommunikasjonsutstyr.

Korean Class B statement

이 기기는 가정용으로 전자파 적합등록을 한 기기로서
주거지역에서는 물론 모든 지역에서 사용할 수 있습니다.

Japanese VCCI Class B statement

この装置は、情報処理装置等電波障害自主規制協議会（VCCI）の基準に基づきクラスB情報技術装置です。この装置は、家庭環境で使用することを目的としていますが、この装置がラジオやテレビジョン受信機に近接して使用されると、受信障害を引き起こすことがあります。
取扱説明書に従って正しい取り扱いをして下さい。

Japanese compliance for products less than or equal to 20A per phase

高調波電流規格 JIS C 61000-3-2 適合品

Lenovo product service information for Taiwan

台灣 Lenovo 產品服務資訊如下：
荷蘭商思惟電腦產品股份有限公司台灣分公司
台北市信義區信義路五段七號十九樓之一
服務電話：0800-000-700

Federal Communications Commission (FCC) and telephone company requirements

1. This device complies with Part 68 of the FCC rules. A label is affixed to the device that contains, among other things, the FCC registration number, USOC, and Ringer Equivalency Number (REN) for this equipment. If these numbers are requested, provide this information to your telephone company.

Merk: If the device is an internal modem, a second FCC registration label is also provided. You may attach the label to the exterior of the computer in which you install the Lenovo modem, or you may attach the label to the external DAA, if you have one. Place the label in a location that is easily accessible, should you need to provide the label information to the telephone company.

2. The REN is useful to determine the quantity of devices you may connect to your telephone line and still have those devices ring when your number is called. In most, but not all areas, the sum of the RENs of all devices should not exceed five (5). To be certain of the number of devices you may connect to your line, as determined by the REN, you should call your local telephone company to determine the maximum REN for your calling area.
3. If the device causes harm to the telephone network, the telephone company may discontinue your service temporarily. If possible, they will notify you in advance; if advance notice is not practical, you will be notified as soon as possible. You will be advised of your right to file a complaint with the FCC.
4. Your telephone company may make changes in its facilities, equipment, operations, or procedures that could affect the proper operation of your equipment. If they do, you will be given advance notice to give you an opportunity to maintain uninterrupted service.

5. If you experience trouble with this product, contact your authorized reseller or call the Customer Support Center. In the United States, call **1-800-426-7378**. In Canada, call **1-800-565-3344**. You may be required to present proof of purchase.

The telephone company may ask you to disconnect the device from the network until the problem has been corrected, or until you are sure the device is not malfunctioning.

6. No customer repairs are possible to the device. If you experience trouble with the device, contact your Authorized Reseller or see the Diagnostics section of this manual for information.
7. This device may not be used on coin service provided by the telephone company. Connection to party lines is subject to state tariffs. Contact your state public utility commission or corporation commission for information.
8. When ordering network interface (NI) service from the local Exchange Carrier, specify service arrangement USOC RJ11C.

Canadian Department of Communications certification label

NOTICE: The Industry Canada label identifies certified equipment. This certification means that the equipment meets telecommunications network protective, operational and safety requirements as prescribed in the appropriate Terminal Equipment Technical Requirements documents. The Department does not guarantee the equipment will operate to the user's satisfaction.

Before installing this equipment, users should ensure that it is permissible to be connected to the facilities of the local telecommunications company. The equipment must also be installed using an acceptable method of connection. The customer should be aware that compliance with the above conditions may not prevent degradation of service in some situations. Repairs to certified equipment should be coordinated by a representative designated by the supplier. Any repairs or alterations made by the user to this equipment, or equipment malfunctions, may give the telecommunications company cause to request the user to disconnect the equipment.

Users should ensure for their own protection that the electrical ground connections of the power utility, telephone lines, and internal metallic water pipe system, if present, are connected together. This precaution may be particularly important in rural areas.

Caution: Users should not attempt to make such connections themselves, but should contact the appropriate electric inspection authority, or electrician, as appropriate.

NOTICE: The Ringer Equivalence Number (REN) assigned to each terminal device provides an indication of the maximum number of terminals allowed to

be connected to a telephone interface. The termination on an interface may consist of any combination of devices subject only to the requirement that the sum of the Ringer Equivalence Numbers of all the devices does not exceed 5.

Strømledning

Av sikkerhetshensyn er dette produktet utstyrt med en strømledning med forskriftsmessig jordet tilkoblingsplugg. Du må koble strømledningen til en forskriftsmessig jordet stikkontakt, slik at du unngår å få elektrisk støt.

Strømledninger som Lenovo leverer i USA og Canada, er registrert av Underwriter's Laboratories (UL) og sertifisert av Canadian Standards Association (CSA).

Enheter som bruker 115 volt: Bruk en ledning som er registrert i UL og godkjent av CSA bestående av minimum 18 AWG, type SVT eller SJT, jordet, ikke lenger en 4,5 meter, og med jordet tilkoblingsplugg (parallell) for 15 ampere, 125 volt-

Enheter som bruker 230 volt (USA): Bruk en ledning som er registrert i UL og godkjent av CSA, bestående av minimum 18 AWG, type SVT eller SJT, jordet, ikke mer enn 4,5 meter lang og med jordet tilkoblingsplugg (tandem) for 15 ampere, 250 volt.

Enheter som bruker 230 volt: Bruk en strømledning med forskriftsmessig jordet tilkoblingsplugg. Ledningen må være godkjent i landet der utstyret skal installeres.

Lenovo-strømledninger for et bestemt land eller en bestemt region er vanligvis bare tilgjengelige i vedkommende land eller region.

For enheter som skal brukes i Tyskland: Strømledningene må være sikkerhetsgodkjent. Bruk strømledninger av typen H05VV-F, 3G, 0,75 mm², eller bedre, i Tyskland. Bruk riktig type strømledning i andre land.

Delenummer for strømledning	Brukes i disse landene og regionene
24R2633	Japan
39M5067	Argentina, Paraguay, Uruguay
39M5080	Antigua og Barbuda, Aruba, Bahamas, Barbados, Belize, Bermuda, Bolivia, Turks- og Caicosøyene, Canada, Caymanøyene, Costa Rica, Columbia, Cuba, Den dominikanske republikk, De nederlandske antiller, Ecuador, El Salvador, Filippinene, Guam, Guatemala, Haiti, Honduras, Jamaica, Mexico, Mikronesiaføderasjonen, Nicaragua, Panama, Peru, Saudi-Arabia, Thailand, Taiwan, USA, Venezuela

Delenummer for strømledning	Brukes i disse landene og regionene
39M5102	Australia og New Zealand
39M5122	Afghanistan, Albania, Algerie, Andorra, Angola, Armenia, Østerrike, Aserbajdsjan, Hviterussland, Belgia, Benin, Bosnia-Hercegovina, Bulgaria, Burkina Faso, Burundi, Kambodsja, Kamerun, Kapp Verde, Den sentralafrikanske republikk, T Chad, Komorene, Kongo (Den demokratiske republikken), Kongo (Republikken), Elfenbenskysten, Kroatia (Republikken), Tsjekkia, Dahomey, Djibouti, Egypt, Ekvatorial-Guinea, Eritrea, Estland, Etiopia, Finland, Frankrike, Fransk Guyana, Fransk Polynesia, Gabon, Georgia, Tyskland, Hellas, Guadeloupe, Guinea, Guinea Bissau, Ungarn, Island, Indonesia, Iran, Kasakhstan, Kirgisistan, Laos (Den demokratiske folkerepublikken), Latvia, Libanon, Litauen, Luxemburg, Makedonia (Den tidligere jugoslaviske republikken), Madagaskar, Mali, Martinique, Mauritania, Mauritius, Mayotte, Moldova (Republikken), Monaco, Mongolia, Marokko, Mosambik, Nederland, Ny-Caledonia, Niger, Norge, Polen, Portugal, Réunion, Romania, Russland, Rwanda, Sao Tome og Principe, Saudi Arabia, Senegal, Serbia, Slovakia, Slovenia (Republikken), Somalia, Spania, Surinam, Sverige, Den syriske arabiske republikk, Tadsjikistan, Tahiti, Togo, Tunisia, Tyrkia, Turkmenistan, Ukraina, Øvre Volta, Usbekistan, Vanuatu, Vietnam, Wallis og Futuna, Jugoslavia (Den føderale republikk), Zaire
39M5129	Danmark
39M5143	Bangladesh, Lesotho, Kina (Macao S.A.R), Maldivene, Namibia, Nepal, Pakistan, Samoa, Sri Lanka, Swaziland, Sør-Afrika, Uganda
39M5150	Abu Dhabi, Australia, Bahrain, Botswana, Brunei Darussalem, De forente arabiske emiratene (Dubai), Storbritannia, Dominica, Fiji, Gambia, Ghana, Grenada, Guyana, Irak, Irland, Jemen, Jordan, Kanaløyene, Kenya, Kina (Hong Kong S.A.R), Kiribati, Kuwait, Kypros, Liberia, Malawi, Malaysia, Malta, Myanmar (Burma), Nauru, New Zealand, Nigeria, Oman, Papua New Guinea, Qatar, Saint Kitts og Nevis, Saint Lucia, Saint Vincent og Grenadinene, Seychellene, Sierra Leone, Singapore, Sudan, Tanzania (Forbundsrepublikken), Trinidad & Tobago, Zambia, Zimbabwe
39M5151	Kina (Hongkong S.A.R.), Korea
39M5157	Liechtenstein, Sveits
39M5164	Chile, Italia, Libya (Den libyske arabiske jamahiriya)
39M5171	Israel
39M5205	Kina
39M5212	Korea
39M5232	Brasil
39M5246	Taiwan
41R3175	India

PVC-ledning

ADVARSEL: Når du tar i ledningen til dette produktet eller ledninger i forbindelse med tilleggsutstyr som selges sammen med dette produktet, kan du komme i kontakt med bly, et kjemisk stoff som kan forårsake kreft, medfødte misdannelser hos spedbarn eller andre reproduksjonsskader. *Vask hendene godt etter kontakt med slike ledninger.*

Merknader om avfall fra elektriske og elektroniske produkter (WEEE)

Lenovo oppfordrer eiere av IT-utstyr om å gjenvinne utstyret når det ikke lenger skal brukes. Lenovo tilbyr en rekke programmer og tjenester for å hjelpe eiere av slikt utstyr med gjenvinning av IT-produkter. Du finner mer informasjon om dette på Lenovos nettsted på adressen <http://www.pc.ibm.com/ww/lenovo/about/environment/>.

Den europeiske union (EU) og WEEE-direktivet

WEEE-direktivet (Waste of Electrical and Electronic Equipment) gjelder bare land i EU og Norge. Produkter er merket i samsvar med EU-direktiv 2002/96/EC vedrørende avfall fra elektriske og elektroniske produkter (WEEE). Direktivet fastsetter rammeverket for retur og gjenvinning av kasserte elektriske og elektroniske produkter som gjelder for alle EU-land. Merkingen brukes på forskjellige produkter for å angi at produktet ikke skal kastes, men i stedet gjenvinnes i henhold til dette direktivet.

Elektrisk og elektronisk utstyr (EE) som er WEEE-merket i henhold til Annex IV i WEEE-direktivet, må ikke kastes som usortert avfall på kommunale depoter eller avfallsanlegg. Brukere av EE-utstyr må følge rammeverket som er tilgjengelig for retur, gjenvinning og gjenbruk av slikt utstyr for å minimere mulige skadevirkninger på miljø og helse som skyldes farlige stoffer. Du finner mer informasjon om WEEE på denne adressen: <http://www.lenovo.com/lenovo/environment>.

Japanese recycling statement

Collecting and recycling a disused Lenovo computer or monitor

If you are a company employee and need to dispose of a Lenovo computer or monitor that is the property of the company, you must do so in accordance with the Law for Promotion of Effective Utilization of Resources. Computers and monitors are categorized as industrial waste and should be properly disposed of by an industrial waste disposal contractor certified by a local government. In accordance with the Law for Promotion of Effective Utilization of Resources, Lenovo Japan provides, through its PC Collecting and Recycling

Services, for the collecting, reuse, and recycling of disused computers and monitors. For details, visit the Lenovo Web site at www.ibm.com/jp/pc/service/recycle/pcrecycle/

Pursuant to the Law for Promotion of Effective Utilization of Resources, the collecting and recycling of home-used computers and monitors by the manufacturer was begun on October 1, 2003. This service is provided free of charge for home-used computers sold after October 1, 2003. For details, visit the Lenovo Web site at www.ibm.com/jp/pc/service/recycle/personal/.

Disposing of a Lenovo computer component

Some Lenovo computer products sold in Japan may have components that contain heavy metals or other environmental sensitive substances. To properly dispose of disused components, such as a printed circuit board or drive, use the methods described above for collecting and recycling a disused computer or monitor.

Disposing of disused lithium batteries from Lenovo computers

A button-shaped lithium battery is installed on the system board of your Lenovo computer to provide power to the computer clock while the computer is off or disconnected from the main power source. If you want to replace it with a new one, contact your place of purchase or ask for a repair service provided by Lenovo. If you have replaced it by yourself and want to dispose of the disused lithium battery, insulate it with vinyl tape, contact your place of purchase, and follow their instructions. If you use a Lenovo computer at home and need to dispose of a lithium battery, you must comply with local ordinances and regulations.

Kapitel 1. Viktig säkerhetsinformation

Anmärkning

Läs den här viktiga säkerhetsinformationen först.

Med hjälp av den här informationen kan du använda din stationära eller bärbara dator på ett säkert sätt. Följ alla anvisningar som följer med datorn och spara anvisningarna för framtida bruk. Informationen i det här dokumentet ändrar inte villkoren i ditt köpeavtal eller i Lenovos Garantivillkor. Mer information finns i Kapitel 3, "Lenovo Garantivillkor", på sidan 321.

Kundens säkerhet är viktig. Lenovos produkter är utvecklade för att vara säkra och effektiva. Persondatorer är dock elektrisk utrustning. Om nätsladdar, nätadapterar och andra funktioner inte används på rätt sätt finns det risk för att både du själv och utrustningen skadas. För att minska risken bör du alltid följa bruksanvisningarna som följer med produkten och observera alla varningstexter och meddelanden. Läs noga igenom informationen i det här dokumentet. Genom att noga följa anvisningarna i det här dokumentet och andra dokument som följer med produkten, skyddar du dig själv och skapar en säker miljö för arbetet med datorn.

Anm: I informationen omnämns nätadapterar och batterier. Förutom till bärbara datorer levereras externa nätadapterar till produkter som högtalare och bildskärmar. Om du har en sådan produkt är denna information tillämplig. Dessutom kan det i datorn finnas ett internt batteri i knappcellsformat som förser systemklockan med ström när datorn inte är ansluten till elnätet. Informationen om batterisäkerhet gäller därför alla datorprodukter.

Situationer som kräver omedelbara åtgärder

Produkter kan skadas om de används på fel sätt eller missköts. En del skador kan vara så allvarliga att produkten inte bör användas förrän den inspekterats och, om så behövs, reparerats av en servicetekniker.

Precis som med annan elektronisk utrustning bör du ha datorn under uppsikt när den är påslagen. I sällsynta fall kan det lukta bränt från produkten eller komma rök eller gnistor från den. Det kan också höras gnissel, knakande eller slammer från den. Det behöver inte innebära mer än att det blivit fel på en intern elektronisk component utan att det medför några risker. Men det kan också innebära en säkerhetsrisk. Var därför försiktig och försök inte felsöka produkten på egen hand. Kontakta Customer Support Center. En lista över telefonnummer till service och support finns i "Telefonlista för hela världen" på sidan 354.

Ta till vana att regelbundet granska datorn och dess komponenter för att se om det finns tecken på skador eller slitage som kan vara farliga. Om du är osäker på om en komponent är i gott skick ska du inte använda datorn. Kontakta Customer Support Center eller produktens tillverkare för att få mer information om hur du kan få produkten inspekterad och, om så behövs, reparerad.

I de sällsynta fall som nedanstående inträffar, eller om du känner dig osäker på produktens säkerhet, ska du genast sluta använda produkten och koppla bort den från el- och telenätet tills du har talat med Customer Support Center och fått fler anvisningar.

- Nätsladdar, elkontakter, nätadapttrar, förlängningssladdar, överspänningskydd eller nätaggregat som är skadade, slitna eller har sprickor.
- Tecken på överhettning, rök, gnistor eller brand.
- Skador på ett batteri (t.ex. sprickor, bucklor, repor), läckage från ett batteri eller beläggning på batteriet.
- Produkten knakar, gnisslar, slamrar eller luktar starkt.
- Tecken på att vätska har spillts eller något föremål har fallit på datorn, nätsladden eller nätadapttern.
- Datorn, nätsladden eller nätadapttern har utsatts för väta.
- Produkten har tappats eller skadats på annat sätt.
- Produkten fungerar inte på normalt sätt när du följer bruksanvisningarna.

Anm: Om dessa förhållanden uppkommer med en produkt som inte är från Lenovo (t.ex. en förlängningssladd) ska du låta bli att använda produkten tills du har kontaktat tillverkaren och fått ytterligare anvisningar, eller tills du skaffat en lämplig ersättning för produkten.

Allmänna säkerhetsanvisningar

Följ alltid dessa säkerhetsanvisningar så minskar du risken att skada dig själv eller utrustningen.

Service och uppgraderingar

Försök aldrig själv reparera eller ge service åt en produkt, om inte Customer Support Center har sagt att du kan göra det eller det står i dokumentationen att du kan. Anlita endast serviceställen som är auktoriserade att reparera en viss produkt.

Anm: En del delar kan kunderna själva uppgradera eller byta ut. Uppgraderingar kallas också tillval. Delar som får installeras av kunderna själva kallas CRU-delar (Customer Replaceable Units). I de fall det är lämpligt att kunden själv installerar tillval eller byter ut CRU-delar tillhandahåller Lenovo dokumentation med instruktioner. Följ noga alla instruktioner när du installerar

eller byter ut delar. Att en strömindikator inte är aktiv behöver inte betyda att spänningsnivåerna inuti en produkt är noll. Innan du tar bort kåpan från en produkt med nätsladd ska du alltid kontrollera att strömmen är avstängd och att produkten har kopplats från strömkällan. Mer information om CRU:er finns i produktens användarhandbok. Kontakta Customer Support Center om du har några frågor.

Det finns visserligen inga delar som kan röra sig inuti datorn när du har kopplat bort nätsladden, men följande varning krävs för din säkerhet.

Fara



Rörliga delar - fara. Se till att inte fingrar eller andra kroppsdelar kommer i vägen.

Viktigt



Innan du byter ut några CRU:er så stäng av datorn och vänta i cirka fem minuter tills datorn svalnat innan du öppnar kåpan.

Förhindra statisk elektricitet

Statisk elektricitet är oskadlig för dig, men kan skada datorkomponenter och tillval. Felaktig hantering av delar som är känsliga för statisk elektricitet kan skada dem. Öppna inte skyddsförpackningen som innehåller delen när du packar upp ett tillval eller en CRU. Vänta tills instruktionerna anger att du ska installera den.

Vidta följande försiktighetsåtgärder för att förhindra skador på grund av statisk elektricitet när du hanterar tillval eller CRU:er:

- Begränsa dina rörelser. Rörelser kan gör att statisk elektricitet byggs upp runt dig.

- Hantera alltid komponenterna försiktigt. Håll i kanterna på adaptrar, minnesmoduler och andra kretskort. Rör aldrig vid oskyddade kretsar.
- Förhindra andra att röra vid komponenterna.
- När du installerar ett tillval eller en CRU som är känslig för statisk elektricitet låter du delens skyddsförpackning röra vid en kortplatskåpa eller någon annan omålad metallyta på datorn i minst två sekunder. Det minskar den statiska elektriciteten i förpackningen på din kropp.
- När det är möjligt tar du ut delen ur skyddsförpackningen och installerar den utan att lägga ned den. Om det inte är möjligt placerar du skyddsförpackningen på en jämn yta och lägger delen ovanpå den.
- Placera inte delen på datorkåpan eller någon annan metallyta.

Nätsladdar och nätadaptrar

Använd endast de nätsladdar och nätadaptrar som du fått från produkttillverkaren.

Nätsladdarna ska vara säkerhetsgodkända. I Tyskland ska de ha minst värdena H05VV-F, 3G, 0,75 mm². I andra länder ska föreskrivna sladdtyper användas.

Rulla aldrig upp en nätsladd runt nätadaptern eller något annat föremål. Det sliter på sladden och kan göra att den nöts, spricker eller blir veckig, vilket utgör en säkerhetsrisk.

Dra alltid nätsladdarna så att ingen behöver trampa eller snubbla på dem och se också till att de inte kommer i kläm av något föremål.

Skydda nätsladdar och nätadaptrar mot väta. Låt till exempel inte nätsladden eller nätadaptern komma i närheten av handfat, badkar eller toaletter eller ligga på våttorkade golv. Vätska kan orsaka kortslutning om sladden eller nätadaptern har utsatts för slitage. Vätska kan också medföra att kabelfästena på nätadaptern så småningom korroderar, vilket kan orsaka överhettning.

Anslut alltid nätsladdar och signalkablar i rätt ordning och se till att kontakterna är ordentligt intryckta i uttagen.

Använd aldrig en nätadapter som har korroderade stift eller som visar tecken på överhettning (t.ex. att plasten deformerats).

Använd inte nätsladdar vars kontakter visar tecken på korrosion eller överhettning eller som uppvisar andra skador.

Spännings-väljare

En del datorer är utrustade med en spännings-väljare som är placerad i närheten av nät-sladdens uttag på datorn. Om datorn har en spännings-väljare ska

du se till att den är inställd så att den matchar spänningen i det elektriska uttaget. Om du ställer in spännings-väljaren fel kan datorn skadas permanent.

Om datorn inte har någon spännings-väljare är datorn utformad så att den endast fungerar med spänningen i det land eller den region där den köptes.

Om du flyttar datorn till ett annat land måste du veta det här:

- Om datorn inte har någon spännings-väljare ska du inte ansluta datorn till något eluttag innan du har kontrollerat att uttagets spänning stämmer överens med spänningen i det land eller den region där datorn köptes.
- Om datorn har en spänningsväljare ska du inte ansluta datorn till något eluttag förrän du har kontrollerat att spännings-väljaren är inställd så att den matchar spänningen i det landet eller den regionen.

Om du inte är säker på vilken spänning eluttaget har ska du kontakta ett lokalt elektricitetsföretag eller titta på officiella webbplatser eller i reseinformation för det land eller den region du befinner dig i.

Förlängningssladdar och liknande utrustning

Se till att alla förlängningssladdar, överspänningsskydd, UPS-enheter för avbrottsfri kraft och förgreningsdosor uppfyller de elektriska kraven för produkten. Överbelasta aldrig den elektriska utrustningen. Om du använder en förgreningsdosa får inte belastningen överskrida dosans specificerade ineffekt. Tala med en elektriker om du behöver mer information om effektbelastning, strömkrav och effektklassificering.

Stickkontakter och eluttag

Om ett eluttag som du tänker använda för din datorutrustning förefaller vara skadat eller korroderat ska du inte använda uttaget förrän det har reparerats av en behörig elektriker.

Böj inte på kontakten och försök inte modifiera den. Om stickkontakten skadats ska du skaffa en ny kontakt från tillverkaren.

Dela inte vägguttag med andra elanordningar som kräver stora mängder elektricitet. Om du gör det kan instabil spänning skada datorn, data eller anslutna enheter.

En del produkter har stickkontakter med metalledare i sidorna. Den typen av kontakt ska anslutas till jordade eluttag. Det är en säkerhetsfunktion. Försök inte kringgå säkerhetsfunktionen genom att ansluta stickkontakten till ett eluttag som inte är jordat. Om du inte kan ansluta stickkontakten till eluttaget bör du skaffa en godkänd adapter eller anlita en elektriker som kan installera ett jordat eluttag. Överbelasta aldrig eluttag. Utrustningens totala strömkrav får

inte överskrida 80 procent av strömkretsens kapacitet. Tala med en elektriker om du behöver mer information om effektbelastning och strömkretsars kapacitet.

Se till att det eluttag du använder är korrekt installerat, lättillgängligt och placerat i närheten av utrustningen. Sträck inte ut nätsladdarna så mycket att de överbelastas.

Se till att eluttaget har rätt spänning och strömstyrka för produkten som du installerar.

Var försiktig när du ansluter och kopplar bort utrustningen från eluttag.

Externa enheter

Anslut inte och koppla inte bort några kablar till externa enheter, förutom USB- och 1394-kablar, medan datorn är påslagen. Du kan skada datorn. Undvik skador på anslutna enheter genom att vänta minst fem sekunder efter att datorn har stängts av innan du kopplar bort externa enheter.

Batterier

Alla Lenovos persondatorer innehåller ett icke-laddningsbart knappcells batteri som förser systemklockan med ström. Dessutom har många bärbara produkter, däribland bärbara datorer, ett laddningsbart batteri som ger ström när datorn inte kan anslutas till ett vägguttag. De batterier som Lenovo levererar för användning med produkten har testats för att vara kompatibla och bör därför bara ersättas med godkända reservdelar.

Försök aldrig att öppna eller reparera ett batteri. Utsätt inte batterier för tryck eller stötar och försök aldrig att bränna upp batteriet eller kortsluta metallkontaktarna. Utsätt inte batteriet för väta. Ladda batteriet exakt enligt anvisningarna i produktdokumentationen.

Felaktig hantering av batteriet kan göra att batteriet överhettas och avger gas eller lågor. Om batteriet är skadat, eller om du märker att batteriet läcker eller att det har blivit beläggning på kontaktarna, ska du genast sluta använda batteriet och skaffa ett nytt från tillverkaren.

Batterier kan försämrats om de inte används på lång tid. För en del uppladdningsbara batterier (i synnerhet litiumjonbatterier) ökar risken för kortslutning om de får ligga ouppladdade utan att användas, vilket förkortar livslängden och innebär en säkerhetsrisk. Låt inte uppladdningsbara litiumjonbatterier bli helt urladdade och förvara inte sådana batterier i urladdat tillstånd.

Värme och luftcirkulation

Datorer, nätadapttrar och många tillbehör avger värme när de är påslagna och när batterier laddas upp. Följ därför alltid dessa säkerhetsanvisningar:

- Ha inte datorn, nätadapttern eller tillbehör i knät eller i kontakt med någon annan del av kroppen under någon längre period när de används eller när batteriet laddas. Datorn, nätadapttern och många tillbehör alstrar en del värme under normal drift. Att låta datorn vara i kontakt med kroppen kan ge upphov till obehag eller risk för brännskador på huden.
- Ladda inte batteriet eller använd datorn, nätadapttern eller tillbehör i närheten av lättantändligt material eller i en explosiv miljö.
- Produkten är försedd med ventilationsöppningar, fläktar och/eller kylflänsar av säkerhetsskäl. Det gör den också mer driftsäker och bekväm att använda. Dessa anordningar kan oavsiktligt blockeras om produkten placeras på en säng, soffa, matta eller annat mjukt underlag. Sätt inte dessa anordningar ur funktion genom att blockera eller täcka över dem.

Granska datorn för att se om den är dammig minst en gång i kvartalet. Innan du granskar datorn bör du slå av strömmen och koppla bort datorns nätsladd från eluttaget. Ta sedan bort allt damm från ventiler och öppningar på datorn. Om det är mycket damm på utsidan bör du granska och ta bort damm från datorns insida, t.ex. kylflänsens öppningar, nätaggregatets ventilationsöppningar och fläktarna. Slå alltid av strömmen och koppla bort datorns nätsladd innan du öppnar kåpan. Undvik att använda datorn tätt intill en passage där många personer passerar. Om du måste använda datorn i en miljö med mycket trafik bör du granska och rengöra datorn oftare.

Av säkerhetsskäl och för att få optimala prestanda bör du alltid vidta följande försiktighetsåtgärder:

- Ha alltid datorns hölje stängt när datorn är ansluten till en strömkälla.
- Granska regelbundet datorn för att kontrollera att det inte finns några dammanhopningar.
- Ta bort damm från ventiler och öppningar i datorns hölje. Tätare rengöring kan vara nödvändig om datorn används i dammiga lokaler eller där många personer passerar.
- Täck inte över eller blockera några ventilationsöppningar.
- Placera inte datorn i en bokhylla eller inuti någon annan möbel. Det kan öka risken för överhettning både vid användning och förvaring.
- Lufttemperaturen i datorn får inte överstiga 35 °C.
- Använd inte fläktar eller andra anordningar för luftcirkulation som inte är avsedda för stationära datorer.

Driftsmiljö

Den optimala miljön att använda datorn i är 10°C-35°C (50°F-95°F) med en luftfuktighet på mellan 35 % och 80%. Om datorn lagras eller transporteras i temperaturer under 10°C (50°F) låter du den värmas upp långsamt till en optimal driftstemperatur på 10°C-35°C (50°F-95°F) innan du använder den. Den här processen kan ta upp till två timmar. Om du inte låter datorn värmas upp till den optimala driftstemperaturen innan användning kan det orsaka allvarlig skada på datorn.

Om det går placerar du datorn på en välventilerad och torr plats utan direkt solljus.

Låt inte elektriska anordningar som elektriska fläktar, radioapparater, högtalare, luftkonditioneringsaggregat och mikrovågsugnar komma i närheten av datorn. De genererar starka magnetfält som kan skada bildskärmen och data på hårddisken.

Ställ inga drycker ovanpå eller bredvid datorn eller de anslutna tillbehören. Om du spiller vätska på eller i datorn eller en ansluten enhet kan det orsaka kortslutning eller annan skada.

Ät eller rök inte ovanför tangentbordet. Partiklar som faller i tangentbordet kan orsaka skada.

Säkerhetsinformation om elektrisk ström

Fara

Var försiktig när du handskas med strömförande kablar.

Följ dessa anvisningar så minskar du risken för stötar:

- Använd inte datorn under åskväder om du vill förhindra elstötar.
- Undvik att ansluta och koppla ifrån kablar, installera maskinvaran och utföra underhåll av datorn under åskväder.
- Anslut alla nätsladdar till korrekt installerade och jordade eluttag.
- Anslut all utrustning som ska anslutas till datorn till korrekt installerade uttag.
- Använd om möjligt bara en hand när du ansluter eller kopplar loss signalkablar.
- Slå aldrig på strömmen till utrustningen om det finns tecken på brand- eller vattenskada eller annan skada.

- **Koppla bort anslutna nätsladdar, telekommunikations- och nätverksutrustning och modem innan du öppnar enhetens kåpa, såvida det inte uttryckligen står i anvisningarna att du ska göra på annat sätt.**
- **Anslut och koppla loss kablarna enligt anvisningarna nedan när du installerar eller flyttar produkten eller anslutna enheter, samt när du öppnar kåporna.**

<p>Ansluta:</p> <ol style="list-style-type: none"> 1. Stäng av alla enheter. 2. Anslut först alla kablar till enheterna. 3. Anslut signalkablarna till kontakterna. 4. Anslut nätsladdarna till eluttagen. 5. Slå på strömmen till enheten. 	<p>Koppla ur:</p> <ol style="list-style-type: none"> 1. Stäng av alla enheter. 2. Dra först ut nätsladdarna ur eluttagen. 3. Koppla bort signalkablarna från kontakterna. 4. Koppla bort alla kablar från enheterna.
---	---

Batteri

<p>Varning Litumbatteriet kan explodera om det hanteras på fel sätt.</p>

Om du ska byta ett knappcellsbatteri som innehåller litium, så använd alltid den batterityp som tillverkaren rekommenderar eller en motsvarande typ. Batteriet innehåller litium och kan explodera om det hanteras på fel sätt.

Viktigt om batteriet:

- Utsätt inte batteriet för väta.
- Utsätt inte batteriet för temperaturer över 100 °C.
- Försök inte reparera eller ta isär batteriet.

Följ kommunens anvisningar för miljöfarligt avfall när batteriet ska slängas.

Följande meddelande gäller användare i staten Kalifornien, USA

Perkloratmaterial: särskild hantering kan gälla. Se www.dtsc.ca.gov/hazardouswaste/perchlorate.

Säkerhetsanvisningar för modem

Varning

Du minskar risken för eldsvåda genom att endast använda telefonkablar av storlek nr 26 AWG eller tjockare.

Du minskar risken för eldsvåda, elektriska stötar och skada vid användning av telefonutrustning genom att vidta följande säkerhetsåtgärder:

- Installera aldrig telefonkablar under åskväder.
- Installera aldrig telefonjack i lokaler där de kan utsättas för väta, såvida inte jacken är avsedda att användas i våtutrymmen.
- Vidrör inte oisolerade telefonkablar eller kopplingsdosor om telefonkabeln inte har kopplats bort från telenätet.
- Var försiktig vid arbete med telefonkablar.
- Vid åskväder: Undvik att använda telefon under åskväder (gäller inte trådlösa telefoner). Det finns en liten risk att det kan orsaka elektriska stötar.
- Vid gasläcka: Använd inte en telefon i närheten av gasläckan när du rapporterar läckan.

Information om laserprodukt

Vissa persondatormodeller är utrustade med en CD- eller DVD-enhet när de levereras från fabriken. CD- och DVD-enheter säljs dessutom separat som tillbehör. CD- och DVD-enheter är laserprodukter. De är godkända i USA enligt kraven i Department of Health and Human Services 21 Code of Federal Regulations (DHHS 21 CFR) Subchapter J för laserprodukter i klass 1. I övriga länder är enheterna godkända enligt kraven i IEC (International Electrotechnical Commission) 60825-1 och CENELEC EN 60 825-1 för laserprodukter i klass 1.

Tänk på följande om du har en CD- eller DVD-enhet:

Varning

Om du försöker göra några andra justeringar eller ändringar av produkten än de som beskrivs i dokumentationen riskerar du att utsättas för skadligt laserljus.

Ta aldrig bort kåpan från enheten. Öppna inte kåpan på CD- eller DVD-enheten, eftersom det kan leda till att du utsätts för skadligt laserljus. Det finns inga delar inuti CD- eller DVD-enheten som du själv kan reparera eller rengöra.

Vissa CD- och DVD-enheter innehåller en inkapslad laserdiod i klass 3A eller 3B. Observera följande:

Fara

Om du öppnar kåpan på enheten kan du utsättas för laserstrålning. Du bör undvika att titta på ljusstrålen, vare sig direkt eller med optiska instrument, och att utsätta kroppsdelar för ljuset.

Information om strömtillförsel

Ta aldrig av höljet från ett nätaggregat eller en del som är försedd med följande etikett.



Komponenter med den här etiketten har hög spänning, strömstyrka och energinivå. Det finns inga delar i de här komponenterna som du kan reparera eller underhålla själv. Om du misstänker att det är fel på någon sådan del ska du kontakta en servicetekniker.

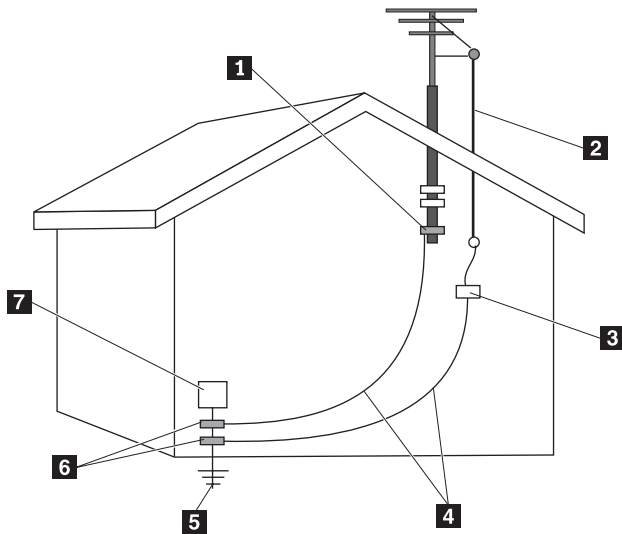
Produkter med tv-tuner installerad

Meddelandet här nedanför gäller produkter som innehåller tv-tuner-enheter som kan anslutas till externa antenner eller till CATV-system (kabel-tv), eller båda, och som är tänkta att installeras i Nordamerika. Användare och installatörer i andra länder bör följa lokala lagar och förordningarna när de installerar enheter som ansluter till externa antenner och CATV-system. Om det inte finns några lokala föreskrifter rekommenderar vi att användarna/installatörerna följer riktlinjer som liknar de här.

Meddelande till CATV-systeminstallatör

Den här påminnelsen finns för att uppmärksamma CATV-systeminstallatören på artikel 820-40 i NEC (National Electrical Code) som innehåller riktlinjer för en korrekt jordning och, framförallt, specificerar att kabeljordningen ska kopplas till byggnadsnätets jordningssystem så nära kabelns ingångspunkt som möjligt.

Exempel på antennjordning



- | | | | |
|----------|---|----------|--|
| 1 | Jordningsklämma | 5 | System med jordningselektroder och jordsystem till service(NEC artikel 250, del h) |
| 2 | Ingående antennkabel- | 6 | Jordningsklämmor |
| 3 | Antennurladdningsenhet (NEC avsnitt 810-20) | 7 | Elektronisk serviceutrustning |
| 4 | Jordningskontakter (NEC avsnitt 810-21) | | |

Figur 1. Korrekt kabeljordning

Det här meddelandet gäller alla länder och regioner:

Fara



Jordning av utomhusantenn

Om en utomhusantenn eller ett kabelsystem är anslutits till utrustningen ska du se till att antennen eller kabelsystemet harjordats för att få visst skydd mot strömsprång och statisk elektricitet.

Åska Som ytterligare säkerhetsåtgärde för utrustningen under åskoväder eller när utrustningen inte används under längre tid ska du koppla ur den från vägguttaget och koppla bort antennen eller kabelsystemet. På så sätt skyddar du videoprodukten från skador som orsakas av blixtar och strömsprång.

Strömkablar

Ett utomhusantennssystem ska inte placeras i närheten av strömledningar utomhus eller någonstans där det kan falla ner på sådana strömledningar eller -kretsar. När du installerar en utomhusantenn ska du vara mycket uppmärksam så att du inte kommer i kontakt med sådana strömledningar eller strömkretsar eftersom det kan leda till livsfara.

Datasäkerhet

Ta inte bort okända filer och ändra inte namn på filer eller kataloger som du inte har skapat. Om du gör det kan datorns program sluta fungera.

Tänk på att om du använder nätverksresurser kan datorn utsättas för virus, hackare, spionprogramvara och andra fientliga aktiviteter som kan skada datorn, program och data. Du ansvarar själv för att se till att du har tillräckligt skydd, till exempel brandväggar, antivirusprogram och antispiönprogram, och att den här programvarorna är uppdaterade.

Rengöring och underhåll

Håll datorn och arbetsytan rena. Stäng av datorn och koppla bort nätsladden innan du rengör datorn. Spreja inte flytande rengöringsmedel direkt på datorn, och använd inte rengöringsmedel som innehåller lättantändligt material för att rengöra datorn. Spreja rengöringsmedlet på en mjuk trasa och torka av datorns yta med den.

Använda headset eller hörlurar

Om datorn har både en anslutning för headset och ljudutgångskontakt, använd alltid headsetanslutningen för headset eller hörlurar.

Det kan vara farligt att använda headset eller hörlurar under en lång period om ljudet är för högt om headsetet eller hörlurarna inte följer specifikationerna för EN 50332-2. Datorns headsetuttag följer standarden EN 50332-2 paragraf 5.1. Specifikationen begränsar datorns maximala sanna effektiva värde på wideband till 150mV. Se till att headsetet eller hörlurarna också följer EN 50332-2 (paragraf 6.1) för en normal wideband-spänning på 75mV för att förhindra hörsel-skador. Det kan vara farligt att använda headset som inte följer EN 50332-2 på grund av för höga ljudtrycksnivåer.

Om det följer med headset eller hörlurar med Lenovo-datorn, som ett set, så följer kombinationen headset eller hörlurar och datorn redan specifikationerna i EN 50332-1. Om du använder andra headset eller hörlurar se till att de följer EN 50332-2. (Paragraf 6.1) för en normal wideband-spänning på 75mV. Det kan vara farligt att använda headset som inte följer EN 50332-2 på grund av för höga ljudtrycksnivåer.

Ytterligare säkerhetsinformation

Plastpåsar kan vara farliga. Håll plastpåsar utom räckhåll för små barn för att undvika kvävningrisk.

Kapitel 2. Informationskällor

När du har installerat datorn enligt installationsbladet kan du använda informationen i det här kapitlet och söka upp informationskällor som rör datorn.

Mappen Online-böcker

I mappen Online-böcker finns publikationer om hur du installerar och använder datorn. Mappen är förinstallerad på datorn och ingen Internetuppkoppling krävs för att läsa publikationerna. Följande publikationer finns i mappen Online-böcker:

- *Användarhandbok*

Här finns information om att installera datorn och tillbehör, återställa program, använda konfigureringsprogrammet Setup Utility, uppdatera systemprogram och göra felsökningar.

- *Handbok för byte av maskinvara*

Här finns steg-för-steg-anvisningar för hur du byter CRUer (Customer Replacement Units) i datorn. CRUer är datordelar som kunden själv kan uppgradera eller byta ut.

Om du vill läsa en publikation klickar du på Start på skrivbordet i Windows och väljer **Alla program**. Sedan markerar du **Online-böcker** och klickar på **Online-böcker**. Dubbelklicka på publikationen som gäller din dator. Publikationerna finns också på Lenovos webbplats på adressen <http://www.lenovo.com>.

Anmärkningar:

1. Publikationerna är i PDF-format och Adobe Acrobat Reader måste vara installerat för att du ska kunna läsa dem. Om Adobe Acrobat Reader inte är installerat på datorn visas ett meddelande när du försöker öppna en PDF-fil. Sedan får du anvisningar om hur du ska installera Adobe Acrobat Reader.
2. De publikationer som är förinstallerade på datorn finns på andra språk på Lenovos supportwebbplats på adressen <http://www.lenovo.com/support/>.
3. Om du vill installera en annan språkversion av Adobe Acrobat Reader än den som finns på datorn går du till Adobes webbplats på adressen <http://www.adobe.com>. Där kan du hämta den version som du vill använda.

ThinkVantage Productivity Center

Via programmet ThinkVantage® Productivity Center når du många informationskällor och verktyg som är avsedda att göra datoranvändningen enklare och säkrare, samtidigt som kostnaderna minskar och produktiviteten ökar. ThinkVantage Productivity Center hjälper dig att installera, förstå och förbättra datorn.

I programmet ThinkVantage Productivity Center får du information om datorn och kan nå olika hjälpmedel, bland andra:

- Programmet Rescue and Recovery
- Productivity Center
- Client Security Solutions
- Fabriksåterställning
- Systemuppdateringar
- Service och support

Anm: ThinkVantage-teknik finns bara på utvalda Lenovo-datorer.

Du når ThinkVantage Productivity Center genom att först klicka på Start på skrivbordet i Windows och sedan på **Alla program**. Sedan markerar du **ThinkVantage** och klickar på **Productivity Center**.

Access - Hjälp

I direkthjälpen Access - Hjälp finns information om att komma igång, utföra grundläggande uppgifter, göra egna inställningar, skydda data, utöka och uppgradera samt att felsöka.

Du öppnar Access - Hjälp genom att först öppna Start-menyn på skrivbordet i Windows och sedan välja **Alla program**. Sedan markerar du **ThinkVantage** och klickar på **Access - Hjälp**. När du har öppnat Access - Hjälp använder du rutan till vänster, och väljer det som du är intresserad av på fliken Innehåll eller Index. Du kan också använda fliken Sök om du vill hitta ett visst ord eller en viss fras.

www.lenovo.com

På Lenovos webbplats (www.lenovo.com) finns information och tjänster som hjälper dig att köpa, uppgradera och underhålla datorn. Där finns den senaste informationen om din dator. Via webbplatsen www.lenovo.com kan du också:

- Köpa stationära och bärbara datorer, bildskärmar, projektorer och tillbehör till datorn, och ta del av specialerbjudanden.

- Köpa tilläggstjänster, till exempel support för maskinvara, operativsystem, applikationsprogram, installation och konfigurering av nätverk och anpassade installationer.
- Köpa uppgraderingar och utökade reparationstjänster för maskinvara.
- Hämta de senaste drivrutinerna och programuppdateringarna för din datormodell.
- Få tillgång till direkthandböcker för dina produkter.
- Få tillgång till Lenovo Statement of Limited Warranty.
- Få tillgång till information om felsökning och support för din datormodell och andra produkter.
- Hitta telefonnumret till service och support i ditt land eller din region.
- Hitta ett serviceföretag nära dig.

Registrera information om datorn

Det är bra om du har antecknat uppgifter om datorn om du behöver lämna in den på service. Serviceteknikern frågar då troligen efter följande:

Maskintyp, modell och serienummer (står på etiketter på datorn). Här kan du anteckna uppgifterna:

Produktnamn	_____
Maskintyp och modellbeteckning	_____
Serienummer (S/N)	_____
Inköpsdatum	_____

Du kan registrera datorn via Internet på den här webbplatsen:

<http://www.lenovo.com/register>

När du registrerar din dator får du följande fördelar:

- Snabbare service när du ringer för att få hjälp
- Automatisk information om kostnadsfri programvara och specialerbjudanden

Mer information om att registrera datorn finns i direkthjälpssystemet Access - Hjälp. Anvisningar om hur du öppnar direkthjälpssystemet finns i "Access - Hjälp" på sidan 318.

Kapitel 3. Lenovo Garantivillkor

LSOLW-00 05/2005

Del 1 - Allmänna villkor

Dessa Garantivillkor omfattar Del 1 - Allmänna villkor, Del 2 - Nationsspecifika villkor och Del 3 - Garantiinformation. Villkoren i Del 2 kan ändra eller ersätta villkoren i Del 1. De garantier som Lenovo lämnar i dessa Garantivillkor gäller enbart för Maskiner kunden anskaffar för eget bruk och inte för återförsäljning. Med "Maskin" avses såväl en Lenovomaskin som dess tilläggsutrustning, konverteringar, uppgraderingar, kringutrustning eller en kombination därav. Begreppet "Maskin" innefattar inte några program, vare sig de är förinstallerade, senare installerade eller i övrigt. Ingenting i dessa Garantivillkor påverkar rättigheter som tillkommer konsument enligt tvingande lag.

Vad garantin täcker

Lenovo garanterar att varje Maskin 1) är fri från fel i material och tillverkning och 2) överensstämmer med Lenovos officiellt utgivna specifikationer ("Specifikation") som går att beställa. Garantitiden för Maskinen börjar löpa på den ursprungliga installationsdagen och specificeras i Del 3 - Garantiinformation. Datum på fakturan eller inköpskvittot gäller som Installationsdag, såvida inte Lenovo eller återförsäljaren informerar om annat. Såvida Lenovo inte anger annat, gäller garantierna endast i det land eller den region där kunden har köpt Maskinen.

DESSA GARANTIER ÄR UTTÖMMANDE OCH ERSÄTTER ALLA ANDRA GARANTIER OCH VILLKOR, SÅVÄL UTTRYCKTA SOM UNDERFÖRSTÅDDA, INKLUSIVE, MEN INTE BEGRÄNSAT TILL, UNDERFÖRSTÅDDA GARANTIER AVSEENDE ALLMÄN BESKAFFENHET ELLER LÄMPLIGHET FÖR ETT VISST ÄNDAMÅL. VISSA STATER ELLER JURISDIKTIONER TILLÅTER INTE UNDANTAG AV UTTRYCKTA ELLER UNDERFÖRSTÅDDA GARANTIER, SÅ OVANSTÅENDE UNDANTAG GÄLLER KANSKE INTE I ALLA LÄNDER. I SÅDANT FALL ÄR GARANTIERNAS BEGRÄNSADE I VARAKTIGHET TILL GARANTITIDEN. INGEN GARANTI GÄLLER EFTER GARANTITIDENS UTGÅNG. VISSA STATER ELLER JURISDIKTIONER TILLÅTER INTE BEGRÄNSNINGAR FÖR HUR LÄNGE EN UNDERFÖRSTÅDD GARANTI SKALL GÄLLA, SÅ OVANSTÅENDE BEGRÄNSNING GÄLLER KANSKE INTE I ALLA LÄNDER.

Vad garantin inte täcker

Garantin täcker inte följande:

- program, vare sig de är förinstallerade, har levererats med Maskinen eller har installerats senare
- fel som orsakats av felaktig användning, olyckshändelse, ändringar, brister i installations- och driftmiljön eller felaktigt underhåll från kundens sida
- fel som orsakats av en produkt för vilken Lenovo inte är ansvarigt
- icke-Lenovo-produkter, inklusive sådana som Lenovo kan anskaffa och tillhandahålla tillsammans med, eller inbyggda i, en Lenovomaskin på kundens begäran

Om de etiketter som identifierar Maskinen eller någon del av den har avlägsnats eller ändrats gäller inte garantin.

Lenovo garanterar inte att en Maskin fungerar ostört eller felfritt.

Tekniskt eller annat stöd som tillhandahålls för en Maskin under garanti, såsom assistans vid användarfrågor och frågor rörande installation och igångsättning av Maskinen, tillhandahålls UTAN GARANTI AV NÅGOT SLAG.

Hur kunden erhåller garantiservice

Garantiservice kan tillhandahållas av Lenovo, IBM®, återförsäljaren om denna har godkännande att utföra garantiservice, eller en behörig leverantör av garantiservice. I det följande kallas var och en av dem "Serviceleverantör."

Om Maskinen under garantitiden inte fungerar som garanterats, kontaktar kunden en Serviceleverantör. Om Maskinen inte är registrerad hos Lenovo kan kunden behöva visa inköpskvitto eller faktura som bevis på sin rätt till garantiservice.

Vad Lenovo kommer att göra för att åtgärda problem

När kunden kontaktar en Serviceleverantör för service måste kunden följa de procedurer som Lenovo anger för att identifiera och avhjälpa problemet. En inledande felsökning kan göras antingen av en tekniker via telefon eller elektroniskt genom access till en supportwebbplats.

Den typ av garantiservice som gäller för Maskinen anges i Del 3 - Garantiinformation.

Kunden ansvarar för att hämta och installera angivna programuppdateringar från en supportwebbplats eller från andra elektroniska medier, och för att följa de anvisningar kundens Serviceleverantör tillhandahåller. Programuppdateringar kan inkludera "BIOS" (basic input/output system code), hjälpprogram, drivrutiner och andra programuppdateringar.

Om problemet kan avhjälpas med en del som kunden själv kan byta ut ("CRU", Customer Replaceable Unit) (t.ex. tangentbord, mus, högtalare, minne eller hårddisk) kommer Serviceleverantören att skicka denna del till kunden så att kunden kan byta ut den.

Om Maskinen under garantitiden inte fungerar som garanterats och problemet inte kan avhjälpas via telefon eller elektroniskt, med att uppdatera Maskinkod eller programvara, eller med en av kund utbyttbar del (CRU), kommer Serviceleverantören att efter eget val antingen 1) reparera den så att den fungerar i enlighet med garantin, eller 2) ersätta den med en annan med minst likvärdig funktionalitet. Om kundens Serviceleverantör inte kan göra någotdera, kan kunden återlämna Maskinen till inköpsstället och få återbetalning av det erlagda beloppet.

Som en del av garantiservicen kan kundens Serviceleverantör också installera utvalda tekniska ändringar som är tillämpliga på Maskinen.

Utbyte av en Maskin eller del

När garantiservice medför utbyte av en Maskin eller del därav, övergår den del som Serviceleverantören byter ut i Lenovos ägo medan ersättningsdelen övergår i kundens ägo. Kunden ansvarar för att alla delar som byts ut är originaldelar och att de inte har ändrats. En ersättningsdel behöver inte vara ny men i gott funktionsdugligt skick och funktionellt minst likvärdig med den utbytta delen. En ersättningsdel övertar den status för garantiservice som gällde för den utbytta delen.

Kundens övriga skyldigheter

Innan Serviceleverantören byter ut en Maskin eller del, förbinder sig kunden att avlägsna all tilläggsutrustning, delar, tillbehör, ändringar och tillkopplingar som inte omfattas av garantiservice.

Kunden förbinder sig vidare att

1. ansvara för att Maskinen inte omfattas av panträtt eller andra belastningar som förhindrar utbytet
2. för Maskin som kunden inte äger inhämta ägarens tillstånd att låta Serviceleverantören utföra service på Maskinen
3. i tillämpliga fall, innan service tillhandahålls:
 - a. följa de procedurer för begäran av service, som Serviceleverantören angett
 - b. säkerhetskopiera eller vidta erforderliga åtgärder för att skydda alla program, data och ekonomiska medel i Maskinen
 - c. ge Serviceleverantören tillfredsställande, fri och säker tillgång till kundens lokaler m.m. för att Lenovo ska kunna fullgöra sina skyldigheter
4. (a) säkerställa att all information om identifierade eller identifierbara individer (personuppgifter) raderas från Maskinen (så långt detta är tekniskt möjligt), (b) tillåta Serviceleverantören eller en underleverantör att å kundens

vägnar bearbeta eventuella kvarvarande personuppgifter så som Serviceleverantören finner nödvändigt för att fullfölja sina skyldigheter enligt dessa Garantivillkor (vilket kan inkludera transport av Maskinen för sådan bearbetning till andra serviceplatser i olika delar av världen), och (c) säkerställa att sådan bearbetning är förenlig med de lagar som är tillämpliga för sådana personuppgifter.

Ansvarsbegränsning

Lenovo ansvarar endast för förlust eller skada på kundens Maskin under 1) den tid Serviceleverantören har den i sin besittning eller 2) transporten i de fall Lenovo står för fraktkostnaderna.

Varken Lenovo eller Serviceleverantören ansvarar för information av personlig natur som tillhör kunden och som finns i en Maskin som kunden av något skäl återlämnar. Kunden bör avlägsna all sådan information från Maskinen innan den återlämnas.

Situationer kan uppkomma där kunden, till följd av avtalsbrott från Lenovos sida eller annat ansvar, har rätt till skadestånd från Lenovo. I varje sådant fall begränsas Lenovos ansvar, oavsett grunden för kundens skadeståndsanspråk (väsentligt avtalsbrott, vårdslöshet m.m.), om inte annat föreskrivs i tvingande lag, till

1. skadestånd för personskada (inbegripet dödsfall) eller sakskada för vilken Lenovo enligt lag är skadeståndsskyldigt
2. ersättning för andra direkta skador upp till ett belopp motsvarande avgifterna för den Maskin som är föremål för anspråket

Denna begränsning gäller även för Lenovos underleverantörer, återförsäljare och kundens Serviceleverantör. Den utgör Lenovos och Lenovos leverantörers, återförsäljares och kundens Serviceleverantörs hela gemensamma ansvar.

LENOVO, DESS LEVERANTÖRER, ÅTERFÖRSÄLJARE ELLER SERVICELEVERANTÖRER HAR UNDER INGA OMSTÄNDIGHETER NÅGOT ANSVAR FÖR FÖLJANDE ÄVEN OM DE INFORMERATS OM RISKEN: 1) SKADESTÅNDSANSPRÅK SOM TREDJE PART RIKTAR MOT KUNDEN (FÖRUTOM I DE FALL SOM AVSES I DEN FÖRSTA PUNKTEN OVAN); 2) FÖRLUST AV, ELLER SKADA PÅ KUNDENS DATA; 3) EKONOMISKA FÖLJDSKADOR ELLER ANDRA INDIREKTA SKADOR AV NÅGOT SLAG; ELLER 4) UTEBLIVEN VINST, UTEBLIVNA AFFÄRSMÖJLIGHETER, INTÄKTER, GOODWILL ELLER FÖRVÄNTADE BESPARINGAR. VISSA STATER ELLER JURISDIKTIONER TILLÅTER INTE UNDANTAG ELLER BEGRÄNSNING AV ANSVAR FÖR OFÖRUTSEDDA SKADOR ELLER FÖLJDSKADOR, VILKET KAN GÖRA ATT OVANSTÅENDE BEGRÄNSNING ELLER UNDANTAG INTE GÄLLER I ALLA LÄNDER.

Tillämplig lag

Kunden och Lenovo är överens om att det lands rätt i vilket kunden anskaffat Maskinen, skall gälla vid tolkning och tillämpning av rättigheter och skyldigheter enligt dessa Garantivillkor, med undantag av landets lagvalsregler.

DESSA GARANTIER GER KUNDEN VISSA JURIDISKA RÄTTIGHETER. KUNDEN KAN ÄVEN HA ANDRA RÄTTIGHETER SOM VARIERAR BEROENDE PÅ STAT ELLER JURISDIKTION.

Jurisdiktion

Parternas alla rättigheter och skyldigheter avgörs av domstolarna i det land där kunden anskaffat Maskinen.

Del 2 - Nationsspecifika villkor

SYD- OCH CENTRALAMERIKA

ARGENTINA

Jurisdiktion: *Följande läggs till efter den första meningen:*

Alla tvister som uppkommer i samband med Garantivillkoren skall avgöras uteslutande av handelsrätten i Buenos Aires.

BOLIVIA

Jurisdiktion: *Följande läggs till efter den första meningen:*

Alla tvister som uppkommer i samband med Garantivillkoren skall avgöras uteslutande av domstolarna i La Paz.

BRASILIEN

Jurisdiktion: *Följande läggs till efter den första meningen:*

Alla tvister som uppkommer i samband med Garantivillkoren skall avgöras uteslutande av domstolen i Rio de Janeiro, RJ.

CHILE

Jurisdiktion: *Följande läggs till efter den första meningen:*

Alla tvister som uppkommer i samband med Garantivillkoren skall avgöras uteslutande av civilmålsdomstolarna i Santiago.

COLOMBIA

Jurisdiktion: *Följande läggs till efter den första meningen:*

Alla tvister som uppkommer i samband med Garantivillkoren skall avgöras uteslutande av domare i republiken Colombia.

ECUADOR

Jurisdiktion: *Följande läggs till efter den första meningen:*

Alla tvister som uppkommer i samband med Garantivillkoren skall avgöras uteslutande av domare i Quito.

MEXIKO

Jurisdiktion: *Följande läggs till efter den första meningen:*

Alla tvister som uppkommer i samband med Garantivillkoren skall avgöras uteslutande av de federala domstolarna i Mexico City, Distrito Federal.

PARAGUAY

Jurisdiktion: *Följande läggs till efter den första meningen:*

Alla tvister som uppkommer i samband med Garantivillkoren skall avgöras uteslutande av domstolarna i Asunción.

PERU

Jurisdiktion: *Följande läggs till efter den första meningen:*

Alla tvister som uppkommer i samband med Garantivillkoren skall avgöras uteslutande av domare och tribunaler i det juridiska distriktet i Lima, Cercado.

Ansvarsbegränsning: *Följande läggs till i slutet av det här avsnittet:*

I enlighet med Artikel 1328 i den peruanska civilrättslagstiftningen gäller inte begränsningarna och undantagen som anges i detta avsnitt för skador som orsakats av Lenovos uppsåtliga vårdslöshet ("dolo") eller grova vårdslöshet ("culpa inexcusable").

URUGUAY

Jurisdiktion: *Följande läggs till efter den första meningen:*

Alla tvister som uppkommer i samband med Garantivillkoren skall avgöras uteslutande av Montevideos domstols jurisdiktion.

VENEZUELA

Jurisdiktion: *Följande läggs till efter den första meningen:*

Alla tvister som uppkommer i samband med Garantivillkoren skall avgöras uteslutande av de domstolarna i storstadsområdet Caracas.

NORDAMERIKA

Hur kunden erhåller garantiservice: *Följande läggs till i detta avsnitt:*

Garantiservice från IBM Service i Kanada eller USA: ring 1-800-426-7378.

KANADA

Ansvarsbegränsning: *Följande ersätter punkt 1 i detta avsnitt:*

1. skadestånd för personskada (inbegripet dödsfall) och sakskada som orsakats av Lenovos försumlighet och

Tillämplig lag: *Följande ersätter "det lands rätt i vilket kunden anskaffat Maskinen" i den första meningen:*

lagen i provinsen Ontario.

USA

Tillämplig lag: *Följande ersätter "det lands rätt i vilket kunden anskaffat Maskinen" i den första meningen:*
lagen i staten New York.

STILLAHAVSOMRÅDET

AUSTRALIEN

Vad garantin täcker: *Följande stycke läggs till i detta avsnitt:*

De garantier som anges i detta avsnitt är tillägg till andra rättigheter kunden kan ha under Trade Practices Act 1974 eller annan liknande lagstiftning och begränsas endast i den omfattning som tillåts i tillämplig lagstiftning.

Ansvarsbegränsning: *Följande läggs till i detta avsnitt:*

Om Lenovo bryter mot ett villkor eller en garanti som följer av Trade Practices Act 1974, eller annan liknande lagstiftning, är Lenovos ansvar begränsat till reparation eller utbyte av varorna, eller leverans av likvärdiga varor. I de fall villkor eller garantivillkor gäller försäljningsrätt, besittningsrätt eller oinskränkt äganderätt, eller om varorna är av sådant slag som vanligen anskaffas för användning eller konsumtion i hemmet, gäller inte någon av begränsningarna i detta stycke.

Tillämplig lag: *Följande ersätter" "det lands rätt i vilket kunden anskaffat Maskinen" i den första meningen:*
lagen i delstaten eller territoriet.

KAMBODJA OCH LAOS

Tillämplig lag: *Följande ersätter "det lands rätt i vilket kunden anskaffat Maskinen" i den första meningen:*
lagen i delstaten New York i USA.

KAMBODJA, INDONESIEN OCH LAOS

Skiljedom: *Följande läggs till under denna rubrik:*

Tvister som uppkommer av eller i samband med dessa Garantivillkor skall slutligen avgöras genom skiljedomsförhandlingar i Singapore i enlighet med de vid tidpunkten gällande förlikningsregler som tillämpas av Singapore International Arbitration Center ("SIAC Rules"). Skiljedomen skall vara slutgiltig och bindande för alla parter och inte kunna överklagas. Den skall vara skriftlig och ange domskäl och rättsföljder.

Antalet skiljedomare skall vara tre och vardera sidan i tvisten har rätt att utse en skiljedomare. De två skiljedomare som utsetts av parterna skall utse en tredje skiljedomare som skall fungera som ordförande för förhandlingarna. Om ordförandeposten blir vakant skall den fyllas av SIACs ordförande. Andra

vakanser skall fyllas av respektive nominerande part. Förhandlingarna skall fortsätta från det stadium de var i när vakansen uppstod.

Om någon av parterna vägrar eller på annat sätt underlåter att utse en skiljedomare inom 30 dagar från den dag motparten utser sin, skall den först utsedda skiljedomaren vara ensam skiljedomare, förutsatt att denna skiljedomare utsetts på rätt sätt.

Alla förhandlingar, inklusive alla dokument som läggs fram under dessa, skall föras på engelska. Den engelska versionen av dessa Garantivillkor gäller före andra språkversioner.

HONGKONG OCH MACAO, SÄRSKILDA ADMINISTRATIVA REGIONER I KINA

Tillämplig lag: *Följande ersätter "det lands rätt i vilket kunden anskaffat Maskinen" i den första meningen:*

lagen i Hongkongs särskilda administrativa region i Kina.

INDIEN

Ansvarsbegränsning: *Följande ersätter punkt 1 och 2 i detta avsnitt:*

1. ansvar för personskada (inbegripet dödsfall) och sakskada begränsas till sådan skada som orsakats av vårdslöshet från Lenovos sida
2. för varje annan faktisk skada som uppkommer i en situation orsakad av Lenovos underlåtenhet enligt, eller på annat sätt relaterat till, Garantivillkoren, till det belopp kunden erlagt för den Maskin som är föremål för anspråket.

Skiljedom: *Följande läggs till under denna rubrik:*

Twister som uppkommer av eller i samband med dessa Garantivillkor skall slutligen avgöras genom skiljedomsförhandlingar i Bangalore i Indien i enlighet med vid tidpunkten gällande indiska lagar. Skiljedomen skall vara slutgiltig och bindande för alla parter och inte kunna överklagas. Den skall vara skriftlig och ange domskäl och rättsföljder.

Antalet skiljedomare skall vara tre och vardera sidan i tvisten har rätt att utse en skiljedomare. De två skiljedomare som utsetts av parterna skall utse en tredje skiljedomare som skall fungera som ordförande för förhandlingarna. Om ordförandeposten blir vakant skall den fyllas av ordföranden för Bar Council of India. Andra vakanser skall fyllas av respektive nominerande part. Förhandlingarna skall fortsätta från det stadium de var i när vakansen uppstod.

Om någon av parterna vägrar eller på annat sätt underlåter att utse en skiljedomare inom 30 dagar från den dag motparten utser sin, skall den först utsedda skiljedomaren vara ensam skiljedomare, förutsatt att denna skiljedomare utsetts på rätt sätt.

Alla förhandlingar, inklusive alla dokument som läggs fram under dessa, skall föras på engelska. Den engelska versionen av dessa Garantivillkor gäller före andra språkversioner.

JAPAN

Tillämplig lag: *Följande mening läggs till i detta avsnitt:*

Alla eventuella oklarheter rörande dessa Garantivillkor löses initialt parterna emellan i god anda och i enlighet med principen om ömsesidigt förtroende.

MALAYSIA

Ansvarsbegränsning: Ordet "**SÄRSKILDA (SPECIAL)**" i punkt 3 i femte stycket tas bort.

NYA ZEELAND

Vad garantin täcker: *Följande stycke läggs till i detta avsnitt:*

De garantier som anges i detta avsnitt gäller utöver alla rättigheter som kunden kan ha enligt Consumer Guarantees Act 1993 eller annan tvingande lag. Consumer Guarantees Act 1993 gäller inte för gods eller tjänster som Lenovo tillhandahåller, om kunden har anskaffat godset för affärsdrivande verksamhet enligt definitionen i Consumer Guarantees Act.

Ansvarsbegränsning: *Följande läggs till i detta avsnitt:*

Om Maskiner inte är anskaffade för affärsdrivande verksamhet enligt definitionen i Consumer Guarantees Act 1993, omfattas begränsningarna i detta avsnitt av begränsningarna i den akten.

KINA

Tillämplig lag: *Följande ersätter "det lands rätt i vilket kunden anskaffat Maskinen" i den första meningen:*

lagen i delstaten New York i USA (utom där lokal lagstiftning kräver annat).

FILIPPINERNA

Ansvarsbegränsning: *Punkt 3 i femte stycket ersätts med följande:*

SÄRSKILDA SKADOR (INKLUSIVE NOMINELLA SKADOR OCH VITEN), IDEELLA, OFÖRUTSEDDA ELLER INDIREKTA SKADOR FÖR EVENTUELLA EKONOMISKA FÖLJDSKADOR, ELLER

Skiljedom: *Följande läggs till under den här rubriken:*

Twister som uppkommer ur eller i samband med dessa Garantivillkor skall slutligen avgöras genom skiljedomsförhandlingar i Metro Manila på Filippinerna i enlighet med vid tidpunkten gällande filippinska lagar. Skiljedomen skall vara slutgiltig och bindande för alla parter och inte kunna överklagas. Den skall vara skriftlig och ange domskäl och rättsföljder.

Antalet skiljedomare skall vara tre och vardera sidan i tvisten har rätt att utse en skiljedomare. De två skiljedomare som utsetts av parterna skall utse en

tredje skiljedomare som skall fungera som ordförande för förhandlingarna. Om ordförandeposten blir vakant skall den fyllas av ordföranden för Philippine Dispute Resolution Center, Inc. Andra vakanser skall fyllas av respektive nominerande part. Förhandlingarna skall fortsätta från det stadium de var i när vakansen uppstod.

Om någon av parterna vägrar eller på annat sätt underlåter att utse en skiljedomare inom 30 dagar från den dag motparten utser sin, skall den först utsedda skiljedomaren vara ensam skiljedomare, förutsatt att denna skiljedomare utsetts på rätt sätt.

Alla förhandlingar, inklusive alla dokument som läggs fram under dessa, skall föras på engelska. Den engelska versionen av dessa Garantivillkor gäller före andra språkversioner.

SINGAPORE

Ansvarsbegränsning: *Orden "SÄRSKILDA" (SPECIAL) och "EKONOMISKA" (ECONOMIC) i punkt 3 i femte stycket har tagits bort.*

EUROPA, MELLANÖSTERN, AFRIKA (EMEA)

FÖLJANDE VILLKOR GÄLLER ALLA EMEA-LÄNDER:

Garantivillkoren är tillämpliga på alla Maskiner som köpts från Lenovo eller en Lenovoåterförsäljare.

Hur kunden erhåller garantiservice:

Lägg till följande stycke i Västeuropa (Andorra, Belgien, Cypern, Danmark, Estland, Finland, Frankrike, Grekland, Irland, Island, Italien, Lettland, Liechtenstein, Litauen, Luxemburg, Malta, Monaco, Nederländerna, Norge, Polen, Portugal, San Marino, Schweiz, Slovakien, Slovenien, Spanien, Storbritannien och Nordirland, Sverige, Tjeckien, Tyskland, Ungern Vatikanstaten, Österrike samt nya EU-länder från och med inträdesdatum):

Garantier för Maskiner som anskaffats i Västeuropa är giltiga och tillämpbara i alla västeuropeiska länder förutsatt att Maskinerna har lanserats och gjorts tillgängliga där.

Om kunden köper en Maskin i något av de västeuropeiska länder som definieras ovan kan garantiservice för den Maskinen fås i alla dessa länder från en Serviceleverantör, förutsatt att Maskinen har lanserats och gjorts tillgänglig av Lenovo i det land där kunden önskar få service.

Om kunden anskaffat en persondator i Albanien, Armenien, Bosnien-Hercegovina, Bulgarien, Georgien, Kazakstan, Kirgizistan, Kroatien, Makedonien, Moldavien, Polen, Rumänien, Ryssland, Slovakien, Slovenien, Serbien och Montenegro, Tjeckien, Ukraina, Ungern eller Vitryssland kan kunden få garan-

tiservice för den Maskinen i alla dessa länder från en Serviceleverantör, förutsatt att Maskinen har lanserats och gjorts tillgänglig av Lenovo i det land där kunden önskar få service.

Om kunden köper en Maskin i ett land i Mellanöstern eller Afrika kan garantiservice för den Maskinen fås i alla dessa länder från en Serviceleverantör i inköpslandet, förutsatt att Maskinen har lanserats och gjorts tillgänglig av Lenovo i det land där kunden önskar få service. Garantiservice i Afrika är tillgänglig inom 50 kilometers avstånd från en Serviceleverantör. Kunden ansvarar för transportkostnaderna för Maskiner på längre avstånd än 50 kilometer från en Serviceleverantör.

Tillämplig lag:

Frasen "det lands rätt i vilket kunden anskaffat Maskinen" ersätts med:

1) österrikisk lag i **Albanien, Armenien, Azerbajdzjan, Bosnien-Hercegovina, Bulgarien, Georgien, Kazakstan, Kirgizistan, Kroatien, Makedonien, Moldavien, Montenegro, Polen, Rumänien, Ryssland, Serbien, Slovakien, Slovenien, Tadzjikistan, Turkmenistan, Ukraina, Ungern, Uzbekistan och Vitryssland;** 2) fransk lag i **Algeriet, Benin, Burkina Faso, Centralafrikanska republiken, Djibouti, Ekvatorialguinea, Elfenbenskusten, Franska Guyana, Franska Polynesien, Gabon, Gambia, Guinea, Guinea-Bissau, Kamerun, Kap Verde, Komorenerna, Kongo Brazzaville, Kongo Kinshasa, Libanon, Madagaskar, Mali, Mauretanien, Mauritius, Mayotte, Marocko, Nya Kaledonien, Niger, Réunion, Senegal, Seychellerna, Tchad, Togo, Tunisien, Vanuatu samt Wallis- och Futunaöarna;** 3) finsk lag i **Estland, Lettland och Litauen;** 4) engelsk lag i **Angola, Bahrain, Botswana, Burundi, Egypten, Eritrea, Etiopien, Förenade Arabemiraten, Ghana, Jemen, Jordanien, Kenya, Kuwait, Liberia, Malawi, Malta, Moçambique, Nigeria, Oman, Pakistan, Qatar, Rwanda, São Tomé, Saudiarabien, Sierra Leone, Somalia, Storbritannien och Nordirland, Tanzania, Uganda, Västbanken/Gaza, Zambia och Zimbabwe** och 5) sydafrikansk lag i **Sydafrika, Namibia, Lesotho och Swaziland.**

Jurisdiktion: *Följande undantag läggs till i detta avsnitt:*

1) I **Österrike** skall valet av jurisdiktion för alla tvister som gäller eller är relaterade till dessa Garantivillkor, inklusive deras existens, vara den behöriga domstolen i Wien, Österrike (innerstaden); 2) I **Angola, Bahrain, Botswana, Burundi, Egypten, Eritrea, Etiopien, Förenade Arabemiraten, Ghana, Jordanien, Kenya, Kuwait, Liberia, Malawi, Malta, Moçambique, Nigeria, Oman, Pakistan, Qatar, Rwanda, São Tomé, Saudiarabien, Sierra Leone, Somalia, Tanzania, Uganda, Västbanken/Gaza, Yemen, Zambia och Zimbabwe** skall alla tvister som gäller dessa Garantivillkor eller som är relaterade till tillämpningen av dessa, inklusive summarisk process, underkastas engelska domstolars exklusiva jurisdiktion; 3) i **Belgien och Luxemburg**, skall alla tvister som gäller dessa Garantivillkor eller som är relaterade till tolkningen eller tillämpningen därav endast avgöras enligt lagen och av de behöriga domstolarna i huvudstaden i det land där kundens registrerade kontor och eller affärslokaler finns; 4) i **Frankrike, Algeriet, Benin, Burkina Faso, Centralafrikanska repu-**

bliken, Djibouti, Ekvatorialguinea, Franska Guyana, Franska Polynisien, Gabon, Gambia, Guinea, Guinea-Bissau, Kamerun, Kap Verde, Komorerna, Kongo-Kinshasa, Republiken Kongo, Tchad, Elfenbenskusten, Libanon, Madagaskar, Mali, Mauritien, Mauritius, Mayotte, Marocko, Nya Kaledonien, Niger, Réunion, Senegal, Seychellerna, Togo, Tunisien, Vanuatu samt Wallis & Futuna skall alla tvister som gäller dessa Garantivillkor eller är relaterade till överträdelse eller tillämpning av dem, inklusive summarisk process, avgöras exklusivt av handelskammaren i Paris; 5) i **Ryssland**, skall alla tvister som gäller eller är relaterade till tolkning, överträdelse, uppsägning eller ogiltigförklarande av dessa Garantivillkor avgöras av skiljedomstolen i Moskva; 6) i **Sydafrika, Namibia, Lesotho och Swaziland**, förbinder sig alla parter att hänskjuta alla tvister som rör dessa Garantivillkor till civilmålsdomstolen i Johannesburg; 7) i **Turkiet** skall alla tvister som gäller eller är relaterade till dessa Garantivillkor avgöras av domstolen i centrala Istanbul (Sultanahmet) och av verkställighetsdirektoraten (Execution Directorates) i Istanbul, Turkiet; 8) i var och ett av följande länder skall alla rättsliga anspråk som uppkommer av dessa Garantivillkor hänskjutas till och slutligen avgöras av den behöriga domstolen i a) Aten för **Grekland**, b) Tel Aviv-Jaffa för **Israel**, c) Milano för **Italien**, d) Lissabon för **Portugal**, och e) Madrid för **Spanien**; och 9) i **Storbritannien och Nordirland** förbinder sig båda parter att hänskjuta alla tvister som gäller dessa Garantivillkor till engelska domstolars jurisdiktion.

Skiljedom: *Följande läggs till under denna rubrik:*

I **Albanien, Armenien, Azerbajdzjan, Bosnien-Hercegovina, Bulgarien, Georgien, Kazakstan, Kirgizistan, Kroatien, Makedonien, Moldavien, Polen, Rumänien, Ryssland, Slovakien, Slovenien, Serbien och Montenegro, Tadzjikistan, Turkmenistan, Ukraina, Ungern, Uzbekistan och Vitryssland** skall alla tvister som gäller dessa Garantivillkor, deras upphörande eller nullitet slutgiltigt avgöras genom skiljedom enligt Internationella skiljedomstolens förlikningsregler, i österrikiska handelskammaren i Wien, av tre skiljedomare som utsetts i enlighet med dessa regler. Skiljedomsförhandlingarna skall äga rum i Wien i Österrike och ske på engelska. Skiljedomarnas beslut är bindande för båda parter och kan inte överklagas. Enligt paragraf 598 (2) i de österrikiska civilprocessrättsliga reglerna avsäger sig parterna uttryckligen rätten att åberopa paragraf 595 (1) punkt 7 i reglerna. Lenovo kan emellertid väcka talan vid behörig domstol i det land där installationen utförts.

I **Estland, Lettland och Litauen** skall alla tvister som uppkommer i samband med Garantivillkoren slutgiltigt avgöras genom skiljedom som skall avges i Helsingfors i Finland i enlighet med finsk för tiden gällande skiljedomslagstiftning. Varje part utser en skiljedomare. Skiljedomarna utser tillsammans en ordförande. Om de inte kan komma överens om ordförande utses ordförande av Centrala Handelskammaren i Helsingfors.

EUROPEISKA UNIONEN (EU)

FÖLJANDE VILLKOR GÄLLER FÖR ALLA EU-LÄNDER:

Garantier för Maskiner som anskaffats i EU-länder är giltiga och tillämpbara i alla EU-länder förutsatt att Maskinerna har lanserats och gjorts tillgängliga där.

Hur kunden erhåller garantiservice: *Följande läggs till i detta avsnitt:*

Garantiservice från IBM Service i EU-länder: se telefonlistan i Del 3 - Garantiinformation.

Kontakta IBM Service på följande adress:

IBM Warranty & Service Quality Dept.
PO Box 30
Spango Valley
Greenock
Scotland PA16 0AH

KONSUMENTER

Konsumenter har lagstadgade rättigheter under tillämplig nationell lagstiftning som reglerar försäljning av konsumentvaror. Sådana rättigheter påverkas inte av de garantier som lämnas i dessa Garantivillkor.

DANMARK, FINLAND, GREKLAND, ITALIEN, NEDERLÄNDERNA, NORGE, PORTUGAL, SCHWEIZ, SPANIEN, SVERIGE och ÖSTERRIKE

Ansvarsbegränsning: *Följande ersätter villkoren i detta avsnitt i dess helhet:*

Såvida inte annat följer av tvingande lag gäller följande:

1. Lenovos ansvar för skador och förluster som kan uppkomma till följd av Lenovos fullgörande av sina skyldigheter eller av någon annan orsak som är relaterad till Garantivillkoren är begränsat till ersättning för visad skada och förlust som uppkommit som en omedelbar och direkt följd av bristande fullgörande av sådana skyldigheter (om felet är Lenovos) eller sådan orsak till ett maximibelopp som uppgår till det som kunden betalat för Maskinen. Begränsningen ovan gäller inte personskada (inbegripet dödsfall) eller sakskada för vilken Lenovo enligt lag är skadeståndsskyldigt.
2. **LENOVO, LENOVOS LEVERANTÖRER, ÅTERFÖRSÄLJARE ELLER SERVICELEVERANTÖRER HAR UNDER INGA OMSTÄNDIGHETER NÅGOT ANSVAR FÖR FÖLJANDE ÄVEN OM DE INFORMERATS OM RISKEN: 1) FÖRLUST AV, ELLER SKADA PÅ KUNDENS DATA; 2) EKONOMISKA FÖLJDSKADOR ELLER ANDRA INDIREKTA SKADOR AV NÅGOT SLAG; 3) UTEBLIVEN VINST, ÄVEN OM DEN ÄR EN OMEDELBAR FÖLJD AV DEN HÄNDELSE SOM ORSAKAT SKADAN; ELLER 4) UTEBLIVNA AFFÄRSMÖJLIGHETER, INTÄKTER, GOODWILL ELLER FÖRVÄNTADE BESPARINGAR.**

FRANKRIKE OCH BELGIEN

Ansvarsbegränsning: *Följande ersätter villkoren i detta avsnitt i dess helhet:*

Såvida inte annat följer av tvingande lag gäller följande:

1. Lenovos ansvar för skador och förluster som kan uppkomma till följd av Lenovos fullgörande av sina skyldigheter i förhållande till Garantivillkoren

är begränsat till ersättning för visad skada och förlust som uppkommit som en omedelbar och direkt följd av bristande fullgörande av sådana skyldigheter (om felet är Lenovos) till ett maximibelopp som uppgår till det som kunden betalat för Maskinen som orsakat skadan.

Begränsningen ovan gäller inte personskada (inbegripet dödsfall) eller sakskada för vilken Lenovo enligt lag är skadeståndsskyldigt.

2. **LENOVO, LENOVOS LEVERANTÖRER, ÅTERFÖRSÄLJARE ELLER SERVICELEVERANTÖRER HAR UNDER INGA OMSTÄNDIGHETER NÅGOT ANSVAR FÖR FÖLJANDE ÄVEN OM DE INFORMERATS OM RISKEN: 1) FÖRLUST AV, ELLER SKADA PÅ KUNDENS DATA; 2) EKONOMISKA FÖLJDSKADOR ELLER ANDRA INDIREKTA SKADOR AV NÅGOT SLAG; 3) UTEBLIVEN VINST, ÄVEN OM DEN ÄR EN OMEDELBAR FÖLJD AV DEN HÄNDELSE SOM ORSAKAT SKADAN; ELLER 4) UTEBLIVNA AFFÄRSMÖJLIGHETER, INTÄKTER, GOODWILL ELLER FÖRVÄNTADE BESPARINGAR.**

FÖLJANDE VILLKOR GÄLLER FÖR ANGIVET LAND:

ÖSTERRIKE

Bestämmelserna i dessa Garantivillkor ersätter alla övriga tillämpliga garantier.

Vad garantin täcker: *Följande ersätter den första meningen i det första stycket i detta avsnitt:*

Garantin för en Lenovomaskin gäller Maskinens funktionalitet vid normal användning och Maskinens överensstämmelse med dess specifikationer.

Följande stycken läggs till i detta avsnitt:

Tidsfristen för konsumenter att vidta åtgärder för garantibrott är minst den föreskrivna tidsperioden. Om Serviceleverantören inte lyckas reparera en Lenovomaskin, kan kunden antingen begära återbetalning av ett belopp motsvarande värdet av den oreparerade Maskinen, eller begära att avtalet för Maskinen upphävs och få återbetalning av det erlagda beloppet.

Det andra stycket är inte tillämpligt.

Vad Lenovo kommer att göra för att åtgärda problem: *Följande läggs till i detta avsnitt:*

Under garantitiden kommer Lenovo att ersätta kunden för transportkostnader vid leverans av den felaktiga Maskinen till IBM Service.

Ansvarsbegränsning: *Följande stycke läggs till i detta avsnitt:*

De begränsningar och undantag som anges i Garantivillkoren gäller inte för skador som orsakas av Lenovo, avsiktligt eller på grund av grov vårdslöshet, och inte heller ifråga om uttrycklig garanti.

Följande mening läggs till i slutet av punkt 2:

Lenovos ansvar under denna punkt är begränsat till överträdelse av väsentligt avtalsvillkor i fall av ringa vårdslöshet.

EGYPTEN

Ansvarsbegränsning: *Följande ersätter punkt 2 i detta avsnitt:*

ifråga om andra direkta skador är Lenovos ansvar begränsat till det totala belopp kunden betalat för den Maskin som är föremål för anspråket.

Gäller leverantörer, återförsäljare och Serviceleverantörer (oförändrat).

FRANKRIKE

Ansvarsbegränsning: *Följande ersätter andra meningen i första stycket i detta avsnitt:*

I varje sådant fall, oavsett grunden för kundens skadeståndsanspråk begränsas Lenovos ansvar till: (punkt 1 och 2 oförändrade).

TYSKLAND

Vad garantin täcker: *Följande ersätter den första meningen i det första stycket i detta avsnitt:*

Garantin för en Lenovomaskin gäller Maskinens funktionalitet vid normal användning och Maskinens överensstämmelse med dess specifikationer.

Följande stycken läggs till i detta avsnitt:

Den kortaste garantitiden för Maskiner är tolv månader. Om Serviceleverantören inte lyckas reparera en Lenovomaskin, kan kunden antingen begära återbetalning av ett belopp motsvarande värdet av den oreparerade Maskinen, eller begära att avtalet för Maskinen upphävs och få återbetalning av det erlagda beloppet.

Det andra stycket är inte tillämpligt.

Vad Lenovo kommer att göra för att åtgärda problem: *Följande läggs till i detta avsnitt:*

Under garantitiden sker transport till Lenovo eller IBM Service av den felaktiga Maskinen på Lenovos bekostnad.

Ansvarsbegränsning: *Följande stycke läggs till i detta avsnitt:*

De begränsningar och undantag som anges i Garantivillkoren gäller inte för skador som orsakas av Lenovo, avsiktligt eller på grund av grov vårdslöshet, och inte heller ifråga om uttrycklig garanti.

Följande mening läggs till i slutet av punkt 2:

Lenovos ansvar under denna punkt är begränsat till överträdelse av väsentligt avtalsvillkor i fall av ringa vårdslöshet.

UNGERN

Ansvarsbegränsning: *Följande läggs till i slutet av det här avsnittet:*

Begränsningar och undantag som här anges avser inte ansvar för kontraktsbrott som skadar liv, fysiskt välbefinnande eller hälsa och som orsakats avsiktligt, genom grov vårdslöshet eller genom brottslig handling.

Parterna accepterar att ansvarsbegränsningarna är giltiga bestämmelser och föreskriver att paragraf 314.(2) i den ungerska civilrättslagstiftningen samt anskaffningspris och andra fördelar som uppkommer av Garantivillkoren vägs mot denna ansvarsbegränsning.

IRLAND

Vad garantin täcker: *Följande läggs till i detta avsnitt:*

Förutom vad som uttryckligen anges i dessa villkor, utesluts härmed alla lagstadgade villkor, inklusive alla underförstådda garantier, däribland alla garantier enligt Sale of Goods Act 1893 eller Sale of Goods and Supply of Services Act 1980.

Ansvarsbegränsning: *Följande ersätter villkoren i detta avsnitt i dess helhet:*

Med "Försummelse" avses i detta avsnitt gärningar, påståenden, underlåtenhet eller vållande från Lenovos sida i samband med dessa Garantivillkor enligt vilka Lenovo har skyldigheter gentemot kunden, antingen för avtalsbrott eller utomobligatoriskt ansvar. Ett antal Försummelse som tillsammans resulterar i, eller bidrar till, i princip samma förlust eller skada betraktas som en Försummelse som inträffat det datum då den sista Försummelsen inträffade.

Omständigheter kan uppstå som medför att kunden på grund av Försummelse har rätt till skadestånd från Lenovo.

I detta avsnitt fastställs Lenovos hela ansvar vid fel eller försummelse.

1. Lenovo har ett obegränsat ansvar för dödsfall eller personskada orsakad av vårdslöshet från Lenovos sida.
2. Med undantag för vad som anges i **Begränsningar i Lenovos åtaganden** nedan, accepterar Lenovo obegränsat ansvar för sakskada som uppkommit till följd av Lenovos vårdslöshet.
3. Med undantag för vad som sägs i punkterna 1 och 2 ovan skall Lenovos hela skadeståndsansvar för faktiska skador för någon Försummelse inte överstiga 125 % av den summa som erlagts för Maskinen som härrör direkt ur Försummelsen.

Begränsningar i Lenovos åtaganden

Med undantag för den ansvarsskyldighet som refereras till i punkt 1 ovan är Lenovo, Lenovos leverantörer, återförsäljare eller Serviceleverantörer under inga omständigheter ansvariga för något av följande, även om Lenovo eller de andra har underrättats om möjligheten av sådana förluster:

1. förlust av eller skada på data;

2. särskilda, indirekta eller ekonomiska följdskador; eller
3. utebliven vinst, uteblivna affärsmöjligheter, intäkter, goodwill eller förväntade besparingar

SLOVAKIEN

Ansvarsbegränsning: *Följande läggs till i slutet av det sista stycket:*

Begränsningarna gäller i den utsträckning de inte förbjudits under §§ 373-386 i den slovakiska handelsrätten.

SYDAFRIKA, NAMIBIA, BOTSWANA, LESOTHO OCH SWAZILAND

Ansvarsbegränsning: *Följande läggs till i detta avsnitt:*

Lenovos hela ansvar gentemot kunden för skador som uppkommer i alla situationer genom Lenovos underlåtenhet enligt Garantivillkoren, begränsas till det belopp kunden betalat för den Maskin, som är föremål för anspråket på Lenovo.

STORBRIANNIEN

Ansvarsbegränsning: *Följande ersätter villkoren i detta avsnitt i dess helhet:*

Med "Försummelse" avses i detta avsnitt gärningar, påståenden, underlåtenhet eller vållande från Lenovos sida i samband med dessa Garantivillkor enligt vilka Lenovo har skyldigheter gentemot kunden, antingen för avtalsbrott eller utomobligatoriskt ansvar. Ett antal Försummelse som tillsammans resulterar i, eller bidrar till, i princip samma förlust eller skada betraktas som en Försummelse.

Omständigheter kan uppstå som medför att kunden på grund av Försummelse har rätt till skadestånd från Lenovo.

I detta avsnitt fastställs Lenovos hela ansvar vid fel eller försummelse.

1. Lenovo har ett obegränsat ansvar för
 - a. dödsfall eller personskada orsakad av vårdslöshet från Lenovos sida
 - b. åsidosättande av skyldigheter som följer av Avsnitt 12 i Sale of Goods Act 1979 eller Avsnitt 2 i Supply of Goods and Services Act 1982, eller modifiering av föreskrift eller senare antagande av något av dessa avsnitt
2. Lenovo accepterar obegränsat ansvar med undantag för **Begränsningar i Lenovos åtaganden** nedan, för sakskada som uppkommit till följd av Lenovos vårdslöshet
3. Lenovos hela skadeståndsansvar för faktiska skador för någon Försummelse skall inte, med undantag för vad som sägs i punkterna 1 och 2 ovan, överstiga 125 % av det sammanlagda inköpspriset eller kostnaderna för Maskinen som härrör direkt ur Försummelsen

Denna begränsning gäller även för Lenovos leverantörer, återförsäljare och Serviceleverantörer. Ansvarsbegränsningen är det maximum för vilket Lenovo, Lenovos leverantörer, återförsäljare och Serviceleverantörer är gemensamt ansvariga.

Begränsningar i Lenovos åtaganden

Med undantag för den ansvarsskyldighet som refereras till i punkt 1 ovan är Lenovo, Lenovos leverantörer, återförsäljare eller Serviceleverantörer under inga omständigheter ansvariga för något av följande, även om Lenovo eller de andra har underrättats om möjligheten av sådana förluster:

1. förlust av eller skada på data;
2. särskilda, indirekta eller ekonomiska följdskador; eller
3. utebliven vinst, uteblivna affärsmöjligheter, intäkter, goodwill eller förväntade besparingar

Del 3 - Garantiinformation

Del 3 ger information om den garanti som gäller för Maskinen, om garantitiden samt vilket servicealternativ Lenovo tillhandahåller.

Garantitid

Garantitiden kan variera från land till land och från region till region och anges i tabellen nedan. Anm. Med "region" avses antingen Hongkong eller Macao, särskilda administrativa regioner i Kina.

En garantitid på 1 år för delar och 1 år för arbete betyder att Lenovo tillhandahåller garantiservice under Garantitidens första år.

Maskintyp	Land eller region för köp	Garantitid	Garantiservicealt.
6490	USA, Angola, Botswana, Burundi, Eritrea, Etiopien, Ghana, Kenya, Liberia, Malawi, Malta, Moçambique, Nigeria, Rwanda, São Tomé, Sierra Leone, Somalia, Tanzania, Uganda, Zambia, Zimbabwe, Argentina, Bolivia, Belize, Brasilien, Chile, Colombia, Costa Rica, Dominikanska republiken, Ecuador, El Salvador, Guatemala, Haiti, Honduras, Mexico, Nicaragua, Panama, Paraguay, Peru, Uruguay, Venezuela, Brasilien, Europa, Mellanöstern, Afrika, Australien, Nya Zeeland, Singapore, Malaysia, Thailand, Indonesien, Filippinerna, Vietnam, Brunei, Sri Lanka, Bangladesh, Indien, Korea, Hongkong, Taiwan, Kina, Japan	Delar och arbete - 3 år	5

Maskintyp	Land eller region för köp	Garantitid	Garanti-servicealt.
6491	USA, Angola, Botswana, Burundi, Eritrea, Etiopien, Ghana, Kenya, Liberia, Malawi, Malta, Moçambique, Nigeria, Rwanda, São Tomé, Sierra Leone, Somalia, Tanzania, Uganda, Zambia, Zimbabwe, Argentina, Bolivia, Belize, Brasilien, Chile, Colombia, Costa Rica, Dominikanska republiken, Ecuador, El Salvador, Guatemala, Haiti, Honduras, Mexico, Nicaragua, Panama, Paraguay, Peru, Uruguay, Venezuela, Brasilien, Europa, Mellanöstern, Afrika, Australien, Nya Zeeland, Singapore, Malaysia, Thailand, Indonesien, Filippinerna, Vietnam, Brunei, Sri Lanka, Bangladesh, Indien, Korea, Hongkong, Taiwan, Kina, Japan	Delar och arbete - 3 år	5
8013	USA, Angola, Botswana, Burundi, Eritrea, Etiopien, Ghana, Kenya, Liberia, Malawi, Malta, Moçambique, Nigeria, Rwanda, São Tomé, Sierra Leone, Somalia, Tanzania, Uganda, Zambia, Zimbabwe, Argentina, Bolivia, Belize, Brasilien, Chile, Colombia, Costa Rica, Dominikanska republiken, Ecuador, El Salvador, Guatemala, Haiti, Honduras, Mexico, Nicaragua, Panama, Paraguay, Peru, Uruguay, Venezuela, Brasilien, Europa, Mellanöstern, Afrika, Australien, Nya Zeeland, Singapore, Malaysia, Thailand, Indonesien, Filippinerna, Vietnam, Brunei, Sri Lanka, Bangladesh, Indien, Korea, Hongkong, Taiwan, Kina	Delar och arbete - 1 år	5
8013	Japan	Delar och arbete - 1 år	6
8700	USA, Angola, Botswana, Burundi, Eritrea, Etiopien, Ghana, Kenya, Liberia, Malawi, Malta, Moçambique, Nigeria, Rwanda, São Tomé, Sierra Leone, Somalia, Tanzania, Uganda, Zambia, Zimbabwe, Argentina, Bolivia, Belize, Brasilien, Chile, Colombia, Costa Rica, Dominikanska republiken, Ecuador, El Salvador, Guatemala, Haiti, Honduras, Mexico, Nicaragua, Panama, Paraguay, Peru, Uruguay, Venezuela, Brasilien, Europa, Mellanöstern, Afrika, Australien, Nya Zeeland, Singapore, Malaysia, Thailand, Indonesien, Filippinerna, Vietnam, Brunei, Sri Lanka, Bangladesh, Indien, Korea, Hongkong, Taiwan, Kina	Delar och arbete - 1 år	5
8700	Japan	Delar och arbete - 1 år	6

Maskintyp	Land eller region för köp	Garantitid	Garantiservicealt.
8701	USA, Angola, Botswana, Burundi, Eritrea, Etiopien, Ghana, Kenya, Liberia, Malawi, Malta, Moçambique, Nigeria, Rwanda, São Tomé, Sierra Leone, Somalia, Tanzania, Uganda, Zambia, Zimbabwe, Argentina, Bolivia, Belize, Brasilien, Chile, Colombia, Costa Rica, Dominikanska republiken, Ecuador, El Salvador, Guatemala, Haiti, Honduras, Mexico, Nicaragua, Panama, Paraguay, Peru, Uruguay, Venezuela, Brasilien, Europa, Mellanöstern, Afrika, Australien, Nya Zeeland, Singapore, Malaysia, Thailand, Indonesien, Filippinerna, Vietnam, Brunei, Sri Lanka, Bangladesh, Indien, Korea, Hongkong, Taiwan, Kina	Delar och arbete - 1 år	5
8701	Japan	Delar och arbete - 1 år	6
8702	USA, Angola, Botswana, Burundi, Eritrea, Etiopien, Ghana, Kenya, Liberia, Malawi, Malta, Moçambique, Nigeria, Rwanda, São Tomé, Sierra Leone, Somalia, Tanzania, Uganda, Zambia, Zimbabwe, Argentina, Bolivia, Belize, Brasilien, Chile, Colombia, Costa Rica, Dominikanska republiken, Ecuador, El Salvador, Guatemala, Haiti, Honduras, Mexico, Nicaragua, Panama, Paraguay, Peru, Uruguay, Venezuela, Brasilien, Europa, Mellanöstern, Afrika, Australien, Nya Zeeland, Singapore, Malaysia, Thailand, Indonesien, Filippinerna, Vietnam, Brunei, Sri Lanka, Bangladesh, Indien, Korea, Hongkong, Taiwan, Kina	Delar och arbete - 1 år	5
8702	Japan	Delar och arbete - 1 år	6
8705	USA, Angola, Botswana, Burundi, Eritrea, Etiopien, Ghana, Kenya, Liberia, Malawi, Malta, Moçambique, Nigeria, Rwanda, São Tomé, Sierra Leone, Somalia, Tanzania, Uganda, Zambia, Zimbabwe, Argentina, Bolivia, Belize, Brasilien, Chile, Colombia, Costa Rica, Dominikanska republiken, Ecuador, El Salvador, Guatemala, Haiti, Honduras, Mexico, Nicaragua, Panama, Paraguay, Peru, Uruguay, Venezuela, Brasilien, Europa, Mellanöstern, Afrika, Australien, Nya Zeeland, Singapore, Malaysia, Thailand, Indonesien, Filippinerna, Vietnam, Brunei, Sri Lanka, Bangladesh, Indien, Korea, Hongkong, Taiwan, Kina	Delar och arbete - 1 år	5
8705	Japan	Delar och arbete - 1 år	6

Maskintyp	Land eller region för köp	Garantitid	Garantiservicealt.
8706	USA, Angola, Botswana, Burundi, Eritrea, Etiopien, Ghana, Kenya, Liberia, Malawi, Malta, Moçambique, Nigeria, Rwanda, São Tomé, Sierra Leone, Somalia, Tanzania, Uganda, Zambia, Zimbabwe, Argentina, Bolivia, Belize, Brasilien, Chile, Colombia, Costa Rica, Dominikanska republiken, Ecuador, El Salvador, Guatemala, Haiti, Honduras, Mexico, Nicaragua, Panama, Paraguay, Peru, Uruguay, Venezuela, Brasilien, Europa, Mellanöstern, Afrika, Australien, Nya Zeeland, Singapore, Malaysia, Thailand, Indonesien, Filippinerna, Vietnam, Brunei, Sri Lanka, Bangladesh, Indien, Korea, Hongkong, Taiwan, Kina	Delar och arbete - 1 år	5
8706	Japan	Delar och arbete - 1 år	6
8716	Europa, Mellanöstern, Afrika	Delar och arbete - 1 år	7
8717	Europa, Mellanöstern, Afrika	Delar och arbete - 1 år	7
8970	Europa, Mellanöstern, Afrika	Delar och arbete - 1 år	7
8972	Europa, Mellanöstern, Afrika	Delar och arbete - 1 år	7
8973	Europa, Mellanöstern, Afrika	Delar och arbete - 1 år	7
8975	Europa, Mellanöstern, Afrika	Delar och arbete - 1 år	7
8976	Australien, Nya Zeeland, Singapore, Malaysia, Thailand, Indonesien, Filippinerna, Vietnam, Brunei, Sri Lanka, Bangladesh, Indien, Korea, Hongkong, Taiwan, Kina	Delar - 3 år Arbete - 1 år	5
8976	Europa, Mellanöstern, Afrika	Delar och arbete - 3	7
8979	Australien, Nya Zeeland, Singapore, Malaysia, Thailand, Indonesien, Filippinerna, Vietnam, Brunei, Sri Lanka, Bangladesh, Indien, Korea, Hongkong, Taiwan, Kina	Delar - 3 år Arbete - 1 år	5
8979	Europa, Mellanöstern, Afrika	Delar och arbete - 3	7
8980	Australien, Nya Zeeland, Singapore, Malaysia, Thailand, Indonesien, Filippinerna, Vietnam, Brunei, Sri Lanka, Bangladesh, Indien, Korea, Hongkong, Taiwan, Kina	Delar - 3 år Arbete - 1 år	5

Maskintyp	Land eller region för köp	Garantitid	Garanti-servicealt.
8980	Europa, Mellanöstern, Afrika	Delar och arbete - 3	7
8982	Australien, Nya Zealand, Singapore, Malaysia, Thailand, Indonesien, Filippinerna, Vietnam, Brunei, Sri Lanka, Bangladesh, Indien, Korea, Hongkong, Taiwan, Kina	Delar - 3 år Arbete - 1 år	5
8982	Europa, Mellanöstern, Afrika	Delar och arbete - 3	7
8983	Australien, Nya Zealand, Singapore, Malaysia, Thailand, Indonesien, Filippinerna, Vietnam, Brunei, Sri Lanka, Bangladesh, Indien, Korea, Hongkong, Taiwan, Kina	Delar - 3 år Arbete - 1 år	5
8983	Europa, Mellanöstern, Afrika	Delar och arbete - 3	7
8985	Australien, Nya Zealand, Singapore, Malaysia, Thailand, Indonesien, Filippinerna, Vietnam, Brunei, Sri Lanka, Bangladesh, Indien, Korea, Hongkong, Taiwan, Kina	Delar - 3 år Arbete - 1 år	5
8985	Europa, Mellanöstern, Afrika	Delar och arbete - 3	7
8986	USA, Angola, Botswana, Burundi, Eritrea, Etiopien, Ghana, Kenya, Liberia, Malawi, Malta, Moçambique, Nigeria, Rwanda, São Tomé, Sierra Leone, Somalia, Tanzania, Uganda, Zambia, Zimbabwe, Argentina, Bolivia, Belize, Brasilien, Chile, Colombia, Costa Rica, Dominikanska republiken, Ecuador, El Salvador, Guatemala, Haiti, Honduras, Mexico, Nicaragua, Panama, Paraguay, Peru, Uruguay, Venezuela, Brasilien, Europa, Mellanöstern, Afrika, Australien, Nya Zealand, Singapore, Malaysia, Thailand, Indonesien, Filippinerna, Vietnam, Brunei, Sri Lanka, Bangladesh, Indien, Korea, Hongkong, Taiwan, Kina	Delar och arbete - 3 år	5
8991	USA, Angola, Botswana, Burundi, Eritrea, Etiopien, Ghana, Kenya, Liberia, Malawi, Malta, Moçambique, Nigeria, Rwanda, São Tomé, Sierra Leone, Somalia, Tanzania, Uganda, Zambia, Zimbabwe, Argentina, Bolivia, Belize, Brasilien, Chile, Colombia, Costa Rica, Dominikanska republiken, Ecuador, El Salvador, Guatemala, Haiti, Honduras, Mexico, Nicaragua, Panama, Paraguay, Peru, Uruguay, Venezuela, Brasilien, Europa, Mellanöstern, Afrika, Australien, Nya Zealand, Singapore, Malaysia, Thailand, Indonesien, Filippinerna, Vietnam, Brunei, Sri Lanka, Bangladesh, Indien, Korea, Hongkong, Taiwan, Kina	Delar och arbete - 3 år	5

Maskintyp	Land eller region för köp	Garantitid	Garantiservicealt.
8992	USA, Angola, Botswana, Burundi, Eritrea, Etiopien, Ghana, Kenya, Liberia, Malawi, Malta, Moçambique, Nigeria, Rwanda, São Tomé, Sierra Leone, Somalia, Tanzania, Uganda, Zambia, Zimbabwe, Argentina, Bolivia, Belize, Brasilien, Chile, Colombia, Costa Rica, Dominikanska republiken, Ecuador, El Salvador, Guatemala, Haiti, Honduras, Mexico, Nicaragua, Panama, Paraguay, Peru, Uruguay, Venezuela, Brasilien, Europa, Mellanöstern, Afrika, Australien, Nya Zeeland, Singapore, Malaysia, Thailand, Indonesien, Filippinerna, Vietnam, Brunei, Sri Lanka, Bangladesh, Indien, Korea, Hongkong, Taiwan, Kina	Delar och arbete - 3 år	5
8994	USA, Angola, Botswana, Burundi, Eritrea, Etiopien, Ghana, Kenya, Liberia, Malawi, Malta, Moçambique, Nigeria, Rwanda, São Tomé, Sierra Leone, Somalia, Tanzania, Uganda, Zambia, Zimbabwe, Argentina, Bolivia, Belize, Brasilien, Chile, Colombia, Costa Rica, Dominikanska republiken, Ecuador, El Salvador, Guatemala, Haiti, Honduras, Mexico, Nicaragua, Panama, Paraguay, Peru, Uruguay, Venezuela, Brasilien, Europa, Mellanöstern, Afrika, Australien, Nya Zeeland, Singapore, Malaysia, Thailand, Indonesien, Filippinerna, Vietnam, Brunei, Sri Lanka, Bangladesh, Indien, Korea, Hongkong, Taiwan, Kina	Delar och arbete - 3 år	5
8995	USA, Angola, Botswana, Burundi, Eritrea, Etiopien, Ghana, Kenya, Liberia, Malawi, Malta, Moçambique, Nigeria, Rwanda, São Tomé, Sierra Leone, Somalia, Tanzania, Uganda, Zambia, Zimbabwe, Argentina, Bolivia, Belize, Brasilien, Chile, Colombia, Costa Rica, Dominikanska republiken, Ecuador, El Salvador, Guatemala, Haiti, Honduras, Mexico, Nicaragua, Panama, Paraguay, Peru, Uruguay, Venezuela, Brasilien, Europa, Mellanöstern, Afrika, Australien, Nya Zeeland, Singapore, Malaysia, Thailand, Indonesien, Filippinerna, Vietnam, Brunei, Sri Lanka, Bangladesh, Indien, Korea, Hongkong, Taiwan, Kina	Delar och arbete - 3 år	5

Maskintyp	Land eller region för köp	Garantitid	Garanti-servicealt.
9265	USA, Angola, Botswana, Burundi, Eritrea, Etiopien, Ghana, Kenya, Liberia, Malawi, Malta, Moçambique, Nigeria, Rwanda, São Tomé, Sierra Leone, Somalia, Tanzania, Uganda, Zambia, Zimbabwe, Argentina, Bolivia, Belize, Brasilien, Chile, Colombia, Costa Rica, Dominikanska republiken, Ecuador, El Salvador, Guatemala, Haiti, Honduras, Mexico, Nicaragua, Panama, Paraguay, Peru, Uruguay, Venezuela, Brasilien, Europa, Mellanöstern, Afrika, Australien, Nya Zeeland, Singapore, Malaysia, Thailand, Indonesien, Filippinerna, Vietnam, Brunei, Sri Lanka, Bangladesh, Indien, Korea, Hongkong, Taiwan, Kina	Delar och arbete - 3 år	5
9266	USA, Angola, Botswana, Burundi, Eritrea, Etiopien, Ghana, Kenya, Liberia, Malawi, Malta, Moçambique, Nigeria, Rwanda, São Tomé, Sierra Leone, Somalia, Tanzania, Uganda, Zambia, Zimbabwe, Argentina, Bolivia, Belize, Brasilien, Chile, Colombia, Costa Rica, Dominikanska republiken, Ecuador, El Salvador, Guatemala, Haiti, Honduras, Mexico, Nicaragua, Panama, Paraguay, Peru, Uruguay, Venezuela, Europa, Mellanöstern, Afrika, Australien, Nya Zeeland, Singapore, Malaysia, Thailand, Indonesien, Filippinerna, Vietnam, Brunei, Sri Lanka, Bangladesh, Indien, Korea, Hongkong, Taiwan	Delar och arbete - 1 år	5
9266	Japan	Delar och arbete - 1 år	6
9269	USA, Angola, Botswana, Burundi, Eritrea, Etiopien, Ghana, Kenya, Liberia, Malawi, Malta, Moçambique, Nigeria, Rwanda, São Tomé, Sierra Leone, Somalia, Tanzania, Uganda, Zambia, Zimbabwe, Argentina, Bolivia, Belize, Brasilien, Chile, Colombia, Costa Rica, Dominikanska republiken, Ecuador, El Salvador, Guatemala, Haiti, Honduras, Mexico, Nicaragua, Panama, Paraguay, Peru, Uruguay, Venezuela, Europa, Mellanöstern, Afrika, Australien, Nya Zeeland, Singapore, Malaysia, Thailand, Indonesien, Filippinerna, Vietnam, Brunei, Sri Lanka, Bangladesh, Indien, Korea, Hongkong, Taiwan	Delar och arbete - 1 år	5
9269	Japan	Delar och arbete - 1 år	6

Maskintyp	Land eller region för köp	Garantitid	Garanti-servicealt.
9276	USA, Angola, Botswana, Burundi, Eritrea, Etiopien, Ghana, Kenya, Liberia, Malawi, Malta, Moçambique, Nigeria, Rwanda, São Tomé, Sierra Leone, Somalia, Tanzania, Uganda, Zambia, Zimbabwe, Argentina, Bolivia, Belize, Brasilien, Chile, Colombia, Costa Rica, Dominikanska republiken, Ecuador, El Salvador, Guatemala, Haiti, Honduras, Mexico, Nicaragua, Panama, Paraguay, Peru, Uruguay, Venezuela, Europa, Mellanöstern, Afrika, Australien, Nya Zealand, Singapore, Malaysia, Thailand, Indonesien, Filippinerna, Vietnam, Brunei, Sri Lanka, Bangladesh, Indien, Korea, Hongkong, Taiwan	Delar och arbete - 1 år	5
9276	Japan	Delar och arbete - 1 år	6
9277	USA, Angola, Botswana, Burundi, Eritrea, Etiopien, Ghana, Kenya, Liberia, Malawi, Malta, Moçambique, Nigeria, Rwanda, São Tomé, Sierra Leone, Somalia, Tanzania, Uganda, Zambia, Zimbabwe, Argentina, Bolivia, Belize, Brasilien, Chile, Colombia, Costa Rica, Dominikanska republiken, Ecuador, El Salvador, Guatemala, Haiti, Honduras, Mexico, Nicaragua, Panama, Paraguay, Peru, Uruguay, Venezuela, Europa, Mellanöstern, Afrika, Australien, Nya Zealand, Singapore, Malaysia, Thailand, Indonesien, Filippinerna, Vietnam, Brunei, Sri Lanka, Bangladesh, Indien, Korea, Hongkong, Taiwan	Delar och arbete - 1 år	5
9277	Japan	Delar och arbete - 1 år	6
9278	USA, Angola, Botswana, Burundi, Eritrea, Etiopien, Ghana, Kenya, Liberia, Malawi, Malta, Moçambique, Nigeria, Rwanda, São Tomé, Sierra Leone, Somalia, Tanzania, Uganda, Zambia, Zimbabwe, Argentina, Bolivia, Belize, Brasilien, Chile, Colombia, Costa Rica, Dominikanska republiken, Ecuador, El Salvador, Guatemala, Haiti, Honduras, Mexico, Nicaragua, Panama, Paraguay, Peru, Uruguay, Venezuela, Europa, Mellanöstern, Afrika, Australien, Nya Zealand, Singapore, Malaysia, Thailand, Indonesien, Filippinerna, Vietnam, Brunei, Sri Lanka, Bangladesh, Indien, Korea, Hongkong, Taiwan	Delar och arbete - 1 år	5
9278	Japan	Delar och arbete - 1 år	6

Maskin- typ	Land eller region för köp	Garantitid	Garanti- servicealt.
9279	USA, Angola, Botswana, Burundi, Eritrea, Etiopien, Ghana, Kenya, Liberia, Malawi, Malta, Moçambique, Nigeria, Rwanda, São Tomé, Sierra Leone, Somalia, Tanzania, Uganda, Zambia, Zimbabwe, Argentina, Bolivia, Belize, Brasilien, Chile, Colombia, Costa Rica, Dominikanska republiken, Ecuador, El Salvador, Guatemala, Haiti, Honduras, Mexico, Nicaragua, Panama, Paraguay, Peru, Uruguay, Venezuela, Europa, Mellanöstern, Afrika, Australien, Nya Zeeland, Singapore, Malaysia, Thailand, Indonesien, Filippinerna, Vietnam, Brunei, Sri Lanka, Bangladesh, Indien, Korea, Hongkong, Taiwan	Delar och arbete - 1 år	5
9279	Japan	Delar och arbete - 1 år	6
9282	Argentina, Bolivia, Belize, Brasilien, Chile, Colombia, Costa Rica, Dominikanska republiken, Ecuador, El Salvador, Guatemala, Haiti, Honduras, Mexico, Nicaragua, Panama, Paraguay, Peru, Uruguay, Venezuela, Europa, Mellanöstern, Afrika	Delar och arbete - 1 år	7
9283	Argentina, Bolivia, Belize, Brasilien, Chile, Colombia, Costa Rica, Dominikanska republiken, Ecuador, El Salvador, Guatemala, Haiti, Honduras, Mexico, Nicaragua, Panama, Paraguay, Peru, Uruguay, Venezuela, Europa, Mellanöstern, Afrika	Delar och arbete - 1 år	7
9286	Argentina, Bolivia, Belize, Brasilien, Chile, Colombia, Costa Rica, Dominikanska republiken, Ecuador, El Salvador, Guatemala, Haiti, Honduras, Mexico, Nicaragua, Panama, Paraguay, Peru, Uruguay, Venezuela, Europa, Mellanöstern, Afrika	Delar och arbete - 1 år	7
9287	Argentina, Bolivia, Belize, Brasilien, Chile, Colombia, Costa Rica, Dominikanska republiken, Ecuador, El Salvador, Guatemala, Haiti, Honduras, Mexico, Nicaragua, Panama, Paraguay, Peru, Uruguay, Venezuela, Europa, Mellanöstern, Afrika	Delar och arbete - 1 år	7
9288	Argentina, Bolivia, Belize, Brasilien, Chile, Colombia, Costa Rica, Dominikanska republiken, Ecuador, El Salvador, Guatemala, Haiti, Honduras, Mexico, Nicaragua, Panama, Paraguay, Peru, Uruguay, Venezuela, Europa, Mellanöstern, Afrika	Delar och arbete - 1 år	7
9374	Australien, Nya Zeeland, Singapore, Malaysia, Thailand, Indonesien, Filippinerna, Vietnam, Brunei, Sri Lanka, Bangladesh, Indien, Korea, Hongkong, Taiwan, Kina	Delar - 3 år Arbete - 1 år	5
9374	Europa, Mellanöstern, Afrika	Delar och arbete - 3 år	7

Maskintyp	Land eller region för köp	Garantitid	Garanti-servicealt.
9378	Australien, Nya Zealand, Singapore, Malaysia, Thailand, Indonesien, Filippinerna, Vietnam, Brunei, Sri Lanka, Bangladesh, Indien, Korea, Hongkong, Taiwan, Kina	Delar - 3 år Arbete - 1 år	5
9378	Europa, Mellanöstern, Afrika	Delar och arbete - 3 år	7
9379	Argentina, Bolivia, Belize, Brasilien, Chile, Colombia, Costa Rica, Dominikanska republiken, Ecuador, El Salvador, Guatemala, Haiti, Honduras, Mexico, Nicaragua, Panama, Paraguay, Peru, Uruguay, Venezuela, Europa, Mellanöstern, Afrika	Delar och arbete - 1 år	7
9380	Australien, Nya Zealand, Singapore, Malaysia, Thailand, Indonesien, Filippinerna, Vietnam, Brunei, Sri Lanka, Bangladesh, Indien, Korea, Hongkong, Taiwan, Kina	Delar - 3 år Arbete - 1 år	5
9380	Europa, Mellanöstern, Afrika	Delar och arbete - 3 år	7
9383	Australien, Nya Zealand, Singapore, Malaysia, Thailand, Indonesien, Filippinerna, Vietnam, Brunei, Sri Lanka, Bangladesh, Indien, Korea, Hongkong, Taiwan, Kina	Delar - 3 år Arbete - 1 år	5
9383	Europa, Mellanöstern, Afrika	Delar och arbete - 3 år	7
9384	USA, Angola, Botswana, Burundi, Eritrea, Etiopien, Ghana, Kenya, Liberia, Malawi, Malta, Moçambique, Nigeria, Rwanda, São Tomé, Sierra Leone, Somalia, Tanzania, Uganda, Zambia, Zimbabwe, Argentina, Bolivia, Belize, Brasilien, Chile, Colombia, Costa Rica, Dominikanska republiken, Ecuador, El Salvador, Guatemala, Haiti, Honduras, Mexico, Nicaragua, Panama, Paraguay, Peru, Uruguay, Venezuela, Brasilien, Europa, Mellanöstern, Afrika, Australien, Nya Zealand, Singapore, Malaysia, Thailand, Indonesien, Filippinerna, Vietnam, Brunei, Sri Lanka, Bangladesh, Indien, Korea, Hongkong, Taiwan, Kina	Delar och arbete - 3 år	5
9387	Australien, Nya Zealand, Singapore, Malaysia, Thailand, Indonesien, Filippinerna, Vietnam, Brunei, Sri Lanka, Bangladesh, Indien, Korea, Hongkong, Taiwan, Kina	Delar - 3 år Arbete - 1 år	5
9387	Europa, Mellanöstern, Afrika	Delar och arbete - 3 år	7
9389	Australien, Nya Zealand, Singapore, Malaysia, Thailand, Indonesien, Filippinerna, Vietnam, Brunei, Sri Lanka, Bangladesh, Indien, Korea, Hongkong, Taiwan, Kina	Delar - 3 år Arbete - 1 år	5

Maskintyp	Land eller region för köp	Garantitid	Garanti-servicealt.
9389	Europa, Mellanöstern, Afrika	Delar och arbete - 3 år	7
9628	USA, Angola, Botswana, Burundi, Eritrea, Etiopien, Ghana, Kenya, Liberia, Malawi, Malta, Moçambique, Nigeria, Rwanda, São Tomé, Sierra Leone, Somalia, Tanzania, Uganda, Zambia, Zimbabwe, Argentina, Bolivia, Belize, Brasilien, Chile, Colombia, Costa Rica, Dominikanska republiken, Ecuador, El Salvador, Guatemala, Haiti, Honduras, Mexico, Nicaragua, Panama, Paraguay, Peru, Uruguay, Venezuela, Brasilien, Europa, Mellanöstern, Afrika, Australien, Nya Zeeland, Singapore, Malaysia, Thailand, Indonesien, Filippinerna, Vietnam, Brunei, Sri Lanka, Bangladesh, Indien, Korea, Hongkong, Taiwan, Kina	Delar och arbete - 3 år	5
9631	USA, Angola, Botswana, Burundi, Eritrea, Etiopien, Ghana, Kenya, Liberia, Malawi, Malta, Moçambique, Nigeria, Rwanda, São Tomé, Sierra Leone, Somalia, Tanzania, Uganda, Zambia, Zimbabwe, Argentina, Bolivia, Belize, Brasilien, Chile, Colombia, Costa Rica, Dominikanska republiken, Ecuador, El Salvador, Guatemala, Haiti, Honduras, Mexico, Nicaragua, Panama, Paraguay, Peru, Uruguay, Venezuela, Brasilien, Europa, Mellanöstern, Afrika, Australien, Nya Zeeland, Singapore, Malaysia, Thailand, Indonesien, Filippinerna, Vietnam, Brunei, Sri Lanka, Bangladesh, Indien, Korea, Hongkong, Taiwan, Kina	Delar och arbete - 3 år	5
9632	USA, Angola, Botswana, Burundi, Eritrea, Etiopien, Ghana, Kenya, Liberia, Malawi, Malta, Moçambique, Nigeria, Rwanda, São Tomé, Sierra Leone, Somalia, Tanzania, Uganda, Zambia, Zimbabwe, Argentina, Bolivia, Belize, Brasilien, Chile, Colombia, Costa Rica, Dominikanska republiken, Ecuador, El Salvador, Guatemala, Haiti, Honduras, Mexico, Nicaragua, Panama, Paraguay, Peru, Uruguay, Venezuela, Brasilien, Europa, Mellanöstern, Afrika, Australien, Nya Zeeland, Singapore, Malaysia, Thailand, Indonesien, Filippinerna, Vietnam, Brunei, Sri Lanka, Bangladesh, Indien, Korea, Hongkong, Taiwan, Kina	Delar och arbete - 3 år	5

Maskintyp	Land eller region för köp	Garantitid	Garanti-servicealt.
9635	USA, Angola, Botswana, Burundi, Eritrea, Etiopien, Ghana, Kenya, Liberia, Malawi, Malta, Moçambique, Nigeria, Rwanda, São Tomé, Sierra Leone, Somalia, Tanzania, Uganda, Zambia, Zimbabwe, Argentina, Bolivia, Belize, Brasilien, Chile, Colombia, Costa Rica, Dominikanska republiken, Ecuador, El Salvador, Guatemala, Haiti, Honduras, Mexico, Nicaragua, Panama, Paraguay, Peru, Uruguay, Venezuela, Brasilien, Europa, Mellanöstern, Afrika, Australien, Nya Zeeland, Singapore, Malaysia, Thailand, Indonesien, Filippinerna, Vietnam, Brunei, Sri Lanka, Bangladesh, Indien, Korea, Hongkong, Taiwan, Kina	Delar och arbete - 3 år	5
9636	USA, Angola, Botswana, Burundi, Eritrea, Etiopien, Ghana, Kenya, Liberia, Malawi, Malta, Moçambique, Nigeria, Rwanda, São Tomé, Sierra Leone, Somalia, Tanzania, Uganda, Zambia, Zimbabwe, Argentina, Bolivia, Belize, Brasilien, Chile, Colombia, Costa Rica, Dominikanska republiken, Ecuador, El Salvador, Guatemala, Haiti, Honduras, Mexico, Nicaragua, Panama, Paraguay, Peru, Uruguay, Venezuela, Brasilien, Europa, Mellanöstern, Afrika, Australien, Nya Zeeland, Singapore, Malaysia, Thailand, Indonesien, Filippinerna, Vietnam, Brunei, Sri Lanka, Bangladesh, Indien, Korea, Hongkong, Taiwan, Kina	Delar och arbete - 1 år	5
9636	Japan	Delar och arbete - 1 år	6
9637	USA, Angola, Botswana, Burundi, Eritrea, Etiopien, Ghana, Kenya, Liberia, Malawi, Malta, Moçambique, Nigeria, Rwanda, São Tomé, Sierra Leone, Somalia, Tanzania, Uganda, Zambia, Zimbabwe, Argentina, Bolivia, Belize, Brasilien, Chile, Colombia, Costa Rica, Dominikanska republiken, Ecuador, El Salvador, Guatemala, Haiti, Honduras, Mexico, Nicaragua, Panama, Paraguay, Peru, Uruguay, Venezuela, Brasilien, Europa, Mellanöstern, Afrika, Australien, Nya Zeeland, Singapore, Malaysia, Thailand, Indonesien, Filippinerna, Vietnam, Brunei, Sri Lanka, Bangladesh, Indien, Korea, Hongkong, Taiwan, Kina	Delar och arbete - 3 år	5
9638	Europa, Mellanöstern, Afrika	Delar och arbete - 1 år	7
9640	Australien, Nya Zeeland, Singapore, Malaysia, Thailand, Indonesien, Filippinerna, Vietnam, Brunei, Sri Lanka, Bangladesh, Indien, Korea, Hongkong, Taiwan, Kina	Delar - 3 år Arbete - 1 år	5

Maskintyp	Land eller region för köp	Garantitid	Garanti-servicealt.
9640	Europa, Mellanöstern, Afrika	Delar och arbete - 3	7
9641	USA, Angola, Botswana, Burundi, Eritrea, Etiopien, Ghana, Kenya, Liberia, Malawi, Malta, Moçambique, Nigeria, Rwanda, São Tomé, Sierra Leone, Somalia, Tanzania, Uganda, Zambia, Zimbabwe, Argentina, Bolivia, Belize, Brasilien, Chile, Colombia, Costa Rica, Dominikanska republiken, Ecuador, El Salvador, Guatemala, Haiti, Honduras, Mexico, Nicaragua, Panama, Paraguay, Peru, Uruguay, Venezuela, Brasilien, Europa, Mellanöstern, Afrika, Australien, Nya Zeeland, Singapore, Malaysia, Thailand, Indonesien, Filippinerna, Vietnam, Brunei, Sri Lanka, Bangladesh, Indien, Korea, Hongkong, Taiwan, Kina	Delar och arbete - 3 år	5
9642	USA, Angola, Botswana, Burundi, Eritrea, Etiopien, Ghana, Kenya, Liberia, Malawi, Malta, Moçambique, Nigeria, Rwanda, São Tomé, Sierra Leone, Somalia, Tanzania, Uganda, Zambia, Zimbabwe, Argentina, Bolivia, Belize, Brasilien, Chile, Colombia, Costa Rica, Dominikanska republiken, Ecuador, El Salvador, Guatemala, Haiti, Honduras, Mexico, Nicaragua, Panama, Paraguay, Peru, Uruguay, Venezuela, Europa, Mellanöstern, Afrika, Australien, Nya Zeeland, Singapore, Malaysia, Thailand, Indonesien, Filippinerna, Vietnam, Brunei, Sri Lanka, Bangladesh, Indien, Korea, Hongkong, Taiwan	Delar och arbete - 1 år	5
9642	Japan	Delar och arbete - 1 år	6
9643	Argentina, Bolivia, Belize, Brasilien, Chile, Colombia, Costa Rica, Dominikanska republiken, Ecuador, El Salvador, Guatemala, Haiti, Honduras, Mexico, Nicaragua, Panama, Paraguay, Peru, Uruguay, Venezuela, Europa, Mellanöstern, Afrika	Delar och arbete - 1 år	7
9644	Australien, Nya Zeeland, Singapore, Malaysia, Thailand, Indonesien, Filippinerna, Vietnam, Brunei, Sri Lanka, Bangladesh, Indien, Korea, Hongkong, Taiwan, Kina	Delar - 3 år Arbete - 1 år	5
9644	Europa, Mellanöstern, Afrika	Delar och arbete - 3 år	7

Maskintyp	Land eller region för köp	Garantitid	Garantiservicealt.
9645	USA, Angola, Botswana, Burundi, Eritrea, Etiopien, Ghana, Kenya, Liberia, Malawi, Malta, Moçambique, Nigeria, Rwanda, São Tomé, Sierra Leone, Somalia, Tanzania, Uganda, Zambia, Zimbabwe, Argentina, Bolivia, Belize, Brasilien, Chile, Colombia, Costa Rica, Dominikanska republiken, Ecuador, El Salvador, Guatemala, Haiti, Honduras, Mexico, Nicaragua, Panama, Paraguay, Peru, Uruguay, Venezuela, Brasilien, Europa, Mellanöstern, Afrika, Australien, Nya Zeeland, Singapore, Malaysia, Thailand, Indonesien, Filippinerna, Vietnam, Brunei, Sri Lanka, Bangladesh, Indien, Korea, Hongkong, Taiwan, Kina	Delar och arbete - 3 år	5
9646	USA, Angola, Botswana, Burundi, Eritrea, Etiopien, Ghana, Kenya, Liberia, Malawi, Malta, Moçambique, Nigeria, Rwanda, São Tomé, Sierra Leone, Somalia, Tanzania, Uganda, Zambia, Zimbabwe, Argentina, Bolivia, Belize, Brasilien, Chile, Colombia, Costa Rica, Dominikanska republiken, Ecuador, El Salvador, Guatemala, Haiti, Honduras, Mexico, Nicaragua, Panama, Paraguay, Peru, Uruguay, Venezuela, Brasilien, Europa, Mellanöstern, Afrika, Australien, Nya Zeeland, Singapore, Malaysia, Thailand, Indonesien, Filippinerna, Vietnam, Brunei, Sri Lanka, Bangladesh, Indien, Korea, Hongkong, Taiwan, Kina, Japan	Delar och arbete - 4 år	5
9647	USA, Angola, Botswana, Burundi, Eritrea, Etiopien, Ghana, Kenya, Liberia, Malawi, Malta, Moçambique, Nigeria, Rwanda, São Tomé, Sierra Leone, Somalia, Tanzania, Uganda, Zambia, Zimbabwe, Argentina, Bolivia, Belize, Brasilien, Chile, Colombia, Costa Rica, Dominikanska republiken, Ecuador, El Salvador, Guatemala, Haiti, Honduras, Mexico, Nicaragua, Panama, Paraguay, Peru, Uruguay, Venezuela, Brasilien, Europa, Mellanöstern, Afrika, Australien, Nya Zeeland, Singapore, Malaysia, Thailand, Indonesien, Filippinerna, Vietnam, Brunei, Sri Lanka, Bangladesh, Indien, Korea, Hongkong, Taiwan, Kina, Japan	Delar och arbete - 4 år	5

Maskintyp	Land eller region för köp	Garantitid	Garantiservicealt.
9648	USA, Angola, Botswana, Burundi, Eritrea, Etiopien, Ghana, Kenya, Liberia, Malawi, Malta, Moçambique, Nigeria, Rwanda, São Tomé, Sierra Leone, Somalia, Tanzania, Uganda, Zambia, Zimbabwe, Argentina, Bolivia, Belize, Brasilien, Chile, Colombia, Costa Rica, Dominikanska republiken, Ecuador, El Salvador, Guatemala, Haiti, Honduras, Mexico, Nicaragua, Panama, Paraguay, Peru, Uruguay, Venezuela, Brasilien, Europa, Mellanöstern, Afrika, Australien, Nya Zeeland, Singapore, Malaysia, Thailand, Indonesien, Filippinerna, Vietnam, Brunei, Sri Lanka, Bangladesh, Indien, Korea, Hongkong, Taiwan, Kina, Japan	Delar och arbete - 4 år	5
9649	USA, Angola, Botswana, Burundi, Eritrea, Etiopien, Ghana, Kenya, Liberia, Malawi, Malta, Moçambique, Nigeria, Rwanda, São Tomé, Sierra Leone, Somalia, Tanzania, Uganda, Zambia, Zimbabwe, Argentina, Bolivia, Belize, Brasilien, Chile, Colombia, Costa Rica, Dominikanska republiken, Ecuador, El Salvador, Guatemala, Haiti, Honduras, Mexico, Nicaragua, Panama, Paraguay, Peru, Uruguay, Venezuela, Brasilien, Europa, Mellanöstern, Afrika, Australien, Nya Zeeland, Singapore, Malaysia, Thailand, Indonesien, Filippinerna, Vietnam, Brunei, Sri Lanka, Bangladesh, Indien, Korea, Hongkong, Taiwan, Kina, Japan	Delar och arbete - 4 år	5
9694	USA, Angola, Botswana, Burundi, Eritrea, Etiopien, Ghana, Kenya, Liberia, Malawi, Malta, Moçambique, Nigeria, Rwanda, São Tomé, Sierra Leone, Somalia, Tanzania, Uganda, Zambia, Zimbabwe, Argentina, Bolivia, Belize, Brasilien, Chile, Colombia, Costa Rica, Dominikanska republiken, Ecuador, El Salvador, Guatemala, Haiti, Honduras, Mexico, Nicaragua, Panama, Paraguay, Peru, Uruguay, Venezuela, Brasilien, Europa, Mellanöstern, Afrika, Australien, Nya Zeeland, Singapore, Malaysia, Thailand, Indonesien, Filippinerna, Vietnam, Brunei, Sri Lanka, Bangladesh, Indien, Korea, Hongkong, Taiwan, Kina, Japan	Delar och arbete - 3 år	5

Maskin- typ	Land eller region för köp	Garantitid	Garanti- servicealt.
9695	USA, Angola, Botswana, Burundi, Eritrea, Etiopien, Ghana, Kenya, Liberia, Malawi, Malta, Moçambique, Nigeria, Rwanda, São Tomé, Sierra Leone, Somalia, Tanzania, Uganda, Zambia, Zimbabwe, Argentina, Bolivia, Belize, Brasilien, Chile, Colombia, Costa Rica, Dominikanska republiken, Ecuador, El Salvador, Guatemala, Haiti, Honduras, Mexico, Nicaragua, Panama, Paraguay, Peru, Uruguay, Venezuela, Brasilien, Europa, Mellanöstern, Afrika, Australien, Nya Zeeland, Singapore, Malaysia, Thailand, Indonesien, Filippinerna, Vietnam, Brunei, Sri Lanka, Bangladesh, Indien, Korea, Hongkong, Taiwan, Kina, Japan	Delar och arbete - 3 år	5

Garantiservicealternativ

Vid behov utför kundens Serviceleverantör reparationer eller byter ut delar beroende på vilket garantiservicealternativ som anges för kundens Maskin i tabellen ovan i enlighet med beskrivningen nedan. Datum och tid för servicen beror på när kunden ringer samt om delarna är tillgängliga. Servicenivåer är målsättningar och kan inte garanteras. Den angivna nivån för garantiservice är eventuellt inte tillgänglig överallt i världen. Särskilda tilläggsavgifter kan förekomma utanför Serviceleverantörens normala serviceområde. Lands- eller ortspecifik information kan fås av lokal Serviceleverantör eller återförsäljare.

1. CRU-service (av kund utbytbar enhet, Customer Replaceable Unit, CRU Service)

Lenovo levererar CRU-delar till kunden som kunden själv får installera. Nivå 1-delar är enkla att installera medan Nivå 2-delar kan kräva tekniska kunskaper och verktyg. CRU-information och anvisningar för bytet levereras tillsammans med kundens Maskin och finns vid övriga tillfällen tillgängliga hos Lenovo på begäran av kunden. Kunden får begära att en Serviceleverantör installerar CRU utan ytterligare kostnad, under den typ av garantiservice som gäller för kundens Maskin. I det material som levereras med en ersättnings-CRU-del anger Lenovo om en felaktig CRU-del måste återlämnas. Om ett återlämnande krävs 1) levereras returavvisningar och behållare tillsammans med ersättningsenheten, och 2) kan kunden bli ersättningskyldig för ersättnings-CRU-delen om Lenovo inte fått den felaktiga delen inom 30 dagar efter det att kunden har tagit emot ersättningsdelen.

2. Service på plats

Kundens Serviceleverantör reparerar eller byter ut den defekta Maskinen i kundens lokaler och kontrollerar att den fungerar. Kunden skall tillhandahålla lämplig arbetsyta där Lenovomaskinen kan tas isär och monteras

ihop. Ytan skall vara ren, väl belyst och lämplig för ändamålet. I en del fall kan vissa reparationer kräva att Maskinen skickas till ett anvisat servicecenter.

3. Bud- eller inlämningservice *

Kunden kopplar ur den defekta Maskinen och Serviceleverantören ombesörjer att den hämtas. Kunden förses med en transportcontainer för att återlämna Maskinen till ett anvisat servicecenter. Ett bud hämtar Maskinen och levererar den till det utvalda servicecentret. När Maskinen reparerats eller bytts ut ombesörjer servicecentret att Maskinen levereras till kundens lokaler. Kunden ansvarar för installation och kontroll av Maskinen.

4. Inlämnings-/insändningsservice

Kunden levererar eller skickar (med förutbetalad frakt om inte annat anges) den defekta Maskinen ändamålsenligt förpackad till en anvisad plats. När Maskinen har reparerats eller bytts ut görs den i ordning så att kunden kan hämta den, eller, vid insändningsservice, återlämnas den till kunden på Lenovos bekostnad om inte Serviceleverantören anger annat. Kunden ansvarar för senare installation och kontroll av Maskinen.

5. CRU-service (kunden byter själv ut delar) och Service på platsen

Den här typen av Garantiservice är en kombination av typ 1 och typ 2 (se ovan).

6. CRU (kunden byter själv ut delar) och Bud- eller inlämningservice

Den här typen av Garantiservice är en kombination av typ 1 och typ 3 (se ovan).

7. CRU (kunden byter själv ut delar) och Inlämnings-/insändningsservice

Den här typen av Garantiservice är en kombination av typ 1 och typ 4 (se ovan).

Om garantiservicealternativ 5, 6 eller 7 har angetts avgör Serviceleverantören vilket som är det lämpliga för reparationen.

* Den här typen av service kallas ThinkPad EasyServ eller EasyServ i vissa länder.

För att få garantiservice skall kunden kontakta en Serviceleverantör. I Kanada och USA: ring 1-800-426-7378. Andra länder: se telefonnummer nedan.

Telefonlista för hela världen

Telefonnumren kan komma att ändras utan att detta meddelas i förväg. De aktuella telefonnumren finns på <http://www.lenovo.com/support/phone>.

Land eller region	Telefonnummer
Afrika	Afrika: +44 (0)1475-555-055 Sydafrika: +27-11-3028888 och 0800110756 Centralafrika: Kontakta närmaste Lenovo Business Partner
Argentina	0800-666-0011 (spanska)
Australien	131-426 (engelska)
Österrike	Komma-igång-support: 01-24592-5901 Garantiservice och support: 01-211-454-610 (tyska)
Belgien	Komma-igång-support: 02-210-9820 (nederländska) Komma-igång-support: 02-210-9800 (franska) Garantiservice och support: 02-225-3611 (franska, nederländska)
Bolivia	0800-10-0189 (spanska)
Brasilien	São Paulo-regionen: (11) 3889-8986 Utanför São Paulo-regionen: 0800-701-4815 (brasiliansk portugisiska)
Kanada	Toronto: 416-383-3344 Utanför Toronto: 1-800-565-3344 (engelska, franska)
Chile	800-361-213 eller 188-800-442-488 Avgiftsfritt (spanska)
Kina	86-10-58851110 800-990-8888 (mandarin)
Kina (Hongkong)	ThinkCentre kommersiella personatorer: 8205-0333 8205-0333 Multimedia hemdatorer: 800-938-228 (kantonesiska, engelska, mandarin)
Kina (Macau)	ThinkCentre (tekniska frågor): 0800-336 (kantonesiska, engelska, mandarin)
Colombia	1-800-912-3021 (spanska)
Costa Rica	0-800-011-1029 (spanska)
Kroatien	0800-0426
Cypern	+357-22-841100
Tjeckien	+420-2-7213-1316
Danmark	Komma-igång-support: 4520-8200 Garantiservice och support: 7010-5150 (danska)
Dominikanska republiken	1-866-434-2080 (spanska)

Land eller region	Telefonnummer
Ecuador	1-800-426911 (spanska)
El Salvador	800-6264 (spanska)
Estland	+372 6776793 +372 66 00 800
Finland	Komma-igång-support: 09-459-6960 Garantiservice och support: +358-800-1-4260 (finska)
Frankrike	Komma-igång-support: 0238-557-450 Garantiservice och support (maskinvara): 0810-631-213 Garantiservice och support (programvara): 0810-631-020 (franska)
Tyskland	Komma-igång-support: 07032-15-49201 Garantiservice och support: 01805-25-35-58 (tyska)
Grekland	+30-210-680-1700
Guatemala	1800-624-0051 (spanska)
Honduras	Tegucigalpa: 232-4222 San Pedro Sula: 552-2234 (spanska)
Ungern	+36-1-382-5720
Indien	1800-425-6666 +91-80-2678-8970 (engelska)
Indonesien	800-140-3555 (engelska) 62-21-251-2955 (indonesiska)
Irland	Komma-igång-support: 01-815-9202 Garantiservice och support: 01-881-1444 (engelska)
Israel	Givat Shmuel Service Center: +972-3-531-3900 (Hebreiska, engelska)
Italien	Komma-igång-support: 02-7031-6101 Garantiservice och support: +39-800-820094 (italienska)

Land eller region	Telefonnummer
Japan	<p>Avgiftsfritt: 0120-20-5550 Internationella samtal: +81-46-266-4716</p> <p>Ovanstående nummer besvaras av ett japanskt röstmeddelande. Om du vill ha hjälp på engelska, väntar du tills den inspelade japanska rösten tystnat, och då tar en telefonist över. Säg "English support please", så kommer ditt samtal att kopplas vidare till en engelsktalande person.</p> <p>PC-program: 0120-558-695 Utlandssamtal: +81-44-200-8666 (japanska)</p>
Korea	1588-5801 (koreanska)
Lettland	+386-61-1796-699
Litauen	+386-61-1796-699
Luxemburg	+352-298-977-5063 (franska)
Malaysia	1800-88-8558 (engelska, bahasa, melayu)
Malta	+356-23-4175
Mexiko	001-866-434-2080 (spanska)
Mellanöstern	+44 (0)1475-555-055
Nederländerna	+31-20-514-5770 (nederländska)
Nya Zeeland	0800-733-222 (engelska)
Nicaragua	001-800-220-1830 (spanska)
Norge	<p>Komma-igång-support: 6681-1100 Garantiservice och support: 8152-1550 (norska)</p>
Panama	<p>001-866-434-2080 (avgiftsfritt) 206-6047 (spanska)</p>
Peru	0-800-50-866 (spanska)
Filippinerna	<p>1800-1888-1426 (engelska) 63-2-995-8420 (filipino)</p>
Polen	+48-22-878-6999
Portugal	+351-21-892-7147 (portugisiska)
Rumänien	+4-021-224-4015
Ryssland	<p>+7-495-258-6300 +8-800-200-6300 (ryska)</p>
Singapore	1800-3172-888 (engelska, bahasa, melayu)
Slovakien	+421-2-4954-1217

Land eller region	Telefonnummer
Slovenien	+386-1-4796-699
Spanien	91-714-7983 0901-100-000 (spanska)
Sri Lanka	+9411 2493547 +9411 2493548 (engelska)
Sverige	Komma-igång-support: 08-477 44 20 Garantiservice och support: 077-117 10 40 (svenska)
Schweiz	Komma-igång-support: 058-333-0900 Garantiservice och support: 0800-55-54-54 (tyska, franska, italienska)
Taiwan	886-2-8723-9799 0800-000-700 (mandarin)
Thailand	1-800-299-229 (thailändska)
Turkiet	00800-4463-2041 (turkiska)
Storbritannien	Komma-igång-support: 01475-555-055 Garantisupport: 08705-500-900 (engelska)
USA	1-800-426-7378 (engelska)
Uruguay	000-411-005-6649 (spanska)
Venezuela	0-800-100-2011 (spanska)
Vietnam	Norra delen och Hanoi: 84-4-843-6675 Södra delen och Ho Chi Minh City: 84-8-829-5160 (engelska, vietnamesiska)

Garantitillägg för Mexiko

Detta tillägg anses utgöra en del av Lenovos Garantivillkor och gäller enbart för produkter som distribueras och försäljs inom Mexiko. Om villkoren skulle strida mot varandra gäller villkoren i detta tillägg.

Alla program som förinstalleras i utrustningen har endast trettio (30) dagars garanti för installationsfel räknat från inköpsdatum. Lenovo ansvarar inte för informationen i sådana program och/eller andra program som kunden installerar eller som installerats efter inköpet av produkten.

Den slutlige användaren debiteras efter godkännande tjänster som inte kan hänföras till garantin.

Om garantireparation krävs, ring Customer Support Center på telefonnummer 001-866-434-2080, varifrån samtalet kopplas vidare till närmaste auktoriserade servicecenter. Om det inte finns något auktoriserat servicecenter på kundens ort eller inom ett avstånd på 70 kilometer, inkluderar garantin skäliga kostnader för frakt av produkten till närmaste auktoriserade servicecenter. Ring närmaste auktoriserade servicecenter för att få nödvändiga godkännanden eller information om frakt av produkten och leveransadress.

En lista med auktoriserade servicecenter finns på adressen: <http://www.lenovo.com/mx/es/servicios>

Tillverkning:

SCI Systems de México, S.A. de C.V.
Av. De la Solidaridad Iberoamericana No. 7020
Col. Club de Golf Atlas
El Salto, Jalisco, México
C.P. 45680,
Tel. 01-800-3676900

Marknadsföring:

Lenovo de México, Comercialización y
Servicios, S. A. de C. V.
Alfonso Nápoles Gándara No 3111
Parque Corporativo de Peña Blanca
Delegación Álvaro Obregón
México, D.F., México
C.P. 01210,
Tel. 01-800-00-325-00

Kapitel 4. Reservdelar som kunden själv kan byta ut (CRU)

CRUer (Customer Replacement Units) är datordelar som kunden själv kan uppgradera eller byta ut. Det finns två typer av CRUer: Nivå 1 och Nivå 2. Nivå 1-delar är enkla att installera, medan Nivå 2-delar kräver tekniska kunskaper och verktyg.

I *användarhandboken* och *handboken för byte av maskinvara* finns anvisningar för hur du byter ut Nivå 1- och Nivå 2-delar. I tabellen nedan kan du se vilken publikation som innehåller de anvisningar som du behöver.

Om du vill läsa en publikation klickar du på Start på skrivbordet i Windows och väljer **Alla program**. Sedan markerar du **Online-böcker** och klickar på **Online-böcker**. Dubbelklicka på publikationen som gäller din dator. Mer information om att komma till *användarhandboken* och *handboken för byte av maskinvara* finns i "Mappen Online-böcker" på sidan 317. Publikationerna finns också på Lenovos webbplats på adressen <http://www.lenovo.com>.

Anm: Använd endast datordelar från Lenovo. I Kapitel 3, "Lenovo Garantivillkor", på sidan 321 finns garantiinformation om CRUer för din dator.

6490, 8700, 8701, 8705, 8717, 8973, 8975, 8979, 8983, 8985, 8991, 8995, 9265, 9269, 9277, 9279, 9283, 9287, 9379, 9383, 9387, 9389, 9631, 9635, 9637, 9646, 9648, 9694		
	Användarhandbok	Handbok för byte av maskinvara
Nivå 1 CRU-delar		
Optisk enhet	x	x
Hårddisk	x	x
Minne	x	x
Mus	x	x
Tangentbord	x	x
Adapterkort	x	x
Nivå 2 CRU-delar		
Diskettenhet	x	x
Kylfläns		x
Nätaggregat		x
Systemfläkt		x

6491, 8013, 8702, 8706, 8716, 8970, 8972, 8976, 8980, 8982, 8986, 8992, 8994, 9266, 9276, 9278, 9282, 9286, 9288, 9374, 9378, 9380, 9384, 9628, 9632, 9647, 9649, 9695		
	Användarhandbok	Handbok för byte av maskinvara
Nivå 1 CRU-delar		
Mus	x	x
Tangentbord	x	x
Adapterkort	x	x
Nivå 2 CRU-delar		
Optisk enhet	x	x
Hårddisk	x	x
Diskettenhet	x	x
Minne	x	x
Kylfläns		x
Systemfläkt		x

Maskintyper: 9636, 9638, 9640, 9641, 9642, 9643, 9644, 9645		
	Användarhandbok	Handbok för byte av maskinvara
Nivå 1 CRU-delar		
Tangentbord	x	x
Mus	x	x
Hårddisk	x	x
Minne	x	x
Adapterkort	x	x
Högtalare	x	x
Optisk enhet	x	x
Diskettenhet	x	x
Nivå 2 CRU-delar		
Kylfläns		x
Systemkort		x
Nätaggregat		x
Systemfläktar		x

Kapitel 5. Övrig information

Lenovo kanske inte erbjuder de produkter, tjänster eller funktioner som beskrivs i det här dokumentet i alla länder. Kontakta närmaste Lenovoåterförsäljare om du vill veta vilka produkter och tjänster som finns där du bor. Hänvisningar till Lenovos produkter (produkter innefattar även program och tjänster) betyder inte att bara Lenovos produkter får användas. Förutsatt att intrång i Lenovos immateriella rättigheter inte sker får funktionellt likvärdiga produkter, program och tjänster användas i stället för motsvarande produkt från Lenovo. Det är dock användarens skyldighet att utvärdera och kontrollera funktionen hos produkter, program och tjänster som inte kommer från Lenovo.

Lenovo kan ha patent eller ha ansökt om patent på produkter som nämns i detta dokument. Dokumentet ger ingen licens till sådana patent. Skriftliga frågor om licenser kan skickas till:

*Lenovo (United States), Inc.
1009 Think Place - Building One
Morrisville, NC 27560
USA
Attention: Lenovo Director of Licensing*

LENOVO TILLHANDAHÅLLER DENNA PUBLIKATION "I BEFINTLIGT SKICK" UTAN GARANTIER AV NÅGOT SLAG, VARKEN UTTRYCKTA ELLER UNDERFÖRSTÅDDA, INKLUSIVE, MEN INTE BEGRÄNSAT TILL, UNDERFÖRSTÅDDA GARANTIER AVSEENDE INTRÅNG I UPPHOVSRÄTT, SÄLJBARHET ELLER LÄMPLIGHET FÖR ETT VISST ÄNDAMÅL. I vissa länder är det inte tillåtet att undanta uttalade eller underförstådda garantier i vissa transaktioner, vilket innebär att ovanstående kanske inte gäller.

Informationen kan innehålla fel av teknisk eller typografisk natur. Informationen uppdateras regelbundet och ändringarna införs i nya utgåvor. Lenovo kan när som göra förbättringar eller ändringar i de produkter och program som beskrivs i den här publikationen, utan att meddela först.

De produkter som beskrivs i det här dokumentet är inte avsedda för användning vid transplantationer eller andra livsuppehållande tillämpningar där försämrad funktion kan leda till personskada eller dödsfall. Den information som finns i det här dokumentet varken påverkar eller ändrar Lenovos produktspecifikationer och garantier. Ingenting i detta dokument utgör en uttrycklig eller underförstådd licens eller indemnitetsförklaring under Lenovos eller annan parts immateriella rättigheter. All information i dokumentet har erhållits i specifika miljöer och är avsedd som en illustration. Resultaten i andra operativmiljöer kan variera.

Lenovo förbehåller sig rätten att fritt använda och distribuera användarnas synpunkter.

Hänvisningarna till andra webbplatser än Lenovos egna görs endast i informations syfte och Lenovo ger inga som helst garantier beträffande dessa platser. Material som finns på dessa webbplatser ingår inte i materialet som hör till denna produkt och användning av dessa webbplatser sker på kundens eget ansvar.

Alla prestandauppgifter som omnämns här har tagits fram i en kontrollerad miljö. Resultaten i andra operativmiljöer kan variera. Vissa mätningar har gjorts på system under utveckling och det finns ingen garanti att dessa mätresultat kommer att bli desamma på allmänt tillgängliga system. Dessutom har vissa mätresultat uppskattats genom extrapolering. De faktiska resultaten kan variera. De som använder det här dokumentet bör bekräfta de data som gäller den egna miljön.

Information om funktioner för TV

Följande gäller modeller som har en fabriksinstallerad funktion för att visa information från datorn på en TV.

I denna produkt ingår upphovsrättsligt skyddad teknik som bygger på metoder som är skyddade av amerikanska patent och andra immateriella rättigheter som innehas av Macrovision Corporation m.fl. Användning av denna upphovsrättsligt skyddade teknik kräver tillstånd av Macrovision Corporation och gäller enbart för hemmabruk och annan begränsad visning, utom i de fall Macrovision Corporation har gett tillstånd till annat. Dekonstruktion eller annan disassemblering är förbjuden.

Varumärken

Följande är varumärken som tillhör Lenovo i USA och/eller andra länder:

- Lenovo
- Rescue and Recovery
- ThinkCentre
- ThinkPad
- ThinkVantage

IBM är ett varumärke som tillhör International Business Machines Corporation i USA och/eller andra länder.

Andra namn på företag, produkter och tjänster kan vara varumärken eller andra näringskännetecken som tillhör andra.

Anmärkningar om elektromagnetisk strålning

Följande information gäller Lenovo-persondatorer av maskintyperna: 6490, 6491, 8013, 8700, 8701, 8702, 8705, 8706, 8716, 8717, 8970, 8972, 8973, 8975, 8976, 8979, 8980, 8982, 8983, 8985, 8986, 8991, 8992, 8994, 8995, 9265, 9266, 9269, 9276, 9277, 9278, 9279, 9282, 9283, 9286, 9287, 9288, 9374, 9378, 9379, 9380, 9383, 9384, 9387, 9389, 9628, 9631, 9632, 9635, 9636, 9637, 9638, 9640, 9641, 9642, 9643, 9644, 9645, 9646, 9647, 9648, 9649, 9694, 9695.

FCCs (Federal Communications Commission) deklARATION om ÖVERENSSTÄMMELSE

Den här utrustningen har testats och uppfyller de gränsvärden som gäller för digitala enheter av klass B enligt del 15 av FCC-reglerna. Gränsvärdena är avsedda att ge rimligt skydd mot störningar i vanlig boendemiljö. Utrustningen använder och kan avge elektromagnetiska fält samt kan, om den inte installeras och används enligt instruktionerna i handboken, orsaka störningar på radiokommunikation. Det finns emellertid ingen garanti för att störningar inte uppstår vid en viss installation. Om utrustningen orsakar allvarliga störningar på radio- och TV-mottagningen (vilket du kan ta reda på genom att stänga av och sedan starta utrustningen igen) kan du försöka lösa problemet på något av följande sätt:

- Rikta om eller flytta mottagningsantennen.
- Öka avståndet mellan utrustningen och mottagaren.
- Anslut utrustningen till ett annat eluttag än det som mottagaren är ansluten till.
- Kontakta en auktoriserad återförsäljare eller servicerepresentant för att få hjälp.

Lenovo ansvarar inte för radio- eller TV-störningar som orsakas av användning av andra kablar och kontakter än de rekommenderade eller obehöriga ändringar eller modifieringar av denna utrustning. Otillåtna ändringar kan resultera i att användaren fräntas rätten att utnyttja utrustningen.

Enheten uppfyller kraven i del 15 av FCC-reglerna. Driften gäller med förbehåll för nedanstående två villkor: (1) utrustningen får inte orsaka skadlig störning och (2) utrustningen måste tolerera eventuell inkommande störning, inklusive störning som leder till önskad funktion.

Ansvarig part:

Lenovo (United States) Inc.
One Manhattanville Road
Purchase, New York 10577
Telefon: (919) 254-5900

Information om elektromagnetisk strålning (för användare i Kanada)

Denna klass B-enhet överensstämmer med kanadensiska ICES-003.

Intyg om överensstämmelse med EU-direktiv

Produkten är utformad i enlighet med EUs skyddskrav för produkter som avger elektromagnetisk strålning (direktiv 89/336/EEG). Lenovo ansvarar inte för bristande uppfyllelse av säkerhetskraven som beror på icke-rekommenderad modifiering av produkten, inklusive installation av icke-Lenovo-utbyggnadskort.

Denna produkt har testats och befunnits överensstämma med gränsvärdena för IT-utrustning av klass B i enlighet med CISPR 22/Europastandard EN 55022. Gränsvärdena för utrustning av klass B har fastställts med hänsyn till kommersiella och industriella miljöer för att ge licensierad kommunikationsutrustning rimligt skydd mot störningar.

Koreansk klass B

이 기기는 가정용으로 전자파 적합등록을 한 기기로서
주거지역에서는 물론 모든 지역에서 사용할 수 있습니다.

Japansk VCCI klass B

この装置は、情報処理装置等電波障害自主規制協議会（VCCI）の基準に基づくクラスB情報技術装置です。この装置は、家庭環境で使用することを目的としていますが、この装置がラジオやテレビジョン受信機に近接して使用されると、受信障害を引き起こすことがあります。
取扱説明書に従って正しい取り扱いをして下さい。

Japanskt efterföljande för produkter med mindre än eller lika med 20A per fas

高調波電流規格 JIS C 61000-3-2 適合品

Lenovo-produktserviceinformation för Taiwan

台灣 Lenovo 產品服務資訊如下：
荷蘭商思惟電腦產品股份有限公司台灣分公司
台北市信義區信義路五段七號十九樓之一
服務電話：0800-000-700

FCC-krav och teleleverantörens krav

1. Den här enheten uppfyller kraven i del 68 av FCC-reglerna. Det finns en etikett på enheten med uppgift om bl.a. FCC-registreringsnummer, USOC och REN (Ringer Equivalency Number). I vissa fall kan du behöva lämna den informationen till teleleverantören.

Anm: Om enheten har ett inbyggt modem finns det ytterligare en FCC-registreringsetikett. Fäst gärna den etiketten på utsidan av den dator där du installerar Lenovomodemet eller på din externa DAA-enhet, om du har en sådan. Om du behöver lämna etikettinformationen till teleleverantören är det praktiskt att etiketten är placerad någonstans där du lätt kommer åt den.

2. Med hjälp av REN kan du avgöra hur många enheter som kan vara anslutna till din telefonledning och ändå ge signal när ditt telefonnummer blir uppringt. I de flesta, men inte alla, områden bör summan av REN för alla enheter inte överstiga fem (5). Om du vill vara helt säker på hur många enheter du kan ansluta till telefonledningen bör du kontrollera med teleleverantören hur högt REN-värdet får vara i ditt område.
3. Om enheten orsakar störningar i telenätet kan teleleverantören tillfälligt avbryta ditt teleabonnemang. Om det är möjligt blir du förvarnad om avbrottet. I annat fall blir du underrättad så snart som möjligt. Du blir också informerad om din rätt att överklaga beslutet hos FCC.
4. Teleleverantören kan komma att göra ändringar i fråga om utrustning, drift och förfaranden som kan påverka funktionaliteten hos din utrustning. Om leverantören gör sådana ändringar kommer du att bli informerad i förväg, så att du kan vidta åtgärder för att undvika avbrott i teleförbindelsen.
5. Om du får problem med produkten kontaktar du en auktoriserad återförsäljare eller ringer till Customer Support Center. I USA kan du ringa **1-800-426-7378**. I Kanada ringer du **1-800-565-3344**. Det kan hända att du behöver visa ett inköpskvitto för att få hjälp.

Teleleverantören kan be dig koppla bort enheten från telenätet tills problemet har lösts eller tills du är säker på att enheten fungerar som den ska.

6. Du kan inte reparera enheten själv. Om det blir fel på den kontaktar du en auktoriserad återförsäljare eller läser avsnittet om felsökning i den här handboken.
7. Enheten kan inte användas tillsammans med myntautomater. För flerpartsledningar beräknas avgiften enligt lokal teletaxa. Fråga din teleleverantör om du behöver mer information.
8. När du beställer nätverkstjänster från lokalstationen ska du ange modularkontaktens beteckning, t.ex. USOC RJ11C.

Kanadensiska kommunikationsdepartementets certifiering

Anm. Etiketten Industry Canada identifierar certifierad utrustning. Denna certifiering innebär att utrustningen uppfyller vissa skydds-, drift- och säkerhetskrav för telekommunikationsnätverk. Departementet garanterar inte att utrustningen kommer att fungera till användarens belåtenhet.

Innan utrustningen installeras bör användaren kontrollera att det är tillåtet att ansluta till den lokala teleleverantörens anläggningar. Utrustningen måste installeras med en godkänd anslutningsmetod. Även om ovannämnda villkor är uppfyllda bör användaren vara medveten om att teletjänstens kvalitet i vissa situationer kan försämrats. Reparationer av certifierad utrustning skall utföras av en auktoriserad reparationstjänst som leverantören utsett. Eventuella av användaren utförda reparationer eller ändringar av utrustningen kan ge teleleverantören anledning att begära att användaren kopplar bort utrustningen.

Varning: Användaren bör inte försöka göra elektriska jordanslutningar själv utan bör vända sig till lämplig elinspektionsmyndighet eller elektriker, om extra jordanslutningar behövs.

Anm. Det REN-nummer (Ringer Equivalent Number) som varje terminalenhet tilldelats ger information om hur många terminaler som får anslutas till ett telegränssnitt. Termineringen av ett gränssnitt kan bestå av valfri kombination av enheter, förutsatt att summan av samtliga enheters REN-antal inte överstiger 5.

Information om nätsladdar

Av säkerhetsskäl levererar Lenovo en nätsladd med jordad kontakt som ska användas till denna Lenovoprodukt. Anslut alltid nätsladden till ett jordat eluttag.

De nätsladdar från Lenovo som är tänkta för användning i USA och Kanada är listade av Underwriters Laboratories (UL) och certifierade av Canadian Standards Association (CSA).

För enheter som ska användas vid 115 volt: använd en UL-listad och CSA-certifierad sladduppsättning bestående av en sladd med tre ledare, minst 18 AWG, typ SVT eller SJT, som är högst 4,5 m lång (15 fot) och en jordad kontakt med "parallel blade" för 15 ampère, 125 volt.

För enheter som ska användas vid 230 volt (i USA): Använd en UL-listad och CSA-certifierad sladduppsättning bestående av en sladd med tre ledare, minst 18 AWG, typ SVT eller SJT, som är högst 4,5 m lång (15 fot) och en jordad kontakt med "tandem blade", för 15 ampère, 250 volt.

Utrustning som är avsedd för 230 volt (utanför USA): använd en nätsladd med jordad kontakt. Nätsladden bör uppfylla de säkerhetskrav som gäller i det land där utrustningen ska installeras.

Lenovos nätsladdar för ett visst land är oftast bara tillgängliga i det landet.

Utrustning som är avsedd att användas i Tyskland: nätsladdarna ska vara säkerhetsgodkända. I Tyskland ska de ha minst värdena H05VV-F, 3G, 0,75 mm². I andra länder ska föreskrivna sladdtyper användas.

Nätsladdars artikelnummer	Används i
24R2633	Japan
39M5067	Argentina, Paraguay, Uruguay
39M5080	Antigua och Barbuda, Aruba, Bahamas, Barbados, Belize, Bermuda, Bolivia, Caymanöarna, Costa Rica, Columbia, Dominikanska republiken, Ecuador, El Salvador, Filippinerna, Guam, Guatemala, Haiti, Honduras, Jamaica, Kanada, Kuba, Mexiko, Mikronesiska federationen, Nederländska Antillerna, Nicaragua, Panama, Peru, Saudiarabien, Taiwan, Thailand, Turks- och Caicosöarna, USA och Venezuela
39M5102	Australien, Nya Zealand

Nätsladdars artikelnummer	Används i
39M5122	Afghanistan, Albanien, Algeriet, Andorra, Angola, Armenien, Azerbajdzjan, Belgien, Benin, Bosnien-Hercegovina, Bulgarien, Burkina Faso, Burundi, Centralafrikanska republiken, Dahomey, Djibouti, Egypten, Ekvatorialguinea, Elfenbenskusten, Eritrea, Estland, Etiopien, Finland, Frankrike, Franska Guyana, Franska Polynesien, Gabon, Georgien, Grekland, Guadeloupe, Guinea, Guinea-Bissau, Island, Indonesien, Iran, Kambodja, Kamerun, Kap Verde, Komorerna, Kongo-Kinshasa, Kongo-Brazzaville, Kroatien, Kazakstan, Kirgizistan, Laos, Lettland, Libanon, Litauen, Luxemburg, Makedonien, Madagaskar, Mali, Marocko, Martinique, Mauritien, Mauritius, Mayotte, Moçambique, Moldavien, Monaco, Mongoliet, Montenegro, Nederländerna, Niger, Norge, Nya Kaledonien, Polen, Portugal, Réunion, Rumänien, Ryssland, Rwanda, Saudiarabien, São Tomé och Príncipe, Senegal, Serbien, Slovakien, Slovenien, Somalia, Spanien, Surinam, Sverige, Syrien, Tadzjikistan, Tahiti, Tchad, Tjeckien, Ukraina, Ungern, Uzbekistan, Togo, Tunisien, Turkiet, Turkmenistan, Tyskland, Vanuatu, Vietnam, Vitryssland, Wallis och Futuna samt Österrike.
39M5129	Danmark
39M5143	Bangladesh, Lesotho, Macao, Maldiverna, Namibia, Nepal, Pakistan, Samoa, Sydafrika, Sri Lanka, Swaziland, Uganda
39M5150	Abu Dhabi, Australien, Bahrain, Botswana, Brunei, Burma, Cypern, Dominica, Fiji, Förenade Arabemiraten (Dubai), Gambia, Ghana, Grenada, Guyana, Hongkong, Irak, Irland, Jemen, Jordanien, Kanalöarna, Kenya, Kiribati, Kuwait, Liberia, Malawi, Malaysien, Malta, Nauru, Nigeria, Nya Zeeland, Oman, Papua Nya Guinea, Qatar, S:t Kitts och Nevis, S:t Lucia, S:t Vincent och Grenadinerna, Seychellerna, Sierra Leone, Singapore, Sudan, Tanzania, Trinidad och Tobago, Storbritannien, Zambia och Zimbabwe.
39M5151	Hongkong, Korea
39M5157	Liechtenstein, Schweiz
39M5164	Chile, Italien, Libyen
39M5171	Israel
39M5205	Kina
39M5212	Korea
39M5232	Brasilien
39M5246	Taiwan
41R3175	Indien

PVC-kabeln och information om nätsladdar

WARNING: När du hanterar kabeln till den här produkten eller kablar till tillbehör, kommer du i kontakt med bly, en metall som i Kalifornien har dokumenterats kunna orsaka cancer, missbildningar och andra reproduktionsstörningar. *Tvätta händerna när du är klar.*

Avfall från elektroniska eller elektroniska produkter (WEEE)

Lenovo uppmantrar ägare till IT-utrustning att återvinna sin utrustning när den inte längre behövs. Lenovo erbjuder flera olika program och tjänster som hjälper utrustningens ägare att återvinna sina IT-produkter. Information om erbjudanden om produktåtervinning finns på Lenovos webbplats på adressen <http://www.pc.ibm.com/ww/lenovo/about/environment/>.

Europeiska unionens (EU) WEEE

WEEE-märkningen är tillämplig enbart i EU-länderna och Norge. Apparater märks i enlighet med EU-direktiv 2002/96/EG om avfall som utgörs av eller innehåller elektriska eller elektroniska produkter (WEEE). I direktivet fastställs det ramverk för återlämnande och materialåtervinning av uttjänta apparater som gäller inom hela Europeiska unionen. Etiketten sätts fast på produkter av olika slag för att ange att produkten inte får kastas, utan måste återtas i slutet av produktcykeln i enlighet med direktivet.

Användare av elektrisk och elektronisk utrustning med WEEE-märkning enligt bilaga IV till WEEE-direktivet får inte kassera sin uttjänta elektriska eller elektroniska utrustning som osorterat kommunalt avfall, utan måste utnyttja det tillgängliga insamlingsnätverket för återlämnande och återvinning av utrustningen och därigenom minimera riskerna för miljö och människans hälsa av utrustningens innehåll av farliga ämnen. Mer WEEE-information finns på adressen

<http://www.lenovo.com/lenovo/environment>.

Återvinning i Japan

Samla in och återvinna en kasserad Lenovo-dator eller bildskärm

Om du är anställd på ett företag och ska kassera en Lenovo-dator eller bildskärm som tillhör företaget måste du göra det i enlighet med lagen om effektiv resursanvändning. Datorer och bildskärmar tillhör kategorin industriellt avfall och ska återvinnas av en återvinningsfirma för industriellt avfall som är godkänd av lokala myndigheter. I enlighet med lagen om effektiv resursanvändning tillhandahåller Lenovo Japan, via sina tjänster för PC-insamling och återvinning, insamling, återanvändning och återvinning av kasserade datorer och

bildskärmar. Mer information finns på på Lenovos webbplats på adressen www.ibm.com/jp/pc/service/recycle/pcrecycle/

I enlighet med lagen om effektiv resursanvändning påbörjades tillverkarens insamling och återvinning av datorer och bildskärmar som används i hemmet den 1 oktober 2003. Tjänsten är gratis för datorer som används i hemmet och som sålts efter den 1 oktober 2003. Mer information finns på Lenovos webbplats på adressen www.ibm.com/jp/pc/service/recycle/personal/.

Kassera en komponent i en Lenovo-dator

Vissa datorprodukter från Lenovo som säljs i Japan kan ha komponenter som innehåller tungmetaller eller andra ämnen som är skadliga för miljön. Använd de metoder som beskrivs ovan för att samla in och återvinna datorer och bildskärmar när du ska kassera komponenter som tryckta kretskort eller enheter.

Kassera litiumbatterier från Lenovo-datorer

Ett knappformat litiumbatteri är installerat på systemkortet och förser systemklockan med ström när datorn är avslagen eller bortkopplad från huvudströmkällan. Om du vill byta ut det mot ett nytt kontaktar du inköpsstället eller ber om en reparationstjänst som Lenovo tillhandahåller. Om du har bytt ut batteriet själv och vill kassera det isolerar du det först med vinyltejp. Sedan kontaktar du inköpsstället och följer deras instruktioner. Om du använder en Lenovo-dator hemma och ska kassera ett litiumbatteri måste du följa lokala förordningar och regler.

ThinkCentre®

Part Number: 43C2485

Printed in USA

(1P) P/N: 43C2485

