



ThinkCentre Hardware Installation and Replacement Guide



Machine Types 9120, 9127, 9129, 9134, 9136, 9139, 9141, 9143, 9156,
9158, 9171, 9191

lenovo

ThinkCentre
Hardware Installation and Replacement
Guide

Note

Before using this information and the product it supports, be sure to read and understand the *Safety and Warranty Guide* for this product and “Notices,” on page 49.

First Edition (June 2007)

© Copyright Lenovo 2005, 2007.

Portions © Copyright International Business Machines Corporation 2005.

All rights reserved.

U.S. GOVERNMENT USERS – RESTRICTED RIGHTS: Our products and/or services are provided with RESTRICTED RIGHTS. Use, duplication or disclosure by the Government is subject to the GSA ADP Schedule contract with Lenovo Group Limited, if any, or the standard terms of this commercial license, or if the agency is unable to accept this Program under these terms, then we provide this Program under the provisions set forth in Commercial Computer Software–Restricted Rights at FAR 52.227-19, when applicable, or under Rights in Data-General, FAR 52.227.14 (Alternate III).

Contents

| | | | |
|--|-----------|--|-----------|
| Figures | v | Replacing a hard disk drive | 26 |
| Chapter 1. Important safety information | 1 | Replacing an optical drive | 29 |
| Chapter 2. Overview | 3 | Replacing the diskette drive | 31 |
| Additional information resources | 3 | Replacing a memory module | 32 |
| Handling static-sensitive devices. | 4 | Replacing a PCI adapter | 33 |
| Locations | 5 | Replacing the front fan assembly | 36 |
| Locating controls and connectors on the front of your computer. | 5 | Replacing the rear fan assembly | 37 |
| Locating connectors on the rear of your computer | 6 | Replacing the keyboard | 39 |
| Locating components | 8 | Replacing the mouse | 41 |
| Identifying parts on the system board | 9 | Chapter 4. Completing the parts replacement | 43 |
| Chapter 3. Installing options and replacing hardware | 11 | Obtaining device drivers | 44 |
| Installing external options | 11 | Chapter 5. Security features | 45 |
| Removing the cover | 11 | Integrated cable lock | 45 |
| Removing and replacing the front bezel | 12 | Padlock. | 46 |
| Installing internal options | 14 | Password protection | 46 |
| Installing memory | 14 | Erasing a lost or forgotten password (clearing CMOS). | 46 |
| Installing PCI adapters | 15 | Appendix. Notices | 49 |
| Installing internal drives | 18 | Television output notice | 50 |
| Connecting drives | 21 | Trademarks | 50 |
| Replacing the battery | 23 | Index | 51 |
| Replacing the power supply assembly | 24 | | |
| Replacing the heat sink | 25 | | |

Figures

| | | | |
|--|----|---|----|
| 1. Controls and connectors. | 5 | 21. Installing the new heat sink | 26 |
| 2. Connector locations | 6 | 22. Removing the hard disk drive | 27 |
| 3. Component locations. | 8 | 23. Installing the hard disk drive into bracket | 28 |
| 4. Component locations. | 9 | 24. Installing the hard disk drive and bracket | 29 |
| 5. Removing the computer cover | 12 | 25. Removing the optical drive | 30 |
| 6. Removing the front bezel | 13 | 26. Retainer bracket for optical drive | 30 |
| 7. Open the retaining clips | 14 | 27. Removing the diskette drive | 31 |
| 8. Installing the memory module | 15 | 28. Retainer bracket for diskette drive | 32 |
| 9. Opening the adapter latch | 16 | 29. Removing the memory module | 32 |
| 10. Closing the adapter latch | 17 | 30. Installing the new memory module | 33 |
| 11. Drive bay locations | 19 | 31. Removing the PCI adapter | 34 |
| 12. Locating the spare retainer bracket. | 20 | 32. Install a new PCI adapter | 35 |
| 13. Installing a retainer bracket | 21 | 33. Removing the rear fan assembly | 38 |
| 14. Installing a new drive | 21 | 34. Replacing the rear fan assembly. | 39 |
| 15. Connecting a parallel ATA drive | 22 | 35. Keyboard connectors, standard and USB | 40 |
| 16. Connecting a serial ATA drive | 22 | 36. Mouse connectors, standard and USB. | 41 |
| 17. Removing the battery | 23 | 37. Replacing the computer cover | 43 |
| 18. Installing the battery | 23 | 38. Installing the integrated cable lock. | 45 |
| 19. Removing the power supply screws | 24 | 39. Installing a padlock. | 46 |
| 20. Removing the heat sink | 25 | | |

Chapter 1. Important safety information

CAUTION:

Before using this manual, it is important that you read and understand all the related safety information for this product. Refer to the *Safety and Warranty Guide* that you received with this product for the latest safety information. Reading and understanding this safety information reduces the risk of personal injury and or damage to your product.

If you no longer have a copy of the *Safety and Warranty Guide*, you can obtain one online from the Lenovo Support Web site at:
<http://www.lenovo.com/support>.

Chapter 2. Overview

This guide provides information about replacing Customer Replaceable Units (CRUs).

This guide does not include procedures for all parts. It is expected that cables, switches, and certain mechanical parts be replaced by trained service personnel without the need for step-by-step procedures.

Note: Use only parts provided by Lenovo™.

This guide contains instructions for installing and or replacing the following parts:

- Battery
- Front bezel
- Power supply
- Heat sink
- Hard disk drive
- Optical drive
- Diskette drive
- Memory modules
- PCI adapter
- Front fan assembly
- Rear fan assembly
- Keyboard
- Mouse

Additional information resources

If you have Internet access, the most up-to-date information for your computer is available from the World Wide Web.

You can find:

- CRU removal and installation information
- CRU removal and installation videos
- Publications
- Troubleshooting information
- Parts information
- Downloads and drivers
- Links to other useful sources of information
- Support phone list

To access this information, point your browser to:
<http://www.lenovo.com/support>

Handling static-sensitive devices

Do not open the static-protective package containing the new part until the defective part has been removed from the computer and you are ready to install the new part. Static electricity, although harmless to you, can seriously damage computer components and parts.

When you handle parts and other computer components, take these precautions to avoid static-electricity damage:

- Limit your movement. Movement can cause static electricity to build up around you.
- Always handle parts and other computer components carefully. Handle adapters, memory modules, system boards, and microprocessors by the edges. Never touch any exposed circuitry.
- Prevent others from touching the parts and other computer components.
- Before you replace a new part, touch the static-protective package containing the part to a metal expansion-slot cover or other unpainted metal surface on the computer for at least two seconds. This reduces static electricity in the package and your body.
- When possible, remove the new part from the static-protective packaging, and install it directly in the computer without setting the part down. When this is not possible, place the static-protective package that the part came in on a smooth, level surface and place the part on it.
- Do not place the part on the computer cover or other metal surface.

Locations

This chapter provides illustrations to help locate the various connectors, controls, and components of the computer.

Locating controls and connectors on the front of your computer

Figure 1 shows the location of the controls and connectors on the front of your computer.

Note: Not all computer models will have the following controls and connections.

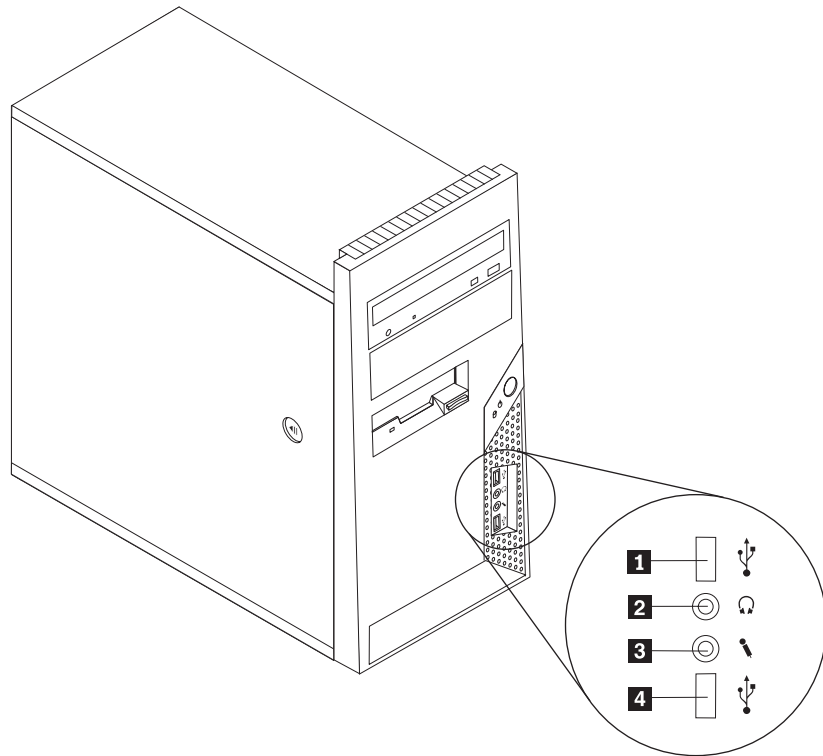


Figure 1. Controls and connectors

- | | | | |
|----------|---------------------|----------|----------------------|
| 1 | USB connector | 3 | Microphone connector |
| 2 | Headphone connector | 4 | USB connector |

Locating connectors on the rear of your computer

Figure 2 shows the location of connectors on the rear of your computer. Some connectors on the rear of your computer are color-coded to help you determine where to connect the cables on your computer.

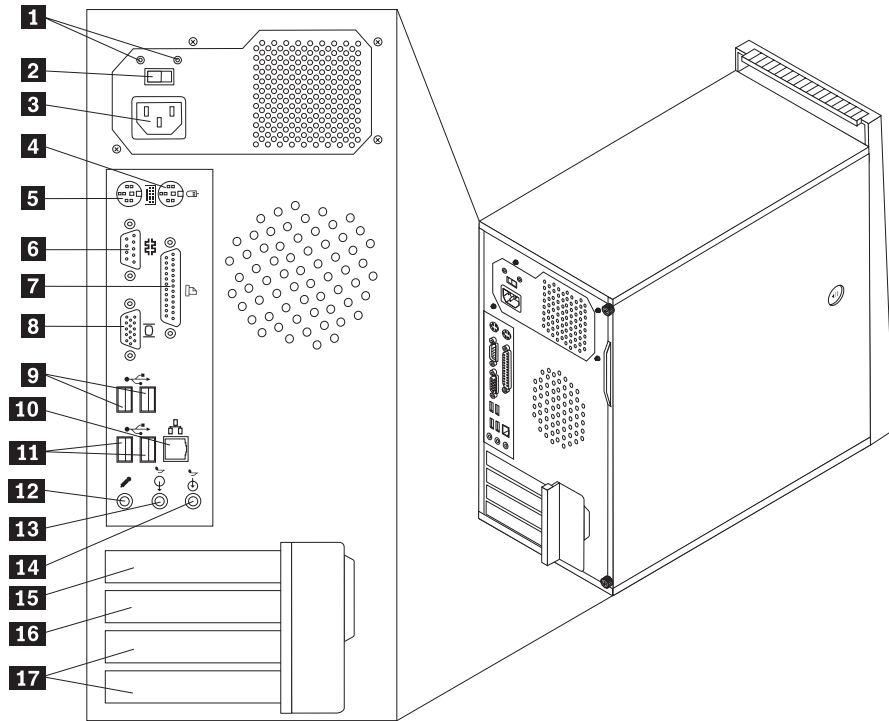


Figure 2. Connector locations

- | | | | |
|----------|--|-----------|--|
| 1 | Power supply diagnostic LEDs (some models) | 10 | Ethernet connector |
| 2 | Voltage selection switch (some models) | 11 | USB connectors (2) |
| 3 | Power connector | 12 | Microphone connector |
| 4 | Standard mouse connector | 13 | Audio line out connector |
| 5 | Standard keyboard connector | 14 | Audio line in connector |
| 6 | Serial connector | 15 | PCI Express x1 adapter connector |
| 7 | Parallel connector | 16 | PCI Express x16 graphics adapter connector |
| 8 | VGA monitor connector | 17 | PCI adapter connectors (2) |
| 9 | USB connectors (2) | | |

| Connector | Description |
|-----------------------------|---|
| Standard mouse connector | Used to attach a mouse, trackball, or other pointing device that uses a standard mouse connector. |
| Standard keyboard connector | Used to attach a keyboard that uses a standard keyboard connector. |
| Serial connector | Used to attach an external modem, serial printer, or other devices that use a 9-pin serial connector. |
| Parallel connector | Used to attach a parallel printer, parallel scanner, or other devices that use a 25-pin parallel connector. |
| USB connectors | Used to attach a device that requires a Universal Serial Bus (USB) connection, such as a USB keyboard, USB mouse, USB scanner or USB printer. If you have more than six USB devices, you can purchase a USB hub, which you can use to connect additional USB devices. |
| Ethernet connector | Used to attach an Ethernet cable for a local area network (LAN). Note: To operate the computer within FCC Class B limits, use a Category 5 Ethernet cable. |
| Audio-line-out connector | Used to send audio signals from the computer to external devices, such as powered stereo speakers (speakers with built-in amplifiers), headphones, multimedia keyboards, or the audio line in connector on a stereo system or other external recording device. |
| Audio-line-in connector | Used to receive audio signals from an external audio device, such as a stereo system. When you attach an external audio device, a cable is connected between the audio line out connector of the device and the audio line in connector of the computer. |

Locating components

To remove the computer cover, see “Removing the cover” on page 11.

Figure 3 shows the location of the various components in your computer.

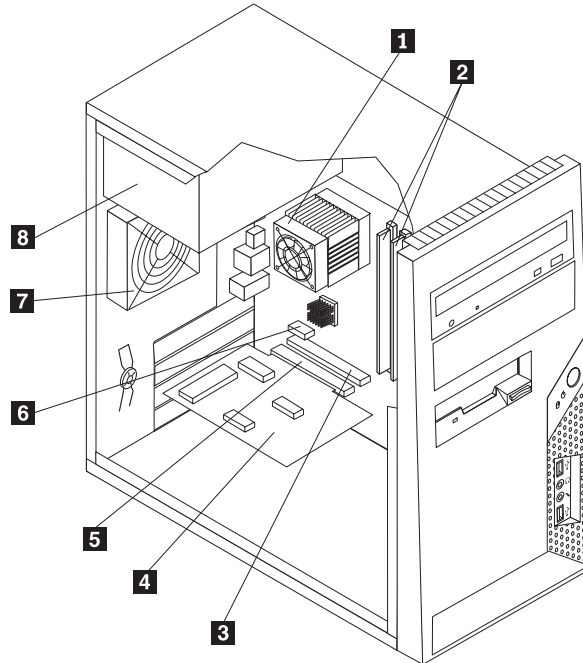


Figure 3. Component locations

- | | | | |
|----------|--|----------|----------------------------------|
| 1 | Microprocessor fan and heat sink | 5 | PCI adapter connector |
| 2 | Memory modules | 6 | PCI Express x1 adapter connector |
| 3 | PCI Express x16 graphics adapter connector | 7 | Rear fan assembly |
| 4 | PCI adapter card | 8 | Power supply |

Identifying parts on the system board

Figure 4 shows the location of parts on the system board.

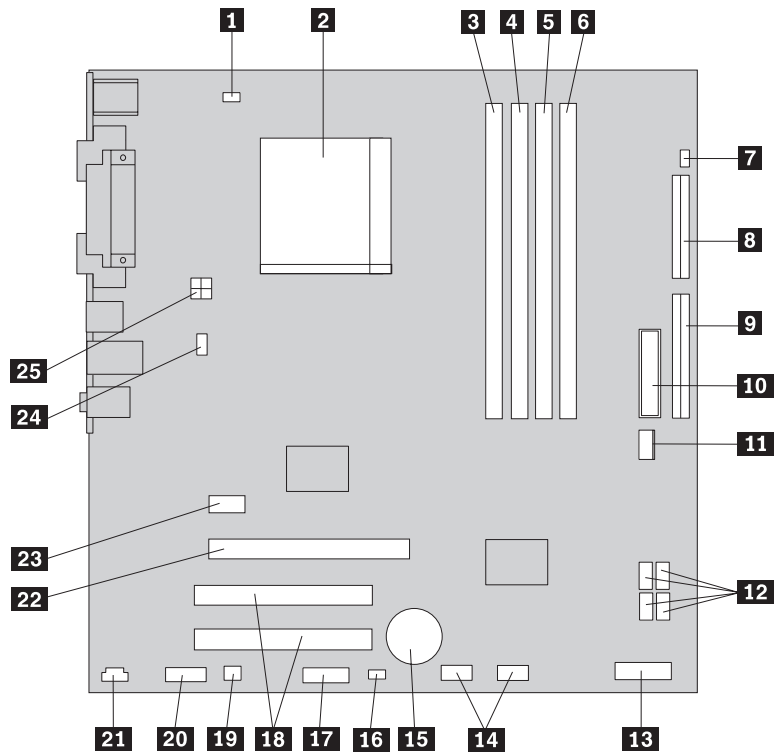


Figure 4. Component locations

| | | | |
|-----------|---------------------------------|-----------|--|
| 1 | Microprocessor fan connector | 14 | Front USB connectors (2) |
| 2 | Microprocessor and heat sink | 15 | Battery |
| 3 | Memory connector 1 | 16 | Clear CMOS/Recovery jumper |
| 4 | Memory connector 2 | 17 | Serial (COM) connector |
| 5 | Memory connector 3 | 18 | PCI adapter connectors (2) |
| 6 | Memory connector 4 | 19 | Mono (speaker) connector |
| 7 | Cover presence switch connector | 20 | Front audio connector |
| 8 | Diskette drive connector | 21 | CD-IN connector |
| 9 | IDE connector | 22 | PCI Express x16 graphics adapter connector |
| 10 | Power connector | 23 | PCI Express x1 adapter connector |
| 11 | Power fan connector | 24 | System fan connector |
| 12 | SATA IDE connectors (4) | 25 | 12 V power connector |
| 13 | Front panel connector | | |

Chapter 3. Installing options and replacing hardware

This chapter provides an introduction to the features and options that are available for your computer. You can expand the capabilities of your computer by adding memory, adapters, or drives. When installing an option, use these instructions along with the instructions that come with the option.

Attention

Do not open your computer or attempt any repair before reading the "Important safety information" in the *Safety and Warranty Guide* that was included with your computer. To obtain a copy of the *Safety and Warranty Guide*, go to the Support Web site at <http://www.lenovo.com/support>.

Note: Use only parts provided by Lenovo.

Installing external options

External speakers, a printer, or a scanner can be connected to your computer. For some external options, you must install additional software in addition to making the physical connection. When adding an external option, see "Locating connectors on the rear of your computer" on page 6 and "Locating controls and connectors on the front of your computer" on page 5 to identify the required connector, and then use the instructions that are included with the option to help you make the connection and install any software or device drivers that are required for the option.

Removing the cover

Important



Turn off the computer and wait 3 to 5 minutes to let the computer cool before removing the computer cover.

This section provides instructions on how to remove the computer cover.

1. Remove any media (diskettes, CDs, or tapes) from the drives, shut down your operating system, and turn off all attached devices and the computer.
2. Unplug all power cords from electrical outlets.
3. Disconnect the cables attached to the computer. This includes power cords, input/output (I/O) cables, and any other cables that are connected to the computer. See "Locating controls and connectors on the front of your computer" on page 5 and "Locating connectors on the rear of your computer" on page 6.
4. Remove any locking devices, such as a cable lock that secures the computer cover.

5. If there are thumbscrews securing the cover, remove them.
6. Press the cover-release button on the side of the computer cover, slide the cover to the rear, and then remove the cover.

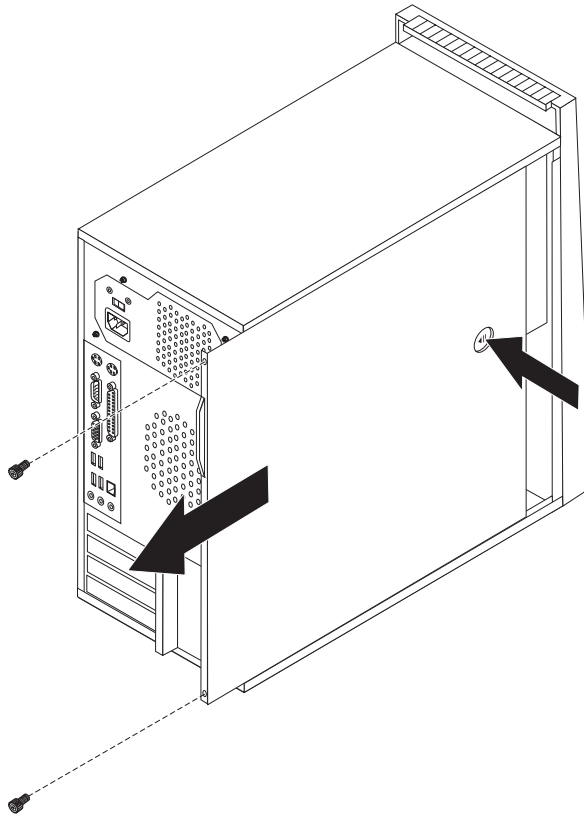


Figure 5. Removing the computer cover

Removing and replacing the front bezel

This section provides instructions on how to remove and replace the front bezel.

1. Remove the computer cover. See "Removing the cover" on page 11.

2. Remove the front bezel by releasing the three plastic tabs on the left side and pivoting the bezel outward. Carefully set the bezel to the side without disconnecting the power switch and LED assembly cable.

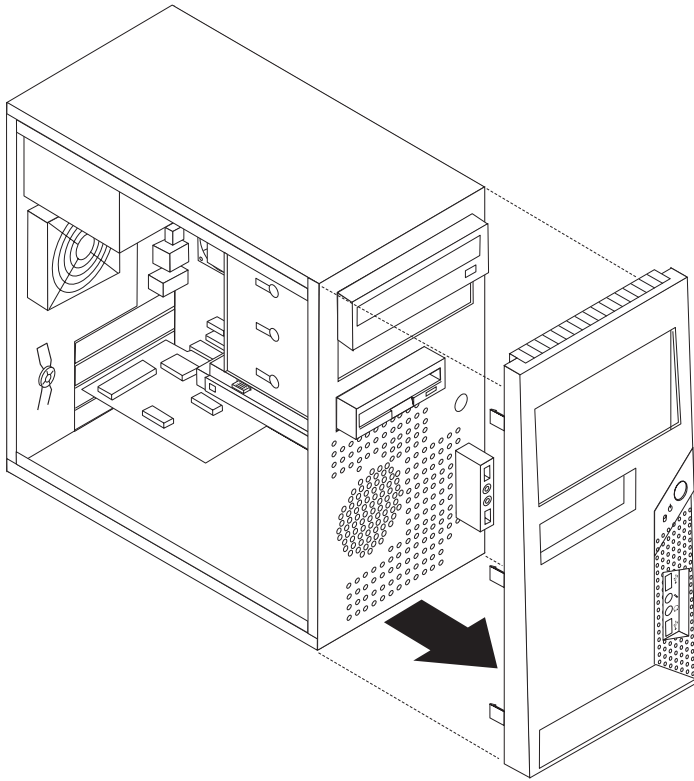


Figure 6. Removing the front bezel

3. To reinstall the bezel, align the plastic tabs on the right side of the bezel with the corresponding holes in the chassis, then pivot it inward until it snaps into position on the left side.
4. To complete the installation, go to Chapter 4, "Completing the parts replacement," on page 43

Installing internal options

Important

Read “Handling static-sensitive devices” on page 4 before removing the computer cover.

Installing memory

Your computer has four connectors for installing dual inline memory modules (DIMMs) that provide up to a maximum of 8.0 GB of system memory.

When installing memory modules, the following rules apply:

- Use 1.8 V, 240-pin double data rate 2 synchronous dynamic random access memory (DDR2 SDRAM).
- Use 256 MB, 512 MB, 1.0 GB, or 2.0 GB memory modules in any combination up to a maximum of 8.0 GB.

To install a memory module:

1. Remove the computer cover. See “Removing the cover” on page 11.
2. Locate the memory connectors. See “Identifying parts on the system board” on page 9.
3. Open the retaining clips.

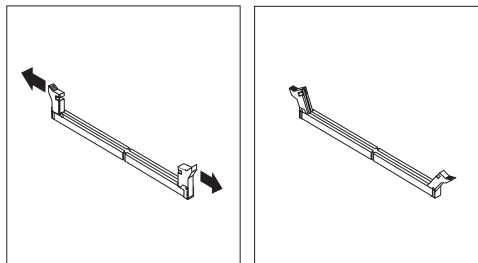


Figure 7. Open the retaining clips

4. Make sure that the notch **1** on the memory module aligns correctly with the connector key **2** on the system board. Push the memory module straight down into the connector until the retaining clips close.

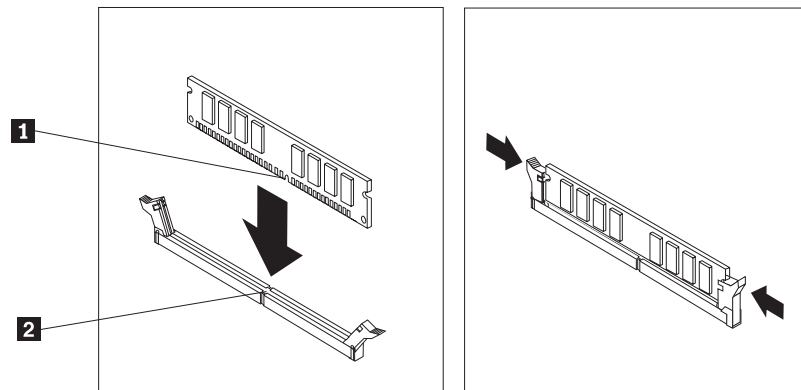


Figure 8. Installing the memory module

What to do next:

- To work with another option, go to the appropriate section.
- To complete the installation, go to Chapter 4, “Completing the parts replacement,” on page 43.

Installing PCI adapters

This section provides information and instructions for installing adapters. Your computer has two expansion connectors for PCI adapters, one for a PCI Express x16 graphics adapter, and one for a PCI Express x1 adapter.

To install a PCI adapter:

1. Remove the computer cover. See “Removing the cover” on page 11.

2. At the rear of the computer, press the release button **1** to open the adapter latch **2** and remove the slot cover.

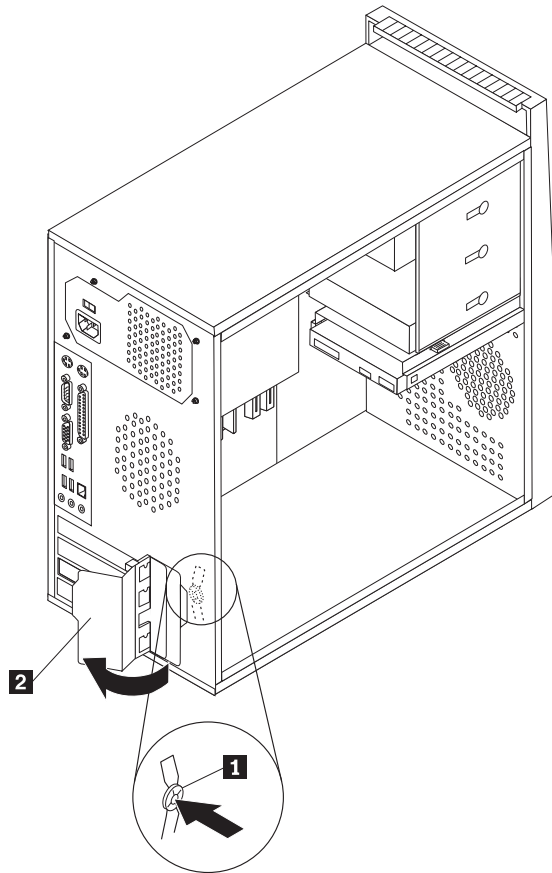


Figure 9. Opening the adapter latch

3. Remove the adapter from its static-protective package.
4. Install the adapter into the appropriate connector on the system board.

5. Pivot the adapter latch to the closed position to secure the adapters.

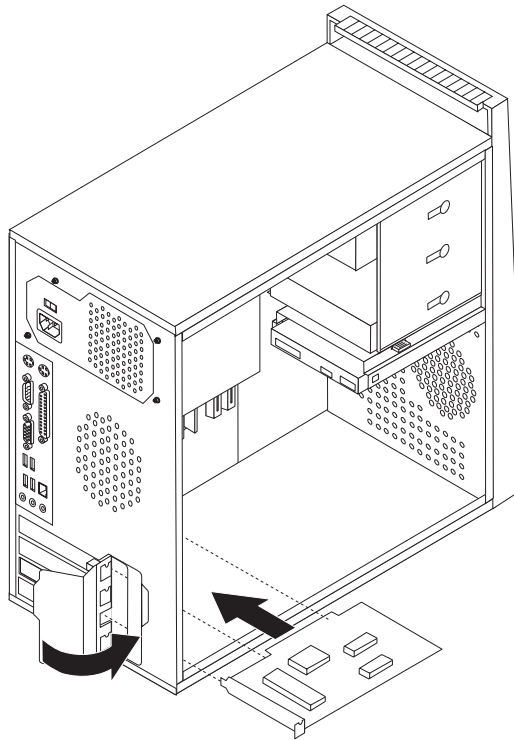


Figure 10. Closing the adapter latch

What to do next:

- To work with another option, go to the appropriate section.
- To complete the installation, go to Chapter 4, “Completing the parts replacement,” on page 43.

Installing internal drives

This section provides information and instructions for installing internal drives.

Internal drives are devices that your computer uses to read and store data. You can add drives to your computer to increase storage capacity and to enable your computer to read other types of media. Some of the types of drives that are available for your computer are:

- Serial Advanced Technology Attachment (SATA) hard disk drives
- Parallel ATA (PATA) hard disk drives
- SATA optical drives, such as CD drives or DVD drives
- PATA optical drives
- Removable media drives

Note: These types of drives are also referred to as integrated drive electronics (IDE) drives.

Internal drives are installed in *bays*. In this book, the bays are referred to as bay 1, bay 2, and so on.

When you install an internal drive, it is important to note the type and size of drive that you can install in each bay. Also, it is important to correctly connect the internal drive cables to the installed drive.

Drive specifications

Your computer comes with the following factory-installed drives:

- An optical drive in bay 1 (some models)
- A 3.5-inch diskette disk drive in bay 3 (some models)
- A 3.5-inch hard drive in bay 4

Any bay that does not have a drive installed has a static shield and bay panel installed.

Figure 11 shows the location of the drive bays.

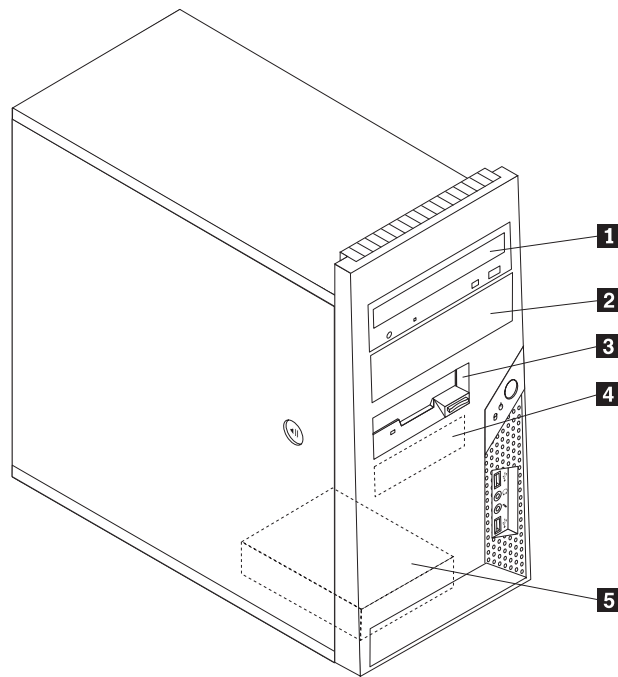


Figure 11. Drive bay locations

The following list describes the types and size of drives that you can install in each bay:

- | | |
|--|--|
| 1 Bay 1 - Maximum height: 43.0 mm (1.7 in.) | <ul style="list-style-type: none">• Optical drive such as CD drive or DVD drive (preinstalled in some models)• 5.25-inch hard disk drive• 3.5-inch hard disk drive (requires a Universal Adapter Bracket, 5.25 to 3.5-inch)* |
| 2 Bay 2 - Maximum height: 43.0 mm (1.7 in.) | <ul style="list-style-type: none">• Optical drive such as CD drive or DVD drive• 5.25-inch removable media drive• 3.5-inch hard disk drive (requires a Universal Adapter Bracket, 5.25 to 3.5-inch)* |
| 3 Bay 3 - Maximum height: 25.8 mm (1.0 in.) | 3.5-inch diskette drive (some models preinstalled) |
| 4 Bay 4 - Maximum height: 25.8 mm (1.0 in.) | 3.5-inch SATA hard disk drive (preinstalled) |
| 5 Bay 5 - Maximum height: 25.8 mm (1.0 in.) | 3.5-inch SATA hard disk drive |

* You can obtain a Universal Adapter Bracket, 5.25 to 3.5-inch from a local computer retailer or by contacting the Customer Support Center.

Installing a drive in bay 1 or bay 2

This section provides instructions on how to install a drive in bay 1 or bay 2.

1. Remove the computer cover. See “Removing the cover” on page 11.

2. Remove the front bezel by releasing the three plastic tabs on the left side and pivoting the bezel outward. Carefully set the bezel to the side without disconnecting the power switch and LED assembly cable.

Note: Notice the spare retainer bracket **1** attached to the side of the upper drive cage.

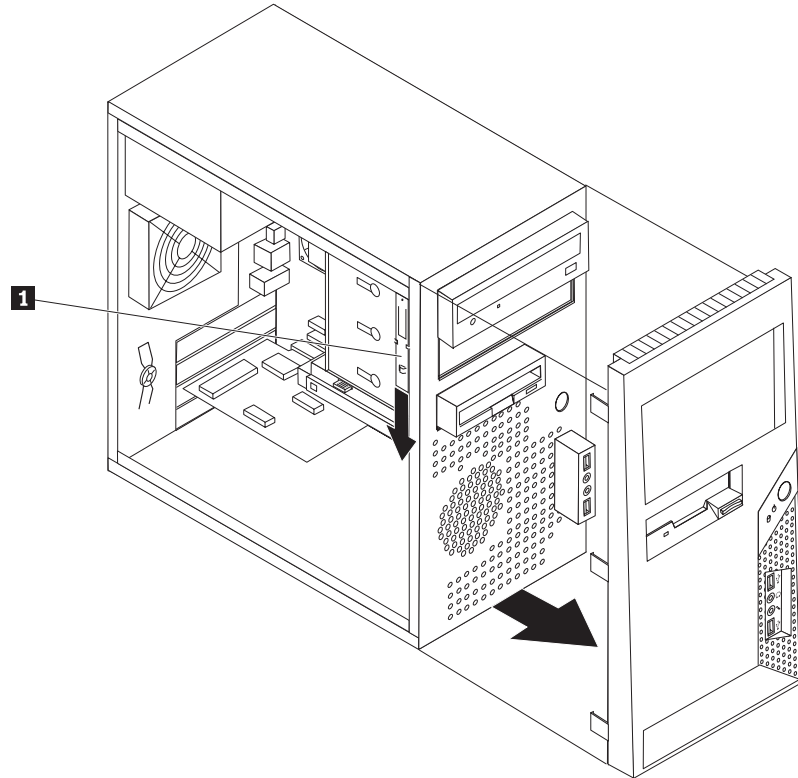


Figure 12. Locating the spare retainer bracket

3. Remove the metal static shield from the drive bay using your fingers to pull it outward.
4. If you are installing a drive with accessible media, such as an optical drive, remove the plastic panel in the bezel for bay 2 by squeezing the plastic tabs that secure the panel on the inside of the bezel.
5. If you are installing any type of drive other than a serial ATA drive, make sure the drive that you are installing is set correctly as either a master or a slave device.

Note: A serial ATA drive does not need to be set as either a master or a slave device.

If you are installing a parallel ATA drive, set it as a master device. Refer to the documentation that comes with your drive for master/slave jumper information.

6. Remove the retainer bracket from the upper driver cage by sliding it downward.

7. For a 5.25-inch drive, install a retainer bracket on the side of the drive.

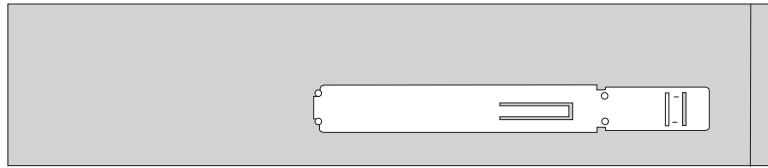


Figure 13. Installing a retainer bracket

8. For a 3.5-inch drive, you must use a Universal Adapter Bracket, 5.25 to 3.5-inch. You can obtain a Universal Adapter Bracket, 5.25 to 3.5-inch from a local computer retailer or by contacting the Customer Support Center. Install a retainer bracket on the side of the Universal adapter bracket.
9. Install the 5.25-inch drive or the adapter bracket and 3.5-inch drive into the bay.

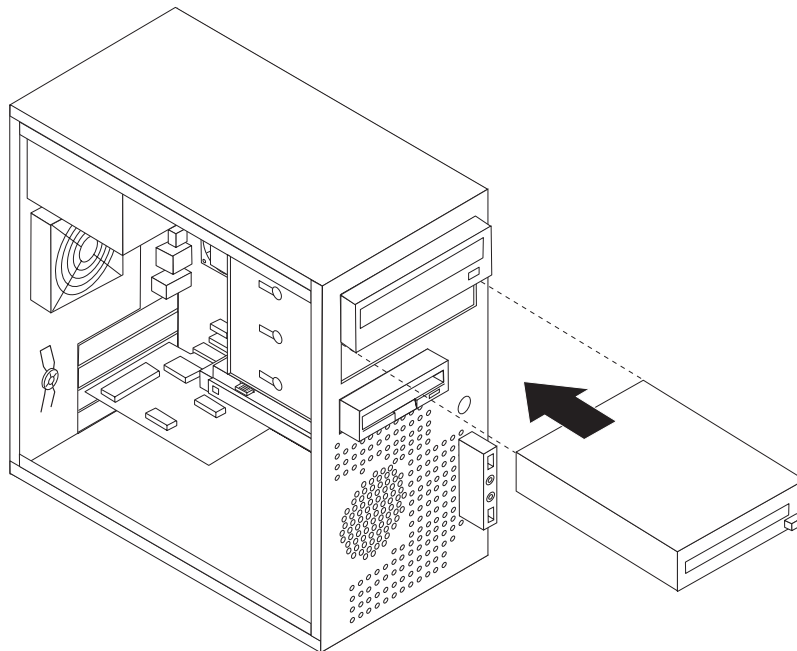


Figure 14. Installing a new drive

10. To reinstall the bezel, align the plastic tabs on the right side of the bezel with the corresponding holes in the chassis, then pivot it inward until it snaps into position on the left side.
11. Continue at "Connecting drives."

Connecting drives

The steps to connect a drive are different depending on the type of drive. Use one of the following procedures for your drive connection.

Connecting a parallel ATA drive

1. Locate the two-connector signal cable that comes with your computer or with the new drive.
2. Locate the IDE connector on the system board. See "Identifying parts on the system board" on page 9.

3. Connect one end of the signal cable to the drive and the other to the IDE connector on the system board.
4. Locate the extra four-wire power connector and connect it to the drive.

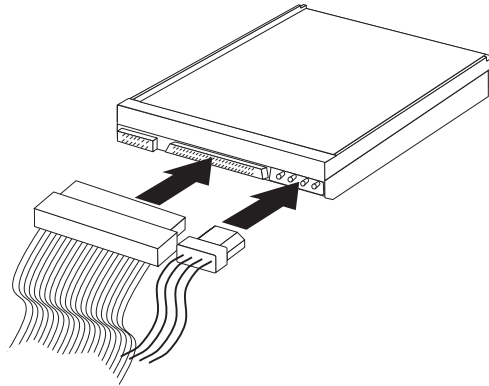


Figure 15. Connecting a parallel ATA drive

Connecting a serial ATA drive

A serial optical or additional hard disk drive can be connected to any available SATA IDE connector.

1. Locate the signal cable that comes with the new drive.
2. Locate an available SATA IDE connector on the system board. See “Identifying parts on the system board” on page 9.
3. Connect one end of the signal cable to the drive and the other to an available SATA IDE connector on the system board.
4. Locate one of the extra five-wire power connectors and connect it to the drive.

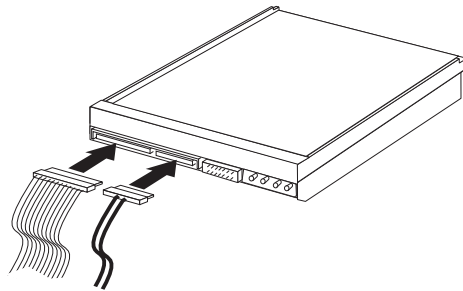


Figure 16. Connecting a serial ATA drive

What to do next

- To work with another option, go to the appropriate section.
- To complete the installation, go to Chapter 4, “Completing the parts replacement,” on page 43.

Replacing the battery

Your computer has a special type of memory that maintains the date, time, and settings for built-in features, such as parallel-port assignments (configuration). A battery keeps this information active when you turn off the computer.

The battery normally requires no charging or maintenance throughout its life; however, no battery lasts forever. If the battery fails, the date, time, and configuration information (including passwords) are lost. An error message is displayed when you turn on the computer.

Refer to the "Lithium battery notice" in the *Safety and Warranty Guide* for information about replacing and disposing of the battery.

This section provides instructions on how to replace the battery.

1. Turn off the computer and disconnect the power cord from the electrical outlet and from the computer.
2. Remove the computer cover. See "Removing the cover" on page 11.
3. Locate the battery. See "Identifying parts on the system board" on page 9.
4. Remove the old battery.

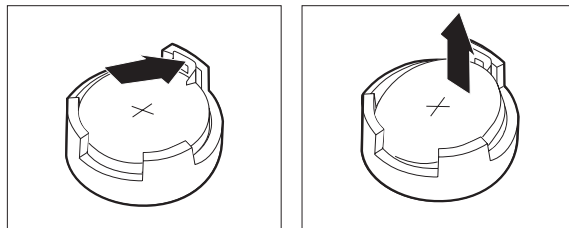


Figure 17. Removing the battery

5. Install the new battery.

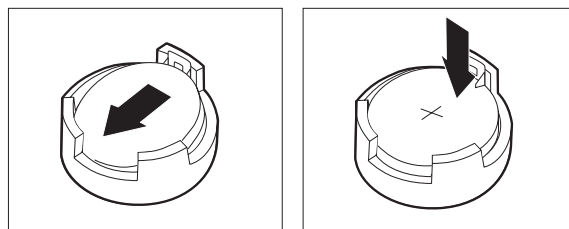


Figure 18. Installing the battery

6. Replace the computer cover, and connect the cables. See Chapter 4, "Completing the parts replacement," on page 43.

Note: When the computer is turned on for the first time after battery replacement, an error message might be displayed. This is normal after replacing the battery.

7. Turn on the computer and all attached devices.
8. Use the Setup Utility program to set the date and time and any passwords. See "Using the Setup Utility" in your *User Guide*.

Replacing the power supply assembly

Attention

Do not open your computer or attempt any repair before reading the "Important safety information" in the *Safety and Warranty Guide* that was included with your computer. To obtain a copy of the *Safety and Warranty Guide*, go to the Support Web site at <http://www.lenovo.com/support>.

This section provides instructions on how to replace the power supply assembly.

1. Remove the computer cover. See "Removing the cover" on page 11.

Note: For this procedure, it helps to lay the computer on its side.

2. Disconnect the power supply cables from the system board and from all drives. See "Identifying parts on the system board" on page 9.
3. Remove the four screws at the rear of the chassis that secure the power supply.

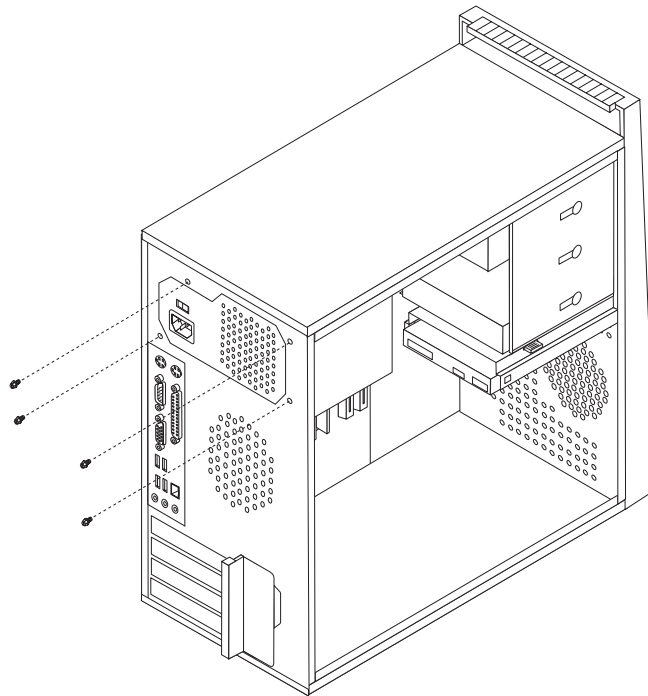


Figure 19. Removing the power supply screws

4. Lift the power supply out of the chassis.
5. Install the new power supply into the chassis so that the screw holes in the power supply align with those in the chassis.
6. Install the four screws to secure the power supply assembly.

Note: Use only the screws provided by Lenovo.

7. Reconnect all the power supply cables to the drives and the system board.
8. Go to Chapter 4, "Completing the parts replacement," on page 43.

Replacing the heat sink

Attention

Do not open your computer or attempt any repair before reading the “Important safety information” in the *Safety and Warranty Guide* that was included with your computer. To obtain a copy of the *Safety and Warranty Guide*, go to the Support Web site at <http://www.lenovo.com/support>.

This section provides instructions on how to replace the heat sink.

1. Remove the computer cover. See “Removing the cover” on page 11.
2. Lay the computer on its side.
3. Locate the heat sink. See “Identifying parts on the system board” on page 9.
4. Disconnect the heat sink and the fan assembly cable from the system board.
5. Pivot the handle **1** to release the heat sink clamp and then disengage the clamp from the plastic retention bracket.

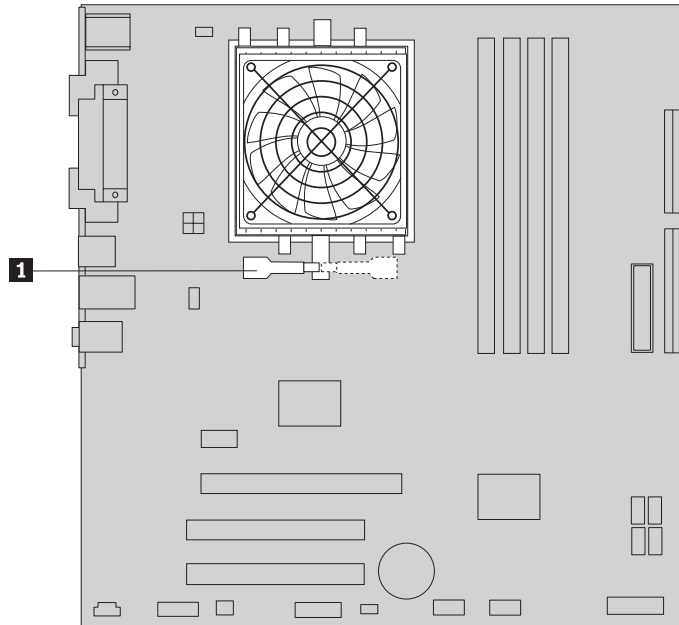


Figure 20. Removing the heat sink

6. Lift the failing heat sink and fan assembly off the system board.

7. Position the new heat sink on the microprocessor socket and then position the clamp on the plastic retention bracket. Pivot the handle **1** to clamp the heat sink to the plastic retention bracket.

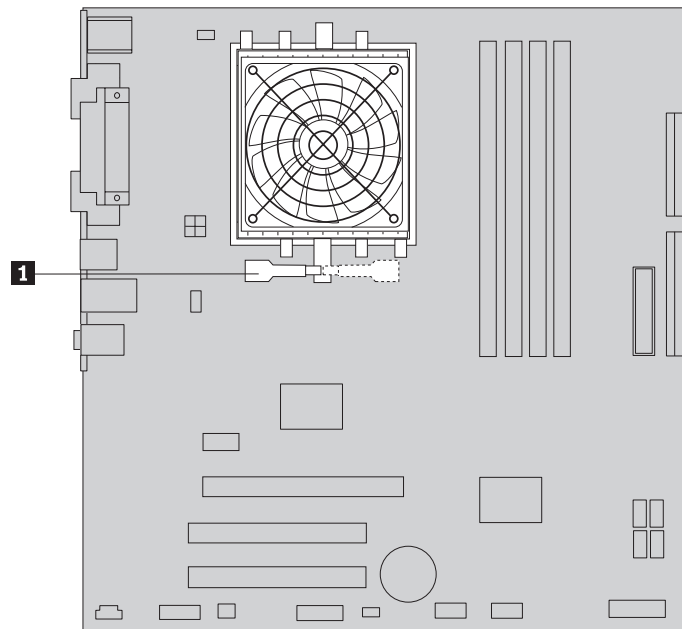


Figure 21. Installing the new heat sink

8. Reconnect the heat sink and the fan assembly cable to the system board.
9. Go to Chapter 4, “Completing the parts replacement,” on page 43.

Replacing a hard disk drive

Attention

Do not open your computer or attempt any repair before reading the “Important safety information” in the *Safety and Warranty Guide* that was included with your computer. To obtain a copy of the *Safety and Warranty Guide*, go to the Support Web site at <http://www.lenovo.com/support>.

Important

When you receive a new hard disk drive, you also receive a set of *Product Recovery discs*. The set of *Product Recovery discs* will enable you to restore the contents of the hard disk to the same state as when your computer was originally shipped from the factory. For more information on recovering factory-installed software, refer to “Recovering software” in your *User Guide*.

This section provides instructions on how to a replace the hard disk drive.

1. Remove the computer cover. See “Removing the cover” on page 11.
2. Disconnect the signal and power cables from the hard disk drive.

3. Press the blue release tab **1** down, slide the hard drive cage **2** back, and pivot it outward.

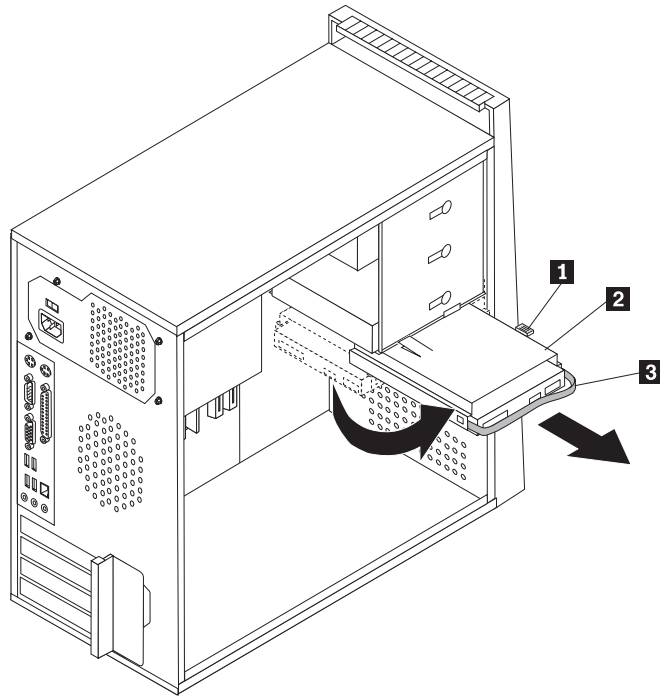


Figure 22. Removing the hard disk drive

4. Remove the hard disk drive cage from the chassis by simply sliding it outward.
5. Pull on the blue handle **3** to release and remove hard disk drive from drive cage.
6. Remove the hard disk drive from the blue plastic bracket by flexing the sides of the bracket enough to slide it free of the hard disk drive.

7. To install the new hard disk drive into the blue bracket, flex the bracket and align the pins **1** through **4** on the bracket with the holes in the hard disk drive. See Figure 23. Do not touch the circuit board **5** on the bottom of the hard disk drive.

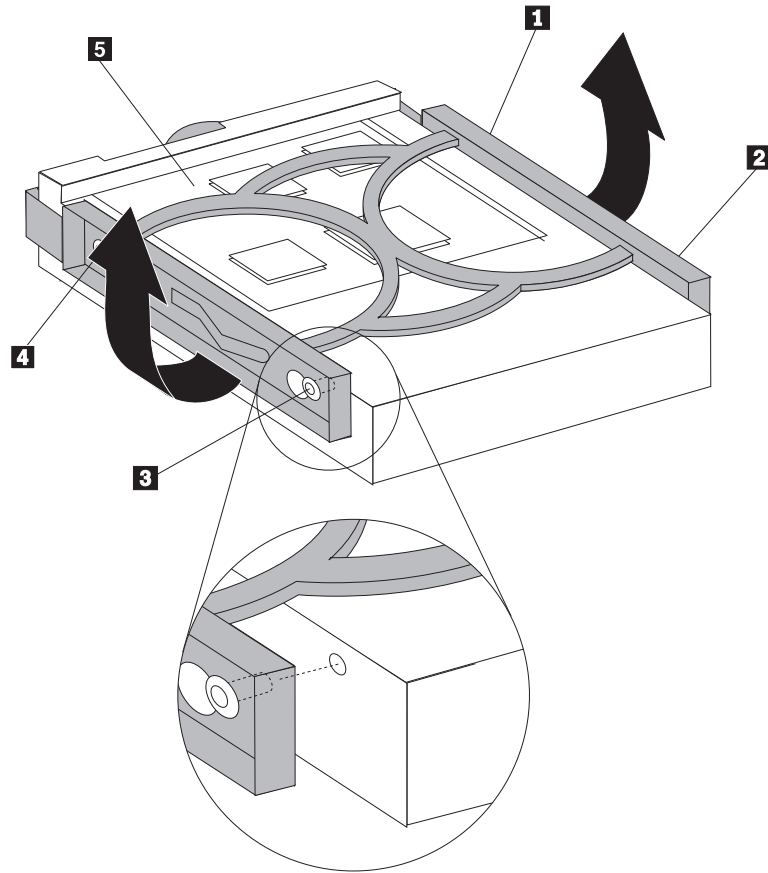


Figure 23. Installing the hard disk drive into bracket

8. Slide the new hard disk drive into the drive cage until it snaps into position.

9. Align the drive cage pivot pin with the slot **1** in the upper drive cage and slide the hard disk drive cage into the chassis.
10. Connect the signal and power cables to the rear of the new hard disk drive.

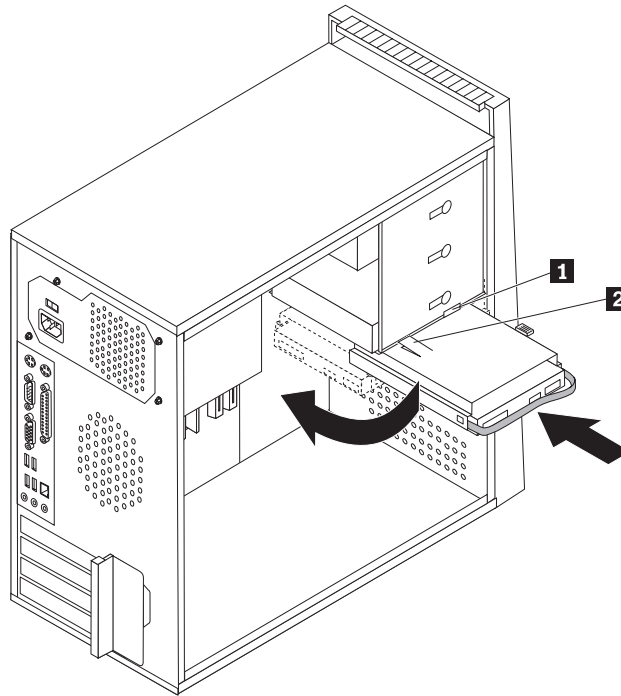


Figure 24. Installing the hard disk drive and bracket

11. Press down on the metal latch **2** and pivot in the drive cage into place and then slide it forward until it snaps into position.

Note: There are two arrows, one on the upper drive cage and one on the hard disk drive cage. The arrows are aligned when the hard disk drive is in the proper position.

12. Go to Chapter 4, “Completing the parts replacement,” on page 43.

Replacing an optical drive

Attention

Do not open your computer or attempt any repair before reading the “Important safety information” in the *Safety and Warranty Guide* that was included with your computer. To obtain a copy of the *Safety and Warranty Guide*, go to the Support Web site at <http://www.lenovo.com/support>.

This section provides instructions on how to replace an optical drive.

1. Remove the computer cover. See “Removing the cover” on page 11.
2. Disconnect the signal and power cables from the rear of the optical drive.
3. Press the blue release button and remove the optical drive out the front of the computer.

Note: If needed, there is a spare retainer bracket **1** attached to the side of the upper drive cage.

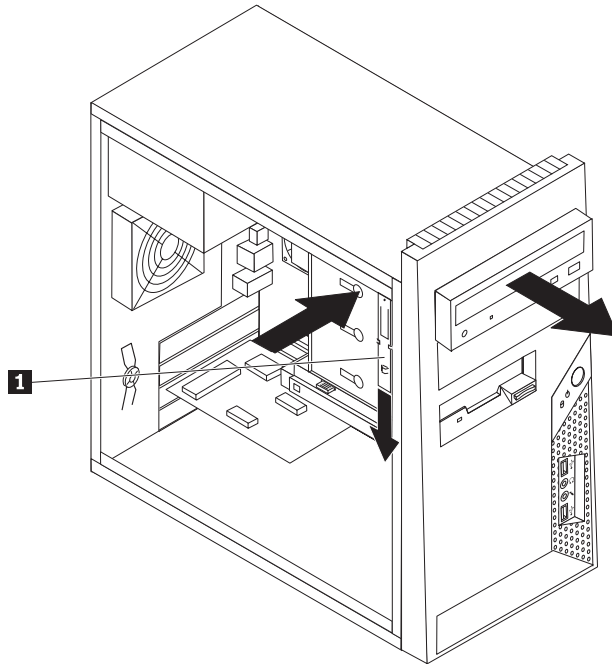


Figure 25. Removing the optical drive

4. Remove the retainer bracket from the drive being replaced and install it on the new drive.

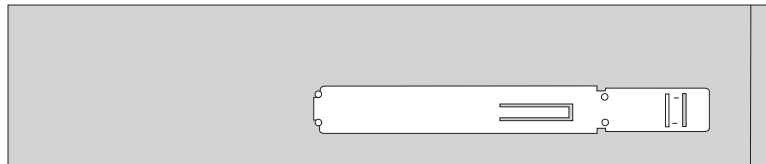


Figure 26. Retainer bracket for optical drive

5. Slide the new optical drive into the bay from the front until it snaps into position.
6. Connect the signal and power cables to the drive.

7. Go to Chapter 4, "Completing the parts replacement," on page 43.

Replacing the diskette drive

Attention

Do not open your computer or attempt any repair before reading the "Important safety information" in the *Safety and Warranty Guide* that was included with your computer. To obtain a copy of the *Safety and Warranty Guide*, go to the Support Web site at <http://www.lenovo.com/support>.

This section provides instructions on how to replace the diskette drive.

1. Remove the computer cover. See "Removing the cover" on page 11.
2. Remove the front bezel. See "Removing and replacing the front bezel" on page 12.
3. Disconnect the signal and power cables from the rear of the diskette drive.
4. Press the release button and slide the diskette drive out the front of the computer.

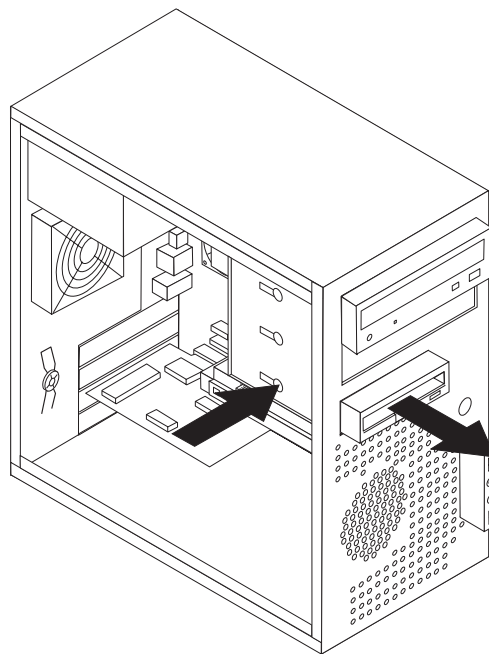


Figure 27. Removing the diskette drive

5. Remove the retainer bracket from the failing diskette drive and install it on the new diskette drive.

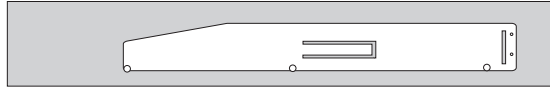


Figure 28. Retainer bracket for diskette drive

6. Slide the new diskette drive into the drive bay until it snaps into position.
7. Connect the flat cable to the new diskette drive.
8. Go to Chapter 4, “Completing the parts replacement,” on page 43.

Replacing a memory module

Attention

Do not open your computer or attempt any repair before reading the “Important safety information” in the *Safety and Warranty Guide* that was included with your computer. To obtain a copy of the *Safety and Warranty Guide*, go to the Support Web site at <http://www.lenovo.com/support>.

This section provides instructions on how to replace a memory module.

Note: Your computer has support for four memory modules.

1. Remove the computer cover. See “Removing the cover” on page 11.

Note: For this procedure, it helps to lay the computer on its side.

2. Locate the memory connectors. See “Identifying parts on the system board” on page 9.
3. Remove the memory module being replaced by opening the retaining clips as shown.

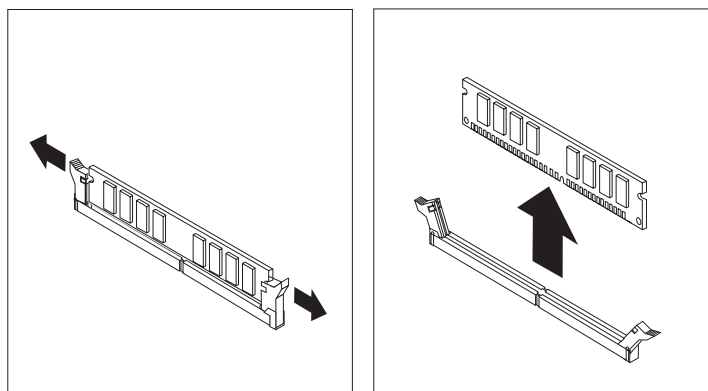


Figure 29. Removing the memory module

4. Position the replacement memory module over the memory connector. Make sure the notch **1** on the memory module aligns correctly with the connector key **2** on the system board. Push the memory module straight down into the connector until the retaining clips close.

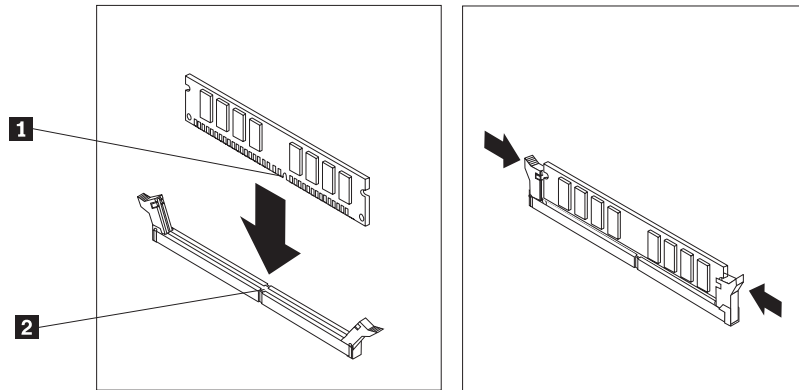


Figure 30. Installing the new memory module

5. Go to Chapter 4, “Completing the parts replacement,” on page 43.

Replacing a PCI adapter

Attention

Do not open your computer or attempt any repair before reading the “Important safety information” in the *Safety and Warranty Guide* that was included with your computer. To obtain a copy of the *Safety and Warranty Guide*, go to the Support Web site at <http://www.lenovo.com/support>.

This section provides instructions on how to replace a PCI adapter.

1. Remove the computer cover. See “Removing the cover” on page 11.

2. At the rear of the computer, press the release button **1** to open the adapter latch **2** and remove the adapter by pulling it straight out of the adapter connector.

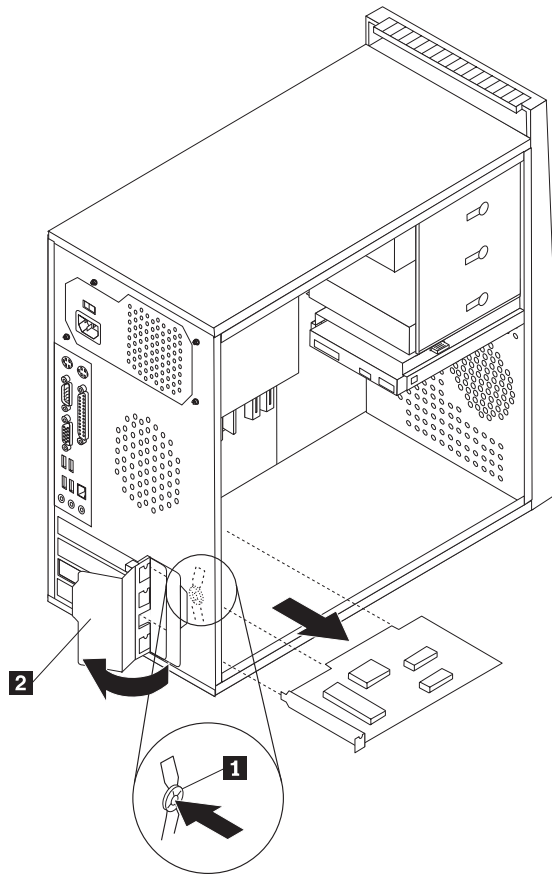


Figure 31. Removing the PCI adapter

3. Install the new adapter into the same adapter connector.

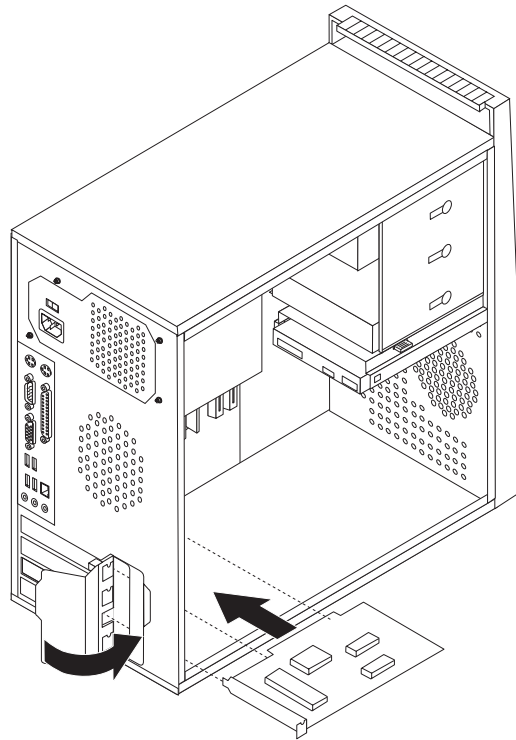


Figure 32. Install a new PCI adapter

4. Ensure the adapter is fully seated into the adapter connector.
5. At the rear of the computer, pivot the adapter latch to the closed position to secure the adapter.
6. Go to Chapter 4, "Completing the parts replacement," on page 43.

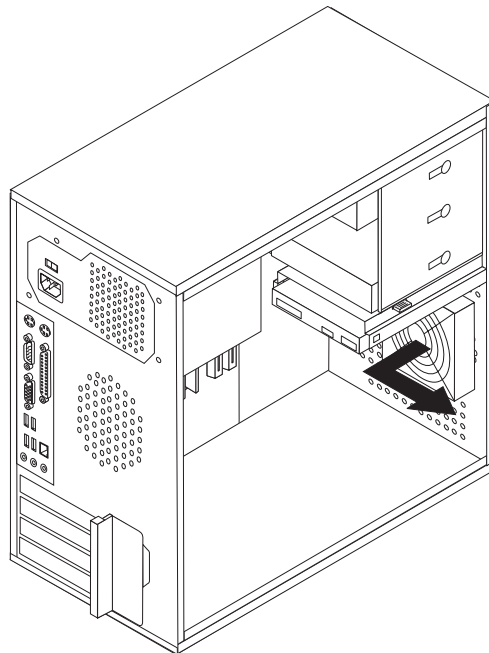
Replacing the front fan assembly

Attention

Do not open your computer or attempt any repair before reading the "Important safety information" in the *Safety and Warranty Guide* that was included with your computer. To obtain a copy of the *Safety and Warranty Guide*, go to the Support Web site at <http://www.lenovo.com/support>.

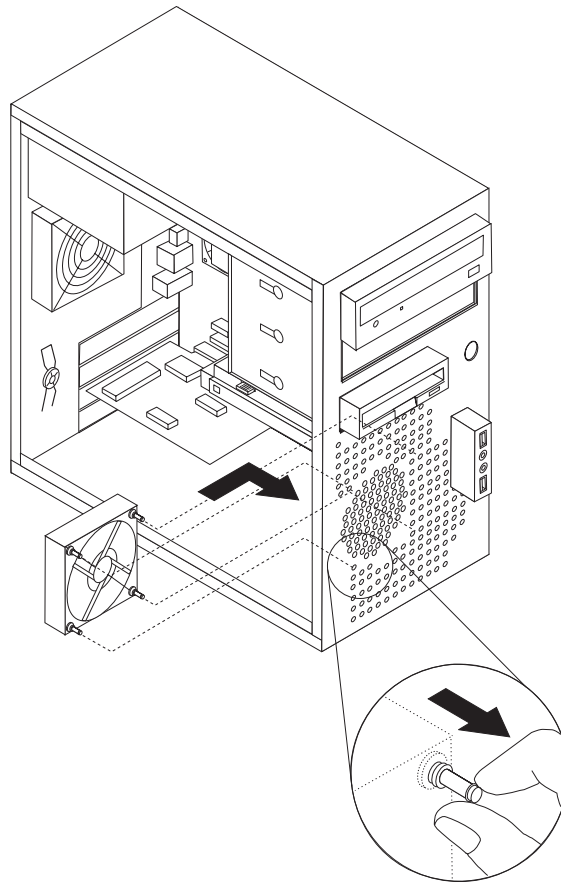
This section provides instructions on how to replace the front fan assembly.

1. Remove the computer cover. See "Removing the cover" on page 11.
2. Remove the front bezel. See "Removing and replacing the front bezel" on page 12.
3. Disconnect the front fan assembly cable from the power fan connector on the system board. See "Identifying parts on the system board" on page 9.
4. Pull the front fan assembly out of the chassis.



5. Install the new front fan assembly by aligning the rubber mounts of the front fan assembly with the holes on the chassis and push the rubber mounts through the holes.

- Pull on the tips of the rubber mounts until the fan assembly is in place.



- Connect the front fan assembly cable to the power fan connector on the system board.
- Reinstall the front bezel.
- Go to Chapter 4, “Completing the parts replacement,” on page 43

Replacing the rear fan assembly

Attention

Do not open your computer or attempt any repair before reading the “Important safety information” in the *Safety and Warranty Guide* that was included with your computer. To obtain a copy of the *Safety and Warranty Guide*, go to the Support Web site at <http://www.lenovo.com/support>.

This section provides instructions on how to replace the rear fan assembly.

- Remove the computer cover. See “Removing the cover” on page 11.
- Disconnect the rear fan assembly cable from the system fan connector on the system board. See “Identifying parts on the system board” on page 9.

3. Pull the rear fan assembly out of the chassis.

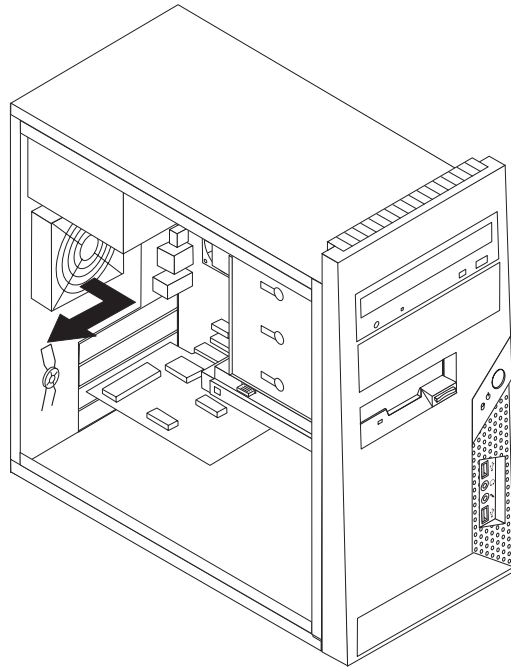


Figure 33. Removing the rear fan assembly

4. Install the new rear fan assembly by aligning the rubber mounts of the rear fan assembly with the holes on the chassis and push the rubber mounts through the holes.

5. Pull on the tips of the rubber mounts until the fan assembly is in place.

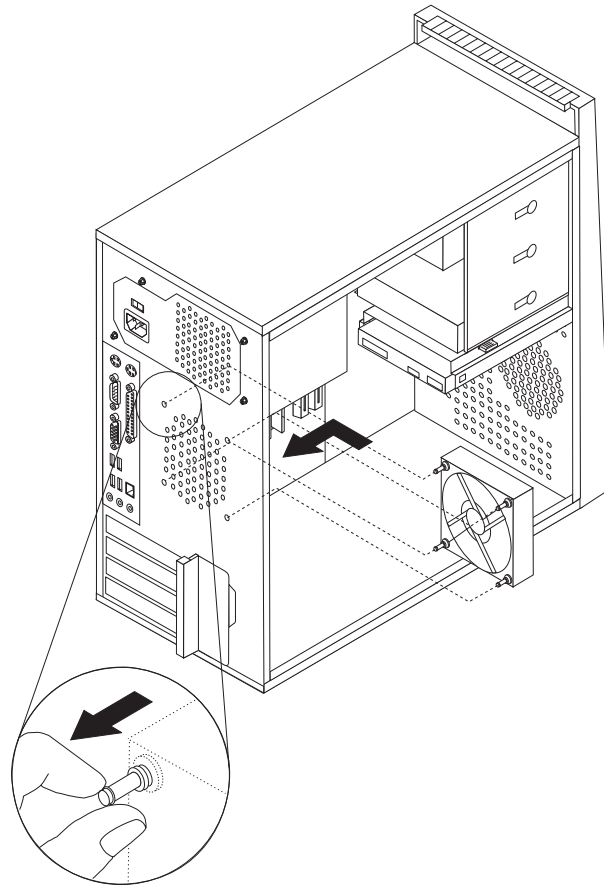


Figure 34. Replacing the rear fan assembly

6. Connect the rear fan assembly cable to the system fan connector on the system board.
7. Go to Chapter 4, "Completing the parts replacement," on page 43.

Replacing the keyboard

Attention

Do not open your computer or attempt any repair before reading the "Important safety information" in the *Safety and Warranty Guide* that was included with your computer. To obtain a copy of the *Safety and Warranty Guide*, go to the Support Web site at <http://www.lenovo.com/support>.

This section provides instructions on how to replace a keyboard.

1. Remove any media (diskettes, CDs, or tapes) from the drives, shut down your operating system, and turn off all attached devices and the computer.
2. Unplug all power cords from electrical outlets.

3. Locate the keyboard connector. See Figure 35.

Note: Your keyboard might be connected to a standard keyboard connector **1** or a USB connector **2**. Depending on where your keyboard is connected, see “Locating connectors on the rear of your computer” on page 6 or “Locating controls and connectors on the front of your computer” on page 5.

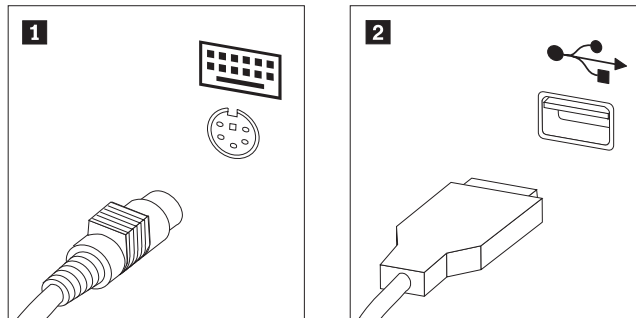


Figure 35. Keyboard connectors, standard and USB

4. Disconnect the failing keyboard cable from the computer.
5. Connect the new keyboard to the appropriate connector on the computer.
6. Go to Chapter 4, “Completing the parts replacement,” on page 43.

Replacing the mouse

Attention

Do not open your computer or attempt any repair before reading the “Important safety information” in the *Safety and Warranty Guide* that was included with your computer. To obtain a copy of the *Safety and Warranty Guide*, go to the Support Web site at <http://www.lenovo.com/support>.

This section provides instructions on how to replace a mouse.

1. Remove any media (diskettes, CDs, or tapes) from the drives, shut down your operating system, and turn off all attached devices and the computer.
2. Unplug all power cords from electrical outlets.
3. Locate the mouse connector. See Figure 36.

Note: Your mouse might be connected to a standard mouse connector **1** or a USB connector **2**. Depending on where your mouse is connected, see “Locating connectors on the rear of your computer” on page 6 or “Locating controls and connectors on the front of your computer” on page 5.

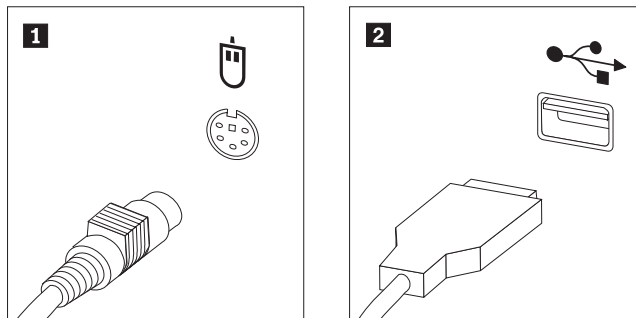


Figure 36. Mouse connectors, standard and USB

4. Disconnect the failing mouse cable from the computer.
5. Connect the new mouse to the appropriate connector on the computer.
6. Go to Chapter 4, “Completing the parts replacement,” on page 43.

Chapter 4. Completing the parts replacement

After replacing the parts, you need to close the cover and reconnect cables, including telephone lines and power cords. Also, depending on the part that was replaced, you might need to confirm the updated information in the Setup Utility program. Refer to "Using the Setup Utility" in the *User Guide* for this product.

To complete the parts replacement:

1. Ensure that all components have been reassembled correctly and that no tools or loose screws are left inside your computer. See "Locating components" on page 8 for the location of various components.
2. Position the computer cover on the chassis so that the rail guides on the bottom of the computer cover engage the rails. Then, push the computer cover closed until it snaps into position.
3. If the cover is secured with thumbscrews, install them.

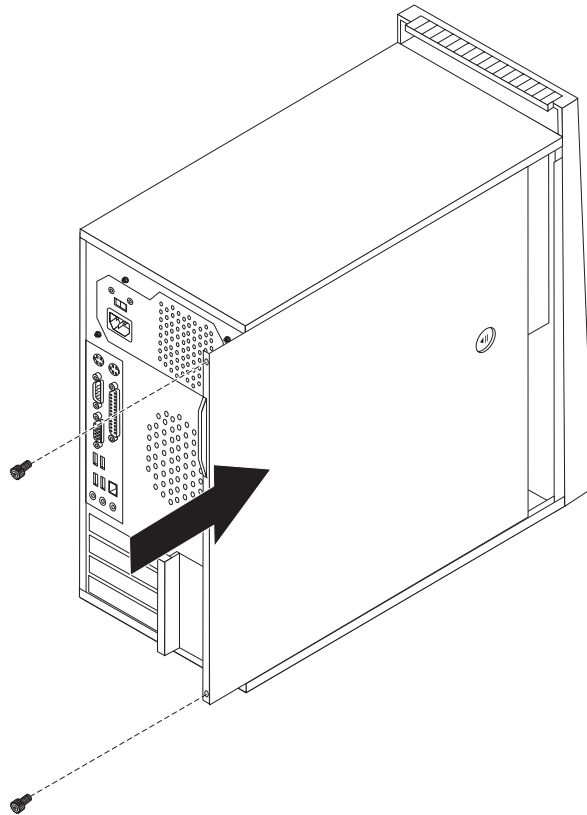


Figure 37. Replacing the computer cover

4. If a cover lock is installed, lock the cover.
5. Reconnect the external cables and power cords to the computer. See "Locating connectors on the rear of your computer" on page 6.
6. To update your configuration, see "Using the Setup Utility" in your *User Guide*.

Note: In most areas of the world, Lenovo requires the return of the defective CRU. Information about this will come with the CRU or will come a few days after the CRU arrives.

Obtaining device drivers

You can obtain device drivers for operating systems that are not preinstalled at <http://www.lenovo.com/support/> on the World Wide Web. Installation instructions are provided in README files with the device-driver files.

Chapter 5. Security features

To help prevent hardware theft and unauthorized access to your computer, several security lock options are available. In addition to a physical lock, unauthorized use of your computer can be prevented by a software lock that locks the keyboard until a correct password is typed in.

Make sure that any security cables that you install do not interfere with other computer cables.

Integrated cable lock

An integrated cable lock (sometimes referred to as the Kensington lock), can be used to secure your computer to a desk, table, or other non-permanent fixture. The cable lock attaches to a security slot at the rear of your computer and is operated with a key. See Figure 38. The cable lock also locks the buttons used to open the computer cover. This is the same type of lock used with many laptop computers. You can order a security cable directly from Lenovo. Go to <http://www.lenovo.com/support/> and search on *Kensington*.

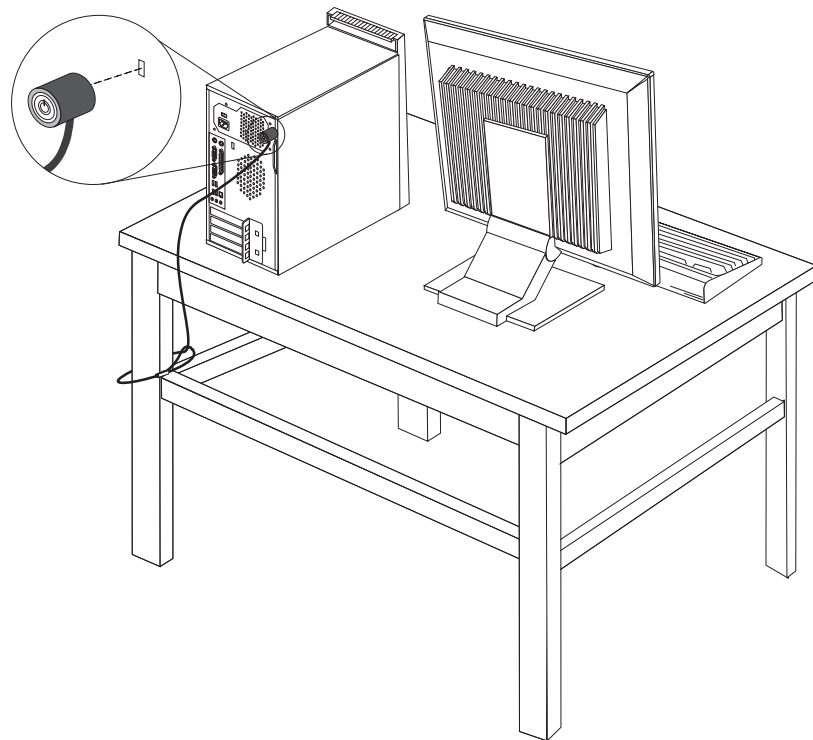


Figure 38. Installing the integrated cable lock

Padlock

Your computer is equipped with a padlock loop such that the cover cannot be removed when a padlock is installed.

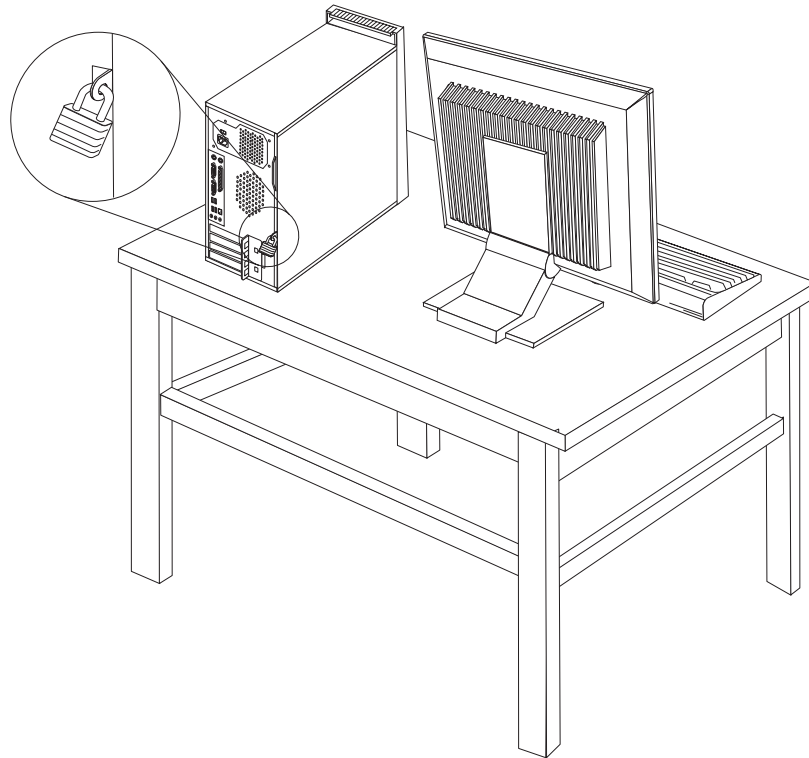


Figure 39. Installing a padlock

Password protection

To deter unauthorized use of your computer, you can use the Setup Utility program to set a password. When you turn on your computer, you are prompted to type the password to unlock the keyboard for normal use.

What to do next:

- To work with another option, go to the appropriate section.
- To complete the installation, go to Chapter 4, “Completing the parts replacement,” on page 43.

Erasing a lost or forgotten password (clearing CMOS)

This section applies to lost or forgotten passwords. For more information about lost or forgotten passwords, go to the ThinkVantage™ Productivity Center program.

To erase a forgotten password:

1. Remove the computer cover. See “Removing the cover” on page 11.
2. Locate the Clear CMOS/Recovery jumper on the system board. See “Identifying parts on the system board” on page 9.

3. Move the jumper from the standard position (pins 1 and 2) to the maintenance or configure position (pins 2 and 3).
4. Replace the computer cover and connect the power cord. See Chapter 4, "Completing the parts replacement," on page 43.
5. Restart the computer, leave it on for approximately 10 seconds. Turn off the computer by holding the power switch for approximately 5 seconds. The computer will turn off.
6. Repeat steps 1 through 2 on page 46.
7. Move the Clear CMOS/Recovery jumper back to the standard position (pins 1 and 2).
8. Replace the computer cover and connect the power cord. See Chapter 4, "Completing the parts replacement," on page 43.

Appendix. Notices

Lenovo may not offer the products, services, or features discussed in this document in all countries. Consult your local Lenovo representative for information on the products and services currently available in your area. Any reference to a Lenovo product, program, or service is not intended to state or imply that only that Lenovo product, program, or service may be used. Any functionally equivalent product, program, or service that does not infringe any Lenovo intellectual property right may be used instead. However, it is the user's responsibility to evaluate and verify the operation of any other product, program, or service.

Lenovo may have patents or pending patent applications covering subject matter described in this document. The furnishing of this document does not give you any license to these patents. You can send license inquiries, in writing, to:

*Lenovo (United States), Inc.
1009 Think Place - Building One
Morrisville, NC 27560
U.S.A.
Attention: Lenovo Director of Licensing*

LENOVO PROVIDES THIS PUBLICATION "AS IS" WITHOUT WARRANTY OF ANY KIND, EITHER EXPRESS OR IMPLIED, INCLUDING, BUT NOT LIMITED TO, THE IMPLIED WARRANTIES OF NON-INFRINGEMENT, MERCHANTABILITY OR FITNESS FOR A PARTICULAR PURPOSE. Some jurisdictions do not allow disclaimer of express or implied warranties in certain transactions, therefore, this statement may not apply to you.

This information could include technical inaccuracies or typographical errors. Changes are periodically made to the information herein; these changes will be incorporated in new editions of the publication. Lenovo may make improvements and/or changes in the product(s) and/or the program(s) described in this publication at any time without notice.

The products described in this document are not intended for use in implantation or other life support applications where malfunction may result in injury or death to persons. The information contained in this document does not affect or change Lenovo product specifications or warranties. Nothing in this document shall operate as an express or implied license or indemnity under the intellectual property rights of Lenovo or third parties. All information contained in this document was obtained in specific environments and is presented as an illustration. The result obtained in other operating environments may vary.

Lenovo may use or distribute any of the information you supply in any way it believes appropriate without incurring any obligation to you.

Any references in this publication to non-Lenovo Web sites are provided for convenience only and do not in any manner serve as an endorsement of those Web sites. The materials at those Web sites are not part of the materials for this Lenovo product, and use of those Web sites is at your own risk.

Any performance data contained herein was determined in a controlled environment. Therefore, the result obtained in other operating environments may

vary significantly. Some measurements may have been made on development-level systems and there is no guarantee that these measurements will be the same on generally available systems. Furthermore, some measurements may have been estimated through extrapolation. Actual results may vary. Users of this document should verify the applicable data for their specific environment.

Television output notice

The following notice applies to models that have the factory-installed television-output feature.

This product incorporates copyright protection technology that is protected by method claims of certain U.S. patents and other intellectual property rights owned by Macrovision Corporation and other rights owners. Use of this copyright protection technology must be authorized by Macrovision Corporation, and is intended for home and other limited viewing uses only unless otherwise authorized by Macrovision Corporation. Reverse engineering or disassembly is prohibited.

Trademarks

The following terms are trademarks of Lenovo in the United States, other countries, or both:

- Lenovo
- ThinkCentre
- ThinkVantage

IBM is a trademark of International Business Machines Corporation in the United States, other countries, or both:

Other company, product, or service names may be trademarks or service marks of others.

Index

A

- adapter
 - connectors 15
 - installing 15
- adapter latch 16
- audio-line-in connector 7
- audio-line-out connector 7

B

- battery, replacing 23
- bay 1, installing 19
- bay 2, installing 19
- bezel, replacing 12

C

- cable lock, security 45
- CMOS, clearing 46
- components, internal 8
- connecting drives 21
- connector description 7
- connectors
 - front 5
 - rear 6
- cover
 - removing 11
 - replacing 43
- CRU
 - completing the installation 43

D

- device drivers 44
- devices, handling static-sensitive 4
- diskette drive, replacing 31
- drivers, device 44
- drives
 - bays 18
 - connecting 21
 - internal 18
 - specifications 18

E

- Ethernet connector 7
- external options, installing 11

F

- front bezel
 - removing 12
- front connectors 5
- front fan assembly, replacing 36

H

- hard drive, replacing 26
- heat sink, replacing 25

I

- important safety information 1
- information resources 3
- installing
 - internal options 14
- installing drive 19
- installing options
 - adapters 15
 - DIMMs 14
 - internal drives 18
 - memory 14
 - memory modules 14
 - security features 45
- internal options, installing 14

K

- keyboard connector 7
- keyboard, replacing 39

L

- locating components 8

M

- memory
 - dual inline memory modules (DIMMs) 14
 - system 14
- memory module, installing or replacing 32
- memory modules, installing 14
- mouse connector 7
- mouse, replacing 41

N

- notice, television output 50
- notices 49

O

- optical drive, replacing 29
- options, installing internal drives 18
- output notice, television 50
- overview 3

P

- padlock loop 46
- parallel connector 7
- parts replacement, completing 43

- password
 - erasing 46
 - lost or forgotten 46
- password protection 46
- PCI adapter 15
- PCI adapter, replacing 33
- power supply, replacing 24
- protection, password 46

R

- rear connectors 6
- rear fan assembly, replacing 37
- removing the cover 11
- replacing
 - battery 23
 - diskette drive 31
 - front bezel 12
 - front fan 36
 - hard drive 26
 - heat sink 25
 - keyboard 39
 - memory module 32
 - mouse 41
 - optical drive 29
 - PCI adapter 33
 - power supply 24
 - rear fan 37
- replacing the cover 43
- resources, information 3

S

- safety information 1
- security
 - cable lock 45
 - features, installing 45
 - integrated cable lock 46
 - padlock loop 46
- serial connector 7
- static-sensitive devices, handling 4
- system board
 - connectors 9
 - identifying parts 9
 - location 9

T

- television output notice 50
- trademarks 50

U

- USB connectors 7

lenovo

Part Number: 43C4834

Printed in USA

(1P) P/N: 43C4834

