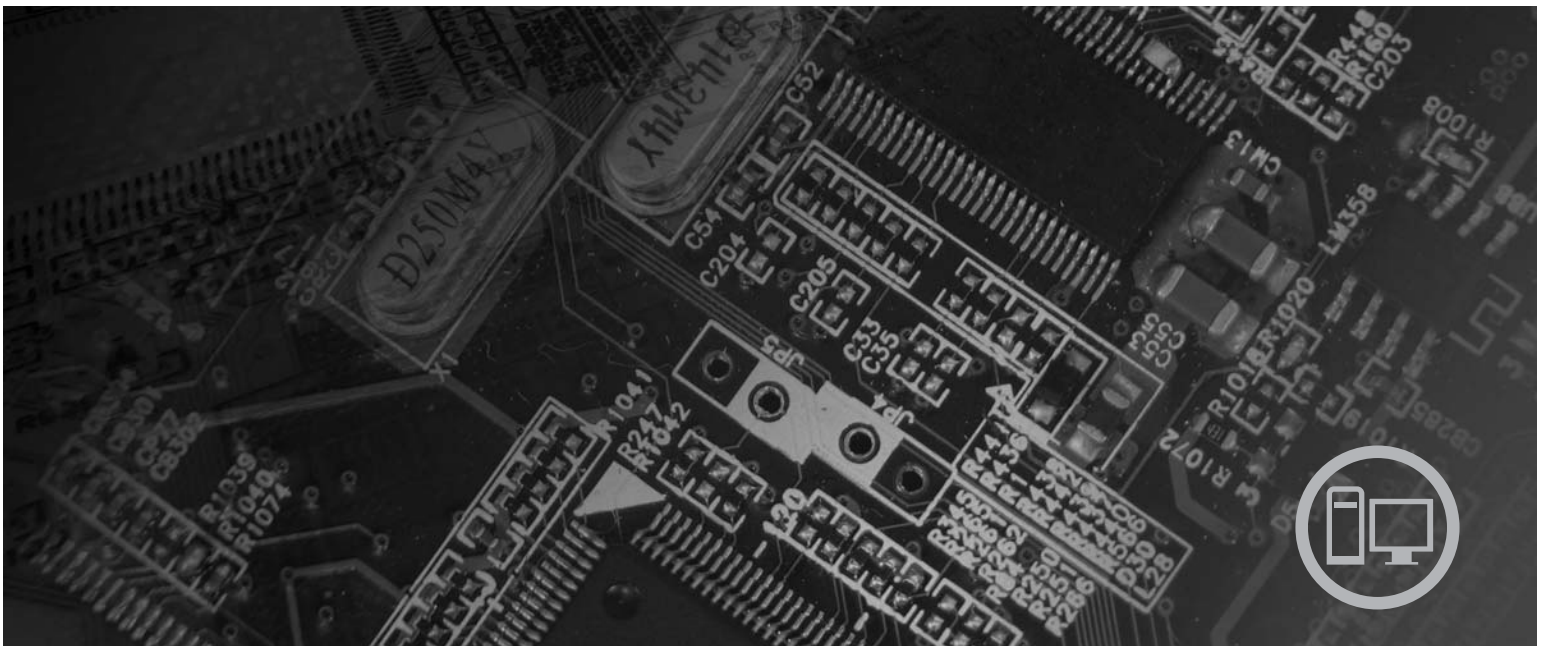




# ThinkCentre Hardware Maintenance Manual



**Machine Types** 9120, 9126, 9127, 9128, 9129, 9130, 9134, 9135, 9136, 9137, 9139, 9140, 9141, 9142, 9143, 9144, 9156, 9157, 9158, 9159, 9169, 9171, 9189, 9191



***lenovo***

**ThinkCentre  
Hardware Maintenance Manual**

**Note:** Before using this information and the product it supports, be sure to read the information under "Notices," on page 339.

**Third Edition (September 2007)**

**© Copyright Lenovo 2005, 2007. All rights reserved.**

LENOVO products, data, computer software, and services have been developed exclusively at private expense and are sold to governmental entities as commercial items as defined by 48 C.F.R. 2.101 with limited and restricted rights to use, reproduction and disclosure.

LIMITED AND RESTRICTED RIGHTS NOTICE: If products, data, computer software, or services are delivered pursuant a General Services Administration "GSA" contract, use, reproduction, or disclosure is subject to restrictions set forth in Contract No. GS-35F-05925.

# Contents

## Chapter 1. About this manual . . . . . 1

Important Safety Information . . . . .	1
Important information about replacing RoHS compliant FRUs . . . . .	2

## Chapter 2. Safety information . . . . . 3

General safety . . . . .	3
Electrical safety . . . . .	3
Voltage-selection switch. . . . .	5
Safety inspection guide . . . . .	5
Handling electrostatic discharge-sensitive devices . . . . .	6
Grounding requirements . . . . .	7
Safety notices (multi-lingual translations). . . . .	7

## Chapter 3. General information . . . . . 39

The ThinkVantage Productivity Center program . . . . .	39
Additional information resources . . . . .	39
Specifications . . . . .	40
Types 9120, 9127, 9129, 9134, 9136, 9139, 9141, 9143, 9156, 9158, 9171, and 9191 . . . . .	40
Types 9126, 9128, 9130, 9135, 9137, 9140, 9142, 9144, 9157, 9159, 9169, and 9189 . . . . .	41

## Chapter 4. General Checkout . . . . . 43

Problem determination tips . . . . .	43
--------------------------------------	----

## Chapter 5. Diagnostics . . . . . 45

PC-Doctor for Windows . . . . .	45
PC-Doctor for Windows PE . . . . .	45
Running diagnostics from the Rescue and Recovery workspace . . . . .	45
PC-Doctor for DOS . . . . .	46
Creating a diagnostic CD image . . . . .	46
Creating diagnostic diskettes . . . . .	46
Running diagnostics from the CD or diskettes . . . . .	47
Navigating through the diagnostics programs . . . . .	47
Running tests. . . . .	47
Viewing the test log . . . . .	49

## Chapter 6. Using the Setup Utility . . . . . 51

Starting the Setup Utility program. . . . .	51
Viewing and changing settings . . . . .	51
Using passwords . . . . .	51
Password considerations . . . . .	51
User Password . . . . .	52
Administrator Password . . . . .	52
Setting, changing, and deleting a password. . . . .	52
Selecting a startup device. . . . .	52
Selecting a temporary startup device . . . . .	52
Selecting or changing the startup device sequence . . . . .	53
Advanced settings . . . . .	53
Exiting from the Setup Utility program . . . . .	53

## Chapter 7. Symptom-to-FRU Index . . . . . 55

Hard disk drive boot error . . . . .	55
Power Supply Problems . . . . .	55
Diagnostic error codes. . . . .	57
Beep symptoms . . . . .	78
POST error codes . . . . .	79
Miscellaneous error messages . . . . .	81
Undetermined problems . . . . .	82

## Chapter 8. Replacing FRUs (Types 9120, 9127, 9129, 9134, 9136, 9139, 9141, 9143, 9156, 9158, 9171, and 9191) 85

Rear connectors . . . . .	86
Removing the cover . . . . .	87
Locations . . . . .	88
Locating parts on the system board . . . . .	89
Removing and replacing the front bezel . . . . .	89
Replacing the power supply . . . . .	90
Replacing the system board . . . . .	91
Replacing the microprocessor . . . . .	95
Replacing a memory module . . . . .	99
Replacing a PCI adapter . . . . .	99
Replacing the hard disk drive . . . . .	101
Replacing an optical drive . . . . .	104
Replacing the diskette drive . . . . .	105
Replacing the rear fan assembly . . . . .	105
Replacing the front fan assembly . . . . .	107
Replacing the front audio/USB assembly . . . . .	108
Replacing the power switch/LED assembly . . . . .	109
Replacing the CMOS battery . . . . .	109
Completing the FRU replacement. . . . .	110

## Chapter 9. Replacing FRUs (Types 9126, 9128, 9130, 9135, 9137, 9140, 9142, 9144, 9157, 9159, 9169, and 9189) . . . . . 111

Rear connectors . . . . .	112
Removing the cover . . . . .	113
Locations . . . . .	114
Locating parts on the system board . . . . .	115
Accessing system board components and drives . . . . .	115
Replacing a memory module . . . . .	117
Replacing the CMOS battery . . . . .	119
Replacing the power supply . . . . .	120
Replacing the system board . . . . .	122
Replacing the microprocessor . . . . .	125
Replacing the hard disk drive . . . . .	128
Replacing an optical drive . . . . .	130
Replacing the diskette drive . . . . .	131
Replacing the power switch/LED assembly . . . . .	132
Replacing the front panel card. . . . .	133
Replacing the system fan assembly . . . . .	133
Replacing a PCI adapter. . . . .	134
Completing the FRU replacement . . . . .	135

**Chapter 10. FRU lists . . . . . 137**

Machine Type 9120 . . . . . 137  
Machine Type 9126 . . . . . 149  
Machine Type 9129 . . . . . 153  
Machine Type 9134 . . . . . 157  
Machine Type 9135 . . . . . 166  
Machine Type 9136 . . . . . 170  
Machine Type 9137 . . . . . 182  
Machine Type 9141 . . . . . 194  
Machine Type 9142 . . . . . 206  
Machine Type 9143 . . . . . 218  
Machine Type 9144 . . . . . 231  
Machine Type 9156 . . . . . 244  
Machine Type 9157 . . . . . 256  
Machine Type 9158 . . . . . 262  
Machine Type 9159 . . . . . 275  
Machine Type 9169 . . . . . 287  
Machine Type 9171 . . . . . 299  
Machine Type 9189 . . . . . 311  
Machine Type 9191 . . . . . 323

**Chapter 11. Additional Service**

**Information . . . . . 335**

Security features . . . . . 335  
    Hardware controlled Passwords . . . . . 335  
    Operating system password . . . . . 335  
    Vital product data . . . . . 335  
BIOS levels . . . . . 335  
Flash update procedures. . . . . 335  
    Updating (flashing) BIOS from a diskette . . . 336  
Recovering from a POST/BIOS update failure . . 336  
Power management . . . . . 337  
    Automatic configuration and power interface  
    (ACPI) BIOS. . . . . 337  
    Automatic Power-On features . . . . . 337

**Appendix. Notices . . . . . 339**

Television output notice . . . . . 340  
Trademarks . . . . . 340

---

## Chapter 1. About this manual

This manual contains service and reference information for ThinkCentre® computers listed on the cover. It is intended only for trained servicers who are familiar with Lenovo computer products.

Before servicing a Lenovo product, be sure to read the Safety Information. See Chapter 2, "Safety information," on page 3.

The Symptom-to-FRU Index and Additional Service Information chapters are not specific to any machine type and are applicable to all ThinkCentre computers.

This manual includes a complete FRU part number listing for each machine type and model listed on the cover. If you have internet access, FRU part numbers are also available at:

<http://www.lenovo.com/support>

---

## Important Safety Information

Be sure to read all caution and danger statements in this book before performing any of the instructions.

Veillez lire toutes les consignes de type DANGER et ATTENTION du présent document avant d'exécuter les instructions.

Lesen Sie unbedingt alle Hinweise vom Typ "ACHTUNG" oder "VORSICHT" in dieser Dokumentation, bevor Sie irgendwelche Vorgänge durchführen

Leggere le istruzioni introdotte da ATTENZIONE e PERICOLO presenti nel manuale prima di eseguire una qualsiasi delle istruzioni

Certifique-se de ler todas as instruções de cuidado e perigo neste manual antes de executar qualquer uma das instruções

Es importante que lea todas las declaraciones de precaución y de peligro de este manual antes de seguir las instrucciones.

تأكد من قراءة كل التحذيرات الموجودة في هذا الكتاب قبل اتباع هذه التعليمات .

执行任何说明之前，请确保已阅读本书中的所有警告和危险声明。

執行任何指示前，請確實閱讀本書中的所有警告及危險聲明。

ודאו שקראתם את כל הודעות האזהרה והסכנה במסמך זה לפני שתבצעו פעולה כלשהי.

본 사용 설명서에 기재된 내용을 실행하기 전에 모든 주의사항 및 위험사항을 숙지하십시오.

---

## Important information about replacing RoHS compliant FRUs

RoHS, The Restriction of Hazardous Substances in Electrical and Electronic Equipment Directive (2002/95/EC) is a European Union legal requirement affecting the global electronics industry. RoHS requirements must be implemented on Lenovo products placed on the market and sold in the European Union after June 2006. Products on the market before June 2006 are not required to have RoHS compliant parts. If the parts are not compliant originally, replacement parts can also be noncompliant, but in all cases, if the parts are compliant, the replacement parts must also be compliant.

**Note:** RoHS and non-RoHS FRU part numbers with the same fit and function are identified with unique FRU part numbers.

Lenovo plans to transition to RoHS compliance well before the implementation date and expects its suppliers to be ready to support Lenovo's requirements and schedule in the EU. Products sold in 2005, will contain some RoHS compliant FRUs. The following statement pertains to these products and any product Lenovo produces containing RoHS compliant parts.

RoHS compliant ThinkCentre parts have unique FRU part numbers. Before or after June, 2006, failed RoHS compliant parts must always be replaced using RoHS compliant FRUs, so only the FRUs identified as compliant in the system HMM or direct substitutions for those FRUs can be used.

Products marketed before June 2006		Products marketed after June 2006	
Current or original part	Replacement FRU	Current or original part	Replacement FRU
Non-RoHS	Can be Non-RoHS	Must be RoHS	Must be RoHS
Non-RoHS	Can be RoHS		
Non-RoHS	Can sub to RoHS		
RoHS	Must be RoHS		

**Note:** A direct substitution is a part with a different FRU part number that is automatically shipped by the distribution center at the time of order.



---

## Chapter 2. Safety information

This chapter contains the safety information that you need to be familiar with before servicing a computer.

---

### General safety

Follow these rules to ensure general safety:

- Observe good housekeeping in the area of the machines during and after maintenance.
- When lifting any heavy object:
  1. Ensure you can stand safely without slipping.
  2. Distribute the weight of the object equally between your feet.
  3. Use a slow lifting force. Never move suddenly or twist when you attempt to lift.
  4. Lift by standing or by pushing up with your leg muscles; this action removes the strain from the muscles in your back. *Do not attempt to lift any objects that weigh more than 16 kg (35 lb) or objects that you think are too heavy for you.*
- Do not perform any action that causes hazards to the customer, or that makes the equipment unsafe.
- Before you start the machine, ensure that other service representatives and the customer's personnel are not in a hazardous position.
- Place removed covers and other parts in a safe place, away from all personnel, while you are servicing the machine.
- Keep your tool case away from walk areas so that other people will not trip over it.
- Do not wear loose clothing that can be trapped in the moving parts of a machine. Ensure that your sleeves are fastened or rolled up above your elbows. If your hair is long, fasten it.
- Insert the ends of your necktie or scarf inside clothing or fasten it with a nonconductive clip, approximately 8 centimeters (3 inches) from the end.
- Do not wear jewelry, chains, metal-frame eyeglasses, or metal fasteners for your clothing.  
**Remember:** Metal objects are good electrical conductors.
- Wear safety glasses when you are: hammering, drilling soldering, cutting wire, attaching springs, using solvents, or working in any other conditions that might be hazardous to your eyes.
- After service, reinstall all safety shields, guards, labels, and ground wires. Replace any safety device that is worn or defective.
- Reinstall all covers correctly before returning the machine to the customer.

---

### Electrical safety



**CAUTION:**

Electrical current from power, telephone, and communication cables can be hazardous. To avoid personal injury or equipment damage, disconnect the attached power cords, telecommunication systems, networks, and modems before you open the server/workstation covers, unless instructed otherwise in the installation and configuration procedures.

Observe the following rules when working on electrical equipment.

**Important:** Use only approved tools and test equipment. Some hand tools have handles covered with a soft material that does not insulate you when working with live electrical currents.

Many customers have, near their equipment, rubber floor mats that contain small conductive fibers to decrease electrostatic discharges. Do not use this type of mat to protect yourself from electrical shock.

- Find the room emergency power-off (EPO) switch, disconnecting switch, or electrical outlet. If an electrical accident occurs, you can then operate the switch or unplug the power cord quickly.
- Do not work alone under hazardous conditions or near equipment that has hazardous voltages.
- Disconnect all power before:
  - Performing a mechanical inspection
  - Working near power supplies
  - Removing or installing Field Replaceable Units
- Before you start to work on the machine, unplug the power cord. If you cannot unplug it, ask the customer to power-off the wall box that supplies power to the machine and to lock the wall box in the off position.
- If you need to work on a machine that has exposed electrical circuits, observe the following precautions:
  - Ensure that another person, familiar with the power-off controls, is near you.  
**Remember:** Another person must be there to switch off the power, if necessary.
  - Use only one hand when working with powered-on electrical equipment; keep the other hand in your pocket or behind your back.  
**Remember:** There must be a complete circuit to cause electrical shock. By observing the above rule, you may prevent a current from passing through your body.
  - When using testers, set the controls correctly and use the approved probe leads and accessories for that tester.
  - Stand on suitable rubber mats (obtained locally, if necessary) to insulate you from grounds such as metal floor strips and machine frames.

Observe the special safety precautions when you work with very high voltages; these instructions are in the safety sections of maintenance information. Use extreme care when measuring high voltages.

- Regularly inspect and maintain your electrical hand tools for safe operational condition.
- Do not use worn or broken tools and testers.
- *Never assume* that power has been disconnected from a circuit. First, *check* that it has been powered-off.

- Always look carefully for possible hazards in your work area. Examples of these hazards are moist floors, nongrounded power extension cables, power surges, and missing safety grounds.
- Do not touch live electrical circuits with the reflective surface of a plastic dental mirror. The surface is conductive; such touching can cause personal injury and machine damage.
- Do not service the following parts with the power on when they are removed from their normal operating places in a machine:
  - Power supply units
  - Pumps
  - Blowers and fans
  - Motor generatorsand similar units. (This practice ensures correct grounding of the units.)
- If an electrical accident occurs:
  - Use caution; do not become a victim yourself.
  - Switch off power.
  - Send another person to get medical aid.

---

## Voltage-selection switch

Some computers are equipped with a voltage-selection switch located near the power-cord connection point on the computer. If your computer has a voltage-selection switch, ensure that you set the switch to match the voltage available at your electrical outlet. Setting the voltage-selection switch incorrectly can cause permanent damage to the computer.

If your computer does not have a voltage-selection switch, your computer is designed to operate only at the voltage provided in the country or region where the computer was originally purchased.

If you relocate your computer to another country, be aware of the following:

- If your computer does not have a voltage-selection switch, do not connect the computer to an electrical outlet until you have verified that the voltage provided is the same as it was in the country or region where the computer was originally purchased.
- If your computer has a voltage selection switch, do not connect the computer to an electrical outlet until you have verified that the voltage-selection switch is set to match the voltage provided in that country or region.

If you are not sure of the voltage provided at your electrical outlet, contact your local electric company or refer to official Web sites or other literature for travelers to the country or region where you are located.

---

## Safety inspection guide

The intent of this inspection guide is to assist you in identifying potentially unsafe conditions on these products. Each machine, as it was designed and built, had required safety items installed to protect users and service personnel from injury. This guide addresses only those items. However, good judgment should be used to identify potential safety hazards due to attachment of features or options not covered by this inspection guide.

If any unsafe conditions are present, you must determine how serious the apparent hazard could be and whether you can continue without first correcting the problem.

Consider these conditions and the safety hazards they present:

- Electrical hazards, especially primary power (primary voltage on the frame can cause serious or fatal electrical shock).
- Explosive hazards, such as a damaged CRT face or bulging capacitor
- Mechanical hazards, such as loose or missing hardware

The guide consists of a series of steps presented in a checklist. Begin the checks with the power off, and the power cord disconnected.

Checklist:

1. Check exterior covers for damage (loose, broken, or sharp edges).
2. Power-off the computer. Disconnect the power cord.
3. Check the power cord for:
  - a. A third-wire ground connector in good condition. Use a meter to measure third-wire ground continuity for 0.1 ohm or less between the external ground pin and frame ground.
  - b. The power cord should be the appropriate type as specified in the parts listings.
  - c. Insulation must not be frayed or worn.
4. Remove the cover.
5. Check for any obvious alterations. Use good judgment as to the safety of any alterations.
6. Check inside the unit for any obvious unsafe conditions, such as metal filings, contamination, water or other liquids, or signs of fire or smoke damage.
7. Check for worn, frayed, or pinched cables.
8. Check that the power-supply cover fasteners (screws or rivets) have not been removed or tampered with.

---

## Handling electrostatic discharge-sensitive devices

Any computer part containing transistors or integrated circuits (ICs) should be considered sensitive to electrostatic discharge (ESD). ESD damage can occur when there is a difference in charge between objects. Protect against ESD damage by equalizing the charge so that the machine, the part, the work mat, and the person handling the part are all at the same charge.

**Notes:**

1. Use product-specific ESD procedures when they exceed the requirements noted here.
2. Make sure that the ESD protective devices you use have been certified (ISO 9000) as fully effective.

When handling ESD-sensitive parts:

- Keep the parts in protective packages until they are inserted into the product.
- Avoid contact with other people while handling the part.
- Wear a grounded wrist strap against your skin to eliminate static on your body.

- Prevent the part from touching your clothing. Most clothing is insulative and retains a charge even when you are wearing a wrist strap.
- Use the black side of a grounded work mat to provide a static-free work surface. The mat is especially useful when handling ESD-sensitive devices.
- Select a grounding system, such as those listed below, to provide protection that meets the specific service requirement.

**Note:** The use of a grounding system is desirable but not required to protect against ESD damage.

- Attach the ESD ground clip to any frame ground, ground braid, or green-wire ground.
- Use an ESD common ground or reference point when working on a double-insulated or battery-operated system. You can use coax or connector-outside shells on these systems.
- Use the round ground-prong of the ac plug on ac-operated computers.

---

## Grounding requirements

Electrical grounding of the computer is required for operator safety and correct system function. Proper grounding of the electrical outlet can be verified by a certified electrician.

---

## Safety notices (multi-lingual translations)

The caution and danger safety notices in this section are provided in the following languages:

- English
- Arabic
- Brazilian/Portuguese
- Chinese (simplified)
- Chinese (traditional)
- French
- German
- Hebrew
- Italian
- Korean
- Spanish



### DANGER

Electrical current from power, telephone and communication cables is hazardous.

**To avoid a shock hazard:**

- **Do not connect or disconnect any cables or perform installation, maintenance, or reconfiguration of this product during an electrical storm.**
- **Connect all power cords to a properly wired and grounded electrical outlet.**

- **Connect to properly wired outlets any equipment that will be attached to this product.**
- **When possible, use one hand only to connect or disconnect signal cables.**
- **Never turn on any equipment when there is evidence of fire, water, or structural damage.**
- **Disconnect the attached power cords, telecommunications systems, networks, and modems before you open the device covers, unless instructed otherwise in the installation and configuration procedures.**
- **Connect and disconnect cables as described in the following tables when installing, moving, or opening covers on this product or attached devices.**

To Connect	To Disconnect
<ol style="list-style-type: none"> <li>1. Turn everything OFF.</li> <li>2. First, attach all cables to devices.</li> <li>3. Attach signal cables to connectors.</li> <li>4. Attach power cords to outlet.</li> <li>5. Turn device ON.</li> </ol>	<ol style="list-style-type: none"> <li>1. Turn everything OFF.</li> <li>2. First, remove power cords from outlet.</li> <li>3. Remove signal cables from connectors.</li> <li>4. Remove all cables from devices.</li> </ol>



**CAUTION:**

When replacing the lithium battery, use only Part Number 33F8354 or an equivalent type battery recommended by the manufacturer. If your system has a module containing a lithium battery, replace it only with the same module type made by the same manufacturer. The battery contains lithium and can explode if not properly used, handled, or disposed of.

*Do not:*

- Throw or immerse into water
- Heat to more than 100°C (212°F)
- Repair or disassemble

Dispose of the battery as required by local ordinances or regulations.



**CAUTION:**

When laser products (such as CD-ROMs, DVD-ROM drives, fiber optic devices, or transmitters) are installed, note the following:

- Do not remove the covers. Removing the covers of the laser product could result in exposure to hazardous laser radiation. There are no serviceable parts inside the device.
- Use of controls or adjustments or performance of procedures other than those specified herein might result in hazardous radiation exposure.



**DANGER:** Some laser products contain an embedded Class 3A or Class 3B laser diode. Note the following:

Laser radiation when open. Do not stare into the beam, do not view directly with optical instruments, and avoid direct exposure to the beam.



≥18 kg (37 lbs)



≥32 kg (70.5 lbs)



≥55 kg (121.2 lbs)

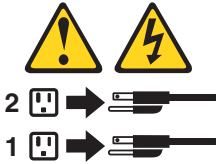
**CAUTION:**

Use safe practices when lifting.



**CAUTION:**

The power control button on the device and the power switch on the power supply do not turn off the electrical current supplied to the device. The device also might have more than one power cord. To remove all electrical current from the device, ensure that all power cords are disconnected from the power source.







## خطر

التيار الكهربى الموجود بمصدر الطاقة أو أجهزة التليفون أو أسلاك الإتصالات يشكل خطورة.

لتفادي مخاطر الصدمات الكهربائية:

لا تحاول توصيل أو فصل أي أسلاك أو القيام بعمليات تركيب أو صيانة أو إعادة توصيف لهذا المنتج أثناء وجود عاصفة كهربائية.

يجب توصيل كل أسلاك الكهرباء في مخارج كهرباء ذات توصيلات أسلاك وتوصيلات أرضية صحيحة  
يجب توصيل أي جهاز سيتم الحاقه بهذا المنتج في مخارج كهرباء ذات توصيلات أسلاك صحيحة.

وإن أمكن يجب استخدام يد واحدة فقط في توصيل أو فصل أسلاك الإشارة.

لا تحاول تشغيل أي جهاز إذا كان هناك أثر لحرق أو مياه أو تلف بالمكونات

يجب فصل أسلاك الكهرباء وأنظمة الاتصالات وشبكات الاتصال وأجهزة المودم الملحقة قبل فتح أغطية الجهاز، ما لم يتم طلب خلاف ذلك في التعليمات الخاصة بالتركيب والتوصيف.  
قم بتوصيل وفصل الأسلاك كما هو موضح في الجدول التالي وذلك عند القيام بعمليات التركيب أو النقل أو فتح أغطية هذا المنتج أو الأجهزة الملحقة.

### للفصل:

- قم بإيقاف كل شيء.
- أولاً، قم بفصل كل أسلاك الكهرباء من المخرج.
- قم بفصل أسلاك الإشارة من الموصلات.
- قم بفصل كل الأسلاك من الأجهزة.

### للتوصيل:

- قم بإيقاف كل شيء.
- أولاً، قم بتوصيل كل الأسلاك بالأجهزة.
- قم بتوصيل أسلاك الإشارة في لموصلات.
- قم بتوصيل أسلاك الكهرباء في المخارج.
- قم بتشغيل الجهاز.



تنبيه :

عند استبدال البطارية الليثيوم، استخدم فقط رقم الجزء الخاص **Part Number 33F8354** أو نوع آخر يكون على نفس مستوى الكفاءة يحدده لك المصنع. إذا كان النظام الخاص يستخدم معه بطارية ليثيوم قم باستبدالها بنفس النوع الذي تم صناعته من خلال نفس المصنع. تحتوي البطارية على مادة الليثيوم ويمكن أن تنفجر في حالة عدم استخدامها أو التعامل معها بطريقة صحيحة أو عند التخلص منها بطريقة خطأ.

لا تَقم بـ:

- الفاء البطارية أو غمرها في الماء
- تسخينها أعلى من ١٠٠ درجة مئوية و(٢١٢ ° فهرنهايت)
- بتصليحها أو فكها

تخلص من البطارية طبقاً للقانون أو النظام المحلي .



تنبيه :

أثناء تركيب منتجات ليزر (مثل CD-ROMs أو وحدة تشغيل DVD أو أجهزة Fiber Optic أو وحدات الإرسال) يجب مراعاة الآتي:

لا تنزع الأغطية. قد ينتج عن نزع أغطية منتج الليزر انفجار أشعة الليزر شديدة الخطورة. لا يوجد أجزاء يمكن تغييرها داخل الجهاز. قد ينتج عن استخدام تحكيمات أو تعديلات أو عمل أي تصرفات أخرى تخالف ما هو محدد هنا إلى انفجار أشعة شديدة الخطورة.



خطر

تحتوي بعض منتجات الليزر على الفئة دايود ليزر مدمج من الفئة **Class 3A** أو **Class 3B**. يجب مراعاة الآتي .

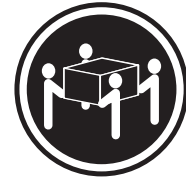
أشعة الليزر عند الفتح. لا تحدد إلى الإشعاع و لا تنظر إليه مباشرة بواسطة أي أجهزة مرئية وتجذب التعرض المباشر للإشعاع .



≥18 kg (37 lbs)



≥32 kg (70.5 lbs)

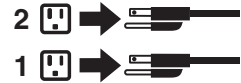


≥55 kg (121.2 lbs)

تنبيه :  
يجب استخدام ممارسات آمنة عند الرفع



تنبيهه :  
لا يرقم زر التحكم في التشغيل الموجود على الجهاز والمفتاح الكهربائي الموجود على لوحة التحكم بإيقاف التيار الكهربائي المار بالجهاز. قد يكون للجهاز أكثر من سلك كهربائي واحد. لايقاف التيار الكهربائي المار بالجهاز، تأكد من فصل جميع أسلاك الكهرباء من مصدر الكهرباء .





## PERIGO

A corrente elétrica proveniente de cabos de alimentação, de telefone e de comunicações é perigosa.

Para evitar risco de choque elétrico:

- Não conecte nem desconecte nenhum cabo ou execute instalação, manutenção ou reconfiguração deste produto durante uma tempestade com raios.
- Conecte todos os cabos de alimentação a tomadas elétricas corretamente instaladas e aterradas.
- Todo equipamento que for conectado a este produto deve ser conectado a tomadas corretamente instaladas.
- Quando possível, utilize apenas uma das mãos para conectar ou desconectar cabos de sinal.
- Nunca ligue nenhum equipamento quando houver evidência de fogo, água ou danos estruturais.
- Antes de abrir tampas de dispositivos, desconecte cabos de alimentação, sistemas de telecomunicação, redes e modems conectados, a menos que especificado de maneira diferente nos procedimentos de instalação e configuração.
- Conecte e desconecte os cabos conforme descrito na tabela apresentada a seguir ao instalar, mover ou abrir tampas deste produto ou de dispositivos conectados.

Para Conectar:	Para Desconectar:
<ol style="list-style-type: none"><li>1. DESLIGUE Tudo.</li><li>2. Primeiramente, conecte todos os cabos aos dispositivos.</li><li>3. Conecte os cabos de sinal aos conectores.</li><li>4. Conecte os cabos de alimentação às tomadas.</li><li>5. LIGUE os dispositivos.</li></ol>	<ol style="list-style-type: none"><li>1. DESLIGUE Tudo.</li><li>2. Primeiramente, remova os cabos de alimentação das tomadas.</li><li>3. Remova os cabos de sinal dos conectores.</li><li>4. Remova todos os cabos dos dispositivos.</li></ol>



### CUIDADO:

Ao substituir a bateria de lítio, utilize apenas uma bateria com Número de Peça 33F8354 ou um tipo de bateria equivalente recomendado pelo Se o seu sistema possui um módulo com uma bateria de lítio, substitua-o apenas por um módulo do mesmo tipo e do mesmo fabricante. A bateria contém lítio e pode explodir se não for utilizada, manuseada ou descartada de maneira correta.

Não:

- Jogue ou coloque na água
- Aqueça a mais de 100°C (212°F)
- Conserte nem desmonte

Descarte a bateria conforme requerido pelas leis ou regulamentos locais.



### PRECAUCIÓN:

Quando produtos a laser (como unidades de CD-ROMs, unidades de DVD-ROM, dispositivos de fibra ótica ou transmissores) estiverem instalados, observe o seguinte:

- Não remova as tampas. A remoção das tampas de um produto a laser pode resultar em exposição prejudicial à radiação de laser. Não existem peças que podem ser consertadas no interior do dispositivo.
- A utilização de controles ou ajustes ou a execução de procedimentos diferentes dos especificados aqui pode resultar em exposição prejudicial à radiação.

### PERIGO

Alguns produtos a laser contêm diodo de laser integrado da Classe 3A ou da Classe 3B. Observe o seguinte:

Radiação a laser quando aberto. Não olhe diretamente para o feixe a olho nu ou com instrumentos ópticos e evite exposição direta ao feixe.



≥18 kg (37 lbs)



≥32 kg (70.5 lbs)



≥55 kg (121.2 lbs)

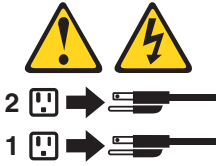
### CUIDADO:

Utilize procedimentos de segurança para levantar equipamentos.



**CUIDADO:**

O botão de controle de alimentação do dispositivo e o botão para ligar/desligar da fonte de alimentação não desligam a corrente elétrica fornecida ao dispositivo. O dispositivo também pode ter mais de um cabo de alimentação. Para remover toda a corrente elétrica do dispositivo, assegure que todos os cabos de alimentação estejam desconectados da fonte de alimentação.





#### 危险

电源、电话和通信电缆中的电流是危险的。

为避免电击危险：

- 请勿在雷电期间连接或断开任何电缆的连接，或者对本产品进行安装、维护或重新配置。
- 将所有电源线连接到正确连线和妥善接地的电源插座。
- 将所有要连接到该产品的设备连接到正确连线的插座。
- 如果可能，请仅使用一只手来连接或断开信号电缆的连接。
- 切勿在有火、水、结构损坏迹象的情况下开启任何设备。
- 在打开设备外盖之前请断开已连接的电源线、远程通信系统、网络和调制解调器，除非在安装和配置过程中另有说明。
- 当安装、移动或打开该产品或连接设备的外盖时，请按照下表所述来连接或断开电缆的连接。

要连接	要断开连接
<ol style="list-style-type: none"><li>1. 切断所有电源。</li><li>2. 首先将所有电缆连接到设备。</li><li>3. 将信号电缆连接到接口。</li><li>4. 将电源线连接到插座。</li><li>5. 开启设备。</li></ol>	<ol style="list-style-type: none"><li>1. 切断所有电源。</li><li>2. 首先从插座上拔出电源线。</li><li>3. 从接口上拔出信号电缆。</li><li>4. 从设备上拔出所有电缆。</li></ol>



#### 警告：

更换锂电池时，请仅使用部件号为 33F8354 的电池或制造商推荐的同类电池。如果您的系统有包含锂电池的模块，请仅使用同一制造商生产的相同模块类型来替换该模块。该电池中含有锂，如果使用、操作或处理不当，可能会发生爆炸。

切勿：

- 投入或浸入水中
- 加热到 100 °C (212 °F) 以上
- 维修或拆卸

请按照当地法令或条例的要求处理电池。



警告：  
安装激光产品（例如 CD-ROM、DVD-ROM 驱动器、光纤设备或发射设备）时，  
请注意以下声明：

- 请勿卸下外盖。卸下激光产品的外盖可能导致遭受激光辐射的危险。该设备内没有可维修的部件。
- 如果不按照此处指定的过程进行控制、调整或操作，则有可能导致遭受辐射的危险。



危险

某些激光产品包含嵌入式 3A 类或 3B 类激光二极管。请注意以下声明：

打开后有激光辐射。请勿注视光束，请勿直接用光学仪器查看，并请避免直接暴露在光束中。



≥18 千克 (37 磅)



≥32 千克 (70.5 磅)



≥55 千克 (121.2 磅)

警告：  
抬起时请采取安全措施。



警告：  
设备上的电源控制按钮和电源上的电源开关不会切断供给该设备的电流。该设备还可能有多条电源线。要切断该设备的所有电流，请确保所有电源线都与电源断开连接。







#### 危險

電源、電話及通訊纜線上的電流都具有危險性。

若要避免觸電危險：

- 請勿在雷雨期間，連接或拔除纜線、執行安裝、維護或重新配置本產品。
- 將所有電源線連接到正確配線及接地的電源插座。
- 任何與本產品連接的設備都必須連接到配線妥當的電源插座。
- 請盡可能用單手連接或拔除信號線。
- 發生火災、水災或結構損害時，絕對不要開啟任何設備。
- 除非在安裝及配置程序中另有指示，否則在開啟裝置機蓋之前，請拔掉連接的電源線、電信系統、網路及數據機。
- 安裝、移動或開啟本產品或附屬裝置的機蓋時，請遵循下列說明連接及拔掉纜線。

連線	切斷連線
<ol style="list-style-type: none"> <li>1. 關閉所有開關。</li> <li>2. 首先，連接所有接線到裝置。</li> <li>3. 連接信號線到接頭。</li> <li>4. 連接電源線到插座。</li> <li>5. 開啟裝置。</li> </ol>	<ol style="list-style-type: none"> <li>1. 關閉所有開關。</li> <li>2. 首先，拔掉插座上的電源線。</li> <li>3. 拔掉接頭上的信號線。</li> <li>4. 拔掉裝置上所有接線。</li> </ol>



#### 警告：

更換鋰電池時，請僅使用產品編號 **33F8354** 或製造商所建議的同類型電池。  
 如果您的系統中含有鋰電池模組，請僅使用同一家製造商所生產的相同模組進行更換。  
 如果未以正確方式使用、處理或棄置含鋰的電池，會有爆炸的危險。  
 請勿：

- 沾溼或浸入水中
  - 置於 **100C (212F)** 以上的高溫環境
  - 修理或拆開
- 請按照各地區有關廢棄電池的法令和規定處理舊電池。



#### 警告：

- 請勿移除機蓋。移除雷射產品的機蓋，可能會導致暴露在危險的雷射輻射中。裝置內部並無可自行維修的零件。
- 利用或執行非本文中所指定的控制、調整及執行程序，可能會導致危險的輻射外洩。



#### 危險

部分雷射產品含有內嵌式 **Class 3A** 或 **Class 3B** 雷射二極體。請注意下列事項：  
 在開啟光碟機時，會發生雷射輻射。請勿直視光束或用光學儀器直接檢視，並避免直接暴露在光束中。



≥ 18 公斤 (37 磅)



≥ 32 公斤 (70.5 磅)



≥ 55 公斤 (121.2 磅)

警告：  
搬運時請注意安全。



警告：  
裝置上的電源控制按鈕及電源供應器上的電源開關，無法關閉裝置所產生的電流。  
該裝置可能有多條電源線。若要除去裝置流出的所有電流，請確認已切斷所有電源線的電源。





## DANGER

Le courant électrique provenant de l'alimentation, du téléphone et des câbles de transmission peut présenter un danger.

Pour éviter tout risque de choc électrique :

- Ne manipulez aucun câble et n'effectuez aucune opération d'installation, d'entretien ou de reconfiguration de ce produit au cours d'un orage.
- Branchez tous les cordons d'alimentation sur un socle de prise de courant correctement câblé et mis à la terre.
- Branchez sur des socles de prise de courant correctement câblés tout équipement connecté à ce produit.
- Lorsque cela est possible, n'utilisez qu'une seule main pour connecter ou déconnecter les câbles d'interface.
- Ne mettez jamais un équipement sous tension en cas d'incendie ou d'inondation, ou en présence de dommages matériels.
- Avant de retirer les carters de l'unité, mettez celle-ci hors tension et déconnectez ses cordons d'alimentation, ainsi que les câbles qui la relient aux réseaux, aux systèmes de télécommunication et aux modems (sauf instruction contraire mentionnée dans les procédures d'installation et de configuration).
- Lorsque vous installez, que vous déplacez, ou que vous manipulez le présent produit ou des périphériques qui lui sont raccordés, reportez-vous aux instructions ci-dessous pour connecter et déconnecter les différents cordons.

Connexion	Déconnexion
1. Mettez les unités HORS TENSION.	1. Mettez les unités HORS TENSION.
2. Commencez par brancher tous les cordons sur les unités.	2. Débranchez les cordons d'alimentation des prises.
3. Branchez les câbles d'interface sur des connecteurs.	3. Débranchez les câbles d'interface des connecteurs.
4. Branchez les cordons d'alimentation sur des prises.	4. Débranchez tous les câbles des unités.
5. Mettez les unités SOUS TENSION.	



**ATTENTION:**

Remplacer la pile au lithium usagée par une pile de référence identique exclusivement, (référence 33F8354), ou suivre les instructions du fabricant qui en définit les équivalences. Si votre système est doté d'un module contenant une pile au lithium, vous devez le remplacer uniquement par un module identique, produit par le même fabricant. La pile contient du lithium et peut exploser en cas de mauvaise utilisation, de mauvaise manipulation ou de mise au rebut inappropriée.

Ne pas :

- la jeter à l'eau,
- l'exposer à des températures supérieures à 100°C,
- chercher à la réparer ou à la démonter.

Ne pas mettre la pile à la poubelle. Pour la mise au rebut, se reporter à la réglementation en vigueur.



**ATTENTION:**

Si des produits à laser (tels que des unités de CD-ROM, de DVD-ROM, des unités à fibres optiques, ou des émetteurs) sont installés, prenez connaissance des informations suivantes :

- Ne retirez pas le carter. En ouvrant l'unité de CD-ROM ou de DVD-ROM, vous vous exposez au rayonnement dangereux du laser. Aucune pièce de l'unité n'est réparable.
- Pour éviter tout risque d'exposition au rayon laser, respectez les consignes de réglage et d'utilisation des commandes, ainsi que les procédures décrites dans le présent manuel.



**DANGER**

Certains produits à laser contiennent une diode à laser intégrée de classe 3A ou 3B. Prenez connaissance des informations suivantes:

Rayonnement laser lorsque le carter est ouvert. Evitez toute exposition directe au rayon laser. Evitez de regarder fixement le faisceau ou de l'observer à l'aide d'instruments optiques.



≥18 kg (37 lbs)



≥32 kg (70.5 lbs)



≥55 kg (121.2 lbs)

**ATTENTION:**

**Soulevez la machine avec précaution.**



**ATTENTION:**

L'interrupteur de contrôle d'alimentation de l'unité et l'interrupteur dubloc d'alimentation ne coupent pas le courant électrique alimentant l'unité. En outre, le système peut être équipé de plusieurs cordons d'alimentation. Pour mettre l'unité hors tension, vous devez déconnecter tous les cordons de la source d'alimentation.





## VORSICHT

An Netz-, Telefon- und Datenleitungen können gefährliche Spannungen anliegen.

### Aus Sicherheitsgründen:

- Bei Gewitter an diesem Gerät keine Kabel anschließen oder lösen. Ferner keine Installations-, Wartungs- oder Rekonfigurationsarbeiten durchführen.
- Gerät nur an eine Schutzkontaktsteckdose mit ordnungsgemäß geerdetem Schutzkontakt anschließen.
- Alle angeschlossenen Geräte ebenfalls an Schutzkontaktsteckdosen mit ordnungsgemäß geerdetem Schutzkontakt anschließen.
- Die Signalkabel nach Möglichkeit einhändig anschließen oder lösen, um einen Stromschlag durch Berühren von Oberflächen mit unterschiedlichem elektrischem Potenzial zu vermeiden.
- Geräte niemals einschalten, wenn Hinweise auf Feuer, Wasser oder Gebäudeschäden vorliegen.
- Die Verbindung zu den angeschlossenen Netzkabeln, Telekommunikationssystemen, Netzwerken und Modems ist vor dem Öffnen des Gehäuses zu unterbrechen, sofern in den Installations- und Konfigurationsprozeduren keine anders lautenden Anweisungen enthalten sind.
- Zum Installieren, Transportieren und Öffnen der Abdeckungen des Computers oder der angeschlossenen Einheiten die Kabel gemäß der folgenden Tabelle anschließen und abziehen.

Zum Anschließen der Kabel gehen Sie wie folgt vor	Zum Abziehen der Kabel gehen Sie wie folgt vor
<ol style="list-style-type: none"><li>1. Schalten Sie alle Einheiten AUS.</li><li>2. Schließen Sie erst alle Kabel an die Einheiten an.</li><li>3. Schließen Sie die Signalkabel an die Buchsen an.</li><li>4. Schließen Sie die Netzkabel an die Steckdose an.</li><li>5. Schalten Sie die Einheit EIN.</li></ol>	<ol style="list-style-type: none"><li>1. Schalten Sie alle Einheiten AUS.</li><li>2. Ziehen Sie zuerst alle Netzkabel aus den Netzsteckdosen.</li><li>3. Ziehen Sie die Signalkabel aus den Buchsen.</li><li>4. Ziehen Sie alle Kabel von den Einheiten ab.</li></ol>



#### CAUTION:

Eine verbrauchte Lithiumbatterie nur durch eine Batterie mit der Teilenummer 33F8354 oder eine gleichwertige, vom Hersteller empfohlene Batterie ersetzen. Enthält das System ein Modul mit einer Lithiumbatterie, dieses nur durch ein Modul desselben Typs und von demselben Hersteller ersetzen. Die Batterie enthält Lithium und kann bei unsachgemäßer Verwendung, Handhabung oder Entsorgung explodieren.

Die Batterie nicht:

- mit Wasser in Berührung bringen.
- über 100 C erhitzen.
- reparieren oder zerlegen.

Die örtlichen Bestimmungen für die Entsorgung von Sondermüll beachten.



#### ACHTUNG:

Bei der Installation von Lasergeräten (wie CD-ROM-Laufwerken, DVD-aufwerken, Einheiten mit Lichtwellenleitertechnik oder Sendern) Folgendes beachten:

- Die Abdeckungen nicht entfernen. Durch Entfernen der Abdeckungen des Lasergeräts können gefährliche Laserstrahlungen freigesetzt werden. Das Gerät enthält keine zu wartenden Teile.
- Werden Steuerelemente, Einstellungen oder Durchführungen von Prozeduren anders als hier angegeben verwendet, kann gefährliche Laserstrahlung auftreten.



#### VORSICHT

Einige Lasergeräte enthalten eine Laserdiode der Klasse 3A oder 3B. Beachten Sie Folgendes:

Laserstrahlung bei geöffneter Verkleidung. Nicht in den Strahl blicken. Keine Lupen oder Spiegel verwenden. Strahlungsbereich meiden.



≥18 kg



≥32 kg



≥55 kg

**ACHTUNG:**

Arbeitsschutzrichtlinien beim Anheben der Maschine beachten.



**ACHTUNG:**

Mit dem Netzschalter an der Einheit und am Netzteil wird die Stromversorgung für die Einheit nicht unterbrochen. Die Einheit kann auch mit mehreren Netzkabeln ausgestattet sein. Um die Stromversorgung für die Einheit vollständig zu unterbrechen, müssen alle zum Gerät führenden Netzkabel vom Netz getrennt werden.







#### סכנה

זרם חשמלי המועבר בכבלי חשמל, טלפון ותקשורת הוא מסוכן.

כדי להימנע מסכנת התחשמלות:

- אל תחברו או תנתקו כבלים, ואל תבצעו פעולת התקנה, תחזוקה או שינוי תצורה במוצר זה במהלך סופת ברקים.
- חברו את כל כבלי החשמל לשקע חשמל מחווט ומוארק כהלכה.
- חברו כל ציוד שיחובר למוצר זה לשקעי חשמל מחוטים כהלכה.
- במידת האפשר, השתמשו ביד אחת בלבד לחיבור או לניתוק של כבלי אותות.
- לעולם אל תפעילו ציוד כלשהו כאשר יש עדות לנזק מבני או לנזק כתוצאה מאש או ממים.
- נתקו את כבלי החשמל, מערכות התקשורת, התקני הרשת והמודמים המחוברים לפני פתיחת כיסויי ההתקן, אלא אם הליכי ההתקנה וקביעת התצורה מורים אחרת.
- בעת התקנה, העברה או פתיחת כיסויים במוצר זה או בהתקנים המחוברים, חברו ונתקו את הכבלים כמתואר בטבלה שלהלן.

כדי לחבר	כדי לנתק
1. כבו הכל.	1. כבו הכל.
2. ראשית, חברו את כל הכבלים להתקנים.	2. ראשית, נתקו את כבלי החשמל מהשקעים.
3. חברו את כבלי האותות למחברים.	3. נתקו את כבלי האותות מהמחברים.
4. חברו את כבלי החשמל לשקעים.	4. הסירו את כל הכבלים מההתקנים.
5. הפעילו את ההתקן.	



זהירות:

בעת החלפת סוללת הליתיום, השתמשו רק בסוללה בעלת מק"ט 33F8354 או בסוג תואם שהומלץ על ידי היצרן. אם המערכת כוללת מודול המכיל סוללת ליתיום, החליפו אותו רק במודול מאותו סוג ומתוצרת אותו יצרן. הסוללה מכילה ליתיום, ועלולה להתפוצץ אם לא משתמשים ומטפלים בה או משליכים אותה כראוי.

לעולם:

- אל תטבלו במים

- אל תחממו לטמפרטורה הגבוהה מ-100°C (212°F)

- אל תתקנו או תפרקו

השליכו את הסוללה כנדרש לפי התקנות והחוקים המקומיים.



זהירות:

בעת התקנת מוצרי לייזר (כגון כונני תקליטורים ו-DVD, התקני סיב אופטי או משדרים), שימו לב לאזהרות הבאות:

- אל תסירו את הכיסויים. הסרת הכיסויים של מוצר הלייזר עלולה לגרום לחשיפה לקרינת לייזר מסוכנת. אין חלקים ברי טיפול בתוך ההתקן.

- שינויים, שימוש בבקרות או ביצוע הליכים אחרים מאלה המתוארים כאן, עלולים לגרום לחשיפה לקרינה מסוכנת.



סכנה

מוצרי לייזר מסוימים מכילים דיודת לייזר מסוג Class 3A או Class 3B. שימו לב לאזהרה הבאה:

כאשר הוא פתוח, המוצר פולט קרינת לייזר. אל תביטו ישירות בקרן, אל תביטו ישירות בעזרת ציוד אופטי, והימנעו מחשיפה לקרן.



$18 \leq$  ק"ג (37 ליב')



$32 \leq$  ק"ג (70.5 ליב')



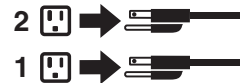
$55 \leq$  ק"ג (121.2 ליב')

זהירות:  
השתמשו בהליכים  
הנאותים בעת  
הרמת הציוד.



זהירות:

לחצן ההפעלה של ההתקן ומתג ההפעלה של ספק החשמל אינם מפסיקים את זרם החשמל המסופק להתקן. בנוסף, ההתקן עשוי לכלול יותר מכבל חשמל אחד. כדי לסלק את כל הזרם החשמלי מההתקן, ודאו שכל כבלי החשמל מנותקים ממקור החשמל.





## PERICOLO

La corrente elettrica proveniente dai cavi di alimentazione, del telefono e di comunicazione può essere pericolosa.

**Per evitare il rischio di scosse elettriche:**

- **Non collegare o scollegare qualsiasi cavo oppure effettuare l'installazione, la manutenzione o la riconfigurazione del prodotto durante un temporale.**
- **Collegare tutti i fili elettrici a una presa di alimentazione correttamente cablata e dotata di messa a terra.**
- **Collegare alle prese elettriche appropriate tutte le apparecchiature che verranno utilizzate per questo prodotto.**
- **Se possibile, utilizzare solo una mano per collegare o scollegare i cavi di segnale.**
- **Non accendere assolutamente apparecchiature in presenza di incendi, perdite d'acqua o danno strutturale.**
- **Scollegare i cavi di alimentazione, i sistemi di telecomunicazione, le reti e il modem prima di aprire i coperchi del dispositivo, salvo istruzioni contrarie relative alle procedure di installazione e configurazione.**
- **Collegare e scollegare i cavi come descritto nella seguente tabella quando vengono effettuate operazioni di installazione, spostamento o apertura dei coperchi di questo prodotto o delle unità collegate.**

Per collegarsi	Per scollegarsi
1. <b>SPEGNERE</b> le apparecchiature.	1. <b>SPEGNERE</b> le apparecchiature.
2. Innanzitutto, collegare tutti i cavi alle unità.	2. Innanzitutto, rimuovere i cavi di alimentazione dalla presa.
3. Collegare i cavi di segnale ai connettori.	3. Rimuovere i cavi di segnale dai connettori.
4. Collegare i cavi di alimentazione alla presa.	4. Rimuovere tutti i cavi dalle unità.
5. Accendere l'unità.	



#### ATTENZIONE:

Quando si sostituisce la batteria al litio, utilizzare solo il Numero parte 33F8354 o un tipo di batteria equivalente consigliato dal produttore. Se sul sistema è presente un modulo che contiene una batteria al litio, sostituirlo solo con un tipo di modulo dello stesso tipo della stessa casa di produzione. La batteria contiene litio e può esplodere se usata, maneggiata o smaltita in modo non corretto.

*Non:*

- Gettare o immergere la batteria nell'acqua
- Riscaldarla ad una temperatura superiore ai 100 gradi C (212 gradi F)
- Smontarla, ricaricarla o tentare di ripararla

Le batterie usate vanno smaltite in accordo alla normativa in vigore (DPR 915/82 e successive disposizioni e disposizioni locali).



#### ATTENZIONE:

Quando vengono installati prodotti laser (quali CD-ROM, unità DVD-ROM, unità a fibre ottiche o trasmettenti), tener presente quanto segue:

- Non rimuovere gli sportelli. L'apertura di un'unità laser può determinare l'esposizione a radiazioni laser pericolose. All'interno dell'unità non vi sono parti su cui effettuare l'assistenza tecnica.
- L'utilizzo di controlli, regolazioni o l'esecuzione di procedure non descritti nel presente manuale possono provocare l'esposizione a radiazioni pericolose.



#### PERICOLO

Alcune unità laser contengono un diodo laser di Classe 3A o Classe 3B. Tener presente quanto segue:

Aperto l'unità vengono emesse radiazioni laser. Non fissare il fascio, non guardarlo direttamente con strumenti ottici ed evitare l'esposizione al fascio.



≥18 kg



≥32 kg



≥55 kg

**ATTENZIONE:**

**Prestare attenzione nel sollevare l'apparecchiatura.**



**ATTENZIONE:**

**Il pulsante di controllo dell'alimentazione presente sull'unità e l'interruttore dell'alimentatore non disattivano l'alimentazione corrente fornita all'unità. E' possibile che l'unità disponga di più cavi di alimentazione. Per disattivare l'alimentazione dall'unità, accertarsi che tutti i cavi di alimentazione siano scollegati dalla fonte di alimentazione.**





**위험**

전원, 전화, 통신 케이블의 전류는 위험합니다.

**감전의 위험을 피하려면 다음과 같이 하십시오.**

- 번개가 치는 날에는 케이블을 연결 또는 분리하거나 본 제품을 설치, 보수, 재구성하지 마십시오.
- 모든 전원 코드는 올바르게 접지된 전기 콘센트에 연결하십시오.
- 본 제품에 연결될 장치는 올바르게 배선된 콘센트에 연결하십시오.
- 신호 케이블을 연결 또는 분리할 때 가능하면 한 손만을 사용하십시오.
- 불 또는 물로 인한 손상이나 구조적인 손상이 있을 경우 장치의 전원을 절대 켜지 마십시오.
- 설치 및 구성 과정에 별도의 지시 사항이 없는 경우, 장치의 덮개를 열기 전에 연결된 전원 코드, 원격 통신 시스템, 네트워크, 모뎀을 분리하십시오.
- 본 제품이나 연결된 장치를 설치, 이동하거나 덮개를 열 때 다음 표와 같은 순서로 케이블을 연결하거나 분리하십시오.

연결할 때:	분리할 때:
<ol style="list-style-type: none"> <li>1. 모든 장치의 전원을 끄십시오.</li> <li>2. 먼저 모든 케이블을 장치에 연결하십시오.</li> <li>3. 커넥터에 신호 케이블을 연결하십시오.</li> <li>4. 콘센트에 전원 코드를 연결하십시오.</li> <li>5. 장치의 전원을 켜십시오.</li> </ol>	<ol style="list-style-type: none"> <li>1. 모든 장치의 전원을 끄십시오.</li> <li>2. 먼저 콘센트에서 전원 코드를 분리하십시오.</li> <li>3. 커넥터에서 신호 케이블을 분리하십시오.</li> <li>4. 장치에서 모든 케이블을 분리하십시오.</li> </ol>



**주의:**

배터리를 교환할 때는 Part Number 33F8354 또는 제조업체에서 지정한 동일한 종류의 제품을 사용하십시오. 사용자의 시스템이 리튬 배터리를 포함하는 모듈일 경우, 동일한 제조업체에서 동일한 모듈 유형으로 생산된 제품으로 교체하십시오. 배터리에는 리튬이 함유되어 있어 잘못 사용, 취급 또는 폐기할 경우 폭발의 위험이 있습니다.

사고를 방지하려면 다음 사항을 준수하십시오.

- 배터리를 물 속에 던지거나 침수시키지 마십시오.
- 100℃(212°F) 이상 가열하지 마십시오.
- 수리하거나 분해하지 마십시오.

배터리를 폐기할 때는 법령 또는 회사의 안전 수칙에 따라 폐기하십시오.



**주의:**

CD-ROM, DVD-ROM 장치, 광섬유 장치 또는 송신 장치와 같은 레이저 제품을 설치할 때, 다음과 같은 취급 주의사항을 참고하십시오.

- 덮개를 열지 마십시오. 덮개를 열면 레이저 복사 에너지에 노출될 위험이 있습니다. 장치 내부에는 사용자가 조정하거나 수리할 수 있는 부품이 없습니다.
- 규정된 것 이외의 절차 수행, 제어 조정 등의 행위로 인해 해로운 레이저 복사에 노출될 수 있습니다.



**위험**

일부 장비에는 임베디드 클래스 3A 또는 클래스 3B 레이저 다이오드가 있습니다. 다음 주의사항에 유의하십시오.

드라이브가 열리면 레이저 복사 에너지가 방출됩니다. 광선이 눈에 직접 쏘이지 않도록 하십시오. 나안 또는 광학 기구를 착용한 상태에서 광선을 직접 바라보지 않도록 하십시오.



≥ 18 kg (37 lbs)



≥ 32 kg (70.5 lbs)



≥ 55 kg (121.2 lbs)

**주의:**

제품을 들어 올릴 때 안전 규제를 따르십시오.



**주의:**

장치의 전원 제어 버튼 및 전원 공급 장치의 전원 스위치를 사용하여 장치에 공급되는 전기를 차단하지 마십시오. 장치는 둘 이상의 코드를 가지고 있을 수 있습니다. 장치에서 모든 전원을 차단하려면 콘센트에서 코드가 모두 분리되어 있는지 확인하십시오.







## PELIGRO

La corriente eléctrica procedente de cables de alimentación, teléfonos y cables de comunicación puede ser peligrosa.

Para evitar el riesgo de descarga eléctrica:

- No conecte ni desconecte los cables ni realice ninguna tarea de instalación, mantenimiento o reconfiguración de este producto durante una tormenta eléctrica.
- Conecte todos los cables de alimentación a tomas de corriente debidamente cableadas y conectadas a tierra.
- Cualquier equipo que se conecte a este producto también debe conectarse a tomas de corriente debidamente cableadas.
- Siempre que sea posible, utilice una sola mano para conectar o desconectar los cables de señal.
- No encienda nunca un equipo cuando hay señales de fuego, agua o daños estructurales.
- Desconecte los cables de alimentación, los sistemas de telecomunicaciones, las redes y los módems conectados antes de abrir las cubiertas de los dispositivos, a menos que se indique lo contrario en los procedimientos de instalación y configuración.
- Conecte y desconecte los cables, como se describe en la tabla siguiente, cuando instale, mueva o abra las cubiertas de este producto o de los dispositivos conectados.

Para conectar	Para desconectar
<ol style="list-style-type: none"><li>1. APÁGUELO todo.</li><li>2. En primer lugar, conecte todos los cables a los dispositivos.</li><li>3. Conecte los cables de señal a los conectores.</li><li>4. Enchufe los cables de alimentación a las tomas de corriente.</li><li>5. Encienda el dispositivo.</li></ol>	<ol style="list-style-type: none"><li>1. APÁGUELO todo.</li><li>2. En primer lugar, desenchufe los cables de alimentación de las tomas de corriente.</li><li>3. Desconecte los cables de señal de los conectores.</li><li>4. Desconecte todos los cables de los dispositivos.</li></ol>



#### PRECAUCIÓN:

Cuando sustituya una batería de litio, utilice solamente una batería número de pieza 33F8354 u otra de tipo equivalente recomendada por el fabricante. Si su sistema dispone de un módulo que contiene una batería de litio, reemplácelo sólo con el mismo tipo de módulo, del mismo fabricante. La batería contiene litio y puede explotar si no se utiliza, manipula o desecha correctamente.

*No debe:*

- Arrojarla al agua o sumergirla en ella
- Exponerla a temperaturas superiores a 100°C (212°F)
- Repararla o desmontarla

Deshágase de la batería según especifiquen las leyes o normas locales.



#### PRECAUCIÓN:

Cuando haya productos láser (como unidades de CD-ROM, unidades de DVD, dispositivos de fibra óptica o transmisores) instalados, tenga en cuenta lo siguiente:

- No quite las cubiertas. Si quita las cubiertas del producto láser, podría quedar expuesto a radiación láser peligrosa. Dentro del dispositivo no existe ninguna pieza que requiera servicio técnico.
- Si usa controles o ajustes o realiza procedimientos que no sean los especificados aquí, podría exponerse a radiaciones peligrosas.



#### PELIGRO

Algunos productos láser tienen incorporado un diodo láser de clase 3A o clase 3B. Tenga en cuenta lo siguiente:

Cuando se abre, queda expuesto a radiación láser. No mire directamente al rayo láser, ni siquiera con instrumentos ópticos, y evite exponerse directamente al rayo láser.



≥18 kg



≥32 kg



≥55 kg

**PRECAUCIÓN:**

Adopte procedimientos seguros al levantar el equipo.



**PRECAUCIÓN:**

El botón de control de alimentación del dispositivo y el interruptor de alimentación de la fuente de alimentación no desconectan la corriente eléctrica suministrada al dispositivo. Además, el dispositivo podría tener más de un cable de alimentación. Para suprimir toda la corriente eléctrica del dispositivo, asegúrese de que todos los cables de alimentación estén desconectados de la toma de corriente.





---

## Chapter 3. General information

This chapter provides general information that applies to all machine types supported by this publication.

---

### The ThinkVantage™ Productivity Center program

Use the ThinkVantage Productivity Center program for general information about the use, operation, and maintenance of the computer. The ThinkVantage Productivity Center program also contains information to help solve problems and get repair service or other technical assistance. The ThinkVantage Productivity Center program is preinstalled on most ThinkCentre products.

---

### Additional information resources

If you have Internet access, the most up-to-date information for your computer is available from the World Wide Web.

You can find the following information:

- CRU removal and installation instructions
- Publications
- Troubleshooting information
- Parts information
- Downloads and drivers
- Links to other useful sources of information

To access this information, point your browser to <http://www.lenovo.com/support/>.

---

## Specifications

This section lists the physical specifications for your computer.

### **Types 9120, 9127, 9129, 9134, 9136, 9139, 9141, 9143, 9156, 9158, 9171, and 9191**

This section lists the physical specifications.

#### **Dimensions**

Height: 402 mm (15.8 in.)

Width: 175 mm (6.9 in.)

Depth: 440 mm (17.3 in.)

#### **Weight**

Minimum configuration: 9.2 kg (20.28 lb)

Maximum configuration: 11.3 kg (24.9 lb)

#### **Environment**

Air temperature:

Operating at 0 - 3000 ft (914.4 m): 10° to 35°C (50° to 95° F)

Operating at 3000 ft - 7000 ft (2134 m): 10° to 32°C (50° to 89.6° F)

Non-operating: 10° to 60°C (50° to 140° F)

Humidity:

Operating: 10% to 80%

Non-operating: 10% to 90%

Transit: 10% to 90%

Maximum altitude: 7000 ft (2134 m)

**Electrical input:** Some models have a switchable power supply that supports both low and high input voltage ranges. Some models do not have a switch and support only a low or high input voltage range. See "Voltage-selection switch" on page 5 for additional information.

Input voltage:

Low range:

Minimum: 100V ac

Maximum: 127V ac

Input frequency: 50/60 Hz

Voltage switch setting: 115V ac (some models)

High range:

Minimum: 200V ac

Maximum: 240V ac

Input frequency: 50/60 Hz

Voltage switch setting: 230V ac (some models)

Input kilovolt-amperes (kVA) (approximate):

Minimum configuration as shipped: 0.10 kVA

Maximum configuration: 0.31 kVA

**Note:** Power consumption and heat output vary depending on the number and type of optional features installed and the power-management optional features in use.

## Types 9126, 9128, 9130, 9135, 9137, 9140, 9142, 9144, 9157, 9159, 9169, and 9189

This section lists the physical specifications.

### Dimensions

Height: 108 mm (4.25 in.)

Width: 331 mm (13.03 in.)

Depth: 412 mm (16.22 in.)

### Weight

Minimum configuration: 8.2 kg (18 lb)

Maximum configuration: 9.4 kg (20.72 lb)

### Environment

Air temperature:

Operating at 0 - 3000 ft (914.4 m): 10° to 35°C (50° to 95° F)

Operating at 3000 ft - 7000 ft (2134 m): 10° to 32°C (50° to 89.6° F)

Non-operating: 10° to 60°C (50° to 140° F)

Humidity:

Operating: 10% to 80%

Non-operating: 10% to 90%

Transit: 10% to 90%

Maximum altitude: 7000 ft (2134 m)

**Electrical input:** Some models have a switchable power supply that supports both low and high input voltage ranges. Some models do not have a switch and support only a low or high input voltage range. See “Voltage-selection switch” on page 5 for additional information.

Input voltage:

Low range:

Minimum: 100V ac

Maximum: 127V ac

Input frequency: 50/60 Hz

Voltage switch setting: 115V ac (some models)

High range:

Minimum: 200V ac

Maximum: 240V ac

Input frequency: 50/60 Hz

Voltage switch setting: 230V ac (some models)

Input kilovolt-amperes (kVA) (approximate):

Minimum configuration as shipped: 0.09 kVA

Maximum configuration: 0.27 kVA

**Note:** Power consumption and heat output vary depending on the number and type of optional features installed and the power-management optional features in use.





---

## Chapter 4. General Checkout

### Attention

The drives in the computer you are servicing might have been rearranged or the drive startup sequence changed. Be extremely careful during write operations such as copying, saving, or formatting. Data or programs can be overwritten if you select an incorrect drive.

General error messages appear if a problem or conflict is found by an application program, the operating system, or both. For an explanation of these messages, refer to the information supplied with that software package.

Before replacing any FRUs, ensure that the latest level of BIOS is installed on the system. A down-level BIOS might cause false errors and unnecessary replacement of the system board. For more information on how to determine and obtain the latest level BIOS, see “BIOS levels” on page 335.

Use the following procedure to help determine the cause of the problem:

1. Power-off the computer and all external devices.
2. Check all cables and power cords.
3. Set all display controls to the middle position.
4. Power-on all external devices.
5. Power-on the computer.
  - Look for displayed error codes
  - Listen for beep codes
  - Look for readable instructions or a main menu on the display.If you **did not** receive the correct response, proceed to step 6.  
If you **do** receive the correct response, proceed to step 7.
6. Look at the following conditions and follow the instructions:
  - If you hear beep codes during POST, go to “Beep symptoms” on page 78.
  - If the computer displays a POST error, go to “POST error codes” on page 79.
  - If the computer hangs and no error is displayed, continue at step 7.
7. Run the Diagnostic programs. See Chapter 5, “Diagnostics,” on page 45.
  - If you receive an error, replace the part that the diagnostic program calls out or go to “Diagnostic error codes” on page 57.
  - If the test stops and you cannot continue, replace the last device tested.

---

### Problem determination tips

Due to the variety of hardware and software combinations that can be encountered, use the following information to assist you in problem determination. If possible, have this information available when requesting assistance from Service Support and Engineering functions.

- Machine type and model
- Processor or hard disk upgrades
- Failure symptom
  - Do diagnostics indicate a failure?

- What, when, where, single, or multiple systems?
- Is the failure repeatable?
- Has this configuration ever worked?
- If it has been working, what changes were made prior to it failing?
- Is this the original reported failure?
- Diagnostics version
  - Type and version level
- Hardware configuration
  - Print (print screen) configuration currently in use
  - BIOS level
- Operating system software
  - Type and version level

**Note:** To eliminate confusion, identical systems are considered identical only if they:

1. Are the exact machine type and models
2. Have the same BIOS level
3. Have the same adapters/attachments in the same locations
4. Have the same address jumpers/terminators/cabling
5. Have the same software versions and levels
6. Have the same Diagnostic Diskettes (version)
7. Have the same configuration options set in the system
8. Have the same setup for the operating system control files

Comparing the configuration and software set-up between “working and non-working” systems will often lead to problem resolution.

---

## Chapter 5. Diagnostics

Diagnostic programs are used to test hardware components of your computer and report operating-system-controlled settings that can cause hardware failures. There are two diagnostic programs preinstalled on your computer to help you diagnose problems:

- PC-Doctor for Windows (used when diagnosing problems while running the Windows operating system)
- PC-Doctor for Windows PE (used when your Windows operating system will not start)

### Notes:

1. You can also download the latest version of the PC-Doctor for Windows and PC-Doctor for DOS diagnostic programs from <http://www.lenovo.com/support/>.
2. If you are unable to isolate and repair the problem yourself by running the applicable version of PC-Doctor, click the Save Button in the PC-Doctor-log-file display. You will need to have all problem-related log files available when you speak to a Lenovo technical support representative.

---

### PC-Doctor for Windows

PC-Doctor for Windows is a diagnostic program that works through the Windows operating system. The PC-Doctor for Windows diagnostic program enables you to view symptoms and solutions for computer problems, access the Lenovo troubleshooting center, update system drivers, and review system information.

To run PC-Doctor for Windows, open the Start menu from the Windows desktop, select **All Programs**, select **PC-Doctor for Windows**, and click **PC-Doctor for Windows**. Follow the instructions on the screen. For additional information about running the diagnostic program, refer to the PC-Doctor for Windows help system.

If you still suspect a problem after PC-Doctor for Windows runs successfully, run PC-Doctor for DOS or PC-Doctor for Windows PE to help you diagnose the computer problem.

PC Doctor for Windows also has problem determination aids that determine software and usage problems.

---

### PC-Doctor for Windows PE

The PC-Doctor for Windows PE diagnostic program is part of the Rescue and Recovery workspace on each Lenovo computer. Use PC-Doctor for Windows PE, if you are unable to start the Windows operating system or if PC-Doctor for Windows has not been successful in isolating a possible problem.

### Running diagnostics from the Rescue and Recovery workspace

You can run the PC-Doctor for Windows PE diagnostic program from the Rescue and Recovery workspace. To run diagnostics from the Rescue and Recovery workspace, use the following procedure:

1. Shut down the operating system and turn off the computer.
2. Repeatedly press and release the F11 key as you turn on the computer.
3. When you hear beeps or see a logo screen, stop pressing the F11 key. The Rescue and Recovery workspace opens.
4. From the Rescue and Recovery workspace, select **Diagnose hardware**.
5. The diagnostic program opens automatically. Select the diagnostic test you want to run. Press the F1 key for additional help.
6. Follow the instructions on the screen.

**Note:** Rescue media includes PC-Doctor for Windows PE. For more information about rescue media, see the *User Guide* for the computer.

---

## PC-Doctor for DOS

Use PC-Doctor for DOS, if you are unable to start the Windows operating system or if PC-Doctor for Windows has not been successful in isolating a possible problem. You can run PC-Doctor for DOS from a diagnostic CD image or diagnostic diskettes that have been created.

**Note:** It is important to create a diagnostic CD image or diagnostic diskettes in case PC-Doctor for Windows PE cannot be run from the Rescue and Recovery workspace.

### Creating a diagnostic CD image

To create a diagnostic CD image, download a self-starting bootable CD image (known as an .iso image) of the diagnostic program from <http://www.lenovo.com/support/>. After you download the image, you can create the CD using any CD burning software.

If the computer does not have a CD burner or you do not have Internet access, see "Creating diagnostic diskettes."

### Creating diagnostic diskettes

To create diagnostic diskettes, download the PC-Doctor for DOS diagnostic program from <http://www.lenovo.com/support/> onto two blank, formatted diskettes.

If you do not have Internet access, create the diagnostic diskettes using the following procedure:

**Note:** You will need a diskette drive on the computer or a USB diskette drive to complete this procedure.

1. Shut down the operating system and turn off the computer.
2. If you are using a USB diskette drive, plug it into the computer.
3. Repeatedly press and release the F11 key as you turn on the computer.
4. When you hear beeps or see a logo screen, stop pressing the F11 key. The Rescue and Recovery workspace opens.

**Note:** For some models, press the Esc key to enter Rescue and Recovery.

5. From the Rescue and Recovery workspace, select **Create diagnostic disks**.
6. Follow the instructions on the screen.

7. When prompted, insert a blank, formatted diskette into the diskette drive and continue to follow the instructions on the screen.
8. When the operation is complete, remove the diskette and click **Quit**.
9. Insert another blank, formatted diskette into the diskette drive and continue to follow the instructions on the screen.
10. When the operation is complete, remove the diskette and click **Quit**.

## Running diagnostics from the CD or diskettes

To run diagnostics from the diagnostic CD image or diagnostic diskettes that you created, use the following procedure:

1. Make sure the computer is turned off.
2. If you are running diagnostics from diskettes using a USB diskette drive, plug in the USB device.
3. Insert the CD into the optical drive or the first diagnostic diskette into the diskette drive.
4. Restart the computer.

**Note:** If the diagnostic program does not start, you might not have your optical drive or diskette drive set as a startable device. See “Selecting a startup device” on page 52 for instructions on how to change the startup device.

5. When the diagnostics program opens, follow the instructions on the screen.

**Note:** If you are running diagnostics from a diskette, when prompted, remove the first diskette and insert the second diskette.

6. When the program finishes, be sure to remove the CD or diskette from the drive.
7. Select the diagnostic test you want to run. Press the F1 key for additional help.

## Navigating through the diagnostics programs

Use the cursor movement keys to navigate within the menus.

- The **Enter** key is used to select a menu item.
- The **Esc** key is used to back up to the previous menu.
- For online help select **F1**.

## Running tests

There are four ways to run the diagnostic tests.

- Using the cursor movement keys, highlight **Run Normal Test** or **Run Quick Test** from the Diagnostics menu and then press **Enter**.

This automatically runs a pre-defined group of tests from each test category.

**Run Normal Test** runs a more extensive set of tests than does **Run Quick Test** and takes longer to complete.

- Press **F5** to automatically run all selected tests in all categories.
- From within a test category, press **Ctrl-Enter** to automatically run only the selected tests in that category.
- Using the cursor movement keys, highlight a single test within a test category, and then press **Enter**. This runs only that test.

Press **Esc** at any time to stop the testing process.

Test results (N/A, PASSED, FAILED, ABORTED) are displayed in the field beside the test description and in the test log. See “Viewing the test log” on page 49.

To select one or more tests, use the following procedure.

1. Open the corresponding test category.
2. Using the cursor movement keys, highlight the desired test.
3. Press the space bar.  
A selected test is marked by >>. Pressing the space bar again de-selects a test and removes the >>.
4. Repeat steps 2 and 3 above to select all desired tests.

## Test results

Diagnostics test results produce the following error code format:

Function Code	Failure Type	DeviceID	Date	ChkDigits	Text
---------------	--------------	----------	------	-----------	------

- **Function Code:**  
Represents the feature or function within the PC.
- **Failure Type:**  
Represents the type of error encountered.
- **DeviceID:**  
Contains the component’s unit-ID which corresponds to either a fixed disk drive, removable media drive, serial or parallel port, processor, specific RIMM, or a device on the PCI bus.
- **Date:**  
Contains the date when the diagnostic test was run. The date is retrieved from CMOS and displayed using the YYYYMMDD format.
- **ChkDigits:**  
Contains a 2-digit check-digit value to ensure the following:
  - Diagnostics were run on the specified date.
  - Diagnostics were run on the specified computer.
  - The diagnostic error code is recorded correctly.
- **Text:**  
Description of the error.

**Note:** See “Diagnostic error codes” on page 57 for error code listings.

## Quick and Full erase - hard drive

The diagnostics program offers two hard drive format utilities:

- Quick Erase Hard Drive
- Full Erase Hard Drive

The Quick Erase Hard Drive provides a DOS utility that performs the following:

- Destroys the Master Boot Record (MBR) on the hard drive.
- Destroys all copies of the FAT Table on all partitions (both the master and backup).
- Destroys the partition table.
- Provides messages that warn the user that this is a non-recoverable process.

The Full Erase Hard Drive provides a DOS utility that performs the following:

- Performs all the steps in Quick Erase.
- Provides a DOS utility that writes random data to all sectors of the hard drive.
- Provides an estimate of time to completion along with a visual representation of completion status.
- Provides messages that warn the user about non-recoverable process.

<b>Important:</b> Make sure that all data is backed up before using the Quick or Full Erase functions.
--

To select the Quick Erase or Full Erase Hard Drive utility, use the following procedure:

1. Select the UTILITY option on the toolbar and press **Enter**.
2. Select either the QUICK ERASE or FULL ERASE HARD DISK option and follow the instructions.

## Viewing the test log

Errors reported by the diagnostic test will be displayed by the program as a failed test.

To view details of a failure or to view a list of test results, use the following procedure from any test category screen:

1. Press **F3** to activate the log file.
2. Press **F3** again to save the file to diskette or press **F2** to print the file.





---

## Chapter 6. Using the Setup Utility

The Setup Utility program is used to view and change the configuration settings of the computer, regardless of which operating system you are using. However, the operating-system settings might override any similar settings in the Setup Utility program.

---

### Starting the Setup Utility program

To start the Setup Utility program, do the following:

1. If the computer is already on when you start this procedure, shut down the operating system and turn off the computer.
2. Press and hold the F1 key then turn on the computer. When you hear multiple beeps, release the F1 key.

**Notes:**

- a. If you are using a USB keyboard and the Setup Utility program does not display using this method, repeatedly press and release the F1 key rather than leaving it pressed when turning on the computer.
- b. If a user password or an administrator password has been set, the Setup Utility program menu is not displayed until you type your password. For more information, see "Using passwords."

The Setup Utility might start automatically when POST detects that hardware has been removed or new hardware has been installed in the computer.

---

### Viewing and changing settings

The Setup Utility program menu lists items that identify system configuration topics. To view or change settings, see "Starting the Setup Utility program."

When working with the Setup Utility program menu, you must use the keyboard. The keys used to perform various tasks are displayed at the bottom of each screen.

---

### Using passwords

By using the Setup Utility program, you can set passwords to prevent unauthorized persons from gaining access to the computer and data. See "Starting the Setup Utility program." The following types of passwords are available:

- User Password
- Administrator Password

You do not have to set any passwords to use the computer. However, if you decide to set any passwords, read the following sections.

#### Password considerations

A password can be any combination of up to twelve characters (a-z and 0-9) and symbols. For security reasons, it is a good idea to use a strong password that cannot be easily compromised. Passwords should adhere to the following rules:

- Have at least eight characters in length
- Contain at least one alphabetic character and one numeric character

- Setup Utility program and hard disk drive passwords are not case sensitive
- Not be your name or your user name
- Not be a common word or a common name
- Be significantly different from your previous password

## User Password

When a User Password is set, the computer cannot be used until a valid password is typed from the keyboard.

## Administrator Password

When an Administrator Password is set, it deters unauthorized persons from changing configuration settings. If you are responsible for maintaining the settings of several computers, you might want to set an Administrator Password.

After you set an Administrator Password, a password prompt is displayed each time you try to access the Setup Utility program.

If both the user and administrator passwords are set, you can type either password. However, to change any configuration settings, you must use your administrator password.

## Setting, changing, and deleting a password

To set, change, or delete a password, do the following:

**Note:** A password can be any combination of up to twelve characters (A- Z, a-z, and 0-9). For more information, see “Password considerations” on page 51.

1. Start the Setup Utility program (see “Starting the Setup Utility program” on page 51).
2. From the Setup Utility program menu, select **Security**.
3. Select **Set Passwords**. Read the information displayed on the right side of the screen.

---

## Selecting a startup device

If the computer does not start up (boot) from a device such as the CD-ROM, diskette, or hard disk as expected, use one of the following procedures to select a startup device.

### Selecting a temporary startup device

Use this procedure to startup from any boot device.

**Note:** Not all CDs, hard disks, and diskettes are bootable.

1. Turn off the computer.
2. Press and hold the F12 key then turn on the computer. When the Startup Device Menu appears, release the F12 key.

**Note:** If you are using a USB keyboard and the Startup Device Menu does not display using this method, repeatedly press and release the F12 key rather than leaving it pressed when turning on the computer.

3. Select the desired startup device from the Startup Device Menu and press Enter to begin.

**Note:** Selecting a startup device from the Startup Device menu does not permanently change the startup sequence.

## Selecting or changing the startup device sequence

To view or permanently change the configured startup device sequence, do the following:

1. Start the Setup Utility program (see “Starting the Setup Utility program” on page 51).
2. Select **Startup**.
3. Select **Startup Sequence**. See the information displayed on the right side of the screen.
4. Select the devices for the Primary Startup Sequence, the Automatic Startup Sequence, and the Error Startup Sequence.
5. Select **Exit** from the Setup Utility menu and then **Save Settings** or **Save and exit the Setup Utility**.

If you have changed these settings and want to return to the default settings, select **Load Default Settings** on the Exit menu.

---

## Advanced settings

On some computer models the Advanced settings menu includes a setting to Enable/Disable HyperThreading. This feature works only with HyperThreading-aware operating systems, such as Microsoft Windows XP and Windows Vista™. The default setting for HyperThreading is Enabled. However, if you select **Set Defaults** and are using an operating system other than Windows XP or Windows Vista, the computer performance might be degraded. Therefore, you should always set HyperThreading to Disabled unless you are sure your operating system supports HyperThreading.

---

## Exiting from the Setup Utility program

When you finish viewing or changing settings, press Esc to return to the Setup Utility program menu (you might have to press Esc several times). If you want to save the new settings, select **Save & Exit Setup** before you exit. Otherwise, your changes will not be saved.



---

## Chapter 7. Symptom-to-FRU Index

The Symptom-to-FRU index lists error symptoms and possible causes. The most likely cause is listed first. Always begin with Chapter 4, "General Checkout," on page 43. This index can also be used to help you decide which FRUs to have available when servicing a computer. If you are unable to correct the problem using this index, go to "Undetermined problems" on page 82.

**Notes:**

- If you have both an error message and an incorrect audio response, diagnose the error message first.
- If you cannot run the diagnostic tests or you get a diagnostic error code when running a test, but did receive a POST error message, diagnose the POST error message first.
- If you did not receive any error message, look for a description of your error symptoms in the first part of this index.
- For types 8290, 8291, 8292, 8463, 8464, 8465, 9214, 9215, and 9216 only: make sure that the hard disk drive is jumpered as a master and the optical drive is jumpered as a slave.

---

### Hard disk drive boot error

A hard disk drive boot error (error codes 1962 and I999030X) can have the following causes.

Error	FRU/Action
The start-up drive is not in the boot sequence in configuration.	Check the configuration and ensure the start-up drive is in the boot sequence.
No operating system installed on the boot drive.	Install an operating system on the boot drive.
The boot sector on the start-up drive is corrupted.	The drive must be formatted, do the following: <ol style="list-style-type: none"><li>1. Attempt to back-up the data on the failing hard disk drive.</li><li>2. Using the operating systems programs, format the hard disk drive.</li></ol>
The drive is defective.	Replace the hard disk drive.

---

### Power Supply Problems

If you suspect a power problem, use the following procedures.

Check/Verify	FRU/Action
Check the following for proper installation. <ul style="list-style-type: none"><li>• Power Cord</li><li>• On/Off Switch connector</li><li>• On/Off Switch Power Supply connector</li><li>• System Board Power Supply connectors</li><li>• Microprocessor(s) connection</li></ul>	Reseat connectors
Check the power cord for continuity.	Power Cord

<b>Check/Verify</b>	<b>FRU/Action</b>
Check the power-on switch for continuity.	Power-on Switch

## Diagnostic error codes

Refer to the following diagnostic error codes when using the diagnostic tests. See “Running tests” on page 47 for the specific type for information about the Diagnostic programs.

In the following index, X can represent any number.

Diagnostic Error Code	FRU/Action
<b>000-000-XXX</b> BIOS Test Passed	<b>No action</b>
<b>000-002-XXX</b> BIOS Timeout	<ol style="list-style-type: none"><li>1. <b>Flash the system. See “Flash update procedures” on page 335</b></li><li>2. System board</li></ol>
<b>000-024-XXX</b> BIOS Addressing test failure	<ol style="list-style-type: none"><li>1. <b>Flash the system. See “Flash update procedures” on page 335</b></li><li>2. System board</li></ol>
<b>000-025-XXX</b> BIOS Checksum Value error	<ol style="list-style-type: none"><li>1. <b>Flash the system. See “Flash update procedures” on page 335</b></li><li>2. System board</li></ol>
<b>000-026-XXX</b> FLASH data error	<ol style="list-style-type: none"><li>1. <b>Flash the system. See “Flash update procedures” on page 335</b></li><li>2. System board</li></ol>
<b>000-027-XXX</b> BIOS Configuration/Setup error	<ol style="list-style-type: none"><li>1. <b>Run Setup</b></li><li>2. Flash the system. See “Flash update procedures” on page 335</li><li>3. System board</li></ol>
<b>000-034-XXX</b> BIOS Buffer Allocation failure	<ol style="list-style-type: none"><li>1. <b>Reboot the system</b></li><li>2. Flash the system. See “Flash update procedures” on page 335</li><li>3. Run memory test</li><li>4. System board</li></ol>
<b>000-035-XXX</b> BIOS Reset Condition detected	<ol style="list-style-type: none"><li>1. <b>Flash the system. See “Flash update procedures” on page 335</b></li><li>2. System board</li></ol>
<b>000-036-XXX</b> BIOS Register error	<ol style="list-style-type: none"><li>1. <b>Flash the system. See “Flash update procedures” on page 335</b></li><li>2. System board</li></ol>
<b>000-038-XXX</b> BIOS Extension failure	<ol style="list-style-type: none"><li>1. <b>Flash the system. See “Flash update procedures” on page 335</b></li><li>2. Adapter card</li><li>3. System board</li></ol>
<b>000-039-XXX</b> BIOS DMI data error	<ol style="list-style-type: none"><li>1. <b>Flash the system. See “Flash update procedures” on page 335</b></li><li>2. System board</li></ol>
<b>000-195-XXX</b> BIOS Test aborted by user	<b>Information only</b> Re-start the test, if necessary

Diagnostic Error Code	FRU/Action
<b>000-196-XXX</b> BIOS test halt, error threshold exceeded	<ol style="list-style-type: none"> <li>1. Press F3 to review the log file</li> <li>2. Re-start the test to reset the log file</li> </ol>
<b>000-197-XXX</b> BIOS test warning	<ol style="list-style-type: none"> <li>1. Make sure the component that is called out is connected and/or enabled. See Chapter 6, "Using the Setup Utility," on page 51</li> <li>2. Re-run test</li> <li>3. Replace the component that is called out in warning statement</li> <li>4. Replace the component under test</li> </ol>
<b>000-198-XXX</b> BIOS test aborted	<ol style="list-style-type: none"> <li>1. Make sure the component that is called out is connected and/or enabled. See Chapter 6, "Using the Setup Utility," on page 51</li> <li>2. Flash the system and retest. See "Flash update procedures" on page 335</li> <li>3. Go to "Undetermined problems" on page 82</li> </ol>
<b>000-199-XXX</b> BIOS test failed, cause unknown	<ol style="list-style-type: none"> <li>1. Go to "Undetermined problems" on page 82</li> <li>2. Flash the system and re-test</li> <li>3. Replace component under function test</li> </ol>
<b>000-250-XXX</b> BIOS APM failure	<ol style="list-style-type: none"> <li>1. Flash the system. See "Flash update procedures" on page 335</li> <li>2. System board</li> </ol>
<b>000-270-XXX</b> BIOS ACPI failure	<ol style="list-style-type: none"> <li>1. Flash the system. See "Flash update procedures" on page 335</li> <li>2. System board</li> </ol>
<b>001-000-XXX</b> System Test Passed	No action
<b>001-00X-XXX</b> System Error	System board
<b>001-01X-XXX</b> System Error	System board
<b>001-024-XXX</b> System Addressing test failure	System board
<b>001-025-XXX</b> System Checksum Value error	<ol style="list-style-type: none"> <li>1. Flash the system. See "Flash update procedures" on page 335</li> <li>2. System board</li> </ol>
<b>001-026-XXX</b> System FLASH data error	<ol style="list-style-type: none"> <li>1. Flash the system. See "Flash update procedures" on page 335</li> <li>2. System board</li> </ol>
<b>001-027-XXX</b> System Configuration/Setup error	<ol style="list-style-type: none"> <li>1. Run Setup</li> <li>2. Flash the system. See "Flash update procedures" on page 335</li> <li>3. System board</li> </ol>



Diagnostic Error Code	FRU/Action
<b>001-032-XXX</b> System Device Controller failure	<b>System board</b>
<b>001-034-XXX</b> System Device Buffer Allocation failure	<ol style="list-style-type: none"> <li>1. <b>Reboot the system</b></li> <li>2. Flash the system. See “Flash update procedures” on page 335</li> <li>3. Run memory test</li> <li>4. System board</li> </ol>
<b>001-035-XXX</b> System Device Reset condition detected	<b>System board</b>
<b>001-036-XXX</b> System Register error	<b>System board</b>
<b>001-038-XXX</b> System Extension failure	<ol style="list-style-type: none"> <li>1. <b>Adapter card</b></li> <li>2. System board</li> </ol>
<b>001-039-XXX</b> System DMI data structure error	<ol style="list-style-type: none"> <li>1. <b>Flash the system. See “Flash update procedures” on page 335</b></li> <li>2. System board</li> </ol>
<b>001-040-XXX</b> System IRQ failure	<ol style="list-style-type: none"> <li>1. <b>Power-off/on system and re-test</b></li> <li>2. System board</li> </ol>
<b>001-041-XXX</b> System DMA failure	<ol style="list-style-type: none"> <li>1. <b>Power-off/on system and re-test</b></li> <li>2. System board</li> </ol>
<b>001-195-XXX</b> System Test aborted by user	<b>Information only</b> Re-start the test, if necessary
<b>001-196-XXX</b> System test halt, error threshold exceeded	<ol style="list-style-type: none"> <li>1. <b>Press F3 to review the log file</b></li> <li>2. Re-start the test to reset the log file</li> </ol>
<b>001-197-XXX</b> System test warning	<ol style="list-style-type: none"> <li>1. <b>Make sure the component that is called out is connected and/or enabled. See Chapter 6, “Using the Setup Utility,” on page 51</b></li> <li>2. Re-run test</li> <li>3. Replace the component that is called out in warning statement</li> <li>4. Replace the component under test</li> </ol>
<b>001-198-XXX</b> System test aborted	<ol style="list-style-type: none"> <li>1. <b>If a component is called out, make sure it is connected and/or enabled. See Chapter 6, “Using the Setup Utility,” on page 51</b></li> <li>2. Flash the system and retest. See “Flash update procedures” on page 335</li> <li>3. Go to “Undetermined problems” on page 82</li> </ol>
<b>001-199-XXX</b> System test failed, cause unknown	<ol style="list-style-type: none"> <li>1. Go to “Undetermined problems” on page 82</li> <li>2. Flash the system and re-test</li> <li>3. Replace component under function test</li> </ol>
<b>001-250-XXX</b> System ECC error	<b>System board</b>

<b>Diagnostic Error Code</b>	<b>FRU/Action</b>
001-254-XXX 001-255-XXX 001-256-XXX 001-257-XXX System DMA error	<b>System board</b>
001-260-XXX 001-264-XXX System IRQ error	<b>System board</b>
001-268-XXX System IRQ1 failure	1. <b>Device on IRQ1</b> 2. System board
001-269-XXX System IRQ2 failure	1. <b>Device on IRQ2</b> 2. System board
001-270-XXX System IRQ3 failure	1. <b>Device on IRQ3</b> 2. System board
001-271-XXX System IRQ4 failure	1. <b>Device on IRQ4</b> 2. System board
001-272-XXX System IRQ5 failure	1. <b>Device on IRQ5</b> 2. System board
001-273-XXX System IRQ6 (diskette drive) failure	1. <b>Diskette Cable</b> 2. Diskette drive 3. System board
001-274-XXX System IRQ7 failure	1. <b>Device on IRQ7</b> 2. System board
001-275-XXX System IRQ8 failure	1. <b>Device on IRQ8</b> 2. System board
001-276-XXX System IRQ9 failure	1. <b>Device on IRQ9</b> 2. System board
001-277-XXX System IRQ10 failure	1. <b>Device on IRQ10</b> 2. System board
001-278-XXX System IRQ11 failure	1. <b>Device on IRQ11</b> 2. System board
001-279-XXX System IRQ12 failure	1. <b>Device on IRQ12</b> 2. System board
001-280-XXX System IRQ13 failure	1. <b>Device on IRQ13</b> 2. System board
001-281-XXX System IRQ14 (hard disk drive) failure	1. <b>Hard disk drive cable</b> 2. Hard disk drive 3. System board
001-282-XXX System IRQ15 failure	1. <b>Device on IRQ15</b> 2. System board

<b>Diagnostic Error Code</b>	<b>FRU/Action</b>
001-286-XXX 001-287-XXX 001-288-XXX System Timer failure	<b>System board</b>
001-292-XXX System CMOS RAM error	1. <b>Run Setup and re-test</b> 2. System board
001-293-XXX System CMOS Battery	1. <b>CMOS Battery</b> 2. System board
001-298-XXX System RTC date/time update failure	1. <b>Flash the system. See “Flash update procedures” on page 335</b> 2. System board
001-299-XXX System RTC periodic interrupt failure	<b>System board</b>
001-300-XXX System RTC Alarm failure	<b>System board</b>
001-301-XXX System RTC Century byte error	1. <b>Flash the system. See “Flash update procedures” on page 335</b> 2. System board
005-000-XXX Video Test Passed	<b>No action</b>
005-00X-XXX Video error	1. <b>Video card, if installed</b> 2. System board
005-010-XXX 005-011-XXX 005-012-XXX 005-013-XXX Video Signal failure	1. <b>Video card, if installed</b> 2. System board
005-016-XXX Video Simple Pattern test failure	1. <b>Video Ram</b> 2. Video card, if installed 3. System board
005-024-XXX Video Addressing test failure	1. <b>Video card, if installed</b> 2. System board
005-025-XXX Video Checksum Value error	1. <b>Video card, if installed</b> 2. System board
005-027-XXX Video Configuration/Setup error	1. <b>Run Setup</b> 2. Video drivers update 3. Video card, if installed 4. System board
005-031-XXX Video Device Cable failure	1. <b>Video cable</b> 2. Monitor 3. Video card, if installed 4. System board
005-032-XXX Video Device Controller failure	1. <b>Video card, if installed</b> 2. System board

Diagnostic Error Code	FRU/Action
<b>005-036-XXX</b> Video Register error	<ol style="list-style-type: none"> <li>1. <b>Video card, if installed</b></li> <li>2. System board</li> </ol>
<b>005-038-XXX</b> System BIOS extension failure	<ol style="list-style-type: none"> <li>1. <b>Video card, if installed</b></li> <li>2. System board</li> </ol>
<b>005-040-XXX</b> Video IRQ failure	<ol style="list-style-type: none"> <li>1. <b>Video card, if installed</b></li> <li>2. System board</li> </ol>
<b>005-195-XXX</b> Video Test aborted by user	<b>Information only</b> Re-start the test, if necessary
<b>005-196-XXX</b> Video test halt, error threshold exceeded	<ol style="list-style-type: none"> <li>1. <b>Press F3 to review the log file</b></li> <li>2. Re-start the test to reset the log file</li> </ol>
<b>005-197-XXX</b> Video test warning	<ol style="list-style-type: none"> <li>1. <b>Make sure the component that is called out is connected and/or enabled. See Chapter 6, "Using the Setup Utility," on page 51</b></li> <li>2. Re-run test</li> <li>3. Replace the component called out in warning statement</li> <li>4. Replace the component under test</li> </ol>
<b>005-198-XXX</b> Video test aborted	<ol style="list-style-type: none"> <li>1. <b>If a component is called out, make sure it is connected and/or enabled. See Chapter 6, "Using the Setup Utility," on page 51</b></li> <li>2. Flash the system and re-test. See "Flash update procedures" on page 335</li> <li>3. Go to "Undetermined problems" on page 82</li> </ol>
<b>005-199-XXX</b> Video test failed, cause unknown	<ol style="list-style-type: none"> <li>1. Go to "Undetermined problems" on page 82</li> <li>2. Flash the system and re-test. See "Flash update procedures" on page 335</li> <li>3. Replace component under function test</li> </ol>
<b>005-2XX-XXX</b> <b>005-3XX-XXX</b> Video subsystem error	<ol style="list-style-type: none"> <li>1. <b>Video card, if installed</b></li> <li>2. System board</li> </ol>
<b>006-000-XXX</b> Diskette interface Test Passed	<b>No action</b>
<b>006-0XX-XXX</b> Diskette interface error	<ol style="list-style-type: none"> <li>1. <b>Diskette drive Cable</b></li> <li>2. Diskette drive</li> <li>3. System board</li> </ol>
<b>006-195-XXX</b> Diskette interface Test aborted by user	<b>Information only</b> Re-start the test, if necessary
<b>006-196-XXX</b> Diskette interface test halt, error threshold exceeded	<ol style="list-style-type: none"> <li>1. <b>Press F3 to review the log file</b></li> <li>2. Re-start the test to reset the log file</li> </ol>

Diagnostic Error Code	FRU/Action
006-197-XXX Diskette interface test warning	<ol style="list-style-type: none"> <li>1. <b>If a component is called out, make sure it is connected and/or enabled</b></li> <li>2. Re-run test</li> <li>3. Replace the component that is called out in warning statement</li> <li>4. Replace the component under test</li> </ol>
006-198-XXX Diskette interface test aborted	<ol style="list-style-type: none"> <li>1. <b>If a component is called out, make sure it is connected and/or enabled</b></li> <li>2. Flash the system and re-test. See "Flash update procedures" on page 335</li> <li>3. Go to "Undetermined problems" on page 82</li> </ol>
006-199-XXX Diskette interface test failed, cause unknown	<ol style="list-style-type: none"> <li>1. Go to "Undetermined problems" on page 82</li> <li>2. Flash the system and re-test</li> <li>3. Replace component under function test</li> </ol>
006-25X-XXX Diskette interface Error	<ol style="list-style-type: none"> <li>1. <b>Diskette drive cable</b></li> <li>2. Diskette drive</li> <li>3. System board</li> </ol>
011-000-XXX Serial port Interface Test Passed	<b>No action</b>
011-001-XXX Serial port Presence	<ol style="list-style-type: none"> <li>1. <b>Remove external serial device, if present</b></li> <li>2. Run setup, enable port</li> <li>3. System board</li> </ol>
011-002-XXX 011-003-XXX Serial port Timeout/Parity error	<b>System board</b>
011-013-XXX 011-014-XXX Serial port Control Signal/Loopback test failure	<b>System board</b>
011-015-XXX Serial port External Loopback failure	<ol style="list-style-type: none"> <li>1. <b>Wrap plug</b></li> <li>2. System board</li> </ol>
011-027-XXX Serial port Configuration/Setup error	<ol style="list-style-type: none"> <li>1. <b>Run Setup, enable port</b></li> <li>2. Flash the system. See "Flash update procedures" on page 335</li> <li>3. System board</li> </ol>
011-03X-XXX 011-04X-XXX Serial port failure	<b>System board</b>
011-195-XXX Serial port Test aborted by user	<b>Information only</b> Re-start the test, if necessary
011-196-XXX Serial port test halt, error threshold exceeded	<ol style="list-style-type: none"> <li>1. <b>Press F3 to review the log file</b></li> <li>2. Re-start the test to reset the log file</li> </ol>

Diagnostic Error Code	FRU/Action
011-197-XXX Serial port test warning	<ol style="list-style-type: none"> <li>1. <b>Make sure the component that is called out is connected and/or enabled. See Chapter 6, "Using the Setup Utility," on page 51</b></li> <li>2. Re-run test</li> <li>3. Replace the component that is called out in warning statement</li> <li>4. Replace the component under test</li> </ol>
011-198-XXX Serial port test aborted	<ol style="list-style-type: none"> <li>1. <b>If a component is called out, make sure it is connected and/or enabled. See Chapter 6, "Using the Setup Utility," on page 51</b></li> <li>2. Flash the system and re-test. See "Flash update procedures" on page 335</li> <li>3. Go to "Undetermined problems" on page 82</li> </ol>
011-199-XXX Serial port test failed, cause unknown	<ol style="list-style-type: none"> <li>1. Go to "Undetermined problems" on page 82</li> <li>2. Flash the system and re-test. See "Flash update procedures" on page 335</li> <li>3. Replace component under function test</li> </ol>
011-2XX-XXX Serial port signal failure	<ol style="list-style-type: none"> <li>1. <b>External serial device</b></li> <li>2. System board</li> </ol>
014-000-XXX Parallel port Interface Test Passed	<b>No action</b>
014-001-XXX Parallel port Presence	<ol style="list-style-type: none"> <li>1. <b>Remove external parallel device, if present</b></li> <li>2. Run setup, enable port</li> <li>3. System board</li> </ol>
014-002-XXX 014-003-XXX Parallel port Timeout/Parity error	<b>System board</b>
014-013-XXX 014-014-XXX Parallel port Control Signal/Loopback test failure	<b>System board</b>
014-015-XXX Parallel port External Loopback failure	<ol style="list-style-type: none"> <li>1. <b>Wrap plug</b></li> <li>2. System board</li> </ol>
014-027-XXX Parallel port Configuration/Setup error	<ol style="list-style-type: none"> <li>1. <b>Run Setup, enable port</b></li> <li>2. Flash the system. See "Flash update procedures" on page 335</li> <li>3. System board</li> </ol>
014-03X-XXX 014-04X-XXX Parallel port failure	<b>System board</b>
014-195-XXX Parallel port Test aborted by user	<b>Information only</b> Re-start the test, if necessary

Diagnostic Error Code	FRU/Action
<b>014-196-XXX</b> Parallel port test halt, error threshold exceeded	<ol style="list-style-type: none"> <li>1. Press F3 to review the log file</li> <li>2. Re-start the test to reset the log file</li> </ol>
<b>014-197-XXX</b> Parallel port test warning	<ol style="list-style-type: none"> <li>1. Make sure the component that is called out is connected and/or enabled. See Chapter 6, "Using the Setup Utility," on page 51</li> <li>2. Re-run test</li> <li>3. Replace the component that is called out in warning statement</li> <li>4. Replace the component under test</li> </ol>
<b>014-198-XXX</b> Parallel port test aborted	<ol style="list-style-type: none"> <li>1. If a component is called out, make sure it is connected and/or enabled</li> <li>2. Flash the system and re-test. See "Flash update procedures" on page 335</li> <li>3. Go to "Undetermined problems" on page 82</li> </ol>
<b>014-199-XXX</b> Parallel port test failed, cause unknown	<ol style="list-style-type: none"> <li>1. Go to "Undetermined problems" on page 82</li> <li>2. Flash the system and re-test. See "Flash update procedures" on page 335</li> <li>3. Replace component under function test</li> </ol>
<b>014-2XX-XXX</b> <b>014-3XX-XXX</b> Parallel port failure	<ol style="list-style-type: none"> <li>1. External parallel device</li> <li>2. System board</li> </ol>
<b>015-000-XXX</b> USB port Interface Test Passed	No action
<b>015-001-XXX</b> USB port Presence	<ol style="list-style-type: none"> <li>1. Remove USB device(s) and re-test</li> <li>2. System board</li> </ol>
<b>015-002-XXX</b> USB port Timeout	<ol style="list-style-type: none"> <li>1. Remove USB device(s) and re-test</li> <li>2. System board</li> </ol>
<b>015-015-XXX</b> USB port External Loopback failure	<ol style="list-style-type: none"> <li>1. Remove USB device(s) and re-test</li> <li>2. System board</li> </ol>
<b>015-027-XXX</b> USB port Configuration/Setup error	<ol style="list-style-type: none"> <li>1. Flash the system. See "Flash update procedures" on page 335</li> <li>2. System board</li> </ol>
<b>015-032-XXX</b> USB port Device Controller failure	System board
<b>015-034-XXX</b> USB port buffer allocation failure	<ol style="list-style-type: none"> <li>1. Reboot the system</li> <li>2. Flash the system and re-test. See "Flash update procedures" on page 335</li> <li>3. Run memory test</li> <li>4. System board</li> </ol>
<b>015-035-XXX</b> USB port Reset condition detected	<ol style="list-style-type: none"> <li>1. Remove USB device(s) and re-test</li> <li>2. System board</li> </ol>

Diagnostic Error Code	FRU/Action
<b>015-036-XXX</b> USB port Register error	<b>System board</b>
<b>015-040-XXX</b> USB port IRQ failure	<ol style="list-style-type: none"> <li>1. <b>Run setup and check for conflicts</b></li> <li>2. Flash the system. See "Flash update procedures" on page 335</li> <li>3. System board</li> </ol>
<b>015-195-XXX</b> USB port Test aborted by user	<b>Information only</b> Re-start the test, if necessary
<b>015-196-XXX</b> USB port test halt, error threshold exceeded	<ol style="list-style-type: none"> <li>1. <b>Press F3 to review the log file</b></li> <li>2. Re-start the test to reset the log file</li> </ol>
<b>015-197-XXX</b> USB port test warning	<ol style="list-style-type: none"> <li>1. <b>Make sure the component that is called out is connected and/or enabled. See Chapter 6, "Using the Setup Utility," on page 51</b></li> <li>2. Re-run test</li> <li>3. Replace the component that is called out in warning statement</li> <li>4. Replace the component under test</li> </ol>
<b>015-198-XXX</b> USB port test aborted	<ol style="list-style-type: none"> <li>1. <b>If a component is called out, make sure it is connected and/or enabled. See Chapter 6, "Using the Setup Utility," on page 51</b></li> <li>2. Flash the system and re-test. See "Flash update procedures" on page 335</li> <li>3. Go to "Undetermined problems" on page 82</li> </ol>
<b>015-199-XXX</b> USB port test failed, cause unknown	<ol style="list-style-type: none"> <li>1. Go to "Undetermined problems" on page 82</li> <li>2. Flash the system and re-test. See "Flash update procedures" on page 335</li> <li>3. Replace component under function test</li> </ol>
<b>018-000-XXX</b> PCI Card Test Passed	<b>No action</b>
<b>018-0XX-XXX</b> PCI Card Failure	<ol style="list-style-type: none"> <li>1. <b>Riser card, if installed</b></li> <li>2. System board</li> </ol>
<b>018-195-XXX</b> PCI Card Test aborted by user	<ol style="list-style-type: none"> <li>1. <b>PCI card</b></li> <li>2. <b>Information only</b> Re-start the test, if necessary</li> </ol>
<b>018-196-XXX</b> PCI Card test halt, error threshold exceeded	<ol style="list-style-type: none"> <li>1. <b>Press F3 to review the log file</b></li> <li>2. Re-start the test to reset the log file</li> </ol>



Diagnostic Error Code	FRU/Action
<b>018-197-XXX</b> PCI Card test warning	<ol style="list-style-type: none"> <li>1. <b>Make sure the component that is called out is connected and/or enabled. See Chapter 6, "Using the Setup Utility," on page 51</b></li> <li>2. Re-run test</li> <li>3. Replace the component that is called out in warning statement</li> <li>4. Replace the component under test</li> </ol>
<b>018-198-XXX</b> PCI Card test aborted	<ol style="list-style-type: none"> <li>1. <b>If a component is called out, make sure it is connected and/or enabled. See Chapter 6, "Using the Setup Utility," on page 51</b></li> <li>2. Flash the system and re-test. See "Flash update procedures" on page 335</li> <li>3. Go to "Undetermined problems" on page 82</li> </ol>
<b>018-199-XXX</b> PCI Card test failed, cause unknown	<ol style="list-style-type: none"> <li>1. Go to "Undetermined problems" on page 82</li> <li>2. Flash the system and re-test. See "Flash update procedures" on page 335</li> <li>3. Replace component under function test</li> </ol>
<b>018-250-XXX</b> PCI Card Services error	<ol style="list-style-type: none"> <li>1. <b>PCI card</b></li> <li>2. Riser card, if installed</li> <li>3. System board</li> </ol>
<b>020-000-XXX</b> PCI Interface Test Passed	<b>No action</b>
<b>020-0XX-XXX</b> PCI Interface error	<ol style="list-style-type: none"> <li>1. <b>PCI card</b></li> <li>2. Riser card, if installed</li> <li>3. System board</li> </ol>
<b>020-195-XXX</b> PCI Test aborted by user	<b>Information only</b> Re-start the test, if necessary
<b>020-196-XXX</b> PCI test halt, error threshold exceeded	<ol style="list-style-type: none"> <li>1. <b>Press F3 to review the log file</b></li> <li>2. Re-start the test to reset the log file</li> </ol>
<b>020-197-XXX</b> PCI test warning	<ol style="list-style-type: none"> <li>1. <b>Make sure the component that is called out is connected and/or enabled. See Chapter 6, "Using the Setup Utility," on page 51</b></li> <li>2. Re-run test</li> <li>3. Replace the component that is called out in warning statement</li> <li>4. Replace the component under test</li> </ol>

Diagnostic Error Code	FRU/Action
020-198-XXX PCI test aborted	<ol style="list-style-type: none"> <li>1. <b>If a component is called out, make sure it is connected and/or enabled. See Chapter 6, "Using the Setup Utility," on page 51</b></li> <li>2. Flash the system and re-test. See "Flash update procedures" on page 335</li> <li>3. Go to "Undetermined problems" on page 82</li> </ol>
020-199-XXX PCI test failed, cause unknown	<ol style="list-style-type: none"> <li>1. Go to "Undetermined problems" on page 82</li> <li>2. Flash the system and re-test. See "Flash update procedures" on page 335</li> <li>3. Replace component under function test</li> </ol>
020-262-XXX PCI system error	<ol style="list-style-type: none"> <li>1. PCI card</li> <li>2. Riser card, if installed</li> <li>3. System board</li> </ol>
025-000-XXX IDE interface Test Passed	<b>No action</b>
025-00X-XXX 025-01X-XXX IDE interface failure	<ol style="list-style-type: none"> <li>1. <b>IDE signal cable</b></li> <li>2. Check power supply voltages</li> <li>3. Reseat IDE signal cable</li> <li>4. IDE device</li> <li>5. System board</li> </ol>
025-027-XXX IDE interface Configuration/Setup error	<ol style="list-style-type: none"> <li>1. <b>IDE signal cable</b></li> <li>2. Flash the system. See "Flash update procedures" on page 335</li> <li>3. Reseat IDE signal cable</li> <li>4. IDE device</li> <li>5. System board</li> </ol>
025-02X-XXX 025-03X-XXX 025-04X-XXX IDE Interface failure	<ol style="list-style-type: none"> <li>1. <b>IDE signal cable</b></li> <li>2. Check power supply</li> <li>3. Reseat IDE signal cable</li> <li>4. IDE device</li> <li>5. System board</li> </ol>
025-195-XXX IDE interface Test aborted by user	<b>Information only</b> Re-start the test, if necessary
025-196-XXX IDE interface test halt, error threshold exceeded	<ol style="list-style-type: none"> <li>1. <b>Press F3 to review the log file</b></li> <li>2. Re-start the test to reset the log file</li> </ol>
025-197-XXX IDE interface test warning	<ol style="list-style-type: none"> <li>1. <b>Make sure the component that is called out is connected and/or enabled. See Chapter 6, "Using the Setup Utility," on page 51</b></li> <li>2. Re-run test</li> <li>3. Replace the component that is called out in warning statement</li> <li>4. Replace the component under test</li> </ol>

Diagnostic Error Code	FRU/Action
<b>025-198-XXX</b> IDE interface test aborted	<ol style="list-style-type: none"> <li>1. <b>If a component is called out, make sure it is connected and/or enabled. See Chapter 6, "Using the Setup Utility," on page 51</b></li> <li>2. Flash the system and re-test. See "Flash update procedures" on page 335</li> <li>3. Go to "Undetermined problems" on page 82</li> </ol>
<b>025-199-XXX</b> IDE interface test failed, cause unknown	<ol style="list-style-type: none"> <li>1. Go to "Undetermined problems" on page 82</li> <li>2. Flash the system and re-test. See "Flash update procedures" on page 335</li> <li>3. Replace component under function test</li> </ol>
<b>030-000-XXX</b> SCSI interface Test Passed	<b>No action</b>
<b>030-00X-XXX</b> <b>030-01X-XXX</b> SCSI interface failure	<ol style="list-style-type: none"> <li>1. <b>SCSI signal cable</b></li> <li>2. Check power supply</li> <li>3. SCSI device</li> <li>4. SCSI adapter card, if installed</li> <li>5. System board</li> </ol>
<b>030-027-XXX</b> SCSI interface Configuration/Setup error	<ol style="list-style-type: none"> <li>1. <b>SCSI signal cable</b></li> <li>2. Flash the system. See "Flash update procedures" on page 335</li> <li>3. SCSI device</li> <li>4. SCSI adapter card, if installed</li> <li>5. System board</li> </ol>
<b>030-03X-XXX</b> <b>030-04X-XXX</b> SCSI interface error	<ol style="list-style-type: none"> <li>1. <b>SCSI signal cable</b></li> <li>2. Check power supply</li> <li>3. SCSI device</li> <li>4. SCSI adapter card, if installed</li> <li>5. System board</li> </ol>
<b>030-195-XXX</b> SCSI interface Test aborted by user	<b>Information only</b> Re-start the test, if necessary
<b>030-196-XXX</b> SCSI interface test halt, error threshold exceeded	<ol style="list-style-type: none"> <li>1. <b>Press F3 to review the log file</b></li> <li>2. Re-start the test to reset the log file</li> </ol>
<b>030-197-XXX</b> SCSI interface test warning	<ol style="list-style-type: none"> <li>1. <b>Make sure the component that is called out is connected and/or enabled. See Chapter 6, "Using the Setup Utility," on page 51</b></li> <li>2. Re-run test</li> <li>3. Replace the component that is called out in warning statement</li> <li>4. Replace the component under test</li> </ol>

Diagnostic Error Code	FRU/Action
<b>030-198-XXX</b> SCSI interface test aborted	<ol style="list-style-type: none"> <li>1. <b>If a component is called out, make sure it is connected and/or enabled. See Chapter 6, "Using the Setup Utility," on page 51</b></li> <li>2. Flash the system and re-test. See "Flash update procedures" on page 335</li> <li>3. Go to "Undetermined problems" on page 82</li> </ol>
<b>030-199-XXX</b> SCSI interface test failed, cause unknown	<ol style="list-style-type: none"> <li>1. Go to "Undetermined problems" on page 82</li> <li>2. Flash the system and re-test. See "Flash update procedures" on page 335</li> <li>3. Replace component under function test</li> </ol>
<b>035-000-XXX</b> RAID interface Test Passed	<b>No action</b>
<b>035-0XX-XXX</b> RAID interface Failure	<ol style="list-style-type: none"> <li>1. <b>RAID signal cable</b></li> <li>2. RAID device</li> <li>3. RAID adapter card, if installed</li> <li>4. System board</li> </ol>
<b>035-195-XXX</b> RAID interface Test aborted by user	<b>Information only</b> Re-start the test, if necessary
<b>035-196-XXX</b> RAID interface test halt, error threshold exceeded	<ol style="list-style-type: none"> <li>1. <b>Press F3 to review the log file</b></li> <li>2. Re-start the test to reset the log file</li> </ol>
<b>035-197-XXX</b> RAID interface test warning	<ol style="list-style-type: none"> <li>1. <b>Make sure the component that is called out is connected and/or enabled. See Chapter 6, "Using the Setup Utility," on page 51</b></li> <li>2. Re-run test</li> <li>3. Replace the component that is called out in warning statement</li> <li>4. Replace the component under test</li> </ol>
<b>035-198-XXX</b> RAID interface test aborted	<ol style="list-style-type: none"> <li>1. <b>If a component is called out, make sure it is connected and/or enabled. See Chapter 6, "Using the Setup Utility," on page 51</b></li> <li>2. Flash the system and re-test. See "Flash update procedures" on page 335</li> <li>3. Go to "Undetermined problems" on page 82</li> </ol>
<b>035-199-XXX</b> RAID interface test failed, cause unknown	<ol style="list-style-type: none"> <li>1. See "Undetermined problems" on page 82</li> <li>2. Flash the system and re-test. See "Flash update procedures" on page 335</li> <li>3. Replace component under function test</li> </ol>
<b>071-000-XXX</b> Audio port Interface Test Passed	<b>No action</b>

Diagnostic Error Code	FRU/Action
071-00X-XXX 071-01X-XXX 071-02X-XXX Audio port error	<ol style="list-style-type: none"> <li>1. <b>Run Setup</b></li> <li>2. Flash the system. See "Flash update procedures" on page 335</li> <li>3. System board</li> </ol>
071-03X-XXX Audio port failure	<ol style="list-style-type: none"> <li>1. <b>Speakers</b></li> <li>2. Microphone</li> <li>3. Audio card, if installed</li> <li>4. System board</li> </ol>
071-04X-XXX Audio port failure	<ol style="list-style-type: none"> <li>1. <b>Run Setup</b></li> <li>2. Audio card, if installed</li> <li>3. System board</li> </ol>
071-195-XXX Audio port Test aborted by user	<p><b>Information only</b> Re-start the test, if necessary</p>
071-196-XXX Audio port test halt, error threshold exceeded	<ol style="list-style-type: none"> <li>1. <b>Press F3 to review the log file</b></li> <li>2. Re-start the test to reset the log file</li> </ol>
071-197-XXX Audio port test warning	<ol style="list-style-type: none"> <li>1. <b>Make sure the component that is called out is connected and/or enabled. See Chapter 6, "Using the Setup Utility," on page 51</b></li> <li>2. Re-run test</li> <li>3. Replace the component that is called out in warning statement</li> <li>4. Replace the component under test</li> </ol>
071-198-XXX Audio port test aborted	<ol style="list-style-type: none"> <li>1. <b>If a component is called out, make sure it is connected and/or enabled. See Chapter 6, "Using the Setup Utility," on page 51</b></li> <li>2. Flash the system and re-test. See "Flash update procedures" on page 335</li> <li>3. Go to "Undetermined problems" on page 82</li> </ol>
071-199-XXX Audio port test failed, cause unknown	<ol style="list-style-type: none"> <li>1. See "Undetermined problems" on page 82</li> <li>2. Flash the system and re-test. See "Flash update procedures" on page 335</li> <li>3. Replace component under function test</li> </ol>
071-25X-XXX Audio port failure	<ol style="list-style-type: none"> <li>1. <b>Speakers</b></li> <li>2. Audio card, if installed</li> <li>3. System board</li> </ol>
080-000-XXX Game Port interface Test Passed	<b>No action</b>
080-XXX-XXX Game Port interface Error	<ol style="list-style-type: none"> <li>1. <b>Remove the game port device and re-test the system</b></li> </ol>
080-195-XXX Game Port interface Test aborted by user	<p><b>Information only</b> Re-start the test, if necessary</p>

Diagnostic Error Code	FRU/Action
<b>080-196-XXX</b> Game Port interface test halt, error threshold exceeded	<ol style="list-style-type: none"> <li>1. <b>Press F3 to review the log file</b></li> <li>2. Re-start the test to reset the log file</li> </ol>
<b>080-197-XXX</b> Game Port interface test warning	<ol style="list-style-type: none"> <li>1. <b>Make sure the component that is called out is connected and/or enabled. See Chapter 6, "Using the Setup Utility," on page 51</b></li> <li>2. Re-run test</li> <li>3. Replace the component that is called out in warning statement</li> <li>4. Replace the component under test</li> </ol>
<b>080-198-XXX</b> Game Port interface test aborted	<ol style="list-style-type: none"> <li>1. <b>If a component is called out, make sure it is connected and/or enabled. See Chapter 6, "Using the Setup Utility," on page 51</b></li> <li>2. Flash the system and re-test. See "Flash update procedures" on page 335</li> <li>3. Go to "Undetermined problems" on page 82</li> </ol>
<b>080-199-XXX</b> Game Port interface test failed, cause unknown	<ol style="list-style-type: none"> <li>1. See "Undetermined problems" on page 82</li> <li>2. Flash the system and re-test. See "Flash update procedures" on page 335</li> <li>3. Replace component under function test</li> </ol>
<b>086-000-XXX</b> Mouse Port interface Test Passed	<b>No action</b>
<b>086-001-XXX</b> Mouse Port interface Presence	<ol style="list-style-type: none"> <li>1. <b>Mouse</b></li> <li>2. System board</li> </ol>
<b>086-032-XXX</b> Mouse Port interface Device controller failure	<ol style="list-style-type: none"> <li>1. <b>Mouse</b></li> <li>2. System board</li> </ol>
<b>086-035-XXX</b> Mouse Port interface Reset	<ol style="list-style-type: none"> <li>1. <b>Mouse</b></li> <li>2. System board</li> </ol>
<b>086-040-XXX</b> Mouse Port interface IRQ failure	<ol style="list-style-type: none"> <li>1. <b>Run Setup</b></li> <li>2. Mouse</li> <li>3. System board</li> </ol>
<b>086-195-XXX</b> Mouse Port interface Test aborted by user	<b>Information only</b> Re-start the test, if necessary
<b>086-196-XXX</b> Mouse Port interface test halt, error threshold exceeded	<ol style="list-style-type: none"> <li>1. <b>Press F3 to review the log file</b></li> <li>2. Re-start the test to reset the log file</li> </ol>

Diagnostic Error Code	FRU/Action
086-197-XXX Mouse Port interface test warning	<ol style="list-style-type: none"> <li>1. <b>Make sure the component that is called out is connected and/or enabled. See Chapter 6, "Using the Setup Utility," on page 51</b></li> <li>2. Re-run test</li> <li>3. Replace the component that is called out in warning statement</li> <li>4. Replace the component under test</li> </ol>
086-198-XXX Mouse Port interface test aborted	<ol style="list-style-type: none"> <li>1. <b>If a component is called out, make sure it is connected and/or enabled. See Chapter 6, "Using the Setup Utility," on page 51</b></li> <li>2. Flash the system and re-test. See "Flash update procedures" on page 335</li> <li>3. Go to "Undetermined problems" on page 82</li> </ol>
086-199-XXX Mouse Port interface test failed, cause unknown	<ol style="list-style-type: none"> <li>1. See "Undetermined problems" on page 82</li> <li>2. Flash the system and re-test. See "Flash update procedures" on page 335</li> <li>3. Replace component under function test</li> </ol>
089-000-XXX Microprocessor Test Passed	<b>No action</b>
089-XXX-XXX Microprocessor failure	<ol style="list-style-type: none"> <li>1. <b>Microprocessor(s)</b></li> <li>2. System board</li> </ol>
089-195-XXX Microprocessor Test aborted by user	<b>Information only</b> Re-start the test, if necessary
089-196-XXX Microprocessor test halt, error threshold exceeded	<ol style="list-style-type: none"> <li>1. <b>Press F3 to review the log file</b></li> <li>2. Re-start the test to reset the log file</li> </ol>
089-197-XXX Microprocessor test warning	<ol style="list-style-type: none"> <li>1. <b>Make sure the component that is called out is connected and/or enabled. See Chapter 6, "Using the Setup Utility," on page 51</b></li> <li>2. Re-run test</li> <li>3. Replace the component that is called out in warning statement</li> <li>4. Replace the component under test</li> </ol>
089-198-XXX Microprocessor test aborted	<ol style="list-style-type: none"> <li>1. <b>Flash the system. See "Flash update procedures" on page 335</b></li> <li>2. Go to "Undetermined problems" on page 82</li> </ol>
089-199-XXX Microprocessor test failed, cause unknown	<ol style="list-style-type: none"> <li>1. See "Undetermined problems" on page 82</li> <li>2. Flash the system and re-test. See "Flash update procedures" on page 335</li> <li>3. Replace component under function test</li> </ol>
170-000-XXX Voltage Sensor(s) Test Passed	<b>No action</b>

Diagnostic Error Code	FRU/Action
<b>170-0XX-XXX</b> Voltage Sensor(s) failure	<ol style="list-style-type: none"> <li>1. <b>Flash system</b></li> <li>2. System board</li> </ol>
<b>170-195-XXX</b> Voltage Sensor(s) Test aborted by user	<p><b>Information only</b> Re-start the test, if necessary</p>
<b>170-196-XXX</b> Voltage Sensor(s) test halt, error threshold exceeded	<ol style="list-style-type: none"> <li>1. <b>Press F3 to review the log file</b></li> <li>2. Re-start the test to reset the log file</li> </ol>
<b>170-197-XXX</b> Voltage Sensor(s) test warning	<ol style="list-style-type: none"> <li>1. <b>Make sure the component that is called out is connected and/or enabled. See Chapter 6, "Using the Setup Utility," on page 51</b></li> <li>2. Re-run test</li> <li>3. Replace the component that is called out in warning statement</li> <li>4. Replace the component under test</li> </ol>
<b>170-198-XXX</b> Voltage Sensor(s) test aborted	<ol style="list-style-type: none"> <li>1. <b>If a component is called out, make sure it is connected and/or enabled. See Chapter 6, "Using the Setup Utility," on page 51</b></li> <li>2. Flash the system and re-test. See "Flash update procedures" on page 335</li> <li>3. Go to "Undetermined problems" on page 82</li> </ol>
<b>170-199-XXX</b> Voltage Sensor(s) test failed, cause unknown	<ol style="list-style-type: none"> <li>1. <b>See "Undetermined problems" on page 82</b></li> <li>2. Flash the system and re-test. See "Flash update procedures" on page 335</li> <li>3. Replace component under function test</li> </ol>
<b>170-250-XXX</b> <b>170-251-XXX</b> Voltage Sensor(s) Voltage limit error	<ol style="list-style-type: none"> <li>1. <b>Power supply</b></li> <li>2. System board</li> </ol>
<b>170-254-XXX</b> Voltage Sensor(s) Voltage Regulator Module error	<ol style="list-style-type: none"> <li>1. <b>Voltage Regulator Module (VRM)</b></li> <li>2. Microprocessor</li> <li>3. System board</li> </ol>
<b>175-000-XXX</b> Thermal Sensor(s) Test Passed	<b>No action</b>
<b>175-0XX-XXX</b> Thermal Sensor(s) failure	<ol style="list-style-type: none"> <li>1. <b>Flash system</b></li> <li>2. System board</li> </ol>
<b>175-195-XXX</b> Thermal Sensor(s) Test aborted by user	<p><b>Information only</b> Re-start the test, if necessary</p>
<b>175-196-XXX</b> Thermal Sensor(s) test halt, error threshold exceeded	<ol style="list-style-type: none"> <li>1. <b>Press F3 to review the log file</b></li> <li>2. Re-start the test to reset the log file</li> </ol>



Diagnostic Error Code	FRU/Action
175-197-XXX Thermal Sensor(s) test warning	<ol style="list-style-type: none"> <li>1. <b>Make sure the component that is called out is connected and/or enabled. See Chapter 6, "Using the Setup Utility," on page 51</b></li> <li>2. Re-run test</li> <li>3. Replace the component that is called out in warning statement</li> <li>4. Replace the component under test</li> </ol>
175-198-XXX Thermal Sensor(s) test aborted	<ol style="list-style-type: none"> <li>1. <b>If a component is called out, make sure it is connected and/or enabled</b></li> <li>2. Flash the system and re-test. See "Flash update procedures" on page 335</li> <li>3. Go to "Undetermined problems" on page 82</li> </ol>
175-199-XXX Thermal Sensor(s) test failed, cause unknown	<ol style="list-style-type: none"> <li>1. <b>See "Undetermined problems" on page 82</b></li> <li>2. Flash the system and re-test. See "Flash update procedures" on page 335</li> <li>3. Replace component under function test</li> </ol>
175-250-XXX 175-251-XXX Thermal Sensor(s) limit error	<ol style="list-style-type: none"> <li>1. <b>Check fans</b></li> <li>2. Check Power supply voltages</li> <li>3. Microprocessor</li> <li>4. System board</li> </ol>
185-000-XXX Asset Security Test Passed	<b>No action</b>
185-XXX-XXX Asset Security failure	<ol style="list-style-type: none"> <li>1. <b>Flash system</b></li> <li>2. System board</li> </ol>
185-278-XXX Asset Security Chassis Intrusion	<ol style="list-style-type: none"> <li>1. <b>Assure Asset Security Enabled</b></li> <li>2. C2 Cover Switch</li> <li>3. System board</li> </ol>
201-000-XXX System Memory Test Passed	<b>No action</b>
201-XXX-XXX System Memory error	<ol style="list-style-type: none"> <li>1. <b>Replace the memory module called out by the test</b></li> <li>2. System board</li> </ol>
202-000-XXX System Cache Test Passed	<b>No action</b>
202-XXX-XXX System Cache error	<ol style="list-style-type: none"> <li>1. <b>Cache, if removable</b></li> <li>2. System board</li> <li>3. Microprocessor</li> </ol>
206-000-XXX Diskette Drive Test Passed	<b>No action</b>
206-XXX-XXX Diskette Drive error	<ol style="list-style-type: none"> <li>1. <b>Diskette Drive Cable</b></li> <li>2. Check power supply voltages</li> <li>3. Diskette drive</li> <li>4. System board</li> </ol>

<b>Diagnostic Error Code</b>	<b>FRU/Action</b>
<b>215-000-XXX</b> CD-ROM Drive Test Passed	<b>No action</b>
<b>215-XXX-XXX</b> CD-ROM Drive error	<ol style="list-style-type: none"> <li>1. <b>CD-ROM Drive Cable</b></li> <li>2. Check power supply voltages</li> <li>3. CD-ROM drive</li> <li>4. System board</li> </ol>
<b>217-000-XXX</b> Hard Disk Drive Test Passed	<b>No action</b>
<b>217-25X-XXX</b> <b>217-26X-XXX</b> Hard Disk Drive (IDE) error	<ol style="list-style-type: none"> <li>1. <b>Hard Disk Drive Cable</b></li> <li>2. Check power supply voltages</li> <li>3. Reseat the hard disk drive cable</li> <li>4. Hard Disk drive (IDE)</li> <li>5. System board</li> </ol>
<b>217-28X-XXX</b> <b>217-29X-XXX</b> Hard Disk Drive (SCSI) error	<ol style="list-style-type: none"> <li>1. <b>Hard Disk Drive Cable</b></li> <li>2. Check power supply voltages</li> <li>3. Reseat the hard disk drive cable</li> <li>4. Hard Disk drive (SCSI)</li> <li>5. SCSI adapter card</li> <li>6. System board</li> </ol>
<b>220-000-XXX</b> Hi-Capacity Cartridge Drive Test Passed	<b>No action</b>
<b>220-XXX-XXX</b> Hi-Capacity Cartridge Drive error	<ol style="list-style-type: none"> <li>1. <b>Remove the Hi-Capacity Cartridge Drive and re-test the system</b></li> </ol>
<b>301-XXX-XXX</b> Keyboard error	<ol style="list-style-type: none"> <li>1. <b>Keyboard</b></li> <li>2. Check and test mouse</li> <li>3. System board</li> </ol>
<b>301-000-XXX</b> Keyboard Test Passed	<b>No action</b>
<b>302-000-XXX</b> Mouse Test Passed	<b>No action</b>
<b>302-XXX-XXX</b> Mouse error	<ol style="list-style-type: none"> <li>1. <b>Mouse</b></li> <li>2. Check and test Keyboard</li> <li>3. System board</li> </ol>
<b>303-000-XXX</b> Joystick Test Passed	<b>No action</b>
<b>303-XXX-XXX</b> Joystick error	<b>Remove the Joystick and re-test the system</b>
<b>305-000-XXX</b> Monitor DDC Test Passed	<b>No action</b>
<b>305-250-XXX</b> Monitor DDC self test failure	<ol style="list-style-type: none"> <li>1. <b>Run Setup to enable DDC</b></li> <li>2. Cable</li> <li>3. Monitor</li> <li>4. Video card</li> <li>5. System board</li> </ol>

<b>Diagnostic Error Code</b>	<b>FRU/Action</b>
415-000-XXX Modem Test Passed	No action
415-XXX-XXX Modem error	<b>Remove the Modem and re-test the system</b>

## Beep symptoms

Beep symptoms are tones or a series of tones separated by pauses (intervals without sound) during POST.

The following tables describes beep symptoms.

Beep Symptom	FRU/Action
<b>2 short beeps</b> CMOS setting error	Perform the following actions in order. <ol style="list-style-type: none"><li>1. Start the Setup Utility program and press F10 to Save and exit. See Chapter 6, "Using the Setup Utility," on page 51.</li><li>2. Start the Setup Utility program and press F7 to load defaults and then press F10 to Save and exit.</li><li>3. Perform a Boot block recovery. See "Recovering from a POST/BIOS update failure" on page 336.</li></ol>
<b>1 long and 2 short beeps</b> Monitor or video adapter card error	Perform the following actions in order. <ol style="list-style-type: none"><li>1. Make sure the monitor is properly connected to the computer.</li><li>2. Replace the video adapter card (if present).</li><li>3. Replace the system board.</li></ol>
<b>1 long and 3 short beeps</b> Keyboard error	Perform the following actions in order. <ol style="list-style-type: none"><li>1. Make sure the keyboard is properly connected to the keyboard connector.</li><li>2. Replace the keyboard.</li><li>3. Replace the system board.</li></ol>
<b>1 long and 9 short beeps</b> BIOS ROM error	Perform the following actions in order. <ol style="list-style-type: none"><li>1. Start the Setup Utility program and press F7 to load defaults and then press F10 to Save and exit. See Chapter 6, "Using the Setup Utility," on page 51.</li><li>2. Perform a Boot block recovery. See "Recovering from a POST/BIOS update failure" on page 336.</li><li>3. Replace the system board.</li></ol>
<b>Continuos long beeps</b> DRAM memory error	Perform the following actions in order. <ol style="list-style-type: none"><li>1. Make sure the memory module(s) are properly seated in the connector(s).</li><li>2. Replace the memory module(s).</li><li>3. Replace the system board.</li></ol>

## POST error codes

Each time you power-on the system, it performs a series of tests that check the operation of the system and some options. This series of tests is called the *Power-On Self-Test*, or *POST*. POST does the following operations.

- Checks some basic system-board operations
- Checks the memory operation
- Starts the video operation
- Verifies that the boot drive is working

If the POST detects a problem, an error message appears on the screen. A single problem can cause several error messages to appear. When you correct the cause of the first error message, the other error messages probably will not appear on the screen the next time you turn on the system.

POST Error Message	Description/Action
CMOS battery failed	The CMOS battery is no longer functional. Replace the battery.
CMOS checksum error - defaults loaded	Checksum of CMOS is incorrect. The computer loads the default configuration settings. This error might indicate that CMOS has become corrupt due to a weak CMOS battery.
CPU at nnnn	nnnn is the running speed of the microprocessor.
Press Esc to skip memory test	Pressing Esc skips the full memory test
HARD DISK INSTALL FAILURE	Cannot find or initialize the hard disk drive controller or the drive. Make sure the hard disk drive is correctly installed. If no hard disk drives are installed, make sure the hard disk drive selection in Setup is set to NONE.
Keyboard error or no keyboard present	Cannot initialize the keyboard. Make sure the keyboard is properly connected to the computer and that no keys are held pressed during POST. To purposely configure the computer without a keyboard, set the error halt condition in Setup to HALT ON ALL, BUT KEYBOARD. The BIOS then ignores the missing keyboard during POST.
Memory Test:	This message displays during a full memory test, counting down the memory areas being tested.
Memory test fail	If POST detects an error during memory testing, additional information appears. This information gives specifics about the type and location of the memory error.

POST Error Message	Description/Action
Press TAB to show POST screen	Pressing the TAB key permits the user to toggle between the default POST display screen and a custom POST display screen.
Error: Non-System disk or disk error Replace and press any key when ready	<p>The BIOS was unable to find a suitable boot device.</p> <p>Make sure the boot drive is properly connected to the computer.</p> <p>Make sure you have bootable media.</p>

## Miscellaneous error messages

Message/Symptom	FRU/Action
Changing display colors	<b>Display/Monitor</b>
Computer will <i>not</i> power-off. See "Power Supply Problems" on page 55.	<ol style="list-style-type: none"> <li><b>Power Switch</b></li> <li>System Board</li> <li>Riser card, if installed</li> </ol>
Computer will <i>not</i> RPL from server	<ol style="list-style-type: none"> <li><b>Ensure that network is in startup sequence as first device or first device after diskette</b></li> <li>Ensure that network adapter is enabled for RPL</li> <li>Network adapter (Advise network administrator of new MAC address)</li> </ol>
Computer will <i>not</i> perform a Wake On LAN <sup>®</sup> (if applicable)	<ol style="list-style-type: none"> <li><b>Check power supply and signal cable connections to network adapter</b></li> <li>Ensure that the operating system settings are set to enable Wake on LAN<sup>®</sup></li> <li>Ensure Wake On LAN feature is enabled in Setup/Configuration (see "Starting the Setup Utility program" on page 51)</li> <li>Ensure network administrator is using correct MAC address</li> <li>Ensure no interrupt or I/O address conflicts</li> <li>Network adapter (advise network administrator of new MAC address)</li> </ol>
Dead computer. See "Power Supply Problems" on page 55.	<ol style="list-style-type: none"> <li><b>Power Supply</b></li> <li>System Board</li> </ol>
Diskette drive in-use light remains on or does not light when drive is active.	<ol style="list-style-type: none"> <li><b>Diskette Drive</b></li> <li>System Board</li> <li>Diskette Drive Cable</li> </ol>
Flashing cursor with an otherwise blank display.	<ol style="list-style-type: none"> <li><b>System Board</b></li> <li>Primary Hard Disk Drive</li> <li>Hard Disk Drive Cable</li> </ol>
Incorrect memory size during POST	<ol style="list-style-type: none"> <li><b>Run the Memory tests</b></li> <li>Memory Module</li> <li>System Board</li> </ol>
"Insert a Diskette" icon appears with a known-good diagnostics diskette in the first 3.5-inch diskette drive.	<ol style="list-style-type: none"> <li><b>System Board</b></li> <li>Diskette Drive Cable</li> <li>Network Adapter</li> </ol>
Intensity or color varies from left to right of characters and color bars	<ol style="list-style-type: none"> <li><b>Display</b></li> <li>Video adapter (if present)</li> <li>System Board</li> </ol>
No power or fan not running	<ol style="list-style-type: none"> <li><b>See "Power Supply Problems" on page 55.</b></li> </ol>

Message/Symptom	FRU/Action
Non-system disk or disk error-type message with a known-good diagnostic diskette.	<ol style="list-style-type: none"> <li>1. <b>Diskette Drive</b></li> <li>2. System Board</li> <li>3. Diskette Drive Cable</li> </ol>
Other display symptoms not listed above (including blank or illegible display)	<ol style="list-style-type: none"> <li>1. <b>Display</b></li> <li>2. System Board</li> </ol>
Power-on indicator or hard disk drive in-use light not on, but computer works correctly	<ol style="list-style-type: none"> <li>1. Power switch/LED assembly</li> <li>2. System Board</li> </ol>
Printer problems	<ol style="list-style-type: none"> <li>1. <b>Printer</b></li> <li>2. System Board</li> </ol>
Program loads from the hard disk with a known-good diagnostics diskette in the first 3.5-inch diskette drive	<ol style="list-style-type: none"> <li>1. <b>Run Setup</b> and check Startup sequence.</li> <li>2. Diskette Drive</li> <li>3. Diskette Drive Cable</li> <li>4. System Board</li> <li>5. Power Supply</li> </ol>
RPL computer cannot access programs from its own hard disk.	<ol style="list-style-type: none"> <li>1. <b>If network administrator is using LCCM Hybrid RPL, check startup sequence:</b> <ol style="list-style-type: none"> <li>a. <b>First device - network</b></li> <li>b. <b>Second device - hard disk</b></li> </ol> </li> <li>2. Hard disk drive</li> </ol>
RPL computer does not RPL from server	<ol style="list-style-type: none"> <li>1. <b>Check startup sequence</b></li> <li>2. Check the network adapter LED status</li> </ol>
Serial or parallel port device failure (system board port)	<ol style="list-style-type: none"> <li>1. <b>External Device Self-Test OK?</b></li> <li>2. External Device</li> <li>3. Cable</li> <li>4. System Board</li> </ol>
Serial or parallel port device failure (adapter port)	<ol style="list-style-type: none"> <li>1. <b>External Device Self-Test OK?</b></li> <li>2. External Device</li> <li>3. Cable</li> <li>4. Alternate Adapter</li> <li>5. System Board</li> </ol>
Some or all keys on the keyboard do not work	<ol style="list-style-type: none"> <li>1. <b>Keyboard</b></li> <li>2. Keyboard Cable</li> <li>3. System Board</li> </ol>

---

## Undetermined problems

If this computer has a parallel ATA hard disk drive, make sure that the hard disk drive is jumpered as a master and the optical drive is jumpered as a slave.

1. Power-off the computer.
2. Remove or disconnect the following components (if installed) one at a time.
  - a. External devices (modem, printer, or mouse)
  - b. Any adapters



- c. Memory modules
  - d. Extended video memory
  - e. External Cache
  - f. External Cache RAM
  - g. Hard disk drive
  - h. Diskette drive
3. Power-on the computer to re-test the system.
  4. Repeat steps 1 through 3 until you find the failing device or adapter.

If all devices and adapters have been removed, and the problem continues, replace the system board.



---

## Chapter 8. Replacing FRUs (Types 9120, 9127, 9129, 9134, 9136, 9139, 9141, 9143, 9156, 9158, 9171, and 9191)

**Important**

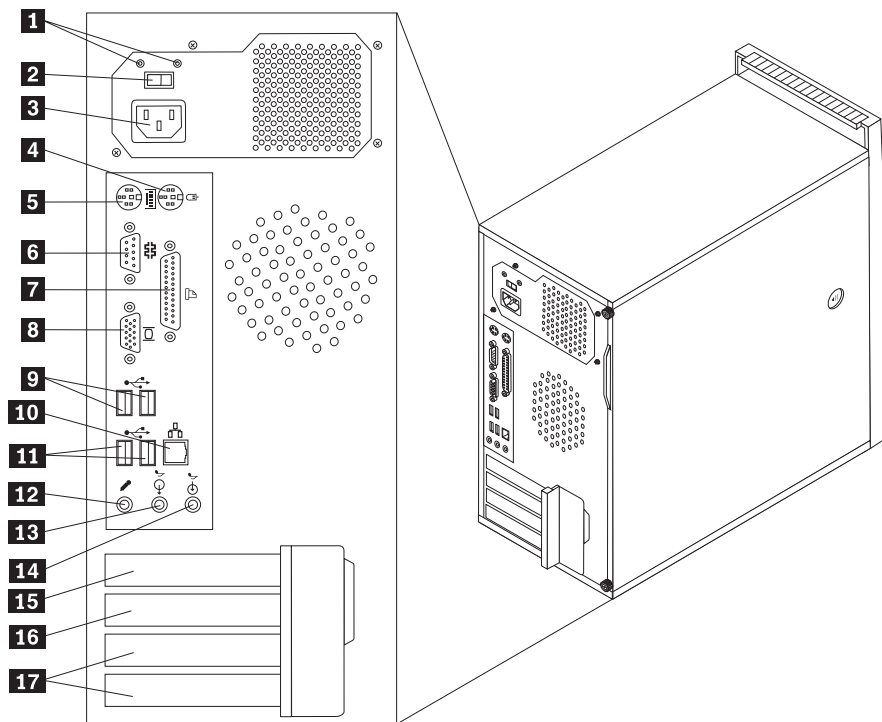
Before you replace any FRU, read Chapter 2, "Safety information," on page 3. These precautions and guidelines will help you work safely.

FRU replacements are to be done by trained service technicians only.

This chapter does not contain a remove and replace procedure for all FRUs. Only the major FRUs are documented.

## Rear connectors

The following illustration shows the locations of the connectors on the rear of the computer.



- |          |  |           |  |
|----------|--|-----------|--|
| <b>1</b> | Power supply diagnostic LEDs (some models) | <b>10</b> | Ethernet connector                         |
| <b>2</b> | Voltage selection switch (some models)     | <b>11</b> | USB connectors (2)                         |
| <b>3</b> | Power connector                            | <b>12</b> | Microphone connector                       |
| <b>4</b> | Standard mouse connector                   | <b>13</b> | Audio line out connector                   |
| <b>5</b> | Standard keyboard connector                | <b>14</b> | Audio line in connector                    |
| <b>6</b> | Serial connector                           | <b>15</b> | PCI Express x1 adapter connector           |
| <b>7</b> | Parallel connector                         | <b>16</b> | PCI Express x16 graphics adapter connector |
| <b>8</b> | VGA monitor connector                      | <b>17</b> | PCI adapter connectors (2)                 |
| <b>9</b> | USB connectors (2)                         |           |  |

---

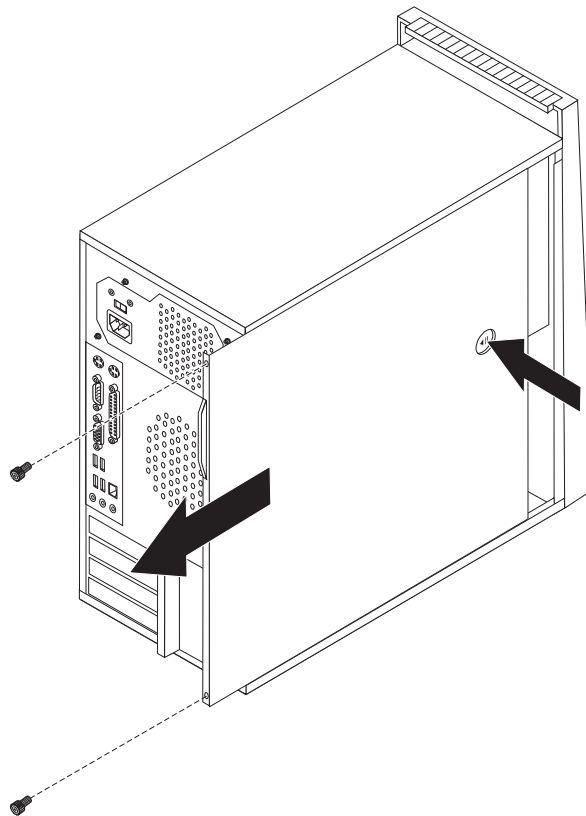
## Removing the cover

### Important

Read Chapter 2, “Safety information,” on page 3 and “Handling electrostatic discharge-sensitive devices” on page 6 before opening the cover.

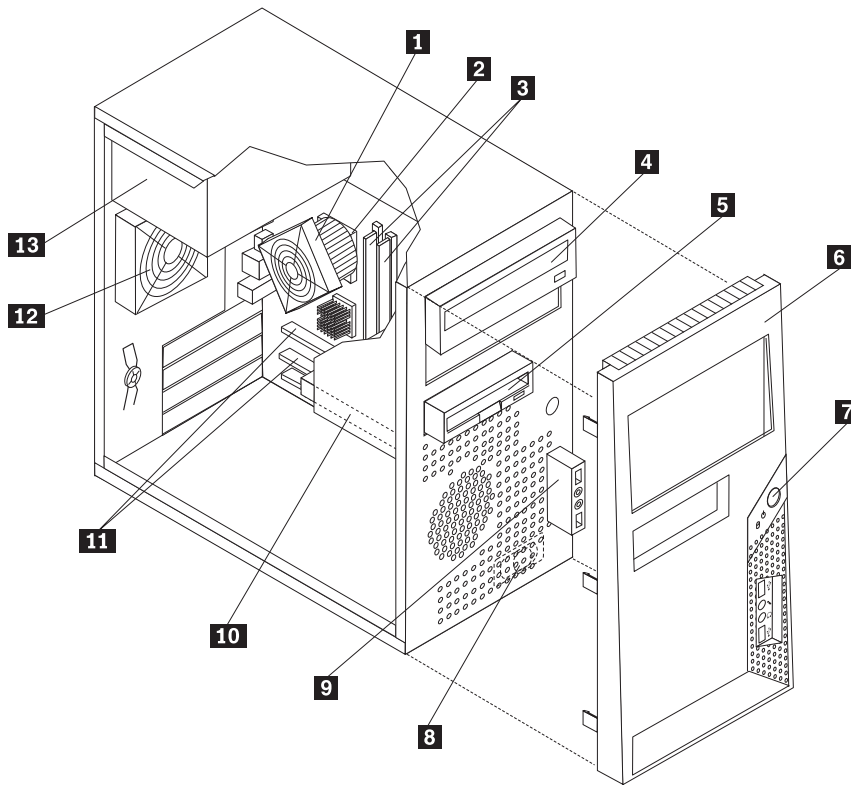
This procedure describes how to remove the cover.

1. Shut down the operating system, remove any media (DVDs, CDs, or tapes) from the drives, and turn off all attached devices.
2. Unplug all power cords from electrical outlets.
3. Disconnect all cables attached to the computer. This includes power cords, input/output (I/O) cables, and any other cables that are connected to the computer.
4. If there are thumb screws securing the cover, remove them.
5. Press the button on the left-side cover and slide the cover to the rear to remove.



## Locations

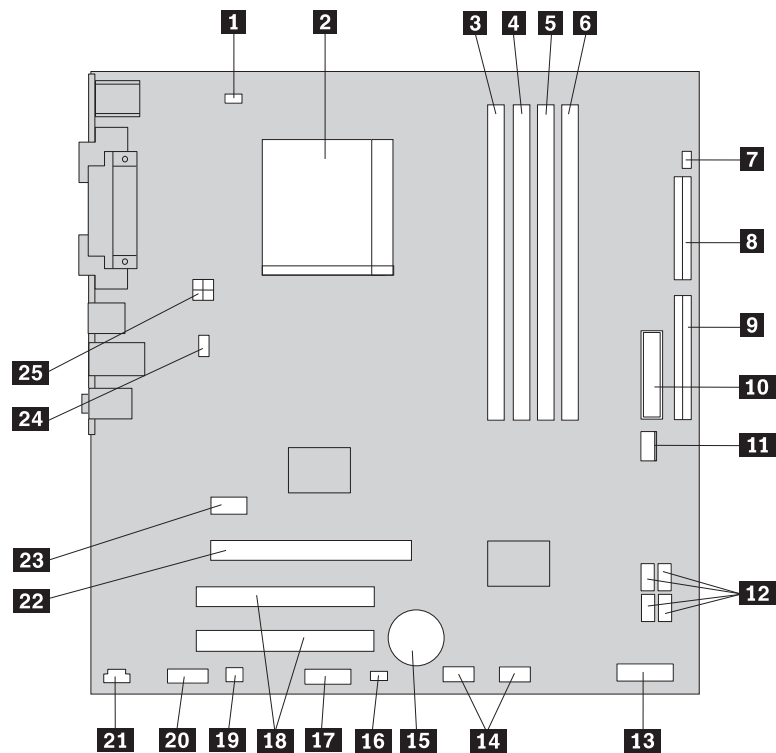
The following illustration will help you locate the major FRUs in the computer.



- |                                     |                                   |
|-------------------------------------|-----------------------------------|
| <b>1</b> Heat sink and fan assembly | <b>8</b> Internal speaker         |
| <b>2</b> Microprocessor             | <b>9</b> Front audio/USB assembly |
| <b>3</b> Memory modules             | <b>10</b> Hard disk drive         |
| <b>4</b> Optical drive              | <b>11</b> System board            |
| <b>5</b> Diskette drive             | <b>12</b> System fan              |
| <b>6</b> Bezel                      | <b>13</b> Power supply            |
| <b>7</b> Power switch/LED assembly  |                                   |

---

## Locating parts on the system board



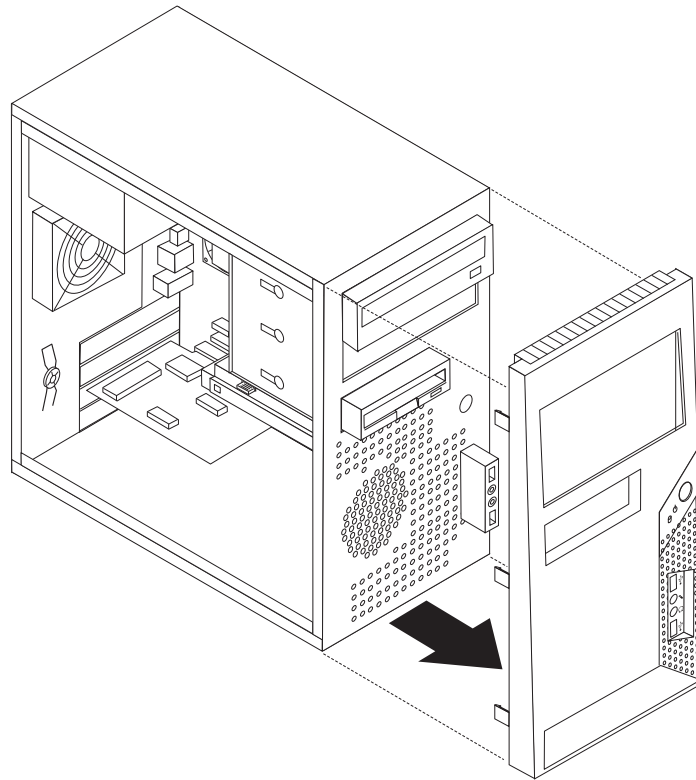
- |           |                                 |           |  |
|-----------|---------------------------------|-----------|--|
| <b>1</b>  | Microprocessor fan connector    | <b>14</b> | Front USB connectors (2)                   |
| <b>2</b>  | Microprocessor and heat sink    | <b>15</b> | Battery                                    |
| <b>3</b>  | Memory connector 1              | <b>16</b> | Clear CMOS/Recovery jumper                 |
| <b>4</b>  | Memory connector 2              | <b>17</b> | Serial (COM) connector                     |
| <b>5</b>  | Memory connector 3              | <b>18</b> | PCI adapter connectors                     |
| <b>6</b>  | Memory connector 4              | <b>19</b> | Mono (speaker) connector                   |
| <b>7</b>  | Cover presence switch connector | <b>20</b> | Front audio connector                      |
| <b>8</b>  | Diskette drive connector        | <b>21</b> | CD-IN connector                            |
| <b>9</b>  | IDE connector                   | <b>22</b> | PCI Express x16 graphics adapter connector |
| <b>10</b> | Power connector                 | <b>23</b> | PCI Express x1 adapter connector           |
| <b>11</b> | Front system fan connector      | <b>24</b> | System fan connector                       |
| <b>12</b> | SATA IDE connectors (4)         | <b>25</b> | 12v power connector                        |
| <b>13</b> | Front panel connector           |           |  |

---

## Removing and replacing the front bezel

This procedure describes how to remove and replace the front bezel.

1. Remove the computer cover. See “Removing the cover” on page 87.
2. Remove the front bezel by releasing the three plastic tabs inside the chassis and pivoting the bezel outward. Carefully set the bezel to the side without disconnecting the power switch/LED assembly cable.



3. To reinstall the bezel, align the plastic tabs on the right side of the bezel with the corresponding holes in the chassis, then pivot it inward until it snaps into position on the left side.

---

## Replacing the power supply

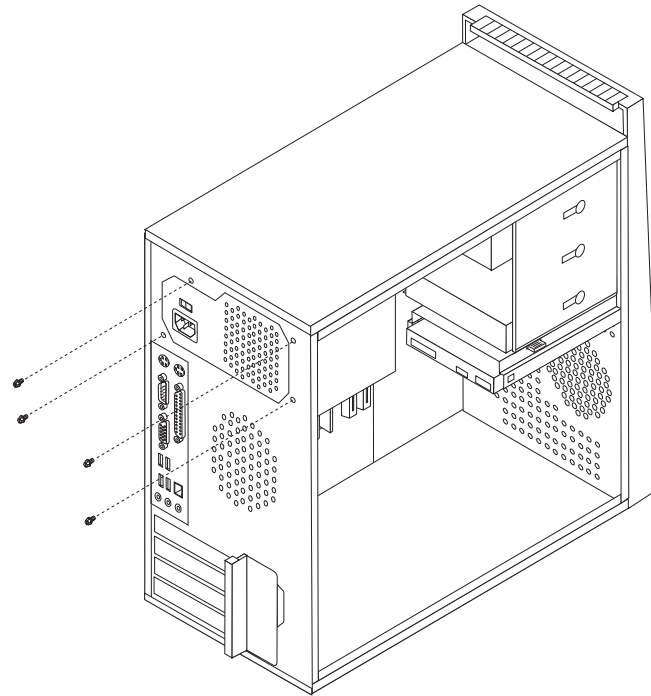
This procedure describes how to remove and replace the power supply.

1. Remove the computer cover. See “Removing the cover” on page 87.

**Note:** For this procedure, it helps to lay the computer on its side.

2. Disconnect the power supply cables from the system board and from all drives.
3. Remove the four screws that secure the power supply at the rear of the chassis.





4. Lift the power supply out of the chassis.
5. If the power supply has a voltage-selection switch, ensure that it is set to match the voltage available at the electrical outlet.
  - If the voltage supply range in your local country or region is 100-127 V ac, set the switch to 115 V.
  - If the voltage supply range in your local country or region is 200-240 V ac, set the switch to 230 V.
6. Install the new power supply into the chassis so that the screw holes in the power supply align with those in the chassis.
7. Install the four screws to secure the power supply.

**Note:** Use only the screws provided by Lenovo.

8. Reconnect the power supply connectors to the system board. See “Locating parts on the system board” on page 89.
9. Reconnect a power supply connector to each of the drives.
10. Go to “Completing the FRU replacement” on page 110.

---

## Replacing the system board

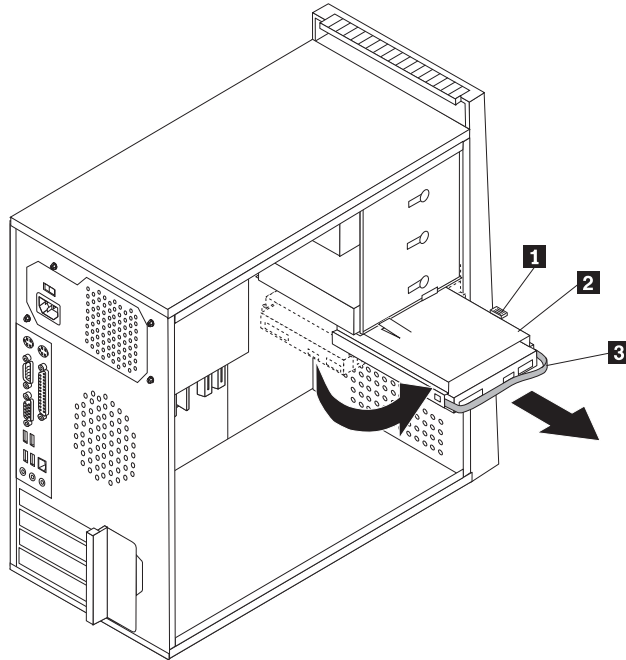
### Important

The heat sink and microprocessor might be very hot. Make sure these components are cool enough to safely handle before continuing this procedure.

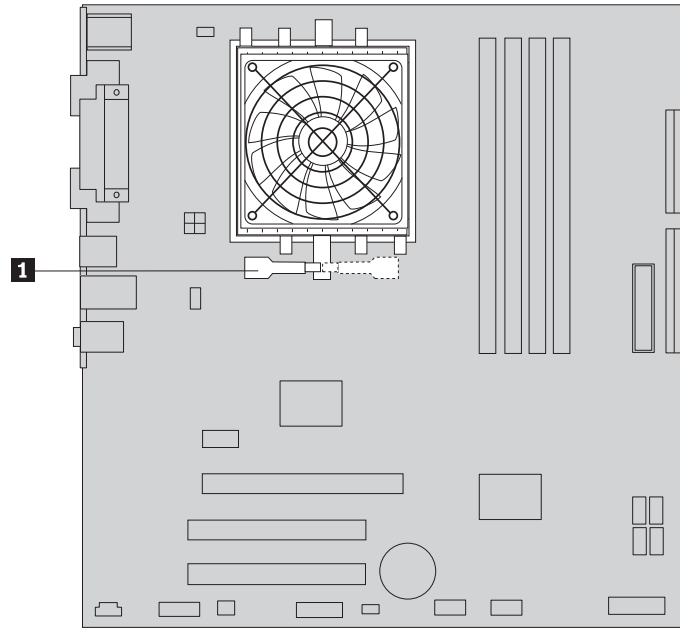
**Note:** When replacing the system board you must also order a new retention module for the new system board. Make sure you have a retention module for the new system board before continuing with this procedure.

This procedure describes how to remove and replace the system board.

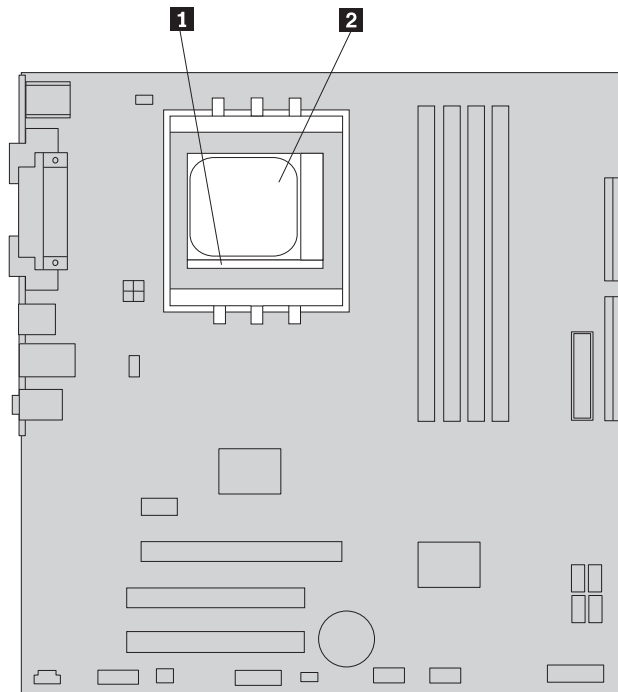
1. Remove the side cover. See “Removing the cover” on page 87.
2. Place the computer on its right side to help make the system board more accessible.
3. Remove any PCI adapter cards installed. “Replacing a PCI adapter” on page 99
4. Disconnect the signal and power cables from the hard disk drive.
5. Press the release tab **1** down, slide the hard drive cage **2** back, and pivot the hard disk drive outward as shown.



6. Carefully take note of the location of all cable connections on the system board and disconnect all cables. See “Locating parts on the system board” on page 89.
7. Remove the screws that secure the system board to the chassis.
8. Lift the system board out of the chassis.
9. Remove the memory modules from the failing system board and install them in the same location on the new system board.
10. Rotate handle **1** to release the heat sink clamp and then disengage the clamp from the plastic retention bracket.



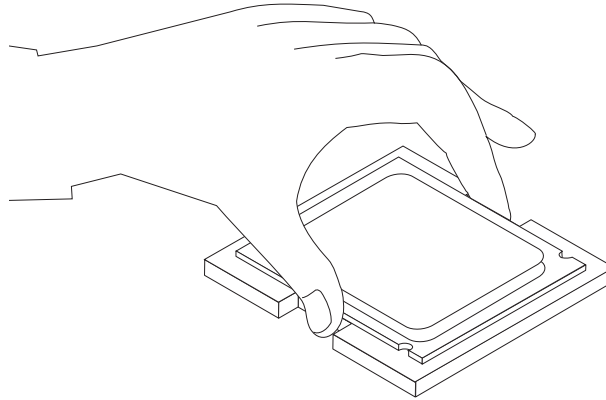
11. Lift the heat sink and fan assembly off the failing system board. Place the heat sink on its side so that the thermal grease does not come in contact with anything.
12. Remove the retention module from the rear of the failing system board and install it in the same position on the new system board.
13. To release the microprocessor **2** from the system board socket, lift the small handle **1**.



**Important**

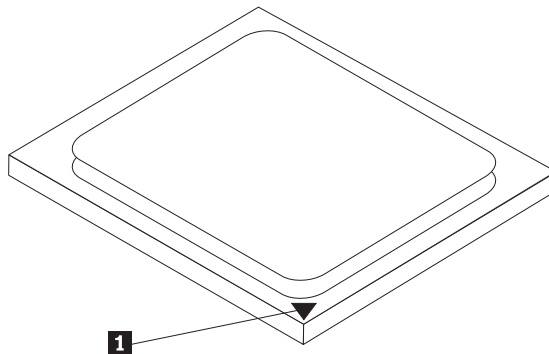
Touch only the sides of the microprocessor. Do not touch the gold contacts on the bottom.

14. Lift the microprocessor straight up and out of the socket.

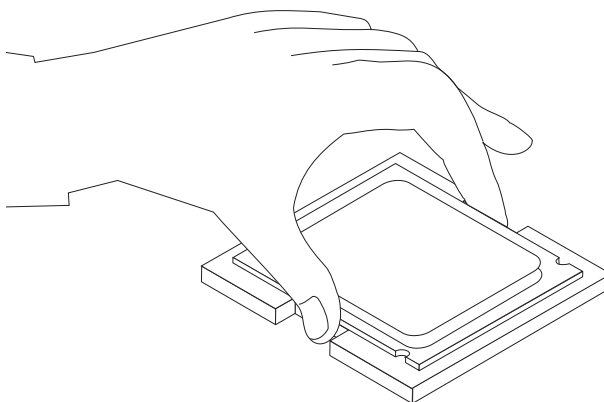


**Notes:**

- a. Your microprocessor and socket might look different than the one illustrated.
  - b. Note the orientation of the microprocessor in the socket. Look for the small triangle on one corner of the microprocessor. This is important when reinstalling the microprocessor on the new system board.
  - c. Do not drop anything onto the microprocessor socket while it is exposed. The socket pins must be kept as clean as possible.
15. Holding the microprocessor with your fingers, position the microprocessor so that the small triangle **1** on one corner is aligned with the corresponding triangle on the socket on the new system board.



16. Make sure that the small handle is in the raised position.
17. Lower the microprocessor straight down into the system board socket of the new system board.



18. Lower the small handle to secure the microprocessor in the socket.
19. Position the heat sink on the microprocessor socket and then position the clamp on the plastic retention bracket. Pivot the handle to clamp the heat sink to the plastic retention bracket.
20. Connect the heat sink and fan assembly cable to the system board. See “Locating parts on the system board” on page 89.
21. Install the new system board into the chassis and align the screw holes with those in the chassis. Insert and tighten the screws that secure the system board.
22. Pivot the hard disk drive back into position.
23. Connect the power and signal cables to the hard disk drive.
24. Connect all remaining cables to the system board. See “Locating parts on the system board” on page 89.
25. Go to “Completing the FRU replacement” on page 110.

---

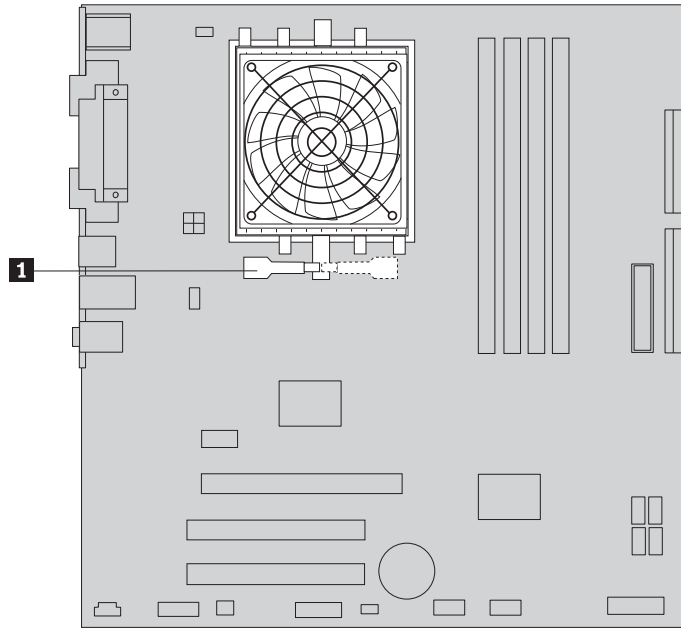
## Replacing the microprocessor

### Important

The heat sink and microprocessor might be very hot. Make sure these components are cool enough to safely handle before continuing this procedure.

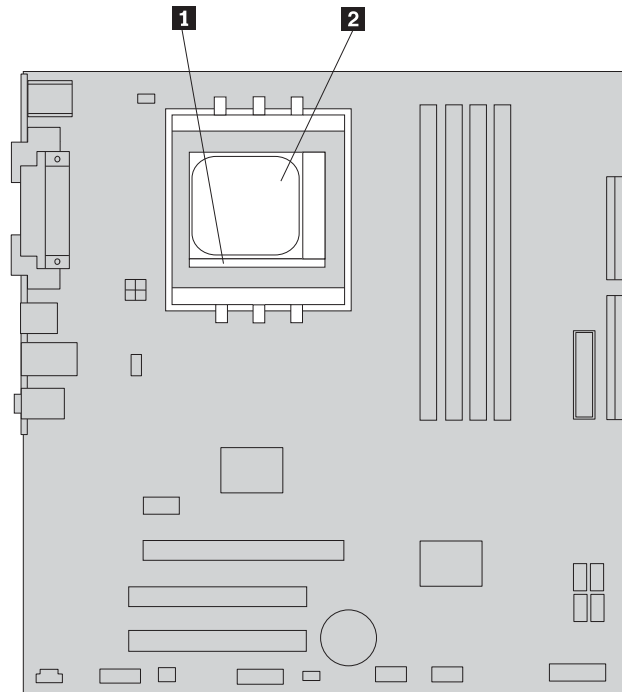
This procedure describes how to remove and replace the microprocessor.

1. Remove the cover. See “Removing the cover” on page 87.
2. Place the computer on its right side to help make the microprocessor more accessible.
3. Disconnect the heat sink and fan assembly cable from the system board. See “Locating parts on the system board” on page 89.
4. Rotate handle **1** to release the heat sink clamp and then disengage the clamp from the plastic retention bracket.



5. Lift the heat sink and fan assembly off the system board. Place the heat sink on its side so that the thermal grease does not come in contact with anything.

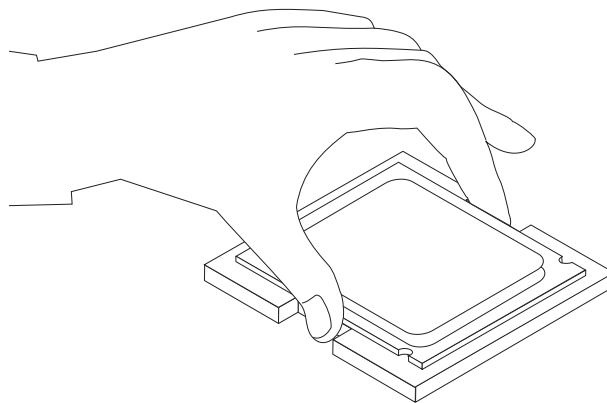
6. To release the microprocessor **2** from the system board socket, lift the small handle **1**.



**Important**

Do not touch the gold contacts on the bottom of the microprocessor. If you must touch the microprocessor, touch only the sides.

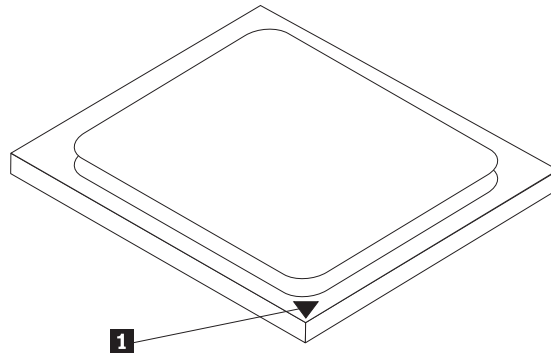
7. Lift the microprocessor straight up and out of the socket.



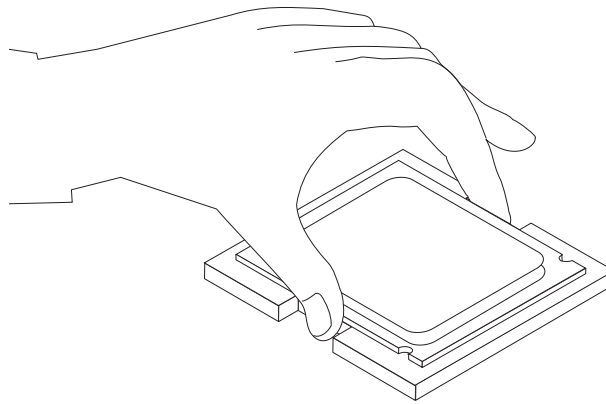
**Notes:**

- a. Your microprocessor and socket might look different than the one illustrated.
- b. Note the orientation of the microprocessor in the socket. Look for the small triangle on one corner of the microprocessor. This is important when reinstalling the microprocessor on the new system board.
- c. Do not drop anything onto the microprocessor socket while it is exposed. The socket pins must be kept as clean as possible.

8. Make sure that the small handle is in the raised position.
9. Holding the microprocessor with your fingers, position the microprocessor so that the small triangle on one corner is aligned with the corresponding triangle on the microprocessor socket.



10. Lower the microprocessor straight down into the system board socket of the new system board.



11. Lower the small handle to secure the microprocessor in the socket.



12. Position the heat sink on the microprocessor socket and then position the clamp on the plastic retention bracket. Pivot the handle to clamp the heat sink to the plastic retention bracket.
13. Install the heat sink and fan assembly on the system board.
14. Connect the heat sink and fan assembly cable to the system board. See “Locating parts on the system board” on page 89.
15. Go to “Completing the FRU replacement” on page 110.

---

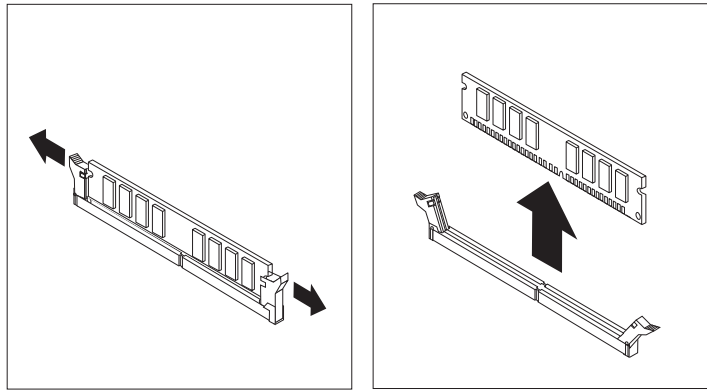
## Replacing a memory module

This procedure describes how to remove and replace a memory module.

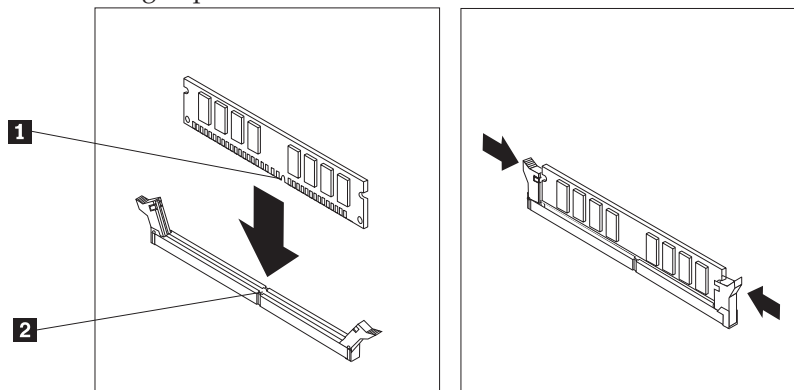
1. Remove the computer cover. See “Removing the cover” on page 87.

**Note:** For this procedure, it helps to lay the computer on its side.

2. Locate the memory module connectors. See “Locating parts on the system board” on page 89.
3. Remove the memory module being replaced by opening the retaining clips as shown.



4. Position the new memory module over the memory connector. Make sure the notch **1** on the memory aligns correctly with the connector key **2** on the system board. Push the memory module straight down into the connector until the retaining clips close.



5. Go to “Completing the FRU replacement” on page 110.

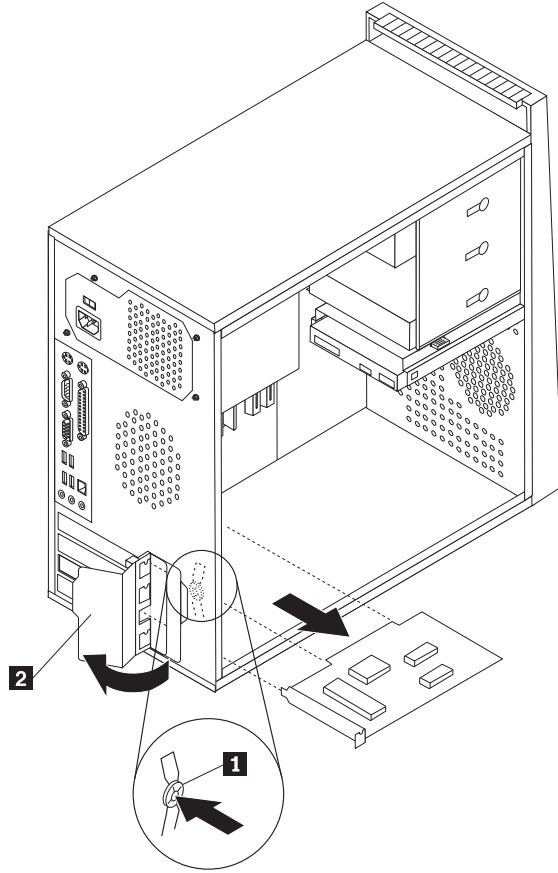
---

## Replacing a PCI adapter

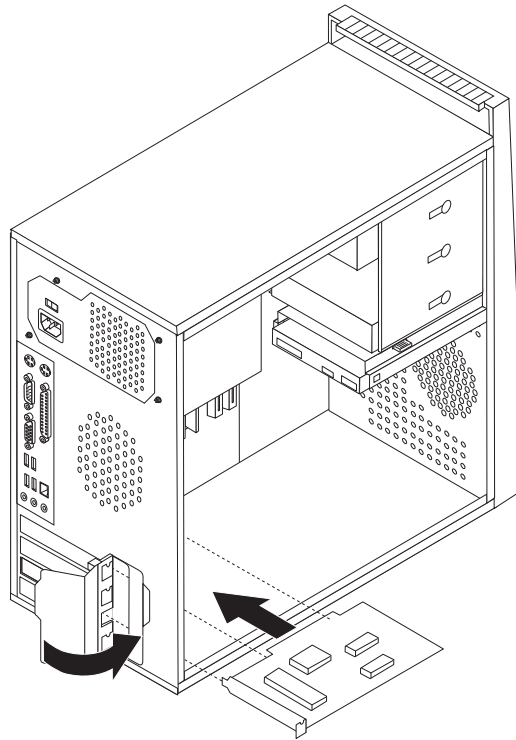
This procedure describes how to remove and replace a PCI adapter.

1. Remove the computer cover. See “Removing the cover” on page 87.

- At the rear of the computer, press the release button **1** to open the adapter latch **2** and remove the adapter by pulling it straight out of the adapter connector.



3. Install the new adapter into the same adapter connector.



4. Ensure the adapter is fully seated into the adapter connector.
5. At the rear of the computer, pivot the adapter latch to the closed position to secure the adapter.
6. Go to “Completing the FRU replacement” on page 110.

---

## Replacing the hard disk drive

### Important

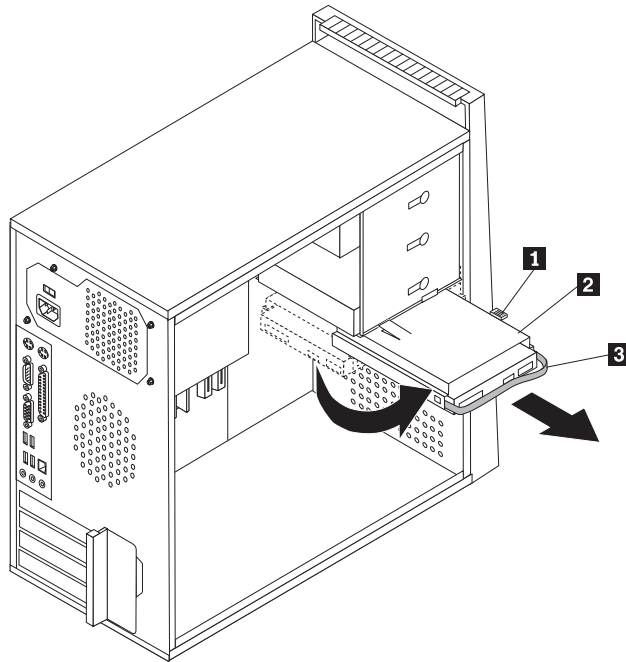
When a new hard disk drive is installed, a set of *Product Recovery* discs might be required. The set of *Product Recovery* discs enable the contents of the hard disk to be restored to the same state as when the computer was originally shipped from the factory. For more information on recovering factory-installed software, refer to “Recovering Software” in the *User Guide*.

This procedure describes how to remove and replace the hard disk drive.

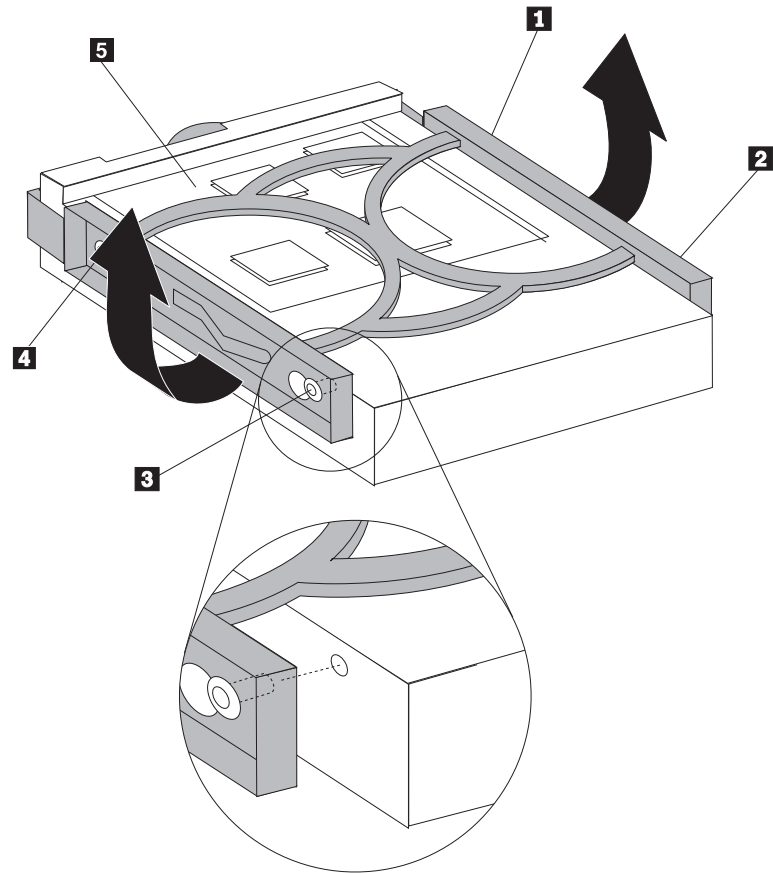
1. Remove the computer cover. See “Removing the cover” on page 87.

**Note:** For this procedure, it helps to lay the computer on its side.

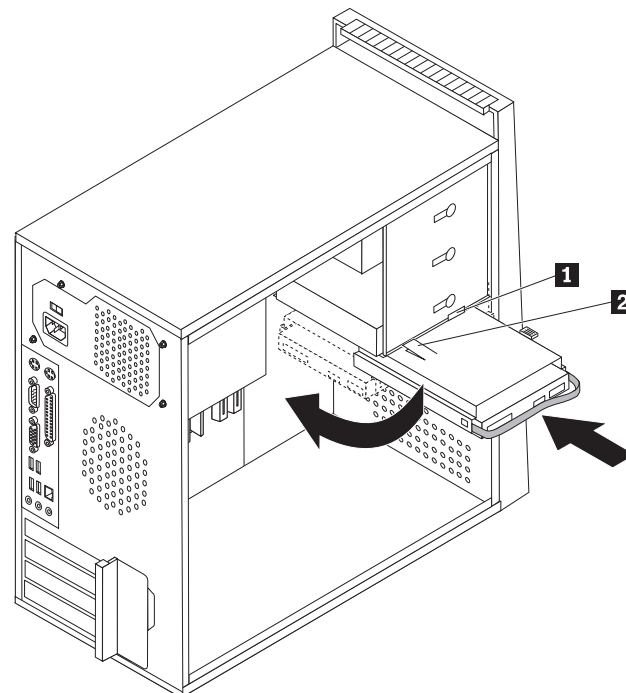
2. Disconnect the signal and power cables from the hard disk drive.
3. Press the release tab **1** down, slide the hard drive cage **2** back, and pivot the hard disk drive outward as shown.



4. Remove the hard disk drive cage from the chassis by simply sliding it outward.
5. Pull on the blue handle **3** to remove hard disk drive from the drive cage.
6. Remove the failing hard disk drive from the blue plastic bracket from by flexing the sides of the bracket enough to free it from the hard disk drive.
7. To install the new drive into the blue bracket, flex the bracket, and align the pins **1** through **4** on the bracket with the holes in the hard disk drive. Do not touch the circuit board **5** on the bottom of the hard disk drive.



8. Slide the new hard disk drive into the drive cage until it snaps into position.
9. Align the drive cage pivot pin with the slot **1** in the upper drive cage and slide the hard disk drive into the chassis.



10. Press down on the metal latch **2** and pivot in the drive cage into place. Slide it forward until it snaps into position.

**Note:** There are two arrows, one on the upper drive cage and one on the hard disk drive cage, that are aligned when the hard disk drive is in the proper position.

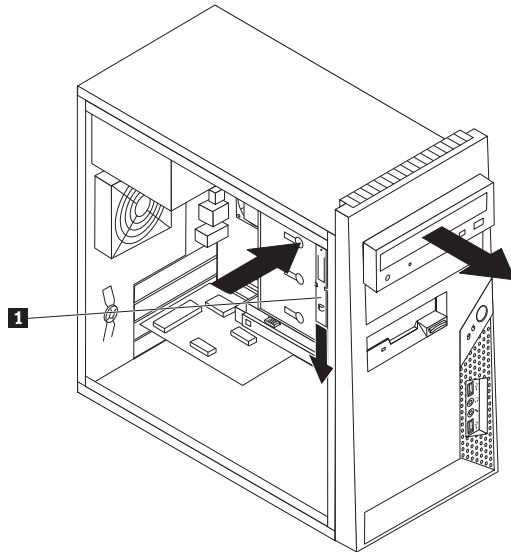
11. Connect the power and signal cables to the hard disk drive.
12. Go to “Completing the FRU replacement” on page 110.

---

## Replacing an optical drive

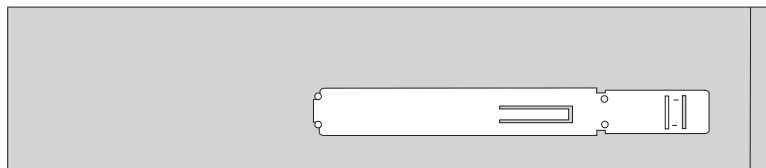
This procedure describes how to remove and replace an optical drive.

1. Remove the computer cover. See “Removing the cover” on page 87.
2. Disconnect the signal and power cables from the rear of the optical drive.
3. Press the release button and remove the optical drive out the front of the computer.



**Note:** Notice that there is a spare retainer bracket **1** attached to the upper drive cage.

4. Remove the retainer bracket from the drive being replaced and install it on the new drive.



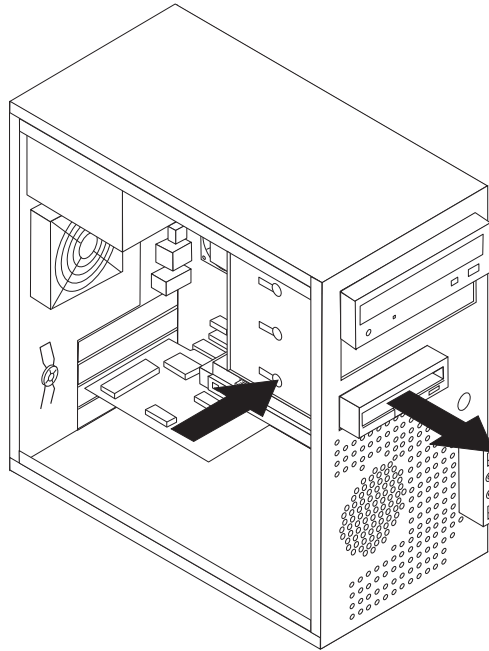
5. Slide the new optical drive into the bay from the front until it snaps into position.
6. Connect the signal and power cables to the drive.
7. Go to “Completing the FRU replacement” on page 110.

---

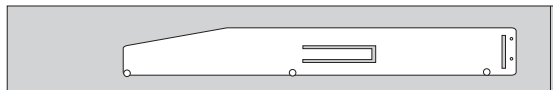
## Replacing the diskette drive

This procedure describes how to remove and replace the diskette drive.

1. Remove the computer cover. See “Removing the cover” on page 87.
2. Remove the front bezel. See “Removing and replacing the front bezel” on page 89.
3. Disconnect the signal and power cables from the rear of the diskette drive.
4. Press the release button and slide the diskette drive out the front of the computer.



5. Remove the retainer bracket from the failing diskette drive and install it on the new diskette drive.



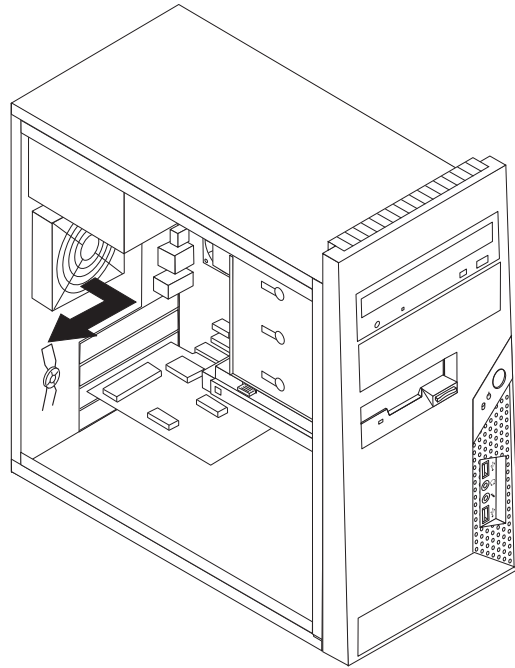
6. Slide the new diskette drive into the drive bay until it snaps into position.
7. Connect the signal and power cables to the drive.
8. Go to “Completing the FRU replacement” on page 110.

---

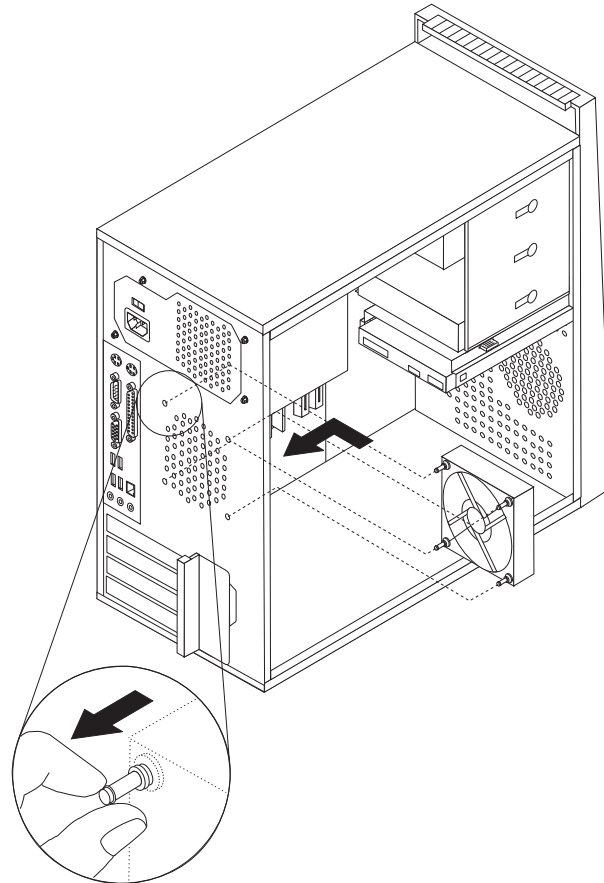
## Replacing the rear fan assembly

This procedure describes how to remove and replace the system fan.

1. Remove the computer cover. See “Removing the cover” on page 87.
2. Note the routing of the rear fan cable to the system board. Disconnect the rear fan cable from the system fan connector on the system board. See “Locating parts on the system board” on page 89.
3. The fan assembly is mounted with four rubber mounts that protrude through the rear of the chassis. Remove the fan assembly by pulling the rubber mounts back through the chassis.



4. Install the new rear fan assembly by aligning the rubber mounts of the system fan assembly with the holes on the chassis and push the rubber mounts through the holes.



5. Pull on the tips of the rubber mounts until the fan assembly is in place.



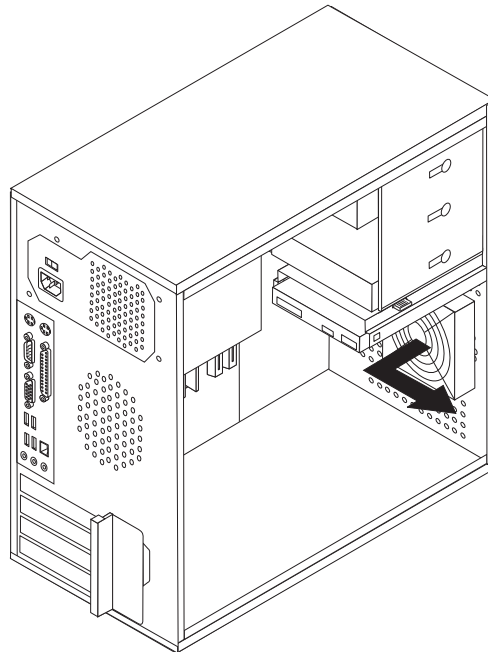
6. Route the fan cable to the system board and connect the cable to the system board. See “Locating parts on the system board” on page 89.
7. Go to “Completing the FRU replacement” on page 110.

---

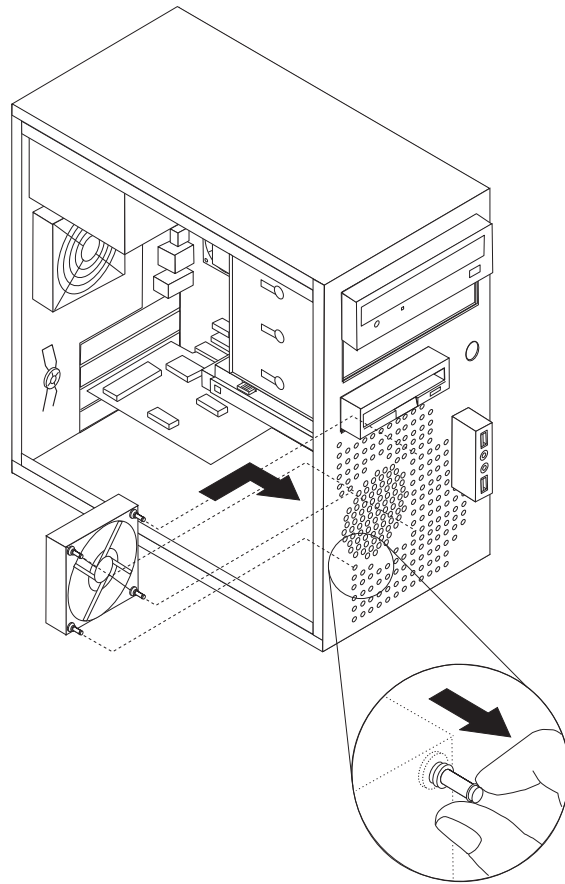
## Replacing the front fan assembly

This procedure describes how to remove and replace the front fan assembly.

1. Remove the computer cover. See “Removing the cover” on page 87.
2. Remove the front bezel. See “Removing and replacing the front bezel” on page 89.
3. Note the routing of the front fan cable to the system board. Disconnect the front fan assembly cable from the system board. See “Locating parts on the system board” on page 89.
4. The fan assembly is mounted with four rubber mounts that protrude through the front of the chassis. Remove the fan assembly by pulling the rubber mounts back through the chassis.



5. Install the new front fan assembly by aligning the rubber mounts of the front fan assembly with the holes on the chassis and push the rubber mounts through the holes.
6. Pull on the tips of the rubber mounts until the fan assembly is in place.



7. Route the fan cable to the system board and connect the cable to the system board. See “Locating parts on the system board” on page 89.
8. Replace the front bezel.
9. Go to “Completing the FRU replacement” on page 135.

---

## Replacing the front audio/USB assembly

This procedure describes how to remove and replace the front audio/USB assembly.

1. Remove the computer cover. See “Removing the cover” on page 87.
2. Remove the front bezel. See “Removing and replacing the front bezel” on page 89
3. Disconnect the front audio/USB assembly cable from the system board. See “Locating parts on the system board” on page 89.
4. Note the front audio/USB assembly cable routing and remove the screw that secures the assembly to the chassis.
5. Remove the front audio/USB assembly.
6. Route the cable for the new front audio/USB assembly through the hole in the chassis and to the system board.
7. Install the front audio/USB assembly into the chassis and secure it with the screw.
8. Connect the front audio/USB assembly cable to the system board.
9. Reinstall the front bezel.
10. Go to “Completing the FRU replacement” on page 110.

---

## Replacing the power switch/LED assembly

This procedure describes how to remove and replace the power switch/LED assembly.

1. Remove the computer cover. See “Removing the cover” on page 87.
2. Remove the front bezel. See “Removing and replacing the front bezel” on page 89
3. Disconnect the power switch/LED assembly cable from the system board. See “Locating parts on the system board” on page 89.
4. Note the power switch/LED assembly cable routing and the position of the two LEDs.
5. Remove the switch and the LEDs from the bezel.
6. Route the cable for the new power switch/LED assembly through the hole in the chassis and to the system board.
7. Install the new power switch/LED assembly into the bezel. Make sure that the LEDs are in the correct position.
8. Connect the power switch/LED cable to the system board.
9. Reinstall the front bezel.
10. Go to “Completing the FRU replacement” on page 110.

---

## Replacing the CMOS battery

This procedure describes how to remove and replace the CMOS battery.

If the CMOS battery fails, the date, time, and configuration information (including passwords) are lost. An error message is displayed when you turn on the computer.

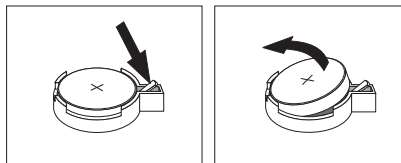
### Important

Refer to “Safety notices (multi-lingual translations)” on page 7 for information about replacing and disposing of the battery.

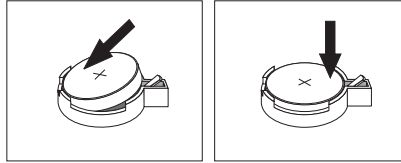
### CAUTION:

**When replacing the lithium battery, use only Part Number 33F8354 or an equivalent type battery recommended by the manufacturer.**

1. Remove the computer cover. See “Removing the cover” on page 87.
2. Locate the battery. See “Locating parts on the system board” on page 89.
3. You might have to remove any PCI adapters that impede access to the battery.
4. Remove the old battery.



5. Install the new battery.



6. Replace any PCI adapters that were removed.

**Note:** When the computer is turned on for the first time after battery replacement, an error message might be displayed. This is normal after replacing the battery.

7. Go to “Completing the FRU replacement.”

---

## Completing the FRU replacement

After replacing FRUs, you need to install any removed parts, replace the cover, and reconnect any cables, including telephone lines and power cords. Also, depending on the FRU that is replaced, you might need to confirm the updated information in the Setup Utility program.

**Note:** When the power cord is first plugged in, the computer might appear to turn on for a few seconds and then turn off. This is a normal sequence to enable the computer to initialize.

1. Ensure that all components have been reassembled correctly and that no tools or loose screws are left inside your computer.
2. Replace the cover.
3. Reconnect the external cables and power cords to the computer. See “Rear connectors” on page 86.
4. If you have replaced the system board, you must update (flash) the BIOS. See “Flash update procedures” on page 335.
5. Some FRU replacements require the configuration to be updated. See Chapter 6, “Using the Setup Utility,” on page 51.

---

## Chapter 9. Replacing FRUs (Types 9126, 9128, 9130, 9135, 9137, 9140, 9142, 9144, 9157, 9159, 9169, and 9189)

**Important**

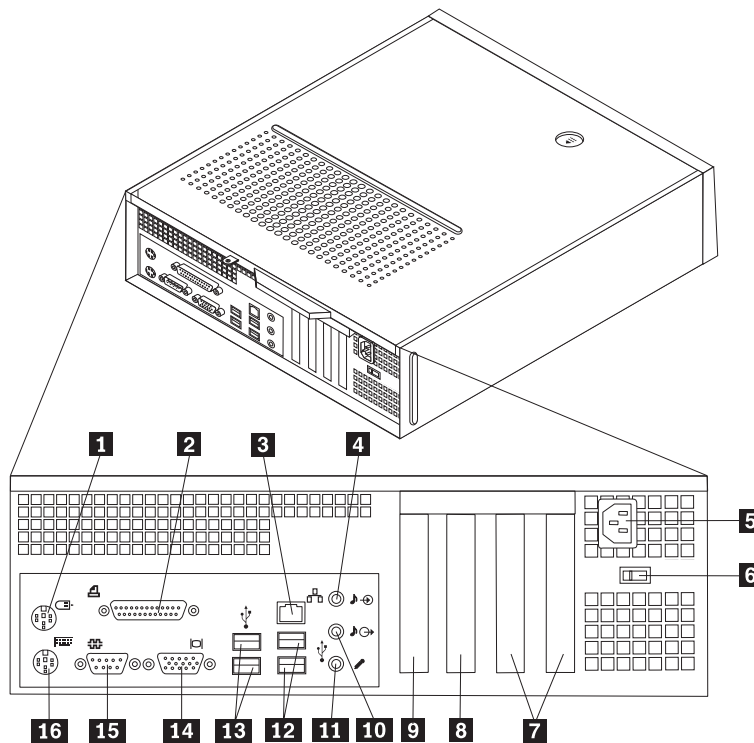
Before you replace any FRU, read Chapter 2, "Safety information," on page 3. These precautions and guidelines will help you work safely.

FRU replacements are to be done by trained service technicians only.

This chapter does not contain a remove and replace procedure for all FRUs. Only the major FRUs are documented.

## Rear connectors

The following illustration shows the locations of the connectors on the rear of the computer.



- |          |   |           |   |
|----------|---|-----------|---|
| <b>1</b> | Standard mouse connector  | <b>9</b>  | PCI Express x16 adapter connector or )<br>PCI Express x1 adapter connector (some<br>models) |
| <b>2</b> | Parallel connector  | <b>10</b> | Audio line out connector  |
| <b>3</b> | Ethernet connector  | <b>11</b> | Microphone connector  |
| <b>4</b> | Audio line in connector   | <b>12</b> | USB connectors (2)  |
| <b>5</b> | Power cord connector  | <b>13</b> | USB connectors (2)  |
| <b>6</b> | Voltage selection switch (some<br>models)   | <b>14</b> | VGA monitor connector   |
| <b>7</b> | PCI adapter connectors  | <b>15</b> | Serial connector  |
| <b>8</b> | PCI Express x16 adapter connector<br>or ) PCI Express x1 adapter<br>connector (some models) | <b>16</b> | Standard keyboard connector   |

---

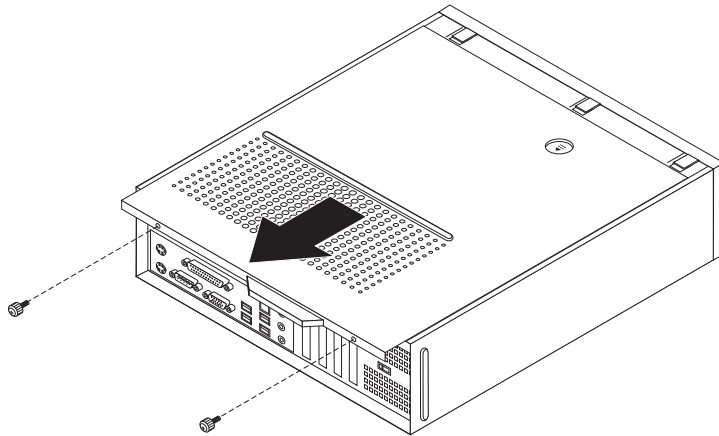
## Removing the cover

### Important

Read Chapter 2, “Safety information,” on page 3 and “Handling electrostatic discharge-sensitive devices” on page 6 before opening the cover.

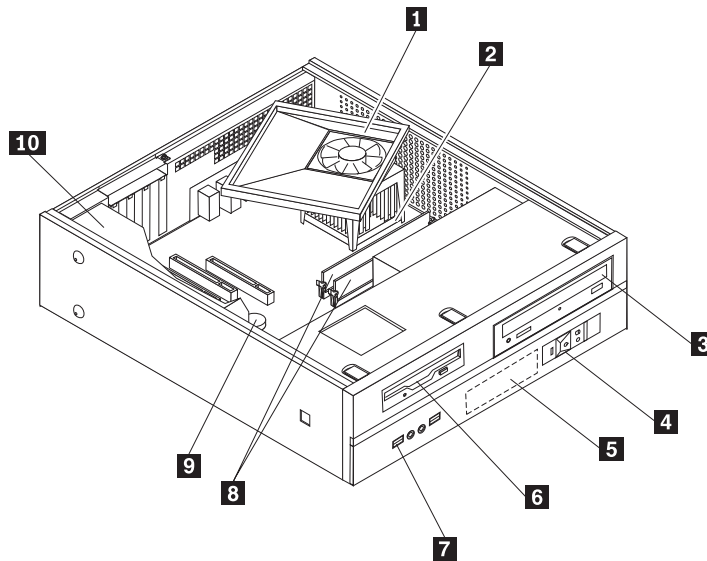
This procedure describes how to remove the cover.

1. Remove any media (diskettes, CDs, or tapes) from the drives, shut down the operating system, and turn off all attached devices.
2. Unplug all power cords from electrical outlets.
3. Disconnect all cables attached to the computer. This includes power cords, input/output (I/O) cables, and any other cables that are connected to the computer.
4. Remove any locking devices such as a padlock that secure the cover.
5. If the cover is secured with thumbscrews, remove them.
6. Press the button near the front of the computer cover and slide the cover to the rear.



## Locations

The following illustration will help you locate the major FRUs in the computer.

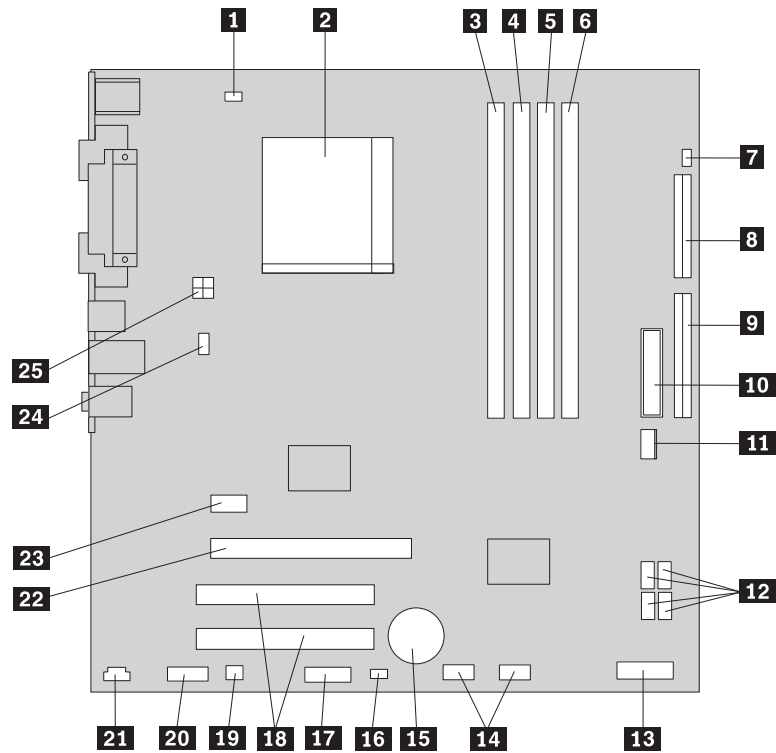


- |   |                           |
|---|---------------------------|
| <b>1</b> Fan plenum, fan, and heat sink | <b>6</b> Diskette drive   |
| <b>2</b> Microprocessor                 | <b>7</b> Front panel card |
| <b>3</b> Optical drive                  | <b>8</b> Memory modules   |
| <b>4</b> Power switch/LED assembly      | <b>9</b> System board     |
| <b>5</b> Hard disk drive                | <b>10</b> Power supply    |



---

## Locating parts on the system board



- |           |                                 |           |  |
|-----------|---------------------------------|-----------|--|
| <b>1</b>  | Microprocessor fan connector    | <b>14</b> | Front USB connectors (2)                   |
| <b>2</b>  | Microprocessor and heat sink    | <b>15</b> | Battery                                    |
| <b>3</b>  | Memory connector 1              | <b>16</b> | Clear CMOS/Recovery jumper                 |
| <b>4</b>  | Memory connector 2              | <b>17</b> | Serial (COM) connector                     |
| <b>5</b>  | Memory connector 3              | <b>18</b> | PCI adapter connectors                     |
| <b>6</b>  | Memory connector 4              | <b>19</b> | Mono (speaker) connector                   |
| <b>7</b>  | Cover presence switch connector | <b>20</b> | Front audio connector                      |
| <b>8</b>  | Diskette drive connector        | <b>21</b> | CD-IN connector                            |
| <b>9</b>  | IDE connector                   | <b>22</b> | PCI Express x16 graphics adapter connector |
| <b>10</b> | Power connector                 | <b>23</b> | PCI Express x1 adapter connector           |
| <b>11</b> | Front system fan connector      | <b>24</b> | System fan connector                       |
| <b>12</b> | SATA IDE connectors (4)         | <b>25</b> | 12v power connector                        |
| <b>13</b> | Front panel connector           |           |  |

---

## Accessing system board components and drives

You might need to remove the drive bay assembly to access system board components such as memory, the battery, and CMOS.

To access system board components and the drives:

1. Remove the computer cover. See “Removing the cover” on page 113.
2. Remove the front bezel by releasing the three tabs and pivoting the bezel forward to remove completely.

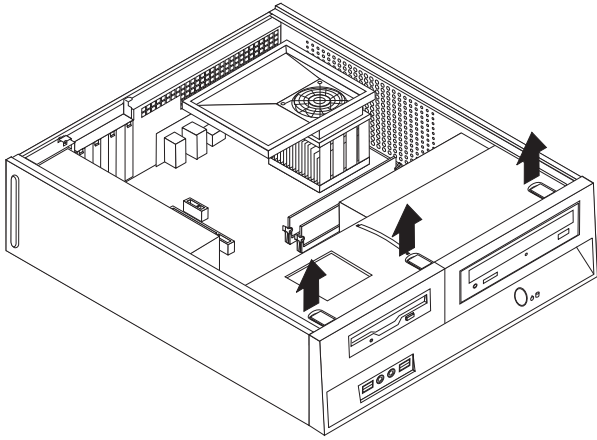


Figure 1. Removing the bezel

3. In some models, you might have to remove the PCI adapter in order to gain access to the battery.

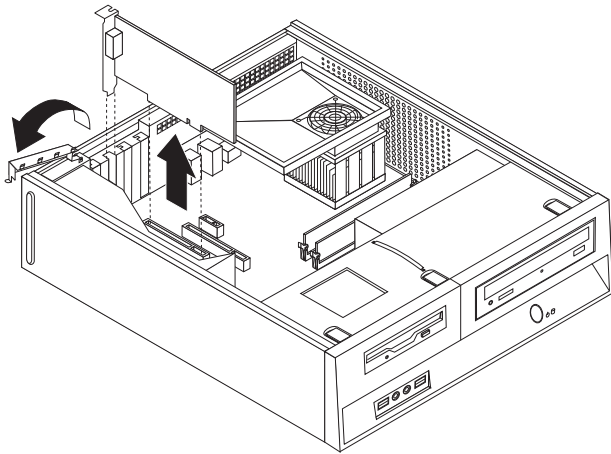


Figure 2. Removing the PCI adapter

- Using the blue handle **1**, lift and slide the drive bay assembly forward until the locating studs in the drive bay assembly are aligned with the slots on the sides of the chassis. Pull upward on the handle to remove the drive bay assembly completely from the chassis. Depending on what component of the computer you want to remove, you can either disconnect the cables from the rear of the drives or leave them connected.

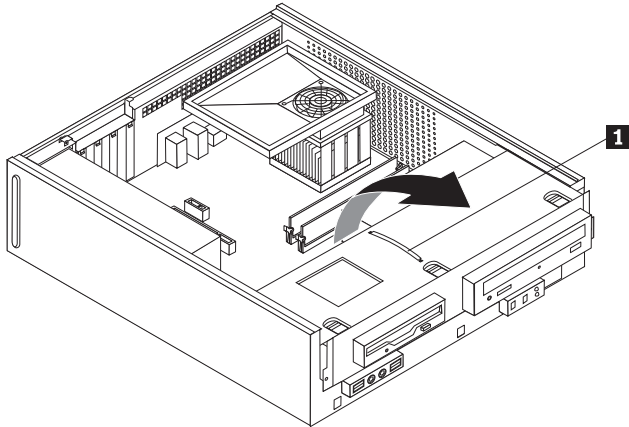


Figure 3. Removing the drive bay assembly

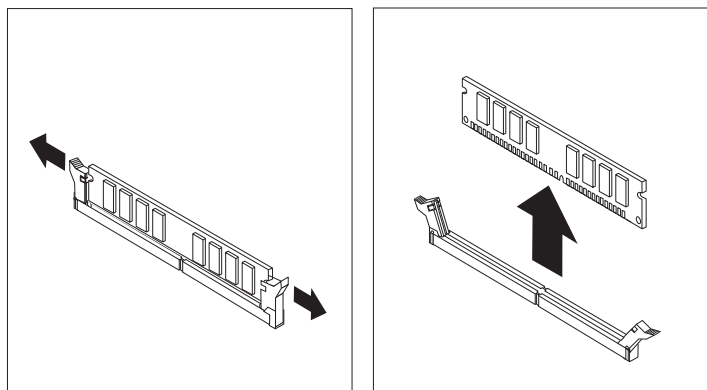
- Reverse this procedure to reinstall the drive bay assembly.

---

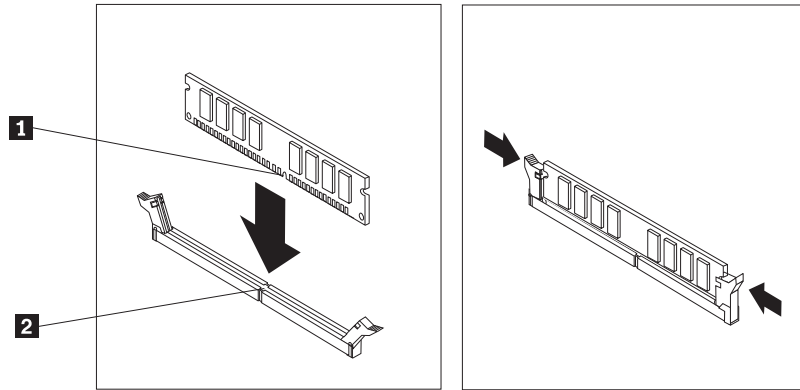
## Replacing a memory module

This procedure describes how to remove and replace a memory module.

- Remove the cover. See “Removing the cover” on page 113.
- You might have to remove the drive bay assembly to access the memory connectors. See “Accessing system board components and drives” on page 115.
- Remove the memory module being replaced by opening the retaining clips as shown.



- Position the replacement memory module over the memory connector. Make sure that the notch **1** on the memory module aligns correctly with the connector key **2** on the system board. Push the memory module straight down into the memory connector until the retaining clips close.



5. Slide the drive bay assembly towards the rear of the chassis until it snaps into position.
6. Reinstall the front bezel.
7. Go to “Completing the FRU replacement” on page 135.

---

## Replacing the CMOS battery

This procedure describes how to remove and replace the CMOS battery.

If the CMOS battery fails, the date, time, and configuration information (including passwords) are lost. An error message is displayed when you turn on the computer.

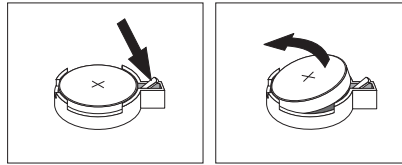
### Important

Refer to “Safety notices (multi-lingual translations)” on page 7 for information about replacing and disposing of the battery.

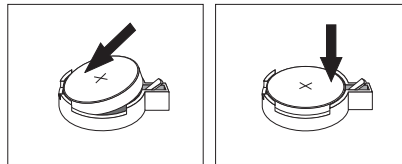
### CAUTION:

**When replacing the lithium battery, use only Part Number 33F8354 or an equivalent type battery recommended by the manufacturer.**

1. Remove the cover. See “Removing the cover” on page 113.
2. Locate the battery. See “Locating parts on the system board” on page 115.
3. You might have to remove any PCI adapters that impede access to the battery.
4. Remove the old battery.



5. Install the new battery.



6. Replace any PCI adapters that were removed.

**Note:** When the computer is turned on for the first time after battery replacement, an error message might be displayed. This is normal after replacing the battery.

7. Go to “Completing the FRU replacement” on page 135.

## Replacing the power supply

### Attention

Never remove the cover on a power supply or any part that has the following label attached.



Hazardous voltage, current, and energy levels are present inside any component that has this label attached. There are no serviceable parts inside these components.

This procedure describes how to remove and replace the power supply.

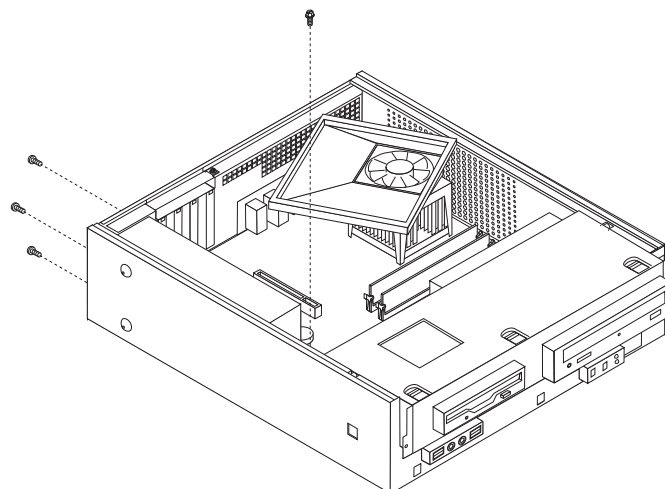
1. Remove the cover. See “Removing the cover” on page 113.
2. Remove the drive bay assembly. See “Accessing system board components and drives” on page 115.
3. Disconnect all power supply cables from the system board. See “Locating parts on the system board” on page 115.
4. Remove the hard disk drive. See “Replacing the hard disk drive” on page 128.

**Note:** Observe the power supply cable routing underneath the hard disk drive.

5. The system board must be moved out of the way to remove the power supply. Remove the screws that secure the system board to the chassis and slide the system board away from the power supply.

**Note:** You do not have to remove the system board from the chassis to remove the power supply.

6. At the rear of the chassis, remove the three screws that secure the power supply. Also remove the screw that secures the power supply at the front.



7. Lift the power supply out of the chassis.

8. If the power supply has a voltage-selection switch, ensure that it is set to match the voltage available at the electrical outlet.
  - If the voltage supply range in your local country or region is 100-127 V ac, set the switch to 115 V.
  - If the voltage supply range in your local country or region is 200-240 V ac, set the switch to 230 V.
9. Install the new power supply and install the three screws that secure the power supply at the rear of the chassis and install the screw that secures the power supply at the front.
10. Position the system board so that the screws holes are properly aligned and install the system board screws.
11. Route the power supply cable through the cable clamps underneath the hard disk drive and reconnect all power supply cables to the system board.
12. Install the hard disk drive. See “Replacing the hard disk drive” on page 128.
13. Align the drive bay assembly studs with the two slots on the sides of the chassis and place it into position. Reconnect any diskette drive and optical drive cables that were disconnected.
14. Using the blue handle, slide the drive bay assembly towards the rear of the chassis until it snaps into position.
15. Reinstall the front bezel.
16. Go to “Completing the FRU replacement” on page 135.

## Replacing the system board

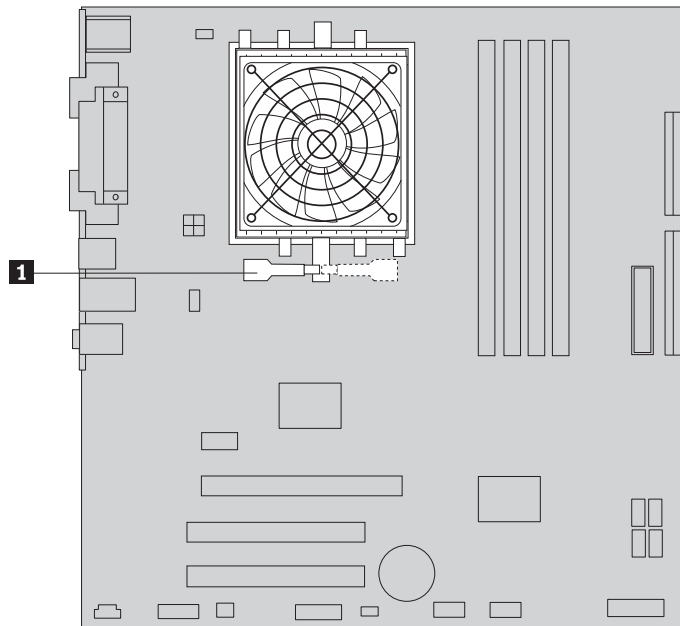
### Important

The heat sink and microprocessor might be very hot. Make sure these components are cool enough to safely handle before continuing this procedure.

**Note:** When replacing the system board you must also order a new retention module for the new system board. Make sure you have a retention module for the new system board before continuing with this procedure.

This procedure describes how to remove and replace the system board.

1. Remove the cover. See “Removing the cover” on page 113.
2. Lift the fan duct off the heat sink fan.
3. Remove any adapter cards installed in the PCI connectors.
4. You might have to remove the drive bay assembly to access the system board. See “Accessing system board components and drives” on page 115.
5. Take note of the location of all cable connections on the system board and disconnect all cables. See “Locating parts on the system board” on page 115.
6. Remove the hard disk drive. See “Replacing the hard disk drive” on page 128.
7. Remove the screws that secure the system board to the chassis.
8. Lift the system board out of the chassis.
9. Remove the memory modules from the failing system board and install them in the same location on the new system board.
10. Rotate handle **1** to release the heat sink clamp and then disengage the clamp from the plastic retention bracket.

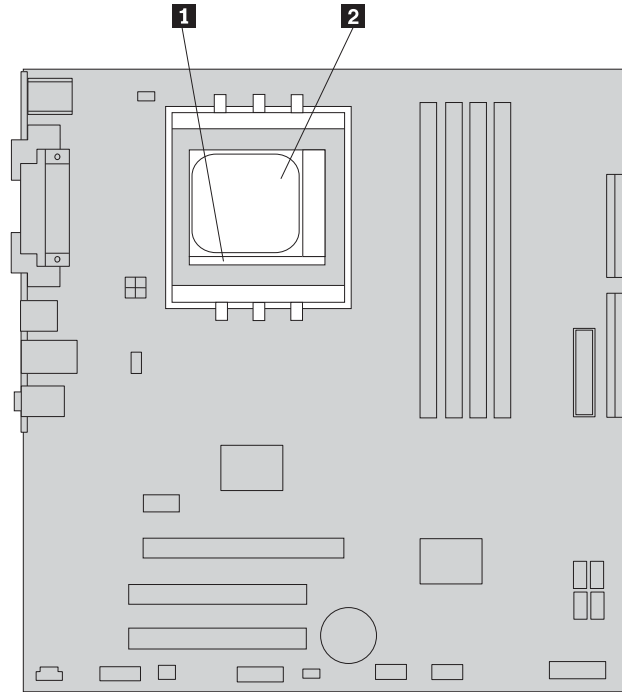


11. Lift the heat sink and fan assembly off the failing system board. Place the heat sink on its side so that the thermal grease does not come in contact with anything.



**Note:** You might have to gently twist the heat sink to free it from the microprocessor.

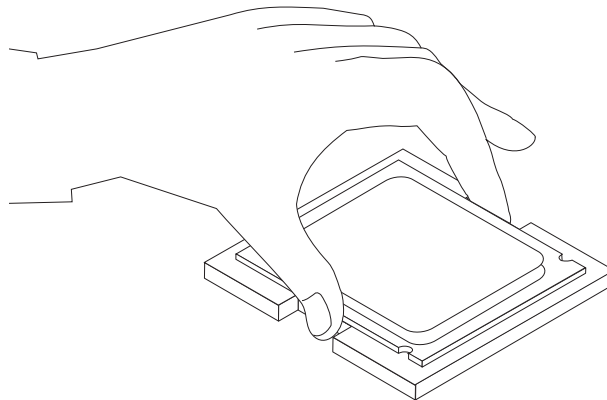
12. Remove the retention module from the rear of the failing system board and install it in the same position on the new system board.
13. To release the microprocessor **2** from the system board socket, lift the small handle **1**.



**Important**

Touch only the sides of the microprocessor. Do not touch the gold contacts on the bottom.

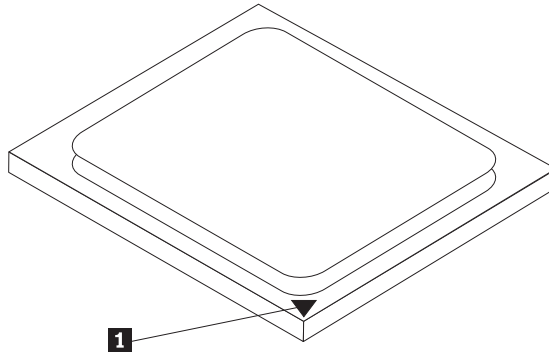
14. Lift the microprocessor straight up and out of the socket.



**Notes:**

- a. Your microprocessor and socket might look different than the one illustrated.

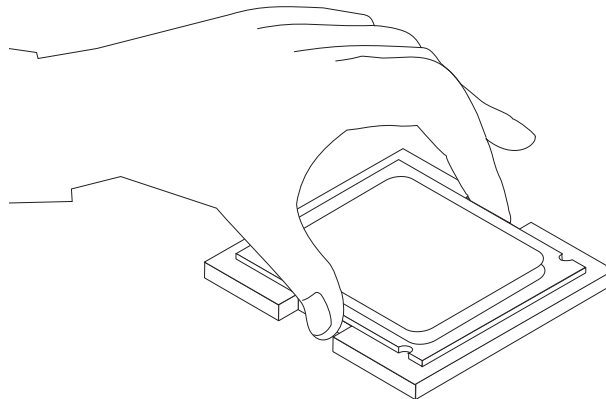
- b. Note the orientation of the microprocessor in the socket. Look for the small triangle on one corner of the microprocessor. This is important when reinstalling the microprocessor on the new system board.
  - c. Do not drop anything onto the microprocessor socket while it is exposed. The socket pins must be kept as clean as possible.
15. Holding the microprocessor with your fingers, position the microprocessor so that the small triangle **1** on one corner is aligned with the corresponding triangle on the socket on the new system board.



**Important**

To avoid damaging the microprocessor contacts, do not tilt the microprocessor when installing it into the socket.

16. Make sure that the small handle is in the raised position.
17. Lower the microprocessor straight down into the system board socket of the new system board.



18. Lower the small handle to secure the microprocessor in the socket.
19. Install the retention module for the heat sink and fan assembly on the system board.
20. Install the heat sink and fan assembly on the new system board.
21. Reconnect the heat sink and fan assembly cable to the system board. See "Locating parts on the system board" on page 115.
22. Install the new system board into the chassis and align the screw holes with those in the chassis. Insert and tighten the screws that secure the system board.
23. Reinstall the hard disk drive. See "Replacing the hard disk drive" on page 128.

24. Align the drive bay assembly with the two slots and rails on the sides of the chassis, reconnect the drive cables to the system board, and then slide the drive bay assembly towards the rear of the chassis until it snaps into position.
25. Reconnect the remaining cables to the system board.
26. Reinstall the front bezel.
27. Reinstall any PCI adapter cards that were removed.
28. Position the fan duct on the heat sink fan.
29. Go to “Completing the FRU replacement” on page 135.

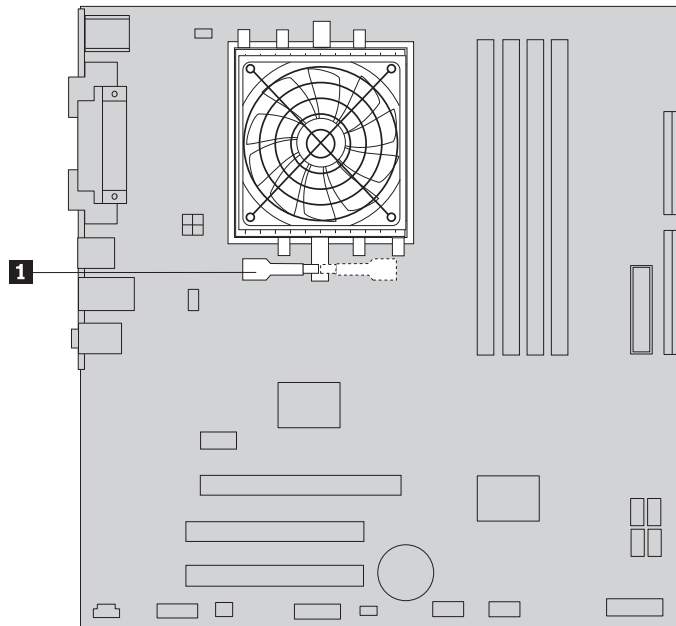
---

## Replacing the microprocessor

### Important

The heat sink and microprocessor might be very hot. Make sure these components are cool enough to safely handle before continuing this procedure.

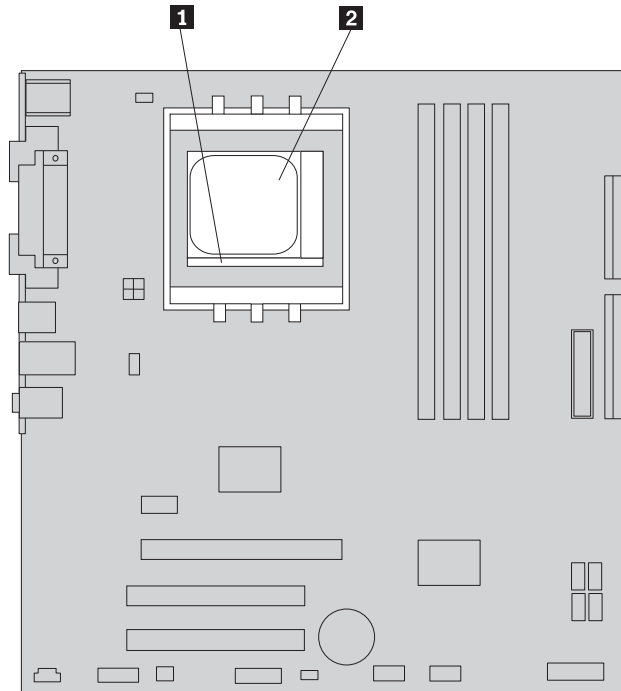
1. Remove the cover. See “Removing the cover” on page 113.
2. Lift the fan duct off the heat sink fan.
3. Disconnect the heat sink and fan assembly cable from the system board. See “Locating parts on the system board” on page 115.
4. Rotate handle **1** to release the heat sink clamp and then disengage the clamp from the plastic retention bracket.



5. Lift the heat sink and fan assembly off the system board. Place the heat sink on its side so that the thermal grease does not come in contact with anything.

**Note:** You might have to gently twist the heat sink to free it from the microprocessor.

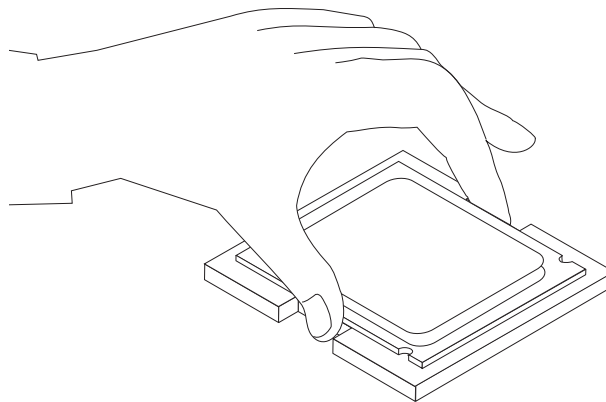
6. To release the microprocessor **2** from the system board socket, lift the small handle **1**.



**Important**

Do not touch the gold contacts on the bottom of the microprocessor. If you must touch the microprocessor, touch only the sides.

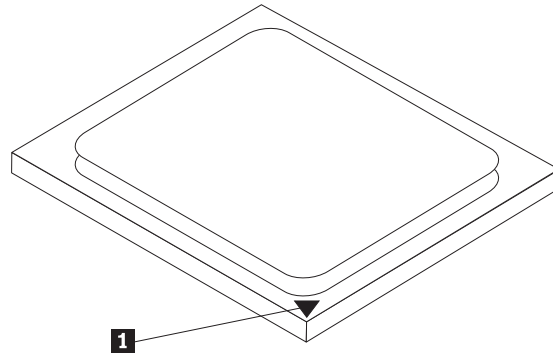
7. Lift the microprocessor straight up and out of the socket.



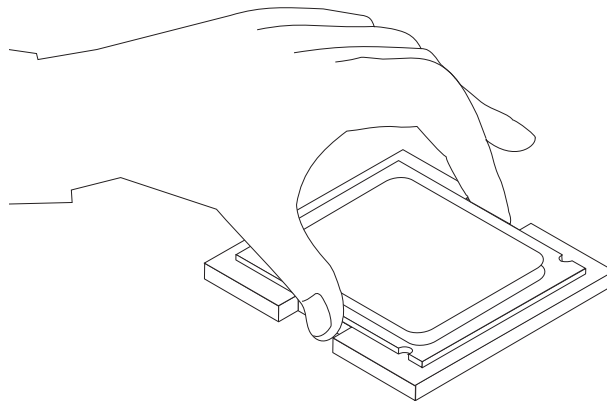
**Notes:**

- a. Your microprocessor and socket might look different than the one illustrated.
  - b. Note the orientation of the microprocessor in the socket. Look for the small triangle on one corner of the microprocessor. This is important when reinstalling the microprocessor on the new system board.
  - c. Do not drop anything onto the microprocessor socket while it is exposed. The socket pins must be kept as clean as possible.
8. Make sure that the microprocessor retainer is fully open.
  9. Holding the microprocessor with your fingers, position the microprocessor so that the small triangle on one corner is aligned with the corresponding

triangle on the microprocessor socket.



10. Lower the microprocessor straight down into the system board socket of the new system board.



11. To secure the microprocessor in the socket, close the microprocessor retainer and lock it into position with the small handle.
12. Install the heat sink and fan assembly on the system board.
13. Connect the heat sink and fan assembly cable to the system board. See "Locating parts on the system board" on page 115.
14. Position the fan duct on the heat sink fan.
15. Go to "Completing the FRU replacement" on page 135.

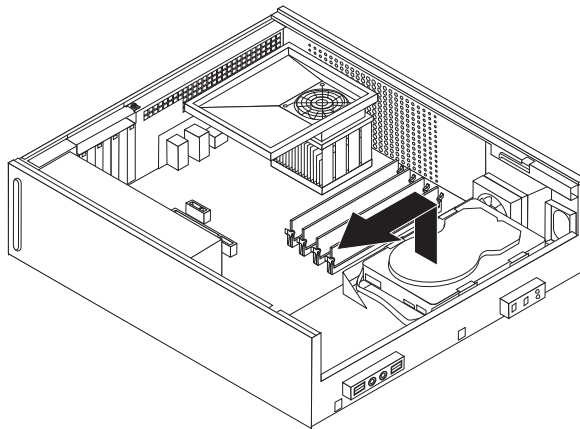
## Replacing the hard disk drive

### Important

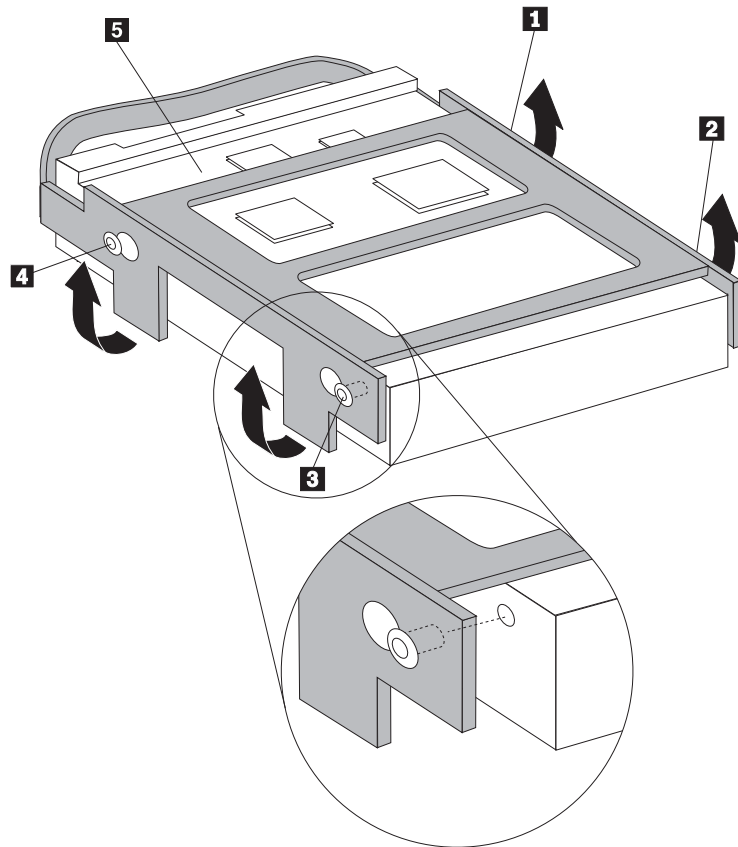
When a new hard disk drive is installed, a set of *Product Recovery* discs might be required. The set of *Product Recovery* discs enable the contents of the hard disk to be restored to the same state as when the computer was originally shipped from the factory. For more information on recovering factory-installed software, refer to "Recovering Software" in the *User Guide*.

This procedure describes how to remove and replace the hard disk drive.

1. Remove the cover. See "Removing the cover" on page 113.
2. Remove the drive bay assembly. See "Accessing system board components and drives" on page 115.
3. Use the blue handle to pivot the hard disk drive and bracket upward, slide the hard drive to the left until it is free of the retaining clips in the bottom of the chassis, and then completely remove it from the chassis.



4. Disconnect the signal and power cables from the rear of the hard disk drive.
5. Remove the blue bracket from the failing hard disk drive by flexing the bracket.
6. Install the new drive into the blue bracket, flex the bracket, and align the pins **1** through **4** on the bracket with the holes in the hard disk drive. Do not touch the circuit board **5** on the bottom of the hard disk drive.



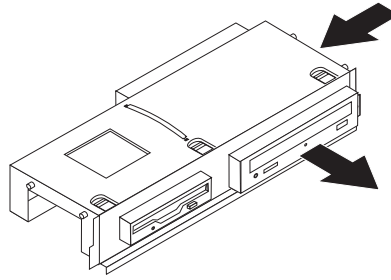
7. Connect the signal and power cables to the rear of the hard disk drive.
8. Position the hard disk drive and bracket so that it engages the retaining clips in the bottom of the chassis when you slide the bracket to the right.
9. Slide the hard disk drive and bracket to the right until it snaps into position.
10. Align the drive bay assembly studs with the two slots on each side of the chassis and reconnect the diskette drive and optical drive cables (if disconnected).
11. Slide the drive bay assembly towards the rear of the chassis until it snaps into position.
12. Reinstall the front bezel.
13. Go to "Completing the FRU replacement" on page 135.

---

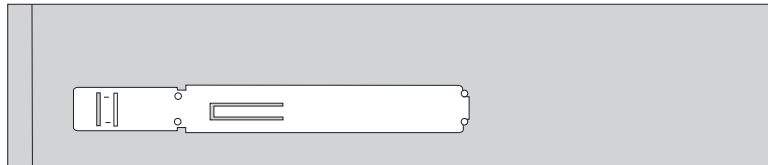
## Replacing an optical drive

This procedure describes how to remove and replace an optical drive.

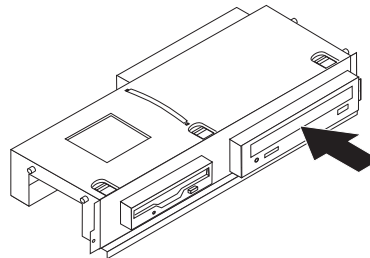
1. Remove the cover. See “Removing the cover” on page 113.
2. Remove the drive bay assembly. See “Accessing system board components and drives” on page 115.
3. Release the optical drive from the drive bay assembly by pressing inward on the blue retainer at the side of the drive.
4. Slide the optical drive being replaced out the front of the drive bay assembly.



5. Remove the retainer bracket from the failing drive and install it on the new drive.



6. Install the new optical drive into the bay until it snaps into position.



7. Reconnect the signal and power cables to the rear of the optical drive.
8. Align the drive bay assembly with the two slots and rails on the sides of the chassis and slide the drive bay assembly towards the rear of the chassis until it snaps into position.
9. Reinstall the front bezel.
10. Go to “Completing the FRU replacement” on page 135.

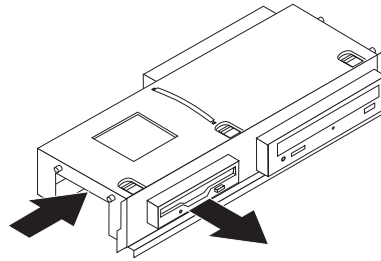


---

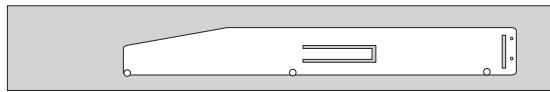
## Replacing the diskette drive

This procedure describes how to remove and replace a diskette drive.

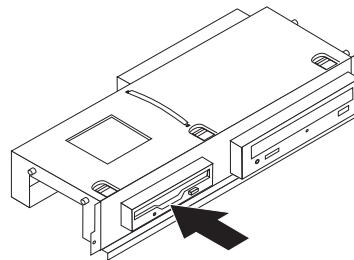
1. Remove the cover. See “Removing the cover” on page 113.
2. Remove the drive bay assembly. See “Accessing system board components and drives” on page 115.
3. Release the diskette drive by pressing inward on the blue retainer at the side of the drive.
4. Remove the failing diskette drive by sliding it out the front of the drive bay assembly.



5. Remove the retainer bracket from the failing drive and install it on the new drive.



6. Install the new diskette drive into the drive bay from the front until it snaps into position.



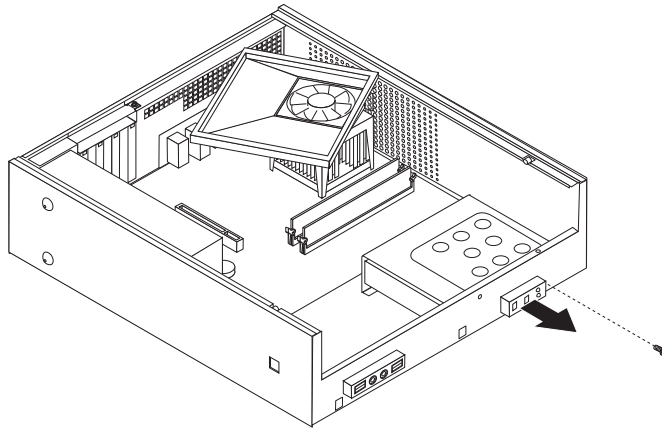
7. Reconnect the signal and power cables to the rear of the diskette drive.
8. Align the drive bay assembly with the two slots and rails on the sides of the chassis and slide the drive bay assembly towards the rear of the chassis until it snaps into position.
9. Reinstall the front bezel.
10. Go to “Completing the FRU replacement” on page 135.

---

## Replacing the power switch/LED assembly

This procedure describes how to remove and replace the power switch/LED assembly.

1. Remove cover. See “Removing the cover” on page 113.
2. Remove the drive bay assembly. See “Accessing system board components and drives” on page 115.
3. Remove the hard disk drive. See “Replacing the hard disk drive” on page 128.
4. Disconnect the power switch/LED assembly cable from the system board. See “Locating parts on the system board” on page 115.
5. Remove the screw that secures the power switch/LED assembly to the chassis.



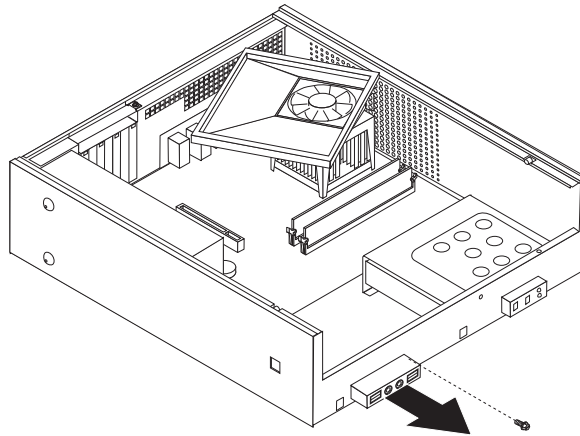
6. Note the power switch/LED assembly cable routing and remove the assembly from the chassis.
7. Route the cable for the new power switch/LED assembly through the hole in the chassis and to the system board.
8. Install the power switch/LED assembly into the chassis and secure the assembly with the screw.
9. Connect the power switch/LED cable to the system board.
10. Reinstall the hard disk drive. See “Replacing the hard disk drive” on page 128.
11. Align the drive bay assembly with the two slots and rails on the sides of the chassis slide the drive bay assembly towards the rear of the chassis until it snaps into position.
12. Reinstall the front bezel.
13. Go to “Completing the FRU replacement” on page 135.

---

## Replacing the front panel card

This procedure describes how to remove and replace the front panel card.

1. Remove cover. See “Removing the cover” on page 113.
2. Remove the drive bay assembly. See “Accessing system board components and drives” on page 115.
3. Disconnect the front panel assembly cables from the system board. See “Locating parts on the system board” on page 115.
4. Remove the screw that secures the front panel card assembly to the chassis.



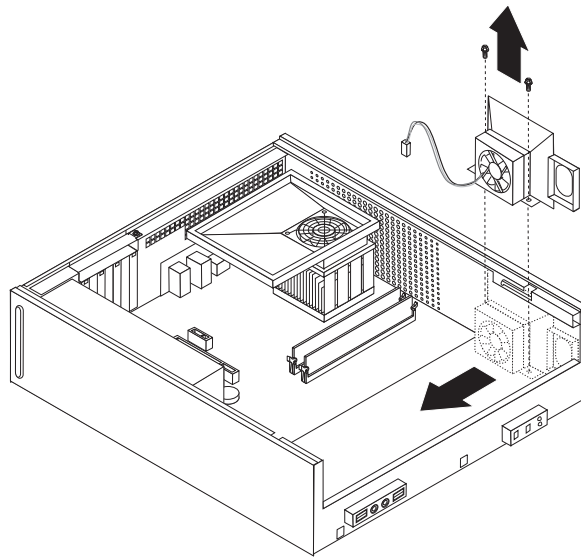
5. Note the front panel assembly cable routing and remove the assembly from the chassis.
6. Route the cable for the new front panel card assembly through the hole in the chassis and to the system board.
7. Install the front panel card assembly into the chassis and secure it with the screw.
8. Connect the front panel assembly cables to the system board.
9. Align the drive bay assembly with the two slots and rails on the sides of the chassis and slide the drive bay assembly towards the rear of the chassis until it snaps into position.
10. Reinstall the front bezel.
11. Go to “Completing the FRU replacement” on page 135.

---

## Replacing the system fan assembly

This procedure describes how to remove and replace the system fan assembly.

1. Remove cover. See “Removing the cover” on page 113.
2. Remove the drive bay assembly. See “Accessing system board components and drives” on page 115.
3. Remove the hard disk drive. See “Replacing the hard disk drive” on page 128.
4. Disconnect the system fan cable from the system board. See “Locating parts on the system board” on page 115.
5. Remove the two screws securing the system fan assembly.
6. Remove the system fan assembly by pulling the bracket outward and lifting it up from the system board to remove completely.



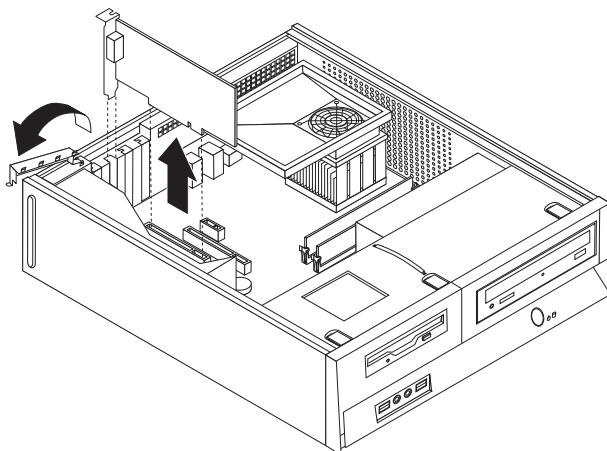
7. Install the new system fan assembly and install the two screws that secure the fan assembly.
8. Connect the system fan cable to the system fan connector on the system board.
9. Reinstall the hard disk drive. See “Replacing the hard disk drive” on page 128.
10. Align the drive bay assembly with the two slots and rails on the sides of the chassis and slide the drive bay assembly towards the rear of the chassis until it snaps into position.
11. Reinstall the front bezel.
12. Go to “Completing the FRU replacement” on page 135.

---

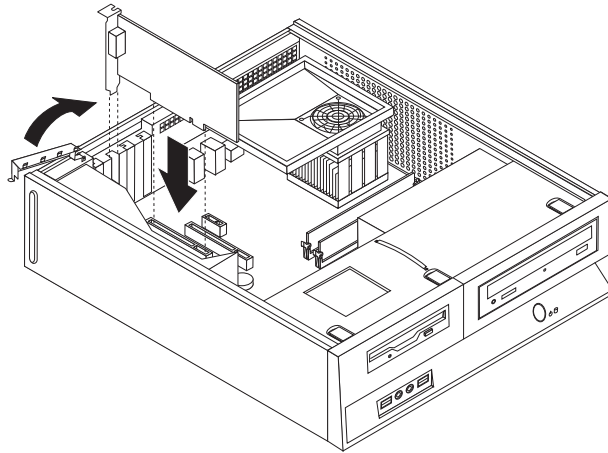
## Replacing a PCI adapter

This procedure describes how to remove and replace a PCI adapter.

1. Remove cover. See “Removing the cover” on page 113.
2. Open the adapter latch and remove the failing adapter.



3. Remove the new adapter from its static-protective package.
4. Install the new adapter into the appropriate connector on the system and close the adapter latch.



5. Go to “Completing the FRU replacement.”

---

## Completing the FRU replacement

After replacing FRUs, you need to install any removed parts, replace the cover, and reconnect any cables, including telephone lines and power cords. Also, depending on the FRU that is replaced, you might need to confirm the updated information in the Setup Utility program.

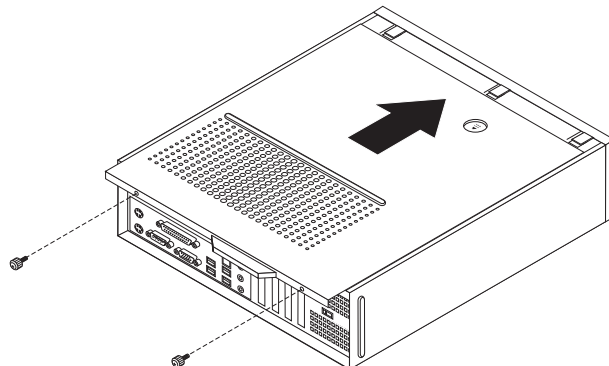
**Note:** When the power cord is first plugged in, the computer might appear to turn on for a few seconds and then turn off. This is a normal sequence to enable the computer to initialize.

1. Ensure that all components have been reassembled correctly and that no tools or loose screws are left inside your computer.
2. Reposition any cables that might impede the replacement of the computer cover.

### Important

Correctly route all power supply cables to avoid interference with the drive bay assembly. Keep cables clear of the hinges and sides of the computer chassis.

3. Position the computer cover on the chassis so that the rail guides on the sides of the cover engage the rails and push the cover to the closed position until it snaps into position.



4. If the cover is secured with thumbscrews, install them.

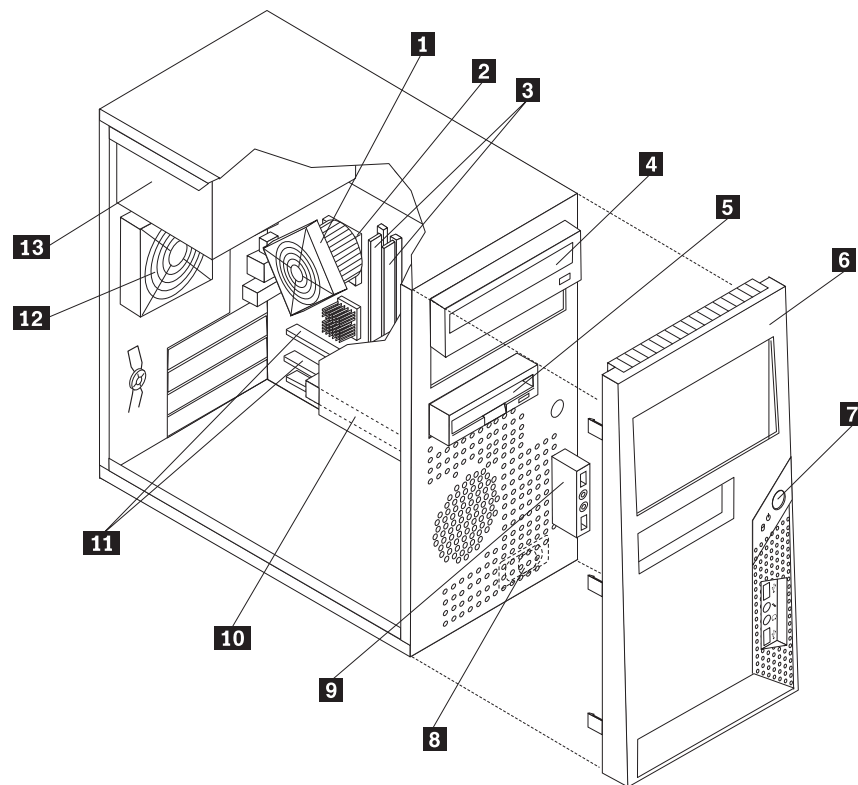
5. Reconnect the external cables and power cords to the computer. See “Rear connectors” on page 112.
6. If you have replaced the system board, you must update (flash) the BIOS. See “Flash update procedures” on page 335.
7. Some FRU replacements require the configuration to be updated. See Chapter 6, “Using the Setup Utility,” on page 51.

## Chapter 10. FRU lists

**Attention:** Read “Important information about replacing RoHS compliant FRUs” on page 2 before replacing any FRUs.

**Note:** In the following tables, A CRU (Customer Replaceable Unit) is identified as either “1”, “2”, or N in the CRU column. An “N” means that the part is not a CRU. a “1” indicates that the CRU is external and a “2” indicates that the CRU is internal.

### Machine Type 9120



Item #	9120 FRUs	FRU#	CRU
1	AMD 89W/65W heat sink kit (all models)	41R4802	2
2	Microprocessor, 2800+ Sempron AM2 (1.6 GHz processor, 62W) (models CTO)	42Y8938	N
2	Microprocessor, 3000+ Sempron AM2 (1.6 GHz processor, 62W) (models CTO)	41X1403	N
2	Microprocessor, 3400+ Sempron AM2 (1.8 GHz processor, 62W) (models CTO)	41X1407	N
2	Microprocessor, 3500+ Sempron AM2 (2.0 GHz processor, 35W) stepping G1 65nm (models CTO)	41X1409	N
2	Microprocessor, 3600+ Sempron AM2 (2.0 GHz processor, 62W) (models A4U A4F)	41X1411	N
2	Microprocessor, 3600+ Athlon64 AM2 X2 1.9GHz 1M 65W 65nm G1 (models CTO)	43C4091	N
2	Microprocessor, 3800+ Sempron AM2 (2.2 GHz processor, 62W) (models CTO)	43C2454	N
2	Microprocessor, 3200+ Athlon64 AM2 (2.0 GHz processor, 62W) (models CTO)	42Y8940	N

Item #	9120 FRUs	FRU#	CRU
2	Microprocessor, 3500+ Athlon64 AM2 (2.2 GHz processor, 62W) (models CTO)	41X1415	N
2	Microprocessor, 3800+ Athlon64 AM2 (2.4 GHz processor, 62W) (models CTO)	41X1417	N
2	Microprocessor, 3600+ Athlon64 AM2 X2 (2.0 GHz processor, 65W) (models CTO)	41X7777	N
2	Microprocessor, 3800+ Athlon64 AM2 X2 (2.0 GHz processor, 89W) (models CTO)	41X4241	N
2	Microprocessor, 4000+ Athlon64 AM2 (2.4 GHz processor, 62W) (models CTO)	41X1419	N
2	Microprocessor, 4200+ Athlon64 AM2 X2 (2.2 GHz processor, 89W) (models CTO)	41X1421	N
2	Microprocessor, 4400+ Athlon64 AM2 X2 (2.3 GHz processor, 89W) (models A2K)	43C3507	N
2	Microprocessor, 4600+ Athlon64 AM2 X2 (2.4 GHz processor, 89W) (models CTO)	41X1423	N
2	Microprocessor, 4800+ Athlon64 AM2 X2 (2.5 GHz processor, 65W) stepping G1 45nm (models A3J A1K)	43C4093	N
2	Microprocessor, 5000+ Athlon64 AM2 X2 (2.6 GHz processor, 65W) stepping G1 65nm (models CTO)	41X1427	N
2	Microprocessor, Sempron LE 1100 (1.9 GHz processor, 45W, 256KB L2) stepping G1 (models)	45C7564	N
2	Microprocessor, Sempron LE 1150 (2.0 GHz processor, 45W, 256KB L2) stepping G1 (models)	45C7507	N
2	Microprocessor, Sempron LE 1200 (2.1 GHz processor, 45W, 512KB L2) stepping G1 (models)	43C6169	N
2	Microprocessor, Sempron LE 1250 (2.2 GHz processor, 45W, 512KB L2) stepping G2 (models)	43C6168	N
2	Microprocessor, 5200+ Athlon64 AM2 X2 (2.7 GHz processor, 65W) stepping G1 65nm (models)	45C7502	N
2	Microprocessor, 6000+ Athlon64 AM2 X2 (3.0 GHz processor, 65W) stepping G1 65nm (models)	45C7503	N
2	Microprocessor, Athlon X2 BE 2300 (1.9GHz processor, 45W, 1MB L2) steping G1 (models)	43C6167	N
2	Microprocessor, Athlon X2 BE 2350 (2.1GHz processor, 45W, 1MB L2) steping G1 (models)	43C6166	N
2	Microprocessor, Athlon X2 BE 2400 (2.3GHz processor, 45W, 1MB L2) steping G1 (models)	43C6165	N
3	Memory module, 512 MB PC2-4200 (533MHz) DDR2 SDRAM (models CTO)	41X4251	2
3	Memory module, 1 GB PC2-4200 (533MHz) DDR2 SDRAM (models CTO)	41X4252	2
3	Memory module, 2GB PC2-4200 (533MHz) DDR2 SDRAM (models CTO)	41X4253	2
3	Memory module, 512 MB PC2-5300 (667MHz) DDR2 SDRAM (models A3J A4U A4F)	41X4255	2
3	Memory module, 1 GB PC2-5300 (667MHz) DDR2 SDRAM (models A2K A1K A3J CTO)	41X4256	2
3	Memory module, 2 GB PC2-5300 (667MHz) DDR2 SDRAM (models CTO)	41X4257	2
3	Memory module, 512 MB PC2-6400 (800MHz) DDR2 SDRAM (models CTO)	41X1079	2
3	Memory module, 1GB PC-6400 (800MHz) DDR2 SDRAM (models CTO)	41X1080	2
3	Memory module, 2GB PC-6400 (800MHz) DDR2 SDRAM (models CTO)	41X1081	2
4	DVD-ROM drive - 16x/48x - SATA XP and Vista (models A4U A4F)	41X3325	2
4	DVD-ROM/CD-RW Combo Drive - 48x/32x/48x/16x - SATA vista and XP (models CTO)	42Y9353	2
4	DVD-RW/CD-RW Rambo 8 - SATA VISTA AND XP (models A3J)	43C1042	2



Item #	9120 FRUs	FRU#	CRU
5	Diskette drive, 3,5", 1.44MB, 2-mode, (w/bezel) (models A3J)	40Y9105	2
5	Diskette drive, 3,5", 1.44MB, 2-mode, (w/bezel) (models A3J)	40Y9107	2
6	Bezel assembly (all models)	TBD	2
7	Power switch/LED assembly (all models)	41N5284	2
8	Speaker assembly, soldered terminals (all models)	39P5023	2
9	Front audio/USB assembly (all models)	41N8054	2
10	Hard disk drive, 80GB, 7200RPM, SATA (models A4U A4F)	40Y9034	2
10	Hard disk drive, 160GB, 7200RPM, SATA (models A3J)	40Y9035	2
10	Hard disk drive, 250GB, 7200RPM, SATA (models A2K)	40Y9036	2
10	Hard disk drive, 320GB, 7200RPM, SATA/8MB (models A3K)	87H4891	2
10	Hard disk drive, 500GB, 7200RPM, SATA/8MB (models CTO)	41X5582	2
11	System board, AMD 690G (models A3J A4U A2K A1K A4F)	42Y9916	N
12	System fan, rear (all models)	41R6046	2
13	ATX 280W Power supply; Robust (models CTO)	41A9684	N
13	ATX 280W 80% power supply (models A4U A2K A1K A3J A4F)	41A9665	N
13	ATX 310W Power supply, Robust (models CTO)	24R2598	N

The FRUs listed in the following tables are not illustrated.

9120 FRUs	FRU#	CRU
Shield, EMC, blank 5.25 in. drive bay (all models)	41N8080	N
Shield, EMC, blank diskette drive bay (all models)	41N8078	N
Cable, diskette drive (all models)	41A7182	N
Cable, Serial ATA, 250 mm (all models)	41A7145	2
Rear USB 2Ports II HP(R), high profile I/O, 300mm, Rohs (all models)	42Y8005	2
Rear Com2 cable, Rohs (all models)	41R6198	2
Rear Com2 cable II HP(R), high profile I/O, 250mm, Rohs (all models)	42Y8007	N
Cable -SATA 457mm (RoHS) (all models)	26K1186	2
Cover (all models)	41N8050	2
System board shield (all models)	41R6378	N
Kit, Misc. Hardware (all models)	41N8055	2
Retainer, Card Reader (all models)	41R2913	2
System fan, front (all models)	41R4791	2
Optional HDD Bracket Assembly, without 4Pin cable (all models)	41R6106	2
Cable, Temperature Sense (460mm) (all models)	41R6196	2
Intrusion Switch assembly (all models)	41R6116	2

9120 Keyboards (Preferred Pro)	FRU#	CRU Tier
US English (models CTO)	41A5039	1
Arabic (models CTO)	41A5040	1
Arabic/French (models CTO)	41A5041	1

9120 Keyboards (Preferred Pro)	FRU#	CRU Tier
Belgian/French (models CTO)	41A5042	1
Belgian/UK (models CTO)	41A5043	1
Bulgarian (models CTO)	41A5045	1
Hong Kong/Taiwan (models CTO)	41A5046	1
Czech (models CTO)	41A5047	1
Danish (models CTO)	41A5048	1
Dutch (models CTO)	41A5049	1
French (models CTO)	41A5050	1
French Canadian 445 (models CTO)	41A5051	1
French Canadian 58 (models CTO)	41A5052	1
German (models CTO)	41A5053	1
Greek (models CTO)	41A5054	1
Hebrew (models CTO)	41A5055	1
Hungarian (models CTO)	41A5056	1
Iceland (models CTO)	41A5057	1
Italian (models CTO)	41A5058	1
Japanese (models CTO)	41A5059	1
Korean (models CTO)	41A5060	1
LA Spanish (models CTO)	41A5061	1
Norwegian (models CTO)	41A5062	1
Polish (models CTO)	41A5063	1
Portuguese (models CTO)	41A5064	1
Romanian (models CTO)	41A5065	1
Russian/Cyrilic (models CTO)	41A5066	1
Serbian/Cyrilic (models CTO)	41A5067	1
Slovak (models CTO)	41A5068	1
Spanish (models CTO)	41A5069	1
Swedish/Finn (models CTO)	41A5070	1
Swiss F/G (models CTO)	41A5071	1
Turkish 440 (models CTO)	41A5073	1
Turkish 179 (models CTO)	41A5074	1
UK English (models CTO)	41A5075	1
US Euro (models CTO)	41A5076	1
Slovenian (models CTO)	41A5077	1
Brazil/Portuguese (models CTO)	41A5044	1

9120 Keyboards (USB Preferred Pro)	FRU#	CRU
US English (models A4U )	41A5289	1
Arabic (models CTO)	41A5290	1
Arabic/French (models CTO)	41A5291	1
Belgian/French (models CTO)	41A5292	1

<b>9120 Keyboards (USB Preferred Pro)</b>	<b>FRU#</b>	<b>CRU</b>
Belgian/UK (models CTO)	41A5293	1
Bulgarian (models CTO)	41A5295	1
Chinese/US (models A4B A1B)	41A5296	1
Czech (models CTO)	41A5297	1
Danish (models CTO)	41A5298	1
Dutch (models CTO)	41A5299	1
French (models CTO)	41A5300	1
French Canadian 445 (models A4F)	41A5301	1
French Canadian 58 (models A4F)	41A5302	1
German (models CTO)	41A5303	1
Greek (models CTO)	41A5304	1
Greek/US (models CTO)	41A5305	1
Hebrew (models CTO)	41A5306	1
Hungarian (models CTO)	41A5307	1
Iceland (models CTO)	41A5308	1
Italian (models CTO)	41A5309	1
Japanese (models A3J)	41A5310	1
Korean (models A2K A1K)	41A5311	1
LA Spanish (models CTO)	41A5312	1
Norwegian (models CTO)	41A5313	1
Polish (models CTO)	41A5314	1
Portuguese (models CTO)	41A5315	1
Romanian 096 (models CTO)	41A5317	1
Romanian 446 (models CTO)	41A5316	1
Russian/Cyrillic (models CTO)	41A5318	1
Serbian/Cyrillic (models CTO)	41A5319	1
Slovak (models CTO)	41A5320	1
Spanish (models CTO)	41A5321	1
Swedish/Finn (models CTO)	41A5322	1
Swiss (models CTO)	41A5323	1
Turkish 440 (models CTO)	41A5325	1
Turkish 179 (models CTO)	41A5326	1
UK English (models CTO)	41A5327	1
US Euro (models CTO)	41A5328	1
Slovenian (models CTO)	41A5329	1

<b>9120 Keyboards (Fingerprint Reader USB)</b>	<b>FRU#</b>	<b>CRU Tier</b>
US English (models CTO)	41A5248	1
Arabic (models CTO)	41A5249	1
Arabic/French (models CTO)	41A5250	1
Belgian/French (models CTO)	41A5251	1

<b>9120 Keyboards (Fingerprint Reader USB)</b>	<b>FRU#</b>	<b>CRU Tier</b>
Belgian/UK (models CTO)	41A5252	1
Brazil/Portuguese (models CTO)	41A5253	1
Bulgarian (models CTO)	41A5254	1
Chinese (models CTO)	41A5255	1
Czech (models CTO)	41A5256	1
Danish (models CTO)	41A5257	1
Dutch (models CTO)	41A5258	1
French (models CTO)	41A5259	1
French Canadian 445 (models CTO)	41A5260	1
French Canadian 58 (models CTO)	41A5261	1
German (models CTO)	41A5262	1
Greek (models CTO)	41A5263	1
Greek/US (models CTO)	41A5264	1
Hebrew (models CTO)	41A5265	1
Hungarian (models CTO)	41A5266	1
Iceland (models CTO)	41A5267	1
Italian 141 (models CTO)	41A5268	1
Japanese (models CTO)	41A5269	1
Korean (models CTO)	41A5270	1
LA Spanish (models CTO)	41A5271	1
Norwegian (models CTO)	41A5272	1
Polish (models CTO)	41A5273	1
Portuguese (models CTO)	41A5274	1
Romanian 096 (models CTO)	41A5275	1
Romanian 446 (models CTO)	41A5276	1
Russian/Cyrillic (models CTO)	41A5277	1
Serbian/Cyrillic (models CTO)	41A5278	1
Slovak (models CTO)	41A5279	1
Spanish (models CTO)	41A5280	1
Swedish/Finn (models CTO)	41A5281	1
Swiss (models CTO)	41A5282	1
Turkish 440 (models CTO)	41A5284	1
Turkish 179 (models CTO)	41A5285	1
UK English (models CTO)	41A5286	1
US Euro (models CTO)	41A5287	1
Slovenian (models CTO)	41A5288	1

<b>9120 mice</b>	<b>FRU#</b>	<b>CRU</b>
Optical Wheel Mouse (400DPI, USB) (models A3J A4U A2K A1K A4F)	41U3013	1
Optical Wheel Mouse (400DPI, USB) models A3J A4U A2K A1K A4F)	41U3030	1
PS/2 Three Button ball mouse (41R0017) (models CTO)	41R0018	1

9120 Adapters and miscellaneous FRUs	FRU#	CRU Tier
PCI Modem Card (Soft) (models CTO)	29R9729	2
L1 IEEE 1394 PCI Adapter (models CTO)	41D2781	2
Dongle DMS Dule DMS-59 to dual DVI cable (models CTO)	41R3403	1
Dongle DMS Dule DMS-59 to single VGA & single DVI cable (models CTO)	41R3405	1
Nvidia GeForce 7300LE 128MB 64bit LP / ATX with DMS59 (models CTO)	42Y8165	2
ATI X1300LE 256M 64bit LP / ATX with DMS59 (models CTO)	42Y8162	2
USB2.0 MEMORY CARDREADER,6X2,ROHS OPTIONAL, SONY (models CTO)	41R3376	2
USB2.0 MEMORY CARDREADER,6X2,ROHS OPTIONAL,Bitland (models CTO)	41R3378	2
Speakers (2-piece) Lenovo Logo (models CTO)	41A5331	2
BTL external speaker (models CTO)	41A5334	1
Speaker Power brick - US, Canada, LA low voltage, ASEAN (models A4U)	89P8571	1
Speaker Power brick - Hong Kong, Malaysia, Singapore, UK, Brunei (models CTO)	89P8573	1
Speaker Power brick - LA high voltage (non-APU) (models CTO)	89P8575	1
Speaker Power brick - China, Thailand (models CTO)	89P8581	1
Speaker Power brick - Japan (models A3J)	89P8577	1
Speaker Power brick - Brazil (models CTO)	89P8583	1
Speaker Power brick - Argentina (models CTO)	41A4901	1
Speaker Power brick - ANZ (models CTO)	89P8579	1
Speaker Brick - Korea (models A2K A1K)	41A4903	1
Speaker Brick - Taiwan (models CTO)	41A4905	1
Speaker Power brick - India, South Africa (models CTO)	89P8585	1
DVI cable for RS690 LP (models)	41R3316	1
USB Memory Key - 1G RoW (models)	45C7146	1
ATI HD 2400PRO 128MB 64BIT DMS59 LP/ATX (models)	43C0259	2
ATI HD 2400XT 256MB 64BIT DMS59 LP/ATX (models)	43C0260	2
ATI HD 2600XT 512MB 128BIT ATX (models)	43C8266	2

9120 Power Cords	FRU#	CRU Tier
Power cord - US (models A4F)	39M5080	1
Power cord - China (models CTO)	39M5205	1
Power cord - Japan (models A3J)	39M5193	1
Power cord - Brazil (models CTO)	39M5232	1
Power cord - LA High Volt (APU) (models CTO)	39M5067	1
Power cord - Australia/New Zealand (models CTO)	39M5102	1
Power cord - Korea (models A2K A1K)	39M5212	1
Power cord - Hong Kong (models CTO)	39M5151	1
Power cord - UK, Ireland, Singapore, Malaysia, Brunei (models CTO)	39M5150	1
Power cord - Taiwan (models CTO)	39M5246	1
Power cord - Italy/Chile (models CTO)	39M5164	1
Power cord - G models (models CTO)	39M5122	1

9120 Power Cords	FRU#	CRU Tier
Power cord - Denmark (models CTO)	39M5129	1
Power cord - Switzerland (models CTO)	39M5157	1
Power cord - Israel (models CTO)	39M5171	1
Power cord - South Africa (models CTO)	39M5143	1
Power cord - India (models CTO)	39M5004	1

9120 Windows XP Home CDs	FRU#	CRU Tier
US/UK/AP/TH (models CTO)	45C1028	1
FR/CF (models CTO)	45C1029	1
GR (models CTO)	45C1030	1
IT (models CTO)	45C1033	1
BR (models CTO)	45C1032	1
SP/LA (models CTO)	45C1031	1
DK (models CTO)	45C1037	1
NL (models CTO)	45C1038	1
AE (models CTO)	45C1043	1
SV (models CTO)	45C1036	1
HE (models CTO)	45C1041	1
FI (models CTO)	45C1040	1
NO (models CTO)	45C1035	1
PL (models CTO)	45C1042	1
PO (models CTO)	45C4069	1
RU (models CTO)	45C1044	1
RE (models CTO)	45C1052	1
HU (models CTO)	45C1046	1
CZ (models CTO)	45C1039	1
TR (models CTO)	45C1045	1
GK (models CTO)	45C1047	1
Japanese (models CTO)	45C1034	1
Simplified Chinese (models CTO)	45C1048	1
Taiwan - TC (models CTO)	45C1049	1
Hong Kong - TC (models CTO)	45C1050	1
Korea (models A2K)	45C1051	1

9120 Windows XP Pro Recovery CDs	FRU#	CRU Tier
US/UK/AP/TH (models CTO)	45C0820	1
FR/CF (models CTO A4F)	45C0821	1
GR (models CTO)	45C0822	1
IT (models CTO)	45C0825	1
BR (models CTO)	45C0824	1
SP/LA (models CTO)	45C0823	1

<b>9120 Windows XP Pro Recovery CDs</b>	<b>FRU#</b>	<b>CRU Tier</b>
DK (models CTO)	45C0829	1
NL (models CTO)	45C08230	1
AE (models CTO)	45C0835	1
SV (models CTO)	45C0828	1
HE (models CTO)	45C0833	1
FI (models CTO)	45C0832	1
NO (models CTO)	45C0827	1
PL (models CTO)	45C0834	1
PO (models CTO)	45C4061	1
RU (models CTO)	45C0836	1
RE (models CTO)	45C0845	1
HU (models CTO)	45C0838	1
CZ (models CTO)	45C0831	1
TR (models CTO)	45C0837	1
GK (models CTO)	45C0839	1
SL (models CTO)	45C0844	1
Japanese (models A3J)	45C0826	1
Simplified Chinese (models CTO)	45C0840	1
Taiwan - TC (models CTO)	45C0841	1
Hong Kong - TC (models CTO)	45C0842	1
Korea (models CTO)	45C0843	1

<b>9120 Vista Home Basic 32 Recovery DVDs</b>	<b>FRU#</b>	<b>CRU Tier</b>
English (models A4U)	45C0770	1
French/Canadian French (models CTO)	45C0772	1
German (models CTO)	45C0773	1
Spanish/LA (models CTO)	45C0774	1
Brazil (models CTO)	45C0775	1
Italy (models CTO)	45C0776	1
Japanese (models CTO)	45C0777	1
Norway (models CTO)	45C0778	1
Swedish (models CTO)	45C0779	1
Denmark (models CTO)	45C0780	1
Dutch (models CTO)	45C0781	1
Czech (models CTO)	45C0782	1
Finnish (models CTO)	45C0783	1
Polish (models CTO)	45C0784	1
Russian (models CTO)	45C0785	1
Turkish (models CTO)	45C0786	1
Hungarian (models CTO)	45C0787	1
Greek (models CTO)	45C0788	1

<b>9120 Vista Home Basic 32 Recovery DVDs</b>	<b>FRU#</b>	<b>CRU Tier</b>
Portuguese (models CTO)	45C4825	1
Simplified Chinese (models CTO)	45C0789	1
Traditional Chinese (models CTO)	45C0790	1
Traditional Chinese (models CTO)	45C0791	1
Korean (models A1K)	45C0792	1
SL (models CTO)	45C0793	1
Russian English (models CTO)	45C0771	1
Hebrew (models CTO)	45C0794	1
Arabic (models CTO)	45C5292	1

<b>9120 Vista Business 32 Recovery DVDs</b>	<b>FRU#</b>	<b>CRU Tier</b>
English (models CTO)	45C0660	1
French/Canadian French (models A4F)	45C0662	1
German (models CTO)	45C0663	1
Spanish/LA (models CTO)	45C0664	1
Brazil (models CTO)	45C0665	1
Italy (models CTO)	45C0666	1
Japanese (models CTO)	45C0667	1
Norway (models CTO)	45C0668	1
Swedish (models CTO)	45C0669	1
Denmark (models CTO)	45C0670	1
Dutch (models CTO)	45C0671	1
Czech (models CTO)	45C0672	1
Finnish (models CTO)	45C0673	1
Polish (models CTO)	45C0674	1
Russian (models CTO)	45C0675	1
Turkish (models CTO)	45C0676	1
Hungarian (models CTO)	45C0677	1
Greek (models CTO)	45C0678	1
Portuguese (models CTO)	45C0687	1
Simplified Chinese (models CTO)	45C0679	1
Traditional Chinese (models CTO)	45C0680	1
Traditional Chinese (models CTO)	45C0681	1
Korean (models CTO)	45C0682	1
Slovenian (models CTO)	45C0683	1
Russian English (models CTO)	45C0661	1
Romanian (models CTO)	45C0684	1
Bulgarian (models CTO)	45C0685	1
Croatian (models CTO)	45C0686	1
Serbian-Latin (models CTO)	45C0688	1
Ukrainian (models CTO)	45C0689	1



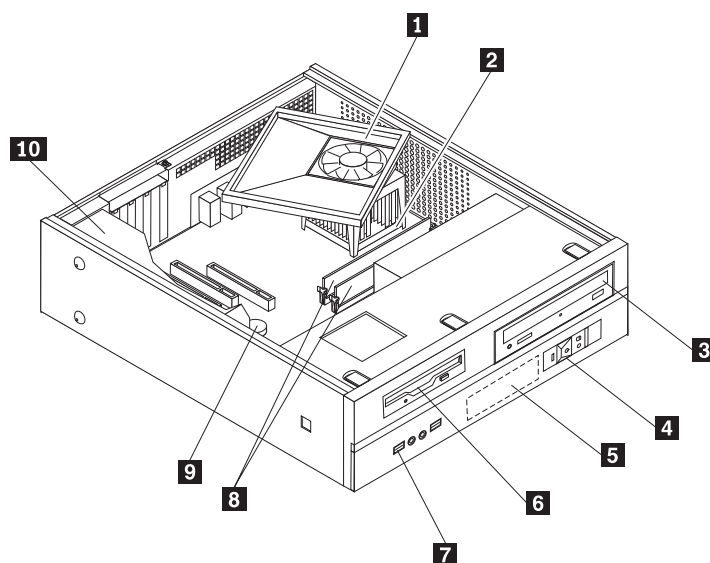
<b>9120 Vista Business 32 Recovery DVDs</b>	<b>FRU#</b>	<b>CRU Tier</b>
Slovakian (models CTO)	45C0690	1
Hebrew (models CTO)	45C5289	1
Arabic (models CTO)	45C5290	1

<b>9120 Vista Home pre 32 Recovery DVDs</b>	<b>FRU#</b>	<b>CRU Tier</b>
English (models CTO)	45C0581	1
Russian English (models CTO)	45C0582	1
French/Canadian French (models CTO)	45C0583	1
German (models CTO)	45C0584	1
Spanish/LA (models CTO)	45C0585	1
Brazil (models CTO)	45C0586	1
Italy (models CTO)	45C0587	1
Japanese (models CTO)	45C0588	1
Norway (models CTO)	45C0589	1
Swedish (models CTO)	45C0590	1
Denmark (models CTO)	45C0591	1
Dutch (models CTO)	45C0592	1
Czech (models CTO)	45C0593	1
Finnish (models CTO)	45C0594	1
Polish (models CTO)	45C0595	1
Russian (models CTO)	45C0596	1
Turkish (models CTO)	45C0597	1
Hungarian (models CTO)	45C0598	1
Greek (models CTO)	45C0599	1
Simplified Chinese (models CTO)	45C0600	1
Traditional Chinese (models CTO)	45C0601	1
Traditional Chinese (models CTO)	45C0602	1
Korean (models CTO)	45C0603	1
Slovenian (models CTO)	45C0604	1
Hebrew (models CTO)	45C0605	1
Romanian (models CTO)	45C0606	1
Bulgarian (models CTO)	45C0607	1
Croatian (models CTO)	45C0608	1
Portuguese (models CTO)	45C0609	1
Serbian-Latin (models CTO)	45C0610	1
Ukrainian (models CTO)	45C0611	1
Slovakian (models CTO)	45C0612	1
Arabic (models CTO)	45C5291	1

<b>9120 Vista Business 64 Recovery DVDs</b>	<b>FRU#</b>	<b>CRU Tier</b>
English (models CTO)	45C0722	1

9120 Vista Business 64 Recovery DVDs	FRU#	CRU Tier
Russian English (models CTO)	45C0723	1
French/Canadian French (models CTO)	45C0724	1
German (models CTO)	45C0725	1
Spanish/LA (models CTO)	45C0726	1
Brazil (models CTO)	45C0727	1
Italy (models CTO)	45C0728	1
Japanese (models CTO)	45C0729	1
Norway (models CTO)	45C0730	1
Swedish (models CTO)	45C0731	1
Denmark (models CTO)	45C0732	1
Dutch (models CTO)	45C0733	1
Czech (models CTO)	45C0734	1
Finnish (models CTO)	45C0735	1
Polish (models CTO)	45C0736	1
Russian (models CTO)	45C0737	1
Turkish (models CTO)	45C0738	1
Hungarian (models CTO)	45C0739	1
Greek (models CTO)	45C0740	1
Simplified Chinese (models CTO)	45C0741	1
Taiwan (models CTO)	45C0742	1
Hong Kong (models CTO)	45C0743	1
Korean (models CTO)	45C0744	1
Slovenian (models CTO)	45C0745	1
Hebrew (models CTO)	45C4059	1
Portuguese (models CTO)	45C4826	1
Arabic (models CTO)	45C5293	1

## Machine Type 9126



Item #	9126 FRUs	FRU#	CRU
1	AMD 65W heatsink kit (all models)	41R4802	2
1	AMD 89W heatsink (all models)	41R6290	2
2	Microprocessor, 3600+ Sempron AM2 (2.0 GHz processor, 62W) (models A3B A3H A4J A5J )	41X1411	N
2	Microprocessor, 3800+ Athlon64 AM2 X2 (2.0 GHz processor, 89W) (models A2K A1K )	41X4241	N
2	Microprocessor, 4000+ Athlon64 AM2 (2.4 GHz processor, 62W) (models A6J A7J A8J )	41X1419	N
2	Microprocessor, 4800+ Athlon64 AM2 X2 (2.5 GHz processor, 65W, stepping G1 45nm) (models A9J)	43C4093	N
2	Microprocessor, 5000+ Athlon64 AM2 X2 (2.6 GHz processor, 65W) stepping G1 65nm (models AAJ)	41X1427	N
2	Microprocessor, Sempron LE 1100 (1.9 GHz processor, 45W, 256KB L2) stepping G1 (models)	45C7564	N
2	Microprocessor, Sempron LE 1150 (2.0 GHz processor, 45W, 256KB L2) stepping G1 (models)	45C7507	N
2	Microprocessor, Sempron LE 1200 (2.1 GHz processor, 45W, 512KB L2) stepping G1 (models)	43C6169	N
2	Microprocessor, Sempron LE 1250 (2.2 GHz processor, 45W, 512KB L2) stepping G2 (models)	43C6168	N
2	Microprocessor, 5200+ Athlon64 AM2 X2 (2.7 GHz processor, 65W) stepping G1 65nm (models)	45C7502	N
2	Microprocessor, 6000+ Athlon64 AM2 X2 (3.0 GHz processor, 65W) stepping G1 65nm (models)	45C7503	N
2	Microprocessor, Athlon X2 BE 2300 (1.9GHz processor, 45W, 1MB L2) stepping G1 (models)	43C6167	N
2	Microprocessor, Athlon X2 BE 2350 (2.1GHz processor, 45W, 1MB L2) stepping G1 (models)	43C6166	N

Item #	9126 FRUs	FRU#	CRU
2	Microprocessor, Athlon X2 BE 2400 (2.3GHz processor, 45W, 1MB L2) stepping G1 (models)	43C6165	N
3	DVD-ROM Drive - 16x/48x - SATA XP and Vista (models A6J A8J A4J )	41N3325	2
3	DVD-ROM/CD-RW Combo Drive - 48x/32x/48x/16x - SATA vista and XP (models A2K)	42Y9353	2
3	DVD-ROM/CD-RW Combo Drive - 48x/32x/48x/16x - SATA vista and XP (models A2K)	42Y6325	2
3	DVD-RW/CD-RW Rambo 8 - SATA VISTA AND XP (models A9J A3B A3H A7J A5J A1K AAJ)	43C1042	2
4	Front Power/LED PC, bracket, and cable (all models)	41N8213	2
5	Hard disk drive, 80GB, 7200RPM, SATA (models A4J A5J)	40Y9034	2
5	Hard disk drive, 160GB, 7200RPM, SATA (models A9J A3B A3H A6J A7J A8J A9J A2K)	40Y9035	2
5	Hard disk drive, 250GB, 7200RPM, SATA (models A1K)	40Y9036	2
5	Hard disk drive, 320GB 7200rpm SATA/8MB (models AAJ)	87H4891	2
6	Diskette drive, 3,5", 1.44MB, 2-mode, (w/bezel) (models A9J A6J A7J A8J A4J A5J AAJ)	40Y9105	2
6	Diskette drive, 3,5", 1.44MB, 2-mode, (w/bezel) (models A9J A6J A7J A8J A4J A5J AAJ)	40Y9107	2
7	Front USB/Audio with bracket (all models)	41N8212	2
8	Memory module, 512 MB PC2-5300 (667MHz) DDR2 SDRAM (models A9J A3B A3H A6J A7J A8J A9J A4J A5J )	41X4255	2
8	Memory module, 1 GB PC2-5300 (667MHz) DDR2 SDRAM (models A2K A1K AAJ)	41X4256	2
9	System board, AMD 690G (models A9J A3B A3H A6J A7J A8J A9J A5J A4J A2K A1K AAJ)	42Y9916	N
10	220 Watt Power Supply - Japan (models A9J A6J A7J A8J A4J A5J AAJ)	41A9697	2
10	220 Watt Power Supply - Robust (models A3B A3H )	41A9689	2
10	220W 80% Power supply (models A3B A3H A6J A7J A8J A9J A4J A5J A2K A1K AAJ)	41A9670	2
10	280W TFX 280W PS ,Active PFC (models A3B A3H A6J A7J A8J A9J A4J A5J A2K A1K AAJ)	41A9705	2

The FRUs listed in the following tables are not illustrated.

9126 FRUs	FRU#	CRU
System board shield (all models)	41R6384	N
Cover (all models)	41N8204	N
Mechanical shell kit (all models)	41R6209	N
Bezel kit (all models)	41N8206	N
Miscellaneous hardware kit (all models)	41N8209	N
Hard disk drive bracket assembly (plastic and grommets) (all models)	41N8210	N
Hard disk drive fan and bracket assembly (all models)	41N8211	N
Speaker cable assembly, 600 mm cable length (all models)	41N8217	N
Fan duct assembly (all models)	41R4808	N

9126 FRUs	FRU#	CRU
Intrusion switch assembly (all models)	41R6208	N
Cable, diskette drive (all models)	41A7147	N
Shield, EMC, blank 5.25 in. drive bay all models)	41N8271	N
Shield, EMC, blank diskette drive bay (all models)	41N8273	N
Rear USB 2Ports II LP (R), low profile I/O, 200mm, Rohs (all models)	42Y8006	N
Rear Com2 cable II LP(R), low profile I/O, 250mm, Rohs (all models)	42Y8008	N
Foot stand (all models)	41R4813	N
Cable, serial ATA, 250 mm (all models)	41A7145	N
Bezel kit, Rocky S3 without IBM logo (all models)	41R6238	2
DVI cable for RS690 LP (all models)	41R3304	2

9126 Keyboards (USB Preferred - without hub)	FRU#	CRU Tier
US English (models A3H)	41A5289	1
Hong Kong/Taiwan (models A3B)	41A5296	1
Japanese (models A9J A6J A7J A8J A5J A4J AAJ)	41A5310	1
Korean (models A2K A1K)	41A5311	1

9126 mice	FRU#	CRU
Optical Wheel Mouse (400DPI, USB) (models A9J A3B A3H A6J A7J A8J A4J A5J A2K A1K AAJ)	41U3013	1
Optical Wheel Mouse (400DPI, USB) (models A9J A3B A3H A6J A7J A8J A4J A5J A2K A1K AAJ)	41U3030	1

9126 Adapters and miscellaneous FRUs	FRU#	CRU
L1 IEEE 1394 PCI Adapter (models A3B A3H)	41D2781	2
Dongle Cable - DMS59 to dual VGA (included in Denver L1) (models)	41R3404	1
Dongle DMS Dule DMS-59 to dual DVI cable (models)	41R3403	1
Dongle DMS Dule DMS-59 to single VGA & single DVI cable (models)	41R3405	1
Internal USB Memory Card Reader (models A3B A3H)	41R3376	2
Internal USB Memory Card Reader (models A3B A3H)	41R3378	2
Speaker Power brick - Hong Kong, Malaysia, Singapore, UK, Brunei (models A3B A3H )	89P8573	1
Speaker Power brick - Japan (models A6J A7J A8J A9J A5J A4J AAJ)	89P8577	1
Speaker Brick - Korea (models A2K A1K)	41A4903	1
USB Memory Key - 1G RoW (models)	45C7146	1
ATI HD 2400PRO 128MB 64BIT DMS59 LP/ATX (models)	43C0259	2
ATI HD 2400XT 256MB 64BIT DMS59 LP/ATX (models)	43C0260	2
ATI HD 2600XT 512MB 128BIT ATX (models)	43C8266	2

9126 Power Cords	FRU#	CRU
Power cord - Japan (models A9J A6J A7J A8J A5J A4J AAJ)	39M5193	1
Power cord - Korea (models A2K A1K)	39M5212	1

<b>9126 Power Cords</b>	<b>FRU#</b>	<b>CRU</b>
Power cord - Hong Kong (models A3B A3H)	39M5151	1

<b>9126 Windows XP Home Recovery CDs</b>	<b>FRU#</b>	<b>CRU</b>
PO (models)	45C4069	1

<b>9126 Windows XP Pro Recovery CDs</b>	<b>FRU#</b>	<b>CRU</b>
Japanese (models A6J A7J A4J A5J A9J A8J AAJ)	45C0826	1
PO (models)	45C4061	1

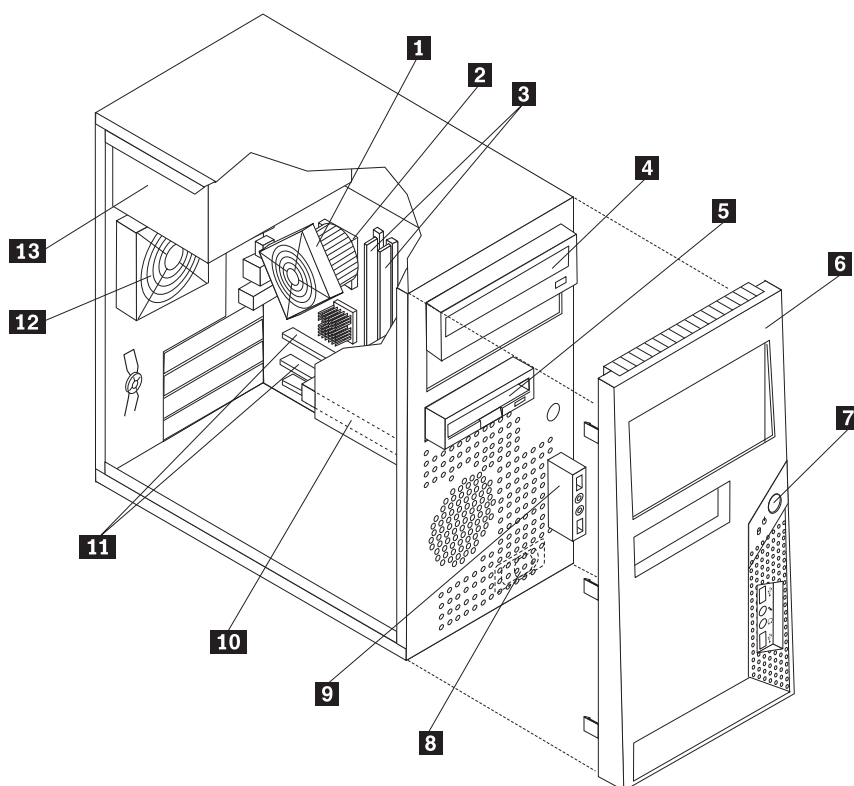
<b>9126 Vista Home Basic 32 Recovery DVDs</b>	<b>FRU#</b>	<b>CRU</b>
English (models A3B)	45C0770	1
Traditional Chinese (models A3H)	45C0790	1
Traditional Chinese (models A3H)	45C0791	1
Korea (models A2K A1K)	45C0792	1
Portuguese (models)	45C4825	1
Arabic (models)	45C5292	1

<b>9126 Vista Business 32 Recovery DVDs</b>	<b>FRU#</b>	<b>CRU</b>
Japanese (models A9J A8J AAJ)	45C0667	1
Hebrew (models)	45C5289	1
Arabic (models)	45C5290	1

<b>9126 Vista Home Pre 32 Recovery DVDs</b>	<b>FRU#</b>	<b>CRU</b>
Arabic (models)	45C5291	1

<b>9126 Vista Business 64 Recovery DVDs</b>	<b>FRU#</b>	<b>CRU</b>
Hebrew (models)	45C4059	1
Portuguese (models)	45C4826	1
Arabic (models)	45C5293	1

## Machine Type 9129



Item #	9129 FRUs	FRU#	CRU
1	AMD 89W/65W heat sink kit (all models)	41R4802	2
2	Microprocessor, 4400+ Athlon64 AM2 X2 (2.3 GHz processor, 89W) (models A3M A4M )	43C3507	N
2	Microprocessor, 4800+ Athlon64 AM2 X2 (2.5 GHz processor, 65W) stepping G1 45nm (models A5M)	43C4093	N
2	Microprocessor, 5000+ Athlon64 AM2 X2 (2.6 GHz processor, 65W) stepping G1 65nm (models A6M)	41X1427	N
2	Microprocessor, Sempron LE 1100 (1.9 GHz processor, 45W, 256KB L2) stepping G1 (models)	45C7564	N
2	Microprocessor, Sempron LE 1150 (2.0 GHz processor, 45W, 256KB L2) stepping G1 (models)	45C7507	N
2	Microprocessor, Sempron LE 1200 (2.1 GHz processor, 45W, 512KB L2) stepping G1 (models)	43C6169	N
2	Microprocessor, Sempron LE 1250 (2.2 GHz processor, 45W, 512KB L2) stepping G2 (models)	43C6168	N
2	Microprocessor, 5200+ Athlon64 AM2 X2 (2.7 GHz processor, 65W) stepping G1 65nm (models)	45C7502	N
2	Microprocessor, 6000+ Athlon64 AM2 X2 (3.0 GHz processor, 65W) stepping G1 65nm (models)	45C7503	N
2	Microprocessor, Athlon X2 BE 2300 (1.9GHz processor, 45W, 1MB L2) steping G1 (models)	43C6167	N
2	Microprocessor, Athlon X2 BE 2350 (2.1GHz processor, 45W, 1MB L2) steping G1 (models)	43C6166	N

Item #	9129 FRUs	FRU#	CRU
2	Microprocessor, Athlon X2 BE 2400 (2.3GHz processor, 45W, 1MB L2) stepping G1 (models)	43C6165	N
3	Memory module, 512 MB PC2-5300 (667MHz) DDR2 SDRAM (models A3M)	41X4255	2
3	Memory module, 1 GB PC2-5300 (667MHz) DDR2 SDRAM (models A4M A5M A6M)	41X4256	2
4	DVD-RW/CD-RW Rambo 8 - SATA VISTA AND XP (models A3M A4M A5M A6M)	43C1042	2
5	Diskette drive, 3,5", 1.44MB, 2-mode, (w/bezel) (models)	40Y9105	2
5	Diskette drive, 3,5", 1.44MB, 2-mode, (w/bezel) (models)	40Y9107	2
6	Bezel assembly (all models)	TBD	2
7	Power switch/LED assembly (all models)	41N5284	2
8	Speaker assembly, soldered terminals (all models)	39P5023	2
9	Front audio/USB assembly (all models)	41N8054	2
10	Hard disk drive, 250GB, 7200RPM, SATA (models A3M A4M A5M )	40Y9036	2
10	Hard disk drive, 320GB 7200rpm SATA/8MB (models A6M)	87H4891	2
11	System board, AMD 690G (models A3M A4M A5M A6M)	42Y9916	N
12	System fan, rear (all models)	41R6046	2
13	ATX 280W 80% power supply (models A3M A4M A5M A6M)	41A9665	N

The FRUs listed in the following tables are not illustrated.

9129 FRUs	FRU#	CRU
Shield, EMC, blank 5.25 in. drive bay (all models)	41N8080	N
Shield, EMC, blank diskette drive bay (all models)	41N8078	N
Cable, diskette drive (all models)	41A7182	N
Cable, Serial ATA, 250 mm (all models)	41A7145	2
Rear USB 2Ports II HP(R), high profile I/O, 300mm, Rohs (all models)	42Y8005	2
Rear Com2 cable, Rohs (all models)	41R6198	2
Rear Com2 cable II HP(R), high profile I/O, 250mm, Rohs (all models)	42Y8007	N
Cable -SATA 457mm (RoHS) (all models)	26K1186	2
Cover (all models)	41N8050	2
Kit, Misc. Hardware (all models)	41N8055	2
Retainer, Card Reader (all models)	41R2913	2
System fan, front (all models)	41R4791	2
Optional HDD Bracket Assembly, without 4Pin cable (all models)	41R6106	2
Cable, Temperature Sense (460mm) (all models)	41R6196	2
Intrusion Switch assembly (all models)	41R6116	2
System board shield (all models)	41R6378	2

9129 Keyboards (USB Preferred Pro)	FRU#	CRU
US English (models A3M A4M A5M A6M)	41A5289	1



<b>9129 mice</b>	<b>FRU#</b>	<b>CRU</b>
Optical Wheel Mouse (400DPI, USB) (models A3M A4M A5M A6M)	41U3013	1
Optical Wheel Mouse (400DPI, USB) (models A3M A4M A5M A6M)	41U3030	1

<b>9129 Adapters and miscellaneous FRUs</b>	<b>FRU#</b>	<b>CRU</b>
Dongle Cable - DMS59 to dual VGA (included in Denver L1) (models)	41R3404	1
Dongle DMS Dule DMS-59 to dual DVI cable (models)	41R3403	1
Dongle DMS Dule DMS-59 to single VGA & single DVI cable (models)	41R3405	1
ATI X1300LE 256M 64bit LP / ATX with DMS59 (models A5M A6M)	42Y8162	2
Internal USB Memory Card Reader (models A1G)	41R3376	2
Internal USB Memory Card Reader (models A1G)	41R3378	2
Speaker Power brick - ANZ (models A3M A4M A5M A6M)	89P8579	1
DVI cable for RS690 LP (models A5M)	41R3316	2
USB Memory Key - 1G RoW (models)	45C7146	1
ATI HD 2400PRO 128MB 64BIT DMS59 LP/ATX (models)	43C0259	2
ATI HD 2400XT 256MB 64BIT DMS59 LP/ATX (models)	43C0260	2
ATI HD 2600XT 512MB 128BIT ATX (models)	43C8266	2

<b>9129 Power Cords</b>	<b>FRU#</b>	<b>CRU</b>
Power cord -Australia / New Zealand (models A3M A4M A5M A6M)	39M5102	1
Power cord - South Africa (models A3M A4M A5M A6M)	39M5143	1

<b>9129 Windows XP Home Recovery CDs</b>	<b>FRU#</b>	<b>CRU</b>
PO (models)	45C4069	1

<b>9129 Windows XP Pro Recovery CDs</b>	<b>FRU#</b>	<b>CRU</b>
US/UK/AP/TH (models A3M A4M A5M A6M)	45C0820	1
PO (models)	45C4061	1

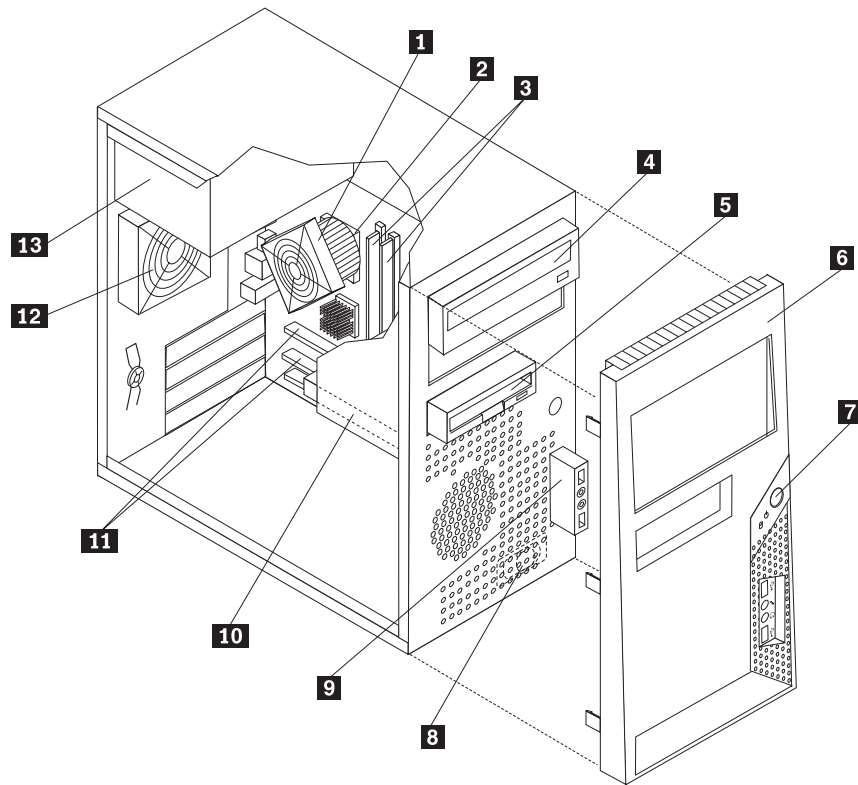
<b>9129 Vista Home Basic 32 Recovery DVDs</b>	<b>FRU#</b>	<b>CRU</b>
Portuguese (models)	45C4825	1
Arabic (models)	45C5292	1

<b>9129 Vista Business 32 Recovery DVDs</b>	<b>FRU#</b>	<b>CRU</b>
US/UK/AP/TH (models A3M A4M A5M A6M)	45C0660	1
Hebrew (models)	45C5289	1
Arabic (models)	45C5290	1

<b>9129 Vista Home Pre 32 Recovery DVDs</b>	<b>FRU#</b>	<b>CRU</b>
Arabic (models)	45C5291	1

<b>9129 Vista Business 64 Recovery DVDs</b>	<b>FRU#</b>	<b>CRU</b>
Hebrew (models)	45C4059	1
Portuguese (models)	45C4826	1
Arabic (models)	45C5293	1

# Machine Type 9134



Item #	9134 FRUs	FRU#	CRU
1	AMD 89W/65W heat sink kit (all models)	41R4802	2
2	Microprocessor, 2800+ Sempron AM2 (1.6 GHz processor, 62W) (models CTO)	42Y8938	N
2	Microprocessor, 3000+ Sempron AM2 (1.6 GHz processor, 62W) (models CTO)	41X1403	N
2	Microprocessor, 3400+ Sempron AM2 (1.8 GHz processor, 62W) (models CTO)	41X1407	N
2	Microprocessor, 3500+ Sempron AM2 (2.0 GHz processor, 62W) (models CTO)	41X1409	N
2	Microprocessor, 3600+ Sempron AM2 (2.0 GHz processor, 62W) (models CTO)	41X1411	N
2	Microprocessor, 3600+ Athlon64 AM2 X2 (1.9GHz processor 1M 65W 65nm G1) (models CTO)	43C4091	N
2	Microprocessor, 3800+ Sempron AM2 (2.2 GHz processor, 62W) (models CTO)	43C2454	N
2	Microprocessor, 3200+ Athlon64 AM2 (2.0 GHz processor, 62W) (models CTO)	42Y8940	N
2	Microprocessor, 3500+ Athlon64 AM2 (2.2 GHz processor, 62W )(models CTO)	41X1415	N
2	Microprocessor, 3600+ Athlon64 AM2 X2 (2.0 GHz processor, 65W) (models CTO)	41X7777	N
2	Microprocessor, 3800+ Athlon64 AM2 X2 (2.0 GHz processor, 89W) (models CTO AHU AHF)	41X4241	N
2	Microprocessor, 4000+ Athlon64 AM2 (2.4 GHz processor, 62W) (models A5U A6U A5F A6F AJU AJF)	41X1419	N
2	Microprocessor, 4400+ Athlon64 AM2 X2 (2.3 GHz processor, 89W) (models A1B A1H A8U A9U A8F A9F AKU AKF)	43C3507	N
2	Microprocessor, 4600+ Athlon64 AM2 X2 (2.4 GHz processor, 89W) (models ABF ACF)	41X1423	N

Item #	9134 FRUs	FRU#	CRU
2	Microprocessor, 4800+ Athlon64 AM2 X2 (2.5 GHz processor, 65W) stepping G1 45nm (models A4B ABU ACU A4B ALU ALF AMU AMF)	43C4093	N
2	Microprocessor, 5000+ Athlon AM2 X2 (2.6 GHz processor, 89W) (models ANU ANF APU APF)	41X1427	N
2	Microprocessor, Sempron LE 1100 (1.9 GHz processor, 45W, 256KB L2) stepping G1 (models)	45C7564	N
2	Microprocessor, Sempron LE 1150 (2.0 GHz processor, 45W, 256KB L2) stepping G1 (models)	45C7507	N
2	Microprocessor, Sempron LE 1200 (2.1 GHz processor, 45W, 512KB L2) stepping G1 (models)	43C6169	N
2	Microprocessor, Sempron LE 1250 (2.2 GHz processor, 45W, 512KB L2) stepping G2 (models)	43C6168	N
2	Microprocessor, 5200+ Athlon64 AM2 X2 (2.7 GHz processor, 65W) stepping G1 65nm (models)	45C7502	N
2	Microprocessor, 6000+ Athlon64 AM2 X2 (3.0 GHz processor, 65W) stepping G1 65nm (models)	45C7503	N
2	Microprocessor, Athlon X2 BE 2300 (1.9GHz processor, 45W, 1MB L2) steping G1 (models)	43C6167	N
2	Microprocessor, Athlon X2 BE 2350 (2.1GHz processor, 45W, 1MB L2) steping G1 (models)	43C6166	N
2	Microprocessor, Athlon X2 BE 2400 (2.3GHz processor, 45W, 1MB L2) steping G1 (models)	43C6165	N
3	Memory module, 1 GB PC2-4200 (533MHz) DDR2 SDRAM (models CTO)	41X4252	2
3	Memory module, 2GB PC2-4200 (533MHz) DDR2 SDRAM (models CTO)	41X4253	2
3	Memory module, 512 MB PC2-5300 (667MHz) DDR2 SDRAM (models A4B AFU A5U A6U A8U A9U ABU ACU AFF A5F A6F A8F A9F ABF ACF A1B A1H ANU ANF)	41X4255	2
3	Memory module, 1 GB PC2-5300 (667MHz) DDR2 SDRAM (models AMU AMF AHU AHF AJU AJF AKU AKF ALU ALF)	41X4256	2
3	Memory module, 2 GB PC2-5300 (667MHz) DDR2 SDRAM (models CTO)	41X4257	2
3	Memory module, 512 MB PC2-6400 (800MHz) DDR2 SDRAM (models CTO)	41X1079	2
3	Memory module, 1 GB PC2-6400 (800MHz) DDR2 SDRAM (models CTO)	41X1080	2
3	Memory module, 2 GB PC2-6400 (800MHz) DDR2 SDRAM (models CTO)	41X1081	2
4	DVD-ROM drive - 16x/48x - SATA XP and Vista (models AFU A5U A8U ABU AFF A5F A8F ABF)	41X3325	2
4	DVD-ROM/CD-RW Combo Drive - 48x/32x/48x/16x - SATA vista and XP (models A6U A9U AAU ACU A6F A9F AAF ACF ANU ANF AHU AHF AJU AJF AKU AKF ALU ALF)	42Y9353	2
4	DVD-RW/CD-RW Rambo 8 - SATA VISTA AND XP (models A4B A1B A1H APU APF AMU AMF)	43C1042	2
5	Diskette drive, 3,5", 1.44MB, 2-mode, (w/bezel) (models CTO)	40Y9105	2
5	Diskette drive, 3,5", 1.44MB, 2-mode, (w/bezel) (models CTO)	40Y9107	2
6	Bezel assembly (models)	TBD	2
7	Power switch/LED assembly (all models)	41N5284	2
8	Speaker assembly, soldered terminals (all models)	39P5023	2
9	Front audio/USB assembly (all models)	41N8054	2

Item #	9134 FRUs	FRU#	CRU
10	Hard disk drive, 80GB, 7200RPM, SATA (models AFU A5U A8U ABU AFF A5F A8F ABF AHU AHF AJU AJF AKU AKF)	40Y9034	2
10	Hard disk drive, 160GB, 7200RPM, SATA (models A4B A1B A1H A6U A9U ACU A9F ACF ANU ANF ALU ALF)	40Y9035	2
10	Hard disk drive, 250GB, 7200RPM, SATA (models AMU AMF)	40Y9036	2
10	Hard disk drive, 500GB, 7200RPM, SATA/8MB (models CTO)	41X5582	2
11	System board, AMD 690G (models A4B A1B A1H AFU A5U A6U A8U A9U ABU ACU A4B AFF A5F A6F A8F A9F ABF ACF ANU ANF APU APF AHU AHF AJU AJF AKU AKF ALU ALF AMU AMF)	42Y9916	N
12	System fan, rear (all models)	41R6046	2
13	ATX 280W Power supply; Robust (models A4B A1B A1H )	41A9684	N
13	ATX 280W 80% power supply (models A1B A1H AFU A5U A6U A8U A9U ABU ACU AFF A5F A6F A8F A9F ABF ACF ANU ANF AMU AMF AHU AHF AJU AJF AKU AKF ALU ALF)	41A9665	N
13	ATX 310W Power supply Robust (models A4B A1B A1H)	24R2598	N

The FRUs listed in the following tables are not illustrated.

9134 FRUs	FRU#	CRU
Shield, EMC, blank 5.25 in. drive bay (all models)	41N8080	N
Shield, EMC, blank diskette drive bay (all models)	41N8078	N
Cable, diskette drive (all models)	41A7182	N
Cable, Serial ATA, 250 mm (all models)	41A7145	2
Rear USB 2Ports II HP(R), high profile I/O, 300mm, Rohs (all models)	42Y8005	2
Rear Com2 cable, Rohs (all models)	41R6198	2
Rear Com2 cable II HP(R), high profile I/O, 250mm, Rohs (all models)	42Y8007	N
Cable -SATA 457mm (RoHS) (all models)	26K1186	2
Cover (all models)	41N8050	2
System board shield (all models)	41R6378	N
Kit, Misc. Hardware (all models)	41N8055	2
Retainer, Card Reader (all models)	41R2913	2
System fan, front (all models)	41R4791	2
Optional HDD Bracket Assembly, without 4Pin cable (all models)	41R6106	2
Cable, Temperature Sense (460mm) (all models)	41R6196	2
Intrusion Switch assembly (all models)	41R6116	2

9134 Keyboards (PS2 Preferred Pro)	FRU#	CRU
Iceland (models CTO)	41A5057	1
Japanese (models CTO)	41A5059	1
Korean (models CTO)	41A5060	1
LA Spanish (models CTO)	41A5061	1
Swiss (models CTO)	41A5071	1
Thailand (models CTO)	41A5072	1

9134 Keyboards (PS2 Preferred Pro)	FRU#	CRU
Brazil/Portuguese (models CTO)	41A5044	1

9134 Keyboards (USB Preferred Pro)	FRU#	CRU
US English (models A1H AFU A5U A6U A8U A9U AAU ABU A9U ACU ANU APU AHU AJU AKU ALU AMU)	41A5289	1
Hong Kong/Taiwan (models A4B A1B)	41A5296	1
French Canadian 445 (models AFF A5F A6F A8F A9F ABF ACF ANF APF AHF AJF AKF ALF AMF)	41A5301	1
French Canadian 58 (models AFF A5F A6F A8F A9F ABF ACF AHF AJF AKF ALF AMF)	41A5302	1
Japanese (models CTO)	41A5310	1
Korean (models CTO)	41A5311	1
LA Spanish (models CTO)	41A5312	1
Turkish 440 (models CTO)	41A5325	1

9134 mice	FRU#	CRU
Optical Wheel Mouse (400DPI, USB) (models A4B A1B A1H A3G AFU A5U A6U A8U A9U AAU ABU A9U ABU ACU AFF A5F A6F A8F A9F AAF ABF ACF ANU ANF APU APF AHF AJF AKF ALF AMF AHU AJU AKU ALU AMU)	41U3013	1
Optical Wheel Mouse (400DPI, USB) models A4B A1B A1H A3G AFU A5U A6U A8U A9U AAU ABU A9U ABU ACU AFF A5F A6F A8F A9F AAF ABF ACF ANU ANF APU APF AHF AJF AKF ALF AMF AHU AJU AKU ALU AMU)	41U3030	1

9134 Adapters and miscellaneous FRUs	FRU#	CRU Tier
PCI Modem Card (Soft) (models CTO A1H A1V)	29R9729	2
L1 IEEE 1394 PCI Adapter (models CTO A1H A1V)	41D2781	2
Dongle Cable - DMS59 to dual VGA (included in Denver L1) (models CTO)	41R3404	1
Dongle DMS Dule DMS-59 to dual DVI cable (models CTO)	41R3403	1
Dongle DMS Dule DMS-59 to single VGA & single DVI cable (models CTO)	41R3405	1
Nvidia GeForce 7300LE 128MB 64bit LP / ATX with DMS59 (models CTO)	42Y8165	2
ATI X1300LE 256M 64bit LP / ATX with DMS59 (models CTO)	42Y8162	2
Internal USB Memory Card Reader (models A4B A1H A1V A4B)	41R3376	2
Internal USB Memory Card Reader (models A4B A1H A1V A4B)	41R3378	2
Speakers (2-piece) Lenovo Logo (models CTO)	41A5331	2
BTL external speaker (models CTO)	41A5334	1
Speaker Power brick - US, Canada, LA low voltage, ASEAN (models AFU A5U A6U A8U A9U ABU ACU ANU APU AHU AJU AKU ALU AMU)	89P8571	1
Speaker Power brick - Hong Kong, Malaysia, Singapore, UK, Brunei (models A1B A1H A4B)	89P8573	1
Speaker Power brick - LA high voltage (non-APU) (models CTO)	89P8575	1
Speaker Power brick - China, Thailand (models CTO)	89P8581	1
Speaker Power brick - Japan (models CTO)	89P8577	1
Speaker Power brick - Brazil (models CTO)	89P8583	1
Speaker Power brick - Argentina (models CTO)	41A4901	1

9134 Adapters and miscellaneous FRUs	FRU#	CRU Tier
Speaker Power brick - ANZ (models CTO)	89P8579	1
Speaker Brick - Korea (models CTO)	41A4903	1
Speaker Brick - Taiwan (models CTO)	41A4905	1
Speaker Power brick - India, South Africa (models CTO)	89P8585	1
DVI cable for RS690 LP (models AFU AFF AGU AGF A5U A5F A6U A6F A8U A8F A9U A9F AAU AAF ABU ABF ACU ACF ANU ANF )	41R3316	2
USB Memory Key - 1G RoW (models)	45C7146	1
ATI HD 2400PRO 128MB 64BIT DMS59 LP/ATX (models)	43C0259	2
ATI HD 2400XT 256MB 64BIT DMS59 LP/ATX (models)	43C0260	2
ATI HD 2600XT 512MB 128BIT ATX (models)	43C8266	2

9134 Power Cords	FRU#	CRU Tier
Power cord - US (models AFU A5U A6U A8U A9U ABU ACU ADU ADU AFF A5F A6F A7F A8F A9F ABF ACF ANU ANF APU APF AHU AJU AKU ALU AMU AHF AJF AKF ALF AMF)	39M5080	1
Power cord - China (models CTO)	39M5205	1
Power cord - Japan (models A3J)	39M5193	1
Power cord - Brazil (models CTO)	39M5232	1
Power cord - LA High Volt (APU) (models CTO)	39M5067	1
Power cord - Australia/New Zealand (models CTO)	39M5102	1
Power cord - Korea (models CTO)	39M5212	1
Power cord - Hong Kong (models A4B A1B A1H )	39M5151	1
Power cord - Taiwan (models CTO)	39M5246	1
Power cord - G models (models CTO)	39M5122	1
Power cord - India (models CTO)	39M5004	1

9134 Windows XP Home CDs	FRU#	CRU Tier
US/UK/AP/TH (models CTO)	45C1028	1
FR/CF (models CTO)	45C1029	1
GR (models CTO)	45C1030	1
IT (models CTO)	45C1033	1
BR (models CTO)	45C1032	1
SP/LA (models CTO)	45C1031	1
DK (models CTO)	45C1037	1
NL (models CTO)	45C1038	1
AE (models CTO)	45C1043	1
SV (models CTO)	45C1036	1
HE (models CTO)	45C1041	1
FI (models CTO)	45C1040	1
NO (models CTO)	45C1035	1
PL (models CTO)	45C1042	1
PO (models CTO)	45C4069	1

9134 Windows XP Home CDs	FRU#	CRU Tier
RU (models CTO)	45C1044	1
RE (models CTO)	45C1052	1
HU (models CTO)	45C1046	1
CZ (models CTO)	45C1039	1
TR (models CTO)	45C1045	1
GK (models CTO)	45C1047	1
Japanese (models CTO)	45C1034	1
Simplified Chinese (models CTO)	45C1048	1
Taiwan - TC (models CTO)	45C1049	1
Hong Kong - TC (models CTO)	45C1050	1
Korea (models CTO)	45C1051	1

9134 Windows XP Pro Recovery CDs	FRU#	CRU Tier
US/UK/AP/TH (models A3G AFU A5U A6U A8U A9U ABU ACU A1H CTO ANU APU AHU AJU AKU ALU AMU)	45C0820	1
FR/CF (models A3G AFF A5F A6F A8F A9F ABF ACF CTO APF ANF AHF AJF AKF ALF AMF)	45C0821	1
GR (models CTO)	45C0822	1
IT (models CTO)	45C0825	1
BR (models CTO)	45C0824	1
SP/LA (models CTO)	45C0823	1
DK (models CTO)	45C0829	1
NL (models CTO)	45C0830	1
AE (models CTO)	45C0835	1
SV (models CTO)	45C0828	1
HE (models CTO)	45C0833	1
FI (models CTO)	45C0832	1
NO (models CTO)	45C0827	1
PL (models CTO)	45C0834	1
PO (models CTO)	45C4061	1
RU (models CTO)	45C0836	1
RE (models CTO)	45C0845	1
HU (models CTO)	45C0838	1
CZ (models CTO)	45C0831	1
TR (models CTO)	45C0837	1
GK (models CTO)	45C0839	1
SL (models CTO)	45C0844	1
Japanese (models CTO)	45C0826	1
Simplified Chinese (models CTO)	45C0840	1
Taiwan - TC (models CTO A4B)	45C0841	1
Hong Kong - TC (models CTO)	45C0842	1



9134 Windows XP Pro Recovery CDs	FRU#	CRU Tier
Korea (models CTO)	45C0843	1

9134 Vista Home Basic 32 Recovery DVDs	FRU#	CRU Tier
English (models CTO)	45C0770	1
French/Canadian French (models CTO)	45C0772	1
German (models CTO)	45C0773	1
Spanish/LA (models CTO)	45C0774	1
Brazil (models CTO)	45C0775	1
Italy (models CTO)	45C0776	1
Japanese (models CTO)	45C0777	1
Norway (models CTO)	45C0778	1
Swedish (models CTO)	45C0779	1
Denmark (models CTO)	45C0780	1
Dutch (models CTO)	45C0781	1
Czech (models CTO)	45C0782	1
Finnish (models CTO)	45C0783	1
Polish (models CTO)	45C0784	1
Russian (models CTO)	45C0785	1
Turkish (models CTO)	45C0786	1
Hungarian (models CTO)	45C0787	1
Greek (models CTO)	45C0788	1
Simplified Chinese (models CTO)	45C0789	1
Traditional Chinese (models CTO)	45C0790	1
Traditional Chinese (models CTO)	45C0791	1
Korean (models A1K)	45C0792	1
SL (models CTO)	45C0793	1
Russian English (models CTO)	45C0771	1
Hebrew (models CTO)	45C0794	1

9134 Vista Business 32 Recovery DVDs	FRU#	CRU Tier
English (models A1H)	45C0660	1
French/Canadian French (models)	45C0662	1
Traditional Chinese (models A4B)	45C0680	1
Traditional Chinese (models A4B)	45C0681	1
Korean (models CTO)	45C0682	1
Romanian (models CTO)	45C0684	1
Bulgarian (models CTO)	45C0685	1
Croatian (models CTO)	45C0686	1
Serbian-Latin (models CTO)	45C0688	1
Ukrainian (models CTO)	45C0689	1
Slovakian (models CTO)	45C0690	1

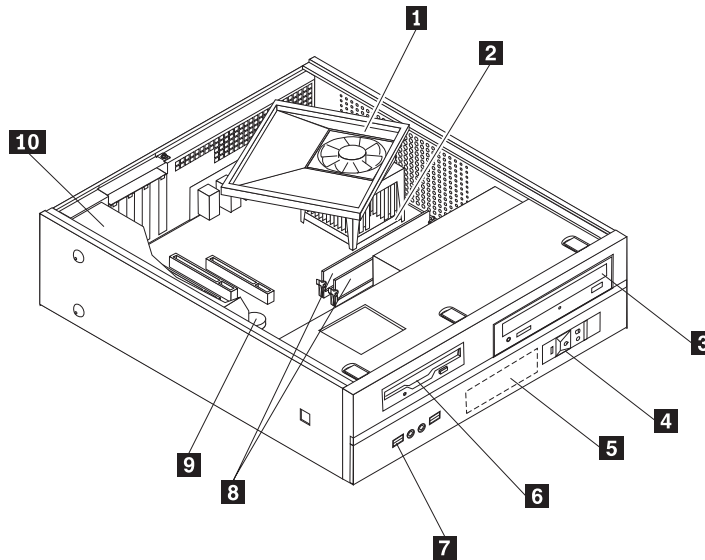
9134 Vista Business 32 Recovery DVDs	FRU#	CRU Tier
Hebrew (models)	45C5289	1
Arabic (models)	45C5290	1

9134 Vista Home pre 32 Recovery DVDs	FRU#	CRU Tier
English (models CTO)	45C0581	1
Russian English (models CTO)	45C0582	1
French/Canadian French (models CTO)	45C0583	1
German (models CTO)	45C0584	1
Spanish/LA (models CTO)	45C0585	1
Brazil (models CTO)	45C0586	1
Italy (models CTO)	45C0587	1
Japanese (models CTO)	45C0588	1
Norway (models CTO)	45C0589	1
Swedish (models CTO)	45C0590	1
Denmark (models CTO)	45C0591	1
Dutch (models CTO)	45C0592	1
Czech (models CTO)	45C0593	1
Finnish (models CTO)	45C0594	1
Polish (models CTO)	45C0595	1
Russian (models CTO)	45C0596	1
Turkish (models CTO)	45C0597	1
Hungarian (models CTO)	45C0598	1
Greek (models CTO)	45C0599	1
Simplified Chinese (models CTO)	45C0600	1
Traditional Chinese (models CTO)	45C0601	1
Traditional Chinese (models CTO)	45C0602	1
Korean (models CTO)	45C0603	1
Slovenian (models CTO)	45C0604	1
Hebrew (models CTO)	45C0605	1
Romanian (models CTO)	45C0606	1
Bulgarian (models CTO)	45C0607	1
Croatian (models CTO)	45C0608	1
Portuguese (models CTO)	45C0609	1
Serbian-Latin (models CTO)	45C0610	1
Ukrainian (models CTO)	45C0611	1
Slovakian (models CTO)	45C0612	1
Arabic (models)	45C5292	1

9134 Vista Business 64 Recovery DVDs	FRU#	CRU Tier
English (models CTO)	45C0722	1
Russian English (models CTO)	45C0723	1

9134 Vista Business 64 Recovery DVDs	FRU#	CRU Tier
French/Canadian French (models CTO)	45C0724	1
German (models CTO)	45C0725	1
Spanish/LA (models CTO)	45C0726	1
Brazil (models CTO)	45C0727	1
Italy (models CTO)	45C0728	1
Japanese (models CTO)	45C0729	1
Norway (models CTO)	45C0730	1
Swedish (models CTO)	45C0731	1
Denmark (models CTO)	45C0732	1
Dutch (models CTO)	45C0733	1
Czech (models CTO)	45C0734	1
Finnish (models CTO)	45C0735	1
Polish (models CTO)	45C0736	1
Russian (models CTO)	45C0737	1
Turkish (models CTO)	45C0738	1
Hungarian (models CTO)	45C0739	1
Greek (models CTO)	45C0740	1
Simplified Chinese (models CTO)	45C0741	1
Taiwan (models CTO)	45C0742	1
Hong Kong (models CTO)	45C0743	1
Korean (models CTO)	45C0744	1
Slovenian (models CTO)	45C0745	1
Hebrew (models)	45C4059	1
Portuguese (models)	45C4826	1
Arabic (models)	45C5293	1

## Machine Type 9135



Item #	9135 FRUs	FRU#	CRU
1	AMD 65W heatsink kit (all models)	41R4802	2
1	AMD 89W heatsink (all models)	41R6290	2
2	Microprocessor, 3600+ Sempron AM2 (2.0 GHz processor, 62W) (models A3P A4P A5P)	41X1411	N
2	Microprocessor, 4000+ Athlon64 AM2 (2.4 GHz processor, 62W) (models A1B A1H)	41X1419	N
2	Microprocessor, 4400+ Athlon64 AM2 X2 (2.3 GHz processor, 89W) (models A2B A2H)	43C3507	N
2	Microprocessor, 4800+ Athlon64 AM2 X2 (2.5 GHz processor, 65W, stepping G1 45nm) (models A6H)	43C4093	N
2	Microprocessor, Sempron LE 1100 (1.9 GHz processor, 45W, 256KB L2) stepping G1 (models)	45C7564	N
2	Microprocessor, Sempron LE 1150 (2.0 GHz processor, 45W, 256KB L2) stepping G1 (models)	45C7507	N
2	Microprocessor, Sempron LE 1200 (2.1 GHz processor, 45W, 512KB L2) stepping G1 (models)	43C6169	N
2	Microprocessor, Sempron LE 1250 (2.2 GHz processor, 45W, 512KB L2) stepping G2 (models)	43C6168	N
2	Microprocessor, 5200+Athlon64 AM2 X2 (2.7 GHz processor, 65W) stepping G1 65nm (models)	45C7502	N
2	Microprocessor, 6000+Athlon64 AM2 X2 (3.0 GHz processor, 65W) stepping G1 65nm (models)	45C7503	N
2	Microprocessor, Athlon X2 BE 2300 (1.9GHz processor, 45W, 1MB L2) steping G1 (models)	43C6167	N
2	Microprocessor, Athlon X2 BE 2350 (2.1GHz processor, 45W, 1MB L2) steping G1 (models)	43C6166	N
2	Microprocessor, Athlon X2 BE 2400 (2.3GHz processor, 45W, 1MB L2) steping G1 (models)	43C6165	N
3	DVD-ROM Drive - 16x/48x - SATA XP and Vista (models A3P)	41N3325	2

Item #	9135 FRUs	FRU#	CRU
3	DVD-ROM/CD-RW Combo Drive - 48x/32x/48x/16x - SATA vista and XP (models A1B A1H)	42Y9353	2
3	DVD-RW/CD-RW Rambo 8 - SATA VISTA AND XP (models A2B A2H A6H )	43C1042	2
4	Front Power/LED PC, bracket, and cable (all models)	41N8213	2
5	Hard disk drive, 80GB, 7200RPM, SATA (models A3P A4P A5P)	40Y9034	2
5	Hard disk drive, 160GB, 7200RPM, SATA (models A2B A2H A6H)	40Y9035	2
6	Diskette drive, 3,5", 1.44MB, 2-mode, (w/bezel) (models A3P A4P A5P)	40Y9105	2
6	Diskette drive, 3,5", 1.44MB, 2-mode, (w/bezel) (models A3P A4P A5P)	40Y9107	2
7	Front USB/Audio with bracket (all models)	41N8212	2
8	Memory module, 512 MB PC2-5300 (667MHz) DDR2 SDRAM (models A1B A1H A2B A2H A3P A4P A5P)	41X4255	2
9	System board, AMD 690G (models A1B A1H A2B A2H A3P A4P A5P A6H)	42Y9916	N
10	220 Watt Power Supply - Robust (models A1B A1H A2B A2H A6H)	41A9689	2
10	220W 80% Power supply (models A1B A1H A2B A2H A3P A4P A5P A6H)	41A9670	2
10	280W TFX 280W PS ,Active PFC (models A1B A1H A2B A2H A3P A4P A5P A6H)	41A9705	2

The FRUs listed in the following tables are not illustrated.

9135 FRUs	FRU#	CRU
System board shield (all models)	41R6384	N
Cover (all models)	41N8204	N
Mechanical shell kit (all models)	41R6209	N
Bezel kit (all models)	41N8206	N
Miscellaneous hardware kit (all models)	41N8209	N
Hard disk drive bracket assembly (plastic and grommets) (all models)	41N8210	N
Hard disk drive fan and bracket assembly (all models)	41N8211	N
Speaker cable assembly, 600 mm cable length (all models)	41N8217	N
Fan duct assembly (all models)	41R4808	N
Intrusion switch assembly (all models)	41R6208	N
Cable, diskette drive (all models)	41A7147	N
Shield, EMC, blank 5.25 in. drive bay all models)	41N8271	N
Shield, EMC, blank diskette drive bay (all models)	41N8273	N
Rear USB 2Ports II LP (R), low profile I/O, 200mm, Rohs (all models)	42Y8006	N
Rear Com2 cable II LP(R), low profile I/O, 250mm, Rohs (all models)	42Y8008	N
Foot stand (all models)	41R4813	N
Cable, serial ATA, 250 mm (all models)	41A7145	N
Bezel kit, Rocky S3 without IBM logo (all models)	41R6238	2
DVI cable for RS690 LP (all models)	41R3304	2

9135 Keyboards (PS2 Preferred Pro)	FRU#	CRU
Brazil/Portuguese (models A3P A4P A5P )	41A5044	1

<b>9135 Keyboards (USB Preferred - without hub)</b>	<b>FRU#</b>	<b>CRU Tier</b>
US English (models A1H A2H A6H)	41A5289	1
Hong Kong/Taiwan (models A1B A2B)	41A5296	1

<b>9135 mice</b>	<b>FRU#</b>	<b>CRU</b>
Optical Wheel Mouse (400DPI, USB) (models A1B A1H A2B A2H A3P A4P A5P A6H )	41U3013	1
Optical Wheel Mouse (400DPI, USB) models A1B A1H A2B A2H A3P A4P A5P A6H )	41U3030	1

<b>9135 Adapters and miscellaneous FRUs</b>	<b>FRU#</b>	<b>CRU</b>
Internal USB Memory Card Reader (models A1B A1H A2B A2H A6H)	41R3376	2
Speaker Power brick - Hong Kong, Malaysia, Singapore, UK, Brunei (models A1B A1H A2B A2H A6H)	89P8573	1
Dongle Cable - DMS59 to dual VGA (included in Denver L1) (models)	41R3404	1
Dongle DMS Dule DMS-59 to dual DVI cable (models)	41R3403	1
Dongle DMS Dule DMS-59 to single VGA & single DVI cable (models)	41R3405	1
USB Memory Key - 1G RoW (models)	45C7146	1
ATI HD 2400PRO 128MB 64BIT DMS59 LP/ATX (models)	43C0259	2
ATI HD 2400XT 256MB 64BIT DMS59 LP/ATX (models)	43C0260	2
ATI HD 2600XT 512MB 128BIT ATX (models)	43C8266	2

<b>9135 Power Cords</b>	<b>FRU#</b>	<b>CRU</b>
Power cord - Brazil (models A3P A4P A5P )	39M5232	1
Power cord - Hong Kong (models A1B A1H A2B A2H A6H)	39M5151	1

<b>9135 Windows XP Home Recovery CDs</b>	<b>FRU#</b>	<b>CRU</b>
PO (models)	45C4069	1

<b>9135 Windows XP Pro Recovery CDs</b>	<b>FRU#</b>	<b>CRU</b>
US/UK/AP/TH (models A1H A2H A6H)	45C0820	1
BR (models A3P A5P )	45C0824	1
PO (models)	45C4061	1
Taiwan-TC (models A1B A2B)	45C0841	1

<b>9135 Vista Home Basic 32 Recovery DVDs</b>	<b>FRU#</b>	<b>CRU</b>
Arabic (models)	45C5292	1
Portuguese (models)	45C4825	1

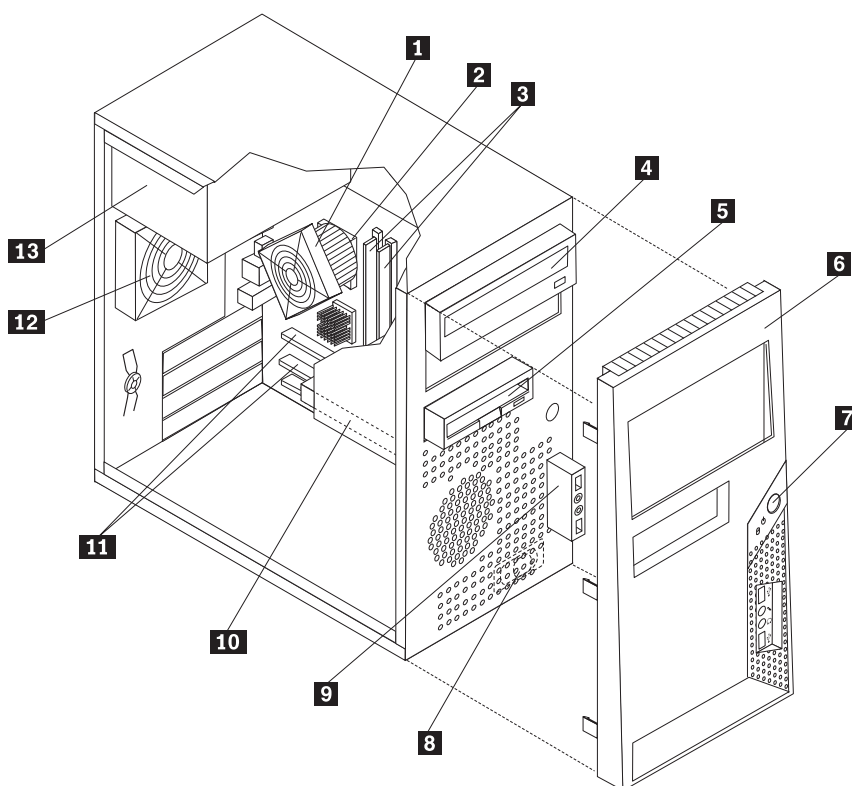
<b>9135 Vista Business 32 Recovery DVDs</b>	<b>FRU#</b>	<b>CRU</b>
US/UK/AP/TH (models A1H A2H A6H )	45C0660	1
Traditional Chinese (models A1B A2B)	45C0680	1
Traditional Chinese (models A1B A2B)	45C0681	1
Hebrew (models)	45C5289	1

<b>9135 Vista Business 32 Recovery DVDs</b>	<b>FRU#</b>	<b>CRU</b>
Arabic (models)	45C5290	1

<b>9135 Vista Home Pre 32 Recovery DVDs</b>	<b>FRU#</b>	<b>CRU</b>
Arabic (models)	45C5291	1

<b>9135 Vista Business 64 Recovery DVDs</b>	<b>FRU#</b>	<b>CRU</b>
Hebrew (models)	45C4059	1
Portuguese (models)	45C4826	1
Arabic (models)	45C5293	1

## Machine Type 9136



Item #	9136 FRUs	FRU#	CRU
1	AMD 89W/65W heat sink kit (all models)	41R4802	2
2	Microprocessor, 2800+ Sempron AM2 (1.6 GHz processor, 62W) (models CTO)	42Y8938	N
2	Microprocessor, 3000+ Sempron AM2 (1.6 GHz processor, 62W) (models CTO)	41X1403	N
2	Microprocessor, 3400+ Sempron AM2 (1.8 GHz processor, 62W) (models CTO)	41X1407	N
2	Microprocessor, 3500+ Sempron AM2 (2.0 GHz processor, 62W) (models CTO)	41X1409	N
2	Microprocessor, 3600+ Sempron AM2 (2.0 GHz processor, 62W) (models CTO)	41X1411	N
2	Microprocessor, 3600+ Athlon64 AM2 X2 (1.9GHz processor, 1M 65W 65nm G1) (models CTO)	43C4091	N
2	Microprocessor, 3800+ Sempron AM2 (2.2 GHz processor, 62W) (models CTO)	43C2454	N
2	Microprocessor, 3200+ Athlon64 AM2 (2.0 GHz processor, 62W) (models CTO)	42Y8940	N
2	Microprocessor, 3500+ Athlon64 AM2 (2.2 GHz processor, 62W) (models CTO)	41X1415	N
2	Microprocessor, 3800+ Athlon64 AM2 (2.4 GHz processor, 62W) (models A3Q)	41X1417	N
2	Microprocessor, 3600+ Athlon64 AM2 X2 (2.0 GHz processor, 65W) (models CTO)	41X7777	N
2	Microprocessor, 3800+ Athlon64 AM2 X2 (2.0 GHz processor, 89W) (models CTO)	41X4241	N
2	Microprocessor, 4000+ Athlon64 AM2 (2.4 GHz processor, 62W) (models A5Q)	41X1419	N
2	Microprocessor, 4200+ Athlon64 AM2 (2.2 GHz processor, 62W) (models CTO)	41X1421	N
2	Microprocessor, 4400+ Athlon64 AM2 X2 (2.3 GHz processor, 89W) (models A6Q A1K)	43C3507	N
2	Microprocessor, 4600+ Athlon64 AM2 X2 (2.4 GHz processor, 89W) (models CTO)	41X1423	N



Item #	9136 FRUs	FRU#	CRU
2	Microprocessor, 4800+ Athlon64 AM2 X2 (2.5 GHz processor, 65W) stepping G1 45nm (models A4Q A2K)	43C4093	N
2	Microprocessor, 5000+ Athlon AM2 X2 (2.6 GHz processor, 89W) (models CTO A7Q A8K)	41X1427	N
2	Microprocessor, Sempron LE 1100 (1.9 GHz, 45W, 256KB L2) stepping G1 (models)	45C7564	N
2	Microprocessor, Sempron LE 1150 (2.0 GHz, 45W, 256KB L2) stepping G1 (models)	45C7507	N
2	Microprocessor, Sempron LE 1200 (2.1 GHz processor, 45W, 512KB L2) stepping G1 (models)	43C6169	N
2	Microprocessor, Sempron LE 1250 (2.2 GHz processor, 45W, 512KB L2) stepping G2 (models)	43C6168	N
2	Microprocessor, 5200+Athlon64 AM2 X2 (2.7 GHz processor, 65W) stepping G1 65nm (models)	45C7502	N
2	Microprocessor, 6000+Athlon64 AM2 X2 (3.0 GHz processor, 65W) stepping G1 65nm (models)	45C7503	N
2	Microprocessor, Athlon X2 BE 2300 (1.9GHz processor, 45W, 1MB L2) steping G1 (models)	43C6167	N
2	Microprocessor, Athlon X2 BE 2350 (2.1GHz processor, 45W, 1MB L2) steping G1 (models)	43C6166	N
2	Microprocessor, Athlon X2 BE 2400 (2.3GHz processor, 45W, 1MB L2) steping G1 (models)	43C6165	N
3	Memory module, 512 MB PC2-4200 (533MHz) DDR2 SDRAM (models CTO)	41X4251	2
3	Memory module, 1 GB PC2-4200 (533MHz) DDR2 SDRAM (models CTO)	41X4252	2
3	Memory module, 2 GB PC2-4200 (533MHz) DDR2 SDRAM (models CTO)	41X4253	2
3	Memory module, 512 MB PC2-5300 (667MHz) DDR2 SDRAM (models A4Q A3Q A5Q A6Q)	41X4255	2
3	Memory module, 1 GB PC2-5300 (667MHz) DDR2 SDRAM (models A2K A1K A7Q A8K)	41X4256	2
3	Memory module, 2 GB PC2-5300 (667MHz) DDR2 SDRAM (models CTO)	41X4257	2
3	Memory module, 512 MB PC2-6400 (800MHz) DDR2 SDRAM (models CTO)	41X1079	2
3	Memory module, 1 GB PC2-6400 (800MHz) DDR2 SDRAM (models CTO)	41X1080	2
3	Memory module, 2 GB PC2-6400 (800MHz) DDR2 SDRAM (models CTO)	41X1081	2
4	DVD-ROM drive - 16x/48x - SATA XP and Vista (models A4Q A3Q A5Q A6Q A2K A1K A7Q A8K)	41N3325	2
4	DVD-ROM/CD-RW Combo Drive - 48x/32x/48x/16x - SATA vista and XP (models CTO)	42Y9353	2
4	DVD-RW/CD-RW Rambo 8 - SATA VISTA AND XP (models CTO)	43C1042	2
5	Diskette drive, 3,5", 1.44MB, 2-mode, (w/bezel) (models CTO)	40Y9105	2
5	Diskette drive, 3,5", 1.44MB, 2-mode, (w/bezel) (models CTO)	40Y9107	2
6	Bezel assembly (all models)	TBD	2
7	Power switch/LED assembly (all models)	41N5284	2
8	Speaker assembly, soldered terminals (all models)	39P5023	2
9	Front audio/USB assembly (all models)	41N8054	2
10	Hard disk drive, 80GB, 7200RPM, SATA (models A4Q A3Q A5Q A6Q)	40Y9034	2
10	Hard disk drive, 160GB, 7200RPM, SATA (models CTO A7Q)	40Y9035	2
10	Hard disk drive, 250GB, 7200RPM, SATA (models A1K)	40Y9036	2

Item #	9136 FRUs	FRU#	CRU
10	Hard disk drive, 320GB, 7200RPM, SATA (models A2K A8K)	87H4891	2
10	Hard disk drive, 500GB, 7200RPM, SATA/8MB (models CTO)	41X5582	2
11	System board, AMD 690G (models A4Q A3Q A5Q A6Q A2K A1K A7Q A8K)	42Y9916	N
12	System fan, rear (all models)	41R6046	2
13	ATX 280W Power supply; Robust (models A4Q A3Q A5Q A6Q A7Q)	41A9684	N
13	ATX 280W 80% power supply (models A4Q A3Q A5Q A6Q A1K A2K A8K)	41A9665	N
13	ATX 310W Power supply Robust (models A4Q A3Q A5Q A6Q A7Q)	24R2598	N

The FRUs listed in the following tables are not illustrated.

9136 FRUs	FRU#	CRU
Shield, EMC, blank 5.25 in. drive bay (all models)	41N8080	N
Shield, EMC, blank diskette drive bay (all models)	41N8078	N
Cable, diskette drive (all models)	41A7182	N
Cable, Serial ATA, 250 mm (all models)	41A7145	2
Rear USB 2Ports II HP(R), high profile I/O, 300mm, Rohs (all models)	42Y8005	2
Rear Com2 cable, Rohs (all models)	41R6198	2
Rear Com2 cable II HP(R), high profile I/O, 250mm, Rohs (all models)	42Y8007	N
Cable -SATA 457mm (RoHS) (all models)	26K1186	2
Cover (all models)	41N8050	2
System board shield (all models)	41R6378	N
Kit, Misc. Hardware (all models)	41N8055	2
Retainer, Card Reader (all models)	41R2913	2
System fan, front (all models)	41R4791	2
Optional HDD Bracket Assembly, without 4Pin cable (all models)	41R6106	2
Cable, Temperature Sense (460mm) (all models)	41R6196	2
Intrusion Switch assembly (all models)	41R6116	2

9136 Keyboards (Preferred Pro)	FRU#	CRU Tier
US English (models CTO)	41A5039	1
Arabic (models CTO)	41A5040	1
Arabic/French (models CTO)	41A5041	1
Belgian/French (models CTO)	41A5042	1
Belgian/UK (models CTO)	41A5043	1
Bulgarian (models CTO)	41A5045	1
Hong Kong/Taiwan (models CTO)	41A5046	1
Czech (models CTO)	41A5047	1
Danish (models CTO)	41A5048	1
Dutch (models CTO)	41A5049	1
French (models CTO)	41A5050	1
French Canadian 445 (models CTO)	41A5051	1

<b>9136 Keyboards (Preferred Pro)</b>	<b>FRU#</b>	<b>CRU Tier</b>
French Canadian 58 (models CTO)	41A5052	1
German (models CTO)	41A5053	1
Greek (models CTO)	41A5054	1
Hebrew (models CTO)	41A5055	1
Hungarian (models CTO)	41A5056	1
Iceland (models CTO)	41A5057	1
Italian (models CTO)	41A5058	1
Japanese (models CTO)	41A5059	1
Korean (models CTO)	41A5060	1
LA Spanish (models CTO)	41A5061	1
Norwegian (models CTO)	41A5062	1
Polish (models CTO)	41A5063	1
Portuguese (models CTO)	41A5064	1
Romanian (models CTO)	41A5065	1
Russian/Cyrilic (models CTO)	41A5066	1
Serbian/Cyrilic (models CTO)	41A5067	1
Slovak (models CTO)	41A5068	1
Spanish (models CTO)	41A5069	1
Swedish/Finn (models CTO)	41A5070	1
Swiss F/G (models CTO)	41A5071	1
Turkish 440 (models CTO)	41A5073	1
Turkish 179 (models CTO)	41A5074	1
UK English (models CTO)	41A5075	1
US Euro (models CTO)	41A5076	1
Slovenian (models CTO)	41A5077	1
Brazil/Portuguese (models CTO)	41A5044	1

<b>9136 Keyboards (USB Preferred Pro)</b>	<b>FRU#</b>	<b>CRU</b>
US English (models A4Q A3Q A5Q A6Q A7Q)	41A5289	1
Arabic (models CTO)	41A5290	1
Arabic/French (models CTO)	41A5291	1
Belgian/French (models CTO)	41A5292	1
Belgian/UK (models CTO)	41A5293	1
Bulgarian (models CTO)	41A5295	1
Chinese/US (models CTO)	41A5296	1
Czech (models CTO)	41A5297	1
Danish (models CTO)	41A5298	1
Dutch (models CTO)	41A5299	1
French (models CTO)	41A5300	1
French Canadian 445 (models CTO)	41A5301	1
French Canadian 58 (models CTO)	41A5302	1

<b>9136 Keyboards (USB Preferred Pro)</b>	<b>FRU#</b>	<b>CRU</b>
German (models CTO)	41A5303	1
Greek (models CTO)	41A5304	1
Greek/US (models CTO)	41A5305	1
Hebrew (models CTO)	41A5306	1
Hungarian (models CTO)	41A5307	1
Iceland (models CTO)	41A5308	1
Italian (models CTO)	41A5309	1
Japanese (models CTO)	41A5310	1
Korean (models A2K A1K A8K)	41A5311	1
LA Spanish (models CTO)	41A5312	1
Norwegian (models CTO)	41A5313	1
Polish (models CTO)	41A5314	1
Portuguese (models CTO)	41A5315	1
Romanian 096 (models CTO)	41A5317	1
Romanian 446 (models CTO)	41A5316	1
Russian/Cyrillic (models CTO)	41A5318	1
Serbian/Cyrillic (models CTO)	41A5319	1
Slovak (models CTO)	41A5320	1
Spanish (models CTO)	41A5321	1
Swedish/Finn (models CTO)	41A5322	1
Swiss (models CTO)	41A5323	1
Turkish 440 (models CTO)	41A5325	1
Turkish 179 (models CTO)	41A5326	1
UK English (models CTO)	41A5327	1
US Euro (models CTO)	41A5328	1
Slovenian (models CTO)	41A5329	1

<b>9136 Keyboards (Fingerprint Reader USB)</b>	<b>FRU#</b>	<b>CRU Tier</b>
US English (models CTO)	41A5248	1
Arabic (models CTO)	41A5249	1
Arabic/French (models CTO)	41A5250	1
Belgian/French (models CTO)	41A5251	1
Belgian/UK (models CTO)	41A5252	1
Brazil/Portuguese (models CTO)	41A5253	1
Bulgarian (models CTO)	41A5254	1
Chinese (models CTO)	41A5255	1
Czech (models CTO)	41A5256	1
Danish (models CTO)	41A5257	1
Dutch (models CTO)	41A5258	1
French (models CTO)	41A5259	1
French Canadian 445 (models CTO)	41A5260	1

<b>9136 Keyboards (Fingerprint Reader USB)</b>	<b>FRU#</b>	<b>CRU Tier</b>
French Canadian 58 (models CTO)	41A5261	1
German (models CTO)	41A5262	1
Greek (models CTO)	41A5263	1
Greek/US (models CTO)	41A5264	1
Hebrew (models CTO)	41A5265	1
Hungarian (models CTO)	41A5266	1
Iceland (models CTO)	41A5267	1
Italian 141 (models CTO)	41A5268	1
Japanese (models CTO)	41A5269	1
Korean (models CTO)	41A5270	1
LA Spanish (models CTO)	41A5271	1
Norwegian (models CTO)	41A5272	1
Polish (models CTO)	41A5273	1
Portuguese (models CTO)	41A5274	1
Romanian 096 (models CTO)	41A5275	1
Romanian 446 (models CTO)	41A5276	1
Russian/Cyrillic (models CTO)	41A5277	1
Serbian/Cyrillic (models CTO)	41A5278	1
Slovak (models CTO)	41A5279	1
Spanish (models CTO)	41A5280	1
Swedish/Finn (models CTO)	41A5281	1
Swiss (models CTO)	41A5282	1
Turkish 440 (models CTO)	41A5284	1
Turkish 179 (models CTO)	41A5285	1
UK English (models CTO)	41A5286	1
US Euro (models CTO)	41A5287	1
Slovenian (models CTO)	41A5288	1

<b>9136 mice</b>	<b>FRU#</b>	<b>CRU</b>
Optical Wheel Mouse (400DPI, USB) (models A4Q A3Q A5Q A6Q A1K A2K A7Q A8K)	41U3013	1
Optical Wheel Mouse (400DPI, USB) models A4Q A3Q A5Q A6Q A1K A2K A7Q A8K)	41U3030	1
PS/2 Three Button ball mouse (41R0017) models CTO)	41R0018	1

<b>9136 Adapters and miscellaneous FRUs</b>	<b>FRU#</b>	<b>CRU Tier</b>
PCI Modem Card (Soft) (models CTO)	29R9729	2
L1 IEEE 1394 PCI Adapter (models CTO)	41D2781	2
Dongle Cable - DMS59 to dual VGA (included in Denver L1) (models CTO)	41R3404	1
Dongle DMS Dule DMS-59 to dual DVI cable (models CTO)	41R3403	1
Dongle DMS Dule DMS-59 to single VGA & single DVI cable (models CTO)	41R3405	1
Nvidia GeForce 7300LE 128MB 64bit LP / ATX with DMS59 (models CTO)	42Y8165	2
ATI X1300LE 256M 64bit LP / ATX with DMS59 (models CTO)	42Y8162	2

9136 Adapters and miscellaneous FRUs	FRU#	CRU Tier
USB2.0 MEMORY CARDREADER,6X2,ROHS OPTIONAL, SONY (models CTO)	41R3376	2
USB2.0 MEMORY CARDREADER,6X2,ROHS OPTIONAL,Bitland (models CTO)	41R3378	2
Speakers (2-piece) Lenovo Logo (models CTO)	41A5331	2
BTL external speaker (models CTO)	41A5334	1
Speaker Power brick - US, Canada, LA low voltage, ASEAN (models CTO)	89P8571	1
Speaker Power brick - Hong Kong, Malaysia, Singapore, UK, Brunei (models CTO)	89P8573	1
Speaker Power brick - LA high voltage (non-APU) (models CTO)	89P8575	1
Speaker Power brick - China, Thailand (models CTO)	89P8581	1
Speaker Power brick - Japan (models CTO)	89P8577	1
Speaker Power brick - Brazil (models CTO)	89P8583	1
Speaker Power brick - Argentina (models CTO)	41A4901	1
Speaker Power brick - ANZ (models CTO)	89P8579	1
Speaker Brick - Korea (models A2K A1K A8K)	41A4903	1
Speaker Brick - Taiwan (models CTO)	41A4905	1
Speaker Power brick - India, South Africa (models A4Q A3Q A5Q A6Q A7Q)	89P8585	1
DVI cable for RS690 LP (models CTO)	41R3316	1
USB Memory Key - 1G RoW (models)	45C7146	1
ATI HD 2400PRO 128MB 64BIT DMS59 LP/ATX (models)	43C0259	2
ATI HD 2400XT 256MB 64BIT DMS59 LP/ATX (models)	43C0260	2
ATI HD 2600XT 512MB 128BIT ATX (models)	43C8266	2

9136 Power Cords	FRU#	CRU Tier
Power cord - US (models A4F)	39M5080	1
Power cord - China (models CTO)	39M5205	1
Power cord - Japan (models CTO)	39M5193	1
Power cord - Brazil (models CTO)	39M5232	1
Power cord - LA High Volt (APU) (models CTO)	39M5067	1
Power cord - Australia/New Zealand (models CTO)	39M5102	1
Power cord - Korea (models A2K A1K A8K)	39M5212	1
Power cord - Hong Kong (models CTO)	39M5151	1
Power cord - UK, Ireland, Singapore, Malaysia, Brunei (models CTO)	39M5150	1
Power cord - Taiwan (models CTO)	39M5246	1
Power cord - Italy/Chile (models CTO)	39M5164	1
Power cord - G models (models CTO)	39M5122	1
Power cord - Denmark (models CTO)	39M5129	1
Power cord - Switzerland (models CTO)	39M5157	1
Power cord - Israel (models CTO)	39M5171	1
Power cord - South Africa (models CTO)	39M5143	1
Power cord - India (models A4Q A3Q A5Q A6Q A7Q)	39M5004	1

9136 Windows XP Home CDs	FRU#	CRU Tier
US/UK/AP/TH (models CTO)	45C1028	1
FR/CF (models CTO)	45C1029	1
GR (models CTO)	45C1030	1
IT (models CTO)	45C1033	1
BR (models CTO)	45C1032	1
SP/LA (models CTO)	45C1031	1
DK (models CTO)	45C1037	1
NL (models CTO)	45C1038	1
AE (models CTO)	45C1043	1
SV (models CTO)	45C1036	1
HE (models CTO)	45C1041	1
FI (models CTO)	45C1040	1
NO (models CTO)	45C1035	1
PL (models CTO)	45C1042	1
PO (models CTO)	45C4069	1
RU (models CTO)	45C1044	1
RE (models CTO)	45C1052	1
HU (models CTO)	45C1046	1
CZ (models CTO)	45C1039	1
TR (models CTO)	45C1045	1
GK (models CTO)	45C1047	1
Japanese (models CTO)	45C1034	1
Simplified Chinese (models CTO)	45C1048	1
Taiwan - TC (models CTO)	45C1049	1
Hong Kong - TC (models CTO)	45C1050	1
Korea (models A1K)	45C1051	1

9136 Windows XP Pro Recovery CDs	FRU#	CRU Tier
US/UK/AP/TH (models CTO A4Q A5Q A6Q A7Q)	45C0820	1
FR/CF (models CTO)	45C0821	1
GR (models CTO)	45C0822	1
IT (models CTO)	45C0825	1
BR (models CTO)	45C0824	1
SP/LA (models CTO)	45C0823	1
DK (models CTO)	45C0829	1
NL (models CTO)	45C08230	1
AE (models CTO)	45C0835	1
SV (models CTO)	45C0828	1
HE (models CTO)	45C0833	1
FI (models CTO)	45C0832	1
NO (models CTO)	45C0827	1

<b>9136 Windows XP Pro Recovery CDs</b>	<b>FRU#</b>	<b>CRU Tier</b>
PL (models CTO)	45C0834	1
PO (models CTO)	45C4061	1
RU (models CTO)	45C0836	1
RE (models CTO)	45C0845	1
HU (models CTO)	45C0838	1
CZ (models CTO)	45C0831	1
TR (models CTO)	45C0837	1
GK (models CTO)	45C0839	1
SL (models CTO)	45C0844	1
Japanese (models CTO)	45C0826	1
Simplified Chinese (models CTO)	45C0840	1
Taiwan - TC (models CTO)	45C0841	1
Hong Kong - TC (models CTO)	45C0842	1
Korea (models CTO A2K)	45C0843	1

<b>9136 Vista Home Basic 32 Recovery DVDs</b>	<b>FRU#</b>	<b>CRU Tier</b>
English (models A3Q)	45C0770	1
French/Canadian French (models CTO)	45C0772	1
German (models CTO)	45C0773	1
Spanish/LA (models CTO)	45C0774	1
Brazil (models CTO)	45C0775	1
Italy (models CTO)	45C0776	1
Japanese (models CTO)	45C0777	1
Norway (models CTO)	45C0778	1
Swedish (models CTO)	45C0779	1
Denmark (models CTO)	45C0780	1
Dutch (models CTO)	45C0781	1
Czech (models CTO)	45C0782	1
Finnish (models CTO)	45C0783	1
Polish (models CTO)	45C0784	1
Russian (models CTO)	45C0785	1
Turkish (models CTO)	45C0786	1
Hungarian (models CTO)	45C0787	1
Greek (models CTO)	45C0788	1
Portuguese (models CTO)	45C4825	1
Simplified Chinese (models CTO)	45C0789	1
Traditional Chinese (models CTO)	45C0790	1
Traditional Chinese (models CTO)	45C0791	1
Korean (models A2K A8K)	45C0792	1
SL (models CTO)	45C0793	1
Russian English (models CTO)	45C0771	1



9136 Vista Home Basic 32 Recovery DVDs	FRU#	CRU Tier
Hebrew (models CTO)	45C0794	1
Arabic (models CTO)	45C5292	1

9136 Vista Business 32 Recovery DVDs	FRU#	CRU Tier
English (models A4Q A5Q A6Q A7Q)	45C0660	1
French/Canadian French (models CTO)	45C0662	1
German (models CTO)	45C0663	1
Spanish/LA (models CTO)	45C0664	1
Brazil (models CTO)	45C0665	1
Italy (models CTO)	45C0666	1
Japanese (models CTO)	45C0667	1
Norway (models CTO)	45C0668	1
Swedish (models CTO)	45C0669	1
Denmark (models CTO)	45C0670	1
Dutch (models CTO)	45C0671	1
Czech (models CTO)	45C0672	1
Finnish (models CTO)	45C0673	1
Polish (models CTO)	45C0674	1
Russian (models CTO)	45C0675	1
Turkish (models CTO)	45C0676	1
Hungarian (models CTO)	45C0677	1
Greek (models CTO)	45C0678	1
Portuguese (models CTO)	45C0687	1
Simplified Chinese (models CTO)	45C0679	1
Traditional Chinese (models CTO)	45C0680	1
Traditional Chinese (models CTO)	45C0681	1
Korean (models CTO)	45C0682	1
Slovenian (models CTO)	45C0683	1
Russian English (models CTO)	45C0661	1
Romanian (models CTO)	45C0684	1
Bulgarian (models CTO)	45C0685	1
Croatian (models CTO)	45C0686	1
Serbian-Latin (models CTO)	45C0688	1
Ukrainian (models CTO)	45C0689	1
Slovakian (models CTO)	45C0690	1
Hebrew (models CTO)	45C5289	1
Arabic (models CTO)	45C5290	1

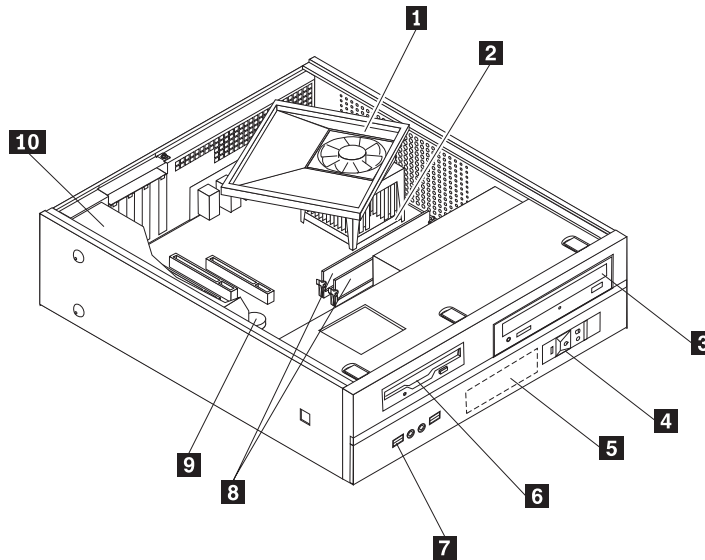
9136 Vista Home pre 32 Recovery DVDs	FRU#	CRU Tier
English (models CTO)	45C0581	1
Russian English (models CTO)	45C0582	1

9136 Vista Home pre 32 Recovery DVDs	FRU#	CRU Tier
French/Canadian French (models CTO)	45C0583	1
German (models CTO)	45C0584	1
Spanish/LA (models CTO)	45C0585	1
Brazil (models CTO)	45C0586	1
Italy (models CTO)	45C0587	1
Japanese (models CTO)	45C0588	1
Norway (models CTO)	45C0589	1
Swedish (models CTO)	45C0590	1
Denmark (models CTO)	45C0591	1
Dutch (models CTO)	45C0592	1
Czech (models CTO)	45C0593	1
Finnish (models CTO)	45C0594	1
Polish (models CTO)	45C0595	1
Russian (models CTO)	45C0596	1
Turkish (models CTO)	45C0597	1
Hungarian (models CTO)	45C0598	1
Greek (models CTO)	45C0599	1
Simplified Chinese (models CTO)	45C0600	1
Traditional Chinese (models CTO)	45C0601	1
Traditional Chinese (models CTO)	45C0602	1
Korean (models CTO)	45C0603	1
Slovenian (models CTO)	45C0604	1
Hebrew (models CTO)	45C0605	1
Romanian (models CTO)	45C0606	1
Bulgarian (models CTO)	45C0607	1
Croatian (models CTO)	45C0608	1
Portuguese (models CTO)	45C0609	1
Serbian-Latin (models CTO)	45C0610	1
Ukrainian (models CTO)	45C0611	1
Slovakian (models CTO)	45C0612	1
Arabic (models)	45C5291	1

9136 Vista Business 64 Recovery DVDs	FRU#	CRU Tier
English (models CTO)	45C0722	1
Russian English (models CTO)	45C0723	1
French/Canadian French (models CTO)	45C0724	1
German (models CTO)	45C0725	1
Spanish/LA (models CTO)	45C0726	1
Brazil (models CTO)	45C0727	1
Italy (models CTO)	45C0728	1
Japanese (models CTO)	45C0729	1

<b>9136 Vista Business 64 Recovery DVDs</b>	<b>FRU#</b>	<b>CRU Tier</b>
Norway (models CTO)	45C0730	1
Swedish (models CTO)	45C0731	1
Denmark (models CTO)	45C0732	1
Dutch (models CTO)	45C0733	1
Czech (models CTO)	45C0734	1
Finnish (models CTO)	45C0735	1
Polish (models CTO)	45C0736	1
Russian (models CTO)	45C0737	1
Turkish (models CTO)	45C0738	1
Hungarian (models CTO)	45C0739	1
Greek (models CTO)	45C0740	1
Simplified Chinese (models CTO)	45C0741	1
Taiwan (models CTO)	45C0742	1
Hong Kong (models CTO)	45C0743	1
Korean (models CTO)	45C0744	1
Slovenian (models CTO)	45C0745	1
Hebrew (models)	45C4059	1
Portuguese (models)	45C4826	1
Arabic (models)	45C5293	1

## Machine Type 9137



Item #	9137 FRUs	FRU#	CRU
1	AMD 65W heatsink kit (all models)	41R4802	2
1	AMD 89W heatsink (all models)	41R6290	2
2	Microprocessor, 2800+ Sempron AM2 (1.6 GHz processor, 62W) (models CTO)	42Y8938	N
2	Microprocessor, 3000+ Sempron AM2 (1.6 GHz processor, 62W) (models CTO)	41X1403	N
2	Microprocessor, 3400+ Sempron AM2 (1.8 GHz processor, 62W) (models CTO)	41X1407	N
2	Microprocessor, 3500+ Sempron AM2 (2.0 GHz processor, 62W) (models CTO)	41X1409	N
2	Microprocessor, 3600+ Sempron AM2 (2.0 GHz processor, 62W) (models A1J A2J A7K)	41X1411	N
2	Microprocessor, 3600+ Athlon64 AM2 X2 (1.9GHz 1M 65W 65nm G1) (models CTO)	43C4091	N
2	Microprocessor, 3800+ Sempron AM2 (2.2 GHz processor, 62W) (models CTO)	43C2454	N
2	Microprocessor, 3200+ Athlon64 AM2 (2.0 GHz processor, 62W) (models CTO)	42Y8940	N
2	Microprocessor, 3500+ Athlon64 AM2 (2.2 GHz processor, 62W )(models CTO)	41X1415	N
2	Microprocessor, 3800+ Athlon64 AM2 (2.4 GHz processor, 62W) (models CTO)	41X1417	N
2	Microprocessor, 3600+ Athlon64 AM2 X2 (2.0 GHz processor, 65W) (models CTO)	41X7777	N
2	Microprocessor, 3800+ Athlon64 AM2 X2 (2.0 GHz processor, 89W) (models CTO)	41X4241	N
2	Microprocessor, 4000+ Athlon64 AM2 (2.4 GHz processor, 62W) (models A3J A4J A5J A6J A8Q )	41X1419	N
2	Microprocessor, 4200+ Athlon64 AM2 (2.2 GHz processor, 62W) (models CTO)	41X1421	N
2	Microprocessor, 4400+ Athlon64 AM2 X2 (2.3 GHz processor, 89W) (models CTO)	43C3507	N
2	Microprocessor, 4600+ Athlon64 AM2 X2 (2.4 GHz processor, 89W) (models CTO)	41X1423	N
2	Microprocessor, 4800+ Athlon64 AM2 X2 (2.5 GHz processor, 65W, stepping G1 45nm) (models A9K)	43C4093	N
2	Microprocessor, 5000+ Athlon AM2 X2 (2.6 GHz processor, 89W) (models CTO AAK)	41X1427	N
2	Microprocessor, Sempron LE 1100 (1.9 GHz processor, 45W, 256KB L2) stepping G1 (models)	45C7564	N

Item #	9137 FRUs	FRU#	CRU
2	Microprocessor, Sempron LE 1150 (2.0 GHz processor, 45W, 256KB L2) stepping G1 (models)	45C7507	N
2	Microprocessor, Sempron LE 1200 (2.1 GHz processor, 45W, 512KB L2) stepping G1 (models)	43C6169	N
2	Microprocessor, Sempron LE 1250 (2.2 GHz processor, 45W, 512KB L2) stepping G2 (models)	43C6168	N
2	Microprocessor, 5200+ Athlon64 AM2 X2 (2.7 GHz processor, 65W) stepping G1 65nm (models)	45C7502	N
2	Microprocessor, 6000+ Athlon64 AM2 X2 (3.0 GHz processor, 65W) stepping G1 65nm (models)	45C7503	N
2	Microprocessor, Athlon X2 BE 2300 (1.9GHz processor, 45W, 1MB L2) steping G1 (models)	43C6167	N
2	Microprocessor, Athlon X2 BE 2350 (2.1GHz processor, 45W, 1MB L2) steping G1 (models)	43C6166	N
2	Microprocessor, Athlon X2 BE 2400 (2.3GHz processor, 45W, 1MB L2) steping G1 (models)	43C6165	N
3	DVD-ROM Drive - 16x/48x - SATA XP and Vista (models A1J A3J A6J A8Q A7K)	41N3325	2
3	DVD-ROM/CD-RW Combo Drive - 48x/32x/48x/16x - SATA vista and XP (models CTO)	42Y9353	2
3	DVD-RW/CD-RW Rambo 8 - SATA VISTA AND XP (models A9K A2J A4J A5J AAK)	43C1042	2
4	Front Power/LED PC, bracket, and cable (all models)	41N8213	2
5	Hard disk drive, 80GB, 7200RPM, SATA (models A1J A2J A8Q)	40Y9034	2
5	Hard disk drive, 160GB, 7200RPM, SATA (models A3J A4J A5J A6J A7K)	40Y9035	2
5	Hard disk drive, 250GB, 7200RPM, SATA (models CTO)	40Y9036	2
5	Hard disk drive, 320GB, 7200RPM, SATA/8MB (models A9K AAK)	87H4891	2
5	Hard disk drive, 500GB, 7200RPM, SATA (models A9K)	41X5582	2
6	Diskette drive, 3,5", 1.44MB, 2-mode, (w/bezel) (models A1J A2J A3J A4J A5J A6J )	40Y9105	2
6	Diskette drive, 3,5", 1.44MB, 2-mode, (w/bezel) (models A1J A2J A3J A4J A5J A6J )	40Y9107	2
7	Front USB/Audio with bracket (all models)	41N8212	2
8	Memory module, 512 MB PC2-4200 (533MHz) DDR2 SDRAM (models CTO)	41X4251	2
8	Memory module, 1 GB PC2-4200 (533MHz) DDR2 SDRAM (models CTO)	41X4252	2
8	Memory module, 2 GB PC2-4200 (533MHz) DDR2 SDRAM (models CTO)	41X4253	2
8	Memory module, 512 MB PC2-5300 (667MHz) DDR2 SDRAM (models A9K A1J A2J A3J A3J A5J A6J A8Q A7K)	41X4255	2
8	Memory module, 1 GB PC2-5300 (667MHz) DDR2 SDRAM (models CTO AAK)	41X4256	2
8	Memory module, 2 GB PC2-5300 (667MHz) DDR2 SDRAM (models CTO)	41X4257	2
8	Memory module, 512 MB PC2-6400 (800MHz) DDR2 SDRAM (models CTO)	41X1079	2
8	Memory module, 1 GB PC2-6400 (800MHz) DDR2 SDRAM (models CTO)	41X1080	2
8	Memory module, 2 GB PC2-6400 (800MHz) DDR2 SDRAM (models CTO)	41X1081	2
9	System board, AMD 690G (models A9K A1J A2J A3J A4J A5J A6J A8Q A7K AAK)	42Y9916	N
10	220 Watt Power Supply - Japan (models A1J A2J A3J A4J A5J A6J )	41A9697	2
10	220 Watt Power Supply - Robust (models A8Q)	41A9689	2
10	220W 80% Power supply (models A1J A2J A3J A4J A5J A6J A7K A8Q A9K AAK)	41A9670	2

Item #	9137 FRUs	FRU#	CRU
10	280W TFX 280W PS ,Active PFC (models A1J A2J A3J A4J A5J A6J A7K A8Q A9K AAK)	41A9705	2

The FRUs listed in the following tables are not illustrated.

9137 FRUs	FRU#	CRU
System board shield (all models)	41R6384	N
Cover (all models)	41N8204	N
Mechanical shell kit (all models)	41R6209	N
Bezel kit (all models)	41N8206	N
Bezel kit without IBM logo (all models)	41R6238	N
Miscellaneous hardware kit (all models)	41N8209	N
Hard disk drive bracket assembly (plastic and grommets) (all models)	41N8210	N
Hard disk drive fan and bracket assembly (all models)	41N8211	N
Speaker cable assembly, 600 mm cable length (all models)	41N8217	N
Fan duct assembly (all models)	41R4808	N
Intrusion switch assembly (all models)	41R6208	N
Cable, diskette drive (all models)	41A7147	N
Shield, EMC, blank 5.25 in. drive bay all models)	41N8271	N
Shield, EMC, blank diskette drive bay (all models)	41N8273	N
Rear USB 2Ports II LP (R), low profile I/O, 200mm, Rohs (all models)	42Y8006	N
Rear Com2 cable II LP(R), low profile I/O, 250mm, Rohs (all models)	42Y8008	N
Foot stand (all models)	41R4813	N
Cable, serial ATA, 250 mm (all models)	41A7145	N
DVI cable for RS690 LP (all models)	41R3304	2

9137 Keyboards (Preferred Pro)	FRU#	CRU Tier
US English (models CTO)	41A5039	1
Arabic (models CTO)	41A5040	1
Arabic/French (models CTO)	41A5041	1
Belgian/French (models CTO)	41A5042	1
Belgian/UK (models CTO)	41A5043	1
Bulgarian (models CTO)	41A5045	1
Hong Kong/Taiwan (models CTO)	41A5046	1
Czech (models CTO)	41A5047	1
Danish (models CTO)	41A5048	1
Dutch (models CTO)	41A5049	1
French (models CTO)	41A5050	1
French Canadian 445 (models CTO)	41A5051	1
French Canadian 58 (models CTO)	41A5052	1
German (models CTO)	41A5053	1

<b>9137 Keyboards (Preferred Pro)</b>	<b>FRU#</b>	<b>CRU Tier</b>
Greek (models CTO)	41A5054	1
Hebrew (models CTO)	41A5055	1
Hungarian (models CTO)	41A5056	1
Iceland (models CTO)	41A5057	1
Italian (models CTO)	41A5058	1
Japanese (models CTO)	41A5059	1
Korean (models CTO)	41A5060	1
LA Spanish (models CTO)	41A5061	1
Norwegian (models CTO)	41A5062	1
Polish (models CTO)	41A5063	1
Portuguese (models CTO)	41A5064	1
Romanian (models CTO)	41A5065	1
Russian/Cyrilic (models CTO)	41A5066	1
Serbian/Cyrilic (models CTO)	41A5067	1
Slovak (models CTO)	41A5068	1
Spanish (models CTO)	41A5069	1
Swedish/Finn (models CTO)	41A5070	1
Swiss F/G (models CTO)	41A5071	1
Turkish 440 (models CTO)	41A5073	1
Turkish 179 (models CTO)	41A5074	1
UK English (models CTO)	41A5075	1
US Euro (models CTO)	41A5076	1
Slovenian (models CTO)	41A5077	1
Brazil/Portuguese (models CTO)	41A5044	1

<b>9137 Keyboards (USB Preferred Pro)</b>	<b>FRU#</b>	<b>CRU</b>
US English (models A8Q )	41A5289	1
Arabic (models CTO)	41A5290	1
Arabic/French (models CTO)	41A5291	1
Belgian/French (models CTO)	41A5292	1
Belgian/UK (models CTO)	41A5293	1
Bulgarian (models CTO)	41A5295	1
Chinese/US (models CTO)	41A5296	1
Czech (models CTO)	41A5297	1
Danish (models CTO)	41A5298	1
Dutch (models CTO)	41A5299	1
French (models CTO)	41A5300	1
French Canadian 445 (models CTO)	41A5301	1
French Canadian 58 (models CTO)	41A5302	1
German (models CTO)	41A5303	1
Greek (models CTO)	41A5304	1

<b>9137 Keyboards (USB Preferred Pro)</b>	<b>FRU#</b>	<b>CRU</b>
Greek/US (models CTO)	41A5305	1
Hebrew (models CTO)	41A5306	1
Hungarian (models CTO)	41A5307	1
Iceland (models CTO)	41A5308	1
Italian (models CTO)	41A5309	1
Japanese (models A1J A2K)	41A5310	1
Korean (models A9K A7K AAK)	41A5311	1
LA Spanish (models CTO)	41A5312	1
Norwegian (models CTO)	41A5313	1
Polish (models CTO)	41A5314	1
Portuguese (models CTO)	41A5315	1
Romanian 096 (models CTO)	41A5317	1
Romanian 446 (models CTO)	41A5316	1
Russian/Cyrillic (models CTO)	41A5318	1
Serbian/Cyrillic (models CTO)	41A5319	1
Slovak (models CTO)	41A5320	1
Spanish (models CTO)	41A5321	1
Swedish/Finn (models CTO)	41A5322	1
Swiss (models CTO)	41A5323	1
Turkish 440 (models CTO)	41A5325	1
Turkish 179 (models CTO)	41A5326	1
UK English (models CTO)	41A5327	1
US Euro (models CTO)	41A5328	1
Slovenian (models CTO)	41A5329	1

<b>9137 Keyboards (Fingerprint Reader USB)</b>	<b>FRU#</b>	<b>CRU Tier</b>
US English (models CTO)	41A5248	1
Arabic (models CTO)	41A5249	1
Arabic/French (models CTO)	41A5250	1
Belgian/French (models CTO)	41A5251	1
Belgian/UK (models CTO)	41A5252	1
Brazil/Portuguese (models CTO)	41A5253	1
Bulgarian (models CTO)	41A5254	1
Chinese (models CTO)	41A5255	1
Czech (models CTO)	41A5256	1
Danish (models CTO)	41A5257	1
Dutch (models CTO)	41A5258	1
French (models CTO)	41A5259	1
French Canadian 445 (models CTO)	41A5260	1
French Canadian 58 (models CTO)	41A5261	1
German (models CTO)	41A5262	1



9137 Keyboards (Fingerprint Reader USB)	FRU#	CRU Tier
Greek (models CTO)	41A5263	1
Greek/US (models CTO)	41A5264	1
Hebrew (models CTO)	41A5265	1
Hungarian (models CTO)	41A5266	1
Iceland (models CTO)	41A5267	1
Italian 141 (models CTO)	41A5268	1
Japanese (models CTO)	41A5269	1
Korean (models CTO)	41A5270	1
LA Spanish (models CTO)	41A5271	1
Norwegian (models CTO)	41A5272	1
Polish (models CTO)	41A5273	1
Portuguese (models CTO)	41A5274	1
Romanian 096 (models CTO)	41A5275	1
Romanian 446 (models CTO)	41A5276	1
Russian/Cyrillic (models CTO)	41A5277	1
Serbian/Cyrillic (models CTO)	41A5278	1
Slovak (models CTO)	41A5279	1
Spanish (models CTO)	41A5280	1
Swedish/Finn (models CTO)	41A5281	1
Swiss (models CTO)	41A5282	1
Turkish 440 (models CTO)	41A5284	1
Turkish 179 (models CTO)	41A5285	1
UK English (models CTO)	41A5286	1
US Euro (models CTO)	41A5287	1
Slovenian (models CTO)	41A5288	1

9137 mice	FRU#	CRU
Optical Wheel Mouse (400DPI, USB) (models A9K A1J A2J A3J A4J A5J A6J A8Q A7K AAK)	41U3013	1
Optical Wheel Mouse (400DPI, USB) models A9K A1J A2J A3J A4J A5J A6J A8Q A7K AAK)	41U3030	1
PS/2 Three Button ball mouse (41R0017) (models CTO)	41R0018	1

9137 Adapters and miscellaneous FRUs	FRU#	CRU Tier
PCI Modem Card (Soft) (models CTO)	29R9729	2
L1 IEEE 1394 PCI Adapter (models A9K)	41D2781	2
Dongle Cable - DMS59 to dual VGA (included in Denver L1) (models CTO)	41R3404	1
Dongle DMS Dule DMS-59 to dual DVI cable (models CTO)	41R3403	1
Dongle DMS Dule DMS-59 to single VGA & single DVI cable (models CTO)	41R3405	1
Nvidia GeForce 7300LE 128MB 64bit LP / ATX with DMS59 (models CTO)	42Y8165	2
ATI X1300LE 256M 64bit LP / ATX with DMS59 (models A9K)	42Y8162	2

9137 Adapters and miscellaneous FRUs	FRU#	CRU Tier
USB2.0 MEMORY CARDREADER,6X2,ROHS OPTIONAL, SONY (models CTO)	41R3376	2
USB2.0 MEMORY CARDREADER,6X2,ROHS OPTIONAL,Bitland (models CTO)	41R3378	2
Speakers (2-piece) Lenovo Logo (models CTO)	41A5331	2
BTL external speaker (models CTO)	41A5334	1
Speaker Power brick - US, Canada, LA low voltage, ASEAN (models CTO)	89P8571	1
Speaker Power brick - Hong Kong, Malaysia, Singapore, UK, Brunei (models CTO)	89P8573	1
Speaker Power brick - LA high voltage (non-APU) (models CTO)	89P8575	1
Speaker Power brick - China, Thailand (models CTO)	89P8581	1
Speaker Power brick - Japan (models A1J A2J A3J A4J A5J A6J )	89P8577	1
Speaker Power brick - Brazil (models CTO)	89P8583	1
Speaker Power brick - Argentina (models CTO)	41A4901	1
Speaker Power brick - ANZ (models CTO)	89P8579	1
Speaker Brick - Korea (models A7K 9K AAK)	41A4903	1
Speaker Brick - Taiwan (models CTO)	41A4905	1
Speaker Power brick - India, South Africa (models A8Q)	89P8585	1
DVI cable for RS690 LP (models CTO)	41R3316	1
USB Memory Key - 1G RoW (models)	45C7146	1
ATI HD 2400PRO 128MB 64BIT DMS59 LP/ATX (models)	43C0259	2
ATI HD 2400XT 256MB 64BIT DMS59 LP/ATX (models)	43C0260	2
ATI HD 2600XT 512MB 128BIT ATX (models)	43C8266	2

9137 Power Cords	FRU#	CRU Tier
Power cord - US (models CTO)	39M5080	1
Power cord - China (models CTO)	39M5205	1
Power cord - Japan (models A1J A2J A3J A4J A5J A6J )	39M5193	1
Power cord - Brazil (models CTO)	39M5232	1
Power cord - LA High Volt (APU) (models CTO)	39M5067	1
Power cord - Australia/New Zealand (models CTO)	39M5102	1
Power cord - Korea (models A9K A7K AAK)	39M5212	1
Power cord - Hong Kong (models CTO)	39M5151	1
Power cord - UK, Ireland, Singapore, Malaysia, Brunei (models CTO)	39M5150	1
Power cord - Taiwan (models CTO)	39M5246	1
Power cord - Italy/Chile (models CTO)	39M5164	1
Power cord - G models (models CTO)	39M5122	1
Power cord - Denmark (models CTO)	39M5129	1
Power cord - Switzerland (models CTO)	39M5157	1
Power cord - Israel (models CTO)	39M5171	1
Power cord - South Africa (models CTO)	39M5143	1
Power cord - India (models A8Q )	39M5004	1

9137 Windows XP Home CDs	FRU#	CRU Tier
US/UK/AP/TH (models CTO)	45C1028	1
FR/CF (models CTO)	45C1029	1
GR (models CTO)	45C1030	1
IT (models CTO)	45C1033	1
BR (models CTO)	45C1032	1
SP/LA (models CTO)	45C1031	1
DK (models CTO)	45C1037	1
NL (models CTO)	45C1038	1
AE (models CTO)	45C1043	1
SV (models CTO)	45C1036	1
HE (models CTO)	45C1041	1
FI (models CTO)	45C1040	1
NO (models CTO)	45C1035	1
PL (models CTO)	45C1042	1
PO (models CTO)	45C4069	1
RU (models CTO)	45C1044	1
RE (models CTO)	45C1052	1
HU (models CTO)	45C1046	1
CZ (models CTO)	45C1039	1
TR (models CTO)	45C1045	1
GK (models CTO)	45C1047	1
Japanese (models CTO)	45C1034	1
Simplified Chinese (models CTO)	45C1048	1
Taiwan - TC (models CTO)	45C1049	1
Hong Kong - TC (models CTO)	45C1050	1
Korea (models CTO)	45C1051	1

9137 Windows XP Pro Recovery CDs	FRU#	CRU Tier
US/UK/AP/TH (models CTO A8Q)	45C0820	1
FR/CF (models CTO)	45C0821	1
GR (models CTO)	45C0822	1
IT (models CTO)	45C0825	1
BR (models CTO)	45C0824	1
SP/LA (models CTO)	45C0823	1
DK (models CTO)	45C0829	1
NL (models CTO)	45C08230	1
AE (models CTO)	45C0835	1
SV (models CTO)	45C0828	1
HE (models CTO)	45C0833	1
FI (models CTO)	45C0832	1
NO (models CTO)	45C0827	1

9137 Windows XP Pro Recovery CDs	FRU#	CRU Tier
PL (models CTO)	45C0834	1
PO (models CTO)	45C4061	1
RU (models CTO)	45C0836	1
RE (models CTO)	45C0845	1
HU (models CTO)	45C0838	1
CZ (models CTO)	45C0831	1
TR (models CTO)	45C0837	1
GK (models CTO)	45C0839	1
SL (models CTO)	45C0844	1
Japanese (models A1J A2J A3J A4J A5J A6J)	45C0826	1
Simplified Chinese (models CTO)	45C0840	1
Taiwan - TC (models CTO)	45C0841	1
Hong Kong - TC (models CTO)	45C0842	1
Korea (models CTO A9K)	45C0843	1

9137 Vista Home Basic 32 Recovery DVDs	FRU#	CRU Tier
English (models CTO)	45C0770	1
French/Canadian French (models CTO)	45C0772	1
German (models CTO)	45C0773	1
Spanish/LA (models CTO)	45C0774	1
Brazil (models CTO)	45C0775	1
Italy (models CTO)	45C0776	1
Japanese (models CTO)	45C0777	1
Norway (models CTO)	45C0778	1
Swedish (models CTO)	45C0779	1
Denmark (models CTO)	45C0780	1
Dutch (models CTO)	45C0781	1
Czech (models CTO)	45C0782	1
Finnish (models CTO)	45C0783	1
Polish (models CTO)	45C0784	1
Russian (models CTO)	45C0785	1
Turkish (models CTO)	45C0786	1
Hungarian (models CTO)	45C0787	1
Greek (models CTO)	45C0788	1
Portuguese (models CTO)	45C4825	1
Simplified Chinese (models CTO)	45C0789	1
Traditional Chinese (models CTO)	45C0790	1
Traditional Chinese (models CTO)	45C0791	1
Korean (models A7K AAK)	45C0792	1
SL (models CTO)	45C0793	1
Russian English (models CTO)	45C0771	1

9137 Vista Home Basic 32 Recovery DVDs	FRU#	CRU Tier
Hebrew (models CTO)	45C0794	1
Arabic (models CTO)	45C5292	1

9137 Vista Business 32 Recovery DVDs	FRU#	CRU Tier
English (models A8Q )	45C0660	1
French/Canadian French (models CTO)	45C0662	1
German (models CTO)	45C0663	1
Spanish/LA (models CTO)	45C0664	1
Brazil (models CTO)	45C0665	1
Italy (models CTO)	45C0666	1
Japanese (models A5J A6J)	45C0667	1
Norway (models CTO)	45C0668	1
Swedish (models CTO)	45C0669	1
Denmark (models CTO)	45C0670	1
Dutch (models CTO)	45C0671	1
Czech (models CTO)	45C0672	1
Finnish (models CTO)	45C0673	1
Polish (models CTO)	45C0674	1
Russian (models CTO)	45C0675	1
Turkish (models CTO)	45C0676	1
Hungarian (models CTO)	45C0677	1
Greek (models CTO)	45C0678	1
Portuguese (models CTO)	45C0687	1
Simplified Chinese (models CTO)	45C0679	1
Traditional Chinese (models CTO)	45C0680	1
Traditional Chinese (models CTO)	45C0681	1
Korean (models A9K)	45C0682	1
Slovenian (models CTO)	45C0683	1
Russian English (models CTO)	45C0661	1
Romanian (models CTO)	45C0684	1
Bulgarian (models CTO)	45C0685	1
Croatian (models CTO)	45C0686	1
Serbian-Latin (models CTO)	45C0688	1
Ukrainian (models CTO)	45C0689	1
Slovakian (models CTO)	45C0690	1
Hebrew (models CTO)	45C5289	1
Arabic (models CTO)	45C5290	1

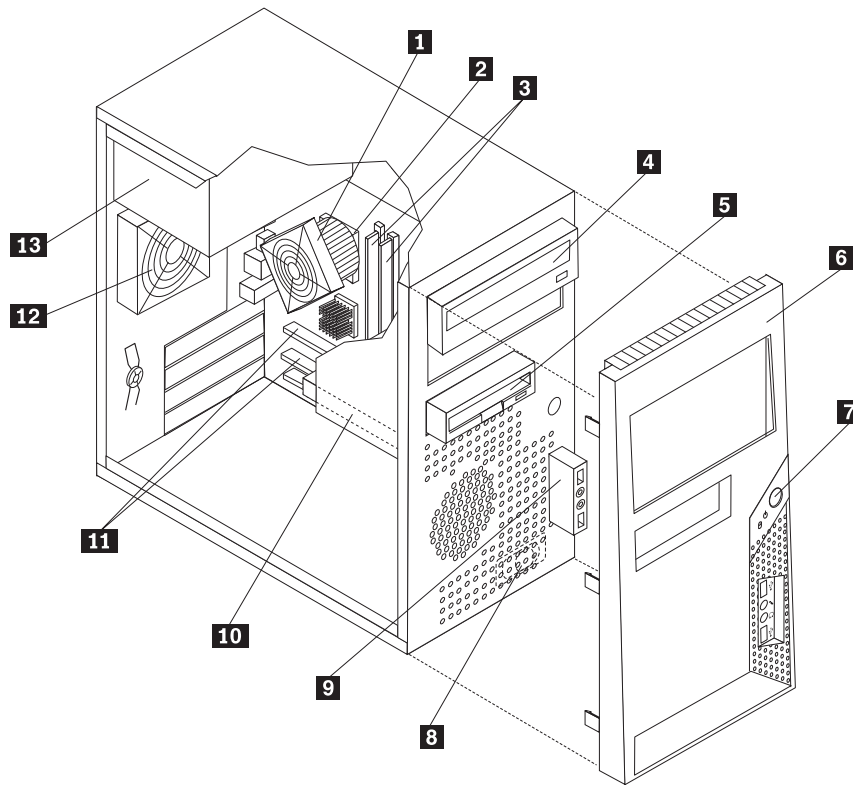
9137 Vista Home pre 32 Recovery DVDs	FRU#	CRU Tier
English (models CTO)	45C0581	1
Russian English (models CTO)	45C0582	1

9137 Vista Home pre 32 Recovery DVDs	FRU#	CRU Tier
French/Canadian French (models CTO)	45C0583	1
German (models CTO)	45C0584	1
Spanish/LA (models CTO)	45C0585	1
Brazil (models CTO)	45C0586	1
Italy (models CTO)	45C0587	1
Japanese (models CTO)	45C0588	1
Norway (models CTO)	45C0589	1
Swedish (models CTO)	45C0590	1
Denmark (models CTO)	45C0591	1
Dutch (models CTO)	45C0592	1
Czech (models CTO)	45C0593	1
Finnish (models CTO)	45C0594	1
Polish (models CTO)	45C0595	1
Russian (models CTO)	45C0596	1
Turkish (models CTO)	45C0597	1
Hungarian (models CTO)	45C0598	1
Greek (models CTO)	45C0599	1
Simplified Chinese (models CTO)	45C0600	1
Traditional Chinese (models CTO)	45C0601	1
Traditional Chinese (models CTO)	45C0602	1
Korean (models CTO)	45C0603	1
Slovenian (models CTO)	45C0604	1
Hebrew (models CTO)	45C0605	1
Romanian (models CTO)	45C0606	1
Bulgarian (models CTO)	45C0607	1
Croatian (models CTO)	45C0608	1
Portuguese (models CTO)	45C0609	1
Serbian-Latin (models CTO)	45C0610	1
Ukrainian (models CTO)	45C0611	1
Slovakian (models CTO)	45C0612	1
Arabic (models CTO)	45C5291	1

9137 Vista Business 64 Recovery DVDs	FRU#	CRU Tier
English (models CTO)	45C0722	1
Russian English (models CTO)	45C0723	1
French/Canadian French (models CTO)	45C0724	1
German (models CTO)	45C0725	1
Spanish/LA (models CTO)	45C0726	1
Brazil (models CTO)	45C0727	1
Italy (models CTO)	45C0728	1
Japanese (models CTO)	45C0729	1

<b>9137 Vista Business 64 Recovery DVDs</b>	<b>FRU#</b>	<b>CRU Tier</b>
Norway (models CTO)	45C0730	1
Swedish (models CTO)	45C0731	1
Denmark (models CTO)	45C0732	1
Dutch (models CTO)	45C0733	1
Czech (models CTO)	45C0734	1
Finnish (models CTO)	45C0735	1
Polish (models CTO)	45C0736	1
Russian (models CTO)	45C0737	1
Turkish (models CTO)	45C0738	1
Hungarian (models CTO)	45C0739	1
Greek (models CTO)	45C0740	1
Simplified Chinese (models CTO)	45C0741	1
Taiwan (models CTO)	45C0742	1
Hong Kong (models CTO)	45C0743	1
Korean (models CTO)	45C0744	1
Slovenian (models CTO)	45C0745	1
Hebrew (models CTO)	45C4059	1
Portuguese (models CTO)	45C4826	1
Arabic (models CTO)	45C5293	1

## Machine Type 9141



Item #	9141 FRUs	FRU#	CRU
1	AMD 89W/65W heat sink kit (all models)	41R4802	2
2	Microprocessor, 2800+ Sempron AM2 (1.6 GHz processor, 62W) (models CTO)	42Y8938	N
2	Microprocessor, 3000+ Sempron AM2 (1.6 GHz processor, 62W) (models CTO)	41X1403	N
2	Microprocessor, 3400+ Sempron AM2 (1.8 GHz processor, 62W) (models CTO)	41X1407	N
2	Microprocessor, 3500+ Sempron AM2 (2.0 GHz processor, 62W) (models CTO)	41X1409	N
2	Microprocessor, 3600+ Sempron AM2 (2.0 GHz processor, 62W) (models A6G A5Q)	41X1411	N
2	Microprocessor, 3600+ Athlon64 AM2 X2 1.9GHz 1M 65W 65nm G1 (models CTO)	43C4091	N
2	Microprocessor, 3800+ Sempron AM2 (2.2 GHz processor, 62W) (models CTO)	43C2454	N
2	Microprocessor, 3200+ Athlon64 AM2 (2.0 GHz processor, 62W) (models CTO)	42Y8940	N
2	Microprocessor, 3500+ Athlon64 AM2 (2.2 GHz processor, 62W) (models CTO)	41X1415	N
2	Microprocessor, 3800+ Athlon64 AM2 (2.4 GHz processor, 62W) (models A2G)	41X1417	N
2	Microprocessor, 3600+ Athlon64 AM2 X2 (2.0 GHz processor, 65W) (models CTO)	41X7777	N
2	Microprocessor, 4000+ Athlon64 AM2 (2.4 GHz processor, 62W) (models CTO)	41X1419	N
2	Microprocessor, 4200+ Athlon64 AM2 (2.2 GHz processor, 62W) (models CTO)	41X1421	N
2	Microprocessor, 4400+ Athlon64 AM2 X2 (2.3 GHz processor, 89W) (models A3G A4G)	43C3507	N
2	Microprocessor, 4600+ Athlon64 AM2 X2 (2.4 GHz processor, 89W) (models CTO)	41X1423	N
2	Microprocessor, 4800+ Athlon64 AM2 X2 (2.5 GHz processor, 65W) stepping G1 45nm (models A5Q)	43C4093	N
2	Microprocessor, 5000+ Athlon AM2 X2 (2.6 GHz processor, 89W) (models CTO)	41X1427	N



Item #	9141 FRUs	FRU#	CRU
2	Microprocessor, Sempron LE 1100 (1.9 GHz processor, 45W, 256KB L2) stepping G1 (models)	45C7564	N
2	Microprocessor, Sempron LE 1150 (2.0 GHz processor, 45W, 256KB L2) stepping G1 (models)	45C7507	N
2	Microprocessor, Sempron LE 1200 (2.1 GHz processor, 45W, 512KB L2) stepping G1 (models)	43C6169	N
2	Microprocessor, Sempron LE 1250 (2.2 GHz processor, 45W, 512KB L2) stepping G2 (models)	43C6168	N
2	Microprocessor, 5200+ Athlon64 AM2 X2 (2.7 GHz processor, 65W) stepping G1 65nm (models)	45C7502	N
2	Microprocessor, 6000+Athlon64 AM2 X2 (3.0 GHz processor, 65W) stepping G1 65nm (models)	45C7503	N
2	Microprocessor, Athlon X2 BE 2300 (1.9GHz processor, 45W, 1MB L2) stepping G1 (models)	43C6167	N
2	Microprocessor, Athlon X2 BE 2350 (2.1GHz processor, 45W, 1MB L2) stepping G1 (models)	43C6166	N
2	Microprocessor, Athlon X2 BE 2400 (2.3GHz processor, 45W, 1MB L2) stepping G1 (models)	43C6165	N
3	Memory module, 512 MB PC2-4200 (533MHz) DDR2 SDRAM (models CTO)	41X4251	2
3	Memory module, 1 GB PC2-4200 (533MHz) DDR2 SDRAM (models CTO)	41X4252	2
3	Memory module, 2GB PC2-4200 (533MHz) DDR2 SDRAM (models CTO)	41X4253	2
3	Memory module, 512 MB PC2-5300 (667MHz) DDR2 SDRAM (models A5Q)	41X4255	2
3	Memory module, 1 GB PC2-5300 (667MHz) DDR2 SDRAM (models A2G A3G A6G A4G)	41X4256	2
3	Memory module, 2 GB PC2-5300 (667MHz) DDR2 SDRAM (models CTO)	41X4257	2
3	Memory module, 512 MB PC2-6400 (800MHz) DDR2 SDRAM (models CTO)	41X1079	2
3	Memory module, 1 GB PC2-6400 (800MHz) DDR2 SDRAM (models CTO)	41X1080	2
3	Memory module, 2 GB PC2-6400 (800MHz) DDR2 SDRAM (models CTO)	41X1081	2
4	DVD-ROM drive - 16x/48x - SATA XP and Vista (models A5Q A6G)	41X3325	2
4	DVD-ROM/CD-RW Combo Drive - 48x/32x/48x/16x - SATA vista and XP (models A2G)	42Y9353	2
4	DVD-RW/CD-RW Rambo 8 - SATA VISTA AND XP (models A3G A4G)	43C1042	2
5	Diskette drive, 3,5", 1.44MB, 2-mode, (w/bezel) (models CTO)	40Y9105	2
5	Diskette drive, 3,5", 1.44MB, 2-mode, (w/bezel) (models CTO)	40Y9107	2
6	Bezel assembly (all models)	TBD	2
7	Power switch/LED assembly (all models)	41N5284	2
8	Speaker assembly, soldered terminals (all models)	39P5023	2
9	Front audio/USB assembly (all models)	41N8054	2
10	Hard disk drive, 80GB, 7200RPM, SATA (models A5Q A2G A6G )	40Y9034	2
10	Hard disk drive, 160GB, 7200RPM, SATA (models A3G A4G)	40Y9035	2
10	Hard disk drive, 250GB, 7200RPM, SATA (models CTO)	40Y9036	2
10	Hard disk drive, 320GB, 7200RPM, SATA/8MB (models CTO)	87H4891	2
10	Hard disk drive, 500GB, 7200RPM, SATA (models CTO)	41X5582	2
11	System board, AMD 690G (models A5Q A2G A3G A6G A4G )	42Y9916	N

Item #	9141 FRUs	FRU#	CRU
12	System fan, rear (all models)	41R6046	2
13	ATX 280W Power supply; Robust (models A5Q)	41A9684	N
13	ATX 280W 80% power supply (models A2G A3G A6G A4G A5Q)	41A9665	N
13	ATX 310W Power supply Robust (models A5Q)	24R2598	N

The FRUs listed in the following tables are not illustrated.

9141 FRUs	FRU#	CRU
Shield, EMC, blank 5.25 in. drive bay (all models)	41N8080	N
Shield, EMC, blank diskette drive bay (all models)	41N8078	N
Cable, diskette drive (all models)	41A7182	N
Cable, Serial ATA, 250 mm (all models)	41A7145	2
Rear USB 2Ports II HP(R), high profile I/O, 300mm, Rohs (all models)	42Y8005	2
Rear Com2 cable, Rohs (all models)	41R6198	2
Rear Com2 cable II HP(R), high profile I/O, 250mm, Rohs (all models)	42Y8007	N
Cable -SATA 457mm (RoHS) (all models)	26K1186	2
Cover (all models)	41N8050	2
System board shield (all models)	41R6378	N
Kit, Misc. Hardware (all models)	41N8055	2
Retainer, Card Reader (all models)	41R2913	2
System fan, front (all models)	41R4791	2
Optional HDD Bracket Assembly, without 4Pin cable (all models)	41R6106	2
Cable, Temperature Sense (460mm) (all models)	41R6196	2
Intrusion Switch assembly (all models)	41R6116	2

9141 Keyboards (Preferred Pro)	FRU#	CRU Tier
US English (models CTO)	41A5039	1
Arabic (models CTO)	41A5040	1
Arabic/French (models CTO)	41A5041	1
Belgian/French (models CTO)	41A5042	1
Belgian/UK (models CTO)	41A5043	1
Bulgarian (models CTO)	41A5045	1
Hong Kong/Taiwan (models CTO)	41A5046	1
Czech (models CTO)	41A5047	1
Danish (models CTO)	41A5048	1
Dutch (models CTO)	41A5049	1
French (models CTO)	41A5050	1
French Canadian 445 (models CTO)	41A5051	1
French Canadian 58 (models CTO)	41A5052	1
German (models CTO)	41A5053	1
Greek (models CTO)	41A5054	1

<b>9141 Keyboards (Preferred Pro)</b>	<b>FRU#</b>	<b>CRU Tier</b>
Hebrew (models CTO)	41A5055	1
Hungarian (models CTO)	41A5056	1
Iceland (models CTO)	41A5057	1
Italian (models CTO)	41A5058	1
Japanese (models CTO)	41A5059	1
Korean (models CTO)	41A5060	1
LA Spanish (models CTO)	41A5061	1
Norwegian (models CTO)	41A5062	1
Polish (models CTO)	41A5063	1
Portuguese (models CTO)	41A5064	1
Romanian (models CTO)	41A5065	1
Russian/Cyrilic (models CTO)	41A5066	1
Serbian/Cyrilic (models CTO)	41A5067	1
Slovak (models CTO)	41A5068	1
Spanish (models CTO)	41A5069	1
Swedish/Finn (models CTO)	41A5070	1
Swiss F/G (models CTO)	41A5071	1
Turkish 440 (models CTO)	41A5073	1
Turkish 179 (models CTO)	41A5074	1
UK English (models CTO)	41A5075	1
US Euro (models CTO)	41A5076	1
Slovenian (models CTO)	41A5077	1
Brazil/Portuguese (models CTO)	41A5044	1

<b>9141 Keyboards (USB Preferred Pro)</b>	<b>FRU#</b>	<b>CRU</b>
US English (models A5Q A2G A3G A6G A4G )	41A5289	1
Arabic (models A2G A3G A6G A4G)	41A5290	1
Arabic/French (models CTO)	41A5291	1
Belgian/French (models A2G A3G A6G A4G)	41A5292	1
Belgian/UK (models A2G A3G A6G A4G)	41A5293	1
Brazilian (models CTO)	41A5294	1
Bulgarian (models A2G A3G A6G A4G)	41A5295	1
Hong Kong/Taiwan (models CTO)	41A5296	1
Czech (models A2G A3G A6G A4G)	41A5297	1
Danish (models A2G A3G A6G A4G)	41A5298	1
Dutch (models A2G A3G A6G A4G)	41A5299	1
French (models A2G A3G A6G A4G)	41A5300	1
French Canadian 445 (models CTO)	41A5301	1
French Canadian 58 (models CTO)	41A5302	1
German (models A2G A3G A6G A4G)	41A5303	1
Greek (models A2G A3G A6G A4G)	41A5304	1

<b>9141 Keyboards (USB Preferred Pro)</b>	<b>FRU#</b>	<b>CRU</b>
Greek/US (models A2G A3G A6G A4G)	41A5305	1
Hebrew (models A2G A3G A6G A4G)	41A5306	1
Hungarian (models A2G A3G A6G A4G)	41A5307	1
Iceland (models A2G A3G A6G A4G)	41A5308	1
Italian (models A2G A3G A6G A4G)	41A5309	1
Japanese (models CTO)	41A5310	1
Korean (models CTO)	41A5311	1
LA Spanish (models CTO)	41A5312	1
Norwegian (models A2G A3G A6G A4G)	41A5313	1
Polish (models A2G A3G A6G A4G)	41A5314	1
Portuguese (models A2G A3G A6G A4G)	41A5315	1
Romanian 096 (models A2G A3G A6G A4G)	41A5317	1
Romanian 446 (models A2G A3G A6G A4G)	41A5316	1
Russian/Cyrillic (models A2G A3G A6G A4G)	41A5318	1
Serbian/Cyrillic (models A2G A3G A6G A4G)	41A5319	1
Slovak (models A2G A3G A6G A4G)	41A5320	1
Spanish (models A2G A3G A6G A4G)	41A5321	1
Swedish/Finn (models A2G A3G A6G A4G)	41A5322	1
Swiss (models A2G A3G A6G A4G)	41A5323	1
Thailand (models CTO)	41A5324	1
Turkish 440 (models A2G A3G A6G A4G)	41A5325	1
Turkish 179 (models A2G A3G A6G A4G)	41A5326	1
UK English (models A2G A3G A6G A4G)	41A5327	1
US Euro (models A2G A3G A6G A4G)	41A5328	1
Slovenian (models A2G A3G A6G A4G)	41A5329	1

<b>9141 Keyboards (Fingerprint Reader USB)</b>	<b>FRU#</b>	<b>CRU Tier</b>
US English (models CTO)	41A5248	1
Arabic (models CTO)	41A5249	1
Arabic/French (models CTO)	41A5250	1
Belgian/French (models CTO)	41A5251	1
Belgian/UK (models CTO)	41A5252	1
Brazil/Portuguese (models CTO)	41A5253	1
Bulgarian (models CTO)	41A5254	1
Chinese (models CTO)	41A5255	1
Czech (models CTO)	41A5256	1
Danish (models CTO)	41A5257	1
Dutch (models CTO)	41A5258	1
French (models CTO)	41A5259	1
French Canadian 445 (models CTO)	41A5260	1
French Canadian 58 (models CTO)	41A5261	1

<b>9141 Keyboards (Fingerprint Reader USB)</b>	<b>FRU#</b>	<b>CRU Tier</b>
German (models CTO)	41A5262	1
Greek (models CTO)	41A5263	1
Greek/US (models CTO)	41A5264	1
Hebrew (models CTO)	41A5265	1
Hungarian (models CTO)	41A5266	1
Iceland (models CTO)	41A5267	1
Italian 141 (models CTO)	41A5268	1
Japanese (models CTO)	41A5269	1
Korean (models CTO)	41A5270	1
LA Spanish (models CTO)	41A5271	1
Norwegian (models CTO)	41A5272	1
Polish (models CTO)	41A5273	1
Portuguese (models CTO)	41A5274	1
Romanian 096 (models CTO)	41A5275	1
Romanian 446 (models CTO)	41A5276	1
Russian/Cyrillic (models CTO)	41A5277	1
Serbian/Cyrillic (models CTO)	41A5278	1
Slovak (models CTO)	41A5279	1
Spanish (models CTO)	41A5280	1
Swedish/Finn (models CTO)	41A5281	1
Swiss (models CTO)	41A5282	1
Turkish 440 (models CTO)	41A5284	1
Turkish 179 (models CTO)	41A5285	1
UK English (models CTO)	41A5286	1
US Euro (models CTO)	41A5287	1
Slovenian (models CTO)	41A5288	1

<b>9141 mice</b>	<b>FRU#</b>	<b>CRU</b>
Optical Wheel Mouse (400DPI, USB) (models A5Q A2G A3G A6G A4G )	41U3013	1
Optical Wheel Mouse (400DPI, USB) models A5Q A2G A3G A6G A4G )	41U3030	1
PS/2 Three Button ball mouse (41R0017) models CTO)	41R0018	1

<b>9141 Adapters and miscellaneous FRUs</b>	<b>FRU#</b>	<b>CRU Tier</b>
PCI Modem Card (Soft) (models CTO)	29R9729	2
L1 IEEE 1394 PCI Adapter (models CTO)	41D2781	2
Dongle Cable - DMS59 to dual VGA (included in Denver L1) (models CTO)	41R3404	1
Dongle DMS Dule DMS-59 to dual DVI cable (models CTO)	41R3403	1
Dongle DMS Dule DMS-59 to single VGA & single DVI cable (models CTO)	41R3405	1
Nvidia GeForce 7300LE 128MB 64bit LP / ATX with DMS59 (models CTO)	42Y8165	2
ATI X1300LE 256M 64bit LP / ATX with DMS59 (models CTO A4G)	42Y8162	2
USB2.0 MEMORY CARDREADER,6X2,ROHS OPTIONAL, SONY (models CTO)	41R3376	2

9141 Adapters and miscellaneous FRUs	FRU#	CRU Tier
USB2.0 MEMORY CARDREADER,6X2,ROHS OPTIONAL,Bitland (models CTO)	41R3378	2
Speakers (2-piece) Lenovo Logo (models CTO)	41A5331	2
BTL external speaker (models CTO)	41A5334	1
Speaker Power brick - US, Canada, LA low voltage, ASEAN (models CTO)	89P8571	1
Speaker Power brick - Hong Kong, Malaysia, Singapore, UK, Brunei (models CTO)	89P8573	1
Speaker Power brick - LA high voltage (non-APU) (models CTO)	89P8575	1
Speaker Power brick - China, Thailand (models CTO)	89P8581	1
Speaker Power brick - Japan (models CTO)	89P8577	1
Speaker Power brick - Brazil (models CTO)	89P8583	1
Speaker Power brick - Argentina (models CTO)	41A4901	1
Speaker Power brick - ANZ (models CTO)	89P8579	1
Speaker Brick - Korea (models CTO)	41A4903	1
Speaker Brick - Taiwan (models CTO)	41A4905	1
Speaker Power brick - India, South Africa (models A5Q)	89P8585	1
DVI cable for RS690 LP (models CTO)	41R3316	1
USB Memory Key - 1G RoW (models)	45C7146	1
ATI HD 2400PRO 128MB 64BIT DMS59 LP/ATX (models)	43C0259	2
ATI HD 2400XT 256MB 64BIT DMS59 LP/ATX (models)	43C0260	2
ATI HD 2600XT 512MB 128BIT ATX (models)	43C8266	2

9141 Power Cords	FRU#	CRU Tier
Power cord - US (models CTO)	39M5080	1
Power cord - China (models CTO)	39M5205	1
Power cord - Japan (models CTO)	39M5193	1
Power cord - Brazil (models CTO)	39M5232	1
Power cord - LA High Volt (APU) (models CTO)	39M5067	1
Power cord - Australia/New Zealand (models CTO)	39M5102	1
Power cord - Korea (models CTO)	39M5212	1
Power cord - Hong Kong (models CTO)	39M5151	1
Power cord - UK, Ireland, Singapore, Malaysia, Brunei (models A2G A3G A6G A4G)	39M5150	1
Power cord - Taiwan (models CTO)	39M5246	1
Power cord - Italy/Chile (models CTO)	39M5164	1
Power cord - G models (models A2G A3G A6G A4G )	39M5122	1
Power cord - Denmark (models A2G A3G A6G A4G )	39M5129	1
Power cord - Switzerland (models CTO)	39M5157	1
Power cord - Israel (models CTO)	39M5171	1
Power cord - South Africa (models A2G A3G A6G A4 )	39M5143	1
Power cord - India (models A5Q )	39M5004	1

9141 Windows XP Home CDs	FRU#	CRU Tier
US/UK/AP/TH (models CTO)	45C1028	1

9141 Windows XP Home CDs	FRU#	CRU Tier
FR/CF (models CTO)	45C1029	1
GR (models CTO)	45C1030	1
IT (models CTO)	45C1033	1
BR (models CTO)	45C1032	1
SP/LA (models CTO)	45C1031	1
DK (models CTO)	45C1037	1
NL (models CTO)	45C1038	1
AE (models CTO)	45C1043	1
SV (models CTO)	45C1036	1
HE (models CTO)	45C1041	1
FI (models CTO)	45C1040	1
NO (models CTO)	45C1035	1
PL (models CTO)	45C1042	1
PO (models CTO)	45C4069	1
RU (models CTO)	45C1044	1
RE (models CTO)	45C1052	1
HU (models CTO)	45C1046	1
CZ (models CTO)	45C1039	1
TR (models CTO)	45C1045	1
GK (models CTO)	45C1047	1
Japanese (models CTO)	45C1034	1
Simplified Chinese (models CTO)	45C1048	1
Taiwan - TC (models CTO)	45C1049	1
Hong Kong - TC (models CTO)	45C1050	1
Korea (models CTO)	45C1051	1

9141 Windows XP Pro Recovery CDs	FRU#	CRU Tier
US/UK/AP/TH (models A5Q A2G A3G A4G A6G)	45C0820	1
FR/CF (models CTO A2G A3G A4G A6G)	45C0821	1
GR (models CTO A2G A3G A4G A6G)	45C0822	1
IT (models CTO A2G A3G A4G A6G)	45C0825	1
BR (models CTO)	45C0824	1
SP/LA (models CTO A2G A3G A4G A6G)	45C0823	1
DK (models CTO A2G A3G A4G A6G)	45C0829	1
NL (models CTO A2G A3G A4G A6G)	45C08230	1
AE (models CTO A2G A3G A4G A6G)	45C0835	1
SV (models CTO A2G A3G A4G A6G)	45C0828	1
HE (models CTO A2G A3G A4G A6G)	45C0833	1
FI (models CTO A2G A3G A4G A6G)	45C0832	1
NO (models CTO A2G A3G A4G A6G)	45C0827	1
PL (models CTO A2G A3G A4G A6G)	45C0834	1

9141 Windows XP Pro Recovery CDs	FRU#	CRU Tier
PO (models CTO)	45C4061	1
RU (models CTO A2G A3G A4G A6G)	45C0836	1
RE (models CTO A2G A3G A4G A6G)	45C0845	1
HU (models CTO A2G A3G A4G A6G)	45C0838	1
CZ (models CTO A2G A3G A4G A6G)	45C0831	1
TR (models CTO A2G A3G A4G A6G)	45C0837	1
GK (models CTO A2G A3G A4G A6G)	45C0839	1
SL (models CTO A2G A3G A4G A6G)	45C0844	1
Japanese (models CTO)	45C0826	1
Simplified Chinese (models CTO)	45C0840	1
Taiwan - TC (models CTO)	45C0841	1
Hong Kong - TC (models CTO)	45C0842	1
Korea (models CTO)	45C0843	1

9141 Vista Home Basic 32 Recovery DVDs	FRU#	CRU Tier
English (models CTO)	45C0770	1
French/Canadian French (models CTO)	45C0772	1
German (models CTO)	45C0773	1
Spanish/LA (models CTO)	45C0774	1
Brazil (models CTO)	45C0775	1
Italy (models CTO)	45C0776	1
Japanese (models CTO)	45C0777	1
Norway (models CTO)	45C0778	1
Swedish (models CTO)	45C0779	1
Denmark (models CTO)	45C0780	1
Dutch (models CTO)	45C0781	1
Czech (models CTO)	45C0782	1
Finnish (models CTO)	45C0783	1
Polish (models CTO)	45C0784	1
Russian (models CTO)	45C0785	1
Turkish (models CTO)	45C0786	1
Hungarian (models CTO)	45C0787	1
Greek (models CTO)	45C0788	1
Portuguese (models CTO)	45C4825	1
Simplified Chinese (models CTO)	45C0789	1
Traditional Chinese (models CTO)	45C0790	1
Traditional Chinese (models CTO)	45C0791	1
Korean (models CTO)	45C0792	1
SL (models CTO)	45C0793	1
Russian English (models CTO)	45C0771	1
Hebrew (models CTO)	45C0794	1



9141 Vista Home Basic 32 Recovery DVDs	FRU#	CRU Tier
Arabic (models)	45C5292	1

9141 Vista Business 32 Recovery DVDs	FRU#	CRU Tier
English (models A2G A3G A4G A6G )	45C0660	1
French/Canadian French (models A2G A3G A4G A6G)	45C0662	1
German (models A2G A3G A4G A6G)	45C0663	1
Spanish/LA (models A2G A3G A4G A6G)	45C0664	1
Brazil (models CTO)	45C0665	1
Italy (models A2G A3G A4G A6G)	45C0666	1
Japanese (models CTO)	45C0667	1
Norway (models A2G A3G A4G A6G)	45C0668	1
Swedish (models A2G A3G A4G A6G)	45C0669	1
Denmark (models A2G A3G A4G A6G)	45C0670	1
Dutch (models A2G A3G A4G A6G)	45C0671	1
Czech (models A2G A3G A4G A6G)	45C0672	1
Finnish (models A2G A3G A4G A6G)	45C0673	1
Polish (models A2G A3G A4G A6G)	45C0674	1
Russian (models A2G A3G A4G A6G)	45C0675	1
Turkish (models A2G A3G A4G A6G)	45C0676	1
Hungarian (models A2G A3G A4G A6G)	45C0677	1
Greek (models A2G A3G A4G A6G)	45C0678	1
Portuguese (models A2G A3G A4G A6G)	45C0687	1
Simplified Chinese (models CTO)	45C0679	1
Traditional Chinese (models CTO)	45C0680	1
Traditional Chinese (models CTO)	45C0681	1
Korean (models CTO)	45C0682	1
Slovenian (models A2G A3G A4G A6G)	45C0683	1
Russian English (models CTO)	45C0661	1
Romanian (models CTO)	45C0684	1
Bulgarian (models CTO)	45C0685	1
Croatian (models CTO)	45C0686	1
Serbian-Latin (models CTO)	45C0688	1
Ukrainian (models CTO)	45C0689	1
Slovakian (models CTO)	45C0690	1
Hebrew (models CTO)	45C5289	1
Arabic (models CTO)	45C5290	1

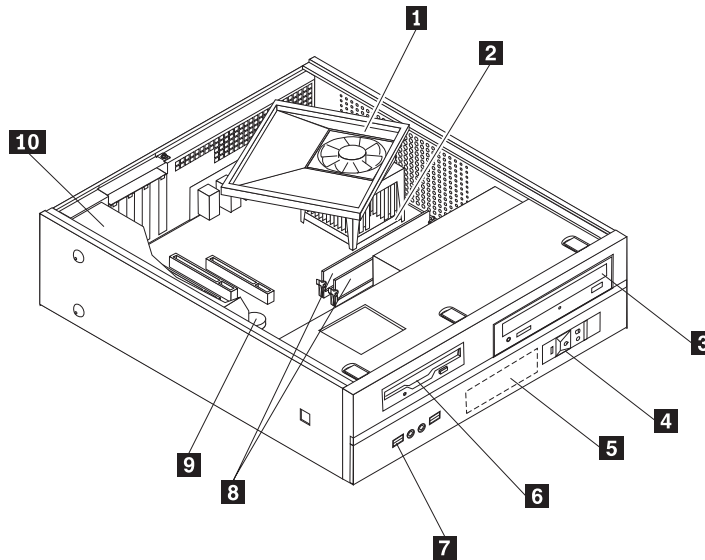
9141 Vista Home pre 32 Recovery DVDs	FRU#	CRU Tier
English (models CTO)	45C0581	1
Russian English (models CTO)	45C0582	1
French/Canadian French (models CTO)	45C0583	1

<b>9141 Vista Home pre 32 Recovery DVDs</b>	<b>FRU#</b>	<b>CRU Tier</b>
German (models CTO)	45C0584	1
Spanish/LA (models CTO)	45C0585	1
Brazil (models CTO)	45C0586	1
Italy (models CTO)	45C0587	1
Japanese (models CTO)	45C0588	1
Norway (models CTO)	45C0589	1
Swedish (models CTO)	45C0590	1
Denmark (models CTO)	45C0591	1
Dutch (models CTO)	45C0592	1
Czech (models CTO)	45C0593	1
Finnish (models CTO)	45C0594	1
Polish (models CTO)	45C0595	1
Russian (models CTO)	45C0596	1
Turkish (models CTO)	45C0597	1
Hungarian (models CTO)	45C0598	1
Greek (models CTO)	45C0599	1
Simplified Chinese (models CTO)	45C0600	1
Traditional Chinese (models CTO)	45C0601	1
Traditional Chinese (models CTO)	45C0602	1
Korean (models CTO)	45C0603	1
Slovenian (models CTO)	45C0604	1
Hebrew (models CTO)	45C0605	1
Romanian (models CTO)	45C0606	1
Bulgarian (models CTO)	45C0607	1
Croatian (models CTO)	45C0608	1
Portuguese (models CTO)	45C0609	1
Serbian-Latin (models CTO)	45C0610	1
Ukrainian (models CTO)	45C0611	1
Slovakian (models CTO)	45C0612	1
Arabic (models CTO)	45C5291	1

<b>9141 Vista Business 64 Recovery DVDs</b>	<b>FRU#</b>	<b>CRU Tier</b>
English (models CTO)	45C0722	1
Russian English (models CTO)	45C0723	1
French/Canadian French (models CTO)	45C0724	1
German (models CTO)	45C0725	1
Spanish/LA (models CTO)	45C0726	1
Brazil (models CTO)	45C0727	1
Italy (models CTO)	45C0728	1
Japanese (models CTO)	45C0729	1
Norway (models CTO)	45C0730	1

<b>9141 Vista Business 64 Recovery DVDs</b>	<b>FRU#</b>	<b>CRU Tier</b>
Swedish (models CTO)	45C0731	1
Denmark (models CTO)	45C0732	1
Dutch (models CTO)	45C0733	1
Czech (models CTO)	45C0734	1
Finnish (models CTO)	45C0735	1
Polish (models CTO)	45C0736	1
Russian (models CTO)	45C0737	1
Turkish (models CTO)	45C0738	1
Hungarian (models CTO)	45C0739	1
Greek (models CTO)	45C0740	1
Simplified Chinese (models CTO)	45C0741	1
Taiwan (models CTO)	45C0742	1
Hong Kong (models CTO)	45C0743	1
Korean (models CTO)	45C0744	1
Slovenian (models CTO)	45C0745	1
Hebrew (models CTO)	45C4059	1
Portuguese (models CTO)	45C4826	1
Arabic (models CTO)	45C5293	1

## Machine Type 9142



Item #	9142 FRUs	FRU#	CRU
1	AMD 65W heatsink kit (all models)	41R4802	2
1	AMD 89W heatsink (all models)	41R6290	2
2	Microprocessor, 2800+ Sempron AM2 (1.6 GHz processor, 62W) (models CTO)	42Y8938	N
2	Microprocessor, 3000+ Sempron AM2 (1.6 GHz processor, 62W) (models CTO)	41X1403	N
2	Microprocessor, 3400+ Sempron AM2 (1.8 GHz processor, 62W) (models CTO)	41X1407	N
2	Microprocessor, 3500+ Sempron AM2 (2.0 GHz processor, 62W) (models CTO)	41X1409	N
2	Microprocessor, 3600+ Sempron AM2 (2.0 GHz processor, 62W) (models AAG)	41X1411	N
2	Microprocessor, 3600+ Athlon64 AM2 X2 1.9GHz 1M 65W 65nm G1 (models CTO)	43C4091	N
2	Microprocessor, 3800+ Sempron AM2 (2.2 GHz processor, 62W) (models CTO)	43C2454	N
2	Microprocessor, 3200+ Athlon64 AM2 (2.0 GHz processor, 62W) (models CTO)	42Y8940	N
2	Microprocessor, 3800+ Athlon64 AM2 (2.4 GHz processor, 62W) (models CTO)	41X1417	N
2	Microprocessor, 3600+ Athlon64 AM2 X2 (2.0 GHz processor, 65W) (models CTO)	41X7777	N
2	Microprocessor, 3800+ Athlon64 AM2 X2 (2.0 GHz processor, 89W) (models A3M)	41X4241	N
2	Microprocessor, 4000+ Athlon64 AM2 (2.4 GHz processor, 62W) (models ABG)	41X1419	N
2	Microprocessor, 4200+ Athlon64 AM2 (2.2 GHz processor, 62W) (models CTO)	41X1421	N
2	Microprocessor, 4400+ Athlon64 AM2 X2 (2.3 GHz processor, 89W) (models A4M A4Q A9G ACG )	43C3507	N
2	Microprocessor, 4600+ Athlon64 AM2 X2 (2.4 GHz processor, 89W) (models CTO)	41X1423	N
2	Microprocessor, 4800+ Athlon64 AM2 X2 (2.5 GHz processor, 65W) stepping G1 45nm (models A2G A7Q A8Q A5M )	43C4093	N
2	Microprocessor, 5000+ Athlon AM2 X2 (2.6 GHz processor, 89W) (models CTO ADM AEQ)	41X1427	N
2	Microprocessor, Sempron LE 1100 (1.9 GHz processor, 45W, 256KB L2) stepping G1 (models)	45C7564	N
2	Microprocessor, Sempron LE 1150 (2.0 GHz processor, 45W, 256KB L2) stepping G1 (models)	45C7507	N

Item #	9142 FRUs	FRU#	CRU
2	Microprocessor, Sempron LE 1200 (2.1 GHz processor, 45W, 512KB L2) stepping G1 (models)	43C6169	N
2	Microprocessor, Sempron LE 1250 (2.2 GHz processor, 45W, 512KB L2) stepping G2 (models)	43C6168	N
2	Microprocessor, 5200+ Athlon64 AM2 X2 (2.7 GHz processor, 65W) stepping G1 65nm (models)	45C7502	N
2	Microprocessor, 6000+ Athlon64 AM2 X2 (3.0 GHz processor, 65W) stepping G1 65nm (models)	45C7503	N
2	Microprocessor, Athlon X2 BE 2300 (1.9GHz processor, 45W, 1MB L2) steping G1 (models)	43C6167	N
2	Microprocessor, Athlon X2 BE 2350 (2.1GHz processor, 45W, 1MB L2) steping G1 (models)	43C6166	N
2	Microprocessor, Athlon X2 BE 2400 (2.3GHz processor, 45W, 1MB L2) steping G1(models)	43C6165	N
3	DVD-ROM Drive - 16x/48x - SATA XP and Vista (models AAG ABG) (models)	41N3325	2
3	DVD-ROM/CD-RW Combo Drive - 48x/32x/48x/16x - SATA vista and XP (models A7Q ACG)	42Y9353	2
3	DVD-RW/CD-RW Rambo 8 - SATA VISTA AND XP (models A2G A8Q A3M A4M A4Q A5M A9G ADM AEQ)	43C1042	2
4	Front Power/LED PC, bracket, and cable (all models)	41N8213	2
5	Hard disk drive, 80GB, 7200RPM, SATA (models A3M A1G AAG)	40Y9034	2
5	Hard disk drive, 160GB, 7200RPM, SATA (models A2G A7Q A8Q A4M A4Q ABG ACG AEQ)	40Y9035	2
5	Hard disk drive, 250GB, 7200RPM, SATA (models CTO)	40Y9036	2
5	Hard disk drive, 320GB, 7200RPM, SATA/8MB (models CTO ADM)	87H4891	2
5	Hard disk drive, 500GB, 7200RPM, SATA (models CTO)	41X5582	2
6	Diskette drive, 3,5", 1.44MB, 2-mode, (w/bezel) (models A8Q)	40Y9105	2
6	Diskette drive, 3,5", 1.44MB, 2-mode, (w/bezel) (models A8Q)	40Y9107	2
7	Front USB/Audio with bracket (all models)	41N8212	2
8	Memory module, 512 MB PC2-4200 (533MHz) DDR2 SDRAM (models CTO)	41X4251	2
8	Memory module, 1 GB PC2-4200 (533MHz) DDR2 SDRAM (models CTO)	41X4252	2
8	Memory module, 2GB PC2-4200 (533MHz) DDR2 SDRAM (models CTO)	41X4253	2
8	Memory module, 512 MB PC2-5300 (667MHz) DDR2 SDRAM (models A7Q A8Q A3M A4M A4Q A5M AAG )	41X4255	2
8	Memory module, 1 GB PC2-5300 (667MHz) DDR2 SDRAM (models A2G A9G ABG ACG ADM AEQ)	41X4256	2
8	Memory module, 2 GB PC2-5300 (667MHz) DDR2 SDRAM (models CTO)	41X4257	2
8	Memory module, 512 MB PC2-6400 (800MHz) DDR2 SDRAM (models CTO)	41X1079	2
8	Memory module, 1 GB PC2-6400 (800MHz) DDR2 SDRAM (models CTO)	41X1080	2
8	Memory module, 2 GB PC2-6400 (800MHz) DDR2 SDRAM (models CTO)	41X1081	2
9	System board, AMD 690G (models A2G A7Q A8Q A3M A4M A4Q A5M A9G AAG ABG ACG ADM AEQ)	42Y9916	N
10	220 Watt Power Supply - Japan (models CTO)	41A9697	2
10	220 Watt Power Supply - Robust (models A7Q A8Q A4Q AEQ)	41A9689	2

Item #	9142 FRUs	FRU#	CRU
10	220W 80% Power supply (models A2G A7Q A8Q A3M A4M A4Q A5M A2G A9G AAG A7Q A8Q ABG ACG ADM AEQ)	41A9670	2
10	280W TFX 280W PS ,Active PFC (models A2G A7Q A8Q A3M A4M A4Q A5M A2G A9G AAG A7Q A8Q ABG ACG ADM AEQ)	41A9705	2

The FRUs listed in the following tables are not illustrated.

9142 FRUs	FRU#	CRU
System board shield (all models)	41R6384	N
Cover (all models)	41N8204	N
Mechanical shell kit (all models)	41R6209	N
Bezel kit (all models)	41N8206	N
Bezel kit without IBM logo (all models)	41R6238	N
Miscellaneous hardware kit (all models)	41N8209	N
Hard disk drive bracket assembly (plastic and grommets) (all models)	41N8210	N
Hard disk drive fan and bracket assembly (all models)	41N8211	N
Speaker cable assembly, 600 mm cable length (all models)	41N8217	N
Fan duct assembly (all models)	41R4808	N
Intrusion switch assembly (all models)	41R6208	N
Cable, diskette drive (all models)	41A7147	N
Shield, EMC, blank 5.25 in. drive bay all models)	41N8271	N
Shield, EMC, blank diskette drive bay (all models)	41N8273	N
DVI cable for RS690 LP (all models)	43C2451	2
Rear USB 2Ports II LP (R), low profile I/O, 200mm, Rohs (all models)	42Y8006	N
Rear Com2 cable II LP(R), low profile I/O, 250mm, Rohs (all models)	42Y8008	N
Foot stand (all models)	41R4813	N
Cable, serial ATA, 250 mm (all models)	41A7145	N
Bezel kit, Rocky S3 without IBM logo (all models)	41R6238	2
DVI cable for RS690 LP (all models)	41R3304	2

9142 Keyboards (Preferred Pro)	FRU#	CRU Tier
US English (models CTO)	41A5039	1
Arabic (models CTO)	41A5040	1
Arabic/French (models CTO)	41A5041	1
Belgian/French (models CTO)	41A5042	1
Belgian/UK (models CTO)	41A5043	1
Bulgarian (models CTO)	41A5045	1
Hong Kong/Taiwan (models CTO)	41A5046	1
Czech (models CTO)	41A5047	1
Danish (models CTO)	41A5048	1
Dutch (models CTO)	41A5049	1
French (models CTO)	41A5050	1

<b>9142 Keyboards (Preferred Pro)</b>	<b>FRU#</b>	<b>CRU Tier</b>
French Canadian 445 (models CTO)	41A5051	1
French Canadian 58 (models CTO)	41A5052	1
German (models CTO)	41A5053	1
Greek (models CTO)	41A5054	1
Hebrew (models CTO)	41A5055	1
Hungarian (models CTO)	41A5056	1
Iceland (models CTO)	41A5057	1
Italian (models CTO)	41A5058	1
Japanese (models CTO)	41A5059	1
Korean (models CTO)	41A5060	1
LA Spanish (models CTO)	41A5061	1
Norwegian (models CTO)	41A5062	1
Polish (models CTO)	41A5063	1
Portuguese (models CTO)	41A5064	1
Romanian (models CTO)	41A5065	1
Russian/Cyrilic (models CTO)	41A5066	1
Serbian/Cyrilic (models CTO)	41A5067	1
Slovak (models CTO)	41A5068	1
Spanish (models CTO)	41A5069	1
Swedish/Finn (models CTO)	41A5070	1
Swiss F/G (models CTO)	41A5071	1
Turkish 440 (models CTO)	41A5073	1
Turkish 179 (models CTO)	41A5074	1
UK English (models CTO)	41A5075	1
US Euro (models CTO)	41A5076	1
Slovenian (models CTO)	41A5077	1
Brazil/Portuguese (models CTO)	41A5044	1

<b>9142 Keyboards (USB Preferred Pro)</b>	<b>FRU#</b>	<b>CRU Tier</b>
US English (models A2G A7Q A8Q A9G AAG A3M A4M A5M A4Q ABG ACG ADM AEQ)	41A5289	1
Arabic (models A2G A9G AAG ABG ACG)	41A5290	1
Arabic/French (models CTO)	41A5291	1
Belgian/French (models A2G A9G AAG ABG ACG)	41A5292	1
Belgian/UK (models A2G A9G AAG ABG ACG)	41A5293	1
Brazilian (models CTO)	41A5294	1
Bulgarian (models A2G A9G AAG ABG ACG)	41A5295	1
Hong Kong/Taiwan (models CTO)	41A5296	1
Czech (models A2G A1G A9G AAG ABG ACG )	41A5297	1
Danish (models A2G A9G AAG ABG ACG)	41A5298	1
Dutch (models A2G A1G A9G AAG ABG ACG )	41A5299	1

<b>9142 Keyboards (USB Preferred Pro)</b>	<b>FRU#</b>	<b>CRU Tier</b>
French (models A2G A9G AAG ABG ACG)	41A5300	1
French Canadian 445 (models CTO)	41A5301	1
French Canadian 58 (models CTO)	41A5302	1
German (models A2G A9G AAG ABG ACG)	41A5303	1
Greek (models A2G A9G AAG ABG ACG)	41A5304	1
Greek/US (models A2G A9G AAG ABG ACG)	41A5305	1
Hebrew (models A2G A9G AAG ABG ACG)	41A5306	1
Hungarian (models A2G A9G AAG ABG ACG)	41A5307	1
Iceland (models A2G A9G AAG ABG ACG)	41A5308	1
Italian (models A2G A9G AAG ABG ACG)	41A5309	1
Japanese (models CTO)	41A5310	1
Korean (models CTO)	41A5311	1
LA Spanish (models CTO)	41A5312	1
Norwegian (models A2G A9G AAG ABG ACG)	41A5313	1
Polish (models A2G A9G AAG ABG ACG)	41A5314	1
Portuguese (models A2G A9G AAG ABG ACG)	41A5315	1
Romanian 096 (models A2G A9G AAG ABG ACG)	41A5317	1
Romanian 446 (models A2G A9G AAG ABG ACG)	41A5316	1
Russian/Cyrillic (models A2G A9G AAG ABG ACG)	41A5318	1
Serbian/Cyrillic (models A2G A9G AAG ABG ACG)	41A5319	1
Slovak (models A2G A9G AAG ABG ACG)	41A5320	1
Spanish (models A2G A9G AAG ABG ACG)	41A5321	1
Swedish/Finn (models A2G A9G AAG ABG ACG)	41A5322	1
Swiss (models A2G A9G AAG ABG ACG)	41A5323	1
Thailand (models CTO)	41A5324	1
Turkish 440 (models A2G A9G AAG ABG ACG)	41A5325	1
Turkish 179 (models A2G A9G AAG ABG ACG)	41A5326	1
UK English (models A2G A9G AAG ABG ACG)	41A5327	1
US Euro (models A2G A9G AAG ABG ACG)	41A5328	1
Slovenian (models A2G A9G AAG ABG ACG)	41A5329	1

<b>9142 Keyboards (Fingerprint Reader USB)</b>	<b>FRU#</b>	<b>CRU Tier</b>
US English (models CTO)	41A5248	1
Arabic (models CTO)	41A5249	1
Arabic/French (models CTO)	41A5250	1
Belgian/French (models CTO)	41A5251	1
Belgian/UK (models CTO)	41A5252	1
Brazil/Portuguese (models CTO)	41A5253	1
Bulgarian (models CTO)	41A5254	1
Chinese (models CTO)	41A5255	1
Czech (models CTO)	41A5256	1



9142 Keyboards (Fingerprint Reader USB)	FRU#	CRU Tier
Danish (models CTO)	41A5257	1
Dutch (models CTO)	41A5258	1
French (models CTO)	41A5259	1
French Canadian 445 (models CTO)	41A5260	1
French Canadian 58 (models CTO)	41A5261	1
German (models CTO)	41A5262	1
Greek (models CTO)	41A5263	1
Greek/US (models CTO)	41A5264	1
Hebrew (models CTO)	41A5265	1
Hungarian (models CTO)	41A5266	1
Iceland (models CTO)	41A5267	1
Italian 141 (models CTO)	41A5268	1
Japanese (models CTO)	41A5269	1
Korean (models CTO)	41A5270	1
LA Spanish (models CTO)	41A5271	1
Norwegian (models CTO)	41A5272	1
Polish (models CTO)	41A5273	1
Portuguese (models CTO)	41A5274	1
Romanian 096 (models CTO)	41A5275	1
Romanian 446 (models CTO)	41A5276	1
Russian/Cyrillic (models CTO)	41A5277	1
Serbian/Cyrillic (models CTO)	41A5278	1
Slovak (models CTO)	41A5279	1
Spanish (models CTO)	41A5280	1
Swedish/Finn (models CTO)	41A5281	1
Swiss (models CTO)	41A5282	1
Turkish 440 (models CTO)	41A5284	1
Turkish 179 (models CTO)	41A5285	1
UK English (models CTO)	41A5286	1
US Euro (models CTO)	41A5287	1
Slovenian (models CTO)	41A5288	1

9142 mice	FRU#	CRU
Optical Wheel Mouse (400DPI, USB) (models A2G A7Q A8Q A3M A4M A4Q A5M A9G AAG ABG ACG ADM AEQ)	41U3013	1
Optical Wheel Mouse (400DPI, USB) models A2G A7Q A8Q A3M A4M A4Q A5M A9G AAG ABG ACG ADM AEQ)	41U3030	1
PS/2 Three Button ball mouse (41R0017) models CTO)	41R0018	1

9142 Adapters and miscellaneous FRUs	FRU#	CRU Tier
PCI Modem Card (Soft) (models A2G A9G)	29R9729	2

9142 Adapters and miscellaneous FRUs	FRU#	CRU Tier
L1 IEEE 1394 PCI Adapter (models CTO)	41D2781	2
Dongle Cable - DMS59 to dual VGA (included in Denver L1) (models CTO)	41R3404	1
Dongle DMS Dule DMS-59 to dual DVI cable (models CTO)	41R3403	1
Dongle DMS Dule DMS-59 to single VGA & single DVI cable (models CTO)	41R3405	1
Nvidia GeForce 7300LE 128MB 64bit LP / ATX with DMS59 (models CTO)	42Y8165	2
ATI X1300LE 256M 64bit LP / ATX with DMS59 (models CTO)	42Y8162	2
USB2.0 MEMORY CARDREADER,6X2,ROHS OPTIONAL, SONY (models CTO A7Q)	41R3376	2
USB2.0 MEMORY CARDREADER,6X2,ROHS OPTIONAL,Bitland (models CTO A7Q)	41R3378	2
Speakers (2-piece) Lenovo Logo (models A2G)	41A5331	2
BTL external speaker (models A2G)	41A5334	1
Speaker Power brick - US, Canada, LA low voltage, ASEAN (models CTO)	89P8571	1
Speaker Power brick - Hong Kong, Malaysia, Singapore, UK, Brunei (models CTO)	89P8573	1
Speaker Power brick - LA high voltage (non-APU) (models CTO)	89P8575	1
Speaker Power brick - China, Thailand (models CTO)	89P8581	1
Speaker Power brick - Japan (models CTO)	89P8577	1
Speaker Power brick - Brazil (models CTO)	89P8583	1
Speaker Power brick - Argentina (models CTO)	41A4901	1
Speaker Power brick - ANZ (models A3M A4M A5M)	89P8579	1
Speaker Brick - Korea (models CTO)	41A4903	1
Speaker Brick - Taiwan (models CTO)	41A4905	1
Speaker Power brick - India, South Africa (models A4Q A7Q A8Q AEQ)	89P8585	1
DVI cable for RS690 LP (models CTO)	41R3316	1
USB Memory Key - 1G RoW (models)	45C7146	1
ATI HD 2400PRO 128MB 64BIT DMS59 LP/ATX (models)	43C0259	2
ATI HD 2400XT 256MB 64BIT DMS59 LP/ATX (models)	43C0260	2
ATI HD 2600XT 512MB 128BIT ATX (models)	43C8266	2

9142 Power Cords	FRU#	CRU Tier
Power cord - US (models CTO)	39M5080	1
Power cord - China (models CTO)	39M5205	1
Power cord - Japan (models CTO)	39M5193	1
Power cord - Brazil (models CTO)	39M5232	1
Power cord - LA High Volt (APU) (models CTO)	39M5067	1
Power cord - Australia/New Zealand (models A3M A4M A5M ADM)	39M5102	1
Power cord - Korea (models CTO)	39M5212	1
Power cord - Hong Kong (models CTO)	39M5151	1
Power cord - UK, Ireland, Singapore, Malaysia, Brunei (models A2G A1G A9G AAG ABG ACG )	39M5150	1
Power cord - Taiwan (models CTO)	39M5246	1
Power cord - Italy/Chile (models A2G ABG ACG )	39M5164	1
Power cord - G models (models CTO)	39M5122	1

9142 Power Cords	FRU#	CRU Tier
Power cord - Denmark (models A2G ABG ACG )	39M5129	1
Power cord - Switzerland (models A2G ABG ACG )	39M5157	1
Power cord - Israel (models A2G ABG ACG )	39M5171	1
Power cord - South Africa (models A2G A3M A4M A5M ADM)	39M5143	1
Power cord - India (models A7Q A8Q A4Q AEQ)	39M5004	1

9142 Windows XP Home CDs	FRU#	CRU Tier
US/UK/AP/TH (models CTO)	45C1028	1
FR/CF (models CTO)	45C1029	1
GR (models CTO)	45C1030	1
IT (models CTO)	45C1033	1
BR (models CTO)	45C1032	1
SP/LA (models CTO)	45C1031	1
DK (models CTO)	45C1037	1
NL (models CTO)	45C1038	1
AE (models CTO)	45C1043	1
SV (models CTO)	45C1036	1
HE (models CTO)	45C1041	1
FI (models CTO)	45C1040	1
NO (models CTO)	45C1035	1
PO (models CTO)	45C4069	1
PL (models CTO)	45C1042	1
RU (models CTO)	45C1044	1
RE (models CTO)	45C1052	1
HU (models CTO)	45C1046	1
CZ (models CTO)	45C1039	1
TR (models CTO)	45C1045	1
GK (models CTO)	45C1047	1
Japanese (models CTO)	45C1034	1
Simplified Chinese (models CTO)	45C1048	1
Taiwan - TC (models CTO)	45C1049	1
Hong Kong - TC (models CTO)	45C1050	1
Korea (models CTO)	45C1051	1

9142 Windows XP Pro Recovery CDs	FRU#	CRU Tier
US/UK/AP/TH (models ABG ACG A2G A7Q A8Q A3M A4M A4Q A5M ADM AEQ)	45C0820	1
FR/CF (models ABG ACG A2G A9G AAG)	45C0821	1
GR (models ABG ACG A2G A9G AAG)	45C0822	1
IT (models ABG ACG A2G A9G AAG)	45C0825	1
BR (models CTO)	45C0824	1
SP/LA (models CTO)	45C0823	1

<b>9142 Windows XP Pro Recovery CDs</b>	<b>FRU#</b>	<b>CRU Tier</b>
DK (models ABG ACG A2G A9G AAG)	45C0829	1
NL (models ABG ACG A2G A9G AAG)	45C08230	1
AE (models CTO)	45C0835	1
SV (models ABG ACG A2G A9G AAG)	45C0828	1
HE (models ABG ACG A2G A9G AAG)	45C0833	1
FI (models ABG ACG A2G A9G AAG)	45C0832	1
NO (models ABG ACG A2G A9G AAG)	45C0827	1
PL (models ABG ACG A2G A9G AAG)	45C0834	1
PO (models)	45C4061	1
RU (models ABG ACG A2G A9G AAG)	45C0836	1
RE (models ABG ACG A2G A9G AAG)	45C0845	1
HU (models ABG ACG A2G A9G AAG)	45C0838	1
CZ (models ABG ACG A2G A9G AAG)	45C0831	1
TR (models ABG ACG A2G A9G AAG)	45C0837	1
GK (models ABG ACG A2G A9G AAG)	45C0839	1
SL (models CTO)	45C0844	1
Japanese (models CTO)	45C0826	1
Simplified Chinese (models CTO)	45C0840	1
Taiwan - TC (models CTO)	45C0841	1
Hong Kong - TC (models CTO)	45C0842	1
Korea (models CTO)	45C0843	1

<b>9142 Vista Home Basic 32 Recovery DVDs</b>	<b>FRU#</b>	<b>CRU Tier</b>
English (models CTO)	45C0770	1
French/Canadian French (models CTO)	45C0772	1
German (models CTO)	45C0773	1
Spanish/LA (models CTO)	45C0774	1
Brazil (models CTO)	45C0775	1
Italy (models CTO)	45C0776	1
Japanese (models CTO)	45C0777	1
Norway (models CTO)	45C0778	1
Swedish (models CTO)	45C0779	1
Denmark (models CTO)	45C0780	1
Dutch (models CTO)	45C0781	1
Czech (models CTO)	45C0782	1
Finnish (models CTO)	45C0783	1
Polish (models CTO)	45C0784	1
Russian (models CTO)	45C0785	1
Turkish (models CTO)	45C0786	1
Hungarian (models CTO)	45C0787	1
Greek (models CTO)	45C0788	1

9142 Vista Home Basic 32 Recovery DVDs	FRU#	CRU Tier
Portuguese (models CTO)	45C4825	1
Simplified Chinese (models CTO)	45C0789	1
Traditional Chinese (models CTO)	45C0790	1
Traditional Chinese (models CTO)	45C0791	1
Korean (models CTO)	45C0792	1
SL (models CTO)	45C0793	1
Russian English (models CTO)	45C0771	1
Hebrew (models CTO)	45C0794	1
Arabic (models CTO)	45C5292	1

9142 Vista Business 32 Recovery DVDs	FRU#	CRU Tier
English (models A2G A7Q A8Q A3M A4M A4Q A5M ADM AEQ)	45C0660	1
French/Canadian French (models A2G A9G AAG)	45C0662	1
German (models A2G A9G AAG)	45C0663	1
Spanish/LA (models A2G A9G AAG)	45C0664	1
Brazil (models CTO)	45C0665	1
Italy (models A2G A9G AAG)	45C0666	1
Japanese (models CTO)	45C0667	1
Norway (models A2G A9G AAG)	45C0668	1
Swedish (models A2G A9G AAG)	45C0669	1
Denmark (models A2G A9G AAG)	45C0670	1
Dutch (models A2G A9G AAG)	45C0671	1
Czech (models A2G A9G AAG)	45C0672	1
Finnish (models A2G A9G AAG)	45C0673	1
Polish (models A2G A9G AAG)	45C0674	1
Russian (models A2G A9G AAG)	45C0675	1
Turkish (models A2G A9G AAG)	45C0676	1
Hungarian (models A2G A9G AAG)	45C0677	1
Greek (models A2G A9G AAG)	45C0678	1
Portuguese (models A2G A9G AAG)	45C0687	1
Simplified Chinese (models CTO)	45C0679	1
Traditional Chinese (models CTO)	45C0680	1
Traditional Chinese (models CTO)	45C0681	1
Korean (models CTO)	45C0682	1
Slovenian (models A2G A9G AAG)	45C0683	1
Russian English (models A2G A9G AAG)	45C0661	1
Romanian (models CTO)	45C0684	1
Bulgarian (models CTO)	45C0685	1
Croatian (models CTO)	45C0686	1
Serbian-Latin (models CTO)	45C0688	1
Ukrainian (models CTO)	45C0689	1

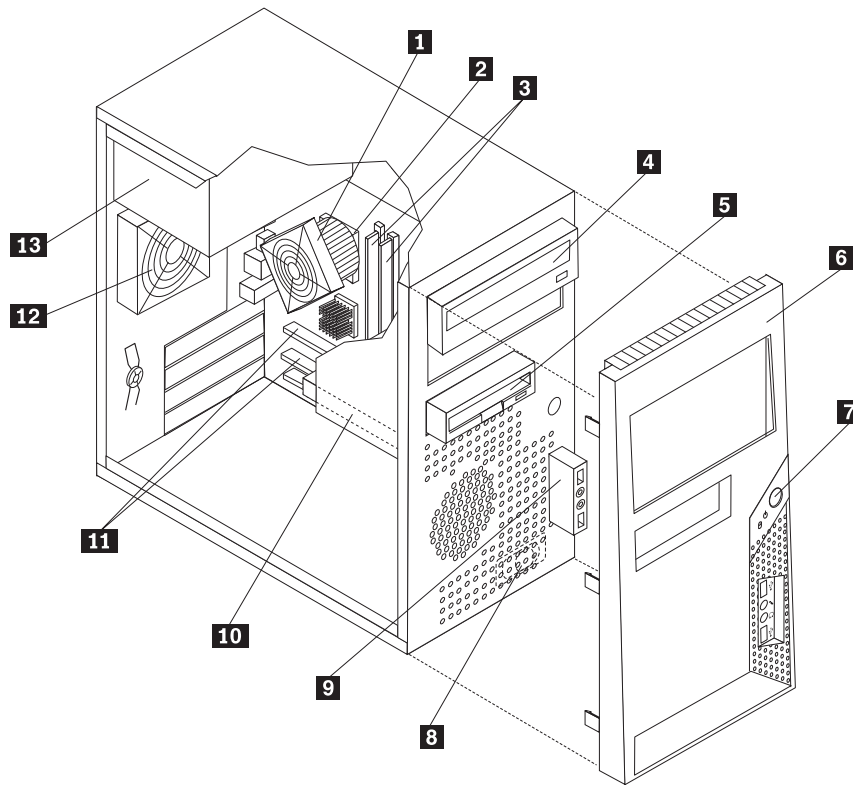
9142 Vista Business 32 Recovery DVDs	FRU#	CRU Tier
Slovakian (models CTO)	45C0690	1
Hebrew (models CTO)	45C5289	1
Arabic (models CTO)	45C5290	1

9142 Vista Home pre 32 Recovery DVDs	FRU#	CRU Tier
English (models CTO)	45C0581	1
Russian English (models CTO)	45C0582	1
French/Canadian French (models CTO)	45C0583	1
German (models CTO)	45C0584	1
Spanish/LA (models CTO)	45C0585	1
Brazil (models CTO)	45C0586	1
Italy (models CTO)	45C0587	1
Japanese (models CTO)	45C0588	1
Norway (models CTO)	45C0589	1
Swedish (models CTO)	45C0590	1
Denmark (models CTO)	45C0591	1
Dutch (models CTO)	45C0592	1
Czech (models CTO)	45C0593	1
Finnish (models CTO)	45C0594	1
Polish (models CTO)	45C0595	1
Russian (models CTO)	45C0596	1
Turkish (models CTO)	45C0597	1
Hungarian (models CTO)	45C0598	1
Greek (models CTO)	45C0599	1
Simplified Chinese (models CTO)	45C0600	1
Traditional Chinese (models CTO)	45C0601	1
Traditional Chinese (models CTO)	45C0602	1
Korean (models CTO)	45C0603	1
Slovenian (models CTO)	45C0604	1
Hebrew (models CTO)	45C0605	1
Romanian (models CTO)	45C0606	1
Bulgarian (models CTO)	45C0607	1
Croatian (models CTO)	45C0608	1
Portuguese (models CTO)	45C0609	1
Serbian-Latin (models CTO)	45C0610	1
Ukrainian (models CTO)	45C0611	1
Slovakian (models CTO)	45C0612	1
Arabic (models CTO)	45C5291	1

9142 Vista Business 64 Recovery DVDs	FRU#	CRU Tier
English (models CTO)	45C0722	1

<b>9142 Vista Business 64 Recovery DVDs</b>	<b>FRU#</b>	<b>CRU Tier</b>
Russian English (models CTO)	45C0723	1
French/Canadian French (models CTO)	45C0724	1
German (models CTO)	45C0725	1
Spanish/LA (models CTO)	45C0726	1
Brazil (models CTO)	45C0727	1
Italy (models CTO)	45C0728	1
Japanese (models CTO)	45C0729	1
Norway (models CTO)	45C0730	1
Swedish (models CTO)	45C0731	1
Denmark (models CTO)	45C0732	1
Dutch (models CTO)	45C0733	1
Czech (models CTO)	45C0734	1
Finnish (models CTO)	45C0735	1
Polish (models CTO)	45C0736	1
Russian (models CTO)	45C0737	1
Turkish (models CTO)	45C0738	1
Hungarian (models CTO)	45C0739	1
Greek (models CTO)	45C0740	1
Simplified Chinese (models CTO)	45C0741	1
Taiwan (models CTO)	45C0742	1
Hong Kong (models CTO)	45C0743	1
Korean (models CTO)	45C0744	1
Slovenian (models CTO)	45C0745	1
Hebrew (models)	45C4059	1
Portuguese (models)	45C4826	1
Arabic (models)	45C5293	1

## Machine Type 9143



Item #	9143 FRUs	FRU#	CRU
1	AMD 89W/65W heat sink kit (all models)	41R4802	2
2	Microprocessor, 2800+ Sempron AM2 (1.6 GHz processor, 62W) (models CTO)	42Y8938	N
2	Microprocessor, 3000+ Sempron AM2 (1.6 GHz processor, 62W) (models CTO)	41X1403	N
2	Microprocessor, 3400+ Sempron AM2 (1.8 GHz processor, 62W) (models CTO)	41X1407	N
2	Microprocessor, 3500+ Sempron AM2 (2.0 GHz processor, 62W) (models CTO)	41X1409	N
2	Microprocessor, 3600+ Sempron AM2 (2.0 GHz processor, 62W) (models APU ABS ABP ABD ABY A3G AGU AGF AHU AHF APU APF)	41X1411	N
2	Microprocessor, 3600+ Athlon64 AM2 X2 (1.9 GHz processor, 1M 65W 65nm G1) (models CTO)	43C4091	N
2	Microprocessor, 3800+ Sempron AM2 (2.2 GHz processor, 62W) (models CTO)	43C2454	N
2	Microprocessor, 3200+ Athlon64 AM2 (2.0 GHz processor, 62W) (models CTO)	42Y8940	N
2	Microprocessor, 3800+ Athlon64 AM2 (2.4 GHz processor, 62W) (models ACS ACP ACD ACY ALU ALF A4G AAA AAT ALU ALF)	41X1417	N
2	Microprocessor, 3600+ Athlon64 AM2 X2 (2.0 GHz processor, 65W) (models CTO)	41X7777	N
2	Microprocessor, 3800+ Athlon64 AM2 X2 (2.0 GHz processor, 89W) (models CTO)	41X4241	N
2	Microprocessor, 4000+ Athlon64 AM2 (2.4 GHz processor, 62W) (models ADS ADP ADD ADY A6S A6P A6D A6Y A9A A9T AMU ASU ASF AUQ BBU BBF BBS BBP BBL BBD BBY BBG BBM BBA BBQ BBT BBC BBB BBH BBV BBK BBR BBE BBJ)	41X1419	N
2	Microprocessor, 4200+ Athlon64 AM2 (2.2 GHz processor, 62W) (models CTO)	41X1421	N



Item #	9143 FRUs	FRU#	CRU
2	Microprocessor, 4400+ Athlon64 AM2 X2 (2.3 GHz processor, 89W) (models AES AEP AED AEY AFS AFP AFD AFY A5G A8A A8T A7A A7T ANU ANF AWQ BCU BCF BCS BCP BCL BCD BCY BCG BCM BCA BCQ BCT BCC BCB BCH BCV BCK BCR BCE BCJ BPU BAU BAF)	43C3507	N
2	Microprocessor, 4600+ Athlon64 AM2 X2 (2.4 GHz processor, 89W) (models CTO)	41X1423	N
2	Microprocessor, 4800+ Athlon64 AM2 X2 (2.5 GHz processor, 65W) stepping G1 45nm (models AVQ A1M AQU A2M AQF ARU ARF BEU BEA)	43C4093	N
2	Microprocessor, 5000+ Athlon AM2 X2 (2.6 GHz processor, 89W) (models CTO BFG BGU BGF BHU BHF BJU BJF BKS BKP BKY BLS BLY BMM BMA BMT BNM BPQ)	41X1427	N
2	Microprocessor, Sempron LE 1100 (1.9 GHz processor, 45W, 256KB L2) stepping G1 (models)	45C7564	N
2	Microprocessor, Sempron LE 1150 (2.0 GHz processor, 45W, 256KB L2) stepping G1 (models)	45C7507	N
2	Microprocessor, Sempron LE 1200 (2.1 GHz processor, 45W, 512KB L2) stepping G1 (models)	43C6169	N
2	Microprocessor, Sempron LE 1250 (2.2 GHz processor, 45W, 512KB L2) stepping G2 (models)	43C6168	N
2	Microprocessor, 5200+ Athlon64 AM2 X2 (2.7 GHz processor, 65W) stepping G1 65nm (models)	45C7502	N
2	Microprocessor, 6000+ Athlon64 AM2 X2 (3.0 GHz processor, 65W) stepping G1 65nm (models)	45C7503	N
2	Microprocessor, Athlon X2 BE 2300 (1.9GHz processor, 45W, 1MB L2) steping G1 (models)	43C6167	N
2	Microprocessor, Athlon X2 BE 2350 (2.1GHz processor, 45W, 1MB L2) steping G1 (models)	43C6166	N
2	Microprocessor, Athlon X2 BE 2400 (2.3GHz processor, 45W, 1MB L2) steping G1 (models)	43C6165	N
3	Memory module, 512 MB PC2-4200 (533MHz) DDR2 SDRAM (models CTO)	41X4251	2
3	Memory module, 1 GB PC2-4200 (533MHz) DDR2 SDRAM (models CTO )	41X4252	2
3	Memory module, 2 GB PC2-4200 (533MHz) DDR2 SDRAM (models CTO )	41X4253	2
3	Memory module, 512 MB PC2-5300 (667MHz) DDR2 SDRAM (models A1M AQU ACS ACP ACD ACY ADS ADP ADD ADY AAA AAT AGU AGF AHU AHF ALU ALF AMU ANU ANF AQF ARU ARF BEU BEA ABS ABP ABD ABY AES AEP AED AEY BLS BLY)	41X4255	2
3	Memory module, 1 GB PC2-5300 (667MHz) DDR2 SDRAM (models APU A6S A6P A6D A6Y A2M A3G A4G A5G A7A A7T A8A A8T A9A A9T APF ASU ASF AUQ AVQ AWQ BBU BBF BBS BBP BBL BBD BBY BBG BBM BBA BBQ BBT BBC BBB BBH BBV BBK BBR BBE BBJ BCU BCF BCS BCP BCL BCD BCY BCG BCM BCA BCQ BCT BCC BCB BCH BCV BCK BCR BCE BCJ BPU BAU BAF AFS AFP AFD AFY BFG BGU BGF BHU BHF BJU BJF BKS BKP BKY BMM BMA BMT BNM BPQ)	41X4256	2
3	Memory module, 2 GB PC2-5300 (667MHz) DDR2 SDRAM (models CTO)	41X4257	2
3	Memory module, 512 MB PC2-6400 (800MHz) DDR2 SDRAM (models CTO)	41X1079	2
3	Memory module, 1 GB PC2-6400 (800MHz) DDR2 SDRAM (models CTO)	41X1080	2
3	Memory module, 2 GB PC2-6400 (800MHz) DDR2 SDRAM (models CTO)	41X1081	2

Item #	9143 FRUs	FRU#	CRU
4	DVD-ROM Drive - 16x/48x - SATA XP and Vista (models ABS ABP ABD ABY ACS ACP ACD ACY A3G AAA AAT AMU ASU ASF AUQ BBU BBS BBF BBP BBD BBY BBG BBM BBA BBQ BBT BBC BBB BBH BBV BBK BBR BBE BBJ BCU BCF BCS BCP BCD BCY BCG BCM BCA BCQ BCT BCC BCB BCH BCV BCK BCR BCE BCJ BAU BAF AGU AGF AHU AHF BGU BGF BLS BLY)	41N3325	2
4	DVD-ROM/CD-RW Combo Drive - 48x/32x/48x/16x - SATA vista and XP (models ADS ADP ADD ADY AES AEP AED AEY AFS AFP AFD AFY A6S A6P A6D A6Y A4G A8A A8T ALU ALF ANU ANF APF AVQ AWQ BDU BHU BHF BKS BKP BKY BPQ)	42Y9353	2
4	DVD-RW/CD-RW Rambo 8 - SATA VISTA AND XP (models A1M AQU A2M A5G A9A A9T A7A A7T AQF ARU ARF BEU BEA BFG BJU BJF BMA BMM BMT BNM)	43C1042	2
5	Diskette drive, 3,5", 1.44MB, 2-mode, (w/bezel) (models CTO)	40Y9105	2
5	Diskette drive, 3,5", 1.44MB, 2-mode, (w/bezel) (models CTO)	40Y9107	2
6	Bezel assembly (models)	TBD	2
7	Power switch/LED assembly (all models)	41N5284	2
8	Speaker assembly, soldered terminals (all models)	39P5023	2
9	Front audio/USB assembly (all models)	41N8054	2
10	Hard disk drive, 80GB, 7200RPM, SATA (models APU ABS ABP ABD ABY ACS ACP ACD ACY ADS ADP ADD ADY AES AEP AED AEY AFS AFP AFD AFY A6S A6P A6D A6Y A3G A4G A9A A9T AAA AAT AGU AGF AHU AHF AMU ANU ANF APU APF ASU ASF AUQ AWQ BGU BGF BHU BHF BLS BLY)	40Y9034	2
10	Hard disk drive, 160GB, 7200RPM, SATA (models A1M AQU A5G A8A A8T A7A A7T AQF AVQ ALU ALF BEU BEA BJU BJF BKS BKP SKY BMM BMA AMT BPQ)	40Y9035	2
10	Hard disk drive, 250GB, 7200RPM, SATA (models A2M)	40Y9036	2
10	Hard disk drive, 320GB, 7200RPM, SATA/8MB (models CTO)	87H4891	2
10	Hard disk drive, 500GB, 7200RPM, SATA (models CTO)	41X5582	2
11	System board, AMD 690G (models A1M APU AQU ABS ABP ABD ABY ACS ACP ACD ACY ADS ADP ADD ADY AES AEP AED AEY AFS AFP AFD AFY A6S A6P A6D A6Y A2M A3G A4G A5G A8A A8T A9A A9T AAA AAT A7A A7T AGU AGF AHU AHF ALU ALF AMU ANU ANF APF AQF ARU ARF ASU ASF AUQ AVQ AWQ BBU BBF BBS BBP BBL BBD BBY BBG BBM BBA BBQ BBT BBC BBB BBH BBV BBK BBR BBE BBJ BCU BCF BCS BCP BCL BCD BCY BCG BCM BCA BCQ BCT BCC BCB BCH BCV BCK BCR BCE BCJ BPU BAU BAF BEU BEA BFG BGU BGF BHU BHF BJU BJF BKS BKP BKY BLS BLY BMM BMA BMT BNM BPQ)	42Y9916	N
12	System fan, rear (all models)	41R6046	2
13	ATX 280W Power supply; Robust (models BBQ BBC BBB BBH BBV BPQ)	41A9684	N
13	ATX 280W 80% power supply (models ABS ABP ABD ABY ACS ACP ACD ACY ADS ADP ADD ADY AES AEP AED AEY AFS AFP AFD AFY A6S A6P A6D A6Y A2M A3G A4G A5G A7A A7T A8A A8T A9A A8T AAA AAT AGU AGF AHU AHF ALU ALF AMU ANU ANF APF AQF ARU ARF ASU ASF AUQ AVQ AWQ BBU BBF BBS BBP BBD BBY BBG BBM BBA BBT BBK BBR BCU BCF BCS BCP BCD BCY BCG BCM BCA BCT BCK BCR BDU BAU BAF BEU BEA BFG BGU BGF BHU BHF BJU BJF BKS BKP BKY BLS BLY BMM BMA BMT BNM BPQ)	41A9665	N
13	ATX 310W Power supply Robust (models BBQ BBC BBB BBH BBV BPQ)	24R2598	N

The FRUs listed in the following tables are not illustrated.

9143 FRUs	FRU#	CRU
Shield, EMC, blank 5.25 in. drive bay (all models)	41N8080	N
Shield, EMC, blank diskette drive bay (all models)	41N8078	N
Cable, diskette drive (all models)	41A7182	N
Cable, Serial ATA, 250 mm (all models)	41A7145	2
Rear USB 2Ports II HP(R), high profile I/O, 300mm, Rohs (all models)	42Y8005	2
Rear Com2 cable, Rohs (all models)	41R6198	2
Rear Com2 cable II HP(R), high profile I/O, 250mm, Rohs (all models)	42Y8007	N
Cable -SATA 457mm (RoHS) (all models)	26K1186	2
Cover (all models)	41N8050	2
System board shield (all models)	41R6378	N
Kit, Misc. Hardware (all models)	41N8055	2
Retainer, Card Reader (all models)	41R2913	2
System fan, front (all models)	41R4791	2
Optional HDD Bracket Assembly, without 4Pin cable (all models)	41R6106	2
Cable, Temperature Sense (460mm) (all models)	41R6196	2
Intrusion Switch assembly (all models)	41R6116	2

9143 Keyboards (Preferred Pro)	FRU#	CRU Tier
US English (models CTO)	41A5039	1
Arabic (models CTO)	41A5040	1
Arabic/French (models CTO)	41A5041	1
Belgian/French (models CTO)	41A5042	1
Belgian/UK (models CTO)	41A5043	1
Bulgarian (models CTO)	41A5045	1
Hong Kong/Taiwan (models CTO)	41A5046	1
Czech (models CTO)	41A5047	1
Danish (models CTO)	41A5048	1
Dutch (models CTO)	41A5049	1
French (models CTO)	41A5050	1
French Canadian 445 (models CTO)	41A5051	1
French Canadian 58 (models CTO)	41A5052	1
German (models CTO)	41A5053	1
Greek (models CTO)	41A5054	1
Hebrew (models CTO)	41A5055	1
Hungarian (models CTO)	41A5056	1
Iceland (models CTO)	41A5057	1
Italian (models CTO)	41A5058	1
Japanese (models CTO)	41A5059	1
Korean (models CTO)	41A5060	1
LA Spanish (models ACS ACD ACY ADS ADD ADY AES AED AEY AFS AFD AFY A6S A6D A6Y)	41A5061	1

9143 Keyboards (Preferred Pro)	FRU#	CRU Tier
Norwegian (models CTO)	41A5062	1
Polish (models CTO)	41A5063	1
Portuguese (models CTO)	41A5064	1
Romanian (models CTO)	41A5065	1
Russian/Cyrilic (models CTO)	41A5066	1
Serbian/Cyrilic (models CTO)	41A5067	1
Slovak (models CTO)	41A5068	1
Spanish (models CTO)	41A5069	1
Swedish/Finn (models CTO)	41A5070	1
Swiss F/G (models CTO)	41A5071	1
Turkish 440 (models CTO)	41A5073	1
Turkish 179 (models CTO)	41A5074	1
UK English (models CTO)	41A5075	1
US Euro (models CTO)	41A5076	1
Slovenian (models CTO)	41A5077	1
Brazil/Portuguese (models ACP ADP AEP AFP A6P)	41A5044	1

9143 Keyboards (USB Preferred Pro)	FRU#	CRU Tier
US English (models A1M APU AQU A2M A8A A9A AAA A7A AGU AHU ALU AMU ANU AQU ARU ASU AUQ AVQ AWQ BBU BCU BDU BAU BBR BBE BCR BCE BEU BEA BFG BGU BHU BJU BMA BMM BPQ BNM)	41A5289	1
Arabic (models)	41A5290	1
Belgian/French (models BBG BCG BFG)	41A5292	1
Belgian/UK (models BBG BCG BFG)	41A5293	1
Brazilian (models ABP)	41A5294	1
Bulgarian (models BBG BCG BFG)	41A5295	1
Hong Kong/Taiwan (models BBB BBV BCB BCV)	41A5296	1
Czech (models BBG BCG BFG)	41A5297	1
Danish (models BBG BCG BFG)	41A5298	1
Dutch (models BBG BCG BFG)	41A5299	1
French (models CTO)	41A5300	1
French Canadian 445 (models AGF AHF ALF ANF APF AQF ARF ASF BBF BCF BGF BHF BJF)	41A5301	1
French Canadian 58 (models AGF AHF ALF ANF APF AQF ARF ASF BBF BCF BGF BHF BJF)	41A5302	1
German (models BBG BCG BFG)	41A5303	1
Greek (models BBG BCG BFG)	41A5304	1
Greek/US (models CTO)	41A5305	1
Hebrew (models BBG BCG BFG)	41A5306	1
Hungarian (models BBG BCG BFG)	41A5307	1
Iceland (models BBG BCG BFG)	41A5308	1
Italian 141 (models BBG BCG BEG)	41A5309	1

<b>9143 Keyboards (USB Preferred Pro)</b>	<b>FRU#</b>	<b>CRU Tier</b>
Japanese (models BBJ BCJ)	41A5310	1
Korean (models BBK BCK)	41A5311	1
LA Spanish (models ABS ABD ABY BBS BBD BBY BCS BCD BCY BKS BKP BKY BLS BLY)	41A5312	1
Norwegian (models BBG BCG BFG)	41A5313	1
Polish (models BBG BCG BFG)	41A5314	1
Portuguese (models BBG BCG BFG)	41A5315	1
Romanian 096 (models BBG BCG BFG)	41A5317	1
Romanian 446 (models BBG BCG BFG)	41A5316	1
Russian/Cyrillic (models BBG BCG BFG)	41A5318	1
Serbian/Cyrillic (models BBG BCG BFG)	41A5319	1
Slovak (models BBG BCG BFG)	41A5320	1
Spanish (models BBG BCG BFG)	41A5321	1
Swedish/Finn (models BBG BCG BFG)	41A5322	1
Swiss (models BBG BCG BFG)	41A5323	1
Thailand (models A9T A8T AAT A7T BBT BCT)	41A5324	1
Turkish 440 (models BBG BCG BFG)	41A5325	1
Turkish 179 (models BBG BCG BFG)	41A5326	1
UK English (models BBG BCG BFG)	41A5327	1
US Euro (models BBG BCG BFG)	41A5328	1
Slovenian (models BBG BCG BFG)	41A5329	1

<b>9143 Keyboards (Fingerprint Reader USB)</b>	<b>FRU#</b>	<b>CRU Tier</b>
US English (models CTO)	41A5248	1
Arabic (models CTO)	41A5249	1
Arabic/French (models CTO)	41A5250	1
Belgian/French (models CTO)	41A5251	1
Belgian/UK (models CTO)	41A5252	1
Brazil/Portuguese (models CTO)	41A5253	1
Bulgarian (models CTO)	41A5254	1
Chinese (models CTO)	41A5255	1
Czech (models CTO)	41A5256	1
Danish (models CTO)	41A5257	1
Dutch (models CTO)	41A5258	1
French (models CTO)	41A5259	1
French Canadian 445 (models CTO)	41A5260	1
French Canadian 58 (models CTO)	41A5261	1
German (models CTO)	41A5262	1
Greek (models CTO)	41A5263	1
Greek/US (models CTO)	41A5264	1
Hebrew (models CTO)	41A5265	1
Hungarian (models CTO)	41A5266	1

9143 Keyboards (Fingerprint Reader USB)	FRU#	CRU Tier
Iceland (models CTO)	41A5267	1
Italian 141 (models CTO)	41A5268	1
Japanese (models CTO)	41A5269	1
Korean (models CTO)	41A5270	1
LA Spanish (models CTO)	41A5271	1
Norwegian (models CTO)	41A5272	1
Polish (models CTO)	41A5273	1
Portuguese (models CTO)	41A5274	1
Romanian 096 (models CTO)	41A5275	1
Romanian 446 (models CTO)	41A5276	1
Russian/Cyrillic (models CTO)	41A5277	1
Serbian/Cyrillic (models CTO)	41A5278	1
Slovak (models CTO)	41A5279	1
Spanish (models CTO)	41A5280	1
Swedish/Finn (models CTO)	41A5281	1
Swiss (models CTO)	41A5282	1
Turkish 440 (models CTO)	41A5284	1
Turkish 179 (models CTO)	41A5285	1
UK English (models CTO)	41A5286	1
US Euro (models CTO)	41A5287	1
Slovenian (models CTO)	41A5288	1

9143 mice	FRU#	CRU
Optical Wheel Mouse (400DPI, USB) (models A1M APU AQU ABS ABP ABD ABY ACS ACD ACP ACY ADS ADP ADD ADY AES AEP AED AEY AFS AFD AFP AFY A6S A6P A6D A6Y A2M A9A A9T A8A A8T AAA AAT A7A A7T AMU ANU ANF APF AQF ARU ARF ASU ASF AUQ AVQ AWQ BBU BBF BBS BBP BBL BBD BBY BBG BBM BBA BBQ BBT BBC BBB BBH BBV BBK BBR BBE BBJ BCU BCF BCS BCP BCL BCD BCY BCG BCM BCA BCQ BCT BCC BCB BCH BCV BCK BCR BCE BCJ BPU BAU BAF AGU AGF AHU AHF AJU AJF AKU AKF ALU ALF BEU BEA BFG BGU BGF BHU BHF BJU BJF BKS BKP BKY BLS BLY BMM BMA BMT BNM BPQ)	41U3013	1
Optical Wheel Mouse (400DPI, USB) models A1M APU AQU ABS ABP ABD ABY ACS ACD ACP ACY ADS ADP ADD ADY AES AEP AED AEY AFS AFD AFP AFY A6S A6P A6D A6Y A2M A9A A9T A8A A8T AAA AAT A7A A7T AMU ANU ANF APF AQF ARU ARF ASU ASF AUQ AVQ AWQ BBU BBF BBS BBP BBL BBD BBY BBG BBM BBA BBQ BBT BBC BBB BBH BBV BBK BBR BBE BBJ BCU BCF BCS BCP BCL BCD BCY BCG BCM BCA BCQ BCT BCC BCB BCH BCV BCK BCR BCE BCJ BPU BAU BAF AGU AGF AHU AHF AJU AJF AKU AKF ALU ALF BEU BEA BFG BGU BGF BHU BHF BJU BJF BKS BKP BKY BLS BLY BMM BMA BMT BNM BPQ)	41U3030	1
PS/2 Three Button ball mouse (41R0017) models CTO)	41R0018	1

9143 Adapters and miscellaneous FRUs	FRU#	CRU Tier
PCI Modem Card (Soft) (models CTO)	29R9729	2
L1 IEEE 1394 PCI Adapter (models CTO)	41D2781	2
Dongle Cable - DMS59 to dual VGA (included in Denver L1) (models CTO)	41R3404	1

9143 Adapters and miscellaneous FRUs	FRU#	CRU Tier
Dongle DMS Dule DMS-59 to dual DVI cable (models CTO)	41R3403	1
Dongle DMS Dule DMS-59 to single VGA & single DVI cable (models CTO)	41R3405	1
Nvidia GeForce 7300LE 128MB 64bit LP / ATX with DMS59 (models CTO)	42Y8165	2
ATI X1300LE 256M 64bit LP / ATX with DMS59 (models CTO A2M A7A A7T BEU BEA BFG BNM)	42Y8162	2
USB2.0 MEMORY CARDREADER,6X2,ROHS OPTIONAL, SONY (models CTO)	41R3376	2
USB2.0 MEMORY CARDREADER,6X2,ROHS OPTIONAL,Bitland (models CTO)	41R3378	2
Speakers (2-piece) Lenovo Logo (models CTO)	41A5331	2
BTL external speaker (models CTO)	41A5334	1
Speaker Power brick - US, Canada, LA low voltage, ASEAN (models A7A A8A A9A AAA AGU AHU ALU AMU ANU APU AQU ARU ASU BBU BCU BEU BEA BGU BHU BJU BMA)	89P8571	1
Speaker Power brick - Hong Kong, Malaysia, Singapore, UK, Brunei (models BBB BBH BCB BCH )	89P8573	1
Speaker Power brick - LA high voltage (non-APU) (models BBD BCD)	89P8575	1
Speaker Power brick - China, Thailand (models A8T A9T AAT A7T BBT BCT BBC BCC BMT)	89P8581	1
Speaker Power brick - Japan (models BBJ BCJ)	89P8577	1
Speaker Power brick - Brazil (models CTO)	89P8583	1
Speaker Power brick - Argentina (models CTO)	41A4901	1
Speaker Power brick - ANZ (models A1M A2M BBM BCM BMM BNM)	89P8579	1
Speaker Brick - Korea (models BBK BCK)	41A4903	1
Speaker Brick - Taiwan (models BBV BCV)	41A4905	1
Speaker Power brick - India, South Africa (models AUQ AVQ AWQ BPQ)	89P8585	1
DVI cable for RS690 LP (models BBU BBF BBS BBP BBL BBD BBY BBG BBM BBA BBQ BBT BBC BBB BBH BBV BBK BBR BBE BBJ BCU BCF BCS BCP BCL BCD BCY BCG BCM BCA BCQ BCT BCC BCB BCH BCV BCK BCR BCE BCJ BDU BEU BEM BFYBHU BHF BJU BJF BMA BMM BMT BNM)	41R3316	2
USB Memory Key - 1G RoW (models)	45C7146	1
ATI HD 2400PRO 128MB 64BIT DMS59 LP/ATX (models)	43C0259	2
ATI HD 2400XT 256MB 64BIT DMS59 LP/ATX (models)	43C0260	2
ATI HD 2600XT 512MB 128BIT ATX (models)	43C8266	2

9143 Power Cords	FRU#	CRU Tier
Power cord - US (models APU AQU ABS ABD ACS ADS AES AFS A6S A7A A8A A9A AAA A7T A8T A9T AAT AMU ANU ANF APF AQU AQF ARU ARF ASU ASF BBU BCU BDU BAU BBF BCF BBD BCD BBL BCL BBA BCA BBT BCT AGU AHU ALU AGF AHF ALF BEU BEA BGU BGF BHU BHF BJU BJF BKS BLS BMA BMT)	39M5080	1
Power cord - China (models BBB BCB)	39M5205	1
Power cord - Japan (models BBE BBJ BCE BCJ )	39M5193	1
Power cord - Brazil (models ASP ABP ACP ADP AEP AFP A6P BBP BCP BKP)	39M5232	1
Power cord - LA High Volt (APU) (models ABY ACY ADY AEY AFY A6Y BBY BBL BCY BCL BKY BLY)	39M5067	1
Power cord - Australia/New Zealand (models A1M A2M BBM BCM BMM BNM)	39M5102	1

9143 Power Cords	FRU#	CRU Tier
Power cord - Korea (models BBK BBR BCK BCR)	39M5212	1
Power cord - Hong Kong (models BBB BBH BCB BCH )	39M5151	1
Power cord - UK, Ireland, Singapore, Malaysia, Brunei (models A7A A8A A9A AAA BBG BBA BCG BCA BEA BMA)	39M5150	1
Power cord - Taiwan (models BBV BCV )	39M5246	1
Power cord - Italy/Chile (models ABS ABY ACS ACY ADS ADY AES AEY AFS AFY A6S A6Y BBS BBY BBL BBG BCS BCY BCL BCG BEG BKS BLS BKY BLY)	39M5164	1
Power cord - G models (models A7A A8A A9A AAA BBA BCA BEA BMA)	39M5122	1
Power cord - Denmark (models BBG BCG BFG)	39M5129	1
Power cord - Switzerland (models BBG BCG BFG)	39M5157	1
Power cord - Israel (models BBG BCG BFG)	39M5171	1
Power cord - South Africa (models A1M A2M A7A A8A A9A AAA BBG BBM BBA BCG BCM BCA BEA BFG BMM BNM BMA)	39M5143	1
Power cord - India (models AUQ AVQ AWQ BBQ BCQ BPQ)	39M5004	1

9143 Windows XP Home CDs	FRU#	CRU Tier
US/UK/AP/TH (models CTO)	45C1028	1
FR/CF (models CTO)	45C1029	1
GR (models CTO)	45C1030	1
IT (models CTO)	45C1033	1
BR (models CTO)	45C1032	1
SP/LA (models CTO)	45C1031	1
DK (models CTO)	45C1037	1
NL (models CTO)	45C1038	1
AE (models CTO)	45C1043	1
SV (models CTO)	45C1036	1
HE (models CTO)	45C1041	1
FI (models CTO)	45C1040	1
NO (models CTO)	45C1035	1
PL (models CTO)	45C1042	1
PO (models CTO)	45C4069	1
RU (models CTO)	45C1044	1
RE (models CTO)	45C1052	1
HU (models CTO)	45C1046	1
CZ (models CTO)	45C1039	1
TR (models CTO)	45C1045	1
GK (models CTO)	45C1047	1
Japanese (models CTO)	45C1034	1
Simplified Chinese (models CTO)	45C1048	1
Taiwan - TC (models CTO)	45C1049	1
Hong Kong - TC (models CTO)	45C1050	1
Korea (models CTO)	45C1051	1



9143 Windows XP Pro Recovery CDs	FRU#	CRU Tier
US/UK/AP/TH (models APU AAA ASU BAU AGU A1M AQU A2M A7A A8A A9A A3G A4G A5G AMU ARU AUQ AVQ AWQ BBU BCU BDU AHU ALU ATQ BEU BEA BFG BBU BHU BJU BMM BMA BNM BPQ)	45C0820	1
FR/CF (models APF ASF BAF AGF A3G A4G A5G ARF BCF BBF AHF ALF BGF BHF BJF BFG)	45C0821	1
GR (models CTO A3G A4G A5G BBG BCG BFG)	45C0822	1
IT (models CTO A3G A4G A5G BBG BCG BFG)	45C0825	1
BR (models ABP ACP ADP AEP BBP BCP)	45C0824	1
SP/LA (models ABS ABD ABY ACS ACD ACY ADS ADD ADY AES AED AEY A3G A4G A5G BBG BCG BFG BKS BKP BKY BLS BLY)	45C0823	1
DK (models CTO A3G A4G A5G BBG BCG BFG)	45C0829	1
NL (models CTO A3G A4G A5G BBG BCG BFG)	45C08230	1
AE (models CTO A3G A4G A5G BBG BCG BFG)	45C0835	1
SV (models CTO A3G A4G A5G BBG BCG BFG)	45C0828	1
HE (models CTO A3G A4G A5G BBG BCG BFG)	45C0833	1
FI (models CTO A3G A4G A5G BBG BCG BFG)	45C0832	1
NO (models CTO A3G A4G A5G BBG BCG BFG)	45C0827	1
PL (models CTO A3G A4G A5G BBG BCG BFG)	45C0834	1
RU (models CTO A3G A4G A5G BBG BCG BFG)	45C0836	1
PO (models CTO)	45C4061	1
RE (models CTO A3G A4G A5G BBG BCG BFG)	45C0845	1
HU (models CTO A3G A4G A5G BBG BCG BFG)	45C0838	1
CZ (models CTO A3G A4G A5G BBG BCG BFG)	45C0831	1
TR (models CTO A3G A4G A5G BBG BCG BFG)	45C0837	1
GK (models CTO A3G A4G A5G BBG BCG BFG)	45C0839	1
SL (models CTO A3G A4G A5G BBG BCG BFG)	45C0844	1
Japanese (models CTO)	45C0826	1
Simplified Chinese (models CTO)	45C0840	1
Taiwan - TC (models CTO)	45C0841	1
Hong Kong - TC (models CTO)	45C0842	1
Korea (models CTO)	45C0843	1

9143 Vista Home Basic 32 Recovery DVDs	FRU#	CRU Tier
English (models)	45C0770	1
French/Canadian French (models CTO)	45C0772	1
German (models CTO)	45C0773	1
Spanish/LA (models CTO)	45C0774	1
Brazil (models CTO)	45C0775	1
Italy (models CTO)	45C0776	1
Japanese (models CTO)	45C0777	1
Norway (models CTO)	45C0778	1

9143 Vista Home Basic 32 Recovery DVDs	FRU#	CRU Tier
Swedish (models CTO)	45C0779	1
Denmark (models CTO)	45C0780	1
Dutch (models CTO)	45C0781	1
Czech (models CTO)	45C0782	1
Finnish (models CTO)	45C0783	1
Polish (models CTO)	45C0784	1
Russian (models CTO)	45C0785	1
Turkish (models CTO)	45C0786	1
Hungarian (models CTO)	45C0787	1
Greek (models CTO)	45C0788	1
Simplified Chinese (models CTO)	45C0789	1
Portuguese (models CTO)	45C4825	1
Traditional Chinese (models CTO)	45C0790	1
Traditional Chinese (models CTO)	45C0791	1
Korean (models CTO)	45C0792	1
SL (models CTO)	45C0793	1
Russian English (models CTO)	45C0771	1
Hebrew (models CTO)	45C0794	1
Arabic (models CTO)	45C5292	1

9143 Vista Business 32 Recovery DVDs	FRU#	CRU Tier
English (models A1M AQU A2M A7A A8A A9A A3G A4G A5G AMU ARU AUQ AVQ AWQ BBU BCU BDU AHU ALU ATQ BEU BEA BFG BGU BHU BJU BMM BMA BNM BPQ)	45C0660	1
French/Canadian French (models A3G A4G A5G ARF BCF BBF AHF ALF BGF BHF BJF)	45C0662	1
German (models A3G A4G A5G BBG BCG BFG)	45C0663	1
Spanish/LA (models A3G A4G A5G BBG BCG BKS BKP BKY)	45C0664	1
Brazil (models BBP BCP)	45C0665	1
Italy (models A3G A4G A5G BBG BCG BFG)	45C0666	1
Japanese (models BBJ BCJ)	45C0667	1
Norway (models A3G A4G A5G BBG BCG BFG)	45C0668	1
Swedish (models A3G A4G A5G BBG BCG BFG)	45C0669	1
Denmark (models A3G A4G A5G BBG BCG BFG)	45C0670	1
Dutch (models A3G A4G A5G BBG BCG BFG)	45C0671	1
Czech (models A3G A4G A5G BBG BCG BFG)	45C0672	1
Finnish (models A3G A4G A5G BBG BCG BFG)	45C0673	1
Polish (models A3G A4G A5G BBG BCG BFG)	45C0674	1
Russian (models A3G A4G A5G BBG BCG BFG)	45C0675	1
Turkish (models A3G A4G A5G BBG BCG BFG)	45C0676	1
Hungarian (models A3G A4G A5G BBG BCG BFG)	45C0677	1
Greek (models A3G A4G A5G BBG BCG BFG)	45C0678	1

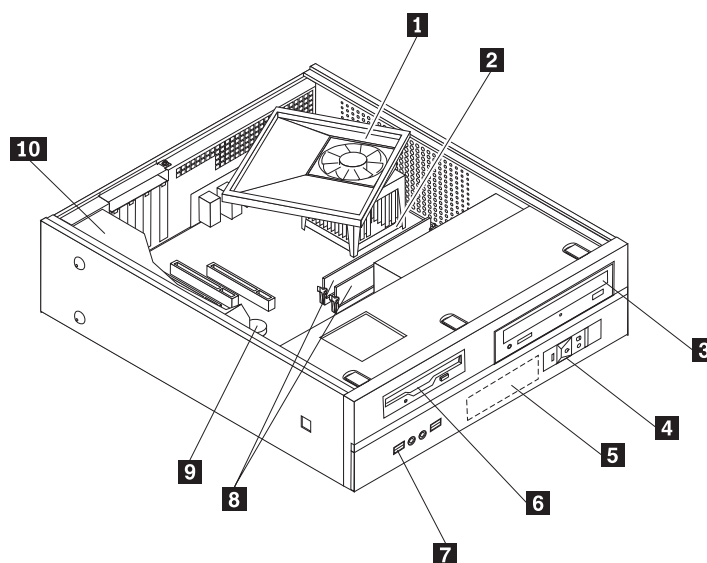
<b>9143 Vista Business 32 Recovery DVDs</b>	<b>FRU#</b>	<b>CRU Tier</b>
Portuguese (models A3G A4G A5G BBG BCG BFG)	45C0687	1
Simplified Chinese (models BBC BCC)	45C0679	1
Traditional Chinese (models BBB BCB)	45C0680	1
Traditional Chinese (models BBB BCB)	45C0681	1
Korean (models BBK BCK)	45C0682	1
Slovenian (models A3G A4G A5G BBG BCG BFG)	45C0683	1
Russian English (models A3G A4G A5G BBG BCG BFG)	45C0661	1
Romanian (models CTO)	45C0684	1
Bulgarian (models CTO)	45C0685	1
Croatian (models CTO)	45C0686	1
Serbian-Latin (models CTO)	45C0688	1
Ukrainian (models CTO)	45C0689	1
Slovakian (models CTO)	45C0690	1

<b>9143 Vista Home pre 32 Recovery DVDs</b>	<b>FRU#</b>	<b>CRU Tier</b>
English (models CTO)	45C0581	1
Russian English (models CTO)	45C0582	1
French/Canadian French (models CTO)	45C0583	1
German (models CTO)	45C0584	1
Spanish/LA (models CTO)	45C0585	1
Brazil (models CTO)	45C0586	1
Italy (models CTO)	45C0587	1
Japanese (models CTO)	45C0588	1
Norway (models CTO)	45C0589	1
Swedish (models CTO)	45C0590	1
Denmark (models CTO)	45C0591	1
Dutch (models CTO)	45C0592	1
Czech (models CTO)	45C0593	1
Finnish (models CTO)	45C0594	1
Polish (models CTO)	45C0595	1
Russian (models CTO)	45C0596	1
Turkish (models CTO)	45C0597	1
Hungarian (models CTO)	45C0598	1
Greek (models CTO)	45C0599	1
Simplified Chinese (models CTO)	45C0600	1
Traditional Chinese (models CTO)	45C0601	1
Traditional Chinese (models CTO)	45C0602	1
Korean (models CTO)	45C0603	1
Slovenian (models CTO)	45C0604	1
Hebrew (models CTO)	45C0605	1
Romanian (models CTO)	45C0606	1

<b>9143 Vista Home pre 32 Recovery DVDs</b>	<b>FRU#</b>	<b>CRU Tier</b>
Bulgarian (models CTO)	45C0607	1
Croatian (models CTO)	45C0608	1
Portuguese (models CTO)	45C0609	1
Serbian-Latin (models CTO)	45C0610	1
Ukrainian (models CTO)	45C0611	1
Slovakian (models CTO)	45C0612	1
Arabic (models)	45C5291	1

<b>9143 Vista Business 64 Recovery DVDs</b>	<b>FRU#</b>	<b>CRU Tier</b>
English (models CTO)	45C0722	1
Russian English (models CTO)	45C0723	1
French/Canadian French (models CTO)	45C0724	1
German (models CTO)	45C0725	1
Spanish/LA (models CTO)	45C0726	1
Brazil (models CTO)	45C0727	1
Italy (models CTO)	45C0728	1
Japanese (models CTO)	45C0729	1
Norway (models CTO)	45C0730	1
Swedish (models CTO)	45C0731	1
Denmark (models CTO)	45C0732	1
Dutch (models CTO)	45C0733	1
Czech (models CTO)	45C0734	1
Finnish (models CTO)	45C0735	1
Polish (models CTO)	45C0736	1
Russian (models CTO)	45C0737	1
Turkish (models CTO)	45C0738	1
Hungarian (models CTO)	45C0739	1
Greek (models CTO)	45C0740	1
Simplified Chinese (models CTO)	45C0741	1
Taiwan (models CTO)	45C0742	1
Hong Kong (models CTO)	45C0743	1
Korean (models CTO)	45C0744	1
Slovenian (models CTO)	45C0745	1
Hebrew (models CTO)	45C4059	1
Portuguese (models CTO)	45C4826	1
Arabic (models CTO)	45C5293	1

## Machine Type 9144



Item #	9144 FRUs	FRU#	CRU
1	AMD 65W heatsink for RockyS3 (all models)	41R4802	2
1	AMD 89W heatsink (all models)	41R6290	2
2	Microprocessor, 2800+ Sempron AM2 (1.6 GHz processor, 62W) (models CTO)	42Y8938	N
2	Microprocessor, 3000+ Sempron AM2 (1.6 GHz processor, 62W) (models CTO)	41X1403	N
2	Microprocessor, 3400+ Sempron AM2 (1.8 GHz processor, 62W) (models CTO)	41X1407	N
2	Microprocessor, 3500+ Sempron AM2 (2.0 GHz processor, 62W) (models CTO)	41X1409	N
2	Microprocessor, 3600+ Sempron AM2 (2.0 GHz processor, 62W) (models A3P A3S A3D A3Y ASM APG ACU ACF ADU ADF)	41X1411	N
2	Microprocessor, 3800+ Sempron AM2 (2.2 GHz processor, 62W) (models CTO)	43C2454	N
2	Microprocessor, 3600+ Athlon64 AM2 X2 (2.0 GHz processor, 65W) (models CTO)	41X7777	N
2	Microprocessor, 3800+ Athlon64 AM2 (2.4 GHz processor, 62W) (models A8A A8T AGU AGF A4S A4P A4D A4Y B4U B4F)	41X1417	N
2	Microprocessor, 3800+ Athlon64 AM2 X2 (2.0 GHz processor, 89W) (models CTO)	41X4241	N
2	Microprocessor, 4000+ Athlon64 AM2 (2.4 GHz processor, 62W) (models A5P A5S A5D A5Y ARG ABA ABT A1Q B5U B5F B5P B5S B5P B5L B5D B5Y B5G B5M B5A B5Q B5T B5C B5B B5H B5V B5K B5R B5E B5J )	41X1419	N
2	Microprocessor, 4200+ Athlon64 AM2 (2.2 GHz processor, 62W) (models CTO)	41X1421	N
2	Microprocessor, 4400+ Athlon64 AM2 X2 (2.3 GHz processor, 89W) (models A6P A6S A6D A6Y A7P A7S A7D A7Y ATM AKU AKF ALU ALF B1G B6U B6F B6P B6S B6L B6D B6Y B6G B6M B6A B6Q B6T B6C B6B B6H B6V B6K B6R B6E B6J B8A B8J)	43C3507	N
2	Microprocessor, 4600+ Athlon64 AM2 X2 (2.4 GHz processor, 89W) (models CTO)	41X1423	N
2	Microprocessor, 4800+ Athlon64 AM2 X2 (2.5 GHz processor, 65W, stepping G1 45nm) (models AUM A9A A9T AAA AAT AMU AVM AJU AJF AMF ANU ANF A2Q B2G B7U B8P)	43C4093	N
2	Microprocessor, 5000+ Athlon AM2 X2 (2.6 GHz processor, 89W) (models CTO B9G BAU BAF BBU BBF BCU BCF BDS BDY BES BEP BEY BFA BFQ BFT BGT BHT BJA BKJ BKA)	41X1427	N

Item #	9144 FRUs	FRU#	CRU
2	Microprocessor, Sempron LE 1100 (1.9 GHz processor, 45W, 256KB L2) stepping G1 (models)	45C7564	N
2	Microprocessor, Sempron LE 1150 (2.0 GHz processor, 45W, 256KB L2) stepping G1 (models)	45C7507	N
2	Microprocessor, Sempron LE 1200 (2.1 GHz processor, 45W, 512KB L2) stepping G1 (models)	43C6169	N
2	Microprocessor, Sempron LE 1250 (2.2 GHz processor, 45W, 512KB L2) stepping G2 (models)	43C6168	N
2	Microprocessor, 5200+Athlon64 AM2 X2 (2.7 GHz processor, 65W) stepping G1 65nm (models)	45C7502	N
2	Microprocessor, 6000+Athlon64 AM2 X2 (3.0 GHz processor, 65W) stepping G1 65nm (models)	45C7503	N
2	Microprocessor, Athlon X2 BE 2300 (1.9GHz processor, 45W, 1MB L2) stepping G1 (models)	43C6167	N
2	Microprocessor, Athlon X2 BE 2350 (2.1GHz processor, 45W, 1MB L2) stepping G1 (models)	43C6166	N
2	Microprocessor, Athlon X2 BE 2400 (2.3GHz processor, 45W, 1MB L2) stepping G1 (models)	43C6165	N
3	DVD-ROM Drive - 16x/48x - SATA XP and Vista (models A9A A9T AJU A3S A3P A3D A3Y A4S A4P A4D A4Y ASM ATM APG ACU ACF ADU ADF AHU AHF AJF A2Q B4U B4F B5U B5F B5S B5P B5L B5D B5Y B5G B5M B5A B5Q B5T B5C B5B B5H B5V B5K B5R B5E B5J B6U B6F B6S B6P B6L B6D B6Y B6Q B6M B6A B6T B6G B6C B6B B6H B6V B6K B6R B6E B6J BAU BAF BDS BDY BFA BFQ BFT BGT)	41N3325	2
3	DVD-ROM/CD-RW Combo Drive - 48x/32x/48x/16x - SATA vista and XP (models AUM A5S A5P A5D A5Y A6S A6P A6D A6Y A7S A7P A7D A7Y AVM A8A A8T ABA ABT AGU AGF AKU AKF ALU ALF A1Q B1G B2G B7U B9G BBU BBF BES BEP BEY)	42Y9353	2
3	DVD-RW/CD-RW Rambo 8 - SATA VISTA AND XP (models AAA AAT AMU ARG AMF ANU ANF B8P B8A B8J BCU BCF BHT BJA BKA BKJ)	43C1042	2
4	Front Power/LED PC, bracket, and cable (all models)	41N8213	2
5	Hard disk drive, 80GB, 7200RPM, SATA (models A9A A9T A3S A3P A3D A3Y A4S A4P A4D A4Y A5S A5P A5D A5Y A6S A6P A6D A6Y A7S A7P A7D A7Y ASM APG A8A A8T ABA ABT ACU ACF ADU ADF AKU ALU B5U B5F B5S B5P B5L B5D B5Y B5G B5M B5A B5Q B5T B5C B5B B5H B5V B5K B5R B5E B5J B6U B6F B6S B6P B6L B6D B6Y B6G B6M B6A B6Q B6T B6C B6B B6H B6V B6K B6R B6E B6J BAU BAF BDS BDY)	40Y9034	2
5	Hard disk drive, 160GB, 7200RPM, SATA (models AUM AAA AAT AJU AMU ATM AVM ARG AGU AGF AJF AMF A1Q A2Q B1G B2G B4U B4F B7U B8P B8A B8J B9G BBU BBF BCU BCF BES BEP BEY BFA BFQ BFT BGT)	40Y9035	2
5	Hard disk drive, 250GB, 7200RPM, SATA (models CTO)	40Y9036	2
5	Hard disk drive, 320GB, 7200RPM, SATA/8MB (models CTO BHT BJA BJA BKA BKJ)	87H4891	2
5	Hard disk drive, 500GB, 7200RPM, SATA/8MB (models CTO)	41X5582	2
6	Diskette drive, 3,5", 1.44MB, 2-mode, (w/bezel) (models CTO BGT BHT)	40Y9105	2
6	Diskette drive, 3,5", 1.44MB, 2-mode, (w/bezel) (models CTO BGT BHT)	40Y9107	2
7	Front USB/Audio with bracket (all models)	41N8212	2
8	Memory module, 2 GB PC2-4200 (533MHz) DDR2 SDRAM (models CTO )	41X4253	2

Item #	9144 FRUs	FRU#	CRU
8	Memory module, 512 MB PC2-5300 (667MHz) DDR2 SDRAM (models AUM A9A A9T AMU A3S A3P A3D A3Y A4S A4P A4D A4Y A5S A5P A5D A5Y A6S A6P A6D A6Y ASM ATM AVM ACU ACF ADU ADFAGU AGF ALU ALF AMF ANU ANF B8P B8A B8J BDS BDY)	41X4255	2
8	Memory module, 1 GB PC2-5300 (667MHz) DDR2 SDRAM (models AAA AAT A7S A7P A7D A7Y APG ARG ABA ABT A8A A8T AJF AKU AKF A1Q A2Q B1G B2G B4U B4F B5U B5F B5S B5P B5L B5D B5Y B5G B5M B5A B5Q B5T B5C B5B B5H B5V B5K B5R B5E B5J B6U B6F B6S B6P B6L B6D B6Y B6G B6M B6A B6Q B6T B6C B6B B6H B6V B6K B6R B6E B6J B7U B9G BAU BAF BBU BBF BCU BCF BES BEP BEY BFA BFQ BFT BGT BHT BJA BKJ BKA)	41X4256	2
8	Memory module, 2 GB PC2-5300 (667MHz) DDR2 SDRAM (models CTO)	41X4257	2
8	Memory module, 512 MB PC2-6400 (800MHz) DDR2 SDRAM (models CTO)	41X1079	2
8	Memory module, 1 GB PC2-6400 (800MHz) DDR2 SDRAM (models CTO)	41X1080	2
8	Memory module, 2 GB PC2-6400 (800MHz) DDR2 SDRAM (models CTO)	41X1081	2
9	System board, AMD 690G (models AUM A9A A9T AAA AAT AJU AMU A3P A3S A3D A3Y A4P A4S A4D A4Y A5P A5S A5D A5Y A6P A6S A6D A6Y A7P A7S A7D A7Y ASM ATM AUM AVM APG ARG A8A A8T ABA ABT ACU ACF ADU ADF AGU AGF AJF AKU AKF ALU ALF AMF ANU ANF A1Q A2Q B1G B2G B4U B4F B5U B5F B5S B5P B5L B5D B5Y B5G B5M B5A B5Q B5T B5C B5B B5H B5V B5K B5R B5E B5J B6U B6F B6S B6P B6L B6D B6Y B6G B6M B6A B6Q B6T B6C B6B B6H B6V B6K B6R B6E B6J B7U B8P B8A B8J B9G BAU BAF BBU BBF BCU BCF BDS BDY BES BEP BEY BFA BFQ BFT BGT BHT BJA BKJ BKA)	42Y9916	N
10	220 Watt Power Supply - Japan (models B5E B5J B6E B6J B8J BKJ)	41A9697	2
10	220 Watt Power Supply - Robust (models A1Q A2Q B5Q B5C B5B B5H B5V B6Q B6C B6B B6H B6V BFQ)	41A9689	2
10	220W 80% Power supply (models AUM A9A A9T AAA AAT AJU AMU A3S A3P A3D A3Y A4S A4P A4D A4Y A5S A5P A5D A5Y A6S A6P A6D A6Y A7S A7P A7D A7Y ASM ATM AVM APG ARG ABA ABT A8A A8T ACU ACF ADU ADF AGU AGF AJF AKU AKF ALU ALF AMF ANU ANF B1G B2G A4U B4U B4F B4S B4P B4D B4Y B4G B4M B4A B4T B4K B4R B5U B5F B5S B5P B5D B5Y B5G B5M B5A B5T B5K B5R B6U B6F B6S B6P B6D B6Y B6G B6M B6A B6T B6K B6R B7U B8P B8A B8J B9G BAU BAF BBU BBF BCU BCF BES BEP BEY BFA BFQ BFT BGT BHT BJA BKJ BKA BDS BDY)	41A9670	2
10	280W TFX 280W PS ,Active PFC (models AUM A9A A9T AAA AAT AJU AMU A3S A3P A3D A3Y A4S A4P A4D A4Y A5S A5P A5D A5Y A6S A6P A6D A6Y A7S A7P A7D A7Y ASM ATM AVM APG ARG ABA ABT A8A A8T ACU ACF ADU ADF AGU AGF AJF AKU AKF ALU ALF AMF ANU ANF B1G B2G A4U B4U B4F B4S B4P B4D B4Y B4G B4M B4A B4T B4K B4R B5U B5F B5S B5P B5D B5Y B5G B5M B5A B5T B5K B5R B6U B6F B6S B6P B6D B6Y B6G B6M B6A B6T B6K B6R B7U B8P B8A B8J B9G BAU BAF BBU BBF BCU BCF BES BEP BEY BFA BFQ BFT BGT BHT BJA BKJ BKA BDS BDY)	41A9705	2

The FRUs listed in the following tables are not illustrated.

9144 FRUs	FRU#	CRU
System board shield (all models)	41R6384	N
Cover (all models)	41N8204	N
Mechanical shell kit (all models)	41R6209	N
Bezel kit (all models)	41N8206	N
Miscellaneous hardware kit (all models)	41N8209	N

9144 FRUs	FRU#	CRU
Hard disk drive bracket assembly (plastic and grommets) (all models)	41N8210	N
Hard disk drive fan and bracket assembly (all models)	41N8211	N
Speaker cable assembly, 600 mm cable length (all models)	41N8217	N
Fan duct assembly (all models)	41R4808	N
Intrusion switch assembly (all models)	41R6208	N
Cable, diskette drive (all models)	41A7147	N
Shield, EMC, blank 5.25 in. drive bay all models)	41N8271	N
Shield, EMC, blank diskette drive bay (all models)	41N8273	N
DVI cable for RS690 LP (all models)	41R3304	2
Rear USB 2Ports II LP (R), low profile I/O, 200mm, Rohs (all models)	42Y8006	N
Rear Com2 cable II LP(R), low profile I/O, 250mm, Rohs (all models)	42Y8008	N
Foot stand (all models)	41R4813	N
Cable, serial ATA, 250 mm (all models)	41A7145	N
Bezel kit, Rocky S3 without IBM logo (all models)	41R6238	2

9144 Keyboards (Preferred Pro)	FRU#	CRU Tier
US English (models CTO)	41A5039	1
Arabic (models CTO)	41A5040	1
Arabic/French (models CTO)	41A5041	1
Belgian/French (models CTO)	41A5042	1
Belgian/UK (models CTO)	41A5043	1
Bulgarian (models CTO)	41A5045	1
Hong Kong/Taiwan (models CTO)	41A5046	1
Czech (models CTO)	41A5047	1
Danish (models CTO)	41A5048	1
Dutch (models CTO)	41A5049	1
French (models CTO)	41A5050	1
French Canadian 445 (models CTO)	41A5051	1
French Canadian 58 (models CTO)	41A5052	1
German (models CTO)	41A5053	1
Greek (models CTO)	41A5054	1
Hebrew (models CTO)	41A5055	1
Hungarian (models CTO)	41A5056	1
Iceland (models CTO)	41A5057	1
Italian (models CTO)	41A5058	1
Japanese (models CTO)	41A5059	1
Korean (models CTO)	41A5060	1
LA Spanish (models A3S A3D A3Y A4S A4D A4Y A5S A5D A5Y A6S A6D A6Y A7S A7D A7Y)	41A5061	1
Norwegian (models CTO)	41A5062	1
Polish (models CTO)	41A5063	1



9144 Keyboards (Preferred Pro)	FRU#	CRU Tier
Portuguese (models CTO)	41A5064	1
Romanian (models CTO)	41A5065	1
Russian/Cyrilic (models CTO)	41A5066	1
Serbian/Cyrilic (models CTO)	41A5067	1
Slovak (models CTO)	41A5068	1
Spanish (models CTO)	41A5069	1
Swedish/Finn (models CTO)	41A5070	1
Swiss F/G (models CTO)	41A5071	1
Turkish 440 (models CTO)	41A5073	1
Turkish 179 (models CTO)	41A5074	1
UK English (models CTO)	41A5075	1
US Euro (models CTO)	41A5076	1
Slovenian (models CTO)	41A5077	1
Brazil/Portuguese (models A3P A4P A5P A6P A7P )	41A5044	1

9144 Keyboards (USB Preferred Pro)	FRU#	CRU Tier
US English (models AJU AMU AUM A9A AAA ASM ATM AUM AVM APG ARG A8A ABA ACU ADU AGU AKU ALU ANU A1Q A2Q B1G B2G B4U B5U B6U B7U B5G B5M B5A B5Q B5H B5R B5E B6G B6M B6A B6Q B6H B6R B6E B8A BAU BBU BCU B9G BFA BJA BKA BFQ)	41A5289	1
Arabic (models APG ARG B1G B2G B4G B5G B6G B7G B9G)	41A5290	1
Arabic/French (models CTO)	41A5291	1
Belgian/French (models APG ARG B1G B2G B4G B5G B6G B7G B9G)	41A5292	1
Belgian/UK (models APG ARG B1G B2G B4G B5G B6G B7G B9G)	41A5293	1
Brazilian (models B5P B6P B8P BEP)	41A5294	1
Bulgarian (models APG ARG B1G B2G B4G B5G B6G B7G B9G)	41A5295	1
Hong Kong/Taiwan (models A5B A6B A5V A6V )	41A5296	1
Czech (models APG ARG B1G B2G B4G B5G B6G B7G B9G)	41A5297	1
Danish (models APG ARG B1G B2G B4G B5G B6G B7G B9G)	41A5298	1
Dutch (models APG ARG B1G B2G B4G B5G B6G B7G B9G)	41A5299	1
French (models APG ARG B1G B2G B4G B5G B6G B7G B9G)	41A5300	1
French Canadian 445 (models ACF ADF AFF AGF AJF AKF ALF AMF ANF B5F B6F BAF BBF BCF)	41A5301	1
French Canadian 58 (models ACF ADF AFF AGF AJF AKF ALF AMF ANF B5F B6F BAF BBF BCF)	41A5302	1
German (models APG ARG B1G B2G B4G B5G B6G B7G B9G)	41A5303	1
Greek (models APG ARG B1G B2G B4G B5G B6G B7G B9G)	41A5304	1
Greek/US (models CTO B9G)	41A5305	1
Hebrew (models APG ARG B1G B2G B4G B5G B6G B7G B9G)	41A5306	1
Hungarian (models APG ARG B1G B2G B4G B5G B6G B7G B9G)	41A5307	1
Iceland (models APG ARG B1G B2G B4G B5G B6G B7G B9G)	41A5308	1
Italian 141 (models APG ARG B1G B2G B4G B5G B6G B7G B9G)	41A5309	1

9144 Keyboards (USB Preferred Pro)	FRU#	CRU Tier
Japanese (models B5J B6J B8J BKJ)	41A5310	1
Korean (models B5K B6K )	41A5311	1
LA Spanish (models B5S B5D B5Y B6S B6D B6Y )	41A5312	1
Norwegian (models APG ARG B1G B2G B4G B5G B6G B7G B9G)	41A5313	1
Polish (models APG ARG B1G B2G B4G B5G B6G B7G B9G)	41A5314	1
Portuguese (models APG ARG B1G B2G B4G B5G B6G B7G B9G)	41A5315	1
Romanian 096 (models APG ARG B1G B2G B4G B5G B6G B7G B9G)	41A5317	1
Romanian 446 (models APG ARG B1G B2G B4G B5G B6G B7G B9G)	41A5316	1
Russian/Cyrillic (models APG ARG B1G B2G B4G B5G B6G B7G B9G)	41A5318	1
Serbian/Cyrillic (models APG ARG B1G B2G B4G B5G B6G B7G B9G)	41A5319	1
Slovak (models APG ARG B1G B2G B4G B5G B6G B7G B9G)	41A5320	1
Spanish (models APG ARG B1G B2G B4G B5G B6G B7G B9G)	41A5321	1
Swedish/Finn (models APG ARG B1G B2G B4G B5G B6G B7G B9G)	41A5322	1
Swiss (models APG ARG B1G B2G B4G B5G B6G B7G B9G)	41A5323	1
Thailand (models BFT BGT BHT)	41A5324	1
Turkish 440 (models APG ARG B1G B2G B4G B5G B6G B7G B9G)	41A5325	1
Turkish 179 (models APG ARG B1G B2G B4G B5G B6G B7G B9G)	41A5326	1
UK English (models APG ARG B1G B2G B4G B5G B6G B7G B9G)	41A5327	1
US Euro (models APG ARG B1G B2G B4G B5G B6G B7G B9G)	41A5328	1
Slovenian (models APG ARG B1G B2G B4G B5G B6G B7G B9G)	41A5329	1

9144 Keyboards (Fingerprint Reader USB)	FRU#	CRU Tier
US English (models CTO)	41A5248	1
Arabic (models CTO)	41A5249	1
Arabic/French (models CTO)	41A5250	1
Belgian/French (models CTO)	41A5251	1
Belgian/UK (models CTO)	41A5252	1
Brazil/Portuguese (models CTO)	41A5253	1
Bulgarian (models CTO)	41A5254	1
Chinese (models CTO)	41A5255	1
Czech (models CTO)	41A5256	1
Danish (models CTO)	41A5257	1
Dutch (models CTO)	41A5258	1
French (models CTO)	41A5259	1
French Canadian 445 (models CTO)	41A5260	1
French Canadian 58 (models CTO)	41A5261	1
German (models CTO)	41A5262	1
Greek (models CTO)	41A5263	1
Greek/US (models CTO)	41A5264	1
Hebrew (models CTO)	41A5265	1
Hungarian (models CTO)	41A5266	1

9144 Keyboards (Fingerprint Reader USB)	FRU#	CRU Tier
Iceland (models CTO)	41A5267	1
Italian 141 (models CTO)	41A5268	1
Japanese (models CTO)	41A5269	1
Korean (models CTO)	41A5270	1
LA Spanish (models CTO)	41A5271	1
Norwegian (models CTO)	41A5272	1
Polish (models CTO)	41A5273	1
Portuguese (models CTO)	41A5274	1
Romanian 096 (models CTO)	41A5275	1
Romanian 446 (models CTO)	41A5276	1
Russian/Cyrillic (models CTO)	41A5277	1
Serbian/Cyrillic (models CTO)	41A5278	1
Slovak (models CTO)	41A5279	1
Spanish (models CTO)	41A5280	1
Swedish/Finn (models CTO)	41A5281	1
Swiss (models CTO)	41A5282	1
Turkish 440 (models CTO)	41A5284	1
Turkish 179 (models CTO)	41A5285	1
UK English (models CTO)	41A5286	1
US Euro (models CTO)	41A5287	1
Slovenian (models CTO)	41A5288	1

9144 mice	FRU#	CRU
Optical Wheel Mouse (400DPI, USB) (models AUM A9A A9T AAA AAT AJU AMU A3P A3S A3D A3Y A4P A4S A4D A4Y A5P A5S A5D A5Y A6P A6S A6D A6Y A7P A7S A7D A7Y A3P A3S ASM ATM AVM APG ARG A8A ABA A8T A8A ACU ACF ADU ADF AGU AGF AJF AKU AKF ALU ALF ANU ANF A1Q A2Q B1G B2G B4U B4F B5U B5F B5S B5P B5L B5D B5Y B5G B5M B5A B5Q B5T B5C B5B B5H B5V B5K B5R B5E B5J B6U B6F B6S B6P B6L B6D B6Y B6G B6M B6A B6Q B6T B6C B6B B6H B6V B6K B6R B6E B6J B7U B8P B8A B8J B9G BAU BAF BBU BBF BCU BCF BDS BDY BES BEP BEY BFA BFQ BFT BGT BHT BJA BKJ BKA)	41U3013	1
Optical Wheel Mouse (400DPI, USB) models AUM A9A A9T AAA AAT AJU AMU A3P A3S A3D A3Y A4P A4S A4D A4Y A5P A5S A5D A5Y A6P A6S A6D A6Y A7P A7S A7D A7Y A3P A3S ASM ATM AVM APG ARG A8A ABA A8T A8A ACU ACF ADU ADF AGU AGF AJF AKU AKF ALU ALF ANU ANF A1Q A2Q B1G B2G B4U B4F B5U B5F B5S B5P B5L B5D B5Y B5G B5M B5A B5Q B5T B5C B5B B5H B5V B5K B5R B5E B5J B6U B6F B6S B6P B6L B6D B6Y B6G B6M B6A B6Q B6T B6C B6B B6H B6V B6K B6R B6E B6J B7U B8P B8A B8J B9G BAU BAF BBU BBF BCU BCF BDS BDY BES BEP BEY BFA BFQ BFT BGT BHT BJA BKJ BKA)	41U3030	1
PS/2 Three Button ball mouse (41R0017) models CTO)	41R0018	1

9144 Adapters and miscellaneous FRUs	FRU#	CRU Tier
PCI Modem Card (Soft) (models CTO)	29R9729	2
L1 IEEE 1394 PCI Adapter (models CTO)	41D2781	2
Dongle Cable - DMS59 to dual VGA (included in Denver L1) (models CTO)	41R3404	1

9144 Adapters and miscellaneous FRUs	FRU#	CRU Tier
Dongle DMS Dule DMS-59 to dual DVI cable (models CTO)	41R3403	1
Dongle DMS Dule DMS-59 to single VGA & single DVI cable (models CTO)	41R3405	1
Nvidia GeForce 7300LE 128MB 64bit LP / ATX with DMS59 (models CTO)	42Y8165	2
ATI X1300LE 256M 64bit LP / ATX with DMS59 (models CTO ABA ABT B8P B8A B8J B9J BKA)	42Y8162	2
USB2.0 MEMORY CARDREADER,6X2,ROHS OPTIONAL, SONY (models CTO)	41R3376	2
USB2.0 MEMORY CARDREADER,6X2,ROHS OPTIONAL,Bitland (models CTO)	41R3378	2
Speakers (2-piece) Lenovo Logo (models CTO)	41A5331	2
BTL external speaker (models CTO)	41A5334	1
Speaker Power brick - US, Canada, LA low voltage, ASEAN (models A8A ABA ACU ADU AHU AJU AKU ALU AMU ANU B4U B5U B6U B7U BAU BBU BCU BFA BJA BKA)	89P8571	1
Speaker Power brick - Hong Kong, Malaysia, Singapore, UK, Brunei (models B5B B5H B6B B6H)	89P8573	1
Speaker Power brick - LA high voltage (non-APU) (models B5D )	89P8575	1
Speaker Power brick - China, Thailand (models A8T ABT B5C B6C B5T B6T)	89P8581	1
Speaker Power brick - Japan (models B5J B6J B8J BKJ)	89P8577	1
Speaker Power brick - Brazil (models CTO)	89P8583	1
Speaker Power brick - Argentina (models CTO)	41A4901	1
Speaker Power brick - ANZ (models ASM ATM AUM AVM B5M B6M )	89P8579	1
Speaker Brick - Korea (models B5K B6K )	41A4903	1
Speaker Brick - Taiwan (models B5V B6V )	41A4905	1
Speaker Power brick - India, South Africa (models CTO)	89P8585	1
DVI cable for RS690 LP (models AVM B5M B5A B5Q B5T B5C B5B B5H B5V B5K B5R B5E B5J B6U B6F B6S B6P B6L B6D B6Y B6G B6M B6A B6Q B6T B6C B6B B6H B6V B6K B6R B6E B6J B7U B8P B8A B8J)	41R3316	2
USB Memory Key - 1G RoW (models)	45C7146	1
ATI HD 2400PRO 128MB 64BIT DMS59 LP/ATX (models)	43C0259	2
ATI HD 2400XT 256MB 64BIT DMS59 LP/ATX (models)	43C0260	2
ATI HD 2600XT 512MB 128BIT ATX (models)	43C8266	2

9144 Power Cords	FRU#	CRU
Power cord - US (models AJU AMU A9A AAA A9T AAT A3S A4S A5S A6S A7S A3D A4D A5D A6D A7D A8A ABA A8T ABT ACU ACF ADU ADF AGU AGF AFF AFUAJF AKU AKF ALU ALF ANU ANF B4U B5U B6U B7U B4F B5F B6F B5T B6T B5S B6S B5D B6D B5L B6L B5A B6A B8A BAU BAF BBU BBF BCU BCF BFA BJA BKA BFT BGT BHT)	39M5080	1
Power cord - China (models B5C B6C )	39M5205	1
Power cord - Japan (models B5E B5J B6E B6J B8J BKJ)	39M5193	1
Power cord - Brazil (models A3P A4P A5P A6P A7P B5P B6P B8P BEP)	39M5232	1
Power cord - LA High Volt APU) (models A3Y A4Y A5Y A6Y A7Y B5Y B6Y B5L B6L )	39M5067	1
Power cord - Australia / New Zealand (models AUM ASM ATM AVM B5M B6M )	39M5102	1
Power cord - Korea (models B5K B5R B6K B6R )	39M5212	1
Power cord - Hong Kong (models A5B A5H A6B A6H)	39M5151	1

9144 Power Cords	FRU#	CRU
Power cord - UK, Ireland, Singapore, Malaysia, Brunei (models A9A AAA APG ARG ABA A8A B1G B2G B5G B6G B5A B6A B8A BFA BJA BKA)	39M5150	1
Power cord - Taiwan (models A5V A6V)	39M5246	1
Power cord - Italy (models APG ARG B1G B2G B5S B6S B5Y B6Y B5L B6L B5G B6G B8G BDS BDY BES BEY)	39M5164	1
Power cord - G models (models A9A AAA A8A ABA B5A B6A B8A BFA BJA BKA)	39M5122	1
Power cord - Denmark (models APG ARG B1G B2G B5G B6G B9G)	39M5129	1
Power cord - Switzerland (models APG ARG B1G B2G B5G B6G B9G)	39M5157	1
Power cord - Israel (models APG ARG B1G B2G B5G B6G B9G)	39M5171	1
Power cord - South Africa (models APG ARG B1G B2G B5G B6G B9G BFA BJA BKA)	39M5143	1
Power cord - India (models A1Q A2Q A5Q A6Q BFQ)	39M5004	1

9144 Windows XP Home CDs	FRU#	CRU Tier
US/UK/AP/TH (models CTO)	45C1028	1
FR/CF (models CTO)	45C1029	1
GR (models CTO)	45C1030	1
IT (models CTO)	45C1033	1
BR (models CTO)	45C1032	1
SP/LA (models CTO)	45C1031	1
DK (models CTO)	45C1037	1
NL (models CTO)	45C1038	1
AE (models CTO)	45C1043	1
SV (models CTO)	45C1036	1
HE (models CTO)	45C1041	1
FI (models CTO)	45C1040	1
NO (models CTO)	45C1035	1
PL (models CTO)	45C1042	1
PO (models CTO)	45C4069	1
RU (models CTO)	45C1044	1
RE (models CTO)	45C1052	1
HU (models CTO)	45C1046	1
CZ (models CTO)	45C1039	1
TR (models CTO)	45C1045	1
GK (models CTO)	45C1047	1
Japanese (models CTO)	45C1034	1
Simplified Chinese (models CTO)	45C1048	1
Taiwan - TC (models CTO)	45C1049	1
Hong Kong - TC (models CTO)	45C1050	1
Korea (models CTO)	45C1051	1

9144 Windows XP Pro Recovery CDs	FRU#	CRU Tier
US/UK/AP/TH (models AUM A9A AJU ASM ADU AGU AKU B1G B2G B4U AAA AMU ATM AVM APG ARG AGU A8A ABA ACU ADU ALU A1Q A2Q B5U B6U B7U B5G B6G B5M B5A B5Q B5H B6H B5R B5E B6R B6E B8A ANU B9G BAU BBU BCU BFA BJA BKA BFQ)	45C0820	1
FR/CF (models ADF AGF AJF AKF B1G B2G B4F APG ARG ACF AGF ALF AMF B5F B6F B5G B6G ANF B9G BAF BBF BCF)	45C0821	1
GR (models B1G B2G APG ARG B5G B6G B9G)	45C0822	1
IT (models APG ARG B5G B6G)	45C0825	1
BR (models CTO B5P B6P B8P BEP)	45C0824	1
SP/LA (models A3S A3D A3Y A4S A4D A4Y A5S A5D A5Y A6S A6D A6Y A7S A7D APG ARGB5G B6G BDS BDY B9G BES BEY)	45C0823	1
DK (models B1G B2G APG ARG B5G B6G B9G)	45C0829	1
NL (models B1G B2G APG ARG B5G B6G B9G)	45C08230	1
AE (models B1G B2G APG ARG B5G B6G B9G)	45C0835	1
SV (models B1G B2G APG ARG B5G B6G B9G)	45C0828	1
HE (models B1G B2G APG ARG B5G B6G B9G)	45C0833	1
FI (models B1G B2G APG ARG B5G B6G B9G)	45C0832	1
NO (models B1G B2G APG ARG B5G B6G B9G)	45C0827	1
PL (models B1G B2G APG ARG B5G B6G B9G)	45C0834	1
PO (models B1G B2G APG ARG B5G B6G B9G)	45C4061	1
RU (models B1G B2G APG ARG B5G B6G B9G)	45C0836	1
RE (models B1G B2G APG ARG B5G B6G B9G)	45C0845	1
HU (models B1G B2G APG ARG B5G B6G B9G)	45C0838	1
CZ (models B1G B2G APG ARG B5G B6G B9G)	45C0831	1
TR (models B1G B2G APG ARG B5G B6G B9G)	45C0837	1
GK (models B1G B2G APG ARG B5G B6G B9G)	45C0839	1
SL (models B1G B2G APG ARG B5G B6G B9G)	45C0844	1
Japanese (models CTO BKJ)	45C0826	1
Simplified Chinese (models CTO B5C B6C)	45C0840	1
Taiwan - TC (models CTO B5V B6V)	45C0841	1
Hong Kong - TC (models CTO)	45C0842	1
Korea (models CTO B5K B6K)	45C0843	1

9144 Vista Home Basic 32 Recovery DVDs	FRU#	CRU Tier
English (models CTQ)	45C0770	1
French/Canadian French (models CTO)	45C0772	1
German (models CTO)	45C0773	1
Spanish/LA (models CTO)	45C0774	1
Brazil (models CTO)	45C0775	1
Italy (models CTO)	45C0776	1
Japanese (models CTO)	45C0777	1
Norway (models CTO)	45C0778	1

9144 Vista Home Basic 32 Recovery DVDs	FRU#	CRU Tier
Swedish (models CTO)	45C0779	1
Denmark (models CTO)	45C0780	1
Dutch (models CTO)	45C0781	1
Czech (models CTO)	45C0782	1
Finnish (models CTO)	45C0783	1
Polish (models CTO)	45C0784	1
Russian (models CTO)	45C0785	1
Turkish (models CTO)	45C0786	1
Hungarian (models CTO)	45C0787	1
Greek (models CTO)	45C0788	1
Simplified Chinese (models CTO)	45C0789	1
Traditional Chinese (models CTO)	45C0790	1
Traditional Chinese (models CTO)	45C0791	1
Korean (models CTO)	45C0792	1
SL (models CTO)	45C0793	1
Russian English (models CTO)	45C0771	1
Hebrew (models CTO)	45C0794	1

9144 Vista Business 32 Recovery DVDs	FRU#	CRU Tier
English (models AAA AMU ATM AVM APG ARG AGU A8A ABA ACU ADU ALU A1Q A2Q B5U B6U B7U B5G B6G B5M B5A B5Q B5H B6H B5R B5E B6R B6E B8A B9G BAU BBU BCU BFA BJA BKA BFQ)	45C0660	1
French/Canadian French (models APG ARG ACF AGF ALF AMF B5F B6F B5G B6G B9G BAF BBF BCF)	45C0662	1
German (models APG ARGB5G B6G B9G)	45C0663	1
Spanish/LA (models APG ARG B5G B6G B9G BES BEY)	45C0664	1
Brazil (models B5P B6P B8P BEP)	45C0665	1
Italy (models APG ARG B5G B6G B9G)	45C0666	1
Japanese (models B5J B6J B8J BKJ)	45C0667	1
Norway (models APG ARG B5G B6G B9G)	45C0668	1
Swedish (models APG ARG B5G B6G B9G)	45C0669	1
Denmark (models APG ARG B5G B6G B9G)	45C0670	1
Dutch (models APG ARG B5G B6G B9G)	45C0671	1
Czech (models APG ARG B5G B6G B9G)	45C0672	1
Finnish (models APG ARG B5G B6G B9G)	45C0673	1
Polish (models APG ARG B5G B6G B9G)	45C0674	1
Russian (models APG ARG B5G B6G B9G)	45C0675	1
Turkish (models APG ARG B5G B6G B9G)	45C0676	1
Hungarian (models APG ARG B5G B6G B9G)	45C0677	1
Greek (models APG ARG B5G B6G B9G)	45C0678	1
Portuguese (models APG ARG B5G B6G B9G)	45C0687	1
Simplified Chinese (models B5C B6C )	45C0679	1

9144 Vista Business 32 Recovery DVDs	FRU#	CRU Tier
Traditional Chinese (models B5V B6V)	45C0680	1
Traditional Chinese (models B5V B6V)	45C0681	1
Korean (models B5K B6K)	45C0682	1
Slovenian (models APG ARG B5G B6G B9G)	45C0683	1
Russian English (models APG ARG B5G B6G B9G)	45C0661	1
Romanian (models CTO B9G)	45C0684	1
Bulgarian (models CTO)	45C0685	1
Croatian (models CTO)	45C0686	1
Serbian-Latin (models CTO)	45C0688	1
Ukrainian (models CTO)	45C0689	1
Slovakian (models CTO B9G)	45C0690	1
Hebrew (models CTO B9G)	45C5289	1
Arabic (models CTO B9G)	45C5290	1

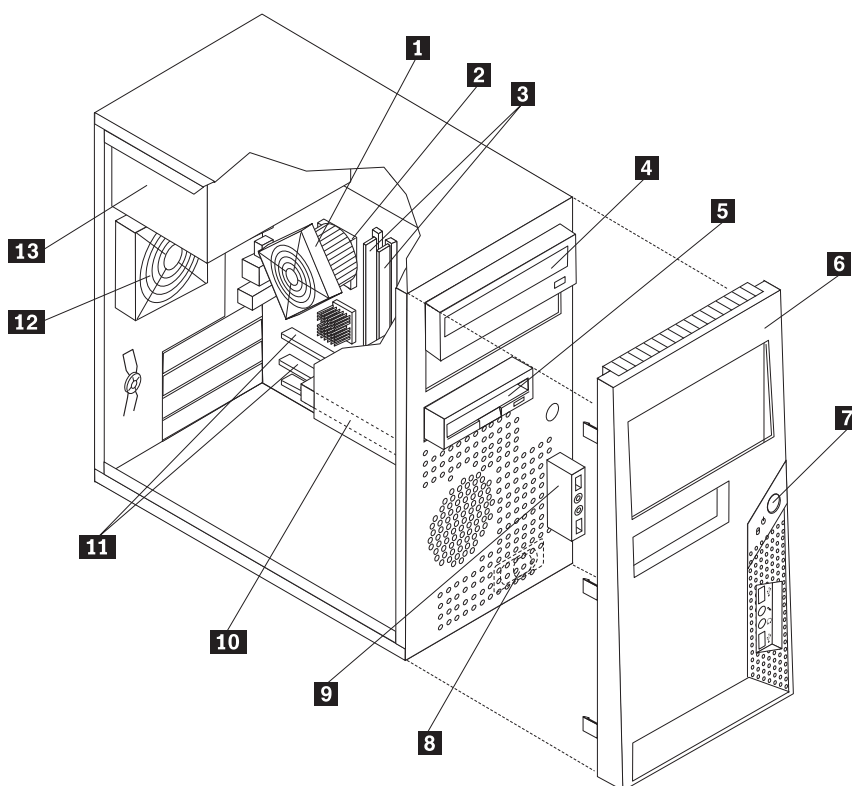
9144 Vista Home pre 32 Recovery DVDs	FRU#	CRU Tier
English (models CTO)	45C0581	1
Russian English (models CTO)	45C0582	1
French/Canadian French (models CTO)	45C0583	1
German (models CTO)	45C0584	1
Spanish/LA (models CTO)	45C0585	1
Brazil (models CTO)	45C0586	1
Italy (models CTO)	45C0587	1
Japanese (models CTO)	45C0588	1
Norway (models CTO)	45C0589	1
Swedish (models CTO)	45C0590	1
Denmark (models CTO)	45C0591	1
Dutch (models CTO)	45C0592	1
Czech (models CTO)	45C0593	1
Finnish (models CTO)	45C0594	1
Polish (models CTO)	45C0595	1
Russian (models CTO)	45C0596	1
Turkish (models CTO)	45C0597	1
Hungarian (models CTO)	45C0598	1
Greek (models CTO)	45C0599	1
Simplified Chinese (models CTO)	45C0600	1
Traditional Chinese (models CTO)	45C0601	1
Traditional Chinese (models CTO)	45C0602	1
Korean (models CTO)	45C0603	1
Slovenian (models CTO)	45C0604	1
Hebrew (models CTO)	45C0605	1
Romanian (models CTO)	45C0606	1



<b>9144 Vista Home pre 32 Recovery DVDs</b>	<b>FRU#</b>	<b>CRU Tier</b>
Bulgarian (models CTO)	45C0607	1
Croatian (models CTO)	45C0608	1
Portuguese (models CTO)	45C0609	1
Serbian-Latin (models CTO)	45C0610	1
Ukrainian (models CTO)	45C0611	1
Slovakian (models CTO)	45C0612	1
Arabic (models CTO)	45C5291	1

<b>9144 Vista Business 64 Recovery DVDs</b>	<b>FRU#</b>	<b>CRU Tier</b>
English (models CTO)	45C0722	1
Russian English (models CTO)	45C0723	1
French/Canadian French (models CTO)	45C0724	1
German (models CTO)	45C0725	1
Spanish/LA (models CTO)	45C0726	1
Brazil (models CTO)	45C0727	1
Italy (models CTO)	45C0728	1
Japanese (models CTO)	45C0729	1
Norway (models CTO)	45C0730	1
Swedish (models CTO)	45C0731	1
Denmark (models CTO)	45C0732	1
Dutch (models CTO)	45C0733	1
Czech (models CTO)	45C0734	1
Finnish (models CTO)	45C0735	1
Polish (models CTO)	45C0736	1
Russian (models CTO)	45C0737	1
Turkish (models CTO)	45C0738	1
Hungarian (models CTO)	45C0739	1
Greek (models CTO)	45C0740	1
Simplified Chinese (models CTO)	45C0741	1
Taiwan (models CTO)	45C0742	1
Hong Kong (models CTO)	45C0743	1
Korean (models CTO)	45C0744	1
Slovenian (models CTO)	45C0745	1
Hebrew (models CTO)	45C4059	1
Portuguese (models CTO)	45C4826	1
Arabic (models CTO)	45C5293	1

## Machine Type 9156



Item #	9156 FRUs	FRU#	CRU
1	AMD 89W/65W heat sink kit (all models)	41R4802	2
2	Microprocessor, 2800+ Sempron AM2 (1.6 GHz processor, 62W) (models )	42Y8938	N
2	Microprocessor, 3000+ Sempron AM2 (1.6 GHz processor, 62W) (models )	41X1403	N
2	Microprocessor, 3400+ Sempron AM2 (1.8 GHz processor, 62W) (models )	41X1407	N
2	Microprocessor, 3500+ Sempron AM2 (2.0 GHz processor, 35W) stepping G1 65nm (models )	41X1409	N
2	Microprocessor, 3600+ Sempron AM2 (2.0 GHz processor, 62W) (models )	41X1411	N
2	Microprocessor, 3600+ Athlon64 AM2 X2 (1.9GHz processor, 1M 65W 65nm G1) (models )	43C4091	N
2	Microprocessor, 3800+ Sempron AM2 (2.2 GHz processor, 62W) (models)	43C2454	N
2	Microprocessor, 3200+ Athlon64 AM2 (2.0 GHz processor, 62W) (models)	42Y8940	N
2	Microprocessor, 3500+ Athlon64 AM2 (2.2 GHz processor, 62W) (models)	41X1415	N
2	Microprocessor, 3800+ Athlon64 AM2 (2.4 GHz processor, 62W) (models)	41X1417	N
2	Microprocessor, 3600+ Athlon64 AM2 X2 (2.0 GHz processor, 65W) (models)	41X7777	N
2	Microprocessor, 3800+ Athlon64 AM2 X2 (2.0 GHz processor, 89W) (models)	41X4241	N
2	Microprocessor, 4000+ Athlon64 AM2 (2.4 GHz processor, 62W) (models A1U A1F A1S A1P A1L A1D A1Y A1G A1M A1A A1Q A1T A1C A1B A1H A1V A1R A1E A1J A1K )	41X1419	N
2	Microprocessor, 4200+ Athlon64 AM2 X2 (2.2 GHz processor, 89W) (models)	41X1421	N
2	Microprocessor, 4400+ Athlon64 AM2 X2 (2.3 GHz processor, 89W) (models A2K)	43C3507	N
2	Microprocessor, 4600+ Athlon64 AM2 X2 (2.4 GHz processor, 89W) (models)	41X1423	N

Item #	9156 FRUs	FRU#	CRU
2	Microprocessor, 4800+ Athlon64 AM2 X2 (2.5 GHz processor, 65W) stepping G1 45nm (models A1K A3J)	43C4093	N
2	Microprocessor, 5000+ Athlon64 AM2 X2 (2.6 GHz processor, 65W) stepping G1 65nm (models)	41X1427	N
2	Microprocessor, Sempron LE 1100 (1.9 GHz, 45W, 256KB L2) stepping G1 (models)	45C7564	N
2	Microprocessor, Sempron LE 1150 (2.0 GHz processor, 45W, 256KB L2) stepping G1 (models)	45C7507	N
2	Microprocessor, Sempron LE 1200 (2.1 GHz processor, 45W, 512KB L2) stepping G1 (models)	43C6169	N
2	Microprocessor, Sempron LE 1250 (2.2 GHz processor, 45W, 512KB L2) stepping G2 (models)	43C6168	N
2	Microprocessor, 5200+ Athlon64 AM2 X2 (2.7 GHz processor, 65W) stepping G1 65nm (models)	45C7502	N
2	Microprocessor, 6000+ Athlon64 AM2 X2 (3.0 GHz processor, 65W) stepping G1 65nm (models)	45C7503	N
2	Microprocessor, Athlon X2 BE 2300 (1.9GHz processor, 45W, 1MB L2) steping G1 (models)	43C6167	N
2	Microprocessor, Athlon X2 BE 2350 (2.1GHz processor, 45W, 1MB L2) steping G1 (models)	43C6166	N
2	Microprocessor, Athlon X2 BE 2400 (2.3GHz processor, 45W, 1MB L2) steping G1 (models)	43C6165	N
3	Memory module, 512 MB PC2-4200 (533MHz) DDR2 SDRAM (models)	41X4251	2
3	Memory module, 1 GB PC2-4200 (533MHz) DDR2 SDRAM (models)	41X4252	2
3	Memory module, 2 GB PC2-4200 (533MHz) DDR2 SDRAM (models)	41X4253	2
3	Memory module, 512 MB PC2-5300 (667MHz) DDR2 SDRAM (models A3J A4U A4F)	41X4255	2
3	Memory module, 1 GB PC2-5300 (667MHz) DDR2 SDRAM (models A2K A1K A3J A1U A1F A1S A1P A1L A1D A1Y A1G A1M A1A A1Q A1T A1C A1B A1H A1V A1R A1E A1J )	41X4256	2
3	Memory module, 2 GB PC2-5300 (667MHz) DDR2 SDRAM (models)	41X4257	2
3	Memory module, 512 MB PC2-6400 (800MHz) DDR2 SDRAM (models )	41X1079	2
3	Memory module, 1GB PC-6400 (800MHz) DDR2 SDRAM (models )	41X1080	2
3	Memory module, 2GB PC-6400 (800MHz) DDR2 SDRAM (models )	41X1081	2
4	DVD-ROM drive - 16x/48x - SATA XP and Vista (models A4U A4F A1U A1F A1S A1P A1L A1D A1Y A1G A1M A1A A1Q A1T A1C A1B A1H A1V A1K A1R A1E A1J )	41X3325	2
4	DVD-ROM/CD-RW Combo Drive - 48x/32x/48x/16x - SATA vista and XP (models )	42Y9353	2
4	DVD-RW/CD-RW Rambo 8 - SATA VISTA AND XP (models A3J)	43C1042	2
5	Diskette drive, 3,5", 1.44MB, 2-mode, (w/bezel) (models A3J)	40Y9105	2
5	Diskette drive, 3,5", 1.44MB, 2-mode, (w/bezel) (models A3J)	40Y9107	2
6	Bezel assembly (all models)	TBD	2
7	Power switch/LED assembly (all models)	41N5284	2
8	Speaker assembly, soldered terminals (all models)	39P5023	2
9	Front audio/USB assembly (all models)	41N8054	2

Item #	9156 FRUs	FRU#	CRU
10	Hard disk drive, 80GB, 7200RPM, SATA (models A4U A4F A1U A1F A1S A1P A1L A1D A1Y A1G A1M A1A A1Q A1T A1C A1B A1H A1V A1K A1R A1E A1J )	40Y9034	2
10	Hard disk drive, 160GB, 7200RPM, SATA (models A3J)	40Y9035	2
10	Hard disk drive, 250GB, 7200RPM, SATA (models A2K)	40Y9036	2
10	Hard disk drive, 320GB, 7200RPM, SATA/8MB (models A3K)	87H4891	2
10	Hard disk drive, 500GB, 7200RPM, SATA/8MB (models )	41X5582	2
11	System board, AMD 690G (models A3J A4U A2K A1K A4F A1U A1F A1S A1P A1L A1D A1Y A1G A1M A1A A1Q A1T A1C A1B A1H A1V A1R A1E A1J )	42Y9916	N
12	System fan, rear (all models)	41R6046	2
13	ATX 280W Power supply; Robust (models A1Q A1C A1B A1H A1V)	41A9684	N
13	ATX 280W 80% power supply (models A4U A2K A1K A3J A4F A1U A1F A1S A1P A1D A1Y A1G A1M A1A A1T A1R)	41A9665	N
13	ATX 310W Power supply, Robust (models A1Q A1C A1B A1H A1V)	24R2598	N

The FRUs listed in the following tables are not illustrated.

9156 FRUs	FRU#	CRU
Shield, EMC, blank 5.25 in. drive bay (all models)	41N8080	N
Shield, EMC, blank diskette drive bay (all models)	41N8078	N
Cable, diskette drive (all models)	41A7182	N
Cable, Serial ATA, 250 mm (all models)	41A7145	2
Rear USB 2Ports II HP(R), high profile I/O, 300mm, Rohs (all models)	42Y8005	2
Rear Com2 cable, Rohs (all models)	41R6198	2
Rear Com2 cable II HP(R), high profile I/O, 250mm, Rohs (all models)	42Y8007	N
Cable -SATA 457mm (RoHS) (all models)	26K1186	2
Cover (all models)	41N8050	2
System board shield (all models)	41R6378	N
Kit, Misc. Hardware (all models)	41N8055	2
Retainer, Card Reader (all models)	41R2913	2
System fan, front (all models)	41R4791	2
Optional HDD Bracket Assembly, without 4Pin cable (all models)	41R6106	2
Cable, Temperature Sense (460mm) (all models)	41R6196	2
Intrusion Switch assembly (all models)	41R6116	2

9156 Keyboards (Preferred Pro)	FRU#	CRU Tier
US English (models )	41A5039	1
Arabic (models )	41A5040	1
Arabic/French (models )	41A5041	1
Belgian/French (models )	41A5042	1
Belgian/UK (models )	41A5043	1
Bulgarian (models )	41A5045	1
Hong Kong/Taiwan (models )	41A5046	1

<b>9156 Keyboards (Preferred Pro)</b>	<b>FRU#</b>	<b>CRU Tier</b>
Czech (models )	41A5047	1
Danish (models )	41A5048	1
Dutch (models )	41A5049	1
French (models )	41A5050	1
French Canadian 445 (models )	41A5051	1
French Canadian 58 (models )	41A5052	1
German (models )	41A5053	1
Greek (models )	41A5054	1
Hebrew (models )	41A5055	1
Hungarian (models )	41A5056	1
Iceland (models )	41A5057	1
Italian (models )	41A5058	1
Japanese (models )	41A5059	1
Korean (models )	41A5060	1
LA Spanish (models )	41A5061	1
Norwegian (models )	41A5062	1
Polish (models )	41A5063	1
Portuguese (models )	41A5064	1
Romanian (models )	41A5065	1
Russian/Cyrilic (models )	41A5066	1
Serbian/Cyrilic (models )	41A5067	1
Slovak (models )	41A5068	1
Spanish (models )	41A5069	1
Swedish/Finn (models )	41A5070	1
Swiss F/G (models )	41A5071	1
Turkish 440 (models )	41A5073	1
Turkish 179 (models )	41A5074	1
UK English (models )	41A5075	1
US Euro (models )	41A5076	1
Slovenian (models )	41A5077	1
Brazil/Portuguese (models )	41A5044	1

<b>9156 Keyboards (USB Preferred Pro)</b>	<b>FRU#</b>	<b>CRU</b>
US English (models A4U A1U)	41A5289	1
Arabic (models A1G)	41A5290	1
Arabic/French (models )	41A5291	1
Belgian/French (models A1G)	41A5292	1
Belgian/UK (models A1G)	41A5293	1
Bulgarian (models A1G)	41A5295	1
Chinese/US (models A1B A1V)	41A5296	1
Czech (models A1G)	41A5297	1

9156 Keyboards (USB Preferred Pro)	FRU#	CRU
Danish (models A1G)	41A5298	1
Dutch (models A1G)	41A5299	1
French (models A1G)	41A5300	1
French Canadian 445 (models A4F A1F)	41A5301	1
French Canadian 58 (models A4F A1F)	41A5302	1
German (models A1G)	41A5303	1
Greek (models A1G)	41A5304	1
Greek/US (models )	41A5305	1
Hebrew (models A1G)	41A5306	1
Hungarian (models A1G)	41A5307	1
Iceland (models A1G)	41A5308	1
Italian (models A1G)	41A5309	1
Japanese (models A3J A1J)	41A5310	1
Korean (models A2K A1K)	41A5311	1
LA Spanish (models A1S A1D A1Y)	41A5312	1
Norwegian (models A1G)	41A5313	1
Polish (models A1G)	41A5314	1
Portuguese (models A1G)	41A5315	1
Romanian 096 (models A1G)	41A5317	1
Romanian 446 (models A1G)	41A5316	1
Russian/Cyrillic (models A1G)	41A5318	1
Serbian/Cyrillic (models A1G)	41A5319	1
Slovak (models A1G)	41A5320	1
Spanish (models A1G)	41A5321	1
Swedish/Finn (models A1G)	41A5322	1
Swiss (models A1G)	41A5323	1
Thailand (models A1T)	41A5324	1
Turkish 440 (models A1G)	41A5325	1
Turkish 179 (models A1G)	41A5326	1
UK English (models A1G)	41A5327	1
US Euro (models A1G)	41A5328	1
Slovenian (models A1G)	41A5329	1

9156 Keyboards (Fingerprint Reader USB)	FRU#	CRU Tier
US English (models )	41A5248	1
Arabic (models )	41A5249	1
Arabic/French (models )	41A5250	1
Belgian/French (models )	41A5251	1
Belgian/UK (models )	41A5252	1
Brazil/Portuguese (models )	41A5253	1
Bulgarian (models )	41A5254	1

9156 Keyboards (Fingerprint Reader USB)	FRU#	CRU Tier
Chinese (models )	41A5255	1
Czech (models )	41A5256	1
Danish (models )	41A5257	1
Dutch (models )	41A5258	1
French (models )	41A5259	1
French Canadian 445 (models )	41A5260	1
French Canadian 58 (models )	41A5261	1
German (models )	41A5262	1
Greek (models )	41A5263	1
Greek/US (models )	41A5264	1
Hebrew (models )	41A5265	1
Hungarian (models )	41A5266	1
Iceland (models )	41A5267	1
Italian 141 (models )	41A5268	1
Japanese (models )	41A5269	1
Korean (models )	41A5270	1
LA Spanish (models )	41A5271	1
Norwegian (models )	41A5272	1
Polish (models )	41A5273	1
Portuguese (models )	41A5274	1
Romanian 096 (models )	41A5275	1
Romanian 446 (models )	41A5276	1
Russian/Cyrillic (models )	41A5277	1
Serbian/Cyrillic (models )	41A5278	1
Slovak (models )	41A5279	1
Spanish (models )	41A5280	1
Swedish/Finn (models )	41A5281	1
Swiss (models )	41A5282	1
Turkish 440 (models )	41A5284	1
Turkish 179 (models )	41A5285	1
UK English (models )	41A5286	1
US Euro (models )	41A5287	1
Slovenian (models )	41A5288	1

9156 mice	FRU#	CRU
Optical Wheel Mouse (400DPI, USB) (models A3J A4U A2K A1K A4F A1U A1F A1S A1P A1D A1L A1D A1Y A1G A1M A1M A1A A1Q A1T A1C A1B A1H A1V A1R A1E A1J)	41U3013	1
Optical Wheel Mouse (400DPI, USB) models A3J A4U A2K A1K A4F A1U A1F A1S A1P A1D A1L A1D A1Y A1G A1M A1M A1A A1Q A1T A1C A1B A1H A1V A1R A1E A1J)	41U3030	1
PS/2 Three Button ball mouse (41R0017) models )	41R0018	1

9156 Adapters and miscellaneous FRUs	FRU#	CRU Tier
PCI Modem Card (Soft) (models )	29R9729	2
L1 IEEE 1394 PCI Adapter (models )	41D2781	2
Dongle Cable - DMS59 to dual VGA (included in Denver L1)(models )	41R3404	1
Dongle DMS Dule DMS-59 to dual DVI cable (models )	41R3403	1
Dongle DMS Dule DMS-59 to single VGA & single DVI cable (models )	41R3405	1
Nvidia GeForce 7300LE 128MB 64bit LP / ATX with DMS59 (models )	42Y8165	2
ATI X1300LE 256M 64bit LP / ATX with DMS59 (models )	42Y8162	2
USB2.0 MEMORY CARDREADER,6X2,ROHS OPTIONAL, SONY (models )	41R3376	2
USB2.0 MEMORY CARDREADER,6X2,ROHS OPTIONAL,Bitland (models )	41R3378	2
Speakers (2-piece) Lenovo Logo (models )	41A5331	2
BTL external speaker (models )	41A5334	1
Speaker Power brick - US, Canada, LA low voltage, ASEAN (models A4U A1U)	89P8571	1
Speaker Power brick - Hong Kong, Malaysia, Singapore, UK, Brunei (models )	89P8573	1
Speaker Power brick - LA high voltage (non-APU) (models A1D)	89P8575	1
Speaker Power brick - China, Thailand (models A1T)	89P8581	1
Speaker Power brick - Japan (models A3J A1J)	89P8577	1
Speaker Power brick - Brazil (models )	89P8583	1
Speaker Power brick - Argentina (models )	41A4901	1
Speaker Power brick - ANZ (models A1M)	89P8579	1
Speaker Brick - Korea (models A2K A1K)	41A4903	1
Speaker Brick - Taiwan (models )	41A4905	1
Speaker Power brick - India, South Africa (models )	89P8585	1
DVI cable for RS690 LP (models A1U A1F A1S A1P A1L A1D A1Y A1G A1M A1A A1Q A1T A1C A1B A1H A1V A1R A1E A1J )	41R3316	2
USB Memory Key - 1G RoW (models)	45C7146	1
ATI HD 2400PRO 128MB 64BIT DMS59 LP/ATX (models)	43C0259	2
ATI HD 2400XT 256MB 64BIT DMS59 LP/ATX (models)	43C0260	2
ATI HD 2600XT 512MB 128BIT ATX (models)	43C8266	2

9156 Power Cords	FRU#	CRU Tier
Power cord - US (models A4U A4F A1U A1F A1S A1D A1L A1A A1T )	39M5080	1
Power cord - China (models A1C)	39M5205	1
Power cord - Japan (models A3J A1J)	39M5193	1
Power cord - Brazil (models A1P)	39M5232	1
Power cord - LA High Volt (APU) (models A1Y A1L)	39M5067	1
Power cord - Australia/New Zealand (models A1M)	39M5102	1
Power cord - Korea (models A2K A1K)	39M5212	1
Power cord - Hong Kong (models A1B A1H)	39M5151	1
Power cord - UK, Ireland, Singapore, Malaysia, Brunei (models A1G A1A)	39M5150	1
Power cord - Taiwan (models A1V)	39M5246	1
Power cord - Italy/Chile (models A1S A1Y A1L A1G )	39M5164	1



9156 Power Cords	FRU#	CRU Tier
Power cord - G models (models A1A)	39M5122	1
Power cord - Denmark (models A1G)	39M5129	1
Power cord - Switzerland (models A1G)	39M5157	1
Power cord - Israel (models A1G)	39M5171	1
Power cord - South Africa (models A1G A1M A1A)	39M5143	1
Power cord - India (models A1Q)	39M5004	1

9156 Windows XP Home CDs	FRU#	CRU Tier
US/UK/AP/TH (models )	45C1028	1
FR/CF (models )	45C1029	1
GR (models )	45C1030	1
IT (models )	45C1033	1
BR (models )	45C1032	1
SP/LA (models )	45C1031	1
DK (models )	45C1037	1
NL (models )	45C1038	1
AE (models )	45C1043	1
SV (models )	45C1036	1
HE (models )	45C1041	1
FI (models )	45C1040	1
NO (models )	45C1035	1
PL (models )	45C1042	1
PO (models )	45C4069	1
RU (models )	45C1044	1
RE (models )	45C1052	1
HU (models )	45C1046	1
CZ (models )	45C1039	1
TR (models )	45C1045	1
GK (models )	45C1047	1
Japanese (models )	45C1034	1
Simplified Chinese (models )	45C1048	1
Taiwan - TC (models )	45C1049	1
Hong Kong - TC (models )	45C1050	1
Korea (models A2K)	45C1051	1

9156 Windows XP Pro Recovery CDs	FRU#	CRU Tier
US/UK/AP/TH (models A1U A1G A1M A1A A1Q A1H A1R A1E)	45C0820	1
FR/CF (models A4F A1F)	45C0821	1
GR (models A1G)	45C0822	1
IT (models A1G)	45C0825	1
BR (models A1P)	45C0824	1

9156 Windows XP Pro Recovery CDs	FRU#	CRU Tier
SP/LA (models )	45C0823	1
DK (models A1G)	45C0829	1
NL (models A1G)	45C08230	1
AE (models A1G)	45C0835	1
SV (models A1G)	45C0828	1
HE (models A1G)	45C0833	1
FI (models A1G)	45C0832	1
NO (models A1G)	45C0827	1
PL (models A1G)	45C0834	1
PO (models A1G)	45C4061	1
RU (models A1G)	45C0836	1
RE (models A1G)	45C0845	1
HU (models A1G)	45C0838	1
CZ (models A1G)	45C0831	1
TR (models A1G)	45C0837	1
GK (models A1G)	45C0839	1
SL (models A1G)	45C0844	1
Japanese (models A3J)	45C0826	1
Simplified Chinese (models )	45C0840	1
Taiwan - TC (models A1V)	45C0841	1
Hong Kong - TC (models )	45C0842	1
Korea (models A1K)	45C0843	1

9156 Vista Home Basic 32 Recovery DVDs	FRU#	CRU Tier
English (models A4U)	45C0770	1
French/Canadian French (models )	45C0772	1
German (models )	45C0773	1
Spanish/LA (models )	45C0774	1
Brazil (models )	45C0775	1
Italy (models )	45C0776	1
Japanese (models )	45C0777	1
Norway (models )	45C0778	1
Swedish (models )	45C0779	1
Denmark (models )	45C0780	1
Dutch (models )	45C0781	1
Czech (models )	45C0782	1
Finnish (models )	45C0783	1
Polish (models )	45C0784	1
Russian (models )	45C0785	1
Turkish (models )	45C0786	1
Hungarian (models )	45C0787	1

<b>9156 Vista Home Basic 32 Recovery DVDs</b>	<b>FRU#</b>	<b>CRU Tier</b>
Greek (models )	45C0788	1
Simplified Chinese (models )	45C0789	1
Traditional Chinese (models )	45C0790	1
Traditional Chinese (models )	45C0791	1
Korean (models A1K)	45C0792	1
SL (models )	45C0793	1
Russian English (models )	45C0771	1
Hebrew (models )	45C0794	1

<b>9156 Vista Business 32 Recovery DVDs</b>	<b>FRU#</b>	<b>CRU Tier</b>
English (models A1U A1F A1G A1M A1A A1Q A1H A1R A1E )	45C0660	1
French/Canadian French (models A4F A1F)	45C0662	1
German (models A1G)	45C0663	1
Spanish/LA (models A1G)	45C0664	1
Brazil (models A1P)	45C0665	1
Italy (models A1G)	45C0666	1
Japanese (models A1J)	45C0667	1
Norway (models A1G)	45C0668	1
Swedish (models A1G)	45C0669	1
Denmark (models A1G)	45C0670	1
Dutch (models A1G)	45C0671	1
Czech (models A1G)	45C0672	1
Finnish (models A1G)	45C0673	1
Polish (models A1G)	45C0674	1
Russian (models A1G)	45C0675	1
Turkish (models A1G)	45C0676	1
Hungarian (models A1G)	45C0677	1
Greek (models A1G)	45C0678	1
Portuguese (models A1G)	45C0687	1
Simplified Chinese (models A1G)	45C0679	1
Traditional Chinese (models A1V)	45C0680	1
Traditional Chinese (models A1V)	45C0681	1
Korean (models A1K)	45C0682	1
Slovenian (models A1G)	45C0683	1
Russian English (models )	45C0661	1
Romanian (models )	45C0684	1
Bulgarian (models )	45C0685	1
Croatian (models )	45C0686	1
Serbian-Latin (models )	45C0688	1
Ukrainian (models )	45C0689	1
Slovakian (models )	45C0690	1

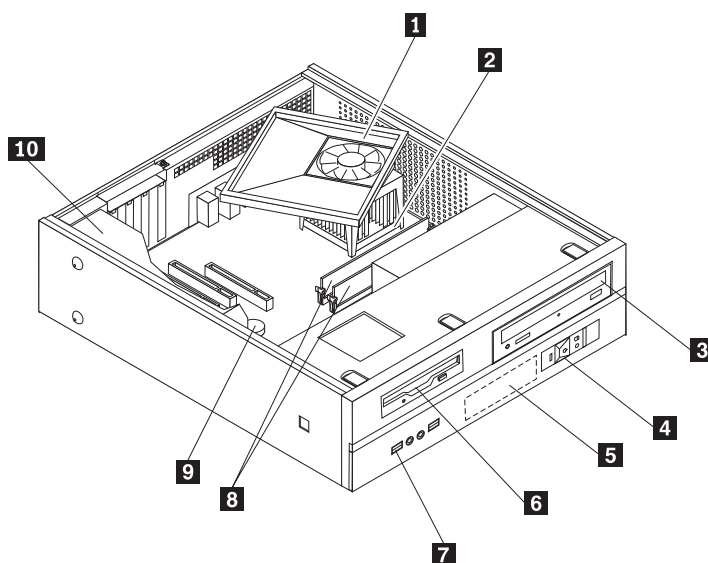
9156 Vista Business 32 Recovery DVDs	FRU#	CRU Tier
Hebrew (models )	45C5289	1
Arabic (models )	45C5290	1

9156 Vista Home pre 32 Recovery DVDs	FRU#	CRU Tier
English (models )	45C0581	1
Russian English (models )	45C0582	1
French/Canadian French (models )	45C0583	1
German (models )	45C0584	1
Spanish/LA (models )	45C0585	1
Brazil (models )	45C0586	1
Italy (models )	45C0587	1
Japanese (models )	45C0588	1
Norway (models )	45C0589	1
Swedish (models )	45C0590	1
Denmark (models )	45C0591	1
Dutch (models )	45C0592	1
Czech (models )	45C0593	1
Finnish (models )	45C0594	1
Polish (models )	45C0595	1
Russian (models )	45C0596	1
Turkish (models )	45C0597	1
Hungarian (models )	45C0598	1
Greek (models )	45C0599	1
Simplified Chinese (models )	45C0600	1
Traditional Chinese (models )	45C0601	1
Traditional Chinese (models )	45C0602	1
Korean (models )	45C0603	1
Slovenian (models )	45C0604	1
Hebrew (models )	45C0605	1
Romanian (models )	45C0606	1
Bulgarian (models )	45C0607	1
Croatian (models )	45C0608	1
Portuguese (models )	45C0609	1
Serbian-Latin (models )	45C0610	1
Ukrainian (models )	45C0611	1
Slovakian (models )	45C0612	1
Arabic (models )	45C5291	1

9156 Vista Business 64 Recovery DVDs	FRU#	CRU Tier
English (models )	45C0722	1
Russian English (models )	45C0723	1

9156 Vista Business 64 Recovery DVDs	FRU#	CRU Tier
French/Canadian French (models )	45C0724	1
German (models )	45C0725	1
Spanish/LA (models )	45C0726	1
Brazil (models )	45C0727	1
Italy (models )	45C0728	1
Japanese (models )	45C0729	1
Norway (models )	45C0730	1
Swedish (models )	45C0731	1
Denmark (models )	45C0732	1
Dutch (models)	45C0733	1
Czech (models )	45C0734	1
Finnish (models)	45C0735	1
Polish (models)	45C0736	1
Russian (models)	45C0737	1
Turkish (models)	45C0738	1
Hungarian (models)	45C0739	1
Greek (models)	45C0740	1
Simplified Chinese (models)	45C0741	1
Taiwan (models)	45C0742	1
Hong Kong (models)	45C0743	1
Korean (model )	45C0744	1
Slovenian (models)	45C0745	1
Hebrew (models)	45C4059	1
Portuguese (models)	45C4826	1
Arabic (models)	45C5293	1

## Machine Type 9157



Item #	9157 FRUs	FRU#	CRU
1	AMD 65W heatsink (all models)	41R4802	2
1	AMD 89W heatsink (all models)	41R6290	2
2	Microprocessor, 3600+ Sempron AM2 (2.0 GHz processor, 62W) (models A3B A3H A4J A5J )	41X1411	N
2	Microprocessor, 3800+ Athlon64 AM2 X2 (2.0 GHz processor, 89W) (models A2K A1K)	41X4241	N
2	Microprocessor, 4000+ Athlon64 AM2 (2.4 GHz processor, 62W) (models A6J A7J A8J A2U A2F A2S A2P A2L A2D A2Y A2G A2M A2A A2Q A2T A2C A2B A2H A2V A2R A2E A2J A2K )	41X1419	N
2	Microprocessor, 4800+ Athlon64 AM2 X2 (2.5 GHz processor, 65W, stepping G1 45nm) (models A9J)	43C4093	N
2	Microprocessor, Sempron LE 1100 (1.9 GHz processor, 45W, 256KB L2) stepping G1 (models)	45C7564	N
2	Microprocessor, Sempron LE 1150 (2.0 GHz processor, 45W, 256KB L2) stepping G1 (models)	45C7507	N
2	Microprocessor, Sempron LE 1200 (2.1 GHz processor, 45W, 512KB L2) stepping G1 (models)	43C6169	N
2	Microprocessor, Sempron LE 1250 (2.2 GHz processor, 45W, 512KB L2) stepping G2 (models)	43C6168	N
2	Microprocessor, 5200+ Athlon64 AM2 X2 (2.7 GHz processor, 65W) stepping G1 65nm (models)	45C7502	N
2	Microprocessor, 6000+ Athlon64 AM2 X2 (3.0 GHz processor, 65W) stepping G1 65nm (models)	45C7503	N
2	Microprocessor, Athlon X2 BE 2300 (1.9GHz processor, 45W, 1MB L2) steping G1 (models)	43C6167	N
2	Microprocessor, Athlon X2 BE 2350 (2.1GHz processor, 45W, 1MB L2) steping G1 (models)	43C6166	N
2	Microprocessor, Athlon X2 BE 2400 (2.3GHz processor, 45W, 1MB L2) steping G1 (models)	43C6165	N

Item #	9157 FRUs	FRU#	CRU
3	DVD-ROM Drive - 16x/48x - SATA XP and Vista (models A6J A8J A4J A2U A2F A2S A2P A2L A2D A2Y A2G A2M A2A A2Q A2T A2C A2B A2H A2V A2R A2E A2J A2K )	41N3325	2
3	DVD-ROM/CD-RW Combo Drive - 48x/32x/48x/16x - SATA vista and XP (models A2K )	42Y9353	2
3	DVD-RW/CD-RW Rambo 8 - SATA VISTA AND XP (models A9J A3B A3H A7J A5J A1K)	43C1042	2
4	Front Power/LED PC, bracket, and cable (all models)	41N8213	2
5	Hard disk drive, 80GB, 7200RPM, SATA (models A4J A5J ADD A2U A2F A2S A2P A2L A2D A2Y A2G A2M A2A A2Q A2T A2C A2B A2H A2V A2R A2E A2J A2K )	40Y9034	2
5	Hard disk drive, 160GB, 7200RPM, SATA (models A9J A3B A3H A6J A7J A8J A9J A2K )	40Y9035	2
5	Hard disk drive, 250GB, 7200RPM, SATA (models A1K)	40Y9036	2
6	Diskette drive, 3,5", 1.44MB, 2-mode, (w/bezel) (models A9J A6J A7J A8J A4J A5J )	40Y9105	2
6	Diskette drive, 3,5", 1.44MB, 2-mode, (w/bezel) (models A9J A6J A7J A8J A4J A5J )	40Y9107	2
7	Front USB/Audio with bracket (all models)	41N8212	2
8	Memory module, 512 MB PC2-5300 (667MHz) DDR2 SDRAM (models A9J A3B A3H A6J A7J A8J A9J A4J A5J )	41X4255	2
8	Memory module, 1 GB PC2-5300 (667MHz) DDR2 SDRAM (models A2K A1K A2U A2F A2S A2P A2L A2D A2Y A2G A2M A2A A2Q A2T A2C A2B A2H A2V A2R A2E A2J )	41X4256	2
9	System board, AMD 690G (models A9J A3B A3H A6J A7J A8J A9J A5J A4J A2K A1K A2U A2F A2S A2P A2L A2D A2Y A2G A2M A2A A2Q A2T A2C A2B A2H A2V A2R A2E A2J)	42Y9916	N
10	220 Watt Power Supply - Japan (models A9J A6J A7J A8J A4J A5J A2J A2E)	41A9697	2
10	220 Watt Power Supply - Robust (models A3B A3H A2Q A2C A2B A2H A2V)	41A9689	2
10	220W 80% Power supply (models A3B A3H A6J A7J A8J A9J A4J A5J A2K A1K A2U A2F A2S A2P A2L A2D A2Y A2G A2M A2A A2Q A2T A2C A2B A2H A2V A2R A2E A2J )	41A9670	2
10	280W TFX 280W PS, Active PFC (models A3B A3H A6J A7J A8J A9J A4J A5J A2K A1K A2U A2F A2S A2P A2L A2D A2Y A2G A2M A2A A2Q A2T A2C A2B A2H A2V A2R A2E A2J)	41A9705	2

The FRUs listed in the following tables are not illustrated.

9157 FRUs	FRU#	CRU
System board shield (all models)	41R6384	N
Cover (all models)	41N8204	N
Mechanical shell kit (all models)	41R6209	N
Bezel kit (all models)	41N8206	N
Miscellaneous hardware kit (all models)	41N8209	N
Hard disk drive bracket assembly (plastic and grommets) (all models)	41N8210	N
Hard disk drive fan and bracket assembly (all models)	41N8211	N
Speaker cable assembly, 600 mm cable length (all models)	41N8217	N
Fan duct assembly (all models)	41R4808	N
Intrusion switch assembly (all models)	41R6208	N

9157 FRUs	FRU#	CRU
Cable, diskette drive (all models)	41A7147	N
Shield, EMC, blank 5.25 in. drive bay all models)	41N8271	N
Shield, EMC, blank diskette drive bay (all models)	41N8273	N
Rear USB 2Ports II LP (R), low profile I/O, 200mm, Rohs (all models)	42Y8006	N
Rear Com2 cable II LP(R), low profile I/O, 250mm, Rohs (all models)	42Y8008	N
Foot stand (all models)	41R4813	N
Cable, serial ATA, 250 mm (all models)	41A7145	N
Bezel kit, Rocky S3 without IBM logo (all models)	41R6238	2
DVI cable for RS690 LP (all models)	41R3304	2

9157 Keyboards (USB Preferred Pro)	FRU#	CRU
US English (models A3H A2U A2G A2M A2A A2Q A2H A2R A2E)	41A5289	1
Arabic (models A2G)	41A5290	1
Arabic/French (models )	41A5291	1
Belgian/French (models A2G)	41A5292	1
Belgian/UK (models A2G)	41A5293	1
Brazilian (models A2P)	41A5294	1
Bulgarian (models A2G)	41A5295	1
Hong Kong/Taiwan (models A3B A2B A2V )	41A5296	1
Czech (models A2G)	41A5297	1
Danish (models A2G)	41A5298	1
Dutch (models A2G)	41A5299	1
French (models A2G)	41A5300	1
French Canadian 445 (models A2F)	41A5301	1
French Canadian 58 (models A2F)	41A5302	1
German (models A2G)	41A5303	1
Greek (models A2G)	41A5304	1
Greek/US (models A2G)	41A5305	1
Hebrew (models A2G)	41A5306	1
Hungarian (models A2G)	41A5307	1
Iceland (models A2G)	41A5308	1
Italian (models A2G)	41A5309	1
Japanese (models A9J A6J)	41A5310	1
Korean (models A2K A1K)	41A5311	1
LA Spanish (models A2S A2D A2Y)	41A5312	1
Norwegian (models A2G)	41A5313	1
Polish (models A2G)	41A5314	1
Portuguese (models A2G)	41A5315	1
Romanian 096 (models A2G)	41A5317	1
Romanian 446 (models A2G)	41A5316	1
Russian/Cyrillic (models A2G)	41A5318	1



9157 Keyboards (USB Preferred Pro)	FRU#	CRU
Serbian/Cyrillic (models A2G)	41A5319	1
Slovak (models A2G)	41A5320	1
Spanish (models A2G)	41A5321	1
Swedish/Finn (models A2G)	41A5322	1
Swiss (models A2G)	41A5323	1
Thailand (models A2T)	41A5324	1
Turkish 440 (models A2G)	41A5325	1
Turkish 179 (models A2G)	41A5326	1
UK English (models A2G)	41A5327	1
US Euro (models A2G)	41A5328	1
Slovenian (models A2G)	41A5329	1

9157 mice	FRU#	CRU
Optical Wheel Mouse (400DPI, USB) (models A9J A3B A3H A6J A7J A8J A4J A5J A2K A1K A2U A2F A2S A2P A2L A2D A2Y A2G A2M A2A A2Q A2T A2C A2B A2H A2V A2R A2E A2J )	41U3013	1
Optical Wheel Mouse (400DPI, USB) (models A9J A3B A3H A6J A7J A8J A4J A5J A2K A1K A2U A2F A2S A2P A2L A2D A2Y A2G A2M A2A A2Q A2T A2C A2B A2H A2V A2R A2E A2J)	41U3030	1

9157 Adapters and miscellaneous FRUs	FRU#	CRU
Dongle Cable - DMS59 to dual VGA (included in Denver L1) (models)	41R3404	1
Dongle DMS Dule DMS-59 to dual DVI cable (models)	41R3403	1
Dongle DMS Dule DMS-59 to single VGA & single DVI cable (models)	41R3405	1
Speaker Power brick - US, Canada, LA low voltage, ASEAN (models A2U A2A )	89P8571	1
Speaker Power brick - Hong Kong, Malaysia, Singapore, UK, Brunei (models A3B A3H A2B A2H )	89P8573	1
Speaker Power brick - LA high voltage (non-APU) (models )	89P8575	1
Speaker Power brick - China, Thailand (models A2T A2C )	89P8581	1
Speaker Power brick - Japan (models A6J A7J A8J A9J A5J A4J A2J )	89P8577	1
Speaker Power brick - Brazil (models )	89P8583	1
Speaker Power brick - Argentina (models )	41A4901	1
Speaker Power brick - ANZ (models A2M)	89P8579	1
Speaker Brick - Korea (models A2K A1K)	41A4903	1
Speaker Brick - Taiwan (models A2V)	41A4905	1
DVI cable for RS690 LP (models A1K A2U A2F A2S A2P A2L A2D A2Y A2G A2M A2A A2Q A2T A2C A2B A2H A2V A2R A2E A2J)	41R3316	2
USB Memory Key - 1G RoW (models)	45C7146	1
ATI HD 2400PRO 128MB 64BIT DMS59 LP/ATX (models)	43C0259	2
ATI HD 2400XT 256MB 64BIT DMS59 LP/ATX (models)	43C0260	2
ATI HD 2600XT 512MB 128BIT ATX (models)	43C8266	2

9157 Power Cords	FRU#	CRU Tier
Power cord - US (models A2U A2F A2S A2D A2L A2A A2T )	39M5080	1
Power cord - China (models A2C)	39M5205	1
Power cord - Japan (models A9J A6J A7J A8J A5J A4J A2E A2J )	39M5193	1
Power cord - Brazil (models A2P )	39M5232	1
Power cord - LA High Volt (APU) (models A2Y A2L )	39M5067	1
Power cord - Australia/New Zealand (models A2M )	39M5102	1
Power cord - Korea (models A2K A1K A2R A2K )	39M5212	1
Power cord - Hong Kong (models A3B A3H A2B A2H )	39M5151	1
Power cord - UK, Ireland, Singapore, Malaysia, Brunei (models A2G A2A )	39M5150	1
Power cord - Taiwan (models A2V )	39M5246	1
Power cord - Italy/Chile (models A2S A2Y A2L A2G )	39M5164	1
Power cord - G models (models A2A )	39M5122	1
Power cord - Denmark (models A2G)	39M5129	1
Power cord - Switzerland (models A2G)	39M5157	1
Power cord - Israel (models A2G)	39M5171	1
Power cord - South Africa (models A2G A2M A2A )	39M5143	1
Power cord - India (models A2Q)	39M5004	1

9157 Windows XP Home Recovery CDs	FRU#	CRU Tier
PO (models )	45C4069	1

9157 Windows XP Pro Recovery CDs	FRU#	CRU Tier
US/UK/AP/TH (models A3H A2U A2F A2G A2M A2A A2Q A2H A2R A2E)	45C0820	1
FR/CF (models A2G A2F)	45C0821	1
GR (models A2G)	45C0822	1
IT (models A2G)	45C0825	1
BR (models)	45C0824	1
SP/LA (models)	45C0823	1
DK (models A2G)	45C0829	1
NL (models A2G)	45C08230	1
AE (models A2G)	45C0835	1
SV (models A2G)	45C0828	1
HE (models A2G)	45C0833	1
FI (models A2G)	45C0832	1
NO (models A2G)	45C0827	1
PL (models A2G)	45C0834	1
PO (models )	45C4061	1
RU (models A1G)	45C0836	1
RE (models A1G)	45C0845	1
HU (models A2G)	45C0838	1
CZ (models A2G)	45C0831	1

<b>9157 Windows XP Pro Recovery CDs</b>	<b>FRU#</b>	<b>CRU Tier</b>
TR (models A2G)	45C0837	1
GK (models A2G)	45C0839	1
SL (models A2G)	45C0844	1
Japanese (models A6J A7J A4J A5J A9J A8J A2J)	45C0826	1
Simplified Chinese (models )	45C0840	1
Taiwan - TC (models A2V)	45C0841	1
Hong Kong - TC (models )	45C0842	1
Korea (models A2K A1K)	45C0843	1

<b>9157 Vista Home Basic 32 Recovery DVDs</b>	<b>FRU#</b>	<b>CRU Tier</b>
Portuguese (models )	45C4825	1
Arabic (models )	45C5292	1

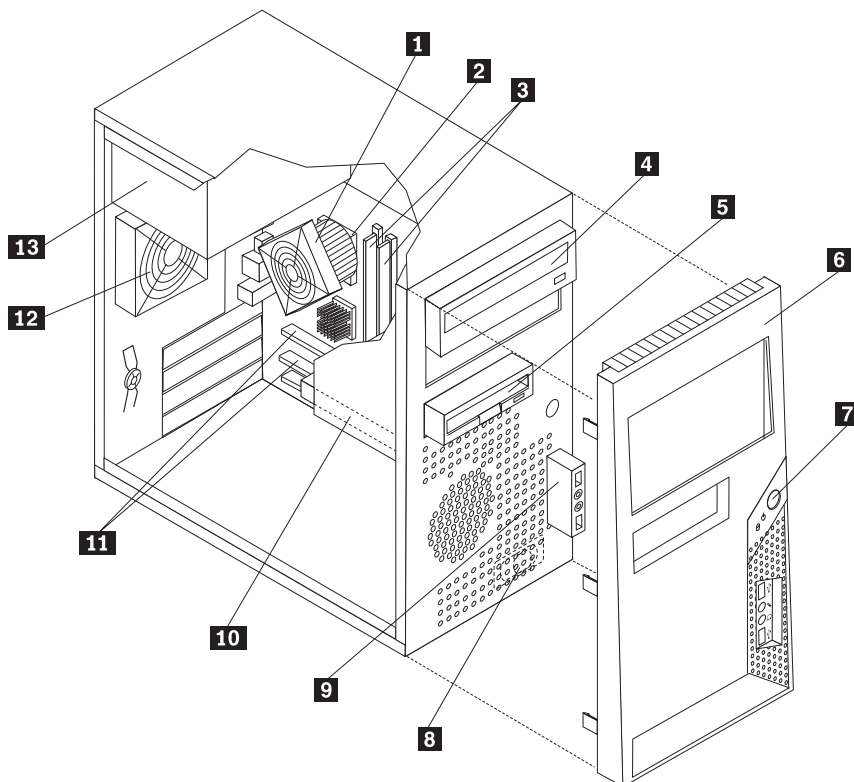
<b>9157 Vista Business 32 Recovery DVDs</b>	<b>FRU#</b>	<b>CRU Tier</b>
English (models A3H A2U A2F A2G A2M A2A A2Q A2H A2R A2E )	45C0660	1
French/Canadian French (models A2G A2F)	45C0662	1
German (models A2G)	45C0663	1
Spanish/LA (models A2G)	45C0664	1
Brazil (models A2G)	45C0665	1
Italy (models A2G)	45C0666	1
Japanese (models A9J A8J)	45C0667	1
Norway (models A2G)	45C0668	1
Swedish (models A2G)	45C0669	1
Denmark (models A2G)	45C0670	1
Dutch (models A2G)	45C0671	1
Czech (models A2G)	45C0672	1
Finnish (models A2G)	45C0673	1
Polish (models A2G)	45C0674	1
Russian (models A2G)	45C0675	1
Turkish (models A2G)	45C0676	1
Hungarian (models A2G)	45C0677	1
Greek (models A2G)	45C0678	1
Portuguese (models A2G)	45C0687	1
Simplified Chinese (models A2C)	45C0679	1
Traditional Chinese (models A2V)	45C0680	1
Traditional Chinese (models A2V)	45C0681	1
Korean (models A2K A1K)	45C0682	1
Slovenian (models A2G)	45C0683	1
Russian English (models A2G)	45C0661	1
Romanian (models )	45C0684	1
Bulgarian (models )	45C0685	1

9157 Vista Business 32 Recovery DVDs	FRU#	CRU Tier
Croatian (models )	45C0686	1
Serbian-Latin (models )	45C0688	1
Ukrainian (models )	45C0689	1
Slovakian (models )	45C0690	1
Hebrew (models )	45C5289	1
Arabic (models )	45C5290	1

9157 Vista Home Pre 32 Recovery DVDs	FRU#	CRU Tier
Arabic (models )	45C5291	1

9157 Vista Business 64 Recovery DVDs	FRU#	CRU Tier
Hebrew (models )	45C4059	1
Portuguese (models )	45C4826	1
Arabic (models )	45C5293	1

## Machine Type 9158



Item #	9158 FRUs	FRU#	CRU
1	AMD 89W/65W heat sink kit (all models)	41R4802	2
2	Microprocessor, 2800+ Sempron AM2 (1.6 GHz processor, 62W) (models CTO)	42Y8938	N
2	Microprocessor, 3000+ Sempron AM2 (1.6 GHz processor, 62W) (models CTO)	41X1403	N

Item #	9158 FRUs	FRU#	CRU
2	Microprocessor, 3400+ Sempron AM2 (1.8 GHz processor, 62W) (models CTO)	41X1407	N
2	Microprocessor, 3500+ Sempron AM2 (2.0 GHz processor, 62W) (models CTO)	41X1409	N
2	Microprocessor, 3600+ Sempron AM2 (2.0 GHz processor, 62W) (models CTO)	41X1411	N
2	Microprocessor, 3600+ Athlon64 AM2 X2 1.9GHz 1M 65W 65nm G1 (models CTO)	43C4091	N
2	Microprocessor, 3800+ Sempron AM2 (2.2 GHz processor, 62W) (models CTO)	43C2454	N
2	Microprocessor, 3200+ Athlon64 AM2 (2.0 GHz processor, 62W) (models CTO)	42Y8940	N
2	Microprocessor, 3500+ Athlon64 AM2 (2.2 GHz processor, 62W) (models CTO)	41X1415	N
2	Microprocessor, 3800+ Athlon64 AM2 (2.4 GHz processor, 62W) (models CTO)	41X1417	N
2	Microprocessor, 3600+ Athlon64 AM2 X2 (2.0 GHz processor, 65W) (models CTO)	41X7777	N
2	Microprocessor, 4000+ Athlon64 AM2 (2.4 GHz processor, 62W) (models A1U A1F A1S A1P A1L A1D A1Y A1G A1M A1A A1Q A1T A1C A1B A1H A1V A1R A1E A1J A1K )	41X1419	N
2	Microprocessor, 4200+ Athlon64 AM2 (2.2 GHz processor, 62W) (models CTO)	41X1421	N
2	Microprocessor, 4400+ Athlon64 AM2 X2 (2.3 GHz processor, 89W) (models A2K A2U A2F A2S A2P A2L A2D A2Y A2G A2M A2A A2Q A2T A2C A2B A2H A2V A2R A2E A2J )	43C3507	N
2	Microprocessor, 4600+ Athlon64 AM2 X2 (2.4 GHz processor, 89W) (models CTO)	41X1423	N
2	Microprocessor, 4800+ Athlon64 AM2 X2 (2.5 GHz processor, 65W) stepping G1 45nm (models A1K A3J )	43C4093	N
2	Microprocessor, 5000+ Athlon AM2 X2 (2.6 GHz processor, 89W) (models CTO)	41X1427	N
2	Microprocessor, Sempron LE 1100 (1.9 GHz processor, 45W, 256KB L2) stepping G1 (models)	45C7564	N
2	Microprocessor, Sempron LE 1150 (2.0 GHz processor, 45W, 256KB L2) stepping G1 (models)	45C7507	N
2	Microprocessor, Sempron LE 1200 (2.1 GHz processor, 45W, 512KB L2) stepping G1 (models)	43C6169	N
2	Microprocessor, Sempron LE 1250 (2.2 GHz processor, 45W, 512KB L2) stepping G2 (models)	43C6168	N
2	Microprocessor, 5200+ Athlon64 AM2 X2 (2.7 GHz processor, 65W) stepping G1 65nm (models)	45C7502	N
2	Microprocessor, 6000+ Athlon64 AM2 X2 (3.0 GHz processor, 65W) stepping G1 65nm (models)	45C7503	N
2	Microprocessor, Athlon X2 BE 2300 (1.9GHz processor, 45W, 1MB L2) steping G1 (models)	43C6167	N
2	Microprocessor, Athlon X2 BE 2350 (2.1GHz processor, 45W, 1MB L2) steping G1 (models)	43C6166	N
2	Microprocessor, Athlon X2 BE 2400 (2.3GHz processor, 45W, 1MB L2) steping G1 (models)	43C6165	N
3	Memory module, 512 MB PC2-4200 (533MHz) DDR2 SDRAM (models CTO)	41X4251	2
3	Memory module, 1 GB PC2-4200 (533MHz) DDR2 SDRAM (models CTO)	41X4252	2
3	Memory module, 2 GB PC2-4200 (533MHz) DDR2 SDRAM (models CTO)	41X4253	2
3	Memory module, 512 MB PC2-5300 (667MHz) DDR2 SDRAM (models A3J A4U A4F )	41X4255	2

Item #	9158 FRUs	FRU#	CRU
3	Memory module, 1 GB PC2-5300 (667MHz) DDR2 SDRAM (models A2K A1K A3J A1U A1F A1S A1P A1L A1D A1Y A1G A1M A1A A1Q A1T A1C A1B A1H A1V A1R A1E A1J A2U A2F A2S A2P A2L A2D A2Y A2G A2M A2A A2Q A2T A2C A2B A2H A2V A2R A2E A2J)	41X4256	2
3	Memory module, 2 GB PC2-5300 (667MHz) DDR2 SDRAM (models CTO)	41X4257	2
3	Memory module, 512 MB PC2-6400 (800MHz) DDR2 SDRAM (models CTO)	41X1079	2
3	Memory module, 1 GB PC2-6400 (800MHz) DDR2 SDRAM (models CTO)	41X1080	2
3	Memory module, 2 GB PC2-6400 (800MHz) DDR2 SDRAM (models CTO)	41X1081	2
4	DVD-ROM drive - 16x/48x - SATA XP and Vista (models A4U A4F A1U A1F A1S A1P A1L A1D A1Y A1G A1M A1A A1Q A1T A1C A1B A1H A1V A1K A1R A1E A1J A2U A2F A2S A2P A2D A2Y A2G A2M A2A A2Q A2T A2C A2B A2H A2V A2K A2R A2E A2J )	41X3325	2
4	DVD-ROM/CD-RW Combo Drive - 48x/32x/48x/16x - SATA vista and XP (models CTO)	42Y9353	2
4	DVD-RW/CD-RW Rambo 8 - SATA VISTA AND XP (models A3J)	43C1042	2
5	Diskette drive, 3,5", 1.44MB, 2-mode, (w/bezel) (models A3J)	40Y9105	2
5	Diskette drive, 3,5", 1.44MB, 2-mode, (w/bezel) (models A3J)	40Y9107	2
6	Bezel assembly (all models)	TBD	2
7	Power switch/LED assembly (all models)	41N5284	2
8	Speaker assembly, soldered terminals (all models)	39P5023	2
9	Front audio/USB assembly (all models)	41N8054	2
10	Hard disk drive, 80GB, 7200RPM, SATA (models A4U A4F A1U A1F A1S A1P A1L A1D A1Y A1G A1M A1A A1Q A1T A1C A1B A1H A1V A1K A1R A1E A1J A2U A2F A2S A2P A2D A2Y A2G A2M A2A A2Q A2T A2C A2B A2H A2V A2K A2R A2E A2J )	40Y9034	2
10	Hard disk drive, 160GB, 7200RPM, SATA (models A3J)	40Y9035	2
10	Hard disk drive, 250GB, 7200RPM, SATA (models A2K)	40Y9036	2
10	Hard disk drive, 320GB, 7200RPM, SATA/8MB (models A3K)	87H4891	2
10	Hard disk drive, 500GB, 7200RPM, SATA (models)	41X5582	2
11	System board, AMD 690G (models A3J A4U A2K A1K A4F A1U A1F A1S A1P A1L A1D A1Y A1G A1M A1A A1Q A1T A1C A1B A1H A1V A1R A1E A1J A2U A2F A2S A2P A2L A2D A2Y A2G A2M A2A A2Q A2T A2C A2B A2H A2V A2R A2E A2J )	42Y9916	N
12	System fan, rear (all models)	41R6046	2
13	ATX 280W Power supply; Robust (models A1Q A1C A1B A1H A1V A2Q A2C A2B A2H A2V )	41A9684	N
13	ATX 280W 80% power supply (models A4U A2K A1K A3J A4F A1U A1F A1S A1P A1D A1Y A1G A1M A1A A1T A1R)	41A9665	N
13	ATX 310W Power supply Robust (models A1Q A1C A1B A1H A1V A2Q A2C A2B A2H A2V )	24R2598	N

The FRUs listed in the following tables are not illustrated.

9158 FRUs	FRU#	CRU
Shield, EMC, blank 5.25 in. drive bay (all models)	41N8080	N
Shield, EMC, blank diskette drive bay (all models)	41N8078	N

9158 FRUs	FRU#	CRU
Cable, diskette drive (all models)	41A7182	N
Cable, Serial ATA, 250 mm (all models)	41A7145	2
Rear USB 2Ports II HP(R), high profile I/O, 300mm, Rohs (all models)	42Y8005	2
Rear Com2 cable, Rohs (all models)	41R6198	2
Rear Com2 cable II HP(R), high profile I/O, 250mm, Rohs (all models)	42Y8007	N
Cable -SATA 457mm (RoHS) (all models)	26K1186	2
Cover (all models)	41N8050	2
System board shield (all models)	41R6378	N
Kit, Misc. Hardware (all models)	41N8055	2
Retainer, Card Reader (all models)	41R2913	2
System fan, front (all models)	41R4791	2
Optional HDD Bracket Assembly, without 4Pin cable (all models)	41R6106	2
Cable, Temperature Sense (460mm) (all models)	41R6196	2
Intrusion Switch assembly (all models)	41R6116	2

9158 Keyboards (Preferred Pro)	FRU#	CRU Tier
US English (models CTO)	41A5039	1
Arabic (models CTO)	41A5040	1
Arabic/French (models CTO)	41A5041	1
Belgian/French (models CTO)	41A5042	1
Belgian/UK (models CTO)	41A5043	1
Bulgarian (models CTO)	41A5045	1
Hong Kong/Taiwan (models CTO)	41A5046	1
Czech (models CTO)	41A5047	1
Danish (models CTO)	41A5048	1
Dutch (models CTO)	41A5049	1
French (models CTO)	41A5050	1
French Canadian 445 (models CTO)	41A5051	1
French Canadian 58 (models CTO)	41A5052	1
German (models CTO)	41A5053	1
Greek (models CTO)	41A5054	1
Hebrew (models CTO)	41A5055	1
Hungarian (models CTO)	41A5056	1
Iceland (models CTO)	41A5057	1
Italian (models CTO)	41A5058	1
Japanese (models CTO)	41A5059	1
Korean (models CTO)	41A5060	1
LA Spanish (models CTO)	41A5061	1
Norwegian (models CTO)	41A5062	1
Polish (models CTO)	41A5063	1
Portuguese (models CTO)	41A5064	1

9158 Keyboards (Preferred Pro)	FRU#	CRU Tier
Romanian (models CTO)	41A5065	1
Russian/Cyrilic (models CTO)	41A5066	1
Serbian/Cyrilic (models CTO)	41A5067	1
Slovak (models CTO)	41A5068	1
Spanish (models CTO)	41A5069	1
Swedish/Finn (models CTO)	41A5070	1
Swiss F/G (models CTO)	41A5071	1
Turkish 440 (models CTO)	41A5073	1
Turkish 179 (models CTO)	41A5074	1
UK English (models CTO)	41A5075	1
US Euro (models CTO)	41A5076	1
Slovenian (models CTO)	41A5077	1
Brazil/Portuguese (models CTO)	41A5044	1

9158 Keyboards (USB Preferred Pro)	FRU#	CRU
US English (models A4U A1U A2U )	41A5289	1
Arabic (models A1G A2G)	41A5290	1
Arabic/French (models CTO)	41A5291	1
Belgian/French (models A1G A2G)	41A5292	1
Belgian/UK (models A1G A2G)	41A5293	1
Brazilian (models A1P A2P)	41A5294	1
Bulgarian (models A1G A2G)	41A5295	1
Hong Kong/Taiwan (models A1B A1V A2B A2V)	41A5296	1
Czech (models A1G A2G)	41A5297	1
Danish (models A1G A2G)	41A5298	1
Dutch (models A1G A2G)	41A5299	1
French (models A1G A2G)	41A5300	1
French Canadian 445 (models A4F A1F A2F)	41A5301	1
French Canadian 58 (models A4F A1F A2F)	41A5302	1
German (models A1G A2G)	41A5303	1
Greek (models A1G A2G)	41A5304	1
Greek/US (models CTO)	41A5305	1
Hebrew (models A1G A2G)	41A5306	1
Hungarian (models A1G A2G)	41A5307	1
Iceland (models A1G A2G)	41A5308	1
Italian (models A1G A2G)	41A5309	1
Japanese (models A3J A1J A2J)	41A5310	1
Korean (models A2K A1K)	41A5311	1
LA Spanish (models A1S A1D A1Y A2S A2D A2Y )	41A5312	1
Norwegian (models A1G A2G)	41A5313	1
Polish (models A1G A2G)	41A5314	1



<b>9158 Keyboards (USB Preferred Pro)</b>	<b>FRU#</b>	<b>CRU</b>
Portuguese (models A1G A2G)	41A5315	1
Romanian 096 (models A1G A2G)	41A5317	1
Romanian 446 (models A1G A2G)	41A5316	1
Russian/Cyrillic (models A1G A2G)	41A5318	1
Serbian/Cyrillic (models A1G A2G)	41A5319	1
Slovak (models A1G A2G)	41A5320	1
Spanish (models A1G A2G)	41A5321	1
Swedish/Finn (models A1G A2G)	41A5322	1
Swiss (models A1G A2G)	41A5323	1
Thailand (models A1T A2T)	41A5324	1
Turkish 440 (models A1G A2G)	41A5325	1
Turkish 179 (models A1G A2G)	41A5326	1
UK English (models A1G A2G)	41A5327	1
US Euro (models A1G A2G)	41A5328	1
Slovenian (models A1G A2G)	41A5329	1

<b>9158 Keyboards (Fingerprint Reader USB)</b>	<b>FRU#</b>	<b>CRU Tier</b>
US English (models CTO)	41A5248	1
Arabic (models CTO)	41A5249	1
Arabic/French (models CTO)	41A5250	1
Belgian/French (models CTO)	41A5251	1
Belgian/UK (models CTO)	41A5252	1
Brazil/Portuguese (models CTO)	41A5253	1
Bulgarian (models CTO)	41A5254	1
Chinese (models CTO)	41A5255	1
Czech (models CTO)	41A5256	1
Danish (models CTO)	41A5257	1
Dutch (models CTO)	41A5258	1
French (models CTO)	41A5259	1
French Canadian 445 (models CTO)	41A5260	1
French Canadian 58 (models CTO)	41A5261	1
German (models CTO)	41A5262	1
Greek (models CTO)	41A5263	1
Greek/US (models CTO)	41A5264	1
Hebrew (models CTO)	41A5265	1
Hungarian (models CTO)	41A5266	1
Iceland (models CTO)	41A5267	1
Italian 141 (models CTO)	41A5268	1
Japanese (models CTO)	41A5269	1
Korean (models CTO)	41A5270	1
LA Spanish (models CTO)	41A5271	1

9158 Keyboards (Fingerprint Reader USB)	FRU#	CRU Tier
Norwegian (models CTO)	41A5272	1
Polish (models CTO)	41A5273	1
Portuguese (models CTO)	41A5274	1
Romanian 096 (models CTO)	41A5275	1
Romanian 446 (models CTO)	41A5276	1
Russian/Cyrillic (models CTO)	41A5277	1
Serbian/Cyrillic (models CTO)	41A5278	1
Slovak (models CTO)	41A5279	1
Spanish (models CTO)	41A5280	1
Swedish/Finn (models CTO)	41A5281	1
Swiss (models CTO)	41A5282	1
Turkish 440 (models CTO)	41A5284	1
Turkish 179 (models CTO)	41A5285	1
UK English (models CTO)	41A5286	1
US Euro (models CTO)	41A5287	1
Slovenian (models CTO)	41A5288	1

9158 mice	FRU#	CRU
Optical Wheel Mouse (400DPI, USB) (models A3J A4U A2K A1K A4F A1U A1F A1S A1P A1D A1L A1D A1Y A1G A1M A1M A1A A1Q A1T A1C A1B A1H A1V A1R A1E A1J A2U A2F A2S A2P A2L A2D A2Y A2G A2M A2A A2Q A2T A2C A2B A2H A2V A2R A2E A2J )	41U3013	1
Optical Wheel Mouse (400DPI, USB) models A3J A4U A2K A1K A4F A1U A1F A1S A1P A1D A1L A1D A1Y A1G A1M A1M A1A A1Q A1T A1C A1B A1H A1V A1R A1E A1J A2U A2F A2S A2P A2L A2D A2Y A2G A2M A2A A2Q A2T A2C A2B A2H A2V A2R A2E A2J )	41U3030	1
PS/2 Three Button ball mouse (41R0017) models CTO)	41R0018	1

9158 Adapters and miscellaneous FRUs	FRU#	CRU Tier
PCI Modem Card (Soft) (models CTO)	29R9729	2
L1 IEEE 1394 PCI Adapter (models CTO)	41D2781	2
Dongle Cable - DMS59 to dual VGA (included in Denver L1) (models CTO)	41R3404	1
Dongle DMS Dule DMS-59 to dual DVI cable (models CTO)	41R3403	1
Dongle DMS Dule DMS-59 to single VGA & single DVI cable (models CTO)	41R3405	1
Nvidia GeForce 7300LE 128MB 64bit LP / ATX with DMS59 (models CTO)	42Y8165	2
ATI X1300LE 256M 64bit LP / ATX with DMS59 (models CTO)	42Y8162	2
USB2.0 MEMORY CARDREADER,6X2,ROHS OPTIONAL, SONY (models CTO)	41R3376	2
USB2.0 MEMORY CARDREADER,6X2,ROHS OPTIONAL,Bitland (models CTO)	41R3378	2
Speakers (2-piece) Lenovo Logo (models CTO)	41A5331	2
BTL external speaker (models CTO)	41A5334	1
Speaker Power brick - US, Canada, LA low voltage, ASEAN (models A4U A1U A2U )	89P8571	1
Speaker Power brick - Hong Kong, Malaysia, Singapore, UK, Brunei (models CTO)	89P8573	1
Speaker Power brick - LA high voltage (non-APU) (models A1D A2D)	89P8575	1
Speaker Power brick - China, Thailand (models A1T A2T)	89P8581	1

9158 Adapters and miscellaneous FRUs	FRU#	CRU Tier
Speaker Power brick - Japan (models A3J A1J A2J)	89P8577	1
Speaker Power brick - Brazil (models CTO)	89P8583	1
Speaker Power brick - Argentina (models CTO)	41A4901	1
Speaker Power brick - ANZ (models A1M A2M)	89P8579	1
Speaker Brick - Korea (models A2K A1K)	41A4903	1
Speaker Brick - Taiwan (models CTO)	41A4905	1
Speaker Power brick - India, South Africa (models CTO)	89P8585	1
DVI cable for RS690 LP (models A2K A1K A4F A1U A1F A1S A1P A1L A1D A1Y A1G A1M A1A A1Q A1T A1C A1B A1H A1V A1R A1E A1J A2U A2F A2S A2P A2L A2D A2Y A2G A2M A2A A2Q A2T A2C A2B A2H A2V A2R A2E A2J )	41R3316	2
USB Memory Key - 1G RoW (models)	45C7146	1
ATI HD 2400PRO 128MB 64BIT DMS59 LP/ATX (models)	43C0259	2
ATI HD 2400XT 256MB 64BIT DMS59 LP/ATX (models)	43C0260	2
ATI HD 2600XT 512MB 128BIT ATX (models)	43C8266	2

9158 Power Cords	FRU#	CRU Tier
Power cord - US (models A4U A4F A1U A1F A1S A1D A1L A1A A1T A2U A2F A2S A2D A2L )	39M5080	1
Power cord - China (models A1C A2C)	39M5205	1
Power cord - Japan (models A3J A1J A2J)	39M5193	1
Power cord - Brazil (models A1P A2P)	39M5232	1
Power cord - LA High Volt (APU) (models A1Y A1L A2Y A2L )	39M5067	1
Power cord - Australia/New Zealand (models A1M A2M)	39M5102	1
Power cord - Korea (models A2K A1K)	39M5212	1
Power cord - Hong Kong (models A1B A1H A2B A2H)	39M5151	1
Power cord - UK, Ireland, Singapore, Malaysia, Brunei (models A1G A1A A2G A2A)	39M5150	1
Power cord - Taiwan (models A1V A2V)	39M5246	1
Power cord - Italy/Chile (models A1S A1Y A1L A1G A2S A2Y A2L A2G)	39M5164	1
Power cord - G models (models A1A A2A)	39M5122	1
Power cord - Denmark (models A1G A2G )	39M5129	1
Power cord - Switzerland (models A1G A2G)	39M5157	1
Power cord - Israel (models A1G A2G)	39M5171	1
Power cord - South Africa (models A1G A1M A1A A2G A2M A2A)	39M5143	1
Power cord - India (models A1Q A2Q)	39M5004	1

9158 Windows XP Home CDs	FRU#	CRU Tier
US/UK/AP/TH (models CTO)	45C1028	1
FR/CF (models CTO)	45C1029	1
GR (models CTO)	45C1030	1
IT (models CTO)	45C1033	1
BR (models CTO)	45C1032	1
SP/LA (models CTO)	45C1031	1

9158 Windows XP Home CDs	FRU#	CRU Tier
DK (models CTO)	45C1037	1
NL (models CTO)	45C1038	1
AE (models CTO)	45C1043	1
SV (models CTO)	45C1036	1
HE (models CTO)	45C1041	1
FI (models CTO)	45C1040	1
NO (models CTO)	45C1035	1
PL (models CTO)	45C1042	1
PO (models CTO)	45C4069	1
RU (models CTO)	45C1044	1
RE (models CTO)	45C1052	1
HU (models CTO)	45C1046	1
CZ (models CTO)	45C1039	1
TR (models CTO)	45C1045	1
GK (models CTO)	45C1047	1
Japanese (models CTO)	45C1034	1
Simplified Chinese (models CTO)	45C1048	1
Taiwan - TC (models CTO)	45C1049	1
Hong Kong - TC (models CTO)	45C1050	1
Korea (models A2K)	45C1051	1

9158 Windows XP Pro Recovery CDs	FRU#	CRU Tier
US/UK/AP/TH (models CTO)	45C0820	1
FR/CF (models CTO)	45C0821	1
GR (models CTO)	45C0822	1
IT (models CTO)	45C0825	1
BR (models CTO)	45C0824	1
SP/LA (models CTO)	45C0823	1
DK (models CTO)	45C0829	1
NL (models CTO)	45C08230	1
AE (models CTO)	45C0835	1
SV (models CTO)	45C0828	1
HE (models CTO)	45C0833	1
FI (models CTO)	45C0832	1
NO (models CTO)	45C0827	1
PL (models CTO)	45C0834	1
PO (models CTO)	45C4061	1
RU (models CTO)	45C0836	1
RE (models CTO)	45C0845	1
HU (models CTO)	45C0838	1
CZ (models CTO)	45C0831	1

9158 Windows XP Pro Recovery CDs	FRU#	CRU Tier
TR (models CTO)	45C0837	1
GK (models CTO)	45C0839	1
SL (models CTO)	45C0844	1
Japanese (models A3J)	45C0826	1
Simplified Chinese (models CTO)	45C0840	1
Taiwan - TC (models CTO)	45C0841	1
Hong Kong - TC (models CTO)	45C0842	1
Korea (models CTO)	45C0843	1

9158 Vista Home Basic 32 Recovery DVDs	FRU#	CRU Tier
English (models A4U)	45C0770	1
French/Canadian French (models CTO)	45C0772	1
German (models CTO)	45C0773	1
Spanish/LA (models CTO)	45C0774	1
Brazil (models CTO)	45C0775	1
Italy (models CTO)	45C0776	1
Japanese (models CTO)	45C0777	1
Norway (models CTO)	45C0778	1
Swedish (models CTO)	45C0779	1
Denmark (models CTO)	45C0780	1
Dutch (models CTO)	45C0781	1
Czech (models CTO)	45C0782	1
Finnish (models CTO)	45C0783	1
Polish (models CTO)	45C0784	1
Russian (models CTO)	45C0785	1
Turkish (models CTO)	45C0786	1
Hungarian (models CTO)	45C0787	1
Greek (models CTO)	45C0788	1
Portuguese (models CTO)	45C4825	1
Simplified Chinese (models CTO)	45C0789	1
Traditional Chinese (models CTO)	45C0790	1
Traditional Chinese (models CTO)	45C0791	1
Korean (models A1K)	45C0792	1
SL (models CTO)	45C0793	1
Russian English (models CTO)	45C0771	1
Hebrew (models CTO)	45C0794	1
Arabic (models CTO)	45C5292	1

9158 Vista Business 32 Recovery DVDs	FRU#	CRU Tier
English (models A1U A1F A1G A1M A1A A1Q A1H A1R A1E A2U A2F A2G A2M A2A A2Q A2H A2R A2E)	45C0660	1

9158 Vista Business 32 Recovery DVDs	FRU#	CRU Tier
French/Canadian French (models A4F A1F A2F )	45C0662	1
German (models A1G A2G)	45C0663	1
Spanish/LA (models A1G A2G)	45C0664	1
Brazil (models A1P A2P)	45C0665	1
Italy (models A1G A2G)	45C0666	1
Japanese (models A1J A2J)	45C0667	1
Norway (models A1G A2G)	45C0668	1
Swedish (models A1G A2G)	45C0669	1
Denmark (models A1G A2G)	45C0670	1
Dutch (models A1G A2G)	45C0671	1
Czech (models A1G A2G)	45C0672	1
Finnish (models A1G A2G)	45C0673	1
Polish (models A1G A2G)	45C0674	1
Russian (models A1G A2G)	45C0675	1
Turkish (models A1G A2G)	45C0676	1
Hungarian (models A1G A2G)	45C0677	1
Greek (models A1G A2G)	45C0678	1
Portuguese (models A1G A2G)	45C0687	1
Simplified Chinese (models A1C A2C)	45C0679	1
Traditional Chinese (models A1V A2V)	45C0680	1
Traditional Chinese (models A1V A2V)	45C0681	1
Korean (models A1K A2K)	45C0682	1
Slovenian (models A1G A2G)	45C0683	1
Russian English (models CTO)	45C0661	1
Romanian (models CTO)	45C0684	1
Bulgarian (models CTO)	45C0685	1
Croatian (models CTO)	45C0686	1
Serbian-Latin (models CTO)	45C0688	1
Ukrainian (models CTO)	45C0689	1
Slovakian (models CTO)	45C0690	1
Hebrew (models CTO)	45C5289	1
Arabic (models CTO)	45C5290	1

9158 Vista Home pre 32 Recovery DVDs	FRU#	CRU Tier
English (models CTO)	45C0581	1
Russian English (models CTO)	45C0582	1
French/Canadian French (models CTO)	45C0583	1
German (models CTO)	45C0584	1
Spanish/LA (models CTO)	45C0585	1
Brazil (models CTO)	45C0586	1
Italy (models CTO)	45C0587	1

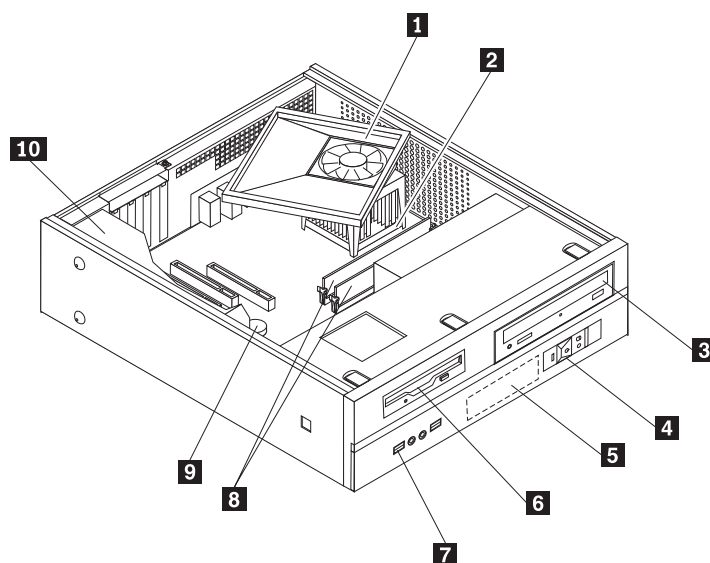
<b>9158 Vista Home pre 32 Recovery DVDs</b>	<b>FRU#</b>	<b>CRU Tier</b>
Japanese (models CTO)	45C0588	1
Norway (models CTO)	45C0589	1
Swedish (models CTO)	45C0590	1
Denmark (models CTO)	45C0591	1
Dutch (models CTO)	45C0592	1
Czech (models CTO)	45C0593	1
Finnish (models CTO)	45C0594	1
Polish (models CTO)	45C0595	1
Russian (models CTO)	45C0596	1
Turkish (models CTO)	45C0597	1
Hungarian (models CTO)	45C0598	1
Greek (models CTO)	45C0599	1
Simplified Chinese (models CTO)	45C0600	1
Traditional Chinese (models CTO)	45C0601	1
Traditional Chinese (models CTO)	45C0602	1
Korean (models CTO)	45C0603	1
Slovenian (models CTO)	45C0604	1
Hebrew (models CTO)	45C0605	1
Romanian (models CTO)	45C0606	1
Bulgarian (models CTO)	45C0607	1
Croatian (models CTO)	45C0608	1
Portuguese (models CTO)	45C0609	1
Serbian-Latin (models CTO)	45C0610	1
Ukrainian (models CTO)	45C0611	1
Slovakian (models CTO)	45C0612	1
Arabic (models CTO)	45C5291	1

<b>9158 Vista Business 64 Recovery DVDs</b>	<b>FRU#</b>	<b>CRU Tier</b>
English (models CTO)	45C0722	1
Russian English (models CTO)	45C0723	1
French/Canadian French (models CTO)	45C0724	1
German (models CTO)	45C0725	1
Spanish/LA (models CTO)	45C0726	1
Brazil (models CTO)	45C0727	1
Italy (models CTO)	45C0728	1
Japanese (models CTO)	45C0729	1
Norway (models CTO)	45C0730	1
Swedish (models CTO)	45C0731	1
Denmark (models CTO)	45C0732	1
Dutch (models CTO)	45C0733	1
Czech (models CTO)	45C0734	1

<b>9158 Vista Business 64 Recovery DVDs</b>	<b>FRU#</b>	<b>CRU Tier</b>
Finnish (models CTO)	45C0735	1
Polish (models CTO)	45C0736	1
Russian (models CTO)	45C0737	1
Turkish (models CTO)	45C0738	1
Hungarian (models CTO)	45C0739	1
Greek (models CTO)	45C0740	1
Simplified Chinese (models CTO)	45C0741	1
Taiwan (models CTO)	45C0742	1
Hong Kong (models CTO)	45C0743	1
Korean (models CTO)	45C0744	1
Slovenian (models CTO)	45C0745	1
Hebrew (models CTO)	45C4059	1
Portuguese (models CTO)	45C4826	1
Arabic (models CTO)	45C5293	1



## Machine Type 9159



Item #	9159 FRUs	FRU#	CRU
1	AMD 65W heatsink (all models)	41R4802	2
1	AMD 89W heatsink (all models)	41R6290	2
2	Microprocessor, 2800+ Sempron AM2 (1.6 GHz processor, 62W) (models CTO)	42Y8938	N
2	Microprocessor, 3000+ Sempron AM2 (1.6 GHz processor, 62W) (models CTO)	41X1403	N
2	Microprocessor, 3400+ Sempron AM2 (1.8 GHz processor, 62W) (models CTO)	41X1407	N
2	Microprocessor, 3500+ Sempron AM2 (2.0 GHz processor, 62W) (models CTO)	41X1409	N
2	Microprocessor, 3600+ Sempron AM2 (2.0 GHz processor, 62W) (models A3B A3H A4J A5J )	41X1411	N
2	Microprocessor, 3600+ Athlon64 AM2 X2 1.9GHz 1M 65W 65nm G1 (models CTO)	43C4091	N
2	Microprocessor, 3800+ Sempron AM2 (2.2 GHz processor, 62W) (models CTO)	43C2454	N
2	Microprocessor, 3200+ Athlon64 AM2 (2.0 GHz processor, 62W) (models CTO)	42Y8940	N
2	Microprocessor, 3500+ Athlon64 AM2 (2.2 GHz processor, 62W )(models CTO)	41X1415	N
2	Microprocessor, 3800+ Athlon64 AM2 (2.4 GHz processor, 62W) (models CTO)	41X1417	N
2	Microprocessor, 3600+ Athlon64 AM2 X2 (2.0 GHz processor, 65W) (models CTO)	41X7777	N
2	Microprocessor, 3800+ Athlon64 AM2 X2 (2.0 GHz processor, 89W) (models A2K A1K )	41X4241	N
2	Microprocessor, 4000+ Athlon64 AM2 (2.4 GHz processor, 62W) (models A6J A7J A8J A2U A2F A2S A2P A2L A2D A2Y A2G A2M A2A A2Q A2T A2C A2B A2H A2V A2R A2E A2J A2K )	41X1419	N
2	Microprocessor, 4200+ Athlon64 AM2 (2.2 GHz processor, 62W) (models)	41X1421	N
2	Microprocessor, 4400+ Athlon64 AM2 X2 (2.3 GHz processor, 89W) (models A2U A2F A2S A2P A2L A2D A2Y A2G A2M A2A A2Q A2T A2C A2B A2H A2V A2R A2E A2J A2K)	43C3507	N
2	Microprocessor, 4600+ Athlon64 AM2 X2 (2.4 GHz processor, 89W) (models CTO)	41X1423	N
2	Microprocessor, 4800+ Athlon64 AM2 X2 (2.5 GHz processor, 65W) stepping G1 45nm (models A9J)	43C4093	N
2	Microprocessor, 5000+ Athlon AM2 X2 (2.6 GHz processor, 89W) (models CTO)	41X1427	N

Item #	9159 FRUs	FRU#	CRU
2	Microprocessor, Sempron LE 1100 (1.9 GHz processor, 45W, 256KB L2) stepping G1 (models)	45C7564	N
2	Microprocessor, Sempron LE 1150 (2.0 GHz processor, 45W, 256KB L2) stepping G1 (models)	45C7507	N
2	Microprocessor, Sempron LE 1200 (2.1 GHz processor, 45W, 512KB L2) stepping G1 (models)	43C6169	N
2	Microprocessor, Sempron LE 1250 (2.2 GHz processor, 45W, 512KB L2) stepping G2 (models)	43C6168	N
2	Microprocessor, 5200+Athlon64 AM2 X2 (2.7 GHz processor, 65W) stepping G1 65nm (models)	45C7502	N
2	Microprocessor, 6000+Athlon64 AM2 X2 (3.0 GHz processor, 65W) stepping G1 65nm (models)	45C7503	N
2	Microprocessor, Athlon X2 BE 2300 (1.9GHz processor, 45W, 1MB L2) stepping G1 (models)	43C6167	N
2	Microprocessor, Athlon X2 BE 2350 (2.1GHz processor, 45W, 1MB L2) stepping G1 (models)	43C6166	N
2	Microprocessor, Athlon X2 BE 2400 (2.3GHz processor, 45W, 1MB L2) stepping G1 (models)	43C6165	N
3	DVD-ROM Drive - 16x/48x - SATA XP and Vista (models A6J A8J A4J A2U A2F A2S A2P A2L A2D A2Y A2G A2M A2A A2Q A2T A2C A2B A2H A2V A2R A2E A2J A2K A1U A1F A1S A1P A1L A1D A1Y A1G A1M A1A A1Q A1T A1C A1B A1H A1V A1R A1E A1J A1K)	41N3325	2
3	DVD-ROM/CD-RW Combo Drive - 48x/32x/48x/16x - SATA vista and XP (models A2K )	42Y9353	2
3	DVD-RW/CD-RW Rambo 8 - SATA VISTA AND XP (models A9J A3B A3H A7J A5J A1K)	43C1042	2
4	Front Power/LED PC, bracket, and cable (all models)	41N8213	2
5	Hard disk drive, 80GB, 7200RPM, SATA (models A4J A5J ADD A2U A2F A2S A2P A2L A2D A2Y A2G A2M A2A A2Q A2T A2C A2B A2H A2V A2R A2E A2J A2K )	40Y9034	2
5	Hard disk drive, 160GB, 7200RPM, SATA (models A9J A3B A3H A6J A7J A8J A9J A2K)	40Y9035	2
5	Hard disk drive, 250GB, 7200RPM, SATA (models A1K)	40Y9036	2
5	Hard disk drive, 320GB, 7200RPM, SATA/8MB (models CTO)	87H4891	2
5	Hard disk drive, 500GB, 7200RPM, SATA (models CTO)	41X5582	2
6	Diskette drive, 3,5", 1.44MB, 2-mode, (w/bezel) (models A9J A6J A7J A8J A4J A5J )	40Y9105	2
6	Diskette drive, 3,5", 1.44MB, 2-mode, (w/bezel) (models A9J A6J A7J A8J A4J A5J )	40Y9107	2
7	Front USB/Audio with bracket (all models)	41N8212	2
8	Memory module, 512 MB PC2-4200 (533MHz) DDR2 SDRAM (models CTO)	41X4251	2
8	Memory module, 1 GB PC2-4200 (533MHz) DDR2 SDRAM (models CTO)	41X4252	2
8	Memory module, 2 GB PC2-4200 (533MHz) DDR2 SDRAM (models CTO)	41X4253	2
8	Memory module, 512 MB PC2-5300 (667MHz) DDR2 SDRAM (models A9J A3B A3H A6J A7J A8J A9J A4J A5J )	41X4255	2
8	Memory module, 1 GB PC2-5300 (667MHz) DDR2 SDRAM (models A2K A1K A2U A2F A2S A2P A2L A2D A2Y A2G A2M A2A A2Q A2T A2C A2B A2H A2V A2R A2E A2J A1U A1F A1S A1P A1L A1D A1Y A1G A1M A1A A1Q A1T A1C A1B A1H A1V A1R A1E A1J )	41X4256	2
8	Memory module, 2 GB PC2-5300 (667MHz) DDR2 SDRAM (models CTO)	41X4257	2

Item #	9159 FRUs	FRU#	CRU
8	Memory module, 512 MB PC2-6400 (800MHz) DDR2 SDRAM (models CTO)	41X1079	2
8	Memory module, 1 GB PC2-6400 (800MHz) DDR2 SDRAM (models CTO)	41X1080	2
8	Memory module, 2 GB PC2-6400 (800MHz) DDR2 SDRAM (models CTO)	41X1081	2
9	System board, AMD 690G (models A9J A3B A3H A6J A7J A8J A9J A5J A4J A2K A1K A2U A2F A2S A2P A2L A2D A2Y A2G A2M A2A A2Q A2T A2C A2B A2H A2V A2R A2E A2J A1U A1F A1S A1P A1L A1D A1Y A1G A1M A1A A1Q A1T A1C A1B A1H A1V A1R A1E A1J)	42Y9916	N
10	220 Watt Power Supply - Japan (models A9J A6J A7J A8J A4J A5J A2J A2E A1J A1E )	41A9697	2
10	220 Watt Power Supply - Robust (models A3B A3H A2Q A2C A2B A2H A2V A1Q A1C A1B A1H A1V )	41A9689	2
10	220W 80% Power supply (models A3B A3H A6J A7J A8J A9J A4J A5J A2K A1K A2U A2F A2S A2P A2L A2D A2Y A2G A2M A2A A2Q A2T A2C A2B A2H A2V A2R A2E A2J A1U A1F A1S A1P A1L A1D A1Y A1G A1M A1A A1Q A1T A1C A1B A1H A1V A1R A1E A1J )	41A9670	2
10	280W TFX 280W PS ,Active PFC (models A3B A3H A6J A7J A8J A9J A4J A5J A2K A1K A2U A2F A2S A2P A2L A2D A2Y A2G A2M A2A A2Q A2T A2C A2B A2H A2V A2R A2E A2J A1U A1F A1S A1P A1L A1D A1Y A1G A1M A1A A1Q A1T A1C A1B A1H A1V A1R A1E A1J )	41A9705	2

The FRUs listed in the following tables are not illustrated.

9159 FRUs	FRU#	CRU
System board shield (all models)	41R6384	N
Cover (all models)	41N8204	N
Mechanical shell kit (all models)	41R6209	N
Bezel kit (all models)	41N8206	N
Miscellaneous hardware kit (all models)	41N8209	N
Hard disk drive bracket assembly (plastic and grommets) (all models)	41N8210	N
Hard disk drive fan and bracket assembly (all models)	41N8211	N
Speaker cable assembly, 600 mm cable length (all models)	41N8217	N
Fan duct assembly (all models)	41R4808	N
Intrusion switch assembly (all models)	41R6208	N
Cable, diskette drive (all models)	41A7147	N
Shield, EMC, blank 5.25 in. drive bay all models)	41N8271	N
Shield, EMC, blank diskette drive bay (all models)	41N8273	N
Rear USB 2Ports II LP (R), low profile I/O, 200mm, Rohs (all models)	42Y8006	N
Rear Com2 cable II LP(R), low profile I/O, 250mm, Rohs (all models)	42Y8008	N
Foot stand (all models)	41R4813	N
Cable, serial ATA, 250 mm (all models)	41A7145	N
Bezel kit, Rocky S3 without IBM logo (all models)	41R6238	2
DVI cable for RS690 LP (all models)	41R3304	2

9159 Keyboards (Preferred Pro)	FRU#	CRU Tier
US English (models CTO)	41A5039	1

9159 Keyboards (Preferred Pro)	FRU#	CRU Tier
Arabic (models CTO)	41A5040	1
Arabic/French (models CTO)	41A5041	1
Belgian/French (models CTO)	41A5042	1
Belgian/UK (models CTO)	41A5043	1
Bulgarian (models CTO)	41A5045	1
Hong Kong/Taiwan (models CTO)	41A5046	1
Czech (models CTO)	41A5047	1
Danish (models CTO)	41A5048	1
Dutch (models CTO)	41A5049	1
French (models CTO)	41A5050	1
French Canadian 445 (models CTO)	41A5051	1
French Canadian 58 (models CTO)	41A5052	1
German (models CTO)	41A5053	1
Greek (models CTO)	41A5054	1
Hebrew (models CTO)	41A5055	1
Hungarian (models CTO)	41A5056	1
Iceland (models CTO)	41A5057	1
Italian (models CTO)	41A5058	1
Japanese (models CTO)	41A5059	1
Korean (models CTO)	41A5060	1
LA Spanish (models CTO)	41A5061	1
Norwegian (models CTO)	41A5062	1
Polish (models CTO)	41A5063	1
Portuguese (models CTO)	41A5064	1
Romanian (models CTO)	41A5065	1
Russian/Cyrilic (models CTO)	41A5066	1
Serbian/Cyrilic (models CTO)	41A5067	1
Slovak (models CTO)	41A5068	1
Spanish (models CTO)	41A5069	1
Swedish/Finn (models CTO)	41A5070	1
Swiss F/G (models CTO)	41A5071	1
Turkish 440 (models CTO)	41A5073	1
Turkish 179 (models CTO)	41A5074	1
UK English (models CTO)	41A5075	1
US Euro (models CTO)	41A5076	1
Slovenian (models CTO)	41A5077	1
Brazil/Portuguese (models CTO)	41A5044	1

9159 Keyboards (USB Preferred Pro)	FRU#	CRU
US English (models A3H A2U A2G A2M A2A A2Q A2H A2R A2E A1U A1G A1M A1A A1Q A1H A1R A1E)	41A5289	1

9159 Keyboards (USB Preferred Pro)	FRU#	CRU
Arabic (models A2G A1G)	41A5290	1
Arabic/French (models CTO)	41A5291	1
Belgian/French (models A2G A1G)	41A5292	1
Belgian/UK (models A2G A1G)	41A5293	1
Brazilian (models A2P A1P)	41A5294	1
Bulgarian (models A2G A1G)	41A5295	1
Hong Kong/Taiwan (models A3B A2B A2V A1B A1V )	41A5296	1
Czech (models A2G A1G)	41A5297	1
Danish (models A2G A1G)	41A5298	1
Dutch (models A2G A1G)	41A5299	1
French (models A2G A1G)	41A5300	1
French Canadian 445 (models A2F A1F)	41A5301	1
French Canadian 58 (models A2F A1F)	41A5302	1
German (models A2G A1G)	41A5303	1
Greek (models A2G A1G)	41A5304	1
Greek/US (models CTO)	41A5305	1
Hebrew (models A2G A1G)	41A5306	1
Hungarian (models A2G A1G)	41A5307	1
Iceland (models A2G A1G)	41A5308	1
Italian (models A2G A1G)	41A5309	1
Japanese (models A9J A6J)	41A5310	1
Korean (models A2K A1K)	41A5311	1
LA Spanish (models A2S A2D A2Y A1S A1D A1Y )	41A5312	1
Norwegian (models A2G A1G)	41A5313	1
Polish (models A2G A1G)	41A5314	1
Portuguese (models A2G A1G)	41A5315	1
Romanian 096 (models A2G A1G)	41A5317	1
Romanian 446 (models A2G A1G)	41A5316	1
Russian/Cyrillic (models A2G A1G)	41A5318	1
Serbian/Cyrillic (models A2G A1G)	41A5319	1
Slovak (models A2G A1G)	41A5320	1
Spanish (models A2G A1G)	41A5321	1
Swedish/Finn (models A2G A1G)	41A5322	1
Swiss (models A2G A1G)	41A5323	1
Thailand (models A2T A1T)	41A5324	1
Turkish 440 (models A2G A1G)	41A5325	1
Turkish 179 (models A2G A1G)	41A5326	1
UK English (models A2G A1G)	41A5327	1
US Euro (models A2G A1G)	41A5328	1
Slovenian (models A2G A1G)	41A5329	1

9159 Keyboards (Fingerprint Reader USB)	FRU#	CRU Tier
US English (models CTO)	41A5248	1
Arabic (models CTO)	41A5249	1
Arabic/French (models CTO)	41A5250	1
Belgian/French (models CTO)	41A5251	1
Belgian/UK (models CTO)	41A5252	1
Brazil/Portuguese (models CTO)	41A5253	1
Bulgarian (models CTO)	41A5254	1
Chinese (models CTO)	41A5255	1
Czech (models CTO)	41A5256	1
Danish (models CTO)	41A5257	1
Dutch (models CTO)	41A5258	1
French (models CTO)	41A5259	1
French Canadian 445 (models CTO)	41A5260	1
French Canadian 58 (models CTO)	41A5261	1
German (models CTO)	41A5262	1
Greek (models CTO)	41A5263	1
Greek/US (models CTO)	41A5264	1
Hebrew (models CTO)	41A5265	1
Hungarian (models CTO)	41A5266	1
Iceland (models CTO)	41A5267	1
Italian 141 (models CTO)	41A5268	1
Japanese (models CTO)	41A5269	1
Korean (models CTO)	41A5270	1
LA Spanish (models CTO)	41A5271	1
Norwegian (models CTO)	41A5272	1
Polish (models CTO)	41A5273	1
Portuguese (models CTO)	41A5274	1
Romanian 096 (models CTO)	41A5275	1
Romanian 446 (models CTO)	41A5276	1
Russian/Cyrillic (models CTO)	41A5277	1
Serbian/Cyrillic (models CTO)	41A5278	1
Slovak (models CTO)	41A5279	1
Spanish (models CTO)	41A5280	1
Swedish/Finn (models CTO)	41A5281	1
Swiss (models CTO)	41A5282	1
Turkish 440 (models CTO)	41A5284	1
Turkish 179 (models CTO)	41A5285	1
UK English (models CTO)	41A5286	1
US Euro (models CTO)	41A5287	1
Slovenian (models CTO)	41A5288	1

9159 mice	FRU#	CRU
Optical Wheel Mouse (400DPI, USB) (models A9J A3B A3H A6J A7J A8J A4J A5J A2K A1K A2U A2F A2S A2P A2L A2D A2Y A2G A2M A2A A2Q A2T A2C A2B A2H A2V A2R A2E A2J A1U A1F A1S A1P A1L A1D A1Y A1G A1M A1A A1Q A1T A1C A1B A1H A1V A1R A1E A1J)	41U3013	1
Optical Wheel Mouse (400DPI, USB) (models A9J A3B A3H A6J A7J A8J A4J A5J A2K A1K A2U A2F A2S A2P A2L A2D A2Y A2G A2M A2A A2Q A2T A2C A2B A2H A2V A2R A2E A2J A1U A1F A1S A1P A1L A1D A1Y A1G A1M A1A A1Q A1T A1C A1B A1H A1V A1R A1E A1J)	41U3030	1
PS/2 Three Button ball mouse (41R0017) models CTO)	41R0018	1

9159 Adapters and miscellaneous FRUs	FRU#	CRU Tier
PCI Modem Card (Soft) (models CTO)	29R9729	2
L1 IEEE 1394 PCI Adapter (models CTO)	41D2781	2
Dongle Cable - DMS59 to dual VGA (included in Denver L1) (models CTO)	41R3404	1
Dongle DMS Dule DMS-59 to dual DVI cable (models CTO)	41R3403	1
Dongle DMS Dule DMS-59 to single VGA & single DVI cable (models CTO)	41R3405	1
Nvidia GeForce 7300LE 128MB 64bit LP / ATX with DMS59 (models CTO)	42Y8165	2
ATI X1300LE 256M 64bit LP / ATX with DMS59 (models CTO)	42Y8162	2
USB2.0 MEMORY CARDREADER,6X2,ROHS OPTIONAL, SONY (models CTO)	41R3376	2
USB2.0 MEMORY CARDREADER,6X2,ROHS OPTIONAL,Bitland (models CTO)	41R3378	2
Speakers (2-piece) Lenovo Logo (models CTO)	41A5331	2
BTL external speaker (models CTO)	41A5334	1
Speaker Power brick - US, Canada, LA low voltage, ASEAN (models A2U A2A A1U A1A )	89P8571	1
Speaker Power brick - Hong Kong, Malaysia, Singapore, UK, Brunei (models A3B A3H A2B A2H A1B A1H )	89P8573	1
Speaker Power brick - LA high voltage (non-APU) (models CTO)	89P8575	1
Speaker Power brick - China, Thailand (models A2T A2C A1T A1C)	89P8581	1
Speaker Power brick - Japan (models A6J A7J A8J A9J A5J A4J A2J A1J )	89P8577	1
Speaker Power brick - Brazil (models CTO)	89P8583	1
Speaker Power brick - Argentina (models CTO)	41A4901	1
Speaker Power brick - ANZ (models A1M A2M)	89P8579	1
Speaker Brick - Korea (models A2K A1K)	41A4903	1
Speaker Brick - Taiwan (models A2V A1V)	41A4905	1
Speaker Power brick - India, South Africa (models A1Q A2Q)	89P8585	1
DVI cable for RS690 LP (models A2K A1K A2U A2F A2S A2P A2L A2D A2Y A2G A2M A2A A2Q A2T A2C A2B A2H A2V A2R A2E A2J A1U A1F A1S A1P A1L A1D A1Y A1G A1M A1A A1Q A1T A1C A1B A1H A1V A1R A1E A1J )	41R3316	2
USB Memory Key - 1G RoW (models)	45C7146	1
ATI HD 2400PRO 128MB 64BIT DMS59 LP/ATX (models)	43C0259	2
ATI HD 2400XT 256MB 64BIT DMS59 LP/ATX (models)	43C0260	2
ATI HD 2600XT 512MB 128BIT ATX (models)	43C8266	2

9159 Power Cords	FRU#	CRU Tier
Power cord - US (models A2U A2F A2S A2D A2L A2A A2T A1U A1F A1S A1D A1L A1A A1T)	39M5080	1
Power cord - China (models A2C A1C)	39M5205	1
Power cord - Japan (models A9J A6J A7J A8J A5J A4J A2E A2J A1J A1E)	39M5193	1
Power cord - Brazil (models A2P A1P)	39M5232	1
Power cord - LA High Volt (APU) (models A2Y A2L A1Y A1L )	39M5067	1
Power cord - Australia/New Zealand (models A2M A1M)	39M5102	1
Power cord - Korea (models A2K A1K A2R A1R)	39M5212	1
Power cord - Hong Kong (models A3B A3H A2B A2H A1B A1H)	39M5151	1
Power cord - UK, Ireland, Singapore, Malaysia, Brunei (models A2G A2A A1G A1A)	39M5150	1
Power cord - Taiwan (models A2V A1V)	39M5246	1
Power cord - Italy/Chile (models A2S A2Y A2L A2G A1S A1Y A1L A1G)	39M5164	1
Power cord - G models (models A2A A1A)	39M5122	1
Power cord - Denmark (models A2G A1G)	39M5129	1
Power cord - Switzerland (models A2G A1G)	39M5157	1
Power cord - Israel (models A2G A1G)	39M5171	1
Power cord - South Africa (models A2G A2M A2A A1G A1M A1A)	39M5143	1
Power cord - India (models A2Q A1Q)	39M5004	1

9159 Windows XP Home CDs	FRU#	CRU Tier
US/UK/AP/TH (models CTO)	45C1028	1
FR/CF (models CTO)	45C1029	1
GR (models CTO)	45C1030	1
IT (models CTO)	45C1033	1
BR (models CTO)	45C1032	1
SP/LA (models CTO)	45C1031	1
DK (models CTO)	45C1037	1
NL (models CTO)	45C1038	1
AE (models CTO)	45C1043	1
SV (models CTO)	45C1036	1
HE (models CTO)	45C1041	1
FI (models CTO)	45C1040	1
NO (models CTO)	45C1035	1
PL (models CTO)	45C1042	1
PO (models CTO)	45C4069	1
RU (models CTO)	45C1044	1
RE (models CTO)	45C1052	1
HU (models CTO)	45C1046	1
CZ (models CTO)	45C1039	1
TR (models CTO)	45C1045	1
GK (models CTO)	45C1047	1



9159 Windows XP Home CDs	FRU#	CRU Tier
Japanese (models CTO)	45C1034	1
Simplified Chinese (models CTO)	45C1048	1
Taiwan - TC (models CTO)	45C1049	1
Hong Kong - TC (models CTO)	45C1050	1
Korea (models CTO)	45C1051	1

9159 Windows XP Pro Recovery CDs	FRU#	CRU Tier
US/UK/AP/TH (models CTO A3H A2U A2F A2G A2M A2A A2Q A2H A2R A2E A1U A1F A1G A1M A1A A1Q A1H A1R A1E)	45C0820	1
FR/CF (models CTO A2G A2F A1G A1F)	45C0821	1
GR (models CTO A2G A1G)	45C0822	1
IT (models CTO A2G A1G)	45C0825	1
BR (models CTO)	45C0824	1
SP/LA (models CTO)	45C0823	1
DK (models CTO A2G A1G)	45C0829	1
NL (models CTO A2G A1G)	45C08230	1
AE (models CTO A2G A1G)	45C0835	1
SV (models CTO A2G A1G)	45C0828	1
HE (models CTO A2G A1G)	45C0833	1
FI (models CTO A2G A1G)	45C0832	1
NO (models CTO A2G A1G)	45C0827	1
PL (models CTO A2G A1G)	45C0834	1
PO (models CTO A2G A1G)	45C4061	1
RU (models CTO A2G A1G)	45C0836	1
RE (models CTO A2G A1G)	45C0845	1
HU (models CTO A2G A1G)	45C0838	1
CZ (models CTO A2G A1G)	45C0831	1
TR (models CTO A2G A1G)	45C0837	1
GK (models CTO A2G A1G)	45C0839	1
SL (models CTO A2G A1G)	45C0844	1
Japanese (models A6J A7J A4J A5J A9J A8J A2J A1J)	45C0826	1
Simplified Chinese (models CTO)	45C0840	1
Taiwan - TC (models CTO A2V A1V)	45C0841	1
Hong Kong - TC (models CTO)	45C0842	1
Korea (models CTO A2K A1K)	45C0843	1

9159 Vista Home Basic 32 Recovery DVDs	FRU#	CRU Tier
English (models CTO)	45C0770	1
French/Canadian French (models CTO)	45C0772	1
German (models CTO)	45C0773	1
Spanish/LA (models CTO)	45C0774	1

<b>9159 Vista Home Basic 32 Recovery DVDs</b>	<b>FRU#</b>	<b>CRU Tier</b>
Brazil (models CTO)	45C0775	1
Italy (models CTO)	45C0776	1
Japanese (models CTO)	45C0777	1
Norway (models CTO)	45C0778	1
Swedish (models CTO)	45C0779	1
Denmark (models CTO)	45C0780	1
Dutch (models CTO)	45C0781	1
Czech (models CTO)	45C0782	1
Finnish (models CTO)	45C0783	1
Polish (models CTO)	45C0784	1
Russian (models CTO)	45C0785	1
Turkish (models CTO)	45C0786	1
Hungarian (models CTO)	45C0787	1
Greek (models CTO)	45C0788	1
Portuguese (models CTO)	45C4825	1
Simplified Chinese (models CTO)	45C0789	1
Traditional Chinese (models CTO)	45C0790	1
Traditional Chinese (models CTO)	45C0791	1
Korean (models CTO)	45C0792	1
SL (models CTO)	45C0793	1
Russian English (models CTO)	45C0771	1
Hebrew (models CTO)	45C0794	1
Arabic (models CTO)	45C5292	1

<b>9159 Vista Business 32 Recovery DVDs</b>	<b>FRU#</b>	<b>CRU Tier</b>
English (models A3H A2U A2F A2G A2M A2A A2Q A2H A2R A2E A1U A1F A1G A1M A1A A1Q A1H A1R A1E )	45C0660	1
French/Canadian French (models A2G A2F A1G A1F )	45C0662	1
German (models A2G A1G)	45C0663	1
Spanish/LA (models A2G A1G)	45C0664	1
Brazil (models A2P A1P)	45C0665	1
Italy (models A2G A1G)	45C0666	1
Japanese (models A9J A8J A2J A1J)	45C0667	1
Norway (models A2G A1G)	45C0668	1
Swedish (models A2G A1G)	45C0669	1
Denmark (models A2G A1G)	45C0670	1
Dutch (models A2G A1G)	45C0671	1
Czech (models A2G A1G)	45C0672	1
Finnish (models A2G A1G)	45C0673	1
Polish (models A2G A1G)	45C0674	1
Russian (models A2G A1G)	45C0675	1

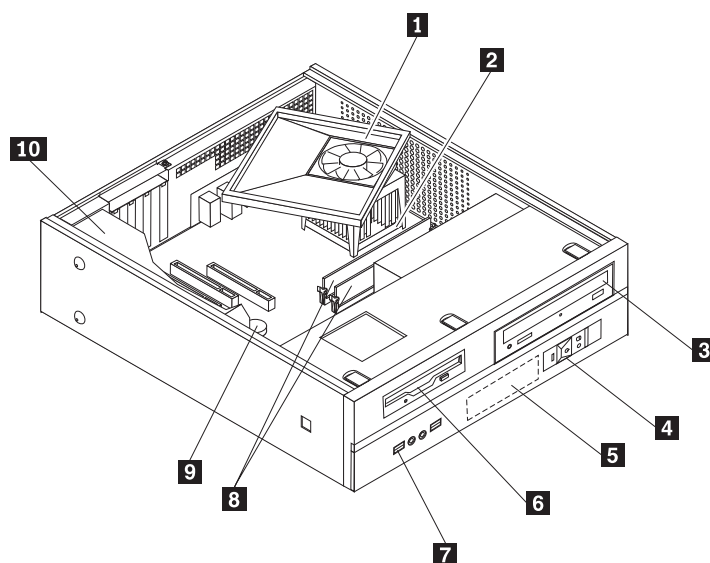
<b>9159 Vista Business 32 Recovery DVDs</b>	<b>FRU#</b>	<b>CRU Tier</b>
Turkish (models A2G A1G)	45C0676	1
Hungarian (models A2G A1G)	45C0677	1
Greek (models A2G A1G)	45C0678	1
Portuguese (models A2G A1G)	45C0687	1
Simplified Chinese (models A2G A1G)	45C0679	1
Traditional Chinese (models A2V A1V)	45C0680	1
Traditional Chinese (models A2V A1V)	45C0681	1
Korean (models A2K A1K)	45C0682	1
Slovenian (models A2G A1G)	45C0683	1
Russian English (models A2G A1G)	45C0661	1
Romanian (models CTO)	45C0684	1
Bulgarian (models CTO)	45C0685	1
Croatian (models CTO)	45C0686	1
Serbian-Latin (models CTO)	45C0688	1
Ukrainian (models CTO)	45C0689	1
Slovakian (models CTO)	45C0690	1
Hebrew (models CTO)	45C5289	1
Arabic (models CTO)	45C5290	1

<b>9159 Vista Home pre 32 Recovery DVDs</b>	<b>FRU#</b>	<b>CRU Tier</b>
English (models CTO)	45C0581	1
Russian English (models CTO)	45C0582	1
French/Canadian French (models CTO)	45C0583	1
German (models CTO)	45C0584	1
Spanish/LA (models CTO)	45C0585	1
Brazil (models CTO)	45C0586	1
Italy (models CTO)	45C0587	1
Japanese (models CTO)	45C0588	1
Norway (models CTO)	45C0589	1
Swedish (models CTO)	45C0590	1
Denmark (models CTO)	45C0591	1
Dutch (models CTO)	45C0592	1
Czech (models CTO)	45C0593	1
Finnish (models CTO)	45C0594	1
Polish (models CTO)	45C0595	1
Russian (models CTO)	45C0596	1
Turkish (models CTO)	45C0597	1
Hungarian (models CTO)	45C0598	1
Greek (models CTO)	45C0599	1
Simplified Chinese (models CTO)	45C0600	1
Traditional Chinese (models CTO)	45C0601	1

<b>9159 Vista Home pre 32 Recovery DVDs</b>	<b>FRU#</b>	<b>CRU Tier</b>
Traditional Chinese (models CTO)	45C0602	1
Korean (models CTO)	45C0603	1
Slovenian (models CTO)	45C0604	1
Hebrew (models CTO)	45C0605	1
Romanian (models CTO)	45C0606	1
Bulgarian (models CTO)	45C0607	1
Croatian (models CTO)	45C0608	1
Portuguese (models CTO)	45C0609	1
Serbian-Latin (models CTO)	45C0610	1
Ukrainian (models CTO)	45C0611	1
Slovakian (models CTO)	45C0612	1
Arabic (models CTO)	45C5291	1

<b>9159 Vista Business 64 Recovery DVDs</b>	<b>FRU#</b>	<b>CRU Tier</b>
English (models CTO)	45C0722	1
Russian English (models CTO)	45C0723	1
French/Canadian French (models CTO)	45C0724	1
German (models CTO)	45C0725	1
Spanish/LA (models CTO)	45C0726	1
Brazil (models CTO)	45C0727	1
Italy (models CTO)	45C0728	1
Japanese (models CTO)	45C0729	1
Norway (models CTO)	45C0730	1
Swedish (models CTO)	45C0731	1
Denmark (models CTO)	45C0732	1
Dutch (models CTO)	45C0733	1
Czech (models CTO)	45C0734	1
Finnish (models CTO)	45C0735	1
Polish (models CTO)	45C0736	1
Russian (models CTO)	45C0737	1
Turkish (models CTO)	45C0738	1
Hungarian (models CTO)	45C0739	1
Greek (models CTO)	45C0740	1
Simplified Chinese (models CTO)	45C0741	1
Taiwan (models CTO)	45C0742	1
Hong Kong (models CTO)	45C0743	1
Korean (models CTO)	45C0744	1
Slovenian (models CTO)	45C0745	1
Hebrew (models CTO)	45C4059	1
Portuguese (models CTO)	45C4826	1
Arabic (models CTO)	45C5293	1

## Machine Type 9169



Item #	9169 FRUs	FRU#	CRU
1	AMD 65W heatsink (all models)	41R4802	2
1	AMD 89W heatsink (all models)	41R6290	2
2	Microprocessor, 2800+ Sempron AM2 (1.6 GHz processor, 62W) (models CTO)	42Y8938	N
2	Microprocessor, 3000+ Sempron AM2 (1.6 GHz processor, 62W) (models CTO)	41X1403	N
2	Microprocessor, 3400+ Sempron AM2 (1.8 GHz processor, 62W) (models CTO)	41X1407	N
2	Microprocessor, 3500+ Sempron AM2 (2.0 GHz processor, 62W) (models CTO)	41X1409	N
2	Microprocessor, 3600+ Sempron AM2 (2.0 GHz processor, 62W) (models A3B A3H A4J A5J )	41X1411	N
2	Microprocessor, 3600+ Athlon64 AM2 X2 (1.9GHz 1M 65W 65nm G1) (models CTO)	43C4091	N
2	Microprocessor, 3800+ Sempron AM2 (2.2 GHz processor, 62W) (models CTO)	43C2454	N
2	Microprocessor, 3200+ Athlon64 AM2 (2.0 GHz processor, 62W) (models CTO)	42Y8940	N
2	Microprocessor, 3500+ Athlon64 AM2 (2.2 GHz processor, 62W )(models CTO)	41X1415	N
2	Microprocessor, 3800+ Athlon64 AM2 (2.4 GHz processor, 62W) (models CTO)	41X1417	N
2	Microprocessor, 3600+ Athlon64 AM2 X2 (2.0 GHz processor, 65W) (models CTO)	41X7777	N
2	Microprocessor, 3800+ Athlon64 AM2 X2 (2.0 GHz processor, 89W) (models A2K A1K )	41X4241	N
2	Microprocessor, 4000+ Athlon64 AM2 (2.4 GHz processor, 62W) (models A6J A7J A8J )	41X1419	N
2	Microprocessor, 4200+ Athlon64 AM2 (2.2 GHz processor, 62W) (models CTO)	41X1421	N
2	Microprocessor, 4400+ Athlon64 AM2 X2 (2.3 GHz processor, 89W) (models A1U A1S A1P A2U A2S A2P A2G A2M A2A A2K A1F A2F)	43C3507	N
2	Microprocessor, 4600+ Athlon64 AM2 X2 (2.4 GHz processor, 89W) (models CTO)	41X1423	N
2	Microprocessor, 4800+ Athlon64 AM2 X2 (2.5 GHz processor, 65W) stepping G1 45nm (models A9J)	43C4093	N
2	Microprocessor, 5000+ Athlon AM2 X2 (2.6 GHz processor, 89W) (models CTO)	41X1427	N

Item #	9169 FRUs	FRU#	CRU
2	Microprocessor, Sempron LE 1100 (1.9 GHz processor, 45W, 256KB L2) stepping G1 (models)	45C7564	N
2	Microprocessor, Sempron LE 1150 (2.0 GHz processor, 45W, 256KB L2) stepping G1 (models)	45C7507	N
2	Microprocessor, Sempron LE 1200 (2.1 GHz processor, 45W, 512KB L2) stepping G1 (models)	43C6169	N
2	Microprocessor, Sempron LE 1250 (2.2 GHz processor, 45W, 512KB L2) stepping G2 (models)	43C6168	N
2	Microprocessor, 5200+ Athlon64 AM2 X2 (2.7 GHz processor, 65W) stepping G1 65nm (models)	45C7502	N
2	Microprocessor, 6000+ Athlon64 AM2 X2 (3.0 GHz processor, 65W) stepping G1 65nm (models)	45C7503	N
2	Microprocessor, Athlon X2 BE 2300 (1.9GHz processor, 45W, 1MB L2) stepping G1 (models)	43C6167	N
2	Microprocessor, Athlon X2 BE 2350 (2.1GHz processor, 45W, 1MB L2) stepping G1 (models)	43C6166	N
2	Microprocessor, Athlon X2 BE 2400 (2.3GHz processor, 45W, 1MB L2) stepping G1 (models)	43C6165	N
3	DVD-ROM Drive - 16x/48x - SATA XP and Vista (models A6J A8J A4J )	41N3325	2
3	DVD-ROM/CD-RW Combo Drive - 48x/32x/48x/16x - SATA vista and XP (models A2K A1U A1S A1P A2U A2S A2P A2G A2M A2A A1F A2F)	42Y9353	2
3	DVD-RW/CD-RW Rambo 8 - SATA VISTA AND XP (models A9J A3B A3H A7J A5J A1K)	43C1042	2
4	Front Power/LED PC, bracket, and cable (all models)	41N8213	2
5	Hard disk drive, 80GB, 7200RPM, SATA (models A4J A5J A1U A1S A1P A2U A2S A2P A2G A2M A2A A2K A1F A2F)	40Y9034	2
5	Hard disk drive, 160GB, 7200RPM, SATA (models A9J A3B A3H A6J A7J A8J A9J A2K)	40Y9035	2
5	Hard disk drive, 250GB, 7200RPM, SATA (models A1K)	40Y9036	2
5	Hard disk drive, 320GB, 7200RPM, SATA/8MB (models CTO)	87H4891	2
5	Hard disk drive, 500GB, 7200RPM, SATA (models CTO)	41X5582	2
6	Diskette drive, 3,5", 1.44MB, 2-mode, (w/bezel) (models A9J A6J A7J A8J A4J A5J )	40Y9105	2
6	Diskette drive, 3,5", 1.44MB, 2-mode, (w/bezel) (models A9J A6J A7J A8J A4J A5J )	40Y9107	2
7	Front USB/Audio with bracket (all models)	41N8212	2
8	Memory module, 512 MB PC2-4200 (533MHz) DDR2 SDRAM (models CTO)	41X4251	2
8	Memory module, 1 GB PC2-4200 (533MHz) DDR2 SDRAM (models CTO)	41X4252	2
8	Memory module, 2 GB PC2-4200 (533MHz) DDR2 SDRAM (models CTO)	41X4253	2
8	Memory module, 512 MB PC2-5300 (667MHz) DDR2 SDRAM (models A9J A3B A3H A6J A7J A8J A9J A4J A5J )	41X4255	2
8	Memory module, 1 GB PC2-5300 (667MHz) DDR2 SDRAM (models A2K A1K A1U A1S A1P A2U A2S A2P A2G A2M A2A A1F A2F)	41X4256	2
8	Memory module, 2 GB PC2-5300 (667MHz) DDR2 SDRAM (models CTO)	41X4257	2
8	Memory module, 512 MB PC2-6400 (800MHz) DDR2 SDRAM (models CTO)	41X1079	2
8	Memory module, 1 GB PC2-6400 (800MHz) DDR2 SDRAM (models CTO)	41X1080	2
8	Memory module, 2 GB PC2-6400 (800MHz) DDR2 SDRAM (models CTO)	41X1081	2

Item #	9169 FRUs	FRU#	CRU
9	System board, AMD 690G (models A9J A3B A3H A6J A7J A8J A9J A5J A4J A2K A1K A1U A1S A1P A2U A2S A2P A2G A2M A2A A1F A2F)	42Y9916	N
10	220 Watt Power Supply - Japan (models A9J A6J A7J A8J A4J A5J)	41A9697	2
10	220 Watt Power Supply - Robust (models A3B A3H)	41A9689	2
10	220W 80% Power supply (models A3B A3H A6J A7J A8J A9J A4J A5J A2K A1K A1U A1S A1P A2U A2S A2P A2G A2M A2A A1F A2F)	41A9670	2
10	280W TFX 280W PS ,Active PFC (models A3B A3H A6J A7J A8J A9J A4J A5J A2K A1K A1U A1S A1P A2U A2S A2P A2G A2M A2A A1F A2F)	41A9705	2

The FRUs listed in the following tables are not illustrated.

9169 FRUs	FRU#	CRU
System board shield (all models)	41R6384	N
Cover (all models)	41N8204	N
Mechanical shell kit (all models)	41R6209	N
Bezel kit (all models)	41N8206	N
Miscellaneous hardware kit (all models)	41N8209	N
Hard disk drive bracket assembly (plastic and grommets) (all models)	41N8210	N
Hard disk drive fan and bracket assembly (all models)	41N8211	N
Speaker cable assembly, 600 mm cable length (all models)	41N8217	N
Fan duct assembly (all models)	41R4808	N
Intrusion switch assembly (all models)	41R6208	N
Cable, diskette drive (all models)	41A7147	N
Shield, EMC, blank 5.25 in. drive bay all models)	41N8271	N
Shield, EMC, blank diskette drive bay (all models)	41N8273	N
Rear USB 2Ports II LP (R), low profile I/O, 200mm, Rohs (all models)	42Y8006	N
Rear Com2 cable II LP(R), low profile I/O, 250mm, Rohs (all models)	42Y8008	N
Foot stand (all models)	41R4813	N
Cable, serial ATA, 250 mm (all models)	41A7145	N
Bezel kit, Rocky S3 without IBM logo (all models)	41R6238	2
DVI cable for RS690 LP (all models)	41R3304	2

9169 Keyboards (Preferred Pro)	FRU#	CRU Tier
US English (models CTO)	41A5039	1
Arabic (models CTO)	41A5040	1
Arabic/French (models CTO)	41A5041	1
Belgian/French (models CTO)	41A5042	1
Belgian/UK (models CTO)	41A5043	1
Bulgarian (models CTO)	41A5045	1
Hong Kong/Taiwan (models CTO)	41A5046	1
Czech (models CTO)	41A5047	1
Danish (models CTO)	41A5048	1

<b>9169 Keyboards (Preferred Pro)</b>	<b>FRU#</b>	<b>CRU Tier</b>
Dutch (models CTO)	41A5049	1
French (models CTO)	41A5050	1
French Canadian 445 (models CTO)	41A5051	1
French Canadian 58 (models CTO)	41A5052	1
German (models CTO)	41A5053	1
Greek (models CTO)	41A5054	1
Hebrew (models CTO)	41A5055	1
Hungarian (models CTO)	41A5056	1
Iceland (models CTO)	41A5057	1
Italian (models CTO)	41A5058	1
Japanese (models CTO)	41A5059	1
Korean (models CTO)	41A5060	1
LA Spanish (models CTO)	41A5061	1
Norwegian (models CTO)	41A5062	1
Polish (models CTO)	41A5063	1
Portuguese (models CTO)	41A5064	1
Romanian (models CTO)	41A5065	1
Russian/Cyrilic (models CTO)	41A5066	1
Serbian/Cyrilic (models CTO)	41A5067	1
Slovak (models CTO)	41A5068	1
Spanish (models CTO)	41A5069	1
Swedish/Finn (models CTO)	41A5070	1
Swiss F/G (models CTO)	41A5071	1
Turkish 440 (models CTO)	41A5073	1
Turkish 179 (models CTO)	41A5074	1
UK English (models CTO)	41A5075	1
US Euro (models CTO)	41A5076	1
Slovenian (models CTO)	41A5077	1
Brazil/Portuguese (models CTO)	41A5044	1

<b>9169 Keyboards (USB Preferred Pro)</b>	<b>FRU#</b>	<b>CRU</b>
US English (models A3H A1U A2U A2M A2A A2G)	41A5289	1
Arabic (models A2G)	41A5290	1
Arabic/French (models CTO)	41A5291	1
Belgian/French (models A2G)	41A5292	1
Belgian/UK (models A2G)	41A5293	1
Brazilian (models CTO)	41A5294	1
Bulgarian (models A2G)	41A5295	1
Hong Kong/Taiwan (models A3B)	41A5296	1
Czech (models A2G)	41A5297	1
Danish (models A2G)	41A5298	1



<b>9169 Keyboards (USB Preferred Pro)</b>	<b>FRU#</b>	<b>CRU</b>
Dutch (models A2G)	41A5299	1
French (models A2G)	41A5300	1
French Canadian 445 (models CTO A1F A2F)	41A5301	1
French Canadian 58 (models CTO A1F A2F)	41A5302	1
German (models A2G)	41A5303	1
Greek (models A2G)	41A5304	1
Greek/US (models CTO)	41A5305	1
Hebrew (models A2G)	41A5306	1
Hungarian (models A2G)	41A5307	1
Iceland (models A2G)	41A5308	1
Italian (models A2G)	41A5309	1
Japanese (models A9J A6J)	41A5310	1
Korean (models A2K A1K)	41A5311	1
LA Spanish (models A2S A1S )	41A5312	1
Norwegian (models A2G)	41A5313	1
Polish (models A2G)	41A5314	1
Portuguese (models A1P A2P)	41A5315	1
Romanian 096 (models A2G)	41A5317	1
Romanian 446 (models A2G)	41A5316	1
Russian/Cyrillic (models A2G)	41A5318	1
Serbian/Cyrillic (models A2G)	41A5319	1
Slovak (models A2G)	41A5320	1
Spanish (models A2G)	41A5321	1
Swedish/Finn (models A2G)	41A5322	1
Swiss (models A2G)	41A5323	1
Thailand (models CTO)	41A5324	1
Turkish 440 (models A2G)	41A5325	1
Turkish 179 (models A2G)	41A5326	1
UK English (models A2G)	41A5327	1
US Euro (models A2G)	41A5328	1
Slovenian (models A2G)	41A5329	1

<b>9169 Keyboards (Fingerprint Reader USB)</b>	<b>FRU#</b>	<b>CRU Tier</b>
US English (models CTO)	41A5248	1
Arabic (models CTO)	41A5249	1
Arabic/French (models CTO)	41A5250	1
Belgian/French (models CTO)	41A5251	1
Belgian/UK (models CTO)	41A5252	1
Brazil/Portuguese (models CTO)	41A5253	1
Bulgarian (models CTO)	41A5254	1
Chinese (models CTO)	41A5255	1

<b>9169 Keyboards (Fingerprint Reader USB)</b>	<b>FRU#</b>	<b>CRU Tier</b>
Czech (models CTO)	41A5256	1
Danish (models CTO)	41A5257	1
Dutch (models CTO)	41A5258	1
French (models CTO)	41A5259	1
French Canadian 445 (models CTO)	41A5260	1
French Canadian 58 (models CTO)	41A5261	1
German (models CTO)	41A5262	1
Greek (models CTO)	41A5263	1
Greek/US (models CTO)	41A5264	1
Hebrew (models CTO)	41A5265	1
Hungarian (models CTO)	41A5266	1
Iceland (models CTO)	41A5267	1
Italian 141 (models CTO)	41A5268	1
Japanese (models CTO)	41A5269	1
Korean (models CTO)	41A5270	1
LA Spanish (models CTO)	41A5271	1
Norwegian (models CTO)	41A5272	1
Polish (models CTO)	41A5273	1
Portuguese (models CTO)	41A5274	1
Romanian 096 (models CTO)	41A5275	1
Romanian 446 (models CTO)	41A5276	1
Russian/Cyrillic (models CTO)	41A5277	1
Serbian/Cyrillic (models CTO)	41A5278	1
Slovak (models CTO)	41A5279	1
Spanish (models CTO)	41A5280	1
Swedish/Finn (models CTO)	41A5281	1
Swiss (models CTO)	41A5282	1
Turkish 440 (models CTO)	41A5284	1
Turkish 179 (models CTO)	41A5285	1
UK English (models CTO)	41A5286	1
US Euro (models CTO)	41A5287	1
Slovenian (models CTO)	41A5288	1

<b>9169 mice</b>	<b>FRU#</b>	<b>CRU</b>
Optical Wheel Mouse (400DPI, USB) (models A9J A3B A3H A6J A7J A8J A4J A5J A2K A1K A1U A1S A1P A2U A2S A2P A2G A2M A2A A1F A2F)	41U3013	1
Optical Wheel Mouse (400DPI, USB) (models A9J A3B A3H A6J A7J A8J A4J A5J A2K A1K A1U A1S A1P A2U A2S A2P A2G A2M A2A A1F A2F)	41U3030	1
PS/2 Three Button ball mouse (41R0017) models CTO)	41R0018	1

9169 Adapters and miscellaneous FRUs	FRU#	CRU Tier
PCI Modem Card (Soft) (models CTO)	29R9729	2
L1 IEEE 1394 PCI Adapter (models CTO)	41D2781	2
Dongle Cable - DMS59 to dual VGA (included in Denver L1) (models CTO)	41R3404	1
Dongle DMS Dule DMS-59 to dual DVI cable (models CTO)	41R3403	1
Dongle DMS Dule DMS-59 to single VGA & single DVI cable (models CTO)	41R3405	1
Nvidia GeForce 7300LE 128MB 64bit LP / ATX with DMS59 (models CTO)	42Y8165	2
ATI X1300LE 256M 64bit LP / ATX with DMS59 (models CTO)	42Y8162	2
USB2.0 MEMORY CARDREADER,6X2,ROHS OPTIONAL, SONY (models CTO)	41R3376	2
USB2.0 MEMORY CARDREADER,6X2,ROHS OPTIONAL,Bitland (models CTO)	41R3378	2
Speakers (2-piece) Lenovo Logo (models CTO)	41A5331	2
BTL external speaker (models CTO)	41A5334	1
Speaker Power brick - US, Canada, LA low voltage, ASEAN (models A1U A2U A2A)	89P8571	1
Speaker Power brick - Hong Kong, Malaysia, Singapore, UK, Brunei (models A3B A3H )	89P8573	1
Speaker Power brick - LA high voltage (non-APU) (models CTO)	89P8575	1
Speaker Power brick - China, Thailand (models CTO)	89P8581	1
Speaker Power brick - Japan (models A6J A7J A8J A9J A5J A4J )	89P8577	1
Speaker Power brick - Brazil (models CTO)	89P8583	1
Speaker Power brick - Argentina (models CTO)	41A4901	1
Speaker Power brick - ANZ (models A2M)	89P8579	1
Speaker Brick - Korea (models A2K A1K)	41A4903	1
Speaker Brick - Taiwan (models CTO)	41A4905	1
Speaker Power brick - India, South Africa (models CTO)	89P8585	1
DVI cable for RS690 LP (models)	41R3316	2
USB Memory Key - 1G RoW (models)	45C7146	1
ATI HD 2400PRO 128MB 64BIT DMS59 LP/ATX (models)	43C0259	2
ATI HD 2400XT 256MB 64BIT DMS59 LP/ATX (models)	43C0260	2
ATI HD 2600XT 512MB 128BIT ATX (models)	43C8266	2

9169 Power Cords	FRU#	CRU Tier
Power cord - US (models A1U A2U A1S A2S A2A A1F A2F)	39M5080	1
Power cord - China (models CTO)	39M5205	1
Power cord - Japan (models A9J A6J A7J A8J A5J A4J)	39M5193	1
Power cord - Brazil (models A2P A1P)	39M5232	1
Power cord - LA High Volt (APU) (models CTO)	39M5067	1
Power cord - Australia/New Zealand (models A1M)	39M5102	1
Power cord - Korea (models A2K A1K)	39M5212	1
Power cord - Hong Kong (models A3B A3H)	39M5151	1
Power cord - UK, Ireland, Singapore, Malaysia, Brunei (models A2A)	39M5150	1
Power cord - Taiwan (models CTO)	39M5246	1
Power cord - Italy/Chile (models A1S A2S )	39M5164	1
Power cord - G models (models A2A)	39M5122	1

<b>9169 Power Cords</b>	<b>FRU#</b>	<b>CRU Tier</b>
Power cord - Denmark (models A1G)	39M5129	1
Power cord - Switzerland (models CTO)	39M5157	1
Power cord - Israel (models CTO)	39M5171	1
Power cord - South Africa (models A1G A1M A2A)	39M5143	1
Power cord - India (models CTO)	39M5004	1

<b>9169 Windows XP Home CDs</b>	<b>FRU#</b>	<b>CRU Tier</b>
US/UK/AP/TH (models CTO)	45C1028	1
FR/CF (models CTO)	45C1029	1
GR (models CTO)	45C1030	1
IT (models CTO)	45C1033	1
BR (models CTO)	45C1032	1
SP/LA (models CTO)	45C1031	1
DK (models CTO)	45C1037	1
NL (models CTO)	45C1038	1
AE (models CTO)	45C1043	1
SV (models CTO)	45C1036	1
HE (models CTO)	45C1041	1
FI (models CTO)	45C1040	1
NO (models CTO)	45C1035	1
PL (models CTO)	45C1042	1
PO (models CTO)	45C4069	1
RU (models CTO)	45C1044	1
RE (models CTO)	45C1052	1
HU (models CTO)	45C1046	1
CZ (models CTO)	45C1039	1
TR (models CTO)	45C1045	1
GK (models CTO)	45C1047	1
Japanese (models CTO)	45C1034	1
Simplified Chinese (models CTO)	45C1048	1
Taiwan - TC (models CTO)	45C1049	1
Hong Kong - TC (models CTO)	45C1050	1
Korea (models CTO)	45C1051	1

<b>9169 Windows XP Pro Recovery CDs</b>	<b>FRU#</b>	<b>CRU Tier</b>
US/UK/AP/TH (models A1U A3H A2U A2M A2A A2G)	45C0820	1
FR/CF (models CTO A1F A2G A2F)	45C0821	1
GR (models CTO A2G)	45C0822	1
IT (models CTO A2G)	45C0825	1
BR (models A1P A2P)	45C0824	1
SP/LA (models A1S A2G)	45C0823	1

<b>9169 Windows XP Pro Recovery CDs</b>	<b>FRU#</b>	<b>CRU Tier</b>
DK (models CTO A2G)	45C0829	1
NL (models CTO A2G)	45C08230	1
AE (models CTO A2G)	45C0835	1
SV (models CTO A2G)	45C0828	1
HE (models CTO A2G)	45C0833	1
FI (models CTO)	45C0832	1
NO (models CTO A2G)	45C0827	1
PL (models CTO A2G)	45C0834	1
PO (models CTO A2G)	45C4061	1
RU (models CTO A2G)	45C0836	1
RE (models CTO A2G) )	45C0845	1
HU (models CTO A2G)	45C0838	1
CZ (models CTO A2G)	45C0831	1
TR (models CTO A2G)	45C0837	1
GK (models CTO A2G)	45C0839	1
SL (models CTO A2G)	45C0844	1
Japanese (models A6J A7J A4J A5J A9J A8J)	45C0826	1
Simplified Chinese (models CTO)	45C0840	1
Taiwan - TC (models CTO)	45C0841	1
Hong Kong - TC (models CTO)	45C0842	1
Korea (models CTO A2K A1K)	45C0843	1

<b>9169 Vista Home Basic 32 Recovery DVDs</b>	<b>FRU#</b>	<b>CRU Tier</b>
English (models CTO)	45C0770	1
French/Canadian French (models CTO)	45C0772	1
German (models CTO)	45C0773	1
Spanish/LA (models CTO)	45C0774	1
Brazil (models CTO)	45C0775	1
Italy (models CTO)	45C0776	1
Japanese (models CTO)	45C0777	1
Norway (models CTO)	45C0778	1
Swedish (models CTO)	45C0779	1
Denmark (models CTO)	45C0780	1
Dutch (models CTO)	45C0781	1
Czech (models CTO)	45C0782	1
Finnish (models CTO)	45C0783	1
Polish (models CTO)	45C0784	1
Russian (models CTO)	45C0785	1
Turkish (models CTO)	45C0786	1
Hungarian (models CTO)	45C0787	1
Greek (models CTO)	45C0788	1

<b>9169 Vista Home Basic 32 Recovery DVDs</b>	<b>FRU#</b>	<b>CRU Tier</b>
Simplified Chinese (models CTO)	45C0789	1
Traditional Chinese (models CTO)	45C0790	1
Traditional Chinese (models CTO)	45C0791	1
Korean (models CTO)	45C0792	1
SL (models CTO)	45C0793	1
Russian English (models CTO)	45C0771	1
Hebrew (models CTO)	45C0794	1

<b>9169 Vista Business 32 Recovery DVDs</b>	<b>FRU#</b>	<b>CRU Tier</b>
English (models A3H A2U A2M A2A A2G )	45C0660	1
French/Canadian French (models A2G A2F)	45C0662	1
German (models A2G)	45C0663	1
Spanish/LA (models A2G)	45C0664	1
Brazil (models A2P)	45C0665	1
Italy (models A2G)	45C0666	1
Japanese (models A9J A8J)	45C0667	1
Norway (models A2G)	45C0668	1
Swedish (models A2G)	45C0669	1
Denmark (models A2G)	45C0670	1
Dutch (models A2G)	45C0671	1
Czech (models A2G)	45C0672	1
Finnish (models A2G)	45C0673	1
Polish (models A2G)	45C0674	1
Russian (models A2G)	45C0675	1
Turkish (models A2G)	45C0676	1
Hungarian (models A2G)	45C0677	1
Greek (models A2G)	45C0678	1
Portuguese (models A2G)	45C0687	1
Simplified Chinese (models CTO)	45C0679	1
Traditional Chinese (models CTO)	45C0680	1
Traditional Chinese (models CTO)	45C0681	1
Korean (models A2K A1K)	45C0682	1
Slovenian (models A2G)	45C0683	1
Russian English (models A2G)	45C0661	1
Romanian (models CTO)	45C0684	1
Bulgarian (models CTO)	45C0685	1
Croatian (models CTO)	45C0686	1
Serbian-Latin (models CTO)	45C0688	1
Ukrainian (models CTO)	45C0689	1
Slovakian (models CTO)	45C0690	1
Hebrew (models CTO)	45C5289	1

<b>9169 Vista Business 32 Recovery DVDs</b>	<b>FRU#</b>	<b>CRU Tier</b>
Arabic (models CTO)	45C5290	1

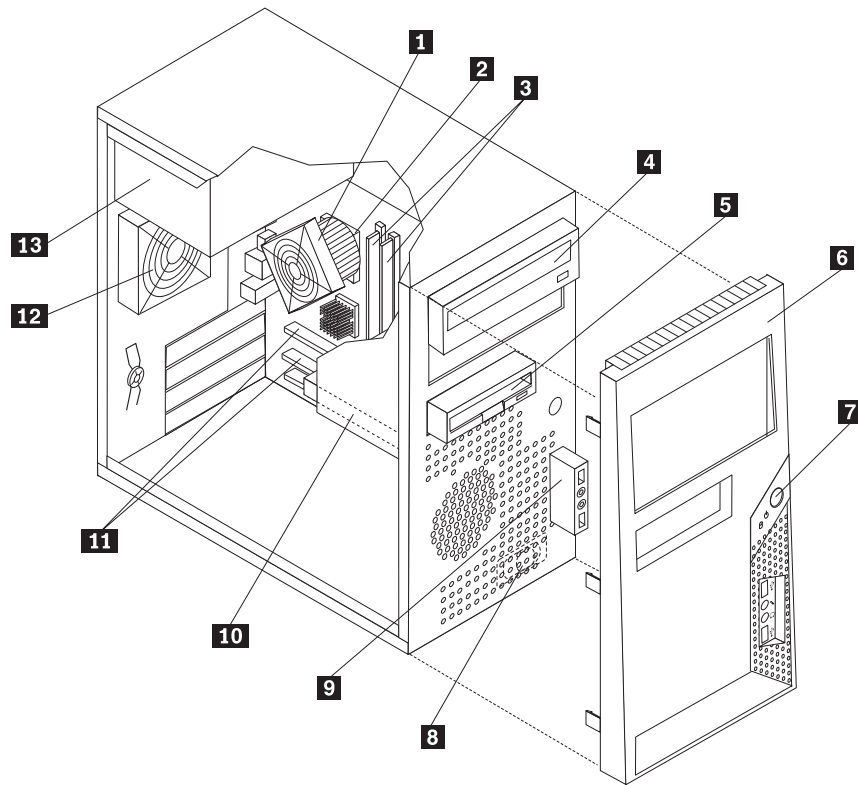
<b>9169 Vista Home pre 32 Recovery DVDs</b>	<b>FRU#</b>	<b>CRU Tier</b>
English (models CTO)	45C0581	1
Russian English (models CTO)	45C0582	1
French/Canadian French (models CTO)	45C0583	1
German (models CTO)	45C0584	1
Spanish/LA (models CTO)	45C0585	1
Brazil (models CTO)	45C0586	1
Italy (models CTO)	45C0587	1
Japanese (models CTO)	45C0588	1
Norway (models CTO)	45C0589	1
Swedish (models CTO)	45C0590	1
Denmark (models CTO)	45C0591	1
Dutch (models CTO)	45C0592	1
Czech (models CTO)	45C0593	1
Finnish (models CTO)	45C0594	1
Polish (models CTO)	45C0595	1
Russian (models CTO)	45C0596	1
Turkish (models CTO)	45C0597	1
Hungarian (models CTO)	45C0598	1
Greek (models CTO)	45C0599	1
Simplified Chinese (models CTO)	45C0600	1
Traditional Chinese (models CTO)	45C0601	1
Traditional Chinese (models CTO)	45C0602	1
Korean (models CTO)	45C0603	1
Slovenian (models CTO)	45C0604	1
Hebrew (models CTO)	45C0605	1
Romanian (models CTO)	45C0606	1
Bulgarian (models CTO)	45C0607	1
Croatian (models CTO)	45C0608	1
Portuguese (models CTO)	45C0609	1
Serbian-Latin (models CTO)	45C0610	1
Ukrainian (models CTO)	45C0611	1
Slovakian (models CTO)	45C0612	1
Arabic (models CTO)	45C5291	1

<b>9169 Vista Business 64 Recovery DVDs</b>	<b>FRU#</b>	<b>CRU Tier</b>
English (models CTO)	45C0722	1
Russian English (models CTO)	45C0723	1
French/Canadian French (models CTO)	45C0724	1

9169 Vista Business 64 Recovery DVDs	FRU#	CRU Tier
German (models CTO)	45C0725	1
Spanish/LA (models CTO)	45C0726	1
Brazil (models CTO)	45C0727	1
Italy (models CTO)	45C0728	1
Japanese (models CTO)	45C0729	1
Norway (models CTO)	45C0730	1
Swedish (models CTO)	45C0731	1
Denmark (models CTO)	45C0732	1
Dutch (models CTO)	45C0733	1
Czech (models CTO)	45C0734	1
Finnish (models CTO)	45C0735	1
Polish (models CTO)	45C0736	1
Russian (models CTO)	45C0737	1
Turkish (models CTO)	45C0738	1
Hungarian (models CTO)	45C0739	1
Greek (models CTO)	45C0740	1
Simplified Chinese (models CTO)	45C0741	1
Taiwan (models CTO)	45C0742	1
Hong Kong (models CTO)	45C0743	1
Korean (models CTO)	45C0744	1
Slovenian (models CTO)	45C0745	1
Hebrew (models CTO)	45C4059	1
Portuguese (models CTO)	45C4826	1
Arabic (models CTO)	45C5293	1



# Machine Type 9171



Item #	9171 FRUs	FRU#	CRU
1	AMD 89W/65W heat sink kit (all models)	41R4802	2
2	Microprocessor, 2800+ Sempron AM2 (1.6 GHz processor, 62W) (models CTO)	42Y8938	N
2	Microprocessor, 3000+ Sempron AM2 (1.6 GHz processor, 62W) (models CTO)	41X1403	N
2	Microprocessor, 3400+ Sempron AM2 (1.8 GHz processor, 62W) (models CTO)	41X1407	N
2	Microprocessor, 3500+ Sempron AM2 (2.0 GHz processor, 62W) (models CTO)	41X1409	N
2	Microprocessor, 3600+ Sempron AM2 (2.0 GHz processor, 62W) (models A4U)	41X1411	N
2	Microprocessor, 3600+ Athlon64 AM2 X2 (1.9GHz processor, 1M 65W 65nm G1) (models CTO)	43C4091	N
2	Microprocessor, 3800+ Sempron AM2 (2.2 GHz processor, 62W) (models CTO)	43C2454	N
2	Microprocessor, 3200+ Athlon64 AM2 (2.0 GHz processor, 62W) (models CTO)	42Y8940	N
2	Microprocessor, 3500+ Athlon64 AM2 (2.2 GHz processor, 62W) (models CTO)	41X1415	N
2	Microprocessor, 3800+ Athlon64 AM2 (2.4 GHz processor, 62W) (models CTO)	41X1417	N
2	Microprocessor, 3600+ Athlon64 AM2 X2 (2.0 GHz processor, 65W) (models CTO)	41X7777	N
2	Microprocessor, 4000+ Athlon64 AM2 (2.4 GHz processor, 62W) (models CTO)	41X1419	N
2	Microprocessor, 4200+ Athlon64 AM2 (2.2 GHz processor, 62W) (models CTO)	41X1421	N
2	Microprocessor, 4400+ Athlon64 AM2 X2 (2.3 GHz processor, 89W) (models A2K A1U A1S A1P A2U A2S A2P A2G A2M A2A A2K A1F A2F)	43C3507	N
2	Microprocessor, 4600+ Athlon64 AM2 X2 (2.4 GHz processor, 89W) (models CTO)	41X1423	N
2	Microprocessor, 4800+ Athlon64 AM2 X2 (2.5 GHz processor, 65W) stepping G1 45nm (models A1K A3J )	43C4093	N

Item #	9171 FRUs	FRU#	CRU
2	Microprocessor, 5000+ Athlon AM2 X2 (2.6 GHz processor, 89W) (models CTO)	41X1427	N
2	Microprocessor, Sempron LE 1100 (1.9 GHz processor, 45W, 256KB L2) stepping G1 (models)	45C7564	N
2	Microprocessor, Sempron LE 1150 (2.0 GHz processor, 45W, 256KB L2) stepping G1 (models)	45C7507	N
2	Microprocessor, Sempron LE 1200 (2.1 GHz processor, 45W, 512KB L2) stepping G1 (models)	43C6169	N
2	Microprocessor, Sempron LE 1250 (2.2 GHz processor, 45W, 512KB L2) stepping G2 (models)	43C6168	N
2	Microprocessor, 5200+ Athlon64 AM2 X2 (2.7 GHz processor, 65W) stepping G1 65nm (models)	45C7502	N
2	Microprocessor, 6000+ Athlon64 AM2 X2 (3.0 GHz processor, 65W) stepping G1 65nm (models)	45C7503	N
2	Microprocessor, Athlon X2 BE 2300 (1.9GHz processor, 45W, 1MB L2) steping G1 (models)	43C6167	N
2	Microprocessor, Athlon X2 BE 2350 (2.1GHz processor, 45W, 1MB L2) steping G1 (models)	43C6166	N
2	Microprocessor, Athlon X2 BE 2400 (2.3GHz processor, 45W, 1MB L2) steping G1 (models)	43C6165	N
3	Memory module, 512 MB PC2-4200 (533MHz) DDR2 SDRAM (models CTO)	41X4251	2
3	Memory module, 1 GB PC2-4200 (533MHz) DDR2 SDRAM (models CTO)	41X4252	2
3	Memory module, 2GB PC2-4200 (533MHz) DDR2 SDRAM (models CTO)	41X4253	2
3	Memory module, 512 MB PC2-5300 (667MHz) DDR2 SDRAM (models A3J A4U )	41X4255	2
3	Memory module, 1 GB PC2-5300 (667MHz) DDR2 SDRAM (models A2K A1K A3J A1U A1S A1P A2U A2S A2P A2G A2M A2A A2K A1F A2F)	41X4256	2
3	Memory module, 2 GB PC2-5300 (667MHz) DDR2 SDRAM (models CTO)	41X4257	2
3	Memory module, 512 MB PC2-6400 (800MHz) DDR2 SDRAM (models CTO)	41X1079	2
3	Memory module, 1 GB PC2-6400 (800MHz) DDR2 SDRAM (models CTO)	41X1080	2
3	Memory module, 2 GB PC2-6400 (800MHz) DDR2 SDRAM (models CTO)	41X1081	2
4	DVD-ROM drive - 16x/48x - SATA XP and Vista (models A4U)	41X3325	2
4	DVD-ROM/CD-RW Combo Drive - 48x/32x/48x/16x - SATA vista and XP (models A1U A1S A1P A2U A2S A2P A2G A2M A2A A2K A1F A2F)	42Y9353	2
4	DVD-RW/CD-RW Rambo 8 - SATA VISTA AND XP (models A3J)	43C1042	2
5	Diskette drive, 3,5", 1.44MB, 2-mode, (w/bezel) (models A3J)	40Y9105	2
5	Diskette drive, 3,5", 1.44MB, 2-mode, (w/bezel) (models A3J)	40Y9107	2
6	Bezel assembly (all models)	TBD	2
7	Power switch/LED assembly (all models)	41N5284	2
8	Speaker assembly, soldered terminals (all models)	39P5023	2
9	Front audio/USB assembly (all models)	41N8054	2
10	Hard disk drive, 80GB, 7200RPM, SATA (models A4U)	40Y9034	2
10	Hard disk drive, 160GB, 7200RPM, SATA (models A3J A1U A1S A1P A2U A2S A2P A2G A2M A2A A2K A1F A2F)	40Y9035	2
10	Hard disk drive, 250GB, 7200RPM, SATA (models A2K)	40Y9036	2
10	Hard disk drive, 320GB, 7200RPM, SATA/8MB (models A3K)	87H4891	2

Item #	9171 FRUs	FRU#	CRU
10	Hard disk drive, 500GB, 7200RPM, SATA (models CTO)	41X5582	2
11	System board, AMD 690G (models A3J A4U A2K A1K A1U A1S A1P A2U A2S A2P A2G A2M A2A A1F A2F)	42Y9916	N
12	System fan, rear (all models)	41R6046	2
13	ATX 280W Power supply; Robust (models CTO)	41A9684	N
13	ATX 280W 80% power supply (models A4U A2K A1K A3J A1U A1S A1P A2U A2S A2P A2G A2M A2A A2K A1F A2F)	41A9665	N
13	ATX 310W Power supply Robust (models CTO)	24R2598	N

The FRUs listed in the following tables are not illustrated.

9171 FRUs	FRU#	CRU
Shield, EMC, blank 5.25 in. drive bay (all models)	41N8080	N
Shield, EMC, blank diskette drive bay (all models)	41N8078	N
Cable, diskette drive (all models)	41A7182	N
Cable, Serial ATA, 250 mm (all models)	41A7145	2
Rear USB 2Ports II HP(R), high profile I/O, 300mm, Rohs (all models)	42Y8005	2
Rear Com2 cable, Rohs (all models)	41R6198	2
Rear Com2 cable II HP(R), high profile I/O, 250mm, Rohs (all models)	42Y8007	N
Cable -SATA 457mm (RoHS) (all models)	26K1186	2
Cover (all models)	41N8050	2
System board shield (all models)	41R6378	N
Kit, Misc. Hardware (all models)	41N8055	2
Retainer, Card Reader (all models)	41R2913	2
System fan, front (all models)	41R4791	2
Optional HDD Bracket Assembly, without 4Pin cable (all models)	41R6106	2
Cable, Temperature Sense (460mm) (all models)	41R6196	2
Intrusion Switch assembly (all models)	41R6116	2

9171 Keyboards (Preferred Pro)	FRU#	CRU Tier
US English (models CTO)	41A5039	1
Arabic (models CTO)	41A5040	1
Arabic/French (models CTO)	41A5041	1
Belgian/French (models CTO)	41A5042	1
Belgian/UK (models CTO)	41A5043	1
Bulgarian (models CTO)	41A5045	1
Hong Kong/Taiwan (models CTO)	41A5046	1
Czech (models CTO)	41A5047	1
Danish (models CTO)	41A5048	1
Dutch (models CTO)	41A5049	1
French (models CTO)	41A5050	1
French Canadian 445 (models CTO)	41A5051	1

<b>9171 Keyboards (Preferred Pro)</b>	<b>FRU#</b>	<b>CRU Tier</b>
French Canadian 58 (models CTO)	41A5052	1
German (models CTO)	41A5053	1
Greek (models CTO)	41A5054	1
Hebrew (models CTO)	41A5055	1
Hungarian (models CTO)	41A5056	1
Iceland (models CTO)	41A5057	1
Italian (models CTO)	41A5058	1
Japanese (models CTO)	41A5059	1
Korean (models CTO)	41A5060	1
LA Spanish (models CTO)	41A5061	1
Norwegian (models CTO)	41A5062	1
Polish (models CTO)	41A5063	1
Portuguese (models CTO)	41A5064	1
Romanian (models CTO)	41A5065	1
Russian/Cyrilic (models CTO)	41A5066	1
Serbian/Cyrilic (models CTO)	41A5067	1
Slovak (models CTO)	41A5068	1
Spanish (models CTO)	41A5069	1
Swedish/Finn (models CTO)	41A5070	1
Swiss F/G (models CTO)	41A5071	1
Turkish 440 (models CTO)	41A5073	1
Turkish 179 (models CTO)	41A5074	1
UK English (models CTO)	41A5075	1
US Euro (models CTO)	41A5076	1
Slovenian (models CTO)	41A5077	1
Brazil/Portuguese (models CTO)	41A5044	1

<b>9171 Keyboards (USB Preferred Pro)</b>	<b>FRU#</b>	<b>CRU</b>
US English (models A4U A1U A2U A2M A2A A2G)	41A5289	1
Arabic (models A2G)	41A5290	1
Arabic/French (models CTO)	41A5291	1
Belgian/French (models A2G)	41A5292	1
Belgian/UK (models A2G)	41A5293	1
Brazilian (models A1P A2P)	41A5294	1
Bulgarian (models A2G)	41A5295	1
Hong Kong/Taiwan (models CTO)	41A5296	1
Czech (models A2G)	41A5297	1
Danish (models A2G)	41A5298	1
Dutch (models A2G)	41A5299	1
French (models A2G)	41A5300	1
French Canadian 445 (models CTO A1F A2F)	41A5301	1

<b>9171 Keyboards (USB Preferred Pro)</b>	<b>FRU#</b>	<b>CRU</b>
French Canadian 58 (models CTO A1F A2F)	41A5302	1
German (models A2G)	41A5303	1
Greek (models A2G)	41A5304	1
Greek/US (models CTO)	41A5305	1
Hebrew (models A2G)	41A5306	1
Hungarian (models A2G)	41A5307	1
Iceland (models A2G)	41A5308	1
Italian (models A2G)	41A5309	1
Japanese (models A3J)	41A5310	1
Korean (models A2K)	41A5311	1
LA Spanish (models A2S A1S )	41A5312	1
Norwegian (models A2G)	41A5313	1
Polish (models A2G)	41A5314	1
Portuguese (models A2G)	41A5315	1
Romanian 096 (models A2G)	41A5317	1
Romanian 446 (models A2G)	41A5316	1
Russian/Cyrillic (models A2G)	41A5318	1
Serbian/Cyrillic (models A2G)	41A5319	1
Slovak (models A2G)	41A5320	1
Spanish (models A2G)	41A5321	1
Swedish/Finn (models A2G)	41A5322	1
Swiss (models A2G)	41A5323	1
Thailand (models CTO)	41A5324	1
Turkish 440 (models A2G)	41A5325	1
Turkish 179 (models A2G)	41A5326	1
UK English (models A2G)	41A5327	1
US Euro (models A2G)	41A5328	1
Slovenian (models A2G)	41A5329	1

<b>9171 Keyboards (Fingerprint Reader USB)</b>	<b>FRU#</b>	<b>CRU Tier</b>
US English (models CTO)	41A5248	1
Arabic (models CTO)	41A5249	1
Arabic/French (models CTO)	41A5250	1
Belgian/French (models CTO)	41A5251	1
Belgian/UK (models CTO)	41A5252	1
Brazil/Portuguese (models CTO)	41A5253	1
Bulgarian (models CTO)	41A5254	1
Chinese (models CTO)	41A5255	1
Czech (models CTO)	41A5256	1
Danish (models CTO)	41A5257	1
Dutch (models CTO)	41A5258	1

<b>9171 Keyboards (Fingerprint Reader USB)</b>	<b>FRU#</b>	<b>CRU Tier</b>
French (models CTO)	41A5259	1
French Canadian 445 (models CTO)	41A5260	1
French Canadian 58 (models CTO)	41A5261	1
German (models CTO)	41A5262	1
Greek (models CTO)	41A5263	1
Greek/US (models CTO)	41A5264	1
Hebrew (models CTO)	41A5265	1
Hungarian (models CTO)	41A5266	1
Iceland (models CTO)	41A5267	1
Italian 141 (models CTO)	41A5268	1
Japanese (models CTO)	41A5269	1
Korean (models CTO)	41A5270	1
LA Spanish (models CTO)	41A5271	1
Norwegian (models CTO)	41A5272	1
Polish (models CTO)	41A5273	1
Portuguese (models CTO)	41A5274	1
Romanian 096 (models CTO)	41A5275	1
Romanian 446 (models CTO)	41A5276	1
Russian/Cyrillic (models CTO)	41A5277	1
Serbian/Cyrillic (models CTO)	41A5278	1
Slovak (models CTO)	41A5279	1
Spanish (models CTO)	41A5280	1
Swedish/Finn (models CTO)	41A5281	1
Swiss (models CTO)	41A5282	1
Turkish 440 (models CTO)	41A5284	1
Turkish 179 (models CTO)	41A5285	1
UK English (models CTO)	41A5286	1
US Euro (models CTO)	41A5287	1
Slovenian (models CTO)	41A5288	1

<b>9171 mice</b>	<b>FRU#</b>	<b>CRU</b>
Optical Wheel Mouse (400DPI, USB) (models A3J A4U A2K A1K A1U A1S A1P A2U A2S A2P A2G A2M A2A A1F A2F)	41U3013	1
Optical Wheel Mouse (400DPI, USB) models A3J A4U A2K A1K A1U A1S A1P A2U A2S A2P A2G A2M A2A A1F A2F)	41U3030	1
PS/2 Three Button ball mouse (41R0017) models CTO)	41R0018	1

<b>9171 Adapters and miscellaneous FRUs</b>	<b>FRU#</b>	<b>CRU Tier</b>
PCI Modem Card (Soft) (models CTO)	29R9729	2
L1 IEEE 1394 PCI Adapter (models CTO)	41D2781	2
Dongle Cable - DMS59 to dual VGA (included in Denver L1) (models CTO)	41R3404	1

9171 Adapters and miscellaneous FRUs	FRU#	CRU Tier
Dongle DMS Dule DMS-59 to dual DVI cable (models CTO)	41R3403	1
Dongle DMS Dule DMS-59 to single VGA & single DVI cable (models CTO)	41R3405	1
Nvidia GeForce 7300LE 128MB 64bit LP / ATX with DMS59 (models CTO)	42Y8165	2
ATI X1300LE 256M 64bit LP / ATX with DMS59 (models CTO)	42Y8162	2
USB2.0 MEMORY CARDREADER,6X2,ROHS OPTIONAL, SONY (models CTO)	41R3376	2
USB2.0 MEMORY CARDREADER,6X2,ROHS OPTIONAL,Bitland (models CTO)	41R3378	2
Speakers (2-piece) Lenovo Logo (models CTO)	41A5331	2
BTL external speaker (models CTO)	41A5334	1
Speaker Power brick - US, Canada, LA low voltage, ASEAN (models A4U A1U A2U )	89P8571	1
Speaker Power brick - Hong Kong, Malaysia, Singapore, UK, Brunei (models CTO)	89P8573	1
Speaker Power brick - LA high voltage (non-APU) (models CTO)	89P8575	1
Speaker Power brick - China, Thailand (models CTO)	89P8581	1
Speaker Power brick - Japan (models A3J)	89P8577	1
Speaker Power brick - Brazil (models CTO)	89P8583	1
Speaker Power brick - Argentina (models CTO)	41A4901	1
Speaker Power brick - ANZ (models A2M)	89P8579	1
Speaker Brick - Korea (models A2K A1K)	41A4903	1
Speaker Brick - Taiwan (models CTO)	41A4905	1
Speaker Power brick - India, South Africa (models CTO)	89P8585	1
DVI cable for RS690 LP (models CTO)	41R3316	2
USB Memory Key - 1G RoW (models)	45C7146	1
ATI HD 2400PRO 128MB 64BIT DMS59 LP/ATX (models)	43C0259	2
ATI HD 2400XT 256MB 64BIT DMS59 LP/ATX (models)	43C0260	2
ATI HD 2600XT 512MB 128BIT ATX (models)	43C8266	2

9171 Power Cords	FRU#	CRU Tier
Power cord - US (models A4U A1U A2U A2S A1S A2A A1F A2F)	39M5080	1
Power cord - China (models CTO)	39M5205	1
Power cord - Japan (models A3J)	39M5193	1
Power cord - Brazil (models A1P A2P)	39M5232	1
Power cord - LA High Volt (APU) (models CTO)	39M5067	1
Power cord - Australia/New Zealand (models A2M)	39M5102	1
Power cord - Korea (models A2K A1K)	39M5212	1
Power cord - Hong Kong (models CTO)	39M5151	1
Power cord - UK, Ireland, Singapore, Malaysia, Brunei (models A2G A2A)	39M5150	1
Power cord - Taiwan (models CTO)	39M5246	1
Power cord - Italy/Chile (models A2S A2G)	39M5164	1
Power cord - G models (models A2A)	39M5122	1
Power cord - Denmark (models A2G )	39M5129	1
Power cord - Switzerland (models A2G)	39M5157	1
Power cord - Israel (models A2G)	39M5171	1

9171 Power Cords	FRU#	CRU Tier
Power cord - South Africa (models A2G A2M A2A)	39M5143	1
Power cord - India (models CTO)	39M5004	1

9171 Windows XP Home CDs	FRU#	CRU Tier
US/UK/AP/TH (models CTO)	45C1028	1
FR/CF (models CTO)	45C1029	1
GR (models CTO)	45C1030	1
IT (models CTO)	45C1033	1
BR (models CTO)	45C1032	1
SP/LA (models CTO)	45C1031	1
DK (models CTO)	45C1037	1
NL (models CTO)	45C1038	1
AE (models CTO)	45C1043	1
SV (models CTO)	45C1036	1
HE (models CTO)	45C1041	1
FI (models CTO)	45C1040	1
NO (models CTO)	45C1035	1
PL (models CTO)	45C1042	1
PO (models CTO)	45C4069	1
RU (models CTO)	45C1044	1
RE (models CTO)	45C1052	1
HU (models CTO)	45C1046	1
CZ (models CTO)	45C1039	1
TR (models CTO)	45C1045	1
GK (models CTO)	45C1047	1
Japanese (models CTO)	45C1034	1
Simplified Chinese (models CTO)	45C1048	1
Taiwan - TC (models CTO)	45C1049	1
Hong Kong - TC (models CTO)	45C1050	1
Korea (models A2K)	45C1051	1

9171 Windows XP Pro Recovery CDs	FRU#	CRU Tier
US/UK/AP/TH (models A1U A2U A2M A2A A2G)	45C0820	1
FR/CF (models CTO A1F A2G A2F)	45C0821	1
GR (models CTO A2G)	45C0822	1
IT (models CTO A2G)	45C0825	1
BR (models A1P A2P)	45C0824	1
SP/LA (models A1S A2G)	45C0823	1
DK (models CTO A2G)	45C0829	1
NL (models CTO A2G)	45C08230	1
AE (models CTO A2G)	45C0835	1



9171 Windows XP Pro Recovery CDs	FRU#	CRU Tier
SV (models CTO A2G)	45C0828	1
HE (models CTO A2G)	45C0833	1
FI (models CTO A2G )	45C0832	1
NO (models CTO A2G)	45C0827	1
PL (models CTO A2G)	45C0834	1
PO (models CTO A2G)	45C4061	1
RU (models CTO A2G)	45C0836	1
RE (models CTO A2G)	45C0845	1
HU (models CTO A2G)	45C0838	1
CZ (models CTO A2G)	45C0831	1
TR (models CTO A2G)	45C0837	1
GK (models CTO A2G)	45C0839	1
SL (models CTO A2G)	45C0844	1
Japanese (models A3J CTO)	45C0826	1
Simplified Chinese (models CTO)	45C0840	1
Taiwan - TC (models CTO)	45C0841	1
Hong Kong - TC (models CTO)	45C0842	1
Korea (models CTO)	45C0843	1

9171 Vista Home Basic 32 Recovery DVDs	FRU#	CRU Tier
English (models A4U)	45C0770	1
French/Canadian French (models CTO)	45C0772	1
German (models CTO)	45C0773	1
Spanish/LA (models CTO)	45C0774	1
Brazil (models CTO)	45C0775	1
Italy (models CTO)	45C0776	1
Japanese (models CTO)	45C0777	1
Norway (models CTO)	45C0778	1
Swedish (models CTO)	45C0779	1
Denmark (models CTO)	45C0780	1
Dutch (models CTO)	45C0781	1
Czech (models CTO)	45C0782	1
Finnish (models CTO)	45C0783	1
Polish (models CTO)	45C0784	1
Russian (models CTO)	45C0785	1
Turkish (models CTO)	45C0786	1
Hungarian (models CTO)	45C0787	1
Greek (models CTO)	45C0788	1
Simplified Chinese (models CTO)	45C0789	1
Traditional Chinese (models CTO)	45C0790	1
Traditional Chinese (models CTO)	45C0791	1

9171 Vista Home Basic 32 Recovery DVDs	FRU#	CRU Tier
Korean (models A1K)	45C0792	1
SL (models CTO)	45C0793	1
Russian English (models CTO)	45C0771	1
Hebrew (models CTO)	45C0794	1

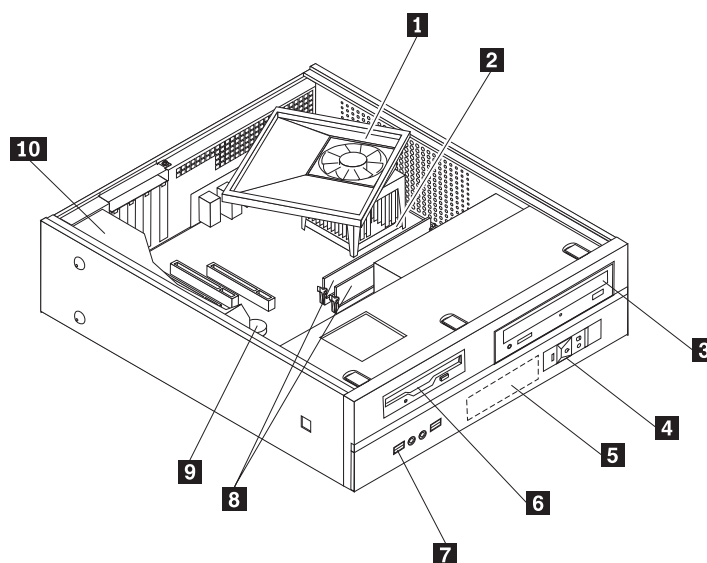
9171 Vista Business 32 Recovery DVDs	FRU#	CRU Tier
English (models A2U A2M A2A A2G )	45C0660	1
French/Canadian French (models A2G A2F)	45C0662	1
German (models A2G)	45C0663	1
Spanish/LA (models A1S A2G)	45C0664	1
Brazil (models A2P)	45C0665	1
Italy (models A2G)	45C0666	1
Japanese (models CTO)	45C0667	1
Norway (models A2G)	45C0668	1
Swedish (models A2G)	45C0669	1
Denmark (models A2G)	45C0670	1
Dutch (models A2G)	45C0671	1
Czech (models A2G)	45C0672	1
Finnish (models A2G)	45C0673	1
Polish (models A2G)	45C0674	1
Russian (models A2G)	45C0675	1
Turkish (models A2G)	45C0676	1
Hungarian (models A2G)	45C0677	1
Greek (models A2G)	45C0678	1
Portuguese (models A2G)	45C0687	1
Simplified Chinese (models CTO)	45C0679	1
Traditional Chinese (models CTO)	45C0680	1
Traditional Chinese (models CTO)	45C0681	1
Korean (models A2K)	45C0682	1
Slovenian (models A2G)	45C0683	1
Russian English (models A2G)	45C0661	1
Romanian (models CTO)	45C0684	1
Bulgarian (models CTO)	45C0685	1
Croatian (models CTO)	45C0686	1
Serbian-Latin (models CTO)	45C0688	1
Ukrainian (models CTO)	45C0689	1
Slovakian (models CTO)	45C0690	1
Hebrew (models CTO)	45C5289	1
Arabic (models CTO)	45C5290	1

<b>9171 Vista Home pre 32 Recovery DVDs</b>	<b>FRU#</b>	<b>CRU Tier</b>
English (models CTO)	45C0581	1
Russian English (models CTO)	45C0582	1
French/Canadian French (models CTO)	45C0583	1
German (models CTO)	45C0584	1
Spanish/LA (models CTO)	45C0585	1
Brazil (models CTO)	45C0586	1
Italy (models CTO)	45C0587	1
Japanese (models CTO)	45C0588	1
Norway (models CTO)	45C0589	1
Swedish (models CTO)	45C0590	1
Denmark (models CTO)	45C0591	1
Dutch (models CTO)	45C0592	1
Czech (models CTO)	45C0593	1
Finnish (models CTO)	45C0594	1
Polish (models CTO)	45C0595	1
Russian (models CTO)	45C0596	1
Turkish (models CTO)	45C0597	1
Hungarian (models CTO)	45C0598	1
Greek (models CTO)	45C0599	1
Simplified Chinese (models CTO)	45C0600	1
Traditional Chinese (models CTO)	45C0601	1
Traditional Chinese (models CTO)	45C0602	1
Korean (models CTO)	45C0603	1
Slovenian (models CTO)	45C0604	1
Hebrew (models CTO)	45C0605	1
Romanian (models CTO)	45C0606	1
Bulgarian (models CTO)	45C0607	1
Croatian (models CTO)	45C0608	1
Portuguese (models CTO)	45C0609	1
Serbian-Latin (models CTO)	45C0610	1
Ukrainian (models CTO)	45C0611	1
Slovakian (models CTO)	45C0612	1
Arabic (models CTO)	45C5291	1

<b>9171 Vista Business 64 Recovery DVDs</b>	<b>FRU#</b>	<b>CRU Tier</b>
English (models CTO)	45C0722	1
Russian English (models CTO)	45C0723	1
French/Canadian French (models CTO)	45C0724	1
German (models CTO)	45C0725	1
Spanish/LA (models CTO)	45C0726	1
Brazil (models CTO)	45C0727	1

9171 Vista Business 64 Recovery DVDs	FRU#	CRU Tier
Italy (models CTO)	45C0728	1
Japanese (models CTO)	45C0729	1
Norway (models CTO)	45C0730	1
Swedish (models CTO)	45C0731	1
Denmark (models CTO)	45C0732	1
Dutch (models CTO)	45C0733	1
Czech (models CTO)	45C0734	1
Finnish (models CTO)	45C0735	1
Polish (models CTO)	45C0736	1
Russian (models CTO)	45C0737	1
Turkish (models CTO)	45C0738	1
Hungarian (models CTO)	45C0739	1
Greek (models CTO)	45C0740	1
Simplified Chinese (models CTO)	45C0741	1
Taiwan (models CTO)	45C0742	1
Hong Kong (models CTO)	45C0743	1
Korean (models CTO)	45C0744	1
Slovenian (models CTO)	45C0745	1
Hebrew (models CTO)	45C4059	1
Portuguese (models CTO)	45C4826	1
Arabic (models CTO)	45C5293	1

## Machine Type 9189



Item #	9189 FRUs	FRU#	CRU
1	AMD 65W heatsink (all models)	41R4802	2
1	AMD 89W heatsink (all models)	41R6290	2
2	Microprocessor, 2800+ Sempron AM2 (1.6 GHz processor, 62W) (models CTO)	42Y8938	N
2	Microprocessor, 3000+ Sempron AM2 (1.6 GHz processor, 62W) (models CTO)	41X1403	N
2	Microprocessor, 3400+ Sempron AM2 (1.8 GHz processor, 62W) (models CTO)	41X1407	N
2	Microprocessor, 3500+ Sempron AM2 (2.0 GHz processor, 62W) (models CTO)	41X1409	N
2	Microprocessor, 3600+ Sempron AM2 (2.0 GHz processor, 62W) (models A3B A3H A4J A5J )	41X1411	N
2	Microprocessor, 3600+ Athlon64 AM2 X2 (1.9GHz processor, 1M 65W 65nm G1) (models CTO)	43C4091	N
2	Microprocessor, 3800+ Sempron AM2 (2.2 GHz processor, 62W) (models CTO)	43C2454	N
2	Microprocessor, 3200+ Athlon64 AM2 (2.0 GHz processor, 62W) (models CTO)	42Y8940	N
2	Microprocessor, 3500+ Athlon64 AM2 (2.2 GHz processor, 62W )(models CTO)	41X1415	N
2	Microprocessor, 3800+ Athlon64 AM2 (2.4 GHz processor, 62W) (models CTO)	41X1417	N
2	Microprocessor, 3600+ Athlon64 AM2 X2 (2.0 GHz processor, 65W) (models CTO)	41X7777	N
2	Microprocessor, 3800+ Athlon64 AM2 X2 (2.0 GHz processor, 89W) (models A2K A1K )	41X4241	N
2	Microprocessor, 4000+ Athlon64 AM2 (2.4 GHz processor, 62W) (models A6J A7J A8J )	41X1419	N
2	Microprocessor, 4200+ Athlon64 AM2 (2.2 GHz processor, 62W) (models CTO)	41X1421	N
2	Microprocessor, 4600+ Athlon64 AM2 X2 (2.4 GHz processor, 89W) (models A3B A3H)	41X1423	N
2	Microprocessor, 4800+ Athlon64 AM2 X2 (2.5 GHz processor, 65W) stepping G1 45nm (models A9J)	43C4093	N
2	Microprocessor, 5000+ Athlon AM2 X2 (2.6 GHz processor, 89W) (models CTO)	41X1427	N
2	Microprocessor, Sempron LE 1100 (1.9 GHz processor, 45W, 256KB L2) stepping G1 (models)	45C7564	N

Item #	9189 FRUs	FRU#	CRU
2	Microprocessor, Sempron LE 1150 (2.0 GHz processor, 45W, 256KB L2) stepping G1 (models)	45C7507	N
2	Microprocessor, Sempron LE 1200 (2.1 GHz processor, 45W, 512KB L2) stepping G1 (models)	43C6169	N
2	Microprocessor, Sempron LE 1250 (2.2 GHz processor, 45W, 512KB L2) stepping G2 (models)	43C6168	N
2	Microprocessor, 5200+ Athlon64 AM2 X2 (2.7 GHz processor, 65W) stepping G1 65nm (models)	45C7502	N
2	Microprocessor, 6000+ Athlon64 AM2 X2 (3.0 GHz processor, 65W) stepping G1 65nm (models)	45C7503	N
2	Microprocessor, Athlon X2 BE 2300 (1.9GHz processor, 45W, 1MB L2) steping G1 (models)	43C6167	N
2	Microprocessor, Athlon X2 BE 2350 (2.1GHz processor, 45W, 1MB L2) steping G1 (models)	43C6166	N
2	Microprocessor, Athlon X2 BE 2400 (2.3GHz processor, 45W, 1MB L2) steping G1 (models)	43C6165	N
3	DVD-ROM Drive - 16x/48x - SATA XP and Vista (models A6J A8J A4J )	41N3325	2
3	DVD-ROM/CD-RW Combo Drive - 48x/32x/48x/16x - SATA vista and XP (models A2K)	42Y9353	2
3	DVD-RW/CD-RW Rambo 8 - SATA VISTA AND XP (models A9J A3B A3H A7J A5J A1K)	43C1042	2
4	Front Power/LED PC, bracket, and cable (all models)	41N8213	2
5	Hard disk drive, 80GB, 7200RPM, SATA (models A4J A5J)	40Y9034	2
5	Hard disk drive, 160GB, 7200RPM, SATA (models A9J A3B A3H A6J A7J A8J A9J A2K A1U)	40Y9035	2
5	Hard disk drive, 250GB, 7200RPM, SATA (models A1K)	40Y9036	2
5	Hard disk drive, 320GB, 7200RPM, SATA/8MB (models CTO)	87H4891	2
5	Hard disk drive, 500GB, 7200RPM, SATA (models CTO)	41X5582	2
6	Diskette drive, 3,5", 1.44MB, 2-mode, (w/bezel) (models A9J A6J A7J A8J A4J A5J )	40Y9105	2
6	Diskette drive, 3,5", 1.44MB, 2-mode, (w/bezel) (models A9J A6J A7J A8J A4J A5J )	40Y9107	2
7	Front USB/Audio with bracket (all models)	41N8212	2
8	Memory module, 512 MB PC2-4200 (533MHz) DDR2 SDRAM (models CTO)	41X4251	2
8	Memory module, 1 GB PC2-4200 (533MHz) DDR2 SDRAM (models CTO)	41X4252	2
8	Memory module, 2 GB PC2-4200 (533MHz) DDR2 SDRAM (models CTO)	41X4253	2
8	Memory module, 512 MB PC2-5300 (667MHz) DDR2 SDRAM (models A9J A6J A7J A8J A9J A4J A5J )	41X4255	2
8	Memory module, 1 GB PC2-5300 (667MHz) DDR2 SDRAM (models A2K A1K)	41X4256	2
8	Memory module, 2 GB PC2-5300 (667MHz) DDR2 SDRAM (models CTO)	41X4257	2
8	Memory module, 512 MB PC2-6400 (800MHz) DDR2 SDRAM (models CTO)	41X1079	2
8	Memory module, 1 GB PC2-6400 (800MHz) DDR2 SDRAM (models CTO)	41X1080	2
8	Memory module, 2 GB PC2-6400 (800MHz) DDR2 SDRAM (models CTO)	41X1081	2
9	System board, AMD 690G (models A9J A3B A3H A6J A7J A8J A9J A5J A4J A2K A1K)	42Y9916	N
10	220 Watt Power Supply - Japan (models A9J A6J A7J A8J A4J A5J )	41A9697	2
10	220 Watt Power Supply - Robust (models A3B A3H)	41A9689	2

Item #	9189 FRUs	FRU#	CRU
10	220W 80% Power supply (models A3B A3H A6J A7J A8J A9J A4J A5J A2K A1K)	41A9670	2
10	280W TFX 280W PS ,Active PFC (models A3B A3H A6J A7J A8J A9J A4J A5J A2K A1K)	41A9705	2

The FRUs listed in the following tables are not illustrated.

9189 FRUs	FRU#	CRU
System board shield (all models)	41R6384	N
Cover (all models)	41N8204	N
Mechanical shell kit (all models)	41R6209	N
Bezel kit (all models)	41N8206	N
Miscellaneous hardware kit (all models)	41N8209	N
Hard disk drive bracket assembly (plastic and grommets) (all models)	41N8210	N
Hard disk drive fan and bracket assembly (all models)	41N8211	N
Speaker cable assembly, 600 mm cable length (all models)	41N8217	N
Fan duct assembly (all models)	41R4808	N
Intrusion switch assembly (all models)	41R6208	N
Cable, diskette drive (all models)	41A7147	N
Shield, EMC, blank 5.25 in. drive bay all models)	41N8271	N
Shield, EMC, blank diskette drive bay (all models)	41N8273	N
Rear USB 2Ports II LP (R), low profile I/O, 200mm, Rohs (all models)	42Y8006	N
Rear Com2 cable II LP(R), low profile I/O, 250mm, Rohs (all models)	42Y8008	N
Foot stand (all models)	41R4813	N
Cable, serial ATA, 250 mm (all models)	41A7145	N
Bezel kit, Rocky S3 without IBM logo (all models)	41R6238	2
DVI cable for RS690 LP (all models)	41R3304	2

9189 Keyboards (Preferred Pro)	FRU#	CRU Tier
US English (models CTO)	41A5039	1
Arabic (models CTO)	41A5040	1
Arabic/French (models CTO)	41A5041	1
Belgian/French (models CTO)	41A5042	1
Belgian/UK (models CTO)	41A5043	1
Bulgarian (models CTO)	41A5045	1
Hong Kong/Taiwan (models CTO)	41A5046	1
Czech (models CTO)	41A5047	1
Danish (models CTO)	41A5048	1
Dutch (models CTO)	41A5049	1
French (models CTO)	41A5050	1
French Canadian 445 (models CTO)	41A5051	1
French Canadian 58 (models CTO)	41A5052	1

<b>9189 Keyboards (Preferred Pro)</b>	<b>FRU#</b>	<b>CRU Tier</b>
German (models CTO)	41A5053	1
Greek (models CTO)	41A5054	1
Hebrew (models CTO)	41A5055	1
Hungarian (models CTO)	41A5056	1
Iceland (models CTO)	41A5057	1
Italian (models CTO)	41A5058	1
Japanese (models CTO)	41A5059	1
Korean (models CTO)	41A5060	1
LA Spanish (models CTO)	41A5061	1
Norwegian (models CTO)	41A5062	1
Polish (models CTO)	41A5063	1
Portuguese (models CTO)	41A5064	1
Romanian (models CTO)	41A5065	1
Russian/Cyrilic (models CTO)	41A5066	1
Serbian/Cyrilic (models CTO)	41A5067	1
Slovak (models CTO)	41A5068	1
Spanish (models CTO)	41A5069	1
Swedish/Finn (models CTO)	41A5070	1
Swiss F/G (models CTO)	41A5071	1
Turkish 440 (models CTO)	41A5073	1
Turkish 179 (models CTO)	41A5074	1
UK English (models CTO)	41A5075	1
US Euro (models CTO)	41A5076	1
Slovenian (models CTO)	41A5077	1
Brazil/Portuguese (models CTO)	41A5044	1

<b>9189 Keyboards (USB Preferred Pro)</b>	<b>FRU#</b>	<b>CRU</b>
US English (models A3H)	41A5289	1
Arabic (models CTO)	41A5290	1
Arabic/French (models CTO)	41A5291	1
Belgian/French (models CTO)	41A5292	1
Belgian/UK (models CTO)	41A5293	1
Brazilian (models CTO)	41A5294	1
Bulgarian (models CTO)	41A5295	1
Hong Kong/Taiwan (models A3B)	41A5296	1
Czech (models CTO)	41A5297	1
Danish (models CTO)	41A5298	1
Dutch (models CTO)	41A5299	1
French (models CTO)	41A5300	1
French Canadian 445 (models CTO)	41A5301	1
French Canadian 58 (models CTO)	41A5302	1



<b>9189 Keyboards (USB Preferred Pro)</b>	<b>FRU#</b>	<b>CRU</b>
German (models CTO)	41A5303	1
Greek (models CTO)	41A5304	1
Greek/US (models CTO)	41A5305	1
Hebrew (models CTO)	41A5306	1
Hungarian (models CTO)	41A5307	1
Iceland (models CTO)	41A5308	1
Italian (models CTO)	41A5309	1
Japanese (models A9J A6J)	41A5310	1
Korean (models A2K A1K)	41A5311	1
LA Spanish (models CTO)	41A5312	1
Norwegian (models CTO)	41A5313	1
Polish (models CTO)	41A5314	1
Portuguese (models A1P A2P)	41A5315	1
Romanian 096 (models CTO)	41A5317	1
Romanian 446 (models CTO)	41A5316	1
Russian/Cyrillic (models CTO)	41A5318	1
Serbian/Cyrillic (models CTO)	41A5319	1
Slovak (models CTO)	41A5320	1
Spanish (models CTO)	41A5321	1
Swedish/Finn (models CTO)	41A5322	1
Swiss (models CTO)	41A5323	1
Thailand (models CTO)	41A5324	1
Turkish 440 (models CTO)	41A5325	1
Turkish 179 (models CTO)	41A5326	1
UK English (models CTO)	41A5327	1
US Euro (models CTO)	41A5328	1
Slovenian (models CTO)	41A5329	1

<b>9189 Keyboards (Fingerprint Reader USB)</b>	<b>FRU#</b>	<b>CRU Tier</b>
US English (models CTO)	41A5248	1
Arabic (models CTO)	41A5249	1
Arabic/French (models CTO)	41A5250	1
Belgian/French (models CTO)	41A5251	1
Belgian/UK (models CTO)	41A5252	1
Brazil/Portuguese (models CTO)	41A5253	1
Bulgarian (models CTO)	41A5254	1
Chinese (models CTO)	41A5255	1
Czech (models CTO)	41A5256	1
Danish (models CTO)	41A5257	1
Dutch (models CTO)	41A5258	1
French (models CTO)	41A5259	1

<b>9189 Keyboards (Fingerprint Reader USB)</b>	<b>FRU#</b>	<b>CRU Tier</b>
French Canadian 445 (models CTO)	41A5260	1
French Canadian 58 (models CTO)	41A5261	1
German (models CTO)	41A5262	1
Greek (models CTO)	41A5263	1
Greek/US (models CTO)	41A5264	1
Hebrew (models CTO)	41A5265	1
Hungarian (models CTO)	41A5266	1
Iceland (models CTO)	41A5267	1
Italian 141 (models CTO)	41A5268	1
Japanese (models CTO)	41A5269	1
Korean (models CTO)	41A5270	1
LA Spanish (models CTO)	41A5271	1
Norwegian (models CTO)	41A5272	1
Polish (models CTO)	41A5273	1
Portuguese (models CTO)	41A5274	1
Romanian 096 (models CTO)	41A5275	1
Romanian 446 (models CTO)	41A5276	1
Russian/Cyrillic (models CTO)	41A5277	1
Serbian/Cyrillic (models CTO)	41A5278	1
Slovak (models CTO)	41A5279	1
Spanish (models CTO)	41A5280	1
Swedish/Finn (models CTO)	41A5281	1
Swiss (models CTO)	41A5282	1
Turkish 440 (models CTO)	41A5284	1
Turkish 179 (models CTO)	41A5285	1
UK English (models CTO)	41A5286	1
US Euro (models CTO)	41A5287	1
Slovenian (models CTO)	41A5288	1

<b>9189 mice</b>	<b>FRU#</b>	<b>CRU</b>
Optical Wheel Mouse (400DPI, USB) (models A9J A3B A3H A6J A7J A8J A4J A5J A2K A1K)	41U3013	1
Optical Wheel Mouse (400DPI, USB) (models A9J A3B A3H A6J A7J A8J A4J A5J A2K A1K)	41U3030	1
PS/2 Three Button ball mouse (41R0017) models CTO)	41R0018	1

<b>9189 Adapters and miscellaneous FRUs</b>	<b>FRU#</b>	<b>CRU Tier</b>
PCI Modem Card (Soft) (models CTO)	29R9729	2
L1 IEEE 1394 PCI Adapter (models CTO)	41D2781	2
Dongle Cable - DMS59 to dual VGA (included in Denver L1) (models CTO)	41R3404	1
Dongle DMS Dule DMS-59 to dual DVI cable (models CTO)	41R3403	1

9189 Adapters and miscellaneous FRUs	FRU#	CRU Tier
Dongle DMS Dule DMS-59 to single VGA & single DVI cable (models CTO)	41R3405	1
Nvidia GeForce 7300LE 128MB 64bit LP / ATX with DMS59 (models CTO)	42Y8165	2
ATI X1300LE 256M 64bit LP / ATX with DMS59 (models CTO)	42Y8162	2
USB2.0 MEMORY CARDREADER,6X2,ROHS OPTIONAL, SONY (models CTO)	41R3376	2
USB2.0 MEMORY CARDREADER,6X2,ROHS OPTIONAL,Bitland (models CTO)	41R3378	2
Speakers (2-piece) Lenovo Logo (models CTO)	41A5331	2
BTL external speaker (models CTO)	41A5334	1
Speaker Power brick - Hong Kong, Malaysia, Singapore, UK, Brunei (models A3B A3H )	89P8573	1
Speaker Power brick - LA high voltage (non-APU) (models CTO)	89P8575	1
Speaker Power brick - China, Thailand (models CTO)	89P8581	1
Speaker Power brick - Japan (models A6J A7J A8J A9J A5J A4J )	89P8577	1
Speaker Power brick - Brazil (models CTO)	89P8583	1
Speaker Power brick - Argentina (models CTO)	41A4901	1
Speaker Power brick - ANZ (models A2M)	89P8579	1
Speaker Brick - Korea (models A2K A1K)	41A4903	1
Speaker Brick - Taiwan (models CTO)	41A4905	1
Speaker Power brick - India, South Africa (models CTO)	89P8585	1
DVI cable for RS690 LP (models CTO)	41R3316	2
USB Memory Key - 1G RoW (models)	45C7146	1
ATI HD 2400PRO 128MB 64BIT DMS59 LP/ATX (models)	43C0259	2
ATI HD 2400XT 256MB 64BIT DMS59 LP/ATX (models)	43C0260	2
ATI HD 2600XT 512MB 128BIT ATX (models)	43C8266	2

9189 Power Cords	FRU#	CRU Tier
Power cord - China (models CTO)	39M5205	1
Power cord - Japan (models A9J A6J A7J A8J A5J A4J )	39M5193	1
Power cord - Brazil (models CTO)	39M5232	1
Power cord - LA High Volt (APU) (models CTO)	39M5067	1
Power cord - Australia/New Zealand (models CTO)	39M5102	1
Power cord - Korea (models A2K A1K)	39M5212	1
Power cord - Hong Kong (models A3B A3H)	39M5151	1
Power cord - UK, Ireland, Singapore, Malaysia, Brunei (models CTO)	39M5150	1
Power cord - Taiwan (models CTO)	39M5246	1
Power cord - Italy/Chile (models CTO )	39M5164	1
Power cord - G models (models CTO)	39M5122	1
Power cord - Denmark (models CTO)	39M5129	1
Power cord - Switzerland (models CTO)	39M5157	1
Power cord - Israel (models CTO)	39M5171	1
Power cord - South Africa (models CTO)	39M5143	1
Power cord - India (models CTO)	39M5004	1

9189 Windows XP Home CDs	FRU#	CRU Tier
US/UK/AP/TH (models CTO)	45C1028	1
FR/CF (models CTO)	45C1029	1
GR (models CTO)	45C1030	1
IT (models CTO)	45C1033	1
BR (models CTO)	45C1032	1
SP/LA (models CTO)	45C1031	1
DK (models CTO)	45C1037	1
NL (models CTO)	45C1038	1
AE (models CTO)	45C1043	1
SV (models CTO)	45C1036	1
HE (models CTO)	45C1041	1
FI (models CTO)	45C1040	1
NO (models CTO)	45C1035	1
PL (models CTO)	45C1042	1
PO (models CTO)	45C4069	1
RU (models CTO)	45C1044	1
RE (models CTO)	45C1052	1
HU (models CTO)	45C1046	1
CZ (models CTO)	45C1039	1
TR (models CTO)	45C1045	1
GK (models CTO)	45C1047	1
Japanese (models CTO)	45C1034	1
Simplified Chinese (models CTO)	45C1048	1
Taiwan - TC (models CTO)	45C1049	1
Hong Kong - TC (models CTO)	45C1050	1
Korea (models CTO)	45C1051	1

9189 Windows XP Pro Recovery CDs	FRU#	CRU Tier
US/UK/AP/TH (models CTO A3H)	45C0820	1
FR/CF (models CTO)	45C0821	1
GR (models CTO)	45C0822	1
IT (models CTO)	45C0825	1
BR (models CTO)	45C0824	1
SP/LA (models CTO)	45C0823	1
DK (models CTO)	45C0829	1
NL (models CTO)	45C08230	1
AE (models CTO)	45C0835	1
SV (models CTO)	45C0828	1
HE (models CTO)	45C0833	1
FI (models CTO)	45C0832	1
NO (models CTO)	45C0827	1

<b>9189 Windows XP Pro Recovery CDs</b>	<b>FRU#</b>	<b>CRU Tier</b>
PL (models CTO)	45C0834	1
PO (models CTO)	45C4061	1
RU (models CTO)	45C0836	1
RE (models CTO)	45C0845	1
HU (models CTO)	45C0838	1
CZ (models CTO)	45C0831	1
TR (models CTO)	45C0837	1
GK (models CTO)	45C0839	1
SL (models CTO)	45C0844	1
Japanese (models A6J A7J A4J A5J A9J A8J)	45C0826	1
Simplified Chinese (models CTO)	45C0840	1
Taiwan - TC (models CTO)	45C0841	1
Hong Kong - TC (models CTO)	45C0842	1
Korea (models CTO A2K A1K)	45C0843	1

<b>9189 Vista Home Basic 32 Recovery DVDs</b>	<b>FRU#</b>	<b>CRU Tier</b>
English (models CTO)	45C0770	1
French/Canadian French (models CTO)	45C0772	1
German (models CTO)	45C0773	1
Spanish/LA (models CTO)	45C0774	1
Brazil (models CTO)	45C0775	1
Italy (models CTO)	45C0776	1
Japanese (models CTO)	45C0777	1
Norway (models CTO)	45C0778	1
Swedish (models CTO)	45C0779	1
Denmark (models CTO)	45C0780	1
Dutch (models CTO)	45C0781	1
Czech (models CTO)	45C0782	1
Finnish (models CTO)	45C0783	1
Polish (models CTO)	45C0784	1
Russian (models CTO)	45C0785	1
Turkish (models CTO)	45C0786	1
Hungarian (models CTO)	45C0787	1
Greek (models CTO)	45C0788	1
Simplified Chinese (models CTO)	45C0789	1
Traditional Chinese (models CTO)	45C0790	1
Traditional Chinese (models CTO)	45C0791	1
Korean (models CTO)	45C0792	1
SL (models CTO)	45C0793	1
Russian English (models CTO)	45C0771	1
Hebrew (models CTO)	45C0794	1

9189 Vista Business 32 Recovery DVDs	FRU#	CRU Tier
English (models A3H)	45C0660	1
French/Canadian French (models CTO)	45C0662	1
German (models CTO)	45C0663	1
Spanish/LA (models CTO)	45C0664	1
Brazil (models CTO)	45C0665	1
Italy (models CTO)	45C0666	1
Japanese (models A9J A8J)	45C0667	1
Norway (models CTO)	45C0668	1
Swedish (models CTO)	45C0669	1
Denmark (models CTO)	45C0670	1
Dutch (models CTO)	45C0671	1
Czech (models CTO)	45C0672	1
Finnish (models CTO)	45C0673	1
Polish (models CTO)	45C0674	1
Russian (models CTO)	45C0675	1
Turkish (models CTO)	45C0676	1
Hungarian (models CTO)	45C0677	1
Greek (models CTO)	45C0678	1
Portuguese (models CTO)	45C0687	1
Simplified Chinese (models CTO)	45C0679	1
Traditional Chinese (models CTO)	45C0680	1
Traditional Chinese (models CTO)	45C0681	1
Korean (models A2K A1K)	45C0682	1
Slovenian (models CTO)	45C0683	1
Russian English (models CTO)	45C0661	1
Romanian (models CTO)	45C0684	1
Bulgarian (models CTO)	45C0685	1
Croatian (models CTO)	45C0686	1
Serbian-Latin (models CTO)	45C0688	1
Ukrainian (models CTO)	45C0689	1
Slovakian (models CTO)	45C0690	1
Hebrew (models CTO)	45C5289	1
Arabic (models CTO)	45C5290	1

9189 Vista Home pre 32 Recovery DVDs	FRU#	CRU Tier
English (models CTO)	45C0581	1
Russian English (models CTO)	45C0582	1
French/Canadian French (models CTO)	45C0583	1
German (models CTO)	45C0584	1
Spanish/LA (models CTO)	45C0585	1

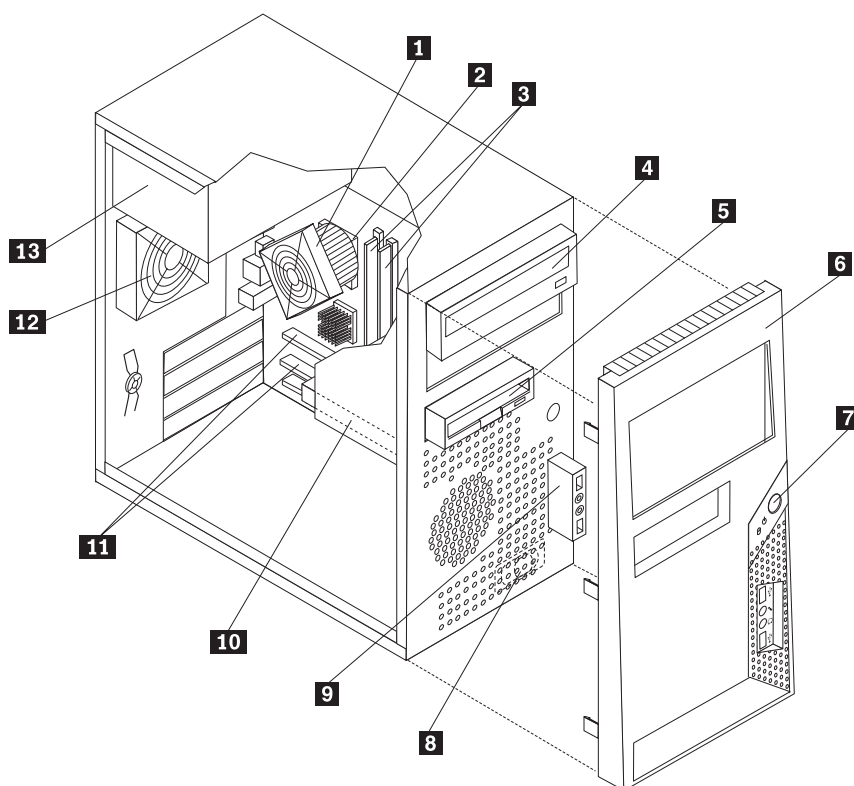
<b>9189 Vista Home pre 32 Recovery DVDs</b>	<b>FRU#</b>	<b>CRU Tier</b>
Brazil (models CTO)	45C0586	1
Italy (models CTO)	45C0587	1
Japanese (models CTO)	45C0588	1
Norway (models CTO)	45C0589	1
Swedish (models CTO)	45C0590	1
Denmark (models CTO)	45C0591	1
Dutch (models CTO)	45C0592	1
Czech (models CTO)	45C0593	1
Finnish (models CTO)	45C0594	1
Polish (models CTO)	45C0595	1
Russian (models CTO)	45C0596	1
Turkish (models CTO)	45C0597	1
Hungarian (models CTO)	45C0598	1
Greek (models CTO)	45C0599	1
Simplified Chinese (models CTO)	45C0600	1
Traditional Chinese (models CTO)	45C0601	1
Traditional Chinese (models CTO)	45C0602	1
Korean (models CTO)	45C0603	1
Slovenian (models CTO)	45C0604	1
Hebrew (models CTO)	45C0605	1
Romanian (models CTO)	45C0606	1
Bulgarian (models CTO)	45C0607	1
Croatian (models CTO)	45C0608	1
Portuguese (models CTO)	45C0609	1
Serbian-Latin (models CTO)	45C0610	1
Ukrainian (models CTO)	45C0611	1
Slovakian (models CTO)	45C0612	1
Arabic (models CTO)	45C5291	1

<b>9189 Vista Business 64 Recovery DVDs</b>	<b>FRU#</b>	<b>CRU Tier</b>
English (models CTO)	45C0722	1
Russian English (models CTO)	45C0723	1
French/Canadian French (models CTO)	45C0724	1
German (models CTO)	45C0725	1
Spanish/LA (models CTO)	45C0726	1
Brazil (models CTO)	45C0727	1
Italy (models CTO)	45C0728	1
Japanese (models CTO)	45C0729	1
Norway (models CTO)	45C0730	1
Swedish (models CTO)	45C0731	1
Denmark (models CTO)	45C0732	1

<b>9189 Vista Business 64 Recovery DVDs</b>	<b>FRU#</b>	<b>CRU Tier</b>
Dutch (models CTO)	45C0733	1
Czech (models CTO)	45C0734	1
Finnish (models CTO)	45C0735	1
Polish (models CTO)	45C0736	1
Russian (models CTO)	45C0737	1
Turkish (models CTO)	45C0738	1
Hungarian (models CTO)	45C0739	1
Greek (models CTO)	45C0740	1
Simplified Chinese (models CTO)	45C0741	1
Taiwan (models CTO)	45C0742	1
Hong Kong (models CTO)	45C0743	1
Korean (models CTO)	45C0744	1
Slovenian (models CTO)	45C0745	1
Hebrew (models CTO)	45C4059	1
Portuguese (models CTO)	45C4826	1
Arabic (models CTO)	45C5293	1



## Machine Type 9191



Item #	9191 FRUs	FRU#	CRU
1	AMD 89W/65W heat sink kit (all models)	41R4802	2
2	Microprocessor, 2800+ Sempron AM2 (1.6 GHz processor, 62W) (models CTO)	42Y8938	N
2	Microprocessor, 3000+ Sempron AM2 (1.6 GHz processor, 62W) (models CTO)	41X1403	N
2	Microprocessor, 3400+ Sempron AM2 (1.8 GHz processor, 62W) (models CTO)	41X1407	N
2	Microprocessor, 3500+ Sempron AM2 (2.0 GHz processor, 35W) stepping G1 65nm (models CTO)	41X1409	N
2	Microprocessor, 3600+ Sempron AM2 (2.0 GHz processor, 62W) (models A4U)	41X1411	N
2	Microprocessor, 3600+ Athlon64 AM2 X2 (1.9GHz processor, 1M 65W 65nm G1) (models CTO)	43C4091	N
2	Microprocessor, 3800+ Sempron AM2 (2.2 GHz processor, 62W) (models CTO)	43C2454	N
2	Microprocessor, 3200+ Athlon64 AM2 (2.0 GHz processor, 62W) (models CTO)	42Y8940	N
2	Microprocessor, 3500+ Athlon64 AM2 (2.2 GHz processor, 62W) (models CTO)	41X1415	N
2	Microprocessor, 3800+ Athlon64 AM2 (2.4 GHz processor, 62W) (models CTO)	41X1417	N
2	Microprocessor, 3600+ Athlon64 AM2 X2 (2.0 GHz processor, 65W) (models CTO)	41X7777	N
2	Microprocessor, 3800+ Athlon64 AM2 X2 (2.0 GHz processor, 89W) (models CTO)	41X4241	N
2	Microprocessor, 4000+ Athlon64 AM2 (2.4 GHz processor, 62W) (models CTO)	41X1419	N
2	Microprocessor, 4200+ Athlon64 AM2 X2 (2.2 GHz processor, 89W) (models CTO)	41X1421	N
2	Microprocessor, 4400+ Athlon64 AM2 X2 (2.3 GHz processor, 89W) (models A2K)	43C3507	N
2	Microprocessor, 4600+ Athlon64 AM2 X2 (2.4 GHz processor, 89W) (models CTO)	41X1423	N

Item #	9191 FRUs	FRU#	CRU
2	Microprocessor, 4800+ Athlon64 AM2 X2 (2.5 GHz processor, 65W) stepping G1 45nm (models A3J A1K)	43C4093	N
2	Microprocessor, 5000+ Athlon64 AM2 X2 (2.6 GHz processor, 65W) stepping G1 65nm (models CTO)	41X1427	N
2	Microprocessor, Sempron LE 1100 (1.9 GHz processor, 45W, 256KB L2) stepping G1 (models)	45C7564	N
2	Microprocessor, Sempron LE 1150 (2.0 GHz processor, 45W, 256KB L2) stepping G1 (models)	45C7507	N
2	Microprocessor, Sempron LE 1200 (2.1 GHz processor, 45W, 512KB L2) stepping G1 (models)	43C6169	N
2	Microprocessor, Sempron LE 1250 (2.2 GHz processor, 45W, 512KB L2) stepping G2 (models)	43C6168	N
2	Microprocessor, 5200+ Athlon64 AM2 X2 (2.7 GHz processor, 65W) stepping G1 65nm (models)	45C7502	N
2	Microprocessor, 6000+ Athlon64 AM2 X2 (3.0 GHz processor, 65W) stepping G1 65nm (models)	45C7503	N
2	Microprocessor, Athlon X2 BE 2300 (1.9GHz processor, 45W, 1MB L2) steping G1 (models)	43C6167	N
2	Microprocessor, Athlon X2 BE 2350 (2.1GHz processor, 45W, 1MB L2) steping G1 (models)	43C6166	N
2	Microprocessor, Athlon X2 BE 2400 (2.3GHz processor, 45W, 1MB L2) steping G1 (models)	43C6165	N
3	Memory module, 512 MB PC2-4200 (533MHz) DDR2 SDRAM (models CTO)	41X4251	2
3	Memory module, 1 GB PC2-4200 (533MHz) DDR2 SDRAM (models CTO)	41X4252	2
3	Memory module, 2 GB PC2-4200 (533MHz) DDR2 SDRAM (models CTO)	41X4253	2
3	Memory module, 512 MB PC2-5300 (667MHz) DDR2 SDRAM (models A3J A4U )	41X4255	2
3	Memory module, 1 GB PC2-5300 (667MHz) DDR2 SDRAM (models A2K A1K A3J)	41X4256	2
3	Memory module, 2 GB PC2-5300 (667MHz) DDR2 SDRAM (models CTO)	41X4257	2
3	Memory module, 512 MB PC2-6400 (800MHz) DDR2 SDRAM (models CTO)	41X1079	2
3	Memory module, 1 GB PC-6400 (800MHz) DDR2 SDRAM (models CTO)	41X1080	2
3	Memory module, 2 GB PC-6400 (800MHz) DDR2 SDRAM (models CTO)	41X1081	2
4	DVD-ROM drive - 16x/48x - SATA XP and Vista (models A4U)	41X3325	2
4	DVD-RW/CD-RW Rambo 8 - SATA VISTA AND XP (models A3J)	43C1042	2
5	Diskette drive, 3,5", 1.44MB, 2-mode, (w/bezel) (models A3J)	40Y9105	2
5	Diskette drive, 3,5", 1.44MB, 2-mode, (w/bezel) (models A3J)	40Y9107	2
6	Bezel assembly (all models)	TBD	2
7	Power switch/LED assembly (all models)	41N5284	2
8	Speaker assembly, soldered terminals (all models)	39P5023	2
9	Front audio/USB assembly (all models)	41N8054	2
10	Hard disk drive, 80GB, 7200RPM, SATA (models A4U)	40Y9034	2
10	Hard disk drive, 160GB, 7200RPM, SATA (models A3J)	40Y9035	2
10	Hard disk drive, 250GB, 7200RPM, SATA (models A2K)	40Y9036	2
10	Hard disk drive, 320GB, 7200RPM, SATA/8MB (models A3K)	87H4891	2
10	Hard disk drive, 500GB, 7200RPM, SATA/8MB (models CTO)	41X5582	2

Item #	9191 FRUs	FRU#	CRU
11	System board, AMD 690G (models A3J A4U A2K A1K)	42Y9916	N
12	System fan, rear (all models)	41R6046	2
13	ATX 280W Power supply; Robust (models CTO)	41A9684	N
13	ATX 280W 80% power supply (models A4U A2K A1K A3J)	41A9665	N
13	ATX 310W Power supply, Robust (models CTO)	24R2598	N

The FRUs listed in the following tables are not illustrated.

9191 FRUs	FRU#	CRU
Shield, EMC, blank 5.25 in. drive bay (all models)	41N8080	N
Shield, EMC, blank diskette drive bay (all models)	41N8078	N
Cable, diskette drive (all models)	41A7182	N
Cable, Serial ATA, 250 mm (all models)	41A7145	2
Rear USB 2Ports II HP(R), high profile I/O, 300mm, Rohs (all models)	42Y8005	2
Rear Com2 cable, Rohs (all models)	41R6198	2
Rear Com2 cable II HP(R), high profile I/O, 250mm, Rohs (all models)	42Y8007	N
Cable -SATA 457mm (RoHS) (all models)	26K1186	2
Cover (all models)	41N8050	2
System board shield (all models)	41R6378	N
Kit, Misc. Hardware (all models)	41N8055	2
Retainer, Card Reader (all models)	41R2913	2
System fan, front (all models)	41R4791	2
Optional HDD Bracket Assembly, without 4Pin cable (all models)	41R6106	2
Cable, Temperature Sense (460mm) (all models)	41R6196	2
Intrusion Switch assembly (all models)	41R6116	2

9191 Keyboards (Preferred Pro)	FRU#	CRU Tier
US English (models CTO)	41A5039	1
Arabic (models CTO)	41A5040	1
Arabic/French (models CTO)	41A5041	1
Belgian/French (models CTO)	41A5042	1
Belgian/UK (models CTO)	41A5043	1
Bulgarian (models CTO)	41A5045	1
Hong Kong/Taiwan (models CTO)	41A5046	1
Czech (models CTO)	41A5047	1
Danish (models CTO)	41A5048	1
Dutch (models CTO)	41A5049	1
French (models CTO)	41A5050	1
French Canadian 445 (models CTO)	41A5051	1
French Canadian 58 (models CTO)	41A5052	1
German (models CTO)	41A5053	1

<b>9191 Keyboards (Preferred Pro)</b>	<b>FRU#</b>	<b>CRU Tier</b>
Greek (models CTO)	41A5054	1
Hebrew (models CTO)	41A5055	1
Hungarian (models CTO)	41A5056	1
Iceland (models CTO)	41A5057	1
Italian (models CTO)	41A5058	1
Japanese (models CTO)	41A5059	1
Korean (models CTO)	41A5060	1
LA Spanish (models CTO)	41A5061	1
Norwegian (models CTO)	41A5062	1
Polish (models CTO)	41A5063	1
Portuguese (models CTO)	41A5064	1
Romanian (models CTO)	41A5065	1
Russian/Cyrilic (models CTO)	41A5066	1
Serbian/Cyrilic (models CTO)	41A5067	1
Slovak (models CTO)	41A5068	1
Spanish (models CTO)	41A5069	1
Swedish/Finn (models CTO)	41A5070	1
Swiss F/G (models CTO)	41A5071	1
Turkish 440 (models CTO)	41A5073	1
Turkish 179 (models CTO)	41A5074	1
UK English (models CTO)	41A5075	1
US Euro (models CTO)	41A5076	1
Slovenian (models CTO)	41A5077	1
Brazil/Portuguese (models CTO)	41A5044	1

<b>9191 Keyboards (USB Preferred Pro)</b>	<b>FRU#</b>	<b>CRU</b>
US English (models A4U)	41A5289	1
Arabic (models CTO)	41A5290	1
Arabic/French (models CTO)	41A5291	1
Belgian/French (models CTO)	41A5292	1
Belgian/UK (models CTO)	41A5293	1
Bulgarian (models CTO)	41A5295	1
Chinese/US (models CTO)	41A5296	1
Czech (models CTO)	41A5297	1
Danish (models CTO)	41A5298	1
Dutch (models CTO)	41A5299	1
French (models CTO)	41A5300	1
French Canadian 445 (models CTO)	41A5301	1
French Canadian 58 (models CTO)	41A5302	1
German (models CTO)	41A5303	1
Greek (models CTO)	41A5304	1

<b>9191 Keyboards (USB Preferred Pro)</b>	<b>FRU#</b>	<b>CRU</b>
Greek/US (models CTO)	41A5305	1
Hebrew (models CTO)	41A5306	1
Hungarian (models CTO)	41A5307	1
Iceland (models CTO)	41A5308	1
Italian (models CTO)	41A5309	1
Japanese (models A3J)	41A5310	1
Korean (models A2K A1K)	41A5311	1
LA Spanish (models CTO)	41A5312	1
Norwegian (models CTO)	41A5313	1
Polish (models CTO)	41A5314	1
Portuguese (models CTO)	41A5315	1
Romanian 096 (models CTO)	41A5317	1
Romanian 446 (models CTO)	41A5316	1
Russian/Cyrillic (models CTO)	41A5318	1
Serbian/Cyrillic (models CTO)	41A5319	1
Slovak (models CTO)	41A5320	1
Spanish (models CTO)	41A5321	1
Swedish/Finn (models CTO)	41A5322	1
Swiss (models CTO)	41A5323	1
Turkish 440 (models CTO)	41A5325	1
Turkish 179 (models CTO)	41A5326	1
UK English (models CTO)	41A5327	1
US Euro (models CTO)	41A5328	1
Slovenian (models CTO)	41A5329	1

<b>9191 Keyboards (Fingerprint Reader USB)</b>	<b>FRU#</b>	<b>CRU Tier</b>
US English (models CTO)	41A5248	1
Arabic (models CTO)	41A5249	1
Arabic/French (models CTO)	41A5250	1
Belgian/French (models CTO)	41A5251	1
Belgian/UK (models CTO)	41A5252	1
Brazil/Portuguese (models CTO)	41A5253	1
Bulgarian (models CTO)	41A5254	1
Chinese (models CTO)	41A5255	1
Czech (models CTO)	41A5256	1
Danish (models CTO)	41A5257	1
Dutch (models CTO)	41A5258	1
French (models CTO)	41A5259	1
French Canadian 445 (models CTO)	41A5260	1
French Canadian 58 (models CTO)	41A5261	1
German (models CTO)	41A5262	1

<b>9191 Keyboards (Fingerprint Reader USB)</b>	<b>FRU#</b>	<b>CRU Tier</b>
Greek (models CTO)	41A5263	1
Greek/US (models CTO)	41A5264	1
Hebrew (models CTO)	41A5265	1
Hungarian (models CTO)	41A5266	1
Iceland (models CTO)	41A5267	1
Italian 141 (models CTO)	41A5268	1
Japanese (models CTO)	41A5269	1
Korean (models CTO)	41A5270	1
LA Spanish (models CTO)	41A5271	1
Norwegian (models CTO)	41A5272	1
Polish (models CTO)	41A5273	1
Portuguese (models CTO)	41A5274	1
Romanian 096 (models CTO)	41A5275	1
Romanian 446 (models CTO)	41A5276	1
Russian/Cyrillic (models CTO)	41A5277	1
Serbian/Cyrillic (models CTO)	41A5278	1
Slovak (models CTO)	41A5279	1
Spanish (models CTO)	41A5280	1
Swedish/Finn (models CTO)	41A5281	1
Swiss (models CTO)	41A5282	1
Turkish 440 (models CTO)	41A5284	1
Turkish 179 (models CTO)	41A5285	1
UK English (models CTO)	41A5286	1
US Euro (models CTO)	41A5287	1
Slovenian (models CTO)	41A5288	1

<b>9191 mice</b>	<b>FRU#</b>	<b>CRU</b>
Optical Wheel Mouse (400DPI, USB) (models A3J A4U A2K A1K)	41U3013	1
Optical Wheel Mouse (400DPI, USB) models A3J A4U A2K A1K)	41U3030	1
PS/2 Three Button ball mouse (41R0017) models CTO)	41R0018	1

<b>9191 Adapters and miscellaneous FRUs</b>	<b>FRU#</b>	<b>CRU Tier</b>
PCI Modem Card (Soft) (models CTO)	29R9729	2
L1 IEEE 1394 PCI Adapter (models CTO)	41D2781	2
Dongle Cable - DMS59 to dual VGA (included in Denver L1) (models CTO)	41R3404	1
Dongle DMS Dule DMS-59 to dual DVI cable (models CTO)	41R3403	1
Dongle DMS Dule DMS-59 to single VGA & single DVI cable (models CTO)	41R3405	1
Dongle DMS Dule DMS-59 to single VGA & single DVI cable (models CTO)	42Y8183	1
Nvidia GeForce 7300LE 128MB 64bit LP / ATX with DMS59 (models CTO)	42Y8165	2
ATI X1300LE 256M 64bit LP / ATX with DMS59 (models CTO)	42Y8162	2
USB2.0 MEMORY CARDREADER,6X2,ROHS OPTIONAL, SONY (models CTO)	41R3376	2

9191 Adapters and miscellaneous FRUs	FRU#	CRU Tier
USB2.0 MEMORY CARDREADER,6X2,ROHS OPTIONAL,Bitland (models CTO)	41R3378	2
Speakers (2-piece) Lenovo Logo (models CTO)	41A5331	2
BTL external speaker (models CTO)	41A5334	1
Speaker Power brick - US, Canada, LA low voltage, ASEAN (models A4U)	89P8571	1
Speaker Power brick - Hong Kong, Malaysia, Singapore, UK, Brunei (models CTO)	89P8573	1
Speaker Power brick - LA high voltage (non-APU) (models CTO)	89P8575	1
Speaker Power brick - China, Thailand (models CTO)	89P8581	1
Speaker Power brick - Japan (models A3J)	89P8577	1
Speaker Power brick - Brazil (models CTO)	89P8583	1
Speaker Power brick - Argentina (models CTO)	41A4901	1
Speaker Power brick - ANZ (models CTO)	89P8579	1
Speaker Brick - Korea (models A2K A1K)	41A4903	1
Speaker Brick - Taiwan (models CTO)	41A4905	1
Speaker Power brick - India, South Africa (models CTO)	89P8585	1
DVI cable for RS690 LP (models CTO)	41R3316	2
USB Memory Key - 1G RoW (models)	45C7146	1
ATI HD 2400PRO 128MB 64BIT DMS59 LP/ATX (models)	43C0259	2
ATI HD 2400XT 256MB 64BIT DMS59 LP/ATX (models)	43C0260	2
ATI HD 2600XT 512MB 128BIT ATX (models)	43C8266	2

9191 Power Cords	FRU#	CRU Tier
Power cord - US (models A4F)	39M5080	1
Power cord - China (models CTO)	39M5205	1
Power cord - Japan (models A3J)	39M5193	1
Power cord - Brazil (models CTO)	39M5232	1
Power cord - LA High Volt (APU) (models CTO)	39M5067	1
Power cord - Australia/New Zealand (models CTO)	39M5102	1
Power cord - Korea (models A2K A1K)	39M5212	1
Power cord - Hong Kong (models CTO)	39M5151	1
Power cord - UK, Ireland, Singapore, Malaysia, Brunei (models CTO)	39M5150	1
Power cord - Taiwan (models CTO)	39M5246	1
Power cord - Italy/Chile (models CTO)	39M5164	1
Power cord - G models (models CTO)	39M5122	1
Power cord - Denmark (models CTO)	39M5129	1
Power cord - Switzerland (models CTO)	39M5157	1
Power cord - Israel (models CTO)	39M5171	1
Power cord - South Africa (models CTO)	39M5143	1
Power cord - India (models CTO)	39M5004	1

9191 Windows XP Home CDs	FRU#	CRU Tier
US/UK/AP/TH (models CTO)	45C1028	1

9191 Windows XP Home CDs	FRU#	CRU Tier
FR/CF (models CTO)	45C1029	1
GR (models CTO)	45C1030	1
IT (models CTO)	45C1033	1
BR (models CTO)	45C1032	1
SP/LA (models CTO)	45C1031	1
DK (models CTO)	45C1037	1
NL (models CTO)	45C1038	1
AE (models CTO)	45C1043	1
SV (models CTO)	45C1036	1
HE (models CTO)	45C1041	1
FI (models CTO)	45C1040	1
NO (models CTO)	45C1035	1
PL (models CTO)	45C1042	1
PO (models CTO)	45C4069	1
RU (models CTO)	45C1044	1
RE (models CTO)	45C1052	1
HU (models CTO)	45C1046	1
CZ (models CTO)	45C1039	1
TR (models CTO)	45C1045	1
GK (models CTO)	45C1047	1
Japanese (models CTO)	45C1034	1
Simplified Chinese (models CTO)	45C1048	1
Taiwan - TC (models CTO)	45C1049	1
Hong Kong - TC (models CTO)	45C1050	1
Korea (models A2K)	45C1051	1

9191 Windows XP Pro Recovery CDs	FRU#	CRU Tier
US/UK/AP/TH (models CTO)	45C0820	1
FR/CF (models CTO)	45C0821	1
GR (models CTO)	45C0822	1
IT (models CTO)	45C0825	1
BR (models CTO)	45C0824	1
SP/LA (models CTO)	45C0823	1
DK (models CTO)	45C0829	1
NL (models CTO)	45C08230	1
AE (models CTO)	45C0835	1
SV (models CTO)	45C0828	1
HE (models CTO)	45C0833	1
FI (models CTO)	45C0832	1
NO (models CTO)	45C0827	1
PL (models CTO)	45C0834	1



9191 Windows XP Pro Recovery CDs	FRU#	CRU Tier
PO (models CTO)	45C4061	1
RU (models CTO)	45C0836	1
RE (models CTO)	45C0845	1
HU (models CTO)	45C0838	1
CZ (models CTO)	45C0831	1
TR (models CTO)	45C0837	1
GK (models CTO)	45C0839	1
SL (models CTO)	45C0844	1
Japanese (models A3J)	45C0826	1
Simplified Chinese (models CTO)	45C0840	1
Taiwan - TC (models CTO)	45C0841	1
Hong Kong - TC (models CTO)	45C0842	1
Korea (models CTO)	45C0843	1

9191 Vista Home Basic 32 Recovery DVDs	FRU#	CRU Tier
English (models A4U)	45C0770	1
French/Canadian French (models CTO)	45C0772	1
German (models CTO)	45C0773	1
Spanish/LA (models CTO)	45C0774	1
Brazil (models CTO)	45C0775	1
Italy (models CTO)	45C0776	1
Japanese (models CTO)	45C0777	1
Norway (models CTO)	45C0778	1
Swedish (models CTO)	45C0779	1
Denmark (models CTO)	45C0780	1
Dutch (models CTO)	45C0781	1
Czech (models CTO)	45C0782	1
Finnish (models CTO)	45C0783	1
Polish (models CTO)	45C0784	1
Russian (models CTO)	45C0785	1
Turkish (models CTO)	45C0786	1
Hungarian (models CTO)	45C0787	1
Greek (models CTO)	45C0788	1
Portuguese (models CTO)	45C4825	1
Simplified Chinese (models CTO)	45C0789	1
Traditional Chinese (models CTO)	45C0790	1
Traditional Chinese (models CTO)	45C0791	1
Korean (models A1K)	45C0792	1
SL (models CTO)	45C0793	1
Russian English (models CTO)	45C0771	1
Hebrew (models CTO)	45C0794	1

<b>9191 Vista Business 32 Recovery DVDs</b>	<b>FRU#</b>	<b>CRU Tier</b>
French/Canadian French (models CTO)	45C0662	1
German (models CTO)	45C0663	1
Spanish/LA (models CTO)	45C0664	1
Brazil (models CTO)	45C0665	1
Italy (models CTO)	45C0666	1
Japanese (models CTO)	45C0667	1
Norway (models CTO)	45C0668	1
Swedish (models CTO)	45C0669	1
Denmark (models CTO)	45C0670	1
Dutch (models CTO)	45C0671	1
Czech (models CTO)	45C0672	1
Finnish (models CTO)	45C0673	1
Polish (models CTO)	45C0674	1
Russian (models CTO)	45C0675	1
Turkish (models CTO)	45C0676	1
Hungarian (models CTO)	45C0677	1
Greek (models CTO)	45C0678	1
Portuguese (models CTO)	45C0687	1
Simplified Chinese (models CTO)	45C0679	1
Traditional Chinese (models CTO)	45C0680	1
Traditional Chinese (models CTO)	45C0681	1
Korean (models CTO)	45C0682	1
Slovenian (models CTO)	45C0683	1
Russian English (models CTO)	45C0661	1
Romanian (models CTO)	45C0684	1
Bulgarian (models CTO)	45C0685	1
Croatian (models CTO)	45C0686	1
Serbian-Latin (models CTO)	45C0688	1
Ukrainian (models CTO)	45C0689	1
Slovakian (models CTO)	45C0690	1
Hebrew (models CTO)	45C5289	1
Arabic (models CTO)	45C5290	1

<b>9191 Vista Home pre 32 Recovery DVDs</b>	<b>FRU#</b>	<b>CRU Tier</b>
English (models CTO)	45C0581	1
Russian English (models CTO)	45C0582	1
French/Canadian French (models CTO)	45C0583	1
German (models CTO)	45C0584	1
Spanish/LA (models CTO)	45C0585	1
Brazil (models CTO)	45C0586	1

<b>9191 Vista Home pre 32 Recovery DVDs</b>	<b>FRU#</b>	<b>CRU Tier</b>
Italy (models CTO)	45C0587	1
Japanese (models CTO)	45C0588	1
Norway (models CTO)	45C0589	1
Swedish (models CTO)	45C0590	1
Denmark (models CTO)	45C0591	1
Dutch (models CTO)	45C0592	1
Czech (models CTO)	45C0593	1
Finnish (models CTO)	45C0594	1
Polish (models CTO)	45C0595	1
Russian (models CTO)	45C0596	1
Turkish (models CTO)	45C0597	1
Hungarian (models CTO)	45C0598	1
Greek (models CTO)	45C0599	1
Simplified Chinese (models CTO)	45C0600	1
Traditional Chinese (models CTO)	45C0601	1
Traditional Chinese (models CTO)	45C0602	1
Korean (models CTO)	45C0603	1
Slovenian (models CTO)	45C0604	1
Hebrew (models CTO)	45C0605	1
Romanian (models CTO)	45C0606	1
Bulgarian (models CTO)	45C0607	1
Croatian (models CTO)	45C0608	1
Portuguese (models CTO)	45C0609	1
Serbian-Latin (models CTO)	45C0610	1
Ukrainian (models CTO)	45C0611	1
Slovakian (models CTO)	45C0612	1
Arabic (models CTO)	45C5291	1

<b>9191 Vista Business 64 Recovery DVDs</b>	<b>FRU#</b>	<b>CRU Tier</b>
English (models CTO)	45C0722	1
Russian English (models CTO)	45C0723	1
French/Canadian French (models CTO)	45C0724	1
German (models CTO)	45C0725	1
Spanish/LA (models CTO)	45C0726	1
Brazil (models CTO)	45C0727	1
Italy (models CTO)	45C0728	1
Japanese (models CTO)	45C0729	1
Norway (models CTO)	45C0730	1
Swedish (models CTO)	45C0731	1
Denmark (models CTO)	45C0732	1
Dutch (models CTO)	45C0733	1

<b>9191 Vista Business 64 Recovery DVDs</b>	<b>FRU#</b>	<b>CRU Tier</b>
Czech (models CTO)	45C0734	1
Finnish (models CTO)	45C0735	1
Polish (models CTO)	45C0736	1
Russian (models CTO)	45C0737	1
Turkish (models CTO)	45C0738	1
Hungarian (models CTO)	45C0739	1
Greek (models CTO)	45C0740	1
Simplified Chinese (models CTO)	45C0741	1
Taiwan (models CTO)	45C0742	1
Hong Kong (models CTO)	45C0743	1
Korean (models CTO)	45C0744	1
Slovenian (models CTO)	45C0745	1
Hebrew (models CTO)	45C4059	1
Portuguese (models CTO)	45C4826	1
Arabic (models CTO)	45C5293	1

---

## Chapter 11. Additional Service Information

This chapter provides additional information that the service representative might find helpful.

---

### Security features

Security features in this section include the following:

- Passwords
- Vital Product Data
- Management Information Format (MIF)

### Hardware controlled Passwords

Hardware controlled passwords are set using the Setup Utility program. For more information about passwords, see “Using passwords” on page 51.

### Operating system password

An operating system password is very similar to a power-on password and denies access to the computer by an unauthorized user when the password is activated. The computer is unusable until the password is entered and recognized by the computer.

### Vital product data

Each computer has a unique Vital Product Data (VPD) code stored in the nonvolatile memory on the system board. After you replace the system board, the VPD must be updated. To update the VPD, see “Flash update procedures.”

---

### BIOS levels

An incorrect level of BIOS can cause false errors and unnecessary FRU replacement. Use the following information to determine the current level of BIOS installed in the computer, the latest BIOS available for the computer, and where to obtain the latest level of BIOS.

- To determine the current Level of BIOS:
  - Start the Setup Utility.
  - Select Standard CMOS Features.
- Sources for obtaining the latest level BIOS available
  1. Lenovo support web site:  
<http://www.lenovo.com/support/>
  2. Lenovo Customer Support Center
  3. Levels 1 and 2 Support

To update (flash) the BIOS, see “Flash update procedures.”

---

### Flash update procedures

This section details how to flash (update) the BIOS.

## Updating (flashing) BIOS from a diskette

1. Insert a system program update (flash) diskette into the diskette drive. system program updates are available at <http://www.lenovo.com/support> on the World Wide Web.
2. Turn on the computer. If it is already on, you must turn it off and back on. The update begins.
3. Follow the instructions on the screen to complete the update.

---

## Recovering from a POST/BIOS update failure

**Attention:** If an interruption occurs during a POST/BIOS update (flash update), the computer might not restart correctly. If this occurs, perform the following procedure (also known as a Boot-block recovery).

**Note:** If your computer has no internal diskette drive, an optional USB diskette drive must be connected to use the BIOS flash diskette.

1. Turn the computer off and insert the special recovery BIOS flash diskette in the diskette drive.
2. Turn the computer on.
3. The recovery session takes two to three minutes. During this time you will hear a series of beeps. After the update session completes, the series of beeps ends and the computer automatically turns off. There is no video during the recovery session.
4. Remove the special recovery BIOS flash diskette from the diskette drive.

---

## Power management

Power management reduces the power consumption of certain components of the computer such as the system power supply, processor, hard disk drives, and some monitors.

### Automatic configuration and power interface (ACPI) BIOS

Being an ACPI BIOS system, the operating system is allowed to control the power management features of the computer and the setting for Advanced Power Management (APM) BIOS mode is ignored. Not all operating systems support ACPI BIOS mode.

### Automatic Power-On features

The Automatic Power-On features within the Power Management menu allow you to enable and disable features that turn on the computer automatically.

- **Serial Port A Ring Detect:** With this feature set to **Enabled** and an external modem connected to serial port (COM1), the computer will turn on automatically when a ring is detected on the modem.
- **PCI Modem Ring Detect:** With this feature set to **Enabled**, the computer will turn on automatically when a ring is detected on the internal modem.
- **PCI Wake Up:** This feature allows PCI cards that support this capability to wake the system.
- **Wake Up on Alarm:** You can specify a date and time at which the computer will be turned on automatically. This can be either a single event or a daily event.
- **Wake on LAN:** If the computer has a properly configured token-ring or Ethernet LAN adapter card that is Wake on LAN-enabled and there is remote network management software, you can use the Wake on LAN feature. When you set Wake on LAN to **Enabled**, the computer will turn on when it receives a specific signal from another computer on the local area network (LAN).





---

## Appendix. Notices

Lenovo may not offer the products, services, or features discussed in this document in all countries. Consult your local Lenovo representative for information on the products and services currently available in your area. Any reference to a Lenovo product, program, or service is not intended to state or imply that only that Lenovo product, program, or service may be used. Any functionally equivalent product, program, or service that does not infringe any Lenovo intellectual property right may be used instead. However, it is the user's responsibility to evaluate and verify the operation of any other product, program, or service.

Lenovo may have patents or pending patent applications covering subject matter described in this document. The furnishing of this document does not give you any license to these patents. You can send license inquiries, in writing, to:

*Lenovo (United States), Inc.  
1009 Think Place - Building One  
Morrisville, NC 27560  
U.S.A.  
Attention: Lenovo Director of Licensing*

LENOVO PROVIDES THIS PUBLICATION "AS IS" WITHOUT WARRANTY OF ANY KIND, EITHER EXPRESS OR IMPLIED, INCLUDING, BUT NOT LIMITED TO, THE IMPLIED WARRANTIES OF NON-INFRINGEMENT, MERCHANTABILITY OR FITNESS FOR A PARTICULAR PURPOSE. Some jurisdictions do not allow disclaimer of express or implied warranties in certain transactions, therefore, this statement may not apply to you.

This information could include technical inaccuracies or typographical errors. Changes are periodically made to the information herein; these changes will be incorporated in new editions of the publication. Lenovo may make improvements and/or changes in the product(s) and/or the program(s) described in this publication at any time without notice.

The products described in this document are not intended for use in implantation or other life support applications where malfunction may result in injury or death to persons. The information contained in this document does not affect or change Lenovo product specifications or warranties. Nothing in this document shall operate as an express or implied license or indemnity under the intellectual property rights of Lenovo or third parties. All information contained in this document was obtained in specific environments and is presented as an illustration. The result obtained in other operating environments may vary.

Lenovo may use or distribute any of the information you supply in any way it believes appropriate without incurring any obligation to you.

Any references in this publication to non-Lenovo Web sites are provided for convenience only and do not in any manner serve as an endorsement of those Web sites. The materials at those Web sites are not part of the materials for this Lenovo product, and use of those Web sites is at your own risk.

Any performance data contained herein was determined in a controlled environment. Therefore, the result obtained in other operating environments may

vary significantly. Some measurements may have been made on development-level systems and there is no guarantee that these measurements will be the same on generally available systems. Furthermore, some measurements may have been estimated through extrapolation. Actual results may vary. Users of this document should verify the applicable data for their specific environment.

---

## Television output notice

The following notice applies to models that have the factory-installed television-output feature.

This product incorporates copyright protection technology that is protected by method claims of certain U.S. patents and other intellectual property rights owned by Macrovision Corporation and other rights owners. Use of this copyright protection technology must be authorized by Macrovision Corporation, and is intended for home and other limited viewing uses only unless otherwise authorized by Macrovision Corporation. Reverse engineering or disassembly is prohibited.

---

## Trademarks

The following terms are trademarks of Lenovo in the United States, other countries, or both:

- Lenovo
- ThinkCentre
- PS/2
- Rescue and Recovery

The following terms are trademarks of International Business Machines Corporation in the United States, other countries, or both:

- Asset ID
- Alert on LAN
- IBM (used under license)
- Wake on LAN

Intel and Pentium are trademarks of Intel Corporation in the United States, other countries, or both.

Microsoft and Windows are trademarks of Microsoft Corporation in the United States, other countries, or both.

Other company, product, or service names may be trademarks or service marks of others.



**lenovo**

Part Number: 43C4864

Printed in USA

(1P) P/N: 43C4864

