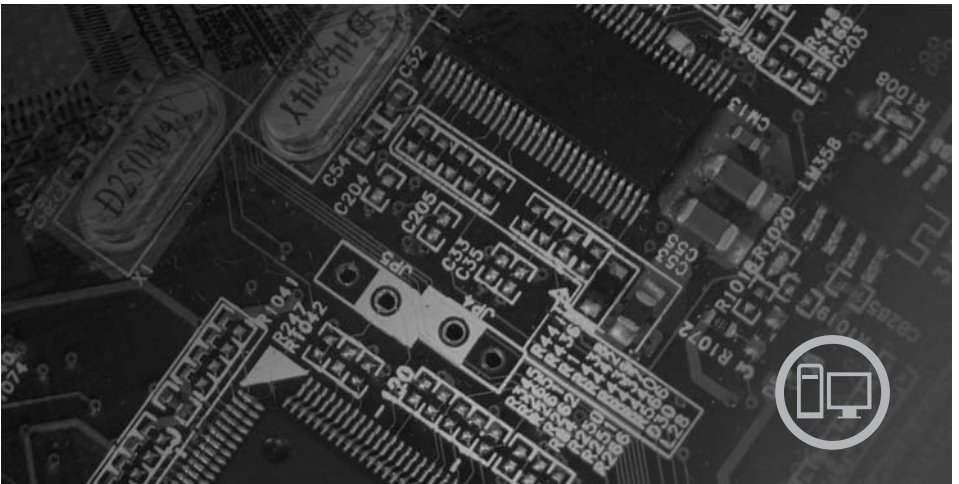




ThinkStation Safety and Warranty Guide



Inside

- Important safety information**
- Information resources**
- Warranty and other notices**
- Customer Replaceable Units (CRUs)**

lenovo

ThinkStation
Safety and Warranty Guide

Note:

Before using this information and the product it supports, be sure to read the following:

- Chapter 1, "Important safety information," on page 11
- Chapter 3, "Lenovo Limited Warranty," on page 29
- Chapter 6, "Notices," on page 45

First Edition (December, 2007)

© Copyright Lenovo 2005, 2007.

Portions © Copyright International Business Machines Corporation 2005.

All rights reserved.

LENOVO products, data, computer software, and services have been developed exclusively at private expense and are sold to governmental entities as commercial items as defined by 48 C.F.R. 2.101 with limited and restricted rights to use, reproduction and disclosure.

LIMITED AND RESTRICTED RIGHTS NOTICE: If products, data, computer software, or services are delivered pursuant a General Services Administration "GSA" contract, use, reproduction, or disclosure is subject to restrictions set forth in Contract No. GS-35F-05925.

Contents

Chapter 1. Important safety information	11
Conditions that require immediate action	11
General safety guidelines	12
Service and upgrades	12
Static electricity prevention	13
Power cords and power adapters	14
Voltage-selection switch.	15
Extension cords and related devices	15
Plugs and outlets	15
External devices	16
Batteries	16
Heat and product ventilation	17
Operating environment.	18
Electrical current safety information	18
Lithium battery notice	19
Modem safety information	20
Laser compliance statement	20
Power supply statement	21
Products with television tuner options installed	21
Note to CATV system installer	21
Example of antenna grounding	22
Data safety	23
Cleaning and maintenance	24
Using headphones or earphones	24
Additional safety information	24
Additional safety requirements for machine types 6427, 6493	24
Chapter 2. Information resources	25
Online Books folder	25
ThinkVantage Productivity Center	26
Access Help	26
www.lenovo.com	26
Recording your computer information	27
Chapter 3. Lenovo Limited Warranty	29
Warranty Information	34
Guarantee supplement for Mexico	36
Chapter 4. Worldwide telephone list	39
Chapter 5. Customer Replaceable Units	43
Chapter 6. Notices	45

Television output notice	46
Trademarks	46
Electronic emissions notices	46
Federal Communications Commission (FCC) Declaration of Conformity	47
Industry Canada Class B emission compliance statement	47
European Union EMC Directive conformance statement	48
Korean Class B statement.	49
Japanese VCCI Class B statement	49
Japanese compliance for products less than or equal to 20A per phase	49
Keyboard and mouse compliance statement for Taiwan.	49
Lenovo product service information for Taiwan	50
Federal Communications Commission (FCC) and telephone company	
requirements	50
Canadian Department of Communications certification label	51
Power cord notice	52
Polyvinyl Chloride (PVC) cable and cord notice	54
China substance disclosure table	55
Waste electrical and electronic equipment (WEEE) notices	55
European Union (EU) WEEE statement	55
Japanese recycling statement.	56
Collecting and recycling a disused Lenovo computer or monitor	56
Disposing of a Lenovo computer component	56
Disposing of disused lithium batteries from Lenovo computers	56

Indholdsfortegnelse

Kapitel 1. Vigtige sikkerhedsforskrifter	59
Forhold, der kræver øjeblikkelig handling	59
Generelle sikkerhedsforskrifter	60
Service og opgraderinger	60
Undgå statisk elektricitet	61
Netledninger og omformere	62
Spændingsvælgerkontakt	62
Forlængerledninger og lignende udstyr	63
Stik og stikkontakter.	63
Eksterne enheder	64
Batterier	64
Varme og ventilation	65
Driftsbetingelser	66
Sikkerhedsforskrifter vedrørende elektrisk strøm	66
Litiumbatteri	67
Sikkerhedsforskrifter for modem.	67
Sikkerhedsforskrifter for laser	68
Sikkerhedsforskrifter for strømforsyning.	69
Produkter med tv-tuner	69
Bemærkning vedrørende kabel-tv-installationer	69
Eksempel på antenne med jordforbindelse	70
Datasikkerhed	71
Rengøring og vedligeholdelse	71
Brug af hovedtelefoner eller hovedsæt	72
Andre sikkerhedsforskrifter	72
Andre sikkerhedsforskrifter for maskintype 6427, 6493	72
Kapitel 2. Flere oplysninger	73
Folder med onlinebøger	73
ThinkVantage Productivity Center.	74
Access-hjælp	74
Webstedet www.lenovo.com	75
Registrering af oplysninger om computeren	76
Kapitel 3. Lenovo Begrænset garanti	77
Garantioplysninger	82
Garantitillæg for Mexico	84
Kapitel 4. Oversigt over telefonnumre.	85
Kapitel 5. CRU'er (Customer Replaceable Units)	91
Kapitel 6. Bemærkninger	93

Bemærkning om tv-output	94
Varemærker	94
Bemærkninger vedr. elektronisk stråling	94
Federal Communications Commission (FCC) Declaration of Conformity	94
Industry Canada Class B emission compliance statement	95
Erklæring vedrørende EU-krav	96
Korean Class B statement	97
Japanese VCCI Class B statement	97
Japanese compliance for products less than or equal to 20A per phase	97
Keyboard and mouse compliance statement for Taiwan.	97
Lenovo product service information for Taiwan	97
Federal Communications Commission (FCC) and telephone company	
requirements	98
Canadian Department of Communications certification label	99
Netledninger	100
Bemærkning vedr. PVC-kabel og -ledning	101
China substance disclosure table	102
Bemærkninger vedr. affald af elektrisk og elektronisk udstyr (WEEE) . . .	103
Erklæring vedrørende WEEE i EU	103
Japanese recycling statement.	104
Collecting and recycling a disused Lenovo computer or monitor . . .	104
Disposing of a Lenovo computer component	104
Disposing of disused lithium batteries from Lenovo computers	104

Sisältö

Luku 1. Tärkeät turvaohjeet	105
Välittömiä toimia edellyttävät tapahtumat tai tilat	105
Yleisiä turvaohjeita	106
Huolto ja päivitykset	107
Staattiselta sähköltä suojautuminen	108
Verkkojohdot ja verkkolaitteet	108
Jännitekytkin	109
Jatkojohdot ja niihin liittyvät laitteet	109
Pistokkeet ja pistorasiat	110
Ulkoiset laitteet	110
Paristot ja akut	110
Kuumuus ja tietokoneen osien tuuletus	111
Käyttöympäristö	112
Sähköturvaohjeet	113
Litiumparistoon liittyvä turvaohje	113
Modeemiin liittyviä turvaohjeita	114
Laserturvaohjeet	114
Virtalähteeseen liittyvät turvaohjeet	115
Tuotteet, joihin on asennettu televisioviritin	115
Ohje kaapeli-TV-järjestelmän asentajalle	116
Esimerkki antennin maadoituksesta	116
Tietoturva	117
Tietokoneen puhdistus ja ylläpito	118
Kuulokkeiden käyttö	118
Muita turvaohjeita	118
Konetyyppien 6427, 6493 lisäturvallisuusvaatimukset	118
Luku 2. Tietolähteitä	119
Näyttökirjat-kansio	119
ThinkVantage Productivity Center -ohjelma	120
Access Help -ohjeisto	120
www.lenovo.com	120
Tietokoneen tunnistetietojen kirjaus	121
Luku 3. Lenovon takuuehdot (rajoitettu takuu).	123
Takuutietoja	128
Meksikoa koskevat lisätakuuehdot	130
Luku 4. Maakohtaiset puhelinnumerot.	133
Luku 5. Asiakkaan vaihdettavissa olevat osat	137
Luku 6. Huomioon otettavaa	139

Television käyttöön liittyvä huomautus	140
Tavaramerkit	140
Tietoja sähkömagneettisesta säteilystä.	141
Lausuma FCC (Federal Communications Commission) -säännösten mukaisuudesta	141
Lausuma kanadalaisen laitehyväksynnän (Industry Canada) luokan B mukaisuudesta	142
Lausuma Euroopan unionin direktiivin 89/336/ETY mukaisuudesta	142
Luokan B lauseke (Korea)	143
VCCI luokan B lauseke (Japani)	143
Tuotteiden, joiden teho on pienempi tai yhtä suuri kuin 20 A / vaihe, yhdenmukaisuus Japanissa	143
Lausuma näppäimistön ja hiiren hyväksynnästä (Taiwan)	144
Lenovo-tuotteiden huolto Taiwanissa	144
Federal Communications Commission (FCC) -säännökset ja puhelinyhtiöiden vaatimukset	144
Kanadan tietoliikenneministeriön (Canadian Department of Communications) myöntämä laitehyväksyntä	145
Verkkojohtoa koskeva huomautus	146
PVC-kaapelia ja verkkojohtoa koskeva huomautus	148
Laitteen sisältämien materiaalien luettelo (Kiina)	148
Sähkö- ja elektroniikkalaiteromua (WEEE) koskeva huomautus	148
Euroopan unionin sähkö- ja elektroniikkalaiteromua (WEEE) koskeva huomautus.	149
Japania koskevat kierrätysohjeet	149
Käytöstä poistettujen Lenovo-tietokoneiden ja -näyttimien keräys ja kierrätys	149
Lenovo-tietokoneen osien hävitys	150
Lenovo-tietokoneiden käytöstä poistettujen litiumparistojen hävitys	150

Innhold

Kapittel 1. Viktig sikkerhetsinformasjon	151
Situasjoner som krever øyeblikkelig handling	151
Generelle retningslinjer for sikkerhet	152
Service og oppgraderinger	152
Hindre statisk elektrisitet	153
Strømledninger og strømforsyningsenheter	154
Spenningsvelger	155
Skjøteledninger og tilhørende utstyr	155
Støpsler og stikkontakter	155
Eksterne enheter	156
Batterier	156
Varme og ventilasjon i produktet	157
Driftsmiljø	158
Sikkerhetsinformasjon - strøm	158
Litiumbatteri	159
Modemsikkerhet	160
Laserutstyr	160
Strømforsyning	161
Produkter med TV-tuner installert	161
Merknad til installatører av CATV-systemer	161
Eksempel på antennejording	162
Datasikkerhet	163
Rengjøring og vedlikehold	163
Bruke hodetelefoner eller øretelefoner	164
Annen sikkerhetsinformasjon	164
Andre sikkerhetskrav for maskintype 6427, 6493	164
Kapittel 2. Informasjonsressurser	165
Mappen Online Books	165
ThinkVantage Produktivitetscenter	166
Access Help	166
www.lenovo.com	166
Notere opplysninger om maskinen	167
Kapittel 3. Lenovo Garantibetingelser	169
Garantibetingelser	174
Guarantee supplement for Mexico	176
Kapittel 4. Verdensomfattende telefonliste	179
Kapittel 5. Deler som kunden kan skifte ut (CRUer)	183
Kapittel 6. Merknader	185

Merknad om utsignaler for TV	186
Varemerker	186
Elektronisk stråling	187
Elektromagnetisk stråling	187
Industry Canada Class B emission compliance statement	187
Tilpasning til EØS-avtalen og EU-direktiv	188
Korean Class B statement	189
Japanese VCCI Class B statement	189
Japanese compliance for products less than or equal to 20A per phase	189
Keyboard and mouse compliance statement for Taiwan	189
Lenovo product service information for Taiwan	190
Federal Communications Commission (FCC) and telephone company requirements	190
Canadian Department of Communications certification label	191
Strømledning	192
PVC-ledning	194
China substance disclosure table	194
Merknader om avfall fra elektriske og elektroniske produkter (WEEE).	195
Den europeiske union (EU) og WEEE-direktivet	195
Japanese recycling statement	195
Collecting and recycling a disused Lenovo computer or monitor	195
Disposing of a Lenovo computer component	196
Disposing of disused lithium batteries from Lenovo computers	196

Innehåll

Kapitel 1. Viktig säkerhetsinformation	197
Situationer som kräver omedelbara åtgärder	197
Allmänna säkerhetsanvisningar	198
Service och uppgraderingar	198
Förhindra statisk elektricitet	199
Nätsladdar och nätadapttrar	200
Spänningsväljare	200
Förlängningssladdar och liknande utrustning	201
Stickkontakter och eluttag	201
Externa enheter	202
Batterier	202
Värme och luftcirkulation	203
Driftmiljö	204
Säkerhetsinformation om elektrisk ström	204
Batteri	205
Säkerhetsanvisningar för modem	206
Information om laserprodukt	206
Information om strömtillförsel	207
Produkter med TV-tuner installerad	207
Meddelande till CATV-systeminstallatör	207
Exempel på antennjordning	208
Datasäkerhet	209
Rengöring och underhåll	209
Använda headset eller hörlurar	210
Ytterligare säkerhetsinformation	210
Ytterligare säkerhetskrav för modell 6427, 6493	210
Kapitel 2. Informationskällor	211
Mappen Online-böcker	211
ThinkVantage Productivity Center	212
Access - Hjälp	212
www.lenovo.com	212
Registrera information om datorn	213
Kapitel 3. Lenovo Garantivillkor	215
Garantiinformation	220
Garantitillägg för Mexiko	222
Kapitel 4. Telefonlista för hela världen	225
Kapitel 5. Reservdelar som kunden själv kan byta ut (CRU)	229
Kapitel 6. Övrig information	231

Information om funktioner för TV	232
Varumärken	232
Anmärkningar om elektromagnetisk strålning	232
FCCs (Federal Communications Commission) deklARATION om överens- stämmelse	233
Information om elektromagnetisk strålning (för användare i Kanada)	233
Intyg om överensstämmelse med EU-direktiv	234
Koreansk klass B	235
Japansk VCCI-klass B	235
Information om produkter med mindre än eller lika med 20 A per fas (för användare i Japan).	235
Information om kompatibilitet för tangentbord och mus (för användare i Taiwan)	235
Information om Lenovoproduktservice (för användare i Taiwan)	236
FCC-krav och teleleverantörens krav	236
Kanadensiska kommunikationsdepartementets certifiering.	237
Information om nätsladdar	237
PVC-kablar och information om nätsladdar.	240
Deklaration av farliga ämnen (Kina)	240
Avfall från elektroniska eller elektroniska produkter (WEEE)	240
Europeiska unionens (EU) WEEE	241
Återvinning i Japan.	241
Samla in och återvinna en kasserad Lenovo-dator eller -bildskärm	241
Kassera en komponent i en Lenovo-dator	241
Kassera litiumbatterier från Lenovo-datorer.	241

Chapter 1. Important safety information

Note

Please read important safety information first.

This information can help you safely use your desktop, workstation, or notebook personal computer. Follow and retain all information included with your computer. The information in this document does not alter the terms of your purchase agreement or the Lenovo™ Limited Warranty. For more information, refer to Chapter 3, “Lenovo Limited Warranty,” on page 29.

Customer safety is important. Our products are developed to be safe and effective. However, personal computers are electronic devices. Power cords, power adapters, and other features can create potential safety risks that can result in physical injury or property damage, especially if misused. To reduce these risks, follow the instructions included with your product, observe all warnings on the product and in the operating instructions, and review the information included in this document carefully. By carefully following the information contained in this document and provided with your product, you can help protect yourself from hazards and create a safer computer work environment.

Note: This information includes references to power adapters and batteries. In addition to notebook computers, some products (such as speakers and monitors) ship with external power adapters. If you have such a product, this information applies to your product. In addition, computer products contain a coin-sized internal battery that provides power to the system clock even when the computer is unplugged, so the battery safety information applies to all computer products.

Conditions that require immediate action

Products can become damaged due to misuse or neglect. Some product damage is serious enough that the product should not be used again until it has been inspected and, if necessary, repaired by an authorized service provider.

As with any electronic device, pay close attention to the product when it is turned on. On very rare occasions, you might notice an odor or see a puff of smoke or sparks vent from your product. Or you might hear sounds like popping, cracking, or hissing. These conditions might merely mean that an internal electronic component has failed in a safe and controlled manner. Or, they might indicate a potential safety issue. However, do not take risks or attempt to diagnose the situation yourself. Contact the Customer Support

Center for further guidance. For a list of Service and Support phone numbers, see Chapter 4, “Worldwide telephone list,” on page 39.

Frequently inspect your computer and its components for damage, wear, or signs of danger. If you have any question about the condition of a component, do not use the product. Contact the Customer Support Center or the product manufacturer for instructions on how to inspect the product and have it repaired, if necessary.

In the unlikely event that you notice any of the following conditions, or if you have any safety concerns with your product, stop using the product and unplug it from the power source and telecommunication lines until you can speak to the Customer Support Center for further guidance.

- Power cords, plugs, power adapters, extension cords, surge protectors, or power supplies that are cracked, broken, or damaged.
- Signs of overheating, smoke, sparks, or fire.
- Damage to a battery (such as cracks, dents, or creases), discharge from a battery, or a buildup of foreign substances on the battery.
- A cracking, hissing, or popping sound, or strong odor that comes from the product.
- Signs that liquid has been spilled or an object has fallen onto the computer product, the power cord, or power adapter.
- The computer product, power cord, or power adapter has been exposed to water.
- The product has been dropped or damaged in any way.
- The product does not operate normally when you follow the operating instructions.

Note: If you notice these conditions with a product (such as an extension cord) that is not manufactured for or by Lenovo, stop using that product until you can contact the product manufacturer for further instructions, or until you get a suitable replacement.

General safety guidelines

Always observe the following precautions to reduce the risk of injury and property damage.

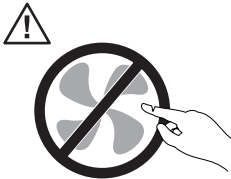
Service and upgrades

Do not attempt to service a product yourself unless instructed to do so by the Customer Support Center or your documentation. Only use a service provider who is approved to repair your particular product.

Note: Some computer parts can be upgraded or replaced by the customer. Upgrades typically are referred to as options. Replacement parts approved for customer installation are referred to as Customer Replaceable Units, or CRUs. Lenovo provides documentation with instructions when it is appropriate for customers to install options or replace CRUs. You must closely follow all instructions when installing or replacing parts. The Off state of a power indicator does not necessarily mean that voltage levels inside a product are zero. Before you remove the covers from a product equipped with an ac power cord, always make sure that the power is turned off and that the product is unplugged from any power source. For more information about CRUs, refer to *ThinkStation Hardware Installation and Replacement Guide* for this product. If you have any questions or concerns, contact the Customer Support Center.

Although there are no moving parts in your computer after the power cord has been disconnected, the following warnings are required for your safety.

Danger



Hazardous moving parts. Keep fingers and other body parts away.

Attention



Before replacing any CRUs, turn off the computer and wait three to five minutes to let the computer cool before opening the cover.

Static electricity prevention

Static electricity, although harmless to you, can seriously damage computer components and options. Improper handling of static-sensitive parts can cause damage to the part. When you unpack an option or CRU, do not open the static-protective package containing the part until the instructions direct you to install it.

When you handle options or CRUs, or perform any work inside the computer, take the following precautions to avoid static-electricity damage:

- Limit your movement. Movement can cause static electricity to build up around you.
- Always handle components carefully. Handle adapters, memory modules, and other circuit boards by the edges. Never touch exposed circuitry.
- Prevent others from touching components.
- When you install a static-sensitive option or CRU, touch the static-protective package containing the part to a metal expansion-slot cover or other unpainted metal surface on the computer for at least two seconds. This reduces static electricity in the package and your body.
- When possible, remove the static-sensitive part from the static-protective packaging and install the part without setting it down. When this is not possible, place the static-protective packaging on a smooth, level surface and place the part on it.
- Do not place the part on the computer cover or other metal surface.

Power cords and power adapters

Use only the power cords and power adapters supplied by the product manufacturer.

The power cords shall be safety approved. For Germany, it shall be H05VV-F, 3G, 0.75 mm², or better. For other countries, the suitable types shall be used accordingly.

Never wrap a power cord around a power adapter or other object. Doing so can stress the cord in ways that can cause the cord to fray, crack, or crimp. This can present a safety hazard.

Always route power cords so that they will not be walked on, tripped over, or pinched by objects.

Protect power cord and power adapters from liquids. For instance, do not leave your power cord or power adapter near sinks, tubs, toilets, or on floors that are cleaned with liquid cleansers. Liquids can cause a short circuit, particularly if the power cord or power adapter has been stressed by misuse. Liquids also can cause gradual corrosion of power cord terminals and/or the connector terminals on a power adapter, which can eventually result in overheating.

Always connect power cords and signal cables in the correct order and ensure that all power cord connectors are securely and completely plugged into receptacles.

Do not use any power adapter that shows corrosion at the ac input pins or shows signs of overheating (such as deformed plastic) at the ac input or anywhere on the power adapter.

Do not use any power cords where the electrical contacts on either end show signs of corrosion or overheating or where the power cord appears to have been damaged in any way.

Voltage-selection switch

Some computers are equipped with a voltage-selection switch located near the power-cord connection point on the computer. If your computer has a voltage-selection switch, ensure that you set the switch to match the voltage available at your electrical outlet. Setting the voltage-selection switch incorrectly can cause permanent damage to the computer.

If your computer does not have a voltage-selection switch, your computer is designed to operate only at the voltage provided in the country or region where the computer was originally purchased.

If you relocate your computer to another country, be aware of the following:

- If your computer does not have a voltage-selection switch, do not connect the computer to an electrical outlet until you have verified that the voltage provided is the same as it was in the country or region where the computer was originally purchased.
- If your computer has a voltage selection switch, do not connect the computer to an electrical outlet until you have verified that the voltage-selection switch is set to match the voltage provided in that country or region.

If you are not sure of the voltage provided at your electrical outlet, contact your local electric company or refer to official Web sites or other literature for travelers to the country or region where you are located.

Extension cords and related devices

Ensure that extension cords, surge protectors, uninterruptible power supplies, and power strips that you use are rated to handle the electrical requirements of the product. Never overload these devices. If power strips are used, the load should not exceed the power strip input rating. Consult an electrician for more information if you have questions about power loads, power requirements, and input ratings.

Plugs and outlets

If a receptacle (power outlet) that you intend to use with your computer equipment appears to be damaged or corroded, do not use the outlet until it is replaced by a qualified electrician.

Do not bend or modify the plug. If the plug is damaged, contact the manufacturer to obtain a replacement.

Do not share an electrical outlet with other home or commercial appliances that draw large amounts of electricity; otherwise, unstable voltage might damage your computer, data, or attached devices.

Some products are equipped with a three-pronged plug. This plug fits only into a grounded electrical outlet. This is a safety feature. Do not defeat this safety feature by trying to insert it into a non-grounded outlet. If you cannot insert the plug into the outlet, contact an electrician for an approved outlet adapter or to replace the outlet with one that enables this safety feature. Never overload an electrical outlet. The overall system load should not exceed 80 percent of the branch circuit rating. Consult an electrician for more information if you have questions about power loads and branch circuit ratings.

Be sure that the power outlet you are using is properly wired, easily accessible, and located close to the equipment. Do not fully extend power cords in a way that will stress the cords.

Be sure that the power outlet provides the correct voltage and current for the product you are installing.

Carefully connect and disconnect the equipment from the electrical outlet.

External devices

Do not connect or disconnect any external device cables other than USB and 1394 cables while the computer power is on; otherwise, you might damage your computer. To avoid possible damage to attached devices, wait at least five seconds after the computer is shut down to disconnect external devices.

Batteries

All personal computers manufactured by Lenovo contain a non-rechargeable coin cell battery to provide power to the system clock. In addition, many mobile products, such as notebook computers, utilize a rechargeable battery pack to provide system power when in portable mode. Batteries supplied by Lenovo for use with your product have been tested for compatibility and should only be replaced with approved parts.

Never attempt to open or service any battery. Do not crush, puncture, or incinerate batteries or short circuit the metal contacts. Do not expose the battery to water or other liquids. Only recharge the battery pack strictly according to instructions included in the product documentation.

Battery abuse or mishandling can cause the battery to overheat, which can cause gasses or flame to “vent” from the battery pack or coin cell. If your battery is damaged, or if you notice any discharge from your battery or the buildup of foreign materials on the battery leads, stop using the battery and obtain a replacement from the battery manufacturer.

Batteries can degrade when they are left unused for long periods of time. For some rechargeable batteries (particularly Lithium Ion batteries), leaving a battery unused in a discharged state could increase the risk of a battery short circuit, which could shorten the life of the battery and can also pose a safety hazard. Do not let rechargeable Lithium-Ion batteries completely discharge or store these batteries in a discharged state.

Heat and product ventilation

Computers, AC adapters, and many accessories can generate heat when turned on and when batteries are charging. Always follow these basic precautions:

- Do not leave your computer, AC adapter, or accessories in contact with your lap or any part of your body for an extended period when the products are functioning or when the battery is charging. Your computer, AC adapter, and many accessories produce some heat during normal operation. Extended contact with the body could cause discomfort or, potentially, a skin burn.
- Do not charge the battery or operate your computer, AC adapter, or accessories near flammable materials or in explosive environments.
- Ventilation slots, fans, and heat sinks are provided with the product for safety, comfort, and reliable operation. These features might inadvertently become blocked by placing the product on a bed, sofa, carpet, or other flexible surface. Never block, cover, or disable these features.

Inspect your computer for dust accumulation at least once every three months. Before inspecting your computer, turn off the power and unplug the computer’s power cord from the electrical outlet; then remove any dust from vents and perforations in the bezel. If you notice external dust accumulation, then examine and remove dust from the inside of the computer including heat sink inlet fins, power supply vents, and fans. Always turn off and unplug the computer before opening the cover. If possible, avoid operating your computer within 2 feet of high-traffic areas. If you must operate your computer in or near a high-traffic area, inspect and, if necessary, clean your computer more frequently.

For your safety and to maintain optimum computer performance, always follow these basic precautions with your computer:

- Keep the cover closed whenever the computer is plugged in.
- Regularly inspect the outside of the computer for dust accumulation.
- Remove dust from vents and any perforations in the bezel. More frequent cleaning might be required for computers in dusty or high-traffic areas.

- Do not restrict or block any ventilation openings.
- Do not store or operate your computer inside furniture, as this might increase the risk of overheating.
- Airflow temperatures into the computer should not exceed 35° C (95° F).
- Do not use non-desktop air filtration devices.

Operating environment

The optimal environment in which to use your computer is 10°C-35°C (50°F-95°F) with humidity ranging between 35% and 80%. If your computer is stored or transported in temperatures less than 10°C (50°F), allow the cold computer to rise slowly to an optimal operating temperature of 10°C-35°C (50°F-95°F) before use. This process could take two hours in extreme conditions. Failure to allow your computer to rise to an optimal operating temperature before use could result in irreparable damage to your computer.

If possible, place your computer in a well-ventilated and dry area without direct exposure to sunshine.

Keep electrical appliances such as an electric fan, radio, high-powered speakers, air conditioner, and microwave oven away from your computer because the strong magnetic fields generated by these appliances can damage the monitor and data on the hard disk drive.

Do not place any beverages on top of or beside the computer or other attached devices. If liquid is spilled on or in the computer or an attached device, a short circuit or other damage might occur.

Do not eat or smoke over your keyboard. Particles that fall into your keyboard can cause damage.

Electrical current safety information

Danger

Electrical current from power, telephone, and communication cables is hazardous.

To avoid a shock hazard:

- **To prevent possible shock hazard, do not use your computer during a lightning storm.**
- **Do not connect or disconnect any cables or perform installation, maintenance, or reconfiguration of this product during an electrical storm.**

- Connect all power cords to a properly wired and grounded electrical outlet.
- Connect to properly wired outlets any equipment that will be attached to this product.
- When possible, use one hand only to connect or disconnect signal cables.
- Never turn on any equipment when there is evidence of fire, water, or structural damage.
- Disconnect the attached power cords, telecommunications systems, networks, and modems before you open the device covers, unless instructed otherwise in the installation and configuration procedures.
- Connect and disconnect cables as described in the following table when installing, moving, or opening covers on this product or attached devices.

<p>To connect:</p> <ol style="list-style-type: none"> 1. Turn everything OFF. 2. First, attach all cables to devices. 3. Attach signal cables to connectors. 4. Attach power cords to outlet. 5. Turn device ON. 	<p>To disconnect:</p> <ol style="list-style-type: none"> 1. Turn everything OFF. 2. First, remove power cords from outlet. 3. Remove signal cables from connectors. 4. Remove all cables from devices.
--	---

Lithium battery notice

<p>Caution Danger of explosion if battery is incorrectly replaced.</p>

When replacing the lithium coin cell battery, use only the same or an equivalent type that is recommended by the manufacturer. The battery contains lithium and can explode if not properly used, handled, or disposed of.

Do not:

- Throw or immerse into water
- Heat to more than 100°C (212°F)
- Repair or disassemble

Dispose of the battery as required by local ordinances or regulations.

The following statement applies to users in the state of California, U.S.A.

Perchlorate material: Special handling may apply. See www.dtsc.ca.gov/hazardouswaste/perchlorate.

Modem safety information

Caution

To reduce the risk of fire, use only No. 26 AWG or larger telecommunication line cord.

To reduce the risk of fire, electrical shock, or injury when using telephone equipment, always follow basic safety precautions, such as:

- Never install telephone wiring during a lightning storm.
- Never install telephone jacks in wet locations unless the jack is specifically designed for wet locations.
- Never touch uninsulated telephone wires or terminals unless the telephone line has been disconnected at the network interface.
- Use caution when installing or modifying telephone lines.
- Avoid using a telephone (other than a cordless type) during an electrical storm. There may be a remote risk of electric shock from lightning.
- Do not use the telephone to report a gas leak in the vicinity of the leak.

Laser compliance statement

Some personal computer models are equipped from the factory with a CD or DVD drive. CD and DVD drives are also sold separately as options. CD and DVD drives are laser products. These drives are certified in the U.S. to conform to the requirements of the Department of Health and Human Services 21 Code of Federal Regulations (DHHS 21 CFR) Subchapter J for Class 1 laser products. Elsewhere, these drives are certified to conform to the requirements of the International Electrotechnical Commission (IEC) 60825-1 and CENELEC EN 60825-1 for Class 1 laser products.

When a CD or DVD drive is installed, note the following handling instructions.

Caution

Use of controls or adjustments or performance of procedures other than those specified herein might result in hazardous radiation exposure.

Do not remove the drive covers. Removing the covers of the CD or DVD drive could result in exposure to hazardous laser radiation. There are no serviceable parts inside the CD or DVD drive.

Some CD and DVD drives contain an embedded Class 3A or Class 3B laser diode. Note the following statement.

Danger

Laser radiation when open. Do not stare into the beam, do not view directly with optical instruments, and avoid direct exposure to the beam.

Power supply statement

Never remove the cover on a power supply or any part that has the following label attached.



Hazardous voltage, current, and energy levels are present inside any component that has this label attached. There are no serviceable parts inside these components. If you suspect a problem with one of these parts, contact a service technician.

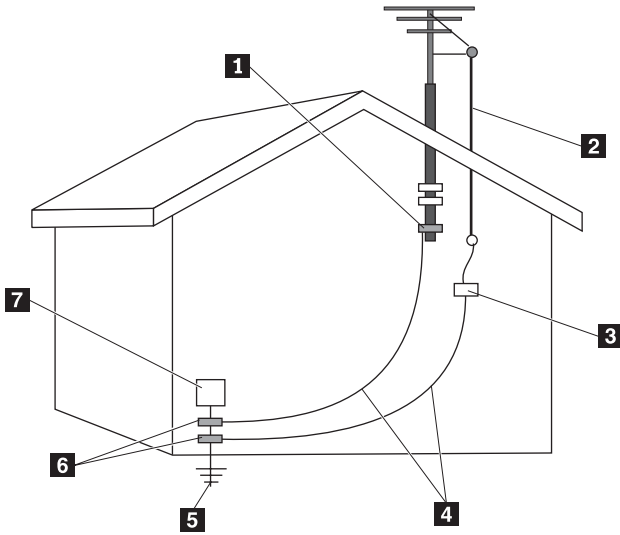
Products with television tuner options installed

The notice below applies to products containing television (TV) tuner devices that connect to external antennas or to cable/CATV systems, or both, and that are intended to be installed in North America. Users and installers in other countries should follow local codes and ordinances when installing appliances that connect to external antennas and cable/CATV systems. If local codes are not applicable, it is recommended that users/installers follow guidelines similar to those that follow.

Note to CATV system installer

This reminder is provided to call the CATV system installer's attention to Article 820-40 of the National Electrical Code (NEC) that provides guidelines for proper grounding and, in particular, specifies that the cable ground shall be connected to the grounding system of the building, as close as possible to the point of cable entry as practical.

Example of antenna grounding



- | | | | |
|----------|---|----------|--|
| 1 | Ground clamp | 5 | Power service grounding electrode system (NEC Article 250, Part H) |
| 2 | Antenna lead-in wire | 6 | Ground clamps |
| 3 | Antenna discharge unit (NEC Section 810-20) | 7 | Electronic service equipment |
| 4 | Grounding conductors (NEC Section 810-21) | | |

Figure 1. Proper grounding for the cable

The following notice applies to all countries and regions:

Danger



Outdoor antenna grounding

If an outside antenna or cable system is connected to the equipment, be sure the antenna or cable system is grounded as to provide some protection against voltage surges and built-up static charges.

Lightning

For added protection for this equipment during a lightning storm, or when it is left unattended and unused for long periods of time, unplug it from the wall outlet and disconnect the antenna or cable system. This will prevent damage to the video product due to lightning and power line surges.

Power lines

An outside antenna system should not be located in the vicinity of overhead power lines or where it can fall into such power lines or circuits. When installing an outside antenna system, extreme care should be taken to keep from touching such power lines or circuits, as contact with them may be fatal.

Data safety

Do not delete unknown files or change the name of files or directories that were not created by you; otherwise, your computer software might fail to work.

Be aware that accessing network resources can leave your computer vulnerable to computer viruses, hackers, spyware, and other malicious activities that might damage your computer, software, or data. It is your responsibility to ensure that you have adequate protection in the form of firewalls, antivirus software, and anti-spyware software and keep this software up to date.

Cleaning and maintenance

Keep your computer and workspace clean. Shut down the computer and then disconnect the power cord before cleaning the computer. Do not spray any liquid detergent directly on the computer or use any detergent containing flammable material to clean the computer. Spray the detergent on a soft cloth and then wipe the computer surfaces.

Using headphones or earphones

If your computer has both a headphone connector and an audio-out connector, always use the headphone connector for headphones (also called a headset) or earphones.

Excessive sound pressure from earphones and headphones can cause hearing loss. Adjustment of the equalizer to maximum increases the earphones and headphones output voltage and therefore the sound pressure level.

Excessive use of headphones or earphones for a long period of time at high volume can be dangerous if the output of the headphones or earphone connectors do not comply with specifications of EN 50332-2. The headphone output connector of your computer complies with EN 50332-2 Sub clause 7. This specification limits the computer's maximum wide band true RMS output voltage to 150 mV. To help protect against hearing loss, ensure that the headphones or earphones you use also comply with EN 50332-2 (Clause 7 limits) for a wide band characteristic voltage of 75 mV. Using headphones that do not comply with EN50332-2 can be dangerous due to excessive sound pressure levels.

If your Lenovo computer came with headphones or earphones in the package, as a set, the combination of the headphones or earphones and the computer already complies with the specifications of EN 50332-1. If different headphones or earphones are used, ensure that they comply with EN 50332-1. (Clause 6.5 Limitation Values), Using headphones that do not comply with EN 50332-1 can be dangerous due to excessive sound pressure levels.

Additional safety information

Plastic bags can be dangerous. Keep plastic bags away from babies and children to avoid danger of suffocation.

Additional safety requirements for machine types 6427, 6493

ThinkStation machine types 6427, 6493 require two persons to lift and or carry.

Chapter 2. Information resources

After you have set up your computer using the provided setup poster, you can use the information in this chapter to access useful resources relating to your computing needs.

Online Books folder

The Online Books folder provides publications to help you set up and use your computer. The Online Books folder is preinstalled on your computer and requires no Internet access to view the publications. The following publications are available in the Online Books folder:

- *ThinkStation User Guide*

This publication provides information on setting up your computer, installing options, recovering software, using the Setup Utility, updating system programs, and troubleshooting problems.

- *ThinkStation Hardware Installation and Replacement Guide*

This publication provides step-by-step instructions for replacing Customer Replaceable Units (CRUs) in your computer. CRUs are computer parts that can be upgraded or replaced by the customer.

- *IBM Lotus® Software Offer Publet*

To view a publication, open the **Start** menu from the Windows desktop, select **All Programs**, select **Online Books**, and click **Online Books**. Double-click on the appropriate publication for your computer. The publications also are available on the Lenovo Web site at <http://www.lenovo.com>.

Notes:

1. These publications are in Portable Document Format (PDF), which requires Adobe Acrobat Reader to be installed. If Adobe Acrobat Reader has not yet been installed on your computer, a message will appear when you attempt to view the PDF file and you will be guided through the Adobe Acrobat Reader installation.
2. The publications that are preinstalled on your computer are available in other languages on the Lenovo Support Web site at <http://www.lenovo.com/support/>.
3. If you want to install a different language version of Adobe Acrobat Reader than the version provided on your computer, go to the Adobe Web site at <http://www.adobe.com> and download the version you want to use.

ThinkVantage Productivity Center

The ThinkVantage® Productivity Center program guides you to a host of information sources and tools designed to make computing simpler and more secure while helping to reduce costs and increase productivity. The ThinkVantage Productivity Center program helps you set up, understand, and enhance your computer.

The ThinkVantage Productivity Center program provides information about your computer and easy access to various technologies, such as:

- The Rescue and Recovery™ program
- Productivity Center
- Client Security Solutions
- Factory Recovery
- System Updates
- Service and support

Note: ThinkVantage Technologies are only available on select Lenovo computers.

To access the ThinkVantage Productivity Center program, open the **Start** menu from the Windows desktop, select **All Programs**, select **ThinkVantage**, and click **Productivity Center**.

Access Help

The Access Help online help system provides information about getting started, doing basic tasks, customizing settings for your personal preference, protecting data, expanding and upgrading, and troubleshooting.

To open Access Help, open the **Start** menu from the Windows desktop, select **All Programs**, select **ThinkVantage**, and click **Productivity Center**. After you have opened Access Help, use the left panel to make a selection from the Contents or Index tab, or use the Search tab to find a particular word or phrase.

www.lenovo.com

The Lenovo Web site (www.lenovo.com) provides an extensive amount of information and services to help you buy, upgrade, and maintain your computer. You can access the most up-to-date information for your computer on the Lenovo Web site. From the www.lenovo.com Web site, you can also:

- Shop for desktop and notebook computers, monitors, projectors, upgrades and accessories for your computer, and special offers.

- Purchase additional services, such as support for hardware, operating systems, application programs, network setup and configuration, and custom installations.
- Purchase upgrades and extended hardware repair services.
- Download the latest device drivers and software updates for your computer model.
- Access the online manuals for your products.
- Access the Lenovo Limited Warranty.
- Access troubleshooting and support information for your computer model and other supported products.
- Find the service and support phone number for your country or region.
- Find a service provider located near you.

Recording your computer information

Recording information about your computer can be helpful if you ever need to have your computer serviced. The service technician will probably ask you for this information.

The machine type, model, and serial number are labeled on your computer. Use the following table to record this information.

Product name	_____
Machine type and model	_____
Serial number (S/N)	_____
Date of purchase	_____

You can register your computer over the Internet at the following Web site:

<http://www.lenovo.com/register>

When you register your computer, you will receive the following benefits:

- Faster service when you call for help
- Automatic notification of free software and special promotional offers

For more information about registering your computer, refer to the Access Help online help system. See “Access Help” on page 26 for instructions on how to open the online help system.

Chapter 3. Lenovo Limited Warranty

This Lenovo Limited Warranty applies only to Lenovo hardware products you purchased for your own use and not for resale. This warranty may sometimes be referred to as the "Statement of Limited Warranty" (SOLW) in other documents from Lenovo.

What this Warranty Covers

Lenovo warrants that each hardware product is free from defects in materials and workmanship under normal use during the warranty period. The warranty period for the product starts on the original date of purchase specified on your invoice unless Lenovo informs you otherwise in writing. The warranty period and type of warranty service that apply to your product are designated below under the section titled "**Warranty Information.**"

THIS WARRANTY IS YOUR EXCLUSIVE WARRANTY AND REPLACES ALL OTHER WARRANTIES OR CONDITIONS, EXPRESS OR IMPLIED, INCLUDING, BUT NOT LIMITED TO, THE IMPLIED WARRANTIES OR CONDITIONS OF MERCHANTABILITY AND FITNESS FOR A PARTICULAR PURPOSE. SOME STATES OR JURISDICTIONS DO NOT ALLOW THE EXCLUSION OF EXPRESS OR IMPLIED WARRANTIES, SO THE ABOVE EXCLUSION MAY NOT APPLY TO YOU. IN THAT EVENT, SUCH WARRANTIES APPLY ONLY TO THE EXTENT REQUIRED BY LAW AND ARE LIMITED IN DURATION TO THE WARRANTY PERIOD. NO WARRANTIES APPLY AFTER THAT PERIOD. SOME STATES OR JURISDICTIONS DO NOT ALLOW LIMITATIONS ON HOW LONG AN IMPLIED WARRANTY LASTS, SO THE ABOVE LIMITATION ON DURATION MAY NOT APPLY TO YOU.

How to Obtain Warranty Service

If the product does not function as warranted during the warranty period, you may obtain warranty service by contacting Lenovo or an approved service provider. Each of them is referred to as a "Service Provider." A list of Service Providers and their telephone numbers is available at www.lenovo.com/support/phone.

Warranty service may not be available in all locations and may differ from location to location. Charges may apply outside a Service Provider's normal service area. Contact a local Service Provider for location-specific information.

What Your Service Provider Will Do to Correct Problems

When you contact a Service Provider, you must follow the problem determination and resolution procedures specified.

Your Service Provider will attempt to diagnose and resolve your problem over the telephone or through remote assistance. Your Service Provider may direct you to download and install designated software updates.

Some problems can be resolved with a replacement part that you install yourself (such as keyboard, mouse, speaker, memory, hard disk drive, or port replicator), called a "Customer Replaceable Unit" or "CRU." If so, your Service Provider will ship the CRU to you for you to install.

If your problem cannot be resolved over the telephone or remotely, through your application of software updates, or with a CRU, your Service Provider will arrange for service under the type of warranty service designated for the product under the section titled "**Warranty Information.**"

If your Service Provider determines that it is unable to repair your product, your Service Provider will replace it with one that is at least functionally equivalent.

If your Service Provider determines that it is unable to either repair or replace your product, your sole remedy is to return the product to your place of purchase or to Lenovo and your purchase price will be refunded.

Exchange of a Product or Part

When the warranty service involves the exchange of a product or part, the item your Service Provider replaces becomes Lenovo's property and the replacement becomes yours. All removed items must be genuine and unaltered. The replacement may not be new, but will be in good working order and at least functionally equivalent to the item replaced. The replacement assumes the warranty status of the replaced item.

Before your Service Provider exchanges a product or part, you agree to:

1. remove all features, parts, options, alterations, and attachments not under warranty service;
2. ensure that the product is free of any legal obligations or restrictions that prevent its exchange; and
3. obtain authorization from the owner to have your Service Provider service a product that you do not own.

Your Additional Responsibilities

Where applicable, before service is provided, you agree to:

1. follow the service request procedures that your Service Provider specifies;

2. backup or secure all programs and data contained in the product;
3. provide your Service Provider with all system keys or passwords and sufficient, free, and safe access to your facilities to permit the terms of this warranty to be fulfilled; and
4. ensure that all information about identified or identifiable individuals ("Personal Data") is deleted from the product or that, with respect to any remaining Personal Data you did not delete, you are in compliance with all applicable laws.

Use of Personal Information

If you obtain service under this warranty, Lenovo will store, use, and process information about your warranty issue and your contact information, including name, phone numbers, address, and e-mail address. Lenovo will use this information to perform service under this warranty and to improve our business relationship with you, such as to conduct internal reviews of the efficiency of the warranty service we provide to you. We may contact you to inquire about your satisfaction regarding our warranty service or to notify you about any product recalls or safety issues. In accomplishing these purposes, we may transfer your information to any country where we do business and may provide it to entities acting on our behalf. We also may disclose it where required by law or legal authorities to do so.

What this Warranty Does not Cover

This warranty does not cover the following:

- uninterrupted or error-free operation of a product;
- loss of, or damage to, your data;
- any software programs, whether provided with the product or installed subsequently;
- failure or damage resulting from misuse, accident, modification, unsuitable physical or operating environment, natural disasters, power surges, or improper maintenance by you;
- any third party products, including those that Lenovo may procure and provide with or integrate into the Lenovo product at your request; and
- any technical or other support, such as assistance with "how-to" questions and those regarding product set-up and installation.

This warranty is voided by removal or alteration of identification labels on the product or its parts.

Limitation of Liability

Lenovo is responsible for loss of, or damage to, your product only while it is 1) in your Service Provider's possession or 2) in transit in those cases in which the Service Provider is responsible for the transportation.

Neither Lenovo nor your Service Provider is responsible for any of your data including confidential, proprietary, or personal data contained in a product. You should remove and/or backup all such information from the product prior to its service or return.

Circumstances may arise where, because of a default on Lenovo's part or other liability, you may be entitled to recover damages from Lenovo. In each such instance, regardless of the basis on which you are entitled to claim damages from Lenovo (including fundamental breach, negligence, misrepresentation, or other contract or tort claim), except and to the extent that liability cannot be waived or limited by applicable laws, Lenovo is liable for no more than the amount of actual direct damages suffered by you, up to the amount you paid for the product. This limit does not apply to damages for bodily injury (including death) and damage to real property and tangible personal property for which Lenovo is required by law to be liable.

This limit also applies to Lenovo's suppliers, resellers, and your Service Provider. It is the maximum for which Lenovo, its suppliers, resellers, and your Service Provider are collectively responsible.

UNDER NO CIRCUMSTANCES IS LENOVO, ITS SUPPLIERS, RESELLERS, OR SERVICE PROVIDERS LIABLE FOR ANY OF THE FOLLOWING EVEN IF INFORMED OF THEIR POSSIBILITY: 1) THIRD PARTY CLAIMS AGAINST YOU FOR DAMAGES; 2) LOSS OF, OR DAMAGE TO, YOUR DATA; OR 3) SPECIAL, INCIDENTAL, OR INDIRECT DAMAGES OR FOR ANY ECONOMIC CONSEQUENTIAL DAMAGES, INCLUDING LOST PROFITS, BUSINESS REVENUE, GOODWILL, OR ANTICIPATED SAVINGS. SOME STATES OR JURISDICTIONS DO NOT ALLOW THE EXCLUSION OR LIMITATION OF INCIDENTAL OR CONSEQUENTIAL DAMAGES, SO THE ABOVE LIMITATION OR EXCLUSION MAY NOT APPLY TO YOU.

Dispute Resolution

If you acquired the product in **Cambodia, Indonesia, Philippines, Vietnam or Sri Lanka**, disputes arising out of or in connection with this warranty shall be finally settled by arbitration held in Singapore and this warranty shall be governed, construed and enforced in accordance with the laws of Singapore, without regard to conflict of laws. If you acquired the product in **India**, disputes arising out of or in connection with this warranty shall be finally settled by arbitration held in Bangalore, India. Arbitration in Singapore shall be held in accordance with the Arbitration Rules of Singapore International Arbitration Center ("SIAC Rules") then in effect. Arbitration in India shall be held in accordance with the laws of India then in effect. The arbitration award shall be final and binding for the parties without appeal and shall be in writing and set forth the findings of fact and the conclusions of law. All

arbitration proceedings shall be conducted, including all documents presented in such proceedings, in the English language, and the English language version of this warranty prevails over any other language version in such proceedings.

Other Rights

THIS WARRANTY GIVES YOU SPECIFIC LEGAL RIGHTS AND YOU MAY HAVE OTHER RIGHTS WHICH VARY FROM STATE TO STATE OR JURISDICTION TO JURISDICTION. YOU ALSO MAY HAVE OTHER RIGHTS UNDER APPLICABLE LAW OR WRITTEN AGREEMENT WITH LENOVO. NOTHING IN THIS WARRANTY AFFECTS STATUTORY RIGHTS, INCLUDING RIGHTS OF CONSUMERS UNDER NATIONAL LEGISLATION GOVERNING THE SALE OF CONSUMER GOODS THAT CANNOT BE WAIVED OR LIMITED BY CONTRACT.

European Economic Area (EEA)

Customers in the EEA may contact Lenovo at the following address: Lenovo Warranty & Service Quality Dept., PO Box 19547, Inverkip Road, Greenock, Scotland PA16 9WX. Service under this warranty for Lenovo hardware products purchased in EEA countries may be obtained in any EEA country in which the product has been announced and made available by Lenovo.

This Lenovo Limited Warranty is available in other languages at www.lenovo.com/warranty.

Warranty Information

Machine Type	Country or Region of Purchase	Warranty Period	Type of Warranty Service
6423	United States, Canada, Latin America, Brazil, Europe, Middle East, Africa, Australia, New Zealand, Singapore, India, Malaysia, Thailand, Indonesia, Philippines, Vietnam, Brunei, Sri Lanka, Bangladesh, Korea, PRC (China), China (Hong Kong S.R.A.), Taiwan	Parts and labor - 3 years	1 and 2
	Japan	Parts and labor - 1 year	1 and 3
6427	United States, Canada, Latin America, Brazil, Europe, Middle East, Africa, Australia, New Zealand, Singapore, India, Malaysia, Thailand, Indonesia, Philippines, Vietnam, Brunei, Sri Lanka, Bangladesh, Korea, PRC (China), China (Hong Kong S.R.A.), Taiwan	Parts and labor - 3 years	1 and 2
	Japan	Parts and labor - 1 year	1 and 3
6483	United States, Canada, Latin America, Brazil, Europe, Middle East, Africa, Australia, New Zealand, Singapore, India, Malaysia, Thailand, Indonesia, Philippines, Vietnam, Brunei, Sri Lanka, Bangladesh, Korea, PRC (China), China (Hong Kong S.R.A.), Taiwan	Parts and labor - 3 years	1 and 2
	Japan	Parts and labor - 1 year	1 and 3
6493	United States, Canada, Latin America, Brazil, Europe, Middle East, Africa, Australia, New Zealand, Singapore, India, Malaysia, Thailand, Indonesia, Philippines, Vietnam, Brunei, Sri Lanka, Bangladesh, Korea, PRC (China), China (Hong Kong S.R.A.), Taiwan	Parts and labor - 3 years	1 and 2
	Japan	Parts and labor - 1 year	1 and 3

If required, your Service Provider will provide repair or exchange service depending on the type of warranty service specified for your product and the available service. Scheduling of service will depend upon the time of your call, parts availability, and other factors.

A warranty period of 3 years on parts and 1 year on labor means that Lenovo provides warranty service without charge for:

- a. parts and labor during the first year of the warranty period (or a longer period as required by law); and
- b. parts only, on an exchange basis, in the second and third years of the warranty period. Your Service Provider will charge you for any labor provided in performance of the repair or replacement(s) in the second and third year of warranty period.

Types of Warranty Service

1. Customer Replaceable Unit ("CRU") Service

Under CRU Service, your Service Provider will ship CRUs to you for you to install. Most CRUs are easy to install whereas others may require some technical skill and tools. CRU information and replacement instructions are shipped with your product and are available from Lenovo at any time upon request. You may request that a Service Provider install some CRUs under one of the other types of warranty service designated for your product. Installation of external CRUs (such as mice, keyboards, or monitors) is your responsibility. Lenovo specifies in the materials shipped with a replacement CRU whether the defective CRU must be returned. When return is required, 1) return instructions, a prepaid return shipping label, and a container are included with the replacement CRU, and 2) you may be charged for the replacement CRU if your Service Provider does not receive the defective CRU within thirty (30) days of your receipt of the replacement.

2. On-site Service

Under On-Site Service, your Service Provider will either repair or exchange the product at your location. You must provide a suitable working area to allow disassembly and reassembly of the Lenovo product. For some products, certain repairs may require your Service Provider to send the product to a designated service center.

3. Courier or Depot Service

Under Courier or Depot Service, your product will be repaired or exchanged at a designated service center, with shipping arranged by your Service Provider.

You are responsible for disconnecting the product. A shipping container will be provided to you for you to return your product to a designated service center. A courier will pick up your product and deliver it to the designated service center. Following its repair or exchange, the service center will arrange the return delivery of the product to you.

4. Customer Carry-In or Mail-In Service

Under Customer Carry-In or Mail-In Service, your product will be repaired or exchanged at a designated service center, with delivery or shipping arranged by you. You are responsible to deliver or mail, as your Service Provider specifies, (prepaid unless specified otherwise) the product suitably packaged to a designated location. After the product has been repaired or exchanged, it will be made available for your collection. Failure to collect the product may result in your Service Provider disposing of the product as it sees fit. For Mail-in Service, the product will be returned to you at Lenovo's expense, unless your Service Provider specifies otherwise.

Guarantee supplement for Mexico

This supplement is considered part of the Lenovo Limited Warranty and shall be effective solely and exclusively for products distributed and commercialized within Territory of the Mexican United States. In the event of a conflict, the terms of this supplement shall apply.

All software programs pre-loaded in the equipment shall only have a thirty-(30) day guarantee for installation defects from the date of purchase. Lenovo is not responsible for the information in such software programs and/or any additional software programs installed by you or installed after purchase of the product.

Services not chargeable to the guarantee shall be charged to the final user, prior an authorization.

In the event that warranty repair is required please call the Customer Support Center at 001-866-434-2080, where you will be directed to the nearest Authorized Service Center. Should no Authorized Service Center exist in your city, location or within 70 kilometers of your city or location, the guarantee includes any reasonable delivery charges related to the transportation of the product to our nearest Authorized Service Center. Please call the nearest Authorized Service Center to obtain the necessary approvals or information concerning the shipment of the product and the shipment address.

To obtain a list of Authorized Service Centers, please visit:

<http://www.lenovo.com/mx/es/servicios>

Manufactured by:
SCI Systems de México, S.A. de C.V.
Av. De la Solidaridad Iberoamericana No. 7020
Col. Club de Golf Atlas
El Salto, Jalisco, México
C.P. 45680,
Tel. 01-800-3676900

Marketing by:
Lenovo de México, Comercialización y
Servicios, S. A. de C. V.
Alfonso Nápoles Gándara No 3111
Parque Corporativo de Peña Blanca
Delegación Álvaro Obregón
México, D.F., México
C.P. 01210,
Tel. 01-800-00-325-00

Chapter 4. Worldwide telephone list

Country or Region	Telephone Number
Africa	Africa: +44 (0)1475-555-055 South Africa: +27-11-3028888 and 0800110756 Central Africa: Contact the nearest Lenovo Business Partner
Argentina	0800-666-0011 (Spanish)
Australia	1300-880-917 (English)
Austria	Up and running support: 01-24592-5901 Warranty service and support: 01-211-454-610 (German)
Belgium	Up and running support: 02-210-9820 (Dutch) Up and running support: 02-210-9800 (French) Warranty service and support: 02-225-3611 (Dutch, French)
Bolivia	0800-0189 (Spanish)
Brazil	Sao Paulo region: (11) 3889-8986 Outside Sao Paulo region: 0800-701-4815 (Brazilian Portuguese)
Brunei	801-1041
Canada	Toronto: 416-383-3344 Outside Toronto: 1-800-565-3344 (English, French)
Chile	1-800-224-488 (Spanish)
China (Hong Kong S.A.R.)	Notebooks: 852-2516-3919 Desktops: 800-938-008 (Cantonese, English, Mandarin)
China (Macau S.A.R.)	Notebooks: 0800-689 Desktops: 0800-686 (Cantonese, English, Mandarin)
Colombia	1-800-912-3021 (Spanish)
Costa Rica	0-800-011-1029 (Spanish)
Croatia	0800-0426
Cyprus	+357-22-841100
Czech Republic	+420-2-7213-1316
Denmark	Up and running support: 4520-8200 Warranty service and support: 7010-5150 (Danish)
Dominican Republic	1-866-434-2080 (Spanish)
Ecuador	1-800-426911 (Spanish)
El Salvador	800-6264 (Spanish)
Estonia	+372 67767934

Country or Region	Telephone Number
Finland	Up and running support: 09-459-6960 Warranty service and support: +358-800-1-4260 (Finnish)
France	Up and running support: 0238-557-450 Warranty service and support (hardware): 0810-631-213 Warranty service and support (software): 0810-631-020 (French)
Germany	Up and running support: 07032-15-49201 Warranty service and support: 01805-25-35-58 (German)
Greece	+30-210-680-1700
Guatemala	1800-624-0051 (Spanish)
Honduras	Tegucigalpa: 232-4222 San Pedro Sula: 552-2234 (Spanish)
Hungary	+36-1-382-5720
India	1800-425-6666 +91-80-2678-8970 (English)
Indonesia	001-803-606-282
Ireland	Up and running support: 01-815-9202 Warranty service and support: 01-881-1444 (English)
Israel	Givat Shmuel Service Center: +972-3-531-3900 Haifa Service Center: +972-4-849-4608 (Hebrew, English)
Italy	Up and running support: 02-7031-6101 Warranty service and support: +39-800-820094 (Italian)
Japan	Desktops: 0120-000-817 Notebooks: 0570-064-400
Korea	1588-6782 (Korean)
Latvia	+371 7070360
Lithuania	+370 5 278 66 00
Luxembourg	+352-298-977-5063 (French)
Malaysia	1800-88-1889
Malta	+35621445566
Mexico	001-866-434-2080 (Spanish)
Middle East	+44 (0)1475-555-055
Netherlands	+31-20-514-5770 (Dutch)
New Zealand	0800-777-217 (English)

Country or Region	Telephone Number
Nicaragua	001-800-220-1830 (Spanish)
Norway	Up and running support: 6681-1100 Warranty service and support: 8152-1550 (Norwegian)
Panama	Toll Free: 001-866-434-2080 (Spanish)
Peru	0-800-50-866 (Spanish)
Philippines	1800-1601-0033
Poland	+48-22-878-6999
Portugal	+351-21-892-7147 (Portuguese)
Romania	+4-021-224-4015
Russian Federation	+7-495-940-2000 (Russian)
Singapore	800-6011-343
Slovakia	+421-2-4954-5555
Slovenia	+386-1-4796-699
Spain	91-714-7983 0901-100-000 (Spanish)
Sri Lanka	+94-11-249-3523 (English)
Sweden	Up and running support: 08-477-4420 Warranty service and support: 077-117-1040 (Swedish)
Switzerland	Up and running support: 058-333-0900 Warranty service and support: 0800-55-54-54 (German, French, Italian)
Taiwan	0800-000-701 (Mandarin)
Thailand	1-800-060-066 (Thai)
Turkey	00800-4463-2041 (Turkish)
United Kingdom	Up and running support: 01475-555-055 Warranty support: 08705-500-900 (English)
United States	1-800-426-7378 (English)
Uruguay	000-411-005-6649 (Spanish)
Venezuela	0-800-100-2011 (Spanish)
Vietnam	For northern area and Hanoi: 84-4-843-6675 For southern area and Ho Chi Minh City: 84-8-829-5160 (English, Vietnamese)

Chapter 5. Customer Replaceable Units

Customer Replaceable Units (CRUs) are computer parts that can be upgraded or replaced by the customer. There are two types of CRUs: internal and external. External CRUs are easy to install, whereas internal CRUs require some technical skill and in some cases might require tools such as a screwdriver. However, both external and internal CRUs are safe for removal by the customer. Internal CRUs can be removed and installed by customers or by a Lenovo service technician during the warranty period.

Customers are responsible for replacing all external CRUs.

Computers contain external and internal CRUs. External CRUs are located outside the computer. Examples of external CRUs include the keyboard, the mouse, any USB device, and the power cord. Internal CRUs cannot be removed without first opening the cover of the computer. Examples of internal CRUs include memory modules, optical drives, adapter cards, and the power supply.

The *User Guide* and *Hardware Installation and Replacement Guide* provide instructions for replacing external and internal CRUs. Refer to Table 2 on page 44 to determine which publication contains the instructions you need. To view a publication, open the Start menu from the Windows desktop, select **All Programs**, select **Online Books**, and click **Online Books**. Double-click on the appropriate publication.

The publications also are available on the Lenovo Web site at <http://www.lenovo.com>.

Note: Only use computer parts provided by Lenovo. Refer to Chapter 3, “Lenovo Limited Warranty,” on page 29 for warranty information about the CRUs for your machine type.

Table 1. External CRU table

List of Machine Types: 6423, 6427, 6483, 6493	User Guide	Hardware Installation and Replacement Guide
External CRUs		
Keyboard	X	X
Mouse	X	X
Power cord	X	

Table 2. Internal CRU Table

List of Machine Types: 6423, 6427, 6483, 6493	User Guide	Hardware Installation and Replacement Guide
Internal CRUs		
Hard disk drive		X
Memory		X
Adapter card		X
Internal speakers		X
Optical drive		X
Diskette drive		X
Power supply		X
System fans		X
Heatsink		X
Fans		X
Front USB		X
CMOS Battery		X
Serial port		X

Chapter 6. Notices

Lenovo may not offer the products, services, or features discussed in this document in all countries. Consult your local Lenovo representative for information on the products and services currently available in your area. Any reference to a Lenovo product, program, or service is not intended to state or imply that only that Lenovo product, program, or service may be used. Any functionally equivalent product, program, or service that does not infringe any Lenovo intellectual property right may be used instead. However, it is the user's responsibility to evaluate and verify the operation of any other product, program, or service.

Lenovo may have patents or pending patent applications covering subject matter described in this document. The furnishing of this document does not give you any license to these patents. You can send license inquiries, in writing, to:

*Lenovo (United States), Inc.
1009 Think Place - Building One
Morrisville, NC 27560
U.S.A.
Attention: Lenovo Director of Licensing*

LENOVO PROVIDES THIS PUBLICATION "AS IS" WITHOUT WARRANTY OF ANY KIND, EITHER EXPRESS OR IMPLIED, INCLUDING, BUT NOT LIMITED TO, THE IMPLIED WARRANTIES OF NON-INFRINGEMENT, MERCHANTABILITY OR FITNESS FOR A PARTICULAR PURPOSE. Some jurisdictions do not allow disclaimer of express or implied warranties in certain transactions, therefore, this statement may not apply to you.

This information could include technical inaccuracies or typographical errors. Changes are periodically made to the information herein; these changes will be incorporated in new editions of the publication. Lenovo may make improvements and/or changes in the product(s) and/or the program(s) described in this publication at any time without notice.

The products described in this document are not intended for use in implantation or other life support applications where malfunction may result in injury or death to persons. The information contained in this document does not affect or change Lenovo product specifications or warranties. Nothing in this document shall operate as an express or implied license or indemnity under the intellectual property rights of Lenovo or third parties. All information contained in this document was obtained in specific environments and is presented as an illustration. The result obtained in other operating environments may vary.

Lenovo may use or distribute any of the information you supply in any way it believes appropriate without incurring any obligation to you.

Any references in this publication to non-Lenovo Web sites are provided for convenience only and do not in any manner serve as an endorsement of those Web sites. The materials at those Web sites are not part of the materials for this Lenovo product, and use of those Web sites is at your own risk.

Any performance data contained herein was determined in a controlled environment. Therefore, the result obtained in other operating environments may vary significantly. Some measurements may have been made on development-level systems and there is no guarantee that these measurements will be the same on generally available systems. Furthermore, some measurements may have been estimated through extrapolation. Actual results may vary. Users of this document should verify the applicable data for their specific environment.

Television output notice

The following notice applies to models that have the factory-installed television-output feature.

This product incorporates copyright protection technology that is protected by method claims of certain U.S. patents and other intellectual property rights owned by Macrovision Corporation and other rights owners. Use of this copyright protection technology must be authorized by Macrovision Corporation, and is intended for home and other limited viewing uses only unless otherwise authorized by Macrovision Corporation. Reverse engineering or disassembly is prohibited.

Trademarks

Lenovo, the Lenovo logo, Rescue and Recovery, ThinkCentre, ThinkVantage, and ThinkStation are trademarks of Lenovo in the United States, other countries, or both.

IBM is a trademark of International Business Machines Corporation in the United States, other countries, or both.

Other company, product, or service names may be trademarks or service marks of others.

Electronic emissions notices

The following information refers to Lenovo personal computer machine type: 6423, 6427, 6483, 6493

Federal Communications Commission (FCC) Declaration of Conformity

This equipment has been tested and found to comply with the limits for a Class B digital device, pursuant to Part 15 of the FCC Rules. These limits are designed to provide reasonable protection against harmful interference in a residential installation. This equipment generates, uses, and can radiate radio frequency energy and, if not installed and used in accordance with the instructions, may cause harmful interference to radio communications. However, there is no guarantee the interference will not occur in a particular installation. If this equipment does cause harmful interference to radio or television reception, which can be determined by turning the equipment off and on, the user is encouraged to try to correct the interference by one or more of the following measures:

- Reorient or relocate the receiving antenna.
- Increase the separation between the equipment and receiver.
- Connect the equipment into an outlet on a circuit different from that to which the receiver is connected.
- Consult an authorized dealer or service representative for help.

Lenovo is not responsible for any radio or television interference caused by using other than recommended cables or connectors or by unauthorized changes or modifications to this equipment. Unauthorized changes or modifications could void the user's authority to operate the equipment.

This device complies with Part 15 of the FCC Rules. Operation is subject to the following two conditions: (1) this device may not cause harmful interference, and (2) this device must accept any interference received, including interference that may cause undesired operation.

Responsible party:

Lenovo (United States) Incorporated
1009 Think Place - Building One
Morrisville, NC 27560
U.S.A.
Phone Number: (919) 294-5900



Tested To Comply
With FCC Standards

FOR HOME OR OFFICE USE

Industry Canada Class B emission compliance statement

This Class B digital apparatus complies with Canadian ICES-003.

Cet appareil numérique de la classe B est conforme à la norme NMB-003 du Canada.

European Union EMC Directive conformance statement

This product is in conformity with the protection requirements of EU Council Directive 2004/108/EC on the approximation of the laws of the Member States relating to electromagnetic compatibility. Lenovo cannot accept responsibility for any failure to satisfy the protection requirements resulting from a nonrecommended modification of the product, including the installation of option cards from other manufacturers.

This product has been tested and found to comply with the limits for Class B Information Technology Equipment according to CISPR 22/European Standard EN 55022. The limits for Class B equipment were derived for typical residential environments to provide reasonable protection against interference with licensed communication devices.

EU-EMC Directive (2004/108/EC) EN 55022 class B Statement of Compliance

Deutschsprachiger EU Hinweis:

Hinweis für Geräte der Klasse B EU-Richtlinie zur Elektromagnetischen Verträglichkeit

Dieses Produkt entspricht den Schutzanforderungen der EU-Richtlinie 2004/108/EG (früher 89/336/EWG) zur Angleichung der Rechtsvorschriften über die elektromagnetische Verträglichkeit in den EU-Mitgliedsstaaten und hält die Grenzwerte der EN 55022 Klasse B ein.

Um dieses sicherzustellen, sind die Geräte wie in den Handbüchern beschrieben zu installieren und zu betreiben. Des Weiteren dürfen auch nur von der Lenovo empfohlene Kabel angeschlossen werden. Lenovo übernimmt keine Verantwortung für die Einhaltung der Schutzanforderungen, wenn das Produkt ohne Zustimmung der Lenovo verändert bzw. wenn Erweiterungskomponenten von Fremdherstellern ohne Empfehlung der Lenovo gesteckt/eingebaut werden.

Deutschland: Einhaltung des Gesetzes über die elektromagnetische Verträglichkeit von Betriebsmitteln

Dieses Produkt entspricht dem "Gesetz über die elektromagnetische Verträglichkeit von Betriebsmitteln" EMVG (früher "Gesetz über die elektromagnetische Verträglichkeit von Geräten"). Dies ist die Umsetzung der EU-Richtlinie 2004/108/EG (früher 89/336/EWG) in der Bundesrepublik Deutschland.

Zulassungsbescheinigung laut dem Deutschen Gesetz über die elektromagnetische Verträglichkeit von Betriebsmitteln, EMVG vom 20. Juli 2007 (früher "Gesetz über die elektromagnetische Verträglichkeit von Geräten"), bzw. der EMV EG Richtlinie 2004/108/EC (früher 89/336/EWG), für Geräte der Klasse B.

Dieses Gerät ist berechtigt, in Übereinstimmung mit dem Deutschen EMVG das EG-Konformitätszeichen - CE - zu führen. Verantwortlich für die Konformitätserklärung nach Paragraf 5 des EMVG ist die Lenovo (Deutschland) GmbH, Pascalstr. 100, D-70569 Stuttgart.

Informationen in Hinsicht EMVG Paragraf 4 Abs. (1) 4:
Das Gerät erfüllt die Schutzanforderungen nach EN 55024 und EN 55022 Klasse B.

Korean Class B statement

이 기기는 가정용으로 전자파 적합등록을 한 기기로서
주거지역에서는 물론 모든 지역에서 사용할 수 있습니다.

Japanese VCCI Class B statement

この装置は、情報処理装置等電波障害自主規制協議会（VCCI）の基準に基づくクラスB情報技術装置です。この装置は、家庭環境で使用することを目的としていますが、この装置がラジオやテレビジョン受信機に近接して使用されると、受信障害を引き起こすことがあります。
取扱説明書に従って正しい取り扱いをして下さい。

Japanese compliance for products less than or equal to 20A per phase

高調波電流規格 JIS C 61000-3-2 適合品

Keyboard and mouse compliance statement for Taiwan

本產品隨貨附已取得經濟部標準檢驗局認可之PS/2或USB的鍵盤與滑鼠一組

Lenovo product service information for Taiwan

台灣 **Lenovo** 產品服務資訊如下：
荷蘭商思惟個人電腦產品股份有限公司台灣分公司
台北市信義區信義路五段七號十九樓之一
服務電話: 0800-000-700

Federal Communications Commission (FCC) and telephone company requirements

1. This device complies with Part 68 of the FCC rules. A label is affixed to the device that contains, among other things, the FCC registration number, USOC, and Ringer Equivalency Number (REN) for this equipment. If these numbers are requested, provide this information to your telephone company.

Note: If the device is an internal modem, a second FCC registration label is also provided. You may attach the label to the exterior of the computer in which you install the Lenovo modem, or you may attach the label to the external DAA, if you have one. Place the label in a location that is easily accessible, should you need to provide the label information to the telephone company.

2. The REN is useful to determine the quantity of devices you may connect to your telephone line and still have those devices ring when your number is called. In most, but not all areas, the sum of the RENs of all devices should not exceed five (5). To be certain of the number of devices you may connect to your line, as determined by the REN, you should call your local telephone company to determine the maximum REN for your calling area.
3. If the device causes harm to the telephone network, the telephone company may discontinue your service temporarily. If possible, they will notify you in advance; if advance notice is not practical, you will be notified as soon as possible. You will be advised of your right to file a complaint with the FCC.
4. Your telephone company may make changes in its facilities, equipment, operations, or procedures that could affect the proper operation of your equipment. If they do, you will be given advance notice to give you an opportunity to maintain uninterrupted service.

5. If you experience trouble with this product, contact your authorized reseller or call the Customer Support Center. In the United States, call **1-800-426-7378**. In Canada, call **1-800-565-3344**. You may be required to present proof of purchase.

The telephone company may ask you to disconnect the device from the network until the problem has been corrected, or until you are sure the device is not malfunctioning.

6. No customer repairs are possible to the device. If you experience trouble with the device, contact your Authorized Reseller or see the Diagnostics section of this manual for information.
7. This device may not be used on coin service provided by the telephone company. Connection to party lines is subject to state tariffs. Contact your state public utility commission or corporation commission for information.
8. When ordering network interface (NI) service from the local Exchange Carrier, specify service arrangement USOC RJ11C.

Canadian Department of Communications certification label

NOTICE: The Industry Canada label identifies certified equipment. This certification means that the equipment meets telecommunications network protective, operational and safety requirements as prescribed in the appropriate Terminal Equipment Technical Requirements documents. The Department does not guarantee the equipment will operate to the user's satisfaction.

Before installing this equipment, users should ensure that it is permissible to be connected to the facilities of the local telecommunications company. The equipment must also be installed using an acceptable method of connection. The customer should be aware that compliance with the above conditions may not prevent degradation of service in some situations. Repairs to certified equipment should be coordinated by a representative designated by the supplier. Any repairs or alterations made by the user to this equipment, or equipment malfunctions, may give the telecommunications company cause to request the user to disconnect the equipment.

Users should ensure for their own protection that the electrical ground connections of the power utility, telephone lines, and internal metallic water pipe system, if present, are connected together. This precaution may be particularly important in rural areas.

Caution: Users should not attempt to make such connections themselves, but should contact the appropriate electric inspection authority, or electrician, as appropriate.

NOTICE: The Ringer Equivalence Number (REN) assigned to each terminal device provides an indication of the maximum number of terminals allowed to

be connected to a telephone interface. The termination on an interface may consist of any combination of devices subject only to the requirement that the sum of the Ringer Equivalence Numbers of all the devices does not exceed 5.

Power cord notice

For your safety, Lenovo provides a power cord with a grounded attachment plug to use with this product. To avoid electrical shock, always use the power cord and plug with a properly grounded outlet.

Power cords provided by Lenovo in the United States and Canada are listed by Underwriter's Laboratories (UL) and certified by the Canadian Standards Association (CSA).

For units intended to be operated at 115 volts: Use a UL-listed and CSA-certified cord set consisting of a minimum 18 AWG, Type SVT or SJT, three-conductor cord, a maximum of 15 feet in length and a parallel blade, grounding-type attachment plug rated 15 amperes, 125 volts.

For units intended to be operated at 230 volts (U.S. use): Use a UL-listed and CSA-certified cord set consisting of a minimum 18 AWG, Type SVT or SJT, three-conductor cord, a maximum of 15 feet in length and a tandem blade, grounding-type attachment plug rated 15 amperes, 250 volts.

For units intended to be operated at 230 volts (outside the U.S.): Use a cord set with a grounding-type attachment plug. The cord set should have the appropriate safety approvals for the country in which the equipment will be installed.

Power cords provided by Lenovo for a specific country or region are usually available only in that country or region.

For units intended to be operated in Germany: The power cords shall be safety approved. For Germany, it shall be H05VV-F, 3G, 0.75 mm², or better. For other countries, the suitable types shall be used accordingly.

Power cord part number	Used in these countries and regions
24R2633	Japan
39M5067	Argentina, Paraguay, Uruguay

Power cord part number	Used in these countries and regions
39M5080	Antigua and Barbuda, Aruba, Bahamas, Barbados, Belize, Bermuda, Bolivia, Turks and Caicos Islands, Canada, Cayman Islands, Costa Rica, Columbia, Cuba, Dominican Republic, Ecuador, El Salvador, Guam, Guatemala, Haiti, Honduras, Jamaica, Mexico, Micronesia (Federal States of), Netherlands Antilles, Nicaragua, Panama, Peru, Philippines, Saudi Arabia, Thailand, Taiwan, United States, Venezuela
39M5102	Australia, New Zealand
39M5122	Afghanistan, Albania, Algeria, Andorra, Angola, Armenia, Austria, Azerbaijan, Belarus, Belgium, Benin, Bosnia and Herzegovina, Bulgaria, Burkina Faso, Burundi, Cambodia, Cameroon, Cape Verde, Central African Republic, Chad, Comoros, Congo (Democratic Republic of), Congo (Republic of), Cote D'Ivoire (Ivory Coast), Croatia (Republic of), Czech Republic, Dahomey, Djibouti, Egypt, Equatorial Guinea, Eritrea, Estonia, Ethiopia, Finland, France, French Guyana, French Polynesia, Gabon, Georgia, Germany, Greece, Guadeloupe, Guinea, Guinea Bissau, Hungary, Iceland, Indonesia, Iran, Kazakhstan, Kyrgyzstan, Laos (Peoples Democratic Republic of), Latvia, Lebanon, Lithuania, Luxembourg, Macedonia (former Yugoslav Republic of), Madagascar, Mali, Martinique, Mauritania, Mauritius, Mayotte, Moldova (Republic of), Monaco, Mongolia, Morocco, Mozambique, Netherlands, New Caledonia, Niger, Norway, Poland, Portugal, Reunion, Romania, Russian Federation, Rwanda, Sao Tome and Principe, Saudi Arabia, Senegal, Serbia, Slovakia, Slovenia (Republic of), Somalia, Spain, Suriname, Sweden, Syrian Arab Republic, Tajikistan, Tahiti, Togo, Tunisia, Turkey, Turkmenistan, Ukraine, Upper Volta, Uzbekistan, Vanuatu, Vietnam, Wallis and Futuna, Yugoslavia (Federal Republic of), Zaire
39M5129	Denmark
39M5143	Bangladesh, Lesotho, Macao S.A.R of China, Maldives, Namibia, Nepal, Pakistan, Samoa, South Africa, Sri Lanka, Swaziland, Uganda
39M5150	Abu Dhabi, Australia, Bahrain, Botswana, Brunei Darussalam, Channel Islands, Cyprus, Dominica, Fiji, Gambia, Ghana, Grenada, Guyana, Hong Kong S.A.R. of China, Iraq, Ireland, Jordan, Kenya, Kiribati, Kuwait, Liberia, Malawi, Malaysia, Malta, Myanmar (Burma), Nauru, New Zealand, Nigeria, Oman, Papua New Guinea, Qatar, Saint Kitts and Nevis, Saint Lucia, Saint Vincent and the Grenadines, Seychelles, Sierra Leone, Singapore, Sudan, Tanzania (United Republic of), Trinidad & Tobago, United Arab Emirates (Dubai), United Kingdom, Yemen, Zambia, Zimbabwe
39M5151	Hong Kong S.A.R. of China, Korea
39M5157	Liechtenstein, Switzerland
39M5164	Chile, Italy, Libya Arab Jamahiriya

Power cord part number	Used in these countries and regions
39M5171	Israel
39M5205	China
39M5212	Korea
39M5232	Brazil
39M5246	Taiwan
41R3175	India

Polyvinyl Chloride (PVC) cable and cord notice

WARNING: Handling the cord on this product or cords associated with accessories sold with this product will expose you to lead, a chemical known to the State of California to cause cancer, and birth defects or other reproductive harm. *Wash hands after handling.*

China substance disclosure table

产品中有毒有害物质或元素的名称及含量

部件名称	有毒有害物质或元素					
	铅(Pb)	汞(Hg)	镉(Cd)	六价铬 (Cr(VI))	多溴连苯 (PBB)	多溴二苯醚 (PBDE)
印刷电路板组件*	X	O	O	O	O	O
硬盘	X	O	O	O	O	O
光驱	X	O	O	O	O	O
内存	X	O	O	O	O	O
电脑I/O 附件	X	O	O	O	O	O
电源	X	O	O	O	O	O
键盘	X	O	O	O	O	O
鼠标	X	O	O	O	O	O
机箱/附件	X	O	O	O	O	O

○:表示该有毒有害物质在该部件所有均质材料中的含量均在SJ/T11363-2006标准规定的限量要求以下
 ×:表示该有毒有害物质至少在该部件的某一均质材料中的含量超出SJ/T11363-2006标准规定的限量要求
 表中标有“×”的所有部件都符合欧盟RoHS 法规。

印刷电路板组件*: 包括印刷电路板及其零部件、电容和连接器
 根据型号的不同,可能不会含有以上的所有部件,请以实际购买机型为准



在中华人民共和国境内销售的电子信息产品必须标识此标志,标志内的数字代表在正常使用状态下的产品的环保使用期限

Waste electrical and electronic equipment (WEEE) notices

Lenovo encourages owners of information technology (IT) equipment to responsibly recycle their equipment when it is no longer needed. Lenovo offers a variety of programs and services to assist equipment owners in recycling their IT products. Information on product recycling offerings can be found on Lenovo's Internet site at <http://www.pc.ibm.com/ww/lenovo/about/environment/>.

European Union (EU) WEEE statement

The WEEE mark applies only to countries within the European Union (EU) and Norway. Appliances are labeled in accordance with European Directive 2002/96/EC concerning waste electrical and electronic equipment (WEEE). The Directive determines the framework for the return and recycling of used appliances as applicable throughout the European Union. This label is applied

to various products to indicate that the product is not to be thrown away, but rather reclaimed upon end of life per this Directive.

Users of electrical and electronic equipment (EEE) with the WEEE marking per Annex IV of the WEEE Directive must not dispose of end of life EEE as unsorted municipal waste, but use the collection framework available to them for the return, recycle, recovery of WEEE and minimize any potential effects of EEE on the environment and human health due to the presence of hazardous substances. For additional WEEE information go to:
<http://www.lenovo.com/lenovo/environment>.

Japanese recycling statement

Collecting and recycling a disused Lenovo computer or monitor

If you are a company employee and need to dispose of a Lenovo computer or monitor that is the property of the company, you must do so in accordance with the Law for Promotion of Effective Utilization of Resources. Computers and monitors are categorized as industrial waste and should be properly disposed of by an industrial waste disposal contractor certified by a local government. In accordance with the Law for Promotion of Effective Utilization of Resources, Lenovo Japan provides, through its PC Collecting and Recycling Services, for the collecting, reuse, and recycling of disused computers and monitors. For details, visit the Lenovo Web site at www.ibm.com/jp/pc/service/recycle/pcrecycle/

Pursuant to the Law for Promotion of Effective Utilization of Resources, the collecting and recycling of home-used computers and monitors by the manufacturer was begun on October 1, 2003. This service is provided free of charge for home-used computers sold after October 1, 2003. For details, visit the Lenovo Web site at www.ibm.com/jp/pc/service/recycle/personal/.

Disposing of a Lenovo computer component

Some Lenovo computer products sold in Japan may have components that contain heavy metals or other environmental sensitive substances. To properly dispose of disused components, such as a printed circuit board or drive, use the methods described above for collecting and recycling a disused computer or monitor.

Disposing of disused lithium batteries from Lenovo computers

A button-shaped lithium battery is installed on the system board of your Lenovo computer to provide power to the computer clock while the computer is off or disconnected from the main power source. If you want to replace it

with a new one, contact your place of purchase or ask for a repair service provided by Lenovo. If you have replaced it by yourself and want to dispose of the disused lithium battery, insulate it with vinyl tape, contact your place of purchase, and follow their instructions. If you use a Lenovo computer at home and need to dispose of a lithium battery, you must comply with local ordinances and regulations.

Kapitel 1. Vigtige sikkerhedsforskrifter

Bemærk

Læs disse vigtige sikkerhedsforskrifter først.

Følg alle de oplysninger, der leveres sammen med computeren. Oplysningerne i denne bog, ændrer ikke vilkårene i købsaftalen eller Lenovo Begrænset garanti. Der er flere oplysninger i Kapitel 3, "Lenovo Begrænset garanti", på side 77.

Kundesikkerhed er vigtig. Vore produkter er designet til at være sikre og effektive. Computere er imidlertid elektronisk udstyr. Netledninger, omformere og andet udstyr kan udgøre en mulig sikkerhedsrisiko, som kan resultere i fysiske skader eller ødelægge personlige ejendele, især hvis det anvendes forkert. Følg vejledningen, der leveres sammen med produktet for at nedsætte risikoen. Vær især opmærksom på alle advarsler på produktet og i betjeningsvejledningerne, og læs alle de oplysninger, der findes i denne bog. Hvis du omhyggeligt følger de oplysninger, der findes i denne bog, og som leveres sammen med produktet, beskytter du dig selv mod alvorlige skader og opretter et sikkert arbejdsmiljø.

Bemærk: Disse oplysninger indeholder referencer til omformere og batterier. Ud over bærbare computere, leveres andre produkter, f.eks. højttalere og skærme, med eksterne omformere. Hvis du har et sådant produkt, gælder disse oplysninger for dette produkt. Computeren indeholder et internt batteri på størrelse med en mønt, som leverer strøm til systemuret, selv når maskinen ikke er tilsluttet en stikkontakt. Derfor gælder sikkerhedsforskrifterne for batteriet for alle computere.

Forhold, der kræver øjeblikkelig handling

Produkter kan ødelægges som følge af forkert brug. Nogle produktødelæggelser er så alvorlige, at produktet ikke må benyttes, før det er blevet efterset og evt. repareret af en autoriseret servicetekniker.

Som ved alle elektroniske enheder skal du være forsigtig med at bruge produktet, når det er tændt. I meget sjældne tilfælde kan der opstå lugtgener, eller der kommer røg eller gnister ud af maskinen. Du hører måske lyde som f.eks. knald, smæld eller syden. Disse forhold betyder måske ikke andet, end at en intern, elektronisk komponent er gået i stykker på en sikker og kontrolleret måde. De kan også angive en mulig sikkerhedsrisiko. Du må aldrig forsøge at løse disse problemer selv. Kontakt kundesupportcentret. Du kan se en liste over service- og supporttelefonnumre i afsnittet Kapitel 4, "Oversigt over telefonnumre", på side 87.

Undersøg hyppigt computeren og dens komponenter for skader, slitage eller faretegn. Hvis du er i tvivl om, at en komponent er i orden, må du ikke bruge produktet. Kontakt kundesupportcentret eller producenten for at få oplysninger om, hvordan du undersøger produktet og evt. får det repareret.

Hvis et af nedenstående forhold opstår, eller hvis du ikke er sikker på, om det er sikkert at bruge produktet, skal du holde op med at bruge det, og afmontere det fra stikkontakten og telekommunikationslinjerne, indtil du har talt med kundesupportcentret.

- Netledninger, stik, omformere, forlængerledninger, spændingsstabilisatorer eller strømforsyninger, der er knækkede, itu eller ødelagte.
- Tegn på overophedning, røg, gnister eller ild.
- Batteriet er beskadiget, det er f.eks. revnet, bøjet eller trykket, batteriet lækker, eller der er belægninger på batteriet.
- Der lyder knald, smæld eller syden fra produktet, eller der er lugtgener fra produktet.
- Der er tegn på, at der er spildt væske, eller at et objekt er faldet ned på computeren, netledningen eller omformeren.
- Computeren, netledningen eller omformeren er våde.
- Produktet har været tabt eller ødelagt på nogen måde.
- Produktet fungerer ikke korrekt, når du følger betjeningsvejledningen.

Bemærk: Hvis du bemærker disse forhold med et produkt, f.eks. en forlængerledning, der ikke er fremstillet af eller for Lenovo, skal du stoppe med at bruge produktet, indtil du kan kontakte producenten for at få flere oplysninger eller få et passende erstatningsprodukt.

Generelle sikkerhedsforskrifter

Vær altid opmærksom på følgende for at nedsætte risikoen for fysiske skader eller ødelæggelse af personlige ejendele.

Service og opgraderinger

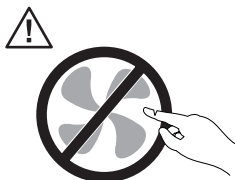
Forsøg ikke selv at servicere et produkt, medmindre kundesupportcentret har bedt dig om at gøre det, eller hvis det er angivet i dokumentationen. Brug kun en servicemedarbejder, der er godkendt til at reparere et bestemt produkt.

Bemærk: Nogle dele af computeren kan opgraderes eller udskiftes af kunden. Opgraderinger kaldes typisk for ekstraudstyr. Dele, der kan udskiftes af kunden, kaldes for CRU'er (Customer Replaceable Units). Lenovo leverer dokumentation med en vejledning, når kunden selv kan installere ekstraudstyr eller udskifte CRU'er. Du skal nøje følge vejledningen, når du selv installerer eller udskifter dele. Når computeren er slukket, det vil sige, når tændt-lampen ikke lyser, betyder det ikke nødvendigvis, at der ikke er spænding i produktet. Kon-

trollér altid, at der er slukket for strømmen, og at produktet er afmonteret fra strømkilden, inden du fjerner dækslet fra et produkt med netledning. Der er flere oplysninger om CRU'er i *ThinkStation Vejledning i installation og udskiftning af hardware* til dette produkt. Kontakt kundesupportcentret, hvis du har spørgsmål.

Selv om der ikke er nogen dele, der bevæger sig i computeren, når netledningen er afmonteret, skal du alligevel være opmærksom på følgende advarsler.

Fare!



Farlige bevægelige dele. Hold fingre og andre legemsdele væk fra dette område.

Vigtigt!



Før du udskifter CRU'er, skal du slukke for computeren. Vent i 3 til 5 minutter, så computeren kan afkøles, inden du åbner dækslet.

Undgå statisk elektricitet

Statisk elektricitet er ikke skadelig for mennesker. Imidlertid kan det beskadige computerens dele og udstyr. Dele, der er følsomme over for statisk elektricitet, kan blive beskadiget, hvis du ikke håndterer dem korrekt. Når du pakker ekstraudstyr eller CRU'er ud, må du først åbne den antistatiske pose, når du bliver bedt om det i vejledningen.

Følg disse forholdsregler for at undgå statisk elektricitet, når du håndterer ekstraudstyr eller CRU'er, eller når computeren er åben:

- Begræns dine bevægelser. Når du bevæger dig, skabes der statisk elektricitet omkring dig.
- Håndtér altid komponenterne forsigtigt. Tag fat i kanten af adaptere, hukommelsesmoduler og andre kredsløbskort. Rør aldrig ved kredsløbene.

- Lad ikke andre røre ved komponenterne.
- Når du installerer en del, der er følsom over for statisk elektricitet, skal du lade den antistatiske pose med delen i røre ved udvidelsesportens metal-dæksel eller ved en anden umalet metalflade på computeren i mindst to sekunder. Det reducerer statisk elektricitet i posen og fra din krop.
- Hvis det er muligt, skal du installere den nye del direkte i computeren, når du har taget den ud af den antistatiske pose, uden at lægge delen fra dig. Hvis det ikke er muligt, skal du lægge den antistatiske pose på en plan overflade og lægge delen på posen.
- Du må ikke lægge delen på computerens dæksel eller på andet metallisk materiale.

Netledninger og omformere

Brug kun de netledninger og omformere, der leveres af producenten.

Netledningerne skal være sikkerhedsgodkendt. I Tyskland skal det være H05VV-F, 3G, 0,75 mm² eller bedre. I andre lande skal der tilsvarende benyttes passende typer.

Rul aldrig netledningen omkring omformeren eller et andet objekt. Det kan flosse, knække eller bøje netledningen. Det kan udgøre en sikkerhedsrisiko.

Placér altid netledningerne, så der ikke trædes på dem, eller så de ikke kommer i klemme.

Beskyt ledningen og omformeren mod væsker. Du må f.eks. ikke placere ledningen eller omformeren i nærheden af håndvaske, badekar, toiletter eller på gulve, der bliver vasket med flydende rengøringsmidler. Væsker kan forårsage en kortslutning, især hvis netledningen eller omformeren er blevet beskadiget. Væsker kan også gradvist tære stikket på netledningen og/eller stikket på omformeren, hvilket kan forårsage overophedning.

Tilslut altid netledninger og signalkabler i den korrekte rækkefølge, og kontroller, at alle netledningerne er korrekt tilsluttet stikkontakterne.

Brug ikke omformere, hvor stikbenene er tærede, og/eller som viser tegn på overophedning, f.eks. ødelagt plastic.

Brug ikke netledninger, hvor stikkene i begge ender viser tegn på tæring eller overophedning, eller hvor netledningen er ødelagt på nogen måde.

Spændingsvælgerkontakt

Visse computere er udstyret med en spændingsvælgerkontakt, der er placeret tæt på netledningsstikket på computeren. Hvis computeren har en spændingsvælgerkontakt, skal du sørge for at indstille den, så den passer til den spæn-

ding, stikkontakten leverer. Hvis du indstiller spændingsvælgerkontakten forkert, risikerer du at beskadige computeren permanent.

Hvis computeren ikke har en spændingsvælgerkontakt, er computeren konstrueret til kun at fungere ved den netspænding, der leveres i det land eller område, hvor computeren er købt.

Vær opmærksom på følgende, hvis du flytter computeren til et andet land:

- Hvis computeren ikke har en spændingsvælgerkontakt, må du ikke slutte computeren til en stikkontakt, før du har kontrolleret, at netspændingen er den samme som i det land eller område, hvor computeren er købt.
- Hvis computeren har en spændingsvælgerkontakt, må du ikke slutte computeren til en stikkontakt, før du har kontrolleret, at du har indstillet kontakten, så den passer til netspændingen i det pågældende land eller område.

Hvis du er i tvivl om, hvilken spænding stikkontakten leverer, skal du kontakte elselskabet eller undersøge officielle websteder eller rejsebøger om det land eller område, hvor du befinder dig.

Forlængerledninger og lignende udstyr

Kontrollér, at de forlængerledninger, spændingsstabilisatorer, UPS (Uninterruptible Power Supply), strømforsyningsenheder og multistikdåser, som du bruger, kan håndtere produktets strømkrav. Du må aldrig overbelaste ovennævnte udstyr. Hvis du bruger multistikdåser, må belastningen ikke overstige multistikdåsens inputkapacitet. Kontakt en elektriker for at få flere oplysninger, hvis du har spørgsmål om strømbelastning, strømkrav, og inputkapacitet.

Stik og stikkontakter

Hvis den stikkontakt, som du vil bruge sammen med computerudstyret, er ødelagt eller tæret, må du ikke bruge den, før den er udskiftet af en uddannet elektriker.

Du må ikke bøje eller ændre stikket. Hvis stikket er ødelagt, skal du få et nyt hos forhandleren.

Brug ikke samme stikkontakt, som du bruger til andre apparater, der trækker store mængder strøm. Du risikerer, at ustabil spænding ødelægger computeren, data eller tilsluttede enheder.

Nogle produkter er udstyret med et 3-benet stik. Disse stik må kun anvendes sammen med en stikkontakt med jordforbindelse. Det er en sikkerhedsfacilitet. Du må ikke ignorere denne sikkerhedsforanstaltning ved at prøve at indsætte stikket i en stikkontakt uden jordforbindelse. Hvis du ikke kan indsætte stikket i stikkontakten, skal du kontakte en elektriker, så han kan installere en godkendt stikkontakt. Du må aldrig overbelaste en stikkontakt. Den generelle

systembelastning må ikke overstige 80 % af grenens strømkapacitet. Kontakt en elektriker for at få flere oplysninger, hvis du har spørgsmål om strømbelastning og grenens strømkapacitet.

Kontrollér, at ledningsføringen til den stikkontakt, du bruger, er korrekt, at der er nem adgang til stikkontakten, og at den sidder tæt på udstyret. Du må ikke strække netledninger helt ud, da det kan ødelægge dem.

Kontrollér, at stikkontakten leverer korrekt spænding og strøm til det produkt, du installerer.

Vær forsigtig, når du tilslutter og tager netledninger ud af stikkontakten.

Eksterne enheder

De eneste kabler til eksterne enheder, du må tilslutte eller afmontere, mens computeren er tændt, er USB- og 1394-kabler. Ellers risikerer du at beskadige computeren. Vent mindst fem sekunder efter computeren er slukket, før du afmonterer eksterne kabler, for at undgå eventuel skade på tilsluttede enheder.

Batterier

Alle computere, der er fremstillet af Lenovo, indeholder et ikke-genopladeligt batteri på størrelse med en mønt, som forsyner systemuret med strøm. Derudover bruger mange bærbare produkter, f.eks. bærbare computere, et genopladeligt batteri, til at forsyne systemet med strøm, når der ikke er en stikkontakt i nærheden. De batterier, der leveres af Lenovo til brug i produktet, er testet for kompatibilitet og må kun udskiftes med godkendte dele.

Du må aldrig åbne et batteri. Du må ikke knuse, punktere eller brænde batteriet, og du må heller ikke kortslutte metalkontakterne. Du må ikke udsætte batteriet for vand eller andre væsker. Du må kun oplade batteriet i henhold til vejledningen i produktokumentationen.

Forkert behandling af batterier kan få dem til at overophedes, hvilket kan forårsage, at gasser eller flammer kan komme fra batteriet. Hvis batteriet er ødelagt, eller hvis batteriet aflades, eller at der opbygges fremmedlegemer på batteriets kontakter, skal du holde op med at bruge batteriet og få et andet fra producenten.

Batteriets levetid kan formindskes, hvis det ikke bruges i længere tid. Hvis visse genopladelige batterier (især Li-Ion-batterier) ikke bruges, når de er afladede, kan det forøge risikoen for, at batteriet kortsluttes, hvilket kan forkorte batteriets levetid, og det kan også udgøre en sikkerhedsrisiko. Aflad ikke opladelige Li-Ion-batterier fuldstændigt, og opbevar ikke disse batterier i en afladet tilstand.

Varme og ventilation

Computere, vekselstrømsadaptere og andet tilbehør genererer varme, når de er tændt, og når batteriet oplades. Følg altid disse grundlæggende forholdsregler:

- Lad ikke computeren, vekselstrømsadapteren eller tilbehør ligge i skødet eller andre steder på kroppen i en længere periode, mens computeren er i brug, eller mens batteriet oplades. Computeren, vekselstrømsadapteren og meget tilbehør genererer varme, når de er i drift. Hvis computeren er i berøring med kroppen i længere tid, kan det give ubehag og i sidste ende forbrændinger.
- Du må ikke oplade batteriet eller bruge computeren, vekselstrømsadapteren eller tilbehør nær ved brændbare materialer eller på steder, hvor der er risiko for eksplosion.
- Ventilationshuller, blæsere og køleplader leveres med produktet af sikkerhedsmæssige årsager og for at give en mere behagelig og pålidelig drift. Du kan komme til at blokere disse, hvis du bruger computeren i sengen, på en sofa, et tæppe eller lignende. Du må aldrig blokere eller tildække ventilationshullerne, og du må heller ikke deaktivere blæserne.

Undersøg computeren mindst én gang hver tredje måned for at se, om der har samlet sig støv i den. Før du undersøger computeren, skal du slukke for den og tage netledningsstikket ud af stikkontakten. Fjern derefter støv fra luftgitre og huller i dækslet. Hvis der har samlet sig støv udvendigt, skal du også undersøge om der er støv indvendigt, herunder på kølepladen og i luftgitre og blæsere. Fjern eventuelt støv. Du skal altid slukke for computeren og trække stikket ud af stikkontakten, før du åbner dækslet. Du skal undgå at bruge computeren i områder, der ligger nærmere end 60 centimeter fra områder med meget trafik. Hvis du ikke kan undgå det, skal du undersøge computeren og rengøre den oftere.

Følg disse grundlæggende forholdsregler. Det øger din egen sikkerhed og øger computerens ydeevne.

- Sørg for, at dækslet er lukket, når computeren er sat til.
- Undersøg regelmæssigt computerens yderside for at se, om der har samlet sig støv.
- Fjern støv fra luftgitre og huller i dækslet. Det kan være nødvendigt at rengøre computeren oftere, hvis den er placeret på et sted, hvor der er meget støvet eller meget trafik.
- Blokér ikke ventilationshullerne.
- Benyt ikke computeren, mens den står i et skab eller lignende, da det kan øge risikoen for overophedning.
- Temperaturen på luftstrømmen ind i computeren må ikke overstige 35° C.
- Brug kun luftfiltreringsudstyr til desktop-computere.

Driftsbetingelser

Det optimale driftsmiljø for computeren er 10°C - 35°C med en luftfugtighed mellem 35% og 80%. Hvis computeren bliver opbevaret eller transporteret ved temperaturer lavere end 10°C, skal du langsomt lade computeren varme op til en optimal driftstemperatur på 10°C - 35°C, før du bruger den. Det kan tage op til to timer under ekstreme forhold. Hvis du ikke lader computeren opnå en optimal temperatur, før du bruger den, risikerer du uoprettelige skader på computeren.

Hvis det er muligt, skal du placere computeren i et velventileret og tørt lokale, og ikke i direkte sol.

Undgå at have elektriske apparater som f.eks. ventilatorer, radioer, forstærkede højtalere og mikroovne tæt på computeren, fordi de stærke magnetfelter, der genereres af disse apparater, kan beskadige skærmen og data på harddisken.

Sæt ikke drikkevarer oven på eller ved siden af computeren eller tilsluttede enheder. Hvis du spilder væske på eller i computeren eller en tilsluttet enhed, kan der opstå en kortslutning eller anden skade.

Undgå spisning eller rygning hen over tastaturet. Der kan opstå skader, hvis der kommer krummer eller aske i tastaturet.

Sikkerhedsforskrifter vedrørende elektrisk strøm

Fare

Elektrisk strøm fra el-, telefon- og kommunikationskabler kan være farlig.

Undgå elektrisk stød:

- Brug ikke computeren i tordenvejr.
- Tilslut eller fjern ikke kabler, og installér, vedligehold, eller omkonfigurer ikke computeren i tordenvejr.
- Slut alle netledninger til korrekt jordforbundne stikkontakter.
- Slut enhver enhed, der skal forbindes med dette produkt, til korrekt forbundne stikkontakter.
- Brug kun én hånd, når du skal tilslutte eller afmontere signalkabler.
- Tænd aldrig for udstyr på steder, hvor der er fare for brand og vand- eller bygningsskader.
- Medmindre installations- og konfigurationsvejledningen siger noget andet, skal du afmontere de tilsluttede netledninger, telekommunikations-systemer, netværk og modemer, inden du åbner enhedernes dæksler.

- Tilslut og afmonter kabler som beskrevet i det følgende ved installation eller flytning af produktet eller tilsluttet udstyr eller ved åbning af produktets eller udstyrets dæksler.

Tilslut:	Afmonter:
1. Sluk for alt udstyr.	1. Sluk for alt udstyr.
2. Slut først alle kabler til enhederne.	2. Tag netledningen ud af stikkontakten.
3. Tilslut signalkablerne.	3. Tag signalkablerne ud.
4. Sæt netledningen i stikkontakten.	4. Tag alle kablerne ud af enhederne.
5. Tænd.	

Litiumbatteri

Pas på!
Der er fare for eksplosion, hvis batteriet ikke udskiftes korrekt.

Udskift kun litiumbatteriet med samme type eller en tilsvarende type, der anbefales af producenten. Batteriet indeholder litium og kan eksplodere, hvis det ikke bruges, håndteres eller kasseres korrekt.

Du må ikke:

- udsætte batteriet for vand
- opvarme det til mere end 100° C
- åbne det eller forsøge at reparere det.

Batteriet skal kasseres i henhold til de lokale kommunale bestemmelser. Spørg kommunens tekniske forvaltning (miljøafdelingen).

Følgende bemærkning gælder brugere i Californien, USA.

Produktet indeholder perklorat og kræver evt. speciel behandling. Besøg www.dtsc.ca.gov/hazardouswaste/perchlorate.

Sikkerhedsforskrifter for modem

Pas på!
Brug kun telekommunikationsledning nr. 26 AWG eller større for at nedsætte risikoen for brand.

Følg disse grundlæggende sikkerhedsforskrifter, når du bruger teleudstyr for at nedsætte risikoen for brand, elektrisk stød eller personskade:

- Tilslut aldrig telefonledninger i tordenvejr.
- Installér aldrig telefonstik i våde lokaliteter, medmindre jackstikket er beregnet til våde lokaliteter.
- Rør aldrig ved uisolerede telefonledninger eller terminalstik, medmindre telefonledningen er afmonteret fra netværksinterfacet.
- Vær forsigtig, når du installerer eller ændrer en telefonforbindelse.
- Brug ikke en telefon (bortset fra en trådløs) i tordenvejr. Der er fare for elektrisk stød fra lynnedslag.
- Brug ikke telefonen til at rapportere et gasudslip i nærheden af udslippet.

Sikkerhedsforskrifter for laser

Nogle pc'er leveres med et CD-drev eller DVD-drev. CD- og DVD-drev sælges også separat som ekstraudstyr. CD- og DVD-drev er laserprodukter. Drevene opfylder IEC's (International Electrotechnical Commission) standard nr. 60825-1 og CENELEC EN 60 825-1 for klasse 1 laserprodukter.

Vær opmærksom på følgende, når der er installeret et CD- eller DVD-drev:

Pas på!

Brug af kontakter, justeringer eller udførelse af procedurer, andre end dem, der er angivet i denne bog, kan medføre alvorlig strålingsfare.

Fjern ikke drevenes dæksler. Fjern ikke CD- eller DVD-drevets dæksler. Det kan resultere i alvorlig strålingsfare. Drevene indeholder ingen dele, der kan udskiftes eller repareres.

Visse CD- og DVD-drev indeholder en indbygget klasse 3A eller klasse 3B laserdiode. Bemærk følgende:

Fare

Hvis disse sikkerhedsforskrifter ikke overholdes, og drevet åbnes, er der laserstråling. Se ikke direkte ind i laserstrålen, og benyt ikke optiske instrumenter til at se ind i laserstrålen. Undgå direkte laserstråling.

Sikkerhedsforskrifter for strømforsyning

Du må aldrig fjerne dækslet fra strømforsyningsenheden eller fra andre dele med denne mærkat.



Der er farlig spænding, strøm og farlige energiniveauer i alle komponenter, hvor denne mærkat sidder på. Disse komponenter indeholder ingen dele, der kan udskiftes eller repareres. Kontakt en servicetekniker, hvis du mener, der er problemer med en af disse dele.

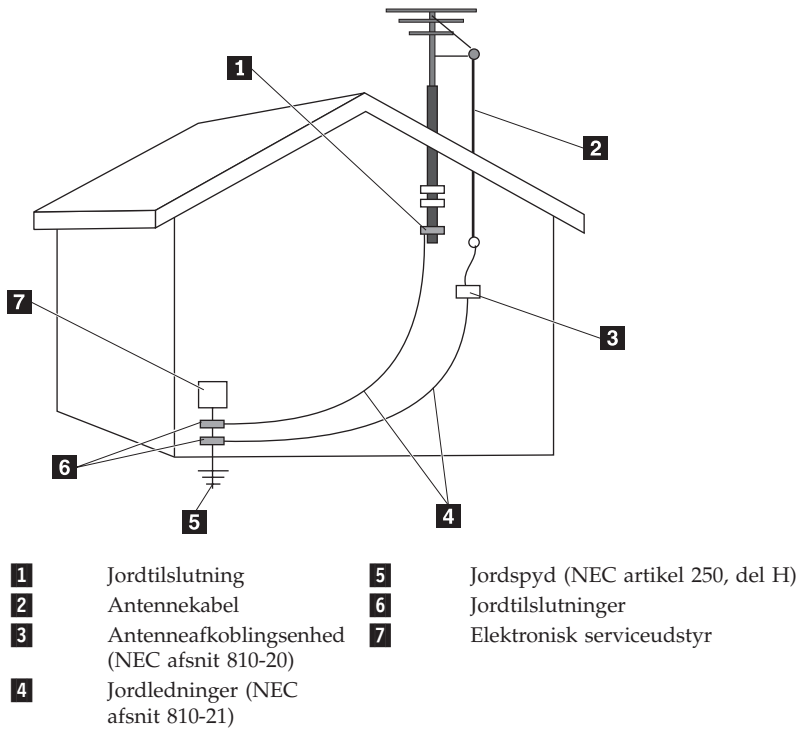
Produkter med tv-tuner

Denne bemærkning gælder for produkter med en tv-tuner, der forbindes til en antenne eller til et kabel-tv-system, eller begge, og som skal anvendes i Nordamerika. Brugere og montører i andre lande skal følge de lokale regler ved installation af udstyr, der skal forbindes til antenner eller kabel-tv. Hvis der ikke findes lokale regler, anbefales det, at brugere og montører anvender følgende retningslinjer.

Bemærkning vedrørende kabel-tv-installationer

Kabel-tv-montøren skal være opmærksom på National Electrical Code (NEC) artikel 820-40, der angiver retningslinjer for korrekt jordforbindelse og særligt specificerer, at jordledninger skal være forbundet så tæt som muligt med bygningens jordspyd.

Eksempel på antenne med jordforbindelse



Figur 1. Korrekt jordforbindelse af kabler

Følgende gælder for alle lande og områder:

Fare



Udendørsantenne med jordforbindelse

Hvis der er tilsluttet udendørsantenne eller kabelsystem til udstyret, skal du kontrollere, at antennen eller kabelsystemet har jordforbindelse for at opnå en vis beskyttelse mod overspændinger og opbygget statisk ladning.

Lynnedslag

For at beskytte udstyret bedre under tordenvejr, eller når udstyret ikke benyttes i længere tid, skal du afmontere netledningen og tage antennekablet ud. Det sikrer, at der ikke sker skade på videoudstyret pga. lynnedslag og overspændinger.

Luftledninger

En udendørsantenne bør ikke placeres i nærheden af luftledninger eller på steder, hvor den kan vælte ind i dem. Vær meget forsigtig med ikke at røre ved luftledninger ved installation af en udendørsantenne, da det kan være livsfarligt.

Datasikkerhed

Slet ikke ukendte filer, og revidér ikke navne på filer eller biblioteker, du ikke selv har oprettet. Hvis du gør det alligevel, risikerer du, at programmerne ikke virker.

Vær opmærksom på, at når du har adgang til netværksressourcer, er computeren udsat for virus, hackere, spyware og andet, der kan beskadige computeren, programmerne eller data. Du er selv ansvarlig for at sikre, at du har passende beskyttelse i form af firewall-, antivirus- og anti-spyware-programmer, og for at holde disse programmer opdateret.

Rengøring og vedligeholdelse

Det er vigtigt at renholde computeren og skrivebordet. Sluk for computeren, og afmonter netledningen, før du rengør computeren. Sprøjt ikke flydende rengøringsmidler direkte på computeren, og brug ikke brændbare rengøringsmidler. Kom rengøringsmidlet på en blød klud, og tør computerens overflader af.

Brug af hovedtelefoner eller hovedsæt

Hvis computeren både har et hovedtelefonstik og et lydudgangsstik, skal du altid bruge hovedtelefonstikket til hovedtelefoner og hovedsæt.

Übermäßiger Schalldruck von Ohrhörern bzw. Kopfhörern kann einen Hörverlust bewirken. Eine Einstellung des Equalizers auf Maximalwerte erhöht die Ausgangsspannung am Ohrhörer- bzw. Kopfhörerausgang und damit auch den Schalldruckpegel.

Det kan være farligt at bruge hovedtelefoner eller hovedsæt gennem længere tid med høj lydstyrke, hvis outputtet fra hovedtelefonerne eller hovedsættet ikke overholder specifikationerne i EN 50332-2. Computerens udgangsstik til hovedtelefon overholder EN 50332-2 underafsnit 7. Denne specifikation begrænser computerens maksimale RMS-udgangsspænding i det hørbare område til 150 mV. Som hjælp til at beskytte mod høretab skal du sikre, at de hovedtelefoner eller hovedsæt, du bruger, også overholder EN 50332-2 underafsnit 7 vedrørende nominel spænding på 75 mV i det hørbare område. Det kan være farligt at bruge hovedtelefoner, der ikke overholder EN50332-2, på grund af højt lydtryksniveau.

Hvis Lenovo-computeren blev leveret med hovedtelefoner eller et hovedsæt som en samlet pakke, overholder kombinationen af computer og hovedtelefoner eller hovedsæt allerede specifikationerne i EN 50332-1. Hvis du bruger andre hovedtelefoner eller hovedsæt, skal du sikre, at de overholder græseværdierne i EN 50332-2 underafsnit 6.5. Det kan være farligt at bruge hovedtelefoner, der ikke overholder EN 50332-2, på grund af højt lydtryksniveau.

Andre sikkerhedsforskrifter

Plasticposer kan være farlige. Hold plasticposer uden for børns rækkevidde for at udgå risiko for kvælning.

Andre sikkerhedsforskrifter for maskintype 6427, 6493

ThinkStation maskintype 6427, 6493 skal løftes og bæres af to personer.

Kapitel 2. Flere oplysninger

Når du har klargjort computeren ved hjælp af den leverede klargøringsvejledning, kan du bruge oplysningerne i dette kapitel til at få adgang til nyttige oplysninger om computeren.

Folder med onlinebøger

Bøgerne i folderen med onlinebøger indeholder oplysninger om klargøring og brug af computeren. Folderen er forudinstalleret på computeren, og du kan få vist bøgerne uden at have adgang til internettet. Folderen indeholder disse bøger:

- *ThinkStationBrugervejledning*

Denne bog indeholder oplysninger om klargøring af computeren, installation af ekstraudstyr, retablering af programmer, brug af Setup Utility, opdatering af systemprogrammer og oplysninger om fejlfinding.

- *ThinkStationVejledning i installation og udskiftning af hardware*

Denne bog indeholder en trinvis vejledning i udskiftning af CRU'er (Customer Replaceable Units) i computeren. CRU'er er computerdele, der kan opgraderes eller udskiftes af kunden.

- *IBM Lotus-programtilbud*

Gør følgende for at få vist en bog: Åbn menuen **Start** på Windows-skrivebordet, markér **Alle programmer**, markér **Onlinebøger**, og klik på **Onlinebøger**. Dobbeltklik på bogen til din computer. Bøgerne findes også på Lenovos websted på adressen <http://www.lenovo.com>.

Bemærkninger:

1. Bøgerne er PDF-filer (Portable Document Format), og du skal bruge Adobe Acrobat Reader for at læse dem. Hvis programmet Adobe Acrobat Reader ikke er installeret på computeren, vises en meddelelse, når du prøver at åbne PDF-filen, og du får derefter vejledning i at installere Adobe Acrobat Reader.
2. Bøgerne på computeren findes på andre sprog på Lenovos supportwebsted på adressen <http://www.lenovo.com/support/>.
3. Hvis du vil installere en anden sprogversion af Adobe Acrobat Reader end den, der blev leveret sammen med computeren, skal du besøge Adobes websted på <http://www.adobe.com> og overføre den version, du vil bruge.

ThinkVantage Productivity Center

Programmet ThinkVantage Productivity Center fører dig til en række oplysninger og værktøjer, som du kan bruge til at gøre det mere enkelt og sikkert at bruge computeren og samtidig reducere udgifterne og forøge produktiviteten. ThinkVantage Productivity Center hjælper dig med at konfigurere, forstå og udvide din computer.

Programmet ThinkVantage Productivity Center indeholder bl.a. følgende oplysninger om computeren:

- Programmet Rescue and Recovery
- Productivity Center
- Client Security Solutions
- Retablering af oprindeligt indhold
- System Update
- Service og support

Bemærk: ThinkVantage-teknologierne findes kun på udvalgte Lenovo-computere.

Gør følgende for at få adgang til programmet ThinkVantage Productivity Center: Åbn menuen **Start** på Windows-skrivebordet, markér **Alle programmer**, markér **ThinkVantage** og klik på **Productivity Center**.

Access-hjælp

Access-hjælpen indeholder oplysninger om, hvordan du kommer i gang, om grundlæggende funktioner, tilpasning af indstillinger, beskyttelse af data, udvidelse og opgradering samt fejlfinding.

Gør følgende for at åbne Access-hjælpen: Åbn menuen **Start** på Windows-skrivebordet, markér **Alle programmer**, markér **ThinkVantage** og klik på **Productivity Center**. Du bruger Access-hjælpen ved at vælge fanen Indhold eller Indeks eller ved at bruge fanen Søg til at finde et bestemt ord eller en bestemt vending.

Webstedet www.lenovo.com

Lenovos websted (www.lenovo.com) indeholder mange oplysninger og serviceydelser, du kan bruge i forbindelse med køb, opgradering og vedligeholdelse af computeren. Du kan hente de sidste nye oplysninger om din computer på Lenovos websted. Du har også disse muligheder fra webstedet www.lenovo.com:

- Søg efter stationære og bærbare computere, skærme, projektorer, opgraderinger og tilbehør til computeren og særtilbud.
- Køb ekstra serviceydelser, f.eks. hjælp til hardware, styresystemer, programmer, netværkskonfiguration og brugertilpassede installationer.
- Køb opgraderinger og udvidet hardwarereparation.
- Download de sidste nye styreprogrammer og programopdateringer til din computermodel.
- Få adgang til onlinebøger til dit udstyr.
- Få adgang til Lenovo Begrænset garanti.
- Få adgang til fejlfindings- og supportoplysninger til din computermodel og andre understøttede produkter.
- Find telefonnummeret til service og support i dit land eller område.
- Find en serviceudbyder i nærheden.

Registrering af oplysninger om computeren

Det er en fordel at have oplysninger om computeren klar, hvis du får brug for service. Serviceteknikeren skal sikkert bruge disse oplysninger.

Computerens maskintype, model- og serienummer findes på en mærkat på computeren. Brug skemaet nedenfor til at registrere oplysningerne:

Produktnavn	_____
Maskintype og -model	_____
Serienummer (S/N)	_____
Købsdato	_____

Du kan registrere computeren via internettet på følgende websted:

<http://www.lenovo.com/register>

Når du registrerer computeren, opnår du følgende fordele:

- Hurtigere service, når du ringer efter hjælp
- Automatisk besked om gratis programmer og særlige kampagnetilbud

Der er flere oplysninger om registrering af computeren i Access-hjælpen på computeren. Der er flere oplysninger om at åbne onlinehjælpen i "Access-hjælp" på side 74.

Kapitel 3. Lenovo Begrænset garanti

Denne Begrænsede Lenovo-Garanti gælder kun Lenovo-hardwareprodukter, som De køber til egen brug og ikke til videresalg. Andre Lenovo-dokumenter, der henviser til denne garanti, kan henvise til den som "Garantibeviset" (på engelsk "Statement of Limited Warranty"/SOLW).

Hvad denne garanti omfatter

Lenovo garanterer, at alle hardwareprodukterne er fri for materiale- og fabriktionsfejl ved normal brug i garantiperioden. Garantien for et produkt begynder på den oprindelige købsdato, der står på fakturaen, medmindre Lenovo skriftligt meddeler andet. Den garantiperiode og den type service, der ydes på produktet i henhold til garantien, er angivet nedenfor i afsnittet "**Garantioplysninger**".

DENNE GARANTI ER DERES ENESTE GARANTI, OG DEN TRÆDER I STEDET FOR EVENTUELLE ANDRE UDTRYKKELIGE ELLER STILTIENDE GARANTIER OG FORUDSÆTNINGER, HERUNDER BL.A. STILTIENDE GARANTIER OG FORUDSÆTNINGER VEDRØRENDE SALGBARHED ELLER EGNETHED TIL ET BESTEMT FORMÅL. VISSE LANDES LOVGIVNING TILLADER IKKE FRASKRIVELSER VEDRØRENDE UDTRYKKELIGE ELLER UNDERFORSTÅEDE GARANTIER, OG OVENNÆVNTE FRASKRIVELSER GÆLDER DERFOR MULIGVIS IKKE DEM. I SÅ FALD VIL GARANTIERNE KUN GÆLDE I DET OMFANG, DER KRÆVES AF LOVGIVNINGEN, OG DE VIL VÆRE BEGRÆNSET TIL GARANTIPERIODEN. DER GÆLDER INGEN GARANTIER EFTER DEN PERIODE. VISSE LANDES LOVGIVNING TILLADER IKKE BEGRÆNSNINGER I VARIGHEDEN AF EN STILTIENDE GARANTI, OG OVENNÆVNTE BEGRÆNSNINGER I GARANTIENS VARIGHED GÆLDER SÅLEDES MULIGVIS IKKE DEM.

Sådan får De service i garantiperioden

Hvis produktet ikke virker i henhold til garantien i garantiperioden, kan De få garantiservice ved at kontakte Lenovo eller en godkendt serviceleverandør. De kaldes begge for "Serviceleverandør". De kan se en oversigt over Serviceleverandører med tilhørende telefonnumre på www.lenovo.com/support/phone.

Garantiservice er muligvis ikke tilgængelig alle steder, ligesom den kan variere fra sted til sted. De kan blive opkrævet betaling for service, der udføres uden for Serviceleverandørens normale serviceområde. Kontakt den lokale Serviceleverandør for nærmere oplysninger om netop Deres område.

Hvad Serviceleverandøren vil gøre for at afhjælpe problemet

Når De kontakter en Serviceleverandør, skal De følge de procedurer for fejlfinding og problemløsning, som De får oplyst.

Serviceleverandøren vil forsøge at identificere og løse Deres problem over telefonen eller via fjernassistance. Serviceleverandøren kan give Dem anvisninger om at downloade og installere bestemte softwareopdateringer.

Nogle problemer kan løses ved, at De selv udskifter en del, f.eks. et tastatur, en mus, en højtaler, hukommelse, en harddisk eller en portreplikator. Sådanne dele kaldes CRU-dele (Customer Replaceable Unit). I så fald sender Serviceleverandøren CRU-delen til Dem, og De foretager derefter selv udskiftningen.

Hvis problemet ikke kan løses over telefonen eller via fjernassistance, ved at De installerer softwareopdateringerne eller ved hjælp af en CRU-del, vil Serviceleverandøren yde service i henhold til den type garantiservice, der er angivet for produktet under afsnittet "**Garantioplysninger**".

Hvis Serviceleverandøren konstaterer, at Deres produkt ikke kan repareres, udskifter Serviceleverandøren produktet med et produkt med mindst tilsvarende funktionalitet.

Hvis Serviceleverandøren konstaterer, at Deres produkt hverken kan repareres eller udskiftes, har De alene ret til at returnere produktet til det sted, De har købt det, eller til Lenovo, og De vil få refunderet købsprisen.

Udskiftning af et produkt eller en del

Når der som led i den service, der ydes i henhold til garantien, sker udskiftning af et produkt eller en del, bliver den del, som Serviceleverandøren fjerner, Lenovos ejendom, og den nye del, der installeres, bliver Deres ejendom. Alle de fjernede dele skal være originale og uændrede. Maskinen eller delen, der installeres i stedet, er ikke nødvendigvis ny, men den vil være i god og funktionsdygtig stand og med mindst samme funktionalitet som den udskiftede Maskine eller del. Den nye del får samme garantistatus som den udskiftede del.

Før Serviceleverandørens udskiftning af en del, er De indforstået med at foretage Dem følgende:

1. fjerne alle faciliteter, dele, ekstraudstyr, ændringer og tilslutninger, der ikke er omfattet af garantien,
2. sørge for, at produktet ikke er behæftet med juridiske forpligtelser eller begrænsninger, der forhindrer, at det udskiftes, og
3. opnå ejerens tilladelse til, at Serviceleverandøren yder service på et produkt, som De ikke ejer.

Deres øvrige forpligtelser

Inden der ydes service, er De indforstået med, hvor dette måtte være relevant, at:

1. følge de reklamationsprocedurer, som Serviceleverandøren angiver,
2. tage kopi af eller sikre alle programmer og data, som findes på produktet,
3. sørge for, at Serviceleverandøren har alle systemnøgler eller kodeord samt tilstrækkelig, fri og sikker adgang til Deres adresse til at kunne opfylde vilkårene i denne garanti, og
4. sikre, at alle oplysninger om identificerede eller identificerbare personer ("Personoplysninger") er slettet fra produktet, eller at De overholder al gældende lovgivning for så vidt angår eventuelle Personoplysninger, som De ikke har slettet.

Brug af personlige oplysninger

Hvis De modtager service i henhold til denne garanti, vil Lenovo opbevare, benytte og behandle oplysninger om den udførte service og Deres kontaktoplysninger, herunder navn, telefonnumre, adresse og e-mail-adresse. Lenovo benytter oplysningerne til at udføre service i henhold til denne garanti og til at forbedre forretningsforholdet mellem Dem og Lenovo, f.eks. ved internt at undersøge effektiviteten af den ydede service. Vi kan f.eks. kontakte Dem for at høre, hvor tilfreds De har været med den udførte garantiservice eller for at informere Dem om eventuelle produkter, der er blevet tilbagekaldt, eller sikkerhedsmæssige forhold. I den forbindelse vil vi muligvis overføre Deres oplysninger til et andet land, hvor vi driver forretning, eller videregive dem til andre, der handler på vores vegne. Vi kan ligeledes videregive oplysningerne som følge af lovgivningsmæssige eller myndighedskrav.

Hvad denne garanti ikke dækker

Garantien dækker ikke følgende:

- at produktet fungerer fejlfrit og uden afbrydelser,
- tab eller beskadigelse af data,
- softwareprogrammer, uanset om disse er leveret sammen med produktet eller installeret efterfølgende,
- fejl eller skade, der opstår som følge af forkert brug, uheld, ændring, uegnet fysisk miljø eller driftsmiljø, naturkatastrofer, overspænding eller u hensigtsmæssig vedligeholdelse fra Deres side.
- eventuelle tredjepartsprodukter, herunder dem, som Lenovo på Deres anmodning måtte tilvejebringe og levere sammen med eller indbygge i Lenovo-produktet, og
- enhver form for teknisk eller anden support såsom assistance til "hvordan"-spørgsmål og spørgsmål, der vedrører produktets opsætning og installation.

Denne garanti bortfalder, hvis De fjerner eller ændrer produktets eller delenes identifikationsmærkater.

Ansvarsbegrænsning

Lenovo er kun ansvarlig for tab eller beskadigelse af Deres produkt, mens det er 1) i Serviceleverandørens besiddelse eller 2) under transport, som Serviceleverandøren har ansvaret for.

Lenovo og Serviceleverandøren er ikke ansvarlige for Deres data, herunder fortløbende og private data eller personoplysninger, der måtte ligge på et produkt. De bør fjerne og/eller tage en kopi af alle sådanne oplysninger fra produktet forud for service eller returnering.

Der kan opstå situationer, hvor De som følge af Lenovos forsømmelse eller andre ansvarspådragende forhold er berettiget til at få erstatning fra Lenovo. I så fald er Lenovos erstatningsansvar i hvert enkelt tilfælde, uanset ansvarsgrundlaget (herunder væsentlig misligholdelse, uagtsomhed, fremsættelse af urigtige oplysninger eller andet forhold inden for eller uden for kontrakt), medmindre og i det omfang ansvar ikke kan fraskrives eller begrænses i henhold til ufravigelige lovregler, begrænset til et beløb, der dækker faktiske direkte tab, op til det beløb, De har betalt for produktet. Denne begrænsning gælder ikke erstatning for personskade (herunder død) eller tingsskade, som i henhold til lovgivningen er omfattet af Lenovos erstatningspligt.

Denne begrænsning gælder også Lenovos leverandører og forhandlere og Serviceleverandøren. Ansvarsbegrænsningerne angiver Lenovos, Lenovos underleverandørers og forhandleres og Serviceleverandørens samlede, maksimale ansvar.

LENOVO OG LENOVOS LEVERANDØRER, FORHANDLERE OG SERVICELEVERANDØRER ER UNDER INGEN OMSTÆNDIGHEDER ERSTATNINGSPLIGTIGE FOR FØLGENDE FORHOLD: 1) ERSTATNINGSKRAV, DER GØRES GÆLDENDE MOD DEM AF TREDJEMAND, 2) TAB ELLER BESKADIGELSE AF DERES DATA ELLER 3) SÆRSKILT DOKUMENTEREDT TAB, FØLGETAB, INDIREKTE TAB ELLER EVENTUELLE ØKONOMISKE FØLGETAB, HERUNDER TAB AF FORTJENESTE, INDTJENING, GOODWILL ELLER FORVENTEDE BESPARELSER, SELV HVOR DE MÅTTE VÆRE BLEVET GJORT BEKENDT MED MULIGHEDEN FOR SÅDANNE TAB. VISSE LANDES LOVGIVNING TILLADER IKKE FRASKRIVELSE ELLER BEGRÆNSNING AF FØLGESKADER, OG OVENNÆVNTE BEGRÆNSNINGER ELLER FRASKRIVELSER GÆLDER SÅLEDES MULIGVIS IKKE DEM.

Tvister

Hvis De har købt produktet i **Cambodja, Indonesien, Filippinerne, Vietnam eller Sri Lanka**, skal eventuelle tvister, der udspringer af eller i forbindelse med denne garanti, afgøres endeligt og bindende ved voldgift i Singapore, og denne garanti skal være underlagt, fortolkes i henhold til og håndhæves i overensstemmelse med lovgivningen i Singapore uden hensyntagen til internationale privatretlige regler. Hvis De har købt produktet i **Indien**, skal eventuelle tvister, der udspringer af eller i forbindelse med denne garanti, afgøres endeligt og bindende ved voldgift i Bangalore i Indien. Voldgift i Singapore afholdes i overensstemmelse med de til enhver tid gældende SIAC-regler (Arbitration Rules of Singapore International Arbitration Center). Voldgift i Indien afholdes i overensstemmelse med den til enhver tid gældende lovgivning i Indien. Voldgiftskendelsen er endelig og bindende for parterne uden mulighed for appel og skal foreligge skriftligt og angive domstolens resultater og konklusioner. Al voldgiftsbehandling skal foregå på engelsk, og alle dokumenter, der fremlægges, skal være på engelsk, ligesom den engelsksprogede version af denne garanti har forrang frem for versioner på andre sprog ved voldgiften.

Yderligere rettigheder

UD OVER DET OVENFOR ANFØRTE HAR DE MULIGVIS YDERLIGERE RETTIGHEDER, SOM VARIERER FRA LAND TIL LAND. DE KAN OGSÅ HAVE YDERLIGERE RETTIGHEDER I HENHOLD TIL GÆLDENDE LOVGIVNING ELLER SKRIFTLIG AFTALE MED LENOVO. INTET I DENNE GARANTI PÅVIRKER LOVBESTEMTE RETTIGHEDER, SOM IKKE KAN FRASKRIVES ELLER BEGRÆNSES VED AFTALE, HERUNDER FORBRUGERNES RETSSTILLING I HENHOLD TIL NATIONAL LOVGIVNING VEDRØRENDE SALG AF FORBRUGSVARER.

Det Europæiske Økonomiske Samarbejdsområde (EØS)

Kunder i EØS kan kontakte Lenovo på følgende adresse: Lenovo Warranty & Service Quality Dept., PO Box 19547, Inverkip Road, Greenock, Scotland PA16 9WX. Service i henhold til denne garanti på Lenovo-hardwareprodukter, som er købt i et EØS-land, ydes i alle de EØS-lande, hvor Lenovo har lanceret og markedsført produktet.

Denne begrænsede Lenovo-garanti kan læses på andre sprog på www.lenovo.com/warranty.

Garantioplysninger

Maskin- type	Land eller område, hvor Maskinen er købt	Garanti- periode	Den type service, der er omfattet af garantien
6423	USA, Canada, Latinamerika, Brasilien, Europa, Mellemøsten, Afrika, Australien, New Zealand, Singapore, Indien, Malaysia, Thailand, Indonesien, Filipinerne, Vietnam, Brunei, Sri Lanka, Bangladesh, Korea, Kina, Kina (Hong Kong S.A.R.), Taiwan	Dele og arbejds løn - 3 år	1 og 2
	Japan	Dele og arbejds løn - 1 år	1 og 3
6427	USA, Canada, Latinamerika, Brasilien, Europa, Mellemøsten, Afrika, Australien, New Zealand, Singapore, Indien, Malaysia, Thailand, Indonesien, Filipinerne, Vietnam, Brunei, Sri Lanka, Bangladesh, Korea, Kina, Kina (Hong Kong S.A.R.), Taiwan	Dele og arbejds løn - 3 år	1 og 2
	Japan	Dele og arbejds løn - 1 år	1 og 3
6483	USA, Canada, Latinamerika, Brasilien, Europa, Mellemøsten, Afrika, Australien, New Zealand, Singapore, Indien, Malaysia, Thailand, Indonesien, Filipinerne, Vietnam, Brunei, Sri Lanka, Bangladesh, Korea, Kina, Kina (Hong Kong S.A.R.), Taiwan	Dele og arbejds løn - 3 år	1 og 2
	Japan	Dele og arbejds løn - 1 år	1 og 3
6493	USA, Canada, Latinamerika, Brasilien, Europa, Mellemøsten, Afrika, Australien, New Zealand, Singapore, Indien, Malaysia, Thailand, Indonesien, Filipinerne, Vietnam, Brunei, Sri Lanka, Bangladesh, Korea, Kina, Kina (Hong Kong S.A.R.), Taiwan	Dele og arbejds løn - 3 år	1 og 2
	Japan	Dele og arbejds løn - 1 år	1 og 3

Hvis dette er nødvendigt, yder Serviceleverandøren reparations- eller udskiftningsservice afhængig af den type service, der er omfattet af garantien for

Deres produkt, og den service, der er tilgængelig. Servicetidspunkt afhænger af reklamationstidspunkt, om de nødvendige reservedele er til rådighed og andre forhold.

Garantien er på tre år for dele og et år for arbejdsløn. Det betyder, at Lenovo yder service i henhold til garantien for:

- a. dele og arbejdsløn i garantiens første år (eller en eventuel længere periode fastsat i henhold til lovgivningen), og
- b. dele (i form af udskiftning) i garantiens andet og tredje år. Serviceleverandøren vil opkræve betaling for arbejdsløn i forbindelse med reparation eller udskiftning i garantiens andet og tredje år.

Den type service, der er omfattet af garantien

1. CRU-service (Customer Replaceable Unit)

Ved CRU-service sender Serviceleverandøren CRU-dele til Dem, og De foretager derefter selv installationen. De fleste CRU-dele er nemme at installere, medens andre kræver visse tekniske færdigheder og værktøj. Oplysninger om CRU-dele og udskiftningsvejledning leveres sammen med Deres produkt, men kan også fås ved henvendelse til Lenovo. De kan bede en Serviceleverandør om at installere visse CRU-dele i henhold til en af de andre typer service, som er omfattet af garantien for Deres produkt. Installation af eksterne CRU-dele (f.eks. mus, tastaturer eller skærme), er Deres ansvar. Lenovo angiver i det materiale, der leveres sammen med en CRU-del, om den defekte CRU-del skal returneres. Når Lenovo kræver, at delen returneres, så 1) vil De sammen med den nye CRU-del modtage returneringsanvisninger, en frankeret returmærkat samt returneringsemballage, og 2) De vil eventuelt blive faktureret for den nye CRU-del, hvis Serviceleverandøren ikke har modtaget den defekte CRU-del senest 30 dage efter, at De har modtaget den nye CRU-del.

2. Onsite-service

Ved onsite-service reparerer eller udskifter Serviceleverandøren produktet på Deres adresse. De skal stille et velegnet arbejdsområde til rådighed for Serviceleverandøren, således at det er muligt at skille Lenovo-produktet ad og samle det igen. For visse produkter kan det ved bestemte reparationer være nødvendigt, at Serviceleverandøren sender produktet til et nærmere angivet servicecenter.

3. Kurér- eller depotservice

Ved kurér- eller depotservice repareres eller udskiftes Deres produkt hos et nærmere angivet servicecenter, og Serviceleverandøren står for forsendelse. De

er ansvarlig for at afmontere produktet. De får leveret emballage til brug for returneringen af Deres produkt til det pågældende servicecenter. En kurér henter Deres produkt og afleverer det til servicecentret. Efter endt reparation eller udskiftning sørger servicecentret for at levere produktet tilbage til Dem.

4. Kundeindleverings- eller indsendelsesservice

Ved kundeindleverings- eller indsendelsesservice reparerer eller udskiftes Deres produkt hos et nærmere angivet servicecenter, og De står selv for indlevering eller forsendelse. Afhængig af Serviceleverandørens anvisninger indleverer eller sender De produktet forsvarligt emballeret til en nærmere angivet adresse (levering/forsendelse forudbetalt, medmindre andet er angivet). Efter endt reparation eller udskiftning vil produktet stå klar til Deres afhentning. Hvis De ikke afhenter produktet, kan Serviceleverandøren disponere over det efter eget valg. Ved indsendelsesservice returneres produktet til Dem for Lenovos regning, medmindre andet angives af Serviceleverandøren.

Garantitillæg for Mexico

Dette tillæg er en del af Lenovo Begrænset garanti og gælder udelukkende for produkter, der sælges og markedsføres i Mexico. Hvis der opstår tvister, gælder vilkårene i dette tillæg.

Alle softwareprogrammer, der er forudinstalleret på udstyret, har en garanti på kun tredive (30) dage for installationsfejl fra købsdatoen. Lenovo er ikke ansvarlig for oplysningerne i sådanne softwareprogrammer og/eller andre softwareprogrammer, der er installeret af Dem eller installeret efter produktet blev købt.

Service, som ikke dækkes af garantien, skal betales af slutbrugeren efter godkendelse.

Hvis der skal udføres garantiservice, skal De ringe til kundesupportcentret på 001-866-434-2080, hvor De vil blive stillet om til det nærmeste autoriserede servicecenter. Hvis der ikke findes et autoriseret servicecenter i Deres by, eller inden for en radius af 70 km af Deres by, inkluderer garantien alle rimelige leveringsomkostninger i forbindelse med transporten af produktet til det nærmeste autoriserede servicecenter. Ring til det nærmeste autoriserede servicecenter for at få de nødvendige godkendelser eller oplysninger vedrørende forsendelsen af produktet og forsendelsesadressen.

De kan få vist en oversigt over autoriserede servicecentre ved at besøge webstedet:

<http://www.lenovo.com/mx/es/servicios>

Fremstillet af:

SCI Systems de México, S.A. de C.V.
Av. De la Solidaridad Iberoamericana No. 7020
Col. Club de Golf Atlas
El Salto, Jalisco, México
C.P. 45680,
Tlf. 01-800-3676900

Markedsføring:

Lenovo de México, Comercialización y
Servicios, S. A. de C. V.
Alfonso Nápoles Gándara No 3111
Parque Corporativo de Peña Blanca
Delegación Álvaro Obregón
México, D.F., México
C.P. 01210,
Tlf. 01-800-00-325-00

Kapitel 4. Oversigt over telefonnumre

Land eller område	Telefonnumre
Afrika	Afrika: +44 (0)1475-555-055 Sydafrika: +27-11-3028888 og 0800110756 Centralafrika: Kontakt den nærmeste Lenovo Business Partner
Argentina	0800-666-0011 (spansk)
Australien	1300-880-917 (engelsk)
Belgien	Klargøringssupport: 02-210-9820 (hollandsk) Klargøringssupport: 02-210-9800 (fransk) Service og support i garantiperioden: 02-225-3611 (hollandsk, fransk)
Bolivia	0800-0189 (spansk)
Brasilien	Sao Paulo-regionen: (11) 3889-8986 Uden for Sao Paulo-regionen: 0800-701-4815 (brasiliansk)
Brunei	801-1041
Canada	Toronto: 416-383-3344 Uden for Toronto: 1-800-565-3344 (engelsk, fransk)
Chile	1-800-224-488 (spansk)
Columbia	1-800-912-3021 (spansk)
Costa Rica	0-800-011-1029 (spansk)
Cypern	+357-22-841100
Danmark	Klargøringssupport: 4520-8200 Service og support i garantiperioden: 7010-5150 (dansk)
Dominikanske Republik	1-866-434-2080 (spansk)
Ecuador	1-800-426911 (spansk)
El Salvador	800-6264 (spansk)
Estland	+372 67767934
Filippinerne	1800-1601-0033
Finland	Klargøringssupport: 09-459-6960 Service og support i garantiperioden: +358-800-1-4260 (finsk)
Frankrig	Klargøringssupport: 0238-557-450 Service og support i garantiperioden (hardware): 0810-631-213 Service og support i garantiperioden (software): 0810-631-020 (fransk)
Grækenland	+30-210-680-1700
Guatemala	1800-624-0051 (spansk)

Land eller område	Telefonnummer
Holland	+31-20-514-5770 (hollandsk)
Honduras	Tegucigalpa: 232-4222 San Pedro Sula: 552-2234 (spansk)
Indien	1800-425-6666 +91-80-2678-8970 (engelsk)
Indonesien	001-803-606-282
Irland	Klargøringssupport: 01-815-9202 Service og support i garantiperioden: 01-881-1444 (engelsk)
Israel	Givat Shmuel Service Center: +972-3-531-3900 Haifa Service Center: +972-4-849-4608 (hebræisk, engelsk)
Italien	Klargøringssupport: 02-7031-6101 Service og support i garantiperioden: +39-800-820094 (italiensk)
Japan	Stationære computere: 0120-000-817 Bærbare computere: 0570-064-400
Kina (Hong Kong S.A.R.)	Bærbare computere: 852-2516-3919 Stationære computere: 800-938-008 (kantonesiske, engelsk, mandarin)
Kina (Macau S.A.R.)	Bærbare computere: 0800-689 Stationære computere: 0800-686 (kantonesiske, engelsk, mandarin)
Korea	1588-6782 (koreansk)
Kroatien	0800-0426
Letland	+371 7070360
Litauen	+370 5 278 66 00
Luxembourg	+352-298-977-5063 (fransk)
Malaysia	1800-88-1889
Malta	+35621445566
Mellemøsten	+44 (0)1475-555-055
Mexico	001-866-434-2080 (spansk)
New Zealand	0800-777-217 (engelsk)
Nicaragua	001-800-220-1830 (spansk)

Land eller område	Telefonnummer
Norge	Klargøringssupport: 6681-1100 Service og support i garantiperioden: 8152-1550 (norsk)
Panama	Gratis opkald: 001-866-434-2080 (spansk)
Peru	0-800-50-866 (spansk)
Polen	+48-22-878-6999
Portugal	+351-21-892-7147 (portugisisk)
Rumænien	+4-021-224-4015
Rusland	+7-495-940-2000 (russisk)
Schweiz	Klargøringssupport: 058-333-0900 Service og support i garantiperioden: 0800-55-54-54 (tysk, fransk, italiensk)
Singapore	800-6011-343
Slovakiet	+421-2-4954-5555
Slovenien	+386-1-4796-699
Spanien	91-714-79830901-100-000 (spansk)
Sri Lanka	+94-11-249-3523 (engelsk)
Storbritannien	Klargøringssupport: 01475-555-055 Service og support i garantiperioden: 08705-500-900 (engelsk)
Sverige	Klargøringssupport: 08-477-4420 Service og support i garantiperioden: 077-117-1040 (svensk)
Taiwan	0800-000-701 (mandarin)
Thailand	1-800-060-066 (thai)
Tjekkiet	+420-2-7213-1316
Tyrkiet	00800-4463-2041 (tyrkisk)
Tyskland	Klargøringssupport: 07032-15-49201 Service og support i garantiperioden: 01805-25-35-58 (tysk)
Ungarn	+36-1-382-5720
Uruguay	000-411-005-6649 (spansk)
USA	1-800-426-7378 (engelsk)
Venezuela	0-800-100-2011 (spansk)
Vietnam	Det nordlige område og Hanoi: 84-4-843-6675 Det sydlige område og Ho Chi Minh City: 84-8-829-5160 (engelsk, vietnamesisk)

Land eller område	Telefonnummer
Østrig	Klargøringssupport: 01-24592-5901 Service og support i garantiperioden: 01-211-454-610 (tysk)

Kapitel 5. CRU'er (Customer Replaceable Units)

CRU'er er computerdele, der kan opgraderes eller udskiftes af kunden. Der findes to typer CRU'er: interne og eksterne. Eksterne CRU'er er lette at installere, mens interne CRU'er kræver visse tekniske færdigheder og i nogle tilfælde også værktøj som f.eks. en skruetrækker. Både interne og eksterne CRU'er er dog sikre at fjerne for kunden. Interne CRU'er kan fjernes og installeres af kunder eller af en Lenovo-servicetekniker i garantiperioden.

Kunderne er ansvarlige for at udskifte alle eksterne CRU'er.

Computere indeholder eksterne og interne CRU'er. Eksterne CRU'er findes uden for computeren. Eksempler på eksterne CRU'er er tastaturet, musen, USB-enheder og netledningen. Interne CRU'er kan ikke fjernes uden først at åbne computerens dæksel. Eksempler på interne CRU'er er hukommelsesmoduler, optiske drev, adapterkort og strømforsyningen.

Bøgerne *Brugervejledning* og *Vejledning i installation og udskiftning af hardware* indeholder oplysninger om udskiftning af interne og eksterne CRU-dele. Brug oversigten i tabel 2 på side 92 til at finde den bog, du har brug for. Gør følgende for at få vist en bog: Åbn menuen Start på Windows-skrivebordet, marker **Alle programmer**, marker **Onlinebøger**, og klik på **Onlinebøger**. Dobbeltklik på den relevante bog.

Bøgerne findes også på Lenovos websted på adressen <http://www.lenovo.com>.

Bemærk: Brug kun dele, der leveres af Lenovo. Der er oplysninger om garanti for CRU'erne til din maskintype i Kapitel 3, "Lenovo Begrænset garanti", på side 73.

Tabel 1. Oversigt over eksterne CRU'er

Maskintype: 6423, 6427, 6483, 6493	Brugervejledning	Vejledning i installation og udskiftning af hardware
Eksterne CRU'er		
Tastatur	X	X
Mus	X	X
Netledning	X	

Tabel 2. Oversigt over interne CRU'er

Maskintype: 6423, 6427, 6483, 6493	Brugervejledning	Vejledning i installation og udskiftning af hardware
Interne CRU'er		
Harddisk		X
Hukommelse		X
Adapterkort		X
Interne højtalere		X
Optisk drev		X
Diskettedrev		X
Strømforsyning		X
Systemblæsere		X
Køleplade		X
Blæsere		X
USB, forside		X
CMOS-batteri		X
Seriell port		X

Kapitel 6. Bemærkninger

Lenovo tilbyder muligvis ikke de produkter eller serviceydelser eller det udstyr, der omtales i dette dokument, i alle lande. Kontakt en Lenovo-forhandler for at få oplysninger om de produkter og serviceydelser, der findes i Deres land. Henvisninger til et Lenovo-produkt, -program eller en Lenovo-ydelse skal ikke betyde, at det kun er Lenovos produkt, program eller ydelse, der kan anvendes. Alle funktionelt tilsvarende produkter, programmer og serviceydelser, der ikke krænker Lenovos immaterialrettigheder, kan anvendes. Det er brugerens ansvar at vurdere og kontrollere andre produkters, programmets og serviceydelsers funktion.

Lenovo kan have patenter eller udestående patentansøgninger inden for det område, dette dokument dækker. Du opnår ikke licens til disse patenter eller patentansøgninger ved at være i besiddelse af bogen. Forespørgsler om licens kan sendes til:

*Lenovo (United States), Inc.
1009 Think Place - Building One
Morrisville, NC 27560
USA
Attention: Lenovo Director of Licensing*

Lenovo leverer denne bog, som den er og forefindes, uden nogen form for garanti. Lenovo påtager sig ingen forpligtelser, uanset eventuelle forventninger vedrørende egnethed eller anvendelse. Visse landes lovgivning tillader ikke fraskrivelse eller begrænsninger vedrørende udtrykkelige eller underforståede garantier. Ovennævnte fraskrivelse gælder derfor muligvis ikke Dem.

Bogen kan indeholde tekniske unøjagtigheder. Lenovo kan når som helst og uden forudgående varsel foretage forbedringer eller ændringer af de produkter og/eller de programmer, der beskrives i dette dokument.

De produkter, der beskrives i dette dokument, er ikke beregnet til brug i systemer, der anvendes til livsopretholdelse, herunder implantater, hvor programfejl kan resultere i personskade eller død. De oplysninger, der findes i dette dokument, påvirker eller ændrer ikke Lenovo-produktspecifikationer eller -vilkår. Intet i dette dokument fungerer som en udtrykkelig eller implicit licens eller skadesløsholdelse under Lenovos eller tredjeparts immaterielle rettigheder. Alle oplysningerne i dette dokument er opnået i bestemte miljøer og tjener kun som en illustration. Resultater opnået i andre miljøer kan være forskellige.

Lenovo må anvende eller videregive oplysninger fra Dem på en måde som Lenovo finder passende uden at pådrage sig nogen forpligtelser over for Dem.

Henvisninger til ikke-Lenovo websteder er kun til orientering og fungerer på ingen måde som en godkendelse af disse websteder. Materialet på disse websteder er ikke en del af materialet til dette Lenovo-produkt, og eventuel brug af disse websteder sker på eget ansvar.

Alle data i denne bog vedrørende ydeevne er fastlagt i et kontrolleret miljø. Resultater, der opnås i andre miljøer, kan være forskellige. Nogle målinger er udført på systemer på udviklingsniveau, og der er ingen garanti for, at disse målinger vil være de samme på tilgængelige systemer. Desuden kan visse målinger være foretaget via ekstrapolation. De faktiske resultater kan variere. Brugere af dette dokument skal kontrollere de tilgængelige data til deres specifikke miljø.

Bemærkning om tv-output

Følgende bemærkning gælder modeller, der leveres med facilitet til tv-modtagelse.

Dette produkt inkorporerer teknologi, der er beskyttet af ophavsrettigheder, og som er beskyttet af metoderrettigheder af visse amerikanske patenter og andre immaterialrettigheder, der ejes af Macrovision Corporation og andre retmæssige ejere. Brug af denne copyright-beskyttede teknologi skal godkendes af Macrovision Corporation, og den må kun bruges i hjemmet og til anden begrænset fremvisning, medmindre Macrovision Corporation på anden måde giver tilladelse hertil. Teknisk tilbageføring (Reverse engineering) eller tilbageoversættelse (disassembly) er ikke tilladt.

Varemærker

Varemærkerne Lenovo, Lenovo-logoet, Rescue and Recovery, ThinkCentre, ThinkVantage og ThinkStation tilhører Lenovo.

Varemærket IBM tilhører International Business Machines Corporation.

Alle andre varemærker anerkendes.

Bemærkninger vedr. elektronisk stråling

Nedenstående oplysninger gælder for Lenovo-computere maskintype: 6423, 6427, 6483, 6493

Federal Communications Commission (FCC) Declaration of Conformity

This equipment has been tested and found to comply with the limits for a Class B digital device, pursuant to Part 15 of the FCC Rules. These limits are designed to provide reasonable protection against harmful interference in a

residential installation. This equipment generates, used, and can radiate radio frequency energy and, if not installed and used in accordance with the instructions, may cause harmful interference to radio communications. However, there is no guarantee the interference will not occur in a particular installation. If this equipment does cause harmful interference to radio or television reception, which can be determined by turning the equipment off and on, the user is encouraged to try to correct the interference by one or more of the following measures:

- Reorient or relocate the receiving antenna.
- Increase the separation between the equipment and receiver.
- Connect the equipment into an outlet on a circuit different from that to which the receiver is connected.
- Consult an authorized dealer or service representative for help.

Lenovo is not responsible for any radio or television interference caused by using other than recommended cables or connectors or by unauthorized changes or modifications to this equipment. Unauthorized changes or modifications could void the user's authority to operate the equipment.

This device complies with Part 15 of the FCC Rules. Operation is subject to the following two conditions: (1) this device may not cause harmful interference, and (2) this device must accept any interference received, including interference that may cause undesired operation.

Responsible party:

Lenovo (United States) Incorporated
1009 Think Place - Building One
Morrisville, NC 27560
USA
Phone Number: (919) 294-5900



Tested To Comply
With FCC Standards

FOR HOME OR OFFICE USE

Industry Canada Class B emission compliance statement

This Class B digital apparatus complies with Canadian ICES-003.

Erklæring vedrørende EU-krav

Dette produkt overholder kravene vedrørende elektromagnetisk kompatibilitet fastsat i EU-direktiv 2004/108/EU om harmonisering af medlemsstaternes lovgivning vedrørende elektromagnetiske apparater. Lenovo er ikke ansvarlig for manglende opfyldelse af beskyttelseskravene, der skyldes en ikke anbefalet ændring af produktet, herunder installation af kort fra andre producenter.

Dette produkt er testet og overholder grænseværdierne for klasse B-IT-udstyr i henhold til CISPR 22/European Standard EN 55022. Grænseværdierne for klasse B-udstyr er angivet for typiske boligområder, så de yder tilstrækkelig beskyttelse mod interferens med licenserede kommunikationsenheder.

EU-EMC Directive (2004/108/EC) EN 55022 class B Statement of Compliance

Deutschsprachiger EU Hinweis:

Hinweis für Geräte der Klasse B EU-Richtlinie zur Elektromagnetischen Verträglichkeit

Dieses Produkt entspricht den Schutzanforderungen der EU-Richtlinie 2004/108/EG (früher 89/336/EWG) zur Angleichung der Rechtsvorschriften über die elektromagnetische Verträglichkeit in den EU-Mitgliedsstaaten und hält die Grenzwerte der EN 55022 Klasse B ein.

Um dieses sicherzustellen, sind die Geräte wie in den Handbüchern beschrieben zu installieren und zu betreiben. Des Weiteren dürfen auch nur von der Lenovo empfohlene Kabel angeschlossen werden. Lenovo übernimmt keine Verantwortung für die Einhaltung der Schutzanforderungen, wenn das Produkt ohne Zustimmung der Lenovo verändert bzw. wenn Erweiterungskomponenten von Fremdherstellern ohne Empfehlung der Lenovo gesteckt/eingebaut werden.

Deutschland: Einhaltung des Gesetzes über die elektromagnetische Verträglichkeit von Betriebsmitteln

Dieses Produkt entspricht dem "Gesetz über die elektromagnetische Verträglichkeit von Betriebsmitteln" EMVG (früher "Gesetz über die elektromagnetische Verträglichkeit von Geräten"). Dies ist die Umsetzung der EU-Richtlinie 2004/108/EG (früher 89/336/EWG) in der Bundesrepublik Deutschland.

Zulassungsbescheinigung laut dem Deutschen Gesetz über die elektromagnetische Verträglichkeit von Betriebsmitteln, EMVG vom 20. Juli 2007 (früher "Gesetz über die elektromagnetische Verträglichkeit von Geräten"), bzw. der EMV EG Richtlinie 2004/108/EC (früher 89/336/EWG), für Geräte der Klasse B.

Dieses Gerät ist berechtigt, in Übereinstimmung mit dem Deutschen EMVG das EG-Konformitätszeichen - CE - zu führen. Verantwortlich für die Konformitätserklärung nach Paragraf 5 des EMVG ist die Lenovo (Deutschland) GmbH, Pascalstr. 100, D-70569 Stuttgart.

Informationen in Hinsicht EMVG Paragraf 4 Abs. (1) 4:
Das Gerät erfüllt die Schutzanforderungen nach EN 55024 und EN 55022 Klasse B.

Korean Class B statement

이 기기는 가정용으로 전자파 적합등록을 한 기기로서
주거지역에서는 물론 모든 지역에서 사용할 수 있습니다.

Japanese VCCI Class B statement

この装置は、情報処理装置等電波障害自主規制協議会（VCCI）の基準に基づくクラスB情報技術装置です。この装置は、家庭環境で使用することを目的としていますが、この装置がラジオやテレビジョン受信機に近接して使用されると、受信障害を引き起こすことがあります。
取扱説明書に従って正しい取り扱いをして下さい。

Japanese compliance for products less than or equal to 20A per phase

高調波電流規格 JIS C 61000-3-2 適合品

Keyboard and mouse compliance statement for Taiwan

本產品隨貨附已取得經濟部標準檢驗局認可之PS/2或USB的鍵盤與滑鼠一組

Lenovo product service information for Taiwan

台灣 Lenovo 產品服務資訊如下：
荷蘭商思惟個人電腦產品股份有限公司台灣分公司
台北市信義區信義路五段七號十九樓之一
服務電話: 0800-000-700

Federal Communications Commission (FCC) and telephone company requirements

1. This device complies with Part 68 of the FCC rules. A label is affixed to the device that contains, among other things, the FCC registration number, USOC, and Ringer Equivalency Number (REN) for this equipment. If these numbers are requested, provide this information to your telephone company.

Bemærk: If the device is an internal modem, a second FCC registration label is also provided. You may attach the label to the exterior of the computer in which you install the Lenovo modem, or you may attach the label to the external DAA, if you have one. Place the label in a location that is easily accessible, should you need to provide the label information to the telephone company.

2. The REN is useful to determine the quantity of devices you may connect to your telephone line and still have those devices ring when your number is called. In most, but not all areas, the sum of the RENs of all devices should not exceed five (5). To be certain of the number of devices you may connect to your line, as determined by the REN, you should call your local telephone company to determine the maximum REN for your calling area.
3. If the device causes harm to the telephone network, the telephone company may discontinue your service temporarily. If possible, they will notify you in advance; if advance notice is not practical, you will be notified as soon as possible. You will be advised of your right to file a complaint with the FCC.
4. Your telephone company may make changes in its facilities, equipment, operations, or procedures that could affect the proper operation of your equipment. If they do, you will be given advance notice to give you an opportunity to maintain uninterrupted service.
5. If you experience trouble with this product, contact your authorized reseller or call the Customer Support Center. In the United States, call **1-800-426-7378**. In Canada, call **1-800-565-3344**. You may be required to present proof of purchase.

The telephone company may ask you to disconnect the device from the network until the problem has been corrected, or until you are sure the device is not malfunctioning.

6. No customer repairs are possible to the device. If you experience trouble with the device, contact your Authorized Reseller or see the Diagnostics section of this manual for information.
7. This device may not be used on coin service provided by the telephone company. Connection to party lines is subject to state tariffs. Contact your state public utility commission or corporation commission for information.
8. When ordering network interface (NI) service from the local Exchange Carrier, specify service arrangement USOC RJ11C.

Canadian Department of Communications certification label

NOTICE: The Industry Canada label identifies certified equipment. This certification means that the equipment meets telecommunications network protective, operational and safety requirements as prescribed in the appropriate Terminal Equipment Technical Requirements documents. The Department does not guarantee the equipment will operate to the user's satisfaction.

Before installing this equipment, users should ensure that it is permissible to be connected to the facilities of the local telecommunications company. The equipment must also be installed using an acceptable method of connection. The customer should be aware that compliance with the above conditions may not prevent degradation of service in some situations. Repairs to certified equipment should be coordinated by a representative designated by the supplier. Any repairs or alterations made by the user to this equipment, or equipment malfunctions, may give the telecommunications company cause to request the user to disconnect the equipment.

Users should ensure for their own protection that the electrical ground connections of the power utility, telephone lines, and internal metallic water pipe system, if present, are connected together. This precaution may be particularly important in rural areas.

Caution: Users should not attempt to make such connections themselves, but should contact the appropriate electric inspection authority, or electrician, as appropriate.

NOTICE: The Ringer Equivalence Number (REN) assigned to each terminal device provides an indication of the maximum number of terminals allowed to be connected to a telephone interface. The termination on an interface may consist of any combination of devices subject only to the requirement that the sum of the Ringer Equivalence Numbers of all the devices does not exceed 5.

Netledninger

Undgå elektrisk stød: Af hensyn til sikkerheden leveres computeren med en trepolet netledning. Sæt altid netledningen i en korrekt jordforbundet stikkontakt.

Netledninger, der leveres af Lenovo, til et bestemt land kan normalt kun købes i det pågældende land.

Udstyr, der skal benyttes i Tyskland: Netledningerne skal være sikkerhedsgodkendt. I Tyskland skal det være H05VV-F, 3G, 0,75 mm² eller bedre. I andre lande skal de korrekte typer anvendes på tilsvarende vis.

Partnummer	Bruges i følgende lande
24R2633	Japan
39M5067	Argentina, Paraguay, Uruguay
39M5080	Antigua og Barbuda, Aruba, Bahamas, Barbados, Belize, Bermuda, Bolivia, Caicos Islands, Canada, Cayman-øerne, Columbia, Costa Rica, Cuba, De Hollandske Antiller, Den Dominikanske Republik, Ecuador, El Salvador, Filippinerne, Guam, Guatemala, Haiti, Honduras, Jamaica, Mexico, Mikronesiens Forenede Stater, Nicaragua, Panama, Peru, Saudi-Arabien, Taiwan, Thailand, USA, Venezuela
39M5102	Australien, New Zealand
39M5122	Afghanistan, Albanien, Algeriet, Andorra, Angola, Armenien, Østrig, Aserbajdsjan, Hviderusland, Belgien, Benin, Bosnien-Hercegovina, Bulgarien, Burkina Faso, Burundi, Cambodia, Cameroun, Kap Verde, Centralafrikanske Republik, Tchad, Comorerne, Den Demokratiske Republik Congo, Congo, Elfenbenskysten, Kroatien, Tjekkiet, Dahomey, Djibouti, Egypten, Ækvatorialguinea, Eritrea, Estland, Etiopien, Finland, Frankrig, Fransk Guyana, Fransk Polynesien, Gabon, Georgien, Tyskland, Grækenland, Guadeloupe, Guinea, Guinea Bissau, Ungarn, Island, Indonesien, Iran, Kasakhstan, Kirgisistan, Laos, Letland, Libanon, Litauen, Luxembourg, Den Tidligere Jugoslaviske Republik Makedonien, Madagaskar, Mali, Martinique, Mauretaniens, Mauritius, Mayotte, Republikken Moldova, Monaco, Mongoliet, Marokko, Mozambique, Holland, Ny Caledonien, Niger, Norge, Polen, Portugal, Reunion, Rumænien, Rusland, Rwanda, Sao Tome og Principe, Saudi-Arabien, Senegal, Serbien, Slovakiet, Slovenien, Somalia, Spanien, Surinam, Sverige, Syrien, Tadsjikistan, Tahiti, Togo, Tunesien, Tyrkiet, Turkmenistan, Ukraine, Øvre Volta, Usbekistan, Vanuatu, Vietnam, Wallis og Futuna, Jugoslavien, Zaire
39M5129	Danmark
39M5143	Bangladesh, Lesotho, Macao S.A.R, Maldiverne, Namibia, Nepal, Pakistan, Samoa, Sydafrika, Sri Lanka, Swaziland, Uganda

Partnummer	Bruges i følgende lande
39M5150	Abu Dhabi, Australien, Bahrain, Botswana, Brunei Darussalam, Kanaløerne, Cypern, Dominica, Fiji, Gambia, Ghana, Grenada, Guyana, Hong Kong S.A.R., Irak, Irland, Jordan, Kenya, Kiribati, Kuwait, Liberia, Malawi, Malaysia, Malta, Myanmar (Burma), Nauru, New Zealand, Nigeria, Oman, Papua New Guinea, Qatar, Saint Kitts og Nevis, Saint Lucia, Saint Vincent og Grenadinerne, Seychellerne, Sierra Leone, Singapore, Sudan, Tanzania, Trinidad & Tobago, Forenede Arabiske Emirater (Dubai), Storbritannien, Yemen, Zambia, Zimbabwe
39M5151	Hong Kong S.A.R., Korea
39M5157	Liechtenstein, Schweiz
39M5164	Chile, Italien, Libyen
39M5171	Israel
39M5205	Kina
39M5212	Korea
39M5232	Brasilien
39M5246	Taiwan
41R3175	Indien

Bemærkning vedr. PVC-kabel og -ledning

Advarsel! Når du bruger ledningen til dette produkt eller ledninger i forbindelse med tilbehør, der sælges med dette produkt, udsættes du for bly, som i Californien anses for at være årsag til kræft, fosterskader og forringelse af forplantningsevnen. *Vask hænder efter brug.*

China substance disclosure table

产品中有毒有害物质或元素的名称及含量

部件名称	有毒有害物质或元素					
	铅(Pb)	汞(Hg)	镉(Cd)	六价铬 (Cr(VI))	多溴联苯 (PBB)	多溴二苯醚 (PBDE)
印刷电路板组件*	X	O	O	O	O	O
硬盘	X	O	O	O	O	O
光驱	X	O	O	O	O	O
内存	X	O	O	O	O	O
电脑I/O 附件	X	O	O	O	O	O
电源	X	O	O	O	O	O
键盘	X	O	O	O	O	O
鼠标	X	O	O	O	O	O
机箱/ 附件	X	O	O	O	O	O

○:表示该有毒有害物质在该部件所有均质材料中的含量均在SJ/T11363-2006标准规定的限量要求以下
 ×:表示该有毒有害物质至少在该部件的某一均质材料中的含量超出SJ/T11363-2006标准规定的限量要求
 表中标有“×”的所有部件都符合欧盟RoHS 法规.

印刷电路板组件*: 包括印刷电路板及其零部件、电容和连接器
 根据型号的不同, 可能不会含有以上的所有部件, 请以实际购买机型为准



在中华人民共和国境内销售的电子信息产品必须标识此标志, 标志内的数字代表在正常使用状态下的产品的环保使用期限

Bemærkninger vedr. affald af elektrisk og elektronisk udstyr (WEEE)

Lenovo opfordrer ejere af IT-udstyr til at aflevere udstyret til genbrug på ansvarlig vis, når der ikke længere er brug for udstyret. Lenovo tilbyder en række programmer og serviceydelser, der kan hjælpe med genbrug af IT-produkter. Der er oplysninger om produktgenbrug på Lenovos hjemmeside <http://www.pc.ibm.com/ww/lenovo/about/environment/>.

Erklæring vedrørende WEEE i EU

WEEE-mærket gælder kun lande i EU og Norge. Udstyr mærkes i henhold til EU's direktiv 2002/96/EF om affald af elektrisk og elektronisk udstyr (WEEE). Direktivet fastlægger de rammer, der gælder for returnering og genbrug af brugt udstyr i EU. Mærkaten påsættes forskellige produkter for at angive, at produktet ikke må smides væk, når det er udtjent, men skal genvindes i henhold til dette direktiv.

Brugere af elektrisk og elektronisk udstyr (EEE), der er mærket med WEEE-mærket som angivet i Bilag IV til WEEE-direktivet, må ikke bortskaffe brugt EEE som usorteret husholdningsaffald, men skal bruge den indsamlingsordning, der er etableret, så WEEE kan returneres, genbruges eller genvindes. Formålet er at minimere den eventuelle påvirkning af miljøet og menneskers sundhed som følge af tilstedeværelsen af skadelige stoffer. Der er flere oplysninger om WEEE på adressen: <http://www.lenovo.com/lenovo/environment>.

Japanese recycling statement

Collecting and recycling a disused Lenovo computer or monitor

If you are a company employee and need to dispose of a Lenovo computer or monitor that is the property of the company, you must do so in accordance with the Law for Promotion of Effective Utilization of Resources. Computers and monitors are categorized as industrial waste and should be properly disposed of by an industrial waste disposal contractor certified by a local government. In accordance with the Law for Promotion of Effective Utilization of Resources, Lenovo Japan provides, through its PC Collecting and Recycling Services, for the collecting, reuse, and recycling of disused computers and monitors. For details, visit the Lenovo Web site at www.ibm.com/jp/pc/service/recycle/pcrecycle/

Pursuant to the Law for Promotion of Effective Utilization of Resources, the collecting and recycling of home-used computers and monitors by the manufacturer was begun on October 1, 2003. This service is provided free of charge for home-used computers sold after October 1, 2003. For details, visit the Lenovo Web site at www.ibm.com/jp/pc/service/recycle/personal/.

Disposing of a Lenovo computer component

Some Lenovo computer products sold in Japan may have components that contain heavy metals or other environmental sensitive substances. To properly dispose of disused components, such as a printed circuit board or drive, use the methods described above for collecting and recycling a disused computer or monitor.

Disposing of disused lithium batteries from Lenovo computers

A button-shaped lithium battery is installed on the system board of your Lenovo computer to provide power to the computer clock while the computer is off or disconnected from the main power source. If you want to replace it with a new one, contact your place of purchase or ask for a repair service provided by Lenovo. If you have replaced it by yourself and want to dispose of the disused lithium battery, insulate it with vinyl tape, contact your place of purchase, and follow their instructions. If you use a Lenovo computer at home and need to dispose of a lithium battery, you must comply with local ordinances and regulations.

Luku 1. Tärkeät turvaohjeet

Huomautus

Lue nämä tärkeät turvaohjeet ensin.

Näiden tietojen avulla voit käyttää hankkimaasi pöytätietokonetta, työasemaa tai kannettavaa tietokonetta turvallisesti. Säilytä kaikki tietokoneen mukana toimitetut julkaisut ja oppaat ja noudata niissä olevia ohjeita. Tämän julkaisun sisältämät tiedot eivät muuta hankintasopimuksen tai Lenovon rajoitettujen takuuehtojen sisältämiä ehtoja. Lisätietoja on kohdassa Luku 3, "Lenovon takuu ehdot (rajoitettu takuu)", sivulla 123.

Asiakkaiden turvallisuus on meille tärkeää. Lenovon tuotteet on suunniteltu turvallisiksi ja tehokkaiksi. Tietokoneet ovat kuitenkin sähkölaitteita, ja verkkojohdot, verkkolaitteet sekä muut laitteet saattavat aiheuttaa vaaratilanteita, joista voi aiheutua vammoja käyttäjille tai omaisuuden vaurioitumista, etenkin jos näitä laitteita käytetään väärin. Voit välttää näitä vaaratilanteita noudattamalla tuotteen mukana toimitettuja ohjeita ja kaikkia tuotteessa ja käyttöohjeissa olevia varoituksia sekä lukemalla tässä julkaisussa olevat tiedot huolellisesti läpi. Noudattamalla tämän asiakirjan sisältämiä ohjeita ja tuotteen mukana toimitettuja ohjeita estät vaaratilanteiden syntymisen ja teet työskentely-ympäristöstäsi entistä turvallisemman.

Huomautus: Nämä ohjeet sisältävät viittauksia verkkolaitteisiin ja akkuihin. Toimitamme kannettavien tietokoneiden lisäksi myös joitakin muita tuotteita (esimerkiksi kaiuttimia ja näyttimiä), jotka käyttävät erillisiä verkkolaitteita. Jos olet hankkinut tällaisen tuotteen, nämä tiedot koskevat myös kyseistä tuotetta. Hankitussa tietokoneessa on lisäksi nappiparisto, josta tietokoneen kello saa virtaa tietokoneen ollessa irrotettuna verkkovirrasta, joten paristoa koskevat turvaohjeet koskevat kaikkia tietokoneita.

Välittömiä toimia edellyttävät tapahtumat tai tilat

Tuotteet voivat vahingoittua väärinkäytön tai laiminlyöntien vuoksi. Jotkin vauriot ovat niin vakavia, ettei tuotteen käyttöä saa jatkaa, ennen kuin valtuutettu huoltoedustaja on tarkastanut tuotteen ja tarvittaessa korjannut sen.

Kun laitteessa on virta kytkettynä, valvo sen toimintaa aivan samoin kuin muidenkin sähkölaitteiden toimintaa. Erittäin harvinaisissa tilanteissa tietokoneesta saattaa lähteä outo haju, savua tai kipinöitä tai siitä saattaa kuulua poksahdeltua, rätinää tai sihinää. Tämä saattaa merkitä myös sitä, että jokin laitteen sisäinen elektroninen osa on vioittunut, mutta tilanne on hallinnassa eikä aiheuta mitään vaaraa. Toisaalta tämä saattaa myös merkitä

sitä, että kyseessä on vaaratilanne. Älä kuitenkaan ota mitään riskejä tai yritä selvittää tapahtuman syytä itse. Ota yhteys asiakastukeen ja pyydä lisätietoja. Huolto- ja tukipalvelujen puhelinnumeroiden luettelo on seuraavassa kohdassa: Luku 4, ”Maakohtaiset puhelinnumerot”, sivulla 133.

Tarkista tietokone ja sen osat säännöllisin väliajoin vaurioiden tai kulumisen tai muiden vaaratekijöiden havaitsemiseksi. Jos epäilet jonkin osan toimintakuntoa tai sinulla on jotakin kysyttävää osan tilasta, älä käytä tuotetta. Ota yhteys tukikeskukseen tai tuotteen valmistajaan ja pyydä ohjeet tuotteen tarkistusta varten sekä korjauta tuote tarpeen mukaan.

Jos sinulla on tuotteen turvallisuuteen liittyviä kysymyksiä tai havaitset jonkin seuraavassa kuvatuista tapahtumista, lopeta tuotteen käyttö ja irrota tuotteen verkkojohto pistorasiasta sekä muut kaapelit tietoliikenneverkoista, kunnes olet saanut lisäohjeita tuotteen valmistajalta.

- Verkkojohdot, pistokkeet, verkkolaitteet, jatkojohdot, ylijännitesuojat tai virtalähteet ovat rikki, tai niissä on näkyviä vaurioita.
- Laite vaikuttaa ylikuumenevan: siitä lähtee savua tai kipinöitä, tai se syttyy tuleen.
- Akku on vaurioitunut (siinä on halkeamia, lommoja tai kolhuja), se vuotaa, tai sen pintaan on kertynyt vieraita aineita.
- Tuotteesta kuuluu rätinää, sihinää tai poksahduttelua, tai siitä lähtee voimakas haju.
- Tietokoneessa, verkkojohdossa tai verkkolaitteessa on jälkiä siitä, että sen tai niiden päälle on roiskunut jotakin nestettä tai sen tai niiden päälle on pudonnut jokin esine.
- Tietokone, verkkojohto tai verkkolaite on kastunut.
- Tuote on pudotettu tai se on vahingoittunut jollakin tavalla.
- Tuote ei toimi normaalisti käyttöohjeita noudatettaessa.

Huomautus: Jos havaitset, että jonkin muun valmistajan kuin Lenovon valmistamalle tai valmistuttamalle tuotteelle (esimerkiksi jatkojohdolle) on tapahtunut jotakin edellä kuvattua kaltaista, lopeta kyseisen tuotteen käyttö, kunnes olet saanut lisäohjeita tuotteen valmistajalta tai kunnes olet saanut uuden korvaavan tuotteen.

Yleisiä turvaohjeita

Noudata aina seuraavia turvaohjeita vaaratilanteiden ja omaisuuden vaurioitumisen välttämiseksi.

Huolto ja päivitykset

Älä yritä huoltaa tuotetta itse, ellei asiakastukikeskuksen edustaja tai ohjeaineisto tähän kehota. Käytä vain valtuutettua huoltopalvelua, jolla on oikeus antaa huoltoa kyseiselle tuotteelle.

Huomautus: Asiakas voi itse päivittää tai vaihtaa joitakin tietokoneen osia. Päivitysosia kutsutaan lisävarusteiksi. Vaihto-osia, joita voi asentaa itse, nimitetään asiakkaan vaihdettavissa oleviksi osiksi (CRU, Customer Replaceable Unit). Lenovon toimittamissa ohjeissa kerrotaan, voiko lisävarusteen tai osan vaihtaa itse. Kaikkia lisävarusteen tai vaihto-osan mukana toimitettuja ohjeita on ehdottomasti noudatettava. Tietokoneen sisällä saattaa olla osia, joissa on jännite, vaikka virran merkkivalo ei pala. Varmista aina, että virta on katkaistu ja että tuote on irrotettu kaikista virtalähteistä, ennen kuin avaat tietokoneen kannen. Lisätietoja asiakkaan vaihdettavissa olevista osista on tämän tuotteen *Laitteiston osien asennus- ja vaihto-oppaassa*. Jos sinulla on aiheeseen liittyviä kysymyksiä tai huolenaiheita, ota yhteys asiakastukikeskukseen.

Vaikka tietokoneen osat eivät liiku sen jälkeen, kun verkkojohto on irrotettu, ota seuraava varoitus huomioon:

Vaara



Vaarallisia liikkuvia osia. Varo, etteivät sormesi tai muut ruumiinosasi kosketa osiin

Huomio



Kun olet vaihtamassa asiakkaan vaihdettavissa olevia osia, katkaise tietokoneesta virta ja anna sen jäähtyä kolmesta viiteen minuuttia, ennen kuin avaat kannen.

Staattiselta sähköltä suojautuminen

Staattisesta sähköstä ei ole vaaraa ihmiselle, mutta se saattaa vioittaa tietokoneen osia ja lisävarusteita. Staattiselle sähkölle herkkien laitteiden virheellinen käsittely voi vioittaa tällaista laitetta. Kun purat lisävarusteen tai asiakkaan vaihdettavissa olevan osan pakkausta, älä avaa staattiselta sähköltä suojaavaa pakkausta, ennen kuin asennusohjeissa neuvotaan tekemään niin.

Jotta välttäisit staattisen sähkön aiheuttamat vauriot, noudata seuraavia varotoimia käsitellessäsi laitteisto-osia ja muita tietokoneen osia:

- Vältä tarpeettomia liikkeitä. Liikkeet saattavat synnyttää staattista sähköä ympärillesi.
- Käsittele osia aina varovaisesti. Tartu sovitinkortteihin, muistimoduuleihin ja piirikortteihin aina niiden reunoista. Älä koske paljasiin virtapiireihin tai liittimiin.
- Älä anna muiden henkilöiden koskea tietokoneen osiin.
- Kun asennat järjestelmään uuden laitteen, kosketa laitteen staattiselta sähköltä suojaavalla pakkauksella sovitinkorttipaikan metallista kantta tai tietokoneen maalaamatonta metallipintaa vähintään kahden sekunnin ajan. Tämä pienentää pakkauksen staattista varausta ja kehosi staattista varausta.
- Mikäli mahdollista, poista osa pakkauksestaan ja asenna se suoraan tietokoneeseen laskematta sitä välillä käsistäsi. Jos tämä ei onnistu, aseta osan staattiselta sähköltä suojaava pakkaus tasaiselle pinnalle ja osa pakkauksen päälle.
- Älä aseta osaa keskusyksikön kannen tai muun metallipinnan päälle.

Verkkojohdot ja verkkolaitteet

Käytä vain tuotteen valmistajan toimittamia verkkojohtoja ja verkkolaitteita.

Verkkojohtojen tulee olla turvallisiksi hyväksytyjä. Saksassa tulee käyttää tyyppimerkinnällä H05VV-F, 3G, 0,75 mm² varustettua verkkojohtoa tai sitä laadukkaampaa verkkojohtoa. Muissa maissa tulee käyttää kyseisessä maassa hyväksytyä verkkojohtoa.

Älä kiedo verkkojohtoa verkkolaitteen tai muun esineen ympärille. Se saattaa aiheuttaa johdon lohkeilemisen, murtumisen tai kiertymisen. Tästä voi syntyä vaaratilanteita.

Sijoita verkkojohdot aina niin, että niiden päälle ei astuta, niihin ei kompastuta tai etteivät ne jää puristuksiin.

Suojaa johdot ja verkkolaitteet nesteiltä. Älä jätä verkkojohtoa tai -laitetta pesuallaiden tai ammeiden lähelle tai WC:hen tai lattioille, joita pestään vedellä ja pesuaineilla. Kastuminen saattaa aiheuttaa oikosulun, etenkin jos verkkojohto tai verkkolaite on kulunut väärinkäytön takia. Kastuminen voi

myös vähitellen syövyttää verkkojohdon ja verkkolaitteen liittimiä, josta voi ajan mittaan aiheutua ylikuumenemista.

Kytke aina verkkojohdot ja liitántäkaapelit oikeassa järjestyksessä ja varmista, että kaikki verkkojohdot ovat kunnolla kiinni pistokkeissaan.

Älä käytä verkkolaitetta, jossa on merkkejä syöymisestä tai kulumisesta pistokkeen liittimissä tai merkkejä ylikuumenemisestä (kuten sulaneita kohtia muoviosassa) pistokkeessa tai verkkolaitteen muissa osissa.

Älä käytä verkkojohtoja, joiden jommankumman pään liittimissä on merkkejä kulumisesta tai ylikuumenemisestä tai jotka näyttävät olevan jollakin tavalla vaurioituneita.

Jännitekytkin

Joissakin tietokoneen malleissa on jännitekytkin lähellä verkkojohdon vastaketta. Jos tietokoneessasi on jännitekytkin, varmista, että olet asettanut sen pistorasian jännitteen mukaisesti. Tietokone saattaa rikkoutua, jos jännitekytkin asetetaan väärin.

Jos tietokoneessa ei ole jännitekytkintä, se on suunniteltu toimimaan vain alkuperäisessä hankintamaassa tai alkuperäisellä hankinta-alueella käytössä olevalla jännitteellä.

Jos siirrät tietokoneesi toiseen maahan, muista seuraavat seikat:

- Jos tietokoneessa ei ole jännitekytkintä, älä kytke tietokonetta pistorasiaan, ennen kuin olet varmistanut, että paikallisessa sähköverkossa on käytössä sama jännite kuin siinä maassa tai sillä alueella, josta tietokone on alun perin hankittu.
- Jos tietokoneessa on jännitekytkin, älä kytke tietokonetta pistorasiaan, ennen kuin olet varmistanut, että jännitekytkin on asetettu kyseisen maan tai alueen sähköverkossa käytetyn jännitteen mukaisesti.

Jos et ole varma käytettävästä jännitteestä, ota yhteys paikalliseen sähköyhtiöön tai tutki sijaintimaahas tai -alueellesi matkustaville tarkoitettuja virallisia Web-sivustoja tai kirjallisuutta.

Jatkojohdot ja niihin liittyvät laitteet

Varmista, että käytössä olevat jatkojohdot, ylijännitesuojat, UPS-laitteet ja jatkopistorasiat pystyvät käsittelemään tuotteen edellyttämiä jännitteitä. Älä koskaan ylikuormita näitä laitteita. Jos käytät jatkopistorasioita, kuormitus ei saa ylittää jatkopistorasian syöttötehoa. Jos sinulla on kuormitukseen, jännitevaatimuksiin tai syöttötehoon liittyviä kysymyksiä, pyydä lisätietoja sähköasentajalta.

Pistokkeet ja pistorasiat

Jos pistorasia, johon aiot kytkeä tietokoneen tai siihen liittyvät laitteet, näyttää vahingoittuneelta tai kuluneelta, älä käytä pistorasiaa vaan anna valtuutetun sähköasentajan vaihtaa sen tilalle uusi rasia.

Älä väännä pistoketta tai tee siihen muutoksia. Jos pistoke vahingoittuu, ota yhteys valmistajaan ja pyydä uusi pistoke tilalle.

Älä liitä tietokonetta samaan pistorasiaan paljon virtaa kuluttavan laitteen kanssa. Muutoin mahdolliset jännitevaihtelut voivat vioittaa tietokonetta, sen tietoja tai siihen liitettyjä laitteita.

Joidenkin tuotteiden mukana toimitetaan kolmiliittiminen pistoke. Tämä pistoke sopii vain maadoitettuun pistorasiaan. Tämä on tarkoituksellinen suojaava ominaisuus. Älä yritä kiertää suojausta pakottamalla pistoketta johonkin muuhun kuin maadoitettuun pistorasiaan. Jos et pysty asettamaan pistoketta pistorasiaan, ota yhteys sähköasentajaan ja pyydä häneltä hyväksytty muuntosovitin pistokkeelle tai pyydä häntä vaihtamaan pistorasia maadoitettuun pistorasiaan. Älä koskaan ylikuormita pistorasioita. Järjestelmän kokonaiskuormitus saa olla enintään 80 prosenttia haaroituskytkennän nimellistehosta. Jos sinulla on kuormitukseen tai haaroituskytkennän nimellistehoon liittyviä kysymyksiä, pyydä lisätietoja sähköasentajalta.

Varmista, että käytettävä pistorasia on kaapeloitu oikein ja että se sijaitsee lähellä laitteita paikassa, jossa siihen pääsee helposti käsiksi. Älä vedä verkkojohtoja kokonaan suoriksi tavalla, joka rasittaa johtoja.

Varmista, että pistorasian jännite ja virta vastaavat asennettavan laitteen vaatimuksia.

Kytke laitteiden pistokkeet pistorasiaan ja irrota ne pistorasiasta varovasti.

Ulkoiset laitteet

Älä kytke tai irrota mitään ulkoisten laitteiden kaapeleita USB- ja 1394-kaapeleita lukuunottamatta tietokoneen käytön aikana. Muutoin tietokone saattaa vaurioitua. Odota vähintään viisi sekuntia tietokoneen virran katkaisun jälkeen, ennen kuin irrotat ulkoisen laitteen.

Paristot ja akut

Kaikissa Lenovon valmistamissa tietokoneissa on litteä nappiparisto, josta järjestelmän kello saa virtansa. Paristoa ei voi ladata. Lisäksi monissa kannettavissa tietokoneissa on ladattava akku, josta tietokone saa virtaa ollessaan irti sähköverkosta. Lenovon tuotteen mukana toimittamat akut ja paristot on testattu yhteensopivuuden varmistamiseksi, ja ne saa vaihtaa vain hyväksytyihin osiin.

Älä koskaan yritä avata tai huoltaa paristoa tai akkua. Älä litistä paristoa tai akkua, tee siihen reikiä tai sytytä sitä tai aiheuta oikosulkua metalliliittimiin. Estä paristoa tai akkua joutumasta kosketuksiin veden tai muiden nesteiden kanssa. Lataa akku vain tuotteen käyttöohjeissa suositetulla tavalla.

Akun tai pariston väärinkäyttö saattaa aiheuttaa sen ylikuumentumisen, minkä vuoksi akusta tai paristosta saattaa purkautua kaasuja tai liekkejä. Jos akku on vaurioitunut tai jos huomaat sen vuotavan taikka jos akun liittimiin kertyy vieraita aineita, lopeta akun käyttö ja hanki uusi akku akkujen valmistajalta.

Akkujen suorituskyky voi heiketä, jos ne ovat pitkän aikaa käyttämättöminä. Joidenkin akkujen (erityisesti litium-ioniakkujen) oikosulkuriski saattaa kasvaa, jos akut ovat pitkään käyttämättöminä ja varaus purettuna. Tämä voi lyhentää akun käyttöikää ja vaarantaa turvallisuutta. Älä päästä litium-ioniakkujen varausta purkautumaan kokonaan äläkä säilytä niitä koskaan varaus täysin purkautuneena.

Kuumuus ja tietokoneen osien tuuletus

Tietokoneet, verkkolaitteet ja monet lisävarusteet tuottavat lämpöä, kun niihin on kytketty virta ja kun akkuja ladataan. Noudata aina näitä turvaohjeita:

- Älä pidä tietokonetta, verkkolaitetta tai lisävarustetta sylissäsi tai anna sen koskettaa muita kehosi osia pitkään niiden käytön tai akun latauksen aikana. Tietokone, verkkolaite ja useat lisävarusteet tuottavat normaalin käytön aikana jonkin verran lämpöä. Pitkäaikainen ihokosketus tietokoneeseen saattaa aiheuttaa ihon punoitusta tai palovammoja.
- Älä lataa akkua tai käytä tietokonetta, verkkolaitetta tai lisävarustetta tulenarjojen aineiden lähellä tai ympäristöissä, joissa on räjähdysvaara.
- Tuotteessa olevien tuuletusaukkojen, tuulettimien ja jäähdytyslevyjen tarkoitus on varmistaa tuotteen turvallisuus ja toimintavarmuus. Ilmavirran kulku tietokoneen sisäosiin tai tuulettimien ja jäähdytyslevyjen toiminta saattaa estyä, jos tuote asetetaan sängylle, sohvalle, matolle tai jollekin muulle joustavalle pinnalle. Älä tuki tai peitä tuuletusaukkoja tai estä tuulettimien tai jäähdytyslevyjen toimintaa.

Tarkista tietokoneesi pölyn kerääntymisen varalta vähintään kerran kolmessa kuukaudessa. Katkaise tietokoneesta virta ja irrota tietokoneen verkkojohto pistorasiasta, ennen kuin aloitat tarkistuksen. Poista sitten kaikki keskusyksikön peitelevyn rakoihin ja aukkoihin kertynyt pöly. Jos havaitset tietokoneen ulkopuolella kerääntyneitä pölyä, tarkista myös tietokoneen sisäpuoli ja poista sinne kertynyt pöly myös jäähdytysrivoista, tuuletusaukoista ja tuulettimista. Sammuta tietokone ja irrota tietokoneen verkkojohto pistorasiasta aina ennen kuin avaat tietokoneen kannen. Vältä tietokoneen käyttöä 50 senttimetriä lähempänä vilkasliikenteisiä paikkoja. Jos tietokonetta

joudutaan käyttämään tällaisella alueella tai sen lähistöllä, tietokone kannattaa tarkistaa pölyn kerääntymisen varalta ja puhdistaa pölystä mainittua useammin.

Noudata aina seuraavia perusohjeita, jotta voit käyttää tietokonetta turvallisesti ja optimaalisesti:

- Pidä keskusyksikön kansi aina kiinni tietokoneen verkkojohdon ollessa kytkettyinä pistorasiaan.
- Tarkista tietokoneen ulkopinta säännöllisesti pölyn kerääntymisen varalta.
- Poista kaikki keskusyksikön peitelevyn rakoihin ja aukkoihin kertynyt pöly. Pölyisissä ja vilkkaassa käytössä olevissa tiloissa sijaitsevat tietokoneet on ehkä tarkistettava muita useammin.
- Älä rajoita tai peitä tuuletusaukkoja.
- Älä säilytä tai käytä tietokonetta kalustukseen upotettuna, koska tämä saattaa lisätä ylikuumenemisen vaaraa.
- Tietokoneeseen ohjautuvan ilmavirran lämpötila saa olla enintään 35 °C.
- Käytä vain pöytämallisia ilmanpuhdistimia ja -suodattimia.

Käyttöympäristö

Tietokoneen käyttöympäristön lämpötilan tulee olla 10 - 35 °C ja suhteellisen ilmankosteuden 35 - 80 %. Jos tietokonetta varastoidaan tai kuljetaan alle 10 asteen lämpötilassa, anna tietokoneen lämmetä käyttöympäristön lämpötilaan (10–35°C), ennen kuin kytket siihen virran. Tämä voi kestää jopa kaksi tuntia. Virran kytkeminen tietokoneeseen, ennen kuin se on lämmennyt oikeaan käyttölämpötilaan, voi aiheuttaa peruuttamattomia vaurioita.

Aseta tietokone kuivaan paikkaan, jossa on hyvä ilmanvaihto ja joka ei ole alttiina suoralle auringonpaisteelle.

Älä pidä muita sähkölaitteita, kuten tuuletinta, radiota, aktiivikaiuttimia tai mikroaaltouunia, liian lähellä tietokonetta, koska laitteiden magneettikentät saattavat vaurioittaa näytintä tai kiintolevyn tietoja.

Älä aseta mitään juomia tietokoneen tai sen lisälaitteiden päälle tai läheisyyteen. Tietokoneen tai lisälaitteen päälle kaatuva neste voi aiheuttaa oikosulun tai muita vaurioita.

Älä syö tai tupakoi tietokoneen näppäimistön läheisyydessä. Näppäimistöön putoavat muruset tai tuhka voivat aiheuttaa vaurioita.

Sähköturvaohjeet

Vaara

Verkkojohdoissa ja puhelin- ja tietoliikennekaapeleissa saattaa esiintyä vaarallisia jännitteitä.

Noudata seuraavia ohjeita sähköiskun välttämiseksi:

- Älä käytä tietokonetta ukkosmyrskyn aikana.
- Älä liitä kaapeleita tietokoneeseen tai irrota niitä äläkä tee asennus- tai huoltotoimia tai kokoonpanon muutoksia ukonilman aikana.
- Kytke kaikki verkkojohdot oikein maadoitettuihin pistorasioihin.
- Kytke kaikki tähän tuotteeseen liitettävät laitteet säännösten mukaisiin pistorasioihin.
- Mikäli mahdollista, käytä vain toista kättä liitäntäkaapelien kytkentään tai irrotukseen.
- Älä kytke virtaa mihinkään laitteeseen, jos epäilet tai havaitset kosteus-, palo- tai rakenneaurioita.
- Jos asennusohjeissa ja kokoonpanon määrittämissä ohjeissa ei toisin sanota, irrota verkkojohdot, tietoliikennejärjestelmät, tietoverkkolaitteet ja modeemit, ennen kuin avaat laitteen kansia.
- Kytke ja irrota kaapelit seuraavassa taulukossa kuvatulla tavalla, kun asennat, siirrät tai avaat tämän tuotteen tai siihen liitettyjen laitteiden kansia.

Kaapelien kytkentä:

1. Katkaise virta kaikista laitteista.
2. Kytke ensin kaikki kaapelit laitteisiin.
3. Kytke liitäntäkaapelit niiden vastakkeisiin.
4. Kytke verkkojohdot pistorasioihin.
5. Kytke virta laitteisiin.

Kaapelien irrotus:

1. Katkaise virta kaikista laitteista.
2. Irrota ensin verkkojohdot pistorasioista.
3. Irrota liitäntäkaapelit vastakkeista.
4. Irrota kaapelit kaikista laitteista.

Litiumparistoon liittyvä turvaohje

Varoitus

Vääräntyyppinen paristo voi räjähtää.

Litiumpariston saa vaihtaa vain samanlaiseen tai vastaavaan valmistajan suosittelemaan litteään nappiparistoon. Paristo sisältää litiumia ja voi räjähtää, jos sitä ei käytetä, käsitellä tai hävitetä oikein.

Varoitus:

- Estä paristoa joutumasta kosketuksiin veden kanssa.
- Älä kuumenna paristoa yli 100 °C:n lämpötilaan.
- Älä yritä korjata paristoa tai purkaa sitä osiin.

Hävitä paristo ongelmajätteistä säädettyjen lakien sekä viranomaisten määräysten mukaisesti.

Seuraava lausuma koskee tietokoneen käyttäjiä Kaliforniassa Yhdysvalloissa:

Laite saattaa edellyttää perklooraattimateriaaleille soveltuvaa erikoiskäsittelyä. Lisätietoja on osoitteessa www.dtsc.ca.gov/hazardouswaste/perchlorate.

Modeemiin liittyviä turvaohjeita

Varoitus

Voit vähentää tulipalon vaaraa käyttämällä vain puhelinkaapelia 26 AWG tai sitä paksumpaa kaapelia.

Seuraavien turvaohjeiden noudattaminen puhelinlaitteita käytettäessä vähentää tulipalon, sähköiskun tai ruumiinvamman vaaraa:

- Älä asenna puhelinlaitteita tai puhelinkaapeleita ukonilman aikana.
- Älä asenna puhelinpistorasioita kosteisiin tiloihin, jos asennettava pistorasia ei ole erityisesti suunniteltu käytettäväksi kosteissa tiloissa.
- Älä koske eristämättömiin puhelinkaapeleihin tai liittimiin, ellei puhelinkaapelia ole irrotettu verkosta.
- Noudata varovaisuutta asentaessasi puhelinkaapeleita tai kytkiessäsi niitä uudelleen.
- Vältä muun kuin langattoman puhelimen käyttöä ukonilman aikana. Salamointi saattaa aiheuttaa sähköiskuvaaran.
- Älä ilmoita kaasuvuodosta puhelimitse vuodon läheisyydessä.

Laserturvaohjeet

Joihinkin PC-tietokoneille on esiasennettu CD- tai DVD-asema. Sen voi hankkia myös lisävarusteena. CD- ja DVD-asemat ovat lasertuotteita. CD- ja DVD-asema on luokiteltu Yhdysvalloissa luokan 1 laserlaitteeksi, joka täyttää Yhdysvaltain Department of Health and Human Services (DHHS)

-viranomaisten määräyksen 21 CFR Subchapter J vaatimukset. Nämä asemat täyttävät myös standardeissa IEC 60825-1 ja CENELEC EN 60 825-1 luokan 1 laserlaitteille asetetut vaatimukset.

Jos järjestelmään on asennettu CD- tai DVD-asema, noudata seuraavia ohjeita:

Varoitus

Muiden kuin tässä julkaisussa mainittujen säätöjen tai toimien teko voi altistaa vaaralliselle säteilylle.

Älä avaa aseman koteloa. CD- tai DVD-aseman avaaminen saattaa altistaa vaaralliselle lasersäteilylle. Aseman sisällä ei ole huollettavia osia.

Joissakin CD- ja DVD-asemissa saattaa olla luokan 3A tai 3B laserlähde. Ota seuraava varoitus huomioon:

Vaara

Avatessasi asemaa olet alttiina lasersäteilylle. Älä katso suoraan säteeseen paljaalla silmällä tai optisella välineellä. Säteeseen katsominen voi vahingoittaa silmiäsi.

Virtalähteeseen liittyvät turvaohjeet

Älä irrota virtalähteen suojakuorta tai muita osia, jossa on seuraava tarra.



Osissa, joissa on tämä tarra, on vaarallinen jännite. Näissä osissa ei ole huollettaviksi tarkoitettuja komponentteja. Jos epäilet näiden osien olevan viallisia, ota yhteys huoltoteknikkoon.

Tuotteet, joihin on asennettu televisioviritin

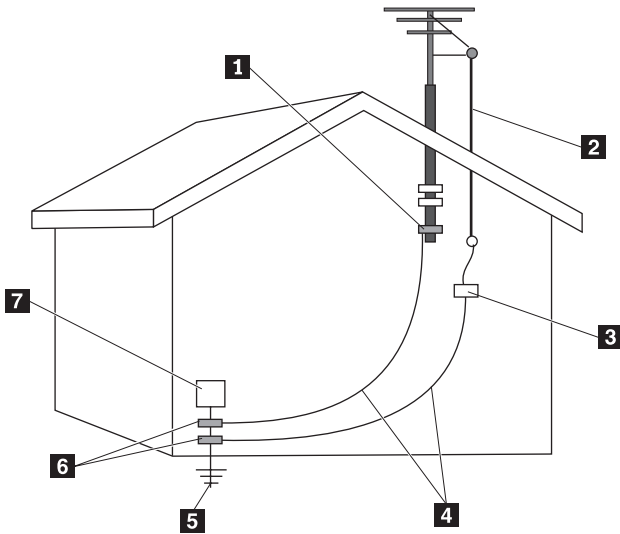
Jäljempänä oleva turvaohje koskee tuotteita, joissa on maanpäällistä antenniverkkoa tai kaapeliverkkoa tai sekä antenni- että kaapeliverkkoa käytävä TV-viritin ja jotka on tarkoitus asentaa käyttöön Pohjois-Amerikassa. Muissa maissa toimivien käyttäjien ja asentajien tulee noudattaa paikallisia

säädöksiä ja määräyksiä asentaessaan laitteita, jotka käyttävät maanpäällistä antenniverkkoa tai kaapeliverkkoa. Jos paikallisia säädöksiä ei ole, käyttäjien ja asentajien on suositeltavaa noudattaa seuraavassa esitettyjä ohjeita.

Ohje kaapeli-TV-järjestelmän asentajalle

Kaapeli-TV-järjestelmän asentajan tulee muistaa kansallisten sähkösäännösten (National Electrical Code, NEC) artikkelin 820 kohdan 40 määräykset, jotka koskevat asianmukaista maadoitusta. Erityisesti tulee pitää mielessä kyseisen kohdan määräys, jonka mukaan kaapelin maadoitusjohto on kytkettävä rakennuksen maadoitukseen niin lähelle kaapelin tulokohtaa kuin mahdollista.

Esimerkki antennin maadoituksesta



- | | | | |
|----------|---|----------|---|
| 1 | Maadoituskenkä | 5 | Voimayhtiön maadoitusjohdin
(NEC-säännösten artikkelin 250 kohta Part H) |
| 2 | Antennin tulojohdin | 6 | Maadoituskengät |
| 3 | Antennin purkauksyksikkö
(NEC-säännösten kohta 810-20) | 7 | Sähkökaappi |
| 4 | Maadoitusjohtimet
(NEC-säännösten kohta 810-21) | | |

Kuva 1. Kaapelin asianmukainen maadoitus.

Seuraava turvaohje koskee kaikkia maita ja alueita:

Vaara



Ulkoantennin maadoitus

Jos laite kytketään ulkoantenniin tai kaapelijärjestelmään, kyseinen antenni tai kaapelijärjestelmä on maadoitettava mahdollisesti muodostuvien ylijänniteaaltojen ja staattisten varausten varalta.

Salamointi

Laitteen suojausta voidaan parantaa irrottamalla laite pistorasiasta ja kytkemällä antenni tai kaapelijärjestelmä irti ukonilman uhatessa tai kun laitetta ei käytetä pitkään aikaan tai kun se on vailla valvontaa erityistä varovaisuutta, jottei kuvalaitetta vaurioitumasta salamaniskusta ja sähköverkossa esiintyvistä ylijänniteaalloista.

Vahvavirtajohdot

Ulkoantennia ei pidä sijoittaa lähelle ilmassa kulkevia vahvavirtajohtoja tai paikkaan, jossa se voi kaatua niiden tai muiden voimansiirtokaapelien päälle. Ulkoantennia asennettaessa on noudatettava erityistä varovaisuutta, jottei kosketa tällaisia vahvavirtajohtoja tai voimansiirtokaapeleita. Muutoin seurauksena saattaa olla hengenvaarallinen sähköisku.

Tietoturva

Älä poista tai nimeä uudelleen tiedostoja tai hakemistoja, jos et ole varma niiden käyttötarkoituksesta. Muutoin tietokoneen ohjelmisto saattaa lakata toimimasta.

Ota huomioon, että verkkoon liitetty tietokone voi olla alttiina viruksille, vakoiluohjelmille ja muille vahingollisille toimille, jotka voivat vahingoittaa tietokonetta, ohjelmistoa tai tietoja. Käyttäjän vastuulla on varmistaa, että tietokone on suojattu ja että tarvittavat palomuur- ja virustentorjuntaohjelmistot sekä haitta- ja vakoiluohjelmien esto-ohjelmat on asennettu ja ajan tasalla.

Tietokoneen puhdistus ja ylläpito

Pidä tietokone ja työympäristö puhtaana. Sammuta tietokone ja irrota verkkojohto pistorasiasta ennen tietokoneen puhdistusta. Älä ruiskuta nestemäistä puhdistusainetta suoraan tietokoneeseen. Älä käytä herkästi syttyvää puhdistusainetta. Kostuta pehmeä kangas puhdistusaineella ja pyyhi sillä tietokoneen pinnat.

Kuulokkeiden käyttö

Jos tietokoneessa on sekä kuulokevastake että ääni ulos -vastake, liitä kuulokkeet vain kuulokevastakkeeseen.

Kuulokkeiden liian suuri äänenpaine voi aiheuttaa kuulovaurioita. Äänenvoimakkuuden säätö enimmäistehoon lisää kuulokkeiden äänenpainetasoa.

Kuulokkeiden pitkäaikainen yhtäjaksoinen käyttö suurella äänenvoimakkuudella voi olla vaarallista, jos kuulokevastakkeiden lähtöteho ei ole standardin EN 50332-2 määritysten mukainen. Tietokoneen kuulokevastake täyttää standardin EN 50332-2 kohdan Subclause 7 vaatimukset. Tämän määrittymen mukaan tietokoneen todellinen laajakaistainen RMS-antojännite on enintään 150 mV. Voit estää kuulonaleneman syntymisen varmistamalla, että kuulokkeet täyttävät standardin EN 50332-2 kohdassa Clause 7 esitetyn vaatimuksen, jonka mukaan laajakaistaisten kuulokkeiden ominaisjännite on 75 mV. Standardin EN 50332-2 määritysten vastaisten kuulokkeiden käyttö voi olla vaarallista, sillä tällaisissa kuulokkeissa äänenpaine voi olla liian suuri.

Jos Lenovo-tietokoneen mukana on toimitettu kuulokkeet (tietokone ja kuulokkeet on toimitettu yhtenä pakettina), kyseinen tietokoneen ja kuulokkeiden yhdistelmä on standardin EN 50332-1 määritysten mukainen. Jos käytät muita kuulokkeita, varmista, että ne ovat standardin EN 50332-1 kohdan Clause 6.5 (Limitation Values) määritysten mukaiset. Standardin EN 50332-1 määritysten vastaisten kuulokkeiden käyttö voi olla vaarallista, sillä tällaisissa kuulokkeissa äänenpaine voi olla liian suuri.

Muita turvaohjeita

Muovipusseista voi aiheutua tukehtumisvaara. Pidä muovipussit poissa pienten lasten ulottuvilta.

Konetyyppien 6427, 6493 lisäturvallisuusvaatimukset

ThinkStation -koneen tyyppien 6427, 6493 nostamiseen ja kantamiseen tarvitaan kaksi henkilöä.

Luku 2. Tietolähteitä

Kun tietokoneen asennustoimet on tehty asennusoppaan avulla, voit tutustua tämän luvun tietojen avulla hyödyllisiin tietokoneen käyttötarpeisiin liittyviin resursseihin.

Näyttökirjat-kansio

Näyttökirjat-kansiossa on julkaisuja, joiden avulla tietokoneen asennus ja käyttö on helppoa. Näyttökirjat-kansio on esiasennettu tietokoneeseen, eikä julkaisujen tarkastelu edellytä Internet-yhteyttä. Seuraavat julkaisut ovat saatavilla Näyttökirjat-kansiossa:

- *ThinkStation Käyttöopas*

Tässä julkaisussa on tietoja tietokoneen asennuksesta, lisävarusteiden asennuksesta, ohjelmien elvytyksestä, asetusohjelman käytöstä, järjestelmäohjelmien päivityksestä ja vianmäärityksestä.

- *ThinkStation Laitteiston osien asennus- ja vaihto-opas*

Tässä julkaisussa on tietokoneen asiakkaan vaihdettavissa olevien osien (CRU:t) vaihtoon liittyvät vaiheittaiset ohjeet. CRU:t ovat tietokoneen osia, joita asiakas voi päivittää tai vaihtaa.

- *IBM Lotus -ohjelmistotarjousta koskeva lehtinen*

Voit tarkastella julkaisua napsauttamalla **Käynnistä**-painiketta, valitsemalla sen jälkeen vaihtoehdot **Kaikki ohjelmat** ja **Näyttökirjat** sekä napsauttamalla **Näyttökirjat**-vaihtoehtoa. Kaksoisnapsauta tietokonetta vastaavaa julkaisua. Julkaisut ovat saatavissa myös Lenovon Web-sivustossa osoitteessa <http://www.lenovo.com>.

Huomautuksia:

1. Nämä julkaisut ovat PDF (Portable Document Format) -muodossa, ja niiden lukeminen edellyttää Adobe Acrobat Reader -ohjelmaa. Jos tietokoneeseen ei ole asennettu Adobe Acrobat Reader -ohjelmaa ja yrität avata PDF-tiedoston, kuvaruutuun tulee sanoma, jonka avulla voit asentaa kyseisen ohjelman.
2. Tietokoneeseen esiasennetut ohjelmat ovat saatavissa muunkielisinä Lenovon tukisivustosta osoitteesta <http://www.lenovo.com/support/>.
3. Jos haluat asentaa Adobe Acrobat Reader -ohjelmasta muunkielisen version kuin mikä tietokoneen mukana on toimitettu, nouda haluamasi versio Adoben Web-sivustosta osoitteessa <http://www.adobe.com>.

ThinkVantage Productivity Center -ohjelma

ThinkVantage Productivity Center -ohjelman avulla löydät helposti tietolähteitä ja työkaluja, joiden avulla tietokoneen käyttö on helppoa ja turvallista ja joiden avulla voit pienentää kuluja ja parantaa tuottavuutta. ThinkVantage Productivity Center -ohjelman avulla voit ottaa tietokoneen käyttöön, opit ymmärtämään sen toimintaa ja tehostamaan sen käyttöä.

ThinkVantage Productivity Center -ohjelmassa on tietoja tietokoneesta, ja sen avulla on helppo käyttää esimerkiksi seuraavia tekniikoita:

- Rescue and Recovery -ohjelma
- Productivity Center -ohjelma
- Client Security Solutions -sovellus
- Factory Recovery -ohjelma
- System Update -ohjelma
- huolto- ja tukipalvelut.

Huomautus: ThinkVantage-tekniikat ovat saatavissa vain tiettyihin Lenovo-tietokoneisiin.

Voit aloittaa ThinkVantage Productivity Center -ohjelman napsauttamalla Windowsin työpöydän **Käynnistä**-painiketta ja valitsemalla vaihtoehdot **Kaikki ohjelmat**, **ThinkVantage** ja **Productivity Center**.

Access Help -ohjeisto

Käytönaikaisessa ohjeoiminnossa on tietoja käytön aloituksesta, perustehtävistä, asetusten mukautuksesta omien mieltymystesi mukaan, tietojen suojauksesta, tietokoneen ominaisuuksien laajennuksesta ja vianmäärityksestä.

Saat Access Help -ohjeiston esiin napsauttamalla Windowsin työpöydän **Käynnistä**-painiketta ja valitsemalla vaihtoehdot **Kaikki ohjelmat**, **ThinkVantage** ja **Productivity Center**. Kun olet avannut ohjeen, vasemmassa ruudussa voit valita Sisältö- tai Hakemisto-välilehden vaihtoehdoista. Voit myös hakea yksittäistä sanaa tai ilmausta syöttämällä sen Haku-välilehteen.

www.lenovo.com

Lenovon Web-sivustossa (www.lenovo.com) on paljon tietoja ja palveluja, joiden avulla voit ostaa tai päivittää tietokoneen ja ylläpitää sitä. Lenovon Web-sivulta saat käyttöösi uusimmat tietokoneen käyttöä koskevat tiedot. Web-sivustosta www.lenovo.com voit myös

- ostaa työpöytäkoneita, kannettavia tietokoneita, näyttöjä, projektoreita, tietokoneen päivityksiä ja lisävarusteita sekä erityistarjouksia
- hankkia maksullisia lisäpalveluja, kuten tukipalveluja laitteistoa varten, käyttöjärjestelmiä ja sovellusohjelmia varten, tukipalveluja verkkoasetusten ja verkkokokoonpanon määritystä varten ja mukautettuja asennuspalveluja
- hankkia päivityksiä ja laitteiston jatkettuja korjauspalveluja
- noutaa tietokonehallin uusimmat laiteajurit ja ohjelmistopäivitykset
- käyttää tuotteiden käytönaikaisia ohjeita
- lukea Lenovon takuehdot (rajoitettu takuu)
- käyttää tietokonehallin vianmääritys- ja tukitietoja sekä muita tuettuja tuotteita
- etsiä maasi tai alueesi huolto- ja tukipalvelujen puhelinnumeron
- etsiä lähimmän palveluntoimittajan.

Tietokoneen tunnistetietojen kirjaus

Tietokoneen tunnistetietojen kirjauksesta saattaa olla hyötyä, jos tietokonetta on huollatettava. Huoltopalvelu pyytää todennäköisesti näitä tietoja ennen huollon aloitusta.

Koneen tyyppi-, malli- ja sarjanumero näkyvät tietokoneessa olevassa tarrassa. Kirjoita nämä tiedot muistiin seuraavaan kohtaan.

Tuotteen nimi	_____
Tietokoneen tyyppi ja malli	_____
Sarjanumero (S/N)	_____
Ostopäivämäärä	_____

Voit rekisteröidä tietokoneesi Internetin välityksellä seuraavassa Web-sivustossa:

<http://www.lenovo.com/register>

Rekisteröimällä tietokoneesi saat

- nopean palvelun, kun soitat tukipalveluun
- automaattiset ilmoitukset maksuttomista ohjelmista ja erikoistarjouksista.

Lisätietoja tietokoneen rekisteröinnistä on Access Help -ohjelmassa. Kohdassa "Access Help -ohjeisto" sivulla 120 on ohjeita käytönaikaisen ohjetoiminnon aloittamiseksi.

Luku 3. Lenovon takuuehdot (rajoitettu takuu)

Tämä Lenovon Rajoitettu takuu koskee vain omaan käyttöön (ei jälleenmyyntiin) hankittuja Lenovo-laitetuotteita. Tähän takuuseen voidaan muissa Lenovon asiakirjoissa toisinaan viitata nimellä Takuuehdot (rajoitettu takuu).

Takuun laajuus

Lenovo takaa, että missään laitetuotteessa ei normaalissa käytössä ilmene materiaalivikoja tai työstä aiheutuneita vikoja takuuajana. Tuotteen takuuajaka alkaa laskussa mainittuna alkuperäisenä ostopäivänä, ellei Lenovo kirjallisesti toisin ilmoita. Tuotteeseen sovellettava takuuajaka ja takuuhuollon laji on nimetty jäljempänä kohdassa **Takuuta koskevat tiedot**.

TÄMÄ TAKUU KORVAA KAIKKI MUUT NIMENOMAISET TAI KONKLUDENTTISESTI (EPÄSUORASTI) ILMAISTUT TAKUUT TAI EHDOT, MUKAAN LUETTUNA KONKLUDENTTISESTI ILMAISTUT TAKUUT KAUPALLISESTA KÄYTTÖTARKOITUKSESTA JA SOPIVUUDESTA TIETTYYN KÄYTTÖTARKOITUKSEEN. JOS PAKOTTAVA LAINSÄÄDÄNTÖ EI SALLI NIMENOMAISEN TAI KONKLUDENTTISEN TAKUUN POISSULKEMISTA TAI RAJOITTAMISTA JOLTAKIN OSIN, KYSEINEN RAJOITUS EI KOSKE ASIAKASTA. TÄLLAISISSÄ TAPAUKSESSA TAKUITA SOVELLETAAN TAKUUAIKANA VAIN LAIN EDELLYTTÄMÄSSÄ LAAJUudessa. MITKÄÄN TAKUUT EIVÄT OLE VOIMASSA TÄMÄN TAKUUAJAN JÄLKEEN. JOS PAKOTTAVA LAINSÄÄDÄNTÖ EI SALLI KONKLUDENTTISESTI ILMAISTUN TAKUUN KESTON RAJOITTAMISTA, KYSEINEN RAJOITUS EI KOSKE ASIAKASTA.

Takuuhuollon saanti

Jos tuote ei toimi määrittystensä mukaisesti takuuajana, asiakkaan tulee tuotteen takuuhuollon saamiseksi ottaa yhteys Lenovoon tai valtuutettuun palveluntoimittajaan. Kaikista näistä tahoista käytetään nimitystä "Palveluntoimittaja". Luettelo Palveluntoimittajista puhelinnumeroineen on Internetissä osoitteessa www.lenovo.com/support/phone.

Takuuhuoltoa ei ehkä ole saatavana kaikissa maissa ja se saattaa vaihdella maittain. Tuotteen huollosta Palveluntoimittajan normaalin palvelualueen ulkopuolella saatetaan veloittaa maksu. Aluekohtaisia tietoja saa paikalliselta Palveluntoimittajalta.

Palveluntoimittajan toimet vikojen korjauksessa

Asiakkaan tulee yhteydenoton yhteydessä toteuttaa Palveluntoimittajan asiakkaalle esittämät vianmääritys- ja korjaustoimet.

Palveluntoimittaja yrittää toteuttaa vianmäärityksen ja ratkaista ongelman puhelimitse tai verkon välityksellä annettavan tuen avulla. Palveluntoimittaja saattaa pyytää noutamaan ja asentamaan ohjelmistopäivityksiä.

Jos vian korjaaminen edellyttää asiakkaan omatoimisesti vaihdettavissa olevan osan (Customer Replaceable Unit, CRU) vaihtoa (esimerkiksi näppäimistön, hiiren, kaiuttimen, muistimoduulin, kiintolevyaseman tai porttitoistimen vaihtoa), Palveluntoimittaja toimittaa kyseisen osan asiakkaalle, joka tekee asennuksen itse.

Jos vikaa ei pystytä poistamaan puhelimitse tai verkon välityksellä annettavan tuen avulla tai asiakkaan toteuttamien ohjelmistopäivitysten avulla tai siten, että asiakas vaihtaa itse CRU-osan, Palveluntoimittaja järjestää tuotteelle kohdassa **Takuuta koskevat tiedot** määritetyn takuuhuollon mukaisen huollon.

Jos Palveluntoimittaja ei kykene korjaamaan tuotetta, Palveluntoimittaja korvaa tuotteen toisella tuotteella, joka toimii vähintään alkuperäistä tuotetta vastaavalla tavalla.

Jos Palveluntoimittaja ei kykene korjaamaan tuotetta eikä korvaamaan sitä toisella tuotteella, asiakkaalla on oikeus palauttaa tuote ostopaikkaan tai Lenovolle, ja asiakkaalle palautetaan tuotteesta maksettu summa. Asiakkaalla ei ole oikeutta muihin korvauksiin.

Tuotteen tai sen osan vaihto

Jos takuuhuollossa vaihdetaan tuote tai sen osa, korvatusta tuotteesta tai osasta tulee Lenovon omaisuutta. Korvaavasta tuotteesta tai osasta tulee asiakkaan omaisuutta. Kaikkien irrotettujen osien tulee olla alkuperäisiä ja muuttamattomia. Korvaavat osat ovat hyvässä käyttökunnossa ja toiminnaltaan ainakin korvattujen veroisia, mutta eivät välttämättä uusia. Korvatun tuotteen tai osan jäljellä oleva takuu siirtyy korvaavalle tuotteelle tai osalle.

Ennen kuin Palveluntoimittaja vaihtaa tuotteen tai sen osan, asiakas sitoutuu

1. poistamaan kaikki sellaiset toiminnot, osat, lisävarusteet, muutokset ja liitännät, joita takuu ei koske
2. varmistamaan, etteivät mitkään sitoumukset tai rajoitukset estä tuotteen tai sen osan vaihtoa, ja
3. hankkimaan luvan huoltotoimiin tuotteen omistajalta, jos asiakas ei ole tuotteen omistaja.

Asiakkaan lisävelvollisuudet

Asiakas sitoutuu tekemään seuraavat toimet soveltuvin osin ennen huoltoa:

1. Asiakas toteuttaa Palveluntoimittajan ehdottamat huoltotoimet.
2. Asiakas varmistuskopioi tai suojaa kaikki tuotteessa olevat ohjelmat ja tiedot.
3. Asiakas toimittaa Palveluntoimittajalle kaikki järjestelmäavaimet tai salasanat sekä takaa Palveluntoimittajalle riittävän, vapaan ja turvallisen pääsyn asiakkaan tiloihin, jotta tämä pystyy täyttämään takuuehtojen mukaiset velvollisuutensa.
4. Asiakas sitoutuu poistamaan tuotteesta kaikki henkilöiden tunnistustiedot ja tiedot, joiden perusteella henkilö voidaan tunnistaa ("Henkilötiedot"), tai varmistamaan, että Henkilötiedot, jotka asiakas on jättänyt poistamatta tuotteesta, ovat sovellettavan lainsäädännön mukaisia.

Henkilötietojen käyttö

Kun asiakas pyytää tämän takuun mukaista huoltopalvelua, Lenovo tallentaa, käyttää ja käsittelee takuun piiriin kuuluvaa vikaa koskevia tietoja sekä asiakkaan yhteystietoja, joita ovat esimerkiksi nimi, puhelinnumerot, osoite ja sähköpostiosoite. Lenovo käyttää näitä tietoja tämän takuun mukaisen huoltopalvelun toimittamiseksi sekä asiakkaan ja Lenovon välisen liikesuhteen parantamiseksi (esimerkiksi sisäiset tarkastukset, joiden tarkoituksena on seurata asiakkaalle toimitettavan takuuhuoltopalvelun tehokkuutta). Lenovo saattaa ottaa yhteyttä asiakkaaseen tehdessään asiakastyytyväisyyskyselyä Lenovon takuuhuoltopalvelusta tai ilmoittaakseen asiakkaalle tuotteiden myynnistä poistamisesta tai turvallisuutta vaarantavista vioista. Lenovo voi myös luovuttaa näitä tietoja kaikkiin maihin, joissa Lenovolla on yritystoimintaa, sekä tahoille, jotka toimivat edellä mainituissa tarkoituksissa Lenovon toimeksiannosta. Lenovo voi myös luovuttaa näitä tietoja, jos lainsäädäntö tai viranomaiset edellyttävät sitä.

Takuunrajoitus

Takuu ei kata

- sitä, että tuote toimii keskeytyksettä tai virheettömästi
- tietojen häviämistä tai vahingoittumista
- tuotteen mukana toimitettuja tai myöhemmin asennettuja ohjelmia
- tuotteen vahingoittumista tai vikaa, joka johtuu väärästä käytöstä, onnettomuudesta, tuotteen muuttamisesta, sopimattomasta fyysisestä ympäristöstä, luonnonmullistuksesta, virtapiikistä tai asiakkaan virheellisistä huoltotoimista
- kolmannen osapuolen valmistamia tuotteita (esimerkiksi tuotteita, jotka Lenovo on asiakkaan pyynnöstä toimittanut, hankkinut tai yhdistänyt Lenovon tuotteeseen)

- teknistä tai muuta tukea, kuten apua asiakkaan tuotteen käyttöä, kokoonpanoa ja asennusta koskeviin kysymyksiin.

Tämä takuu mitätöityy, jos tuotteen tai sen osien tunnistemerkintöjä on poistettu tai muutettu.

Vastuunrajoitus

Lenovo on vastuussa tuotteen katoamisesta tai vahingoittumisesta vain 1) sinä aikana, kun tuote on Palveluntoimittajan hallussa ja 2) kuljetuksen aikana, jos Palveluntoimittaja vastaa kuljetuksesta.

Lenovo tai Palveluntoimittaja ei ole vastuussa tuotteen sisältämistä tiedoista, kuten luottamuksellisista tai asiakkaan omistamista tiedoista tai henkilötiedoista. Asiakkaan tulee poistaa ja/tai varmistuskopioida kaikki tällaiset tiedot tuotteesta ennen tuotteen huoltoa tai palautusta.

Joissakin tilanteissa asiakkaalla saattaa olla oikeus vaatia Lenovolta vahingonkorvausta Lenovon sopimusrikkomuksen tai muun vahingonkorvausvastuun perusteella. Lenovon vastuu ja asiakkaan oikeus vahingonkorvaukseen on kaikissa tapauksissa, lakisääteisiä vastuita lukuun ottamatta, rajoitettu ainoastaan toteutuneisiin suoriin vahinkoihin siten, että korvauksen enimmäismäärä on tuotteesta maksettu maksu. Tämä enimmäismäärä ei koske korvauksia henkilövahingoista (mukaan lukien kuolemantapaus) eikä kiinteään ja irtaimeen omaisuuteen kohdistuneista vahingoista, joista Lenovolla on lakisääteinen vastuu.

Tämä enimmäismäärä koskee myös Lenovon toimittajia ja jälleenmyyjiä ja asiakkaan käyttämää Palveluntoimittajaa. Korvauksen enimmäismäärä kattaa kaikki mahdolliset korvaukset joko Lenovolta, sen toimittajilta ja jälleenmyyjiltä tai käytettävältä Palveluntoimittajalta.

LENOVO, SEN TOIMITTAJAT JA JÄLLEENMYYJÄT SEKÄ PALVELUNTOIMITTAJAT EIVÄT VASTAA MISSÄÄN TAPAUKSESSA SEURAAVISTA VAHINGOISTA, VAIKKA LENOVOLLE TAI SEN TOIMITTAJILLE TAI JÄLLEENMYYJILLE TAI PALVELUNTOIMITTAJILLE OLISI ILMOITETTU TÄLLÄISEN VAHINGON MAHDOLLISUUDESTA: 1) KOLMANNEN OSAPUOLEN ASIAKKAASEEN KOHDISTAMISTA KORVAUSVAATEISTA, 2) ASIAKKAAN TIETOJEN HÄVIÄMISESTÄ TAI VAHINGOITTUMISESTA TAI 3) ERITYISISTÄ, EPÄSUORISTA TAI VÄLILLISISTÄ VAHINGOISTA TAI VÄLILLISISTÄ TALOUDELLISISTA VAHINGOISTA, KUTEN SAAMATTA JÄÄNEISTÄ VOITOISTA JA LIIKETULOISTA TAI MENETETYISTÄ GOODWILL-ARVOISTA TAI SÄÄSTÖISTÄ. JOS PAKOTTAVA LAINSÄÄDÄNTÖ EI SALLI VAHINGONKORVAUSVELVOLLISUUDEN RAJOITTAMISTA JOILTAKIN OSIN, KYSEINEN RAJOITUS EI KOSKE ASIAKASTA.

Kiistojen ratkaisu

Jos tuote on hankittu **Kambodzassa, Indonesiassa, Filippiineillä, Vietnamissa tai Sri Lankassa**, tämän takuun ehtoja koskevat kiistat ratkaistaan välimiesmenettelyllä Singaporessa, ja takuun ehtojen tulkinnassa ja toimeenpanossa sovelletaan Singaporen lakeja huolimatta keskenään ristiriitaisten lakien soveltamista koskevista periaatteista. Jos tuote on hankittu **Intiassa**, takuun ehtoja koskevat kiistat ratkaistaan välimiesmenettelyllä Bangaloreessa Intiassa. Singaporessa käytävä välimiesmenettely toteutetaan Singaporen kansainvälisen välityslautakunnan (Singapore International Arbitration Center, SIAC) senhetkisten sääntöjen ("SIAC Rules") mukaisesti. Intiassa käytävä välimiesmenettely toteutetaan Intian voimassa olevien lakien mukaisesti. Molempia sopijapuolia koskeva välitystuomio on lopullinen ja sitova, eikä sopijapuolilla ole valitusoikeutta. Välitystuomio on annettava kirjallisena, ja siinä on esitettävä todetut seikat ja lain nojalla tehdyt päätökset. Välimiesmenettely on käytävä englannin kielellä; myös kaiken menettelyssä esitettävän aineiston on oltava englanninkielistä. Näiden takuuehtojen englanninkielinen versio syrjäyttää välimiesmenettelyssä kaikki takuuehtojen muunkieliset versiot.

Muut oikeudet

TÄMÄ TAKUU ANTAA ASIAKKAALLE TIETYT OIKEUDET. ASIAKKAALLA VOI OLLA MYÖS MUITA OIKEUKSIA, JOTKA VOIVAT OLLA ERILAISIA ERI MAIDEN LAINSÄÄDÄNNÖSSÄ TAI JOTKA PERUSTUVAT ASIAKKAAN JA LENOVOON KESKENÄÄN SOLMIMAAN KIRJALLISEEN SOPIMUKSEEN. MILLÄÄN TÄMÄN TAKUUN EHDOISTA EI OLE VAIKUTUSTA PAKOLLISESSA LAINSÄÄDÄNNÖSSÄ, KUTEN KULUTTAJANSUOJALAISSA, MÄÄRITELTYIHIN OIKEUKSIIN.

Euroopan talousalue (ETA)

Euroopan talousalueella asuvat asiakkaat voivat ottaa yhteyden Lenovoon osoitteessa: Lenovo Warranty & Service Quality Dept., PO Box 19547, Inverkip Road, Greenock, Scotland PA16 9WX. Tämän takuun ehtojen mukaista huoltopalvelua on saatavana ETA-maassa hankituille Lenovo-laitetuotteille niissä ETA-maissa, joissa Lenovo on tuotteen julkistanut ja myy sitä.

Tämän Lenovon rajoitetun takuun (Lenovo Limited Warranty) muunkieliset versiot ovat käytettävissä osoitteessa www.lenovo.com/warranty.

Takuutietoja

Tietokoneen tyyppi	Hankintamaa tai -alue	Takuuaika	Takuuhuollon lajit
6423	Yhdysvallat, Kanada, Latinalainen Amerikka, Brasilia, Eurooppa, Lähi-itä, Afrikka, Australia, Uusi-Seelanti, Singapore, Intia, Malesia, Thaimaa, Indonesia, Filippiinit, Vietnam, Brunei, Sri Lanka, Bangladesh, Korea, Kiinan kansantasavalta, Hongkong (Kiinan erityishallintoalue), Taiwan	Osat ja työ - 3 vuotta	1 ja 2
	Japani	Osat ja työ - 1 vuosi	1 ja 3
6427	Yhdysvallat, Kanada, Latinalainen Amerikka, Brasilia, Eurooppa, Lähi-itä, Afrikka, Australia, Uusi-Seelanti, Singapore, Intia, Malesia, Thaimaa, Indonesia, Filippiinit, Vietnam, Brunei, Sri Lanka, Bangladesh, Korea, Kiinan kansantasavalta, Hongkong (Kiinan erityishallintoalue), Taiwan	Osat ja työ - 3 vuotta	1 ja 2
	Japani	Osat ja työ - 1 vuosi	1 ja 3
6483	Yhdysvallat, Kanada, Latinalainen Amerikka, Brasilia, Lähi-itä, Afrikka, Australia, Uusi-Seelanti, Singapore, Intia, Malesia, Thaimaa, Indonesia, Filippiinit, Vietnam, Brunei, Sri Lanka, Bangladesh, Korea, Kiinan kansantasavalta, Hongkong (Kiinan erityishallintoalue), Taiwan	Osat ja työ - 3 vuotta	1 ja 2
	Japani	Osat ja työ - 1 vuosi	1 ja 3
6493	Yhdysvallat, Kanada, Latinalainen Amerikka, Brasilia, Lähi-itä, Afrikka, Australia, Uusi-Seelanti, Singapore, Intia, Malesia, Thaimaa, Indonesia, Filippiinit, Vietnam, Brunei, Sri Lanka, Bangladesh, Korea, Kiinan kansantasavalta, Hongkong (Kiinan erityishallintoalue), Taiwan	Osat ja työ - 3 vuotta	1 ja 2
	Japani	Osat ja työ - 1 vuosi	1 ja 3

Palveluntoimittaja tarjoaa tarvittaessa huolto- tai vaihtotyötä saatavilla olevasta palvelusta riippuen ja sen mukaan, minkä tyyppinen takuuhuolto tuotteelle on määritelty. Huollon ajankohta määräytyy asiakkaan yhteydenoton ajankohdan, osien saatavuuden ja muiden seikkojen perusteella.

Kolmen vuoden takuu osille ja yhden vuoden takuu työlle tarkoittaa, että Lenovo antaa maksutonta takuuhuoltoa

a. osille ja työlle takuun ensimmäisen vuoden ajan (tai tätä pidempään, jos laki niin vaatii)

b. vain osille (osien vaihto) takuun toisena ja kolmantena vuonna. Asiakkaan käyttämä Palveluntoimittaja laskuttaa kaikesta tehdystä huolto- ja vaihtotyöstä takuun toisena ja kolmantena vuonna.

Takuuhuollon lajit

1. Asiakkaan vaihdettavissa olevaa osaa ("CRU") koskeva palvelu

Asiakkaan vaihdettavissa olevan osan (CRU) vaihtopalvelussa Palveluntoimittaja toimittaa asiakkaan vaihdettavissa olevat osat asiakkaalle, joka tekee asennuksen itse. Useimmat CRU-osat on helppo asentaa, kun taas joidenkin osien asennus edellyttää jonkin verran teknistä osaamista ja tiettyjä työkaluja. Asiakkaan vaihdettavissa olevaa osaa koskevat tiedot ja asennusohjeet toimitetaan tuotteen mukana. Ne voi myös pyytää Lenolta milloin tahansa. Asiakas voi pyytää Palveluntoimittajaa asentamaan joitakin CRU-osia, jos tuotteelle on määritelty jokin muista takuuhuoltopalvelujen tyypeistä. Ulkoisten CRU-osien (esimerkiksi hiiren, näppäimistöjen ja näyttimien) asennus on asiakkaan vastuulla. Lenovo määrittää vaihto-osan mukana toimitetussa aineistossa, tuleeko viallinen osa palauttaa. Jos palautusta edellytetään, 1) vaihto-osan mukana toimitetaan palautusohjeet, etukäteen maksettu palautuslähetystarra ja kuljetuspakkaus ja 2) asiakkaalta saatetaan veloittaa maksu vaihto-osasta, jos asiakas ei palauta viallista osaa Palveluntoimittajalle kolmenkymmenen (30) päivän kuluessa vaihto-osan vastaanotosta.

2. Huolto asiakkaan tiloissa

Huolto asiakkaan tiloissa -palvelussa Palveluntoimittaja korjaa viallisen tuotteen tai vaihtaa sen toiseen tuotteeseen asiakkaan tiloissa. Asiakkaan tulee tarjota huoltohenkilöille sopiva työskentelytila, jossa nämä voivat purkaa ja koota Lenovon tuotteen. Joissakin tuotetyypeissä tietyt korjaustoimet saattavat edellyttää, että Palveluntoimittaja lähettää tuotteen nimettyyn korjauskeskukseen.

3. Kuljetuspalvelu tai korjauskeskuksessa annettava palvelu

Kuljetuspalvelu tai korjauskeskuksessa annettava palvelu tarkoittaa, että asiakkaan tuote korjataan tai vaihdetaan toiseen tuotteeseen ilmoitetussa korjauskeskuksessa ja että Palveluntoimittaja järjestää kuljetuksen. Asiakkaan vastuulla on kytkeä tuote irti. Asiakkaalle toimitetaan kuljetuspakkaus, johon asiakas pakkaa tuotteen ilmoitettuun korjauskeskukseen tapahtuvaa lähetystä

varten. Kuljetuspalvelu noutaa tuotteen ja toimittaa sen ilmoitettuun korjauskeskukseen. Korjauskeskus järjestää korjatun tai korvaavan tuotteen palautuksen asiakkaalle.

4. Asiakkaan toteuttama kuljetus tai postikuljetus

Asiakkaan toteuttama kuljetus tai postikuljetus tarkoittaa, että asiakkaan tuote korjataan tai vaihdetaan toiseen tuotteeseen ilmoitetussa korjauskeskuksessa ja että asiakas järjestää kuljetuksen. Asiakas toimittaa tai postittaa sopivalla tavalla pakkaamansa viallisen tuotteen Palveluntoimittajan määrittämällä tavalla Palveluntoimittajan ilmoittamaan paikkaan. Asiakas vastaa kuljetuskustannuksista, jollei toisin ilmoiteta. Asiakas noutaa korjatun tai korvaavan tuotteen. Jos asiakas ei nouda tuotetta, Palveluntoimittaja voi menetellä sen suhteen haluamallaan tavalla. Postikuljetusta käytettäessä tuote palautetaan asiakkaalle Lenovon kustannuksella, jollei Palveluntoimittaja toisin ilmoita.

Meksikoa koskevat lisätakuuehdot

Näiden lisätakuuehtojen katsotaan olevan osa Lenovon rajoitetun takuun ehtoja, ja nämä ehdot koskevat ainoastaan Meksikon yhdysvaltain alueella kaupallisesti jaeltavia ja myytäviä tuotteita. Jos rajoitetun takuun ehdot ja nämä lisäehdot ovat keskenään ristiriitaiset, sovelletaan näitä lisätakuuehtoja.

Kaikilla laitteistoon esiasennetuilla ohjelmilla on asennusvikoja koskeva takuu vain 30 päivän ajan laitteen hankintapäivästä laskettuna. Lenovo ei vastaa tällaisissa ohjelmissa olevista tiedoista ja/tai käyttäjän asentamissa ohjelmissa tai tuotteen oston jälkeen asennetuissa ohjelmissa olevista tiedoista.

Takuun piiriin kuulumattomat palvelut laskutetaan käyttäjältä ennalta pyydetyn suostumuksen perusteella.

Jos tarvitset takuuhuoltopalveluja, soita asiakastukikeskuksen (Customer Support Center) palvelunumeroon 001 866 434 2080. Puhelu ohjataan edelleen lähimpään valtuutettuun huoltopalvelukeskukseen (Authorized Service Center). Jos sijaintipaikkasi tai 70 kilometrin säteellä siitä ei ole valtuutettua huoltopalvelukeskusta, takuu kattaa kaikki kohtuulliset kuljetusmaksut, jotka aiheutuvat tuotteen kuljetuksesta lähimpään valtuutettuun huoltopalvelukeskukseen. Ota yhteys lähimpään valtuutettuun huoltopalvelukeskukseen ja pyydä tuotteen kuljetukseen tarvittavat hyväksynnät tai kuljetukseen liittyvät tiedot sekä osoite, johon tuote on kuljetettava.

Valtuutettujen palvelukeskusten luettelo on osoitteessa

<http://www.lenovo.com/mx/es/servicios>

Valmistaja:

SCI Systems de México, S.A. de C.V.
Av. De la Solidaridad Iberoamericana No. 7020
Col. Club de Golf Atlas
El Salto, Jalisco, México
C.P. 45680,
Puh: 01 800 367 6900.

Markkinoija:

Lenovo de México, Comercialización y
Servicios, S. A. de C. V.
Alfonso Nápoles Gándara No 3111
Parque Corporativo de Peña Blanca
Delegación Álvaro Obregón
México, D.F., México
C.P. 01210,
Puh: 01 80000 32500

Luku 4. Maakohtaiset puhelinnumerot

Maa tai alue	Puhelinnumero
Afrikka	Afrikka: +44 (0) 1475 555 055 Etelä-Afrikka: +27 11 302 8888 ja 0800 110 756 Keski-Afrikka: Ota yhteys lähimpään Lenovon yhteistyökumppaniin
Alankomaat	+31 20 514 5770 (hollanti)
Argentiina	0800 666 0011 (espanja)
Australia	1300 880 917 (englanti)
Belgia	Käyttöönoton tuki: 02 210 9820 (hollanti) Käyttöönoton tuki: 02 210 9800 (ranska) Takuuhuoltopalvelut ja tuki: 02 225 3611 (hollanti, ranska)
Bolivia	0800 0189 (espanja)
Brasilia	Sao Paulon alue: (11) 3889 8986 Sao Paulon alueen ulkopuolella: 0800 701 4815 (Brasilian portugali)
Brunei	801 1041
Chile	1 800 224 488 (espanja)
Costa Rica	0 800 011 1029 (espanja)
Dominikaaninen tasavalta	1866 434 2080 (espanja)
Ecuador	1 800 426 911 (espanja)
El Salvador	800 6264 (espanja)
Espanja	91 714 7983 0901 100 000 (espanja)
Filippiinit	1800 1601 0033
Guatemala	1800 624 0051 (espanja)
Honduras	Tegucigalpa: 232 4222 San Pedro Sula: 552 2234 (espanja)
Indonesia	001 803 606 282
Intia	1800 425 6666 +91 80 2678 8970 (englanti)
Irlanti	Käyttöönoton tuki: 01 815 9202 Takuuhuoltopalvelut ja tuki: 01 881 1444 (englanti)

Maa tai alue	Puhelinnumero
Iso-Britannia	Käyttöönoton tuki: 01475 555 055 Takuuhuoltopalvelut ja tuki: 08705 500 900 (englanti)
Israel	Givat Shmuelin palvelukeskus: +972 3 531 3900 Haifan palvelukeskus: +972 4 849 4608 (heprea, englanti)
Italia	Käyttöönoton tuki: 02 7031 6101 Takuuhuoltopalvelut ja tuki: +39 800 820 094 (italia)
Itävalta	Käyttöönoton tuki: 01 24592 5901 Takuuhuoltopalvelut ja tuki: 01 211 454 610 (saksa)
Japani	Pöytätiетokoneet: 0120 000 817 Kannettavat tietokoneet: 0570 064 400
Kanada	Toronto: 416 383 3344 Toronton ulkopuolelta soittaessa: 1 800 565 3344 (englanti, ranska)
Kiina (Hongkongin erityishallintoalue)	Kannettavat tietokoneet: 852 2516 3919 Pöytätiетokoneet: 800 938 008 (kantoninkiina, englanti tai mandariinkiina)
Kiina (Macaon erityishallintoalue)	Kannettavat tietokoneet: 0800 689 Pöytätiетokoneet: 0800 686 (kantoninkiina, englanti tai mandariinkiina)
Kolumbia	1 800 912 3021 (espanja)
Korea	1588 6782 (korea)
Kreikka	+30 210 680 1700
Kroatia	0800 0426
Kypros	+357 2284 1100
Latvia	+371 707 0360
Liettua	+370 5 278 6600
Luxemburg	+352 298 977 5063 (ranska)
Lähi-itä	+44 (0) 1475 555 055
Malesia	1800 88 1889
Malta	+356 2144 5566
Meksiko	001 866 434 2080 (espanja)
Nicaragua	001 800 220 1830 (espanja)
Norja	Käyttöönoton tuki: 6681 1100 Takuuhuoltopalvelut ja tuki: 8152 1550 (norja)
Panama	Maksuton palvelunumero: 001 866 434 2080 (espanja)

Maa tai alue	Puhelinnumero
Peru	0800 50866 (espanja)
Portugali	+351 21 892 7147 (portugali)
Puola	+48 228 786 999
Ranska	Käyttöönoton tuki: 0238 557 450 Takuuhuoltopalvelut ja tuki (laitteistot): 0810 631 213 Takuuhuoltopalvelut ja tuki (ohjelmistot): 0810 631 020 (ranska)
Romania	+4 021 224 4015
Ruotsi	Käyttöönoton tuki: 08 477 4420 Takuuhuoltopalvelut ja tuki: 077 117 1040 (ruotsi)
Saksa	Käyttöönoton tuki: 07032 154 9201 Takuuhuoltopalvelut ja tuki: 01805 253 558 (saksa)
Singapore	800 6011 343
Slovakia	+421 2 4954 5555
Slovenia	+386 1479 6699
Sri Lanka	+94 11 249 3523 (englanti)
Suomi	Käyttöönoton tuki: 09 459 6960 Takuuhuoltopalvelut ja tuki: +358 800 14260 (suomi)
Sveitsi	Käyttöönoton tuki: 058 333 0900 Takuuhuoltopalvelut ja tuki: 0800 555 454 (saksa, ranska ja italia)
Taiwan	0800 000 701 (mandariinikiina)
Tanska	Käyttöönoton tuki: 4520 8200 Takuuhuoltopalvelut ja tuki: 7010 5150 (tanska)
Thaimaa	1 800 060 066 (thai)
Tsekin tasavalta	+420 272 131 316
Turkki	00800 4463 2041 (turkki)
Unkari	+36 1382 5720
Uruguay	000 411 005 6649 (espanja)
Uusi-Seelanti	0800 777 217 (englanti)
Venezuela	0800 100 2011 (espanja)
Venäjä	+7 495 940 2000 (venäjä)
Vietnam	Pohjoinen alue ja Hanoi: 844 843 6675 Eteläinen alue ja Ho Chi Minh: 848 829 5160 (englanti, vietnam)
Viro	+372 67 767 934

Maa tai alue	Puhelinnumero
Yhdysvallat	1800 426 7378 (englanti)

Luku 5. Asiakkaan vaihdettavissa olevat osat

CRU:t (Customer Replaceable Units) ovat tietokoneen osia, joita asiakas voi päivittää tai vaihtaa. CRU-osia on kahdenlaisia: sisäisiä ja ulkoisia. Ulkoiset CRU-osat on helppo asentaa, kun taas sisäisten CRU-osien asennuksessa tarvitaan jonkin verran teknistä taitoa ja joissakin tapauksissa myös työkaluja, kuten ruuvitalttaa. Asiakas voi kuitenkin irrottaa sisäisiä ja ulkoisia osia turvallisesti. Sisäisiä asiakkaan vaihdettavissa olevia osia voi irrottaa ja asentaa asiakas tai takuuajana Lenovon huoltoteknikko.

Asiakas on vastuussa kaikkien ulkoisten asiakkaan vaihdettavissa olevien osien vaihdosta.

Tietokoneissa on ulkoisia ja sisäisiä CRU-osia. Ulkoiset CRU-osat sijaitsevat tietokoneen ulkopuolella. Ulkoisia CRU-osia ovat esimerkiksi näppäimistö, hiiri, USB-laitteet ja verkkojohto. Sisäisiä CRU-osia ei voi poistaa avaamatta ensin tietokoneen koteloa. Sisäisiä CRU-osia ovat esimerkiksi muistimoduulit, optiset asemat, sovitinkortit ja virtalähde.

*Käyttöoppaassa ja Laitteiston osien asennus- ja vaihto-oppaassa on ohjeita asiakkaan vaihdettavissa olevien sisäisten ja ulkoisten osien vaihtoon. Taulukko 2 sivulla 138 sisältää tietoja siitä, missä julkaisussa tarvittavat ohjeet ovat. Voit tarkastella julkaisua napsauttamalla Käynnistä-painiketta ja valitsemalla sen jälkeen vaihtoehdot **Kaikki ohjelmat** ja **Näyttökirjat** ja napsauttamalla **Näyttökirjat**-vaihtoehtoa. Kaksoisnapsauta haluamasi julkaisun nimeä.*

Julkaisut ovat saatavissa myös Lenovon Web-sivustossa osoitteessa <http://www.lenovo.com>.

Huomautus: Käytä vain Lenovon toimittamia osia. Luku 3, "Lenovon takuehdot (rajoitettu takuu)", sivulla 123 sisältää laitteen tyyppin mukaisten CRU-osien takuuta koskevia tietoja.

Taulukko 1. Ulkoisten CRU-osien taulukko.

Luettelo konetyypeistä: 6423, 6427, 6483, 6493	Käyttöopas	Laitteiston osien asennus- ja vaihto-opas
Ulkoiset CRU-osat		
Näppäimistö	X	X
Hiiri	X	X
Verkkojohto	X	

Taulukko 2. Sisäisten CRU-osien taulukko.

Luettelo konetyypeistä: 6423, 6427, 6483, 6493	Käyttöopas	Laitteiston osien asennus- ja vaihto-opas
Sisäiset CRU-osat		
Kiintolevyasema		X
Muisti		X
Sovitinkortti		X
Sisäiset kaiuttimet		X
Optinen asema		X
Levykeasema		X
Virtalähde		X
Järjestelmätuulettimet		X
Jäähdytyslevy		X
Tuulettimet		X
Etuosan USB-portti		X
CMOS-paristo		X
Sarjaportti		X

Luku 6. Huomioon otettavaa

Lenovo ei ehkä tarjoa tässä julkaisussa mainittuja koneita, palveluja ja ominaisuuksia kaikissa maissa. Saat lisätietoja Suomessa saatavana olevista koneista, ohjelmista ja palveluista Lenovon paikalliselta edustajalta. Viittaukset Lenovon koneisiin, ohjelmiin ja palveluihin eivät tarkoita sitä, että vain näitä tuotteita voidaan käyttää. Niiden asemesta on mahdollista käyttää mitä tahansa toiminnaltaan vastaavaa konetta, ohjelmaa tai palvelua, joka ei loukkaa Lenovon tekijänoikeutta tai muita lailla suojattuja oikeuksia. Haluttaessa käyttää yhdessä tämän tuotteen kanssa muita tuotteita, ohjelmia ja palveluja on niiden käytön arviointi ja tarkistus käyttäjän omalla vastuulla.

Lenovolla voi olla patenteja tai patenttihakemuksia, jotka koskevat tässä julkaisussa esitettyjä asioita. Tämän julkaisun hankinta ei anna mitään lisenssiä näihin patenteihin. Kirjallisia tiedusteluja voi tehdä osoitteeseen

Lenovo (United States), Inc.

1009 Think Place - Building One

Morrisville, NC 27560

U.S.A.

Attention: Lenovo Director of Licensing

LENOVO TARJOAA TÄMÄN JULKAISUN "SELLAISENAAN" ILMAN MITÄÄN NIMENOMAISESTI TAI KONKLUDENTTISESTI MYÖNNETTYÄ TAKUUTA, MUKAAN LUETTUINA TALOUDELLISTA HYÖDYNNETÄVYYTTÄ, SOPIVUUTTA TIETTYYN TARKOITUKSEEN JA OIKEUKSIEN LOUKKAAMATTOMUUTTA KOSKEVAT KONKLUDENTTISESTI ILMAISTUT TAKUUT. Joidenkin maiden lainsäädäntö ei salli nimenomaisesti tai konkludenttisesti myönnettyjen takuiden rajoittamista, joten edellä olevaa rajoitusta ei sovelleta näissä maissa.

Tämä julkaisu voi sisältää teknisiä epätarkkuuksia ja painovirheitä. Julkaisun tiedot tarkistetaan säännöllisin väliajoin ja tarpeelliset muutokset tehdään julkaisun uusiin painoksiin. Lenovo saattaa tehdä parannuksia tai muutoksia tässä julkaisussa kuvattuihin tuotteisiin ja ohjelmiin milloin tahansa ilman ennakoilmoitusta.

Tässä julkaisussa kuvattuja tuotteita ei ole tarkoitettu käytettäväksi implantaatio-ovelluksissa tai muissa elintoimintoja ylläpitävissä sovelluksissa, joissa toimintahäiriö saattaa aiheuttaa henkilövahingon tai kuoleman. Tämän julkaisun sisältämät tiedot eivät vaikuta Lenovon tuotteiden määrittäisiin (spesifikaatioihin) tai takuisiin eivätkä muuta niitä. Mikään tässä julkaisussa oleva lausuma ei sisällä nimenomaisesti tai konkludenttisesti ilmaista Lenovon tai kolmannen osapuolen aineetonta oikeutta koskevaa lisenssiä, sitoumusta tai näiden loukkauksien varalta annettua suojausta. Kaikki tämän

julkaisun tiedot perustuvat erityisympäristöissä saatuihin tuloksiin, ja ne esitetään esimerkkeinä. Muissa käyttöympäristöissä voidaan saada erilaisia tuloksia.

Lenovo pidättää itsellään oikeuden käyttää ja jakaa palautteena näin saamiaan tietoja parhaaksi katsomallaan tavalla, niin että siitä ei aiheudu lähettäjälle mitään velvoitteita.

Tässä julkaisussa olevat viittaukset muuhun kuin Lenovon Web-sivustoon eivät ole osoitus siitä, että Lenovo millään tavoin vastaisi kyseisen Web-sivuston sisällöstä tai käytöstä. Kyseisten Web-sivustojen sisältämä aineisto ei sisälly tähän Lenovo-tuotteeseen tai sitä koskevaan aineistoon. Sivustojen käyttö on käyttäjän omalla vastuulla.

Kaikki julkaisun sisältämät suorituskykytiedot on määritetty testiympäristössä. Suorituskyky muissa toimintaympäristöissä saattaa poiketa merkittävästi ilmoitetuista arvoista. Osa mittauksista on saatettu tehdä kehitteillä olevissa järjestelmissä, eikä mikään takaa, että tulokset ovat samanlaiset yleisesti saatavana olevissa järjestelmissä. Lisäksi osa mittaustuloksista on saatettu saada ekstrapolaation avulla. Todelliset mittaustulokset voivat poiketa ilmoitetuista arvoista. Julkaisun käyttäjien tulee tarkistaa tietojen soveltuvuus omassa erityisympäristössään.

Television käyttöön liittyvä huomautus

Seuraava huomautus koskee malleja, joissa on valmiiksi asennettuna TV-näyttötoiminto.

Tämä tuote sisältää kopiointisuoja-tekniikkaa, joka on suojattu tietyillä Yhdysvalloissa rekisteröidyillä patenteilla sekä yleisellä tekijänoikeussuojalla. Tekijänoikeuden omistavat Macrovision Corporation ja muut oikeudenomistajat. Macrovisionin kopiointisuoja-tekniikan käyttö edellyttää Macrovision Corporationin lupaa ja on tarkoitettu ainoastaan kotona tapahtuvaan ja muuhun pienimuotoiseen käyttöön. Muunlaiseen käyttöön tarvitaan Macrovisionin suostumus. Koodin takaisinkääntäminen ja purkaminen on kielletty.

Tavaramerkit

Lenovo, Lenovon logo, Rescue and Recovery, ThinkCentre, ThinkVantage ja ThinkStation ovat Lenovo Corporationin tavaramerkkejä Yhdysvalloissa ja muissa maissa.

IBM on International Business Machines Corporationin tavaramerkki Yhdysvalloissa ja muissa maissa.

Muut yritysten, tuotteiden tai palvelujen nimet voivat olla muiden yritysten tavaramerkkejä.

Tietoja sähkömagneettisesta säteilystä

Seuraavat tiedot liittyvät Lenovon PC-tietokoneiden tyyppeihin 6423, 6427, 6483 ja 6493.

Lausuma FCC (Federal Communications Commission) -säännösten mukaisuudesta

Tämä laite on testattu ja sen on todettu täyttävän FCC Rules -säännösten osassa Part 15 luokan B digitaalisille laitteille asetetut vaatimukset. Luokan B laitteet antavat kohtuullisen suojan häiriöitä vastaan asuinympäristössä tehdyssä asennuksessa. Tämä laite tuottaa, käyttää ja mahdollisesti säteilee radiotaajuista energiaa. Jos laitetta ei asenneta sen mukana toimitettujen ohjeiden mukaisesti, se saattaa aiheuttaa häiriöitä radioyhteyksiin. Minkään tietyn asennuksen häiriöttömyyttä ei kuitenkaan voida taata. Jos tämä laite aiheuttaa häiriöitä radio- tai televisiovastaanottiin (tämän voi todeta katkaisemalla laitteen virran ja kytkemällä sen uudelleen), seuraavat toimet saattavat poistaa häiriöitä:

- Vastaanottimen antennin uudelleensuuntaus tai siirto toiseen paikkaan.
- Vastaanottimen ja häiriön aiheuttavan laitteen siirtäminen kauemmaksi toisistaan.
- Häiriön aiheuttavan laitteen verkkojohdon kytkeminen eri pistorasiaan kuin vastaanottimen.
- Lisäohjeita saa valtuutetuilta jälleenmyyjiltä ja huoltoedustajilta.

Lenovo ei ole vastuussa mistään radio- tai televisio liikenteen häiriöistä, jotka aiheutuvat muiden kuin suositeltujen kaapelien tai liittimien käytöstä tai laitteeseen tehdyistä luvattomista muutoksista. Luvattomat laitteeseen tehdyt muutokset saattavat mitätöidä käyttäjän oikeuden käyttää laitetta.

Tämä laite on FCC Rules -säännösten osan Part 15 määräysten mukainen. Laitteen toiminta on seuraavien ehtojen alainen: (1) laite ei saa aiheuttaa häiriöitä ja (2) laitteen tulee sietää häiriöitä, mukaan lukien häiriöt, jotka voivat aiheuttaa laitteen toimintahäiriöitä.

Yhdenmukaisuuden on vakuuttanut
Lenovo (United States) Incorporated
1009 Think Place - Building One
Morrisville, NC 27560
U.S.A.
Puhelin: (919) 294 5900



Tested To Comply
With FCC Standards

FOR HOME OR OFFICE USE

Lausuma kanadalaisen laitehyväksynnän (Industry Canada) luokan B mukaisuudesta

Tämä luokan B digitaalinen laite on kanadalaisen ICES-003-määrityksen mukainen.

Cet appareil numérique de la classe B est conforme à la norme NMB-003 du Canada.

Lausuma Euroopan unionin direktiivin 89/336/ETY mukaisuudesta

Tämä tuote on yhdenmukainen EU:n direktiivin 89/336/ETY suojausvaatimusten kanssa, jotka vastaavat jäsenmaiden säätämiä lakeja sähkömagneettisesta yhteensopivuudesta. Lenovo ei voi ottaa vastuuta suojauksen säilymisestä, mikäli laitteeseen tehdään muutoksia tai lisätään kortteja (osia), joita Lenovo ei ole suositellut.

Tämä tuote täyttää standardin EN 55022 (CISPR 22) luokan B vaatimukset. Luokan B laitteiden rajoitukset antavat kohtuullisen suojan häiriöitä vastaan käytettäessä lisensoituja tietoliikennelaitteita tyypillisissä ympäristöissä.

EU-EMC Directive (2004/108/EC) EN 55022 class B Statement of Compliance

Deutschsprachiger EU Hinweis:

Hinweis für Geräte der Klasse B EU-Richtlinie zur Elektromagnetischen Verträglichkeit

Dieses Produkt entspricht den Schutzanforderungen der EU-Richtlinie 2004/108/EG (früher 89/336/EWG) zur Angleichung der Rechtsvorschriften über die elektromagnetische Verträglichkeit in den EU-Mitgliedsstaaten und hält die Grenzwerte der EN 55022 Klasse B ein.

Um dieses sicherzustellen, sind die Geräte wie in den Handbüchern beschrieben zu installieren und zu betreiben. Des Weiteren dürfen auch nur von der Lenovo empfohlene Kabel angeschlossen werden. Lenovo übernimmt keine Verantwortung für die Einhaltung der Schutzanforderungen, wenn das Produkt ohne Zustimmung der Lenovo verändert bzw. wenn Erweiterungskomponenten von Fremdherstellern ohne Empfehlung der Lenovo gesteckt/eingebaut werden.

Deutschland: Einhaltung des Gesetzes über die elektromagnetische Verträglichkeit von Betriebsmitteln

Dieses Produkt entspricht dem "Gesetz über die elektromagnetische Verträglichkeit von Betriebsmitteln" EMVG (früher "Gesetz über die elektromagnetische Verträglichkeit von Geräten"). Dies ist die Umsetzung der EU-Richtlinie 2004/108/EG (früher 89/336/EWG) in der Bundesrepublik Deutschland.

Zulassungsbescheinigung laut dem Deutschen Gesetz über die elektromagnetische Verträglichkeit von Betriebsmitteln, EMVG vom 20. Juli 2007 (früher "Gesetz über die elektromagnetische Verträglichkeit von Geräten"), bzw. der EMV EG Richtlinie 2004/108/EC (früher 89/336/EWG), für Geräte der Klasse B.

Dieses Gerät ist berechtigt, in Übereinstimmung mit dem Deutschen EMVG das EG-Konformitätszeichen - CE - zu führen. Verantwortlich für die Konformitätserklärung nach Paragraf 5 des EMVG ist die Lenovo (Deutschland) GmbH, Pascalstr. 100, D-70569 Stuttgart.

Informationen in Hinsicht EMVG Paragraf 4 Abs. (1) 4:

Das Gerät erfüllt die Schutzanforderungen nach EN 55024 und EN 55022 Klasse B.

Luokan B lauseke (Korea)

이 기기는 가정용으로 전자파 적합등록을 한 기기로서 주거지역에서는 물론 모든 지역에서 사용할 수 있습니다.

VCCI luokan B lauseke (Japani)

この装置は、情報処理装置等電波障害自主規制協議会（VCCI）の基準に基づくクラスB情報技術装置です。この装置は、家庭環境で使用することを目的としていますが、この装置がラジオやテレビジョン受信機に近接して使用されると、受信障害を引き起こすことがあります。
取扱説明書に従って正しい取り扱いをして下さい。

Tuotteiden, joiden teho on pienempi tai yhtä suuri kuin 20 A / vaihe, yhdenmukaisuus Japanissa

高調波電流規格 JIS C 61000-3-2 適合品

Lausuma näppäimistön ja hiiren hyväksynnästä (Taiwan)

本產品隨貨附已取得經濟部標準檢驗局認可之PS/2或USB的鍵盤與滑鼠一組

Lenovo-tuotteiden huolto Taiwanissa

台灣 Lenovo 產品服務資訊如下：
荷蘭商思惟個人電腦產品股份有限公司台灣分公司
台北市信義區信義路五段七號十九樓之一
服務電話: 0800-000-700

Federal Communications Commission (FCC) -säännökset ja puhelinyhtiöiden vaatimukset

1. Tämä laite on yhdenmukainen FCC Rules -säännösten osan Part 68 kanssa. Laitteeseen kiinnitettyssä tarrassa on muun muassa laitteen FCC-rekisteröintinumero (FCC registration number), USOC-numero ja Ringer Equivalency Number (REN) -arvo. Jos puhelinyhtiö vaatii näitä tietoja, toimita ne puhelinyhtiölle.

Huomautus: Sisäisen modeemin mukana toimitetaan tarra, joka sisältää edellä mainitut, modeemia koskevat tiedot. Jos asennat tietokoneeseen modeemin, voit halutessasi kiinnittää tarran tietokoneeseen tai erilliseen DAA (Data Access Arrangement) -moduuliin. Kiinnitä tarra sellaiseen kohtaan, jossa tiedot ovat helposti luettavissa. On mahdollista, että puhelinyhtiö vaatii näitä tietoja.
2. REN-arvon avulla voi tarkistaa, kuinka monta laitetta voi liittää puhelinlinjaan siten, että laitteet hälyttävät, kun puhelinnumeroon soitetaan. Useimmilla alueilla kaikkien laitteiden REN-arvojen summan tulisi olla enintään viisi (5). Voit varmistaa puhelinlinjaan liitettävien laitteiden enimmäismäärän ottamalla yhteyden paikalliseen puhelinyhtiöön ja selvittämällä alueen käytössä olevan REN-arvojen enimmäissumman.
3. Jos laite aiheuttaa häiriöitä puhelinverkkoon, puhelinyhtiö saattaa keskeyttää palvelun väliaikaisesti. Puhelinyhtiö ilmoittaa tästä asiakkaalle etukäteen, jos se on mahdollista, tai mahdollisimman nopeasti. Samalla puhelinyhtiö ilmoittaa asiakkaan oikeudesta tehdä valitus FCC:lle.
4. Puhelinyhtiö saattaa tehdä sellaisia muutoksia laitteistoonsa, toimintoihinsa tai menettelytapoihinsa, jotka saattavat vaikuttaa asiakkaan laitteiston

toimintaan. Tällaisessa tapauksessa asiakkaalle annetaan ennakoilmoitus, jolloin asiakkaalla on mahdollisuus ryhtyä tarvittaviin toimiin katkeamattoman palvelun saamiseksi.

5. Jos tuotteen käytössä on ongelmia, ota yhteys valtuutettuun jälleenmyyjään tai asiakastukikeskukseen (Customer Support Center). Asiakastukikeskuksen puhelinnumero Yhdysvalloissa on **1 800 426 7378**. Asiakastukikeskuksen puhelinnumero Kanadassa on **1 800 565 3344**. Tällöin sinun tulee ehkä esittää tuotteen ostotodistus.
Puhelinyhtiö voi vaatia irrottamaan laitteen puhelinverkosta, kunnes ongelma on selvitetty tai kunnes on varmistettu, ettei ongelma johdu laitteen toimintavirheestä.
6. Modeemia ei voi korjata itse. Jos modeemin käytössä on ongelmia, ota yhteys valtuutettuun jälleenmyyjään tai tutustu tässä julkaisussa oleviin, vianmäärittystä käsitteleviin tietoihin.
7. Jos tilaat verkkoliittymäpalvelun paikalliselta toimittajalta, ilmoita palvelujärjestelykoodi USOC RJ11C.

Kanadan tietoliikenneministeriön (Canadian Department of Communications) myöntämä laitehyväksyntä

HUOMAUTUS: Kanadassa on käytössä Industry Canada -laitehyväksyntä (laitteissa oleva tarra), jonka mukaiset laitteet täyttävät tietyt tietoliikenneverkkoihin liittyvät suojaus-, käyttö- ja turvallisuusvaatimukset. Hyväksyntä ei takaa, että laite toimii käyttäjän odotusten mukaisesti.

Ennen tämän laitteen asennusta käyttäjän tulee varmistaa, että sen saa liittää paikalliseen puhelinverkkoon. Lisäksi laitteen saa liittää puhelinverkkoon vain hyväksynnän saaneiden osien välityksellä. Asiakkaiden on syytä kiinnittää huomiota siihen, että yllä mainitut vaatimukset eivät takaa palvelun toimivuutta kaikissa tilanteissa. Hyväksynnän saaneiden laitteiden huolto tulisi teettää laitteen toimittajan osoittamalla korjausliikkeellä. Käyttäjän laitteeseen tekemät muutokset tai korjaukset tai laitteen virheellinen toiminta saattavat aiheuttaa sen, että puhelinyhtiö vaatii käyttäjää irrottamaan laitteet puhelinverkosta.

Käyttäjän tulisi varmistaa oman turvallisuutensa vuoksi, että sähköjohtojen, puhelinlinjojen ja metallisten vesijohtojen mahdolliset maadoitusjohdot ovat liitettyinä toisiinsa. Tämä varotoimi on erityisen tärkeä harva-asutusalueilla.

Varoitus: Käyttäjien ei tulisi yrittää tehdä liitäntöjä itse vaan ottaa tarvittaessa yhteys valtuutettuun sähkötoitä tekevään liikkeeseen.

Huomautus: Kullekin päätelaitteelle määritetty REN-arvo (Ringer Equivalence Number) osoittaa puhelinliittymään liitettävien päätelaitteiden

enimmäismäärän. Liityntäpisteeseen kytkettävät laitteet saavat olla mitä tahansa laitteita, kunhan kaikkien laitteiden yhteenlaskettu REN-arvo ei ole suurempi kuin 5.

Verkkojohtoa koskeva huomautus

Tässä Lenovon tietokoneessa on hyväksytty, maadoitettu verkkojohto. Koneen virheettömän ja turvallisen toiminnan takaamiseksi verkkojohto on kytkettävä maadoitettuun pistorasiaan.

Laitteet, joissa aiotaan käyttää 230 voltin vaihtojännitettä: Käytä maadoitettua verkkojohtoa. Verkkojohdon on oltava kyseisen maan viranomaisten hyväksymä.

Tiettyä maata varten tarkoitettu Lenovon verkkojohto on tavallisesti saatavana ainoastaan kyseisessä maassa.

Saksassa käytettävät yksiköt: Verkkojohtojen on oltava turvallisiksi hyväksytyjä. Saksassa tulee käyttää tyyppimerkinnällä H05VV-F, 3G, 0,75 mm² varustettua verkkojohtoa tai sitä laadukkaampaa verkkojohtoa. Muissa maissa tulee käyttää kyseisessä maassa hyväksytyä verkkojohtoa.

Verkkojohdon osanumero	Käyttömaat ja -alueet
24R2633	Japani
39M5067	Argentiina, Paraguay, Uruguay
39M5080	Alankomaiden Antillit, Antigua ja Barbuda, Aruba, Bahama, Barbados, Belize, Bermuda, Bolivia, Caymansaaret, Costa Rica, Dominikaaninen tasavalta, Ecuador, El Salvador, Filippiinit, Guam, Guatemala, Haiti, Honduras, Jamaika, Kanada, Kolumbia, Kuuba, Meksiko, Mikronesia, Nicaragua, Panama, Peru, Saudi-Arabia, Taiwan, Thaimaa, Turks- ja Caicossaaret, Venezuela, Yhdysvallat
39M5102	Australia, Uusi-Seelanti

Verkkojohdon osanumero	Käyttömaat ja -alueet
39M5122	Afganistan, Alankomaat, Albania, Algeria, Andorra, Angola, Armenia, Azerbaidzan, Belgia, Benin, Bosnia-Hertsegovina, Bulgaria, Burkina Faso, Burundi, Dahomey, Djibouti, Egypti, Eritrea, Espanja, Etiopia, Gabon, Georgia, Guadeloupe, Guinea, Guinea-Bissau, Indonesia, Iran, Islanti, Itävalta, Kambodza, Kamerun, Kap Verde, Kazakstan, Keski-Afrikan tasavalta, Kirgisia, Komorit, Kongon demokraattinen tasavalta, Kongon tasavalta, Kreikka, Kroatia, Laos, Latvia, Libanon, Liettua, Luxemburg, Madagaskar, Makedonia (entinen Jugoslavian tasavalta), Mali, Marokko, Martinique, Mauritania, Mauritius, Mayotte, Moldova, Monaco, Mongolia, Mosambik, Niger, Norja, Norsunluurannikko, Portugali, Puola, Päiväntasaajan Guinea, Ranska, Ranskan Guayana, Ranskan Polynesia, Reunion, Romania, Ruanda, Ruotsi, Sao Tome ja Principe, Saksa, Saudi-Arabia, Senegal, Serbia, Slovakia, Slovenia, Somalia, Suomi, Suriname, Syyria, Tadzikistan, Tahiti, Togo, Tsad, Tsekin tasavalta, Turkmenistan, Turkki, Ukraina, Unkari, Uusi-Kaledonia, Uzbekistan, Valko-Venäjä, Vanuatu, Venäjä, Vietnam, Viro, Wallis ja Futuna, Zaire
39M5129	Tanska
39M5143	Bangladesh, Etelä-Afrikka, Lesotho, Macao (Kiinan erityishallintoalue), Malediivit, Namibia, Nepal, Pakistan, Samoa, Sri Lanka, Swazimaa, Uganda
39M5150	Abu Dhabi, Arabiemiirikunnat (Dubai), Australia, Bahrain, Botswana, Brunei, Dominica, Fidzi, Gambia, Ghana, Grenada, Guyana, Hongkong (Kiinan erityishallintoalue), Iso-Britannia, Irak, Irlanti, Jemen, Jordania, Kanaalisaaret, Kenia, Kiribati, Kuwait, Kypros, Liberia, Malawi, Malesia, Malta, Myanmar (Burma), Nauru, Nigeria, Oman, Papua-Uusi-Guinea, Qatar, Saint Kitts ja Nevis, Saint Lucia, Saint Vincent ja Grenadiinit, Sambia, Seychellit, Sierra Leone, Singapore, Sudan, Tansania, Trinidad ja Tobago, Uusi-Seelanti, Zimbabwe
39M5151	Hongkong (Kiinan erityishallintoalue), Korea
39M5157	Liechtenstein, Sveitsi
39M5164	Chile, Italia, Libya
39M5171	Israel
39M5205	Kiina
39M5212	Korea
39M5232	Brasilia
39M5246	Taiwan
41R3175	Intia

PVC-kaapelia ja verkkojohtoa koskeva huomautus

Huomautus: Tämän tuotteen tai sen oheislaitteiden johtojen käsittely altistaa lyijylle, jonka tiedetään aiheuttavan syöpää, synnynnäisiä epämuodostumia tai poikkeavuuksia sekä muita suvunjatkamiseen liittyviä häiriöitä. *Pese kädet käsittelyn jälkeen.*

Laitteen sisältämien materiaalien luettelo (Kiina)

产品中有毒有害物质或元素的名称及含量

部件名称	有毒有害物质或元素					
	铅(Pb)	汞(Hg)	镉(Cd)	六价铬 (Cr(VI))	多溴联苯 (PBB)	多溴二苯醚 (PBDE)
印刷电路板组件*	X	O	O	O	O	O
硬盘	X	O	O	O	O	O
光驱	X	O	O	O	O	O
内存	X	O	O	O	O	O
电脑I/O 附件	X	O	O	O	O	O
电源	X	O	O	O	O	O
键盘	X	O	O	O	O	O
鼠标	X	O	O	O	O	O
机箱/附件	X	O	O	O	O	O

○: 表示该有毒有害物质在该部件所有均质材料中的含量均在SJ/T11363-2006标准规定的限量要求以下
×: 表示该有毒有害物质至少在该部件的某一均质材料中的含量超出SJ/T11363-2006标准规定的限量要求
表中标有“×”的所有部件都符合欧盟RoHS 法规。

印刷电路板组件*: 包括印刷电路板及其零部件、电容和连接器
根据型号的不同, 可能不会含有以上的所有部件, 请以实际购买机型为准

 在中华人民共和国境内销售的电子信息产品必须标识此标志, 标志内的数字代表在正常使用状态下的产品的环保使用期限

Sähkö- ja elektroniikkalaiteromua (WEEE) koskeva huomautus

Lenovo rohkaisee tietotekniikkalaitteiden omistajia kierrättämään laitteensa vastuullisesti, kun niitä ei enää tarvita. Lenovo tarjoaa useita ohjelmia ja palveluja, joiden tarkoituksena on auttaa laitteiden omistajia kierrättämään tietotekniikkatuotteensa. Tuotteiden uusiokäyttömahdollisuuksista on lisätietoja

Lenovon Web-sivustossa
<http://www.pc.ibm.com/ww/lenovo/about/environment/>.

Euroopan unionin sähkö- ja elektroniikkalaiteromua (WEEE) koskeva huomautus

Sähkö- ja elektroniikkalaiteromu (Waste electrical and electronic equipment, WEEE) -merkintä koskee vain Euroopan unionin (EU) jäsenmaita ja Norjaa. Sähkö- ja elektroniikkalaitteet merkitään Euroopan parlamentin ja neuvoston direktiivin 2002/96/EY mukaisesti. Kyseinen direktiivi määrittää Euroopan unionin alueella käytössä olevat palautus- ja kierrätyskäytännöt. WEEE-merkintä laitteessa osoittaa, että direktiivin ohjeiden mukaan tuotetta ei tulisi hävittää sen elinkaaren päässä, vaan sen sijaan se on kierrätettävä.

Käyttäjien, joiden sähkö- ja elektroniikkalaitteissa on tämä sähkö- ja elektroniikkalaiteromun direktiivin liitteen IV mukainen merkintä, tulee kierrättää kyseiset laitteet käytettävissä olevien resurssien mukaan. Sähkö- ja elektroniikkalaitteiden oikea käsittely on tärkeää sen varmistamiseksi, että niistä tai niissä käytetyistä materiaaleista ei aiheudu haittaa ympäristölle tai ihmisten terveydelle. Lisätietoa sähkö- ja elektroniikkalaiteromun kierrättämisestä on Web-sivustossa
<http://www.lenovo.com/lenovo/environment>.

Japania koskevat kierrätysohjeet

Käytöstä poistettujen Lenovo-tietokoneiden ja -näyttimien keräys ja kierrätys

Jos työntekijällä on hallussaan työnantajansa omistama Lenovo-tietokone tai -näytin, joka on tarpeen hävittää, hänen tulee toteuttaa hävitys resurssien tehokkaan hyödyntämisen edistämisestä annetun lain (Law for Promotion of Effective Utilization of Resources) määräysten mukaisesti. Tietokoneet ja näyttimet on luokiteltu teollisuusjätteiksi, jotka tulee hävittää asianmukaisesti paikallisviranomaisten hyväksymässä ongelmajätelaitoksessa. Lenovo Japan tarjoaa resurssien tehokkaan hyödyntämisen edistämisestä annetun lain määräysten mukaisesti PC-tietokoneiden keräys- ja kierrätyspalveluja (PC Collecting and Recycling Services) käytöstä poistettujen tietokoneiden ja näyttimien keräystä, uudelleenkäyttöä ja kierrätystä varten. Lisätietoja on Lenovon Web-sivustossa osoitteessa
www.ibm.com/jp/pc/service/recycle/pcrecycle/

Valmistaja aloitti resurssien tehokkaan hyödyntämisen edistämisestä annetun lain edellyttämän, kotona käytettyjen tietokoneiden ja näyttimien keräyksen ja kierrätyksen 1.10.2003. Tämä palvelu on maksuton kotona käytetyille tietokoneille, jotka on myyty 1.10.2003 jälkeen. Lisätietoja on Lenovon Web-sivustossa osoitteessa www.ibm.com/jp/pc/service/recycle/personal/.

Lenovo-tietokoneen osien hävitys

Jotkin Japanissa myytävät Lenovo-tietokoneet saattavat sisältää osia, joissa on raskasmetalleja tai muita ympäristöä vaarantavia aineita. Käytöstä poistetut osat, kuten piirilevy tai asema, tulee hävittää samalla tavalla kuin mitä edellä on sanottu käytöstä poistettujen tietokoneiden ja näyttimien keräyksestä ja kierrätyksestä.

Lenovo-tietokoneiden käytöstä poistettujen litiumparistojen hävitys

Lenovo-tietokoneen emolevyssä on napinmuotoinen litiumparisto, josta tietokoneen kello saa virtaa, kun virransyöttö tietokoneeseen on katkaistu. Jos haluat vaihtaa pariston, ota yhteys tuotteen myyjään tai pyydä Lenovon korjauspalvelua toteuttamaan vaihto. Jos olet vaihtanut litiumpariston itse ja haluat hävittää käytetyn pariston, eristä se eristysnauhalla, ota yhteys tuotteen myyjään ja noudata tämän ohjeita. Jos käytät työnantajasi omistamaa Lenovo-tietokonetta kotona ja litiumparisto on tarpeen hävittää, hävitä se paikallisten säädösten ja määräysten mukaisesti.

Kapittel 1. Viktig sikkerhetsinformasjon

Merk

Les først viktig sikkerhetsinformasjon.

Nedenfor finner du viktig informasjon om hvordan du bør bruke og behandle maskinen. Følg og ta vare på all informasjon som fulgte med maskinen din. Informasjonen i dette dokumentet endrer ikke vilkårene for kjøpsavtalen eller Lenovos garantibetingelser. Du finner flere opplysninger under Kapittel 3, "Lenovo Garantibetingelser", på side 169.

Kundens sikkerhet er viktig. Våre produkter er utviklet med tanke på at de skal være sikre og effektive. Personlige datamaskiner er imidlertid elektroniske enheter. Strømledninger, strømadaptere og annet tilleggsutstyr kan forårsake en potensiell sikkerhetsrisiko og kan føre til fysiske skader eller skader på eiendeler, spesielt i forbindelse med feil bruk. Du kan redusere denne risikoen ved å følge veiledningen som fulgte med produktet, og lese advarslene på produktet og i brukerveiledningen. Du bør også lese informasjonen i dette dokumentet nøye. Hvis du leser informasjonen i dette dokumentet og dokumentasjonen som fulgte med produktet, kan du beskytte deg selv og være med å skape et tryggere arbeidsmiljø.

Merk: Denne dokumentasjonen inneholder referanser til strømforsyninger og batterier. I tillegg til bærbare maskiner leveres noen produkter (for eksempel høyttalere eller skjermer) med eksterne strømadaptere. Hvis du har et slikt produkt, gjelder denne informasjonen for produktet. Datamaskinprodukter inneholder også et lite rundt batteri som gir strøm til systemklokken når maskinen ikke er koblet til strøm. Det betyr at sikkerhetsinformasjon for batterier gjelder for alle datamaskinprodukter.

Situasjoner som krever øyeblikkelig handling

Produkter kan bli ødelagt som følge av feil bruk eller forsømmelse. Noen skader på produktet kan være så alvorlige at produktet ikke bør brukes igjen før det er blitt kontrollert, og om nødvendig, reparert av autorisert servicepersonale.

I likhet med andre elektroniske enheter må du passe godt på produktet når det er slått på. I sjeldne tilfeller kan du kjenne en uvanlig lukt eller se litt røyk eller gnister som kommer fra produktet. Eller kanskje høre smelling, knitring eller hvesing. Det kan bety at en av de elektroniske komponentene har gått i stykker på en sikker og kontrollert måte. Men det kan også være tegn på et eventuelt sikkerhetsproblem. Du bør ikke ta noen sjanser eller prøve å finne og løse problemet selv. Ta kontakt med Customer Support

Center for å få flere opplysninger. Du finner en oversikt over telefonnumre til sentrene under Kapittel 4, “Verdensomfattende telefonliste”, på side 179.

Kontroller regelmessig at maskinen og komponentene ikke er ødelagt, utslitt eller at det er andre faresignaler. Hvis du er usikker på tilstanden til en komponent, skal du ikke bruke produktet. Ta kontakt med Customer Support Center eller produsenten for å få instruksjoner om hvordan du kontrollerer produktet og, om nødvendig, reparerer det.

Hvis noen av de følgende situasjonene skulle oppstå, eller hvis du er usikker på om det er trygt å bruke produktet, bør du slutte å bruke produktet og koble det fra strømkilden og telekommunikasjonslinjer til du har snakket med Customer Support Center og fått instruksjoner om hva du bør gjøre.

- Strømledninger, støpsler, strømadaptere, skjøteledninger, overspenningsbeskyttere eller strømforsyningsenheter er skadet eller ødelagt.
- Tegn på overoppheting, røyk, gnister eller ild.
- Skade på et batteri (for eksempel sprekker eller bulker), statisk elektrisitet fra et batteri eller avleiringer på batteriet.
- Smelling, knitring eller hvesing eller sterk lukt fra produktet.
- Tegn på at det er kommet væske i maskinen eller at et objekt har falt ned på maskinen, strømledningen eller strømforsyningsenheten.
- Det er sølt vann på maskinen, strømledningen eller strømforsyningsenheten.
- Noen har mistet produktet i bakken eller ødelagt det på en annen måte.
- Produktet virker ikke på normal måte når du følger brukerveiledningen.

Merk: Hvis du får slike problemer med et produkt (for eksempel med en skjøteledning) som ikke er produsert for eller av Lenovo, må du ikke bruke det produktet mer før du har kontaktet produsenten og fått instruksjoner om hva du må gjøre, eller før du har byttet det ut.

Generelle retningslinjer for sikkerhet

Følg disse forholdsreglene for å redusere risikoen for skade på personer og utstyr.

Service og oppgraderinger

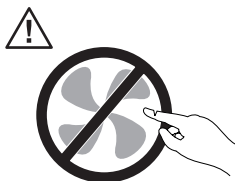
Du må ikke forsøke å reparere et produkt på egen hånd, med mindre du har fått beskjed om det fra Customer Support Center eller det er angitt i dokumentasjonen. Bruk bare en serviceleverandør som er godkjent for å reparere det aktuelle produktet.

Merk: Enkelte maskindeler kan oppgraderes eller skiftes ut av kunden. Oppgraderinger kalles også tilleggsutstyr. Enheter som kan skiftes ut av

kunden, kalles deler eller CRUer (Customer Replaceable Units). Lenovo leverer dokumentasjon med instruksjoner hvis kunden kan installere tilleggsutstyr eller bytte ut CRUer. Du må følge instruksjonene nøye når du installerer eller bytter ut deler. Selv om en PÅ-lampe (strømlampe) er av, betyr ikke det nødvendigvis at det ikke er strøm i produktet. Før du tar av dekslet på et produkt som har en strømløsning, må du alltid kontrollere at strømmen er slått av og at produktet er koblet fra strømkilden. Du finner flere opplysninger om utskiftbare deler (CRUer) i *ThinkStation Installere og bytte ut maskinvare* for dette produktet. Hvis det er noe du lurer på i forbindelse med dette, kan du ta kontakt med Customer Support Center.

Selv om det ikke finnes noen bevegelige deler i maskinen etter at strømløsningen er frakoblet, er følgende advarsler nødvendig for din sikkerhet.

Fare



Farlige bevegelige deler. Ikke berør med fingre eller andre kroppsdeler.

NB



Før du bytter ut deler (CRUer), må du slå av maskinen og vente 3 til 5 minutter slik at den blir kjølt ned før du åpner dekslet.

Hindre statisk elektrisitet

Selv om statisk elektrisitet er ufarlig for deg, kan det forårsake alvorlige skader på en datamaskin og det installerte utstyret. Feil håndtering av deler som er følsomme for statisk elektrisitet, kan føre til at delene blir ødelagt. Når du pakker ut tilleggsutstyr eller deler (CRUer), må du ikke åpne den antistatiske pakken som inneholder delen før du får beskjed om å installere den i instruksjonene.

Når du håndterer tilleggsutstyr eller deler, eller utfører arbeid inne i maskinen, må du ta følgende forholdsregler for å unngå skader fra statisk elektrisitet:

- Beveg deg minst mulig. Bevegelse kan føre til at du bygger opp statisk elektrisitet.
- Håndter komponentene forsiktig. Hold i kantene på kort, minnemoduler og andre kretskort. Ta aldri på kretsene.
- Unngå at andre tar på deler.
- Når du installerer tilleggsutstyr eller deler som er følsomme for statisk elektrisitet, holder du den antistatiske pakningen som inneholder delen, i berøring med metalldekslet på et utbyggingsspor eller en annen umalt metalloverflate i minst to sekunder. Dette reduserer den statiske elektrisiteten i pakken og i kroppen din.
- Fjern delen som er følsom overfor statisk elektrisitet, fra den antistatiske emballasjen og sett den direkte inn i maskinen uten å plassere den på en overflate, hvis det er mulig. Hvis dette ikke er mulig, plasserer du den antistatiske emballasjen på en plan og ren flate og legger delen oppå den.
- Ikke plasser delen på maskindekslet eller en annen metallflate.

Strømledninger og strømforsyningsenheter

Bruk bare strømledningene og strømadapterne som leveres av produsenten.

Strømledningene må være sikkerhetsgodkjent. Bruk strømledninger av typen H05VV-F, 3G, 0,75 mm², eller bedre, i Tyskland. Bruk riktig type strømledning i andre land.

Du må aldri vikle en strømledning rundt strømadapteren eller andre gjenstander. Det kan føre til at ledningen blir frynset eller slitt. Dette kan medføre en sikkerhetsrisiko.

Legg alltid strømledningene slik at ingen går på dem eller snubler i dem, og slik at de ikke kommer i klem mellom gjenstander.

Beskytt ledninger og strømforsyningsenheter/strømadaptere mot væske. Du bør for eksempel ikke legge strømledningen eller strømadapteren i nærheten av vasker, badekar, toaletter eller på gulv som blir vasket med flytende materialer. Væske kan føre til kortslutning, spesielt hvis strømledningen eller strømforsyningsenheten er slitt på grunn av feil bruk. Væske kan også føre til rust på polene og/eller kontaktpunktene på strømforsyningsenheten, noe som kan føre til overoppheting.

Koble alltid til strømledningene og signalkablene i riktig rekkefølge, og sjekk at alle kontakter er godt festet.

Ikke bruk en strømforsyningsenhet som har synlig korrosjon på metalldelene, eller som har synlige tegn på overoppheting (for eksempel deformert plast) på kontakten eller andre steder.

Ikke bruk strømledninger der kontaktpunktene på noen av endene viser tegn på korrosjon eller overoppheting, eller der det ser ut som om strømledningene på en eller annen måte har blitt ødelagt.

Spenningsvelger

Enkelte datamaskiner har en spenningsvelger i nærheten av tilkoblingspunktet for strømledningen på datamaskinen. Hvis maskinen din har en spenningsvelger, må du stille den inn på riktig måte i forhold til spenningen i stikkkontakten. Hvis spenningsvelgeren er stilt inn feil, kan det føre til permanent skade på datamaskinen.

Hvis datamaskinen ikke har en spenningsvelger, fungerer datamaskinen bare med spenningen som finnes i landet eller regionen der maskinen opprinnelig ble kjøpt.

Hvis du tar med maskinen til et annet land, bør du være klar over følgende:

- Hvis datamaskinen ikke har en spenningsvelger, må du ikke koble datamaskinen til en stikkontakt før du har kontrollert at spenningen i stikkkontakten er den samme som i landet eller regionen der datamaskinen ble kjøpt.
- Hvis datamaskinen har en spenningsvelger, må du ikke koble datamaskinen til en stikkontakt før du har kontrollert at spenningsvelgeren er stilt inn riktig i forhold til spenningen som finnes i landet eller regionen du befinner deg i.

Hvis du ikke er sikker på hvilken spenning som finnes i stikkkontakten, kan du kontakte den lokale elektrisitetsleverandøren eller slå opp på web-sidene eller bruke annen informasjon for reisende i landet eller regionen du befinner deg i.

Skjøteledninger og tilhørende utstyr

Kontroller at skjøteledninger, overspenningsbeskyttere, avbruddsfrie strømforsyningsenheter og strømskinner som du bruker, er i henhold til de elektriske kravene til produktet. Du må aldri overbelaste disse enhetene. Hvis du bruker strømskinner, må ikke belastningen overskride strømspenningen for strømskinnen. Rådfør deg med en elektriker hvis du vil ha mer informasjon om strømbelastning, strømkrav og strømspenning.

Støpsler og stikkontakter

Hvis det ser ut som om en stikkontakt du har tenkt å bruke sammen med datamaskinen, er ødelagt eller rustet, må du ikke bruke den før den er byttet ut av en kvalifisert elektriker.

Ikke bøy eller modifier støpselet. Hvis støpselet er ødelagt, må du få tak i et nytt fra produsenten.

Ikke del den elektriske kontakten med andre apparater som krever mye elektrisitet. Ustabil spenning kan føre til skader på maskinen, data eller tilkoblede enheter.

Enkelte produkter har et trepolet støpselet. Dette støpselet passer bare i en jordet stikkontakt. Dette er en sikkerhetsfunksjon. Ikke overstyr denne sikkerhetsfunksjonen ved å prøve å sette støpselet inn i en stikkontakt som ikke er jordet. Hvis du ikke kan sette støpselet i stikkontakten, må du kontakte en elektriker for å få en godkjent stikkontakt eller bytte ut kontakten med en som passer til denne sikkerhetsfunksjonen. Du må aldri overbelaste en elektrisk stikkontakt. Den totale belastningen på systemet må ikke overskride 80 prosent av sikringskursen. Rådfør deg med en elektriker hvis du vil ha mer informasjon om strømbelastning og sikringskurser.

Kontroller at stikkontaktene du bruker er riktig jordet, lett tilgjengelig og i nærheten av utstyret. Ikke trekk i strømledninger slik at de strekkes.

Kontroller at stikkontakten har riktig spenning og strøm for produktet du installerer.

Koble utstyret forsiktig til og fra den elektriske stikkontakten.

Eksterne enheter

Ikke tilkoble eller frakoble kabler til eksterne enheter, bortsett fra USB- og 1394-kabler, mens maskinen er slått på. Hvis du gjør det, kan det oppstå skade på maskinen. Vent i minst fem sekunder etter at maskinen er slått av, før du kobler fra eksterne enheter.

Batterier

Alle personlige datamaskiner som er produsert av Lenovo, inneholder et ikke-oppladbart batteri på størrelse med en mynt, som gir strøm til systemklokken. I tillegg bruker mange bærbare produkter, for eksempel bærbare maskiner, et oppladbart batteri som gir systemet strøm når det ikke er tilkoblet strømmettet. Batterier som leveres av Lenovo til bruk i produktet, er kompatibilitetstestet og må bare byttes ut med deler som er godkjent.

Du må aldri forsøke å åpne eller reparere batterier. Du må ikke knuse, punktere eller brenne opp batterier eller kortslutte metallkontaktene. Batteriet må ikke utsettes for vann eller annen væske. Lad batteriet kun i henhold til instruksjonene i produktdokumentasjonen.

Feil bruk eller behandling av batteriet kan resultere i at batteriet blir overopphetet, som igjen kan føre til at gasser eller flammer kommer ut av batteriene. Hvis batteriet er skadet, hvis det lekker eller det danner seg avleiringer på batterikontaktene, må du stoppe å bruke batteriet og anskaffe et nytt fra produsenten.

Batteriytelsen kan bli redusert hvis batteriet ligger ubrukt over lengre tid. Hvis du lar et oppladbart batteri ligge ubrukt i utladet tilstand, kan det for enkelte batterier (spesielt litiumionebatterier) føre til økt risiko for at batteriet kortslutter, noe som kan redusere batteriets levetid og også medføre en sikkerhetsrisiko. Du må ikke la oppladbare litiumionebatterier bli fullstendig utladet eller oppbevare disse batteriene i utladet tilstand.

Varme og ventilasjon i produktet

Datamaskiner, strømadaptere og tilbehør kan generere varme når de er slått på og når batterier blir ladet. Ta alltid disse forholdsreglene:

- Ikke ha maskinen, strømadapteren eller tilbehør på fanget eller i kontakt med kroppsdeler for lenge når produktene er i bruk, eller når batteriet lades. Maskinen, strømadapteren og visse typer tilbehør genererer noe varme ved normal bruk. Kontakt med huden over lengre tid kan føre til plager eller i verste fall brannsårr.
- Ikke lad batteriet eller bruk maskinen, strømadapteren eller tilbehøret i nærheten av brannfarlige materialer eller i omgivelser med eksplosjonsfare.
- Produktet har ventilasjonsriller, vifter og kjøleribber av sikkerhetsmessige årsaker og for behagelig og pålitelig drift. Disse funksjonene kan ufrivillig bli blokkert hvis du plasserer produktet på en seng, en sofa, et teppe eller andre myke overflater. Du må aldri blokkere, tildekke eller deaktivere disse funksjonene.

Kontroller datamaskinen hver tredje måned for å se om det har samlet seg støv på maskinen. Før du kontrollerer maskinen, slår du den av og kobler fra strømledningen. Fjern deretter støv som har samlet seg på ventilasjonsriller eller i åpninger på dekselet. Hvis du oppdager støv utenpå maskinen, må du også undersøke og fjerne støv inni maskinen, for eksempel ved inngangen til kjøleribben og på ventilasjonsrillene til strømforsyningen og viftene. Slå alltid av og koble fra maskinen før du åpner dekselet. Unngå å bruke maskinen i områder med stor trafikk. Hvis du må bruke maskinen i slike områder, må du kontrollere den oftere og rengjøre den hvis det er nødvendig.

Av sikkerhetshensyn og for å oppnå best mulig ytelse bør du alltid følge disse grunnreglene for behandling av maskinen:

- Sørg for at dekselet er lukket når maskinen er tilkoblet.
- Kontroller utsiden av maskinen regelmessig for å se om det har samlet seg støv.

- Fjern støv fra ventilasjonsriller eller åpninger på dekselet. Det er mulig at maskinen må rengjøres oftere hvis den brukes i områder med mye støv eller stor trafikk.
- Ikke blokker eller begrenns ventilasjonsåpninger.
- Ikke oppbevar eller bruk maskinen i sofaer eller myke stoler, fordi dette kan øke faren for overoppheting.
- Luftstrømmen som går inn i maskinen, bør ikke overskride 35° C.
- Ikke bruk luftfiltreringsenheter som ikke er beregnet på bordmodeller.

Driftsmiljø

Det beste driftsmiljøet for maskinen er 10°C til 35°C og en fuktighet på mellom 35 % og 80 %. Hvis det er kaldere enn 10°C der maskinen oppbevares eller transporteres, må du sørge for at den sakte får tilbake den beste driftstemperaturen på mellom 10°C og 35°C før du bruker maskinen. Dette kan ta opptil to timer i ekstreme tilfeller. Hvis maskinen ikke har denne driftstemperaturen før du bruker den, kan det føre til uopprettelig skade på datamaskinen.

Hvis det er mulig, bør du plassere maskinen på et tørt sted med god ventilasjon, men ikke i direkte sollys.

Hold elektriske apparater borte fra maskinen, for eksempel vifter, radio, kraftige høyttalere, luftkjølingsanlegg, mikroovner osv., fordi sterke magnetiske felt fra disse apparatene kan ødelegge data på harddisken og skjermen.

Ikke plasser drikkevarer oppå eller ved siden av datamaskinen eller andre tilkoblede enheter. Hvis du søler væske på eller i maskinen eller en tilkoblet enhet, kan det føre til kortslutning eller annen skade.

Ikke spis eller røyk over tastaturet. Partikler som faller ned i tastaturet, kan føre til skade.

Sikkerhetsinformasjon - strøm

Fare
Strøm fra strømledninger, telefonledninger og kommunikasjonskabler er farlig.

Slik unngår du elektriske støt:

- **Ikke bruk datamaskinen hvis det lyner eller tordner. Det kan føre til elektrisk støt.**

- Du må ikke koble til eller fra kabler i tordenvær. Du må heller ikke installere, vedlikeholde eller konfigurere noe i tordenvær.
- Du må koble alle kabler til jordede stikkontakter.
- Du må bruke riktige kabler til alt utstyr som kobles til maskinen.
- Om mulig bør du bare bruke en hånd når du frakobler signalkabler.
- Bruk aldri utstyret i nærheten av brann, oversvømmelse eller annen fare for utstyret.
- Frakoble de tilkoblede strømledningene, telekommunikasjonssystemene, nettverkene og modemene før du åpner dekselet på noen av enhetene, med mindre du blir bedt om noe annet i instruksjonene.
- Tilkoble og frakoble kabler slik det er beskrevet i tabellen nedenfor, når du installerer, flytter eller åpner dekselet på maskinen eller tilkoblede enheter.

Tilkoble:	Frakoble:
1. Slå av strømmen.	1. Slå av strømmen.
2. Koble kablene til enhetene.	2. Ta strømledningene ut av stikkontaktene.
3. Sett signalkablene i kontaktene.	3. Ta signalkablene ut av kontaktene.
4. Sett strømledningene i stikkontaktene.	4. Fjern kablene fra enhetene.
5. Slå på strømmen.	

Litiumbatteri

Advarsel

Litiumbatteriet kan eksplodere hvis det ikke settes inn riktig.

Når du skal bytte ut litiumbatteriet, må du bruke den samme batteritypen eller en tilsvarende type som blir anbefalt av produsenten. Batteriet inneholder litium og kan eksplodere hvis det ikke behandles riktig.

Du må ikke

- kaste batteriet eller senke det i vann
- varme det opp til mer enn 100 °C
- ta batteriet fra hverandre, lade det opp eller reparere det

Ikke kast batteriet som vanlig avfall. Lever det til forhandleren, på en miljøstasjon eller ved et mottak for spesialavfall.

The following statement applies to users in the state of California, U.S.A.

Perchlorate material: Special handling may apply. See www.dtsc.ca.gov/hazardouswaste/perchlorate.

Modemsikkerhet

Advarsel

For å redusere risikoen for brann må du bare bruke telefonledning nr. 26 AWG eller større.

For å redusere risikoen for brann, elektrisk støt og skade ved bruk av telefonutstyr må du alltid følge noen grunnleggende sikkerhetsregler, for eksempel:

- Du må aldri installere telefonkabler i tordenvær.
- Du må aldri installere telefonkontakter i våte lokaler med mindre kontaktene er beregnet på slike steder.
- Du må aldri berøre uisolerte telefonkabler eller -terminaler med mindre telefonlinjen er frakoblet ved nettverksgrensesnittet.
- Vær forsiktig når du installerer eller arbeider med telefonlinjer.
- Unngå å bruke telefonen (annet enn trådløs type) i tordenvær. Du kan få støt ved lynnedslag.
- Ikke bruk telefonen til å rapportere en gasslekkasje hvis telefonen befinner seg i nærheten av lekkasjen.

Laserutstyr

Noen maskiner er utstyrt med en CD- eller DVD-stasjon fra fabrikken. CD- og DVD-stasjoner selges også separat, som tilleggsutstyr. CD- og DVD-stasjoner er laserprodukter. Disse stasjonene er godkjent i USA og oppfyller kravene i samsvar med "DHHS 21 CFR Subchapter J" for laserprodukter i klasse 1. I andre land oppfyller stasjonene kravene i International Electrotechnical Commission (IEC) 60825-1 og CENELEC EN 60 825-1 for laserprodukter i klasse 1.

Merk deg følgende når det er installert en CD-stasjon eller DVD-stasjon:

Advarsel

Hvis du bruker styringsutstyr eller utfører justeringer som ikke er nevnt her, kan det føre til at du utsetter deg for farlig laserstråling.

Ikke fjern stasjonsdekslene. Hvis du fjerner dekslet på CD-stasjonen eller DVD-stasjonen, kan det føre til farlig laserstråling. CD- eller DVD-stasjonen inneholder ingen deler som må repareres.

Noen CD- og DVD-stasjoner kan inneholde en laserdiode i klasse 3A eller 3B. Merk deg dette:

Fare

Laserstråling når dekslet åpnes. Stirr ikke inn i strålen, stirr ikke direkte på strålen med optiske instrumenter og unngå eksponering for strålen.

Strømforsyning

Du må aldri ta av dekslet på en strømforsyningsenhet eller del som har dette merket:



Farlig spenning, strømstyrke og energinivåer er tilstede i komponenter som har denne etiketten påklisset. Ingen av disse komponentene inneholder deler som kan repareres. Hvis du får problemer med en av disse delene, må du kontakte en servicetekniker.

Produkter med TV-tuner installert

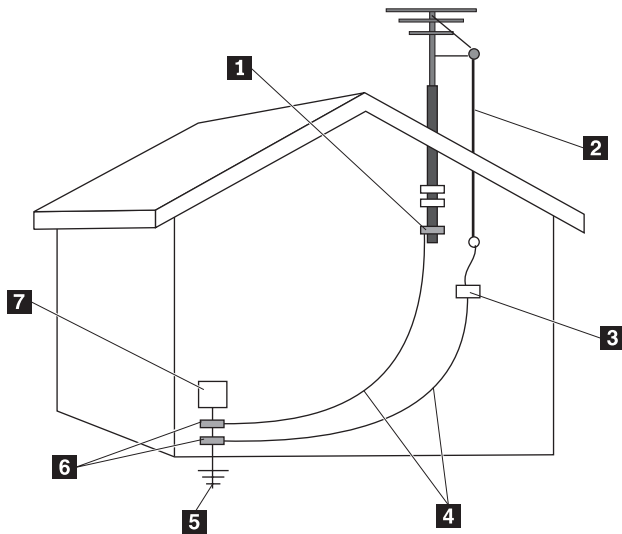
Merknaden nedenfor gjelder produkter som inneholder TV-tunerenheter som kobles til eksterne antenner, og/eller til kabel/CATV-systemer som er beregnet for installering i Nord-Amerika. Brukere og installatører i andre land bør følge lokale lover og bestemmelser når de skal installere enheter som skal kobles til eksterne antenner og kabel/CATV-systemer. Hvis det ikke finnes gjeldende lokal lovgivning, anbefales det at brukerne/installatørene følger retningslinjer som likner dem nedenfor.

Merknad til installatører av CATV-systemer

Denne påminnelsen er tatt med for å gjøre installatøren av CATV-systemet oppmerksom på Article 820-40 i NEC (National Electrical Code), som gir

retningslinjer for riktig jording, og som understreker at jordkabelen skal kobles til jordingssystemet i bygningen, så nær stedet der kabelen kommer inn som mulig.

Eksempel på antennejording



- | | | | |
|----------|--|----------|--|
| 1 | Jordingsklemme | 5 | Elektrodesystem for jording av strømtilførsel (NEC Art. 250, Part H) |
| 2 | Antennens innførselsledning | 6 | Jordingsklemmer |
| 3 | Utladningsenhet for antenne (NEC Section 810-20) | 7 | Elektronisk serviceutstyr |
| 4 | Jordingsledere (NEC Section 810-21) | | |

Figur 1. Riktig jording for kabelen

Den neste merknaden gjelder for alle land og regioner.

Fare



Jording av ekstern antenne

Hvis det er koblet til utendørs antenne eller kabelanlegg, må du kontrollere at antennen eller kabelanlegget er jordnet for å beskytte mot spenningssvingninger og statisk elektrisitet.

Lyn Du kan beskytte dette utstyret ytterligere i tordenvær eller hvis det har stått ubrukt i lengre perioder, ved å trekke ut støpselet fra stikkontakten og koble fra antennen eller kabelanlegget. På denne måten forhindrer du skader på produktet på grunn av lynnedslag og spenningssvingninger.

Kraftledninger

Ikke plasser en utendørs antenne i nærheten av kraftledninger eller der den kan komme i kontakt med kraftledninger eller kretser. Når du installerer en utendørs antenne, må du være ekstra nøye med å unngå å berøre kraftledninger eller kretser, siden berøring er forbundet med livsfare.

Datasikkerhet

Ikke slett ukjente filer eller endre navn på filer eller kataloger som ikke er opprettet av deg. Hvis du gjør det, kan programvaren slutte å fungere.

Når du bruker ressurser i nettverket, bør du være klar over at maskinen er mer utsatt for virus, inntrengere, spionvare og farer som kan skade maskinen, programvare eller data. Det er ditt ansvar å sikre at du har riktig beskyttelse i form av brannmur, antivirusprogramvare og anti-spyware-programvare og holde denne programvaren oppdatert.

Rengjøring og vedlikehold

Sørg for at datamaskinen og arbeidsområdet er rent. Slå av datamaskinen og koble fra strømledningen før du rengjør maskinen. Ikke spray flytende rengjøringsmiddel direkte på maskinen og ikke bruk rengjøringsmiddel som inneholder lett antenkelige materialer når du rengjør maskinen. Spray rengjøringsmiddelet på en myk klut og tørk deretter av overflatene på datamaskinen.

Bruke hodetelefoner eller øretelefoner

Hvis maskinen har både en hodetelefonkontakt og en lydutgang, må du alltid bruke hodetelefonkontakten til hodetelefoner og øretelefoner.

Kraftig lydtrykk fra hodetelefoner kan føre til hørselsskader. Justering av equalizeren til maksimum øker utspenningen fra hodetelefonene og følgelig lydtrykknivået.

Overdreven bruk av hodetelefoner med høyt volum over lengre perioder kan være farlig hvis utkontakten for hode- eller øretelefonene ikke er i samsvar med spesifikasjonene i EN 50332-2. Maskinens utkontakt for hodetelefon er i samsvar med EN 50332-2, punkt 7. Denne spesifikasjonen begrenser datamaskinens maksimale utgående sanne RMS-spenning på bredbåndet til 150 mV. For å unngå hørselsskader må du kontrollere at hode- eller øretelefonene er i samsvar med EN 50332-2 (grensene i punkt 7) for et bredbånd med en spenning på 75 mV. Bruk av hodetelefoner som ikke er i samsvar med EN 50332-2, kan være farlig på grunn av ekstremt høye lydtrykknivåer.

Hvis det ble levert et sett med hode- eller øretelefoner i esken sammen med Lenovo-maskinen, er disse i samsvar med spesifikasjonene i EN 50332-1. Hvis du bruker andre hode- eller øretelefoner, må du kontrollere at de er i samsvar med EN 50332-1 (grensene i punkt 6.5). Bruk av hodetelefoner som ikke er i samsvar med EN 50332-1, kan være farlig på grunn av ekstremt høye lydtrykknivåer.

Annen sikkerhetsinformasjon

Plastposer kan være farlig. Hold plastposer borte fra små barn for å unngå fare og kvelning.

Andre sikkerhetskrav for maskintype 6427, 6493

Det trengs to personer til å løfte eller bære ThinkStation maskintype 6427, 6493.

Kapittel 2. Informasjonsressurser

Når du har klargjort maskinen ved å følge installeringsveiledningen, kan du bruke opplysningene i dette kapitlet for å få tilgang til nyttige ressurser.

Mappen Online Books

Mappen Online Books inneholder bøker som beskriver hvordan du konfigurerer og bruker datamaskinen. Online Books-mappen er forhåndsinstallert på maskinen, og du trenger ikke Internett-tilgang for å få tilgang til bøkene. Online Books-mappen inneholder disse bøkene:

- *ThinkStation Brukerhåndbok*

Denne boken inneholder opplysninger om hvordan du konfigurerer datamaskinen, installerer tilleggsutstyr, gjenoppretter programvare, bruker Setup Utility-programmet, oppdaterer systemprogrammer og løser problemer.

- *ThinkStation Installere og bytte ut maskinvare*

Denne boken inneholder trinnvise instruksjoner som beskriver hvordan du bytter ut CRUer (Customer Replaceable Units) i datamaskinen. CRUer er maskindeler som kan oppgraderes eller skiftes ut av kunden.

- *IBM Lotus® Software Offer Publet (Tilbud om IBM Lotus-programvare)*

Du åpner en bok ved å gå til **Start**-menyen på Windows-skrivebordet og velge **Alle programmer, Online Books** og klikke på **Online Books**. Dobbelklikk på riktig bok for din maskin. Du kan også laste ned bøker (på engelsk) fra Lenovos nettsted på adressen <http://www.lenovo.com>.

Merk:

1. Bøkene er i PDF-format, og du må derfor ha Adobe Acrobat Reader. Hvis du ikke har Adobe Acrobat Reader installert, blir det vist en melding når du forsøker å åpne PDF-filen og du blir veiledet gjennom installeringen av Adobe Acrobat Reader.
2. Bøkene som er forhåndsinstallert på maskinen, kan også lastes ned på andre språk fra Lenovos nettsted for brukerstøtte på <http://www.lenovo.com/support/>.
3. Hvis du vil installere en annen språkversjon av Adobe Acrobat Reader enn den som finnes på datamaskinen, gå du til Adobes nettsted på <http://www.adobe.com> og laster ned versjonen du vil bruke.

ThinkVantage Produktivitetssenter

Programmet ThinkVantage Produktivitetssenter veileder deg gjennom informasjonskilder og verktøy som er utformet for å gjøre databehandlingen enklere og sikrere, samtidig som du kan spare kostnader og øke produktiviteten. Med ThinkVantage Produktivitetssenter får du hjelp til å konfigurere, forstå og forbedre datamaskinen.

Programmet ThinkVantage Produktivitetssenter inneholder opplysninger om maskinen og gir enkel tilgang til ulike teknologier, for eksempel:

- Programmet Rescue and Recovery
- Produktivitetssenter
- Client Security Solutions
- Gjenoppretting av fabrikkinstallert innhold
- System Updates
- Service og støtte

Merk: ThinkVantage Technologies er bare tilgjengelig på enkelte Lenovo-maskiner.

Du åpner programmet ThinkVantage Produktivitetssenter ved å gå til **Start**-menyen på Windows-skrivebordet, velge **Alle programmer**, **ThinkVantage** og klikke på **Produktivitetssenter**.

Access Help

Hjelpen på systemet (Access Help) inneholder informasjon om hvordan du kommer i gang, utfører grunnleggende oppgaver, tilpasser innstillinger etter eget behov, beskytter data, utvider og oppgraderer systemet, feilsøker i systemet og så videre.

Du åpner Access Help ved å åpne **Start**-menyen på Windows-skrivebordet og velge **Alle programmer**, **ThinkVantage** og **Produktivitetssenter**. Når du har åpnet Access Help, bruker du den venstre ruten til å velge fra flippen Innhold eller Stikkord, eller du kan bruke flippen Søk til å søke etter et bestemt ord eller begrep.

www.lenovo.com

Lenovos nettsted (www.lenovo.com) inneholder omfattende informasjon og tjenester som er til hjelp når du skal kjøpe, oppgradere og vedlikeholde datamaskinen. Nettstedet inneholder den aller nyeste informasjonen. Fra www.lenovo.com kan du også

- kjøpe bordmodeller og bærbare maskiner, skjermer, prosjektører, oppgraderinger og tilbehør til maskinen, og du finner også andre spesialtilbud
- kjøpe tilleggstjenester, for eksempel støtte for maskinvare, operativsystemer og applikasjoner, installering og konfigurering av nettverk og tilpasset installering.
- kjøpe oppgraderinger og utvidede reparasjonstjenester for maskinvare
- laste ned de nyeste enhetsdriverne og programvareoppdateringene for maskinen
- få tilgang til elektroniske håndbøker (på engelsk) til produktene
- få tilgang til Lenovos garantibetingelser
- få tilgang til informasjon om problemløsning og teknisk støtte for maskinen og andre produkter som støttes
- finne telefonnummeret til service og teknisk støtte for landet eller området du bor i
- finne en serviceleverandør i nærheten av der du bor

Notere opplysninger om maskinen

Det kan være nyttig å skrive ned opplysninger om datamaskinen, i tilfelle maskinen skulle trenge service. Serviceteknikeren kommer sannsynligvis til å spørre deg om disse opplysningene.

Maskintypen, modellen og serienummeret finnes på maskinen. Noter disse opplysningene i dette feltet:

Produktnavn	_____
Maskintype og modell	_____
Serienummer (S/N)	_____
Kjøpsdato	_____

Du kan registrere maskinen over Internett på dette nettstedet:

<http://www.lenovo.com/register>

Hvis du registrerer maskinen, får du disse fordelene:

- raskere service når du ringer etter hjelp
- automatisk melding om gratis programvare og spesielle tilbud

Hvis du vil vite mer om hvordan du registrerer maskinen, kan du åpne hjelpen på systemet (Access Help). Du finner opplysninger om hvordan du åpner hjelpen, under "Access Help" på side 166.

Kapittel 3. Lenovo Garantibetingelser

Garantien Lenovo gir i disse garantibetingelsene gjelder bare for Lenovo-maskinvareprodukter som Kunden kjøper til eget bruk, og ikke for videresalg. Disse garantibetingelsene kan kalles "Statement of Limited Warranty" (SOLW) i andre dokumenter fra Lenovo.

Hva garantibetingelsene dekker

Lenovo garanterer at hvert maskinvareprodukt er feilfritt i materialer og utførelse ved normal bruk i garantiperioden. Garantiperioden for produktet starter på den opprinnelige kjøpsdatoen som er oppgitt i fakturaen, med mindre Lenovo skriftlig angir noe annet. Garantiperiode og type garantiservice som gjelder for Kundens produkt, er angitt nedenfor i punktet "**Opplysninger om garantibetingelser**".

DETTE UTGJØR DEN HELE OG FULLE GARANTI OG ERSTATTER ALLE ANDRE GARANTIER, UTTRYKT ELLER UNDERFORSTÅTT, INKLUDERT, MEN IKKE BEGRENSET TIL, GARANTIER VEDRØRENDE SALGBARHET ELLER ANVENDELSE FOR ET BESTEMT FORMÅL. NOEN LAND ELLER JURISDIKSJONER TILLATER IKKE ANSVARSBEGRÆNSNINGER SLIK AT OVENFORNEVNT BEGRÆNSNINGER IKKE GJELDER. GARANTIEN GJELDER I SLIKE TILFELLER I DEN UTSTREKNING LOVEN KREVER OG IKKE UTOVER DEN LOVBESTEMTE GARANTIPERIODEN. INGEN GARANTIER GJELDER ETTER DEN PERIODEN. NOEN LAND ELLER JURISDIKSJONER TILLATER IKKE BEGRÆNSNINGER FOR HVOR LENGE EN UNDERFORSTÅTT GARANTI GJELDER, SLIK AT OVENFORNEVNT BEGRÆNSNINGER FOR VARIGHET IKKE GJELDER.

Hvordan få garantiservice

Hvis produktet ikke fungerer i henhold til garantien i garantiperioden, kan Kunden be om garantiservice ved å kontakte Lenovo eller en godkjent serviceleverandør. Hver av disse kalles en "Serviceleverandør". Det finnes en liste over Serviceleverandører og deres telefonnumre på www.lenovo.com/support/phone.

Det er mulig at garantiservice ikke er tilgjengelig alle steder, og den kan være forskjellig fra sted til sted. Betaling kan kreves utenfor en Serviceleverandørs vanlige serviceområde. Kontakt en lokal Serviceleverandør for å høre hvilke regler som gjelder i det aktuelle området.

Hva Serviceleverandøren vil gjøre for å rette problemer

Når Kunden kontakter en Serviceleverandør, må Kunden følge prosedyrene for problembestemmelse og problemløsning som oppgis.

Serviceleverandøren vil prøve å utføre problembestemmelse og løse Kundens problem over telefon eller gjennom ekstern assistanse. Serviceleverandøren kan be Kunden om å laste ned og installere angitte programvareoppdateringer.

Enkelte problemer kan løses med en utskiftningsdel som Kunden selv installerer (for eksempel tastatur, mus, høyttaler, minne, harddiskstasjon eller portreplikator). En slik del kalles en "CRU" (Customer Replaceable Unit). Hvis det er tilfelle, sender Serviceleverandøren CRUen til Kunden slik at Kunden kan installere den selv.

Hvis problemet ikke kan løses over telefon eller via ekstern assistanse, ved at Kunden tar i bruk programvareoppdateringer, eller med en CRU, skal Serviceleverandøren ordne med service under den typen garantiservice som er angitt for produktet i punktet "**Opplysninger om garantibetingelser.**"

Hvis Serviceleverandøren ikke kan reparere Kundens produkt, skal Serviceleverandøren erstatte det med et annet med minst tilsvarende funksjonalitet.

Hvis Serviceleverandøren verken kan reparere eller skifte ut Kundens produkt, er Kundens eneste beføyelse å returnere produktet til stedet der det ble kjøpt, eller til Lenovo, og få refundert beløpet.

Utskifting av et produkt eller en del

Når garantiservice medfører at et produkt eller en del blir skiftet ut, blir det utskiftede produktet eller delen Lenovos eiendom og utskiftningen Kundens eiendom. Alle fjernede deler må være uendrede originaldeler. Utskiftningen trenger ikke å være ny, men skal være i god driftsmessig stand og være minst funksjonelt likeverdig med det den erstatter. De opprinnelige garantibetingelsene fortsetter å gjelde for deler som erstatter utskiftede deler.

Før Serviceleverandøren skifter ut et produkt eller en del, skal Kunden

1. fjerne tilleggsutstyr, deler, alternativer, endringer og tilkoblede enheter som garantiservice ikke gjelder for
2. sørge for at produktet er fritt for heftelser eller begrensninger som hindrer at det kan skiftes ut; og
3. skaffe tillatelse fra eieren når Serviceleverandøren skal utføre service på et produkt som Kunden ikke eier.

Kundens øvrige forpliktelser

Der det er aktuelt, før service blir utført, skal Kunden:

1. følge prosedyren for forespørsel om service, som Kunden får fra Serviceleverandøren;
2. sikre alle programmer og data som ligger i produktet;
3. gi Serviceleverandøren alle systemnøkler eller passord samt tilstrekkelig, fri og sikker adgang til lokalene slik at forpliktelsene i disse garantibetingelsene kan oppfylles; og
4. sørge for at all informasjon om identifiserte eller identifiserbare personer ("Personopplysninger") er slettet fra produktet, eller at eventuelle Personopplysninger som ikke er slettet, er i overensstemmelse med aktuell lovgivning.

Bruk av personopplysninger

Hvis Kunden får utført service i henhold til disse garantibetingelsene, vil Lenovo lagre, bruke og behandle informasjon om Kundens garantitilfelle og Kundens kontaktopplysninger, inklusive navn, telefonnummer, adresse og e-postadresse. Lenovo vil bruke denne informasjonen i forbindelse med service i henhold til disse garantibetingelsene og for å forbedre vårt forretningsforhold, for eksempel ved å gjennomføre interne undersøkelser av effektiviteten til garantiservice som Lenovo har levert Kunden. Lenovo kan kontakte Kunden for å undersøke Kundens tilfredshet med Lenovos garantiservice eller varsle Kunden om eventuelle tilbakekallinger av produkter eller sikkerhetsproblemer. I tilknytning til disse formålene kan Lenovo overføre Kundens informasjon til ethvert land der Lenovo driver virksomhet, og gi den til enheter som utfører arbeid på vegne av Lenovo. Lenovo kan også avgi informasjonen når loven eller ansvarlige myndigheter krever det.

Hva garantibetingelsene ikke dekker

Disse garantibetingelsene dekker ikke

- uavbrutt eller feilfri drift av et produkt;
- tap av eller skade på Kundens data;
- programvare, verken levert sammen med produktet eller installert senere;
- feil eller skade som skyldes feilaktig bruk, ulykker, endring, mangelfulle lokaler eller driftsmiljø, naturkatastrofer, overspenning eller mangelfullt vedlikehold utført av Kunden;
- ethvert tredjepartsprodukt, inkludert slike som Lenovo anskaffer og leverer sammen med eller integrert i et Lenovo-produkt på forespørsel fra Kunden; og
- enhver teknisk eller annen støtte, for eksempel assistanse ved spørsmål om fremgangsmåter og spørsmål om konfigurering og installering.

Garantien gjelder ikke hvis produktets eller delenes identifikasjonsmerker fjernes eller endres.

Ansvarsbegrensning

Lenovo er ansvarlig for tap av eller skade på Kundens produkt kun mens det 1) er i Serviceleverandørens forvaring eller 2) transporteres i de tilfeller der Serviceleverandøren er ansvarlig for transporten.

Verken Lenovo eller Serviceleverandøren er ansvarlig for Kundens data, inkludert konfidensiell, merkebeskyttet eller personlig informasjon som måtte være lagret i et produkt. Kunden skal fjerne og/eller sikkerhetskopiere all slik informasjon i produktet før service eller retur.

Det kan oppstå forhold hvor mislighold fra Lenovos side eller annet ansvar medfører at Kunden kan ha krav på erstatning fra Lenovo. I ethvert slikt tilfelle, uansett ansvarsgrunnlag, unntatt i den utstrekning lovbestemt ansvar ikke kan fraskrives i avtaler, er Lenovos erstatningsansvar under enhver omstendighet begrenset til faktisk direkte tap som har påløpt Kunden, opptil beløpet som er betalt for produktet. Denne grensen gjelder ikke for skader på person, herunder død, og på løsøre og fast eiendom som Lenovo ifølge loven er ansvarlig for.

Denne grensen gjelder også for Lenovos leverandører og forhandlere og Kundens Serviceleverandør. Dette er maksimum for hva Lenovo, Lenovos leverandører og forhandlere Kundens Serviceleverandør samlet er ansvarlig for.

LENOVO OG LENOVOS LEVERANDØRER, FORHANDLERE OG SERVICELEVERANDØRER ER UNDER INGEN OMSTENDIGHET ANSVARLIG FOR NOE AV FØLGENDE SELV OM DE ER UNDERRETTET OM MULIGHETENE FOR SLIKE SKADER, TAP ELLER KRAV: 1) KRAV SOM TREDJEPART MÅTTE REISE MOT KUNDEN FOR SKADER; 2) TAP AV, ELLER SKADE PÅ, KUNDENS DATA; ELLER 3) SPESIELLE, TILFELDIGE ELLER INDIREKTE SKADER ELLER AVLEDEDE ØKONOMISKE SKADER ELLER TAP, INKLUDERT TAP AV FORTJENESTE, INNTEKTER, GOODWILL ELLER FORVENTEDE BESPARELSER. NOEN LAND ELLER JURISDIKSJONER TILLATER IKKE ANSVARSBEGRENSNINGER SLIK AT OVENFORNEVNT BEGRENSNINGER IKKE GJELDER.

Konfliktløsning

Hvis Kunden har anskaffet produktet i **Kambodsja, Indonesia, Filippinene, Vietnam eller Sri Lanka**, skal eventuelle tvister i forbindelse med disse garantibetingelsene avgjøres endelig ved voldgiftsforhandlinger avholdt i Singapore, og garantibetingelsene skal være underlagt lovgivningen i Singapore. Hvis Kunden har anskaffet produktet i **India**, skal eventuelle tvister i forbindelse med disse garantibetingelsene avgjøres endelig ved voldgiftsforhandlinger avholdt i Bangalore, India. Voldgiftsforhandlinger i Singapore skal avholdes i henhold til de gjeldende reglene for voldgift fra Singapore International Arbitration Center ("SIAC-reglene").

Voldgiftsforhandlinger i India skal avholdes i henhold til gjeldende lovgivning i India. Voldgiftskjennelsen skal være endelig og bindende for partene uten ankemuligheter, og voldgiftskjennelsen skal leveres skriftlig og spesifisere de fakta og juridiske konklusjoner som voldgiftsdommerne har kommet frem til. Alle voldgiftsforhandlinger, og alle dokumenter som blir brukt i forbindelse med forhandlingene, skal være på engelsk, og den engelskspråklige versjonen av disse garantibetingelsene gjelder foran alle andre språkversjoner under forhandlingene.

Andre rettigheter

DISSE GARANTIBETINGELSENE GIR KUNDEN SPESIELLE JURIDISKE RETTIGHETER. KUNDEN KAN HA ANDRE LOVBESTEMTE RETTIGHETER SOM KAN VARIERE FRA LAND TIL LAND OG JURISDIKSJON TIL JURISDIKSJON. KUNDEN KAN OGSÅ HA ANDRE RETTIGHETER I HENHOLD TIL GJELDENE LOV ELLER SKRIFTLIG AVTALE MED LENOVO. INGEN BESTEMMELSER I DISSE GARANTIBETINGELSENE TILSIDESETTER LOVBESTEMTE RETTIGHETER SOM IKKE KAN FRASKRIVES ELLER BEGRENSER I AVTALE, INKLUSIVE FORBRUKERENS RETTIGHETER IFØLGE NASJONAL LOVGIVNING SOM REGULERER SALG AV FORBRUKSARTIKLER.

Det europeiske økonomiske samarbeidsområdet (EØS)

Kunder i EØS kan kontakte Lenovo på følgende adresse: Lenovo Warranty & Service Quality Dept., PO Box 19547, Inverkip Road, Greenock, Scotland PA16 9WX. For Lenovo-maskinvareprodukter som er kjøpt i EØS-land, kan service i henhold til disse garantibetingelsene utføres i ethvert EØS-land der Lenovo har annonsert produktet og gjort det tilgjengelig.

Lenovos garantibetingelser er tilgjengelig på andre språk på www.lenovo.com/warranty.

Garantibetingelser

Maskin- type	Land eller region der Maskinen er kjøpt	Garanti- periode	Type garanti- service
6423	USA, Canada, Latin-Amerika, Brasil, Europa, Midtøsten, Afrika, Australia, New Zealand, Singapore, India, Malaysia, Thailand, Indonesia, Filippinene, Vietnam, Brunei, Sri Lanka, Bangladesh, Korea, Folkerepublikken Kina (Kina), Kina (Hong Kong S.A.R.) og Taiwan	Deler og arbeid - 3 år	1 og 2
	Japan	Deler og arbeid - 1 år	1 og 3
6427	USA, Canada, Latin-Amerika, Brasil, Europa, Midtøsten, Afrika, Australia, New Zealand, Singapore, India, Malaysia, Thailand, Indonesia, Filippinene, Vietnam, Brunei, Sri Lanka, Bangladesh, Korea, Folkerepublikken Kina (Kina), Kina (Hong Kong S.A.R.) og Taiwan	Deler og arbeid - 3 år	1 og 2
	Japan	Deler og arbeid - 1 år	1 og 3
6483	USA, Canada, Latin-Amerika, Brasil, Europa, Midtøsten, Afrika, Australia, New Zealand, Singapore, India, Malaysia, Thailand, Indonesia, Filippinene, Vietnam, Brunei, Sri Lanka, Bangladesh, Korea, Folkerepublikken Kina (Kina), Kina (Hong Kong S.A.R.) og Taiwan	Deler og arbeid - 3 år	1 og 2
	Japan	Deler og arbeid - 1 år	1 og 3
6493	USA, Canada, Latin-Amerika, Brasil, Europa, Midtøsten, Afrika, Australia, New Zealand, Singapore, India, Malaysia, Thailand, Indonesia, Filippinene, Vietnam, Brunei, Sri Lanka, Bangladesh, Korea, Folkerepublikken Kina (Kina), Kina (Hong Kong S.A.R.) og Taiwan	Deler og arbeid - 3 år	1 og 2
	Japan	Deler og arbeid - 1 år	1 og 3

Ved behov utfører Kundens Serviceleverandør reparasjon eller utskifting avhengig av hvilken type garantiservice som er oppgitt for produktet, og

hvilke servicenivåer som er tilgjengelig. Tidspunktet for service avhenger av når Kunden ber om service, tilgjengelighet av deler og andre faktorer.

En garantiperiode på 3 år for deler og 1 år for arbeid betyr at Lenovo gir garantiservice uten omkostninger for:

a. deler og arbeid i det første året av garantiperioden (eller en lengre periode dersom loven krever det); og

b. deler for utskifting i det andre og tredje året av garantiperioden. Kundens serviceleverandør fakturerer Kunden for arbeid som er utført i forbindelse med reparasjon eller utskifting i det andre og tredje året av garantiperioden.

Typer av garantiservice

1. Service for CRU

Ved service for CRU sender Kundens Serviceleverandør CRUen til Kunden slik at Kunden kan installere den selv. De fleste CRUer er enkle å installere, mens andre kan kreve noe teknisk innsikt og verktøy. Informasjon om CRUer og instruksjoner for utskifting leveres sammen med produktet og er på forespørsel fra Kunden tilgjengelig fra Lenovo. Kunden kan be en Serviceleverandør om å installere CRUer under den typen garantiservice som gjelder for produktet. Installering av eksterne CRUer (som mus, tastaturer og skjermer) er Kundens ansvar. Lenovo oppgir i materialet som leveres sammen med en utskiftnings-CRU, om en defekt CRU må returneres. Når retur kreves, blir returinstruksjoner, en forhåndsbetalt adresselapp og emballasje levert sammen med utskiftnings-CRUen, og 2) Kunden kan belastes for utskiftnings-CRUen hvis Serviceleverandøren ikke mottar den defekte CRUen innen tretti (30) dager fra Kunden mottar utskiftningsenheten.

2. Service på stedet

Ved service på stedet vil Kundens Serviceleverandør reparere eller skifte ut produktet hos Kunden. Kunden må sørge for et passende arbeidsområde der Lenovo-produktet kan tas fra hverandre og settes sammen igjen. For enkelte produkter kan enkelte reparasjoner kreve at Kundens Serviceleverandør sender produktet til et utpekt servicesenter.

3. Service med budtjeneste / på servicesenter

Ved service med budtjeneste / på servicesenter blir Kundens produkt reparert eller skiftet ut ved et utpekt servicesenter, og transport ordnes av Kundens Serviceleverandør. Kunden er ansvarlig for å koble fra produktet. Kunden får en kartong som kan brukes ved forsendelse av produktet til et utpekt

servicesenter. Et bud henter Kundens produkt og leverer det til servicesenteret. Etter at produktet er reparert eller skiftet ut, ordner servicesenteret med levering av produktet til Kunden.

4. Service med innlevering eller innsending

Ved service med innlevering eller innsending blir Kundens produkt reparert eller skiftet ut ved et utpekt servicesenter, og levering eller transport ordnes av Kunden. Kunden er ansvarlig for å levere eller sende, slik Kundens Serviceleverandør oppgir (forhåndsbetalt hvis ikke noe annet er oppgitt), produktet forsvarlig innpakket til et angitt sted. Når produktet er reparert eller skiftet ut, gjøres det tilgjengelig for henting. Hvis Kunden ikke henter produktet, kan Serviceleverandøren avhende produktet slik det anses mest hensiktsmessig. Ved service med innsending blir produktet returnert til Kunden. Frakt betales av Lenovo hvis ikke Kundens Serviceleverandør oppgir noe annet.

Guarantee supplement for Mexico

This supplement is considered part of the Lenovo Limited Warranty and shall be effective solely and exclusively for products distributed and commercialized within Territory of the Mexican United States. In the event of a conflict, the terms of this supplement shall apply.

All software programs pre-loaded in the equipment shall only have a thirty-(30) day guarantee for installation defects from the date of purchase. Lenovo is not responsible for the information in such software programs and/or any additional software programs installed by you or installed after purchase of the product.

Services not chargeable to the guarantee shall be charged to the final user, prior an authorization.

In the event that warranty repair is required please call the Customer Support Center at 001-866-434-2080, where you will be directed to the nearest Authorized Service Center. Should no Authorized Service Center exist in your city, location or within 70 kilometers of your city or location, the guarantee includes any reasonable delivery charges related to the transportation of the product to our nearest Authorized Service Center. Please call the nearest Authorized Service Center to obtain the necessary approvals or information concerning the shipment of the product and the shipment address.

To obtain a list of Authorized Service Centers, please visit:

<http://www.lenovo.com/mx/es/servicios>

Manufactured by:
SCI Systems de México, S.A. de C.V.
Av. De la Solidaridad Iberoamericana No. 7020
Col. Club de Golf Atlas
El Salto, Jalisco, México
C.P. 45680,
Tel. 01-800-3676900

Marketing by:
Lenovo de México, Comercialización y
Servicios, S. A. de C. V.
Alfonso Nápoles Gándara No 3111
Parque Corporativo de Peña Blanca
Delegación Álvaro Obregón
México, D.F., México
C.P. 01210,
Tel. 01-800-00-325-00

Kapittel 4. Verdensomfattende telefonliste

Land eller region	Telefonnummer
Afrika	Afrika: +44 (0)1475-555-055 Sør-Afrika: +27-11-3028888 og 0800110756 Sentral-Afrika: Kontakt nærmeste Lenovo Business Partner
Argentina	0800-666-0011 (spansk)
Australia	1300-880-917 (engelsk)
Østerrike	Støtte for å komme i gang: 01-24592-5901 Garantiservice og støtte: 01-211-454-610 (tysk)
Belgia	Støtte for å komme i gang: 02-210-9820 (nederlandsk) Støtte for å komme i gang: 02-210-9800 (fransk) Garantiservice og støtte: 02-225-3611 (nederlandsk, fransk)
Bolivia	0800-0189 (spansk)
Brasil	Sao Paulo-region: (11) 3889-8986 Utenfor Sao Paulo-regionen: 0800-701-4815 (Brasiliansk portugisisk)
Brunei	801-1041
Canada	Toronto: 416-383-3344 Utenfor Toronto: 1-800-565-3344 (engelsk, fransk)
Chile	1-800-224-488 (spansk)
Kina (Hong Kong S.A.R.)	Bærbare maskiner: 852-2516-3919 Bordmodeller: 800-938-008 (kantonesisk, engelsk og mandarin)
Kina (Macau S.A.R.)	Bærbare maskiner: 0800-689 Bordmodeller: 0800-686 (kantonesisk, engelsk og mandarin)
Colombia	1-800-912-3021 (spansk)
Costa Rica	0-800-011-1029 (spansk)
Kroatia	0800-0426
Kypros	+357-22-841100
Tsjekkia	+420-2-7213-1316
Danmark	Støtte for å komme i gang: 4520-8200 Garantiservice og støtte: 7010-5150 (dansk)
Den dominikanske republikk	1-866-434-2080 (spansk)
Ecuador	1-800-426911 (spansk)
El Salvador	800-6264 (spansk)

Land eller region	Telefonnummer
Estland	+372 67767934
Finland	Støtte for å komme i gang: 09-459-6960 Garantiservice og støtte: +358-800-1-4260 (finsk)
Frankrike	Støtte for å komme i gang: 0238-557-450 Garantiservice og støtte (maskinvare): 0810-631-213 Garantiservice og støtte (programvare): 0810-631-020 (fransk)
Tyskland	Støtte for å komme i gang: 07032-15-49201 Garantiservice og støtte: 01805-25-35-58 (tysk)
Hellas	+30-210-680-1700
Guatemala	1800-624-0051 (spansk)
Honduras	Tegucigalpa: 232-4222 San Pedro Sula: 552-2234 (spansk)
Ungarn	+36-1-382-5720
India	1800-425-6666 +91-80-2678-8970 (engelsk)
Indonesia	001-803-606-282
Irland	Støtte for å komme i gang: 01-815-9202 Garantiservice og støtte: 01-881-1444 (engelsk)
Israel	Givat Shmuel Service Center: +972-3-531-3900 Haifa Service Center: +972-4-849-4608 (hebraisk, engelsk)
Italia	Støtte for å komme i gang: 02-7031-6101 Garantiservice og støtte: +39-800-820094 (italiensk)
Japan	Bordmodeller: 0120-000-817 Bærbare maskiner: 0570-064-400
Korea	1588-6782 (koreansk)
Latvia	+371 7070360
Litauen	+370 5 278 66 00
Luxemburg	+352-298-977-5063 (fransk)
Malaysia	1800-88-1889
Malta	+35621445566
Mexico	001-866-434-2080 (spansk)
Midtøsten	+44 (0)1475-555-055
Nederland	+31-20-514-5770 (nederlandsk)

Land eller region	Telefonnummer
New Zealand	0800-777-217 (engelsk)
Nicaragua	001-800-220-1830 (spansk)
Norge	Støtte for å komme i gang: 6681-1100 Garantiservice og støtte: 8152-1550 (norsk)
Panama	Gratisnummer: 001-866-434-2080 (spansk)
Peru	0-800-50-866 (spansk)
Filippinene	1800-1601-0033
Polen	+48-22-878-6999
Portugal	+351-21-892-7147 (portugisisk)
Romania	+4-021-224-4015
Russland	+7-495-940-2000 (russisk)
Singapore	800-6011-343
Slovakia	+421-2-4954-5555
Slovenia	+386-1-4796-699
Spania	91-714-7983 0901-100-000 (spansk)
Sri Lanka	+94-11-249-3523 (engelsk)
Sverige	Støtte for å komme i gang: 08-477-4420 Garantiservice og støtte: 077-117-1040 (svensk)
Sveits	Støtte for å komme i gang: 058-333-0900 Garantiservice og støtte: 0800-55-54-54 (tysk, fransk, italiensk)
Taiwan	0800-000-701 (mandarin)
Thailand	1-800-060-066 (thai)
Tyrkia	00800-4463-2041 (tyrkisk)
Storbritannia	Støtte for å komme i gang: 01475-555-055 Garantistøtte: 08705-500-900 (engelsk)
USA	1-800-426-7378 (engelsk)
Uruguay	000-411-005-6649 (spansk)
Venezuela	0-800-100-2011 (spansk)
Vietnam	Nordlige områder og Hanoi: 84-4-843-6675 For det sørlige området og Ho Chi Minh-byen: 84-8-829-5160 (engelsk, vietnamesisk)

Kapittel 5. Deler som kunden kan skifte ut (CRUer)

CRUer (Customer Replaceable Units) er maskindeler som kan oppgraderes eller skiftes ut av kunden. Det er to typer CRUer: interne og eksterne. Det er enkelt å installere eksterne CRUer, mens interne CRUer krever noe teknisk innsikt og i enkelte tilfeller verktøy som for eksempel en skrutrekker. Både eksterne og interne CRUer kan imidlertid fjernes trygt av kunden. Interne CRUer kan fjernes og installeres av kunder eller av en servicetekniker fra Lenovo i løpet av garantiperioden.

Utskifting av eksterne CRUer er kundens ansvar.

Datamaskiner inneholder eksterne og interne CRUer. Eksterne CRUer plassert på utsiden av datamaskinen. Eksempler på eksterne CRUer er tastaturet, musen, eventuelle USB-enheter og strømledningen. Interne CRUer kan ikke fjernes før du har åpnet dekslet på datamaskinen. Eksempler på interne CRUer er minnemoduler, optiske stasjoner, kort og strømforsyning.

Brukerhåndboken og boken *Installere og bytte ut maskinvare* inneholder opplysninger om hvordan du bytter ut eksterne og interne CRUer. tabell 2 på side 184 inneholder informasjon om hvilke bøker som inneholder opplysningene du trenger. Hvis du vil åpne en bok, går du til Start-menyen på Windows-skrivebordet og velger **Alle programmer**, **Online Books**, og klikker på **Online Books**. Dobbeltklikk på den riktige håndboken.

Du kan også laste ned bøker (på engelsk) fra Lenovos nettsted på adressen <http://www.lenovo.com>.

Merk: Bruk bare maskindeler fra Lenovo. Kapittel 3, "Lenovo Garantibetingelser", på side 169 inneholder opplysninger om garantibetingelser for CRUer og maskintyper.

Tabell 1. Eksterne CRUer

Maskintyper: 6423, 6427, 6483, 6493	Brukerhåndbok	Installere og bytte ut maskinvare
Eksterne CRUer		
Tastatur	X	X
Mus	X	X
Strømledning	X	

Tabell 2. Interne CRUer

Maskintyper: 6423, 6427, 6483, 6493	Brukerhåndbok	Installere og bytte ut maskinvare
Interne CRUer		
Harddisk- stasjon		X
Minne		X
Kort		X
Interne høyttalere		X
Optisk stasjon		X
Diskett- stasjon		X
Strøm- forsynings- enhet		X
Systemvifter		X
Kjøleribbe		X
Vifter		X
USB foran		X
CMOS-batteri		X
Seriell port		X

Kapittel 6. Merknader

Noe av teksten nedenfor står på engelsk, tysk og andre språk, fordi den stort sett kun er relevant for de nevnte landene.

Det er ikke sikkert at Lenovo tilbyr produktene, tjenestene eller funksjonene som er beskrevet her, i alle land. Du får opplysninger om hvilke produkter, tjenester og funksjoner som er tilgjengelige i Norge, ved å kontakte din Lenovo-representant. Henvisninger til Lenovos produkter, programmer eller tjenester betyr ikke at det bare er de som kan benyttes. Andre produkter, programmer eller tjenester som har tilsvarende funksjoner, kan brukes i stedet, forutsatt at de ikke gjør inngrep i noen av Lenovos patent- eller opphavsrettigheter eller andre lovbeskyttede rettigheter. Vurdering og verifisering ved bruk sammen med andre produkter, programmer eller tjenester er brukerens ansvar.

Lenovo kan ha patent på eller patentsøknader til behandling for de produktene som er omtalt i denne publikasjonen. At du har mottatt denne publikasjonen, innebærer ikke at du får lisensrettighet til disse produktene. Du kan sende spørsmål angående lisenser til

*Lenovo (United States), Inc.
1009 Think Place - Building One
Morrisville, NC 27560
U.S.A.
Attn.: Lenovo Director of Licensing*

LENOVO LEVERER DENNE BOKEN SOM DEN ER ("AS IS") UTEN FORPLIKTELSER AV NOE SLAG, UTTRYKT ELLER UNDERFORSTÅTT, INKLUDERT GARANTIER VEDRØRENDE SALGBARHET ELLER ANVENDELSE FOR ET BESTEMT FORMÅL. Enkelte land tillater ikke begrensninger i lovbestemte rettigheter. I den grad dette er tilfellet, gjelder ikke ovenfornevnte begrensninger.

Denne boken kan inneholde tekniske unøyaktigheter eller typografiske feil. Opplysninger i disse dokumentene kan bli endret. Slike endringer blir tatt med i nye utgaver av dokumentene. Lenovo kan uten varsel endre produktene og/eller programmene som er beskrevet i denne boken.

Produktene som beskrives i dette dokumentet, er ikke beregnet på bruk i implantert utstyr eller annet livsoppretholdende utstyr der funksjonsfeil kan føre til død eller skade på person. Informasjonen i dette dokumentet har ingen innvirkning på eller endrer ikke Lenovos produktspesifikasjoner eller garantier. Inngenting i dette dokumentet skal fungere som en uttrykt eller underforstått lisens eller skadesløsholdelse under opphavsrettighetene til Lenovo eller

terdjeparter. All informasjon i dette dokumentet er innhentet i bestemte miljøer og presenteres som en illustrasjon. Resultater som er innhentet i andre operativmiljøer, kan variere.

Lenovo kan bruke og distribuere opplysninger du kommer med, på den måten selskapet anser som hensiktsmessig, uten noen forpliktelser overfor deg.

Eventuelle henvisninger til nettsteder som ikke tilhører Lenovo, er bare til orientering og fungerer ikke på noen måte som støtte for disse nettstedene. Innholdet på disse nettstedene er ikke en del av dette Lenovo-produktet, og bruk av disse nettstedene skjer på eget ansvar.

Alle ytelsesdataene du finner i dette dokumentet, ble hentet i et kontrollert miljø. Resultatene du kan oppnå i andre operativmiljøer, kan variere betraktelig. Noen av målingene er foretatt på systemer som er under utvikling, og det er ikke sikkert at du oppnår samme resultat på alminnelige tilgjengelige systemer. Noen av målingene kan dessuten ha blitt beregnet ved hjelp av ekstrapolasjon. De faktiske resultatene kan variere. Brukerne av dette dokumentet bør bekrefte dataene som brukes i sitt bestemte miljø.

Merknad om ut signaler for TV

Informasjonen nedenfor gjelder for modeller som har forhåndsinstallert utstyr for ut signaler for TV.

Denne enheten inneholder teknologi for opphavsrettsbeskyttelse som er beskyttet av amerikanske patentrettigheter og andre opphavsrettigheter eid av Macrovision Corporation og andre rettighetsinnehavere. Bruk av denne teknologien må autoriseres av Macrovision Corporation, og er kun ment for hjemmebruk og annen begrenset bruk når det gjelder visning, med mindre det foreligger tillatelse om noe annet fra Macrovision. Det er ikke tillatt å ta fra hverandre eller demontere enheten.

Varemerker

Lenovo, Lenovo-logoen, Rescue and Recovery, ThinkCentre, ThinkVantage og ThinkStation er varemerker for Lenovo i USA og/eller andre land.

IBM er varemerke for International Business Machines Corporation i USA og/eller andre land.

Andre navn kan være varemerker for andre selskaper.

Elektronisk stråling

Følgende informasjon gjelder Lenovo-PCer, maskintype 6423, 6427, 6483 og 6493

Elektromagnetisk stråling

Dette utstyret er testet og tilfredsstillende klasse B-grensene for digitale enheter i henhold til Part 15 i FCC-reglene. Hvis utstyret ikke blir installert og brukt i samsvar med brukerhåndboken, kan det forstyrre radio- og fjernsynsmottak. Utstyret er prøvd og gir en rimelig beskyttelse mot slike forstyrrelser, men det er ingen garanti mot at slike forstyrrelser kan forekomme. Hvis utstyret likevel er årsak til forstyrrelse på radio- og fjernsynsmottak, noe som kan fastlegges ved at utstyret blir slått av og på, ber vi brukeren om å

- endre antenneforholdene
- flytte utstyret vekk fra mottakerapparatet
- plugge utstyret til en annen stikkontakt slik at utstyret og mottakerapparatet blir koblet til forskjellige sikringskretser
- be en autorisert forhandler eller servicepersonale om hjelp

Lenovo er ikke ansvarlig for radio- og fjernsynsforstyrrelser som oppstår fordi det er brukt kabler eller utstyr som ikke er anbefalt av Lenovo, eller fordi det er gjort ikke godkjente endringer på utstyret. Slike endringer kan føre til at godkjenning for bruk av utstyret blir ugyldig.

Brukeren kan kontakte autoriserte forhandlere eller teknisk personell i radio- og fjernsynsbransjen og be om andre forslag til løsninger. Bruk av utstyret skjer på to vilkår: (1) Denne enheten skal ikke forårsake farlig interferens. (2) Denne enheten må godta all interferens som mottas, også interferens som forårsaker uønsket drift.

Ansvarlig part:

Lenovo (United States) Incorporated
1009 Think Place - Building One
Morrisville, NC 27560
U.S.A.
Telefon: (919) 294-5900



Tested To Comply
With FCC Standards

FOR HOME OR OFFICE USE

Industry Canada Class B emission compliance statement

This Class B digital apparatus complies with Canadian ICES-003.

Cet appareil numérique de la classe B est conforme à la norme NMB-003 du Canada.

Tilpasning til EØS-avtalen og EU-direktiv

Dette produktet er i samsvar med EØS-avtalen og vernekravene i EUs rådsdirektiv 2004/108/EC om tilnærming av medlemsstatenes lovgivning om elektromagnetisk kompatibilitet. Lenovo tar intet ansvar for manglende samsvar med disse kravene som følge av en ikke godkjent endring av utstyret, deriblant installering av tilleggskort fra andre leverandører.

Dette produktet er testet og tilfredsstillende klasse B-grensene for IT-utstyr i henhold til CISPR 22/europeisk standard EN 55022. Grensene for utstyr i klasse B er etablert for typiske boligstrøk for å gi rimelig beskyttelse mot forstyrrelser med lisensiert kommunikasjonsutstyr.

EU-EMC Directive (2004/108/EC) EN 55022 class B Statement of Compliance

Deutschsprachiger EU Hinweis:

Hinweis für Geräte der Klasse B EU-Richtlinie zur Elektromagnetischen Verträglichkeit

Dieses Produkt entspricht den Schutzanforderungen der EU-Richtlinie 2004/108/EG (früher 89/336/EWG) zur Angleichung der Rechtsvorschriften über die elektromagnetische Verträglichkeit in den EU-Mitgliedsstaaten und hält die Grenzwerte der EN 55022 Klasse B ein.

Um dieses sicherzustellen, sind die Geräte wie in den Handbüchern beschrieben zu installieren und zu betreiben. Des Weiteren dürfen auch nur von der Lenovo empfohlene Kabel angeschlossen werden. Lenovo übernimmt keine Verantwortung für die Einhaltung der Schutzanforderungen, wenn das Produkt ohne Zustimmung der Lenovo verändert bzw. wenn Erweiterungskomponenten von Fremdherstellern ohne Empfehlung der Lenovo gesteckt/eingebaut werden.

Deutschland: Einhaltung des Gesetzes über die elektromagnetische Verträglichkeit von Betriebsmitteln

Dieses Produkt entspricht dem "Gesetz über die elektromagnetische Verträglichkeit von Betriebsmitteln" EMVG (früher "Gesetz über die elektromagnetische Verträglichkeit von Geräten"). Dies ist die Umsetzung der EU-Richtlinie 2004/108/EG (früher 89/336/EWG) in der Bundesrepublik Deutschland.

Zulassungsbescheinigung laut dem Deutschen Gesetz über die elektromagnetische Verträglichkeit von Betriebsmitteln, EMVG vom 20. Juli

2007 (früher "Gesetz über die elektromagnetische Verträglichkeit von Geräten"), bzw. der EMV EG Richtlinie 2004/108/EC (früher 89/336/EWG), für Geräte der Klasse B.

Dieses Gerät ist berechtigt, in Übereinstimmung mit dem Deutschen EMVG das EG-Konformitätszeichen - CE - zu führen. Verantwortlich für die Konformitätserklärung nach Paragraf 5 des EMVG ist die Lenovo (Deutschland) GmbH, Pascalstr. 100, D-70569 Stuttgart.

Informationen in Hinsicht EMVG Paragraf 4 Abs. (1) 4:
Das Gerät erfüllt die Schutzanforderungen nach EN 55024 und EN 55022 Klasse B.

Korean Class B statement

이 기기는 가정용으로 전자파 적합등록을 한 기기로서
주거지역에서는 물론 모든 지역에서 사용할 수 있습니다.

Japanese VCCI Class B statement

この装置は、情報処理装置等電波障害自主規制協議会（VCCI）の基準に基づきクラスB情報技術装置です。この装置は、家庭環境で使用することを目的としていますが、この装置がラジオやテレビジョン受信機に近接して使用されると、受信障害を引き起こすことがあります。
取扱説明書に従って正しい取り扱いをして下さい。

Japanese compliance for products less than or equal to 20A per phase

高調波電流規格 JIS C 61000-3-2 適合品

Keyboard and mouse compliance statement for Taiwan

本產品隨貨附已取得經濟部標準檢驗局認可之PS/2或USB的鍵盤與滑鼠一組

Lenovo product service information for Taiwan

台灣 Lenovo 產品服務資訊如下：
荷蘭商思惟個人電腦產品股份有限公司台灣分公司
台北市信義區信義路五段七號十九樓之一
服務電話：0800-000-700

Federal Communications Commission (FCC) and telephone company requirements

1. This device complies with Part 68 of the FCC rules. A label is affixed to the device that contains, among other things, the FCC registration number, USOC, and Ringer Equivalency Number (REN) for this equipment. If these numbers are requested, provide this information to your telephone company.

Merk: If the device is an internal modem, a second FCC registration label is also provided. You may attach the label to the exterior of the computer in which you install the Lenovo modem, or you may attach the label to the external DAA, if you have one. Place the label in a location that is easily accessible, should you need to provide the label information to the telephone company.

2. The REN is useful to determine the quantity of devices you may connect to your telephone line and still have those devices ring when your number is called. In most, but not all areas, the sum of the RENs of all devices should not exceed five (5). To be certain of the number of devices you may connect to your line, as determined by the REN, you should call your local telephone company to determine the maximum REN for your calling area.
3. If the device causes harm to the telephone network, the telephone company may discontinue your service temporarily. If possible, they will notify you in advance; if advance notice is not practical, you will be notified as soon as possible. You will be advised of your right to file a complaint with the FCC.
4. Your telephone company may make changes in its facilities, equipment, operations, or procedures that could affect the proper operation of your equipment. If they do, you will be given advance notice to give you an opportunity to maintain uninterrupted service.

5. If you experience trouble with this product, contact your authorized reseller or call the Customer Support Center. In the United States, call **1-800-426-7378**. In Canada, call **1-800-565-3344**. You may be required to present proof of purchase.

The telephone company may ask you to disconnect the device from the network until the problem has been corrected, or until you are sure the device is not malfunctioning.

6. No customer repairs are possible to the device. If you experience trouble with the device, contact your Authorized Reseller or see the Diagnostics section of this manual for information.
7. This device may not be used on coin service provided by the telephone company. Connection to party lines is subject to state tariffs. Contact your state public utility commission or corporation commission for information.
8. When ordering network interface (NI) service from the local Exchange Carrier, specify service arrangement USOC RJ11C.

Canadian Department of Communications certification label

NOTICE: The Industry Canada label identifies certified equipment. This certification means that the equipment meets telecommunications network protective, operational and safety requirements as prescribed in the appropriate Terminal Equipment Technical Requirements documents. The Department does not guarantee the equipment will operate to the user's satisfaction.

Before installing this equipment, users should ensure that it is permissible to be connected to the facilities of the local telecommunications company. The equipment must also be installed using an acceptable method of connection. The customer should be aware that compliance with the above conditions may not prevent degradation of service in some situations. Repairs to certified equipment should be coordinated by a representative designated by the supplier. Any repairs or alterations made by the user to this equipment, or equipment malfunctions, may give the telecommunications company cause to request the user to disconnect the equipment.

Users should ensure for their own protection that the electrical ground connections of the power utility, telephone lines, and internal metallic water pipe system, if present, are connected together. This precaution may be particularly important in rural areas.

Caution: Users should not attempt to make such connections themselves, but should contact the appropriate electric inspection authority, or electrician, as appropriate.

NOTICE: The Ringer Equivalence Number (REN) assigned to each terminal device provides an indication of the maximum number of terminals allowed to

be connected to a telephone interface. The termination on an interface may consist of any combination of devices subject only to the requirement that the sum of the Ringer Equivalence Numbers of all the devices does not exceed 5.

Strømledning

Av sikkerhetshensyn er dette produktet utstyrt med en strømledning med forskriftsmessig jordet tilkoblingsplugg. Du må koble strømledningen til en forskriftsmessig jordet stikkontakt, slik at du unngår å få elektrisk støt.

Strømledninger som Lenovo leverer i USA og Canada, er registrert av Underwriter's Laboratories (UL) og sertifisert av Canadian Standards Association (CSA).

Enheter som bruker 115 volt: Bruk en ledning som er registrert i UL og godkjent av CSA bestående av minimum 18 AWG, type SVT eller SJT, jordet, ikke lenger en 4,5 meter, og med jordet tilkoblingsplugg (parallell) for 15 ampere, 125 volt-

Enheter som bruker 230 volt (USA): Bruk en ledning som er registrert i UL og godkjent av CSA, bestående av minimum 18 AWG, type SVT eller SJT, jordet, ikke mer enn 4,5 meter lang og med jordet tilkoblingsplugg (tandem) for 15 ampere, 250 volt.

Enheter som bruker 230 volt: Bruk en strømledning med forskriftsmessig jordet tilkoblingsplugg. Ledningen må være godkjent i landet der utstyret skal installeres.

Lenovo-strømledninger for et bestemt land eller en bestemt region er vanligvis bare tilgjengelige i vedkommende land eller region.

For enheter som skal brukes i Tyskland: Strømledningene må være sikkerhetsgodkjent. Bruk strømledninger av typen H05VV-F, 3G, 0,75 mm², eller bedre, i Tyskland. Bruk riktig type strømledning i andre land.

Delenummer for strømledning	Brukes i disse landene og regionene
24R2633	Japan
39M5067	Argentina, Paraguay, Uruguay
39M5080	Antigua og Barbuda, Aruba, Bahamas, Barbados, Belize, Bermuda, Bolivia, Turks- og Caicosøyene, Canada, Caymanøyene, Costa Rica, Columbia, Cuba, Den dominikanske republikk, De nederlandske antiller, Ecuador, El Salvador, Filippinene, Guam, Guatemala, Haiti, Honduras, Jamaica, Mexico, Mikronesiaføderasjonen, Nicaragua, Panama, Peru, Saudi-Arabia, Thailand, Taiwan, USA, Venezuela

Delenummer for strømledning	Brukes i disse landene og regionene
39M5102	Australia og New Zealand
39M5122	Afghanistan, Albania, Algerie, Andorra, Angola, Armenia, Østerrike, Aserbajdsjan, Hviterussland, Belgia, Benin, Bosnia-Hercegovina, Bulgaria, Burkina Faso, Burundi, Kambodsja, Kamerun, Kapp Verde, Den sentralafrikanske republikk, Tchad, Komorene, Kongo (Den demokratiske republikken), Kongo (Republikken), Elfenbenskysten, Kroatia (Republikken), Tsjekkia, Dahomey, Djibouti, Egypt, Ekvatorial-Guinea, Eritrea, Estland, Etiopia, Finland, Frankrike, Fransk Guyana, Fransk Polynesia, Gabon, Georgia, Tyskland, Hellas, Guadeloupe, Guinea, Guinea Bissau, Ungarn, Island, Indonesia, Iran, Kasakhstan, Kirgisistan, Laos (Den demokratiske folkerepublikken), Latvia, Libanon, Litauen, Luxemburg, Makedonia (Den tidligere jugoslaviske republikken), Madagaskar, Mali, Martinique, Mauritania, Mauritius, Mayotte, Moldova (Republikken), Monaco, Mongolia, Marokko, Mosambik, Nederland, Ny-Caledonia, Niger, Norge, Polen, Portugal, Réunion, Romania, Russland, Rwanda, Sao Tome og Principe, Saudi Arabia, Senegal, Serbia, Slovakia, Slovenia (Republikken), Somalia, Spania, Surinam, Sverige, Den syriske arabiske republikk, Tadsjikistan, Tahiti, Togo, Tunisia, Tyrkia, Turkmenistan, Ukraina, Øvre Volta, Usbekistan, Vanuatu, Vietnam, Wallis og Futuna, Jugoslavia (Den føderale republikk), Zaire
39M5129	Danmark
39M5143	Bangladesh, Lesotho, Kina (Macao S.A.R), Maldivene, Namibia, Nepal, Pakistan, Samoa, Sri Lanka, Swaziland, Sør-Afrika, Uganda
39M5150	Abu Dhabi, Australia, Bahrain, Botswana, Brunei Darussalem, De forente arabiske emiratene (Dubai), Storbritannia, Dominica, Fiji, Gambia, Ghana, Grenada, Guyana, Irak, Irland, Jemen, Jordan, Kanaløyene, Kenya, Kina (Hong Kong S.A.R), Kiribati, Kuwait, Kypros, Liberia, Malawi, Malaysia, Malta, Myanmar (Burma), Nauru, New Zealand, Nigeria, Oman, Papua New Guinea, Qatar, Saint Kitts og Nevis, Saint Lucia, Saint Vincent og Grenadinene, Seychellene, Sierra Leone, Singapore, Sudan, Tanzania (Forbundsrepublikken), Trinidad & Tobago, Zambia, Zimbabwe
39M5151	Kina (Hongkong S.A.R.), Korea
39M5157	Liechtenstein, Sveits
39M5164	Chile, Italia, Libya (Den libyske arabiske jamahiriya)
39M5171	Israel
39M5205	Kina
39M5212	Korea
39M5232	Brasil
39M5246	Taiwan
41R3175	India

PVC-ledning

ADVARSEL: Når du tar i ledningen til dette produktet eller ledninger i forbindelse med tilleggsutstyr som selges sammen med dette produktet, kan du komme i kontakt med bly, et kjemisk stoff som kan forårsake kreft, medfødte misdannelser hos spedbarn eller andre reproduksjonsskader. *Vask hendene godt etter kontakt med slike ledninger.*

China substance disclosure table

产品中有毒有害物质或元素的名称及含量

部件名称	有毒有害物质或元素					
	铅(Pb)	汞(Hg)	镉(Cd)	六价铬 (Cr(VI))	多溴联苯 (PBB)	多溴二苯醚 (PBDE)
印刷电路板组件*	X	O	O	O	O	O
硬盘	X	O	O	O	O	O
光驱	X	O	O	O	O	O
内存	X	O	O	O	O	O
电脑I/O 附件	X	O	O	O	O	O
电源	X	O	O	O	O	O
键盘	X	O	O	O	O	O
鼠标	X	O	O	O	O	O
机箱/ 附件	X	O	O	O	O	O

○:表示该有毒有害物质在该部件所有均质材料中的含量均在SJ/T11363-2006标准规定的限量要求以下
×:表示该有毒有害物质至少在该部件的某一均质材料中的含量超出SJ/T11363-2006标准规定的限量要求
表中标有“×”的所有部件都符合欧盟RoHS 法规.

印刷电路板组件*: 包括印刷电路板及其零部件、电容和连接器
根据型号的不同, 可能不会含有以上的所有部件, 请以实际购买机型为准



在中华人民共和国境内销售的电子信息产品必须标识此标志, 标志内的数字代表在正常使用状态下的产品的环保使用期限

Merknader om avfall fra elektriske og elektroniske produkter (WEEE)

Lenovo oppfordrer eiere av IT-utstyr om å gjenvinne utstyret når det ikke lenger skal brukes. Lenovo tilbyr en rekke programmer og tjenester for å hjelpe eiere av slikt utstyr med gjenvinning av IT-produkter. Du finner mer informasjon om dette på Lenovos nettsted på adressen <http://www.pc.ibm.com/ww/lenovo/about/environment/>.

Den europeiske union (EU) og WEEE-direktivet

WEEE-direktivet (Waste of Electrical and Electronic Equipment) gjelder bare land i EU og Norge. Produkter er merket i samsvar med EU-direktiv 2002/96/EC vedrørende avfall fra elektriske og elektroniske produkter (WEEE). Direktivet fastsetter rammeverket for retur og gjenvinning av kasserte elektriske og elektroniske produkter som gjelder for alle EU-land. Merkingen brukes på forskjellige produkter for å angi at produktet ikke skal kastes, men i stedet gjenvinnes i henhold til dette direktivet.

Elektrisk og elektronisk utstyr (EE) som er WEEE-merket i henhold til Annex IV i WEEE-direktivet, må ikke kastes som usortert avfall på kommunale depoter eller avfallsanlegg. Brukere av EE-utstyr må følge rammeverket som er tilgjengelig for retur, gjenvinning og gjenbruk av slikt utstyr for å minimere mulige skadevirkninger på miljø og helse som skyldes farlige stoffer. Du finner mer informasjon om WEEE på denne adressen: <http://www.lenovo.com/lenovo/environment>.

Japanese recycling statement

Collecting and recycling a disused Lenovo computer or monitor

If you are a company employee and need to dispose of a Lenovo computer or monitor that is the property of the company, you must do so in accordance with the Law for Promotion of Effective Utilization of Resources. Computers and monitors are categorized as industrial waste and should be properly disposed of by an industrial waste disposal contractor certified by a local government. In accordance with the Law for Promotion of Effective Utilization of Resources, Lenovo Japan provides, through its PC Collecting and Recycling Services, for the collecting, reuse, and recycling of disused computers and monitors. For details, visit the Lenovo Web site at www.ibm.com/jp/pc/service/recycle/pcrecycle/

Pursuant to the Law for Promotion of Effective Utilization of Resources, the collecting and recycling of home-used computers and monitors by the manufacturer was begun on October 1, 2003. This service is provided free of

charge for home-used computers sold after October 1, 2003. For details, visit the Lenovo Web site at www.ibm.com/jp/pc/service/recycle/personal/.

Disposing of a Lenovo computer component

Some Lenovo computer products sold in Japan may have components that contain heavy metals or other environmental sensitive substances. To properly dispose of disused components, such as a printed circuit board or drive, use the methods described above for collecting and recycling a disused computer or monitor.

Disposing of disused lithium batteries from Lenovo computers

A button-shaped lithium battery is installed on the system board of your Lenovo computer to provide power to the computer clock while the computer is off or disconnected from the main power source. If you want to replace it with a new one, contact your place of purchase or ask for a repair service provided by Lenovo. If you have replaced it by yourself and want to dispose of the disused lithium battery, insulate it with vinyl tape, contact your place of purchase, and follow their instructions. If you use a Lenovo computer at home and need to dispose of a lithium battery, you must comply with local ordinances and regulations.

Kapitel 1. Viktig säkerhetsinformation

Anmärkning

Läs den här viktiga säkerhetsinformationen först.

Med hjälp av den här informationen kan du använda din stationära eller bärbara dator eller arbetsstation på ett säkert sätt. Följ alla anvisningar som följer med datorn och spara anvisningarna för framtida bruk. Informationen i det här dokumentet ändrar inte villkoren i ditt köpeavtal eller i Lenovos Garantivillkor. Mer information finns i Kapitel 3, "Lenovo Garantivillkor", på sidan 215.

Kundens säkerhet är viktig. Lenovos produkter är utvecklade för att vara säkra och effektiva. Persondatorer är dock elektrisk utrustning. Om nätsladdar, nätadapterar och andra funktioner inte används på rätt sätt finns det risk för att både du själv och utrustningen skadas. För att minska risken bör du alltid följa bruksanvisningarna som följer med produkten och observera alla varningstexter och meddelanden. Läs noga igenom informationen i det här dokumentet. Genom att noga följa anvisningarna i det här dokumentet och andra dokument som följer med produkten, skyddar du dig själv och skapar en säker miljö för arbetet med datorn.

Anm: I informationen omnämns nätadapterar och batterier. Förutom till bärbara datorer levereras externa nätadapterar till produkter som högtalare och bildskärmar. Om du har en sådan produkt är denna information tillämplig. Dessutom kan det i datorn finnas ett internt batteri i knappcellsformat som förser systemklockan med ström när datorn inte är ansluten till elnätet. Informationen om batterisäkerhet gäller därför alla datorprodukter.

Situationer som kräver omedelbara åtgärder

Produkter kan skadas om de används på fel sätt eller missköts. En del skador kan vara så allvarliga att produkten inte bör användas förrän den inspekterats och, om så behövs, reparerats av en godkänd tjänsteleverantör.

Precis som med annan elektronisk utrustning bör du ha datorn under uppsikt när den är påslagen. I sällsynta fall kan det lukta bränt från produkten eller komma rök eller gnistor från den. Det kan också höras gnissel, knakande eller slammer från den. Det behöver inte innebära mer än att det blivit fel på en intern elektronisk component utan att det medför några risker. Men det kan också innebära en säkerhetsrisk. Var därför försiktig och försök inte felsöka produkten på egen hand. Kontakta Customer Support Center. En lista över telefonnummer till service och support finns i Kapitel 4, "Telefonlista för hela världen", på sidan 225.

Ta till vana att regelbundet granska datorn och dess komponenter för att se om det finns tecken på skador eller slitage som kan vara farliga. Om du är osäker på om en komponent är i gott skick ska du inte använda datorn. Kontakta Customer Support Center eller produktens tillverkare för att få mer information om hur du kan få produkten inspekterad och, om så behövs, reparerad.

I de sällsynta fall som nedanstående inträffar, eller om du känner dig osäker på produktens säkerhet, ska du genast sluta använda produkten och koppla bort den från el- och telenätet tills du har talat med Customer Support Center och fått fler anvisningar.

- Nätsladdar, elkontakter, nätadapttrar, förlängningssladdar, överspänningskydd eller nätaggregat som är skadade, slitna eller har sprickor.
- Tecken på överhettning, rök, gnistor eller brand.
- Skador på ett batteri (t.ex. sprickor, bucklor, repor), läckage från ett batteri eller beläggning på batteriet.
- Produkten knakar, gnisslar, slamrar eller luktar starkt.
- Tecken på att vätska har spillts eller något föremål har fallit på datorn, nätsladden eller nätadapttern.
- Datorn, nätsladden eller nätadapttern har utsatts för väta.
- Produkten har tappats eller skadats på annat sätt.
- Produkten fungerar inte på normalt sätt när du följer bruksanvisningarna.

Anm: Om dessa förhållanden uppkommer med en produkt som inte är från Lenovo (t.ex. en förlängningssladd) ska du låta bli att använda produkten tills du har kontaktat tillverkaren och fått ytterligare anvisningar, eller tills du skaffat en lämplig ersättning för produkten.

Allmänna säkerhetsanvisningar

Följ alltid dessa säkerhetsanvisningar så minskar du risken att skada dig själv eller utrustningen.

Service och uppgraderingar

Försök aldrig själv reparera eller ge service åt en produkt, om inte Customer Support Center har sagt att du kan göra det eller det står i dokumentationen att du kan. Anlita endast serviceställen som är auktoriserade att reparera en viss produkt.

Anm: En del delar kan kunden själv uppgradera eller byta ut. Uppgraderingar kallas också tillval. Delar som får installeras av kunden själv kallas CRU-delar (Customer Replaceable Units). I de fall det är lämpligt att kunden själv installerar tillval eller byter ut CRU-delar tillhandahåller Lenovo dokumentation med instruktioner. Följ noga alla instruktioner när du installerar eller byter ut delar.

Att en strömindikator inte är aktiv behöver inte betyda att spänningsnivåerna inuti en produkt är noll. Innan du tar bort kåpan från en produkt med nät-sladd ska du alltid kontrollera att strömmen är avstängd och att produkten har kopplats från strömkällan. Mer information om CRU-delar finns i *ThinkStation Handbok för installation och byte av maskinvara* för den här produkten. Kontakta Customer Support Center om du har frågor.

Det finns visserligen inga delar som kan röra sig inuti datorn när du har kopplat bort nätsladden, men följande varning krävs med tanke på din säkerhet.

Fara



Rörliga delar - fara. Se till att inte fingrar eller andra kroppsdelar kommer i vägen.

Viktigt



Innan du byter ut några CRUer så stäng av datorn och vänta i cirka fem minuter tills datorn svalnat innan du öppnar kåpan.

Förhindra statisk elektricitet

Statisk elektricitet är oskadlig för dig, men kan skada datorkomponenter och tillval. Felaktig hantering av delar som är känsliga för statisk elektricitet kan skada dem. Öppna inte skyddsförpackningen som innehåller delen när du packar upp ett tillval eller en CRU. Vänta tills instruktionerna anger att du ska installera den.

Vidta följande försiktighetsåtgärder för att förhindra skador på grund av statisk elektricitet när du hanterar tillval eller CRUer:

- Rör dig inte mer än nödvändigt. Rörelser kan göra att statisk elektricitet byggs upp runt dig.

- Hantera alltid komponenterna försiktigt. Håll i kanterna på adaptrar, minnesmoduler och andra kretskort. Rör aldrig vid oskyddade kretsar.
- Hindra andra från att röra vid komponenterna.
- När du installerar ett tillval eller en CRU som är känslig för statisk elektricitet låter du delens skyddsförpackning röra vid en kortplatskåpa eller någon annan omålad metallyta på datorn i minst två sekunder. Det minskar den statiska elektriciteten i förpackningen och på din kropp.
- När det är möjligt tar du ut delen ur skyddsförpackningen och installerar den utan att lägga ned den. Om det inte är möjligt placerar du skyddsförpackningen på en jämn yta och lägger delen ovanpå den.
- Lägg inte delen på datorn eller på någon annan yta av metall.

Nätsladdar och nätadaptrar

Använd endast de nätsladdar och nätadaptrar som du fått från produkttillverkaren.

Nätsladdarna ska vara säkerhetsgodkända. I Tyskland ska de ha minst värdena H05VV-F, 3G, 0,75 mm². I andra länder ska föreskrivna sladdtyper användas.

Rulla aldrig upp en nätsladd runt nätadaptern eller något annat föremål. Det sliter på sladden och kan göra att den nöts, spricker eller blir veckig, vilket utgör en säkerhetsrisk.

Dra alltid nätsladdarna så att ingen behöver trampa eller snubbla på dem och se också till att de inte kommer i kläm av något föremål.

Skydda nätsladdar och nätadaptrar mot väta. Låt till exempel inte nätsladden eller nätadaptern komma i närheten av handfat, badkar eller toaletter eller ligga på våttorkade golv. Vätska kan orsaka kortslutning om sladden eller nätadaptern har utsatts för slitage. Vätska kan också medföra att kabelfästena på nätadaptern så småningom korroderar, vilket kan orsaka överhettning.

Anslut alltid nätsladdar och signalkablar i rätt ordning och se till att kontakterna är ordentligt intryckta i uttagen.

Använd aldrig en nätadapter som har korroderade stift eller som visar tecken på överhettning (t.ex. att plasten deformerats).

Använd inte nätsladdar vars kontakter visar tecken på korrosion eller överhettning eller som uppvisar andra skador.

Spänningsväljare

En del datorer är utrustade med en spänningsväljare som är placerad i närheten av nätsladdens uttag på datorn. Om datorn har en spänningsväljare ska du

se till att den är inställd så att den matchar spänningen i det elektriska uttaget. Om du ställer in spänningsväljaren fel kan datorn skadas permanent.

Om datorn inte har någon spänningsväljare är datorn utformad så att den endast fungerar med spänningen i det land eller den region där den köptes.

Om du flyttar datorn till ett annat land måste du veta det här:

- Om datorn inte har någon spänningsväljare ska du inte ansluta datorn till något eluttag innan du har kontrollerat att uttagets spänning stämmer överens med spänningen i det land eller den region där datorn köptes.
- Om datorn har en spänningsväljare ska du inte ansluta datorn till något eluttag förrän du har kontrollerat att spänningsväljaren är inställd så att den matchar spänningen i det landet eller den regionen.

Om du inte är säker på vilken spänning eluttaget har ska du kontakta ett lokalt elektricitetsföretag eller titta på officiella webbplatser eller i reseinformation för det land eller den region du befinner dig i.

Förlängningssladdar och liknande utrustning

Se till att alla förlängningssladdar, överspänningsskydd, UPS-enheter för avbrottsfri kraft och förgreningsdosor uppfyller de elektriska kraven för produkten. Överbelasta aldrig den elektriska utrustningen. Om du använder en förgreningsdosa får inte belastningen överskrida dosans specificerade ineffekt. Tala med en elektriker om du behöver mer information om effektbelastning, strömkrav och effektklassificering.

Stickkontakter och eluttag

Om ett eluttag som du tänker använda för din datorutrustning förefaller vara skadat eller korroderat ska du inte använda uttaget förrän det har reparerats av en behörig elektriker.

Böj inte på kontakten och försök inte modifiera den. Om stickkontakten skadats ska du skaffa en ny kontakt från tillverkaren.

Dela inte vägguttag med andra elanordningar som kräver stora mängder elektricitet. Om du gör det kan instabil spänning skada datorn, data eller anslutna enheter.

En del produkter har stickkontakter med metalledare i sidorna. Den typen av kontakt ska anslutas till jordade eluttag. Det är en säkerhetsfunktion. Försök inte kringgå säkerhetsfunktionen genom att ansluta stickkontakten till ett eluttag som inte är jordat. Om du inte kan ansluta stickkontakten till eluttaget bör du skaffa en godkänd adapter eller anlita en elektriker som kan installera ett jordat eluttag. Överbelasta aldrig eluttag. Utrustningens totala strömkrav får

inte överskrida 80 procent av strömkretsens kapacitet. Tala med en elektriker om du behöver mer information om effektbelastning och strömkretsars kapacitet.

Se till att det eluttag du använder är korrekt installerat, lättillgängligt och placerat i närheten av utrustningen. Sträck inte ut nätsladdarna så mycket att de överbelastas.

Se till att eluttaget har rätt spänning och strömstyrka för produkten som du installerar.

Var försiktig när du ansluter och kopplar bort utrustningen från eluttag.

Externa enheter

Anslut inte och koppla inte bort några kablar till externa enheter, förutom USB- och 1394-kablar, medan datorn är påslagen. Du kan skada datorn. Undvik skador på anslutna enheter genom att vänta minst fem sekunder efter att datorn har stängts av innan du kopplar bort externa enheter.

Batterier

Alla Lenovos persondatorer innehåller ett icke-laddningsbart knappcells batteri som förser systemklockan med ström. Dessutom har många bärbara produkter, däribland bärbara datorer, ett laddningsbart batteri som ger ström när datorn inte kan anslutas till ett vägguttag. De batterier som Lenovo levererar för användning med produkten har testats för att vara kompatibla och bör därför bara ersättas med godkända reservdelar.

Försök aldrig att öppna eller reparera ett batteri. Utsätt inte batterier för tryck eller stötar och försök aldrig att bränna upp batteriet eller kortsluta metallkontaktarna. Utsätt inte batteriet för väta. Ladda batteriet exakt enligt anvisningarna i produktdokumentationen.

Felaktig hantering av batteriet kan göra att batteriet överhettas och avger gas eller lågor. Om batteriet är skadat, eller om du märker att batteriet läcker eller att det har blivit beläggning på kontaktarna, ska du genast sluta använda batteriet och skaffa ett nytt från tillverkaren.

Batterier kan försämrats om de inte används på lång tid. För en del uppladdningsbara batterier (i synnerhet litiumjonbatterier) ökar risken för kortslutning om de får ligga ouppladdade utan att användas, vilket förkortar livslängden och innebär en säkerhetsrisk. Låt inte uppladdningsbara litiumjonbatterier bli helt urladdade och förvara inte sådana batterier i urladdat tillstånd.

Värme och luftcirkulation

Datorer, nätadapttrar och många tillbehör avger värme när de är påslagna och när batterier laddas upp. Följ därför alltid dessa säkerhetsanvisningar:

- Ha inte datorn, nätadapttern eller tillbehör i knät eller i kontakt med någon annan del av kroppen under någon längre period när de används eller när batteriet laddas. Datorn, nätadapttern och många tillbehör alstrar en del värme under normal drift. Att låta datorn vara i kontakt med kroppen kan ge upphov till obehag eller risk för brännskador på huden.
- Ladda inte batteriet eller använd datorn, nätadapttern eller tillbehör i närheten av lättantändligt material eller i en explosiv miljö.
- Produkten är försedd med ventilationsöppningar, fläktar och/eller kylflänsar av säkerhetsskäl. Det gör den också mer driftsäker och bekväm att använda. Dessa anordningar kan oavsiktligt blockeras om produkten placeras på en säng, soffa, matta eller annat mjukt underlag. Sätt inte dessa anordningar ur funktion genom att blockera eller täcka över dem.

Granska datorn för att se om den är dammig minst en gång i kvartalet. Innan du granskar datorn bör du slå av strömmen och koppla bort datorns nätsladd från eluttaget. Ta sedan bort allt damm från ventiler och öppningar på datorn. Om det är mycket damm på utsidan bör du granska och ta bort damm från datorns insida, t.ex. kylflänsens öppningar, nätaggregatets ventilationsöppningar och fläktarna. Slå alltid av strömmen och koppla bort datorns nätsladd innan du öppnar kåpan. Undvik att använda datorn tätt intill en passage där många personer passerar. Om du måste använda datorn i en miljö med mycket trafik bör du granska och rengöra datorn oftare.

Av säkerhetsskäl och för att få optimala prestanda bör du alltid vidta följande försiktighetsåtgärder:

- Ha alltid datorns hölje stängt när datorn är ansluten till en strömkälla.
- Granska regelbundet datorn för att kontrollera att det inte finns några dammanhopningar.
- Ta bort damm från ventiler och öppningar i datorns hölje. Tätare rengöring kan vara nödvändig om datorn används i dammiga lokaler eller där många personer passerar.
- Täck inte över eller blockera några ventilationsöppningar.
- Placera inte datorn i en bokhylla eller inuti någon annan möbel. Det kan öka risken för överhettning både vid användning och förvaring.
- Lufttemperaturen i datorn får inte överstiga 35 °C.
- Använd inte fläktar eller andra anordningar för luftcirkulation som inte är avsedda för stationära datorer.

Driftmiljö

Den optimala miljön att använda datorn i är 10 °C - 35 °C (50 °F - 95°F) med en luftfuktighet på mellan 35 % och 80 %. Om datorn lagras eller transporteras i temperaturer under 10 °C (50 °F) låter du den värmas upp långsamt till en optimal drifttemperatur på 10 °C - 35°C (50 °F - 95 °F) innan du använder den. Den här processen kan ta upp till två timmar. Om du inte låter datorn värmas upp till den optimala drifttemperaturen innan användning kan det orsaka allvarlig skada på datorn.

Om det går placerar du datorn på en välventilerad och torr plats utan direkt solljus.

Låt inte elektriska anordningar som elektriska fläktar, radioapparater, högtalare, luftkonditioneringsaggregat och mikrovågsugnar komma i närheten av datorn. De genererar starka magnetfält som kan skada bildskärmen och data på hårddisken.

Ställ inga drycker ovanpå eller bredvid datorn eller de anslutna tillbehören. Om du spiller vätska på eller i datorn eller en ansluten enhet kan det orsaka kortslutning eller annan skada.

Ät eller rök inte ovanför tangentbordet. Partiklar som faller i tangentbordet kan orsaka skada.

Säkerhetsinformation om elektrisk ström

Fara

Var försiktig när du handskas med strömförande kablar.

Följ dessa anvisningar så minskar du risken för stötar:

- Använd inte datorn under åskväder om du vill förhindra elstötar.
- Undvik att ansluta och koppla ifrån kablar, installera maskinvaran och utföra underhåll av datorn under åskväder.
- Anslut alla nätsladdar till korrekt installerade och jordade eluttag.
- Anslut all utrustning som ska anslutas till datorn till korrekt installerade uttag.
- Använd om möjligt bara en hand när du ansluter eller kopplar loss signalkablar.
- Slå aldrig på strömmen till utrustningen om det finns tecken på brand- eller vattenskada eller annan skada.

- **Koppla bort anslutna nätsladdar, telekommunikations- och nätverksutrustning och modem innan du öppnar enhetens kåpa, såvida det inte uttryckligen står i anvisningarna att du ska göra på annat sätt.**
- **Anslut och koppla loss kablarna enligt anvisningarna nedan när du installerar eller flyttar produkten eller anslutna enheter, samt när du öppnar kåporna.**

Ansluta: <ol style="list-style-type: none"> 1. Stäng av alla enheter. 2. Anslut först alla kablar till enheterna. 3. Anslut signalkablarna till kontakterna. 4. Anslut nätsladdarna till eluttagen. 5. Slå på strömmen till enheten. 	Koppla ur: <ol style="list-style-type: none"> 1. Stäng av alla enheter. 2. Dra först ut nätsladdarna ur eluttagen. 3. Koppla bort signalkablarna från kontakterna. 4. Koppla bort alla kablar från enheterna.
--	--

Batteri

Varning

Litumbatteriet kan explodera om det hanteras på fel sätt.

Om du ska byta ett knappcells batteri som innehåller litium, så använd alltid den batterityp som tillverkaren rekommenderar eller en motsvarande typ. Batteriet innehåller litium och kan explodera om det hanteras på fel sätt.

Viktigt om batteriet:

- Utsätt inte batteriet för väta.
- Utsätt inte batteriet för temperaturer över 100 °C.
- Försök inte reparera eller ta isär batteriet.

Följ kommunens anvisningar för miljöfarligt avfall när batteriet ska slängas.

Följande meddelande gäller användare i staten Kalifornien, USA

Perkloratmaterial: särskild hantering kan gälla. Se www.dtsc.ca.gov/hazardouswaste/perchlorate.

Säkerhetsanvisningar för modem

Varning

Du minskar risken för eldsvåda genom att endast använda telefonkablar av storlek nr 26 AWG eller tjockare.

Du minskar risken för eldsvåda, elektriska stötar och skada vid användning av telefonutrustning genom att vidta följande säkerhetsåtgärder:

- Installera aldrig telefonkablar under åskväder.
- Installera aldrig telefonjack i lokaler där de kan utsättas för väta, såvida inte jacken är avsedda att användas i våtutrymmen.
- Vidrör inte oisolerade telefonkablar eller kopplingsdosor om telefonkabeln inte har kopplats bort från telenätet.
- Var försiktig vid arbete med telefonkablar.
- Vid åskväder: Undvik att använda telefon under åskväder (gäller inte trådlösa telefoner). Det finns en liten risk att det kan orsaka elektriska stötar.
- Vid gasläcka: Använd inte en telefon i närheten av gasläckan när du rapporterar läckan.

Information om laserprodukt

Vissa persondatormodeller är utrustade med en CD- eller DVD-enhet när de levereras från fabriken. CD- och DVD-enheter säljs dessutom separat som tillbehör. CD- och DVD-enheter är laserprodukter. De är godkända i USA enligt kraven i Department of Health and Human Services 21 Code of Federal Regulations (DHHS 21 CFR) Subchapter J för laserprodukter i klass 1. I övriga länder är enheterna godkända enligt kraven i IEC (International Electrotechnical Commission) 60825-1 och CENELEC EN 60 825-1 för laserprodukter i klass 1.

Tänk på följande om du har en CD- eller DVD-enhet:

Varning

Om du försöker göra några andra justeringar eller ändringar av produkten än de som beskrivs i dokumentationen riskerar du att utsättas för skadligt laserljus.

Ta aldrig bort kåpan från enheten. Öppna inte kåpan på CD- eller DVD-enheten, eftersom det kan leda till att du utsätts för skadligt laserljus. Det finns inga delar inuti CD- eller DVD-enheten som du själv kan reparera eller rengöra.

Vissa CD- och DVD-enheter innehåller en inkapslad laserdiod i klass 3A eller 3B. Observera följande:

Fara

Om du öppnar kåpan på enheten kan du utsättas för laserstrålning. Du bör undvika att titta på ljusstrålen, vare sig direkt eller med optiska instrument, och att utsätta kroppsdelar för ljuset.

Information om strömtillförsel

Ta aldrig av höljet från ett nätaggregat eller en del som är försedd med följande etikett.



Komponenter med den här etiketten har hög spänning, strömstyrka och energinivå. Det finns inga delar i de här komponenterna som du kan reparera eller underhålla själv. Om du misstänker att det är fel på någon sådan del ska du kontakta en servicetekniker.

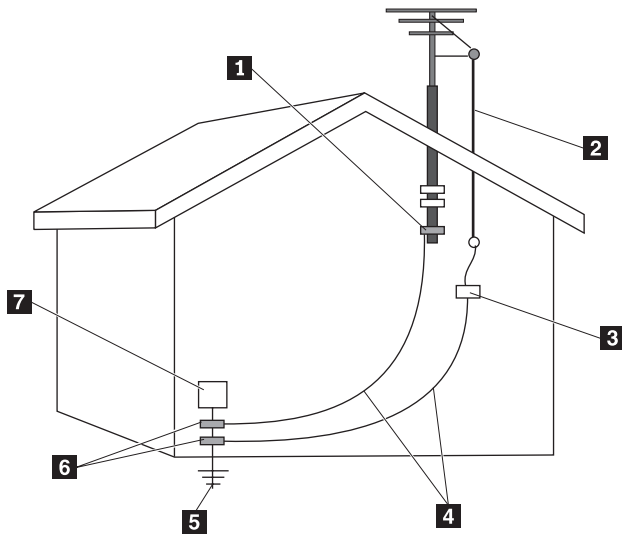
Produkter med TV-tuner installerad

Informationen nedan gäller produkter som innehåller TV-tuner-enheter som kan anslutas till externa antenner och/eller till CATV-system (kabel-TV) och som är tänkta att installeras i Nordamerika. Användare och installatörer i andra länder bör följa lokala lagar och förordningar när de installerar enheter för anslutning till externa antenner och CATV-system. Om det inte finns några lokala föreskrifter rekommenderar vi att användarna/installatörerna följer riktlinjer som liknar de här.

Meddelande till CATV-systeminstallatör

Artikel 820-40 i NEC (National Electrical Code) innehåller riktlinjer för korrekt jordning och specificerar att kabeljordningen ska kopplas till byggnadens jordningssystem så nära kabelns ingångspunkt som möjligt.

Exempel på antennjordning



- | | | | |
|----------|---|----------|---|
| 1 | Jordningsklämma | 5 | System med jordningselektroder (NEC artikel 250, del H) |
| 2 | Ingående antennkabel | 6 | Jordningsklämmor |
| 3 | Antennurladdningsenhet (NEC avsnitt 810-20) | 7 | Elektronisk serviceutrustning |
| 4 | Jordningskontakter (NEC avsnitt 810-21) | | |

Figur 1. Korrekt kabeljordning

Det här meddelandet gäller alla länder och regioner:

Fara



Jordning av utomhusantenn

Om en utomhusantenn eller ett kabelsystem har anslutits till utrustningen ska du se till att antennen eller kabelsystemet har jordats för att få visst skydd mot strömsprång och statisk elektricitet.

Åska

Som ytterligare säkerhetsåtgärder för utrustningen under åskväder eller när utrustningen inte används under längre tid ska du koppla ur den från vägguttaget och koppla bort antennen eller kabelsystemet. På så sätt skyddar du videoprodukten från skador som orsakas av blixtar och strömsprång.

Strömkablar

Antennsystem för utomhusbruk ska inte placeras i närheten av strömledningar utomhus eller någonstans där det kan falla ner på sådana strömledningar eller -kretsar. När du installerar en utomhusantenn ska du vara mycket uppmärksam så att du inte kommer i kontakt med sådana strömledningar eller strömkretsar eftersom det kan innebära livsfara.

Datasäkerhet

Ta inte bort okända filer och ändra inte namn på filer eller kataloger som du inte har skapat. Om du gör det kan datorns program sluta fungera.

Tänk på att om du använder nätverksresurser kan datorn utsättas för virus, hackare, spionprogramvara och andra fientliga aktiviteter som kan skada datorn, program och data. Du ansvarar själv för att se till att du har tillräckligt skydd, till exempel brandväggar, antivirusprogram och antispiönprogram, och att de här programmen är uppdaterade.

Rengöring och underhåll

Håll datorn och arbetsytan rena. Stäng av datorn och koppla bort nätsladden innan du rengör datorn. Spreja inte flytande rengöringsmedel direkt på datorn, och använd inte rengöringsmedel som innehåller lättantändligt material för att rengöra datorn. Spreja rengöringsmedlet på en mjuk trasa och torka av datorns yta med den.

Använda headset eller hörlurar

Om datorn har både ett uttag för hörlurar och en ljudutgång ska du alltid använda hörlursuttaget för hörlurar.

Alltför höga ljudnivåer i headset och hörlurar kan leda till hörsselförlust. Om equalizern ställs in på maximalt läge ökar uteffekten i hörlurarna och därmed ljudnivån.

Det kan vara farligt att använda headset eller hörlurar under en lång period med hög ljudvolym om ditt headset eller dina hörlurar inte följer specifikationerna för EN 50332-2. Uttaget för hörlurar på datorn uppfyller kraven i EN 50332-2, punkt 7. Specifikationen begränsar datorns sanna, utgående RMS-spänning till 150 mV. Se till att headset eller hörlurar också följer EN 50332-2 (gränsvärdena i punkt 7) för normal spänning (wideband) på 75 mV för att förhindra hörselskador. Det kan vara farligt att använda headset som inte följer EN 50332-2 på grund av för höga ljudtrycksnivåer.

Om hörlurar ingår som en del av utrustningen till din Lenovodator vid leveransen uppfyller kombinationen av hörlurar och dator redan specifikationerna i EN 50332-1. Om du använder andra headset eller hörlurar se till att de följer EN 50332-1, (gränsvärdena i punkt 6.5). Det kan vara farligt att använda headset som inte följer EN 50332-1 på grund av för höga ljudtrycksnivåer.

Ytterligare säkerhetsinformation

Plastpåsar kan vara farliga. Håll plastpåsar utom räckhåll för små barn för att undvika kvävningrisk.

Ytterligare säkerhetskrav för modell 6427, 6493

Det behövs minst två personer för att lyfta och bära ThinkStation -modellerna 6427, 6493.

Kapitel 2. Informationskällor

När du har installerat datorn enligt installationsbladet kan du använda informationen i det här kapitlet och söka upp informationskällor som rör datorn.

Mappen Online-böcker

I mappen Online-böcker finns publikationer om hur du installerar och använder datorn. Mappen är förinstallerad på datorn och ingen Internetuppkoppling krävs för att läsa publikationerna. Följande publikationer finns i mappen Online-böcker:

- *ThinkStation Användarhandbok*

Här finns information om att installera datorn och tillbehör, återställa program, använda konfigureringsprogrammet Setup Utility, uppdatera systemprogram och göra felsökningar.

- *ThinkStation Handbok för installation och byte av maskinvara*

Här finns steg-för-steg-anvisningar för hur du byter CRU-delar (Customer Replaceable Units) i datorn. CRUer är datordelar som kunden själv kan uppgradera eller byta ut.

- *Häftet Erbjudande om IBM Lotus®-programvara*

När du vill se en bok klickar du på **Start**-menyn från Windows-skrivbordet och väljer **Alla program, Online Books** och klickar sedan på **Online Books**. Dubbelklicka på publikationen som gäller din dator. Publikationerna finns också på Lenovos webbplats på adressen <http://www.lenovo.com>.

Anmärkningar:

1. Publikationerna är i PDF-format och Adobe Acrobat Reader måste vara installerat för att du ska kunna läsa dem. Om Adobe Acrobat Reader inte är installerat på datorn visas ett meddelande när du försöker öppna en PDF-fil. Sedan får du anvisningar om hur du ska installera Adobe Acrobat Reader.
2. Böckerna som är förinstallerade på datorn är tillgängliga på andra språk på Lenovos supportwebbplats på adressen <http://www.lenovo.com/support/>.
3. Om du vill installera en annan språkversion av Adobe Acrobat Reader än den som finns på datorn går du till Adobes webbplats på adressen <http://www.adobe.com>. Där kan du hämta den version som du vill använda.

ThinkVantage Productivity Center

Via programmet ThinkVantage® Productivity Center når du många informationskällor och verktyg som är avsedda att göra datoranvändningen enklare och säkrare, samtidigt som kostnaderna minskar och produktiviteten ökar. I ThinkVantage Productivity Center får du hjälp att konfigurera, förstå och bygga ut datorn.

ThinkVantage Productivity Center innehåller information om datorn och ger dig bekväm tillgång till olika hjälpmedel, bland annat följande:

- Programmet Rescue and Recovery
- Productivity Center
- Client Security Solutions
- Factory Recovery
- System Updates
- Service and support

Anm: ThinkVantage Technologies finns bara på en del av Lenovos datorer.

Starta ThinkVantage Productivity Center genom att öppna **Start**-menyn från Windows-skrivbordet och välja **Alla program, ThinkVantage** och klicka på **Productivity Center**.

Access - Hjälp

I direkthjälpen Access - Hjälp finns information om att komma igång, utföra grundläggande uppgifter, göra egna inställningar, skydda data, utöka och uppgradera samt att felsöka.

Du når Access - Hjälp genom att öppna **Start**-menyn från Windows-skrivbordet och välja **Alla program, ThinkVantage** och klicka på **Productivity Center**. När du har öppnat Access - Hjälp använder du rutan till vänster, och väljer det som du är intresserad av på fliken Innehåll eller Index. Du kan också använda fliken Sök om du vill hitta ett visst ord eller en viss fras.

www.lenovo.com

På Lenovos webbplats (www.lenovo.com) finns information och tjänster som hjälper dig att köpa, uppgradera och underhålla datorn. Där finns den senaste informationen om din dator. Via webbplatsen www.lenovo.com kan du också:

- Köpa stationära och bärbara datorer, bildskärmar, projektorer och tillbehör till datorn, och ta del av specialerbjudanden.

- Köpa tilläggstjänster, till exempel support för maskinvara, operativsystem, tillämpningsprogram, installation och konfigurering av nätverk och anpassade installationer.
- Köpa uppgraderingar och utökade reparationstjänster för maskinvara.
- Hämta de senaste drivrutinerna och programuppdateringarna för din datormodell.
- Få tillgång till direkthandböcker för dina produkter.
- Få tillgång till Lenovo Limited Warranty.
- Få tillgång till information om felsökning och support för din datormodell och andra produkter.
- Hitta telefonnumret till service och support i ditt land eller din region.
- Hitta ett närbeläget serviceföretag.

Registrera information om datorn

Det är bra om du har antecknat uppgifter om datorn om du behöver lämna in den på service. Serviceteknikern frågar då troligen efter följande:

Maskintyp, modell och serienummer (står på etiketter på datorn). Här kan du anteckna uppgifterna:

Produktnamn	_____
Maskintyp och modellbeteckning	_____
Serienummer (S/N)	_____
Inköpsdatum	_____

Du kan registrera datorn via Internet på den här webbplatsen:

<http://www.lenovo.com/register>

När du registrerar din dator får du följande fördelar:

- Snabbare service när du ringer för att få hjälp
- Automatisk information om kostnadsfri programvara och specialerbjudanden

Mer information om att registrera datorn finns i direkthjälpssystemet Access - Hjälp. Anvisningar om hur du öppnar direkthjälpssystemet finns i "Access - Hjälp" på sidan 212.

Kapitel 3. Lenovo Garantivillkor

Denna begränsade Lenovogaranti gäller endast för Lenovo maskinvaruprodukter du har köpt för eget bruk och inte för återförsäljning. Denna garanti kan i vissa andra dokument från Lenovo kallas "Lenovo Garantivillkor" (Statement of Limited Warranty, SOLW) i andra dokument från Lenovo.

Vad garantin täcker

Lenovo garanterar att varje maskinvaruprodukt är fri från fel i material och tillverkning vid normal användning under garantitiden. Garantitiden för produkten börjar löpa på den ursprungliga installationsdagen och anges på fakturan, såvida Lenovo inte skriftligen informerar om annat. Garantitiden och det garantiservicealternativ som är tillämpligt på produkten anges nedan i avsnittet "Garantiinformation".

DENNA GARANTI ÄR UTTÖMMANDE OCH ERSÄTTER ALLA ANDRA GARANTIER OCH VILLKOR, SÅVÄL UTTRYCKTA SOM UNDERFÖRSTÅDDA, INKLUSIVE, MEN INTE BEGRÄNSAT TILL, UNDERFÖRSTÅDDA GARANTIER AVSEENDE ALLMÄN BESKAFFENHET OCH LÄMPLIGHET FÖR ETT VISST ÄNDAMÅL. VISSA STATER ELLER JURISDIKTIONER TILLÅTER INTE UNDANTAG AV UTTRYCKTA ELLER UNDERFÖRSTÅDDA GARANTIER, SÅ OVANSTÅENDE UNDANTAG GÄLLER KANSKE INTE I ALLA LÄNDER. I SÅDANT FALL GÄLLER GARANTIerna ENDAST I DEN UTSTRÄCKNING SOM KRÄVS ENLIGT LAG OCH ÄR BEGRÄNSADE I VARAKTIGHET TILL GARANTITIDEN. INGEN GARANTI GÄLLER EFTER GARANTITIDENS UTGÅNG. VISSA STATER ELLER JURISDIKTIONER TILLÅTER INTE BEGRÄNSNINGAR FÖR HUR LÄNGE EN UNDERFÖRSTÅDD GARANTI SKALL GÄLLA, SÅ OVANSTÅENDE BEGRÄNSNING AV VARAKTIGHETEN GÄLLER KANSKE INTE I ALLA LÄNDER.

Hur kunden erhåller garantiservice

Om produkten under garantitiden inte fungerar som garanterats kan kunden få garantiservice genom att kontakta Lenovo eller en godkänd serviceleverantör. I det följande kallas var och en av dem "Serviceleverantör". En förteckning över godkända Serviceleverantörer och deras telefonnummer finns på adressen www.lenovo.com/support/phone.

Garantiservice kanske inte är tillgänglig på alla platser och kan variera från plats till plats. Avgifter kan vara tillämpliga utanför en Serviceleverantörs normala serviceområde. Kontakta en lokal Serviceleverantör för att få information om vad som gäller på platsen.

Vad Serviceleverantören kommer att göra för att åtgärda problem

När kunden kontaktar en Serviceleverantör måste kunden följa angivna procedurer för att identifiera och avhjälpa problemet.

Kundens Serviceleverantör kommer att försöka felsöka och lösa problemet via telefon eller genom att ge assistans på distans. Serviceleverantören kan ge kunden anvisningar om att hämta och installera angivna programuppdateringar.

En del problem kan avhjälpas med en del som kunden själv kan byta ut (t.ex. tangentbord, mus, högtalare, hårddisk eller kopplingslist). Sådana delar kallas för "Customer Replaceable Unit" eller "CRU". I så fall skickar Serviceleverantören CRU-delen till kunden så att kunden kan installera den.

Om problemet inte kan avhjälpas via telefon eller på distans, genom uppdatering av programvara eller med en CRU-del, kommer Serviceleverantören att ordna med det garantiservicealternativ som anges som tillämpligt för produkten i avsnittet "**Garantiinformation**".

Om Serviceleverantören finner att produkten inte kan repareras kommer Serviceleverantören att ersätta den med en produkt som är minst funktionellt likvärdig.

Om Serviceleverantören varken kan reparera eller ersätta produkten kan kunden återlämna produkten till inköpsstället eller till Lenovo så kommer en summa motsvarande inköpspriset att återbetalas.

Utbyte av en produkt eller del

När garantiservice medför utbyte av en produkt eller del därav, övergår den del som Serviceleverantören byter ut i Lenovos ägo medan ersättningsdelen övergår i kundens ägo. Alla borttagna komponenter måste vara originaldelar som inte ändrats. En ersättningsdel behöver inte vara ny men i gott funktionsdugligt skick och funktionellt minst likvärdig med den utbytta delen. En ersättningsdel övertar den garantistatus som gällde för den utbytta delen.

Innan Serviceleverantören byter ut en produkt eller del, förbinder sig kunden att

1. avlägsna all tilläggsutrustning, delar, tillbehör, ändringar och tillkopplingar som inte omfattas av garantiservice
2. ansvara för att produkten inte omfattas av panträtt eller andra belastningar som förhindrar utbytet, och
3. för en produkt som kunden inte äger inhämta ägarens tillstånd att låta Serviceleverantören utföra service på produkten.

Kundens övriga skyldigheter

I tillämpliga fall, innan service tillhandahålls, förbinder sig kunden att

1. följa de procedurer för begäran av service, som Serviceleverantören angett
2. säkerhetskopiera eller vidta erforderliga åtgärder för att skydda alla program och data i produkten
3. ge Serviceleverantören alla systemnycklar eller lösenord samt tillfredsställande, fri och säker tillgång till kundens lokaler för att fullgöra sina skyldigheter, och
4. säkerställa att all information om identifierade eller identifierbara individer (personuppgifter) raderas från produkten eller, för eventuella kvarvarande personuppgifter, ansvara för att tillämpliga lagar har följts.

Användning av personuppgifter

Om kunden erhåller service enligt denna garanti kommer Lenovo att lagra, använda och bearbeta information om kundens garantifråga samt kundens kontaktinformation, inklusive namn, telefonnummer, adress och e-postadress. Lenovo kommer att använda denna information för att ge service enligt garantin och för att förbättra sina affärsrelationer med kunden, t.ex. genom att genomföra interna granskningar av effektiviteten hos den garantiservice vi tillhandahåller till kunden. Vi kan komma att kontakta kunden för att höra om kunden är nöjd med garantiservicen eller för att informera kunden om eventuella tillbakadragningar av produkter eller säkerhetsfrågor. Föra att uppfylla dessa syften kan vi komma att överföra kundinformation till vilket som helst av de länder där vi är verksamma och tillhandahålla informationen till enheter som handlar på våra vägnar. Vi kan också komma att lämna ut informationen om detta krävs enligt lag eller på anmodan av behöriga myndigheter.

Vad garantin inte täcker

Garantin täcker inte följande:

- ostörd eller felfri funktion hos en produkt
- förlust av eller skada på data
- program, antingen de levererades med produkten eller har installerats senare
- fel eller skada som orsakats av felaktig användning, olyckshändelse, ändringar, brister i installations- och driftmiljön, naturkatastrofer, överström eller felaktigt underhåll från kundens sida
- alla tredjepartsprodukter, inklusive sådana som Lenovo kan anskaffa och tillhandahålla med, eller inbyggda i, Lenovoprodukten på kundens begäran, och
- tekniskt eller annat stöd, som assistans med användarfrågor och frågor om installation och igångsättning.

Om de etiketter som identifierar produkten eller någon del därav har avlägsnats eller ändrats gäller inte garantin.

Ansvarsbegränsning

Lenovo ansvarar endast för förlust av eller skada på kundens produkt under 1) den tid Serviceleverantören har din i sin besittning eller 2) transporten i de fall då Serviceleverantören ansvarar för frakten.

Varken Lenovo eller Serviceleverantören ansvarar för data av personlig natur som tillhör kunden och som finns i en produkt. Kunden skall avlägsna och/eller säkerhetskopiera all sådan information innan produkten ges service eller återlämnas.

Situationer kan uppkomma där kunden, till följd av avtalsbrott från Lenovos sida eller annat ansvar, kan ha rätt till skadestånd från Lenovo. I varje sådant fall begränsas Lenovos ansvar, oavsett grunden för kundens skadeståndsanspråk (väsentligt avtalsbrott, vårdslöshet m.m.), om inte annat föreskrivs i tvingande lag, till ersättning för kundens faktiska direkta skador upp till det belopp kunden betalat för produkten. Denna begränsning gäller inte personskada (inbegripet dödsfall) eller sakskada för vilken Lenovo enligt lag är skadeståndsskyldigt.

Denna begränsning gäller även för Lenovos underleverantörer, återförsäljare och kundens Serviceleverantör. Den utgör Lenovos och Lenovos leverantörers, återförsäljares och kundens Serviceleverantörs hela gemensamma ansvar.

LENOVO, DESS LEVERANTÖRER, ÅTERFÖRSÄLJARE ELLER SERVICELEVERANTÖRER HAR UNDER INGA OMSTÄNDIGHETER NÅGOT ANSVAR FÖR FÖLJANDE ÄVEN OM DE INFORMERATS OM RISKEN: 1) SKADESTÅNDSANSPRÅK SOM TREDJE PART RIKTAR MOT KUNDEN, 2) FÖRLUST AV, ELLER SKADA PÅ KUNDENS DATA, ELLER 3) EKONOMISKA FÖLJDSKADOR ELLER ANDRA INDIREKTA SKADOR AV NÅGOT SLAG, INKLUSIVE UTEBLIVEN VINST, UTEBLIVNA AFFÄRSMÖJLIGHETER, INTÄKTER, GOODWILL ELLER FÖRVÄNTADE BESPARINGAR. VISSA STATER ELLER JURISDIKTIONER TILLÅTER INTE UNDANTAG ELLER BEGRÄNSNING AV ANSVAR FÖR OFÖRUTSEDDA SKADOR ELLER FÖLJDSKADOR, VILKET KAN GÖRA ATT OVANSTÅENDE BEGRÄNSNING ELLER UNDANTAG INTE GÄLLER I ALLA LÄNDER.

Lösande av tvister

Om kunden har anskaffat produkten i **Kambodja, Indonesien, Filippinerna, Vietnam eller Sri Lanka** skall tvister som uppkommer ur eller i samband med denna garanti slutligen avgöras genom skiljedomsförhandlingar i Singapore och för denna garanti gäller lagen i Singapore, med undantag av lagvalsregler. Om kunden har anskaffat produkten i **Indien** skall tvister som uppkommer ur eller i samband med denna garanti slutligen avgöras genom skiljedomsförhandlingar i Bangalore i Indien. Skiljedomsförhandlingar i Singapore skall ske i enlighet med de vid tidpunkten gällande förlikningsregler som tillämpas av

Singapore International Arbitration Center ("SIAC Rules"). Skiljedomsförhandlingar i Indien skall ske i enlighet med vid tidpunkten gällande indiska lagar. Skiljedomen skall vara slutgiltig och bindande för alla parter och inte kunna överklagas. Den skall vara skriftlig och ange domskäl och rättsföljder. Alla skiljedomsförhandlingar, inklusive alla dokument som läggs fram under dessa, skall föras på engelska, och den engelska versionen av garantin gäller före andra språkversioner under dessa förhandlingar.

Andra rättigheter

DENNA GARANTI GER KUNDEN VISSA JURIDISKA RÄTTIGHETER. KUNDEN KAN ÄVEN HA ANDRA RÄTTIGHETER SOM VARIERAR BEROENDE PÅ STAT ELLER JURISDIKTION. KUNDEN KAN OCKSÅ HA ANDRA RÄTTIGHETER ENLIGT TILLÄMPLIG LAG ELLER SKRIFTLIGT AVTAL MED LENOVO. INGENTING I DENNA GARANTI PÅVERKAR LAGSTADGADE RÄTTIGHETER, INKLUSIVE RÄTTIGHETER SOM TILLKOMMER KONSUMENT ENLIGT TVINGANDE NATIONELL LAGSTIFTNING OM FÖRSÄLJNING AV KONSUMENTVAROR.

Europeiska ekonomiska samarbetsområdet (EES)

Kunder inom EES kan kontakta Lenovo på följande adress: Lenovo Warranty & Service Quality Dept., PO Box 19547, Inverkip Road, Greenock, Scotland PA16 9WX. Service enligt denna garanti för Lenovo-maskinvaruprodukter som köpts i EES-länder kan erhållas i alla EES-länder där produkten har lanserats och gjorts tillgänglig av Lenovo.

Denna Lenovogaranti finns tillgänglig på andra språk på webbadressen www.lenovo.com/warranty.

Garantiinformation

Maskintyp	Land eller region för köp	Garantitid	Garantiservicealternativ
6423	Förenta staterna, Kanada, Latinamerika, Brasilien, Europa, Mellanöstern, Afrika, Australien, Nya Zeeland, Singapore, Indien, Malaysia, Thailand, Indonesien, Filippinerna, Vietnam, Brunei, Sri Lanka, Bangladesh, Korea, Kina (Folkrepubliken), Kina (särskilda administrativa regionen Hongkong), Taiwan	Delar och arbete - 3 år	1 och 2
	Japan	Delar och arbete - 1 år	1 och 3
6427	Förenta staterna, Kanada, Latinamerika, Brasilien, Europa, Mellanöstern, Afrika, Australien, Nya Zeeland, Singapore, Indien, Malaysia, Thailand, Indonesien, Filippinerna, Vietnam, Brunei, Sri Lanka, Bangladesh, Korea, Kina (Folkrepubliken), Kina (särskilda administrativa regionen Hongkong), Taiwan	Delar och arbete - 3 år	1 och 2
	Japan	Delar och arbete - 1 år	1 och 3
6483	Förenta staterna, Kanada, Latinamerika, Brasilien, Europa, Mellanöstern, Afrika, Australien, Nya Zeeland, Singapore, Indien, Malaysia, Thailand, Indonesien, Filippinerna, Vietnam, Brunei, Sri Lanka, Bangladesh, Korea, Kina (Folkrepubliken), Kina (särskilda administrativa regionen Hongkong), Taiwan	Delar och arbete - 3 år	1 och 2
	Japan	Delar och arbete - 1 år	1 och 3
6493	Förenta staterna, Kanada, Latinamerika, Brasilien, Europa, Mellanöstern, Afrika, Australien, Nya Zeeland, Singapore, Indien, Malaysia, Thailand, Indonesien, Filippinerna, Vietnam, Brunei, Sri Lanka, Bangladesh, Korea, Kina (Folkrepubliken), Kina (särskilda administrativa regionen Hongkong), Taiwan	Delar och arbete - 3 år	1 och 2
	Japan	Delar och arbete - 1 år	1 och 3

Vid behov utför kundens Serviceleverantör reparationer eller byter ut delar beroende på vilket garantiservicealternativ som anges för kundens produkt och den tillgängliga servicen. Datum och tidpunkt för servicen beror på när kunden ringer, om delarna är tillgängliga och andra faktorer.

En garantitid på 3 år för delar och 1 år för arbete betyder att Lenovo tillhandahåller garantiservice utan avgift för:

a. delar och arbete under garantitidens första år (eller en längre period som föreskrivs i lag), och

b. endast delar, för utbyte, under garantitidens andra och tredje år. Kundens Serviceleverantör debiterar kunden för allt arbete som utförs vid reparation eller utbyte av delar under garantitidens andra och tredje år.

Garantiservicealternativ

1. CRU-service (av kund utbyttbar enhet, Customer Replaceable Unit, CRU Service)

Vid CRU-service skickar Serviceleverantören CRU-delen till kunden så att kunden kan installera den. De flesta CRU-delar är enkla att installera medan andra kan kräva vissa tekniska kunskaper och verktyg. CRU-information och anvisningar för bytet levereras tillsammans med produkten och finns vid övriga tillfällen tillgängliga hos Lenovo på begäran av kunden. Kunden får begära att en Serviceleverantör installerar CRU-delar under den typ av garantiservice som gäller för kundens produkt. Installation av externa CRU-delar (såsom möss, tangentbord eller bildskärmar) är kundens ansvar. Lenovo anger i det material som levereras med en ersättnings-CRU-del om en felaktig CRU-del måste återlämnas. Om ett återlämnande krävs 1) levereras retur-anvisningar, en förutbetalad frak etikett och en behållare tillsammans med ersättningsenheten, och 2) kunden kan bli ersättnings-skyldig för ersättnings-CRU-delen om kundens Serviceleverantör inte har fått den felaktiga delen inom trettio (30) dagar efter det att kunden tagit emot ersättningsdelen.

2. Service på platsen

Under alternativet Service på platsen reparerar eller byter kundens Serviceleverantör ut produkten på plats hos kunden. Kunden skall tillhandahålla lämplig arbetsyta där Lenovoprodukten kan tas isär och monteras ihop. I en del fall kan vissa reparationer kräva att produkten skickas till ett anvisat servicecenter.

3. Bud- eller inlämnings-service

Under alternativet Bud- eller inlämnings-service reparerar eller ersätts kundens produkt i ett anvisat servicecenter med frakten anordnad av kundens Servicele-

verantör. Kunden ansvarar för urkopplingen av produkten. Kunden förses med en transportcontainer för att återlämna produkten till ett anvisat servicecenter. Ett bud hämtar produkten och levererar den till det utvalda servicecentret. När produkten reparerats eller bytts ut ombesörjer servicecentret att produkten levereras till kunden.

4. Inlämnings-/insändningsservice

Under alternativet Inlämnings- eller insändningsservice reparerars eller ersätts kundens produkt i ett anvisat servicecenter, som levererar produkten tillbaka till kunden. Kunden ansvarar för leverans eller insändning, beroende på vilket Serviceleverantören anger (med förutbetalad frakt om inte annat anges), av produkten ändamålsenligt förpackad till en anvisad plats. När produkten har reparerats eller bytts ut görs den i ordning så att kunden kan hämta den. Om produkten inte avhämtas kan kundens Serviceleverantör göra sig av med produkten så som den finner lämpligt. Vid Inlämningservice återsänds produkten till kunden på Lenovos bekostnad, om inte Serviceleverantören anger annat.

Garantitillägg för Mexiko

Detta tillägg anses utgöra en del av Lenovos Garanti och gäller enbart för produkter som distribueras och försäljs inom Mexiko. Om villkoren skulle strida mot varandra gäller villkoren i detta tillägg.

Alla program som förinstalleras i utrustningen har endast trettio (30) dagars garanti för installationsfel räknat från inköpsdatum. Lenovo ansvarar inte för informationen i sådana program och/eller andra program som kunden installerar eller som installerats efter inköpet av produkten.

Den slutlige användaren debiteras efter godkännande tjänster som inte kan hänföras till garantin.

Om garantireparation krävs, ring Customer Support Center på telefonnummer 001-866-434-2080, varifrån samtalet kopplas vidare till närmaste auktoriserade servicecenter. Om det inte finns något auktoriserat servicecenter på kundens ort eller inom ett avstånd på 70 kilometer, inkluderar garantin skäliga kostnader för frakt av produkten till närmaste auktoriserade servicecenter. Ring närmaste auktoriserade servicecenter för att få nödvändiga godkännanden eller information om frakt av produkten och leveransadress.

En lista med auktoriserade servicecenter finns på adressen:

<http://www.lenovo.com/mx/es/servicios>

Tillverkning:

SCI Systems de México, S.A. de C.V.

Av. De la Solidaridad Iberoamericana No. 7020
Col. Club de Golf Atlas
El Salto, Jalisco, México
C.P. 45680,
Tel. 01-800-3676900

Marknadsföring:
Lenovo de México, Comercialización y
Servicios, S. A. de C. V.
Alfonso Nápoles Gándara No 3111
Parque Corporativo de Peña Blanca
Delegación Álvaro Obregón
México, D.F., México
C.P. 01210,
Tel. 01-800-00-325-00

Kapitel 4. Telefonlista för hela världen

Land eller region	Telefonnummer
Afrika	Afrika: +44 (0)1475-555-055 Sydafrika: +27-11-3028888 och 0800110756 Centralafrika: Kontakta närmaste Lenovo Business Partner
Argentina	0800-666-0011 (spanska)
Australien	1300-880-917 (engelska)
Österrike	Komma-igång-support: 01-24592-5901 Garantiservice och support: 01-211-454-610 (tyska)
Belgien	Komma-igång-support: 02-210-9820 (nederländska) Komma-igång-support: 02-210-9800 (franska) Garantiservice och support: 02-225-3611 (franska, nederländska)
Bolivia	0800-0189 (spanska)
Brasilien	São Paulo-regionen: (11) 3889-8986 Utanför São Paulo-regionen: 0800-701-4815 (brasiliansk portugisiska)
Brunei	801-1041
Kanada	Toronto: 416-383-3344 Utanför Toronto: 1-800-565-3344 (engelska, franska)
Chile	1-800-224-488 (spanska)
Kina (Hongkong)	Bärbara datorer: 852-2516-3919 Stationära datorer: 800-938-008 (kantonesiska, engelska, mandarin)
Kina (Macao)	Bärbara datorer: 0800-689 Stationära datorer: 0800-686 (kantonesiska, engelska, mandarin)
Colombia	1-800-912-3021 (spanska)
Costa Rica	0-800-011-1029 (spanska)
Kroatien	0800-0426
Cypern	+357-22-841100
Tjeckien	+420-2-7213-1316
Danmark	Komma-igång-support: 4520-8200 Garantiservice och support: 7010-5150 (danska)
Dominikanska republiken	1-866-434-2080 (spanska)
Ecuador	1-800-426911 (spanska)

Land eller region	Telefonnummer
El Salvador	800-6264 (spanska)
Estland	+372 67767934
Finland	Komma-igång-support: 09-459-6960 Garantiservice och support: +358-800-1-4260 (finska)
Frankrike	Komma-igång-support: 0238-557-450 Garantiservice och support (maskinvara): 0810-631-213 Garantiservice och support (programvara): 0810-631-020 (franska)
Tyskland	Komma-igång-support: 07032-15-49201 Garantiservice och support: 01805-25-35-58 (tyska)
Grekland	+30-210-680-1700
Guatemala	1800-624-0051 (spanska)
Honduras	Tegucigalpa: 232-4222 San Pedro Sula: 552-2234 (spanska)
Ungern	+36-1-382-5720
Indien	1800-425-6666 +91-80-2678-8970 (engelska)
Indonesien	001-803-606-282
Irland	Komma-igång-support: 01-815-9202 Garantiservice och support: 01-881-1444 (engelska)
Israel	Givat Shmuel Service Center: +972-3-531-3900 Haifa Service Center: +972-4-849-4608 (Hebreiska, engelska)
Italien	Komma-igång-support: 02-7031-6101 Garantiservice och support: +39-800-820094 (italienska)
Japan	Stationära datorer: 0120-000-817 Bärbara datorer: 0570-064-400
Korea	1588-6782 (koreanska)
Lettland	+371 7070360
Litauen	+370 5 278 66 00
Luxemburg	+352-298-977-5063 (franska)
Malaysia	1800-88-1889
Malta	+35621445566
Mexiko	001-866-434-2080 (spanska)
Mellanöstern	+44 (0)1475-555-055

Land eller region	Telefonnummer
Nederländerna	+31-20-514-5770 (nederländska)
Nya Zeeland	0800-777-217 (engelska)
Nicaragua	001-800-220-1830 (spanska)
Norge	Komma-igång-support: 6681-1100 Garantiservice och support: 8152-1550 (norska)
Panama	Avgiftsfritt: 001-866-434-2080 (spanska)
Peru	0-800-50-866 (spanska)
Filippinerna	1800-1601-0033
Polen	+48-22-878-6999
Portugal	+351-21-892-7147 (portugisiska)
Rumänien	+4-021-224-4015
Ryssland	+7-495-940-2000 (ryska)
Singapore	800-6011-343
Slovakien	+421-2-4954-5555
Slovenien	+386-1-4796-699
Spanien	91-714-7983 0901-100-000 (spanska)
Sri Lanka	+94-11-249-3523 (engelska)
Sverige	Komma-igång-support: 08-477 44 20 Garantiservice och support: 077-117 10 40 (svenska)
Schweiz	Komma-igång-support: 058-333-0900 Garantiservice och support: 0800-55-54-54 (tyska, franska, italienska)
Taiwan	0800-000-701 (mandarin)
Thailand	1-800-060-066 (thailändska)
Turkiet	00800-4463-2041 (turkiska)
Storbritannien	Komma-igång-support: 01475-555-055 Garantisupport: 08705-500-900 (engelska)
USA	1-800-426-7378 (engelska)
Uruguay	000-411-005-6649 (spanska)
Venezuela	0-800-100-2011 (spanska)
Vietnam	Norra delen och Hanoi: 84-4-843-6675 Södra delen och Ho Chi Minh-staden: 84-8-829-5160 (engelska, vietnamesiska)

Kapitel 5. Reservdelar som kunden själv kan byta ut (CRU)

CRUer (Customer Replaceable Units) är datordelar som kunden själv kan uppgradera eller byta ut. Det finns två typer av CRU-delar: interna och externa. Externa CRU-delar är enkla att installera, medan interna CRU-delar kräver vissa tekniska kunskaper och ibland även verktyg, som t.ex. en skruvmejsel. Både externa och interna CRU-delar kan dock utan risk tas bort av kunden. Interna CRU-delar kan tas bort och installeras av kunden eller av en Lenovo-servicetekniker under garantitiden.

Kunden ansvarar själv för bytet av alla externa CRU-delar.

Datorer innehåller externa och interna CRU-delar. Externa CRU-delar är placerade utanför datorn. Exempel på externa CRU-delar är tangentbordet, musen, eventuella USB-enheter och nätsladden. Interna CRU-enheter kan inte tas bort utan att datorns kåpa först öppnas. Exempel på interna CRU-delar är minnesmoduler, optiska enheter, hårddiskar och nätaggregatet.

I *användarhandboken* och *handboken för installation och byte av maskinvara* finns anvisningar för hur du byter externa och interna CRU-delar. I tabell 2 på sidan 230 kan du se vilken publikation som innehåller de anvisningar du behöver. När du vill se en bok klickar du på Start-menyn från Windows-skrivbordet och väljer **Alla program, Online Books** och klickar på **Online Books**. Dubbelklicka på önskad publikation.

Publikationerna finns också på Lenovos webbplats på adressen <http://www.lenovo.com>.

Anm: Använd endast datordelar från Lenovo. I Kapitel 3, "Lenovo Garantivillkor", på sidan 215 finns garantiinformation om CRUer för din datormodell.

Tabell 1. Externa CRU-delar

Modeller: 6423, 6427, 6483 och 6493	Användarhandbok	Handbok för installation och byte av maskinvara
Externa CRU-delar		
Tangentbord	X	X
Mus	X	X
Nätsladd	X	

Tabell 2. Interna CRU-delar

Modeller: 6423, 6427, 6483 och 6493	Användarhandbok	Handbok för installation och byte av maskinvara
Intern CRU		
Hårddisk		X
Minne		X
Adapterkort		X
Interna högtalare		X
optisk enhet		X
Diskettenhet		X
Nättaggregat		X
Systemfläktar		X
Kylfläns		X
Fläktar		X
Främre USB		X
CMOS-batteri		X
Serieport		X

Kapitel 6. Övrig information

Lenovo kanske inte erbjuder de produkter, tjänster eller funktioner som beskrivs i det här dokumentet i alla länder. Kontakta närmaste Lenovoåterförsäljare om du vill veta vilka produkter och tjänster som finns där du bor. Hänvisningar till Lenovos produkter (produkter innefattar även program och tjänster) betyder inte att bara Lenovos produkter får användas. Förutsatt att intrång i Lenovos immateriella rättigheter inte sker får funktionellt likvärdiga produkter, program och tjänster användas i stället för motsvarande produkt från Lenovo. Det är dock användarens skyldighet att utvärdera och kontrollera funktionen hos produkter, program och tjänster som inte kommer från Lenovo.

Lenovo kan ha patent eller ha ansökt om patent på produkter som nämns i detta dokument. Dokumentet ger ingen licens till sådana patent. Skriftliga frågor om licenser kan skickas till:

*Lenovo (United States), Inc.
1009 Think Place - Building One
Morrisville, NC 27560
USA
Attention: Lenovo Director of Licensing*

LENOVO TILLHANDAHÅLLER DENNA PUBLIKATION I BEFINTLIGT SKICK UTAN GARANTIER AV NÅGOT SLAG, VARE SIG UTTRYCKTA ELLER UNDERFÖRSTÅDDA, INKLUSIVE, MEN INTE BEGRÄNSAT TILL, UNDERFÖRSTÅDDA GARANTIER AVSEENDE INTRÅNG I UPPHOVSRÄTT, ALLMÅN BESKAFFENHET ELLER LÄMPLIGHET FÖR ETT VISST ÄNDAMÅL. I vissa länder är det inte tillåtet att undanta uttalade eller underförstådda garantier i vissa transaktioner, vilket innebär att ovanstående kanske inte gäller.

Informationen kan innehålla fel av teknisk eller typografisk natur. Informationen uppdateras regelbundet och ändringarna införs i nya utgåvor. Lenovo kan när som göra förbättringar eller ändringar i de produkter och program som beskrivs i den här publikationen, utan att meddela först.

De produkter som beskrivs i det här dokumentet är inte avsedda för användning vid transplantationer eller andra livsuppehållande tillämpningar där försämrad funktion kan leda till personskada eller dödsfall. Den information som finns i det här dokumentet varken påverkar eller ändrar Lenovos produktspecifikationer och garantier. Ingenting i detta dokument utgör en uttrycklig eller underförstådd licens eller indemnitetsförklaring under Lenovos eller annan parts immateriella rättigheter. All information i dokumentet har erhållits i specifika miljöer och är avsedd som en illustration. Resultaten i andra operativmiljöer kan variera.

Lenovo förbehåller sig rätten att fritt använda och distribuera användarnas synpunkter.

Hänvisningarna till andra webbplatser än Lenovos egna görs endast i informations syfte och Lenovo ger inga som helst garantier beträffande dessa platser. Material som finns på dessa webbplatser ingår inte i materialet som hör till denna produkt och användning av sådana webbplatser sker på kundens eget ansvar.

Alla prestandauppgifter som omnämns här har tagits fram i en kontrollerad miljö. Resultaten i andra operativmiljöer kan variera. Vissa mätningar har gjorts på system under utveckling och det finns ingen garanti att dessa mätresultat kommer att bli desamma på allmänt tillgängliga system. Dessutom har vissa mätresultat uppskattats genom extrapolering. De faktiska resultaten kan variera. De som använder det här dokumentet bör bekräfta de data som gäller den egna miljön.

Information om funktioner för TV

Följande gäller modeller som har en fabriksinstallerad funktion för att visa information från datorn på en TV.

I denna produkt ingår upphovsrättsligt skyddad teknik som bygger på metoder som är skyddade av amerikanska patent och andra immateriella rättigheter som innehas av Macrovision Corporation m.fl. Användning av denna upphovsrättsligt skyddade teknik kräver tillstånd av Macrovision Corporation och gäller enbart för hemmabruk och annan begränsad visning, utom i de fall Macrovision Corporation har gett tillstånd till annat. Dekonstruktion eller annan disassemblering är förbjuden.

Varumärken

Lenovo, Lenovos logotyp, Rescue and Recovery, ThinkCentre, ThinkVantage, och ThinkStation är varumärken som tillhör Lenovo i USA och/eller andra länder.

IBM är ett varumärke som tillhör International Business Machines Corporation i USA och/eller andra länder.

Andra namn på företag, produkter och tjänster kan vara varumärken eller andra näringskännetecken som tillhör andra.

Anmärkingar om elektromagnetisk strålning

Följande information gäller för Lenovos persondatorer av modell 6423, 6427, 6483 och 6493

FCCs (Federal Communications Commission) deklARATION om ÖVERENSSTÄMMELSE

Den här utrustningen har testats och uppfyller de gränsvärden som gäller för digitala enheter av klass B enligt del 15 av FCC-reglerna. Gränsvärdena är avsedda att ge rimligt skydd mot störningar i vanlig boendemiljö. Utrustningen använder och kan avge elektromagnetiska fält samt kan, om den inte installeras och används enligt instruktionerna i handboken, orsaka störningar på radiokommunikation. Det finns emellertid ingen garanti för att störningar inte uppstår vid en viss installation. Om utrustningen orsakar allvarliga störningar på radio- och TV-mottagningen (vilket du kan ta reda på genom att stänga av och sedan starta utrustningen igen) kan du försöka lösa problemet på något av följande sätt:

- Rikta om eller flytta mottagningsantennen.
- Öka avståndet mellan utrustningen och mottagaren.
- Anslut utrustningen till ett annat eluttag än det som mottagaren är ansluten till.
- Kontakta en auktoriserad återförsäljare eller servicerepresentant för att få hjälp.

Lenovo ansvarar inte för radio- eller TV-störningar som orsakas av användning av andra kablar och kontakter än de rekommenderade eller obehöriga ändringar eller modifieringar av denna utrustning. Otillåtna ändringar kan resultera i att användaren fråntas rätten att utnyttja utrustningen.

Enheten uppfyller kraven i del 15 av FCC-reglerna. Driften gäller med förbehåll för nedanstående två villkor: (1) utrustningen får inte orsaka skadlig störning och (2) utrustningen måste tolerera eventuell inkommande störning, inklusive störning som leder till oönskad funktion.

Ansvarig part:

Lenovo (United States) Incorporated
1009 Think Place - Building One
Morrisville, NC 27560
USA
Telefon: (919) 294-5900



**Tested To Comply
With FCC Standards**

FOR HOME OR OFFICE USE

Information om elektromagnetisk strålning (för användare i Kanada)

Denna klass B-enhet överensstämmer med kanadensiska ICES-003.

Cet appareil numérique de la classe B est conforme à la norme NMB-003 du Canada.

Intyg om överensstämmelse med EU-direktiv

Produkten är utformad i enlighet med EUs skydds krav för produkter som avger elektromagnetisk strålning (direktiv 2004/108/EG). Lenovo ansvarar inte för bristande uppfyllelse av säkerhetskraven som beror på icke-rekommenderad modifiering av produkten, inklusive installation av icke-Lenovo-utbyggnadskort.

Denna produkt har testats och befunnits överensstämma med gränsvärdena för IT-utrustning av klass B i enlighet med CISPR 22/Europastandard EN 55022. Gränsvärdena för utrustning av klass B har fastställts med hänsyn till kommersiella och industriella miljöer för att ge licensierad kommunikationsutrustning rimligt skydd mot störningar.

Intyg om klass B-överensstämmelse enligt EU:s EMC-direktiv (2004/108/EG) EN 55022

Deutschsprachiger EU Hinweis:

Hinweis für Geräte der Klasse B EU-Richtlinie zur Elektromagnetischen Verträglichkeit

Dieses Produkt entspricht den Schutzanforderungen der EU-Richtlinie 2004/108/EG (früher 89/336/EWG) zur Angleichung der Rechtsvorschriften über die elektromagnetische Verträglichkeit in den EU-Mitgliedsstaaten und hält die Grenzwerte der EN 55022 Klasse B ein.

Um dieses sicherzustellen, sind die Geräte wie in den Handbüchern beschrieben zu installieren und zu betreiben. Des Weiteren dürfen auch nur von der Lenovo empfohlene Kabel angeschlossen werden. Lenovo übernimmt keine Verantwortung für die Einhaltung der Schutzanforderungen, wenn das Produkt ohne Zustimmung der Lenovo verändert bzw. wenn Erweiterungskomponenten von Fremdherstellern ohne Empfehlung der Lenovo gesteckt/eingebaut werden.

Deutschland: Einhaltung des Gesetzes über die elektromagnetische Verträglichkeit von Betriebsmitteln

Dieses Produkt entspricht dem "Gesetz über die elektromagnetische Verträglichkeit von Betriebsmitteln" EMVG (früher "Gesetz über die elektromagnetische Verträglichkeit von Geräten"). Dies ist die Umsetzung der EU-Richtlinie 2004/108/EG (früher 89/336/EWG) in der Bundesrepublik Deutschland.

Zulassungsbescheinigung laut dem Deutschen Gesetz über die elektromagnetische Verträglichkeit von Betriebsmitteln, EMVG vom 20. Juli 2007

(früher "Gesetz über die elektromagnetische Verträglichkeit von Geräten"), bzw. der EMV EG Richtlinie 2004/108/EC (früher 89/336/EWG), für Geräte der Klasse B.

Dieses Gerät ist berechtigt, in Übereinstimmung mit dem Deutschen EMVG das EG-Konformitätszeichen - CE - zu führen. Verantwortlich für die Konformitätserklärung nach Paragraph 5 des EMVG ist die Lenovo (Deutschland) GmbH, Pascalstr. 100, D-70569 Stuttgart.

Informationen in Hinsicht EMVG Paragraph 4 Abs. (1) 4:

Das Gerät erfüllt die Schutzanforderungen nach EN 55024 und EN 55022 Klasse B.

Koreansk klass B

이 기기는 가정용으로 전자파 적합등록을 한 기기로서

주거지역에서는 물론 모든 지역에서 사용할 수 있습니다.

Japansk VCCI-klass B

この装置は、情報処理装置等電波障害自主規制協議会（VCCI）の基準に基づきクラスB情報技術装置です。この装置は、家庭環境で使用することを目的としていますが、この装置がラジオやテレビジョン受信機に近接して使用されると、受信障害を引き起こすことがあります。
取扱説明書に従って正しい取り扱いをして下さい。

Information om produkter med mindre än eller lika med 20 A per fas (för användare i Japan)

高調波電流規格 JIS C 61000-3-2 適合品

Information om kompatibilitet för tangentbord och mus (för användare i Taiwan)

本產品隨貨附已取得經濟部標準檢驗局認可之PS/2或USB的鍵盤與滑鼠一組

Information om Lenovoproduktservice (för användare i Taiwan)

台灣 Lenovo 產品服務資訊如下：
荷蘭商思惟個人電腦產品股份有限公司台灣分公司
台北市信義區信義路五段七號十九樓之一
服務電話: 0800-000-700

FCC-krav och teleleverantörens krav

1. Den här enheten uppfyller kraven i del 68 av FCC-reglerna. Det finns en etikett på enheten med uppgift om bl.a. FCC-registreringsnummer, USOC och REN (Ringer Equivalency Number). I vissa fall kan du behöva lämna den informationen till teleleverantören.

Anm: Om enheten har ett inbyggt modem finns det ytterligare en FCC-registreringsetikett. Fäst gärna den etiketten på utsidan av den dator där du installerar Lenovomodemet eller på din externa DAA-enhet, om du har en sådan. Om du behöver lämna etikettinformationen till teleleverantören är det praktiskt att etiketten är placerad någonstans där du lätt kommer åt den.

2. Med hjälp av REN kan du avgöra hur många enheter som kan vara anslutna till din telefonledning och ändå ge signal när ditt telefonnummer blir uppringt. I de flesta, men inte alla, områden bör summan av REN för alla enheter inte överstiga fem (5). Om du vill vara helt säker på hur många enheter du kan ansluta till telefonledningen bör du kontrollera med teleleverantören hur högt REN-värdet får vara i ditt område.
3. Om enheten orsakar störningar i telenätet kan teleleverantören tillfälligt avbryta ditt teleabonnemang. Om det är möjligt blir du förvarnad om avbrottet. I annat fall blir du underrättad så snart som möjligt. Du blir också informerad om din rätt att överklaga beslutet hos FCC.
4. Teleleverantören kan komma att göra ändringar i fråga om utrustning, drift och förfaranden som kan påverka funktionaliteten hos din utrustning. Om leverantören gör sådana ändringar kommer du att bli informerad i förväg, så att du kan vidta åtgärder för att undvika avbrott i teleföbindelsen.
5. Om du får problem med produkten kontaktar du en auktoriserad återförsäljare eller ringer till Customer Support Center. I USA kan du ringa **1-800-426-7378**. I Kanada ringer du **1-800-565-3344**. Det kan hända att du behöver visa ett inköpskvitto för att få hjälp.

Teleleverantören kan be dig koppla bort enheten från telenätet tills problemet har lösts eller tills du är säker på att enheten fungerar som den ska.

6. Du kan inte reparera enheten själv. Om det blir fel på den kontaktar du en auktoriserad återförsäljare eller läser avsnittet om felsökning i den här handboken.
7. Enheten kan inte användas tillsammans med myntautomater. För flerpartsledningar beräknas avgiften enligt lokal teletaxa. Fråga din teleleverantör om du behöver mer information.
8. När du beställer nätverkstjänster från lokalstationen ska du ange modularkontaktens beteckning, t.ex. USOC RJ11C.

Kanadensiska kommunikationsdepartementets certifiering

Anm. Etiketten Industry Canada identifierar certifierad utrustning. Denna certifiering innebär att utrustningen uppfyller vissa skydds-, drift- och säkerhetskrav för telekommunikationsnätverk. Departementet garanterar inte att utrustningen kommer att fungera till användarens belåtenhet.

Innan utrustningen installeras bör användaren kontrollera att det är tillåtet att ansluta till den lokala teleleverantörens anläggningar. Utrustningen måste installeras med en godkänd anslutningsmetod. Även om ovannämnda villkor är uppfyllda bör användaren vara medveten om att teletjänstens kvalitet i vissa situationer kan försämrats. Reparationer av certifierad utrustning skall utföras av en auktoriserad reparationstjänst som leverantören utsett. Eventuella av användaren utförda reparationer eller ändringar av utrustningen kan ge teleleverantören anledning att begära att användaren kopplar bort utrustningen.

Varning: Användaren bör inte försöka göra elektriska jordanslutningar själv utan bör vända sig till lämplig elinspektionsmyndighet eller elektriker, om extra jordanslutningar behövs.

Anm. Det REN-nummer (Ringer Equivalent Number) som varje terminalenhet tilldelats ger information om hur många terminaler som får anslutas till ett telegränssnitt. Termineringen av ett gränssnitt kan bestå av valfri kombination av enheter, förutsatt att summan av samtliga enheters REN-antal inte överstiger 5.

Information om nätsladdar

Av säkerhetsskäl levererar Lenovo en nätsladd med jordad kontakt som ska användas till denna Lenovoprodukt. Anslut alltid nätsladden till ett jordat eluttag.

De nätsladdar från Lenovo som är tänkta för användning i USA och Kanada är listade av Underwriters Laboratories (UL) och certifierade av Canadian Standards Association (CSA).

För enheter som ska användas vid 115 volt: Använd en UL-listad och CSA-certifierad sladduppsättning bestående av en sladd med tre ledare, minst 18 AWG, typ SVT eller SJT, som är högst 4,5 m lång (15 fot) och en jordad kontakt med "parallel blade" för 15 ampere, 125 volt.

För enheter som ska användas vid 230 volt (i USA): Använd en UL-listad och CSA-certifierad sladduppsättning bestående av en sladd med tre ledare, minst 18 AWG, typ SVT eller SJT, som är högst 4,5 m lång (15 fot) och en jordad kontakt med "tandem blade", för 15 ampere, 250 volt.

Utrustning som är avsedd för 230 volt (utanför USA): Använd en nätssladd med jordad kontakt. Nätssladden bör uppfylla de säkerhetskrav som gäller i det land där utrustningen ska installeras.

Lenovos nätssladdar för ett visst land är oftast bara tillgängliga i det landet.

Utrustning som är avsedd att användas i Tyskland: nätssladdarna ska vara säkerhetsgodkända. I Tyskland ska de ha minst värdena H05VV-F, 3G, 0,75 mm². I andra länder ska föreskrivna sladdtyper användas.

Nätssladdars artikelnummer	Används i
24R2633	Japan
39M5067	Argentina, Paraguay, Uruguay
39M5080	Antigua och Barbuda, Aruba, Bahamas, Barbados, Belize, Bermuda, Bolivia, Caymanöarna, Costa Rica, Columbia, Dominikanska republiken, Ecuador, El Salvador, Filippinerna, Guam, Guatemala, Haiti, Honduras, Jamaica, Kanada, Kuba, Mexiko, Mikronesiska federationen, Nederländska Antillerna, Nicaragua, Panama, Peru, Saudiarabien, Taiwan, Thailand, Turks- och Caicosöarna, USA och Venezuela
39M5102	Australien, Nya Zeeland

Nätsladdars artikelnummer	Används i
39M5122	Afghanistan, Albanien, Algeriet, Andorra, Angola, Armenien, Azerbajdzjan, Belgien, Benin, Bosnien-Herzegovina, Bulgarien, Burkina Faso, Burundi, Centralafrikanska republiken, Dahomey, Djibouti, Egypten, Ekvatorialguinea, Elfenbenskusten, Eritrea, Estland, Etiopien, Finland, Frankrike, Franska Guyana, Franska Polynesien, Gabon, Georgien, Grekland, Guadeloupe, Guinea, Guinea-Bissau, Island, Indonesien, Iran, Kambodja, Kamerun, Kap Verde, Komorerna, Kongo-Kinshasa, Kongo-Brazzaville, Kroatien, Kazakstan, Kirgizistan, Laos, Lettland, Libanon, Litauen, Luxemburg, Makedonien, Madagaskar, Mali, Marocko, Martinique, Mauritanien, Mauritius, Mayotte, Moçambique, Moldavien, Monaco, Mongoliet, Montenegro, Nederländerna, Niger, Norge, Nya Kaledonien, Polen, Portugal, Réunion, Rumänien, Ryssland, Rwanda, Saudiarabien, São Tomé och Príncipe, Senegal, Serbien, Slovakien, Slovenien, Somalia, Spanien, Surinam, Sverige, Syrien, Tadzjikistan, Tahiti, Tchad, Tjeckien, Ukraina, Ungern, Uzbekistan, Togo, Tunisien, Turkiet, Turkmenistan, Tyskland, Vanuatu, Vietnam, Vitryssland, Wallis och Futuna samt Österrike.
39M5129	Danmark
39M5143	Bangladesh, Lesotho, Macao, Maldiverna, Namibia, Nepal, Pakistan, Samoa, Sydafrika, Sri Lanka, Swaziland, Uganda
39M5150	Abu Dhabi, Australien, Bahrain, Botswana, Brunei, Burma, Cypern, Dominica, Fiji, Förenade Arabemiraten (Dubai), Gambia, Ghana, Grenada, Guyana, Hongkong, Irak, Irland, Jemen, Jordanien, Kanalöarna, Kenya, Kiribati, Kuwait, Liberia, Malawi, Malaysia, Malta, Nauru, Nigeria, Nya Zeeland, Oman, Papua Nya Guinea, Qatar, S:t Kitts och Nevis, S:t Lucia, S:t Vincent och Grenadinerna, Seychellerna, Sierra Leone, Singapore, Sudan, Tanzania, Trinidad och Tobago, Storbritannien, Zambia och Zimbabwe.
39M5151	Hongkong, Korea
39M5157	Liechtenstein, Schweiz
39M5164	Chile, Italien, Libyen
39M5171	Israel
39M5205	Kina
39M5212	Korea
39M5232	Brasilien
39M5246	Taiwan
41R3175	Indien

PVC-kablar och information om nätsladdar

WARNING: När du hanterar kabeln till den här produkten eller kablar till tillbehör, kommer du i kontakt med bly, en metall som i Kalifornien har dokumenterats kunna orsaka cancer, missbildningar och andra reproduktionsstörningar. *Tvätta händerna när du är klar.*

Deklaration av farliga ämnen (Kina)

产品中有毒有害物质或元素的名称及含量

部件名称	有毒有害物质或元素					
	铅(Pb)	汞(Hg)	镉(Cd)	六价铬(Cr(VI))	多溴联苯(PBB)	多溴二苯醚(PBDE)
印刷电路板组件*	X	O	O	O	O	O
硬盘	X	O	O	O	O	O
光驱	X	O	O	O	O	O
内存	X	O	O	O	O	O
电脑I/O 附件	X	O	O	O	O	O
电源	X	O	O	O	O	O
键盘	X	O	O	O	O	O
鼠标	X	O	O	O	O	O
机箱/附件	X	O	O	O	O	O

○:表示该有毒有害物质在该部件所有均质材料中的含量均在SJ/T11363-2006标准规定的限量要求以下
×:表示该有毒有害物质至少在该部件的某一均质材料中的含量超出SJ/T11363-2006标准规定的限量要求
表中标有“×”的所有部件都符合欧盟RoHS 法规.

印刷电路板组件*: 包括印刷电路板及其零部件、电容和连接器
根据型号的不同, 可能不会含有以上的所有部件, 请以实际购买机型为准

 在中华人民共和国境内销售的电子信息产品必须标识此标志, 标志内的数字代表在正常使用状态下的产品的环保使用期限

Avfall från elektroniska eller elektroniska produkter (WEEE)

Lenovo uppmanar ägare till IT-utrustning att återvinna sin utrustning när den inte längre behövs. Lenovo erbjuder flera olika program och tjänster som hjälper utrustningens ägare att återvinna sina IT-produkter. Information om erbjudanden om produktåtervinning finns på Lenovos webbplats på adressen <http://www.pc.ibm.com/ww/lenovo/about/environment/>.

Europeiska unionens (EU) WEEE

WEEE-märkningen är tillämplig enbart i EU-länderna och Norge. Apparater märks i enlighet med EU-direktiv 2002/96/EG om avfall som utgörs av eller innehåller elektriska eller elektroniska produkter (WEEE). I direktivet fastställs det ramverk för återlämnande och materialåtervinning av uttjänta apparater som gäller inom hela Europeiska unionen. Etiketten sätts fast på produkter av olika slag för att ange att produkten inte får kastas, utan måste återtas i slutet av produktcykeln i enlighet med direktivet.

Användare av elektrisk och elektronisk utrustning med WEEE-märkning enligt bilaga IV till WEEE-direktivet får inte kassera sin uttjänta elektriska eller elektroniska utrustning som osorterat kommunalt avfall, utan måste utnyttja det tillgängliga insamlingsnätverket för återlämnande och återvinning av utrustningen och därigenom minimera riskerna för miljö och människans hälsa av utrustningens innehåll av farliga ämnen. Mer WEEE-information finns på adressen

<http://www.lenovo.com/lenovo/environment>.

Återvinning i Japan

Samla in och återvinna en kasserad Lenovo-dator eller -bildskärm

Om du är anställd på ett företag och ska kassera en Lenovo-dator eller -bildskärm som tillhör företaget måste du göra det i enlighet med lagen om effektiv resursanvändning. Datorer och bildskärmar tillhör kategorin industriellt avfall och ska återvinnas av en återvinningsfirma för industriellt avfall som är godkänd av lokala myndigheter. I enlighet med lagen om effektiv resursanvändning tillhandahåller Lenovo Japan, via sina tjänster för PC-insamling och återvinning, insamling, återanvändning och återvinning av kasserade datorer och bildskärmar. Mer information finns på på Lenovos webbplats på adressen www.ibm.com/jp/pc/service/recycle/precycle/

I enlighet med lagen om effektiv resursanvändning påbörjades tillverkarens insamling och återvinning av datorer och bildskärmar som används i hemmet den 1 oktober 2003. Tjänsten är gratis för datorer som används i hemmet och som sålts efter den 1 oktober 2003. Mer information finns på Lenovos webbplats på adressen www.ibm.com/jp/pc/service/recycle/personal/.

Kassera en komponent i en Lenovo-dator

Vissa datorprodukter från Lenovo som säljs i Japan kan ha komponenter som innehåller tungmetaller eller andra ämnen som är skadliga för miljön. Använd de metoder som beskrivs ovan för att samla in och återvinna datorer och bildskärmar när du ska kassera komponenter som tryckta kretskort eller enheter.

Kassera litiumbatterier från Lenovo-datorer

Ett knappformat litiumbatteri är installerat på systemkortet och förser systemklockan med ström när datorn är avslagen eller bortkopplad från huvudströmkällan. Om du vill byta ut det mot ett nytt kontaktar du inköpsstället eller ber om en reparationstjänst som Lenovo tillhandahåller. Om du har bytt ut batteriet själv och vill kassera det isolerar du det först med vinyltejp. Sedan kontaktar du inköpsstället och följer deras instruktioner. Om du använder en Lenovo-dator hemma och ska kassera ett litiumbatteri måste du följa lokala förordningar och regler.

lenovo[™]

Part Number: 43C8972

Printed in USA

(1P) P/N: 43C8972

