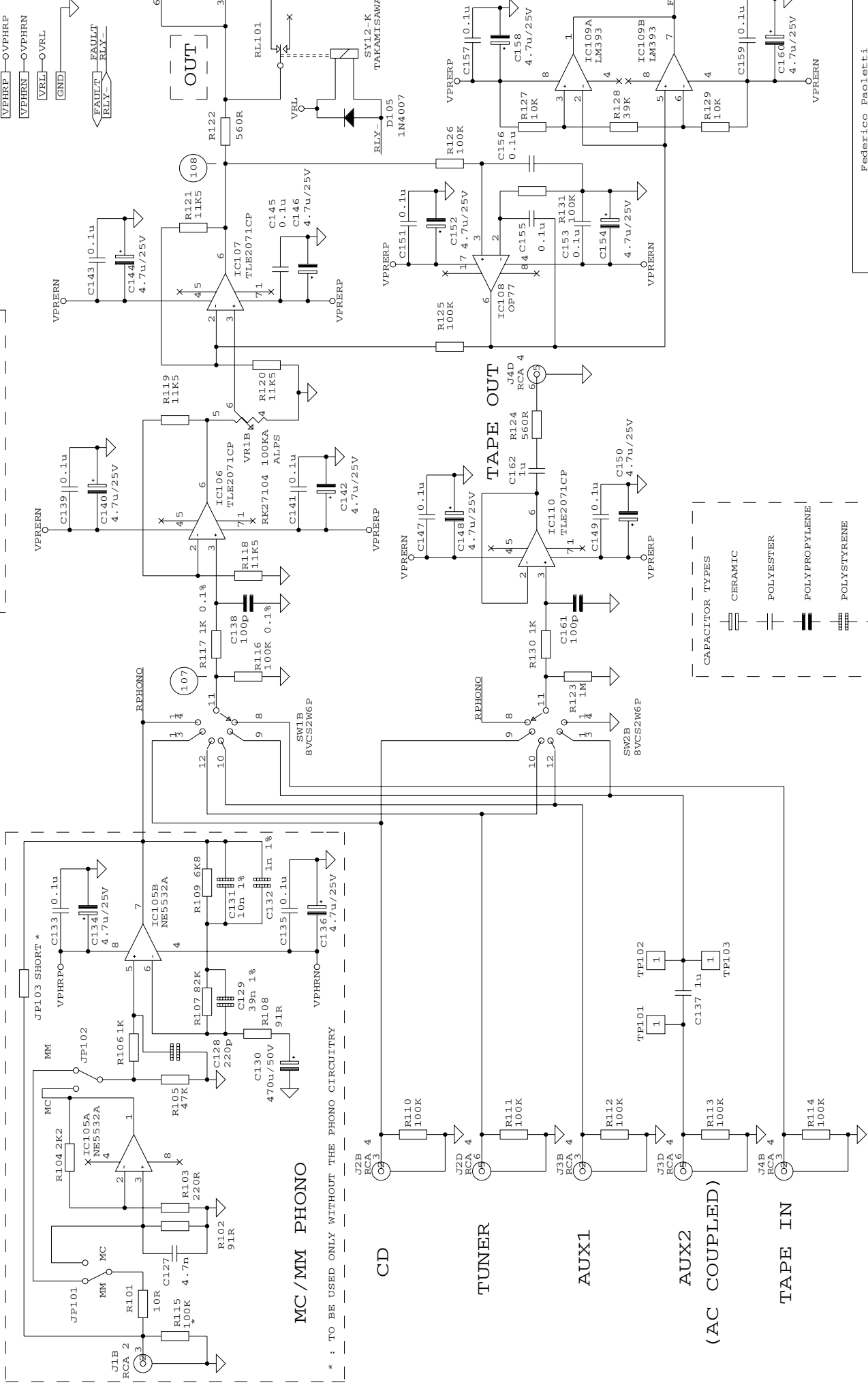


RIGHT CHANNEL

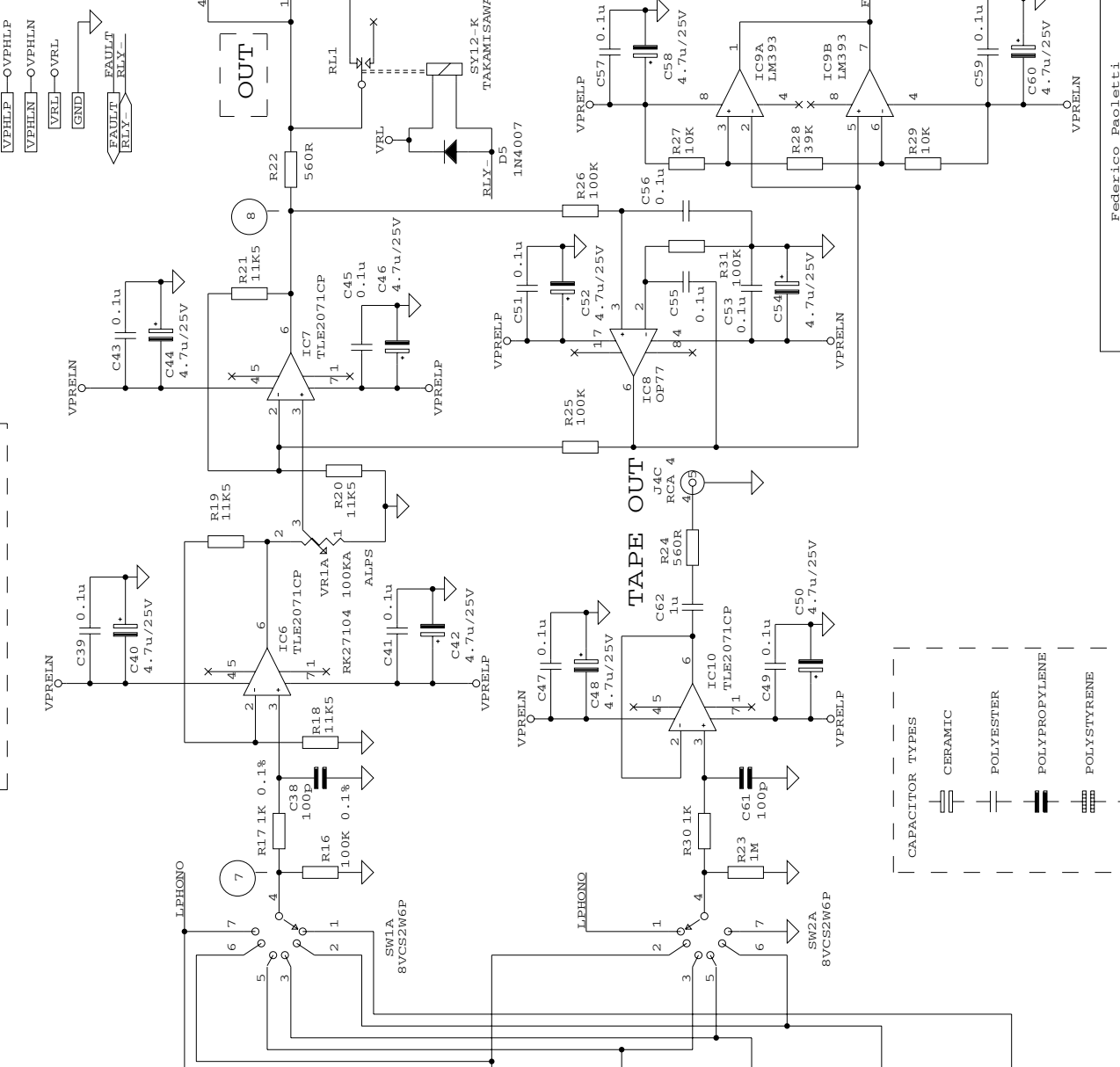
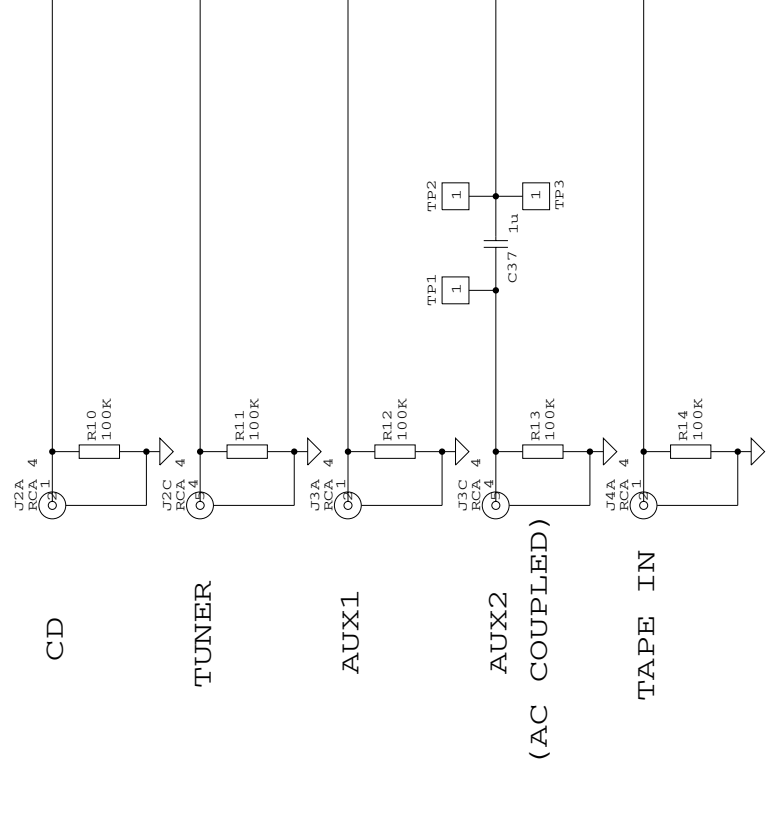
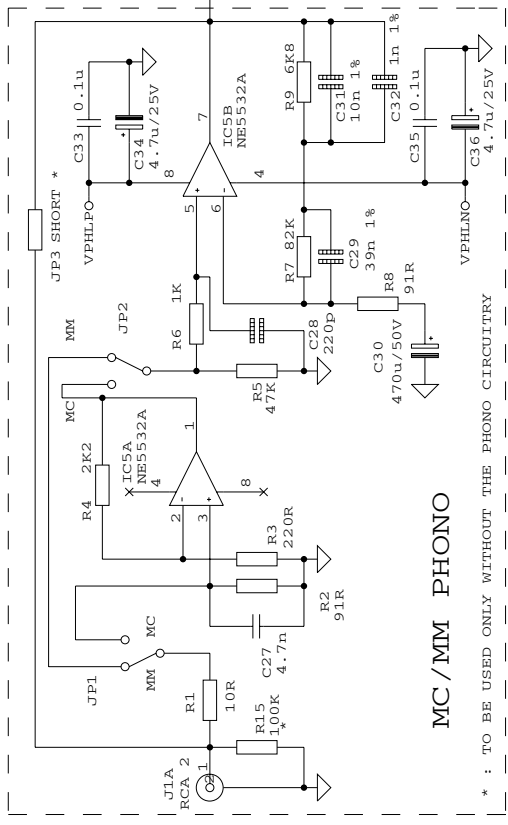


* : TO BE USED ONLY WITHOUT THE PHONO CIRCUITRY

CAPACITOR TYPES	
	CERAMIC
	POLYESTER
	POLYPROPYLENE
	POLYSTYRENE
	ELECTROLYTIC

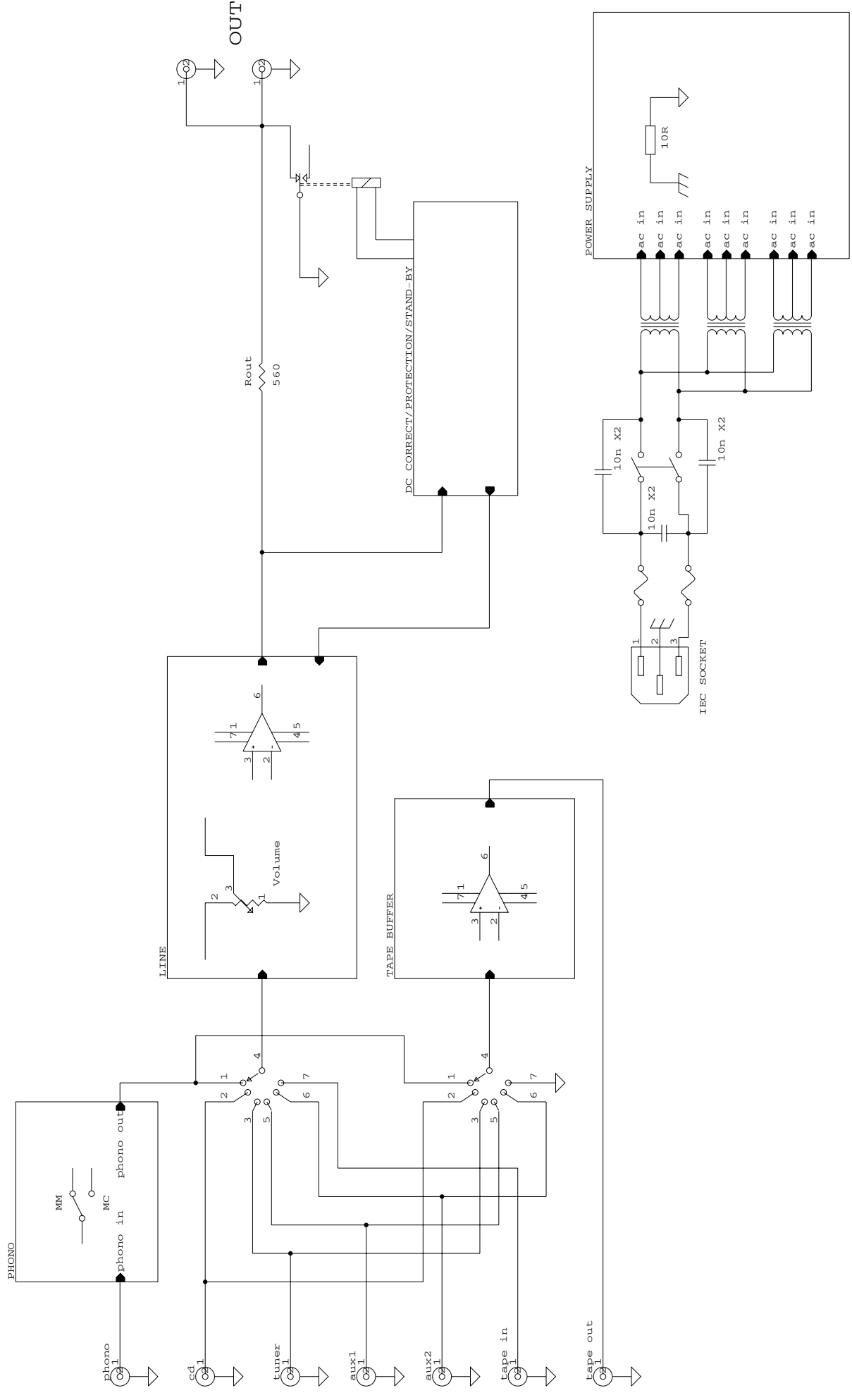
ALL RESISTORS ARE 0.25W 1% METAL FILM UNLESS OTHERWISE INDICATED

LEFT CHANNEL



CAPACITOR TYPES	
	CERAMIC
	POLYESTER
	POLYPROPYLENE
	POLYSTYRENE
	ELECTROLYTIC

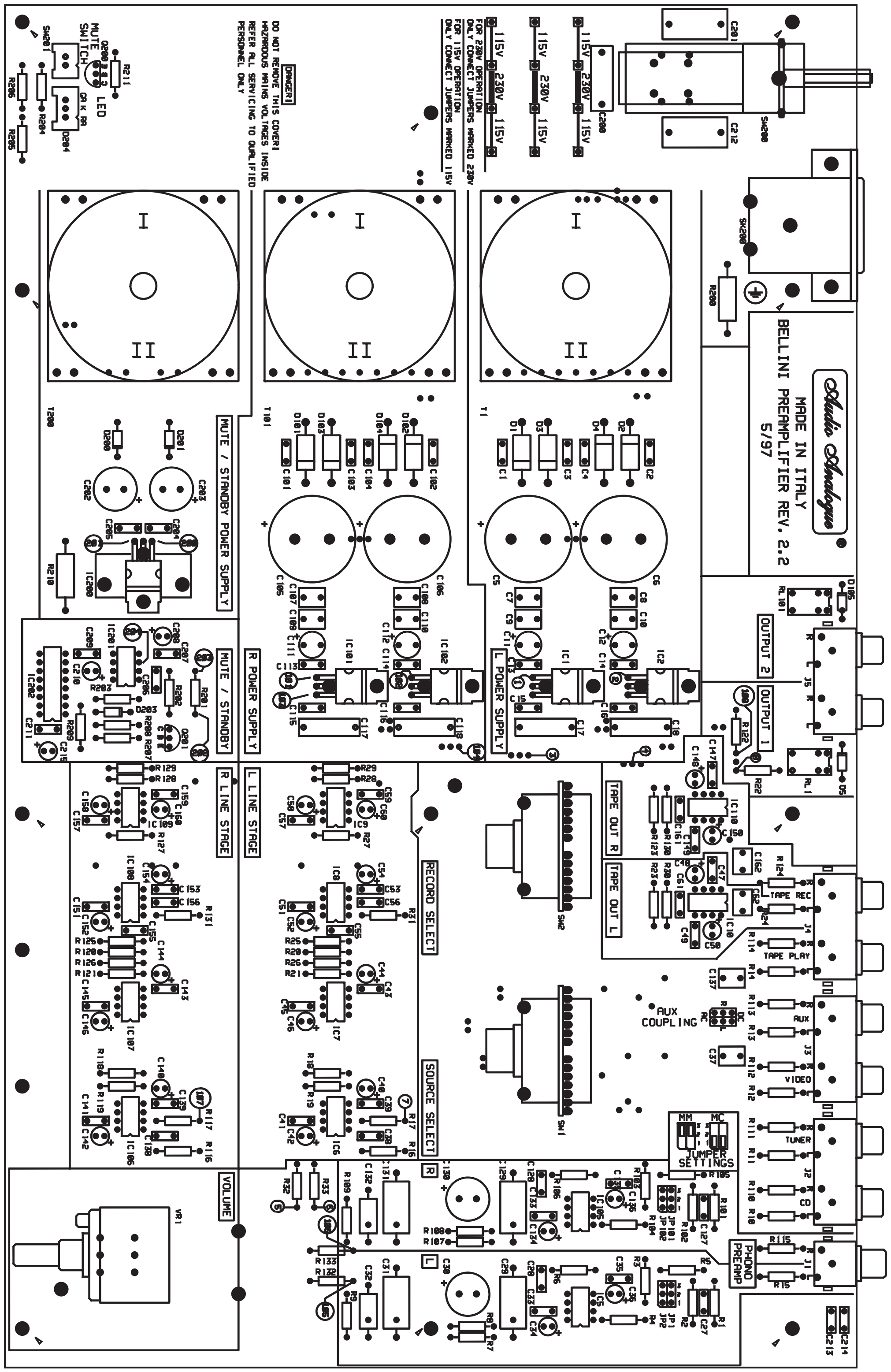
ALL RESISTORS ARE 0.25W 1% METAL FILM UNLESS OTHERWISE INDICATED



Federico Paoletti	
Title	Audio Analogue BELLINI BLOCK DIAG
Size	Document Number
B	
Date:	April 6, 1999
Sheet	1

Studio Analogues

MADE IN ITALY
BELLINI PREAMPLIFIER REV. 2.2
5/97



DANGER!
DO NOT REMOVE THIS COVER!
HAZARDOUS MAINS VOLTAGES INSIDE
REFER ALL SERVICING TO QUALIFIED
PERSONNEL ONLY

FOR 230V OPERATION
ONLY CONNECT JUMPERS MARKED 230V
FOR 115V OPERATION
ONLY CONNECT JUMPERS MARKED 115V

