



For more Hi-Fi manuals and set-up information
please visit www.hifiengine.com



SERVICE MANUAL

MONITOR SERIES

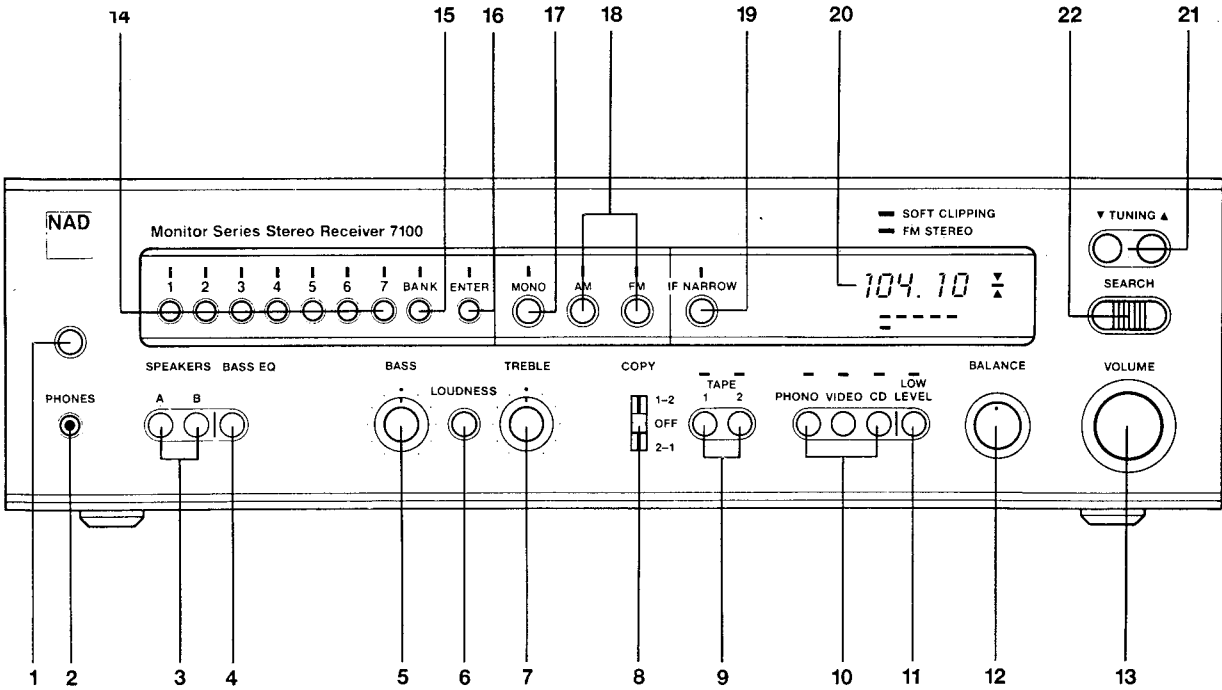
7100

RECEIVER

PAGE	CONTENTS
3	REAR / FRONT VIEW
4	SPECIFICATIONS
5	REMOTE CONTROL TRANSMITTER
6	MAIN AMPLIFIER ADJUSTMENT POINTS
7	MAIN AMPLIFIER ADJUSTMENT METHOD
7	PREAMPLIFIER ADJUSTMENT METHOD
8	SUGGESTED HOOKUP FOR FM ALIGNMENT
9-11	FM ALIGNMENT METHOD
11	AM ALIGNMENT METHOD
12	TUNER ADJUSTMENT POINTS
13-14	MAIN AMPLIFIER PCB LAYOUT
15-16	MAIN AMPLIFIER SCHEMATIC
17-18	PREAMPLIFIER PCB LAYOUT
19-20	PREAMPLIFIER SCHEMATIC
21-22	TUNER PCB LAYOUT
23-24	TUNER SCHEMATIC
25-26	REMOTE/DISPLAY PCB LAYOUT
27-28	REMOTE/DISPLAY SCHEMATIC
29	MAIN AMPLIFIER WIRING
30	PREAMPLIFIER WIRING
31	TUNER AND REMOTE/DISPLAY WIRING
32	DIFFERENT PARTS LIST
33-35	ELECTRICAL PARTS LIST
36	EXPLODED VIEW
37	EXPLODED PARTS LIST
38	PACKING DIAGRAM

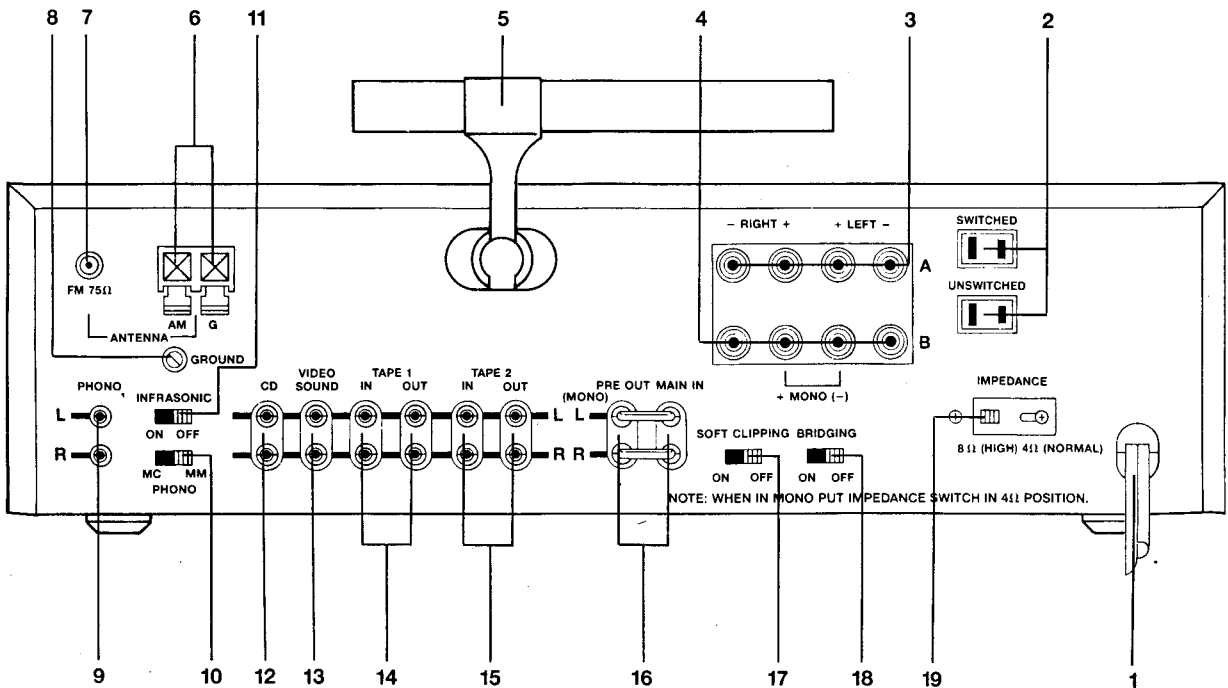
FRONT PANEL

- | | | |
|---------------------------|--|---------------------|
| 1. Power. | 9. Tape 1, Tape 2 (Monitor). | 17. Mono. |
| 2. Phones. | 10. Input Selector (Phono, Video, CD). | 18. AM/FM. |
| 3. Speaker Selector. | 11. Low Level. | 19. Narrow I.F. |
| 4. Bass Eq. | 12. Balance. | 20. Tuning Display. |
| 5. Bass. | 13. Volume. | 21. Tuning Up/Down. |
| 6. Loudness Compensation. | 14. Pre-sets. | 22. Search mode. |
| 7. Treble. | 15. Bank Selector. | |
| 8. Tape Copy. | 16. Memory Enter. | |



REAR PANEL

- | | | |
|--------------------------|--------------------------|---------------------------|
| 1. AC Line Cord. | 8. Phono Ground. | 15. Tape 2 Input/Output. |
| 2. AC Outlets. | 9. Phono Input. | 16. Preamp Out, Main In. |
| 3. Speakers A. | 10. MM/MC Selector. | 17. Soft Clipping On/Off. |
| 4. Speakers B. | 11. Infrasonic Filter. | 18. Bridging. |
| 5. AM Rod Antenna. | 12. CD Input. | 19. Speaker Impedance. |
| 6. AM Antenna Terminals. | 13. Video Sound Input. | |
| 7. FM Antenna Input. | 14. Tape 1 Input/Output. | |



Specifications

NAD 7100 Stereo Receiver

Note: Specifications are measured in accordance with EIA Standard RS-490 (IHF A-202) for amplifiers and ANSI-IEEE Standard 185 (1975), i.e. IHF T-200, for tuners. Tuner sensitivity is measured via 75-ohm coaxial input. Amplifier measurements referred to 8 ohm are taken with the Speaker Impedance selector set to 8 ohm (High). Measurements for 4 and 2 ohm are taken with Impedance selector at 4 ohm (Normal).

Power Amplifier Section

CONTINUOUS AVERAGE POWER

OUTPUT AT 8 OHM (minimum RMS 50 W(17 dBW)

power per channel, both channels driven,
with no more than the rated distortion)

Rated distortion (THD), 20 Hz - 20 kHz 0.03%

Clipping power, 1 kHz (maximum
continuous power per channel) 70 W

Dynamic Headroom at 8 ohm +6 dB

Dynamic power (maximum 8 ohm 200 W

short-term power per channel) 4 ohm 250 W

2 ohm 330 W

Damping factor 100

Slew factor >50

Slew rate 35V/usec

T.H.D. and SMPTE I.M. distortion from <0.03%

250 mW to rated output

IHF I.M. (CCIF IM) and T.I.M. distortion <0.03%

at rated output

Input impedance 10 kohm/600pF

Input sensitivity for 1 Watt/50 Watts out 120 mV/850mV

Power amp gain 27 dB

Preamplifier Section

Phono Input

Input Impedance MM + MC R=47 kohm, C=100 pF

Input Sensitivity (1 kHz) MM/MC .35/.025mV for 1W out

MM/MC 2.5/.18mV for 50W out

Signal-to-Noise Ratio with MM 75 dB re 5 mV

cartridge connected, A-weighted MC 75 dB re 0.5mV

Input Overload at 20 Hz/1kHz/20kHz MM 20/180/1500 mV

MC 1.4/13/100 mV

RIAA Accuracy ±0.5 dB

High-Level Inputs (CD, Video, Tape)

Input Impedance R=50 kohm, C=500 pF

Input Sensitivity 20 mV for 1W out

150 mV for 50W out

Signal-to-Noise ratio, A-weighted 94 dB re 1 W out

111 dB re 50 W out

Input Overload >10V

Frequency Response 20Hz-20kHz ± 0.5dB

Outputs

Preamp output impedance 600 ohm

Tape output impedance 100 ohm

Controls

Treble ±9 dB at 10kHz

Bass ±10 dB at 50 Hz

Bass Equalization ±3 dB at 55 Hz

+6 dB at 36 Hz

-3 dB at 12 Hz

Infrasonic Filter 12 dB/octave

Low Level (audio muting) -20 dB

FM Tuner Section

Input sensitivity

Mono, -30 dB THD+N 11 dBf(1.0uV into 75 ohm)

Mono, 50 dB S/N 14 dBf(1.4uV into 75 ohm)

Stereo, 50 dB S/N 26 dBf (5.5 uV)

Stereo, 60 dB S/N 37 dBf (20 uV)

Capture ratio (at 45 and 85 dBf) <1.6 dB

AM rejection (at 45 and 85 dBf) >60 dB

Selectivity, alternate channel 70 dB, IF normal

80 dB, IF narrow

Image rejection >80 dB

R.F. intermodulation >60 dB

I.F. rejection >120 dB

SCA rejection 70 dB

Subcarrier suppression(19, 38 kHz) 65 dB

THD at 100% modulation Mono, 1 kHz 0.1%

Narrow IF 0.5%

100Hz-6kHz 0.2%

Stereo, 1 kHz 0.1%

Narrow IF 0.5%

100Hz-6kHz 0.3%

Signal-to-noise ratio Mono 83 dB

IHF weighted, 65 dBf Stereo 77 dB

Frequency response, 30Hz-15 kHz ±0.5 dB

Stereo separation 1 kHz 50 dB

30Hz-10kHz 35 dB

AM Tuner Section

Usable sensitivity 300 uV/meter

THD 0.5%

Selectivity 35 dB

Image rejection 50 dB

I.F. rejection 35 dB

S/N ratio(30% mod., 50mV input) 45 dB

Physical Specifications

Width x Height x Depth 43.5 x 11 x 40 cm.

17.1 x 4.25 x 15.5 in.

Net Weight 11 kg (24.4 lbs)

Shipping Weight 12.7 kg (28.2 lbs)

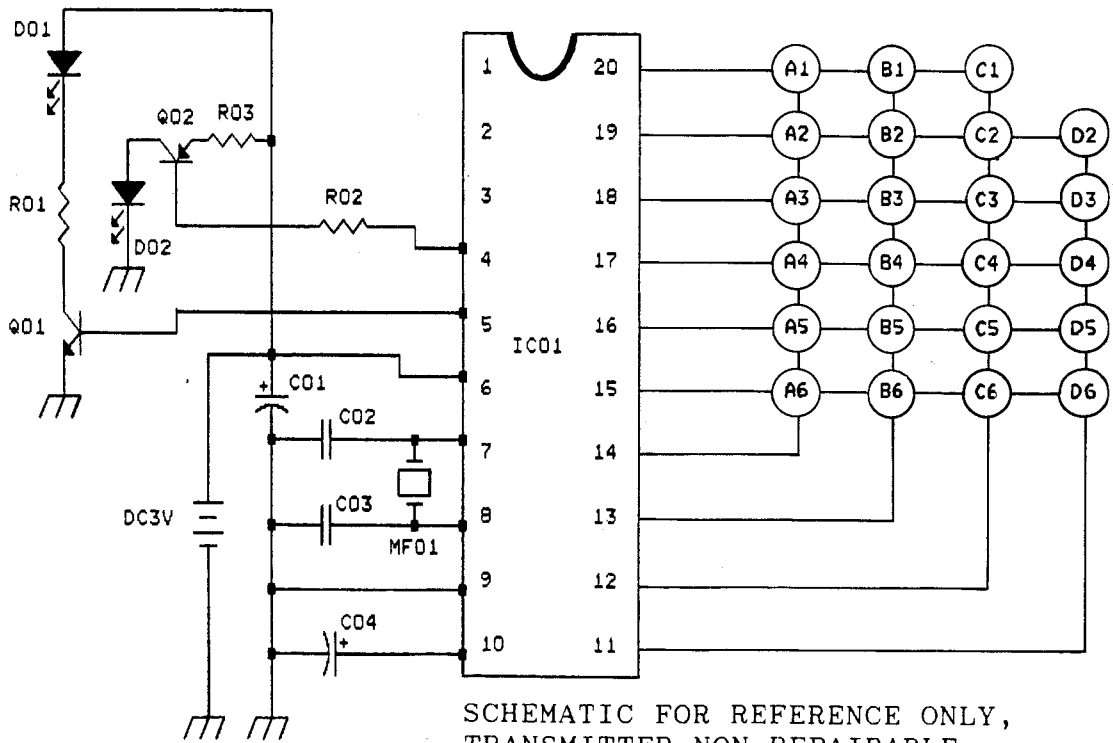
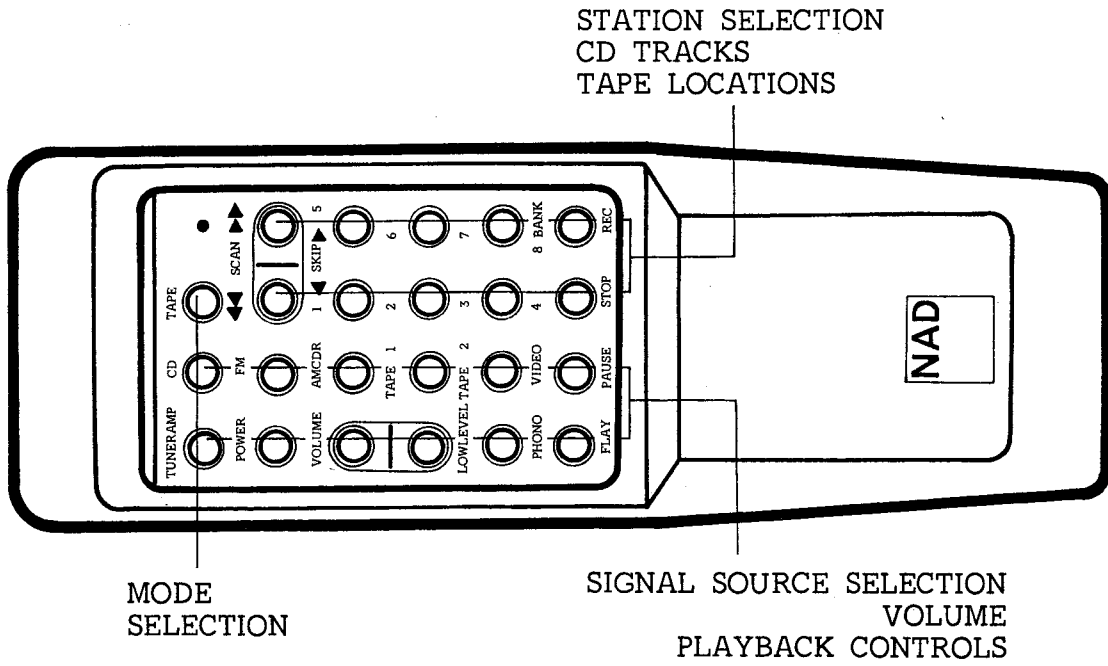
Power Consumption 50/60 Hz at 110,120,

220, or 240 VAC

220 VA

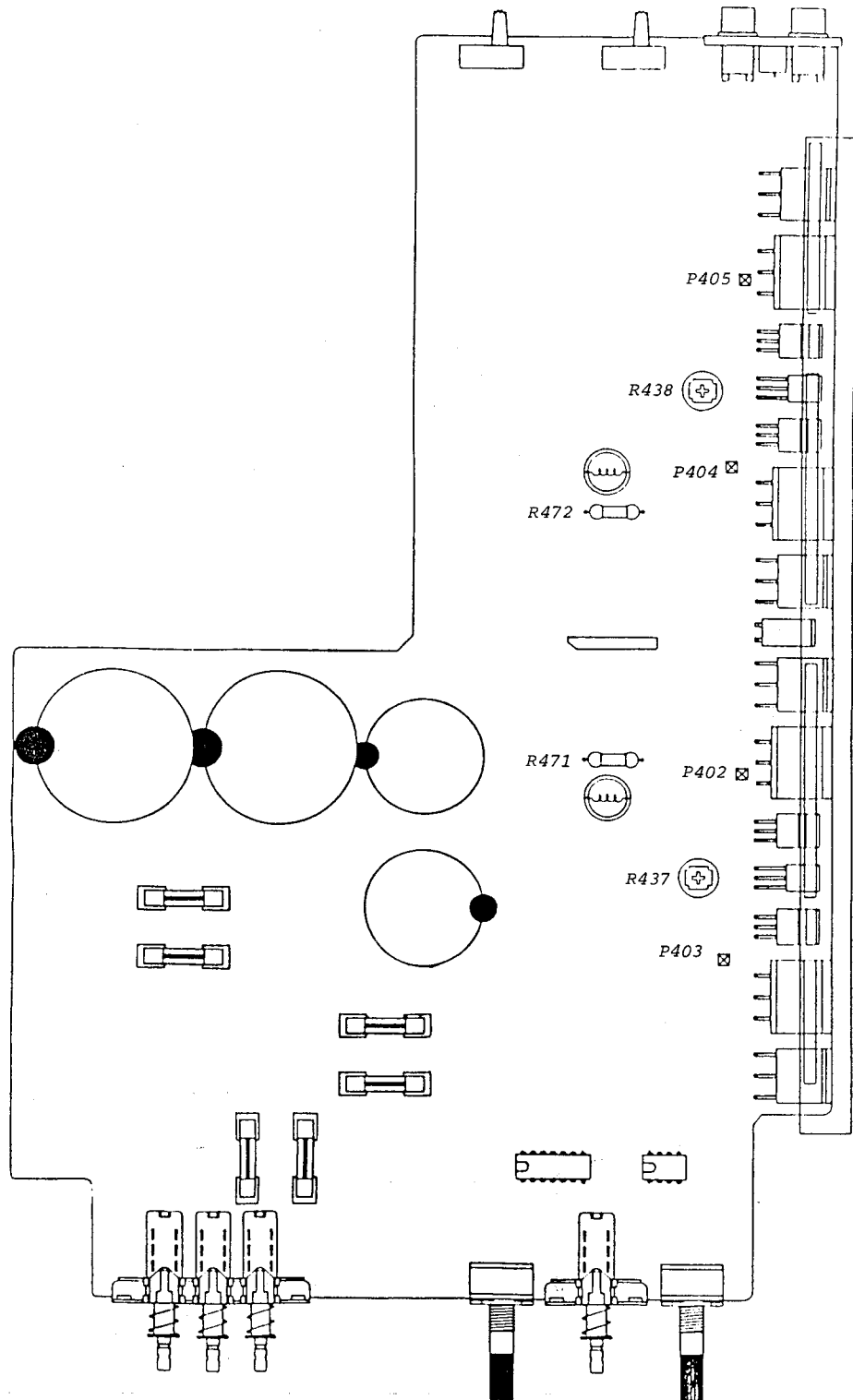
All specifications for A, A1 model (US-type, 75 uSec)
; others may vary.

REMOTE CONTROL TRANSMITTER



SCHEMATIC FOR REFERENCE ONLY,
TRANSMITTER NON-REPAIRABLE.

MAIN AMPLIFIER ADJUSTMENT POINTS



MAIN AMPLIFIER ADJUSTMENT

IMPORTANT NOTES:

- 1) Before adjusting, remove input signal and load, and set Speaker impedance switch to 8 ohms (reset to 4 ohms when finished).
- 2) These adjustments are always necessary after repair to main amplifier.
- 3) After repair, it is recommended to use current limiter (70-100W lightbulb) in mains line, for initial turn-on.

A. CENTER VOLTAGE CHECK

1. Connect DMM between Ground and R-471 (L channel)(R-472, R channel)(amplifier output).
2. Turn on, and read voltage. Specification $0V \pm 100mVDC$.

B. IDLE CURRENT ADJUSTMENT

1. Connect DMM across P-402(+) and P-403(-), and adjust R-437 for reading of $15mV \pm 2.5mVDC$.
2. Repeat, using P-404(+) and P-405(-), adjust R-438.

C. FINAL ADJUSTMENT

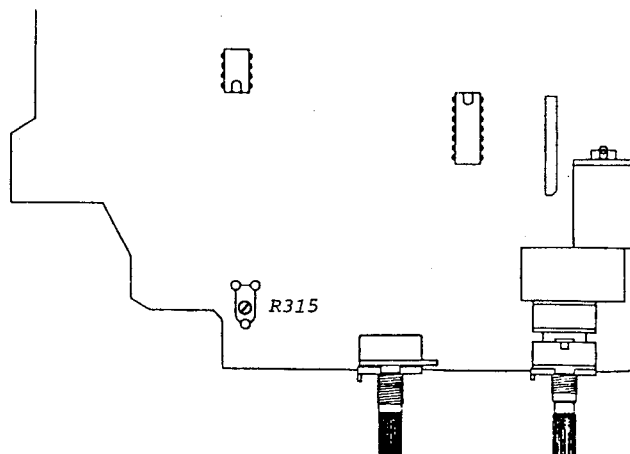
1. Leave power on minimum 5 minutes.
2. Repeat center voltage check and idle current adjustments.

PREAMPLIFIER ADJUSTMENT

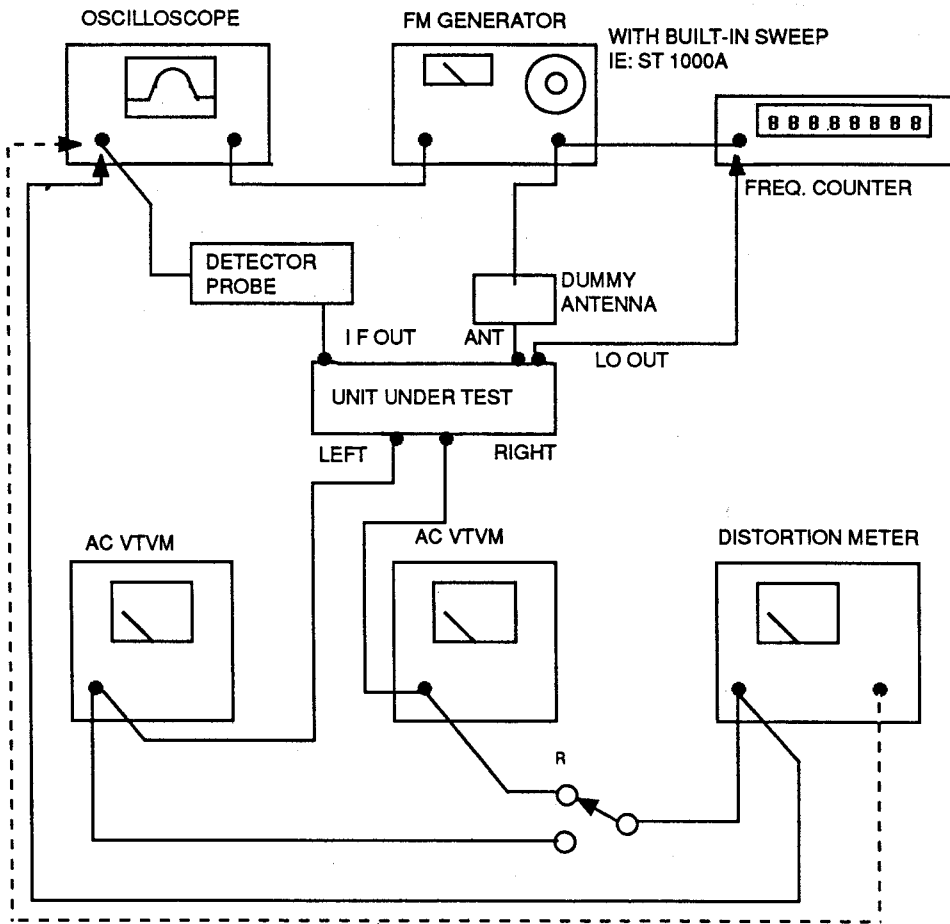
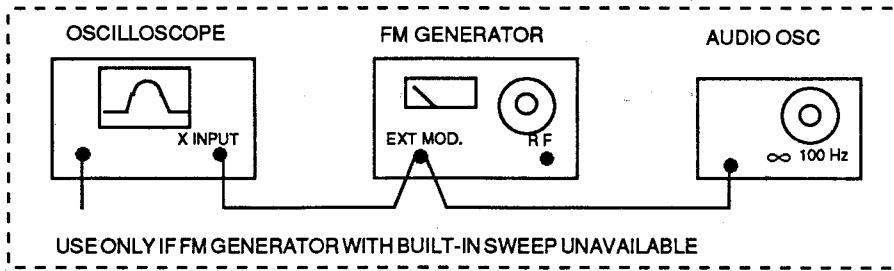
A. CHANNEL BALANCE

1. Feed 1kHz, 100mV to CD input; connect AC VTVM's to preamp output.
2. Set volume to maximum, balance to center, low level off.
3. Adjust R-315 so that both channels have same output level $\pm 0.25dB$.

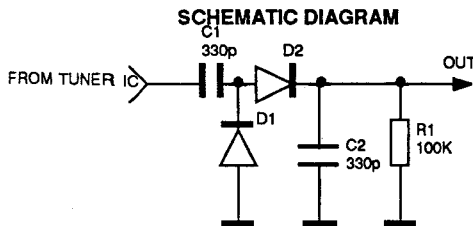
PREAMPLIFIER ADJUSTMENT POINTS



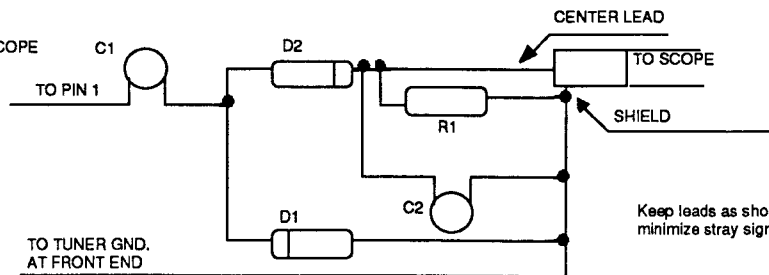
SUGGESTED INSTRUMENTATION HOOKUP- FM ALIGNMENT



DETECTOR PROBE



PICTORIAL DIAGRAM



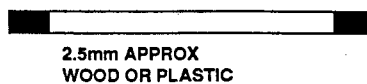
Keep leads as short as possible, to minimize stray signal pickup.

Diodes should be point-contact germanium: some types commonly available are:

- OA80
- OA81
- AA119
- 1N60
- 1N34
- 1N22

INDUCTOR TEST PROBE

THIN BRASS,
2x10 mm approx



BRASS, FERRITE
FROM RF COIL.
FASTEN WITH
GLUE.

FM ALIGNMENT

NECESSARY INSTRUMENTATION:

- * Stereo Modulator (less than 0.05% THD, more than 50dB Sep.)
- * FM Generator (less than 0.05% THD)
- * 75 ohm Dummy Antenna (if needed by generator)
- * Audio Oscillator (not necessary if FM generator has built-in sweep, e.g., SOUND TECHNOLOGY ST 1000A or ST 1020A)
- * 2 AC VTVM's (or one with a Left/Right switch)
- * THD Analyzer (resolution less than 0.1%)
- * Oscilloscope (5mV or better sensitivity, X-Y capability)
- * Frequency Counter
- * Diode Detector Probe
- * Ferrite/Brass inductor test probe

IMPORTANT NOTES

- 1) RF levels are at antenna input.
- 2) Before aligning, select FM, switch off IF NARROW and MONO.
- 3) If FM Generator is not synthesizer-type, be sure to check its frequency with Frequency Counter When adjusting detector and stereo decoder circuits.
- 4) Hum in measurements may be caused by ground loop via antenna cable; if so, use isolation balun, or isolate cable shield and hot with small capacitors (470 ~ 1000pf).
- 5) To adjust front-end coils, bend gently with wooden or plastic tool (non-interactive).
- 6) ENTER the following frequencies: 90.00, 105.00, 87.50, 108.00, 98.00

A. LOCAL OSCILLATOR FREQUENCY

1. Connect Frequency Counter between front-end pin 8 (front-most) and Ground.
2. Tune to 90 MHz (No RF input needed).
3. Adjust C-934 so that reading is $100.700\text{MHz} \pm 2\text{KHz}$.
4. Remove counter.

B. TUNING VOLTAGE

1. Connect DMM between P-936 and Ground.
2. Tune to 108.00MHz, and adjust L-7 if reading is not $20.0\text{V} \pm 0.5\text{V}$
3. Tune to 88.00MHz, and check that reading is $3.0\text{V} \pm 0.5\text{V}$
4. Repeat until within tolerance.

C. TRACKING

1. Connect FM Generator to 75 ohm antenna input (modulate $\pm 150\text{kHz}$ sweep) and Detector Probe to Pin 1 of Q106 (ground to tuners shield).
2. Adjust vertical sensitivity of Oscilloscope to maximum, and set to X-Y mode. (X input is sweep signal, Y is detector probe).
3. Tune to 105MHz and adjust generator so that curve appears on Oscilloscope, and covers approximately 1/2 of display.
4. Check L2, L3, L4 with ferrite/brass probe, adjust only if probe causes curve height to increase more than 10%. If necessary, reduce generator output to keep entire curve on display.

5. Tune to 90MHz and adjust Generator so that curve appears on Oscilloscope.
6. Check L2, L3, L4 again; if necessary, distribute any error between both frequencies.

Note: 105MHz curve is typically slightly higher than 90MHz.

D. IF ADJUSTMENTS

1. Tune to approximately 98MHz (must be an unoccupied frequency), and adjust FM Generator to display curve on the oscilloscope.
2. Adjust I-1 and I-101 for maximum and symmetrical curve using as little RF input signal as possible.
3. Remove detector probe.

E. DETECTOR ADJUSTMENT

1. Remove Detector Probe, and connect Tape Output to Distortion Analyzer and Oscilloscope.
2. Connect DMM between P-703 (-) and P-704 (+).
3. Tune to 98MHz and feed 1000uV from FM Generator (Modulate 1kHz 100%, Mono).
4. Adjust I-102 Secondary (front) for lowest THD. Specification: less than 0.1%
5. Adjust L-102 Primary (rear) for $0V \pm 50mV$ reading on DMM.
6. Repeat until no further improvement.

F. STEREO DISTORTION & SEPARATION

1. Tune to 98MHz and feed 1000uV from FM Generator. Modulate 1kHz, 100% left (or right) only.
2. Adjust I-1 and I-101 just slightly so that distortion on left (or right) channel becomes minimum.
3. Check stereo distortion, wide IF; Specification: less than 0.1% , L + R, L only, R only, L - R.
4. Next, select IF NARROW, and check distortion; Specification: less than 2%, L only, R only, L - R.
5. Set IF to wide and modulate L only. Adjust R-176 for minimum output on right channel.
Next, modulate R only and adjust R-176 for minimum output on left channel.
If necessary, readjust R-176 so that readings become same on both channels. Specification: less than -45dB.
6. Select IF NARROW, and modulate left (or right) channel only. Adjust R-177 for minimum output on right (or left) channel VTVM and oscilloscope.
If necessary, readjust R-177 so that readings become same on both channels. Specification: less than -40dB.

G. AUTO SEARCH LEVEL

1. Set IF to wide. Connect DMM between P-935 and Ground.
2. Set FM Generator output to 10uV and adjust R-144 so that reading just goes from 0 V to 4.4V. Tolerance: $\pm 2uV$.

H. STEREO SWITCHING LEVEL

1. Set FM Generator output to 5uV, 1kHz 100% L + R.
2. Adjust R-148 so that the stereo light just turns on. Tolerance: ± 1 uV.

NOTE: The tuner will switch into mono at a lower level, typically 4uV.

I. SIGNAL METER LEVEL

1. Set FM Generator output to 500 uV
2. Adjust R-141 so that fifth LED just lights.

J. FM NR CIRCUIT, MULTIPLEX FILTERS

1. Adjust R-025 full cw.
2. Set FM Generator output to 1000uV, 1kHz 100% L + R, and set reference for S/N measurement. Cancel the stereo modulation and leave pilot tone.
3. Adjust Z-111 (Z-112)(rear slug) for minimum subcarrier output on left (right) channel; Specification: less than -60dB.
4. Reduce FM Generator output so that S/N ratio reads 50dB.(Approx 18uV)
5. Adjust R-025 so that S/N is improved by 8dB.

AM ALIGNMENTS

A. TUNING VOLTAGE

1. Connect DMM between P-936 and Ground.
2. Tune to 1600(1602)KHz. Enter into Preset 2. Adjust C-137 for reading of $8.1V \pm 0.5V$.
3. Tune to 520(522)kHz. Enter into Preset 1. Adjust L-102 for reading of $1.0V \pm 0.1V$.
4. Repeat until within tolerance.

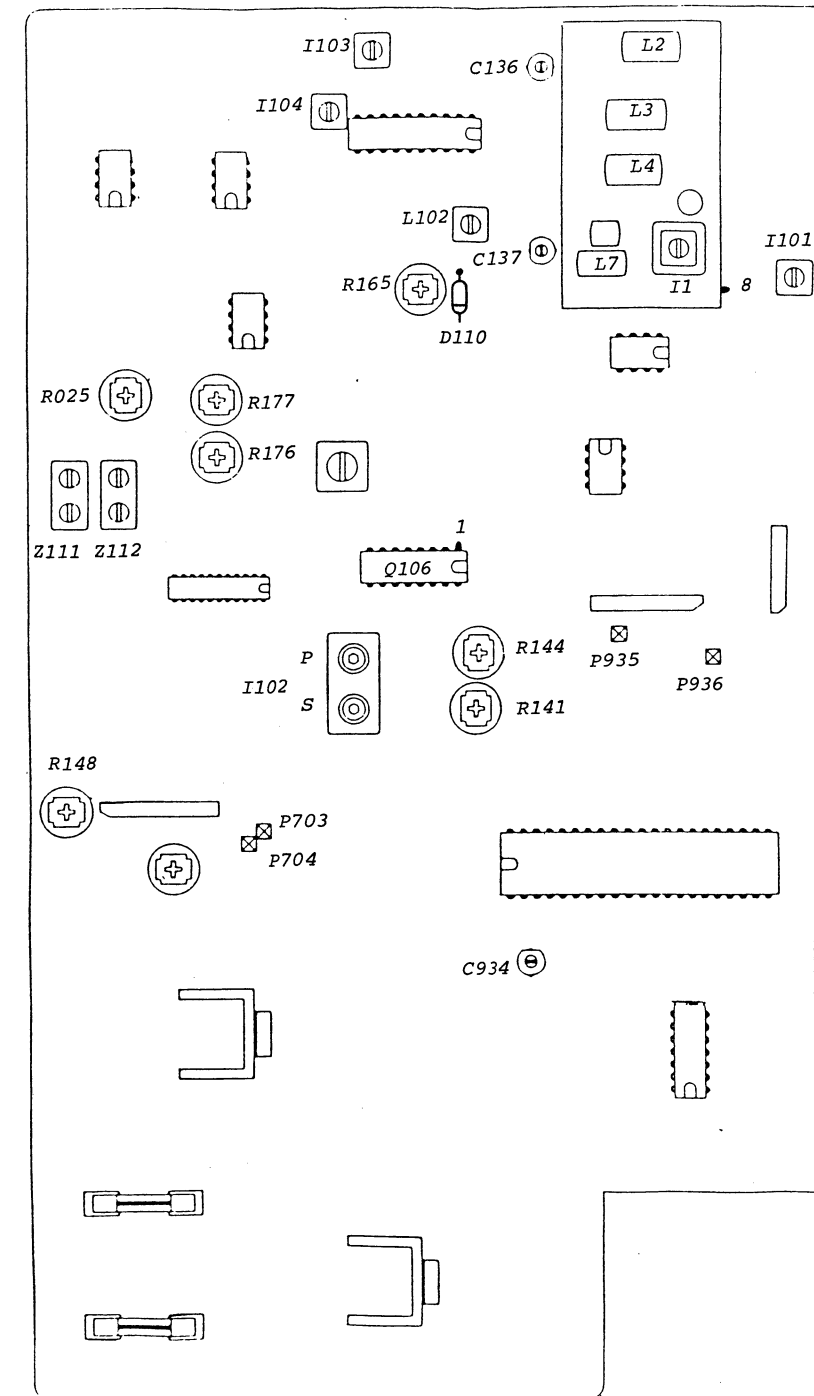
B. ANTENNA, IF

1. Swing antenna away from chassis.
2. Connect DC voltmeter to Anode, D110 (rear) and Ground.
3. Tune to a station of moderate strength near 1400kHz. Enter into Preset 4. Adjust C-136 for maximum reading on meter.
4. Adjust I-103 and I-104 for maximum reading on meter.
5. Tune to a station of moderate strength near 600kHz. Enter into Preset 3. Adjust L-101(AM Antenna) for maximum reading on meter (use non-interactive tool, such as plastic or wooden stick).
6. Repeat until no further improvement.

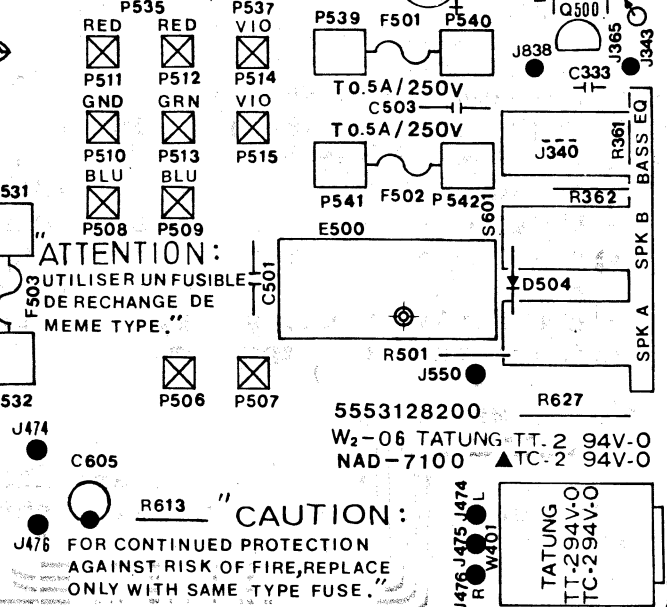
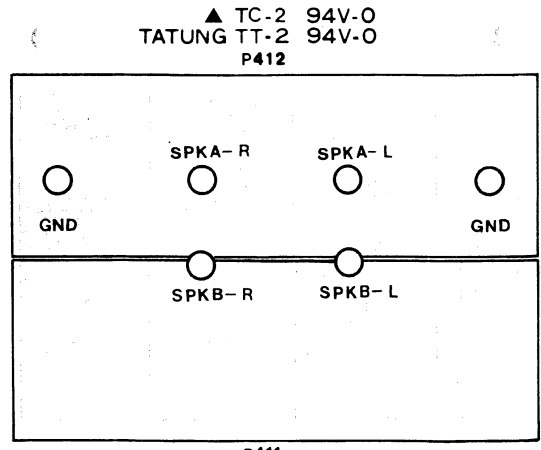
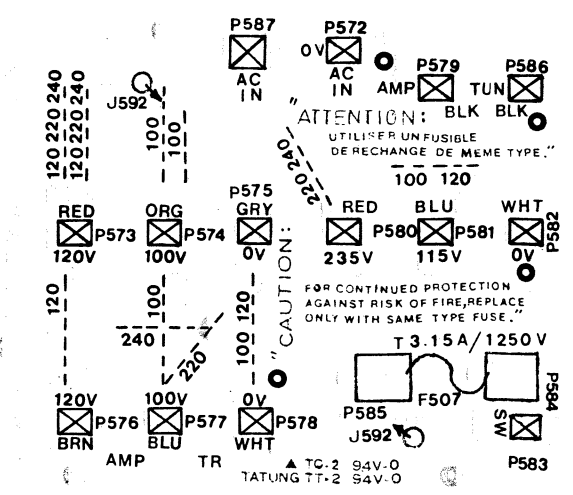
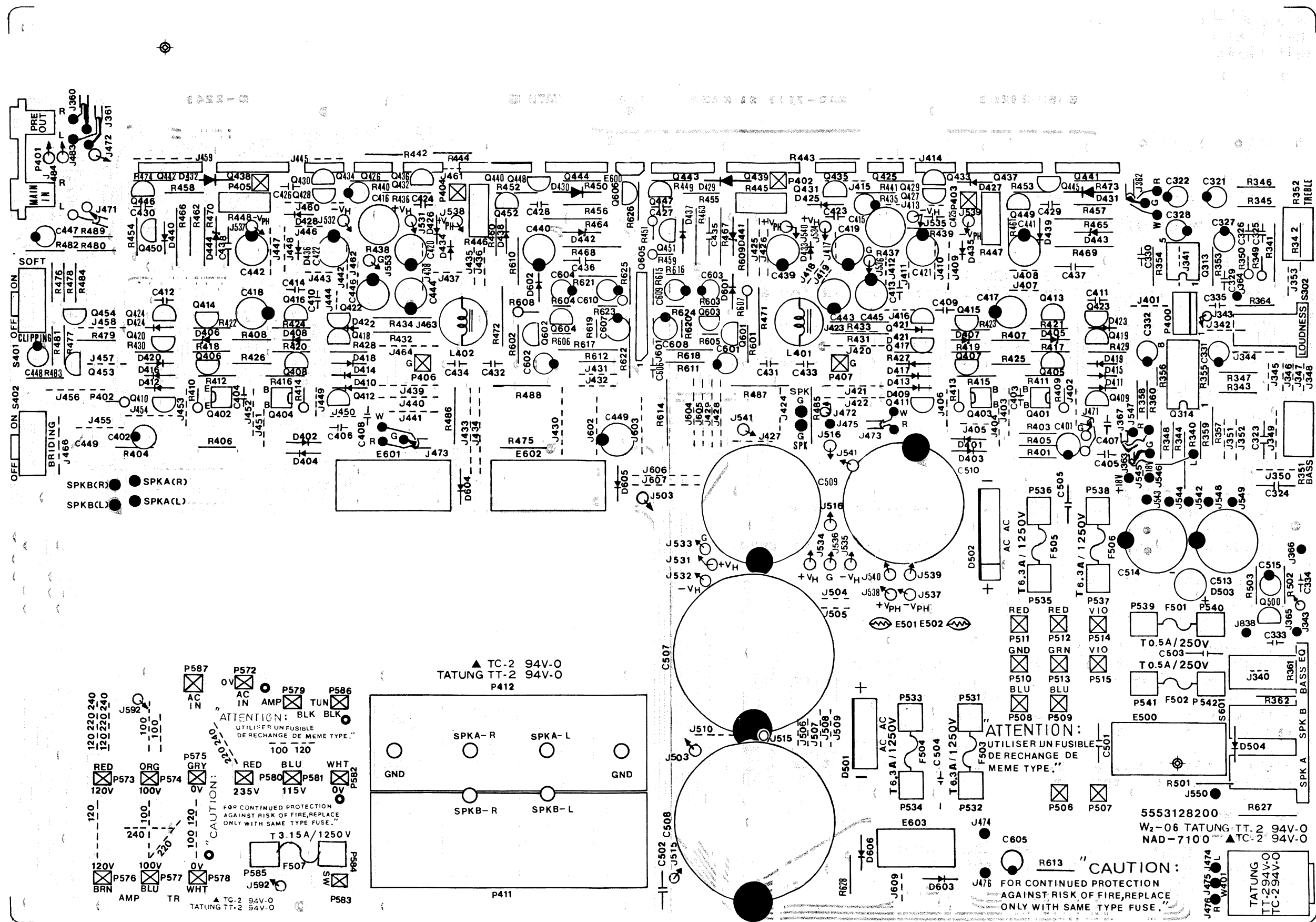
C. SCAN STOP/SIGNAL METER LEVEL

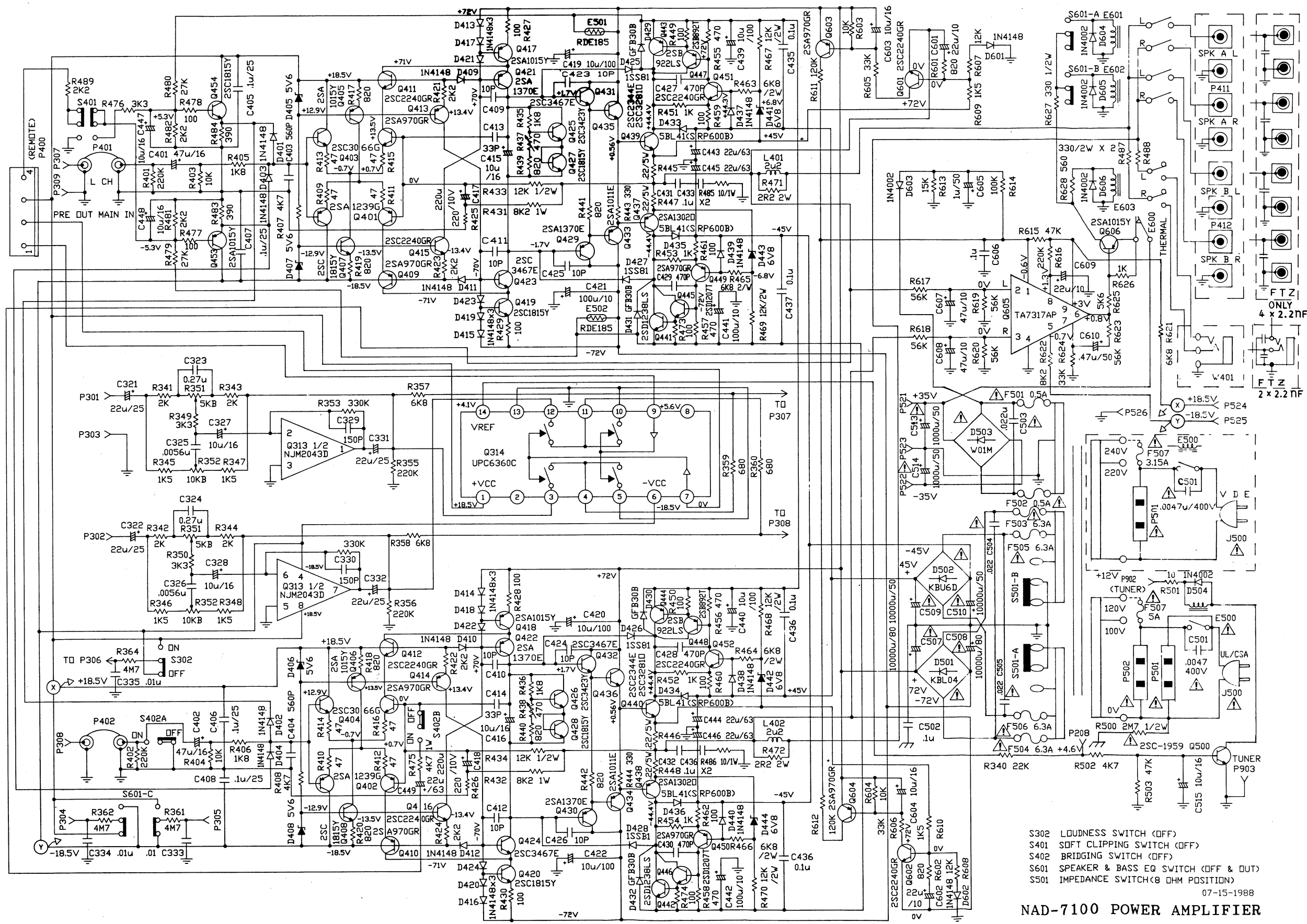
1. Tune to 1000kHz and feed 200uV to antenna terminals.
2. Adjust R-165 so that fifth LED just lights fully.

TUNER ADJUSTMENT POINTS



MAIN AMPLIFIER PCB LAYOUT
COMPONENT SIDE



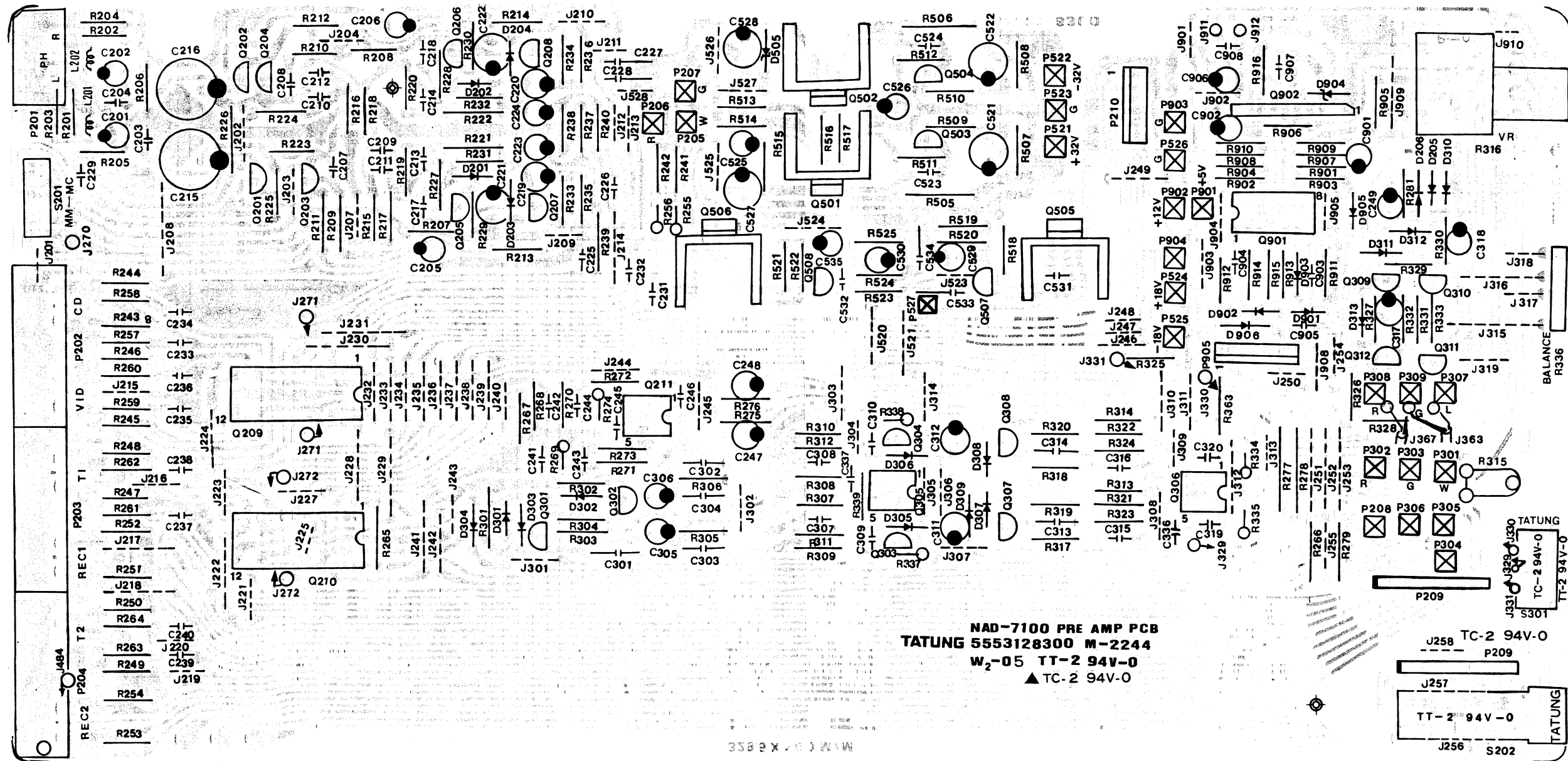


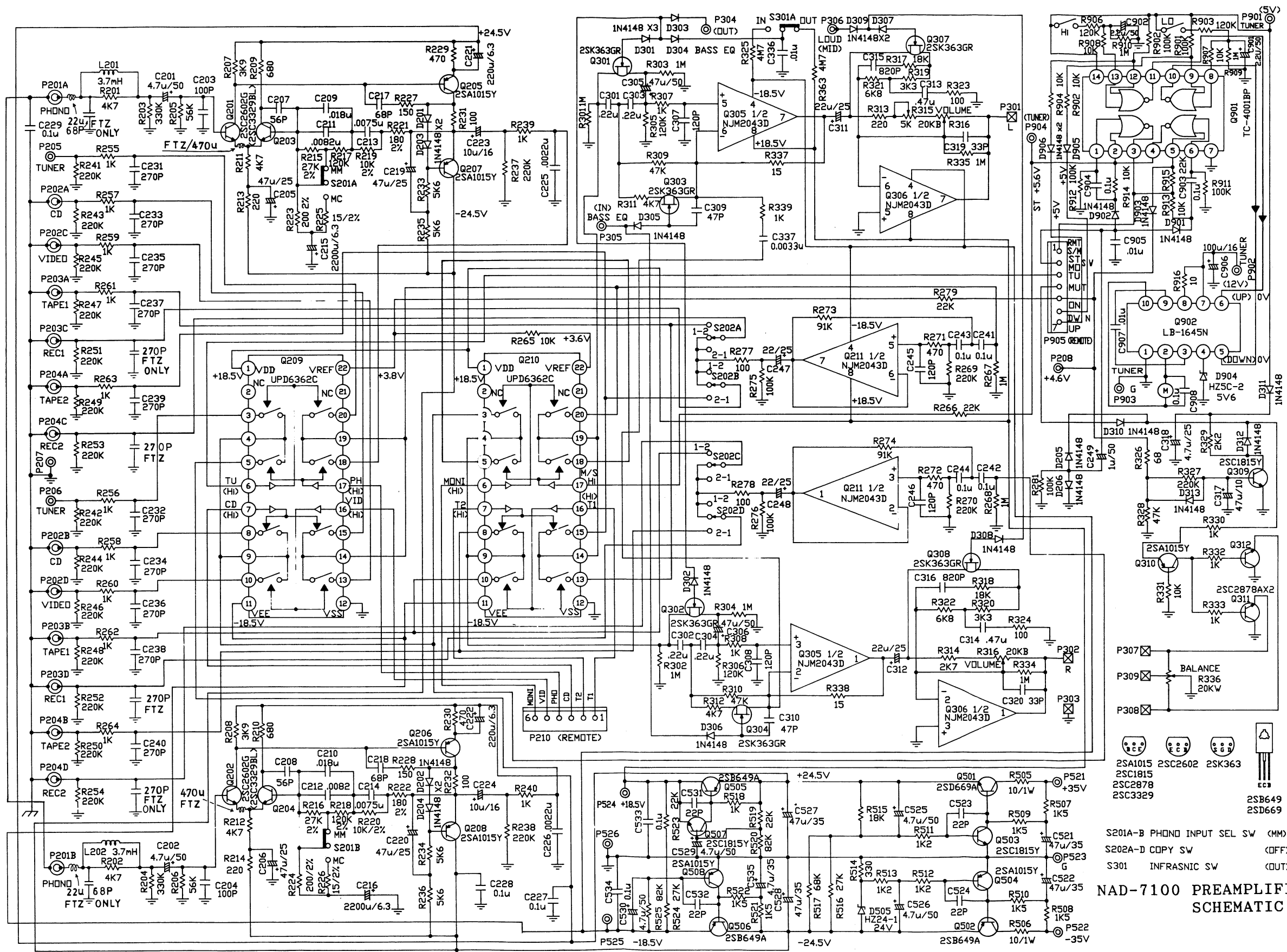
- S302 LOUDNESS SWITCH (OFF)
- S401 SOFT CLIPPING SWITCH (OFF)
- S402 BRIDGING SWITCH (OFF)
- S601 SPEAKER & BASS EQ SWITCH (OFF & OUT)
- S501 IMPEDANCE SWITCH (8 OHM POSITION)

07-15-1988

NAD-7100 POWER AMPLIFIER

PREAMPLIFIER PCB LAYOUT
COMPONENT SIDE

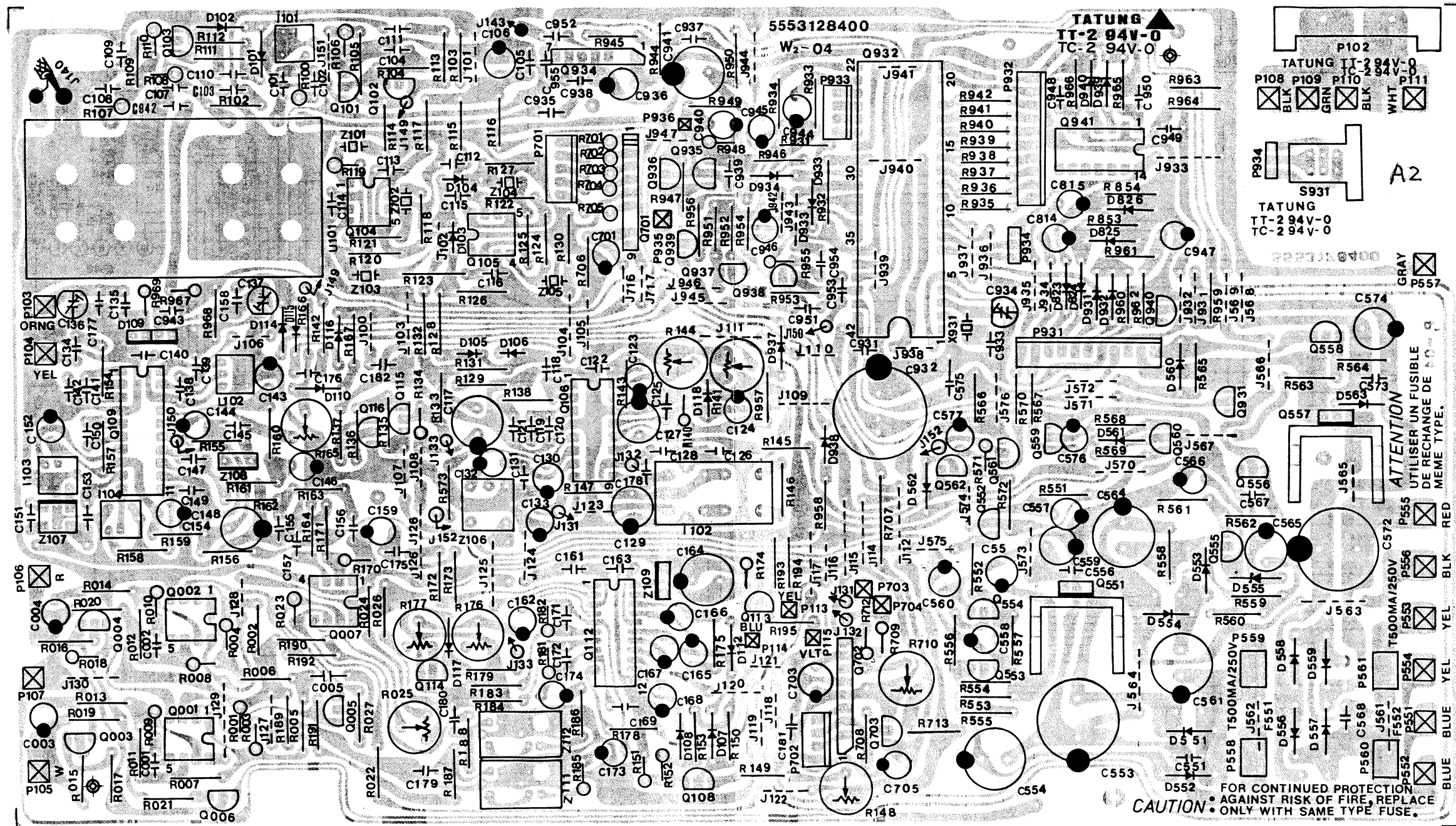




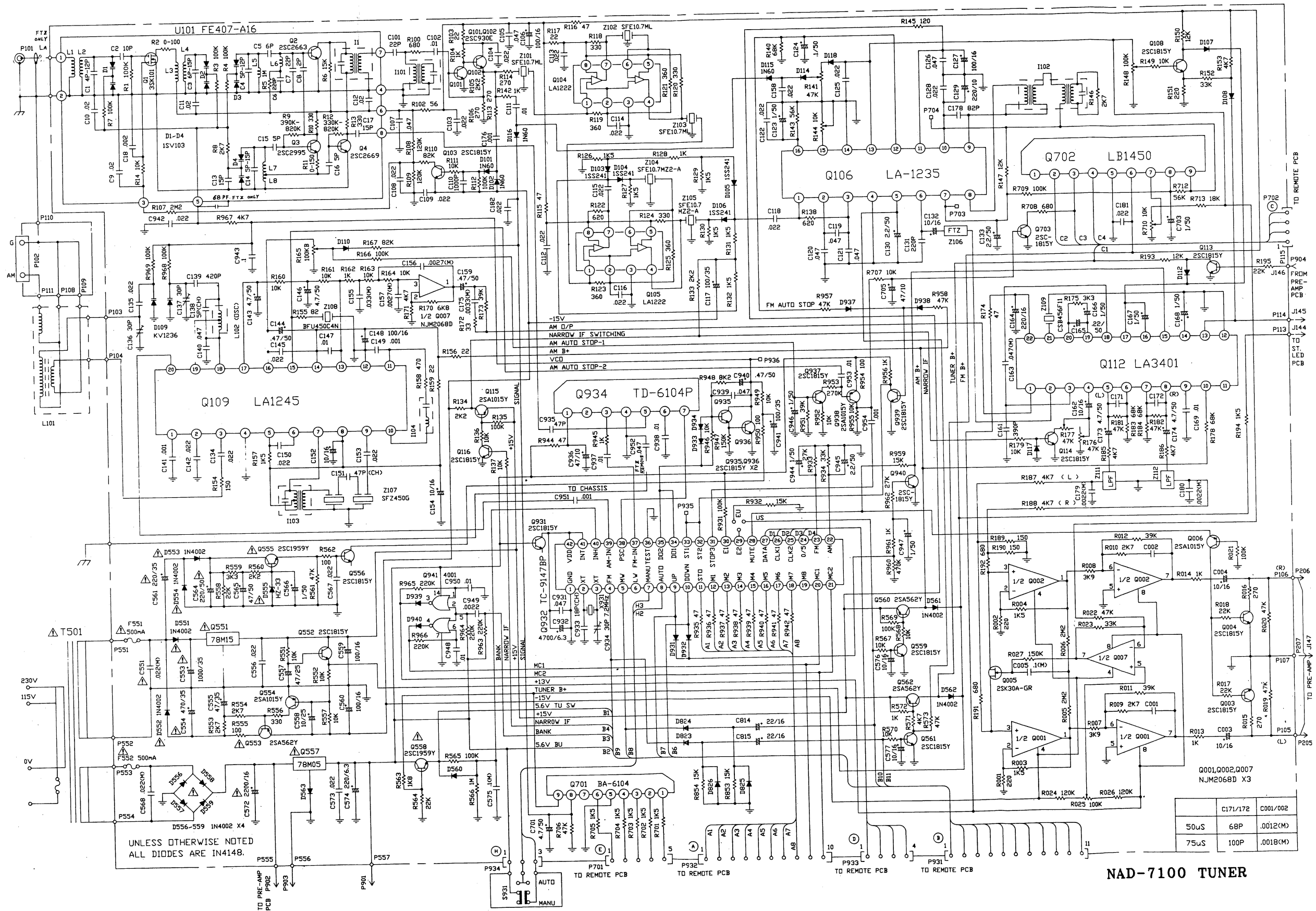
- 2SA1015
- 2SC1815
- 2SC2878
- 2SC3329
- 2SB649
- 2SD669
- S201A-B PHONO INPUT SEL SW (MM)
- S202A-D COPY SW (OFF)
- S301 INFRASNIC SW (OUT)

NAD-7100 PREAMPLIFIER SCHEMATIC

TUNER PCB LAYOUT
COMPONENT SIDE



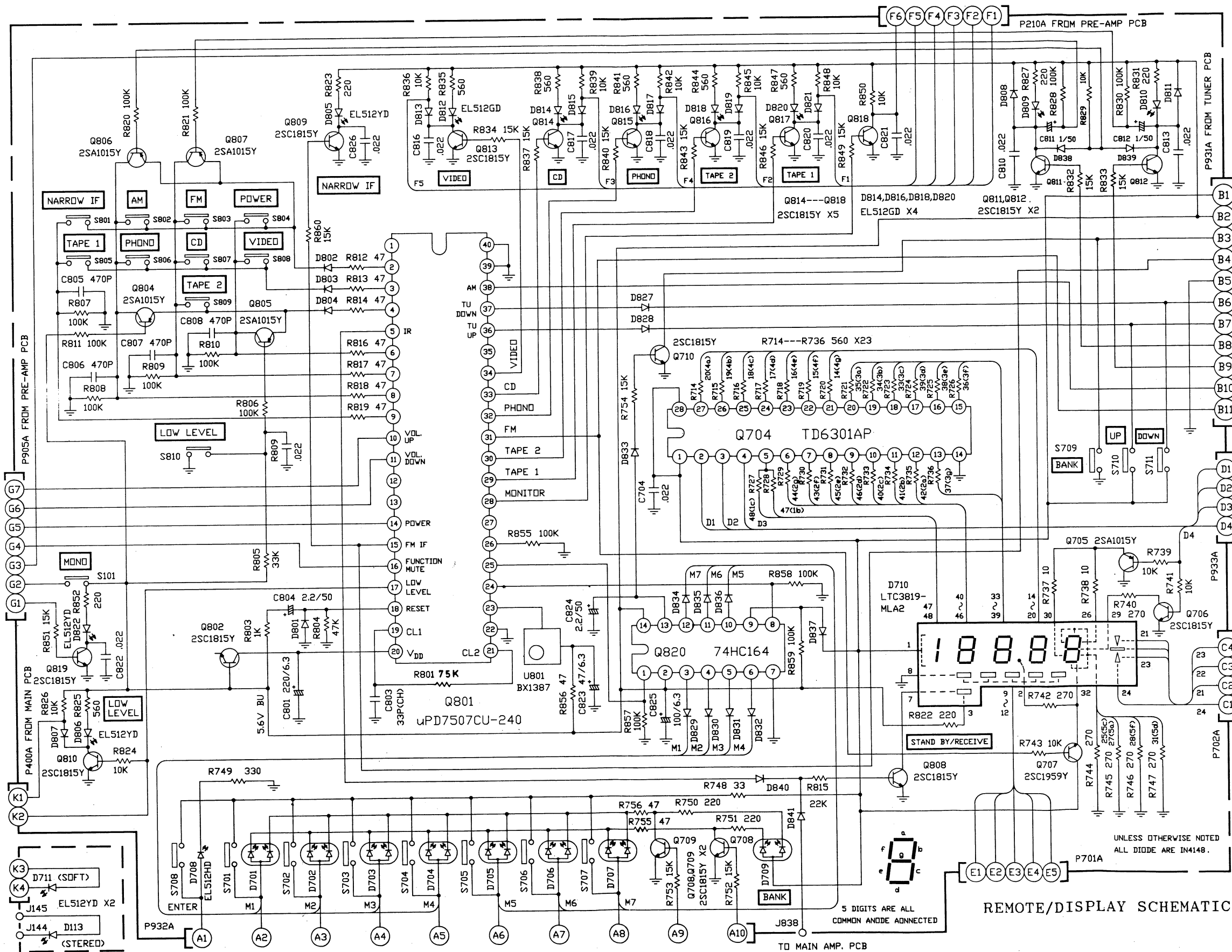
TUNER



UNLESS OTHERWISE NOTED
ALL DIODES ARE IN4148.

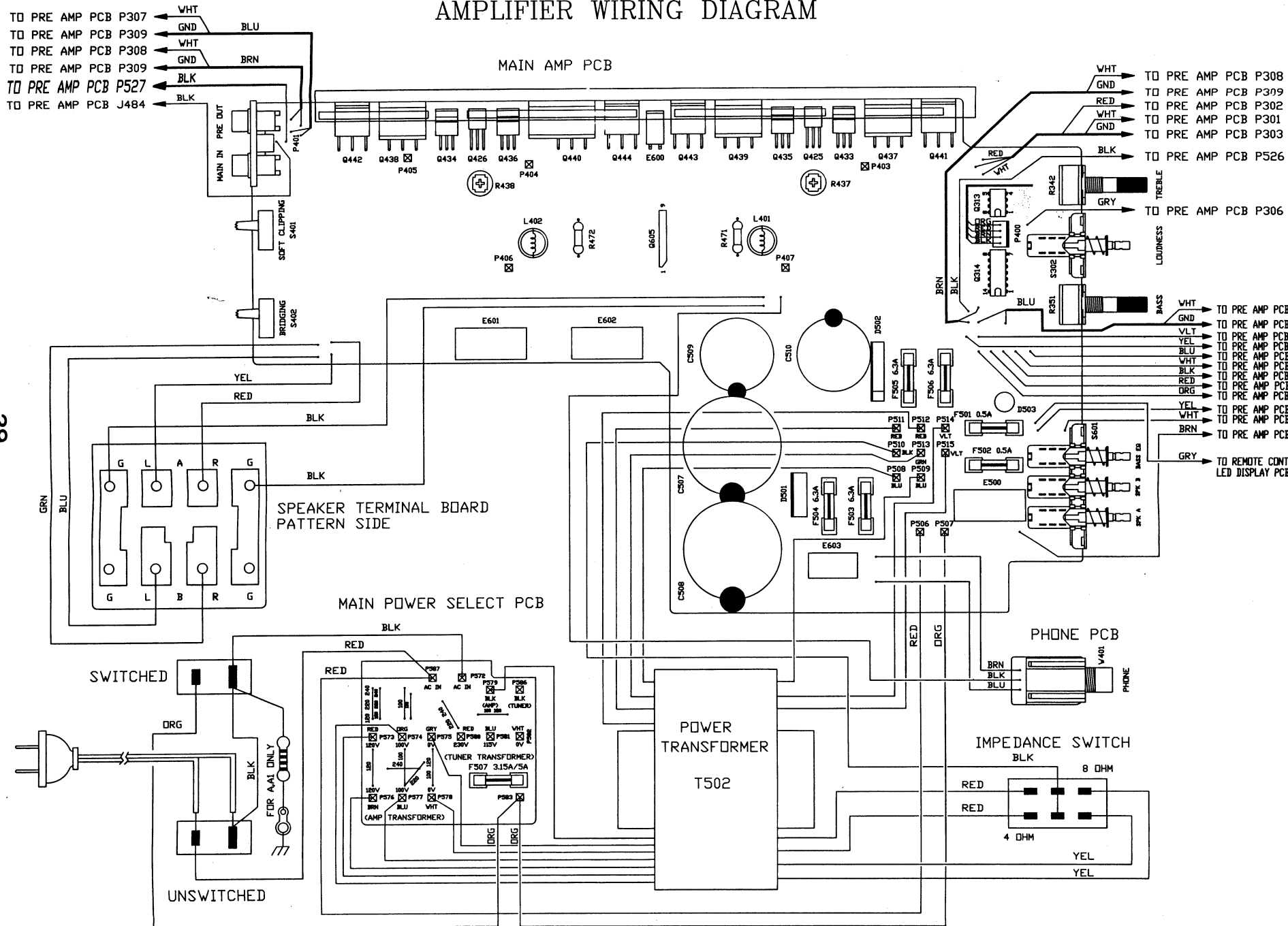
C171/172	C001/002
50uS	68P
75uS	100P
	.0012(M)
	.0018(M)

NAD-7100 TUNER

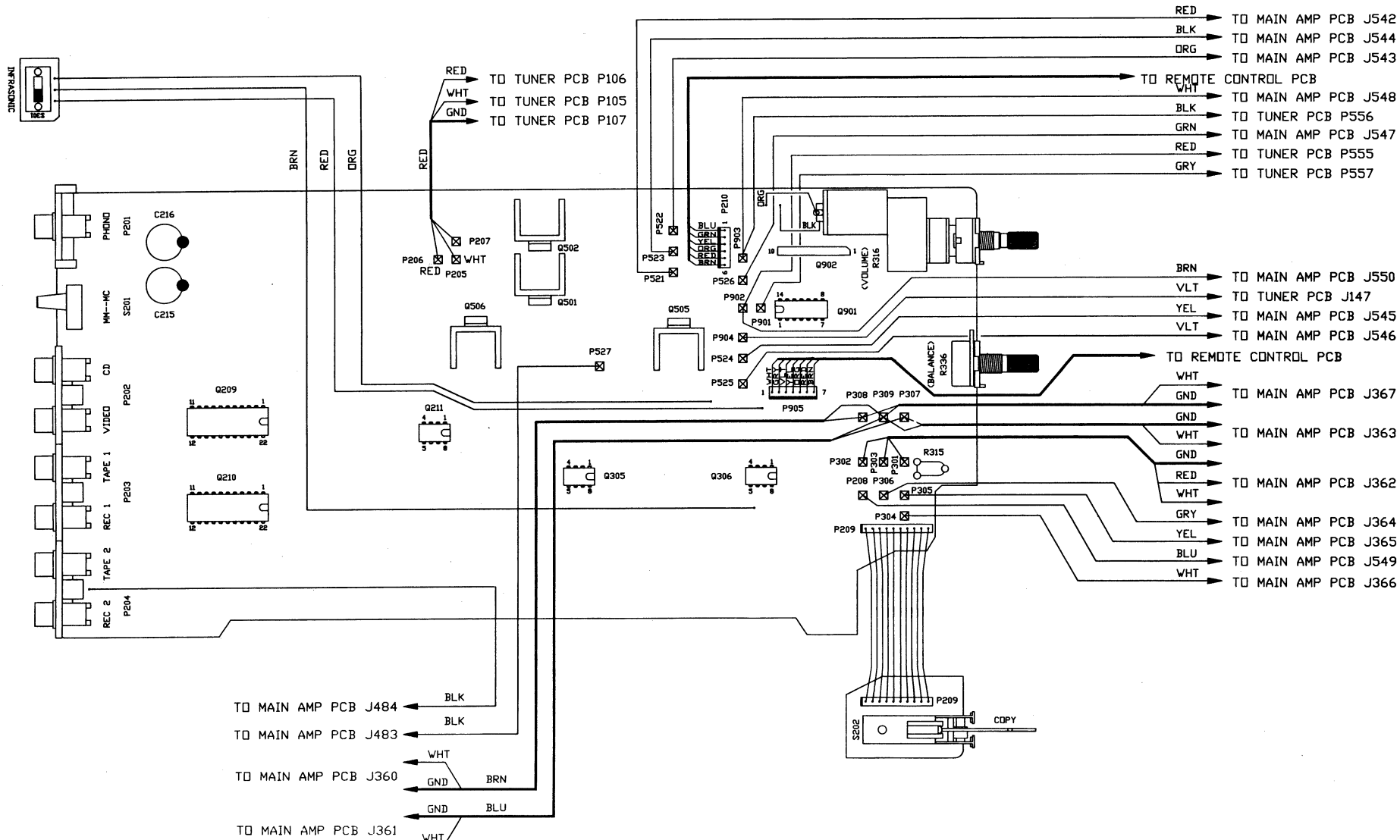


REMOTE/DISPLAY SCHEMATIC

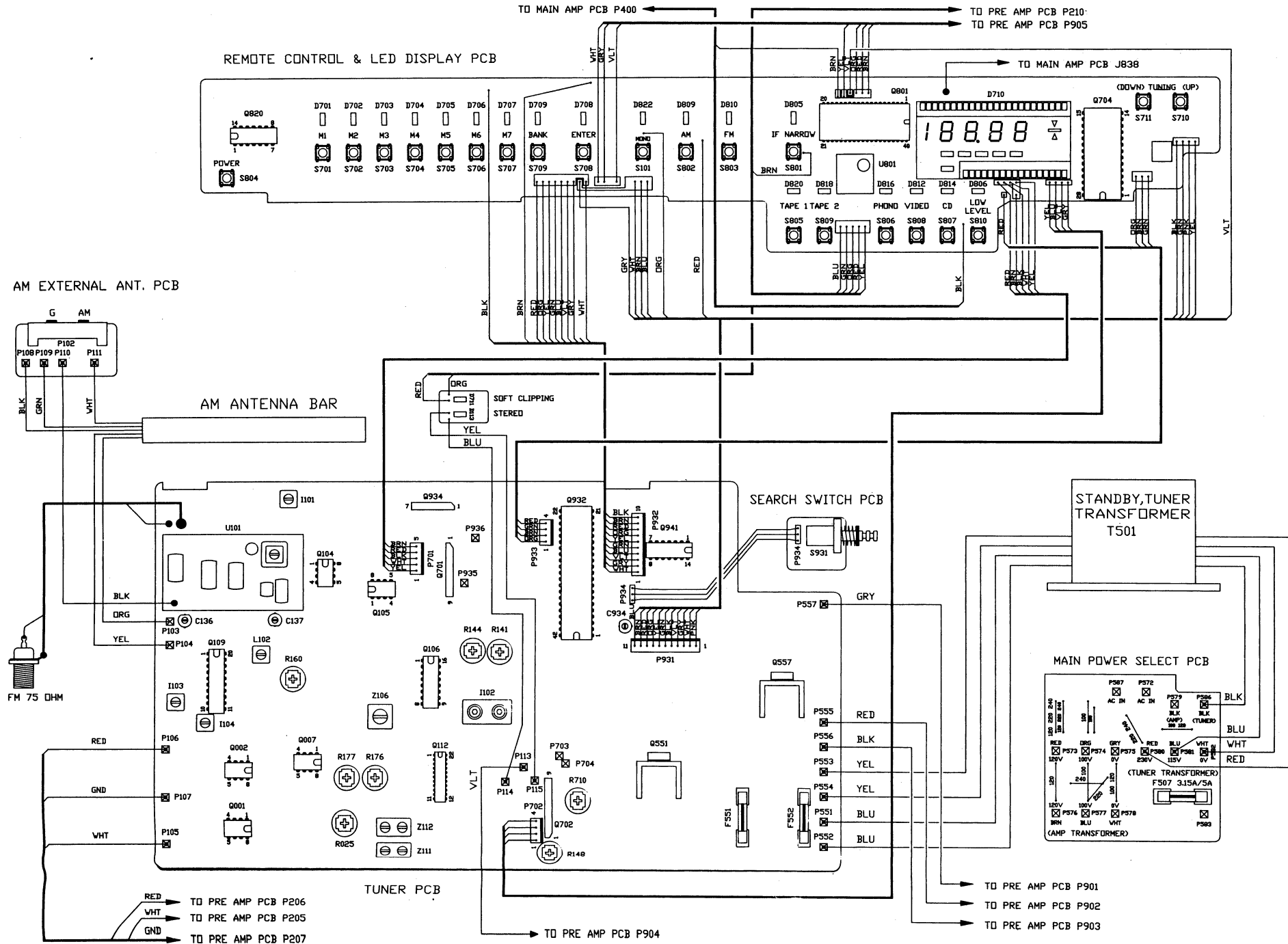
AMPLIFIER WIRING DIAGRAM



PRE AMP WIRING DIAGRAM



TUNER AND REMOTE/DISPLAY WIRING



DIFFERENT PARTS LIST (A1 REF.)

PARTS NO.	DESCRIPTION	SPECIFICATION	QTY						
			A1	A	B	B1	C	C1	UM
5090108028	PACKING ASS'Y	NAD-7100-46	1						PC
5090108036	PACKING ASS'Y	NAD-7100-47	x	1					PC
5090108044	PACKING ASS'Y	NAD-7100-B	x		1				PC
5090108045	PACKING ASS'Y	NAD-7100-B1	x			1			PC
5090108046	PACKING ASS'Y	NAD-7100-C	x				1		PC
5090108047	PACKING ASS'Y	NAD-7100-C1	x					1	PC
5090308028	CHASSIS ASS'Y	NAD-7100-46	1						PC
5090108036	CHASSIS ASS'Y	NAD-7100-47	x	1					PC
5090108044	CHASSIS ASS'Y	NAD-7100-B	x		1				PC
5090108045	CHASSIS ASS'Y	NAD-7100-B1	x			1			PC
5090108046	CHASSIS ASS'Y	NAD-7100-C	x				1		PC
5090108047	CHASSIS ASS'Y	NAD-7100-C1	x					1	PC
5556201900	SQUARE PIN	1.1 x 1.1 x 16	63	26	26	26	26	26	PC
5090408029	PCB ASS'Y	NAD-7100-46	1	1					PC
5090408046	PCB ASS'Y	NAD-7100-B	x		1	1			PC
5090408055	PCB ASS'Y	NAD-7100-C	x				1		PC
5090408047	PCB ASS'Y	NAD-7100-C1	x					1	PC
5090408030	PRE-AMP. PCB ASS'Y	NAD-7100-46	1						PC
5090408048	PRE-AMP. PCB ASS'Y	NAD-7100-B	x		1	1	1		PC
5090408049	PRE-AMP. PCB ASS'Y	NAD-7100-C1	x					1	PC
5090408031	TUNER PCB ASS'Y	NAD-7100-46	1						PC
5090408050	TUNER PCB ASS'Y	NAD-7100-B	x		1	1	1		PC
5090408051	TUNER PCB ASS'Y	NAD-7100-C1	x					1	PC
5090908048	MAIN PCB BLOCK	NAD-7100-46	1			1			PC
5090908076	MAIN PCB BLOCK	NAD-7100-B	x		1	1			PC
5090908077	MAIN PCB BLOCK	NAD-7100-C1	x					1	PC
5090908049	PRE PCB BLOCK	NAD-7100-46	1						PC
5090908078	PRE PCB BLOCK	NAD-7100-B	x		1	1	1		PC
5090908079	PRE PCB BLOCK	NAD-7100-C1	x					1	PC
5090908050	TUNER PCB BLOCK	NAD-7100-46	1						PC
5090908080	TUNER PCB BLOCK	NAD-7100-B	x		1	1	1		PC
5090908081	TUNER PCB BLOCK	NAD-7100-C1	x					1	PC
5090908052	SPEAKER PCB BLOCK	NAD-7100-46	1						PC
5090908085	SPEAKER PCB BLOCK	NAD-7100-C	x				1		PC
5090908086	POWER TERMINAL PCB BLOCK	NAD-7100-A1	1						PC
5090908061	POWER TERMINAL PCB BLOCK	NAD-7100-46	x		1	1	1		PC
5090908061	POWER TERMINAL PCB BLOCK	NAD-7100-46	x					1	PC
5142427500	RESISTOR,CARBON FILM	RD S B 1/2W 2.7ohm M J	1	x		x	x	x	PC
5142810390	RESISTOR,CARBON FILM	RD S B 1/4W 10Kohm J B	29						PC
5142839390	RESISTOR,CARBON FILM	RD S B 1/4W 39Kohm J B	4						PC
5222112291	CAPACITOR, PLOYESTER	CQ92M 50V 1200PFJ T	x		2	2	2	2	PC
5222118291	CAPACITOR, PLOYESTER	CQ92M 50V 1800PFJ T	2		x	x	x	x	PC
5247010191	CAPACITOR,CERAMIC CC45	SL DC 50V 100PFJ T	4		2	2	2	2	PC
5247068091	CAPACITOR,CERAMIC CC45	SL DC 50V 68PFJ T	2		4	4	4	4	PC
5231822391	CAPACITOR,CERAMIC CK45	F DC 50V 22000PFJ T	38						PC
6613003030	DIODE, SWITCHING TAPING 52	1N4148	98	96	96	96	96	96	PC
6101006000	WIRE, TIN COATED SOFT COPPER	0.6 mm	5.45	4.97	4.91	4.91	4.91	4.91	M
6173312801	WIRE, SHIELD UL-1533, BRN	SRPVC 28# 7/0.12	0.7	0.6					M
6177341104	WIRE, PVC UL CSA, YEL	300V 3A 11/0.160 T=80	x	0.26					M
6177341108	WIRE, PVC UL CSA, GRE	300V 3A 11/0.160 T=80	0.35	x					M
6707020520	INSULATION TUBING PVC UL CSA	600V T=105 AWG4 BLK 5.2	0.13	0.14					M
6707020100	INSULATION TUBING PVC UL CSA	600V T=105 AWG18 BLK 0.510,04	x		x	x	x	x	M
5353444900	SPEC. LABEL	120V UL-1 A	x	3					PC
5353444910	SPEC. LABEL	120V UL-1 A1	3	x	x	x	x	x	PC
5353444920	SPEC. LABEL	240 BS B	x		3				PC
5353444930	SPEC. LABEL	240V SA-2 B1	x			3			PC
5353444940	SPEC. LABEL	220V CEE-2 C	x				3		PC
5353444950	SPEC. LABEL	220V CEE-2 C	x					3	PC
5353446800	LABEL SPK CAUTION	NAD-7220/7020	x	1					PC
5635410800	LABEL, SERIAL NO.	TV-19TD SYSTEM (47x9)	1	x	x	x	x	x	PC
5353447800	SAFETY INSTRUCTION	NAD-USA	2	x	x	x	x	x	PC
5353203600	MARRANTY CARD	NAD-3220/7220	x	1					PC
5353203700	MARRANTY CARD(A1)	NAD-3220/7220	1	x	x	x	x	x	PC
5552102100	TUNER (FRONT END)	FE407-A16	1						PC
5552102110	TUNER (FRONT END)	FE407-G25/R16/2879	1						PC
5552302800	ANT. ADAPTOR	2-U4010#01	1	x	x	x	x	x	PC
5552302900	ANT. ADAPTOR	S-U5011#12	x	1	1	1	1	1	PC
5556205300	75 OHM ANT TERMINAL	12-1030	x	1	1	1	1	1	PC
5556205310	75 OHM ANT TERMINAL	12-1032	1	x	x	x	x	x	PC
5556400700	ANT. CONNECTOR	SH-756	x	1	1	1	1	1	PC
5545403700	SHIELD COVER	NAD-7100	1	x	x	x	x	x	PC
5556200800	LUG	3.1MM	2		1	1	1	1	PC
6175341700	WIRE, STRANDED 1015 TEW BLK	PVC 600V 22# 17/0.16	0.69		0.61	0.61	0.61	0.61	M
6175341702	WIRE, STRANDED 1015 TEW BLK	PVC 600V 22# 17/0.16	0.69		0.56	0.56	0.56	0.56	M
5556702130	AC POWER W/PLUG FL. BLK UL/CSA	SPT-2 41/0.16*2C*1.8M	1	x	x	x	x	x	PC
5556702130	POWER CORD BLK GTSB-2F 0.75MM2	24/0.2*2C*2M (BS)	x	1					PC
5556702011	AC POWER CORD W/PLUG BLK (SAA)	SAA 42/0.15*2C*1.8M	x			1			PC
5556700131	AC POWER CORD W/PLUG BLK (VDE)	PL-21 42/0.15*2C*1.8M	x				1	1	PC
5556308320	AC OUTLET (PLOORIZED)	S-I6519-02#01	2	x	x	x	x	x	PC
5556311400	AC SOCKET	S-I6536#01	x	1	1	1	1	1	PC
5554303401	FUSE 5.2*20 UL/CSA	250V 6.3A	4	x	x				PC
5554306500	FUSE 5.2*20	T51 250V 500MA SEMKO	x	4	4	2	4	4	PC
5554306501	FUSE UL & CSA 5.2*20	250V 500mA	4	x	x	2	x	PC	
5554307300	FUSE SEMKO 5.2*20p 5ST	250V 3.15A TIME LAG	x	1	1	1	1	1	PC
5554307501	FUSE UL/CSA 5.2*20 5MT5	125V 5A MEDIUM BLOW	1	x	x	x	x	PC	
5554307600	FUSE 5.2*20 (TIME LAG)	250V 6.3A SEMKO	x	4	4		4	PC	
5556205420	SPEAKER TERMINAL	SO-6249	2			x			PC
5556205430	SPEAKER TERMINAL	SO-6250 (UL)	x			2			PC
7001170612	SCREW ISO PP M3*6 S-ZN-CC	C PAN M3*6 MS ZN-CC	6	8	8	8	8	8	PC
7031161152	SCREW BFB M3x8 S-ZN-CC	C PAN 3008 TS ZN-CC	4	x	x	x	x	x	PC
7031161452	SCREW BFB M3x10 S-ZN-CC	C PAN 3010 TS ZN-CC	x	4	4	4	4	4	PC
7033161156	SCREW BFB M3x8 S-PC	C RUD 3008 TS PC	57	12	14	14	14	12	PC
7001170616	SCREW ISO PP M3*6 S-PC	C PAN M3*6 MS PC	2	2	x	x	x	x	PC
7001171116	SCREW ISO PP M3*8 S-PC	C PAN M3*8 MS PC	x	x	6	6	6	6	PC
7033161456	SCREW BFB M3*10 S-PC	C RUD 3010 TS PC	x					2	PC

DESCRIPTION	SYMBOL NO.	A1, A	B	B1	C	C1
FRONT END	U101	FE407-A16	FE407-A16	FE407-A16	FE407-A16	FE407-G25
CAPACITOR	C001, C002	0.0018 uF	0.0012 uF	0.0012 uF	0.0012 uF	0.0012 uF
CAPACITOR	C171, C172	100 pF	68 pF	68 pF	68 pF	68 pF
CAPACITOR	C942	0.022 uF	0.022 uF	0.022 uF	0.022 uF	68 pF
RESISTOR	R946	10 K ohm	10 K ohm	10 K ohm	10 K ohm	39 K ohm
INDUCTOR	L100	x	x	x	x	7 T, Indm 2 s
FUSE	F551, F552	UL/CSA, 500mA	SEMKO, 500mA	SEMKO, 500mA	SEMKO, 500mA	SEMKO, 500mA
(PARTS NO.)	5554306501	5554306500	5554306500	5554306500	5554306500	5554306500
JUMPER WIRE	J938	v	x	x	x	x
ANT JACK	P101	12-1032	12-1030	12-1030	12-1030	12-1030
(75 ohm)	5556205310	5556205300	5556205300	5556205300	5556205300	5556205300
CAPACITOR	C952	0.047 uF	0.047 uF	0.047 uF	0.047 uF	x
L/C	PHONO INPUT	x	x	x	x	22 uH/68 pF
CAPACITOR	TUNER P5 TO GND	x	x	x	x	C.C. 68 pF
INDUCTOR	Q201 EMITTER	x	x	x	x	470 uH
CAPACITORS	TAPE OUT	x	x	x	x	270 pF
CAPACITORS	SPEAKER + & -	x	x	x	x	2.2 nF
CAPACITORS	PHONES	x	x	x	x	2.2 nF

VERSIONS CHART :

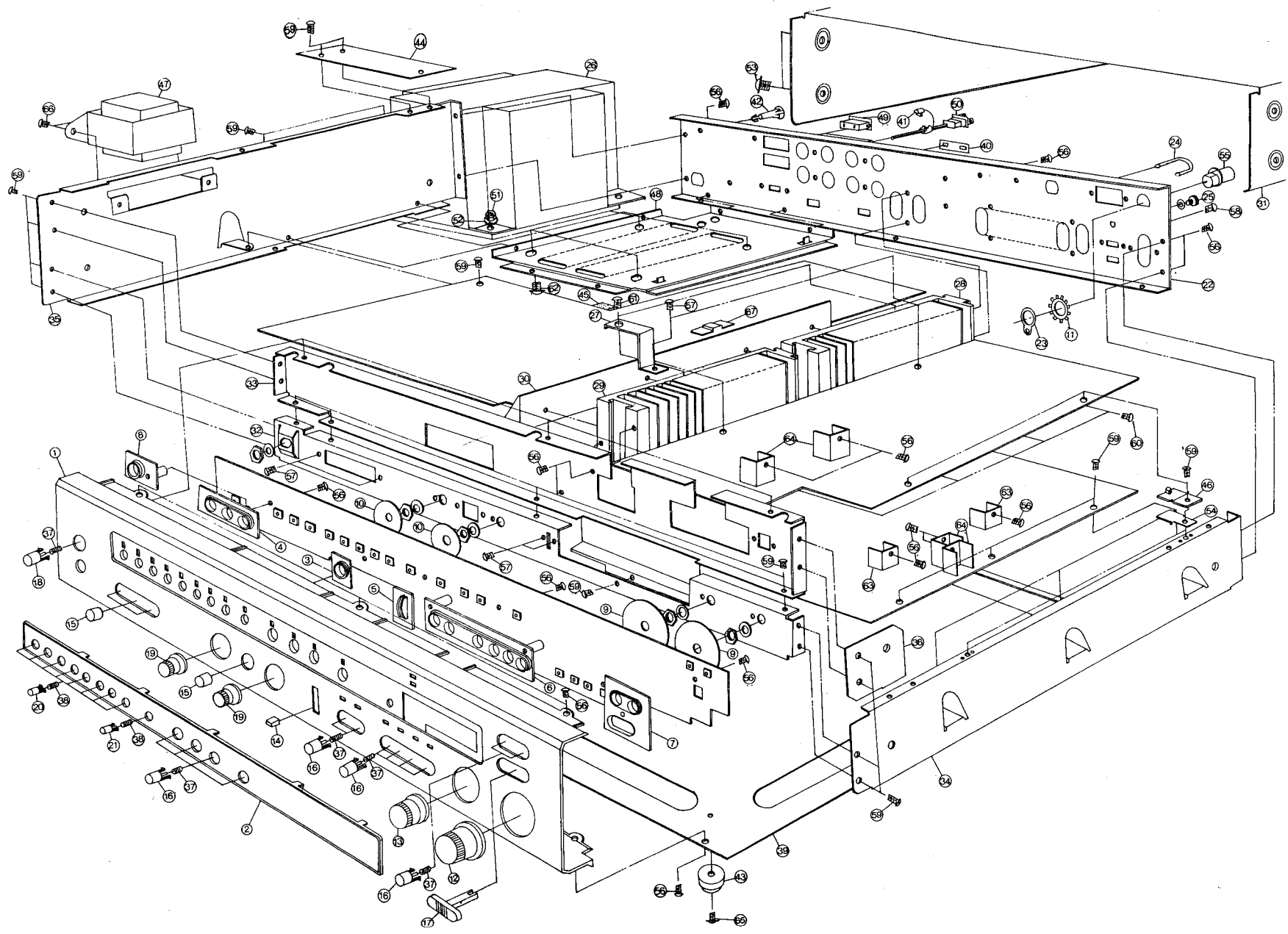
VERSION	VOLTAGE	COUNTRY
A	120 V	Canada.
A1	120 V	U.S.A.,Taiwen, Saudi Arabia.
A2	120 V/220 V Wire/With Adaptor	Germany Police.
B	240 V	U.K., South Africa.
B1	240 V	Australia.
C	220 V	Denmark, France, Finland, Greece, Hongkong, Israel, Thailand, Singapore, Iceland, Italy, New Zealand, Norway, Netherlands, Sweden, Switzerland, Spain.
C1	220 V	West Germany

ELECTRICAL PARTS LIST :

PARTS NO.	DESCRIPTION	SPECIFICATION	SYMBOL NO.	QTY	UM	PARTS NO.	DESCRIPTION	SPECIFICATION	SYMBOL NO.	QTY	UM
513031007	RES.,METAL OXIDE FILM MINI.	1 W 10 ohm J L	R506,506	2	pcs	5142839390	RES.,CARBON FILM	1/4 W 39Kohm J B	R011,012,173,951	4	pcs
5130347203	RES.,METAL OXIDE FILM MINI.	1 W 4.7Kohm J SL	R475	1	pcs	5142847090	RES.,CARBON FILM	1/4 W 47ohm J B	R115,116,411,412,416	22	pcs
5130412303	RES.,METAL OXIDE FILM MINI.	2 W 12Kohm J SL	R467,468,469,470.	4	pcs				755,756,812,813,817,		
5130422903	RES.,METAL OXIDE FILM MINI.	2 W 2.2ohm J SL	R471,472	2	pcs				818,819,935-944		
5130433103	RES.,METAL OXIDE FILM MINI.	2 W 330ohm JSL	R487,488	2	pcs	5142847190	RES.,CARBON FILM	1/4 W 470ohm J B	R158,229,230,271,272	9	pcs
5130468203	RES.,METAL OXIDE FILM MINI.	2 W 6.8Kohm JSL	R463,464,465,466.	4	pcs				455-458		
5136003200	RES.,METAL PLATE CEMENT	5W 0.22 ohm K	R445,446,447,448	4	pcs	5142847290	RES.,CARBON FILM	1/4 W 4.7Kohm J B	R153,171,186-188,201	14	pcs
5136310003	RES.,METAL OXIDE FILM	1 W 10 ohm JSL	R485,486	2	pcs				202,211,212,311,312,		
5136382203	RES.,METAL OXIDE FILM	1 W 8.2Kohm JSL	R431,432	2	pcs				407,408,502		
5141810390	RES.,CARBON FILM	1/4 W 10Kohm G B	R219,220	2	pcs	5142847301	RES.,CARBON FILM	1/4 W 47Kohm J C	R328	1	pcs
5141812490	RES.,CARBON FILM	1/4 W 120Kohm G B	R217,218	2	pcs	5142847390	RES.,CARBON FILM	1/4 W 47Kohm J B	R019,020,022,309,310	12	pcs
5141815090	RES.,CARBON FILM	1/4 W 15ohm G B	R226,226	2	pcs				503,561,573,615,706,		
5141818190	RES.,CARBON FILM	1/4 W 20ohm G B	R221,222	2	pcs				957,958		
5141820190	RES.,CARBON FILM	1/4 W 200ohm G B	R223,224	2	pcs	5142847490	RES.,CARBON FILM	1/4 W 470Kohm J B	R960	1	pcs
5141827390	RES.,CARBON FILM	1/4 W 27Kohm G B	R215,216	2	pcs	5142847500	RES.,CARBON FILM	1/4 W 4.7M J	R364	1	pcs
5142110300	RES.,CARBON FILM	1/6 W 10Kohm J B	R603,604,739,741,826	12	pcs	5142847501	RES.,CARBON FILM	1/4 W 4.7M J C	R325	1	pcs
			R829,836,839,842,845			5142847590	RES.,CARBON FILM	1/4 W 4.7M J	R361-363	3	pcs
			R848,850			5142856090	RES.,CARBON FILM	1/4 W 56ohm J B	R102	1	pcs
5142110400	RES.,CARBON FILM	1/6 W 100Kohm J	R806,807,808,809,810	7	pcs	5142856190	RES.,CARBON FILM	1/4 W 56ohm J B	R841	1	pcs
			R828,830			5142856290	RES.,CARBON FILM	1/4 W 56ohm J B	R718-720,729-732	7	pcs
5142115300	RES.,CARBON FILM	1/6 W 15Kohm J	R752,752,753,754,834	9	pcs	5142856390	RES.,CARBON FILM	1/4 W 5.6Kohm J B	R233-236,625	6	pcs
			R840,843,846,849,860			5142856390	RES.,CARBON FILM	1/4 W 56Kohm J B	R143,205,206,617,618	5	pcs
			R822,823,827			5142862190	RES.,CARBON FILM	1/4 W 62ohm J B	R122,138	2	pcs
5142122100	RES.,CARBON FILM	1/6 W 220ohm J	R355,356,616	3	pcs	5142868090	RES.,CARBON FILM	1/4 W 68ohm J B	R326	1	pcs
5142122400	RES.,CARBON FILM	1/6 W 220Kohm J	R749	1	pcs	5142868190	RES.,CARBON FILM	1/4 W 68ohm J B	R191,192,209,210,359	7	pcs
5142133100	RES.,CARBON FILM	1/6 W 330ohm J	R605,606,624,805	4	pcs				360,708		
5142133300	RES.,CARBON FILM	1/6 W 330ohm J	R814,816,856	3	pcs	5142868290	RES.,CARBON FILM	1/4 W 6.8Kohm J B	R321,322,357,358,621	5	pcs
5142147000	RES.,CARBON FILM	1/6 W 47ohm J	R804	1	pcs	5142868390	RES.,CARBON FILM	1/4 W 68Kohm J B	R178,183,184,517	4	pcs
5142147300	RES.,CARBON FILM	1/6 W 47Kohm J	R714-717,721-728,733	21	pcs	5142882090	RES.,CARBON FILM	1/4 W 82ohm J B	R155	1	pcs
5142156100	RES.,CARBON FILM	1/6 W 56ohm J	736,825,835,838,844,847	3	pcs	5142882190	RES.,CARBON FILM	1/4 W 82ohm J B	R417-420,439-442,601	11	pcs
			R619,620,623			5142882290	RES.,CARBON FILM	1/4 W 8.2Kohm J B	602,628		
5142156300	RES.,CARBON FILM	1/6 W 56Kohm J	R801	1	pcs	5142882390	RES.,CARBON FILM	1/4 W 82Kohm J B	R622	1	pcs
5142182300	RES.,CARBON FILM	1/6 W 82Kohm J	R433,434	2	pcs	5142891390	RES.,CARBON FILM	1/4 W 91Kohm J B	R167,520,525	3	pcs
5142412301	RES.,CARBON FILM	1/2 W 12Kohm J C	R500	1	pcs	5142891390	RES.,CARBON FILM	1/4 W 91Kohm J B	R273	1	pcs
5142427500	RES.,CARBON FILM	1/2 W 2.7M J	R627	1	pcs	5145810106	RES.,CARBON FILM	1/4 W 100ohm J2U	R100	1	pcs
5142433190	RES.,CARBON FILM	1/2 W 330ohm J B	R501,737,738,916	4	pcs	5145810190	RES.,CARBON FILM	1/4 W 100ohm J B	R459	1	pcs
5142810090	RES.,CARBON FILM	1/4 W 10ohm J B	R231,232,277,278,323	23	pcs	5145810290	RES.,CARBON FILM	1/4 W 10ohm J2U	R451	1	pcs
5142810190	RES.,CARBON FILM	1/4 W 10ohm J B	324,427-430,449,450,			5145810306	RES.,CARBON FILM	1/4 W 10ohm J B	R255,256	2	pcs
			460-462,473,474,477,			5145810306	RES.,CARBON FILM	1/4 W 100Kohm J2U	U955	1	pcs
			478,555,562,950,954.			5145810406	RES.,CARBON FILM	1/4 W 100Kohm J2U	R709,969	2	pcs
5142810290	RES.,CARBON FILM	1/4 W 1Kohm J B	R13,14,104,128,142,	32	pcs	5145810506	RES.,CARBON FILM	1/4 W 1M J U	R334,335	2	pcs
			162,239,240,257-264,			5145812390	RES.,CARBON FILM	1/4 W 12Kohm J B	R607,608	2	pcs
			307,308,330,332,333,339,			5145812406	RES.,CARBON FILM	1/4 W 120Kohm J2U	R108	1	pcs
			452-454,518,572,626,803,			5145815090	RES.,CARBON FILM	1/4 W 15ohm J U	R337,338	2	pcs
			945,956,961			5145815206	RES.,CARBON FILM	1/4 W 1.5Kohm J U	R003,004,701-705	7	pcs
5142810300	RES.,CARBON FILM	1/4W 10Kohm J	R949	1	pcs	5145822106	RES.,CARBON FILM	1/4 W 22ohm J2U	R001,151	2	pcs
5142810390	RES.,CARBON FILM	1/4W 10Kohm J B	R111,136,137,149,160,	29	pcs	5145822206	RES.,CARBON FILM	1/4 W 2.2Kohm J2U	R134	1	pcs
			161,163,164,265,331,			5145822306	RES.,CARBON FILM	1/4 W 22Kohm J2U	R018	1	pcs
			403,404,551,552,557,			5145822406	RES.,CARBON FILM	1/4 W 220Kohm J2U	R269	1	pcs
			567,568,570,707,743,			5145822490	RES.,CARBON FILM	1/4 W 220Kohm J B	R270,402	2	pcs
			824,903,904,907,908,			5145822506	RES.,CARBON FILM	1/4 W 2.2M J2U	R107	1	pcs
			913,914,946,952			5145827106	RES.,CARBON FILM	1/4 W 270ohm J2U	R106	1	pcs
5142810490	RES.,CARBON FILM	1/4 W 100Kohm J B	R021,112,135,166,275	23	pcs	5145827206	RES.,CARBON FILM	1/4 W 2.7Kohm J2U	R009,010	2	pcs
			276,281,565,569,614,			5145832290	RES.,CARBON FILM	1/4 W 3.3Kohm J B	R349,350	2	pcs
			811,820,821,855,857,			5145833306	RES.,CARBON FILM	1/4 W 33Kohm J2U	R023,350	2	pcs
			858,859,901,902,911,			5145836106	RES.,CARBON FILM	1/4 W 360ohm J2U	R119	1	pcs
			912,931,958			5145839206	RES.,CARBON FILM	1/4 W 3.9Kohm J U	R008	1	pcs
5142810590	RES.,CARBON FILM	1/4 W 1M J B	R267,268,301-304,566	9	pcs	5145847006	RES.,CARBON FILM	1/4 W 47ohm J2U	R174	1	pcs
			909,910			5145847090	RES.,CARBON FILM	1/4 W 47ohm J B	R409,410,411,414	4	pcs
			R145			5145847206	RES.,CARBON FILM	1/4 W 4.7Kohm J2U	R185,571,967	3	pcs
5142812190	RES.,CARBON FILM	1/4 W 120ohm J B	R511-513	3	pcs	5145847306	RES.,CARBON FILM	1/4 W 47Kohm J U	R181,182	2	pcs
5142812290	RES.,CARBON FILM	1/4 W 1.2Kohm J B	R147,150,193	3	pcs	5145856306	RES.,CARBON FILM	1/4 W 56Kohm J2U	R712	1	pcs
5142812390	RES.,CARBON FILM	1/4 W 12Kohm J B	R024,026,109,305,306	9	pcs	5145868206	RES.,CARBON FILM	1/4 W 6.8Kohm J2U	R170	1	pcs
5142812490	RES.,CARBON FILM	1/4 W 120Kohm J B	611,612,905,906			5145868306	RES.,CARBON FILM	1/4 W 68Kohm J2U	R140	1	pcs
			R154,189,190,227,228			5145882206	RES.,CARBON FILM	1/4 W 8.2Kohm J2U	R948	1	pcs
5142815190	RES.,CARBON FILM	1/4 W 150ohm J B	R194	1	pcs	5145882306	RES.,CARBON FILM	1/4 W 82Kohm J2U	R110	1	pcs
5142815200	RES.,CARBON FILM	1/4 W 1.5Kohm J B	R126,127,129-132,157	19	pcs	5145891390	RES.,CARBON FILM	1/4 W 91Kohm J U	R274	1	pcs
5142815290	RES.,CARBON FILM	1/4 W 1.5Kohm J B	345-348,507,510,521,			5162310320	RES.,VR PCIDFBIOLAR 1/8W B	RH1051C10310 (10K OHM)	R144,710	2	pcs
			522,609,610			5162310420	RES.,VR PCIDFBIOLAR 1/8W B	RH1051C10410(100K OHM)	R025,148,165	3	pcs
5142815390	RES.,CARBON FILM	1/4 W 15Kohm J B	R613,832,833,837,851	9	pcs	51623247120	RES.,VR PCIDFBIOLAR 1/8W B	H106A1471-TT(470 OHM)	R437,438	2	pcs
			853,854,932,959			5162401729	RES.,VR06FB502NCO	RH081A50250 (5K OHM)	R315	1	pcs
			R947			5162412520	RES.,VR RV10FB473AR	1/4 W B 47Kohm K	R141,176,177	3	pcs
5142815400	RES.,CARBON FILM	1/4 W 150Kohm J	R027	1	pcs	5169000062	RES.,VR. & MOTOR	RK1632M1001-20KRX2	R316	1	pcs
5142815490	RES.,CARBON FILM	1/4 W 150Kohm J B	R405,406,435,436,563	5	pcs	5169010433	RES.,VR.	PK1631E287-20KX	R336	1	pcs
5142818290	RES.,CARBON FILM	1/4 W 1.8Kohm J B	R317,318,515,713	4	pcs	5169020363	RES.,VR.	FK1631AA209-10KRX	R351	1	pcs
5142818390	RES.,CARBON FILM	1/4 W 18Kohm J B	R341-344	4	pcs	5169020373	RES.,VR.	FK1631AA309-10KRX2	R352	1	pcs
5142820290	RES.,CARBON FILM	1/4 W 2Kohm J B	R103,117,156,159	4	pcs	5210307800	CAP.,ELECTROLYTIC	CE11W 50V 10000MF	C509,510	2	pcs
5142822909	RES.,CARBON FILM	1/4 W 22ohm J B	R002,213,214,313,425	9	pcs	5210307900	CAP.,ELECTROLYTIC	CE11W 80V 10000MF	C507,508	2	pcs
5142822100	RES.,CARBON FILM	1/4 W 220ohm J	426,750,751,852			5210403800	CAP.,ELECTROLYTIC	CE04CH 6.3V 220MF	C801	1	pcs
5142822190	RES.,CARBON FILM	1/4 W 220ohm JB	R105,133,329,421-424	11	pcs	5213110110	CAP.,ELECTROLYTIC	CE04W 6.3V 100MFT	C825	1	pcs
			481,482,489,560			5213122112	CAP.,ELECTROLYTIC	CE04W 6.3V 220MFT	C221	1	pcs
5142822290	RES.,CARBON FILM	1/4 W 2.2Kohm J B	R195	1	pcs	5213122191	CAP.,ELECTROLYTIC	CE04W 6.3V 220MFT T	C222,574	2	pcs
			R017,179,266,279,340			5213122212	CAP.,ELECTROLYTIC	CE04W 6.3V 220MFT T	C215,216	2	pcs
5142822300	RES.,CARBON FILM</										

PARTS NO.	DESCRIPTION	SPECIFICATION	SYMBOL NO.	QTY	UM	PARTS NO.	DESCRIPTION	SPECIFICATION	SYMBOL NO.	QTY	UM
5213547112	CAP., ELECTROLYTIC	CE04W 35V 470MFT	C554	1	pcs	5541539000	PUSH BUTTON	NAD-7100		2	pcs
5213601012	CAP., ELECTROLYTIC	CE04W 50V 1MFU	C123,167	2	pcs	5541537800	TOGGLE CAP	NAD-7100	3F03	1	pcs
5213601091	CAP., ELECTROLYTIC	CE04W 50V 1MF T	C166,168,249,566,605 703,811,812,944,946, 947	11	pcs	5541537900	VOL. KNOB	NAD-7100	3F01	0	pcs
5213610212	CAP., ELECTROLYTIC	CE04W 50V 1000MFT	C513,514	2	pcs	5541538000	VOL. KNOB (S)	NAD-7100	3F02	0	pcs
5213610891	CAP., ELECTROLYTIC	CE04W 50V 0.1MF T	C124	1	pcs	5542006100	HEMELON (S)	28 * 6.5MM	6F09,6F10	2	pcs
5213622112	CAP., ELECTROLYTIC	CE04W 50V 220MFT	C564	1	pcs	5542006110	HEMELON (L)	45 * 6.5MM	6F11,6F12	2	pcs
5213622291	CAP., ELECTROLYTIC	CE04W 50V 2.2MFU	C824	1	pcs	5542225000	BEZEL (A)	NAD-7100	6F03	1	pcs
5213622991	CAP., ELECTROLYTIC	CE04W 50V 2.2MF T	C130,133,804,901,902 945	6	pcs	5542225100	BEZEL (B)	NAD-7100	6P04	1	pcs
5213647091	CAP., ELECTROLYTIC	CE04W 50V 47MFT	C565	1	pcs	5542225200	BEZEL (C)	NAD-7100	6F06	1	pcs
5213647812	CAP., ELECTROLYTIC	CE04W 50V 0.47MFU	C144	1	pcs	5542225300	BEZEL	NAD-7100	6F07	1	pcs
5213647891	CAP., ELECTROLYTIC	CE04W 50V 0.47MFU T	C159,305,306,610,940 C143,146,173,174,201 202,318,525,526,529, 530,535,701	5	pcs	5542225400	POWER BEZEL	NAD-7100	6P05	1	pcs
5213647991	CAP., ELECTROLYTIC	CE04W 50V 4.7MF T	C159,305,306,610,940 C143,146,173,174,201 202,318,525,526,529, 530,535,701	13	pcs	5542225800	DOUBLE BEZEL	NAD-7100	6P08	1	pcs
5213722091	CAP., ELECTROLYTIC	CE04W 63V 22MFT T	C443-446,449	5	pcs	5542909400	RECEIVER WINDOW	NAD-7100	6P02	1	pcs
5214110010	CAP., ELECTROLYTIC	CE04W 100V 10MFT	C439	1	pcs	5545306900	HEAT SINK (S)	NAD-7100	5C08-5C11	4	pcs
5214110091	CAP., ELECTROLYTIC	CE04W 100V 10MFT T	C419-422,440-442	7	pcs	5545306910	HEAT SINK (S)	L=21	5C12,5C13	2	pcs
5215000400	CAP., ELECTROLYTIC (LOW LC)	CE04W 50V 0.22MFU	C165	1	pcs	5545307700	TRANSISTOR HOLDER	NAD-7100	5C07	1	pcs
5215001201	CAP., ELECTROLYTIC (LOW LC)	CE04W 6.3V 4700MFM	C932	1	pcs	5545307800	HEAT SINK (A)	NAD-7100	5C05	1	pcs
5222110391	CAP., ELECTROLYTIC	CE04W 50V 10000PFJ T	C907	1	pcs	5545307810	HEAT SINK (B)	NAD-7100	5C06	1	pcs
5222110401	CAP., ELECTROLYTIC	CE04W 50V 0.1MFJ	C904	1	pcs	5545403700	SHIELD COVER	NAD-7100	6C07	1	pcs
5222110491	CAP., ELECTROLYTIC	CE04W 50V 0.1MFJ T	C241-244,431-434,903 C001,002	9	pcs	5546121400	TERMINAL	NAD-310/710	5B05	1	pcs
5222118291	CAP., PLOYESTER	CE04W 50V 18000PFJ T	C209,210	2	pcs	5546322900	PUSH SPRING	NAD-7100	5F20-5F28	9	pcs
5222122291	CAP., PLOYESTER	CE04W 50V 2200PFJ T	C179,180,225,226	4	pcs	5547323000	PLAY SPRING	NAD-7100	5F07-5F19	13	pcs
5222122401	CAP., PLOYESTER	CE04W 50V 0.22MFJ	C179,180,225,226	4	pcs	5546323400	TRANSISTOR RING	NAD-7100	5C14,5C15	2	pcs
5222127291	CAP., PLOYESTER	CE04W 50V 2700PFJ T	C301-304	4	pcs	5547032210	FUSE CLIP (5.2)	Q2-203S	P531-42,558-561,584, 585	18	pcs
5222127401	CAP., PLOYESTER	CE04W 50V 0.27MFJ	C156,157	2	pcs	5547033600	TERMINAL CONNECTOR	NAD-7100	5B03,5B04	2	pcs
5222133291	CAP., PLOYESTER	CE04W 50V 3300PFJ T	C323,324	2	pcs	5547033800	BRACKET FLATE (R)	NAD-7100	5F06	1	pcs
5222133391	CAP., PLOYESTER	CE04W 50V 3300PFJ T	C323,324	2	pcs	5547033900	LUG	NAD-7100	5B02	1	pcs
5542225200	BEZEL (C) 92M 50V 33000RUF T	C155	1	pcs	5547034000	THERMAL PROTECTOR HOLDER	NAD-7100	5C02	1	pcs	
5222147391	CAP., PLOYESTER	CE04W 50V 47000PFJ T	C163	1	pcs	5547034400	FLAT PIN 1.7*1.7*9.4	NAD-7100/2100	P572-583,586,587	14	pcs
5222147401	CAP., PLOYESTER	CE04W 50V 0.47MFJ	C313,314	2	pcs	5547035700	TUNER HOLDER	NAD-7100	5C03,5C04	2	pcs
5222166291	CAP., PLOYESTER	CE04W 50V 5600PFJ T	C325,326	2	pcs	5547035800	HOLDER	NAD-7100	5C07,5C16	2	pcs
5222175291	CAP., PLOYESTER	CE04W 50V 7500PFJ T	C213,214	2	pcs	5547131100	TRS. PLATE	NAD-7100	5C01	1	pcs
5222182291	CAP., PLOYESTER	CE04W 50V 8200PFJ T	C211,212	2	pcs	5547131500	FRONT BRACKET	NAD-7100	5F02	1	pcs
5222210391	CAP., PLOYESTER	CE04W 50V 10000PFJ T	C169	1	pcs	5547131600	PLATE (L)	NAD-7100	5F05	1	pcs
5222210401	CAP., PLOYESTER	CE04W 50V 0.1MFJ	C005,575	2	pcs	5547131700	PLATE (R)	NAD-7100	5F04	1	pcs
5222222301	CAP., PLOYESTER	CE04W 50V 22000PFJ T	C551,568	2	pcs	5547131800	CHASSIS	NAD-7100	5S01	1	pcs
5226142100	CAP., PLOYESTER	CE04W 50V 4200PFJ	C139	1	pcs	5547131900	BACK PLATE	NAD-7100	5B01	1	pcs
5230102701	CAP., CERAMIC CK45 (KC)	400V 4700PFM	C501	1	pcs	5547132000	FRONT BRACKET	NAD-7100	5F03	1	pcs
5231356191	CAP., CERAMIC CK45	50V 560PFK T	C403,404	2	pcs	5547501200	BUSHING, POWER CORD	SR-4P-4	6B02,6B03	2	pcs
5231382191	CAP., CERAMIC CK45	50V 820PFK T	C315,316	2	pcs	5547504600	BASE, VFS	K-0453	7F28-7F31	4	pcs
5231510201	CAP., CERAMIC CK45	50V 1000PFM	C337	1	pcs	5547528400	PLATE, SWITCH LOCK (PVC)	NAD-310/710	6B01	1	pcs
5231510291	CAP., CERAMIC CK45	50V 1000PFM T	C110,141,149,176,954	5	pcs	5547529600	SILIXON WAX GLASS TUBE (WHT)	SVGS-UL KIA=12fp	J643	0.1	M
5231522291	CAP., CERAMIC CK45	50V 2200PFM T	C102,111,147,333-336 905,937,938,948,950, 951,953	14	pcs	5547529610	SILIXON WAX GLASS TUBE (WHT)	SVGS-UL DIA=8 m/m	J644	0.055	M
5231810391	CAP., CERAMIC CK45	50V 10000PFZ T	C227,228,435-438,502 533,534	9	pcs	5547530400	PCB SUPPORT	SCB-15	6B04-6B06	3	pcs
5231822391	CAP., CERAMIC CK45	50V 22000PFZ T	C103,104,108,109,112 113-116,118,122,125, 128,134,135,142,145, 150,153,158,181,182, 556,567,573,704,809, 810,813,816-822,826, 942	38	pcs	5547802120	FOOT	NAD-7100	6C03-6C06	4	pcs
5231847391	CAP., CERAMIC CK45	50V 47000PFZ T	C105,107,119-121,126 140,931,939,952	10	pcs	5550000200	INFARED REMOTE CONT. RECEIVER	EX-1387	U801	1	pcs
5236110401	CAP. SEMICONDUCTIVE	25V 0.1UF K	C806	1	pcs	5550103300	CERAMIC FILTER	SPZ450G	Z107	1	pcs
5236110491	CAP. SEMICONDUCTIVE	25V 0.1UF K T	C229,405-408,908	6	pcs	5550103400	CERAMIC RESONATOR	BFU450C4N	Z108	1	pcs
5236310401	CAP., BARRIER LAYER CK45	50V 0.1MEZ	C943	1	pcs	5550103500	CERAMIC RESONATOR	CSB456F11	Z109	1	pcs
5240103000	CAP., MONOLITHIC	50V 82PFK	C178	1	pcs	5550103620	CERAMIC FILTER	SFE10.7M2Z-A	Z104,105	2	pcs
5242205001	CAP., CERAMIC CK45	50V 5PFK	C138	1	pcs	5550103630	CERAMIC FILTER	SFE10.7M1-A	Z101-103	3	pcs
5242218091	CAP., CERAMIC CK45	50V 18PFJ T	C933	1	pcs	5552000200	REMOTE CONTROL TRANSMITTER	NAD-7100	P000	1	pcs
5242233001	CAP., CERAMIC CK45	50V 33PFJ	C803	1	pcs	5552102100	TUNER	FE407-A16	U101	1	pcs
5242247091	CAP., CERAMIC CK45	50V 47PFJ T	C151,935	2	pcs	5552302800	ANT. ADAPTOR	2-U4010401	P002	1	pcs
5247010191	CAP., CERAMIC CK45	50V 100PFJ T	C171,172,203,204	4	pcs	5552402900	TRIMMER	CTZ51F111 & TZ03R300F	C136,137,934	3	pcs
5247022091	CAP., CERAMIC CK45	50V 22PFJ T	C101,523,524,531,532	5	pcs	5553128200	MAINAMP 329.5*230 94V-0 2VCLT	NAD-7100	B400	1	pcs
5247033091	CAP., CERAMIC CK45	50V 33PFJ T	C310,320,413,414	4	pcs	5553128300	PREAMP PCB 239.5*160mm 94V-0	NAD-7100	R200	1	pcs
5247047091	CAP., CERAMIC CK45	50V 47PFJ T	C309,310	2	pcs	5553128400	TUNER PCB 279*158mm 94V-0	NAD-7100	B100	1	pcs
5247056091	CAP., CERAMIC CK45	50V 56PFJ T	C207,208	2	pcs	5553128500	REMOTE PCB 414*71mm 94HB	NAD-7100	B801	1	pcs
5247068091	CAP., CERAMIC CK45	50V 68PFJ T	C217,218	2	pcs	5554303401	FUSE 5.2*20 UL/CSA	250V 6.3A	F503-506	4	pcs
5247110091	CAP., CERAMIC CK45	50V 10PFK T	C409-412,423-426	8	pcs	5554306501	FUSE UL & CSA 5.2*20	250V 500mA	F501,502,551,552	4	pcs
5247112191	CAP., CERAMIC CK45	50V 120PFK T	C245,246,307,308	4	pcs	5554307501	FUSE UL & CSA 5.2*20 5MT5	125V 5A MEDIUM BLOW	F507	1	pcs
5247115191	CAP., CERAMIC CK45	50V 150PFK T	C329,330	2	pcs	5554431610	SLIDE SWITCH	SSSB02N81-NB1-TT	S301	1	pcs
5247122191	CAP., CERAMIC CK45	50V 220PFK T	C131	1	pcs	5554431800	SLIDE SWITCH	F2UB22-10	S201,401,402	3	pcs
5247127191	CAP., CERAMIC CK45	50V 270PFK T	C231-240	10	pcs	5554432400	SLIDE SWITCH	SN22-09	S501	1	pcs
5247139191	CAP., CERAMIC CK45	50V 390PFK T	C161	1	pcs	5554432500	PTC SWITCH (50V/40A)	RDE185A	E501,502	2	pcs
5247147191	CAP., CERAMIC CK45	50V 470PFK T	C427-430,805-808	8	pcs	5554432700	1P PUSH SWITCH (SPX-02)	HY-76035	S931	1	pcs
5272222301	CAP., CERAMIC CK45	250V 22000PFK	C503-505	3	pcs	5554434800	1P PUSH SWITCH	SRFJ12AE15-TT	S302	1	pcs
5293147000	CAP., CERAMIC CK45	6.3V 47MFM	C823	1	pcs	5554434900	3P PUSH SWITCH	SRFJ13C001	S601	1	pcs
5419700190	HINGE	VRH-8300	6C01,6C02	2	pcs	5554435000	LEVER SWITCH	SLLR543ND1-TT	S202	2	pcs
5535210700	PE SPONGE	25*11*15mm	C608,6C09	2	pcs	5554435100	THERMAL PROTECT SWITCH	TF110LX91	E800	1	pcs
5535122011	OWNERS MANUAL	NAD-7100-46	Y500	1	pcs	5554501800	RELAY	VS-12MB-7V5	E500	1	pcs
5535203700	WARRANTY CARD (A1)	NAD-3220/7220	1P16	1	pcs	5554501900	RELAY	VB-24MB-7V3	B501,602	2	pcs
5535444850	SERIAL LABEL	NAD-7100	1P01,1P02,2B01	3	pcs	5554502000	RELAY	VB-24W	E803	1	pcs
5535444910	SPEC. LABEL	120V UL-1 AI	1P13-1P15	3	pcs	5556102004	4P MALE WAFER	IL-G-SP-S3T2-E	P400,702,933	3	pcs
5535445000	INSPECTION LABEL	NAD-SERIES	6C10	1	pcs	5556102005	5P MALE WAFER	IL-G-5P-S3T2-E	P701	1	pcs
5535447300	LABEL (P)	NAD-7100	1P09	1	pcs	5556102006	6P MALE WAFER	IL-G-6P-S3T2-E	P210	1	pcs
5535447800	SAFETY INSTRUCTION	NAD-USA	1P17,1P19	2	pcs	5556102007	7P MALE WAFER	IL-G-7P-S3T2-E	P905	1	pcs
5540100200	WIRE CLAMP, WITH TUBE	K-1127	PE13,614	2	pcs	5556102010	10P MALE WAFER	IL-G-10P-S3T2-E	P932	1	pcs
5540100701	BINDER	J821 - 632	J821 - 632	12	pcs	5556102011	11P MALE WAFER	IL-G-11P-S3T2-E	P931	1	pcs

EXPLODED VIEW

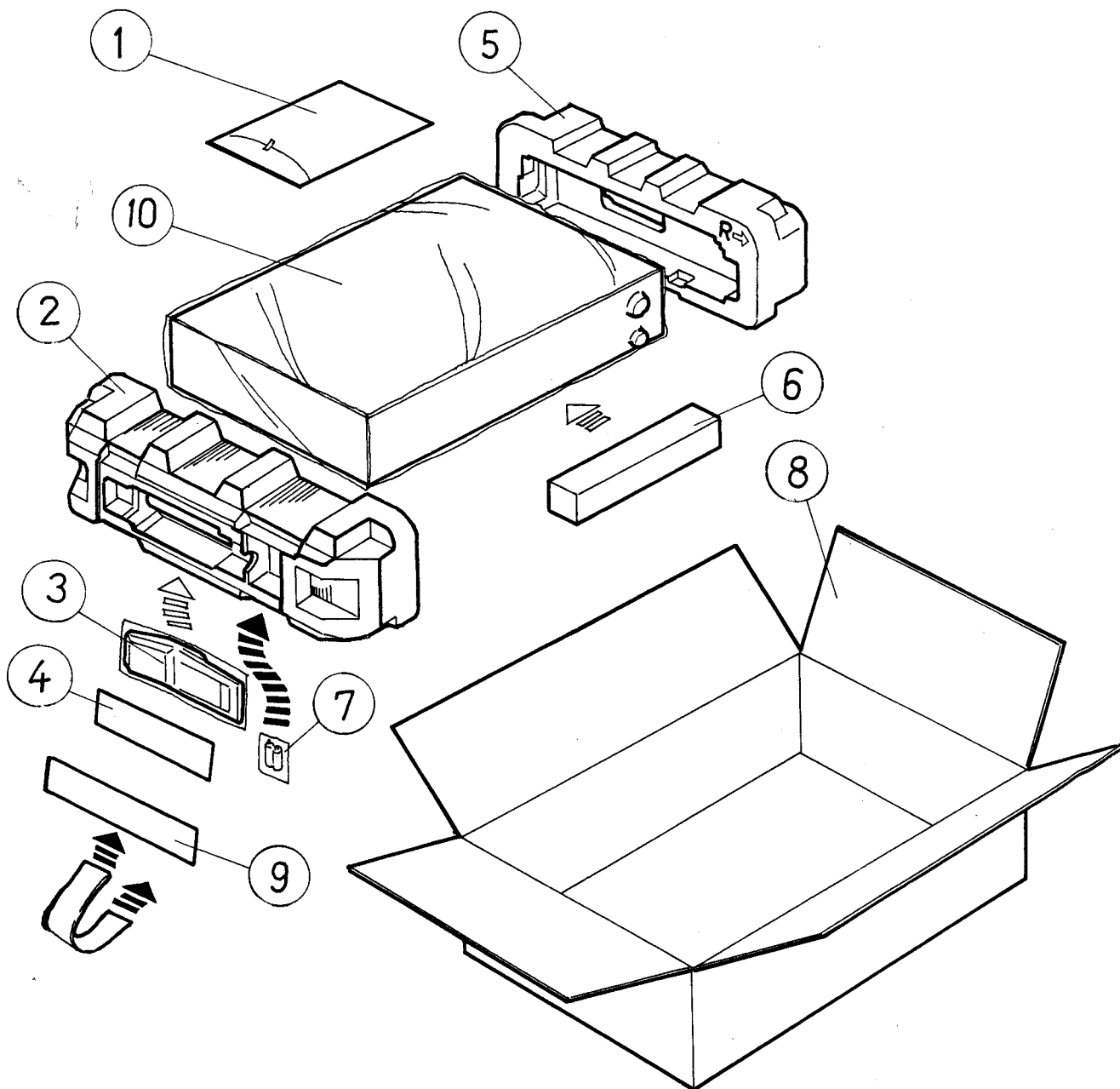


36

NAD-7100 EXPLODED PARTS LIST :

ITEM	PARTS NO.	PARTS NAME	Q'TY
1	5541213100	FRONT PANEL	1
2	5542909400	RECEIVER WINDOW	1
3	5542225000	BEZEL (A)	1
4	5542225100	BEZEL (B)	1
5	5542225200	BEZEL (C)	1
6	5542225300	BEZEL (D)	1
7	5542225800	DOUBLE BEZEL	1
8	5542225400	POWER BEZEL	1
9	5542006110	HEMELON (L)	2
10	5542006100	HEMELON (S)	2
11	7101201202	LOCK WASHER	1
12	5541537900	VOL. KNOB	1
13	5541538000	VOL. KNOB (S)	1
14	5541537800	TOGGLE CAP	1
15	5541537700	PUSH BUTTON	4
16	5541537300	BAND KNOB	12
17	5541537600	PLAY BUTTON	1
18	5541537200	POWER KNOB	1
19	5541537500	CONTROL KNOB	2
20	5541537100	PUSH KNOB (S)	8
21	5541537110	PUSH KNOB (S)	1
22	5547131900	BACK PLATE	1
23	5547033900	LUG	1
24	5547033600	TERMINAL CONNECTOR	2
25	5546121400	TERMINAL	1
26	5561317000	TRANSFORMER (L)	1
27	5547033700	TUNER HOLDER	2
28	5545307800	HEAT SINK (A)	1
29	5545307810	HEAT SINK (B)	1
30	5545307700	TRANSISTOR HOLDER	1
31	5541002300	TOP COVER	1
32	5547131500	FRONT BRACKET (A)	1
33	5547132000	FRONT BRACKET (B)	1
34	5547131700	RIGHT PLATE	1
35	5547131600	LEFT PLATE	1
36	5547033800	RIGHT BRACKET PLATE	1
37	5546323000	PLAY SPRING	13
38	5546322900	PUSH SPRING	9
39	5547131800	CHASSIS	1
40	5547528400	PLATE, SWITCH LOCK (PVC)	1
41	5547501200	BUSHING, POWER CORD	2
42	5547530400	HOLDER-PCB	3
43	5547802120	FOOT	4
44	5545403700	SHIELD COVER	1
45	5532410700	SPACER	2
46	5419700191	HINGE	2
47	5561317020	TRANSFORMER (S)	1
48	5547131100	TRS. PLATE	1
49	5556308320	AC OUTLET	2
50	5556702130	POWER PLUG	1
51	7076260012	NUT 4	4
52	7098250002	WASHER	4
53	7190550003	M4x6 MS	6
54	5547035800	AUX. PLATE	2
55	5556205300	TERMINAL	1
56	7033161156	RUD M3x8 TS	47
57	7001171116	PAN M3x8 MS	6
58	7001120216	PAN M2.5x4 MS	2
59	7033160652	RUD M3x6 TS	35
60	7031161452	PAN M3x10 MS	4
61	7033251452	RUD M4x10 TS	2
62	7000311142	RUD M4x14 TS	4
63	5545306900	HEAT SINK	2
64	5545306910	HEAT SINK (S)	4
65	7000305022	M3x10 TS	4
66	7000305012	M3x8 TS	2
67	5547034000	THERMAL PROTECTOR HOLDE	2

PACKING DIAGRAM



PACKING LIST FOR NAD-7100

ITEM	PARTS NO.	NAME	QTY
1	5535122011	OWNERS MANUAL	1
2	9520680155	POLYLON L.	1
3	5552000200	REMOTE CONTROL TRANSMITTER	1
4	- - - - -	R/C TRANSMITTER MANUAL	1
5	9520680255	POLYLON R.	1
6	9520685155	POLYLON BAR	1
7	6910151403	BATTER, DRY	1
8	9510680155	CARTON	1
9	9510685155	PAPER PLATE	1
10	9530680155	EPE BAG	1