

S500

**COMPACT
DISC PLAYER**

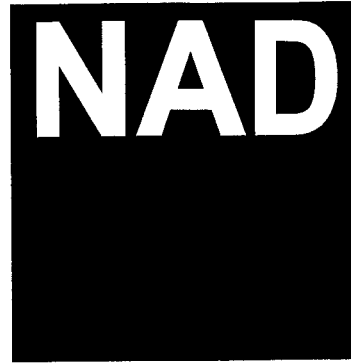
SERVICE MANUAL



V27270

S500

**COMPACT
DISC PLAYER**



CONTENTS

| | |
|-------------------------------------|-------|
| FRONT PANEL / REAR PANEL VIEW | 3 |
| SPECIFICATIONS | 4 |
| WIRING DIAGRAM | 5 |
| PCB LAYOUT | 6-10 |
| SCHEMATIC DIAGRAM | 11-14 |
| ELECTRICAL PARTS LIST | 15-19 |
| IC BLOCK DIAGRAM | 20 |
| EXPLODED VIEW | 21 |
| EXPLODED VIEW PARTS LIST | 22 |
| PACKING DIAGRAM | 23 |

SERVICE SAFETY PRECAUTIONS

1. Replacing the Fuses

CAUTION: FOR CONTINUED PROTECTION AGAINST THE RISK OF FIRE REPLACE ONLY WITH SAME TYPE OF FUSE.


| REFERENCE NO. | PART NUMBER | DESCRIPTION |
|-------------------------------|-------------|---|
| AC INLET FUSE F451-F452*AH | 5120-0032-0 | Fuse Time Lag 500mA 250V 5x20mm UL/CSA Fuse Time Lag 2A 250V 5x20mm UL/CSA |
| AC INLET FUSE F451-F452*C | 5120-0065-0 | Fuse Time Lag 250mA 250V 5x20mm SEMKO/VDE Fuse Time Lag 2A 250V 5x20mm SEMKO/VDE |

NOTE:

*AH : North American model only

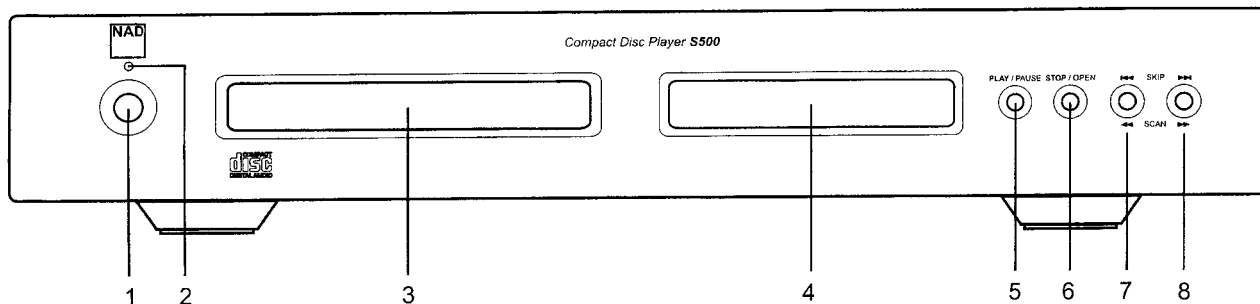
*C : European model only

2. Safety-check out (North American model only)

Parts marked with the symbol  are critical with regard to the risk of fire and electric shock. Replace only with parts recommended by the manufacturer.

FRONT PANEL / REAR PANEL VIEW

FRONT PANEL CONTROLS



1. POWER SWITCH
2. POWER INDICATOR
3. DISC DRAWER
4. DISPLAY

5. PLAY/PAUSE
6. STOP/OPEN
7. SKIP/SCAN DOWN
8. SKIP/SCAN UP

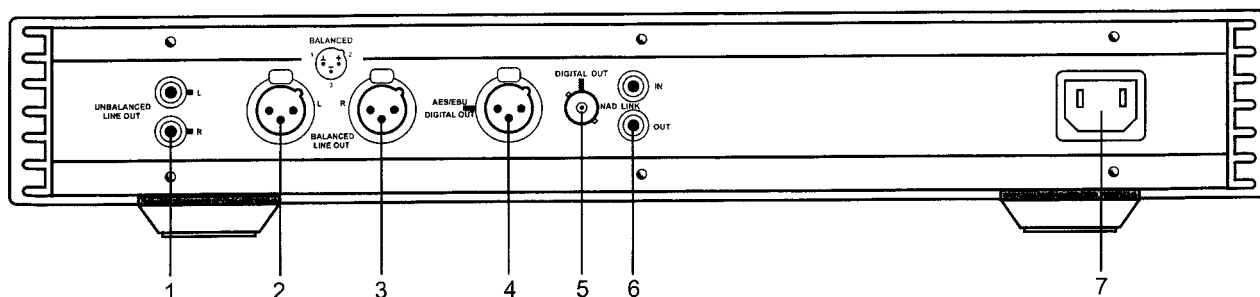


The graphic symbol of a lightning flash with an arrow point within a triangle signifies that there is dangerous voltage within the unit and it poses a hazard to anyone removing the cover to gain access to the interior of the unit. **Only qualified service personnel should make such attempt.**



The graphic symbol of an exclamation point within an equilateral triangle warns a user of the device that it is necessary to refer to the instruction manual and its warnings for proper operation of the unit.

REAR PANEL CONNECTIONS



1. UNBALANCED LINE OUTPUT
2. LEFT BALANCED LINE OUTPUT
3. RIGHT BALANCED LINE OUTPUT
4. AES/EBU BALANCED DIGITAL OUTPUT

5. COAXIAL DIGITAL OUTPUT
6. NAD LINK INPUT/OUTPUT
7. AC INLET

THIS DEVICE COMPLIES WITH PART 15 OF THE FCC RULES. OPERATION IS SUBJECT TO THE FOLLOWING TWO CONDITIONS:
 (1) THIS DEVICE MAY NOT CAUSE HARMFUL INTERFERENCE, AND
 (2) THIS DEVICE MUST ACCEPT ANY INTERFERENCE RECEIVED, INCLUDING INTERFERENCE THAT MAY CAUSE UNDESIRABLE OPERATION.

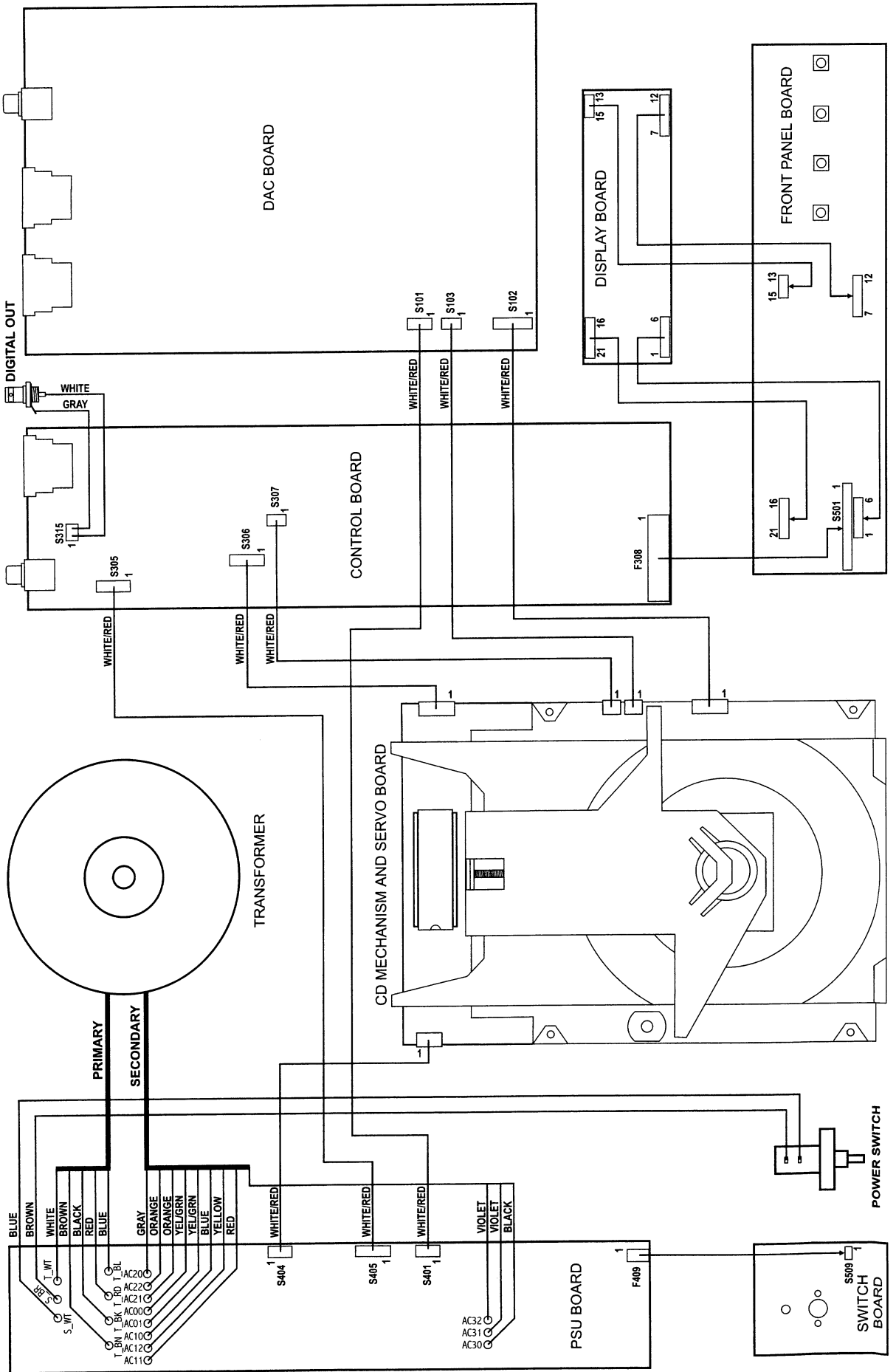
SPECIFICATIONS

| | |
|---|---|
| Disc capacity | Single disc 120mm or 80mm |
| Digital-to-Analogue conversion | Crystal multi bit; 20-bit resolution |
| Analogue filter | 5 pole active |
| Frequency response 5Hz-20kHz | +/-0.15dB |
| THD at 0dB, 1kHz | 0.002% |
| Dynamic range | 98dB |
| Linearity | +/-0.5dB from 0dB to -90dB |
| Signal-to-Noise ratio A-weighted (at play with de-emphasis) | 110dB |
| Channel separation | 1kHz 100dB 20kHz 99dB |
| Wow and flutter | Unmeasurable (Quartz accuracy) |
| Output impedance | 120Ω |
| Output level at 0dB | 2.2Vrms |
| Digital error correction | CIRC with double error correction in C1 and C2 |
| Digital code output | Unbalanced Sony/Philips serial data format Balanced AES/EBU serial data format |

Physical specifications

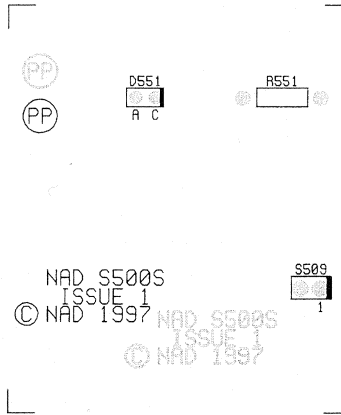
| | |
|------------------------|-------------------|
| Dimensions (W x H x D) | 450 x 67 x 286 mm |
| Net weight | 5 kg / 11 lbs |

WIRING DIAGRAM

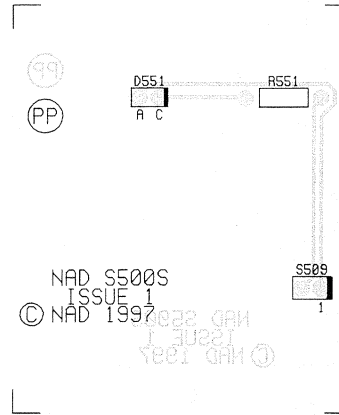


PCB LAYOUT

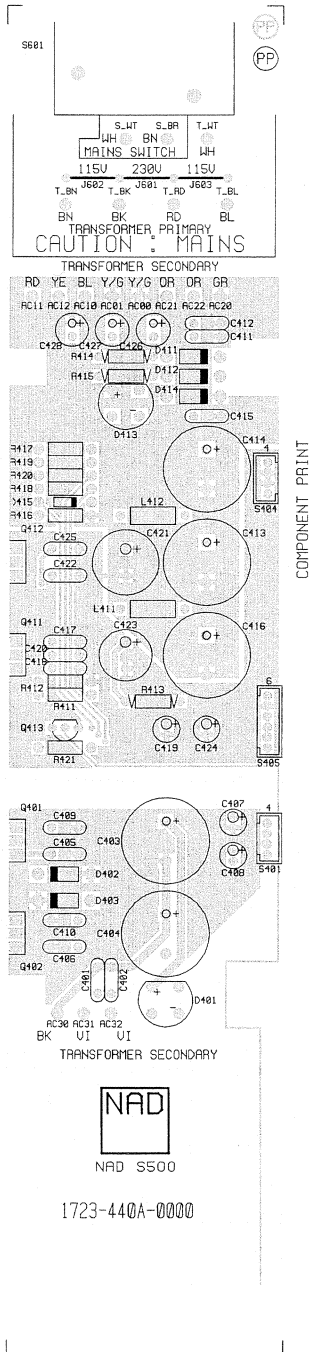
POWER SWITCH - COMPONENT SIDE



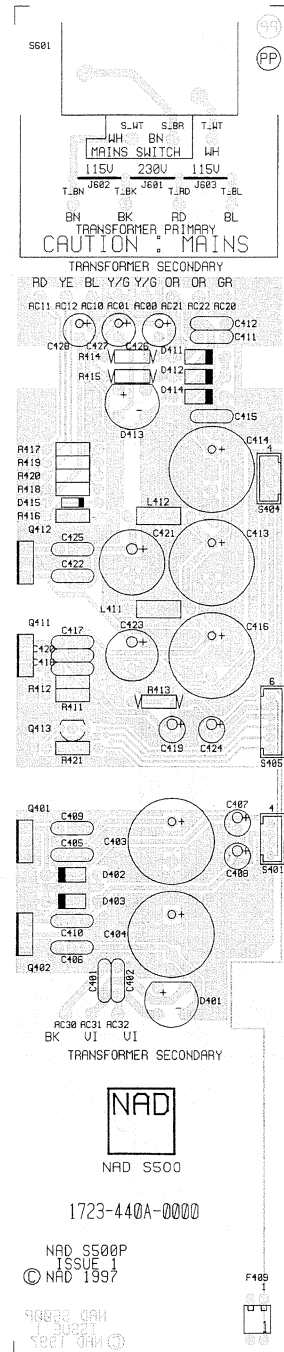
POWER SWITCH - SOLDER SIDE



PSU - COMPONENT SIDE

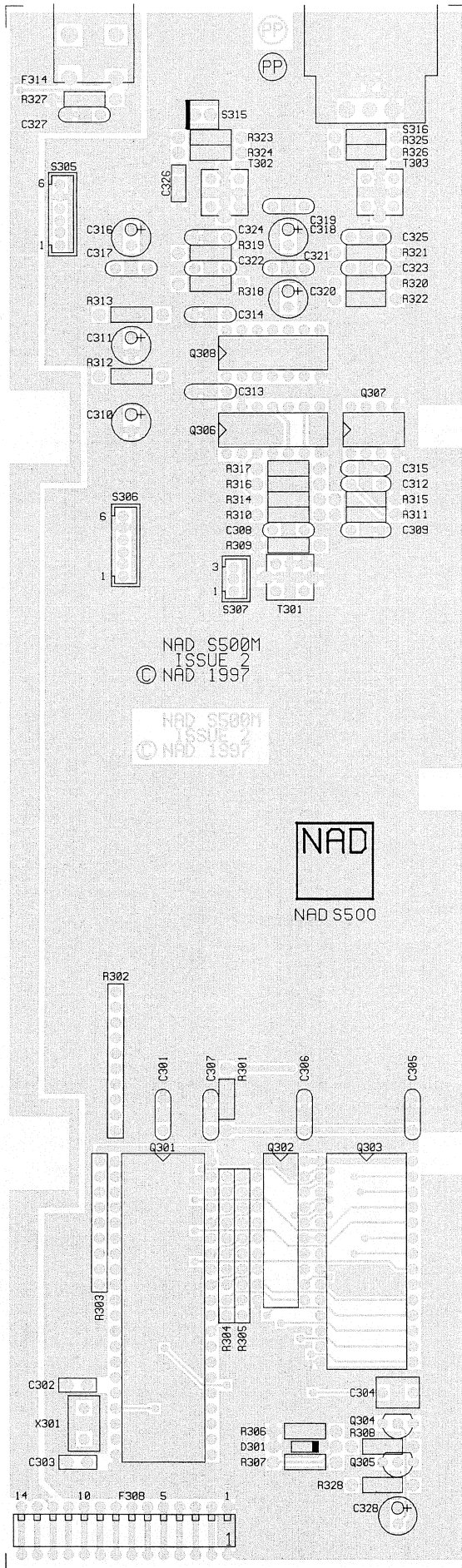


PSU - SOLDER SIDE

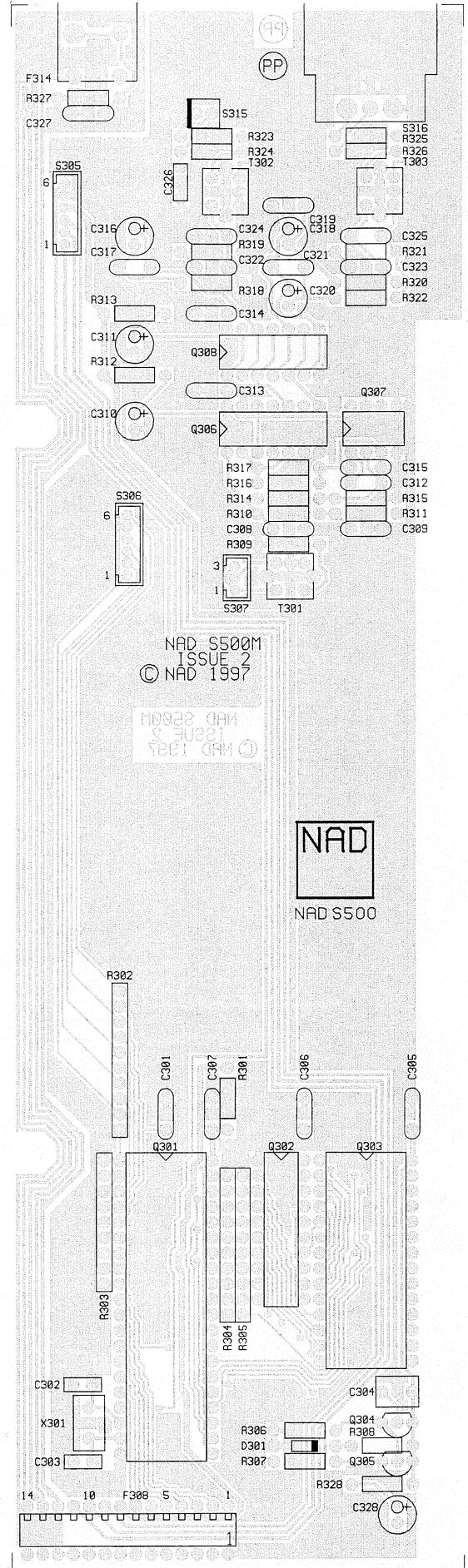


PCB LAYOUT

CONTROL - COMPONENT SIDE

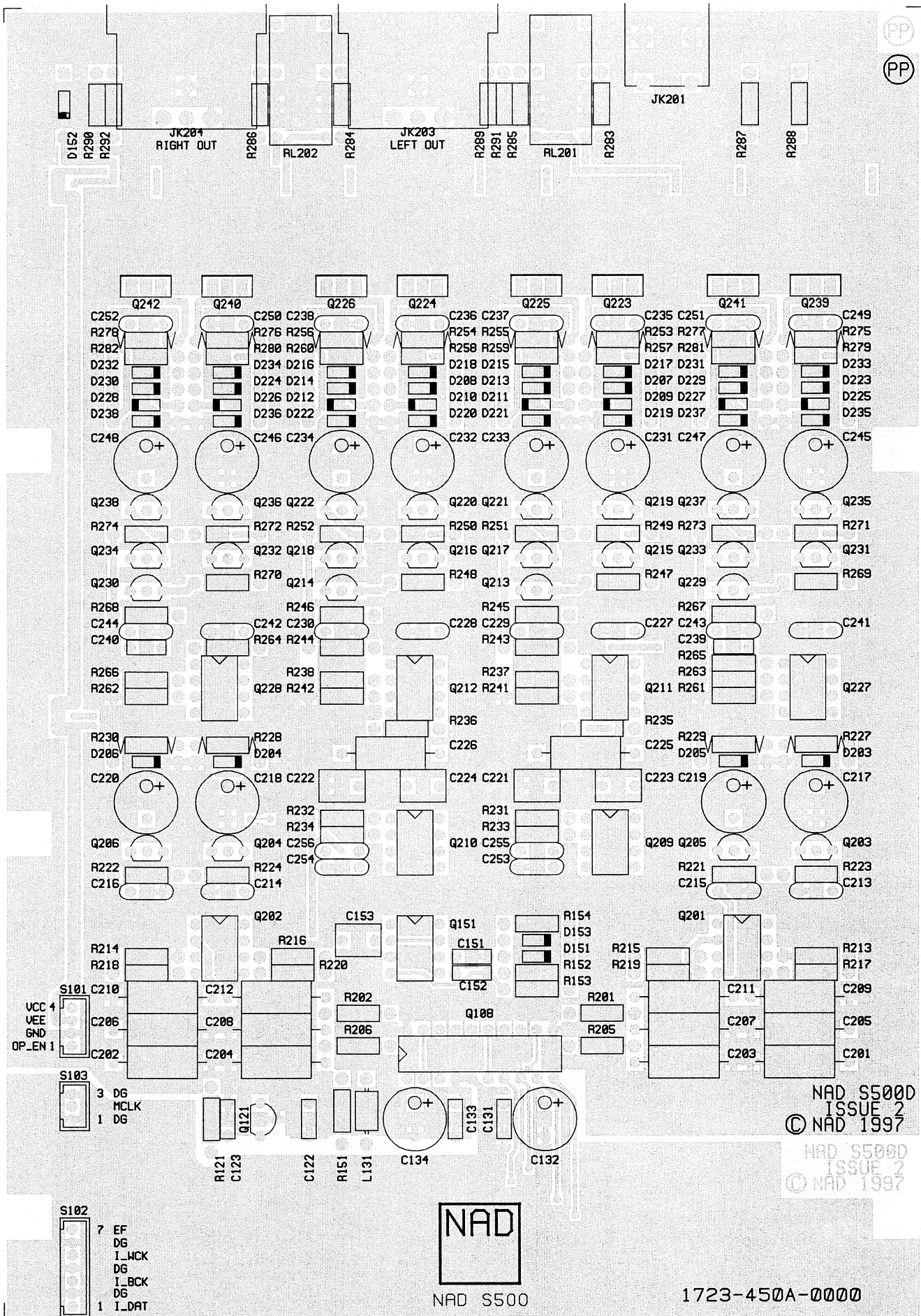


CONTROL - SOLDER SIDE



PCB LAYOUT

DAC BOARD - COMPONENT SIDE



NAD S500D
ISSUE 2
© NAD 1997

NAD S500D
ISSUE 2
© NAD 1997

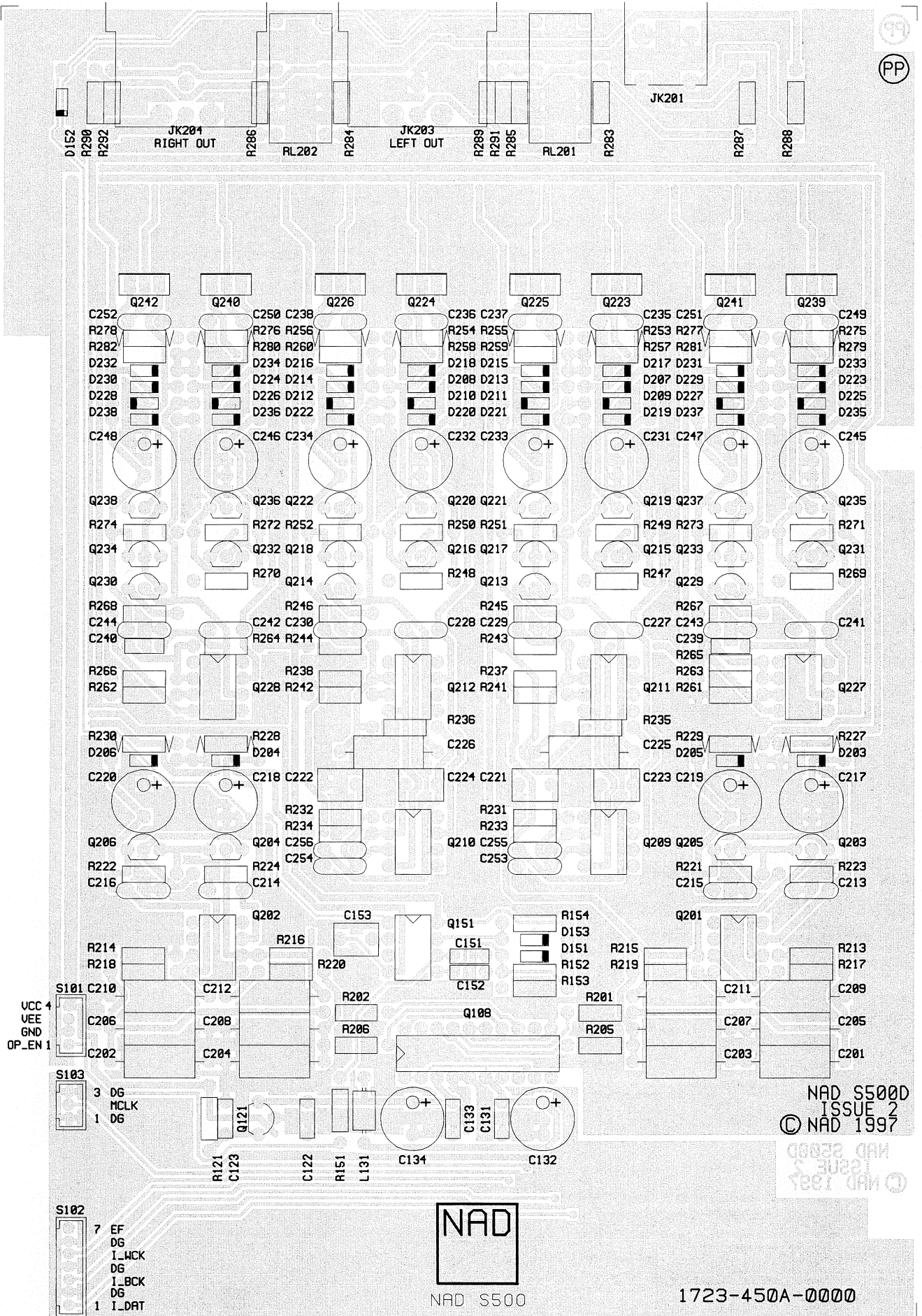


NAD S500

1723-450A-0000

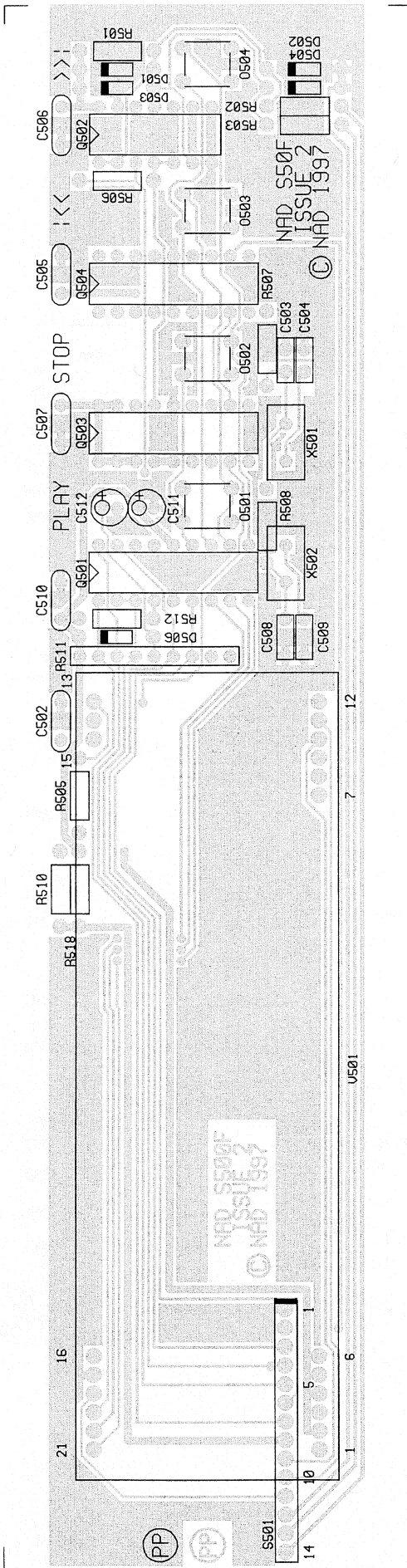
PCB LAYOUT

DAC BOARD - SOLDER SIDE

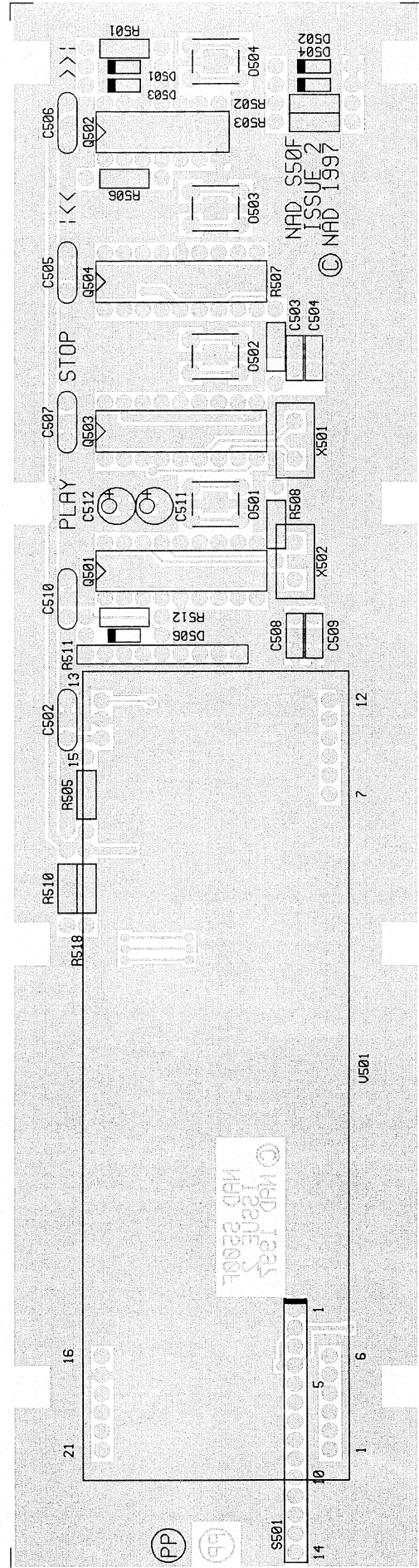


PCB LAYOUT

FRONT PANEL - COMPONENT SIDE

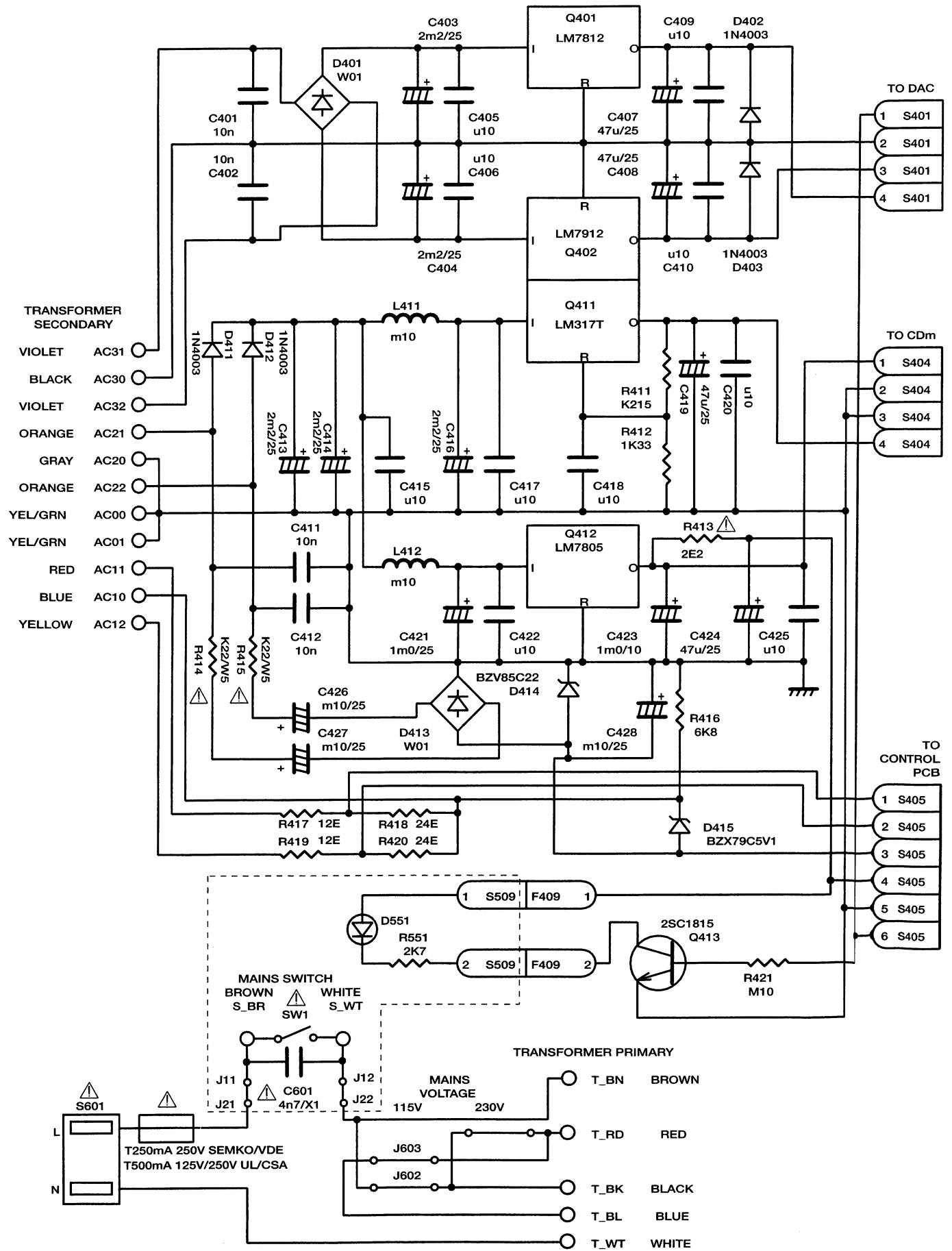


FRONT PANEL - SOLDER SIDE

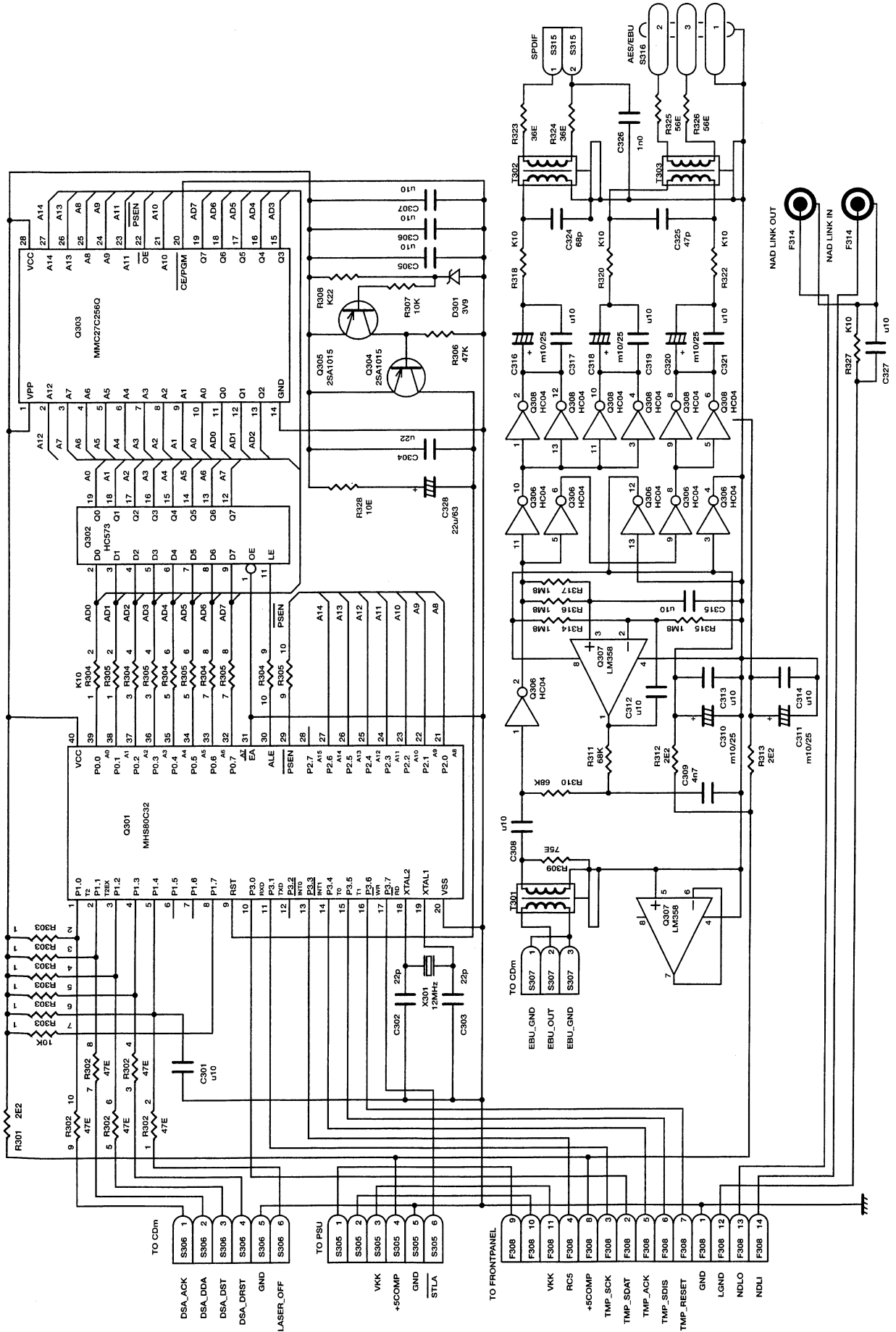


SCHEMATIC DIAGRAM

PSU BOARD

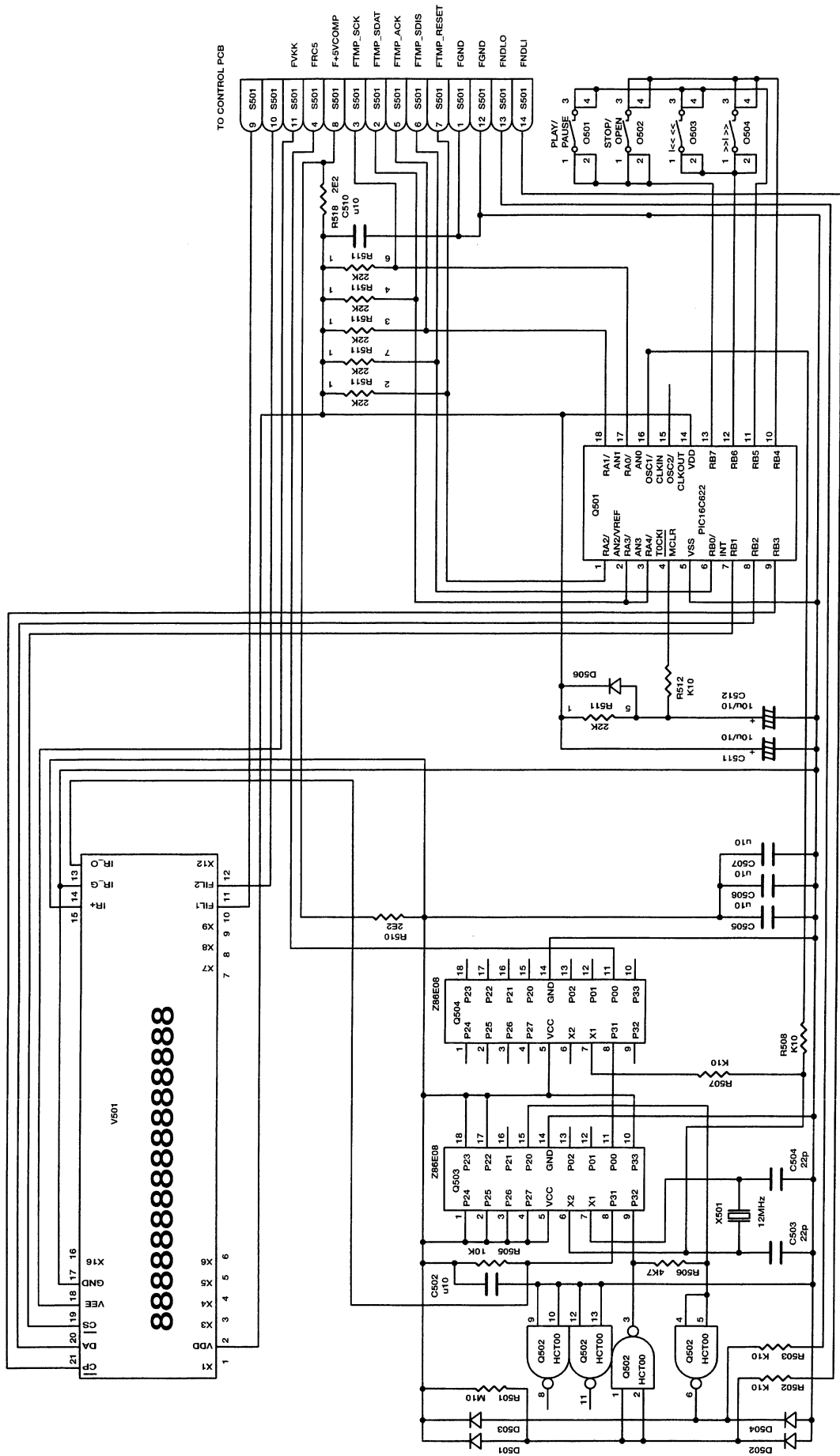


SCHEMATIC DIAGRAM CONTROL BOARD



SCHEMATIC DIAGRAM

FRONT PANEL BOARD



UNMARKED DIODES : 1N4148

ELECTRICAL PARTS LIST

| <u>Reference No</u> | <u>Part Number</u> | <u>Description</u> |
|--|---|--|
| <u>POWER SWITCH ASSEMBLY</u> <u>PCB BOARD</u> | PCB-N0860C-SW | POWER SWITCH ASSEMBLY |
| <u>CAPACITOR</u> C601 △ | 8910-0049-0 | CAP400V 4700P DE7150F472MVA1KC |
| <u>LED</u> D551 | 3700-3538-B | BLUE LED 3MM |
| <u>RESISTOR</u> R551 | 471F-272J-2-E | RMF 0.4W 2.7K 5% |
| <u>SWITCH</u> SW1 △ | 5200-3181-0-01 | POWER SWITCH |
| <u>PSU ASSEMBLY</u> <u>PCB BOARD</u> | PCB-N0861C-PWR | PSU ASSEMBLY |
| <u>CAPACITORS</u> C403-C404 C405-C406 C407-C408 C409-C410 C413-C414 C415 C416 C417-C418 C419 C420,C422 C421 C423 C424 C425 C426-C428 | 157E-228M-5-5&F 153I-104M-9-NLU 157E-476M-5-1µF 153I-104M-9-NLU 157E-228M-5-5&F 153I-104M-9-NLU 157E-228M-5-5&F 153I-104M-9-NLU 157E-228M-5-5&F 153I-104M-9-NLU 157E-476M-5-1µF 153I-104M-9-NLU 157E-108M-5-X9F 157C-108M-5-S9F 157E-476M-5-1µF 153I-104M-9-NLU 157E-107M-5-KµF | CE 25V 2200µF 20% CM 63V 0.1µF 20% CE 25V 47µF 20% CM 63V 0.1µF 20% CE 25V 2200µF 20% CM 63V 0.1µF 20% CE 25V 2200µF 20% CM 63V 0.1µF 20% CE 25V 47µF 20% CM 63V 0.1µF 20% CE 25V 1000µF 20% CE 10V 1000µF 20% CE 25V 47µF 20% CM 63V 0.1µF 20% CE 25V 100µF 20% |
| <u>DIODES</u> D401,D413 D402-D403 D411-D412 D414 D415 | 4840-0490-0 4804-0010-2 4804-0010-2 4840-2090-0 4837-5V11-2 | BRIDGE RECTIFIER 100V 1.5A DIODE 1N4001 DIODE 1N4001 ZD 1.3W 22V BZV85C22 5% ZD 1/2W 5.1V |
| <u>INDUCTORS</u> L411-L412 | 1803-0044-0 | INDUCTOR 100uH B78108-S1104-J |
| <u>ICS</u> Q401 Q402 Q411 Q412 | 3130-2520-3 3130-3800-0 3130-5610-0 3130-2020-3 | IC 7812 12V REGULATOR IC UPC79M12HF REGULATOR IC LM317T+ADJ REGULATOR IC 7805 5V REGULATOR |

| Reference No | Part Number | Description |
|-------------------------|--------------------|--------------------------------|
| TRANSISTOR | | |
| Q413 | 4860-0700-5 | TR 2SC1815 |
| RESISTORS | | |
| R411 | 471G-2150-2-E | RMF 0.6W 215R 1% |
| R412 | 471G-1331-2-E | RMF 0.6W 1.33K 1% |
| R413 | 471E-2R2J-2-EF | RFU 0.3W 2.2R 5% |
| R414-R415 | 4717-221J-2-EF | RFU 0.5W 220 5% |
| R416 | 471G-682A-2-E | RMF 0.6W 6.8K 1% |
| R417,R419 | 471G-120A-2-E | RMF 0.6W 12R 1% |
| R418,R420 | 471G-240A-2-E | RMF 0.6W 24R 1% |
| R421 | 471G-104A-2-E | RMF 0.6W 100K 1% |
| CONTROL ASSEMBLY | | |
| PCB BOARD | | |
| | PCB-N0860C-CPU | CONTROL ASSEMBLY |
| CAPACITORS | | |
| C301 | 153I-104M-9-NLU | CM 63V 0.1 μ F 20% |
| C302-C303 | 15CG-220A-5-GIE | CC 100V 22pF 1% NPO |
| C304 | 153I-224M-9-NNU | CM 63V 0.22 μ F 20% |
| C305-C308 | 153I-104M-9-NLU | CM 63V 0.1 μ F 20% |
| C310-C311 | 157E-107M-5-LUC | CE 25V 100 μ F 20% |
| C312-C315 | 153I-104M-9-NLU | CM 63V 0.1 μ F 20% |
| C316,C318,C320 | 157E-107M-5-LUC | CE 25V 100 μ F 20% |
| C317,C319,C321 | 153I-104M-9-NLU | CM 63V 0.1 μ F 20% |
| C324 | 15CH-680J-5-KG | CC 50V 68pF 5% NPO |
| C325 | 15CH-470J-5-KG | CC 50V 47pF 5% NPO |
| C327 | 153I-104M-9-NLU | CM 63V 0.1 μ F 20% |
| C328 | 157I-226M-5-LU | CE 63V 22 μ F 20% |
| DIODE | | |
| D301 | 4837-3B20-2 | ZD 1/2W 3.8-4.0V |
| JACKS | | |
| F314 | 2113-1121-0 | 2P RCA JACK Y/Y AU HSP-242V-22 |
| S315 | 2113-1325-0 | BNC SPDIF OUT |
| S316 | 2113-1151-0 | XLR AES/EBU OUT |
| ICS | | |
| Q301 | 3130-8400-0 | IC MHS80C32 UPC |
| Q302 | 3130-6140-0 | IC 74HC573 8X D-TYPE LATCHES |
| Q303 | 3130-8410-0 | IC MMC27C256Q EPROM |
| Q306,Q308 | 3130-5840-0 | IC 74HC04 HEX INVERTERS |
| Q307 | 3130-8390-0 | IC LM358N OP AMP DIP8 |
| TRANSISTORS | | |
| Q304-Q305 | 4860-0660-5 | TR 2SA1015 |
| RESISTORS | | |
| R301 | 471F-2R2J-2-E | RMF 0.4W 2.2R 5% |
| R302 | 4707-470C-5-5 | RCFA 1/2W 47R 2% |
| R303 | 4707-103C-5-8 | RCFA 1/2W 10K 2% |
| R304-R305 | 4707-101C-5-5 | RCFA 1/2W 100R 2% |
| R306 | 471F-473J-2-E | RMF 0.4W 47K 5% |
| R307 | 471F-103J-2-E | RMF 0.4W 10K 5% |
| R308 | 471F-221J-2-E | RMF 0.4W 220 5% |

| Reference No | Part Number | Description |
|-----------------------------------|--------------------|---------------------------------|
| R309 | 471F-750J-2-E | RMF 0.4W 75R 5% |
| R310-R311 | 471F-683J-2-E | RMF 0.4W 68K 5% |
| R312-R313 | 471F-2R2J-2-E | RMF 0.4W 2.2R 5% |
| R314-R317 | 471F-185J-2-E | RMF 0.4W 1.8M 5% |
| R318,R320,R322 | 471F-101J-2-E | RMF 0.4W 100R 5% |
| R323-R324 | 471F-360J-2-E | RMF 0.4W 36R 5% |
| R325-R326 | 471F-560J-2-E | RMF 0.4W 56R 5% |
| R327 | 471F-101J-2-E | RMF 0.4W 100R 5% |
| R328 | 4715-100J-2 | RMF 1/4W 10R 5% |
| COILS | | |
| T301-T303 | 1802-0450-0 | DIGITAL COIL 015-910-27BB |
| RESONATOR | | |
| X301 | 2703-0190-0 | CR RESONATOR CSA 12MHZ |
| FRONT PANEL BOARD ASSEMBLY | | |
| PCB BOARD | PCB-N0860C-DISP | FRONT PANEL BOARD ASSEMBLY |
| CAPACITORS | | |
| C503-C504 | 15CG-220A-5-GIE | CC 100V 22pF 1% NPO |
| C511-C512 | 157D-106M-5-GIL | CE 16V 10µF 20% |
| DIODES | | |
| D501-D506 | 4804-1480-2 | DIODE 1N4148 |
| SWITCHES | | |
| O501-O504 | 5200-3011-0-01 | TACT SWITCH 4P |
| ICS | | |
| Q501 | 3130-8420-0 | IC PIC16C622A-20 I/P CONTROLLER |
| Q502 | 3130-7370-0 | IC 74HCT00 NAND GATE |
| Q503-504 | 3130-6410-0 | IC Z86E08 OTP MICROCONTROLLER |
| RESISTORS | | |
| R501 | 471F-104J-2-E | RMF 0.4W 100K 5% |
| R502-R503 | 471F-101J-2-E | RMF 0.4W 100R 5% |
| R505 | 471F-103J-2-E | RMF 0.4W 10K 5% |
| R506 | 471F-472J-2-E | RMF 0.4W 4.7K 5% |
| R507-R508 | 471F-101J-2-E | RMF 0.4W 100R 5% |
| R510,R518 | 471F-2R2J-2-E | RMF 0.4W 2.2R 5% |
| R511 | 4707-223C-5-8 | RCFA 1/2W 22K 2% |
| R512 | 471F-101J-2-E | RMF 0.4W 100R 5% |
| RESONATOR | | |
| X501 | 2703-0190-0 | CR RESONATOR CSA 12MHZ |
| DAC BOARD ASSEMBLY | | |
| PCB BAORD | PCB-N0860C-MAIN | DAC BOARD ASSEMBLY |
| CAPACITORS | | |
| C122-C123,C131 | 153I-104M-9-NLU | CM 63V 0.1µF 20% |
| C132,C134 | 157C-108M-5-S9F | CE 10V 1000µF 20% |
| C133,C152 | 153I-104M-9-NLU | CM 63V 0.1µF 20% |

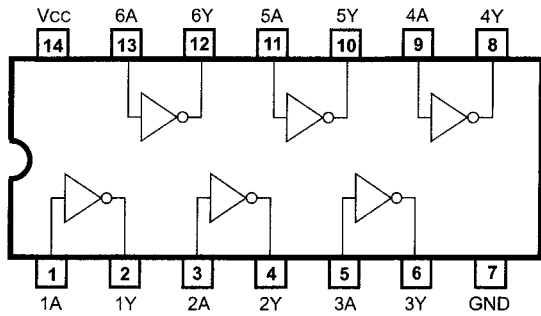
| Reference No | Part Number | Description |
|---------------------|--------------------|-------------------------|
| C151 | 15FI-103Z-5-HKE | CC 63V 0.01u +80/-20% |
| C153 | 153I-105J-9-NSU | CM 63V 1μF 5% |
| C201-C204 | 158S-302A-2-IUE | CP 160V 3000pF 1% |
| C205-C208 | 158M-121A-2-IUE | CP 630V 120pF 1% |
| C209-C212 | 158M-391A-2-IUE | CP 630V 390pF 1% |
| C213-C216 | 153I-104M-9-NLU | CM 63V 0.1μF 20% |
| C217-C220 | 157D-477M-5-SXF | CE 16V 470μF 20% |
| C221-C224 | 153I-105J-9-NSU | CM 63V 1μF 5% |
| C225-C226 | 158R-202A-2-IUE | CP 250V 2000pF 1% |
| C227-C230 | 153I-104M-9-NLU | CM 63V 0.1μF 20% |
| C231-C234 | 157D-477M-5-SXF | CE 16V 470μF 20% |
| C235-C238 | 153I-104M-9-NLU | CM 63V 0.1μF 20% |
| C239-C240 | 15CG-220A-5-GIE | CC 100V 22pF 1% NPO |
| C241-C244 | 153I-104M-9-NLU | CM 63V 0.1μF 20% |
| C245-C248 | 157D-477M-5-SXF | CE 16V 470μF 20% |
| C249-C252 | 153I-104M-9-NLU | CM 63V 0.1μF 20% |
| DIODES | | |
| D151-D153,D207-D218 | 4804-1480-2 | DIODE 1N4148 |
| D203-D206,D219-D222 | 4837-8V23-2 | DZ 1/2W 8.2V |
| D223-D234 | 4804-1480-2 | DIODE 1N4148 |
| D235-D238 | 4837-8V23-2 | DZ 1/2W 8.2V |
| JACKS | | |
| JK201 | 2113-1203-0 | 2P RCA JACK W/R AU |
| JK203-JK204 | 2113-1151-0 | XLR BALANCE OUT |
| ICs | | |
| Q108 | 3130-8380-0 | IC CS4390-KP STEREO DAC |
| Q121 | 3130-0640-0 | IC NJM78L05A 826 |
| Q151 | 3131-5160-0 | IC LM393N |
| Q201-Q202,Q209-Q212 | 3130-6940-0 | IC OPA134PA OP AMP |
| Q227-Q228 | 3130-6940-0 | IC OPA134PA OP AMP |
| TRANSISTORS | | |
| Q203-Q206,Q213-Q214 | 4860-0700-5 | TR 2SC1815 |
| Q215-Q216 | 4860-0660-5 | TR 2SA1015 |
| Q217-Q218 | 4860-0700-5 | TR 2SC1815 |
| Q219-Q220 | 4860-0660-5 | TR 2SA1015 |
| Q221-Q222 | 4860-0700-5 | TR 2SC1815 |
| Q223-Q224 | 485D-1390-5 | TR BD139-10 HFE 63-160 |
| Q225-Q226 | 4860-1430-5 | TR BD140-10 HFE 63-160 |
| Q229-Q230 | 4860-0700-5 | TR 2SC1815 |
| Q231-Q232 | 4860-0660-5 | TR 2SA1015 |
| Q233-Q234 | 4860-0700-5 | TR 2SC1815 |
| Q235-Q236 | 4860-0660-5 | TR 2SA1015 |
| Q237-Q238 | 4860-0700-5 | TR 2SC1815 |
| Q239-Q240 | 485D-1390-5 | TR BD139-10 HFE 63-160 |
| Q241-Q242 | 4860-1430-5 | TR BD140-10 HFE 63-160 |
| RESISTORS | | |
| R121 | 471F-680J-2-E | RMF 0.4W 68R 5% |
| R151 | 471F-104J-2-E | RMF 0.4W 100K 5% |
| R152 | 471F-684J-2-E | RMF 0.4W 680K 5% |
| R153-R154 | 471F-105J-2-E | RMF 0.4W 1M 5% |

| Reference No | Part Number | Description |
|---------------------|----------------|-------------------|
| R201-R206,R213-R216 | 471G-512A-2-E | RMF 0.6W 5.1K 1% |
| R217-R220 | 471G-2551-2-E | RMF 0.6W 2.55K 1% |
| R221-R222 | 471F-121J-2-E | RMF 0.4W 120R 5% |
| R223-R224 | 471F-683J-2-E | RMF 0.4W 68K 5% |
| R227-R230 △ | 471E-151J-2-EF | RFU 0.3W 150R 5% |
| R231-R234 | 471G-105A-2-E | RMF 0.6W 1M 1% |
| R235-R236 | 471G-204A-2-E | RMF 0.6W 200K 1% |
| R237-R238 | 471G-182A-2-E | RMF 0.6W 1.8K 1% |
| R241-R242 | 471G-102A-2-E | RMF 0.6W 1K 1% |
| R243-R244 | 471G-202A-2-E | RMF 0.6W 2K 1% |
| R245-R246 | 471F-121J-2-E | RMF 0.4W 120R 5% |
| R247-R248 | 471F-683J-2-E | RMF 0.4W 68K 5% |
| R249-R252 | 471F-101J-2-E | RMF 0.4W 100R 5% |
| R253-R256 △ | 471E-101J-2-EF | RFU 0.3W 100R 5% |
| R257-R260 △ | 471E-270J-2-EF | RFU 0.3W 27R 5% |
| R261-R262 | 471G-102A-2-E | RMF 0.6W 1K 1% |
| R263-R266 | 471G-202A-2-E | RMF 0.6W 2K 1% |
| R267-R268 | 471F-121J-2-E | RMF 0.4W 120R 5% |
| R269-R270 | 471F-683J-2-E | RMF 0.4W 68K 5% |
| R271-R274 | 471F-101J-2-E | RMF 0.4W 100R 5% |
| R275-R278 △ | 471E-121J-2-EF | RFU 0.3W 120R 5% |
| R279-R282 △ | 471E-270J-2-EF | RFU 0.3W 27R 5% |
| R283-R286 | 471F-102J-2-E | RMF 0.4W 1K 5% |

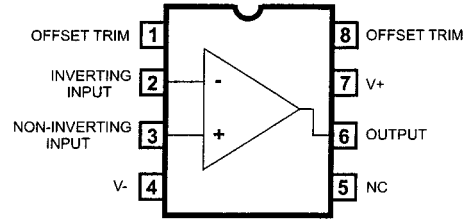
NOTE : – The components identified by △ mark are critical for risk of fire and electrical shock.
 Replace only with part number specified.
 – Capacitors : CM-Mylar, CE-Electrolytic, CC-Ceramic, CP-Polystyrene.
 – Resistors : RMF-Metal Film, RFU-Fusible.

IC BLOCK DIAGRAM

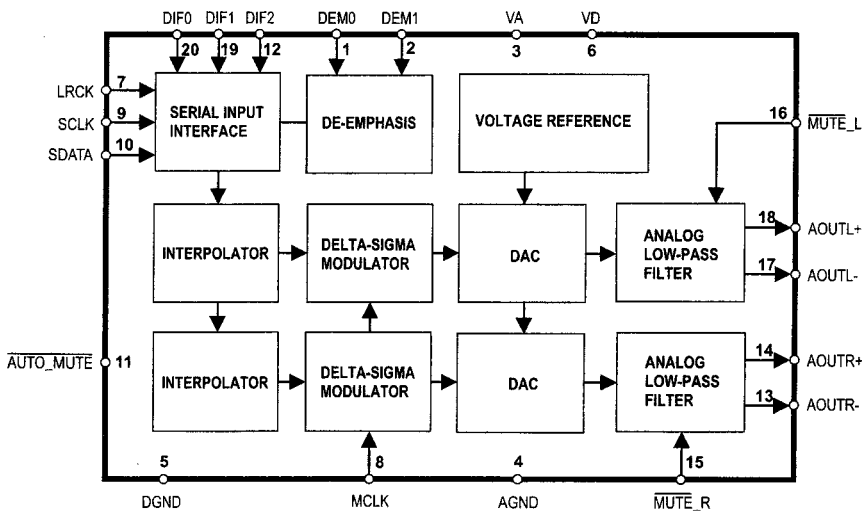
Q306, Q308: 74HC04
HEX INVERTERS



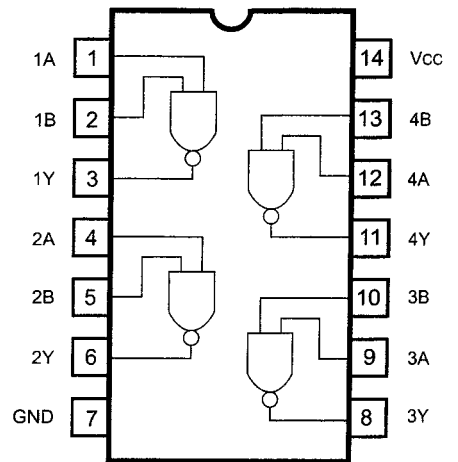
Q201-Q202, Q209-Q212, Q227-Q228: OPA134PA
HIGH PERFORMANCE MONO OP-AMP



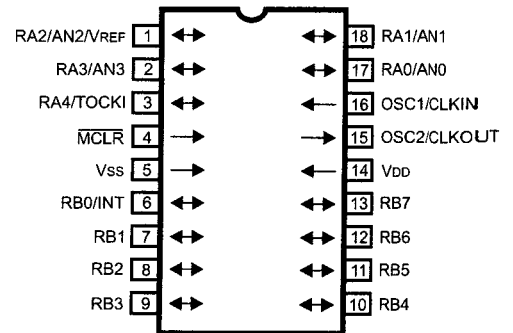
Q108: CS4390
24-BIT STEREO DAC



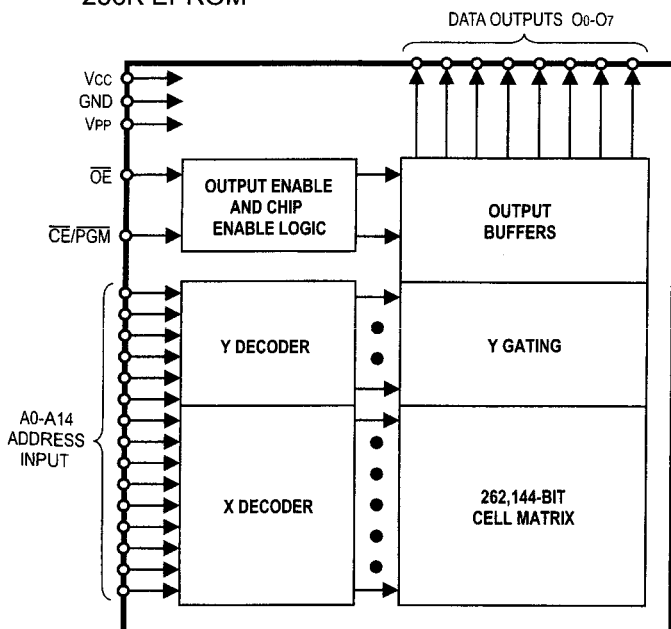
Q502: 74HCT00
2-INPUT QUAD NAND GATE



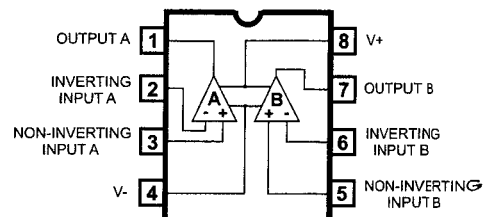
Q501: PIC16C622A-20
8-BIT MICROCONTROLLER



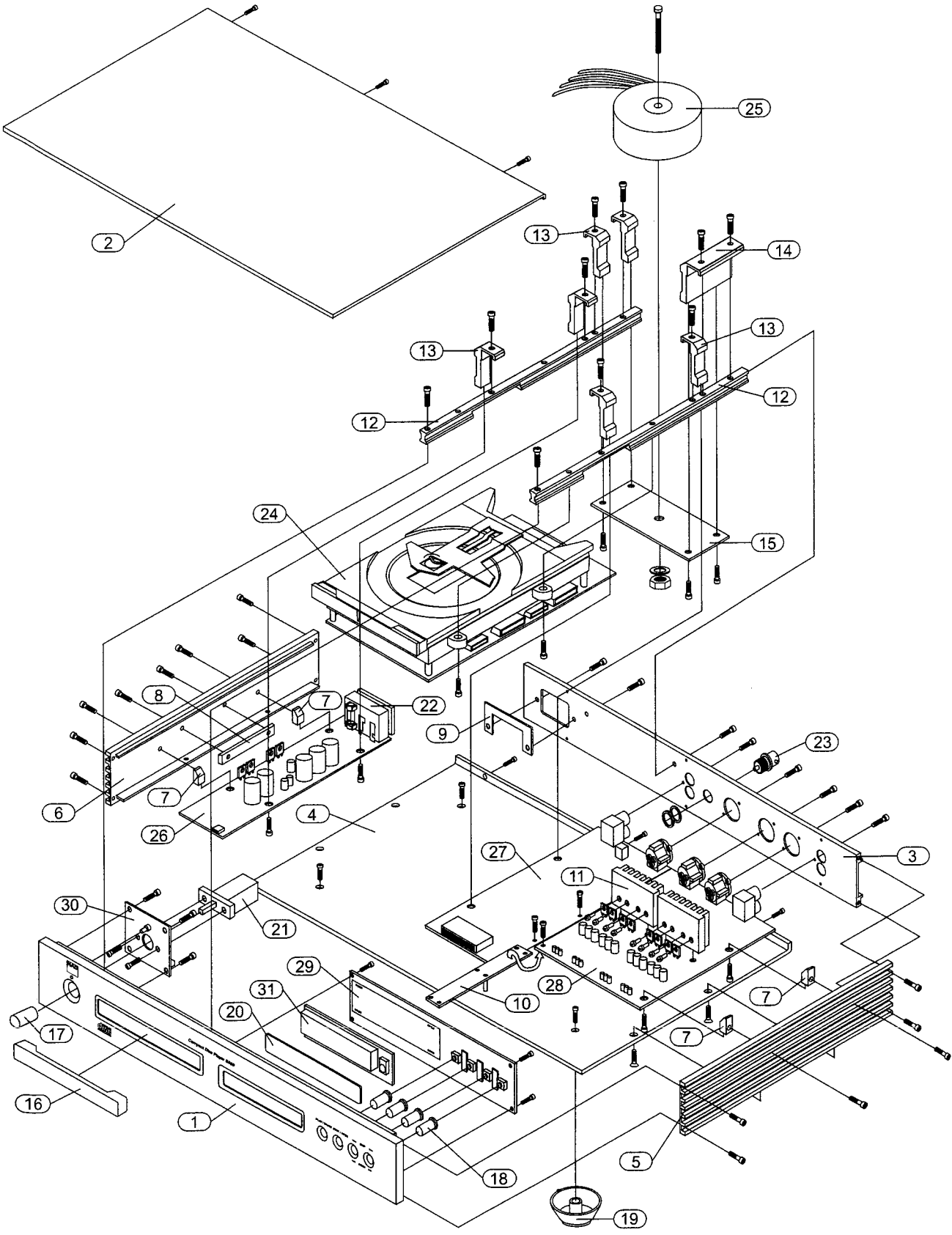
Q303: MMC27C256Q
256K EPROM



Q151: LM393N
LOW OFFSET DUAL COMPARATOR
Q307: LM358N
DUAL OP-AMP



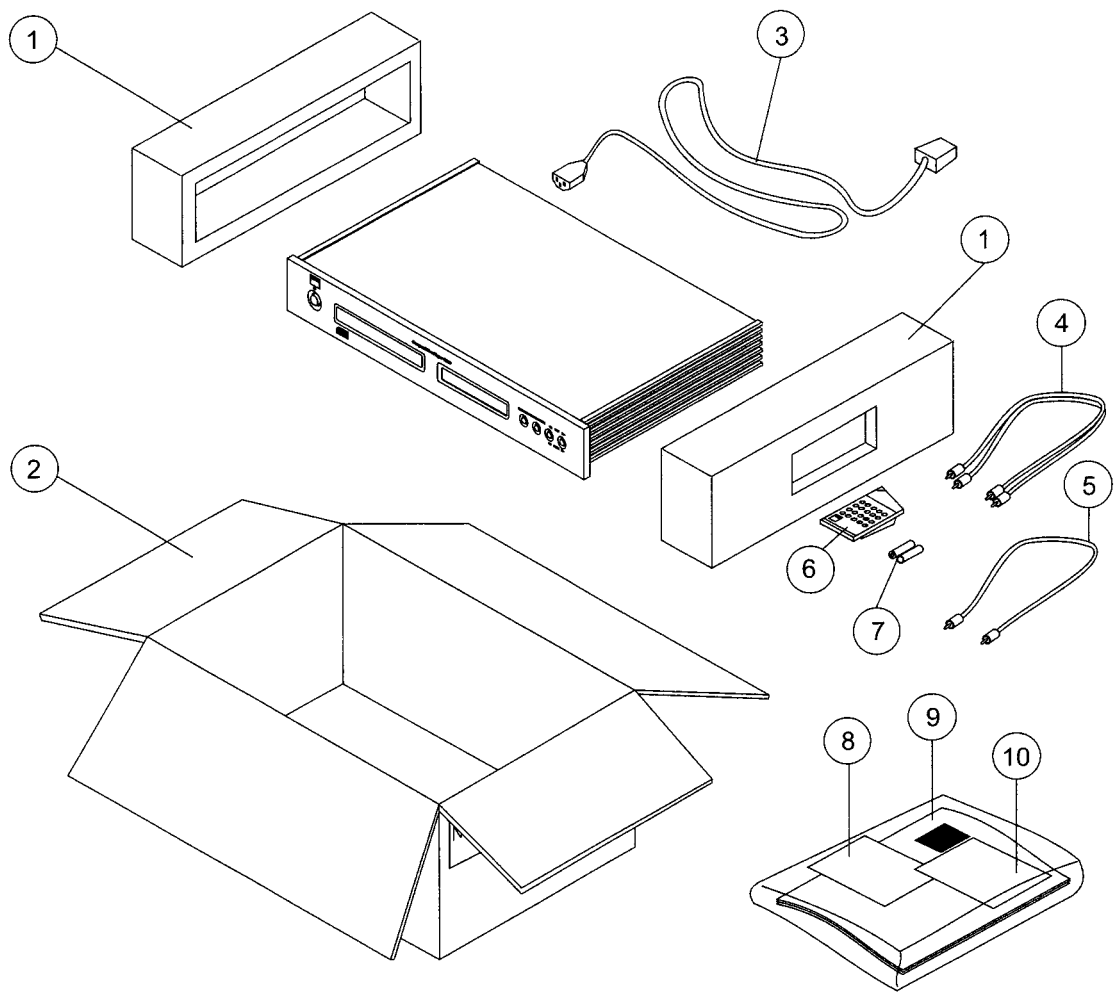
EXPLODED VIEW



EXPLODED VIEW PARTS LIST

| ITEM | PART NUMBER | DESCRIPTION | QTY. |
|------|----------------|----------------------------|------|
| 1 | S500-2001-4 | FASCIA | 1 |
| 2 | S500-2004-1 | TOP COVER | 1 |
| 3*AH | S500-2005AH-1 | REAR PANEL 120V | 1 |
| 3*C | S500-2005C-1 | REAR PANEL 230V | 1 |
| 4 | S500-2003-1 | BASE PLATE | 1 |
| 5 | S500-2002R-1 | RIGHT SIDE PANEL | 1 |
| 6 | S500-2002L-1 | LEFT SIDE PANEL | 1 |
| 7 | S500-2026-1 | PCB BAR | 4 |
| 8 | S500-2036-1 | CLAMP BAR | 1 |
| 9 | S100-2020-1 | AC INLET PLATE | 1 |
| 10 | S500-2016-1 | PCB PLATE | 1 |
| 11 | S100-2009-4 | HEATSINK 1 | 2 |
| 12 | S500-2006-1 | CD MECHANISM BAR | 2 |
| 13 | S500-2046-1 | PCB HOLDER | 6 |
| 14 | S500-2056-1 | TRANSFORMER HOLDER | 1 |
| 15 | S500-2066-1 | TRANSFORMER PLATE | 1 |
| 16 | S500-2008-1 | CD TRAY LID | 1 |
| 17 | S100-2011-3 | 10MM POWER BUTTON | 1 |
| 18 | S400-2121-1 | 6MM INPUT BUTTON | 4 |
| 19 | S100-2013-2 | FOOT W/ RUBBER CUSHION | 4 |
| 20 | S400-2221-1 | DISPLAY LENS | 1 |
| 21 | 5200-3181-0-01 | POWER SWITCH | 1 |
| 22 | AC1 | AC INLET | 1 |
| 23 | S500-0206 | BNC CONNECTOR | 1 |
| 24 | L1265 | CD MECHANISM W/ LOADER | 1 |
| 25 | TI-65575A | TRANSFORMER | 1 |
| 26 | S500-0130 | PSU PCB | 1 |
| 27 | S500-0100 | CONTROL PCB | 1 |
| 28 | S500-0150 | DAC PCB | 1 |
| 29 | S500-0170 | FRONT PANEL PCB | 1 |
| 30 | S500-0205 | POWER SWITCH PCB W/ SWITCH | 1 |
| 31 | S400-DISPLAY | DISPLAY MODULE | 1 |

PACKING DIAGRAM



| ITEM | PART NUMBER | DESCRIPTION | QTY. |
|------|-------------|--------------------------------|-------|
| 1 | 311215 | POLYFOAM | 1 SET |
| 2 | S500-2210-A | CARTON BOX | 1 |
| 3*AH | POW4 | POWER CORD NEMA 1-15 POLARIZED | 1 |
| 3*C | POW2 | POWER CORD CEE (7) XVII | 1 |
| 4 | 101-000A | AUDIO CABLE | 1 |
| 5 | 101-000B | NAD LINK CABLE | 1 |
| 6 | RC S500 | REMOTE CONTROL HANDSET | 1 |
| 7 | R03 | BATTERY | 1 SET |
| 8 | WARR | WARRANTY CARD | 1 |
| 9 | S500-IM | INSTRUCTION MANUAL | 1 |
| 10 | D7051 | S500 PREMIUM CARD | 1 |

Proprietary information for servicing purposes only. The information herein may not be used commercially without the prior written agreement of NAD Electronics International, Toronto, Canada.