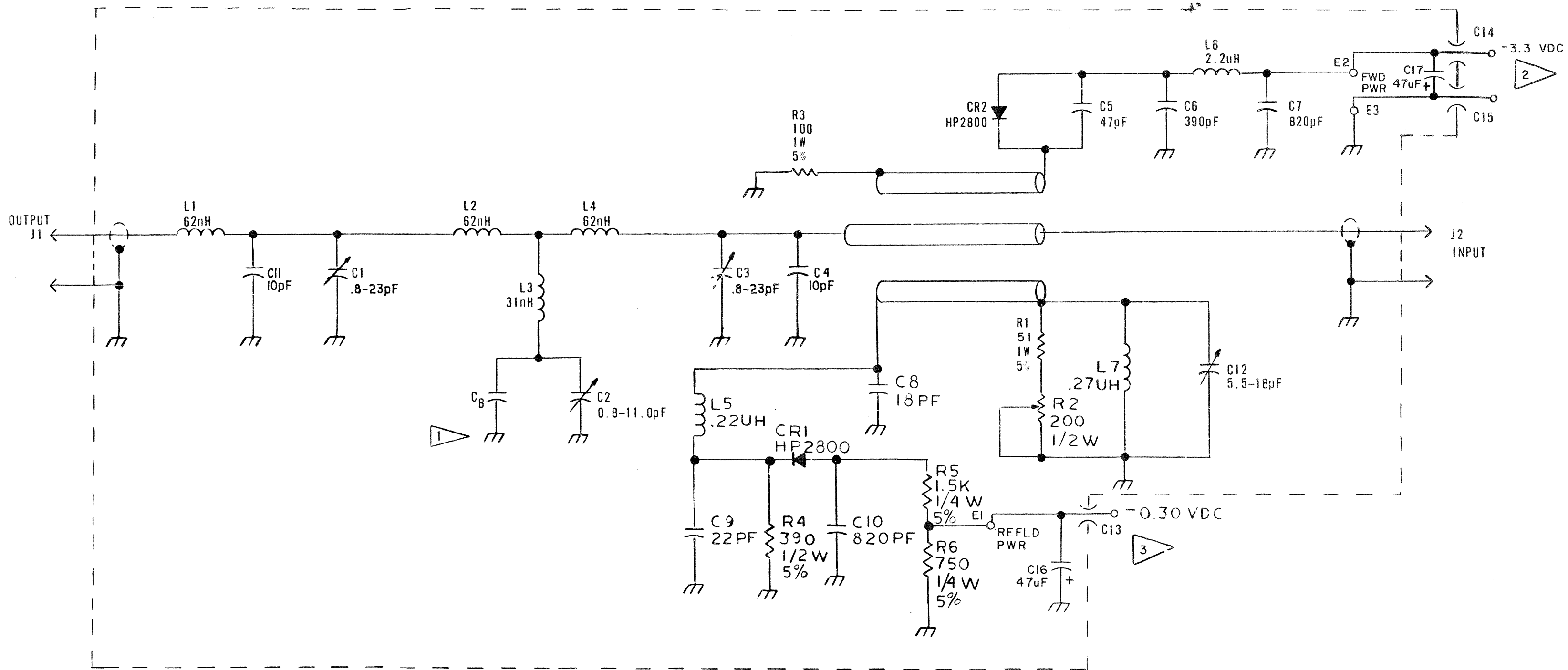


LTR	DATE	REVISION	DFTM	ENG	ECN
M	F	1/18/88	ADD R4, R5, R6, +REVISE	DFG	35011

LTR	DATE	REVISION	DFTM	ENG	ECN
D	8-17	REV. R1, ADD C16 + C17	DFG	31088	
E	2-27	ADD VOLTAGES + NOTES 2+3	DFG	34180	

DWG. NO. 839 5303 001					
LTR	DATE	REVISION	DFTM	ENG	ECN
A	1/6/81	ADD C13, 14, 15	KR	26053	
B	7/6/83	DEL C4, C11, Replace w/ C3	JH	27620	
C	7/25/84	REV C1, C3, C6, C8 & R2	UBK	30144	



- 3 INDICATED VALUE TYPICAL FOR 500W IPA OUTPUT. ALSO DEPENDENT UPON PA INPUT MATCH ADJUSTMENT.
- 2 INDICATED VALUE TYPICAL FOR 500W IPA OUTPUT.
- 1 C_B — PRINTED CIRCUIT CAPACITORS

TOL. UNLESS NOTED INCHES: .X-.030, .XX-.015, .XXX-.005 MILLIMETERS: .X-.8, .XX-.40, .XXX-.100 ANGLES: 1°, ALL INDICATES 125 MICRO INCH. ANGLES: 1°, ALL INDICATES 3.175 MICRONS.		HARRIS COMMUNICATIONS AND INFORMATION HANDLING HARRIS CORPORATION Broadcast Products Division P. O. Box 4290, Quincy, Illinois 62301	
ALL DIM. IN INCHES UNLESS NOTED		THIS DOCUMENT CONTAINS PROPRIETARY DATA OF HARRIS CORPORATION. NO DISCLOSURE, REPRODUCTION, OR USE OF ANY PART THERE OF MAY BE MADE EXCEPT BY WRITTEN PERMISSION.	
DR. BY M. DONOVAN 5-15-79 CHKD. SERIENQ 9/8/79 M.E. CR2 6-12-79 E.E. PROJ. ENG. R. W. W... MFG. FB 6/15/79		TITLE LOW PASS FILTER & DIRECTIONAL COUPLER REF. DWG. SCALE	
NEXT ASSY: 992-5620 001 USED ON: 994 8258 001		MAT'L. FIN. DWG. NO. 839 5303 001 SHEET 1 OF 1	