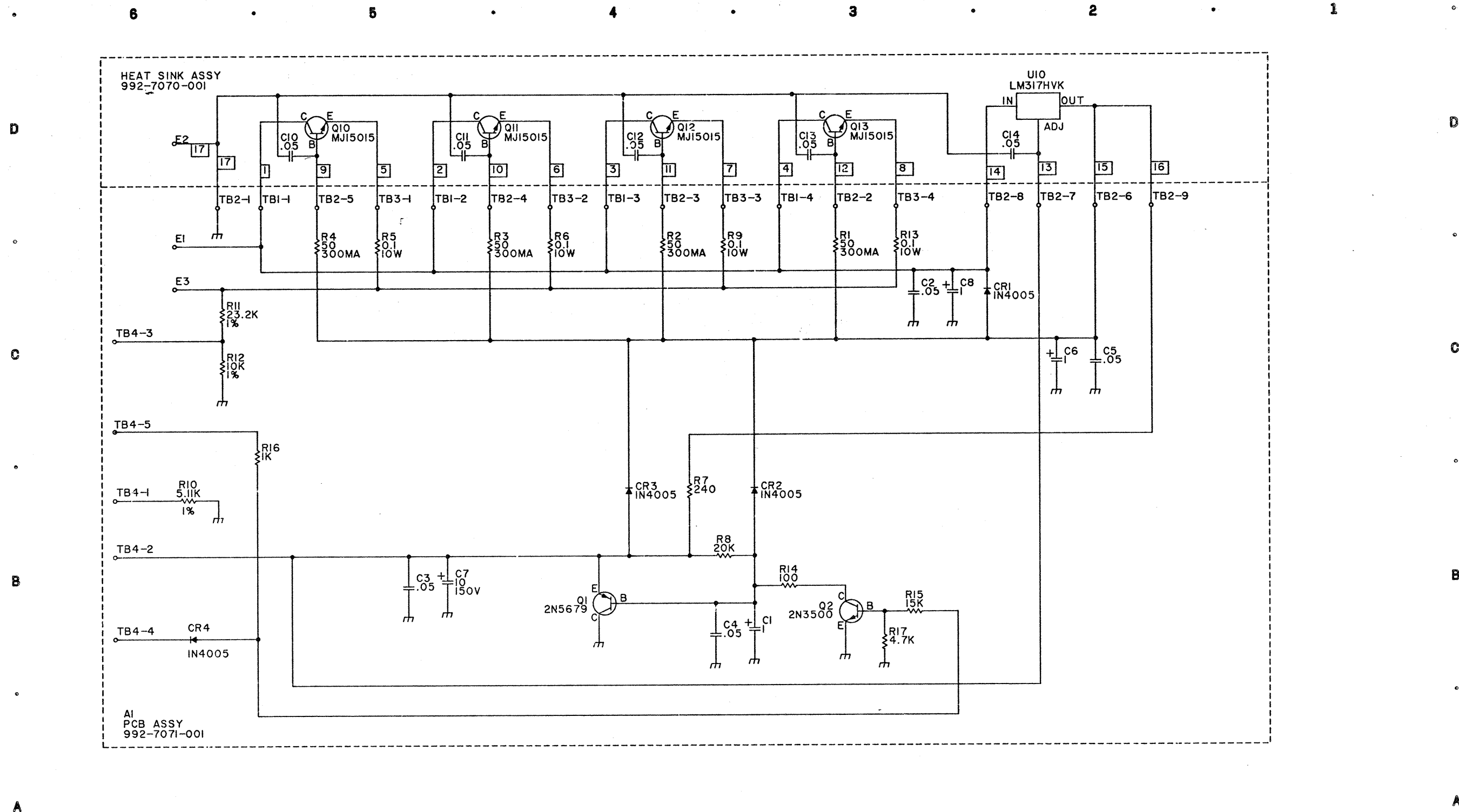


REFERENCE DOCUMENTS	
PC. BOARD	NET LIST

DWG. NO. 839-7841-001					
LTR	DATE	REVISION	DFT#	ENG	ECN
D	10-19-88	ADDED R16, CR4, R17	MAR		
E	12-8-88	R17 WAS 10K	MER		ECN61030



2. CAPACITANCE IS IN UF,100V
 1. ALL RESISTORS ARE IN OHMS, 1/2 WATT, 5%
 UNLESS OTHERWISE NOTED:

CAD CAM FILED: SCH.EC.D97841.001

TOL UNLESS NOTED		
INCHES .X ± .030 .XX ± .015 .XXX ± .005 ALL INDICATES 125 MICRO INCH.	MILLIMETERS .X ± .8 .XX ± .40 .XXX ± .100 ALL INDICATES 3.175 MICRONS.	
ALL DIM. IN INCHES UNLESS NOTED	THIS DOCUMENT CONTAINS PROPRIETARY DATA OF HARRIS CORPORATION. NO DISCLOSURE, REPRODUCTION, OR USE OF ANY PART THERE OF MAY BE MADE EXCEPT BY WRITTEN PERMISSION.	
DR. BY D. GLOVER 2-88	TITLE	
CHKD. ORR 11/16/88	SCHEM,	
M.E. AWS 11/16/88	IPA REGULATOR	
E.E. JBP 11/16/88		
PROJ. ENG. JBP 11/16/88		
MFG. M. RUSSELL 11/16/88	REF. DWG.	SCALE
NEXT ASSY.	MAT'L.	FIN.
USED ON		DWG. NO. 839-7841
		SHEET 1 OF 1
		001