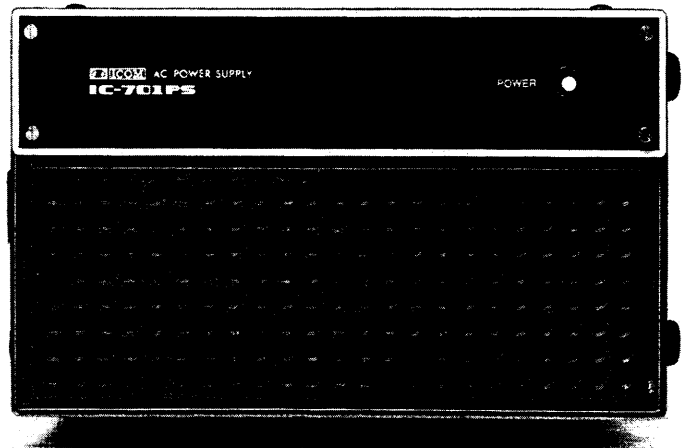


# IC-701PS

AC POWER SUPPLY

## INSTRUCTION MANUAL



Thank you for choosing the IC-701PS. This unit is an AC Power Supply for the IC-701, ICOM's Digital All Solid State HF Transceiver.

### ■ SPECIFICATIONS

- **Number of Semi-conductors:** Silicon diode 3  
LED 1
- **Input Voltage (suitable voltage):** 117/230V AC (50/60 Hz)
- **Allowable voltage fluctuation:** ±10% of input voltage (suitable line voltage)
- **Input Capacity:** 360VA (at 20A load)
- **Output Voltage:** DC13.8V (at 20A load)
- **Max. Load Current:** 20A (10 minutes ON/10 minutes OFF 50% duty cycle)
- **Polarization:** Negative ground
- **Internal Speaker:** 125 x 77 mm  
2 watt nominal input  
4 watt maximum
- **Dimensions:** 110 (H) x 180 (W) x 260 (D) mm
- **Weight:** Approximately 8 kg
- **Accessories included:** AC power cord 1  
Spare fuse 2  
Speaker cord 1

### ■ BEFORE USE

This is an AC power supply for the IC-701 and is designed to be turned ON and OFF with the power switch on your IC-701; this unit does not have a separate power switch.

As this unit has 20A maximum capacity at 13.8V DC, it is recommended that you do not use this unit with other than the IC-701, even for experimental purposes.

### ■ HOW TO USE

Connect the DC output plug of this unit to the IC-701 power connector securely, as shown in the figure at right. At this time, make sure that

- (1) the power switch on the IC-701 is OFF,
- (2) the T/R switch is at the RECEIVE position, and
- (3) no microphone is connected.

Connect the AC power cord to the AC power connector on the rear panel of the IC-701PS. Connect the AC power cord plug in the power outlet. At this time, the remote control relay in this unit will be at the stand-by position. By turning the IC-701 power switch ON, this unit will be turned ON and the power display LED illuminated. For further operating information, see the instruction manual for the IC-701.

### ■ FUNCTIONS

#### Power Display LED

Is illuminated when power is ON. The power ON/OFF is controlled by the power switch of the IC-701. This unit does not have a separate power switch.

#### Speaker

There is a 125 x 77 mm oval speaker built in. Use as the external speaker for the IC-701. The impedance is 8 ohms and the input power is 2 watts.

#### SPK INPUT Jack

Speaker input jack for connecting to EXT SPK jack of the IC-701, using the included speaker cord.

#### Fan Power Jack

Jack for cooling fan connection. 12V, approximately 100mA is available through this jack. For normal operation, a cooling fan is not necessary; however, it is recommended that an optional cooling fan be used for continuous transmission, such as for RTTY.

#### DC Output Plug

DC13.8V is available at up to 20A. Connect this plug to the power connector of the IC-701.

#### Main Switch

The power ON/OFF of this unit is remote-controlled by the power switch of the IC-701. The relay for this remote control is connected continuously to the AC power line and consumes 2VA. The power consumption of the relay is so little when the power switch is OFF that you need not worry about overheating. But it is recommended that the Main Switch be turned OFF when the unit is not used for a long time. When the Main Switch is OFF, the power can not be turned on by the power switch of the IC-701.

#### Fuse Holder

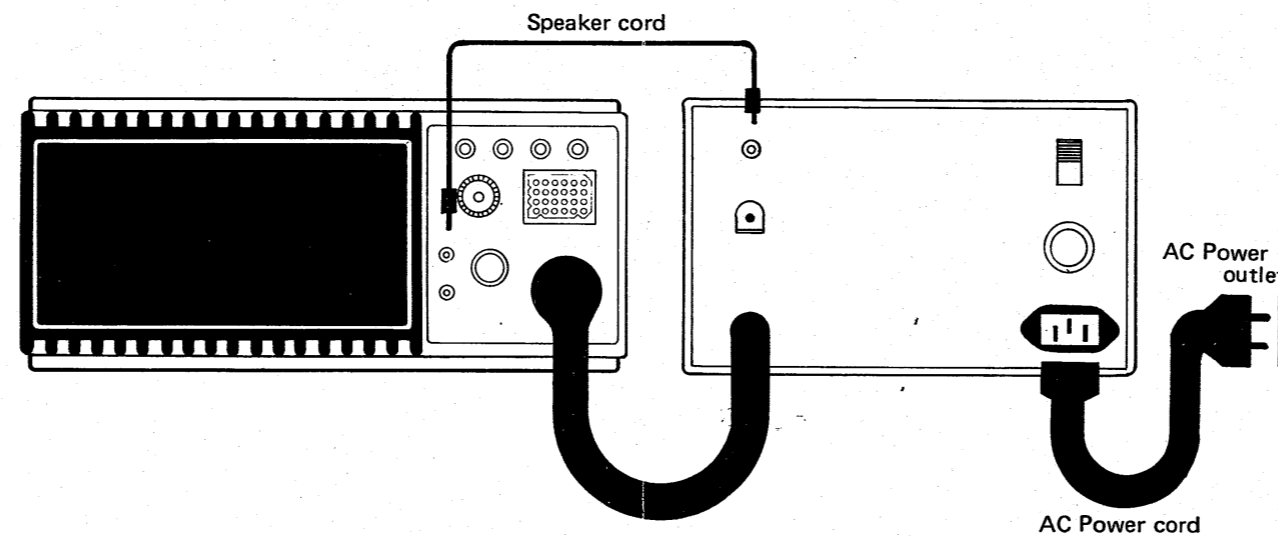
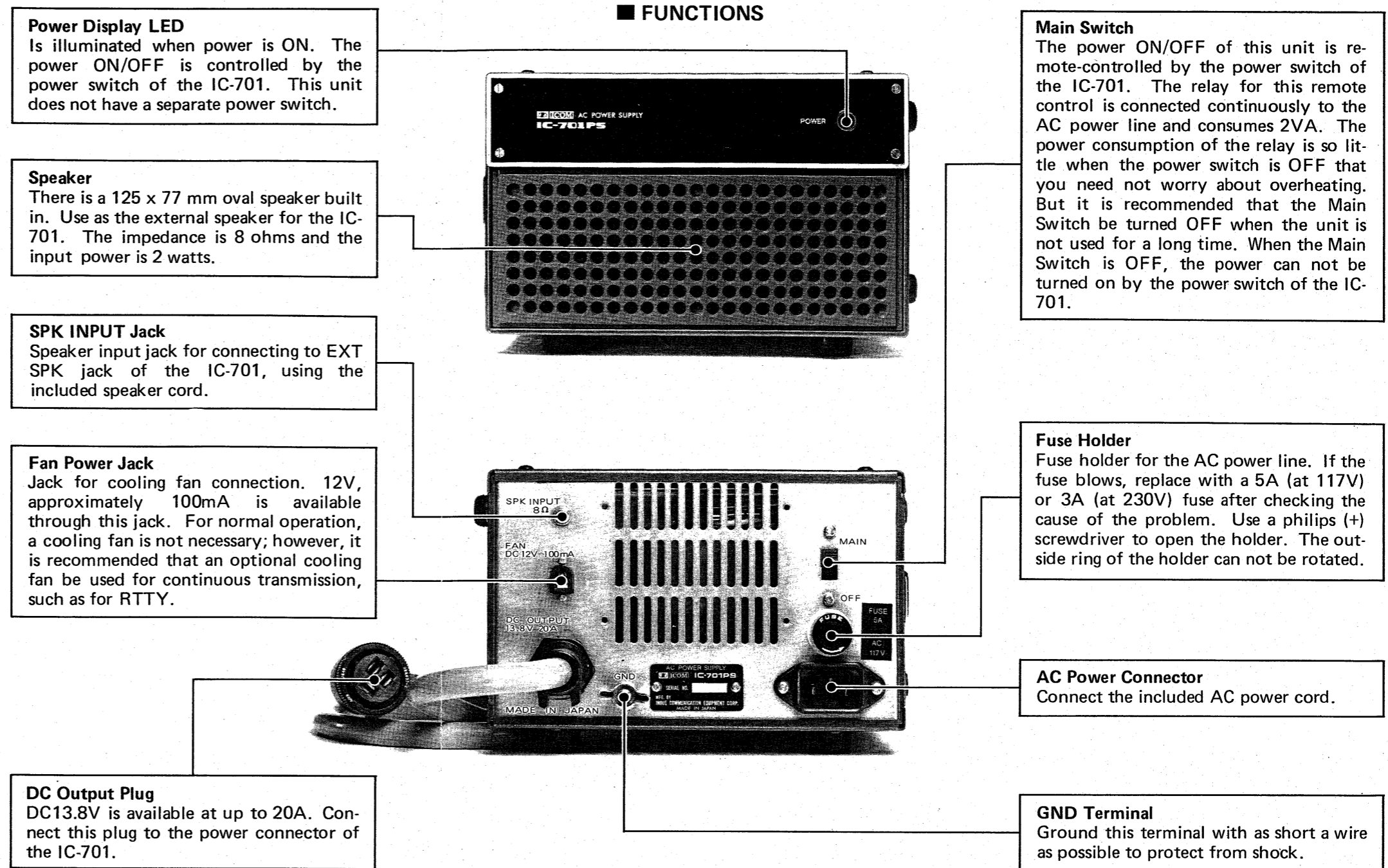
Fuse holder for the AC power line. If the fuse blows, replace with a 5A (at 117V) or 3A (at 230V) fuse after checking the cause of the problem. Use a philips (+) screwdriver to open the holder. The outside ring of the holder can not be rotated.

#### AC Power Connector

Connect the included AC power cord.

#### GND Terminal

Ground this terminal with as short a wire as possible to protect from shock.



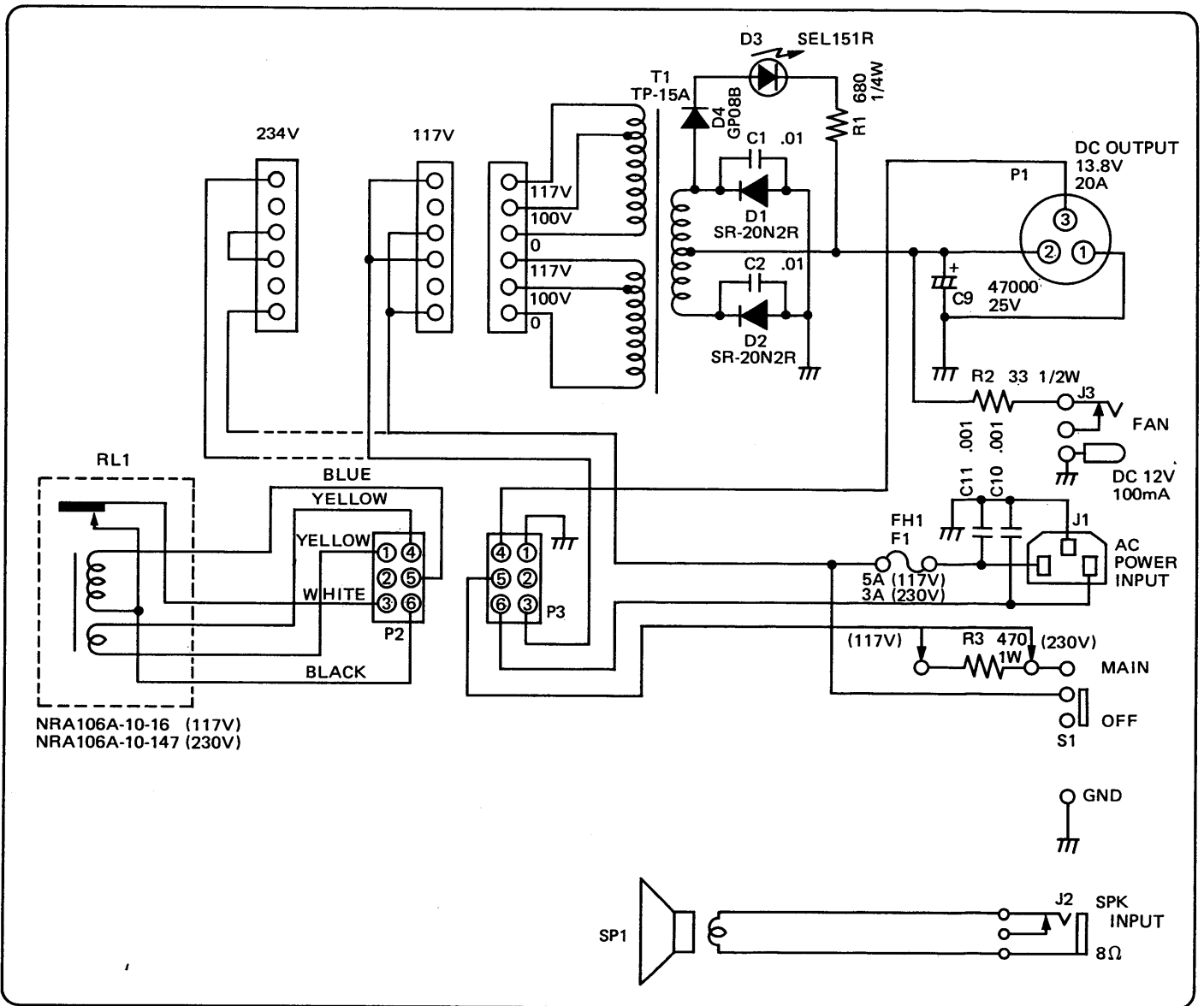
### ● HOW TO USE THE INTERNAL SPEAKER

Use the included speaker cord to connect the SPK INPUT jack on the rear panel of the IC-701PS and the EXT SPK jack on the rear panel of the IC-701.

The impedance and nominal input power of the speaker in this unit are 8 ohms and 2 watts, respectively, and this speaker can be used with any transceiver with these specifications. This speaker is designed for communication purposes and is not suitable for Hi-Fi use.



### IC-701PS SCHEMATIC DIAGRAM



INOUE COMMUNICATION EQUIPMENT CORPORATION  
1-6-19, KAMIKURATSUKURI HIRANO-KU,  
OSAKA JAPAN