

ICOM

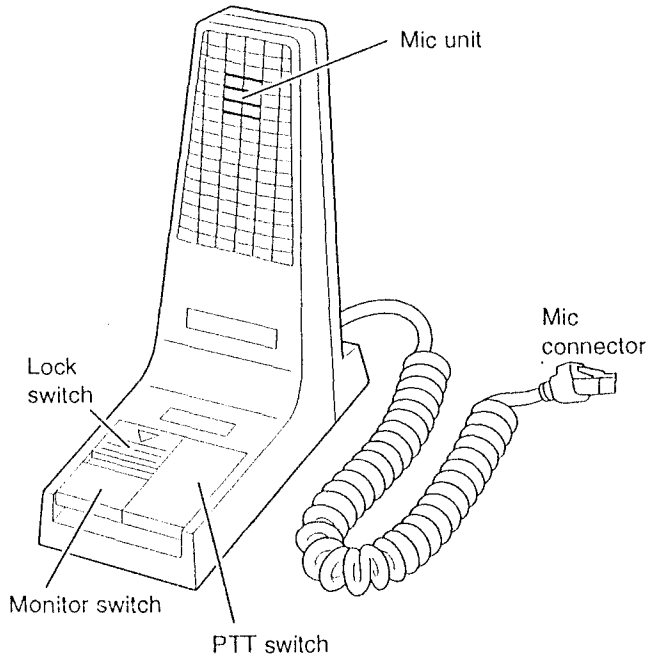
INSTRUCTIONS

DESKTOP MICROPHONE SM-25

Thank you for purchasing Icom's **SM-25 DESKTOP MICROPHONE**. This microphone is designed for use with the IC-F300/S, IC-F1000 and IC-F1600 series transceivers.

Please read these instructions thoroughly before operating the SM-25.

FEATURES



- Large, easy-to-use switches for PTT and monitor functions (the monitor switch can be locked)
- Icom 8-pin modular cable supplied
- The monitor switch can be used to activate the hanger function (monitor switch is connected to the Mic-hanger line).
- You can assign the monitor switch function to "monitor," "scan" or "Priority A."

SETUP

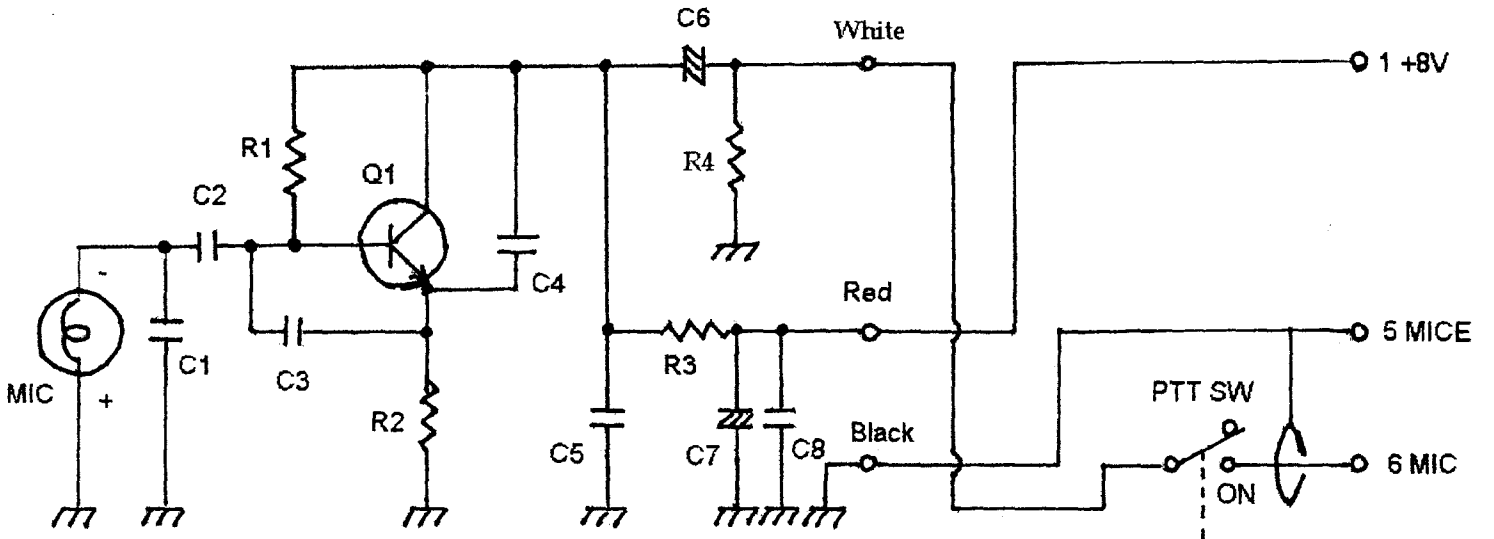
To use the [MONITOR] switch for the monitor function, the transceiver must be programmed using the appropriate cloning software: in the *Key and Display* screen, set the *Hanger Action Moni* item to ON.

SPECIFICATIONS

Type	: Unidirectional dynamic microphone (preamplifier built-in)
Output impedance	: 500 Ω \pm 30% (at 1 kHz)
Sensitivity	: -47.4 dB \pm 4 dB (at 1 kHz, 0 dB=1 V/ μ bar)
Power requirements	: +8 V DC (supplied from the radio)
Dimensions	: 70(W) \times 162(H) \times 150(D) mm; 2 ³ / ₄ (W) \times 6 ³ / ₈ (H) \times 5 ²⁹ / ₃₂ (D) in
Weight	: 380 g; 7/8 lbs

SM-25 Schematic Diagram

MASTER
Do Not Remove
From Tech Support Area

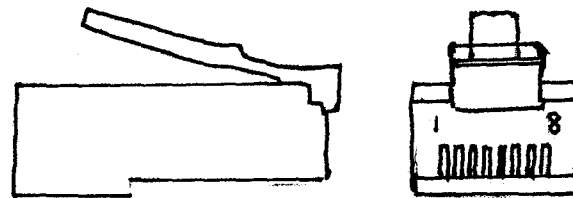
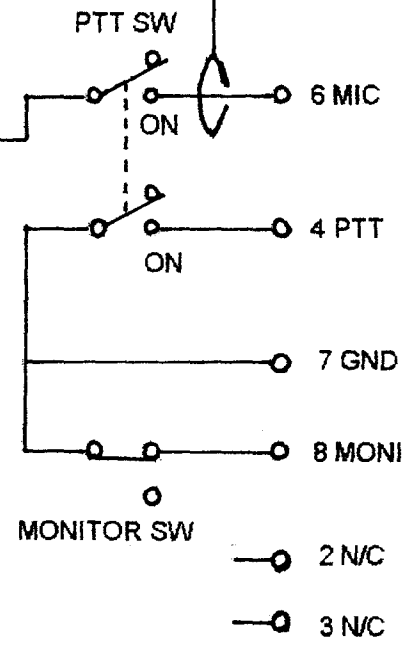


Q1 2SC2458L(Y)

R1 68K
R2 100
R3 680
R4 10K

C1 0.001uF
C2 0.15uF
C3 470pF
C4 0.001uF
C5 0.1uF
C6 1uF 16V
C7 47uF 10V
C8 0.01uF

MIC DM-66



MASTER
Do Not Remove
From Tech Support Area