



UT-16

VOICE SYNTHESIZER UNIT

INSTRUCTION MANUAL

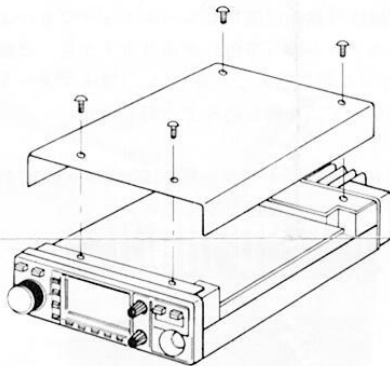
Thank you very much for purchasing our product.

This is an optional voice synthesizer unit designed for ICOM transceivers IC-27A/E/H and IC-47A/E.

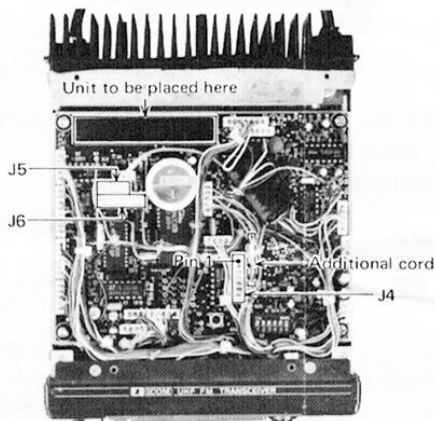
Please read all the instructions carefully before installation so you will get maximum performance and full value from each set and be able to use it as long as possible.

ASSEMBLY PROCEDURE

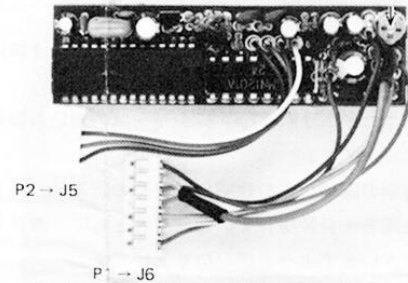
- 1) Remove the top cover by unscrewing the four screws.



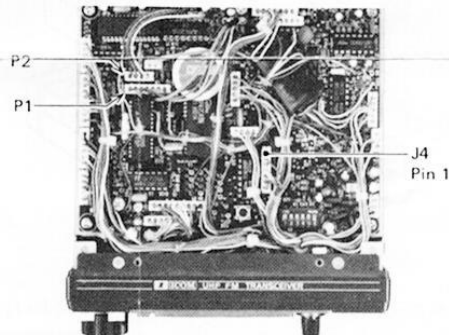
- 2) Install the unit onto the spot as shown in the photo below.
 - Adhesive is applied on the sponge on the back of the unit, so remove the thin sheet from over the adhesive to attach it.



Voice synthesizer unit R18: Variable resistor for volume



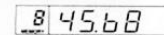
- 3) Add the cord.
 - An unconnected lead wrapped in a vinyl tube (brown) is placed where it is shown in the photo, then plug it into the pin "1" of J4. (Unplug the connector once before plugging in the lead.)
- 4) Insert the connectors P1 and P2 from the unit into the connectors J5 and J6.



OPERATION AFTER INSTALLATION

- When the SPEECH button on the front panel is pushed, it will verbally announce the displayed frequency in English. For example: In case of 145.68MHz,

Display:



Announcement:

"One" "Four" "Five" "Point" "Six" "Eight"

- While the volume of the announcement is adjustable with the volume control on the front panel of the transceiver, you can also adjust it with R18 in the unit if you want make it louder or smaller against the receiving sound.

ICOM INCORPORATED
1-6-19, KAMI KURATSUKURI, HIRANO-KU,
OSAKA JAPAN