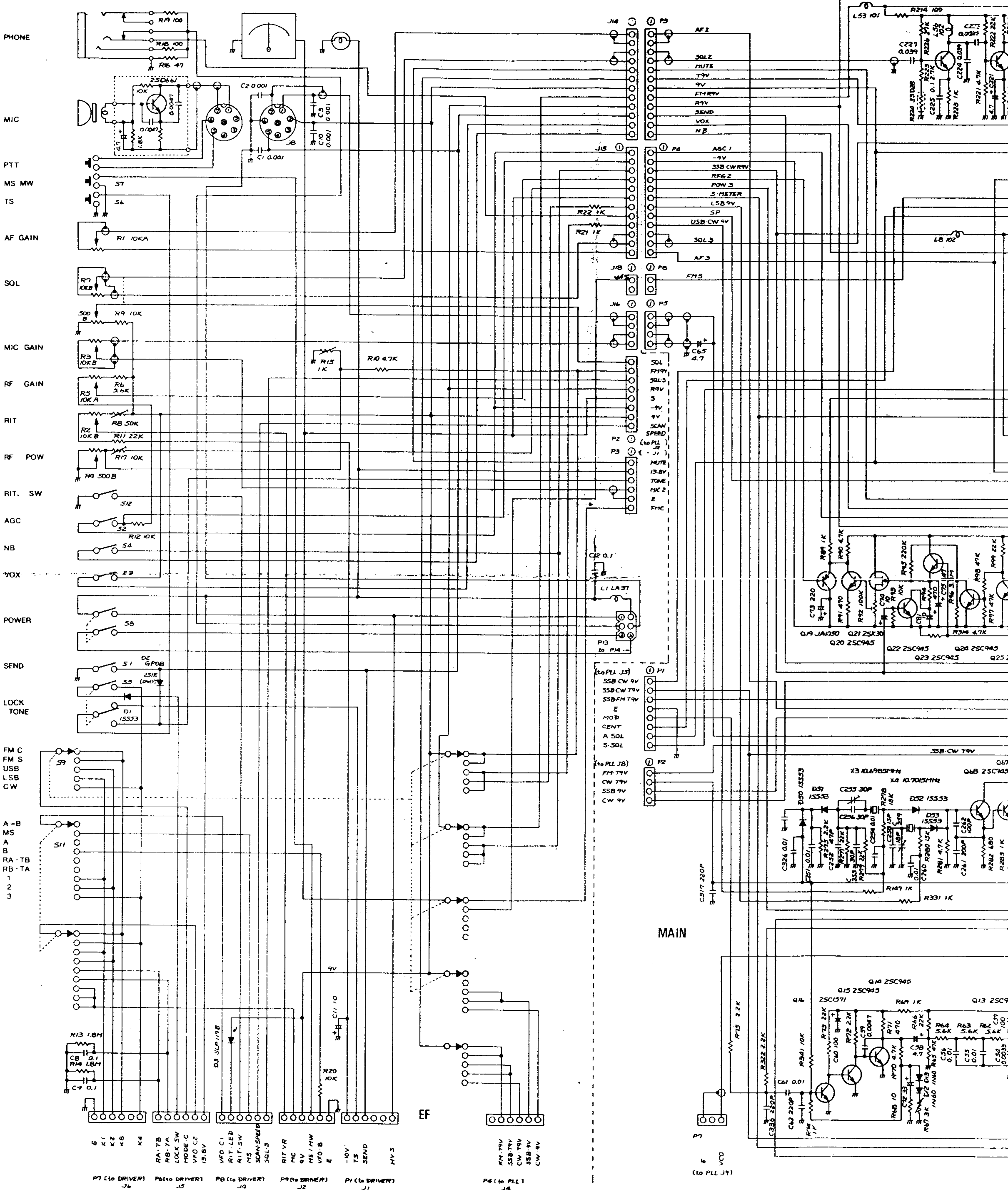


IC-251A/E SCHEMATIC DIAGRAM

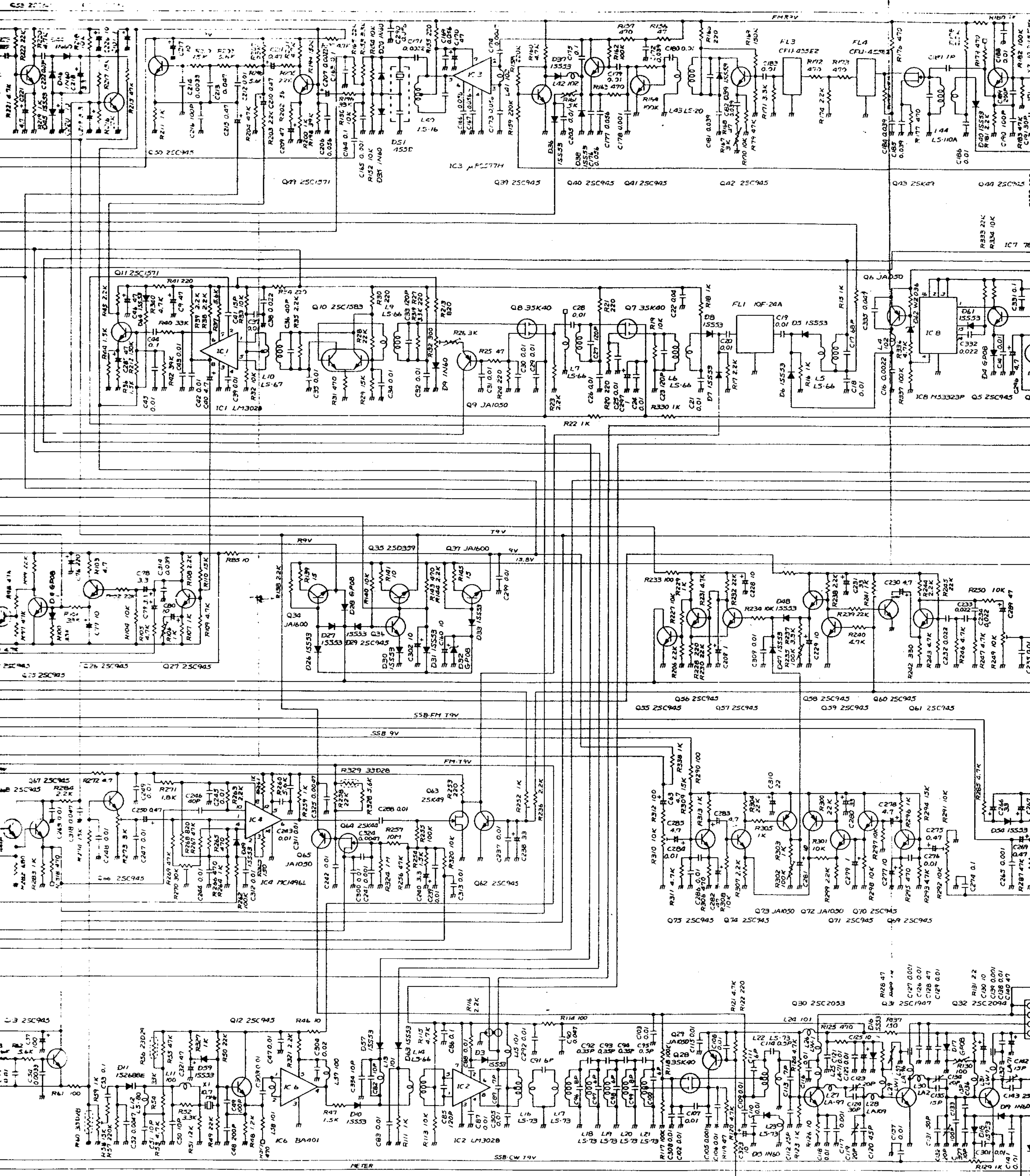


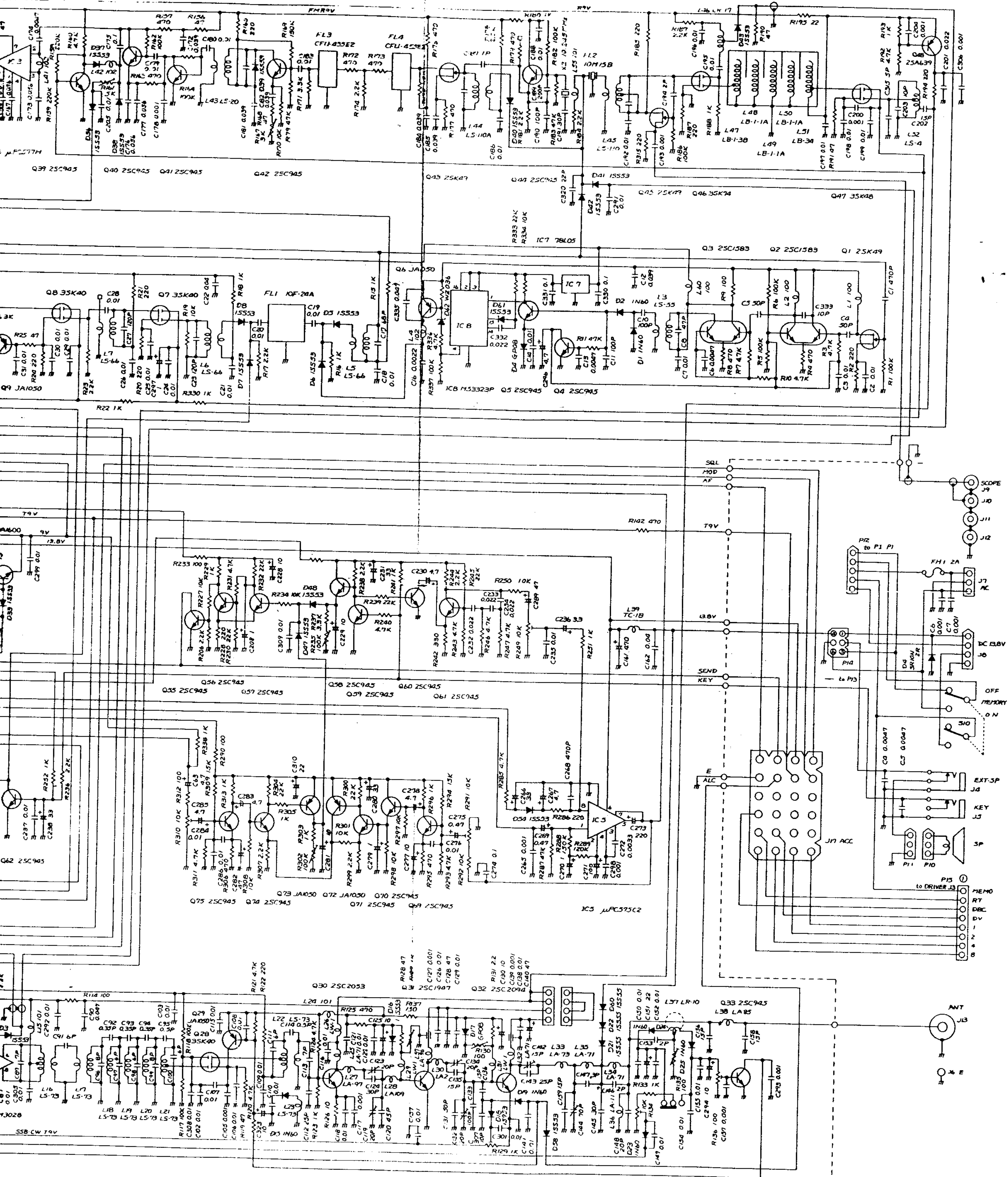
E K1 K2 K3 K4
 RA-TB RA-TA
 RB-TA RB-TB
 LOCK SW
 MODE-C
 VFO C
 13.8V
 VFO C1
 RIT-LED
 RIT-SW
 MS
 SCAN SPEED
 SOL-3
 RIT-VR
 MC
 9V
 MS/MW
 VFO-B
 E
 -10V
 TS
 SEND
 MV-5
 P7 (to DRIVER) J4
 P6 (to DRIVER) J5
 P5 (to DRIVER) J4
 P4 (to PLL) J4
 P3 (to DRIVER) J1
 P2 (to DRIVER) J1

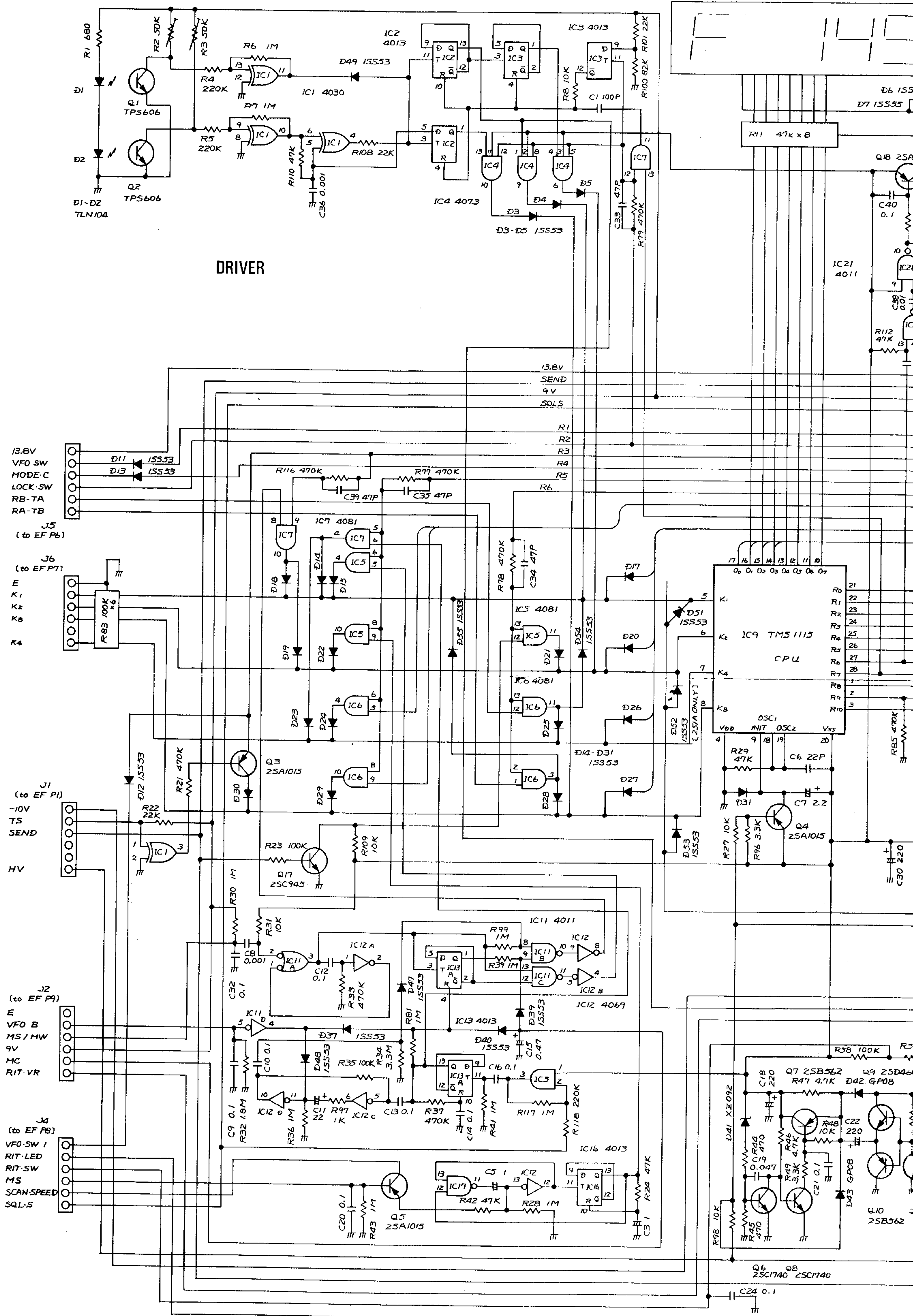
(to PLL J3)
 SSB CW 9V
 SSB CW 79V
 SSB FM 79V
 E
 MOD
 CENT
 A-SOL
 S-SOL
 (to PLL J8)
 FM 79V
 CW 79V
 SSB 9V
 CW 9V

MAIN

P7
 E
 VCO
 (to PLL J7)







DRIVER

CPU

13.8V
VFO SW
MODE-C
LOCK-SW
RB-TA
RA-TB

J5
(to EF P6)

J6
(to EF P7)

E
K1
K2
K8
K4

J1
(to EF P1)

-10V
TS
SEND
HV

J2
(to EF P9)

E
VFO B
MS/MW
9V
MC
RIT-VR

J4
(to EF P8)

VFO-SW 1
RIT-LED
RIT-SW
MS
SCAN-SPEED
SQL-S

13.8V
SEND
9V
SQLS

R1
R2
R3
R4
R5

IC9 TMS1115
CPU

OSC1
OSC2
VDD
VSS

R29 47K
C6 22P
D31
R27 10K
R96 3.3K
Q4 2SA1015
C7 2.2
R85 470K
C30 220

Q7 2SB562
Q9 2SD461
R47 4.7K
D42 GP08

R48 10K
C22 220
R49 4.7K
R46 4.7K
R45 470
C18 220
C19 0.047
R44 470
R43 470
C21 0.1
D43 GP08
Q10 2SB562

Q6 2SC1740
Q8 2SC1740
C24 0.1

